



OmniDrive

The Corvus Service Manual



DISCLAIMER OF ALL WARRANTIES AND LIABILITIES

Corvus Systems, Inc. makes no warranties, either expressed or implied, with respect to this manual or with respect to software described in this manual, its quality, performance, merchantability, or fitness for any particular purpose. Corvus Systems, Inc. software is sold or licensed "as is." The entire risk as to its quality or performance is with the buyer and not Corvus Systems, Inc., its distributor, or its retailer. The buyer assumes the entire cost of all necessary servicing, repair, or correction and any incidental or consequential damages. In no event will Corvus Systems, Inc. be liable for direct, indirect, incidental or consequential damages, even if Corvus Systems, Inc. has been advised of the possibility of such damages. Some states do not allow the exclusion or limitation of incidental or consequential damages, so the above limitation may not apply to you.

Every effort has been made to insure that this manual accurately documents the operation and servicing of Corvus products. However, due to ongoing modification and update of software and future products, Corvus Systems, Inc. cannot guarantee the accuracy of printed material after the date of publication, nor can Corvus Systems, Inc. accept responsibility for errors or omissions.

FCC WARNING

This equipment has been tested with a Class A computing device and has been found to comply with Part 15 of FCC Rules. Operation in a residential area may cause unacceptable interference to radio and TV reception requiring the operator to take whatever steps are necessary to correct the interference.

NOTICE

Corvus Systems, Inc. reserves the right to make changes in the product described in this manual at any time without notice. Revised manuals and update sheets will be published as needed and may be obtained from Corvus Customer Service.

This manual is copyrighted and contains proprietary information. All rights reserved. This document may not, in whole, or in part be copied, photocopied, reproduced, translated or reduced to any electronic medium or machine readable form without prior consent in writing from:

Corvus Systems, Inc.
2100 Corvus Drive
San Jose, CA 95124
Telephone: (408) 559-7000
TELEX: 278976

Copyright© 1984 by Corvus Systems, Inc. All rights reserved.

Corvus Systems,[™] Corvus Concept,[™] Transporter,[™] Omninet,[™] LogiCalc,[™] EdWord,[™] The Bank,[™] Banktape,[™] OmniDrive,[™] Corvus Uniplex,[™] ISYS,[™] Constellation[®] and Mirror[®] are trademarks of Corvus Systems, Inc.

Mirror[®] U.S. Patent 4,380,047 International patents pending Corvus Concept,[™] patent pending OMNINET,[™] patent pending

**CORVUS SYSTEMS
OMNIDRIVE
DISK DRIVE
SERVICE MANUAL**

PART NO.: 7100-05687

RELEASE DATE: OCTOBER 1984

This document contains three types of notations. These are, in increasing order of importance, *NOTE*, **CAUTION**, and **WARNING**. The *NOTE* indicates some action to be taken to speed or simplify a procedure. The **CAUTION** indicates that potential damage to the equipment or user data exists, and care should be taken to avoid this. The **WARNING** indicates that potential harm or injury to the service technician or operator exists, and extreme care should be taken to avoid this.

TABLE OF CONTENTS

TABLE OF CONTENTS

List of Figures and Tables	xi
Specifications	xv

CHAPTER 1—GENERAL DESCRIPTION

1.0	Scope of Chapter	1
1.1	Introduction	1
1.2	General Description	1
1.2.1	Differences Between OmniDrive and H-Series Disk Systems	2
1.2.2	Protocol	2
1.2.3	Mechanism Manufacturers	3
1.2.4	Model Identification	3
1.3	Major Assemblies	3
1.3.1	Winchester SubAssembly	5
1.3.2	Controller Printed Circuit Assembly (PCA)	5
1.3.3	Power Supply	5
1.3.4	AC Panel	5
1.4	Installation	5
1.4.1	Receiving the Drive	5
1.4.2	Environmental Considerations	6
1.4.3	Omninet Address Switches	6
1.5	Operation	7
1.5.1	Power Switch	7
1.5.2	Power-On Sequence	8

CHAPTER 2—FUNCTIONAL DESCRIPTION

2.0	Scope of Chapter	11
2.1	Introduction	11
2.2	Winchester Disk Drive Mechanism	11
2.2.1	Winchester Drive Theory	15
2.2.2	Read/Write Printed Circuit Assembly (PCA)	16
2.2.3	Motor Control Printed Circuit Assembly (PCA)	16
2.3	Omninet Controller Printed Circuit Assembly (PCA)	16
2.3.1	Omninet Transporter and Disk Server Circuit	18
2.3.2	MC6801-1 Microprocessor	19
2.3.3	Monochip	20
2.3.4	Advanced Data Link Controller (ADLC)	20
2.3.5	WD 1010 Winchester Disk Controller	21
2.3.6	PROM	22
2.3.7	RAM	22
2.3.8	Transmitter and Receiver	23
2.4	Power Supply	23
2.5	AC Panel	24

CORVUS CUSTOMER SERVICE

CHAPTER 3—DISASSEMBLY AND ASSEMBLY

3.0	Scope of Chapter	27
3.1	Introduction	27
3.1.1	Tools Required	27
3.1.2	Space and Environmental Considerations	27
3.2	Disassembly Procedures	27
3.2.1	Top Cover	27
3.2.2	Controller PCA	28
3.2.3	Drive Mechanism	28
3.2.4	Power Supply	29
3.2.5	AC Panel	30
3.3	Reassembly	30

CHAPTER 4—CHECKS AND ADJUSTMENTS

4.0	Scope of Chapter	33
4.1	Introduction	33
4.2	Power Supply Voltage Check	33
4.2.1	Tools Required	33
4.2.2	Astec Power Supply Check	33
4.2.3	Boschert Power Supply Check	34
4.2.4	AC Power Check	35
4.3	Voltage Control Oscillator Adjustment	35
4.3.1	Tools Required	35
4.3.2	VCO Adjustment Procedures	36

CHAPTER 5—DIAGNOSTICS

5.0	Scope of Chapter	41
5.1	Introduction	41
5.2	CRC	41
5.2.1	C) Check For Bad Tracks	41
5.2.2	S) Spare Track Table	41
5.3	X) Exercise Heads	42
5.4	U) Update Firmware	42
5.5	V) Version Check	42
5.6	F) Format Drive	43
5.7	M) Modify Parameters	43
5.7.1	L) List Parameters	43
5.7.2	I) Interleave Specification	43
5.7.3	T) Spare Track Table	43
5.7.4	R) Read-After-Write	43
5.7.5	S) Save Changes	44
5.8	S) Select Drive	44
5.9	P) Park Heads for Shipment	44

CORVUS CUSTOMER SERVICE

CHAPTER 6—TROUBLESHOOTING

6.0	Scope of Chapter	47
6.1	Introduction	47
6.2	Troubleshooting	47
6.2.1	Tools and Equipment Required	47
6.2.2	Using the Troubleshooting Flow Chart	47
6.2.3	Quick Checks	48
6.2.4	Indicator LED Errors	51
6.2.5	Diagnostic Testing	52
6.2.5.1	Disk Parameters	52
6.2.5.2	Updating the Controller Firmware	52
6.2.5.3	Head Exercise	52
6.2.5.4	Cyclic Redundancy Check	52
6.2.5.5	Format	53
6.2.6	Error Codes	53
6.2.7	Interpreting Error Codes	53
6.3	Modular Substitution	56
6.3.1	Tools and Equipment Required	56
6.3.2	Controller PCA	56
6.3.3	Winchester Drive	56
6.3.4	Power Supply	56
6.4	Socketed Integrated Circuit (IC) Troubleshooting	57
6.4.1	75174 Line Driver/U57	57
6.4.2	75175 Line Receiver/U58	58
6.4.3	MC68A54 Advanced Data Link Controller (ADLC)/U23	58
6.4.4	Monochip/U27	59
6.4.5	MC6801-1 Microprocessor/U24	60
6.4.6	WD 1010 Winchester Disk Controller/U34	61
APPENDIX A	Glossary	71
APPENDIX B	OmniDrive Spares List	77
APPENDIX C	OmniDrive Assembly Drawings and Schematics	
	Controller Schematic Revision 8 (1-4)	81
	Printed Circuit Assembly Revision 8	89
	Controller Schematic Revision A (1-4)	91
	Printed Circuit Assembly Revision A	99
	Assembly Drawing—Phase 1 (1-2)	101
	Rear Panel Assembly—Phase 1	105
	AC Input Harness Assembly—Phase 1	107
	AC Distribution Harness Assembly—Phase 1	109
	DC Harness Assembly—Phase 1	111
	Ground Harness Assembly—Phase 1	113
	Assembly Drawing—Phase 2 (1-2)	115
	Rear Panel Assembly—Phase 2	119
	AC Harness Assembly—Phase 2	121
	DC Harness Assembly—Phase 2	123
	Ground Harness Assembly—Phase 2	125
	Assembly Drawing—Phase 3 (1-2)	127
	Rear Panel Assembly—Phase 3	131
	AC Harness Assembly—Phase 3	133
	DC Harness Assembly—Phase 3	135
	Ground Harness Assembly—Phase 3	137

CORVUS CUSTOMER SERVICE

APPENDIX D	Controller PCA Jumper Layout	141
APPENDIX E	Power Supply Specifications and Schematics	
	Astec Power Supply Specifications	145
	Astec Power Supply Schematics	147
	Boschert Power Supply Specifications	149
	Boschert Power Supply Schematics	151
APPENDIX F	IMI Winchester Mechanism Specifications and Schematics	
	Drive Specifications	155
	Checks and Adjustments	156
	Motor Control PCA Schematics 1-6	161
	Read/Write PCA Schematics 1-8	169
APPENDIX G	Rodime Winchester Mechanism Specifications and Schematics	
	Drive Specifications	183
	Checks and Adjustments	184
	Motor Control PCA Schematics	187
	Master Electronics Board	189
APPENDIX H	Future Winchester Mechanism Specifications and Schematics	
APPENDIX I	Future Winchester Mechanism Specifications and Schematics	
APPENDIX J	Future Winchester Mechanism Specifications and Schematics	
APPENDIX K	Future Winchester Mechanism Specifications and Schematics	
APPENDIX L	Future Winchester Mechanism Specifications and Schematics	
APPENDIX M	Future Addendum	

LIST OF FIGURES AND TABLES

LIST OF FIGURES AND TABLES

Figures

1-1.	OmniDrive	1
1-2.	Rear Sticker	3
1-3.	OmniDrive Exploded View	4
1-4.	Omninet Address Switches	6
1-5.	OmniDrive Power Switch	7
2-1.	OmniDrive Block Diagram	11
2-2.	IMI Drive Mechanism Components	12
2-3.	Head To Disk Tolerances	13
2-4.	Head Carriage Assembly	14
2-5.	Track and Cylinder Configuration	15
2-6.	Sectors	15
2-7.	Controller Printed Circuit Assembly	17
2-8.	Controller Block Diagram	18
2-9.	Omninet Circuit Block Diagram	19
2-10.	WD 1010 Architecture	21
2-11.	DC Power Distribution	24
3-1.	Controller PCA Cables	28
3-2.	Drive Cable Layout	29
3-3.	DC Harness	29
3-4.	Insulation Washers Installation	30
4-1.	Astec Power Supply Test Points	34
4-2.	Boschert Power Supply Test Points	35
4-3.	VCO Circuit	36
4-4.	VCO Signal	37
6-1.	Flow Chart Symbols	47
6-2.	OmniDrive Convenience Cable	48
6-3.	Troubleshooting Flowchart	49
6-4.	Signal Illustrations (6-4A thru 6-4F)	64
6-5.	Controller PCA Test Points (6-4A thru 6-4F)	65
6-6.	Signal Illustrations (6-6A thru 6-6F)	66
6-7.	Controller PCA Test Points (6-6A thru 6-6F)	67
F-1.	IMI Read/Write PCA Removal	157
F-2.	IMI Brake Assembly and Adjustment	158
F-3.	IMI Index Assembly and Adjustment	160
G-1.	Rodime Brake Assembly and Adjustment	185

Tables

2-1.	RAM Layout	23
6-1.	Front Panel LEDs	51
6-2.	Decimal Error Codes	54
6-3.	Hexidecimal Error Codes	55
6-4.	75174 Line Driver Test Points	57
6-5.	75175 Line Receiver Test Point	58
6-6.	ADLC Test Points	58
6-7.	Monochip Test Points	59
6-8.	6801-1 Test Points	60
6-9.	WD 1010 Test Points	61
6-10.	Drive Test Points	62

CORVUS CUSTOMER SERVICE

F-1. Controller PCA Switch Settings 156
F-2. Controller PCA Jumper Settings 156
G-1. Controller PCA Switch (U22) Settings 184
G-2. Controller PCA Jumper Settings 184

SPECIFICATIONS

OMNIDRIVE SPECIFICATIONS

PHYSICAL DIMENSIONS—Foam Cabinet

Height	
Inches	5.00
Centimeters	12.7
Width	
Inches	10.00
Centimeters	25.4
Length	
Inches	14.25
Centimeters	36.2
Weight	
Pounds	11.0 to 13.0
Kilograms	5.0 to 5.95

ENVIRONMENTAL

Internal Temperatures	
Degrees F	50° to 131°
Degrees C	10° to 55°
Ambient Temperatures	
Operating:	
Degrees F	50° to 122°
Degrees C	10° to 50°
Non-Operating:	
Degrees F	-40° to 140°
Degrees C	-40° to 60°
Storage Temperatures	
Degrees F	50° to 131°
Degrees C	10° to 55°
Relative Humidity (non-condensing)	
Operating (%)	20 to 80
Non-operating (%)	10 to 90
Operating Altitude	
Feet	- 1000 to 10,000
Meters	- 305 to 3,050

CORVUS CUSTOMER SERVICE

GENERAL DISK SPECIFICATIONS

Formatted Capacities

Model 5	5.5 MB
Model 11	11.1 MB
Model 16	16.1 MB
Model 45	45.1 MB
MTBF	10,000 hours
MTRR	0.5 hours

Soft/Hard Error Rate

Soft Errors	1 per 10^8 bits
Hard Errors	1 per 10^9 bits
Seek Errors	1 per 10^6 bits

Specifications for specific mechanisms can be found in the Appendix section of this manual (refer to the Table of Contents for specific appendix).

Power Supply specifications for the Astec and the Boshert Power Supplies can be found in Appendix E.

CHAPTER 1
GENERAL DESCRIPTION

CHAPTER 1

GENERAL DESCRIPTION

1.0 Scope of Chapter

This chapter provides a general description of the Corvus Systems™ OmniDrive™ disk drive system. Topics covered will include a product overview, product purpose, differences between OmniDrives and Corvus™ H-Series disk drives, protocol, mechanism manufacturers, model identification, major assemblies, receiving inspection, and installation.

1.1 Introduction

This document contains instructions for maintenance and repair of the Corvus Systems OmniDrive 5.25-inch disk drive system (hereafter referred to as an OmniDrive). Corvus Level I Service is on a modular replacement basis, and this manual is written in accordance with this policy.



Figure 1-1. OmniDrive

Included in this manual is documentation on the Service Center Diagnostic Utilities supplied to each Corvus Service Center. These utilities provide for burn-in testing, adjustment, and troubleshooting of all Corvus disk drives.

Instructions for troubleshooting and repair for all OmniDrives presently being manufactured are detailed in this document.

The information for installation or operation of the OmniDrive for specific computer systems is not covered in detail in this manual. For this information, refer to the appropriate Corvus documentation for the host microcomputer system in question.

1.2 General Description

The OmniDrive disk drive is a high-speed, intelligent mass-storage network peripheral device designed to provide the host microcomputer with storage and retrieval of digital information instantly. The OmniDrive consists of a 5.25-inch disk mechanism, an intelligent Controller with an integral Corvus Omninet™ local area network interface, and a modular power supply.

OmniDrives are presently manufactured in four capacities: 5.5 megabytes (Model 5), 11.1 megabytes (Model 11), 16.1 megabytes (Model 16), and 45.1 megabytes (Model 45). These drives all use the same high-impact foam-injection plastic cabinet.

1.2.1 Differences Between OmniDrive and H-Series Disk Systems

H-Series disk drives preceded the introduction of the OmniDrive into the Corvus line of mass storage devices. The H-Series drive utilized a 5.25-inch sealed Winchester disk drive mechanism in 6-MB, 12-MB and 18-MB capacities. Up to four H-Series drives could be 'daisy chained' to provide a maximum of 72 megabytes of mass storage on a network. H-Series drives were designed for use in single user (flat cable), Multiplexer, or Omninet network systems. An Omninet interface was provided by a separate unit, the Omninet Disk Server. (Details of the H-Series drives can be found in the H-Series Disk Drive Service Manual.)

The OmniDrive also uses a 5.25-inch mechanism, but is available in larger capacities. Additional storage can be achieved through the use of multiple OmniDrives on a single network. Designed only for use on an Omninet Local Area Network, the OmniDrive contains an internal disk server.

Backup for OmniDrives is provided by the Corvus Mirror Server.[™] While the backup methods employed by the H-Series Mirror and Mirror Server are identical, the method by which they connect to Corvus drives differs. As previously mentioned, the H-Series Mirror was installed either internally or externally to the drive while the Mirror Server is connected to an Omninet network as an additional server device. Therefore, the Mirror Server may be installed with an OmniDrive or any H-Series drive connected to Omninet. Alternately, The Bank may be used to provide backup for OmniDrives.

Below is a summary of OmniDrive features as they differ from the H-Series drives.

PHYSICAL

- Smaller package
- Disk Server now integral to the sub-system (network ready)
- Removal of all front bezel switches
- Removal of Mirror switches
- Deletion of CORCOM (for AC line voltage input selection)
- Direct connection of sub-system to Omninet

FUNCTIONAL

- Does not support daisy-chaining
- Supports multiple servers
- Controller utilizes Western Digital WD 1010 controller chip
- Controller supports ST412 interface to support a wider variety of mechanisms
- Does not support Virtual Drive Offset (VDO) table
- Mirror function provided externally with Mirror Server
- Reduced power consumption by use of a high-efficiency switching power supply

1.2.2 Protocol

The OmniDrive Controller PCA utilizes an industry standard ST412 interface to communicate with the hard disk assembly. This permits a variety of drive mechanisms to be used in the OmniDrive.

The ST412 standard only specifies the electrical characteristics of the interface; mechanisms vary in other parameters (i.e. number of heads, number of cylinders, landing track, etc.).

OmniDrives support both the Constellation software used by earlier model Corvus drives and a new enhanced Constellation II software. New software is available which permits the mix of OmniDrives, H-Series and Revision B drives on the same network.

1.2.3 Mechanism Manufacturers

At the time of this writing, Corvus supports mechanisms manufactured by International Memories, Inc. (IMI) and Rodime PLC. The OmniDrive Controller PCA provides an 8-position DIP switch to select the type and size of mechanism being used.

1.2.4 Model Identification

The drive model, capacity, manufacture date, and brand of mechanism of an OmniDrive may be determined from the serial number tag located at the rear of the drive cabinet.

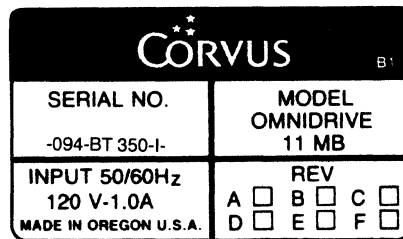


Figure 1-2. Rear Sticker

The sample serial number in Figure 1-2 for a Corvus Model 11 OmniDrive, using an IMI mechanism is decoded below:

09 represents the week of manufacture (week 09)

4 represents the year of manufacture (4 for 1984)

BT represents a Model 11 OmniDrive

AT represents a Model 5 OmniDrive

CT represents a Model 16 OmniDrive

FT represents a Model 21 OmniDrive

DT or ET represents a Model 45 OmniDrive

350 represents the sequence number of that week's manufacture

I represents an IMI mechanism; R represents a Rodime mechanism

Whenever communicating with Corvus in reference to Corvus products, include the complete serial number of the equipment involved.

1.3 Major Assemblies

The Corvus OmniDrive requires minimal software setup. Interfacing to the host computer(s) is via the Corvus Omninet network. The major assemblies which comprise the disk system are shown in figure 1-3.

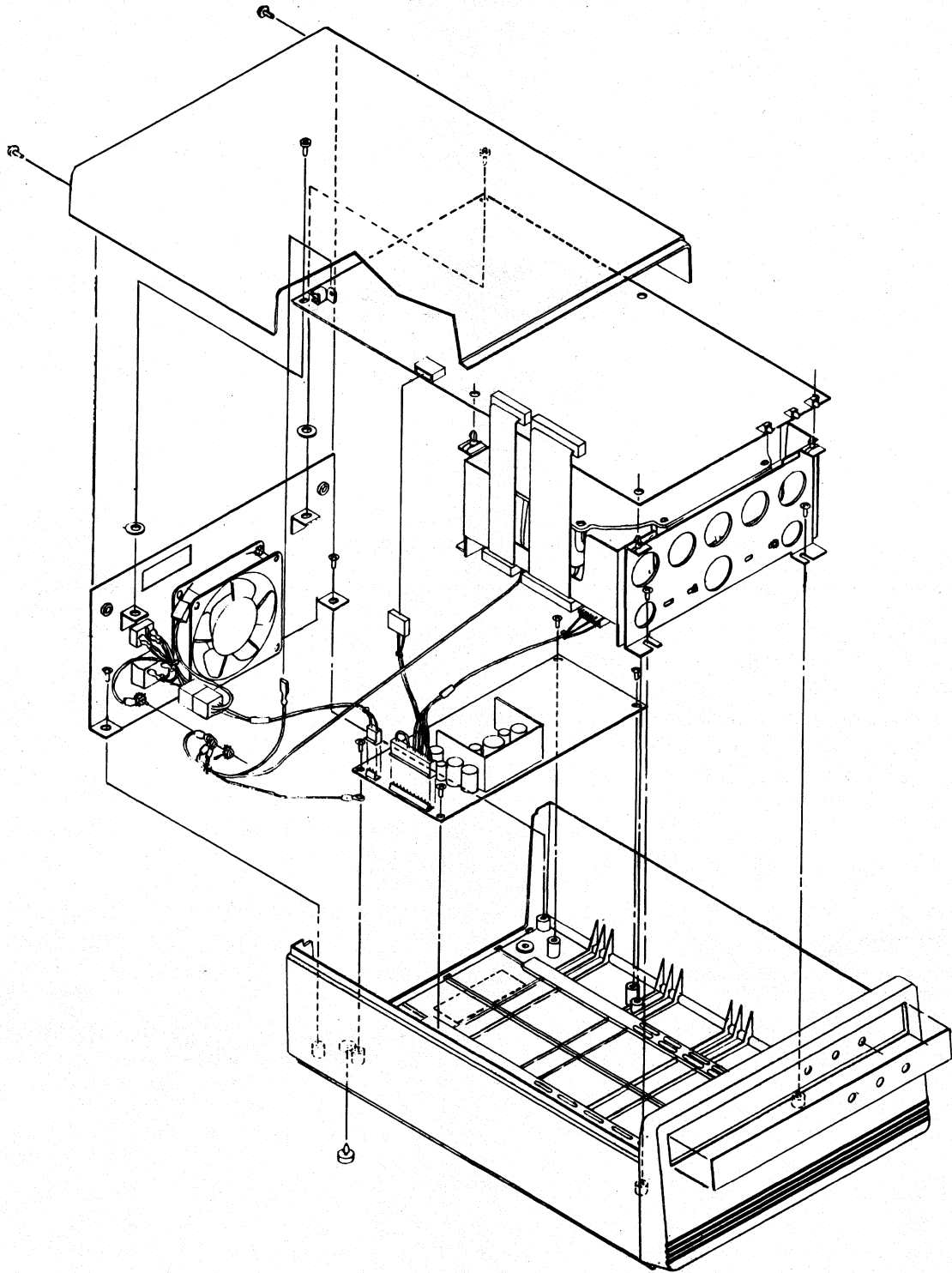


Figure 1-3. OmniDrive Exploded View

1.3.1 Winchester SubAssembly

The Winchester hard disk assembly (HDA) is comprised of a sealed mechanism containing aluminum platters (the number of which is dependent on the capacity of the mechanism), a read/write head-stack, a DC motor to rotate the platters, a stepper motor to position the head stack, a Read/Write Printed Circuit Assembly and a Motor Control Printed Circuit Assembly to monitor and adjust the speed of the DC motor.

1.3.2 Controller Printed Circuit Assembly (PCA)

The OmniDrive Controller PCA is comprised of three major sections; the Winchester controller, the Omninet Transporter,[™] and a disk server. The Winchester controller section is responsible for control of the HDA, including formatting, reading, writing, and head positioning. The Omninet Transporter is the communication link between the disk server and network. The disk server section provides the link between the network and Winchester controller.

1.3.3 Power Supply

All OmniDrives operate at either 110-120 VAC, 60 Hz or 220-240 VAC, 50 Hz single-phase power, and use a single power supply. Two sources of power supplies have been used in the manufacture of OmniDrives, Astec, Inc. and Boschert, Inc. Note that the AC and DC harness assemblies are different for each of these power supplies and they are therefore not interchangeable. When replacement of the Astec supply is necessary, it will require the AC and DC harnesses to be replaced as well as the power supply itself.

1.3.4 AC Panel

This panel, located at the rear of the drive cabinet, contains the cooling fan (different fans are used in the 110v and 220v units), power switch, and AC line cord receptacle.

1.4 Installation

Installation instructions are summarized in this section. Details can be found in the Corvus manuals for the specific host microcomputer being used.

1.4.1 Receiving the Drive

Upon receipt, each drive should be checked for shipping damage, and tested for proper function. External evidence of rough handling may be symptomatic of damage to fragile mechanisms within the drive.

NOTE:

Any damage claims must be reported to the local office of the shipper so an inspection may be made, and a damage report filed. If the damaged equipment is a new product, the Corvus Order Processing Department must be contacted for proper return procedures. If the damaged equipment is a recently serviced product, contact Corvus Customer Service for proper instructions.

The hard disk assembly in the OmniDrive is an extremely sensitive device. Impacts to the drive enclosure are amplified within the hard disk assembly by a factor of approximately 100. Therefore a one-g force (one gravity) to the enclosure results in a 100-g force of the head against the platter. This necessitates very careful handling of the drive mechanism both during shipping and operation.

When a drive is received, check that all integrated circuits on the Controller PCA are firmly seated in their sockets. IC's coming loose during shipping account for a large number of failures upon receipt. Instructions for removal of the top cover and any necessary disassembly of subassemblies can be found in Chapter 3, Disassembly and Assembly.

The OmniDrive is manufactured for operation at either 110-120 VAC or 220-240 VAC. The voltage rating is written on the metallic label on the rear of the drive cabinet. If the voltage rating specified is not compatible with the local voltage available, contact Corvus Customer Service for proper instructions.

Diagnostics should be performed to verify proper operation after performing the receiving inspection. Details for these diagnostics can be found in Chapter 5, Diagnostics.

1.4.2 Environmental Considerations

All electronic equipment needs cooling and the Corvus OmniDrive is no exception. When installing, do not 'pigeon-hole' the drive. There should be sufficient open space both front and rear. Place the drive on a level, hard surface without foam or carpeting. There are air intake slots on the bottom of the cabinet, and these must not be blocked or restricted in any way. Do not place a video monitor on top of, or near the drive; electro-magnetic fields generated by this and similar electro-magnetic devices may cause a drive malfunction and loss of data.

The drive should not be placed in an environment where it may be subject to excessive amounts of static electricity. Areas of low humidity and warm temperatures should be avoided as they are likely to be high-static environments.

Additionally, drives are susceptible to failure due to inferior line voltage. Areas of concern are low voltage, high voltage, line noise, and spikes. If any of these are present, install the appropriate line conditioner to alleviate the problem.

All nodes on an Omninet should have a common ground to alleviate voltage potential differences which can affect network reliability.

1.4.3 Omninet Address Switches

At installation, each network device must be given a unique Omninet device address. For the OmniDrive, this is done by setting six of the eight microswitches, also called DIP switches, accessible through an opening on the rear of the cabinet immediately adjacent to the Omninet connector.

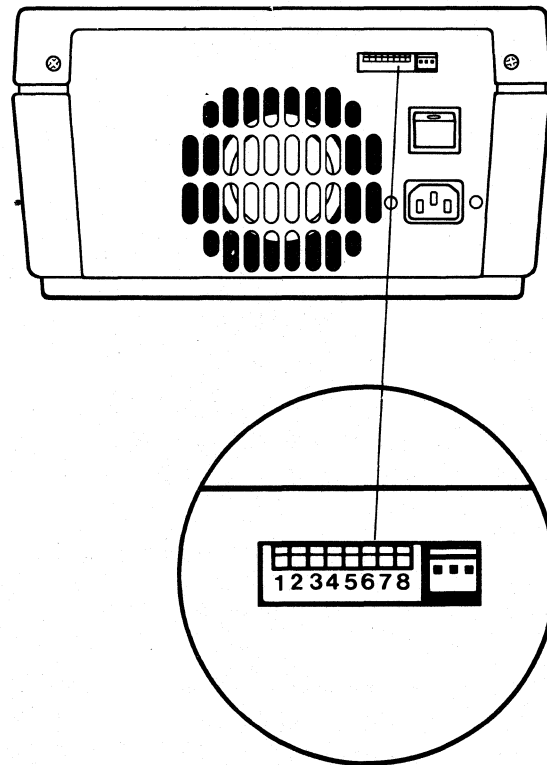


Figure 1-4. Omninet Address Switches

An address between 0 and 63 should be selected, with the recommended address for the first drive on the network being 0. Multiple drive networks will require that each drive have a unique network address. This can also be important later if a Corvus Utility Server is added to the network. This device only polls the server addressed as device 0.

The eighth switch is used to either enable or disable the network bias. Only one server or OmniDrive on the network should have the network bias switch on.

1.5 Operation

In contrast to H-Series drives, OmniDrives have no switches which require changing during normal operation. The LSI-11™ and Multiplexer switches have been removed as these options are no longer supported. The Format and Reset switches have been removed and their function supported in the Diagnostic software. Finally, since the OmniDrive does not support an internal Mirror, the Mirror switches, found on the rear of the cabinet of the older 5.25" disk drives, have been removed.

1.5.1 Power Switch

This switch is located on the rear of the drive cabinet and is the only switch that will be used during normal operation.

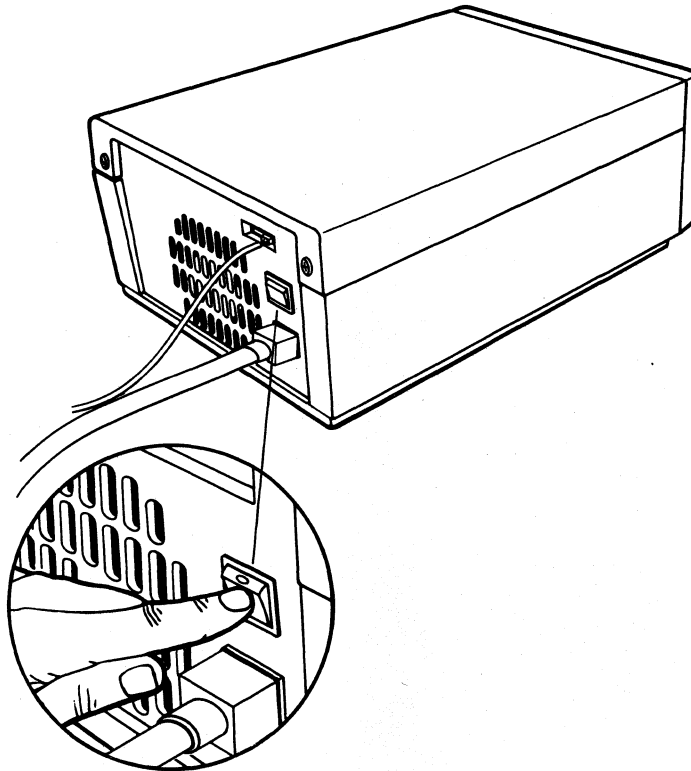


Figure 1-5. OmniDrive Power Switch

1.5.2 Power-on Sequence

When powering up a network, the following power-on sequence should be observed:

1. Disk Server(s) or OmniDrives
2. Disk Drive(s)
3. Utility Server(s) (if any)
4. Bank(s) (if any)
5. Computer(s)—Must be powered off during power-on

If any Disk Servers are used on the network, power them on first and then wait for approximately 30 seconds. This allows each Disk Server to complete its power-on diagnostic. The Disk Server will also broadcast a sign-on message to the network and update the Active User Table. The Active User Table is a list of the user names and devices associated with that particular server. Failure to observe this sequence can result in network failure or erratic operation.

CHAPTER 2
FUNCTIONAL DESCRIPTION

CHAPTER 2 FUNCTIONAL DESCRIPTION

2.0 Scope of Chapter

This chapter contains a functional description of the Corvus OmniDrive. Provided is a detailed description of the the drive mechanism, and circuitry within the Controller PCA. Because the OmniDrive can accommodate the Winchester mechanisms of various manufacturers, our approach to these mechanisms is generic; When appropriate, an International Memories, Inc. (IMI) 5.25-inch sealed Winchester mechanism is used for illustration.

2.1 Introduction

The Corvus OmniDrive has been designed to interface directly to the Omninet local area network without the need for a separate Disk Server to provide communication with the network. The built-in disk server circuit shares the 6801-1 intelligent controller with the drive control electronics. The OmniDrive uses industry standard protocols making it possible to utilize the Winchester hard disk drive mechanisms of several manufacturers. Specifications of mechanisms currently being supported can be found in their associated appendix. (Refer to the table of contents for specific appendices.)

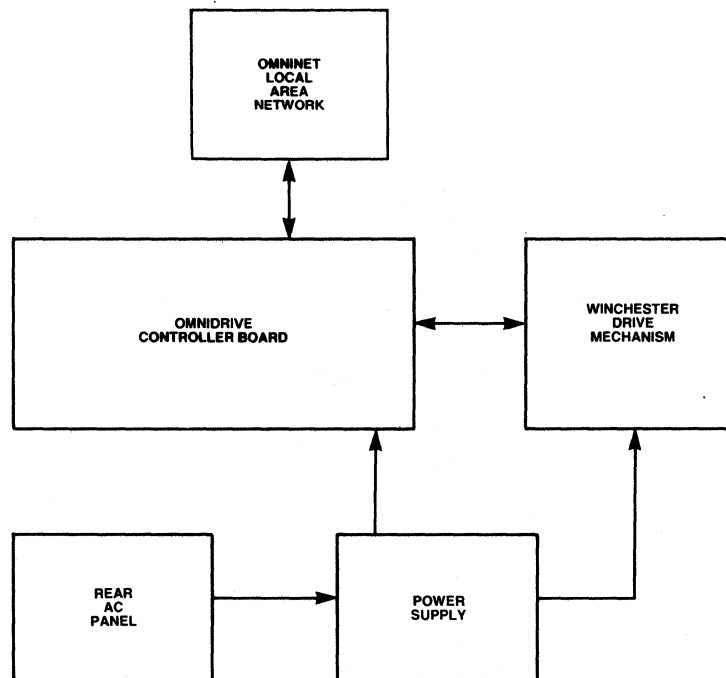


Figure 2-1. OmniDrive Block Diagram

2.2 Winchester Disk Drive Mechanism

Winchester disk mechanism manufacturers develop designs which allow them to present unique products. These disk drives share industry standard electrical interfaces of which Corvus has taken advantage. Disk drive mechanisms are described in general terms which are common to mechanisms that Corvus uses in the OmniDrive.

The drive mechanism contains the media on which the data is written to and read from. Data is stored on aluminum platters which are either coated with an oxide or plated with nickel oxide and have the properties necessary to hold magnetic charges. The read/write heads are also contained in the sealed mechanism assembly and perform the reading and writing of data. A sealed environment is maintained to eliminate contamination which can cause media and head damage.

Figure 2-2 illustrates an IMI Winchester mechanism and is used to show the interior of a sealed mechanism.

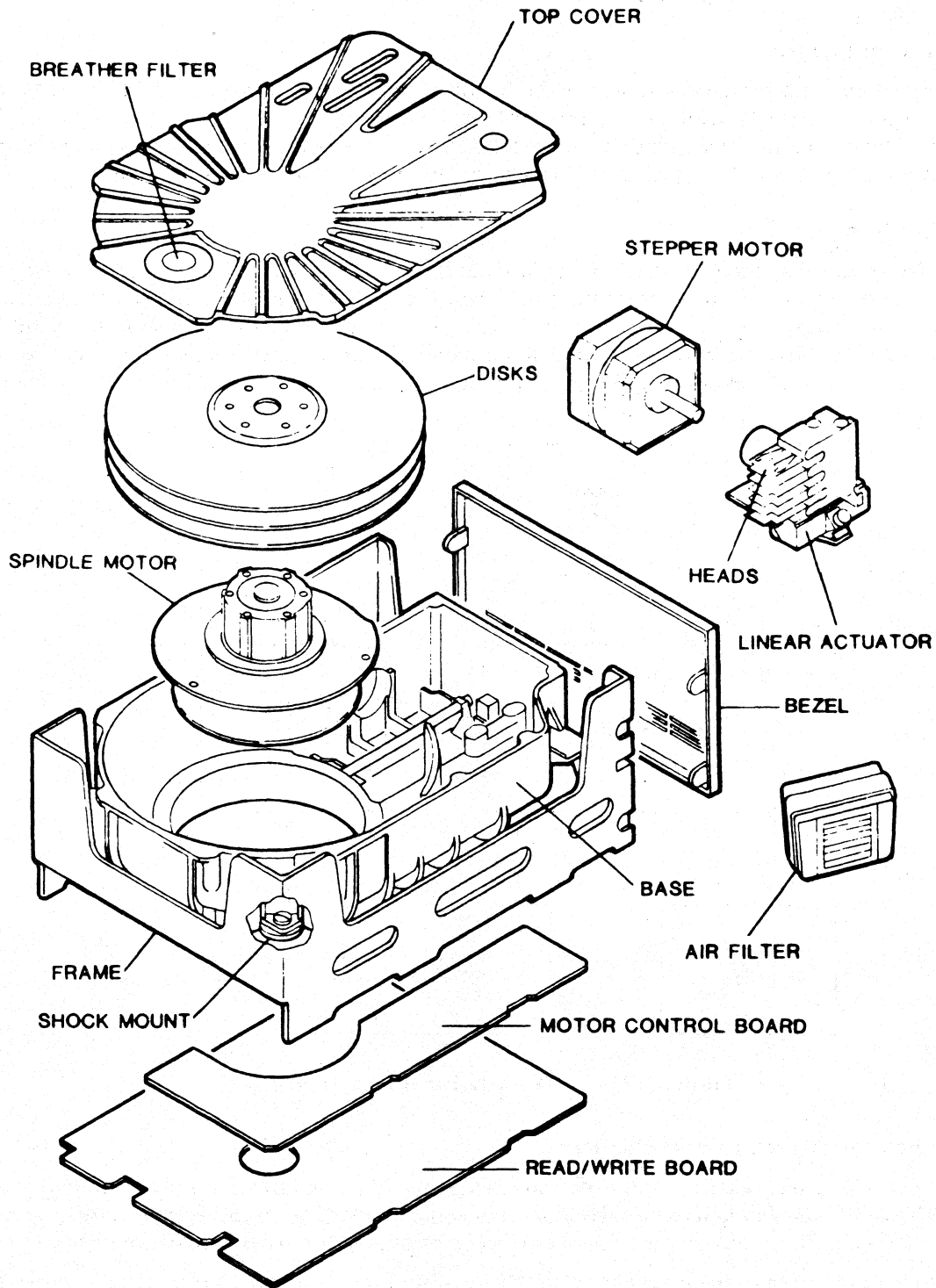


Figure 2-2. IMI Drive Mechanism Components

Each platter of OmniDrive disk drives measures 5.25 inches and has two data surfaces. There is one 5.25-inch platter in the Model 5 OmniDrive, two platters in the Model 11 drive, three in the Model 16, and four platters in the Model 45. All platter surfaces are utilized for data storage.

The platters revolve on a common spindle, driven by a brushless DC motor at 3600 RPM. Motor speed is monitored by the Motor Control PCA, located beneath the drive mechanism, and is independent of AC line frequency. An index signal is generated by the magnetic index detector marking a fixed reference point relative to the disk. The solenoid brake, also located adjacent to the motor hub, engages immediately after the drive is powered off.

There are two data surfaces per platter and one read/write head for each platter surface. When operating, each head is suspended above the platter surface on a cushion of air. The heads are aerodynamically designed and lift off the disk as the disk begins to spin creating an air bearing of approximately 18 to 20 microinches. A particle of smoke, dust, or a human hair could easily play havoc with these critical tolerances, and cause catastrophic failure of the disk device. The sealed environment of the drive mechanism prevents this from occurring by keeping the internal atmosphere contaminant-free. A seal is placed on the drive mechanism to prevent tampering within the sealed mechanism. Breaking this seal for any reason voids the warranty.

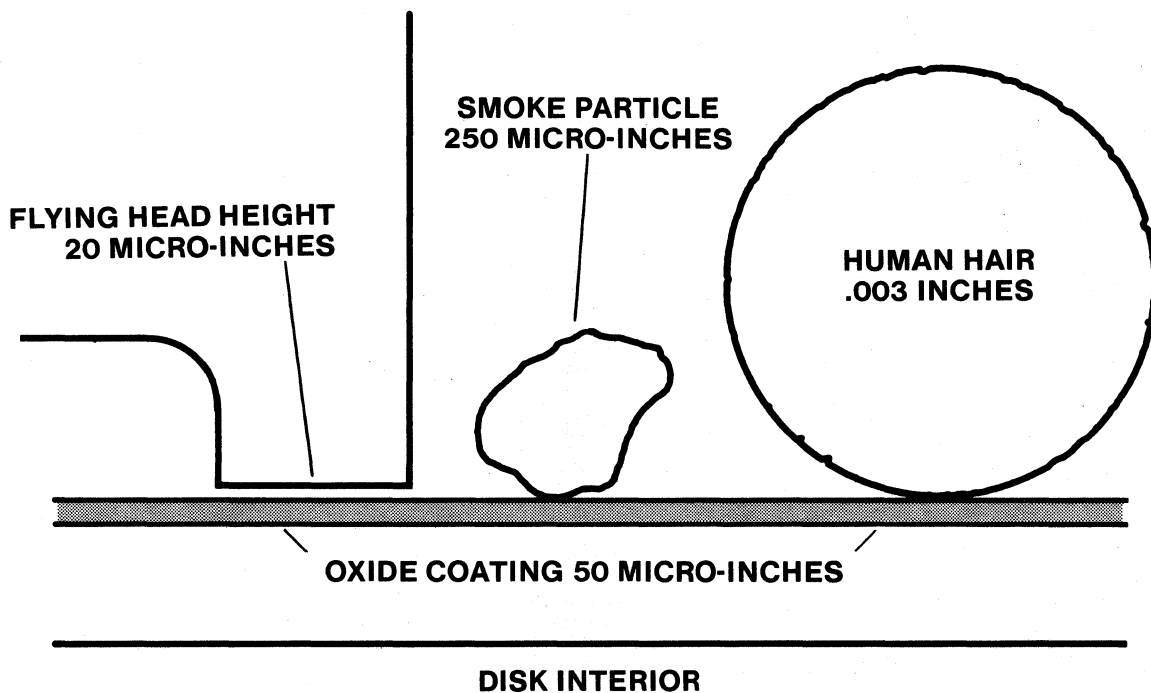


Figure 2-3. Head to Disk Tolerances

The heads are attached to a common head stack and are positioned over the appropriate cylinder by a stepper motor. Seeking to a specific cylinder is accomplished by rotation of the motor through four phases for each cylinder traveled. Reversing the sequence of these motor phases will result in reverse head movement.

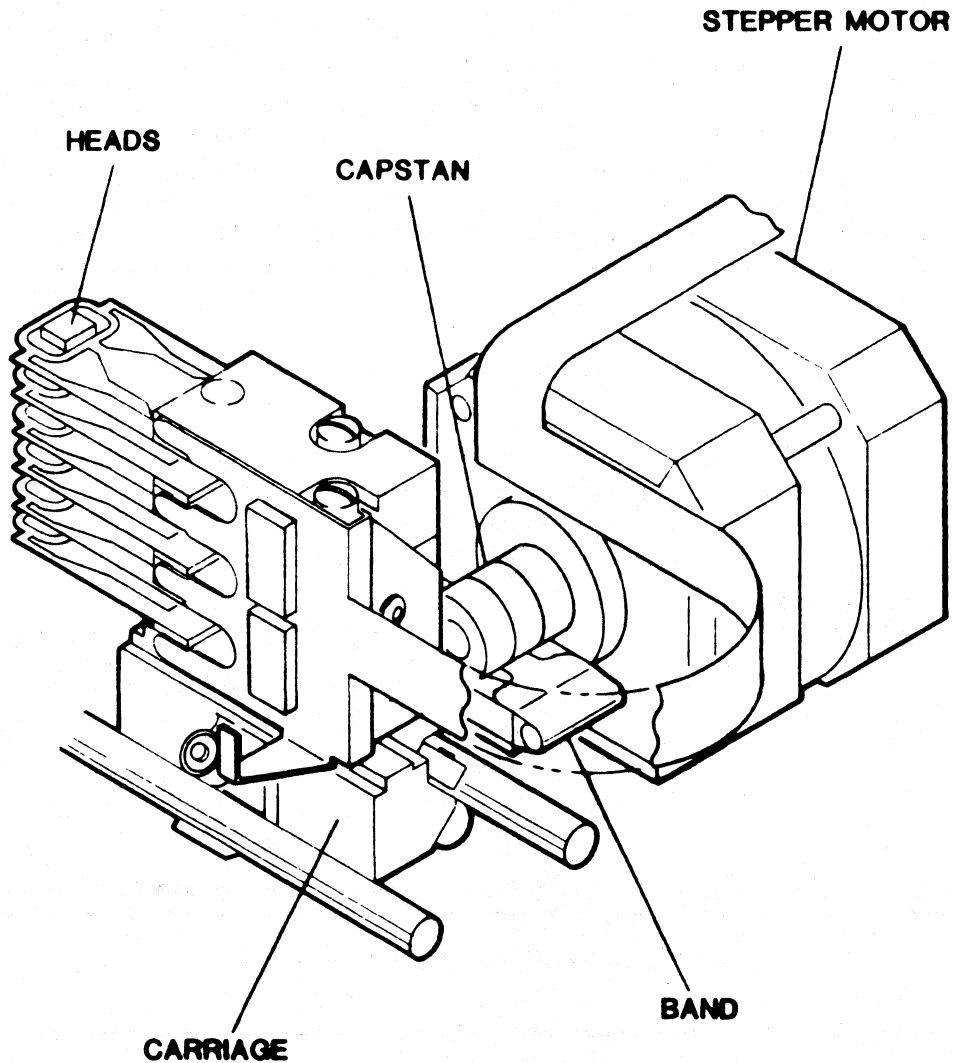


Figure 2-4. Head Carriage Assembly

Two Printed Circuit Assemblies are mounted beneath the sealed drive mechanism. These are the Read/Write PCA and the Motor Control PCA. The Read/Write PCA, contains a microprocessor which makes the drive mechanism itself an intelligent device. It accepts interface signals, transfers data to and from the Controller PCA and sends data to and receives data from the drive mechanism. Many motor control signals are also generated on the Read/Write PCA. The Motor Control PCA is responsible for monitoring the spindle motor speed and altering it as necessary.

2.2.1 Winchester Drive Theory

Data is stored magnetically on circular tracks, which are configured as concentric circles on each platter. The term track refers to a single head surface of a cylinder, each cylinder consisting of all tracks in common vertical alignment on all data surfaces.

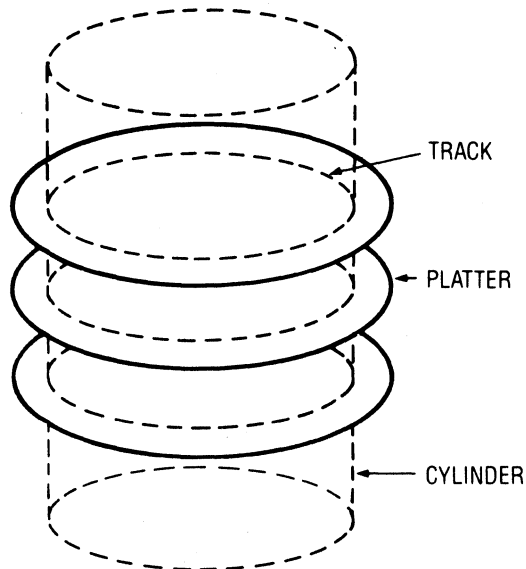


Figure 2-5. Track and Cylinder Configuration

The number of cylinders differs with the type of mechanism installed. Refer to the appropriate appendix for individual drive specifications. Cylinder zero is located furthest from the platter center.

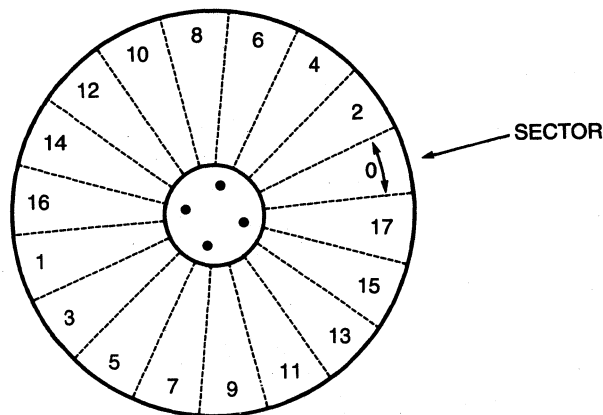


Figure 2-6. Sectors

A block is the smallest addressable unit within the drive. Internally, each track is formatted with 18 sectors per data surface, of 512-byte blocks per sector and is independent of drive manufacturer. Externally, the drive handles data in sectors as defined by the host computer.

Typically, each host operating system defines a sector as 128 bytes, 256 bytes or 512 bytes. The Corvus interface software uses the appropriate read/write commands (one each for writing and reading 128, 256 or 512 bytes) depending on the requirements of the host operating system.

This does not cause a conflict, since the Corvus software and hardware can accommodate 1, 2 or 4 host-defined sectors for each disk drive block. Read/write commands using various sector sizes are transparent to the host system, due to the intelligent controller's ability to handle data blocking and deblocking internally.

2.2.2 Read/Write Printed Circuit Assembly (PCA)

The Read/Write PCA is located beneath the drive mechanism. It is responsible for buffering, amplification, noise filtering of the read data, and supplying write current. Also, the sector and track 0 signals are generated here. The 6801-1 intelligent controller located on the Controller PCA of the OmniDrive, dictates control signals to and from the Read/Write PCA. The Read/Write PCAs of some Winchester disk manufacturers utilize microprocessors to handle some of the more rudimentary read/write routines such as head positioning, motor speed monitoring and fault detection.

The Read/Write PCA handles much of the stepper motor control, write current control, and most of the drive mechanism control functions.

2.2.3 Motor Control Printed Circuit Assembly (PCA)

The Motor Control PCA is located beneath the Read/Write PCA. Spindle motor speed is monitored by the circuitry on the Motor Control PCA. A tachometer feedback loop helps maintain spindle speed within 1% of 3600 RPM. The magnetic index detector delivers pulses to the Motor Control PCA, which generates the index signal. The Motor Control PCA monitors this signal, and adjusts motor speed as required.

2.3 Omninet Controller Printed Circuit Assembly (PCA)

The Omninet Controller PCA is responsible for communication to and from the Omninet local area network. It contains most of the hardware and logic of the OmniDrive.

The Omninet Controller PCA performs multiple functions for the OmniDrive. It is responsible for communication to and from the Omninet local area network, controlling disk transfers, and controlling the disk mechanism. It also performs data error checking and indicates drive status through the indicator LEDs which are mounted onto the front portion of the PCA and project through the front panel.

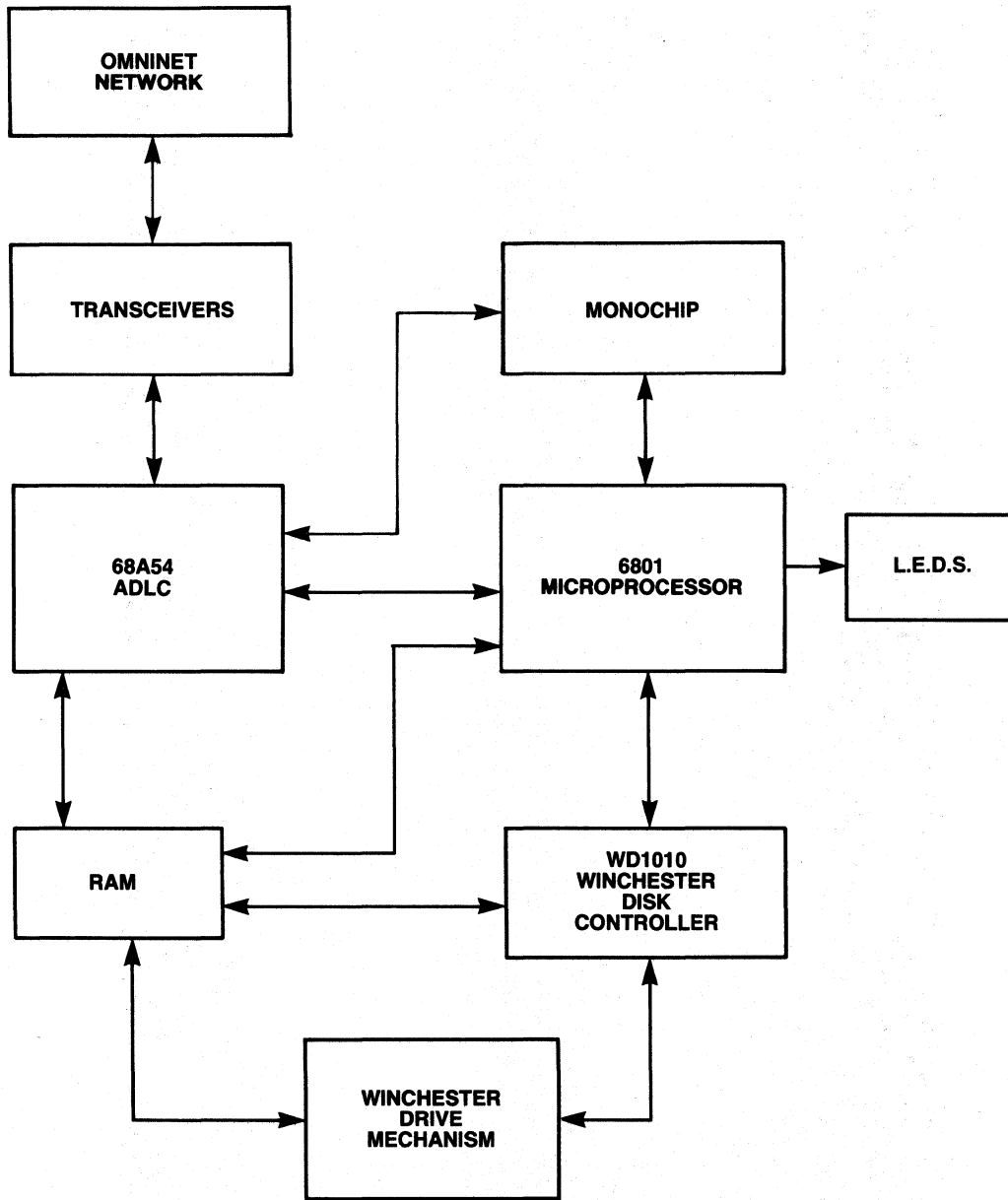


Figure 2-8. Controller Block Diagram

2.3.1 Omninet Transporter and Disk Server Circuit

The Transporter and disk server section of the Controller PCA share and utilize the standard Omninet chip set:

- 6801-1 Microprocessor
- 3131 Corvus Monochip
- MC68A54 Advanced Data Link Controller (ADLC)
- 75174 and 75175 RS-422 Transmitter and Receiver

The Omninet Transporter circuit interfaces the Controller PCA to the Omninet local area network and uses a Carrier Sense Multiple Access (CSMA) scheme for communicating.

The disk server circuit interprets Constellation protocols and issues commands and addresses to the WD 1010 Winchester controller which in turn controls the disk drive through read and write commands.

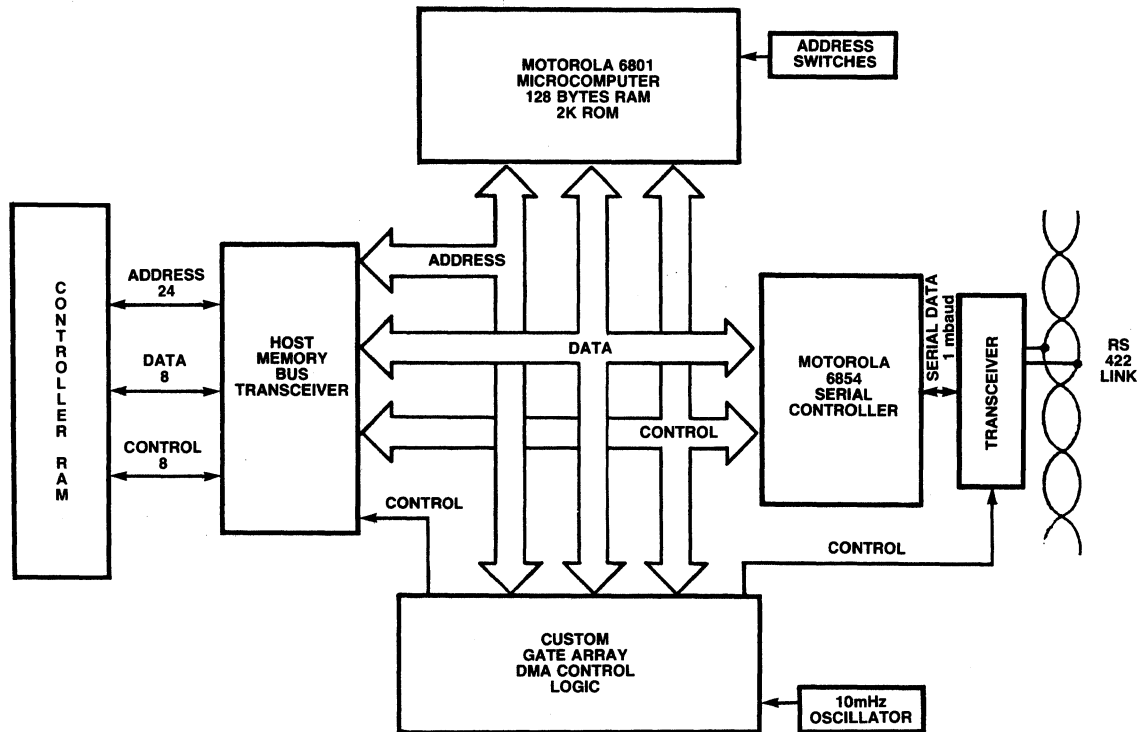


Figure 2-9. Omninet Circuit Block Diagram

The MC6801-1 is the heart of the Omninet chip set. The MC68A54 Advanced Data Link Controller (ADLC) interfaces to the RS-422 transmitter and receiver and the remainder of the Omninet interface. The Corvus Monochip is a chip which provides timing and control for all data transfers and decodes 6801-1 activity. It also controls DMA activity and the collision avoidance scheme. Other socketed chips included in the basic chip set are the transmitter and receiver. A 75174 line driver provides the transmitter functions and a 75175 line receiver provides the receive functions in RS-422 format. For further information on the Omninet Chip Set refer to the Networks Service Manual.

2.3.2 MC6801-1 Microprocessor

The MC6801-1 microprocessor is an 8-bit, single-chip microcomputer containing 2K bytes of ROM. This microprocessor is shared with the Omninet disk server circuitry. It is responsible for interpreting commands from the host computer and for controlling the WD 1010 Winchester disk controller. It controls the ADLC, the WD 1010 and the Monochip. The Omninet firmware resides in the internal ROM of the 6801-1.

The microprocessor also controls the 8-bit bi-directional, tri-state data bus (D0—D7) used to communicate data to and from host memory or the Omninet interface circuitry. It also controls 16 address lines (A0—A15) which are also tri-state devices used for address vectoring. Address lines A0—A7 are multiplexed with data lines D0-D7.

The major outputs of the 6801-1 microprocessor are:

E—The Monochip provides a 5-MHz clock input to the processor which in turn is divided down to produce an 800-nanosecond instruction cycle, E cycle.

AUTO—This signal is an active high output used by the Monochip to decode which of the 6 DMA modes are selected.

IN/OUT—The IN/OUT signal is an output used by the Monochip to decode which DMA mode is selected. A high signal indicates an IN and a low signal indicates an OUT data transfer by the ADLC.

RS0—The Register Select 0 (RS0) signal and the Register Select 1 (RS1) signal are outputs used by the ADLC to determine which of its internal registers has been selected for reading and writing.

READY—The READY signal is generated by the Monochip and is an active high input signal. It travels to the host as well as to the 6801-1 and indicates to the host that the Transporter is ready to receive another command vector address.

R/W—The R/W signal is used to decode which DMA mode is to begin. A high indicates that the 6801-1 is reading data from the bus and a low indicates a write.

AS—The Address Strobe is the strobe signal for the multiplexed address/data bus.

2.3.3 Monochip

The Corvus Monochip is a custom gate array designed by Corvus to handle timing and control for data transfers outside the 6801-1 microprocessor. It selects the direction of the data flow via Direct Memory Access (DMA), provides the interface to the host for DMA cycles, and generates DMA addresses using an internal 3-bit register.

The major Monochip outputs are:

BITCLK—This Bit Clock is a 1-MHz output which the ADLC uses for timing during bit transmission or reception. During transmission it is free running and during reception it is resynchronized to the source every time a line transition occurs on Omninet.

EOUT—The EOUT signal is a 1.25-MHz clock signal which is used by the ADLC for timing internal events, i.e. loading the 3 bit address register.

HACLK—The HACLK signal is an active high signal which latches the DMA address bits 15-0 externally and indicates that a DMA cycle has begun. This signal remains high when the 6801-1 is frozen.

EXTAL2—The EXTAL2 signal is a 5-MHz clock signal output to the 6801-1. It is halted during DMA cycles shortly after the HACLK signal is generated and remains frozen until the ADLC sends a TDSR or a RDSR signal. The 6801-1 is also frozen when the EXTAL2 signal is frozen.

DMARQ—The Transporter drives the DMARQ signal high to request a DMA cycle with the host. The signal returns to a low after DMAGO is asserted low by the host microcomputer.

DMAGO—The DMAGO signal is an active low signal input to the Monochip as a response to the DMAREQ. It indicates that the shared RAM host is ready to proceed with a DMA transfer.

TXENA—The TXENA signal is the Transmit Enable signal. If the collision avoidance circuit has not been triggered by RXD, then the Monochip will assert TXENA high on the leading edge of RTS. This enables the 75174 line driver to gate data onto the Omninet trunk cable.

2.3.4 Advanced Data Link Controller (ADLC)

The ADLC provides the interface between the 75174 line driver and 75175 line receiver and the remainder of the disk server circuitry. The main function of the ADLC during transmission operations are converting of data to serial form during a transmit, converting data to parallel form during a receive, zero insertion, packet framing, CRC check generating and data byte buffering.

Major ADLC signals are:

TDSR—The Transmitter Data Service Request from the ADLC indicates that the transmit FIFO (First In First Out) buffer of the ADLC is empty and ready for the next byte of data. TDSR is an active high signal.

RDSR—The Receive Data Service Request from the ADLC chip indicates that the receive FIFO buffer of the ADLC is full and ready to transfer the byte to the 6801-1 or the shared RAM via DMA. RDSR is an active high signal.

RXD—The Receive Transmitted Data signal is an input from the 75175 line receiver. RXD receives the data sampled during packet reception and detects zero bits for resynchronizing BITCLK. RXD is also used to trigger the collision avoidance circuit before packet transmission.

TXD—The Transmit Data signal is serial data output from the ADLC to the 75174 line driver. It contains flag bits and CRC bytes added to the data by the ADLC.

RTS—The Request To Send signal is received from the ADLC. On the leading edge of RTS, the Monochip asserts either an TXENA (Transmit Enable) for no collisions or IRQ (Interrupt Request) for collisions.

2.3.5 WD 1010 Winchester Disk Controller

The Corvus interface for Winchester disk drives uses a WD 1010, 40-pin, MOS/LSI chip as the main controller. The WD 1010 is manufactured by Western Digital Corporation and is designed to control Winchester disk drives. The 6801-1 microprocessor directly issues commands to the WD 1010. The commands are: Restore, Seek, Read, Write, Scan ID, and Format. Before issuing these commands, the WD 1010 must be informed of parameters for these commands. This is accomplished via Task Files. Task Files are registers within the WD 1010 that can be directly accessed by the 6801-1. Task Files specify on which cylinder, head, sector, etc., to perform the specific command. For instance, a Task File can be set up for track 4 and if followed by a Format command; only track 4 would be formatted.

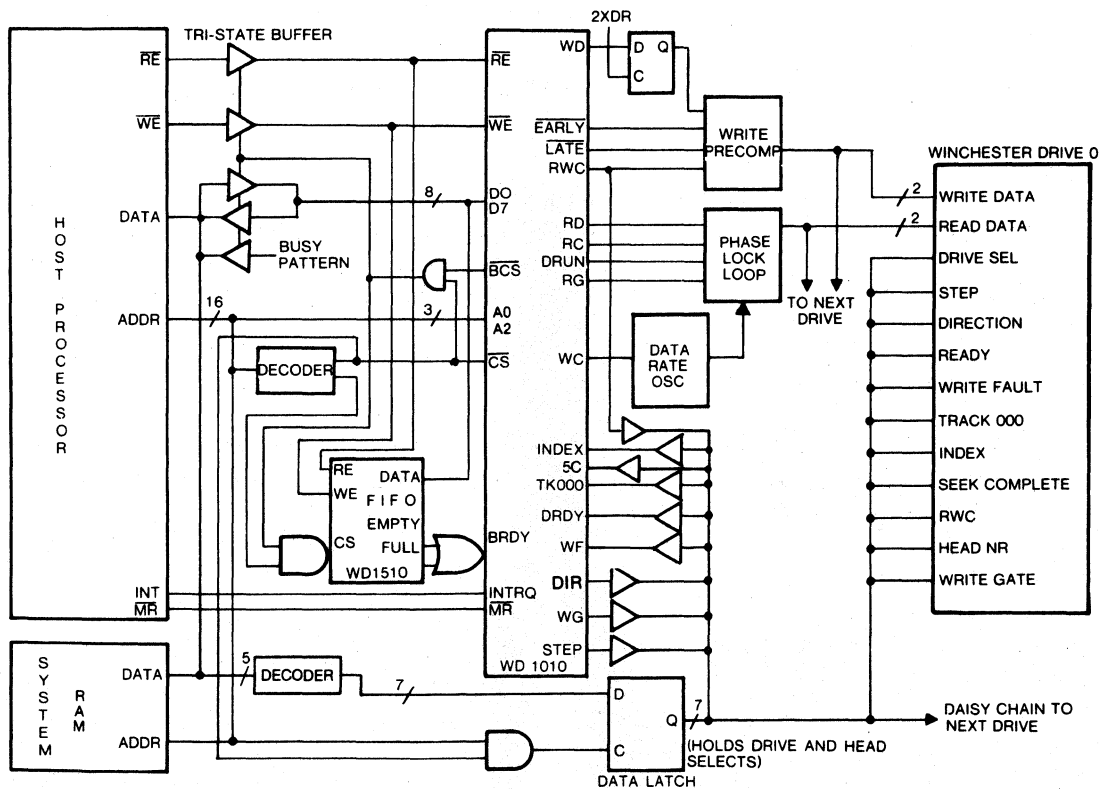


Figure 2-10. WD 1010 Architecture

The WD 1010 uses an internal microcontroller called a programmable logic array (PLA). It controls the flow of data throughout the WD 1010, formats the data, and recognizes and processes commands.

A Magnitude Comparator is also internal to the WD 1010. This 10-bit comparator calculates drive step, direction, and present and target track position.

The Modified Frequency Modulated (MFM) data is encoded and decoded by the WD 1010. The frequency of the encoder is equivalent to the write clock and the bit rate, while the decoder frequency is generated by the read clock of the data separator.

The Cyclic Redundancy Check (CRC) generator/checker adds a CRC byte to the data during a write to the disk and performs a CRC check of the byte during a read from the drive.

The Address Mark detector (AM Detect) checks the incoming data stream for a unique clock pattern used in each ID and data field.

The Interface Circuit controls and monitors all lines to and from the disk with the exception of the read/write lines.

The major signals of the WD 1010 are:

RG—The Read Gate signal is a logic high output when data is being read from the disk and should be low when the WD is not reading data. It can be monitored at pin 38 of the WD 1010.

WG—The Write Gate signal must be set high by the WD 1010 in order for data to be written to the disk.

WE—The Write Enable signal is a tri-state bi-directional signal which is used as an output when the WD 1010 is writing to a buffer.

WD—The Write Data signal contains Modified Frequency Modulated (MFM) formatted data pulses which are to be written to the disk.

STEP—The Step Pulse is used for stepping the drive heads to a track. A high signal is generated when a new track is to be accessed.

DIR—The Direction signal which specifies the direction in which the stepper motor will move the heads.

2.3.6 PROM

A Programmable Read Only Memory (PROM) is used in the OmniDrive Controller PCA to provide boot codes for the MC6801-1 microprocessor. It contains initialization codes, disk server codes, low level diagnostic routines and drive information tables. It also initializes the Versatile Interface Adaptor (VIA) IC chip, resets the WD 1010 Winchester controller and initializes the Random Access Memory (RAM) with firmware when the OmniDrive is powered on.

This PROM is programmed at Corvus and can be ordered from Corvus Customer Service.

2.3.7 RAM

There are 4 RAM sockets on the Controller PCA. Each of the sockets can accommodate 2K X 8-bit static RAM chips. Two of these are used as shared RAMs and two are used as scratch RAMs. The Omninet Monochip accesses the shared RAM to and from the network under DMA. The 6801-1 can also perform reads and writes to the shared RAM.

Only the 6801-1 microprocessor can access the scratch RAM. The following table illustrates how the RAMs are utilized:

SHARED RAM	
Disk Server Buffer	2K Bytes
Read / Write Buffer to WD1010	2K Bytes
SCRATCH RAM	
Disk Server Scratch RAM	1K Byte
Disk Controller Scratch RAM and Semaphore Table	1K Byte
Pipes Table	1K Byte
Downloaded Controller Code	1K Byte

Table 2-1. RAM Layout

2.3.8 Transmitter and Receiver

The transmitter (driver) and receiver ICs provide the link from/to the Omninet RS-422 twisted pair wire.

The 75174 line driver receives the serial data input from the ADLC and converts it to a differential voltage signal. This signal is output to the Omninet tap cable.

+OUT—This signal is the positive output of the RS-422 transmitter to the twisted pair. It should be monitored with the –OUT signal.

–OUT—This signal is the negative output of the RS-422 transmitter to the twisted pair. It should be monitored with the +OUT signal.

The 75175 line receiver receives RS-422 formatted data from the Omninet twisted pair tap cable and sends it to the ADLC in digital format.

RXD—This is an input from the RS-422 receiver. RXD receives the data sampled during packet reception and detects zero bits for resynchronizing BITCLK. RXD is also used to trigger the collision avoidance circuit before packet transmission.

2.4 Power Supply

Corvus installs two types of power supplies on the OmniDrive. One is manufactured by Astec, Inc. and the other is manufactured by Boschert, Inc.

Both the Astec and the Boschert power supplies provide +5 VDC for the Controller PCA electronics and the drive electronics, and +12 VDC for the Winchester drive mechanism. They are both switching power supplies. Schematics for both these power supplies can be found in Appendix E.

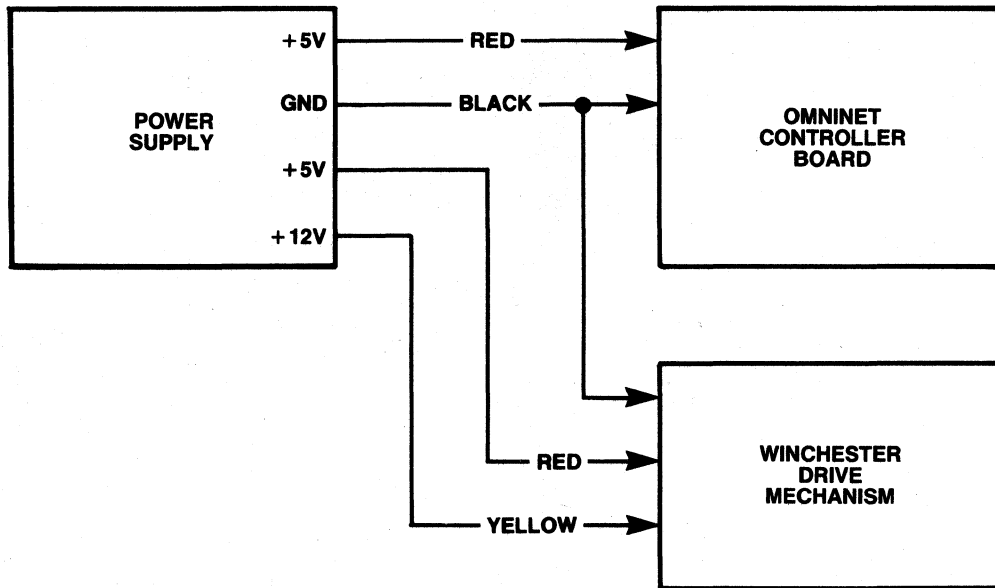


Figure 2-11. DC Power Distribution

2.5 AC Panel

This assembly consists of a panel onto which the fan, power switch, and the AC input connector are mounted. Slots for air circulation, Omninet connector and address switch access are also located on the AC panel.

Different AC panels exist for 110-120 VAC and for 220-240 VAC operation. They are not interchangeable.

CHAPTER 3
DISASSEMBLY AND ASSEMBLY

CHAPTER 3

DISASSEMBLY AND ASSEMBLY

3.0 Scope of Chapter

This chapter contains disassembly instructions for OmniDrive disk drives. All drive models are physically identical, and the instructions that follow apply to all models.

3.1 Introduction

The Corvus OmniDrive cabinet consists of a high-impact plastic shell, the top and bottom halves held together with two screws at the rear of the cabinet. The hard disk assembly and power supply are both attached to the cabinet base-pan. The Controller PCA is mounted to the mechanism using plastic standoffs and to the rear AC panel with two metal screws.

WARNING:

Before disassembling any electronic equipment, be sure the AC power is disconnected from the unit.

3.1.1 Tools Required

The only tool required for disassembly of all Corvus OmniDrives is a #2 Phillip screwdriver.

3.1.2 Space and Environmental Considerations

A few precautions should be observed when disassembling or assembling an OmniDrive.

The most important of these is to remember that this is a static sensitive device, and as such, appropriate care should be taken to avoid damaging it by static electricity. Preferably, the service area should not have a carpeted floor, if it does, either a static mat or wrist strap should be used to discharge the technician of static electricity prior to performing any work on the drive. Low humidity environments should also be avoided as these contribute to increased static electricity.

The bench area should have sufficient room for all equipment to be used, including any test equipment (i.e. oscilloscope, digital voltmeter, etc.). Insufficient room on the bench can lead to accidental damage.

3.2 Disassembly Procedures

The following steps will detail how to completely disassemble an OmniDrive. Step-by-step, these include removing the top cover, Controller PCA, drive mechanism, power supply, and AC Panel. Instructions specifying the 'right' or 'left' of an assembly should be interpreted as viewed from the front of the OmniDrive.

3.2.1 Top Cover

1. Remove the two Phillip screws at the rear of the cover.
2. Remove the cover by simultaneously lifting it up and sliding it back.

3.2.2 Controller PCA

1. Disconnect the two drive mechanism flat cables, J1 and J2 from the left side of the Controller PCA (when viewed from the front bezel). Note the red stripe on each cable is towards the front bezel of the enclosure.

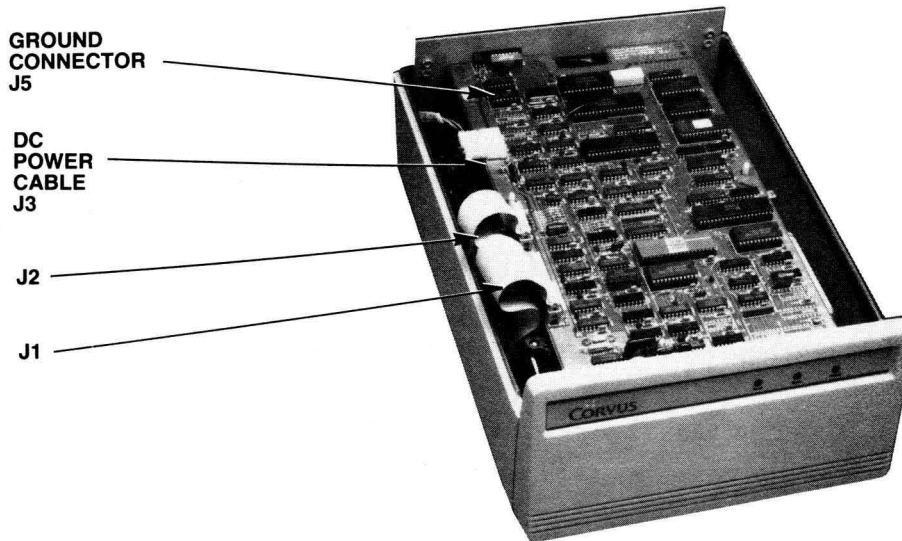


Figure 3-1. Controller PCA Cables

2. Disconnect the ground wire from the rear left of the Controller PCA (connector J5). Refer to Note below.
3. Disconnect the DC power connector located at the left rear of the Controller PCA (connector J3).
4. Remove the two Phillip screws from the left and right rear of the Controller PCA. Refer to Note below.
5. Gently push in the retaining clip on the four nylon standoffs supporting the Controller PCA on the mechanism.
6. Remove the Controller PCA by gently lifting the back of it up and sliding it back.

3.2.3 Drive Mechanism

1. Remove the two Phillip screws securing the rear drive mechanism mounting bracket to the basepan.
2. Loosen the two Phillip screws securing the front drive mechanism mounting bracket to the basepan.
3. Lift the rear of the drive mechanism while simultaneously sliding it backwards. Once the front mounting bracket has cleared the two Phillip screws, continue to lift the mechanism straight up to provide access to the cables beneath.
4. Disconnect the ground wire between the drive mechanism and the rear panel. Noting the orientation of the DC power cable and flat cables, disconnect them from the drive mechanism.

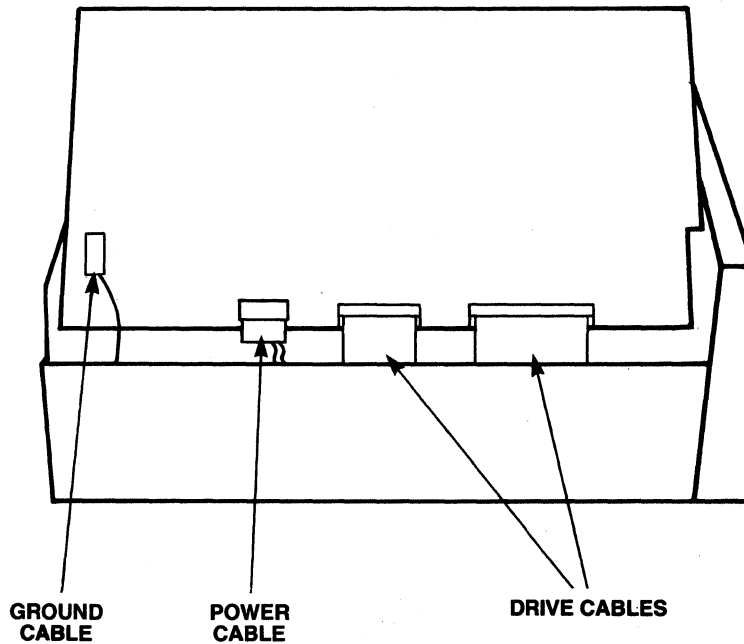


Figure 3-2. Drive Cable Layout

5. Remove the drive mechanism, with its brackets, gently lifting up and out of the basepan.
6. Remove the four Phillip screws securing the brackets to the drive mechanism, and remove the brackets.

3.2.4 Power Supply

1. Disconnect the AC wiring harness connector from the left rear of the power supply (connector TB1).

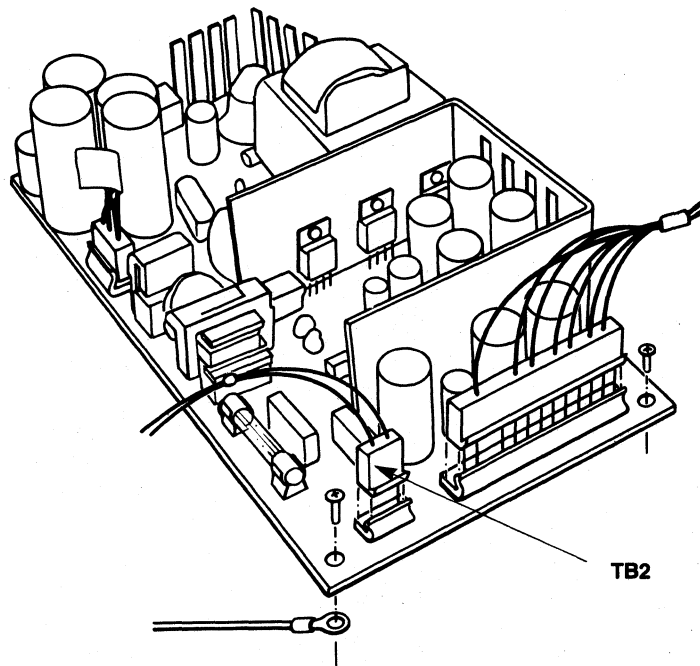


Figure 3-3. DC Harness

2. Disconnect the DC wiring harness from the left front of the power supply (connector TB2).
3. Remove the four Phillip screws securing the power supply to the basepan. Note the Astec Power Supply has an AC ground connection on the left rear screw; be sure to reconnect this when reinstalling the power supply.
4. Remove the power supply by lifting straight up and out of the basepan.

3.2.5 AC Panel

1. Remove the two Phillip screws securing the AC panel to the base pan.
2. Remove the AC panel by lifting straight out of the basepan.

3.3 Reassembly

To reassemble the OmniDrive, reverse the procedures in section 3.2 being sure to reinstall the nylon insulating washers between the AC panel and Controller PCA, if necessary. Refer to Note below.

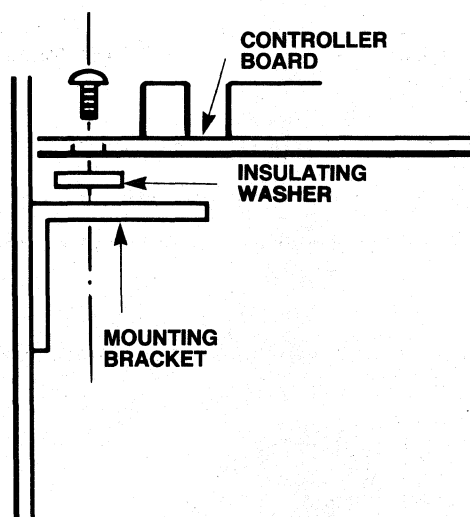


Figure 3-4. Insulation Washers Installation

NOTE:

Several revisions of Controller PCA exist with different mounting and grounding criteria. All controllers revision "10" and lower require insulating washers to be installed between the PCA and the two metal mounting brackets on the AC panel. Also, a ground wire should be connected at connector position J5. The other revision controller, marked Revision "A" does not require any insulating washers or the PCA ground connection. Failure to observe these items can cause damage to the Controller PCA and/or power supply.

CHAPTER 4
CHECKS AND ADJUSTMENTS

CHAPTER 4

CHECKS AND ADJUSTMENTS

4.0 Scope of Chapter

Procedures for all adjustments and checks within the OmniDrive are detailed in this chapter. Tools required, set up procedures and specific steps also are described. Some of the procedures require disassembly and reassembly. In these cases you will be referred to the appropriate section of this manual for instructions.

4.1 Introduction

The design of the Corvus OmniDrive requires that only two items ever need to be checked and only a single adjustment necessary. Both the switching power supply and the voltage controlled oscillator circuit (VCO) on the Controller PCA may be checked. The VCO circuit is the only adjustment that may be performed on the OmniDrive.

Mechanism-specific checks and adjustments can be found in the appropriate Appendix in the rear of this manual.

4.2 Power Supply Voltage Check

The OmniDrive is shipped with one of two types of power supplies: Astec and Boschert. Procedures for performing voltage checks on both types are provided below. Voltage should be checked with the DC harness connected to the Controller PCA and the drive mechanism.

4.2.1 Tools Required

A digital voltage meter ($\pm 0.1\%$ accuracy) is the only tool required to check either the Astec or Boschert power supplies.

WARNING:

Extreme caution should be exercised when checking the power supply. High voltage presents a potential danger.

4.2.2 Astec Power Supply Check

The power supply must be exposed in order to gain access to the voltage test points.

1. Follow the disassembly procedures from section 3.2.1 to 3.2.2.
2. Position the Controller PCA near the OmniDrive so that the DC cable can reach the DC input of the Controller PCA and where there is no contact between the exposed circuitry of the PCA and any metal.
3. Reconnect the DC power connector and the ground wire to the Controller PCA.
4. Reconnect the AC power connector and power up the OmniDrive.

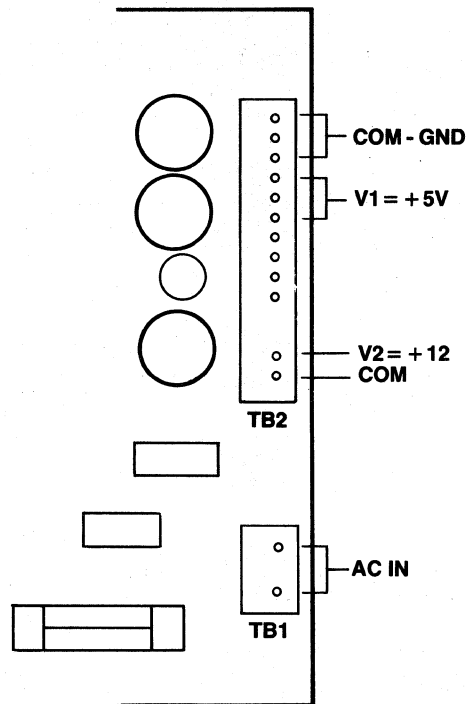


Figure 4-1. Astec Power Supply Test Points

5. Using a digital voltmeter, check for +5 VDC ($\pm .1$ VDC) at V1 of connector TB2. The negative probe should be grounded at COM of TB2.
6. Check for +12 VDC ($\pm .3$ VDC) at V2 of connector TB2 with the negative probe grounded at COM of connector TB2.
7. If the voltages are not in tolerance, the power supply must be replaced.

4.2.3 Boschert Power Supply Check

The power supply must be exposed in order to gain access to the voltage test points.

1. Follow the disassembly procedures from section 3.2.1 to 3.2.2.
2. Position the Controller PCA near the OmniDrive so that the DC cable can reach the DC input of the Controller PCA and where there is no contact between the exposed circuitry of the PCA and any metal.
3. Reconnect the DC power connector and the ground wire to the Controller PCA.
4. Reconnect the AC power connector and power up the OmniDrive.

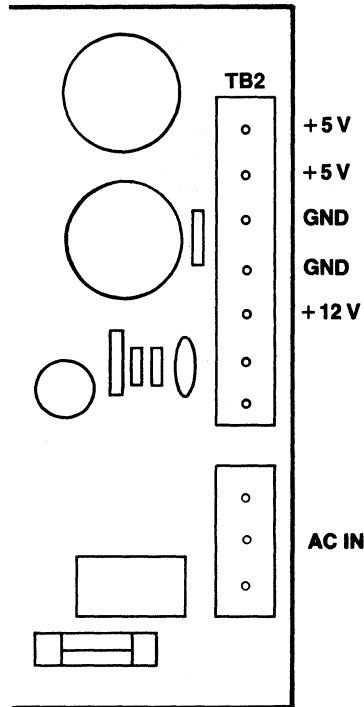


Figure 4-2. Boschert Power Supply Test Points

5. Using a digital voltmeter, check for +5 VDC ($\pm .1$ VDC) at Pin 8 of connector TB1. The negative probe should be grounded at Pin 5 of connector TB1.
6. Check for +12 VDC ($\pm .3$ VDC) at Pin 3 of connector TB2 with the negative probe grounded at Pin 5 of connector TB2.
7. If the voltages are not in tolerance, the power supply must be changed.

4.2.4 AC Power Check

If the power supply is not producing any voltages, the incoming AC power may not be present.

1. Check to see that the incoming AC plug is firmly attached to the rear panel.
2. Check the internal fuse of the power supply and replace if necessary.
3. Perform a continuity check of the AC wire harness to verify that it is delivering AC power to the power supply.
4. If all the steps above check out good, replace the power supply (see section 6.3.4).

4.3 Voltage Control Oscillator Adjustment

The OmniDrive Controller PCA contains a Voltage Control Oscillator (VCO) circuit which is an analog circuit that synchronizes the read/write clock to the incoming data stream.

4.3.1 Tools Required

The VCO adjustment requires some specific equipment.

- 100-MHz oscilloscope
- Plastic or wood adjustment tool*

*Some Controller PCAs utilize tuneable capacitors which require a small square-head adjustment tool. This tool (Corvus Part Number 9000-00083-00) is available through Customer Service.

4.3.2 VCO Adjustment Procedures

The adjustment of the VCO circuit is a critical adjustment and may take some time to adjust correctly. One adjustment will affect the other and checks must be repeated to insure that all test points are within specification.

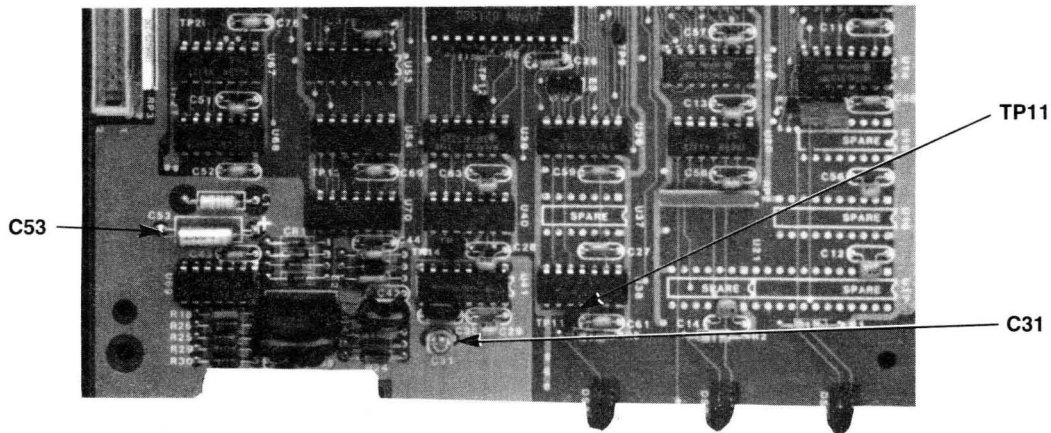


Figure 4-3. VCO Circuit

1. Set the oscilloscope as follows:

Channel A: Test Point 11 (next to U38)

Ground: C53 (negative side)

Display: Channel A1 1—normal

Volts/Div: 0.2 VDC (X10 probe)

Trigger Source: Channel A

Trigger Mode: normal-positive

Time/Div: 50 nsec

2. Power on the OmniDrive and allow the drive to come ready.

3. Remove jumper E2.

4. Adjust C31 for a 91 nsec cycle, leading edge to leading edge across the entire display. The display should be fairly stable.

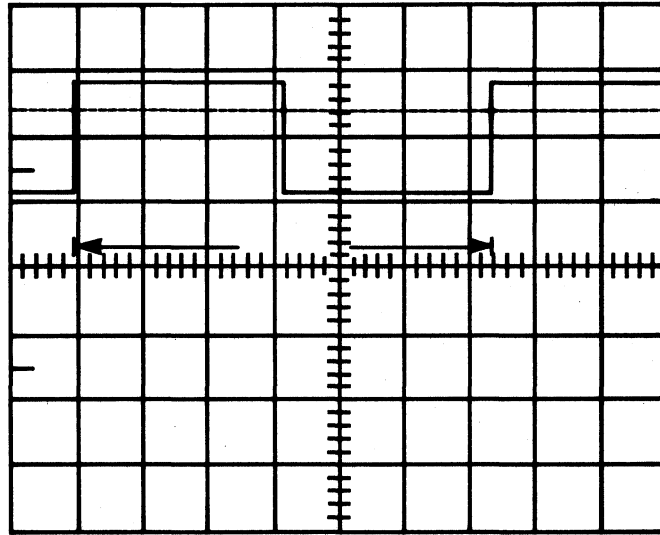


Figure 4-4. VCO Signal

5. Reinstall jumper E2. The frequency should change to a 100 nsec cycle time (10 MHz) and should remain stable.

CHAPTER 5
DIAGNOSTICS

CHAPTER 5 DIAGNOSTICS

5.0 Scope of Chapter

This chapter provides an overview of the OmniDrive Diagnostic utilities. Details can be found in the OmniDrive Diagnostic Guide. Omninet Diagnostics are covered in the Networks Service Manual.

5.1 Introduction

The Diagnostic utilities aid in the tracing faults in the OmniDrive disk drive system, and speed the correction of these faults. These utilities will help the technician exercise and diagnose the OmniDrive disk and network systems using a floppy drive and a host computer.

Diagnostics permit the verification of media integrity, head positioning, and Corvus firmware version installed. Individual routines are used to update Corvus firmware, format a drive, and to park the read/write heads for shipment.

CAUTION:

Selecting certain options may destroy data. The F) Format option will erase all data present on the drive. While the M) Modify Parameters option does not actually destroy data, changing these values will change the relative sector addresses and spared tracks which will in turn make data inaccessible.

5.2 CRC

The Cyclic Redundancy Check (CRC) is a non-destructive test which reads each block of data, and checks it against its CRC value. If for any reason, the CRC value in that sector does not match the block of data, the CRC checker/generator signals the controller that an error has been detected, and the processor halts operation. Any errors will be reported at the end of the program. CRC errors encountered during normal drive operation will halt disk drive operation with the error code displayed. Error listings and interpretations may be found in section 6.2.7.

A good sector is defined as one capable of retaining all bits in the order in which they were written. When a block is read from a sector, the CRC value is read with it and tested. Bit errors may occur due to a bad sector, damaged in one of two ways:

1. Physically (faulty media resulting in dropped bits and mismatched CRC bytes).
2. Magnetically (miscellaneous bits written to the block resulting in a mismatched CRC value).

5.2.1 C) Check for Bad Tracks

This option verifies media integrity and reports any faulty tracks. Run this test five times to determine whether detected errors are due to faulty media, where specific sectors will repeatedly show errors or random magnetic bit changes, where sectors will show one-time errors. Tracks containing sectors with repeated errors should be spared following the procedures outlined in section 5.2.2.

5.2.2 T) Spare Track Table

This option gives access to the drive's spare track table. Options include adding a track, removing a track, clearing the table, and listing the table.

The table is accessed by selecting option M) Modify Parameters from the main menu and then option T) Spare Track Table. The technician may now select one of the four options for modifying the Spare Track Table.

5.3 X) Exercise Heads

This option seeks between random sectors and reads the header information from that sector to verify the success of the seek. Periods print to the video display for successful operations and asterisks are printed for hard errors, errors that exist after ten retries. Question marks represent soft errors, signifying that the operations succeed after at least one retry.

After the test is complete, **pressing** `RETURN` displays the error list, consisting of the total number of seeks and hard and soft errors. Any hard errors reported should be followed by a CRC test to check for faulty sectors. A soft error represents a recovered error and a hard error represents a fatal error.

5.4 U) Update Firmware

This option writes a new copy of Controller Firmware onto each of the first four tracks of the drive. Current firmware versions may be found in the Customer Service Update.

It is not possible to update the firmware from the boot drive; the system must first be booted from another Corvus drive or floppy diskette. Information regarding updating firmware on the OmniDrive may be found in either the OmniDrive Diagnostic Guide or the System Manager's Guide for the computer system being used.

This option will ask if you wish to CHANGE DRIVE TABLES. A negative answer to this question will not endanger data resident on the drive.

CAUTION:

Although this option is non-destructive to the data itself, answering affirmatively to this will result in these tables being rewritten with default values: Interleave factor to 9, read-after-write to OFF, and clear the spare track table. Changing these tables may prevent the user from accessing the data.

Next, the program will request the Controller Firmware file name. This will be in the form of:

ENTER CONTROLLER CODE FILE: FODRX.X

The current level of Controller Firmware for OmniDrives is listed in the Customer Service Update. If another version is to be used, it should be entered now. The version of Controller Firmware used on the drive should be that supplied with the Corvus initialization diskettes that are to be used in installing the drive.

5.5 V) Version Check

This option displays the current versions of the Controller Firmware and Controller ROM (located on the OmniDrive Controller board at position U4) along with other drive information.

Information displayed will include:

Drv	Drive number
P/V	Indicates whether the drive is either Physical or Virtual and will always be P for an OmniDrive
Capacity	Total number of 512-byte sectors available
Size/Rev	Drive capacity in megabytes and the type of drive which will always be O for an OmniDrive
SPT	Sectors per track
TPC	Tracks per cylinder
CPD	Cylinders per drive
ROM	Level of ROM chip installed on the OmniDrive Controller at position U4
DIAG	Version of default firmware data block
Firmware	Version and date of firmware presently installed

5.6 F) Format Drive

The Format option should be used only as a last resort when attempting to reestablish normal drive operations. This diagnostic-level, or bottom-level format writes the rudimentary magnetic pattern to the media required before data may be retained properly. This format must be intact before the drive may be initialized for any operating system or data storage.

CAUTION:

This option will destroy data on the drive. Be sure to back up using the Corvus Mirror Server or Bank if data is to be retained.

Upon selecting option F the program will warn you that data is about to be destroyed and inquire if you wish to continue. Next the format password will be requested; enter ODFORMAT. When formatting is complete, the program will request the firmware file name. If the default name is correct, simply press **RETURN**, otherwise, enter the correct file name.

The program will now rewrite the Controller Firmware using the file name displayed. Use only the Controller Firmware version appropriate for the drive (see option U above).

The Format program writes default Drive Parameters to the drive:

Spare Track table = No Tracks Spared
Read-After-Write = OFF
Interleaving Spec = 9

5.7 M) Modify Parameters

This option allows the modification of the interleave specification, the spare track table, and the read-after-write option.

5.7.1 L) List Parameters

Selecting this option displays the current setting of the drive parameters.

5.7.2 I) Interleave Specification

Selecting this option permits modifying the interleave factor. This determines the frequency at which data is read/written to sectors on the data surface. The default interleave factor is 9.

CAUTION:

Modifying the interleave factor will render the existing data unreadable. This default value should only be changed when instructed to do so by a Corvus Customer Service Representative.

5.7.3 T) Spare Track Table

The Spare Track Table contains a list of those tracks which have been identified as having media defects. Options have been provided to A) Add a Track, R) Remove a Track, C) Clear the Spare Track Table, and L) List the Spare Track Table.

CAUTION:

A written record should be kept with the drive listing all tracks which are spared. In the event that the drive needs to be formatted or the table is accidentally cleared, this information will be needed to restore the table.

5.7.4 R) Read-After-Write

This option permits toggling the setting of the read-after-write option. Setting this to ON will enable a read-after-write verification and will have the effect of slowing down write operations. Setting this to OFF will disable the feature.

5.7.5 S) Save Changes

This option permits the saving of any parameter changes which are made. It should always be selected prior to exiting the Modify Parameters option if the changes are to be retained.

5.8 S) Select Drive

This option allows the operator to select a different OmniDrive on a network to test without exiting from the program.

5.9 P) Park Heads for Shipment

Whenever OmniDrives are to be transported, the heads must first be parked off the data area. The Park Heads command accomplishes this by moving the heads to a non-critical area of the drive's data surface. All drive indicator LEDs will be off after executing this Diagnostic option. This indicates that the heads are parked; the drive should then be powered off immediately. To remove the drive from this mode, the drive need only be powered back on.

CHAPTER 6
TROUBLESHOOTING

CHAPTER 6 TROUBLESHOOTING

6.0 Scope of Chapter

This chapter is a troubleshooting guide for the Corvus OmniDrive. Instructions for service and repair of the OmniDrive are provided.

A list of tools and equipment required is provided as is a troubleshooting flowchart which guides the servicing technician to the appropriate procedures to be performed.

6.1 Introduction

When performing troubleshooting, time is of the essence and it is imperative that the equipment be repaired in the shortest amount of time. The technician must be well equipped to handle problems ranging from operator errors, to software and hardware problems.

6.2 Troubleshooting

An initial diagnosis should be done in order to verify proper installation and operation; a quick check list has been provided to assist in isolating these types of problems. More indepth diagnostic procedures are also discussed in this chapter.

The troubleshooting flowchart will assist the problem isolation process through quick checks, diagnostics, modular, and socketed chip troubleshooting.

6.2.1 Tools and Equipment Required

Troubleshooting and repair of the OmniDrive can be done with the following equipment and tools:

- Host microcomputer
- Transporter for Omninet interface
- OmniDrive Diagnostics
- Digital voltage meter ($\pm 0.1\%$ accuracy), with test leads
- #2 Phillip screwdriver

6.2.2 Using the Troubleshooting Flowchart.

The flowchart has been designed in a logical format using standard algorithmic symbols.

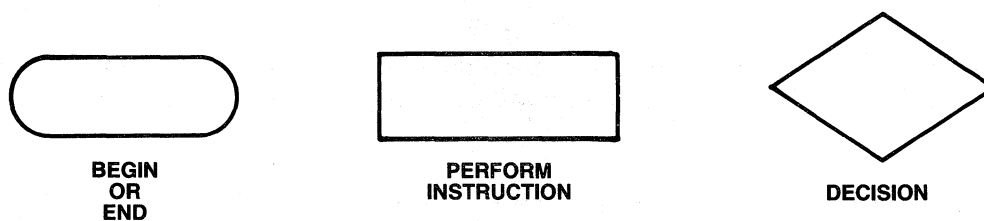


Figure 6-1. Flowchart Symbols

Each step in the flowchart should be performed as instructed without omitting any steps and possibly missing the solution. Each step will refer you to a section in this manual where fault isolation procedures will be described. These procedures will be in the format of quick checks and detailed troubleshooting instructions.

6.2.3 Quick Checks

The first step in determining the problem is reproduce the problem.

1. Verify that the installation of the system is correct (see section 1.4).
2. Verify that the proper power up sequence and operating procedures are observed.
3. If the drive will not go to a Ready state, only the Ready LED continually lit, reset the drive by powering it off and then powering it on again.
4. If resetting the drive does not produce a Ready state, disconnect the Omninet tap cable from the rear of the OmniDrive and reset the drive by powering off and on.

If the Ready LED does turn on, the problem is with the network. See the troubleshooting sections of the Corvus Network Service Manual for troubleshooting procedures.

5. Connect the host microcomputer directly to the OmniDrive using the OmniDrive convenience cable supplied with the drive.

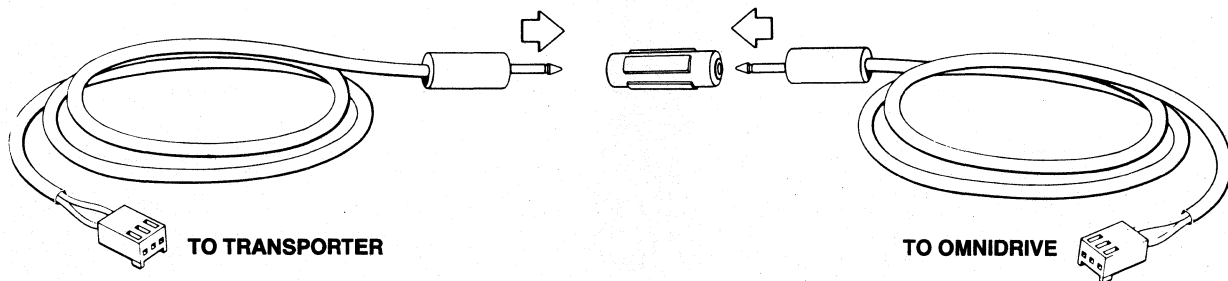


Figure 6-2. OmniDrive Convenience Cable

6. Check the voltage of the power supply as described in section 4.2. If the voltage is not present, check the internal fuse of the power supply and replace if necessary.

If this still does not produce a ready state go to section 6.3 Modular Substitution.

7. With the Ready LED on, continue the boot procedure. If the drive will not boot properly, the problem may be due to software corruption. Run the Diagnostic Utilities. The options that should be run are U) pdate Firmware, C) RC checks and as a last resort, F) ormat drive.

CAUTION:

The F) format drive option is destructive to data on the drive and an Update Firmware as well as a reinitialization of the operating system will have to be performed following a Format drive.

8. If the diagnostic check of the drive indicates no errors, the possibility exists that the software package is not compatible with the OmniDrive. Check the Corvus software directory for a list of compatible software.

TROUBLESHOOTING FLOWCHART

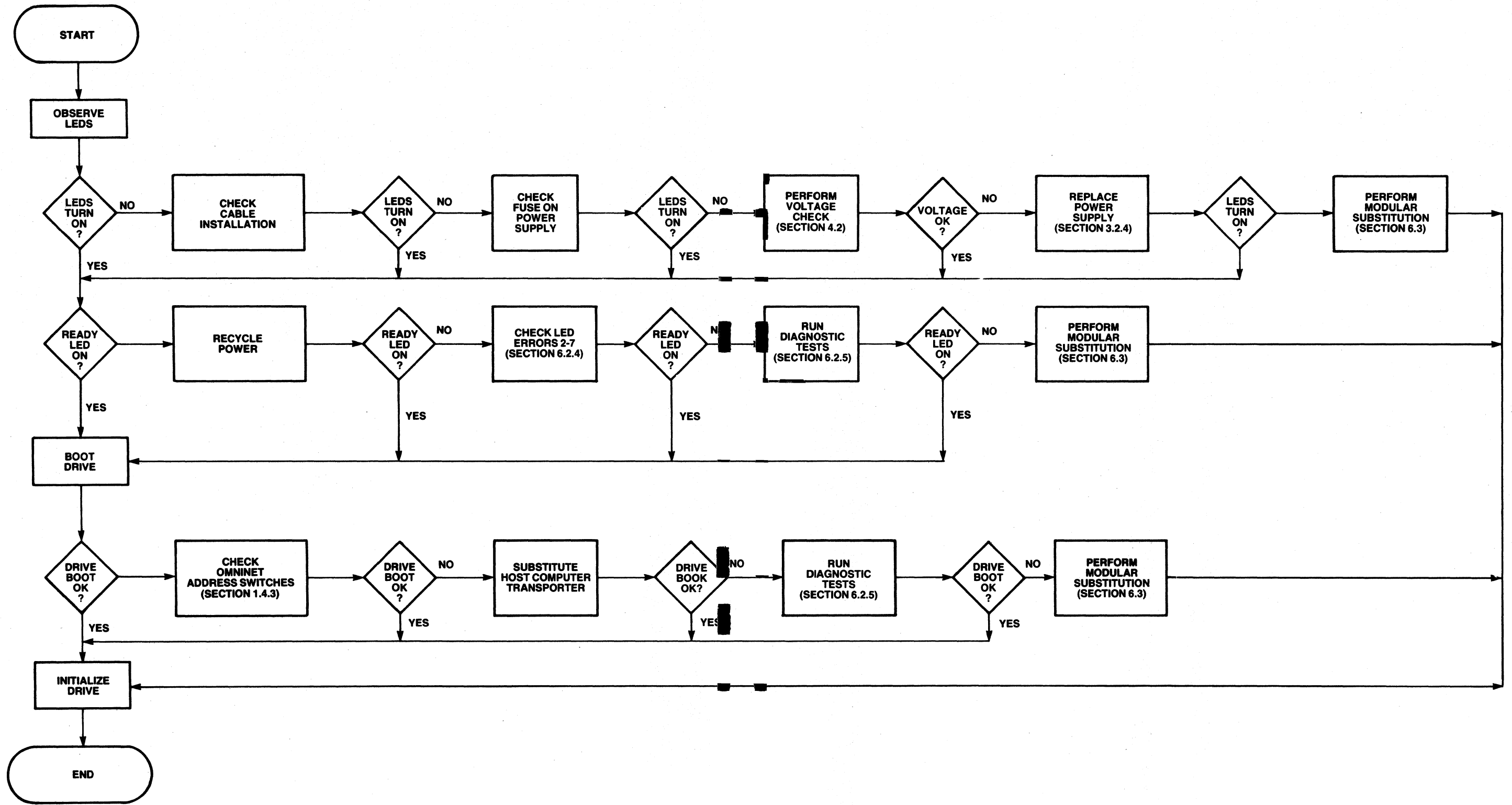


Figure 6-3. Troubleshooting Flowchart

6.2.4 Indicator LED Errors

The front panel LED indicators can aid in troubleshooting. If at power-up, the Ready LED does not go to a ready state or if the indicators do not perform normally during operation, an error has occurred and troubleshooting will be necessary. The following conditions chart will help to diagnose the problem:

	FAULT LED	BUSY LED	READY LED
● Condition 1	Off	Off	On
● Condition 2	Off	Off	Off
● Condition 3	On	On	Off
● Condition 4	On	On	On
● Condition 5	Off	On	On
● Condition 6	Flash	Off	Off
● Condition 7	Flash	Flash	Flash

Table 6-1. Front Panel LEDs

Condition 1—Fault LED is off, Busy LED is off and the Ready LED is on.

- Indicates the desired panel LED condition for OmniDrive operation. With this condition the drive is 'Ready' for operation.
- If the the Ready LED is on but the drive cannot be accessed from your computer, the problem may be in the hardware link. Check to see that the Omninet address switches are set properly.
- Check to see that the host computer and the Omninet Transporter are in working order.
- Verify that the OmniDrive is being recognized by the network. This can be done by running the Activenet or the Who option of Omnitest from the drive Diagnostics which will report all active nodes on the network. Additional information about Omninet tests can be found in the Network Service Manual.
- A hardware failure may also prevent communication between the OmniDrive and the computer. Modular substitution should be performed in order to attain a ready state and isolate the problem.

Condition 2—All front panel LEDs are off. There are various situations which may cause this condition such as:

- Electrical problem—Power may not be present. Perform the procedures for the power supply voltage check.
- The LEDs on the front panel may have blown. This would require that the Controller PCA be replaced.
- Another hardware malfunction may also cause this type of indication. Modular substitution should be performed following the sequence in section 6.3.

Condition 3—Fault LED on, Busy LED on, and the Ready LED is off.

- Firmware may not be installed on the drive or it may have been corrupted. In this case, the firmware will have to be updated using the OmniDrive Diagnostic program.
- May indicate a fatal hardware error. A modular replacement will have to be performed in order to isolate the defective module.

Condition 4—All LEDs are on.

- This indication may be caused by the duplication of Omninet network addresses. In this case an Omninet address not assigned to any other device must be selected as the OmniDrive unique address.
- This condition may also indicate a hardware failure and modular replacement will be required.

Condition 5—Fault LED is off, Busy LED is on, and the Ready LED is on.

- This may indicate the OmniDrive needs to be formatted.

Condition 6—Fault LED flashes, Busy LED off and the Ready LED is off.

- This type of error may indicate there is a hardware mismatch. Check PROM and ROM version levels for compatibility.

Condition 7—Each LED flashes briefly in succession, giving the appearance of “rolling LEDs.”

- This indicates a RAM error. The Controller PCA should be replaced.

6.2.5 Diagnostic Testing

It may be necessary to perform some analysis of the drive using the Diagnostic Utilities. Most utilities require that the drive be in a ready state in order for the host microcomputer to communicate with the drive.

If this condition does not exist, run the following Diagnostics Utilities from the Diagnostic diskette.

WARNING:

Some diagnostic tests are destructive to data. Back up the data prior to running the Diagnostic Utilities.

6.2.5.1 Disk Parameters

If the disk parameters are altered, data on the drive may become inaccessible. List the parameters to verify that:

- Interleaving Specification is set to: 9
- Bad tracks are spared

If any parameters require modification, do not forget to Save the changes.

Consult section 5.7 for a detailed description and operating instructions of the parameters option.

6.2.5.2 Updating the Controller Firmware

If the firmware has been corrupted, or if it contains bad blocks, the drive will not go to ready after the power up is complete.

If the firmware is suspected of being damaged, new firmware should be rewritten from the diagnostic diskette to the OmniDrive. The procedure for this can be found in section 5.4.

6.2.5.3 Head Exercise

This option will exercise the heads to verify proper head positioning by accessing random tracks and checking for proper track access by reading the track header.

See section 5.3 for a detailed description and operation instructions of the Exercise option.

6.2.5.4 Cyclic Redundancy Check (CRC)

The CRC option writes and checks a byte of data on the disk and verifies the integrity of the media.

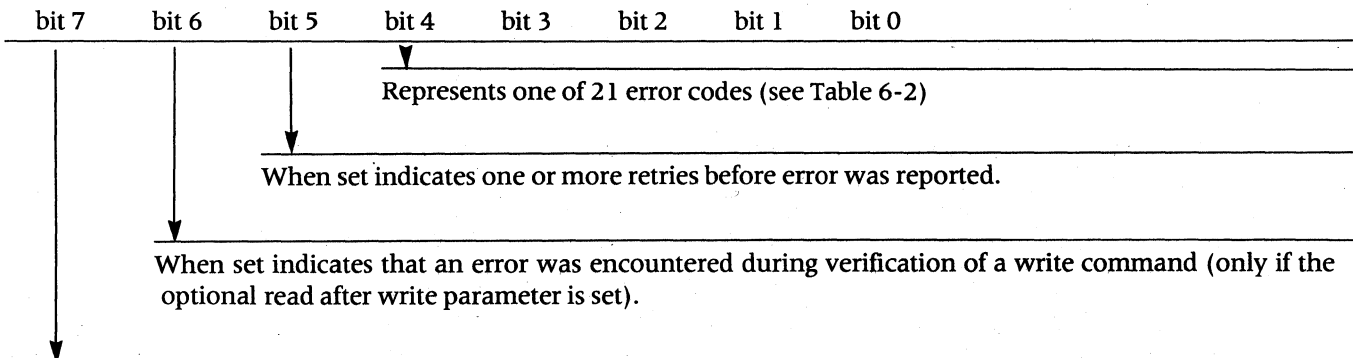
If a bad track is found it must be added to the spare track table. The spare track table resides in the firmware and instructs the controller not to access any track which is listed. Spare tracks will be utilized in their place (see section 5.2).

6.2.5.5 Format

This option should be used only if all other diagnostic have failed. The Format option erases all data on the disk; therefore, the firmware, parameters and operating system must be restored (See section 5.6).

6.2.6 Error Codes

The OmniDrive signals the host operating system with a one byte error code when an error has been encountered. Errors reported by the Corvus Diagnostic Utilities are represented in hexadecimal notation. The bit format for the error code is:



When set indicates that a fatal error has occurred.

Errors less than or equal to 127 are non-fatal while errors greater than 127 are fatal.

6.2.7 Interpreting Error Codes

There are four different error codes for each error condition. To determine the error condition, these procedures should be followed:

These evaluations follow if the error code value is equal to or greater than 128, a fatal error has occurred. Subtract 128 from the value.

1. If the difference of the value is less than 64, the error occurred during a disk read.
2. If the difference of the value is equal to or greater than 64, the error occurred during the verification of a write command.
3. If the remaining difference of the value is less than 32, no retries were attempted.
4. If the value is equal to or greater than 32, at least one retry was attempted.

If a consistent error 171 or 235 is encountered at the same block location, there is probably a media defect in that area. A Cyclic Redundancy Check (CRC) should be run to check the media integrity. See the section 5.2 of this manual for instructions.

When a consistent 255 error appears, it may be an indication that the Controller PCA is not responding to the host computer and may need repair.

≤ 127 Non Fatal				≥ 128 Fatal	
32					soft error
	128	160	192	224	error in preparing R/W
	129	161	193	225	seek timeout
	130	162	194	226	seek fault
	131	163	195	227	seek error
	132	164	196	228	header CRC error
	133	165	197	229	rezero timeout
	134	166	198	230	rezero fault
	135	167	199	231	drive not online
	136	168	200	232	write fault
	137	169	201	233	format protected
	138	170	202	234	read fault
	139	171	203	235	data CRC error
	140	172	204	236	sector locate error
	141	173	205	237	write protected
	142	174	206	238	illegal sector address
	143	175	207	239	illegal command op code
	144	176	208	240	spare track table overflow
	145	177	209	241	overlay failure
				254	verify error (burn-in test)
				255	controller timeout (diagnostic utility)

Table 6-2. Decimal Error Codes

$\leq 7FH$ Non Fatal		$\geq 80H$ Fatal		
20				soft error
80	A0	C0	E0	error in preparing R/W
81	A1	C1	E1	seek timeout
82	A2	C2	E2	seek fault
83	A3	C3	E3	seek error
84	A4	C4	E4	header CRC error
85	A5	C5	E5	rezero timeout
86	A6	C6	E6	rezero fault
87	A7	C7	E7	drive not on line
88	A8	C8	E8	write fault
89	A9	C9	E9	format protected
8A	AA	CA	EA	read fault
8B	AB	CB	EB	data CRC error
8C	AC	CC	EC	sector locate error
8D	AD	CD	ED	write protected
8E	AE	CE	EE	illegal sector address
8F	AF	CF	EF	illegal command op code
90	B0	D0	F0	spare track overflow
91	B1	D1	F1	overlay failure
			FE	verify error (burn-in test)
			FF	controller timeout (diagnostic utilities)

Table 6-3. Hexidecimal Error Codes

6.3 Modular Substitution

Troubleshooting of the Corvus OmniDrive can be performed in a short amount of time due to its modular design. Isolation of the defective subassembly can be readily accomplished by substituting known good modules from your OmniDrive spares kit.

The substitution of modular subassemblies is easily performed on OmniDrive because there are only four major modules. These are:

- Controller PCA
- Winchester Disk Mechanism
- Power Supply
- AC Panel

6.3.1 Tools and Equipment Required

- OmniDrive Spares Kit (order from the Corvus Customer Service department).
- #2 Phillip screwdriver
- Digital voltage meter ($\pm 0.1\%$ accuracy), with test leads

6.3.2 Controller PCA

The OmniDrive Controller PCA is located on the topmost section of the drive base unit, above the disk drive mechanism and the power supply. It is the first PCA seen as the top cover is removed.

Modular replacement of this PCA is as follows:

1. Remove the Controller PCA as described in sections 3.2.1 and 3.2.2.
2. Replace with a known good Controller PCA. Check to see (if necessary) that the insulating washers between the Controller PCA and the rear board support are in place.

CAUTION:

Failure to replace the insulating washers between a Controller PCA below Revision 10 and the rear support will short the 5 VDC plane to the chassis and cause severe damage to the Controller PCA and the power supply.

3. With a known good Controller PCA in place, connect the power cable and the Omninet tap cable. Power up the OmniDrive and run the Diagnostic Utilities on the drive as instructed in section 6.2.5. If all tests pass, load the operating system onto the drive.

6.3.3 Winchester Drive

The Winchester hard disk drive mechanism is located in the base of the OmniDrive enclosure, beneath the Controller PCA. The following section will describe modular replacement of the Winchester disk drive.

1. Follow the disassembly instructions as described in sections 3.2.1, 3.2.2 and 3.2.3.
2. Replace the drive mechanism with a known good drive mechanism.
3. Replace the Controller PCA. Verify the drive select switches are set for the type of drive which is installed (see Appendix).
4. With a known good disk mechanism installed, connect the power cable and the Omninet tap cable. Power up the OmniDrive and run the Diagnostic Utilities on the drive as instructed in section 6.2.5. If all tests pass, load the operating systems onto the drive.

6.3.4 Power Supply

Corvus uses two types of power supplies in the OmniDrive: Astec and Boschert. They are interchangeable, but the AC and DC power harnesses must be changed when the power supply type is changed. The procedure for modular substitution of the power supply is:

1. Follow the procedures for power supply removal as described in sections 3.2.1, 3.2.2, and 3.2.4.
2. Replace the old power supply with a known good power supply.

CAUTION:

If the power supply is replaced with that of a different manufacturer, the AC & DC power harnesses must also be replaced.

3. With a known good power supply installed, connect the power cable and the Omninet tap cable. Power up the OmniDrive and check the voltages as described in section 4.2.

6.4 Socketed Integrated Circuit (IC) Troubleshooting

Authorized Service Centers are authorized to troubleshoot to the socketed IC level only. Removal of any soldered IC will void the warranty of the PCA and Exchange Prices will not be authorized.

For Authorized Service Centers who wish to troubleshoot to the socketed component level, a troubleshooting flow-chart has been included which identifies important device signals. Signal illustrations as well as oscilloscope settings and test point locations can be found in this chapter. A knowledge of digital troubleshooting techniques is necessary to perform these checks.

For Service Center troubleshooting you will need:

- 100-MHz oscilloscope
- OmniDrive spare chip set

When checking the output signals of an IC certain modes of operation must be observed. For example, when monitoring a signal which has a DMA function, DMA must be asserted by performing transfer to or from the host computer. Other modes can be controlled by performing a read or write to the disk, transfer and receive to and from Omninet, seeks, etc. A static mode is one where the OmniDrive is powered on but is not performing a command.

If output signals are not proper, check inputs to the IC from the other LSI socketed ICs. If these inputs are good, the IC should be replaced. If the replacement of the IC does not remedy the problem, the probable cause is with a soldered IC and the Controller PCA should be replaced.

6.4.1 75174 Line Driver/U57

The 75174 line driver receives the serial data input from the ADLC and converts it to a differential voltage signal. This signal is output to the Omninet tap cable.

A detailed description of the receiver and transmitter signals can be found in section 2.3.8.

Check the following outputs of the transmitter. Test point locations and modes of operation are given in the table below. Oscilloscope settings and signal illustrations can be found at the end of this chapter. Compare the signal with those in the test point signal illustration.

SIGNAL	LOCATION	MODE	SIGNAL STATE
+ OUT	U57/Pin 2	Omninet	Signal Illustration
		Transmit	6-4A Top
- OUT	U57/Pin 3	Omninet	Signal Illustration
		Transmit	6-4A Bottom

Table 6-4. 75174 Line Driver Test Points

If the differential voltage signal is not being output from the driver, check Pin 4 of the driver (U57) to determine if it is being enabled. The Enable signal is an active high signal. If it is present, check the input (TXD) from the ADLC. Also, check VCC voltages and clock input. If these are found to be present, the 75174 line driver should be replaced.

6.4.2 75175 Line Receiver/U58

The 75175 line receiver receives RS-422 formatted data from the Omninet twisted-pair tap cable and sends it to the ADLC in digital format.

Check the following output of the receiver. The test point location and modes of operation are given in the table below. Oscilloscope settings and signal illustrations can be found at the end of this chapter. Compare the signal with those in the test point signal illustration.

SIGNAL	LOCATION	MODE	SIGNAL STATE
RXD	TP 1	Omninet	Signal Illustration
		Receive	6-4B

Table 6-5. 75175 Line Receiver Test Point

If data is not being output from the 75175 line receiver, check the differential voltage inputs from the tap cable. If those are present replace the 75175 line receiver.

6.4.3 MC68A54 Advanced Data Link Controller (ADLC)/U23

The ADLC provides an interface to the Omninet transceivers and the remainder of the Transporter circuitry. It converts data from the bus to a serial format to be transmitted over the twisted-pair trunk line and converts incoming serial data to an 8-bit parallel format.

Check the following outputs of the ADLC. Test point locations and modes of operations are given in the table below. Oscilloscope settings and signal illustrations can be found at the end of this chapter. Compare signals with those in the test point signal illustration.

Refer to section 2.3.4 for ADLC signal descriptions.

SIGNAL	LOCATION	MODE	SIGNAL STATE
TXD	TP 2	Omninet	Signal Illustration
		Transmit	6-4C
TDSR	U23/Pin 24	Omninet	Signal Illustration
		Transmit	6-4D
RDSR	U23/Pin 23	Omninet	Signal Illustration
		Receive	6-4E

Table 6-6. ADLC Test Points

If output signals are not as they should be, check inputs to the IC, i.e. VCC, clock input, data lines and input signals from other socketed chips.

6.4.4 Monochip/U27

In the circuitry, the Monochip performs some very important functions. It provides timing and controls DMA, data flow, direction of the data flow and decodes the intended action of the 6801 microprocessor.

Check the following outputs of the Monochip. Test point locations and modes of operations are given in the table below. Oscilloscope settings and signal illustrations can be found at the end of this chapter. Compare signals with those in the test point signal illustration.

Section 2.3.3 describes the major Monochip signal descriptions.

SIGNAL	LOCATION	MODE	SIGNAL STATE
BITCLK	U27/Pin 27	Static	Signal Illustration 6-4F
EIN	U27/Pin 6	Static	Signal Illustration 6-6A Top
EOUT	U27/Pin 7	Static	Signal Illustration 6-6A Bottom
XTAL2	U27/Pin 23	Disk Exercise	Signal Illustration 6-6B
DMAREQ	TP 6	Disk Exercise	Signal Illustration 6-6C
DMAGO	U27/Pin 35	Disk Exercise	Signal Illustration 6-6C
TXENA	TP 7	Omninet Transmit	High

Table 6-7. Monochip Test Points

If output signals are not as they should be, check inputs to the IC, i.e. VCC, clock input, data lines and input signals from other socketed chips.

6.4.5 MC6801-1 Microprocessor/U24

The MC6801-1 microprocessor provides the intelligence for the OmniDrive Controller PCA. It controls the ADLC, the WD 1010 and the Monochip. The Omninet firmware resides in the internal 2Kx8 ROM of the 6801-1.

Check the following outputs of the 6801-1. Test point locations and modes of operations are given in the table below. Oscilloscope settings and signal illustrations can be found at the end of this chapter. Compare signals with those in the test point signal illustration.

See section 2.3.2 for 6801-1 Microprocessor signal descriptions.

SIGNAL	LOCATION	MODE	SIGNAL STATE
AUTO	U24/Pin 13	Static	Low
		Activenet	High
E	TP 4	Static	Signal Illustration 6-6A Top
R/W	TP 3	Read	High
		Write	Low
AS	TP 5	Read	High/Low Activity
		Write	High/Low Activity
RESET	U24/Pin 6	Power-Up	Low
		Static	High
IN/OUT	U24/Pin 14	Read	High
		Write	Low

Table 6-8. 6801-1 Test Points

If output signals are not as they should be, check inputs to the IC i.e. VCC, clock input, data lines and input signals from other socketed chips.

6.4.6 WD 1010 Winchester Disk Controller/U34

The WD 1010 operates independently of the 6801-1 and the Transporter circuitry. It interfaces to the 6801-1, upper Static RAM and the disk mechanism.

Check the following outputs of the WD 1010. Test point locations and modes of operations are given in the table below. Oscilloscope settings and signal illustrations can be found at the end of this chapter. Compare signals with those in the test point signal illustration.

See section 2.3.5 for WD 1010 signal descriptions.

SIGNAL	LOCATION	MODE	SIGNAL STATE
RG	TP 9	Read	High
		Write	Low
WG	TP 20	Read	Low
		Write	High
WE	U34/Pin 7	Read	High
		Write	Low
RE	U34/Pin 6	Read	Low
		Write	High
WD	U34/Pin 21	Read	Low
		Write	Serial Data Stream
DIR	U34/Pin 26	Seek Out	Low
		Seek In	High
STEP	U34/Pin 27	Disk Exercise	Signal Illustration 6-6D

Table 6-9. WD 1010 Test Points

If output signals are not as they should be, check inputs to the IC i.e. VCC, clock input, data lines and input signals from other socketed chips.

The WD 1010 will not operate correctly if the drive mechanism is not functioning properly. Check the following outputs of the drive mechanism. Test point locations and modes of operations are given in the table below. Oscilloscope settings and signal illustrations can be found at the end of this chapter. Compare signals with those in the test point signal illustration.

TRK0—The Track Zero signal notifies the WD 1010 when the heads are positioned over cylinder zero. This signal must be high at power up to signal the WD 1010 that the heads are in position for seeking.

WF—The Write Fault signal notifies the WD 1010 when a write error has occurred. It is an active high signal and should be low for proper operation.

RDY—The Ready signal is an active high signal letting the WD 1010 know that the drive mechanism is ready for a command.

RCLK—The Read Clock signal is sent to the WD 1010 to synchronize data being read from the disk.

IND—The Index signal provides information to the WD 1010 for it to determine the location of sector zero.

SC—Seek Complete signals the WD 1010 that the heads are positioned over the correct cylinder, have stabilized and are ready for a read or a write.

Check the following inputs of the WD 1010. Test point locations, oscilloscope settings and modes of operations are given in the table below. Compare signals with those in the test point signal illustration.

SIGNAL	LOCATION	MODE	SIGNAL STATE
TRK0	U34/Pin 31	Power Up	High
WF	U34/Pin 30	Write	Low
RDY	U34/Pin 28	Static	High
RCLK	U34/Pin 39	Read	2-MHZ Signal
IND	U34/Pin 29	Static	Signal Illustration 6-6E
SC	U34/Pin 32	Seek	Low
		Static	High
DRUN	U34/Pin 34	Static	Signal Illustration 6-6F

Table 6-10. Drive Test Points

This page intentionally left blank.

Signal: + OUT
Channel: A
Volts/Division: 2V
Time/Division: 1us

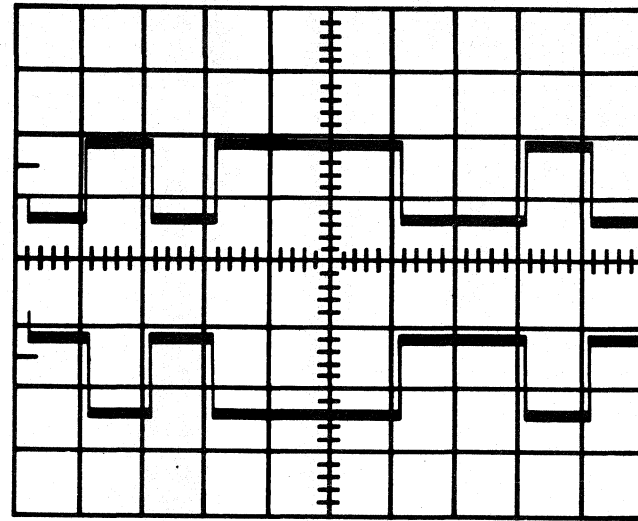


Figure 6-4A

Signal: - OUT
Channel: B
Volts/Division: 2V
Time/Division: 1us

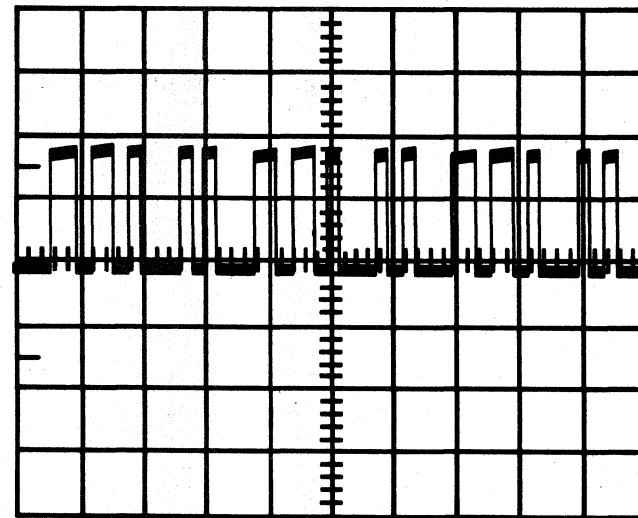


Figure 6-4B

Signal: RXD
Channel: A
Volts/Division: 2V
Time/Division: 5us

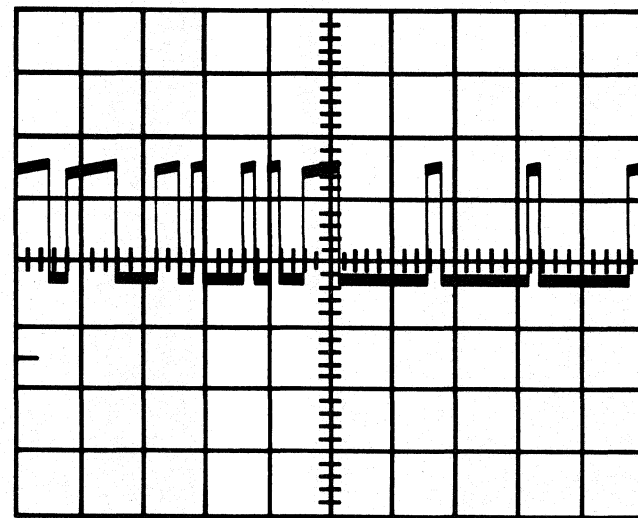


Figure 6-4C

Signal: TXD
Channel: A
Volts/Division: 2V
Time/Division: 5us

Signal: TDSR
Channel: A
Volts/Division: 2V
Time/Division: 5us

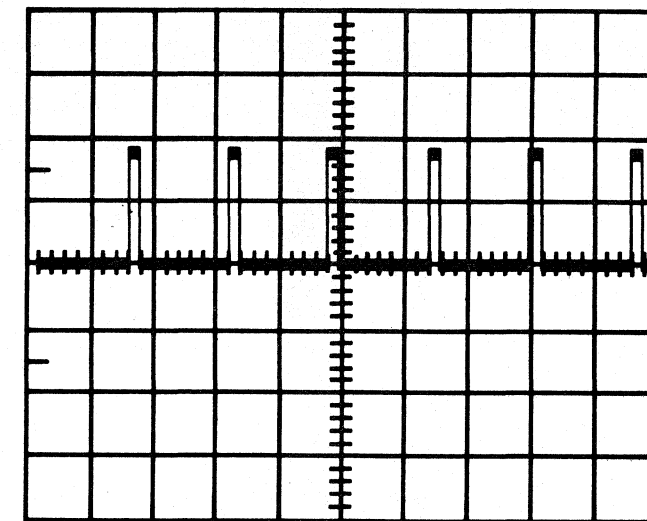


Figure 6-4D

Signal: RDSR
Channel: A
Volts/Division: 2V
Time/Division: 5us

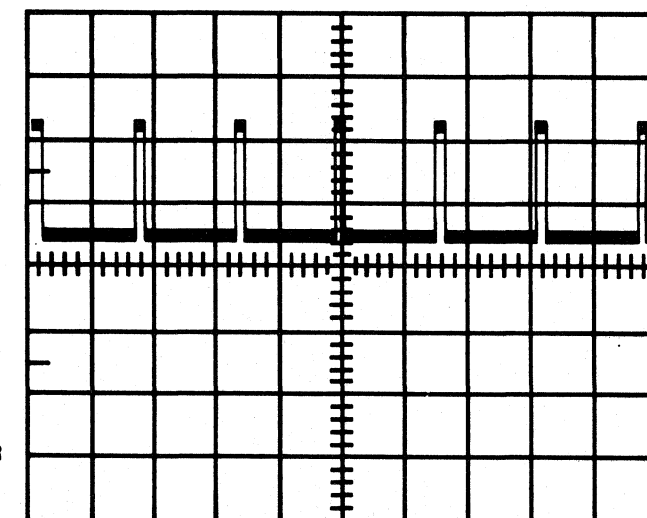


Figure 6-4E

Signal: BITCLK
Channel: A
Volts/Division: 2V
Time/Division: 200ns

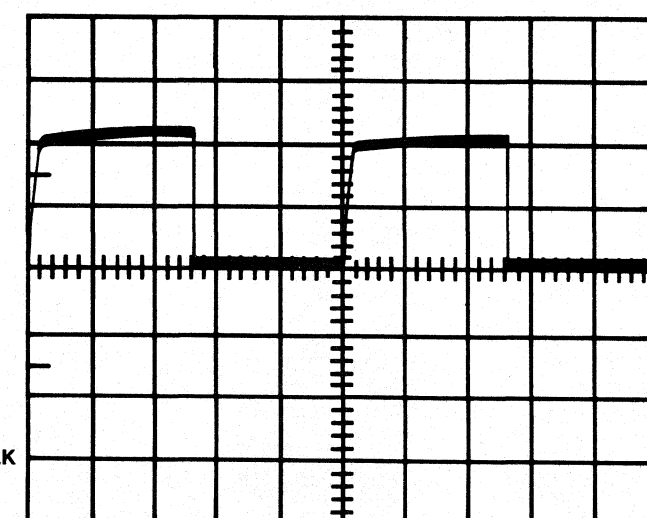


Figure 6-4F

Figure 6-4. Signal Illustrations (6-4A thru 6-4F)

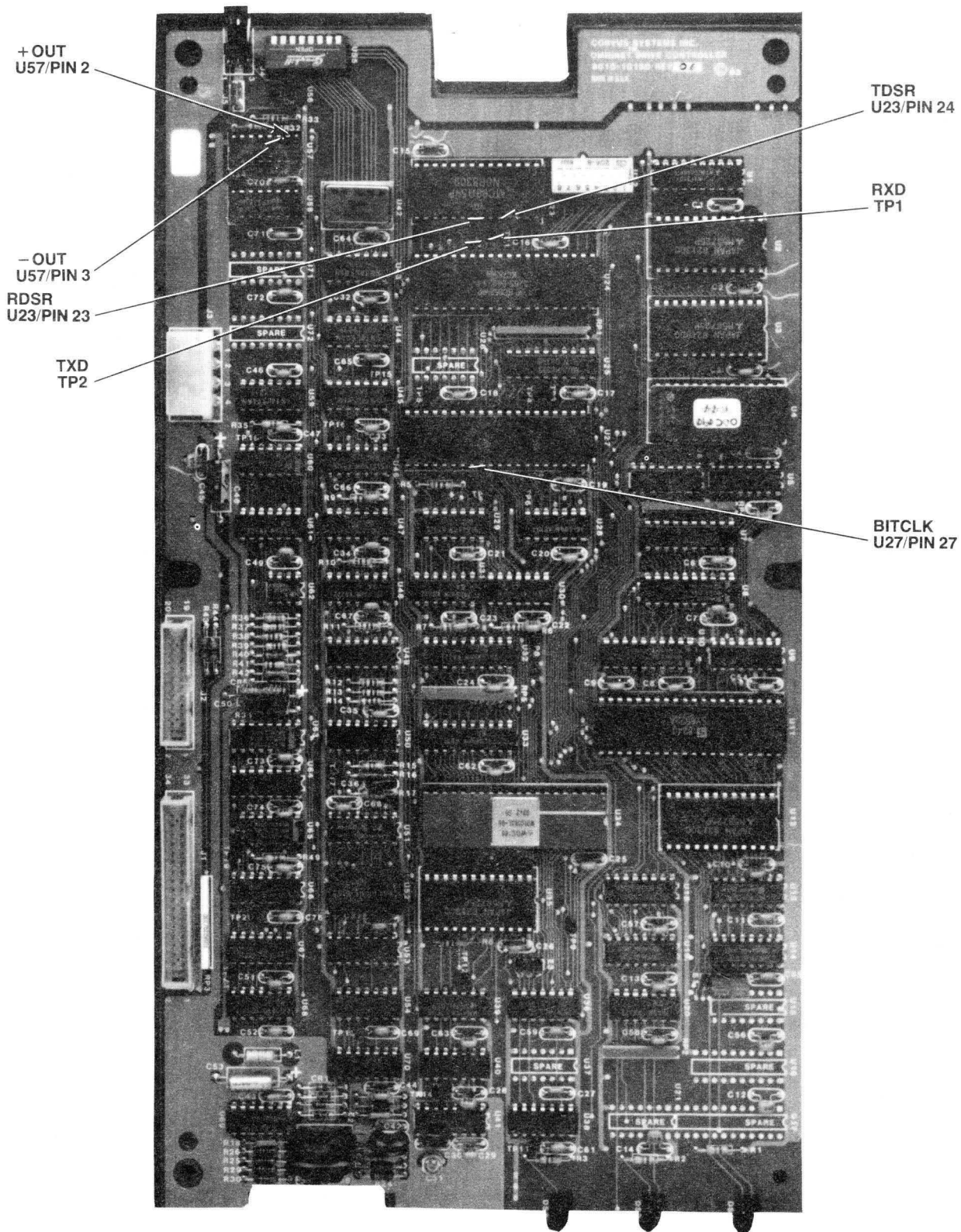


Figure 6-5. Controller PCA Test Points (6-4A thru 6-4F)

Signal: EIN
Channel: A
Volts/Division: 2V
Time/Division: 200ns

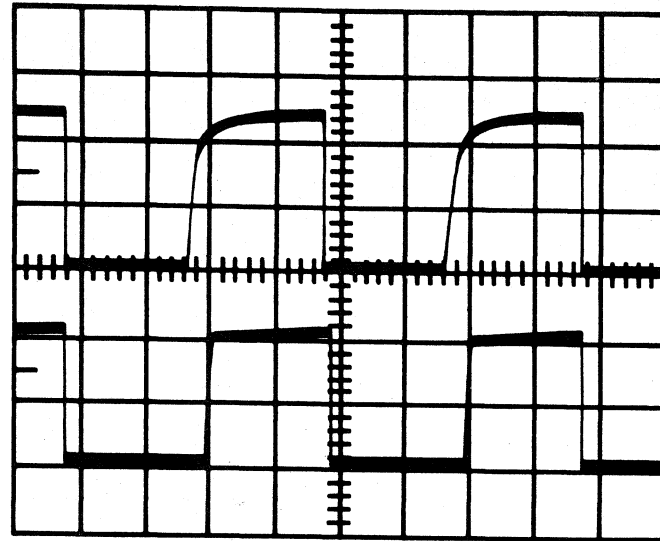


Figure 6-6A

Signal: EOUT
Channel: B
Volts/Division: 2V
Time/Division: 200ns

Signal: STEP
Channel: A
Volts/Division: 2V
Time/Division: 10us

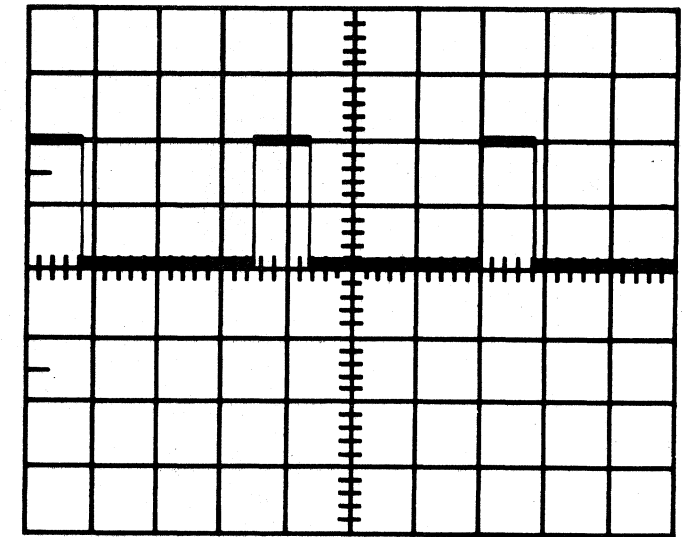


Figure 6-6D

Signal: XTAL2
Channel: A
Volts/Division: 2V
Time/Division: 100ns

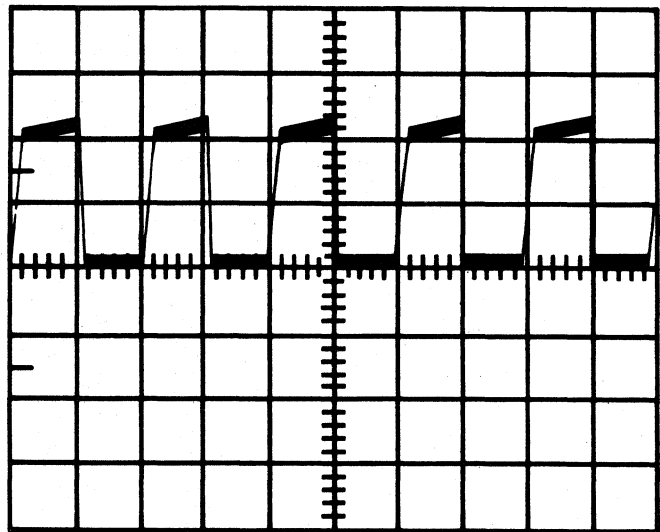


Figure 6-6B

Signal: IND
Channel: A
Volts/Division: 2V
Time/Division: 2ms

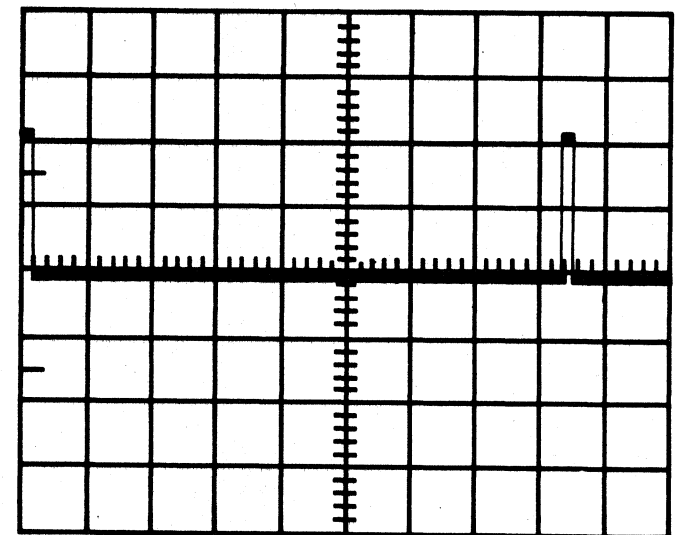


Figure 6-6E

Signal: DMAREQ
Channel: A
Volts/Division: 2V
Time/Division: 200ns

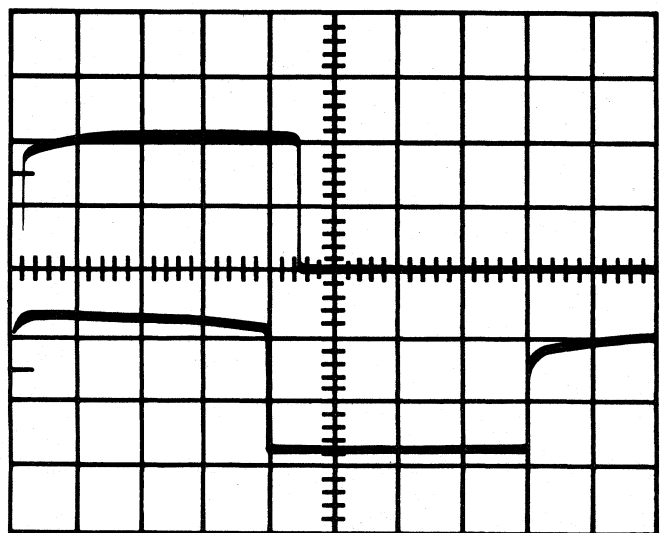


Figure 6-6C

Signal: DMAGO
Channel: B
Volts/Division: 2V
Time/Division: 200ns

Signal: DRUN
Channel: A
Volts/Division: 2V
Time/Division: 100ns

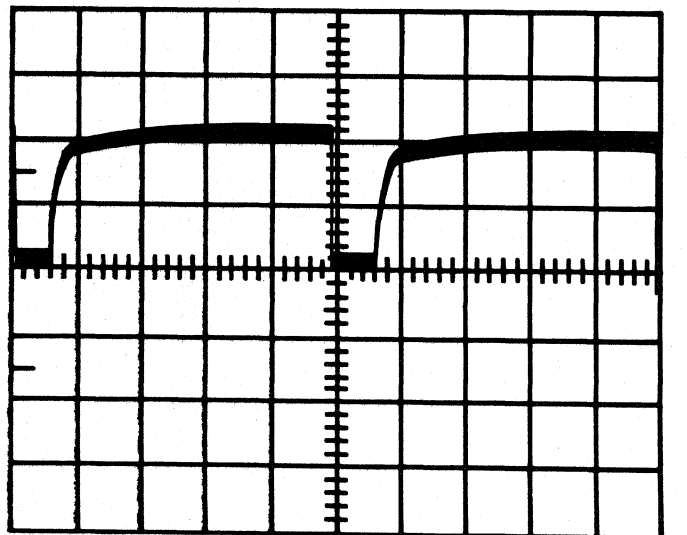


Figure 6-6F

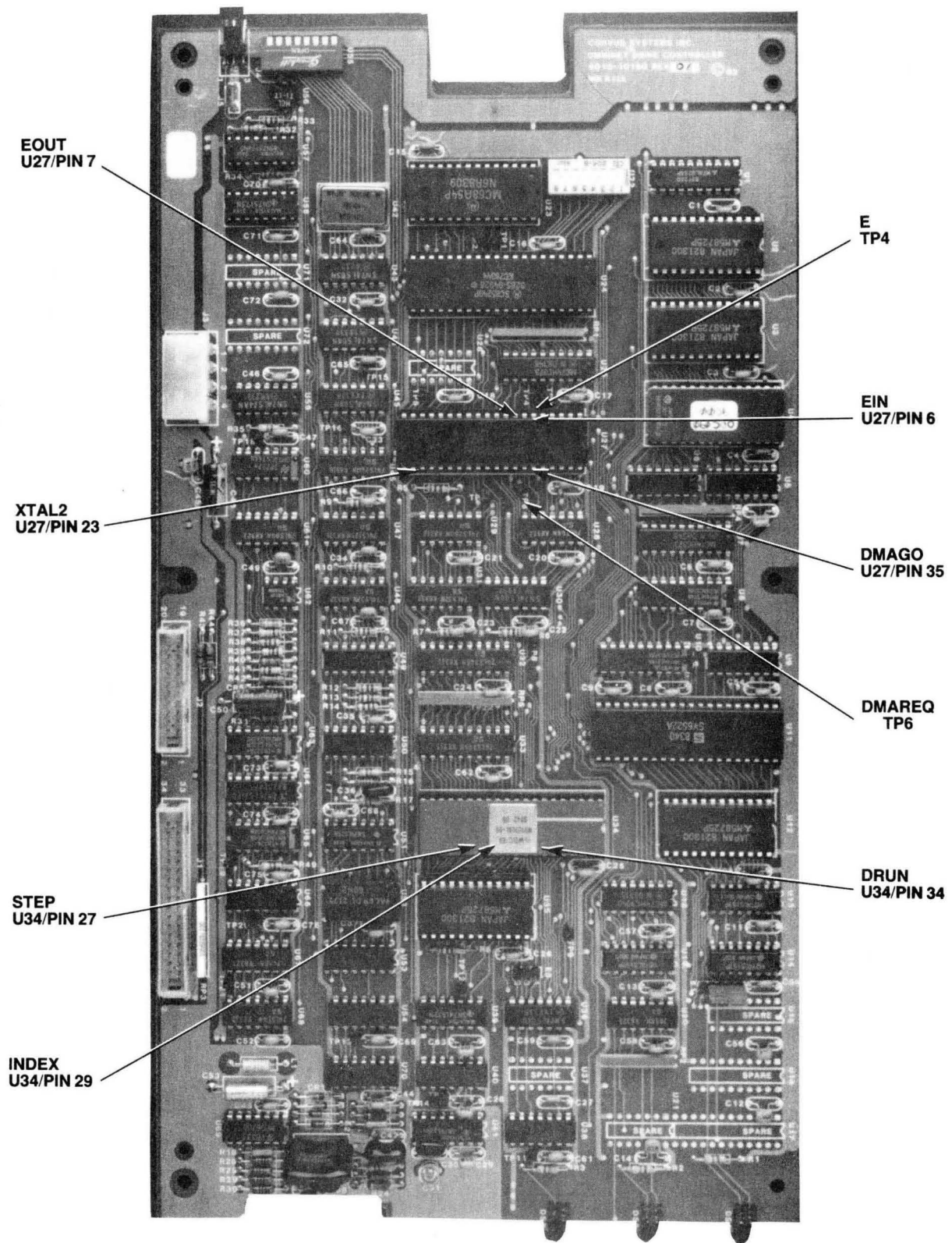


Figure 6-7. Controller PCA Test Points (6-6A thru 6-6F)

APPENDIX A
GLOSSARY

APPENDIX A GLOSSARY OF TERMS

ADDRESS MARK DETECTOR—Checks the incoming data stream for missing-clock. Patterns used in indentifying the start of ID and data fields.

ADLC—Advance Data Link Controller, used in OMNINET circuitry to format data to and from the line trancivers.

BANK—A Corvus product which backs up network storage devices onto either 100 MB or 200 MB cartridge tape.

BIT—Single binary digit. Smallest representative unit of data, several of which make up characters (A-Z, 0-9, etc.). Bits may be either a one or a zero, on or off, set or reset. This may be shown by either a signal being present or not, or by a signal changing states or being constant.

BLOCK—A unit of storage space on a Corvus mass storage system equal to 512 bytes or 4K bits. Two thousand and forty-eight blocks equal one megabyte.

BOOT—Short for bootstrap, the procedure which loads the operating system from a storage device into a computer.

BRAKE OR SOLENOID BRAKE—Immediately after power down, this mechanism engages, so as to minimize contact time between heads and disk surface, and brings the platters to a stop.

BUFFER—Temporary storage used to compensate for a difference in the rate of data flow or time in the occurrence of an event.

BYTE—8 bits of data.

CONSTELLATION II—Also written as Constellation or Const II, network software managing a number of users and computers and their access to one or more Corvus mass storage systems.

CRC—Cyclic Redundancy Check. An error detection method in serial data handling systems.

CSMA—Carrier Sense Multiple Access. A collision avoidance method which senses for network activity prior to data transmission.

CYLINDER—Vertically aligned tracks on all platter surfaces.

DEFAULT—A value the computer automatically assumes if no other value is specified.

DESPOOL—Method of transferring a file from the PIPES volume to a user's console, a file of his own or a printer.

DIP SWITCHES—Dual Inline Packaged switches. These two-position switches are used to set operational parameters such as the network address of a device or the drive size.

DIRECTORY—A list of files on a specific volumes.

DIRECT MEMORY ACCESS (DMA)—The ability to read or write data to a disk without involving the Central Processing Unit (CPU). In a network environment, the Transporter circuitry takes temporary control of the host bus and directly reads or writes to a location in host memory without host processor intervention.

DISK SERVER—Device which interfaces Winchester disk to and from the Omninet network.

DOWN-LOAD—The transfer of code from a host system to a target system. In an OmniDrive system, code is downloaded from the host computer to the drive Controller RAM to be executed by the Controller processor.

FILE—A collection of data.

FIRMWARE—Programs stored in read-only memory devices. Corvus Controller Firmware resides on the first four tracks of OmniDrives.

FLOWCHART—Algorithmic chart depicting logical sequences used in this manual for troubleshooting procedures.

CORVUS CUSTOMER SERVICE

H-SERIES—A line of Corvus drives using 5¼" Winchester disk technology with 6-MB, 12-MB and 18-MB capacities.

HDA—Hard Disk Assembly or sealed Winchester drive mechanism.

INDEX DETECTOR—A sensor which monitors the the index tab of the spindle motor to determine the RPM of a drive.

INTERLEAVING SPECIFICATION—Dictates the number of sectors which will be skipped between reads and writes on a disk platter.

K—Short for kilo or 1000. In terms of computer storage, 1024.

LINE CONDITIONER—Device positioned on incoming AC line to filter high and low voltage spikes to provide noise-free power.

LSI—Large Scale Integration. An IC manufacturing technology which allows thousands of gates to be contained on a single silicon wafer.

MAGNITUDE COMPARATOR—Comparator internal to the Western Digital Winchester controller (WD 1010) which calculates drive step, direction, present and target track position.

MASTER ELECTRONICS PCA—Printed circuit board used within a Rodime Winchester disk drive to control reading/writing, head selection, fault detection, and stepper motor control.

MB—Short for megabyte, one million bytes.

MFM (Modified Frequency Modulation)—Analog representation of data used by storage devices.

MIRROR—Corvus device which changes data to a video format for the purpose of backing up data to a video cartridge.

MIRROR SERVER—A Corvus product which backs up network storage devices onto video cassettes.

MOS—Metal Oxide Semiconductor.

MOTOR CONTROL PCA—Printed circuit board responsible for monitoring the spindle motor speed and adjusting this as necessary.

MULTIPLEXER—Corvus' original networking system. Also referred to as Constellation.

NETWORKING—The ability to connect multiple microcomputers to each other or to one or more mass storage devices and allowing the sharing of peripheral devices.

NRZ (Non-Return to Zero)—Digital representation of information used by microprocessors.

OMNINET—Corvus' present local area network system.

PRINTED CIRCUIT ASSEMBLY (PCA)—A Printed Circuit Board completely assembled with components.

PIPE—A volume on a disk primarily used as a FIFO (First In First Out) buffer for Spooling and Despooling within a network.

PLA—Programmable Logic Array within the WD1010 Winchester Controller IC which controls the flow of data, recognizes and processes commands from the 6801-1 controller.

PROM—Programmable Read Only Memory. A device which has read only functions and usually contains boot codes and parameters used in start up processes. This device can be reprogrammed by first erasing it using either ultraviolet light or an electrical pulse.

PROTOCOL—Software and hardware communication specifications.

READ/WRITE PCA—The printed circuit board assembly responsible for changing the data received from the heads in MFM format and amplifying and shaping the data signal before passing it on to the Controller circuitry for manipulation.

CORVUS CUSTOMER SERVICE

ROM—Read Only Memory. A device which has read only functions and usually contains boot code and parameters used in start up processes. This device may only be programmed once.

SEMAPHORES—Flags or signals generally used to prevent two or more users from changing data at the same time.

SERVER—A network device linking the network and other devices, such as printers, which perform specific tasks.

SPARED TRACKS—Tracks no longer used because defects were found on them.

SPOOLING—A method of sharing information among users by temporarily sending a file to a storage area. Corvus software lets network stations spool files to a PIPES volume. A user may then retrieve the information by despooling.

STEPPER MOTOR—Four phase motor which is controlled by the WD 1010 Winchester Controller and positions the read and write heads to appropriate tracks.

SYSGEN—Short for system generation, a process which must be performed prior to using the system. This process structures the system to accept volumes according to the requirements of a particular operating system.

TAP BOX—Device used for connecting Omninet network devices to the network trunk cable.

TASK FILE—Registers within the WD 1010 Winchester Controller which specify which track sector is read from or written to. They can be directly accessed by the 6801 micoprocessor.

TRACKS—Concentric circles on a disk platter within which data can be magnetically written to or read from by the read/write heads.

TRANSPORTER—Hardware interface to and from the Omninet Local Area Network.

TRUNK CABLE—Cable which is used as the common bus for connecting Omninet network devices.

UTILITY SERVER—A Corvus device which permits sharing printers on an Omninet network.

VCO—Voltage Controlled Oscillator circuit in the OmniDrive Controller PCA which is an analog circuit which synchronizes the read/write clock with the incoming data stream.

VERSION—A number used to identify the individual releases of equipment and software. Version numbers may vary, though the function of each product remains basically the same.

VOLUME—An area of the Corvus system formatted for a particular operating system.

WD 1010—Western Digital IC designed for controlling Winchester disk drive mechanisms.

APPENDIX B
OMNIDRIVE SPARES LIST

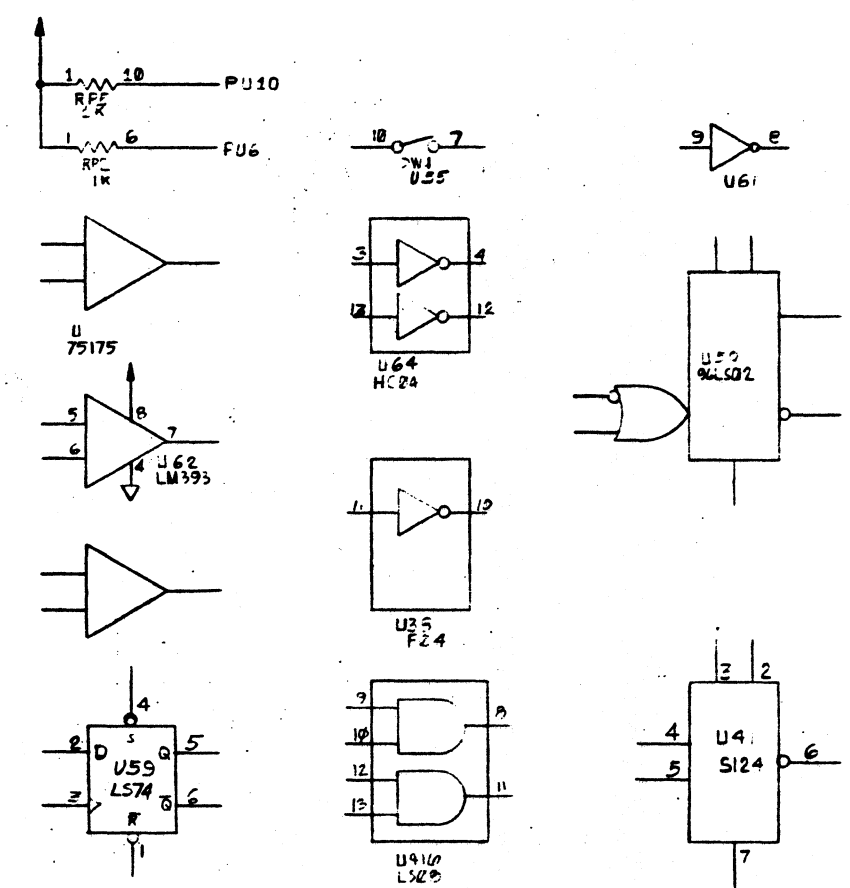
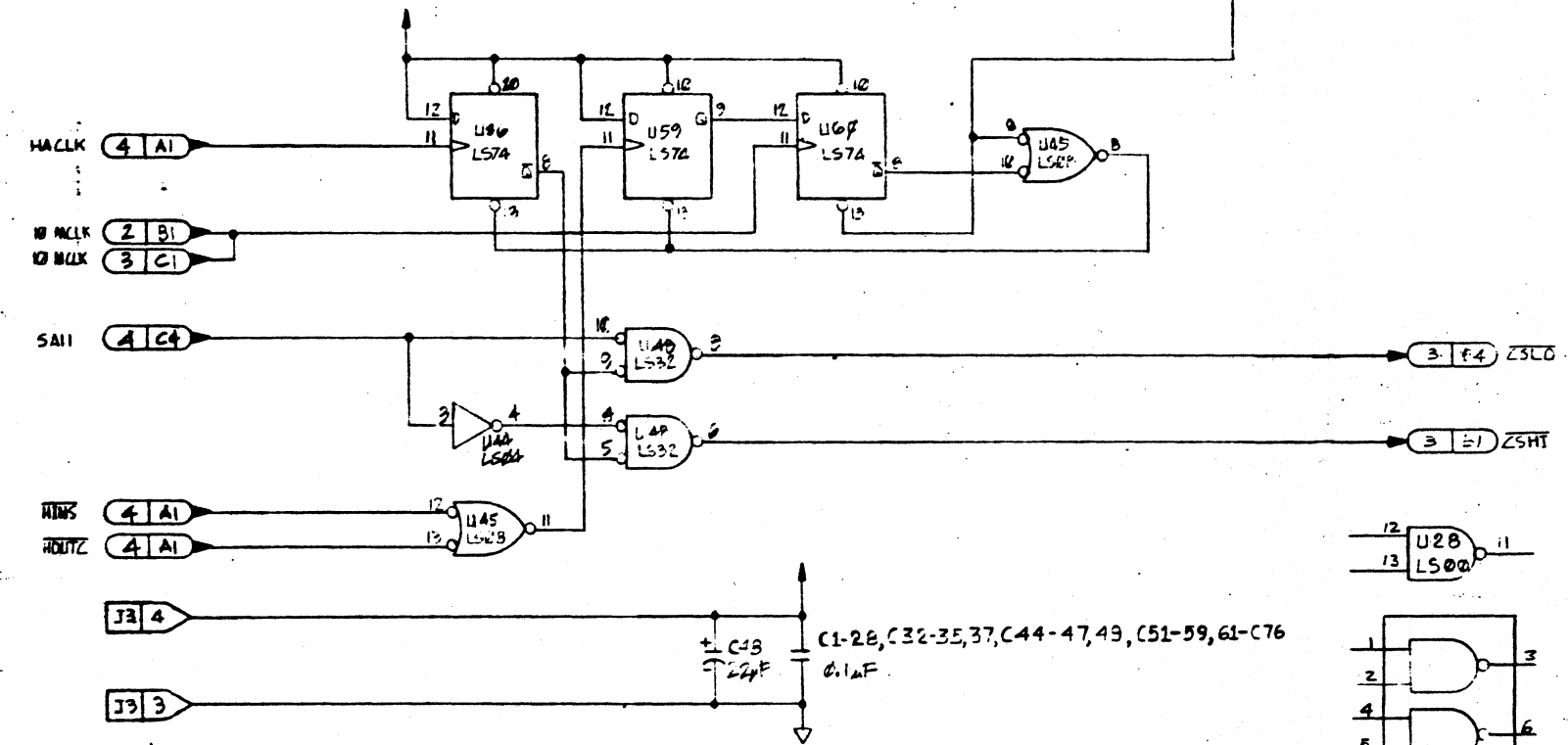
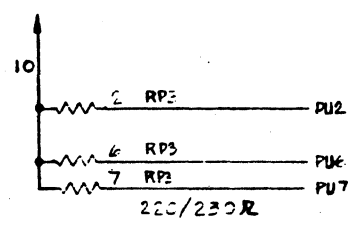
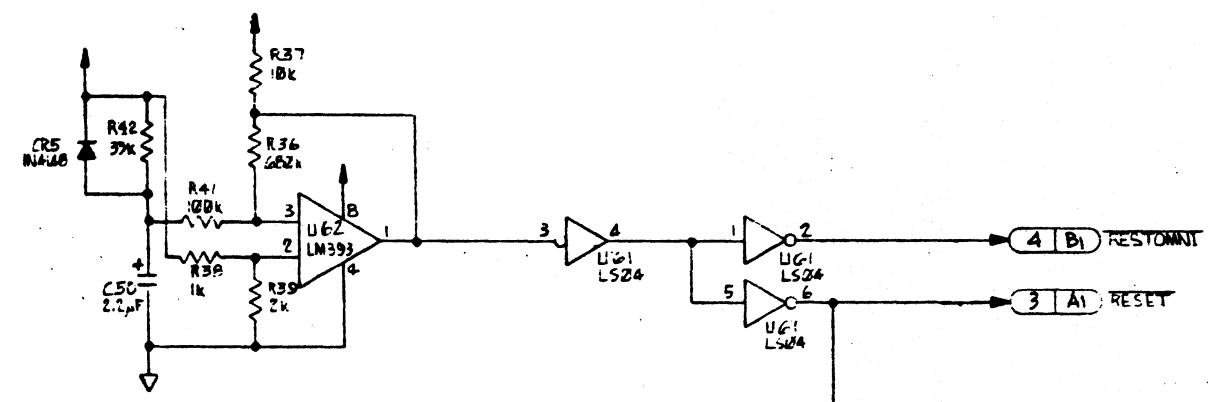
CORVUS CUSTOMER SERVICE

**APPENDIX B
OMNIDRIVE SPARES LIST**

DESCRIPTION	PART NO.	QUANTITY
16-MB Drive Mechanism	2200-04939	1
11-MB Drive Mechanism	2200-04938	1
5-MB Drive Mechanism	2200-04937	1
Drive-to-Controller Cable (20-pin)	8010-10365	1
Drive-to-Controller Cable (34-pin)	8010-10366	1
Ground Harness	8015-11404-01	1
Fan Harness	8010-10707	1
DC Harness	8010-10799	1
AC Harness	8010-10798	1
Convenience Connector	2100-05690	1
Mechanism Mounting Bracket	2400-04328	2
OmniDrive Bracket/Shield	2400-06175	1
Fan	2600-04961	1
AC Receptacle	2400-04323	1
Switching Power Supply	4000-05203	1
Controller PCA—Phase 2	8010-11180-02	1
Service Repair Tags	7200-04618	10
75174 Line Driver	3210-01271	1
75175 Line Receiver	3210-01272	1
MC68A54 ADLC	3210-01274	1
58725 2K x 8 Static RAM	3250-01458	4
6801 T9.B OMNINET ROM	3265-04928	1
WD1010-5 Disk Controller	3265-04934	1
3131 OMNINET Monochip	8115-03023	1
6-32 x 1/2 Screw	2800-02666	10
6-32 x 5/16 with/Star Washer	2800-02764	10
Controller Standoffs	2850-04955	10
#6 Nylon Washers	2800-01197	10
AC Power Switch	5100-02420	1
Rubber Feet	2800-02283	10
6-32 Kepnut	2800-01188	10

**APPENDIX C
OMNIDRIVE ASSEMBLY
DRAWINGS AND SCHEMATICS**

REVISIONS				
PCO	REV	DESCRIPTION	DATE	APPROVED
	01	PRE-PROD	5-3-83	
		UPDATE	5-23-83	
	02	CHNG+ADDITIONS	6-29-83	
	03	ENG CHG	8-12-83	
	04	ENG UPDATE (SHT. 2 OF 4)	9-26-83	
	05	ENG CHG MCOH 134	10-25-83	JME
	06	ENG CHG. MCD #167	1-18-84	
1336	07	REL TO PRODUCTION	4-19-84	JES
1355	B	REVISED PER ECM.	5-1-84	JES



- 9. DENOTES EARTH GND.
- 8. DENOTES ANALOG GND.
- 7. DENOTES LOGIC GND.
- 6. DENOTES SHEET-TO-SHEET DESIGNATOR DIRECTION (NO ARROWHEAD DENOTES BI-DIRECTIONAL)
- 5. DENOTES +5V
- 4. ALL RES. ARE 5%, 1/4 WATT
- 3. PIN 20 OF ALL 20-PIN IC IS VCC
PIN 10 OF ALL 20-PIN IC IS GND
PIN 16 OF ALL 16-PIN IC IS VCC
PIN 8 OF ALL 16-PIN IC IS GND
PIN 10 OF ALL 10-PIN IC IS VCC
PIN 7 OF ALL 10-PIN IC IS GND

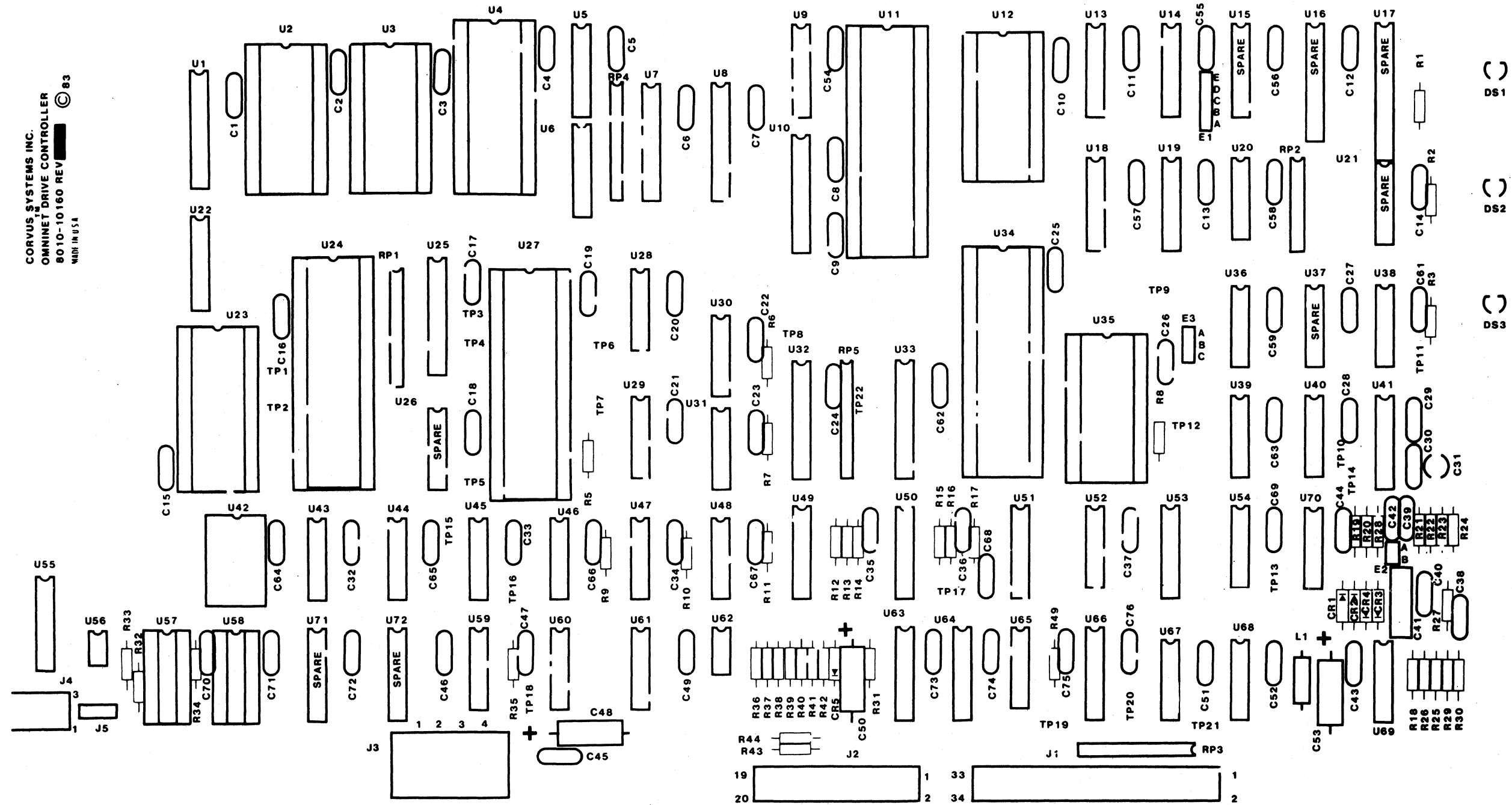
2. INSTALL ONE 0.1 CAP PER IC OF 20 PINS OR MORE
1. INSTALL ONE 0.1 CAP PER 2 IC'S OF 14 AND 16 PINS

NOTES (UNLESS OTHERWISE SPECIFIED):

REWORK INST.	1770-10160	-	-	-	-	-	-	03	-	04	-								
ARTWORK	1740-04155	02	02	03	04	04	04	05	06	04	5								
PCB	1710-04155	02	02	03	04	04	05	06	04	4									
SCHEMATIC	1720-04155	03	04	04	05	05	06	07	07	8									
ASSEMBLY	8012-10162	03	04	04	05	06	07	08	09	10									
DRAWING	NEWER	CORRESPONDING ISSUES																	
		CORRESPONDING ISSUES BLOCK																	

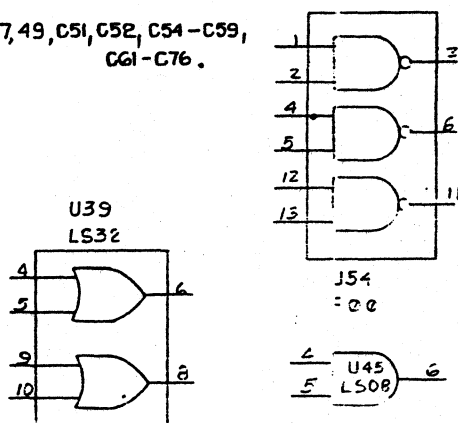
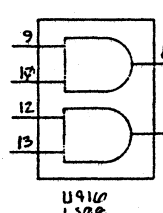
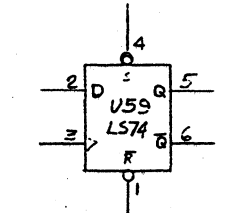
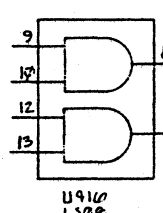
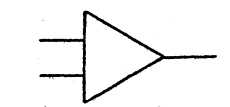
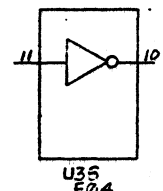
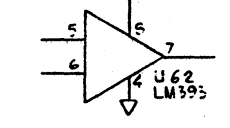
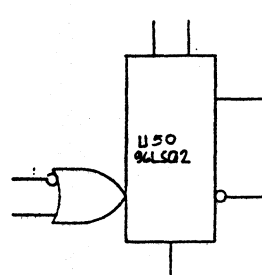
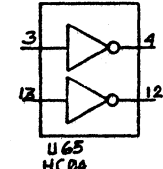
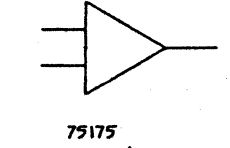
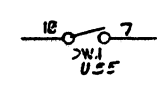
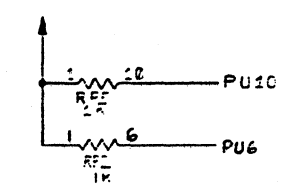
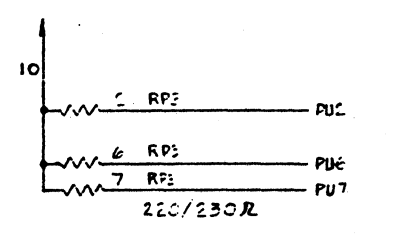
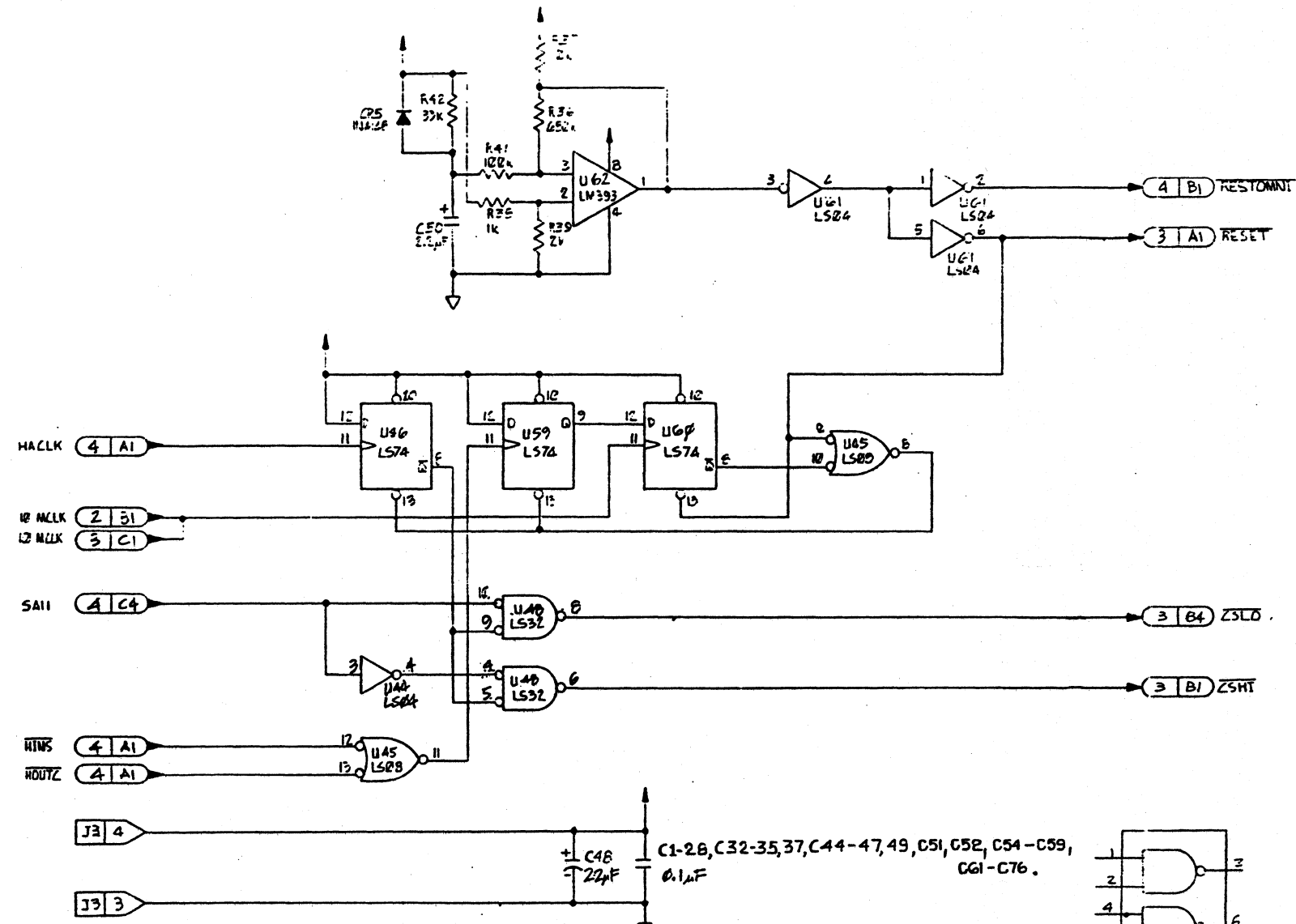
UNLESS OTHERWISE SPECIFIED DIMENSIONS ARE IN INCHES TOLERANCES ON		This document contains proprietary information and is delivered upon the expressed condition that it will not be used directly or indirectly in any way detrimental to the interest of CORVUS SYSTEMS	CORVUS SYSTEMS 2029 O'Toole Avenue, San Jose, CA 95131	
ANGLES	DECIMALS		SCHEMATIC DIAGRAM, OMNINET DRIVE CONTROLLER	
±	.XX ± .XXX ±		DWG NO. 1720-04155	REV. B
MATERIAL	FINISH		SCALE NTC	SHEET 1 OF 4
APPLICATION		DRAWN BY: [Signature] DATE OF DRAWING: [Date] CHECKED BY: [Signature] ENGINEER: [Signature] APPROVED BY: [Signature]		

CORVUS SYSTEMS INC.
 OMNINET DRIVE CONTROLLER
 8010-10160 REV ████████ © 83
 MADE IN USA



<small> This drawing is the property of Corvus Systems Inc. and is to be used only for the purpose intended. It is not to be reproduced, stored in a retrieval system, or transmitted in any form or by any means, electronic, mechanical, photocopying, recording, or by any information storage and retrieval system, without the prior written permission of Corvus Systems Inc. </small>		★ ★ CORVUS SYSTEMS ★ ★ 10000 Lakeside Avenue, Suite 100 San Diego, CA 92123	
		OMNINET™ DRIVE CONTROLLER	
Part No.	Rev.	1740-04155	04
Quantity	Unit	CORVUS SYSTEMS INC. SHEET 04	

REVISIONS			
PCO REV	DESCRIPTION	DATE	APPROVED
11427 A	REL. FOR PROD.		

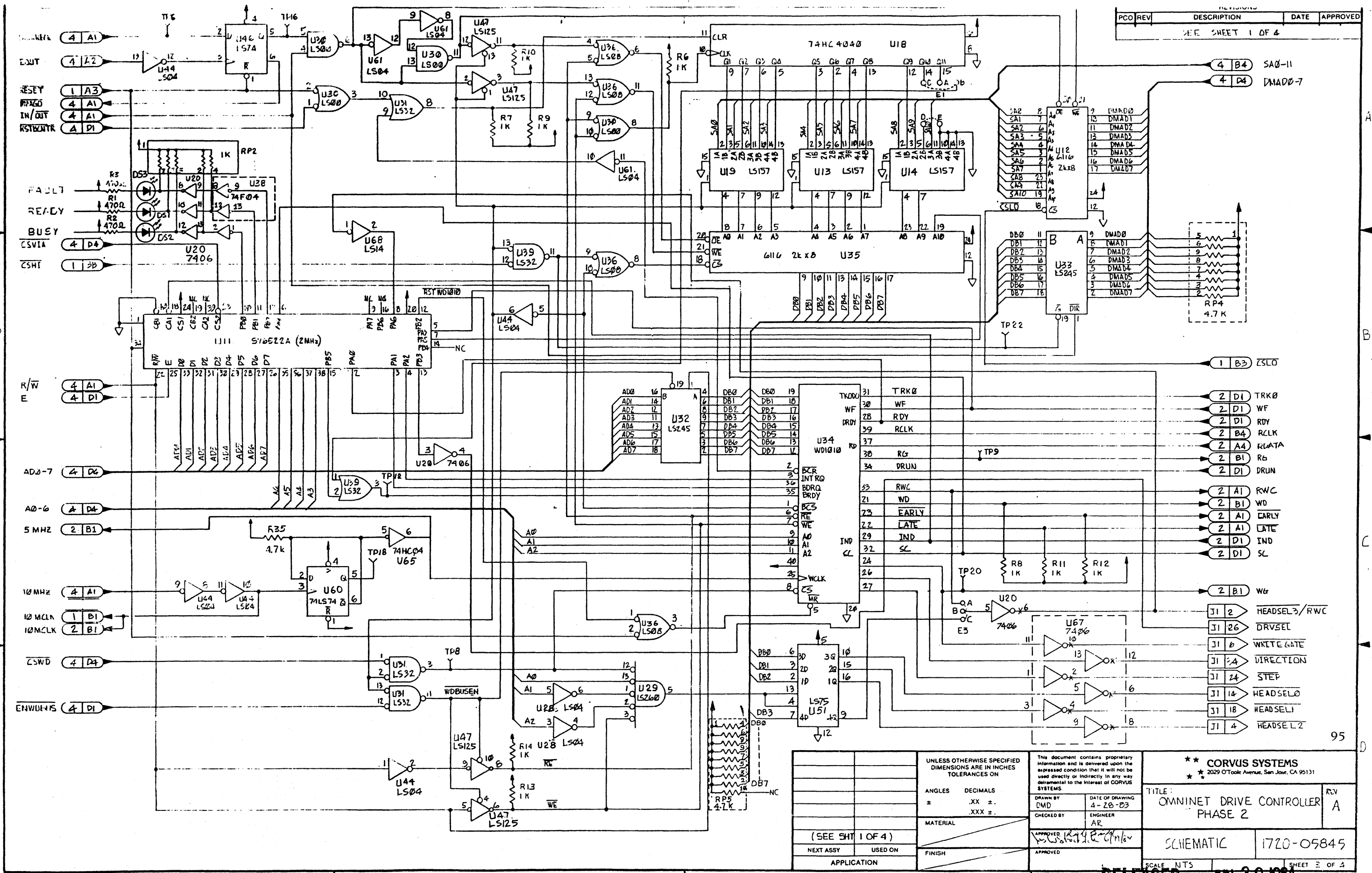


- 9. DENOTES EARTH GND.
- 8. DENOTES ANALOG GND.
- 7. DENOTES LOGIC GND.
- 6. DENOTES SHEET-TO-SHEET DESIGNATOR DIRECTION (NO ARROWHEAD DENOTES BI-DIRECTIONAL).
- 5. DENOTES +5V.
- 4. ALL RES. ARE 5%, 1/4 WATT.
- 3. PIN 20 OF ALL 20-PIN IC IS VCC
PIN 10 OF ALL 20-PIN IC IS GND
PIN 16 OF ALL 16-PIN IC IS VCC
PIN 8 OF ALL 16-PIN IC IS GND
PIN 10 OF ALL 10-PIN IC IS VCC
PIN 7 OF ALL 10-PIN IC IS GND

- 2. INSTALL ONE 0.1 CAP PER IC OF 20 PINS OR MORE
- 1. INSTALL ONE 0.1 CAP PER 2 IC'S OF 14 AND 16 PINS

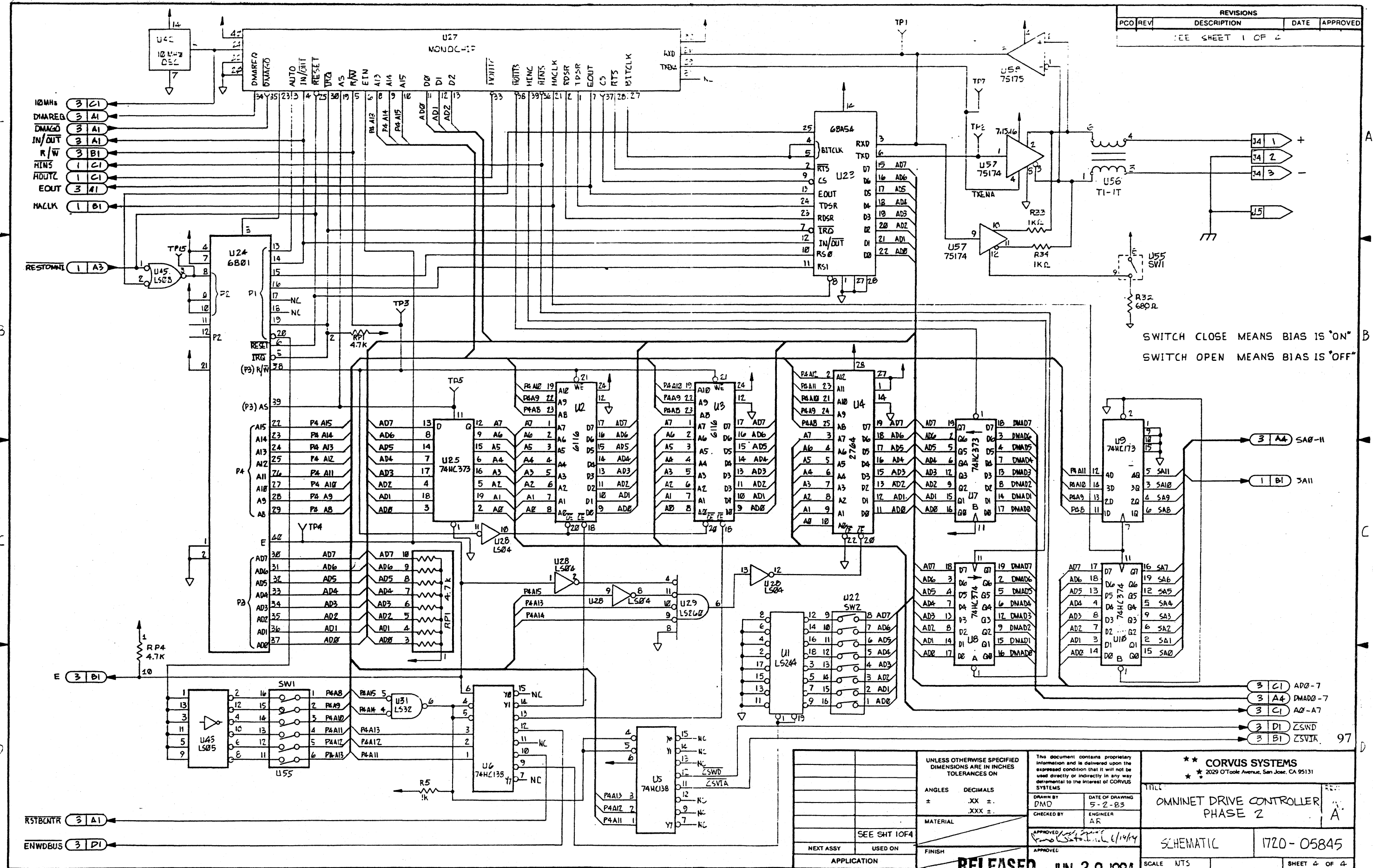
NOTES (UNLESS OTHERWISE SPECIFIED):

UNLESS OTHERWISE SPECIFIED DIMENSIONS ARE IN INCHES TOLERANCES ON		This document contains proprietary information and is delivered upon the expressed condition that it will not be used directly or indirectly in any way detrimental to the interest of CORVUS SYSTEMS.		CORVUS SYSTEMS 2029 O'Toole Avenue, San Jose, CA 95131	
ANGLES	DECIMALS	DRAWN BY	DATE OF DRAWING	TITLE: OMNINET DRIVE CONTROLLER PHASE 2 REV: A:	
=	.XX ± .XXX ±	CHECKED BY	ENGINEER	SCHEMATIC 1720-05845	
MATERIAL		APPROVED		SCALE: NTS SHEET 1 OF 4	
NEXT ASSY	USED ON	FINISH		REFUSED IN 29 1984	
APPLICATION					



UNLESS OTHERWISE SPECIFIED DIMENSIONS ARE IN INCHES TOLERANCES ON		<small>This document contains proprietary information and is delivered upon the expressed condition that it will not be used directly or indirectly in any way detrimental to the interest of CORVUS SYSTEMS.</small>	** CORVUS SYSTEMS	
ANGLES DECIMALS ± .XX ± .XXX ±			* 2029 O'Toole Avenue, San Jose, CA 95131	
MATERIAL		<small>DRAWN BY DMD</small> <small>CHECKED BY ENGINEER AR</small> <small>APPROVED [Signature]</small>	<small>DATE OF DRAWING 4-26-83</small> <small>ENGINEER AR</small>	<small>REV A</small>
(SEE SH1 1 OF 4)		<small>TITLE: OMNINET DRIVE CONTROLLER PHASE 2</small>		<small>SCHEMATIC 1720-05845</small>
<small>NEXT ASSY</small> <small>USED ON</small>	<small>APPLICATION</small>	<small>FINISH</small>	<small>SCALE: NTS</small>	<small>SHEET 3 OF 4</small>

REVISIONS			
PCO/REV	DESCRIPTION	DATE	APPROVED
	SEE SHEET 1 OF 4		



SWITCH CLOSE MEANS BIAS IS 'ON'
SWITCH OPEN MEANS BIAS IS 'OFF'

UNLESS OTHERWISE SPECIFIED DIMENSIONS ARE IN INCHES TOLERANCES ON		This document contains proprietary information and is delivered upon the expressed condition that it will not be used directly or indirectly in any way detrimental to the interest of CORVUS SYSTEMS	** CORVUS SYSTEMS 2029 O'Toole Avenue, San Jose, CA 95131	
ANGLES	DECIMALS		TITLE	REV
±	.XX ±	DRAWN BY	DATE OF DRAWING	
	.XXX ±	CHECKED BY	ENGINEER	
MATERIAL		APPROVED	DATE	
SEE SHT 10F4		APPROVED		
NEXT ASSY	USED ON	FINISH		
APPLICATION		APPROVED		

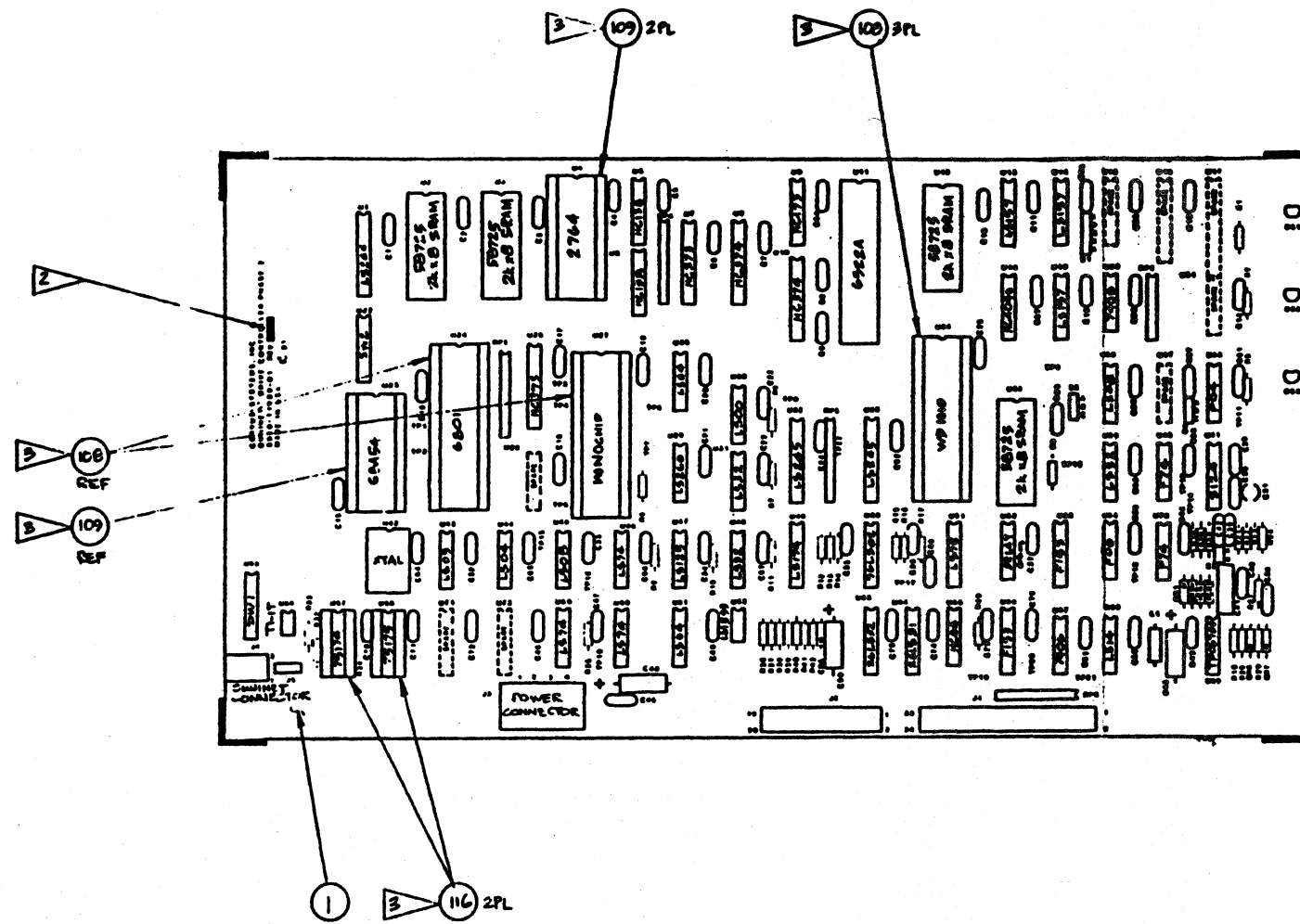
OMNINET DRIVE CONTROLLER
PHASE 2

SCHEMATIC 1720-05845

SHEET 4 OF 4

RELEASED JUN 29 1984

ECO	REVISION	DESCRIPTION	DATE	APPROVED
1427	A	ISSUED FOR PROD.	5-29-84	[Signature]



4. ASSEMBLY NUMBER IS 8010-11180-01.

9 SOCKETS TO BE INSTALLED DURING ASSY. DEVICES TO BE INSTALLED DURING TEST OR AFTER PROGRAMMING.

2 PERMANENTLY MARK CURRENT REVISION LEVEL WHERE SHOWN.

1 SQUARE PAD DENOTES PIN 1 OF IC AND CONNECTOR, POSITIVE END OF CAPACITOR, CATHODE END OF DIODE.

NOTES:

QTY	ITEM NO	PART NO	DESCRIPTION
8010-11204-02			
PARTS LIST			
UNLESS OTHERWISE SPECIFIED DIMENSIONS ARE IN INCHES TOLERANCES ARE		This document contains proprietary information and is delivered upon the expressed condition that it will not be used directly or indirectly in any way detrimental to the interest of CORVUS SYSTEMS. CORVUS SYSTEMS 2020 O'Toole Avenue, San Jose, CA 95131	
ANGLES	DECIMALS	DRAWN BY: DAVE PATU DATE: 5-25-84 CHECKED BY: DATE: DESIGN (NUMBER) DATE: WROTE FOR: JAMES WALLSTEIN DATE: 5/25/84 APPROVED: [Signature] DATE: 5/25/84	
2	.XX	PRINTED CIRCUIT ASSY, OMNINET DRIVE CONT PHASE 2	
XXX	.2	SIZE: D DWG NO: 8010-11180 REV: A	
MATERIAL	FINISH	SCALE: 1/1 DO NOT SCALE DWG SHEET 1 OF 1	
NEXT ASSY	USED ON	REFERENCED 2	
APPLICATION		8010 2 0 100A 1	

00111-0108

List of Materials for Phase 1 OmniDrive Top Assembly

110v Units		220v Units	
8010-10835	5 MB	8010-10836	5 MB
8010-10837	11 MB	8010-10838	11 MB
8010-10839	16 MB	8010-10840	16 MB
8010-10845	45 MB	8010-10846	45 MB

Item	Description	Part Number	Quantity
1	Mechanism	See Note 1	1
2	Mechanism Mounting Bracket	2400-04328	2
3	Controller Standoffs	2850-04955	4
4	Top Cover	3150-04327	1
5	Controller PCA	8010-10160	1
6	Rubber Feet	2800-02283	4
7	Base Pan	3150-05779-01	1
8	Switching Power Supply	4000-05025	1
9	Not Available		
10	6-32 Kepnut	2800-01188	1
11	Nylon Washer	2800-01197	2
12	6-32 x 5/16 Screw	2800-02764	16
14	Ground Harness	8010-10689	1
15	Drive/Controller Cable (20-pin)	8010-10365	1
16	Drive/Controller Cable (34-pin)	8010-10366	1
17	DC Harness	8010-10356	1
18	Rear Panel Assembly	See Note 2	1
19	6-32 x 1/2 Screw	2800-02666	2
22	Not Available		
23	Not Available		
24	Not Available		

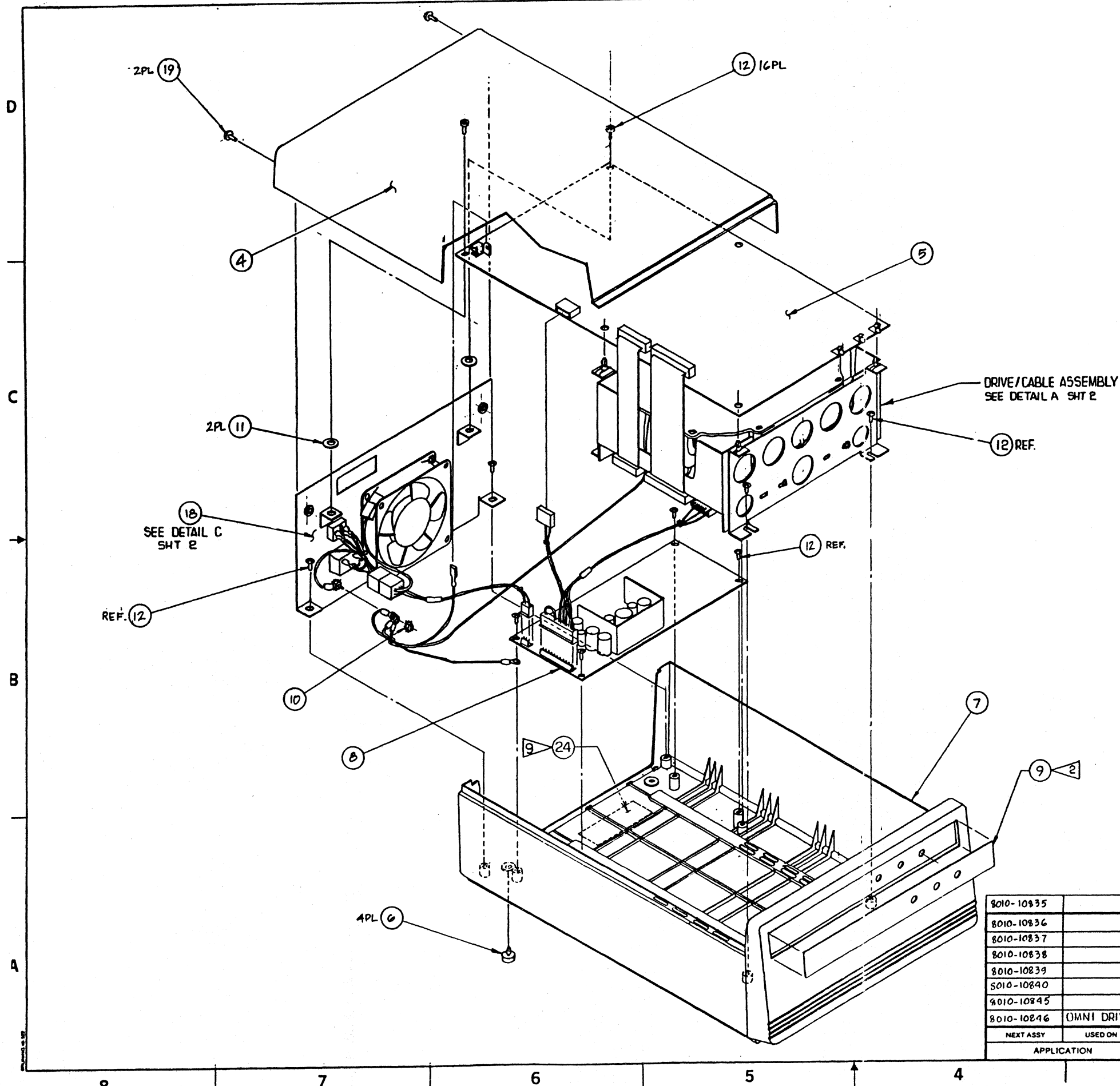
Note 1: Mechanism Part Number is dependent on capacity of OmniDrive.

2200-04937	5 MB
2200-04938	11 MB
2200-04939	16 MB
2200-05639	45 MB

Note 2: AC Panel Part Number is dependent on voltage of drive.

8010-10198	110v
8010-10339	220v

REVISIONS					
ECN	ZONE	REV	DESCRIPTION	DATE	APPROVED
1331		A	REL. FOR PROD.	4-12-84	DJW



- 10 CENTER UL LABEL APPROX. WHERE SHOWN.
 - 9 CENTER FCC LABEL APPROX. WHERE SHOWN (FAR SIDE).
 - 8 ALTERNATE IMI GROUND TAB (NOT SHOWN) MAY FACE UP, IN THAT CASE GROUND CABLE TO PLUG FROM TOP.
 - 7 DETAIL B REFLECTS A TYPICAL RODIME DRIVE POWER AND GROUND INTERCONNECT SCHEME.
 - 6 DETAIL A REFLECTS A TYPICAL IMI DRIVE AND ITS INTERCONNECT SCHEME.
 - 5 FOR OMNI DRIVE ASSEMBLY LM'S REFERING TO THIS DRAWING, SEE TABLE 1 SHT. 2.
 - 4 ORIENT STANDOFFS WITH BOARD MOUNTING LATCH FACING THE REAR OF THE DRIVE AS SHOWN
3. FOR OMNI DRIVE SYSTEM WIRING DIAGRAM, SEE 1720-04155
- 2 CENTER OVERLAY IN RECESSED AREA.
 - 1 CENTER MOUNTING SCREWS BY ADJUSTING BRACKET.

NOTES:

APR 27 1984
 101

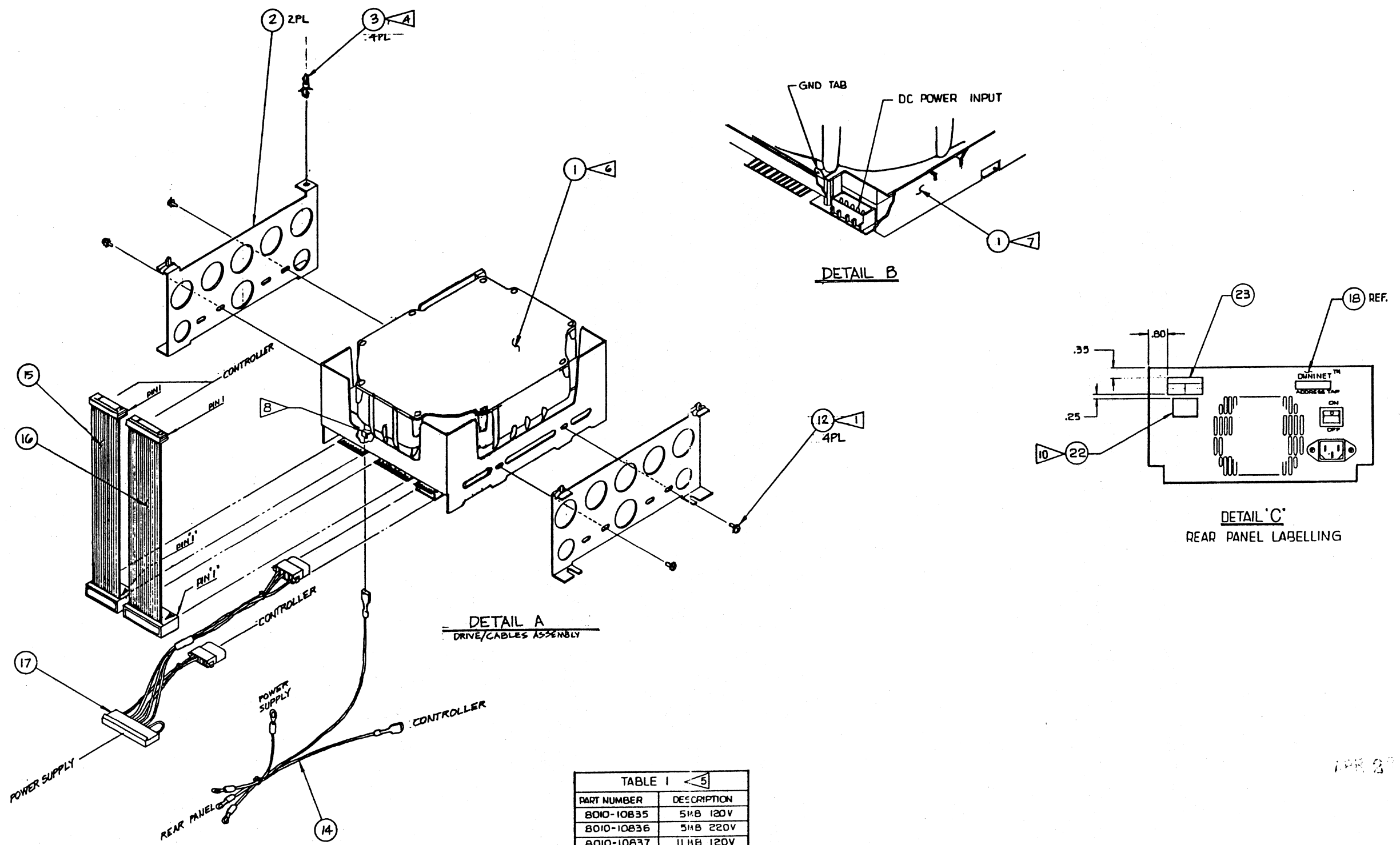
QTY	ITEM NO.	PART NO.	DESCRIPTION
			PARTS LIST
8010-10835			
8010-10836			
8010-10837			
8010-10838			
8010-10839			
8010-10840			
8010-10845			
8010-10846		OMNI DRIVE	
	NEXT ASSY	USED ON	
	APPLICATION		

UNLESS OTHERWISE SPECIFIED DIMENSIONS ARE IN INCHES TOLERANCES ARE		This document contains proprietary information and is delivered upon the expressed condition that it will not be used directly or indirectly in any way detrimental to the interest of CORVUS SYSTEMS	
ANGLES	DECIMALS	DRAWN BY	DATE
*	.XX ±	DAVE & HUY	2-29-84
	.XXX ±	CHECKED BY	DATE
		DESIGN ENGINEER	DATE
		DAVE WILHEIM	4-16-84
		WFO ENG	DATE
		APPROVED	DATE
		W. J. St. L.	4/15/84

** CORVUS SYSTEMS		SIZE	DWG NO.	REV
2029 O'Toole Avenue, San Jose, CA 95131		D	1780-05674	A
REFERENCE DRAWING		SCALE	NONE	DO NOT SCALE DWG
OMNI DRIVE ASSEMBLY		SHEET 1 OF 22		

REV. A 1780-05674

REVISIONS					
ECN	ZONE	REV	DESCRIPTION	DATE	APPROVED
(SEE SHT 1 OF 2)					



DETAIL A
DRIVE/CABLES ASSEMBLY

DETAIL B

DETAIL C
REAR PANEL LABELLING

TABLE I

PART NUMBER	DESCRIPTION
8010-10835	5MB 120V
8010-10836	5MB 220V
8010-10837	11MB 120V
8010-10838	11MB 220V
8010-10839	16MB 120V
8010-10840	16MB 220V
8010-10845	45MB 120V
8010-10846	45MB 220V

APR 27 1981

RELEASED

SIZE	DWG NO	REV
D	1780-05674	A
SCALE	NONE	DO NOT SCALE DWG
		SHEET 2 OF 2

8 7 6 5 4 3 2 1

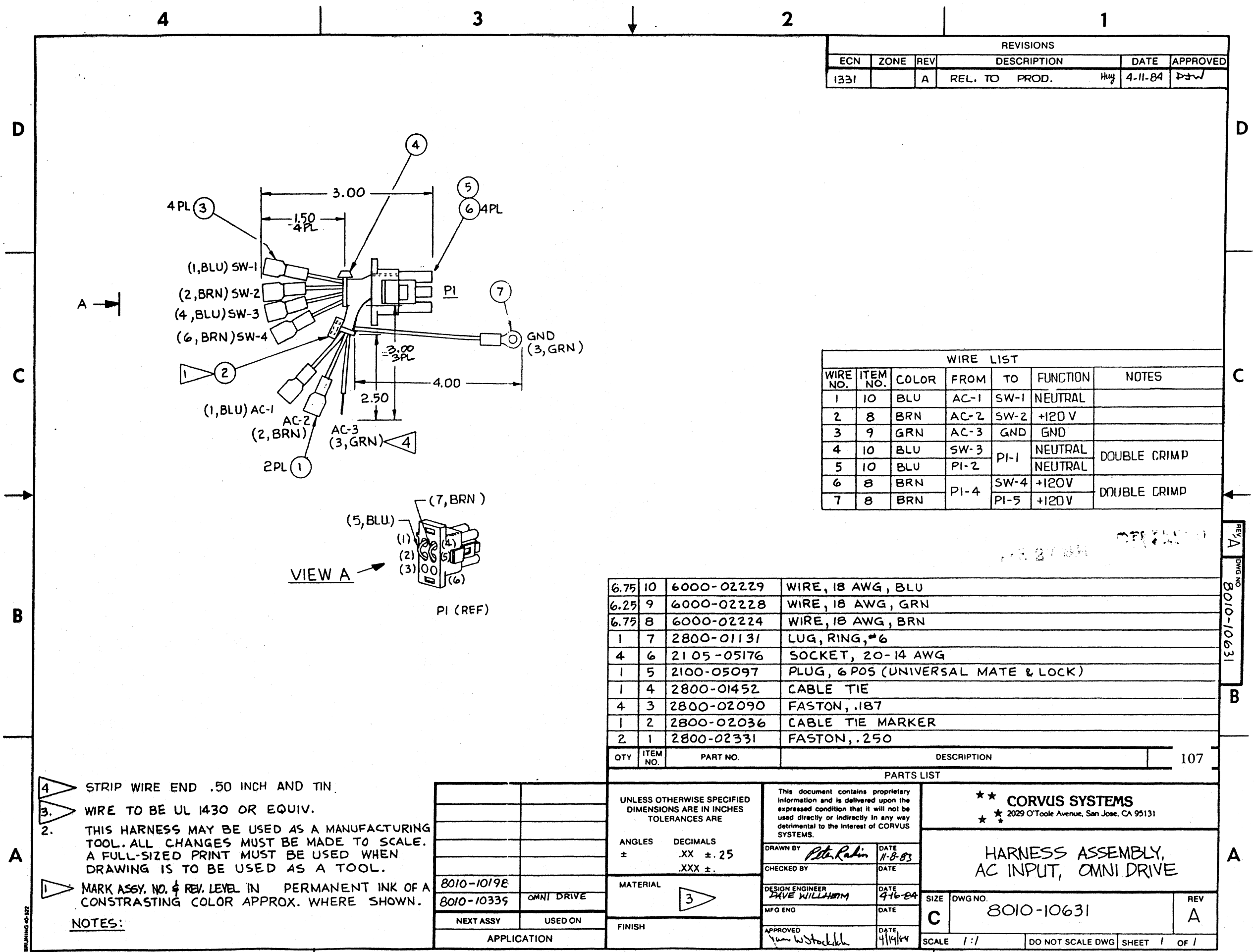
List of Materials for Phase 1 OmniDrive Rear Panel

8010-10198 110v
 8010-10339 220v

Item	Description	Part Number	Quantity
2	AC Switch	5100-02420	1
4	Fan	See Note 1	1
11	Not Available		
13	6-32 Kepnut	2800-01188	4
14	AC Receptacle	2100-05173	1
15	6-32 x 1/2 Screw	2800-02666	2
16	AC Input Harness	8010-10631	1
17	AC Distribution Harness	8010-10707	1

Note 1: Fan Part Number is dependent on voltage of OmniDrive.

2600-04961 110v
 2600-04962 220v



REVISIONS					
ECN	ZONE	REV	DESCRIPTION	DATE	APPROVED
1331		A	REL. TO PROD.	4-11-84	DJW

WIRE LIST						
WIRE NO.	ITEM NO.	COLOR	FROM	TO	FUNCTION	NOTES
1	10	BLU	AC-1	SW-1	NEUTRAL	
2	8	BRN	AC-2	SW-2	+120V	
3	9	GRN	AC-3	GND	GND	
4	10	BLU	SW-3	PI-1	NEUTRAL	DOUBLE CRIMP
5	10	BLU	PI-2	PI-1	NEUTRAL	
6	8	BRN	PI-4	SW-4	+120V	DOUBLE CRIMP
7	8	BRN	PI-4	PI-5	+120V	

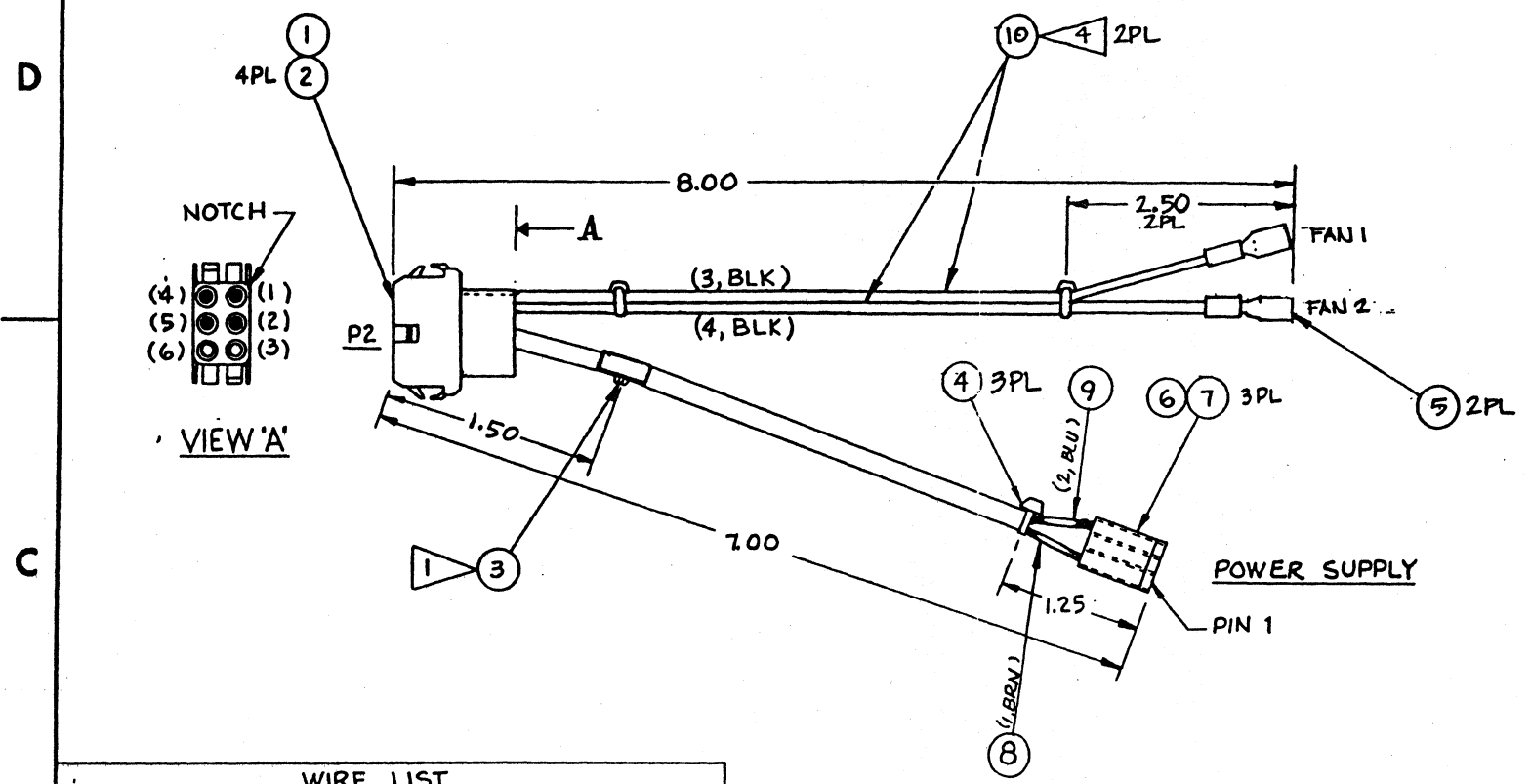
QTY	ITEM NO.	PART NO.	DESCRIPTION	107
6.75	10	6000-02229	WIRE, 18 AWG, BLU	
6.25	9	6000-02228	WIRE, 18 AWG, GRN	
6.75	8	6000-02224	WIRE, 18 AWG, BRN	
1	7	2800-01131	LUG, RING, #6	
4	6	2105-05176	SOCKET, 20-14 AWG	
1	5	2100-05097	PLUG, 6 POS (UNIVERSAL MATE & LOCK)	
1	4	2800-01452	CABLE TIE	
4	3	2800-02090	FASTON, .187	
1	2	2800-02036	CABLE TIE MARKER	
2	1	2800-02331	FASTON, .250	

- 4 STRIP WIRE END .50 INCH AND TIN.
- 3 WIRE TO BE UL 1430 OR EQUIV.
- 2 THIS HARNESS MAY BE USED AS A MANUFACTURING TOOL. ALL CHANGES MUST BE MADE TO SCALE. A FULL-SIZED PRINT MUST BE USED WHEN DRAWING IS TO BE USED AS A TOOL.
- 1 MARK ASSY. NO. & REV. LEVEL IN PERMANENT INK OF A CONTRASTING COLOR APPROX. WHERE SHOWN.
- NOTES:**

UNLESS OTHERWISE SPECIFIED DIMENSIONS ARE IN INCHES TOLERANCES ARE		★★ CORVUS SYSTEMS ★★ 2029 O'Toole Avenue, San Jose, CA 95131
ANGLES	DECIMALS	
±	.XX ± .25	DRAWN BY <i>Pete Rubin</i> DATE 11-8-83 CHECKED BY DATE DESIGN ENGINEER <i>DAVE WILLIAMS</i> DATE 4-16-84 MFG ENG DATE APPROVED <i>Tom W. Stockdale</i> DATE 4/19/84
MATERIAL	3	
NEXT ASSY	USED ON	HARNES ASSEMBLY, AC INPUT, OMNI DRIVE SIZE DWG NO. 8010-10631 REV A
APPLICATION		SCALE 1:1 DO NOT SCALE DWG SHEET 1 OF 1

REV A
 DWG NO. 8010-10631
 B
 A

REVISIONS					
ECN	ZONE	REV	DESCRIPTION	DATE	APPROVED
1331		A	REL. TO PROD.	4-11-84	DJW



WIRE LIST						
WIRE NO.	ITEM NO.	COLOR	FROM	TO	CUT LENGTH	FUNCTION
1	8	BRN	P2-5	PS-1		+120 V
2	9	BLU	P2-2	PS-3		NEUTRAL
3	10	BLK	P2-1	FAN1		NEUTRAL
4	10	BLK	P2-4	FAN2		+120 V

QTY	ITEM NO.	PART NO.	DESCRIPTION	109
	10	6000-02223	WIRE, 18 AWG, BLK	
	9	6000-02229	WIRE, 18 AWG, BLU	
	8	6000-02224	WIRE, 18 AWG, BRN	
	7	2800-01132	CONTACT, 18-24 AWG	
	6	2100-01065	CONNECTOR, 3 POS	
	5	2800-05655	FASTON .110 x .020	
	4	2800-01452	CABLE TIE	
	3	2800-02036	CABLE TIE MARKER	
	2	2100-05096	PIN, 20-14 AWG	
	1	2100-05172	RECEPTACLE, 6 POS (UNIV. MATE & LOCK)	

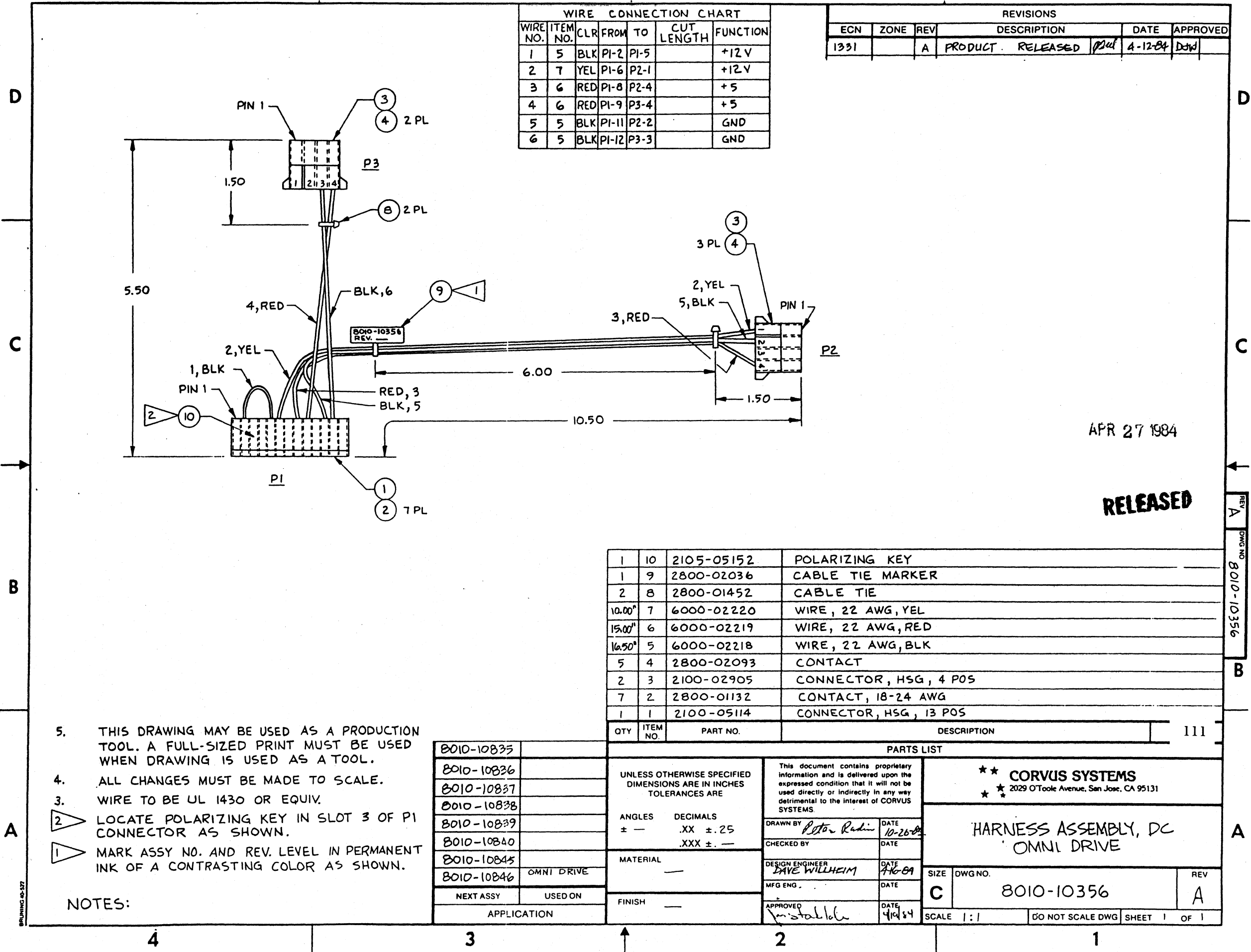
5. TIE WRAP DIMENSION TOLERANCE IS $\pm .50$
4. FAN CORD POLARITY IS NOT CRITICAL, THE WIRES ARE REVERSIBLE. FAN WIRES TO BE TERMINATED AT ASSEMBLER'S DISCRETION.
3. WIRE TO BE UL 1430 OR EQUIV.
2. THIS HARNESS MAY BE USED AS A MANUFACTURING TOOL. ALL CHANGES MUST BE MADE TO SCALE. A FULL-SIZED PRINT MUST BE USED WHEN DRAWING IS TO BE USED AS A TOOL.
1. MARK ASSY. NO. & REV. LEVEL IN PERMANENT INK OF A CONTRASTING COLOR APPROX. WHERE SHOWN.
- NOTES:

UNLESS OTHERWISE SPECIFIED DIMENSIONS ARE IN INCHES TOLERANCES ARE		This document contains proprietary information and is delivered upon the expressed condition that it will not be used directly or indirectly in any way detrimental to the interest of CORVUS SYSTEMS.		CORVUS SYSTEMS 2029 O'Toole Avenue, San Jose, CA 95131	
ANGLES	DECIMALS	DRAWN BY	DATE	HARNESS ASSEMBLY AC DISTRIBUTION OMNI DRIVE	
\pm	.XX \pm .25	<i>Pete Radis</i>	11-10-83	SIZE	DWG NO.
	.XXX \pm	CHECKED BY	DATE	C	8010-10707
MATERIAL		DESIGN ENGINEER	DATE	SCALE	REV
3		<i>DAVE WILHEIM</i>	4/16/84	1:1	A
NEXT ASSY	USED ON	MFG ENG	DATE	DO NOT SCALE DWG	SHEET 1 OF 1
		<i>Tom Stodola</i>	4/19/84		
APPLICATION		APPROVED	DATE		

APR 27 1984
RELEASED

DRAWING 45-527

REV. A. PART NO. 8010-10707



WIRE CONNECTION CHART						
WIRE NO.	ITEM NO.	CLR	FROM	TO	CUT LENGTH	FUNCTION
1	5	BLK	PI-2	PI-5		+12V
2	7	YEL	PI-6	P2-1		+12V
3	6	RED	PI-8	P2-4		+5
4	6	RED	PI-9	P3-4		+5
5	5	BLK	PI-11	P2-2		GND
6	5	BLK	PI-12	P3-3		GND

REVISIONS						
ECN	ZONE	REV	DESCRIPTION	DATE	APPROVED	
1331		A	PRODUCT RELEASED	Apr 4-12-84	Djd	

APR 27 1984

RELEASED

QTY	ITEM NO.	PART NO.	DESCRIPTION	111
1	10	2105-05152	POLARIZING KEY	
1	9	2800-02036	CABLE TIE MARKER	
2	8	2800-01452	CABLE TIE	
10.00"	7	6000-02220	WIRE, 22 AWG, YEL	
15.00"	6	6000-02219	WIRE, 22 AWG, RED	
16.50"	5	6000-02218	WIRE, 22 AWG, BLK	
5	4	2800-02093	CONTACT	
2	3	2100-02905	CONNECTOR, HSG, 4 POS	
7	2	2800-01132	CONTACT, 18-24 AWG	
1	1	2100-05114	CONNECTOR, HSG, 13 POS	

5. THIS DRAWING MAY BE USED AS A PRODUCTION TOOL. A FULL-SIZED PRINT MUST BE USED WHEN DRAWING IS USED AS A TOOL.
4. ALL CHANGES MUST BE MADE TO SCALE.
3. WIRE TO BE UL 1430 OR EQUIV.
2. LOCATE POLARIZING KEY IN SLOT 3 OF P1 CONNECTOR AS SHOWN.
1. MARK ASSY NO. AND REV. LEVEL IN PERMANENT INK OF A CONTRASTING COLOR AS SHOWN.

NOTES:

NEXT ASSY	USED ON	APPLICATION
8010-10835		
8010-10836		
8010-10837		
8010-10838		
8010-10839		
8010-10840		
8010-10845		
8010-10846	OMNI DRIVE	

UNLESS OTHERWISE SPECIFIED DIMENSIONS ARE IN INCHES TOLERANCES ARE

ANGLES DECIMALS
 ± — .XX ± .25
 .XXX ± . —

MATERIAL —

FINISH —

This document contains proprietary information and is delivered upon the expressed condition that it will not be used directly or indirectly in any way detrimental to the interest of CORVUS SYSTEMS.

DRAWN BY *Peter Radin* DATE *10-26-83*
 CHECKED BY _____ DATE _____
 DESIGN ENGINEER *DAVE WILLHEIM* DATE *7-16-84*
 MFG ENG. _____ DATE _____
 APPROVED *Mistalob* DATE *4/14/84*

★ ★ CORVUS SYSTEMS
 ★ ★ 2029 O'Toole Avenue, San Jose, CA 95131

HARNES ASSEMBLY, DC
 OMNI DRIVE

SIZE DWGNO. REV
 C 8010-10356 A

SCALE 1:1 DO NOT SCALE DWG SHEET 1 OF 1

D
C
B
A

D
C
B
A

4

3

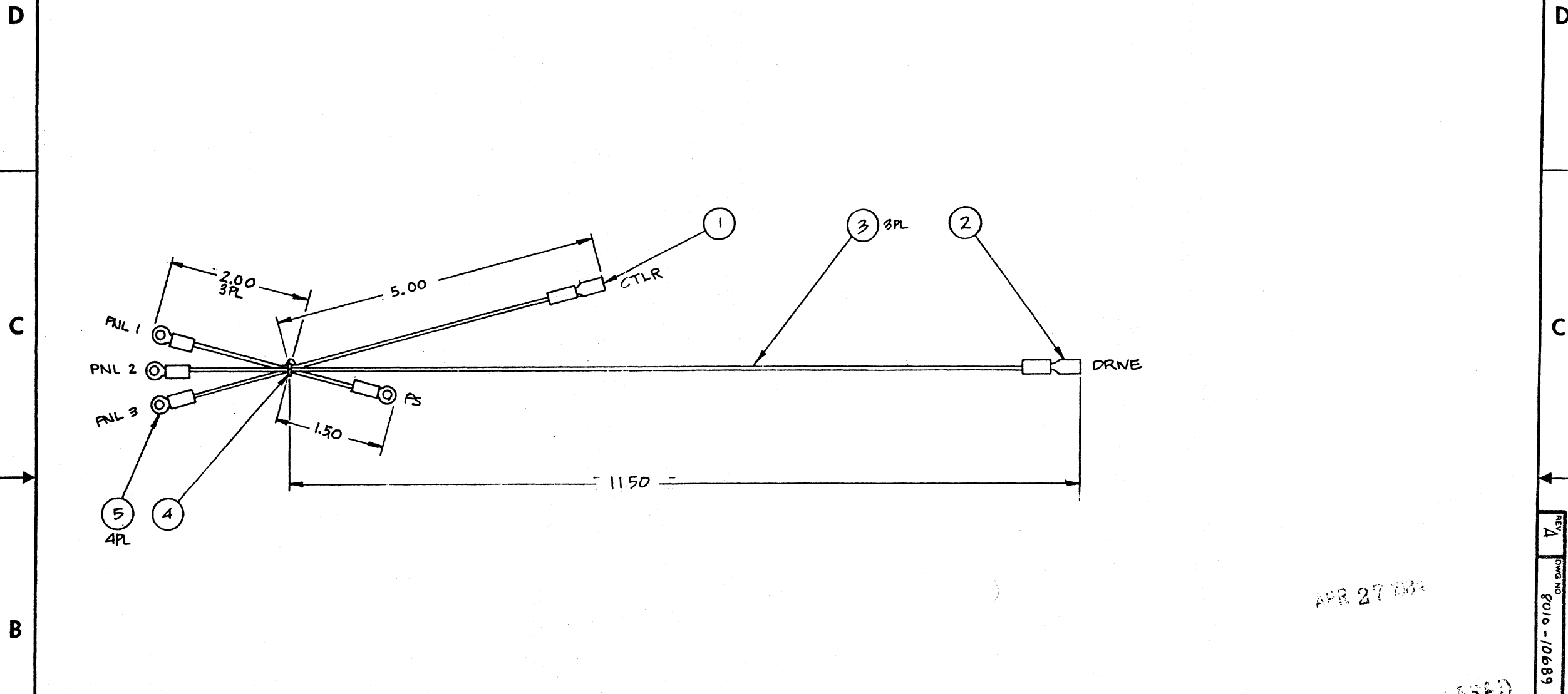
2

1

BRUNING 45-57

REV A
DWG NO. 8010-10356

WIRE CONNECTION							REVISIONS					
NO.	ITEM	COLOR	FROM	TO	LENGTH	FUNCTION	ECN	ZONE	REV	DESCRIPTION	DATE	APPROVED
1	3	GRN	PNL 1	CTLR		GND	1031		A	PRODUCT RELEASED	4-12-84	DW
2	3	GRN	PNL 2	DRIVE		GND						
3	3	GRN	PNL 3	PS		GND						



APR 27 1984

QTY	ITEM NO.	PART NO.	DESCRIPTION	113
4	5	2800-01131	RING LUG #6	
1	4	2800-01452	TIE WRAP	
240	3	6000-0222B	WIRE 18 AWG GRN	
1	2	2800-05670	FASTON .187x.020	
1	1	2800-02331	FASTON .250	

PARTS LIST		UNLESS OTHERWISE SPECIFIED DIMENSIONS ARE IN INCHES TOLERANCES ARE		This document contains proprietary information and is delivered upon the expressed condition that it will not be used directly or indirectly in any way detrimental to the interest of CORVUS SYSTEMS.		CORVUS SYSTEMS 2029 O'Toole Avenue, San Jose, CA 95131	
8010-10835		ANGLES	DECIMALS	DRAWN BY	DATE	ASSY, GND HARNESS OMNI DRIVE	
8010-10836		±	.XX ±.25	DAVE DATU	11-8-83		
8010-10837			.XXX ±.	CHECKED BY	DATE	SIZE DWG NO. REV C 8010-10689 A	
8010-10838		MATERIAL		DESIGN ENGINEER	DATE		
8010-10839				DAVE WILLHEIM	4-16-84	SCALE 1:1 DO NOT SCALE DWG SHEET 1 OF 1	
8010-10840				MFG ENG	DATE		
8010-10845				APPROVED	DATE		
8010-10846	OMNI DRIVE			DAVE WILLHEIM	4/19/84		
NEXT ASSY	USED ON	FINISH					
APPLICATION							

NOTES:
 2: WIRE TO BE UL 1430 OR EQUIV.
 1 BAG AND TAG WITH ASSEMBLY NO. AND REVISION LEVEL.

REV. A
 DWG NO. 8010-10689

List of Materials for Phase 2 OmniDrive Top Assembly

110v Units		220v Units	
8010-11204-01	5 MB	8010-11205-01	5 MB
8010-11206-01	11 MB	8010-11207-01	11 MB
8010-11208-01	16 MB	8010-11209-01	16 MB
8010-11212-01	45 MB	8010-11213-01	45 MB

Item	Description	Part Number	Quantity
1	Mechanism	See Note 1	1
2	Mechanism Mounting Bracket	2400-04328	2
3	Controller Standoffs	2850-04955	4
4	Top Cover	3150-04327	1
5	Controller PCA	8010-10160	1
6	Rubber Feet	2800-02283	4
7	Base Pan	3150-05779-01	1
8	Switching Power Supply	4000-05203	1
9	Not Available		
10	6-32 Kepnut	2800-01188	1
11	Nylon Washer	2800-01197	2
12	6-32 x 5/16 Screw	2800-02764	16
14	Ground Harness	8010-11218-01	1
15	Drive/Controller Cable (20-pin)	8010-10365	1
16	Drive/Controller Cable (34-pin)	8010-10366	1
17	DC Harness	8010-10799	1
18	Rear Panel Assembly	See Note 2	1
19	6-32 x 1/2 Screw	2800-02666	2
22	Not Available		
23	Not Available		
24	Not Available		

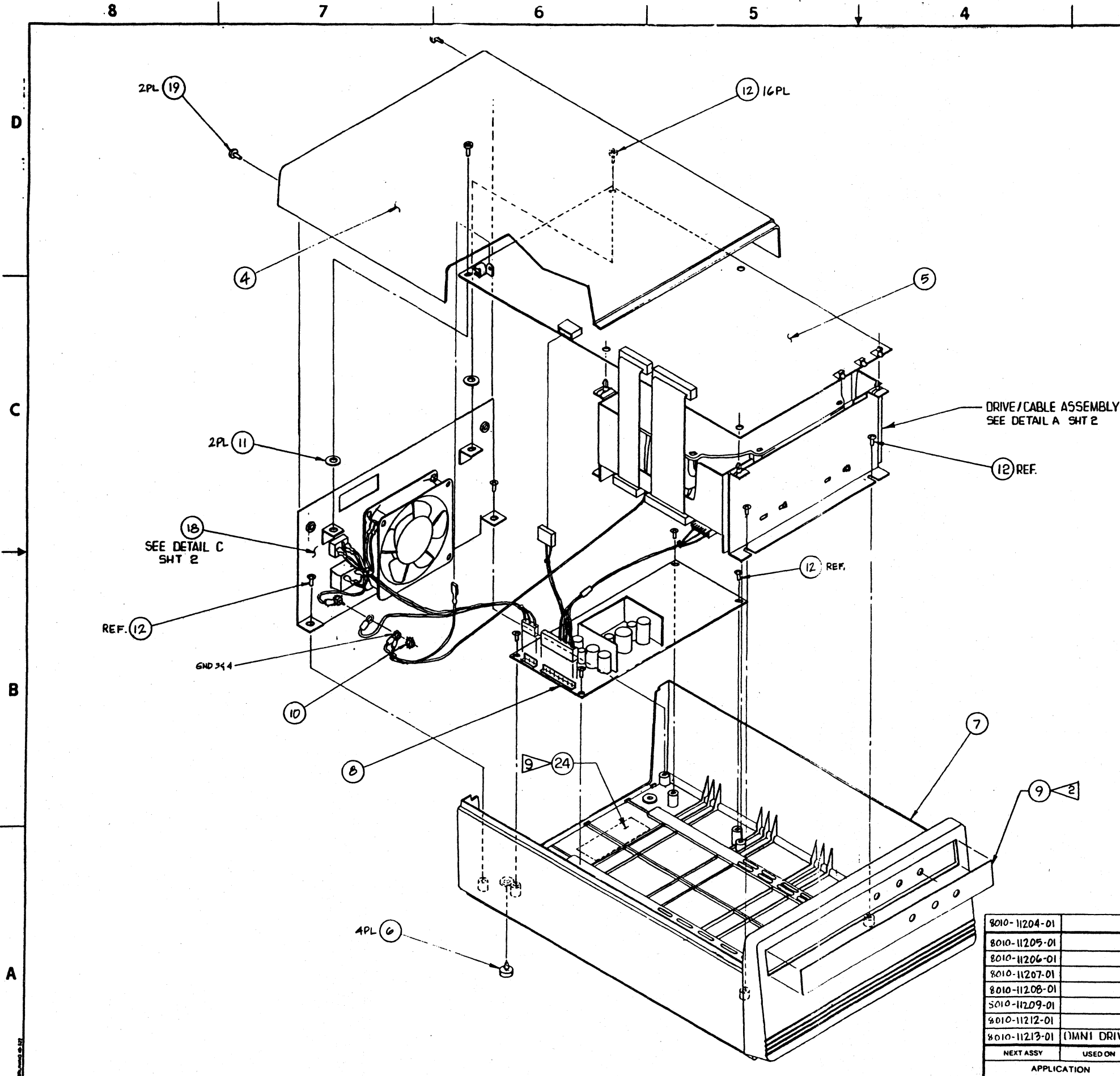
Note 1: Mechanism Part Number is dependent on capacity of OmniDrive.

2200-04937	5 MB
2200-04938	11 MB
2200-04939	16 MB
2200-05639	45 MB

Note 2: AC Panel Part Number is dependent on voltage of drive.

8010-11216-01	110v
8010-11217-01	220v

REVISIONS					
ECN	ZONE	REV	DESCRIPTION	DATE	APPROVED
1370		A	REL. FOR PROD.	May 5.18.84	UJW



- 10 CENTER UL LABEL APPROX. WHERE SHOWN.
- 9 CENTER FCC LABEL APPROX. WHERE SHOWN (FAR SIDE).
- 8 ALTERNATE IMI GROUND TAB (NOT SHOWN) MAY FACE UP, IN THAT CASE GROUND CABLE TO PLUG FROM TOP.
- 7 DETAIL B REFLECTS A TYPICAL RODIME DRIVE POWER AND GROUND INTERCONNECT SCHEME.
- 6 DETAIL A REFLECTS A TYPICAL IMI DRIVE AND ITS INTERCONNECT SCHEME.
- 5 FOR OMNI DRIVE ASSEMBLY LM'S REFERING TO THIS DRAWING, SEE TABLE 1 SHT. 2.
- 4 ORIENT STANDOFFS WITH BOARD MOUNTING LATCH FACING THE REAR OF THE DRIVE AS SHOWN
- 3. FOR OMNI DRIVE SYSTEM WIRING DIAGRAM, SEE 1780-05895
- 2 CENTER OVERLAY IN RECESSED AREA.
- 1 CENTER MOUNTING SCREWS BY ADJUSTING BRACKET.

NOTES:

115

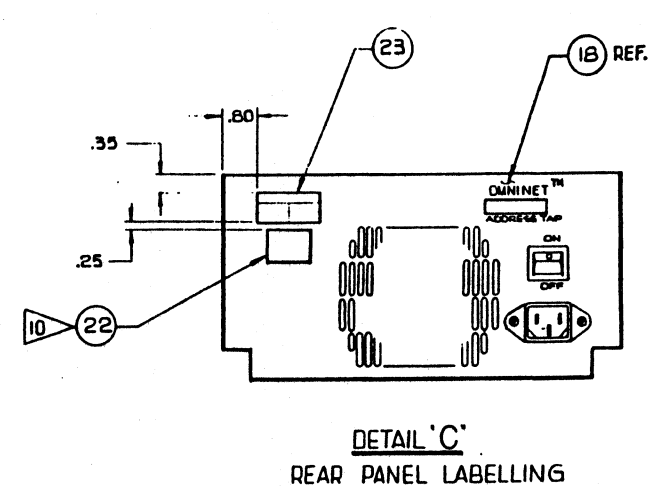
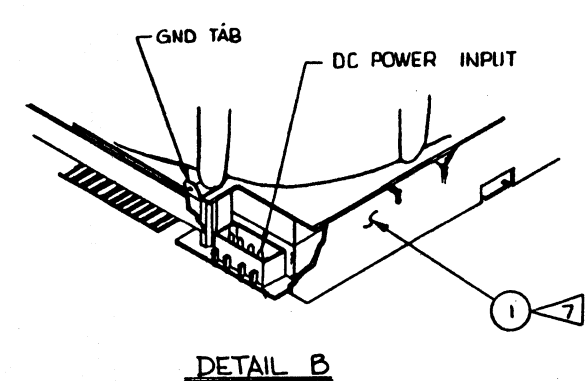
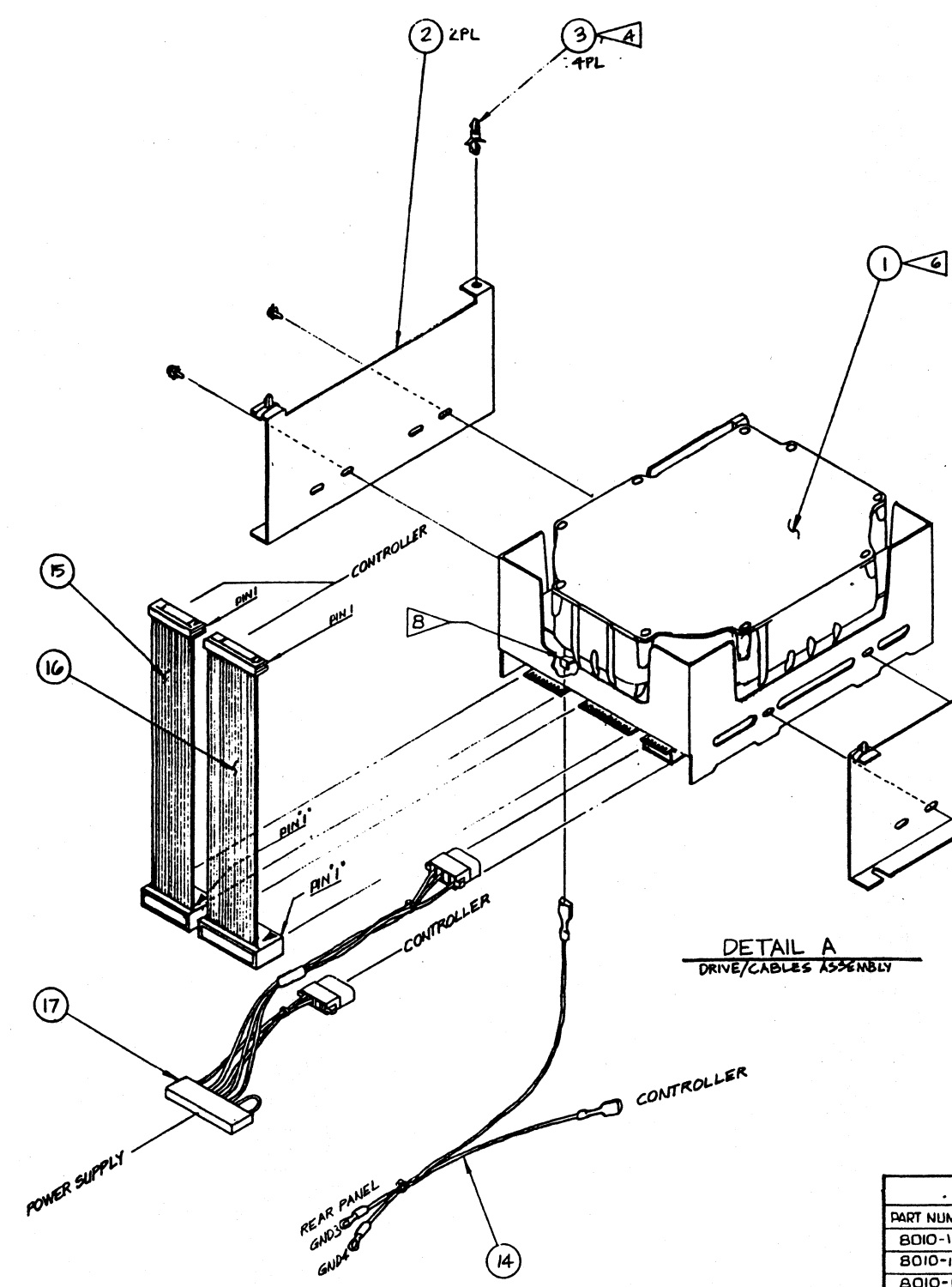
QTY	ITEM NO.	PART NO.	DESCRIPTION
		8010-11204-01	
		8010-11205-01	
		8010-11206-01	
		8010-11207-01	
		8010-11208-01	
		8010-11209-01	
		8010-11212-01	
		8010-11213-01	OMNI DRIVE
			NEXT ASSY USED ON
			APPLICATION

UNLESS OTHERWISE SPECIFIED DIMENSIONS ARE IN INCHES TOLERANCES ARE		This document contains proprietary information and is delivered upon the expressed condition that it will not be used directly or indirectly in any way detrimental to the interest of CORVUS SYSTEMS	
ANGLES	DECIMALS	DRAWN BY	DATE
±	.XX ±	DAVE DATU	2-29-84
	.XXX ±	CHECKED BY	DATE
MATERIAL		DESIGN ENGINEER	DATE
		LAVE WILLIAMS	5/23/84
		MFG ENG	DATE
		APPROVED	DATE

PARTS LIST		** CORVUS SYSTEMS ** 2029 O'Toole Avenue, San Jose, CA 95131	
REFERENCE DRAWING OMNI DRIVE ASSEMBLY PHASE 2			
SIZE	DWG NO.	REV	
D	1780-05894	A	
SCALE	NONE	DO NOT SCALE DWG	SHEET 1 OF 12

2 RELEASE MAY 25 1984

REVISIONS					
ECN	ZONE	REV	DESCRIPTION	DATE	APPROVED
SEE SHIT 1 OF 2					



DETAIL A
DRIVE/CABLES ASSEMBLY

TABLE I 5

PART NUMBER	DESCRIPTION
8010-11204-01	5MB 120V
8010-11205-01	5MB 220V
8010-11206-01	11 MB 120V
8010-11207-01	11 MB 220V
8010-11208-01	16MB 120V
8010-11209-01	16MB 220V
8010-11212-01	45 MB 120V
8010-11213-01	45 MB 220V

117

SIZE	DWG NO.	REV
D	1780-05894	A
SCALE	NONE	DO NOT SCALE DWG
		SHEET 2 OF 2

RELEASED MAY 25 1984

List of Materials for Phase 2 OmniDrive Rear Panel

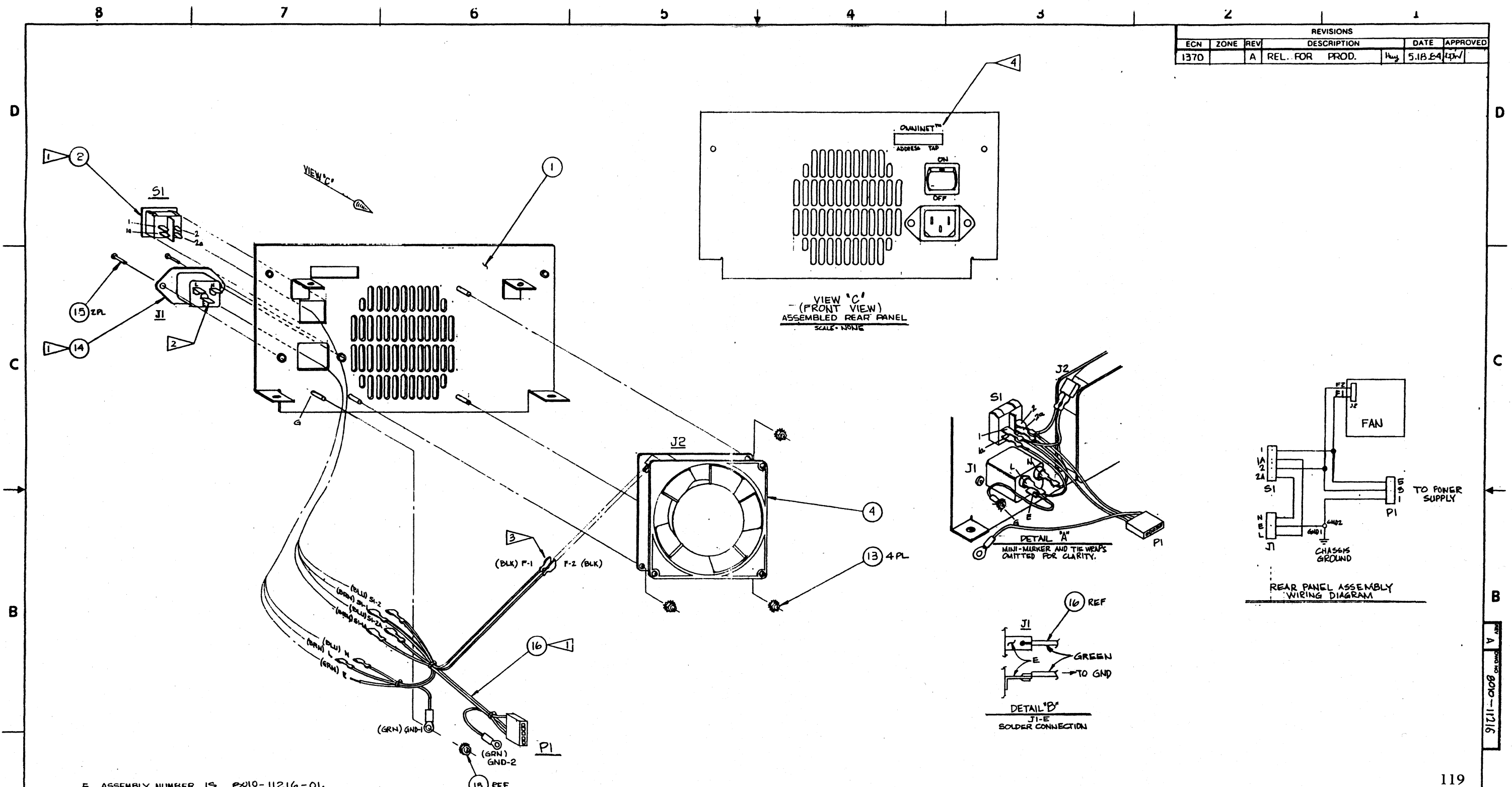
8010-11216-01 110v
8010-10217-01 220v

Item	Description	Part Number	Quantity
1	Not Available		
2	AC Switch	5100-02420	1
4	Fan	See Note 1	1
13	6-32 Kepnut	2800-01188	4
14	AC Receptacle	2100-05173	1
15	6-32 x 1/2 Screw	2800-02666	2
16	AC Harness	8010-10798	1

Note 1: Fan Part Number is dependent on voltage of OmniDrive.

2600-04961 110v
2600-04962 220v

REVISIONS					
ECN	ZONE	REV	DESCRIPTION	DATE	APPROVED
137D		A	REL. FOR PROD.	May 5.18.84	[Signature]



5. ASSEMBLY NUMBER IS 8010-11216-01.
- 4 FOR SILKSCREEN REFERENCE P/N 1750-04323.
- 3 FAN CONNECTIONS ARE NOT POLARIZED. INTERCONNECTS CAN BE REVERSED.
- 2 SEE DETAIL 'B'. FOR SOLDER CONNECTION.
- 1 SEE DETAIL 'A'. FOR HARNESS INSTALLATION DETAIL.
- NOTES:

COLOR	FROM	TO	NOTES	NEXT ASSY	USED ON
GRN	GND 2	PI-1			
BLK	SI-2	F2	DBLCRIMP		
BLK	SI-2	PI-3	DBLCRIMP		
BRN	SI-1	PI-5	DBLCRIMP	8010-11204-01	
BLK	SI-1	F1		8010-11206-01	
BLU	N	SI-2A		8010-11208-01	
BRN	L	SI-1A		8010-11212-01	OMNI DRIVE
GRN	E	GND 1			

QTY	ITEM NO	PART NO	DESCRIPTION
PARTS LIST			
UNLESS OTHERWISE SPECIFIED DIMENSIONS ARE IN INCHES TOLERANCES ARE			
ANGLES		DECIMALS	
±		.XX ±	
		.XXX ±	
MATERIAL			
FINISH			

DRAWN BY DME PATU		DATE 1-19-84	
CHECKED BY		DATE	
DESIGN ENGINEER DIVE WILLIAMS		DATE 5/22/84	
MFG ENG		DATE	
APPROVED		DATE	

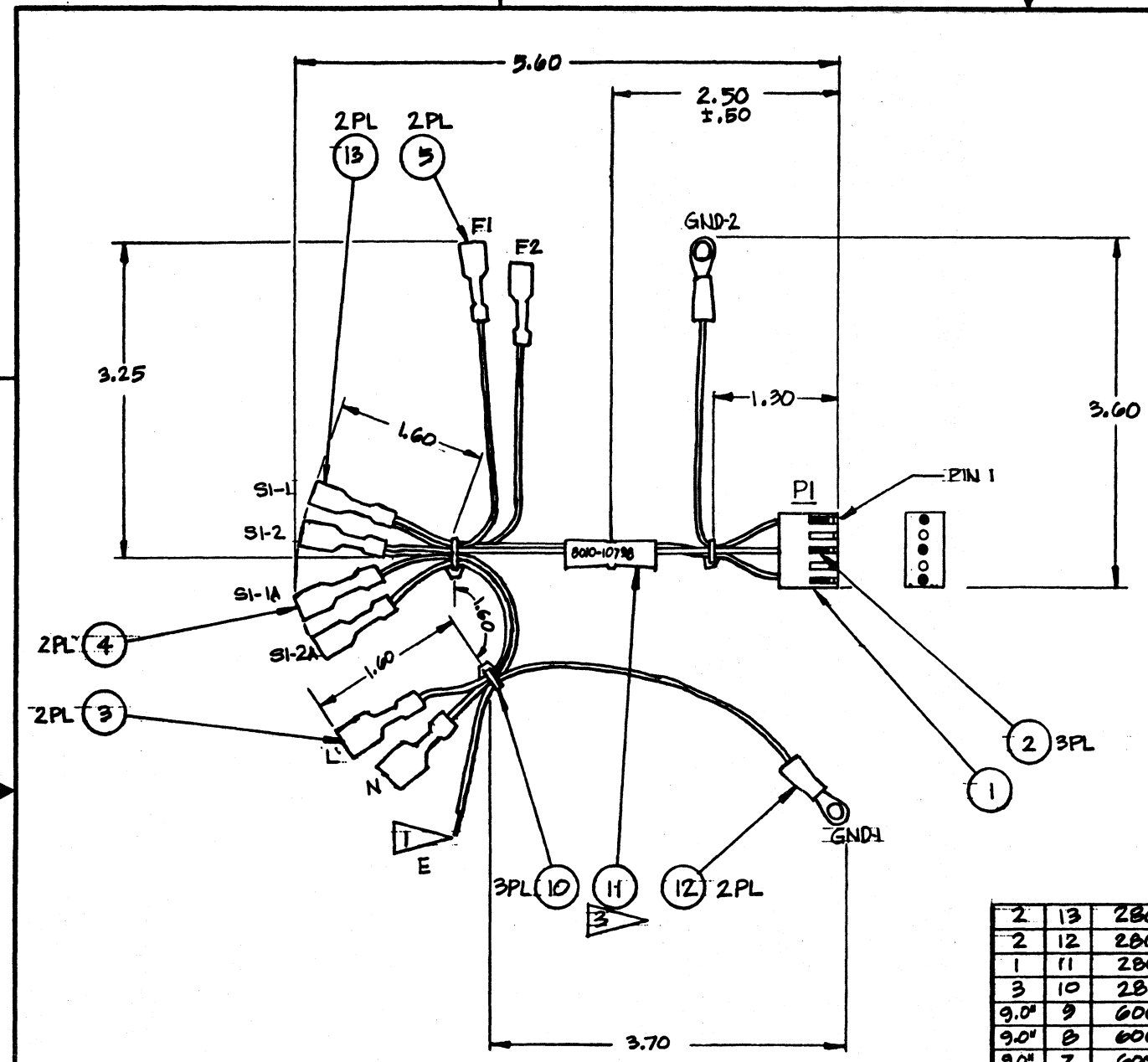
** CORVUS SYSTEMS	
* 2029 O'Toole Avenue, San Jose, CA 95131	
ASSEMBLY, REAR PANEL	
OMNI DRIVE 120V	
SIZE	DWG NO.
D	8010-11216
SCALE	DO NOT SCALE DWG
NONE	
SHEET	1 OF 1

119

RELEASED MAY 25 1984

8010-11216

REVISIONS					
ECN	ZONE	REV	DESCRIPTION	DATE	APPROVED
1370		A	REL FOR PROD.	May 5-18-84	CTW



WIRE CONNECTION CHART							
WIRE#	ITEM#	COLOR	LENGTH	FROM	TO	NOTES	FUNCTION
1	6	BLK		SI-1	F1	DBL CRIMP	+120V
2	9	BRN		SI-1	PI-3	DBL CRIMP	+120V
3	6	BLK		SI-2	F2	DBL CRIMP	NEUTRAL
4	8	BLU		SI-2	PI-3	DBL CRIMP	NEUTRAL
5	9	BRN		SI-1A	L		+120V
6	8	BLU		SI-2A	N		NEUTRAL
7	7	GRN		GND-2	PI-1		GND
8	7	GRN		E	GND-1		GND

QTY	ITEM NO.	PART NO.	DESCRIPTION
2	13	2800-05636	FASTON .187x.032
2	12	2800-01131	LUG RING #6
1	11	2800-02036	CABLE TIE MARKER
3	10	2800-01452	CABLE TIE
9.0'	9	6000-02224	WIRE, BRN 18AWG
9.0'	8	6000-02229	WIRE, BLU 18AWG
9.0'	7	6000-02228	WIRE, GRN 18AWG
8.5'	6	6000-02223	WIRE, BLK 18AWG
2	5	2800-05653	FASTON .110x.020
2	4	2800-02090	FASTON .187x.020
2	3	2800-05255	FASTON .250x.092
3	2	2800-01132	CRIMP TERM, 18-24 AWG
1	1	2100-05755	CONN, 3-POS

4. THIS DRAWING TO BE USED FOR LAYOUT AND FABRICATION OF THIS HARNESS ASSEMBLY.
- 3 MARK ASSY NO. & REV. LEVEL IN PERMANENT INK OF A CONTRASTING COLOR APPROX. WHERE SHOWN.
2. ALL WIRES TO UL #30 OR EQUIV.
- 1 STRIP .50 INCH AND TIN.

NOTES:

PARTS LIST		121	
UNLESS OTHERWISE SPECIFIED DIMENSIONS ARE IN INCHES TOLERANCES ARE		This document contains proprietary information and is delivered upon the expressed condition that it will not be used directly or indirectly in any way detrimental to the interest of CORVUS SYSTEMS.	
ANGLES	DECIMALS	DRAWN BY	DATE
±	.XX ± .25	DAVE DATLI	1-25-84
	.XXX ±	CHECKED BY	DATE
8010-11216-01	MATERIAL	DESIGN ENGINEER	DATE
8010-11217-01	OMNI DRIVE	DAVE WILHELM	5/23/84
NEXT ASSY	USED ON	MFG ENG	DATE
		APPROVED	DATE
APPLICATION		FINISH	

★ ★ CORVUS SYSTEMS
★ ★ 2029 O'Toole Avenue, San Jose, CA 95131

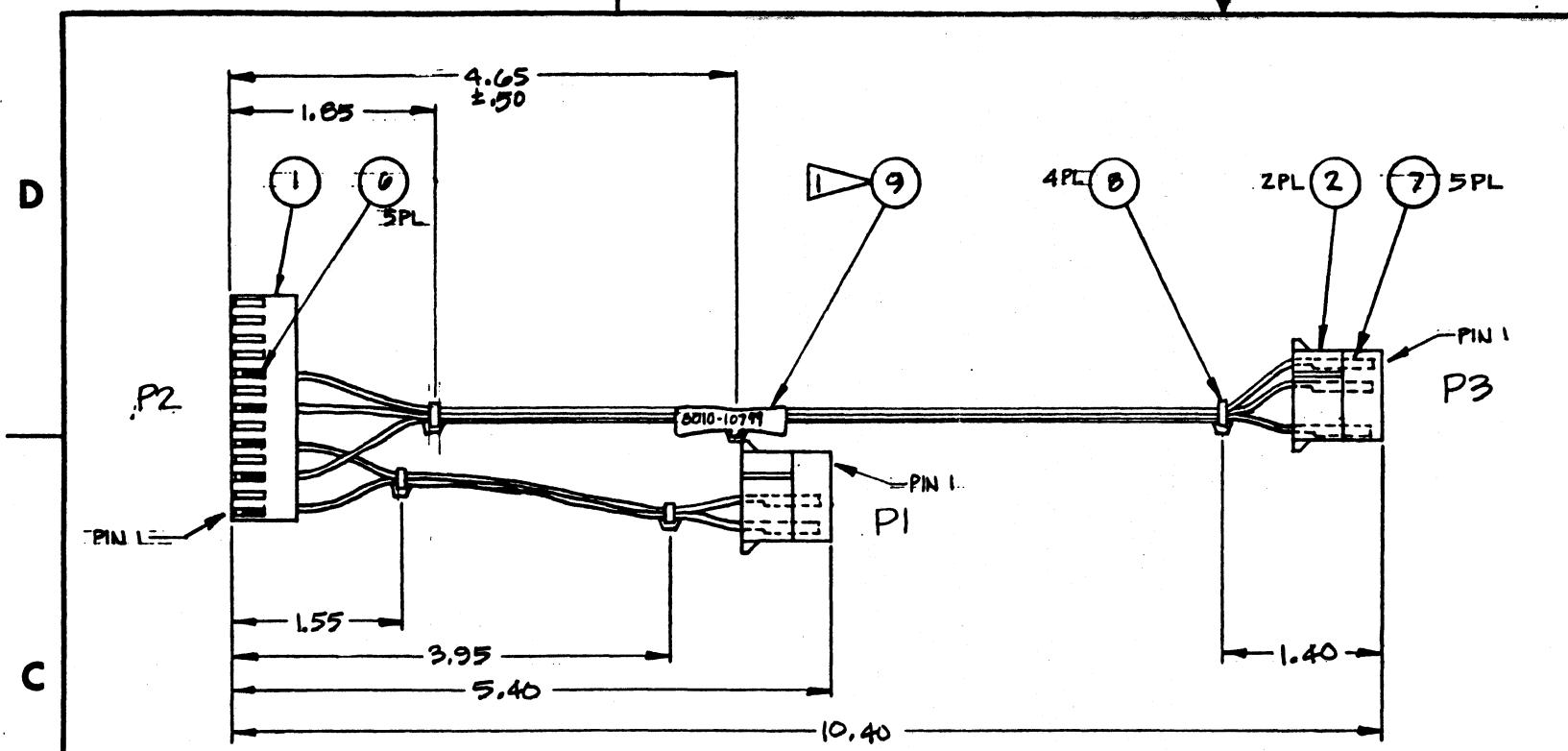
HARNESS ASSEMBLY
OMNI DRIVE AC POWER

SIZE DWG NO. REV
C 8010-10798 A

SCALE 1/1 DO NOT SCALE DWG SHEET 1 OF 1

RELEASED 1 MAY 25 1984

REVISIONS					
ECN	ZONE	REV	DESCRIPTION	DATE	APPROVED
1370		A	REL. FOR PROD.	May 5.17.84	DPW



WIRE CONNECTION CHART						
WIRE#	ITEM#	CLR	LENGTH	FROM	TO	FUNCTION
1	3	RED		P2-1	P1-4	+5V
2	4	BLK		P2-5	P1-3	GND
3	5	YEL		P2-9	P3-1	+12V
4	4	BLK		P2-7	P3-2	GND
5	3	RED		P2-3	P3-4	+5V

QTY	ITEM NO.	PART NO.	DESCRIPTION
1	9	2800-02036	CABLE TIE MARKER
4	8	2800-01452	CABLE TIE
5	7	2800-02098	CRIMP SOCKET 20-14 AWG
5	6	2800-01132	CRIMP TERM 20-14 AWG
10.0'	5	6000-02220	WIRE, YEL 22 AWG
15.0'	4	6000-02218	WIRE, BLK 22 AWG
15.0'	3	6000-02219	WIRE, RED 22 AWG
2	2	2100-02905	CONN 4-POS
1	1	2100-05286	CONN 15-POS

PARTS LIST		CORVUS SYSTEMS	
8010-11204-01		2029 O'Toole Avenue, San Jose, CA 95131	
8010-11205-01		HARNESS ASSEMBLY	
8010-11206-01		OMNI DRIVE DC POWER	
8010-11207-01		SIZE	DWG NO.
8010-11208-01		C	8010-10799
8010-11209-01		SCALE	1/1
8010-11212-01		DO NOT SCALE DWG	SHEET 1 OF 1
8010-11213-01	OMNI DRIVE	REV	A
NEXT ASSY	USED ON	RELEASED 1 MAY 25 1984	
APPLICATION			

4. THIS DRAWING TO BE USED FOR LAYOUT AND FABRICATION OF THIS HARNESS ASSEMBLY.

3. ALL TIE WRAP DIMENSIONS TO BE TOLERANCED @ ±.50.

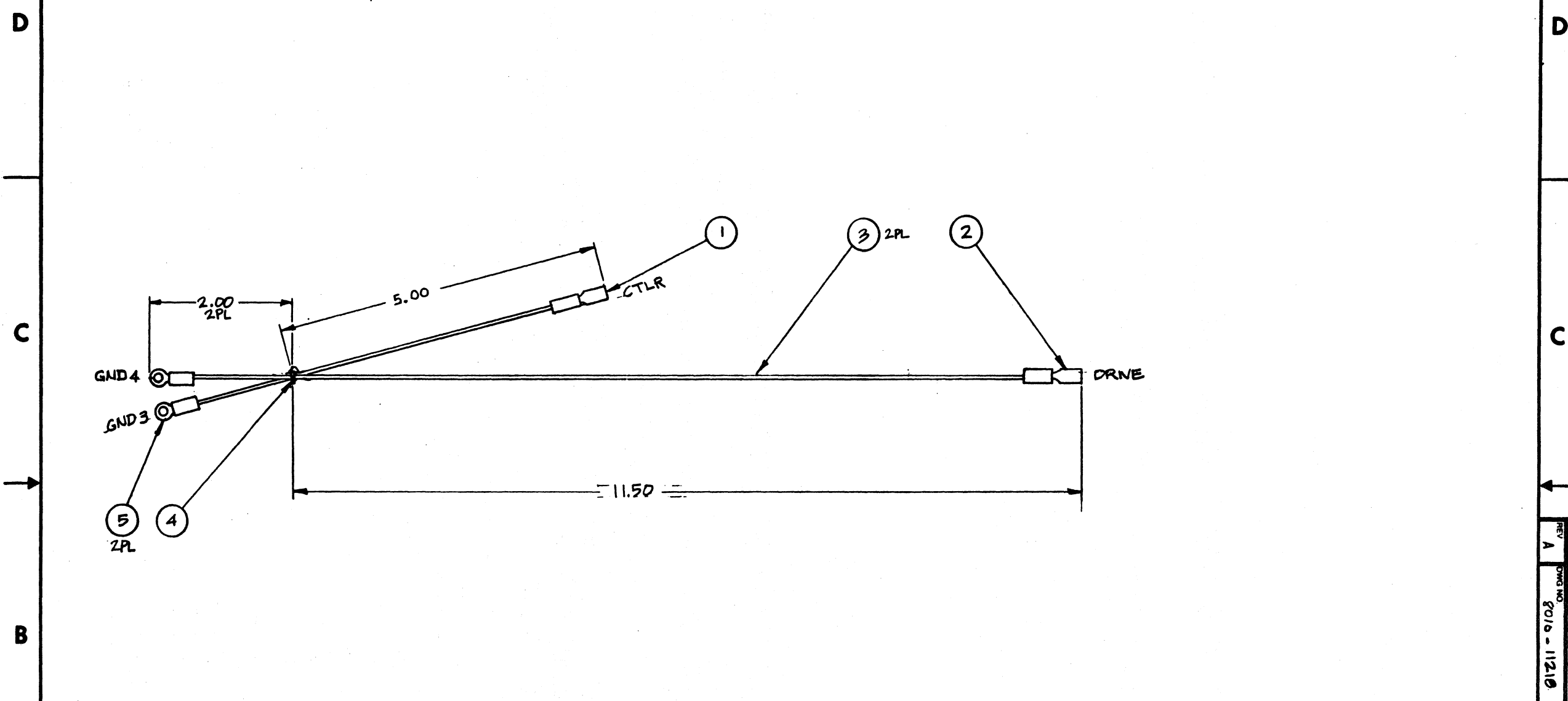
2. ALL WIRES TO BE UL1430 OR EQUIV.

1. MARK ASSY NO. & REV. LEVEL IN PERMANENT INK OF A CONTRASTING COLOR APPROX. WHERE SHOWN.

NOTES:

WIRE CONNECTION					
NO.	ITEM	COLOR	FROM	TO	FUNCTION
1	3	GRN	GND3	CTLR	GND
2	3	GRN	GND4	DRIVE	GND

REVISIONS					
ECN	ZONE	REV	DESCRIPTION	DATE	APPROVED
1370		A	REL. FOR PROD.	May 5-17-84	DJW



QTY	ITEM NO.	PART NO.	DESCRIPTION
2	5	2800-01131	RING LUG #6
1	4	2800-01452	TIE WRAP
19.50	3	6000-0222B	WIRE 18 AWG GRN
1	2	2800-05670	FASTON .187x.020
1	1	2800-02331	FASTON .250

QTY	ITEM NO.	PART NO.	DESCRIPTION
		8010-11204-01	
		8010-11205-01	
		8010-11206-01	
		8010-11207-01	
		8010-11208-01	
		8010-11209-01	
		8010-11212-01	
		8010-11213-01	OMNI DRIVE
		NEXT ASSY	USED ON
		APPLICATION	

UNLESS OTHERWISE SPECIFIED DIMENSIONS ARE IN INCHES TOLERANCES ARE

ANGLES DECIMALS
± .XX ± .25
 .XXX ± .

MATERIAL

FINISH

This document contains proprietary information and is delivered upon the expressed condition that it will not be used directly or indirectly in any way detrimental to the interest of CORVUS SYSTEMS.

DRAWN BY
DAVE DATU

CHECKED BY

DESIGN ENGINEER
DAVE WILLIAMS

MFG ENG

APPROVED

DATE
11-8-83

DATE
5/22/84

DATE

DATE

★ ★ CORVUS SYSTEMS
★ ★ 2029 O'Toole Avenue, San Jose, CA 95131

ASSY, GND HARNESS
OMNI DRIVE PHASE 2

SIZE DWG NO. REV
C 8010-11218 A

SCALE 1:1 DO NOT SCALE DWG SHEET 1 OF 1

NOTES:
3. ASSEMBLY NUMBER IS 8010-11218-01.
2. WIRE TO BE UL 1430 OR EQUIV.
1. BAG AND TAG WITH ASSEMBLY NO. 8010-11218-01 AND REVISION LEVEL.

REV A
DWG NO. 8010-11218

List of Materials for Phase 3 OmniDrive Top Assembly

110v Units		220v Units	
8010-11204-02	5 MB	8010-11205-02	5 MB
8010-11206-02	11 MB	8010-11207-02	11 MB
8010-11208-02	16 MB	8010-11209-02	16 MB
8010-11212-02	45 MB	8010-11213-02	45 MB

Item	Description	Part Number	Quantity
1	Mechanism	See Note 1	1
2	Mechanism Mounting Bracket	2400-04328	1
3	Controller Standoffs	2850-04955	4
4	Top Cover	3150-04327	1
5	Controller PCA	8010-11180-01	1
6	Rubber Feet	2800-02283	4
7	Base Pan	3150-05779-01	1
8	Switching Power Supply	4000-05203	1
9	Not Available		
10	6-32 Kepnut	2800-01188	2
12	6-32 x 5/16 Screw	2800-02764	16
14	Ground Harness	8010-11054	1
15	Drive/Controller Cable (20-pin)	8010-10365	1
16	Drive/Controller Cable (34-pin)	8010-10366	1
17	DC Harness	8010-10799	1
18	Rear Panel Assembly	See Note 2	1
19	6-32 x 1/2 Screw	2800-02666	2
22	Not Available		
23	Not Available		
24	Not Available		
26	EMI Drive Shield	2400-06175-01	1

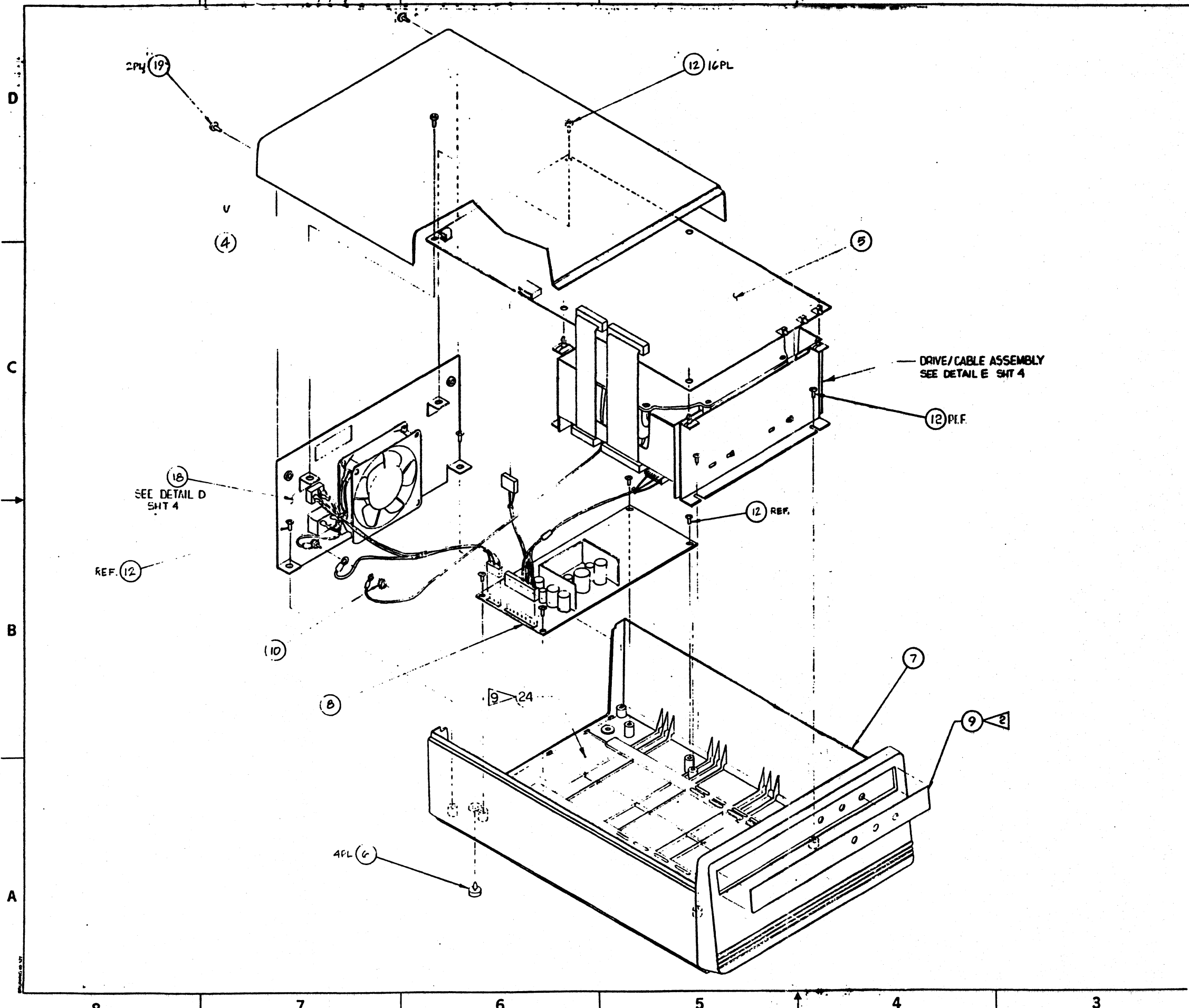
Note 1: Mechanism Part Number is dependent on capacity of OmniDrive.

2200-04937	5 MB
2200-04938	11 MB
2200-04939	16 MB
2200-05639	45 MB

Note 2: AC Panel Part Number is dependent on voltage of drive.

8010-11216-01	110v
8010-11217-01	220v

ECN	ZONE	REV	DESCRIPTION	DATE	APPROVED
			(SEE SHIT 1 OF 4)		



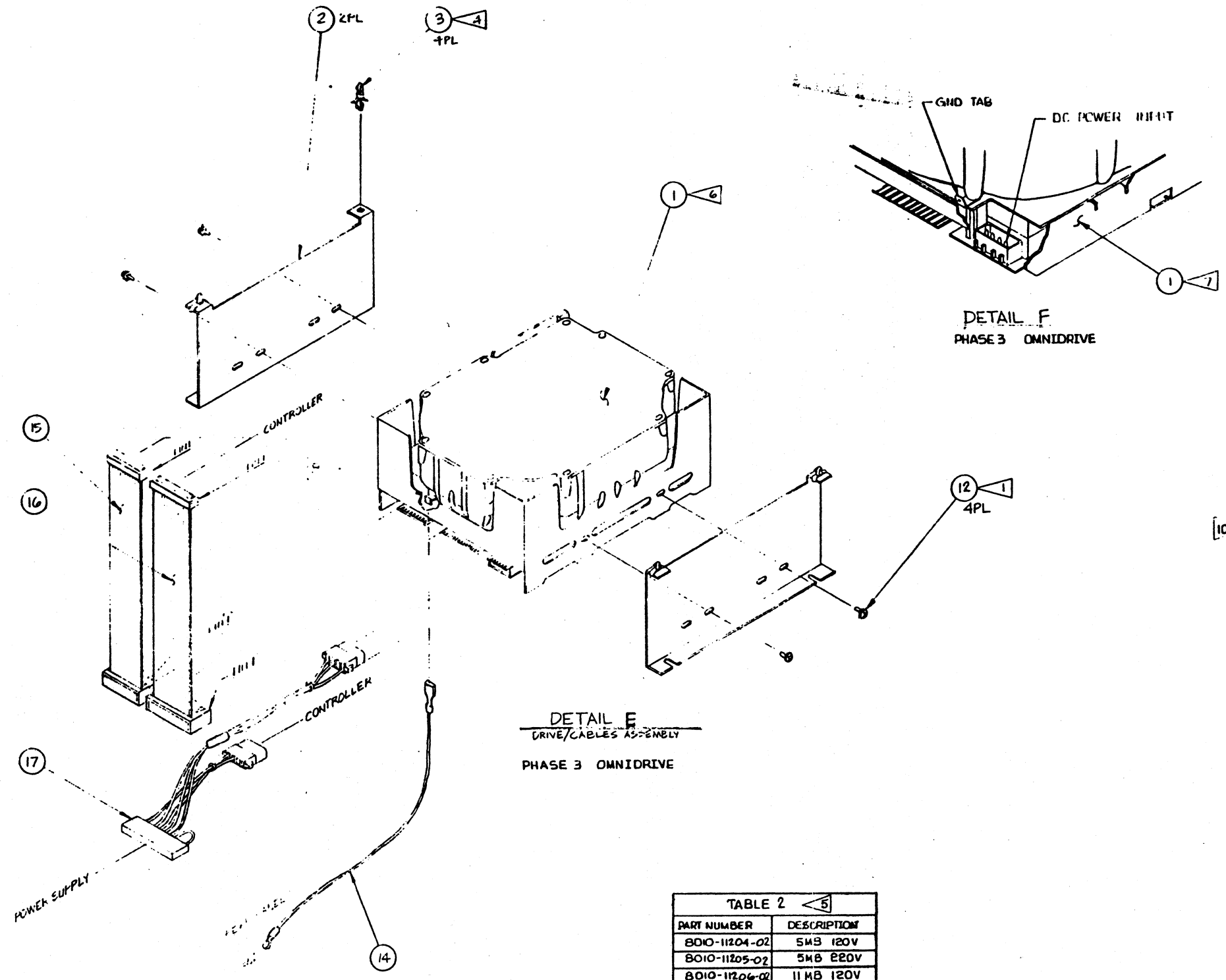
127

SIZE	DWG NO	REV
D	1780 - 05894	B
SCALE	DO NOT SCALE DWG	SHEET 3 OF 4
NONE		

RELEASED JUN 29 1984 1

REVISIONS					
ECN	ZONE	REV	DESCRIPTION	DATE	APPROVED
(SEE SHEET 1 OF 4)					

D
C
B
A



DETAIL E
DRIVE/CABLES ASSEMBLY
PHASE 3 OMNIDRIVE

DETAIL F
PHASE 3 OMNIDRIVE

DETAIL "D"
REAR PANEL LABELLING

TABLE 2 5

PART NUMBER	DESCRIPTION
8010-11204-02	5MB 120V
8010-11205-02	5MB 220V
8010-11206-02	11MB 120V
8010-11207-02	11MB 220V
8010-11208-02	16MB 120V
8010-11209-02	16MB 220V
8010-11212-02	45MB 120V
8010-11213-02	45MB 220V

8 7 6 5 ↑ 4 3

SIZE	DWGNO	REV
D	1780-05894	B
SCALE	DO NOT SCALE DWG	SHEET 4 OF 4

RELEASED JUN 29 1984

List of Materials for Phase 3 OmniDrive Rear Panel

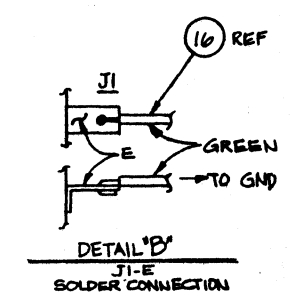
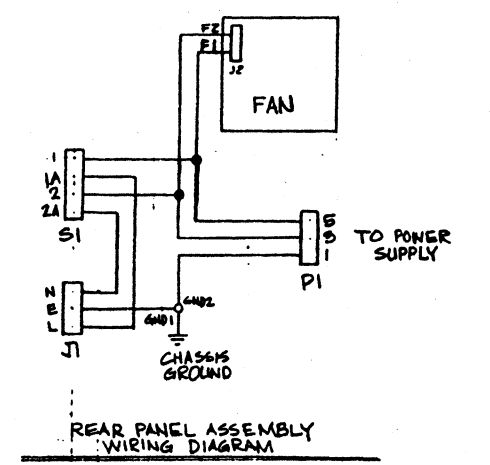
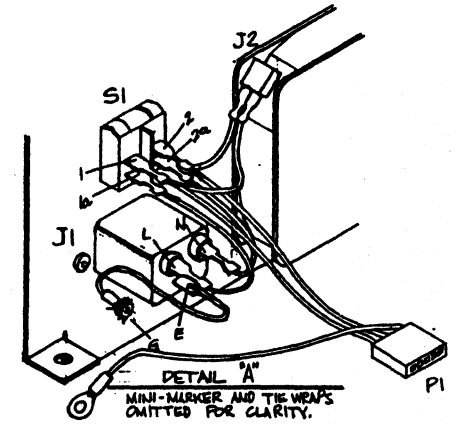
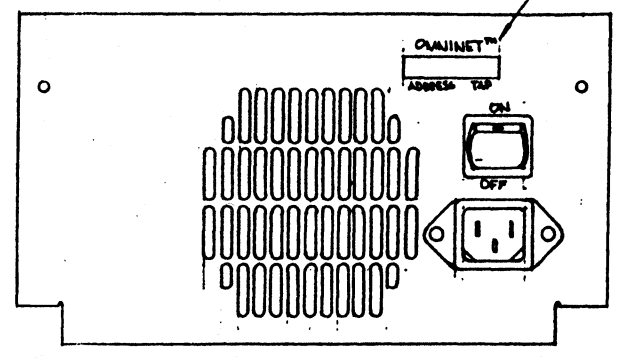
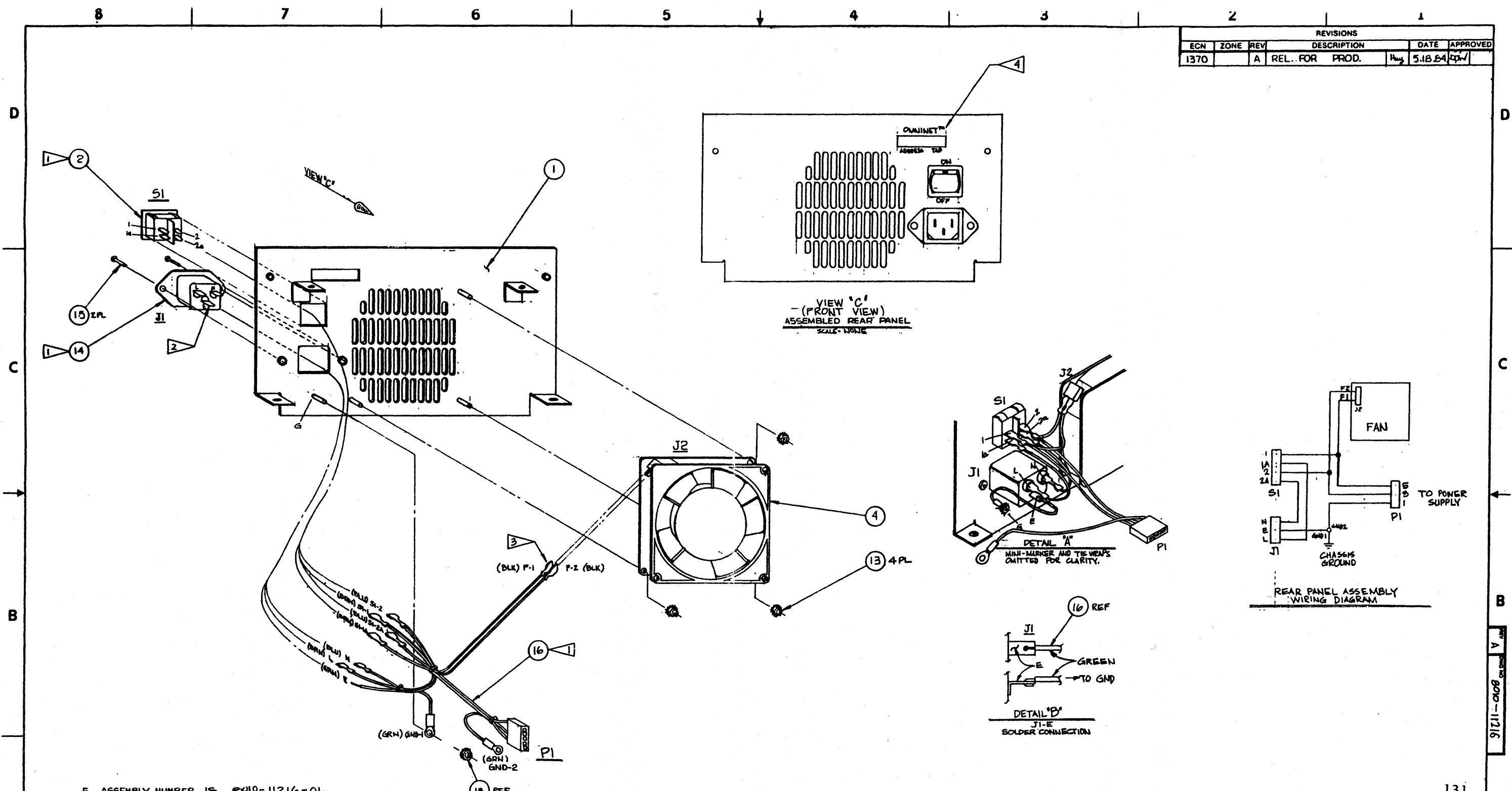
8010-11216-01 110v
 8010-10217-01 220v

Item	Description	Part Number	Quantity
1	Not Avilable		
2	AC Switch	5100-02420	1
4	Fan	See Note 1	1
13	6-32 Kepnut	2800-01188	4
14	AC Receptacle	2100-05173	1
15	6-32 x 1/2 Screw	2800-02666	2
16	AC Harness	8010-10798	1

Note 1: Fan Part Number is dependent on voltage of OmniDrive.

2600-04961 110v
 2600-04962 220v

REVISIONS					
ECN	ZONE	REV	DESCRIPTION	DATE	APPROVED
1370	A	REL.. FOR PROD.		May 5, 1984	[Signature]



5. ASSEMBLY NUMBER IS 8010-11216-01.
- 4 FOR SILKSCREEN REFERENCE P/N 1750-04323.
 - 3 FAN CONNECTIONS ARE NOT POLARIZED. INTERCONNECTS CAN BE REVERSED.
 - 2 SEE DETAIL 'B'. FOR SOLDER CONNECTION.
 - 1 SEE DETAIL 'A'. FOR HARNESS INSTALLATION DETAIL.
- NOTES:

COLOR	FROM	TO	NOTES	NEXT ASSY	USED ON
GRN	GND 2	PI-1			
BLK	SI-2	P2	DBLCRIMP		
BLU	SI-1	PI-3	DBLCRIMP		
BRN	SI-1	PI-5	DBLCRIMP	8010-11204-01	
BLK	SI-1	PI		8010-11206-01	
BLU	N	SI-2A		8010-11208-01	
BRN	L	SI-1A		8010-11212-01	OMNI DRIVE
GRN	E	GND 1			

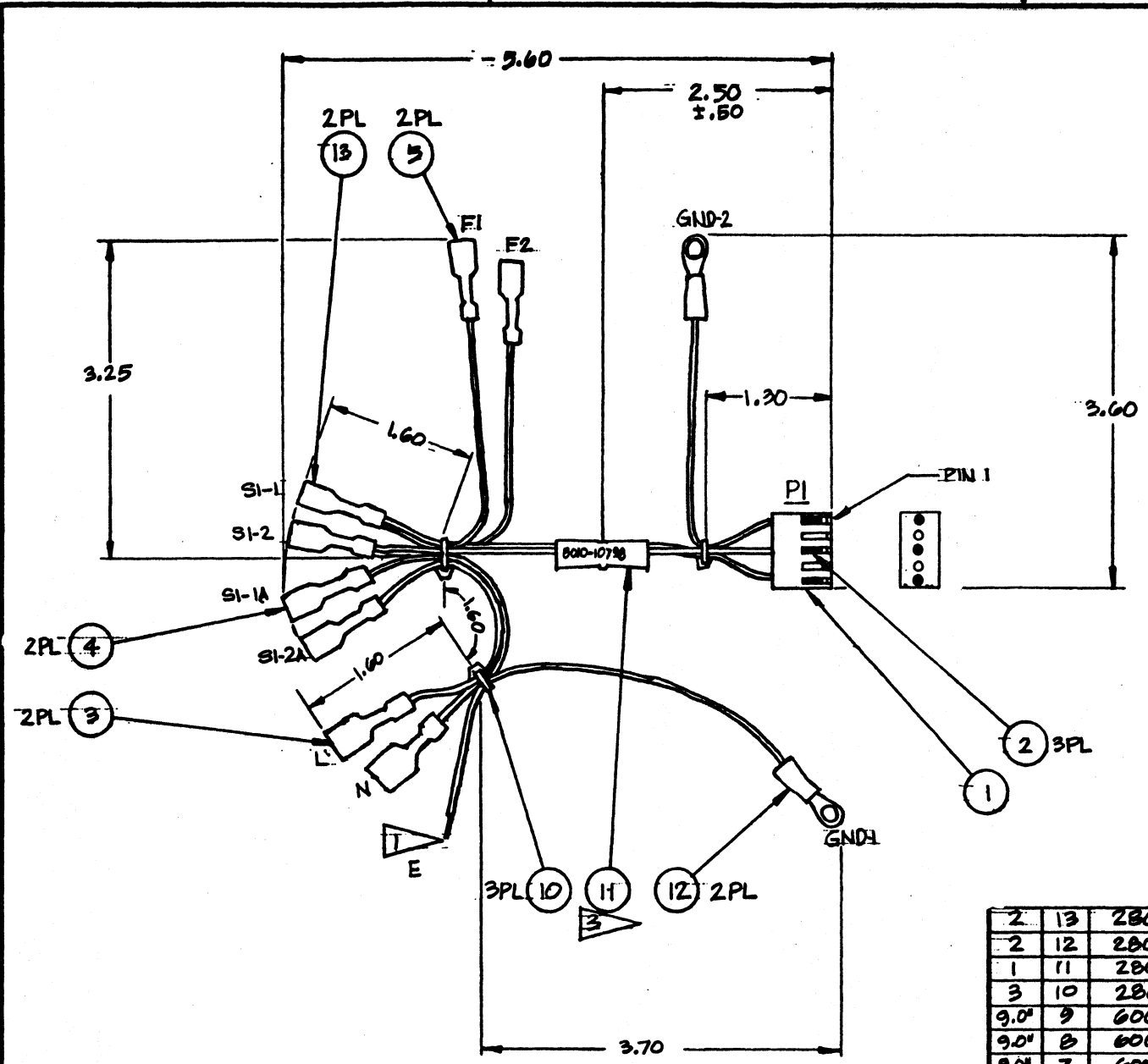
QTY	ITEM NO.	PART NO.	DESCRIPTION
PARTS LIST			
UNLESS OTHERWISE SPECIFIED DIMENSIONS ARE IN INCHES TOLERANCES ARE			
ANGLES	DECIMALS		
±	.XX ±		
	.XXX ±		
MATERIAL			
FINISH			

DRAWN BY DIME PATU		DATE 1-19-84
CHECKED BY		DATE
DESIGN ENGINEER DAVE WILHELM		DATE 5/22/84
MFG ENG		DATE
APPROVED		DATE

** CORVUS SYSTEMS		
* 2029 O'Toole Avenue, San Jose, CA 95131		
ASSEMBLY, REAR PANEL		
OMNI DRIVE 120V		
SIZE	DWG NO.	REV
D	8010-11216	A
SCALE	NONE	DO NOT SCALE DWG
SHEET 1 OF 1		

2 RELEASED MAY 25 1984

REVISIONS					
ECN	ZONE	REV	DESCRIPTION	DATE	APPROVED
1370		A	REL FOR PROD.	May 5.18.84	DNW



WIRE CONNECTION CHART							
WIRE#	ITEM#	COLOR	LENGTH	FROM	TO	NOTES	FUNCTION
1	6	BLK		SI-1	PI-5	DBL CRMP	+120V
2	9	BRN		SI-2	F2	DBL CRMP	NEUTRAL
3	6	BLK			PI-3		
4	8	BLU		SI-1A	L		+120V
5	9	BRN		SI-2A	N		NEUTRAL
6	8	BLU		GND-2	PI-1		GND
7	7	GRN		E	GND-1		GND
8	7	GRN		E	GND-1		GND

2	13	2800-05636	FASTON .187x.032	
2	12	2800-01131	LUG RING #6	
1	11	2800-02096	CABLE TIE MARKER	
3	10	2800-01452	CABLE TIE	
9.0'	9	6000-02224	WIRE, BRN 18AWG	
9.0'	8	6000-02229	WIRE, BLU 18AWG	
9.0'	7	6000-02223	WIRE, GRN 18AWG	
8.5'	6	6000-02223	WIRE, BLK 18AWG	
2	5	2800-05653	FASTON .110x.020	
2	4	2800-02090	FASTON .187x.020	
2	3	2800-05255	FASTON .250x.092	
3	2	2800-01132	CRIMP TERM, 18-24 AWG	
1	1	2100-05755	CONN, 3-POS	

QTY	ITEM NO.	PART NO.	DESCRIPTION
			133

PARTS LIST		CORVUS SYSTEMS	
		2029 O'Toole Avenue, San Jose, CA 95131	
		HARNES ASSEMBLY OMNI DRIVE AC POWER	
		SIZE	DWG NO.
		C	8010-10798
		REV	A
		SCALE	1/1
		DO NOT SCALE DWG SHEET 1 OF 1	

4. THIS DRAWING TO BE USED FOR LAYOUT AND FABRICATION OF THIS HARNESS ASSEMBLY.

3 MARK ASSY NO. & REV. LEVEL IN PERMANENT INK OF A CONTRASTING COLOR APPROX. WHERE SHOWN.

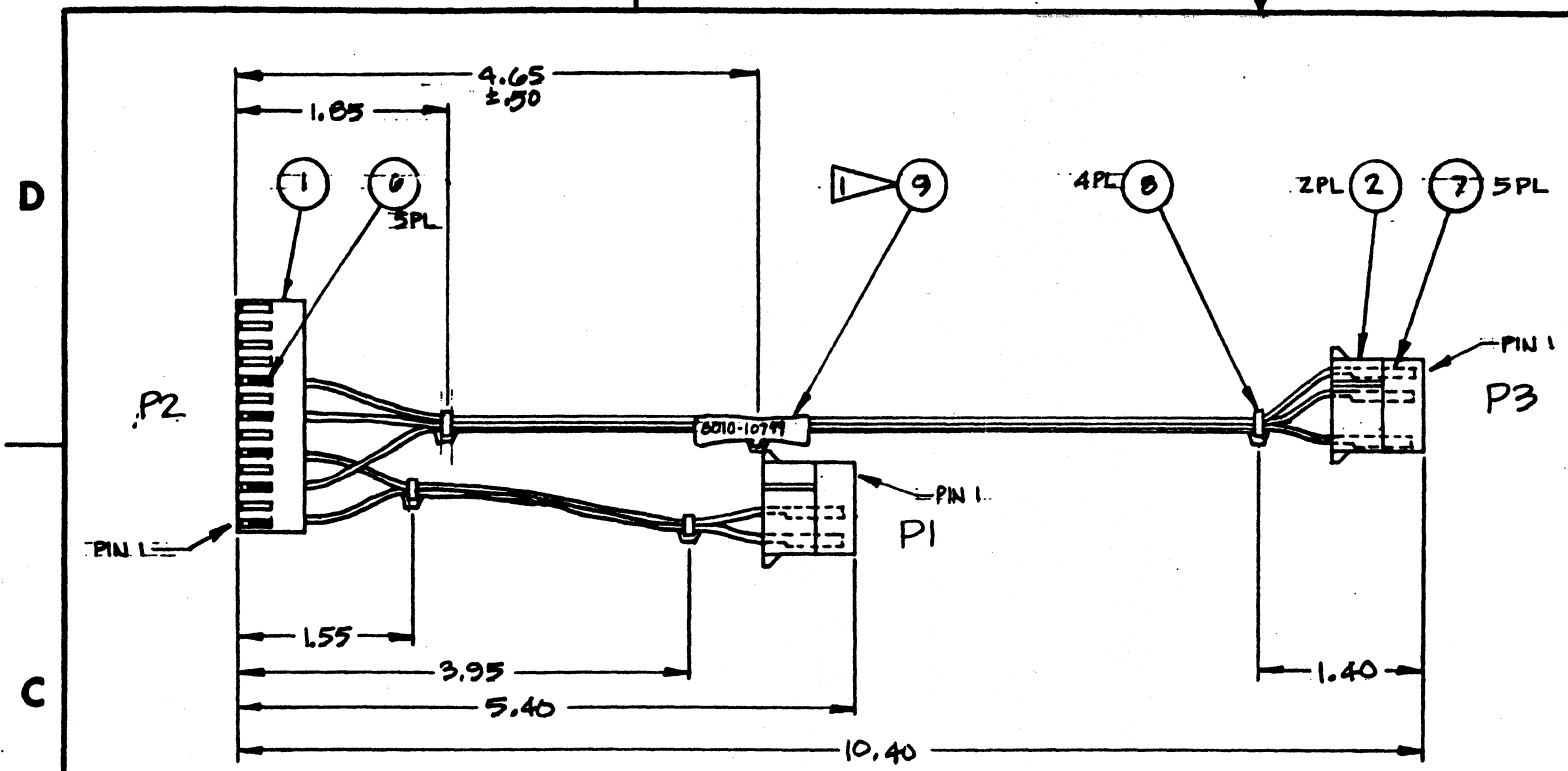
Z ALL WIRES TO UL 1430 OR EQUIV.

Δ STRIP .50 INCH AND TIN.

NOTES:

DRAWING 8010-10798

REVISIONS					
ECN	ZONE	REV	DESCRIPTION	DATE	APPROVED
1370		A	REL. FOR PROD.	May 5.17.84	DW



WIRE #	ITEM #	CLR	LENGTH	FROM	TO	NOTES	FUNCTION
1	3	RED		P2-1	P1-4		+5V
2	4	BLK		P2-5	P1-3		GND
3	5	YEL		P2-9	P3-1		+12V
4	4	BLK		P2-7	P3-2		GND
5	3	RED		P2-3	P3-4		+5V

QTY	ITEM NO.	PART NO.	DESCRIPTION
1	9	2800-02036	CABLE TIE MARKER
4	8	2800-01452	CABLE TIE
5	7	2800-02098	CRIMP SOCKET 20-14 AWG
5	0	2800-01132	CRIMP TERM 20-14 AWG
10.0"	5	6000-02220	WIRE, YEL 22 AWG
15.0"	4	6000-02218	WIRE, BLK 22 AWG
15.0"	3	6000-02219	WIRE, RED 22 AWG
2	2	2100-02905	CONN 4-POS
1	1	2100-05286	CONN 15-POS

PARTS LIST		135	
8010-11204-01			
8010-11205-01			
8010-11206-01			
8010-11207-01			
8010-11208-01			
8010-11209-01			
8010-11212-01			
8010-11213-01	OMNI DRIVE		
NEXT ASSY	USED ON		
APPLICATION			

4. THIS DRAWING TO BE USED FOR LAYOUT AND FABRICATION OF THIS HARNESS ASSEMBLY.

3. ALL TIE WRAP DIMENSIONS TO BE TOLERANCED @ ±.50.

2. ALL WIRES TO BE UL1430 OR EQUIV.

1. MARK ASSY NO. & REV. LEVEL IN PERMANENT INK OF A CONTRASTING COLOR APPROX. WHERE SHOWN.

NOTES:

UNLESS OTHERWISE SPECIFIED DIMENSIONS ARE IN INCHES TOLERANCES ARE

ANGLES DECIMALS ± .XX ± .25 .XXX ± .

MATERIAL

FINISH

APPROVED

This document contains proprietary information and is delivered upon the expressed condition that it will not be used directly or indirectly in any way detrimental to the interest of CORVUS SYSTEMS.

★ ★ CORVUS SYSTEMS
★ ★ 2029 O'Toole Avenue, San Jose, CA 95131

HARNESS ASSEMBLY
OMNI DRIVE DC POWER

SIZE DWG NO. REV
C 8010-10799 A

SCALE 1/1 DO NOT SCALE DWG SHEET 1 OF 1

4

3

2

RELEASED 1 MAY 25 1984

APPENDIX D
CONTROLLER PCA JUMPER LAYOUT

**APPENDIX E
POWER SUPPLY SPECIFICATIONS
AND SCHEMATICS**

ASTECS POWER SUPPLY SPECIFICATIONS

Input Characteristics

AC Input Voltage 95 to 135 VAC (Jumper Selectable)
190 to 270 VAC (Jumper Selectable)

AC Input Frequency 47 to 400 HZ

Output Characteristics

Output Voltage	Load		Tolerance Ripple	Output
	min	max		
+ 5 VDC	1.3A	6.0A	± 3%	50 mV p-p
+ 12 VDC	0.6A	1.5A	± 5%	120 mV p-p

General Characteristics

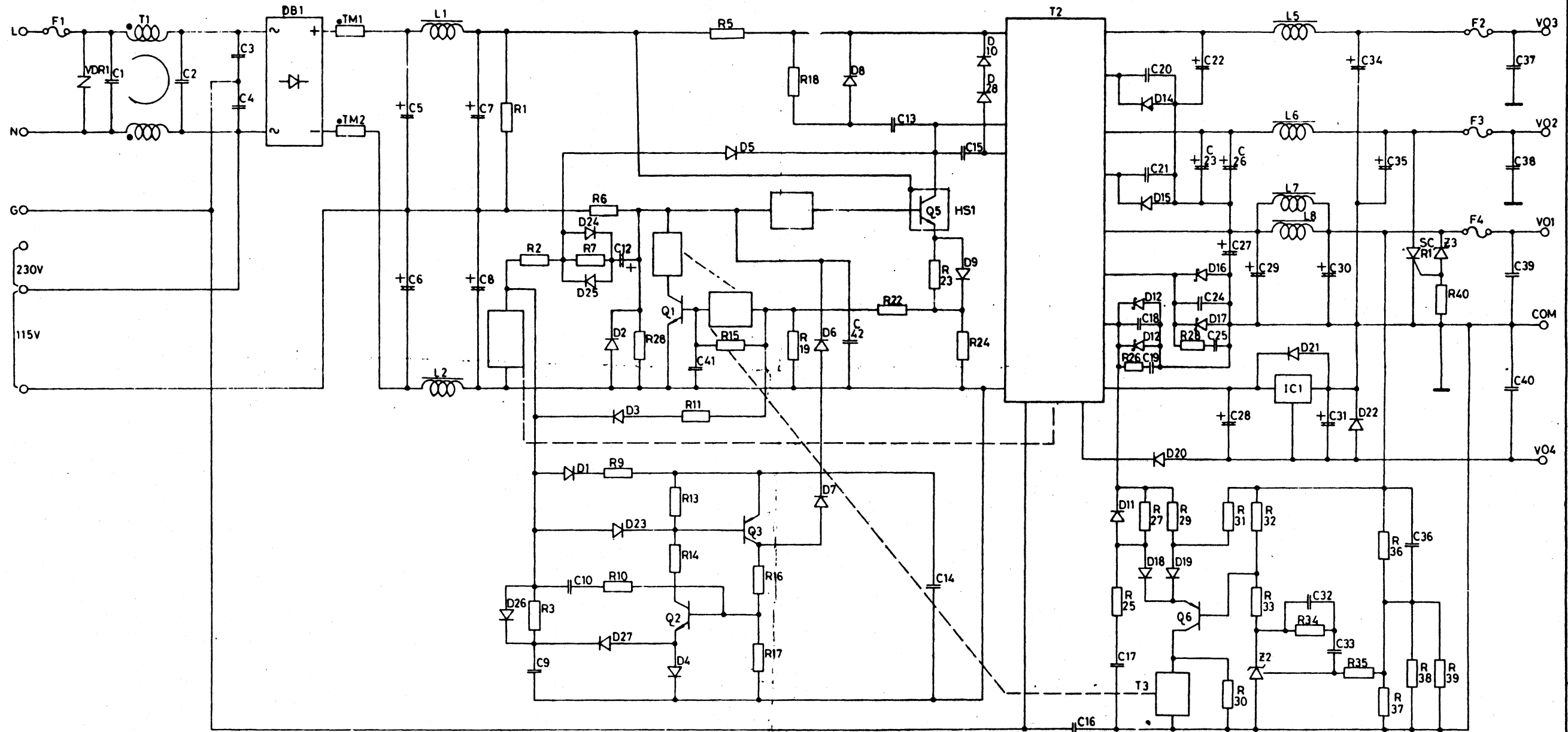
Operating Temperature 0° C to 50° C

Overvoltage Protection + 5V output trip voltage
5.9 to 7.0V

Hold-up time 24-msec at full load

Input Surge Current 30 amps @ 115 VAC at 25° C
60 amps @ 230 VAC at 25° C

R		R1 R2,3	R7,5,6 8 9 10	R11 R13,14,15,16,17,18,19	R22 R23,24	R25 26,27,28,29,30	R31 R32,33,34	R35 36 37,38,39,40		
C	C1	C2	C3,4	C5,6	C7,8	C9 C10 C12	C41	C42 C13 C14 C15	C16,17,18,19,20,21,22,23,24,25,26,27,28,29,30,31,32,33,34,35	C37,38,39,40
L/T	T1		L1 L2				T2	T3	L5,6,7,8	
D/Q			D26,24,25,1,2,3,23,27,Q1,Q2,D4	D5 Q3	D6 D7 D8	Q5 D9 D10,28	D11 D12-D19 Q6 D20	D21	D22	
MISC	F1 VDR1		DB1 TM1 TM2			HS1		Z2 IC1	SCR1,23,F2,F3,F4	



2	ADD HEATSINK SYMBOL HS1								
1	PRELIMINARY								
ISSUE	REVISIONS	DATE	CHK	APPD	ECN				

UNLESS OTHERWISE SPECIFIED ALL DIMENSIONS ARE IN MM TOLERANCES WHOLE NO ± DECIMAL . ± M.M ±	DO NOT SCALE DRAWING	TITLE (REPAIR MANUAL)	
	DRN Y. F. CHAN	DATE 10.OCT.88	CIRCUIT DIAGRAM
	CHK	DATE	FIRST USED ON AC 9561/9531
	APPA	DATE 10.01.88	MATERIAL
ASTEC COMPONENT LTD.		HONG KONG	
			SH 1 OF 1

BOSCHERT POWER SUPPLY SPECIFICATIONS

Input Characteristics

AC Input Voltage 90 to 132 VAC (Jumper Selectable)
180 to 264 VAC (Jumper Selectable)

AC Input Frequency 47 to 440 HZ

Output Characteristics

Output Voltage	Load		Tolerance Ripple	Output
	min	max		
+ 5 VDC	2.0A	15.0A	± 3%	100 mv p-p
+ 12 VDC	1.0A	5.0A	± 4%	80 mv p-p

General Characteristics

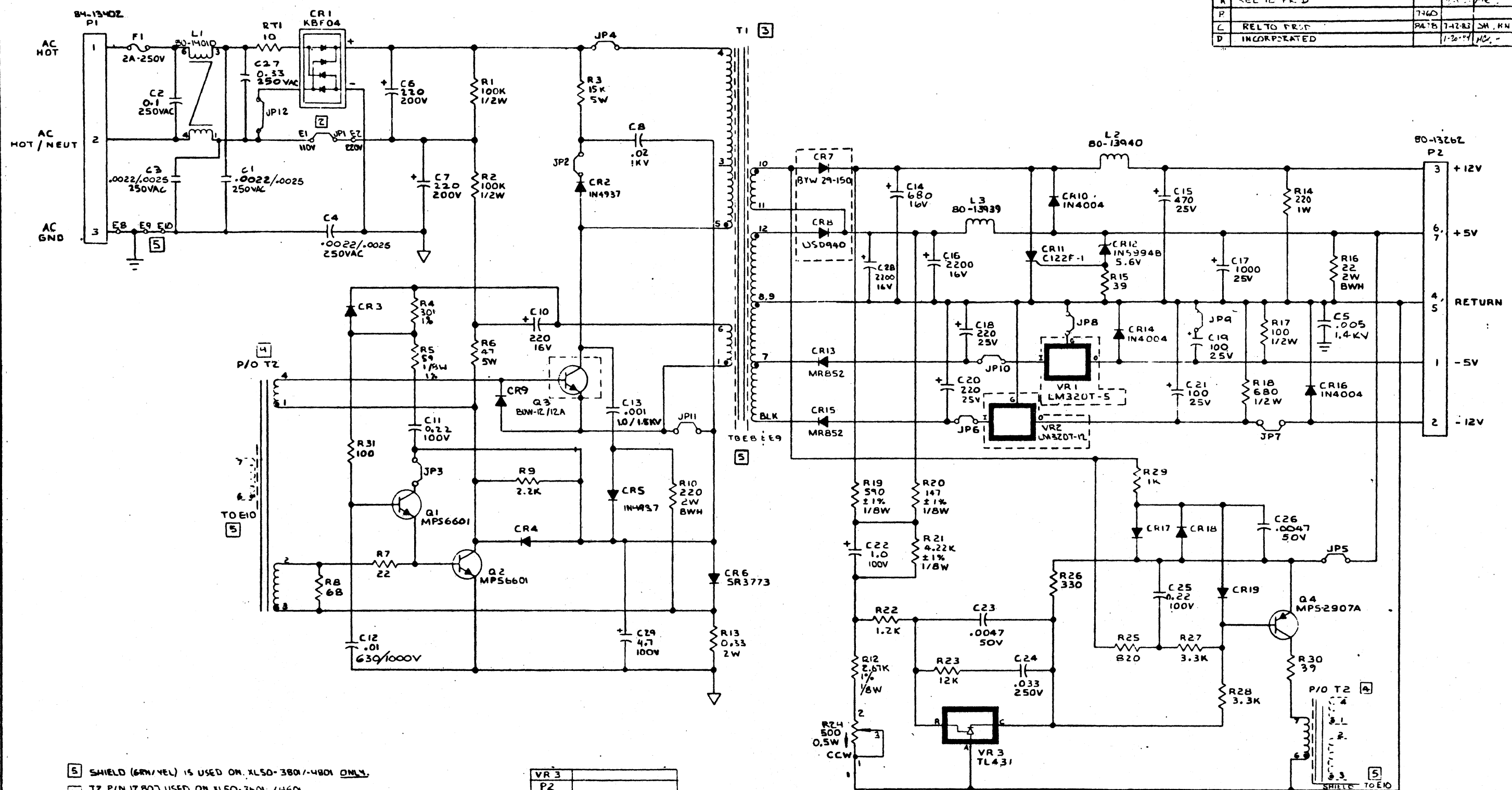
Operating Temperature 0° C to 70° C

Overvoltage Protection + 5V output trip voltage
5.50V to 7.0V

Hold-up Time 16-msec minimum

Input Surge Current 32 amps

REV	DESCRIPTION	ECO	DATE	APPROVED
A	REL TO PR'D			
P			7-16-60	
C	REL TO PR'D	PA7B	7-12-63	SM, MN
D	INCORPORATED		1-20-64	MS



- [5] SHIELD (6RN/YEL) IS USED ON XLSO-3801/4801 ONLY.
- [4] TZ P/N 12807 USED ON XLSO-3801/4601
TZ P/N 13627 USED ON XLSO-3801/4801.
- [3] T1 P/N 14374 USED ON XLSO-3801/4601,
T1 P/N 14375 USED ON XLSO-3801/4801.
- [2] FOR 220V OPERATION CONNECT JPI TO E2
FOR 110V OPERATION CONNECT JPI TO E1

1. RESISTORS ARE IN OHMS, ± 5%, 1/4W
DIODES ARE IN444B
CAPACITORS ARE IN MICROFARADS, VOLTAGE RATINGS ARE IN D.C.

NOTES: UNLESS OTHERWISE SPECIFIED;

ITEM	QTY	PART NUMBER
VR 3		
P2		
T2		
RT1		
R32	R11	
Q4		
L3		
JPI2		
F1		
E10	E3, E4, E5, E6, E7	
CR19		
C29	C9	
LAST USED	NOT USED	
REFERENCE DESIGNATORS		

ITEM	QTY	PART NUMBER	DESCRIPTION	REF DESIGNATION
UNLESS OTHERWISE SPECIFIED DIMENSIONS ARE IN INCHES				
TOLERANCES				
DECIMALS (XX) FRACTIONS				
DECIMALS (XXX) FRACTIONS				
NEXT ASSY				
DATE				
APPROVALS				
DRAWN: L/NH VD 8-3-63				
CHECKED: S HIGHERD 7-7-63				
ENG: H NGUYEN 7-2-63				
INSTR: M NGUYEN 7-13-63				
MFG: JF				
QA MR: S NEBEFF 7-15-63				
RELEASED: 7-15-63				

Boschert BOSCHERT INC.
SUNNYVALE CALIFORNIA

SCHEMATIC POWER SUPPLY
XLSO-3801/4801

90-13262

SCALE: N/A SHEET 1 OF 1

APPENDIX F
IMI WINCHESTER MECHANISM
SPECIFICATIONS AND SCHEMATICS

**APPENDIX F
IMI WINCHESTER MECHANISM
SPECIFICATIONS AND SCHEMATICS**

	<i>5 MB</i>	<i>10 MB</i>	<i>16 MB</i>
Operational Specifications	5006H	5012H	5018H
Disks per Drive	1	2	3
Disk Diameter (in/mm)	5.25/133	5.25/133	5.25/133
Data Surfaces per Drive	2	4	6
Heads per Surface	1	1	1
Heads per Drive	2	4	6
Number of Data Cylinders/Drive (including all spare tracks)	306	306	306
Sectors per Track	18	18	18
Track Density	303	303	303
Bytes per Sector (Formatted)	512	512	512
Bytes per Track (Formatted)	9,216	9,216	9,216
Bytes per Drive	5.5MB	11.1MB	16.1MB
Capacity (blocks)	10,728	21,600	32,472
Bit Density, maximum (BPI)	9,706	9,706	9,706
Recording Format	MFM	MFM	MFM
Average Latency (ms)	8.3	8.3	8.3
Access Times (ms)			
Track-to-Track	3	3	3
Average	49	49	49
Maximum	99	99	99
Data Transfer Rate (Kb/s)	625	625	625
Rotational Speed (rpm)	3600	3600	3600

Environmental Requirements

Operating Temperature	
Degrees C	4° to 50°
Degrees F	39° to 122°
Non-Operating Temperature	
Degrees C	- 40° to 60°
Degrees F	- 40° to 140°
Operating Relative Humidity (%)	8 to 80
Non-Operating Relative Humidity (%)	8 to 80
Operating Altitude (ft)	- 1,000 to + 10,000
Non-Operating Altitude (ft)	- 1,000 to + 50,000
Operating Vibration (g)	0.1 (5 cps linear increase to 100 cps)
Non-Operating Vibration (g)	1.0 (2 cps linear increase to 100 cps)
Non-Operating Shock (g)	5.0 for 5 ms duration

CORVUS CUSTOMER SERVICE

	Switch Position							
	1	2	3	4	5	6	7	8
5006H	C	C	C	C	C	C	C	C
5012H	O	C	C	C	C	C	C	C
5018H	C	O	C	C	C	C	C	C

Table F-1. Controller PCA Switch (U22) Settings

C = CLOSED
O = OPEN

	Jumper E3	Jumper E4*
5006H	A—B	A—B
5012H	A—B	A—B
5018H	A—B	A—B

Table F-2. Controller PCA Jumper Settings

*Jumper E4 need only be checked on Revision A or later controllers

Brake Check and Adjustment

The drive motor brake must be checked to insure that the brake is not in contact with the motor hub during drive operation. A misadjusted brake will inhibit the motor from reaching the proper speed or will not stop the motor at the appropriate time.

Tools Required

The following tools are required to perform a brake check and adjustment:

- 5/64" Allen wrench
- 0.015" feeler gauge

Brake Adjustment Procedures

The brake adjustment must be performed accurately and rechecked for compliance with the tolerances specified.

1. Using the drive Diagnostic program, park the heads of the drive mechanism.
2. The drive mechanism must be removed from the cabinet and disassembled as detailed in section 3.2.3 of this manual.
3. With the mechanism out of the cabinet, turn the mechanism upside down and remove the standoffs which attach the Read/Write PCA to the mechanism.

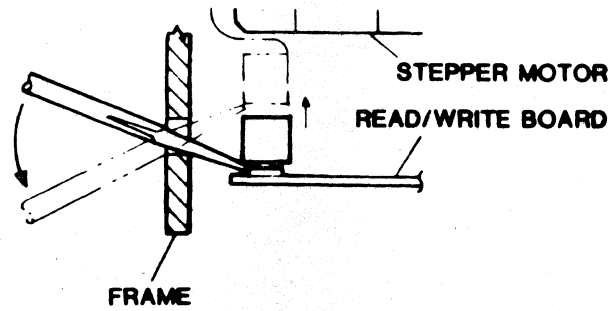
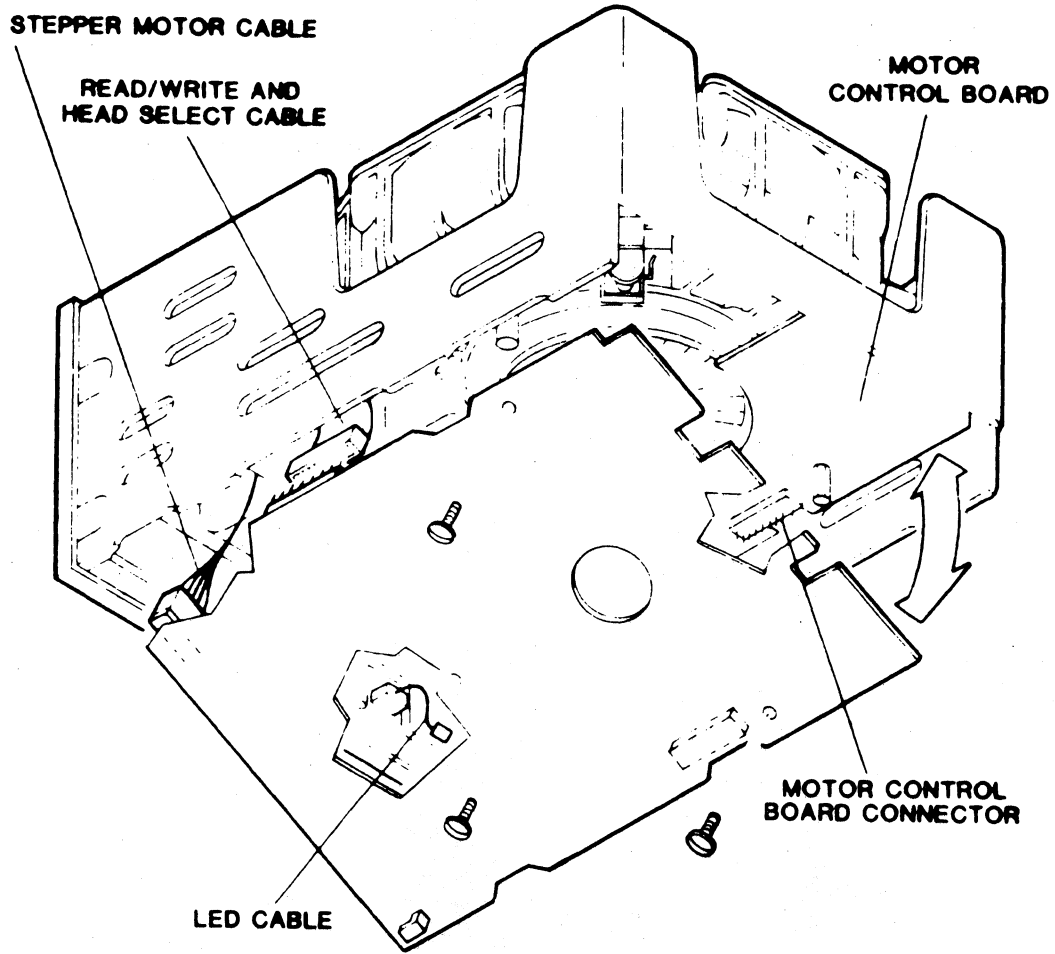


Figure F-1. IMI Read/Write PCA Removal

CORVUS CUSTOMER SERVICE

- 4. Carefully disconnect the Read/Write PCA from the Motor Control PCA connector.
- 5. Disconnect the stepper motor cable.
- 6. Disconnect the Read/Write Head Select cable. This is a fragile mylar flat cable.

CAUTION:

Do not stretch the Read/Write Head Select cable. It is very fragile and may tear. If the cable tears, the drive mechanism must be replaced, and the WARRANTY WILL BE VOID.

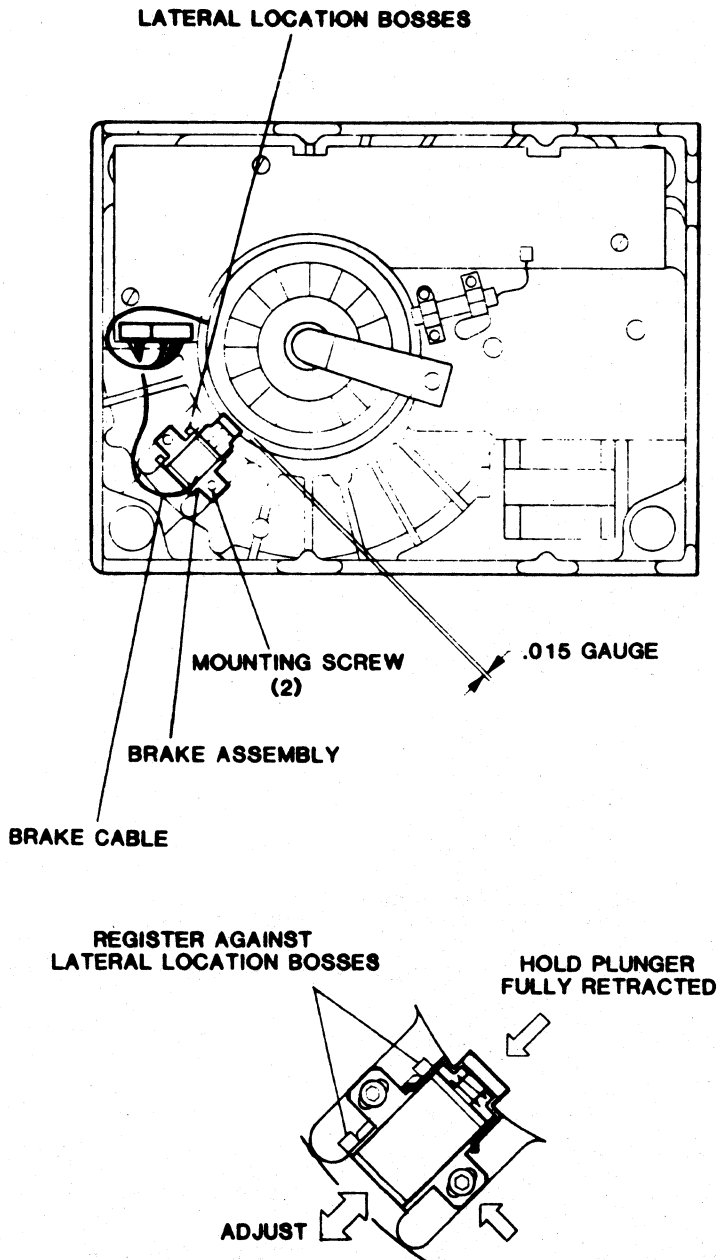


Figure F-2. IMI Brake Assembly and Adjustment

7. Loosen the brake assembly mounting screws.
8. Hold the brake assembly against the lateral location bosses.
9. Place the .015 inch feeler gauge between the brake friction shoe and the motor hub.
10. While holding the brake plunger fully retracted, move the brake assembly against the feeler gauge and the motor hub, and tighten the brake mounting screws. Do not overtighten these screws.
11. Recheck the brake clearance with the brake plunger retracted.
12. Reinstall the Read/Write PCA, being careful when reattaching the Read/Write Head Select cable.
13. Reinstall the disk mechanism; reassemble the system observing the cautions in section 3.3.

Index Check and Adjustment

The Index Sensor sends a pulse to the Motor Control PCA each time the index tab rotates past the sensor. The Motor Control PCA monitors these magnetic pulses and adjusts the current to provide a constant speed of the spindle drive motor.

Tools Required

The following tools are required to perform an index check and adjustment:

- 5/64" Allen wrench
- 0.015" feeler gauge

Index Adjustment Procedures

The correct distance between the index sensor and the index tab is necessary for proper operation of the drive mechanism. If the index sensor is too far away from the tab, it may not sense the magnetic pulse. If it is too close to the tab, it may inhibit the motor from turning freely.

1. Using the drive Diagnostic program, park the heads of the drive mechanism.
2. Disassemble the OmniDrive as described in Chapter 3.
3. With the mechanism out of the cabinet, turn it upside down and remove the standoffs which attach the Read/Write PCA to the mechanism (see Figure 4.3).
4. Carefully disconnect the Read/Write PCA from the Motor Control PCA connector.
5. Disconnect the stepper motor cable.
6. Disconnect the Read/Write Head Select cable. This is a fragile mylar flat cable.

CAUTION:

Do not stretch the read/write Head Select cable. It is very fragile and may tear. If the cable tears, the drive mechanism must be replaced and the WARRANTY WILL BE VOID.

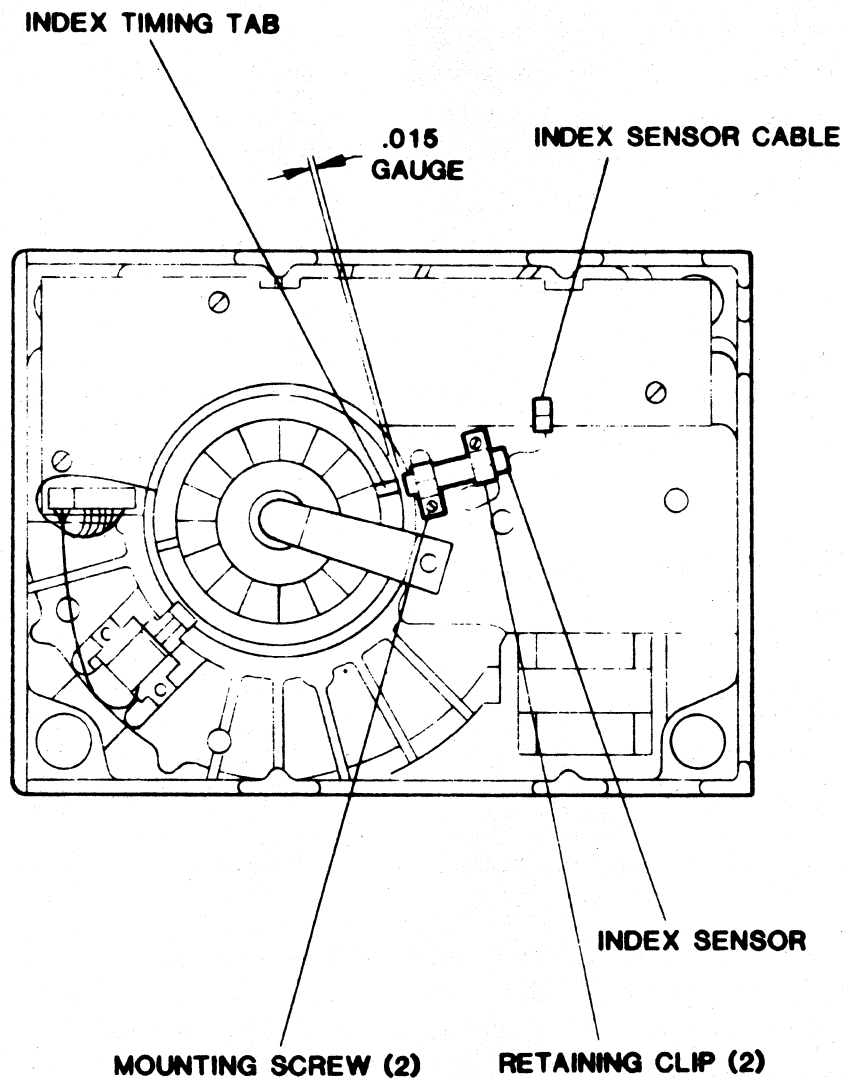


Figure F-3. IMI Index Assembly and Adjustment

7. Loosen the two index sensor assembly screws.
8. Rotate the motor until the silver colored timing tab lines up with the index sensor.

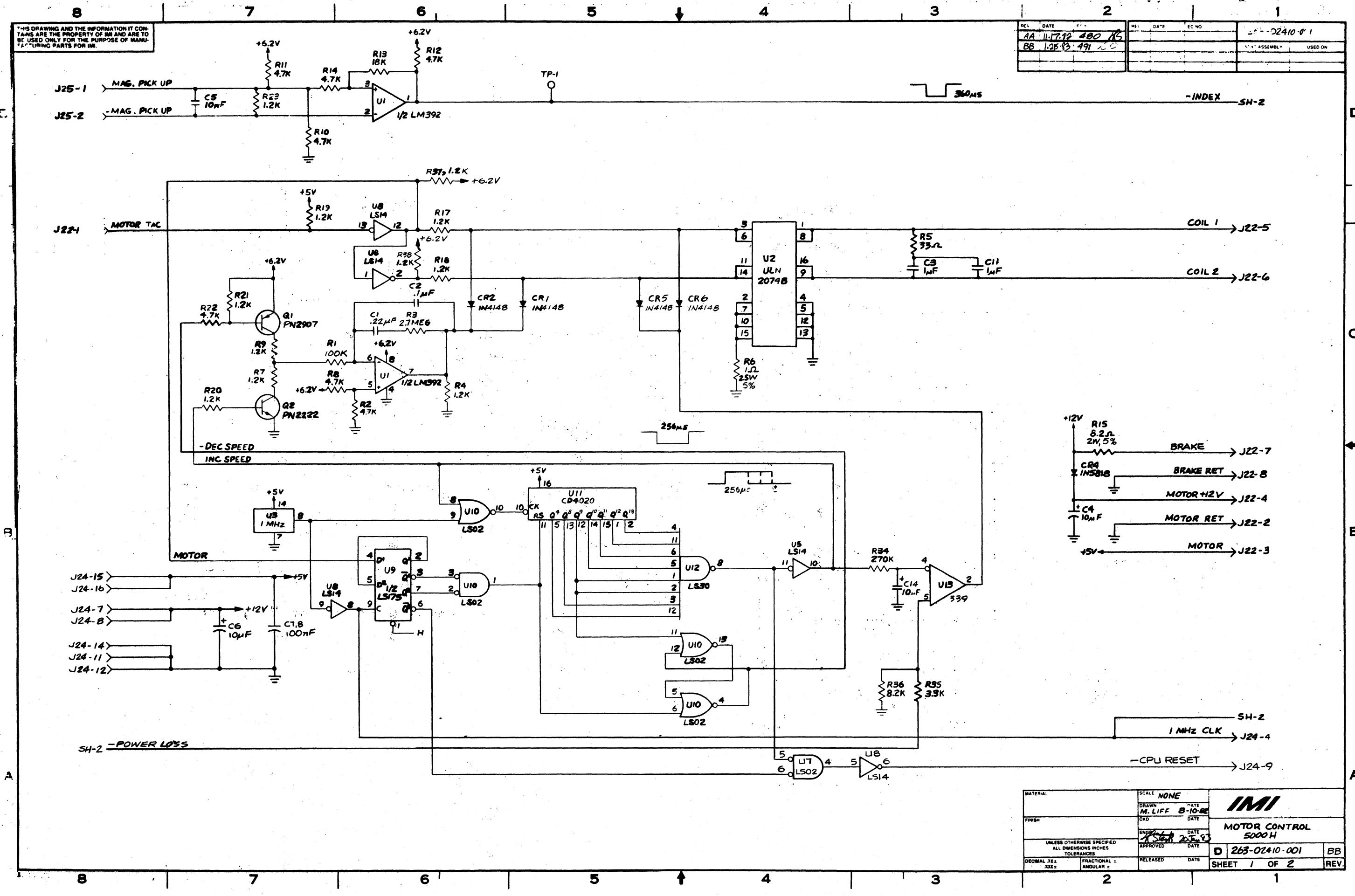
CAUTION:

Rotate the drive motor in a clockwise direction when viewed from the bottom. Incorrect rotation may cause damage to the recording media.

9. Place a 0.015" feeler gauge between the index tab and the index sensor.
10. Move the index sensor against the feeler gauge and tighten the mounting screws.
11. Recheck the alignment of the index sensor to insure that the index gap is correct.
12. Reinstall the Read/Write PCA, being careful when reattaching the Read/Write Head Select cable.
13. Reassemble the system observing the cautions in section 3.3.

THIS DRAWING AND THE INFORMATION IT CONTAINS ARE THE PROPERTY OF IMI AND ARE TO BE USED ONLY FOR THE PURPOSE OF MANUFACTURING PARTS FOR IMI.

REV	DATE	EC NO	2410-01
AA	11-17-82	480	KS
BB	1-25-83	491	KS

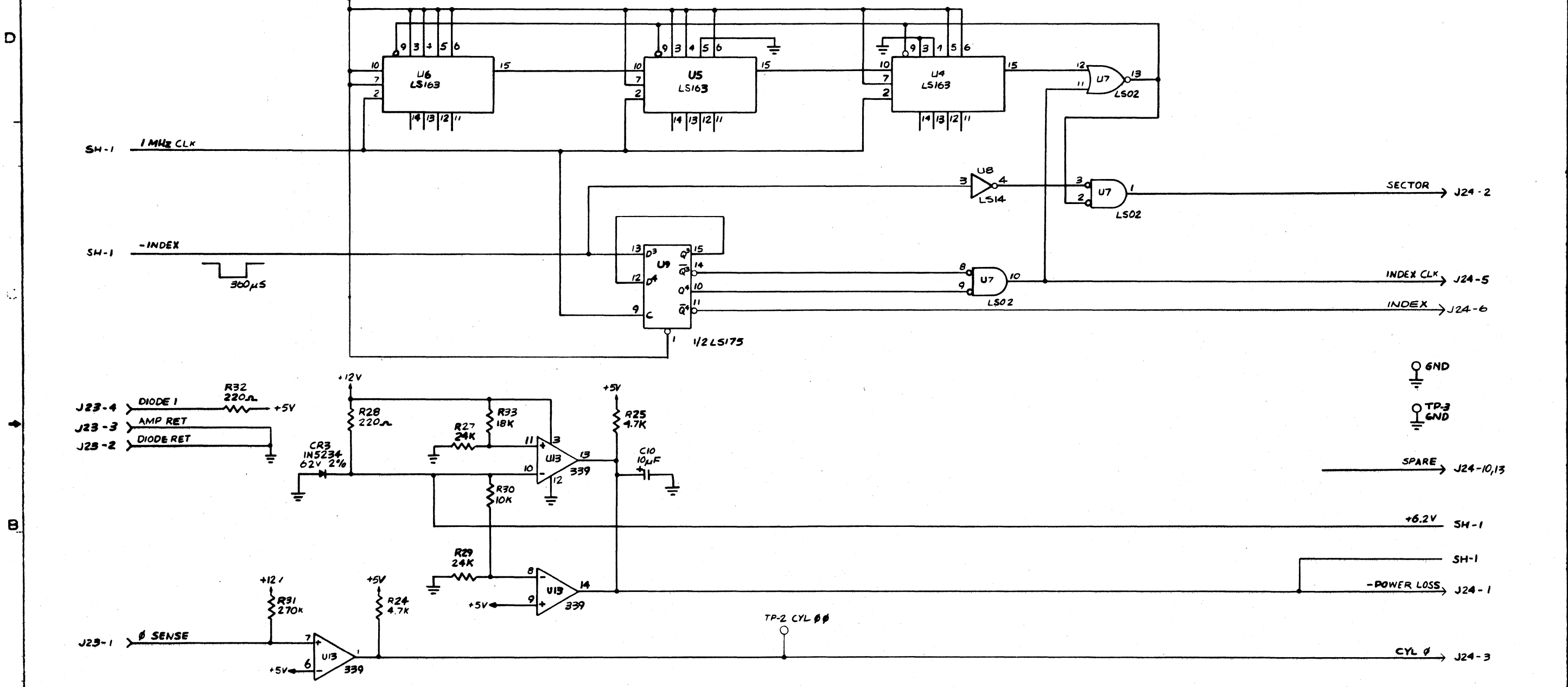


MATERIAL	SCALE	NONE	IMI
FINISH	DRAWN	M. LIFF 8-10-82	MOTOR CONTROL
	CHKD	DATE	5000 H
	ENGR	DATE	
	APPROVED	DATE	
UNLESS OTHERWISE SPECIFIED ALL DIMENSIONS INCHES TOLERANCES	RELEASED	DATE	
DECIMAL .XX ±	FRACTIONAL ±	ANGULAR ±	
			D 263-02410-001
			SHEET 1 OF 2
			REV.

161

THIS DRAWING AND THE INFORMATION IT CONTAINS ARE THE PROPERTY OF IMI AND ARE TO BE USED ONLY FOR THE PURPOSE OF MANUFACTURING PARTS FOR IMI.

REV	DATE	EC NO	263-02410-001
AA	11-17-82	480	
BB	1-26-83	491	
REV	DATE	EC NO	USED ON



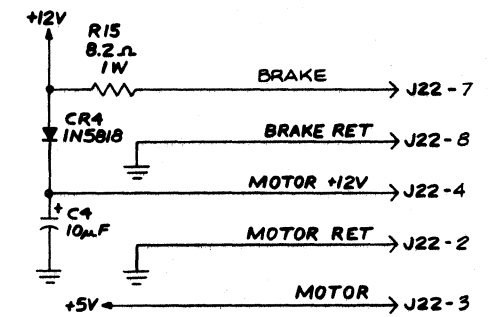
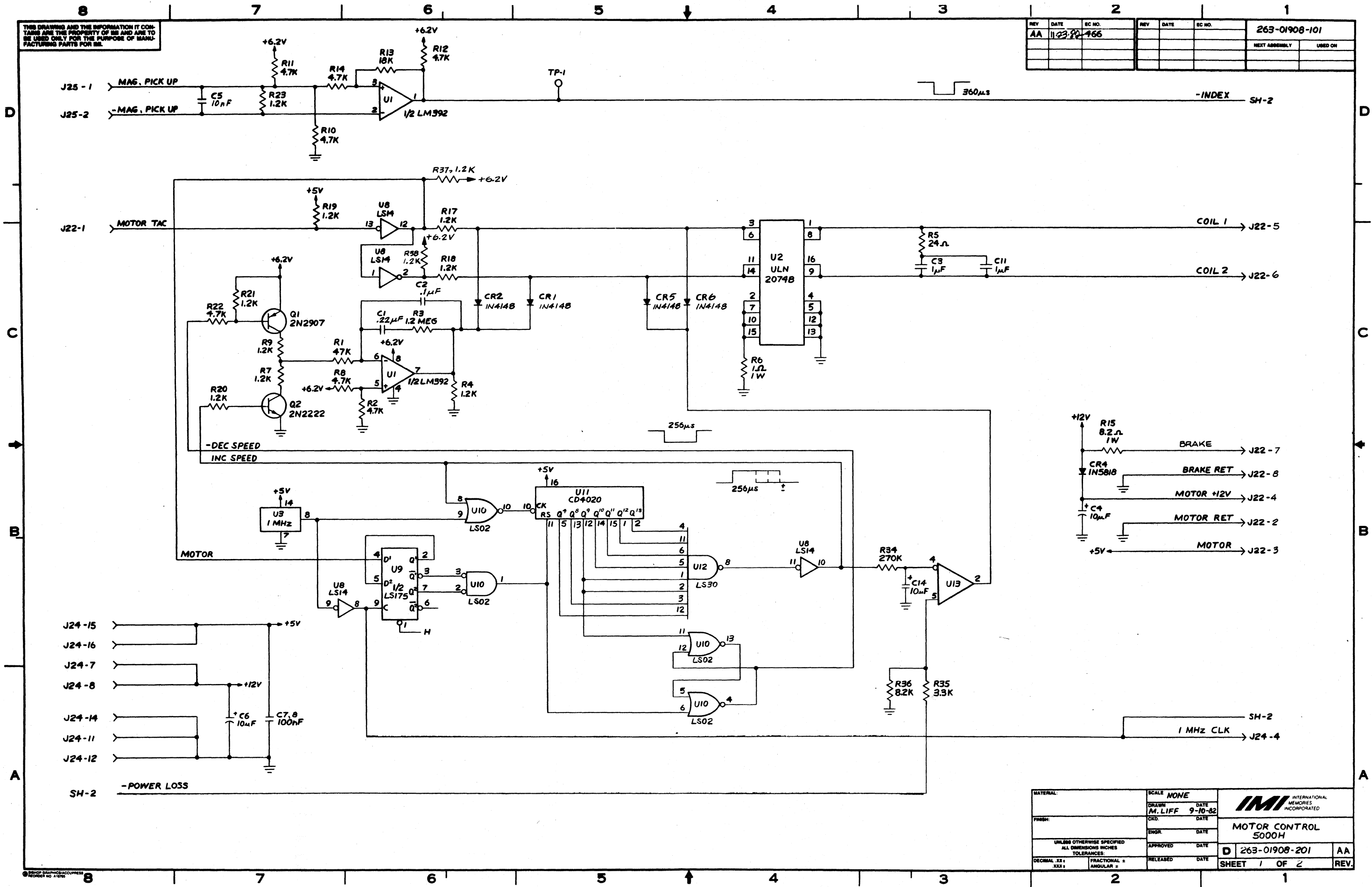
- NOTES: UNLESS OTHERWISE SPECIFIED.
1. ALL RESISTORS ARE IN OHMS (Ω), 1/4W, 5%.
 2. ALL CAPACITORS ARE MICROFARADS (μ F).
 3. NOT USED: C9, R16


MATERIAL	SCALE NONE	IMI
FINISH	DRAWN M.LIFF 9-13-82	
UNLESS OTHERWISE SPECIFIED ALL DIMENSIONS INCHES TOLERANCES	ENG'D DATE 1/26/83	MOTOR CONTROL 5000 H
DECIMAL XX ±	FRACTIONAL XX ±	D 263-02410-001
ANGULAR ±	RELEASED DATE	BB
		SHEET 2 OF 2
		REV

163

THIS DRAWING AND THE INFORMATION IT CONTAINS ARE THE PROPERTY OF IBM AND ARE TO BE USED ONLY FOR THE PURPOSE OF MANUFACTURING PARTS FOR IBM.

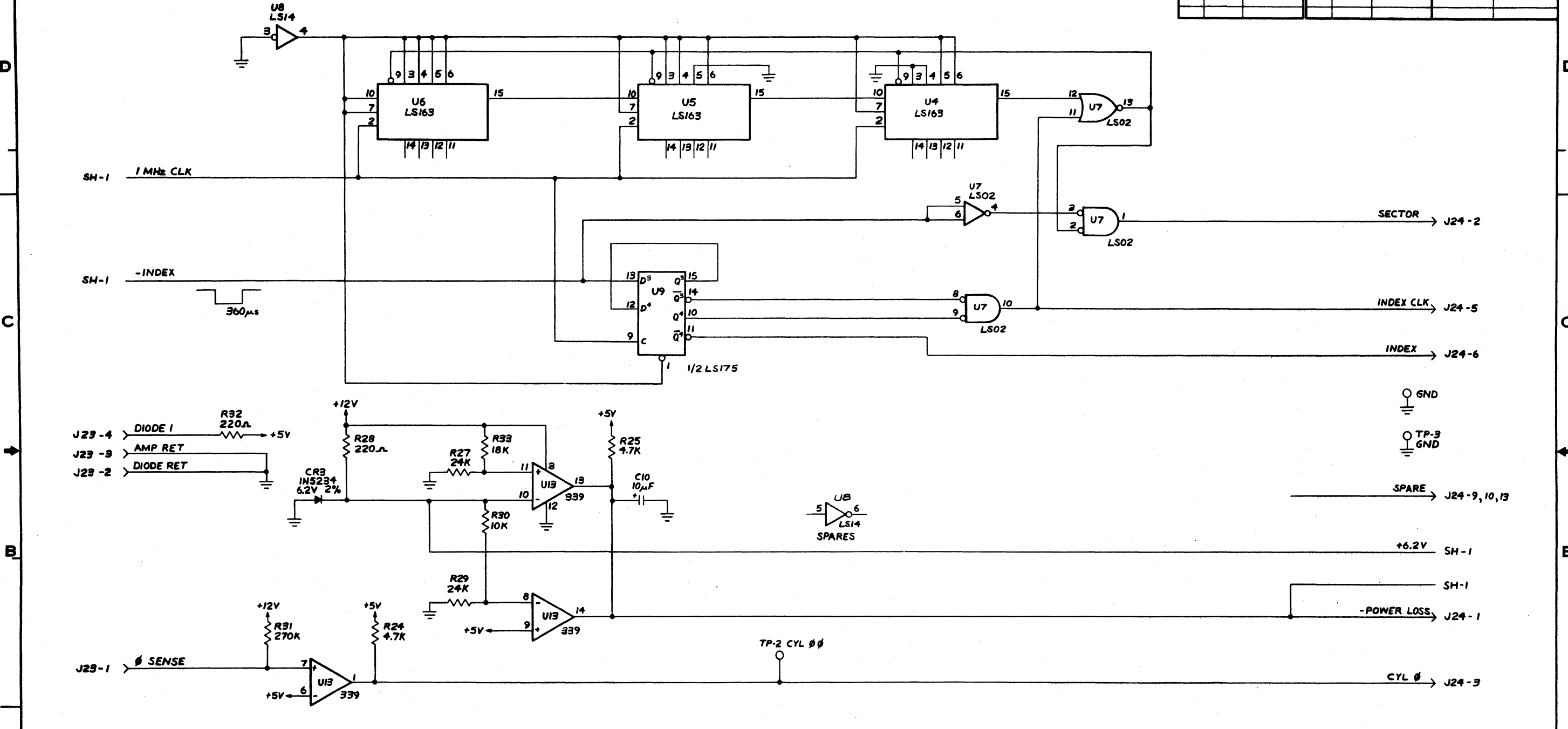
REV	DATE	EC NO.	REV	DATE	EC NO.	263-01908-101	
AA	11-23-82	166				NEXT ASSEMBLY	USED ON



MATERIAL:	SCALE: NONE	 INTERNATIONAL MEMORIES INCORPORATED
FINISH:	DRAWN: M. LIFF 9-10-82	
	ENGR.:	MOTOR CONTROL 5000H
	APPROVED:	D 263-01908-201
DECIMAL: XX ±	FRACTIONAL: XX ±	SHEET 1 OF 2
	RELEASED:	REV.

THIS DRAWING AND THE INFORMATION IT CONTAINS ARE THE PROPERTY OF IMI AND ARE TO BE USED ONLY FOR THE PURPOSE OF MANUFACTURING PARTS FOR IMI.

REV	DATE	EC NO.	REV	DATE	EC NO.	263-01908-101	
AA	11-23-82	466				NEXT ASSEMBLY	USED ON



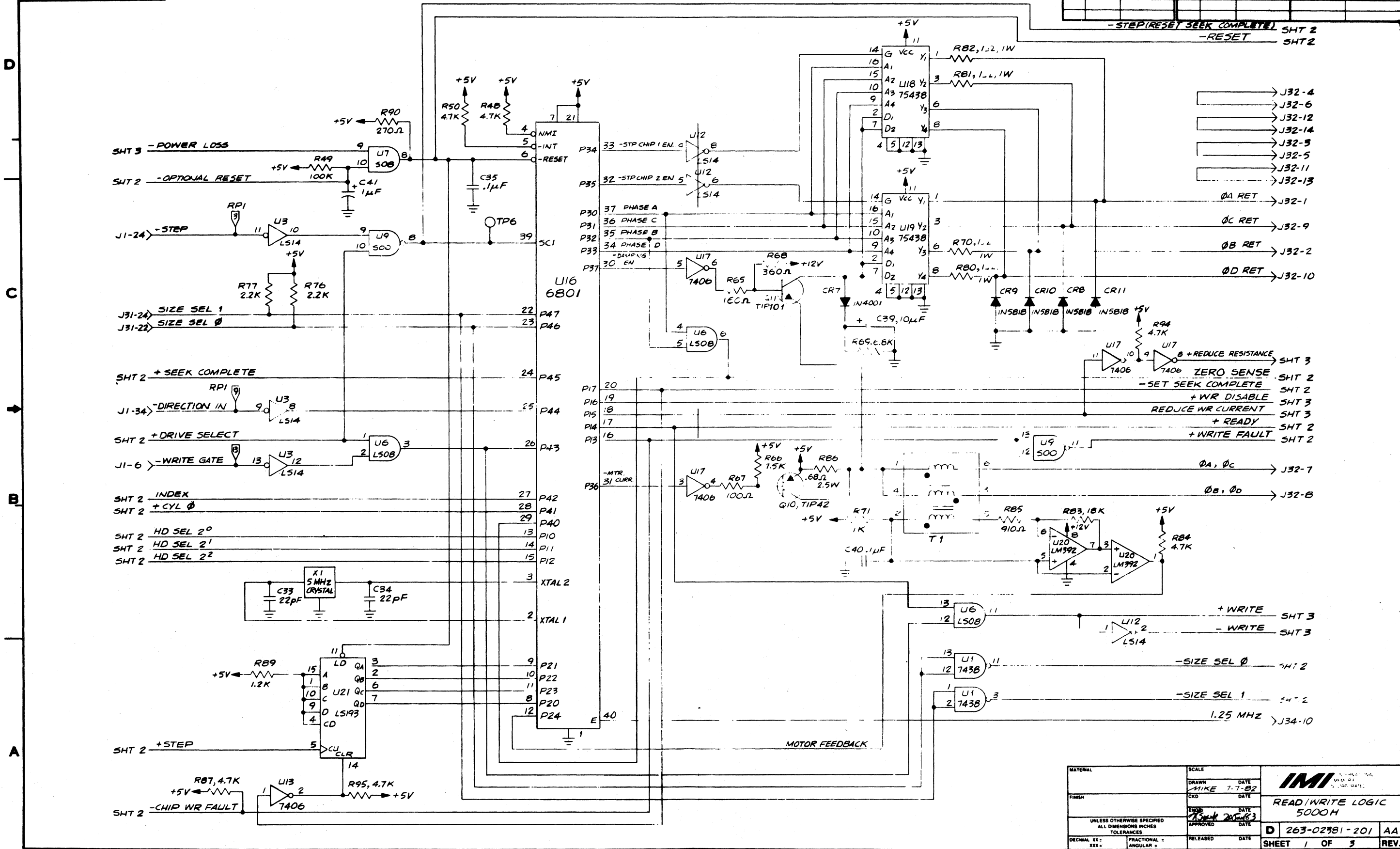
- NOTES: UNLESS OTHERWISE SPECIFIED.
1. ALL RESISTORS ARE IN OHMS (Ω), 1/4W, 5%.
 2. ALL CAPACITORS ARE MICROFARADS (μF).
 3. NOT USED: C9, R16

MATERIAL		SCALE	NONE	 INTERNATIONAL MEMORIES INCORPORATED
DRAWN		DATE	M.LIFF 9-13-82	
FRSH:		CHKD:	DATE	MOTOR CONTROL 5000 H
UNLESS OTHERWISE SPECIFIED ALL DIMENSIONS INCHES TOLERANCES:		ENGR:	DATE	
DECIMAL ± .010	FRACTIONAL ± .005	APPROVED:	DATE	D 263-01908-201 AA
		RELEASED:	DATE	
SHEET 2 OF 2				REV.

THIS DRAWING AND THE INFORMATION IT CONTAINS ARE THE PROPERTY OF IMI AND ARE TO BE USED ONLY FOR THE PURPOSES OF MANUFACTURING PARTS FOR IMI.

REV	DATE	EC NO.	REV	DATE	EC NO.
AA	2-1-83	50200			

263-02381-201	
NEXT ASSEMBLY	USED ON

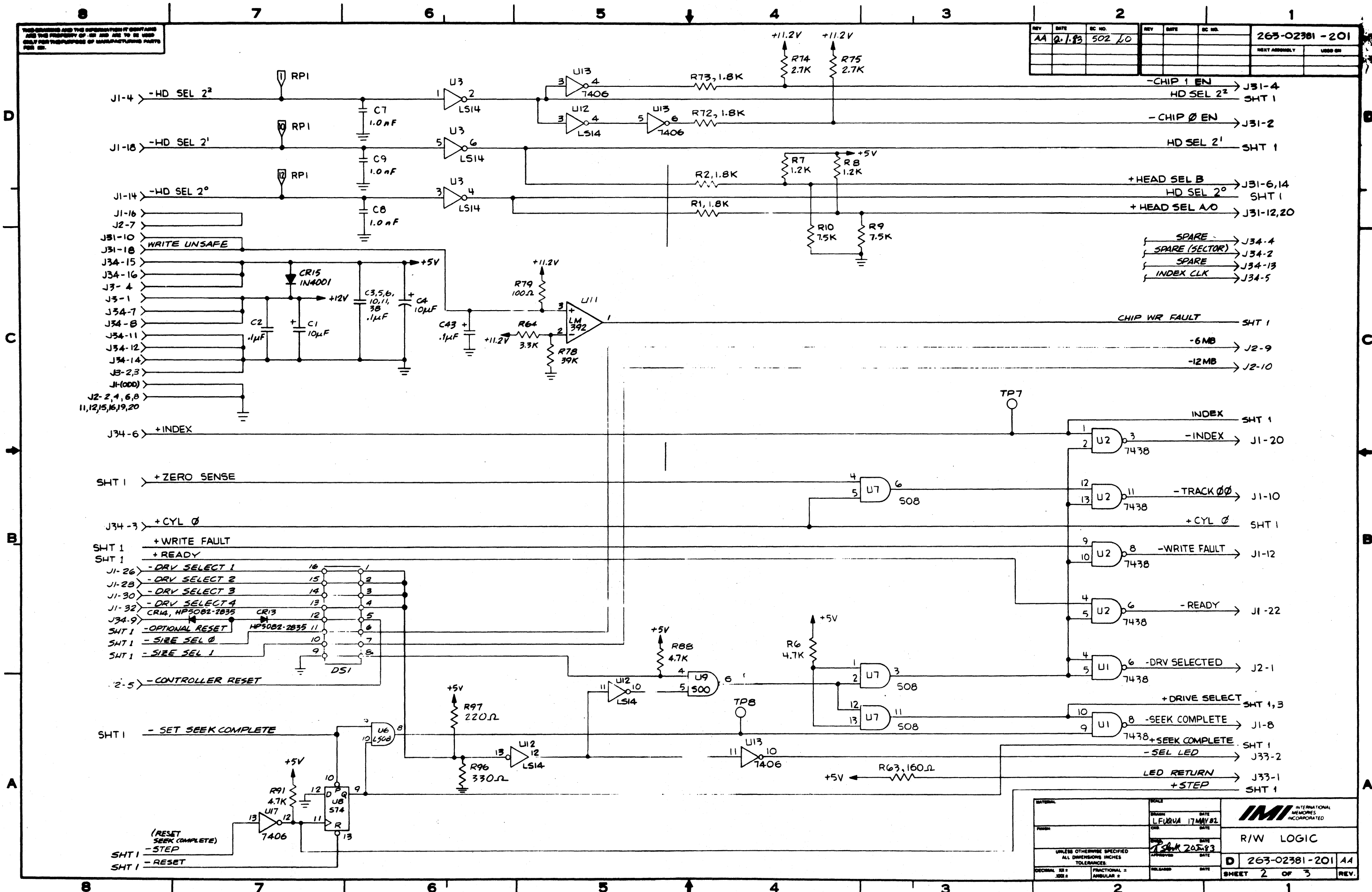


MATERIAL	SCALE	DATE	IMI
FINISH	DRAWN MIKE	7-7-82	
UNLESS OTHERWISE SPECIFIED ALL DIMENSIONS INCHES TOLERANCES:			READ/WRITE LOGIC 5000H
DECIMAL XX ±	FRACTIONAL ±	ANGULAR ±	D 263-02381-201 AA
RELEASED DATE			SHEET 1 OF 3 REV.

691

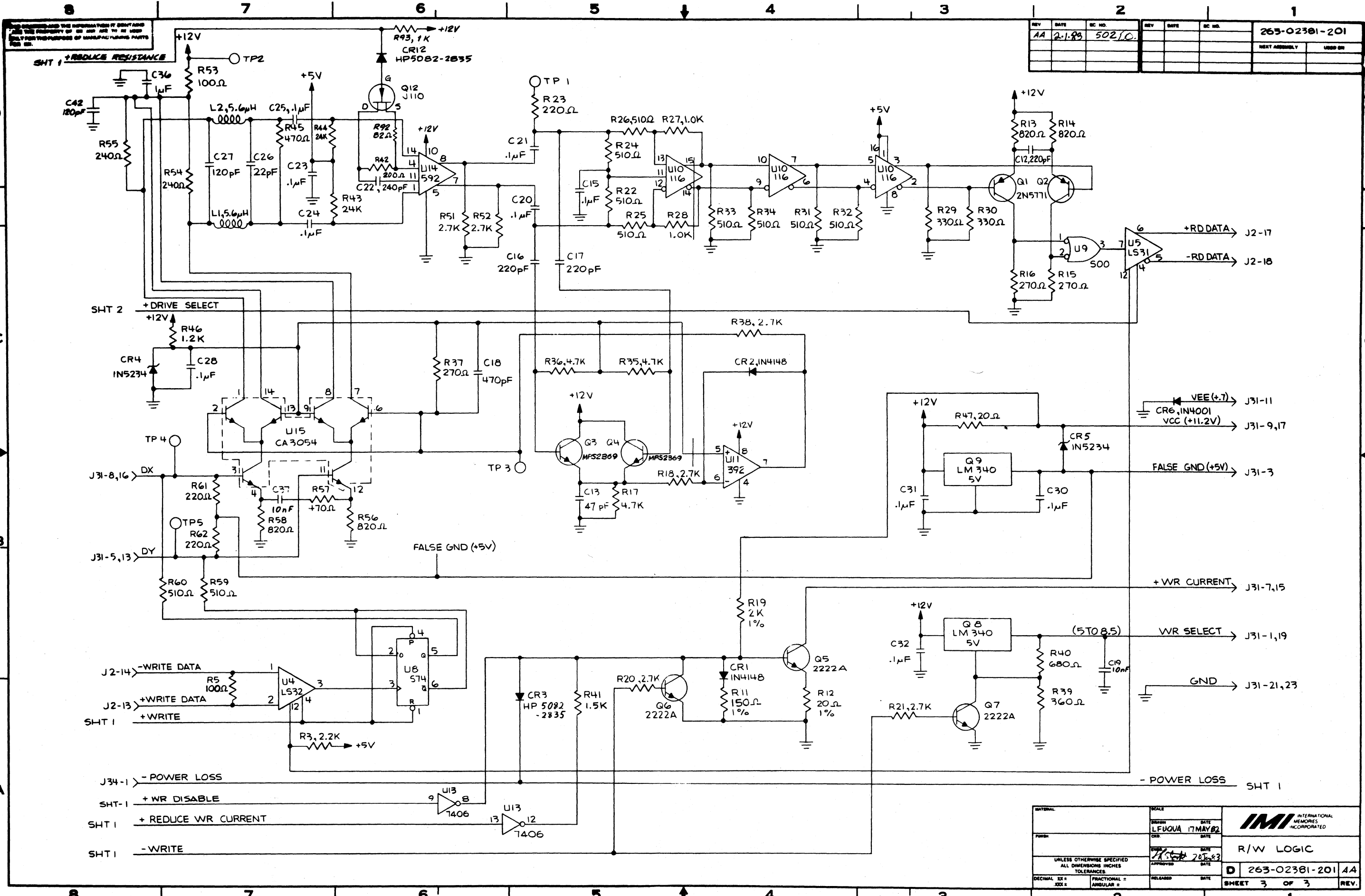
THIS DRAWING AND THE INFORMATION IT CONTAINS ARE THE PROPERTY OF IMI AND ARE TO BE USED ONLY FOR THE PURPOSE OF MANUFACTURING PARTS FOR IMI.

REV	DATE	BY	NO.	REV	DATE	BY	NO.	265-02381 - 201	
AA	2.1.83		502	LD				NEXT ASSEMBLY	USED ON



DATE	SCALE	 INTERNATIONAL MEMORIES INCORPORATED
DESIGN	DATE	
DRAWN	DATE	R/W LOGIC
UNLESS OTHERWISE SPECIFIED ALL DIMENSIONS IN INCHES TOLERANCES:		
DECIMAL ± .001	FRACTIONAL ± .001	RELEASED DATE
D 265-02381-201 AA		SHEET 2 OF 3

171



REV	DATE	IC NO.	REV	DATE	IC NO.
AA	2-1-83	50210			

263-02381-201

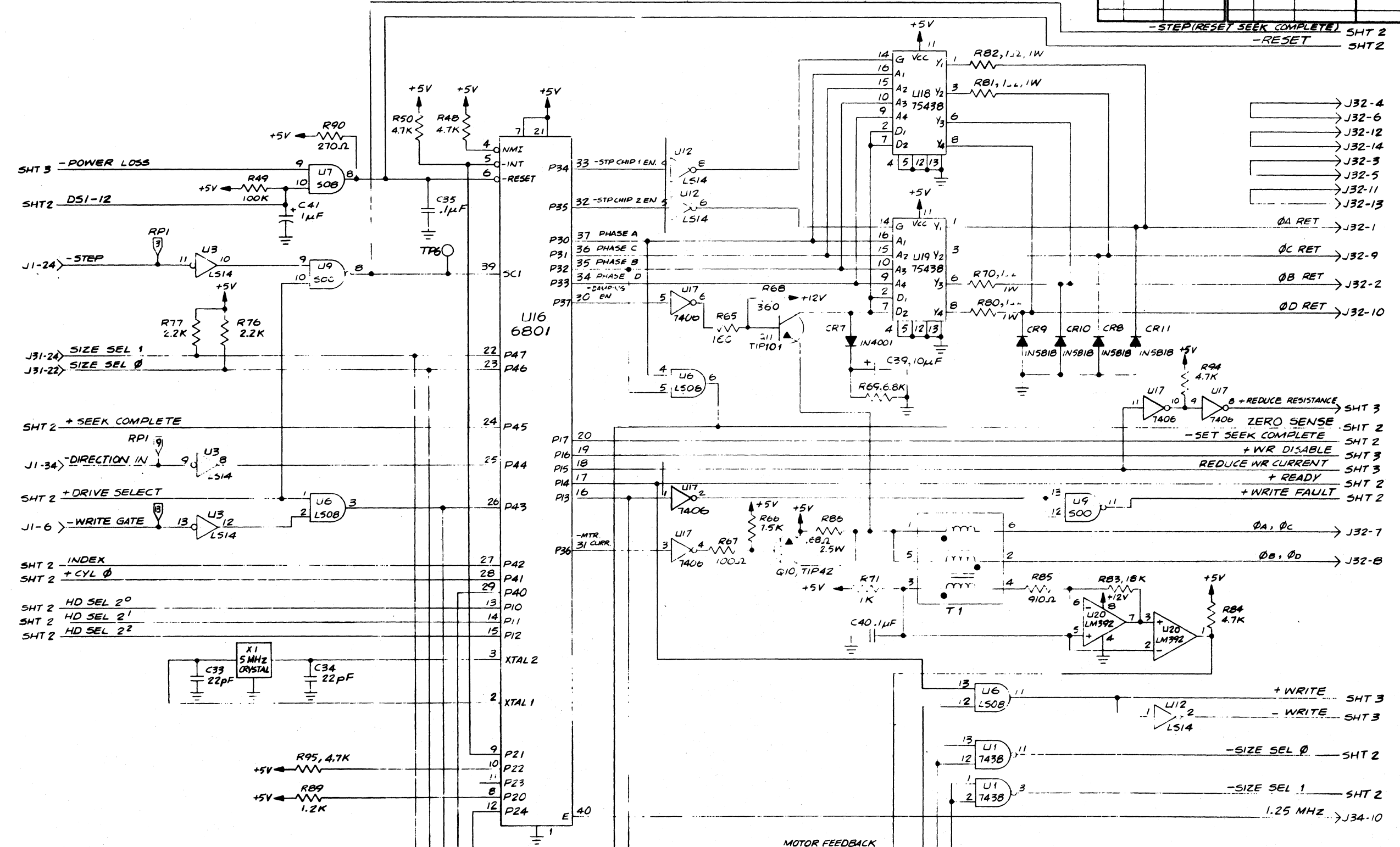
MATERIAL	SCALE	 INTERNATIONAL MEMORIES INCORPORATED
DATE	DATE	
DESIGNER	DATE	R/W LOGIC
APPROVED	DATE	D 263-02381-201 44
UNLESS OTHERWISE SPECIFIED ALL DIMENSIONS IN INCHES TOLERANCES:		SHEET 3 OF 3
DECIMAL ± .005	FRACTIONAL ± .001	REV.

173

THIS DRAWING AND THE INFORMATION IT CONTAINS ARE THE PROPERTY OF IMI AND ARE TO BE USED ONLY FOR THE PURPOSE OF MANUFACTURING PARTS FOR IMI.

REV	DATE	EC NO	REV	DATE	EC NO
AA	MM K/88	465 VB			

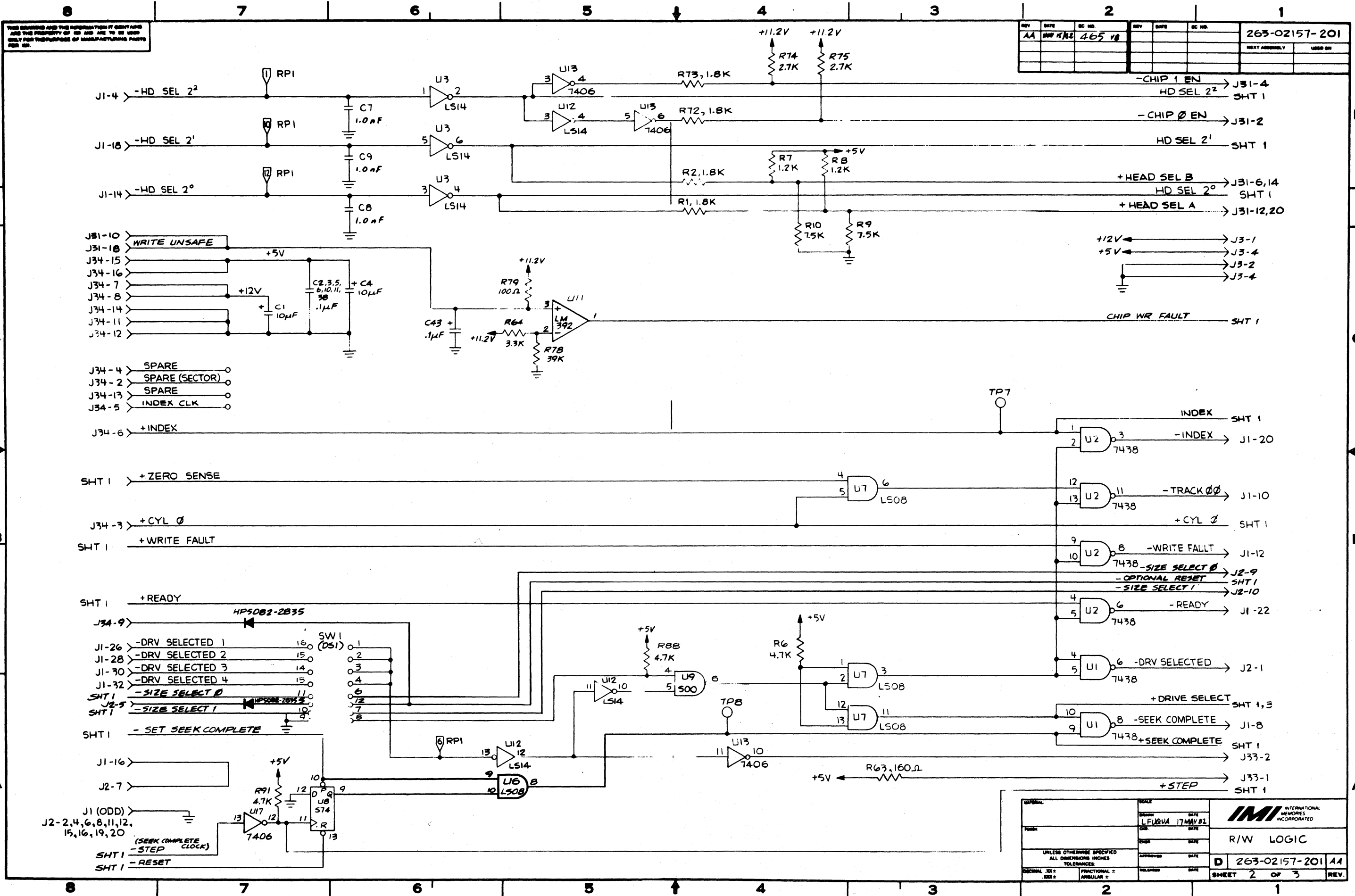
263-02157-201
NEXT ASSEMBLY USED ON



175

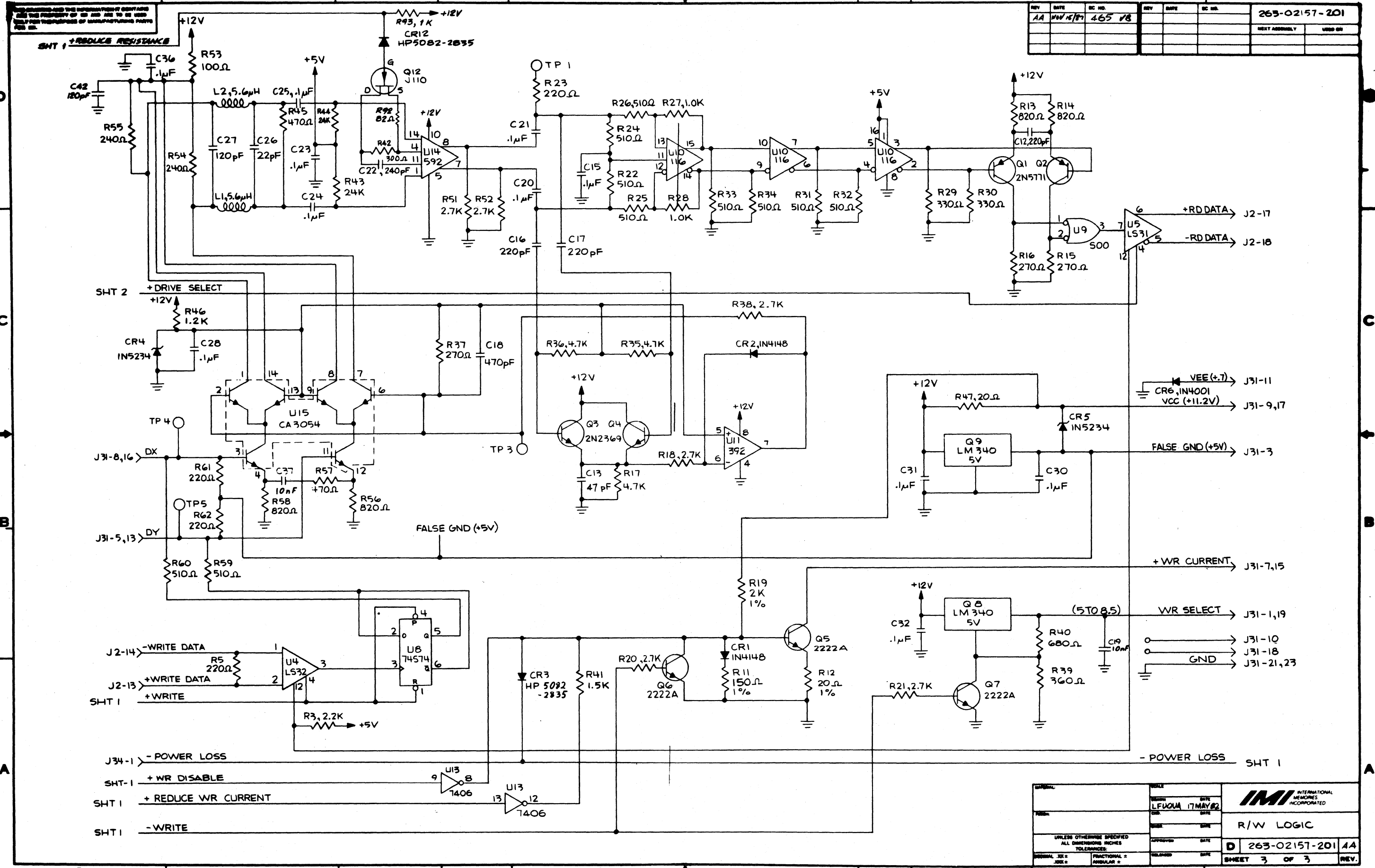
MATERIAL	SCALE	DATE	IMB
		7-7-82	READ/WRITE LOGIC 5000H
UNLESS OTHERWISE SPECIFIED ALL DIMENSIONS INCHES TOLERANCES:		APPROVED	DATE
DECIMAL XX ±	FRACTIONAL XX ±	RELEASED	DATE
XXX ±	ANGULAR ±		

D 263-02157-201 AA
SHEET 1 OF 3 REV.



DESIGNED BY	SCALE	DATE	
DRAWN BY	DATE	17 MAY 81	
CHECKED BY	DATE		R/W LOGIC
UNLESS OTHERWISE SPECIFIED ALL DIMENSIONS IN INCHES TOLERANCES:			
DECIMAL DIMENSIONS	±	ANGULAR DIMENSIONS	
RELEASED BY	DATE		D 263-02157-201 AA
SHEET 2 OF 3		REV.	

REV	DATE	EC NO.	REV	DATE	EC NO.	263-02157-201
AA	10/15/81	465 18				NEXT ASSEMBLY
						USED ON



<small>UNLESS OTHERWISE SPECIFIED ALL DIMENSIONS IN INCHES TOLERANCES:</small>		
<small>FRAC TIONAL ±</small> <small>ANGULAR ±</small>	<small>APPROVED</small> <small>DATE</small> D 263-02157-201 44	
<small>FORMAL DRG #</small> <small>JOB #</small>	<small>RELEASED</small> <small>DATE</small>	R/W LOGIC SHEET 3 OF 3

APPENDIX G
RODIME WINCHESTER MECHANISM
SPECIFICATIONS AND SCHEMATICS

APPENDIX G

RODIME WINCHESTER MECHANISM SPECIFICATIONS AND SCHEMATICS

Operational Specifications	5.5 MB	11 MB	16.1 MB	45 MB
	201	202	203	204E
Disks per Drive	1	2	3	4
Disk Diameter (in/mm)	5.25/133	5.25/133	5.25/133	5.25/133
Data Surfaces per Drive	2	4	6	8
Heads per Surface	1	1	1	1
Heads per Drive	2	4	6	8
Number of Data Cylinders/Drive (including all spare tracks)	306	306	306	823
Sectors per Track	18	18	18	18
Track Density	356	356	356	600
Bytes per Sector (Formatted)	512	512	512	512
Bytes per Track (Formatted)	9,216	9,216	9,216	9,216
Bytes per Drive	5.5MB	11.1MB	16.1MB	45.1MB
Capacity (blocks)	10,728	21,600	32,472	88,800
Bit Density, maximum (BPI)	8,900	8,900	8,900	10,200
Recording Format	MFM	MFM	MFM	MFM
Average Latency (ms)	8.3	8.3	8.3	8.3
Access Times (ms)				
Track-to-Track	18	18	18	8
Average	90	90	90	55
Maximum	215	215	215	130
Data Transfer Rate (Kb/s)	625	625	625	625
Rotational Speed (rpm)	3,600	3,600	3,600	3,600
Environmental Requirements				
Operating Temperature				
Degrees C	10° to 50°			
Degrees F	50° to 122°			
Operating Relative Humidity (%)	10 to 85			
Non-Operating Relative Humidity (%)				
Operating Vibration (g)	1g package acceleration 60-500 Hz			
Non-Operating Vibration (g)	2g package acceleration 30-500 Hz			
Non-Operating Shock (g)	30g peak less than 10ms (max 1/10 seconds)			

CORVUS CUSTOMER SERVICE

	Switch Position							
	1	2	3	4	5	6	7	8
201	O	O	C	C	C	C	C	C
202	C	C	O	C	C	C	C	C
203	O	C	O	C	C	C	C	C
204	C	O	O	C	C	C	C	C
204E	O	C	C	C	O	C	C	C

C = CLOSED
O = OPEN

Table G-1. Controller PCA Switch (U22) Settings

	Jumper E3	Jumper E4*
201	A—B	B—C
202	A—B	B—C
203	A—B	B—C
204	A—B	B—C
204E**	A—B	A—B

Table G-2. Controller PCA Jumper Settings

*Jumper E4 need only be checked on Revision A or later controllers

**Rodime 204E 45MB mechanisms require a Controller PROM version of ODC100 or greater

Brake Check and Adjustment

The drive motor brake must be checked to insure that the brake is not in contact with the motor hub during drive operation. A misadjusted brake will inhibit the motor from reaching the proper speed or will not stop the motor at the appropriate time.

Tools Required

The following tools are required to perform a brake check and adjustment:

- 5/64" Allen wrench
- #2 Phillip Screwdriver
- 0.015" feeler gauge

Brake Adjustment Procedures

The brake adjustment must be performed accurately and rechecked for compliance with the tolerances specified.

1. Using the drive Diagnostic program, park the heads of the drive mechanism.
2. The drive mechanism must be removed from the cabinet and disassembled as detailed in sections 3.2.1, 3.2.2, and 3.2.3 of this manual.
3. Remove the four screws securing the black plastic cover and remove from the drive.
4. Remove the five 5/64" allen screws securing the Master Electronics PCA to the bottom of the drive mechanism. Carefully, lift the board free of the mechanism. Disconnect the flat cable connecting the Master Electronics PCA to the Motor Control PCA.

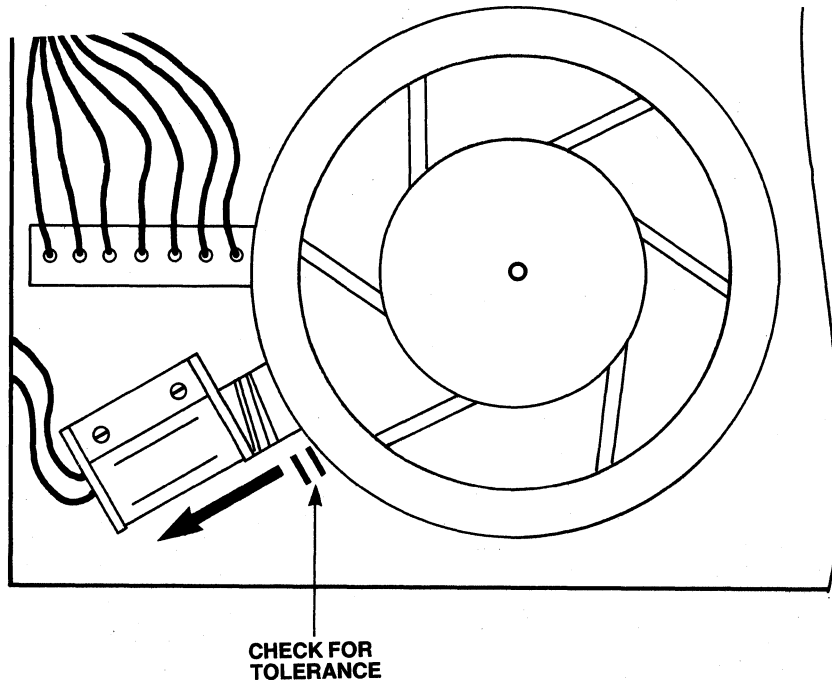


Figure G-1. Rodime Brake Assembly and Adjustment

5. Loosen the brake assembly mounting screws.
6. Place the 0.015 inch feeler gauge between the motor hub and the brake pad.
7. While holding the brake plunger fully retracted, move the brake assembly against the feeler gauge and the motor hub ensuring the center line of the brake plunger lines up with the motor hub center and tighten the brake mounting screws.
8. Recheck the brake clearance with the brake plunger retracted.
9. Reattach the flat cable between the Master Electronics PCA and the Motor Control PCA. Reinstall the Master Electronics PCA to the drive mechanism.
10. Reinstall the disk mechanism; reassemble the system observing the cautions in section 3.3.

ADDITIONAL INFORMATION

Indicator LEDs

Rodime mechanisms provide two LEDs for verifying proper operation of the HDA. These LEDs are located on the Master Electronics PCA and may be viewed with the mechanism either installed or removed from the OmniDrive enclosure.

The "Power-On" LED is positioned closest to the center of the black plastic cover and is on when the drive is READY and no error conditions are present. It is also used to indicate fault conditions in the mechanism.

CORVUS CUSTOMER SERVICE

The "Select" LED is located closest to the edge of the mechanism frame and is on when the drive is selected to perform an operation and READY.

LED Codes

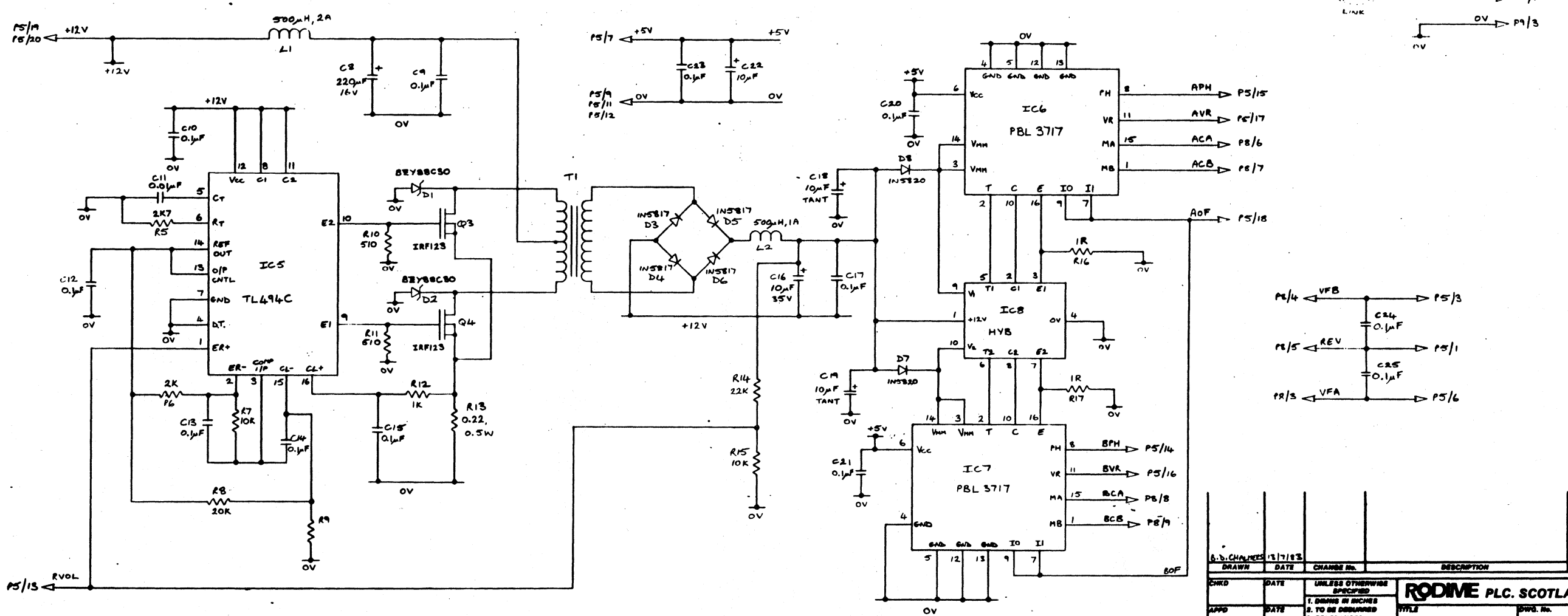
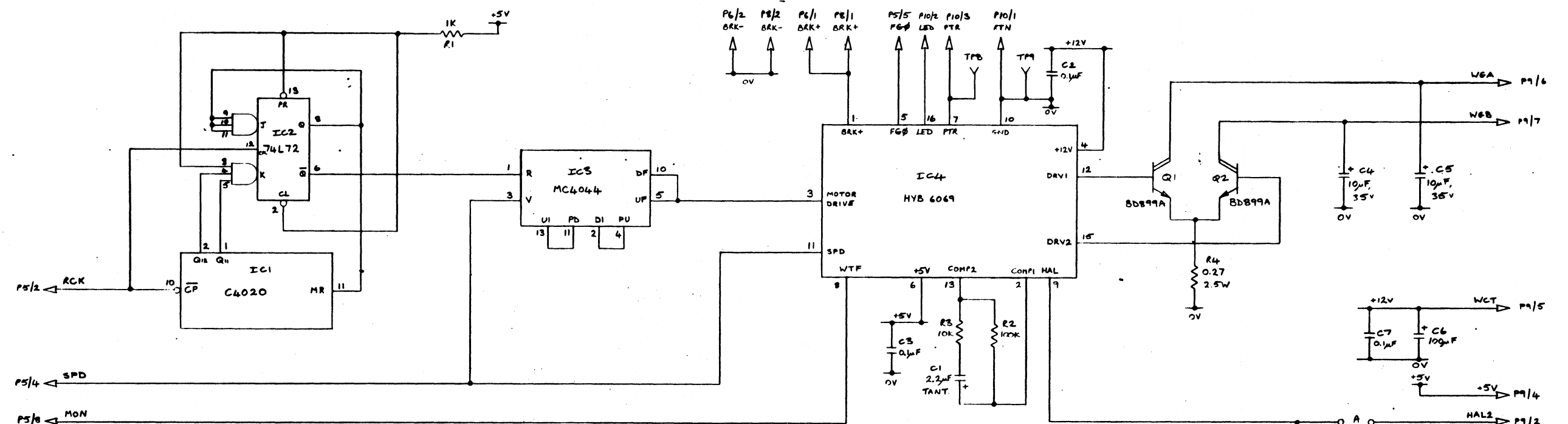
The "Power-On" LED is used to flash error messages should certain fault conditions arise on the drive. A four bit binary code is used (long flash = 1, short flash = 0).

For example, two short flashes followed by two long flashes would be an error code of 0011.

Fault Code Number	Fault Pattern	Nature of Failure
1	0001	No index track data burst
2	0010	No Flag zero
3	0011	Motor speed outside $\pm 1\%$ tolerance at end of power-up sequence
4	0100	Motor speed outside $\pm 10\%$ tolerance during normal operation
5	0101	Flag zero stays TRUE
6	0110	STEP received while Write Gate is TRUE
7	0111	WRITE FAULT
8	1000	Not used at this time
9	1001	Not used at this time
10	1010	No index
11	1011	Motor not up to speed

Fault codes 1, 2, 3, 5, 10, and 11 are monitored during the initial power-up sequence of the drive. The remaining codes, namely 4, 6, and 7 are constantly monitored during normal operation. All fault codes are latched by the processor and the drive must be powered down and back up to clear the error condition. Codes 3, 4, 10, and 11 generate a WRITE FAULT signal to the OmniDrive controller.

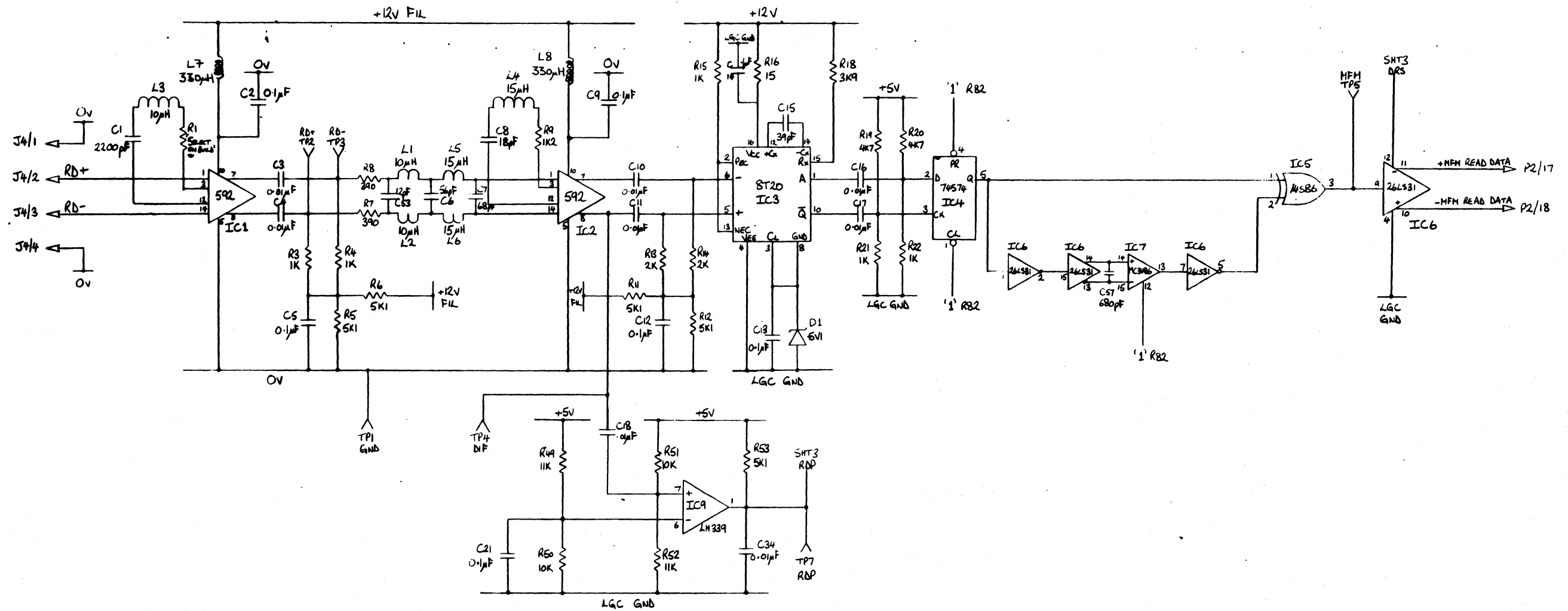
Should any of these fault conditions be displayed, the entire HDA should be replaced.



NO.	DATE	CHANGE NO.	DESCRIPTION	REV.
1	13/7/83			1

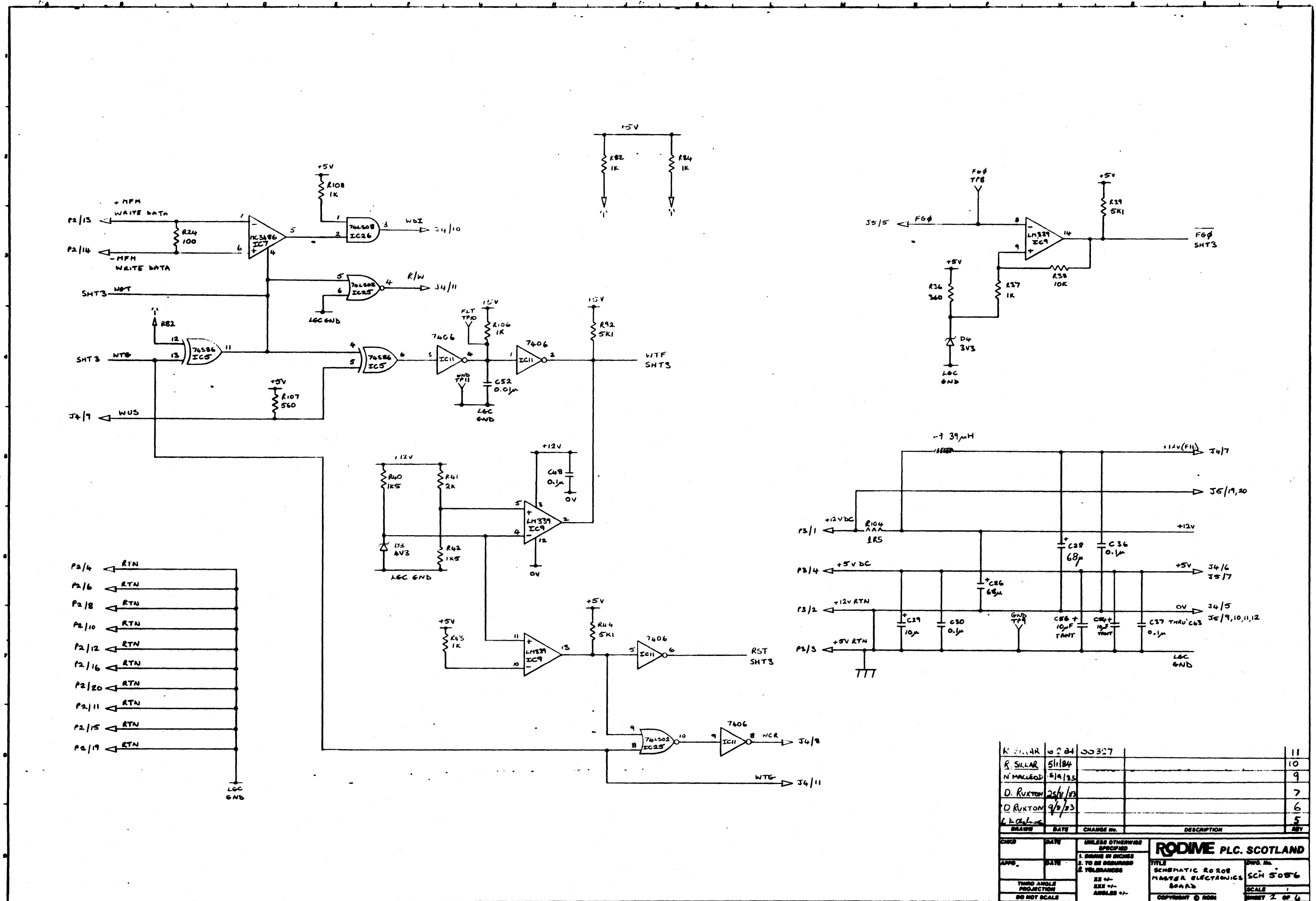
UNLESS OTHERWISE SPECIFIED
 1. DIMENSIONS IN INCHES
 2. TO BE OBSERVED
 3. TOLERANCES
 SEE 4-
 ANGLES 4-
 DO NOT SCALE

RODIME PLC. SCOTLAND
 TITLE: MOTOR SPEED BOARD WITH VOLTAGE BOOST (NO BOOST)
 DWG. NO.: SCH 5130
 SCALE: 1:1
 SHEET: 1 OF 1

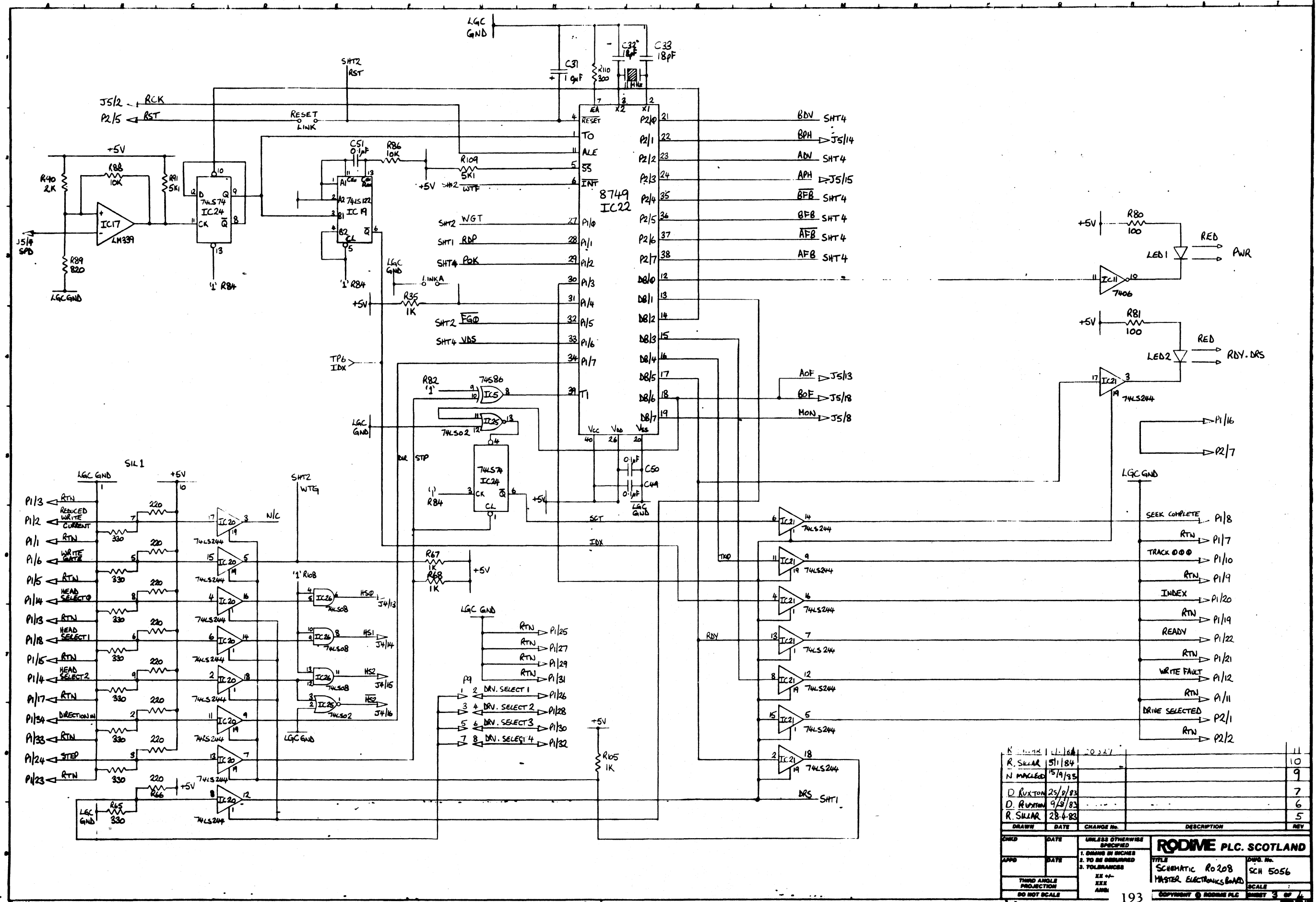


DRAWN	DATE	CHANGE NO.	DESCRIPTION	REV
R. SILLAR	6/2/84	00 327	R1 WAS 510Ω	11
R. SILLAR	5/1/84	00 299	ADD C57, C1 WAS 0.1μ, L3 WAS 15μH, L5 AND L6 WERE 22μH TOLERANCE ON R98, R100 CHANGED TO 1/2%	10
N. MACLEOD	4/9/83	00 244	L7, L8 WERE 10.5Ω, L9 WAS 3R3	9
D. RUXTON	25/4/83	00 228	R23 WAS 20, C28 WAS 10μ, R104 WAS 3R3	7
D. RUXTON	9/8/83	00 216	R45 & R48 ARE SOT WERE 5K1	6
R. SILLAR	28.4.83	00 165	REDRAWN	5

DATE	UNLESS OTHERWISE SPECIFIED	RODIME PLC. SCOTLAND	
DATE	1. DIMENSIONS IN INCHES 2. TO BE OBTAINED 3. TOLERANCES	TITLE SCANDIAC RO 200E MASTER ELECTRONICS BOARD	DWG. No. SCH 5056
THIRD ANGLE PROJECTION DO NOT SCALE	XX -- XXX -- ANGLES --	COPYRIGHT © RODIME PLC	SCALE SHEET 1 OF 1



R. SILLAR	10/2/84	00327		11
R. SILLAR	5/1/84			10
N. MACLEOD	5/1/83			9
D. RUXTON	25/8/83			7
D. RUXTON	9/9/83			6
L. D. CHALMERS				5
DRAWN	DATE	CHANGE No.	DESCRIPTION	REV
CHIEF	DATE	UNLESS OTHERWISE SPECIFIED	RODIME PLC. SCOTLAND	
APPD.	DATE	1. DIMENSIONS IN INCHES 2. TO BE OBSERVED 3. TOLERANCES		
THIRD ANGLE PROJECTION		XX = XXX = ANGLES =	TITLE SCHEMATIC RO208 MAYFAIR ELECTRONICS BOARDS	DWG. No. SCH 5086
DO NOT SCALE			SCALE	SHEET 2 OF 4



NO.	DATE	DESCRIPTION	REV.
1	5/1/84	...	11
2	15/9/85	...	10
3	25/9/85	...	9
4	9/8/85	...	7
5	28/4/83	...	6
6	5

NO.	DATE	DESCRIPTION	REV.
1	11
2	10
3	9
4	7
5	6
6	5

NO.	DATE	DESCRIPTION	REV.
1	11
2	10
3	9
4	7
5	6
6	5

APPENDIX H
FUTURE WINCHESTER MECHANISM
SPECIFICATIONS AND SCHEMATICS

APPENDIX I
FUTURE WINCHESTER MECHANISM
SPECIFICATIONS AND SCHEMATICS

APPENDIX J
FUTURE WINCHESTER MECHANISM
SPECIFICATIONS AND SCHEMATICS

APPENDIX K
FUTURE WINCHESTER MECHANISM
SPECIFICATIONS AND SCHEMATICS

APPENDIX L
FUTURE WINCHESTER MECHANISM
SPECIFICATIONS AND SCHEMATICS

APPENDIX M
FUTURE ADDENDUM
