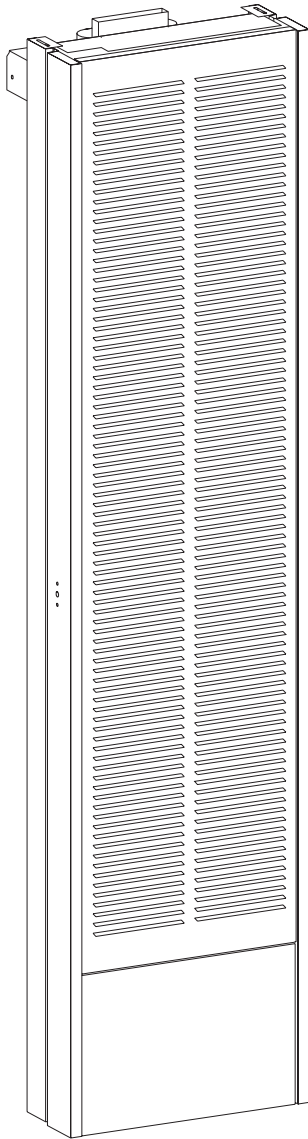




# INSTALLATION INSTRUCTIONS AND OWNER'S MANUAL



## GRAVITY VENTED SINGLE WALL FURNACE

### MODEL

HW250GW0XX1(N,P)-1

HW350GW0XX1(N,P)-1



**Installer:** Leave this manual with the appliance.  
**Consumer:** Retain this manual for future reference.

**WARNING:** If not installed, operated and maintained in accordance with the manufacturer's instructions, this product could expose you to substances in fuel or from fuel combustion which can cause death or serious illness.

**WARNING:** If the information in these instructions are not followed exactly, a fire or explosion may result causing property damage, personal injury or loss of life.

- Do not store or use gasoline or other flammable vapors and liquids in the vicinity of this or any other appliance.
- **WHAT TO DO IF YOU SMELL GAS**
  - Do not try to light any appliance.
  - Do not touch any electrical switch; do not use any phone in your building.
  - Immediately call your gas supplier from a neighbor's phone. Follow the gas supplier's instructions.
  - If you cannot reach your gas supplier, call the fire department.
- Installation and service must be performed by a qualified installer, service agency or the gas supplier.

# TABLE OF CONTENTS

SECTION	PAGE
Tools and Materials .....	3
Important Safety Information.....	4
Safety Information for Users of LP Gas.....	5
Introduction .....	6
Specifications.....	6
Recommended Vent Configuration .....	7
Gas Supply .....	8
Clearances .....	9
Location - All Models.....	9
Ventilation and Combustion Air.....	10
Rough-In Instructions.....	11-12
Finishing Instructions.....	13-14
Removing the Outer Casing .....	15
Thermostat Location.....	16
Optional Thermostat Bracket Installation .....	16-17
Piezo Pilot Ignitor .....	17
Lighting Instructions .....	18
Vent Safety Shutoff System .....	19
Proper Main Burner Flame.....	20
Proper Pilot Flame.....	20
Troubleshooting.....	21
Parts List.....	22
How To Order Repair Parts .....	22
Parts View.....	23
Warranty Information.....	24

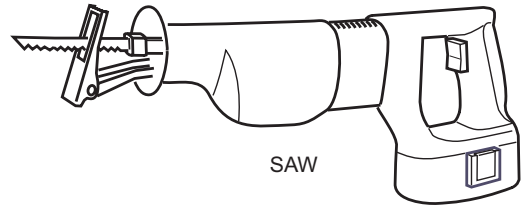
# TOOLS AND MATERIALS NEEDED FOR INSTALLATION



CENTER PUNCH



TAPE MEASURE



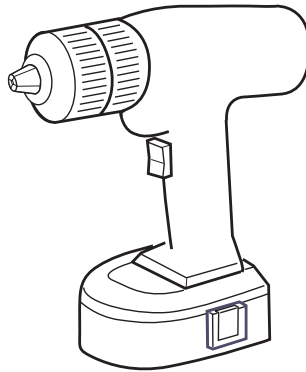
SAW



FLAT SCREWDRIVER



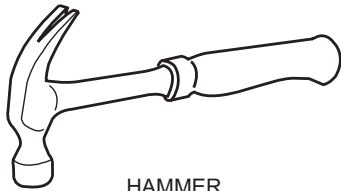
PHILLIPS SCREWDRIVER



DRILL



ADJUSTABLE WRENCH



HAMMER



SNIPS

Figure 1

# HARDWARE PACKAGE

Replacement screws, nuts, and washers can be purchased at most hardware stores.  
For ordering replacement parts see page 22.



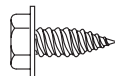
#8 X 3/8" PHILLIPS PAN HEAD SCREW (6)



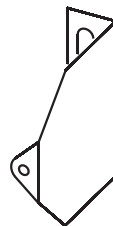
WIRE NUT (1)



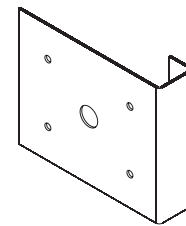
NYLON WASHER (2)



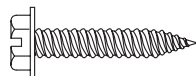
#10 X 1/2" PHILLIPS HEX HEAD SCREW (2)



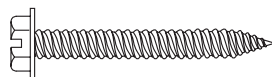
CASING BRACKET (2)



THERMOSTAT BRACKET (1)



#10 X 1" SLOTTED HEX HEAD SCREW (4)



#10 X 1-1/2" SLOTTED HEX HEAD SCREW (2)



THERMOSTAT WIRE (1)

Figure 2

# IMPORTANT SAFETY INFORMATION

## THIS IS A HEATING APPLIANCE

DO NOT OPERATE THIS APPLIANCE WITHOUT OUTER CASING INSTALLED.

- Due to high temperatures the appliance should be located out of traffic and away from furniture and draperies.
- Children and adults should be alerted to the hazards of high surface temperatures and should stay away to avoid burns or clothing ignition.
- Young children should be carefully supervised when they are in the same room as the appliance.
- Clothing or other flammable material should not be placed on or near the appliance.
- Any safety screen or guard removed for servicing an appliance must be replaced prior to operating the appliance.
- Keep burner and control compartment clean.
- Installation and repair should be done by a **QUALIFIED SERVICE PERSON**. The appliance should be inspected before use and at least annually by a qualified service person. More frequent cleaning may be required due to excessive lint from carpeting, bedding materials, etc. It is imperative that control compartments, burners and circulating air passageways of the appliance be kept clean.
- **DO NOT** put anything around the furnace that will obstruct the flow of combustion and ventilation air.
- **DO** keep the appliance area clear and free from combustible material, gasoline and other flammable vapors and liquids.
- **DO** examine venting system periodically and replace damaged parts.
- **DO** make a periodic visual check of pilot and burners. Clean and replace damaged parts.
- **DO NOT** use this heater if any part has been under water. Immediately call a qualified service technician to inspect the heater and to replace any part of the control system and any gas control which has been under water.
- This furnace must not be connected to a chimney flue serving a separate solid-fuel burning appliance.

# SAFETY INFORMATION FOR USERS OF LP-GAS

Propane (LP-Gas) is a flammable gas which can cause fires and explosions. In its natural state, propane is odorless and colorless. You may not know all the following safety precautions which can protect both you and your family from an accident. Read them carefully now, then review them point

by point with the members of your household. Someday when there may not be a minute to lose, everyone's safety will depend on knowing exactly what to do. If, after reading the following information, you feel you still need more information, please contact your gas supplier.

## LP-GAS WARNING ODOR

**If a gas leak happens, you should be able to smell the gas because of the odorant put in the LP-Gas. That's your signal to go into immediate action!**

- Do not operate electric switches, light matches, use your phone. Do not do anything that could ignite the gas.
- Get everyone out of the building, vehicle, trailer, or area. Do that IMMEDIATELY.
- Close all gas tank or cylinder supply valves.
- LP-Gas is heavier than air and may settle in low areas such as basements. When you have reason to suspect a gas leak, keep out of basements and other low areas. Stay out until firefighters declare them to be safe.
- Use your neighbor's phone and call a trained LP-Gas service person and the fire department. Even though you may not continue to smell gas, do not turn on the gas again. Do not re-enter the building, vehicle, trailer, or area.
- **Finally**, let the service man and firefighters check for escaped gas. Have them air out the area before you return. Properly trained LP-Gas service people should repair the leak, then check and relight the gas appliance for you.

## NO ODOR DETECTED - ODOR FADE

**Some people cannot smell well. Some people cannot smell the odor of the chemical put into the gas. You must find out if you can smell the odorant in propane.** Smoking can decrease your ability to smell. Being around an odor for a time can affect your sensitivity or ability to detect that odor. Sometimes other odors in the area mask the gas odor. People may not smell the gas odor or their minds are on something else. Thinking about smelling a gas odor can make it easier to smell.

**The odorant in LP-gas is colorless, and it can fade under some circumstances.** For example, if there is an underground leak, the movement of the gas through soil can filter the odorant. Odorants

in LP-Gas also are subject to oxidation. This fading can occur if there is rust inside the storage tank or in iron gas pipes.

The odorant in escaped gas can adsorb or absorb onto or into walls, masonry and other materials and fabrics in a room. That will take some of the odorant out of the gas, reducing its odor intensity.

LP-Gas may stratify in a closed area, and the odor intensity could vary at different levels. Since it is heavier than air, there may be more odor at lower levels. Always be sensitive to the slightest gas odor. If you detect any odor, treat it as a serious leak. Immediately go into action as instructed earlier.

## SOME POINTS TO REMEMBER

- **Learn to recognize the odor of LP-gas.** Your local LP-Gas Dealer can give you a "Scratch and Sniff" pamphlet. Use it to find out what the propane odor smells like. If you suspect that your LP-Gas has a weak or abnormal odor, call your LP-Gas Dealer.
- If you are not qualified, do not light pilot lights, perform service, or make adjustments to appliances on the LP-Gas system. If you are qualified, consciously think about the odor of LP-Gas prior to and while lighting pilot lights or performing service or making adjustments.
- Sometimes a basement or a closed-up house has a musty smell that can cover up the LP-Gas odor. Do not try to light pilot lights, perform service, or make adjustments in an area where the conditions are such that you may not detect the odor if there has been a leak of LP-Gas.
- Odor fade, due to oxidation by rust or adsorption on walls of new cylinders and tanks, is possible. Therefore, people should be particularly alert and careful when new tanks or cylinders are placed in service. Odor fade can occur in new tanks, or reinstalled old tanks, if they are filled and allowed to set too long before refilling. Cylinders and tanks which have been out of service for a time may develop internal rust which will cause odor fade. If such conditions are suspected to exist, a periodic sniff test of the gas is advisable. **If you have any question about the gas odor, call your LP-gas dealer. A periodic sniff test of the LP-gas is a good safety measure under any condition.**
- If, at any time, you do not smell the LP-Gas odorant and you think you should, assume you have a leak. Then take the same immediate action recommended above for the occasion when you do detect the odorized LP-Gas.
- If you experience a complete "gas out," (the container is under no vapor pressure), turn the tank valve off immediately. If the container valve is left on, the container may draw in some air through openings such as pilot light orifices. If this occurs, some new internal rusting could occur. If the valve is left open, then treat the container as a new tank. Always be sure your container is under vapor pressure by turning it off at the container before it goes completely empty or having it refilled before it is completely empty.

# INTRODUCTION

## Introduction

Vented wall furnace is shipped ready to install in a 2" x 4" stud wall, with studs 16" (406 mm) center to center. Always consult your local Building Department regarding regulations, codes or ordinances which apply to the installation of a vented wall furnace.

## Instructions to Installer

1. Installer must leave instruction manual with owner after installation.
2. Installer must have owner fill out and mail warranty card supplied with furnace.
3. Installer should show owner how to start and operate furnace and thermostat.

### Warning:

**Any change to this furnace or its control can be dangerous. This is a heating appliance and any panel, door or guard removed for servicing an appliance must be replaced prior to operating the appliance.**

## General Information

This series is design certified in accordance with American National Standard / CSA Standard Z21.86 and CSA 2.32 by the Canadian Standards Association, as a Vented Wall Furnace and must be installed according to these instructions.

**Any alteration of the original design, installed other than as shown in these instructions or use with a type of gas not shown on the rating plate is the responsibility of the person and company making the change.**

## Important

All correspondence should refer to complete Model No., Serial No. and type of gas.

**Notice:** During initial firing of this furnace, its paint will bake out and smoke will occur. To prevent triggering of smoke alarms, ventilate the room in which the furnace is installed.

## Installation in Residential Garages

Gas utilization equipment in residential garages shall be installed so that all burners and burner ignition devices are located not less than 18" (457 mm) above the floor.

Such equipment shall be located, or protected, so it is not subject to physical damage by a moving vehicle.

## Qualified Installing Agency

Installation and replacement of gas piping, gas utilization equipment or accessories and repair and servicing of equipment shall be performed only by a qualified agency. The term "qualified agency" means any individual, firm, corporation or company which either in person or through a representative is engaged in and is responsible for (a) the installation or replacement of gas piping or (b) the connection, installation, repair or servicing of equipment, who is experienced in such work, familiar with all precautions required and has complied with all the requirements of the authority having jurisdiction.

**State of Massachusetts:** The installation must be made by a licensed plumber or gas fitter in the Commonwealth of Massachusetts.

The installation must conform to local codes or, in the absence of local codes, with the *National Fuel Gas Code ANSI Z223.1/NFPA 54\* Natural Gas and Propane Installation Code, CSA B149.1.*

\*Available from the American National Standards Institute, Inc., 11 West 42nd St., New York, N.Y. 10036.

## High Altitudes

For altitudes/elevations above 2,000 feet (610 m), input ratings should be reduced at the rate of 4 percent for each 1,000 (305 m) feet above sea level. **Canadian High Altitudes** for locations having an elevation above mean sea level between 2,000 feet (610 m) and 4,500 feet (1370 m), the manifold pressure is to be decreased from 3.5" w.c. (.871 kPa) to 3.0" w.c. (.747 kPa) for Natural Gas and from 10.0" w.c. (2.49 kPa) to 8.0" w.c. (1.992 kPa) for Propane Gas.

# SPECIFICATIONS

Model	HW250GW Series	HW350GW Series
Input BTU/HR (KW/H)	25,000 (7.3)	35,000 (10.3)
Height (After installation)	68 1/8" (1679 mm)	68 1/8" (1679 mm)
Width	16" (406 mm)	16" (406 mm)
Depth (Out of wall)	6" (152 mm)	6" (152 mm)
Gas Inlet Pipe	1/2"	1/2"
Vent Pipe Type B Oval	4" (102 mm)	4" (102 mm)
Accessories		
Blower Kit	HWGWTB2	HWGWTB2
Rear Register Kit	HWGWTR	HWGWTR
Out-of-the-Wall Kit	HWGWTW2	HWGWTW2

**Attention:** When the HWGWTW2-1, Out-of-the-Wall kit is used the HWGWTR-1, Rear Register kit **cannot** be used.

# RECOMMENDED VENT CONFIGURATION

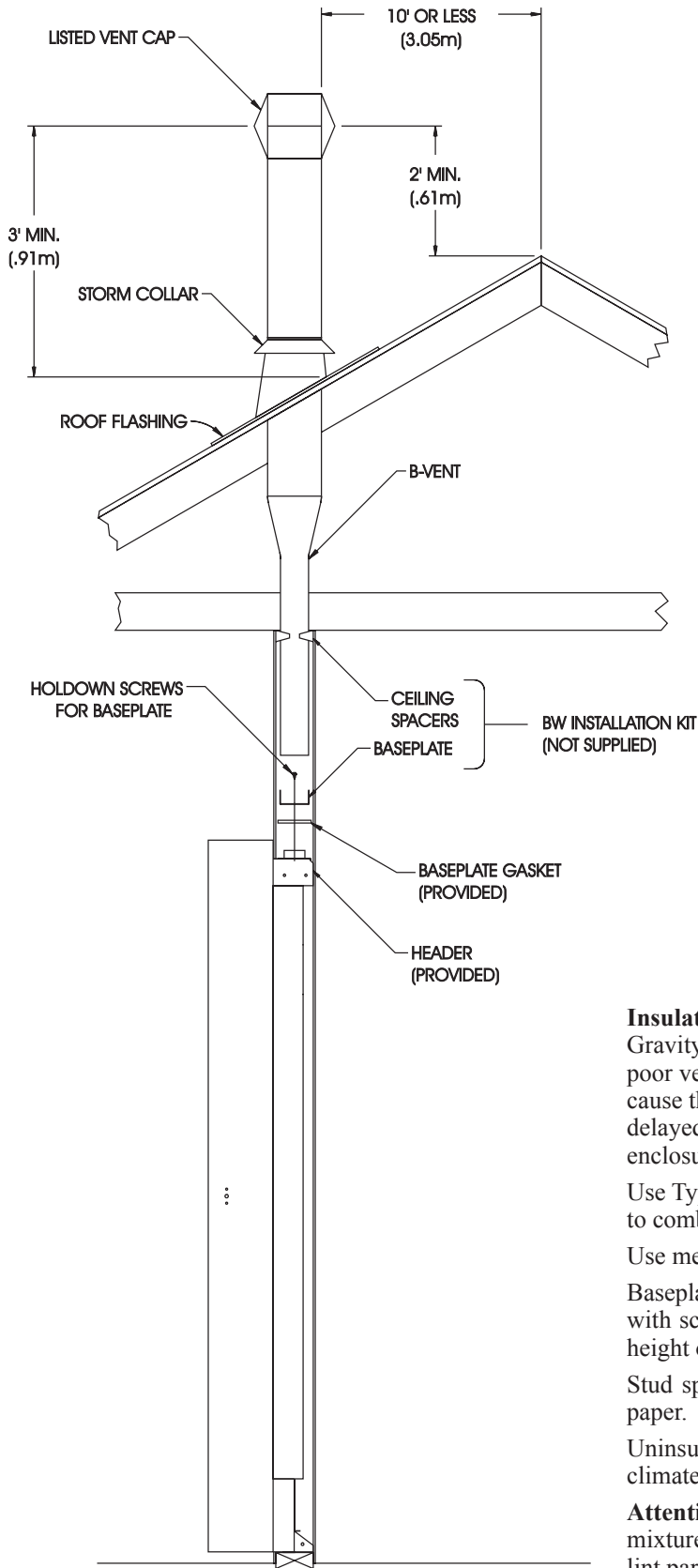


Figure 3

**Note:** No vent equipment supplied with furnace.

## 4" Oval (all parts purchase locally)

1. Type B-1 oval pipe
2. Single story type B-1 gas vents require a baseplate and one pair of ceiling plate spacers.
3. Multi-story type B-1 gas vents require a baseplate, one pair of ceiling plate spacers at the first floor ceiling and one pair of fire stop spacers at each successive ceiling level.

Type B-W gas vent pipe is available for single story or multi-story installations. Type B-W gas vent pipe is to be used with the Listed base plate, ceiling plate spacers and fire stop spacers.

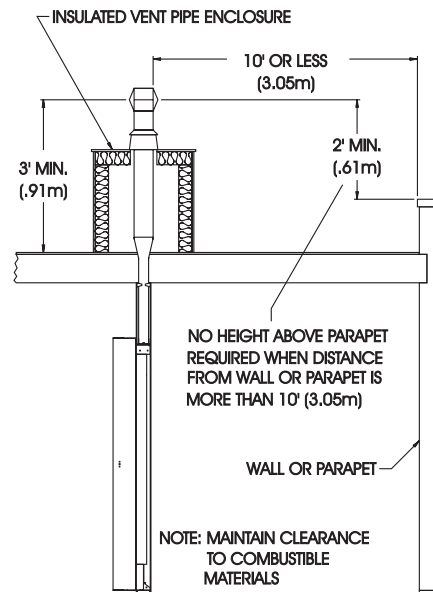


Figure 4

## Insulated Vent Enclosure

Gravity vented wall furnaces installed in buildings with flat roofs can have poor venting. The cold vent pipe will have a delay in proper venting and cause the wall furnace to shut "off" by the vent safety switch. To prevent delayed venting as well as condensation of flue products an insulated vent enclosure is recommended.

Use Type B vent pipe and maintain at least a one inch (25 mm) clearance to combustibles.

Use metal thimble to protect vent pipe as it passes through combustibles.

Baseplate Gasket is factory installed on header. Baseplate attaches to header with screws. B-vent snaps into and is attached to baseplate. Minimum height of vent pipe must be six feet (1.8 m) above header.

Stud space around gas vents must be free of obstructions and building paper.

Uninsulated Single-Wall Metal Pipe shall not be used outdoors in cold climates for venting gas utilization equipment.

**Attention:** The main burner uses room air for combustion. As the gas/air mixture is injected into the main burner, there is also the flow of dust and lint particles into the main burner.

Dust and lint accumulation inside the main burner will result in a yellow main burner flame and possible sooting inside the combustion chamber and vent pipe. To clean main burner refer to Page 13, "Proper Main Burner Flame."

# GAS SUPPLY

Check all local codes for requirements, especially for the size and type of gas supply line required.

## Recommended Gas Pipe Diameter

Pipe Length	Schedule 40 Pipe Inside Diameter		Tubing, Type L Outside Diameter	
	Nat.	L.P.	Nat.	L.P.
0-10 feet 0-3 meters	1/2"	3/8"	1/2"	3/8"
10-40 feet 4-12 meters	1/2"	1/2"	5/8"	1/2"
40-100 feet 13-30 meters	1/2"	1/2"	3/4"	1/2"
100-150 feet 31-46 meters	3/4"	1/2"	7/8"	3/4"

**Note:** Never use plastic pipe. Check to confirm whether your local codes allow copper tubing or galvanized.

**Note:** Since some municipalities have additional local codes, it is always best to consult your local authority and installation code.

### Installing a New Main Gas Cock

Each appliance should have its own manual gas cock.

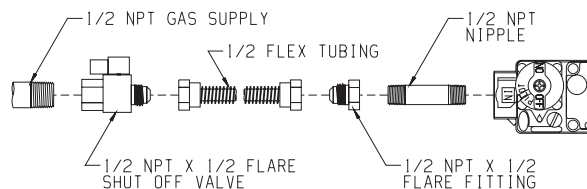
A manual main gas cock should be located in the vicinity of the unit. Where none exists, or where its size or location is not adequate, contact your local authorized installer for installation or relocation.

Compounds used on threaded joints of gas piping shall be resistant to the action of liquefied petroleum gases. The gas lines must be checked for leaks by the installer. This should be done with a soap solution watching for bubbles on all exposed connections, and if unexposed, a pressure test should be made.

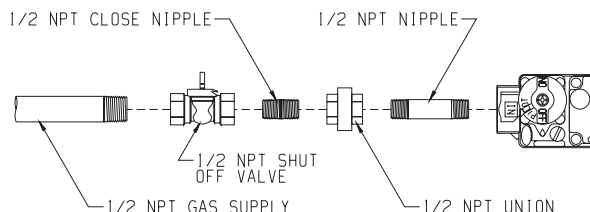
**Never use an exposed flame to check for leaks. Appliance must be disconnected from piping at inlet of control valve and pipe capped or plugged for pressure test. Never pressure test with appliance connected; control valve will sustain damage!**

A gas valve and ground joint union should be installed in the gas line upstream of the gas control to aid in servicing. It is required by the National Fuel Gas Code that a drip line be installed near the gas inlet. This should consist of a vertical length of pipe tee connected into the gas line that is capped on the bottom in which condensation and foreign particles may collect.

### FLEXIBLE GAS LINE CONNECTION



### RIGID GAS LINE CONNECTION



**Figure 5**

The use of the following gas connectors is recommended:

- ANS Z21.24 Appliance Connectors of Corrugated Metal Tubing and Fittings
- ANS Z21.45 Assembled Flexible Appliance Connectors of Other Than All-Metal Construction

The above connectors may be used if acceptable by the authority having jurisdiction. The state of Massachusetts requires that a flexible appliance connector cannot exceed three feet in length.

### Pressure Testing of the Gas Supply System

1. To check the inlet pressure to the gas valve, a 1/8" (3.175 mm) N.P.T. plugged tapping, accessible for test gauge connection, must be placed immediately upstream of the gas supply connection to the appliance.
2. The appliance and its individual shutoff valve must be disconnected from the gas supply piping system during any pressure testing of that system at test pressures in excess of 1/2 psig (3.5 kPa).
3. The appliance must be isolated from the gas supply piping system by closing its individual manual shutoff valve during any pressure testing of the gas supply piping system at test pressures equal to or less than 1/2 psig (3.5 kPa).

**Attention!** If one of the procedures results in pressures in excess of 1/2 psig (14" w.c.) (3.5 kPa) on the appliance gas valve, it will result in a hazardous condition.

### Checking Manifold Pressure

Both Propane and Natural gas valves have a built-in pressure regulator in the gas valve. Natural gas models will have a manifold pressure of approximately 3.5" w.c. (.871 kPa) at the valve outlet with the inlet pressure to the valve from a minimum of 4.5" w.c. (1.120 kPa) for the purpose of input adjustment to a maximum of 10.5" w.c. (2.614 kPa) Propane gas models will have a manifold pressure approximately 10.0" w.c. (2.49 kPa) at the valve outlet with the inlet pressure to the valve from a minimum of 11.0" w.c. (2.739 kPa) for the purpose of input adjustment to a maximum of 13.0" w.c. (3.237 kPa).

A 1/8" (3.175 mm) N.P.T. plugged tapping, accessible for test gauge connection, is located on the outlet side of the gas control.



# CLEARANCES

1. In selecting a location for installation, it is necessary to provide adequate accessibility clearances for servicing and proper installation.
2. Clearances to combustible surfaces is 4" (102 mm) from sides, 12" (305 mm) to top, 1 1/2" (38 mm) from floor.

**NOTE:** Minimum distance of 1 1/2" (38 mm) must also be maintained from top surface of carpeting, tile, etc.

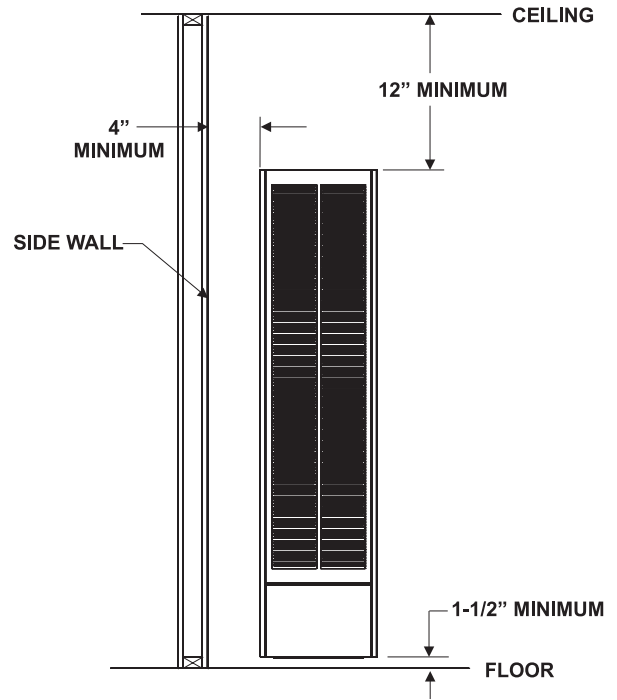


Figure 6

# LOCATION - ALL MODELS

Select a location near the center of the space to be heated. Overflow heat will circulate through doorways into adjacent rooms.

For large homes or spread-out floor plans, two or more furnaces are recommended. Do not locate furnace where a door could swing over the outer casing, or where circulation could be retarded by furniture or cabinets.

Do not install in a closet, alcove or small hallway where the furnace could be isolated by closing doors to the heated space.

When location is selected, check the walls, attic and roof to make sure there are no obstructions such as pipes, electric wiring, etc., which would interfere with the installation of the furnace or vent pipe.

**NOTE:** If Rear Register Kit is to be used, see Rear Register Kit instructions for location of hole in rear wall. Register outlet must be cut in wall before furnace is installed.

**NOTE:** If Optional Blower is to be used, hard wiring must be completed for the optional blower prior to installation of header plate.

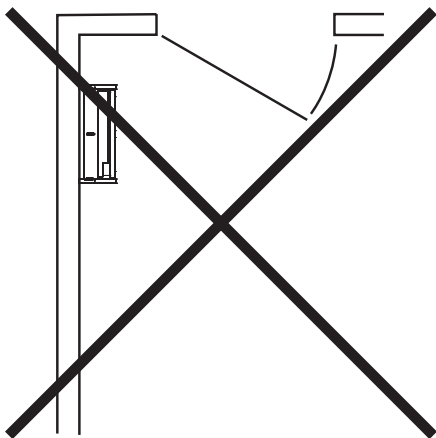


Figure 7

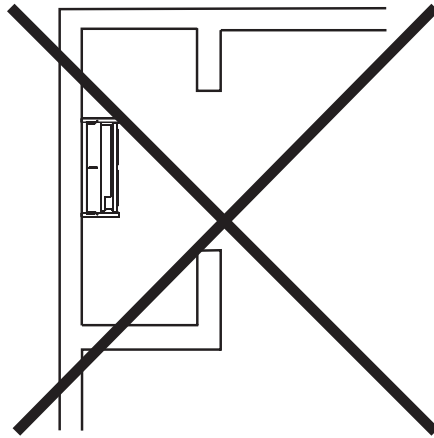


Figure 8

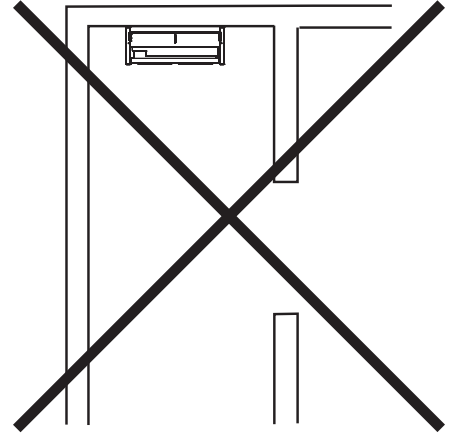


Figure 9

# VENTILATION AND COMBUSTION AIR

Wall furnaces shall be installed in a location in which the facilities for ventilation permit satisfactory combustion of gas and proper venting under normal conditions. In buildings of conventional frame, brick, or stone construction without tight storm windows and doors, infiltration is normally adequate to provide air for combustion and draft hood dilution.

Where appliances are installed in confined and unconfined spaces within a building, the building being of unusually tight construction, air for combustion and ventilation must be obtained directly from outdoors or from such spaces that freely communicate with the outdoors. Under these conditions, the confined and unconfined spaces shall be provided with two permanent openings, one near the top of the enclosure and one near the bottom; each opening shall have a free area of not less than one square inch (6.45 cm<sup>2</sup>) per 2,000 BTU (.6KW/H) per hour of total input.

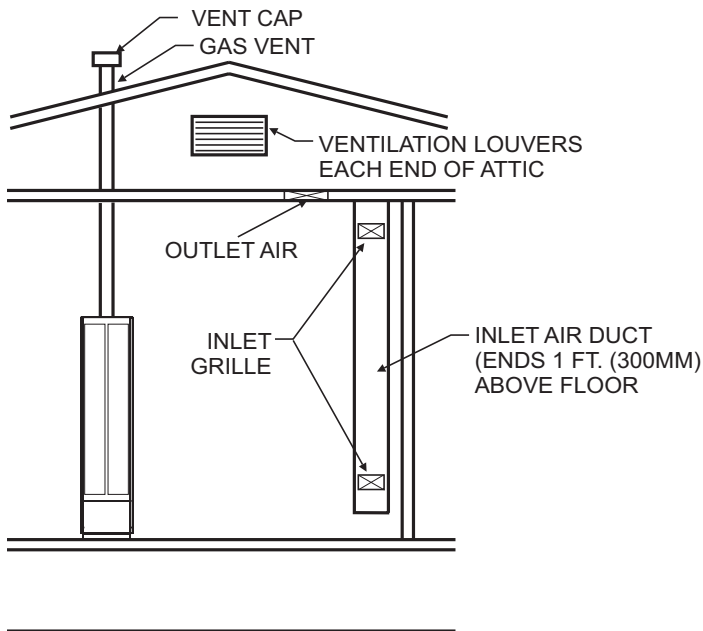


Figure 10

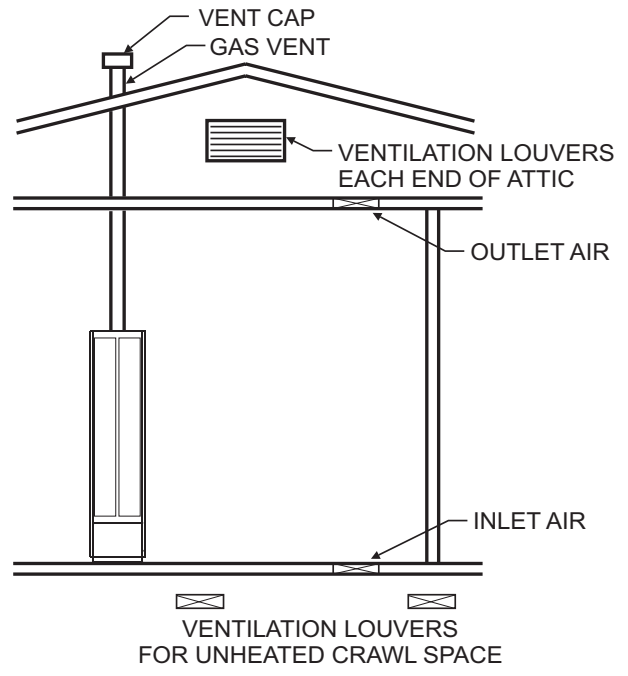


Figure 12

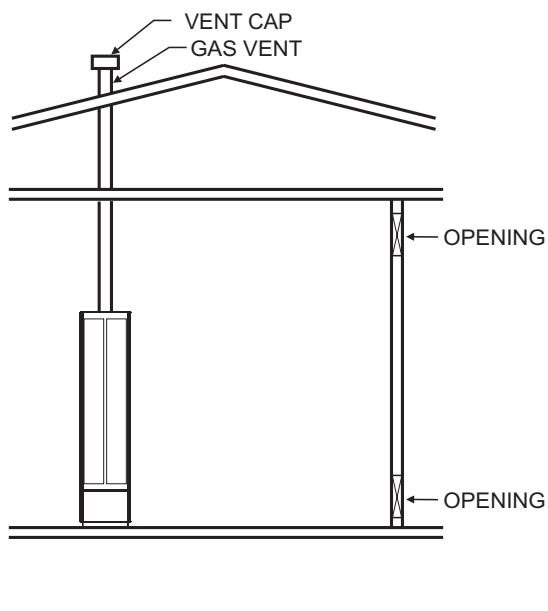


Figure 11

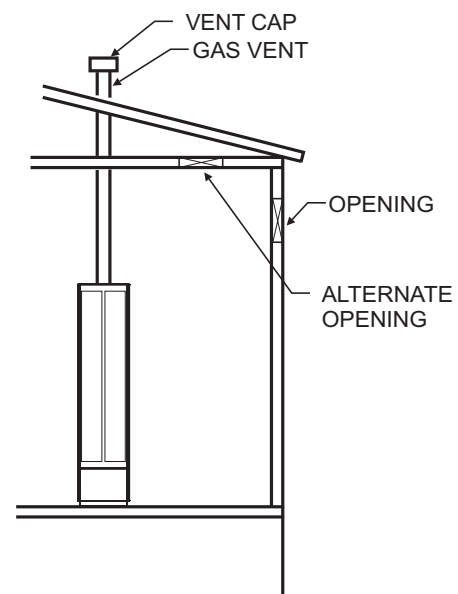


Figure 13

# ROUGH-IN INSTRUCTIONS

1. Provide an opening in the wall 14 1/2" (368 mm) wide and 66 1/4" (1683 mm) high measured from top of floor plate (See Figure 14 and Figure 19). Wall depth is to be 2" x 4" framing with 1/4" (6.5 mm) to 5/8" (16 mm) sheeting.

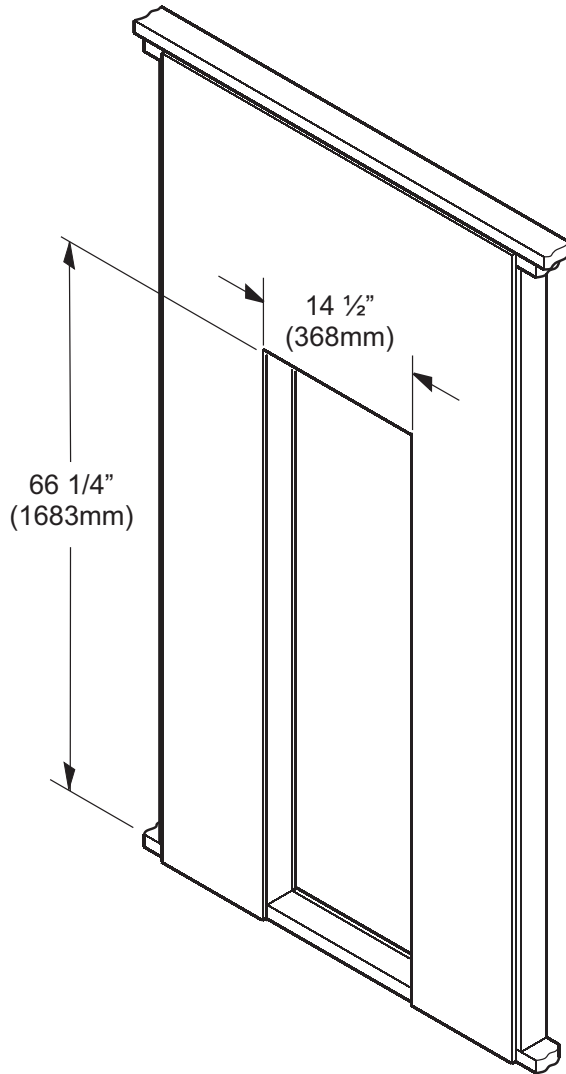


Figure 14

2. Install ceiling spacers (not supplied with furnace) according to manufacturer's instructions.

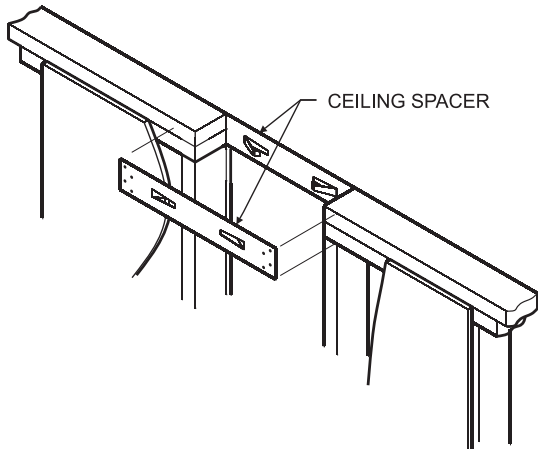


Figure 15

3. Attach baseplate (not supplied with furnace) to header plate with sheet metal screws at each end.

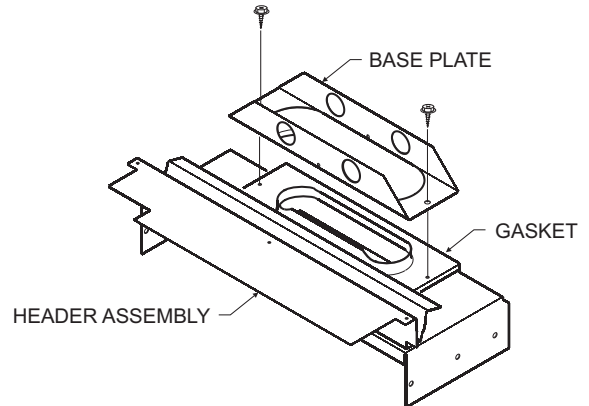


Figure 16

4. Attach 4" (102 mm) oval, double wall vent pipe to baseplate.

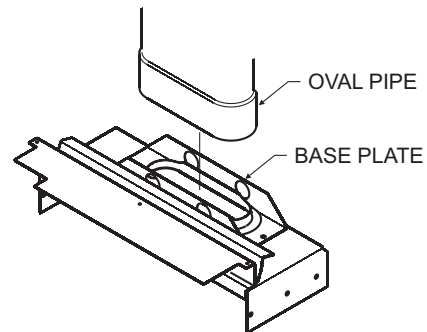
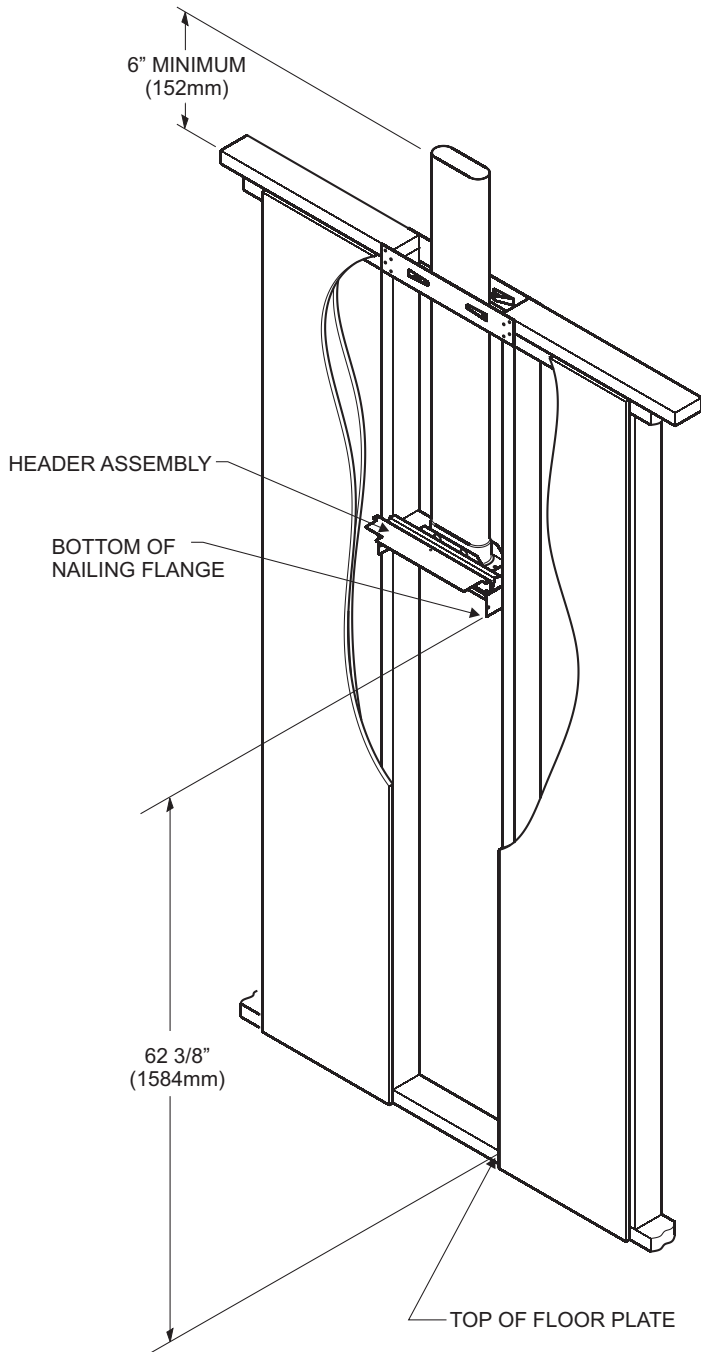


Figure 17

# ROUGH-IN INSTRUCTIONS

5. Attach enough vent pipe so that when installed in wall opening the vent pipe will extend above the ceiling plate by at least 6" (152 mm).
6. Insert header plate with attached 4" oval, double wall vent pipe into wall opening.
7. Position header plate at height shown in Figure 18.
8. Locate rear edge of nailing flange at the back of the 2" x 4" stud which will center the vent collar in the wall.
9. Locate the angled edge of header plate flush with the top of the wall opening.
10. Secure header plate to the wall studs with four (4) #10 x 1" screws provided or nails.



**Figure 18**

# FINISHING INSTRUCTIONS

## Plastering (Figure 19)

In new construction use only plain (not perforated) gypsum lath around furnace and vent pipe so that plaster "Keys" will not project into wall space.

Use wood strips nailed to inside of studs and top of bottom plate. These must be removed before installation of furnace. Lath and plaster against top projection of Header Plate.

Do not allow wall finish materials to project into furnace recess.

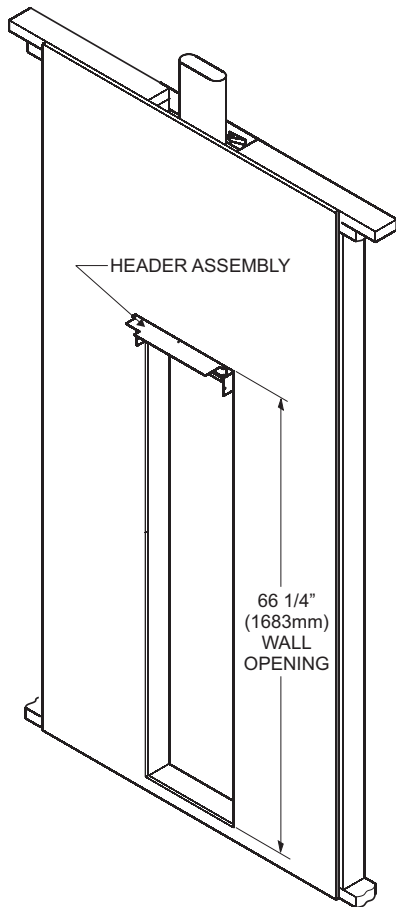


Figure 19

## Installing Furnace

1. Clear the recess of all debris, and remove any wood plaster-grounds.
2. Stand the furnace on floor in front of wall opening.
3. Insert furnace flue into rectangular opening in header plate and raise furnace carefully (see Figure 20).
4. Swing bottom of furnace into wall opening with back of legs flush with rear of floor plate.
5. Secure furnace support legs to the floor plate with nails.

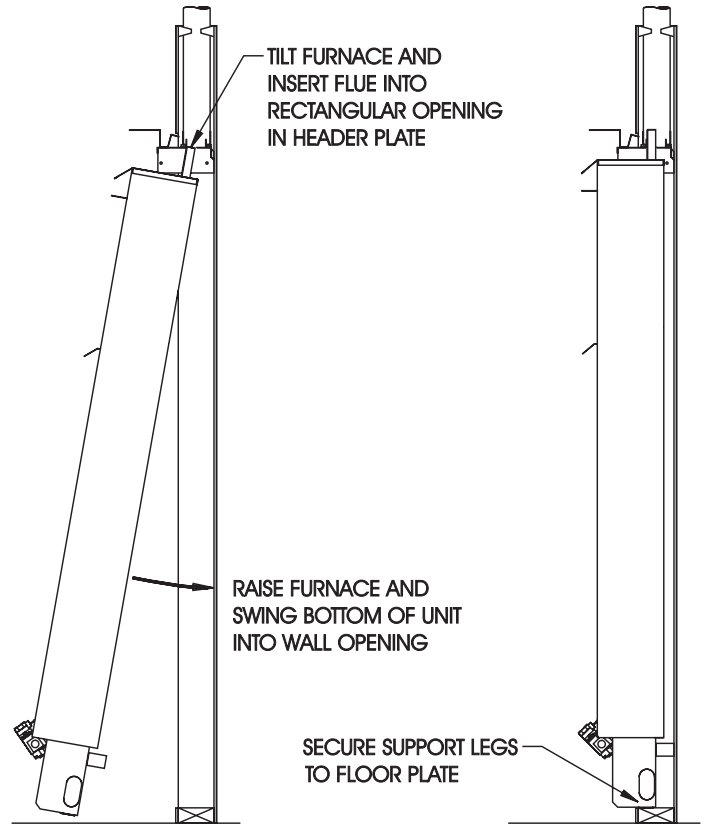


Figure 20

**IMPORTANT** — Avoid securing too tightly and disturbing the inner casing. Do not try to force furnace into a wall opening which is smaller than specified dimension.

## OUTER CASING

1. Align 1 3/4" slot on casing bracket with bottom screw hole on inner casing. Attach casing bracket to inner casing with one (1) 10 x 1/2" screws for each casing bracket. Do not completely tighten screws at this time.

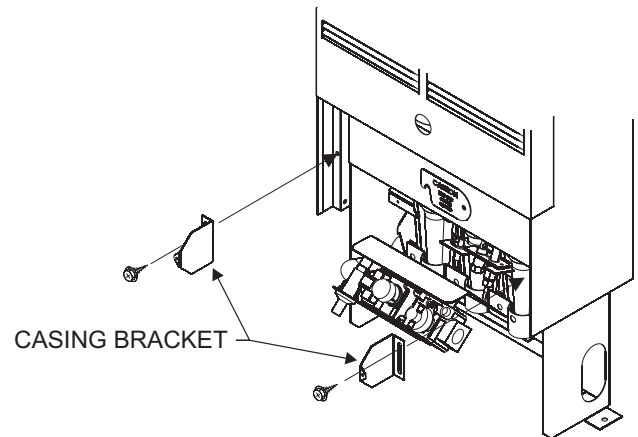


Figure 21

# FINISHING INSTRUCTIONS

- Place outer casing onto header.

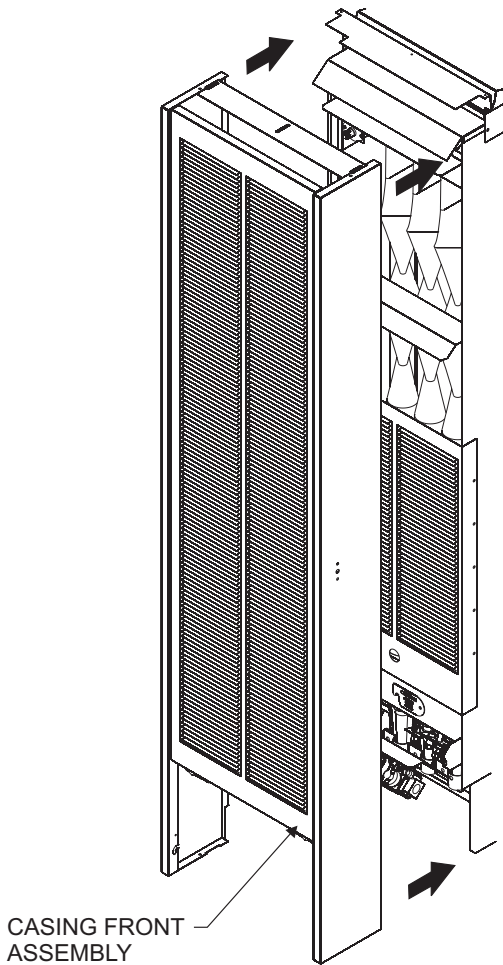


Figure 22

**Attention:** Use center clearance hole on outer casing top for attachment to header with one (1) 8 x 3/8" Phillips screw **when optional blower is not installed.**

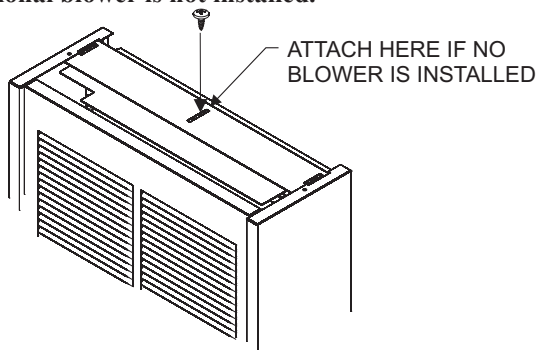


Figure 23

**Attention:** Use outside clearance holes on outer casing top for attachment to header with two (2) 8 x 3/8" Phillips screws **when optional blower is installed.**

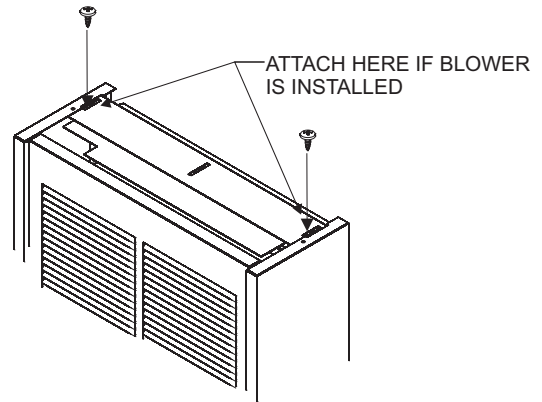


Figure 24

- Align clearance holes on outer casing bottom with screw holes on casing brackets by adjusting slots on casing brackets.
- Complete tightening casing bracket screws from Step 1 to inner casing at this time.
- Attach outer casing to casing brackets with two (2) 10 x 1-1/2" screws.

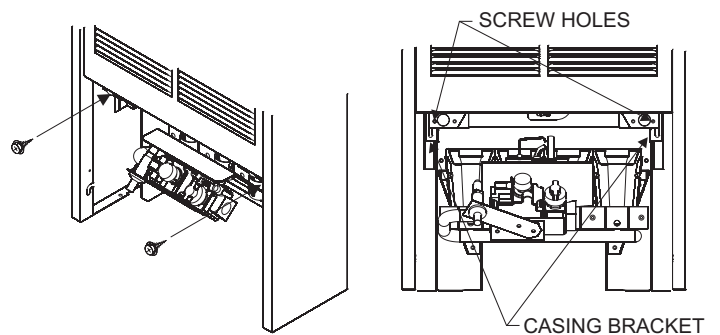


Figure 25

## INSTALLING CONTROL DOOR

Attach two washers supplied in hardware package to pivot pins located at bottom of control door. Install control door to outer casing assembly.

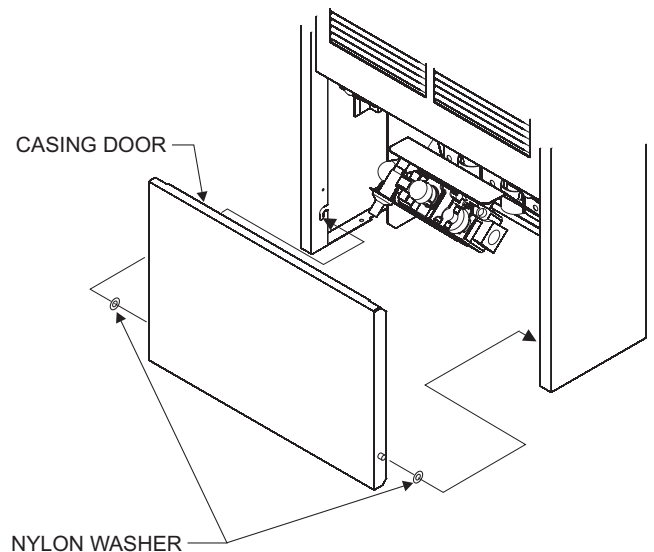


Figure 26

# REMOVING THE OUTER CASING

1. **When optional blower is not installed.** At the top of the outer casing, remove one (1) screw from the center clearance slot that attaches the outer casing to the header assembly.

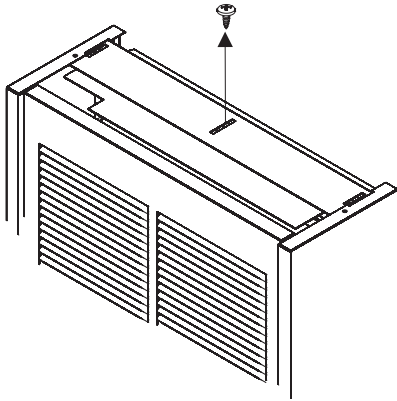


Figure 27

2. Open casing door. Remove two (2) screws that attach bottom of outer casing to inner casing.

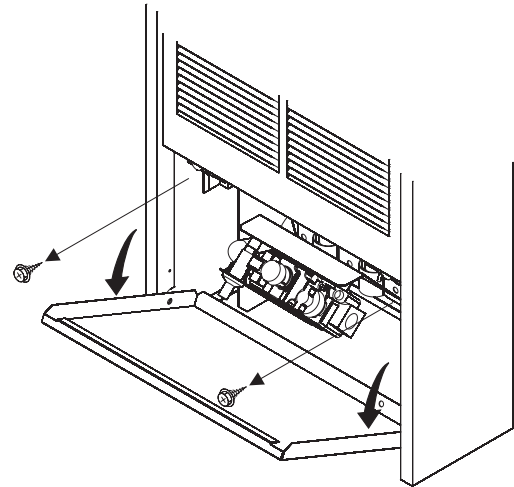


Figure 29

**When optional blower is installed.** Remove four (4) screws that attach blower front to blower housing. Separate blower front from blower housing. Remove blower front by disconnecting fan control switch wire assembly from power cord and motor wire. Remove two (2) screws from the outside clearance slots that attach the outer casing to the header assembly.

3. Remove outer casing from unit and place aside.

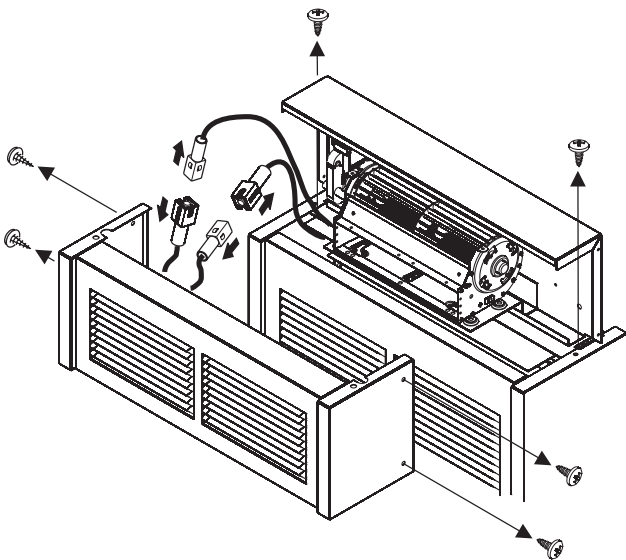


Figure 28

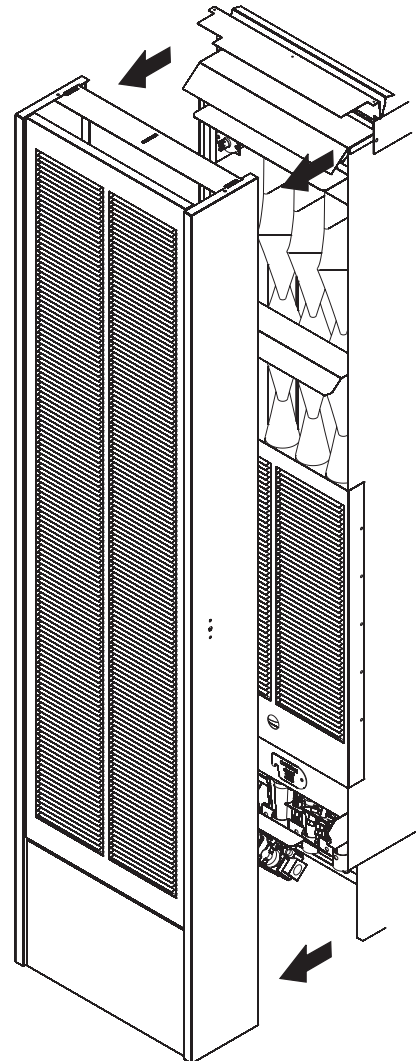


Figure 30

# THERMOSTAT LOCATION

**CAUTION** — Do not run wire behind flanges of Header Plate or in any location where it might be damaged.

Millivolt wall thermostats are specially designed for use on self-generating systems. They should **never** be used on **line** or **low** voltage A.C. circuits.

**Interior Wall** — The thermostat should be installed on an inside wall away from the furnace but in the same room.

**Note:** Use 16 gauge wire to prevent excessive loss of millivolts.

Proper operation depends on a good pilot flame. The flame must cover the top of the thermopile. Cleaning of the pilot orifice and burner may be required due to spiders.

## System Check (Figure 31)

A millivolt meter is required to check the system. Millivolt readings should be:

- Across the thermopile terminals, 400-450 millivolts with thermostat OFF.
- Across the thermopile terminals, 150-250 millivolts with thermostat ON.
- Across the thermostat wires at the valve, less than 30 millivolts with thermostat ON.
- Across the thermostat wires at the thermostat, less than 5 millivolts with thermostat ON. (Dirty pilot or low pressure will reduce readings.)

Connect thermostat wires to gas valve as shown in Figure 31.

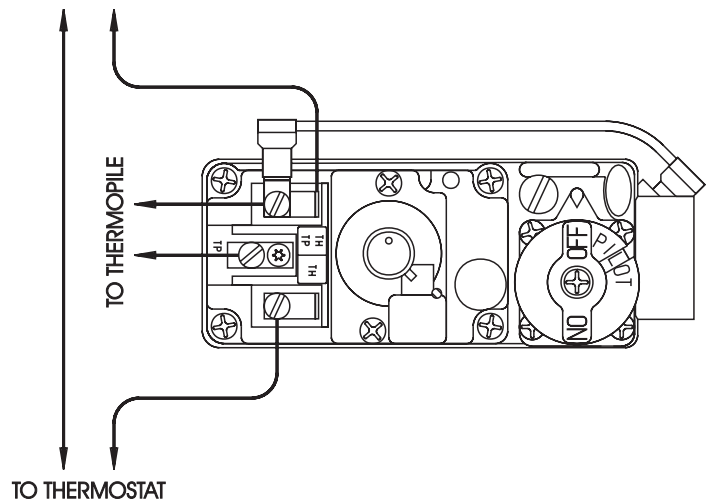


Figure 31

# OPTIONAL THERMOSTAT BRACKET INSTALLATION

1. Remove outer casing from heater.
2. Choose which side you'd like the thermostat to be on your heater. Choose the side with the best air circulation. Using a hammer and center punch, remove the knockouts on the chosen side of the heater.

3. Route the thermostat wire through the center knockout hole in the outer casing and the center hole in the thermostat bracket.

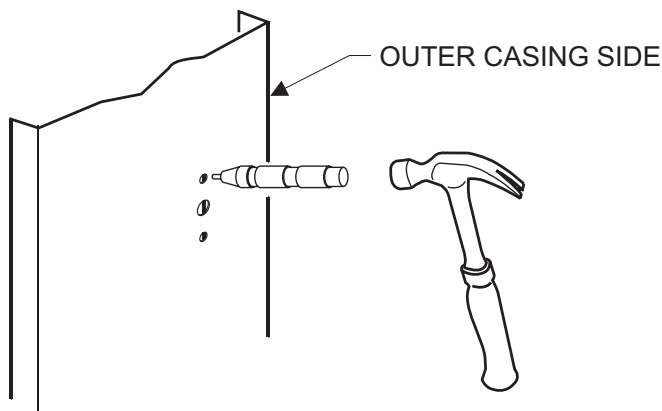


Figure 32

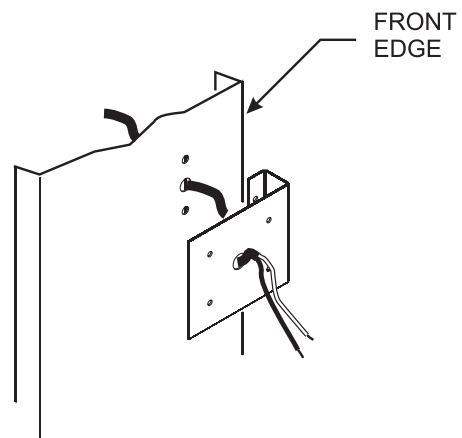


Figure 33



# OPTIONAL THERMOSTAT BRACKET INSTALLATION

- Attach the thermostat bracket to the outer casing with two (2) 8 x 3/8" Phillips screws.

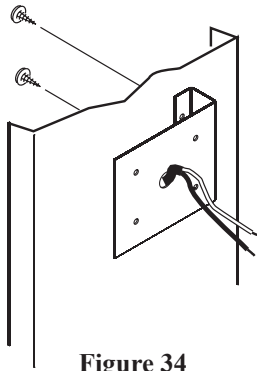


Figure 34

- Replace the outer casing.
- Remove cover of thermostat from base.

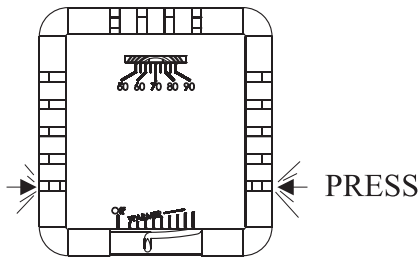


Figure 35

- Feed wires through rectangular slots.

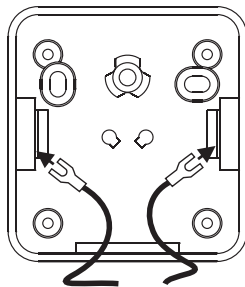


Figure 36

- Attach thermostat to bracket with two (2) 8 x 3/8" Phillips screws.

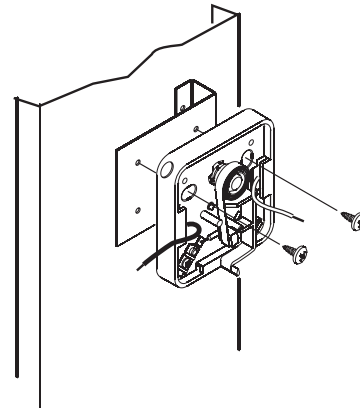


Figure 37

- Connect the thermostat wires to the terminal screws.

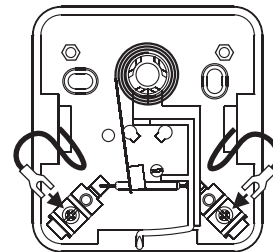


Figure 38

- Replace thermostat cover.

# PIEZO PILOT IGNITOR

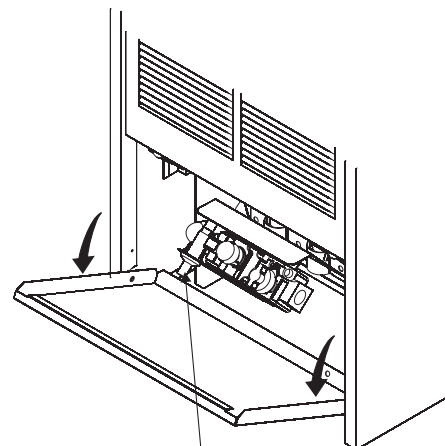
## Piezo Pilot Ignitor Instructions

Piezo is located adjacent to gas valve. Open casing door to access piezo ignitor.

Depressing the piezo ignitor button completely causes a spark to occur at the pilot. This is a substitute for a match which requires opening the pilot hole cover.

To light the pilot, it is important that the electrode be 1/8" (3 mm) from the thermopile. The spark must occur at the point the burner flame hits the thermopile. The end of the electrode will be red hot with the pilot on.

On a new installation with air in the gas line, it is suggested that a match be used. The match will light the pilot faster than the piezo under this condition.



PIEZO IGNITOR  
Figure 39


# LIGHTING INSTRUCTIONS

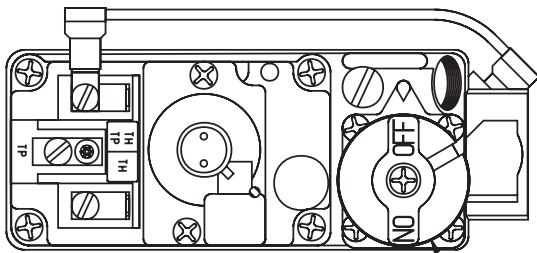
## FOR YOUR SAFETY READ BEFORE LIGHTING

**WARNING:** If you do not follow these instructions exactly, a fire or explosion may result causing property damage, personal injury or loss of life.

- A. This appliance has a pilot which must be lighted by hand. When lighting the pilot, follow these instructions exactly.
- B. **BEFORE LIGHTING** smell all around the appliance area for gas. Be sure to smell next to the floor because some gas is heavier than air and will settle on the floor.  
**WHAT TO DO IF YOU SMELL GAS**
  - Do not try to light any appliance.
  - Do not touch any electrical switch; do not use any phone in your building.
  - Immediately call your gas supplier from a neighbor's phone. Follow the gas supplier's instructions.
  - If you cannot reach your gas supplier, call the fire department.
- C. Use only your hand to push in or turn the gas control knob. Never use tools. If the knob will not push in or turn by hand, don't try to repair it; call a qualified service technician. Force or attempted repair may result in a fire or explosion.
- D. Do not use this appliance if any part has been under water. Immediately call a qualified service technician to inspect the appliance and to replace any part of the control system and any gas control which has been under water.



# LIGHTING INSTRUCTIONS

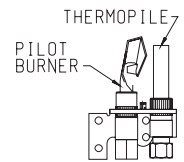
1. **STOP!** Read the safety information above.
2. Set the thermostat to lowest setting.
3. Turn off all electric power to the appliance (if applicable).
4. Pushingascontrolknobslightlyandturnclockwise  
 to "OFF."




GAS CONTROL KNOB SHOWN IN "OFF" POSITION

**NOTE:** Knob cannot be turned from "PILOT" to "OFF" unless knob is pushed in slightly. Do not force.

5. Wait ten (10) minutes to clear out any gas. Then smell for gas, including near the floor. If you smell gas, **STOP!** Follow "B" in the safety information above. If you don't smell gas, go to the next step.
6. Find pilot - follow metal tube from gas control. The pilot is mounted on front of main burner.
7. Turn gas control knob counterclockwise  to "PILOT."
8. Push and hold control knob in and repeatedly push the ignitor button until pilot is lit (or use match to light.). Continue to hold the control knob in for about one (1) minute after the pilot is lit. Release knob and it will pop back up. Pilot should remain lit. If it goes out, repeat steps 4 through 8.
9. Turn gas control knob counterclockwise  to "ON."
10. Turn on all electric power to the appliance (if applicable).
11. Set thermostat to desired setting.



# TO TURN OFF GAS TO APPLIANCE

1. Set the thermostat to lowest setting.
2. Turn off all electric power (if applicable) to appliance if service is to be performed.
3. Push in gas control knob slightly and turn clockwise  to "OFF." Do not force/

# VENT SAFETY SHUTOFF SYSTEM

This appliance must be properly connected to a venting system. This appliance is equipped with a vent safety shutoff system.

**Warning: Operation of this wall furnace when not connected to a properly installed and maintained venting system or tampering with the vent safety shutoff system can result in carbon monoxide (CO) poisoning and possible death.**

This furnace is equipped with a manual reset vent safety switch. The manual reset vent safety switch will cause gas flow to the main burner to "shut off" due to improper venting or a blocked flue.

To reset the manual reset vent safety switch:

1. Remove outer casing. See Page 15.
2. Depress manual reset button. The manual reset vent safety switch is located on the draft diverter.

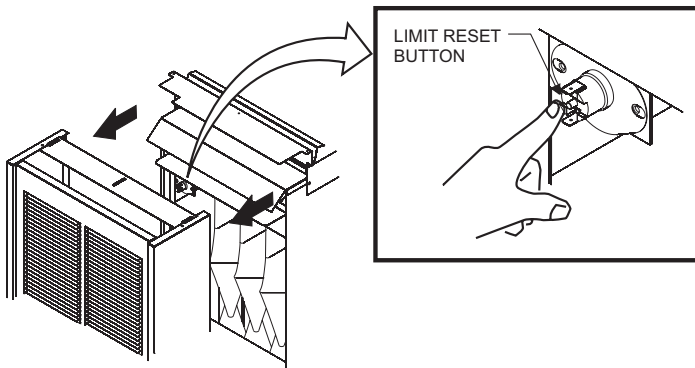


Figure 40

3. Replace outer casing. See Page 14.

If the manual reset vent safety switch continues to "shut off" the gas flow to the main burner a qualified service person must be contacted to inspect for improper venting, blockage in the vent pipe or the manual reset vent safety switch for being defective.

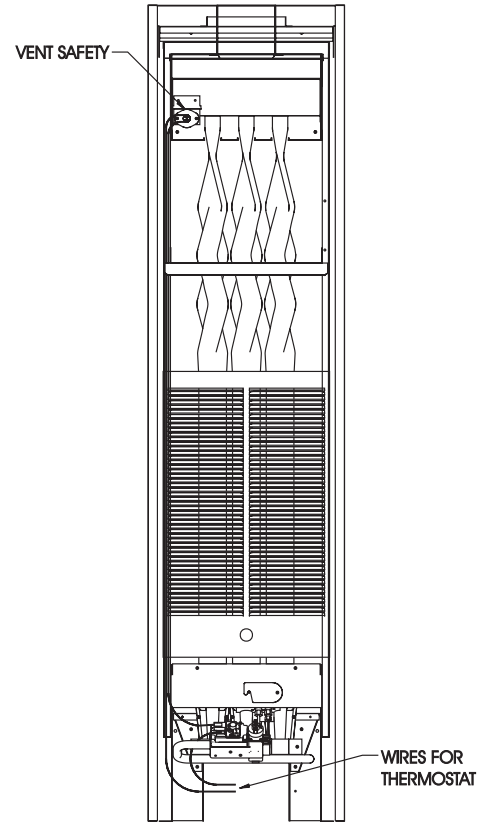


Figure 41

## PROPER MAIN BURNER FLAME

The correct flame will be a short blue inner flame with a much larger light blue outer flame. The burner does not have a primary air adjustment. The flame will be proper if the factory-set pressure and orifice are used. After the furnace has begun operating, cleaning of the burner may be needed for proper flame, examine at least 2 times per season.

**Service must be performed by a Qualified Installer, Service Agency, or the Gas Supplier.**

To clean burner ports, disconnect the gas supply to the valve. Remove the burner assembly from the combustion chamber. Remove pilot burner from main burner and then remove the main burner. Force water into the ports and blow dry with vacuum cleaner air, or low pressure compressed air.

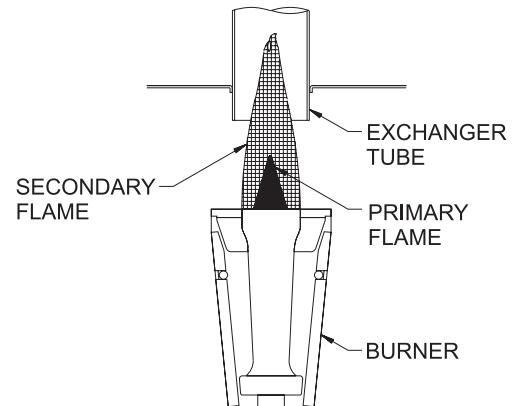


Figure 42

## PROPER PILOT FLAME

The correct flame will be blue, extending past the thermopile. The flame will surround the thermopile just below its tip.

Natural gas pilots require adjusting when the inlet gas pressure is above 5" w.c. (1.245 kPa). Remove the pilot cover screw on the control valve and turn the adjustment screw clockwise to reduce flame. Replace pilot cover screw to eliminate gas leaking at that control valve opening.

LP gas (propane) will not require adjustment.

After use, cleaning may be required for the proper flame.

Examine the pilot flame before and during each heating season.

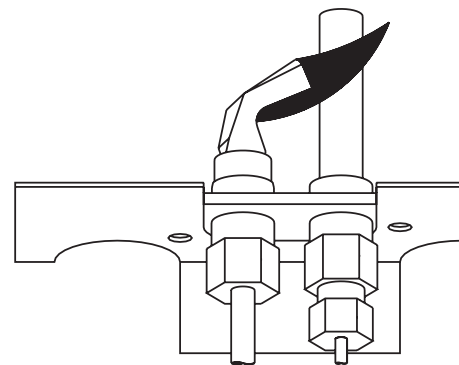


Figure 43

# TROUBLESHOOTING

**Service must be performed by a Qualified Installer, Service Agency, or the Gas Supplier.**

**GENERAL** All furnaces have been fire-tested to check for proper operation. This includes main burner flame, pilot flame, and gas control operation. If the furnace fails to function on initial installation, it is advisable to re-check the following:

1. Inlet gas pressure.
2. Type of gas being used and that shown on the rating plate.

The Service Department at Empire Comfort Systems, Inc. may be contacted to assist in servicing furnace.

## **Servicing the Pilot and Main Burner, Pilot Orifice, Thermopile and Main Burner Orifice**

Disconnect the gas supply at the inlet to the control valve. Remove the burner assembly to which the above components are attached.

### **Pilot Does Not Light**

With air in the gas line, such as when the furnace is first installed or was "OFF" all summer, the pilot flame may be too lean to ignite on the first few trials. Turn the gas control knob to PILOT position and depress the gas control knob. Hold the gas control knob down to bleed the line;

1. Use lighter rod to light pilot with a match.

### **If Pilot Does Not Light By Any Means**

1. Check gas control knob for being in the "Pilot" position.
2. Check pilot adjustment for being full open (counterclockwise to open).
3. If gas is available in the supply tubing, the pilot orifice and/or pilot burner is probably restricted by a spider web. Clean pilot assembly and relight.

### **If Pilot Does Not Remain "On" After Releasing Gas Control Knob**

1. Follow instructions and hold gas control knob down longer and harder.
2. Determine if pilot flame extends past thermopile; if not, adjust pilot flame or clean pilot burner.
3. Replace thermopile if millivolt reading is less than 300 millivolts when wall thermostat or remote bulb is turned OFF. Replace gas control if magnet dropout millivolt reading is over 100 millivolts.

### **Pilot Outage During Normal Operation**

1. Check input by manifold pressure gauge or gas meter.
2. Check millivolt output when furnace is in operation. If millivolt output decreases during furnace operation gas control may be defective.

### **Main Gas Valve Does Not Open When Thermostat Is Turned "On"**

1. Check millivolt output of thermopile.
2. Thermostat wires may be broken.
3. Thermostat may be defective.

# PARTS LIST

**ATTENTION:** When ordering parts, it is very important that **part number** and **description** of part coincide.

Index No.	Part No.	Description
1	WFA-115	HEADER GASKET
2	23792	HEADER ASSEMBLY (INCLUDES #1, GASKET)
3	GWT-182	INNER CASING ASSEMBLY
4	23849	DIVERTER ASSEMBLY - HW250GW
4	23782	DIVERTER ASSEMBLY - HW350GW
5	R-3239	VENT SAFETY SWITCH - HW250GW
5	R-3045	VENT SAFETY SWITCH - HW350GW
6	R-3038-A	ECO LEAD ASSEMBLY
7	GWT-020	FRONT SHIELD
8	GWT-077	HEAT SHIELD
9	26463	EXCHANGER ASSEMBLY - HW250GW
9	26464	EXCHANGER ASSEMBLY - HW350GW
10	GWT-070	BURNER BRACKET ASSEMBLY - HW250GW
10	GWT-073	BURNER BRACKET ASSEMBLY - HW350GW
11	R-5245	GAS VALVE - NAT
11	R-5246	GAS VALVE - LPG
12	R-3031	BURNER (HW250GW – 3 REQUIRED) (HW350GW – 4 REQUIRED)
13	P-88-65	BURNER ORIFICE - HW250GW LPG (3 REQUIRED)
13	P-88-55	BURNER ORIFICE - HW250GW NAT (3 REQUIRED)
13	P-88-65	BURNER ORIFICE - HW350GW LPG (4 REQUIRED)
13	P-88-54	BURNER ORIFICE - HW350GW NAT (4 REQUIRED)
14	GWT-015	AIR SHUTTER REAR - HW250GW LPG
14	GWT-012	AIR SHUTTER REAR - HW350GW LPG
15	GWT-054	AIR SHUTTER BOTTOM - HW250GW LPG

Index No.	Part No.	Description
15	GWT-049	AIR SHUTTER BOTTOM - HW350GW LPG
16	GWT-014	AIR SHUTTER FRONT - HW250GW LPG
16	GWT-011	AIR SHUTTER FRONT - HW350GW LPG
17	GWT-010	BURNER COMPARTMENT FRONT - HW250GW
17	GWT-008	BURNER COMPARTMENT FRONT - HW350GW
18	DV-064	COVER PLATE
19	R-3034	PILOT - NAT
19	R-3035	PILOT - LPG
20	GWT-021	PILOT BRACKET
21	R-1054	THERMOPILE
22	GWT-186	CASING BRACKET
23	23795	CASING FRONT ASSEMBLY (INCLUDES TWO OF #24)
24	R-3763	MAGNET (2 REQUIRED)
25	23789	CASING DOOR ASSEMBLY
26	R-885	NYLON WASHER (2 REQUIRED)
27	23906	VALVE SHIELD
28	R-2708	PIEZO IGNITOR
29	R-3039	ELECTRODE ASSEMBLY
30	GWT-022	PIEZO BRACKET
31	23908	CASING ASSEMBLY COMPLETE (INCLUDES #23, #25, AND TWO OF #26)
N/S	R-1081	PILOT ORIFICE (HONEYWELL .014 NAT ONLY)
N/S	R-1089	PILOT ORIFICE (HONEYWELL .009 LPG ONLY)
N/S	GWT-121	PILOT TUBING - HW250GW
N/S	GWT-076	PILOT TUBING - HW350GW
N/S	23887	HARDWARE PACKAGE
N/S	23919	THERMOSTAT BRACKET

**USE ONLY MANUFACTURER'S REPLACEMENT PARTS. USE OF ANY OTHER PARTS COULD CAUSE INJURY OR DEATH.**

## HOW TO ORDER REPAIR PARTS

Parts can be ordered **only** through your **service person or dealer**. For best results, the **service person or dealer** should order parts through the distributor. Parts can be shipped directly to the **service person/dealer**.

All parts listed in the Parts List have a Part Number. When ordering parts, first obtain the Model Number from the name plate on your equipment. Then determine the Part Number (**not** the Index Number) and the Description of each part from the following appropriate illustration and list. Be sure to give all this information.

Furnace Model Number \_\_\_\_\_ Part Description \_\_\_\_\_

Furnace Serial Number \_\_\_\_\_ Part Number \_\_\_\_\_

Type of Gas (Propane or Natural) \_\_\_\_\_

Do not order bolts, screws, washers or nuts. They are standard hardware items and can be purchased at any local hardware store.

Shipments contingent upon strikes, fires and all causes beyond our control.

# PARTS VIEW

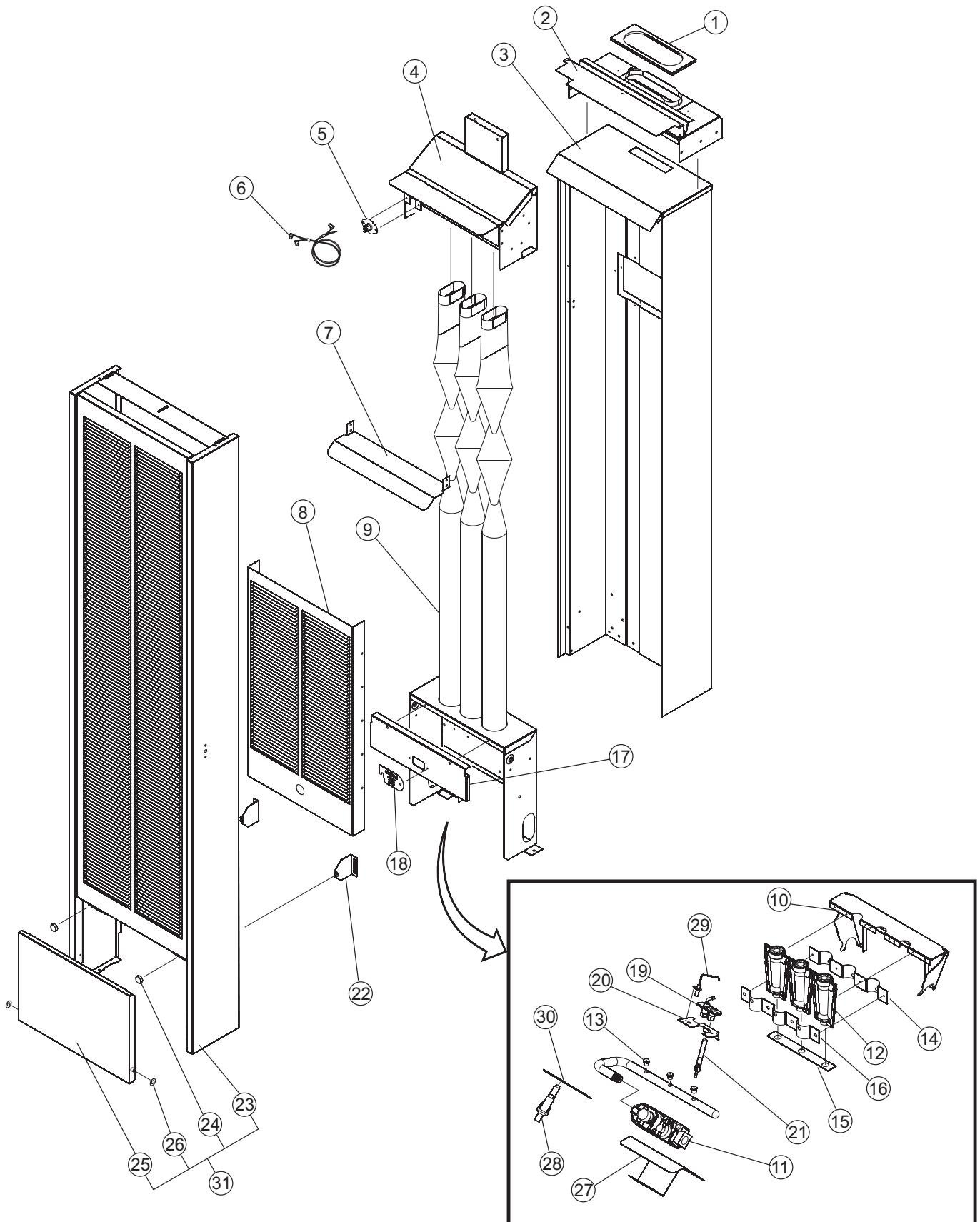


Figure 44

# WARRANTY INFORMATION

## Limited Ten-Year Warranty

If the combustion chamber (see parts list) fails because of defective workmanship or material within ten years from the date of purchase, Empire will repair or, at Empire's option, replace the defective chamber.

## Limited One-Year Warranty

Should any part fail because of defective workmanship or material within one year from the date of purchase, Empire will repair or, at Empire's option, replace the defective part.

## Duties Of The Owner

The heating appliance must be installed by a qualified installer and operated in accordance with the written instructions furnished with the appliance and local codes.

Ready access to the appliance for service is the responsibility of the owner.

Travel, diagnostic cost, service labor, labor to repair the defective appliance, and freight charges on warranty parts to and from the factory will be the responsibility of the owner.

A bill of sale, cancelled check, or payment record should be kept to verify purchase date and establish warranty period.

## What is Not Covered

This warranty does not imply or assume any responsibility for consequential damages that might result from the use, misuse, or improper installation of this heating appliance.

This warranty does not cover claims which do not involve defective workmanship or materials.

## How To Get Service

Service under this warranty must be obtained by contacting Housewarmer. (Call area code 877-459-1583, Technical Support Group, Empire Comfort Systems, Inc.) Provide the Customer Service Representative with the model number, serial number, type of gas and purchase verification information.

PLACE OWNER'S IDENTIFICATION LABEL  
HERE

COLOQUE AQUÍ LA ETIQUETA DE IDENTIFICACIÓN DEL PROPIETARIO

## Garantía Limitada De 10 Años

Si la cámara de combustión (ver lista de repuestos) falla por razón de hechura o material en un término de diez años de la fecha de compra, Empire reparará o a opción de Empire, reemplazará la cámara defectuosa.

## Obligación Del Dueño

El aparato de calefacción debe instalarse por un individuo calificado y debe de operarse de acuerdo con las instrucciones escritas que vienen con el aparato.

Acceso claro para darle servicio al aparato es responsabilidad del dueño.

Documentos de venta, cheques cancelados o pruebas de pago deben de mantenerse para verificar fecha de compra y establecer period de garantía.

## Qué No Está Cubierto

Esta garantía no implica o assume responsabilidad alguna por daños consecuentes que puedan resultar por el mal uso o instalación inapropiada de este aparato de calefacción.

Esta garantía no cubre reclamos que no tengan que ver con una hechura defectuosa o material defectuoso.

## Como Obtener Servicio

Servicio en esta garantía debe de obtenerse contacteando su comerciante de Empire. (Ver el directorio telefónico o llamar al código de area 877-459-1583, Customer Relations Department, Empire Comfort Systems, Inc.) Suministre al comerciante el número de serie, tipo de gas e información de verificación de compra.



HOUSEWARMER is a registered trademark of  
Empire Comfort Systems Inc.

Manufactured by:  
Empire Comfort Systems Inc.  
918 Freeburg Ave. Belleville, IL 62220  
PH: 877-459-1583  
FAX: 877-459-0514



# GARANTIA

## Limited Ten-Year Warranty

If the combustion chamber (see parts list) fails because of defective workmanship or material within ten years from the date of purchase, Empire will repair or, at Empire's option, replace the defective chamber.

## Limited One-Year Warranty

Should any part fail because of defective workmanship or material within one year from the date of purchase, Empire will repair or, at Empire's option, replace the defective part.

## Duties Of The Owner

The heating appliance must be installed by a qualified installer and operated in accordance with the written instructions furnished with the appliance and local codes.

Ready access to the appliance for service is the responsibility of the owner.

Travel, diagnostic cost, service labor, labor to repair the defective appliance, and freight charges on warranty parts to and from the factory will be the responsibility of the owner.

A bill of sale, cancelled check, or payment record should be kept to verify purchase date and establish warranty period.

## What is Not Covered

This warranty does not imply or assume any responsibility for consequential damages that might result from the use, misuse, or improper installation of this heating appliance.

This warranty does not cover claims which do not involve defective workmanship or materials.

## How To Get Service

Service under this warranty must be obtained by contacting Housewarming. (Call area code 877-459-1583, Technical Support Group, Empire Comfort Systems, Inc.) Provide the Customer Service Representative with the model number, serial number, type of gas and purchase verification information.

## Garantía Limitada De 10 Años

Si la cámara de combustión (ver lista de repuestos) falla por razón de hechura o material en un término de diez años de la fecha de compra, Empire reparará o a opción de Empire, reemplazará la cámara defectuosa.

## Obligación Del Dueño

El aparato de calefacción debe instalarse por un individuo calificado y debe de operarse de acuerdo con las instrucciones escritas que vienen con el aparato.

Acceso claro para darle servicio al aparato es responsabilidad del dueño.

Documentos de venta, cheques cancelados o pruebas de pago deben de mantenerse para verificar fecha de compra y establecer periodo de garantía.

## Qué No Esta Cubierto

Esta garantía no implica o assume responsabilidad alguna por daños consecuentes que puedan resultar por el mal uso o instalación inapropiada de este aparato de calefacción.

Esta garantía no cubre reclamos que no tengan que ver con una hechura defectuosa o material defectuoso.

## Como Obtener Servicio

Servicio en esta garantía debe de obtenerse contacteando su comerciante de Empire. (Ver el directorio telefonico o llamar al código de area 877-459-1583, Customer Relations Department, Empire Comfort Systems, Inc.) Suministre al comerciante el número de serie, tipo de gas e información de verificación de compra.



HOUSEWARMER is a registered trademark of  
Empire Comfort Systems Inc.

Manufactured by:

Empire Comfort Systems Inc.

918 Freeburg Ave. Belleville, IL 62220

PH: 877-459-1583

FAX: 877-459-0514

# VISUALIZACIÓN DE LAS PARTES

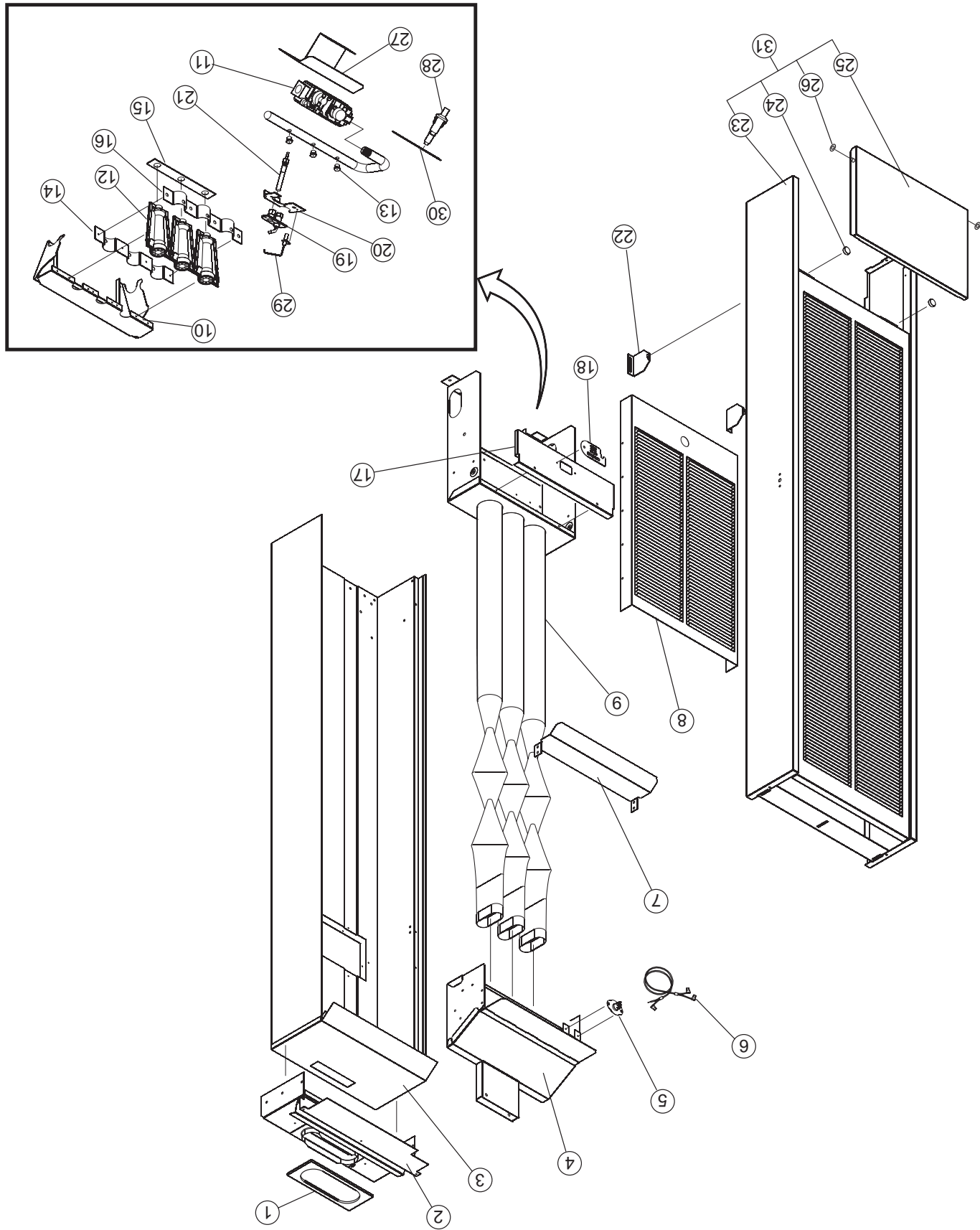


Figura 44

Las partes pueden pedirse **sólo** a través de su **técnico o comerciante**. Para obtener los mejores resultados, el técnico o el comerciante deben pedir las partes a través del distribuidor. Las partes pueden enviarse directamente al **técnico/comerciante**.

Todas las partes enumeradas en la lista de partes tienen un número de parte. Cuando pida las partes, primero obtenga el número de modelo de placa de identificación de su equipo. Luego determine el número de la parte (no el número de índice) y la descripción de cada parte de la siguiente lista y dibujo correspondientes. Asegúrese de brindar toda la información.

Número de modelo del calefactor \_\_\_\_\_ Descripción de la parte \_\_\_\_\_  
 Número de serie del calefactor \_\_\_\_\_ Número de la parte \_\_\_\_\_  
 Tipo de gas (propano o natural) \_\_\_\_\_

No pida pernos, tornillos, arandelas o tuercas. Son artículos accesorios estándares y pueden comprarse en cualquier tienda de accesorios local.

## CÓMO PEDIR PARTES DE REEMPLAZO

USE SÓLO LOS REPUESTOS DEL FABRICANTE. EL USO DE CUALQUIER OTRA PARTE PUEDE PROVOCAR LESIONES O MUERTE.

Índice	Parte Nro.	Descripción
1	WFA-115	JUNTA DEL CABEZAL
2	23792	MONTAJE DEL CABEZAL (INCLUYE #1, JUNTA)
3	GWT-182	MONTAJE DE LA CUBIERTA INTERIOR
4	23849	MONTAJE DEL DESVIADOR -HW250GW
4	23782	MONTAJE DEL DESVIADOR -HW350GW
5	R-3239	INTERRUPTOR DE SEGURIDAD DE VENTILACIÓN - HW250GW
5	R-3045	INTERRUPTOR DE SEGURIDAD DE VENTILACIÓN - HW350GW
6	R-3038-A	MONTAJE DE PLOMO ECO
7	GWT-020	PANTALLA FRONTAL
8	GWT-077	PANTALLA TÉRMICA
9	26463	MONTAJE DEL INTERCAMBIADOR - HW250GW
9	26464	MONTAJE DEL INTERCAMBIADOR - HW350GW
10	GWT-070	MONTAJE DEL SOPORTE DEL QUEMADOR - HW250GW
10	GWT-073	MONTAJE DEL SOPORTE DEL QUEMADOR - HW350GW
11	R-5245	VÁLVULA DE GAS - GAS NATURAL
11	R-5246	VÁLVULA DE GAS - GAS LP
12	R-3031	QUEMADOR (HW250GW - SE NECESITAN 3) (HW350GW - SE NECESITAN 4)
13	P-88-65	ORIFICIO DEL QUEMADOR - HW250GW GAS LP (SE NECESITAN 3)
13	P-88-55	ORIFICIO DEL QUEMADOR - HW250GW GAS NATURAL (SE NECESITAN 3)
13	P-88-65	ORIFICIO DEL QUEMADOR - HW350GW GAS LP (SE NECESITAN 4)
13	P-88-54	ORIFICIO DEL QUEMADOR - HW350GW GAS NATURAL (SE NECESITAN 4)
14	GWT-015	PARTE TRASERA DEL CIERRE DE AIRE - HW250GW GAS LP
14	GWT-012	PARTE TRASERA DEL CIERRE DE AIRE - HW350GW GAS LP

Índice	Parte Nro.	Descripción
15	GWT-054	PARTE INFERIOR DEL CIERRE DE AIRE - HW250GW GAS LP
15	GWT-049	PARTE INFERIOR DEL CIERRE DE AIRE - HW350GW GAS LP
16	GWT-014	PARTE FRONTAL DEL CIERRE DE AIRE - HW250GW GAS LP
16	GWT-011	PARTE FRONTAL DEL CIERRE DE AIRE - HW350GW GAS LP
17	GWT-010	FRENTE DEL COMPARTIMIENTO DEL QUEMADOR - HW250GW
17	GWT-008	FRENTE DEL COMPARTIMIENTO DEL QUEMADOR - HW350GW
18	DV-064	PLACA DE LA CUBIERTA
19	R-3034	PILOTO - GAS NATURAL
19	R-3035	PILOTO - GAS LP
20	GWT-021	SOPORTE DEL PILOTO
21	T-1054	TERMOPILA
22	GWT-186	SOPORTE DE LA CUBIERTA
23	23795	MONTAJE FRONTAL DE LA CUBIERTA (INCLUYE DOS DE #24)
24	R-3763	IMÁN (SE NECESITAN 2)
25	23789	MONTAJE DE LA PUERTA DE LA CUBIERTA
26	R-885	ARANDELA DE NYLON (SE NECESITAN 2)
27	23906	PROTECTOR DE VÁLVULA
28	R-2708	ENCENDIDO PIEZO
29	R-3039	MONTAJE DEL ELECTRODO
30	GWT-022	SOPORTE DEL DISPOSITIVO PIEZO
31	23908	MONTAJE DE LA CUBIERTA COMPLETO (INCLUYE #23, #25 Y DOS DE #26)
N/S	R-1081	ORIFICIO DEL PILOTO (SÓLO GAS NATURAL HONEYWELL .014)
N/S	R-1089	ORIFICIO DEL PILOTO (SÓLO GAS LP HONEYWELL .009)
N/S	GWT-121	TUBERÍA DEL PILOTO - HW250GW
N/S	GWT-076	TUBERÍA DEL PILOTO - HW350GW
N/S	23887	PAQUETE DE ACCESORIOS
N/S	23919	SOPORTE DEL TERMOSTATO

## LISTA DE PARTES

ATENCIÓN: Cuando pida las partes, es muy importante que coincida el número de la parte con su descripción.

# SOLUCIÓN DE PROBLEMAS

Una agencia de servicios, un instalador calificado o el proveedor de gas deben realizar el servicio.

**GENERAL** Se han probado todos los calefactores para verificar que funcionan correctamente. Esto incluye la llama del quemador principal, la llama del piloto y la operación de control de gas. Si el calefactor no funciona en la instalación inicial, se aconseja que vuelva a verificar lo siguiente:

1. La presión de entrada de gas.
2. El tipo de gas que se usa y el que se indica en la placa de valores.

Puede comunicarse con el departamento de servicios de Empire Comfort Systems, Inc. para que lo ayude con el mantenimiento del calefactor.

## Mantenimiento del piloto y quemador principal, orificio del piloto, orificio del quemador principal y termopila

Desconecte el suministro de gas en la entrada a la válvula de control. Quite el montaje del quemador en el que se sujetan los componentes anteriores.

## El piloto no se enciende

Con aire en la línea de gas, como cuando el calefactor se instala por primera vez o cuando estuvo "APAGADO" durante todo el verano, la llama del piloto puede ser demasiado pequeña como para encenderse en los primeros intentos. Gire la perilla de control de gas hacia la posición de piloto y pulse la perilla de control de gas. Mantenga presionada la perilla de control de gas para purgar la línea.

1. Use una varilla de encendido para encender el piloto con un fósforo.

## Si el piloto no se enciende de ninguna forma

1. Verifique que la perilla de control de gas se encuentre en la posición de "Piloto" (Piloto)
2. Verifique que el ajuste del piloto se encuentre completamente abierto (se abre girándolo en el sentido contrario a las agujas del reloj).
3. Si hay gas en la tubería de suministro, es probable que el orificio del piloto o el quemador del piloto estén obstruidos por telas de araña. Limpie el montaje del piloto y vuelva a encenderlo.

## Si el piloto no permanece "encendido" después de abrir la perilla de control de gas

1. Siga las instrucciones y mantenga presionada la perilla de control de gas con más fuerza y durante más tiempo.

2. Determine si la llama del piloto es más larga que la termopila. De lo contrario, ajuste la llama del piloto o limpie el quemador del piloto.
3. Cambie la termopila si la lectura de milivatios es inferior a los 300 milivatios cuando el termostato de pared o la bombilla remota estén APAGADOS. Cambie el control de gas si la lectura de milivatios baja del imán es superior a los 100 milivatios.

## Corte del piloto durante el funcionamiento normal

1. Verifique la entrada a través del indicador de presión del colector o del medidor de gas.
2. Verifique la cantidad de milivatios cuando el calefactor esté funcionando. Si la cantidad de milivatios disminuye durante el funcionamiento del calefactor es posible que el control de gas tenga algún defecto.

## La válvula de gas principal no se abre cuando el termostato

### esta "encendido"

1. Verifique la cantidad de milivatios de la termopila.
2. Es posible que estén rotos los cables del termostato.
3. Es posible que el termostato tenga algún defecto.

## LLAMA RECOMENDADA PARA EL QUEMADOR PRINCIPAL

La llama correcta debe ser una llama interior azul y corta con una llama exterior celeste mucho más larga. El quemador no tiene un ajuste de aire primario. La llama será la adecuada si se usan el calefactor y la presión establecida de fábrica. Después de que el calefactor haya comenzado a funcionar, es posible que deba limpiar el quemador para que la llama sea la adecuada. Examine al menos 2 veces por persona.

**Una agencia de servicios, un instalador calificado o el proveedor de gas deben realizar el servicio.**

Para limpiar los puertos del quemador, desconecte el suministro de gas hacia la válvula. Quite el montaje del quemador de la cámara de combustión. Retire el quemador del piloto del quemador principal y luego quite el quemador principal. Lave los puertos con agua y séquelos con aire de una aspiradora o aire comprimido de baja presión.

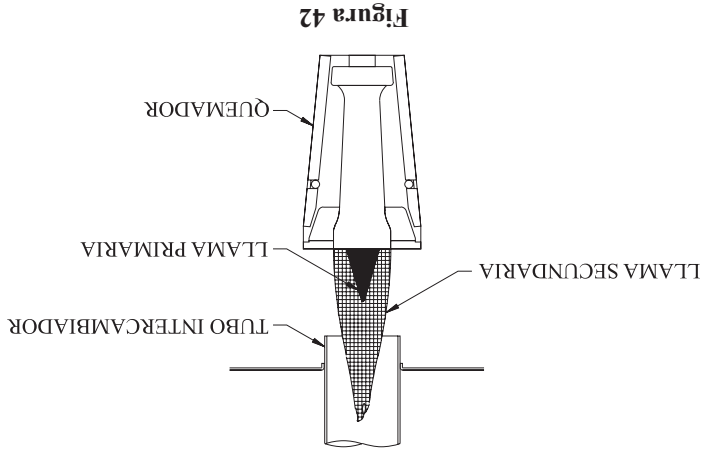


Figura 42

La llama correcta debe ser azul y debe ser más larga que la termopila. La llama rodará a la termopila justo debajo de su punta.

Los pilotos de gas natural deben ajustarse cuando la presión de entrada de gas sea superior a 5" w.c. (1.245 kPa). Quite el tornillo de la cubierta del piloto en la válvula de control y gire los tornillos de ajuste en el sentido de las agujas de reloj para reducir la llama. Vuelva a colocar el tornillo de la cubierta del piloto para eliminar escapes de gas en esa abertura de la válvula de control.

No es necesario realizar ajustes si se usa gas LP (propano). Después de usar el calefactor, es posible que deba limpiarlo para que la llama sea la adecuada.

Examine la llama del piloto antes y durante cada sesión de calefacción.

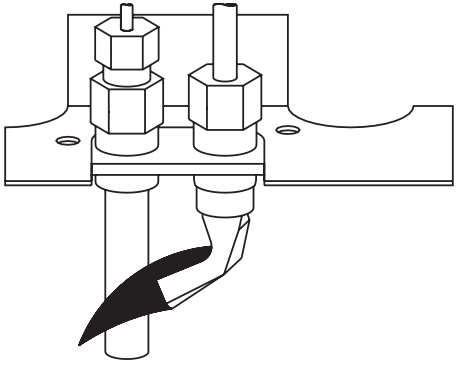


Figura 43

## LLAMA RECOMENDADA PARA EL PILOTO

# SISTEMA DE CIERRE DE SEGURIDAD DE VENTILACIÓN

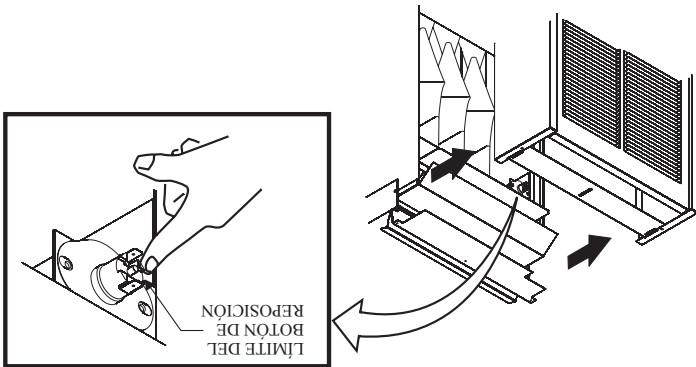
Este artefacto debe conectarse correctamente a un sistema de ventilación. Este artefacto está equipado con un sistema de cierre seguro de ventilación.

**Advertencia:** Hacer funcionar este calefactor de pared cuando no está conectado a un sistema de ventilación correctamente instalado y mantenido o cuando se altere el sistema de cierre de seguro de ventilación puede provocar una intoxicación con dióxido de carbono (CO<sub>2</sub>) y una probable muerte.

Este calefactor está equipado con un interruptor de seguridad de ventilación de reposición manual. El interruptor de seguridad de ventilación de reposición manual cerrará el flujo de gas hacia el quemador principal debido a una ventilación inadecuada o a una salida obstruida.

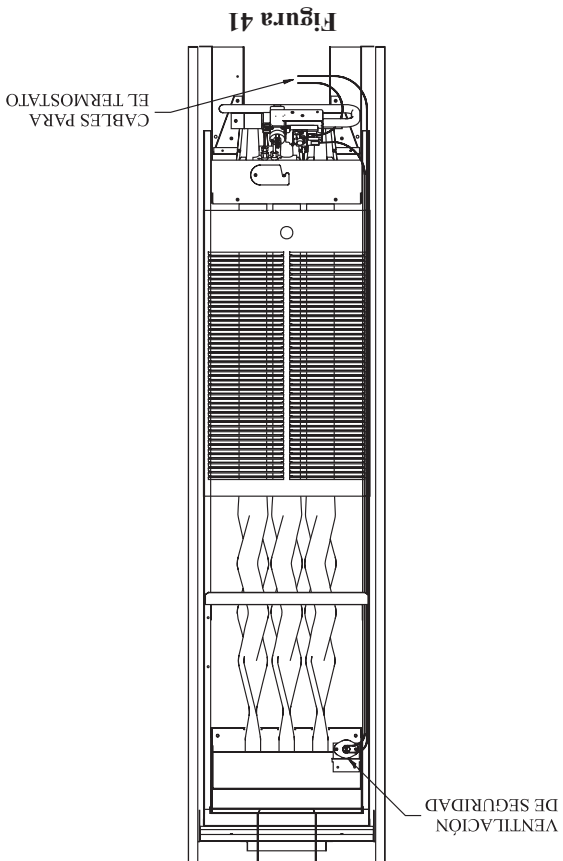
Para reinstalar el interruptor de seguridad de ventilación de reposición manual:

1. Quite la cubierta exterior. Consulte la página 15.
2. Pulse el botón de reposición manual. El interruptor de seguridad de ventilación de reposición manual está ubicado en el desviador de energía.



**Figura 40**

3. Vuelva a colocar la cubierta exterior. Consulte la página 14.
- Si el interruptor de seguridad de ventilación de reposición manual continúa "cerrando" el flujo de gas hacia el quemador principal se debe comunicar con un técnico para que inspeccione si hay una ventilación inadecuada, alguna obstrucción en el tubo de ventilación o si el interruptor de seguridad de ventilación de reposición manual tiene algún defecto.



**Figura 41**

# INSTRUCCIONES DE ENCENDIDO

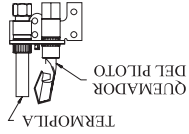
## PARA SU SEGURIDAD LEA ANTES DE ENCENDER

**ADVERTENCIA:** Si no respeta rigurosamente la información que aparece en estas instrucciones, se podría originar un incendio o una explosión que provoque daño a la propiedad, lesiones personales o muerte.

- Este artefacto tiene un piloto que debe encenderse manualmente. Cuando encienda el piloto, siga exactamente estas instrucciones.
- ANTES DE ENCENDERLO** huela toda el área alrededor del artefacto para detectar pérdidas de gas. Asegúrese de oler cerca del suelo porque algunos gases son más pesados que el aire y se pueden ubicar en el piso.
- QUE HACER SI HUELE GAS**
  - No intente encender ningún artefacto.
  - No toque ningún interruptor eléctrico. No utilice ningún teléfono de la vivienda
  - Llame inmediatamente a su proveedor de gas desde el teléfono de un vecino. Siga las instrucciones del proveedor de gas.
- Use únicamente la mano para presionar o girar la perilla de control de gas. No use nunca herramientas. Si no puede girar la perilla con la mano, no intente repararla, llame a un técnico calificado. Forzar o intentar una reparación podría producir un incendio o explosión.
- No use este artefacto si alguna parte ha estado bajo el agua. Llame inmediatamente a un técnico calificado para que revise el artefacto y reemplace la parte del sistema de control y el control de gas que ha estado bajo el agua.

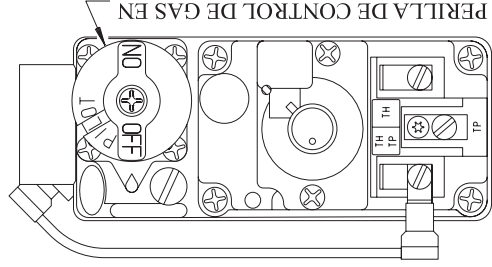
# INSTRUCCIONES DE ENCENDIDO

- Ubique el piloto. Siga el tubo de metal del control de gas. El piloto está montado en el frente del quemador principal.
- Gire la perilla de control de gas en el sentido contrario a las agujas del reloj, hacia la posición de "PILOTO" (Piloto).
- Presione y mantenga presionada la perilla de control y presione reiteradamente el botón de encendido hasta que se encienda el piloto (o use un fósforo para encenderlo). Mantenga presionada la perilla de control durante aproximadamente un (1) minuto después de que se encienda el piloto. Suelte la perilla. Esta volverá a su posición inicial. El piloto deberá seguir encendido. Si se apaga, repita los pasos 4 a 8.
- Si la perilla no vuelve a su posición inicial al soltar, sus-penda y llame inmediatamente a un técnico calificado o al proveedor de gas.
- Si el piloto no permanece encendido después de varios intentos, cierre la perilla de control de gas y llame a su técnico o proveedor de gas.
- Gire la perilla de control de gas en el sentido contrario a las agujas del reloj, hacia la posición de "ON" (Encendido).
- Conecte el artefacto a la energía eléctrica (si corresponde).
- Regule el termostato como lo desee.



# PARA CERRAR EL GAS DEL ARTEFACTO

- Regule el termostato al mínimo.
- Desconecte el artefacto de la energía eléctrica (si corresponde) si se va a efectuar una reparación.
- Presione suavemente la perilla de control de gas y gírela en el sentido de las agujas del reloj, hacia la posición de "OFF" (Apagado). No haga fuerza.



- La perilla no puede pasar de "PILOTO" (Piloto) a "OFF" (Apagado) a menos que se presione suavemente la perilla. No haga fuerza.
- Espera diez (10) minutos para despegar el gas. Luego huela para detectar gas, incluso cerca del piso. Si huele a gas, ¡DETÉNGASE! Siga el paso "B" en la información de seguridad mencionada anteriormente. Si no huele gas, siga con el próximo paso.
- Regule el termostato como lo desee.

# INSTALACIÓN DEL SOPORTE OPCIONAL DEL TERMOSTATO

4. Sujete el soporte del termostato a la cubierta exterior con dos tornillos.

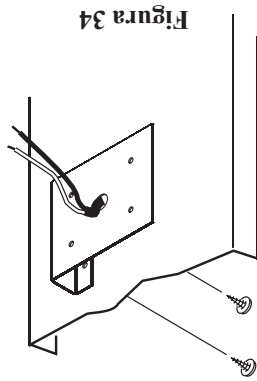


Figura 34

5. Vuelva a colocar la cubierta exterior.
6. Quite la cubierta del termostato de la base.

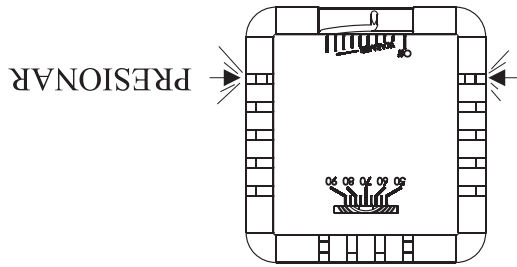


Figura 35

7. Pase los cables a través de las ranuras rectangulares.

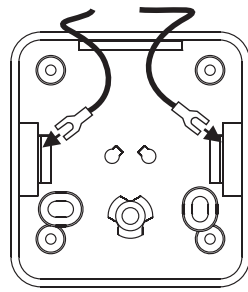


Figura 36

9. Conecte los cables del termostato a los tornillos de los terminales.

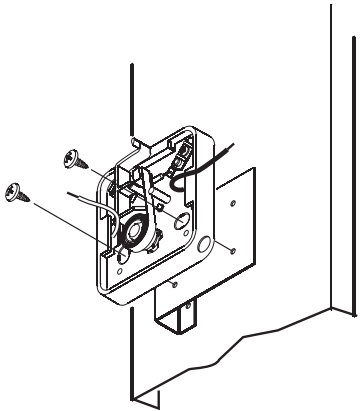


Figura 37

10. Vuelva a colocar la cubierta del termostato.

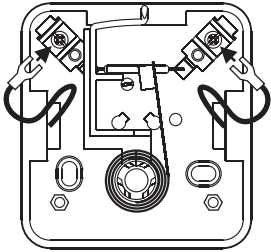


Figura 38

10. Vuelva a colocar la cubierta del termostato.

**Instrucciones de encendido piezo del piloto**  
El dispositivo piezo está ubicado junto a la válvula de gas. Abra la puerta de la cubierta para acceder al encendido piezo. Al pulsar completamente el botón de encendido piezo se produce una chispa en el piloto. Esto sustituye a un fósforo que requiere abrir la cubierta del orificio del piloto.

Para encender el piloto, es importante que el electrodo sea de 1/8" (3 mm) de la termopila. La chispa debe producirse en el momento en que la llama toca la termopila. El extremo del electrodo estará al rojo con el piloto encendido. En una nueva instalación con aire en la línea de gas, se recomienda que se use un fósforo. En esta situación, el fósforo encenderá el piloto más rápidamente que el dispositivo piezoeléctrico.

# ENCENDIDO PIEZO DEL PILOTO

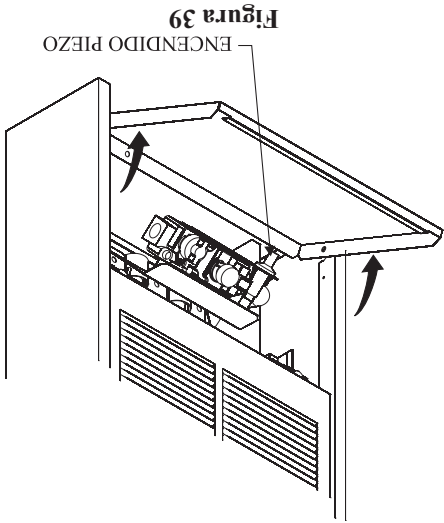


Figura 39

ENCENDIDO PIEZO



## UBICACIÓN DEL TERMOSTATO

**ADVERTENCIA:** No coloque cables detrás de las pestanas de la placa del cabezal ni en ningún lugar que puedan dañarse.

Los termostatos de pared de millivattos están especialmente diseñados para ser usados en sistemas de autogeneración. **Nunca** deben ser usados en circuitos de CA de **bajo** voltaje o voltaje de línea.

**Pared interior:** El termostato debe instalarse en una pared interna lejos del calefactor pero en la misma habitación.

**Nota:** Use cable de calibre 16 para evitar la pérdida excesiva de millivattos.

Un funcionamiento adecuado depende de una buena llama del piloto. La llama debe cubrir la parte superior de la termopila. Es posible que deba limpiar el quemador y el orificio del piloto debido a la presencia de arañas.

### Verificación del sistema (Figura 31)

Se requiere un medidor de millivattos para verificar el sistema. Las lecturas de millivattos deben ser:

- En los terminales de la termopila, entre 400 y 450 millivattos con el termostato apagado.
- En los terminales de la termopila, entre 150 y 250 millivattos con el termostato encendido.
- En los cables del termostato en la válvula, de menos de 30 millivattos con el termostato encendido.
- En los cables del termostato en el termostato, de menos de 5 millivattos con el termostato encendido. (La suciedad en el piloto o la presión baja reducirá las lecturas).

Conecte los cables del termostato a la válvula de gas como se muestra en la Figura 31.

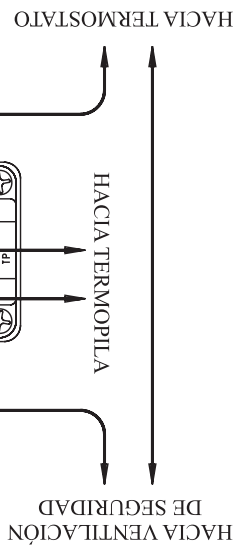


Figura 31

## INSTALACIÓN DEL SOPORTE OPCIONAL DEL TERMOSTATO

1. Quite la cubierta exterior del calefactor.
2. Elija sobre qué lado del calefactor le gustaría que estuviera el termostato. Elija el lado que tenga mejor circulación de aire. Con un martillo y un punzón, quite los troqueles del lado elegido del calefactor.
3. Coloque el cable del termostato a través del centro del orificio troquelado en la cubierta exterior y el centro del orificio en el soporte del termostato.

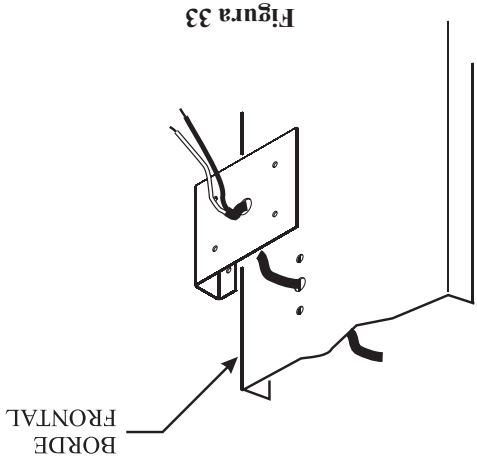


Figura 33

1. Quite la cubierta exterior del calefactor.
2. Elija sobre qué lado del calefactor le gustaría que estuviera el termostato. Elija el lado que tenga mejor circulación de aire. Con un martillo y un punzón, quite los troqueles del lado elegido del calefactor.

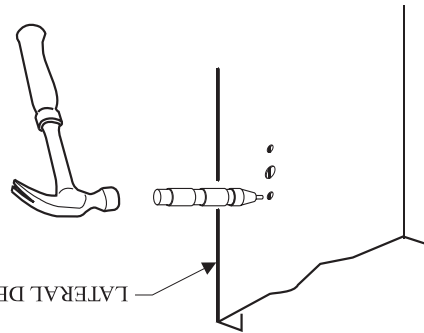


Figura 32

# CÓMO QUITAR LA CUBIERTA EXTERIOR

1. Cuando el soplador **opcional no está instalado**. En la parte superior de la cubierta exterior, quite un (1) tornillo de la ranura de espacios libres central que sujeta la cubierta exterior al montaje del cabezal.

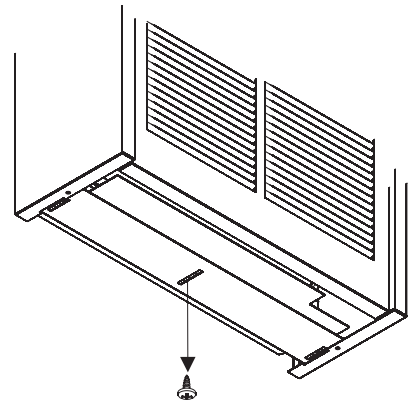


Figura 27

Quando el soplador **opcional está instalado**. Quite cuatro (4) tornillos que sujetan el frente del soplador a la carcasa del soplador. Separe el frente del soplador de la carcasa del soplador. Para quitar el frente del soplador tome el grupo de cables del interruptor de control del ventilador y desconecte el cable de alimentación y del cable del motor. Quite dos (2) tornillos de las ranuras de espacios libres exteriores que sujetan la cubierta exterior al montaje del cabezal.

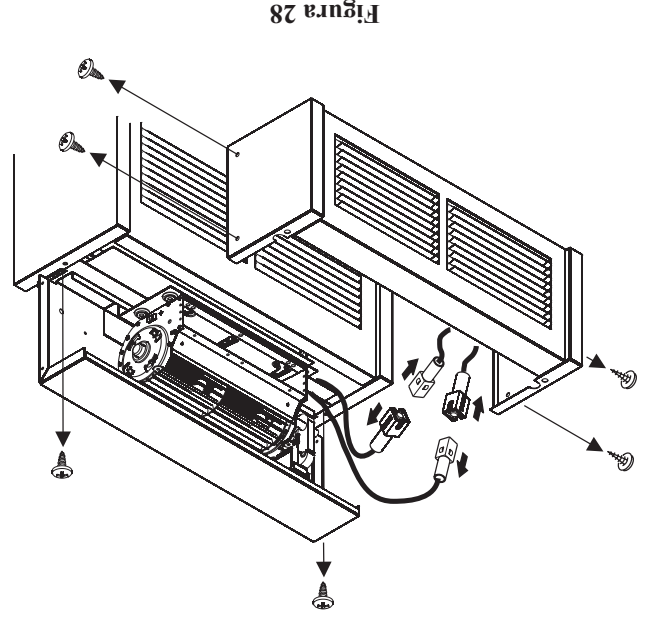


Figura 28

3. Quite la cubierta exterior de la unidad y apartela.

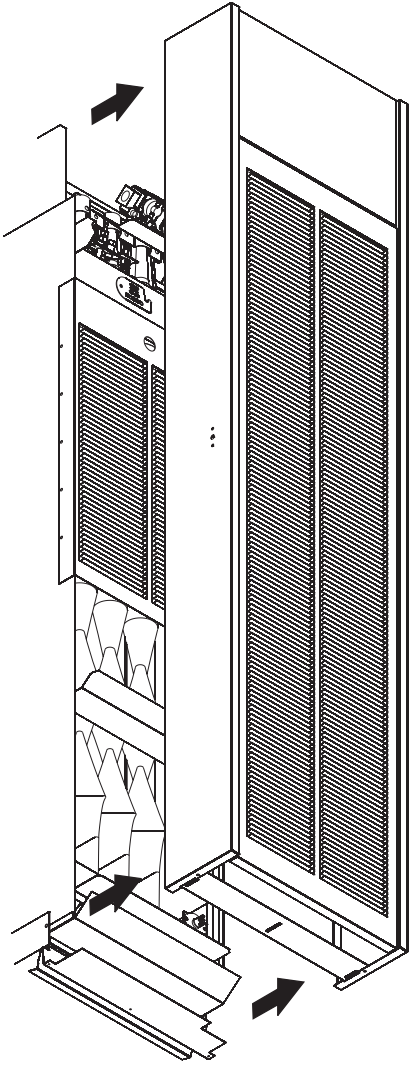


Figura 30

2. Abra la puerta de la cubierta. Quite dos (2) tornillos que sujetan la parte inferior de la cubierta exterior a la cubierta interior.

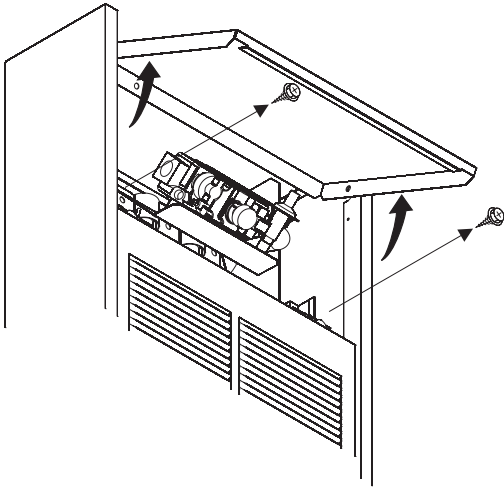


Figura 29

# INSTRUCCIONES DE ACABADO (continuación)

2. Coloque la cubierta exterior en el cabezal.

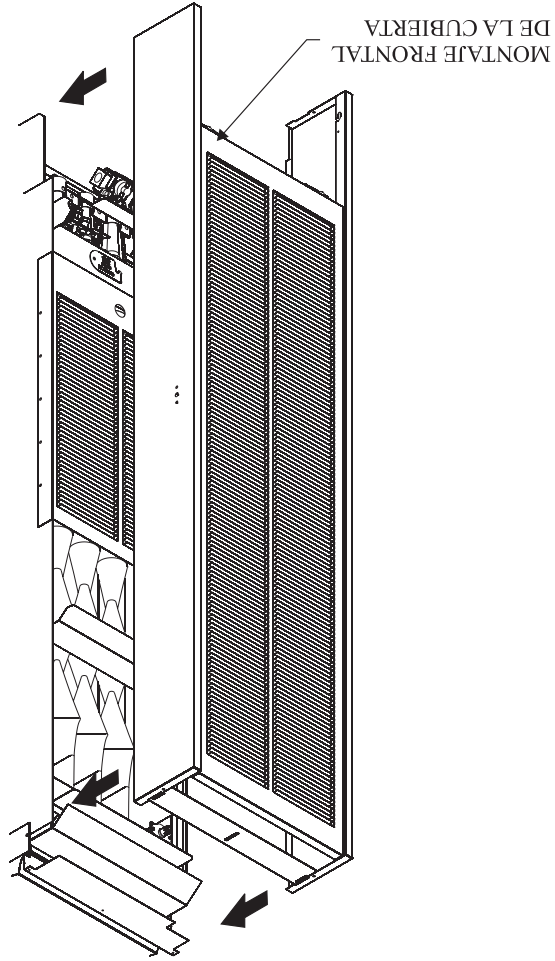
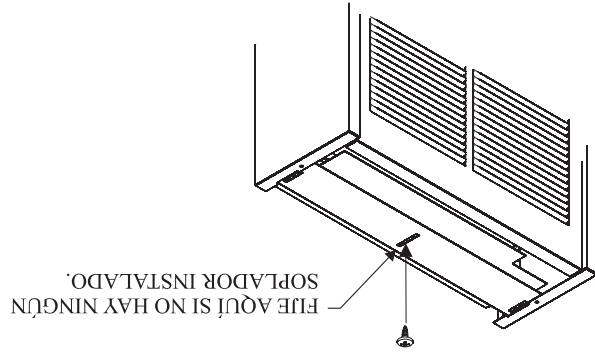


Figura 22

**Atención:** Use el orificio central del espacio libre de la parte superior de la cubierta exterior para ajustar al cabezal con un (1) tornillo Phillips de 8 x 3/8" cuando el soplador **opcional** no está instalado.

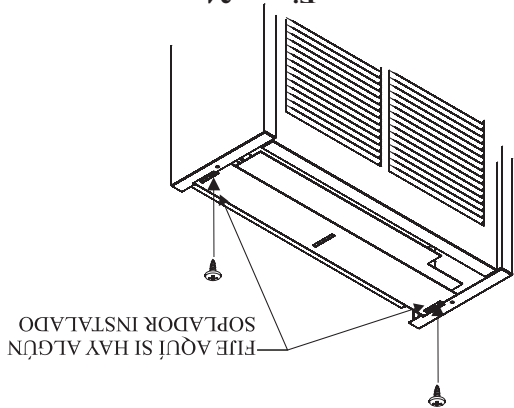
Figura 23



**Atención:** Use los orificios exteriores del espacio libre de la parte superior de la cubierta exterior para ajustar al cabezal con dos (2) tornillos Phillips de 8 x 3/8" cuando el soplador **opcional** está instalado.

3. Alinee los orificios de espacios libres en la parte interior de la cubierta exterior con los orificios para tornillos en los soportes de la cubierta al ajustar las ranuras en los soportes de la cubierta.
4. Ahora ajuste los tornillos del soporte de la cubierta del paso 1 a la cubierta interior.
5. Sujete la cubierta exterior a los soportes de la cubierta con dos (2) tornillos de 10 x 1-1/2".

Figura 24



## PUERTA DE CONTROL DE INSTALACIÓN

Sujete dos arandelas suministradas en el paquete de accesorios en los pernos de montaje ubicados en la parte inferior de la puerta de control. Instale la puerta de control en el montaje de la cubierta exterior.

Figura 25

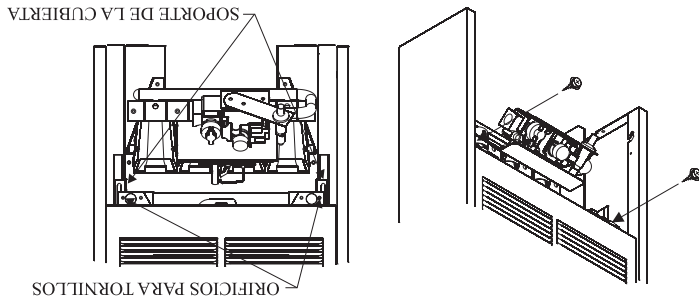
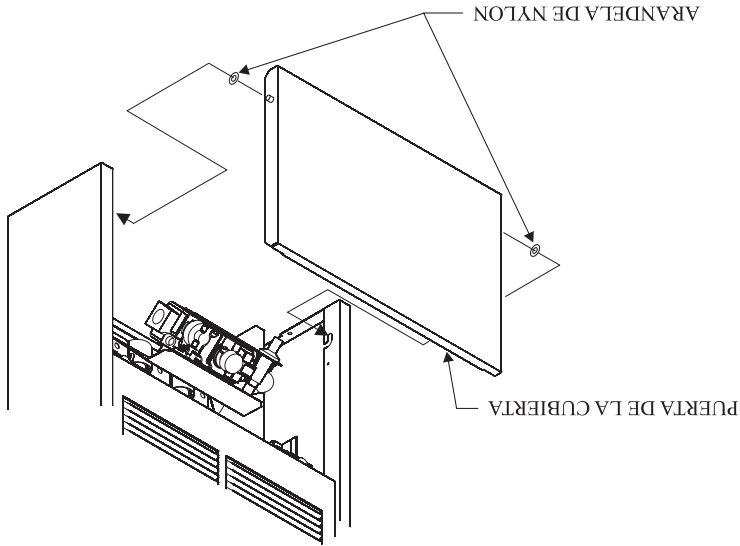


Figura 26



Revoque (Figura 19)

En una construcción nueva, use sólo un listón de yeso liso (no perforado) alrededor del calefactor y del tubo de ventilación de modo que las "llaves" de yeso no traspasen el espacio de la pared. Use tablas de madera clavadas a la parte interna de los montantes y a la parte superior de la placa inferior. Deberá quitarlas antes de instalar el calefactor. Coloque el listón y el yeso contra la proyección superior de la placa del cabezal. No permita que los materiales de acabado de la pared sobresalgan hacia el espacio del calefactor.

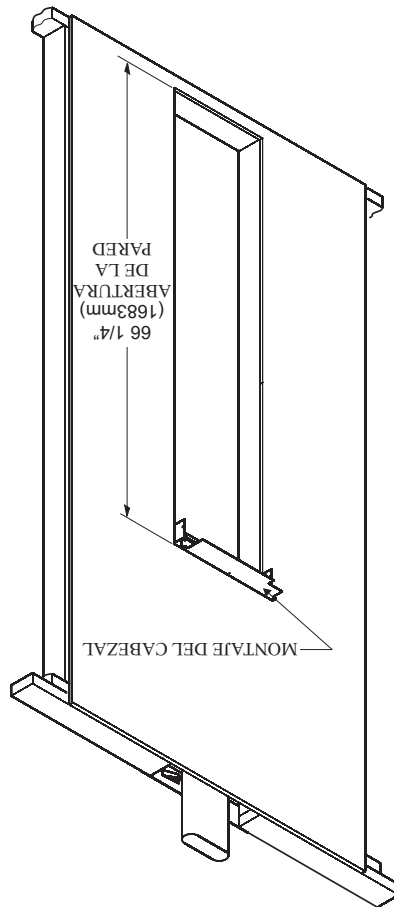


Figura 19

1. Quite del espacio todos los escombros y toda base de yeso y madera.
2. Pare el calefactor en el piso frente a la abertura en la pared.
3. Inserte la salida del calefactor en una abertura rectangular en la placa del cabezal y levante cuidadosamente el calefactor (consulte la imagen 20).
4. Coloque la parte inferior del calefactor dentro de la abertura en la pared con la parte posterior de las patas al mismo nivel.
5. Fije las patas de apoyo del calefactor a la placa del piso.

INCLINE EL CALEFACTOR E INSERTE EL TUBO DE HUMOS EN LA ABERTURA RECTANGULAR EN LA PLACA DEL CABEZAL

LEVANTE EL CALEFACTOR Y COLOQUE LA PARTE INFERIOR DE LA UNIDAD DENTRO DE LA ABERTURA DE LA PARED

FIJE LAS PATAS DE APOYO A LA PLACA DEL PISO

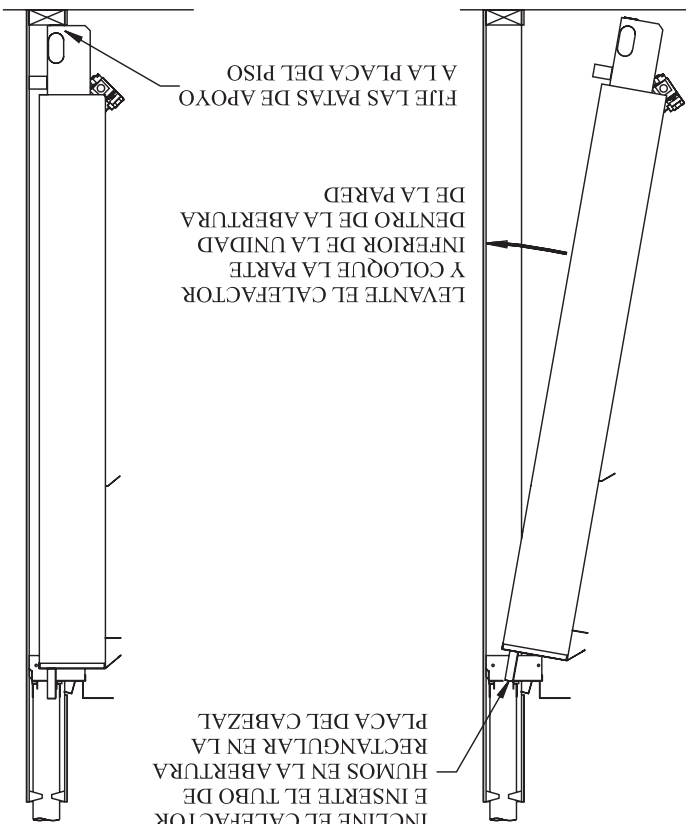


Figura 20

**IMPORTANTE:** No ajuste demasiado ni toque la cubierta interna. No intente empujar el calefactor para que entre en una abertura en la pared que sea más pequeña con respecto a las dimensiones especificadas.

## CUBIERTA EXTERIOR

1. Alinee la ranura de 1 3/4" de los soportes de la cubierta con el orificio correspondiente al tornillo inferior de la cubierta interna. Fije los soportes de la cubierta a la cubierta interna con un (1) tornillo de 10 x 1/2" para cada soporte de la cubierta. No ajuste los tornillos por completo en este momento.

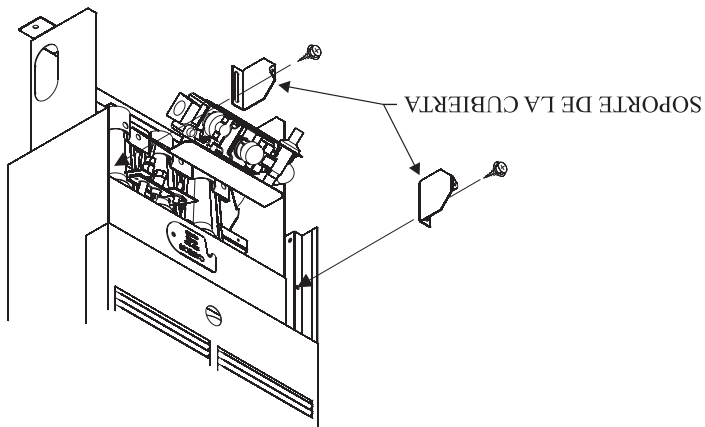


Figura 21

# INSTRUCCIONES PARA LA INSTALACIÓN DE TUBERÍAS

5. Fije un tubo de ventilación lo suficientemente largo como para que, al instalarlo en la abertura de la pared, el tubo de ventilación se extienda sobre la placa de techo por lo menos 6" (152 mm).
6. Inserte en la abertura de la pared la placa del cabezal con el tubo de ventilación ovalado de 4" para pared doble adjunto.
7. Coloque la placa del cabezal a la altura que se muestra en la Figura 18.
8. Coloque el borde trasero del reborde de los clavos en la parte posterior del montante de 2" x 4" que centrará el anillo de ventilación en la pared.
9. Coloque el borde angular de la placa del cabezal al mismo nivel que la parte superior de la abertura en la pared.
10. Clave la placa del cabezal a los montantes de la pared.

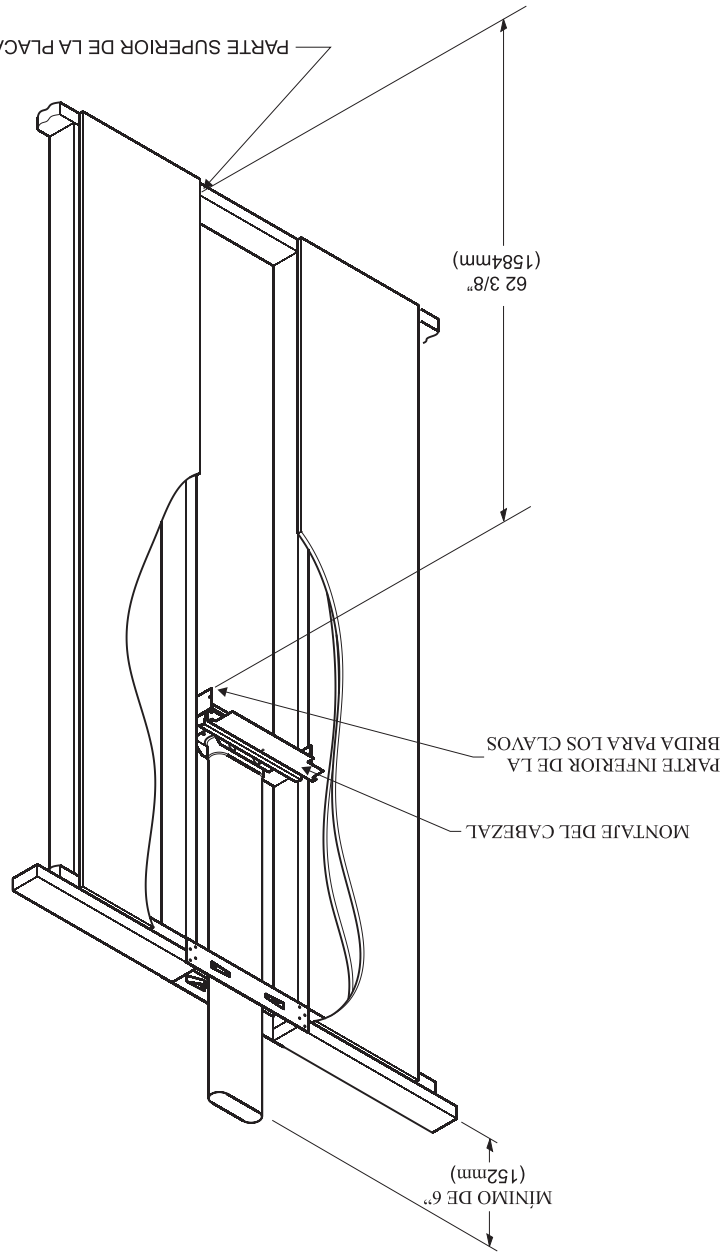


Figura 18

# INSTRUCCIONES PARA LA INSTALACIÓN DE TUBERÍAS

1. Haga una abertura en la pared de 14 1/2" (368 mm) de ancho y 66 1/4" (1683 mm) de alto desde la parte superior de la placa y consulte las figuras 14 y 19. La profundidad de la pared debe ser de una estructura de 2" x 4" con una lámina de entre 1/4" (6.5 mm) y 5/8" (16 mm).

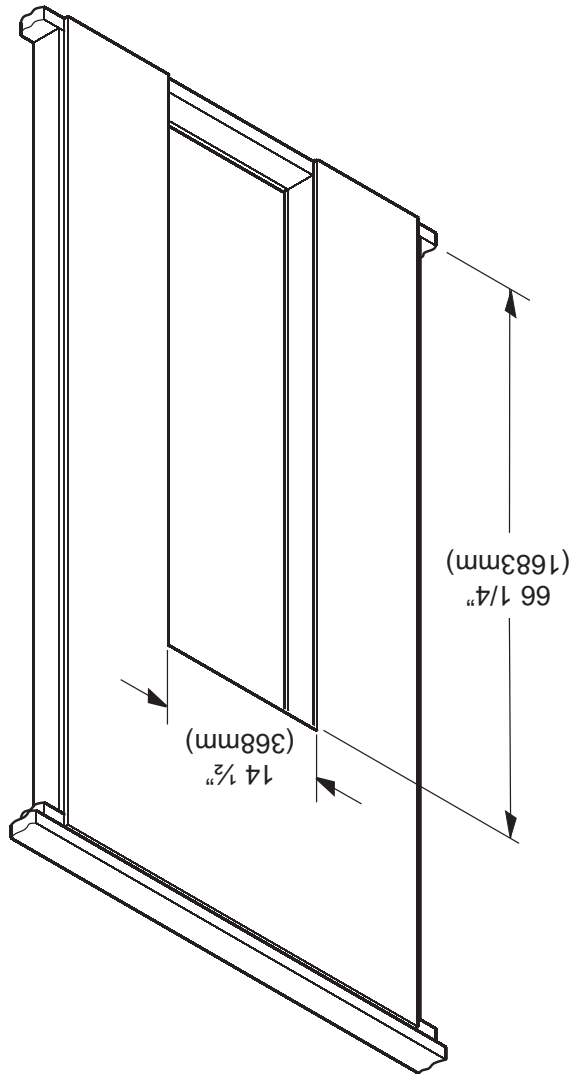


Figura 14

2. Instale los espaciadores de techo (no provistos con el calefactor) de acuerdo con las instrucciones del fabricante.

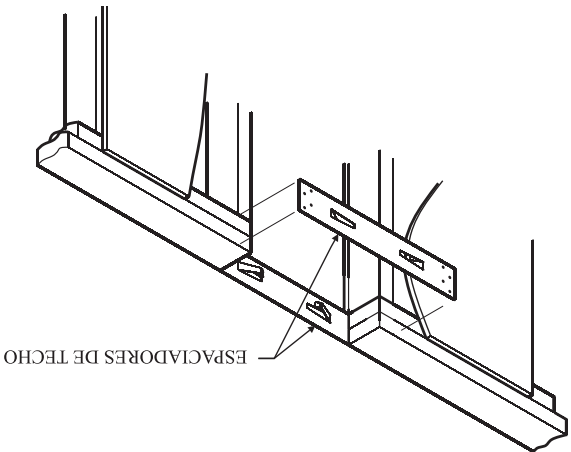


Figura 15

3. Fije la placa de apoyo (no provista con el calefactor) a la placa del cabezal con tornillos de lámina metálica en cada extremo.

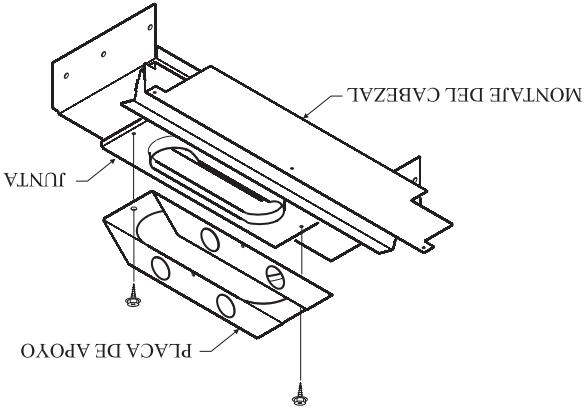


Figura 16

4. Fije un tubo de ventilación de pared doble ovalado de 4" (102 mm) a la placa de apoyo.

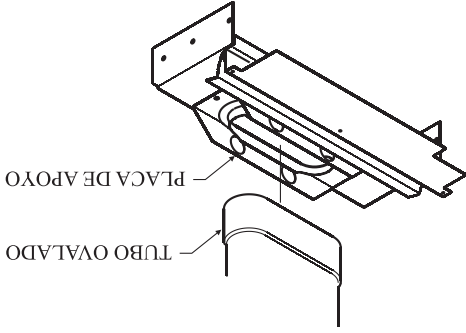


Figura 17

# AIRE DE COMBUSTIÓN Y VENTILACIÓN

Los calefactores de pared deben instalarse en un lugar donde las instalaciones para la ventilación permitan una combustión satisfactoria del gas y una ventilación adecuada en circunstancias normales. En los edificios de construcción convencional de armazón, ladrillo o piedra sin ventanas y puertas a prueba de tormentas, es normalmente adecuado que se produzca infiltración para suministrar aire para la combustión y la disolución de la campana de extracción.

Cuando los artefactos se instalan en espacios cerrados y no cerrados dentro de un edificio y el edificio es de una construcción anormalmente estrecha, el aire para la combustión y ventilación debe obtenerse directamente del exterior o de los lugares que se comunican libremente con el exterior. En dichas situaciones, los espacios cerrados y no cerrados deben contar con dos aberturas permanentes, una cerca de la parte superior del recinto y una cerca de la parte inferior, cada abertura deberá tener un área libre no menor a una pulgada cuadrada (6.45 cm<sup>2</sup>) por 2,000 BTU (6 KW/H) por hora de entrada total.

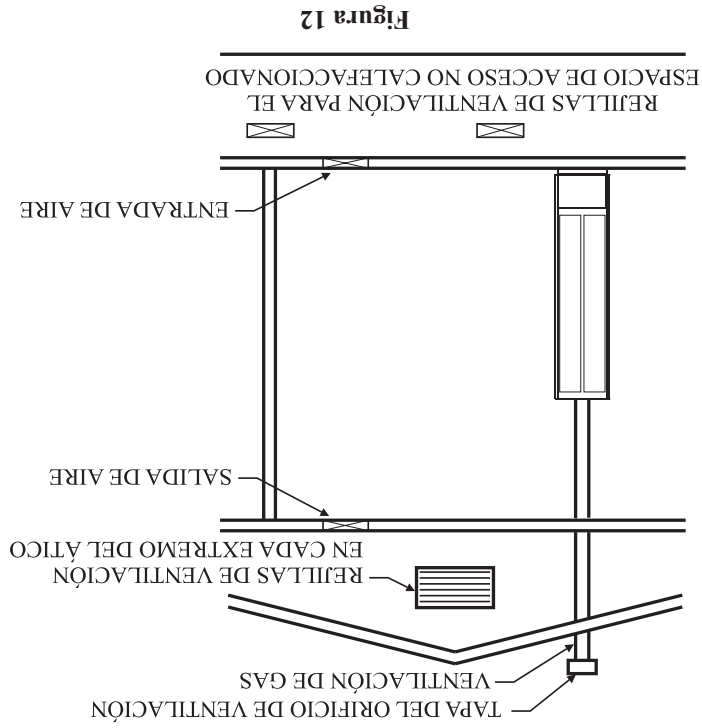
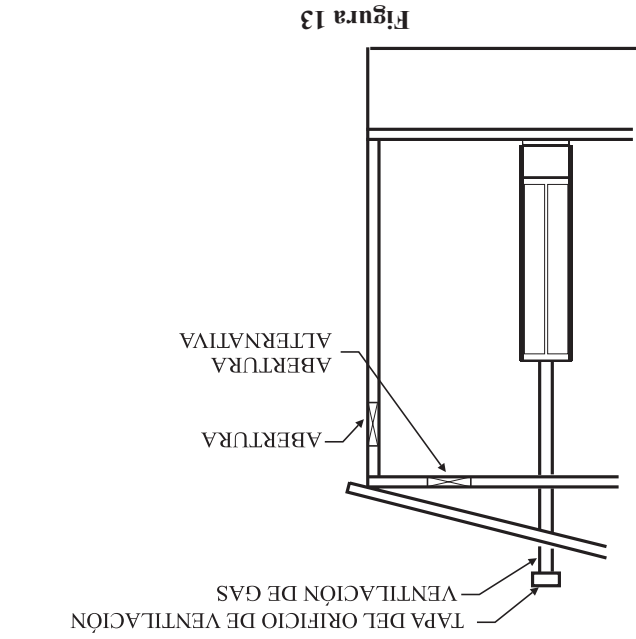
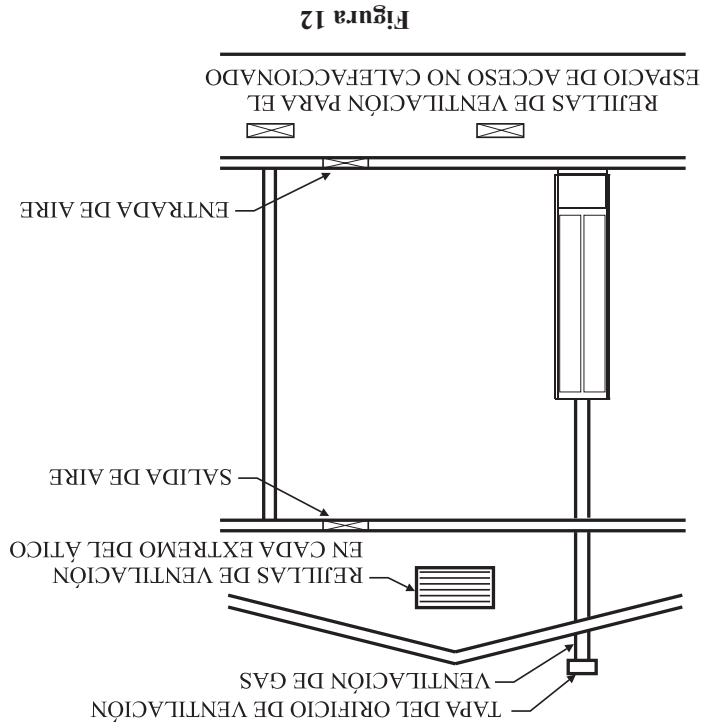


Figura 7

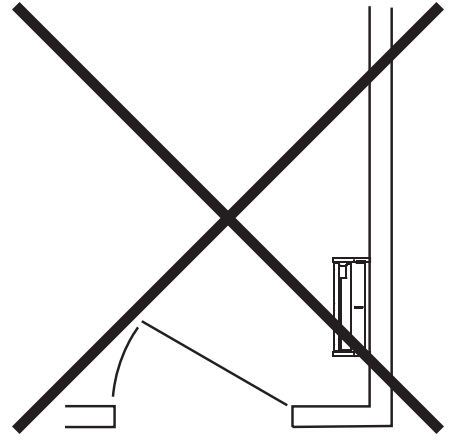


Figura 8

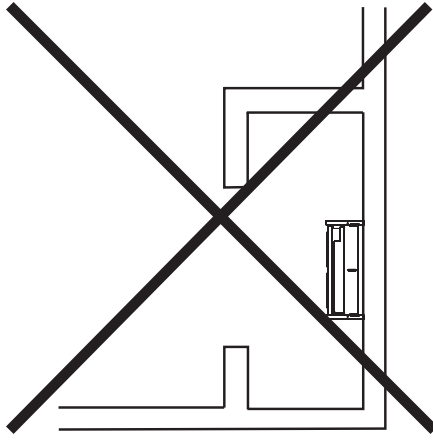
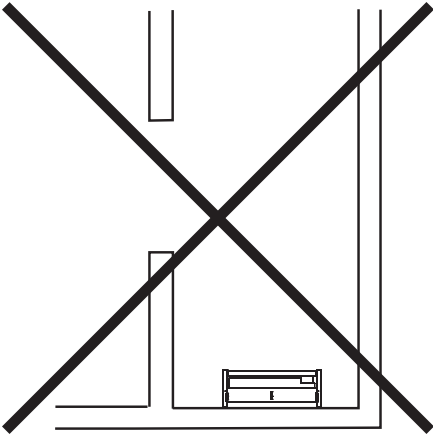


Figura 9



del cabezal.

**NOTA:** Si debe usarse el soplador opcional, deberá completarse el cableado para el soplador opcional antes de la instalación de la placa

orificios en la pared trasera. La salida del registro debe estar cortada en la pared antes de instalar el calefactor.

**NOTA:** Si debe usarse el juego de registro trasero, consulte las instrucciones de dicho juego para saber cuál debe ser la ubicación de los

eléctrico, etc., que puedan interferir con la instalación del calefactor o del tubo de ventilación.

Al elegir la ubicación, controle las paredes, el ático y el techo para asegurarse de que no existan obstrucciones como tubos, cableado

calefaccionado.

No lo instale en un ropero, rincón o vestíbulo pequeño donde el calefactor pueda quedar aislado por puertas cerradas hacia el espacio

muebles o armarios.

En viviendas grandes o proyectos de pisos extendidos, se recomienda instalar dos o más calefactores. No coloque el calefactor en

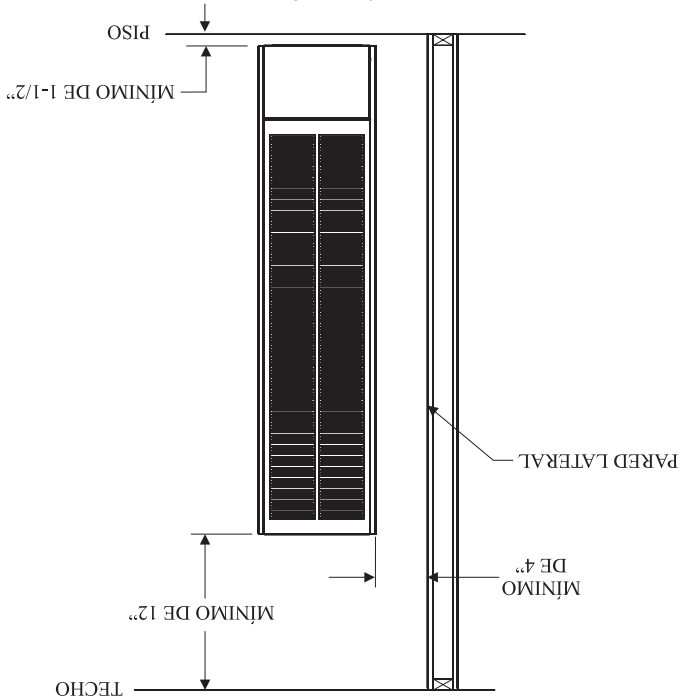
un lugar donde una puerta pueda abrirse cerca de la cubierta exterior o donde la circulación pueda retrasarse debido a la presencia de

adyacentes.

Elija una ubicación cerca del centro del espacio a calefaccionar. El calor abundante pasará por las puertas y entrará a las habitaciones

## UBICACIÓN: TODOS LOS MODELOS

Figura 6



baldosas, etc.

**NOTA:** También debe mantenerse una distancia mínima de 1/2'' (38 mm) desde la superficie superior del alforjado, las

1/2'' (38 mm) desde el piso.

4'' (102 mm) desde los lados (305 mm) a la parte superior, 1/2'' (38 mm) desde el piso.

1. Al elegir un lugar para la instalación, es necesario dejar espacios libres para tener un acceso adecuado para poder hacer el mantenimiento y una instalación correcta.
2. Los espacios libres para las superficies combustibles deben ser

## ESPACIOS LIBRES



# SUMINISTRO DE GAS

Verifique todos los códigos locales para saber cuáles son los requisitos, especialmente en cuanto al tamaño y tipo de suministro de gas requerido.

## Díámetro recomendado para el tubo de gas

Longitud del tubo	Díámetro interno	Díámetro externo	Tubera, tipo L.P.
0-10 pies	1/2"	3/8"	1/2"
0-3 metros	12.7 mm	9.5 mm	12.7 mm
10-40 pies	1/2"	5/8"	1/2"
4-12 metros	12.7 mm	15.9 mm	12.7 mm
40-100 pies	1/2"	3/4"	12.7 mm
13-30 metros	12.7 mm	19 mm	12.7 mm
100-150 pies	3/4"	1/2"	7/8"
31-46 metros	19 mm	22.2 mm	19 mm

**Nota:** Nunca use un tubo de plástico. Confirme si los códigos locales permiten tuberías de cobre o galvanizadas. **Nota:** Debido a que algunos municipios tienen códigos locales adicionales, siempre es mejor consultar con la autoridad local y el código de instalación.

## Instalación de una nueva llave principal de gas

Cada artefacto debe tener su propia llave de gas manual. Debe haber una llave de gas manual cerca de la unidad. Si no hay ninguna, o si su tamaño o ubicación no son adecuados, comuníquese con el instalador local autorizado para averiguar sobre la instalación o reubicación de la llave.

Los compuestos que se usan en las juntas roscadas de los tubos de gas deben ser resistentes a la acción de los gases de petróleo licuado. El instalador debe controlar que no haya escapes en las líneas de gas. Debe hacerlo con una solución de jabón y observar si se forman burbujas en todas las conexiones expuestas y, si existen conexiones no expuestas, deberá realizar un control de la presión.

**Nunca use una llama expuesta para buscar escapes. Para realizar el control de presión, el artefacto debe desconectarse de los tubos en la entrada de la válvula de control y el tubo debe estar tapado o bloqueado. Nunca realice el control de presión con el artefacto conectado; ¡la válvula de control sufrirá daños!**

Debe instalarse una válvula de gas y un empalme de puesta a tierra en la línea de gas contra la corriente del control de gas para facilitar la reparación. El Código Nacional de Gas Combustible exige la instalación de una línea de condensado cerca de la entrada de gas. Dicha línea debe constar de una salida de tubo de longitud vertical conectada a la línea de gas que está tapada en la parte inferior, donde pueden acumularse la condensación y las partículas extrañas.

Se recomienda el uso de los siguientes conectores de gas:

- Conectores de artefacto ANS Z21.24 de tuberías y accesorios de metal corrugado
- Conectores de artefacto ANS Z21.45 flexibles montados de una estructura que no sea completamente de metal

Dichos conectores se pueden usar si la autoridad de jurisdicción los acepta. El estado de Massachusetts establece que un conector de artefacto flexible no puede superar los tres pies de largo.

## Control de presión del sistema de suministro de gas

1. Para controlar la presión de entrada a la válvula de gas, deberá colocarse una toma de 1/8" (3.175 mm) N.P.T., accesible para la conexión del manómetro de prueba, inmediatamente contra la corriente de la conexión del suministro de gas al artefacto.
2. El artefacto y la válvula de cierre individual deben estar desconectados del sistema de tubos del suministro de gas durante un control de la presión de dicho sistema a presiones de control mayores a 1/2 psig (3.5 kPa).
3. El artefacto debe aislarse del sistema de tubos del suministro de gas cerrando la válvula de cierre manual individual durante un control de la presión del sistema de tubos del suministro de gas a presiones de control mayores a 1/2 psig (3.5 kPa).

**¡Atención!** Si uno de los procedimientos produce presiones mayores a 1/2 psig (14" w.c.) (3.5 kPa) en la válvula de gas del artefacto, eso producirá una condición peligrosa.

## Control de la presión del colector

Las válvulas de gas propano y natural poseen un regulador incorporado en la válvula de gas. Los modelos de gas natural tienen una presión de colector de aproximadamente 3.5" w.c. (.871 kPa) en la válvula de salida y una presión de entrada a la válvula de un mínimo de 4.5" w.c. (1.120 kPa) para poder ajustar la entrada a un máximo de 10.5" w.c. (2.614 kPa). Los modelos de gas propano tienen una presión de colector de aproximadamente 10.0" w.c. (2.49 kPa) en la válvula de salida y una presión de entrada a la válvula de un mínimo de 11.0" w.c. (2.739 kPa) para poder ajustar la entrada a un máximo de 13.0" w.c. (3.237 kPa).

En el lado de la salida del control de gas hay una toma de 1/8" (3.175 mm) N.P.T., accesible para la conexión del manómetro de prueba.

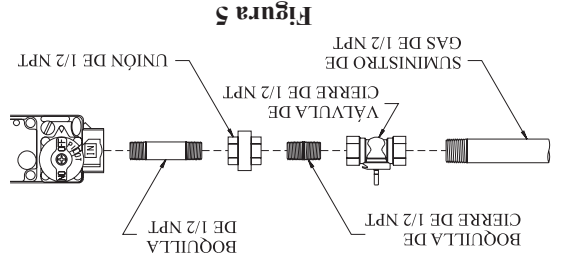
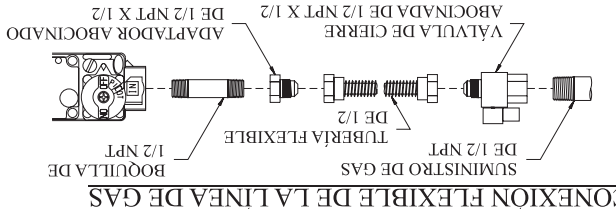


Figura 5



CONEXIÓN FLEXIBLE DE LA LÍNEA DE GAS

CONEXIÓN RÍGIDA DE LA LÍNEA DE GAS

# CONFIGURACIÓN DE VENTILACIÓN RECOMENDADA

**Nota:** El calefactor no incluye un equipo de ventilación.

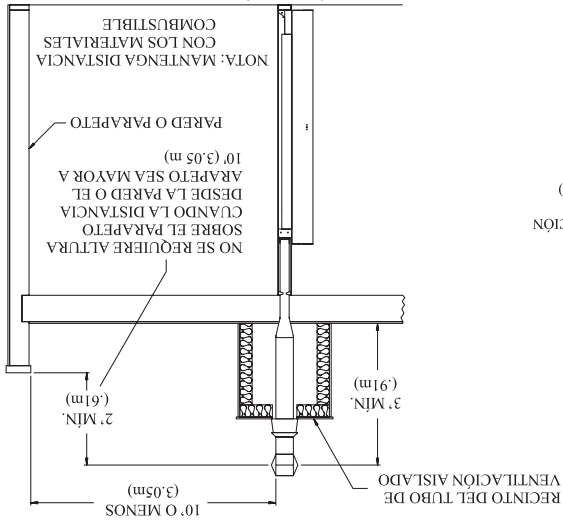
**Ovalo de 4" (todas las partes se compran localmente)**

1. Tubo ovalado tipo B-1

2. Las ventilaciones de gas tipo B-1 en un piso requieren una placa de apoyo y un par de espaciadores para la placa de techo.

3. Las ventilaciones de gas tipo B-1 en múltiples pisos requieren una placa de apoyo, un par de espaciadores para la placa del techo del primer piso y un par de espaciadores cortafuego en cada nivel sucesivo del techo.

Para las instalaciones en uno o múltiples pisos, se encuentra disponible un tubo de ventilación de gas tipo B-W. El tubo de ventilación de gas tipo B-W debe usarse con la placa de apoyo, los espaciadores para la placa de techo y los espaciadores cortafuego que figuran en la lista.



**Figura 4**

## Recinto de ventilación aislado

Los calefactores de pared con ventilación por gravedad instalados en edificios con techos planos pueden tener poca ventilación. El tubo de ventilación fría producirá una demora de la ventilación adecuada y hará que el interruptor de seguridad de la ventilación "apague" el calefactor de pared. Para evitar una ventilación con demoras y la condensación de los productos de la salida, se recomienda un recinto de ventilación aislado.

Use un tubo de ventilación tipo B y mantenga un espacio libre de al menos una pulgada (25 mm) para los combustibles.

Use el casquillo metálico para proteger el tubo de ventilación al pasar los combustibles.

La junta de la placa de apoyo viene instalada de fábrica en el cabezal. La placa de apoyo se sujeta al cabezal con tornillos. La ventilación tipo B se traba en la placa de apoyo y queda adjunta. La altura mínima del tubo de ventilación debe ser de seis pies (1.8 m) por encima del cabezal.

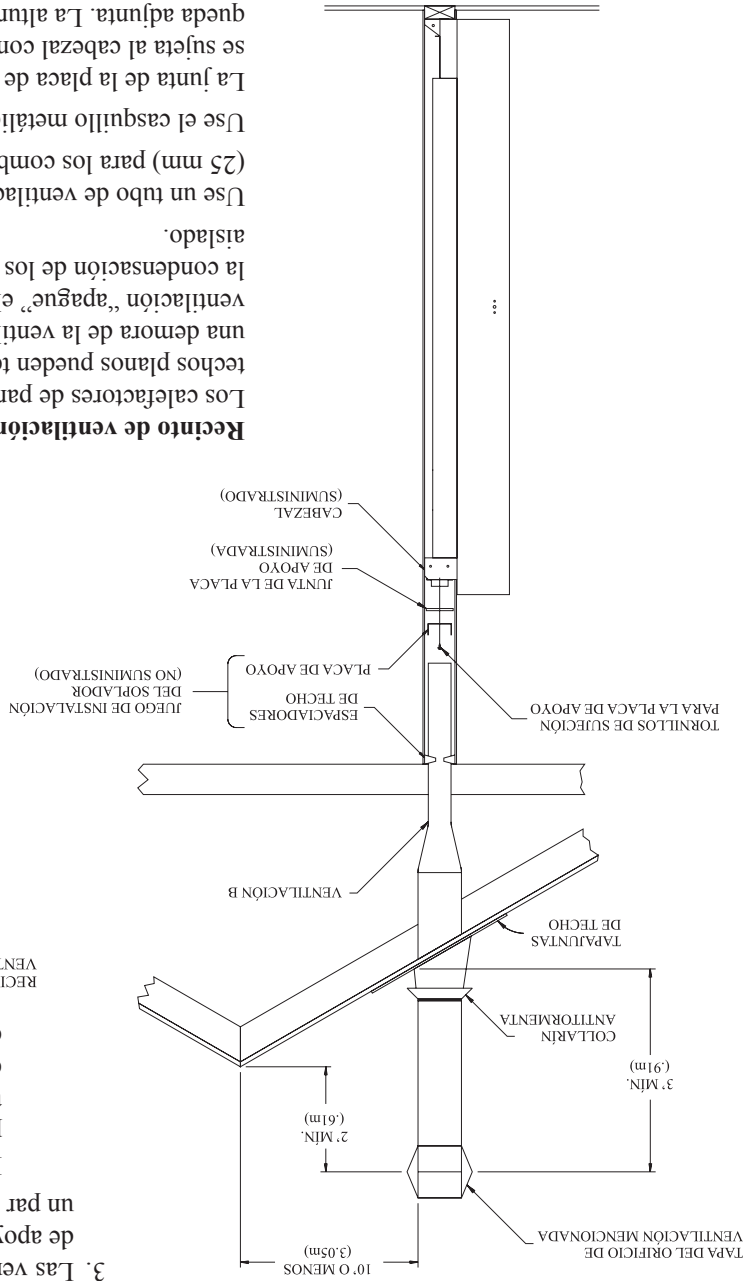
El espacio para los montantes alrededor de las ventilaciones de gas no debe presentar obstrucciones ni papel de construcción.

En exteriores no debe usarse un tubo metálico de pared simple no aislada en climas fríos para ventilar el equipo de utilización de gas.

**Atención:** El quemador principal usa el aire de la habitación para la combustión. Al inyectar la mezcla de gas/aire en el quemador principal, también se produce un flujo de polvo y partículas de pelusas que ingresan al quemador principal.

La acumulación de polvo y pelusas dentro del quemador principal producirá una llama amarilla del quemador principal y posible-mente la cámara de combustión y el tubo de ventilación se cubrirán de hollín. Para limpiar el quemador principal, consulte la página 13, "Llama recomendada para el quemador principal".

**Figura 3**



# INTRODUCCIÓN

## Introducción

El calefactor de pared con ventilación se envía listo para instalarlo en una pared de montaje de 2" x 4", con montantes a 16" (406 mm) entre sí de centro a centro. Siempre consulte con su Departamento de construcción local sobre las normas, los códigos y las ordenanzas que se aplican a la instalación de un calefactor de pared con ventilación.

### Instrucciones para el instalador

1. El instalador debe dejar el manual de instrucciones en manos del propietario luego de la instalación.
2. Debe solicitar al propietario que complete y envíe por correo la tarjeta de garantía provista con el calefactor.
3. Debe enseñar al propietario cómo poner en marcha y operar el calefactor y el termostato.

### Advertencia:

**Cualquier modificación que se realice a este calefactor o a sus controles puede ser peligrosa. Este es un artefacto de calefacción y cualquier panel, puerta o dispositivo de protección que se extraiga para reparar un artefacto debe colocarse en su lugar antes de ponerlo en funcionamiento.**

### Información general

Esta serie está diseñada y certificada en cumplimiento con American National Standard (Instituto Nacional Americano de Estándar)/CSA Standard Z21.86 y CSA 2.32 de la Canadian Standards Association (Asociación Canadiense de Estándares), como un calefactor de pared con ventilación y debe instalarse de acuerdo con estas instrucciones.

**Cualquier alteración del diseño original, instalación del artefacto de forma diferente a estas instrucciones o uso con un tipo de gas distinto del que se muestra en la placa de valores será responsabilidad de la persona o empresa que lo haga.**

### Importante

Toda la correspondencia debe hacer referencia al tipo de gas, nro. de serie y nro. de modelo completo.

**Aviso:** Durante el encendido inicial de este artefacto, la pintura se quemará y despedirá humo. A fin de evitar que se activen las alarmas detectoras de humo, ventile la habitación en donde está instalado el calefactor.

# ESPECIFICACIONES

Modelo	Serie HW250GW	Serie HW350GW
Entrada BTU/HR (KW/H)	25,000 (7.3)	35,000 (10.3)
Altura (luego de la instalación)	68 1/8" (1679 mm)	68 1/8" (1679 mm)
Ancho	16" (406 mm)	16" (406 mm)
Profundidad (fuera de la pared)	6" (152 mm)	6" (152 mm)
Tubo de entrada de gas	1/2"	1/2"
Tubo de ventilación tipo B ovalado	4" (102 mm)	4" (102 mm)
Accesorios		
Juego del soplador	HWGWTB2	HWGWTB2
Juego de registro trasero	HWGWTR	HWGWTR
Juego fuera de la pared	HWGWTW2	HWGWTW2

## Instalación en cocheras domésticas

El equipo de utilización de gas en cocheras domésticas debe instalarse de tal forma que todos los quemadores y dispositivos de encendido de quemadores se coloquen a no menos de 18" (457 mm) sobre el nivel del piso.

Dicho equipo debe ubicarse correctamente, o protegerse, para no quedar expuesto a daños físicos cuando se moviliza un automóvil.

### Agencia calificada de instalación

Sólo una agencia calificada debe realizar la instalación y el reemplazo de tubos de gas, equipo de utilización de gas o accesorios, y las reparaciones y el mantenimiento del equipo. El término "agencia calificada" significa cualquier persona, compañía, corporación o empresa que, personalmente o a través de un representante, se ocupe y sea responsable de (a) instalar o reemplazar tubos de gas, o de (b) conectar, instalar, reparar o mantener el equipo. Una agencia calificada debe tener experiencia en dichas tareas, conocer todas las precauciones necesarias y cumplir con todos los requisitos de la autoridad con jurisdicción.

**Estado de Massachusetts:** La instalación debe realizarse por un instalador de gas o fontanero registrado en el estado de Massachusetts.

La instalación debe realizarse conforme a los códigos locales o, en su ausencia, según el Código Nacional de Gas Combustible ANSI Z223.1/NFPA 54\* el Código de Instalación de Gas Natural y Propano, CSA B149.1.

\*Disponible en el American National Standards Institute (Instituto Nacional Americano de Estándares), Inc., 11 West 42nd St., New York, N.Y. 10036.

**Altitudes elevadas**  
Para las altitudes/elevaciones que superen los 2,000 pies (610 m), los índices de entrada deben disminuirse al 4 por ciento por cada 1,000 (305 m) pies sobre el nivel del mar. **Altitudes elevadas en Canadá** para los lugares cuya altura supera los 2,000 pies (610 m) y los 4,500 pies (1370 m) sobre el nivel del mar, la presión del colector deberá disminuirse de 3.5" w.c. (0.871 kPa) a 3.0" w.c. (0.747 kPa) para gas natural y de 10.0" w.c. (2.49 kPa) a 8.0" w.c. (1.992 kPa) para gas propano.

# INFORMACION DE SEGURIDAD PARA USUARIOS DE GAS

## LICUADO DE PETRÓLEO (LP)

El propano (gas LP) es un gas inflamable que puede provocar incendios o explosiones. En su estado natural, el propano es inodoro e incoloro. Es posible que no conozca todas las precauciones de seguridad que se mencionan a continuación, las cuales lo protegen a usted y a su familia de un accidente. Lealms ahora con detenimiento, luego

### OLOR DE ADVERTENCIA DE GAS LP

En caso de un escape de gas, debería oler el gas debido a la sustancia odorante colocada en el gas LP. Esa es la señal para que actúe de inmediato!

- No opere interruptores eléctricos, no encienda fósforos ni use el teléfono. No haga nada que podría encender el gas.
- Desaloje a todas las personas del edificio, vehículo, remolque o área. Hágalo INMEDIATAMENTE.
- Cierre todos los tanques de gas o válvulas de suministro de los cilindros.
- El gas LP es más pesado que el aire y puede depositarse en áreas bajas como sótanos. Cuando, por alguna razón, crea que se ha producido un escape de gas, aléjese de sótanos y otras áreas bajas. No ingrese hasta que los bomberos le aseguren

### OLOR IMPERCEPTIBLE. PÉRDIDA DE INTENSIDAD DEL OLOR.

Algunas personas no tienen un buen sentido del olfato. No pueden percibir el olor del producto químico colocado en el gas. Usted debe verificar si puede percibir la sustancia

odorante colocada en el propano. El tabaco puede perjudicar su sentido del olfato. La exposición al olor por períodos prolongados puede afectar su habilidad para detectar el odorante. A veces otros olores en el área ocultan el olor del gas. Las personas pueden no percibir el olor del gas o pueden no estar atentos al mismo. Si se predispone a percibir el olor del gas, puede olerlo más fácilmente.

La sustancia odorante en el gas LP es incolora y puede perder intensidad en algunas circunstancias. Por ejemplo, si se produce un escape subterráneo, el desplazamiento del gas a través del suelo puede filtrar la sustancia odorante. Dicha

sustancia en el gas LP también está sujeta a la oxidación. El olor pierde intensidad si hay óxido dentro de los tanques de almacenamiento o en los tubos de hierro de gas. Las paredes, la mampostería y otros materiales y telas en la habitación pueden absorber la sustancia odorante que emana en el escape de gas. Esto extrae cierta cantidad de la sustancia odorante del gas y reduce su intensidad. El gas LP puede estratificarse en un área cerrada y la intensidad del olor podría variar en diferentes niveles. Al ser más pesado que el aire, posiblemente se perciba más olor en los niveles inferiores. Siempre esté atento al mínimo olor a gas. Si detecta algún olor, actúe como si fuera un escape grave. Tome alguna medida de inmediato según se indicó anteriormente.

### ALGUNOS PUNTOS PARA RECORDAR

- **Aprenda a reconocer el olor del gas LP.** Su comerciante local de gas LP puede entregarle un folleto "raspar y oler". Uselo para averiguar cómo es el olor del propano. Si sospecha que su gas LP tiene un olor suave o no común, comuníquese con su comerciante de gas LP.
  - Si no está capacitado, no encienda el piloto ni realice reparaciones o ajustes en los artefactos del sistema de gas LP. Si está capacitado, piense concientemente en el olor del gas LP antes de encender el piloto o realizar reparaciones o ajustes y mientras lo realiza.
  - A veces los sótanos o las casas cerradas huelen a humedad y esto puede ocultar el olor del gas LP. No intente encender el piloto ni realizar reparaciones o ajustes en un área donde las condiciones no permiten que usted detecte el olor si se produce un escape de gas LP.
  - Es posible que el olor pierda intensidad, debido al óxido en las paredes de los cilindros y tanques nuevos o a la absorción de las mismas. Por lo tanto, se debe prestar especial atención y ser cuidadoso cuando se usan cilindros o tanques nuevos. El olor puede perder intensidad en tanques nuevos, o en tanques viejos reutilizados, si se los llena y se los deja asentados y demasidado tiempo antes de ser rellenos. Los cilindros y
- tanques que no se han usado durante un tiempo prolongado pueden oxidarse en parte interior y disminuir la intensidad del olor. En tal caso, se aconseja realizar una prueba periódica del olor del gas. Si tiene alguna duda sobre el olor del gas, comuníquese con su comerciante de gas LP. Una prueba periódica del olor del gas LP es una medida de seguridad eficaz en cualquier circunstancia.
- Si alguna vez no huela la sustancia odorante y cree que si debería olerla, considere que se produjo un escape. Luego, actúe inmediatamente de la misma forma que se recomendó anteriormente cuando se detecta un escape de gas LP gracias a la sustancia odorante.
- Si el tanque se queda "sin gas" (el contenedor no tiene presión de vapor), cierre la válvula del tanque de inmediato. Si no se cierra la válvula del contenedor, puede ingresar aire a través de las aberturas como los orificios del piloto. Si esto ocurre, puede oxidarse nuevamente el interior. Si deja abierta la válvula, use el contenedor como si fuera un tanque nuevo. Asegúrese en todo momento de que su contenedor tenga presión de vapor cerrando la válvula del mismo o rellenándolo antes de que se vacíe completamente.

# INFORMACIÓN IMPORTANTE DE SEGURIDAD

## ESTE PRODUCTO ES UN ARTEFACTO DE CALEFACCIÓN.

NO OPERE ESTE ARTEFACTO SIN ANTES HABER INSTALADO LA CUBIERTA EXTERIOR.

- Debido a las altas temperaturas, el artefacto debe ubicarse alejado de las áreas de circulación y de muebles y cortinas.
  - Los niños y los adultos deben estar atentos a los peligros relacionados con las altas temperaturas de las superficies y deben mantenerse alejados de las mismas para prevenir quemaduras o daños en las prendas de vestir.
  - Se debe supervisar con cautela a los niños pequeños cuando se encuentran en la misma habitación que el artefacto.
  - No deben colocarse prendas de vestir ni otro material inflamable sobre el artefacto o cerca de éste.
  - Cualquier dispositivo de protección o pantalla de seguridad que se haya extraído para reparar el artefacto debe colocarse en su lugar antes de hacer funcionar el aparato.
  - Mantenga limpios el quemador y el compartimiento de control.
  - Una persona calificada debe realizar la instalación y las reparaciones. Una persona calificada debe revisar el artefacto antes de su uso y una vez al año como mínimo. Puede necesitarse una limpieza más frecuente debido a una cantidad excesiva de pelusas provenientes del alfombrado, la ropa de cama, etc. Es sumamente importante mantener limpios los compartimientos de control, quemadores y conductos de circulación de aire del artefacto.
- No coloque ningún elemento alrededor del calefactor que obstruya el flujo de aire de combustión y ventilación.
  - Mantenga el área del artefacto alejada de material combustible, gasolina y otros líquidos y vapores inflamables.
  - Revise el sistema de ventilación periódicamente y reemplace las partes dañadas.
  - Realice verificaciones visuales periódicas del piloto y los quemadores. Limpie y reemplace las partes dañadas.
  - No use este calefactor si alguna parte ha estado bajo el agua. Llame inmediatamente a un técnico calificado para que revise el calefactor y reemplace la parte del sistema de control y el control de gas que ha estado bajo el agua.
  - Este calefactor no debe conectarse a la salida de una chimenea de otro artefacto que quemara combustible sólido.

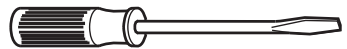
# PAQUETE DE ACCESORIOS

# HERRAMIENTAS Y MATERIALES NECESARIOS PARA LA INSTALACIÓN

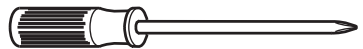
PUNZÓN CENTRAL



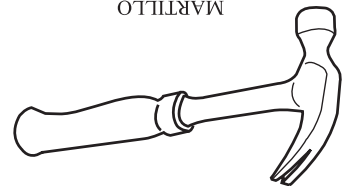
DESTORNILLADOR PLANOER



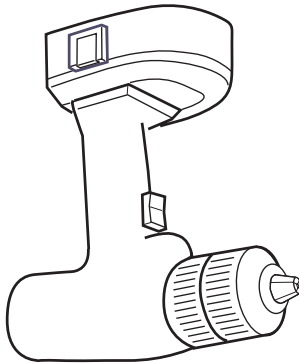
DESTORNILLADOR PHILLIPS



MARTILLO



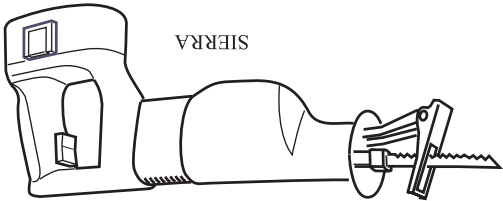
TALADRO



CINTA MÉTRICA



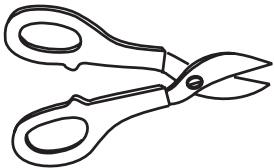
SIERRA



LLAVE INGLESA

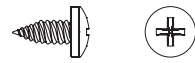


TIJERAS PARA CORTAR METAL

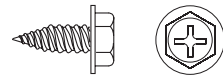


Los tornillos, las tuercas y las arandelas de repuesto pueden adquirirse en la mayoría de las ferreterías. Para pedir partes de repuesto consulte la página 22.

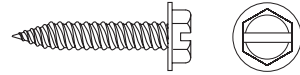
TORNILLO PHILLIPS DE CABEZA TRONCOCÓNICA #8 X 3/8" (6)



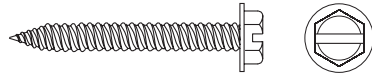
TORNILLO PHILLIPS DE CABEZA HEXAGONAL #10 X 1/2" (2)



TORNILLO DE CABEZA HEXAGONAL ACANALADA #10 X 1" (4)



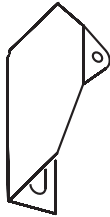
TORNILLO DE CABEZA HEXAGONAL ACANALADA #10 X 1-1/2" (2)



TUERCA PARA ALAMBRES (1)



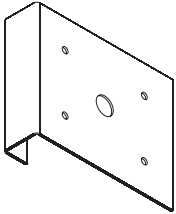
SOPORTE DE LA CUBIERTA (2)



ARANDELA DE NYLON (2)



SOPORTE DEL TERMOSTATO (1)



CABLE DEL TERMOSTATO (1)



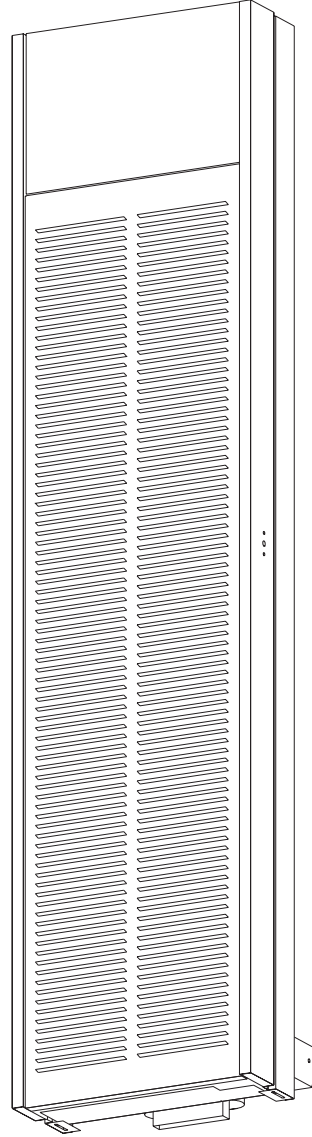
Figura 2

# CONTENIDOS

SECCIÓN PÁGINA

Herramientas y materiales .....	3
Información importante de seguridad .....	4
Información de seguridad para usuarios de gas licuado de petróleo (LP) .....	5
Introducción .....	6
Especificaciones .....	6
Configuración de ventilación recomendada .....	7
Suministro de gas .....	8
Espacios libres .....	9
Ubicación: todos los modelos .....	9
Aire de combustión y ventilación .....	10
Instrucciones para la instalación de tuberías .....	11-12
Instrucciones de acabado .....	13-14
Cómo quitar la cubierta exterior .....	15
Ubicación del termostato .....	16
Instalación del soporte opcional del termostato .....	16-17
Encendido piezo del piloto .....	17
Instrucciones de encendido .....	18
Sistema de cierre de seguridad de ventilación .....	19
Llama recomendada para el quemador principal .....	20
Llama recomendada para el piloto .....	20
Solución de problemas .....	21
Lista de partes .....	22
Cómo ordenar partes de reemplazo .....	22
Visualización de las partes .....	23
Garantía .....	24

# INSTRUCCIONES DE INSTALACIÓN Y MANUAL DEL PROPIETARIO



**Instalador:** Conserve este manual con el artefacto.

**Consumidor:** Guarde este manual para referencia futura.

**ADVERTENCIA:** Si no se instala, se opera y se mantiene conforme a las instrucciones del fabricante, este producto podría exponerlo a sustancias derivadas de la combustión de combustibles lo cual podría causar la muerte o enfermedades graves.

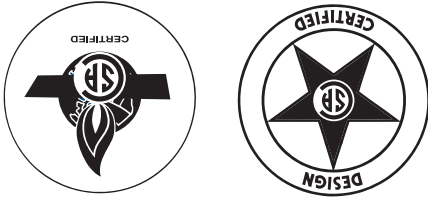
**ADVERTENCIA:** Si no se respeta rigurosamente la información que aparece en estas instrucciones, se podría originar un incendio o una explosión, lo cual ocasionaría daños materiales, lesiones personales o la muerte.

— No guarde ni use gasolina u otros vapores y líquidos inflamables cerca de este o de cualquier otro artefacto.

## — QUE HACER SI HUELE GAS

- No intente encender ningún artefacto.
- No toque ningún interruptor eléctrico. No utilice ningún teléfono de la vivienda.
- Llame inmediatamente a su proveedor de gas desde el teléfono de un vecino. Siga las instrucciones del proveedor de gas.
- Si no puede comunicarse con su proveedor de gas, llame a los bomberos.

— Una agencia de servicios, un instalador calificado o el proveedor de gas deben realizar la instalación y el servicio.



HW250GW0XX1(N,P)-1  
HW350GW0XX1(N,P)-1

**MODELO**

**CALEFACTOR DE PARED  
SIMPLE  
CON VENTILACIÓN POR  
GRAVEDAD**