



Zoom & ZT Bagger

Owner/Operator & Parts Manual

Model
815036



TABLE OF CONTENTS

| | | | |
|-------------------|----|-----------------------|----|
| Safety | 3 | Storage | 15 |
| Assembly | 7 | Troubleshooting | 15 |
| Removal | 12 | Specifications | 15 |
| Operation | 13 | Parts List | 16 |
| Maintenance | 14 | Warranty | 20 |

INTRODUCTION

THE MANUAL

Before operation of unit, carefully and completely read this Manual and the unit's Owner/Operator Manual. The contents will provide you with an understanding of safety instructions and controls during normal operation and maintenance.

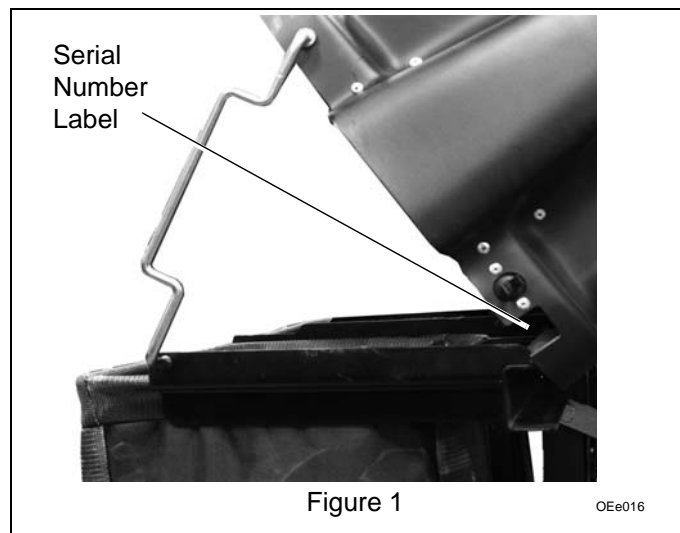
All reference to left, right, front, or rear are given from operator sitting in operation position and facing the direction of forward travel.

MODEL AND SERIAL NUMBERS

Transfer model & serial number label from product registration here.

When ordering replacement parts or making service inquiries, know the Model and Serial numbers of your unit.

Numbers are located on the product registration form in the unit literature package. They are printed on a serial number label, located on the frame of your unit.



- Record Unit Model and Serial numbers here.

PRODUCT REGISTRATION

The Ariens/Gravely dealer must register the product at the time of purchase. Registering the product will help the company process warranty claims or contact you with the latest service information. All claims meeting requirements during the limited warranty period will be honored, whether or not the product registration card is returned. Keep a proof of purchase if you do not register your unit.

Customer Note: If the dealer does not register your product, please fill out, sign, and return the product registration card to Ariens or go to www.ariens.com or www.gravely.com.

UNAUTHORIZED REPLACEMENT PARTS

Use only Ariens/Gravely replacement parts. The replacement of any part on this vehicle with anything other than an Ariens/Gravely authorized replacement part may adversely affect the performance, durability, or safety of this unit and may void the warranty. Ariens/Gravely disclaims liability for any claims or damages, whether warranty, property damage, personal injury or death arising out of the use of unauthorized replacement parts.

DISCLAIMER


Ariens/Gravely reserves the right to discontinue, make changes to, and add improvements upon its products at any time without public notice or obligation. The descriptions and specifications contained in this manual were in effect at printing. Equipment described within this manual may be optional. Some illustrations may not be applicable to your unit.

DELIVERY

Customer Note: If you have purchased this product without complete assembly and instruction by your retailer, it is your responsibility to:

1. Read and understand all assembly instructions in this manual. If you do not understand or have difficulty following the instructions, contact your nearest Ariens/Gravely Dealer for assistance. Make sure all assembly has been properly completed and safety interlock system works properly.

NOTE: To locate your nearest Ariens Dealer, go to www.ariens.com on the internet. To locate your nearest Gravely Dealer, go to www.gravely.com on the internet.

 **WARNING:** Improper assembly or adjustments can cause serious injury.

2. Understand all Safety Precautions provided in the manuals.

3. Review control functions and operation of the unit. Do not operate unit unless all controls function as described in this manual.
4. Review recommended lubrication, maintenance and adjustments.
5. Fill out a Product Registration Card and return the card to the Ariens Company or go to www.ariens.com or www.gravely.com.

SAFETY

SAFETY ALERTS



Look for these symbols to point out important safety precautions. They mean:

Attention!




Personal Safety Is Involved!


Become Alert!


Obey The Message!

The safety alert symbols above and signal words below are used on decals and in this manual.

Read and understand all safety messages.

 **DANGER:** IMMINENTLY HAZARDOUS SITUATION! If not avoided, WILL RESULT in death or serious injury.

 **WARNING:** POTENTIALLY HAZARDOUS SITUATION! If not avoided, COULD RESULT in death or serious injury.

 **CAUTION:** POTENTIALLY HAZARDOUS SITUATION! If not avoided, MAY RESULT in minor or moderate injury. It may also be used to alert against unsafe practices.

NOTATIONS

NOTE: General reference information for proper operation and maintenance practices.

IMPORTANT: Specific procedures or information required to prevent damage to unit or attachment.

PRACTICES AND LAWS

Practice usual and customary safe working precautions, for the benefit of yourself and others. Understand and follow all safety messages. Be alert to unsafe conditions and the possibility of minor, moderate, or serious injury or death. Learn applicable rules and laws in your area. Always follow the practices set forth in this manual.

REQUIRED OPERATOR TRAINING

Original purchaser of this unit was instructed by the seller on safe and proper operation. If unit is to be used by someone other than original purchaser; loaned, rented or sold, ALWAYS provide this manual and any needed safety training before operation.

1. WARNING!



Stop engine and wait for all moving parts to stop before opening cover.



Avoid tip over and loss of control:

DO NOT overload bagger.

Use extreme caution on slopes.

DO NOT make abrupt turns or speed changes.

- Weight kit is required when using bagger.
- Be aware of new turning radius.

2. CAUTION!

- Stop Engine Before Removing Tube, Boot, Or Placing Hand Inside.



Figure 2

OEe001

SAFETY RULES

Do not operate on slopes over 10°.

DO NOT operate mower unless guards are in place or boot assembly and entire bagger are attached.

NEVER operate bagger if the unit's safety interlock system is not working properly.

Always be aware of maximum sweep of bagger when turning. Always allow adequate clearance between bagger, personnel and other objects when turning.

As grass catcher fills, be alert to changing unit stability and control.

Always install front weight before operating unit with bagger attached.

Read, understand, and follow all safety practices in Owner/Operator Manual before beginning assembly. Failure to follow instructions could result in personal injury and/or damage to unit.

ALWAYS remove key and/or wire from spark plug before assembly. Unintentional engine start up can cause death or serious injury.

Complete a walk around inspection of unit and work area to understand:

- Work area
- Your unit
- All safety decals

Determine which attachments are needed and can be used safely.

Inspect unit before each use for: missing or damaged decals and shields, correctly operating safety interlock system, and deterioration of grass bagger. Replace or repair as needed.

ALWAYS check overhead and side clearances carefully before operation. ALWAYS be aware of traffic when operating along streets or curbs.

Keep children and people away.

Keep children out of work area and under watchful care of a responsible adult.

Keep area of operation clear of all toys, pets, and debris. Thrown objects can cause injury.

Check for weak spots on docks, ramps or floors. Avoid uneven work areas and rough terrain. Stay alert for hidden hazards or traffic.

DO NOT operate near drop-offs, ditches, or embankments. Unit can suddenly turn over if a wheel is over the edge of a cliff or ditch, or if an edge caves in.

Data indicates that operators, age 60 and above, are involved in a larger percentage of riding mower related injuries. These operators should evaluate their ability to operate the riding mower safely enough to protect themselves and others from serious injury.

Read the entire Owner/Operator manual and other training material. If the operator or the mechanic cannot read the manual, it is the owner's responsibility to explain it to them. Only the user can prevent and is responsible for accidents or injuries occurring to themselves, other people or property.

Only trained adults may operate or service unit. Training includes actual operation.

Local regulations may restrict the age of the operator.

NEVER allow children to operate or play on or near unit. Be alert and shut off unit if children enter area.

NEVER operate unit after or during the use of medication, drugs or alcohol. Safe operation requires your complete and unimpaired attention at all times.

DO NOT wear loose clothing or jewelry and tie back hair that may get caught in rotating parts.

Wear adequate outer garments.

NEVER wear open sandals or canvas shoes during operation. Wear adequate safety gear, protective gloves and footwear.

Wear proper footwear to improve footing on slippery surfaces.

Always wear safety goggles or safety glasses with side shields when operating mower.

Moving parts can cut or amputate fingers or a hand. Wrap blade(s) or wear gloves to service. On multiblade mowers, rotation of one blade will cause all blades to rotate.

NEVER place your hands or any part of your body or clothing inside or near any moving part while unit is running.

ALWAYS keep hands and feet away from all rotating parts during operation. Rotating parts can cut off body parts.

ALWAYS keep body and hands away from pin holes or nozzles which eject hydraulic fluid under pressure.

DO NOT touch parts which are hot. Allow parts to cool.

ALWAYS keep hands and feet away from all pinch points.

Fumes from the engine exhaust can cause death or serious injury. DO NOT run engine in an enclosed area. Always provide good ventilation.

Read, understand, and follow all instructions in the manual and on the machine before starting.

Understand:

- How to operate all controls
- The functions of all controls
- How to STOP in an emergency
- Braking and steering characteristics
- Turning radius and clearances

Keep safety devices or guards in place and functioning properly. NEVER modify or remove safety devices.

Do not operate without either entire bagger or the discharge chute in place.

Stop engine before removing grass catcher or unclogging chute.

Ensure Safety Interlock System is functioning properly. DO NOT operate unit if safety interlock is damaged or disabled.

Start and operate unit only when seated in operator's position. Steering control levers must be in neutral, PTO disengaged and parking brake set when starting engine.

Use care when approaching blind corners, shrubs, trees or other objects that may obscure vision.

Dust, smoke, fog, etc. can reduce vision and cause an accident. Mow only in daylight or good artificial light.

Avoid slippery surfaces. Always be sure of your footing.

DO NOT mow on wet grass. Reduced traction could cause sliding and effect the machine's stability.

Watch for traffic when operating near or crossing roadways.

Never carry passengers.

DO NOT try to stabilize the machine by putting your foot on the ground.

Never direct discharge towards persons or property that may be injured or damaged by thrown objects. Use extreme caution on gravel surfaces.

Always stand clear of the discharge area.

ALWAYS disengage PTO, stop unit and engine, remove key, engage parking brake and allow moving parts to stop before leaving operator's position.

Never engage PTO while raising attachment or when attachment is in raised position.

DO NOT operate at too fast a rate. DO NOT change engine governor settings or over-speed engine. Slow down before turning.

DO NOT operate in reverse unless absolutely necessary. ALWAYS look down and behind before and while backing.

Stop and inspect equipment if you strike an object or if there is an unusual vibration. Repair, if necessary, before restarting. Never make adjustments or repairs with the engine running.

Mower blades are sharp and can cut you. Wrap the blade(s) or wear gloves, and use extra caution when servicing them. NEVER weld or straighten mower blades.

Rotation of one blade may cause rotation of the other blades.

Take all possible precautions when leaving unit unattended. Shut off engine. Remove wire from spark plug and secure it away from spark plug.

ALWAYS remove key to prevent unauthorized use.

Know the weight of loads. Limit loads to those you can safely control and the unit can safely handle.

Disengage PTO when attachment is not in use. ALWAYS turn off power to attachment when travelling, crossing driveways, etc.

Mow up and down slopes, not across them.

Keep all movements on the slope *slow* and *gradual*. Do not make sudden changes in speed or direction.

Avoid starting or stopping on the slope. If tires lose traction, disengage the blades and proceed slowly *straight* down the slope.

If you cannot back up a slope or you feel uneasy on it, do not mow it.

DO NOT park on slopes unless necessary. When parking on slope always chock or block wheels. Always set parking brake.

Use a slow speed. Tires may lose traction on slopes even though the brakes are functioning properly.

Do not bypass transmission when on a slope.

Tow only with a machine that has a hitch designed for towing. Do not attach towed equipment except at the hitch point.

Follow the manufacturer's recommendations for weight limits for towed equipment and towing on slopes.

NEVER allow children or others in or on towed equipment.

On slopes, the weight of the towed equipment may cause loss of control.

Travel slowly and allow extra distance to stop.

Use extra care when loading or unloading unit onto trailer or truck.

Secure unit chassis to transport vehicle. NEVER secure from rods or linkages that could be damaged.

DO NOT transport machine while engine is running.

ALWAYS turn off power to attachment and shut off fuel when transporting unit.

Keep unit free of debris. Clean up oil or fuel spills.

This product is equipped with an internal combustion type engine. DO NOT use unit on or near any unimproved, forest-covered or brush covered land unless exhaust system is equipped with a spark arrester meeting applicable local, state or federal laws. A spark arrester, if it is used, must be maintained in effective working order by operator.

Fuel is highly flammable and its vapors are explosive. Handle with care. Use an approved fuel container.

NO smoking, NO sparks, NO flames. ALWAYS allow engine to cool before servicing.

NEVER fill fuel tank when engine is running or hot from operation.

NEVER fill or drain fuel tank indoors.

Replace fuel cap securely and clean up spilled fuel.

Never fill containers inside a vehicle or on a truck or trailer bed with a plastic liner. Always place containers on the ground away from your vehicle before filling.

When practical, remove gas-powered equipment from the truck or trailer and refuel it on the ground. If this is not possible, then refuel such equipment on a trailer with a portable container, rather than from a gasoline dispenser nozzle.

Keep the nozzle in contact with the rim of the fuel tank or container opening at all times until fueling is complete. Do not use a nozzle lock-open device.

If fuel is spilled on clothing, change clothing immediately.

Avoid Electric Shock. Objects contacting both battery terminals at the same time may result in injury and unit damage. DO NOT reverse battery connections.

Reverse connections may result in sparks which can cause serious injury. Always connect positive (+) lead of charger to positive (+) terminal, and negative (-) lead to negative (-) terminal.

ALWAYS disconnect negative (-) cable FIRST and positive (+) cable SECOND. ALWAYS connect positive (+) cable FIRST, and negative (-) cable SECOND.

Explosive Gases from battery can cause death or serious injury. Poisonous battery fluid contains sulfuric acid and its contact with skin, eyes or clothing can cause severe chemical burns.

No flames, No sparks, No smoking near battery.

ALWAYS wear safety glasses and protective gear near battery. Use insulated tools.

DO NOT TIP battery beyond a 45° angle in any direction.

ALWAYS keep batteries out of reach of children.

Battery posts, terminals and related accessories contain lead and lead compounds, chemicals known to the State of California to cause cancer and reproductive harm. Wash hands after handling.

ALWAYS block wheels and know all jack stands are strong and secure and will hold weight of unit during maintenance.

Release pressure slowly from components with stored energy.

NEVER attempt to make any adjustments to unit while engine is running (except where specifically recommended). Stop engine, remove key or spark plug wire and wait for all moving parts to stop before servicing or cleaning.

Check parking brake operation frequently. Adjust and service as required.

ALWAYS maintain unit in safe operating condition. Damaged or worn out muffler can cause fire or explosion. Maintain or replace safety and instruction labels, as necessary.

NEVER store unit with fuel in fuel tank, inside a building where any ignition sources are present.

Shut off fuel and allow engine to cool completely before storing in closed area or covering unit.

Clean grass and debris from unit, especially from around muffler and engine, to help prevent fires.

For extended storage, shut off fuel and clean unit thoroughly. See engine manual for proper storage.

Lower cutting deck unless a positive mechanical lock is used.

Use only attachments or accessories designed for your unit.

Check all hardware at regular intervals, especially blade attachment bolts. Keep all hardware properly tightened.

Check attachment components frequently. If worn or damaged, replace with manufacturer's recommended parts.

ASSEMBLY



WARNING: AVOID INJURY. Read and understand the entire *Safety* section before proceeding.

TOOLS REQUIRED

- Wrenches: 1/2", 9/16", 3/4"

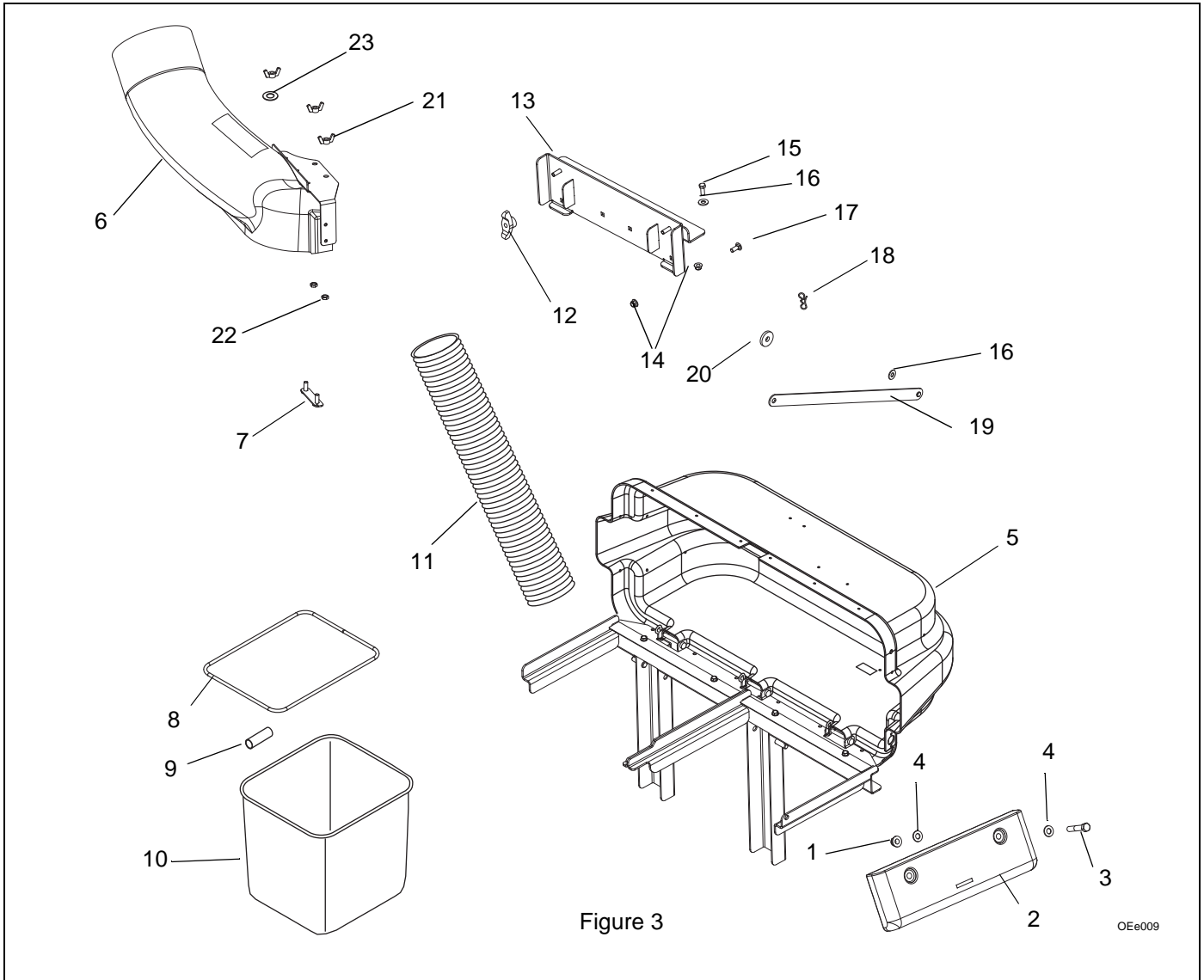
UNPACKING UNIT

IMPORTANT: Remove contents from carton carefully. Place cover assembly on a flat piece of cardboard to avoid scratching it.

Package Contents:

Check the contents of your kit for the parts listed below and shown in figure 3.

| Item | Description | Qty | Part Number |
|------|---|-----|-------------|
| 1 | 1/2-13 Nyloc Flange Nut | 2 | 06500010 |
| 2 | Cast Iron Weight | 1 | 00172000 |
| 3 | 1/2-13 x 2-3/4 Hex Bolt | 2 | 05965500 |
| 4 | .531 x 1.06 x .095 Flat Steel Washer | 4 | 06441900 |
| 5 | Bagger Cover Assembly | 1 | 61561400 |
| 6 | Bagger Boot Assembly | 1 | 61568500 |
| 7 | Boot Mount Strap Weldment | 1 | 04088800 |
| 8 | Bag Frame | 2 | 00663200 |
| 9 | 3/8 x 1/2 x 3" Plastic Tube | 2 | 00677000 |
| 10 | Mesh Bag | 2 | 03862900 |
| 11 | Bagger Hose | 1 | 00455400 |
| 12 | 3/8-16" Wing Nut | 2 | 07019300 |
| 13 | Mounting Plate Weldment | 1 | 03788351 |
| 14 | 3/8-16 Nyloc Flange Nut | 6 | 06545500 |
| 15 | 3/8-16 x 1.00 Hex Bolt | 2 | 05948700 |
| 16 | .438 x 1.00 x .083 Flat Steel Washer | 4 | 06435900 |
| 17 | 3/8-16 x 1.00 Round Head Square Head Bolt | 4 | 06223600 |
| 18 | .091 x 1.875 Bow Tie Locking Cotter Pin | 4 | 06700201 |
| 19 | Bagger Strap | 2 | 03827551 |
| 20 | .515 x 1.625 x .250 Flat Steel Washer | 6 | 06445000 |
| 21 | .312-18 Nyloc Wing Nut | 3 | 06537100 |
| 22 | .31-18 Locking Center Nut | 2 | 06500011 |
| 23 | Flat-Steel Washer .406 x .812 x .065 | 1 | 06436200 |

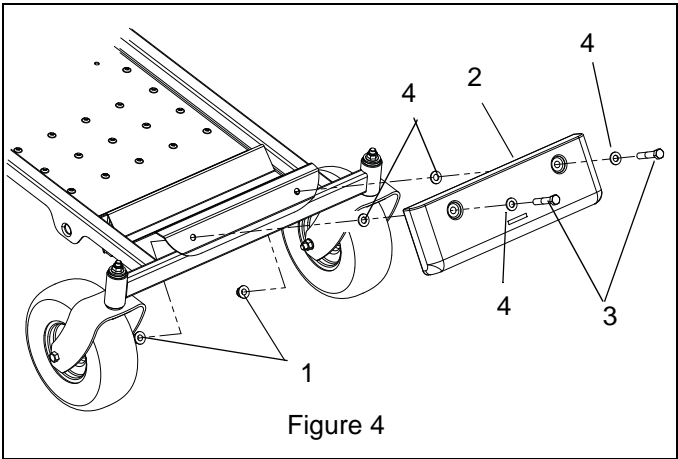


INSTALL COUNTERWEIGHT

WARNING: ALWAYS install counterweight before operating unit with bagger attached. ALWAYS remove counterweight when bagger is removed from unit.

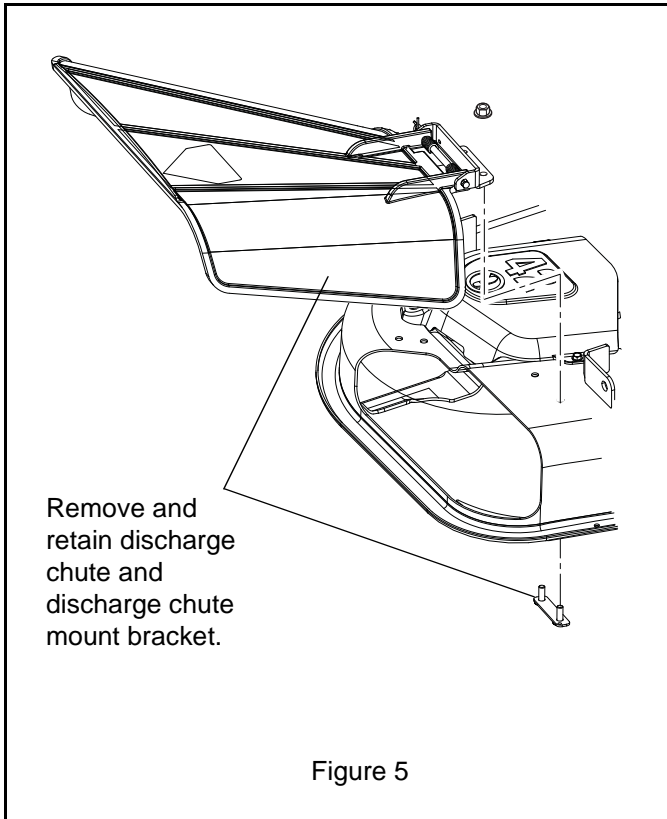
IMPORTANT: Two people may be required to install the counterweight safely.

NOTE: Install cast iron weight (item 2) on unit with two 1/2-13 x 2-3/4 hex bolts (item 3), four .531 x 1.06 x .095 flat steel washers (item 4) and two 1/2-13 nyloc flange nuts (item 1). See figure 4.

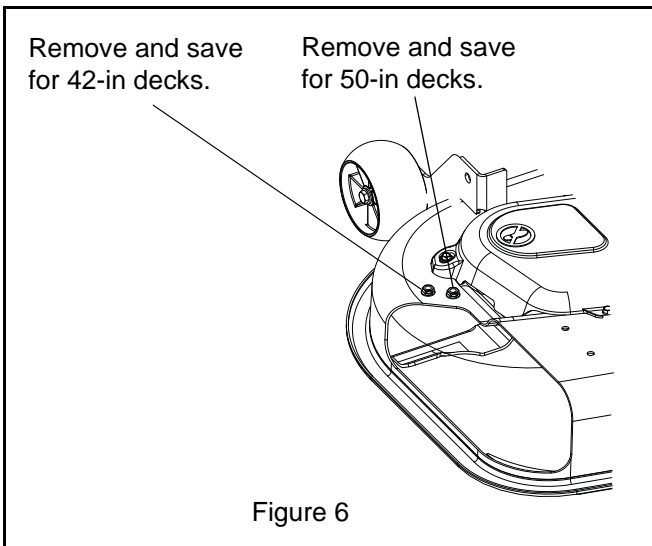


INSTALL DECK BOOT

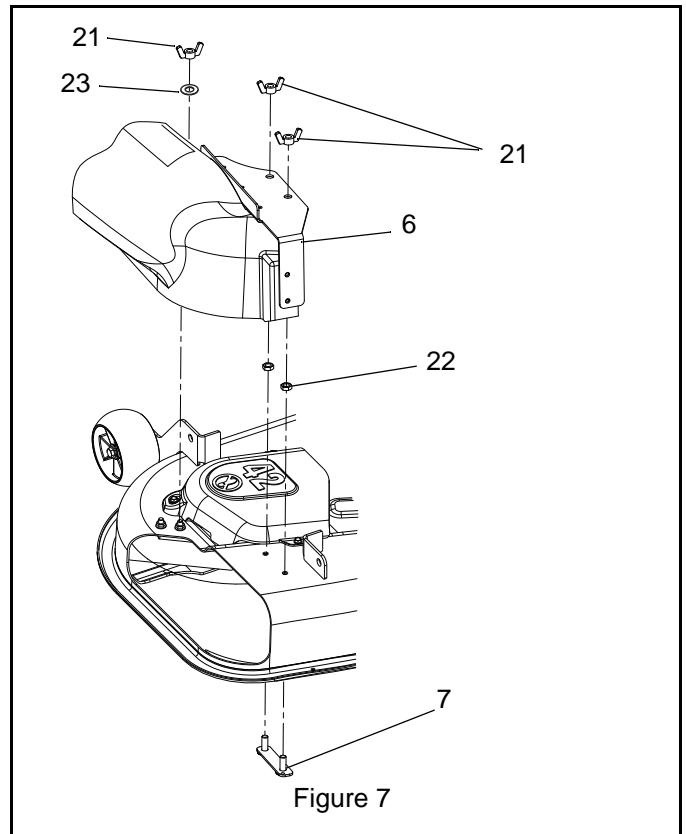
1. Remove and retain discharge chute and discharge chute mount strap (figure 5). Retain all hardware.



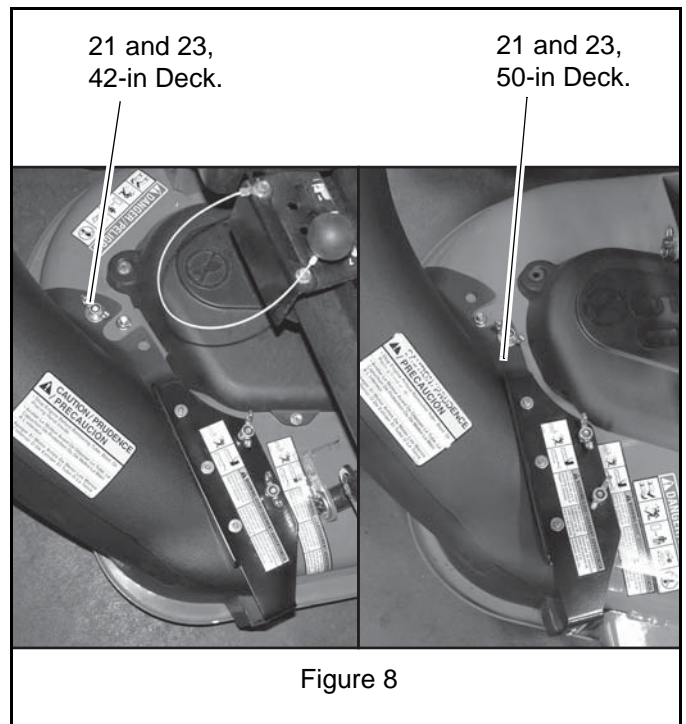
2. Remove and retain one nut from baffle bracket on top side of deck. Right nut for 50-in decks or left nut for 42-in decks. See Figure 6.



3. Install the boot mount strap weldment (item 7) on the deck with two .31-18 locking center nut (item 22). See Figure 7.



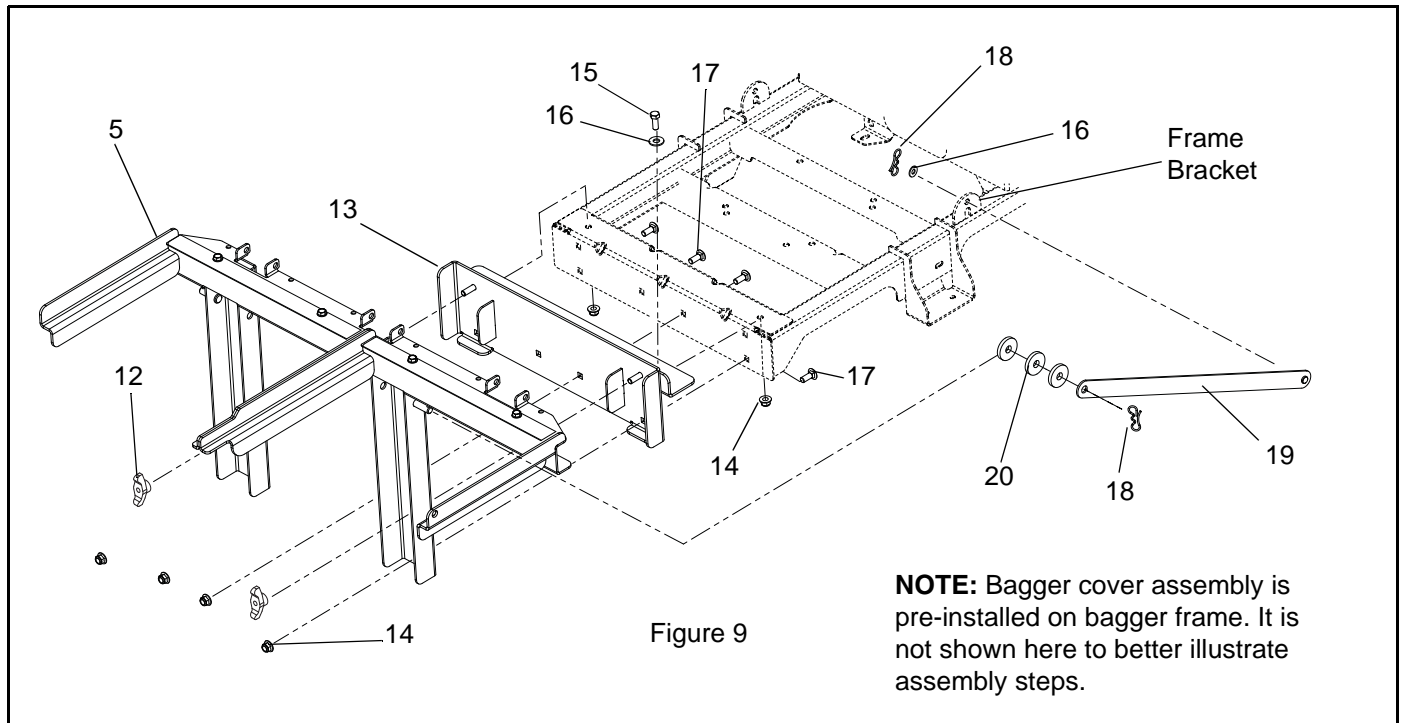
4. Install the bagger boot on the deck with three .312-18 nyloc wing nuts (item 21) and one flat-steel washer .406 x .812 x .065 (item 23). See Figure 7 and Figure 8.



INSTALL FRAME AND COVER ASSEMBLY (FIGURE 9)

1. Position mounting plate weldment (item 13) on rear of unit frame and on both sides install 3/8-16 x 1.00 hex bolt (item 15), .438 x 1.00 x .083 flat steel washer (item 16) and 3/8-16 nyloc flange nut (item 14). Do not fully tighten.
2. Install bagger frame to rear of unit with four 3/8-16 x 1.00 round head square head bolts (item 17), four 3/8-16 nyloc flange nuts (item 14) and two 3/8-16" wing nuts (item 12). Do not fully tighten.

3. Attach pin on bagger strap (item 19) to bracket on frame with .438 x 1.00 x .083 flat steel washer (item 16) and .091 x 1.875 bow tie locking cotter pin (item 18). Repeat for opposite side.
4. Install three .515 x 1.625 x .250 flat steel washers (item 20) and bagger strap to pin on bagger frame and fasten with .091 x 1.875 bow tie locking cotter pin (item 18).
5. Tighten all hardware.



INSTALL BAG ON FRAME (FIGURE 10)

1. Thread the bag frames (item 8) through the sleeve on the open end of the mesh bag (item 10).
2. Install the 3/8 x 1/2 x 3" plastic tubes (item 9) on the ends of the bag frames (item 8) and push the ends together.

NOTE: The rope handle on the bottom of the bag will point to the outside when the bag is assembled correctly.

Thread bag frame (item 8) through sleeve in mesh bag (item 10).



Install 3/8 x 1/2 x 3" plastic tube (item 9) on each end of frame and push the ends together.



Figure 10

INSTALL MESH BAGS (FIGURE 11)



CAUTION: MAKE SURE the heat resistant (smooth side) side of the mesh bags are facing the unit.

1. Install mesh bags (item 10) on bagger frame. Make sure that the heat-resistant side of the mesh bags face the unit.

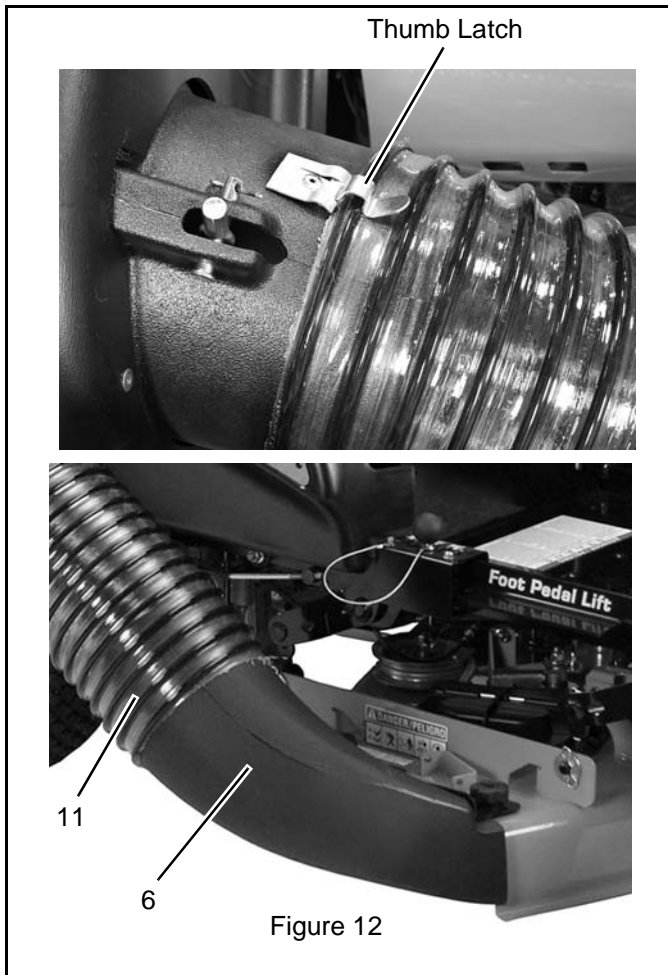


10 MAKE SURE the heat resistant side (smooth side) faces the unit. 5

Figure 11

Install Hose

1. Trim off 3" of hose before installing.
2. Install bagger hose (item 11) on bagger boot assembly and bagger cover assembly.
3. Flip up thumb latch and push bagger hose into the latch. Flip down the latch, making sure the latch is attached to a rib on the hose See Figure 12.



REMOVAL



WARNING: AVOID INJURY. Read and understand the entire *Safety* section before proceeding.

1. Flip up thumb latch and remove bagger hose from bagger cover assembly and bagger boot assembly (see figure 12 on page 12).
2. Remove bagger boot assembly (see figure 7 on page 9).
3. Remove mesh bags (item 10) (see figure 11 on page 11).
4. Remove bagger frame and cover assembly, bagger straps and all mounting hardware (see figure 9 on page 10).
5. Reinstall discharge chute and discharge chute bracket (see figure 5 on page 9).
6. Reinstall baffle bracket on deck (see figure 6 on page 9).

OPERATION



WARNING: AVOID INJURY. Read and understand the entire *Safety* section before proceeding.



CAUTION: Do not tow anything with the hitch when the bagger is installed.

BEFORE EACH USE

1. Check bagger parts for wear, deterioration, or damage. Replace **ONLY** with Ariens/Gravely original service parts before operating.
2. Make sure the cast iron weight is installed.
3. Ensure all hardware is tight.
4. Remove any grass buildup from bagger parts.
5. Ensure hose is fastened securely on boot assembly.
6. Ensure grass bagger baskets are installed, and the bagger cover is closed and securely latched.

OPERATING THE BAGGER

Starting

1. Start engine and engage PTO (see unit's Operator's Manual).
2. Set throttle to full.
3. Set mower deck height.
4. Choose a slow ground speed.

Shutting Off



WARNING: Lower attachment, stop engine, and remove key to prevent unauthorized use. **DO NOT** park on slopes.

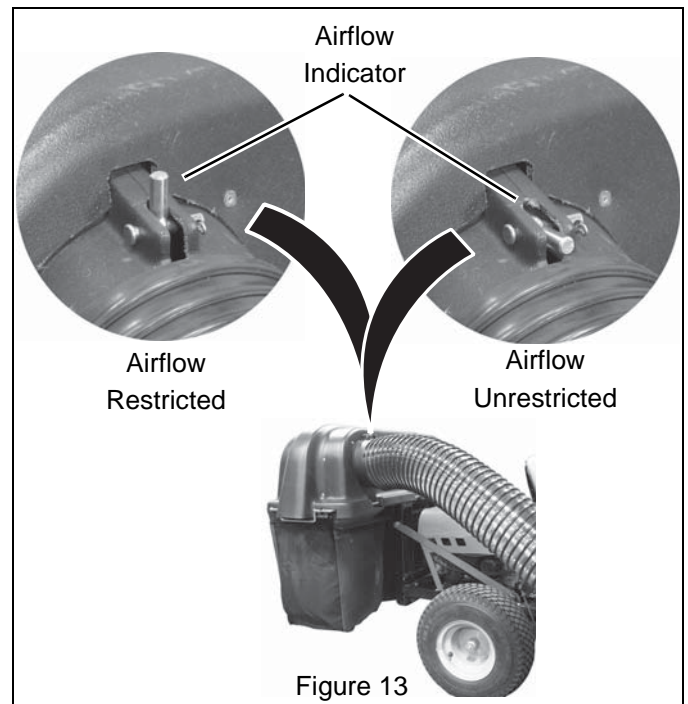
1. Allow the mower blades to run for at least 30 seconds to clear boot assembly and hose of debris.
2. Disengage PTO.
3. Shut off unit (see unit's Operator's Manual).

AIRFLOW INDICATOR (FIGURE 13)

When the airflow indicator is pointed straight up, the air is restricted which indicates one or more possible problems:

- The grass bagger baskets are full and need to be emptied. See *Emptying Mesh Bags* on page 13.
- There is a clog in the bagger. See *Unclogging Bagger* on page 14.

When the airflow indicator is facing forward, the air is unrestricted indicating that the grass bagger baskets are not full and there are no clogs in the bagger.



EMPTYING MESH BAGS

If bagger stops picking up grass clippings, the mesh bags may be full.



WARNING: NEVER open cover assembly while the engine is running and the PTO is engaged. ALWAYS shut off engine prior to emptying mesh bags.

To empty grass bags:

1. Disengage PTO, stop engine, and remove ignition key. Wait for all moving parts to stop before leaving operator's position.
2. Open cover and remove the prop-rod from the clamp towards the back of the hood. Insert the end of the prop rod through the hole in the brace of the frame (figure 14).
3. Remove each mesh bag from bagger frame.

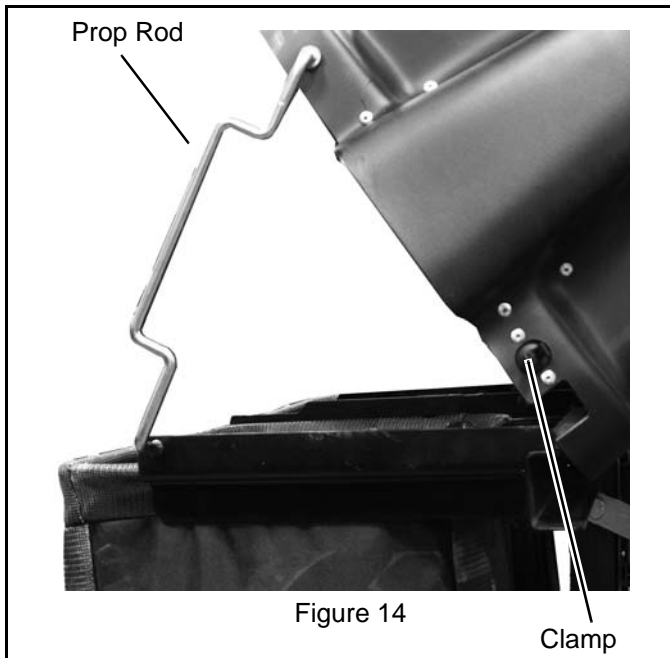


Figure 14

4. Empty the grass from each mesh bag.
5. Install mesh bags back on bagger frame. Make sure that the heat-resistant side of the mesh bags face the unit.
6. Close cover.

UNCLOGGING BAGGER



WARNING: MOVING PARTS can cut or amputate body parts.

NEVER attempt to clear boot assembly while engine is running.

ALWAYS stop engine, remove key, and wait for moving parts to stop.

Sharp edges can cut. Movement of parts can cut off fingers or a hand. Wrap blade(s), wear sturdy gloves and use extreme caution when working near blades.

If hose or boot assembly become clogged, stop forward motion and allow unit to clear itself. If unit will not clear itself, unclog the hose and/or boot assembly manually as instructed below.

1. Stop engine and remove ignition key. Wait for all moving parts to stop.
2. Flip thumb latch and remove hose.
3. Remove grass from hose and boot assembly.
4. Install hose and secure with thumb latch.

OPERATING TIPS

IMPORTANT: DO NOT remove more than 1-1/4" (3.2 cm) of grass when bagging.

- Cut grass when it is dry.
- Cut grass in two passes when cutting thick, long, or wet grass. Make the first cut higher than desired. Make the second cut at desired height.
- Always use full throttle when bagging.
- Adjust ground speed as needed to allow the bagger to pick up debris.

MAINTENANCE



WARNING: AVOID INJURY. Read and understand the entire *Safety* section before proceeding.

Ariens/Gravely Dealers will provide any service or adjustments which may be required to keep your unit operating at peak efficiency.

| Interval | Task | Action |
|----------|----------------------|---|
| Each Use | Check counter weight | Ensure the cast iron weight is installed and securely fastened. |
| | Check Hose | Ensure hose is securely fastened to cover assembly and boot assembly. |
| | Check mesh bags | Ensure mesh bags are installed, and bagger cover is closed and securely latched. |
| | Check Fasteners | Ensure all hardware is tight. Pay special attention to the guards and safety shields. |
| | Inspect Bagger Parts | Inspect bagger parts for holes, abrasions, or structural damage. Replace any worn or damaged parts with Ariens/Gravely service parts. |
| | Clean Unit | Clear away debris in boot assembly, in tube, and in cover assembly. |

STORAGE



WARNING: AVOID INJURY. Read and understand the entire *Safety* section before proceeding.

IMPORTANT: NEVER spray unit with high-pressure water. DO NOT store unit outdoors.

Clean plastic surfaces with sponge and mild detergent. Dry with a soft cloth.

Clear away debris under belt cover, in boot assembly, in tube, and in cover assembly before storing.

Remove all dirt, grease, leaves, etc. from unit.

Store in a clean, dry area.

Ensure all fasteners are properly tightened. Inspect moving parts for damage and wear.

Touch up all rusted or chipped painted surfaces.

TROUBLESHOOTING

| Problem | Probable Cause | Correction |
|--|--|---|
| Airflow indicator points straight up. | 1. Air flow is restricted. | 1. The grass bagger baskets are full (see <i>Emptying Mesh Bags</i> on page 13). 2. The bagger is clogged (see <i>Unclogging Bagger</i> on page 14). |
| Bagger fails to pick up grass or leaves. | 1. The grass bagger baskets are full. 2. Bagger is clogged. | 1. Empty grass bagger baskets (see <i>Emptying Mesh Bags</i> on page 13). 2. Unclog bagger (see <i>Unclogging Bagger</i> on page 14). |

SPECIFICATIONS

| | |
|----------------------|--|
| Model Number | 815036 |
| Description | Non-Powered Bagger |
| Serial Number | 000101 and up |
| Added Length to Unit | 19-5/8 in. (49.8 cm) |
| Added Weight to Unit | 129 lb. (58.5 kg) |
| For Use on Models | 915141 915142 915143 915144 915155 |

PARTS LIST

SAFETY DECALS

|  WARNING / AVERTISSEMENT / ADVERTENCIA | | |
|--|---|---|
|  <ul style="list-style-type: none"> • Stop engine and wait for all moving parts to stop before opening cover. • Avoid tip over and loss of control. • DO NOT overload bagger. Use extreme caution on slopes. • DO NOT make abrupt turns or speed changes. • Weight kit is required when specified. • Be aware of new turning radius. | <ul style="list-style-type: none"> • Arrêter le moteur et attendre l'arrêt complet de toutes les pièces en mouvement avant d'ouvrir le couvercle. • Éviter le basculement et la perte de contrôle de la machine : NE PAS surcharger l'ensacheuse. Faire preuve d'extrême prudence sur les pentes. NE PAS effectuer des virages serrés et des changements de vitesses soudains. • Le kit de masses est requis lorsque cela est spécifié. • Faire attention au nouveau rayon de braquage. | <ul style="list-style-type: none"> • Apagar el motor y esperar a que todas las piezas móviles se detengan antes de abrir la cubierta. • Evitar el vuelco y la pérdida de control. • NO sobrecargar la embolsadora. Tener cuidado en las pendientes. NO realizar giros o cambios de velocidad bruscos. • El juego de contrapesos es necesario cuando se especifica. • Tener cuidado con el nuevo radio de giro. |

1



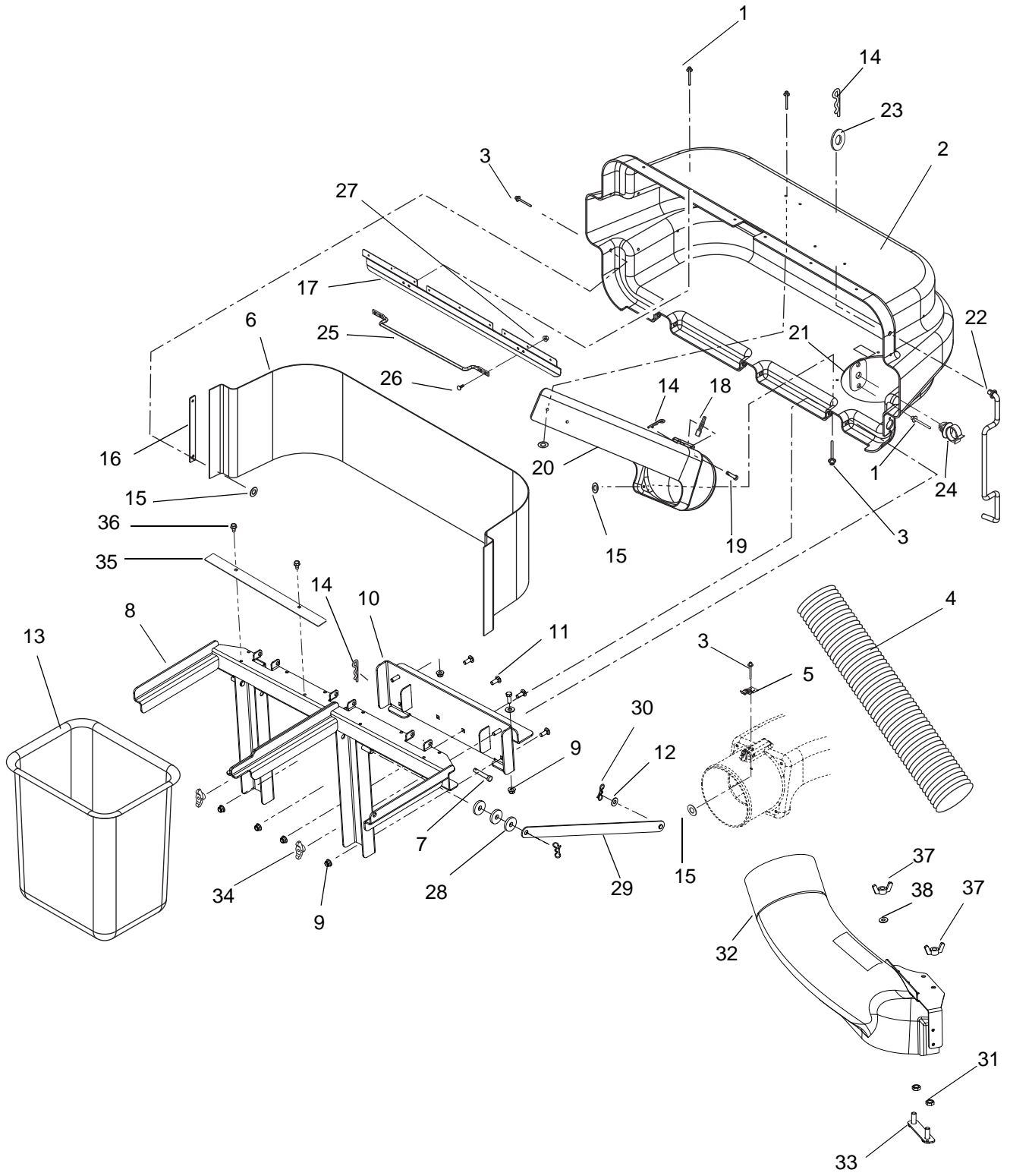
2

|  CAUTION / PRUDENCE / PRECAUCIÓN | |
|---|--|
| <ul style="list-style-type: none"> • Stop Engine Before Removing Tube, Boot, Or Placing Hand Inside. • Arrêter Le Moteur Avant De Déposer Le Tube, Le Capuchon De Protection Ou De Mettre La Main A L'intérieur. • Apagar El Motor Antes De Meter Las Manos Al Interior O De Extraer El Tubo O La Tolva. | |

OEe002

| Item | Part No. | Qty. | Description |
|------|----------|------|---------------------|
| 1 | 05359700 | 1 | Decal, Bagger Cover |
| 2 | 07897700 | 1 | Decal, Boot Caution |

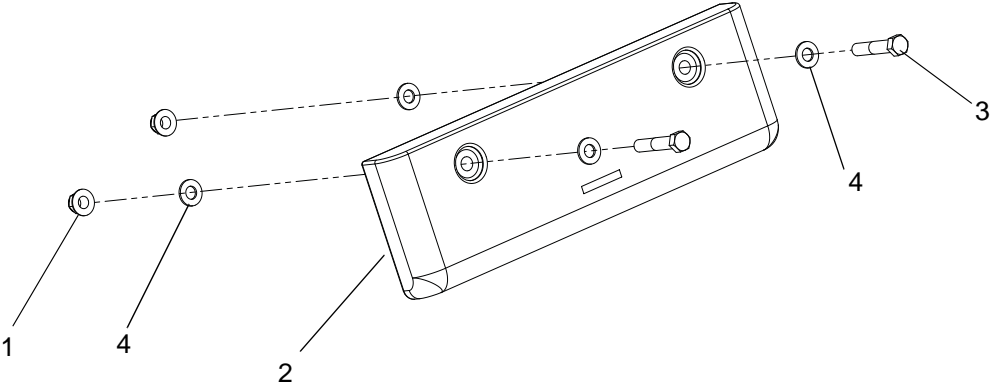
BAGGER ASSEMBLY



BAGGER ASSEMBLY (CONTINUED)

| Item | Part No. | Qty. | Description |
|------|----------|------|--|
| 1 | 06802500 | 11 | Rivet, Pop .187 x .402 |
| 2 | 51513500 | 1 | Cover, Bagger with Decal |
| 3 | 06807600 | 28 | Rivet, Pop .187 x .375 |
| 4 | 00455400 | 1 | Hose 7 x 45 |
| 5 | 07000026 | 1 | Thumb Latch |
| 6 | 00166900 | 1 | Screen, Bagger |
| 7 | 02747500 | 3 | Pin, Clevis .368/.373 x 3.25 |
| 8 | 03788251 | 1 | Weldment, Bagger Frame |
| 9 | 06545500 | 8 | Nut, Locking Nylon Flange |
| 10 | 03788351 | 1 | Weldment, Mounting Plate |
| 11 | 06223600 | 4 | Bolt, Round Head Square Neck .38-16 x 1.00 |
| 12 | 06435900 | 2 | Washer, Flat Steel .438 x 1.00 x .083 |
| 13 | 03862900 | 2 | Bag, Mesh |
| 14 | 06714800 | 5 | Pin, Hair |
| 15 | 06442700 | 28 | Washer, Flat Steel .219 x .50 x .049 |
| 16 | 00377051 | 2 | Strap, Cover |
| 17 | 00453151 | 1 | Latch, Cover |
| 18 | 00168300 | 1 | Indicator, Flow |
| 19 | 06815300 | 1 | Pin, Clevis .31 x 2.62 Grade 5 |
| 20 | 00376800 | 1 | Boot, Upper |
| 21 | 00294400 | 1 | Plate, Rod Clip |
| 22 | 00376900 | 1 | Prop, Rod, Bagger |
| 23 | 06436200 | 1 | Washer, Flat Steel .046 x .812 x .065 |
| 24 | 07534100 | 1 | Clip .38 |
| 25 | 00453000 | 1 | Handle, Bagger |
| 26 | 06219900 | 4 | Bolt, Round Head Square Neck .25-20 x .75 Grade 5 |
| 27 | 06535000 | 4 | Nut, Locking Top Flange .25-20 |
| 28 | 06445000 | 6 | Washer, Flat .515 x 1.62 x .250 |
| 29 | 06700201 | 2 | Pin, Bow Tie Locking Cotter .091 x 1.875 |
| 30 | 03827551 | 2 | Weldment Strap, Bagger |
| 31 | 06500011 | 2 | Nut, Locking-Center-Jam .31-18 |
| 32 | 61568500 | 1 | Bagger Boot Assembly |
| 33 | 04088800 | 1 | Weldment, Boot Mount Strap |
| 34 | 07019300 | 2 | Nut, Wing .375-16 |
| 35 | 03844100 | 2 | Bracket, Bagger Overlap |
| 36 | 07411500 | 4 | Screw, Tapping .31-18 x .50 Hex Washer Head Thread Rolling |
| 37 | 06537100 | 3 | Nut, Nylock Wing .312-18 |
| 38 | 06436200 | 1 | Washer, Flat-Steel .406 x .812 x .065 |

COUNTERWEIGHT ASSEMBLY



| Item | Part No. | Qty. | Description |
|------|----------|------|--------------------------------------|
| 1 | 06500010 | 2 | Nut, Nyloc Flange .50-13 |
| 2 | 00172000 | 1 | Weight, Cast Iron |
| 3 | 05965500 | 2 | Bolt, Hex .50-13 x 2.75 |
| 4 | 06441900 | 2 | Washer, Flat Steel 531 x 1.06 x .095 |



Two-Year Limited Lawn and Garden Consumer Ride-On Warranty

Ariens Company (Ariens) warrants to the **original purchaser** that Ariens and Gravely brand consumer products manufactured and sold by Ariens will be free from defects in material and workmanship for a period of two years after the date of purchase. An authorized Ariens dealer (Ariens brand products) or Gravely dealer (Gravely brand products) will repair any defect in material or workmanship, and repair or replace any defective part, subject to the conditions, limitations and exclusions set forth herein. Such repair or replacement will be free of charge (labor and parts) to the original purchaser except as noted below.

Five-Year Limited Warranty on Mower Deck Shell

The deck shell on zero-turn riding mowers is warranted to the **original purchaser** for five years from the date of purchase. Any defect in material or workmanship of the deck shell will be repaired free of charge (parts and labor) to the original purchaser for two years after the date of purchase. For the third through fifth year from the date of purchase, the parts required to repair a defect in material or workmanship of the deck shell, not the labor, will be provided free of charge.

Five-Year Limited Warranty on Main Frame

The main frame on zero-turn riding mowers is warranted to the **original purchaser** for five years from the date of purchase. Any defect in material or workmanship of the main frame will be repaired free of charge (parts and labor) to the original purchaser for two years after the date of purchase. For the third through fifth year from the date of purchase, the parts required to repair a defect in material or workmanship of the main frame, not the labor, will be provided free of charge.

Two-Year Limited Warranty on AMP™ Series Battery Packs and Subassemblies

The battery pack and/or battery subassemblies on AMP series electric riding mowers is/are warranted to the **original purchaser** for two years from the date of purchase. Ariens will replace, free of charge to the original purchaser, any battery pack and/or battery subassembly that fails due to defect in material or workmanship for one year after the date of purchase. For the next 12 months, Ariens will cover the prorated cost of replacing a battery pack and/or battery subassembly that fails due to defect in material or workmanship. This warranty does not apply to battery packs or battery subassemblies that fail due to accident, neglect, abuse, improper maintenance, improper storage or improper charging procedures.

90-Day Limited Warranty on Service Parts and Accessories

Genuine Ariens or Gravely brand service parts and accessories are warranted to be free from defects in material and workmanship for a period of 90 days after the date of purchase. An authorized Ariens or Gravely dealer will repair or replace any such part or accessory free of charge, except for labor, during that period.

The duration of all warranties herein applies only if the product is put to personal use around a household or residence. If the product is put to any business use, agricultural, commercial, or industrial, then the duration of these warranties shall be 90 days after the date of purchase. For Ariens Max Zoom and Gravely ZT HD models put to commercial use, the duration of these warranties, except for service parts and accessories, is one year from the date of purchase.

If any product is rented or leased, then the duration of these warranties shall be 90 days after the date of purchase.

Exceptions, Limitations, Exclusions

Customer Responsibilities

Register the product immediately at the time of sale. If the dealer does not register the product, the customer must complete the product registration card in the literature package and return it to the Ariens Company, or register the unit online at www.ariens.com or www.gravely.com.

To obtain warranty service, the **original purchaser** must:

- Perform the maintenance and minor adjustments explained in the owner's manual.
- Promptly notify Ariens or an authorized Ariens or Gravely service representative of the need for warranty service.
- Transport the product to and from the place of warranty service.
- Have the warranty service performed by an authorized Ariens or Gravely service representative.

To find an Ariens or Gravely authorized service representative, contact Ariens at:

655 W. Ryan Street
Brillion, WI 54110
(920) 756 - 2141
www.ariens.com
www.gravely.com

Exceptions and Limitations

- Batteries are warranted only for a period of 12 months after date of purchase, on a prorated basis. For the first 90 days of the warranty period, a defective battery will be replaced free of charge. If the applicable warranty period is more than 90 days, Ariens will cover the prorated cost of any defective battery, for up to 12 months after the date of purchase. This battery limited warranty does not apply to the battery packs on AMP series products.

Exclusions – Items Not Covered by This Warranty

- Engines and engine accessories are covered only by the engine manufacturer's warranty and are not covered by this warranty.
- Parts that are not genuine Ariens or Gravely service parts are not covered by this warranty.
- The following maintenance, service and replacement items are not covered by this warranty unless they are noted in the Limitations section above: lubricants, spark plugs, oil, oil filters, air filters, fuel filters, brake linings, brake arms, brake shoes, runners, scraper blades, shear bolts, mower blades, mower vanes, tines, brushes, headlights, light bulbs, knives, cutters.
- Any misuse, alteration, improper assembly, improper adjustment, neglect, or accident which requires repair is not covered by this warranty.
- This warranty applies only to products purchased in the United States (including Puerto Rico) and Canada. In all other countries, contact place of purchase for warranty information.

Disclaimer

Ariens may from time to time change the design of its products. Nothing contained in this warranty shall be construed as obligating Ariens to incorporate such design changes into previously manufactured products, nor shall such changes be construed as an admission that previous designs were defective.

LIMITATION OF REMEDY AND DAMAGES

Ariens Company's liability under this warranty, and under any implied warranty that may exist, is limited to repair of any defect in workmanship, and repair or replacement of any defective part. Ariens shall not be liable for incidental, special, or consequential damages (including lost profits). Some states do not allow the exclusion of incidental or consequential damages, so the above limitation or exclusion may not apply to you.

DISCLAIMER OF FURTHER WARRANTY

Ariens Company makes no warranty, express or implied, other than what is expressly made in this warranty. If the law of your state provides that an implied warranty of merchantability, or an implied warranty of fitness for particular purpose, or any other implied warranty, applies to Ariens Company, then any such implied warranty is limited to the duration of this warranty. Some states do not allow limitations on how long an implied warranty lasts, so the above limitation may not apply to you.

This warranty gives you specific legal rights, and you may also have other rights which vary from state to state.



**Ariens Company
Gravelly**

655 West Ryan Street
Brillion, WI 54110-1072
920-756-2141
Fax 920-756-2407

www.ariens.com or www.gravelly.com