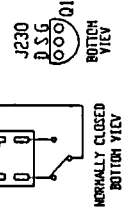
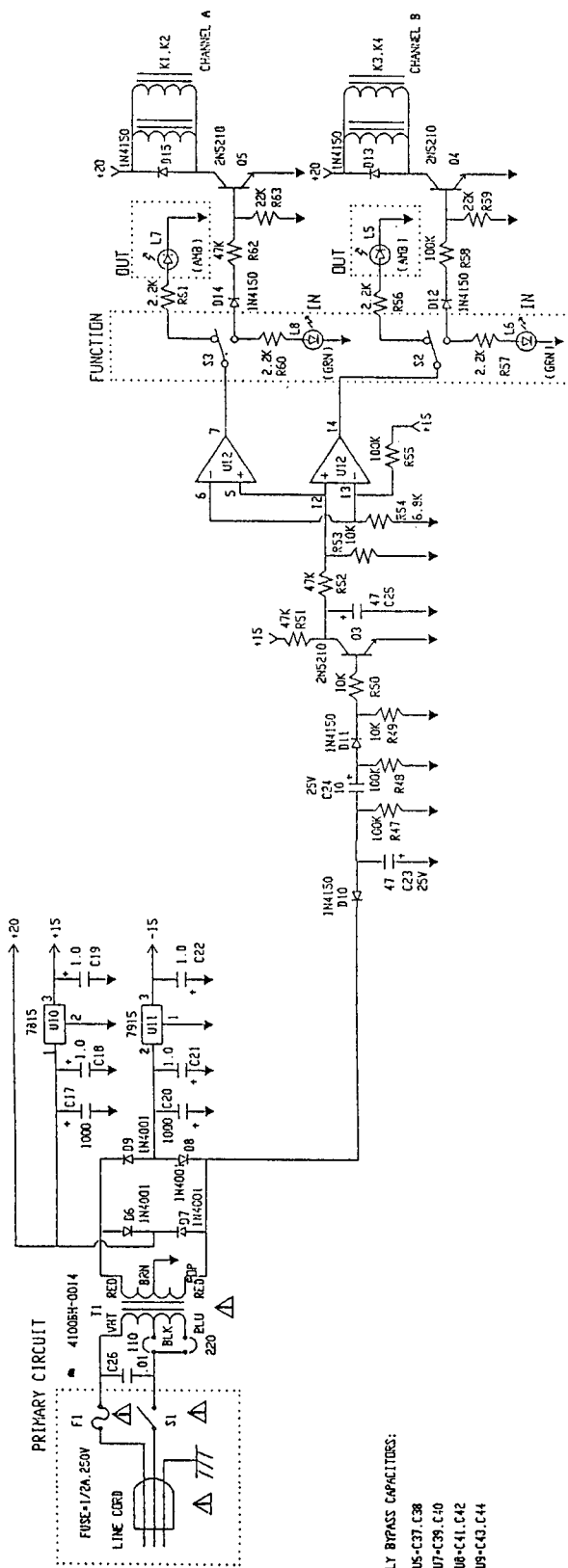


MODEL: 822	CHANNEL B
DATE: 2/17/89	REVISION: F
ALL COMPONENTS ENCLOSED IN DOTS ARE PANEL MOUNTED	
ALL RESISTORS IN OHMS UNLESS OTHERWISE SPECIFIED	
ALL CAPACITORS IN MICRO FARADS	
DRAWN BY: R. COULTIS	
PAGE 2 OF 3	
APPROVED BY: <i>RCC</i>	FILE: 822BF.DWG



+ - ○
 (GREEN) (RED) (LANGER)

MODEL: 822	POWER SUPPLY AND RELAYS
DATE: 2/17/89	REVISION: F
ALL RESISTORS IN OHMS (UNLESS OTHERWISE SPECIFIED)	
ALL CAPACITORS IN MICRO FARADS	
DRAWN BY: R. COITTS	PAGE 3 OF 3
APPROVED BY: <i>RAC</i>	FILE: 822P.DWG



- I.C. POWER SUPPLY BYPASS CAPACITORS:
- U1-C27, C28
 - U2-C29, C30
 - U3-C31, C32
 - U4-C33, C34
 - U5-C35, C36
 - U5-C37, C38
 - U7-C39, C40
 - U8-C41, C42
 - U9-C43, C44
 - U9-C45, C46

▲ SERVICE PERSONNEL NOTES:
 USE ONLY REPLACEMENT PARTS THAT HAVE THE CRITICAL CHARACTERISTICS RECOMMENDED BY BEELE® SOUND, INC.
 MAKE LEAKAGE, CURRENT OR RESISTANCE MEASUREMENTS TO DETERMINE THAT EXPOSED PARTS ARE SUITABLY INSULATED FROM THE PRIMARY CIRCUIT BEFORE RETURNING TO THE CUSTOMER.

