

READ BEFORE USE

Visit www.hamiltonbeach.in for our complete line of products and Use and Care Guides – as well as delicious recipes, tips, and other useful information!

Questions?

Please call us – our friendly associates are ready to help.
1.800.42.555.43



**Hamilton
Beach®**

*The Scoop Single-Serve
Coffeemaker*

IMPORTANT SAFEGUARDS

When using electrical appliances, basic safety precautions should always be followed to reduce the risk of fire, electric shock, and/or injury to persons, including the following:

1. Read all instructions.
2. Do not touch hot surfaces. Use handles or knobs. Care must be taken, as burns can occur from touching hot parts or from spilled, hot liquid.
3. To protect against electric shock, do not place cord, plug, or coffeemaker in water or other liquid.
4. This appliance can be used by children aged from 8 years and above and persons with reduced physical, sensory or mental capabilities or lack of experience and knowledge if they have been given supervision or instruction concerning use of the appliance in a safe way and understand the hazards involved. Children shall not play with the appliance. Cleaning and user maintenance shall not be made by children without supervision.
5. Close supervision is necessary when any appliance is used by or near children.
6. Unplug from outlet when the coffeemaker is not in use and before cleaning. Allow to cool before putting on or taking off parts and before cleaning the appliance.
7. Coffeemaker must be operated on a flat surface away from the edge of counter to prevent accidental tipping.
8. Do not operate any appliance with a damaged supply cord, or after the appliance malfunctions or has been damaged in any manner. Supply cord replacement and repairs must be conducted by the manufacturer, its service agent or similarly qualified persons in order to avoid a hazard.
9. The use of accessory attachments not recommended by the appliance manufacturer may cause injuries.
10. Do not use outdoors.
11. Do not let cord hang over edge of table or counter or touch hot surfaces, including stove.
12. Do not place on or near a hot gas or electric burner, or in a heat-ed oven.
13. Do not use appliance for other than intended use.
14. **WARNING:** To reduce the risk of fire or electric shock, do not remove the bottom cover of the coffeemaker. There are no user-serviceable parts inside. Repair should be done by authorized service personnel only.
15. To disconnect, turn any control to the OFF (O) position and then remove plug from wall outlet.

SAVE THESE INSTRUCTIONS!

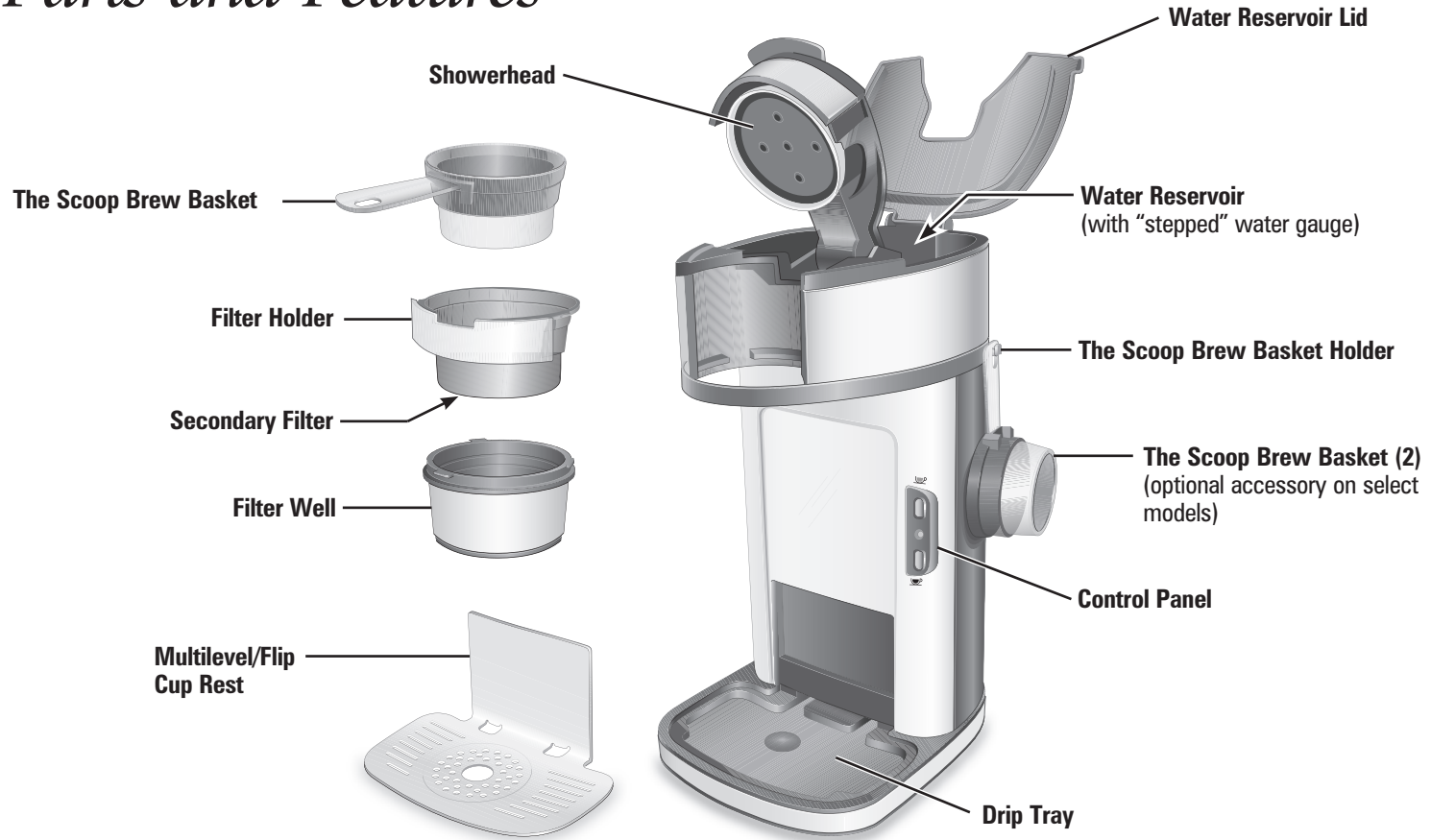
OTHER CONSUMER SAFETY INFORMATION

This appliance is intended to be used in household and similar applications such as:

- staff kitchen areas in shops, offices, and other working environments;
- farm houses;
- by clients in hotels, motels, and other residential type environments;
- bed and breakfast type environments.

To avoid an electrical circuit overload, do not use another high-wattage appliance on the same circuit with this appliance.

Parts and Features



Before First Use

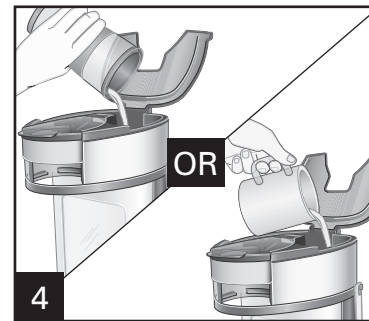
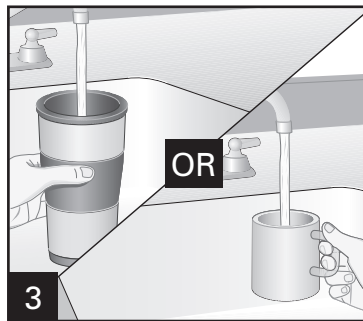
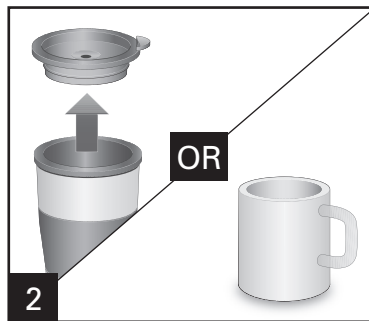
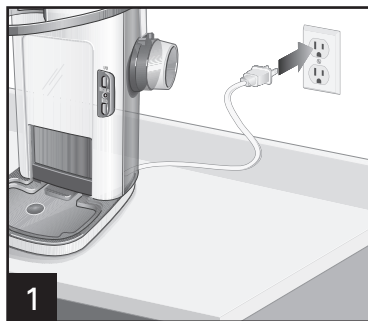
⚠ WARNING Burn Hazard.

To avoid contact with hot water:
• Do not use more than 14 ounces (410 ml) of water.

- Fill reservoir with mug or cup into which the water will be brewed.
- Fully insert mug or cup under filter basket.

Run one or two clean water cycles through the machine before first use.

AUTOMATIC SHUTOFF: The coffeemaker will automatically shut off after brew cycle is complete.



Water reservoir has two water levels: one for 8 oz. (250 ml) (minimum) and one for 14 oz. (410 ml) (MAX line) of water.

Before First Use (cont.)



Ensure the multilevel/flip cup rest is firmly secured and snapped into place.



Discard liquid when clean water cycle is finished. Coffeemaker is now ready for use. Follow instructions on page 6.

How to Use

SEE ALSO "USING THE  AND  SETTINGS" SECTION ON PAGE 8.

AUTOMATIC SHUTOFF: The coffeemaker will automatically shut off after brew cycle is complete.

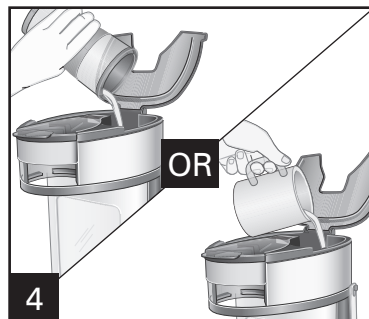
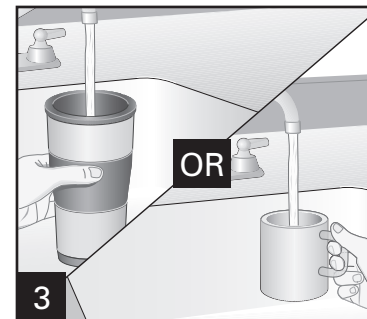
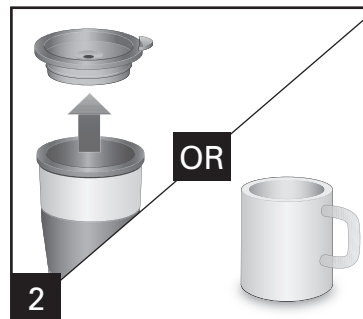
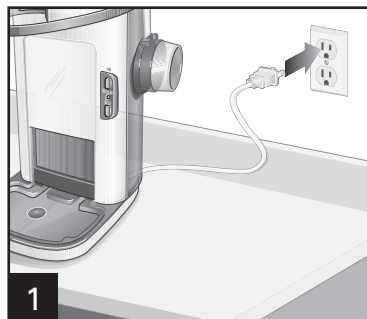
FOR HOTTER COFFEE: Rinse mug or travel mug with warm water before brewing.

⚠ WARNING Burn Hazard.

To avoid contact with hot coffee or water:

- Do not use more than 14 ounces (410 ml) of water.

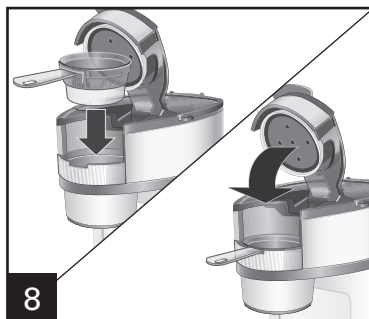
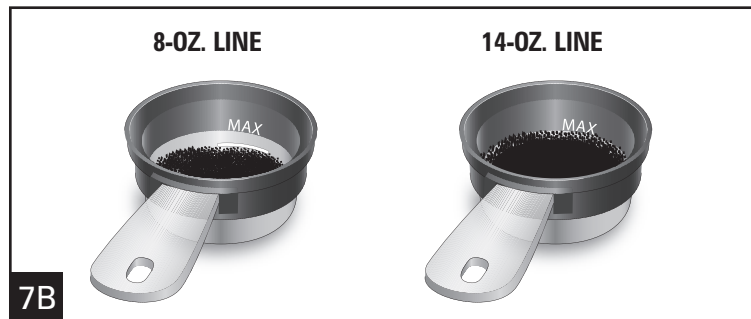
- Fill reservoir with mug or cup into which the coffee will be brewed.
- Fully insert mug or cup under filter basket.



Water reservoir has two water levels: one for 8 oz. (250 ml) (minimum) and one for 14 oz. (410 ml) (MAX line) of water.

Ensure the multilevel/flip cup rest is firmly secured and snapped into place.

How to Use (cont.)



7A **WARNING!** Burn Hazard. To avoid overflow, keep ground coffee below MAX fill line. When grinding coffee beans, use a standard medium drip grind size.

7B Scoop coffee grounds directly into the Scoop™ filter provided, using the measurement instructions shown above. Or, if you prefer to use a traditional coffee scoop method, measure coffee in the following way:
8-oz. cup = 2 tablespoons ground coffee
14-oz. cup = 3 tablespoons ground coffee
To get the perfect taste you prefer, adjust measurements up or down accordingly.





Use the ☕ setting for flavored, decaf, finely ground, and premium brand ground coffees such as Starbucks®.

Press ☕ or ☕ to begin flow of coffee. Coffeemaker will automatically shut off when brewing is complete. To stop brewing midcycle, press either button and the unit will turn off.

NOTE: If there is no water in the water reservoir, and a brew button is pushed, the unit will not brew. The LED light will blink for 5 seconds, then turn coffeemaker OFF (O).

Starbucks® is a registered trademark of Starbucks U.S. Brands, LLC.

Using the and Settings

- This unit uses ground coffee ONLY. It is **NOT** intended for use with coffee “pods.”
- Use the  setting when a stronger cup of coffee is desired. Use the  setting for flavored, decaf, finely ground, and premium brand ground coffees such as Starbucks®.
Starbucks® is a registered trademark of Starbucks U.S. Brands, LLC.
- When using whole bean coffee, a standard automatic drip coffee grind will yield best results. Be careful not to overgrind, since very finely ground coffee can cause overflow in this unit.
- If overflow occurs, first try switching the unit to the  setting, OR use slightly less grounds. The  setting dispenses water at a slower rate, allowing more contact time and better coffee extraction from the coffee.

Tips for Best-Tasting Coffee

- All coffees are made from either arabica beans or robusta beans, or some combination of both. Arabica beans are slightly more expensive, but tend to produce better-tasting coffee.
- Ground coffee will become stale much faster than whole beans. If buying preground coffee, choose a package with the latest expiration date or a smaller quantity.
- Try to use freshly ground coffee within about a week of grinding.
- Using a water filter, filtered water, or bottled water will yield better-tasting coffee than tap water.
- Make sure your coffeemaker is clean. See “Care and Cleaning” section.

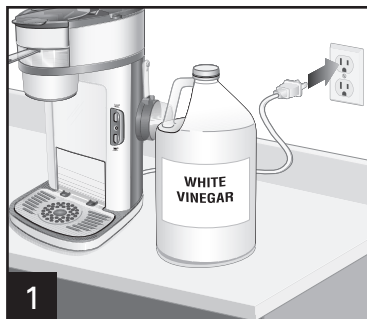
Care and Cleaning



WARNING Shock Hazard.

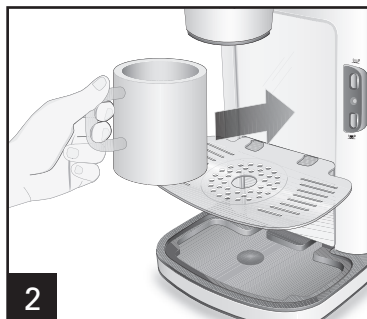
Do not immerse cord, plug, or coffeemaker in any liquid.

All coffeemakers should be cleaned at least once a month (once a week for areas with hard water).

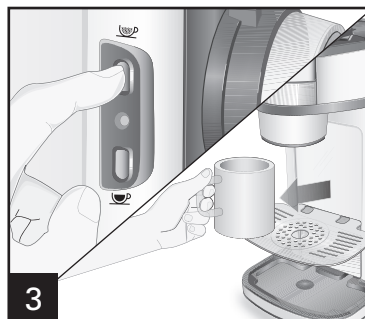


1

Pour 1/2 cup (125 ml) of plain white vinegar and 1/2 cup (125 ml) of cold water into reservoir.

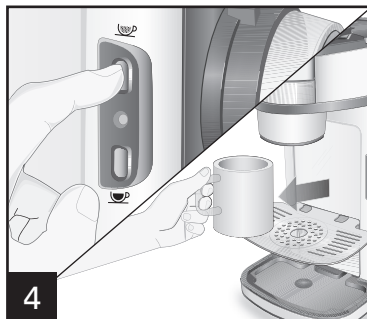


2



3

Press the ☕ or ☕ button once. After 30 seconds, turn unit OFF (O) using the ☕ or ☕ button and allow vinegar to clean. After 30 minutes, plug in unit and allow it to finish the brew cycle. When brew cycle is finished, wait for unit to cool. Empty cup and rinse.



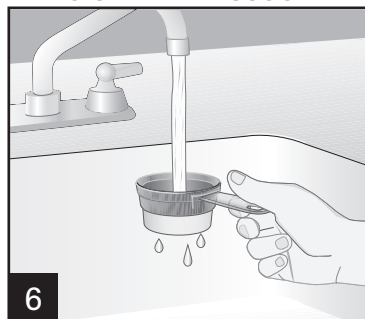
4

Replace accessories. Run two to three cycles of cold tap water. The unit is now cleaned and ready to make coffee.



5

TO CLEAN THE SCOOP™



6

Discard grounds after each use. Rinse and/or clean with soapy water. Towel dry or hang dry on brew basket holder.



DISHWASHER-SAFE

NOTE: The Scoop™ brew basket should be cleaned daily, and the filter holder should be cleaned at least once a week.

Troubleshooting

PROBLEM

PROBABLE CAUSE

Coffee tastes bad.

- Coffeemaker needs cleaning.
- Coffee ground too coarsely or too finely. Set coffee grinder to automatic drip grind.
- Poor coffee quality and freshness.
- Poor water quality (use filtered or bottled water).

Water on counter under unit.

- Overfilled water reservoir. Also check cup used to fill reservoir. Some mugs/cups do not pour cleanly and can dribble water down the side of the cup and onto counter.

Coffeemaker will not brew and LED light is blinking.

- Add water. If there is no water in the water reservoir and a brew button is pushed, the unit will not brew.

Weak coffee.

- First, try brewing using the ☕ setting. If coffee is still too weak, adjust water/coffee ratio by using slightly less water and/or more grounds. Be careful to not exceed the MAX line for grounds.

Coffee overflows from brew basket.

- Use a lesser amount of ground coffee.
- Use the ☕ setting for flavored, finely ground, premium brand ground coffees, and decaf coffees.
- When using whole bean coffee, a standard automatic drip coffee grind will yield best results. Be careful not to overgrind, since very finely ground coffee can cause overflow in this unit.

Coffee overflows from mug or travel mug.

- To prevent coffee overflowing from a mug/travel mug, ensure the SAME cup into which coffee will be brewed is also used to fill the water reservoir.

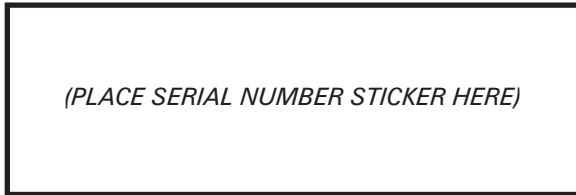
Notes

Limited Warranty

CUSTOMER NAME: _____
ADDRESS: _____
PHONE NUMBER: _____
MODEL NUMBER: _____
DATE OF PURCHASE: _____ BILL NUMBER: _____

NAME OF DEALER: _____
DEALER'S SIGNATURE: _____
CUSTOMER'S SIGNATURE: _____
STAMP:

SERIAL NUMBER:



EXPIRY DATE:

SHOULD ANY DEFECT IN MATERIAL OR WORKMANSHIP DEVELOP IN THE PRODUCT,

- CALL 1.800.42.555.43 OR VISIT www.hamiltonbeach.in FOR SERVICE CENTER LOCATIONS OR
- KINDLY TAKE THE PRODUCT TO THE PLACE OF PURCHASE OR
- CALL 1.800.42.555.43 FOR SERVICE AT HOME¹

THE PRODUCT OR ANY COMPONENT OF PRODUCT FOUND TO BE DEFECTIVE WILL BE REPAIRED OR REPLACED FREE OF CHARGE DURING THE WARRANTY PERIOD OF 2 YEARS, FROM THE DATE OF PURCHASE. IF THE PRODUCT OR COMPONENT IS NO LONGER AVAILABLE, WE WILL REPLACE WITH A SIMILAR ONE OF EQUAL OR GREATER VALUE.

¹At-home service is limited to certain geographical areas in India; please call 1.800.42.555.43 for further details.

840231200

VALIDITY:

- THIS WARRANTY IS ISSUED SUBJECT TO THE PRODUCTION AND VERIFICATION OF THE ORIGINAL PROOF OF PURCHASE.
- THIS WARRANTY IS VALID IN INDIA ONLY AND IF PRODUCT HAS BEEN PURCHASED FROM AN AUTHORIZED HAMILTON BEACH DEALER.
- THIS WARRANTY DOES NOT COVER GLASS, FILTERS, WEAR FROM NORMAL USE, USE NOT IN CONFORMITY WITH THE PRINTED DIRECTIONS, OR DAMAGE TO THE PRODUCT RESULTING FROM ACCIDENT, ALTERATION, ABUSE, OR MISUSE. THIS WARRANTY ONLY EXTENDS TO THE ORIGINAL CONSUMER PURCHASER OR THE GIFT RECIPIENT.

THE WARRANTY WILL BE CONSIDERED INVALID IF:

- PRODUCT HAS NOT BEEN USED PER THE MANUFACTURER'S OPERATING INSTRUCTIONS.
- PRODUCT HAS BEEN SERVICED, REPAIRED, OPENED, OR TAMPERED WITH BY ANY UNAUTHORIZED PERSON.
- UNAUTHORIZED CORRECTION/ALTERATIONS IN INVOICE COPY/INSTALLATION NOTE/SERIAL NUMBER OF PRODUCT.
- INCOMPLETE WARRANTY CARD AFTER PURCHASE.
- ANY ATTACHMENTS NOT RECOMMENDED BY THE MANUFACTURER HAVE BEEN USED ON THE PRODUCT.
- PRODUCT IS USED FOR OTHER THAN SINGLE-FAMILY HOUSEHOLD USE OR SUBJECTED TO ANY VOLTAGE AND WAVEFORM OTHER THAN 220-240V~/50Hz.

7/13