



Please read the following instructions carefully.
Keep this instruction manual for future reference.

Tools required: (none).

**For Technical Support Call 1-800-268-6237 or
E-Mail at customerservice@summerinfant.com**

WARNING:

Adult assembly required.

Exercise care when unpacking and assembling product.

For use with children six months and up.



INSTRUCTION MANUAL

DELUXE WOOD WALK-THRU GATE

Thank you for buying the Deluxe Wood Walk-Thru Gate from Summer Infant. This pressure-mounted gate helps you create and maintain a secure environment for your child. It has a hinged swinging door that opens easily in either direction with one hand. It also swings closed automatically. It's fully adjustable to fit openings from 29.5"– 40.5".

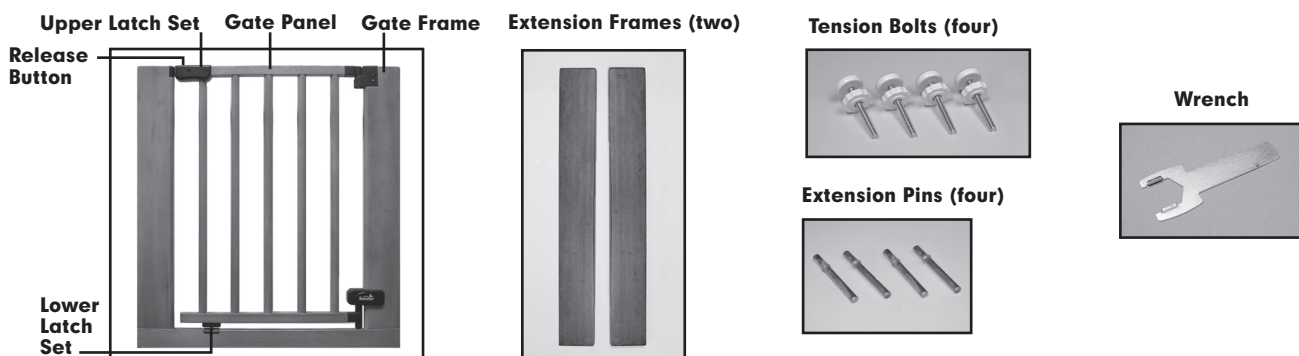
Please read all the instructions before installing the gate.

WARNING: IMPORTANT! KEEP FOR FUTURE REFERENCE!

- To prevent serious injury or death, securely install gate and use according to manufacturer's instructions.
- Never use with a child able to climb over or dislodge the gate.
- Never leave child unattended.
- Use only with lock securely engaged.
- Do not use if any components are missing or damaged.
- To prevent falls never use at top of stairs.
- This product will not necessarily prevent all accidents. Proper adult supervision is required at all times.

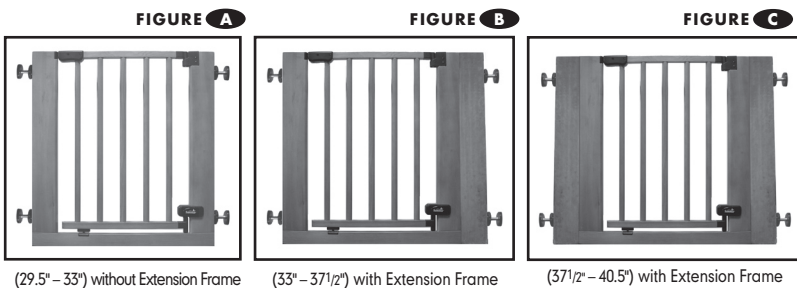
CAUTION: KEEP SMALL PARTS OUT OF CHILD'S REACH.

FEATURES & COMPONENTS:

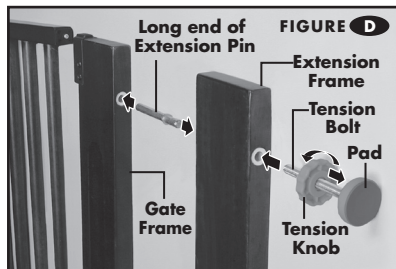


SET UP:

1 Measure the width of the opening where you intend to install the gate. Please refer to the following pictures to determine the correct installation configuration.



2 To use with extension frame assemble as shown in Figure D.

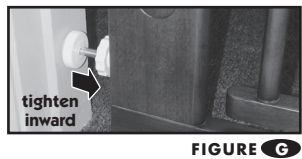


3 Screw the tension knobs down the tension bolts until they contact the pads. Insert 4 tension bolts into holes on outside and slide inward towards frame as far as possible.

4 Place the gate in the opening so that the bottom of the gate frame is completely flat on the floor, as shown in Figure E.



5 Center the gate in the opening, so that the distance from the bottom of gate frame to each side wall is equal, as shown in Figure F. **Note: Never create a gap on either side more than 3".** Use the marks etched into the wrench as a ruler. Slide the tension bolts out until the pads contact the door frame or wall. Then screw the tension knob away from the pad until it contacts the gate frame as shown in Figure G.



OPERATION:

To open the gate: (see Figure N)

1. Slide the release button away from the door frame or wall.
2. Lift up the gate panel.
3. Swing open in either direction.

To close the gate:

Simply release the gate and it will close automatically.

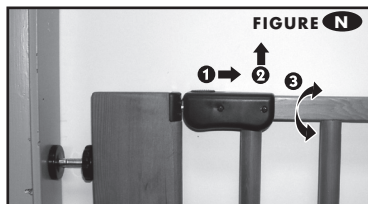
Caution: After closing the gate, ALWAYS check to be certain that it is latched securely.

Troubleshooting:

If the gate does not stay closed:

1. The upper latch set is not properly adjusted.

Solution: Adjust the upper tension knobs by turning them counter-clockwise to release tension or clockwise to increase tension. Ensure that the upper latch set



Note: Wrench is provided for final tightening of all four tension knobs (if necessary), as shown in Figure H.



6 Tighten both of the tension knobs on the bottom inward towards the frame at the same time, as shown in Figure I. Then tighten both of the tension knobs on the top inward towards the frame at the same time, as shown in Figure J, so that the upper latch set goes below the release button completely, as shown in Figure L. **To verify installation:** Push the frame to ensure that it is secure in the opening and then push the gate panel to ensure that the upper and lower latch sets lock securely in the housings on the frame, as shown in Figures K and L.



FIGURE I

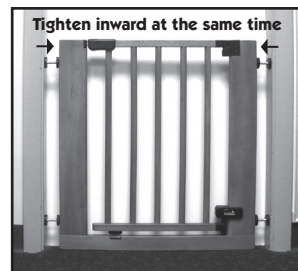


FIGURE J

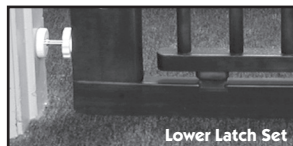


FIGURE K

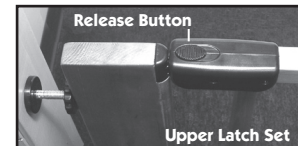


FIGURE L

Note: If gate is difficult to unlatch, top tension knobs may be too tight.

OPTIONAL MOUNTING CUPS:

In normal use, there is no need for mounting holes that damage woodwork and walls. For added security, optional mounting cup kit, item #07050A-1 can be ordered on www.summerinfant.com

To install with mounting cups:

Fasten mounting cups to the door frame or studs with screws as shown in Figure M. If mounting into wall, use wall anchors.

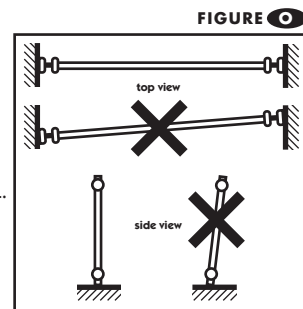
Note: The adhesive mounting pads are only for positioning the mounting cups and must be used in conjunction with screws.



button always remains below the release button as shown in Figure L. Also ensure that the upper latch set button engages securely when the gate swings closed and that it can be released properly when the release button is pushed.

2. Lower latch set position is too low.
Solution: Although unusual, some door frames may be out of alignment. In this case you may have to adjust the individual tension knobs to ensure that the gate is aligned properly. Make sure the upper latch set is still below the release button as shown in Figure L.

If the gate does not stay in position it may not be installed properly as shown in Figure O. Remove and reinstall the gate, making sure the gate is installed correctly as shown in Figure O.



MAINTENANCE:

1. Regularly check tension knobs and rubber pads to make sure the gate is securely in place.
2. Do not use the gate if any components are damaged or missing.
3. Wipe surface with a damp cloth or sponge using mild detergent and warm water.

We at Summer Infant stand behind all of our products. If you are not completely satisfied or have any questions, please contact our Customer Service Department at 1-800-268-6237 or e-mail us at customerservice@summerinfant.com

© 2002 Summer Infant, Inc.
1275 Park East Drive
Woonsocket, RI 02895 USA
1-800-268-6237
MADE IN CHINA.
Colors and styles may vary.

Summer Infant Europe, LTD.
Office Suite 6, Second Floor
Bournehall House, Bournehall Road
Bushey, Hertfordshire
WD23 3HP UK
+44 (0)208 420 4429





07230, 07050A, 07610

What to expect from your Summer Infant
Deluxe Wood Pressure Gate

DELUXE WOOD WALK-THRU GATE

Please read these helpful hints in addition to reading your instruction manual carefully.

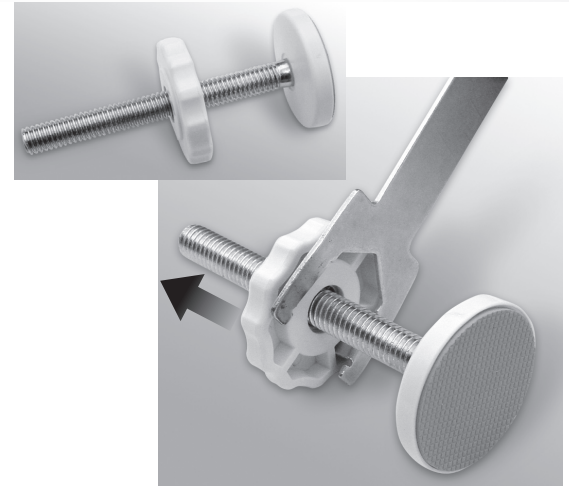
When you unpack the gate, you will notice it is NOT square. This is normal and not damage to the gate.

It is manufactured at a pre-set angle so that when it is installed in an opening properly, it will maintain the correct amount of tension and cannot be pushed out of the opening under normal use.

The 4 tension bolts, with adjusting knobs, simply slide into the gate frame—they do NOT screw into place.

To create tension against the walls of the opening, turn the knob on each tension bolt with the wrench provided until the gate is snug.

Follow steps on the instruction sheet carefully and the installation should go smoothly. If you have any problems, please do not return the gate to the store where you purchased it. Call our customer service line at 1-800-268-6237 and someone should be able to help you with installation. If you are an international customer, please email us at customerservice@summerinfant.com.



Summer Infant, Inc.

1275 Park East Drive
Woonsocket, RI 02895 USA
1-800-268-6237
©2002 Summer Infant, Inc.

Summer Infant Europe, LTD.

Office Suite 6, Second Floor
Bournehall House, Bournehall Road
Bushey, Hertfordshire WD23 3HP UK
+44 (0)20 8420 4429