

**DATAMAX**



## Maintenance Manual

**Corporate Headquarters**

4501 Parkway Commerce Blvd.  
Orlando, FL 32808  
Phone: 407-578-8007  
Fax: 407-578-8377



**Asia-Pacific**

19 Loyang Way  
#01-01 CILC Building  
Singapore 508724  
Phone: +65 542-2611  
Fax: +65 542-3611

**Datamax International**

Herbert House  
12 Elizabeth Way, Pinnacles  
Harlow, Essex CM19 5FE UK  
Phone: +44 1279 772200  
Fax: +44 1279 424448


## Copyright Information:

CG Triumvirate is a trademark of Agfa Corporation.

CG Times based upon Times New Roman under license from the Monotype Corporation.

## Firmware (Software) Agreement:

The enclosed Firmware (Software) resident in the Printer is owned by Licensor or its suppliers and is licensed for use only on a single printer in the user's Trade or Business. **The User agrees not to, and not to authorize or permit any other person or party to duplicate, or copy the Firmware or the information contained in the non-volatile or programmable memory.** The firmware (Software) is protected by applicable copyright laws and Licensor retains all rights not expressly granted. In no event will Licensor or its suppliers be liable for any damages or loss, including direct, incidental, economic, special, or consequential damages, arising out of the use or inability to use the Firmware (Software).

 <b>WARNING</b>	<b>Lithium Battery:</b> There is a danger of explosion or fire if the battery is incorrectly replaced. Replace only with the same or equivalent type recommended by the manufacturer. Discard used batteries according to the manufacturer's instructions.
---	--

Information in this document is subject to change without notice and does not represent a commitment on the part of DATAMAX. No part of this manual may be reproduced or transmitted in any form or by any means, for any purpose other than the purchaser's personal use, without the expressed written permission of DATAMAX.

All rights reserved. Printed in the United States of America

Part Number 88-2321-01 Rev. G

©Copyright 2007 Datamax Corporation

## Contents

---

- 1** Overview
- 2** Adjustments and Maintenance
- 3** Troubleshooting
- 4** Removal and Replacement
- 5** Printer Assemblies



# 1

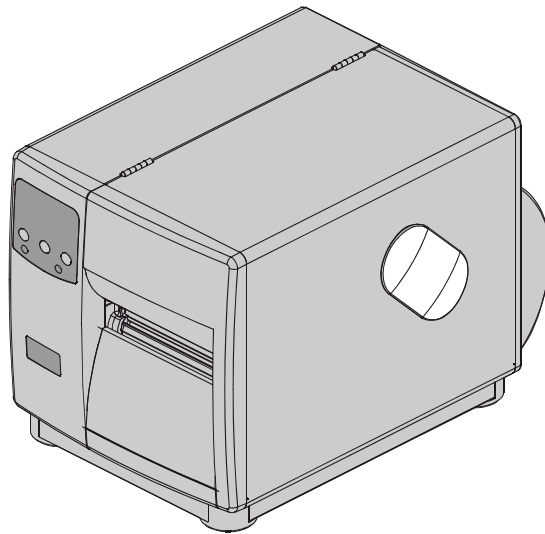
## Overview

---

1.0	Introduction.....	1
1.1	About the Printer.....	2



## 1.0 Introduction



This manual is intended for use by qualified service personnel in the maintenance and repair of I-Class model printers (hereafter referred to as ‘the printer’). It primarily includes technical information relating to the printer’s electrical and mechanical components. If necessary, refer to the following documents for additional printer information (available for download at <http://www.datamaxcorp.com/>):

- ♦ For operating information, reference the *Operator’s Manual*, part number 88-2241-01.
- ♦ For software documentation (Datamax Programming Language), reference the *Class Series Programmer’s Manual*, part number 88-2316-01.

### Important Information:



The exclamation point inside an equilateral triangle is intended to alert the technician to the presence of important operating, maintenance or servicing information. Always, as with all electrical equipment, follow basic safety precautions to avoid personal injury or printer damage.

## 1.1 About the Printer

The following drawing highlights the user-assessable components of the printer. Items denoted with an asterisk (\*) are optional equipment.

