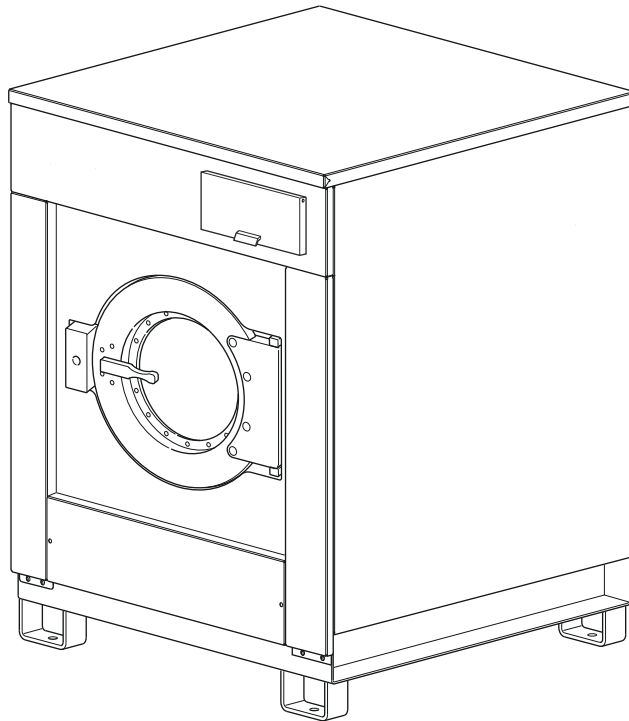


Washer-Extractor

Cabinet Freestanding
Refer to Page 5 for Model Numbers



CFD18C_9001759

Table of Contents

Title	Page
Parts Ordering Information.....	3
Serial Plate Location	3
Model Identification	5
Cabinet Freestanding Washer-Extractor Product Overview - *X Models.....	6
Cabinet Freestanding Washer-Extractor Product Overview - *HF Models	8
Frame.....	10
Shock and Spring Assembly	12
Shell and Front Panel - *X165 Design 6 Models.....	14
Shell and Front Panel - All Models Except *X165 Design 6 Models	16
Bearing Assembly (Drawing 1 of 3) - Models Through 1/30/2011	18
Bearing Assembly (Drawing 2 of 3) - Models Through 1/30/2011	20
Bearing Assembly (Drawing 3 of 3) - Models Through 1/30/2011	22
Bearing Assembly - Models Starting 1/31/2011	24
Basket, Pulley and Belt - Models Through 1/30/2011	26
Basket, Pulley and Belt - Models Starting 1/31/2011	28
Motor	30
Drain Assembly	32
Drain Valve - Normally Open	34
Drain Valve - Normally Closed	36
Door Lock.....	38
Door - *X165 Design 6 Models	40
Door - All Models Except *X165 Design 6 Models	42
Control Panel - *X Models.....	44
Control Panel - PS40F	46
Control Panel - Cygnus Professional	48
Control Panel - PRO	50
Control Panel - Cygnus Premium and Cygnus Ultra	52
Control Module.....	54
Top, Left Side and Front Panels	56
Back and Right Side Panels	58
Upper Back Panel (Drawing 1 of 5)	60
Upper Back Panel (Drawing 2 of 5)	62
Upper Back Panel (Drawing 3 of 5)	64
Upper Back Panel (Drawing 4 of 5)	66
Upper Back Panel (Drawing 5 of 5)	68
Supply Dispenser - Models Through 4/30/2009.....	70
Supply Dispenser - Models Starting 5/1/2009.....	72
Plumbing (Drawing 1 of 3)	74
Plumbing (Drawing 2 of 3)	76
Plumbing (Drawing 3 of 3)	78
Balance Switch	80

© Copyright 2017, Alliance Laundry Systems LLC

All rights reserved. No part of the contents of this book may be reproduced or transmitted in any form or by any means without the expressed written consent of the publisher.

Soap Pumps	82
Spray Pump	84
Electric Heating Option	86
Steam Heating Option - *HF165, *HF730 and *X165 Models.....	88
Steam Heating Option - *HF900 and *X200 Models.....	90
Parts Index.....	93

Parts Ordering Information

If literature or replacement parts are required, contact the source from whom the machine was purchased or contact Alliance Laundry Systems at (920) 748-3950 for the name and address of the nearest authorized parts distributor.

For technical assistance, call either of the numbers listed below:

(920) 748-3121 Ripon, Wisconsin

Serial Plate Location

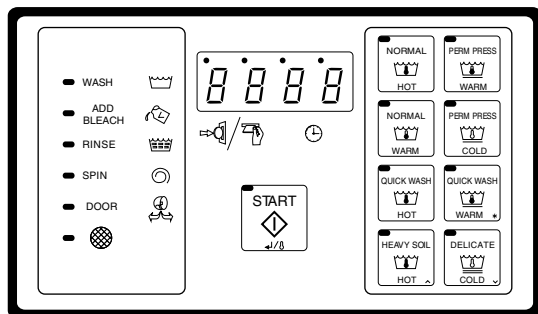
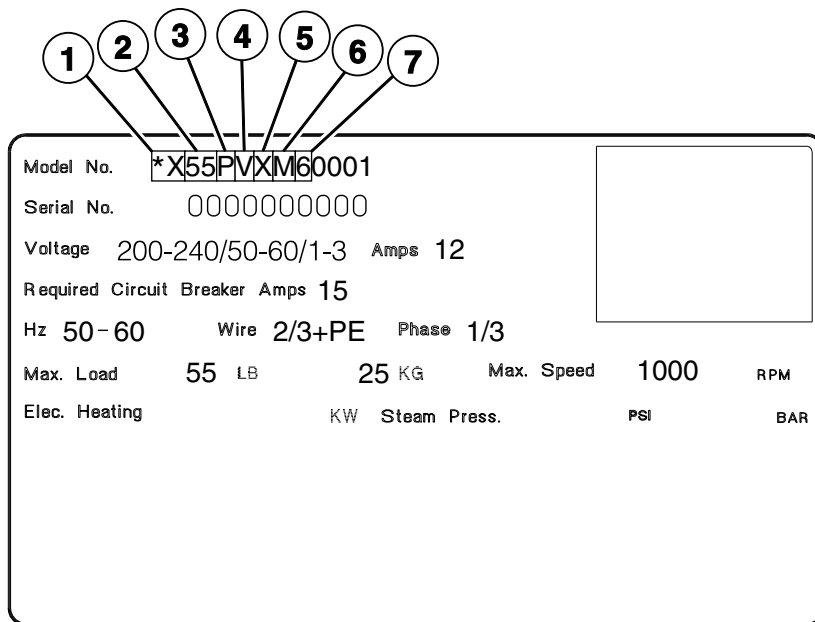
When calling or writing about your product, be sure to mention model and serial numbers. Model and serial numbers are located on serial plate(s).

Model Identification

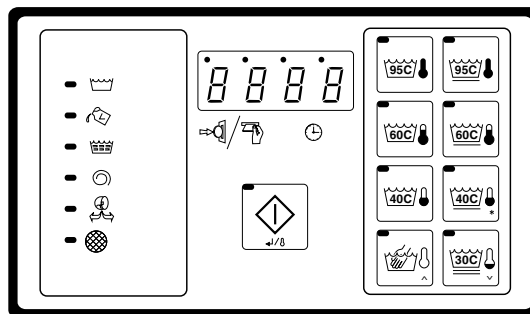
Information in this manual is applicable to these washer-extractor models:

CHF165ANH	HX165PVNU6	SX165PVNU6
CHF730U	HX165PVNU7	SX165PVNU7
CS165_CYGNUS-ULTRA	HX165PVPU7	SX165PVPU7
HF730_CYGNUS-PREM_OPL	HX165PVQU6	SX165PVQU6
HF730_CYGNUS-PRO	HX165PVQU7	SX165PVQU7
HF730_PS40F	HX165_WE-8	SX165Z
HF900_CYGNUS-PREM_OPL	HX200PVNU7	SX165_WE-8
HF900_CYGNUS-PRO	HX200PVPU7	SX200PVNU7
HF900_PS40F	HX200PVQU7	SX200PVPU7
	HX200_WE-8	SX200PVQU7
	IHF165ANH	SX200Z
	IHF165ZNH	SX200_WE-8
	IHF730ANH	UX165PVNU6
	IHF730U	UX165PVNU7
	IHF730ZNH	UX165PVPU6
	IHF900ANH	UX165PVPU7
	IHF900ZNH	UX165PVQU6
		UX165PVQU7
		UX165Z
		UX165_WE-8
		UX200PVNU7
		UX200PVPU7
		UX200PVQU7
		UX200Z
		UX200_WE-8

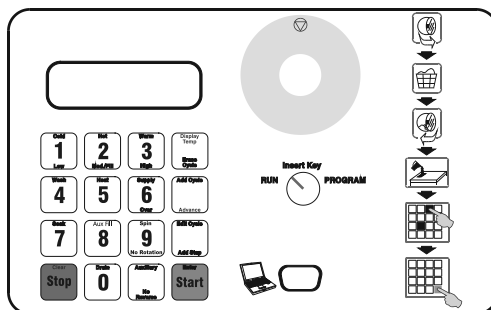
Cabinet Freestanding Washer-Extractor Product Overview - *X Models



B Computer (Domestic)



B Computer (International)



WE-8 Micro

CFD266P_9001759

Cabinet Freestanding Washer-Extractor Product Overview - *X Models

REF	PART NO.	DESCRIPTION	COMMENTS
1	-	Product Family	HX NX SX UX
2	-	Capacity (Pounds)	18 25 30 35 55 75 100 135 165 200
3	-	Control	B (B Computer) P (WE-8 Micro) Z (PRO)
4	-	Speed	V (Variable)
5	-	Voltage	N (440-480/50-60/3/3) P (380-415/50-60/3/3) Q (200-240/50-60/3/3) X (200-240/50-60/1/3)
6	-	OEM	A F M U
7	-	Design	6 and 7

Cabinet Freestanding Washer-Extractor Product Overview - *HF Models

Type:	HF575P	Nr:	07110580147
Voltage:	3 ~ 380V 50Hz	Weight:	1787 kg
Motor:	7.5 kW 20 A	Capacity:	575 L
Heating:	36 kW 60 A	Dry Load:	57 kg
Total:	43.50 kW	Drum:	980 mm
Kinetic energy:	23257N/M	Speed:	800 rpm
Manufactured in:	2007		

Water Pressure: min. 2.07 max. 5.86 Kg/cm² min. 20.7 max. 58.6 N/cm² IPX4
sfc 741295

Alliance International BVBA
Nieuwstraat 146
8560 Wevelgem
Belgium
Tel: +32 56 41 20 54
Fax: +32 56 41 86 74
www.ipso.be

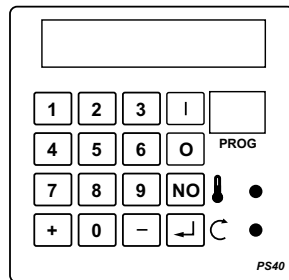
Model No:	IHF165MNHX10U01	Serial No:	0710740113
Volts Hertz:	208-240 50/60	Type:	HF730P
Phase:	3	Capacity:	165/73 lbs/kg
Amps:	20 amps	Water:	30-85 psi
Recommended Circuit Breaker:	25 amps	Pressure:	2.07-5.86 bar
Interrupt Current:	10 kA	Max Speed:	750 rpm
Motor:	15 hp 11 kW	Net Weight:	3520 lbs 5070 kg
Elec Heat:	N/A kW		IPX4
Steam heat:	N/A psi N/A bar		

Alliance International BVBA
Made in Belgium

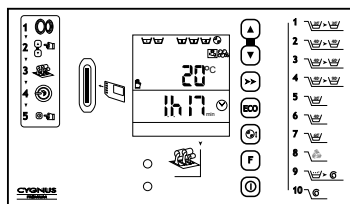
TEL 1-920-748-3121
www.comlaundry.com

100740
CONFORMS TO ANSI/UL
STD 2157
CERTIFIED TO CAN/CSA
STD C22.2 NO.169

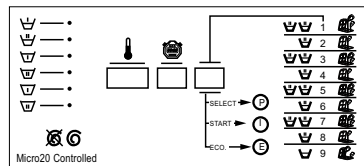
Label 1



PS40

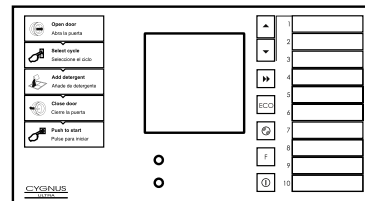


Cygnus Premium

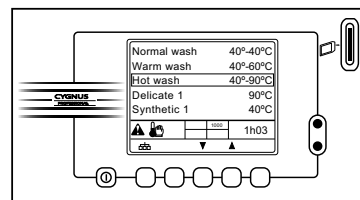


Micro 20

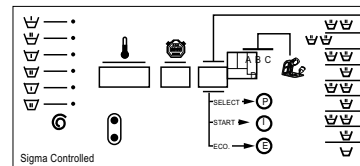
Label 2



Cygnus Ultra



Cygnus Professional



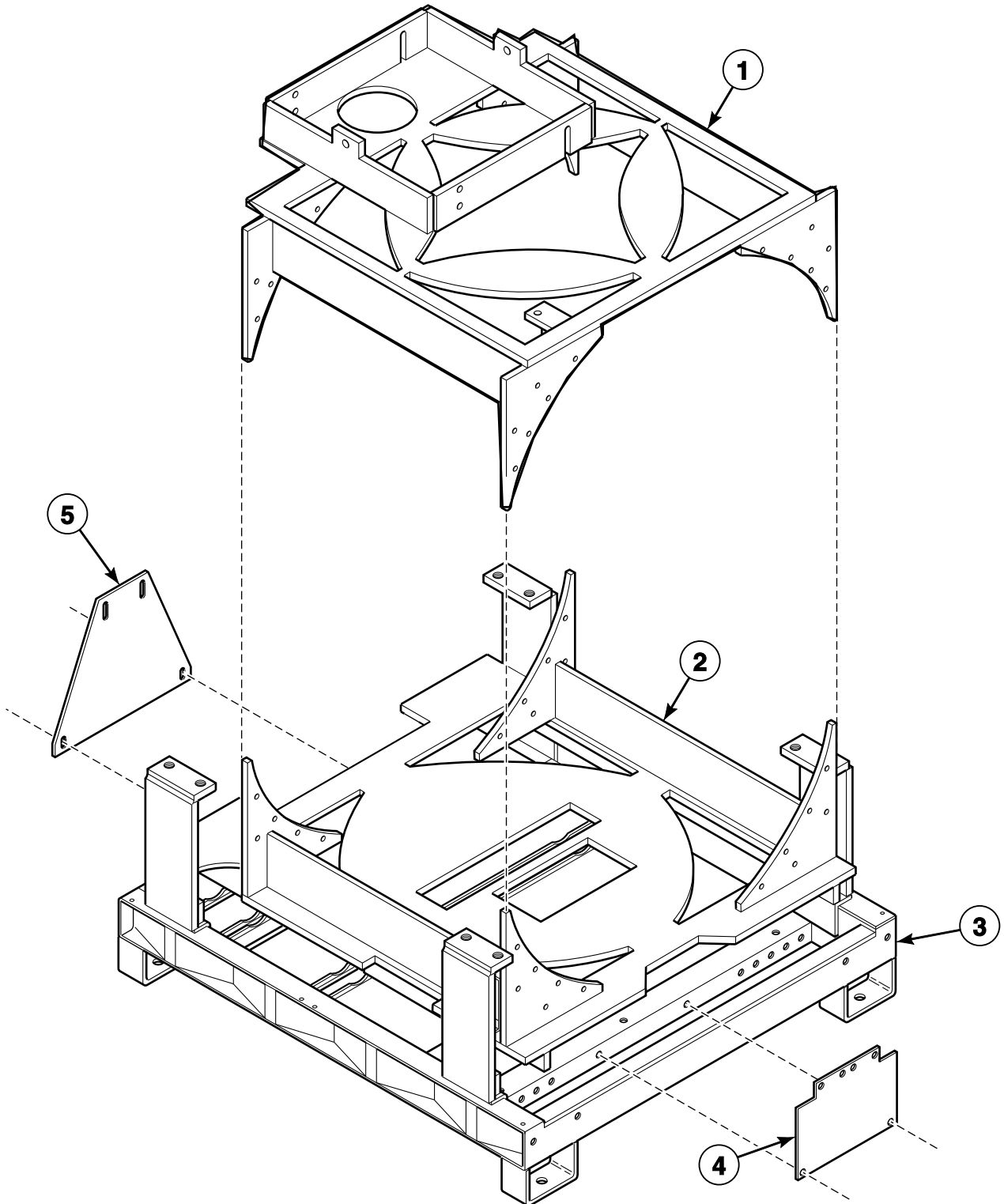
Sigma

CFD620P_9001759

Cabinet Freestanding Washer-Extractor Product Overview - *HF Models

REF	PART NO.	DESCRIPTION	COMMENTS
1	-	Product Family	CHF HF IHF
2	-	Capacity (Pounds)	165 730 900
3	-	Control	A (PS40F) CAM-Timer Cygnus-Prem Cygnus-Ultra M (Micro-20) Micro-9 PC30 PS40 Sigma U (Cygnus-Ultra) Z (Cygnus-Pro)
4	-	Actuation	N (Non-Coin)
5	-	Speed	H (High Speed)
6	-	Voltage	N (440-480/50-60/3/3) P (380-415/50-60/3/3) Q (208-240/50-60/3/3) X (200-240/50-60/1/3)
7	-	Design	1

Frame

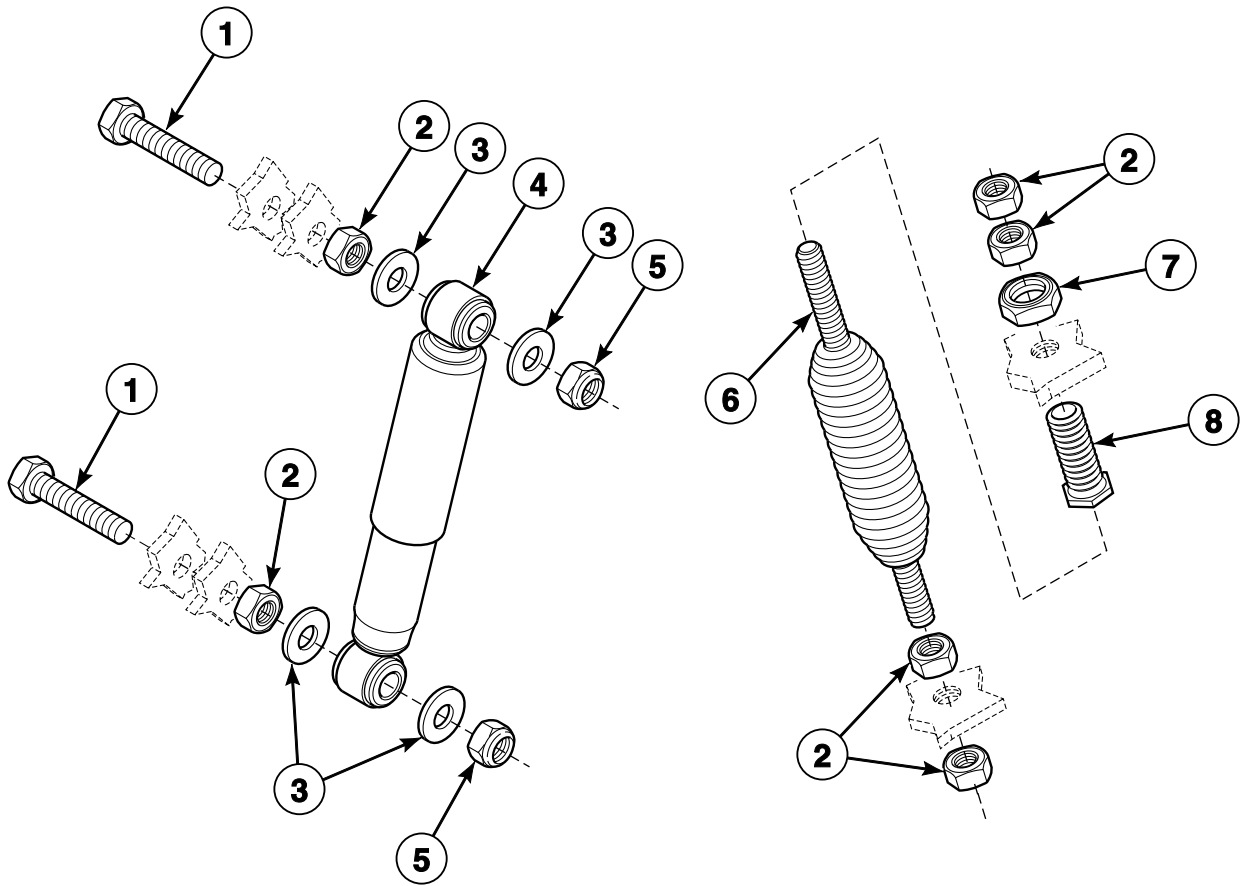


CFD264P_9001759

Frame

REF	PART NO.	DESCRIPTION	COMMENTS
1	253/10503/00	Upper Support	*HF165, *HF730 and *X165 models
	290/10503/00	Upper Support	*HF900 and *X200 models
2	253/10502/00	Lower Support	*HF165, *HF730 and *X165 models
	290/10502/00	Lower Support	*HF900 and *X200 models
3	253/10501/00	Frame	*HF165, *HF730 and *X165 models
	290/10501/00	Frame	*HF900 and *X200 models
4	173/00015/00	Shipping Bracket	Front
5	173/00054/00	Shipping Bracket	Rear

Shock and Spring Assembly

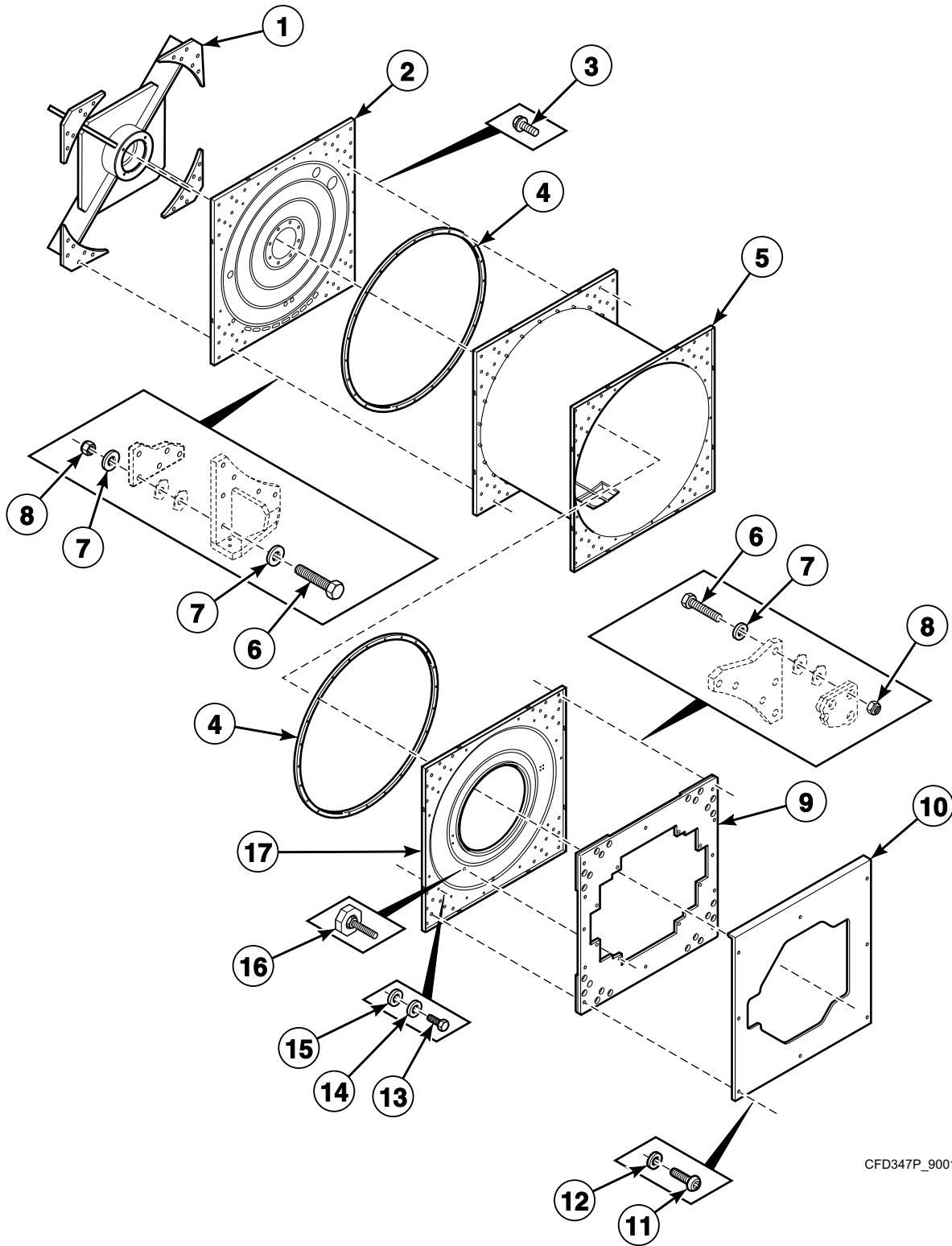


CFD58P_9001759

Shock and Spring Assembly

REF	PART NO.	DESCRIPTION	COMMENTS
1	206/00071/00	Bolt	
2	204/00012/00	Nut	
3	B12522101	Washer	
4	247/00008/00	Shock Absorber	
	211/00137/10	Shock Absorber Bushing	
5	204/00113/00	Nut	
6	B12440101	Suspension Spring	
7	204/00016/00	Nut	
8	224/00046/00	Bolt	

Shell and Front Panel - *X165 Design 6 Models

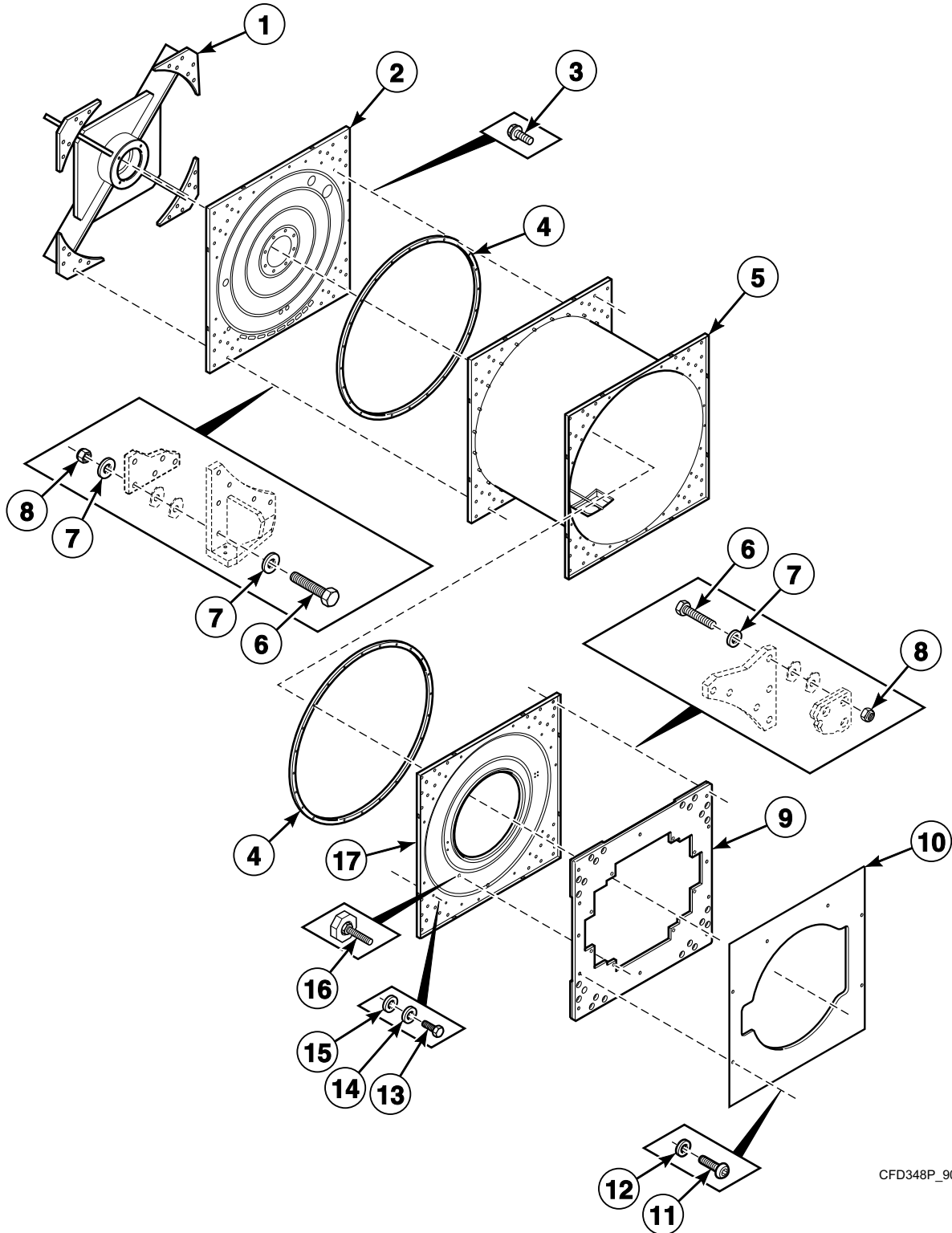


CFD347P_9001759

Shell and Front Panel - *X165 Design 6 Models

REF	PART NO.	DESCRIPTION	COMMENTS
1	253/10505/00	Bearing Housing	
2	173/00020/10	Tub Back Plate	Standard and steam heat
	173/00019/10	Tub Back Plate	Electric and steam heat
3	206/00099/00	Bolt	
4	255/00001/00	Tub Gasket	
5	173/00020/00	Tub	Standard and steam heat
	173/00019/00	Tub	Electric and steam heat
6	206/00122/00	Bolt	
7	201/00001/00	Washer	
8	204/00113/00	Nut	
9	253/10504/00	Counterweight	
10	173/00025/00	Front Panel	
11	205/00102/00	Bolt	
12	202/00105/00	Washer	
13	205/00105/00	Bolt	
14	B12300701	Washer	
15	B12300601	Washer	
16	252/00006/00	Leveling Leg	
17	173/00025/00	Front Panel	

Shell and Front Panel - All Models Except *X165 Design 6 Models

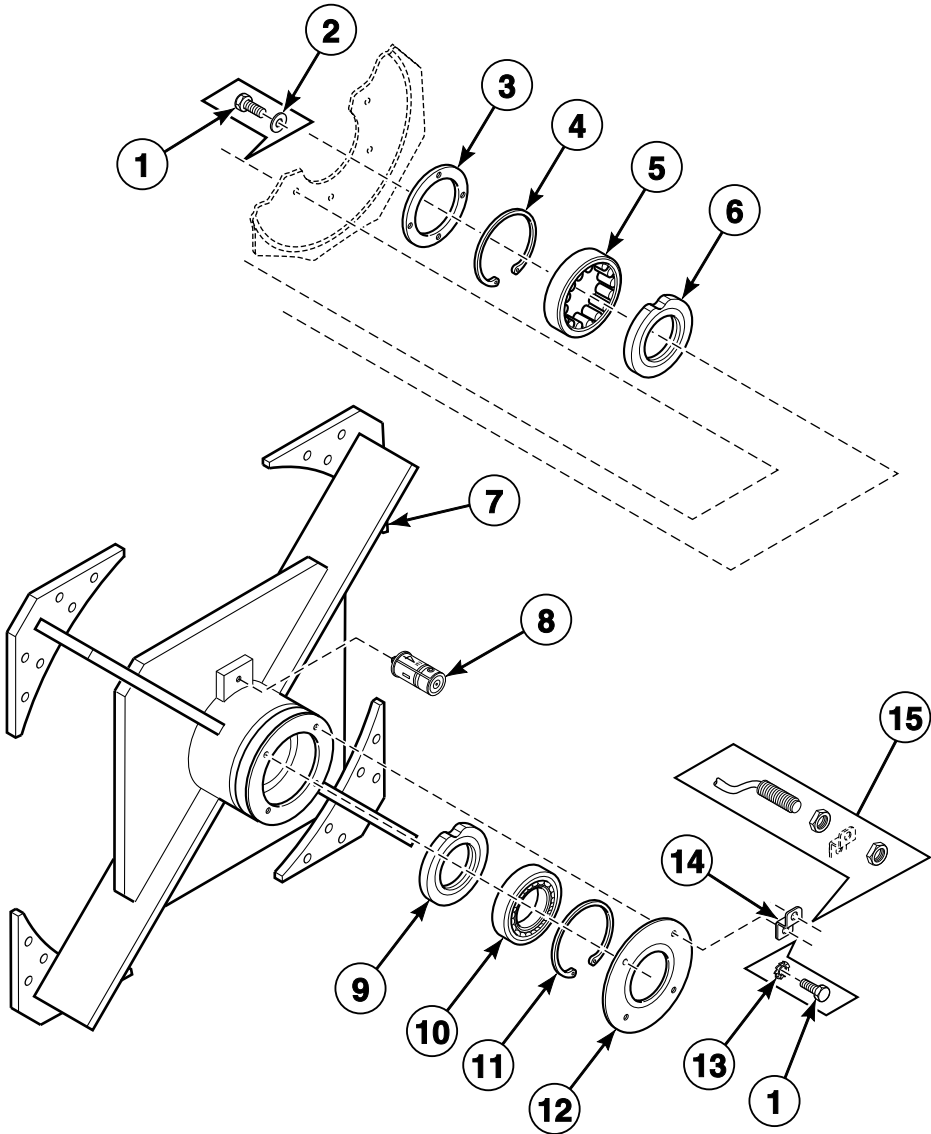


CFD348P_9001759

Shell and Front Panel - All Models Except *X165 Design 6 Models

REF	PART NO.	DESCRIPTION	COMMENTS
1	253/10505/00	Bearing Housing	
2	173/00020/10	Tub Back Plate	Standard and steam heat
	173/00019/10	Tub Back Plate	Electric and steam heat
3	206/00099/00	Bolt	
4	255/00001/00	Tub Gasket	
5	190/00020/00	Tub	*HF900 and *X200 models; Standard and steam heat
	173/00020/00	Tub	All other models; Standard and steam heat
	190/00019/00	Tub	*HF900 and *X200 models; Electric and steam heat
	173/00019/00	Tub	All other models; Electric and steam heat
6	206/00122/00	Bolt	
7	201/00001/00	Washer	
8	204/00113/00	Nut	
9	253/10504/00	Counterweight	
10	173/00010/00	Tub Front	
11	205/00102/00	Bolt	
12	202/00105/00	Washer	
13	205/00105/00	Bolt	
14	B12300701	Washer	
15	B12300601	Washer	
16	252/00006/00	Leveling Leg	
17	173/00022/00	Tub Front	

Bearing Assembly (Drawing 1 of 3) - Models Through 1/30/2011

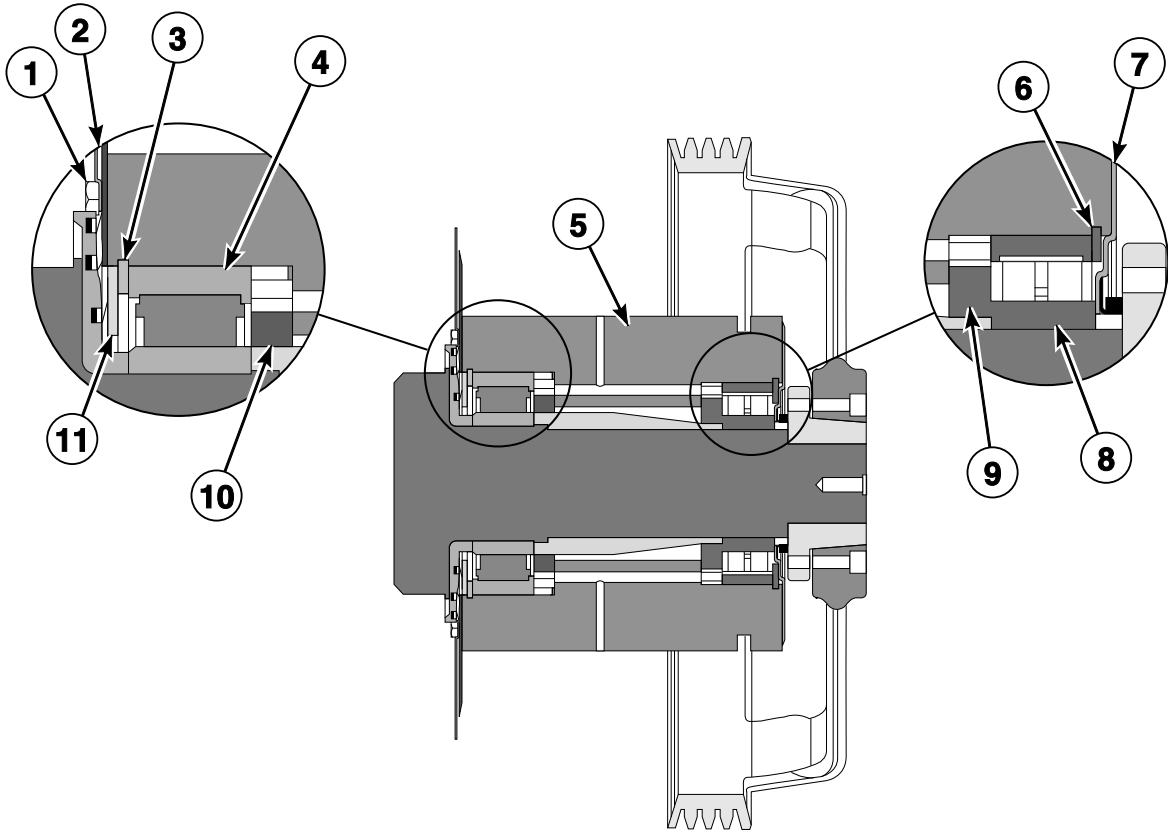


CFD95P_9001759

Bearing Assembly (Drawing 1 of 3) - Models Through 1/30/2011

REF	PART NO.	DESCRIPTION	COMMENTS
	245/00059/00	Bearing Tool Kit	
	895P3	Bearing Replacement Kit	Includes items 5, 8 and 10 and 253/00151/00 V-Ring Seal (VL220), 253/00153/00 V-Ring Seal (VL170), 253/10516/00 V-Ring Seal (VL250), 253/10515/00 V-Ring Seal (VA110) and 253/10506/00 Bearing Sleeve
1	205/00102/00	Bolt	
2	201/00204/00	Washer	
3	253/10523/00	Bearing Retainer	
4	212/00043/00	Retaining Ring	
5	253/00164/00	Bearing	
6	B12360809	Bearing Spacer	
7	253/10505/00	Bearing Housing	
	B12626001	Bearing Housing	Includes items 4-6 and 9-11
8	212/00022/00	Lubricator	
9	253/10513/00	Bearing Spacer	
10	253/00165/00	Bearing	
11	253/00157/00	Retaining Ring	
12	253/10507/00	Bearing Retainer	
13	203/00002/00	Washer	
14	153/00041/02	Speed Sensor Bracket	*X165 models; Models through 10/29/2006
	153/00041/11	Speed Sensor Bracket	*X165 models; Models starting 10/30/2006
	153/10028/00	Speed Sensor Bracket	All other models
15	209/00400/00	Speed Detector	

Bearing Assembly (Drawing 2 of 3) - Models Through 1/30/2011

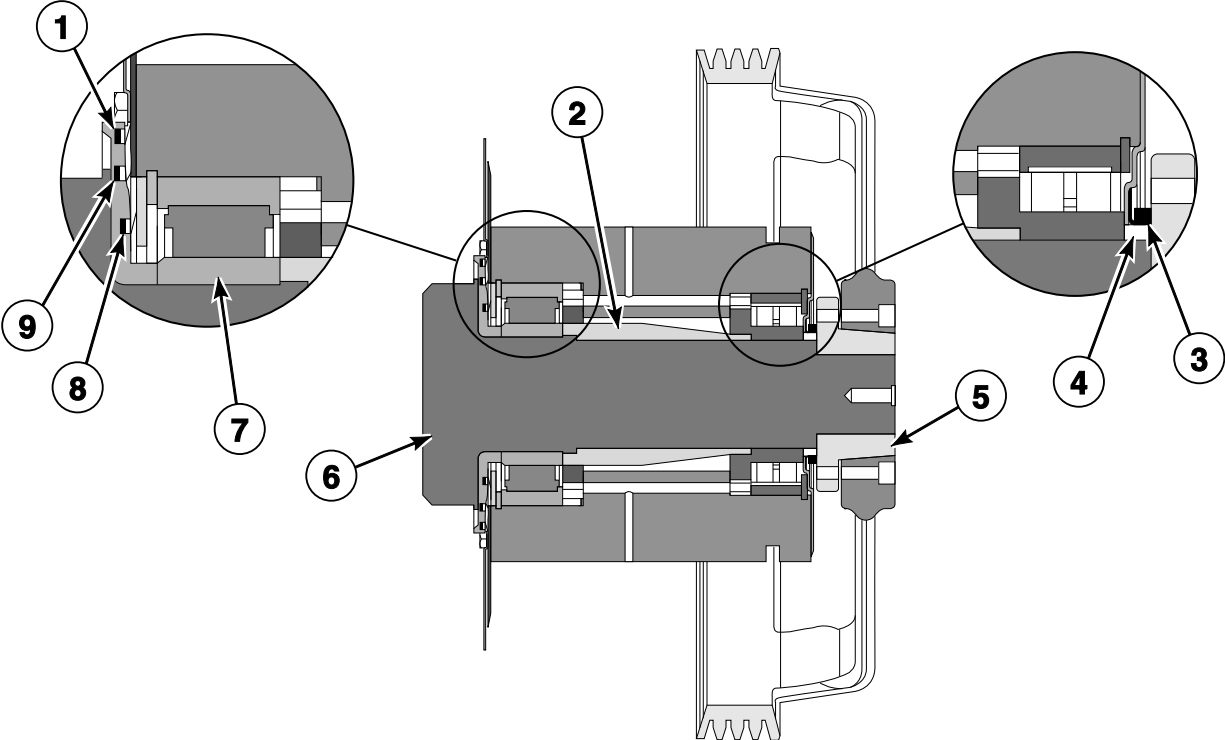


CFD135P_9001759

Bearing Assembly (Drawing 2 of 3) - Models Through 1/30/2011

REF	PART NO.	DESCRIPTION	COMMENTS
1	205/00102/00	Bolt	
2	201/00202/00	Washer	
3	212/00043/00	Retaining Ring	
4	253/00164/00	Bearing	
5	253/10505/00	Bearing Housing	
6	253/00157/00	Retaining Ring	
7	253/10507/00	Bearing Retainer	
8	253/00165/00	Bearing	
9	253/10513/00	Bearing Spacer	
10	B12360809	Bearing Spacer	
11	253/10523/00	Bearing Retainer	

Bearing Assembly (Drawing 3 of 3) - Models Through 1/30/2011

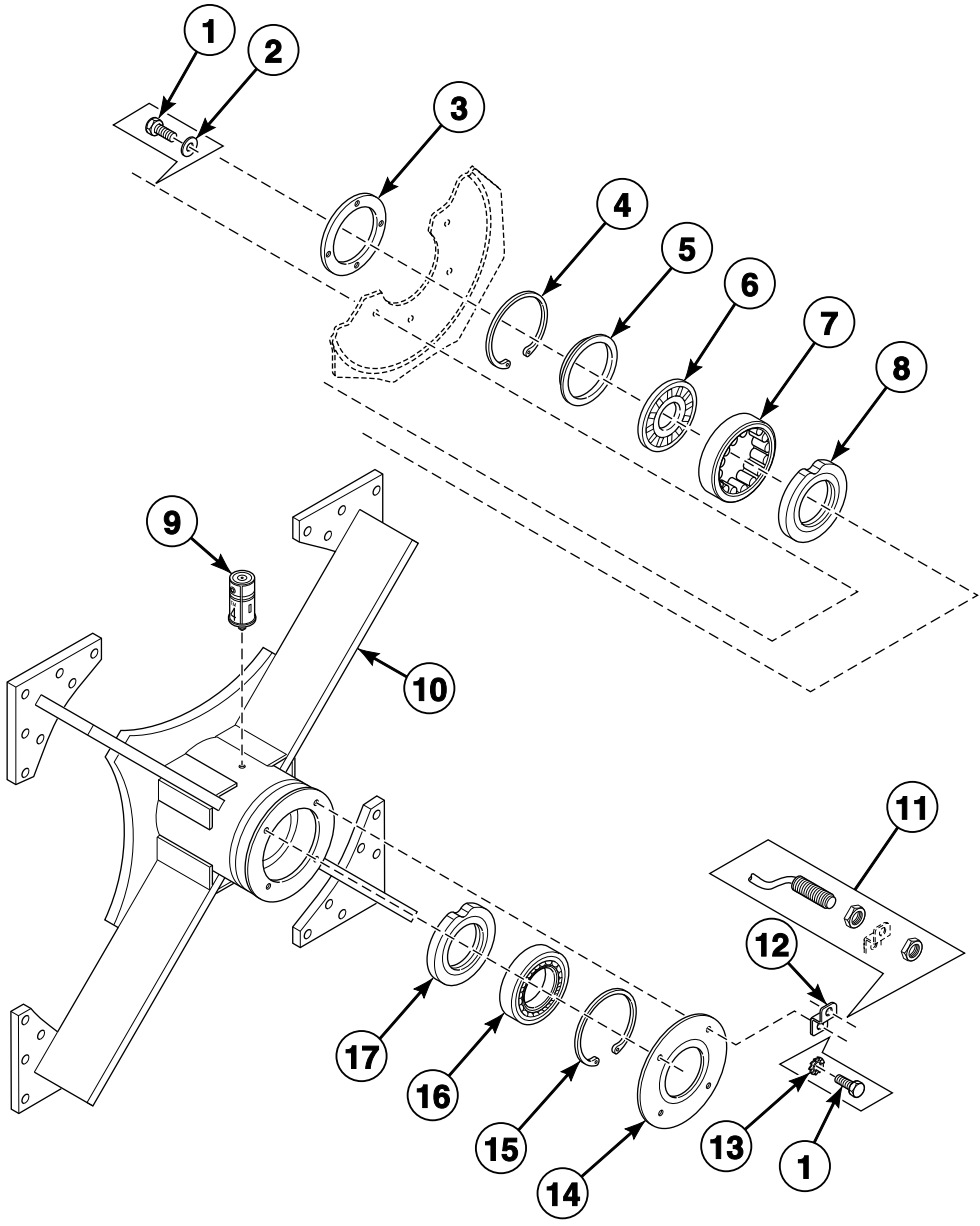


CFD135PA_9001759

Bearing Assembly (Drawing 3 of 3) - Models Through 1/30/2011

REF	PART NO.	DESCRIPTION	COMMENTS
1	253/10516/00	V-Ring Seal	Loctite 480 required for installation
2	253/10506/00	Bearing Sleeve	
3	253/10515/00	V-Ring Seal	Loctite 480 required for installation
4	253/10518/00	V-Ring Seal Ring	
5	253/10517/00	Pulley and Hub Assembly	
6	B12402701	Cylinder and Shaft Assembly	
7	253/00164/00	Bearing	
8	253/00153/00	V-Ring Seal	Loctite 480 required for installation
9	253/00151/00	V-Ring Seal	Loctite 480 required for installation

Bearing Assembly - Models Starting 1/31/2011

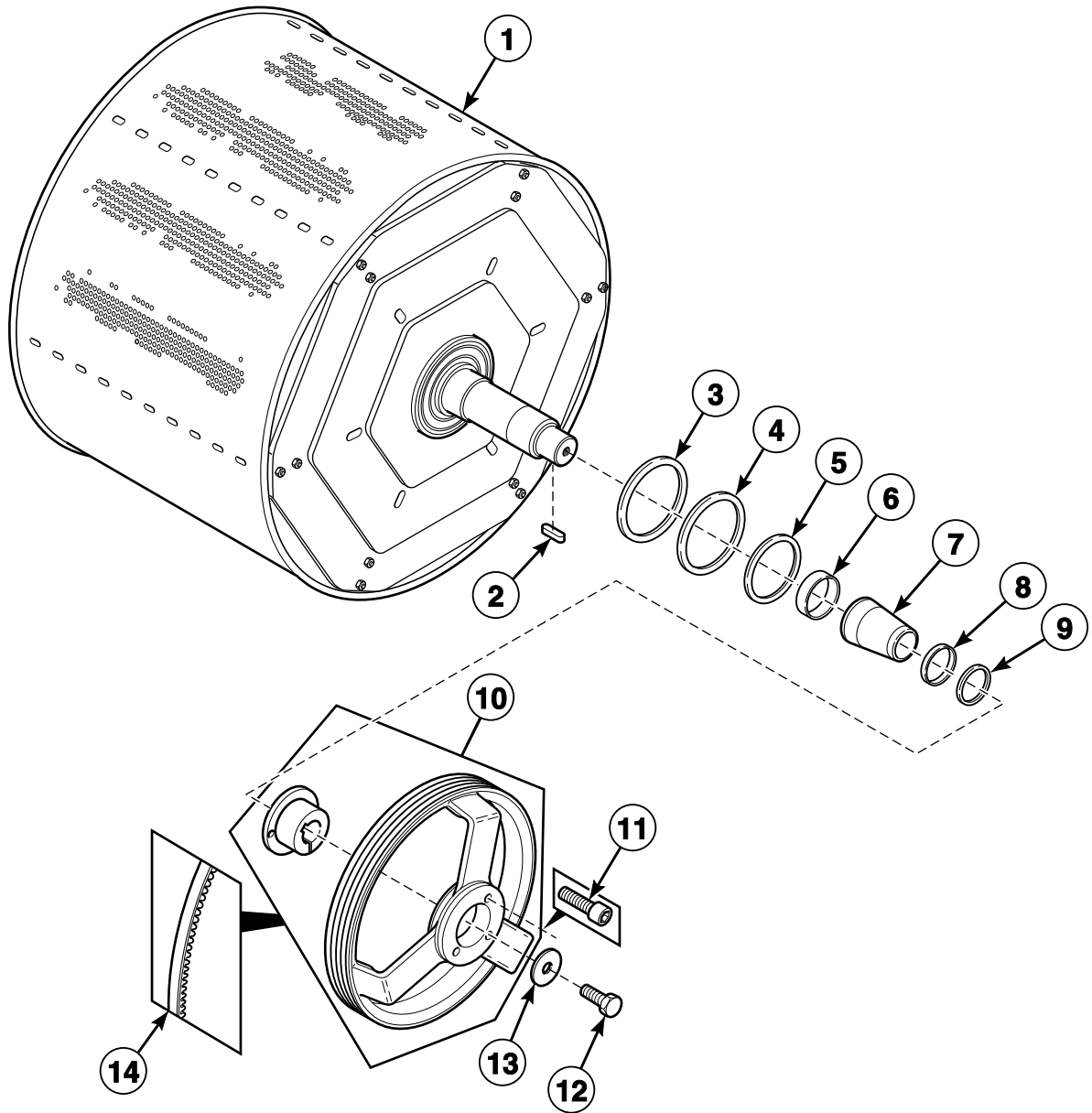


CFD780K_9001759

Bearing Assembly - Models Starting 1/31/2011

REF	PART NO.	DESCRIPTION	COMMENTS
	245/00059/00	Bearing Tool Kit	
	3886P	Bearing Kit	Includes items 3, 5-7, 9, 16, 253/10506/00 Bearing Sleeve, 253/10515/00 V-Ring Seal, B12379001 Seal, B12379101 Seal and 204/00113/00 Nut
1	205/00102/00	Bolt	
2	201/00204/00	Washer	
3	B12418301	Seal Wear Plate	
4	212/00043/00	Retaining Ring	
5	B12418101	Grease Ring Holder	
6	B12379301	Lip Seal	
7	253/00164/00	Bearing	
8	B12360809	Bearing Spacer	
9	212/00022/00	Lubricator	
10	253/10505/00	Bearing Housing	
	B12625801	Bearing Housing	Includes items 4, 7, 8 and 15-17
11	209/00400/00	Speed Detector	
12	153/00041/11	Speed Sensor Bracket	*X165 models; Models starting 10/30/2006
	153/10028/00	Speed Sensor Bracket	All other models
13	203/00002/00	Washer	
14	253/10507/00	Bearing Retainer	
15	253/00157/00	Retaining Ring	
16	253/00165/00	Bearing	
17	253/10513/00	Bearing Spacer	

Basket, Pulley and Belt - Models Through 1/30/2011

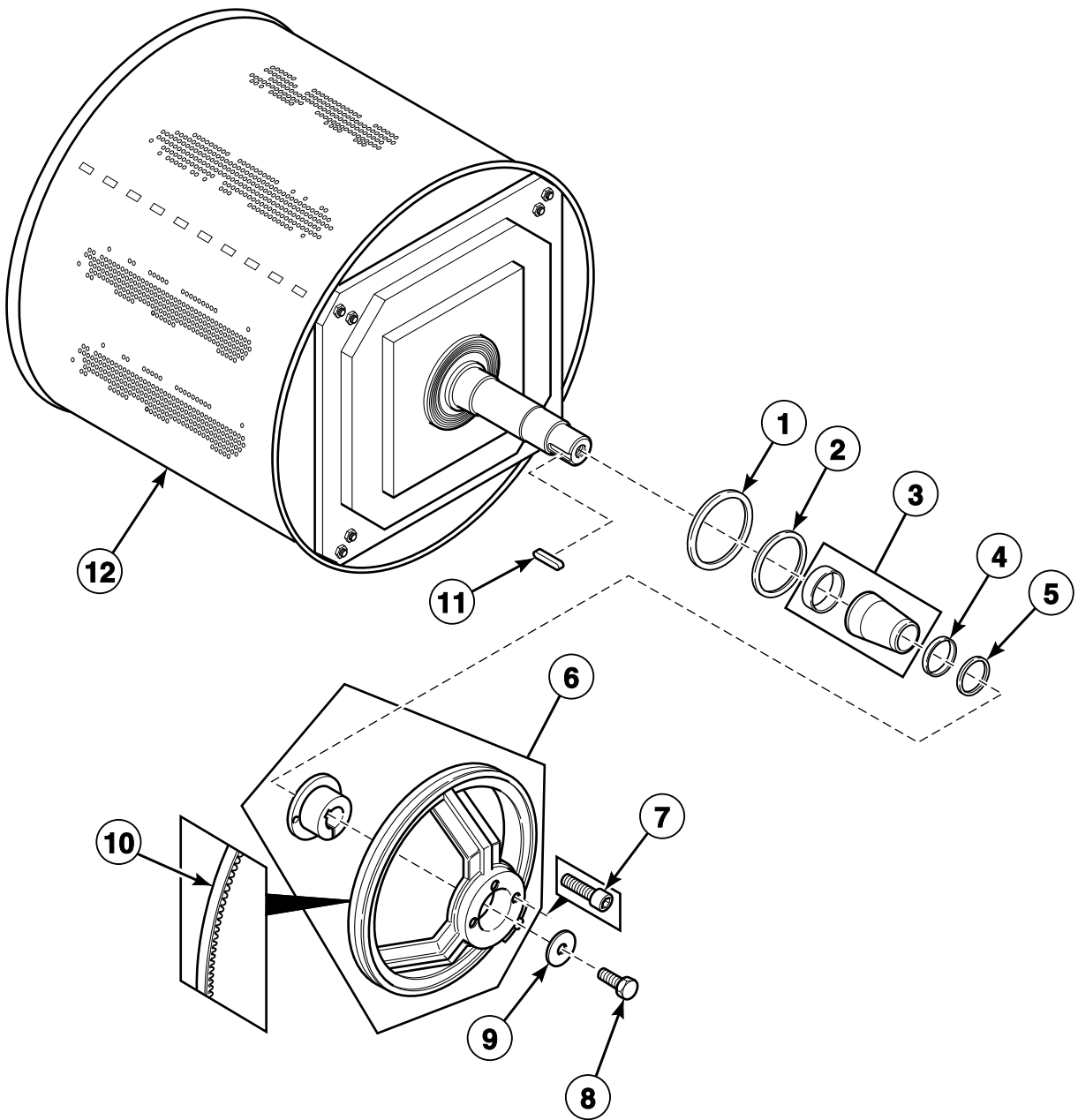


CFD94P_9001759

Basket, Pulley and Belt - Models Through 1/30/2011

REF	PART NO.	DESCRIPTION	COMMENTS
1	N/A	Cylinder and Shaft Assembly	*HF900 and *X200 models; No longer available; Order B12464301P Basket Kit
	B12543601	Cylinder and Shaft Assembly	*HF900 and *X200 models; For replacement of basket used before 1/30/11; Includes B12464301 Basket and 3886P Bearing Kit
	N/A	Cylinder and Shaft Assembly	All other models; No longer available; Order B12464201P Basket Kit
	B12543501	Basket Kit	All other models; For replacement of B12402701 Cylinder and Shaft Assembly; Includes B12464201 Basket and 3886P Bearing Kit
2	253/00033/00	Key	
3	253/10516/00	V-Ring Seal	Loctite 480 required for installation
4	253/00151/00	V-Ring Seal	Loctite 480 required for installation
5	253/00153/00	V-Ring Seal	Loctite 480 required for installation
6	253/00164/00	Bearing	
7	253/10506/00	Bearing Sleeve	
8	253/10518/00	V-Ring Seal Ring	
9	253/10515/00	V-Ring Seal	Loctite 480 required for installation
10	253/10517/00	Pulley and Hub Assembly	
11	206/00053/00	Screw	
12	206/00147/00	Bolt	
13	201/00025/00	Washer	
14	253/00163/00	Belt	

Basket, Pulley and Belt - Models Starting 1/31/2011

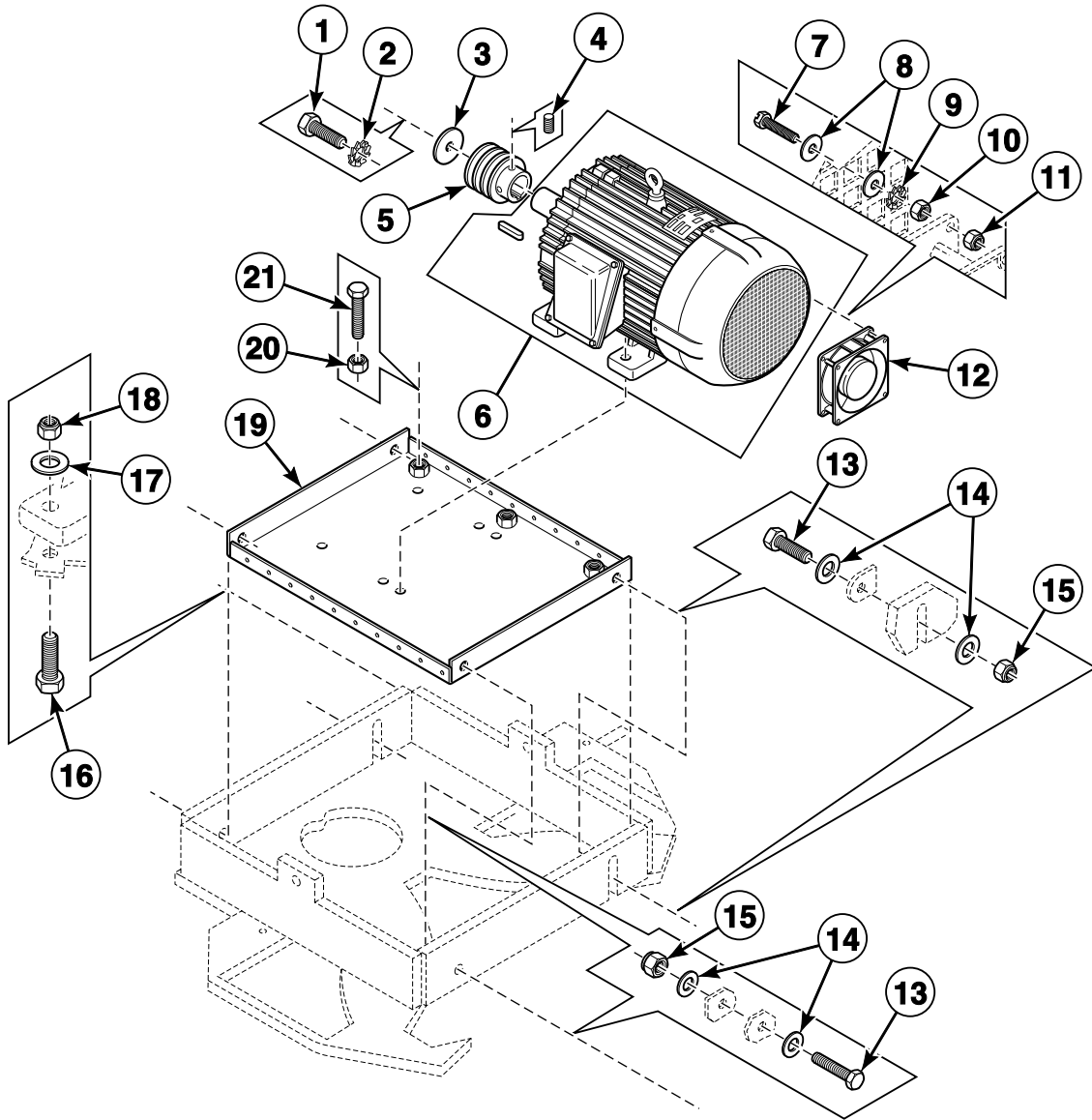


CFD836P_9001759

Basket, Pulley and Belt - Models Starting 1/31/2011

REF	PART NO.	DESCRIPTION	COMMENTS
1	B12379101	Seal	VR-L10 EPDM 250
2	B12379001	Seal	VR-L10 EPDM 220
3	253/10506/00	Bearing Sleeve	
4	253/10518/00	V-Ring Seal Ring	
5	253/10515/00	V-Ring Seal	
6	253/10517/00	Pulley and Hub Assembly	
7	206/00053/00	Screw	
8	206/00147/00	Bolt	
9	201/00025/00	Washer	
10	253/00163/00	Belt	
11	253/00033/00	Key	
12	B12464301	Cylinder and Shaft Assembly	*HF900 and *X200 models
	B12464201	Basket	All other models

Motor

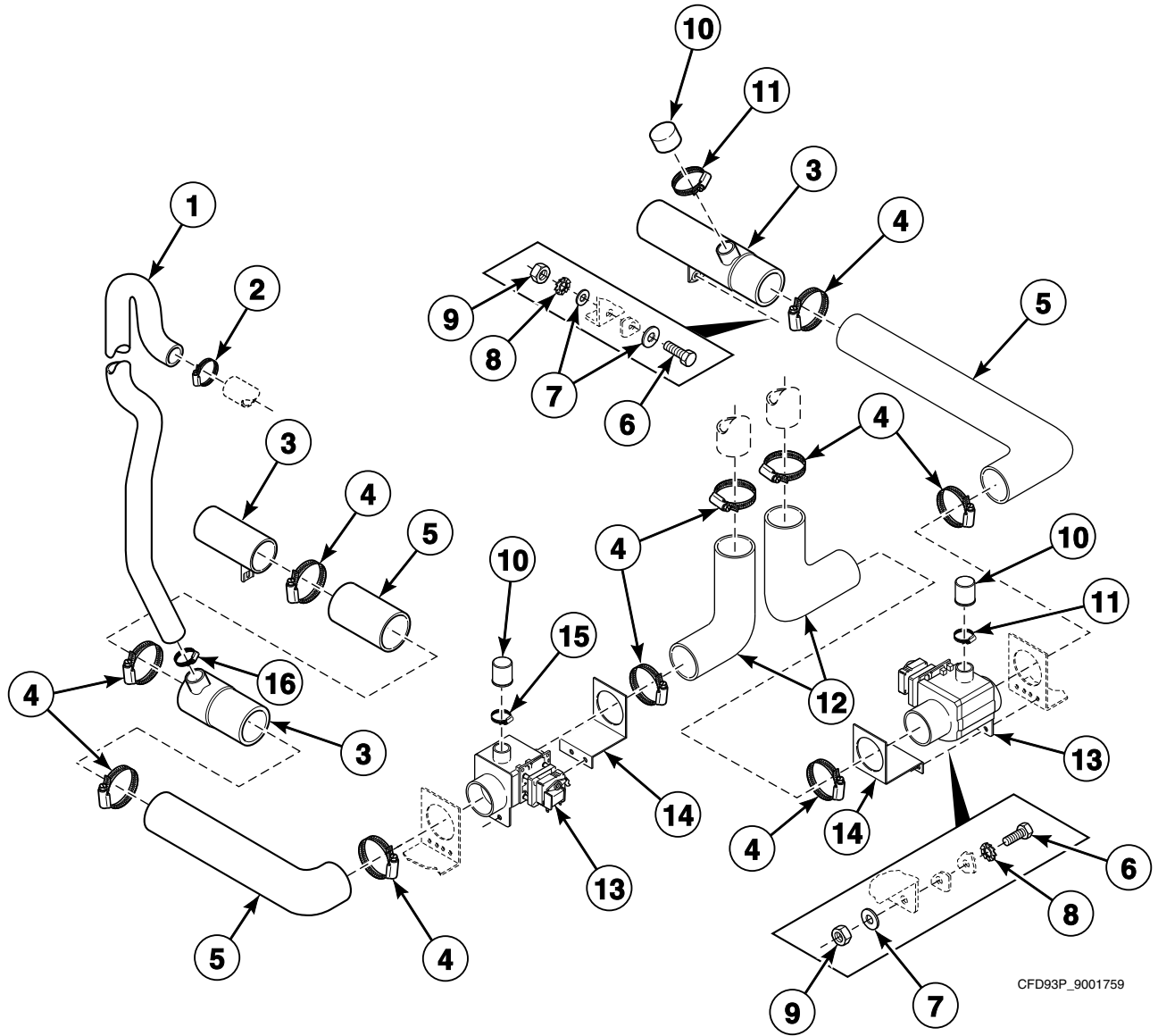


CFD56P_9001759

Motor

REF	PART NO.	DESCRIPTION	COMMENTS
1	206/00004/00	Bolt	
2	203/00001/00	Washer	
3	201/00011/00	Washer	
4	206/00031/00	Screw	
5	253/10519/00	Motor Pulley	
6	227/00246/00	Motor	15 kW; *HF900 and *X200 models made before Serial No. 0902900007; Used when replacing 11 kW motor with 15 kW motor; When replacing either the 11 kW motor or inverter drive with a 15 kW motor or inverter drive, both the 11 kW motor and inverter drive must be replaced with a 15 kW motor and inverter drive
	B12511301	Motor	15 kW; *HF900 and *X200 models starting Serial No. 0902900007
	B12511001	Motor	11 kW; For *HF900 and *X200 models made before Serial No. 0902900007, contact customer service for replacement information; *HF730 and *X165 models
7	207/00003/00	Screw	
8	201/00008/00	Washer	
9	203/00006/00	Washer	
10	204/00007/00	Nut	
11	204/00114/00	Nut	
12	209/00287/00	Cooling Fan	
13	248/00114/00	Bolt	
14	201/00001/00	Washer	
15	204/00113/00	Nut	
16	206/00003/00	Bolt	
17	201/00004/00	Washer	
18	204/00111/00	Nut	
19	B12369701	Motor Plate	*HF730 and *X165 models
	190/00054/00	Motor Plate	*HF900 and *X200 models
20	204/00012/00	Nut	
21	206/00125/00	Screw	

Drain Assembly

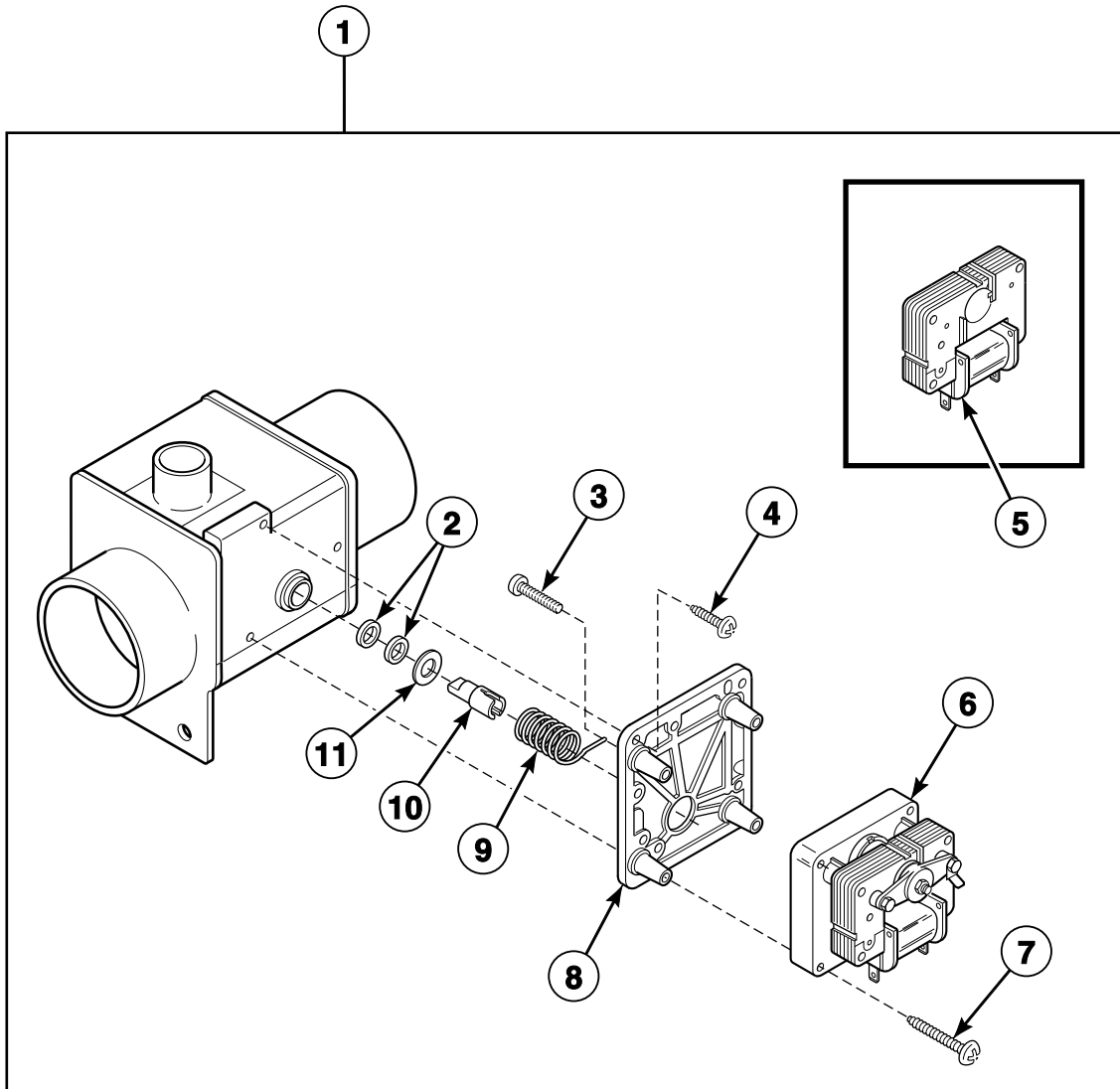


CFD93P_9001759

Drain Assembly

REF	PART NO.	DESCRIPTION	COMMENTS
	210/01575/18	Drain Valve Harness	
	210/01575/17	Wire Harness	Connects drain 1 to drain 2
1	223/00184/00	Overflow Hose	
2	223/00013/00	Hose Clamp	
3	223/00106/00	Drain Pipe	
4	223/00071/00	Hose Clamp	
5	223/00141/00	Drain Valve to Drain Pipe Hose	
6	206/00009/00	Bolt	
7	202/00002/00	Washer	
8	203/00003/00	Washer	
9	204/00004/00	Nut	
10	223/00086/00	Drain Valve Overflow Plug	
11	223/00012/00	Hose Clamp	
12	223/00133/00	Drain Tub to Drain Valve Hose	
13	B12630701	Drain Valve Kit	
14	114/00010/00	Drain Valve Plate Assembly	
15	223/00223/00	Hose Clamp	
16	223/00013/00	Hose Clamp	

Drain Valve - Normally Open

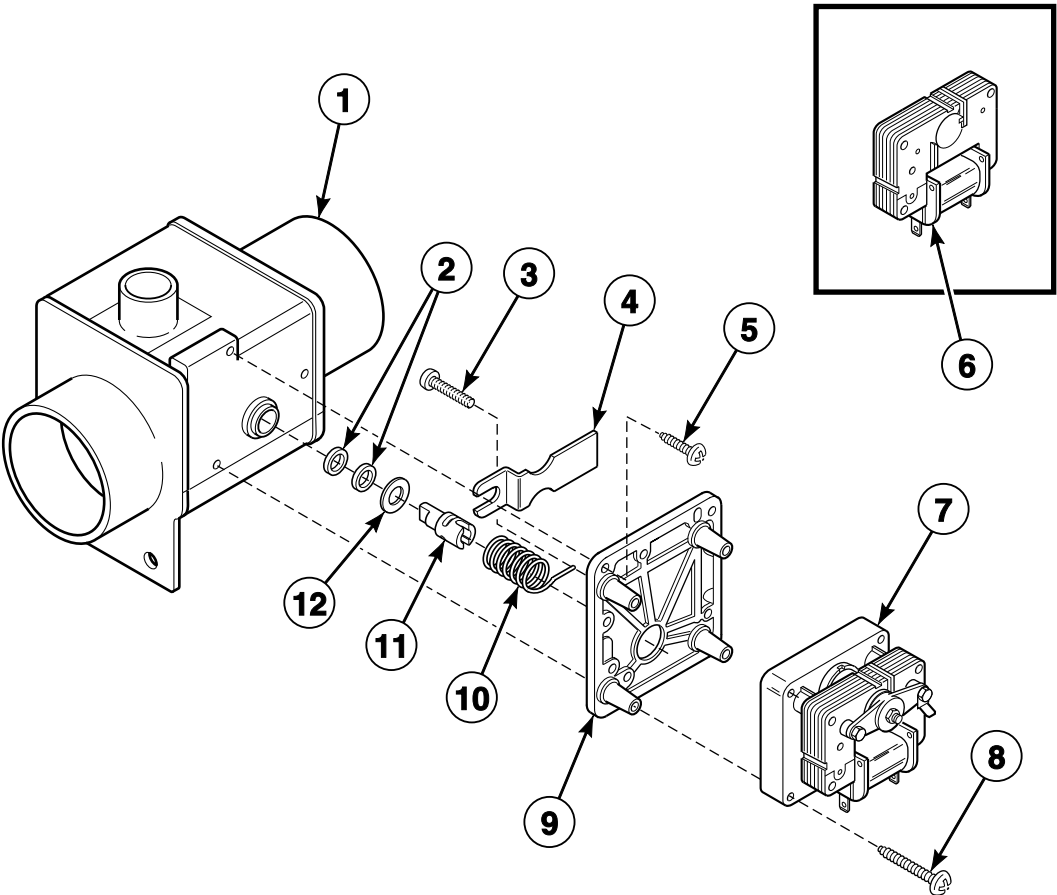


CFD98P_9001759

Drain Valve - Normally Open

REF	PART NO.	DESCRIPTION	COMMENTS
	210/01575/18	Drain Valve Harness	
	210/01575/17	Wire Harness	Connects drain 1 to drain 2
1	B12630701	Drain Valve Kit	
2	209/00025/10	Drain Valve Shaft Seal	
3	209/00025/08	Screw	
4	209/00170/05	Screw	
5	209/00203/21	Coil	24 Volt
	209/00052/21	Coil	115 Volt
	209/00051/21	Coil	220 Volt
6	209/00203/11	Drain Valve Motor	24 Volt
	209/00052/11	Drain Valve Motor	110 Volt
	209/00051/11	Drain Valve Motor	220 Volt
7	209/00170/07	Screw	
8	209/00025/07	Drain Valve Motor Mounting Plate	
9	209/00025/13	Drain Valve Spring	
10	209/00170/10	Drain Valve Shaft	
11	209/00025/12	Washer	

Drain Valve - Normally Closed

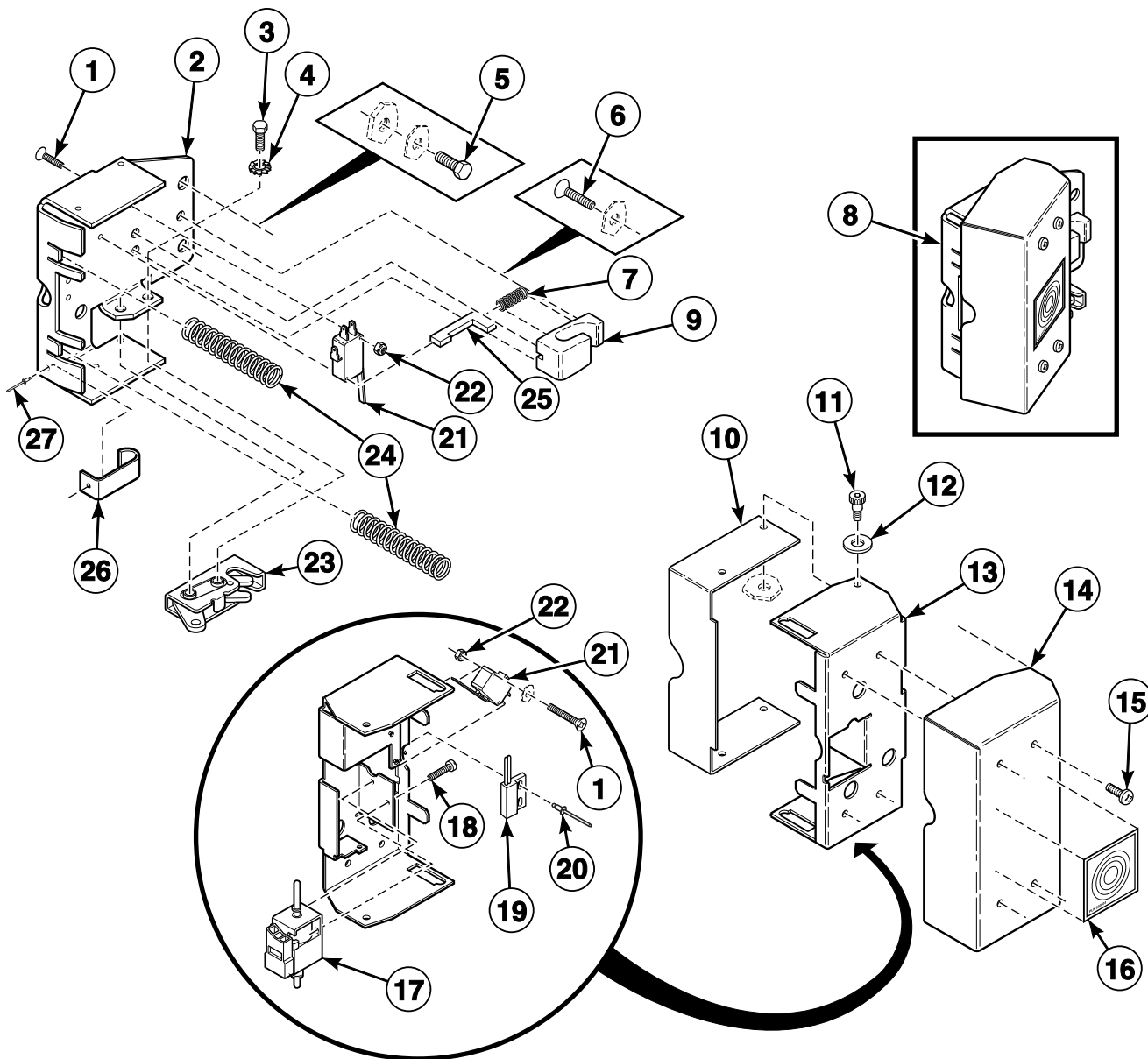


CFD99P_9001759

Drain Valve - Normally Closed

REF	PART NO.	DESCRIPTION	COMMENTS
1	209/00075/05	Drain Valve	
2	209/00025/10	Drain Valve Shaft Seal	
3	209/00025/08	Screw	
4	209/00115/11	Drain Valve Handle	
5	209/00170/05	Screw	
6	209/00212/11	Coil	24 Volt
	209/00052/21	Coil	115 Volt
	209/00051/21	Coil	220 Volt
7	209/00203/12	Drain Valve Motor	24 Volt
	209/00052/12	Drain Valve Motor	110 Volt
	209/00170/06	Drain Valve Motor Assembly	220 Volt
8	209/00170/07	Screw	
9	209/00115/04	Drain Valve Motor Mounting Plate	
10	209/00170/02	Drain Valve Spring	
11	209/00170/10	Drain Valve Shaft	
12	209/00025/12	Washer	

Door Lock

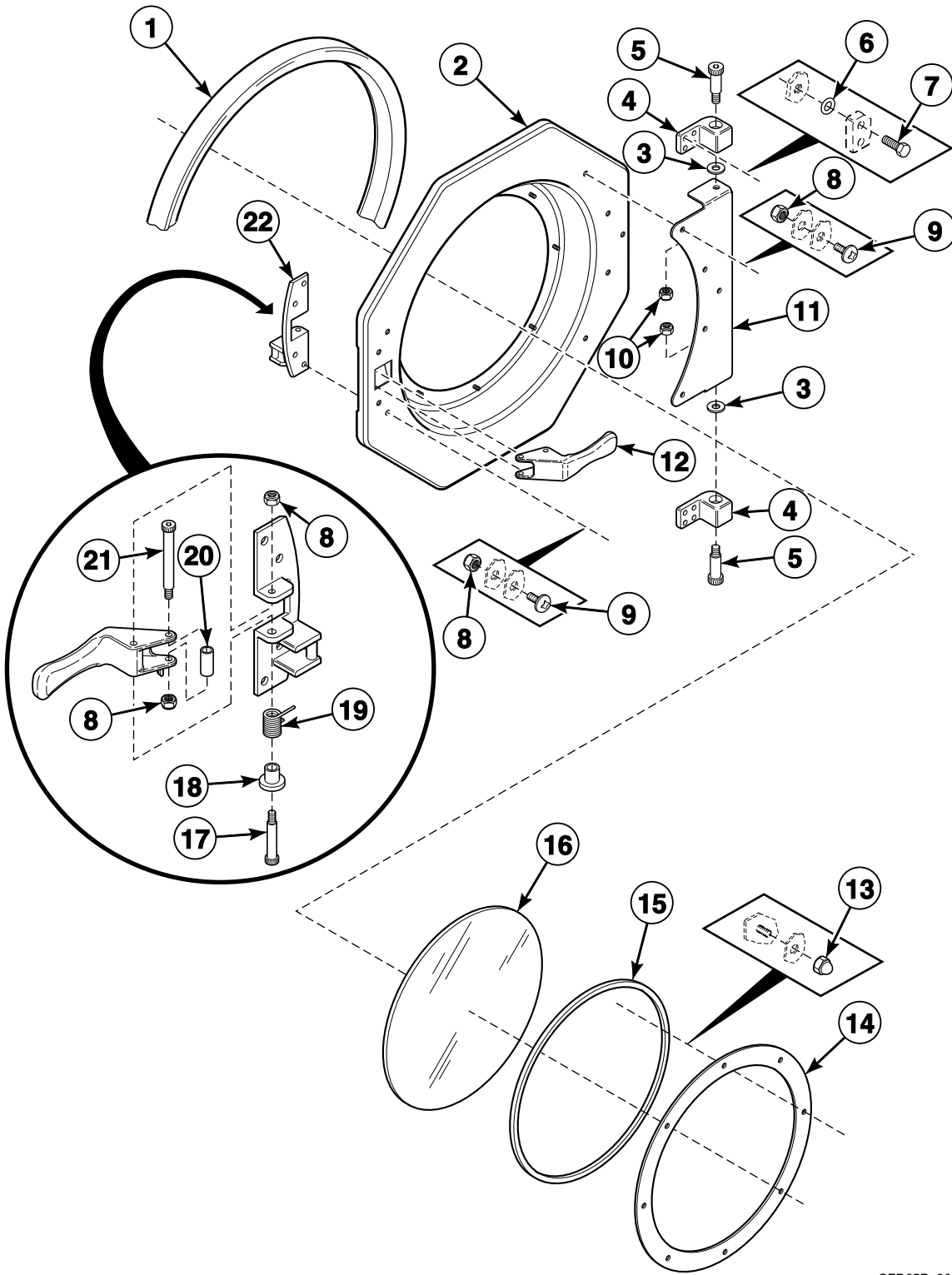


CFD498P_9001759

Door Lock

REF	PART NO.	DESCRIPTION	COMMENTS
	C000867P	Door Lock Harness	Models starting 7/15/2011
	C001036M	Door Lock Kit	Includes C001036 Door Lock Assembly, F8390801 Magnet, C002994 Door Magnet Mounting Bracket and F431223 Pop Rivet
1	253/00158/614	Screw	
2	C000684	Door Lock Plate	
3	253/00158/567	Screw	
4	253/00158/571	Washer	
5	205/00123/00	Bolt	
6	253/00158/612	Screw	
7	253/00158/276	Door Lock Spring	
8	253/00159/1036	Door Latch Assembly	
9	C000185	Door Lock Catch	
10	253/00158/687	Door Lock Spring Cover	
11	C000430	Bolt	
12	201/00007/00	Washer	
13	253/00158/686	Door Lock Solenoid Bracket	
14	C000688	Door Lock Cover	
15	253/00158/1047	Screw	
16	C000694	Door Release Decal	
17	209/00274/00	Door Lock Solenoid	
18	B12322501	Screw	
19	C003000	Reed Switch Assembly	Models starting 7/15/2011
20	F8245101	Blind Rivet	Models starting 7/15/2011
21	C000278	Door Lock Microswitch	
22	253/00158/578	Nut	
23	C001244	Door Latch	
24	C000431	Spring	
25	C000271	Door Lock Switch Slide	
26	211/00072/00	Lock Spring Leaf	*165 and *730 models starting Serial No. 10090740022; *200 and *900 models starting Serial No. 10090900017
27	B12336401	Rivet	*165 and *730 models starting Serial No. 10090740022; *200 and *900 models starting Serial No. 10090900017

Door - *X165 Design 6 Models

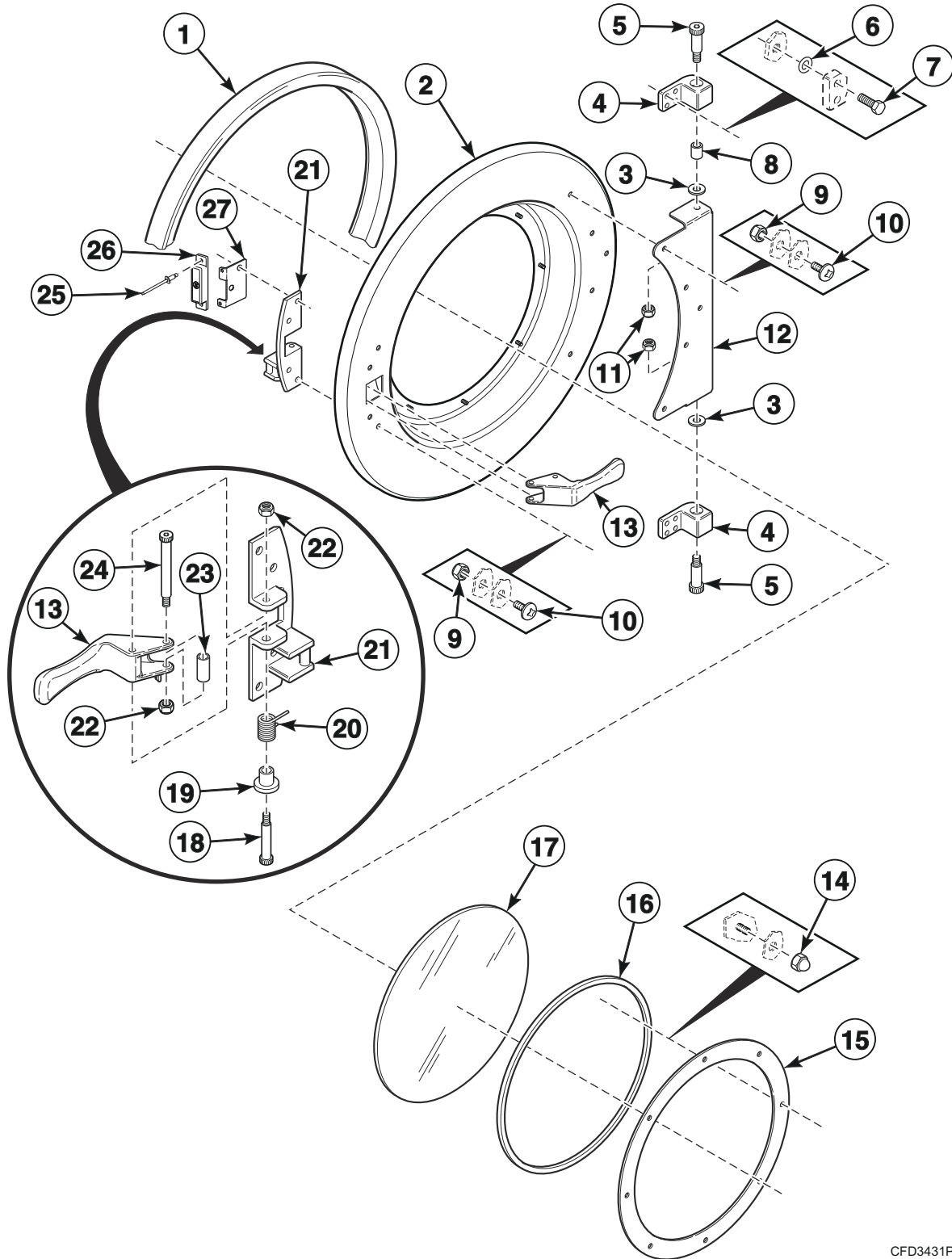


CFD65P_9001759

Door - *X165 Design 6 Models

REF	PART NO.	DESCRIPTION	COMMENTS
1	253/00162/02	Door Seal	
2	173/00028/00	Door	
3	C000177	Washer	
4	C000175	Hinge Block	
5	F8549301	Bolt	
6	223/00244/00	O-Ring	
7	205/00122/00	Bolt	
8	253/00158/560	Nut	
9	C000561	Bolt	
10	253/00158/558	Nut	
11	253/00515/752	Door Hinge	
12	253/00515/28	Door Handle	
13	253/00158/562	Nut	
14	253/00515/751	Door Glass Seal Retaining Ring	
15	C000750	Door Glass Gasket	
16	253/00515/749	Door Glass	
17	C001785	Bolt	
18	C000192	Door Handle Spring Bushing	
19	C001786	Door Handle Torsion Spring	
20	C000181	Door Handle Bushing	
21	C000180	Bolt	
22	C000470	Door Handle Hinge Weldment	

Door - All Models Except *X165 Design 6 Models

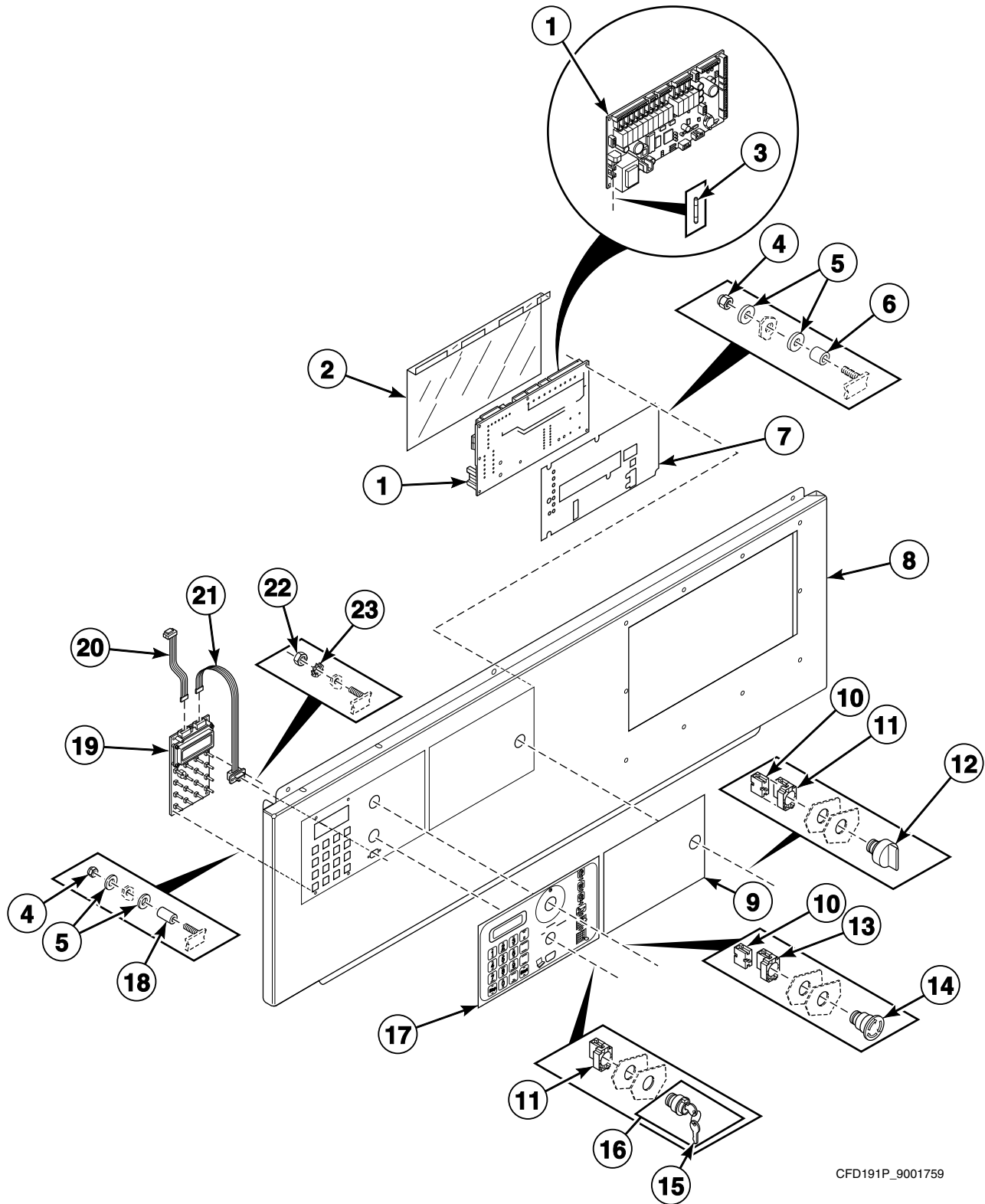


CFD3431P_9001759

Door - All Models Except *X165 Design 6 Models

REF	PART NO.	DESCRIPTION	COMMENTS
1	253/00162/02	Door Seal	
2	173/00040/00	Door	
3	C000177	Washer	
4	C000175	Hinge Block	
5	F8549301	Bolt	
6	223/00244/00	O-Ring	
7	205/00122/00	Bolt	
8	C000176	Door Hinge Bushing	
9	204/00127/00	Nut	
10	208/00132/00	Bolt	
11	253/00158/558	Nut	
12	253/00515/752	Door Hinge	
13	253/00515/28	Door Handle	
14	253/00158/562	Nut	
15	173/00041/00	Door Glass Seal Retaining Ring	
16	F8499903	Door Glass Gasket	
17	253/00515/754	Door Glass	
18	C001785	Bolt	
19	C000192	Door Handle Spring Bushing	
20	C001786	Door Handle Torsion Spring	
21	C000470	Door Handle Hinge Weldment	
22	253/00158/560	Nut	
23	C000181	Door Handle Bushing	
24	C000180	Bolt	
25	F431223	Pop Rivet	Models starting 7/15/2011
26	F8390801	Magnet	Models starting 7/15/2011
27	B12509001	Door Magnet Mounting Bracket	Models starting 7/15/2011

Control Panel - *X Models



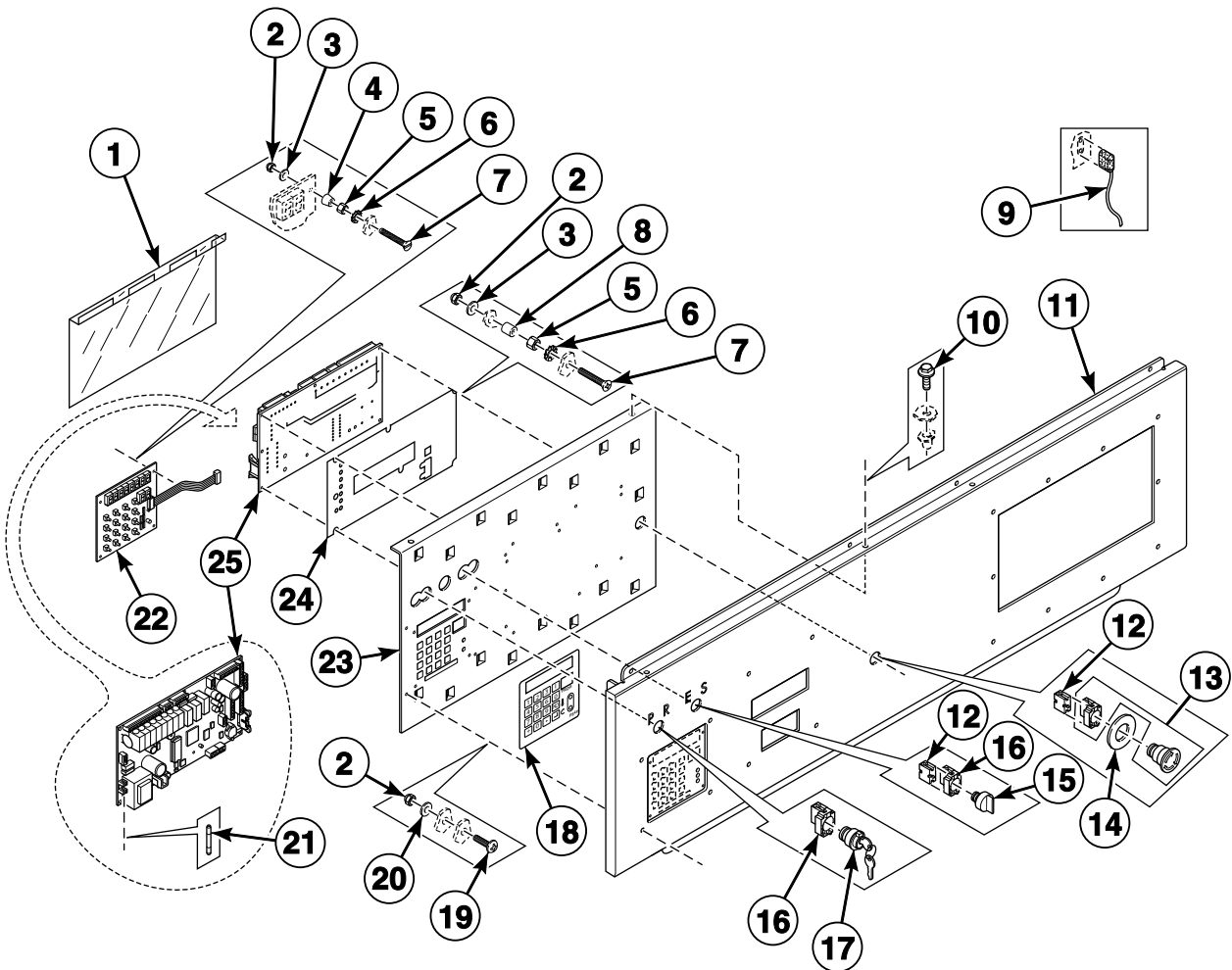
CFD191P_9001759

Control Panel - *X Models

REF	PART NO.	DESCRIPTION	COMMENTS
1	209/00580/00-00	Main Control	Models with 3 compartment supply dispenser
	B12565801	Main Control	Models with 4 compartment supply dispenser
2	229/00262/50	Circuit Board Cover	
3	209/00372/01	Fuse	
4	204/00116/00	Nut	
5	223/00123/00	Washer	
6	211/00107/00	Spacer	
7	229/00255/00	Insulating Sticker	
8	173/00027/10	Upper Front Panel	
9	225/00391/00	Overlay	UX models
	225/00392/00	Overlay	SX models
	9001890	Overlay	HX models
10	44018901	Contact Block	
11	209/00099/25	Switch Base	
12	209/00099/29	Switch Knob	Steam and electric heat
13	44018701	Contact Block	
14	44018801	Pushbutton	
15	209/00326/21	Programming Key	Key code 455
16	209/00326/20	Programming Key Contact Switch	Includes item 15
17	F9001561	Overlay	
18	211/00140/00	Spacer	
19	209/00580/03	Display	
20	B12388302	Ribbon Assembly	
21	B12388305	Ribbon Assembly	
22	204/00008/00	Nut	
23	203/00007/00	Washer	

Control Panel - PS40F

Models CHF165ANH, HF730_PS40F, HF900_PS40F, IHF165ANH, IHF730ANH and IHF900ANH



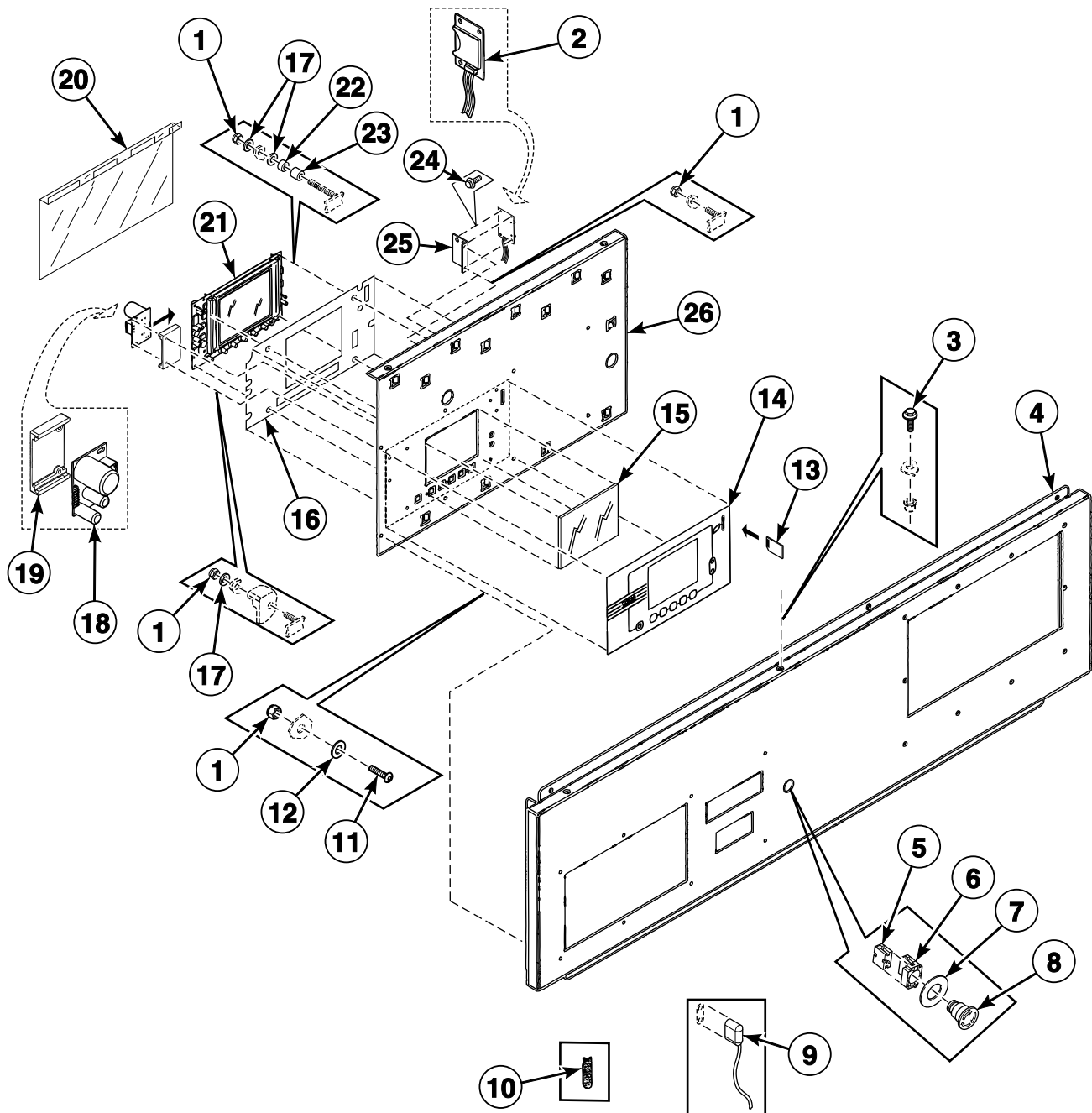
BE000567P_9001759

Control Panel - PS40F

REF	PART NO.	DESCRIPTION	COMMENTS
1	229/00262/00	Circuit Board Cover	
2	204/00116/00	Nut	
3	223/00123/00	Washer	
4	223/00008/01	Handle Grommet	
5	204/00008/00	Nut	
6	203/00007/00	Washer	
7	207/00025/00	Screw	
8	211/00122/00	Standoff	
9	210/00902/00	Infrared Cable	
10	206/00099/00	Bolt	
11	173/00002/00	Upper Front Panel	
12	209/00099/26	Contact Switch	
13	209/00248/20	Mushroom Pushbutton	
14	209/00520/00	Telem Sticker	
15	209/00099/29	Switch Knob	
16	209/00099/25	Switch Base	
17	209/00326/20	Programming Key Contact Switch	
18	225/00365/00	Overlay	
19	207/00113/00	Screw	
20	202/00004/00	Washer	
21	209/00372/01	Fuse	
22	209/00552/01	Keypad	
23	173/00012/00	Mounting Plate	
24	229/00255/00	Insulating Sticker	
25	B12351701	Main Board	

Control Panel - Cygnus Professional

Models HF730_CYGNUS-PRO, HF900_CYGNUS-PRO, IHF165ZNH, IHF730ZNH and IHF900ZNH



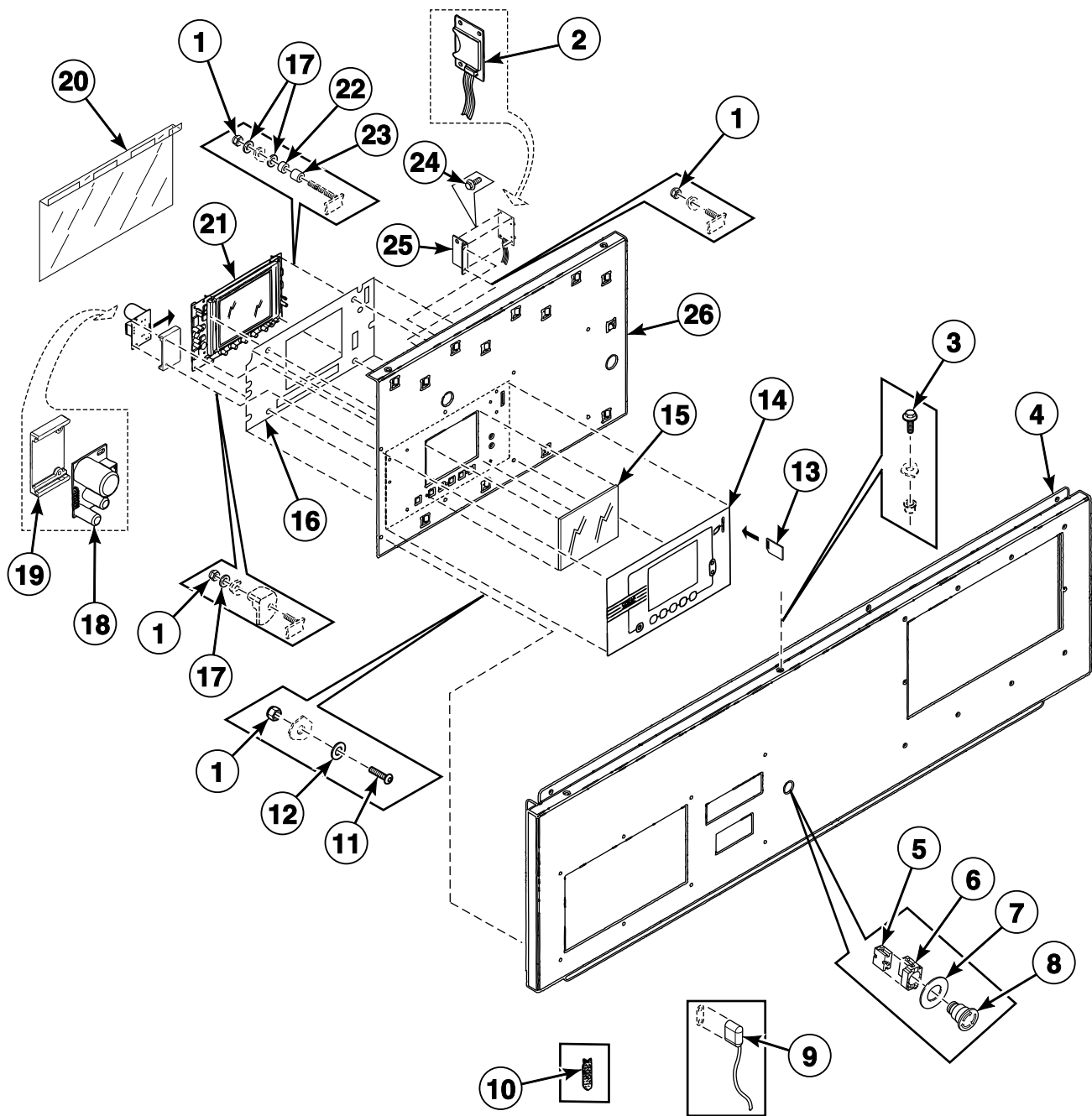
BE000890P_9001759

Control Panel - Cygnus Professional

REF	PART NO.	DESCRIPTION	COMMENTS
1	204/00116/00	Nut	
2	B12305201	Memory Card PC-Board	Models made prior to 4/5/2011 require a firmware upgrade
3	206/00099/00	Bolt	
4	173/00042/00	Front Panel	
5	209/00099/26	Contact Switch	
6	209/00099/20	Emergency Switch Pushbutton	
7	209/00520/00	Telem Sticker	
8	209/00248/20	Mushroom Pushbutton	
9	210/00902/00	Infrared Cable	
10	223/00348/00	Datacard Cover	
11	207/00113/00	Screw	
12	202/00004/00	Washer	
13	209/02022/00	Datacard	
14	225/10313/00	Operating Sticker	
15	225/00321/00	Plexi Frame	
16	229/00268/00	Insulating Sticker	
17	223/00123/00	Washer	
18	209/02010/00	Door Lock PC-Board	
19	223/00374/00	Mounting Plate	
20	229/00289/00	Circuit Board Cover	
21	209/02002/Z02	Display and Printboard	
22	211/00128/00	Printboard Separator	
23	211/00122/00	Standoff	
24	211/00145/00	Standoff	
25	111/01893/00	Printboard Support Card	
26	173/00013/20	Printboard Display Plate Assembly	

Control Panel - PRO

Models SX165Z, SX200Z, UX165Z and UX200Z



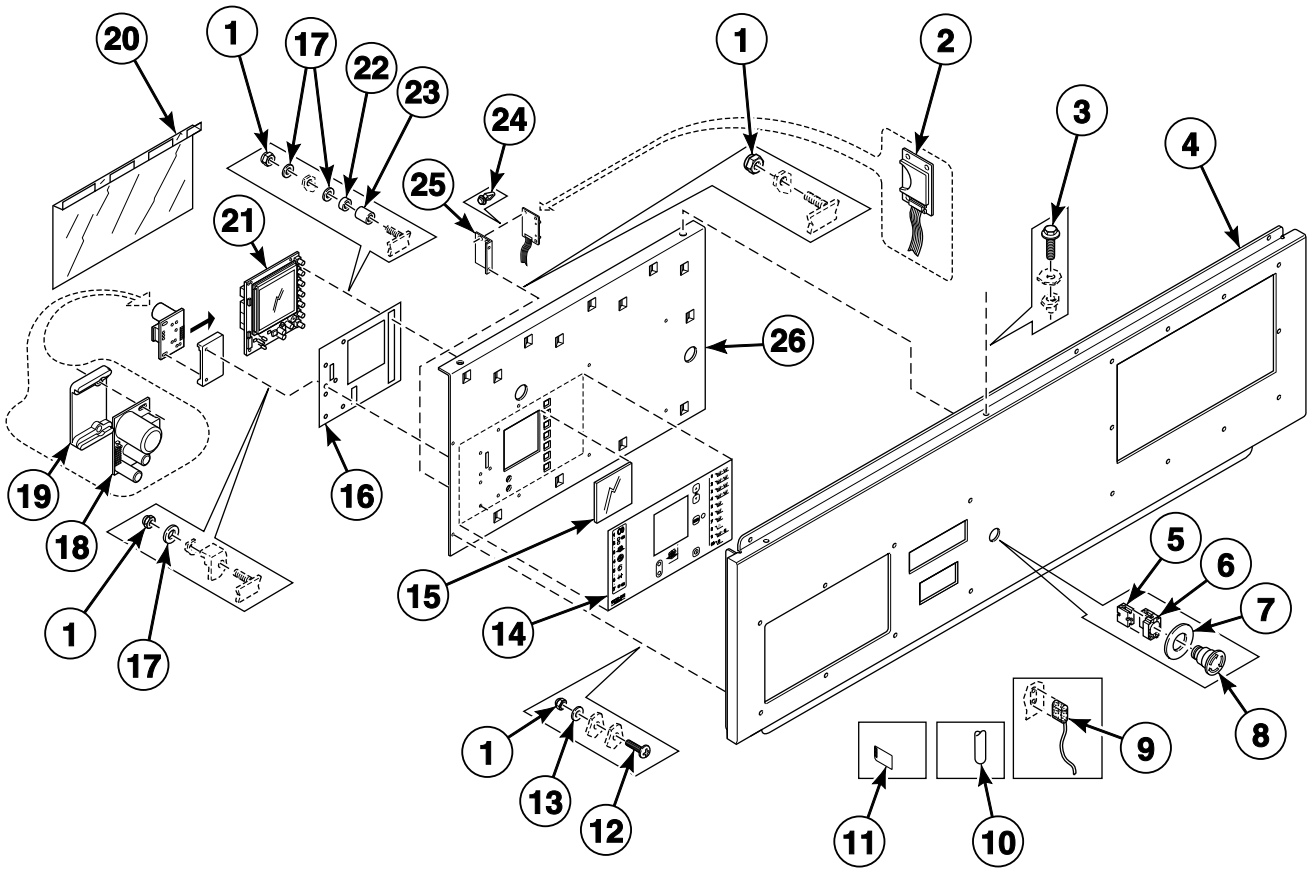
BE000890P_9001759

Control Panel - PRO

REF	PART NO.	DESCRIPTION	COMMENTS
1	204/00116/00	Nut	
2	B12305201	Memory Card PC-Board	Models made prior to 4/5/2011 require a firmware upgrade
3	206/00099/00	Bolt	
4	173/00042/00	Front Panel	
5	209/00099/26	Contact Switch	
6	209/00099/20	Emergency Switch Pushbutton	
7	209/00520/00	Telem Sticker	
8	209/00248/20	Mushroom Pushbutton	
9	210/00902/00	Infrared Cable	
10	223/00348/00	Datacard Cover	
11	207/00113/00	Screw	
12	202/00004/00	Washer	
13	209/02022/00	Datacard	
14	B12568801	Overlay	
	B12568901	Overlay	
15	225/00321/00	Plexi Frame	
16	229/00268/00	Insulating Sticker	
17	223/00123/00	Washer	
18	209/02010/00	Door Lock PC-Board	
19	223/00374/00	Mounting Plate	
20	229/00289/00	Circuit Board Cover	
21	209/02002/Z02	Display and Printboard	
22	211/00128/00	Printboard Separator	
23	211/00122/00	Standoff	
24	211/00145/00	Standoff	
25	111/01893/00	Printboard Support Card	
26	173/00013/20	Printboard Display Plate Assembly	

Control Panel - Cygnus Premium and Cygnus Ultra

Models CHF730U, CS165_CYGNUS-ULTRA, HF730_CYGNUS-PREM_OPL, HF900_CYGNUS-PREM_OPL and IHF730U

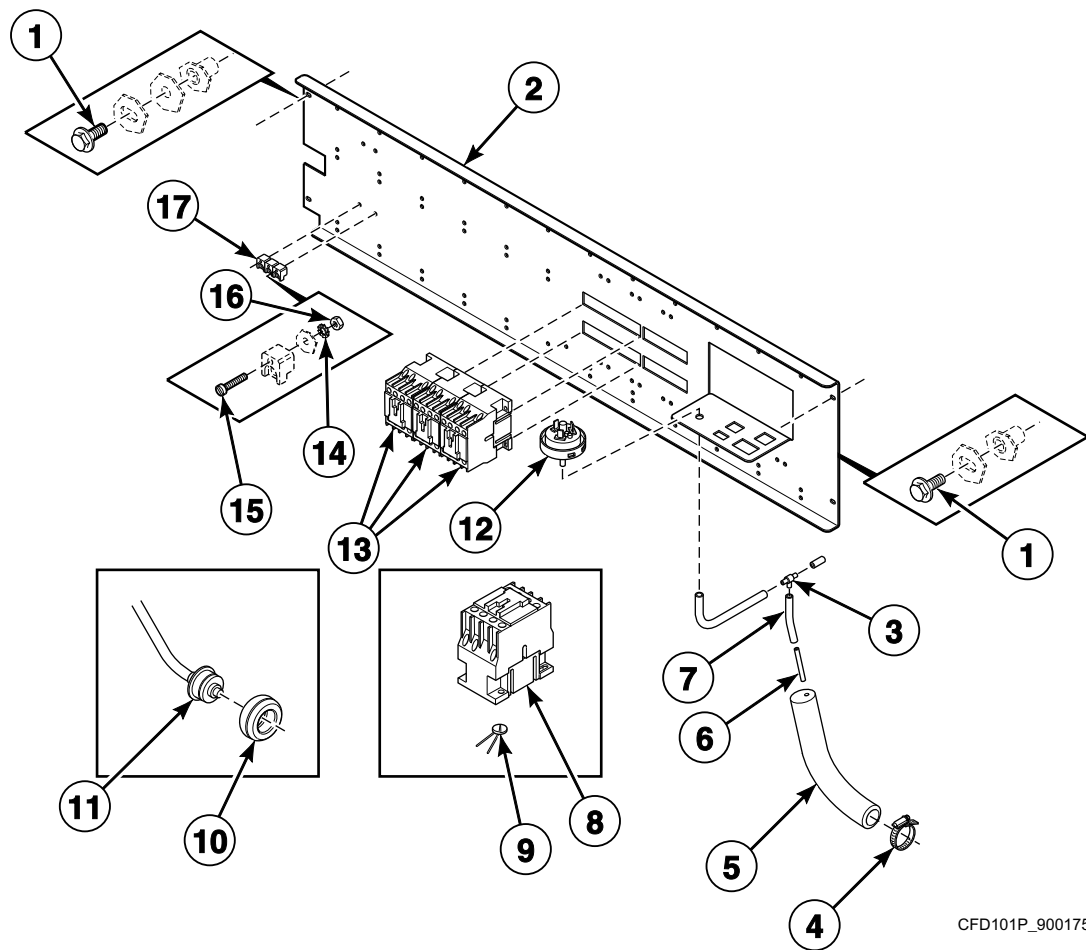


BE000891P_9001759

Control Panel - Cygnus Premium and Cygnus Ultra

REF	PART NO.	DESCRIPTION	COMMENTS
1	204/00116/00	Nut	
2	B12305201	Memory Card PC-Board	
3	206/00099/00	Bolt	
4	173/00042/00	Front Panel	
5	209/00099/26	Contact Switch	
6	209/00099/20	Emergency Switch Pushbutton	
7	209/00520/00	Telem Sticker	
8	209/00248/20	Mushroom Pushbutton	
9	210/00902/00	Infrared Cable	
10	223/00348/00	Datacard Cover	
12	207/00113/00	Screw	
13	202/00004/00	Washer	
11	209/02022/00	Datacard	
14	225/10427/00	Operating Sticker	Models HF730_CYGNUS-PREM_OPL and HF900_CYGNUS-PREM_OPL; Models without datacard opening
	255/10404/00	Operating Sticker	Models HF730_CYGNUS-PREM_OPL and HF900_CYGNUS-PREM_OPL; Models with datacard opening
	B12456701	Operating Sticker	Models CHF730U, CS165_CYGNUS-ULTRA and IHF730U
15	225/00323/00	Plexi Frame	
16	229/00268/00	Insulating Sticker	
17	223/00123/00	Washer	
18	209/02010/00	Door Lock PC-Board	
19	223/00374/00	Mounting Plate	
20	229/00289/00	Circuit Board Cover	
21	209/02015/02	Printboard	
22	211/00128/00	Printboard Separator	
23	211/00122/00	Standoff	
24	211/00145/00	Standoff	
25	111/01893/00	Printboard Support Card	
26	173/00013/30	Printboard Display Plate Assembly	

Control Module

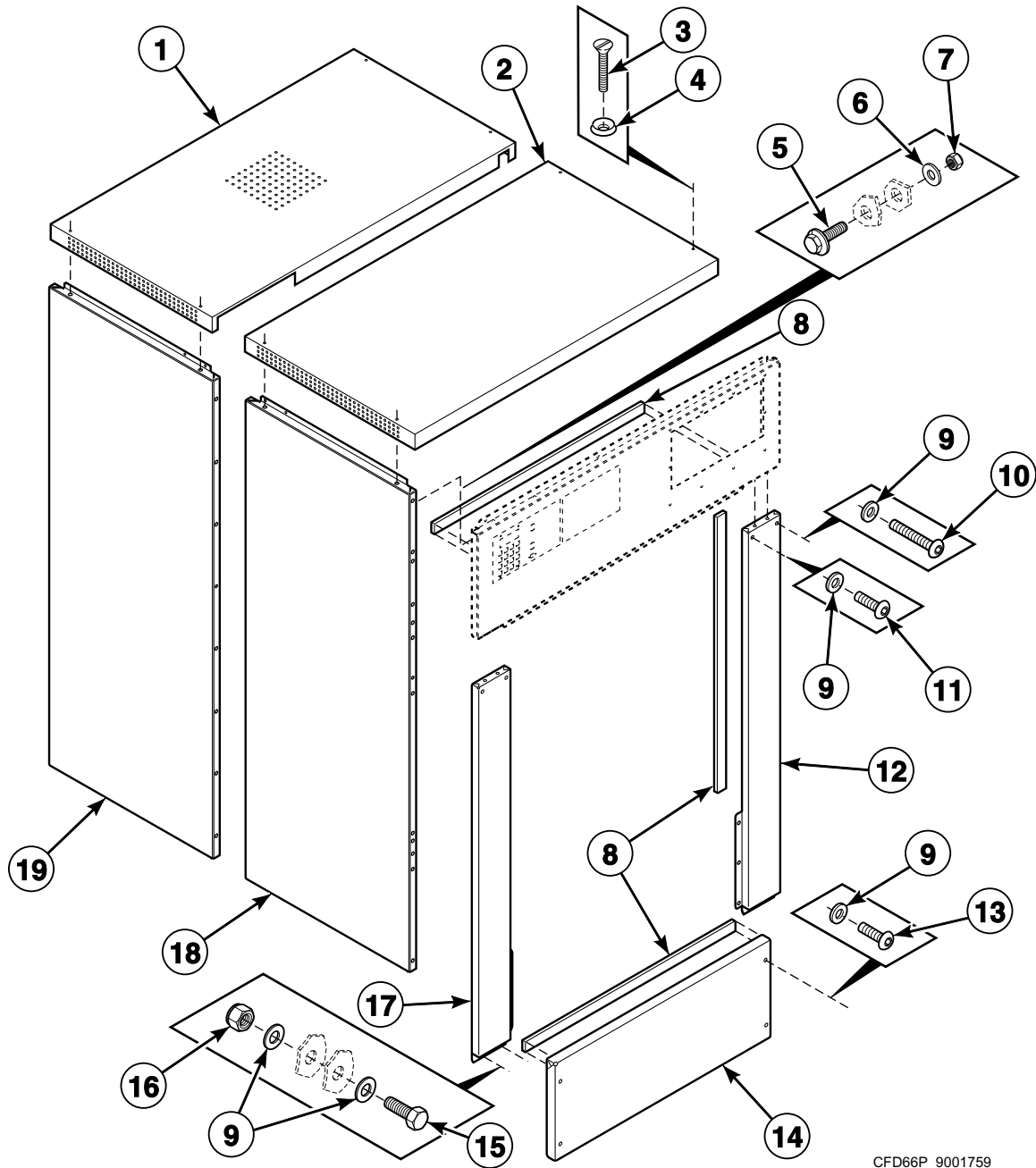


CFD101P_9001759

Control Module

REF	PART NO.	DESCRIPTION	COMMENTS
1	206/00099/00	Bolt	
2	229/00262/20	Electrical Components Plate	
3	223/00173/10	Pressure Switch Hose Tee	
4	223/00223/00	Hose Clamp	
5	223/00210/00	Pressure Switch Elbow	
6	223/00016/00	Hose Barb	
7	B12700018	Pressure Hose	
8	209/00041/04	Contactactor	
9	209/00356/00	Noise Suppressor	
10	225/10004/00	Thermostat Grommet	
11	210/01064/16	Thermostat	Cygnus and PRO control models
	210/01304/16	Thermostat	All other models
12	209/00007/50	Pressure Switch	Models through 7/8/2008
	B12548601	Water Level Switch	Models starting 7/8/2008
13	209/00148/02	Contactactor	
14	203/00006/00	Washer	
15	207/00008/00	Screw	
16	204/00007/00	Nut	
17	209/00005/00	Terminal Block	

Top, Left Side and Front Panels

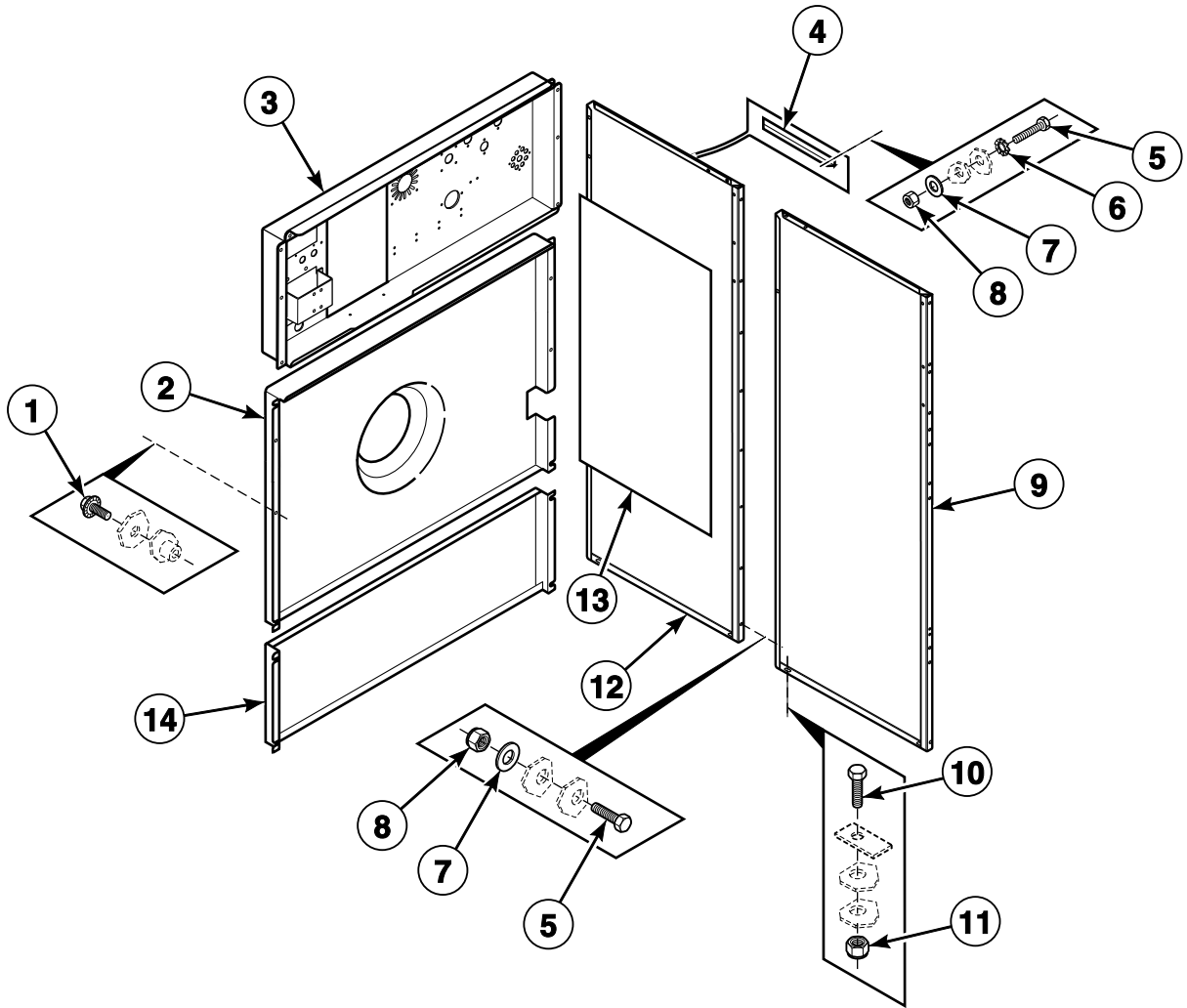


CFD66P_9001759

Top, Left Side and Front Panels

REF	PART NO.	DESCRIPTION	COMMENTS
1	173/00001/01	Rear Cabinet Top	*HF165, *HF730 and *X165 models
	190/00001/01	Rear Cabinet Top	All other models
2	173/00001/02	Front Cabinet Top	*HF165, *HF730 and *X165 models
	190/00001/02	Front Cabinet Top	All other models
3	207/00123/00	Screw	
4	208/00009/00	Washer	
5	206/00099/00	Bolt	
6	202/00106/00	Washer	
7	204/00106/00	Nut	
8	246/00149/00	Gasket	
9	208/00009/00	Washer	*X models
	202/00110/00	Washer	*HF models
10	208/00121/00	Screw	
11	208/00125/00	Screw	
12	173/00003/10	Front Right Panel	
13	208/00124/00	Screw	*X models
	207/00123/00	Screw	*HF models
14	173/00004/00	Lower Front Panel	
15	206/00042/00	Bolt	
16	204/00109/00	Nut	
17	173/00003/20	Front Left Panel	
18	173/00005/00	Side Panel	*HF165, *HF730 and *X165 models; Left front
	190/00005/00	Side Panel	All other models; Left front
19	173/00006/00	Side Panel	*HF165, *HF730 and *X165 models; Left rear
	190/00006/00	Side Panel	All other models; Left rear

Back and Right Side Panels

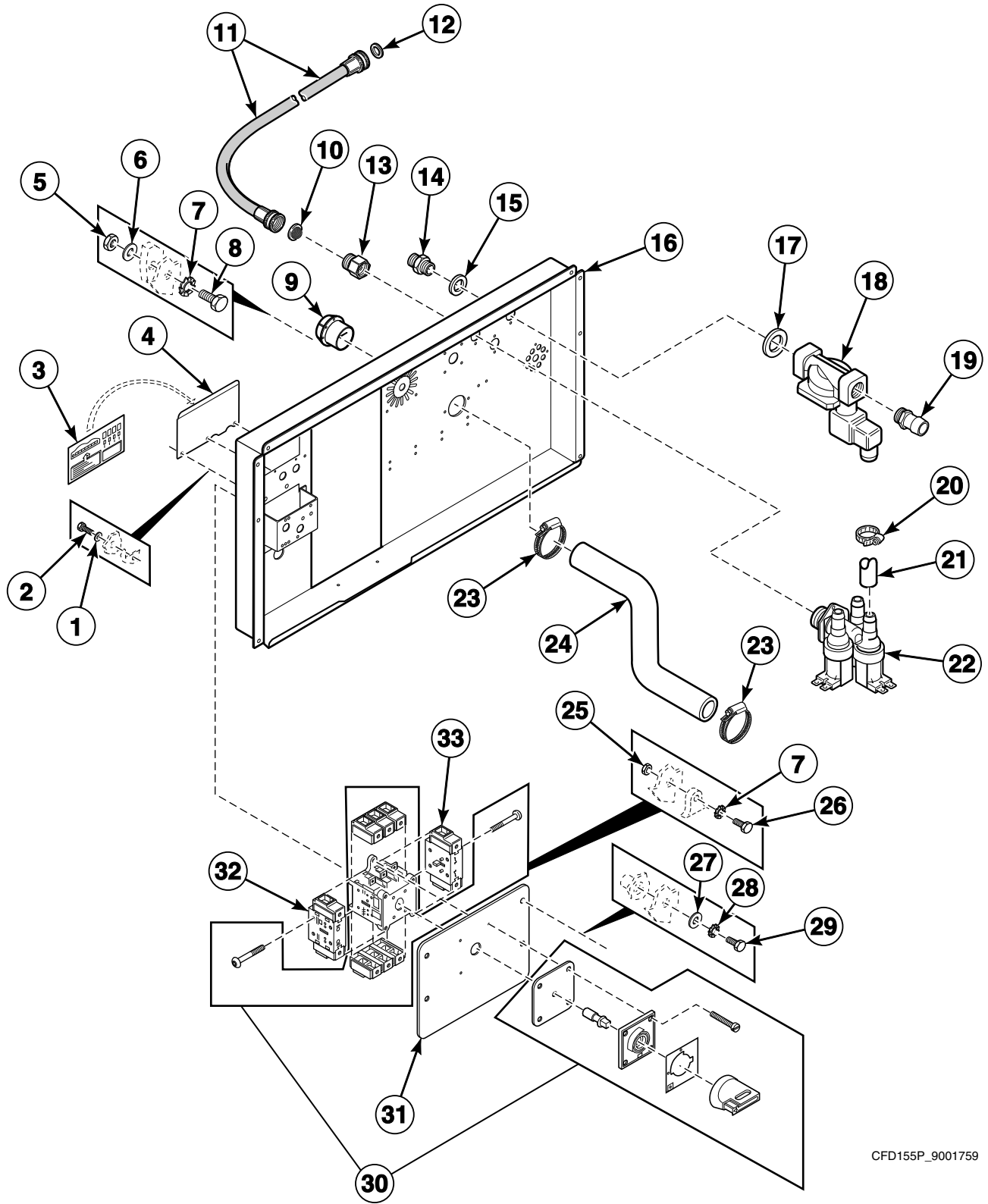


CFD89P_9001759

Back and Right Side Panels

REF	PART NO.	DESCRIPTION	COMMENTS
1	206/00099/00	Bolt	
2	173/00007/02	Lower Rear Panel	
3	173/00008/00	Upper Rear Panel	
4	153/00103/01	Side Panel Support Assembly	
5	205/00104/00	Bolt	
6	203/00004/00	Washer	
7	202/00110/00	Washer	
8	204/00106/00	Nut	
9	173/00006/00	Side Panel	*HF165, *HF730 and *X165 models; Right front
	190/00006/00	Side Panel	All other models; Right front
10	205/00105/00	Bolt	
11	204/00009/00	Nut	
12	173/00005/00	Side Panel	*HF165, *HF730 and *X165 models; Right rear
	190/00005/00	Side Panel	All other models; Right rear
13	246/00079/00	Side Panel Gasket	
14	173/00007/01	Lower Rear Panel	

Upper Back Panel (Drawing 1 of 5)

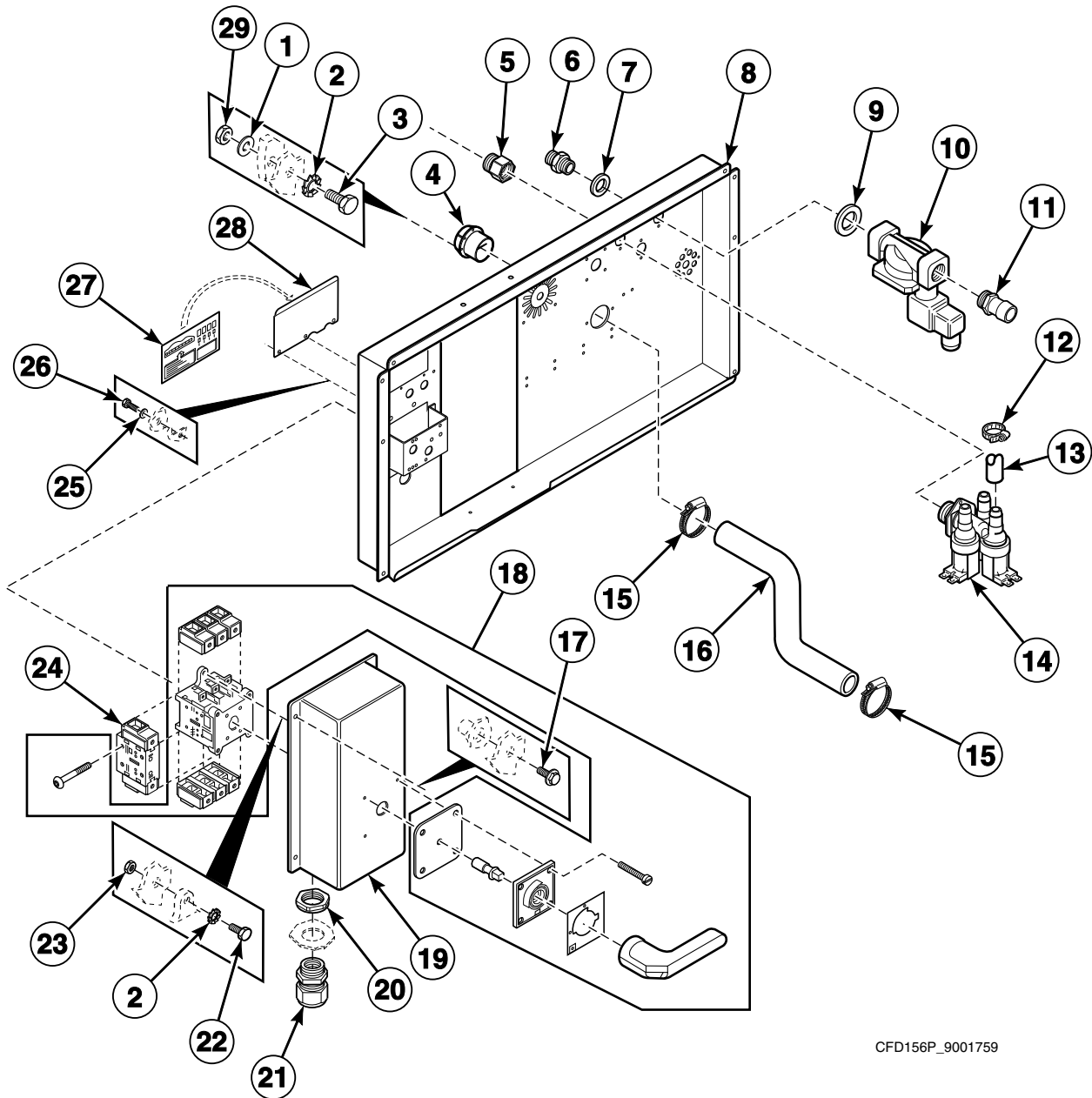


CFD155P_9001759

Upper Back Panel (Drawing 1 of 5)

REF	PART NO.	DESCRIPTION	COMMENTS
1	202/00102/00	Washer	
2	207/00110/00	Screw	
3	229/00068/02	Electrical Connection Sticker	
4	140/00010/01	Electrical Connection Cover	
5	204/00007/00	Nut	
6	202/00004/00	Washer	
7	203/00006/00	Washer	
8	206/00027/00	Bolt	
9	223/00102/07	Hose Vent	
10	803615	Washer	Filter
11	F200185	Water Hose	
12	20290	Washer	
13	223/00050/01	Water Valve Adapter	Converts valve from metric to standard thread
14	223/00255/00	Coupling Sleeve	
15	202/00121/00	Washer	
16	173/00008/00	Upper Rear Panel	
17	223/00272/00	Washer	
18	253/10521/00	Inlet Valve	Metric thread
	253/10526/00	Inlet Valve	Standard thread; F380997P Water Valve Repair Kit
19	223/00254/00	Nipple	
20	223/00010/00	Hose Clamp	No. 10
21	223/00044/00	Water Hose	
22	209/00277/00	3-Way Inlet Valve	Metric thread; Item 13 is required to convert from metric to standard thread
23	223/00014/00	Hose Clamp	
24	223/00211/00	Vent Hose	
25	204/00105/00	Nut	
26	205/00116/00	Bolt	
27	202/00101/00	Washer	
28	203/00004/00	Washer	
29	205/00104/00	Bolt	
30	209/00526/00	Main Switch	
31	153/00027/22	Switch Bracket	
32	209/00528/00	Terminal Block	Ground
33	209/00527/00	Terminal Block	Neutral

Upper Back Panel (Drawing 2 of 5)

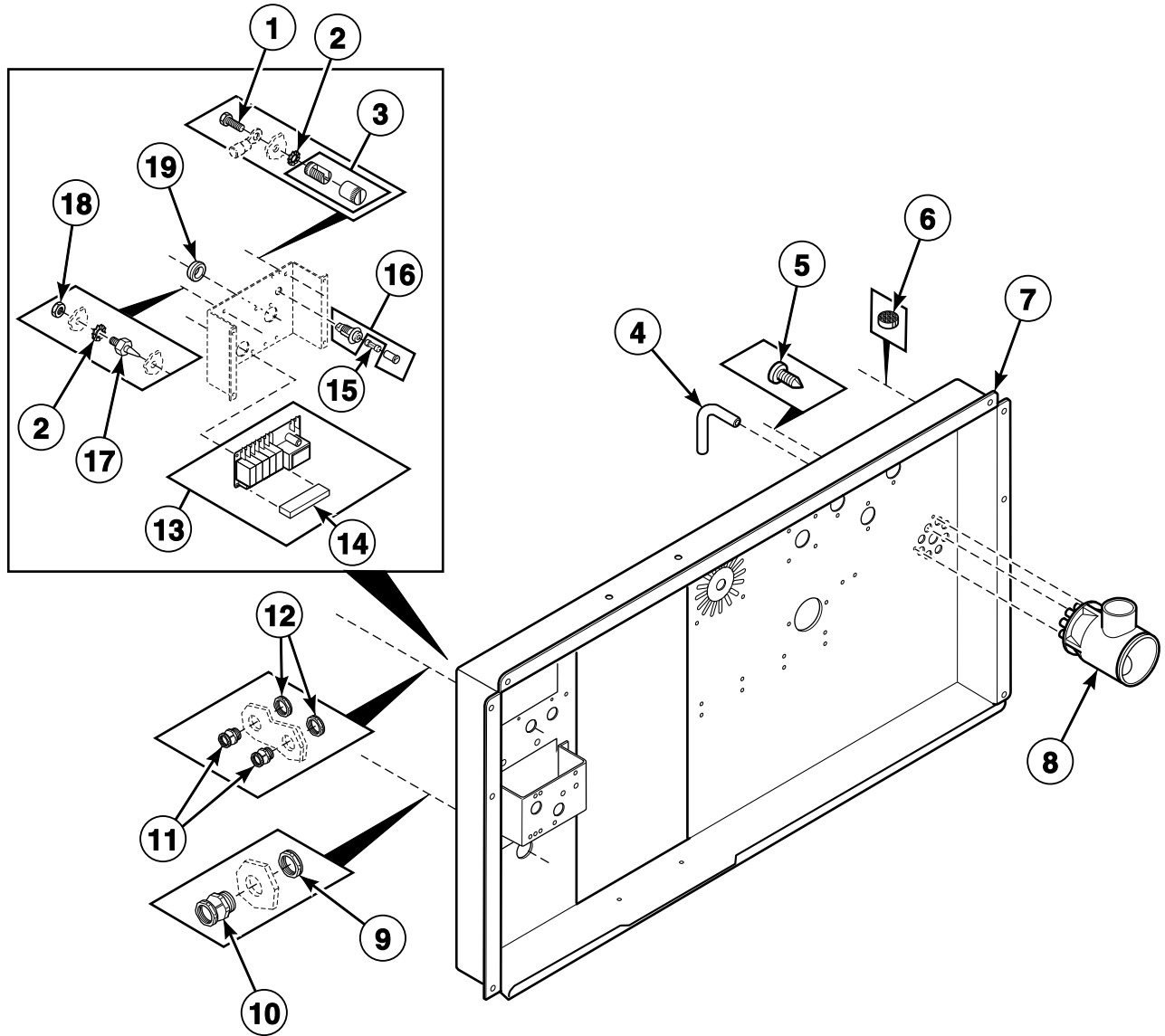


CFD156P_9001759

Upper Back Panel (Drawing 2 of 5)

REF	PART NO.	DESCRIPTION	COMMENTS
1	202/00004/00	Washer	
2	203/00006/00	Washer	
3	206/00027/00	Bolt	
4	223/00102/07	Hose Vent	
5	223/00050/01	Water Valve Adapter	Converts valve from metric to standard thread
6	223/00255/00	Coupling Sleeve	
7	202/00121/00	Washer	
8	173/00008/00	Upper Rear Panel	
9	223/00272/00	Washer	
10	253/10521/00	Inlet Valve	Metric thread
	253/10526/00	Inlet Valve	Standard thread
11	223/00254/00	Nipple	
12	223/00010/00	Hose Clamp	No. 10
13	223/00044/00	Water Hose	
14	209/00277/00	3-Way Inlet Valve	Metric thread; Item 5 is required to convert from metric to standard thread
15	223/00014/00	Hose Clamp	
16	223/00211/00	Vent Hose	
17	206/00099/00	Bolt	
18	209/00532/00	Main Switch	
19	173/00017/00	Main Switch Box	
20	211/00172/00	Nut	
21	211/00169/00	Strain Relief	
22	205/00116/00	Bolt	
23	204/00105/00	Nut	
24	209/00533/00	Terminal Block	Ground
25	202/00139/00	Washer	
26	207/00110/00	Screw	
27	229/00068/02	Electrical Connection Sticker	
28	140/00010/01	Electrical Connection Cover	
29	204/00007/00	Nut	

Upper Back Panel (Drawing 3 of 5)

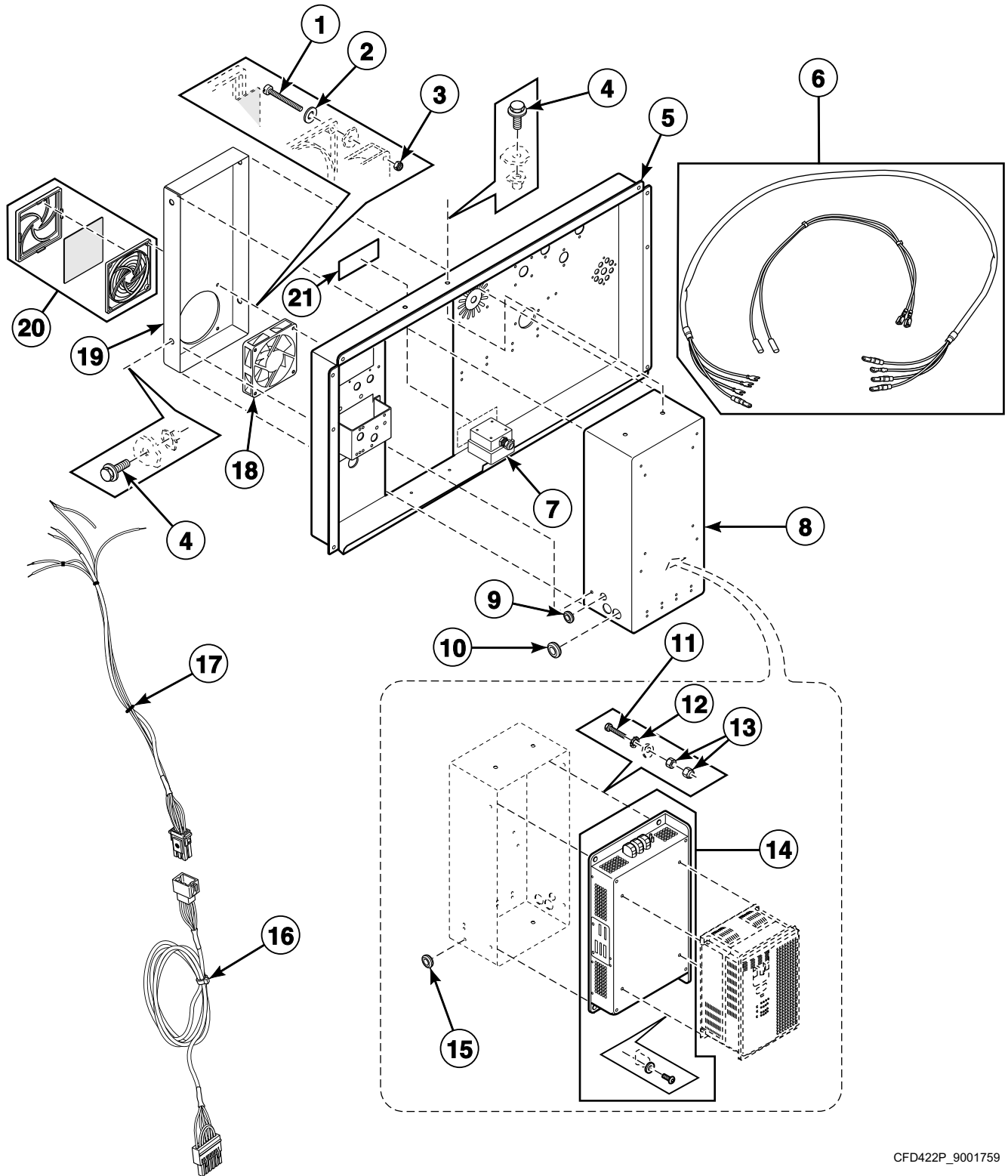


CFD126P_9001759

Upper Back Panel (Drawing 3 of 5)

REF	PART NO.	DESCRIPTION	COMMENTS
1	206/00088/00	Bolt	
2	203/00006/00	Washer	
3	209/00006/01	Ground Terminal	
4	223/00179/10	Pressure Hose	
5	B12347501	Screw	
6	211/00091/00	Plug	M20
	211/00087/00	Plug	30 mm
7	173/00008/00	Upper Rear Panel	
8	223/00249/00	Liquid Soap Manifold	
9	211/00172/00	Nut	
10	211/00169/00	Strain Relief	
11	211/00167/00	Cordlock	
12	211/00170/00	Nut	
13	209/00218/13	Soap Injection PCB with Fuse	Includes item 14
14	209/00996/00	Connector	
15	209/00468/00	Fuse	
16	209/00202/00	Fuse Holder	
17	211/00120/00	Standoff	
18	204/00007/00	Nut	
19	223/00198/00	Grommet	

Upper Back Panel (Drawing 4 of 5)

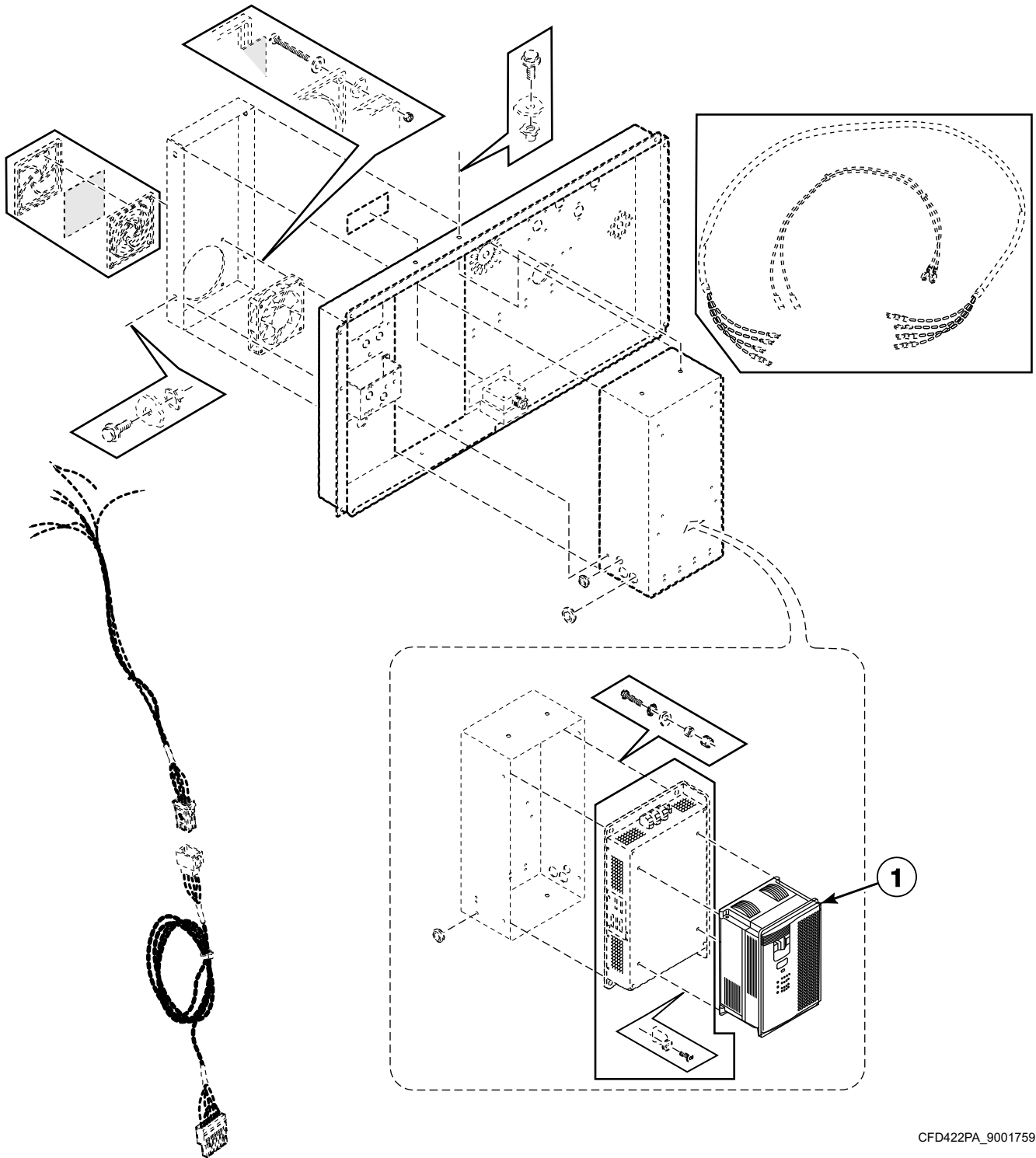


CFD422P_9001759

Upper Back Panel (Drawing 4 of 5)

REF	PART NO.	DESCRIPTION	COMMENTS
	227/00171/00	Parameter Unit Assembly	
	227/00171/10	Parameter Unit Program Cable	
1	207/00031/00	Screw	
2	202/00004/00	Washer	
3	204/00114/00	Nut	
4	206/00099/00	Bolt	
5	173/00008/00	Upper Rear Panel	
6	210/30570/20	Inverter to Motor Harness	
7	209/00406/00	Transformer	480 to 240 Volt
	209/00311/00	Transformer	380 or 440 Volt to 220 Volt
8	173/00009/00	Inverter Box	
9	223/00174/00	Grommet	
10	223/00198/00	Grommet	
11	205/00108/00	Bolt	
12	203/00005/00	Washer	
13	204/00107/00	Nut	
14	227/00176/00	Inverter Drive Filter	380-480 Volt; Models CHF165ANH, CHF730U, CS165_CYGNUS-ULTRA, HF730_CYGNUS-PREM_OPL, HF730_CYGNUS-PRO, HF730_PS40F, HF900_CYGNUS-PREM_OPL, HF900_CYGNUS-PRO, HF900_PS40F, HX165PVNU6, HX165PVNU7, HX165PVPU7, HX165_WE-8, HX200PVNU7, HX200PVPU7, HX200_WE-8, IHF165ANH, IHF165ZNH, IHF730ANH, IHF730U, IHF730ZNH, IHF900ANH, IHF900ZNH, SX165PVNU6, SX165PVNU7, SX165PVPU7, SX165Z, SX165_WE-8, SX200PVNU7, SX200PVPU7, SX200Z, SX200_WE-8, UX165PVNU6, UX165PVNU7, UX165PVPU6, UX165PVPU7, UX165Z, UX165_WE-8, UX200PVNU7, UX200PVPU7, UX200Z and UX200_WE-8
	227/00182/00	Inverter Drive Filter	200-240 Volt; Models CHF165ANH, CHF730U, CS165_CYGNUS-ULTRA, HF730_CYGNUS-PREM_OPL, HF730_CYGNUS-PRO, HF730_PS40F, HF900_CYGNUS-PREM_OPL, HF900_CYGNUS-PRO, HF900_PS40F, HX165PVQU6, HX165PVQU7, HX165_WE-8, HX200PVQU7, HX200_WE-8, IHF165ANH, IHF165ZNH, IHF730ANH, IHF730U, IHF730ZNH, IHF900ANH, IHF900ZNH, SX165PVQU6, SX165PVQU7, SX165Z, SX165_WE-8, SX200PVQU7, SX200Z, SX200_WE-8, UX165PVQU6, UX165PVQU7, UX165Z, UX165_WE-8, UX200PVQU7, UX200Z and UX200_WE-8
15	223/00213/00	Grommet	
16	B12371101	Micro to Connector Harness	From the main control to the inverter drive; 200 Volt; Requires that the inverter jumper be in the 'sink' position
	210/01304/15	Micro to Connector Harness	From the main control to the inverter drive; 400 Volt; Requires that the inverter jumper be in the 'source' position
17	210/01064/14	Connector to Inverter Harness	From the main control to the inverter drive
18	209/00287/00	Cooling Fan	
19	173/00009/04	Inverter Box Top	
20	209/00465/01	Fan Grill	Models through 10/5/2008
	209/00287/11	AC Drive Filter	Models starting 10/6/2008
21	B12355001	Voltage Discharge Decal	

Upper Back Panel (Drawing 5 of 5)

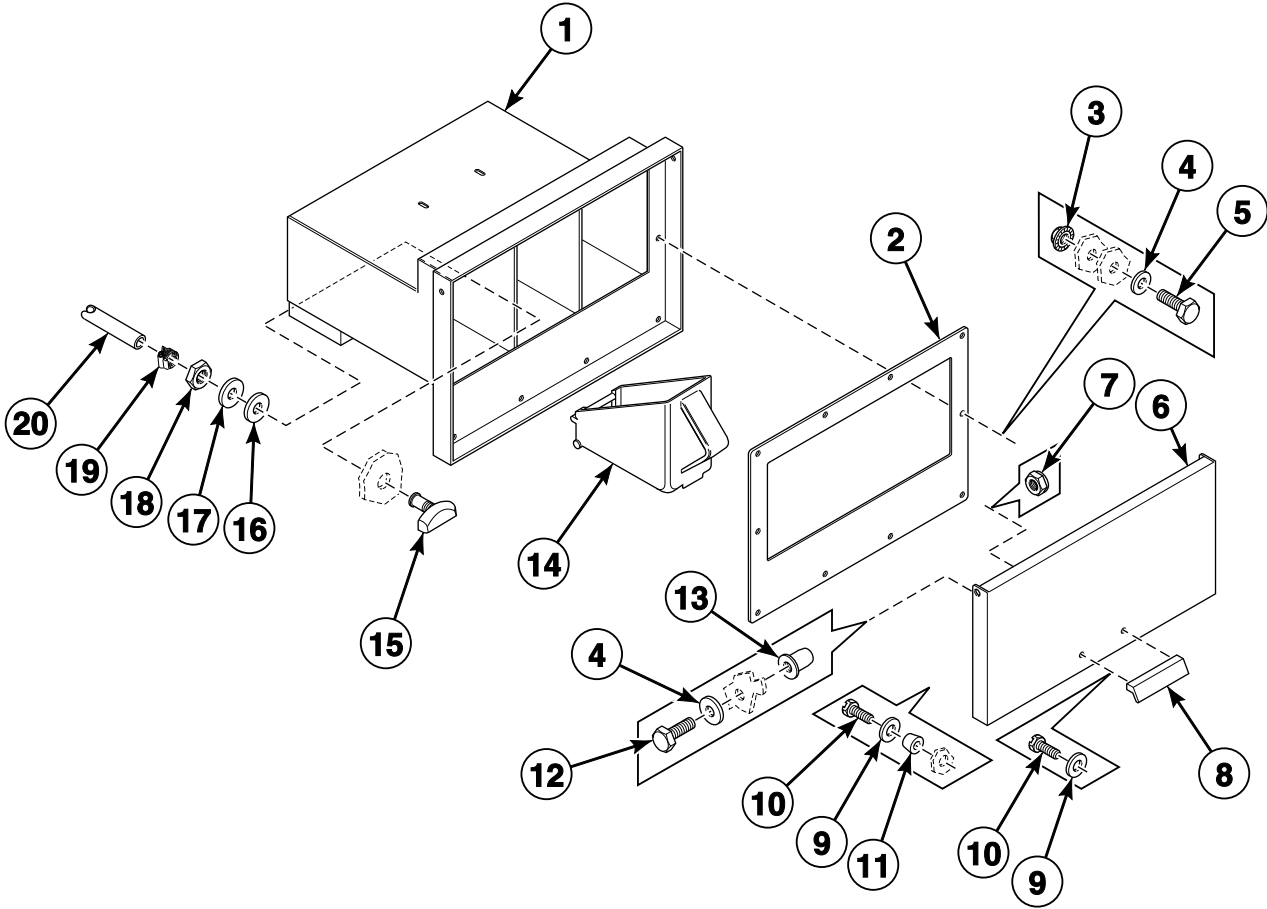


CFD422PA_9001759

Upper Back Panel (Drawing 5 of 5)

REF	PART NO.	DESCRIPTION	COMMENTS
1	227/00219/00	Inverter	15 kW; 200 Volt; A700-series; Models HF900_CYGNUS-PREM_OPL, HF900_CYGNUS-PRO, IHF900ZNH, SX200Z and UX200Z; When replacing either the 11 kW motor or inverter drive with a 15 kW motor or inverter drive, both the 11 kW motor and inverter drive must be replaced with a 15 kW motor and inverter drive
	227/00213/00	Inverter	15 kW; 400 Volt; A700-series; Models HF900_CYGNUS-PREM_OPL, HF900_CYGNUS-PRO, IHF900ZNH, SX200Z and UX200Z; When replacing either the 11 kW motor or inverter drive with a 15 kW motor or inverter drive, both the 11 kW motor and inverter drive must be replaced with a 15 kW motor and inverter drive
	227/00207/00	Inverter	11 kW; 240 Volt; A700-series; Models CHF730U, HF730_CYGNUS-PREM_OPL, HF730_CYGNUS-PRO, IHF165ZNH, IHF730U, IHF730ZNH, SX165Z and UX165Z; For *X200 and *HF900 models made before Serial No. 0902900007 contact customer service for replacement information
	227/00208/00	Inverter	11 kW; 400 Volt; A700-series; Models HF730_CYGNUS-PRO, HF730_PS40F, IHF165ZNH, IHF730ZNH, SX200Z and UX200Z; For *X200 and *HF900 models made before Serial No. 0902900007 contact customer service for replacement information
	F8421021	Inverter Drive Kit	Used to convert from 500 to 700-series inverter drive; *165 and *730 models; 200 Volt/3 phase; 11 kW motor
	F8421121	Drive	700-series; *165 and *730 models; 200 Volt/3 phase; 11 kW motor
	F8421022	Inverter Drive Kit	Used to convert from 500 to 700-series inverter drive; *165 and *730 models; 400 Volt/3 phase; 11 kW motor
	F8421122	Drive	700-series; *165 and *730 models; 400 Volt/3 phase; 11 kW motor
	F8421023	Inverter Drive Kit	Used to convert from 500 to 700-series inverter drive; *200 and *900 models; 200 Volt/3 phase; 15 kW motor
	F8421123	Drive	700-series; *200 and *900 models; 200 Volt/3 phase; Used with 11 kW motor
	F8421125	Drive	700-series; *200 and *900 models; 200 Volt/3 phase; Used with 15 kW motor
	F8421024	Inverter Drive Kit	Used to convert from 500 to 700-series inverter drive; *200 and *900 models; 400 Volt/3 phase; 15 kW motor
	F8421124	Drive	700-series; *200 and *900 models; 400 Volt/3 phase; Used with 11 kW motor
	F8421126	Drive	700-series; *200 and *900 models; 400 Volt/3 phase; Used with 15 kW motor

Supply Dispenser - Models Through 4/30/2009

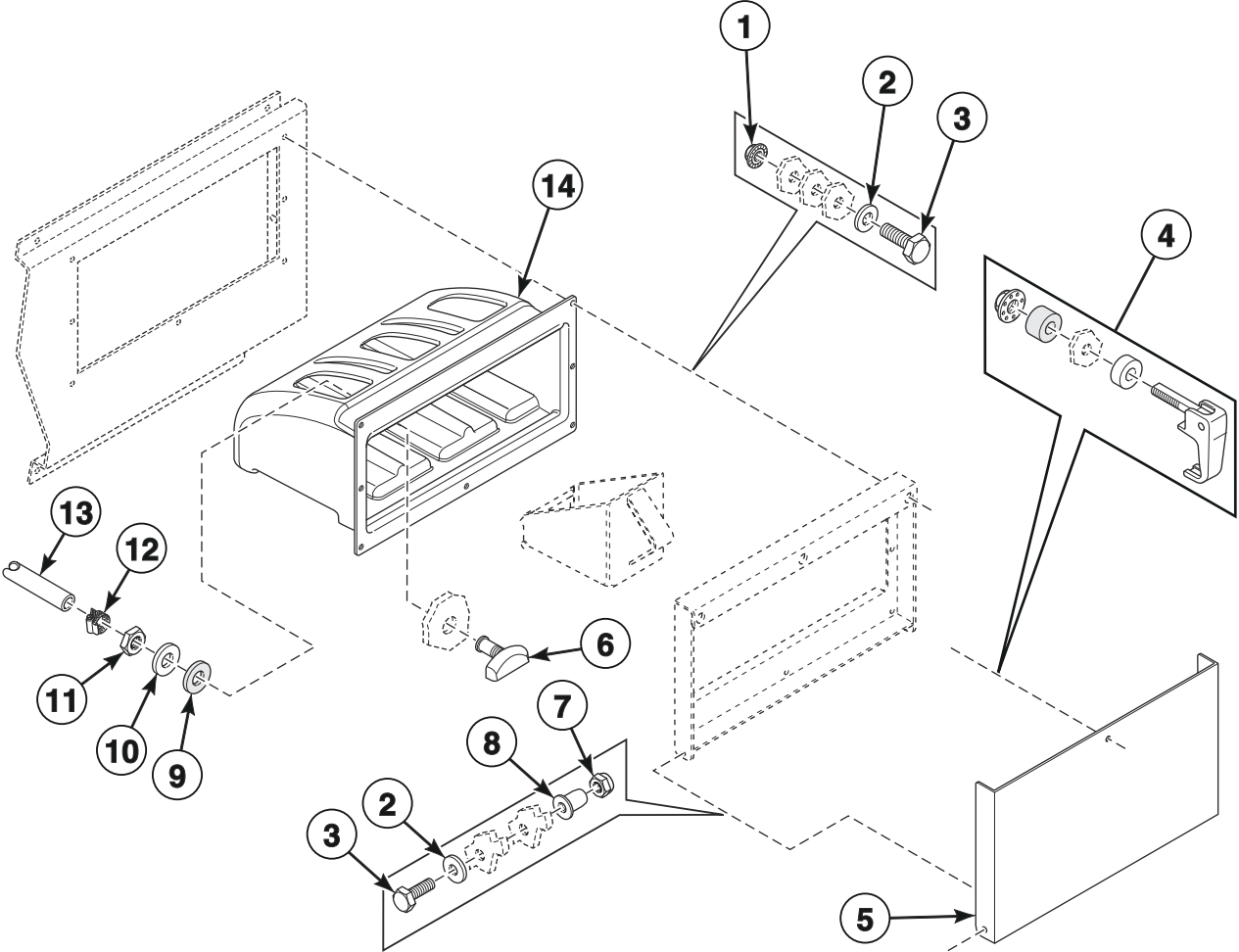


CFD61P_9001759

Supply Dispenser - Models Through 4/30/2009

REF	PART NO.	DESCRIPTION	COMMENTS
1	153/00072/00	Soap Dispenser	
2	153/00071/00	Soap Dispenser Cover Plate	
3	206/00101/00	Nut	
4	202/00101/00	Washer	
5	205/00105/00	Bolt	
6	153/00070/00	Soap Dispenser Cover	
7	204/00009/00	Nut	
8	223/00008/05	Soap Dispenser Cover Handle	
9	202/00102/00	Washer	
10	207/00110/00	Screw	
11	223/00008/01	Handle Grommet	
12	207/00126/00	Screw	
13	204/00301/00	Bushing	
14	253/00012/02	Soap Dispenser Cup	
15	223/00001/04	Prewash and Mainwash Nozzle	
16	223/00001/07	Washer	
17	201/00002/00	Washer	
18	204/00201/00	Nut	
19	223/00010/00	Hose Clamp	No. 10
20	223/00044/00	Water Hose	

Supply Dispenser - Models Starting 5/1/2009

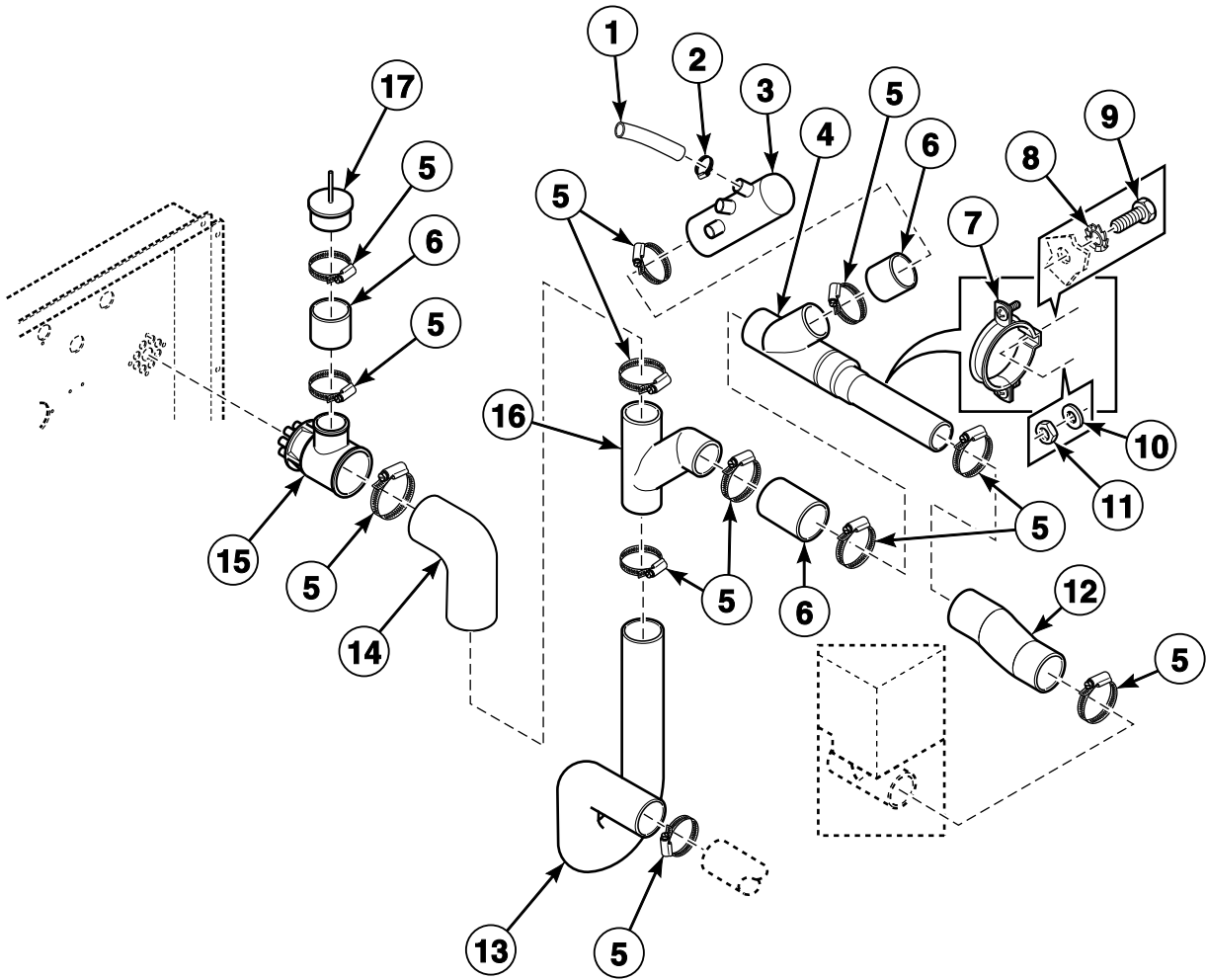


BE000920P_9001759

Supply Dispenser - Models Starting 5/1/2009

REF	PART NO.	DESCRIPTION	COMMENTS
1	206/00101/00	Nut	
2	202/00101/00	Washer	
3	205/00104/00	Bolt	
4	223/00392/00	Supply Dispenser Handle	
5	153/00089/00	Supply Dispenser Cover	
6	223/00001/04	Prewash and Mainwash Nozzle	
7	204/00009/00	Nut	
8	204/00301/00	Bushing	
9	223/00001/07	Washer	
10	201/00002/00	Washer	
11	204/00201/00	Nut	
12	223/00010/00	Hose Clamp	
13	223/00044/00	Water Hose	
14	223/00345/01	Supply Dispenser Box	

Plumbing (Drawing 1 of 3)

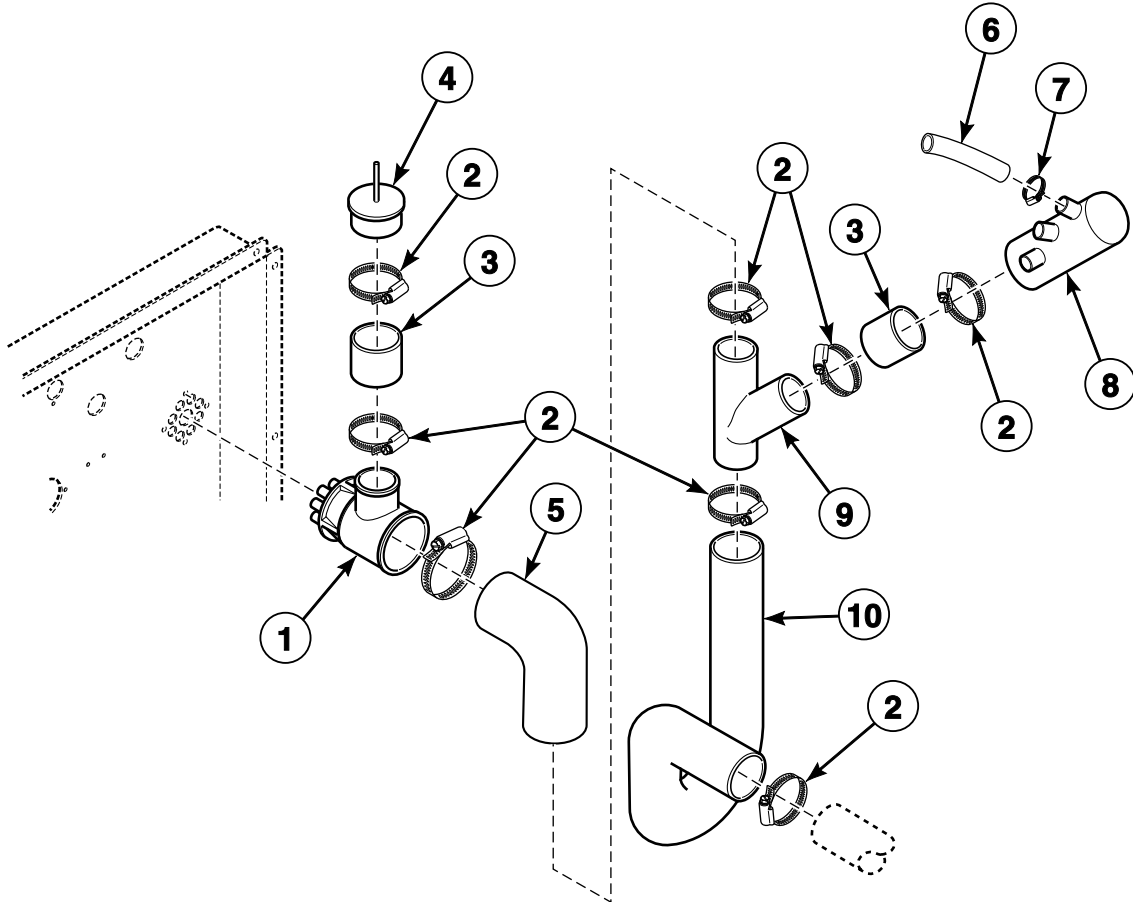


BE000572CP_9001759

Plumbing (Drawing 1 of 3)

REF	PART NO.	DESCRIPTION	COMMENTS
1	223/00269/00	Water Hose	
2	223/00223/00	Hose Clamp	
3	153/00116/00	Manifold	
4	253/00021/00	Reducing Tee	
5	223/00071/00	Hose Clamp	
6	223/00141/00	Drain Valve to Drain Pipe Hose	
7	253/00019/00	Clamp	
8	203/00004/00	Washer	
9	205/00105/00	Bolt	
10	202/00110/00	Washer	
11	204/00106/00	Nut	
12	223/00107/02	Vent Hose	
13	223/00187/00	Soap Dispenser to Tub Hose	
14	223/00302/00	Elbow	
15	223/00249/00	Liquid Soap Manifold	
16	253/00030/00	Y Pipe	
17	253/00035/00	Y Pipe	

Plumbing (Drawing 2 of 3)



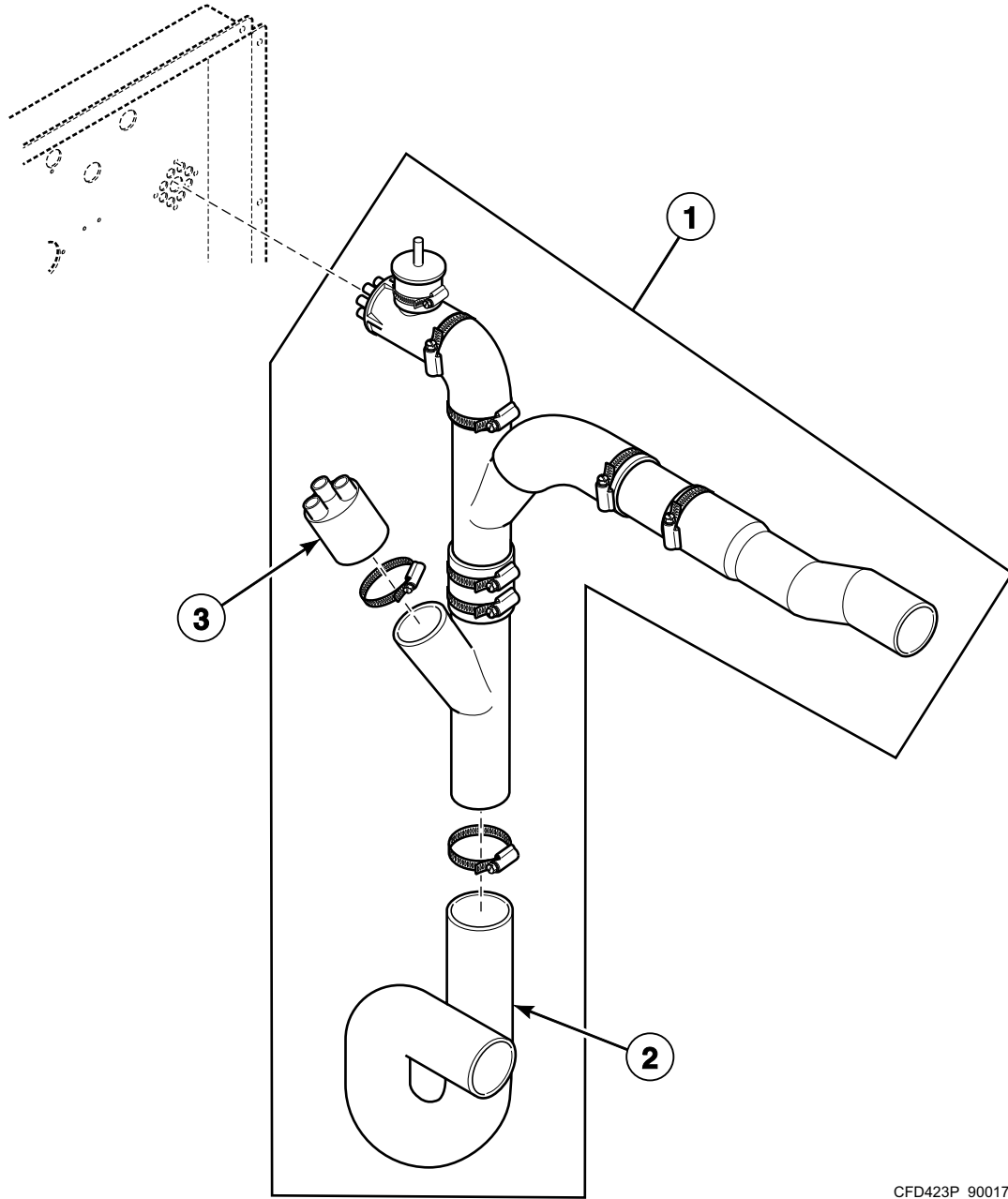
BE000571CP_9001759

Plumbing (Drawing 2 of 3)

REF	PART NO.	DESCRIPTION	COMMENTS
1	223/00249/00	Liquid Soap Manifold	
2	223/00071/00	Hose Clamp	
3	223/00141/00	Drain Valve to Drain Pipe Hose	
4	253/00035/00	Y Pipe	
5	223/00302/00	Elbow	
6	223/00269/00	Water Hose	
7	223/00223/00	Hose Clamp	
8	173/00035/00	Manifold	
9	253/00017/00	Y Pipe	
10	223/00187/00	Soap Dispenser to Tub Hose	

Plumbing (Drawing 3 of 3)

*HF165, *HF730 and *X165 Models Starting Serial No. 11010740003
*HF900 and *X200 Models Starting Serial No. 11010900006

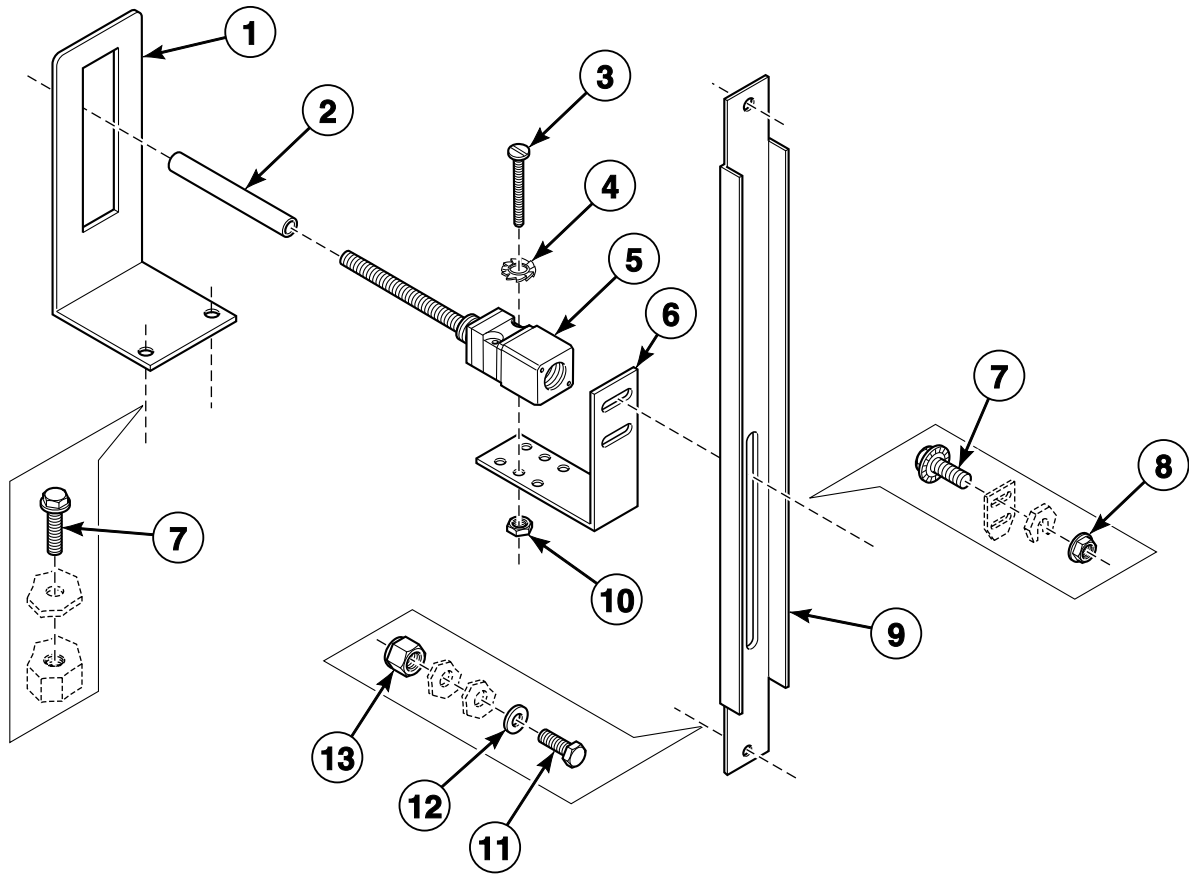


CFD423P_9001759

Plumbing (Drawing 3 of 3)

REF	PART NO.	DESCRIPTION	COMMENTS
1	B12374201	Plumbing Assembly	*HF165, *HF730 and *X165 models
	B12374301	Plumbing Assembly	*HF900 and *X200 models
2	223/00187/00	Soap Dispenser to Tub Hose	
3	173/00056/00	Liquid Soap Manifold	

Balance Switch

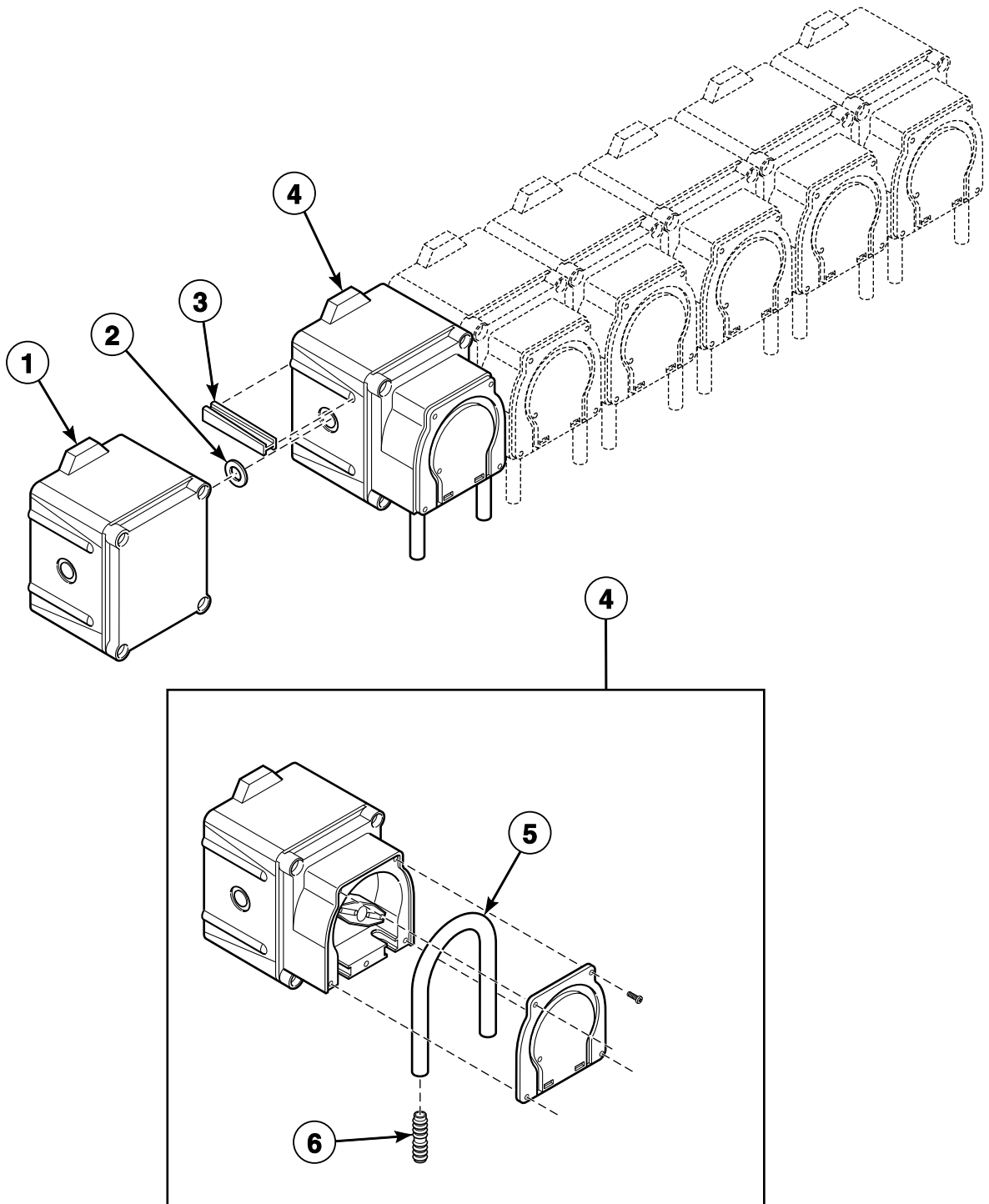


CFD64P_9001759

Balance Switch

REF	PART NO.	DESCRIPTION	COMMENTS
1	153/00046/00	Out-of-Balance Detector Plate	
2	223/00246/00	Out-of-Balance Switch Boot	
3	207/00018/00	Screw	
4	203/00006/00	Washer	
5	209/00255/00	Out-of-Balance Switch	
6	111/00107/00	Tilt Switch Bracket	
7	206/00099/00	Bolt	
8	206/00101/00	Nut	
9	153/00045/00	Out-of-Balance Switch Plate	
10	204/00007/00	Nut	
11	205/00107/00	Bolt	
12	202/00101/00	Washer	
13	204/00009/00	Nut	

Soap Pumps

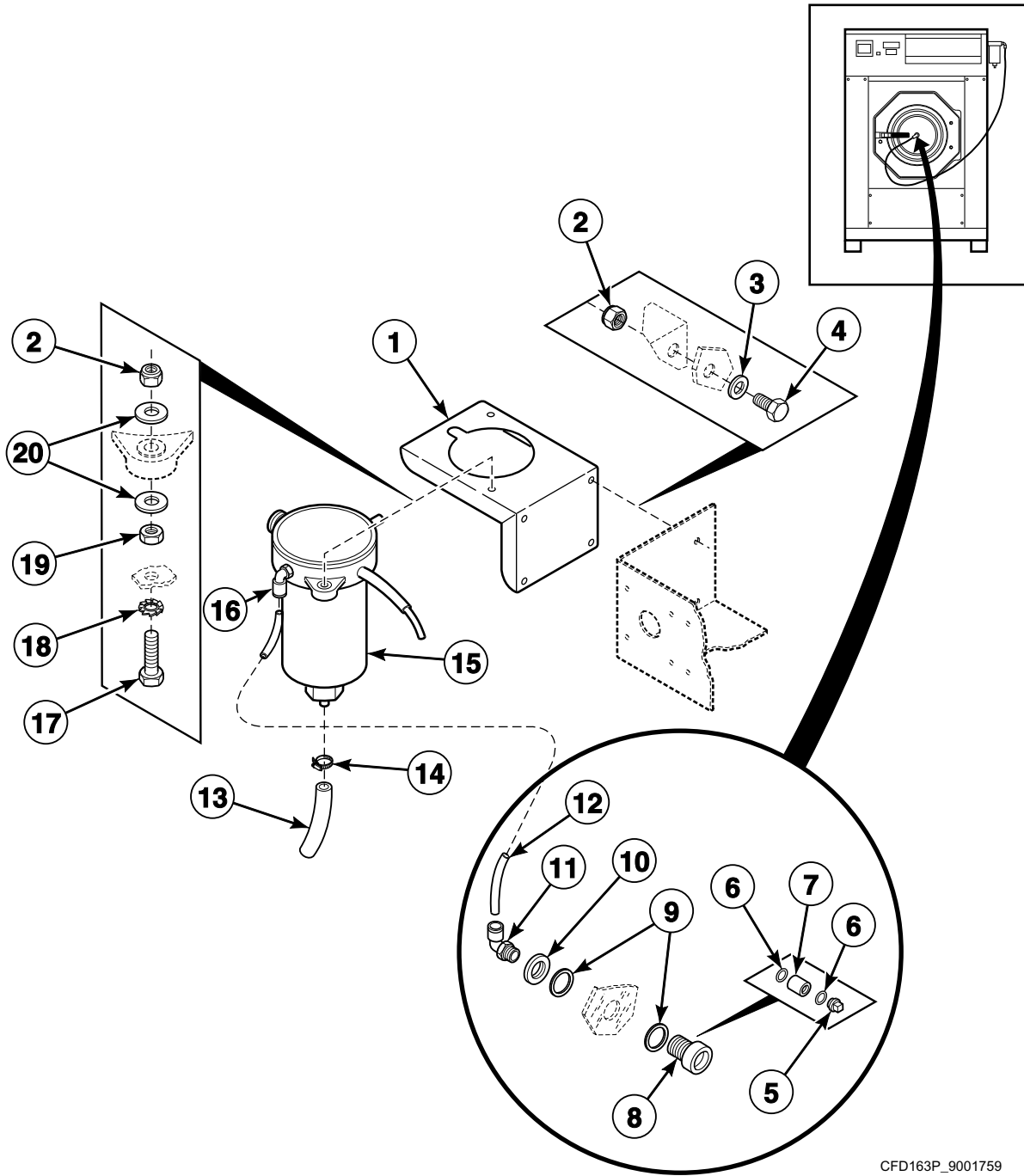


BE000499AP_9001759

Soap Pumps

REF	PART NO.	DESCRIPTION	COMMENTS
1	209/00555/01	Soap Pump Assembly	Feeding and 1 pump
	209/00555/02	Soap Pump Assembly	Feeding and 2 pumps
	209/00555/03	Soap Pump Assembly	Feeding and 3 pumps
	209/00555/04	Soap Pump Assembly	Feeding and 4 pumps
	209/00555/05	Soap Pump Assembly	Feeding and 5 pumps
	209/00555/06	Soap Pump Assembly	Feeding and 6 pumps
	209/00554/51	Feeding Liquid Soap Dosing Pump	
2	209/00554/52	Liquid Soap Dosing Pump O-Ring	
3	209/00554/53	Liquid Soap Dosing Pump Connection Piece	
4	209/00555/50	Liquid Soap Dosing Pump	
5	209/00555/98	Dosing Pump Hose	
6	209/00555/99	Dosing Pump Hose Connector	

Spray Pump

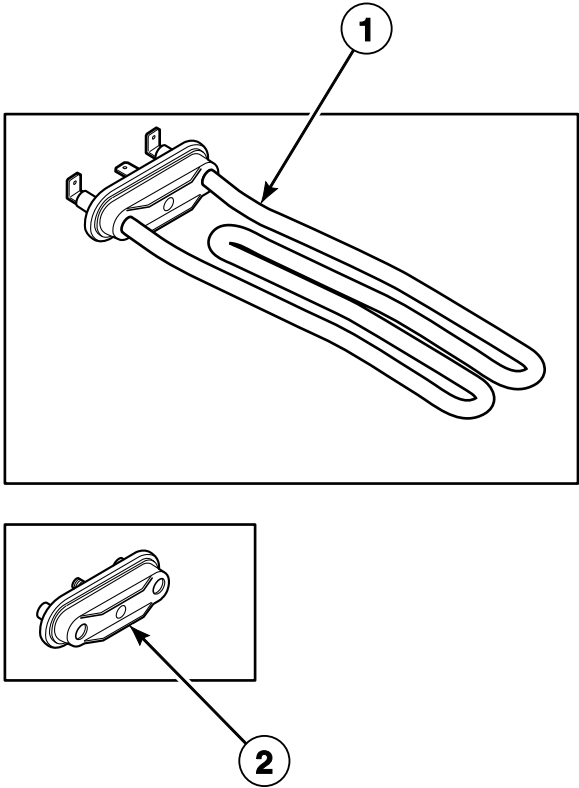


CFD163P_9001759

Spray Pump

REF	PART NO.	DESCRIPTION	COMMENTS
1	111/10179/00	Spray Pump Mounting Plate	
2	204/00009/00	Nut	
3	201/00007/00	Washer	
4	205/00107/00	Bolt	
5	223/00178/00	Soap Injector Orifice	
6	223/00177/00	O-Ring	
7	211/00126/00	Soap Injector Orifice Nipple	
8	211/00127/00	Soap Injector Connector	
9	223/00176/00	O-Ring	
10	211/10106/00	Nut	
11	223/00182/00	Soap Injector Coupling	
12	223/00180/00	Soap Injector Hose	
13	223/00179/10	Pressure Hose	
14	F140605	Cable Tie	
15	209/00369/00	Liquid Soap Spray Pump	
16	223/00181/00	Soap Injector Elbow Coupling	
17	205/00103/00	Bolt	
18	203/00004/00	Washer	
19	204/00106/00	Nut	
20	202/00101/00	Washer	

Electric Heating Option

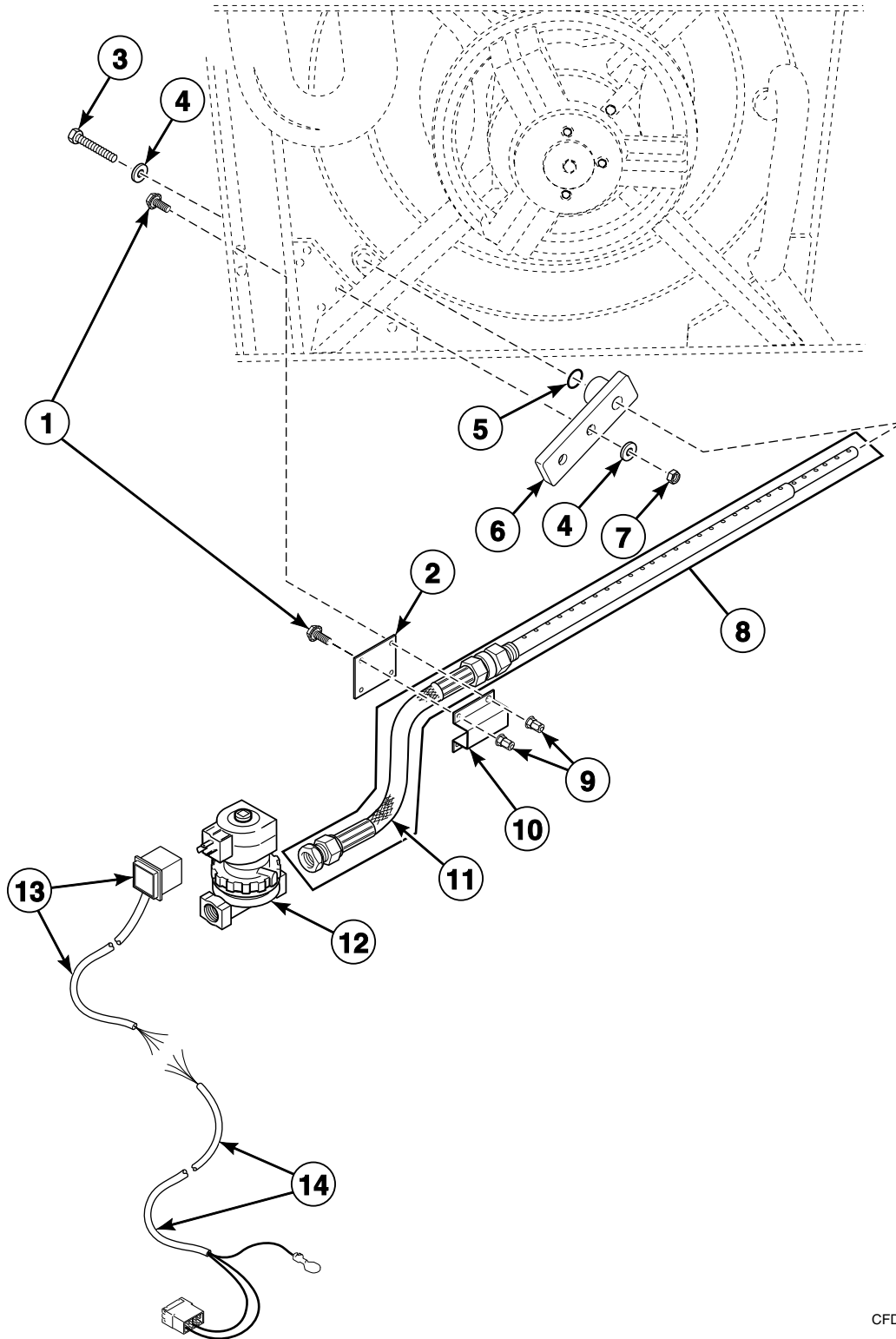


CFD84P_9001759

Electric Heating Option

REF	PART NO.	DESCRIPTION	COMMENTS
1	209/00562/20	Heating Element	3000W, 220/240 Volt
	209/00581/10	Heating Element	4000W, 380 Volt
2	F360202	Heating Element Plug	

Steam Heating Option - *HF165, *HF730 and *X165 Models

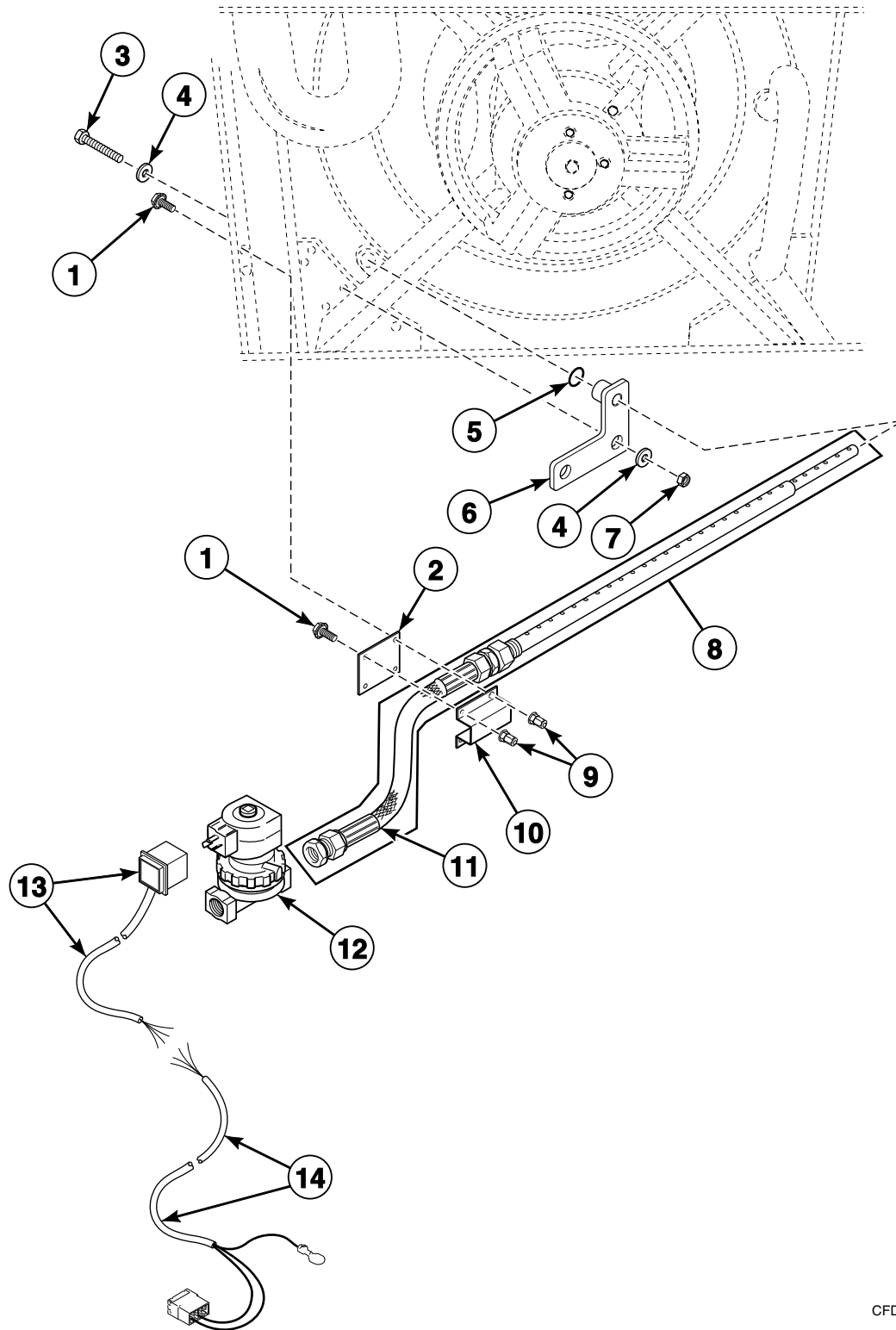


CFD208P_9001759

Steam Heating Option - *HF165, *HF730 and *X165 Models

REF	PART NO.	DESCRIPTION	COMMENTS
	861P3	Steam Heat Kit	Includes items 1, 2 and 8-13
1	206/00099/00	Bolt	
2	173/00018/10	Steam Injector Pipe Clamp Plate	
3	206/00091/00	Screw	Models starting 1/26/2006
4	201/00027/00	Washer	Models starting 1/26/2006
5	223/00350/00	O-Ring	Models starting 1/26/2006
6	173/00032/00	Steam Injector Bracket	Models starting 1/26/2006
7	204/00118/00	Nut	Models starting 1/26/2006
8	119/00086/00	Steam Injector	Includes item 11
9	206/00101/00	Nut	
10	173/00018/00	Steam Injector Pipe Clamp	
11	217/00033/00	Steam Hose	
12	253/10520/00	Steam Valve	
13	F605220	Steam Valve Harness	
14	210/01304/03	Main Control Heat Harness	

Steam Heating Option - *HF900 and *X200 Models



CFD353P_9001759

Steam Heating Option - *HF900 and *X200 Models

REF	PART NO.	DESCRIPTION	COMMENTS
	861P3	Steam Heat Kit	Includes items 1, 2 and 8-13
1	206/00099/00	Bolt	
2	173/00018/10	Steam Injector Pipe Clamp Plate	
3	206/00091/00	Screw	Models starting 1/26/2006
4	201/00027/00	Washer	Models starting 1/26/2006
5	223/00350/00	O-Ring	Models starting 1/26/2006
6	190/00032/00	Steam Injector Bracket	Models starting 1/26/2006
7	204/00118/00	Nut	Models starting 1/26/2006
8	119/00086/00	Steam Injector	Incudes item 11
9	206/00101/00	Nut	
10	173/00018/00	Steam Injector Pipe Clamp	
11	217/00033/00	Steam Hose	
12	253/10520/00	Steam Valve	
13	F605220	Steam Valve Harness	
14	210/01304/03	Main Control Heat Harness	

Parts Index

A

AC Drive Filter	
209/00287/11	67

B

Basket	
B12464201	29
Basket Kit	
B12543501	27
Bearing	
253/00164/00	19, 21, 23, 25, 27
253/00165/00	19, 21, 25
Bearing Housing	
B12625801	25
B12626001	19
253/10505/00	15, 17, 19, 21, 25
Bearing Kit	
3886P	25
Bearing Replacement Kit	
895P3	19
Bearing Retainer	
253/10507/00	19, 21, 25
253/10523/00	19, 21
Bearing Sleeve	
253/10506/00	23, 27, 29
Bearing Spacer	
B12360809	19, 21, 25
253/10513/00	19, 21, 25
Bearing Tool Kit	
245/00059/00	19, 25
Belt	
253/00163/00	27, 29
Blind Rivet	
F8245101	39
Bolt	
C000180	41, 43
C000430	39
C000561	41
C001785	41, 43
F8549301	41, 43
205/00102/00	15, 17, 19, 21, 25
205/00103/00	85
205/00104/00	59, 61, 73
205/00105/00	15, 17, 59, 71, 75
205/00107/00	81, 85
205/00108/00	67
205/00116/00	61, 63
205/00122/00	41, 43
205/00123/00	39
206/00003/00	31
206/00004/00	31
206/00009/00	33
206/00027/00	61, 63
206/00042/00	57
206/00071/00	13
206/00088/00	65
206/00099/00	15, 17, 47, 49, 51, 53, 55, 57, 59, 63, 67, 81, 89, 91
206/00122/00	15, 17

206/00147/00	27, 29
208/00132/00	43
224/00046/00	13
248/00114/00	31

Bushing	
204/00301/00	71, 73

C

Cable Tie	
F140605	85
Circuit Board Cover	
229/00262/00	47
229/00262/50	45
229/00289/00	49, 51, 53
Clamp	
253/00019/00	75
Coil	
209/00051/21	35, 37
209/00052/21	35, 37
209/00203/21	35
209/00212/11	37
Connector	
209/00996/00	65
Connector to Inverter Harness	
210/01064/14	67
Contact Block	
44018701	45
44018901	45
Contact Switch	
209/00099/26	47, 49, 51, 53
Contactora	
209/00041/04	55
209/00148/02	55
Cooling Fan	
209/00287/00	31, 67
Cordlock	
211/00167/00	65
Counterweight	
253/10504/00	15, 17
Coupling Sleeve	
223/00255/00	61, 63
Cylinder and Shaft Assembly	
B12402701	23
B12464301	29
B12543601	27

D

Datacard	
209/02022/00	49, 51, 53
Datacard Cover	
223/00348/00	49, 51, 53
Display	
209/00580/03	45
Display and Printboard	
209/02002/Z02	49, 51
Door	
173/00028/00	41

N/A items do not appear in index.

173/00040/00	43
Door Glass	
253/00515/749	41
253/00515/754	43
Door Glass Gasket	
C000750	41
F8499903	43
Door Glass Seal Retaining Ring	
173/00041/00	43
253/00515/751	41
Door Handle	
253/00515/28	41, 43
Door Handle Bushing	
C000181	41, 43
Door Handle Hinge Weldment	
C000470	41, 43
Door Handle Spring Bushing	
C000192	41, 43
Door Handle Torsion Spring	
C001786	41, 43
Door Hinge	
253/00515/752	41, 43
Door Hinge Bushing	
C000176	43
Door Latch	
C001244	39
Door Latch Assembly	
253/00159/1036	39
Door Lock Catch	
C000185	39
Door Lock Cover	
C000688	39
Door Lock Harness	
C000867P	39
Door Lock Kit	
C001036M	39
Door Lock Microswitch	
C000278	39
Door Lock PC-Board	
209/02010/00	49, 51, 53
Door Lock Plate	
C000684	39
Door Lock Solenoid	
209/00274/00	39
Door Lock Solenoid Bracket	
253/00158/686	39
Door Lock Spring	
253/00158/276	39
Door Lock Spring Cover	
253/00158/687	39
Door Lock Switch Slide	
C000271	39
Door Magnet Mounting Bracket	
B12509001	43
Door Release Decal	
C000694	39
Door Seal	
253/00162/02	41, 43
Dosing Pump Hose	
209/00555/98	83
Dosing Pump Hose Connector	
209/00555/99	83

Drain Pipe	
223/00106/00	33
Drain Tub to Drain Valve Hose	
223/00133/00	33
Drain Valve	
209/00075/05	37
Drain Valve Handle	
209/00115/11	37
Drain Valve Harness	
210/01575/18	33, 35
Drain Valve Kit	
B12630701	33, 35
Drain Valve Motor	
209/00051/11	35
209/00052/11	35
209/00052/12	37
209/00203/11	35
209/00203/12	37
Drain Valve Motor Assembly	
209/00170/06	37
Drain Valve Motor Mounting Plate	
209/00025/07	35
209/00115/04	37
Drain Valve Overflow Plug	
223/00086/00	33
Drain Valve Plate Assembly	
114/00010/00	33
Drain Valve Shaft	
209/00170/10	35, 37
Drain Valve Shaft Seal	
209/00025/10	35, 37
Drain Valve Spring	
209/00025/13	35
209/00170/02	37
Drain Valve to Drain Pipe Hose	
223/00141/00	33, 75, 77
Drive	
F8421121	69
F8421122	69
F8421123	69
F8421124	69
F8421125	69
F8421126	69

E

Elbow	
223/00302/00	75, 77
Electrical Components Plate	
229/00262/20	55
Electrical Connection Cover	
140/00010/01	61, 63
Electrical Connection Sticker	
229/00068/02	61, 63
Emergency Switch Pushbutton	
209/00099/20	49, 51, 53

F

Fan Grill	
209/00465/01	67

N/A items do not appear in index.

Feeding Liquid Soap Dosing Pump 209/00554/51	83
Frame	
253/10501/00	11
290/10501/00	11
Front Cabinet Top	
173/00001/02	57
190/00001/02	57
Front Left Panel	
173/00003/20	57
Front Panel	
173/00025/00	15
173/00042/00	49, 51, 53
Front Right Panel	
173/00003/10	57
Fuse	
209/00372/01	45, 47
209/00468/00	65
Fuse Holder	
209/00202/00	65

G

Gasket	
246/00149/00	57
Grease Ring Holder	
B12418101	25
Grommet	
223/00174/00	67
223/00198/00	65, 67
223/00213/00	67
Ground Terminal	
209/00006/01	65

H

Handle Grommet	
223/00008/01	47, 71
Heating Element	
209/00562/20	87
209/00581/10	87
Heating Element Plug	
F360202	87
Hinge Block	
C000175	41, 43
Hose Barb	
223/00016/00	55
Hose Clamp	
223/00010/00	61, 63, 71, 73
223/00012/00	33
223/00013/00	33
223/00014/00	61, 63
223/00071/00	33, 75, 77
223/00223/00	33, 55, 75, 77
Hose Vent	
223/00102/07	61, 63

I

Infrared Cable	
210/00902/00	47, 49, 51, 53

Inlet Valve	
253/10521/00	61, 63
253/10526/00	61, 63
Inlet Valve, 3-Way	
209/00277/00	61, 63
Insulating Sticker	
229/00255/00	45, 47
229/00268/00	49, 51, 53
Inverter	
227/00207/00	69
227/00208/00	69
227/00213/00	69
227/00219/00	69
Inverter Box	
173/00009/00	67
Inverter Box Top	
173/00009/04	67
Inverter Drive Filter	
227/00176/00	67
227/00182/00	67
Inverter Drive Kit	
F8421021	69
F8421022	69
F8421023	69
F8421024	69
Inverter to Motor Harness	
210/30570/20	67

K

Key	
253/00033/00	27, 29
Keypad	
209/00552/01	47

L

Leveling Leg	
252/00006/00	15, 17
Lip Seal	
B12379301	25
Liquid Soap Dosing Pump	
209/00555/50	83
Liquid Soap Dosing Pump Connection Piece	
209/00554/53	83
Liquid Soap Dosing Pump O-Ring	
209/00554/52	83
Liquid Soap Manifold	
173/00056/00	79
223/00249/00	65, 75, 77
Liquid Soap Spray Pump	
209/00369/00	85
Lock Spring Leaf	
211/00072/00	39
Lower Front Panel	
173/00004/00	57
Lower Rear Panel	
173/00007/01	59
173/00007/02	59
Lower Support	
253/10502/00	11
290/10502/00	11

N/A items do not appear in index.

Lubricator	
212/00022/00	19, 25

M

Magnet	
F8390801	43
Main Board	
B12351701	47
Main Control	
B12565801	45
209/00580/00-00	45
Main Control Heat Harness	
210/01304/03	89, 91
Main Switch	
209/00526/00	61
209/00532/00	63
Main Switch Box	
173/00017/00	63
Manifold	
153/00116/00	75
173/00035/00	77
Memory Card PC-Board	
B12305201	49, 51, 53
Micro to Connector Harness	
B12371101	67
210/01304/15	67
Motor	
B12511001	31
B12511301	31
227/00246/00	31
Motor Plate	
B12369701	31
190/00054/00	31
Motor Pulley	
253/10519/00	31
Mounting Plate	
173/00012/00	47
223/00374/00	49, 51, 53
Mushroom Pushbutton	
209/00248/20	47, 49, 51, 53

N

Nipple	
223/00254/00	61, 63
Noise Suppressor	
209/00356/00	55
Nut	
204/00004/00	33
204/00007/00	31, 55, 61, 63, 65, 81
204/00008/00	45, 47
204/00009/00	59, 71, 73, 81, 85
204/00012/00	13, 31
204/00016/00	13
204/00105/00	61, 63
204/00106/00	57, 59, 75, 85
204/00107/00	67
204/00109/00	57
204/00111/00	31
204/00113/00	13, 15, 17, 31
204/00114/00	31, 67
204/00116/00	45, 47, 49, 51, 53

N/A items do not appear in index.

204/00118/00	89, 91
204/00127/00	43
204/00201/00	71, 73
206/00101/00	71, 73, 81, 89, 91
211/00170/00	65
211/00172/00	63, 65
211/10106/00	85
253/00158/558	41, 43
253/00158/560	41, 43
253/00158/562	41, 43
253/00158/578	39

O

Operating Sticker	
B12456701	53
225/10313/00	49
225/10427/00	53
255/10404/00	53
O-Ring	
223/00176/00	85
223/00177/00	85
223/00244/00	41, 43
223/00350/00	89, 91
Out-of-Balance Detector Plate	
153/00046/00	81
Out-of-Balance Switch	
209/00255/00	81
Out-of-Balance Switch Boot	
223/00246/00	81
Out-of-Balance Switch Plate	
153/00045/00	81
Overflow Hose	
223/00184/00	33
Overlay	
B12568801	51
B12568901	51
F9001561	45
225/00365/00	47
225/00391/00	45
225/00392/00	45
9001890	45

P

Parameter Unit Assembly	
227/00171/00	67
Parameter Unit Program Cable	
227/00171/10	67
Plexi Frame	
225/00321/00	49, 51
225/00323/00	53
Plug	
211/00087/00	65
211/00091/00	65
Plumbing Assembly	
B12374201	79
B12374301	79
Pop Rivet	
F431223	43
Pressure Hose	
B12700018	55
223/00179/10	65, 85

Pressure Switch	
209/00007/50	55
Pressure Switch Elbow	
223/00210/00	55
Pressure Switch Hose Tee	
223/00173/10	55
Prewash and Mainwash Nozzle	
223/00001/04	71, 73
Printboard	
209/02015/02	53
Printboard Display Plate Assembly	
173/00013/20	49, 51
173/00013/30	53
Printboard Separator	
211/00128/00	49, 51, 53
Printboard Support Card	
111/01893/00	49, 51, 53
Programming Key	
209/00326/21	45
Programming Key Contact Switch	
209/00326/20	45, 47
Pulley and Hub Assembly	
253/10517/00	23, 27, 29
Pushbutton	
44018801	45

R

Rear Cabinet Top	
173/00001/01	57
190/00001/01	57
Reducing Tee	
253/00021/00	75
Reed Switch Assembly	
C003000	39
Retaining Ring	
212/00043/00	19, 21, 25
253/00157/00	19, 21, 25
Ribbon Assembly	
B12388302	45
B12388305	45
Rivet	
B12336401	39

S

Screw	
B12322501	39
B12347501	65
206/00031/00	31
206/00053/00	27, 29
206/00091/00	89, 91
206/00125/00	31
207/00003/00	31
207/00008/00	55
207/00018/00	81
207/00025/00	47
207/00031/00	67
207/00110/00	61, 63, 71
207/00113/00	47, 49, 51, 53
207/00123/00	57
207/00126/00	71
208/00121/00	57

208/00124/00	57
208/00125/00	57
209/00025/08	35, 37
209/00170/05	35, 37
209/00170/07	35, 37
253/00158/1047	39
253/00158/567	39
253/00158/612	39
253/00158/614	39
Seal	
B12379001	29
B12379101	29
Seal Wear Plate	
B12418301	25
Shipping Bracket	
173/00015/00	11
173/00054/00	11
Shock Absorber	
247/00008/00	13
Shock Absorber Bushing	
211/00137/10	13
Side Panel	
173/00005/00	57, 59
173/00006/00	57, 59
190/00005/00	57, 59
190/00006/00	57, 59
Side Panel Gasket	
246/00079/00	59
Side Panel Support Assembly	
153/00103/01	59
Soap Dispenser	
153/00072/00	71
Soap Dispenser Cover	
153/00070/00	71
Soap Dispenser Cover Handle	
223/00008/05	71
Soap Dispenser Cover Plate	
153/00071/00	71
Soap Dispenser Cup	
253/00012/02	71
Soap Dispenser to Tub Hose	
223/00187/00	75, 77, 79
Soap Injection PCB with Fuse	
209/00218/13	65
Soap Injector Connector	
211/00127/00	85
Soap Injector Coupling	
223/00182/00	85
Soap Injector Elbow Coupling	
223/00181/00	85
Soap Injector Hose	
223/00180/00	85
Soap Injector Orifice	
223/00178/00	85
Soap Injector Orifice Nipple	
211/00126/00	85
Soap Pump Assembly	
209/00555/01	83
209/00555/02	83
209/00555/03	83
209/00555/04	83
209/00555/05	83
209/00555/06	83
Spacer	
211/00107/00	45

N/A items do not appear in index.

211/00140/00	45
Speed Detector	
209/00400/00	19, 25
Speed Sensor Bracket	
153/00041/02	19
153/00041/11	19, 25
153/10028/00	19, 25
Spray Pump Mounting Plate	
111/10179/00	85
Spring	
C000431	39
Standoff	
211/00120/00	65
211/00122/00	47, 49, 51, 53
211/00145/00	49, 51, 53
Steam Heat Kit	
861P3	89, 91
Steam Hose	
217/00033/00	89, 91
Steam Injector	
119/00086/00	89, 91
Steam Injector Bracket	
173/00032/00	89
190/00032/00	91
Steam Injector Pipe Clamp	
173/00018/00	89, 91
Steam Injector Pipe Clamp Plate	
173/00018/10	89, 91
Steam Valve	
253/10520/00	89, 91
Steam Valve Harness	
F605220	89, 91
Strain Relief	
211/00169/00	63, 65
Supply Dispenser Box	
223/00345/01	73
Supply Dispenser Cover	
153/00089/00	73
Supply Dispenser Handle	
223/00392/00	73
Suspension Spring	
B12440101	13
Switch Base	
209/00099/25	45, 47
Switch Bracket	
153/00027/22	61
Switch Knob	
209/00099/29	45, 47

T

Telem Sticker	
209/00520/00	47, 49, 51, 53
Terminal Block	
209/00005/00	55
209/00527/00	61
209/00528/00	61
209/00533/00	63
Thermostat	
210/01064/16	55
210/01304/16	55
Thermostat Grommet	
225/10004/00	55

N/A items do not appear in index.

Tilt Switch Bracket	
111/00107/00	81
Transformer	
209/00311/00	67
209/00406/00	67
Tub	
173/00019/00	15, 17
173/00020/00	15, 17
190/00019/00	17
190/00020/00	17
Tub Back Plate	
173/00019/10	15, 17
173/00020/10	15, 17
Tub Front	
173/00010/00	17
173/00022/00	17
Tub Gasket	
255/00001/00	15, 17

U

Upper Front Panel	
173/00002/00	47
173/00027/10	45
Upper Rear Panel	
173/00008/00	59, 61, 63, 65, 67
Upper Support	
253/10503/00	11
290/10503/00	11

V

Vent Hose	
223/00107/02	75
223/00211/00	61, 63
Voltage Discharge Decal	
B12355001	67
V-Ring Seal	
253/00151/00	23, 27
253/00153/00	23, 27
253/10515/00	23, 27, 29
253/10516/00	23, 27
V-Ring Seal Ring	
253/10518/00	23, 27, 29

W

Washer	
B12300601	15, 17
B12300701	15, 17
B12522101	13
C000177	41, 43
201/00001/00	15, 17, 31
201/00002/00	71, 73
201/00004/00	31
201/00007/00	39, 85
201/00008/00	31
201/00011/00	31
201/00025/00	27, 29
201/00027/00	89, 91
201/00202/00	21
201/00204/00	19, 25

20290	61
202/00002/00	33
202/00004/00	47, 49, 51, 53, 61, 63, 67
202/00101/00	61, 71, 73, 81, 85
202/00102/00	61, 71
202/00105/00	15, 17
202/00106/00	57
202/00110/00	57, 59, 75
202/00121/00	61, 63
202/00139/00	63
203/00001/00	31
203/00002/00	19, 25
203/00003/00	33
203/00004/00	59, 61, 75, 85
203/00005/00	67
203/00006/00	31, 55, 61, 63, 65, 81
203/00007/00	45, 47
208/00009/00	57
209/00025/12	35, 37
223/00001/07	71, 73
223/00123/00	45, 47, 49, 51, 53
223/00272/00	61, 63
253/00158/571	39
803615	61
Water Hose	
F200185	61
223/00044/00	61, 63, 71, 73
223/00269/00	75, 77
Water Level Switch	
B12548601	55
Water Valve Adapter	
223/00050/01	61, 63
Wire Harness	
210/01575/17	33, 35

Y

Y Pipe	
253/00017/00	77
253/00030/00	75
253/00035/00	75, 77
