

The following catalog has gaps in its page numbers, or doesn't have any numbers. We have chosen to leave the page numbering in the order that Acrobat assigns it.



**Cummins  
Power  
Systems**

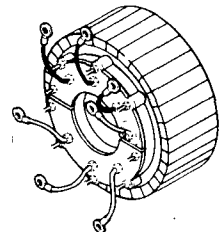
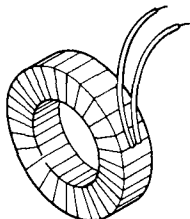
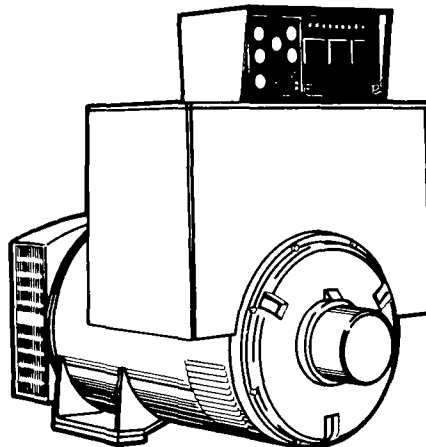
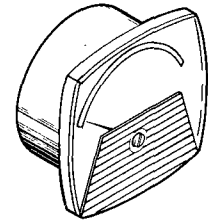
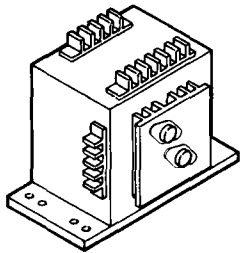
**Parts Catalog**

**NT**

**NTA**

**NTTA**

**PMG Generator Set**



## TABLE OF CONTENTS

Index.....	2
Introduction .....	3
General Information .....	4

### ENGINE SECTION

Alternator .....	5
Air Cleaner - STD .....	6
Air Cleaner - Heavy Duty .....	7
External Engine Components - Left Side .....	9
External Engine Components - Right Side .....	11
Fan, Fan Guards .....	13
Cooling System - Radiator and Skidbase .....	15
Heater, Engine Coolant .....	17
Housing, Set .....	19

### GENERATOR SECTION

Table of Contents for Generator Section .....	21
Generator Size Table .....	23
Generators SAE1/SAE14 .....	24
Generators SAE0/SAE18 .....	25
Generator Stator Section [Frame Size 3] .....	27
Generator Stator Section [Frame Size 4] .....	29
Generator Stator Section [Frame Size 5] .....	31
Generator Rotor Section [Frame Size 3, SAE1/SAE14].....	33
Generator Rotor Section [Frame Size 4, SAE1/SAE14].....	35
Generator Rotor Section [Frame Size 4, SAE0/SAE18].....	37
Generator Rotor Section [Frame Size 5, SAE1/SAE14].....	39
Generator Rotor Section [Frame Size 5, SAE0/SAE18].....	41
Permanent Magnet Exciter .....	42

### CONTROL SECTION

Table of Contents for Control Section .....	51
Control, Generator Set.....	53
Control Panel, Generator (Sets with LED Indicator Lights).....	55
Control Panel, Generator (Sets with Bulb Indicator Lights).....	57
Control Panel, Engine (Sets with LED Indicator Lights).....	59
Control Panel, Engine (Sets with Bulb Indicator Lights).....	61
Control Wiring Harnesses (Sets with LED Indicator Lights).....	63
Control Wiring Harnesses (Sets with Bulb Indicator Lights).....	65
Control Internal Components (Sets with LED Ind Lights).....	66
Control Internal Components (Sets with Bulb Ind Lights).....	67
Control Alarm Module .....	68

## Index

Adapter, Generator.....	33,35,37,39,41	Harness, Engine .....	11
Alarm Module.....	68	Harness, Engine Control .....	59,61
Alternator.....	5	Harness, Generator Control .....	63,65
Ammeter - AC .....	55,57	Heater, Generator.....	27,29,31
Ammeter - DC .....	59,61	Heater, Oil .....	11
Base, Skid .....	15	Heater, Water .....	17
Belt, Drive .....	5,13	Horn, Electrical .....	68
Board, AutoStart.....	66,67	Housing, Set .....	19
Board, LED Lights .....	55	Hub Assy, Fan .....	13
Cable, Battery .....	9	Indicator, Air Service .....	6,7
Cap, Radiator .....	15	Meter, Hour .....	59,61
Cleaner, Air - Heavy Duty .....	7	Regulator, Voltage .....	27,29,31
Cleaner, Air - Std .....	6	Relay .....	66,67
Contact, Heater .....	17	Rotor, Exciter .....	33.353.37.39.41
Control, Engine .....	59,61	Rotor, Generator .....	33.35.37.39.41
Control, Generator Set .....	53	Sender, Pressure - Oil .....	11
Control, Generator .....	55,57	Sender, Temperature .....	11
Control, Overspeed .....	66,67	Shroud, Fan .....	13
Controller, Governor .....	66,67	Starter .....	9
Disk, Drive .....	33,35,37,39,41	Stator, Exciter .....	27,29,31
Element, Air Cleaner.....	6,7	Stator, Generator .....	27,29,31
Element, Breather .....	9	Switch, Heater Control .....	17
Element, Oil Filter .....	9	Switch, Level - Coolant .....	15
Exciter, Permanent Magnet .....	42	Switch, Magnetic - Starter .....	9
Fan, Cooling .....	13	Switch, Pressure - Oil.....	11
Filter, Fuel .....	11	Switch, Selector .....	55,57
Filter, Oil .....	9	Switch, Temperature .....	9
Filter, Water .....	9	Tachometer .....	59,61
Gauge, Pressure - Oil.....	59,61	Transducer, Temperature - Water ....	11
Gauge, Temperature .....	59,61	Transducer, Watt .....	67
Generators .....	24,25	Transducer, Pressure - Oil .....	11
Guard, Belt .....	5	Transformer, Current .....	53
Guard, Fan .....	13	Valve, Drain - Oil .....	9
		Voltmeter .....	55,57,59,61
		Wattmeter .....	55,57

## Introduction

This Parts Catalog applies to the Generator Sets Listed below. The illustrations are arranged in groups of related items, and each part or assembly is identified by a Reference Number. All parts illustrated are typical, and unless otherwise mentioned in the description column the parts are interchangeable between models. Dual Part No. may be applicable; CPS are Cummins Power Systems assigned Part Numbers and CEC are the Cummins Engine Company assigned Part Numbers.

These typical illustrations are subject to change and reflect only the latest replacement parts arrangement. The Right and Left sides of the Generator Set are determined by FACING the FRONT of the Set (Engine Radiator End)

### Set Data Table

ENGINE ID. No.	GEN SET ID No.	RPM RATING	BATTERY VOLTAGE
Note 1. N855-G*#	Note 2. xxxN@	1800 RPM/ 1500 RPM	24 VDC
NT855-G*#	xxxNT@	1800 RPM/ 1500 RPM	24 VDC
NTA855-G*#	xxxNTA@	1800 RPM/ 1500 RPM	24 VDC
NTTA855-G*#	xxxNTT@	1800 RPM/ 1500 RPM	24 VDC

Note:1 \* - Letter S for Standby, Letter C for Continuous Duty applications

Note:1 # - Number 1 thru 9 used to denote size variations.

Note:2 x - Numbers used to denote kW ratings: eg: 230 means 230,000 watt set.

Note:2 @ - Number 1 thru 9 used to denote size variations.

### Electrical Data Table

LOW Y	VOLTAGE		HERTZ	WIRE	PHASE	NOTES
	HIGH Y					
190/110	380/219		60	12	3	
208/120	416/220		60	12	3	
220/127	440/254		60	12	3	
230/133	460/266		60	12	3	
240/139	480/277		60	12	3	
190/110	380/219		50	12	3	
200/115	400/231		50	12	3	
208/120	416/240		50	12	3	


### Engine Replacement Parts

The External Engine Components added or modified during the Generator Set Assembly and most General Maintenance Items are identified in this Parts Catalog. For Internal Engine Parts and Components not covered herein; refer to the applicable Cummins Engine G Drive Parts Catalog.

## General Information

For parts or service, contact the distributor from whom you purchased this equipment or refer to the nearest Authorized Cummins Distributor.

To avoid errors or delays in filling your parts order, always give the full MODEL, SERIAL and ID No. from the nameplate.

 <span style="font-size: 2em; font-weight: bold; vertical-align: middle;">AC Generator Set Model _____</span>			
kw	kva	pf	phase
voltage		amps	
duty		overload	
rpm		hz	
class of insulation		pmg voltage	
field amp max		field voltage max	
generator model no.			
voltage regulator model no.			
ID no.			
generator set serial no.			
BS5000		NEMA	

For handy reference, insert "YOUR"  
nameplate information in the spaces above.

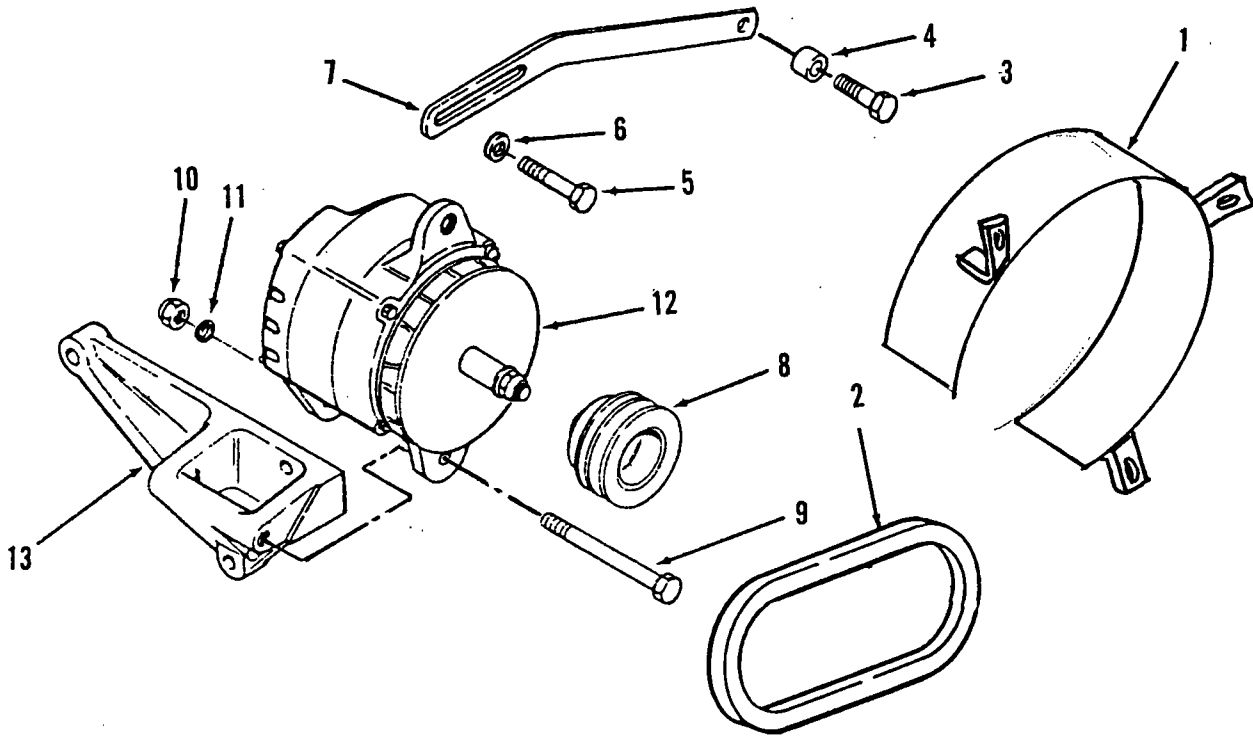
### ▲WARNING

TAKE ALL NECESSARY PRECAUTIONS WHEN CHECKING OR CHANGING ENGINE OIL NOT TO INGEST, BREATHE THE FUMES OR CONTACT THE OIL. USED ENGINE OILS HAVE BEEN IDENTIFIED BY FEDERAL AND SOME STATE AGENCIES AS CAUSING CANCER.

### ▲WARNING

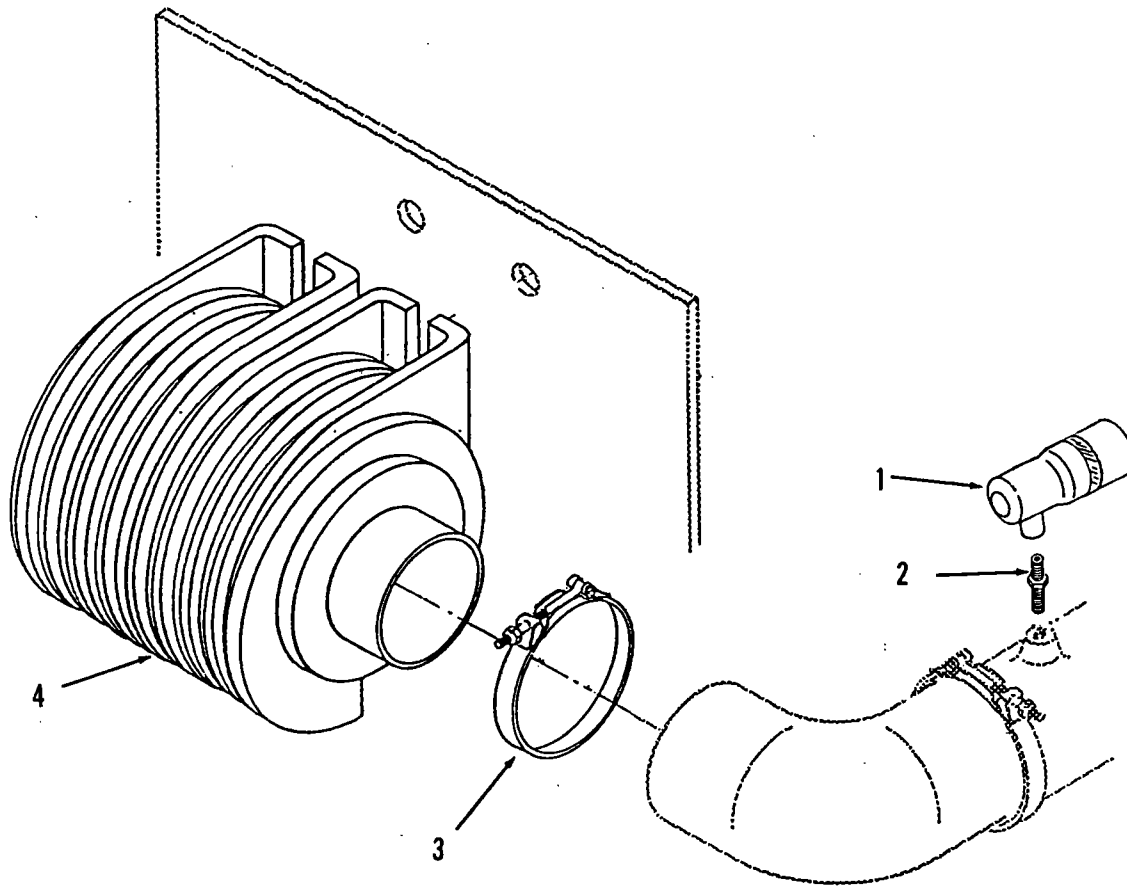
TAKE ALL NECESSARY PRECAUTIONS WHEN HANDLING ENGINE GASKETS. DO NOT INGEST, BREATHE, OR CONTACT DUST FROM GASKETS. USE ADEQUATE VENTILATION AND WEAR PROTECTIVE GLOVES, MASK AND CLOTHING. ASBESTOS HAS BEEN IDENTIFIED BY FEDERAL AND SOME STATE AGENCIES AS CAUSING CANCER.

# Alternator



REF NO.	CPS PART NO.	CEC PART NO.	QTY USED	PART DESCRIPTION
1	191-1876	3011292	1	Guard, Belt - Alternator
	815-0714	3013904	3	Attaching Parts for Guard
	526-0359	146159	3	Screw, Cap - Hex Head with Washer (1/4-20 x 7/16")
			3	Washer, Flat (1/4")
2	511-0156	3040303	2	Belt, Drive - Alternator
3	800-0216	S125	1	Screw, Cap - Hex Head with Washer (1/2-13 x 2")
4	370-4036-01	66945	1	Spacer
5	800-0202	S116C	1	Screw, Cap - Hex Head (7/16-20 x 3-1/2")
6	526-0342	203760	1	Washer, Flat (7/16")
7	191-1857	3029085	1	Link, Adjusting - Alternator
8	130-3176-02	213326	1	Pulley
9	800-0203	70111	1	Screw, Cap - Hex Head (1/2-20 x 6")
10	870-0452	70897	1	Nut, Hex (1/2-20)
11	526-0353	203310	3	Washer, Flat (1/2")
12	191-1846-01	3016627	1	Alternator
13	191-1856	218505	1	Support, Mounting - Alternator
				Attaching Parts for Support
	815-0696	3012471	1	Screw, Cap - Hex Head with Washer (3/8-16 x 1-1/4")
	815-0697	3012472	2	Screw, Cap - Hex Head with Washer (3/8-16 x 1-1/2")

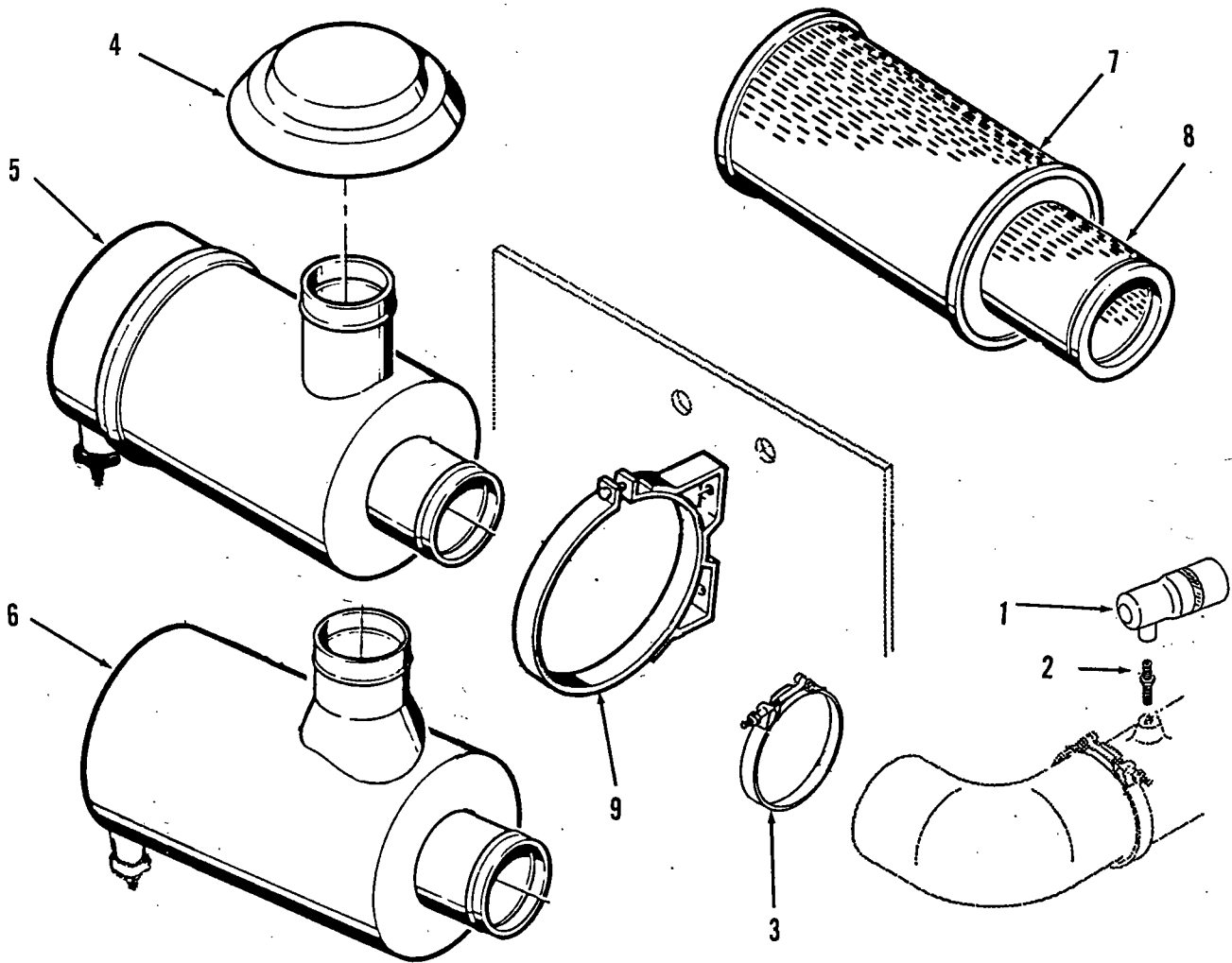
## Air Cleaner - Standard



REF NO.	CPS PART NO.	CEC PART NO.	QTY USED	PART DESCRIPTION
1	140-2226	178957	1	Indicator, Air Restriction (Includes Fitting)
2	140-1260		1	Fitting, Male - Hex
3				Clamp, Hose - T-Bolt
	503-1585-03	125741	2	All Sets
	503-1585-11	140313	2	N, NT, NTA
	503-1585-11	140313	16	NTTA
	503-1585-17	149437	1	NTTA
4	140-2249	3315741	1	Cleaner, Air - Disposable
				<b>Attaching Parts for Air Cleaner</b>
	800-0585	S105	4	Screw, Cap - Hex Head (3/8-16 x 3-1/2")
	850-0103	S604	4	Washer, Lock - Spring (3/8")
	862-0033	S223	4	Nut, Hex (3/8-16)

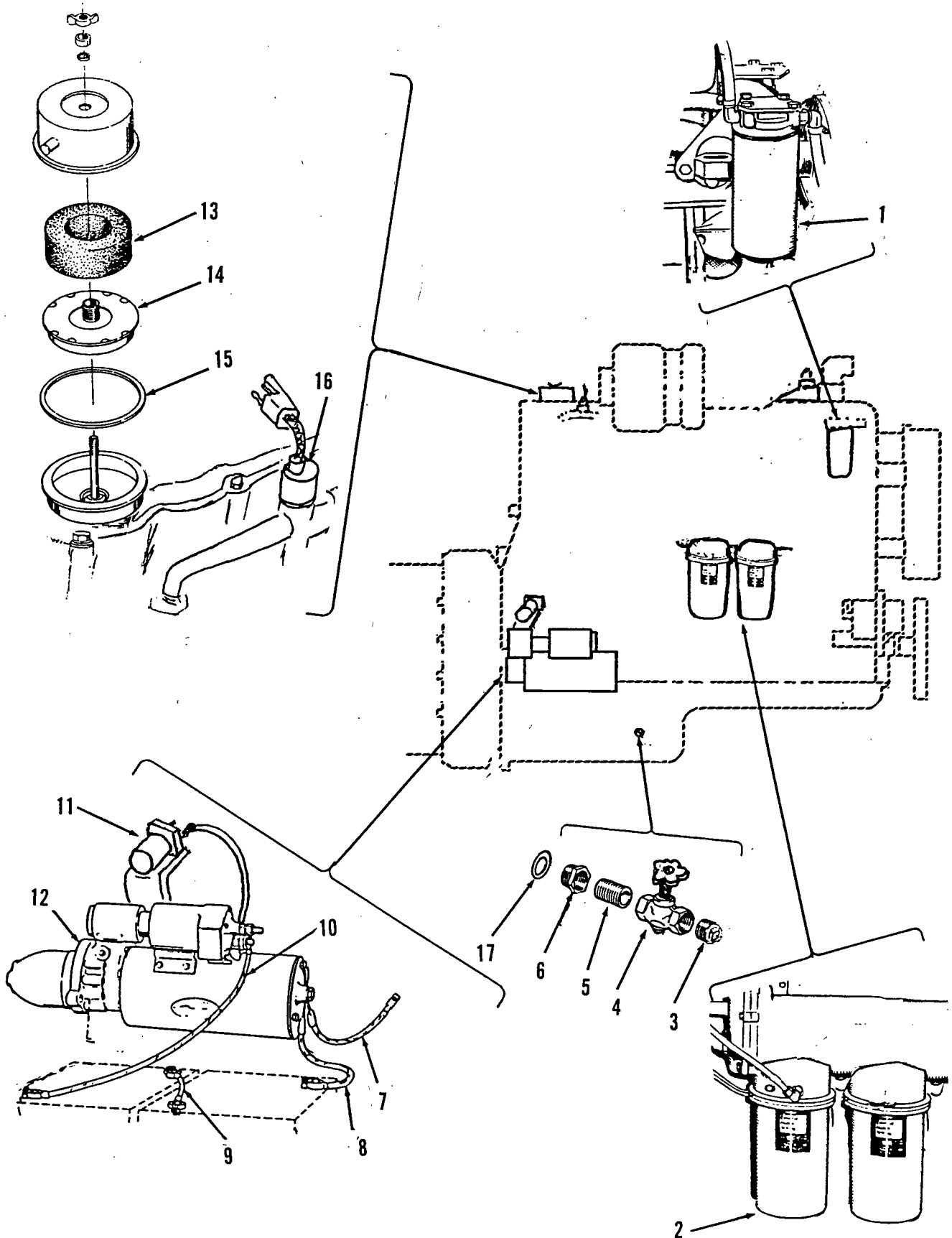


## Air Cleaner - Heavy Duty



REF NO.	CPS PART NO.	CEC PART NO.	QTY USED	PART DESCRIPTION
1	140-2226	178957	1	Indicator, Air Restriction (Includes Fitting)
2	140-1260		1	Fitting, Male - Hex
3				Clamp, Hose - T-Bolt
	503-1585-03	125741	2	All Sets
	503-1585-11	140313	1	NT, NTA
	503-1585-11	140313	6	NTTA
	503-1585-17	149437	1	NTTA
	503-1585-24	3175623	1	NT, NTA
4	140-1545	3013238	1	Cap, Air Cleaner (Fit 7" Inlet)
5	140-2277	3000307	1	Cleaner, Air (Includes Elements) NT, NTA
6	140-2224	3000958	1	Cleaner, Air (Includes Elements) NTTA
7				Element, Primary - Air Cleaner
	140-1654	3013206	1	NT, NTA
	140-1649	3013210	1	NTTA
8				Element, Secondary - Air Cleaner
	140-1655	3013207	1	NT, NTA
	140-1650	3013211	1	NTTA
9	140-0799	197221	2	Strap, Mounting (16" ID)
				Attaching Parts for Strap
	800-0209	S112	4	Screw, Cap - Hex Head (3/8-16 x 1")
	850-0103	S604	4	Washer, Lock - Spring (3/8")
	862-0033	S223	4	Nut, Hex (3/8-16)

# External Engine Components Left Side



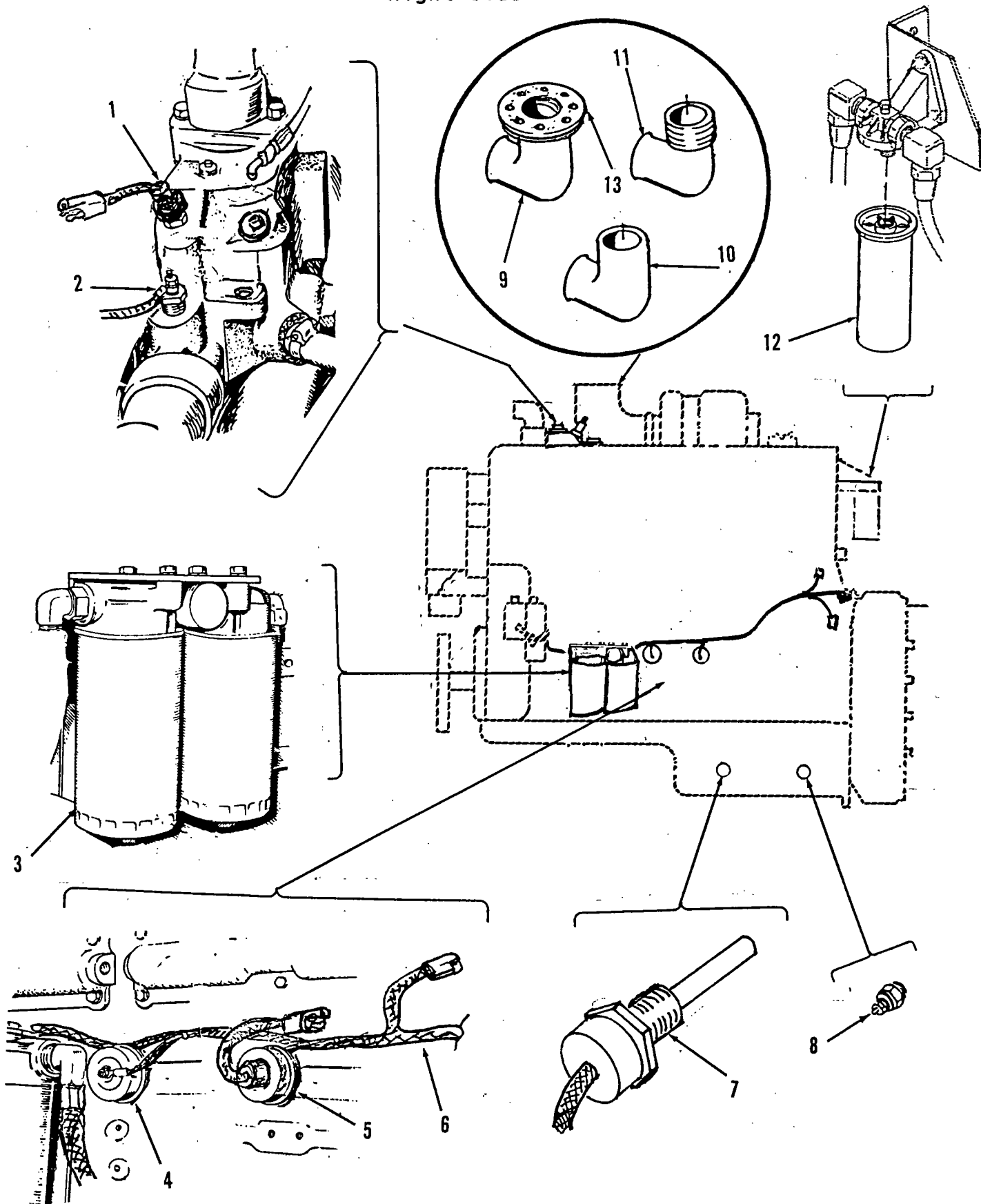
**External Engine Components  
Left Side**

REF NO.	CPS PART NO.	CEC PART NO.	QTY USED	PART DESCRIPTION
1	Note 1 130-3537		1	Filter, Water - W/Corosion Inhibiting Chemical DCA4 Service for Cooling Systems
	130-3541		1	Pre-Charging for Cooling Systems
2	122-0755		1	Filter, Oil NT
	122-0755		2	NT, NTA, NTTA
3	505-1379	S915A	1	Plug, Pipe
4	504-0162	3023067	1	Valve, Gate - Oil Shutoff
5	505-0230	S920	1	Nipple, Pipe
6	505-1377-05	123824	1	Bushing, Reducer - Hex
7	337-2401-03	3018924	1	Lead, Electrical - Ground
8	416-0636		1	Cable, Battery (55" Lg)
9	416-0473		1	Cable, Battery - Jumper
10	416-0639		1	Cable, Battery (60" Lg)
11	307-2621-02	3050692	1	Switch, Magnetic
12		3021036	1	Starter, 24 VDC Standard
	191-1588		1	Heavy Duty
13		3302770	1	Element, Breather
14		3302884	1	Element, Vapor
15		254608	1	Gasket
16				Switch, Temperature Spec A, & B OLD STYLE (Nason)
	Note 2 & 3 309-0572-02	3048727	1	Switch, Temperature - Alarm & Shutdown (4 Wire Harness) Spec A,B & D NEW STYLE(Robert-Shaw); Spec A,B Require Adapter Harness for interface with Engine Wiring Harness)
	Note 2 & 3 309-0596-06	3056355	1	Switch, Temperature - Alarm (u/w 338-2471 Forked Harness)
	309-0596-04	3056353	1	Switch, Temperature - Shutdown (u/w 338-2471 in Dual Switch Applications or with 338-2473 Harness in Single Application)
	338-2473	3066832	1	Harness, Wiring - Forked (Spec A,B Dual Switch Application)
17	502-0292	67946	1	Washer, Sealing - Copper

**NOTES:**

1. Replacement cartridges recommend and should be used in lieu of the Original Engine Factory Installed Item which contains a Pre-Charge amount of DCA or DCA4 Chemical. Replacement with Pre-charge Cartridge may overload the Cooling System and cause problems or failure of the Set.
2. New Style Switches introduced During Spec B Gen Set Assembly and Standard on Spec D Gen Sets during 1988. Replacement of old style (NASON) items with new style (ROBERT-SHAW) items Recommended by Cummins Engine Company Engineering.
3. Switch is sometimes located in front and below the water outlet elbow that connects to upper radiator hose.

External Engine Components  
Right Side

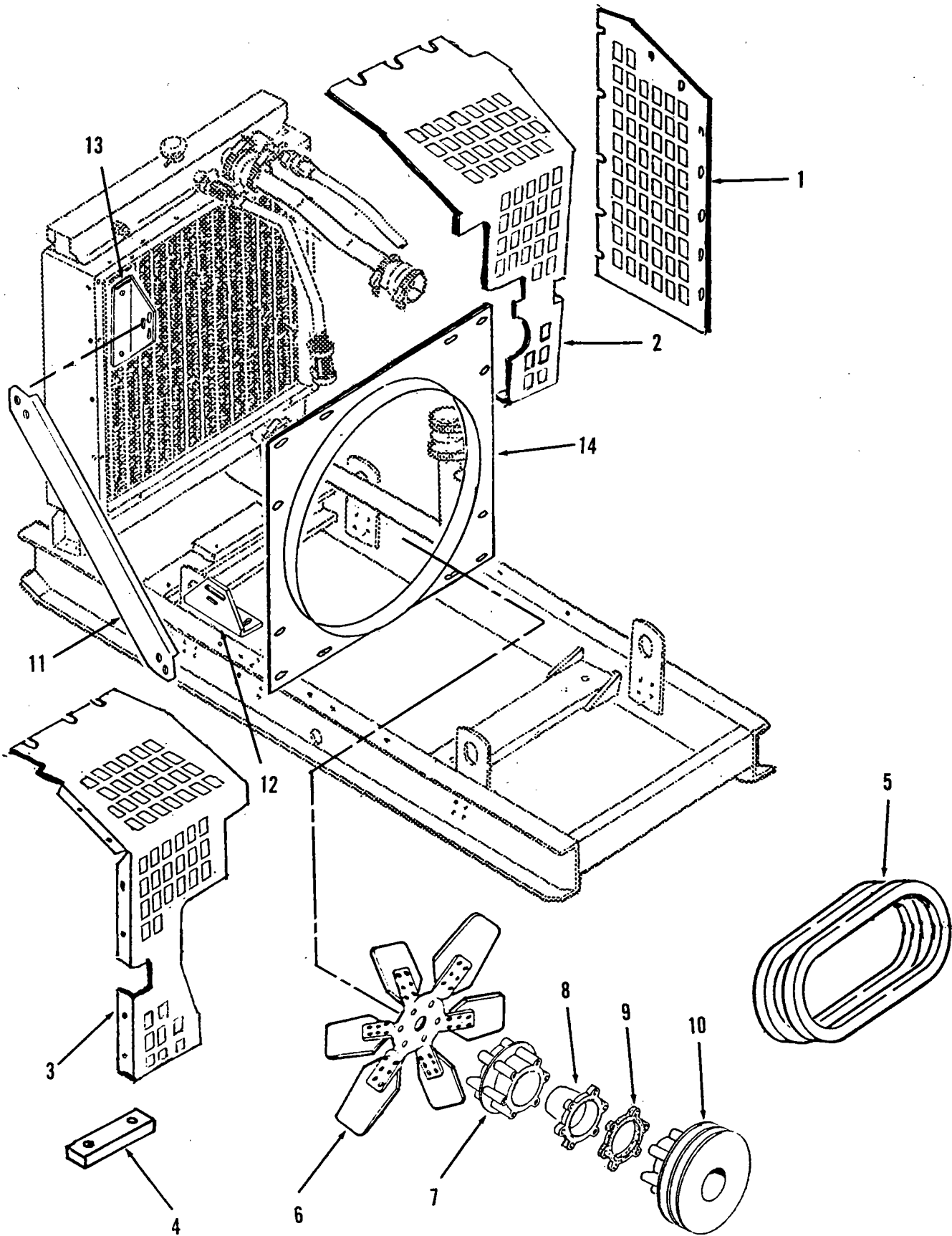


## External Engine Components Right Side

REF NO.	CPS PART NO.	CEC PART NO.	QTY USED	PART DESCRIPTION
1				Switch & Harness - Engine Coolant Temperature
	Note 1			Spec A & B OLD STYLE (Nason)
	309-0570	3034866	1	Switch, Temperature - Alarm, Low Temp (2 Wire Harness)
	309-0569-04	3048725	1	Switch, Temperature - Shutdown, Hi Temp (2 Wire Harness)
	309-0572-02	3048727	1	Switch, Temperature - Alarm & Shutdown (4 Wire Harness)
	Note 1			Spec A, B & D NEW STYLE (Robert-Shaw); Spec A, B Require Adapter Harness for interface with Engine Wiring Harness)
	309-0596-06	3056355	1	Switch, Temperature - Alarm (u/w 338-2471 Forked Harness)
	309-0596-04	3056353	1	Switch, Temperature - Shutdown (u/w 338-2471 in Dual Switch Applications or with 338-2473 Harness in Single Application.
	338-2471	3066834	1	Harness, Wiring (Spec A, B Single Switch Application)
	338-2473	3066832	1	Harness, Wiring - Forked (Spec A, B Dual Switch Application)
2	302-1854	3015238	1	Transducer (Sender), Temperature - Engine Coolant
3	149-2249		2	Filter, Fuel - With Drain
4	302-1853	3015237	1	Transducer (Sender), Pressure - Oil
5				Switch & Harness - Engine Oil Pressure
	Note 1			Spec A & B OLD STYLE (Nason)
	309-0565-01	3034864	1	Switch - Shutdown with 3 Wire Harness (12PSI)
	309-0566	3034863	1	Switch - Alarm & shutdown with 4 Wire Harness (12/18PSI)
	Note 1			Spec A, B & D NEW STYLE (Robert-Shaw); Spec A, B Require Adapter Harness for interface with Engine Wiring Harness)
	309-0595-02	3056344	1	Switch, Pressure - Alarm (u/w 338-2470 Forked Harness)
	309-0595-03	3056345	1	Switch, Pressure - Shutdown (u/w 338-2470 in Dual Switch Application or with 338-2472 in Single Application)
	338-2472	3066830	1	Harness, Wiring (Spec A, B Single Switch Application)
	338-2470	3066835	1	Harness, Wiring (Spec A, B Dual Switch Application)
6				Harness, Wiring - Engine
	338-2272	3053031	1	Spec A & B
	338-2499	3062865	1	Spec D
7				Heater, Oil - 300 Watt
	333-0407-02	167619	1	120 VAC
	333-0407-04	167621	1	240 VAC
	333-0407-05	3000214	1	480 VAC
8	302-1854	3015238	1	Transducer (Sender), Temperature - Engine Oil
9				Elbow, Exhaust - Flanged
	155-2281	203432	1	NT, NTA
	155-2310-01	3027566	1	NTTA
10				Elbow, Exhaust - Plain
	155-1241	190351	1	NT, NTA
	155-2310-02	3027567	1	NTTA
11				Elbow, Exhaust - Threaded
	155-1035		1	NT, NTA
	155-1970		1	NTTA
12	122-0526		1	Filter, Oil - Bypass
13	155-2287-02		1	Gasket, Flange

NOTE: 1. New Style Switches introduced During Spec B Gen Set Assembly and Standard on Spec D Gen Sets during 1988. Replacement of old style (NASON) items with new style (ROBERT-SHAW) items Recommended by Cummins Engine Company Engineering.

# Fan, Fan Guards



## Fan, Fan Guards

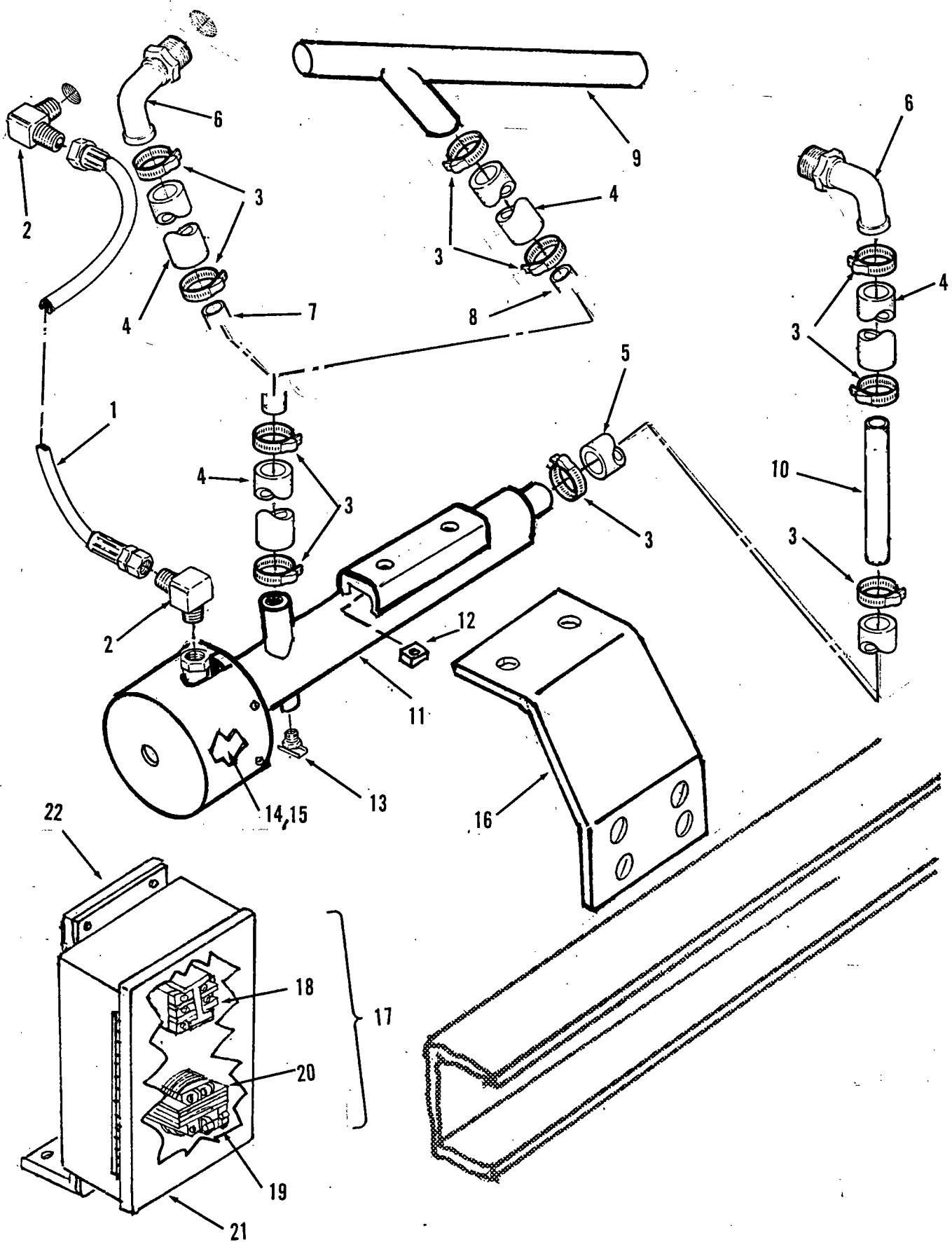
REF NO.	CPS PART NO.	CEC PART NO.	QTY USED	PART DESCRIPTION
1	130-3181	3011301	2	Guard, Fan - Side
	815-0695	3010595	10	Attaching Parts for Guard Screw, Cap - Hex Head, with Washer (3/8-16 x 1")
	815-0699	3033378	12	Screw, Cap - Hex Head with Washer (1/4-20 x 5/8")
2	130-3182	3011302	1	Guard, Fan - Top & Rear, Left Side
	815-0700	3006182	3	Attaching Parts for Guard Screw, Cap - Hex Head with Washer (3/8-16 x 7/8")
3	130-3214	3011303	1	Guard, Fan - Top & Rear, Right Side
	815-0700	3006182	3	Attaching Parts for Guard Screw, Cap - Hex Head with Washer (3/8-16 x 7/8")
4	130-3213	3058233	2	Brace
	800-0228	S168C	4	Attaching Parts for Brace Screw, Cap - Hex Head (1/4-20 x 1")
	850-0101	S600	4	Washer, Lock - Spring (1/4")
	862-0031	S224	4	Nut, Hex (1/4-20)
5	511-0160	178708	2	Belt, Drive
6	130-3188	3033414	1	Fan, Cooling - Pusher
	800-0212	S1998	6	Attaching Parts for Fan Screw, Cap - Hex Head (3/8-16 x 3-3/4")
7	130-3192-12	3035776	1	Spacer, Fan
8	130-3191-02	3005589	1	Spacer, Pilot - Fan
9	130-3193	3005592	1	Gasket
10	130-3347	3012649	1	Hub Assembly (See Engine Parts Catalog for Components)
11	130-3197	3000256	2	Support, Radiator
	800-0209	S112	4	Attaching Parts for Support Screw, Cap - Hex Head (3/8-16 x 1")
	526-0346	S602	4	Washer, Flat (17/32")
	850-0103	S604	4	Washer, Lock - Spring (3/8")
	862-0033	S223	4	Nut, Hex (3/8-16)
12	130-3187	3000258	2	Bracket, Lower - Radiator Support
	800-0210	S103D	4	Attaching Parts for Bracket Screw, Cap - Hex Head (3/8-16 x 1-1/4")
	526-0346	S602	4	Washer, Flat (17/32")
	850-0103	S604	4	Washer, Lock - Spring (3/8")
	862-0033	S223	4	Nut, Hex (3/8-16)
13	130-3186	3000257	2	Bracket, Upper - Radiator Support
	800-0210	S103D	4	Attaching Parts for Bracket Screw, Cap - Hex Head (3/8-16 x 1-1/4")
	526-0346	S602	4	Washer, Flat (17/32")
	850-0103	S604	4	Washer, Lock - Spring (3/8")
14	130-3183	3039526	1	Shroud, Fan
	815-0700	3006182	8	Attaching Parts for Shroud Screw, Cap - Hex Head with Washer (3/8-16 x 7/8")

## Cooling System - Radiator And Skid Base

REF NO.	CPS PART NO.	CEC PART NO.	QTY USED	PART DESCRIPTION
1	501-0537-02	AS5026SS	1	Hose Assembly, Fuel (24")
2	502-1044	120437	1	Elbow, Pipe - Male, 45 Deg
3	505-1381	S921D	1	Bushing, Reducer - Hex
4	502-1045-12	143950	1	Connector, Pipe - Male/Female
5	503-1586	43828d	4	Clamp, Hose
6	503-1572	67185	2	Hose, Radiator - Hump
7	130-3196	3000285	1	Tube, Water - Upper
8	505-0057	S962	1	Plug, Pipe - Square Head (1/8 NPTF)
9	503-1587	43828F	4	Clamp, Hose
10	503-1573	3024128	2	Hose, Radiator - Hump
11	130-3179	3000260	1	Tube, Water - Lower
12	503-1603	42828A	4	Clamp, Hose
13	503-1634	3818267	1	Hose, Rubber
14	503-1637	3054355	1	Hose, Rubber
15	130-3341	3028994	1	Tube, Water - Make Up
16	502-1052	153408	1	Coupling, Hose
17	338-2356-01	3035124	1	Harness, Wiring - Coolant Switch
18	309-0579-03	3046031	1	Switch, Low Coolant Level
19	505-1380	3008470	1	Plug, Pipe
20		3000247	1	Grill, Radiator
21				Radiator (Includes Cap; Excludes Grill)
	130-3195-01	3050166	1	NT
	130-3195-02	3050167	1	NTA
	130-3195-05	3050170	1	NTTA
				<b>Attaching Parts for Radiator</b>
	800-0215	S113	4	Screw, Cap - Hex Head (1/2-13 x 1-1/2")
	526-0353	203310	4	Washer, Flat (1/2")
	850-0105	S608	4	Washer, Lock - Spring (1/2")
	862-0035	S200	4	Nut, Hex (1/2-13)
22	130-0523		1	Cap, Radiator - 7 Lb
23	403-2677	3000248	4	Bracket, Lifting
				<b>Attaching Parts for Bracket</b>
	800-0215	S113	16	Screw, Cap - Hex Head (1/2-13 x 1-1/2")
	850-0105	S608	16	Washer, Lock - Spring (1/2")
	862-0035	S200	16	Nut, Hex (1/2-13)
24	403-2674-01	3054649	1	Base, Skid



# Heater - Engine Coolant



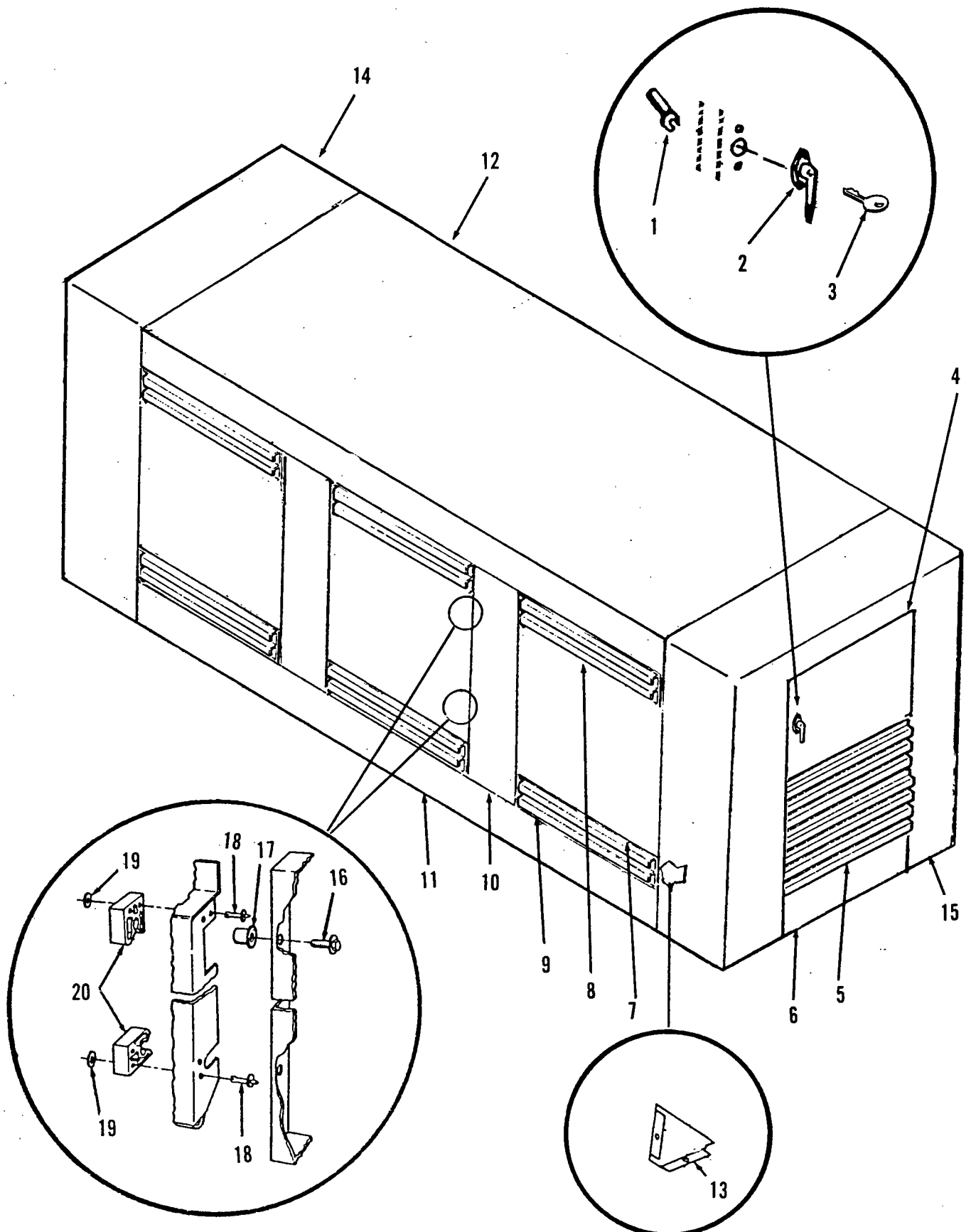
## Heater - Engine Coolant

REF NO.	CPS PART NO.	CEC PART NO.	QTY USED	PART DESCRIPTION
1	501-0537-03	AS40325SS	1	Hose Assembly - Oil Pressure
2	502-1043-01	68139	2	Elbow, Pipe - Male, 90 DEG
3	503-1603	43828A	8	Clamp, Hose
4	503-1602	3027706	3	Hose, Rubber
5	503-1604	170049	1	Elbow, Hose - Rubber
6				Coupling, Hose - Elbow, 90 DEG
	502-1047-01	3056760	1	Sets with Y Water Tube
	502-1047-01	3056760	2	Sets without Y Water Tube
7	130-3225	3056688	1	Tube, Water - 23"LG (Used on Set without Y Water Tube)
8	130-3444	3064662	1	Tube, Water - 21"LG (Used on Set with Y Water Tube)
9	130-3222	3000264	1	Tube, Water - "Y"
10	130-3226	3056759	1	Tube, Water - 7-3/4"LG
11	Note 1			Heater, Electrical - Coolant (Includes Thermostat, Drain Cock, Mounting Nuts and may or may not include pressure switch)
				With Oil Pressure Switch
	333-0389-03	3056183	1	120 VAC, 2500 Watt
	333-0389-01		1	240 VAC, 2500 Watt
	333-0389-05	3056185	1	480 VAC, 2500 Watt
	333-0389-06	3053979	1	120 VAC, 4000 Watt
	333-0389-02		1	240 VAC, 4000 Watt
	333-0389-04	3056184	1	480 VAC, 4000 Watt
				Without Oil Pressure Switch
	333-0413-02		1	120 VAC, 2500 Watt
	333-0413-03	3063472	1	208 VAC, 2500 Watt
	333-0413-01		1	240 VAC, 2500 Watt
	333-0413-04	3063632	1	480 VAC, 2500 Watt
	333-0413-09	3063630	1	120 VAC, 4000 Watt
	333-0413-08	3063473	1	208 VAC, 4000 Watt
	333-0413-07		1	240 VAC, 4000 Watt
	333-0413-10	3063631	1	480 VAC, 4000 Watt
				Attaching Parts for Heater
	800-0222	S114	2	Screw, Cap - Hex Head (1/4-20 x 3/4")
	850-0101	S600	2	Washer, lock - Spring (1/4")
	402-0608	3035083	2	Isolator, Vibration
	402-0609	3035084	2	Isolator, Vibration
12			2	Nut, Special(Supplied with Heater)
13	504-0003		1	Cock, Drain (1/4 NPT)
14	Note 2	3059903	1	Thermostat
15	Note 3	3059904	1	Switch, Pressure - Oil
16	130-3189	3056255	1	Bracket, Mounting - Heater
				Attaching Parts for Bracket
	800-0210	S103D	4	Screw, Cap - Hex Head (3/8-16 x 1-1/4")
	850-0103	S604	4	Washer, lock - Spring (3/8")
	871-0028	S254	4	Nut, Hex - Brass (3/8-16)
17				Control - Heater (Includes Contactor, Step-down Transformer with Fuse[480V Unit Only], Ground Lug and Box)
	309-0567-01	3056188	1	120 VAC (Complete Assy without Transformer)
	309-0567-02	3056189	1	480 VAC (Complete Assy with Transformer)
				Attaching Parts for Switch
	800-0222	S114	4	Screw, Cap - Hex Head (1/4-20 x 3/4")
	850-0101	S600	4	Washer, lock - Spring (1/4")
	862-0031	S224	4	Nut, Hex (1/4-20)
	402-0608	3035083	4	Isolator, Vibration
	402-0609	3035084	4	Isolator, Vibration
18	Note 4		1	Contactor (37.5 AMP, 3 Pole, SPST)
19	Note 5		1	Fuse (1 AMP) [WAT# 287-15-2-69]
20	Note 6		1	Transformer, Step-down (240/480VAC Primary, 120 VAC Secondary, with Fuse Clips Terminals)
21	Note 7		1	Box, Electrical
22	333-0390		1	Bracket, Mounting - Switch
				Attaching Parts for Bracket
	800-0210	S103D	2	Screw, Cap - Hex Head (3/8-16 x 1-1/4")
	850-0103	S604	2	Washer, Lock - Spring (3/8")
	871-0028	S254	2	Nut, Hex - Brass (3/8-16)

### NOTES:

1. Heaters and Controls Manufactured by Watlow Industries Inc. Div. of Watlow Electric Co. Hannibal, Mo.
2. Watlow No. 202-0-41-2
3. Watlow No. 483-0-16-1
4. Watlow No. 198-0-20-2
5. Watlow No. 287-15-2-69
6. Watlow No. 512-0-1-23
7. Watlow No. 303-62-29-46

# Set Housing



## Set Housing

REF NO.	CPS PART NO.	CEC PART NO.	QTY USED	PART DESCRIPTION
1	406-0089		1	Catch
2	406-0157		1	Handle, Door (Includes Key)
3	406-0565		1	Key
4	405-4027		1	Door, Rear (Less Handle)
				Attaching Parts for Door
	821-0010		3	Screw, Self-locking - Hex Washer Head (1/4-20 x 1/2")
	870-0212		3	Nut, Self-locking - Hex with Washer (1/4-20)
5	405-4021		1	Grille, Rear
				Attaching Parts for Grille
	821-0014		4	Screw, Self-locking - Hex Washer Head (5/16-18 x 1/2")
	870-0257		4	Nut, Self-locking - Hex with Washer (5/16-18)
6	405-4029		1	Panel, Rear - Lower
				Attaching Parts for Panel
	821-0014		4	Screw, Self-locking - Hex Washer Head (5/16-18 x 1/2")
	870-0257		4	Nut, Self-locking - Hex with Washer (5/16-18)
7	405-4014		6	Door, Side (Includes Mounting Pivot Clips)
8	405-4020-02		6	Grille, Side - Upper
				Attaching Parts for Grille
	821-0014		24	Screw, Self-locking - Hex Washer Head (5/16-18 x 1/2")
	870-0257		24	Nut, Self-locking - Hex with Washer (5/16-18)
9	405-4020-01		6	Grille, Side - Lower (With U Bolt)
				Attaching Parts for Grille
	821-0014		24	Screw, Self-locking - Hex Washer Head (5/16-18 x 1/2")
	870-0257		24	Nut, Self-locking - Hex with Washer (5/16-18)
10	405-4015		4	Panel, Side - Center
				Attaching Parts for Panel
	821-0014		8	Screw, Self-locking - Hex Washer Head (5/16-18 x 1/2")
	870-0257		8	Nut, Self-locking - Hex with Washer (5/16-18)
11	405-4026		2	Panel, Side - Base
				Attaching Parts for Panel
	821-0016		8	Screw, Self-locking - Hex Washer Head (5/16-18 x 3/4")
	870-0257		8	Nut, Self-locking - Hex with Washer (5/16-18)
12				Top, Housing
	405-4011-00		1	N, NT, NTA
	405-4011-01		1	NTTA
				Attaching Parts for Top
	821-0014		18	Screw, Self-locking - Hex Washer Head (5/16-18 x 1/2")
	870-0257		18	Nut, Self-locking - Hex with Washer (5/16-18)
13				Brace, Panel
	405-4023-01		4	Right Hand
	405-4023-02		4	Left Hand
				Attaching Parts for Brace
	821-0014		8	Screw, Self-locking - Hex Washer Head (5/16-18 x 1/2")
	870-0257		48	Nut, Self-locking - Hex with Washer (5/16-18)
14	405-4009		1	Panel, Front - Housing
15	405-4022		1	Panel, Rear - Housing
16	821-0010		24	Screw, Self-locking - Hex Washer Head (1/4-20 x 1/2")
17	870-0258		24	Nut, Weld (Used as Pivot)
18	818-0150		48	Rivet, Drive Pin (8 Per Door)
19	526-0003		48	Washer, Flat (3/16") (8 Per Door)
20	405-1872		24	Clip, Pivot - Door (4 Per Door)
21	405-4028		2	Panel, Retaining - Insulation (Not Illustrated)

**Notes**

# GENERATOR SECTION

## TABLE OF CONTENTS

Generator Size Table .....	23
Generators SAE1/SAE14 .....	24
Generators SAE0/SAE18 .....	25
Generator Stator Section [Frame Size 3] .....	27
Generator Stator Section [Frame Size 4] .....	29
Generator Stator Section [Frame Size 5] .....	31
Generator Rotor Section [Frame Size 3, SAE1/SAE14].....	33
Generator Rotor Section [Frame Size 4, SAE1/SAE14].....	35
Generator Rotor Section [Frame Size 4, SAE0/SAE18].....	37
Generator Rotor Section [Frame Size 5, SAE1/SAE14].....	39
Generator Rotor Section [Frame Size 5, SAE0/SAE18].....	41
Permanent Magnet Exciter .....	42

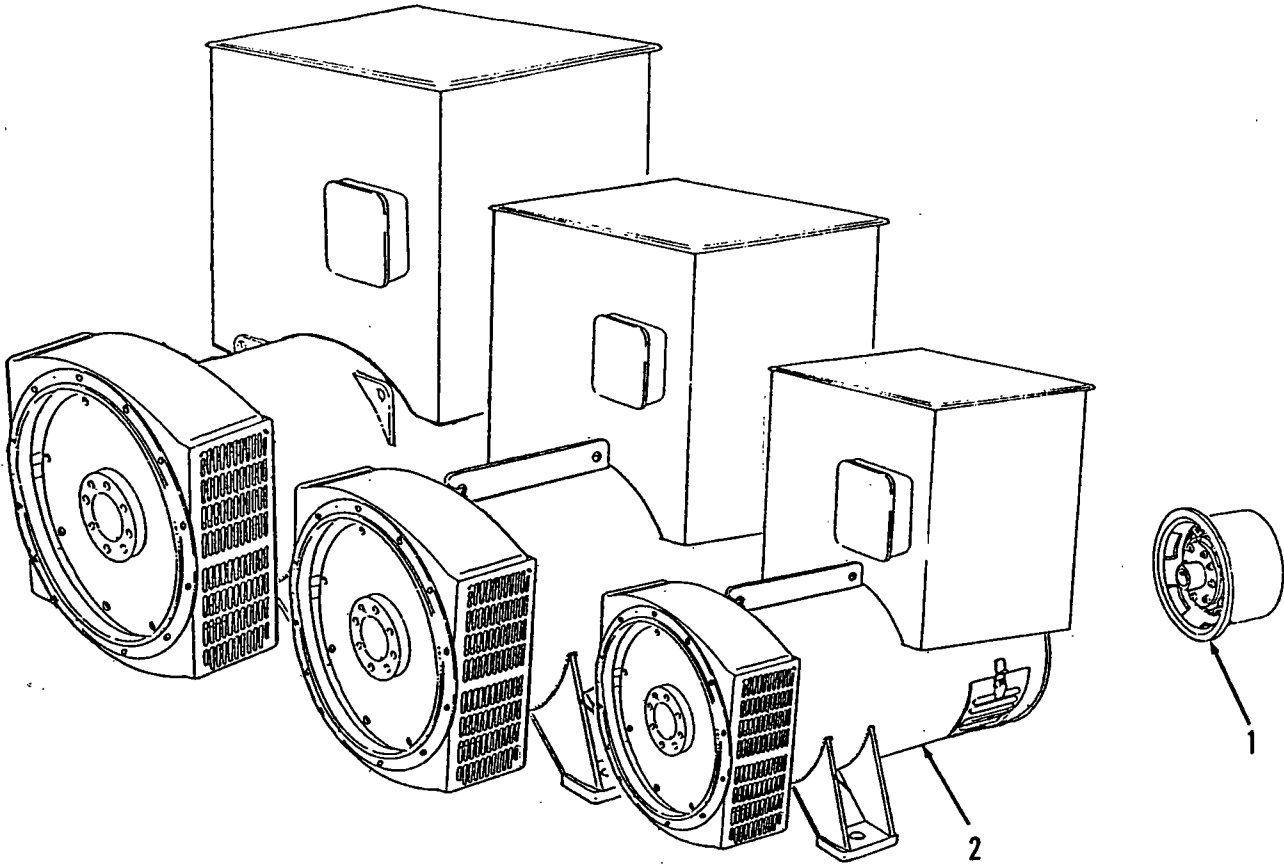
## Notes

## GENERATOR TABLE

OPTION CODE	FRAME SIZE	ADPTR SAE	DISK SAE	LEAD	KW RATING	VOLTAGE AT 60 HERTZ					AT 50 HERTZ		
						380 190	416 208	440 220	460 230	480 240	380 190	400 200	416 208
MG8301	3 A	1	14	12	Standby Prime Pwr	115 105	120 110	125 115	130 120	135 125	100 95	105 95	110 100
MG8302	3 B	1	14	12	Standby Prime	135 125	145 130	150 135	155 145	165 150	125 110	130 115	135 120
MG8303	3 C	1	14	12	Standby Prime Pwr	150 140	160 145	165 155	175 160	180 165	135 125	145 130	150 135
MG8304	3 D	1	14	12	Standby Prime Pwr	180 165	185 170	195 175	195 180	205 180	155 145	160 145	165 150
MG8305	4 C	1	14	12	Standby Prime Pwr	210 195	215 205	225 210	240 20	250 225	190 175	200 180	210 190
MG8306	4 D	1	14	12	Standby Prime	240 225	250 230	260 240	275 250	285 260	215 200	220 200	225 205
MG8307	4 E	1	14	12	Standby Prime Pwr	290 275	305 280	315 290	325 300	335 305	255 235	260 240	270 245
MG8308	4 F	1	14	12	Standby Prime Pwr	340 310	350 320	360 330	370 340	380 350	280 265	290 270	300 275
MG8309	4 D	0	18	12	Standby Prime Pwr	240 225	250 230	260 240	275 250	285 260	215 200	220 200	225 205
MG8310	4 E	0	18	12	Standby Prime	290 275	305 280	315 290	325 300	335 305	255 235	260 240	270 245
MG8311	4 F	0	18	12	Standby Prime Pwr	340 310	350 320	360 330	370 340	380 350	280 265	290 270	300 275
MG8312	5 C	1	14	12	Standby Prime Pwr	400 370	420 385	440 400	465 425	475 430	355 325	365 330	375 335
MG8313	5 D	1	14	12	Standby Prime	425 390	450 410	475 430	500 450	515 470	400 360	410 375	425 385
MG8314	5 E	1	14	12	Standby Prime Pwr	515 480	545 500	570 520	585 530	600 540	460 420	475 435	490 450
MG8315	5 F	1	14	12	Standby Prime Pwr	570 525	590 550	620 570	635 580	650 590	500 450	515 465	530 480
MG8316	5 C	0	18	12	Standby Prime Pwr	400 370	420 385	440 400	465 425	475 430	355 325	365 330	375 335
MG8317	5 D	0	18	12	Standby Prime	425 390	450 410	475 430	500 450	515 470	400 360	410 375	425 385
MG8318	5 E	0	18	12	Standby Prime Pwr	515 480	545 500	570 520	585 530	600 540	460 420	475 435	490 450
MG8319	5 F	0	18	12	Standby Prime Pwr	570 525	590 550	620 570	635 580	650 590	500 450	515 465	530 480



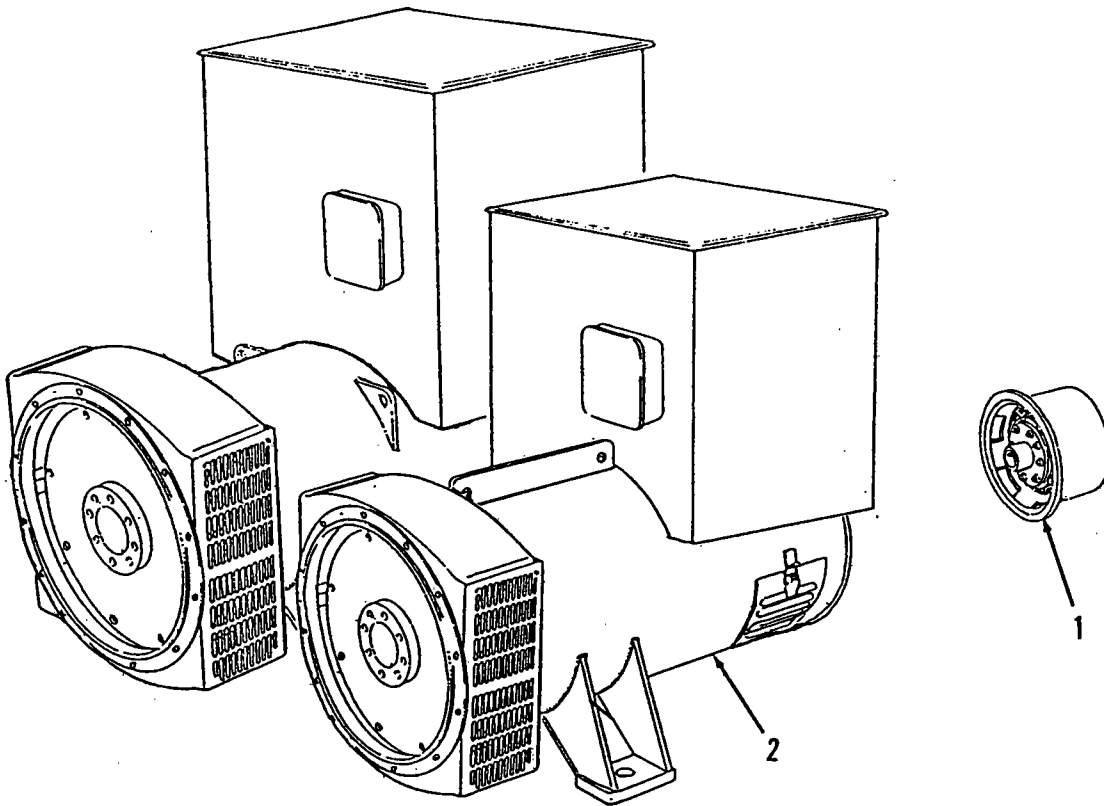
**Generators**  
**SAE 1/ SAE 14**



REF NO.	CPS PART NO.	CEC PART NO.	QTY USED	PART DESCRIPTION
1			1	Module, Permanent Magnet Exciter (See Separate Page for Components)
	249-0298		4	Attaching Parts For Module Screw, Cap - Hex Head (M8 x 16mm)
	249-0218		4	Washer, Lock (M8)
	249-0315		4	Clamp, Retaining
2	Note 1			Generator [Includes PMG Exciter] (See Separate Pages for Stator and Rotor Components)
	800-0221	S138	2	Attaching Parts Generator To Skid Screw, Cap - Hex Head (7/8-9 x 3")
	850-0108	S612	2	Washer, Lock - Spring (7/8")
	526-0360	146180	4	Washer, Flat (1")
	862-0036	S203	2	Nut, Hex (7/8")
				Attaching Parts Adapter to Flywheel Housing
				Screw, Cap - Hex Head (7/16-14 x 1-1/2")
	800-0204	S155	8	Frame 3
	800-0204	S155	12	Frame 4 & 5
	800-0586	106069	4	Screw, Cap - Hex Head (7/16-14 x 2")
				Frame 3
	850-0104	S610	12	Washer, Lock - Spring (7/16")
				Attaching Parts Drive Disc to Flywheel
	800-0584	3052061	8	Screw, Cap - Hex Head (1/2-13 x 1")
				Frame 3
	800-0581	169195	8	Screw, Cap - Hex Head (1/2-13 x 1-1/4")
				Frame 4 & 5
	526-0353	203310	8	Washer, Flat (1/2")

**Note 1:** For replacement Generator please supply the complete Gen Set nameplate and Generator nameplate data.

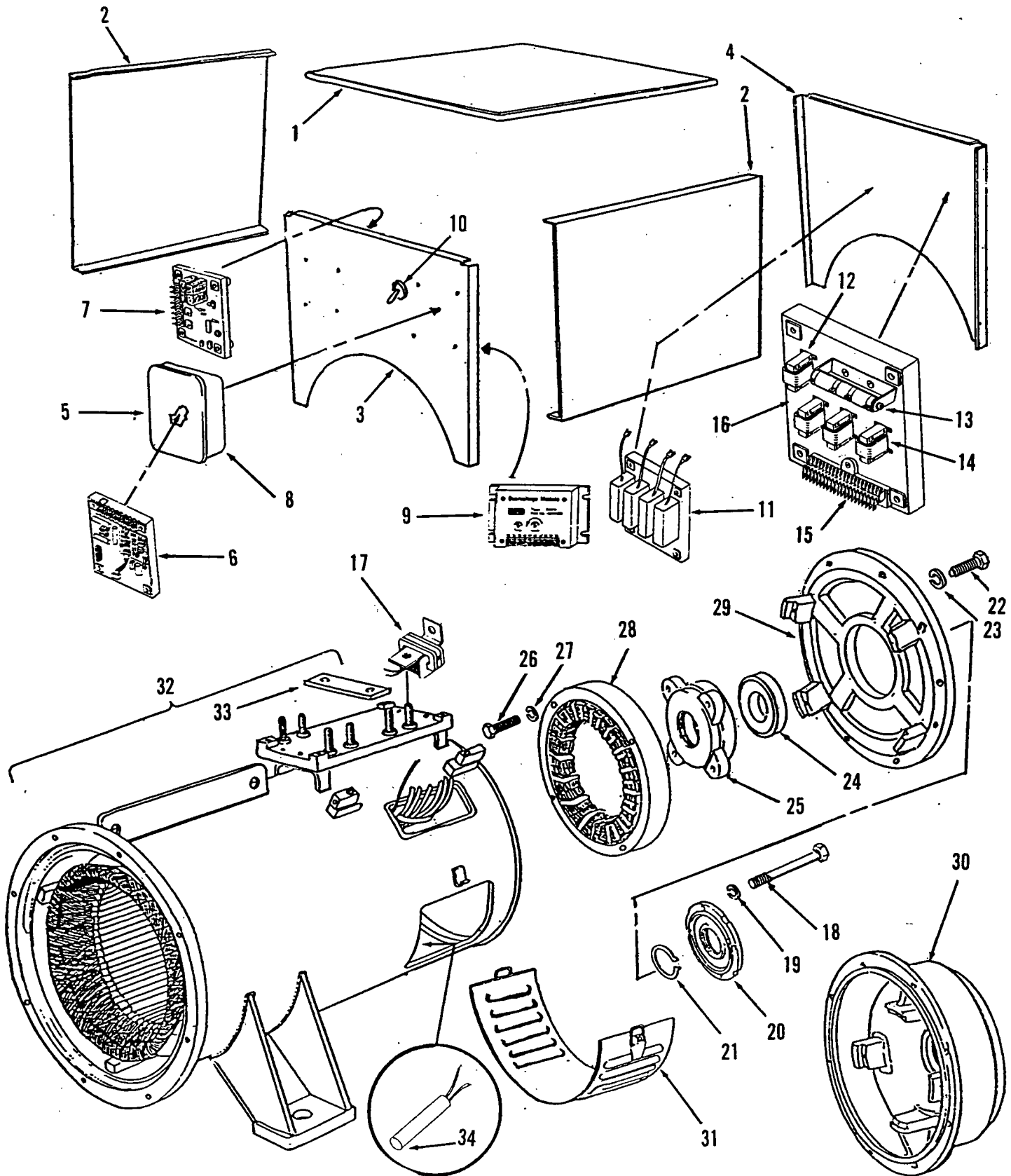
**Generators**  
**SAE 0 / SAE 18**



REF NO.	CPS PART NO.	CEC PART NO.	QTY USED	PART DESCRIPTION
1			1	Module, Permanent Magnet Exciter (See Separate Page for Components)
	249-0298		4	Attaching Parts For Module Screw, Cap - Hex Head (M8 x 16mm)
	249-0218		4	Washer, Lock (M8)
	249-0315		4	Clamp, Retaining
2	Note 1			Generator [Includes PMG Exciter] (See Separate Pages for Stator and Rotor Components)
				Attaching Parts Generator To Skid
	800-0238	S145	2	Screw, Cap - Hex Head (1/2-13 x 1-1/4")
	850-0105	S608	2	Washer, Lock - Spring (1/2")
				Attaching Parts Adapter to Flywheel Housing
	800-0236	S106	14	Screw, Cap - Hex Head (1/2-13 x 1-3/4")
				Frame 4
	800-0215	S113	8	Screw, Cap - Hex Head (1/2-13 x 1-1/2")
				Frame 5
	800-0216	S125	4	Screw, Cap - Hex Head (1/2-13 x 2")
				Frame 5
				Washer, Lock - Spring (1/2")
	850-0105	S608	14	Frame 4
	850-0105	S608	12	Frame 5
				Attaching Parts Drive Disc to Flywheel
	815-0719	206332	6	Screw, Cap - 12 Point Drive (5/8-11 x 1-1/4")
	526-0362	200861	6	Washer, Flat (5/8")

**Note 1:** For replacement Generator please supply the complete Gen Set nameplate and Generator nameplate data.

Generator  
Stator Section  
Frame 3

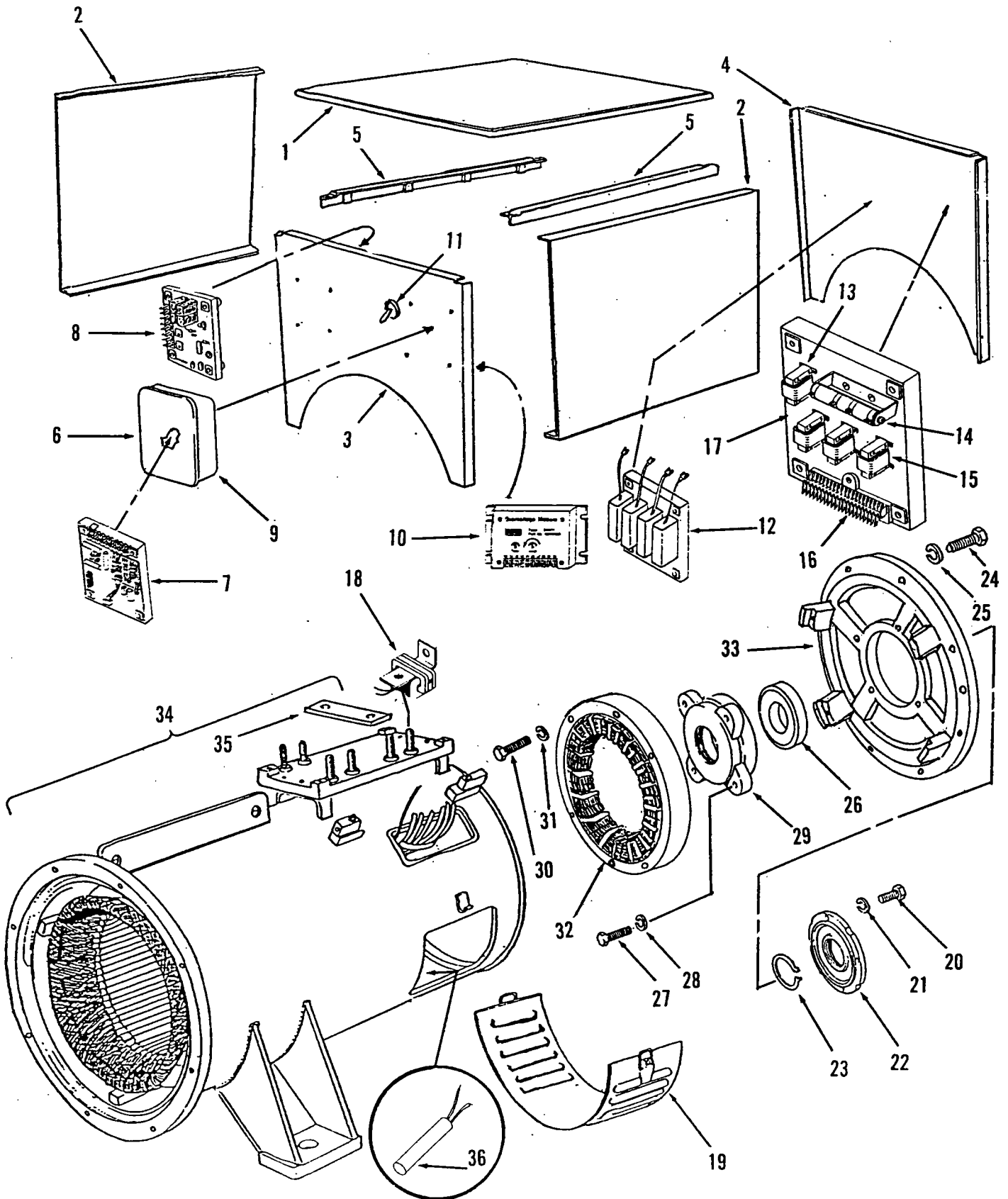


**Generator  
Stator Section  
Frame 3**

REF NO.	CPS PART NO.	CEC PART NO.	QTY USED	PART DESCRIPTION
1	Note 1		1	Lid
2	Note 1		2	Panel, Side
3	Note 1		1	Panel, Front
4	Note 1		1	Panel, Rear
5	249-0631		2	Lid, Electrical Box - Plain
				<b>Attaching Parts</b>
6	249-0304		8	Screw, Captive
				Regulator, Voltage
	305-0770		1	Standard 1 Phase
	305-0778		1	3 Phase (Used with 3 Phase Sensing Module)
	305-0803		1	Manual
				<b>Attaching Parts</b>
	249-0398		4	Pillar, Threaded
7	300-3278		1	Module, 3 Phase Sensing
				<b>Attaching Parts</b>
	249-0398		4	Pillar, Threaded
8	249-0395		2	Box, Electrical
9	249-0486		1	Module, Overvoltage
				<b>Attaching Parts</b>
	249-0295		4	Screw, Cap - Hex Head (M5 x 35mm)
	249-0288		4	Washer, Plastic (M5)
	249-0287		4	Nut, Hex - Nylon (M5)
10	249-0449		1	Switch
11	249-0569		1	RFI Suppressor Assy
12	302-1851		1	Choke
13	354-0031		1	Resistor, Adjustable
14	249-0504		3	Transformer, Voltage Sensing
15	249-0289		3	Block, Terminal
16	249-0424		1	Panel, Terminal Block Mounting
17	302-1852-01		3	Transformer, Current
18	249-0302		4	Screw, Cap - Hex Head (M10 x 65mm)
19	249-0202		4	Washer, Lock - Spring (M10)
20	249-0362		1	Cap, Bearing - Outer
21	249-0444		1	Circlip
22	249-0300		8	Screw, Cap - Hex Head (M8 x 30mm)
23	249-0218		8	Washer, Lock - Spring (M8)
24	249-0312		1	Bearing, Ball
25	249-0361		1	Cap, Bearing - Inner
26				Screw, Cap - Hex Head
	249-0297		4	(M6 x 55mm) Frame 3A & 3B
	249-0291		4	(M6 x 70mm) Frame 3C & 3D
27	249-0212		4	Washer, Lock - Spring (M6)
28				Stator, Exciter
	249-0334		1	Frame 3A & 3B
	249-0366		1	Frame 3C & 3D
29	249-0354		1	Bracket, End Frame 3A & 3B
30	249-0355		1	Bracket, End Frame 3C & 3D
31	249-0368		1	Grille, Inlet
32	Note 1		1	Stator, Generator (Includes Terminal Studs and Links)
				<b>Attaching Parts Stator to Adapter</b>
	249-0201		8	Screw, Cap - Hex Head (M10 x 35mm)
	249-0202		8	Washer, Lock - Spring (M10)
33	249-0404		4	Link, Terminal
34				Heater, Electrical - Replacement
	249-0621		1	70 Watt, 120 VAC
	249-0622		1	70 Watt, 240 VAC

Notes: 1. Items not stocked, replacement available only on special order with long lead time likely.

Generator  
Stator Section  
Frame 4

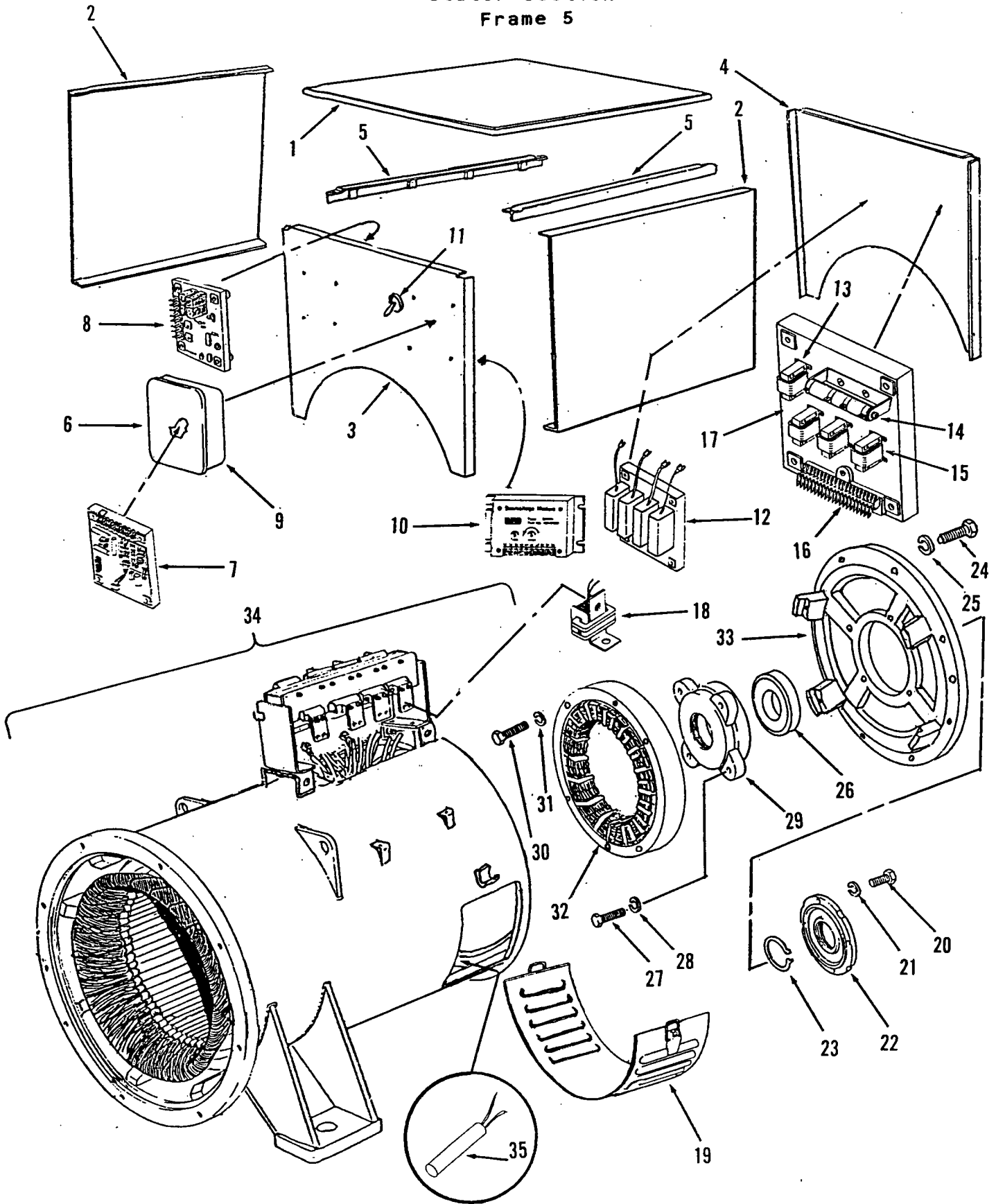


**Generator  
Stator Section  
Frame 4**

REF NO.	CPS PART NO.	CEC PART NO.	QTY USED	PART DESCRIPTION
1	Note 1		1	Lid
2	Note 1		2	Panel, Side
3	Note 1		1	Panel, Front
4	Note 1		1	Panel, Rear
5	Note 1		2	Bracket, Angle
6	249-0631		2	Lid, Electrical Box - Plain
				<b>Attaching Parts</b>
7	249-0304		8	Screw, Captive
				Regulator, Voltage
	305-0770		1	Standard 1 Phase
	305-0778		1	3 Phase (Used with 3 Phase Sensing Module)
	305-0803		1	Manual
				<b>Attaching Parts</b>
	249-0398		4	Pillar, Threaded
8	300-3278		1	Module, 3 Phase Sensing
				<b>Attaching Parts</b>
	249-0398		4	Pillar, Threaded
9	249-0395		2	Box, Electrical
10	249-0486		1	Module, Overvoltage
				<b>Attaching Parts</b>
	249-0295		4	Screw, Cap - Hex Head (M5 x 35mm)
	249-0288		4	Washer, Plastic (M5)
	249-0287		4	Nut, Hex - Nylon (M5)
11	249-0449		1	Switch
12	249-0569		1	RFI Suppressor Assy
13	302-1851		1	Choke
14	354-0031		1	Resistor, Adjustable
15	249-0504		3	Transformer, Voltage Sensing
16	249-0289		3	Block, Terminal
17	249-0424		1	Panel, Terminal Block Mounting
18	302-1852-02		3	Transformer, Current
19	249-0314		1	Grille, Inlet - Air
20	249-0243		4	Screw, Cap - Hex Head (M10 x 30mm)
21	249-0202		4	Washer, Lock - Spring (M10)
22	249-0242		1	Cap, Bearing - Outer
23	249-0232		1	Circlip
24	249-0201		8	Screw, Cap - Hex Head (M10 x 35mm)
25	249-0202		8	Washer, Lock - Spring (M10)
26	249-0241		1	Bearing, Ball
27	249-0245		4	Screw, Cap - Hex Head (M10 x 50mm)
28	249-0202		4	Washer, Lock - Spring (M10)
29	249-0244		1	Cap, Bearing - Inner
30	249-0256		6	Screw, Cap - Hex Head (M6 x 65mm)
31	249-0212		6	Washer, Lock - Spring (M6)
32	249-0255		1	Stator, Exciter
33	249-0200		1	Bracket, End
34	Note 1		1	Stator, Generator (Includes Terminal Studs and Links)
				<b>Attaching Parts Stator to Adapter</b>
	249-0204		8	Screw, Cap - Hex Head (M12 x 40mm)
	249-0205		8	Washer, Lock - Spring (M12)
35	249-0200		4	Link, Terminal
36				Heater, Electrical - Replacement
	249-0621		1	70 Watt, 120 VAC
	249-0622		1	70 Watt, 240 VAC

Notes: 1. Items not stocked, replacement available only on special order with long lead time likely.

Generator  
Stator Section  
Frame 5



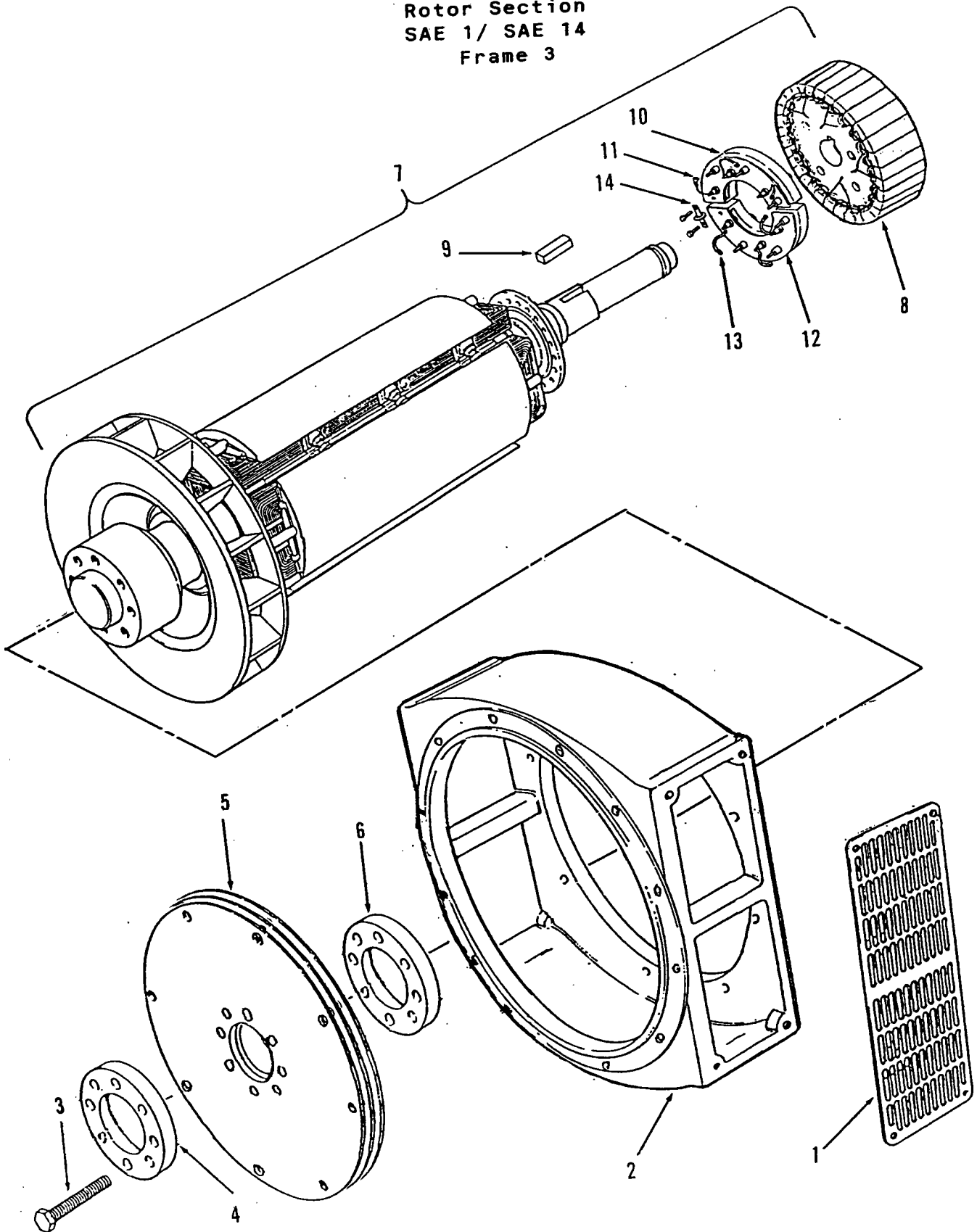
**Generator  
Stator Section  
Frame 5**

REF NO.	CPS PART NO.	CEC PART NO.	QTY USED	PART DESCRIPTION
1	Note 1		1	Lid
2	Note 1		2	Panel, Side
3	Note 1		1	Panel, Front
4	Note 1		1	Panel, Rear
5	Note 1		2	Bracket, Angle
6	249-0631		2	Lid, Electrical Box - Plain
				Attaching Parts
	249-0304		8	Screw, Captive
7				Regulator, Voltage
	305-0770		1	Standard 1 Phase
	305-0778		1	3 Phase (Used with 3 Phase Sensing Module)
	305-0803		1	Manual
				Attaching Parts
	249-0398		4	Pillar, Threaded
8	300-3278		1	Module, 3 Phase Sensing
				Attaching Parts
	249-0398		4	Pillar, Threaded
9	249-0395		2	Box, Electrical
10	249-0486		1	Module, Overvoltage
				Attaching Parts
	249-0295		4	Screw, Cap - Hex Head (M5 x 35mm)
	249-0288		4	Washer, Plastic (M5)
	249-0287		4	Nut, Hex - Nylon (M5)
11	249-0449		1	Switch
12	249-0569		1	RFI Suppressor Assy
13	302-1851		1	Choke
14	354-0031		1	Resistor, Adjustable
15	249-0504		3	Transformer, Voltage Sensing
16	249-0289		3	Block, Terminal
17	249-0424		1	Panel, Terminal Block Mounting
18	302-1852-02		3	Transformer, Current
19	249-0248		1	Grille, Inlet - Air
20	249-0243		4	Screw, Cap - Hex Head (M10 x 30mm)
21	249-0202		4	Washer, Lock - Spring (M10)
22	249-0242		1	Cap, Bearing - Outer
23	249-0232		1	Circlip
24	249-0201		8	Screw, Cap - Hex Head (M10 x 35mm)
25	249-0202		8	Washer, Lock - Spring (M10)
26	249-0241		1	Bearing, Ball
27	249-0245		4	Screw, Cap - Hex Head (M10 x 50mm)
28	249-0202		4	Washer, Lock - Spring (M10)
29	249-0244		1	Cap, Bearing - Inner
30	249-0256		6	Screw, Cap - Hex Head (M6 x 65mm)
31	249-0212		6	Washer, Lock - Spring (M6)
32	249-0255		1	Stator, Exciter
33	249-0272		1	Bracket, End
34	Note 1		1	Stator, Generator (Includes Terminal Studs and Links)
				Attaching Parts Stator to Adapter
	249-0204		8	Screw, Cap - Hex Head (M12 x 40mm)
	249-0205		8	Washer, Lock - Spring (M12)
35				Heater, Electrical - Replacement
	249-0621		1	70 Watt, 120 VAC
	249-0622		1	70 Watt, 240 VAC

Notes: 1. Items not stocked, replacement available only on special order with long lead time likely.



Generator  
Rotor Section  
SAE 1/ SAE 14  
Frame 3

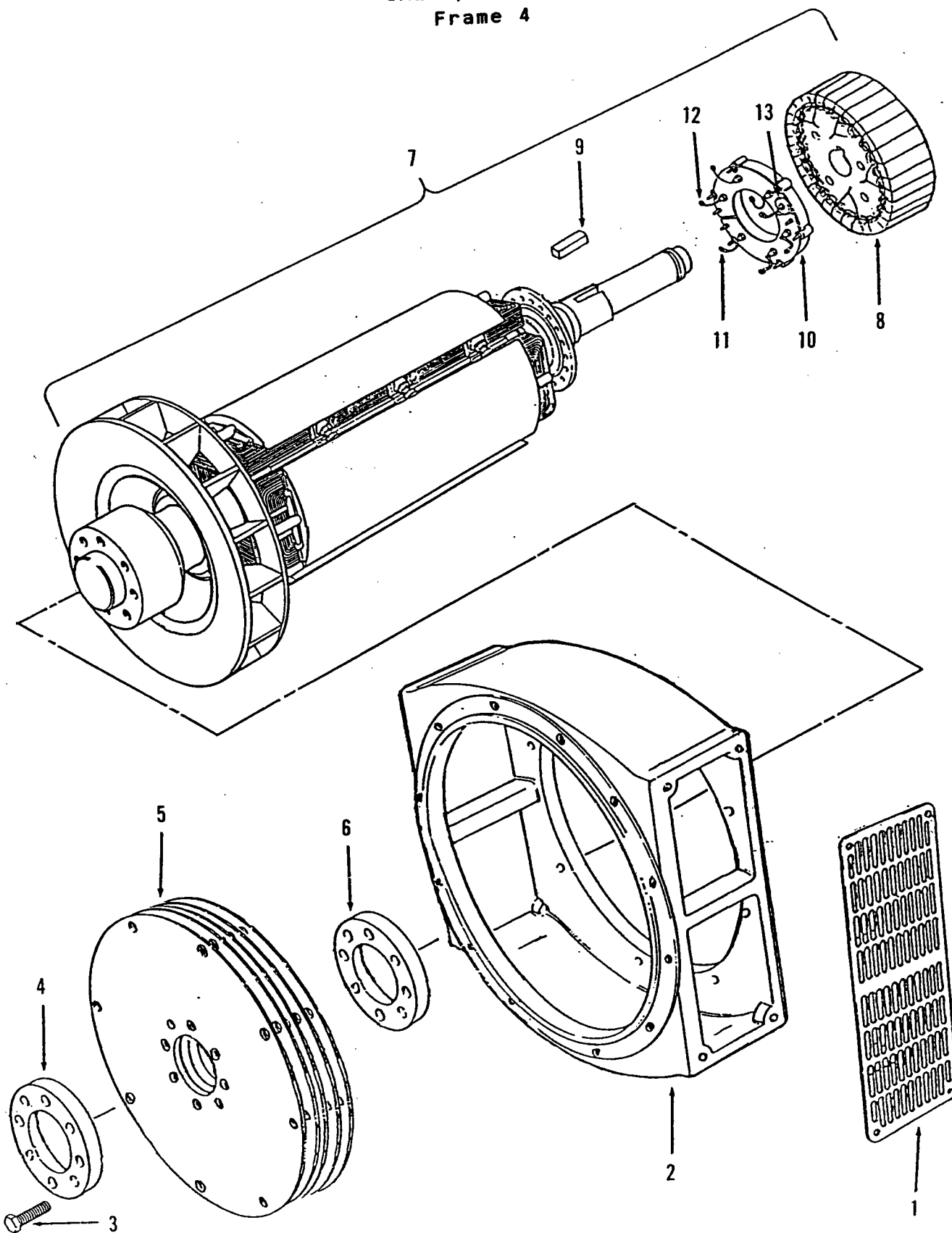


**Generator  
Rotor Section  
SAE 1/ SAE 14  
Frame 3**

REF NO.	CPS PART NO.	CEC PART NO.	QTY USED	PART DESCRIPTION
1	249-0371		2	Screen, Air - Adapter
				Attaching Parts
	249-0294		8	Screw, Cap - Hex Head (M5 x 12mm)
	249-0307		8	Washer, Lock - Spring (M5)
	249-0308		8	Washer, Flat (M5)
2	249-0369		1	Adapter, Generator (SAE1)
3	249-0292		8	Screw, Cap - Hex Head (M16 x 60mm)
4	249-0402		1	Plate, Pressure
5	249-0328		3	Disc, Drive (SAE14)
6	249-0363		1	Spacer
7	Note 1		1	Rotor, Generator (Includes Exciter, Key, and Rectifier Assemblies)
8	249-0367		1	Rotor, Exciter (Does Not Include Rectifier Assy)
9	249-0271		1	Key
10	249-0340		1	Rectifier Assy, Forward (Includes Item 11 Diodes)
11	249-0281		3	Diode, Forward Polarity
12	249-0341		1	Rectifier Assy, Reverse (Includes Item 13 Diodes)
13	249-0282		3	Diode, Reverse Polarity
14	249-0283		1	Varister
				Attaching Parts
	249-0294		2	Screw, Cap - Hex Head (M5 x 12mm)

Notes: 1. Items not stocked, replacement available only on special order with long lead time likely.

Generator  
Rotor Section  
SAE 1/ SAE 14  
Frame 4

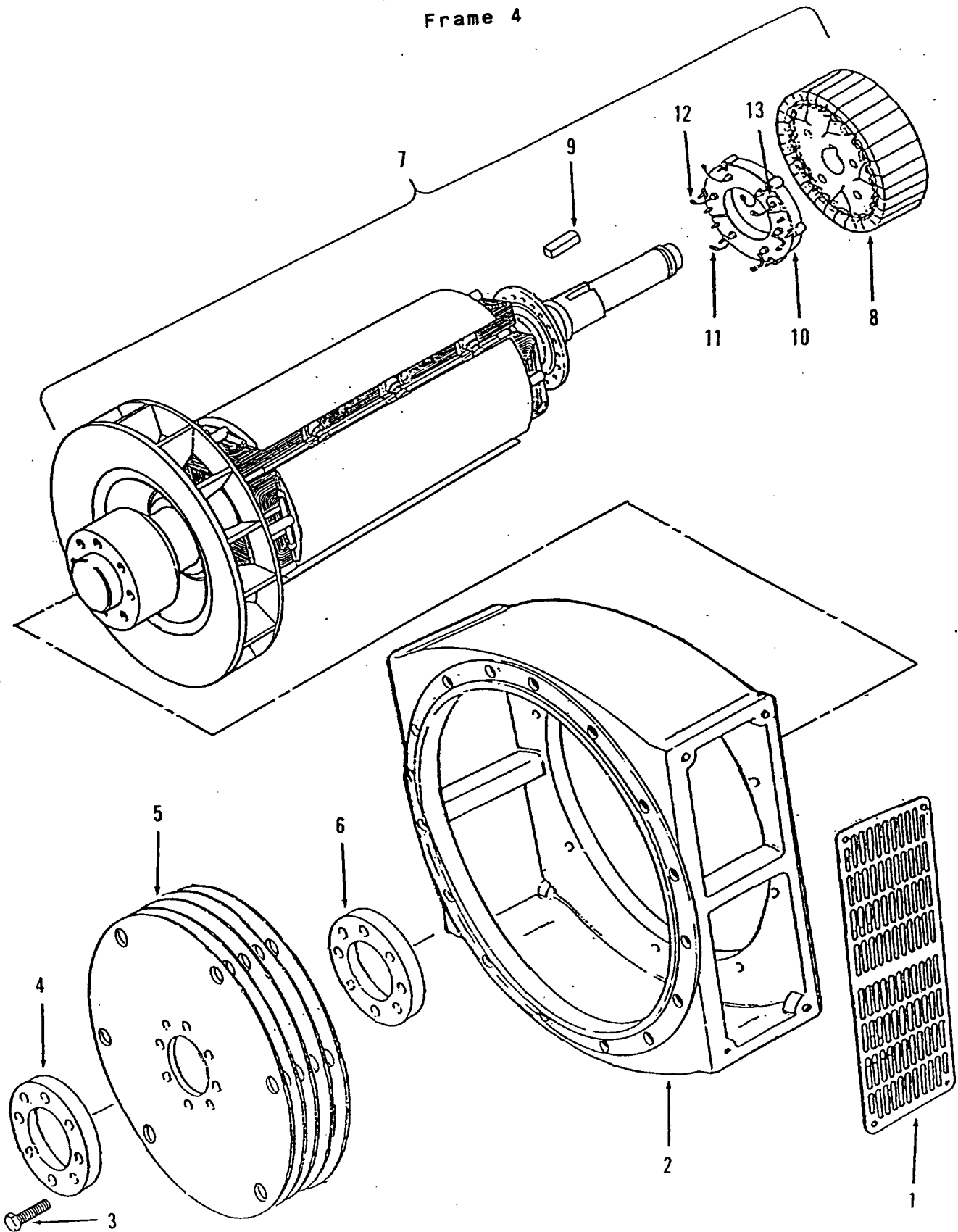


**Generator  
Rotor Section  
SAE 1/ SAE 14  
Frame 4**

REF NO.	CPS PART NO.	CEC PART NO.	QTY USED	PART DESCRIPTION
1	249-0311		2	Screen, Air - Adapter
				<b>Attaching Parts</b>
	249-0294		12	Screw, Cap - Hex Head (M5 x 12mm)
	249-0307		12	Washer, Lock - Spring (M5)
	249-0365		12	Washer, Flat (M5)
2	249-0436		1	Adapter, Generator SAE 1
3	249-0231		8	Screw, Cap - Hex Head (M20 x 50mm)
4	249-0230		1	Plate, Pressure
5	249-0397		5	Disc, Drive SAE 14
7	Note 1		1	Rotor, Generator (Includes Exciter, Key, and Rectifier Assy)
8	249-0321		1	Rotor, Exciter (Does Not Include Rectifier Assy)
9	249-0271		1	Key
10	249-0237		1	Rectifier Assy (Includes Diodes)
11	249-0239		3	Diode, Forward Polarity
12	249-0238		3	Diode, Reverse Polarity
13	249-0240		1	Varister

**Notes:** 1. Items not stocked, replacement available only on special order with long lead time likely.

Generator  
Rotor Section  
SAE 0/ SAE 18  
Frame 4

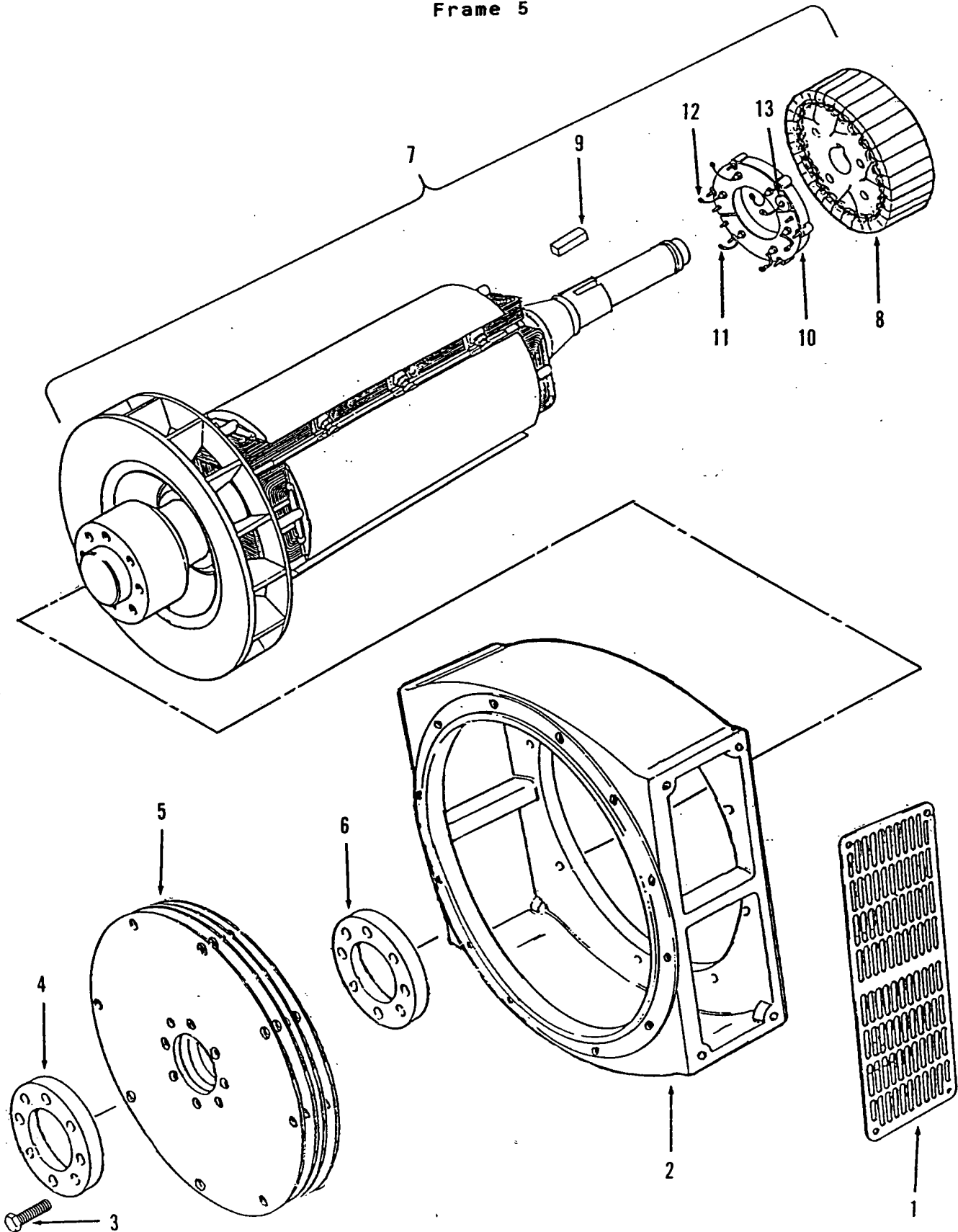


**Generator  
Rotor Section  
SAE 0/ SAE 18  
Frame 4**

REF NO.	CPS PART NO.	CEC PART NO.	QTY USED	PART DESCRIPTION
1	249-0311		2	Screen, Air - Adapter
				Attaching Parts
	249-0294		12	Screw, Cap - Hex Head (M5 x 12mm)
	249-0307		12	Washer, Lock - Spring (M5)
	249-0365		12	Washer, Flat (M5)
2	249-0435		1	Adapter, Generator SAE 0
3	249-0231		8	Screw, Cap - Hex Head (M20 x 50mm)
4	249-0230		1	Plate, Pressure
5	249-0276		5	Disc, Drive SAE 18
7	Note 1		1	Rotor, Generator (Includes Exciter, Key, and Rectifier Assy)
8	249-0321		1	Rotor, Exciter (Does Not Include Rectifier Assy)
9	249-0271		1	Key
10	249-0237		1	Rectifier Assy (Includes Diodes)
11	249-0239		3	Diode, Forward Polarity
12	249-0238		3	Diode, Reverse Polarity
13	249-0240		1	Varister

Notes: 1. Items not stocked, replacement available only on special order with long lead time likely.

Generator  
Rotor Section  
SAE 1/ SAE 14  
Frame 5



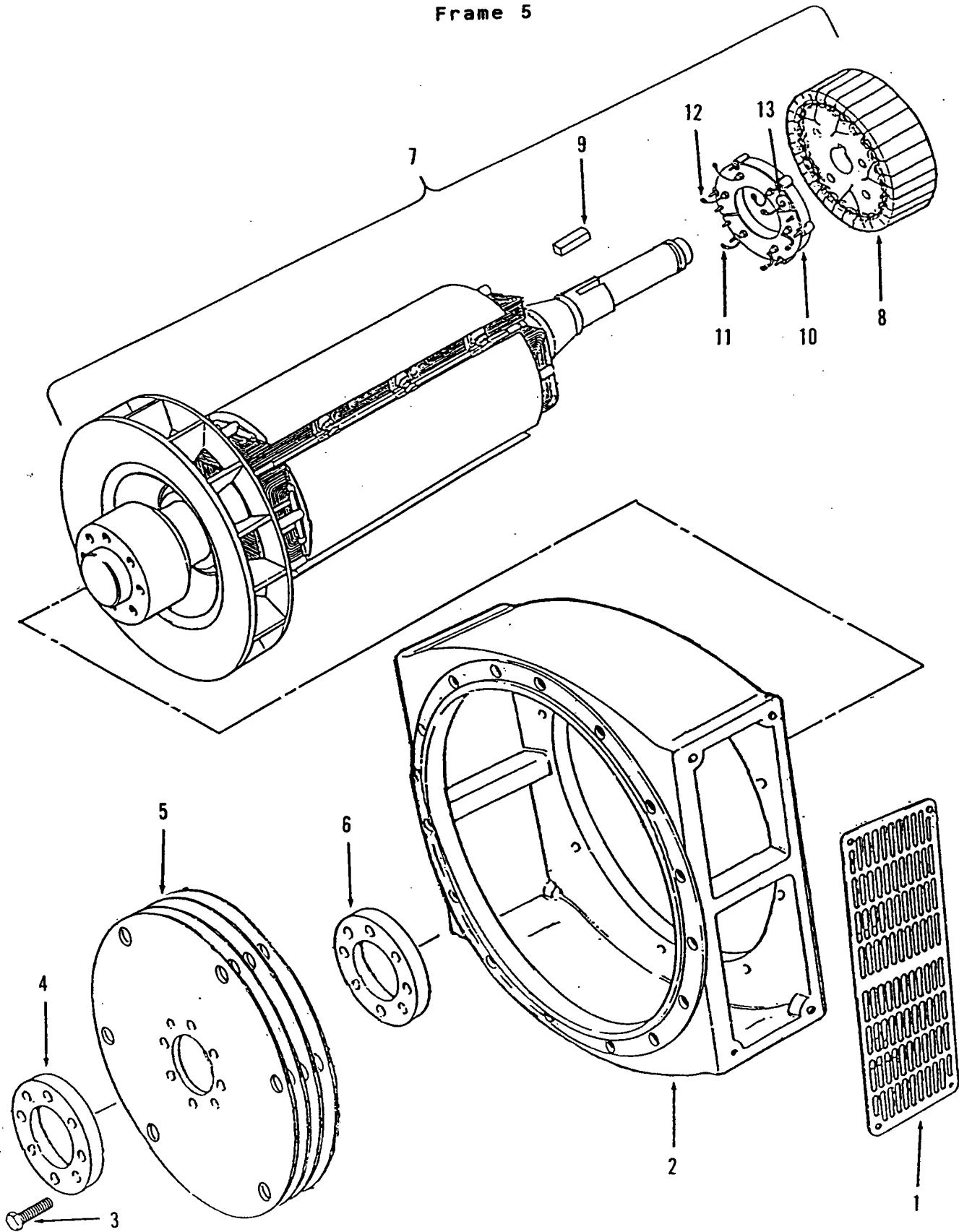
**Generator  
Rotor Section  
SAE 1/ SAE 14  
Frame 5**

REF NO.	CPS PART NO.	CEC PART NO.	QTY USED	PART DESCRIPTION
1	249-0408		2	Screen, Air - Adapter
				Attaching Parts
	249-0294		12	Screw, Cap - Hex Head (M5 x 12mm)
	249-0307		12	Washer, Lock - Spring (M5)
	249-0365		12	Washer, Flat (M5)
2	249-0521		1	Adapter, Generator SAE 1
3	249-0437		8	Screw, Cap - Hex Head (M20 x 75mm)
4	249-0230		1	Plate, Pressure
5	249-0397		4	Disc, Drive SAE 14
6	249-0463		1	Spacer
7	Note 1		1	Rotor, Generator (Includes Exciter, Key, and Rectifier Assy)
8	249-0522		1	Rotor, Exciter (Does Not Include Rectifier Assy)
9	249-0271		1	Key
10	249-0237		1	Rectifier Assy (Includes Diodes)
11	249-0239		3	Diode, Forward Polarity
12	249-0238		3	Diode, Reverse Polarity
13	249-0240		1	Varister

Notes: 1. Items not stocked, replacement available only on special order with long lead time likely.



Generator  
Rotor Section  
SAE 0/ SAE 18  
Frame 5

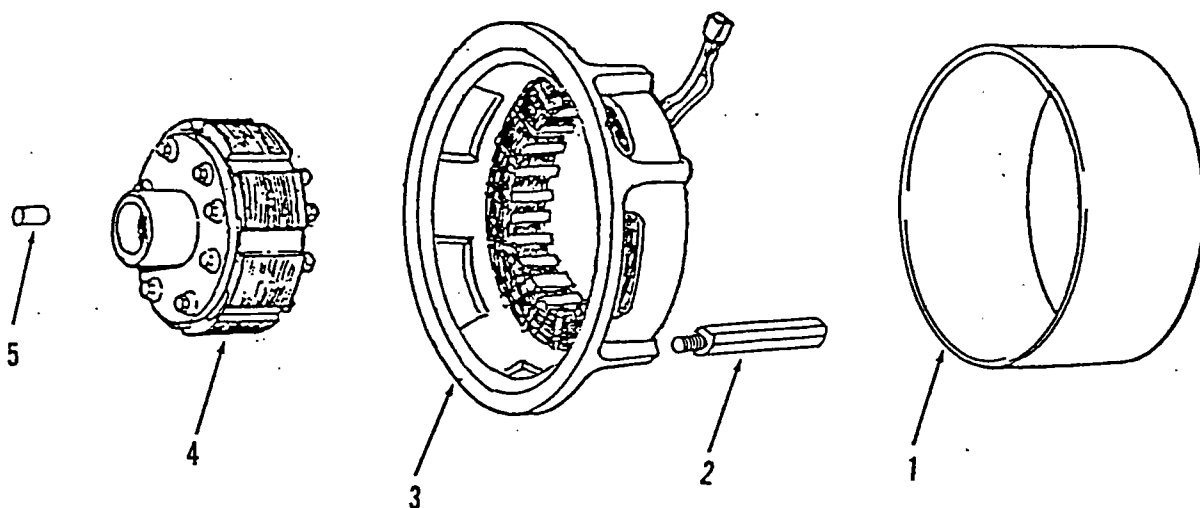


**Generator  
Rotor Section  
SAE 0/ SAE 18  
Frame 5**

REF NO.	CPS PART NO.	CEC PART NO.	QTY USED	PART DESCRIPTION
1	249-0408		2	Screen, Air - Adapter
	249-0294		12	Attaching Parts
	249-0307		12	Screw, Cap - Hex Head (M5 x 12mm)
	249-0365		12	Washer, Lock - Spring (M5)
	249-0322		12	Washer, Flat (M5)
2	249-0322		1	Adapter, Generator SAE 0
3	249-0437		8	Screw, Cap - Hex Head (M20 x 75mm)
4	249-0230		1	Plate, Pressure
5	249-0276		4	Disc, Drive SAE 18
6	249-0277		1	Spacer
7	Note 1		1	Rotor, Generator (Includes Exciter, Key, and Rectifier Assy)
8	249-0522		1	Rotor, Exciter (Does Not Include Rectifier Assy)
9	249-0271		1	Key
10	249-0237		1	Rectifier Assy (Includes Diodes)
11	249-0239		3	Diode, Forward Polarity
12	249-0238		3	Diode, Reverse Polarity
13	249-0240		1	Varister

Notes: 1. Items not stocked, replacement available only on special order with long lead time likely.

## Generator Permanent Magnet Exciter



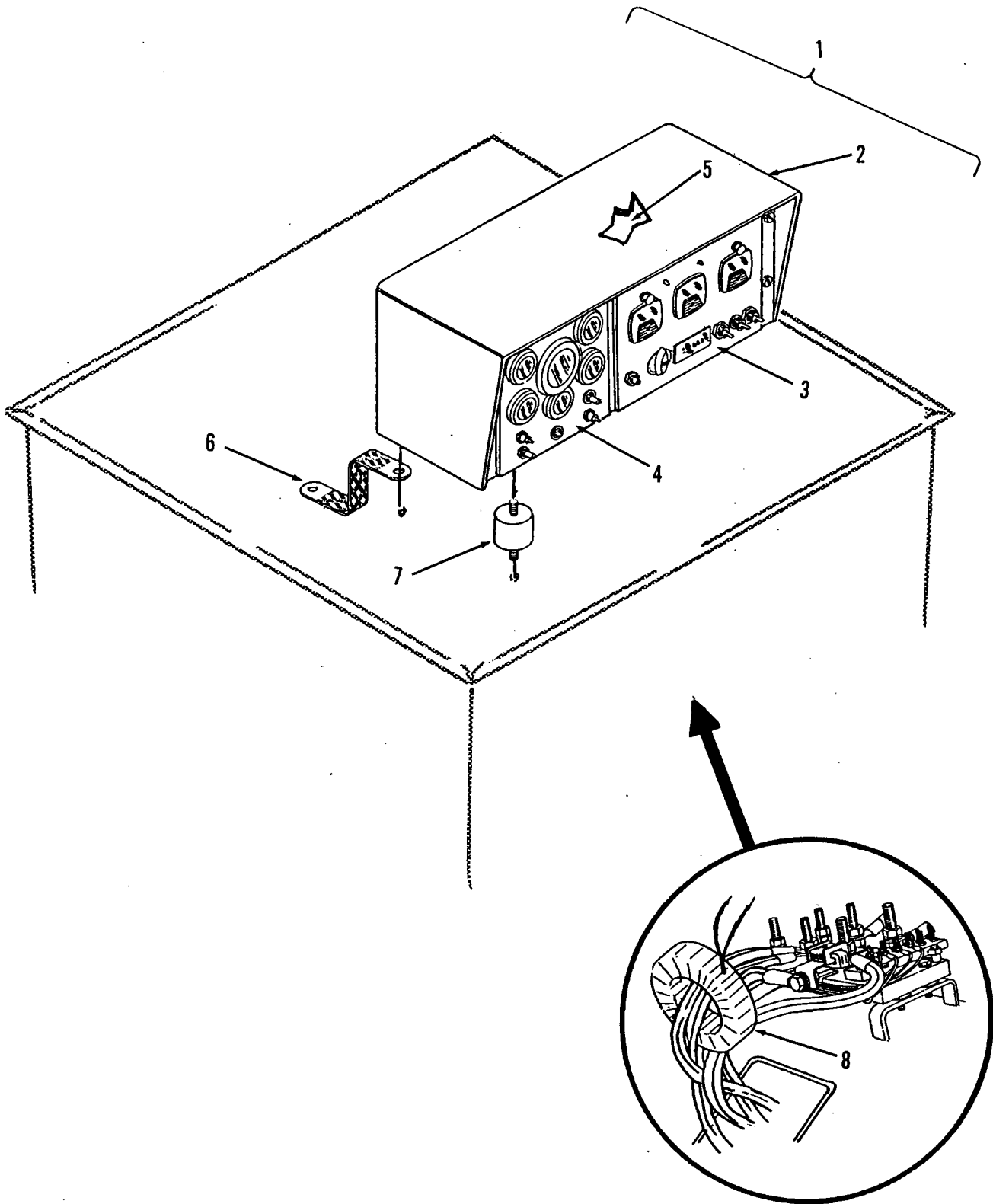
REF NO.	CPP PART NO.	CEC PART NO.	QTY USED	PART DESCRIPTION
1	249-0497		1	Cover
	249-0294		3	Attaching Parts For Cover
	249-0307		3	Screw, Cap - Hex Head (M5 x 12mm)
2	249-0423		3	Washer, Lock (M5)
3	249-0426		3	Pillar, Threaded
4			1	Stator, Exciter with Frame
				Rotor, Exciter (Select Rotor as Required)
	249-0427		1	Frame 2, 3, 4 Generators
	249-0644		1	Frame 5, 6, 7 Generators
				Attaching Parts For Rotor (Select Bolt as Required)
	249-0399		1	Bolt - Frame 2, 3, 4 Generators
	249-0495		1	Bolt - Frame 5, 6, 7 Generators
	249-0202		1	Washer, Lock (M10)
5	249-0313		1	Pin, Dowel

## CONTROL SECTION

### TABLE OF CONTENTS

Control, Generator Set.....	53
Control Panel, Generator (Sets with LED Indicator Lights).....	55
Control Panel, Generator (Sets with Bulb Indicator Lights).....	57
Control Panel, Engine (Sets with LED Indicator Lights).....	59
Control Panel, Engine (Sets with Bulb Indicator Lights).....	61
Control Wiring Harnesses (Sets with LED Indicator Lights).....	63
Control Wiring Harnesses (Sets with Bulb Indicator Lights).....	65
Control Internal Components (Sets with LED Ind Lights).....	66
Control Internal Components (Sets with Bulb Ind Lights).....	67
Control Alarm Module .....	68

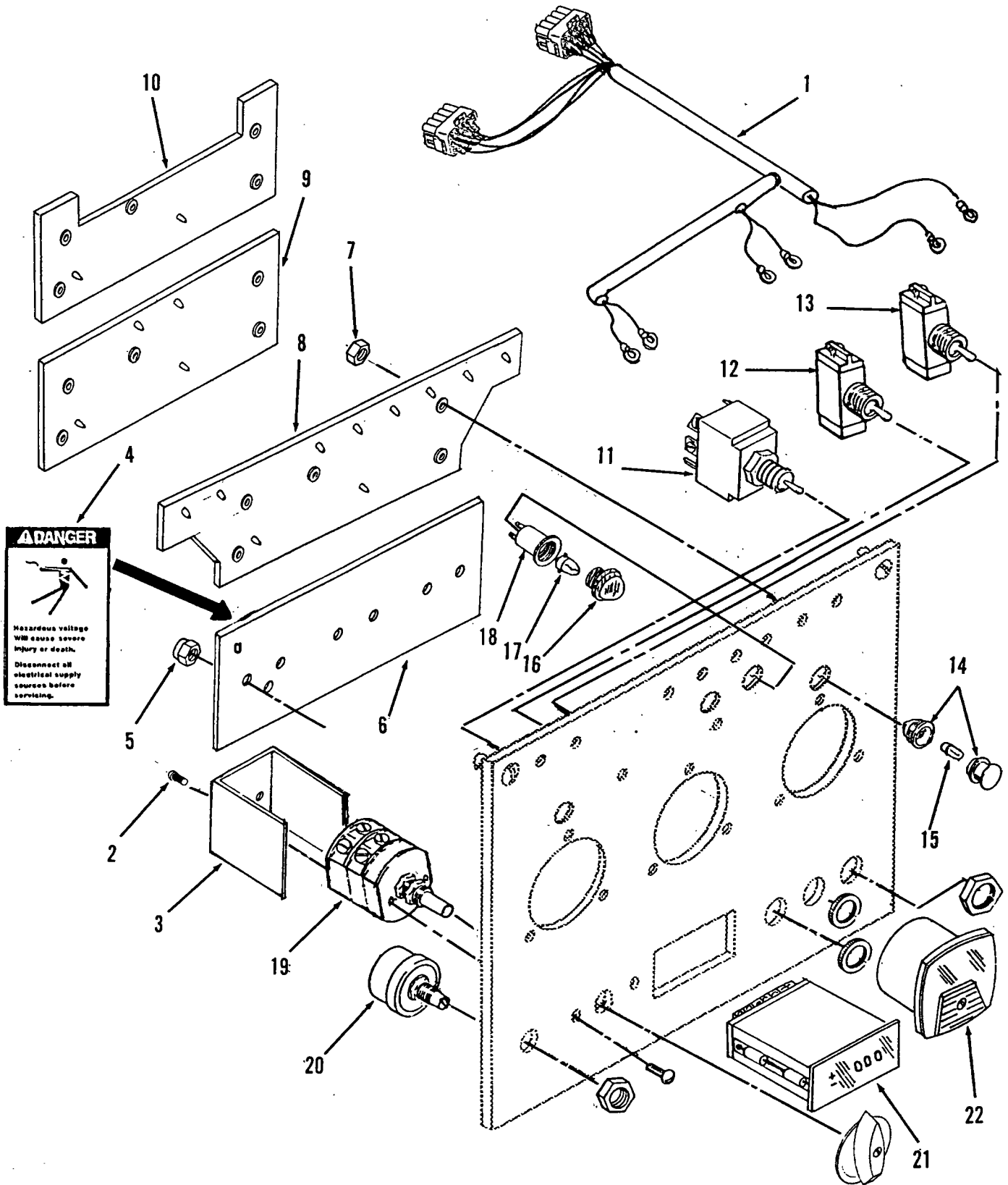
# Generator Set Control



## Generator Set Control

REF NO.	CPS PART NO.	CEC PART NO.	QTY USED	PART DESCRIPTION
1	NFS	NFS	1	Control, Generator Set (See Items 3 Thru 5 for Components)
	862-1001	70299	8	Attaching Parts for Control
	850-1040	70189	8	Nut, Hex (1/4-20)
2	NFS	NFS	1	Washer, Lock - Spring (1/4")
				Cover, Control
	815-0701	3016086	6	Attaching Part for Cover
3	NFS	NFS	1	Screw, Machine - Round Head (1/4-20 x 1/2")
4	NFS	NFS	1	Control Panel, Generator (See Separate Pages for Components)
5	NFS	NFS	1	Control Panel, Engine (See Separate Pages for Components)
				Internal Components and Wiring Harnesses (See Separate Pages Selection)
6	337-2402	3016849	1	Lead, Electrical - Ground
7	402-0610	204493	4	Mount, Vibration
8				Transformer, Current (Select as Required)
	302-1866-05	3011674	3	400:5 Ratio (Used with 200/400 AMP Ammeter)
	302-1866-09	3011678	3	600:5 Ratio (Used with 300/600 AMP Ammeter)
	302-1866-13	3011682	3	800:5 Ratio (Used with 400/800 AMP Ammeter)
	302-1866-15	3011684	3	1000:5 Ratio (Used with 500/1000 AMP Ammeter)
	302-1866-17	3011686	3	1200:5 Ratio (Used with 600/1200 AMP Ammeter and 1200 AMP Single Scale Ammeter)
	302-1866-21	3011690	3	1600:5 Ratio (Used with 800/1600 AMP Ammeter)
	302-1866-24	3014135	3	2000:5 Ratio (Used with 1000/2000 AMP Ammeter)
	302-1866-27	3051479	3	2500:5 Ratio (Used with 2500 AMP Single Scale Ammeter)
	302-1866-28	3051480	3	3000:5 Ratio (Used with 1500/3000 AMP & 3000 AMP Single Scale Ammeters)

# Generator Control Panel With L E D Indicator Lights

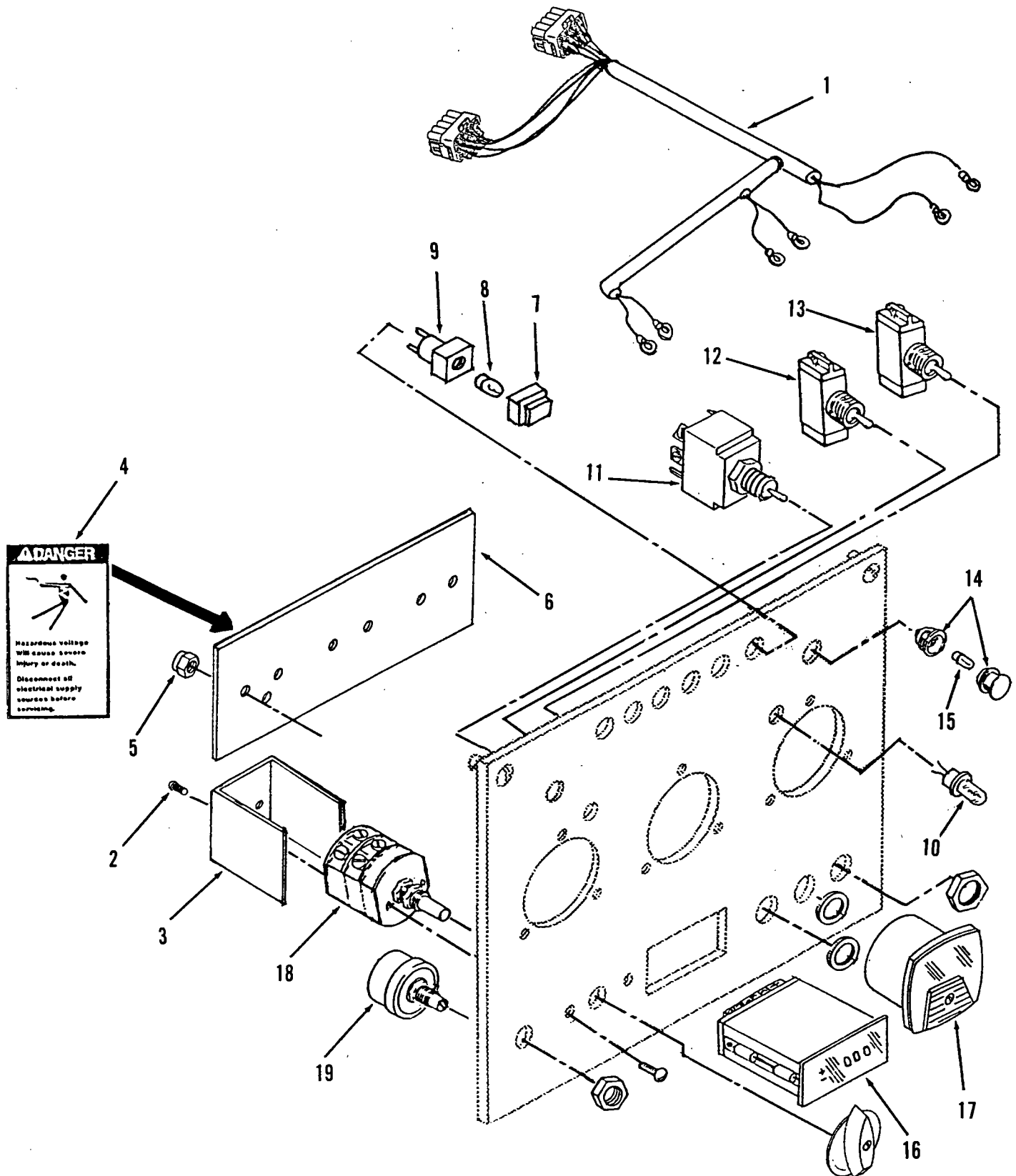


**Generator Control Panel  
With L E D Indicator Lights**

REF NO.	CPS PART NO.	CEC PART NO.	QTY USED	PART DESCRIPTION
1				Harness, Wiring (See Separate Pages for Selection and Applications)
2	812-0075		2	Screw, Machine - Round Head (#8-32 x 1/4")
3	306-3523		1	Shield, Switch
4	98-5387		1	Decal (Warning)
5	870-0437		7	Nut, Acorn - Plastic
6	306-3522		1	Shield, Meters
7	870-0451	70646	4	Nut, Self-locking - Hex (#8-32 )
8	300-3283	3053064	1	Printed Circuit Board - 10 LED Lights
9	300-3282	3053063	1	Printed Circuit Board - 4 LED Lights
10	300-3281	3053062	1	Printed Circuit Board - 2 LED Lights
11				Switch, Toggle
		3015057	1	(AUTOSTART ON/OFF/STANDBY)
		3015058	1	(SYNCHRONIZING)
12		3055738	1	Switch, Toggle (ALARM SILENCE)
13		3035149	1	Switch, Toggle (PANEL LIGHTS)
14	322-0398	3035016	2	Light, Panel (Less Bulb)
15	322-0397-01	3035018	2	Bulb, Incandescent
16		3056064	2	Lens, Clear (SYNCHRONIZING)
17		3056065	2	Bulb, Incandescent
19		3056063	2	Socket, Light
19	308-0884	3015860	1	Switch, Selector(Includes Knob)
20	303-0288	3058451	1	Rheostat
21	302-1860	3056071	1	Wattmeter
22				Meter (TYPICAL)
	302-1856	3015043	1	Voltmeter
	302-1858	3015044	1	Frequency/RPM
				Ammeter (Select as Required)
				DUAL SCALE
	302-1871-05	3039530	1	200/400 AMP
	302-1862	3015035	1	300/600 AMP
	302-1863	3015036	1	400/800 AMP
	302-1871-06	3051478	1	500/1000 AMP
	302-1864	3015037	1	600/1200 AMP
	302-1865	3015038	1	800/1600 AMP
	302-1871-01	3015039	1	1000/2000 AMP
	302-1871-09	3059965	1	1500/3000 AMP
	302-1871-10	3059966	1	2000/4000 AMP
				SINGLE SCALE
	302-1871-02	3015040	1	1200 AMP
	302-1871-03	3015041	1	1600 AMP
	302-1871-04	3015042	1	2000 AMP
	302-1871-07	3051479	1	2500 AMP
	302-1871-08	3051480	1	3000 AMP



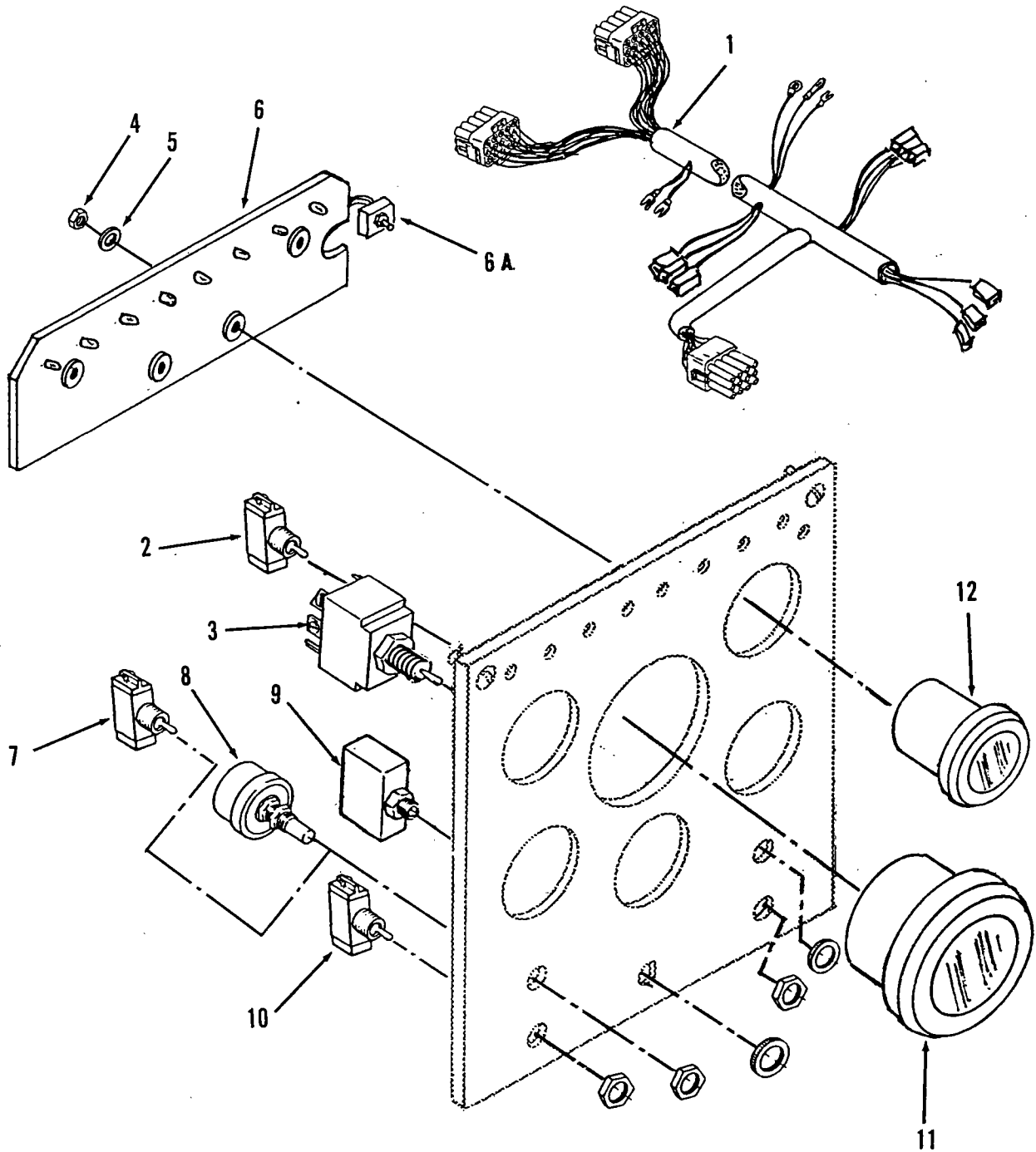
# Generator Control Panel With Bulb Indicator Lights



## Generator Control Panel With Bulb Indicator Lights

REF NO.	CPS PART NO.	CEC PART NO.	QTY USED	PART DESCRIPTION
1				Harness, Wiring (See Separate Pages for Selection and Applications)
2	812-0075		2	Screw, Machine - Round Head (#8-32 x 1/4")
3	306-3523		1	Shield, Switch
4	98-5387		1	Decal (Warning)
5	870-0437		7	Nut, Acorn - Plastic
6	306-3522		1	Shield, Meters
7				Lens, Indicator Light
		3018795	4	Orange
		3018796	1	Red
		3018797	1	Green
		3018798	2	White (SYNCHRONIZING)
8		3018799	8	Bulb, Incandescent
9				Socket & Socket with Switch
		3018800	7	Socket, Light
		3014667	1	Socket, Light with Push Switch
10		3015133	2	Light, Indicator - Red Lens (UPPER/LOWER SCALE INDICATING)
11				Switch, Toggle
		3015057	1	(AUTOSTART-ON/OFF/STANDBY)
		3015058	1	(SYNCHRONIZING)
12		3055738	1	Switch, Toggle (ALARM SILENCE)
13		3035149	1	Switch, Toggle (PANEL LIGHTS)
14	322-0398	3035016	2	Light, Panel (Less Bulb)
15	322-0397-01	3035018	2	Bulb, Incandescent
16		3015018	1	Wattmeter
17				Meter
	302-1856	3015043	1	Voltmeter
	302-1858	3015044	1	Frequency/RPM
				Ammeter (Select as Required)
				DUAL SCALE
	302-1871-05	3039530	1	200/400 AMP
	302-1862	3015035	1	300/600 AMP
	302-1863	3015036	1	400/800 AMP
	302-1871-06	3051478	1	500/1000 AMP
	302-1864	3015037	1	600/1200 AMP
	302-1865	3015038	1	800/1600 AMP
	302-1871-01	3015039	1	1000/2000 AMP
	302-1871-09	3059965	1	1500/3000 AMP
	302-1871-10	3059966	1	2000/4000 AMP
				SINGLE SCALE
	302-1871-02	3015040	1	1200 AMP
	302-1871-03	3015041	1	1600 AMP
	302-1871-04	3015042	1	2000 AMP
	302-1871-07	3051479	1	2500 AMP
	302-1871-08	3051480	1	3000 AMP
18	308-0884	3015860	1	Switch, Selector (Includes Knob)
19	303-0288	3058451	1	Rheostat

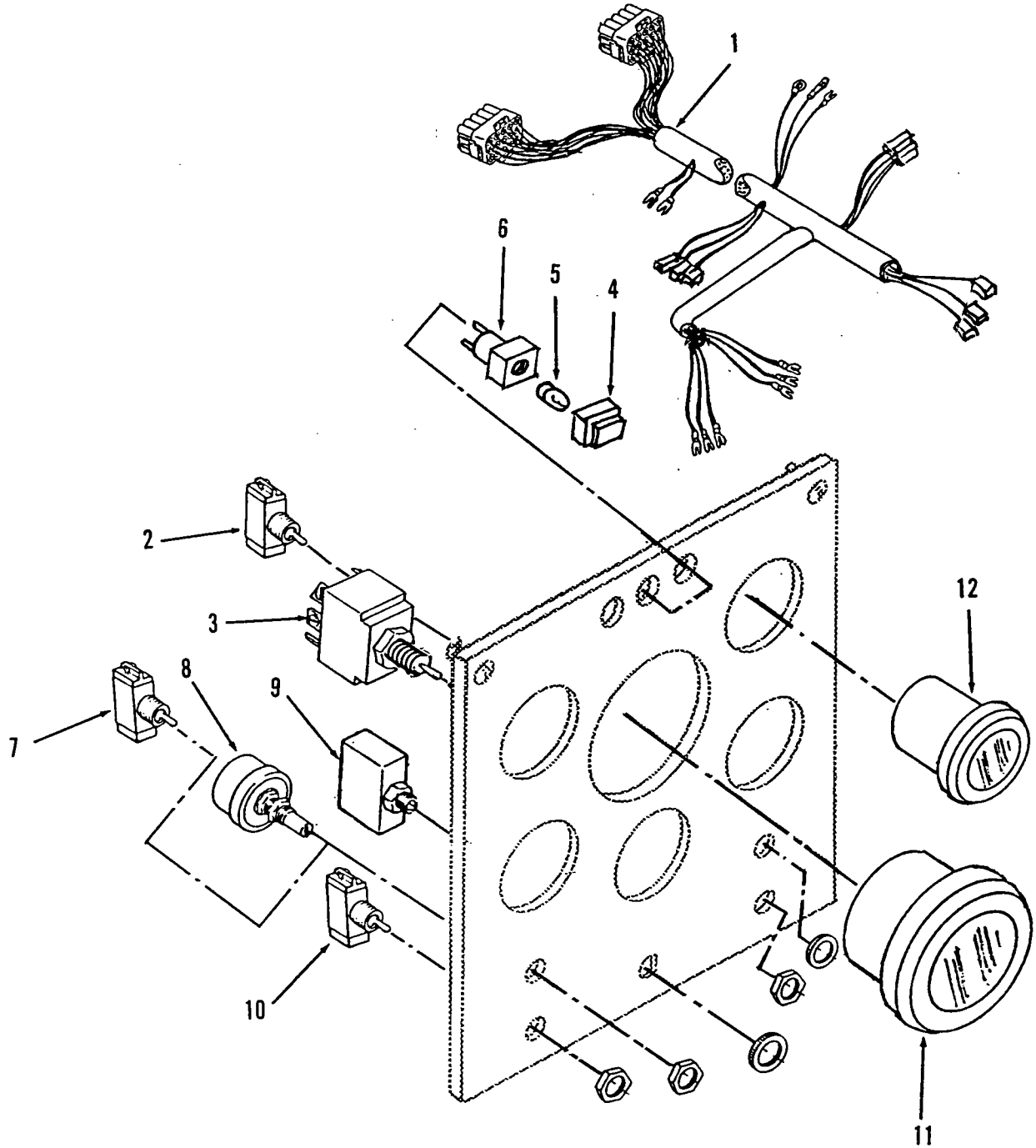
Engine Control Panel  
With L E D Indicator Lights



**Engine Control Panel  
With L E D Indicator Lights**

REF NO.	CPS PART NO.	CEC PART NO.	QTY USED	PART DESCRIPTION
1	338-2252	3053044	1	Harness, Wiring (Includes items 2 & 3)
2		3055486	1	Switch, Toggle (CRANK)
3		102057	1	Switch, Toggle (START/RUN/OFF)
4	870-0451	70646	4	Nut, Self-locking - Hex (#8-32)
5	526-0352	128006	4	Washer, Flat (3/16")
6				Printed Circuit Board (Includes Test Lamp Switch)
	300-3279	3053060	1	5 L E D Indicator Lights
	300-3280	3053061	1	8 L E D Indicator Lights
6A		3055488	1	Switch, Toggle (LAMP TEST)
7	308-0885-03	3015055	1	Switch, Toggle (RAISE/LOWER)
8	303-0290	3015105	1	Potentiometer (SPEED ADJUST)
9	320-1616	3034953	1	Circuit Breaker
10	308-0885-02	104215	1	Switch, Toggle (RUN/IDLE)
11	302-1855	3031734	1	Tachometer
12				Gauge/Meter
	193-0400-01	3015232	1	Gauge, Pressure - Oil
	193-0401-01	3015233	1	Gauge, Temperature - Oil
	193-0402-01	3015234	1	Gauge, Temperature - Water
	302-1857-01	3015235	1	Voltmeter
	302-1859-01	3035766	1	Hourmeter

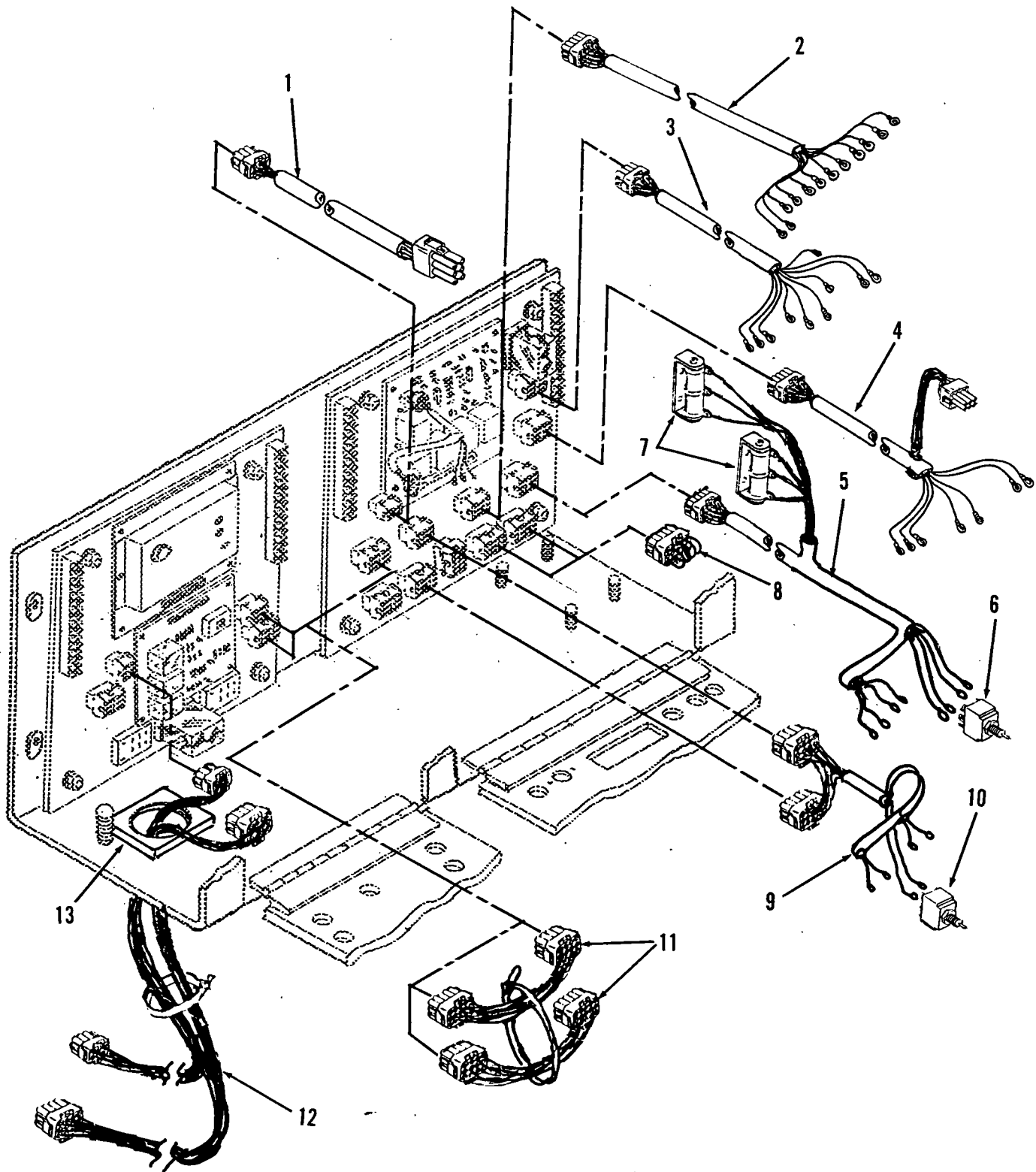
Engine Control Panel  
With Bulb Indicator Lights



**Engine Control Panel  
With Bulb Indicator Lights**

REF NO.	CPP PART NO.	CEC PART NO.	QTY USED	PART DESCRIPTION
1		3035126	1	Harness, Wiring (Includes items 2 & 3)
2		3055486	1	Switch, Toggle (CRANK)
3		102057	1	Switch, Toggle (START/RUN/OFF)
4		3018795	3	Lens, Light (ORANGE)
5		3018799	3	Bulb, Light
6		3018800	3	Socket, Light
7	308-0885-03	3015055	1	Switch, Toggle (RAISE/LOWER)
8	303-0290	3015105	1	Potentiometer (SPEED ADJUST)
9	320-1616	3034953	1	Circuit Breaker
10	308-0885-02	104215	1	Switch, Toggle (RUN/IDLE)
11	302-1855	3031734	1	Tachometer
12				Gauge or Meter
	193-0400-01	3015232	1	Gauge, Pressure - Oil
	193-0401-01	3015233	1	Gauge, Temperature - Oil
	193-0402-01	3015234	1	Gauge, Temperature - Water
	302-1857-01	3015235	1	Voltmeter
	302-1859-01	3035766	1	Hourmeter

Set Control - Wiring Harnesses  
(Sets With LED Indicator Lights)

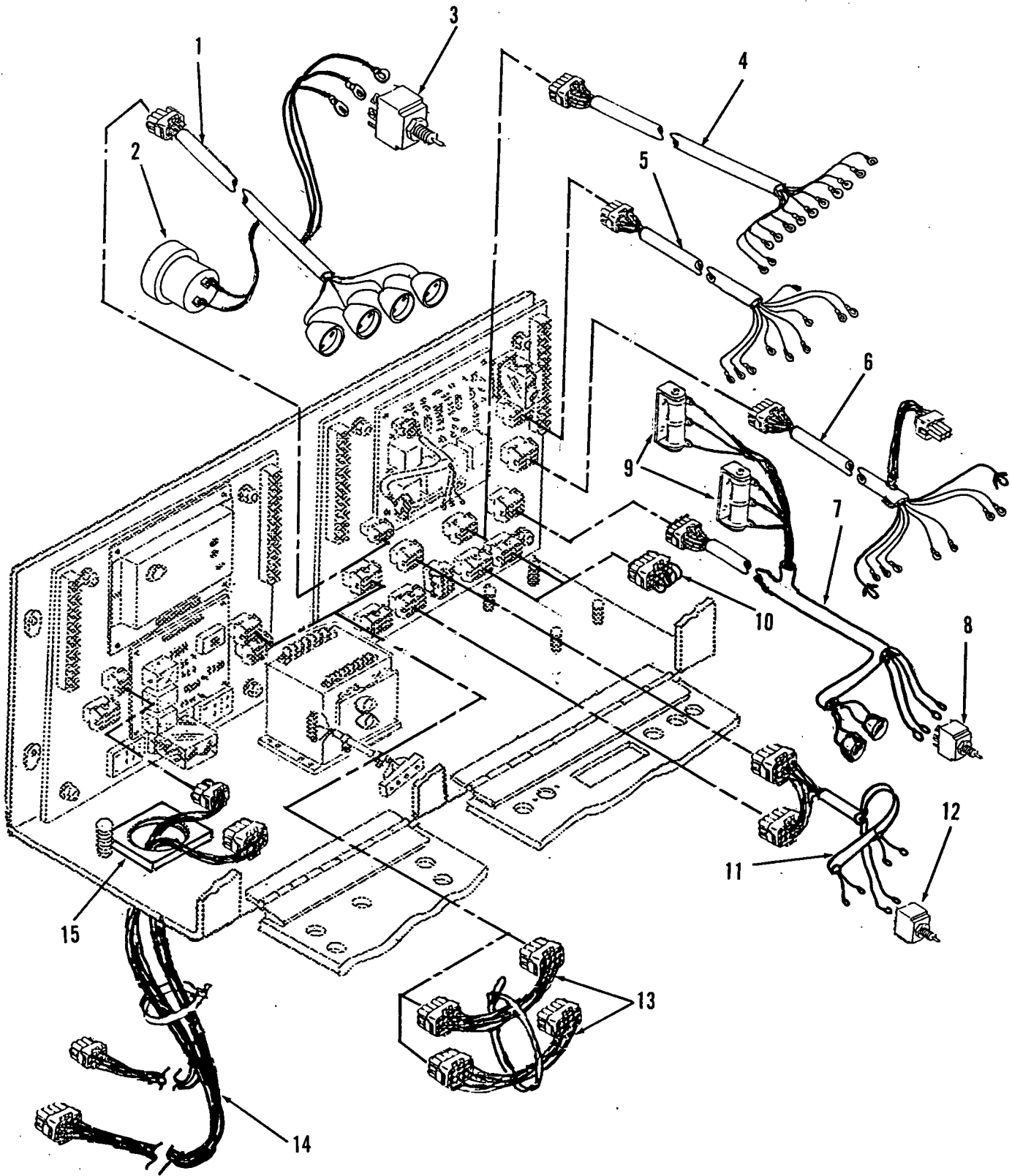


**Set Control - Wiring Harnesses  
(Sets With LED Indicator Lights)**

REF NO.	CPP PART NO.	CEC PART NO.	QTY USED	PART DESCRIPTION
1	338-2255	3053048	1	Harness, Wiring (PCB TO LED PCB)
2	338-2258	3056066	1	Harness, Wiring (PCB TO WATTMETER)
3	338-2250	3035147	1	Harness, Wiring (PCB TO VOLT/AMP SELECTOR SWITCH)
4	338-2253	3053046	1	Harness, Wiring (PCB TO AC METER)
5	338-2383	3053033	1	Harness, Wiring (PCB TO RESISTORS AND SYNCHRONIZING SWITCH; Includes The Resistors and Switch)
6		3015058	1	Switch, Toggle (SYNCHRONIZING)
7		3055739	2	Resistor, Wirewound with Mounting Bracket Attaching Parts for Resistor
	860-0003	3043636	4	Nut, Hex
	850-0010	3043637	4	Washer, Lock - Spring
8	338-2312	3056089	2	Harness, Wiring (HIGH/LOW WYE ADAPTER)
9	338-2256	3056061	1	Harness, Wiring (PCB TO PANEL LIGHTS AND SWITCH; Includes The Switch)
10		3035149	1	Switch, Toggle (PANEL LIGHTS)
11	338-2248	3035132	1	Harness Assembly, Wiring (ENGINE CONTROL PCB TO GENERATOR CONTROL PCB)
12				Harness Assembly, Wiring - With Shielded Leads (ENGINE WIRING HARNESS TO ENGINE CONTROL PCB; Select Length as Applicable)
	338-2301-01	3053037	1	5.3 Feet
	338-2301-02	3053038	1	7.3 Feet
	338-2301-03	3053039	1	9.3 Feet
	338-2301-04	3053040	1	11.3 Feet
	338-2301-05	3053041	1	15.3 Feet
	338-2301-06	3053042	1	25.3 Feet
	338-2301-07	3053043	1	50.0 Feet
	338-2301-08	3057046	1	1.3 Feet
13	331-0525	204494	1	Gasket, Conduit
14	338-2251	3044442	1	Harness, Wiring (PCB TO GEN TERMINAL BLOCK)



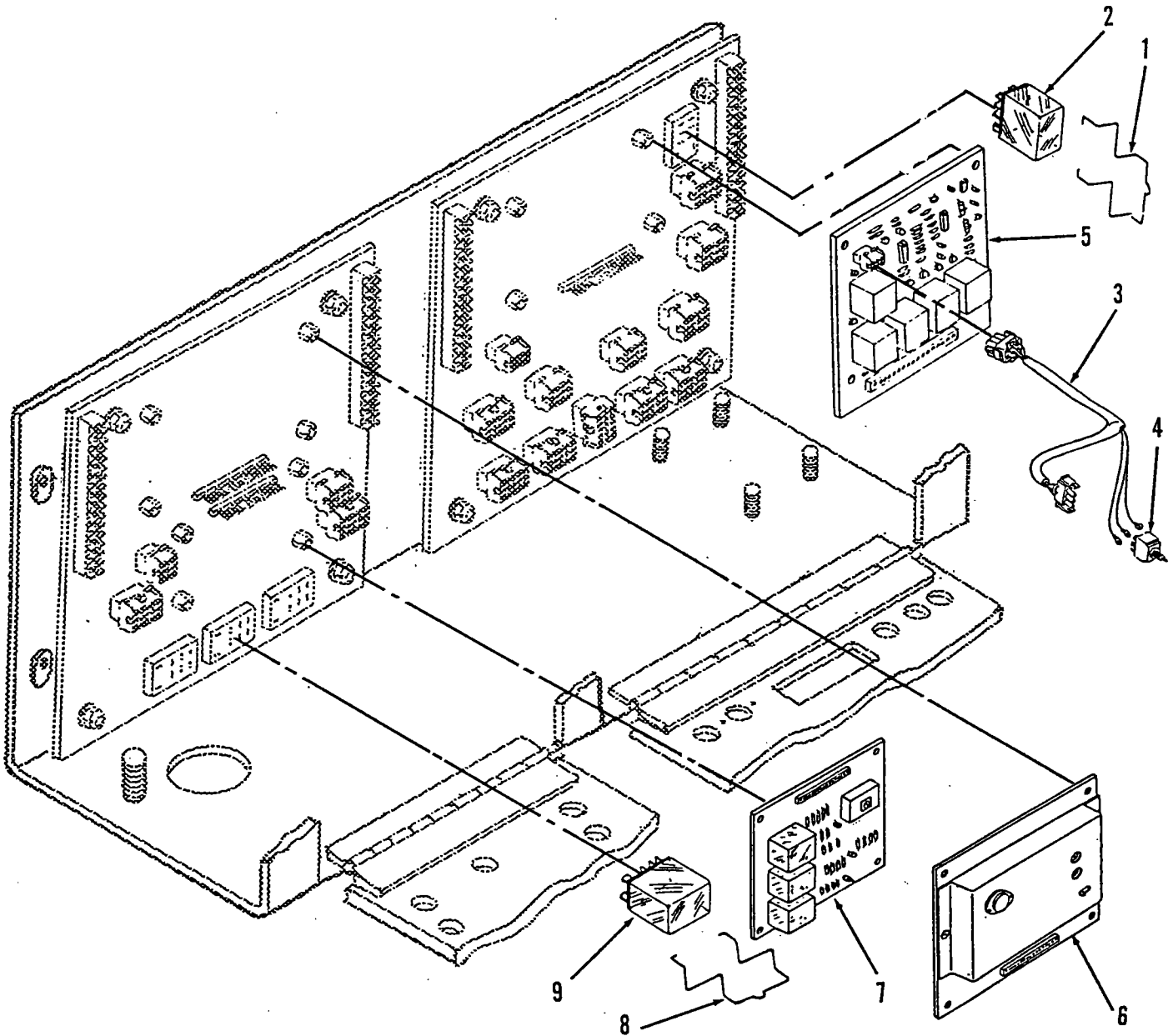
Set Control - Wiring Harnesses  
(Sets With Bulb Indicator Lights)



**Set Control - Wiring Harnesses  
(Sets With Bulb Indicator Lights)**

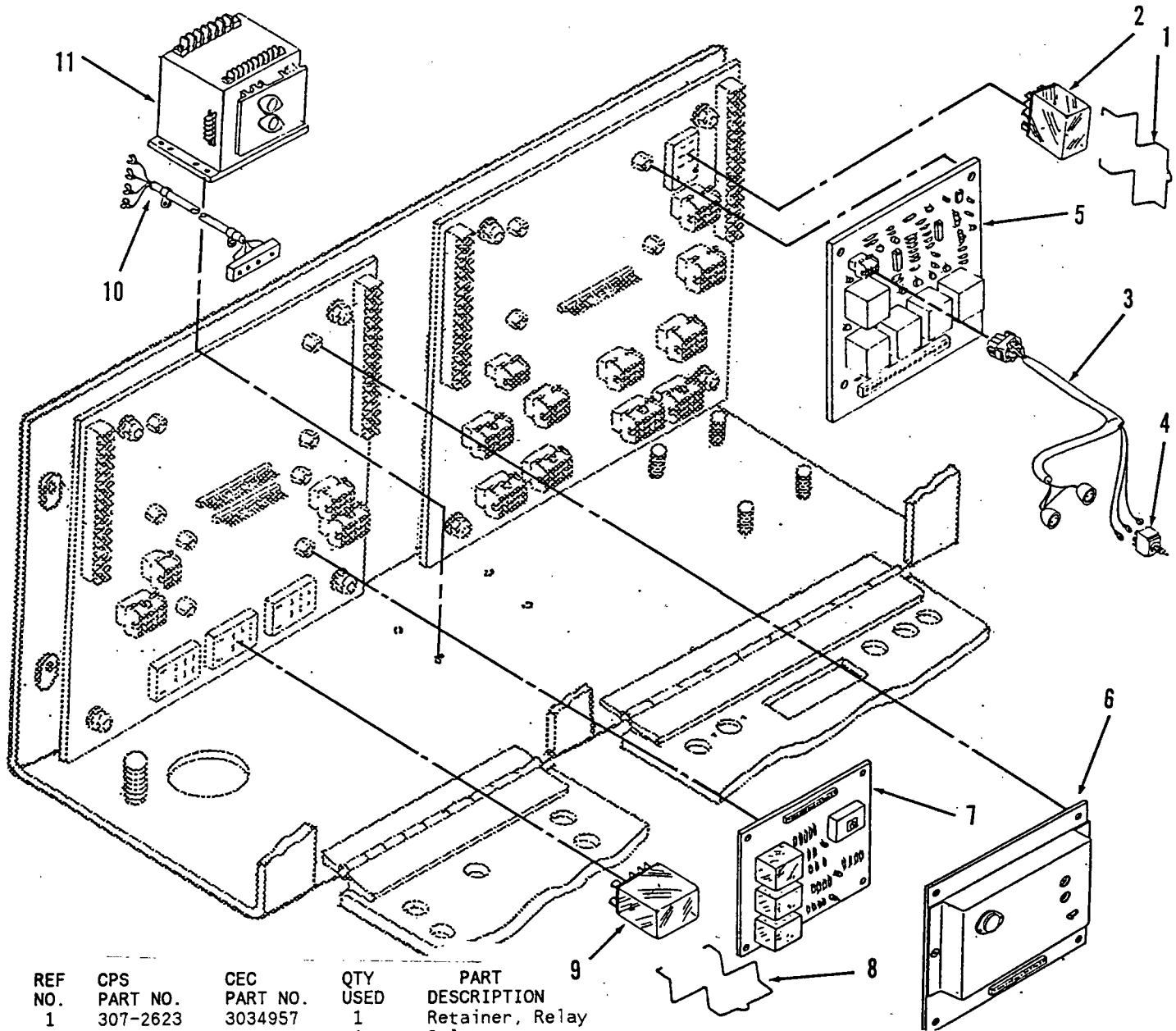
REF NO.	CPS PART NO.	CEC PART NO.	QTY USED	PART DESCRIPTION
1		3035145	1	Harness, Wiring (PCB TO HORN, SWITCH AND INDICATOR LIGHTS; Includes The Horn and Switch)
2		3015118	1	Horn, Electrical - 24 VDC
3		3015056	1	Switch, Toggle (ALARM SILENCE)
4		3035142	1	Harness, Wiring (PCB TO WATT TRANSDUCER)
5	338-2250	3035147	1	Harness, Wiring (PCB TO VOLT/AMP SELECTOR SWITCH)
6		3035144	1	Harness, Wiring (PCB TO AC METER AND RED INDICATOR LIGHTS; Includes Red Indicator Lights)
7		3035146	1	Harness, Wiring (PCB TO RESISTORS, SYNCHRONIZING LIGHTS AND SWITCH; Includes The Resistors and Switch)
8		3015058	1	Switch, Toggle (SYNCHRONIZING)
9		3015109	2	Resistor, Wirewound with Mounting Bracket
				Attaching Parts for Resistor
	860-0003	3043636	4	Nut, Hex (#5-40)
	850-0010	3043637	4	Washer, Lock - Spring (#4)
10	338-2249	3035140	2	Harness, Wiring (HIGH/LOW WYE ADAPTER)
11	338-2256	3056061	1	Harness, Wiring (PCB TO PANEL LIGHTS AND SWITCH; Includes The Switch)
12		3035149	1	Switch, Toggle (PANEL LIGHTS)
13	338-2248	3035132	1	Harness Assembly, Wiring (ENGINE CONTROL PCB TO GENERATOR CONTROL PCB)
14				Harness Assembly, Wiring (ENGINE WIRING HARNESS TO ENGINE CONTROL PCB; Select Length as Applicable)
	338-2276-01	3035127	1	5.3 Feet
	338-2276-02	3035128	1	7.3 Feet
	338-2276-03	3035129	1	9.3 Feet
	338-2276-04	3035130	1	11.3 Feet
	338-2276-05	3035131	1	15.3 Feet
13	331-0525	204494	1	Gasket, Conduit

Set Control - Internal Components  
(Sets With LED Indicator Lights)



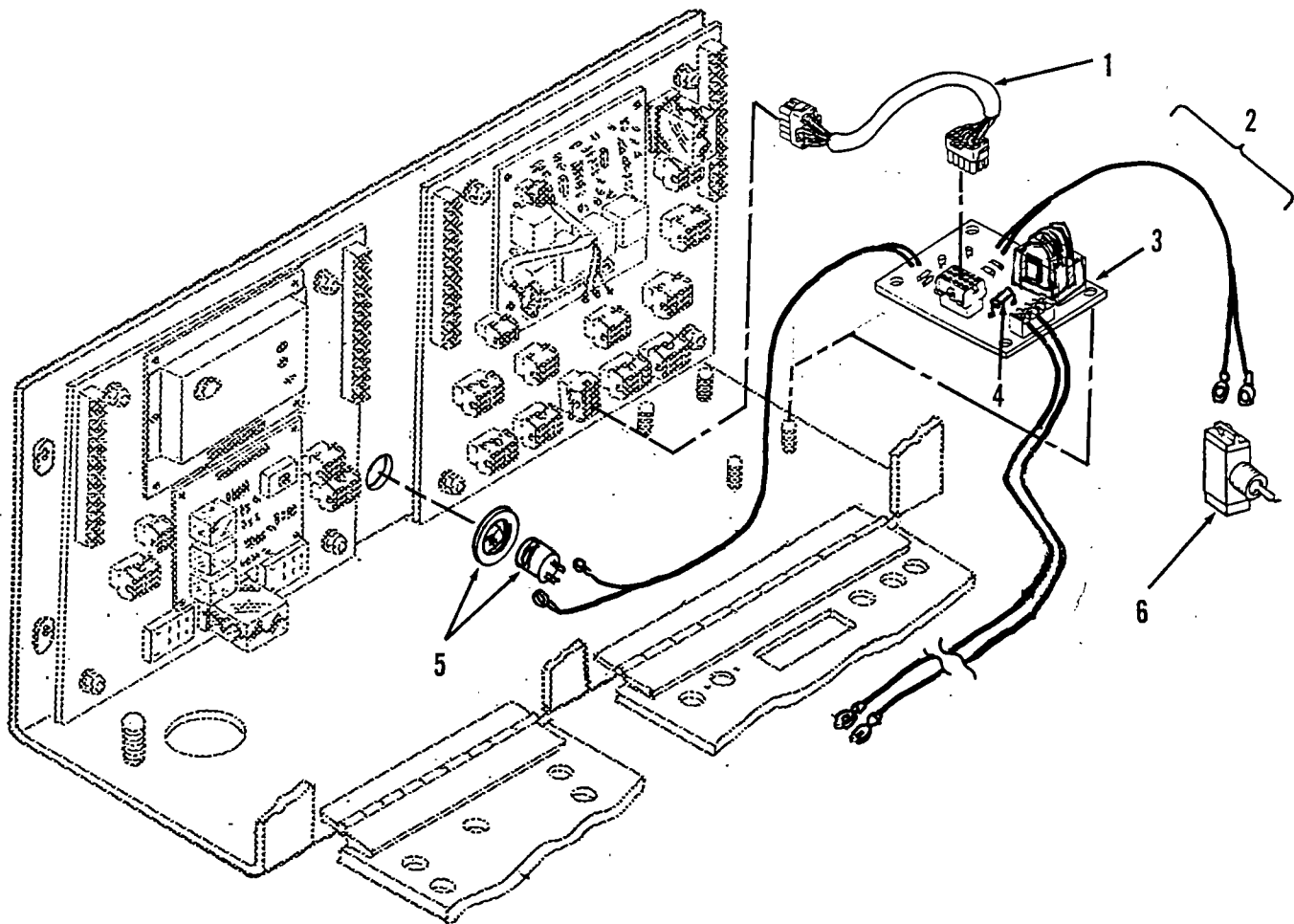
REF NO.	CPS PART NO.	CEC PART NO.	QTY USED	PART DESCRIPTION
1	307-2623	3034957	1	Retainer, Relay
2	307-2622	3034958	1	Relay
3	338-2254	3053047	1	Harness, Wiring - AutoStart to LEDs (Includes Switch)
4		3015057	1	Switch, Toggle (AutoStart)
5	300-3277	3054341	1	Board, Printed Circuit - AutoStart
				Attaching Parts for Board
	815-0702	70310	4	Screw, Machine - Pan Head (#6-32 x 3/8")
	850-1020	70262	4	Washer, Lock - Spring (#6)
6	151-0634	3044195	1	Control, Governor
				Attaching Parts for Board
	815-0702	70310	4	Screw, Machine - Pan Head (#6-32 x 3/8")
	850-1020	70262	4	Washer, Lock - Spring (#6)
7	309-0574	3036453	1	Control, Overspeed
				Attaching Parts for Board
	815-0702	70310	4	Screw, Machine - Pan Head (#6-32 x 3/8")
	850-1020	70262	4	Washer, Lock - Spring (#6)
8	307-2623	3034957	1	Retainer, Relay
9	307-2684	3034962	1	Relay

Set Control - Internal Components  
(Sets With Bulb Indicator Lights)



REF NO.	CPS PART NO.	CEC PART NO.	QTY USED	PART DESCRIPTION
1	307-2623	3034957	1	Retainer, Relay
2	307-2622	3034958	1	Relay
3		3035143	1	Harness, Wiring - AutoStart to Bulbs (Includes Switch)
4		3015057	1	Switch, Toggle (AutoStart)
5	300-3277	3054341	1	Board, Printed Circuit - AutoStart
	815-0702	70310	4	Attaching Parts for Board Screw, Machine - Pan Head (#6-32 x 3/8")
	850-1020	70262	4	Washer, Lock - Spring (#6)
6	151-0634	3044195	1	Control, Governor
	815-0702	70310	4	Attaching Parts for Board Screw, Machine - Pan Head (#6-32 x 3/8")
	850-1020	70262	4	Washer, Lock - Spring (#6)
7	309-0574	3036453	1	Control, Overspeed
	815-0702	70310	4	Attaching Parts for Board Screw, Machine - Pan Head (#6-32 x 3/8")
	850-1020	70262	4	Washer, Lock - Spring (#6)
8	307-2623	3034957	1	Retainer, Relay
9	307-2684	3034962	1	Relay
10		3015019	1	Harness, Wiring - Transducer to Wattmeter
		3018792	2	Attaching Parts Screw, Self-Tapping - Round Head
11		3015017	1	Transducer, Watt
	867-0028	70273	4	Attaching Parts Nut, Hex (#10-32)
	850-1030	70621	4	Washer, Lock - Spring (#10)

## Set Control - Alarm Module



REF NO.	CPS PART NO.	CEC PART NO.	QTY USED	PART DESCRIPTION
1	338-2257	3056062	1	Harness, Wiring - Alarm Board to Gen Control Board
2				Module, Alarm (Includes PC Board, Horn, Switch and Electrical Leads to Horn, Switch and Generator Terminal Board)
	300-3286	3054296	1	Sets with Four Fault Indicators
	300-3287	3054297	1	Sets with Six Fault Indicators
3				Board, Printed Circuit - Alarm Module (Includes Fuse)
	Note 1	Note 2	1	Sets with Four Fault Indicators
	Note 1	Note 2	1	Sets with Six Fault Indicators
				Attaching Parts for Board
	870-0451	70646	4	Nut, Self-locking - Hex (#8-32)
	526-0352	128006	4	Washer, Flat (#/16")
4	Note 3	3062691	1	Fuse
5	333-0405-02	149806	1	Horn, Electrical - 24VDC
6	Note 3	3055738	1	Switch, Toggle

NOTES: 1. Not stocked as replacement item, order applicable Item 2 for replacement.  
 2. Not Stocked as replacement item, order applicable Item 2 for replacement  
 3. Not stocked as replacement item.