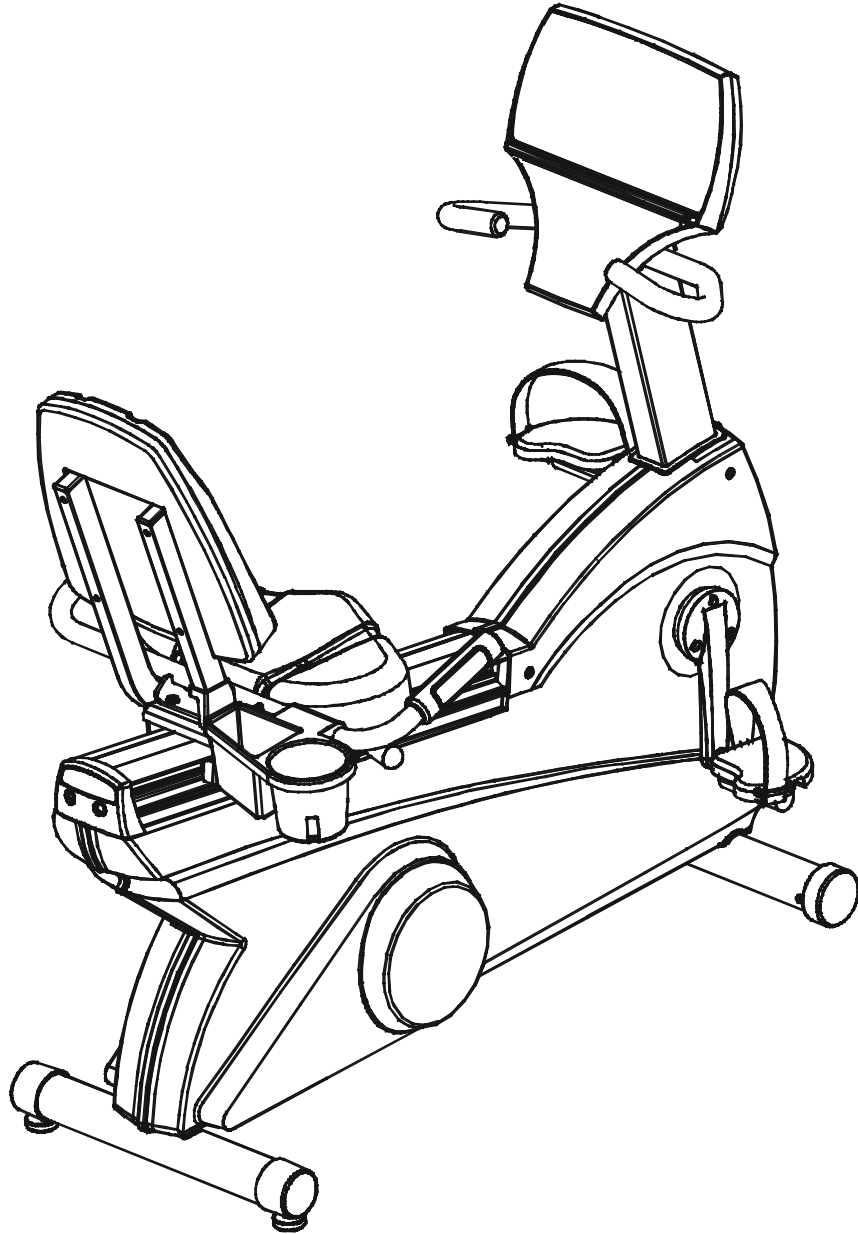


LifeFitness

Arctic Silver 90RW Recumbent Bike



Customer Support Services ***PARTS MANUAL***

ARCTIC SILVER 90RW
REFERENCES

90RW-0XXX-02
S/N CCK100000 and UP

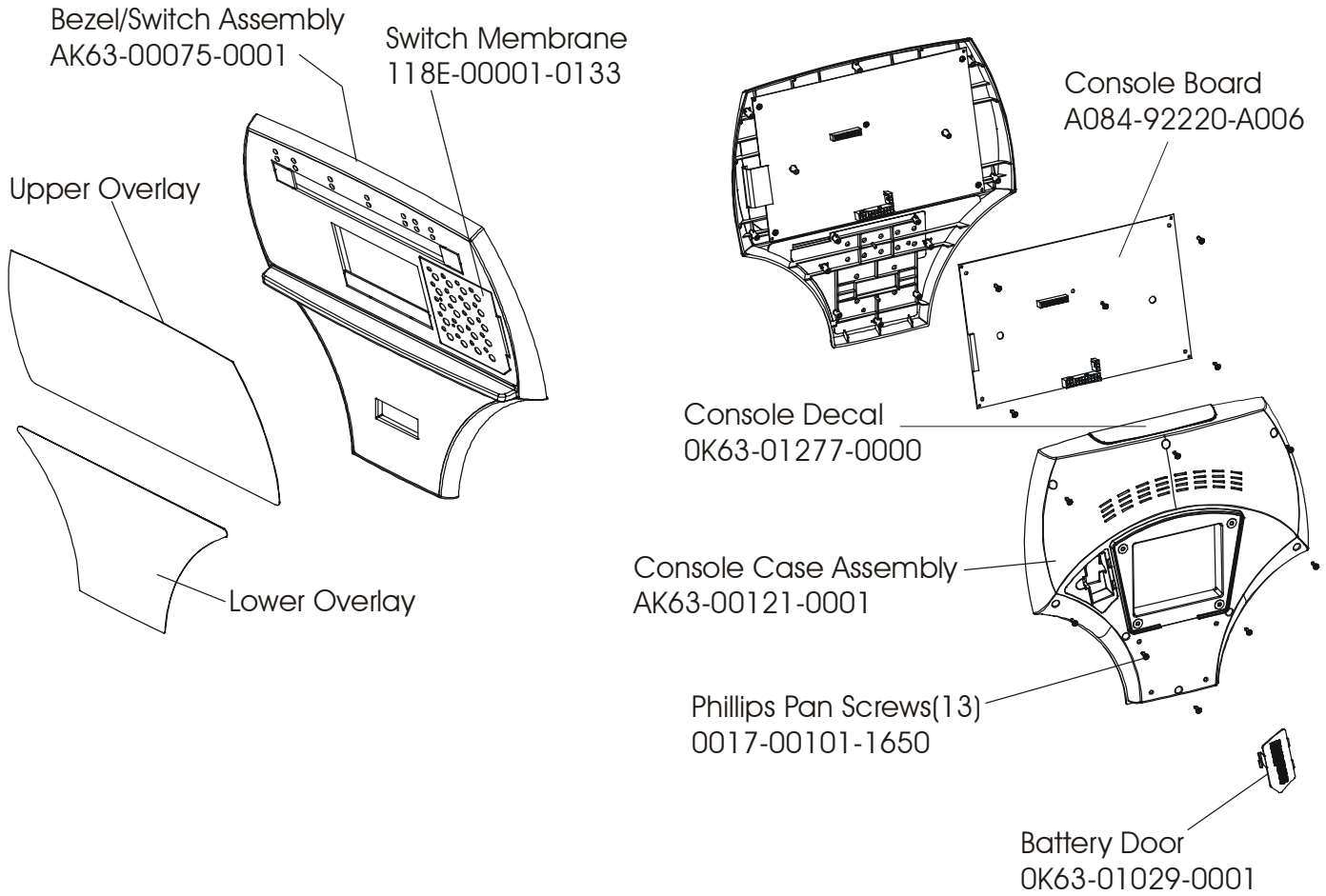
OPERATION MANUAL	M051-00K39-A026
ACCESSORY TRAY KIT	AK39-00052-0004
HARDWARE BAG	GK39-00002-0008
POLAR UPGRADE KIT	GK39-00002-0001
TOUCH UP PAINT: SPRAY CAN .5 OZ BOTTLE W/APPLICATOR .33 OZ PEN	0017-00008-0204 0017-00008-0205 0017-00008-0206
COAX CABLE	AK32-00020-0001
CONNECTION BRACKET ASSEMBLY ASSEMBLY CONSISTS OF: 1) POWER CABLE 2) POWER/COAX INPUT BRACKET 3) F TYPE CONNECTOR	AK39-00093-0000 AK32-00078-0001 0K39-01087-0000 0017-00021-2846
SERVICE MANUAL	M051-00K39-A012

**NOTE: ADDING THE BOLT ON LCD SCREEN TO THE
90RW-0XXX-02 MAKES THE UNIT 90RER-0XXX-02.**

	Page
CONSOLE COMPONENTS	4
CONSOLE SUPPORT ASSEMBLY	5
SHROUDS, END CAP, CRANKARMS AND PEDALS	6
BELTS.....	7
RESISTOR ASSEMBLY	8
POWER CONTROL BOARD	9
ALTERNATOR W/PULLEY	10
CRANKSHAFT AND BEARING ASSEMBLY.....	11
INTERMEDIATE SHAFT AND BEARING ASSEMBLY.....	12
IDLER BRACKET ASSEMBLY.....	13
SEAT ASSEMBLY.....	14
SEAT BOTTOM ASSEMBLY.....	15
SEAT FRAME ASSEMBLY.....	16
SEAT PADS AND ACCESSORY TRAY.....	17
EXTRUSION ASSEMBLY.....	18
SEAT LOCKING ASSEMBLY.....	19
WHEEL AND LEVELER.....	20
CABLES.....	21

ARCTIC SILVER 90RW
Console Components

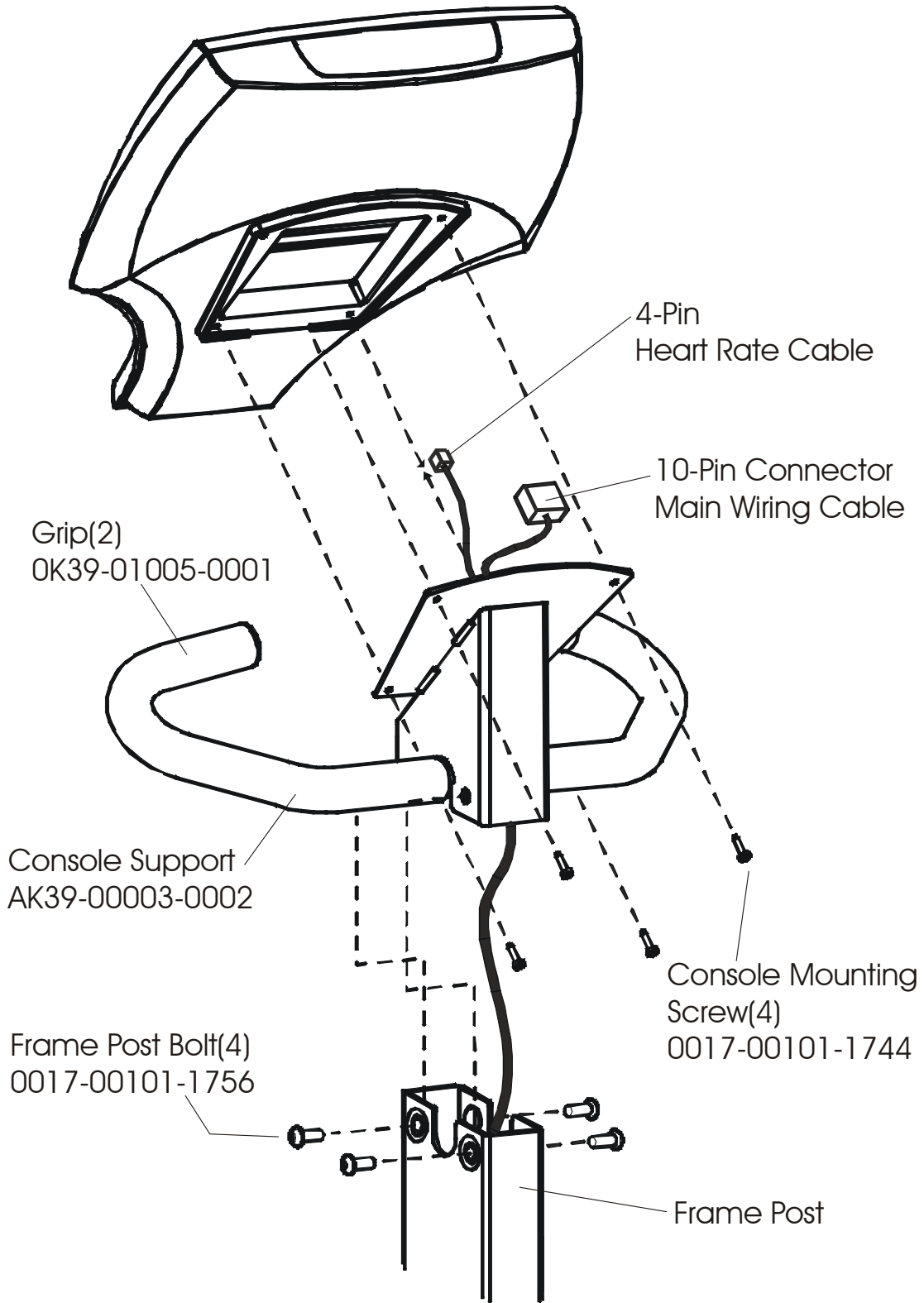
90RW-0XXX-02
S/N CCK100000 and UP



Console Assembly	Overlay/Bezel/Switch Assy.	Upper Overlay	Lower Overlay
AK63-00162-0001 Eng Met	AK63-00167-0001 Eng Met	OK63-01288-0001 Eng Met	OK63-01290-0001 Eng Met
AK63-00162-0003 Ger Met	AK63-00167-0003 Ger Met	OK63-01288-0003 Ger Met	OK63-01290-0003 Ger Met
AK63-00162-0004 Spn Met	AK63-00167-0004 Spn Met	OK63-01288-0004 Spn Met	OK63-01290-0004 Spn Met
AK63-00162-0006 Jap Met	AK63-00167-0006 Jap Met	OK63-01288-0006 Jap Met	OK63-01290-0006 Jap Met
AK63-00162-0007 Frn Met	AK63-00167-0007 Frn Met	OK63-01288-0007 Frn Met	OK63-01290-0007 Frn Met
AK63-00162-0008 Itl Met	AK63-00167-0008 Itl Met	OK63-01288-0008 Itl Met	OK63-01290-0008 Itl Met
AK63-00162-0009 Dut Met	AK63-00167-0009 Dut Met	OK63-01288-0009 Dut Met	OK63-01290-0009 Dut Met
AK63-00162-0010 Por Met	AK63-00167-0010 Por Met	OK63-01288-0010 Por Met	OK63-01902-0010 Por Met

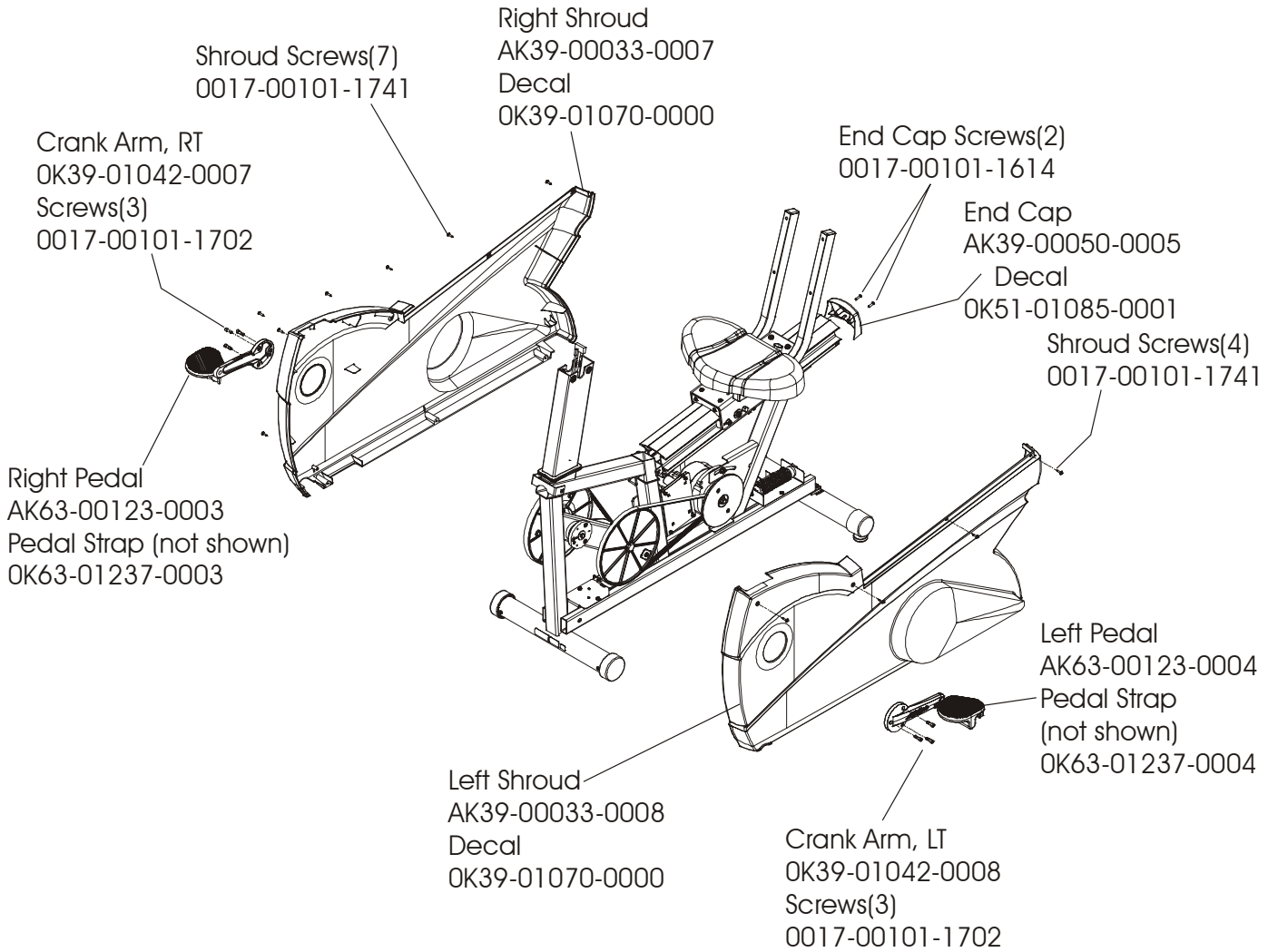
ARCTIC SILVER 90RW
Console Support Assembly

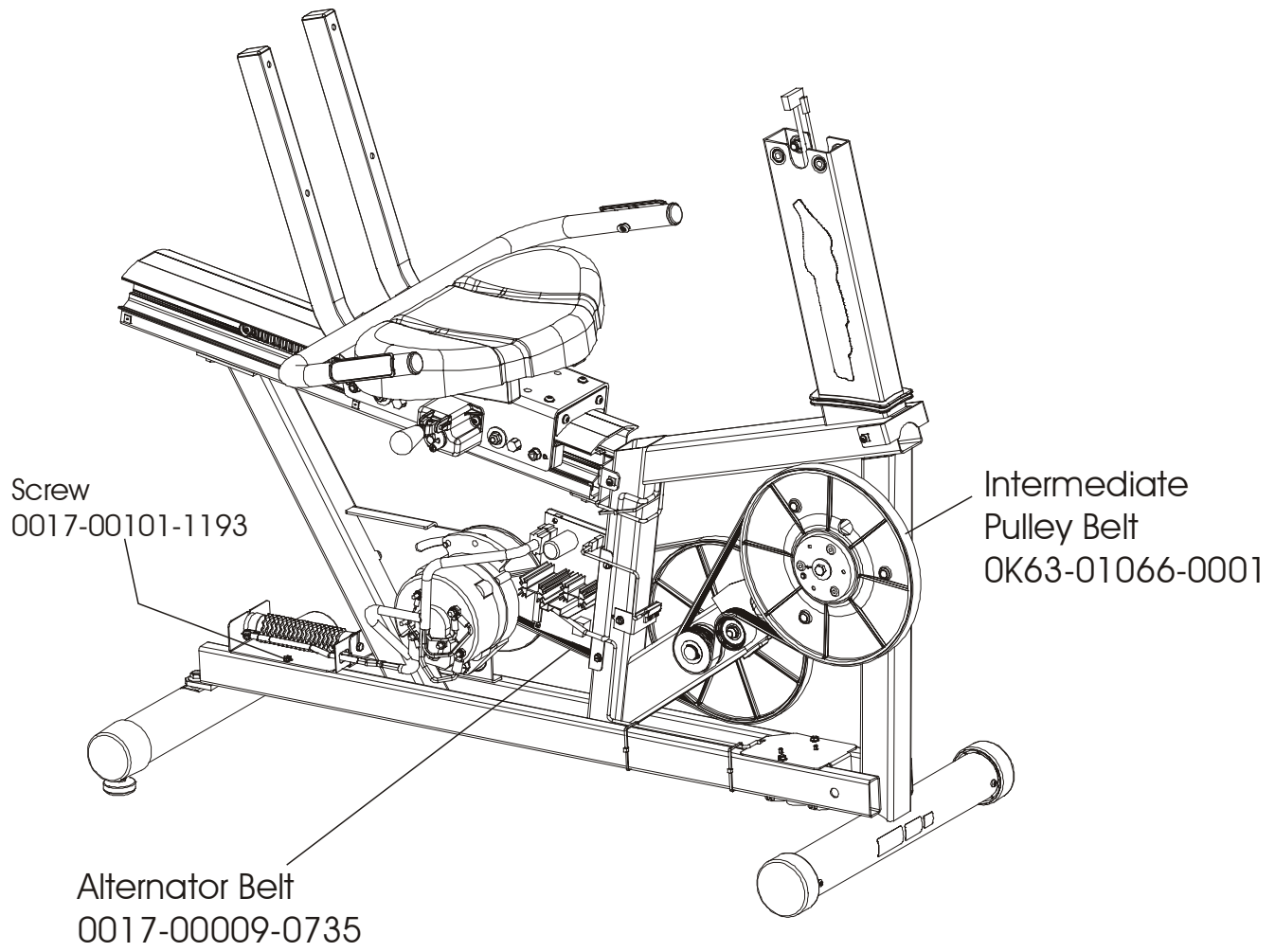
90RW-0XXX-02
S/N CCK100000 and UP



ARCTIC SILVER 90RW
Shrouds, End cap and Pedals

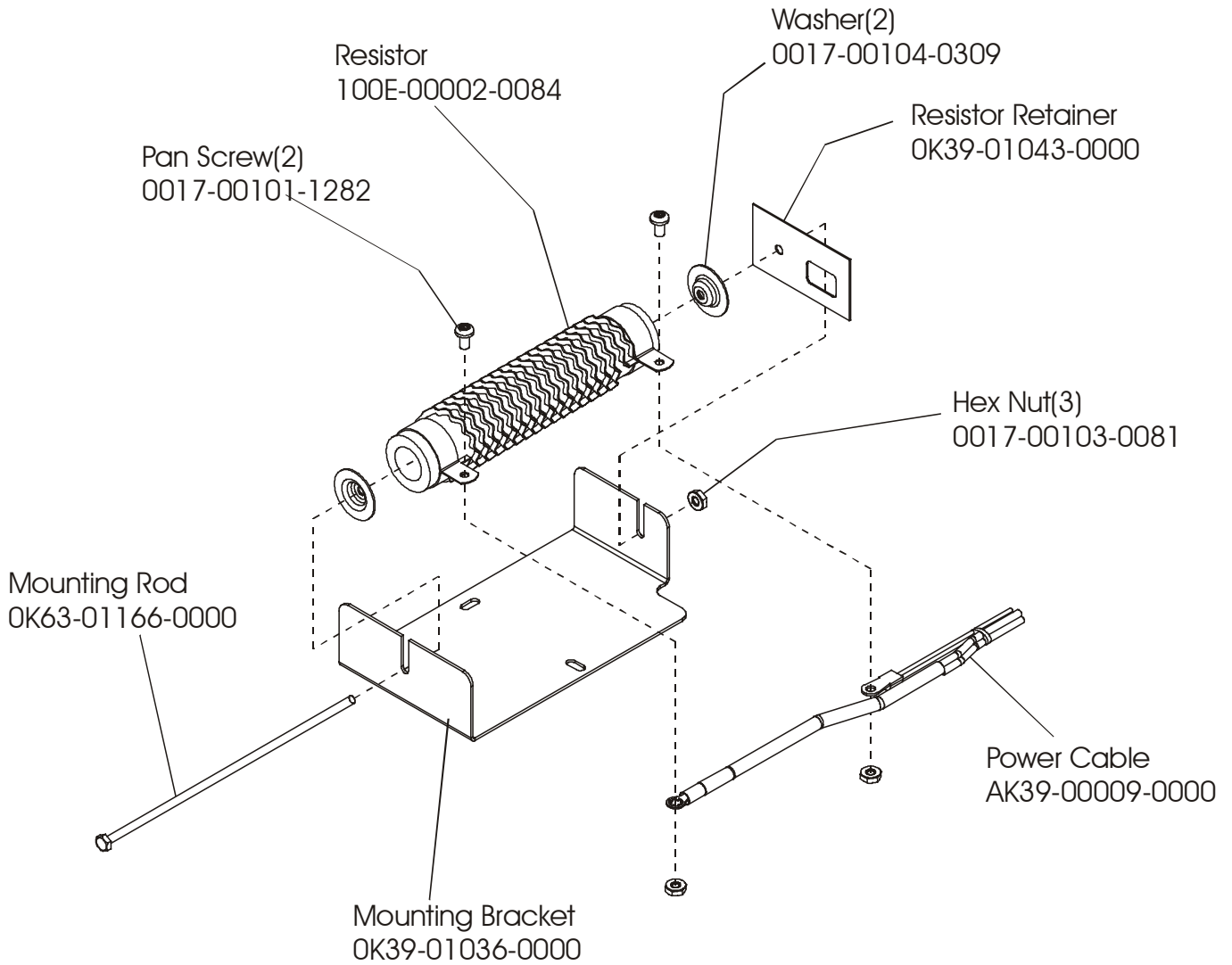
90RW-0XXX-02
S/N CCK100000 and UP





ARCTIC SILVER 90RW
Resistor Assembly

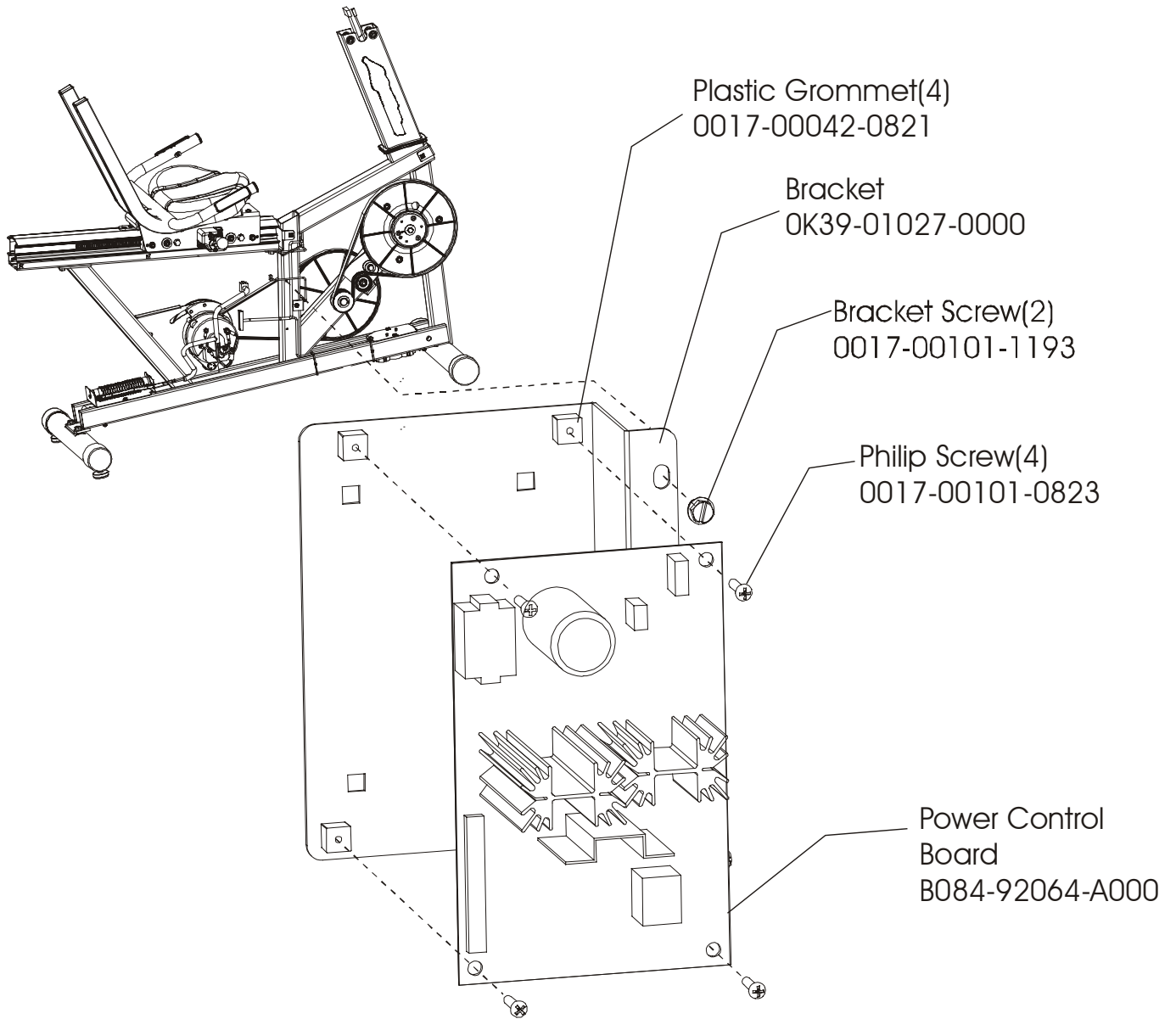
90RW-0XXX-02
S/N CCK100000 and UP



ARCTIC SILVER 90RW
Power Control Board

90RW-0XXX-02
S/N CCK100000 and UP

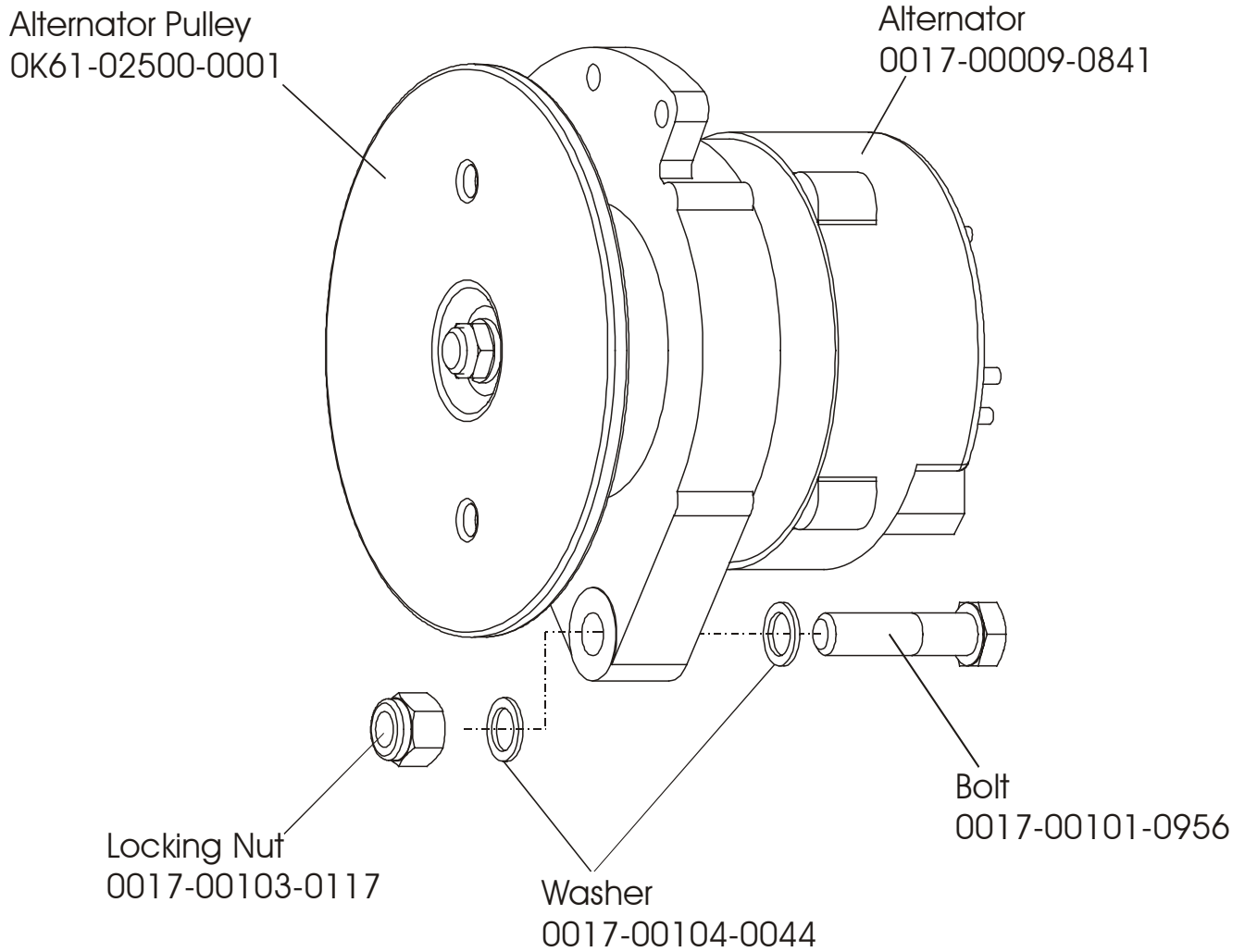
Assembly Number - AK39-00022-0002



ARCTIC SILVER 90RW
Alternator w/Pulley Assembly

90RW-0XXX-02
S/N CCK100000 and UP

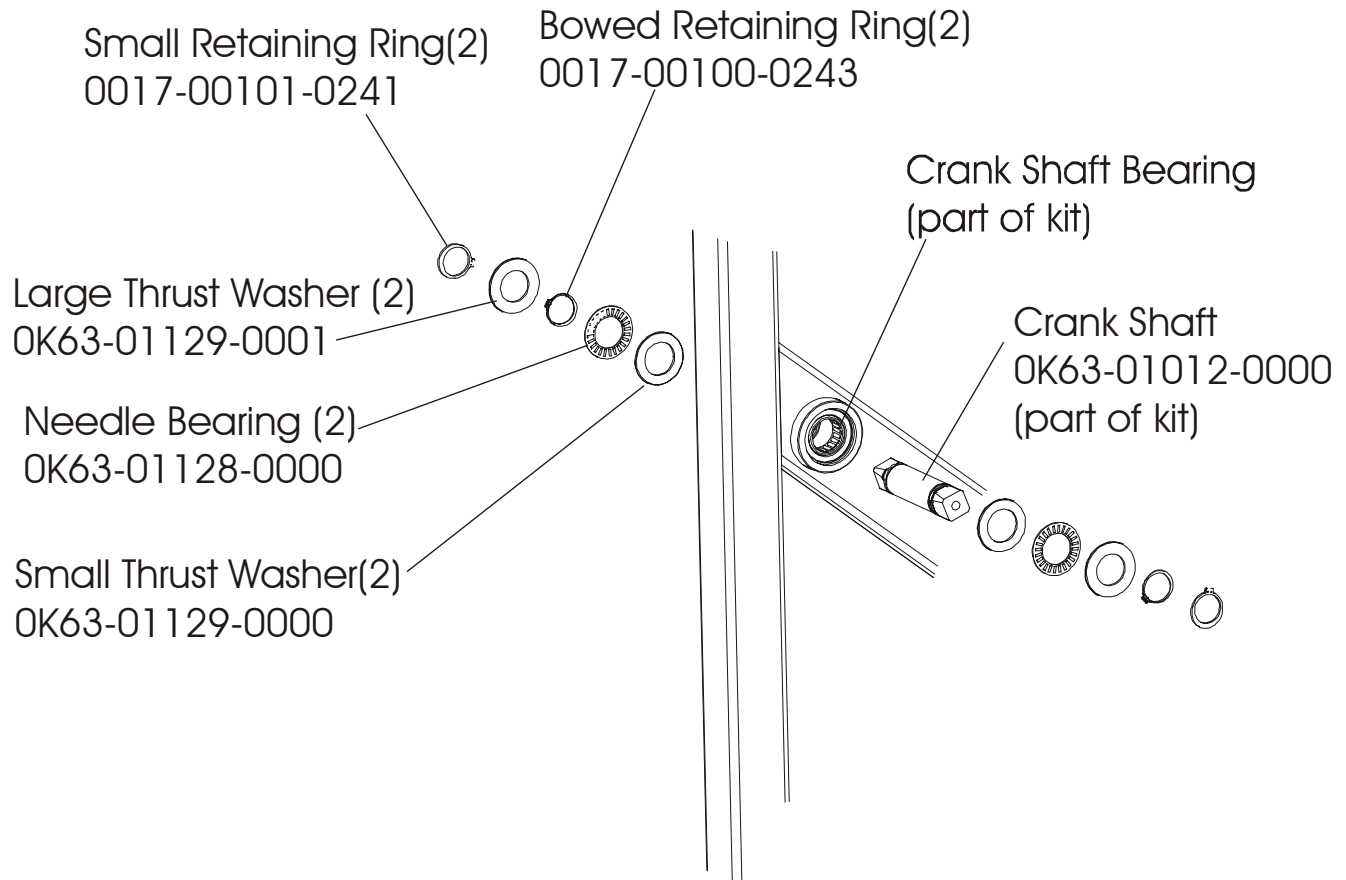
Assembly Number – AK63-00093-0000



ARCTIC SILVER 90RW
Crank Shaft and Bearing Assembly

90RW-0XXX-02
S/N CCK100000 and UP

Kit Number – GK63-00002-0006



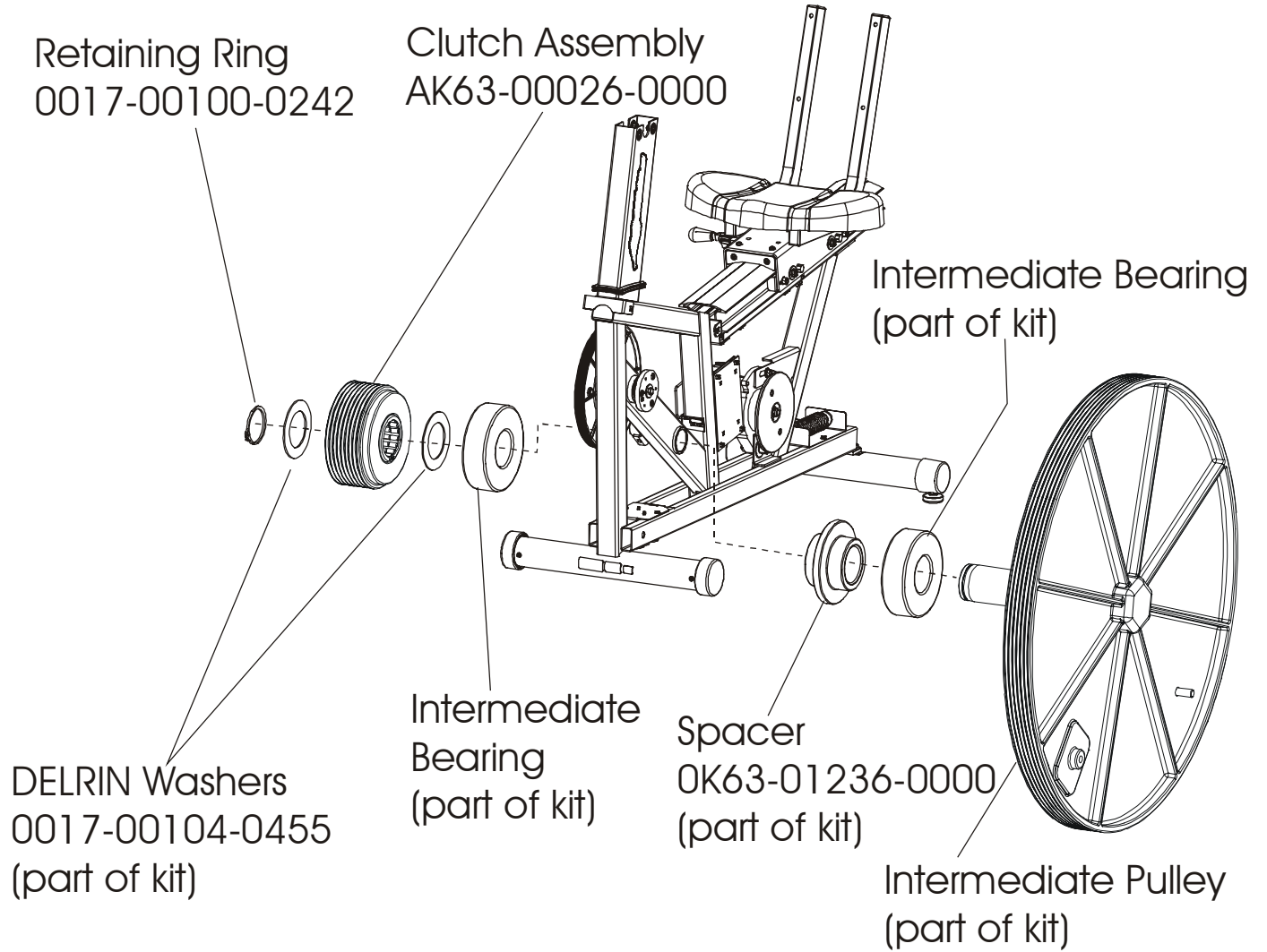
ARCTIC SILVER 90RW

Intermediate Shaft and Bearing Assembly

90RW-0XXX-02

S/N CCK100000 and UP

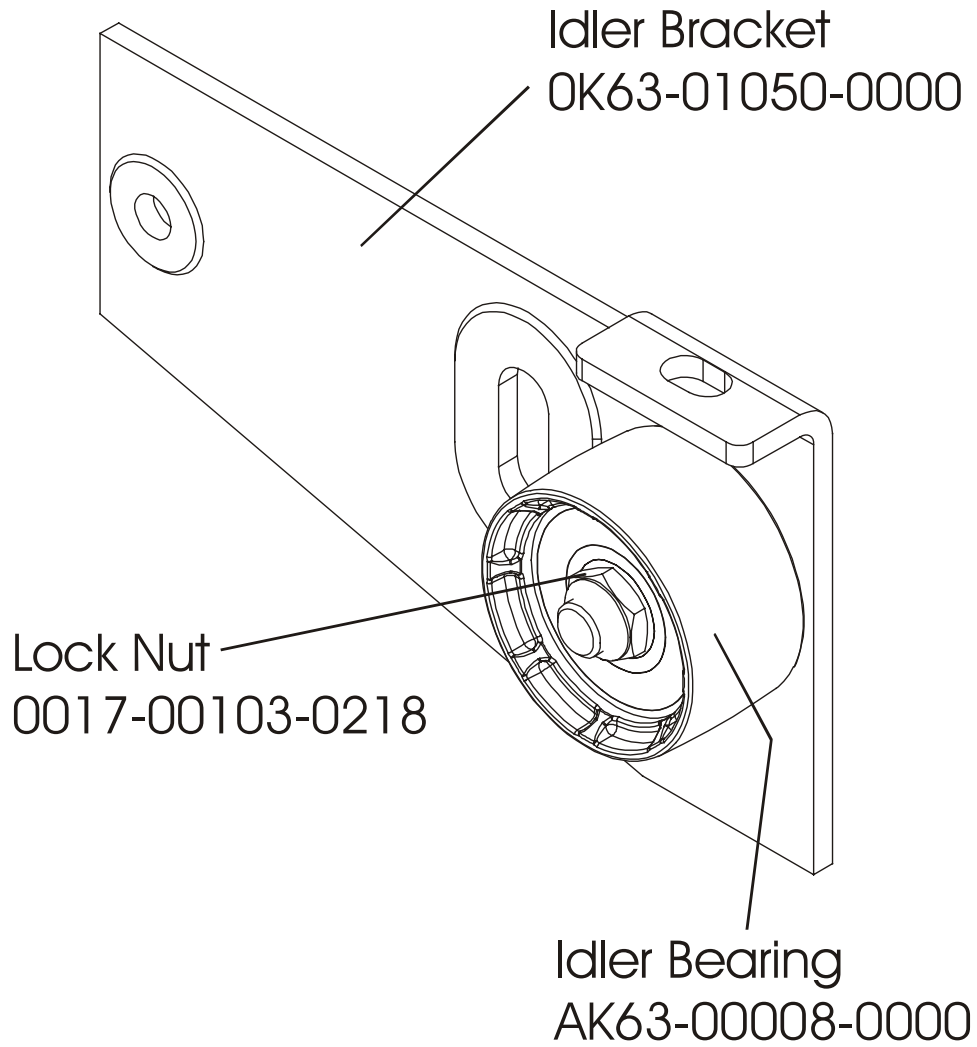
Kit Number – GK63-00002-0007



ARCTIC SILVER 90RW
Idler Bracket Assembly

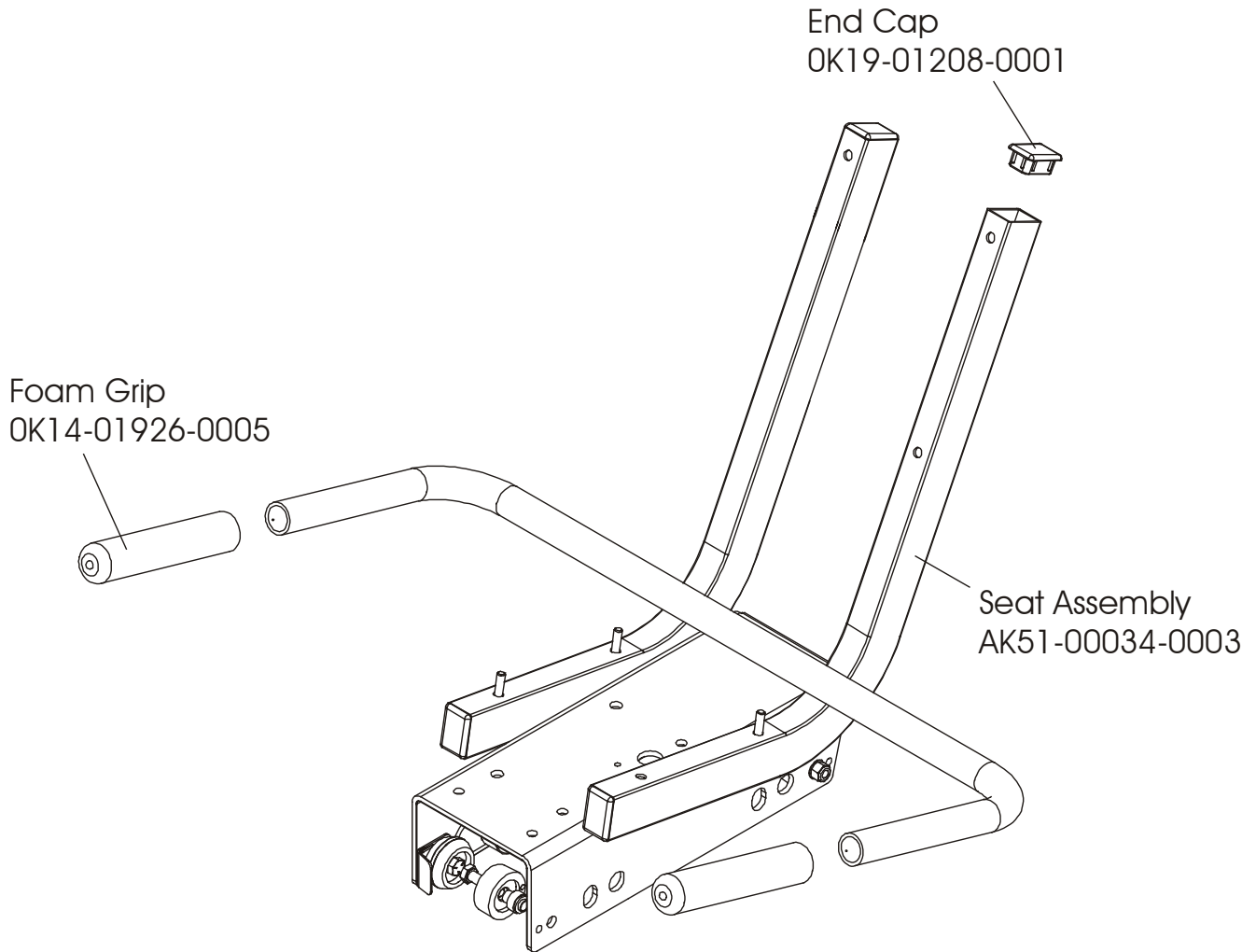
90RW-0XXX-02
S/N CCK100000 and UP

Idler Bracket Assembly – AK63-00021-0000



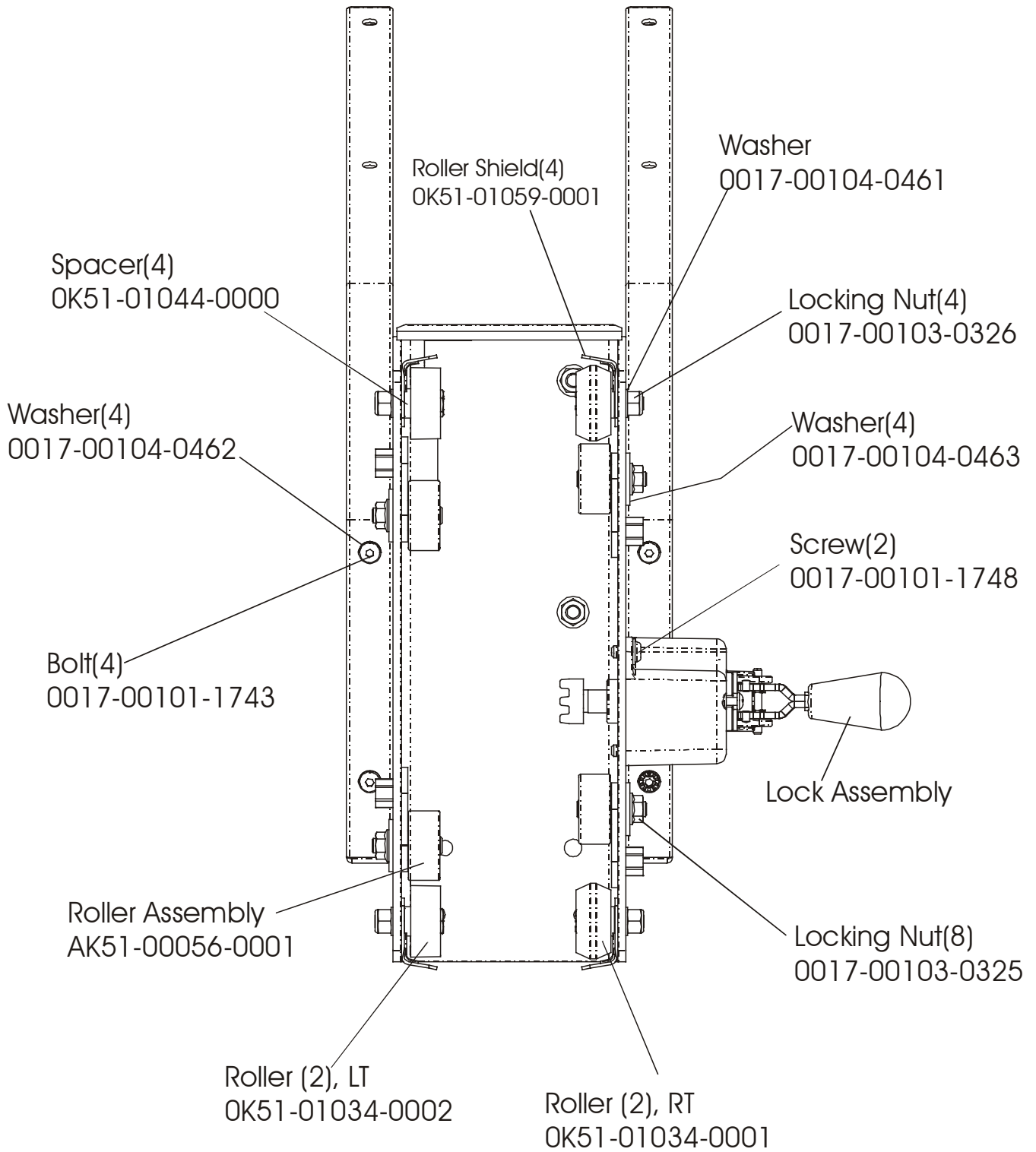
ARCTIC SILVER 90RW
Seat Assembly

90RW-0XXX-02
S/N CCK10000 and UP



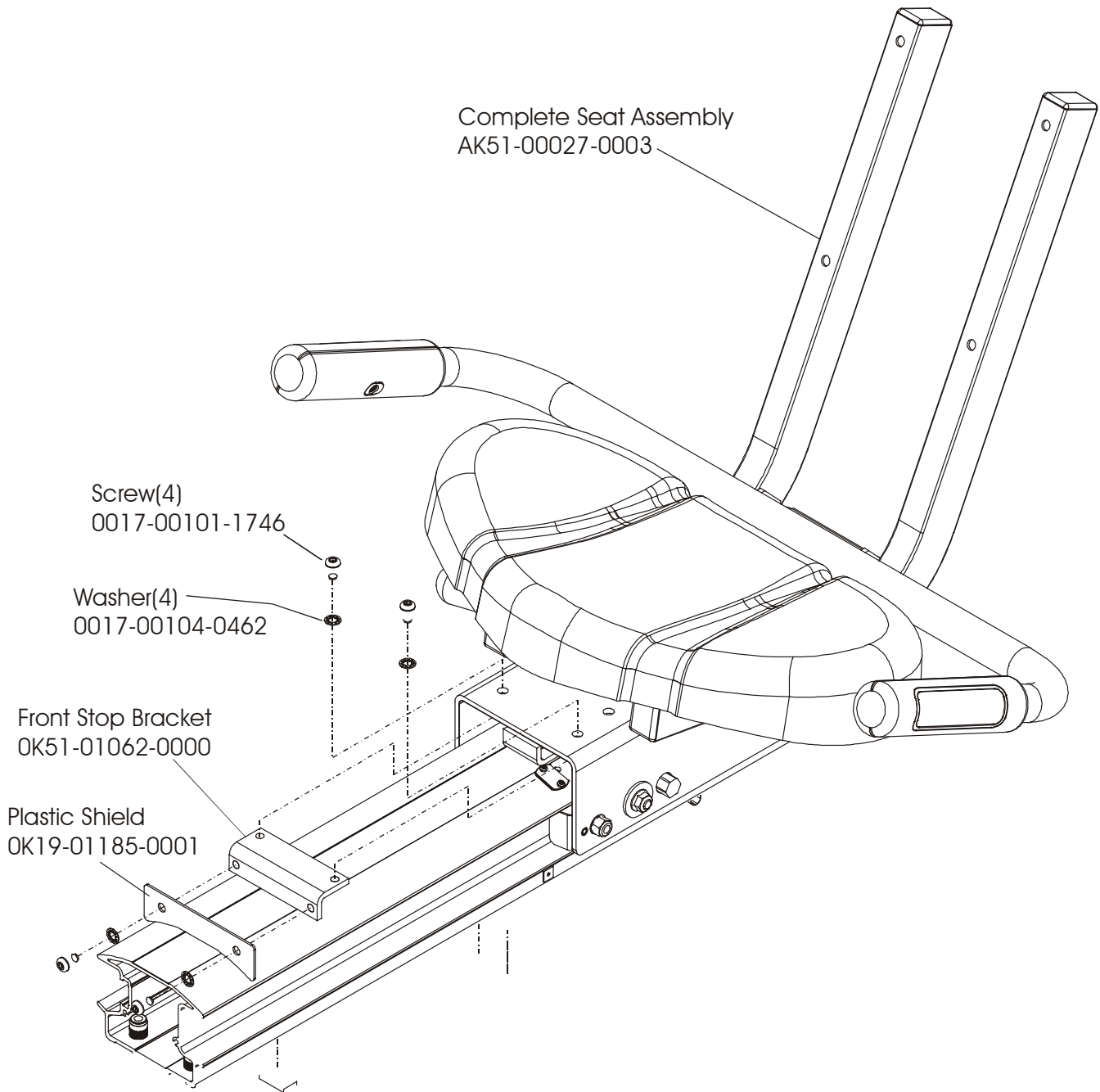
ARCTIC SILVER 90RW
Seat Assembly - Bottom

90RW-0XXX-02
S/N CCK10000 and UP



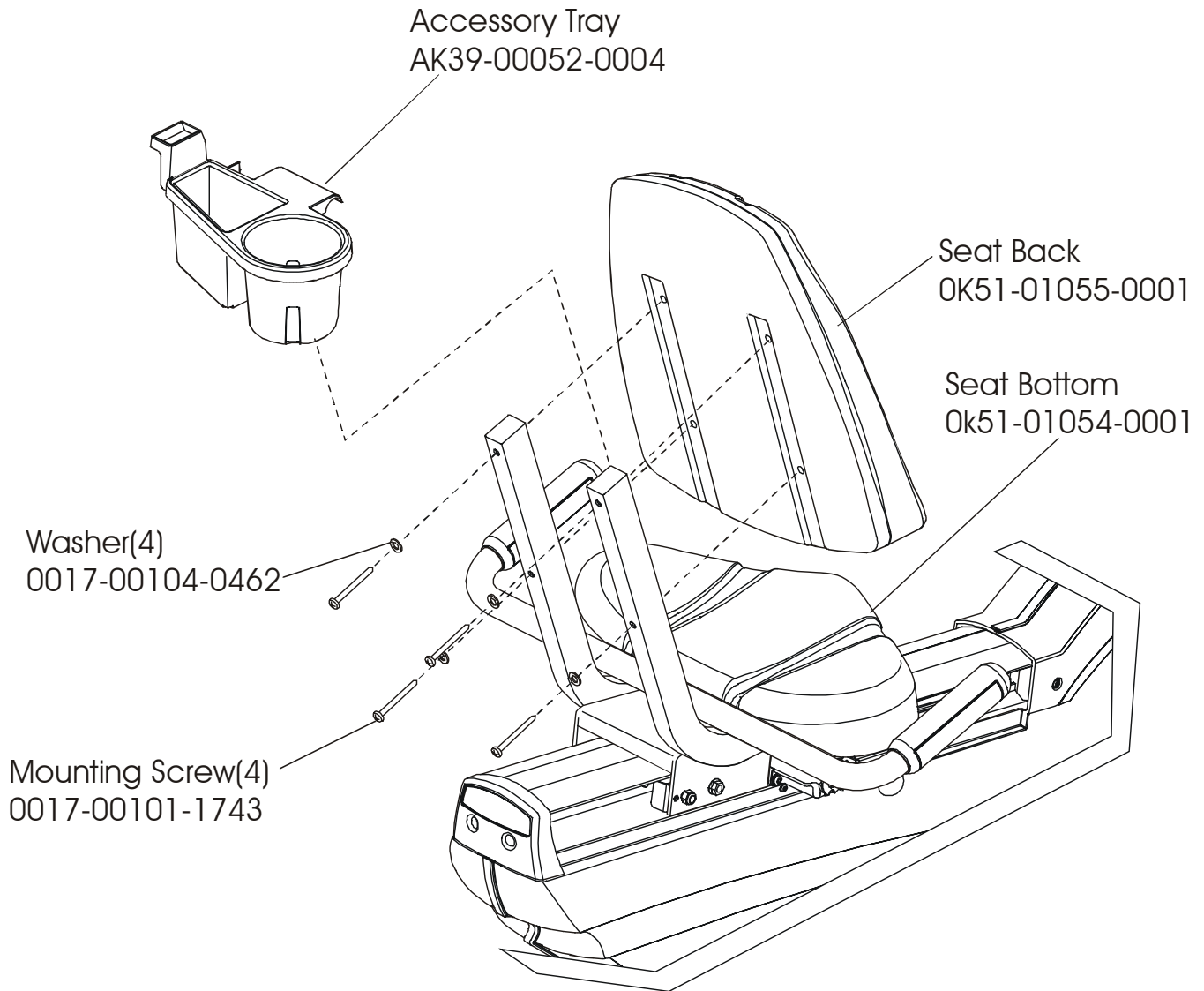
ARCTIC SILVER 90RW
Seat Frame Assembly

90RW-0XXX-02
S/N CCK100000 and UP



ARCTIC SILVER 90RW
Seat Pads and Accessory Tray

90RW-0XXX-02
S/N CCK100000 and UP

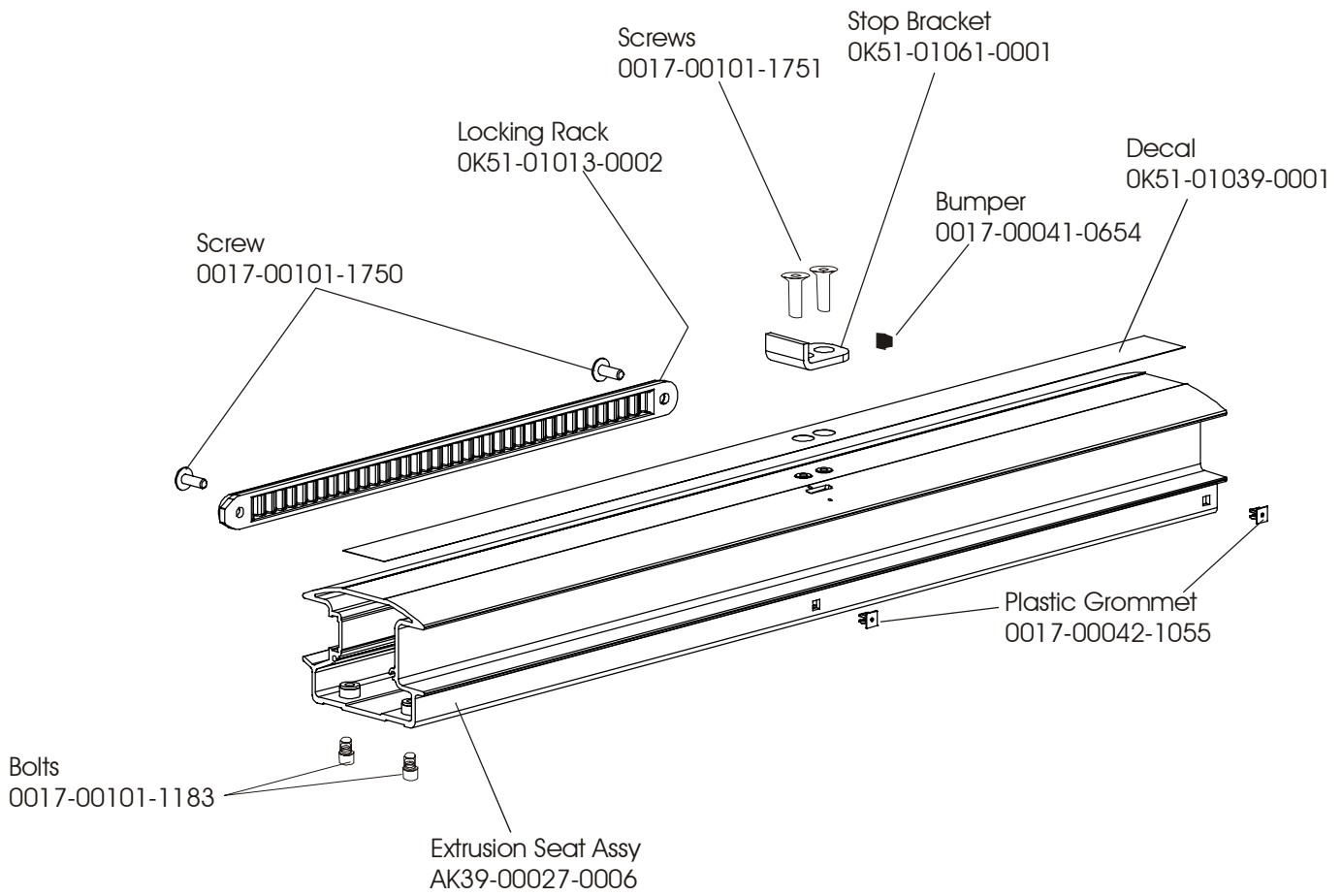


ARCTIC SILVER 90RW

Extrusion Assembly – AK39-00027-0006

90RW-0XXX-02

S/N CCK100000 and UP

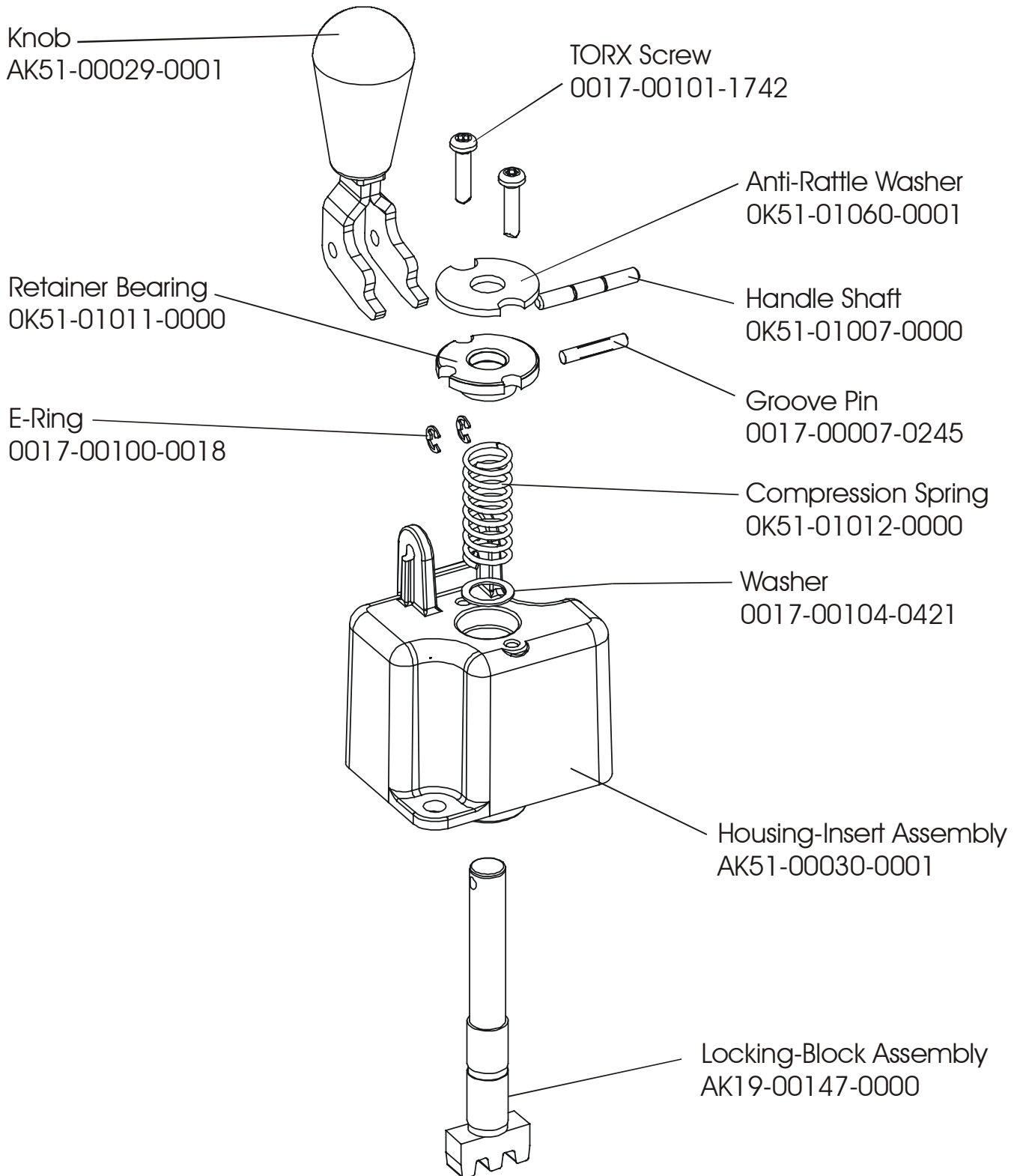


ARCTIC SILVER 90RW

Locking Assembly – AK51-00053-0001

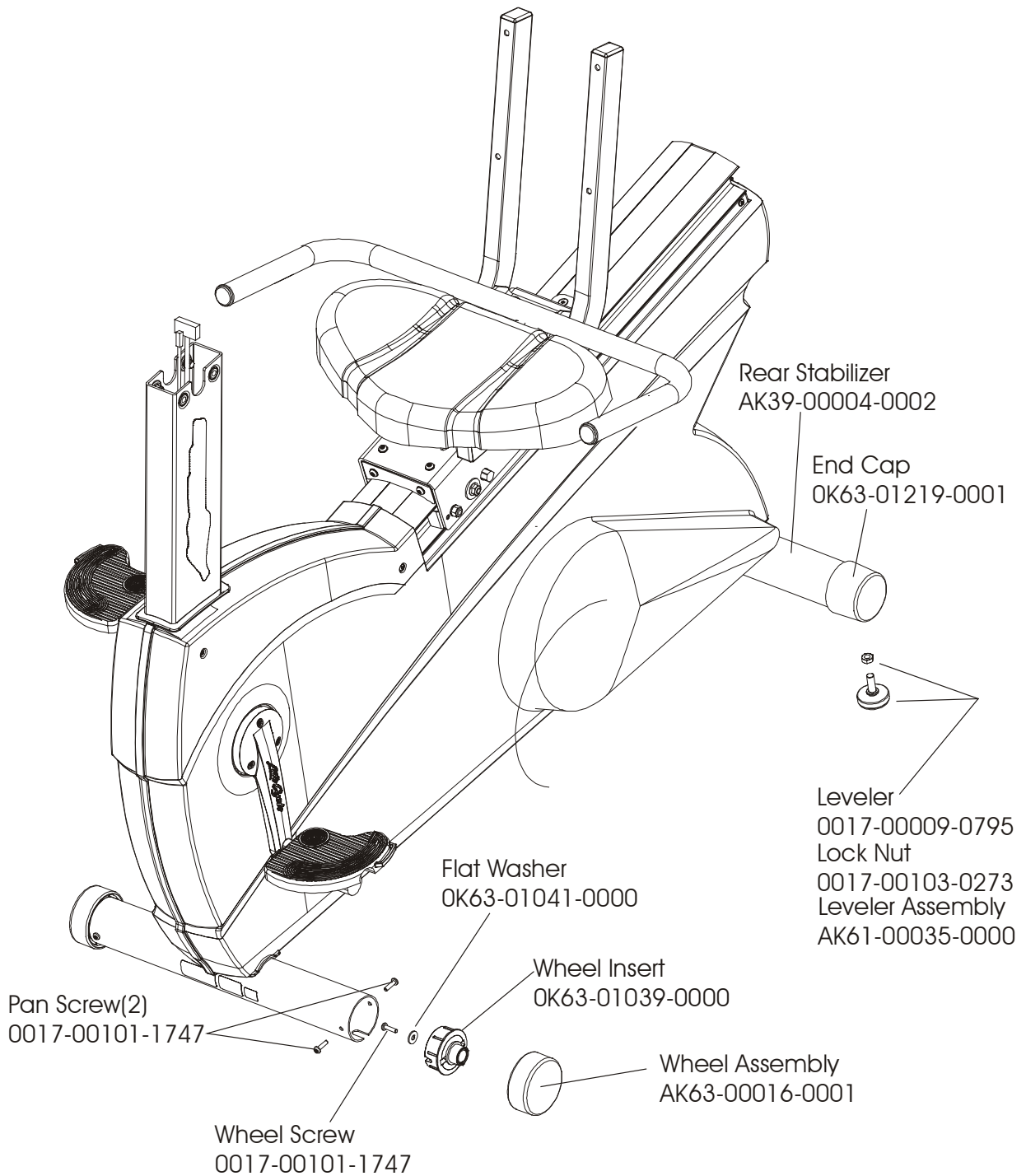
90RW-0XXX-02

S/N CCK100000 and UP



ARCTIC SILVER 90RW
Wheel and Leveler

90RW-0XXX-02
S/N CCK100000 and UP



ARCTIC SILVER 90RW

Cables

90RW-0XXX-02
S/N CCK100000 and UP

