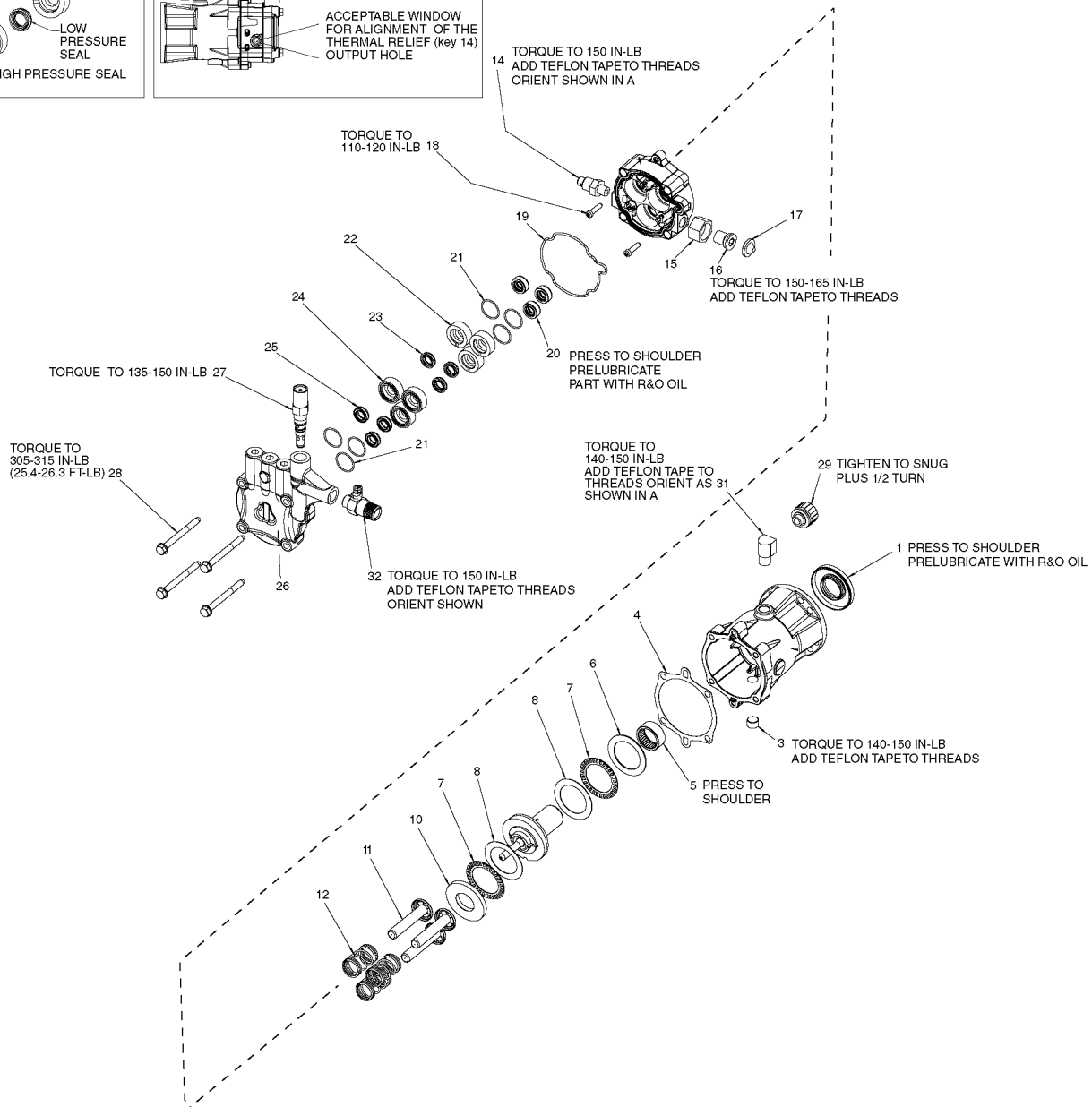
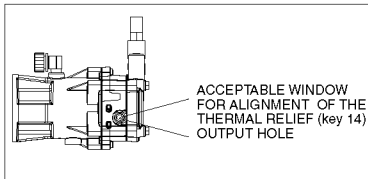
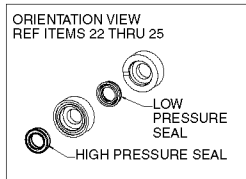
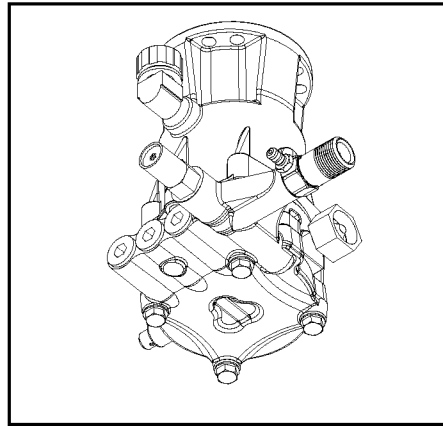
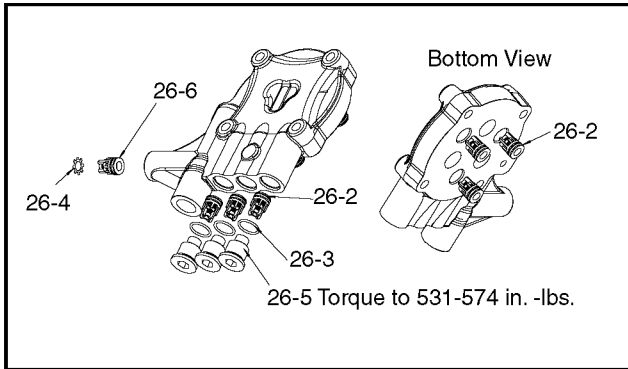


2.5 gpm vertical applications



Parts List for 919-67028 Type 1

Item Number	Part Number	Description	Qty Required
3	16364	PLUG 3/8 NPT	1
4	18110	GASKET CAM HOUSING .	1
5	000000-00	No Longer Available	1
6	000000-00	No Longer Available	1
7	000000-00	No Longer Available	1
8	000000-00	No Longer Available	1
10	16301	WASHER THRUST .250 T	1
11	000000-00	No Longer Available	3
16	17701	SWIVEL 3/8 NPT MALE	1
17	F187	SCREEN GARDEN HOSE 3	1
18	16358	SCREW .250-20X1.00 U	2
19	16365	O-RING JOURNAL PLATE	1
21	18176	O-RING RETAINER	6
22	18074	SEAL RETAINER	3
23	000000-00	No Longer Available	1
24	18073	SEAL RETAINER	3
25	000000-00	No Longer Available	1
26	000000-00	No Longer Available	1
26	000000-00	No Longer Available	1
26	16360	O-RING VALVE PLUG	3
26	000000-00	No Longer Available	1
26	D21141	PLUG VALVE	1
26	000000-00	No Longer Available	1
27	000000-00	No Longer Available	1
28	18111	SCREW .313-18X3.375	4
29	16913	CAP OIL VENT	1
31	F217	ELBOW 3/8	1

COPYRIGHT© 2005. All Rights Reserved.

Parts list, pricing, and availability subject to change. Please visit www.dewaltservicenet.com for current parts information.

Parts List for 919-67028 Type 1

Item Number	Part Number	Description	Qty Required
32	V161	INJECTOR 1.8MM FIXED	1
502	000000-00	No Longer Available	2
503	17628	GUN	1
504	17709	TIRE SEMI 8 X 2.25	2
505	W137	NUT .50 PAL	2
506	000000-00	No Longer Available	1
507	W131	NUT .313 TEE	1
508	000000-00	No Longer Available	1
511	A06118	LANCE EXT	1
513	17569	DECAL	1
514	F064	SCREW .313-18X1.00 H	1
515	F469	NUT .313-18 LOCK NYL	1
516	17712	SCREW .313-18X1.75 H	1
517	17716	DECAL	1
519	000000-00	No Longer Available	1
520	000000-00	No Longer Available	1
521	16829	ADAPTER 1/2	1
523	F112	WASHER FLAT 3/8 ZP S	1
524	AL-650015	KIT ORING	1
856	000000-00	No Longer Available	1
856	000000-00	No Longer Available	1
856	17658	VALVE THERMAL RELIEF	1
856	NCT001	TOOL NOZZLE CLEANING	1
856	D20667	WRENCH ALLEN	1
856	F196	SCREW .313-18X1.50	1
856	F101	SCREW .313-18X2.75 H	1
856	F074	WASHER FLAT 5/16 ZP	1

COPYRIGHT© 2005. All Rights Reserved.

Parts list, pricing, and availability subject to change. Please visit www.dewaltservicenetwork.com for current parts information.

Parts List for 919-67028 Type 1

Item Number	Part Number	Description	Qty Required
856	C013	SCREEN FILTER CHEM H	1
856	16806	ALLEN WRENCH	1
856	16087	NUT .313-18 UNC FLAN	1
900	000000-00	No Longer Available	1

COPYRIGHT© 2005. All Rights Reserved.

Parts list, pricing, and availability subject to change. Please visit www.dewaltservicenet.com for current parts information.