

The following catalog has gaps in its page numbers, or doesn't have any numbers. We have chosen to leave the page numbering in the order that Acrobat assigns it.

1 A3 ***** DATA TABLE

STANDARD GROUPS

| FICHE LOCATION | ILLUSTRATION |
|----------------|--|
| 1 A5 ***** | BLOCK, CYLINDER |
| 1 B7 ***** | BOX, BREAKER - KEY 1 AND 4 |
| 1 B7 ***** | BOX, BREAKER - KEY 2,3,5,6 |
| 1 A11 ***** | CAMSHAFT |
| 1 B3 ***** | CARBURETOR PARTS |
| 1 B5 ***** | CLEANER, AIR |
| 1 B11 ***** | CONTROL (REMOTE) - KEY 4,5,6 SPEC R THRU U |
| 1 C1 ***** | CONTROL (REMOTE) - KEY 5 BEGIN SPEC V |
| 1 B13 ***** | CONTROL (SET MOUNTED) - KEY 1,2,3 |
| 1 B11 ***** | CONTROL ASSEMBLY (300-0859) |
| 1 B13 ***** | CONTROL, DISCONNECT ADAPTER - BEGIN SERIAL 0675954 |
| 1 C7 ***** | CONTROL, REMOTE START - OPTIONAL |
| 1 B13 ***** | CONTROL, START ADAPTER - BEGIN SERIAL 0675954985 |
| 1 A9 ***** | CRANKSHAFT AND FLYWHEEL |
| 1 A11 ***** | EXHAUST |
| 1 C5 ***** | EXHAUST BLOWER AND REMOTE CONTROL - KEY 4 AND 5 |
| 1 A13 ***** | FUEL SYSTEM (GAS, GAS-GASOLINE) - KEY 2,3,5,6 |
| 1 B1 ***** | FUEL SYSTEM (GASOLINE) |
| 1 A7 ***** | GEARCASE AND GOVERNOR |
| 1 B9 ***** | GENERATOR |
| 1 C3 ***** | HOUSING |
| 1 C5 ***** | HOUSING, AIR |
| 1 B7 ***** | IGNITION SYSTEM |
| 1 A9 ***** | OIL SYSTEM AND MOUNTING |
| 1 A11 ***** | PISTON AND ROD |
| 1 B5 ***** | PUMP PARTS, FUEL (ELECTRIC) |
| 1 B5 ***** | TANK, FUEL - KEY 1,2,4,5 |
| 1 A13 ***** | VACUUM SPEED BOOSTER |
| 1 C7 ***** | SERVICE KITS AND MISCELLANEOUS |

927-0360 (10-79)
CCK HOME STANDBY PARTS CATALOG

INTRODUCTION

This catalog applies to the CCK Home Standby Generating Sets. Parts are arranged in groups of related items. Each illustrated part is identified by a reference. Part illustrations are typical. Using the MODEL and SPEC from the set nameplate, select the PART KEY NO. (1, 2, etc., in the last column) that applies to your MODEL and SPEC. This PART KEY NO. represents parts that differ between models. Unless otherwise mentioned in the description parts are interchangeable between models. Right and left sides are determined by *facing* the blower end (front) of the engine.

GENERATING SET DATA TABLE

| MODEL AND SPEC | CARBURETION | ELECTRICAL DATA | | | | | PART KEY NO. |
|----------------|--------------|-----------------|---------|-------|------|-------|--------------|
| | | WATTS | VOLTS | HERTZ | WIRE | PHASE | |
| 4.2CCK-53CE/* | Gasoline | 4200 | 120/240 | 50 | ** | 1 | 1 |
| 5.0CCK-3CE/* | Gasoline | 5000 | 120/240 | 60 | ** | 1 | 1 |
| 4.2CCK-53CE/* | Gas-Gasoline | 4200 | 120/240 | 50 | ** | 1 | 2 |
| 5.0CCK-3CE/* | Gas-Gasoline | 5000 | 120/240 | 60 | ** | 1 | 2 |
| 4.2CCK-53CE/* | Gas | 4200 | 120/240 | 50 | ** | 1 | 3 |
| 5.0CCK-3CE/* | Gas | 5000 | 120/240 | 60 | ** | 1 | 3 |
| 4.2CCK-53CR/* | Gasoline | 4200 | 120/240 | 50 | ** | 1 | 4 |
| 5.0CCK-3CR/* | Gasoline | 5000 | 120/240 | 60 | ** | 1 | 4 |
| 4.2CCK-53CR/* | Gas-Gasoline | 4200 | 120/240 | 50 | ** | 1 | 5 |
| 5.0CCK-3CR/* | Gas-Gasoline | 5000 | 120/240 | 60 | ** | 1 | 5 |
| 4.2CCK-53CR/* | Gas | 4200 | 120/240 | 50 | ** | 1 | 6 |
| 5.0CCK-3CR/* | Gas | 5000 | 120/240 | 60 | ** | 1 | 6 |

The letter E in the MODEL and SPEC denotes electric start with start-stop at the set only (Key 1, 2, 3).

The letter R in the MODEL and SPEC denotes remote start with start-stop at both the set and remote control (Key 4, 5, 6).

* - The Specification Letter advances (A to B, B to C, etc.) with manufacturing changes.

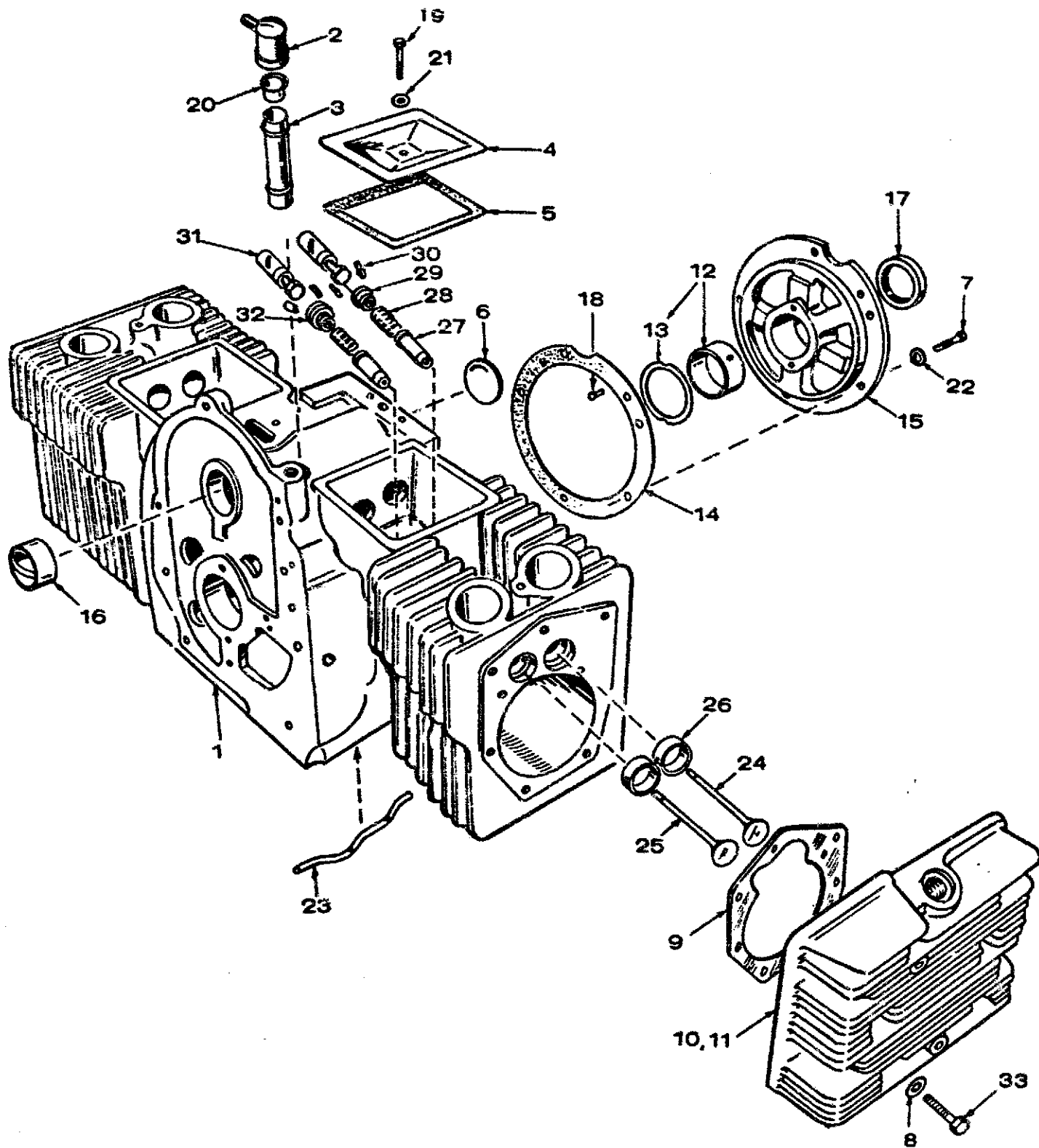
** - Set is reconnectable for 120 volt, 2 wire; 240 volt, 2 wire; or 120/240 volt, 3 wire service.

NOTE: Hertz is a unit of frequency equal to one cycle per second.

NOTICE!

ITEMS REFERENCED AS OPTIONAL INDICATE PART IS FACTORY INSTALLED AND MAY NOT BE APPLICABLE TO ALL MODELS. FOR FIELD CONVERSIONS ADDITIONAL PARTS ARE USUALLY REQUIRED.

CYLINDER BLOCK

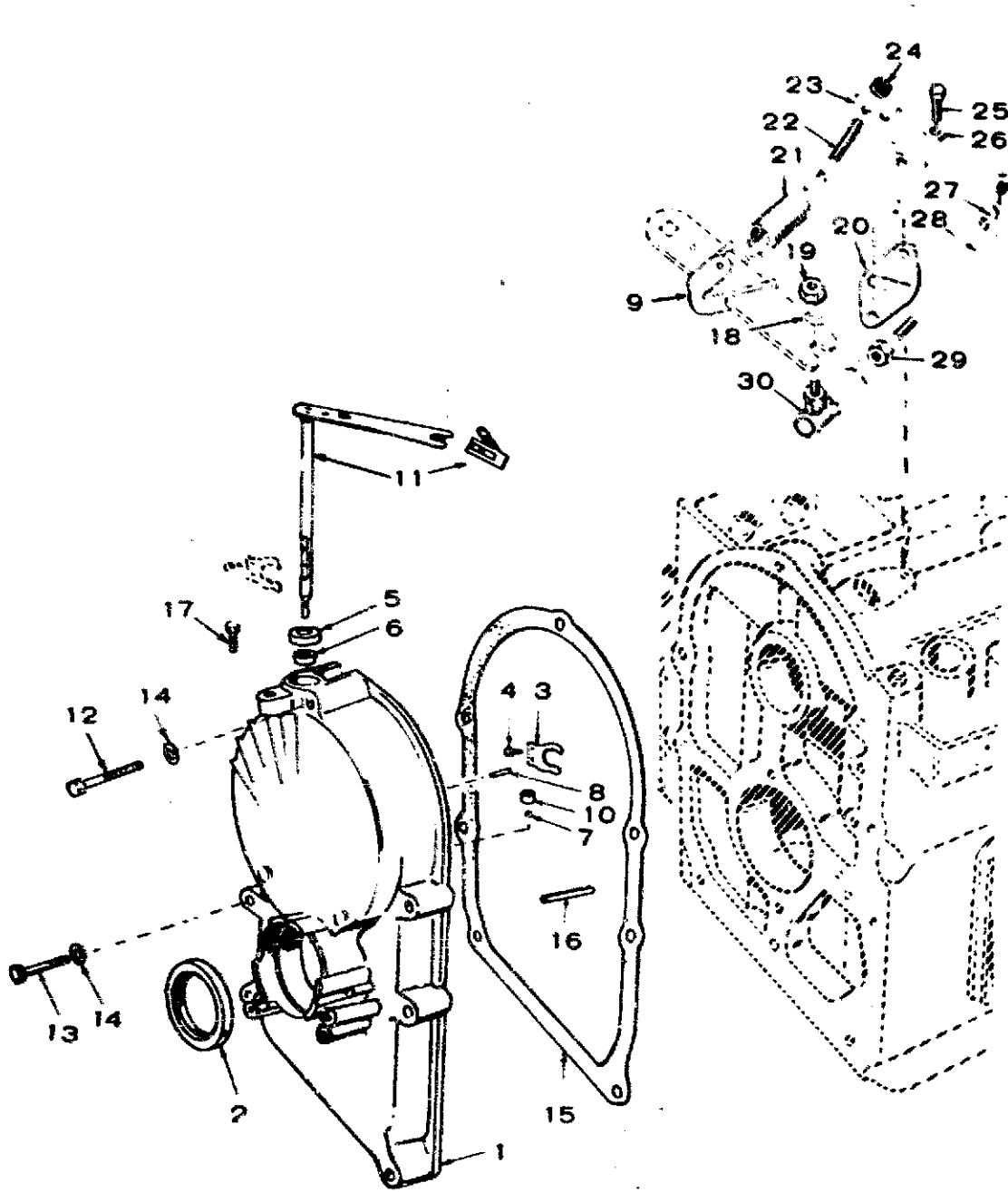


CYLINDER BLOCK

| REF. NO. | PART NO. | QTY. USED | PART DESCRIPTION | REF. NO. | PART NO. | QTY. USED | PART DESCRIPTION |
|----------|-------------------------------------|-----------|---|-------------|--|-----------------------|--|
| 1 | 110-0915 | 1 | Block Assembly, Cylinder (Includes Parts Marked *) | 18 | 516-0072 | 4 | *Pin, Main Bearing Stop |
| 2 | 123-0293 | 1 | Cap, Breather Tube (Rubber) | 19 | 800-0012 | 2 | Screw, Cap - Hex Head (1/4-20 x 2-1/4") |
| 3 | 123-0129 | 1 | Tube, Breather (Includes Steel Baffles) | 20 | 123-0104 | 1 | Valve, Breather Tube |
| 4 | 110-0666 | 2 | Cover, Valve Compartment | 21 | 526-0063 | 2 | Washer, Flat - Copper (17/64" ID x 7/16" OD x 1/32") |
| 5 | 110-0667 | 2 | Gasket, Valve Cover | 22 | 850-0045 | 5 | *Washer, Lock - Spring (5/16") |
| 6 | 517-0048 | 1 | *Plug, Camshaft Expansion | 23 | 120-0386 | 1 | *Tube, Crankcase Oil |
| 7 | 800-0512 | 5 | *Screw, Cap - Hex Head (5/16-18 x 1") | 24 | 110-0881 | 2 | Valve, Intake (Steel) |
| 8 | 526-0122 | 18 | Washer, Flat (11/32" ID x 23/32" OD x 10 Gauge) | 25 | 110-0880 | 2 | Valve, Exhaust (Chrome Cobalt) |
| 9 | 110-0892 | 2 | Gasket, Cylinder Head | 26 | INSERT, EXHAUST VALVE SEAT (Chrome Cobalt) | | |
| 10 | HEAD, CYLINDER - RIGHT | | | 110-0872 | 2 | *Standard | |
| | 110-0890 | 1 | Key 1,4 | 110-0872-02 | 2 | .002" Oversize | |
| | 110-0884 | 1 | Key 2,3,5,6 | 110-0872-05 | 2 | .005" Oversize | |
| 11 | HEAD, CYLINDER - LEFT | | | 110-0872-10 | 2 | .010" Oversize | |
| | 110-0891 | 1 | Key 1,4 | 110-0872-25 | 2 | .025" Oversize | |
| | 110-0883 | 1 | Key 2,3,5,6 | 27 | 110-0902 | 4 | *Guide, Valve |
| 12 | BEARING, CRANKSHAFT - FRONT OR REAR | | | 28 | 110-0539 | 4 | Spring, Valve |
| | 101-0450 | 2 | *Standard | 29 | WASHER, VALVE SPRING RETAINER | | |
| | 101-0450-02 | 2 | .002" Undersize | 110-0893 | 2 | Intake | |
| | 101-0450-10 | 2 | .010" Undersize | 110-0893 | 2 | Exhaust - Key 2,3,5,6 | |
| | 101-0450-20 | 2 | .020" Undersize | 30 | 110-0639 | 8 | Lock, Valve & Spring Retainer |
| | 101-0450-30 | 2 | .030" Undersize | 31 | TAPPET, VALVE | | |
| 13 | 104-0575 | 2 | *Washer, Crankshaft Bearing Thrust | 115-0006 | 4 | Standard | |
| 14 | 101-0115 | 1 | *Gasket Kit, Bearing Plate | 115-0006-05 | 4 | .005" Oversize | |
| 15 | 101-0316 | 1 | *Plate, Bearing (Excluding Bearing) | 32 | 110-0904 | 2 | Rotocap, Exhaust Valve |
| 16 | 101-0367 | 2 | *Bearing, Camshaft Front or Rear (Precision) | 33 | SCREW, CAP - HEX HEAD (Special) | | |
| 17 | 509-0041 | 1 | Seal, Bearing Plate | 110-0879 | 3 | (5/16-18 x 1-1/4") | |
| | | | | 114-0022 | 10 | (5/16-18 x 1-3/4") | |

* - Included in 110-0915 Block Assembly.

GEARCASE AND GOVERNOR

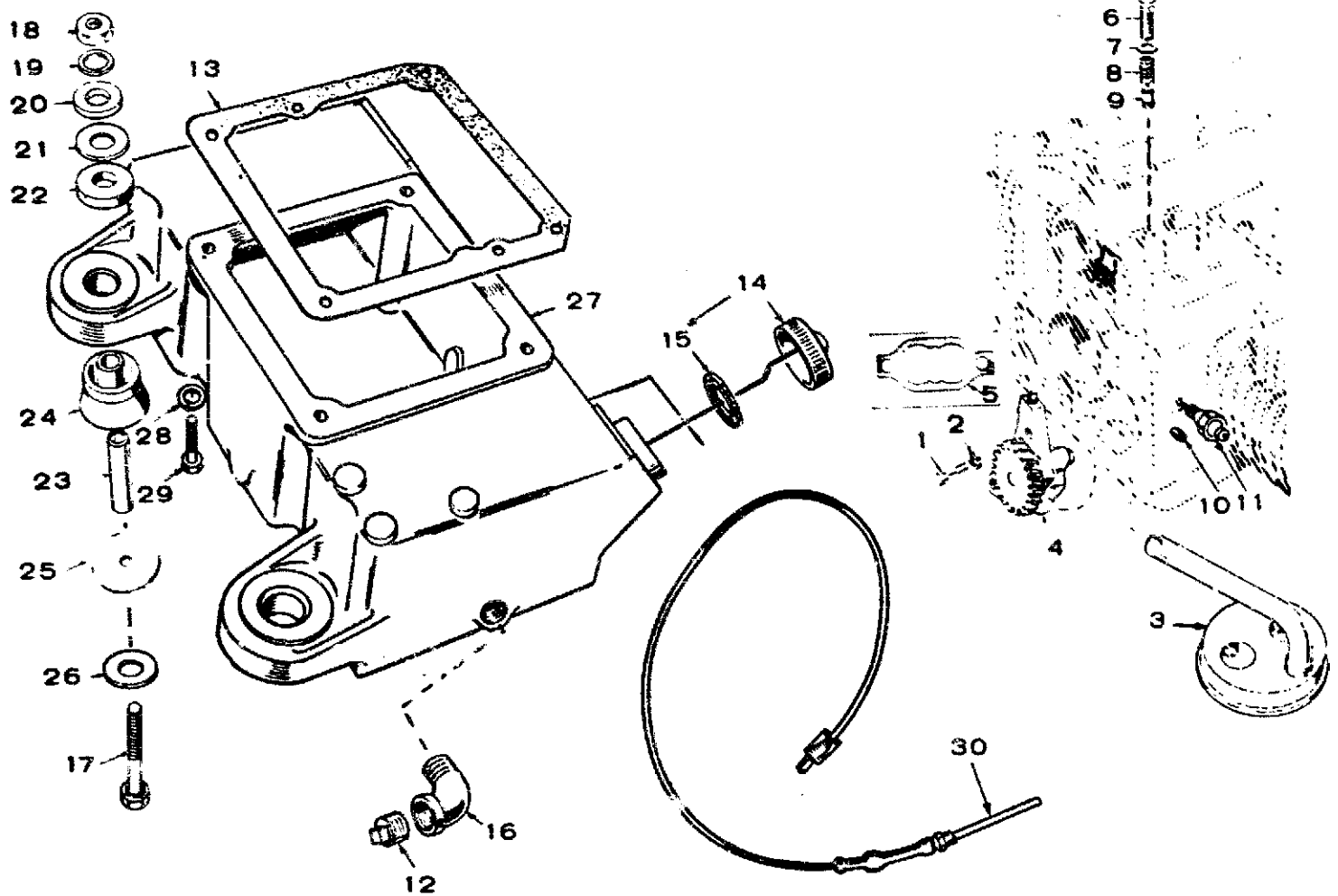


GEARCASE AND GOVERNOR

| REF. NO. | PART NO. | QTY. USED | PART DESCRIPTION | REF. NO. | PART NO. | QTY. USED | PART DESCRIPTION |
|----------|---|-----------|---|----------|----------|-----------|---|
| 1 | GEARCASE, ASSEMBLY | | | 16 | 516-0141 | 2 | Pin, Alignment |
| | 103-0469 | 1 | Spec R through U (Includes Parts Marked *) | 17 | 815-0261 | 1 | Screw, Cap - Hex Head (1/4-20 x 1/2") |
| | 103-0519 | 1 | Begin Spec V (Includes Parts Marked &) | 18 | 526-0196 | 1 | Washer, Flat (7/32" ID x 7/16" OD x 1/8") |
| 2 | 509-0040 | 1 | *&Seal, Oil - Crankshaft | 19 | 870-0131 | 1 | Nut, Hex - Locking (1/4-20) |
| 3 | 150-1187 | 1 | *&Yoke, Governor Shaft | 20 | 149-0003 | 1 | Gasket, Fuel Pump Hole Cover |
| 4 | 815-0046 | 2 | *&Screw, Machine - Pan Head (#8-32 x 3/8") | 21 | 150-0098 | 1 | Spring, Governor |
| 5 | 509-0008 | 1 | *&Seal, Oil - Governor Shaft | 22 | 150-0096 | 1 | Stud, Governor Speed Adjusting |
| 6 | 510-0013 | 1 | *&Bearing, Needle - Upper | 23 | 150-1577 | 1 | Bracket, Governor |
| 7 | 510-0014 | 1 | *&Ball, Bearing | 24 | 870-0131 | 1 | Nut, Hex - Locking (1/4-20) |
| 8 | 516-0130 | 1 | *&Pin, Roll - Yoke Stop | 25 | 800-0004 | 2 | Screw, Cap - Hex Head (1/4-20 x 5/8") |
| 9 | 150-0678 | 1 | *&Clip, Adjustment - Sensitivity | 26 | 526-0063 | 2 | Washer, Flat - Copper (17/64" ID x 7/16" OD x 1/32") |
| 10 | BEARING, NEEDLE - LOWER | | | 27 | 518-0006 | 1 | Clip, Retaining |
| | 510-0008 | 1 | *Spec R through U | 28 | 150-0629 | 1 | Rod, Governor Arm to Carburetor |
| | 510-0013 | 1 | &Begin Spec V | 29 | 870-0053 | 1 | Nut, Hex (#10-32) |
| 11 | ARM AND SHAFT, GOVERNOR (Includes Clip) | | | 30 | 150-0639 | 1 | Ball, Joint |
| | 150-1286 | 1 | *Spec R through U | | | | |
| | 150-1564 | 1 | &Begin Spec V | | | | |
| 12 | 800-0034 | 1 | Screw, Cap - Hex Head (5/16-18 x 2-1/4") | | | | |
| 13 | 800-0032 | 4 | Screw, Cap - Hex Head (5/16-18 x 1-3/4") | | | | |
| 14 | 850-0045 | 5 | Washer, Lock - Spring (5/16") | | | | |
| 15 | 103-0011 | 1 | Gasket, Gearcase | | | | |

* - Parts Included in 103-0469 Gearcase Assembly.
 & - Parts Included in 103-0519 Gearcase Assembly.

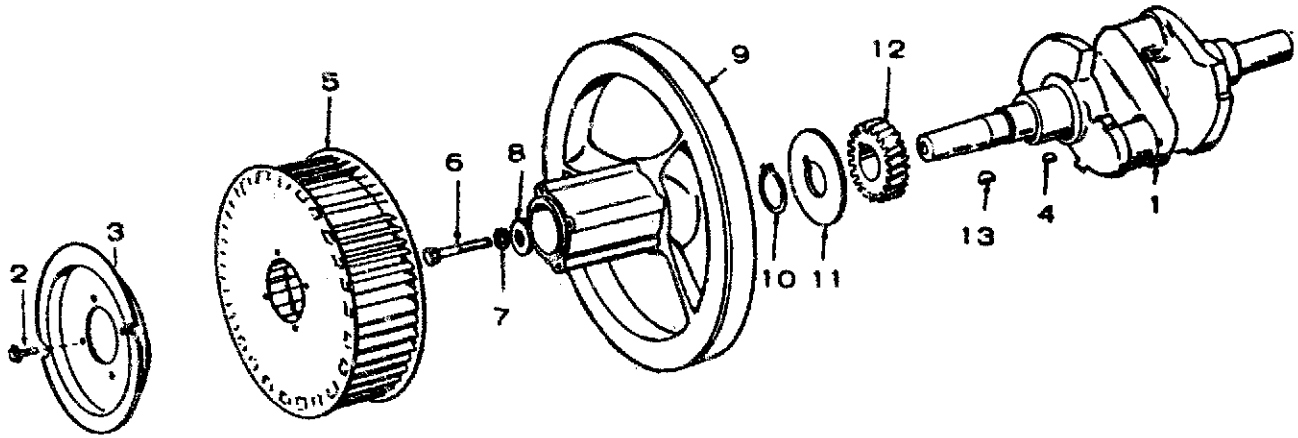
OIL SYSTEM AND MOUNTING



| REF. NO. | PART NO. | QTY. USED | PART DESCRIPTION | REF. NO. | PART NO. | QTY. USED | PART DESCRIPTION |
|----------|--------------------------|-----------|--|----------|-----------|--|--|
| 1 | 800-0007 | 2 | Screw, Cap - Hex Head (1/4-20 x 1") | 18 | 862-0004 | 4 | *Nut, Hex (7/16-14) |
| 2 | 850-0040 | 2 | Washer, Lock - Spring (1/4") | 19 | 850-0055 | 4 | *Washer, Lock - Spring (7/16") |
| 3 | 120-0400 | 1 | Cup, Oil Pump Intake | 20 | 526-0014 | 4 | *Washer, Flat (29/64" ID x 1-1/2" OD x 1/8") |
| 4 | 120-0491 | 1 | Pump, Oil (Internal Parts Not Sold Separately) | 21 | 526-0198 | 8 | *Washer, Flat (5/8" ID x 1-1/2" OD x 1/16") |
| 5 | 120-0161 | 1 | Gasket, Kit - Oil Pump | 22 | 402-0282 | 4 | *Snubber, Rubber |
| 6 | 801-0048 | 1 | Screw, Cap - Hex Head (3/8-24 x 3/4") | 23 | 402-0290 | 4 | *Bushing, Sleeve |
| 7 | 526-0066 | 1 | Washer, Flat - Copper (25/64" ID x 9/16" OD x 1/16") | 24 | 402-0283 | 4 | *Cushion, Vibration |
| 8 | 120-0140 | 1 | Spring, Oil By-Pass Valve | 25 | 526-0182 | 8 | *Washer, Flat (17/32" ID x 2-7/8" OD x 1/4") |
| 9 | 120-0398 | 1 | Valve - Oil By-Pass | 26 | 526-0032 | 4 | *Washer, Flat (29/64" ID x 7/8" OD x 1/16") |
| 10 | 505-0057 | 1 | Plug, Pipe (1/8") | 27 | BASE, OIL | | |
| 11 | SWITCH, LOW OIL PRESSURE | | | 102-0579 | 1 | Standard | |
| | 309-0237 | 1 | Spec R through U - Optional | 102-0859 | 1 | Units with Oil Base Heater | |
| | 309-0319 | 1 | Begin Spec V - Standard | 28 | 850-0050 | 4 | Washer, Lock - Spring (3/8") |
| 12 | 505-0056 | 1 | Plug, Pipe (1/2") | 29 | 102-0455 | 4 | Screw, Cap - Hex Head (3/8-16 x 1-1/4") |
| 13 | 102-0158 | 1 | Gasket, Oil Base | 30 | 102-0558 | 1 | Heater and Thermostat, Oil Base - Optional |
| 14 | 123-0489 | 1 | Cap and Indicator, Oil Fill | 402-0405 | 1 | Hardware Package, Mounting (Includes Parts Marked *) | |
| 15 | 123-0191 | 1 | Gasket, Oil Fill Cap | | | | |
| 16 | 505-0050 | 1 | Elbow, Pipe - Street (1/2") | | | | |
| 17 | 800-0084 | 4 | *Screw, Cap - Hex Head (7/16-14 x 4-1/2") | | | | |

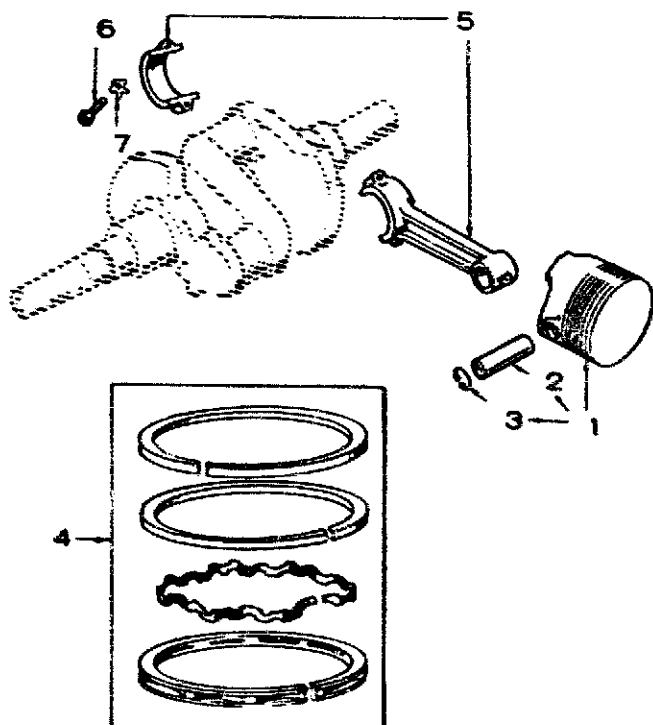
* - Parts included in 402-0405 Mounting Hardware Package.

CRANKSHAFT AND FLYWHEEL



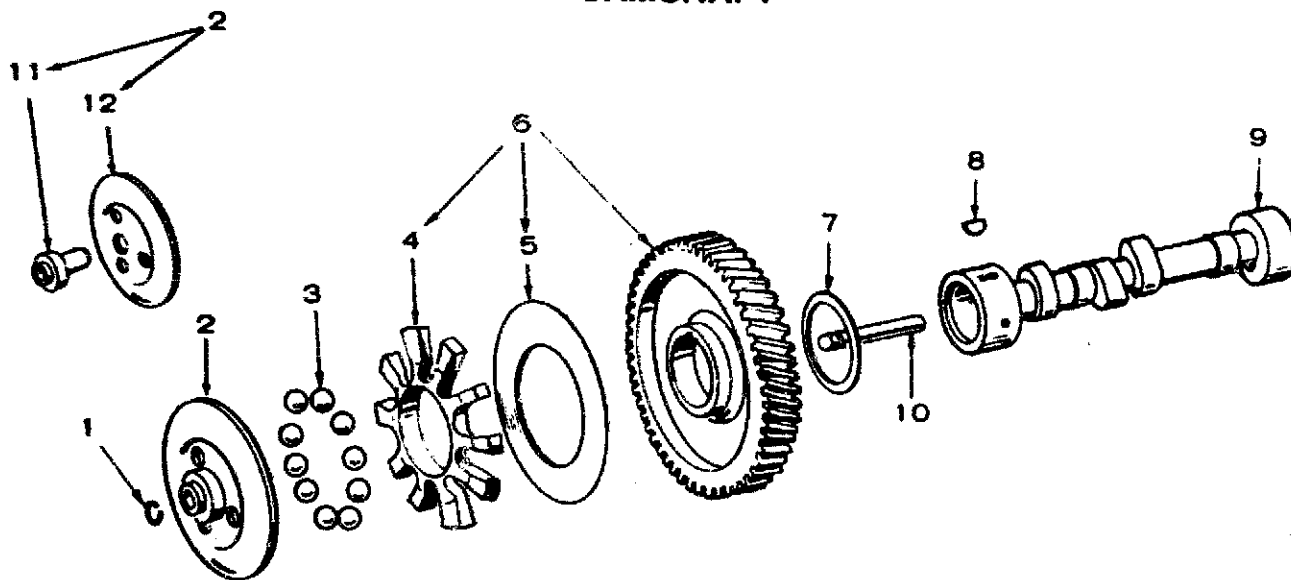
| REF. NO. | PART NO. | QTY. USED | PART DESCRIPTION |
|----------|------------|-----------|--|
| 1 | CRANKSHAFT | | |
| | 104-0882 | 1 | Spec R through U |
| | 104-0960 | 1 | Begin Spec V |
| 2 | 821-0018 | 4 | Screw, Cap - Hex Head Locking (1/4-20 x 5/8") |
| 3 | 192-0272 | 1 | Sheave, Rope - Spec R through U |
| 4 | 515-0001 | 1 | Key, Crankshaft Gear |
| 5 | 134-0565 | 1 | Wheel, Blower |
| 6 | 104-0170 | 1 | Screw, Flywheel Mounting (Special) |
| 7 | 850-0055 | 1 | Washer, Lock - Spring (7/16") |
| 8 | 526-0017 | 1 | Washer, Flat (15/32" ID x 1-1/4" OD x 1/4") |
| 9 | 104-0499 | 1 | Flywheel |
| 10 | 518-0014 | 1 | Lock, Crankshaft Gear Washer |
| 11 | 104-0043 | 1 | Washer, Crankshaft Gear Retainer |
| 12 | 104-0032 | 1 | Gear, Crankshaft |
| 13 | 515-0227 | 1 | Key, Flywheel |

PISTON AND ROD



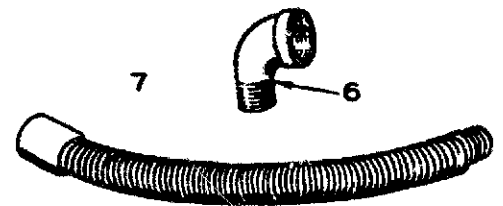
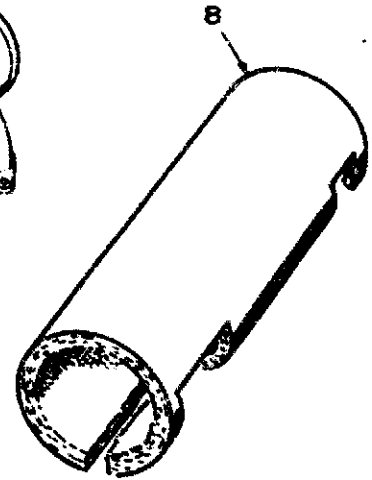
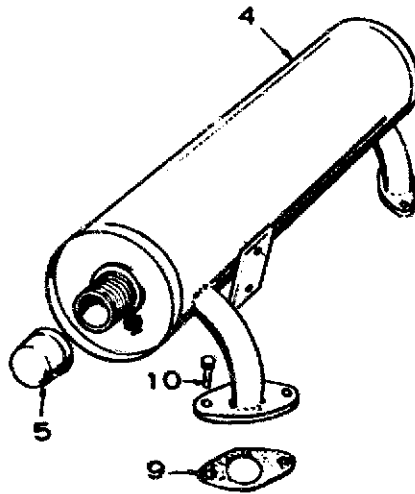
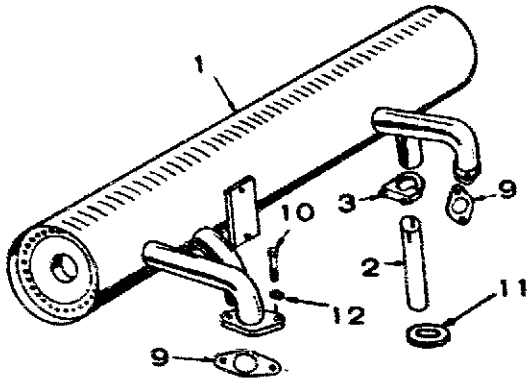
| REF. NO. | PART NO. | QTY. USED | PART DESCRIPTION |
|----------|---|-----------|---------------------------------------|
| 1 | PISTON (Includes Pin & Retaining Rings) | | |
| | 112-0136 | 2 | Standard |
| | 112-0136-05 | 2 | .005" Oversize |
| | 112-0136-10 | 2 | .010" Oversize |
| | 112-0136-20 | 2 | .020" Oversize |
| | 112-0136-30 | 2 | .030" Oversize |
| | 112-0136-40 | 2 | .040" Oversize |
| 2 | 112-0069 | 2 | Pin, Piston |
| 3 | 112-0003 | 4 | Ring, Retaining |
| 4 | RING SET, PISTON | | |
| | 113-0152 | 2 | Standard |
| | 113-0152-05 | 2 | .005" Oversize |
| | 113-0152-10 | 2 | .010" Oversize |
| | 113-0152-20 | 2 | .020" Oversize |
| | 113-0152-30 | 2 | .030" Oversize |
| | 113-0152-40 | 2 | .040" Oversize |
| 5 | ROD, CONNECTING (Includes Screw and Lock) | | |
| | 114-0098 | 2 | Standard |
| | 114-0098-10 | 2 | .010" Undersize |
| | 114-0098-20 | 2 | .020" Undersize |
| | 114-0098-30 | 2 | .030" Undersize |
| 6 | 800-0548 | 4 | Screw, Connecting Rod Cap |
| 7 | 114-0059 | 4 | Washer, Connecting Rod Cap Screw Lock |

CAMSHAFT



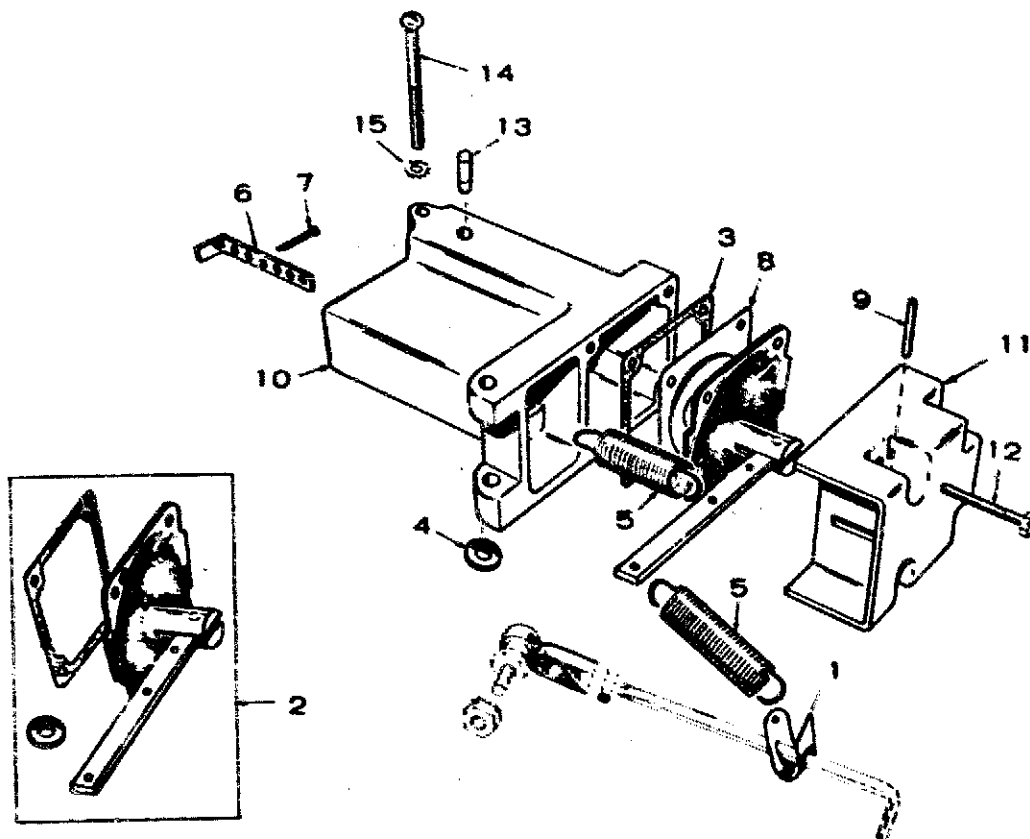
| REF. NO. | PART NO. | QTY. USED | PART DESCRIPTION | REF. NO. | PART NO. | QTY. USED | PART DESCRIPTION |
|----------|----------|-----------|--|----------|----------|-----------|--------------------------------|
| 1 | 150-0078 | 1 | Ring, Camshaft Center Pin | 7 | 105-0004 | 1 | Washer, Camshaft Gear Thrust |
| 2 | 150-1695 | 1 | Kit, Governor Cup | 8 | 515-0001 | 1 | Key, Camshaft Gear Mounting |
| 3 | 510-0015 | 10 | Ball, Fly - Governor | 9 | 105-0140 | 1 | Camshaft (Includes Center Pin) |
| 4 | 150-1257 | 1 | Spacer, Governor Fly Ball | 10 | 150-0075 | 1 | Pin, Camshaft Center |
| 5 | 150-0077 | 1 | Plate, Governor Fly Ball | 11 | 150-1519 | 1 | Hub, Governor Cup |
| 6 | 105-0332 | 1 | Gear, Camshaft (Includes Flyball Spacer & Plate) | 12 | 150-1520 | 1 | Cup, Governor |

EXHAUST



| REF. NO. | PART NO. | QTY. USED | PART DESCRIPTION | REF. NO. | PART NO. | QTY. USED | PART DESCRIPTION |
|----------|-------------------------|-----------|---|----------|----------|-----------|---|
| 1 | MUFFLER, EXHAUST | | | 6 | 505-0041 | 1 | Elbow, Pipe - Exhaust (1") - Keys 4,5,6 - Prior to Serial #221189 During Spec R |
| | 155-1218 | 1 | Keys 1,2,3 | 7 | 155-1348 | 1 | Tube, Exhaust - Keys 4,5,6 - Prior to Serial #221189 During Spec R |
| | 155-1218 | 1 | Keys 4,5,6 - Begin Serial #221189 During Spec R | 8 | 155-1346 | 1 | Shield, Muffler - Keys 4,5,6 - Prior to Serial #221189 During Spec R |
| 2 | CONNECTOR, EXHAUST TUBE | | | 9 | 154-0360 | 2 | Gasket, Exhaust Manifold |
| | 155-1195 | 1 | Keys 1,2,3 | 10 | 800-0028 | 4 | Screw, Cap - Hex Head (5/16-18 x 1") |
| | 155-1195 | 1 | Keys 4,5,6 - Begin Serial #221189 During Spec R | 11 | 155-1252 | 1 | Gasket, Air Seal - Keys 2,3,4,5,6 - Begin Serial #221189 During Spec R |
| 3 | CLAMP, MUFFLER | | | 12 | 800-0045 | 4 | Washer, Lock - Spring (5/16") |
| | 155-1015 | 1 | Keys 1,2,3 | | | | |
| | 155-1015 | 1 | Keys 4,5,6 - Begin Serial #221189 During Spec R | | | | |
| 4 | 155-0714 | 1 | Muffler, Exhaust - Keys 4,5,6 - Prior to Serial #221189 During Spec R | | | | |
| 5 | 505-0479 | 1 | Cap, Pipe (1") - Keys 4,5,6 - Prior to Serial #221189 During Spec R | | | | |

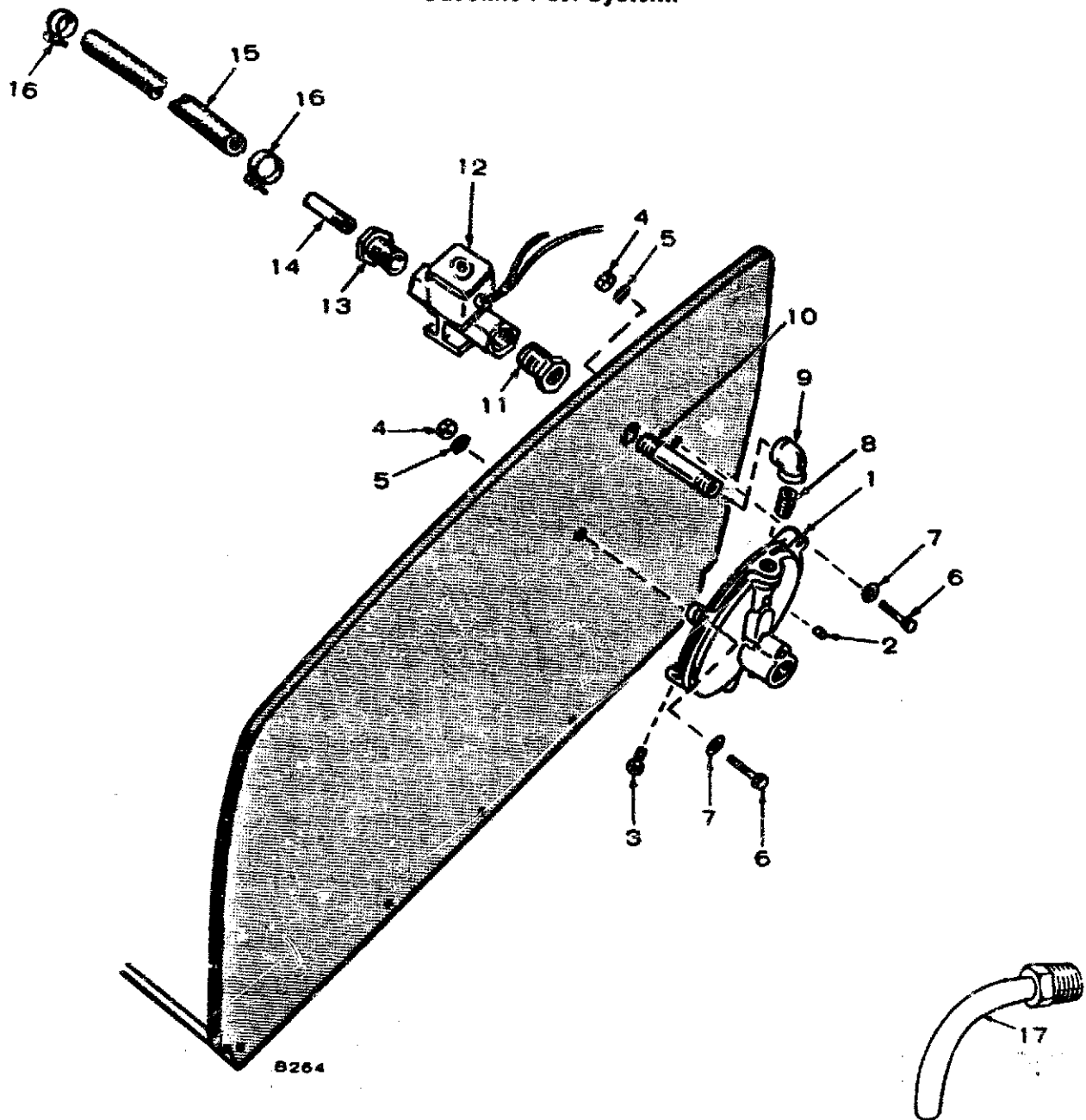
VACUUM SPEED BOOSTER



| REF. NO. | PART NO. | QTY. USED | PART DESCRIPTION | REF. NO. | PART NO. | QTY. USED | PART DESCRIPTION |
|----------|----------|-----------|--|----------|----------|-----------|---|
| | 150-0433 | 1 | Kit, Vacuum Speed Booster Replacement (Includes External Spring & Mounting Gasket) | 8 | 150-0666 | 1 | Plate, Diaphragm |
| 1 | 150-0430 | 1 | Bracket, Spring to Governor Link | 9 | 516-0085 | 1 | Pin (3/32 x 3/4") - Diaphragm Lever Pivot |
| 2 | 150-0434 | 1 | Kit, Diaphragm Replacement (Includes Gaskets) | 10 | | 1 | Housing, Vacuum Booster (Not Sold Separately) |
| 3 | 150-0668 | 1 | Gasket, Diaphragm Plate | 11 | | 1 | Cover, Vacuum Booster Housing (Not Sold Separately) |
| 4 | 150-0425 | 1 | Gasket, Booster to Manifold | 12 | 815-0148 | 4 | Screw, Machine - Hex Head, Slotted (#8-32 x 7/8") |
| 5 | 150-0366 | 2 | Spring, Internal & External | 13 | 150-1352 | 1 | Pin, Vent |
| 6 | 150-0376 | 1 | Bracket, Internal Spring Adjustment | 14 | 813-0110 | 2 | Screw, Machine - Round Head (#10-32 x 2") |
| 7 | 516-0039 | 1 | Pin, Cotter (3/32 x 5/8") - Adjustment Bracket | 15 | 853-0008 | 2 | Washer, Lock - External Tooth (#10) |

FUEL SYSTEM (GAS-GASOLINE and GAS) - KEYS 2,3,5,6

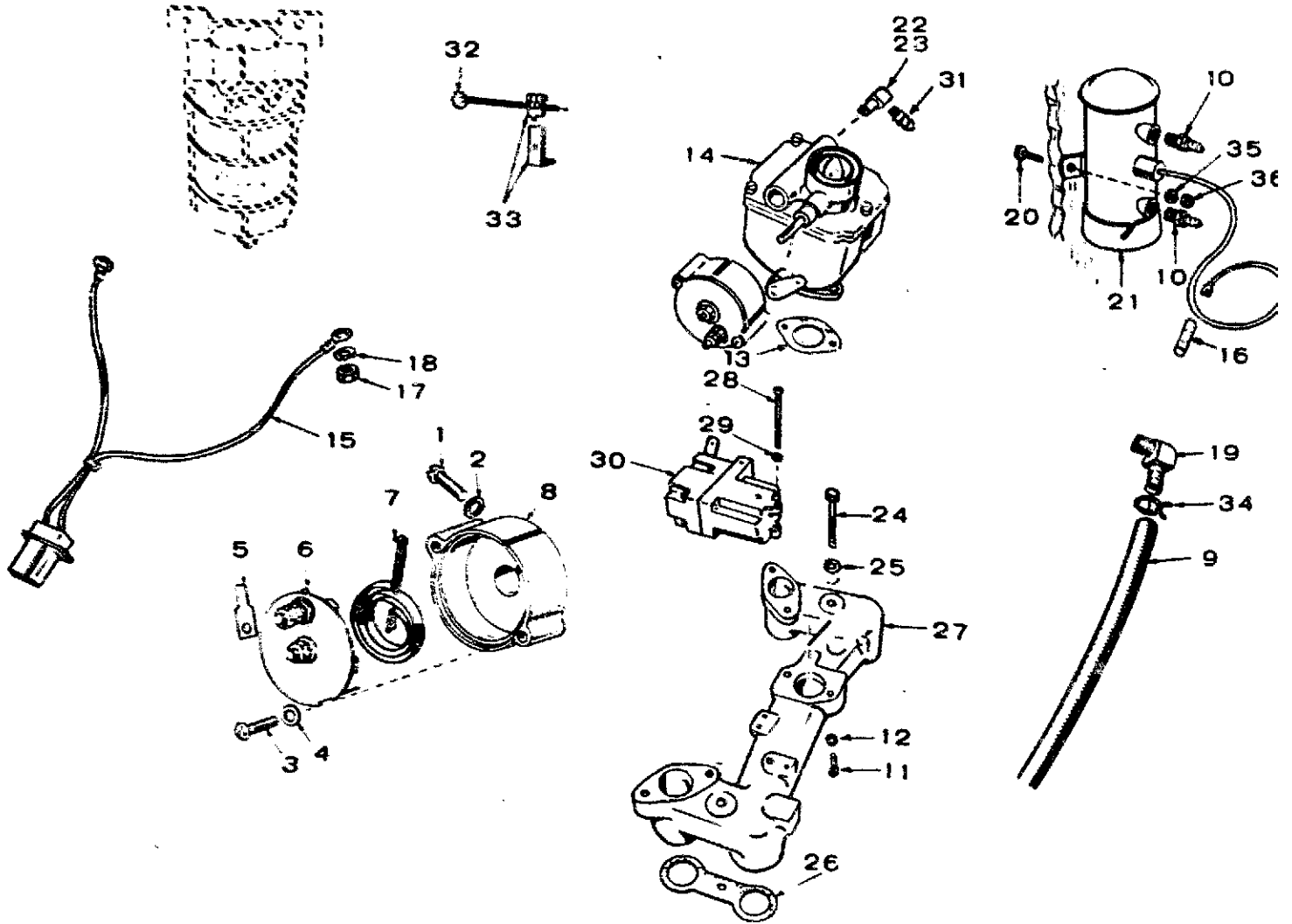
NOTE: Parts Not Shown in this Illustration Refer to Gasoline Fuel System.



| REF. NO. | PART NO. | QTY. USED | PART DESCRIPTION |
|----------|----------|-----------|--|
| 1 | 148-0311 | 1 | Regulator, Gas |
| 2 | 505-0057 | 1 | Plug, Square Head |
| 3 | 148-0107 | 1 | Vent, Regulator |
| 4 | 862-0001 | 2 | Nut, Hex (1/4-20) |
| 5 | 850-0045 | 2 | Washer, Lock - Spring (5/16") |
| 6 | 800-0010 | 2 | Screw, Cap - Hex Head (1/4-20 x 1-3/4") |
| 7 | 526-0015 | 2 | Washer, Flat (9/32" ID x 9/16" OD x 1/16") |
| 8 | 505-0101 | 1 | Nipple (3/8 x 1" Long), Close |
| 9 | 505-0039 | 1 | Elbow (3/8"), Pipe |

| REF. NO. | PART NO. | QTY. USED | PART DESCRIPTION |
|----------|----------|-----------|--------------------------------|
| 10 | 505-0139 | 1 | Nipple (3/8 x 2"), Pipe |
| 11 | 505-0131 | 1 | Bushing (3/4 x 3/8"), Reducer |
| 12 | 307-0312 | 1 | Valve, Magnetic |
| 13 | 505-0020 | 1 | Bushing (3/4 x 1/4"), Reducer |
| 14 | 505-0302 | 1 | Nipple (1/4 x 1/2" Long), Half |
| 15 | 503-0726 | 1 | Hose, Fuel |
| 16 | 503-0032 | 2 | Clamp, Hose |
| 17 | 148-0147 | 1 | Pipe, Fuel - Carburetor |

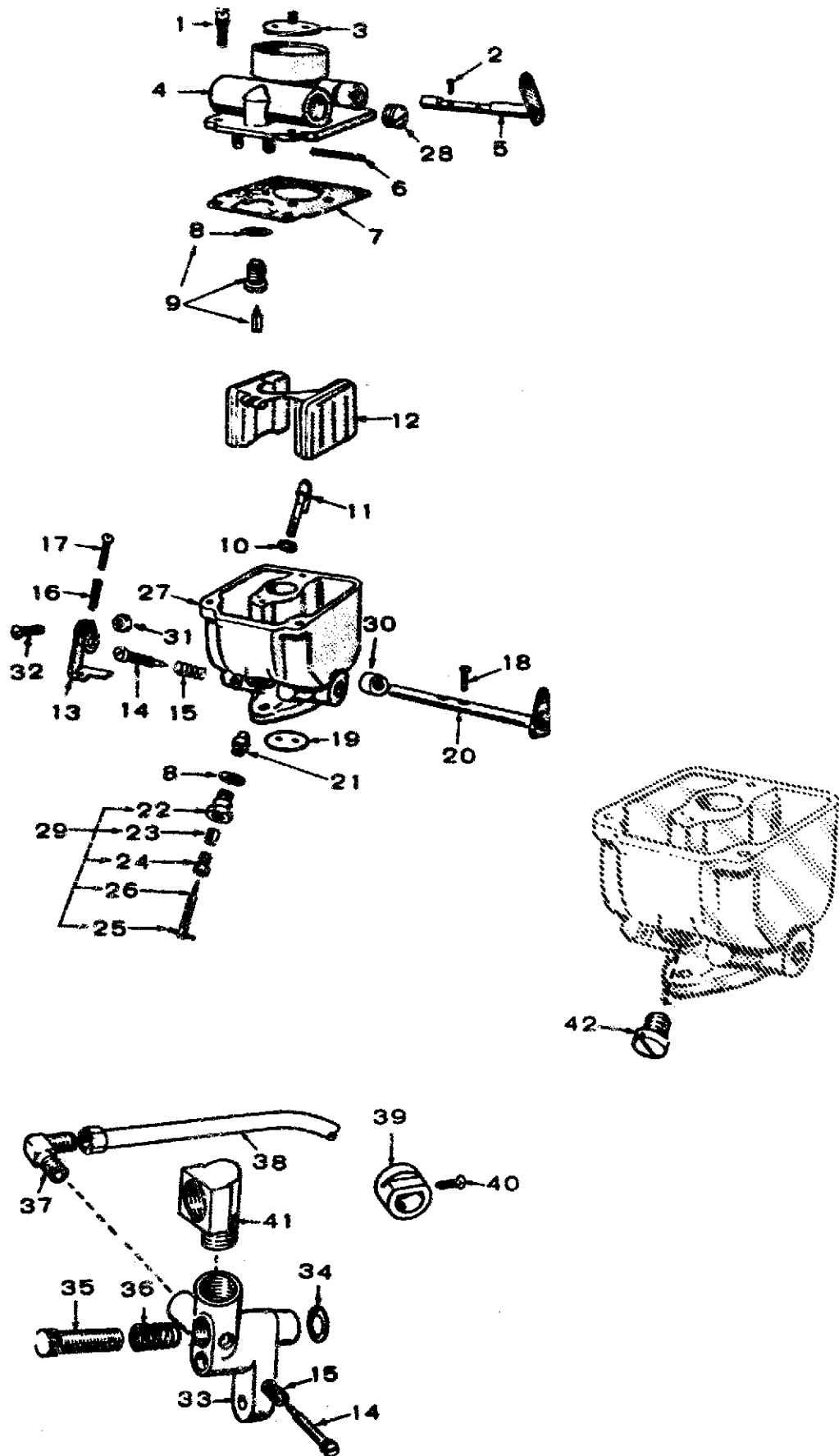
FUEL SYSTEM (GASOLINE)



FUEL SYSTEM (GASOLINE)

| REF. NO. | PART NO. | QTY. USED | PART DESCRIPTION | REF. NO. | PART NO. | QTY. USED | PART DESCRIPTION |
|----------|---|-----------|--|----------|--|---|--|
| 1 | 815-0110 | 1 | Screw, Machine - Fillister Head (#10-32 x 7/8") - Keys 4,5 | 18 | 850-0025 | 1 | Washer, Lock - Spring (#8) |
| 2 | 850-0030 | 1 | Washer, Lock - Spring (#10) Keys 4,5 | 19 | 502-0313 | 2 | Elbow, Fuel Pump - Keys 4,5 |
| 3 | 815-0285 | 2 | Screw, Machine - Round Head (#10-32 x 5/16") - Keys 4,5 | 20 | 800-0008 | 2 | Screw, Cap - Hex Head (1/4-20 x 1-1/4") |
| 4 | 526-0062 | 2 | Washer, Flat - Brass (.2" ID x 1/2" OD x 1/16") - Keys 4,5 | 21 | PUMP, FUEL (See Separate Group for Components) | | |
| 5 | 332-0527 | 1 | Terminal, Spade - Keys 4,5 | 149-0650 | 1 | Keys 1,2 | |
| 6 | 153-0114 | 1 | Cover, Choke - Keys 4,5 | 149-1553 | 1 | Keys 4,5 - Kit Replaces Original Equipment (Components of original pump not sold separately) - Spec R | |
| 7 | 153-0017 | 1 | Exhaust, Choke - Keys 4,5 | 149-1541 | 1 | Key 5 Begin Spec V | |
| 8 | 153-0058 | 1 | Housing, Choke - Keys 4,5 | 22 | 502-0313 | 1 | Elbow, Keys 1,2 |
| 9 | LINE, FUEL PUMP TO CARBURETOR | | | 23 | 502-0196 | 1 | Elbow, Keys 4,5 |
| | 503-0652 | 1 | Keys 1,2 (28") | 24 | 800-0054 | 2 | Screw, Cap - Hex Head (3/8-16 x 2") |
| | 503-0728 | 1 | Keys 4,5 (31") | 25 | 850-0050 | 2 | Washer, Lock - Spring (3/8") |
| 10 | 502-0395 | 2 | Connector, Keys 1,2 | 26 | 154-0013 | 2 | Gasket, Intake Manifold |
| 11 | 800-0009 | 2 | Screw, Cap - Hex Head (1/4-20 x 1-1/2") | 27 | 154-0383 | 1 | Manifold, Intake |
| 12 | 850-0040 | 2 | Washer, Lock - Spring (1/4") | 28 | 813-0110 | 2 | Screw, Machine - Round Head (#10-32 x 2") |
| 13 | 141-0078 | 1 | Gasket, Carburetor | 29 | 853-0008 | 2 | Washer, Lock - ET (#10) |
| 14 | CARBURETOR (Includes Mounting Gasket) - See Separate Group for Components | | | 30 | 150-0433 | 1 | Booster, Vacuum Speed (Includes External Spring and Gasket) (Refer to separate group for components) |
| | 142-0363 | 1 | Gasoline Key 1 (Manual Choke) | 31 | 502-0395 | 1 | Connector, Keys 4,5 |
| | 142-0364 | 1 | Gasoline Key 4 (Electric Choke) | 32 | 153-0351 | 1 | Choke, Manual - Keys 1,2 |
| | 142-0367 | 1 | Gas-Gasoline Key 2 (Manual Choke) | 33 | 153-0263 | 1 | Bracket and Clip - Choke Cable - Keys 1,2 |
| | 142-0366 | 1 | Gas-Gasoline Key 5 (Electric Choke) | 34 | 503-0301 | 3 | Clamp, Hose |
| | 142-0372 | 1 | Gas Only - Keys 3,6 | 35 | 853-0013 | 2 | Washer, Lock - ET (1/4") |
| 15 | 338-0892 | 1 | Harness, Wiring - Keys 4,5 | 36 | 862-0001 | 2 | Nut, Hex (1/4-20) |
| 16 | 332-0556 | 1 | Connector, Lead - Keys 1,2 | | | | |
| 17 | 860-0008 | 1 | Nut, Hex (#8-32) | | | | |

CARBURETOR PARTS



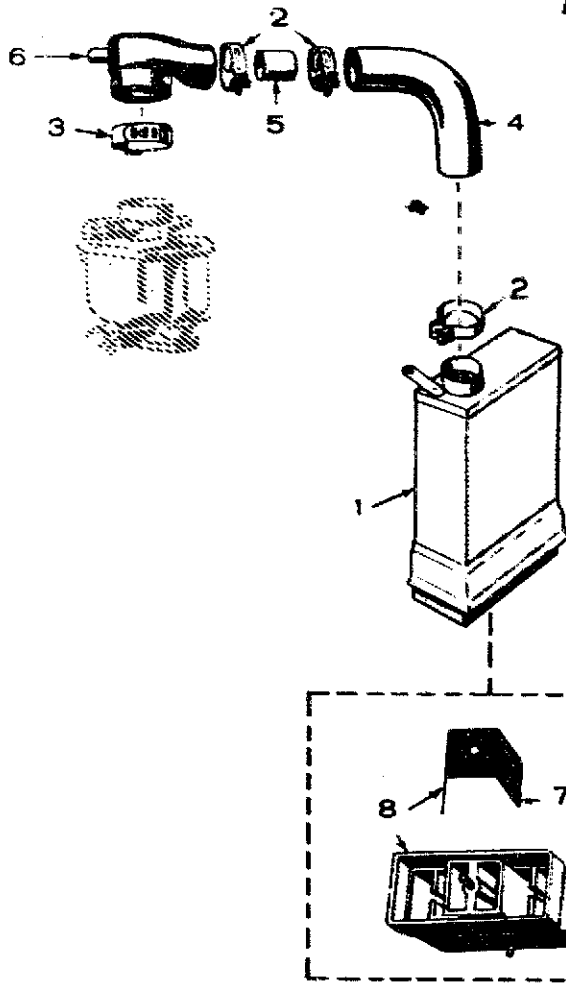
CARBURETOR PARTS

| REF. NO. | PART NO. | QTY. USED | PART DESCRIPTION | REF. NO. | PART NO. | QTY. USED | PART DESCRIPTION |
|----------|---|-----------|---|----------|----------|-----------|--|
| | CARBURETOR, GASOLINE (Includes Mounting Gasket) | | | 20 | 142-0368 | 1 | **Shaft Assembly, Throttle |
| | 142-0363 | 1 | Key 1 | 21 | 142-0370 | 1 | Nut & Jet, Nozzle - |
| | 142-0364 | 1 | Key 4 | | | | Key 1,2,4,5 |
| | CARBURETOR, GAS-GASOLINE (Includes Mounting Gasket) | | | 22 | 142-0046 | 1 | Retainer, Main Adjusting |
| | 142-0367 | 1 | Key 2 | 23 | 142-0206 | 1 | Packing, Main Adjusting |
| | 142-0366 | 1 | Key 5 | | | | Needle |
| | 142-0372 | 1 | Carburetor, Gas - Keys 3,6 | 24 | 142-0045 | 1 | Retainer, Main Adjusting |
| 1 | SCREW, MACHINE - FILLISTER HEAD | | | 25 | 516-0027 | 1 | Needle Packing |
| | 815-0103 | 1 | 10-24 x 1/2" | 26 | 142-0041 | 1 | Pin, Main Adjusting Needle |
| | 815-0109 | 2 | 10-24 x 5/8" | 27 | | 1 | **Needle, Main Adjusting |
| 2 | 815-0091 | 2 | **Screw (4-40 x 3/16"), Choke Fly - Key 1,2,4,5 | | | | Body Assembly (Not Sold Separately) |
| 3 | FLY, CHOKE | | | 28 | 505-0053 | 1 | Plug, Gas Inlet |
| | 142-0055 | 1 | Key 1,2 | 29 | 142-0042 | 1 | Needle Assembly (Includes Packing, Nut & Retainer) |
| | 142-0037 | 1 | Key 4,5 | 30 | 142-0343 | 2 | Bushing, Throttle Shaft |
| 4 | 142-0205 | 1 | Sleeve Assembly, Choke (Cover) | 31 | 870-0053 | 1 | Nut, Throttle Stop |
| 5 | SHAFT ASSEMBLY, CHOKE | | | 32 | 813-0103 | 1 | Screw (10-32 x 3/4"), Throttle Stop Clamp |
| | 142-0217 | 1 | Key 1,2 | 33 | 148-0126 | 1 | Adapter, Carburetor - Key 2,3,5,6 |
| | 142-0133 | 1 | Key 4,5 | 34 | 509-0091 | 1 | Gasket, Adapter Mounting - Key 2,3,5,6 |
| 6 | 142-0039 | 1 | **Shaft, Float - Key 1,2,4,5 | 35 | 148-0131 | 1 | Screw, Adapter Adjusting - Key 2,3,5,6 |
| 7 | 142-0031 | 1 | *Gasket, Body to Bowl | 36 | 148-0010 | 1 | Spring, Adapter Adjusting Screw - Key 2,3,5,6 |
| 8 | 148-0017 | 2 | *Gasket - (1) Float Valve Seat (1) Main Adjusting Needle Retainer | 37 | 502-0034 | 1 | Elbow, Idle Line to Adapter - Key 2,3,5,6 |
| 9 | 142-0049 | 1 | **Valve & Seat Assembly - Key 1,2,4,5 | 38 | 149-0030 | 1 | Line, Idle Fuel - Key 2,3,5,6 |
| 10 | 142-0032 | 1 | *Gasket, Nozzle | 39 | 148-0008 | 1 | Lock, Choke - Key 5 |
| 11 | 142-0285 | 1 | Nozzle Assembly - Key 1,2,4,5 | 40 | 518-0075 | 1 | Screw, Choke Lock - Key 5 |
| 12 | 142-0361 | 1 | Ficat & Lever Assembly - Key 1,2,4,5 | 41 | 502-0074 | 1 | Elbow, Inverted - Key 2,3,5,6 |
| 13 | 145-0008 | 1 | Lever, Idle Stop | 42 | 142-0015 | 1 | Plug - Key 3,6 |
| 14 | 142-0040 | 1 | **Needle, Idle Adjusting - 2 used on Key 2,5 | | 141-0078 | 1 | *Gasket, Carburetor Mounting |
| 15 | 142-0282 | 1 | Spring, Idle Needle Adjusting - 2 used on Key 2,5 | | 142-0033 | 1 | **Gasket Kit, Carburetor (Includes Parts Marked *) |
| 16 | 142-0035 | 1 | Spring, Throttle Stop Adjusting Screw | | 142-0371 | 1 | Repair Kit, Carburetor (Includes Parts Marked **) |
| 17 | 812-0063 | 1 | Screw, Machine - Round Head (6-32 x 1/2") | | | | |
| 18 | 815-0072 | 2 | **Screw, Machine - Oval Head (4-40 x 1/4") - Throttle Fly | | | | |
| 19 | 142-0369 | 1 | Fly, Throttle | | | | |

* - Parts Included in Gasket Kit 142-0033.

** - Parts Included in Repair Kit 142-0371.

AIR CLEANER

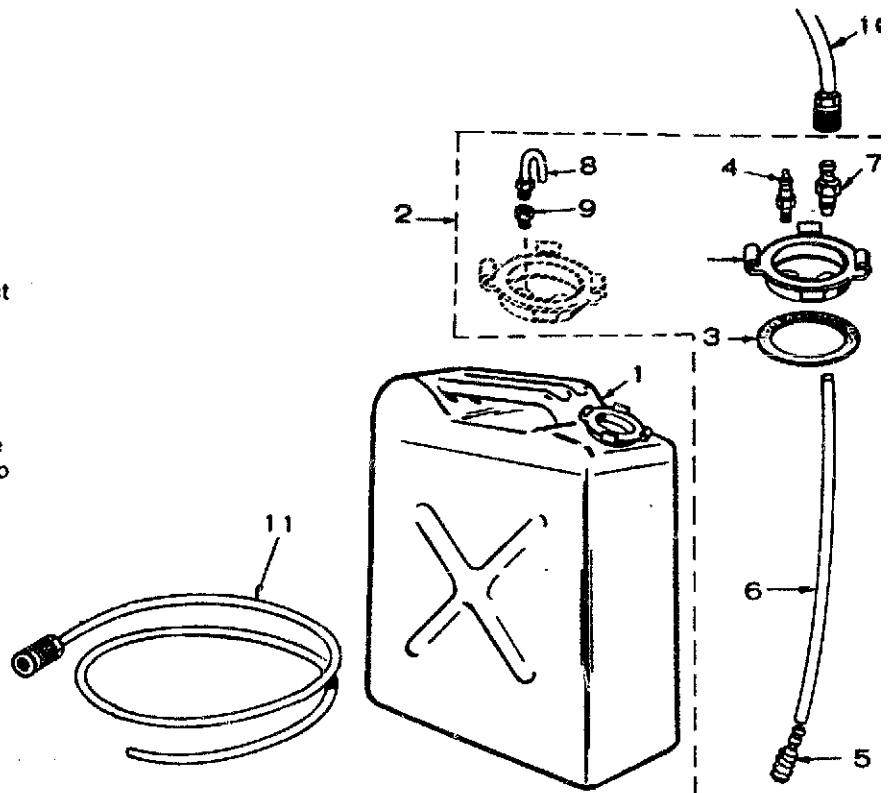


| REF. NO. | PART NO. | QTY. USED | PART DESCRIPTION |
|----------|--------------|-----------|--|
| 1 | CLEANER, AIR | | |
| | 140-0806 | 1 | Keys 1,2,3 |
| | 140-0399 | 1 | Keys 4,5,6 |
| 2 | 503-0280 | 3 | Clamp, Hose |
| 3 | 503-0107 | 1 | Clamp, Hose |
| 4 | 503-0286 | 1 | Hose, Rubber (Molded) |
| 5 | 140-0211 | 1 | Sleeve, Hose |
| 6 | 145-0080 | 1 | Inlet, Carburetor Air |
| 7 | 140-0403 | 1 | Cup Assembly (Includes Screen) (Part of Air Cleaner) |
| 8 | 140-0068 | 1 | Screen, Air Cleaner (Part of Air Cleaner) |

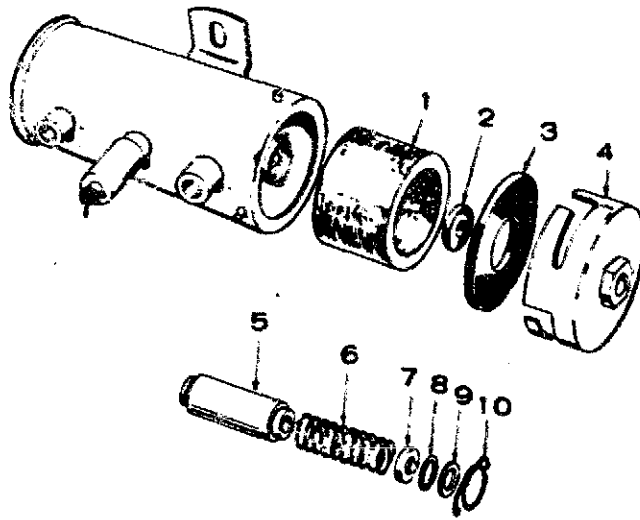
FUEL TANK - KEYS 1,2,4,5

| REF. NO. | PART NO. | QTY. USED | PART DESCRIPTION |
|----------|-----------------------------|-----------|-----------------------------------|
| 1 | 159-1022 | 1 | Tank, 5 Gallon Fuel |
| 2 | CAP & PICKUP ASSEMBLY, FUEL | | |
| | 159-0996 | 1 | Key 1,2 (Includes Parts Marked +) |
| | 159-1029 | 1 | Key 4,5 (Includes Parts Marked *) |
| 3 | 159-1000 | 1 | *+Gasket, Fuel Tank Cap |
| 4 | 502-0428 | 1 | *Nipple, Quick Disconnect (Vent) |
| 5 | 502-0399 | 1 | *+Filter, Ball Check |
| 6 | 503-0656 | 1 | *+Hose, Fuel |
| 7 | 502-0398 | 1 | *+Coupling, Male |
| 8 | 159-1030 | 1 | *Vent |
| 9 | 502-0003 | 1 | *Connector, Inverted Male |
| 10 | 159-0997 | 1 | Line, Fuel - Tank to Pump |
| 11 | 159-1026 | 1 | Line, Fuel Vent - Key 1,2 |

+ - Included in 159-0996 Fuel Cap & Pickup Assembly.
 * - Included in 159-1029 Fuel Cap & Pickup Assembly.



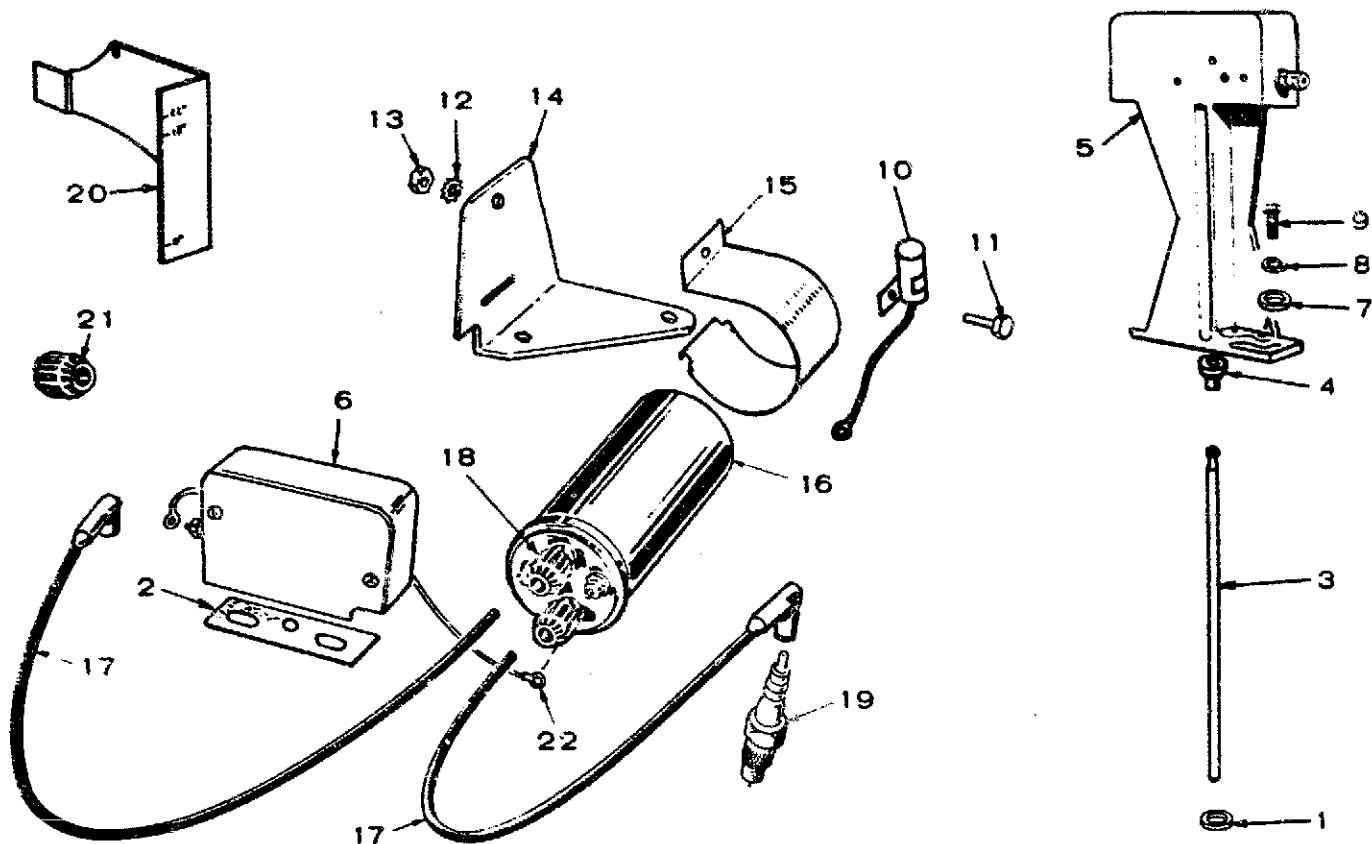
FUEL PUMP PARTS (ELECTRIC)



| REF. NO. | PART NO. | QTY. USED | PART DESCRIPTION |
|----------|------------|-----------|--|
| | PUMP, FUEL | | |
| | 149-1541 | 1 | Keys 4,5 - Replacement Pump - See Note |
| | 149-0650 | 1 | Keys 1,2 |
| 1 | 149-1445 | 1 | Filter |
| 2 | 149-1447 | 1 | Magnet |
| 3 | 149-1446 | 1 | Gasket, Cover |
| 4 | 149-1453 | 1 | Cover |
| 5 | 149-1452 | 1 | Plunger |
| 6 | 149-0767 | 1 | Spring, Plunger Return |
| 7 | 149-1451 | 1 | Spring Cup & Valve |
| 8 | 149-1450 | 1 | Gasket, Spring Cup |
| 9 | 149-1449 | 1 | Washer, Cup Gasket |
| 10 | 149-1448 | 1 | Retainer, Cup & Plunger |

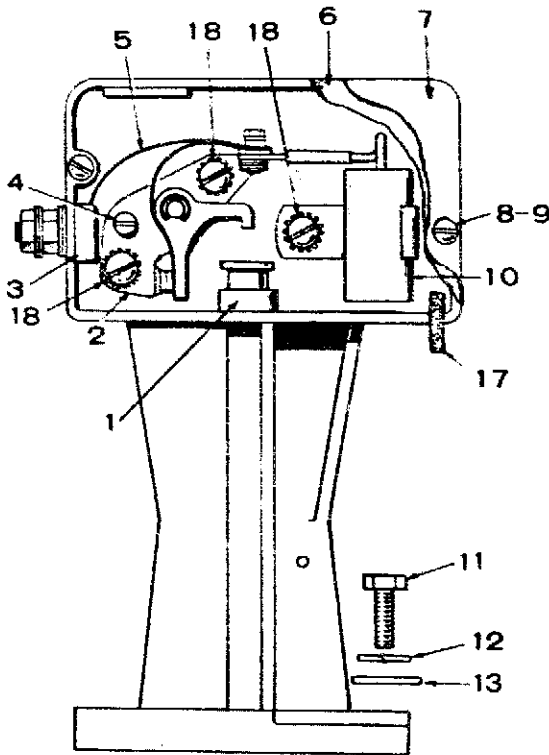
NOTE: 149-1553 Replacement Fuel Pump Kit to replace original pump used on Keys 4,5 Spec R, contains the 149-1541 Pump.

IGNITION SYSTEM

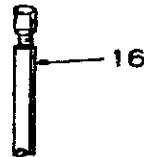
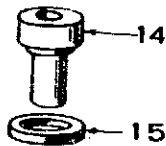


| REF. NO. | PART NO. | QTY. USED | PART DESCRIPTION | REF. NO. | PART NO. | QTY. USED | PART DESCRIPTION |
|----------|---------------------------------------|-----------|--|----------|----------------------------|---|---|
| 1 | 160-1040 | 1 | Gasket, Breaker Box - Keys 1,4 | 12 | 856-0006 | 2 | Washer, Lock - EIT (1/4") - Keys 1,2,3 |
| 2 | 160-0043 | 1 | Gasket, Breaker Box - Keys 2,3,5,6 | 13 | 862-0001 | 1 | Nut, Hex (1/4-20) - Keys 1,2,3 |
| 3 | 160-0723 | 1 | Plunger, Breaker Box - Keys 1,4 | 14 | 166-0590 | 1 | Bracket, Coil - Keys 1,2,3 |
| 4 | 160-1041 | 1 | Bushing, Breaker Box - Keys 1,4 | 15 | 166-0588 | 1 | Clamp, Coil |
| 5 | 160-1135 | 1 | Box Assembly, Breaker - Keys 1,4 (See separate group for components) | 16 | COIL, IGNITION 166-0643 | 1 | Begin Serial #A760998660 During Spec R |
| 6 | 160-0257 | 1 | Box Assembly, Breaker - Keys 2,3,5,6 (See separate group for components) | 166-0648 | 1 | Prior to Serial #A760998660 During Spec R | |
| 7 | 526-0214 | 2 | Washer, Flat (17/64" ID x 1/2" OD x 1/16") - Keys 1,4 | 17 | CABLE, SPARK PLUG 167-1595 | 1 | 16-3/4" Long |
| 8 | 850-0040 | 2 | Washer, Lock - Spring (1/4") | 167-1596 | 1 | 12" Long | |
| 9 | SCREW, MACHINE - SOCKET HEAD 802-0035 | 2 | Keys 1,2,3 (1/4-20 x 7/8") | 18 | 160-0558 | 2 | Nipple, Rubber - Coil - Begin Serial #A760998660 During Spec R |
| | 802-0034 | 2 | Keys 4,5,6 (1/4-20 x 3/4") | 19 | PLUG, SPARK 167-0241 | 2 | Non-Resistor Type |
| 10 | 312-0027 | 1 | Condenser, Ignition Coil Suppression | 167-0237 | 2 | Resistor Type | |
| 11 | SCREW, CAP - HEX HEAD 800-0004 | 1 | Keys 1,2,3 (1/4-20 x 5/8") | 20 | 166-0519 | 1 | Bracket, Timing |
| | 815-0350 | 1 | Keys 4,5,6 (#10-32 x 3/8") | 21 | 166-0604 | 2 | Nut, Knurled - Coil - Prior to Serial #A760998660 During Spec R |
| | | | | 22 | 334-0028 | 1 | Lead (4 foot piece of Wire) |

BREAKER BOX - KEYS 1 and 4

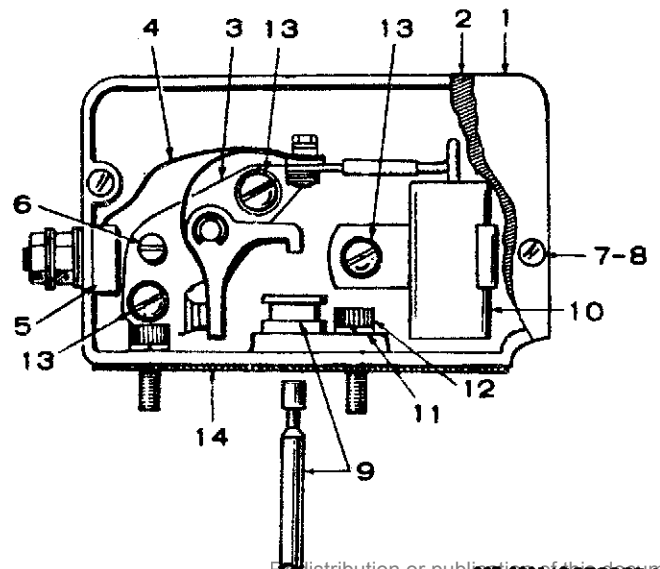


| REF. NO. | PART NO. | QTY. USED | PART DESCRIPTION |
|----------|----------|-----------|---|
| | 160-1135 | 1 | Box Assembly, Complete |
| 1 | 160-0931 | 1 | Guide, Plunger |
| 2 | 160-0002 | 1 | Point Set |
| 3 | 160-0349 | 1 | Terminal and Block Assembly |
| 4 | 160-0075 | 1 | Cam, Point Adjusting |
| 5 | 160-0428 | 1 | Strap, Point Set to Terminal |
| 6 | 160-0150 | 1 | Gasket, Cover |
| 7 | 160-0930 | 1 | Cover, Breaker Box |
| 8 | 850-0025 | 2 | Washer, Lock - Spring (#8) |
| 9 | 812-0077 | 2 | Screw, Machine - Round Head (#8-32 x 3/8") |
| 10 | 312-0069 | 1 | Condenser (.3 Mfd) |
| 11 | 802-0035 | 2 | Screw, Socket Head (1/4-20 x 7/8") |
| 12 | 850-0040 | 2 | Washer, Lock - Spring (1/4") |
| 13 | 526-0214 | 2 | Washer, Flat (17/64" ID x 1/2" OD x 1/16") |
| 14 | 160-1041 | 1 | Bushing, Guide |
| 15 | 150-1040 | 1 | Gasket, Mounting |
| 16 | 160-0723 | 1 | Plunger, Breaker |
| 17 | 160-0261 | 1 | Wick |
| 18 | 815-0285 | 2 | Screw, Machine - Round Head W/ET Washer (#8-32 x 5/16") |

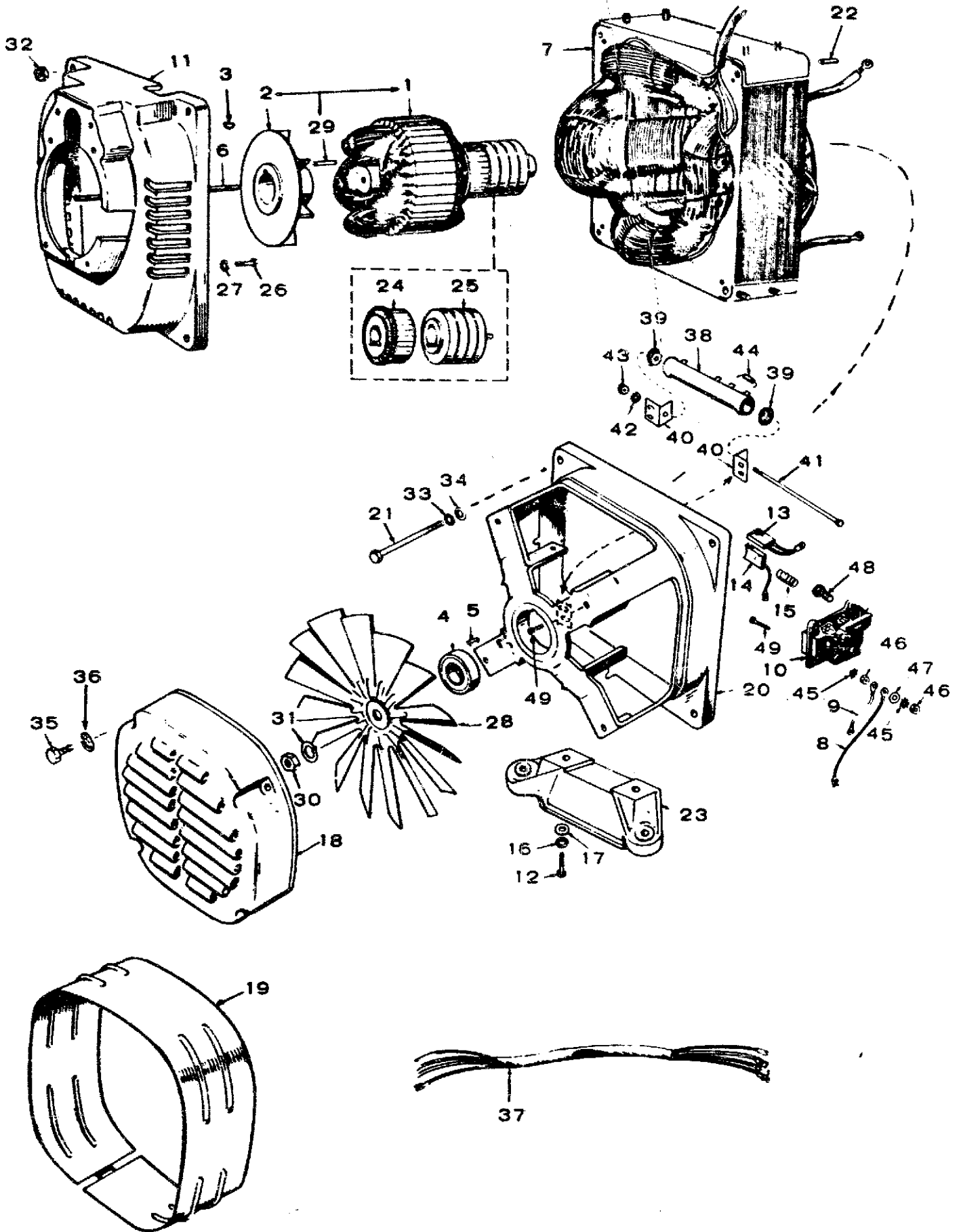


BREAKER BOX - KEYS 2,3,5,6

| REF. NO. | PART NO. | QTY. USED | PART DESCRIPTION |
|----------|----------|-----------|--|
| | 160-0257 | 1 | Box Assembly, Breaker - Complete |
| 1 | 160-0930 | 1 | Cover, Breaker Box |
| 2 | 160-0150 | 1 | Gasket, Cover |
| 3 | 160-0002 | 1 | Point Set |
| 4 | 160-0428 | 1 | Strap, Point Set to Terminal |
| 5 | 160-0349 | 1 | Terminal and Block Assembly |
| 6 | 160-0075 | 1 | Cam Point Adjusting |
| 7 | 812-0077 | 2 | Screw, Machine - Round Head (#8-32 x 3/8") |
| 8 | 850-0025 | 2 | Washer, Lock - Spring (#8) |
| 9 | 160-0262 | 1 | Guide, Plunger |
| 10 | 312-0069 | 1 | Condenser |
| 11 | 850-0040 | 2 | Washer, Lock - Spring (1/4") |
| 12 | 802-0034 | 2 | Screw, Machine - Socket Head (1/4-20 x 3/4") |
| 13 | 518-0049 | 3 | Screw, Machine - Round Head W/ET Washer (#8-32 x 1/4") |
| 14 | 160-0043 | 1 | Gasket, Breaker Box Mounting |



GENERATOR

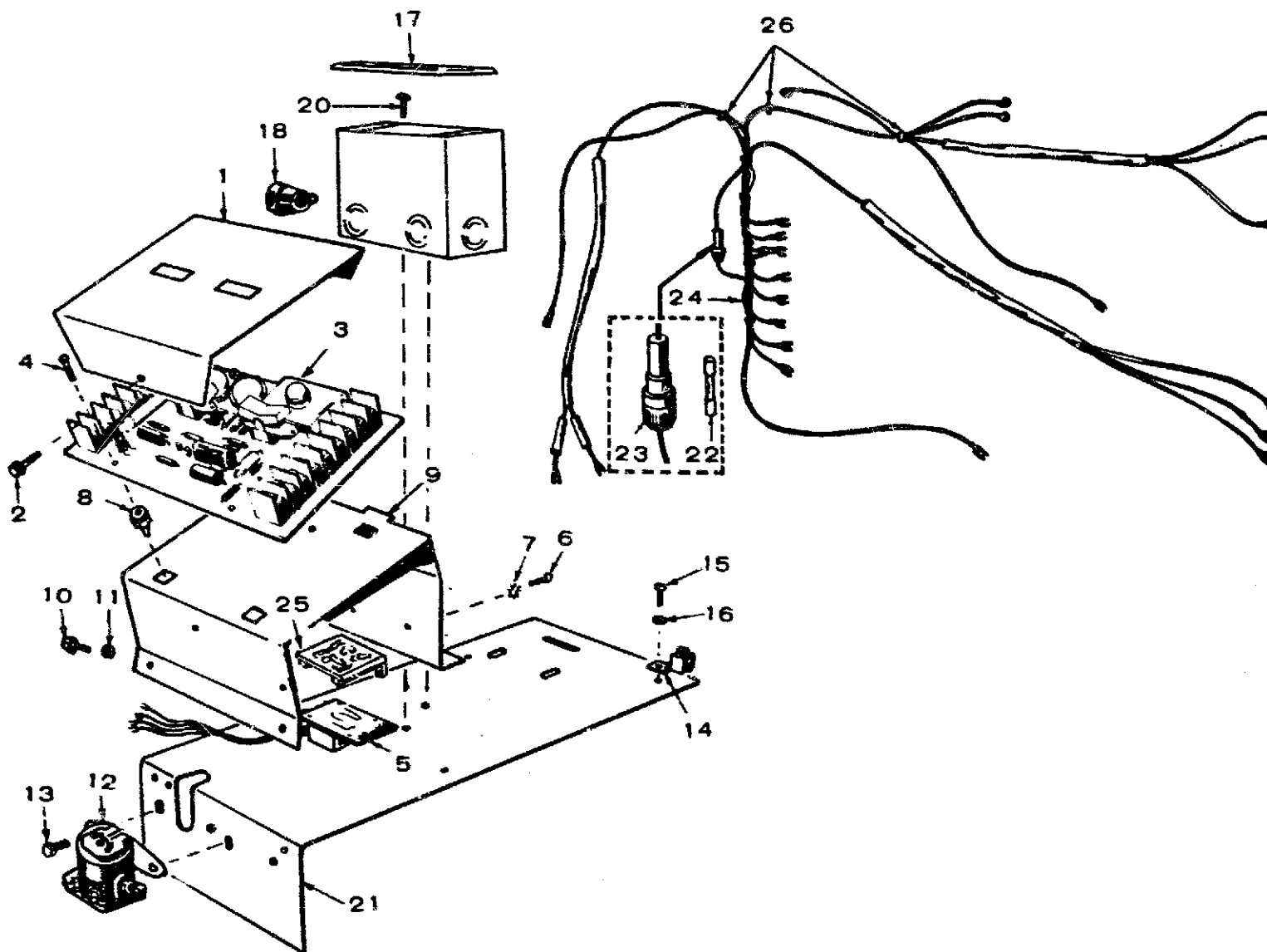


GENERATOR

| REF. NO. | PART NO. | QTY. USED | PART DESCRIPTION | REF. NO. | PART NO. | QTY. USED | PART DESCRIPTION |
|----------|----------|-----------|---|----------|---------------------------|-----------|---|
| 1 | 201-1903 | 1 | 60 Hertz Sets, Spec R through U | 21 | 800-0044 | 4 | Screw, Cap - Hex Head (5/16-18 x 7-1/2") |
| | 201-2503 | 1 | 60 Hertz Sets, Begin Spec V | 22 | 516-0182 | 8 | Pin, Roll (1/4 x 3/4") |
| | 201-1912 | 1 | 50 Hertz Sets | 23 | 232-2321 | 1 | Support, Generator |
| 2 | 232-2316 | 1 | *Hub, Drive - Spec R through U Only | 24 | 203-0152 | 1 | *Commutator |
| 3 | 515-0006 | 1 | Key, Rotor to Crankshaft - Spec R through U | 25 | 204-0110 | 1 | *Collector Ring |
| 4 | 510-0047 | 1 | *Bearing, Rotor (Ball) | 26 | 800-0050 | 4 | Screw, Cap - Hex Head (3/8-16 x 1") |
| 5 | 232-0596 | 1 | Clip, Bearing Stop | 27 | 850-0050 | 4 | Washer, Lock - Spring (3/8") |
| 6 | 520-0733 | 1 | Stud, Rotor Through | 28 | 205-0090 | 1 | Fan, Generator |
| 7 | 220-1821 | 1 | 60 Hertz | 29 | 515-0007 | 1 | *Key, Drive Hub |
| | 220-1822 | 1 | 50 Hertz | 30 | 870-0203 | 1 | Nut, Hex (7/16-20) |
| 8 | 336-1891 | 4 | Blade Type Terminals (9") | 31 | 850-0055 | 1 | Washer, Lock - Spring (7/16") |
| | 336-1890 | 3 | Blade Type & Round Type Terminals (4") | 32 | 862-0015 | 4 | Nut, Hex (5/16-18) |
| | 336-2110 | 1 | Blade Type & Round Type Terminals (6") | 33 | 850-0045 | 4 | Washer, Lock - Spring (5/16") |
| 9 | 336-0186 | 2 | Jumper, Ground (3-1/2") | 34 | 526-0115 | 4 | Washer, Flat (11/32" ID x 11/16" OD x 1/16") |
| 10 | 212-0352 | 1 | Bottom | 35 | 812-0156 | 4 | Screw, Machine - Round Head (1/4-20 x 1-1/2") |
| | 212-0345 | 1 | Right Side | 36 | 850-0040 | 4 | Washer, Lock - Spring (1/4") |
| | 212-0346 | 1 | Top | 37 | HARNESSE ASSEMBLY, WIRING | | |
| | 212-0353 | 1 | Left Side | | 338-0642 | 1 | Spec R through U |
| 11 | 231-0164 | 1 | Adapter, Generator to Engine | | 338-0946 | 1 | Begin Spec V |
| 12 | 800-0051 | 2 | Screw, Cap - Hex Head (3/8-16 x 1-1/4") | 38 | 353-0047 | 1 | Resistor, Tapped |
| 13 | 214-0095 | 4 | +Brush, Commutator | 39 | 304-0015 | 2 | Washer, Centering |
| 14 | 214-0096 | 8 | +Brush, Collector Ring | 40 | 304-0706 | 2 | Bracket, Resistor Mounting |
| 15 | 212-1232 | 12 | +Spring, Brush | 41 | 812-0118 | 1 | Screw, Machine - Round Head (#10-24 x 5") |
| 16 | 850-0050 | 2 | Washer, Lock - Spring (3/8") | 42 | 850-0030 | 1 | Washer, Lock - Spring (#10) |
| 17 | 526-0030 | 2 | Washer, Flat (13/32" ID x 7/8" OD x 1/8") | 43 | 860-0011 | 1 | Nut, Hex (#10-24) |
| 18 | 232-2107 | 1 | Cover, Fan | 44 | 357-0020 | 1 | Rectifier, Diode |
| 19 | 234-0362 | 1 | Wrapper, End Bell | 45 | 853-0008 | 8 | Washer, Lock - ET (#10) |
| 20 | 211-0187 | 1 | Bell, End | 46 | 871-0010 | 8 | Nut, Hex (#10-32) |
| | | | | 47 | 526-0049 | 4 | Washer, Flat (.20" ID x 7/16" OD x 1/32") |
| | | | | 48 | 815-0341 | 4 | Screw, Machine - Hex Head Brass (#10-32 x 1") |
| | | | | 49 | 815-0359 | 17 | Screw, Tapping - HWH (#10-32 x 7/8") |

+ - Parts Included in Brush Block Assembly.
 * - Parts Included in Rotor Assembly.

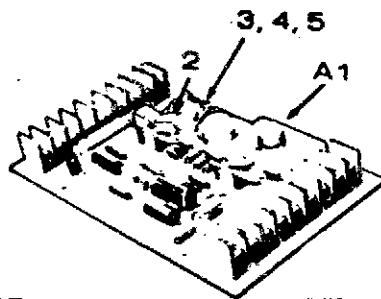
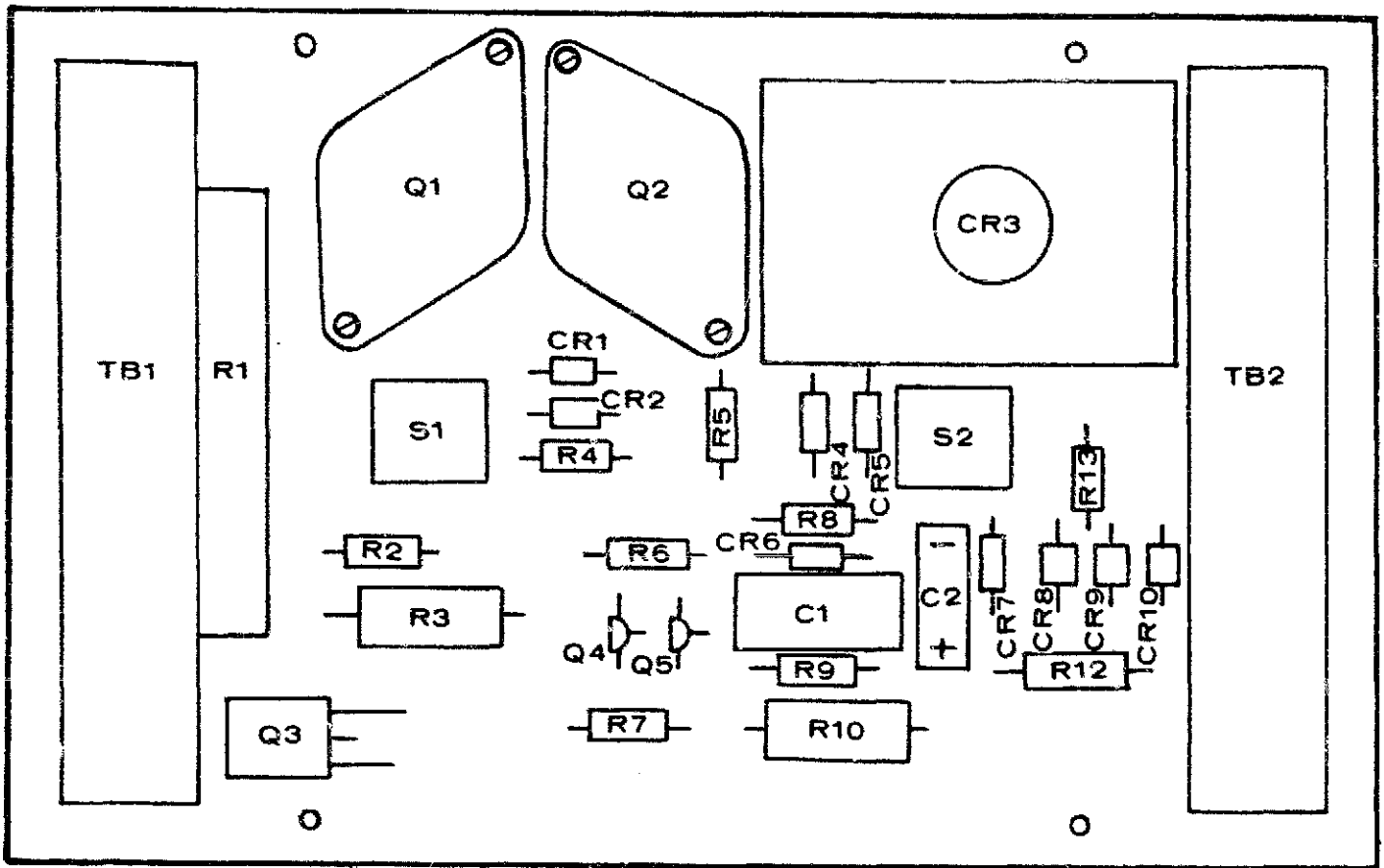
CONTROL (REMOTE) - KEYS 4,5,6, SPEC R THROUGH U



| REF. NO. | PART NO. | QTY. USED | PART DESCRIPTION | REF. NO. | PART NO. | QTY. USED | PART DESCRIPTION |
|----------|----------|-----------|--|----------|---------------------------------|-----------|--|
| 1 | 301-3484 | 1 | Cover, Control | 14 | 332-0142 | 1 | Terminal, Lug |
| 2 | 815-0350 | 3 | Screw, Tapping - Hex Head (#10-32 x 3/8") | 15 | 821-0010 | 1 | Screw, Cap - HWH (1/4-20 x 1/4") |
| 3 | 300-0859 | 1 | Control Assembly, Complete (See separate illustration for component parts) | 16 | 856-0006 | 1 | Washer, Lock - EIT (1/4") |
| 4 | 815-0365 | 4 | Screw, Tapping - Round Head (#8 x 3/4") | 17 | 330-0004 | 1 | Cover, Outlet Box |
| 5 | 300-0935 | 1 | *Adapter, Start Control - Key 6 | 18 | 508-0179 | 1 | Grommet, Outlet Box |
| 6 | 812-0077 | 4 | *Screw, Machine - Round Head (#8-32 x 3/8") | 19 | 330-0074 | 1 | Box, AC Outlet |
| 7 | 853-0005 | 4 | *Washer, Lock - ET (#8) | 20 | 815-0350 | 2 | Screw, Tapping - Hex Head (#10-32 x 3/8") |
| 8 | 870-0263 | 4 | Nut, insulator | 21 | 301-3560 | 1 | Panel, Control Mounting |
| 9 | 301-3481 | 1 | Bracket, Control Mounting | 22 | 321-0194 | 1 | Fuse (9 Amp, 32 Volt) |
| 10 | 815-0350 | 4 | Screw, Tapping - Hex Head (#10-32 x 3/8") | 23 | 321-0193 | 1 | Fuse Holder (Includes Fuse) |
| 11 | 856-0003 | 4 | Washer, Lock - EIT (#10) | 24 | HARNES, WIRING - ENGINE CONTROL | | |
| 12 | 307-1166 | 1 | Solenoid, Start | 338-0891 | 1 | Keys 4,5 | |
| 13 | 821-0009 | 1 | Screw, Cap - HWH (1/4-20 x 3/8") | 338-0738 | 1 | Key 6 | |
| | | | | 25 | 300-1227 | 1 | *Control, Disconnect Adapter (See separate illustration for component parts) |
| | | | | 26 | 332-0942 | 18 | Tie, Wire |

* - Effective Serial Number 0675954985, During Spec R.

CONTROL ASSEMBLY (300-0859)



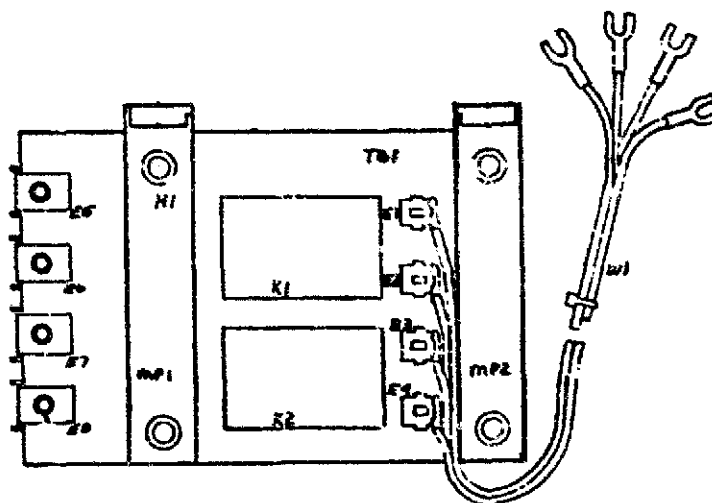
| REF. NO. | PART NO. | QTY. USED | PART DESCRIPTION | REF. NO. | PART NO. | QTY. USED | PART DESCRIPTION |
|----------|----------|-----------|----------------------------------|----------|----------|-----------|--|
| A1 | 300-0859 | 1 | Control Assembly | A1R6 | 352-0165 | 1 | Resistor - 1-Ohm. 1/2 W. 5% |
| A1C1 | 355-0026 | 1 | Capacitor, .47 Mfd. | A1R7 | 350-0355 | 1 | Resistor - 47-Ohm. 1/2 W. 5% |
| A1C2 | 356-0046 | 1 | Capacitor, Electrolytic - 5 Mfd. | A1R8 | 350-0379 | 1 | Resistor - 470-Ohm. 1/2 W. 5% |
| A1CR1 | 357-0028 | 1 | Rectifier | A1R9 | 350-0530 | 1 | Resistor - 330-Ohm. 1/2 W. 5% |
| A1CR2 | 357-0028 | 1 | Rectifier | A1R10 | 350-0983 | 1 | Resistor - 680-Ohm. 2 W. 5% |
| A1CR3 | 358-0054 | 1 | Diode and Heat Sink | A1R12 | 350-0673 | 1 | Resistor - 270-Ohm. 1 W. 5% |
| A1CR4 | 357-0004 | 1 | Rectifier | A1R13 | 350-0404 | 1 | Resistor - 5 1K-Ohm. 1/2 W. 5% |
| A1CR5 | 357-0004 | 1 | Rectifier | A1S1 | 308-0323 | 1 | Switch - Double Pole. Double Throw |
| A1CR6 | 357-0004 | 1 | Rectifier | A1S2 | 308-0320 | 1 | Switch - Double Pole. Double Throw |
| A1CR7 | 359-0026 | 1 | Diode | A1TB1 | 332-1450 | 1 | Terminal Block |
| A1CR8 | 357-0017 | 1 | Rectifier | A1TB2 | 332-1450 | 1 | Terminal Block |
| A1CR9 | 357-0017 | 1 | Rectifier | 1 | 332-1454 | 1 | Printed Wiring Board |
| A1CR10 | 357-0013 | 1 | Rectifier | 2 | 308-0378 | 1 | *Rocker and Spring (Replaceable part of switch A1S1) |
| A1Q1 | 362-0018 | 1 | Transistor | 3 | 812-0061 | 4 | *Screw, Machine - Round Head (#6-32 x 3/8") |
| A1Q2 | 362-0033 | 1 | Transistor | 4 | 853-0003 | 4 | *Washer, Lock - ET (#6) |
| A1Q3 | 352-0028 | 1 | Transistor | 5 | 860-0006 | 4 | *Nut, Hex (#6-32) |
| A1Q4 | 362-0011 | 1 | Transistor | | | | |
| A1Q5 | 362-0011 | 1 | Transistor | | | | |
| A1R1 | 353-0043 | 1 | Resistor - 35-Ohm. 10 Watt | | | | |
| A1R2 | 350-0437 | 1 | Resistor - 120K-Ohm. 1/2 W. 5% | | | | |
| A1R3 | 350-0977 | 1 | Resistor - 390-Ohm. 2 W. 5% | | | | |
| A1R4 | 350-0433 | 1 | Resistor - 47K-Ohm. 1/2 W. 5% | | | | |
| A1R5 | 350-0404 | 1 | Resistor - 5 1K-Ohm. 1/2 W. 5% | | | | |

* - Parts Included in 300-0859 Control Assembly

START ADAPTER CONTROL

(Use Effective Serial Number 0675954985 During Spec R)

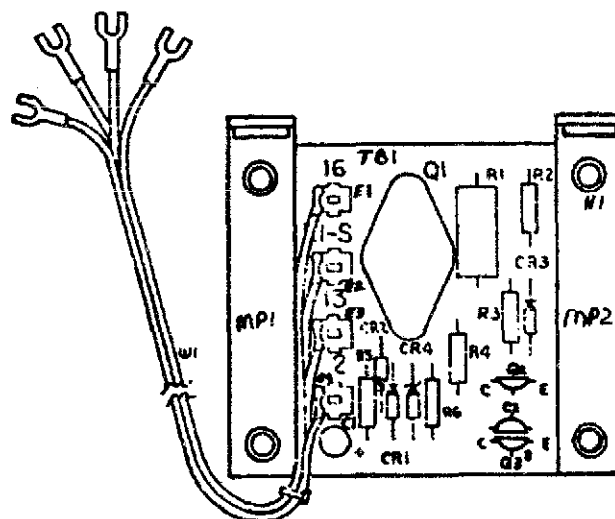
| REF. NO. | PART NO. | QTY. USED | PART DESCRIPTION |
|----------|----------|-----------|------------------------|
| | 300-0935 | 1 | Control, Start Adapter |
| E1-4 | 332-1511 | 4 | Terminal Lug |
| E5-8 | 332-1489 | 4 | Terminal Lug |
| H1 | 818-0005 | 4 | Rivet, Blind |
| K1 | 307-1185 | 1 | Relay, Armature |
| K2 | 307-1185 | 1 | Relay, Armature |
| MP1 | 332-1656 | 1 | Bracket, Mounting |
| MP2 | 332-1656 | 1 | Bracket, Mounting |
| TB1 | 332-1491 | 1 | Printed Wiring Board |
| W1 | 338-0680 | 1 | Harness, Wiring |



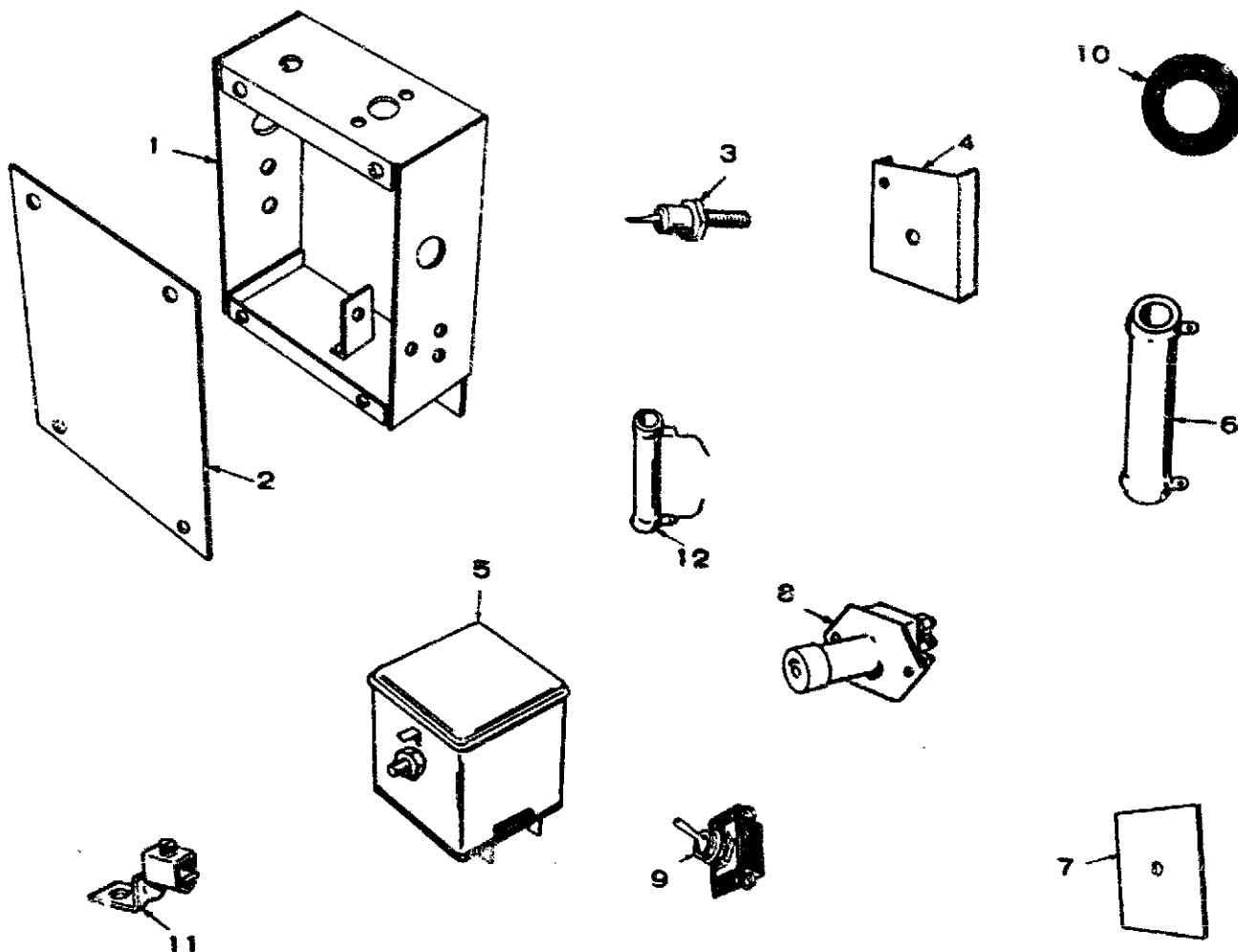
DISCONNECT ADAPTER CONTROL

(Use Effective Serial Number 0675954985 During Spec R)

| REF. NO. | PART NO. | QTY. USED | PART DESCRIPTION |
|----------|----------|-----------|---------------------------------------|
| | 300-1227 | 1 | Control, Disconnect Adapter |
| C1 | 356-0059 | 1 | Capacitor (2.2 Mfd, 20%, 35 Volts DC) |
| C2 | 355-0039 | 1 | Capacitor (.002 Mfd., 50 Volts) |
| CR1,2,3 | 357-0004 | 1 | Rectifier |
| CR4 | 359-0036 | 1 | Diode |
| E1-4 | 332-1511 | 4 | Terminal Lug |
| H1 | 818-0005 | 4 | Rivet, Blind |
| MP1,2 | 332-1656 | 1 | Bracket, Mounting |
| Q1 | 362-0035 | 1 | Transistor |
| Q2,3 | 362-0011 | 1 | Transistor |
| R1 | 350-1124 | 1 | Resistor (100-Ohm, 2 Watt, 10%) |
| R2 | 350-0536 | 1 | Resistor (1000-Ohm, 1/2 Watt, 10%) |
| R3 | 350-0527 | 1 | Resistor (180-Ohm, 1/2 Watt, 10%) |
| R4 | 350-0396 | 1 | Resistor (2400-Ohm, 1/2 Watt, 5%) |
| R5 | 350-0398 | 1 | Resistor (3000-Ohm, 1/2 Watt, 5%) |
| R6 | 350-0411 | 1 | Resistor (10,000-Ohm, 1/2 Watt, 5%) |
| TB1 | 332-1833 | 1 | Printed Wiring Board |
| W1 | 338-0935 | 1 | Harness, Wiring |

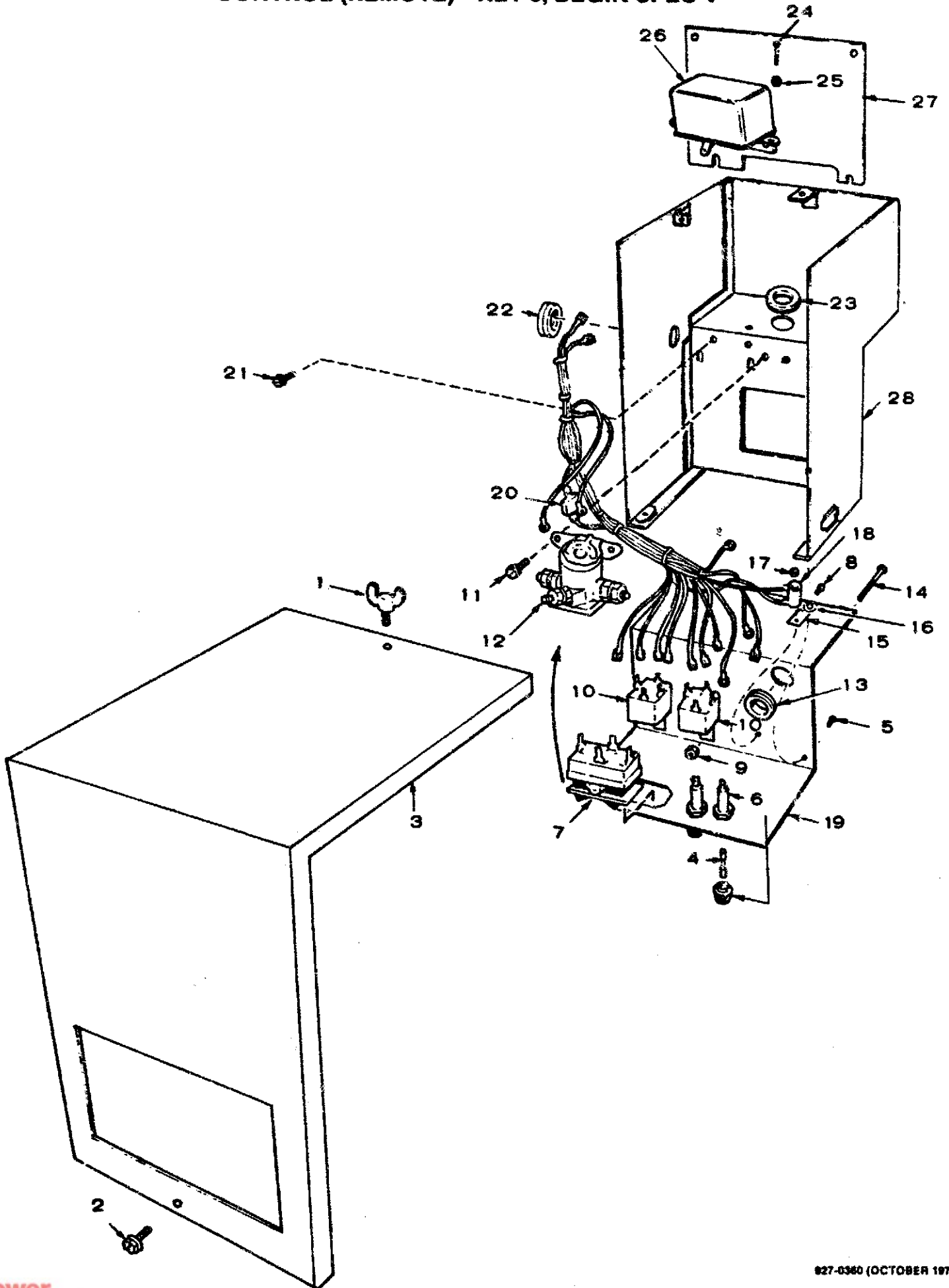


CONTROL (SET MOUNTED) - KEYS 1,2,3



| REF. NO. | PART NO. | QTY. USED | PART DESCRIPTION |
|----------|----------|-----------|-------------------------------|
| 1 | 301-3452 | 1 | Box, Control |
| 2 | 301-3453 | 1 | Cover, Control Box |
| 3 | 305-0235 | 1 | Rectifier (10 Amp, 100 Volt) |
| 4 | 305-0254 | 1 | Sink, Heat-Rectifier Mounting |
| 5 | 307-1052 | 1 | Relay, 6 Volt |
| 6 | 353-0006 | 1 | Resistor (6-Ohm, 50 Watt) |
| 7 | 304-0292 | 1 | Insulator, Resistor Mounting |
| 8 | 308-0028 | 1 | Switch, Start |
| 9 | 308-0069 | 1 | Switch, Ignition |
| 10 | 508-0109 | 1 | Grommet, Rubber - For 1" Hole |
| 11 | 332-0142 | 1 | Terminal, Ground |
| 12 | 304-0251 | 1 | Resistor (30-Ohm, 5 Watt) |

CONTROL (REMOTE) - KEY 5, BEGIN SPEC V



827-0360 (OCTOBER 1979)

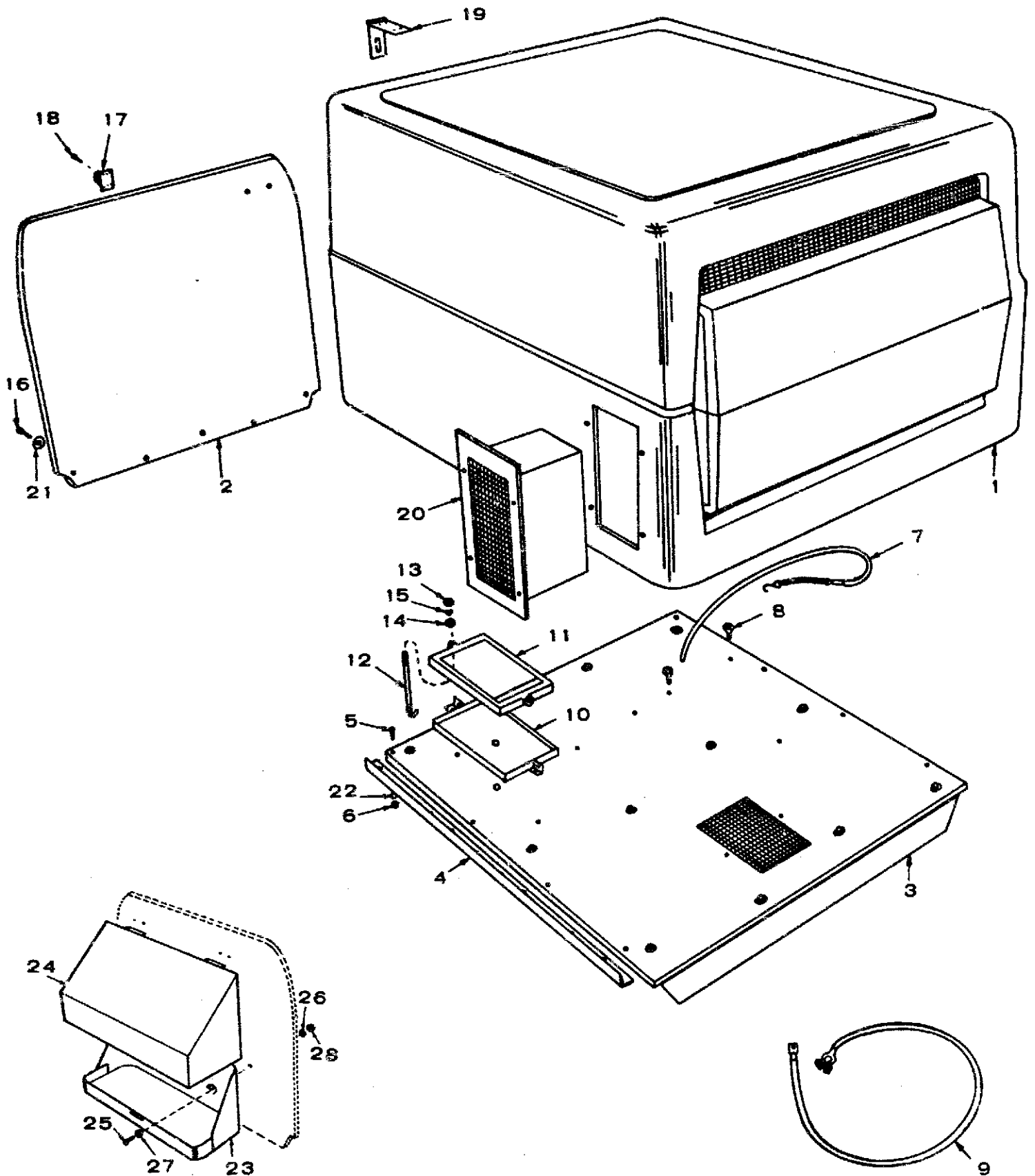
Redistribution or publication of this document by any means, is strictly prohibited.

CONTROL (REMOTE) - KEY 5, BEGIN SPEC V

| REF. NO. | PART NO. | QTY. USED | PART DESCRIPTION | REF. NO. | PART NO. | QTY. USED | PART DESCRIPTION |
|----------|----------|-----------|--|----------|----------|-----------|--|
| 1 | 518-0056 | 1 | Screw, Wing (#10-32 x 1/2") | 15 | 304-0580 | 1 | Insulator, Mounting |
| 2 | 821-0004 | 1 | Screw, Self-locking - HWH (#10-32 x 5/16") | 16 | 508-0015 | 1 | Insulator, Washer |
| 3 | 301-4545 | 1 | Cove., Control Box | 17 | 870-0221 | 1 | Nut, Hex - With External Tooth Lockwasher (#8-32) |
| 4 | FUSE | | | 18 | 352-0161 | 1 | *Resistor, Fixed, Wirewound (100-Ohm, 5 Watt) |
| | 321-0146 | 1 | 10 Ampere | 19 | 301-4442 | 1 | Panel, Control |
| | 321-0174 | 1 | 5 Ampere | 20 | 357-0030 | 1 | *Diode, Rectifier |
| 5 | 821-0004 | 4 | Screw, Self-locking - HWH (#10-32 x 5/16") | 21 | 821-0008 | 2 | Screw, Self-locking - HWH (1/4-20 x 5/16") |
| 6 | 321-0175 | 2 | Fuseholder | 22 | 508-0208 | 1 | Insulator, Bushing |
| 7 | 308-0383 | 1 | Switch, Toggle - Start/Stop | 23 | 508-0191 | 1 | Insulator, Bushing |
| 8 | 821-0004 | 2 | Screw, Self-locking - HWH (#10-32 x 5/16") | 24 | 821-0004 | 2 | Screw, Self-locking - HWH (#10-32 x 5/16") |
| 9 | 870-0131 | 2 | Nut, Hex - With External Tooth Lockwasher (#10-32) | 25 | 870-0131 | 2 | Nut, Hex - With External Tooth Lockwasher (#10-32) |
| 10 | 307-1575 | 2 | *Relay | 26 | 305-0383 | 1 | Regulator, Voltage |
| 11 | 821-0008 | 2 | Screw, Self-locking - HWH (1/4-20 x 5/16) | 27 | 301-4441 | 1 | Plate, Mounting - Relay and Regulator |
| 12 | 307-1617 | 1 | Solenoid | 28 | 301-4634 | 1 | Box, Control |
| 13 | 331-0088 | 1 | Insulator, Bushing | 29 | 338-1292 | 1 | Harness, Wiring (Includes Parts Marked *) |
| 14 | 812-0087 | 1 | Screw, Machine - Round Head (#8-32 x 1-1/2") | | | | |

* - Parts Included in 338-1292 Wiring Harness.

HOUSING

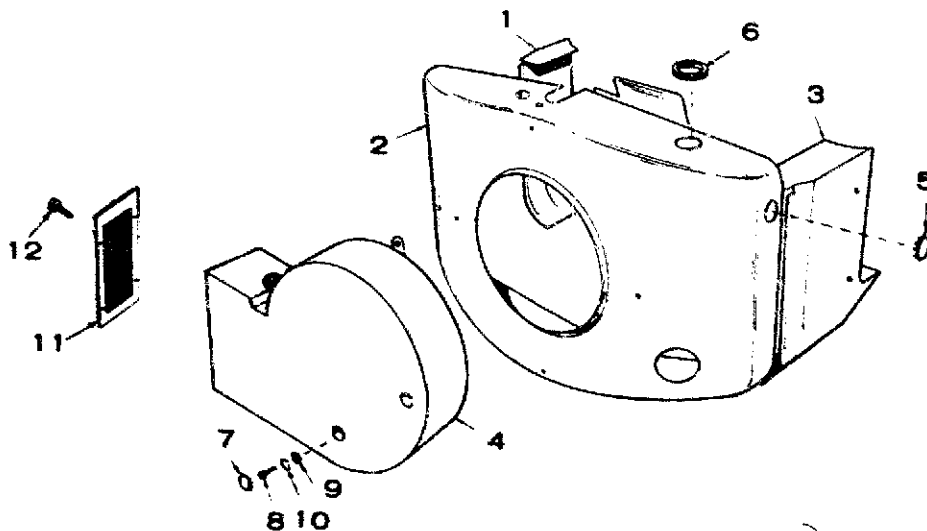


HOUSING

| REF. NO. | PART NO. | QTY. USED | PART DESCRIPTION | REF. NO. | PART NO. | QTY. USED | PART DESCRIPTION |
|----------|---------------------|-----------|---|----------|----------|-----------|---|
| 1 | 405-1928 | 1 | Housing Assembly, Unit (Includes Parts Marked *) | 14 | 526-0054 | 2 | Washer, Flat (21/64" ID x 3/4" OD x 1/16") |
| 2 | PANEL, REAR HOUSING | | | 15 | 850-0045 | 2 | Washer, Lock - Spring (5/16") |
| | 405-1927 | 1 | Keys 1,2,3,6 | 16 | 815-0062 | 5 | Bolt, Lag (3/8 x 3") |
| | 405-2170 | 1 | Keys 4,5 | 17 | 406-0360 | 1 | Plate, Hasp |
| 3 | 403-1000 | 1 | Base, Mounting | 18 | 815-0362 | 4 | Screw, Wood (#8 x 3/4") |
| 4 | 403-1001 | 2 | Molding, Trim | 19 | 406-0359 | 1 | Hinge, Hasp |
| 5 | 813-0105 | 8 | Screw, Machine - Round Head (10-32 x 1-1/4") | 20 | 405-1925 | 1 | Duct, Air Housing |
| 6 | 870-0131 | 8 | Nut, Hex (#10-32) | 21 | 526-0013 | 5 | Washer, Flat (25/64" ID x 1" OD x 1/16") |
| 7 | 403-1002 | 1 | Hold-down Assembly, Fuel Tank - Keys 1,2 | 22 | 526-0009 | 8 | Washer, Flat (7/32" ID x 1/2" OD x 1/16") |
| 8 | 815-0363 | 5 | Screw Eye, Wood - Fuel Tank Hold-down - Keys 1,2 | 23 | 159-1031 | 1 | Bracket, Gas Can - Keys 4,5 |
| 9 | CABLE, BATTERY | | | 24 | 405-2175 | 1 | Hood, Gas Can - Keys 4,5 |
| | 416-0049 | 1 | Negative | 25 | 800-0008 | 4 | Screw, Cap - Hex Head (1/4-20 x 1-1/4") |
| | 416-0549 | 1 | Positive | 26 | 850-0040 | 4 | Washer, Lock - Spring (1/4") |
| 10 | 416-0638 | 1 | Tray, Battery | 27 | 526-0015 | 4 | Washer, Flat (9/32" ID x 9/16" OD x 1/16") |
| 11 | 416-0612 | 1 | Frame, Battery Hold-down | 28 | 862-0001 | 4 | Nut, Hex (1/4-20) |
| 12 | 416-0541 | 2 | Stud (5/16-18 x 7-1/2") - Battery Hold-down | | | | |
| 13 | 862-0015 | 2 | Nut, Hex (5/16-18) | | | | |

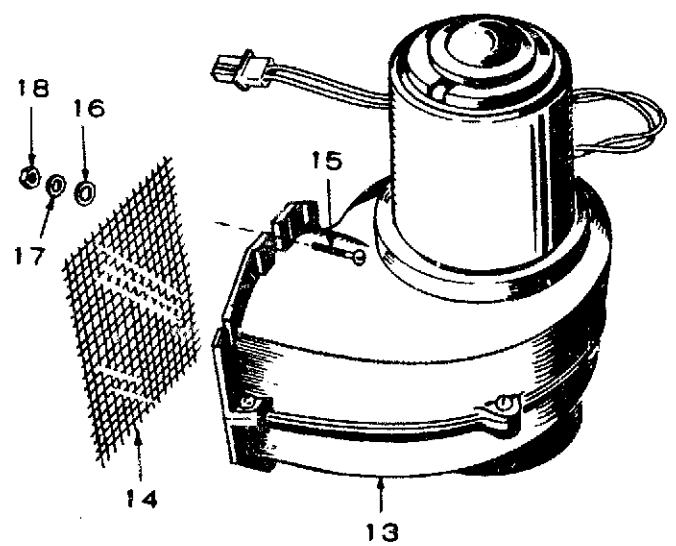
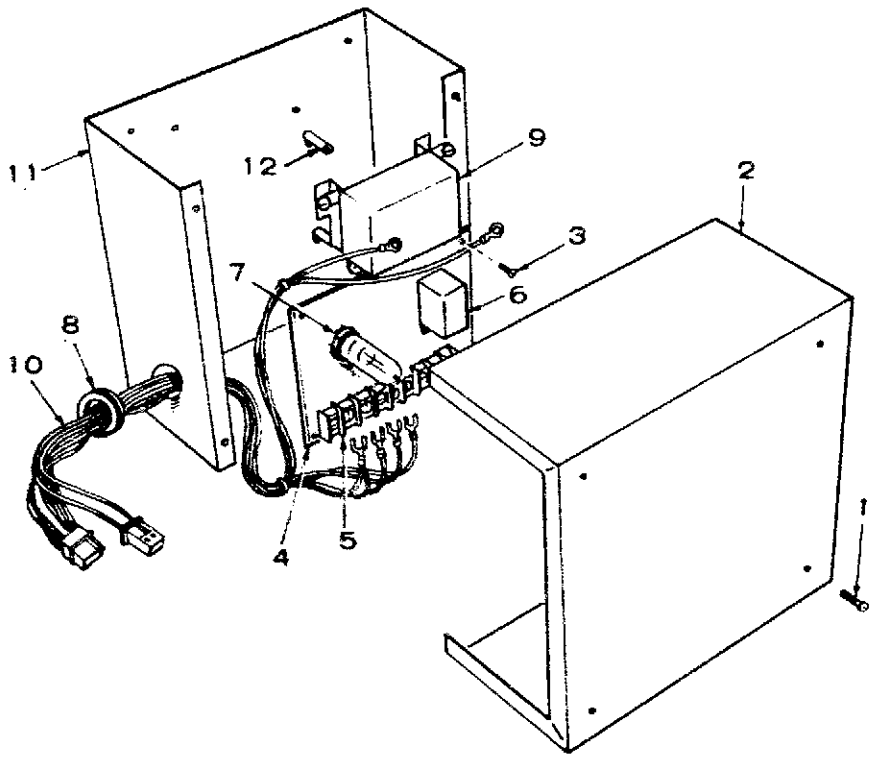
* - Parts Included in 405-1928 Housing assembly.

AIR HOUSING



| REF. NO. | PART NO. | QTY. USED | PART DESCRIPTION |
|----------|------------------------|-----------|--|
| 1 | 134-0589 | 1 | Housing, Cylinder Air - Left Side |
| 2 | HOUSING, BLOWER | | |
| | 134-2522 | 1 | Keys 1,2,3 |
| | 134-2522 | 1 | Keys 4,5,6 - Begin Serial #221189 During Spec R |
| | 134-2102 | 1 | Keys 4,5,6 - Prior to Serial #221189 During Spec R |
| 3 | 134-0588 | 1 | Housing, Cylinder Air - Right Side |
| 4 | SCROLL, BLOWER HOUSING | | |
| | 134-3069 | 1 | Spec R through U |
| | 134-3916 | 1 | Begin Spec V |
| 5 | 517-0035 | 1 | Plug, Dot Button (1-1/16") |
| 6 | 508-0166 | 1 | Grommet, Rubber - Keys 1,2,3 |
| 7 | 517-0021 | 2 | Plug, Dot Button (7/8") |
| 8 | SCREW, CAP - HEX HEAD | | |
| | 821-0018 | 4 | Spec R through U (1/4-20 x 5/8") |
| | 821-0008 | 4 | Begin Spec V (1/4-20 x 1/2") |
| 9 | 526-0015 | 4 | Washer, Flat (9/32" ID x 9/16" OD x 1/16") |
| 10 | 853-0013 | 4 | Washer, Lock - ET (1/4") |
| 11 | 134-2956 | 1 | Guard, Scroll Outlet |
| 12 | 815-0421 | 4 | Screw, Tapping - Hex Head With ET (#10 x 1/2") |

EXHAUST BLOWER AND REMOTE CONTROL - KEYS 4 and 5



| REF. NO. | PART NO. | QTY. USED | PART DESCRIPTION |
|----------|---------------------------------|-----------|--|
| | REMOTE CONTROL, COMPLETE | | |
| | 300-1140 | 1 | Keys 4,5 - Spec R through U (Includes Parts Marked *) |
| | 300-1819 | 1 | Key 5 - Begin Spec V (Includes Parts Marked &) |
| 1 | 815-0350 | 4 | *Screw, Tapping - Hex Head (#10-32 x 3/8") |
| 2 | 301-3911 | 1 | *Cover, Control |
| 3 | 812-0066 | 4 | *Screw, Machine - Round Head (#6-32 x 5/8") |
| 4 | CIRCUIT BOARD ASSEMBLY | | |
| | 332-1716 | 1 | *Keys 4,5 - Spec R through U (Includes Parts Marked †) |
| | 332-2264 | 1 | &Key 5 - Begin Spec V (Includes Parts Marked §) |
| 5 | 332-1450 | 1 | †‡Terminal Block |
| 6 | 307-1185 | 1 | †Relay |
| 7 | 307-1347 | 1 | †‡Relay, Time Delay |
| 8 | 508-0008 | 2 | *Grommet, Rubber |

| REF. NO. | PART NO. | QTY. USED | PART DESCRIPTION |
|----------|------------------------|-----------|---|
| 9 | 307-0597 | 1 | *Relay - Start/Stop |
| 10 | HARNESS, WIRING | | |
| | 338-0893 | 1 | *Keys 4,5 - Spec R through U |
| | 338-1276 | 1 | &Key 5 - Begin Spec V |
| 11 | 301-3910 | 1 | *Box, Control |
| 12 | 313-0016 | 4 | *Spacer |
| 13 | 399-0092 | 1 | Blower, Exhaust |
| 14 | 405-2172 | 1 | Screen, Exhaust Blower |
| 15 | 812-0156 | 2 | Screw, Machine - Round Head (1/4-20 x 1-1/2") |
| 16 | 526-0015 | 2 | Washer, Flat (9/32" ID x 9/16" OD x 1/16") |
| 17 | 850-0045 | 2 | Washer, Lock - Spring (1/4") |
| 18 | 862-0001 | 2 | Nut, Hex (1/4-20) |

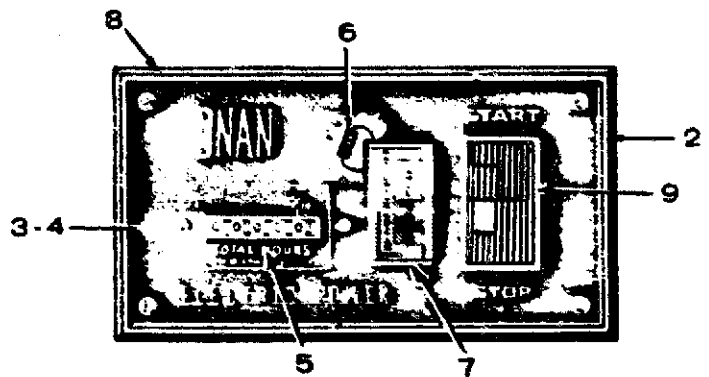
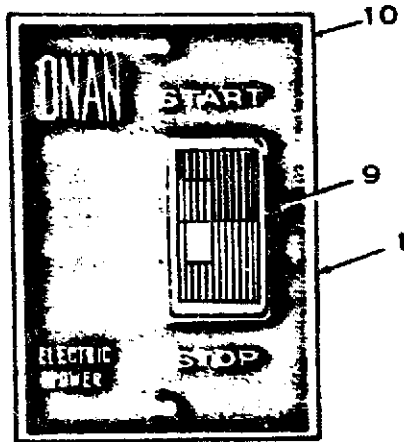
* - Parts Included in 300-1140 Remote Control Assembly.
 & - Parts Included in 300-1819 Remote Control Assembly.
 † - Parts Included in 332-1716 Circuit Board Assembly.
 § - Parts Included in 332-2264 Circuit Board Assembly.

SERVICE KITS AND MISCELLANEOUS

| REF. NO. | PART NO. | QTY. USED | PART DESCRIPTION |
|---------------------|----------------------------------|----------------------|-----------------------------|
| | 98-1100 | 1 | Decal Kit |
| | 160-0836 | 1 | Ignition Tune-Up Kit |
| | 168-0103 | 1 | Gasket Kit, Set |
| | 168-0095 | 1 | Gasket Kit, Carbon Removal |
| | 522-0164 | 1 | Overhaul Kit, Engine |
| | TOUCH-UP PAINT (Pressurized Can) | | |
| | 525-0137 | 1 | Metallic Green (16-oz.) |
| | 525-0305 | 1 | Non-Metallic Green (13 oz.) |

NOTE: For other kits, refer to the Group for the part in question.

CONTROL (REMOTE STARTING) - OPTIONAL



| REF. NO. | PART NO. | QTY. USED | PART DESCRIPTION |
|---------------------------------|----------|-----------|---|
| CONTROL, REMOTE STARTING | | | |
| 1 | 300-0985 | 1 | Standard Model (Includes Parts Marked *) |
| 2 | 300-0986 | 1 | Deluxe Model (Includes Parts Marked +) |
| 3 | 815-0366 | 2 | +Screw, Machine - Round Head (#6-32 x 1/2") |
| 4 | 860-0005 | 2 | +Nut, Hex (#6-32) |
| 5 | 302-0885 | 1 | +Meter, Time Totalizing |
| 6 | 359-0034 | 1 | +Diode |
| 7 | 302-0888 | 1 | +Meter, Battery Condition |
| 8 | 301-3606 | 1 | +Panel, Control |
| 9 | 308-0341 | 1 | *+Switch, Rocker |
| 10 | 301-3566 | 1 | *Panel, Control |

* - Parts Included in 300-0985 Control.
 + - Parts Included in 300-0986 Control.

SUPPLEMENTARY INSTRUCTIONS AND PARTS LIST

This Supplement applies to the 5.0CCK-3CR/13000 and the 6.5NH-3CR/13000 Home Standt Generator Sets. Use this Supplement with the 927-0360 Operator's Manual and Parts Catalog for the CCK sets and with 940-0360 Operator's Manual and Parts Catalog for the NH sets.

The new models, designated by the Spec Number 13000, are fully automatic for starting and stopping when used with an "Onan" "ET" series Automatic Load Transfer Switch.

INSTRUCTIONS:

The automatic start-stop control includes a trickle battery charging circuit which is used to maintain the starting battery of the generator set. The charge rate is adjustable from 50-300 milliamperes. The control panel includes a milliammeter for state of charge readings. The battery charger consists of a transformer, full wave rectifier and resistors. The trickle charge rate should be set to maintain the unit's battery at full charge. For the first several weeks of operation, the rheostat should be set and the battery condition checked frequently. (Use a hydrometer.) Adjust the charger for a minimum charge rate that will maintain charge condition. Higher rates will shorten battery life. Large ambient temperature changes may require a different charge rate adjustment.

WARNING *FIRST disconnect the battery cables and then remove AC line power to the generator set (remove the "On Utility" fuse F-2 from the ET transfer switch) before performing any maintenance or service. This will eliminate accidental starting of the generator set and prevent a serious shock hazard.*

The Cranking Limiter circuit breaker in the automatic start-stop control de-energizes the generator set starting circuit after 45-90 seconds of cranking time to prevent running batteries down. Reset cranking limiter by pushing in the red button on control housing before cranking is again attempted. The cranking limiter is an electrically-operated thermal relay which protects the engine cranking circuit. The circuit is energized when the engine begins to crank and remains energized until the engine starts. If the engine does not start, a heating element in the limiter opens the cranking circuit after approximately one minute. A one-minute "cool down" period is required before attempting to reset the cranking limiter to start the unit.

NOTE: If repeated attempts to start the set fail, check the fuel supply before resetting the cranking limiter. Lack of fuel will cause the cranking limiter circuit to energize each time set is cranked.

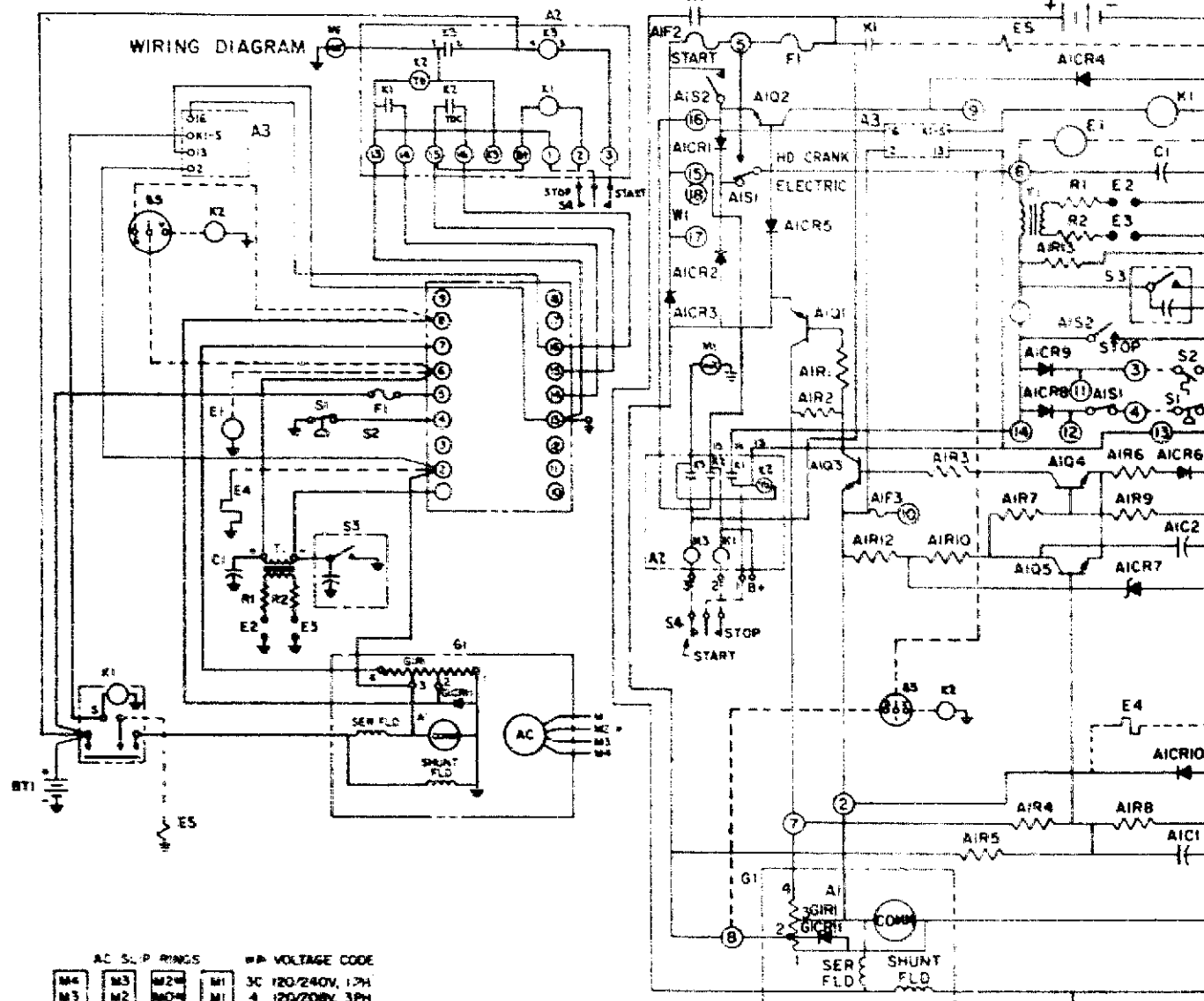
Schematics of the generator set, start-stop control and automatic transfer switch are also included with this supplement.

WARNING *Always use an appropriately sized, approved double-throw transfer switch with any standby generator set. DO NOT PLUG PORTABLE OR STAND SETS DIRECTLY INTO A HOUSE RECEPTACLE TO PROVIDE EMERGENCY POWER. It is possible for current to flow from the generator set into the utility line. This creates extreme hazards to anyone working on lines to restore power.*

611-1116 C

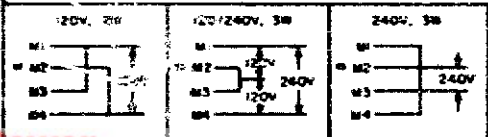
SCHMATIC

WIRING DIAGRAM



| AC SLP RINGS | | W/P VOLTAGE CODE | |
|--------------|----|------------------|----|
| M4 | M3 | M2 | M1 |
| M3 | M2 | M1 | |
| M3 | M2 | M1 | |
| M3 | M2 | M1 | |
| M3 | M2 | M1 | |
| M3 | M2 | M1 | |
| M3 | M2 | M1 | |
| M3 | M2 | M1 | |
| M3 | M2 | M1 | |
| M3 | M2 | M1 | |

RECONNECTION CHART



| CHOKE | MODEL | WRG HARNESS | CONTROL ASSY |
|------------------|-------|-------------|--------------|
| -O1 OMAN CHOKE | CCK | 338-0891 D | 300-1141 C |
| -O2 SISSON CHOKE | NH | 328-0897 D | 300-1168 D |

| PARTS LIST | | | |
|--------------------------|---------------|-----|------------------------------------|
| REF DES | PART NO | QTY | DESCRIPTION |
| | SEE TAB | 1 | CONTROL ASSY |
| A1 | 3000250(REF) | 1 | CONTROL-GEN SET ASSY |
| A2 | 3001140(REF) | 1 | CONTROL-REMOTE |
| A3 | 30081227(REF) | 1 | CONTROL-DISE INPTR |
| B1 | SEE TAB | 1 | WIRING HARNESS |
| | | | |
| PARTS LIST ENG GEN (REF) | | | |
| B1 | | 1 | BATTERY-12 VDC |
| C1 | | 1 | CAPACITOR-0.1 MFD |
| | | | |
| E1 | | 1 | PUMP-FUEL OR GAS VALVE |
| E2, E3 | | 2 | SPARK PLUG |
| E4 | | 1 | CHISEL-OMAN |
| E5 | | 1 | CHOKE-SISSON |
| G1 | | 1 | GENERATOR |
| G1CR11 | 257-17 | 1 | DIODE-31 |
| G1R1 | 303-47 | 1 | RESISTOR |
| K1 | 3078108 | 1 | RELAY-START SOLENOID |
| K2 | 3078102 | 1 | FUEL-SOLENOID |
| F1 | 321P193 | 1 | HOLDER ASSY-FUSE |
| M1 | | 1 | LEAD ASSY-10 TENSION |
| M2 | | 1 | LEAD ASSY-10 TENSION |
| M3 | 339A92 | 1 | BLOWER-EXH |
| | | | |
| S1 | | 1 | SWITCH-LOW OIL PRESS |
| | | | |
| S2 | | 1 | BRENDED & CAP ASSY |
| S4 | | 1 | SWITCH-START STOP(DISTANCE REMOTE) |
| S5 | 148B367 | 1 | SPRINK-VACUUM (FUEL SOLENOID) |
| T1 | | 1 | COIL-IGNITION |

* WHEN USED

9111-110

A1 ADDED A3
 SUPERS DWG SAME NO DATED 7-23-74
 2-17-75 CDR GWHH WS
 CONTROL-GEN SET
 WIRING DIAGRAM

| | | | | |
|--------------------|-------|-------|----------|----|
| PO | S1 | S0 | S3 | B9 |
| 120/240V, 4 TO 3W, | 1 PH, | 60 Hz | 611-1116 | C |



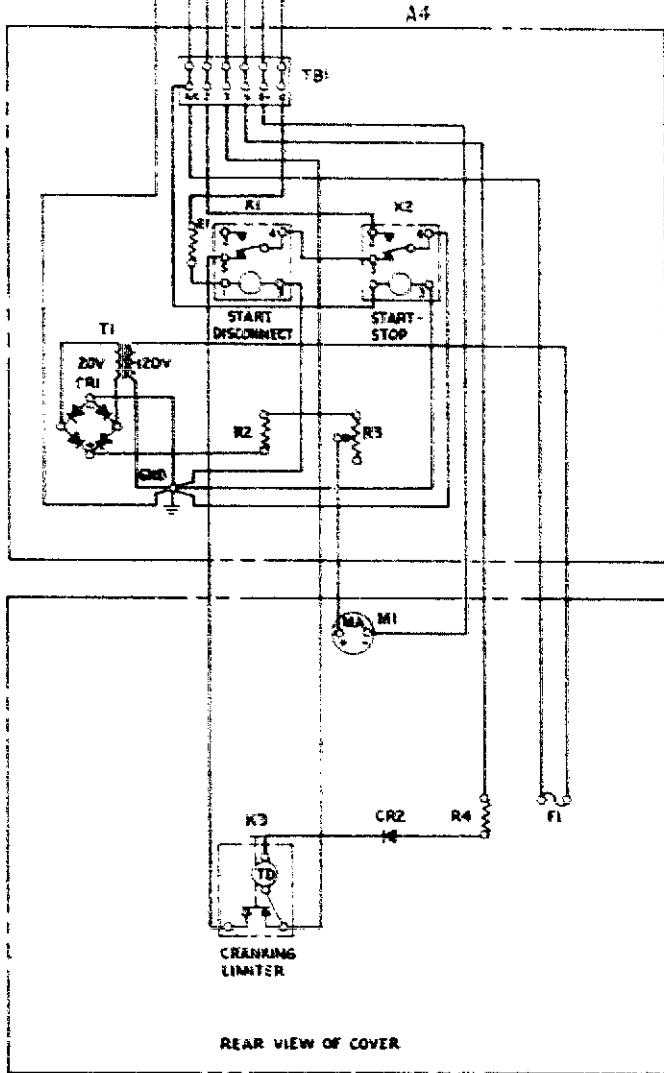
Redistribution or publication of this document by any means, is strictly prohibited.

625-1407

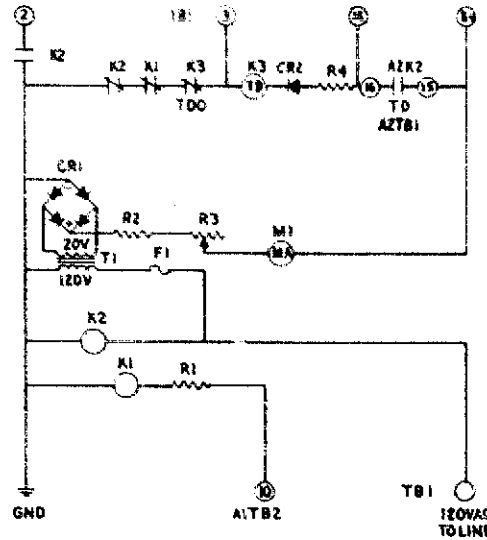
CRT

TO GEN SET CONTROL (A1TB2-10)
 TO START SOLENOID (K1-B+)
 TO REMOTE CONTROL (AZTB1-16)
 TO REMOTE CONTROL (AZTB1-3)
 TO REMOTE CONTROL (AZTB1-2)
 TO LINE 120VAC (1)
 TO GND

WIRING DIAGRAM
 INSIDE VIEW OF BOX



SCHEMATIC



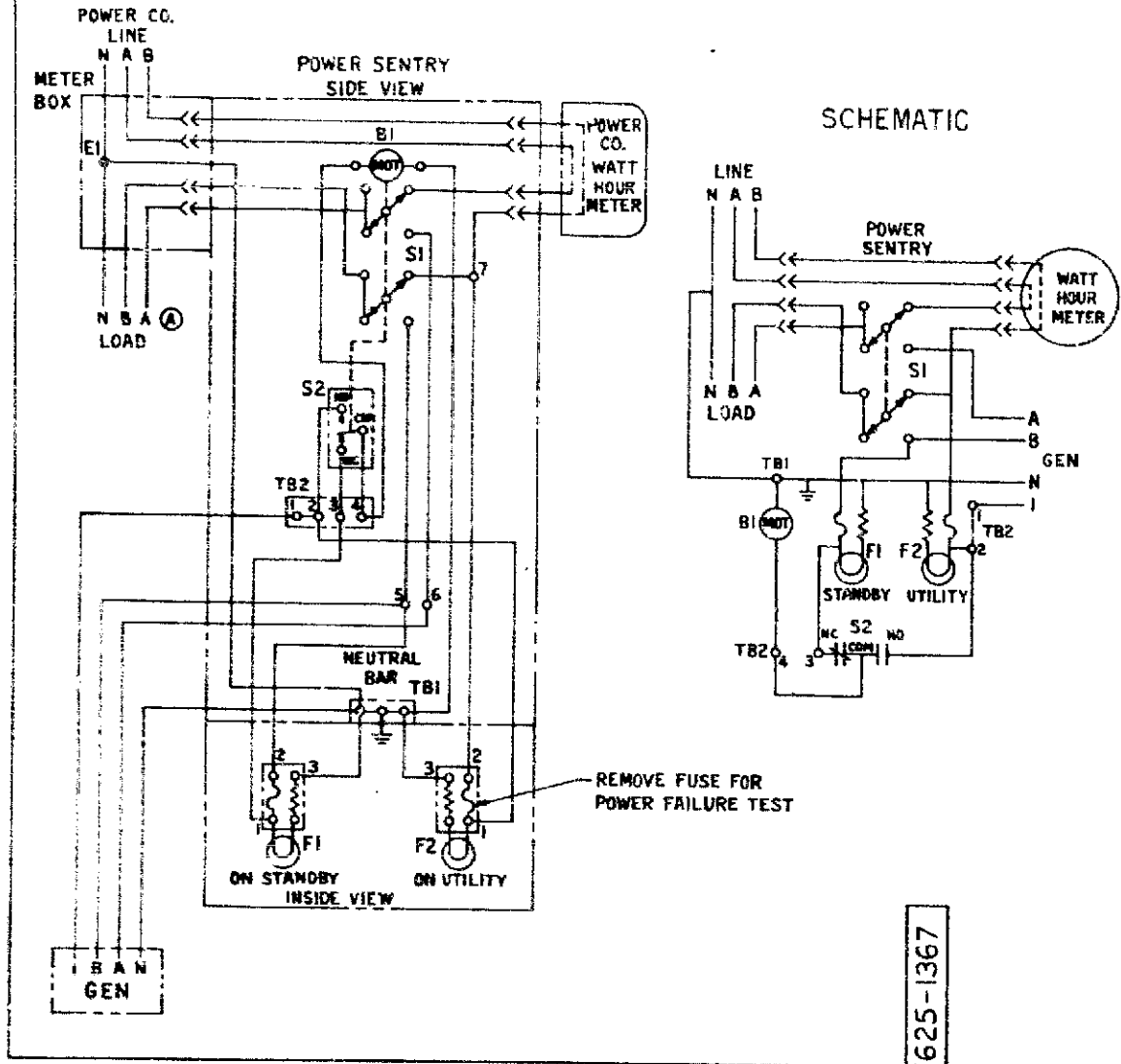
NOTE:
 3 WIRE STARTING 12 VDC CHARGING COILS
 OPERATE ON 120 VAC

NOTE:
 USED WITH S & CCA-3CR 13100R &
 B 5M4-3CR 13300R

| REF DES | PART NO | QTY | DESCRIPTION |
|---------|----------|-----|-----------------------------|
| CR1 | 335-0129 | B | RECTIFIER-BRIDGE |
| CR2 | 357-0013 | A | RECTIFIER-DIODE-3 AMP |
| F1 | 127-0067 | A | FUSE-5 AMP |
| K1 | 137-1495 | B | RELAY-START DISCONNECT 200V |
| K2 | 127-1496 | B | RELAY-START-STOP 120V |
| K3 | 127-0104 | B | RELAY-CRANKING LIMITER |
| M1 | 367-0409 | P | MILLIAMETER-DC |
| R1 | 350-0364 | A | RESISTOR-115 1/2 1.2W |
| R2 | 104-0538 | A | RESISTOR-15 1/8W |
| R3 | 104-0005 | A | RESISTOR-150 1/2W |
| R4 | 104-0217 | A | RESISTOR-1 10W |
| T1 | 315-0069 | A | TRANSFORMER |
| TB1 | 122-0009 | A | TERMINAL BLOCK |
| | 132-4245 | A | MARKER STRIP |
| NOT REF | | | |
| A4 | 300-1321 | C | CONTROL-START STOP ASSY |

625-1407

625-1367 WIRING DIAGRAM



| PARTS LIST | | | | |
|------------|-----|----------------|-----|---------------------------------|
| REF | DES | PART NO. (REF) | QTY | DESCRIPTION |
| | | 31B-0091 | 1 | SWITCH & CONDUIT ASSY (100 AMP) |
| B1 | | | 1 | MOTOR |
| E1 | | | 1 | CONNECTOR - WIRE |
| F1,2 | | | 1 | FUSE HOLDER ASSY |
| S1 | | | 1 | SWITCH - POWER SENTRY |
| S2 | | | 1 | SWITCH - MICRO |
| TB1 | | | 1 | NEUTRAL BAR |
| TB2 | | | 1 | TERMINAL BLOCK |

| | | | |
|--|----------|-----|----------------|
| A REVISED A&B ON LOAD SIDE W/ 5-12-75 | | | |
| REV | REVISION | CHK | DATE |
| Ogden DIVISION OF STUDEBAKER CORPORATION <small>Manufacture, Minnesota</small> | | | |
| DATE | BY | CHK | APP |
| 1-24-75 | CDR | | W.M.H. |
| NAME POWER SENTRY (WIRING DIAGRAM) | | | |
| DWG. NO. | 625-1367 | | DWG. SIZE B |

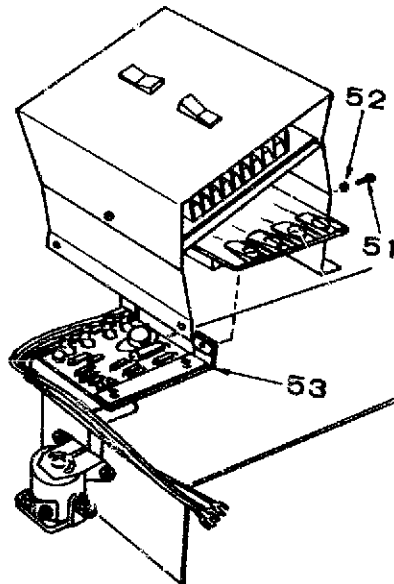
MODEL NO
ETUAP

625-1367

PARTS LIST:

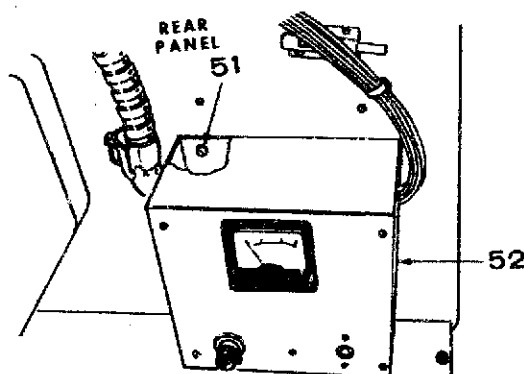
The following parts apply to both the CCK and NH Spec 13000 Sets; use these parts in place of/or in addition to those listed in the manuals. Note: Parts that are similar in appearance to those in the manuals are not illustrated. The reference numbers correspond to the numbers in the applicable Group Illustrations in the manual.

CONTROL GROUP



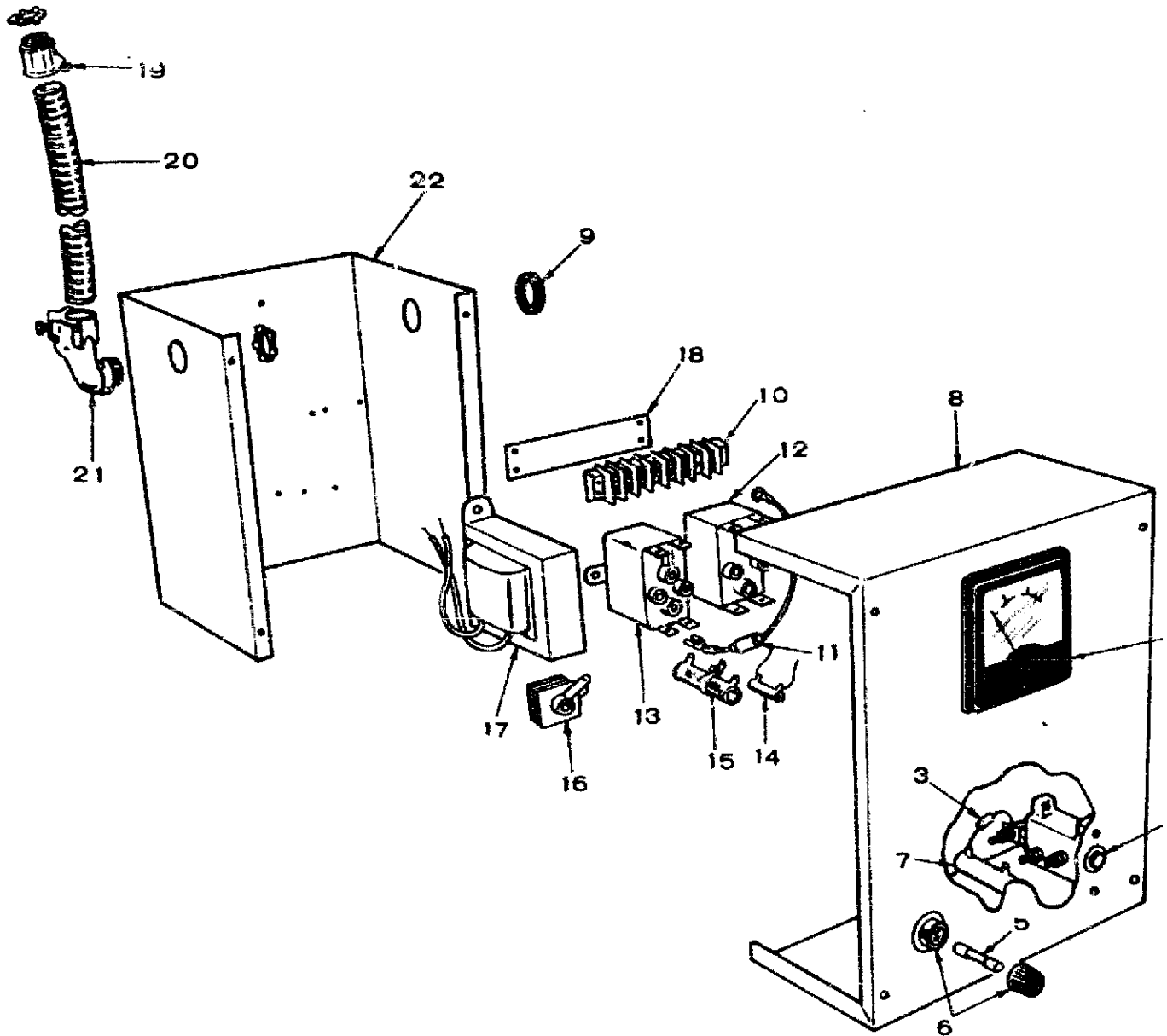
| REF. NO. | PART NO. | QTY. USED | DESCRIPTION |
|----------|----------|-----------|--|
| 51 | 812-0077 | 2 | Screw, Machine - Round Head (#8-32 x 3/8") |
| 52 | 853-0005 | 2 | Washer, Lock - External Tooth #8 |
| 53 | 300-1227 | 1 | *Control, Disconnect Adapter (Used beginning with serial #0675954985 during Spec "R" for CCK Sets and during Spec "F" for NH Sets) Optional for use on earlier models. |

HOUSING GROUP



| REF. NO. | PART NO. | QTY. USED | DESCRIPTION |
|----------|----------|-----------|---|
| 51 | 808-0024 | 4 | Screw, Tapping - Round Head (#8 x 5/8") |
| 52 | 300-1321 | 1 | *Control, START-STOP - Automatic (Used beginning with SPEC 13000 Models, Optional For earlier models) |

AUTOMATIC START-STOP CONTROL GROUP - OPTIONAL EQUIPMENT



| REF. NO. | PART NO. | QTY. USED | DESCRIPTION |
|----------|----------|-----------|---|
| 1 | 815-0350 | 4 | Screw, Tapping - Hex Washer Head (#10-32 x 3/8") |
| 2 | 302-0489 | 1 | Ammeter |
| 3 | 357-0013 | 1 | Diode, Rectifier |
| 4 | 320-0104 | 1 | Circuit Breaker - Time Delay (Cranking Limiter) |

AUTOMATIC START-STOP CONTROL GROUP - OPTIONAL EQUIPMENT (Continued)

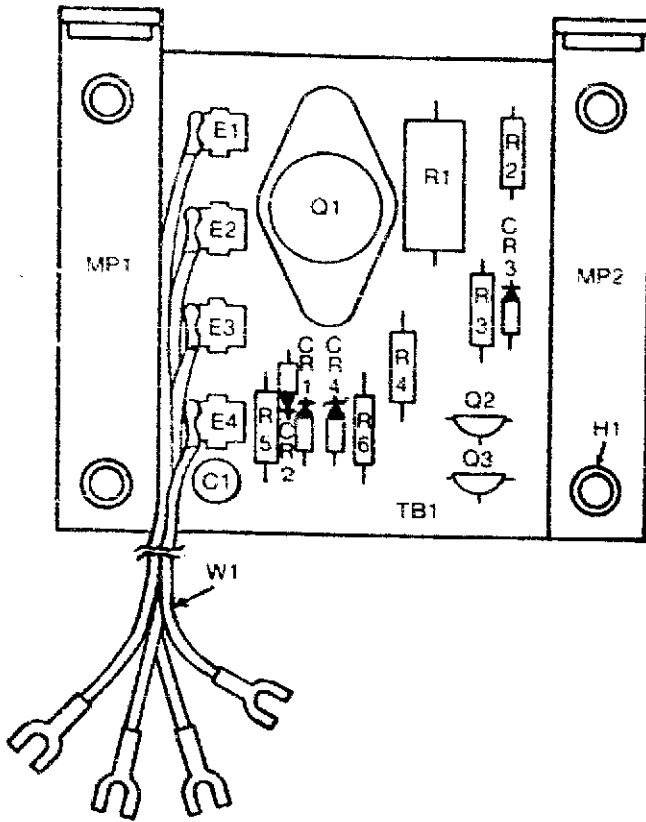
| REF. NO. | PART NO. | QTY. USED | DESCRIPTION |
|----------|----------|-----------|--|
| 5 | 321-0067 | 1 | Fuse, Cartridge - 1 Amp |
| 6 | 321-0104 | 1 | Fuse Holder |
| 7 | 304-0217 | 1 | Resistor, Fixed - 1 Ohm, 10W |
| 8 | 301-4033 | 1 | Cover, Control Box |
| 9 | 508-0008 | 1 | Grommet, Rubber |
| 10 | 332-0699 | 1 | Terminal Block (6 Places) |
| 11 | 304-0717 | 1 | Resistor, Fixed - 110 Ohm, 1/2 W (With Leads and Terminals) |
| 12 | 307-1496 | 1 | Relay, Armature - SPDT, 120 VAC, 60 HZ, 8 Amp |
| 13 | 307-1495 | 1 | Relay, Armature - SPDT, 24 VDC 8 Amp |
| 14 | 304-0538 | 1 | Resistor, Fixed - 15 Ohm, 5W |
| 15 | 304-0005 | 1 | Resistor, Adjustable - 0-150 Ohm, 25 W |
| 16 | 305-0129 | 1 | Rectifier, Selenium - Bridge, 26 VDC, 300 MA |
| 17 | 315-0009 | 1 | Transformer, Power, Stepdown - 115 to 22 VAC, 12.5 VA, 50/60 Hz |
| 18 | 332-1925 | 1 | Strip, Marker |
| 19 | 331-0007 | 1 | Connector, Conduit - Straight (1/2") |
| 20 | 331-0047 | As Req'd. | Conduit, Flexible (1/2")-15" Used |
| 21 | 331-0010 | 1 | Connector, Conduit - 90° (1/2") |
| 22 | 301-4028 | 1 | Box, Control |

ATTACHING HARDWARE - NOT ILLUSTRATED
(Select as Applicable)

| | | |
|----------|----------|---|
| 811-0105 | As Req'd | Screw, Machine - Round Head Brass (10-32 x 1") |
| 812-0059 | As Req'd | Screw, Machine - Round Head (#6-32 x 1/4") |
| 812-0061 | As Req'd | Screw, Machine - Round Head (#6-32 x 3/8") |
| 812-0063 | As Req'd | Screw, Machine - Round Head (#6-32 x 1/2") |
| 812-0067 | As Req'd | Screw, Machine - Round Head (#6-32 x 7/8") |
| 812-0077 | As Req'd | Screw, Machine - Round Head (8-32 x 3/8") |
| 812-0087 | As Req'd | Screw, Machine - Round Head (#8-32 x 1 1/2") |
| 812-0090 | As Req'd | Screw, Machine - Round Head (#8-32 x 2 1/4") |
| 813-0013 | As Req'd | Screw, Machine - Round Head (#10-32 x 2-3/8") |
| 850-0025 | As Req'd | Washer, Lock - Spring (#8) |
| 850-0030 | As Req'd | Washer, Lock - Spring (#10) |
| 853-0008 | As Req'd | Washer, Lock - External Tooth (#10) |
| 856-0003 | As Req'd | Washer, Lock - External/Internal Tooth #10 |
| 526-0003 | As Req'd | Washer, Flat (11/64" ID x 3/8" OD x 1/32" THK) |
| 526-0049 | As Req'd | Washer, Flat Brass (0.200" ID x 7/16" OD x 1/32" THK) |
| 860-0005 | As Req'd | Nut, Hex (#6-32) |
| 860-0008 | As Req'd | Nut, Hex (#8-32) |
| 861-0008 | As Req'd | Nut, Hex (#10-32) |
| 871-0010 | As Req'd | Nut, Hex - Brass (#10-32) |
| 508-0033 | As Req'd | Washer, Insulating Mica (7/32" ID x 3/4" OD) |
| 304-0014 | As Req'd | Washer, Stepped Resistor Centering |



DISCONNECT ADAPTER CONTROL GROUP



| REF. NO. | PART NO. | QTY. USED | PART DESCRIPTION |
|----------|----------|-----------|-----------------------------------|
| | 300-1227 | 1 | Control, Disconnect Adapter |
| C1 | 356-0059 | 1 | Capacitor, 2.2 Mfd 20% 35 vdc |
| CR1 | 357-0004 | 1 | Rectifier |
| CR2 | 357-0004 | 1 | Rectifier |
| CR3 | 357-0004 | 1 | Rectifier |
| CR4 | 359-0036 | 1 | Diode |
| E1-4 | 332-1511 | 4 | Terminal, Lug |
| H1 | 818-0005 | 4 | Rivet, Blind |
| MP1 | 332-1656 | 1 | Bracket, Mounting |
| MP2 | 332-1656 | 1 | Bracket, Mounting |
| Q1 | 362-0035 | 1 | Transistor |
| Q2 | 362-0011 | 1 | Transistor |
| Q3 | 362-0011 | 1 | Transistor |
| R1 | 350-1124 | 1 | Resistor 100-Ohm, 2 Watt, 10% |
| R2 | 350-0536 | 1 | Resistor 1000-Ohm, 1/2 Watt, 10% |
| R3 | 350-0527 | 1 | Resistor 180-Ohm, 1/2 Watt, 10% |
| R4 | 350-0396 | 1 | Resistor 2400-Ohm, 1/2 Watt, 5% |
| R5 | 350-0398 | 1 | Resistor 3000-Ohm, 1/2 Watt, 5% |
| R6 | 350-0411 | 1 | Resistor 10,000-Ohm, 1/2 Watt, 5% |
| TB1 | 332-1833 | 1 | Printed Wiring Board |
| W1 | 338-0935 | 1 | Wiring Harness |

SPEC. PARTS DATA INDEX NO. 15

| MODEL | SPEC. | FICHE LOCATION |
|-------------|--------|----------------|
| 4.2CCK-53CR | 8800R | 1 F2 |
| 4.2CCK-57E | 8800R | 1 F3 |
| 5.0CCK-3CR | 8800R | 1 F4 |
| 4.2CCK-53CR | 13136R | 1 F5 |
| 5.0CCK-3CE | 13136R | 1 F6 |
| 5.0CCK-3CR | 13136R | 1 F7 |
| 5.0CCK-3CE | 14387R | 1 F8 |
| 5.0CCK-3CR | 14387R | 1 F9 |
| 5.0CCK-3CE | 14449R | 1 F10 |
| 5.0CCK-3CR | 14449R | 1 F11 |
| 5.0CCK-3CE | 15202R | 1 F12 |
| 5.0CCK-3CR | 15202R | 1 F13 |
| 5.0CCK-3CR | 15838R | 1 F14 |
| 5.0CCK-3CR | 17314R | 1 G1 |
| 5.0CCK-3CR | 18251R | 1 G2 |
| 5.0CCK-3CR | 19571R | 1 G3 |
| 4.0CCK-53CR | 14387V | 1 G4 |
| 4.0CCK-57R | 14387V | 1 G5 |
| 5.0CCK-3CR | 14387V | 1 G6 |
| 5.0CCK-3CR | 17314V | 1 G7 |
| 5.0CCK-3CR | 21198R | 1 G8 |
| 5.0CCK-3CR | 21929V | 1 G9 |

SPECIAL PARTS LIST FOR MODEL 4.2CCK-53CR SPEC 8800R
 FOR STANDARD PARTS REFER TO CATALOG 927-0360 KEY NO. 4
 (PARTS CATALOG ALSO CONTAINS COMPONENTS FOR MAJOR OPTIONAL FEATURES LISTED BELOW)

WIRING DIAGRAM NO. 611-1116-01

| PART NO. | QTY. | DESCRIPTION | PART NO. | QTY. | DESCRIPTION |
|----------|------|-----------------------------|----------|------|-------------|
| 220-1822 | 1 | Stator Assembly, Wound | | | |
| 201-1912 | 1 | Rotor Assembly, Wound | | | |
| 166-0643 | 1 | Coil, Ignition | | | |
| 300-1227 | 1 | Control, Disconnect Adapter | | | |
| 155-1195 | 1 | Connector, Exhaust Tube | | | |
| 155-1015 | 1 | Clamp, Muffler | | | |
| 155-1218 | 1 | Muffler, Exhaust | | | |

SPECIAL PARTS LIST FOR MODEL 4.2CCK-57E SPEC 8800R
 FOR STANDARD PARTS REFER TO CATALOG 927-0360 KEY NO. 1
 (PARTS CATALOG ALSO CONTAINS COMPONENTS FOR MAJOR OPTIONAL FEATURES LISTED BELOW)
 WIRING DIAGRAM NO. 606-0201-01

| PART NO. | QTY. | DESCRIPTION | PART NO. | QTY. | DESCRIPTION |
|----------|------|-----------------------------|----------|------|-------------|
| 220-1822 | 1 | Stator Assembly, Wound | | | |
| 201-2330 | 1 | Rotor Assembly, Wound | | | |
| 338-0643 | 1 | Harness, Wiring - Generator | | | |
| 338-0721 | 1 | Harness, Wiring - Control | | | |

SPECIAL PARTS LIST FOR MODEL 5.0CCK-3CR SPEC 880GR
 FOR STANDARD PARTS REFER TO CATALOG 927-0360 KEY NO. 4
 (PARTS CATALOG ALSO CONTAINS COMPONENTS FOR MAJOR OPTIONAL FEATURES LISTED BELOW)
 WIRING DIAGRAM NO. 611-1116-01

| PART NO. | QTY. | DESCRIPTION | PART NO. | QTY. | DESCRIPTION |
|----------|------|-----------------------------|----------|------|-------------|
| 220-1821 | 1 | Stator Assembly, Wound | | | |
| 166-0643 | 1 | Coil, Ignition | | | |
| 300-1227 | 1 | Control, Disconnect Adapter | | | |
| 155-1195 | 1 | Connector, Exhaust ube | | | |
| 155-1015 | 1 | Clamp, Muffler | | | |
| 155-1218 | 1 | Muffler, Exhaust | | | |

SPECIAL PARTS LIST FOR MODEL 4.2CCK-53CR SPEC 13136R
 FOR STANDARD PARTS REFER TO CATALOG 927-0360 KEY NO. 6
 (PARTS CATALOG ALSO CONTAINS COMPONENTS FOR MAJOR OPTIONAL FEATURES LISTED BELOW)
 WIRING DIAGRAM NO. 611-1090-10

| PART NO. | QTY. | DESCRIPTION | PART NO. | QTY. | DESCRIPTION |
|----------|------|---|----------|------|-------------|
| 160-0257 | 1 | Box Assembly, Breaker (Refer to Standard Breaker Box for Components, Except Mounting Screws) | | | |
| 812-0077 | 2 | Screw, Breaker Box Mounting (8-32 x 3/8") | | | |
| 160-0043 | 1 | Gasket, Breaker Box Mounting | | | |
| 220-1822 | 1 | Stator Assembly, Wound | | | |
| 338-0738 | 1 | Harness, Wiring - Includes Fuse and Holder | | | |
| 166-0645 | 1 | Coil, Ignition | | | |
| 155-1195 | 1 | Connector, Exhaust Tube | | | |
| 155-1015 | 1 | Clamp, Muffler | | | |
| 201-1912 | 1 | Rotor Assembly, Wound | | | |

SPECIAL PARTS LIST FOR MODEL 5.0CCK-3CE SPEC 13136R
 FOR STANDARD PARTS REFER TO CATALOG 927-0360 KEY NO. 3
 (PARTS CATALOG ALSO CONTAINS COMPONENTS FOR MAJOR OPTIONAL FEATURES LISTED BELOW)
 WIRING DIAGRAM NO. 606-0201-01

| PART NO. | QTY. | DESCRIPTION | PART NO. | QTY. | DESCRIPTION |
|----------|------|---|----------|------|-------------|
| 160-0257 | 1 | Box Assembly, Breaker (Refer to Standard Breaker Box for Components, Except Mounting Screws) | | | |
| 812-0077 | 2 | Screw, Breaker Box Mounting (8-32 x 3/8") | | | |
| 160-0043 | 1 | Gasket, Breaker Box Mounting | | | |
| 220-1821 | 1 | Stator Assembly, Wound | | | |

SPECIAL PARTS LIST FOR MODEL 5.0CCK-3CR SPEC 13136R
 FOR STANDARD PARTS REFER TO CATALOG 927-0360 KEY NO. 6
 (PARTS CATALOG ALSO CONTAINS COMPONENTS FOR MAJOR OPTIONAL FEATURES LISTED BEL

WIRING DIAGRAM NO. 611-1090-10

| PART NO. | QTY. | DESCRIPTION | PART NO. | QTY. | DESCRIPTION |
|----------|------|---|----------|------|-------------|
| 160-0257 | 1 | Box Assembly, Breaker (Refer to Standard Breaker Box for Components, Except Mounting Screws) | | | |
| 812-0077 | 2 | Screw, Breaker Box Mounting (8-32 x 3/8") | | | |
| 160-0043 | 1 | Gasket, Breaker Box Mounting | | | |
| 220-1821 | 1 | Stator Assembly, Wound | | | |
| 338-0738 | 1 | Harness, Wiring - Includes Fuse and Holder | | | |
| 166-0643 | 1 | Coil, Ignition | | | |
| 155-1195 | 1 | Connector, Exhaust Tube | | | |
| 155-1015 | 1 | Clamp, Muffler | | | |

SPECIAL PARTS LIST FOR MODEL 5.0CCK-3CE SPEC 14387R
 FOR STANDARD PARTS REFER TO CATALOG 927-0360 KEY NO. 2
 (PARTS CATALOG ALSO CONTAINS COMPONENTS FOR MAJOR OPTIONAL FEATURES LISTED BELOW)

WIRING DIAGRAM NO. 606-0201-01

| PART NO. | QTY. | DESCRIPTION | PART NO. | QTY. | DESCRIPTION |
|----------|------|---|----------|------|-------------|
| 160-0257 | 1 | Box Assembly, Breaker (Refer to Standard Breaker Box for Components, Except Mounting Screws) | | | |
| 812-0077 | 2 | Screw, Breaker Box Mounting (8-32 x 3/8") | | | |
| 160-0043 | 1 | Gasket, Breaker Box Mounting | | | |
| 220-1821 | 1 | Stator Assembly, Wound | | | |
| 338-0721 | 1 | Harness, Wiring - Control | | | |

SPECIAL PARTS LIST FOR MODEL 5.0CCK-3CR SPEC 14387R
 FOR STANDARD PARTS REFER TO CATALOG 927-0360 KEY NO. 5
 (PARTS CATALOG ALSO CONTAINS COMPONENTS FOR MAJOR OPTIONAL FEATURES LISTED BELOW)

WIRING DIAGRAM NO. 611-1116-01

| PART NO. | QTY. | DESCRIPTION | PART NO. | QTY. | DESCRIPTION |
|----------|------|---|----------|------|-------------|
| 160-0257 | 1 | Box Assembly, Breaker (Refer to Standard Breaker Box for Components, Except Mounting Screws) | | | |
| 812-0077 | 2 | Screw, Breaker Box Mounting (8-32 x 3/8") | | | |
| 160-0043 | 1 | Gasket, Breaker Box Mounting | | | |
| 220-1821 | 1 | Stator Assembly, Wound | | | |
| 155-1218 | 1 | Muffler, Exhaust | | | |
| 166-0643 | 1 | Coil, Ignition | | | |
| 155-1195 | 1 | Connector, Exhaust Tube | | | |
| 155-1015 | 1 | Clamp, Muffler | | | |
| 300-1227 | 1 | Control, Disconnect Adapter | | | |

SPECIAL PARTS LIST FOR MODEL 5.0CCK-3CE SPEC 14449R
 FOR STANDARD PARTS REFER TO CATALOG 927-0360 KEY NO. 1
 (PARTS CATALOG ALSO CONTAINS COMPONENTS FOR MAJOR OPTIONAL FEATURES LISTED BELOW)
 WIRING DIAGRAM NO. 606-0201-01

| PART NO. | QTY. | DESCRIPTION | PART NO. | QTY. | DESCRIPTION |
|----------|------|----------------------------------|----------|------|-------------|
| 102-0859 | 1 | Base, Oil - Includes Filler Neck | | | |
| 505-0110 | 1 | Plug, Oil Base (3/8") | | | |
| 505-0054 | 1 | Plug, Oil Base (1/4") | | | |
| 220-1821 | 1 | Stator Assembly, Wound | | | |
| 338-0721 | 1 | Harness, Wiring - Control | | | |

SPECIAL PARTS LIST FOR MODEL 5.0CCK-3CR SPEC 14449R
 FOR STANDARD PARTS REFER TO CATALOG 927-0360 KEY NO. 4
 (PARTS CATALOG ALSO CONTAINS COMPONENTS FOR MAJOR OPTIONAL FEATURES LISTED BELOW)

WIRING DIAGRAM NO. 611-1116-01

| PART NO. | QTY. | DESCRIPTION | PART NO. | QTY. | DESCRIPTION |
|----------|------|----------------------------------|----------|------|-------------|
| 102-0859 | 1 | Base, Oil - Includes Filler Neck | | | |
| 505-0110 | 1 | Plug, Oil Base (3/8") | | | |
| 505-0054 | 1 | Plug, Oil Base (1/4") | | | |
| 155-1218 | 1 | Muffler, Exhaust | | | |
| 155-1195 | 1 | Connector, Exhaust Tube | | | |
| 155-1015 | 1 | Clamp, Muffler | | | |
| 220-1821 | 1 | Stator Assembly, Wound | | | |
| 300-1227 | 1 | Control, Disconnect Adapter | | | |
| 166-0643 | 1 | Coil, Ignition | | | |

SPECIAL PARTS LIST FOR MODEL 5.0CCK-3GE SPEC 15202R
 FOR STANDARD PARTS REFER TO CATALOG 927-0360 KEY NO. 1
 (PARTS CATALOG ALSO CONTAINS COMPONENTS FOR MAJOR OPTIONAL FEATURES LISTED BELOW)
 WIRING DIAGRAM NO. 606-0201-01

| PART NO. | QTY. | DESCRIPTION | PART NO. | QTY. | DESCRIPTION |
|--|------|------------------------|----------|------|-------------|
| 220-1821 | 1 | Stator Assembly, Wound | | | |
| Parts not Furnished by Onan Housing and Associated Parts. | | | | | |

SPECIAL PARTS LIST FOR MODEL 5.0CCK-3CR SPEC 15202R
 FOR STANDARD PARTS REFER TO CATALOG 927-0360 KEY NO. 4
 (PARTS CATALOG ALSO CONTAINS COMPONENTS FOR MAJOR OPTIONAL FEATURES LISTED BELOW
 WIRING DIAGRAM NO. 611-1116-01

| PART NO. | QTY. | DESCRIPTION | PART NO. | QTY. | DESCRIPTION |
|---|------|-----------------------------|----------|------|-------------|
| 220-1821 | 1 | Stator Assembly, Wound | | | |
| 166-0643 | 1 | Coil, Ignition | | | |
| 300-1227 | 1 | Control, Disconnect Adapter | | | |
| 155-1195 | 1 | Connector, Exhaust Tube | | | |
| 155-1015 | 1 | Clamp, Muffler | | | |
| 155-1218 | 1 | Muffler, Exhaust | | | |
| Parts not Furnished by Onan Housing and Associated Parts | | | | | |

SPECIAL PARTS LIST FOR MODEL S. UCCK-5GR SPEC 15858R
 FOR STANDARD PARTS REFER TO CATALOG 927-0360 KEY NO. 6
 (PARTS CATALOG ALSO CONTAINS COMPONENTS FOR MAJOR OPTIONAL FEATURES LISTED BELOW)
 WIRING DIAGRAM NO. 611-1090-10

| PART NO. | QTY. | DESCRIPTION | PART NO. | QTY. | DESCRIPTION |
|----------|------|---|----------|------|-------------|
| 160-0257 | 1 | Box Assembly, Breaker (Refer to Standard Breaker Box for Components, Except Mounting Screws) | | | |
| 812-0077 | 2 | Screw, Breaker Box Mounting (8-32 x 3/8") | | | |
| 160-0043 | 1 | Gasket, Breaker Box Mounting | | | |
| 220-1821 | 1 | Stator Assembly, Wound | | | |
| 338-0738 | 1 | Harness, Wiring - Includes Fuse and Holder | | | |
| 166-0643 | 1 | Coil, Ignition | | | |

Parts not Furnished by Onan
 Housing and Associated Parts

SPECIAL PARTS LIST FOR MODEL 5.0CCK-3CR SPEC 17314R
 FOR STANDARD PARTS REFER TO CATALOG 927-0360 KEY NO. 5
 (PARTS CATALOG ALSO CONTAINS COMPONENTS FOR MAJOR OPTIONAL FEATURES LISTED BELOW
 WIRING DIAGRAM NO. 611-1116-01

| PART NO. | QTY. | DESCRIPTION | PART NO. | QTY. | DESCRIPTION |
|----------|------|---|----------|------|-------------|
| 160-0257 | 1 | Box Assembly, Breaker (Refer to Standard Breaker Box for Components, Except Mounting Screws) | | | |
| 812-0077 | 2 | Screw, Breaker Box Mounting (8-32 x 3/8") | | | |
| 160-0043 | 1 | Gasket, Breaker Box Mounting | | | |
| 220-1821 | 1 | Stator Assembly, Wound | | | |
| 300-1227 | 1 | Control, Disconnect Adapter | | | |
| 166-0643 | 1 | Coil, Ignition | | | |
| 155-1195 | 1 | Connector, Exhaust Tube | | | |
| 155-1015 | 1 | Clamp, Muffler | | | |
| 155-1218 | 1 | Muffler, Exhaust | | | |

Parts not Furnished by Onan
 Housing and Associated Parts

SPECIAL PARTS LIST FOR MODEL 5.0CCK-3CR SPEC 18251R
 FOR STANDARD PARTS REFER TO CATALOG 927-0360 KEY NO. 5
 (PARTS CATALOG ALSO CONTAINS COMPONENTS FOR MAJOR OPTIONAL FEATURES LISTED BELOW)
 WIRING DIAGRAM NO. 611-1116-01

| PART NO. | QTY. | DESCRIPTION | PART NO. | QTY. | DESCRIPTION |
|----------|------|---|----------|------|-------------|
| 102-0859 | 1 | Base, Oil - Includes Filler Neck | | | |
| 505-0110 | 1 | Plug, Oil Base (3/8") | | | |
| 505-0054 | 1 | Plug, Oil Base (1/4") | | | |
| 160-0257 | 1 | Box Assembly, Breaker (Refer to Standard Breaker Box for Components, Except Mounting Screws) | | | |
| 812-0077 | 2 | Screw, Breaker Box Mounting (8-32 x 3/8") | | | |
| 160-0043 | 1 | Gasket, Breaker Box Mounting | | | |
| 220-1821 | 1 | Stator Assembly, Wound | | | |
| 300-1227 | 1 | Control, Disconnect Adapter | | | |
| 166-0643 | 1 | Coil, Ignition | | | |
| 155-1195 | 1 | Connector, Exhaust Tube | | | |
| 155-1015 | 1 | Clamp, Muffler | | | |
| 155-1218 | 1 | Muffler, Exhaust | | | |

SPECIAL PARTS LIST FOR MODEL 5.0CCK-3CR SPEC 19571R
 FOR STANDARD PARTS REFER TO CATALOG 927-0360 KEY NO. 6
 (PARTS CATALOG ALSO CONTAINS COMPONENTS FOR MAJOR OPTIONAL FEATURES LISTED BELOW)

WIRING DIAGRAM NO. 611-1090-04

| PART NO. | QTY. | DESCRIPTION | PART NO. | QTY. | DESCRIPTION |
|----------|------|---|----------|------|-------------|
| 102-0859 | 1 | Base, Oil - Includes Filler Neck | | | |
| 505-0110 | 1 | Plug, Oil Base (3/8") | | | |
| 505-0054 | 1 | Plug, Oil Base (1/4") | | | |
| 160-0257 | 1 | Box Assembly, Breaker (Refer to Standard Breaker Box for Components, Except Mounting Screws) | | | |
| 812-0077 | 2 | Screw, Breaker Box Mounting (8-32 x 3/8") | | | |
| 160-0043 | 1 | Gasket, Breaker Box Mounting | | | |
| 220-1821 | 1 | Stator Assembly, Wound | | | |
| 338-0722 | 1 | Harness, Wiring - Includes Fuse and Holder | | | |
| 166-0643 | 1 | Coil, Ignition | | | |
| 155-1195 | 1 | Connector, Exhaust Tube | | | |
| 155-1015 | 1 | Clamp, Muffler | | | |

SPECIAL PARTS LIST FOR MODEL 4.0CCK-53CR SPEC 14387V
 FOR STANDARD PARTS REFER TO CATALOG 927-0360 KEY NO. 5
 (PARTS CATALOG ALSO CONTAINS COMPONENTS FOR MAJOR OPTIONAL FEATURES LISTED BELOW)

WIRING DIAGRAM NO. (ENG)611-1150-02

| PART NO. | QTY. | DESCRIPTION | PART NO. | QTY. | DESCRIPTION |
|----------------------------|------|-----------------------|----------|------|-------------|
| Gas - Gasoline Fuel System | | | | | |
| 201-2506 | 1 | Rotor Assembly, Wound | | | |

SPECIAL PARTS LIST FOR **MODEL** 4.0CCK-57R **SPEC** 14387V
 FOR STANDARD PARTS REFER TO **CATALOG** 927-0360 **KEY NO.** 5
 (PARTS CATALOG ALSO CONTAINS COMPONENTS FOR MAJOR OPTIONAL FEATURES LISTED BELOW)
WIRING DIAGRAM NO. (ENG)611-1150-02

| PART NO. | QTY. | DESCRIPTION | PART NO. | QTY. | DESCRIPTION |
|----------------------------|------|-----------------------------|----------|------|-------------|
| Gas - Gasoline Fuel System | | | | | |
| 201-2507 | 1 | Rotor Assembly, Wound | | | |
| 338-0947 | 1 | Harness, Wiring - Generator | | | |

SPECIAL PARTS LIST FOR **MODEL** 5,0CCK-3CR **SPEC** 14387V
 FOR STANDARD PARTS REFER TO **CATALOG** 927-0360 **KEY NO.** 5
 (PARTS CATALOG ALSO CONTAINS COMPONENTS FOR MAJOR OPTIONAL FEATURES LISTED BELOW)

WIRING DIAGRAM NO. (ENG)611-1150-02

| PART NO. | QTY. | DESCRIPTION | PART NO. | QTY. | DESCRIPTION |
|----------|------|-------------|----------|------|-------------|
|----------|------|-------------|----------|------|-------------|

Gas - Gasoline Fuel System

SPECIAL PARTS LIST FOR **MODEL** 5.0CCK-3CR **SPEC** 17314V
 FOR STANDARD PARTS REFER TO **CATALOG** 927-0360 **KEY NO.** 5
 (PARTS CATALOG ALSO CONTAINS COMPONENTS FOR MAJOR OPTIONAL FEATURES LISTED BELOW)

WIRING DIAGRAM NO. (ENG 611-1150-02)

| PART NO. | QTY. | DESCRIPTION | PART NO. | QTY. | DESCRIPTION |
|---|------|-------------|----------|------|-------------|
| Gas - Gasoline Fuel System | | | | | |
| Parts Not Furnished By Onan Housing And Associated Parts | | | | | |



SPECIAL PARTS LIST FOR **MODEL** 5.0CCK-3CR **SPEC** 21198R
 FOR STANDARD PARTS REFER TO **CATALOG** 927-0360 **KEY NO.** 5
 (PARTS CATALOG ALSO CONTAINS COMPONENTS FOR MAJOR OPTIONAL FEATURES LISTED BELOW)

WIRING DIAGRAM NO. (ENG)611-1116-01

| PART NO. | QTY. | DESCRIPTION | PART NO. | QTY. | DESCRIPTION |
|----------------------------|------|-----------------------------|----------|------|-------------|
| Gas - Gasoline Fuel System | | | | | |
| Low Oil Pressure Cut Off | | | | | |
| 154-0670 | 1 | Manifold, Intake | | | |
| 148-0367 | 1 | Switch, Vacuum | | | |
| 502-0082 | 1 | Nipple, Hex - Vacuum Switch | | | |

SPECIAL PARTS LIST FOR MODEL 5.0CCK-3CR SPEC 21929V
 FOR STANDARD PARTS REFER TO CATALOG 927-0360 KEY NO. 5
 (PARTS CATALOG ALSO CONTAINS COMPONENTS FOR MAJOR OPTIONAL FEATURES LISTED BELOW)

WIRING DIAGRAM NO. (ENG)611-1150-02

| PART NO. | QTY. | DESCRIPTION | PART NO. | QTY. | DESCRIPTION |
|----------|------|-------------|----------|------|-------------|
|----------|------|-------------|----------|------|-------------|

Gas - Gasoline Fuel System