

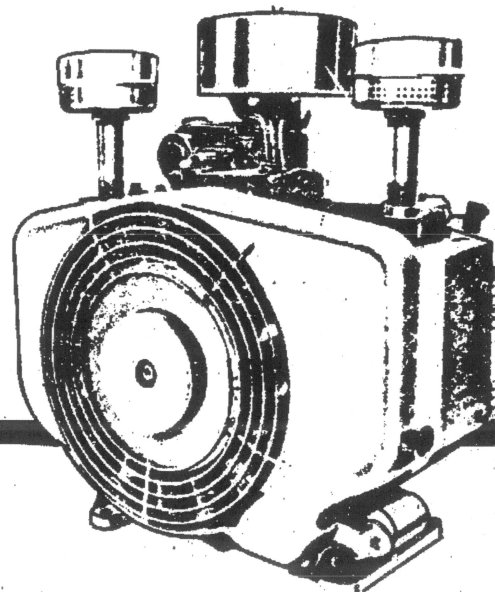
The following catalog has gaps in its page numbers, or doesn't have any numbers. We have chosen to leave the page numbering in the order that Acrobat assigns it.

Onan

Parts Manual

CCK/CCKA Industrial Engine

CCK-S/797 F
CCK-S/797 G
CCKA-S/1627 G
CCKA-S/2316 G
CCKA-S/2583 G
CCKA-S/2597 G
CCKA-S/2737 J
CCKA-S/2744 J
CCKA-S/2976 J
CCKA-S/3166 J
CCKA-S/3522 J



927-2501
8-90
Replaces 12-84
Printed in U.S.A.

INDEX

Base, Oil 8
Bearing, Camshaft 4
Bearing, Crankshaft 10
Block, Cylinder 4
Box, Breaker - Ignition 20

Cable, Spark Plug
Camshaft 7
Carburetor 16
Cleaner, Air 14
Coil, Ignition 19
Crankshaft 6

Element, Air Cleaner 14
Element, Breather 4

Flywheel 6

Gauge, Oil 8
Governor 11, 12
Gearcase 9
Guide, Valve 4

Head, Cylinder 4
Hose, Breather 4
Housing, Blower 22
Housing, Cylinder Air 22

Indicator, Oil Level 8

Kit, Repair - Carburetor 16
Kit, Repair - Fuel Pump 14

Line, Fuel 14

Manifold, Exhaust 14
Manifold, Intake 14

Piston 10
Plug, Spark 19
Points, Ignition 20
Pump, Fuel 14
Pump, Oil 8

Rod, Connecting 10

Seat, Valve 4
Set, Gasket - Engine 23
Set, Ring - Piston 10

Tappet 4

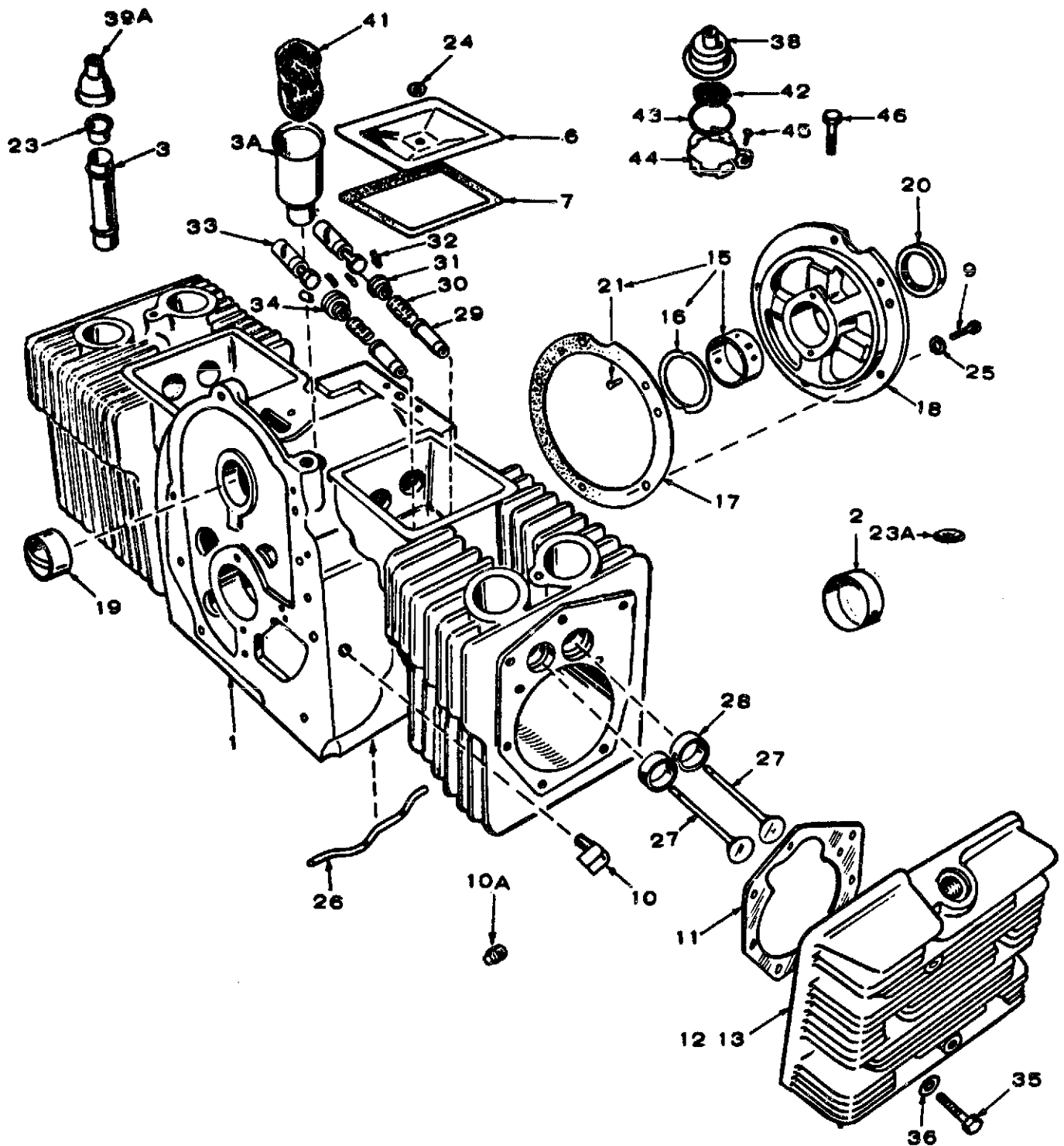
Valve, Exhaust 4
Valve, Intake 4

INTRODUCTION

This catalog applies to the industrial CCK and CCKA Engines listed below and factory installed options. Parts are arranged in groups of related items. Each illustrated part is identified by a reference number corresponding to the same reference number in the parts list for that group. Parts illustrations are typical. Using the *MODEL* and *SPEC NO.* from the engine nameplate, select the Parts Key No. (1, 2, etc., in the last column) that applies to your Engine Model and Spec No. This Parts Key No. represents parts that differ between models. Unless otherwise mentioned in the description, parts are interchangeable between models. Right and left engine sides are determined by *facing* the blower end (front) of the engine.

CCK-S/797	F	Parts Key Number 1
CCK-S/797	L	Parts Key Number 2
CCKA-S/1627	G	Parts Key Number 3
CCKA-S/2316	G	Parts Key Number 4
CCKA-S/2583	G	Parts Key Number 5
CCKA-S/2597	G	Parts Key Number 6
CCKA-S/2737	J	Parts Key Number 7
CCKA-S/2744	J	Parts Key Number 8
CCKA-S/2976	J	Parts Key Number 9
CCKA-S/3166	J	Parts Key Number 10
CCKA-S/3522	J	Parts Key Number 11

CYLINDER BLOCK



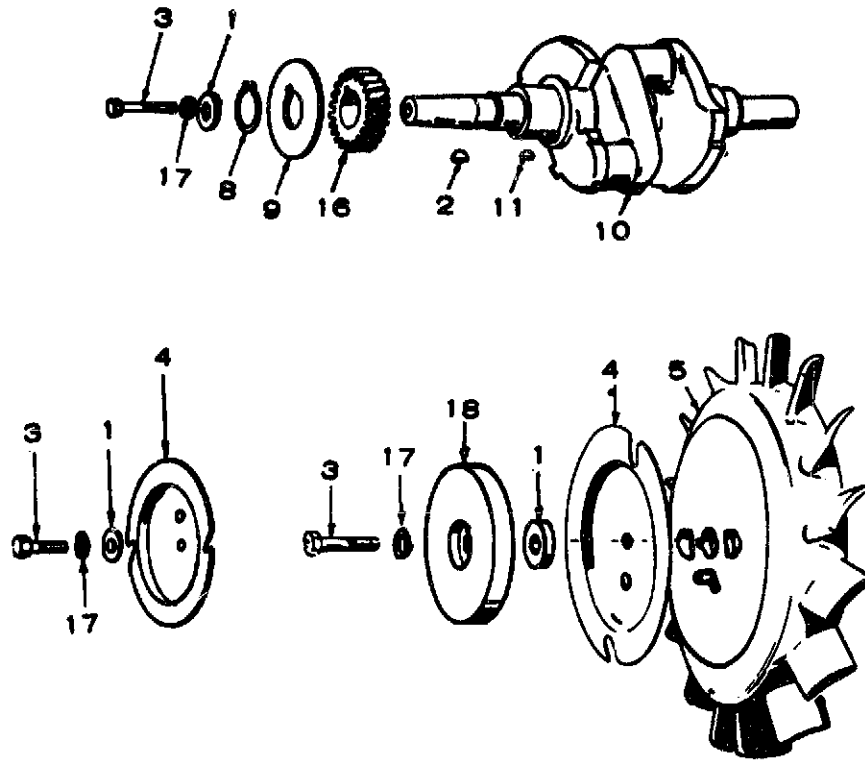
REF. NO.	PART NO.	QTY. USED	PART DESCRIPTION
1	110-1418	1	†Block, Cylinder - Includes Parts Marked
2	110-1283	1	†Cover, Timing Control
3	123-0129	1	Tube, Breather - Parts Key 1 thru 8
3A	123-0953	1	Tube, Breather - Parts Key 9 thru 11
6	110-0666	2	Cover, Valve Compartment

CYLINDER BLOCK

REF. NO.	PART NO.	QTY. USED	PART DESCRIPTION
7	110-0667	2	Gasket, Valve Cover
9	800-0512	5	Screw, Cap - 5/16"-18 x 1"
10	502-0020	1	Elbow, Street - Oil Line
10A	505-0057	1	Plug - 1/8"
11	110-0892	2	Gasket, Cylinder Head
12	110-0884	1	Head, Cylinder - RH
13	110-0883	1	Head, Cylinder - LH
15	101-0450	2	Bearing, Crankshaft
	101-0450-02	2	Bearing, Crankshaft .002 U.S.
	101-0450-10	2	Bearing, Crankshaft .010 U.S.
	101-0450-20	2	Bearing, Crankshaft .020 U.S.
	101-0450-30	2	Bearing, Crankshaft .030 U.S.
16	104-0575	2	†Washer, Crankshaft Bearing
17	101-0115	1	†Gasket Kit, Bearing Plate
18	101-0316	1	Plate, Bearing
19	101-0367	2	†Bearing, Camshaft
20	509-0041	1	Seal, Bearing Plate
21	516-0072	4	Pin, Main Bearing Stop
23	123-0104	1	Valve, Breather Tube
24	526-0063	2	Washer, Valve Compartment Cover
25	850-0045	5	Washer, Lock
26	120-0386	1	†Tube, Crankcase Oil
27	110-0881	2	Valve, Intake
	110-0880	2	Valve, Exhaust
28	110-0872	2	†Insert, Exhaust Valve Seat - Std.
	110-0872-02	2	†Insert, Exhaust Valve Seat - .002 O.S.
	110-0872-05	2	†Insert, Exhaust Valve Seat - .005 O.S.
	110-0872-10	2	†Insert, Exhaust Valve Seat - .010 O.S.
	110-0872-25	2	†Insert, Exhaust Valve Seat - .025 O.S.
29	110-0902	4	†Guide, Valve
30	110-0539	4	Spring, Valve
31	110-0893	2	Washer, Valve Spring Retainer
32	110-0639	8	Lock, Valve and Spring Retainer
33	115-0006	4	Tappet, Valve
	115-0006-05	4	Tappet, Valve .005 O.S.
34	110-0904	2	Rotocap, Exhaust Valve
35	110-0879	8	Screw, Cyl. Hd. 5/16"-18 x 1-1/4"
	114-0022	10	Screw, Cyl. Hd. 5/16"-18 x 1-3/4"
	800-0012	2	Screw, Valve Compartment Cover
36	526-0122	18	Washer, Cyl. Hd.
38	123-0954	1	Cap, Breather Parts - Key 9 thru 11
39A	123-0073	1	Cap, Breather Parts - Key 1 thru 8
41	123-0865	1	Baffle, Breather Tube - Parts Key 9 thru 11
42	123-0958	1	Screen, Breather Tube - Parts Key 9 thru 11
43	509-0117	1	Seal, "O" Ring Breather Tube - Parts Key 9 thru 11
44	123-0951	1	Clamp, Breather Tube - Parts Key 9 thru 11
45	809-0035	1	Screw, Pan Head - #8 x 3/4" - Parts Key 9 thru 11

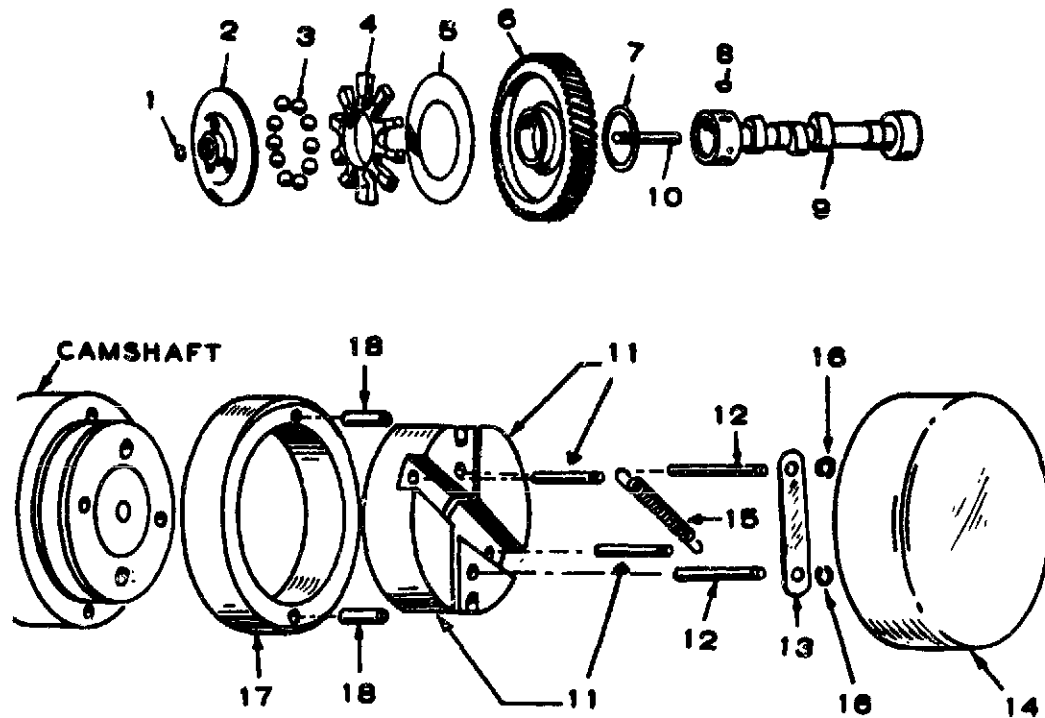
† - Parts included in 110-1418 Cylinder Block.

CRANKSHAFT & FLYWHEEL



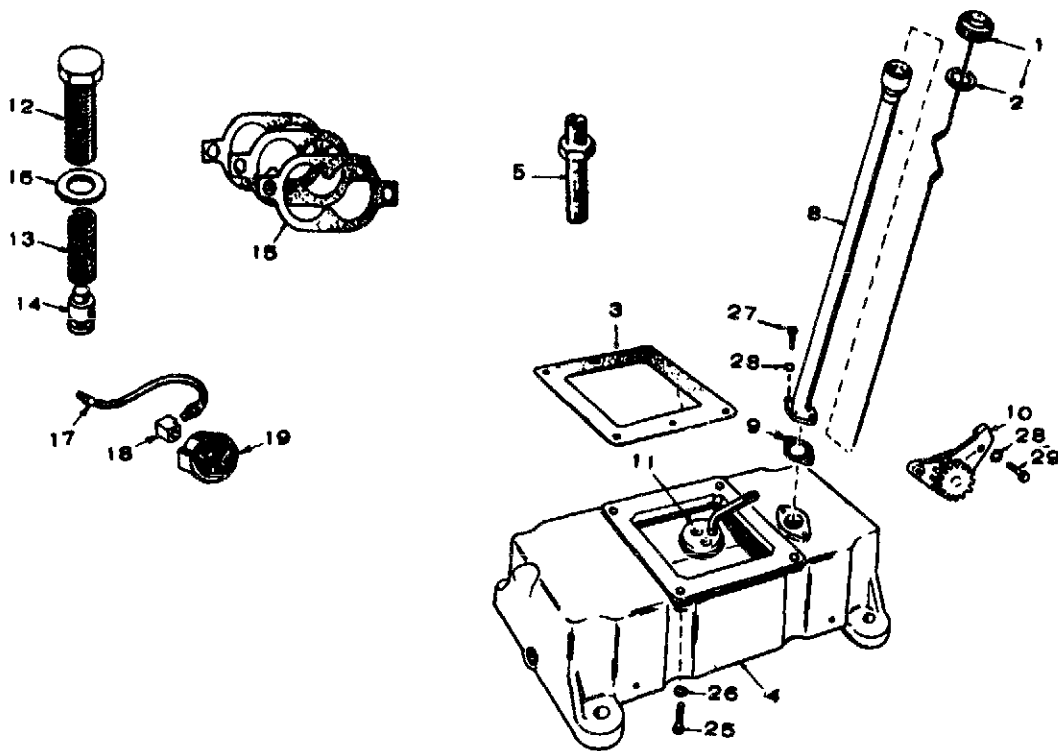
REF. NO.	PART NO.	QTY. USED	PART DESCRIPTION
1	526-0017	1	Washer, Wheel Mounting
2	515-0002	1	Key, Wheel Mounting Parts Keys 1 & 2
	515-0227	1	Key, Wheel Mounting Parts Keys 3 thru 11
3	104-0170	1	Screw, Wheel Mounting
4	192-0308	1	Sheave, Rope
5	160-0761	1	Flywheel Parts Keys 1 & 2
	160-1072	1	Flywheel Parts Keys 3 thru 11
8	518-0014	1	Lock, Crankshaft Gear Washer
9	104-0043	1	Washer, Crankshaft Gear Ret.
10	104-1323	1	Crankshaft - Incs. Keys
11	515-0001	1	Key, Crankshaft Gear Mtg.
16	104-0032	1	Gear, Timing - Crankshaft
17	850-0055	1	Washer, Lock - Flywheel Mtg.
18	134-2824	1	Guard, Flywheel Capscrew

CAMSHAFT



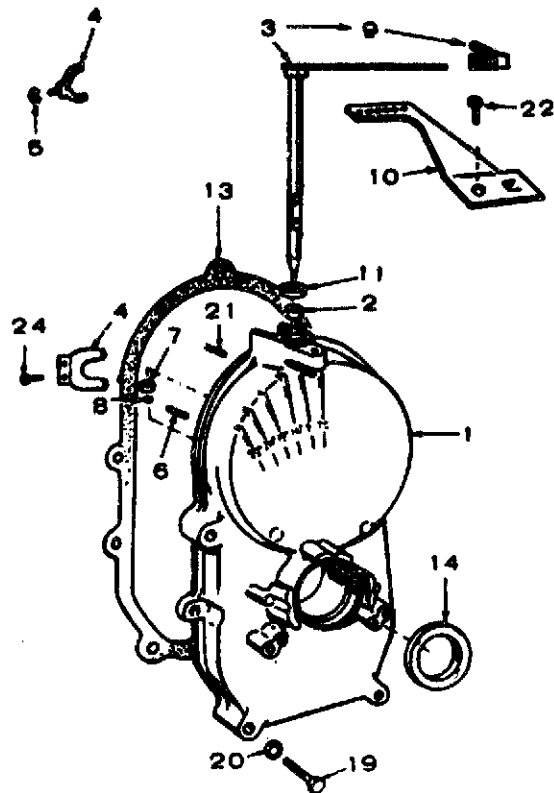
REF. NO.	PART NO.	QTY. USED	PART DESCRIPTION
1	150-0078	1	Ring, Camshaft Center Pin
2	150-1695	1	Cup, Governor
3	510-0015	5	Ball, Fly - Governor
4	150-1257	1	Spacer, Gov. Flyball
5	150-0077	1	Plate, Gov. Flyball
6	105-0332	1	Gear, Timing - Camshaft
7	105-0004	1	Washer, Camshaft Gear Thrust
8	515-0001	1	Key, Camshaft Gear Mtg.
9	105-0234	1	Camshaft - Inc. Center Pin & Spark Advance Mech. Pins Parts Key 1 & 2
	105-0295	1	Camshaft - Inc. Center Pin & Spark Advance Mech. Pins Parts Key 3 thru 11
10	150-0075	1	Pin, Camshaft Center
11	160-0789	2	Weight Assy., Timing Control Parts Key 1 & 2
	160-1049	2	Weight Assy., Timing Control Parts Key 3 thru 11
12	516-0146	2	Pin, Grooved - Timing Control - Parts Key 1-2
	516-0172	2	Pin, Grooved - Timing Control - Parts Key 3 thru 11
13	160-0726	1	Retainer, Timing Control Parts Key 1-2
14	110-1283	1	Cover, Timing Control
15	160-0727	1	Spring, Timing Control Parts Key 1 & 2
	160-1051	1	Spring, Timing Control Parts Key 3 thru 11
16	518-0129	2	Ring, Timing Control Lock
17	160-0791	1	Cam, Timing
18	516-0144	4	Pin, Roll-Cam & Timing Control

OIL BASE & OIL PUMP



REF. NO.	PART NO.	QTY. USED	PART DESCRIPTION
1	123-0762	1	Cap & Indicator, Oil Fill
2	123-0191	1	Gasket, Oil Fill Cap
3	102-0158	1	Gasket, Oil Base Mounting
4	102-0468	1	Base, Oil - Parts Key 3 thru 11
	102-0469	1	Base, Oil - Parts Key 1 & 2
5	120-0187	1	Stud & Nut, Oil By-Pass Adjusting Parts Key 1 & 2
7	505-0056	1	Plug, Oil Drain - Parts Key 3 thru 11
	505-0110	1	Plug, Oil Drain - Parts Key 1 & 2
8	123-0674	1	Tube, Oil Fill
9	141-0078	1	Gasket, Oil Fill Tube
10	120-0491	1	Pump, Oil
11	120-0413	1	Cup, Oil Pump Intake
12	801-0048	1	Screw, Oil By-Pass Adjusting - Parts Key 3 thru 11
13	120-0140	1	Spring, By-Pass Valve
14	120-0398	1	Valve, By-Pass
15	120-0161	1	Gasket Kit, Oil Pump
16	526-0066	1	Washer, Copper - 25/64" ID x 9/16" OD x 1/16" Thk.
17	501-0004	1	Line, Oil
18	502-0005	1	Elbow, Oil Line
19	193-0068	1	Gauge, Oil
25	102-0455	4	Screw, Cap - Oil Base to Block
26	850-0050	4	Washer, Lock Oil Base to Block
27	821-0018	2	Screw, Self-Locking - Oil Fill Tube
28	850-0040	4	Washer, Lock-Oil Pump & Oil Fill Tube
29	800-0007	2	Screw, Cap - Oil Pump Mtg.

GEARCASE

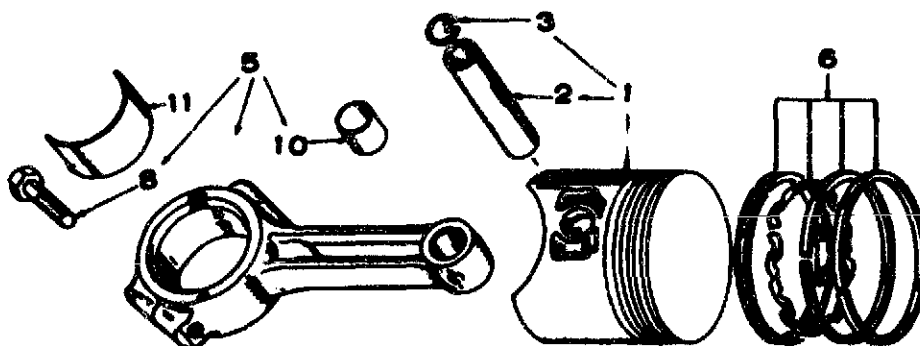


REF. NO.	PART NO.	QTY. USED	PART DESCRIPTION
1	103-0207	1	Gearcase Parts Key 1 thru 6 (Include parts marked †)
	103-0667	1	Gearcase Parts Key 7 thru 11 (Include parts marked *)
2	510-0013	1	†Bearing, Needle - Upper
3	150-0377	1	†Shaft & Arm Assy, Gov. Parts Key 1 thru 6
	150-1542	1	* Shaft & Arm Assy, Gov. Parts Key 7 thru 11
4	150-0620	1	†Yoke, Gov. Shaft Parts Key 1 thru 6
	150-1187	1	Yoke, Gov. Shaft Parts Key 7 thru 11
5	518-0129	1	†Ring, Retaining Parts Key 1 thru 6
6	516-0130	1	* †Pin, Cup Stop
7	510-0008	1	†Bearing, Needle - Lower - Parts Key 1 thru 6
	510-0013	1	Bearing, Needle - Lower - Parts Key 7 thru 11
8	510-0014	1	* †Ball, Bearing
9	150-0678	1	* †Clip, Sensitivity Adj. Parts Key 3 thru 11
10	150-1000	1	Extension, Arm-Variable Speed Gov.
11	509-0008	1	* †Seal, Oil
13	103-0011	1	Gasket, Gearcase
14	509-0040	1	* †Seal, Oil - Crankshaft
19	800-0032	4	Screw, Cap - 5/16"-18 x 1-3/4"
	800-0034	1	Screw, Cap - 5/16"-18 x 2-1/4"
20	850-0045	5	Washer, Lock
21	516-0141	2	Pin
22	815-0181	1	Screw - #10-32 x 1/2"
24	815-0046	2	Screw - #8-32 x 3/8" Parts Key 9 thru 11

†-Parts included in 103-0207 Gearcase Assembly

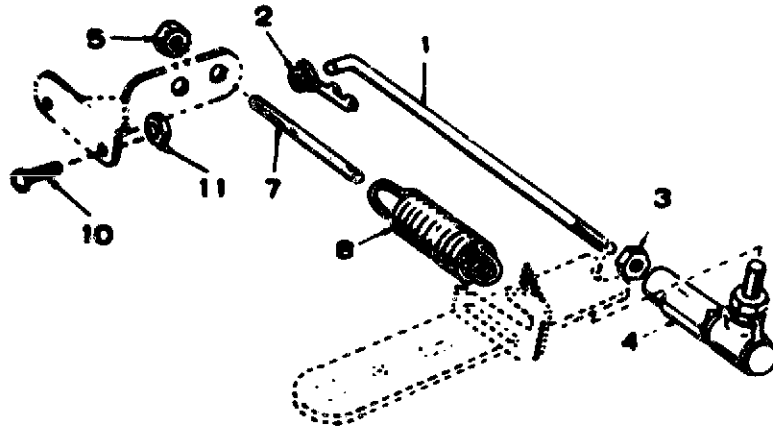
*-Parts included in 103-0667 Gearcase Assembly

PISTON & CONNECTING ROD



REF. NO.	PART NO.	QTY. USED	PART DESCRIPTION
1	112-0179	2	Piston
	112-0179-05	2	Piston .005 O.S.
	112-0179-10	2	Piston .010 O.S.
	112-0179-20	2	Piston .020 O.S.
	112-0179-30	2	Piston .030 O.S.
	112-0179-40	2	Piston .040 O.S.
2	112-0069	2	Pin, Piston
3	112-0003	4	Ring, Piston Pin Retainer
5	114-0203	2	Rod Assy, Conn.
6	113-0088	2	Ring Set, Piston
	113-0088-05	2	Ring Set, Piston .005 O.S.
	113-0088-10	2	Ring Set, Piston .010 O.S.
	113-0088-20	2	Ring Set, Piston .020 O.S.
	113-0088-30	2	Ring Set, Piston .030 O.S.
	113-0088-40	2	Ring Set, Piston .040 O.S.
8	805-0010	4	Bolt, Place - Connecting Rod
10	114-0036	2	Bushing, Piston Pin Connecting Rod
11	114-0145	4	Bearing, Connecting Rod
	114-0145-02	4	Bearing, Connecting Rod .002 U.S.
	114-0145-10	4	Bearing, Connecting Rod .010 U.S.
	114-0145-20	4	Bearing, Connecting Rod .020 U.S.
	114-0145-30	4	Bearing, Connecting Rod .030 U.S.

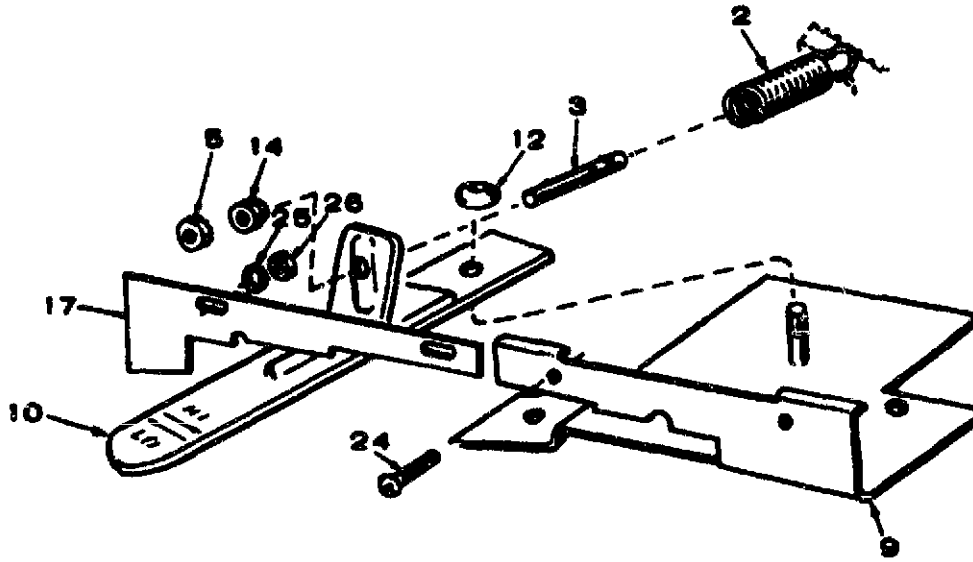
**GOVERNOR - PARTS KEY 5, 6, 7, 8, 9, & 11
(CONSTANT SPEED)**



PG-1222

REF. NO.	PART NO.	QTY. USED	PART DESCRIPTION
1		1	Link, Governor
	150-0629	1	Keys 1 thru 8
	150-0979	1	Keys 9 thru 11
2	518-0006	1	Clip, Link End
3	870-0053	1	Nut, Hex (#10-32)
4	150-0639	1	Joint, Ball
5	870-0131	2	Nut, Hex with ET Washer (#10-32)
7	150-1023	1	Stud, Governor Speed Adjusting
8	150-0098	1	Spring, Governor Speed
10	815-0419	2	Screw, Machine - Hex Head Slotted (#8-32 x 1-1/4")
11	870-0221	2	Nut, Hex with ET (#8-32)

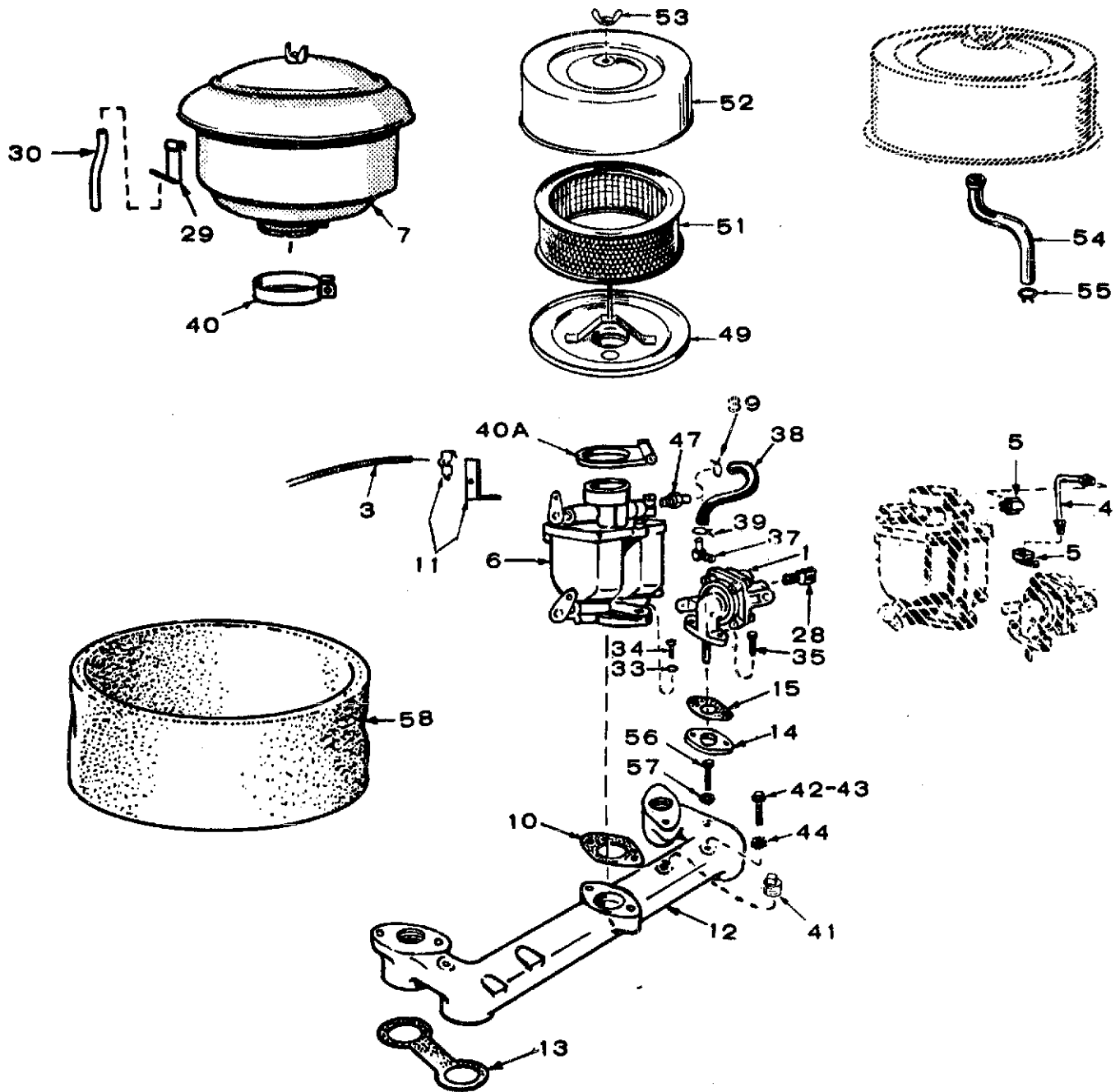
**GOVERNOR - PARTS KEY 1, 2, 3, 4, & 10
(VARIABLE SPEED)**



REF. NO.	PART NO.	QTY. USED	PART DESCRIPTION
2	150-0098	1	Spring, Governor
3	150-1023	1	* Stud, Adjusting
5	870-0131	1	Nut, Hex
9	152-0143	1	* Bracket
10	152-0134	1	* Lever
12	152-0041	2	Washer, Spring Tension
14	870-0200	1	Nut, Hex
17	152-0110	1	* Plate, Adjusting
24	812-0077	2	Screw
25	853-0005	2	Washer
26	860-0008	2	Nut, Hex
	152-0127	1	Variable Speed Gov. Complete (Includes Parts Marked *)

*-Parts included in 152-0127 Governor Package

EXHAUST & GASOLINE FUEL SYSTEM

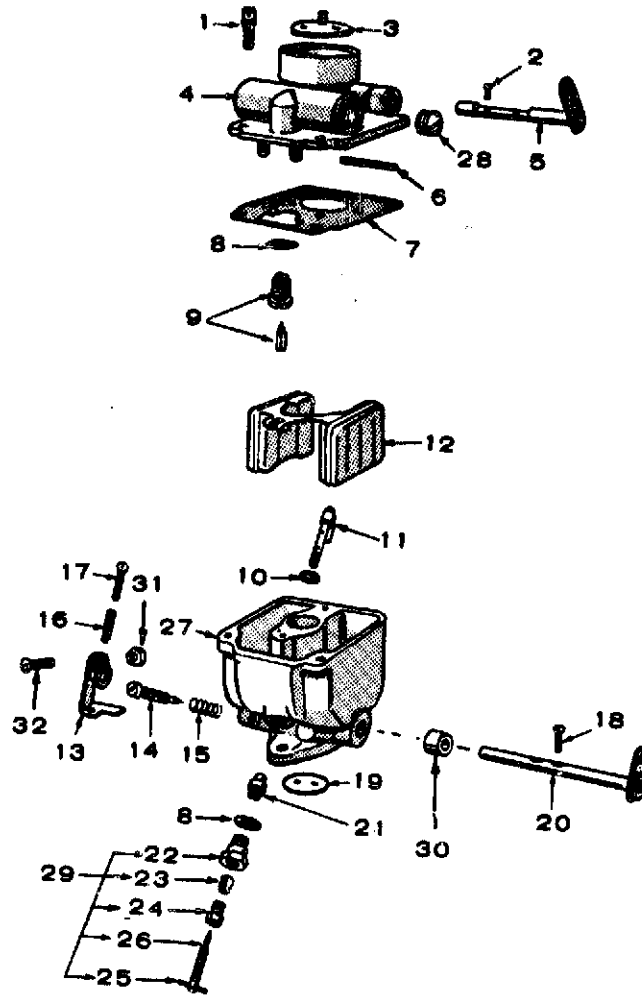


NOTE: EXHAUST NOT SUPPLIED BY ONAN

EXHAUST & GASOLINE FUEL SYSTEM

REF. NO.	PART NO.	QTY. USED	PART DESCRIPTION
1	149-1784	1	Pump, Fuel (See separate group for components)
2	149-0271	1	Rod Assy, Priming
3	153-0351	1	Rod, Choke
4	149-0611	1	Line, Fuel
5	502-0002	1	Elbow, Pipe - 90°
6	142-0651	1	Carburetor - Key 1 thru 10 (See separate group for components)
	142-0595	1	Carburetor - Key 11 (See separate group for components)
7	140-1427	1	Cleaner, Air (Oil bath to dry conversion kit uses 140-1216 element)
10	141-0078	1	Gasket, Carburetor Mounting
11	153-0263	1	Bracket & Clamp, Manual Choke Rod
12	154-0802	1	Manifold, Intake
13	154-0013	2	Gasket, Intake Manifold
14	149-0045	1	Spacer, Fuel Pump Mounting
15	149-0003	2	Gasket, Fuel Pump Mounting
28	502-0020	1	Elbow, Pipe
29	140-0459	1	Bracket, Breather Pipe
30	140-0684	1	Tube, Breather
33	850-0040	2	Washer, Lock - 1/4"
34	800-0009	2	Screw, Cap - 1/4"-20 x 1-1/2"
35	806-0009	2	Screw, Cap - 1/4"-20 x 1-1/4"
37	502-0313	1	Elbow, Hose
38	503-0707	1	Hose, Fuel - Parts Key 3 thru 11
39	503-0301	2	Clamp, Hose - Parts Key 3 thru 11
40	503-0398	1	Clamp, Air Cleaner - Parts Key 3 thru 10
40A	503-0189	1	Clamp, Air Cleaner - Parts Key 1, 2 & 11
41	505-0008	1	Plug, Pipe Cleaner - Parts Key 9 thru 11
42	813-0098	1	Screw, Machine - Round Head (#10-32 x 3/8")
44	853-0008	1	Washer, Lock - ET (#10)
47	502-0395	1	Connector, Hose - Parts Key 3 thru 11
49	140-1348	1	Base, Air Cleaner - Parts Key 3 thru 11
51	140-1216	1	Element, Air Cleaner - Parts Key 3 thru 11
52	140-1295	1	Cover, Air Cleaner - Parts Key 3 thru 11
53	865-0020	1	Nut, Wing - Parts Key 3 thru 11
54	123-1284	1	Tube, Breather - Parts Key 3 thru 11
55	503-0171	1	Clamp, Hose - Parts Key 3 thru 11
56	800-0054	2	Screw, Cap - Hex Head (3/8-16 x 2")
57	850-0050	2	Washer, Lock - Spring (3/8")

CARBURETOR PARTS GROUP



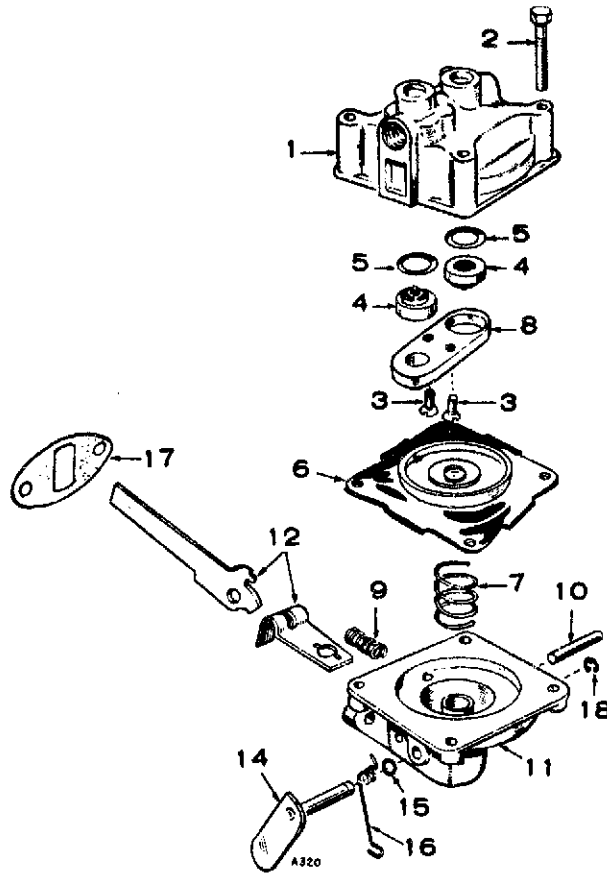
CARBURETOR PARTS

REF. NO.	PART NO.	QTY. USED	PART DESCRIPTION
	142-0651	1	Carburetor, Gasoline - Parts Key 1 thru 10
	142-0595	1	Carburetor, Gasoline - Parts Key 11
	142-0371	1	Repair Kit, Carburetor - Includes Parts Marked † - Parts Key 1 thru 10
	142-0601	1	Repair Kit, Carburetor - Includes Parts Marked * - Parts Key 11
	142-0033	1	*†Gasket Kit, Carburetor
1	815-0109	3	Screw, Bowl Cover - #10-24 x 5/8
2	815-0091	2	*†Screw, Choke Fly - #4-40 x 3/16
3	142-0055	1	Fly, Choke - Parts Key 1 thru 10
	142-0241	1	Fly, Choke - Parts Key 11
4	142-0205	1	Sleeve, Choke
5	142-0240	1	Shaft, Choke - Parts Key 1 thru 10
	NFS	1	Shaft, Choke - Parts Key 11
6	142-0039	1	*†Shaft, Float
7	142-0606	1	Gasket, Body to Bowl
8	148-0017	2	*†Gasket, Float Valve Seat and Main Adjusting Needle Retainer
9	142-0049	1	*†Valve and Seat Assy, Float - Includes Gasket - Parts Key 1 thru 10
	142-0600	1	*Valve and Seat Assy, Float - Includes Gasket - Parts Key 11
10	142-0032	1	Gasket, Nozzle
11	142-0285	1	Nozzle Assy
12	142-0361	1	Float and Lever Assy
13	145-0008	1	Lever, Idle Stop
14	142-0040	1	*†Needle, Idle Adjusting
15	142-0282	1	*Spring, Idle Needle Adjusting
16	142-0035	1	Spring, Throttle Stop Adjusting Screw
17	812-0063	1	Screw, Throttle Stop Adjusting #6-32 x 1/2
18	815-0072	2	*†Screw, Throttle Fly - #4-40 x 1/4
19	142-0369	1	Fly, Throttle
20	142-0368	1	*Shaft Assy, Throttle
21	142-0370	1	*Nut and Jet, Nozzle
22	142-0046	1	Retainer, Main Adjusting Needle
23	142-0206	1	*†Packing, Main Adjusting Needle
24	142-0045	1	Retainer, Main Adjusting Needle Packing
25	516-0027	1	Pin, Main Adjusting Needle
26	142-0041	1	†Needle, Main Adjusting
27			Body Assembly - Not Sold Separately
28	505-0053	1	Plug, Gas Inlet
29	142-0042	1	Needle Assy - Includes Packing, Pin and Retainer
30	142-0343	2	*†Bushing, Throttle Shaft
31	813-0102	1	Screw, Throttle Stop Clamp
32	870-0053	2	Nut, Throttle Stop

† - Parts Included in 142-0371 Repair Kit.

* - Parts Included in 142-0601 Repair Kit.

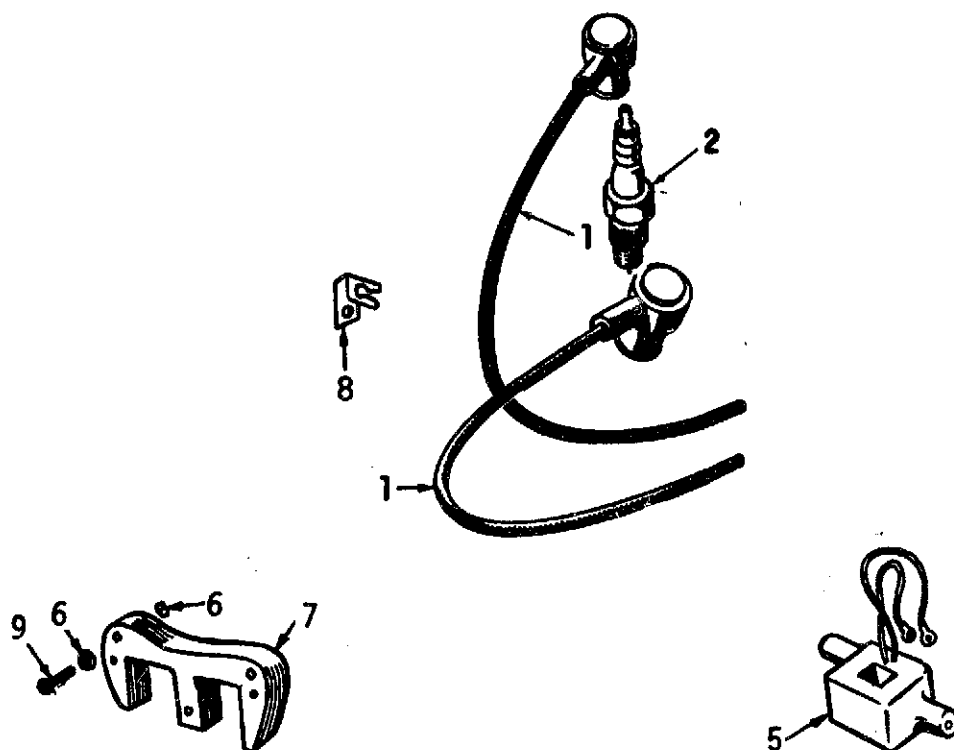
FUEL PUMP PARTS



REF. NO.	PART NO.	QTY. USED	PART DESCRIPTION
	149-1784	1	Pump, Fuel
	149-0526	1	Kit, Fuel Pump Repair Incs. Parts Marked*
1		1	Body - Not Sold Separately - UPPER
2	815-0148	4	Screw, Hex Head
3	815-0147	2	Screw, Philipps
4	149-0096	2	*Valve & Cage
5	149-0095	2	*Gasket, Valve
6	149-0582	1	*Diaphragm Assy.
7	149-0672	1	*Spring
8	149-0539	1	Retainer, Valve Cage
9	149-0675	1	*Spring
10	516-0113	1	Pin, Rocker Arm
11		1	Body - Not Sold Separately - Lower
12	149-0710	1	Link & Arm, Rocker
14	149-0551	1	Lever, Primer
15	509-0065	2	Seal, "O" Ring
16	149-0404	1	Spring, Primer Lever
17	149-0003	1	*Gasket, Pump Mtg.
18	518-0129	1	Ring, Retainer - Primer Lever

*-Included in 149-0526 Fuel Pump Repair Kit.

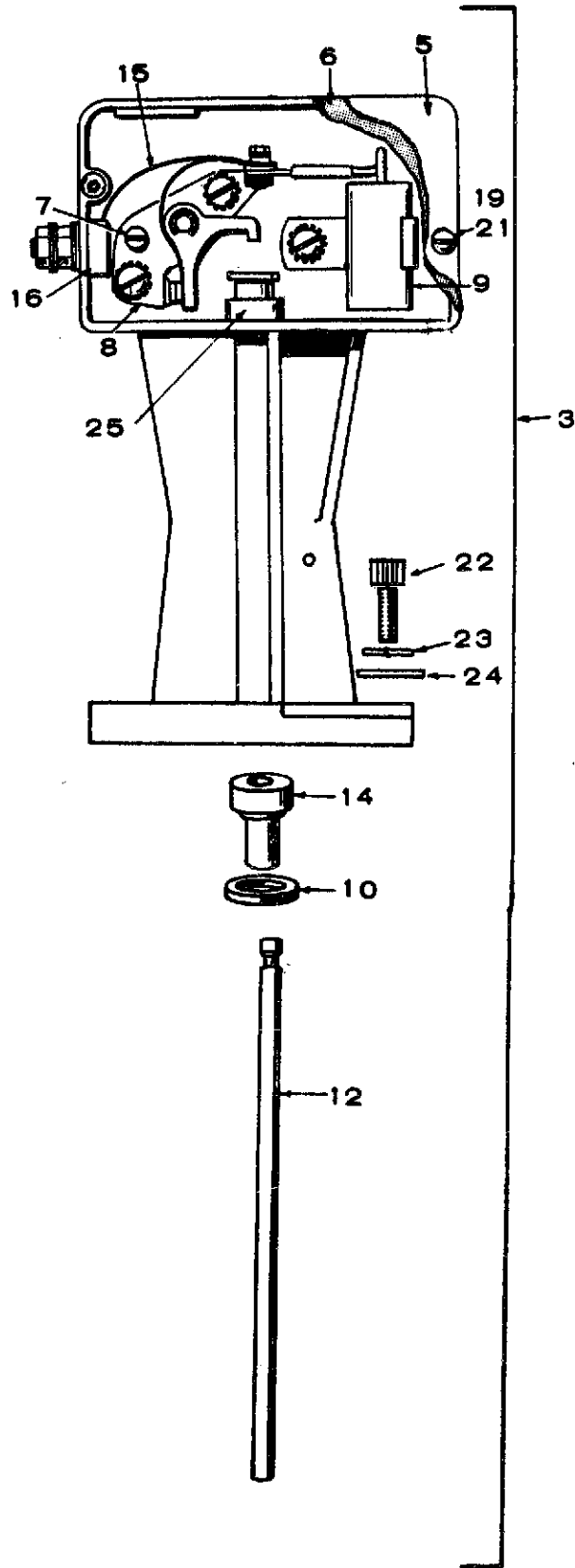
IGNITION



REF. NO.	PART NO.	QTY. USED	PART DESCRIPTION
	160-0752	1	Stator, Assy. (Includes parts marked *)
1	167-1404	1	Cable, Spark Plug R.H. Parts Key 1
	167-1593	1	Cable, Spark Plug R.H. Parts Key 2 thru 11
	167-1403	1	Cable, Spark Plug L.H. Parts Key 1
	167-1593	1	Cable, Spark Plug L.H. Parts Key 2 thru 11
2	167-0241	2	Spark Plug
5	160-0750	1	*Coil, Magneto Stator
6	526-0015	4	Washer, Flat
7	160-0749	1	*Pole Shoe, Stator - Magneto
8	167-0188	4	Clip, Spark Plug Cable
9	815-0259	2	Screw, Hex Cap

* - Parts included in the 160-0752 Stator Assy.

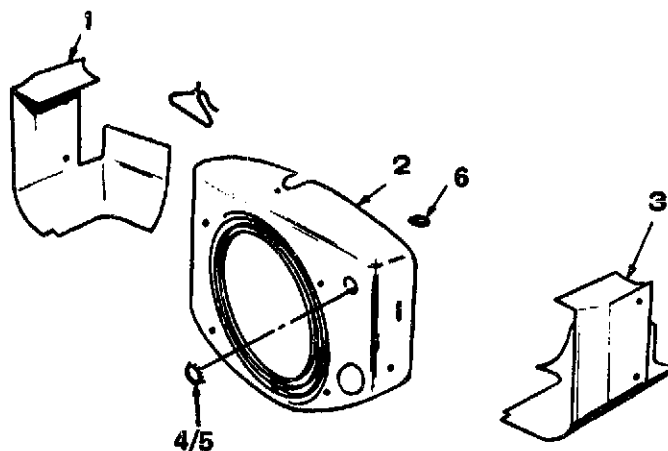
BREAKER BOX



BREAKER BOX

REF. NO.	PART NO.	QTY. USED	PART DESCRIPTION
3	160-1135	1	Box Assy., Breaker (Complete)
5	160-0930	1	Cover, Breaker Box
6	160-0150	1	Gasket
7	160-0075	1	Cam, Point Adjusting
8	160-0002	1	Point Set
9	312-0069	1	Condensor
10	160-1040	1	Gasket
12	160-0723	1	Plunger
14	160-1041	1	Bushing
15	160-0428	1	Strap
16	332-319	1	Block, Terminal
19	850-0025	2	Washer
21	812-0077	2	Screw
22	802-0035	2	Screw
23	850-0040	2	Washer
24	526-0214	2	Washer
25	160-0931	1	Guide, Plunger

BLOWER HOUSING



REF. NO.	PART NO.	QTY. USED	PART DESCRIPTION
1	134-0589	1	Housing, Cylinder Air L.H.
2	134-1579	1	Housing, Blower Parts Key 2 thru 11
	134-0569	1	Housing, Blower Parts Key 1
3	134-0588	1	Housing, Cylinder Air - R.H.
4	517-0009	1	Plug, Dot Button
5	517-0021	1	Plug, Dot Button Parts Key 11
6	508-0095	1	Grommet

SERVICE KITS & PAINT

REF. NO.	PART NO.	QTY. USED	PART DESCRIPTION
	98-1100	1	Kit, Decal
	160-0836	1	Kit, Ignition tune-up
	168-0095	1	Gasket Kit, Carbon Removal
	168-0103	1	Gasket Kit, Engine