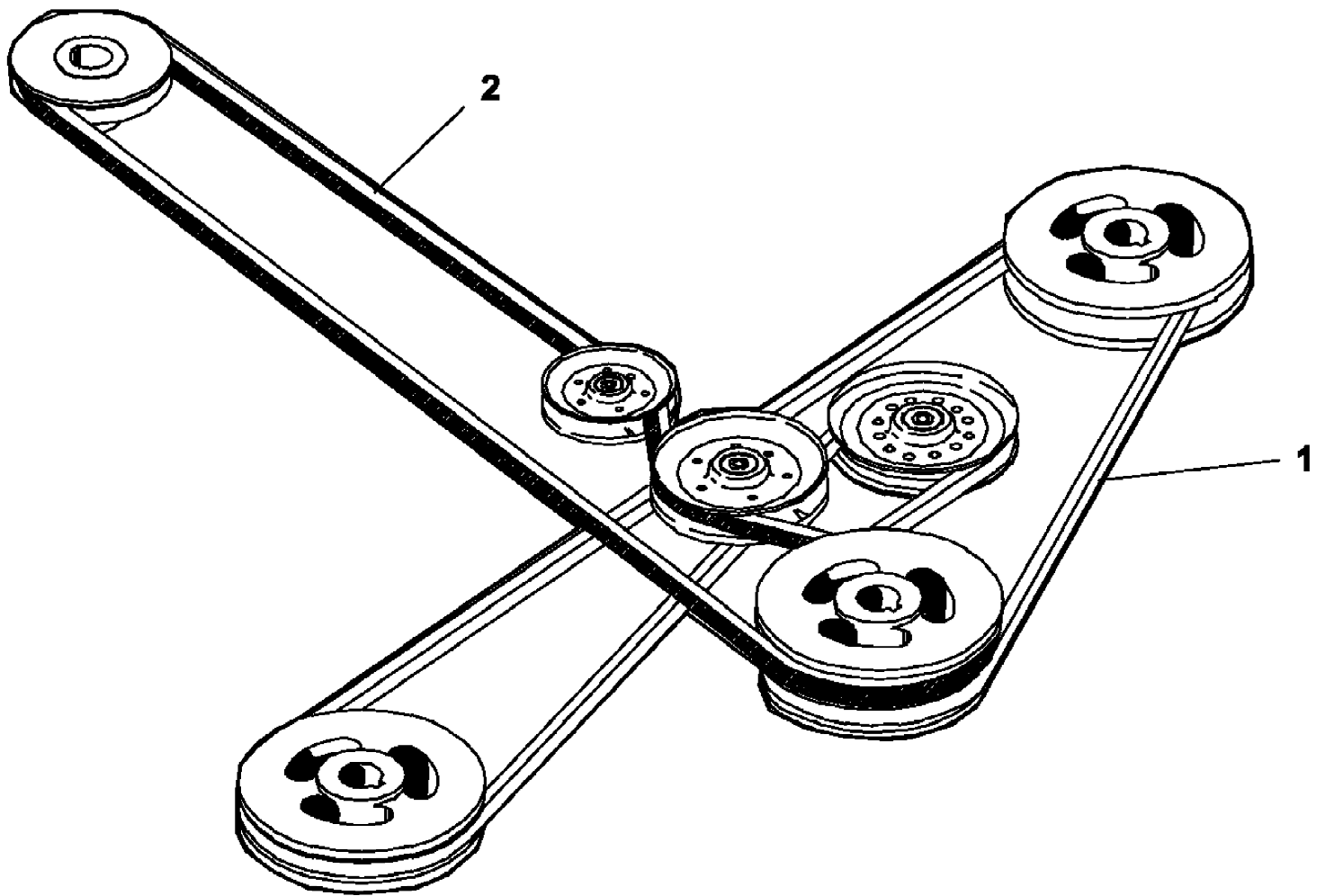


Ref #	Part Number	Qty	Description
1	4118614	1	S-52INCH DECK W/LABELS
2	2722574.2	1	COVER-BELT RH
3	2722575.2	1	COVER-BELT LH
4	38524	2	KNOB-4 PRONG 3/8-16
5	32723.2	1	CHUTE-DISCHARGE
6	64166-17	4	BLT-SHLDR 3\8-16X1.12
7	64229-03	34	LOCKNUT NYLON 3/8-16
8	64123-217	6	BLT-HEX 3/8-16X4-1/4
9	2721512	6	ROLLER-5X2.75 CENTERED
10	64123-54	2	BOLT, 5/16-18X3/4 HEX
11	2308140	3	PULLEY ENGINE
12	112111-02	3	BLADE 18.00 OFFST HLFT
13	2720685	6	SPACER-ROLLER
14	64262-012	18	BLT-FLG HD 3/8-16 X 1-1/4
15	4121584.7	1	WLDMT-PTO IDLER
16	64018-18	2	BOLT-CARRIAGE 3/8-16X2
17	2302125.7	1	GUIDE-BELT
18	48393	1	PULLEY, V IDLER
19	38297	1	IDLER, 5.0 OD FLNGD
20	2228034	1	PULLEY-5.25 DEEP GRV
21	64209-03	6	SPRING WSHR .67 ID
22	64164-12	4	1/4X1/4X1 SQ END KEY
23	128169	1	PULLEY, IDLER 5.50
24	4115849	1	S-ASSYSPNDL ZT200 CNTR
25	4110580.7	1	WLDMT-IDLER
26	4115850	2	S-ASSYSPNDL ZT200 OUTR
27	64123-88	1	BOLT, 3/8-16X2-3/4 HEX
28	2186185.7	2	WLDMT-PUSHBAR
29	64006-05	1	LOCKWSHR-HELICAL 1/2
30	64123-05	1	BLT-HEX 1/2-20X1-1/2
31	64163-46	5	WASHER.383/.393X.88X7GA
32	2186125	2	WLDMT-LOCK, PUSHBAR
33	85010N	4	ZERK, 1/4-28 STR SLF THD
34	2188142-01	2	ROD END 5/8
35	64123-50	9	BOLT-HEX 3/8-16X1
36	64229-02	2	LOCKNUT-NYLON 5/16-18
37	4118314	3	SPACER-BLADE 16MM
38	64229-06	2	LOCKNUT, NYLON 5/8-11
39	64123-209	3	BLT-HEX 5/8-18X3.5
40	64123-208	3	BLT-HEX 5/8-18X1.5
41	64163-65	4	WASHER-.890X1.375X18GA
42	64001-1	2	NUT-HEX JAM,5/8-18
43	64123-206	2	BLT-HEX 5/8-11X4-1/2
44	2188131	2	SPRING-EXTENSION
45	64163-73	A/R	WSHR-.625IDX1.12ODX.06
46	64018-2	2	BLT-CRG 1/4-20X3/4
47	64163-68	1	WSHR-1.015X1.5X9GA
48	64268-01	2	NUT-FL NYL N LOCK 1/4-20
49	4118428.7	1	BAFFLE-FRONT RH
50	4118427.7	1	BAFFLE-FRONT LH
51	4116661	1	PIN-PIVOT
52	4116712	1	PIN-PIVOT
53	64163-53	1	WASHER, .391X1.50X9GA

---

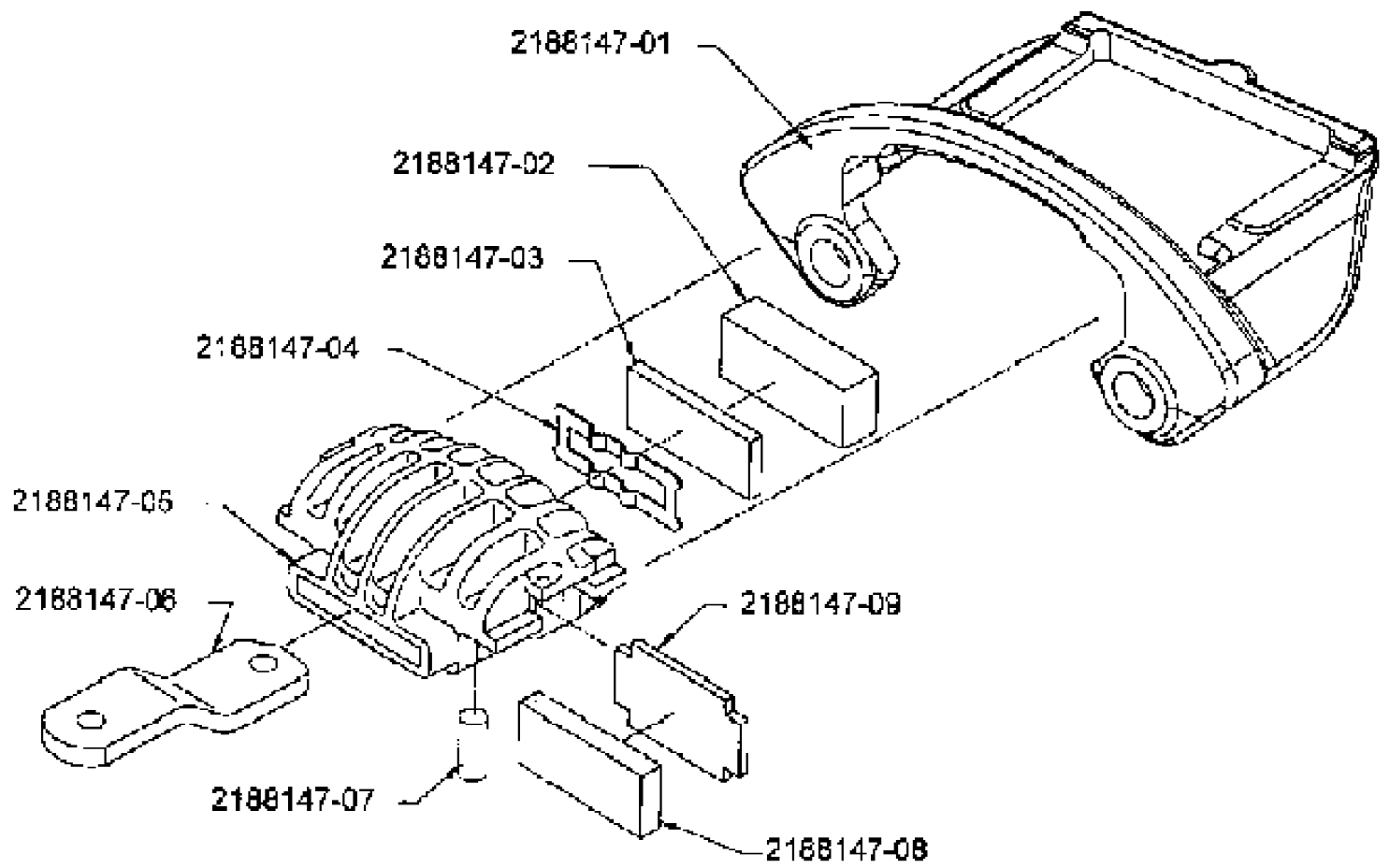
Ref #	Part Number	Qty	Description
54	64123-138	1	BOLT-HEX 3/8-16X3-3/4
55	64221-04	1	E-RING.875
56	64018-3	1	BOLT-3/8-16X1 CARRIAGE
57	64268-03	8	NUT-FL NYLN LOCK 3/8-16
58	4115864.7	1	BAFFLE-DISCHARGE



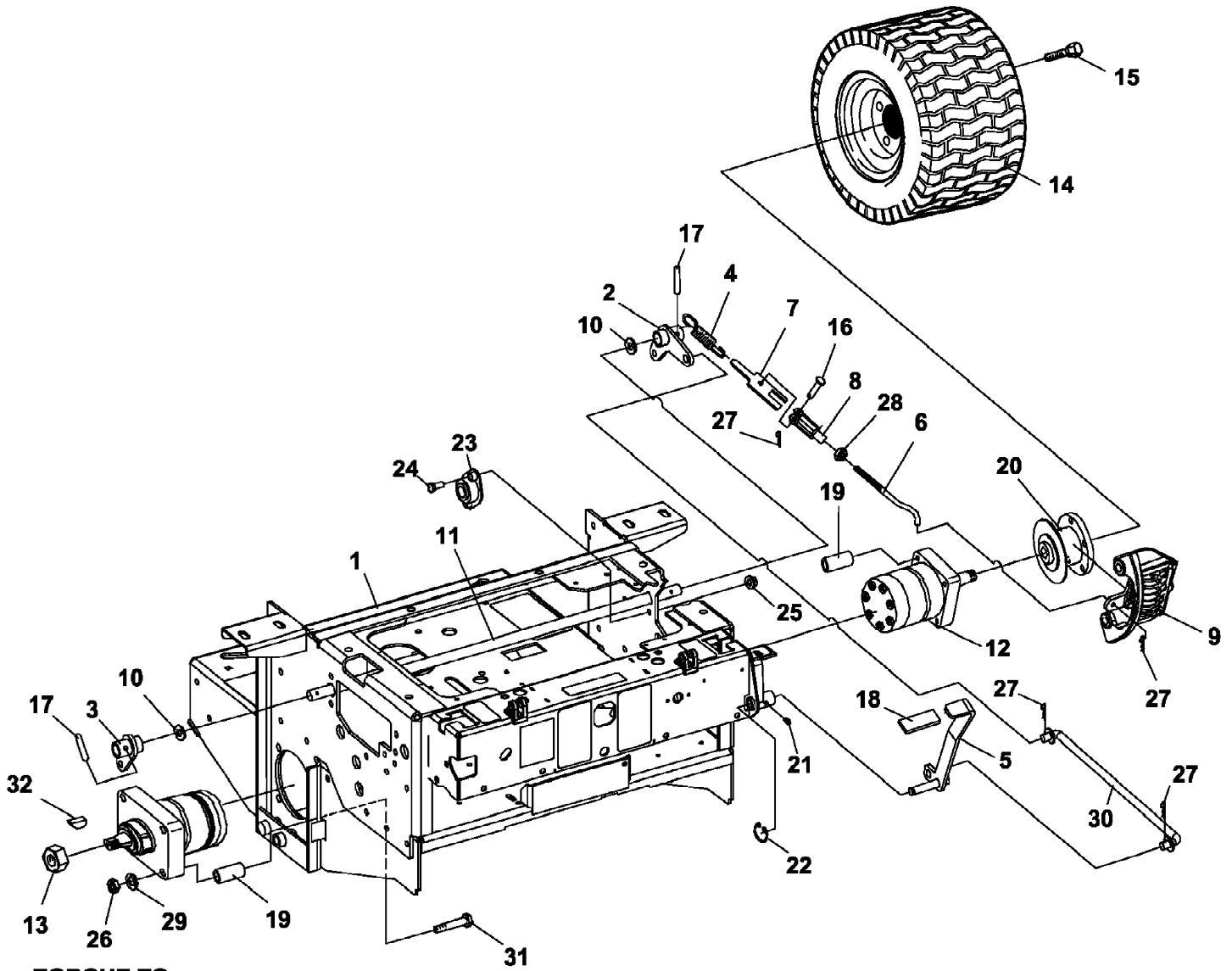
---

Ref #	Part Number	Qty	Description
1	2188176	1	BELT-CUTTERDECK 52
2	2720815	1	BELT-PTO 48

---



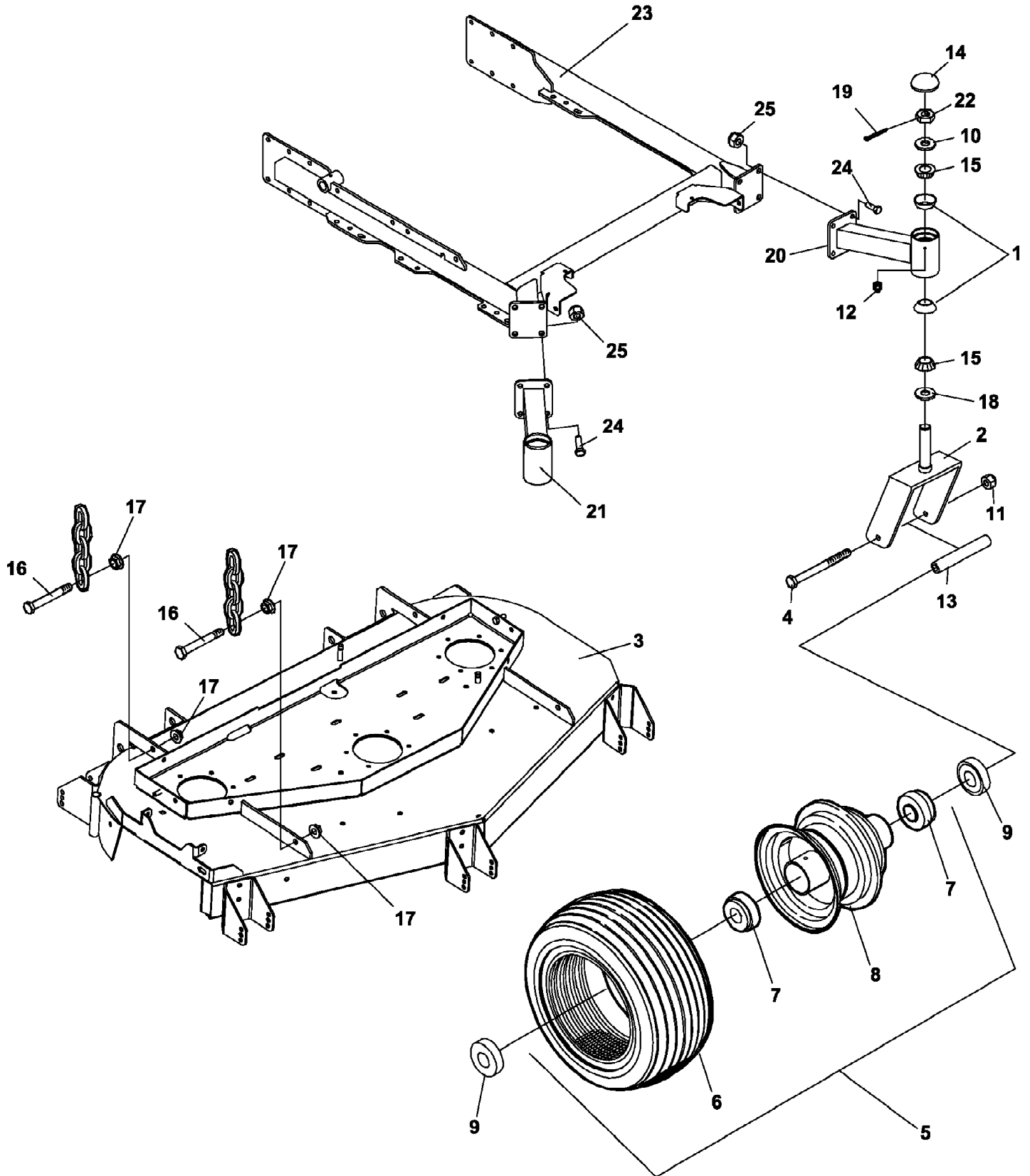
Ref #	Part Number	Qty	Description
2188147-01	2188147-01	1	BRACKET-MACHINED SERVICE PART FOR 2188147
2188147-02	2188147-02	1	PAD-CAM SIDE SERVICE PART FOR 2188147
2188147-03	2188147-03	1	PAD-SUPPORT SERVICE PART FOR 2188147
2188147-04	2188147-04	1	SPRING-LEVER RETAINER SERVICE PART FOR 2188147
2188147-05	2188147-05	1	HOUSING SERVICE PART FOR 2188147
2188147-06	2188147-06	1	CAM LH SERVICE PART FOR 2188147
2188147-07	2188147-07	1	PIVOT PIN SERVICE PART FOR 2188147
2188147-08	2188147-08	1	PAD-CARRIER SIDE SERVICE PART FOR 2188147
2188147-09	2188147-09	1	PAD-SUPPORT SERVICE PART FOR 2188147
	2188148-01	1	CAM RH SERVICE PART FOR 2188148; NOT ILLUSTRATED



**TORQUE TO  
225 FT/LBS**



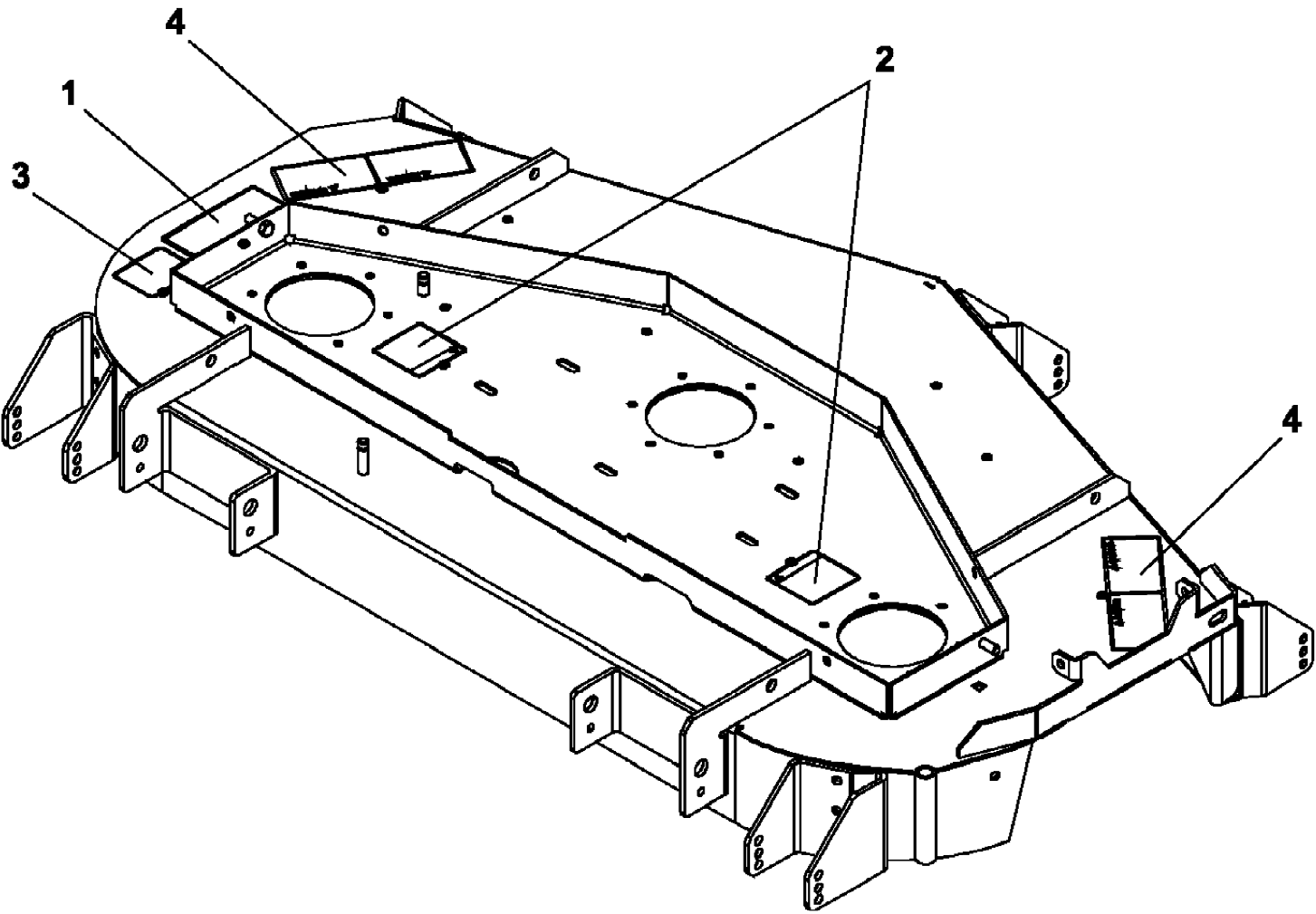
Ref #	Part Number	Qty	Description
1	2720996	1	S-ENGINE DECK W/LABS
2	4113527.7	1	WLDMT-BRAKE ARM LH
3	4113529.7	1	WLDMT-BRAKE ARM RH
4	128102	2	SPRING,EXTENSION
5	4113518.7	1	WLDMT-BRAKE LEVER
6	33213	2	ROD-SPD CTRL UPPER
7	2182387.7	2	GUIDE-SPRING
8	38020N	2	CLEVIS YOKE, 5/16 PLATE
9	2188147	1	ASSY, BRAKE CW (LH)
	2188148	1	ASSY BRAKE CCW (RH) NOT ILLUSTRATED
10	64163-06	2	WSHR,.768/.756X1.25X14G
11	2183056	1	SHAFT, BRAKE
12	2188126-01	2	MOTOR-ASSY HYDRAULIC (INCLUDES ITEMS 13 & 32)
13	64025-31	2	NUT 1-20 UNSLOTTED TRW
14	2720608-01	2	RIM ASM, W/VALVE STEM
	1985085-02	2	TIRE-23 X 8.50-12
15	64220-02	10	BLT-WHL 7/16-20X.75 75D
16	64188-02	2	PIN, CLEVIS 5/16X1
17	64061-25	2	ROLL PIN-1/4X1-1/4
18	2188155	1	GRIP, 1/4X1X4-1/2
19	2183063-01	8	SPACER, 32MM LONG
20	2188149	2	HUB, WHEEL AND DISC
21	85010N	1	ZERK, 1/4-28 STR SLFTHRD
22	64144-34	1	SNAP RING.50
23	2188145	2	BEARING-.75ID SELF ALIGN
24	64123-15	4	BOLT-3/8-16X3/4 HEX
25	64141-4	4	NUT-WLF 3/8-16
26	64207-07	8	NUT-HEX M12-1.75
27	64168-2	6	COTTER-HAIRPIN.08X1.19
28	64025-03	2	NUT-HEX 5/16-24
29	64006-05	8	LOCKWSHR-HELICAL 1/2
30	4113530	1	WLDMT-PRK BRAKE ROD
31	450767	8	CAPSCREW 12-1.75X110
32	64164-08	2	S-KEY FOR WHEEL MOTOR



Ref #	Part Number	Qty	Description
1	48043-03C	4	CUP, OUTER BEARING
2	2721306.2	2	WLDMT-CASTER YOKE
3			DECK/W LABS
4	64123-215	2	BOLT-HEX 3/4-10X7 1/2
5	2722228	2	WHEEL-13X5.00-6 ASSY (INCLUDES ITEMS 6-8)
6	2720475-01	1	TIRE-13X5.00-6 SMOOTH
7	2722228-03	2	BEARING
8	2722228-01	1	RIM-13"ASSY W/VALVE
9	2722231	4	SPACER-END
10	64163-64	2	WSHR 1.015X1.500X14GA
11	64229-07	2	LOCKNUT-NYLON 3/4-10
12	85010N	2	ZERK, 1/4-28 STR SLF THD
13	2722230-02	2	SPANNER-13" WHEEL
14	2188135	2	DUST COVER
15	48043-04C	4	CONE, OUTER BEARING
16	64205-029	4	BLT-METRIC M12X1.75X40
17	64246-04	8	NUT-WHIZ M12-1.75
18	48480	2	SEAL CR 12411
19	64140-5	2	COTTER PIN
20	2722399.2	1	WLDMT-CASTER ARM 52LH
21	2722398.2	1	WLDMT-CASTER ARM 52RH
22	64025-20	2	NUT-HEX 3/4-16 SLOT U
23	2722723.2	1	WLDMT-CRADLE
24	A1105061	8	BOLT-M12-1.75X30
25	64237-06	8	LOCKNUT-NYLON M12-1.75

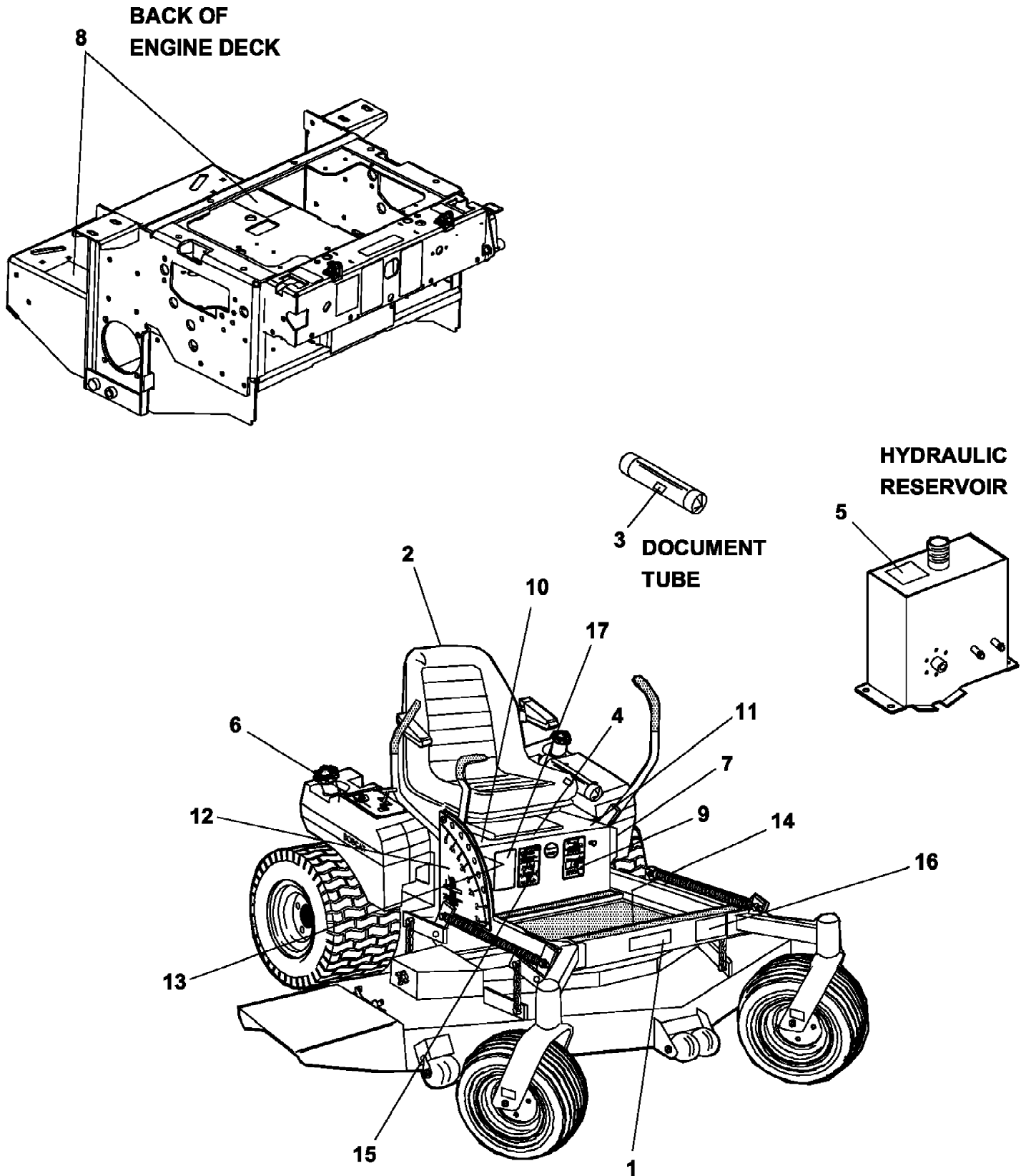


Ref #	Part Number	Qty	Description
1	2000695	1	LBL - WARN/USING
2	2182356.7	4	BRACKET-SHAFT HANGER
3	2188127	4	CHAIN-6.35 (.250) 5 LINKS
4	2721859	1	MAT-FOOT PLATE LOWER
5	2721860	1	MAT-FOOT PLATE MIDDLE
6	2721861	1	MAT-FOOT PLATE UPPER
7	2721971	1	LABEL-BOBCAT DIE CUT
8	2721862	1	S-FOOT PLATE (BOBCAT) (INCLUDES 4-7, 9 & 16)
9	64215-07	2	RIVET-POP IFI #84
10	64221-04	4	E-RING.875
11	2722558.2	1	WLDMT-DECK LIFT, FRONT
12	2722559.2	1	WLDMT-DECK LIFT, REAR
13	2722630	4	CLIP-DECK HEIGHT ADJ
14	2722719	2	SPRING-DECK LIFT
15	2722723.2	1	WLDMT-CRADLE
16	32418-04	1	HANDLE-W/SLOTS
17	4109960	2	WLDMT-DECK LIFT ROD
18	4111842.7	1	BRKT-SPRING ANCHOR LH NOT ILLUSTRATED
19	4111843.7	1	BRKT-SPRING ANCHOR RH
20	4113682	2	ROD-SPRING MOUNT
21	64141-2	4	NUT-WLF 1/4-20
22	64141-4	4	NUT-WLF 3/8-16
23	64197-020	4	BLT-TDFM 1/4-20X1-1/2
24	64205-007	2	BLT METRIC M10-1.50X20
25	64205-029	4	BLT-METRIC M12X1.75X40
26	64205-060	4	BOLT-METRIC M12-1.75X50
27	64237-03	4	LOCKNUT-NYLON M10-1.5
28	64246-04	16	NUT-WHIZ M12-1.75
29	85010N	1	ZERK, 1/4-28 STR SLFTHRD
30	85051	6	ZERK-1/8 PIPE
31	64263-013	15	BLT-FLG HD M10-1.5 X 30
32	A110406	4	SCREW,M10X1.5X30 HH
33	64265-05	15	NUT-FL NYL N LCK M10-1.5
34	64163-65	8	WASHER-.890X1.375X18GA



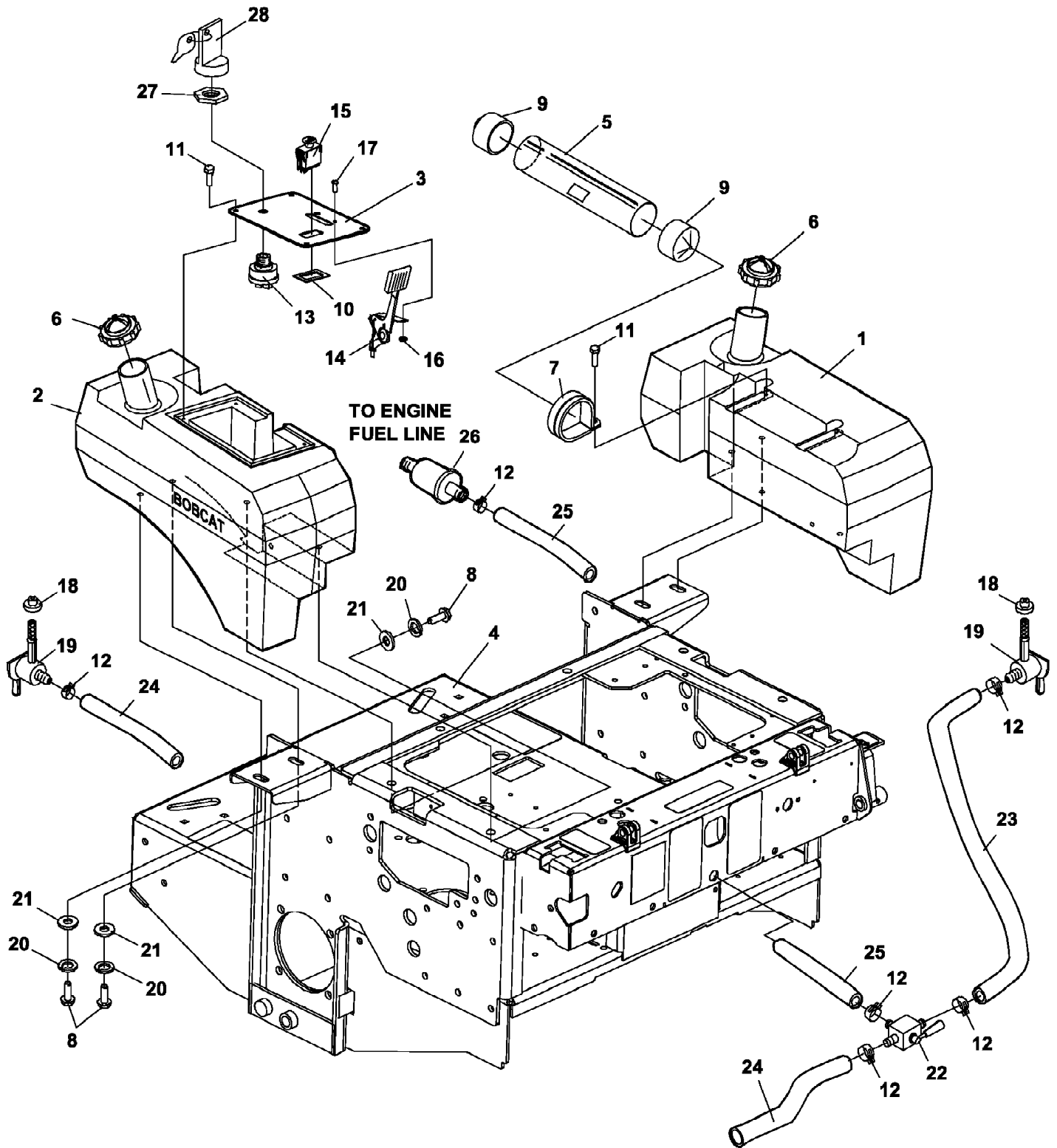
---

Ref #	Part Number	Qty	Description
1	2000572	1	LABEL-WARNING BLADES
2	2000577	2	LABEL-WARNING
3	2000696	1	LABEL-BLADE INSTALL
4	2000677	2	LABEL-DANGER/WARNING

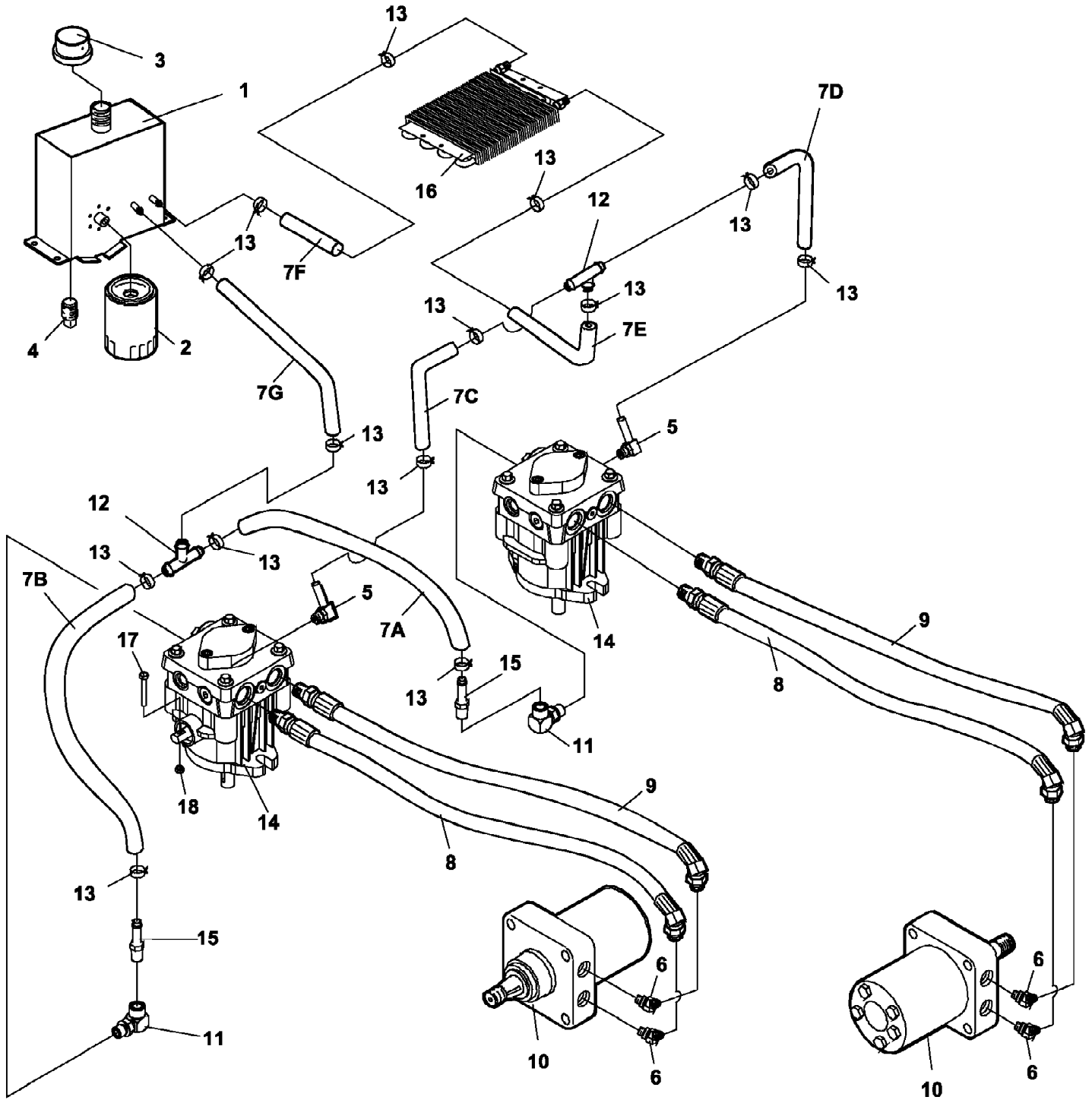




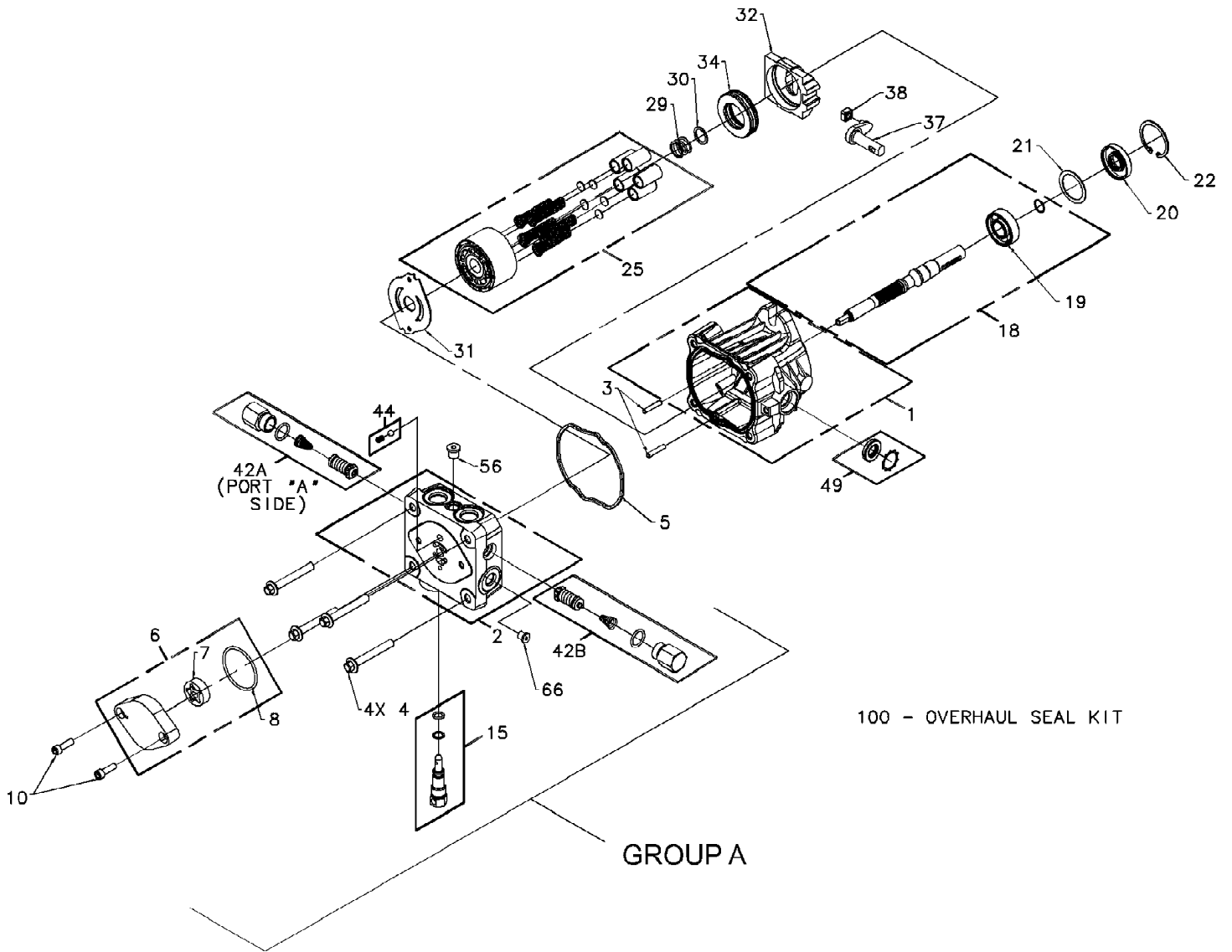
Ref #	Part Number	Qty	Description
1	2721971	1	LABEL-BOBCAT DIECUT
2	2721807	1	LABEL-BOBCAT TEXTRON
3	2000735	1	LABEL-OPER MAN
4	2000590	1	LABEL, WARN BATTERY
5	2000691	1	LABEL - HYDR OIL FILL
6	2722128	1	LABEL-CNTRL PNL ZT200
7	2000693	1	LABEL - PARK BRAKE
8	2000698	2	LABEL(DBL) - FUEL/LEAKS
9	4114158	1	LABEL-TIRES
10	2000700	1	LABEL - RH TRACTION
11	2000701	1	LABEL - LH TRACTION
12	2720742	1	LABEL-HT CUT OUTER
13	2720743	1	LABEL-HT CUT INNER
14	4118843	1	LABEL-WARNING
15	2000706	1	LABEL-FUEL
16	2722094	1	LABEL-218ES DIE CUT
17	340830	1	DECAL-CAUTION SPANISH



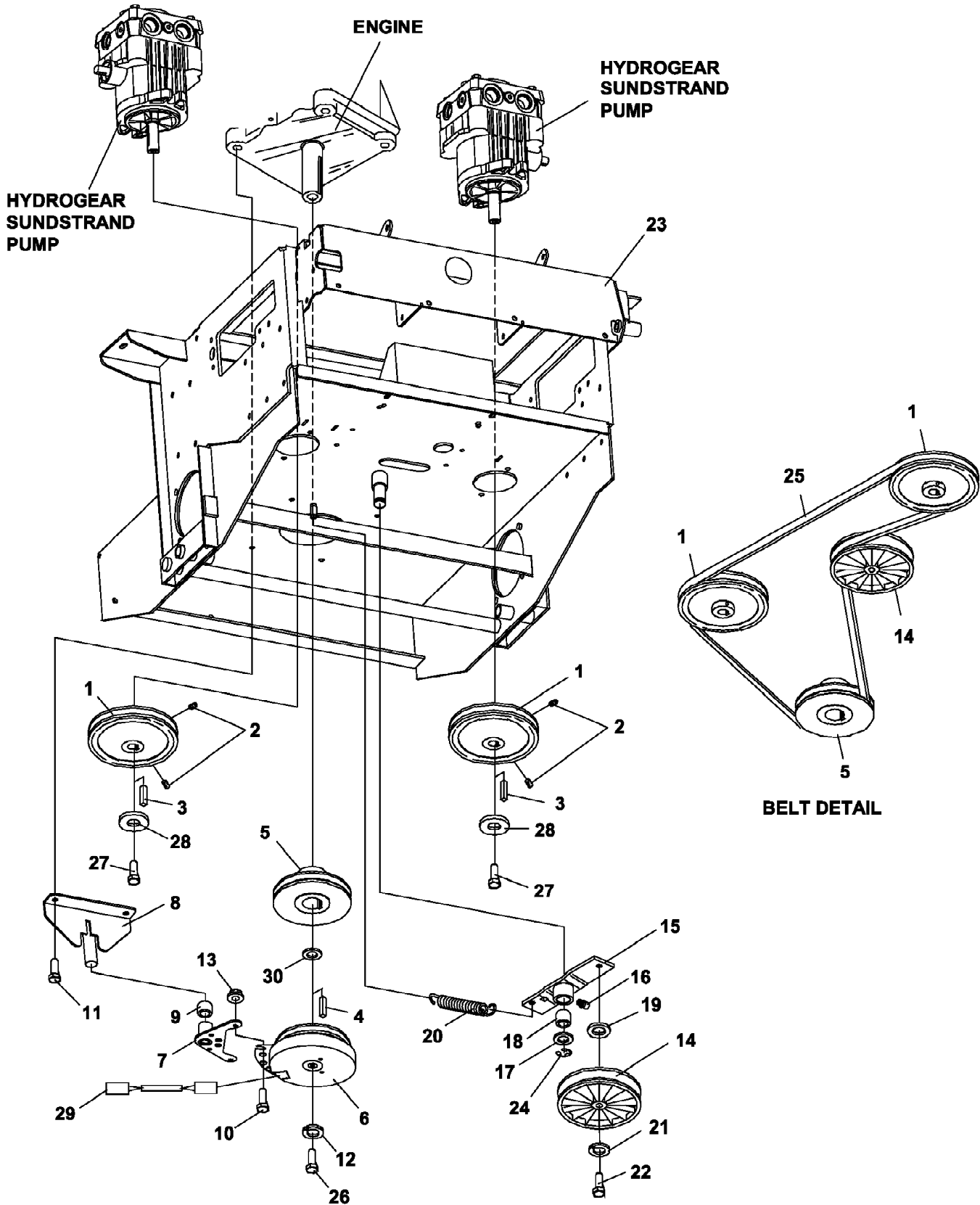
Ref #	Part Number	Qty	Description
1	2721489	1	TANK-FUEL LH BOBCAT (INCLUDES ITEMS 18 & 19)
2	2721490	1	TANK-FUEL RH BOBCAT (INCLUDES ITEMS 18 & 19)
3	2186214	1	S CONTROL PANEL W/LAB
4	2720996	1	S ENG DECK W/LABS
5	2306144	1	S DOC TUBE W/LABEL
6	2721520	2	CAP-FUEL GASOLINE 3.5
7	38542	2	CLAMP-DOCUMENT TUBE
8	64205-007	8	BLT METRIC M10-1.50X20
9	38061A	2	VINYL CAPS
10	2188178	1	SWITCH-RETAINER
11	64263-001	6	BLT-FLG HD M6-1.0 X 12
12	88042N	6	HOSE CLAMP
13	128010	1	KEY-SWITCH
14	118020-14	1	CONTROL-THROTTLE 53.0
15	2188153	1	SWITCH, CLUTCH
16	64025-15	2	NUT-HEX #10-24 KEPS
17	64152-46	2	SCR.-SLT HH #10-24X1/2
18	48310	2	BUSHING, FUEL TANK
19	38540	2	VALVE-FUEL W/FILTER
20	800488	8	LOCKWASHER M10
21	64251-004	8	WASHER-M10
22	2188161	1	VALVE-TANK SELECTOR
23	48016-13A	1	HOSE, .25IDX.50ODX2 LG
24	48016-21A	1	HOSE-.25IDX.50ODX1.84 LG
25	48016-22A	1	HOSE-.25IDX.50ODX1.67 LG
26	38666	1	FILTER, FUEL B&S
27	128010-01	1	S-KEY SWITCH NYLON NUT
28	128010-03	1	S-COVERED KEY



Ref #	Part Number	Qty	Description
1	2186211	1	S HYD RESERVOIR W/LAB
2	2720396	1	FILTER 25 MICRON
3	69216.7	1	CAP-RESERVOIR
4	108029	1	PLUG-MAGNETIC
5	158058-04	2	FTG-90 BRB 9/16-18X.38
6	108205-03	4	ELBOW-MALE 45 37-ORB
7A	69053-05	1	3/8 HIGH TEMP HSE 18" (69053-05 IS A SERVICEABLE LENGTH OF 55")
7B	69053-05	1	3/8 HIGH TEMP HSE 15" (69053-05 IS A SERVICEABLE LENGTH OF 55")
7C	69053-05	1	3/8 HIGH TEMP HSE 19" (69053-05 IS A SERVICEABLE LENGTH OF 55")
7D	69053-05	1	3/8 HIGH TEMP HSE 12" (69053-05 IS A SERVICEABLE LENGTH OF 55")
7E	69053-05	1	3/8 HIGH TEMP HSE 22" (69053-05 IS A SERVICEABLE LENGTH OF 55")
7F	69053-05	1	3/8 HIGH TEMP HSE 26" (69053-05 IS A SERVICEABLE LENGTH OF 55")
7G	69053-05	1	3/8 HIGH TEMP HSE 5" (69053-05 IS A SERVICEABLE LENGTH OF 55")
8	2188157-01	2	HOSE HYD ORB 37-22.38
9	2188157-02	2	HOSE HYD ORB 37-25.00
10	2188126-01	2	MOTOR-ASSY HYD
11	2690030-01	2	FTG 9/16-18 ORB X 3/8
12	58026-01	2	3 WAY CONNECTOR 3/8
13	88042-04	14	CLAMP-HOSE 5/8
14	4121333	2	PUMP-HYDRO BDP-10A-440
15	48386-04	2	FITTING-3/8 BARB 1/4
16	2188173	1	OIL COOLER
17	64123-60	2	BOLT, 1/4-20X2 HEX
18	64229-01	2	LOCKNUT-NYL 1/4-20



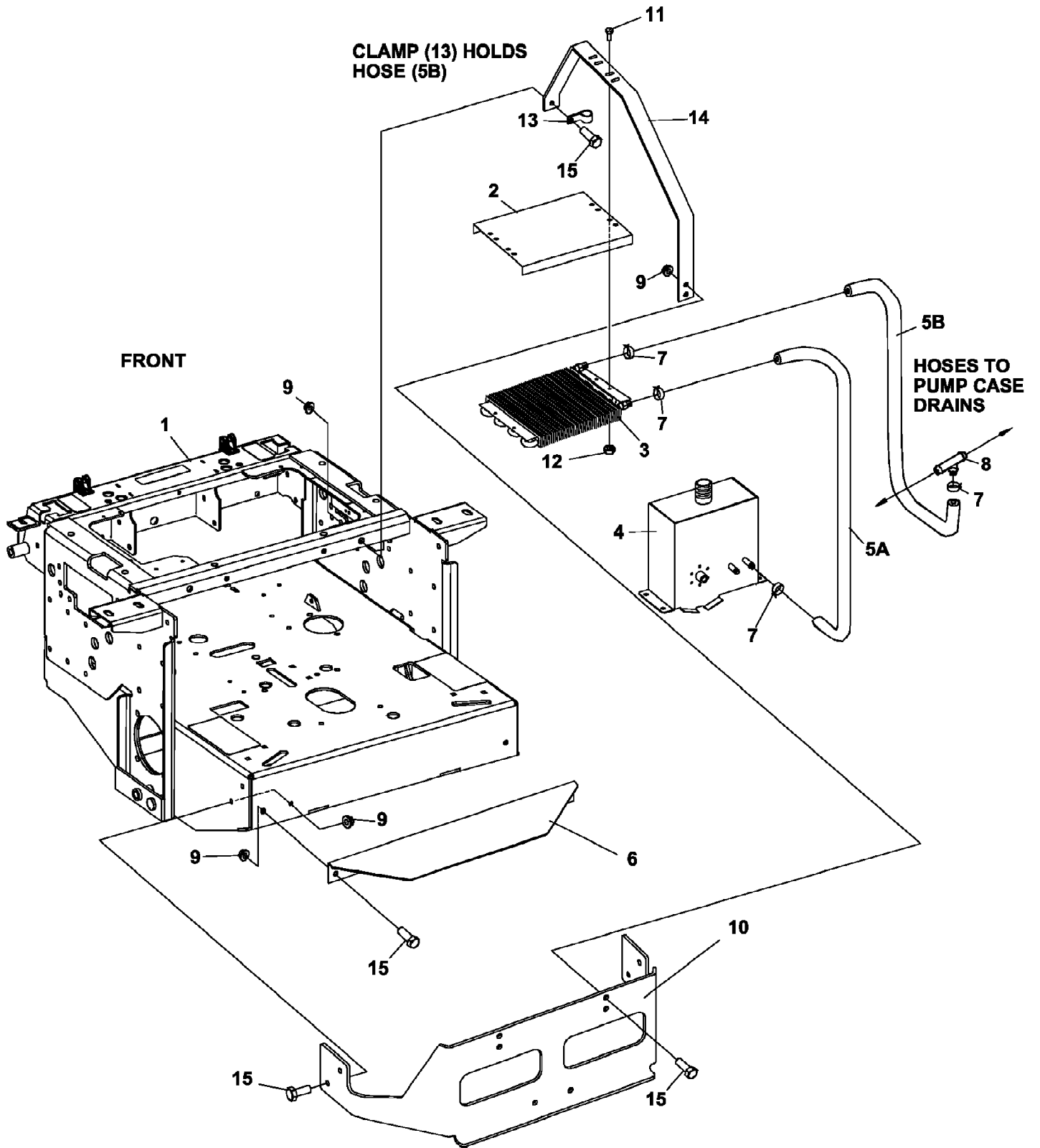
Ref #	Part Number	Qty	Description
1		1	HOUSING KIT
2		1	END CAP KIT
3		2	STRAIGHT HEADLESS PIN
4	2721615-01	4	FLANGE BOLT M8-1.25 X 60
5	2721615-02	1	HOUSING O-RING
6	38345-06	1	CHARGE PUMP KIT
7	38345-07	1	STD GEROTOR ASSEMBLY
8	38345-08	1	O-RING
10	38345-10	2	SOCKET SCREW M6-1.0 x 20
15		1	BYPASS VALVE KIT (BLANK)
18	2721615-07	1	PUMP SHAFT KIT
19		1	BALL BEARING 17 X 40 X 12
20		1	LIP SEAL 17 x 40 x 12
21		1	SPACER
22		1	RETAINING RING
25	38345-12	1	CYLINDER BLOCK KIT
29		1	BLOCK SPRING
30		1	BLOCK THRUST WASHER
31	2721615-09	1	VALVE PLATE
32	188059-11	1	SWASH PLATE
34	2721615-11	1	BALL THRUST BEARING
37	188059-15	1	ARM-TRUNION
38	2721615-13	1	SLOT GUIDE
42A	4121354	1	SHOCK VALVE KIT (.031")
42B	4121355	1	SHOCK VALVE KIT (BLANK)
44	2721615-16	1	CHARGE RELIEF VALVE KIT
49	2721615-17	1	TRUNNION SEAL/RETAIN KIT
56		1	STRAIGHT THREAD PLUG
66		1	5/16 SAE PLUG
100	2721615-18	1	OVERHAUL SEAL KIT



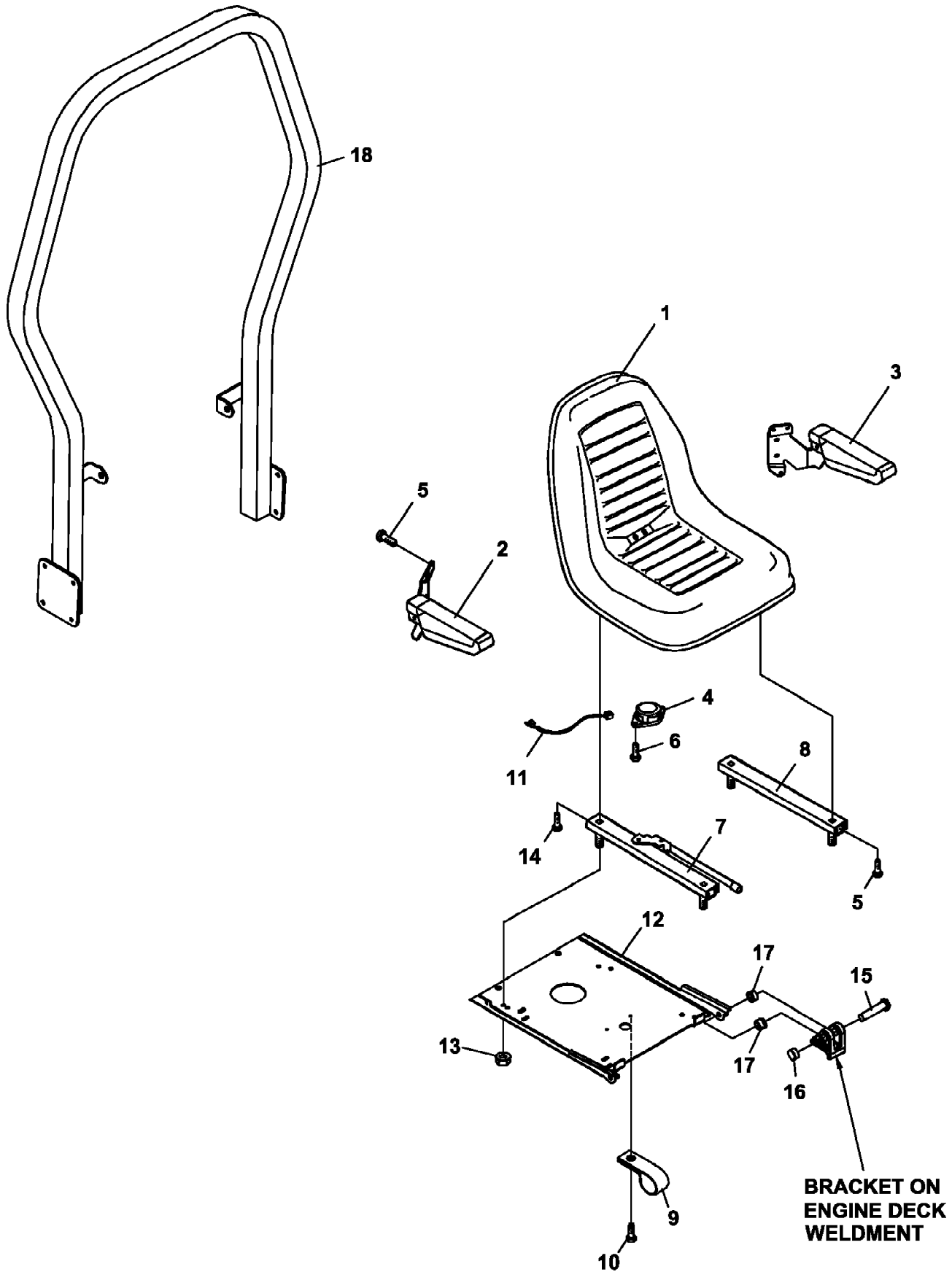
TORQUE TO 50 FT/LBS +/-10%



Ref #	Part Number	Qty	Description
1	2722382	2	PULLEY-PUMP
2	64044-1	4	SCREW-SET 1/4-20X1/4
3	64238-03	2	KEY-MET 5mm SQX28mm
4	64164-10	1	1/4X1/4X1 1/4 SQ END KEY
5	4121339	1	PULLEY-4.25 ENGINE
6	2722016	1	CLUTCH-ELECTRIC (INCLUDES ITEMS 29 & 31)
7	2721331.7	1	WLDMT-CLUTCH STOP
8	2186147.7	1	WLDMT-BRKT CLUTCH
9	38304-03	1	BEARING-PLASTIC
10	64205-001	2	BLT-MET M8-1.25X20
11	64197-005	4	BLT-TR 3/8-16X1 1/4
12	64006-06	1	LCKWSHR-HELICAL 7/16
13	64265-04	2	NUT-FL NYL LOCK M8-1.25
14	2308000	1	PULLEY-IDLER 4.00 E.O.D.
15	2306082.7	1	WLDMT-IDLER ARM
16	85010N	1	STRAIGHT ZERK FITTING
17	64163-65	1	WASHER 18 GA
18	65103A	1	BEARING-BUSHING
19	33148-01	1	SPACER
20	38219	1	SPRING-TENSION
21	64006-03	1	LCKWSHR-HELICAL 3/8
22	64123-21	1	BLT-HEX 3/8-24X1 1/4
23	2720996	1	S ENGINE DECK W/LABS
24	64221-04	1	E-RING .875
25	2188128	1	BELT-TRACTION DRIVE
26	64123-78	1	BLT-HEX 7/16-20X2-1/2
27	64205-013	2	BLT-MET M6-1X12
28	64209-09	2	WASHER-CONICAL SPRING
29	2720949	1	ASSY-CLUTCH WIRE
30	64163-44	1	WSHR 1.75X1.140X14GA
31	4121560	1	KIT-BRAKE POLE RPLCMNT NOT ILLUSTRATED



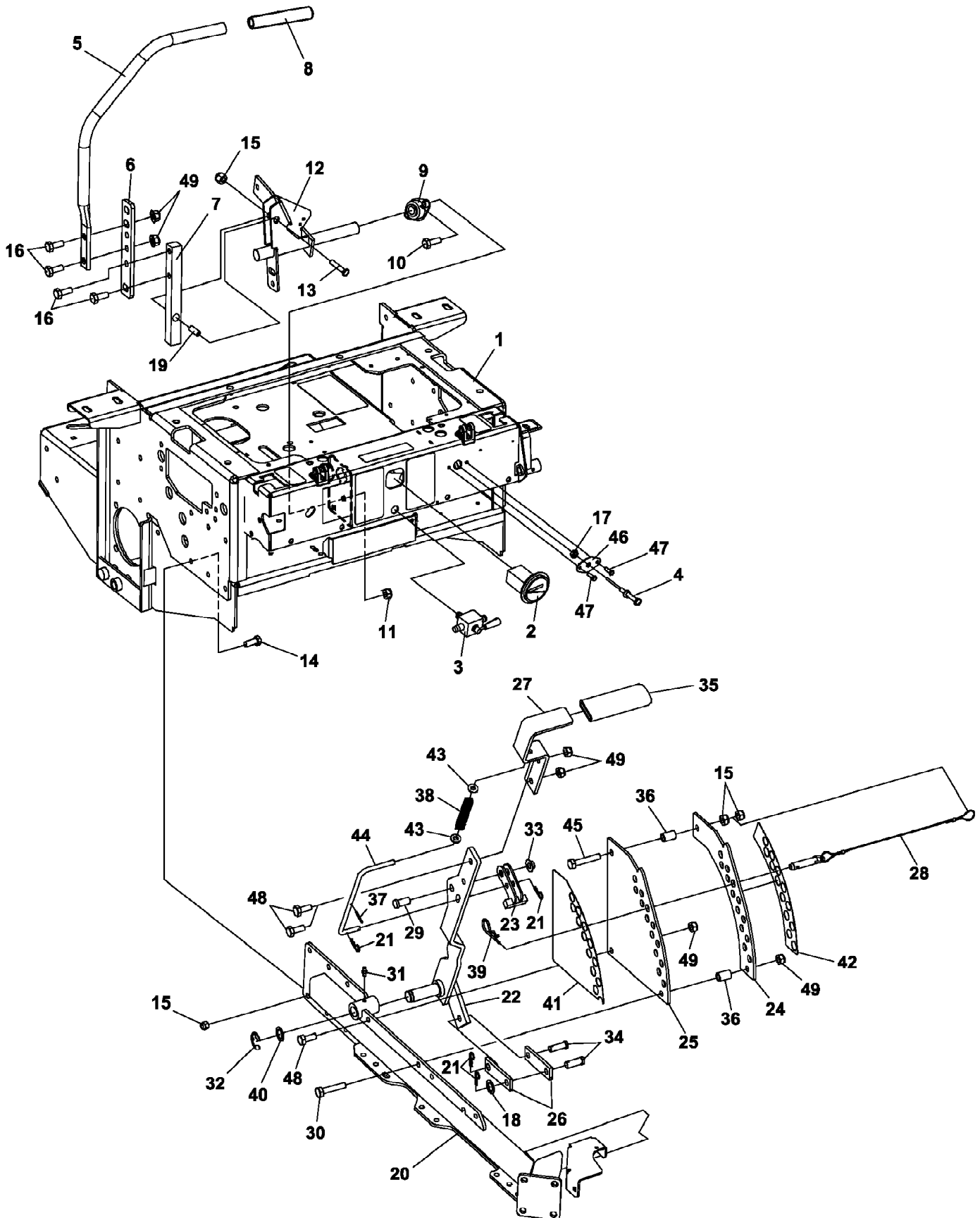
Ref #	Part Number	Qty	Description
1	2720996	1	S ENGINE DECK W/LABS
2	2720891.7	1	SCREEN-OIL COOLER
3	2188173	1	COOLER-OIL
4	2186211	1	S HYD RSRVR W/LABS
5A	69053-05	1	3/8 HIGH TEMP HOSE 26" (69053-05 IS A SERVICEABLE LENGTH OF 55")
5B	69053-05	1	3/8 HIGH TEMP HOSE 22" (69053-05 IS A SERVICEABLE LENGTH OF 55")
6	2722467.7	1	ANGLE-HEAT SHIELD
7	88042-04	4	CLAMP-HOSE 5/8
8	58026-01	1	3 WAY CONNECTOR 3/8
9	64265-05	12	NUT-FL NYL LOCK M10-1.5
10	2721934.7	1	BUMPER-REAR
11	64263-002	4	BLT-FLG HD M6-1.0 X 16
12	64237-02	4	LOCKNUT-NYLON M6-1.00
13	48228-2A	2	CABLE-CLIP 3/4 W/INSTN
14	2722170.7	2	BRKT-COOLER SUPPORT
15	64263-012	12	BLT-FLG HD M10-1.5 X 25



Ref #	Part Number	Qty	Description
1	198057	1	SEAT
2	198066	1	RH ARM REST
3	198059	1	LH ARM REST
4	158135-01	1	SWITCH, SEAT NO
5	64139-16	6	BLT-WLF 5/16-18 X 3/4
6	64139-02	2	BLT-WLF 1/4-20X1/2
7	198063	1	SLIDE RAIL-ADJ
8	198062	1	SLIDE RAIL-SLAVE
9	48228A	1	CABLE CLIP-INSULATED
10	64152-23	1	SCREW 1/4-20X3/8
11	158136	1	WIRE-SEAT SWITCH
12	4121386.7	1	PLATE-SEAT
13	64141-6	4	NUT-WLF 5/16-18
14	2198096	4	SCREW-CAP WSHR HD
15	64188-39	2	PIN-CLEVIS3/8X1-3/8W/OHL
16	64175-04	2	PUSHNUT 3/8 DIA
17	38371-01	2	BRG-NYLINER 3/8
18	970162		ATT-ROPS OPTIONAL (INCLUDES ITEM 22)
19	2208260	1	S-SEAT BELT

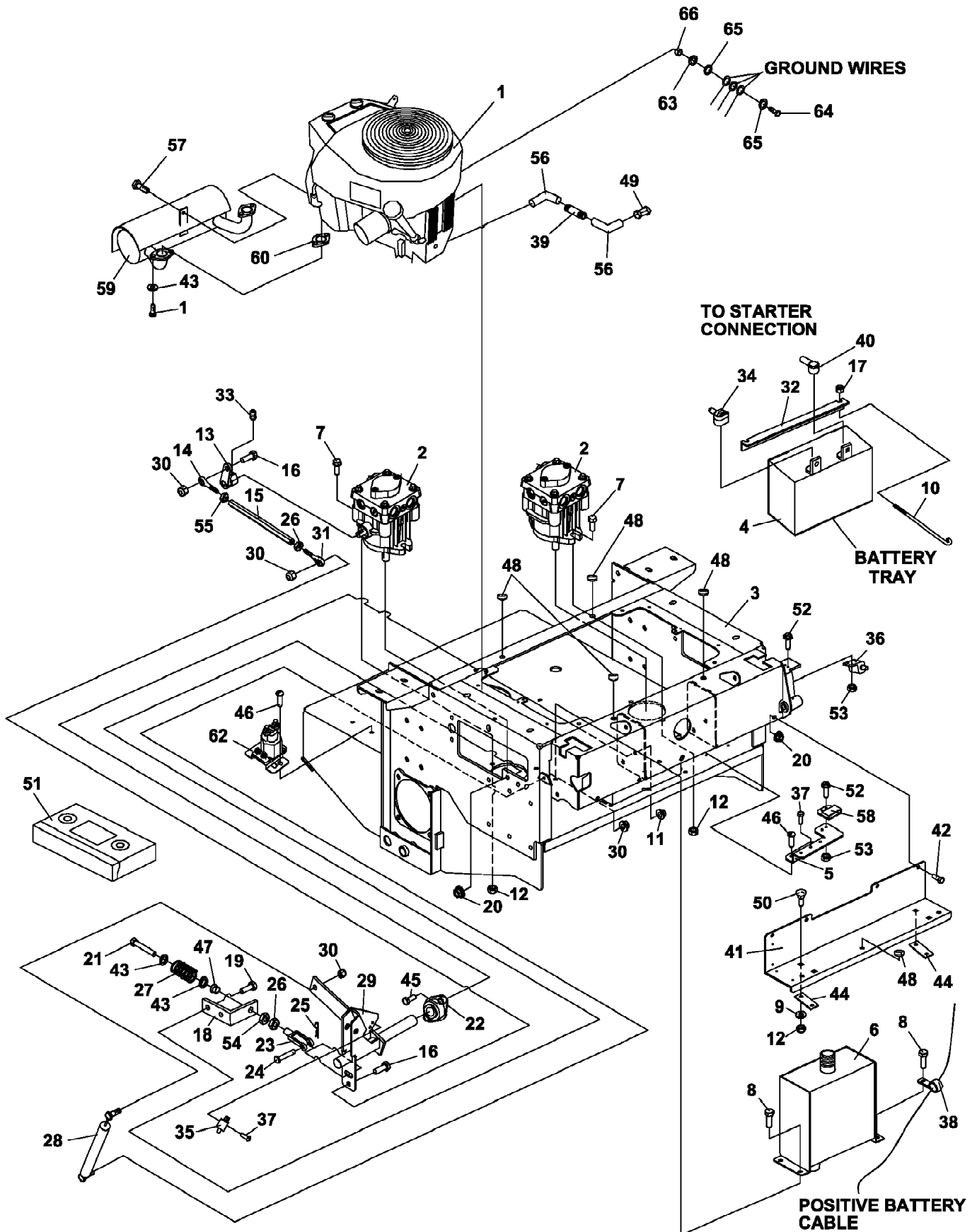
No  
Diagram  
Available  
  
Parts List  
Only

Ref #	Part Number	Qty	Description
	158061-10		SAE PORT 'O' RING, THREAD SIZE 9/16-18, AS-568# - 906
	158061-11		SAE PORT 'O' RING, THREAD SIZE 3/4-16, AS-568# - 908
	158061-12		SAE PORT 'O' RING, THREAD SIZE 7/8-14, AS-568# - 910
	158061-13		SAE PORT 'O' RING, THREAD SIZE 1-1/16-12, AS-568# - 912
	158061-14		SAE PORT 'O' RING, THREAD SIZE 1-5/16-12, AS-568# - 916
	158061-16		SAE PORT 'O' RING, THREAD SIZE 1-5/8-12, AS-568# - 920
	158061-03		SAE PORT 'O' RING, THREAD SIZE 1-7/8-12, AS-568# - 924



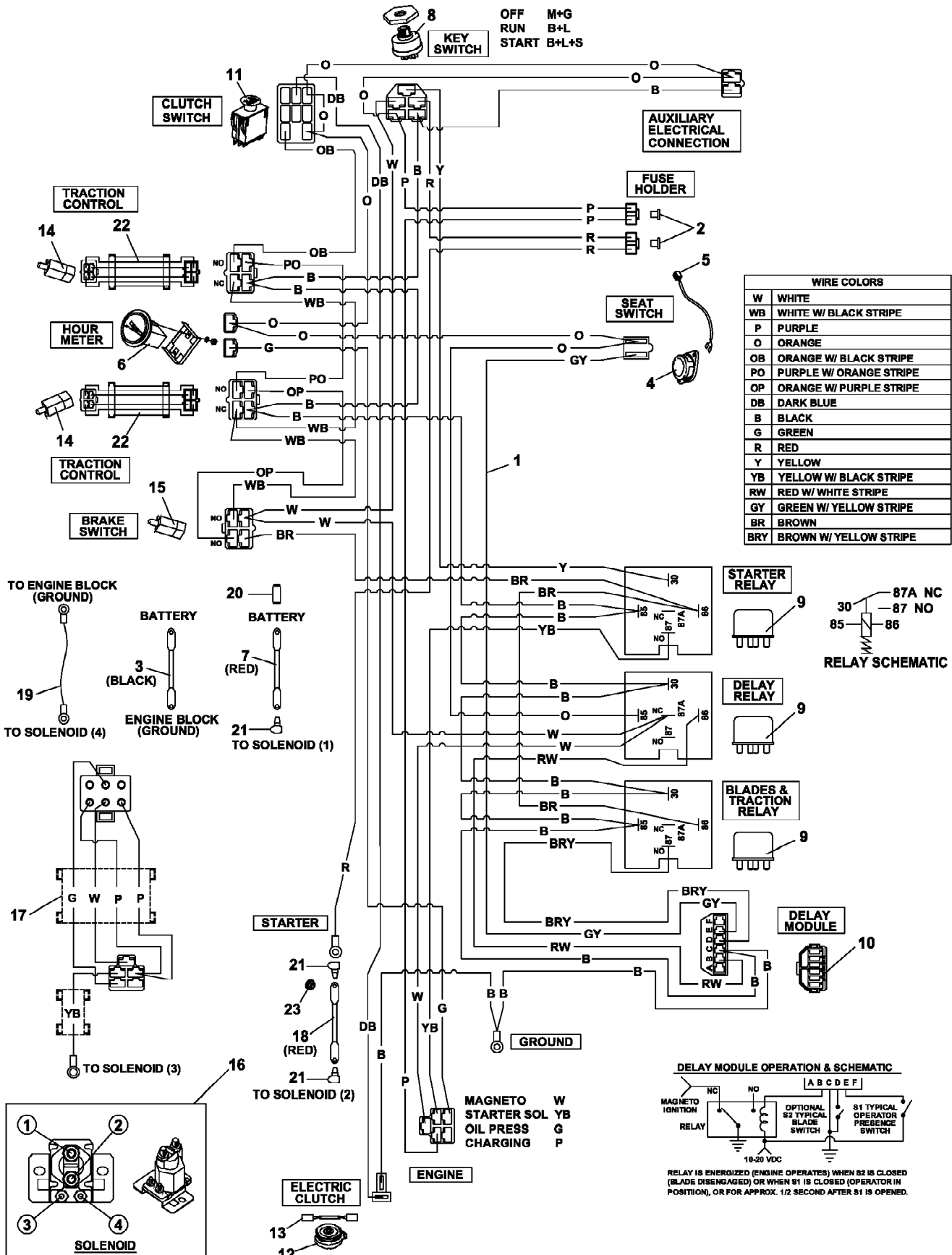


Ref #	Part Number	Qty	Description
1	2720996	1	S ENGINE DECK W/LABS
2	48030N	1	HOUR METER ASSEMBLY
3	2188161	1	VALVE-TANK SELECTOR
4	108009-05	1	CONTROL-CHOKE 55
5	4122172.7	2	LEVER-TRACTION CNTRL
6	4122173.7	2	BRKT-TRACTION LEVER
7	2183074	2	BRKT-HANDLE
8	2188144	2	GRIP-.75 IDX12
9	2188145	4	BEARING-.75ID SELF ALIGN
10	64123-15	8	BOLT-3/8-16X3/4 HEX
11	64141-4	8	NUT-WLF 3/8-16
12	4112105.7	1	WLDMT-MTN CONTRL RH
	4112104.7	1	WLDMT-MTN CONTRL LH NOT ILLUSTRATED
13	64205-011	2	BLT-METRIC M10-1.50X40
14	A110406	12	SCREW,M10X1.5X30 HH
15	64237-03	16	LOCKNUT-NYLON M10-1.5
16	64263-012	8	BLT-FLG HD M10-1.5 X 25
17	64025-04	1	NUT-HEX 3/8-24
18	64163-43	1	WSHR.443/.454X1X11GA
19	2183073	2	SPACER
20	2722723.2	1	WLDMT-CRADLE
21	64168-2	4	COTTER-HAIRPIN.08X1.19
22	2720551.7	1	WLDMT-DECK LIFT LEVER
23	2720511.7	1	WLDMT-LVR STOP LATCH
24	2720517.7	1	BRKT-INNER DECK LIFT
25	2720516.7	1	BRKT-OUTER DECK LIFT
26	4116590.7	2	BRACKET-LIFT LINK
27	2720501.7	1	HANDLE-LIFT ARM
28	2188141	1	ASSY, PIN & LANYARD
29	64188-53	1	PIN-CLEVIS 1/2X1.0
30	64205-052	1	BLT-METRIC M10-1.5X50
31	85010N	1	ZERK, 1/4-28 STR SELF TH
32	64221-04	1	E-RING .875
33	64175-05	1	NUT-PUSH 5/16
34	64188-36	2	PIN, CLEVIS 7/16X1-1/4
35	2188143	1	GRIP
36	2183071-03	2	SPACER-15.88X10.32X24
37	64061-37	1	ROLL PIN-1/8X1.00 SS
38	2720544	1	SPRING-COMPRESSION
39	64168-1	1	COTTER-HAIRPIN.12X2-3/8
40	64163-65	3	WSHR .890X1.375X18GA
41	2720742	1	LBL-ZT200 HT CUT OUTER
42	2720743	1	LBL-ZT200 HT CUT INNER
43	64163-37	2	WSHR 1.12X.390X19 GA
44	2720503	1	ROD-LIFT STOP
45	64205-008	1	BLT-METRIC M10-1.50X55
46	2222092	1	PLATE-CHOKE MOUNT
47	64152-23	2	1/4-20X3/8 LG SP SCREW
48	64263-013	3	BLT-FLG HD M10-1.5 X 30
49	64265-05	4	NUT-FL NYL LOCK M10-1.5

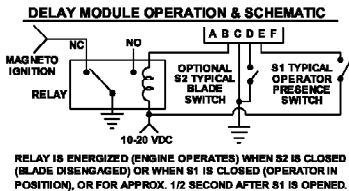
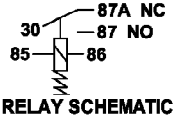


Ref #	Part Number	Qty	Description
1	2722010	1	ENG-BRIGGS INTEK 18HP
	2722461	1	AIR FILTER CARTRIDGE
	2722462	1	FOAM PRE-CLEANER
	2722463	1	OIL FILTER
	2722464	1	FUEL FILTER (EXHAUST BOLTS SUPPLIED WITH ENGINE)
2	4121333	2	PUMP-HYDRO BDP-10A-440 (SEE "Hydrogear Pump" FOR BREAKDOWN)
3	2720996	1	S-ENGINE DECK W/LABS
4	108055	1	BATTERY
5	2722293.7	1	BRKT-RELAY MTG
6	2186211	1	S HYD RESERVOIR W/LAB
7	64263-013	4	BLT-FLG HD M10-1.5 X 30
8	64197-016	4	BLT-TR 3/8-16X1 1/2
9	64251-004	4	WASHER-M10
10	831861	2	BOLT-BENT BATT HOOK
11	64141-4	8	NUT-WLF 3/8-16
12	64237-03	12	LOCKNUT-NYLON M10-1.5
13	4118430	2	ARM-PUMP
14	38369-02	2	ROD END BALL JOINT
15	2188140	2	TURNBUCKLE
16	64205-003	4	BLT-MET M8-1.25 X 30
17	64229-02	2	LOCKNUT-NYLON 5/16-18
18	2182405.7	2	BRKT-REVERSE RETURN
19	A1104057	4	BLT-M10-1.50 X 25
20	64246-03	8	WIZ NUT-MET M10-1.5
21	64123-205	2	BLT-HEX 5/16-24 X 4
22	2188145	4	BEARING-SELF ALIGNED
23	38020N	2	CLEVIS-YOKE PLATE
24	64188-02	2	PIN-CLEVIS 5/16 X 1
25	64168-2	2	HAIRPIN COTTER
26	64025-03	2	NUT-HEX 5/16-24
27	2188139	2	SPRING-COMPRESSION
28	2722384	2	DAMPENER
29	4112105.7	1	WLDMT-MTN CTRL RH
	4112104.7	1	WLDMT-MTN CTRL LH NOT ILLUSTRATED
30	64237-05	8	LOCKNUT-NYLON M8-1.25
31	38369-01	2	ROD END BALL JOINT
32	2182427.7	1	HOLD DOWN, BATTERY
33	64192-06	2	SETSCR SQHD 5/16-18X3/4
34	112386	1	BOOT, BAT TERM POS
35	108208	2	SWITCH, DBL POLE
36	2188156	1	SWITCH NONO DBL POLE
37	64197-015	7	BLT-TDFM #10-32X1/2 TRX
38	48228-2A	2	CABLE CLIP 3/4 W/INSTN
39	48024-19A	1	NIPPLE-PIPE 3/8NPTF X 2.0
40	2308095	1	COVER-TERMINAL
41	2182404.7	1	PLATE, KICK
42	64205-007	4	BLT-M10-1.5x20
43	64163-55	8	WASHER .328X.75X14 GA
44	2188146	2	STRIP, WEAR
45	64123-15	8	BLT-HEX 3/8-16X3/4

Ref #	Part Number	Qty	Description
46	64152-23	2	SCREW 1/4-20X3/8
47	38304-02	2	S BRG FLGD PLASTIC
48	810149	7	BUMPER-RUBBER
49	118036	1	HEX CAP 3/8 PIPE
50	64243-02	4	BLT-CRG M10-1.5X20
51	2810594	1	VIDEO-BOBCAT 100/200
52	64152-46	4	SCR-SLT HH #10-24
53	64025-15	4	NUT-HEX #10-24 KEPS
54	64229-08	2	LOCKNUT-NYLON 5/16-24
55	64025-33	2	NUT- 5/16-24 LH
56	2722175	2	FTG-45DEGSTREL3/8NPTF
57	64197-019	1	BLT-TDFM 12-24 X 5/8
58	2188154	1	MODULE-DELAY
59	2722034	1	ASSY-MUFFLER
60		2	GASKET-MUFFLER (OBTAIN THROUGH BRIGGS & STRATTON DEALER)
61	64152-27	2	1/4-20X5/8 LG SP SCREW
62	38665	1	SOLENOID
63	64006-01	1	LOCKWSHR-HELICAL 1/4
64	64123-89	1	BLT-HEX 1/4-20X3/4
65	64163-03	2	WSHR-.256IDX.62ODX18GA
66	2722459	1	SPCR-.375ODX.259IDX.16LG



WIRE COLORS	
W	WHITE
WB	WHITE W/ BLACK STRIPE
P	PURPLE
O	ORANGE
OB	ORANGE W/ BLACK STRIPE
PO	PURPLE W/ ORANGE STRIPE
OP	ORANGE W/ PURPLE STRIPE
DB	DARK BLUE
B	BLACK
G	GREEN
R	RED
Y	YELLOW
YB	YELLOW W/ BLACK STRIPE
RW	RED W/ WHITE STRIPE
GY	GREEN W/ YELLOW STRIPE
BR	BROWN
BRY	BROWN W/ YELLOW STRIPE



RELAY IS ENERGIZED (ENGINE OPERATES) WHEN S2 IS CLOSED (BLADE DISENGAGED) OR WHEN S1 IS CLOSED (OPERATOR IN POSITION), OR FOR APPROX. 1/2 SECOND AFTER S1 IS OPENED.

Ref #	Part Number	Qty	Description
1	2721375	1	HARNESS-WIRING MAIN
2	148082-20	2	FUSE-20 AMP
3	108061-13	1	CABLE-BATTERY 36 BLACK
4	158135-01	1	SWITCH-SEAT, NO
5	158136	1	WIRE-SEAT SWITCH
6	48030N	1	HOUR METER ASSEMBLY
7	2722227-01	1	CABLE-BATT W/CONDUIT (INCLUDES ITEMS 20 & 21)
8	128010	1	KEY-SWITCH
9	2722325	3	RELAY-40AMP SEALED
10	2188154	1	MODULE-DELAY
11	2188153	1	SWITCH, CLUTCH
12	2722016	1	CLUTCH-ELECTRIC 19HP (INCLUDES 2720949 WIRE ASSY)
13	2720949	1	ASSY-CLUTCH WIRE
14	108208	2	SWITCH-DBL POLE
15	2188156	1	SWITCH-NONO DBL POLE
16	38665	1	SOLENOID
17	2722013	1	HARNESS-JUMPER
18	108061-04	1	CABLE-BATTERY 20 RED
19	2188225	1	WIRE-GROUND
20	112386	1	BOOT-BAT TERM POS
21	2308095	3	COVER-TERMINAL
22	2188172	2	HARNESS-PIGTAIL
23	64141-2	1	NUT-WLF 1/4-20