

**Accessories Parts List  
9000SL / 9000XT / 9000XDT  
9000XT Recliner**



*Yes, you can.*

# Parts Catalog Usage Guide

The information contained in this document is subject to change without notice. This catalog contains service parts for Form No. 95-115. If you have any questions regarding this catalog, please contact one of our Customer Service Representatives.

**For Customer Service Support Call:**

**1-800-333-6900**

**For Faxed In Orders Call:**

**1-800-678-4682 or**

**1-440-366-0709**

**For Technical Service Call:**

**1-800-832-4707**

**Literature Can Be Found at:**

**www.invacare.com or**

**1-800-828-6272**

## SYMBOL DEFINITION

Throughout this catalog you will notice letters to draw your attention to specific footnotes which are located at the bottom of the page or below specified charts.

Examples:

A,B,C etc. = Special Comments

NOTE: = General information pertaining to that specific page

NLA = No Longer Available

## HARDWARE MEASUREMENTS

The measurements for the hardware will be listed as follows:

Screws, Bolts Diameter X Thread Count/Pitch X Length

Washers Inside Diameter X Outside Diameter X Thickness

Spacers Inside Diameter X Outside Diameter X Length

For your convenience, we have supplied an area for you to list your Invacare Representatives.

Name	Phone Numbers

© 2018 Invacare Corporation, Elyria, Ohio. Invacare, the Medallion Design and Yes, you can.; are registered trademarks.

# TABLE of CONTENTS

Description	Page Number
Amputee Attachment .....	6
Anti-Tippers .....	9
Carrying Pocket, Carrying Strap, Crutch and Cane Carrier .....	13
Cyclical Lever Drive - 7 Spoke - After 9/01 .....	50
Cyclical Lever Drive - 9 Spoke - For Canadian Chairs Only .....	55
Cyclical Lever Drive -7 Spoke - Before 10/01 .....	53
Fabric Clothing Protector .....	19
Fork and Release Handle for Cyclical Lever Drive .....	57
Head Support .....	17
Headrest Extension Non-Recliner Chairs .....	14
I.V. Rod - Recliner .....	25
I.V./ Oxygen Holder .....	21
I.V.Rod and Bracket (2218) - Non-Recliner .....	23
Lumbar Cushion with Hook Straps and Non-Folding Device .....	29
Non-Folding Device .....	48
One Arm Drive - 9000XT, 9000XDT .....	30
Oxygen Holder - 1497 .....	27
Seat Positioning Straps, Tire Pumps, and Transfer Board .....	36
Solid Back Insert and Back Pack .....	37
Solid Folding Seats - Drop Hook .....	41
Solid Seat Insert and Seat Pouch .....	39

# TABLE of CONTENTS

Description	Page Number
Torso Support .....	44
Upholstery Color and Frame Finishes .....	4
Utility Tray .....	34
Wheel Lock Extensions .....	46

# Upholstery Color and Frame Finishes

## Sail Cloth with Velcro Strap

Color Number	Description
U245	Black

### Nylon Colors

Color Number	Description
U240	Black
U246	Hunter Green (9000SL/XT Only)
U247	Ruby (9000SL/XT Only)

### Vinyl Colors

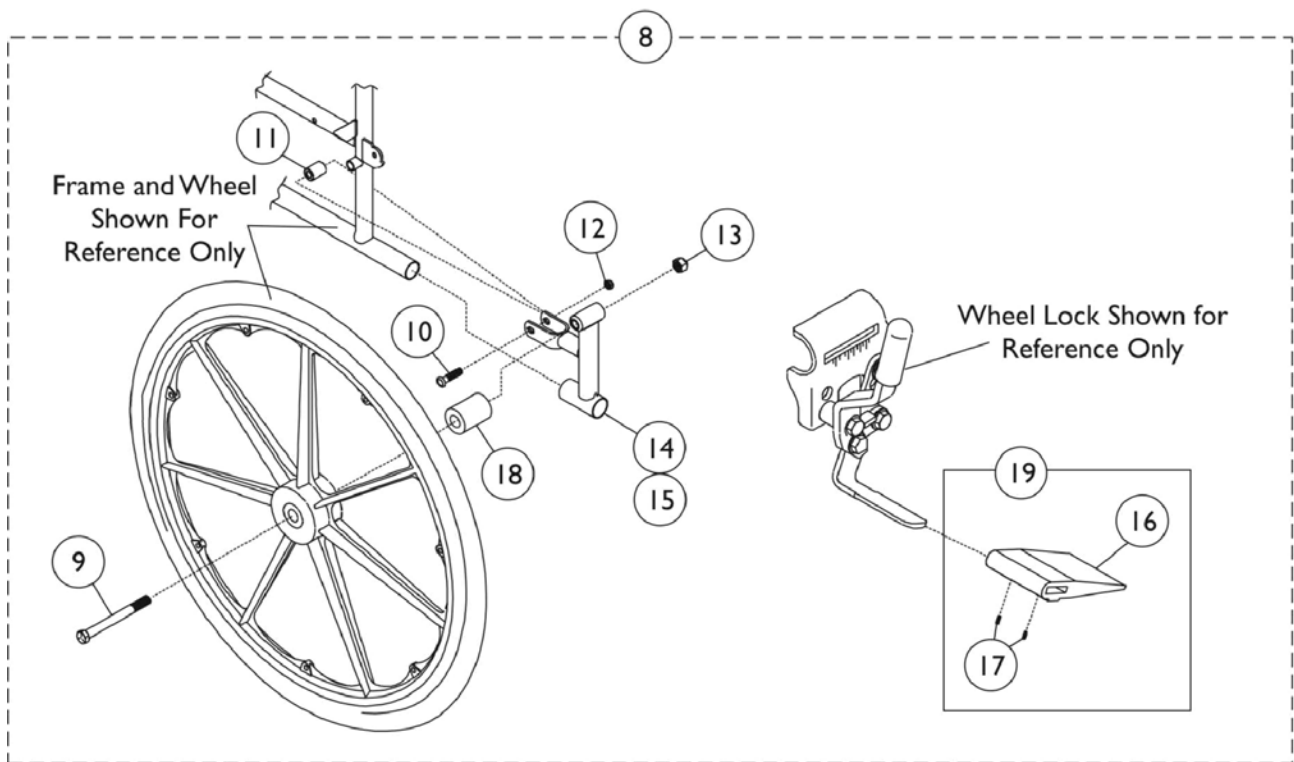
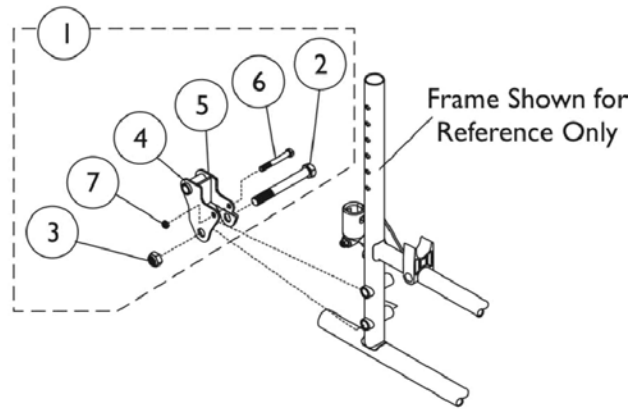
Color Number	Description
U67	Black
U88	Camel
U85	Dark Blue
U75	Dove Grey
U60	Marina Blue (9000SL/XT/XDT Only)
U86	Ruby Red
U52	Sand (9000SL/XT/XDT Only)
U97	Light Blue
U92	Sky Blue (9000SL/XT/XDT Only)

# Upholstery Color and Frame Finishes

## Frame Finishes

Color Number	Color	Touch-Up Paint Part Number
15P	Chrome	N/A
71P	Silver Vein	N/A

# Amputee Attachment



## Amputee Attachment

Item Number	Note	Part Number	Description	Quantity Per			
				Package	Assembly		
1	A,B,J	1058670	Kit, Amputee Attachment, Chrome (Pair)	1	1		
2			NLA - Screw, Hex Head (7/16-20 x 2-1/2")	1	2		
3			Locknut (7/16-20)	1	2		
4			Bracket, Amputee, Chrome - Right Adult/Left Hemi	1	1		
5			Bracket, Amputee, Chrome - Left Adult/Right Hemi	1	1		
6			Screw, Hex Head (1/4-20 x 1-1/2")	1	2		
7			Locknut (1/4-20)	1	2		
			NLA - Instruction Sheet	1	1		
8	A,C,E	1064054	Kit, Amputee Attachment, Black (Pair)	1	1		
9			Bolt, Hex Head Cap (7/16-20 x 4-3/4")	1	2		
10			Screw, Hex Head (5/16-24 x 1-1/2")	1	2		
11			Spacer, Chrome (5/16 x 11/16 x 15/16")	1	2		
12			Locknut (5/16-24)	1	2		
13			Locknut (7/16-20)	1	2		
14			Bracket, Amputee, Black - Right	1	1		
15			Bracket, Amputee, Black - Left	1	1		
16			Spacer, Wheel Lock Shoe (2-7/16")	1	2		
17			Screw, Set Socket Cup Point (#8-32 x 3/16")	1	4		
					Instruction Sheet	1	1
8			A,D,F	1065224	Kit, Amputee Attachment, Black (Pair)	1	1
9					Screw, Hex Head Cap (7/16-20 x 5-1/2")	1	2
10					Screw, Hex Head (5/16-24 x 1-1/2")	1	2
11					Spacer, Chrome (5/16 x 11/16 x 15/16")	1	2
12					Locknut (5/16-24)	1	2
13					Locknut (7/16-20)	1	2
14	Bracket, Amputee, Black - Right	1			1		
15	Bracket, Amputee, Black - Left	1			1		
16	Spacer, Wheel Lock Shoe (2-7/16")	1			2		
17	Screw, Set Socket Cup Point (#8-32 x 3/16")	1			4		
18	Spacer (7/16 x 5/8 x 1/2")	1			2		
					Instruction Sheet	1	1
8	A,D,E	1182824			Kit, Amputee Attachment, Black (Pair)	1	1
9					Screw, Hex Head Cap (7/16-20 x 5-1/2")	1	2
10					Screw, Hex Head (5/16-24 x 1-1/2")	1	2
11					Spacer, Chrome (5/16 x 11/16 x 15/16")	1	2
12					Locknut (5/16-24)	1	2
13					Locknut (7/16-20)	1	2
14			Bracket, Amputee, Black - Right	1	1		
15			Bracket, Amputee, Black - Left	1	1		
16			Spacer, Wheel Lock Shoe (2-7/16")	1	2		
17			Screw, Set Socket Cup Point (#8-32 x 3/16")	1	4		
18			Spacer (7/16 x 5/8 x 1/2")	1	2		
					Instruction Sheet	1	1
8			A,C,F	1182825	Kit, Amputee Attachment, Black (Pair)	1	1

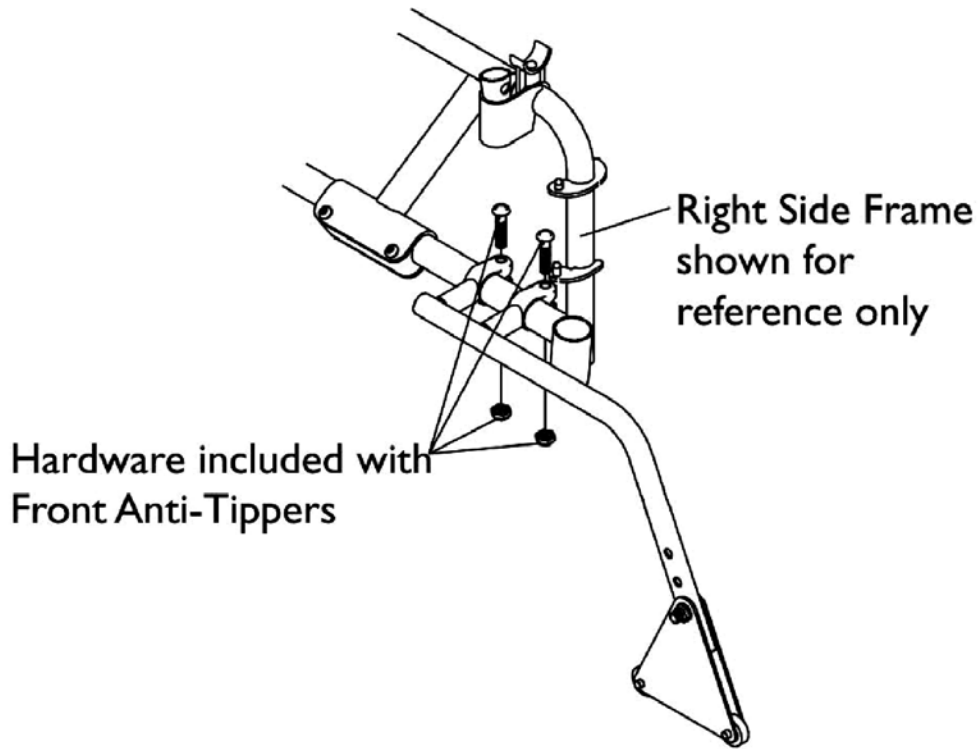


## Amputee Attachment

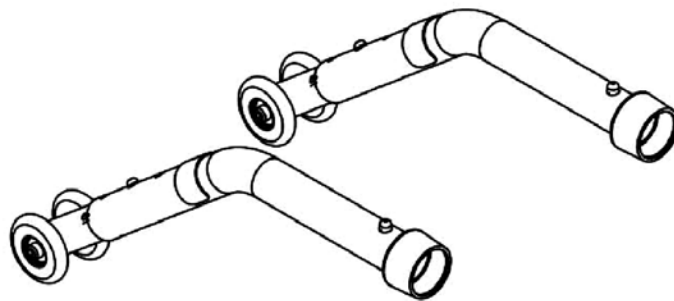
Item Number	Note	Part Number	Description	Quantity Per	
				Package	Assembly
9			Bolt, Hex Head Cap (7/16-20 x 4-3/4")	1	2
10			Screw, Hex Head (5/16-24 x 1-1/2")	1	2
11			Spacer, Chrome (5/16 x 11/16 x 15/16")	1	2
12			Locknut (5/16-24)	1	2
13			Locknut (7/16-20)	1	2
14			Bracket, Amputee, Black - Right	1	1
15			Bracket, Amputee, Black - Left	1	1
16			Spacer, Wheel Lock Shoe (2-7/16")	1	2
17			Screw, Set Socket Cup Point (#8-32 x 3/16")	1	4
			Instruction Sheet	1	1
19	C,G,I	1048656	Kit, Wheel Lock Shoe Spacer	1	1
16			Spacer, Wheel Lock Shoe (1-45/64")	1	1
17			Screw, Set Socket Cup Point (#8-32 x 3/16")	1	2
19	D,H,I	7400109	Kit, Wheel Lock Shoe Spacer (Pair)	1	1
17			Screw, Set Socket Cup Point (#8-32 x 3/16")	1	4
16			Spacer, Wheel Lock Shoe (2-7/16")	1	2
<p>NOTE: A - Instruction sheet not shown.            B - Includes items 2-7.            C - To be used on Super Low chairs with space saver arm styles.            D - To be used on Super Low chairs with conventional arm styles.            E - Includes items 9-18 and instruction sheet.            F - Includes items 9-18 and instruction sheet.            G - Chairs with 20" or 22" rear wheels, order (2) of part # 1048656 for both sides of chair.            H - 9000XDT Chairs with 19" - 20" seat depth, order (1) of part # 7400109 for both sides of chair.            I - Includes items 16 and 17.            J - For use on Adult or Hemi chairs.</p>					

# Anti-Tippers

**NOTE:** The 0 degree and 6 degree chair configurations became available 8/1/02. Rear anti-tippers for these configurations are not available prior 8/1/02.



**Front Anti-Tippers**



**Rear Anti-Tippers**

## Anti-Tippers

**NOTE: The 0 degree and 6 degree chair configurations became available 8/1/02. Rear anti-tippers for these configurations are not available prior 8/1/02.**

### 9000SL and 9000XT

Model Number	Part Number	Description	Quantity Per Package
2226	1035967	Front Anti-Tippers	2
1360A	1061112 See Note(s) G, D, A	Rear Anti-Tippers	2
1360SH	1064520 See Note(s) E, C, A	Rear Anti-Tippers	2
1360	1058836 See Note(s) F, C, B	Rear Anti-Tippers	2

NOTE: A - 6" Fork and Caster.  
 B - 8" Fork and Caster.  
 C - Standard Seat to Floor angle for 9SL and 9XT is 3 degrees. After 8/1/02, 9XT with offset axle and adjustable journal caster options allow seat-to-floor angle to be set at 0 degrees, 3 degrees and 6 degrees.  
 D - For use on Adult, Hemi and Super Hemi models.  
 E - For use on Super Low models.  
 F - For use on all models.  
 G - 9000XT models with Super Hemi and Angle-S back must use Anti-Tipper part # 1058752.

### 9000XDT

Model Number	Part Number	Description	Quantity Per Package
2226	1035967	Front Anti-Tippers	2
1360A	1061112 See Note(s) A	Rear Anti-Tippers	2
1360	1058836 See Note(s) B	Rear Anti-Tippers	2

NOTE: A - Adult and Hemi Chairs - 8" Fork and Caster.  
 B - Tall Chairs - 8" Fork and Caster.

# Anti-Tippers

**NOTE: The 0 degree and 6 degree chair configurations became available 8/1/02. Rear anti-tippers for these configurations are not available prior 8/1/02.**

## 9000XT Recliner

Part Number	Description	Quantity Per Package
1035967	Front Anti-Tipper	2
1061109-NLA See Note(s) A	Rear Anti-Tipper	2
8881180805 See Note(s) D, A	Rear Anti-Tipper	2
1061110-NLA See Note(s) B	Rear Anti-Tipper	2
8881180802 See Note(s) D, B	Rear Anti-Tipper	2
1021767-NLA See Note(s) C	Rear Anti-Tipper	2
8881180799 See Note(s) D, C	Rear Anti-Tipper	2
<b>NOTE:</b> A - For use on models with 20" rear wheels. B - For use on models with 22" rear wheels. C - For use on models with 24" rear wheels. D - Specify 71P Silver Vein when ordering.		

## 9000XT with 0 Degree Seat Angle - After 8/01/02

### 9000XT w/Offset Axle and Adjustable Journal Caster Options

Kit Number	Seat to Floor Height	Anti-Tipper Length	Anti-Tipper Height	Caster Size
1061112	15-1/2"	11-5/8"	2-3/4"	6"
1058836	16-1/2" - 17-1/2"	13-1/2"	3-1/2"	6"
1058836	17-1/2" - 18-1/2"	13-1/2"	3-1/2"	8"

# Anti-Tippers

**NOTE:** The 0 degree and 6 degree chair configurations became available 8/1/02. Rear anti-tippers for these configurations are not available prior 8/1/02.

## 9000SL and 9000XT with 3 Degree Seat Angle

### 9000XT w/Offset Axle and Adjustable Journal Caster Options

Kit Number	Seat to Floor Height	Anti-Tipper Length	Anti-Tipper Height	Caster Size
1061112 See Note(s) A	15-1/2", 16-1/2", 17-1/2"	11-5/8"	2-3/4"	6"
1058836 See Note(s) A	17-1/2", 18-1/2", 19-1/2"	13-1/2"	3-1/2"	8"

NOTE: A - Standard seat to floor angle for 9SL and 9XT is 3 degrees. After 8/1/02, 9XT with offset axle and adjustable journal caster options allow seat to floor angle to be set at 0 degrees, 3 degrees and 6 degrees.

## 9000XT with 6 Degree Seat Angle - After 8/1/02

### 9000XT w/Offset Axle and Adjustable Journal Caster Options

Kit Number	Seat to Floor Height	Anti-Tipper Length	Anti-Tipper Height	Caster Size
1113764-NLA	15-1/2"	9-1/2"	2-3/8"	6"
1113765-NLA	16-1/2", 17-1/2"	12-1/2"	2-3/4"	6"
1113766-NLA	17-1/2", 18-1/2", 19-1/2"	13-1/2"	2-7/8"	8"

# Carrying Pocket, Carrying Strap, Crutch and Cane Carrier

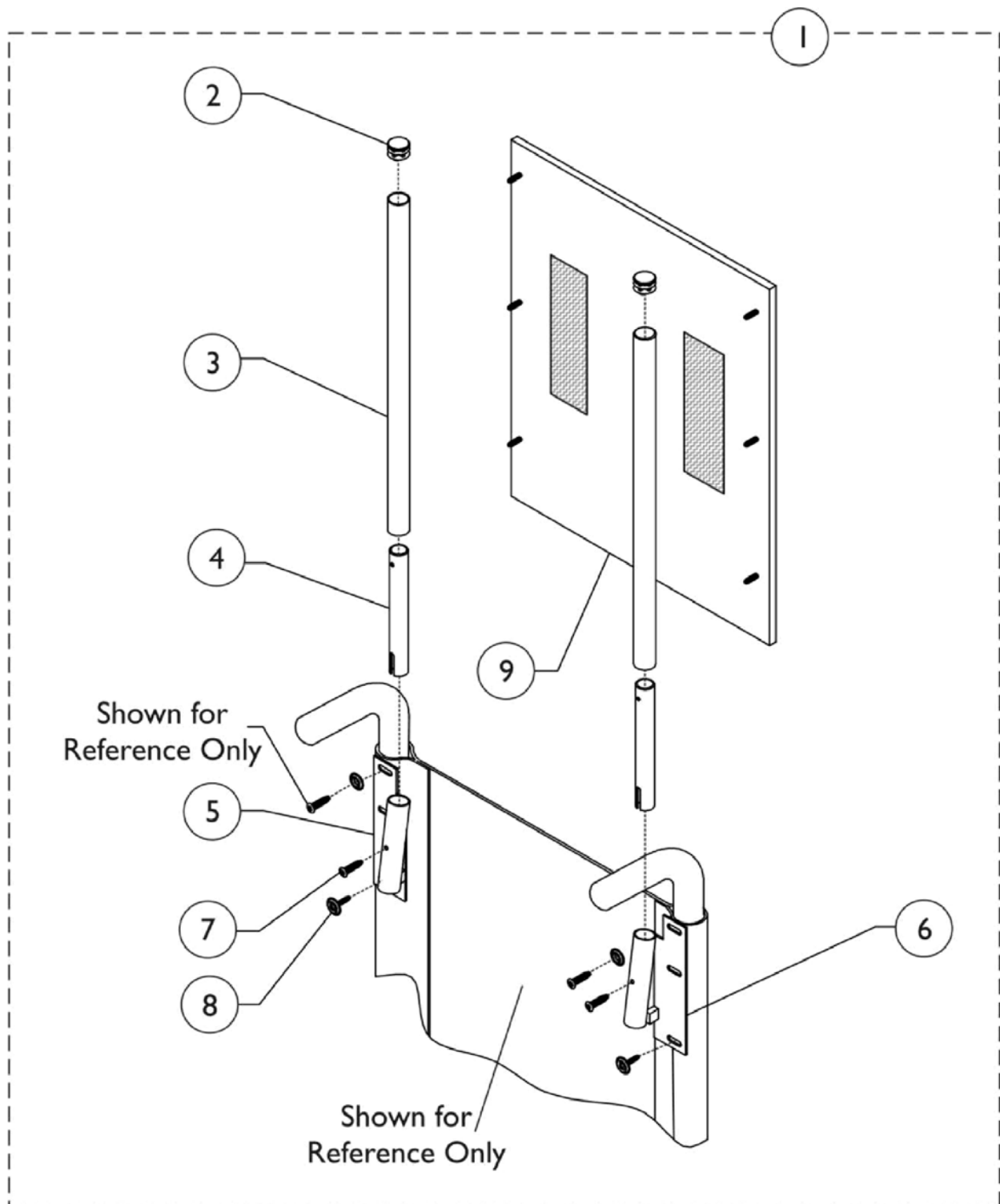
## Carrying Pocket

Part Number	Description	Quantity Per Assembly
8881047954-NLA See Note(s) A, B	Carrying Pocket, Expanded Vinyl	1
8881047957 See Note(s) A, C	Carrying Pocket, Expanded Vinyl	1
8881047960 See Note(s) A, D	Carrying Pocket, Vinyl	1
8881047956-NLA See Note(s) B, A	Carrying Pocket, Nylon	1
8881047959 See Note(s) C, A	Carrying Pocket, Black Nylon	1
8881047962 See Note(s) D, A	Carrying Pocket, Nylon	1
8881047954-NLA See Note(s) B, A	Carrying Pocket, Vinyl	1
8881047958-NLA See Note(s) A, C	Carrying Pocket, Non-Expanded Vinyl	1
8881047961-NLA See Note(s) D, A	Carrying Pocket, Lightweight Vinyl	1
1041784-NLA	Hardware Carrying Pocket	1
NOTE: A - Specify upholstery color, see page titled "Upholstery Color Options." B - 14-15" Wide Chairs C - 16-20" Wide Chairs D - 22" Wide Chairs		

## Carrying Strap and Crutch & Cane Carrier

Part Number	Description	Quantity Per Assembly
8881025300-NLA See Note(s) A	Carrying Strap	1
1034204	Crutch & Cane Carrier	1
NOTE: A - Specify upholstery color, see page titled "Upholstery Color Options".		

# Headrest Extension Non-Recliner Chairs



## Headrest Extension Non-Recliner Chairs

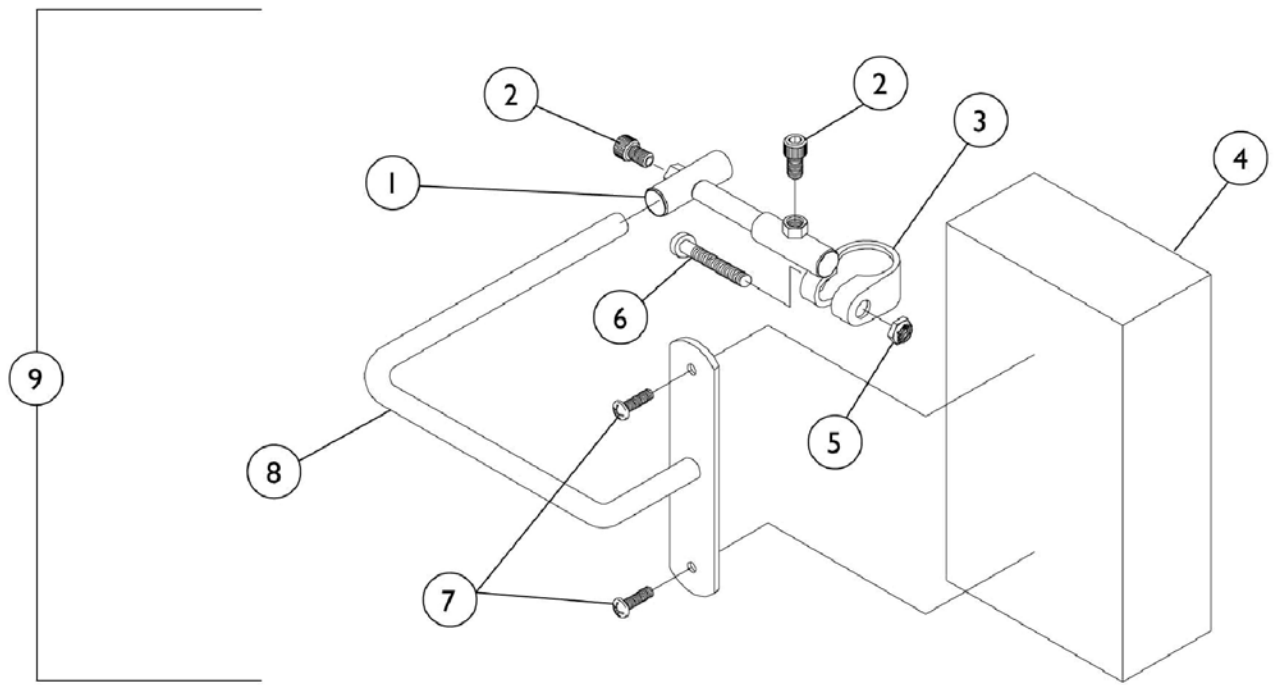
Item Number	Note	Part Number	Description	Quantity Per	
				Package	Assembly
1	A,B,F	8881050181-NL A	NLA - Headrest Extension Assembly, Vinyl, Chrome (14" W)	1	1
1	A,B,F	8881050182-NL A	NLA - Headrest Extension Assembly, Vinyl, Chrome (15" W)	1	1
1	A,B,F	8881050183	NLA - Headrest Extension Assembly, Vinyl, Chrome (16" W)	1	1
1	A,B,F	8881091224-NL A	NLA - Headrest Extension Assembly, Vinyl, Chrome (16-1/2" W)	1	1
1	A,B,F	8881050184-NL A	NLA - Headrest Extension Assembly, Vinyl, Chrome (17" W)	1	1
1	A,B,F	8881050185-NL A	NLA - Headrest Extension Assembly, Vinyl, Chrome (18" W)	1	1
1	A,B,F	8881050186-NL A	NLA - Headrest Extension Assembly, Vinyl, Chrome (19" W)	1	1
1	A,B,F	8881050187-NL A	NLA - Headrest Extension Assembly, Vinyl, Chrome (20" W)	1	1
1	A,B,F	8881050188-NL A	NLA - Headrest Extension Assembly, Vinyl, Chrome (22" W)	1	1
1	B,F	8881052776-NL A	NLA - Headrest Extension Assembly, Nylon, Chrome (14" W)	1	1
1	B,F	8881052777-NL A	NLA - Headrest Extension Assembly, Nylon, Chrome (15" W)	1	1
1	B,F	8881052778-NL A	NLA - Headrest Extension Assembly, Nylon, Chrome (16" W)	1	1
1	B,F	8881052779-NL A	NLA - Headrest Extension Assembly, Nylon, Chrome (17" W)	1	1
1	B,F	8881052780-NL A	NLA - Headrest Extension Assembly, Nylon, Chrome (18" W)	1	1
1	B,F	8881052781-NL A	NLA - Headrest Extension Assembly, Nylon, Chrome (19" W)	1	1
1	B,F	8881052782-NL A	NLA - Headrest Extension Assembly, Nylon, Chrome (20" W)	1	1
2	B	1027095	Plug Button, Black (7/8")	1	2
3	C	01058X000-NLA	NLA - Tube, Headrest Extension	1	2
3	D	1054604	Tube, Headrest Extension	1	2
4		48811X003	Tube, Insert	1	2
5		1028753	Bracket, Headrest, Black - Left	1	1
6		1028752	Bracket, Headrest, Black - Right	1	1
7		40163X013-NLA	NLA - Screw, Phillips Pan Head Tap (#10-32 x 1/2")	1	2
8		1076283	Screw, Phillips Oval Head w/ Washer (#10-16 x 7/8")	1	2
9	A	8881054633-NL A	NLA - Upholstery, Headrest, Vinyl (14" W)	1	1
9	A	8881054634-NL A	NLA - Upholstery, Headrest, Vinyl (15" W)	1	1
9	A	8881054638-NL A	NLA - Upholstery, Headrest, Vinyl (16" W)	1	1



## Headrest Extension Non-Recliner Chairs

Item Number	Note	Part Number	Description	Quantity Per	
				Package	Assembly
9	A	8881054635-NL A	NLA - Upholstery, Headrest, Vinyl (17" W)	1	1
9	A	8881054637-NL A	NLA - Upholstery, Headrest, Vinyl (18" W)	1	1
9	A	8881054636-NL A	NLA - Upholstery, Headrest, Vinyl (19" W)	1	1
9	A	8881054639-NL A	NLA - Upholstery, Headrest, Vinyl (20" W)	1	1
9	A	8881054640-NL A	NLA - Upholstery, Headrest, Vinyl (22" W)	1	1
9		8881052586-NL A	NLA - Upholstery, Headrest, Nylon (14" W)	1	1
9		8881052587-NL A	NLA - Upholstery, Headrest, Nylon (15" W)	1	1
9		8881052588-NL A	NLA - Upholstery, Headrest, Nylon (16" W)	1	1
9		8881091223-NL A	NLA - Upholstery, Headrest, Vinyl (16-1/2" W)	1	1
9		8881052589-NL A	NLA - Upholstery, Headrest, Nylon (17" W)	1	1
9		8881052590-NL A	NLA - Upholstery, Headrest, Nylon (18" W)	1	1
9		8881052591-NL A	NLA - Upholstery, Headrest, Nylon (19" W)	1	1
9		8881052592-NL A	NLA - Upholstery, Headrest, Nylon (20" W)	1	1
	E,G	1098351-NLA	NLA - Instruction Sheet	1	1
	C,E	47447X009	Screw, Phillips (#8 x 3/8")	1	6
<p>NOTE: A - Specify upholstery color when ordering, see category titled, "Upholstery Color Options."            B - Includes items 2-9.            C - For use on a Headrest Extension Tube with snap fasteners (Before 6/95).            D - For use on a Headrest Extension Tube without snap fasteners (After 5/95).            E - Not Shown.            F - Headrest extension assembly not available in 71P Silver Vein color frame finish.            G - Item is no longer available from the Invacare Service Parts Department. Refer to the Invacare Website under "Product Literature Search". Enter the part number in the "Keywords" field and download a free PDF version copy.</p>					

# Head Support

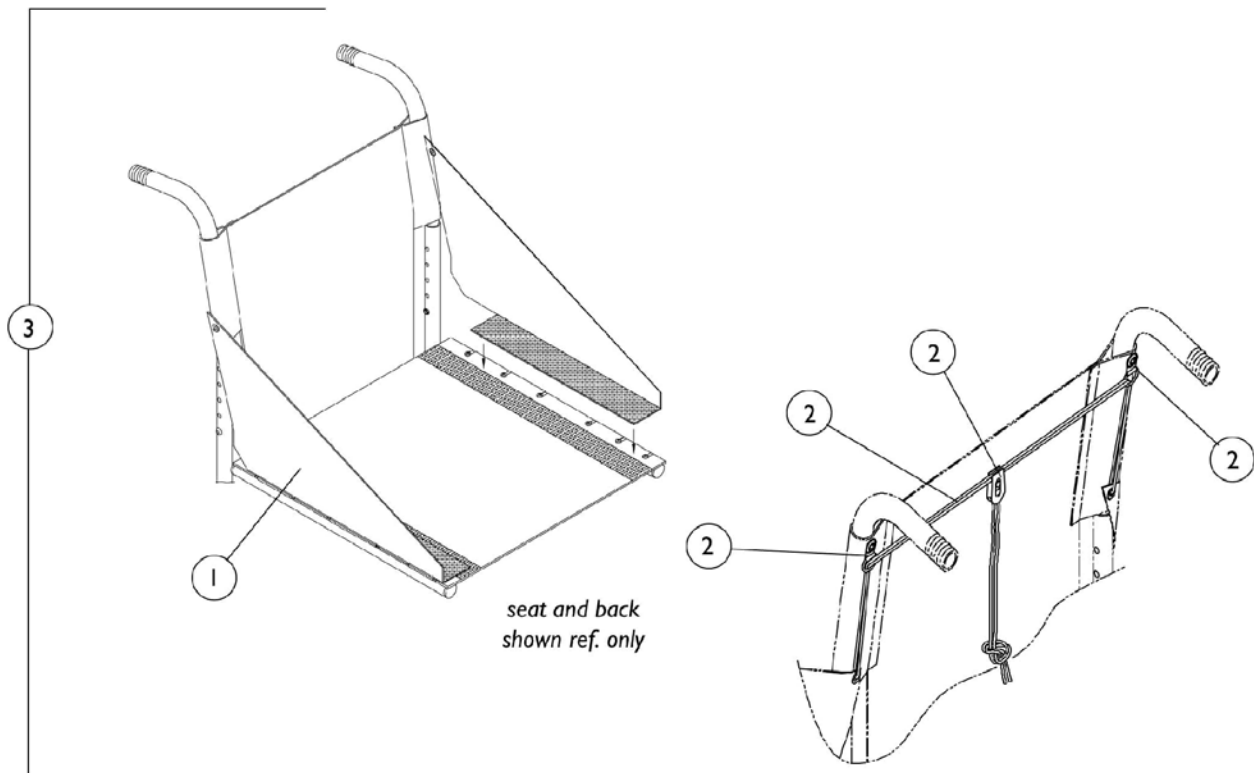


# Head Support

Item Number	Note	Part Number	Description	Quantity Per	
				Package	Assembly
1		03018X042	Wing Bracket Assembly, Chrome	1	1
2		60284X001	Screw, Socket Head (1/4-20 x 1/2")	1	2
3		03018X043	Bracket, Clamp, Black- Right	1	1
3		03018X046	Bracket, Clamp, Black - Left	1	1
4	A,E	8881123986-NL A	NLA - Pad, Headrest	1	1
4	A	88804529X040- NLA	NLA - Pad, Headrest	1	1
5		60264X001	Locknut (5/16-24)	1	1
6		11232X009	Bolt, Lug (5/16-24 x 1-3/8")	1	1
7		40163X008	Screw, Phillips Pan Head (#10-32 x 11/16")	1	2
8	B	03018X045	Bracket, Pad Support, Chrome	1	1
8	C	03018X044-NLA	NLA - Bracket, Pad Support, Black	1	1
9	A,B	8881050191-NL A	NLA - Head Support Assembly (Pair)	1	1
9	A,C	8881050192-NL A	NLA - Head Support Assembly (Pair)	1	1
	D,F	1023610-NLA	NLA - Instruction Sheet	1	1

NOTE: A - Specify upholstery color when ordering, see category titled, "Upholstery Color Options."  
 B - Non-Recliner  
 C - Recliner  
 D - Not Shown  
 E - No Longer Available. Use 88804529X040 as replacement.  
 F - Item is no longer available from the Invacare Service Parts Department. Refer to the Invacare Website under "Product Literature Search". Enter the part number in the "Keywords" field and download a free PDF version copy.

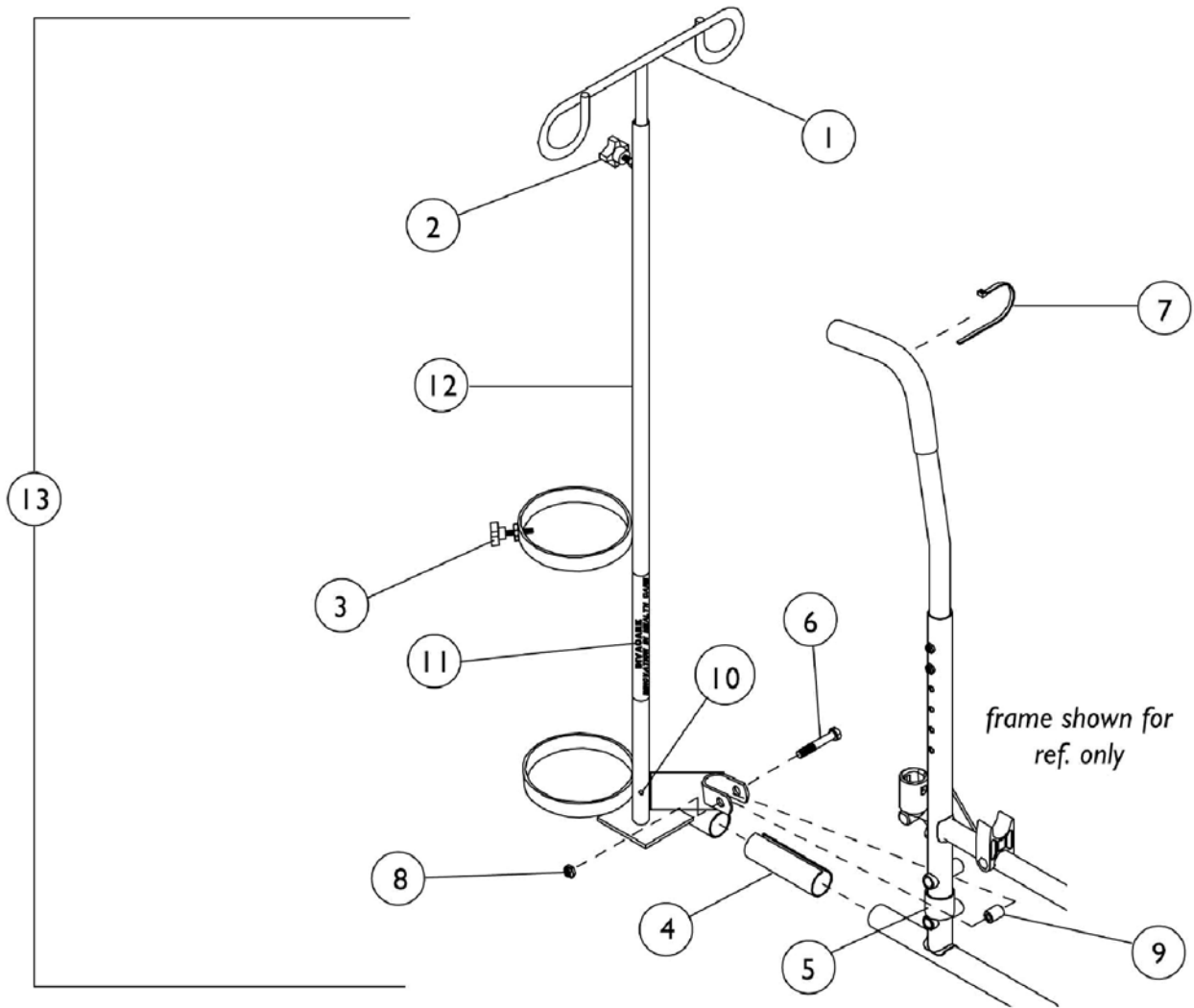
# Fabric Clothing Protector 9000XT Only



## Fabric Clothing Protector 9000XT Only

Item Number	Note	Part Number	Description	Quantity Per	
				Package	Assembly
1	A	1017447-NLA	NLA - Protector, Fabric Clothing	1	2
1	B	1057388	Protector, Fabric Clothing (Pair)	1	2
2	C,D	1054770-NLA	NLA - Kit, Clothing Protector Hardware	1	1
3		1035976-NLA	NLA - Protector, Fabric Clothing with Hardware (Pair)	1	1
NOTE: A - Before 4/95 B - After 3/95 C - Due to a design change, and Clothing Gaurd hardware needed for chairs built before 2/95 will need to order kit number 1054770 so that the chair can be upgraded to the current design. Previous hardware is NLA. D - Kit includes Cord, Cord Lock, and 2 "D" Rings					

# I.V./ Oxygen Holder



## I.V./ Oxygen Holder

Item Number	Note	Part Number	Description	Quantity Per	
				Package	Assembly
1		1027468	Rod, I.V.	1	1
2		1027683	Knob, Adjustment, Black	1	1
3		1027684	Knob, Clamping, Black	1	1
4		1023560	Insert, Guide Tube, Black (3-3/4" Long)	1	1
5		1023618	Insert, Guide Tube, Black (1" Long)	1	1
6		11239X000-NLA	NLA - Screw, Hex Head (5/16-24 x 1-3/4")	1	1
7		98007X005	Tie Wrap (11-1/2" L)	1	1
8		7930363-NLA	NLA - Package, Locknut (5/16"-24)	25	1
9		1017843	Spacer, Chrome (5/16 x 11/16 x 15/16")	1	1
9		1102577	Spacer, Black (5/16 x 11/16 x 15/16")	1	1
10		1027789	Pin, Roll	1	1
11		1095497	Decal, Invacare Logo (1.6)	1	1
12	A	1070898	Base, I.V./Oxygen	1	1
13	A,B	1070899	Holder, I.V./Oxygen	1	1
	C	1027931	Instruction Sheet, I.V./Oxygen Holder	1	1

NOTE: A - For use on 9000SL/XT and XDT models.  
 B - Includes items 2-12.  
 C - Not Shown.

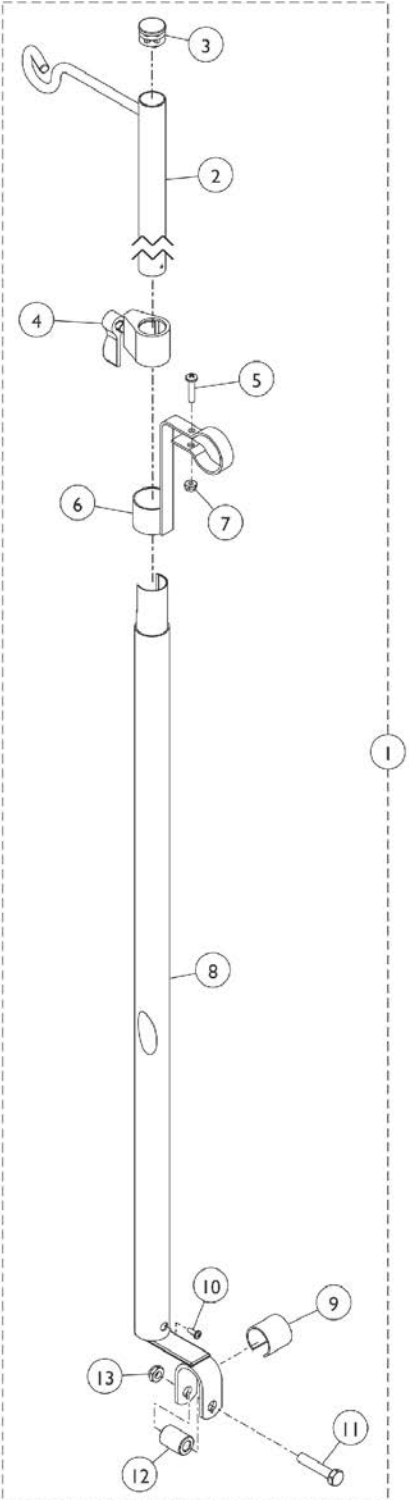
## I.V.Rod and Bracket (2218) - Non-Recliner

Item Number	Note	Part Number	Description	Quantity Per	
				Package	Assembly
1	A	1101760	Rod, I.V., Telescoping (Model 2218)	1	1
2		04701X028	Rod, I.V.	1	1
3		1027095	Plug Button, Black (7/8")	1	1
4		12592X000-NLA	NLA - Adjustment Lock Assembly, Chrome	1	1
5		16718X000-NLA	NLA - Screw, Phillips Pan Head (#10-32 x 7/8")	1	1
6		1020082	Bracket, Mounting, Chrome	1	1
7		60279X003	Locknut (#10-32)	1	1
8		1017623	Socket, I.V.	1	1
9		1023618	Insert, Guide Tube, Black (1" Long)	1	1
10		21243X000	Screw, Phillips Pan Head (#6-20 x 3/8")	1	1
11		11239X001	Screw, Hex Head (5/16-24 x 1-1/2")	1	1
12		1017843	Spacer, Chrome (5/16 x 11/16 x 15/16")	1	1
13		B	60264X001	Locknut (5/16-24)	1
	1114827		Instruction Sheet	1	1

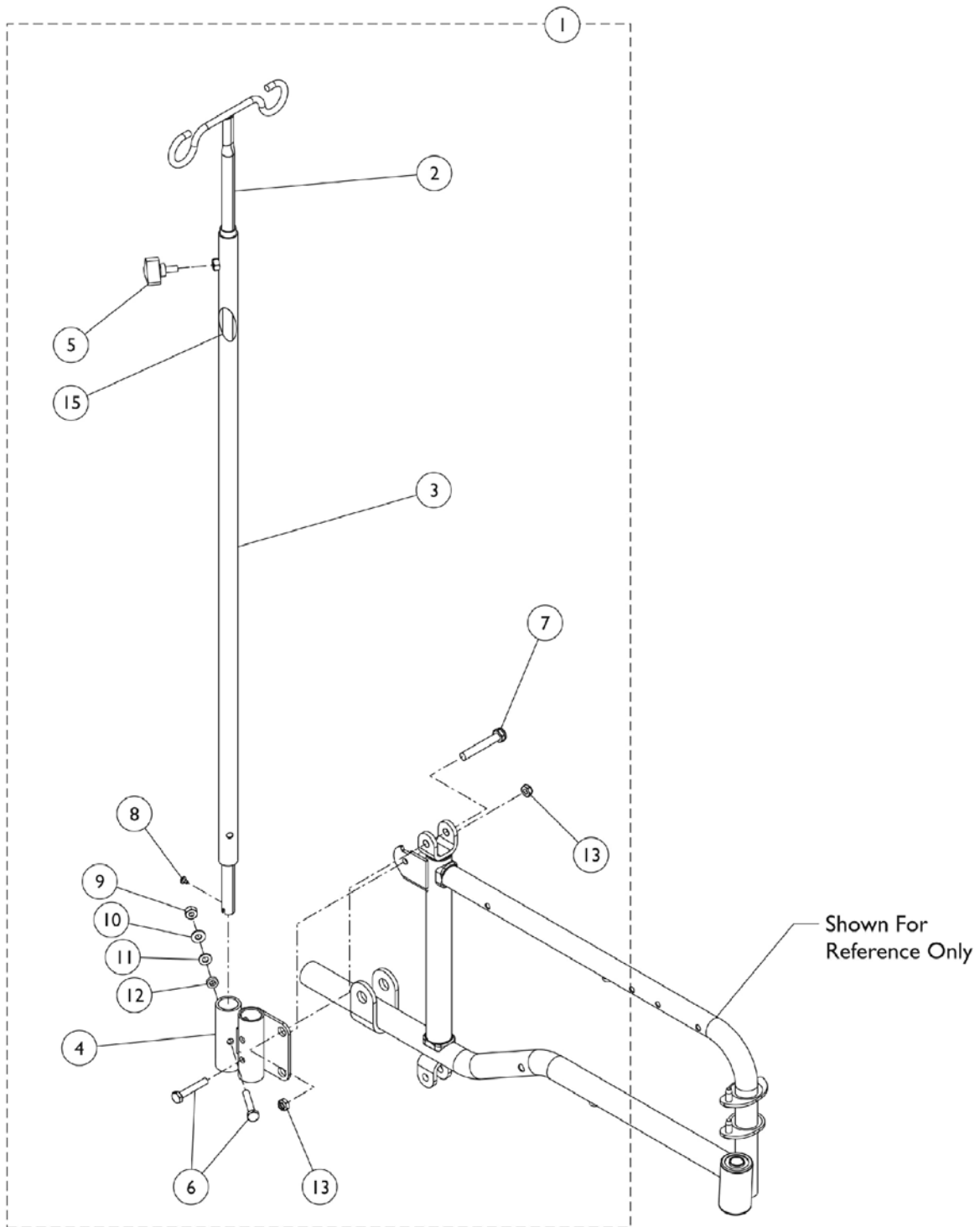
NOTE: A - Includes items 2-13 and instruction sheet.  
 B - Not shown.



# I.V.Rod and Bracket (2218) - Non-Recliner



# I.V. Rod - Recliner

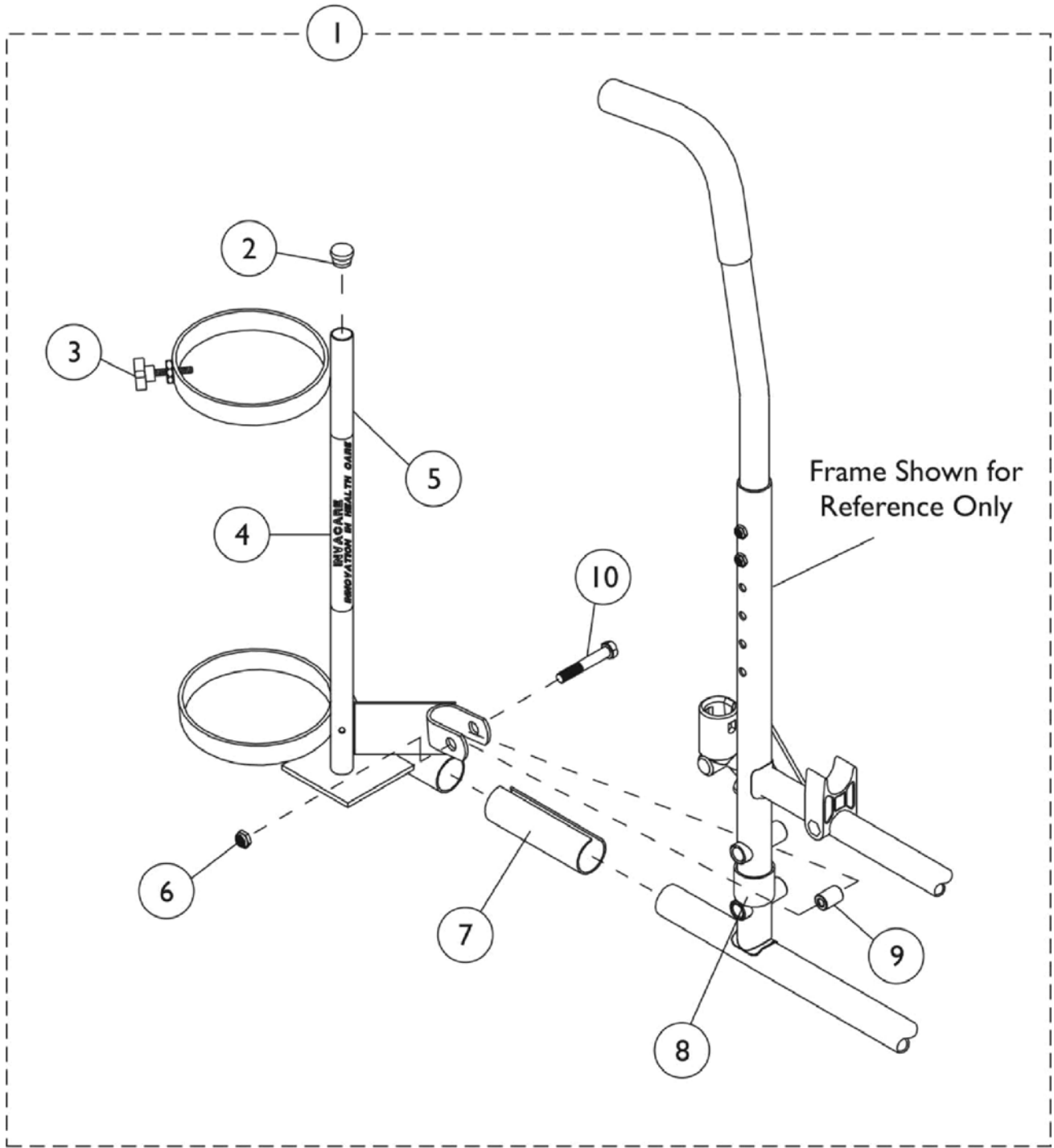


## I.V. Rod - Recliner

Item Number	Note	Part Number	Description	Quantity Per	
				Package	Assembly
1	A	1074656	Rod Assembly, I.V., Recliner	1	1
2		04701X041	Rod, I.V., Recliner, Black	1	1
3		1076521	Tube, Support, I.V. Rod, Black	1	1
4		1074652	Holder, I.V. Rod, Black	1	1
5		1027683	Knob, Adjustment, Black	1	1
6		16720X004	Screw, Hex Head (1/4-20 x 1-1/2")	2	2
7		1044762	Bolt, Pivot (5/16-24 x 1-7/8")	1	1
8		1080029	Screw, Phillips Pan Head (6-32 x 3/16")	1	1
9		1008882	Locknut (1/4-20)	1	1
10		16348X009-NLA	NLA - Washer, Steel (3/16 x 9/16 x 1/16")	1	1
11		1010398	Washer, Nylon (1/4 x 1/2 x 1/16")	1	1
12		40157X004	Spacer, Nylon (1/4 x 7/16 x 1/8")	1	1
13		60275X000	Locknut (1/4-20)	1	1
15		1095497	Decal, Invacare Logo (1.6)	1	1
	B	1029377	Instruction Sheet	1	1

NOTE: A - Includes items 2 thru 15 and instruction sheet.  
B - Not Shown

# Oxygen Holder - 1497



## Oxygen Holder - 1497

Item Number	Note	Part Number	Description	Quantity Per	
				Package	Assembly
1	A	1497	Holder, Oxygen, Black (D and E Tanks)	1	1
2		1017672	Plug Button, Grey (1/2")	1	1
3		1027684	Knob, Clamping, Black	1	1
4		1095497	Decal, Invacare Logo (1.6)	1	1
5		1070900-NLA	NLA - Base, Oxygen Holder	1	1
6		7930363-NLA	NLA - Package, Locknut (5/16"-24)	25	1
7		1023618	Insert, Guide Tube, Black (1" Long)	1	1
8		1023560	Insert, Guide Tube, Black (3-3/4" Long)	1	1
9		1017843	Spacer, Chrome (5/16 x 11/16 x 15/16")	1	1
10		11239X000-NLA	NLA - Screw, Hex Head (5/16-24 x 1-3/4")	1	1
	B	1027930	Instruction Sheet, Oxygen Holder	1	1

NOTE: A - Includes items 2-10 and instruction sheet.  
 B - Not Shown.

# Lumbar Cushion with Hook Straps and Non-Folding Device

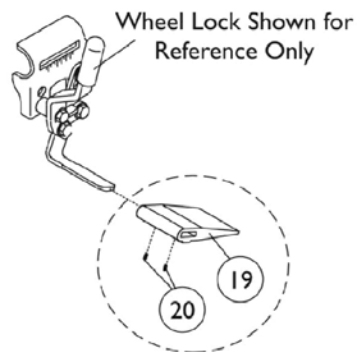
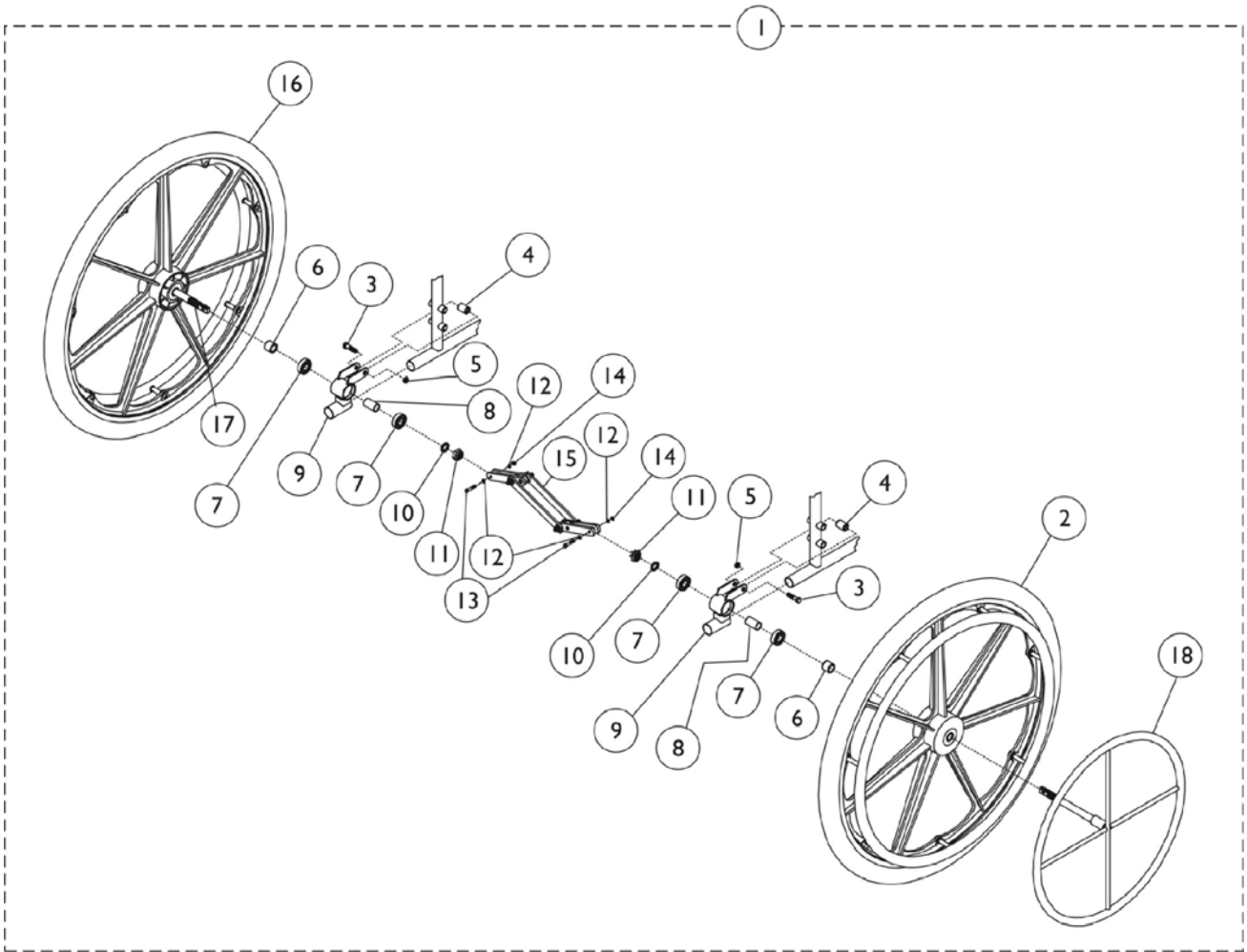
## Lumbar Cushion with Hook Straps

Part Number	Description	Quantity Per Assembly
88808017X001-NLA See Note(s) B, A	Lumbar Cushion (1" W)	1
88808017X002-NLA See Note(s) B, A	Lumbar Cushion (2" W)	1
NOTE: A - Loop straps found on back upholstery. B - Specify upholstery color when ordering, see category titled, "Upholstery Color Option."		

## Non-Folding Device

Part Number	Description	Quantity Per Assembly
1034205-NLA	Non-Folding Device (14" - 20" W)	1
1143048	Non-Folding Device (14" - 24" W)	1

# One Arm Drive - 9000XT, 9000XDT



## One Arm Drive - 9000XT, 9000XDT

Item Number	Note	Part Number	Description	Quantity Per	
				Package	Assembly
1	A	See Chart	9000XT/XDT Chairs - Adult	1	1
1	A	See Chart	9000XT/XDT Chairs - Hemi	1	1
1	A	See Chart	9000XT/XDT Chairs - Tall	1	1
2		1016420	Wheel Assembly w/ Chrome Handrim, Composite, Pneumatic Mag (24")	1	1
2		1036190	Wheel Assembly w/ Chrome Handrim, Composite, Pneumatic Mag w/ Flat Free Insert (24")	1	1
2	B	1065610-NLA	NLA - Wheel Assembly w/ Chrome Handrim, Composite, Urethane (24")	1	1
2	C	1080385-NLA	NLA - Wheel Assembly w/ Chrome Handrim, Composite, Urethane (24")	1	1
2	C,I	1091816	Wheel Assembly w/ Chrome Handrim, Composite, Corded Urethane (24")	1	1
2	D	1066419	Wheel Assembly w/ Chrome Handrim, Composite, Pneumatic w/ Heavy Duty Flat Free Insert (24")	1	1
3		11239X001	Screw, Hex Head (5/16-24 x 1-1/2")	1	2
4		1017843	Spacer, Chrome (5/16 x 11/16 x 15/16")	1	2
5		1107321	Nut, Low Cap (5/16"-24)	1	2
6		47183X021	Spacer (5/8 x 7/8 x 3/4")	1	2
7		40117X006	Bearing (5/8")	1	4
8		1067747	Spacer, Bearing (5/8 x 3/4 x 1-3/64")	1	2
9	E	1058694	Bracket, One Arm Drive, Black	1	2
9	F	1058695	Bracket, One Arm Drive, Black	1	2
9	G	1065513-NLA	NLA - Bracket, One Arm Drive , Black	1	2
10		48323X013	Washer (5/8 x 7/8 x 1/8")	1	2
11		60030X000	Locknut (5/8-18)	1	2
12		40157X000	Washer, Steel (11/32 x 5/8 x 3/64")	1	4
13		1019101	Screw, Hex Head (1/4-28 x 1-1/2")	1	2
14		60320X000	Locknut (1/4-28)	1	2
15		1019105	Scissor Assembly (14 - 15" W)	1	1
15		1019104	Scissor Assembly (16 - 17" W)	1	1
15		1019106	Scissor Assembly (18 - 19" W)	1	1
15		1048655	Scissor Assembly (20" W)	1	1
15		1019103	Scissor Assembly (20 - 22" W)	1	1
16		1025397-NLA	NLA - Wheel Assembly w/ Drive Axle, Composite, Pneumatic Mag (24")	1	1
16		1042075-NLA	NLA - Wheel Assembly w/ Drive Axle, Composite, Pneumatic Mag w/ Flat Free Insert (24")	1	1
16	I	1091817	Wheel Assembly w/ Drive Axle, Composite, Corded Urethane (24")	1	1
16	D	1066418	Wheel Assembly w/ Drive Axle, Pneumatic w/ Heavy Duty Flat Free Insert (24")	1	1
17		1028609	Axle, Drive	1	1
18		1020454	Handrim, Dual Drive	1	1
19		1016980	Spacer, Wheel Lock Shoe (2-63/64")	1	1
20		1008438	Screw, Set Socket Cup Point (#8-32 x 3/16")	1	4



## One Arm Drive - 9000XT, 9000XDT

Item Number	Note	Part Number	Description	Quantity Per	
				Package	Assembly
	H,J	1023334-NLA	NLA - Instruction Sheet	1	1
<p>NOTE: A - Includes items 2-18 and an instruction sheet.            B - Before 11/20/98.            C - After 11/19/98            D - For use on 9000XDT chair.            E - For use on 9000XDT Tall chairs and 9000XT Adult chairs with Pneumatic, Pneumatic with Flat Free Inserts and Urethane Tires.            F - For use on 9000XDT Adult chairs with Pneumatic with Flat Free Inserts and Urethane Tires and 9000XT Hemi chairs with Pneumatic, Pneumatic with Flat Free Inserts and Urethane tires.            G - For use on 9000XDT Hemi chairs with Pneumatic with Flat Free Inserts and Urethane Tires.            H - Not shown.            I - Non-Corded Tire replaced with a Corded Tire as of 11/16/09. It is recommended that both sides of the Wheel Assemblies be ordered for chairs manufactured before 11/16/09.            J - Item is no longer available from the Invacare Service Parts Department. Refer to the Invacare Website under "Product Literature Search". Enter the part number in the "Keywords" field and download a free PDF version copy.</p>					

### Adult

Chair Width	Side	Pneumatic Tires 9000XT	Pneumatic with Flat Free 9000XT	Pneumatic with Flat Free 9000XDT	Urethane Tires 9000XT	Urethane Tires 9000XDT
14-15"	Right	1058716-NLA	1058696	--	1099553	--
14-15"	Left	1058717-NLA	1058697	--	1099554	--
16-17"	Right	1058718-NLA	1058698	1066428	1099555	1099565
16-17"	Left	1058719-NLA	1058699	1066429	1099556	1099566
18-19"	Right	1058720-NLA	1058700	1066430	1099557	1099567
18-19"	Left	1058721-NLA	1058701	1066431	1099558	1099568
20"	Right	1058722-NLA	1058702	1066432	1099559	1099569
20"	Left	1058723-NLA	1058703	1066433	1099560	1099570
22"	Right	1058724-NLA	1058704	1066434	1099561	1099571
22"	Left	1058725-NLA	1058705	1066435	1099562	1099572

# One Arm Drive - 9000XT, 9000XDT

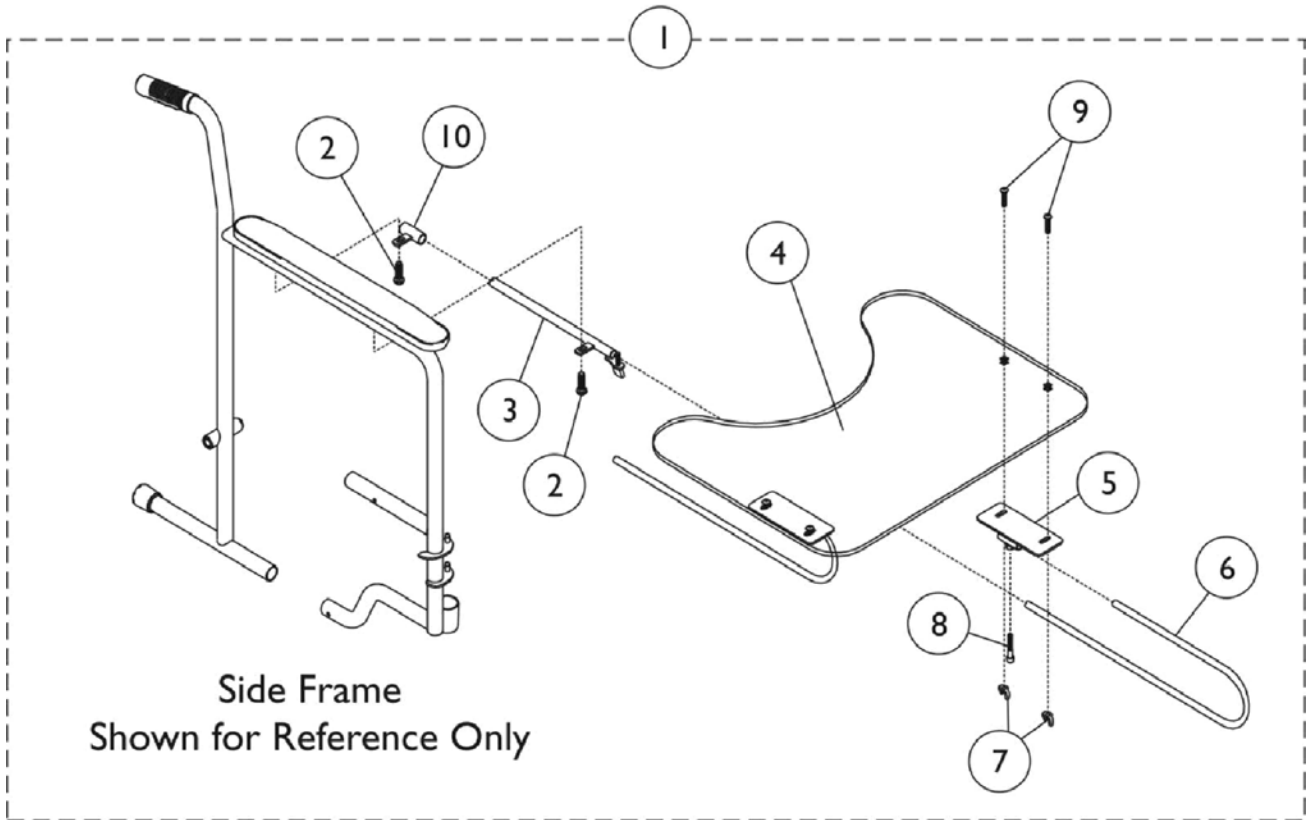
## Hemi

Chair Width	Side	Pneumatic Tires 9000XT	Pneumatic with Flat Free 9000XT	Pneumatic with Flat Free 9000XDT	Urethane Tires 9000XT	Urethane Tires 9000XDT
14-15"	Right	1058726-NLA	1058706	--	1099563	--
14-15"	Left	1058727-NLA	1058707	--	1099564	--
16-17"	Right	1058728-NLA	1058708	1065516	1099565	1065559
16-17"	Left	1058729-NLA	1058709	1065517	1099566	1065560
18-19"	Right	1058730-NLA	1058710	1065520	1099567	1065561
18-19"	Left	1058731-NLA	1058711	1065521	1099568	1065562
20"	Right	1058732-NLA	1058712	1065524	1099569	1065563
20"	Left	1058733-NLA	1058713	1065525	1099570	1065564
22"	Right	1058734-NLA	1058714	1065528	1099571	1065565
22"	Left	1058735-NLA	1058715	1065529	1099572	1065566

## Tall

Chair Width	Side	Pneumatic with Flat Free 9000XDT	Urethane Tires 9000XDT
16-17"	Right	1066420	1099555
16-17"	Left	1066421	1099556
18-19"	Right	1066422	1099557
18-19"	Left	1066423	1099558
20"	Right	1066424	1099559
20"	Left	1066425	1099560
22"	Right	1066426	1099561
22"	Left	1066427	1099562

# Utility Tray



## Utility Tray

Item Number	Note	Part Number	Description	Quantity Per	
				Package	Assembly
1	A	1035965	Tray, Utility, Full Length Arm	1	1
1	A	1035966	Tray, Utility, Desk Length Arm	1	1
2		11008X011	Screw, Phillips Round Head (#10-32 x 1-3/8")	1	2
3		04570X009	Tube, Slide Lock, Full Length Arm - Right	1	1
3		04570X010	Tube, Slide Lock, Full Length Arm - Left	1	1
3		04570X011-NLA	NLA - Tube, Slide Lock, Desk Length Arm - Right	1	1
3		04570X012-NLA	NLA - Tube, Slide Lock, Desk Length Arm - Left	1	1
4		47469X006-NLA	NLA - Tray	1	1
5		1009341	Bracket, Tray	1	2
6		1010922-NLA	NLA - Tube, Support	1	2
7		20148X004-NLA	NLA - Nut, Wing (1/4-20)	1	4
8		60284X001	Screw, Socket Head (1/4-20 x 1/2")	1	2
9		10123X006	Bolt, Carriage (1/4-20 x 3/4")	1	4
10		04570X002	Tube, Support, Slide, Chrome	1	2
	B,C	1023704-NLA	NLA - Instruction Sheet	1	1

NOTE: A - Includes items 2-9 and an instruction sheet.  
 B - Not Shown.  
 C - Item is no longer available from the Invacare Service Parts Department. Refer to the Invacare Website under "Product Literature Search". Enter the part number in the "Keywords" field and download a free PDF version copy.

# Seat Positioning Straps, Tire Pumps, and Transfer Board

## Seat Positioning Straps

Part Number	Description	Quantity Per Assembly
1102008 See Note(s) A	Airline Style Buckle	1
1034752 See Note(s) B	Airline Style Buckle	1
1004310 See Note(s) A	Auto Style Buckle	1
1034625 See Note(s) B	Auto Style Buckle	1
1034744 See Note(s) A	Hook & Loop Style Buckle	1
1034745 See Note(s) B	Hook & Loop Style Buckle	1
NOTE: A - 14-19" W Chairs B - 20-22" W Chairs		

## Tire Pumps

Part Number	Description	Quantity Per Assembly
40176X010	Tire Pump	1

## Transfer Board

Part Number	Description	Quantity Per Assembly
1034216	Transfer Board	1

# Solid Back Insert and Back Pack

**NOTE: Solid Back Inserts are 2" narrower than actual chair width.**

## Back Pack

Part Number	Description	Quantity Per Assembly
1109322	Back Pack, Small (14") 11" W x 13" H x 4" D	1
1109323	Back Pack, Large (15-22") 11" W x 13" H x 4" D	1

## Solid Back Insert

Chair Width x Height	Nylon	Vinyl	Lightweight Vinyl
14 x 16"	8881052671-NLA See Note(s) A	8881034766-NLA See Note(s) A	8881052649-NLA See Note(s) A
14 x 18"	8881052672-NLA See Note(s) A	8881052663-NLA See Note(s) A	8881052650-NLA See Note(s) A
14 x 22" Recliner	8881034225 See Note(s) A	8881034225 See Note(s) A	8881034225 See Note(s) A
15 x 16"	8881052673-NLA See Note(s) A	8881052664-NLA See Note(s) A	8881052651-NLA See Note(s) A
15 x 18"	8881052674-NLA See Note(s) A	8881052665-NLA See Note(s) A	8881052652-NLA See Note(s) A
16 x 16"	8881052675-NLA See Note(s) A	8881034767 See Note(s) A	8881052653-NLA See Note(s) A
16 x 18"	8881052676-NLA See Note(s) A	8881034771-NLA See Note(s) A	8881052654-NLA See Note(s) A
16 x 22" Recliner	8881035962-NLA See Note(s) A	8881035962-NLA See Note(s) A	8881035962-NLA See Note(s) A
17 x 16"	8881052677-NLA See Note(s) A	8881052666-NLA See Note(s) A	8881052655-NLA See Note(s) A
17 x 18"	8881052678-NLA See Note(s) A	8881052667-NLA See Note(s) A	8881052656-NLA See Note(s) A
18 x 16"	8881052679-NLA See Note(s) A	8881034768-NLA See Note(s) A	8881052657-NLA See Note(s) A
18 x 18"	8881052680-NLA See Note(s) A	8881034772-NLA See Note(s) A	8881052658-NLA See Note(s) A
18 x 22" Recliner	8881035963-NLA See Note(s) A	8881035963-NLA See Note(s) A	8881035963-NLA See Note(s) A
19 x 16"	8881052681-NLA See Note(s) A	8881052668-NLA See Note(s) A	8881052659-NLA See Note(s) A
19 x 18"	8881052682-NLA See Note(s) A	8881052669-NLA See Note(s) A	8881052660-NLA See Note(s) A
20 x 16"	8881052683-NLA See Note(s) A	8881034769-NLA See Note(s) A	8881052661-NLA See Note(s) A

## Solid Back Insert and Back Pack

**NOTE: Solid Back Inserts are 2" narrower than actual chair width.**

### Solid Back Insert

Chair Width x Height	Nylon	Vinyl	Lightweight Vinyl
20 x 18"	8881052684-NLA See Note(s) A	8881052670-NLA See Note(s) A	8881052662-NLA See Note(s) A
22 x 16"	8881063109-NLA See Note(s) A	8881034770-NLA See Note(s) A	N/A
22 x 18"	8881063110-NLA See Note(s) A	8881063111-NLA See Note(s) A	N/A

**NOTE:** A - Specify upholstery color when ordering, see category titled, "Upholstery Color Options."

# Solid Seat Insert and Seat Pouch

## Seat Pouch

Part Number	Description	Quantity Per Assembly
1109324	Seat Pouch 8-1/2" W x 7" H x 4" D	1

## Solid Seat Insert

Chair Width x Height	Nylon	Vinyl	Lightweight Vinyl
14 x 16"	8881052557 See Note(s) A	8881034646-NLA See Note(s) A	8881052536-NLA See Note(s) A
14 x 17"	8881052558-NLA See Note(s) A	8881034655-NLA See Note(s) A	8881052537-NLA See Note(s) A
14 x 18"	8881052559 See Note(s) A	8881034664-NLA See Note(s) A	8881052538-NLA See Note(s) A
15 x 16"	8881052560 See Note(s) A	8881034647 See Note(s) A	8881052539-NLA See Note(s) A
15 x 17"	8881052561-NLA See Note(s) A	8881034656-NLA See Note(s) A	8881052540-NLA See Note(s) A
15 x 18"	8881052562 See Note(s) A	8881034665-NLA See Note(s) A	8881052541-NLA See Note(s) A
16 x 16"	8881052563 See Note(s) A	8881034648-NLA See Note(s) A	8881052542-NLA See Note(s) A
16 x 17"	8881052564 See Note(s) A	8881034657-NLA See Note(s) A	8881052543-NLA See Note(s) A
16 x 18"	8881052565 See Note(s) A	8881034666-NLA See Note(s) A	8881052544-NLA See Note(s) A
16 x 19"	8881034675-NLA See Note(s) A	8881034675-NLA See Note(s) A	N/A
16 x 20"	8881034684-NLA See Note(s) A	8881034684-NLA See Note(s) A	N/A
17 x 16"	8881052566 See Note(s) A	8881034649-NLA See Note(s) A	8881052545-NLA See Note(s) A
17 x 17"	8881052567 See Note(s) A	8881034658-NLA See Note(s) A	8881052546-NLA See Note(s) A
17 x 18"	8881052568 See Note(s) A	8881034667-NLA See Note(s) A	8881052547-NLA See Note(s) A
18 x 16"	8881052569 See Note(s) A	8881034650 See Note(s) A	8881052548-NLA See Note(s) A
18 x 17"	8881052570 See Note(s) A	8881034659-NLA See Note(s) A	8881052549-NLA See Note(s) A
18 x 18"	8881052571 See Note(s) A	8881034668 See Note(s) A	8881052550-NLA See Note(s) A
18 x 19"	8881034677-NLA See Note(s) A	8881034677-NLA See Note(s) A	N/A



# Solid Seat Insert and Seat Pouch

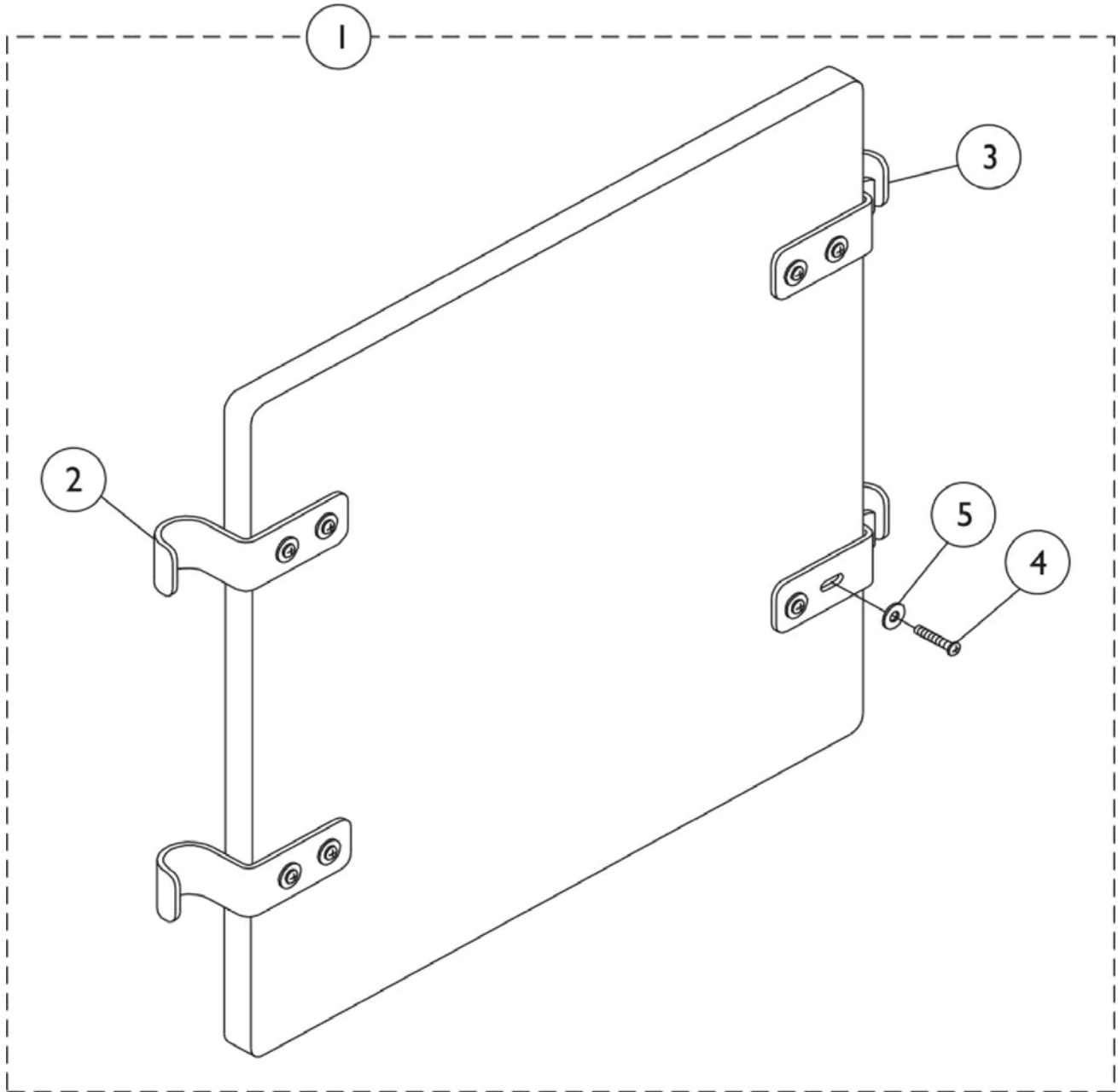
## Solid Seat Insert

Chair Width x Height	Nylon	Vinyl	Lightweight Vinyl
18 x 20"	8881034686-NLA See Note(s) A	8881034686-NLA See Note(s) A	N/A
19 x 16"	8881052572 See Note(s) A	8881034651 See Note(s) A	8881052551-NLA See Note(s) A
19 x 17"	8881052573 See Note(s) A	8881034660 See Note(s) A	8881052552-NLA See Note(s) A
19 x 18"	8881052574 See Note(s) A	8881034669 See Note(s) A	8881052553-NLA See Note(s) A
20 x 16"	8881052575 See Note(s) A	8881034652-NLA See Note(s) A	8881052554-NLA See Note(s) A
20 x 17"	8881052576 See Note(s) A	8881034661-NLA See Note(s) A	8881052555-NLA See Note(s) A
20 x 18"	8881052577 See Note(s) A	8881034670 See Note(s) A	8881052556-NLA See Note(s) A
22 x 16"	8881058210 See Note(s) A	8881034654-NLA See Note(s) A	N/A
22 x 17"	8881058212 See Note(s) A	8881034663-NLA See Note(s) A	N/A
22 x 18"	8881058211 See Note(s) A	8881034672 See Note(s) A	N/A

NOTE: A - Specify upholstery color when ordering, see category titled, "Upholstery Color Options."

# Drop Hook Solid Folding Seats

**NOTE: Solid Folding Seats are 2" narrower than actual chair width and are not available on chairs over 20" wide.**



## Drop Hook Solid Folding Seats

**NOTE: Solid Folding Seats are 2" narrower than actual chair width and are not available on chairs over 20" wide.**

Item Number	Note	Part Number	Description	Quantity Per	
				Package	Assembly
1	A,B	See Chart	Solid Folding Seats - 9000XDT	1	1
1	A,B	See Chart	Solid Folding Seats - 9000XT / Recliner	1	1
2		1023986	Hook, Seat	1	2
3		1023985	Bracket, Hinge, Seat	1	2
4		40163X008	Screw, Phillips Pan Head (#10-32 x 11/16")	1	8
5		1013218	Washer (#10 Flat)	1	8
	C,D	1035940-NLA	NLA - Solid Folding Seat with Hardware (14" W x 16" D)	1	1
	C,D	1035941-NLA	NLA - Solid Folding Seat with Hardware (14" W x 17" D)	1	1
	C,D	1035942-NLA	NLA - Solid Folding Seat with Hardware (14" W x 18" D)	1	1
	C,D	1035943-NLA	NLA - Solid Folding Seat with Hardware (16" W x 16" D)	1	1
	C,D	8881035944-NL A	NLA - Solid Folding Seat w/ Hardware (16" W x 17" D)	1	1
	C,D	8881035945-NL A	NLA - Solid Folding Seat w/ Hardware (16" W x 18" D)	1	1
	C,D	8881035946-NL A	NLA - Solid Folding Seat w/ Hardware (18" W x 16" D)	1	1
	C,D	8881035947-NL A	NLA - Solid Folding Seat w/ Hardware (18" W x 17" D)	1	1
	C,D	8881035948-NL A	NLA - Solid Folding Seat w/ Hardware (18" W x 18" D)	1	1

NOTE: A - Includes items 2-5.  
 B - For use on chairs manufactured after 5/25/03.  
 C - Specify upholstery color when ordering, see category titled, "Frame Finishes, Upholstery, and Packaging."  
 D - For use on Adult, Hemi and Recliner chairs manufactured before 5/26/03.

### Solid Folding Seats

#### 9000XDT

Width X Depth	Nylon Upholstery	Vinyl Upholstery
16" x 16"	8881110370-NLA	8881110378-NLA
	See Note(s) A	See Note(s) A
16" x 18"	8881110374-NLA	8881110382-NLA
	See Note(s) A	See Note(s) A
18" x 16"	8881110371-NLA	8881110379
	See Note(s) A	See Note(s) A
18" x 18"	8881110375-NLA	8881110383-NLA
	See Note(s) A	See Note(s) A

# Drop Hook Solid Folding Seats

**NOTE: Solid Folding Seats are 2" narrower than actual chair width and are not available on chairs over 20" wide.**

## Solid Folding Seats

### 9000XDT

Width X Depth	Nylon Upholstery	Vinyl Upholstery
20" x 16"	8881110372	8881110380-NLA
	See Note(s) A	See Note(s) A
20" x 18"	8881110376-NLA	8881110384-NLA
	See Note(s) A	See Note(s) A

NOTE: A - Specify upholstery color when ordering, see category titled, "Frame Finishes, Upholstery Colors and Packaging."

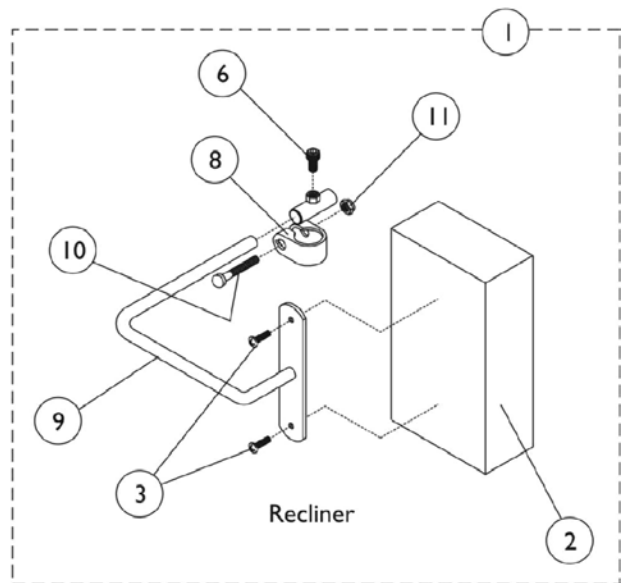
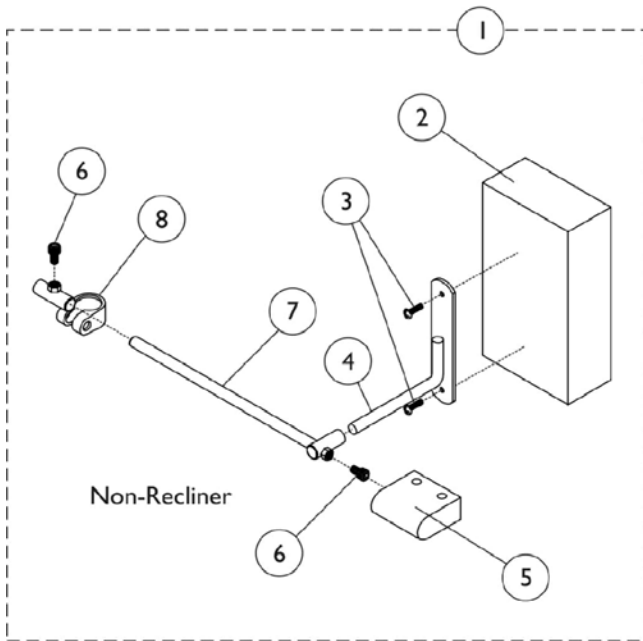
## Solid Folding Seats

### (9000XT & XT Recliner)

Width X Depth	Nylon Upholstery	Vinyl Upholstery
14" x 16"	8881110369-NLA	8881110377-NLA
	See Note(s) A	See Note(s) A
14" x 18"	8881110373	8881110381-NLA
	See Note(s) A	See Note(s) A
16" x 16"	8881110370-NLA	8881110378-NLA
	See Note(s) A	See Note(s) A
16" x 18"	8881110374-NLA	8881110382-NLA
	See Note(s) A	See Note(s) A
18" x 16"	8881110371-NLA	8881110379
	See Note(s) A	See Note(s) A
18" x 18"	8881110375-NLA	8881110383-NLA
	See Note(s) A	See Note(s) A
20" x 16"	8881110372	8881110380-NLA
	See Note(s) A	See Note(s) A
20" x 18"	8881110376-NLA	8881110384-NLA
	See Note(s) A	See Note(s) A

NOTE: A - Specify upholstery color when ordering, see category titled, "Frame Finishes, Upholstery Colors and Packaging."

# Torso Support

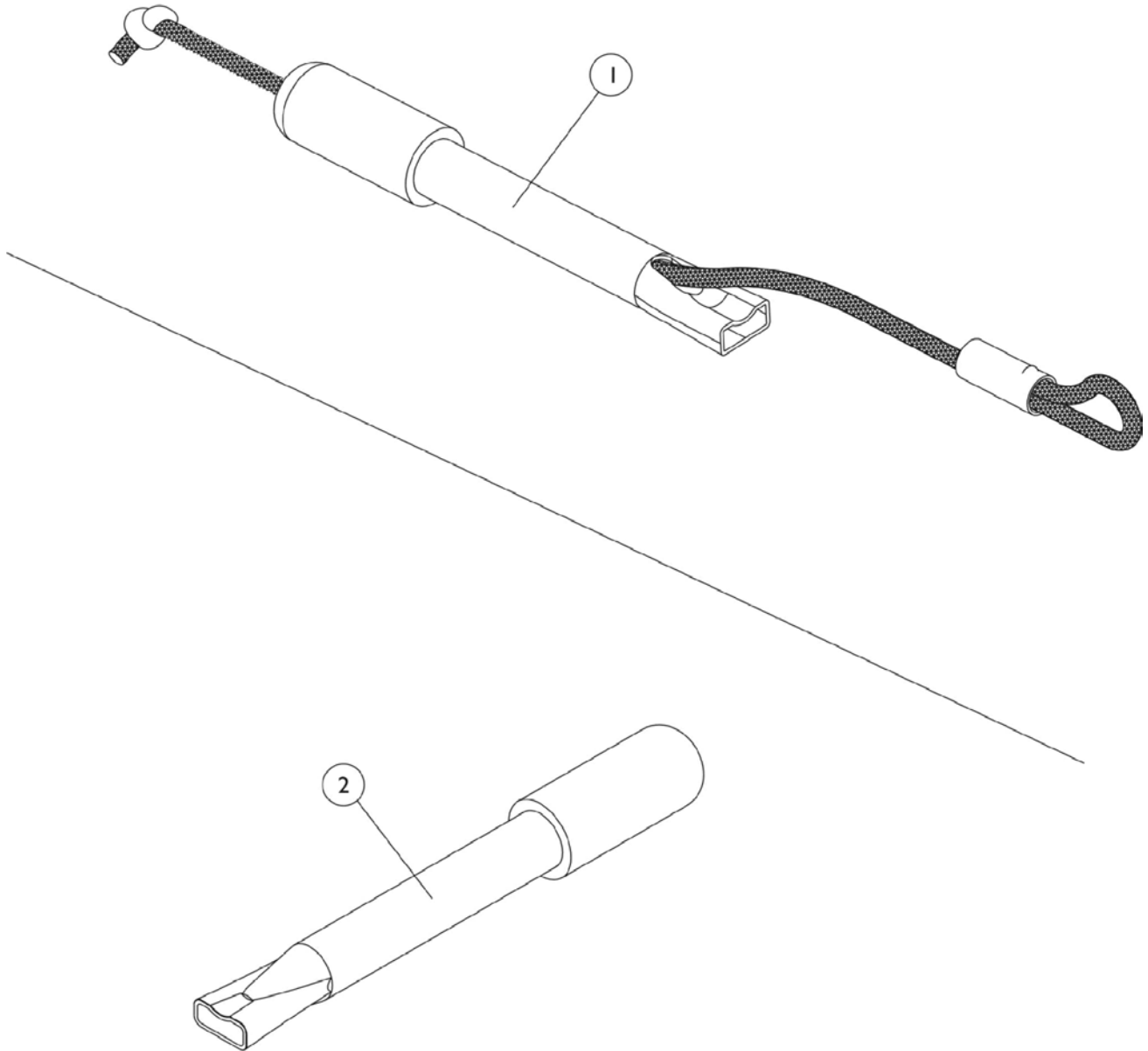


## Torso Support

Item Number	Note	Part Number	Description	Quantity Per	
				Package	Assembly
1	A,B	8881050189-NL A	NLA - Torso Support Assembly (Pair)	2	1
1	A,C	8881050190-NL A	NLA - Torso Support Assembly (Pair)	2	1
2	D	8881123986-NL A	NLA - Pad, Headrest	1	1
2	D,F	88804529X040- NLA	NLA - Pad, Headrest	1	1
3		40163X008	Screw, Phillips Pan Head (#10-32 x 11/16")	1	2
4		03018X016-NLA	NLA - Bracket, Support, Chrome	1	1
5	D	88804529X043- NLA	NLA - Cover Torso Bracket	1	1
6		60284X001	Screw, Socket Head (1/4-20 x 1/2")	1	1
7		03018X012-NLA	NLA - Rod, Support w/ Guide Tube	1	1
8		03018X043	Bracket, Clamp, Black- Right	1	1
8		03018X046	Bracket, Clamp, Black - Left	1	1
9		03018X041-NLA	NLA - Bracket, Pad Support, Chrome	1	1
10		11232X009	Bolt, Lug (5/16-24 x 1-3/8")	1	1
11		60264X001	Locknut (5/16-24)	1	1
	E,G	1023610-NLA	NLA - Instruction Sheet	1	1

NOTE: A - Includes items 2-11 and an instruction sheet.  
 B - For use on Non-Recliner style chairs.  
 C - For use on Recliner style chairs.  
 D - Specify upholstery color when ordering, see category titled, "Frame Finishes, Upholstery Colors and Packaging."  
 E - Not Shown.  
 F - No Longer Available. Use 88804529X040 as replacement.  
 G - Item is no longer available from the Invacare Service Parts Department. Refer to the Invacare Website under "Product Literature Search". Enter the part number in the "Keywords" field and download a free PDF version copy.

# Wheel Lock Extensions



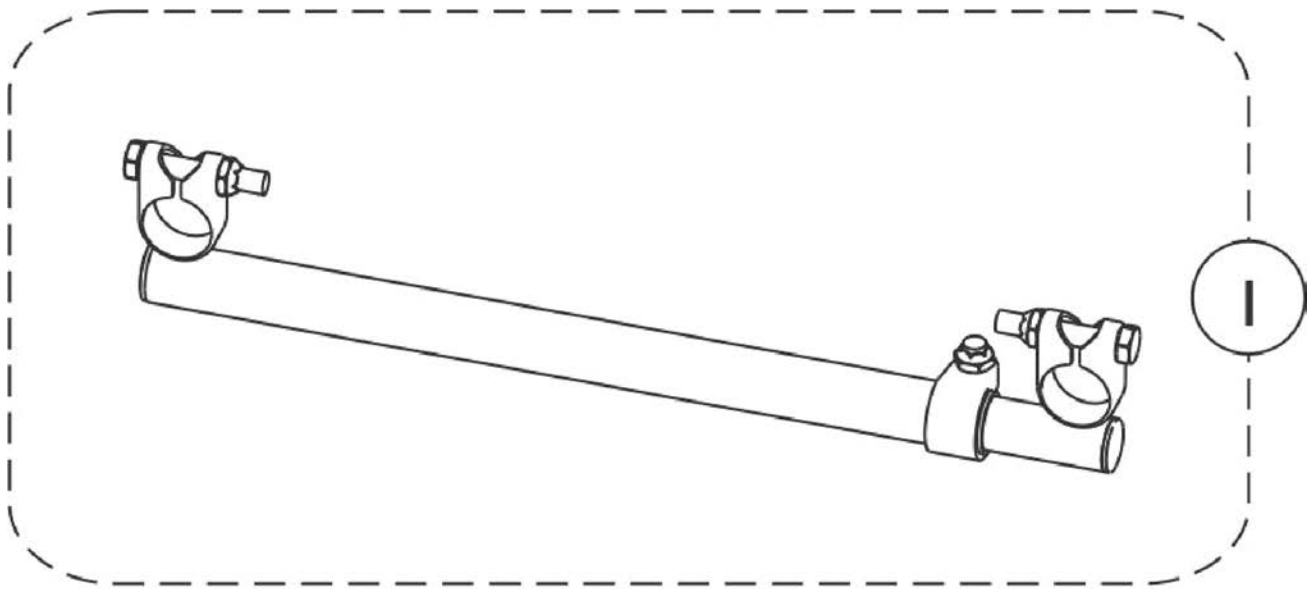
# Wheel Lock Extensions

## Wheel Lock Extensions

Item Number	Part Number	Description	Quantity Per Assembly
1	1038599	Wheel Lock Extension with Tip & Cord (Pair)	2
2	1050193	Wheel Lock Extension with Tip, 6" (Pair)	2
2	1143049	Kit, Wheel Lock Extension Handle, Black (8") (Pair)	2



# Non-Folding Device

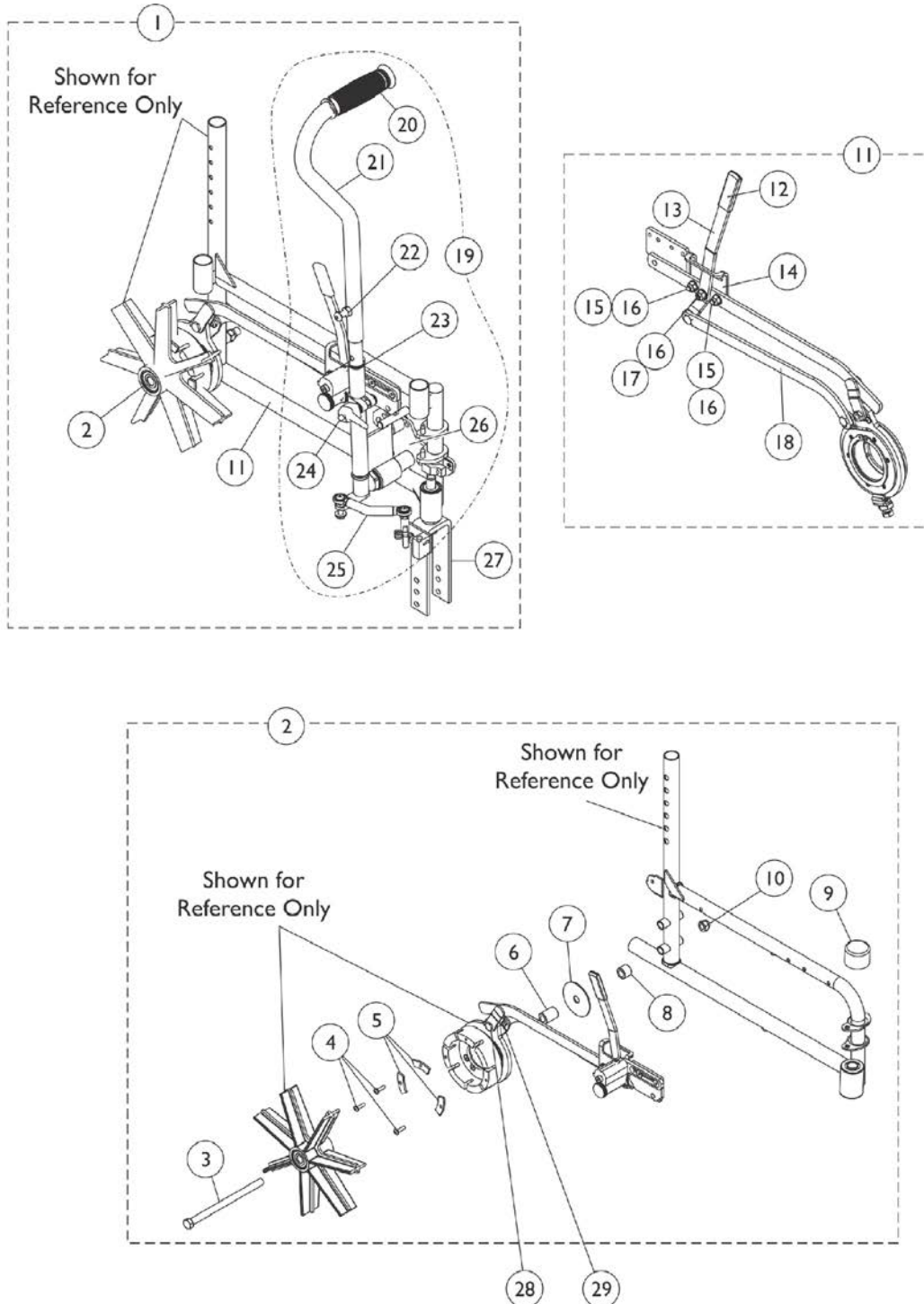


## Non-Folding Device

Item Number	Note	Part Number	Description	Quantity Per	
				Package	Assembly
1		1143048	Device, Non-Folding (14-24" W)	1	1

# Cyclical Lever Drive - 7 Spoke - 9000SL/XT Only (After 9/01)

**NOTE:** Installation of the Cyclical Lever Drive (CLD) **MUST** be performed by a qualified dealer. If a non-approved individual performs any work on these units, the Manufacturer's Warranty is Void. If you need to order the rigging for a chair that has a CLD, use this quote as a reference: SM - 060110080604.



# Cyclical Lever Drive - 7 Spoke - 9000SL/XT Only (After 9/01)

**NOTE: Installation of the Cyclical Lever Drive (CLD) MUST be performed by a qualified dealer. If a non-approved individual performs any work on these units, the Manufacturer's Warranty is Void. If you need to order the rigging for a chair that has a CLD, use this quote as a reference: SM - 060110080604.**

Item Number	Note	Part Number	Description	Quantity Per	
				Package	Assembly
1	C,J,A,B	1088151	Kit, CLD (6" Caster), Chrome - Right	1	1
1	C,J,A,B	1088152	Kit, CLD (6" Caster), Chrome - Left	1	1
1	C,J,A,B	1088153	Kit, CLD (8" Caster), Chrome - Right	1	1
1	C,J,A,B	1088154	Kit, CLD (8" Caster), Chrome - Left	1	1
1	C,K,A, B	1194293	Kit, CLD (6" Caster), Chrome - Right	1	1
1	C,K,A, B	1194364	Kit, CLD (6" Caster), Chrome - Left	1	1
1	C,K,A, B	1194356	Kit, CLD (8" Caster), Chrome - Right	1	1
1	C,K,A, B	1194358	Kit, CLD (8" Caster), Chrome - Left	1	1
1	C,H,A, B	8881182828-NL A	NLA - Kit, CLD (6" Caster), Color - Right	1	1
1	C,H,A, B	8881182829-NL A	NLA - Kit, CLD (6" Caster), Color - Left	1	1
1	C,H,A, B	8881182830-NL A	NLA - Kit, CLD (8" Caster), Color - Right	1	1
1	C,H,A, B	8881182831-NL A	NLA - Kit, CLD (8" Caster), Color - Left	1	1
2	D	1087540-NLA	NLA - Kit, Hub Attachment Hardware - Rear - Right/Left	1	1
3		1087407-NLA	NLA - Screw, Hex Head (7/16-20 x 6-1/2")	1	1
4		1025716	Screw, Phillips Pan Head (#10-32 x 11/16")	1	3
5		1087504-NLA	NLA - Plate, Support Rear Outer Hub	1	3
6		1087354-NLA	NLA - Spacer, Hub Inner (7/16 x 3/4 x 1-1/16")	1	1
7		1084822-NLA	NLA - Washer, Axle (7/16 x 2-3/8" x 1/16")	1	1
8		1087908-NLA	NLA - Spacer, Hub Outer Rear (7/16 x 3/4 x 19/32")	1	1
9	J	361441	Cap, End, Notched, Black	1	1
9	K	1194429	Cap, End, Notched, Black	1	1
10		1045608	Locknut (7/16-20)	1	1
11	E	1088008	Transmission and Wheel Lock Assembly - Right	1	1
11	E	1088009	Transmission and Wheel Lock Assembly - Left	1	1
12		1087761-NLA	NLA - Knob, Shift Lever, Black	1	1
13		1088200	Lever, Shift, Black	1	1
14		1087738-NLA	NLA - Plate, Shift	1	1
15		1025708	Bolt, Hex Head Cap (1/4-20 x 3/4")	1	1
16		1087204-NLA	NLA - Washer, Flat (1/4 x 9/16 x 1/32")	1	1
17		1087752-NLA	NLA - Screw, Socket Head (1/4-20 x 3/4")	1	1
18		1088201-NLA	NLA - Transmission Lever	1	1
19	F	1088115	Drive Arm and Link Steering Assembly - Right	1	1

# Cyclical Lever Drive - 7 Spoke - 9000SL/XT Only (After 9/01)

**NOTE: Installation of the Cyclical Lever Drive (CLD) MUST be performed by a qualified dealer. If a non-approved individual performs any work on these units, the Manufacturer's Warranty is Void. If you need to order the rigging for a chair that has a CLD, use this quote as a reference: SM - 060110080604.**

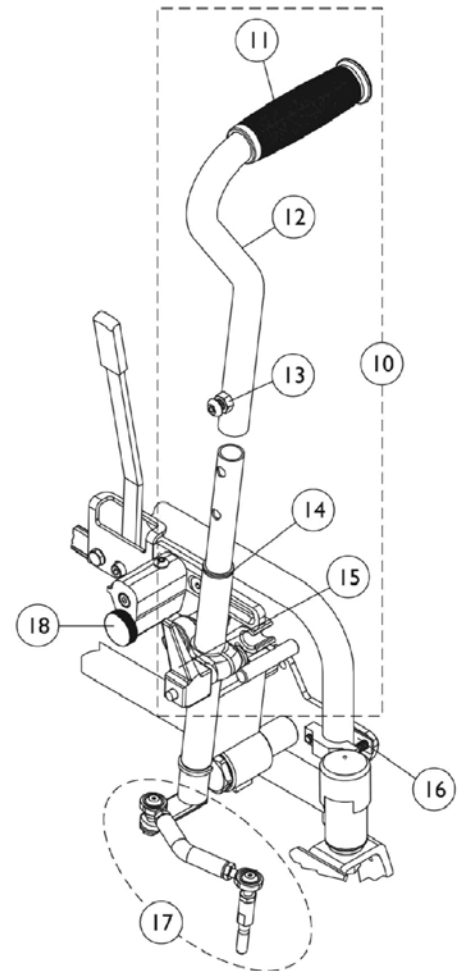
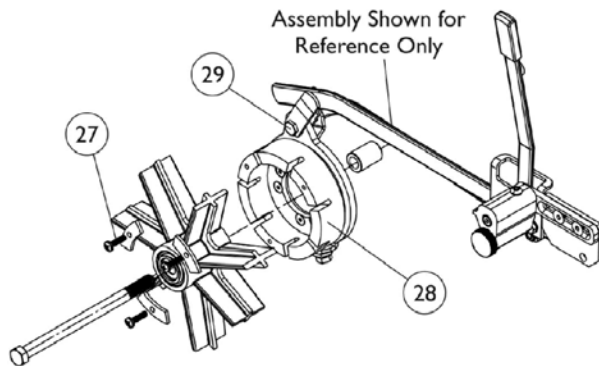
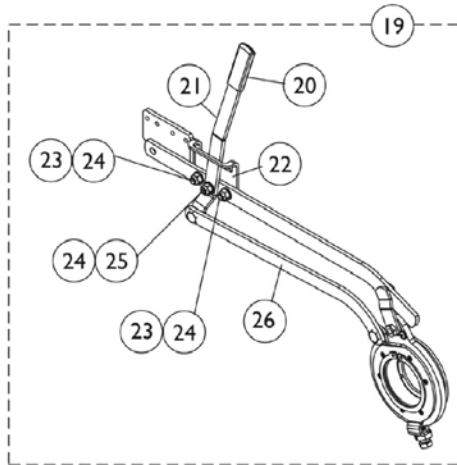
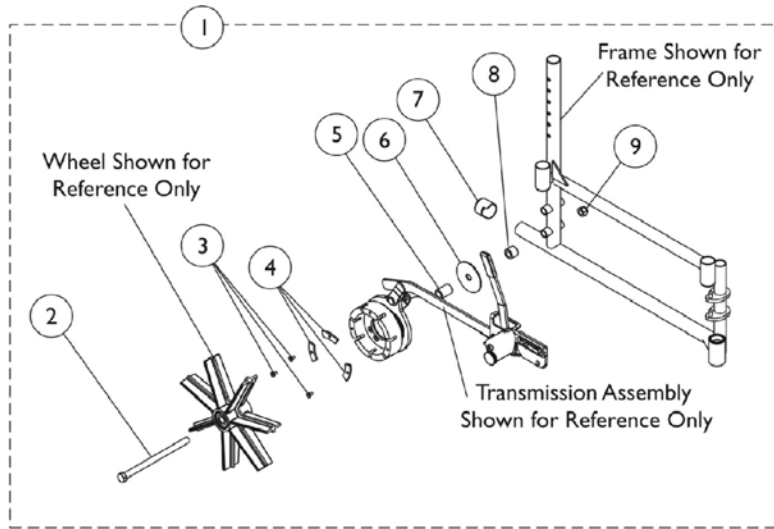
Item Number	Note	Part Number	Description	Quantity Per	
				Package	Assembly
19	F	1088116	Drive Arm and Link Steering Assembly - Left	1	1
20		1087905-NLA	NLA - Grip, Handle (7/8")	1	1
21		1088108	Handle, Black	1	1
22		1088117	Screw, Socket Button Head (5/16-18 x 1-1/4")	1	1
23		1088110	Plunger	1	1
24		1087420-NLA	NLA - Handle, Adjustment, Tapped Type, Black	1	1
25		1087477	Steering Link Assembly - Right	1	1
25		1087478	Steering Link Assembly - Left	1	1
26		1088097	Support Bracket Assembly - Right	1	1
26		1088098	Support Bracket Assembly - Left	1	1
27	J	1087467	Fork Assembly - Right (6")	1	1
27	J	1087468	Fork Assembly - Left (6")	1	1
27	J	1087469	Fork Assembly - Right (8")	1	1
27	J	1087470	Fork Assembly - Left (8")	1	1
27	K	1194268	Fork Assembly - Right (6")	1	1
27	K	1194297	Fork Assembly - Left (6")	1	1
27	K	1194355	Fork Assembly - Right (8")	1	1
27	K	1194357	Fork Assembly - Left (8")	1	1
28		1087744-NLA	NLA - Bolt, Drive Lever	1	1
29		1087917-NLA	NLA - Nut, Hex (5/16-24)	1	1
	G,I	1087937-NLA	NLA - Instruction Sheet	1	1

**NOTE:** A - The Cyclical Lever Drive requires the use of treaded rear wheels and is only available on 16", 17" and 18" deep chairs. Hemi seat-to-floor must use space saver arms.  
 B - The above options are not available with amputee attachment, offset axle, Super Low seat-to-floor or with adjustable caster journal.  
 C - Includes items 2-28. If a customer is changing a CLD from one side to the opposite side, the side that will not have the CLD may need a wheel lock ordered as well.  
 D - Includes items 2-10.  
 E - Includes items 12-18.  
 F - Includes items 20-26.  
 G - Not shown.  
 H - Specify 71P Silver Vein when ordering. No Longer Available. See Item #1 Chrome CLD Kits as a replacement.  
 I - Item is no longer available from the Invacare Service Parts Department. Refer to the Invacare Website under "Product Literature Search". Enter the part number in the "Keywords" field and download a free PDF version copy.  
 J - Before 10/12/16.  
 K - After 10/11/16.

**NOTE:** For CLD release handle see page titled, "Fork and Release Handle for Cyclical Lever Drive."

# Cyclical Lever Drive -7 Spoke - Before 10/01

**NOTE:** Installation of the CLD **MUST** be performed by a qualified dealer. If a non-certified individual performs any work on these units, the Manufacturer's Warranty is Void.



# Cyclical Lever Drive -7 Spoke - Before 10/01

**NOTE: Installation of the CLD MUST be performed by a qualified dealer. If a non-certified individual performs any work on these units, the Manufacturer's Warranty is Void.**

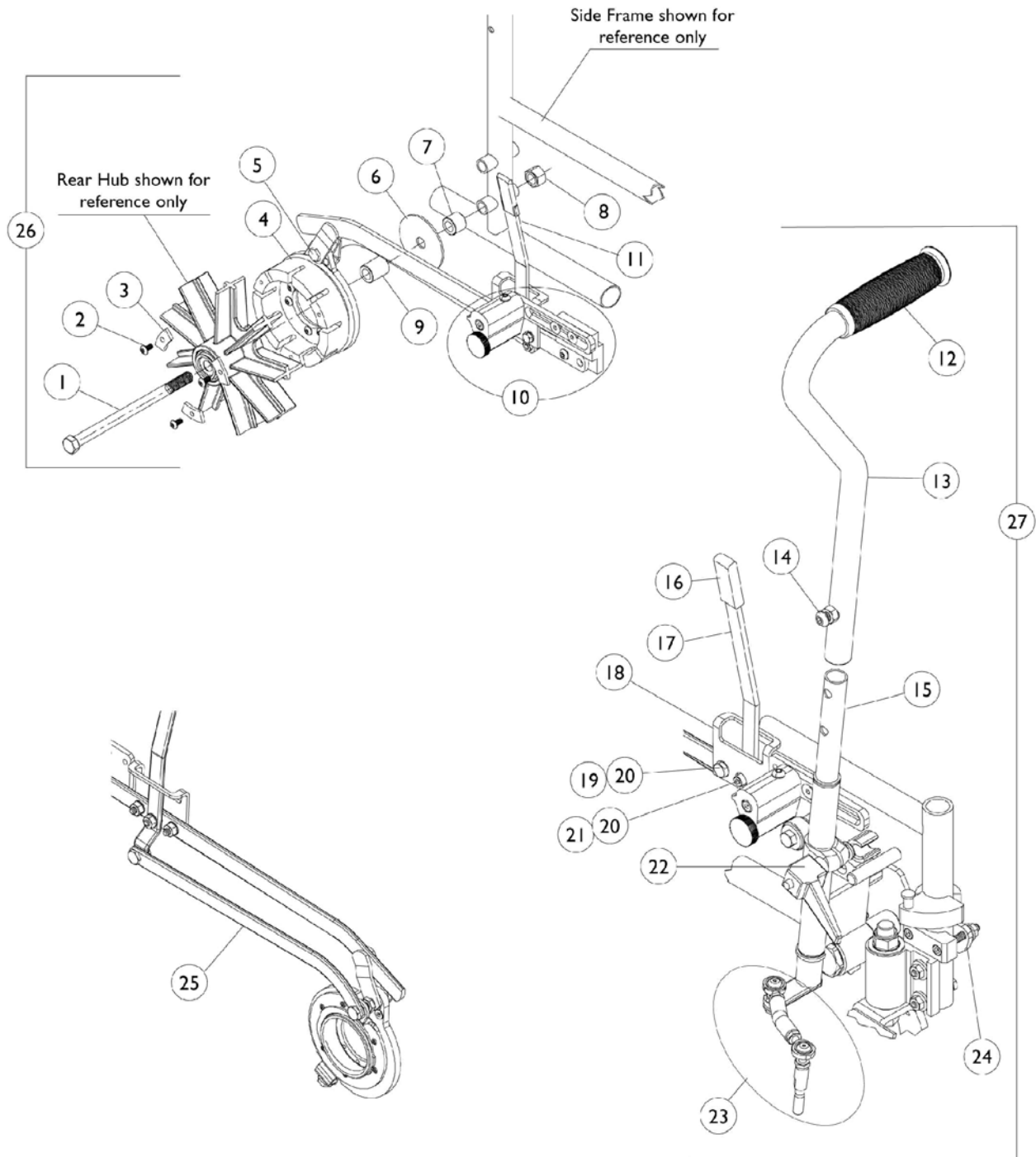
Item Number	Note	Part Number	Description	Quantity Per	
				Package	Assembly
1	A	1087540-NLA	NLA - Kit, Hub Attachment Hardware - Rear - Right/Left	1	1
2		1087407-NLA	NLA - Screw, Hex Head (7/16-20 x 6-1/2")	1	1
3		1025716	Screw, Phillips Pan Head (#10-32 x 11/16")	1	3
4		1087504-NLA	NLA - Plate, Support Rear Outer Hub	1	3
5		1087354-NLA	NLA - Spacer, Hub Inner (7/16 x 3/4 x 1-1/16")	1	1
6		1084822-NLA	NLA - Washer, Axle (7/16 x 2-3/8" x 1/16")	1	1
7		361441	Cap, End, Notched, Black	1	1
8		1087908-NLA	NLA - Spacer, Hub Outer Rear (7/16 x 3/4 x 19/32")	1	1
9		1045608	Locknut (7/16-20)	1	1
10	B	1087760-NLA	NLA - Drive Arm Assembly - Right	1	1
10	B	1087759-NLA	NLA - Drive Arm Assembly - Left	1	1
11		1087905-NLA	NLA - Grip, Handle (7/8")	1	1
12		1088108	Handle, Black	1	1
13		1088117	Screw, Socket Button Head (5/16-18 x 1-1/4")	1	1
14		1088110	Plunger	1	1
15		1087420-NLA	NLA - Handle, Adjustment, Tapped Type, Black	1	1
16		1088097	Support Bracket Assembly - Right	1	1
16		1088098	Support Bracket Assembly - Left	1	1
17		1087477	Steering Link Assembly - Right	1	1
17		1087478	Steering Link Assembly - Left	1	1
18		1088010-NLA	NLA - Wheel Lock Assembly	1	1
19	C	1087733-NLA	NLA - Transmission Assembly - Right	1	1
19	C	1087734	Transmission Assembly - Left	1	1
20		1087761-NLA	NLA - Knob, Shift Lever, Black	1	1
21		1087739-NLA	NLA - Lever, Shift	1	1
22		1087738-NLA	NLA - Plate, Shift	1	1
23		7930326-NLA	NLA - Package, Screw, Hex Head (1/4-20 x 3/4")	25	2
24		1087204-NLA	NLA - Washer, Flat (1/4 x 9/16 x 1/32")	1	6
25		1087752-NLA	NLA - Screw, Socket Head (1/4-20 x 3/4")	1	1
26		1088201-NLA	NLA - Transmission Lever	1	1
27		1025716	Screw, Phillips Pan Head (#10-32 x 11/16")	1	3
28		1087278-NLA	NLA - Hub, Outer - Rear (7 Spoke)	1	1
29		1087744-NLA	NLA - Bolt, Drive Lever	1	1

NOTE: A - Includes Items 2-9.  
 B - Includes Items 11-15.  
 C - Includes all of the components shown. Items 20-26 are sold separately.

NOTE: For CLD release handle see page titled, "Fork and Release Handle for Cyclical Lever Drive."

# Cyclical Lever Drive - 9 Spoke - Canadian Chairs Only

**NOTE:** Installation of the CLD **MUST** be performed by a qualified dealer. If a non-certified individual performs any work on these units, the Manufacturer's Warranty is Void.





# Cyclical Lever Drive - 9 Spoke - Canadian Chairs Only

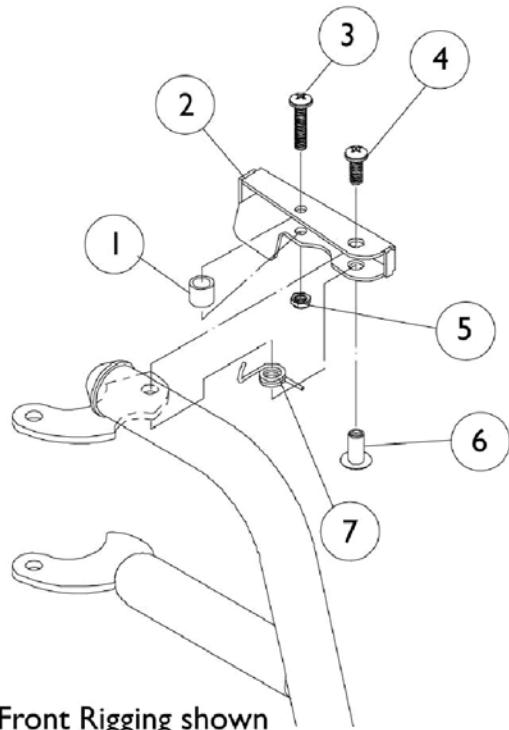
**NOTE: Installation of the CLD MUST be performed by a qualified dealer. If a non-certified individual performs any work on these units, the Manufacturer's Warranty is Void.**

Item Number	Note	Part Number	Description	Quantity Per	
				Package	Assembly
1		1087407-NLA	NLA - Screw, Hex Head (7/16-20 x 6-1/2")	1	1
2		1088180-NLA	NLA - Screw, Pan Head, Phillips (#10-32 x 3/4")	1	6
3		1087909-NLA	NLA - Plate, Hub Support	1	6
4		1087907-NLA	NLA - Hub, Outer - Rear (9 Spoke)	1	1
5		1087744-NLA	NLA - Bolt, Drive Lever	1	1
6		1084822-NLA	NLA - Washer, Axle (7/16 x 2-3/8" x 1/16")	1	1
7		1087908-NLA	NLA - Spacer, Hub Outer Rear (7/16 x 3/4 x 19/32")	1	1
8		1045608	Locknut (7/16-20)	1	1
9		1087912-NLA	NLA - Spacer, Hub Inner (7/16 x 3/4 x 15/16")	1	1
10		1087592	Wheel Lock Assembly - Right	1	1
10		1087463	Wheel Lock Assembly - Left	1	1
11	A	1087733-NLA	NLA - Transmission Assembly - Right	1	1
11	A	1087734	Transmission Assembly - Left	1	1
12		1087905-NLA	NLA - Grip, Handle (7/8")	1	1
13		1088108	Handle, Black	1	1
14		1088117	Screw, Socket Button Head (5/16-18 x 1-1/4")	1	1
15		1088110	Plunger	1	1
16		1087761-NLA	NLA - Knob, Shift Lever, Black	1	1
17		1087739-NLA	NLA - Lever, Shift	1	1
18		1087738-NLA	NLA - Plate, Shift	1	1
19		7930326-NLA	NLA - Package, Screw, Hex Head (1/4-20 x 3/4")	25	2
20		1087204-NLA	NLA - Washer, Flat (1/4 x 9/16 x 1/32")	1	6
21		1087752-NLA	NLA - Screw, Socket Head (1/4-20 x 3/4")	1	1
22		1087420-NLA	NLA - Handle, Adjustment, Tapped Type, Black	1	1
23		1087477	Steering Link Assembly - Right	1	1
23		1087478	Steering Link Assembly - Left	1	1
24		1087981-NLA	NLA - Support Bracket Assembly - Right	1	1
24		1087982-NLA	NLA - Support Bracket Assembly - Left	1	1
25		1088201-NLA	NLA - Transmission Lever	1	1
26	B	1087979-NLA	NLA - Kit, Hub Attachment - Rear	1	1
27	C	1087760-NLA	NLA - Drive Arm Assembly - Right	1	1
27	C	1087759-NLA	NLA - Drive Arm Assembly - Left	1	1

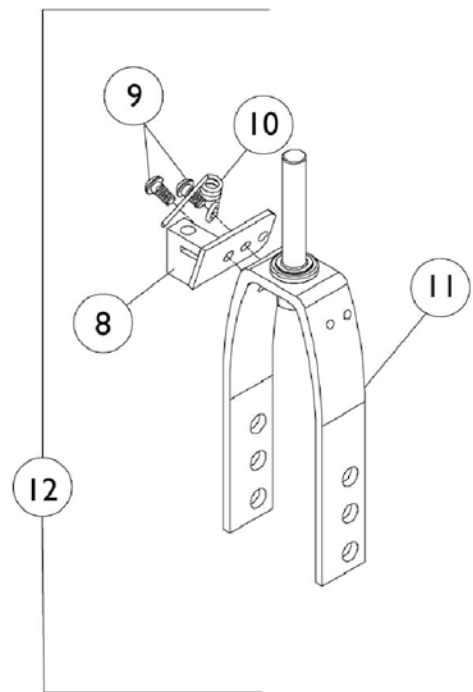
NOTE: A - Includes Items 1-3, 6-9  
 B - Includes Items 1-3 and 6-9  
 C - Includes Items 12-15 and 22-24

NOTE: For CLD release handle see page titled, "Fork and Release Handle for Cyclical Lever Drive."

# Fork and Release Handle for Cyclical Lever Drive



Front Rigging shown  
for  
reference only



**FORK**

## Fork and Release Handle for Cyclical Lever Drive

Item Number	Note	Part Number	Description	Quantity Per	
				Package	Assembly
1		47565X057	Bushing (7/32 x 3/8 x 11/32")	1	1
2	G	1033305	Handle, Release, Chrome - Right	1	1
2	G	1033306	Handle, Release, Chrome - Left	1	1
3		40163X008	Screw, Phillips Pan Head (#10-32 x 11/16")	1	1
4		40163X002	Screw, Phillips Round Head (#10-32 x 1/2")	1	1
5		40157X015-NLA	NLA - Washer, Nylon (9/16 x 1 x 5/8")	1	1
6		67005X000	Rivnut (#10-32)	1	1
7		1008935	Spring, Release - Right	1	1
7		1008936	Spring, Release - Left	1	1
8	A,E	1087350	Attachment, Steering, Black - Right	1	1
8	A,E	1087352	Attachment, Steering, Black - Left	1	1
8	B,F	1087368-NLA	NLA - Attachment, Steering, Black - Right	1	1
8	B,F	1087369-NLA	NLA - Attachment, Steering, Black - Left	1	1
9		1006773	Screw, Socket Button Head (1/4-20 x 1/2")	1	2
10		1087449-NLA	NLA - Spring, Torsion - Right	1	1
10		1087450-NLA	NLA - Spring, Torsion - Left	1	1
11		1087715-NLA	NLA - Fork and Stem (6")	1	1
11		1087716-NLA	NLA - Fork and Stem (8")	1	1
12	C,D,H	1087467	Fork Assembly - Right (6")	1	1
12	C,D,H	1087468	Fork Assembly - Left (6")	1	1
12	C,D,H	1087469	Fork Assembly - Right (8")	1	1
12	C,D,H	1087470	Fork Assembly - Left (8")	1	1
12	C,D,I	1194268	Fork Assembly - Right (6")	1	1
12	C,D,I	1194297	Fork Assembly - Left (6")	1	1
12	C,D,I	1194355	Fork Assembly - Right (8")	1	1
12	C,D,I	1194357	Fork Assembly - Left (8")	1	1

NOTE: A - 6" Fork  
 B - 8" Fork  
 C - Fork; 7 and 9 Spoke CLD  
 D - Includes Items 8-11  
 E - Used on 6" Fork  
 F - Used on 8" Fork  
 G - Item #2 is not available for sale in 71P Silver Vein frame finish.  
 H - Before 10/12/16.  
 I - After 10/11/16.

**Invacare Corporation**

[www.invacare.com](http://www.invacare.com)



**Yes, you can.**

One Invacare Way  
Elyria, Oh USA  
44036-2125  
800-333-6900

Technical Support  
800-832-4707  
Florida Technical Support  
407-321-5630

Customer Service  
800-333-6900

© 2018 Invacare Corporation. All rights reserved. Republication, duplication or modification in whole or in part is prohibited without prior written permission from Invacare. Trademarks are identified by ™ and ®. All trademarks are owned by or licensed to Invacare Corporation or its subsidiaries unless otherwise noted. (Revised 1/8/18)

Form No. 95-115