

Operating instructions

Heat pump tumble dryer



To avoid the risk of accidents or damage to the appliance, it is **essential** to read these instructions before it is installed and used for the first time.

Caring for the environment

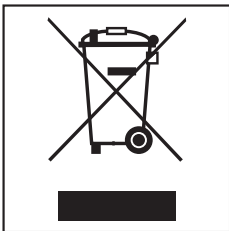
Disposal of the packing material

The packaging is designed to protect the appliance from damage during transportation. The packaging materials used are selected from materials which are environmentally friendly for disposal and should be recycled.

Recycling the packaging reduces the use of raw materials in the manufacturing process and also reduces the amount of waste in landfill sites. Ensure that any plastic wrappings, bags etc. are disposed of safely and kept out of the reach of babies and young children. Danger of suffocation.

Disposing of your old appliance

Electrical and electronic appliances often contain materials which, if handled or disposed of incorrectly, could be potentially hazardous to human health and to the environment. They are, however, essential for the correct functioning of your appliance. Therefore, please do not dispose of your old appliance with your household waste.



Please dispose of it at your local community waste collection / recycling centre.

Ensure that your old appliance presents no danger to children while being stored for disposal.

Energy saving tips

To avoid unnecessarily long drying times and high consumption of energy:

- Make sure that your laundry is thoroughly spun before drying. The higher the spin, the greater the savings that can be made in energy and time during drying, e.g. approx. 20% energy can be saved if spun at 1600 rpm instead of 1000 rpm.
- Load according to the optimum amount of laundry recommended for the programme being used. Underloading is uneconomical. Overloading gives a poorer quality of drying and may cause unnecessary creasing.
- Make sure the room temperature is not too high. If there are other heat producing appliances in the room in which the tumble dryer is located, make sure the room is well-ventilated and switch the other appliances off, if possible.
- Clean the fluff filters in the door opening after every drying cycle.

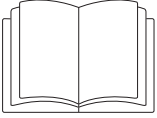
Caring for the environment	2
Warning and Safety instructions	6
Operating the tumble dryer	17
Control panel.....	17
Display	18
Before using for the first time	20
EcoFeedback	21
1. Notes on correct laundry care	22
Points to note regarding washed laundry	22
Preparing the laundry before drying	22
Garment care label symbols	23
Laundry care when drying in a tumble dryer	23
2. Loading the tumble dryer	24
3. Selecting a programme and starting it	25
Selecting a programme.....	25
Selecting any Extras or Delay start (if required)	27
Starting the programme.....	27
4. Removing the laundry at the end of the programme	28
End of programme/Anti-crease.....	28
Removing the laundry	28
Extras	29
Gentle tumble.....	29
Freshen up	29
Auto load control.....	29
Anti-crease.....	29
Buzzer	29
Delay start	31
Programme chart	32
Changing the programme sequence	38
Cleaning and care	39
Emptying the condensed water container	39
Preparing the condensed water container for Steam smoothing	40

Contents

Fluff filters	41
Removing visible fluff.....	41
Cleaning the fluff filters and air flow openings thoroughly.....	42
Plinth filter	43
Removing the plinth filter	43
Cleaning the plinth filter	43
Cleaning the plinth filter panel	44
Checking the heat exchanger unit	44
Replacing the plinth filter	45
Fragrance flacon	47
Inserting a fragrance flacon	47
Replacing the fragrance flacon	49
Problem solving guide	51
Problem solving guide	51
Messages in the display	51
Unsatisfactory drying results	54
Other problems	55
Bottom right grille	58
Fluff filter in the condensed water container.....	58
Steam smoothing spray jet	60
After sales service	61
Repairs	61
Optional accessories	61
Warranty.....	61
Installation and connection	62
Front view.....	62
Rear view	63
Transporting the dryer.....	63
Installation.....	64
Levelling the dryer.....	64
Ventilation	65
Before moving the tumble dryer again (e.g. when moving houses).....	65
Additional installation requirements.....	66
Externally draining condensed water	67
Installation conditions requiring a non-return valve.....	67
Arranging the drain hose.....	68
Examples	69
Electrical connection.....	71
Consumption data	72

Technical data	73
Settings menu	74
Calling up settings	74
Language ▾	74
Drying levels	75
Extended cool down	75
Airways indicator.....	75
Buzzer volume	76
Keypad tone.....	76
Conductivity	76
Total consumption	76
PIN Code.....	77
Display brightness	77
Dark display	77
Appliance switch-off status	78
Memory	78
Anti-crease.....	78

Warning and Safety instructions



- ▶ It is essential to read these instructions.

This tumble dryer complies with current local and national safety requirements. Inappropriate use can, however, lead to personal injury and damage to property.

To avoid the risk of accidents and damage to the tumble dryer, please read these instructions carefully before using it for the first time. They contain important information on its safety, installation, use and maintenance.

Keep these instructions in a safe place and ensure that new users are familiar with the content. Pass them on to any future owner.

Correct application

- ▶ This tumble dryer is designed for domestic use and for use in similar environments by guests in hotel or motel rooms, bed & breakfasts and other typical living quarters. This does not include common/shared facilities or commercial facilities within hotels, motels or bed & breakfasts.
- ▶ This tumble dryer is not suitable for outdoor use.
- ▶ It must only be used to dry items which have been washed in a water solution and which are marked on the manufacturer's care label as being suitable for tumble drying. If using dry cleaning kits, do so at your own risk, and follow the instructions provided on the packaging.
Any other applications may be dangerous. Miele cannot be held liable for damage resulting from incorrect or improper use or operation.

Warning and Safety instructions

▶ This appliance is not intended for use by persons (including children) with reduced physical, sensory or mental capabilities, or lack of experience or knowledge, unless they are supervised whilst using it or have been shown how to use it by a person responsible for their safety.

Safety with children

- ▶ Young children must not be allowed to use this appliance.
- ▶ Older children may only use the appliance when its operation has been clearly explained to them and they are able to use it safely, recognising the dangers of misuse.
- ▶ Children must not be allowed to clean or maintain the tumble dryer unsupervised.
- ▶ Please supervise children in the vicinity of the tumble dryer and do not let them play with it.

Warning and Safety instructions

Technical safety

▶ Before setting up the tumble dryer, check it for any externally visible damage.

Do not install or use a damaged tumble dryer.

▶ Before connecting the tumble dryer, ensure that the connection data on the data plate (fuse rating, voltage and frequency) matches the mains electricity supply. If in any doubt, consult a qualified electrician.

▶ The electrical safety of this tumble dryer can only be guaranteed when correctly earthed. It is essential that this standard safety requirement is met. If in any doubt, please have the household wiring system tested by a qualified electrician. Miele cannot be held liable for the consequences of an inadequate earthing system (e.g. electric shock).

▶ Reliable and safe operation of this tumble dryer can only be assured if it has been connected to the mains electricity supply.

▶ Do not connect the tumble dryer to the mains electricity supply by an extension lead. Extension leads do not guarantee the required safety of the appliance (e.g. danger of overheating).

▶ If the connection cable is faulty, it must only be replaced by a Miele approved service technician to protect the user from danger.

▶ Unauthorised repairs could result in unforeseen dangers for the user, for which Miele cannot accept liability. Repairs should only be undertaken by a Miele authorised service technician, otherwise any subsequent damage will not be covered by the warranty.

▶ Faulty components must only be replaced by genuine Miele spare parts. Miele can only guarantee the safety of the appliance when Miele replacement parts are used.

Warning and Safety instructions

- ▶ In the event of a fault or for cleaning purposes, the tumble dryer is only completely isolated from the electricity supply when:
 - it is switched off at the wall socket and the plug is withdrawn, or
 - it is switched off at the mains circuit breaker.
- ▶ This tumble dryer must not be installed and operated in mobile installations (e.g. on a ship).
- ▶ Do not make any alterations to the tumble dryer, unless authorised to do so by Miele.
- ▶ Heat pump technology and refrigerant:

The heat pump in this tumble dryer uses a refrigerant which is condensed by the compressor and led in a closed circuit through the heat exchanger unit where heat exchange with the circulating drying air takes place.

 - The humming noises caused by the heat pump are normal and do not impair the efficient functioning of the dryer.
 - The refrigerant is not flammable or explosive.
 - In general it is not necessary to leave the dryer standing for any length of time before it is connected to the mains provided it has been transported and installed correctly.

Warning and Safety instructions

- ▶ Please observe the instructions in "Installation and connection" and "Technical data".
- ▶ The accessibility of the plug must be always ensured in order to separate the tumble dryer from the mains.
- ▶ Do not block the gap between the bottom of the tumble dryer and the floor with plinth facings, deep pile carpet etc. This would hinder a sufficient flow of air to the tumble dryer.
- ▶ Make sure the dryer door can be opened without hindrance after installation.

Correct use



READ THE INSTRUCTIONS

 Caution! Risk of fire.

To avoid the possible danger of fire, please read these warnings carefully.

 A clogged filter is a fire hazard!

The fluff filter must be cleaned after every programme.

- ▶ The maximum load for this tumble dryer is 8.0 kg (dry weight). See the "Programme chart" for the maximum recommended loads for individual programmes.
- ▶ To prevent the risk of fire, do not connect the tumble dryer via a controllable socket (e.g. a timer or a peak-load switch-off device). If the drying programme is interrupted before the end of the cooling down phase, this could cause the laundry to self-ignite.

Warning and Safety instructions

- ▶ To prevent the risk of fire, the following textiles must not be dried in this tumble dryer:
- Items which have not been washed.
 - Items, such as workwear, which have not been thoroughly cleaned and which are still soiled with grease, oil or other desposits (such as cosmetics, lotions etc). If items have not been thoroughly cleaned, there is a danger that these might ignite when heated, even after they have been removed from the dryer at the end of the programme.
 - Items that have been soiled with substances such as cooking oil, acetone, petrol, kerosene, spot removers, turpentine, waxes, wax removers and other chemicals (e.g. mops and floor cloths).
 - Items which have been splashed with hair lacquer, hair spray, nail varnish remover or similar substances.

When washing such heavily soiled items ensure that you use sufficient detergent and select a high temperature. If in doubt, wash the items several times.

- ▶ Oil-affected items can ignite spontaneously, especially when exposed to heat sources such as in a tumble dryer. The items become warm, causing an oxidation reaction in the oil. Oxidation creates heat. If the heat cannot escape, the items can become hot enough to catch fire. Piling, stacking or storing oil-affected items can prevent heat from escaping and so create a fire hazard. If it is unavoidable that fabrics contaminated with vegetable or cooking oil, or hair care products, be placed in a tumble dryer, they should first be washed in hot water with extra detergent - this will reduce, but not eliminate, the hazard.
- ▶ Remove all items from pockets (e.g. lighters, matches).

Warning and Safety instructions

- ▶ **Warning:** Ensure that you always wait until the end of the programme before removing the laundry. If the drying programme is stopped prematurely, remove the laundry immediately and hang it up or spread it out to cool it down.
- ▶ Fabric softener and similar products must be used according to the instructions on the manufacturer's packaging.
- ▶ To prevent the risk of fire, the following textiles must not be dried in this tumble dryer:
 - Items which have been cleaned using chemicals (e.g. professional dry-cleaning agents).
 - Fabrics which contain a large proportion of rubber, foam rubber or rubber-like materials. For example, products made from latex foam rubber, shower caps, waterproof textiles, rubberised articles and items of clothing and pillows with foam rubber filling.
 - Damaged fabrics which contain padding or fillings (e.g. pillows, jackets). When damaged, the filling can get out with the risk of it igniting in the dryer.
- ▶ In many programmes, the heating phase is followed by a cooling down phase to ensure that the items are not too hot to handle when you remove them (this also avoids the danger of the laundry self-igniting). The programme is not finished until the cooling down phase has been completed.
As soon as the programme has finished, remove all laundry from the drum.
- ▶ Do not let anyone sit or lean on the door, as this can cause the tumble dryer to tip up.
- ▶ Always close the door after use. This way you will avoid the danger of:
 - children climbing onto or into the dryer or hiding things in it.
 - pets or other small animals climbing into it.

Warning and Safety instructions

- ▶ The tumble dryer must not be used without or
 - with damaged fluff filters.
 - with a damaged plinth filter.

This would cause an excessive build-up of fluff which in turn would cause a fault.

- ▶ The fluff filters must be cleaned after every drying cycle. Fluff must not be allowed to accumulate around the tumble dryer.
- ▶ The fluff filters and the plinth filter must be thoroughly dried after cleaning. Do not replace them if they are damp or wet. Damp or wet filters could cause operational faults.
- ▶ Do not install the tumble dryer in a room where there is a risk of frost occurring. At temperatures around freezing point the tumble dryer may not be able to operate properly. There is a risk of damage if the condensed water is allowed to freeze in the pump and hoses.
- ▶ If the water is drained externally through the drain hose instead of being collected in the condensed water container, make sure the drain hose is securely attached if you hang it in a sink or basin to avoid the hose slipping and the water causing damage.
- ▶ Condensed water is not drinking water. It can cause health problems in both people and animals.
- ▶ Always keep the area around the tumble dryer free of dust and fluff. Dust drawn into the tumble dryer can cause blockages in the heat exchanger over time.
- ▶ The tumble dryer must not be hosed down.


Using a fragrance flacon (optional accessory)

- ▶ Only use genuine Miele original fragrance flacons.
- ▶ The fragrance flacon must be stored in its packaging so please make sure you retain this.
- ▶ Caution. The fragrance can run out of the flacon. Make sure that you always keep the flacon, or the fluff filter with the flacon inserted in it, in a horizontal position when carrying and do not tip or place down on any surface.
- ▶ Use an absorbent cloth immediately to wipe up any fragrance which has run out of the flacon onto the floor, the dryer or any dryer components (e.g. the fluff filter).
- ▶ If fragrance which has run out of a flacon should come in contact with the **skin** - wash the skin thoroughly with soap and water; come in contact with the **eyes** - rinse the eyes with clean water for at least 15 minutes; be swallowed - rinse out the **mouth** thoroughly with clean water. Seek medical advice in the case of contact with the eyes or if fragrance has been swallowed.
- ▶ If fragrance which has run out of a flacon comes in contact with clothing, change the clothing immediately. Wash the clothing or any cloths used for mopping up fragrance thoroughly with plenty of water and detergent.
- ▶ There is the risk of fire or damage to the tumble dryer if the following instructions are not observed:
 - Never refill a flacon with fragrance.
 - Never use a faulty fragrance flacon.
- ▶ Dispose of an empty fragrance flacon with the household waste and never use it for any other purpose.
- ▶ Please also observe the information supplied with the fragrance flacon.

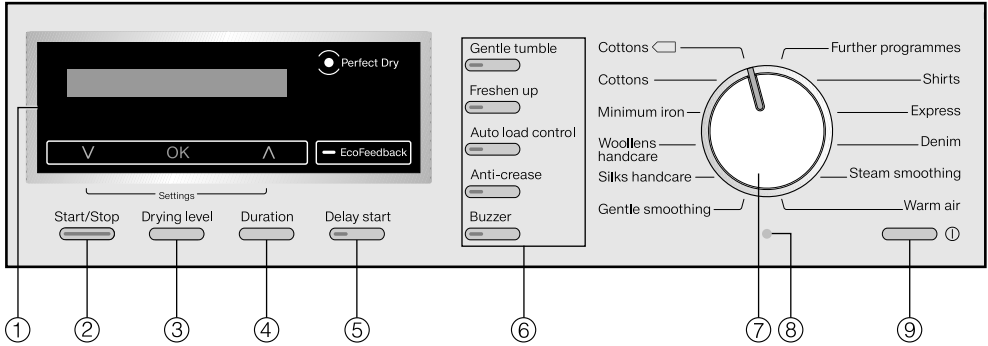
Warning and Safety instructions

Accessories

- ▶ Only use genuine Miele spare parts and accessories with this appliance. If spare parts or accessories from other manufacturers are used, this will invalidate the warranty, and Miele cannot accept liability.
- ▶ A Miele tumble dryer can be stacked on top of a Miele washing machine using the appropriate stacking kit (available as an optional accessory). Please make sure you order the correct one for the Miele washing machine and Miele tumble dryer.

 Miele cannot be held liable for damage caused by non-compliance with these Warning and Safety instructions.

Control panel



① **Display with sensors**

See the following page for more information.

② **Start/Stop button**

For starting the programme selected and cancelling a programme once it has started.

③ **Drying level button**

For all programmes with a selectable drying level.

④ **Duration button**

For selecting the duration for timed drying programmes.

⑤ **Delay start button**

For selecting Delay start.

⑥ **Extras buttons**

Various options can be added to the programmes.

⑦ **Programme selector**

For selecting the programme.

⑧ **Optical interface**

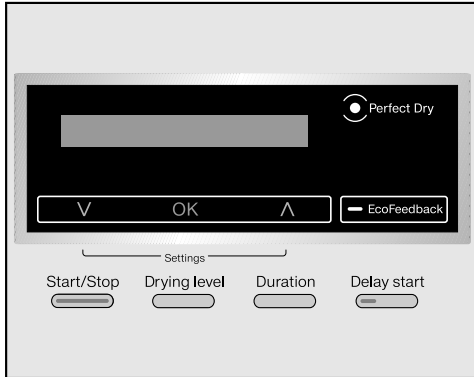
For service technicians.

⑨ **Ⓜ button**

For switching the tumble dryer on and off. To save energy, the tumble dryer will switch off automatically 15 minutes after the end of the programme/anti-crease phase or after being switched on if no other selection is made.

Operating the tumble dryer

Display



∇, OK, ∧ sensors

These sensors are used to operate the display when the symbols light up.

- ∇ sensor
Scrolls down the list to the next option or decreases a value.
- **OK** sensor
Confirms the programme selected, a value set or opens a sub-menu.
- ∧ sensor
Scrolls up the list to the next option or increases a value.

The sensor symbols will go out if no selection is made. They will also go out if a selection is not confirmed with *OK*.

EcoFeedback sensor

See "EcoFeedback" for more information.

Settings

The Settings menu is opened by touching the ∇ and ∧ sensors at the same time.

Settings can be changed to alter the dryer's electronics to suit different requirements. Please refer to "Settings menu" at the end of this booklet for more information.

The following programmes are selected using the programme selector at the "Further programmes" position:

- Automatic plus
- Delicates
- Proofing
- Sportswear
- Outerwear
- Cool air
- Basket programme

Perfect Dry indicator

With programmes with a selectable drying level, the Perfect Dry system calculates the residual moisture present in the laundry to ensure a precise drying result.

The *Perfect Dry* indicator . . .

. . . will flash after the programme has started and go out when the programme duration appears in the display.

. . . will light up again when the selected drying level is reached and remain on until the end of the programme.

. . . will remain dark with the following programmes: *Woollens handcare, Silks handcare, Cool air, Warm air, Basket programme*.


Estimated time remaining

After the programme has started, the estimated programme duration will appear in the display in hours and minutes.



The programme duration displayed for programmes with a selectable drying level may vary or "jump". The following factors, among others, affect the programme duration displayed: the quantity of the laundry, the type of fabric and the residual moisture in the laundry. The electronics continually access conditions in the appliance and adjust the programme duration with increasing accuracy.

Examples on how to operate the appliance

Scrolling through a list

The  arrows in the display indicate that a selection is available:




Touching the  sensor scrolls down the list to the next option and touching the  sensor scrolls up the list to the next option.

The *OK* sensor is used to confirm your selection.



Identifying options selected



If an option has been activated with *OK*, it will be given a tick .

Setting numerical values



A numerical value is highlighted in white. Touching the  sensor decreases the value and touching the  sensor increases it. The *OK* sensor is used to activate the value in the display.


Leaving a sub-menu

Select *Back*  to exit a sub-menu.


Before using for the first time

Removing the protective foil and stickers

- Please remove
 - the protective foil from the door.
 - any stickers from the front and the lid.

 Please do not remove any labels (e.g. the data plate) which are visible when you open the door.

After installing the tumble dryer

 Before using the tumble dryer for the first time, ensure that it is installed and connected to the electricity supply correctly. If it has not been transported as described in "Installation and connection", then it must be left to stand for at least 1 hour before it is connected to the electricity supply.


When the tumble dryer is switched on, the welcome display *Miele Willkommen* will appear briefly.

Setting the language

You will be asked to select the language you want for the display. It is possible to change the language at any time via *Settings*.

deutsch ✓ 

- You can scroll through the list by touching the ∨ and ∧ sensors until the language you want is highlighted in the display.

The  arrows in the display indicate that further options are available.

- Confirm your choice of language by touching the *OK* sensor.

Completing the procedure for using for the first time outlined in these instructions

 See 

- Confirm by touching the *OK* sensor.
- Read "1. Notes on correct laundry care" and "2. Loading the tumble dryer".
- You can then load the tumble dryer and select a programme as described in "3. Selecting and starting a programme".

The procedure for using for the first time is completed when a programme lasting longer than one hour has been carried out in full.

You can use the *EcoFeedback* sensor to call up information about the energy consumption of your dryer.

Touching the *EcoFeedback* sensor will call up two types of information:

- An estimate of the consumption before the programme begins.
- The energy consumption during the programme.

The *EcoFeedback* sensor will light up and information will appear in the display.

Both will go out automatically a few seconds later or alternatively they can be confirmed with *OK*.

At the end of the programme, before opening the door, you can also call up the following in the display:

- The energy consumption.
- The degree of soiling of the fluff filters and the plinth filter (0 % = light, 50 % = medium, 100 % = heavy). Accumulating fluff and soiling will cause the programme duration to increase, which in turn will increase energy consumption.

1. Estimate

- After selecting a programme, touch the *EcoFeedback* sensor.

For a few seconds bars which indicate the estimated consumption will be shown:

Energy 

The more bars visible, the higher the energy consumption.

The estimate will vary depending on the programme and any options selected.

2. Actual consumption

- Touch the *EcoFeedback* sensor.

You can view the actual amount of energy used.

Example:

Energy 2.0 kWh

< 0.1 kWh will be displayed if the energy consumption is very low.

The consumption will vary depending on the programme stage and residual moisture present.

If the door is opened or the tumble dryer has switched off automatically at the end of the programme, the data will revert to the estimated consumption.

Total consumption setting

- Shows consumption data for the programme which has just been run and
- shows total energy consumption to date.


See "Settings menu" for more detailed information.

1. Notes on correct laundry care


Points to note regarding washed laundry

- When washing very heavily soiled items, ensure that you use sufficient detergent and select a high temperature. If in doubt, wash the items several times.
- Do not put soaking wet items into the tumble dryer. Make sure your laundry is thoroughly spun before drying. The higher the spin speed, the greater the savings that can be made in energy and time during drying.
- New dark coloured garments should be washed and dried separately from light coloured garments to avoid the danger of colours running and discolouring other garments or even plastic components in the dryer. Dark coloured fibres can also settle on light coloured garments and vice versa.
- Starched laundry can be dried in the tumble dryer. To achieve the usual finish, double the amount of starch should be used.

Preparing the laundry before drying

 Make sure that any objects, e.g. detergent dosing balls, lighters etc. have been removed from the laundry.








They could melt or explode and cause damage to the tumble dryer or the laundry.

 See "Warning and Safety" instructions for further information. Loading or using the tumble dryer incorrectly could cause a fire.

- Sort the laundry according to the type of fibre and weave, size, garment care label symbol and the drying level required.
- Check the seams of padded or down-filled items to prevent the risk of fillings coming out. These could catch fire when being dried.
- Disentangle the laundry.
- Tie together textile belts and apron ties.
- Fasten . . .
. . . duvet covers and pillow cases to prevent small items from being trapped inside them.
. . . hooks and eyes.
- Sew in or remove underwiring from bras.
- Leave jackets open and undo any long zips so that textiles dry evenly.
- Minimum iron fabrics tend to crease more, the greater the load. This is also the case for garments made from very fine weave fabric, such as shirts or blouses. If necessary, reduce the size of the load for these types of fabric.

1. Notes on correct laundry care

Garment care label symbols

Drying	
	Normal/Higher temperature
	Reduced temperature: Select <i>Gentle tumble</i> (for delicate textiles)
	Do not tumble dry
Ironing	
	Very hot
	Hot
	Warm
	Do not iron

Laundry care when drying in a tumble dryer

See the "Programme chart".
This describes the programmes and gives their maximum load.

- Load according to the optimum amount of laundry recommended for the programme being used. Underloading is uneconomical. Overloading gives a poorer quality of drying and may cause unnecessary creasing.
- With half loads you can select the *Auto load control Extra*.
- Select an appropriate drying level, e.g. . . .
. . . *Normal* + if you want to fold and put away the laundry after you take it out of the dryer. . . *Machine iron* if the laundry, e.g. table linen, requires further processing after drying.

- Down-filled garments have linings which have a tendency to shrink, depending on the quality of the item. They can be partially dried using the *Gentle smoothing* programme.
- Pure linen should only be machine dried if specified as suitable by the manufacturer on the care label, as the surface of the fabric may otherwise become rough. It can be partially dried using the *Gentle smoothing* programme.
- Woollens and wool blends tend to become matted and shrink if dried in a tumble dryer. They can, however, be "fluffed up" in the *Woollens handcare* programme.
- Loopknit garments (e.g. T-shirts and underwear) tend to shrink depending on their quality. Do not overdry these textiles. When purchasing these garments, it is advisable to take their shrinkage properties into account.
- Select the *Gentle tumble Extra* for fabric which is particularly heat-sensitive or susceptible to creasing.

2. Loading the tumble dryer

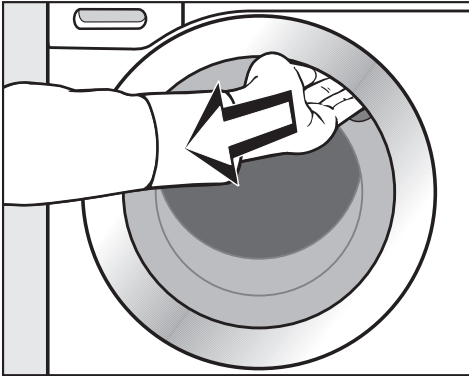
⚠ It is essential to read "1. Notes on correct laundry care" first of all.

- **Switch the tumble dryer on by pressing the ⏻ button.**

The interior drum lighting will come on.

The interior drum lighting will automatically go out after a few minutes and/or after the start of a programme to save energy.

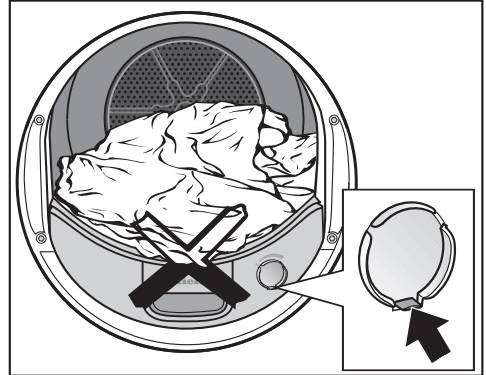
Opening the door



- Reach under the door grip and pull the door open.
- Unfold the laundry and load loosely into the drum.

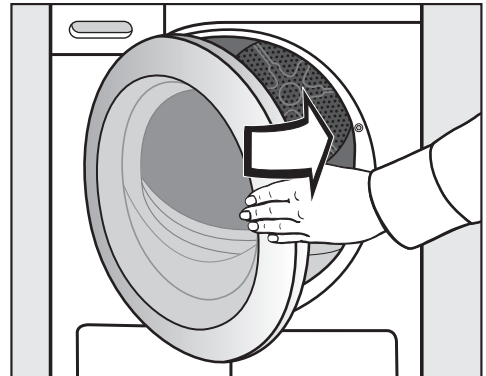
Do not overload the drum. Overloading can cause unnecessary wear and tear to the laundry, give a disappointing drying result and cause more creasing.

When closing the door, make sure that laundry does not get trapped in the door opening. This could damage the laundry.



If you are not using a fragrance flacon: the tab must be pushed down completely (see arrow).

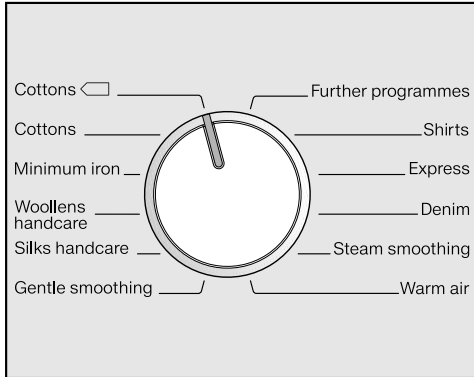
Closing the door



- Shut the door with a gentle swing.

3. Selecting a programme and starting it

Selecting a programme



- Turn the programme selector.

Different programmes and setting options will light up in the display, depending on the position of the programme selector.

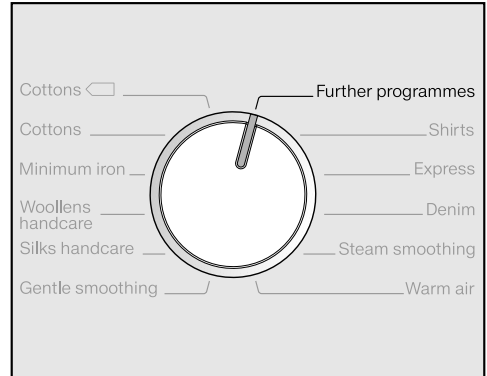
When a programme is selected, the maximum load (weight of dry laundry) possible for the programme will appear in the display for a few seconds.

You can confirm with *OK* or wait until the preset drying level or programme duration lights up.

If you think you have loaded too much laundry, remove a few items.

Further programmes

The further programmes can be selected via the display.



Automatic plus



- Touch the ∇ or \triangle sensor to scroll through the list until the programme you want appears in the display.
- Confirm by touching the *OK* sensor.

3. Selecting a programme and starting it

Programmes with drying levels

- *Cottons, Minimum iron, Delicates, Denim, Shirts, Express, Gentle smoothing, Steam smoothing, Automatic plus, Sportswear, Outerwear*

The drying level can be altered after selecting one of these programmes.

- Press the *Drying level* button.

The currently selected drying level will appear marked with a ✓ in the display.

Normal ✓ ↕

- Touch the ∨ or ∧ sensor to scroll through the list until the drying level you want is highlighted.
- Confirm by touching the *OK* sensor.

Any drying level can be selected for the *Cottons* and *Express* programmes. A more limited range is available when using the other programmes.

⚠ Important: When selecting the *Steam smoothing* programme, you must make sure that the condensed water container has been filled as described in these operating instructions (see "Cleaning and care").

Other programmes and the timed drying programmes

- *Cottons* , *Woollens handcare, Silks handcare, Proofing*

The drying level is preset and cannot be altered.

- *Cool air, Warm air, Basket programme*

You can select the duration in ten-minute stages.

Cool air: 20 min - 1:00 h

Warm air: 20 min - 2:00 h

Basket programme: 40 min - 2:30 h

- Press the *Duration* button.

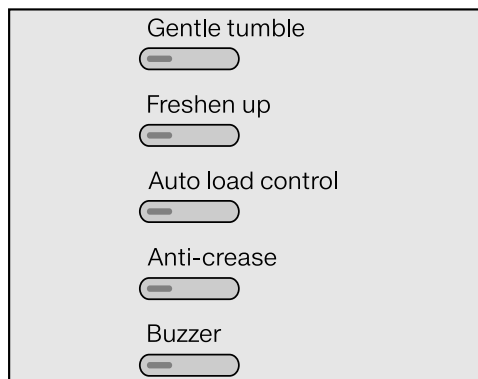
Duration 0:20 h

- The ∨ sensor is used to increase the duration, the ∧ sensor to reduce it.
- Confirm by touching the *OK* sensor.

3. Selecting a programme and starting it

Selecting any Extras or Delay start (if required)

Extras



- Press any button.

The button will light up when the Extra is selected.

An Extra can only be selected when the load indication has gone out in the display.

Not all Extras can be combined or can be selected/deselected (see "Extras").

Please see "Extras" for further information.

Delay start

- Press the *Delay start* button to select Delay start.

Please see "Delay start" for more information.

Starting the programme

- Press the flashing *Start/Stop* button.

The *Start/Stop* button will now light up constantly.

Drying and the programme duration will light up in the display. When using programmes with a selectable drying level, the drying level reached will light up later on instead of *Drying*.

The *Perfect Dry* indicator will only flash/light up with programmes with selectable drying levels (see also "Operating the tumble dryer").

Cooling down will light up in the display shortly before the end of the programme. The laundry will be cooled down, however the programme is not yet finished.

4. Removing the laundry at the end of the programme

End of programme/Anti-crease

At the end of the programme: *Anti-crease/Finish* (if anti-crease has been selected) or *Finish* will light up. The *Start/Stop* button will no longer be lit up.

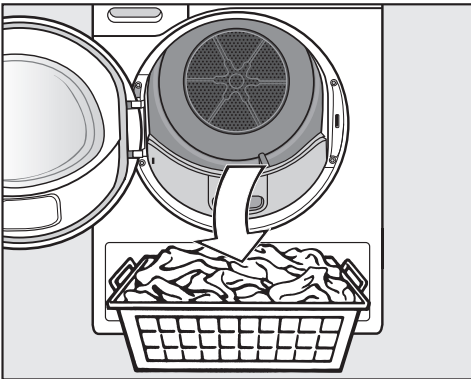
To save energy, 10 minutes after the end of the programme the *Start/Stop* button will begin to flash slowly and the display will go out.

The dryer will switch off automatically 15 minutes after the end of the anti-crease phase (with programmes without an anti-crease phase it will switch off 15 minutes after the end of the programme).

Removing the laundry

⚠ Never open the door before the drying process has finished.

- Reach under the door grip and pull the door open.



- Remove the laundry.

Check that all items have been removed from the drum.

If items are left in the dryer, they could be damaged by overdrying when the dryer is next used.

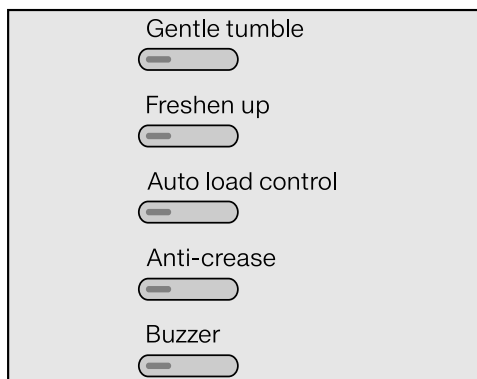
If the dryer is switched on at the mains and the door is opened, the drum lighting will come on. It will go out a few minutes later to save energy.

- If the dryer is still switched on, switch it off with the Ⓜ button.

A buzzer will sound.

- Remove the fluff from the 2 fluff filters in the door opening (see "Cleaning and care - Fluff filters").
- Shut the door with a gentle swing.
- Empty the condensed water container.


Useful tip: The condensed water can be used for the *Steam smoothing* programme. See "Cleaning and care - Preparing the condensed water container for Steam smoothing".



Extras are switched on or off by pressing the appropriate button. Not all Extras can be combined or can be selected/deselected.

The button will light up when the Extra is selected.

Gentle tumble

Delicate fabric (with the  symbol on the care label, e.g. acrylic garments) is dried at a lower temperature. The programme duration is longer.

Freshen up

You can use the *Freshen up* Extra to help remove or reduce odours in clean (dry or damp) clothing.

The drying air is heated for a specific length of time. After this, the garments are aired to the *Normal* drying level without any more heat being added. The drying level cannot be altered.

The Extra will be more effective if you dampen the garments a little beforehand, use a fragrance flacon and reduce the load. Please note that

odours will not be removed as effectively from parts of garments made of synthetic fibres.

Auto load control

This Extra should be used if you only want to dry half the load given in the display and quoted in the "Programme chart". In this case, by pressing this button, you can both shorten and optimise the drying process.

Anti-crease


Depending on the programme selected, the drum will continue to rotate in a special rhythm for up to 2 hours at the end of the programme, to reduce creasing, if you do not wish to remove the laundry immediately.

Buzzer

A buzzer (four beeps at intervals for a maximum of 1 hour) will sound to let you know that the programme has finished. The continuous buzzer which sounds when there is a fault is not dependent on the setting for the buzzer at the end of the programme.

Extras

The following Extras can be selected in addition to the programmes:

	Gentle tumble ¹	Freshen up ¹	Auto load control ¹	Anti-crease	Buzzer
Cottons 	-	-	-	X	X
Cottons	X	X	X	X	X
Minimum iron	X	X	X	X	X
Woollens handcare	-	-	-	-	X
Silks handcare	-	-	-	X	X
Gentle smoothing	O	-	-	X	X
Shirts	X	X	-	X	X
Express	-	-	-	X	X
Denim	X	X	-	X	X
Steam smoothing	-	-	-	X	X
Warm air	X	-	-	X	X
Automatic plus	O	-	-	X	X
Delicates	O	-	-	X	X
Proofing	-	-	-	X	X
Sportswear	O	-	-	X	X
Outerwear	O	-	-	X	X
Cool air	-	-	-	X	X
Basket programme	-	-	-	-	X

¹ = These Extras cannot be combined with one another

X = Can be selected

O = Cannot be changed/Always active

- = Cannot be selected

Selecting Delay start

With Delay start you can delay the start of the programme by up to a maximum of 24 hours.

- After selecting the programme, press the *Delay start* button.

The following will light up in the display:

A digital display with a dark background. The text 'Start in' is on the left, and '00:00 h' is on the right. The '00' is highlighted with a white box.

- The \wedge sensor will increase the duration by 1 hour up to 24 hours. The \vee sensor reduces the duration.

- Confirm by touching the *OK* sensor.

The cursor will change from the hours to the minutes.

- Set the minutes in the same way. The minutes are selected in 15-minute increments.

- Confirm by touching the *OK* sensor.

Changing Delay start (if necessary)

- Press the *Delay start* button.
- Select *Change the time* and change it.

Deleting Delay start (if necessary)

- Press the *Delay start* button.
- Select *Cancel the time* and confirm this with *OK*.

Starting Delay start

- Press the *Start/Stop* button.

The display will show the Delay start time counting down in hours and minutes until the programme starts automatically.

The drum will turn briefly every hour until the start of the programme to reduce creasing.

Changing Delay start after it has started counting down

- Press the *Delay start* button.

You can either start the programme immediately or change the time:

- To do this, touch the \wedge or \vee sensor.
- Confirm by touching the *OK* sensor.


Adding or removing laundry before a programme starts

- You can open the door to add/remove laundry.
- Press the *Start/Stop* button so that the Delay start time continues to count down.

Cancelling Delay start

- Press the *Start/Stop* button.
- Cancel Delay start* will light up.
- Confirm by touching the *OK* sensor.

Programme chart

Cottons 		Max. load 8.0 kg*
Items	Cotton items such as those described under <i>Cottons Normal</i> with normal residual moisture.	
Note	Items are dried to a <i>Normal</i> level only.	
Cottons		Max. load 8.0 kg*
Extra dry, Normal +, Normal, Slightly dry		
Items	Single and multi-layered cotton fabric such as towelling, jerseywear, T-shirts, underwear, workwear, covers, flannelette bed linen and baby clothes.	
Notes	<ul style="list-style-type: none"> – Select <i>Extra dry</i> for multi-layered and very thick fabrics. – Do not use <i>Extra dry</i> for jersey fabrics (e.g. T-shirts, underwear), as they have a tendency to shrink. 	
Hand iron Δ, Hand iron $\Delta\Delta$, Machine iron		
Items	Cotton or linen fabric requiring further processing, e.g.: table linen, bed linen, starched laundry.	
Note	To prevent laundry from drying out, it should be rolled up until you are ready for ironing.	
Minimum iron		Max. load 4.0 kg*
Normal +, Normal, Slightly dry, Hand iron Δ, Hand iron $\Delta\Delta$		
Items	Minimum iron items made of cotton, synthetic or mixed fibre, e.g.: tops, dresses, shirts, blouses, skirts, trousers and table linen.	

* Weight of dry laundry

Programme chart

Woollens handcare		Max. load 2.0 kg
Items	Woollen garments and fabric containing wool blends, e.g. pullovers, jackets.	
Notes	<ul style="list-style-type: none"> – Wool and wool blend items are only fluffed up; they are not dried completely. – Remove garments as soon as the programme has finished. 	
Silks handcare		Max. load 1.0 kg*
Items	Silk garments which are suitable for drying in the tumble dryer, e.g. blouses and shirts.	
Notes	<ul style="list-style-type: none"> – This programme reduces creasing. Items are not dried completely by this programme. – Remove garments as soon as the programme has finished. 	
Gentle smoothing		Max. load 1.0 kg*
Normal, Hand iron^Δ		
Items	<ul style="list-style-type: none"> – Cotton and linen fabric. – Minimum iron items made of cotton, synthetic or mixed fibre, e.g. trousers, jackets, shirts. 	
Notes	<ul style="list-style-type: none"> – Suitable for dry and damp laundry. – Select <i>Hand iron</i> if the items are to be ironed after drying. – Smooths out creasing caused during the spin cycle in the washing machine. – Remove garments as soon as the programme has finished. 	
Shirts		Max. load 2.0 kg*
Normal +, Normal, Slightly dry, Hand iron ^Δ, Hand iron ^{ΔΔ}		
Items	Shirts and blouses.	

* Weight of dry laundry

Programme chart

Express		Max. load 4.0 kg*
Extra dry, Normal +, Normal, Slightly dry, Hand iron Δ, Hand iron $\Delta\Delta$, Machine iron		
Items	Garments suitable for the Cottons programme.	
Note	The programme duration is shorter.	
Denim		Max. load 3.0 kg*
Normal +, Normal, Slightly dry, Hand iron Δ, Hand iron $\Delta\Delta$		
Items	Denim garments, e.g. jeans, jackets, skirts, shirts.	
Steam smoothing		Max. load 1.0 kg*
Normal, Hand iron Δ		
Items	<ul style="list-style-type: none"> – Cotton and linen fabric. – Minimum iron items made of cotton, synthetic or mixed fibre, e.g. trousers, jackets, shirts. 	
Notes	<ul style="list-style-type: none"> – For all items which require <ul style="list-style-type: none"> – dampening before ironing. – creasing to be removed. – Select <i>Hand iron Δ</i> if the items are to be ironed after drying. – Water will be taken from the condensed water container during this programme. This water will then be sprayed into the drum from a jet in the door opening. The condensed water container must therefore be filled with water up to at least the –min– marker. – You will be aware of more operating noise because the condensed water pump is running. 	

* Weight of dry laundry

Programme chart

Warm air		Max. load 8.0 kg*
Items	<ul style="list-style-type: none"> – Multi-layered fabric whose layers have different drying characteristics, e.g. jackets, pillows, sleeping bags and other voluminous items. – For drying individual items, e.g. bath towels, bathing costumes, tea towels and small loads. 	
Note	Do not select the longest drying time to start with. Check the items as you are drying them to find the optimum time.	
Automatic plus		Max. load 5.0 kg*
Normal +, Normal, Slightly dry, Hand iron Δ, Hand iron ΔΔ		
Items	Mixed loads of garments suitable for the <i>Cottons</i> and <i>Minimum iron</i> programmes. Sort according to colour.	
Delicates		Max. load 2.5 kg*
Normal +, Normal, Slightly dry, Hand iron Δ, Hand iron ΔΔ		
Items	Delicate items with the  symbol on the care label made of synthetic fibres, easy care cotton or blended fabric, e.g. shirts, blouses, lingerie and evening wear with sequins and beading.	
Notes	Reducing the load will reduce creasing.	

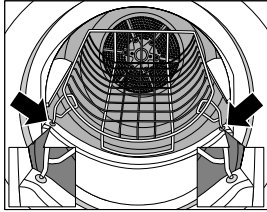
* Weight of dry laundry

Programme chart

Proofing		Max. load 2.5 kg*
Normal		
Items	Drying microfibre fabric, skiwear, outerwear, fine, closeweave cotton garments (poplin) or tablecloths which are suitable for drying in a tumble dryer and have been treated to provide a water and dirt-resistant finish.	
Notes	<ul style="list-style-type: none"> – This programme includes a proofing fixing phase. – Only use proofing agents which are stated by the manufacturer as being "suitable for use on membrane textiles" as these contain fluorochemical compounds. – Do not dry items which have been treated with proofing agents containing paraffin. Fire hazard! 	
Sportswear		Max. load 3.0 kg*
Normal +, Normal, Slightly dry, Hand iron Δ, Hand iron ΔΔ		
Items	Sportswear which is suitable for drying in a tumble dryer.	

* Weight of dry laundry

Programme chart

Outerwear		Max. load 2.5 kg*
Normal, Hand ironΔ		
Items	Outerwear which is suitable for drying in a tumble dryer.	
Cool air		Max. load 8.0 kg*
Items	Any item which only needs airing.	
Basket programme:		Max. load for basket 3.5 kg
Notes	<ul style="list-style-type: none"> – This programme may only be used with the Miele drying basket (optional accessory) fitted. – Use this programme to dry or air items which are suitable for drying in a tumble dryer but which are not suitable for drying using mechanical action. – It is essential to observe the operating instructions for the drying basket. 	
		
Fabric type/Items	See the operating instructions supplied with the drying basket.	

* Weight of dry laundry

Changing the programme sequence

You cannot change to another programme once a programme has started (this prevents unintentional alterations).



If you move the programme selector, *Cannot be changed* will light up in the display until you move the programme selector back to the original programme.

You will need to cancel the current programme before you can select a new one.

Canceling a programme while it is running and selecting a new programme

- Press the *Start/Stop* button.

Cancel programme will light up in the display.


- Confirm by touching the *OK* sensor.
 - *Cooling down* will light up in the display, depending on the drying duration and the drying temperature reached.
 - Wait until *Finish* lights up in the display or press the *Start/Stop* button again until *Finish* lights up.
- Press the  button to switch the dryer off.
- Press the  button to switch the dryer on.
- Select and start a new programme straight away.

Adding or removing laundry after a programme has started

- Press the *Start/Stop* button.

Cancel programme will light up in the display.

- Confirm by touching the *OK* sensor.
 - *Cooling down* will light up in the display, depending on the drying duration and the drying temperature reached.
 - Wait until *Finish* lights up in the display or press the *Start/Stop* button again until *Finish* lights up.

 Danger of burning!

Do not touch the back of the drum when adding or removing items. The drum and the items can be very hot.

- Add or remove items.
- Close the door.

To continue with the programme:

(change the drying level first of all, if necessary)

- Press the *Start/Stop* button.


Programme duration

Altering the programme sequence can cause the programme duration shown in the display to be adjusted.


Emptying the condensed water container

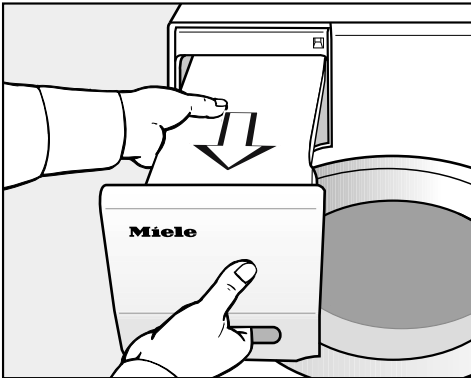
The condensed water is collected in the condensed water container.

Empty the condensed water container after every drying programme.

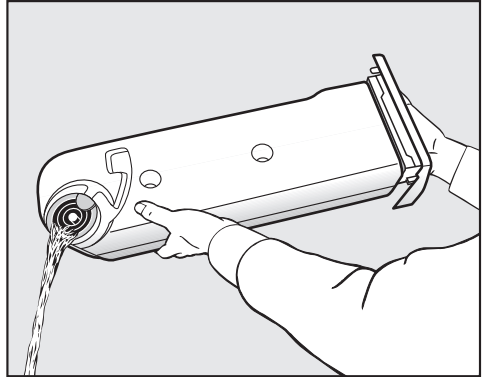
 *Empty container* will light up if the maximum level of the condensed water container is reached.

To delete *Empty container*: open and close the door with the dryer switched on.


 To prevent damaging the door and the front of the condensed water container when pulling the container out of the dryer: always close the door completely.



- Pull out the condensed water container.
- Hold it at the front and towards the back and keep it in a horizontal position when carrying it.



- Empty the container.
- Replace the container in the dryer.

 Condensed water should not be consumed. It could lead to health problems for people and animals.

The condensed water can be used for the *Steam smoothing* programme. The condensed water container must be filled to use this programme (see the following section).

Cleaning and care

Preparing the condensed water container for Steam smoothing

⚠ Condensed water which has collected in the condensed water container is directed into the drum in the *Steam smoothing* programme. The condensed water container must therefore be filled with water up to at least the **-min-** marker.



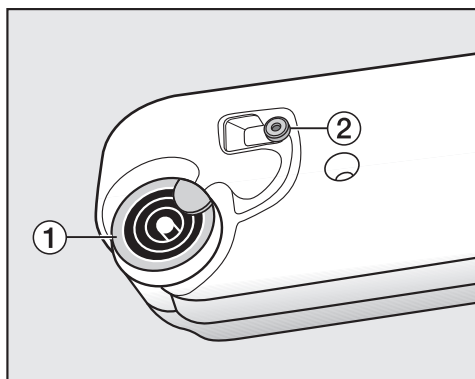
The **-min-** marker is at the front left-hand side of the container.

- Make use of the condensed water which collects during the drying process.

If the condensed water container is empty:

- You can fill the condensed water container with commercially available condensed water (ironing water).

You should only use tap water in exceptional circumstances. If tap water is used frequently, however, the Steam smoothing spray jet (in the door opening) can become calcified.



1 spout, 2 rubber seal

- Pour the water in through the rings of the spout **1**.

⚠ Only use clean water. The water must not contain any fragrance, detergent or other substances.

Check the rubber seal from time to time.

If tap water is used frequently, white limescale deposits can build up on the rubber seal **2**.

- Use a damp cloth to carefully remove any limescale deposits from the rubber seal **2**.
- After cleaning the rubber seal, push the condensed water container fully into the dryer.

Fluff filters

This tumble dryer has 2 fluff filters in the door opening; the upper and lower fluff filters trap fluff produced during the drying process.

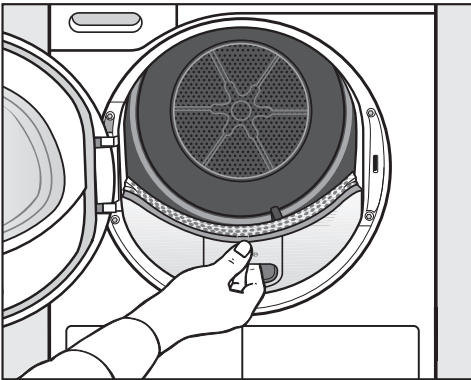
Removing visible fluff

Remove any fluff after every drying cycle.

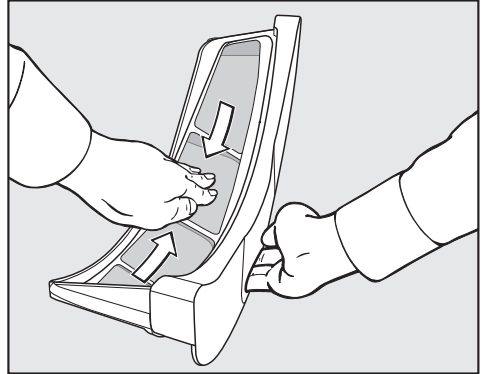
Useful tip: You can also use a vacuum cleaner so that you can remove the fluff without touching it.

- Open the door.

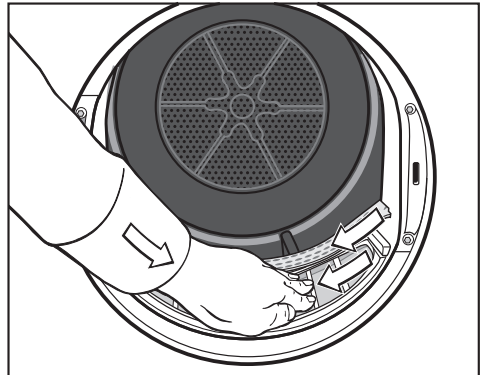
⚠ You must remove the fragrance flacon (if present) beforehand (see "Fragrance flacon").



- Pull the upper fluff filter forwards to remove it.



- Remove the fluff (see arrows) . . .



- . . . from the surfaces of all the fluff filters.
- . . . from the perforated laundry deflector.
- Push the upper fluff filter back into position until it clicks.
- Close the door.

If there is a great deal of compacted fluff, carry out the following procedure.

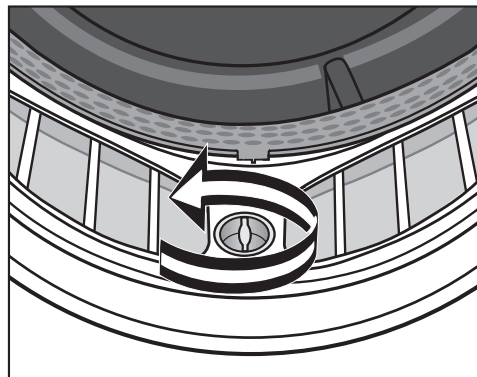
Cleaning and care

Cleaning the fluff filters and air flow openings thoroughly

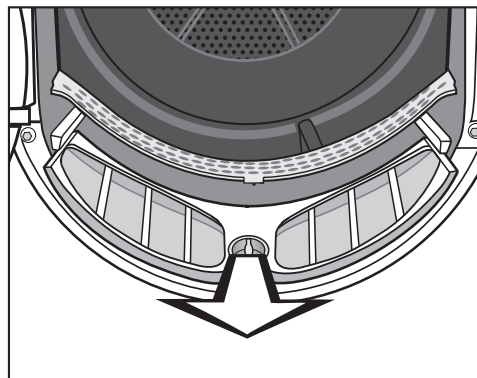
If the drying duration has become longer or the surface of the filters is visibly compacted with fluff, you should carry out the following cleaning procedure.

⚠ If using a fragrance flacon, make sure you remove it beforehand.

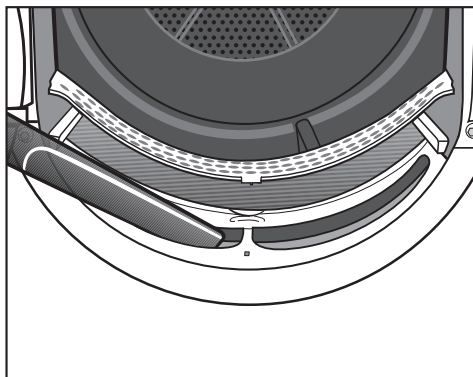
- Pull the upper fluff filter forwards to remove it.



- Turn the yellow dial on the lower fluff filter in the direction of the arrow (until you hear it click).



- Hold the dial and pull the fluff filter forwards to remove it.



- Use a vacuum cleaner with a long crevice nozzle attached to remove any visible fluff from the upper air flow openings.

Cleaning the fluff filters with water

- Flush the fluff filters through with warm running water.
- Shake the fluff filters thoroughly and then dry them carefully.

⚠ Ensure the filters are dry before replacing them. Wet filters could cause operational faults.

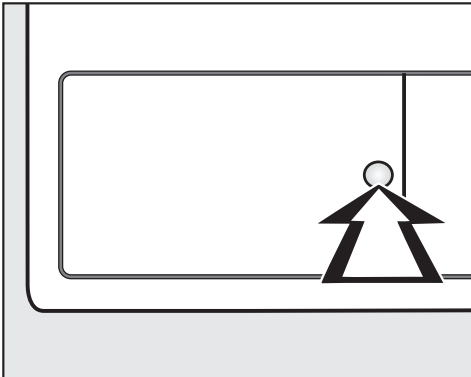
- Push the lower fluff filter in completely and lock it with the yellow dial.
- Push the upper fluff filter in completely.
- Close the door.

Plinth filter

Only clean the plinth filter when *Clean out airways* lights up.

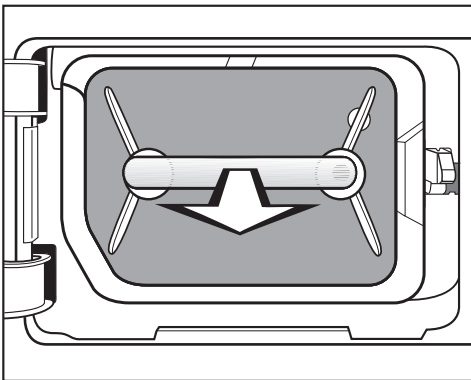
To delete *Clean out airways*: Switch the dryer off and back on again or confirm with *OK*.

Removing the plinth filter



- Press the round, indented area on the heat exchanger access panel to open it.

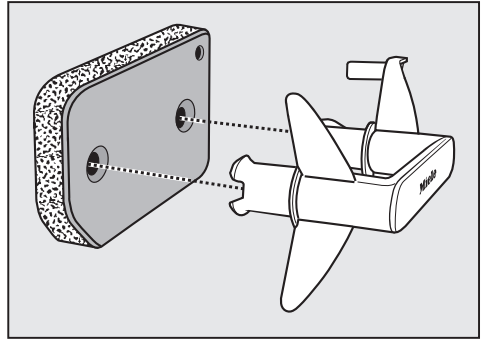
The panel will spring open.




- Pull the plinth filter out by the handle.

Removing the plinth filter will cause the right-hand guide pin in the dryer to come out. This pin ensures that the heat exchanger access panel can only be closed if the plinth filter is inserted the right way round.

Cleaning the plinth filter



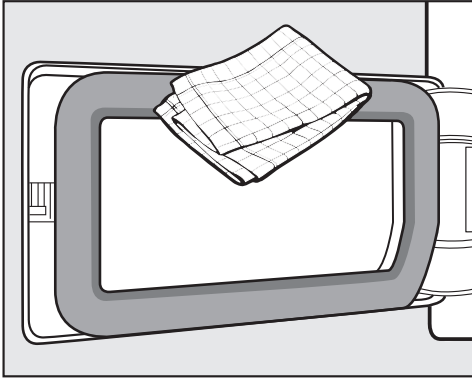
- Pull the handle out of the plinth filter.
- Clean the filter thoroughly under running water.
- Squeeze the water out of the plinth filter thoroughly.

 The plinth filter must not be replaced dripping wet as this can cause a fault.

- Use a damp cloth to remove any fluff from the handle.

Cleaning and care

Cleaning the plinth filter panel



- Use a damp cloth to remove any fluff. Make sure that you do not damage the rubber seal when doing this.
- Check whether the cooling fins are blocked with fluff (as follows).

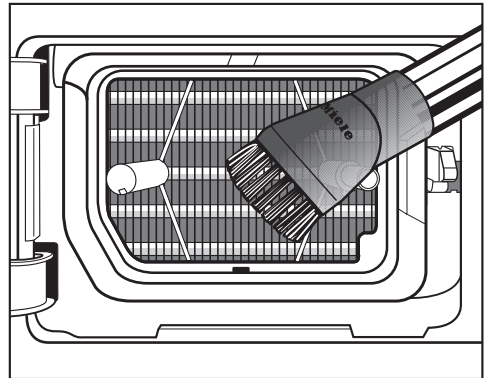
Checking the heat exchanger unit

⚠ Danger of injury! Do not touch the cooling fins. You could cut yourself.

- Look to see if fluff has accumulated.

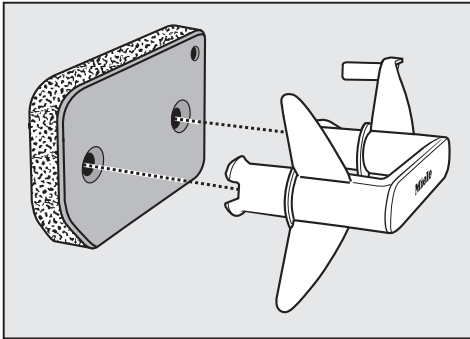
If there is visible soiling:

⚠ Clean using a vacuum cleaner with a dusting brush attached. Carefully pass the vacuum cleaner brush over the heat exchanger cooling fins without applying any pressure. Otherwise the cooling fins could be bent out of shape or become damaged.



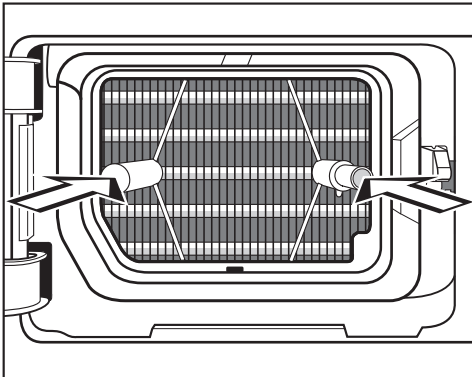
- Carefully vacuum up any visible fluff or dirt.

Replacing the plinth filter



- Fit the filter back on the handle. Make sure it is the correct way round.


To ensure that the filter is positioned correctly in the front of the heat exchanger unit:



- First insert the handle with the plinth filter attached over the two guide pins.
 - The word Miele on the handle must be the correct way up.
- Push the plinth filter in completely.


The act of pushing in the plinth filter will also push in the right-hand guide pin.


- Close the heat exchanger access panel.

 The dryer can only be operated with the plinth filter fitted correctly and the heat exchanger access panel closed. The access panel must be closed correctly to ensure that water cannot leak from the condenser system and to ensure that the dryer functions efficiently.

Cleaning and care

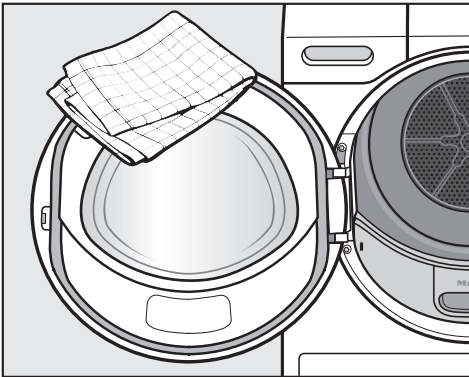
Tumble dryer

 Disconnect the machine from the mains electricity supply.

 Do not use solvents, abrasive cleaners, glass cleaners or all-purpose cleaners.

These could damage plastic surfaces and other parts.

- Clean the tumble dryer with a slightly damp cloth and a mild non-abrasive cleaning agent or a solution of washing-up liquid and water.



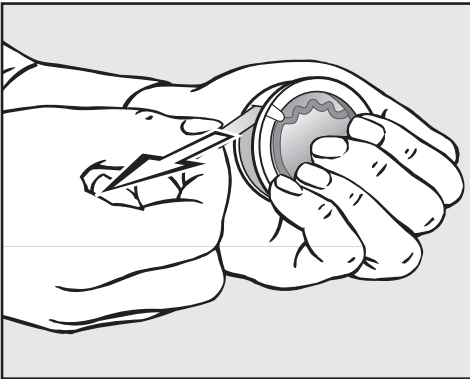
- Clean the seal around the inside of the door with a damp cloth.
- Dry all parts with a soft cloth.
- The drum and other stainless steel parts can be cleaned with a suitable proprietary stainless steel cleaner following the manufacturer's instructions. This, however, is not absolutely necessary.

Using a fragrance flacon (optional accessory) will add a pleasant fragrance to your laundry.

! Before using a fragrance flacon, please read "Warning and safety instructions - Using a fragrance flacon (optional accessory)".

Inserting a fragrance flacon

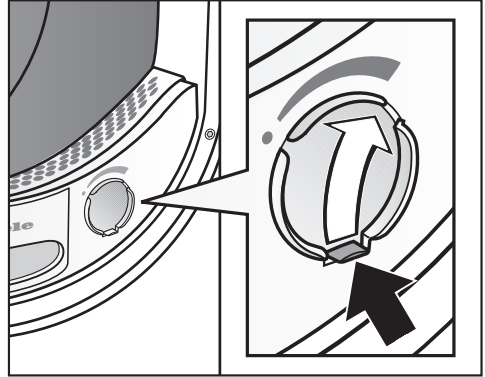
Only hold the fragrance flacon as illustrated. Do not hold it at an angle or tip it as the fragrance will run out of the flacon.



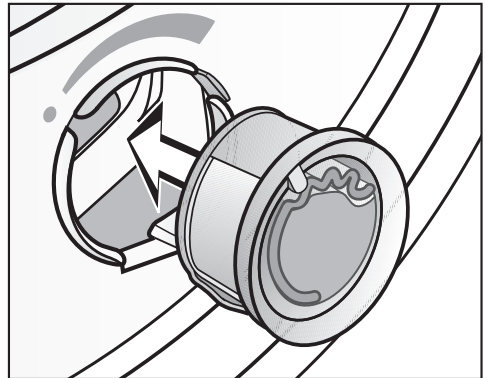
- Hold the flacon securely to prevent opening it by mistake.
- Pull off the protective seal.
- Open the door of the tumble dryer.

The fragrance flacon is inserted in the upper fluff filter in the opening on the right-hand side beside the grip.

If you are not using a fragrance flacon: the cover must always remain closed (push the cover down completely with the tab).

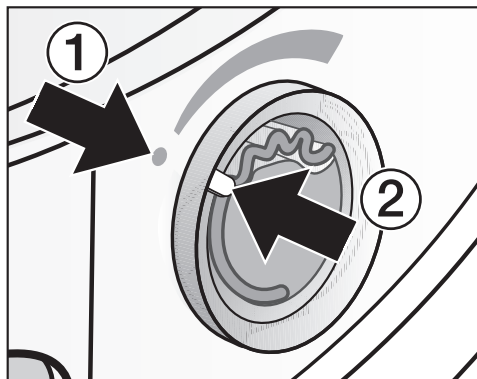


- Open the cover using the tab until the tab is at the top right-hand side as shown.

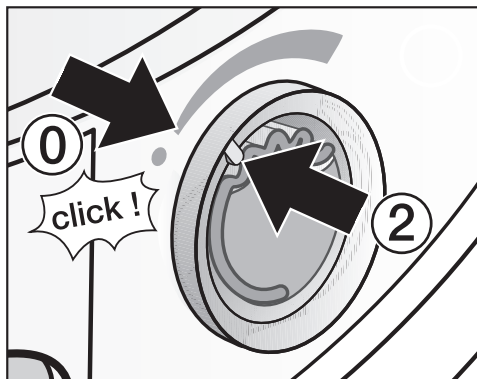


- Insert the flacon in the opening as far as it will go.

Fragrance flacon

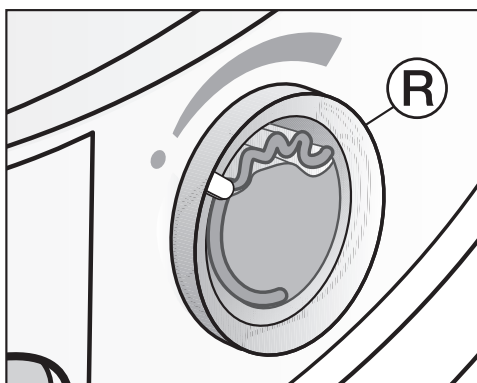


Markers ① and ② must line up with one another.

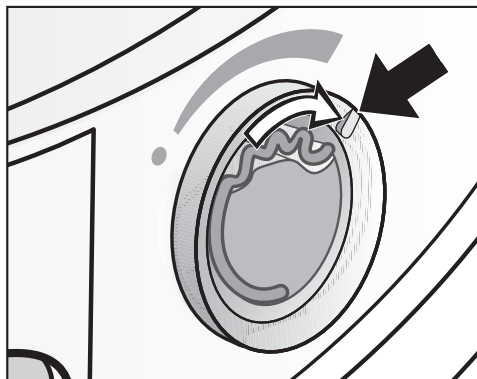


– You will feel a slight resistance and hear a soft click.

Marker ② must be in position ⑨: this is the position at which you can feel a resistance.



■ Turn the outer ring **R** clockwise a little.



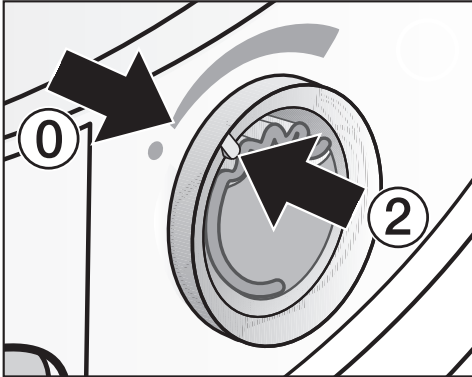
■ Turn the outer ring clockwise: the further you open the flacon, the more intense the fragrance.

Damp laundry and longer drying durations with sufficient heat transfer are needed for the fragrance to be released into the laundry effectively.

The fragrance will also be noticeable in the room air during the process. Fragrance is not released when using the *Cool air* programme.

After drying

To avoid the fragrance escaping needlessly:

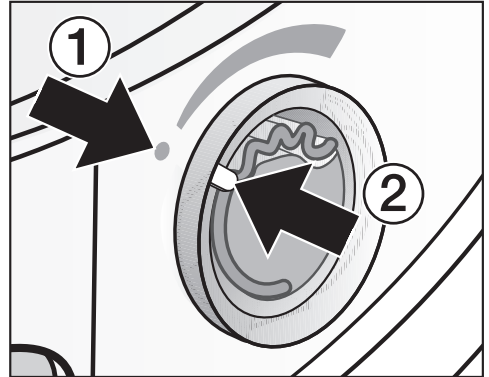


- Turn the outer ring anti-clockwise until marker ② is in position ①.
- You will feel a slight resistance.

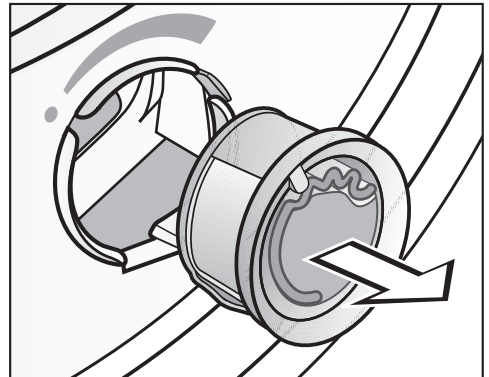
If you want to dry laundry without adding fragrance occasionally: remove the fragrance flacon and store it in its original packaging until you want to use it again. See the following section.

Replacing the fragrance flacon

When the fragrance is no longer sufficiently intense:



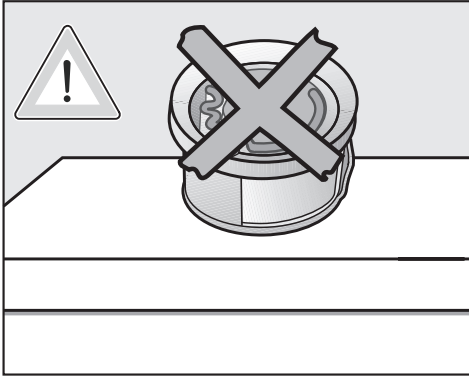
- Turn the outer ring anti-clockwise until markers ① and ② line up.



- Replace the fragrance flacon with a new one.

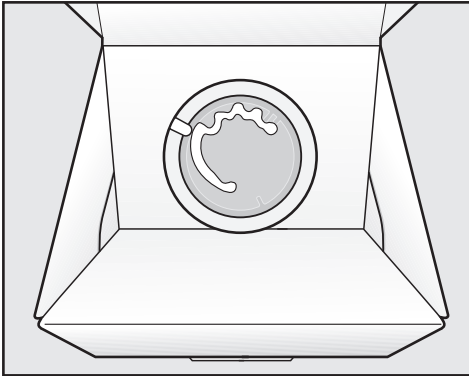
Fragrance flacons are available to order from Miele or online at www.miele-shop.com (depending on country).

Fragrance flacon



⚠ Never lay the fragrance flacon down on any surface as the fragrance will run out.

Only store the fragrance flacon in its original packaging



- When storing the fragrance flacon in its original packaging whilst you are not using it, e.g. whilst cleaning the tumble dryer: to prevent the fragrance running out, do not store the packaging upright on its edge or upside down.
- Store in a cool, dry place.
- Store away from direct sunlight.

- When purchasing new fragrance flacons: only remove the protective seal just before use.

Cleaning the fluff filters

The intensity of the fragrance will be diminished if the fluff filters and the plinth filter are not cleaned.

⚠ The fragrance filter must be removed before cleaning the fluff filter.


⚠ To prevent any fragrance running out of the flacon:
when not in use, the fragrance flacon must only be stored in its original packaging as illustrated.

- Clean the fluff filters and the plinth filter (see "Cleaning and care"). Afterwards, refit the fragrance flacon.

Problem solving guide






With the help of the following notes minor faults in the performance of the appliance, some of which may result from incorrect operation, can be put right without contacting Miele.

Please note that a call-out charge will be applied to service visits where the problem could have been rectified as described in these operating instructions.








 Repair work to electrical appliances should only be carried out by an authorised Miele service technician. Repairs and other work by unqualified persons could be dangerous. Miele cannot be held liable for unauthorised work.

Some of the messages in the display are more than one line long. Touch the \vee or \wedge sensor to read them in full.

Messages in the display

Problem	Possible cause and remedy
 lights up after switching on	Access via a code has been activated. <ul style="list-style-type: none"> ■ See "Settings menu - PIN Code".
 Adjust load See  lights up after a programme is cancelled	This is not a fault. In some programmes, if the drum has been underloaded or is empty, the programme will be cancelled. This can also happen if the items are already dry. <ul style="list-style-type: none"> ■ Open and close the door to resume drying. ■ Use the <i>Warm air</i> programme (timed drying) to dry individual items.
 Call service  Fault F lights up after a programme is cancelled	There is no obvious cause. <ul style="list-style-type: none"> ■ Switch the dryer off and then on again. ■ Start a programme. If the programme is cancelled again and an error message appears, there is a fault. Contact Miele.

Problem solving guide

Problem	Possible cause and remedy
<p> Clean out airways lights up at the end of a programme</p>	<p>There is a build-up of fluff in the airways.</p> <ul style="list-style-type: none"> ■ Clean the fluff filters. ■ Clean the plinth filter. <p>See "Cleaning and care".</p> <p>To switch off the message:</p> <ul style="list-style-type: none"> ■ Select <i>OK</i>.
<p> Clean out airways See  lights up after a programme is cancelled</p>	<p>An excessive amount of fluff has built up.</p> <ul style="list-style-type: none"> ■ Clean the fluff filters. ■ Clean the plinth filter. <p>Clean the airways:</p> <ul style="list-style-type: none"> ■ Clean the area underneath the plinth filter. ■ Clean the heat exchanger. <p>To switch off the message:</p> <ul style="list-style-type: none"> ■ Switch the dryer off and back on again.
<p> Empty container See  lights up after a programme is cancelled</p>	<p>The condensed water container is full or there is a kink in the drain hose.</p> <ul style="list-style-type: none"> ■ Empty out the condensed water container. ■ Check the drain hose. <p>To switch off the message:</p> <ul style="list-style-type: none"> ■ Open and close the door while the dryer is switched on or switch the dryer off and back on again.
<p> Fill condensate container</p>	<p>This is to remind you that water is taken from the condensed water container when the <i>Steam smoothing</i> programme is being used.</p> <p>The condensed water container must be filled with water to at least the -min- marker.</p> <ul style="list-style-type: none"> ■ Confirm with <i>OK</i>.
<p> Open & close door</p>	<p>This is to remind you to load the laundry when the <i>Steam smoothing</i> programme is selected.</p> <ul style="list-style-type: none"> ■ Load the laundry in the drum.

Problem solving guide

Problem	Possible cause and remedy
Extra cooling	<p>The programme has finished but the laundry has not yet cooled down.</p> <ul style="list-style-type: none">■ Either remove the laundry and spread it out to cool down or leave it in the tumble dryer to cool down during the cooling phase.

Problem solving guide

Unsatisfactory drying results

Problem	Possible cause and remedy
The laundry is not sufficiently dry	<p>The load consisted of different types of fabric.</p> <ul style="list-style-type: none">■ Finish drying using the <i>Warm air</i> timed drying programme.■ Select a more suitable programme next time. <p>Tip: You can alter the residual moisture level for some programmes. See "Settings menu".</p>
Laundry or feather filled pillows smell after drying	<p>The laundry was washed with insufficient detergent.</p> <p>Feathers are a natural product and this is quite normal.</p> <ul style="list-style-type: none">■ Laundry: use sufficient detergent next time.■ Pillows: take out of the tumble dryer and aerate.■ Use a fragrance flacon (available as an optional accessory) for your favourite fragrance.
Items made of synthetic fibres are charged with static electricity after drying	<p>Synthetic fibres tend to attract static charge.</p> <ul style="list-style-type: none">■ Static charge can be reduced by adding a fabric softener to the final rinse in the washing programme.
There is a build-up of fluff	<p>Fluff is principally the result of friction when garments are being worn and to some extent when they are being washed. Machine drying hardly causes any fluff to form.</p> <p>Fluff is collected by the fluff filters and the plinth filter and can be removed easily.</p> <ul style="list-style-type: none">■ See "Cleaning and care".

Other problems

Problem	Possible cause and remedy
<p>The drying process goes on too long or even switches off*</p>	<p>The room in which the tumble dryer is located is too warm.</p> <ul style="list-style-type: none"> ■ Ventilate the room thoroughly.
	<p>Detergent residues, hair and fine fluff can clog the filters.</p> <ul style="list-style-type: none"> ■ Clean the fluff filters and the plinth filter. ■ Remove any visible fluff: <ul style="list-style-type: none"> . . . bottom left, from behind the panel in the heat exchanger cavity (see "Cleaning and care"); . . . from the cooling fins behind the grille bottom right (see the end of this section).
	<p>The cool air intake (bottom right grille) is blocked.</p> <ul style="list-style-type: none"> ■ Move any objects, such as a laundry basket, away from the dryer.
	<p>The fluff filters and the plinth filter were wet when replaced.</p> <ul style="list-style-type: none"> ■ The fluff filters and the plinth filter must be dry.
	<p>The laundry is too damp.</p> <ul style="list-style-type: none"> ■ Spin using a higher spin speed in the washing machine.
	<p>The tumble dryer has been overloaded.</p> <ul style="list-style-type: none"> ■ Do not exceed the maximum load for the programme selected.
	<p>Metallic components, e.g. zippers have prevented the dryer from registering the correct moisture level.</p> <ul style="list-style-type: none"> ■ Open the zippers next time. ■ If the problem recurs, dry these items using the <i>Warm air</i> timed drying programme.
	<p>* Before starting another programme:</p> <ul style="list-style-type: none"> ■ Switch the dryer off and then on again.

Problem solving guide

Problem	Possible cause and remedy
<p>There are humming noises</p>	<p>This is not a fault.</p> <p>The compressor (heat pump) is operating or you have selected the <i>Steam smoothing</i> programme.</p> <ul style="list-style-type: none"> ■ No action is required. These noises are quite normal and can be heard when the compressor or the condensed water pump is operating.
<p>A programme cannot be started</p>	<p>There is no obvious cause.</p> <ul style="list-style-type: none"> ■ Connect the tumble dryer to the mains electricity supply. ■ Turn on the tumble dryer. ■ Close the door. ■ Check whether the mains fuse has tripped. <p>Has there been a power cut? When power is restored, any previously running programme will restart automatically.</p>
<p>The display is dark and the <i>Start/Stop</i> button is flashing slowly</p>	<p>The dryer is in standby. This is a normal function and does not indicate a fault.</p> <p>The drum will turn at intervals in the anti-crease phase.</p> <ul style="list-style-type: none"> ■ See "Settings menu - Dark display".
<p>The dryer is switched off at the end of the programme</p>	<p>The dryer switched off automatically. This is quite normal and does not indicate a fault.</p> <ul style="list-style-type: none"> ■ See "Settings menu - Appliance switch-off".
<p>The interior drum lighting does not come on</p>	<p>The drum lighting will switch off automatically ...</p> <ul style="list-style-type: none"> ... when the door is closed. ... after a few minutes when the door is open (to save energy). <p>If the dryer is switched on, the drum lighting will come on when the door is opened.</p>

Problem solving guide

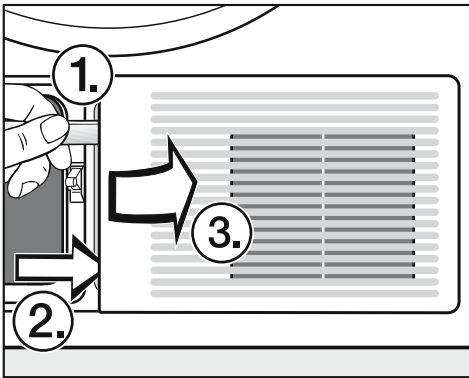
Problem	Possible cause and remedy
Insufficient spray to remoisten the laundry	The filter in the condensed water container is blocked. ■ Clean the filter in the condensed water container (optional accessory): see end of this section.
	The spray jet in the door opening is heavily calcified. ■ Replace the spray jet (optional accessory): see end of this section. ■ Only use condensed water. Do not use tap water.

Problem solving guide

Bottom right grille

⚠ In general, the cooling fins behind the grille on the bottom right do not need cleaning. They should only be cleaned if the drying process is taking an exceptionally long time due to a very high level of dust or fluff in the room in which the dryer is located.

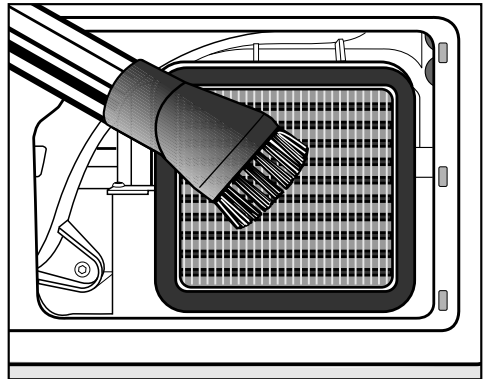
- First open the plinth filter panel on the left from underneath.



- Insert a spoon handle underneath the grille.
- Lever off the grille at the top (1.).
- Lever off the grille at the bottom (2.).
- Open the grille out to the right (3.) ...
- ... and pull it, together with its 3 hooks, forwards to remove it from the front of the tumble dryer.

⚠ Danger of injury! Do not touch the cooling fins. You could cut yourself.

⚠ Use a vacuum cleaner with a dusting brush attached to clean the cooling fins. Only pass the vacuum cleaner brush over them lightly, without applying any pressure. Take care not to bend the cooling fins out of shape or to damage them.

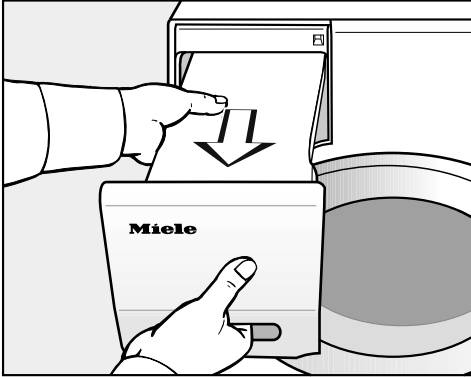


- Carefully vacuum up any visible fluff or dirt.
- Insert the 3 hooks of the grille into the appropriate holes in the front of the tumble dryer.
- Replace the grille by pressing it firmly at the top and bottom of the left side.

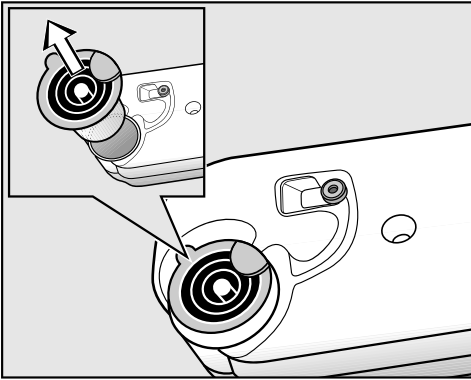
Fluff filter in the condensed water container

If you are experiencing problems running the *Steam smoothing* programme, the fluff filter at the end of the hose which is connected to the rubber seal in the condensed water container could be blocked.

Problem solving guide

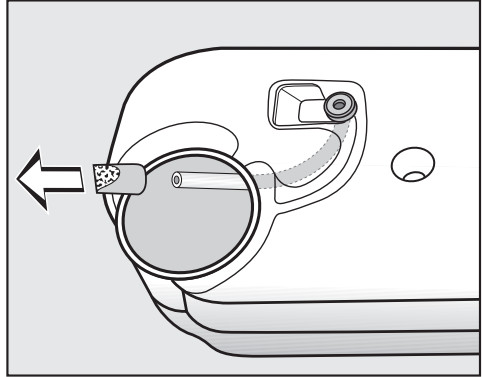


- Pull out the condensed water container.



- Remove the spout by holding the side lug and pulling upwards.

To avoid detaching the hose, be careful not to tug on it.



- Guide the end of the hose through the opening and hold it securely with one hand.
- Use your other hand to pull the fluff filter off the hose.
- Rinse the fluff filter with a jet of water until all the fluff has been removed.
- Refit the cleaned fluff filter onto the hose.
- Now feed the hose with its fluff filter attached into the condensed water container.
- Replace the spout in the condensed water container. Make sure it is the correct way round (see the illustration).

Problem solving guide

Steam smoothing spray jet

! Limescale deposits will impair the spray jet.

In this case, the spray jet must be removed and replaced with a new one (see "Optional accessories").

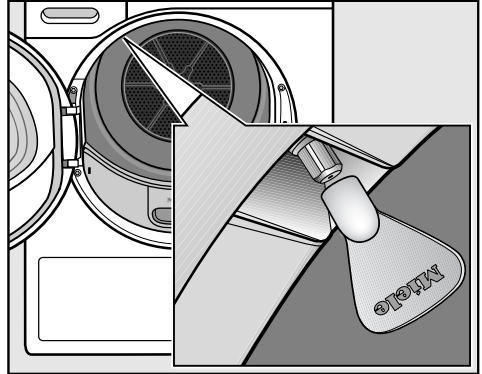
The spray jet can only be replaced using the special tool supplied with the new spray jet.

! Do not use any other tool as this would damage the spray jet or the dryer.

! Steam smoothing must never be used without the spray jet fitted and screwed in correctly.

- Open the door of the tumble dryer.

The spray jet is located in the top left of the door opening.



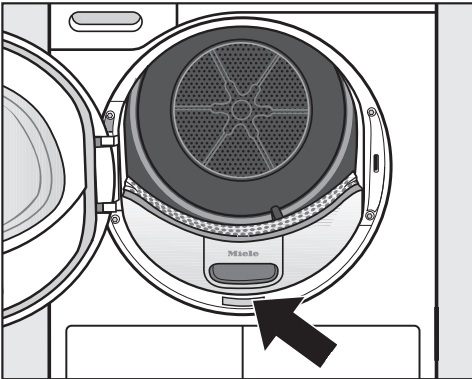
- Attach the tool to the spray jet.
- Turn the tool anti-clockwise to unscrew the spray jet.
- Insert the new spray jet in the tool.
- Turn the tool clockwise to screw the spray jet securely in position.

Repairs

In the event of any faults which you cannot remedy yourself, please contact Miele. Please note, however, that a call-out charge will be applied to service visits where the problem could have been rectified as described in these operating instructions.

The contact details for Miele are given at the back of these instructions.

When contacting Miele, please quote the model and serial numbers, both of which are located on the data plate (visible when the door is open).



Optional accessories

Optional accessories for this tumble dryer are available from Miele (see contact details at the back of these instructions).



You also can order these and many other useful products via the internet (depending on country).

Drying basket

The drying basket is suspended in the drum and does not rotate with the drum. This enables items which must not be subjected to mechanical action to be dried or aired.

Fragrance flacon

A fragrance flacon can be used in your tumble dryer to add a pleasant fragrance to your laundry.

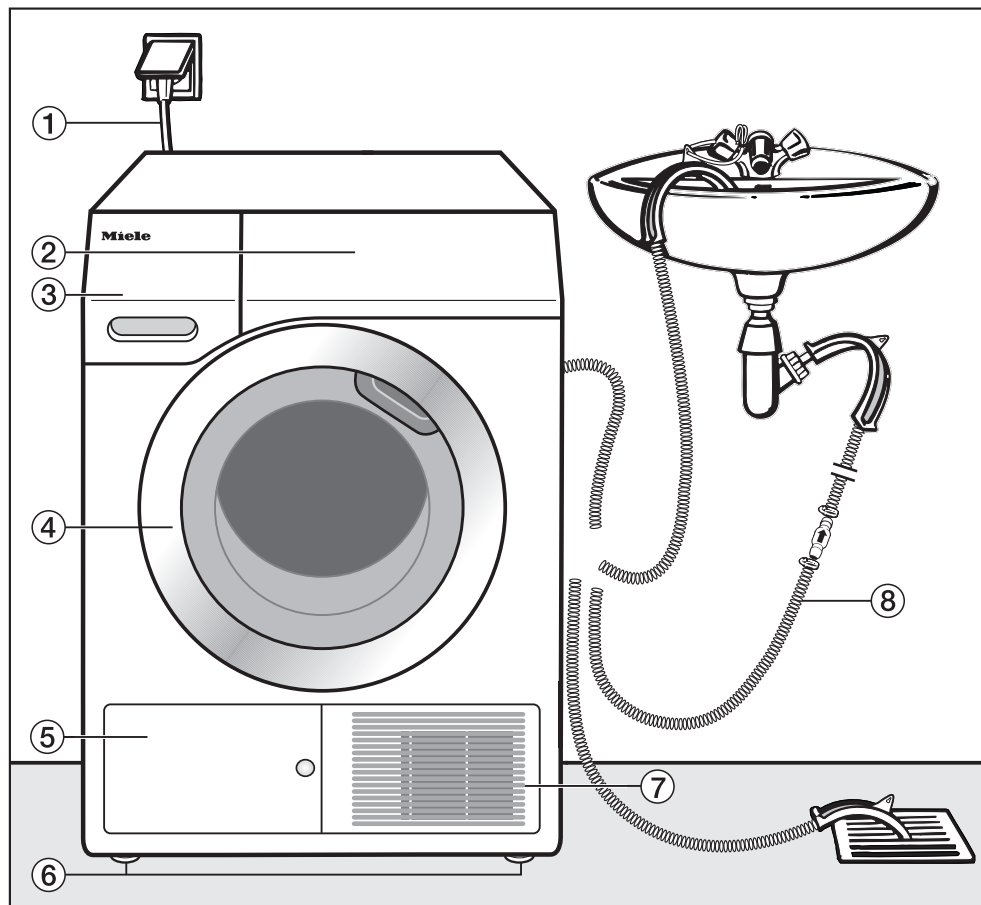
Warranty

The manufacturer's warranty for this appliance is 2 years.

See the warranty card supplied with the tumble dryer for further details.

Installation and connection

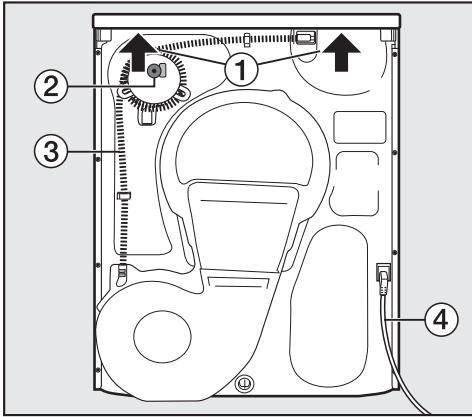
Front view



- ① Mains connection cable
- ② Control panel
- ③ Condensed water container
 - empty after every drying cycle
- ④ Door
 - do not open during drying
- ⑤ Heat exchanger access panel
 - do not open during drying
- ⑥ Four height adjustable screw feet
- ⑦ Cool air intake grille
 - do not obstruct with a laundry basket or other objects
- ⑧ Hose for external drainage of condensed water

Installation and connection

Rear view



- 1 Protruding lid for holding when moving the tumble dryer (see arrows)
- 2 Accessories for external drainage of condensed water: hose clip, adapter and hose holder
- 3 Hose for external drainage of condensed water
- 4 Mains connection cable

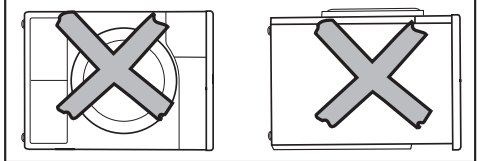
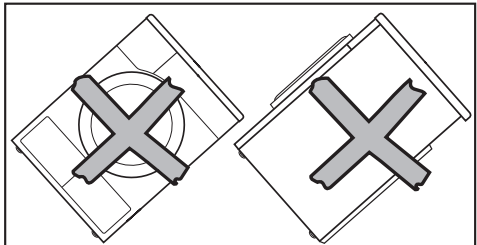
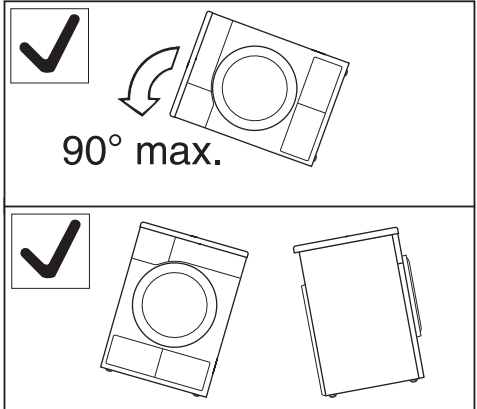
Transporting the dryer

To manoeuvre the dryer out of its packing case to its installation site, hold it by

- the front feet
- and the protruding lid at the back of the appliance.

! Only transport the dryer as shown in the following illustrations.


! If transporting the dryer at an angle, only tip towards the left side.




! If the tumble dryer has not been transported as described, then it must be left to stand for at least 1 hour before it is connected to the electricity supply. Otherwise the heat pump can be damaged.

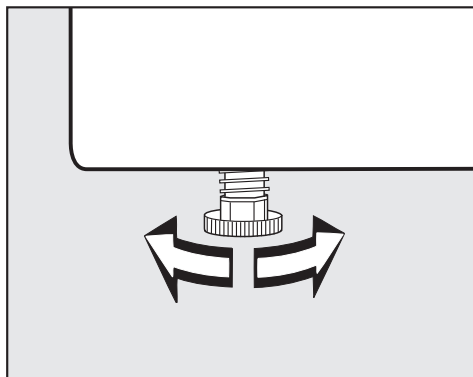
Installation and connection

Installation

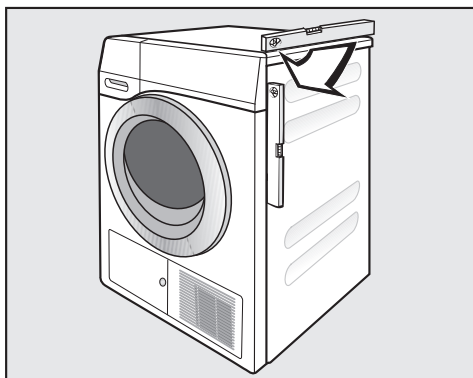
 The appliance must not be installed behind a lockable door, a sliding door or a door with a hinge on the opposite side to that of the tumble dryer, in such a way that a full opening of the tumble dryer door is restricted.

Levelling the dryer

 Make sure the dryer door can be opened without hindrance after installation.





The screw feet can be adjusted to compensate for any unevenness in the floor.



The appliance must stand perfectly level to ensure safe and proper operation.

Ventilation

 The cool air intake at the front of the dryer must not be blocked or covered. This would hinder a sufficient intake of cool air for the heat exchanger.

 Do not block the gap between the bottom of the tumble dryer and the floor with plinth facings, deep pile carpet etc. This would hinder a sufficient flow of air to the tumble dryer.

Adequate ventilation has to be provided to avoid the back flow of gases into the room from appliances burning other fuels, including open fires.


Air which is taken in to cool the heat exchanger is then blown back out of the dryer and warms up the air in the room. It is therefore very important to ensure adequate ventilation, e.g. by opening a window. Otherwise drying durations may be longer (increased energy requirement).

Before moving the tumble dryer again (e.g. when moving houses)

After each use a small quantity of condensed water will collect in the area of the pump. This water can run out if the tumble dryer is tipped up when it is being moved. Recommendation: Run the *Warm air* programme for approximately 1 minute before moving the tumble dryer. Any remaining condensed water will then be fed into the condensed water container, which can then be emptied, or out through the drain hose.

Installation and connection

Additional installation requirements

 The dryer should not be installed next to a refrigeration appliance. The warm air expelled from the rear of the dryer would increase the temperature around the refrigeration appliance's heat exchanger causing the compressor to run continuously. If it is not possible to install the dryer anywhere else, then the refrigeration appliance must be sealed off from the dryer.

It is very important to avoid a build-up of heat. The warm air which is expelled from the dryer must be able to dissipate. Warm air which cannot dissipate could cause a fault.

A build-up of heat can be avoided by:

- Adjusting the screw feet so that there is a gap of at least 20 mm between the floor and the bottom of the dryer.
- Creating a gap for the dryer in the kitchen furniture plinth facing.
- Creating ventilation gaps in the kitchen unit.

Suitable for pushing under a worktop

This tumble dryer is suitable for pushing under a worktop.

- The appliance lid must not be removed.
- The electrical socket must be located in an accessible position near the appliance.
- Drying durations may increase slightly.

Optional accessories

– Washer-dryer stack

The tumble dryer can also be combined with a Miele washing machine in a washer-dryer stack. The appropriate Miele washer-dryer stacking kit is required.

Externally draining condensed water

Notes

When drying is in progress, condensed water is pumped into the condensed water container through the drain hose which is located at the back of the dryer.


The condensed water can also be drained away via the drain hose so that the condensed water container does not have to be emptied.

Drain hose length: 1.60 m
Maximum delivery head: 1.50 m
Maximum drain hose length: 4.00 m

The following optional accessories are available:

- an extension hose,
- a non-return valve kit for connection to an external water outlet. The kit includes an extension hose.

Installation conditions requiring a non-return valve

 There is a risk of backflow into the dryer if a non-return valve is not fitted.


Backflow could damage the dryer and also the room in which it is located.

Certain installation conditions, such as those described below, require the fitting of a non-return valve.

Maximum delivery head with non-return valve fitted: 1.00 m


Installation conditions requiring the fitting of a non-return valve:

- Drainage into a sink or floor gully where the end of the hose is immersed in water.
- Connection to a sink drain outlet.
- Connection to a drainage system already in use by another appliance, e.g. a dishwasher or washing machine.

 The non-return valve has to be fitted with the arrow pointing in the direction of flow. Otherwise water will not drain out of the appliance.

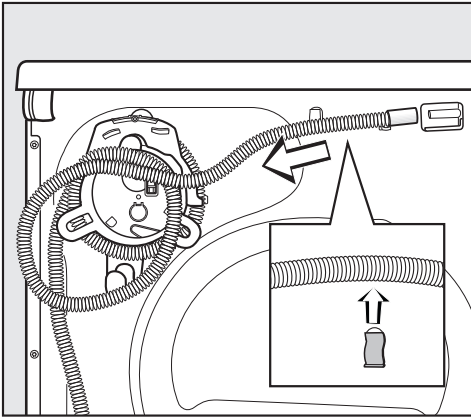
Installation and connection

Arranging the drain hose

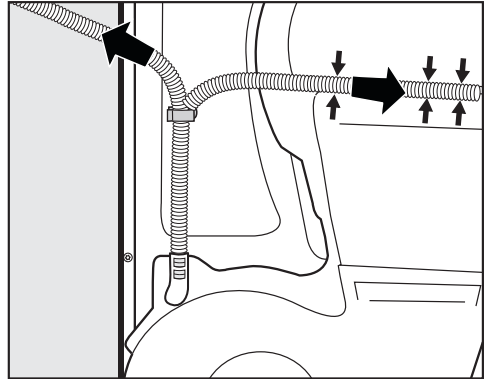
 Do not pull on the drain hose and do not stretch it or allow it to become kinked.

This could damage the hose.

There will be a small amount of residual water left in the drain hose. Have a container ready to collect this.



- Pull the drain hose off its connection.
- Unwind the hose and pull it carefully out of the holders.
- Allow any residual water to run into the container.



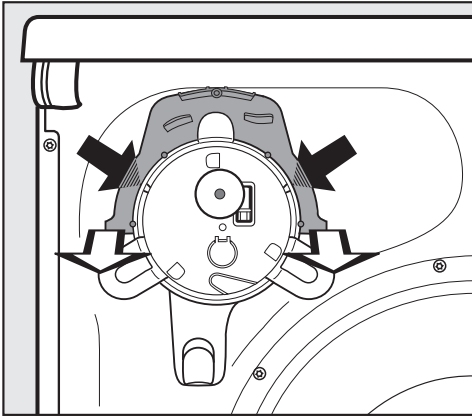
- Guide the hose to the right or left side of the dryer, as required.
 - If you are guiding it to the right, you can fit the hose into the groove.
 - Leave the hose in the lower holder to prevent it from being kinked inadvertently.

Installation and connection

Examples

– Drainage into a sink or floor gully

Use the hose holder to prevent the drain hose from becoming kinked.



- Press the small catches on the left and right of the hose holder with your thumbs (black arrows) and ...
- ... pull the hose holder forwards to remove it (white arrows).*

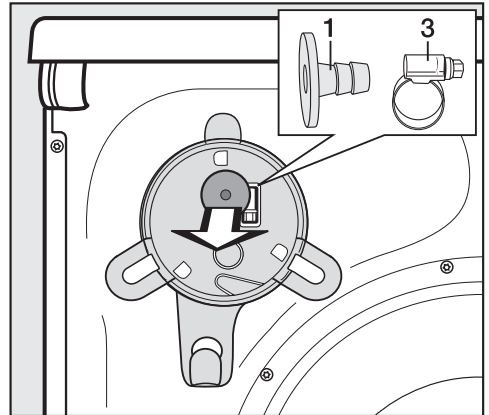
! If you want to drain the water off into a sink or basin, you will need to secure the hose carefully, e.g. by tying it to a tap, to make sure it cannot slip during use (see the drawing under "Installation and connection - Front view").

Overflowing water can cause damage.

- The non-return valve can be fitted in the end of the hose.

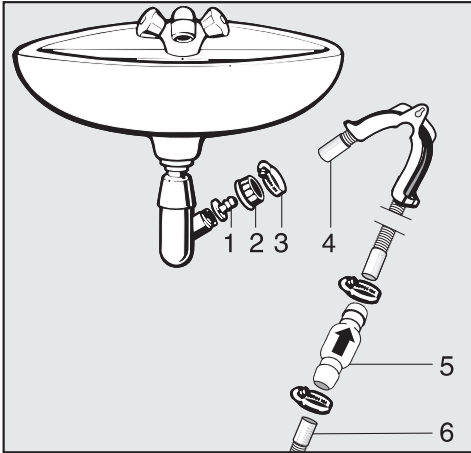
* You can refit the hose holder at a later stage if you decide that you no longer want to drain the condensed water externally.

Direct connection to a sink drain outlet



- Remove the following from the back of the dryer at the top: Adapter **1** and hose clip **3** behind it.
- Connect the drain hose as described below.

Installation and connection



1. Adapter
2. Nut
3. Hose clip
4. End of the hose (secured with the hose holder)
5. Non-return valve
6. Tumble dryer drain hose

- Fit the adapter **1** to the sink drain outlet using the nut **2**.
The nut is usually fitted with a washer which must be removed.
- Attach the end of the hose **4** to the adapter **1**.
- Use the hose holder.
- Use a screwdriver to tighten the hose clip **3** up close to the nut.
- Fit the non-return valve **5** to the tumble dryer drain hose **6**.

The non-return valve **5** has to be fitted so that the arrow points in the direction of flow (i.e. towards the sink).

- Secure the non-return valve using hose clips.

Electrical connection

This tumble dryer is supplied with a mains cable with moulded plug.

The accessibility of the plug must be always ensured in order to separate the tumble dryer from the mains.

Connection of this appliance should comply with national and local safety regulations.

Do not connect the appliance via an extension lead. Extension leads do not guarantee the required safety of the appliance (e.g. danger of overheating).

The appliance should be connected up only by a qualified electrician in accordance with national and local safety regulations. For extra safety, it is advisable to install a residual current device (RCD) with a trip current of 30 mA.

The voltage, rated load and plug rating are given on the data plate. Please ensure that these match the household mains supply.

Important

The wires in the mains lead are coloured in accordance with the following code:

Green/yellow = earth


Blue = neutral

Brown = live

As the colours of the wires in the mains lead of this appliance may not correspond with the coloured markings identifying the terminals in your plug, proceed as follows: The wire which is coloured green and yellow must be connected to the terminal in the plug which is marked with the letter E or by the earth symbol or coloured green or green and yellow. The wire which is coloured blue must be connected to the terminal which is marked with the letter N or coloured black. The wire which is coloured brown must be connected to the terminal which is marked with the letter A or coloured red.

WARNING
THIS APPLIANCE MUST BE
EARTHED

Consumption data

	Load ¹	Final spin speed in a domestic washing machine	Residual moisture	Energy	Duration
	kg	rpm	%	kWh	min.
Cottons 	8.0	1000	60	2.14	156
	4.0	1000	60	1.28	94
Cottons Normal	8.0	1200	53	1.90	141
	8.0	1400	50	1.80	134
	8.0	1600	44	1.60	119
Cottons Normal + Gentle tumble	8.0	1000	60	2.19	163
Cottons Hand iron $\delta\delta$	8.0	1000	60	1.52	115
	8.0	1200	53	1.35	101
	8.0	1400	50	1.25	94
	8.0	1600	44	1.05	80
Minimum iron Normal + Gentle tumble	4.0	1200	40	0.69	55
	4.0	1200	40	0.80	60
Minimum iron Hand iron $\delta\delta$	4.0	1200	40	0.60	48
Automatic plus Normal	5.0	800	50	1.43	106
Shirts Normal	2.0	600	60	0.75	60
Weight of dry laundry	2.5	800	50	0.88	68
Denim Normal	3.0	900	60	1.42	106
Express Normal	4.0	1000	60	1.20	88
¹ Weight of dry laundry					
All data was calculated using EN 61121 unless otherwise stated.					
Power consumption when switched off:				0.10 W	
Power consumption when not switched off:				2.50 W	

Consumption data can vary from the nominal values given above depending on the size of the load, types of textiles, residual moisture levels after spinning, fluctuations in the electricity supply and any options selected.

Using the Cottons Extra dry programme is recommended for a mixed cotton load and is the programme used in energy consumption tests to AS/NZS 2442 (Refer to www.energyrating.gov.au website for consumption data).

The consumption data shown in the **EcoFeedback** display can vary from the consumption data quoted here. The variations arise from the way the data is measured in the dryer. For example, the programme duration may vary depending on the residual moisture present in the laundry and the type of fabric which will affect the energy requirement.

Technical data

Height	850 mm
Width	596 mm
Depth	636 mm
Depth with door open	1054 mm
Height for building under	850 mm (+5/-5 mm)
Width for building under	600 mm
Depth for building under	600 mm
Suitable for pushing under a worktop	Yes
Suitable for stacking	Yes
Weight	Approx. 61 kg
Drum volume	120 l
Maximum capacity	8.0 kg (weight of dry laundry)
Capacity of condensed water container	4.8 l
Drain hose length	1.60 m
Maximum delivery head	1.50 m
Maximum drain hose length	4.00 m
Length of connection cable	2.00 m
Voltage	See data plate
Rated load	See data plate
Fuse rating	See data plate
Test certificates awarded	See data plate
Energy consumption	See "Consumption data"
LEDs	Class 1

Settings menu

Calling up settings

The Settings menu is used to alter the dryer's electronics to suit different requirements. Settings can be altered at any time.

Opening the Settings menu

- Switch the tumble dryer on.

The programme selector must not be at the *Further programmes* position.

- Touch the ∨ and ∧ sensors at the same time.

The following will light up in the display:



You are now in the Settings menu.

Selecting settings

- Touch the ∨ or ∧ sensor until the setting you want appears in the display.
 - The ∨ sensor scrolls down the list.
 - The ∧ sensor scrolls up the list.
- Confirm by touching the OK sensor.

Changing a setting

- Touching the ∨ or ∧ sensor will call up the different options for the setting.

For example, you can

- select a value. If the option is marked with a ✓ it is active.
- change a bar chart.
- change numbers.


- Confirm by touching the OK sensor.

Closing the Settings menu

- Touch the ∨ or ∧ sensor repeatedly until *Back* ↶ appears in the display.
- Confirm by touching the OK sensor.

Language

The display can be set to appear in one of several different languages.

The flag  after the word Language (Sprache in German) acts as a guide in case a language which is not understood has been set.

Drying levels

You can alter the drying levels for the *Cottons*, *Minimum iron* and *Automatic plus* programmes.

The setting selected is shown in a bar chart.

Factory default: a medium setting

- Damper ■■■■■■■■
The programme duration is shorter.
- Drier ■■■■■■■■
The programme duration is longer.

Exception:

The *Cottons* ◀ programme will remain unchanged.

Extended cool down

The automatic cooling down phase which takes place before the end of a programme can be extended for all programmes with selectable drying levels in 2-minute increments up to 18 minutes. This makes the garments easier to handle.

Options

- 00 minutes (factory default)
- 02, 04, 06 ... 18 minutes

Airways indicator

Fluff should be removed after drying. The *Clean out airways* message will remind you to clean the filters when a certain amount of fluff has collected in them. You can decide at what level of fluff this reminder should be given.

You will have an idea of how often this should be done after a few drying programmes.

Options

- Off
Clean out airways does not appear. In cases of a very severe blockage in the airways, the programme will be cancelled and the *Clean out airways* message will appear regardless of this option.
- Heavy
Clean out airways only appears when there is a heavy build-up of fluff.
- Normal (Factory default setting)
- Light
Clean out airways appears when there is only a small build-up of fluff.

Settings menu

Buzzer volume

The buzzer can be set to be louder or quieter.

The setting selected is shown in a bar chart.

Factory default: a medium setting.

- Quieter ■■■■■■■■
- Louder ■■■■■■■■

You will hear the buzzer change as the setting is selected.


Keypad tone

When this function is activated, a tone will sound each time a button is pressed.

Options

- On
- Off (the machine is delivered with this option selected as standard)

Conductivity

 **Low** This setting should only be altered if the water is so soft that it is likely to cause the electronics which sense residual moisture in the laundry to give false readings.


Options

- Normal (Factory default setting)
- Low

Condition for low conductivity setting

This programmable function should only be set if the water used for washing the laundry is extremely soft

with a conductivity reading (electrical conductivity) less than 150 $\mu\text{S}/\text{cm}$. Contact your local water authority for the conductivity level of your mains water supply.

 Only activate the *Low* option if the above condition is present. Otherwise drying results will be unsatisfactory.

Total consumption

You can display the total consumption.

Options


- Display
The total consumption is displayed in kWh.
- Reset function
The total consumption to date will be deleted with the *Reset* option.

PIN Code

The code prevents your machine being used without your knowledge.

Options

- Activate
The code is 250 and can be activated.
When the code has been activated, you have to enter the code after switching the dryer on. Otherwise the dryer cannot be operated.
- Deactivate
For using the dryer without entering the code. This only appears if the code has been activated previously.
- Change
You can enter a code of your own.

 Important! Make a note of your new code. If you forget the code, the dryer will need to be unlocked by a Miele service technician.

Display brightness

The brightness of the display can be altered.

The setting selected is shown in a bar chart.

Factory default: a medium setting.

– Darker ■ □ □ □ □ □ □ □

– Brighter ■ ■ ■ ■ ■ ■ ■ ■

You will see the brightness change as the setting is selected.

Dark display

To save energy, the display and buttons will go out after 10 minutes and the *Start/Stop* button will flash slowly. You can alter this setting.

Options

- On (factory default)
The display will go out (after 10 minutes):
 - if a programme is not selected after the dryer has been switched on,
 - during the current programme,
 - after the end of a programme.
- On (not in current programme)
The display will go out (as described above) but will remain on while the programme is running.
- Off
The display will remain on (i.e. it will never go out).

You can switch the display and buttons back on again by pressing any button.

Settings menu

Appliance switch-off status

To save energy, the dryer will switch off automatically after 15 minutes. You can lengthen or shorten the time.

The dryer will switch off after 10, 15 or 20 minutes

- if no further selection is made after switching the dryer on,
- at the end of the anti-crease phase,
- after a programme without an anti-crease phase has finished.

However, there is no automatic switch-off in the event of a fault.

Options

- after 10 minutes
- after 15 minutes (factory default)
- after 20 minutes

Memory

The electronics will store in memory a drying level or options for a selected programme. The duration selected for a timed drying programme will also be stored in memory. These settings will then appear the next time the programme is chosen.

Options

- Off (the machine is delivered with this option selected as standard)
- On

Exception:

The *Cottons*  programme will remain unchanged.

Anti-crease

If you have pressed the *Anti-crease* button: the drum will continue to rotate in a special anti-crease rhythm for a maximum of 2 hours after the end of the drying process. This helps prevent creasing if laundry is not going to be removed immediately. You can reduce the duration of the anti-crease phase.

Options

- 1 hr
- 2 hr (factory default)

Miele Australia Pty. Ltd.

ACN 005 635 398
ABN 96 005 635 398

Miele Center and Head Office Melbourne:

1 Gilbert Park Drive
Knoxfield, VIC 3180

Miele Center and Office Melbourne:

206-210 Coventry Street
South Melbourne, VIC 3205

Miele Center and Office Sydney:

3 Skyline Place
Frenchs Forest, NSW 2086

Miele Center and Office Brisbane:

39 Harvey Street North
Eagle Farm, QLD 4009

Miele Center and Office Adelaide:

83-85 Sir Donald Bradman Drive
Hilton, SA 5033

Miele Center and Office Perth:

205-207 Stirling Highway
Claremont, WA 6010



www.miele.com.au



Miele New Zealand Limited

IRD 98 463 631

Head Office:

Level 2, 10 College Hill
Freemans Bay, Auckland 1011

Miele Center Auckland:

8 College Hill
Freemans Bay, Auckland 1011

Telephone:

0800 4 MIELE (0800 464 353)

www.miele.co.nz

Miele Global Headquarters

Germany

Miele & Cie. KG

Carl-Miele-Straße 29
33332 Gütersloh
Federal Republic of Germany

TKG 450 WP



en-AU, NZ

M.-Nr. 09 778 120 / 01