

ICC - Bed IH720 and SC900 LTC



Yes, you can.

Parts Catalog Usage Guide

The information contained in this document is subject to change without notice. This catalog contains service parts for Form No. 99-127. If you have any questions regarding this catalog, please contact one of our Customer Service Representatives.

For Customer Service Support Call:

1-800-333-6900

For Faxed In Orders Call:

1-800-678-4682 or

1-440-366-0709

For Technical Service Call:

1-800-832-4707

Literature Can Be Found at:

www.invacare.com or

1-800-828-6272

SYMBOL DEFINITION

Throughout this catalog you will notice letters to draw your attention to specific footnotes which are located at the bottom of the page or below specified charts.

Examples:

A,B,C etc. = Special Comments

NOTE: = General information pertaining to that specific page

NLA = No Longer Available

HARDWARE MEASUREMENTS

The measurements for the hardware will be listed as follows:

Screws, Bolts Diameter X Thread Count/Pitch X Length

Washers Inside Diameter X Outside Diameter X Thickness

Spacers Inside Diameter X Outside Diameter X Length

For your convenience, we have supplied an area for you to list your Invacare Representatives.

Name	Phone Numbers

© 2016 Invacare Corporation. All rights reserved. Republication, duplication or modification in whole or in part is prohibited without prior written permission from Invacare. Trademarks are identified by ™ and ®. All trademarks are owned by or licensed to Invacare Corporation or its subsidiaries unless otherwise noted.

TABLE of CONTENTS

Description	Page Number
Bed Model Reference	5
Bed Rails - 5744	25
Bed Rails - 5748	27
Bed Rails - 5749	31
Bed Rails - 5813 & 6808	34
Bed Rails - 5814 - 6800 & 6801	33
Bed Rails - 5820 & 6815	38
Bed Rails - 5821 & 6816	39
Bed Rails - 5822 & 6803	40
Bed Rails - 5830	36
Bed Rails - 5831	37
Bed Rails - IH5748A	29
Bumpers	21
Carriage Assembly - Maxi-Lock	12
Carriage Assembly - SC900	13
Carriage Assembly - Standard	11
Corner Bumpers	41
Floor Brake	23
Floor Lock	24
Half Length Assist Rail	47
Knee Ratchet	22

TABLE of CONTENTS

Description	Page Number
Lockout Systems	18
Miscellaneous Accessories	42
Motors & Components	15
Packaging - Literature & Decals	4
Pendant	17
Pull Tube & Crank Handle	14
Sleep Surfaces - Link & Fabric	6
Sleep Surfaces - Pan Deck	8
Sleep Surfaces - Wire Deck	10
Trapeze	19

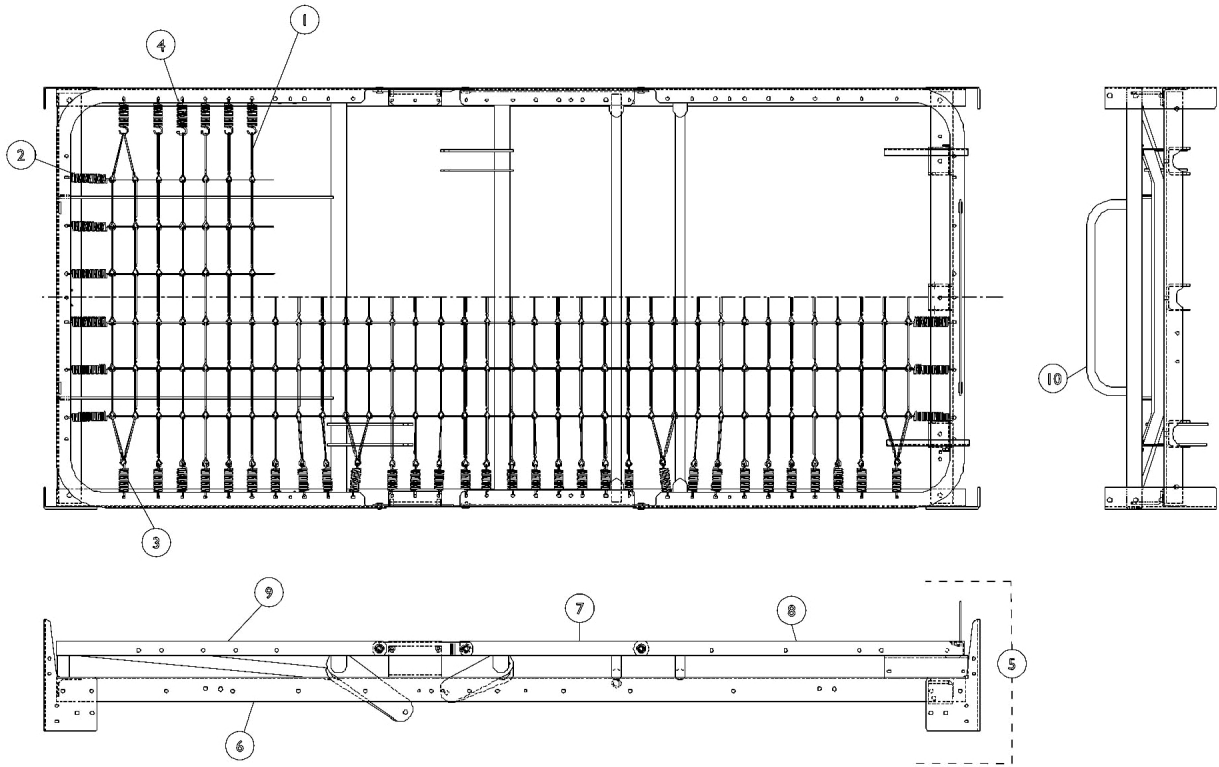
Packaging, Literature and Decals

Part Number	Description
1135560-NLA	NLA - Packaging, Carton SC900DLX Bed Includes: 1 ea. Carton Sleeve, 2 ea. Carton Cap, 1 ea. Carton Insert, 1 ea. Owner's Manual, 1 ea. Side Rail Sheet, and 1 ea. Mattress Keeper Kit.
1125016	Sleeve, Carton
1125021	Carton, Cap
1125017	Insert, Carton
1069663-NLA	NLA - Owner's Manual - ICCG Long Term Bed
1106656-NLA	NLA - Instruction Sheet, Bed Rail
1130183	Label, Entrapment Warning
1142032	Paint, Touch-Up Spray Can, Taupe

Bed Model Reference

Bed Style	Model Number	Bed Length	Bed Deck
Manual	IH720	76" 80"	Link Fabric Perforated Pan Wire Deck
Semi-Electric	IH720-2M	76" 80"	Link Fabric Perforated Pan Wire Deck
Full Electric	IH720-3M	76" 80"	Link Fabric Perforated Pan Wire Deck
Full Electric	SC900	76" 80"	Link Fabric Perforated Pan Wire Deck

Sleep Surfaces - Link, Fabric

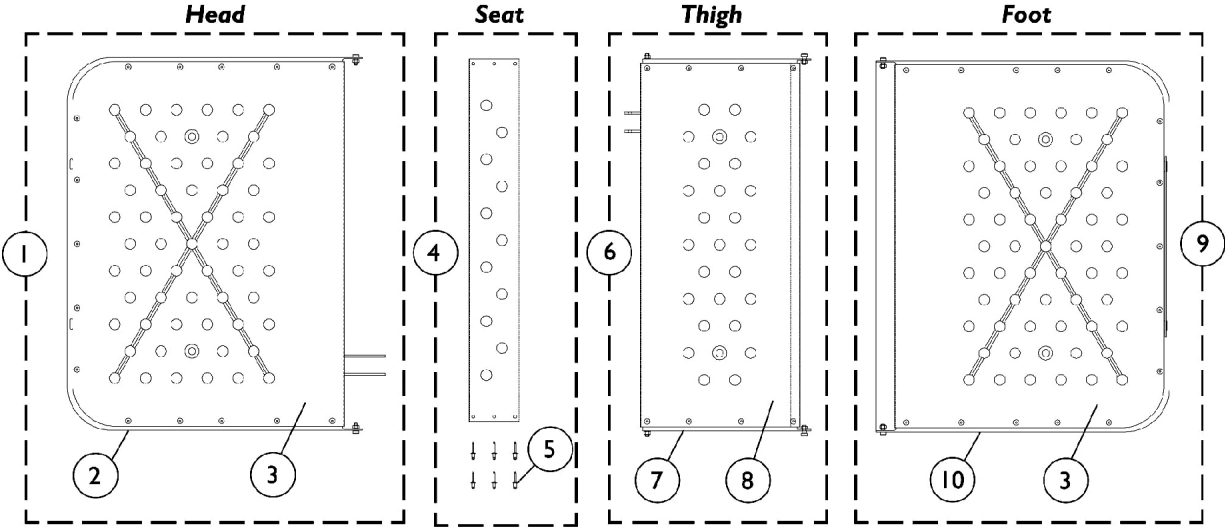


Sleep Surfaces - Link, Fabric

Item Number	Note	Part Number	Description	Quantity Per	
				Package	Assembly
1		026636	Fabric, Link (76")	1	1
1		026637	Fabric, Link (80")	1	1
2		51000M136	Spring, Helical (18 turns)	1	12
3	A	51000M135	Spring, Helical (11 turns)	1	31
4	A	001477	Spring, Helical (11-3/4 Turn)	1	31
5		1113708-NLA	NLA - Bed Deck & Frame - 720 Style w/ 76" Link Fabric	1	1
5		1113709-NLA	NLA - Bed Deck & Frame - 720 Style w/ 80" Link Fabric	1	1
5		1113714-NLA	NLA - Bed Deck & Frame - SC900 Style w/ 76" Link Fabric	1	1
5		1113715-NLA	NLA - Bed Deck & Frame - SC900 Style w/ 80" Link Fabric	1	1
6		026510-NLA	NLA - Bed Frame - 720 Style w/ 76" Link Fabric	1	1
6		026513-NLA	NLA - Bed Frame - 720 Style w/ 80" Link Fabric	1	1
6		027051-NLA	NLA - Bed Frame - SC900 Style w/ 76" Link Fabric	1	1
6		027052-NLA	NLA - Bed Frame - SC900 Style w/ 80" Link Fabric	1	1
7		026518-NLA	NLA - Spring, Thigh Section	1	1
8		026521-NLA	NLA - Wire Deck, Foot Section	1	1
9		026947-NLA	NLA - Spring, Head (76")	1	1
9		026949-NLA	NLA - Spring, Head (80")	1	1
10		026159	Stop, Mattress	1	1

NOTE: A - 80" Link, Fabric requires an assembly quantity of 33 Helical Springs while the 76" Link, Fabric requires 31.

Sleep Surfaces - Pan Deck

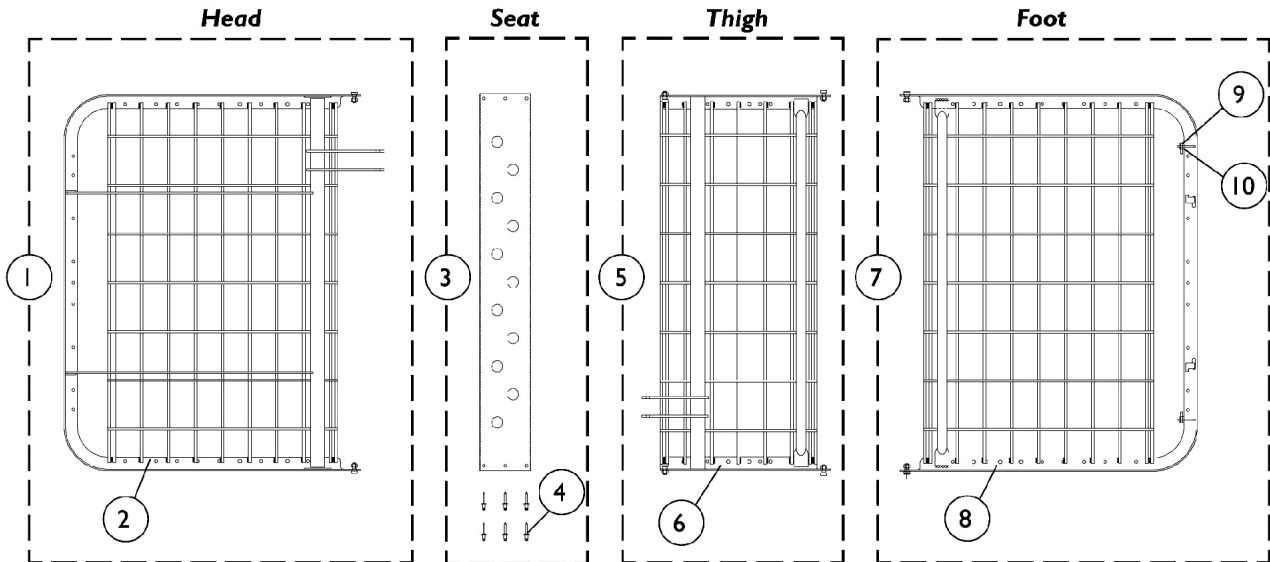


Sleep Surfaces - Pan Deck

Item Number	Note	Part Number	Description	Quantity Per	
				Package	Assembly
1	A	026763-NLA	NLA - Pan Deck Assembly, Head Section (76")	1	1
1	A	026764-NLA	NLA - Pan Deck Assembly, Head Section (80")	1	1
2		026503-NLA	NLA - Head Section (76")	1	1
2		026652-NLA	NLA - Head Section (80")	1	1
3		026506	Pan Deck Assembly (76")	1	1
3		026655-NLA	NLA - Assembly, Pan Deck (80")	1	1
4	B	026507	Pan Deck - Seat Section Assembly	1	1
5		026623	Rivet (1/4")	1	6
6	C	026766-NLA	NLA - Pan Deck Assembly, Thigh Section	1	1
7		026518-NLA	NLA - Spring, Thigh Section	1	1
8		026508	Pan Deck, Thigh Section	1	1
9	D	026767-NLA	NLA - Pan Deck Assembly - Foot Section	1	1
10	E	026521-NLA	NLA - Wire Deck, Foot Section	1	1
	E	026984-NLA	NLA - Kit, Sleep Surface Hardware Includes: 4 ea. Nuts and 4 ea. Screws.	1	1
	E,F	000194	Grommet, Pan Deck	1	6

NOTE: A - Includes: Items 2-3, 15 Rivets (Item #5) and Not Shown.
 B - Includes: Item 5.
 C - Includes: Items 7-8, 8 Rivets (Item #5) and Not Shown.
 D - Includes: Items 3, 10, 15 Rivets (Item #5) and Not Shown.
 E - Not Shown.
 F - 2 Grommets are used on each section (Head, Thigh, and Foot).

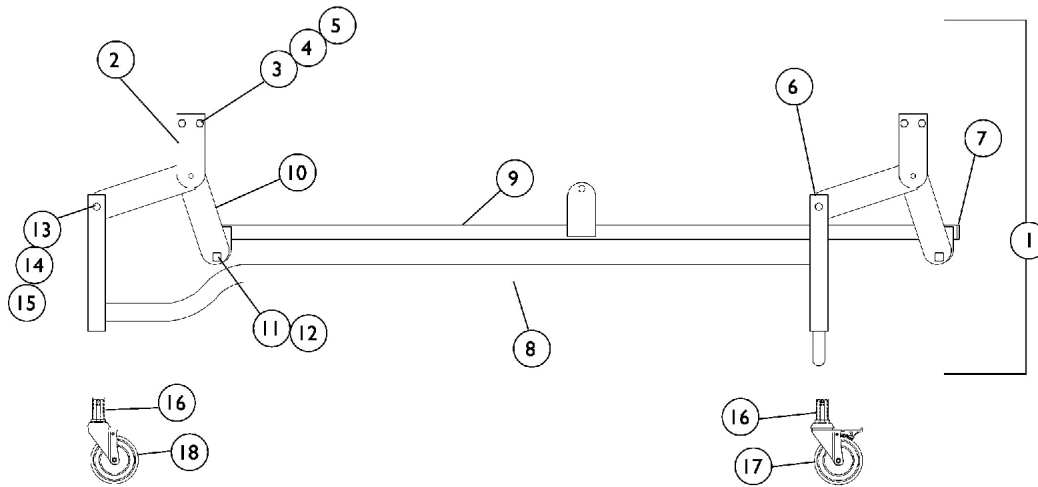
Sleep Surfaces - Wire Deck



Item Number	Note	Part Number	Description	Quantity Per	
				Package	Assembly
1	A	026802-NLA	NLA - Wire Deck Assembly - Head Section (76")	1	1
1	A	026803-NLA	NLA - Wire Deck Assembly - Head Section (80")	1	1
2		026777-NLA	NLA - Wire Deck - Head Section (76")	1	1
2		026778-NLA	NLA - Wire Deck - Head Section (80")	1	1
3	B	026507	Pan Deck - Seat Section Assembly	1	1
4		026623	Rivet (1/4")	1	6
5	C	026805-NLA	NLA - Wire Deck Assembly - Thigh Section	1	1
6		026779-NLA	NLA - Wire Deck - Thigh Section	1	1
7	D	026806-NLA	NLA - Wire Deck Assembly - Foot Section	1	1
8		026521-NLA	NLA - Wire Deck, Foot Section	1	1
9		000046	Nut, Hex Head w/ Nylon Patch (1/4-20")	1	2
10		000124-NLA	NLA - Screw, Hex Head (1/4-20 x 3/4")	1	2
	E	026984-NLA	NLA - Kit, Sleep Surface Hardware Includes: 4 ea. Nuts and 4 ea. Screws.	1	1

NOTE: A - Includes: Item 2-4 and Not Shown.
 B - Includes: Item 4.
 C - Includes: Items 6 and Not Shown.
 D - Includes: Items 8-10 and Not Shown.
 E - Not Shown.

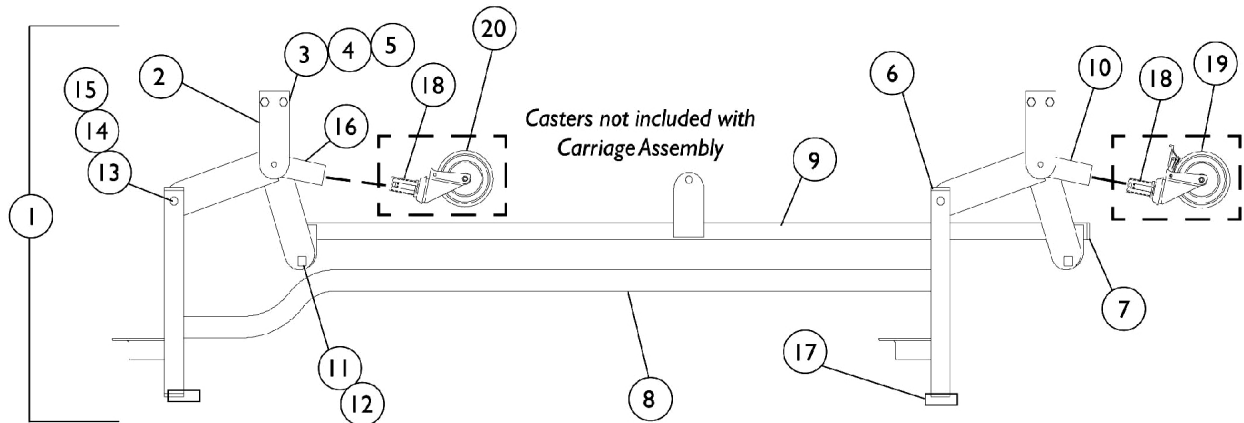
Carriage Assembly Standard



Item Number	Note	Part Number	Description	Quantity Per	
				Package	Assembly
1	A	1113699-NLA	NLA - Carriage w/o Casters Assembly	1	1
2		025187	Support, Lift Crank	1	4
3		000037	NLA - Nut, Keps (5/16-18)	1	4
4		000037	NLA - Nut, Keps (5/16-18)	1	4
5		001758	Screw, Hex Head (5/16-18 x 1")	1	8
6		1012756	Plug Button, Black (1-1/4")	1	8
7		020717	Glide, Cap	1	2
8		026581-NLA	NLA - Frame, Carriage - Standard	1	1
9		025184	Lift Bar	1	1
10		026583-NLA	NLA - Crank, Lift	1	2
11		001004	Bolt, Square Head Shoulder (5/16-18 x 7/8")	1	2
12		53000M434	Locknut (5/16-18)	1	2
13		026725	Washer, Flat (3/8")	1	4
14		51000M743	Pin, Hitch (3/8 x 1-3/16")	1	4
15		026976	Pin, Clevis (3/8 x 1-3/4")	1	4
16		51000M083	Socket, Caster	1	4
17		1123551	Caster Assembly, Swivel w/ Brake (3")	1	2
18		1123549	Caster Assembly, Swivel w/o Brake (3")	1	2

NOTE: A - Includes: Items 2-15

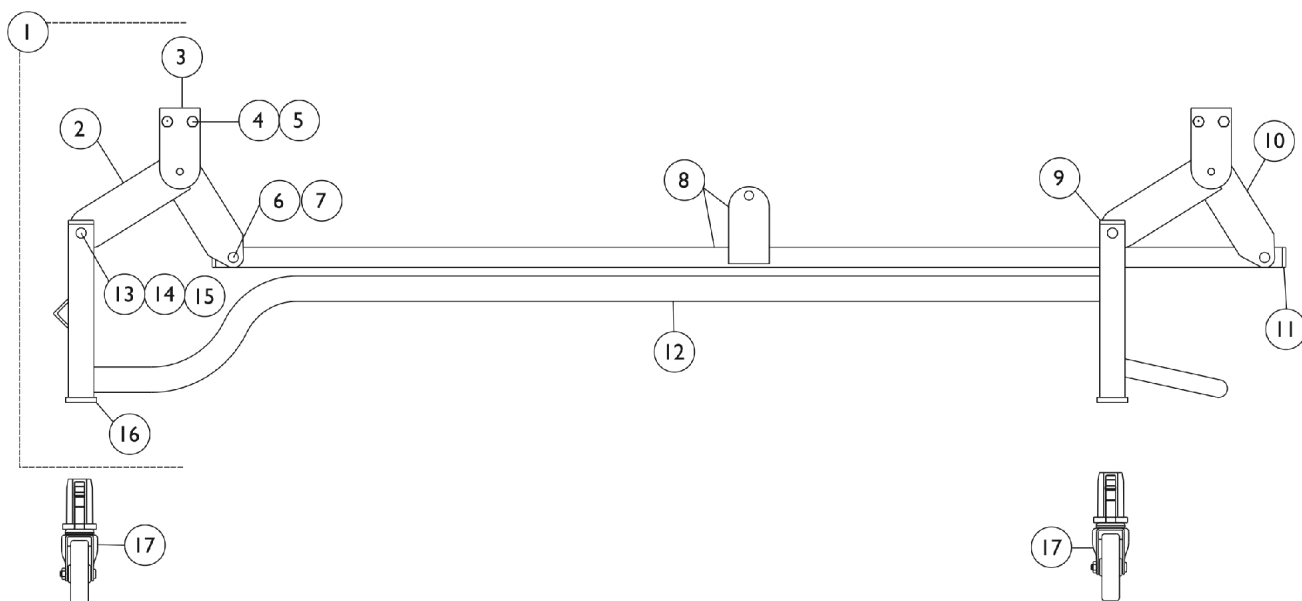
Carriage Assembly Maxi-Lock



Item Number	Note	Part Number	Description	Quantity Per	
				Package	Assembly
1	A	1114317-NLA	NLA - Carriage Maxi-Lock Assembly	1	1
2		025187	Support, Lift Crank	1	4
3		000037	NLA - Nut, Keps (5/16-18)	1	4
4		000037	NLA - Nut, Keps (5/16-18)	1	4
5		001758	Screw, Hex Head (5/16-18 x 1")	1	8
6		1012756	Plug Button, Black (1-1/4")	1	2
7		020717	Glide, Cap	1	2
8		026586-NLA	NLA - Frame, Carriage Maxi-Lock	1	1
9		025184	Lift Bar	1	1
10		026588-NLA	NLA - Crank, Lift - Foot End	1	1
11		001004	Bolt, Square Head Shoulder (5/16-18 x 7/8")	1	2
12		53000M434	Locknut (5/16-18)	1	2
13		026725	Washer, Flat (3/8")	1	4
14		51000M743	Pin, Hitch (3/8 x 1-3/16")	1	4
15		026976	Pin, Clevis (3/8 x 1-3/4")	1	4
16		026589-NLA	NLA - Crank, Lift - Head End	1	1
17		1131077	Foot, Rubber	1	1
18		51000M083	Socket, Caster	1	4
19		1123551	Caster Assembly, Swivel w/ Brake (3")	1	2
20		1123549	Caster Assembly, Swivel w/o Brake (3")	1	2

NOTE: A - Includes: Items 2-17.

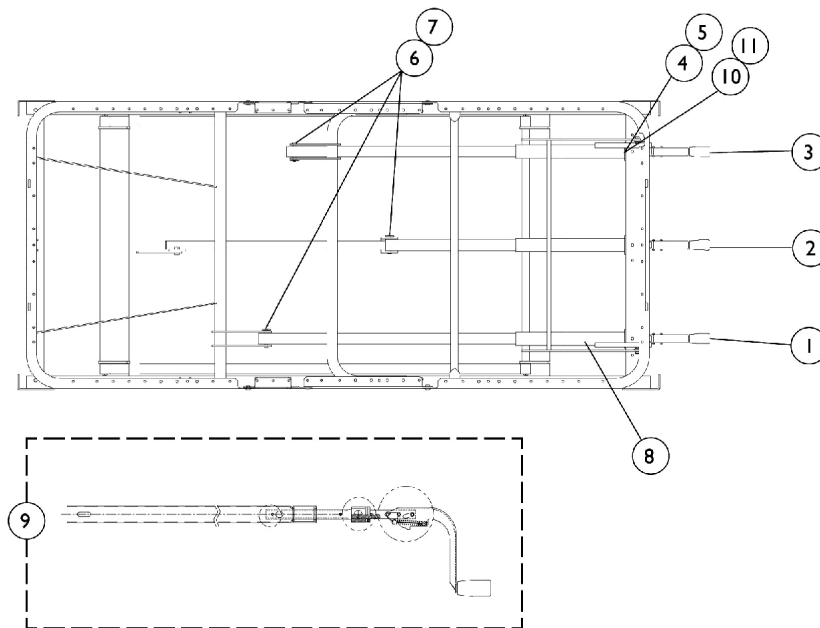
Carriage Assembly SC900



Item Number	Note	Part Number	Description	Quantity Per	
				Package	Assembly
1	A,C	1113725-NLA	NLA - Carriage Assembly - SC900	1	1
1	A,C	1133049-NLA	NLA - Carriage Assembly, Taupe	1	1
2		027016	Crank, Lift - Head End	1	1
3	C	027010-NLA	NLA - Crank Assembly, Lift Support, Brown	1	4
3	C	1133050	Support, Lift Crank	1	4
4		000037	NLA - Nut, Keps (5/16-18)	1	8
5		001758	Screw, Hex Head (5/16-18 x 1")	1	8
6		027018	Pin, Clevis (3/8 x 2-3/4")	1	2
7		027024	Pushnut, Fastener	1	2
8		027001	Bar, Lift	1	1
9		027047	Plug Button with Hole (1-1/4" Square)	1	4
10		026999	Crank, Lift - Foot End	1	1
11		020717	Glide, Cap	1	2
12		027008-NLA	NLA - Frame, Carriage	1	1
13		026976	Pin, Clevis (3/8 x 1-3/4")	1	4
14		026725	Washer, Flat (3/8")	1	4
15		51000M743	Pin, Hitch (3/8 x 1-3/16")	1	4
16		51000M083	Socket, Caster	1	4
17		027027	Kit, Caster 3" Swivel w/ Bracket	1	2
17	B	1102920	Caster, Swivel w/o Brake (4" Black)	1	2
17	B	1102918	Caster, Swivel w/ Bracket (4" Non-Marking)	1	2

NOTE: A - Includes: Items 2-16.
 B - These items are optional.
 C - These items are painted. Please make sure you select the correct color option.

Pull Tube & Crank Handle

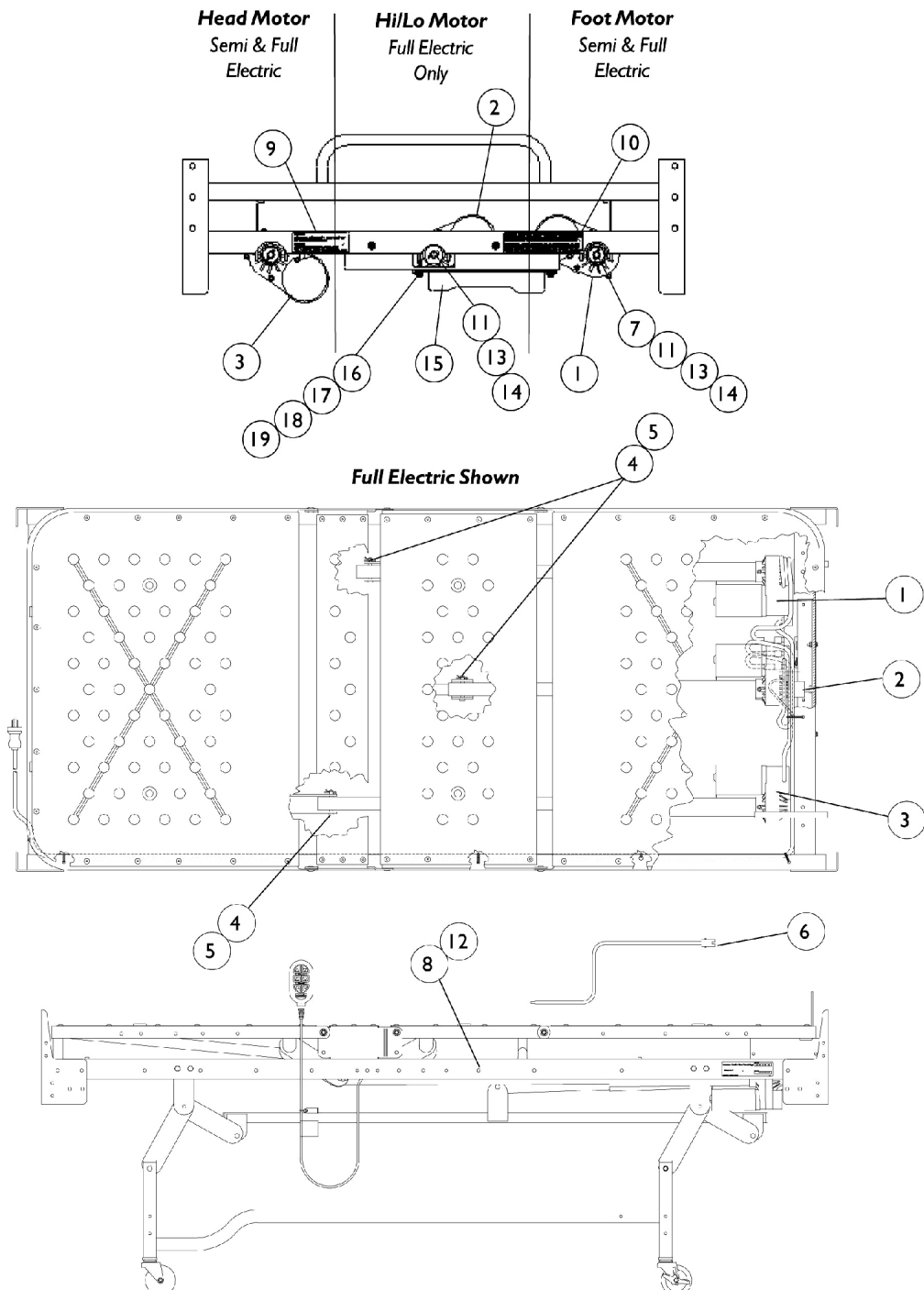


Item Number	Note	Part Number	Description	Quantity Per	
				Package	Assembly
1	A	1113799-NLA	NLA - Head Crank & Pull Tube Assembly, Manual	1	1
2	A,B	026541-NLA	NLA - Hi/Lo Crank & Pull Tube Assembly, Manual	1	1
2	A,C	1113748-NLA	NLA - Hi/Lo Crank & Pull Tube Assembly, Manual	1	1
3	A	1113701-NLA	NLA - Foot Crank & Pull Tube Assembly, Manual	1	1
4		001008	Washer, Split Lock (5/16")	1	6
5		001741	Screw, Hex Head (5/16-18 x 3/4")	1	6
6		005952	Pin, Clevis (5/16 x 2-1/8")	1	3
7		51000M743	Pin, Hitch (3/8 x 1-3/16")	1	3
8		51000M191	Cover, Pull Tube (Head/Foot)	1	3
9		026983	Kit, Crank Handle Includes: 3 ea. Spring Pins (1/4 x 1-1/4"), 1 ea. Spring Retainer, 1 ea. Spring Retainer, 1 ea. Spring Extension, 1 ea. Spring Pin (3/16 x 1"), and 1 ea. Crank Handle Assembly.	1	1
10		001443	Bushing, Shoulder - Pivot	1	6
11		001405	Bushing, Flanged, Nylon	1	6

NOTE: A - Includes: Item 9.
B - Before 7/26/99.
C - After 7/25/99.

Motors & Components

Full & Semi Electric

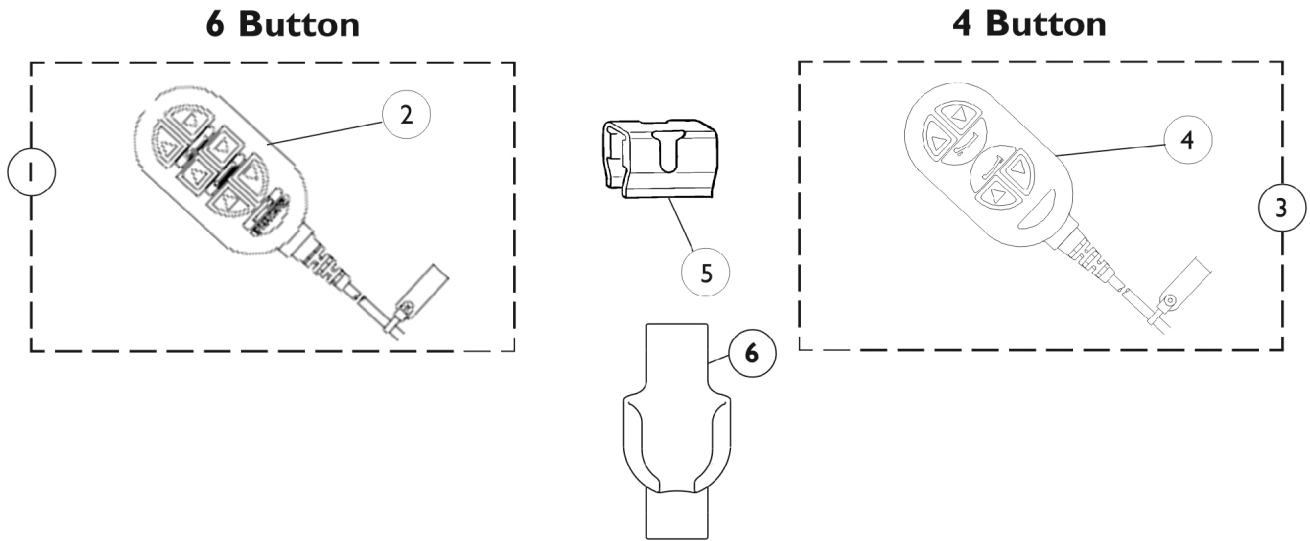


Motors & Components Full & Semi Electric

Item Number	Note	Part Number	Description	Quantity Per	
				Package	Assembly
1	D	026754-NLA	NLA - Motor, Foot, Dark Brown - IH720/SC900	1	1
1	D	1133053-NLA	NLA - Motor, Foot, White	1	1
2		026755-NLA	NLA - Motor, Hi/Lo	1	1
2		027038-NLA	NLA - Motor, Hi/Lo - IH720	1	1
2		027019-NLA	NLA - Motor, Hi/Lo, Dark Brown - SC900	1	1
3	D	026756-NLA	NLA - Motor, Head, Dark Brown - IH720/SC900	1	1
3	D	1133055-NLA	NLA - Motor, Head, White	1	1
4		005952	Pin, Clevis (5/16 x 2-1/8")	1	3
5		51000M743	Pin, Hitch (3/8 x 1-3/16")	1	3
6	D	5880M004	Crank, Emergency, Dark Brown	1	2
6	D	1133062	Crank, Emergency	1	2
7		001741	Screw, Hex Head (5/16-18 x 3/4")	1	6
8		000438	Tie Wrap (15-1/2" L)	1	8
9		034058	Decal, Warning	1	1
10		031763	Label, Caution	1	1
11		001008	Washer, Split Lock (5/16")	1	6
12		026874	Cord, Power	1	1
13		001405	Bushing, Flanged, Nylon	1	2
14		001443	Bushing, Shoulder - Pivot	1	2
15	A,D	026757-NLA	NLA - Junction Box w/ Bracket Assembly (Dark Brown)	1	1
15	A,D	1133058	Junction Box with Bracket Assembly, Taupe	1	1
16		1102550-NLA	NLA - Junction Box	1	1
17		026727	Bracket, Mounting, Brown	1	1
17	D	027014-NLA	NLA - Bracket, Mounting, Dark Brown	1	1
17	D	1133059	Bracket, Mounting, Taupe	1	1
18		54000M515	Screw, Slotted Hex Head Tap (1/4-20 x 3/4")	1	2
19		54000M516	Spacer, Round (1/4 x 1/2 x 1/4")	1	2
	B,C	020342	Kit, Hardware	1	1

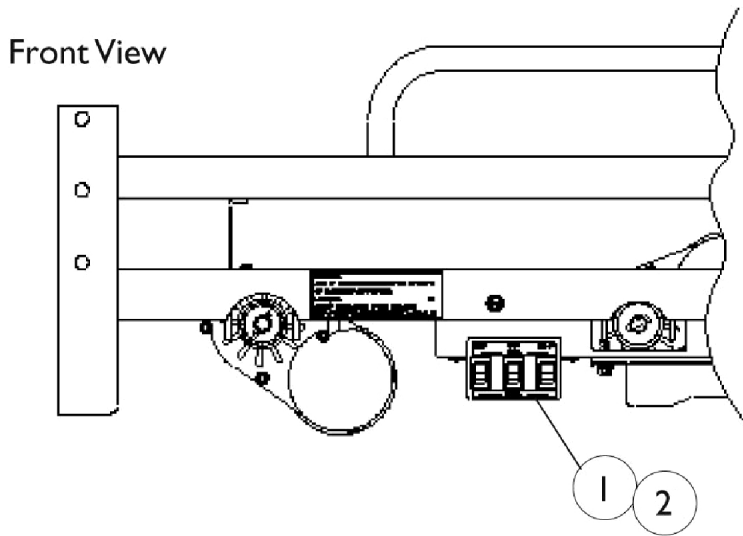
NOTE: A - Includes: Items 16-19.
 B - Not Shown.
 C - Includes: Items 7, 11, & 13-14.
 D - These items are painted. Please make sure you select the correct color option.

Pendant



Item Number	Note	Part Number	Description	Quantity Per	
				Package	Assembly
1		026980	Pendant, 6 Button w/ Clip	1	1
2		026935	Pendant, 6 Button	1	1
3		013438-NLA	NLA - Pendant, 4 Button w/Clip	1	1
4		026994	Pendant, 4 Button	1	1
5		026975-NLA	NLA - Clip, Pendant - Plastic "C"	1	1
6		1133841	Holster, Pendant	1	1
	A,B	1133843	Kit, Pendant Button	1	1
NOTE: A - Not Shown B - After 4/1/05					

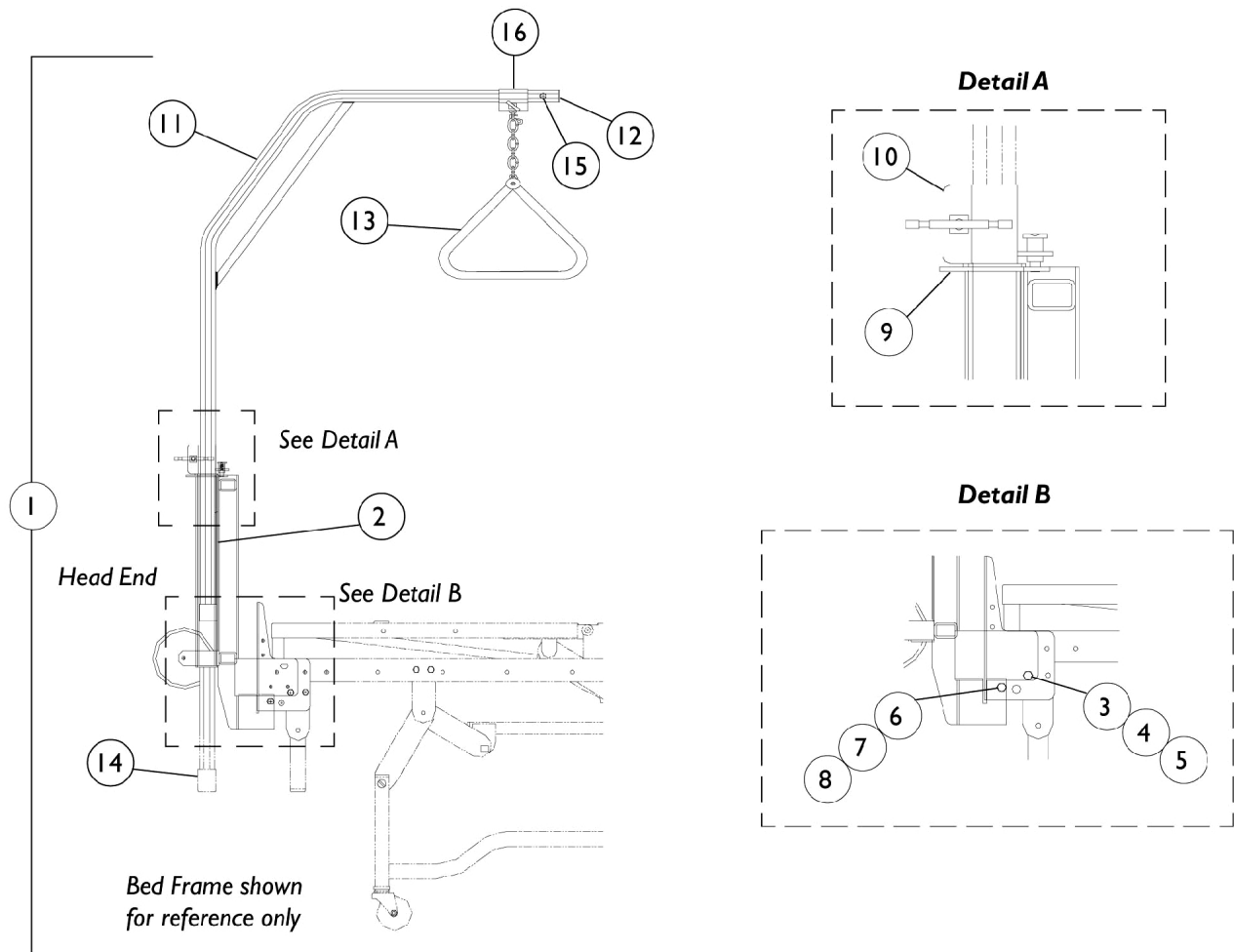
Lockout Systems



Item Number	Note	Part Number	Description	Quantity Per	
				Package	Assembly
1		026769-NLA	NLA - Lockout Box, 3 Function w/ Cable Tie	1	1
2		026770-NLA	NLA - Lockout Box, w/ Hi/Lo Function & Cable Tie	1	1
	A	000438	Tie Wrap (15-1/2" L)	1	2
	A	1070796	Instruction Sheet, 3 Function Lockout Box	1	1

NOTE: A - Not Shown.

Trapeze



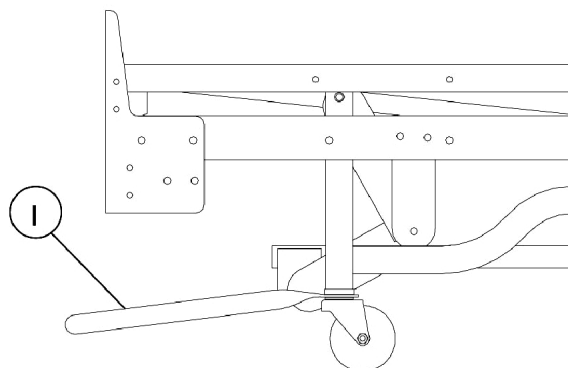
Trapeze

Item Number	Note	Part Number	Description	Quantity Per	
				Package	Assembly
1	A	026330	Trapeze Mounting Frame Assembly	1	1
2		026331	Frame, Trapeze Mounting	1	1
3		004544	Screw, Hex Head (5/16-18 x 1-1/2")	1	2
4		031195	Spacer (5/16 x 3/4 x 5/16")	1	4
5		000037	NLA - Nut, Keps (5/16-18)	1	2
6		013208	Screw, Hex Head (1/4-20 x 1")	1	2
7		007478	Washer (13/32 x 13/16 x 1/16)	1	2
8		000050	Nut, Keps (1/4-20)	1	2
9		026435	Adapter, Octagon Trapeze	1	1
10		1009042-NLA	NLA - Clamp, Swivel w/ Plunger and Wing Knob, Chrome	1	1
11		17171X000	Bar, "L", Chrome	1	1
12		17290X000	Plug Button, Metal (1-1/4")	1	1
13		7941-NLA	NLA - Grab Bar with Chain and Clamp, Chrome	1	1
14		17167X000	Bumper, Grey	1	1
15		17125X000-NLA	NLA - Screw, Hex Head (1/4-14 x 5/8")	1	1
16		1011223-NLA	NLA - Clamp Only	1	1
	B,C	026335	Trapeze Octagonal Assembly	1	1
	C	1070792	Instruction Sheet	1	1
	C	010196	Clamp, Square	1	1

NOTE: A - Includes: Items 2-15.
 B - Includes: Items 11-15.
 C - Not Shown.

Bumpers

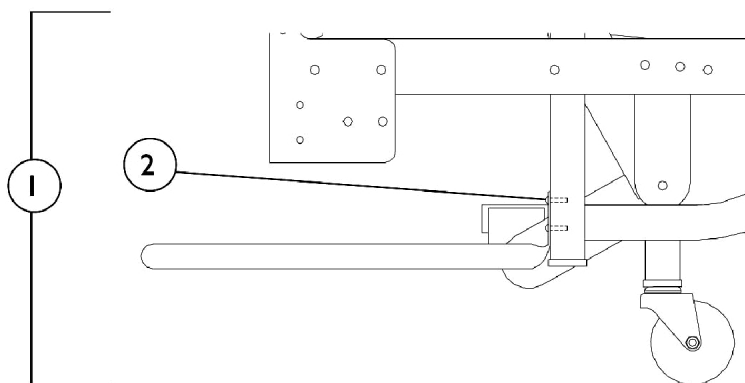
Standard Carriage Discontinued 3/15/99



Bed Frame shown
for reference only

Item Number	Note	Part Number	Description	Quantity Per	
				Package	Assembly
1		012972-NLA	NLA - U-Bumper (76")	1	1
1		012971	U-Bumper (80")	1	1

Maxi-Lock Bumper



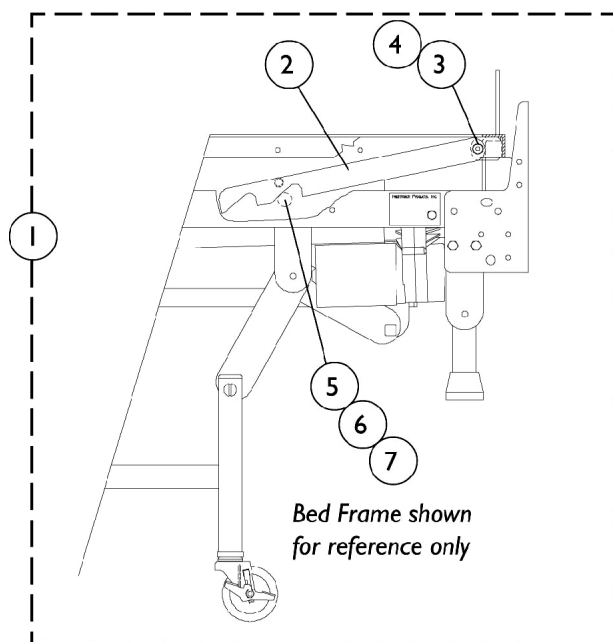
Bed Frame shown
for reference only

Item Number	Note	Part Number	Description	Quantity Per	
				Package	Assembly
1	A	002886-NLA	NLA - U-Bumper w/ Screws (Dark Brown) (76")	1	1
1	A	1133068-NLA	NLA - U-Bumper w/ Screws (Taupe) (76")	1	1
1	A	002885-NLA	NLA - U-Bumper w/ Screws (Dark Brown) (80")	1	1
1	A	1125224-NLA	NLA - U-Bumper w/ Screws (Taupe) (80")	1	1
2		008682	Screw, Hex Head (1/4-20 x 5/8")	1	4

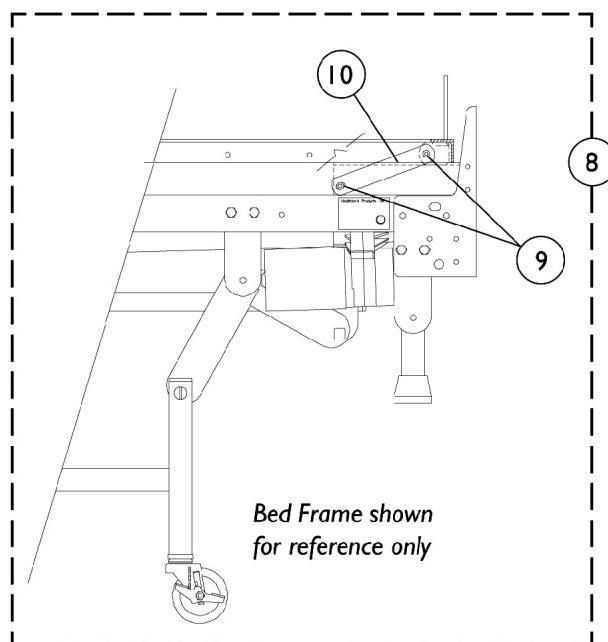
NOTE: A - These items are painted. Please make sure you select the correct color option.

Knee Ratchet

Knee Ratchet



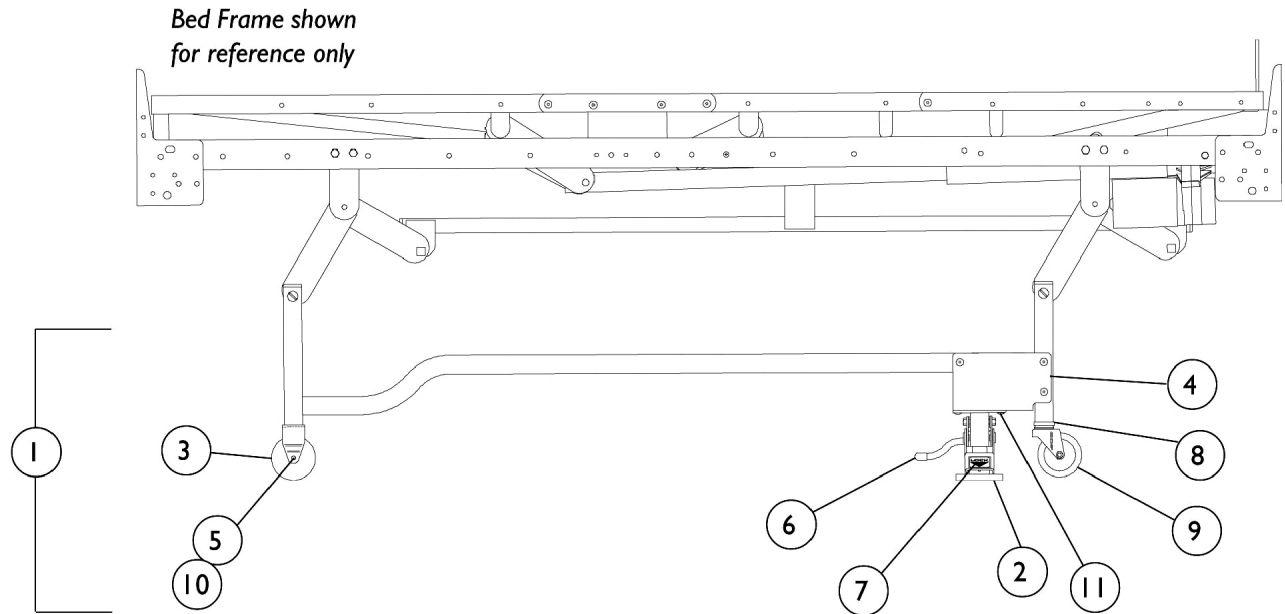
Fixed Link



Item Number	Note	Part Number	Description	Quantity Per	
				Package	Assembly
1	A	026788-NLA	NLA - Knee Ratchet Assembly	1	1
2		025053-NLA	NLA - Ratchet, Leg	1	1
3		025071	Screw, Shoulder Hex Socket Head (3/8 x 1/4, 1/4-20)	1	2
4		000050	Nut, Keps (1/4-20)	1	2
5		027049	Support, Frame Cross	1	1
6		000037	NLA - Nut, Keps (5/16-18)	1	2
7		001741	Screw, Hex Head (5/16-18 x 3/4")	1	2
8	B	026111	Fixed Link Assembly, Knee	1	1
9		000790	Rivet (1/4 x 9/16")	1	4
10		026118	Link, Foot Bow	1	2

NOTE: A - Includes: Items 2-7.
B - Includes: Items 9-10.

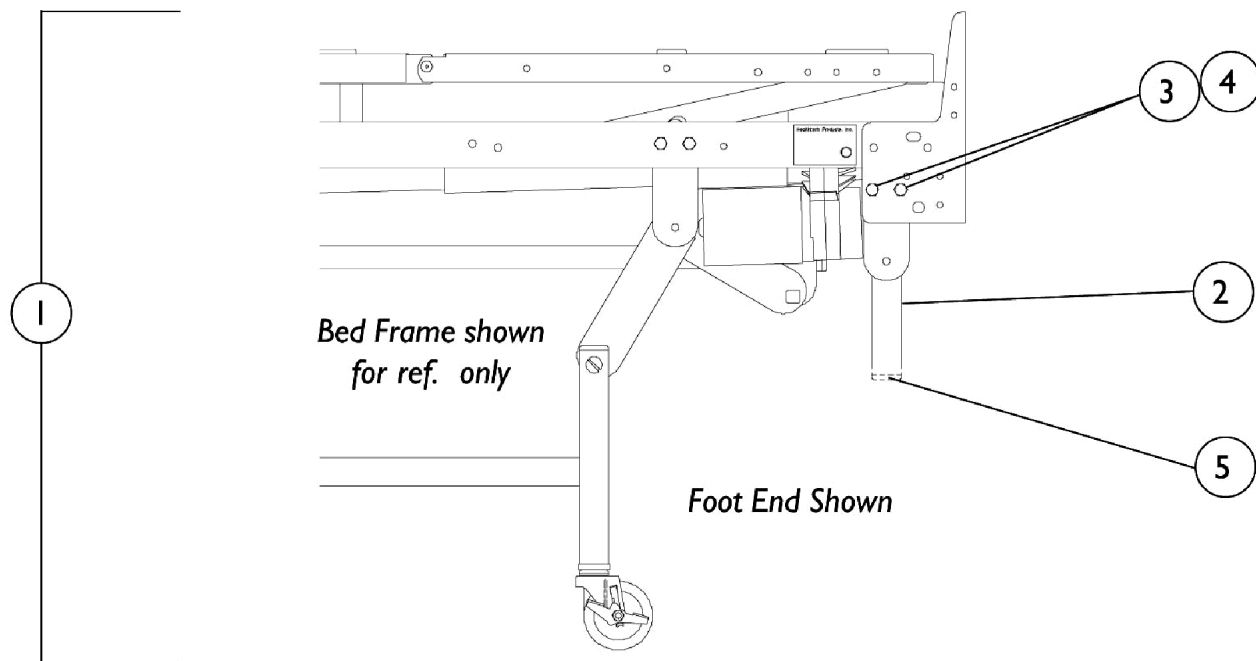
Floor Brake



Item Number	Note	Part Number	Description	Quantity Per	
				Package	Assembly
1	A	026392-NLA	NLA - Floor Brake Assembly	1	1
2		026258	Brake, Floor - Left	1	1
2		026257	Brake, Floor - Right	1	1
3		026260	Wheel (3")	1	2
4		026251-NLA	NLA - Bracket, Floor Brake - Left	1	1
4		026229-NLA	NLA - Bracket, Floor Brake - Right	1	1
5		000151-NLA	NLA - Nut, Keps (1/4-28")	1	2
6		026261	Cap, Release Bar	1	4
7		026262	Label, Brake Pedal	1	2
8		51000M083	Socket, Caster	1	2
9		005499-NLA	NLA - Caster, 3" Swivel w/o Brake	1	2
10		026309	Bolt, Round Head "D" Neck	1	2
11		000790	Rivet (1/4 x 9/16")	1	14

NOTE: A - Includes: Items 2-11.

Floor Lock



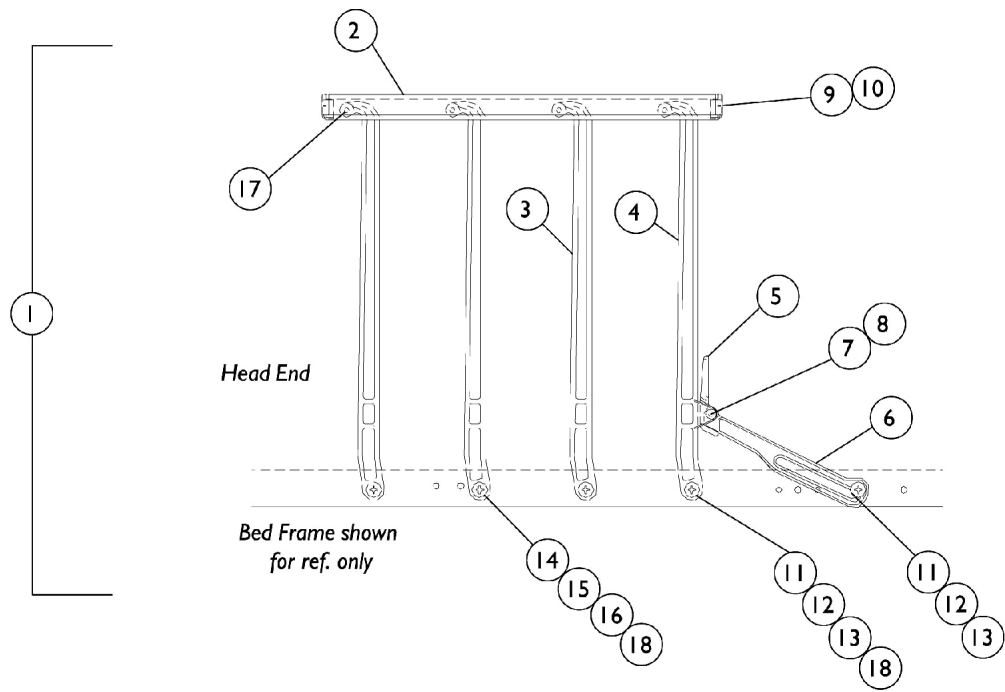
Item Number	Note	Part Number	Description	Quantity Per	
				Package	Assembly
1	A	025559	Floor Lock Assembly	1	1
2		025199	Leg, Floor Lock	1	2
3		001758	Screw, Hex Head (5/16-18 x 1")	1	8
4	B	000037	NLA - Nut, Keps (5/16-18)	1	8
5		020312	Glide, Leg (1-1/4")	1	4
	C	1070797	Instruction Sheet	1	1

NOTE: A - Includes: Items 2-5.
 B - The Lock Washer and Hex Nut was replaced with the Keps Nut on 10/00.
 C - Not Shown.

Bed Rails

Model IH5744 - 4 Bar Nylasar

Discontinued 6/05



Bed Rails

Model IH5744 - 4 Bar Nylasar

Discontinued 6/05

Item Number	Note	Part Number	Description	Quantity Per		
				Package	Assembly	
1	A	025304-NLA	NLA - Safety Side Rail Assembly, 4 Bar - Right	1	1	
1		025305-NLA	NLA - Safety Side Rail Assembly, 4 Bar - Left	1	1	
2		025279-NLA	NLA - Rail, Cover and Guard - 4 Bar	1	1	
3		000390	Arm, Pivot	1	3	
4		000389	Arm, Latch	1	1	
5		000388	Latch, Restraining Side Actuator	1	1	
6		000494	Arm, Restraining Side Latch	1	1	
7		000391	Pin, Latch	1	1	
8		000173	Ring, Retaining (1/4")	1	1	
9		000386	Cap, Guard Rail	1	2	
10		C	009289	Adhesive	1	1
11			000397	Screw, Shoulder Hex Socket Head (3/8 x 1-1/2", 5/16-18)	1	5
12			53000M434	Locknut (5/16-18)	1	5
13			000387	Spacer (3/8 x 3/4 x 1/64")	1	5
14			000394	Bearing, Nylon (3/8")	1	8
15			000395	Washer, Steel (7/16 x 13/16 x 1/16")	1	4
16			000393	Washer, Rubber (7/16 x 27/32 x 1/8")	1	4
17		033466	Pin, Spring (1/4 x 13/16")	1	4	
18		031195	Spacer (5/16 x 3/4 x 5/16")	1	5	
	B	026715	Instruction Sheet, Bed Rail	1	1	

NOTE: A - Includes: Items 2-18.
 B - Not Shown.
 C - The Adhesive is No Longer Available as a service part. Please use your own adhesive when installing the Guard Rail Cap.

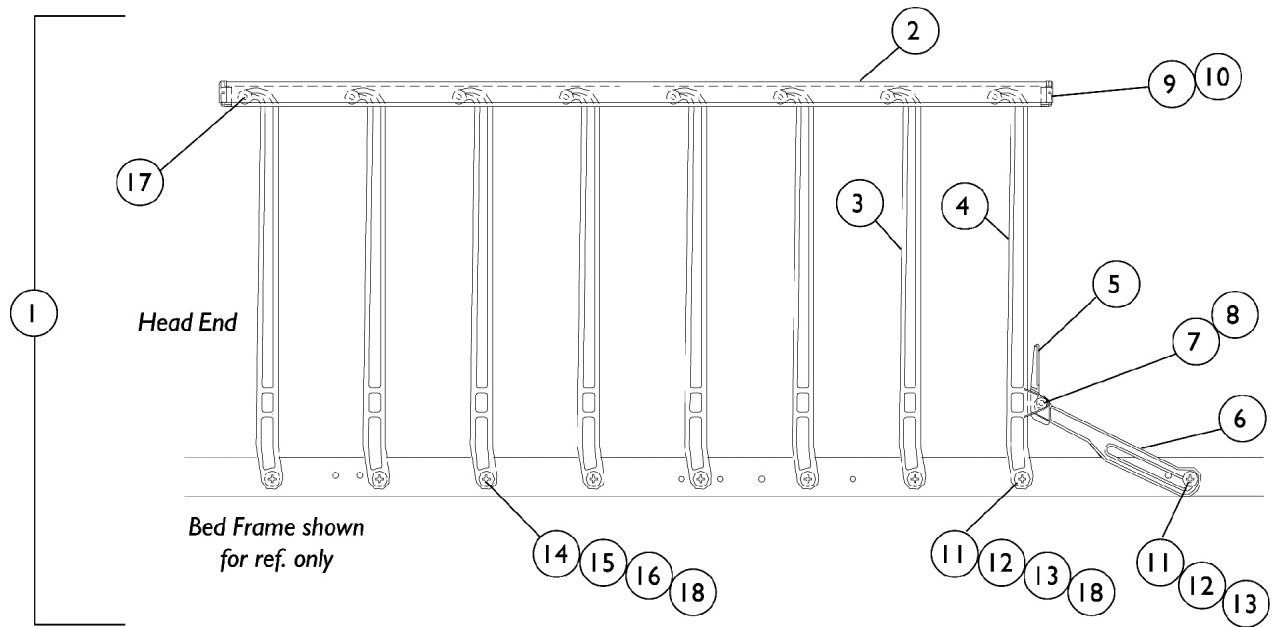
Bed Rails

Model IH5748 - 8 Bar Nylasar

Discontinued

NOTE: Please make sure you are ordering parts for the correct model # IH5748. Parts for IH5748A are found in a different section of this book.

NOTE: The model #IH5748 was discontinued but can be directly replaced by the IH5748A model rails.



Bed Rails

Model IH5748 - 8 Bar Nylasar

Discontinued

NOTE: Please make sure you are ordering parts for the correct model # IH5748. Parts for IH5748A are found in a different section of this book.

NOTE: The model #IH5748 was discontinued but can be directly replaced by the IH5748A model rails.

Item Number	Note	Part Number	Description	Quantity Per	
				Package	Assembly
1	A	025331-NLA	NLA - Safety Side Rail Assembly, 8 Bar - Right	1	1
1	A	025332-NLA	NLA - Safety Side Rail Assembly, 8 Bar - Left	1	1
2		025326-NLA	NLA - Rail, Cover and Guard - 8 Bar	1	1
3		000390	Arm, Pivot	1	7
4		000389	Arm, Latch	1	1
5		000388	Latch, Restraining Side Actuator	1	1
6		000494	Arm, Restraining Side Latch	1	1
7		000391	Pin, Latch	1	1
8		000173	Ring, Retaining (1/4")	1	1
9		000386	Cap, Guard Rail	1	2
10	C	009289	Adhesive	1	1
11		000397	Screw, Shoulder Hex Socket Head (3/8 x 1-1/2", 5/16-18)	1	9
12		53000M434	Locknut (5/16-18)	1	9
13		000387	Spacer (3/8 x 3/4 x 1/64")	1	9
14		000394	Bearing, Nylon (3/8")	1	16
15		000395	Washer, Steel (7/16 x 13/16 x 1/16")	1	8
16		000393	Washer, Rubber (7/16 x 27/32 x 1/8")	1	8
17		033466	Pin, Spring (1/4 x 13/16")	1	8
18		031195	Spacer (5/16 x 3/4 x 5/16")	1	8
	B	026626	Hardware, Tamper Resistant - Includes: (1) Bit, (18) Nuts, and (18) Spacers.	1	1
	B	026715	Instruction Sheet, Bed Rail	1	1
	B	1130183	Label, Entrapment Warning	1	1

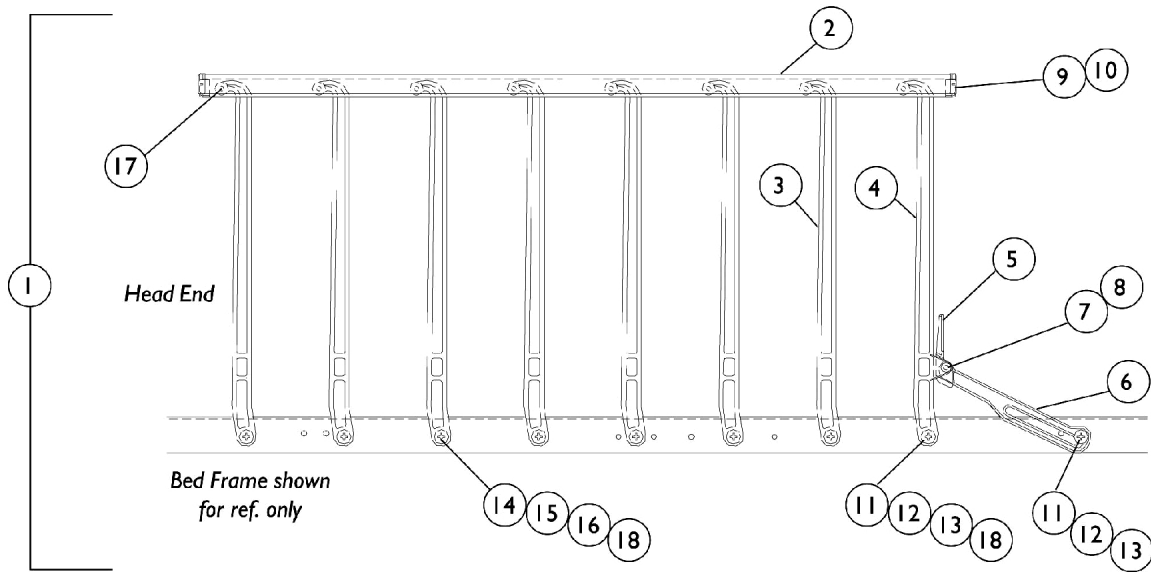
NOTE: A - Includes: Items 2-18.
 B - Not Shown.
 C - The Adhesive is No Longer Available as a service part. Please use your own adhesive when installing the Guard Rail Cap.

Note: These rails were replaced with the IH5748A rails.

Model IH5748A - 8 Bar Nylasar

NOTE: Please make sure you are ordering parts for the correct model # IH5748A. Parts for IH5748 are found in a different section of this book.

NOTE: The model #IH5748 was discontinued but can be directly replaced by the IH5748A model rails.



Model IH5748A - 8 Bar Nylasar

NOTE: Please make sure you are ordering parts for the correct model # IH5748A. Parts for IH5748 are found in a different section of this book.

NOTE: The model #IH5748 was discontinued but can be directly replaced by the IH5748A model rails.

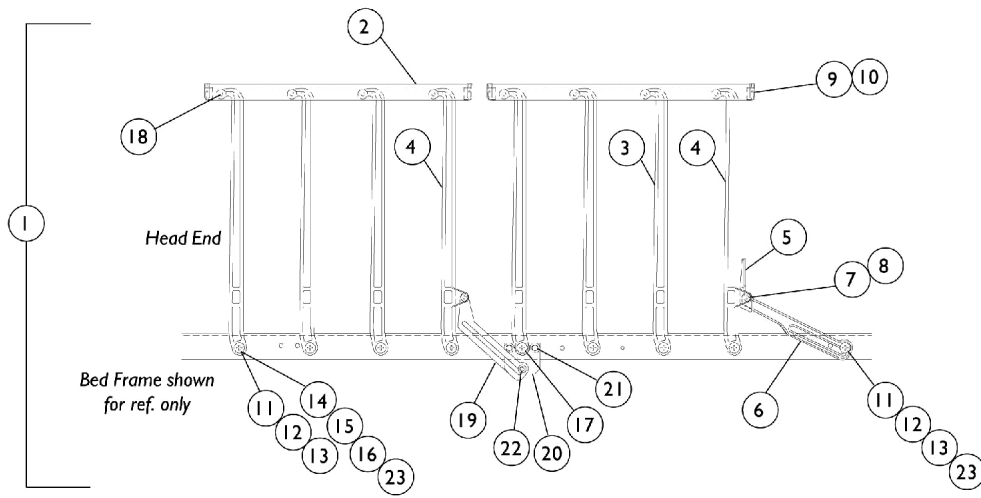
Item Number	Note	Part Number	Description	Quantity Per	
				Package	Assembly
1	A	1132013	Safety Side Rail Assembly - Right	1	1
1	A	1132014	Assembly, Safety Side Rail - Left	1	1
2		1142008	Rail, Cover and Guard - 8 Rail	1	1
3		000390	Arm, Pivot	1	7
4		000389	Arm, Latch	1	1
5		000388	Latch, Restraining Side Actuator	1	1
6		000494	Arm, Restraining Side Latch	1	1
7		000391	Pin, Latch	1	1
8		000173	Ring, Retaining (1/4")	1	1
9	C	000386	Cap, Guard Rail	1	2
10	C	009289	Adhesive	1	1
11		000397	Screw, Shoulder Hex Socket Head (3/8 x 1-1/2", 5/16-18)	1	9
12		53000M434	Locknut (5/16-18)	1	9
13		000387	Spacer (3/8 x 3/4 x 1/64")	1	9
14		000394	Bearing, Nylon (3/8")	1	16
15		000395	Washer, Steel (7/16 x 13/16 x 1/16")	1	8
16		000393	Washer, Rubber (7/16 x 27/32 x 1/8")	1	8
17		033466	Pin, Spring (1/4 x 13/16")	1	8
18		031195	Spacer (5/16 x 3/4 x 5/16")	1	8
	B	026626	Hardware, Tamper Resistant - Includes: (1) Bit, (18) Nuts, and (18) Spacers.	1	1
	B	1143214	Instruction Sheet, Bed Rail and ThinkSoft® Positioning Device	1	1
	B	1130183	Label, Entrapment Warning	1	1

NOTE: A - Includes: Items 2-18.
 B - Not Shown.
 C - The Adhesive is No Longer Available as a service part. Please use your own adhesive when installing the Guard Rail Cap.

Bed Rails

Model IH5749 - 8 Bar Split Nylasar

Discontinued 6/05



Bed Rails

Model IH5749 - 8 Bar Split Nylasar

Discontinued 6/05

Item Number	Note	Part Number	Description	Quantity Per	
				Package	Assembly
1	A	025333-NLA	NLA - Safety Side Rail Assembly, 8 Bar, Split - Right	1	1
1	A	025334-NLA	NLA - Safety Side Rail Assembly, 8 Bar, Split - Left	1	1
2		025279-NLA	NLA - Rail, Cover and Guard - 4 Bar	1	2
3		000390	Arm, Pivot	1	6
4		000389	Arm, Latch	1	2
5		000388	Latch, Restraining Side Actuator	1	1
6		000494	Arm, Restraining Side Latch	1	1
7		000391	Pin, Latch	1	2
8		000173	Ring, Retaining (1/4")	1	2
9		000386	Cap, Guard Rail	1	4
10	C	009289	Adhesive	1	1
11		000397	Screw, Shoulder Hex Socket Head (3/8 x 1-1/2", 5/16-18)	1	9
12		53000M434	Locknut (5/16-18)	1	9
13		000387	Spacer (3/8 x 3/4 x 1/64")	1	9
14		000394	Bearing, Nylon (3/8")	1	16
15		000395	Washer, Steel (7/16 x 13/16 x 1/16")	1	8
16		000393	Washer, Rubber (7/16 x 27/32 x 1/8")	1	8
17		000050	Nut, Keps (1/4-20)	1	2
18		033466	Pin, Spring (1/4 x 13/16")	1	8
19		025285	Latch, Side Safety	1	1
20		025284	Plate, Pivot	1	1
21		007991	Screw, Hex Head (1/4-20 x 5/8")	1	2
22		000587	Nut, Push (1/4")	1	1
23		031195	Spacer (5/16 x 3/4 x 5/16")	1	10
	B	026715	Instruction Sheet, Bed Rail	1	1
	B	1130183	Label, Entrapment Warning	1	1

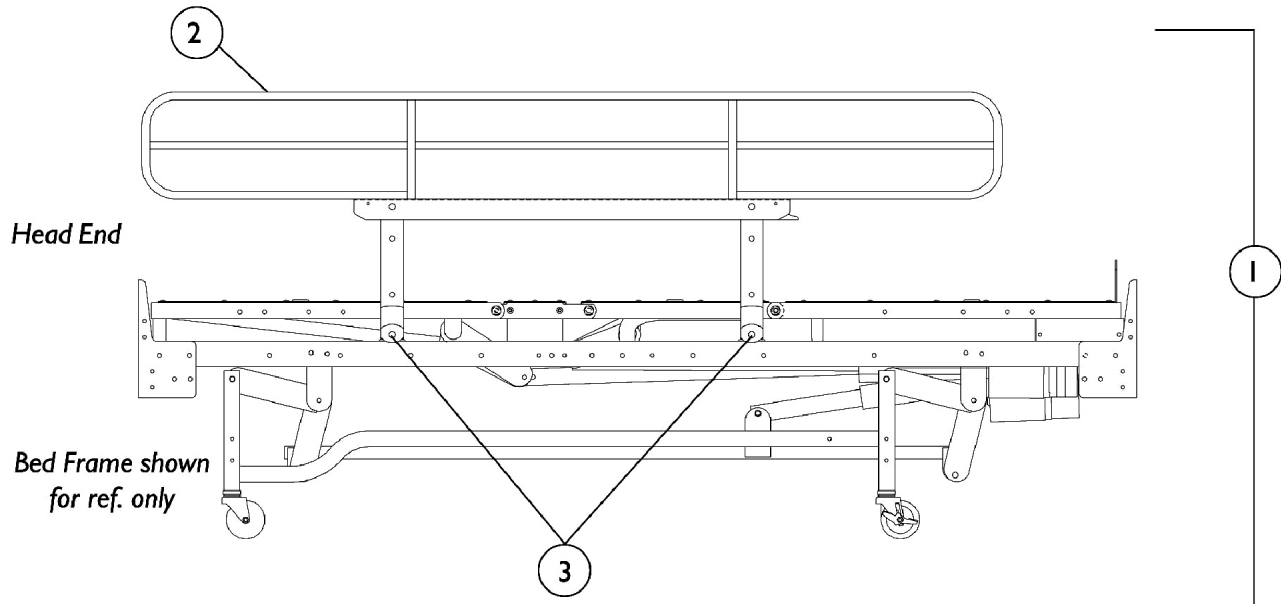
NOTE: A - Includes: Items 2-23.
B - Not Shown.
C - The Adhesive is No Longer Available as a service part. Please use your own adhesive when installing the Guard Rail Cap.

Bed Rails

Model IH5814, IH6800, IH6801 - Full Length Epoxy

NOTE: Please make sure you are ordering parts for the correct model # IH5814, IH6800 or IH6801. Parts for IH6801A are found in a different section of this book.

NOTE: The model #IH6801 was discontinued but can be directly replaced by the IH6801A model rails.



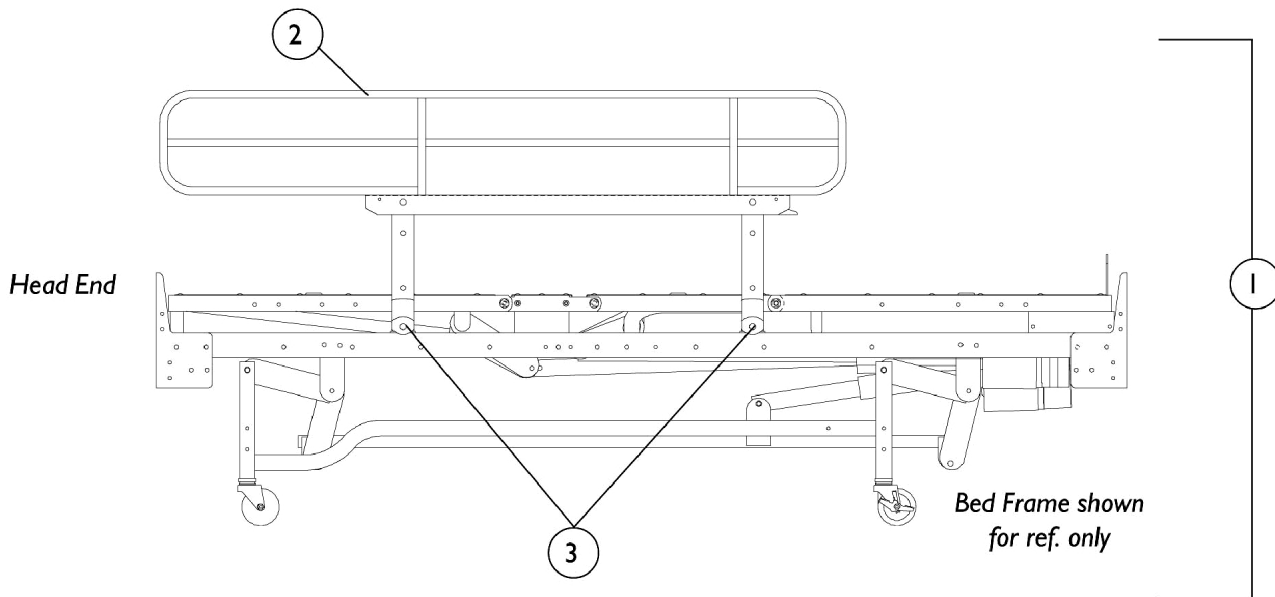
Item Number	Note	Part Number	Description	Quantity Per	
				Package	Assembly
1	A,C	1113744-NLA	NLA - Side Mounting Rail Assembly, Brown	1	1
1	A,C	1125235-NLA	NLA - Full Length Side Rail Assembly, Taupe	1	1
2	C	1125246-NLA	NLA - Side Rail, Full Length - Right (Taupe)	1	1
2	C	1125245-NLA	NLA - Side Rail, Full Length - Left (Taupe)	1	1
2	C	1113746-NLA	NLA - Side Rail, Full Length, Right (Brown)	1	1
2	C	1113745-NLA	NLA - Side Rail, Full Length, Left (Brown)	1	1
3		033786	Screw, Socket Head (#10-32 x 3/8")	1	4
	B	020258	Wrench, Allen (5/32")	1	1
	B	020159	Plug Button, Dome (1/4")	1	4
	B	026715	Instruction Sheet, Bed Rail	1	1
	B	026842	Hardware, Rail Mounting Includes: (1) Crossbar Pivot, (4) Pivot Bracket, (8) Locknut (1/4-20"), and (8) Screw, Hex Head (1/4-20 x 5/8").	1	1
	B	026978	Kit, Crossbar Pivot Replacement Includes: (1) Crossbar Pivot and (1) Pivot Bracket.	1	1
<p>NOTE: A - Includes: Items 2-3, all Attaching Hardware, and Instruction Sheet. B - Not Shown. C - These items are painted. Please make sure you select the correct color option.</p>					

Bed Rails

Model IH5813 & IH6808 - 3/4 Length Epoxy Rail

NOTE: Please make sure you are ordering parts for the correct model # IH5813 or IH6808. Parts for IH6808A are found in a different section of this book.

NOTE: The model #IH6808 was discontinued but can be directly replaced by the IH6808A model rails.



Bed Rails

Model IH5813 & IH6808 - 3/4 Length Epoxy Rail

NOTE: Please make sure you are ordering parts for the correct model # IH5813 or IH6808. Parts for IH6808A are found in a different section of this book.

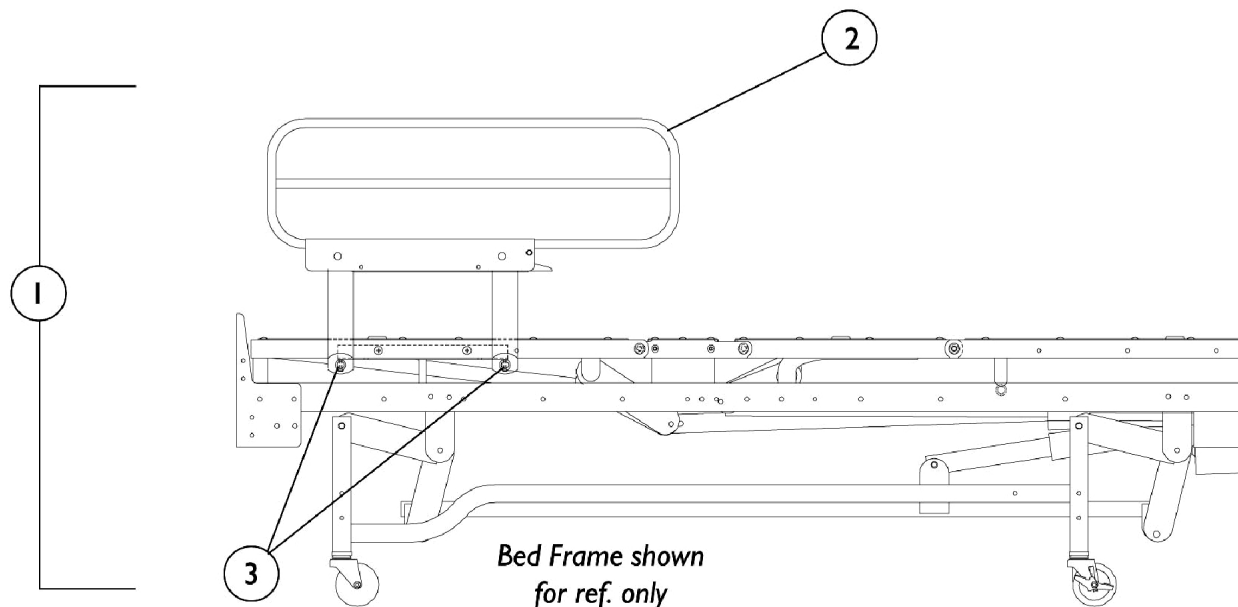
NOTE: The model #IH6808 was discontinued but can be directly replaced by the IH6808A model rails.

Item Number	Note	Part Number	Description	Quantity Per	
				Package	Assembly
1	C	026843-NLA	NLA - Side Rail Assembly, Dark Brown (3/4 Length)	1	1
1	C,A	1125236-NLA	NLA - Side Rail Assembly, 3/4 Length (Taupe)	1	1
2	C	1113743-NLA	NLA - Side Rail, 3/4 Length - Right (Brown)	1	1
2	C	1113742-NLA	NLA - Side Rail, 3/4 Length - Left (Brown)	1	1
2	C	1125248-NLA	NLA - Side Rail, 3/4 Length - Right (Taupe)	1	1
2	C	1125247-NLA	NLA - Side Rail, 3/4 Length - Left (Taupe)	1	1
3		033786	Screw, Socket Head (#10-32 x 3/8")	1	4
	B	020258	Wrench, Allen (5/32")	1	1
	B	026715	Instruction Sheet, Bed Rail	1	1
	B	026842	Hardware, Rail Mounting Includes: (1) Crossbar Pivot, (4) Pivot Bracket, (8) Locknut (1/4-20"), and (8) Screw, Hex Head (1/4-20 x 5/8").	1	1
	B	026978	Kit, Crossbar Pivot Replacement Includes: (1) Crossbar Pivot and (1) Pivot Bracket.	1	1
<p>NOTE: A - Includes: Items 2, Instruction Sheet, and Attaching Hardware. B - Not Shown. C - These items are painted. Please make sure you select the correct color option.</p>					

Bed Rails

Model IH5830 - 1/2 Length, Head End

Model IH5830 - Discontinued 2/05

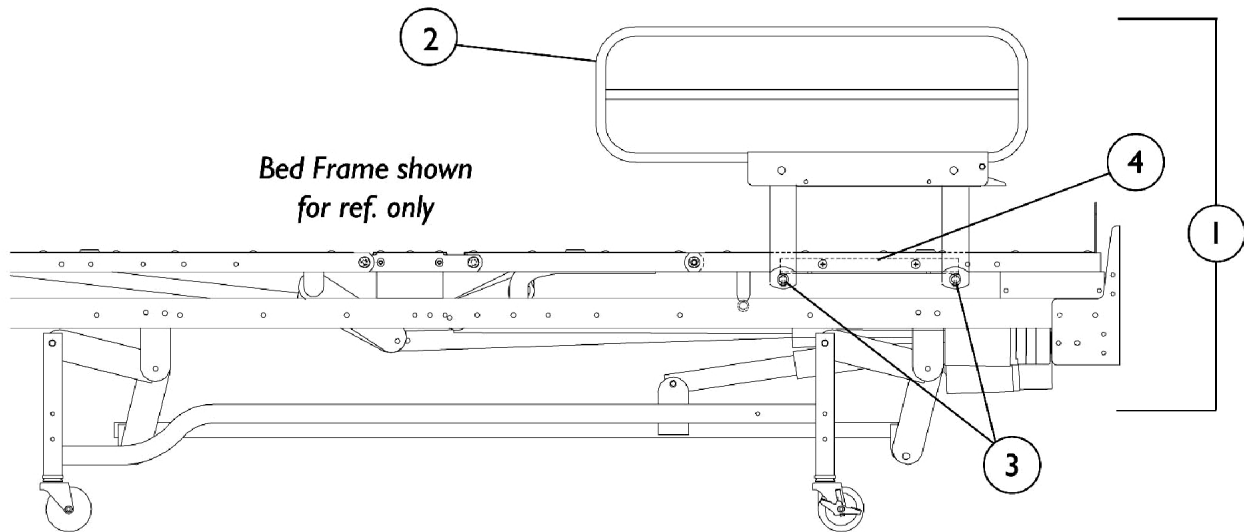


Item Number	Note	Part Number	Description	Quantity Per	
				Package	Assembly
1	A	027039-NLA	NLA - Side Rail Assembly (1/2 Length)	1	1
2		1113726-NLA	NLA - Side Rail, 1/2 Length - Right	1	1
2		1113727-NLA	NLA - Side Rail, 1/2 Length - Left	1	1
3		033786	Screw, Socket Head (#10-32 x 3/8")	1	4
	B	020258	Wrench, Allen (5/32")	1	1
	B	026715	Instruction Sheet, Bed Rail	1	1
	B	026197	Hardware, Rail Mounting	1	1
			Includes: 2 ea. Pivot Brackets (Left & Right), 1 ea. Tube (3/4 x 28"), 4 ea. Locknuts (1/4-20), and 4 ea. Screws, Hex Head (1/4-20 x 5/8").		
NOTE: A - Includes: Items 2, Instruction Sheet, and Attaching Hardware. B - Not shown.					

Bed Rails

Model IH5831 - 1/2 Length, Foot End

Model IH5831 - Discontinued 11/03

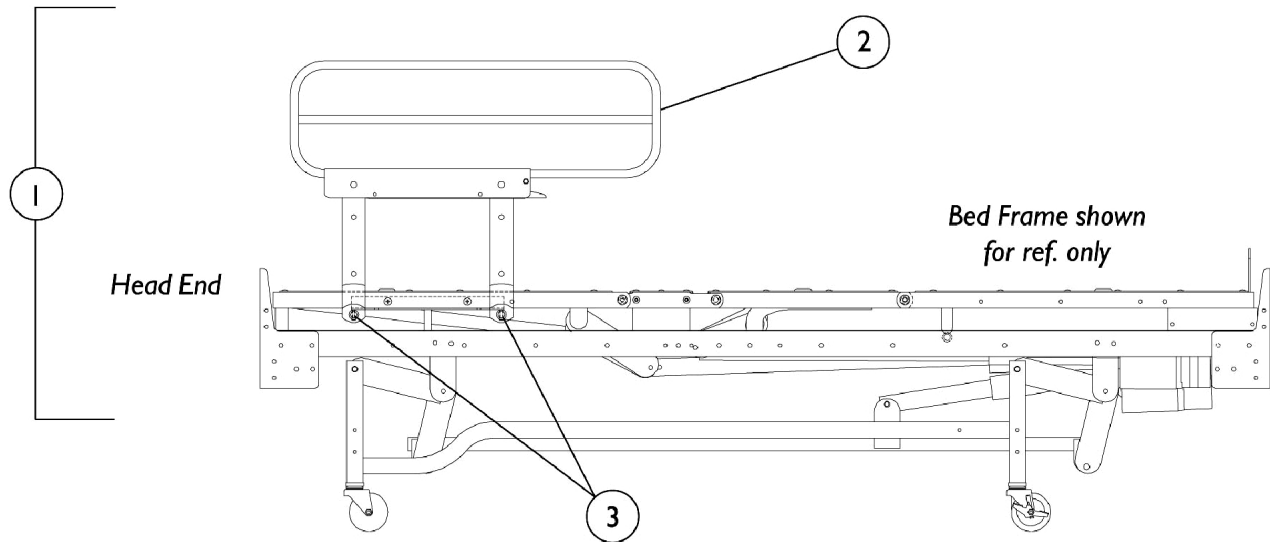


Item Number	Note	Part Number	Description	Quantity Per	
				Package	Assembly
1	A	027040-NLA	NLA - Side Rail Assembly (1/2 Length) (Pair)	1	1
2		1113733-NLA	NLA - Side Rail, 1/2 Length - Right	1	1
2		1113734-NLA	NLA - Side Rail, 1/2 Length - Left	1	1
3		033786	Screw, Socket Head (#10-32 x 3/8")	1	4
4		027035	Tube, Side Rail	1	1
	B	020258	Wrench, Allen (5/32")	1	1
	B	026715	Instruction Sheet, Bed Rail	1	1
	B	026195	Hardware, Rail Mounting Includes: 2 ea. Pivot Bracket, 4 ea. Locknut (1/4-20), and 4 ea. Screw, Hex Head Cap (1/4-20 x 5/8").	1	1
NOTE: A - Includes: Items 2, Instruction sheet, and Attaching Hardware. B - Not Shown.					

Bed Rails

Model IH5820 & IH6815 - 1/2 Length Epoxy Rail, Head End

Discontinued 2/05

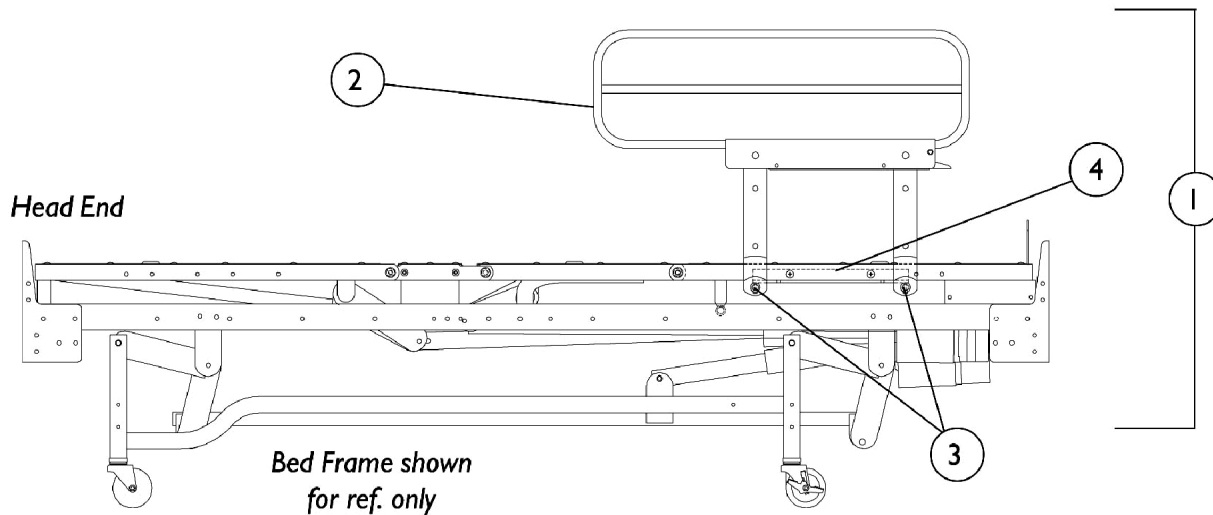


Item Number	Note	Part Number	Description	Quantity Per	
				Package	Assembly
1	C,A	026202-NLA	NLA - Side Rail Assembly, Dark Brown (1/2 Length)	1	1
1	C,A	1125238-NLA	NLA - Side Rail Assembly, 1/2 Length (Taupe)	1	1
2	C	020581-NLA	NLA - Side Rail, 1/2 Length - Right (Dark Brown)	1	1
2	C	020582-NLA	NLA - Side Rail, 1/2 Length - Left (Dark Brown)	1	1
2	C	1125251-NLA	NLA - Side Rail, 1/2 Length - Right (Taupe)	1	1
2	C	1125252-NLA	NLA - Side Rail, 1/2 Length - Left (Taupe)	1	1
3		033786	Screw, Socket Head (#10-32 x 3/8")	1	4
	B	020258	Wrench, Allen (5/32")	1	1
	B	026715	Instruction Sheet, Bed Rail	1	1
	B	026197	Hardware, Rail Mounting Includes: 2 ea. Pivot Brackets (Left & Right), 1 ea. Tube (3/4 x 28"), 4 ea. Locknuts (1/4-20), and 4 ea. Screws, Hex Head (1/4-20 x 5/8").	1	1
NOTE: A - Includes: Items 2, Instruction sheet, and Attaching Hardware. B - Not Shown. C - These items are painted. Please make sure you select the correct color option.					

Bed Rails

Model IH5821 & IH6816 - 1/2 Length Epoxy Rail, Foot End

Discontinued 2/05



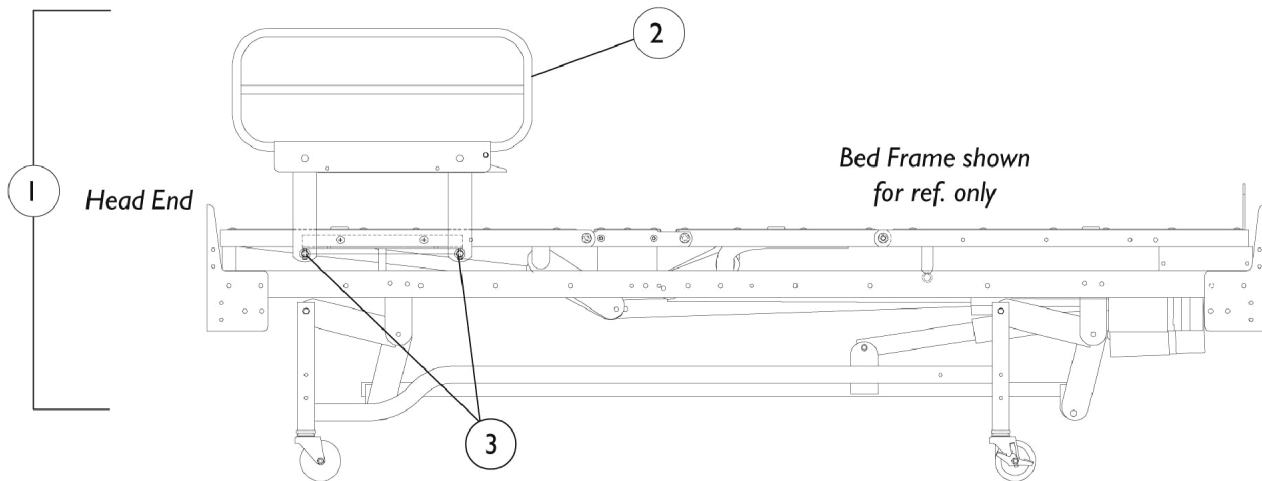
Item Number	Note	Part Number	Description	Quantity Per	
				Package	Assembly
1	A,C	1113735-NLA	NLA - Side Rail Assembly (1/2 Length)	1	1
1	A,C	1125239-NLA	NLA - Side Rail Assembly - Foot End, 1/2 Length (Taupe)	1	1
2	C	1113736-NLA	NLA - Side Rail, 1/2 Length - Right	1	1
2	C	1113737-NLA	NLA - Side Rail, 1/2 Length - Left	1	1
2	C	1125253-NLA	NLA - Side Rail, 1/2 Length - Right (Taupe)	1	1
2	C	1125254-NLA	NLA - Side Rail, 1/2 Length - Left (Taupe)	1	1
3		033786	Screw, Socket Head (#10-32 x 3/8")	1	4
4		027035	Tube, Side Rail	1	1
	B	020258	Wrench, Allen (5/32")	1	1
	B	026715	Instruction Sheet, Bed Rail	1	1
	B	026195	Hardware, Rail Mounting Includes: 2 ea. Pivot Bracket, 4 ea. Locknut (1/4-20), and 4 ea. Screw, Hex Head Cap (1/4-20 x 5/8").	1	1

NOTE: A - Includes: Items 2, Instruction Sheet, and Attaching Hardware.
 B - Not Shown.
 C - These items are painted. Please make sure you select the correct color option.

Bed Rails

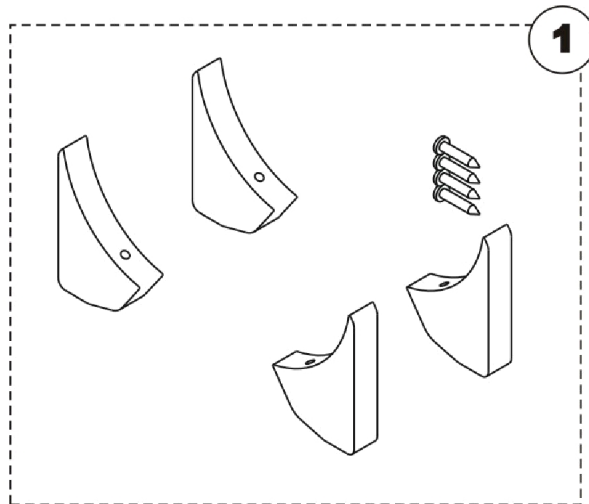
Model IH5822 & IH6803 - 1/4 Length Epoxy Rail, Head End

Discontinued 2/05



Item Number	Note	Part Number	Description	Quantity Per	
				Package	Assembly
1	A,C	026865-NLA	NLA - Side Rail Assembly, Dark Brown (1/4 Length)	1	1
1	A,C	1125237-NLA	NLA - Side Rail Assembly, 1/4 Length (Taupe)	1	1
2	C	1113739-NLA	NLA - Side Rail, 1/4 Length - Right (Dark Brown)	1	1
2	C	1113740-NLA	NLA - Side Rail, 1/4 Length - Left (Dark Brown)	1	1
2	C	1125249-NLA	NLA - Side Rail, 1/4 Length - Right (Taupe)	1	1
2	C	1125250-NLA	NLA - Side Rail, 1/4 Length - Left (Taupe)	1	1
3		033786	Screw, Socket Head (#10-32 x 3/8")	1	4
	B	020258	Wrench, Allen (5/32")	1	1
	B	026715	Instruction Sheet, Bed Rail	1	1
	B	026197	Hardware, Rail Mounting	1	1
			Includes: 2 ea. Pivot Brackets (Left & Right), 1 ea. Tube (3/4 x 28"), 4 ea. Locknuts (1/4-20), and 4 ea. Screws, Hex Head (1/4-20 x 5/8").		
NOTE: A - Includes: Items 2, Instruction Sheet, and Attaching Hardware. B - Not Shown. C - These items are painted. Please make sure you select the correct color option.					

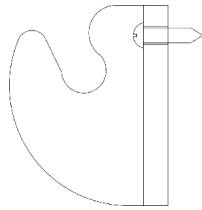
Corner Bumpers



Item Number	Note	Part Number	Description	Quantity Per	
				Package	Assembly
1		1139604	Kit, Corner Bumper with Instruction Sheet	1	1

Miscellaneous Accessories

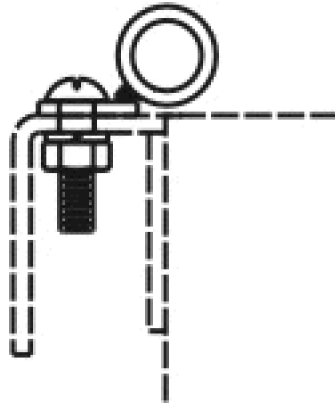
IH5857 Bumper & I.V. Holder



Part Number	Description	Package Quantity	Assembly Quantity
003790	Holder, I.V. Rod and Bumper	1	2
000834	Screw, Pan Head (#10 x 3/4")	1	4

Miscellaneous Accessories

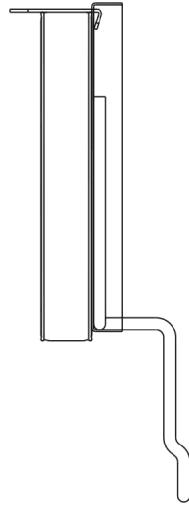
IH6829 I.V. Bracket



Part Number	Description	Package Quantity	Assembly Quantity
026394	Bracket, I.V. Bolt On - Left	1	1
026395	Bracket, I.V. Bolt On - Right	1	1
001743	Screw, Slotted Pan Head (1/4-20 x 3/4")	1	8
003005	Nut, Hex (1/4-20)	1	8
004033	Washer, Split Lock (1/4")	1	8
1070795	Instruction Sheet, I.V. Bracket	1	1

Miscellaneous Accessories

IH5937 Bed Extender



Part Number	Description	Package Quantity	Assembly Quantity
032906 See Note(s) A	Bed Extender (Dark Brown)	1	1
1133065 See Note(s) A	Bed Extender (Taupe)	1	1
032981	Mattress (13-3/8 x 32 x 2")	1	1
000194	Grommet, Pan Deck	1	8
1070793	Instruction Sheet, Bed Extender and Mattress	1	1

NOTE: A - These items are painted. Please make sure you select the correct color option.

Miscellaneous Accessories

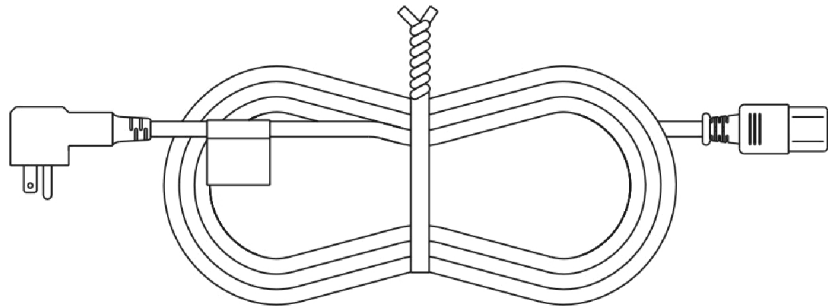
Tamper Resistant Bed End Hardware



Part Number	Description	Package Quantity	Assembly Quantity
026630-NLA	NLA - Tamper Resistant Hardware Kit	1	1

Miscellaneous Accessories

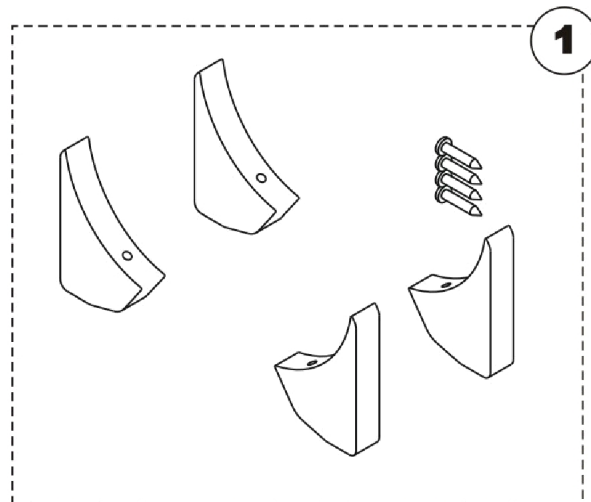
Power Cord



Part Number	Description	Package Quantity	Assembly Quantity
026759-NLA	NLA - Power Cord, RT Angle IEC	1	1

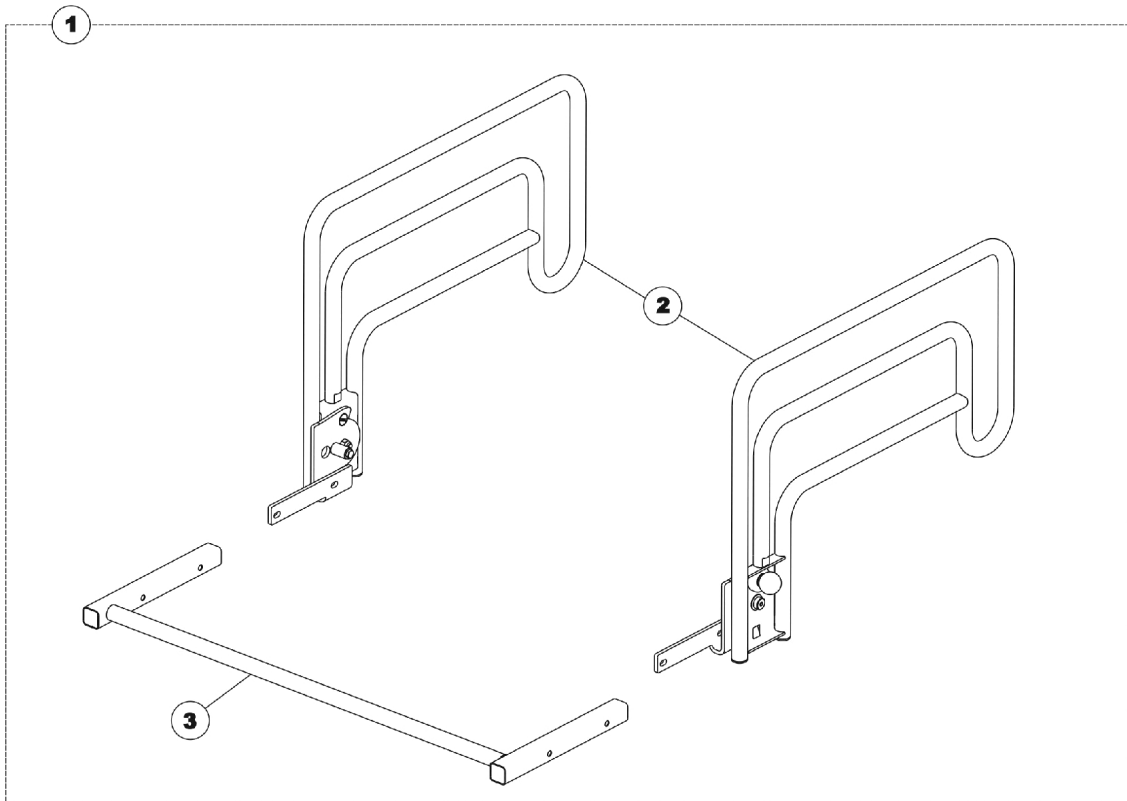
Corner Bumper Kit

For 1/2 & 1/4 Rails



Item Number	Note	Part Number	Description	Quantity Per	
				Package	Assembly
1		1139604	Kit, Corner Bumper with Instruction Sheet	1	1

Half Length Assist Rail



Item Number	Note	Part Number	Description	Quantity Per	
				Package	Assembly
1	A	1131910	Half Length Assist Rails Assembly	1	1
2		1132018	Rail, Assist with Hardware	1	1
3		1131988	Crossbrace with Hardware	1	1

NOTE: A - Includes: Items 2-3.

Invacare Corporation

www.invacare.com



Yes, you can.

One Invacare Way
Elyria, Oh USA
44036-2125
800-333-6900

Technical Support
800-832-4707
Customer Service
800-333-6900

Literature Orders
800-333-6900

© 2016 Invacare Corporation. All rights reserved. Republication, duplication or modification in whole or in part is prohibited without prior written permission from Invacare. Trademarks are identified by [™] and ©. All trademarks are owned by or licensed to Invacare Corporation or its subsidiaries unless otherwise noted. (Revised 08/10/2016)

Form No. 99-127