

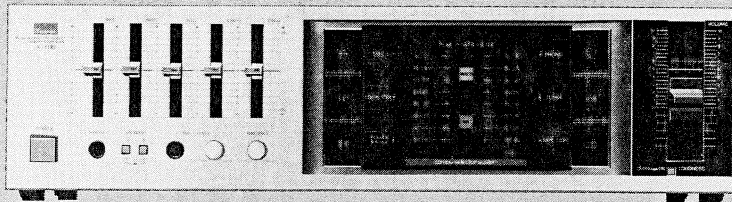
# SERVICE MANUAL

## INTEGRATED DC SERVO STEREO AMPLIFIER

### SANSUI A-1110

(Silver & Black Model)

### CLASSIQUE A-1001



#### NOTE

A-1110 and A-1001 are additional models which external appearances are different from those of A-1010 and A-1000.

This manual contains OTHER PARTS LIST, PACKING LIST, ACCESSORY LIST and PARTS LIST FOR F-4412 GRAPHIC EQUALIZER CIRCUIT BOARD in which changed parts are printed with bold-face.

For other parts list, refer to A-1010/A-1000 service manual previously issued.

#### •SPECIFICATIONS

##### •A-1110

###### Power output

Min. RMS, both channels driven, from 20 to 20,000 Hz, with no more than 0.05% total harmonic distortion  
100 watts per channel into 8 ohms

**Load impedance**..... 8 ohms

###### Total harmonic distortion

..... less than 0.05% at or below rated min. RMS power output

###### Frequency response (at 1 watt)

..... 5 to 60,000 Hz  
+1 dB, -2 dB

###### RIAA curve deviation (PHONO, 20 Hz to 20 kHz)

..... +0.5 dB, -0.5 dB

###### Input sensitivity and impedance

(1 kHz, for rated power output)

PHONO..... 2.5 mV/47 kilohms

(Max. input capability; 120mV at 1 kHz, less than 0.1% total harmonic distortion)

TUNER, TAPE PLAY.... 150 mV/47 kilohms

MIC..... 0.5 mV/10 kilohms

###### Output level (1 kHz)

TAPE REC..... 130 mV into 47 kilohms

###### Signal to noise ratio (short-circuit, A-network)

PHONO..... 75 dB

TUNER, TAPE PLAY.... 100 dB

###### Power requirements

Power voltage..... 120/220/240V (50/60 Hz)

For U.S.A. & Canada

..... 120V (60 Hz)

Power consumption.... 360 watts 450 VA Rated

###### Dimensions..... 430 mm (16-15/16") W

118 mm (4-11/16") H

245 mm (9-11/16") D

**Weight**..... 7.2 kg (15.9 lbs.) net

8.0 kg (17.6 lbs.) packed

##### •A-1001 Classique

**Power voltage**..... 120V (60 Hz)

**Power consumption**..... 360 watts

**Dimensions**..... 430 mm (16-15/16") W

118 mm (4-11/16") H

245 mm (9-11/16") D

**Weight**..... 7.2 kg (15.9 lbs.) net

8.0 kg (17.6 lbs.) packed

\* Design and specifications subject to changes without notice for improvements.

**Sansui**

SANSUI ELECTRIC CO., LTD.

+565

# 1. PARTS LIST FOR F-4412 GRAPHIC EQUALIZER CIRCUIT BOARD

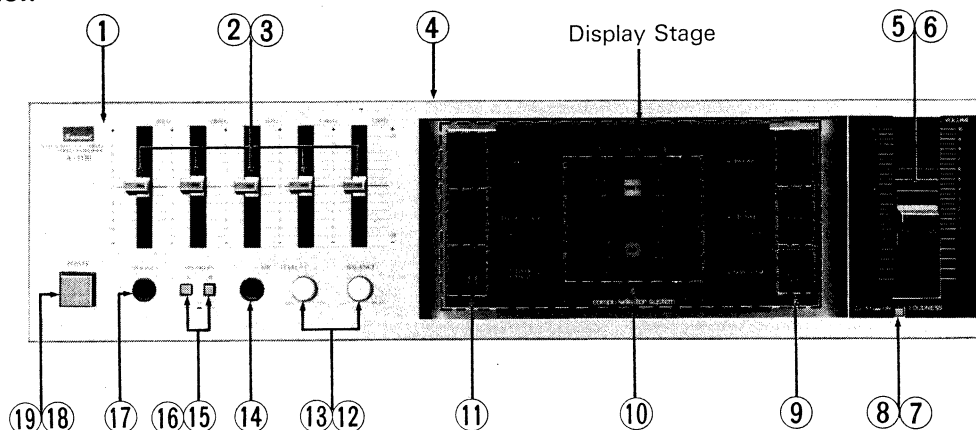
Parts List

Parts No.	Stock No.	Description
•IC		
jIC1	46078900	M5218L
jIC2	46078900	M5218L
jIC3	46078900	M5218L
jIC4	46078900	M5218L
jIC5	46078900	M5218L
jIC6	46078900	M5218L
jIC7	46078900	M5218L

Parts No.	Stock No.	Description
△jR21	08923500	330Ω 1/2W N.I.R.
jVR3	46862800	250kΩ Slide V.R., 80Hz
jVR4	46862800	250kΩ Slide V.R., 280Hz
jVR5	46862800	250kΩ Slide V.R., 1kHz
jVR6	46862800	250kΩ Slide V.R., 3.5kHz
jVR7	46862800	250kΩ Slide V.R., 12kHz

## 2. OTHER PARTS

2-1. Front View

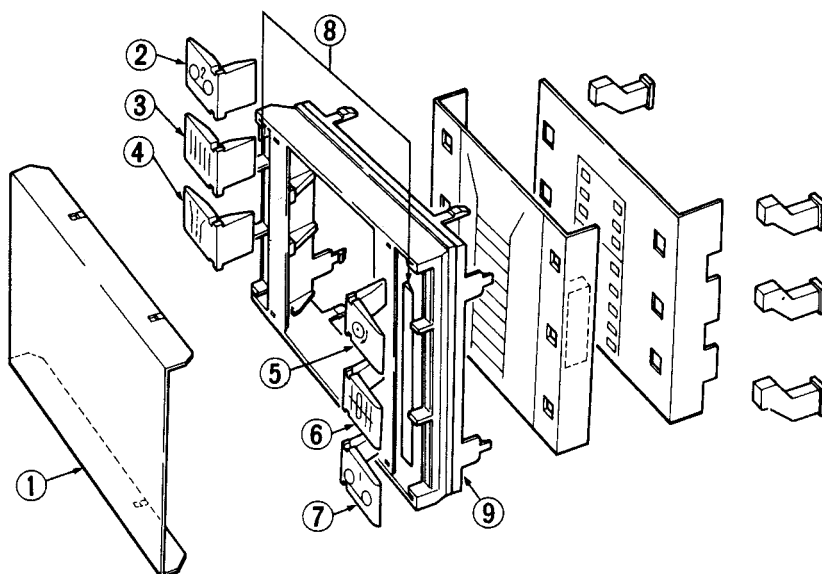


Parts List

Parts No.	Stock No.	Description
1	47370710	Front Panel (A-1110 Silver Model)
	47370810	Front Panel (A-1110 Black Model)
	47370910	Front Panel (A-1001)
2	47367410	Knob, graphic EQ. 80Hz, 280Hz, 1kHz, 3.5kHz, 12kHz (A-1110 Silver Model)
	47367510	Knob, graphic EQ. 80Hz, 280Hz, 1kHz, 3.5kHz, 12kHz (A-1110 Black Model, A-1001)
3	46862800	Slide V.R., graphic EQ. 80Hz, 280Hz, 1kHz, 3.5kHz, 12kHz
4	07952400	Bonnet
5	47484000	Knob, VOLUME
6	46395300	150kΩ x 2 V.R., VOLUME
7	47234600	Knob, LOUDNESS (A-1110 Silver Model)
	07917300	Knob, LOUDNESS (A-1110 Black Model, A-1001)
8	46360900	Push SW., LOUDNESS
9	46395900	Push SW., PHONO, TUNER, TAPE-1

Parts No.	Stock No.	Description
10	46862300	PEAK POWER METER Ass'y
11	46365400	Push SW., TAPE-2, EQUALIZER, POWER RANGE
12	07932500	Knob, BALANCE, MIC LEVEL (A-1110 Silver Model)
	47085900	Knob, BALANCE, MIC LEVEL (A-1110 Black Model, A-100 1)
13	46862900	20kΩ x 2 and 250kΩ V.R., BALANCE, MIC LEVEL
14	46365100	Jack, MIC
15	47234600	Knob, SPEAKERS (A-1110 Silver Model)
	07917300	Knob, SPEAKERS (A-1110 Black Model, A-100 1)
16	46863000	Push SW., SPEAKERS
17	46862700	Jack, PHONES
18	47393300	Knob, POWER
△19	46546900	Push SW., POWER

## 2-2. Display Stage



### Parts List

Parts No.	Stock No.	Description
1	47369500	Display Cover
2	47433500	Knob, TAPE-2
3	47434700	Knob, EQUALIZER
4	47434800	Knob, POWER RANGE
5	47433800	Knob, PHONO

Parts No.	Stock No.	Description
6	47433900	Knob, TUNER
7	47434000	Knob, TAPE-1
8	47071410	Cushion
9	07947900	Display Holder

## 3. PACKING LIST

Parts No.	Stock No.	Description
1	91263810	Vinyl Bag
2	07949000	Styrofoam Packing
3	47367800	Carton Case (A-1110 Silver Model)
	47367900	Carton Case (A-1110 Black Model)
	47368000	Carton Case (A-1001)

## 4. ACCESSORY LIST

Stock No.	Description
46895400	Operating Instruction (A-1 110)
46895500	Operating Instruction (A-1 001)

A-1110/A-1001

*Sansui*

SANSUI ELECTRIC CO., LTD.:  
SANSUI ELECTRONICS CORPORATION:  
SANSUI ELECTRONICS (U.K.) LTD.:  
SANSUI ELECTRONICS G.M.B.H.:

14-1, Izumi 2-chome, Suginami-ku, Tokyo 168 Japan  
PHONE: (03) 324-8891/TELEX: 232-2076 (International Division)  
1250 Valley Brook Ave. Lyndhurst, N.J. 07071 U.S.A.  
17150 South Margay Ave. Carson, California 90746 U.S.A.  
3036 Koapaka Street, Honolulu, Hawaii 96819 U.S.A.  
Unit 10A, Lyon Industrial Estate, Rockware Avenue, Geenford, Middx UB6, OAA, England  
Pau Ehrich Strasse 8, 6074 Rödermark 2, West Germany

(SM1-147)

Printed in Japan (146120M) <Stock No. 3642 900>

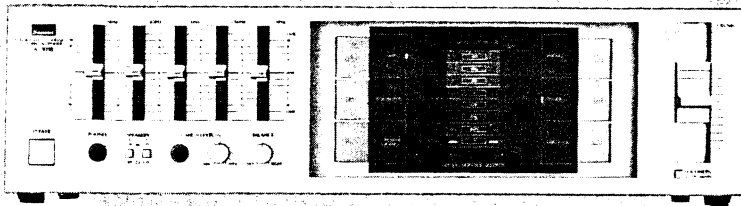
# SERVICE MANUAL

INTEGRATED DC SERVO  
STEREO AMPLIFIER

## SANSUI A-1010

(Silver & Black Model)

## CLASSIQUE A-1000



### CAUTION

1. Parts identified by the  $\triangle$  symbol on the schematic diagram and the parts list are critical for safety. Use only replacement parts that have critical characteristics recommended by the manufacturer.
2. Make leakage-current or resistance measurements to determine that exposed parts are acceptably insulated from the supply circuit before returning the appliance to the customer.

### •SPECIFICATIONS

#### Power output

Min. RMS, both channels driven, from 20 to 20,000 Hz,  
with no more than 0.05% total harmonic distortion  
100 watts per channel into 8 ohms

Load impedance..... 8 ohms

#### Total harmonic distortion

..... less than 0.05% at or below  
rated min. RMS power output

#### Frequency response (at 1 watt)

..... 5 to 60,000 Hz  
+1 dB, -2 dB

#### RIAA curve deviation (PHONO, 20 Hz to 20 kHz)

..... +0.5 dB, -0.5 dB

#### Input sensitivity and impedance (1 kHz, for rated power output)

PHONO..... 2.5 mV/47 kilohms

(Max. input capability; 120mV at 1 kHz, less than  
0.1% total harmonic distortion)

TUNER, TAPE PLAY.... 150 mV/47 kilohms

MIC..... 0.5 mV/10 kilohms

#### Output level (1 kHz)

TAPE REC..... 130 mV into 47 kilohms

#### Signal to noise ratio (short-circuit, A-network)

PHONO..... 75 dB

TUNER, TAPE PLAY.... 100 dB

#### Power requirements

##### (A-1010)

Power voltage..... 120/220/240V (50/60 Hz)

For U.S.A. & Canada

..... 120V (60 Hz)

##### (A-1000)

Power voltage..... 120V (60 Hz)

Power consumption.... 360 watts 450 VA Rated

#### Dimensions..... 430 mm (16-15/16") W

118 mm (4-11/16") H

245 mm (9-11/16") D

#### Weight..... 7.2 kg (15.9 lbs.) net

8.0 kg (17.6 lbs.) packed

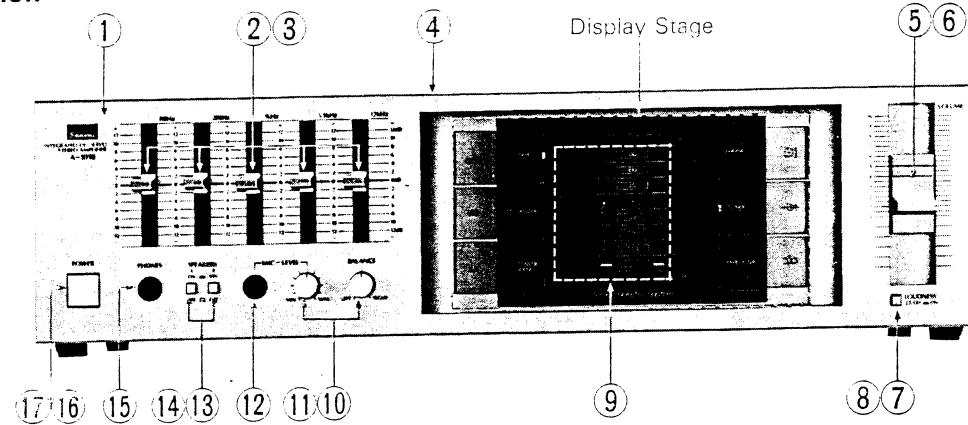
\* Design and specifications subject to changes without notice for improvements.

**Sansui**

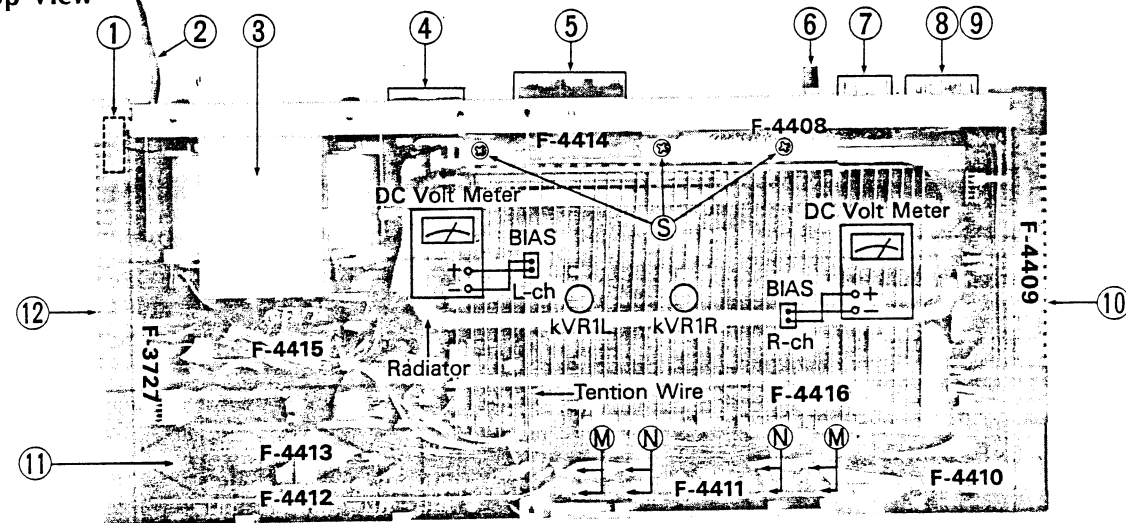
SANSUI ELECTRIC CO., LTD.

### 3. OTHER PARTS

3-1. Front View



3-2. Top View



Parts List <Front View>

Parts No.	Stock No.	Description
1	47373500	Front Panel (A-1010 Silver Model)
	47373600	Front Panel (A-1010 Black Model)
	47373700	Front Panel (A-1000)
2	47367400	Knob, graphic EQ. 80Hz, 280Hz, 1kHz, 3.5kHz, 12kHz (A-1010 Silver Model)
	47367500	Knob, graphic EQ. 80Hz, 280Hz, 1kHz, 3.5kHz, 12kHz (A-1010 Black Model, A-1000)
3	46862800	Slide V.R., graphic EQ. 80Hz, 280Hz, 1kHz, 3.5kHz, 12kHz
4	07952400	Bonnet
5	47213000	Knob, VOLUME (A-1010 Silver Model)
	47194200	Knob, VOLUME (A-1010 Black Model, A-1000)
6	46395300	150kΩ x 2 V.R., VOLUME
7	07917200	Knob, LOUDNESS (A-1010 Silver Model)
	07917300	Knob, LOUDNESS (A-1010 Black Model, A-1000)
8	46360900	Push SW., LOUDNESS
9	46862300	PEAK POWER METER Ass'y

Parts No.	Stock No.	Description
10	07932500	Knob, BALANCE, MIC LEVEL (A-1010 Silver Model)
	47085900	Knob, BALANCE, MIC LEVEL (A-1010 Black Model, A-1000)
11	46862900	20kΩ x 2 and 250kΩ V.R., BALANCE, MIC LEVEL
12	46365100	Jack, MIC
13	47005600	Knob, SPEAKERS (A-1010 Silver Model)
	07917300	Knob, SPEAKERS (A-1010 Black Model, A-1000)
14	46863000	Push SW., SPEAKERS
15	46862700	Jack, PHONES
16	07971210	Knob, POWER (A-1010 Silver Model)
	07911210	Knob, POWER (A-1010 Black Model, A-1000)
△ 17	46546900	Push SW., POWER

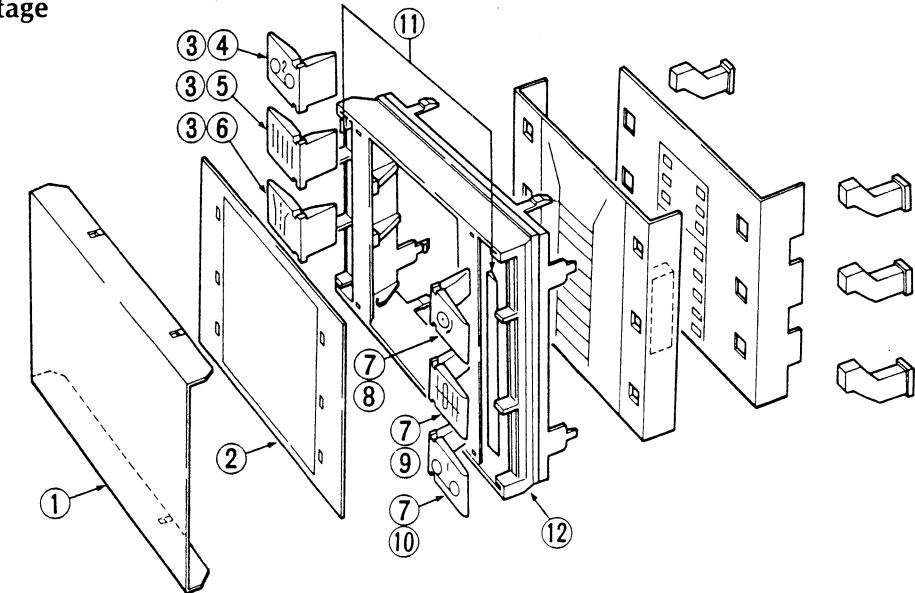
Parts List <Top View>

Parts No.	Stock No.	Description
1	07917700	AC Cord Cover
△ 2	38005700	Power Supply Cord (A-1010 XX, UL, A-1000)
	46407700	Power Supply Cord (A-1010 CSA)
△ 3	15014501	Power Transformer (A-1010 XX)
	15014502	Power Transformer (A-1010 UL, A-1000)
△ 4	15014503	Power Transformer (A-1010 CSA)
	46863600	AC OUTLET
5	46364100	8P Push Terminal, SPEAKERS

Parts No. Stock No. Description

6	22301510	GND Terminal
7	46862600	2P INPUT Terminal, PHONO
8	46371500	4P Terminal, TUNER, TAPE-1 REC
9	46363900	6P Terminal, TAPE-1 PLAY/DA, TAPE-2
10	47448900	Side Panel Ass'y R
11	07947200	Joint Shaft
12	47448800	Side Panel Ass'y L

3-3. Display Stage



Parts List <Display Stage>

Parts No.	Stock No.	Description
1	47369600	Display Cover
2	47009510	Display Panel (A-1010 Silver Model)
	07954410	Display Panel (A-1010 Black Model, A-1000)
3	46365400	Push SW., TAPE-2, EQUALIZER, POWER RANGE
4	07925810	Knob, TAPE-2
5	47369900	Knob, EQUALIZER
6	47370000	Knob, POWER RANGE

Parts No. Stock No. Description

7	46395900	Push SW., PHONO, TUNER, TAPE-
8	07925510	Knob, PHONO
9	07925610	Knob, TUNER
10	07925710	Knob, TAPE-1
11	47071410	Cushion
12	47011500	Display Holder (A-1010 Silver Model)
	07947900	Display Holder (A-1010 Black Model, A-1000)

### 4. BIAS CURRENT ADJUSTMENT (See Top View left)

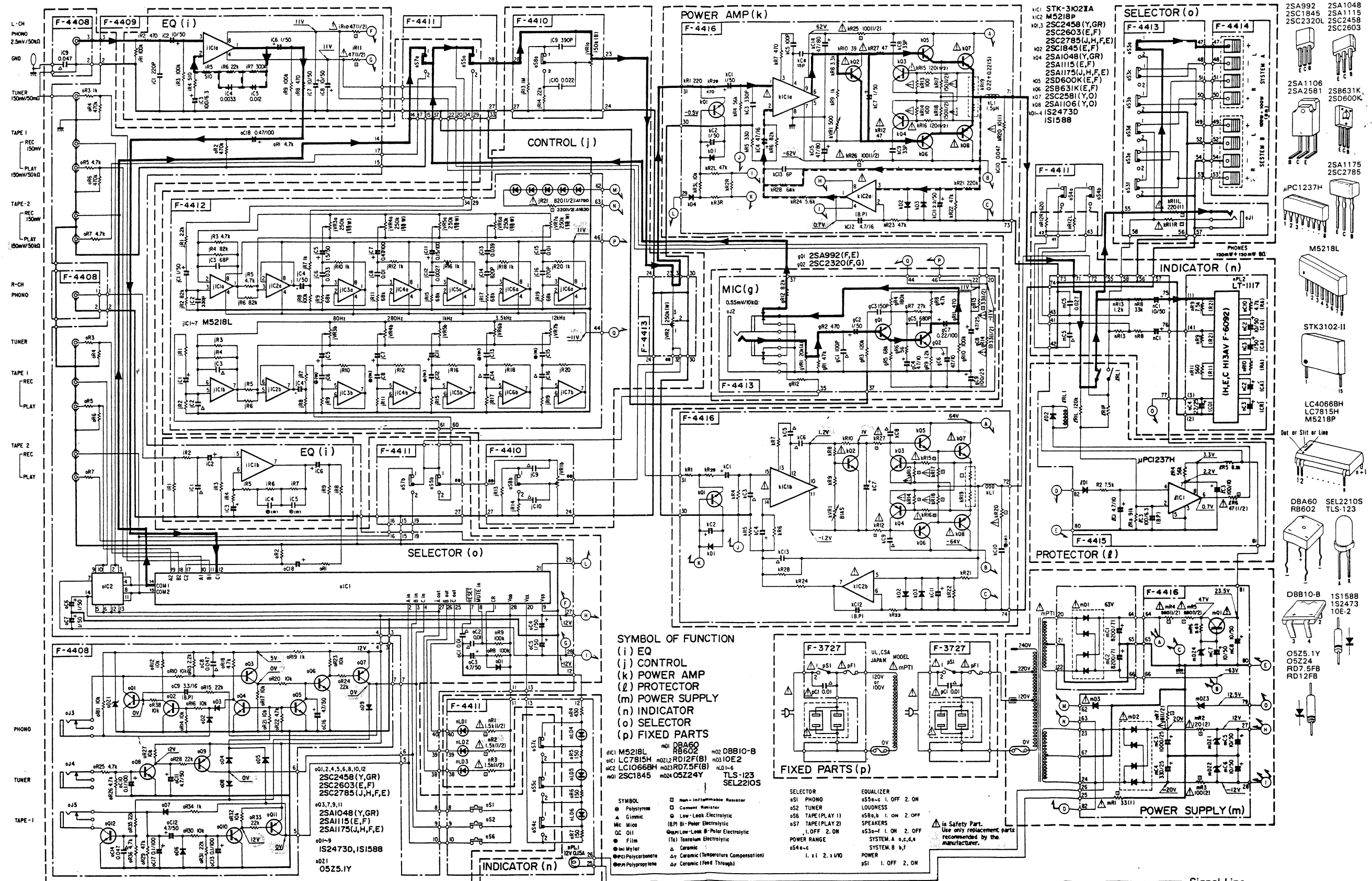
- Note: 1. Room Temperature ..... 18°C ~ 28°C  
 2. For this adjustment, removal of radiator is required, so loosen three screws ⑤.

3. Before turning ON POWER switch, set kVR1 on F-4416 little before center.  
 4. For adjustment, run the unit for more than 5 minutes after the power is switched on.

STEP	SUBJECT	MEASURE OUTPUT	ADJUST	ADJUST FOR	REMARKS
1.	L-CH	Connect DC volt meter between BIAS Terminals (L-ch), on F-4416	kVR1 (L-CH) (F-4416)	DC 5mV ± 1mV	This bias current adjustment converts current value into voltage by ohms law. <b>Absolutely</b> , install the radiator after this adjustment.
2.	R-CH	Connect DC volt meter between BIAS Terminals (R-ch), on F-4416	kVR1 (R-CH) (F-4416)	DC 5mV ± 1mV	

### 7. SCHEMATIC DIAGRAM

\*Design and specifications subject to change without notice for improvement.  
 \*La présentation et les spécifications sont susceptibles d'être modifiées sans préavis par suites d'améliorations éventuelles.  
 \*Änderungen, die dem technischen Fortschritt dienen, bleiben vorbehalten.

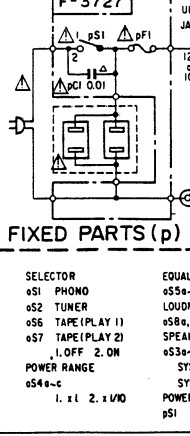


#### SYMBOL OF FUNCTION

- (i) EQ
- (j) CONTROL
- (k) POWER AMP
- (l) PROTECTOR
- (m) POWER SUPPLY
- (n) INDICATOR
- (o) SELECTOR
- (p) FIXED PARTS

<ul style="list-style-type: none"> <li>● Polystyrene</li> <li>▲ Ceramic</li> <li>△ Gimble</li> <li>Mc Micro</li> <li>GC Oil</li> <li>○ Film</li> <li>○ Mylar</li> <li>○ Polycarbonate</li> <li>○ Polypropylene</li> </ul>	<ul style="list-style-type: none"> <li>□ Non-Flammable Resistor</li> <li>○ Constant Resistor</li> <li>○ Low-Leak Electrolytic</li> <li>(BP) Bi-Polar Electrolytic</li> <li>○ Low-Leak Bi-Polar Electrolytic</li> <li>(Te) Tantalum Electrolytic</li> <li>△ Ceramic</li> <li>△ Ceramic (Temperature Compensation)</li> <li>△ Ceramic (Feed Through)</li> </ul>
---	---

#### FIXED PARTS (p)



- 2SA992
- 2SA1048
- 2SC1845
- 2SA1115
- 2SC2458
- 2SC2603
- 2SA1106
- 2SB631K
- 2SD600K
- 2SA1175
- 2SC2785
- PC1237H
- M5218L
- STK3102-II
- LC4066BH
- LC7815H
- M5218P
- Dot or Slot or Line
- DBA60
- SEL2210S
- RB602
- TL5-123
- DBB10-B
- IS1588
- IS2473
- 10E-2
- OS25.1Y
- OS224
- RD7.5FB
- RD12FB

1  
2  
3  
4  
5

— Signal Line  
 - - - NFB Line