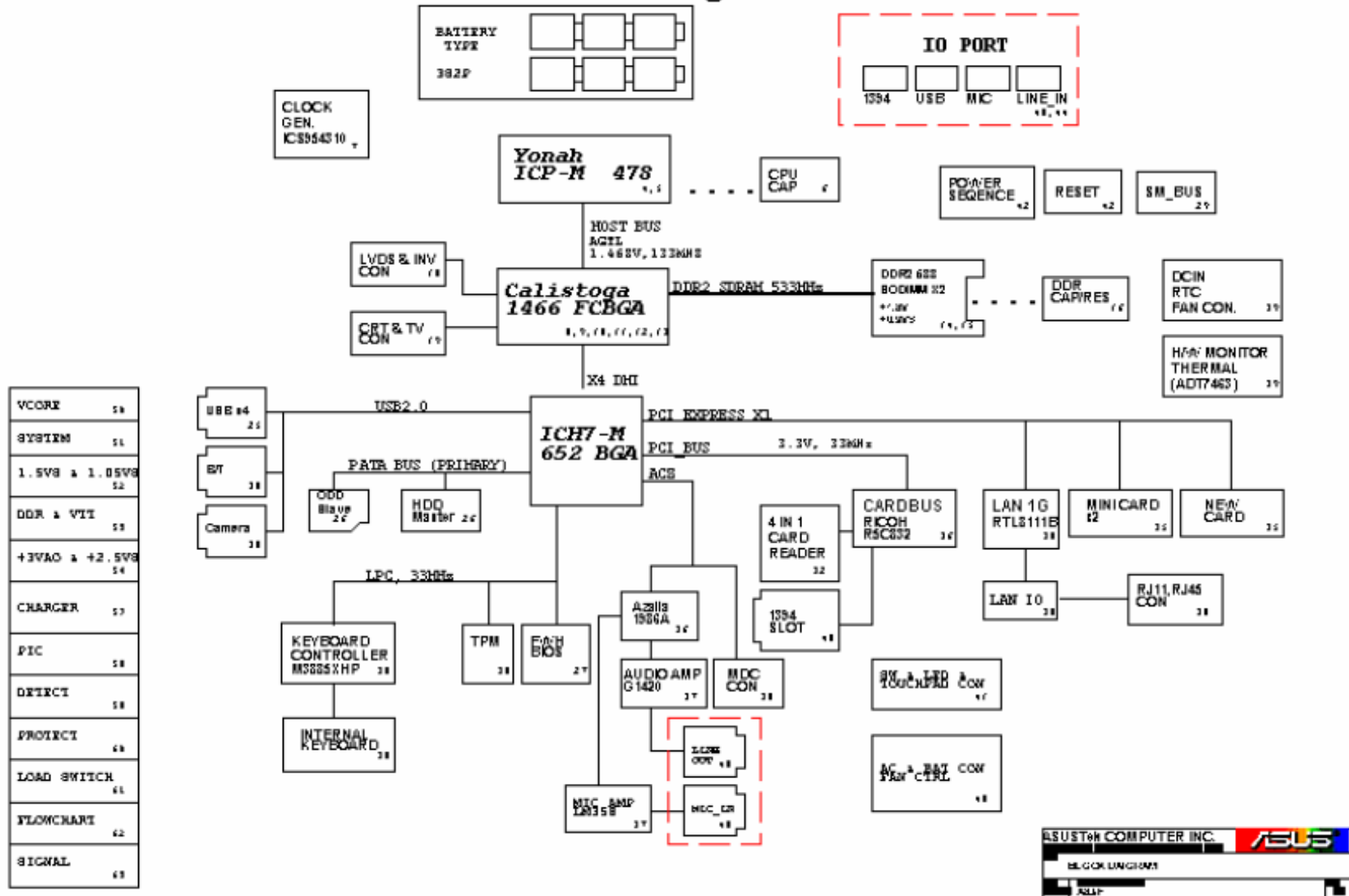

A8H

Troubleshooting Guide

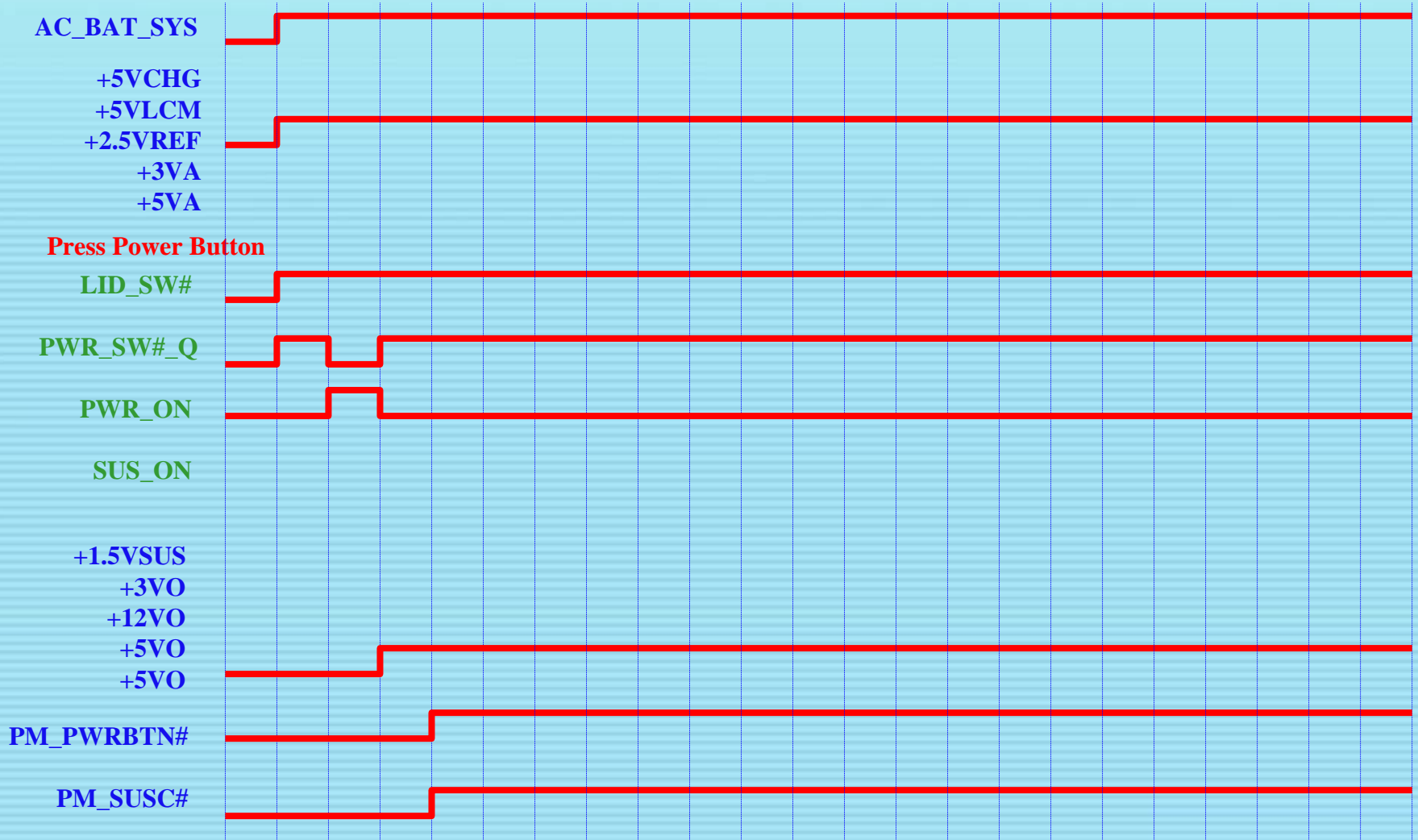
Block Diagram

A8H Yonah ICP-M/Calistoga BLOCK DIAGRAM

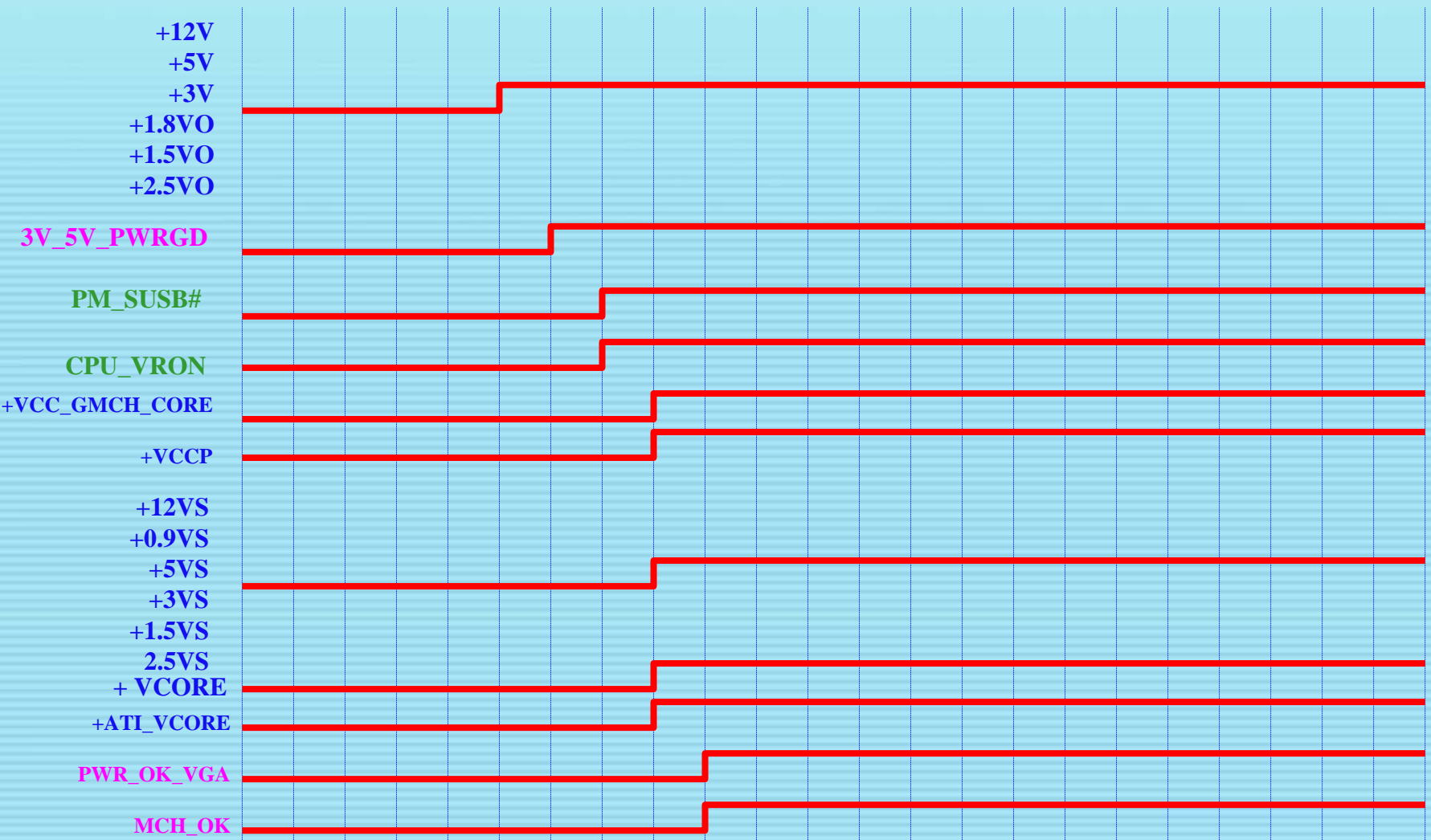


Power On Sequence 1

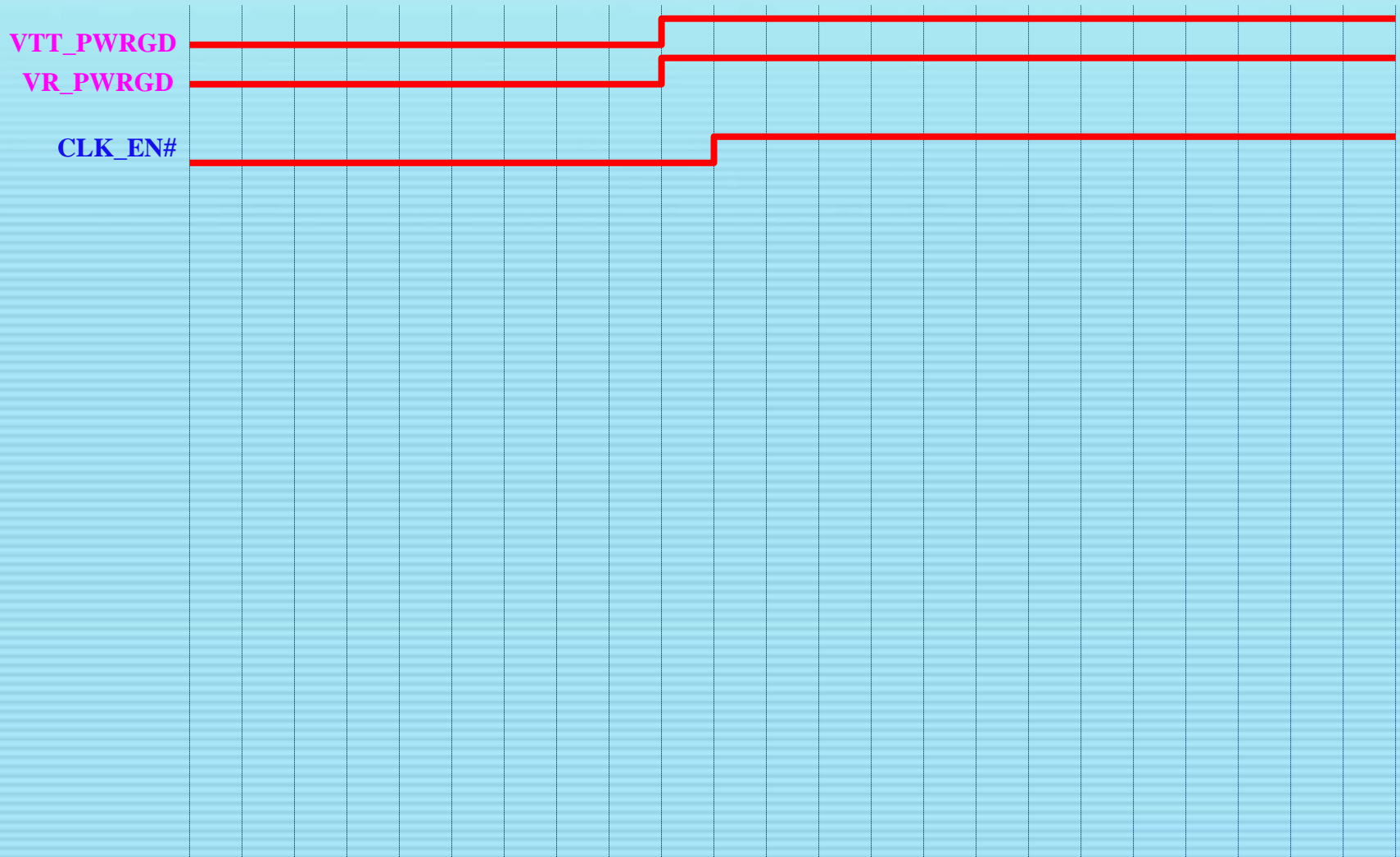
AC Mode Adapter Plug In



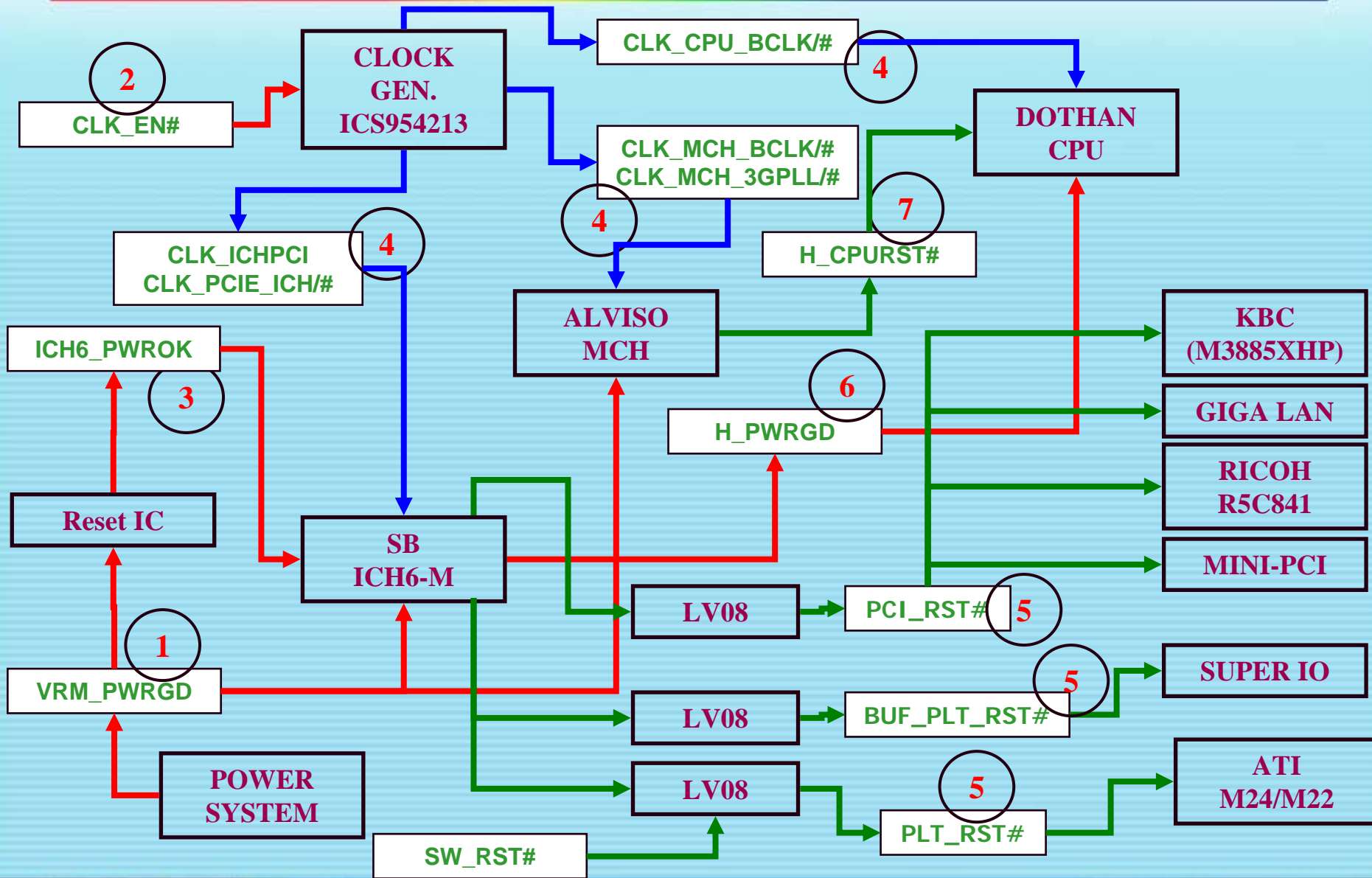
Power On Sequence 2



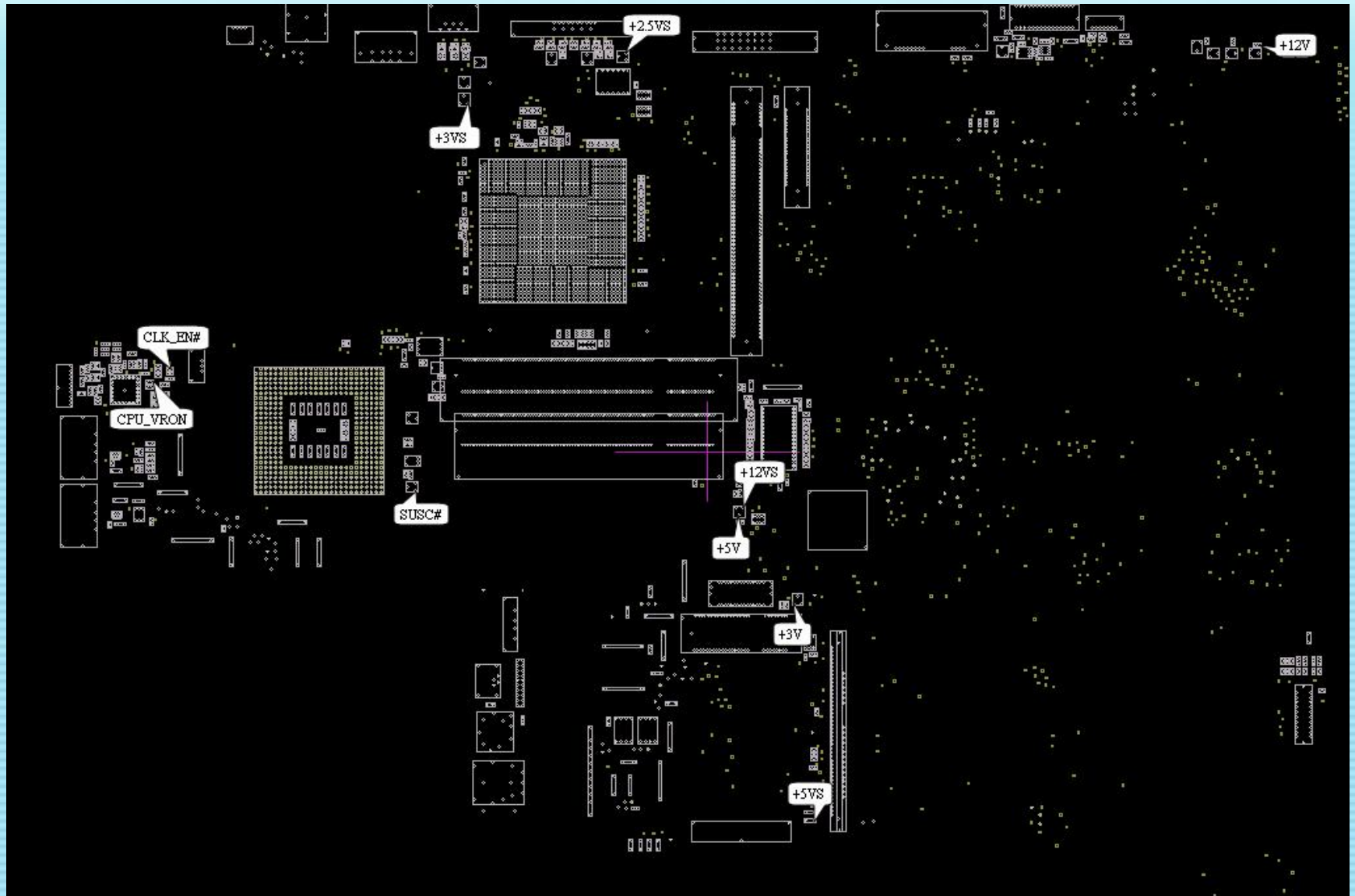
Power On Sequence 3



System On Sequence



TSICT Voltage Measure -TOP



TSICT Voltage Measure -BOTTOM

