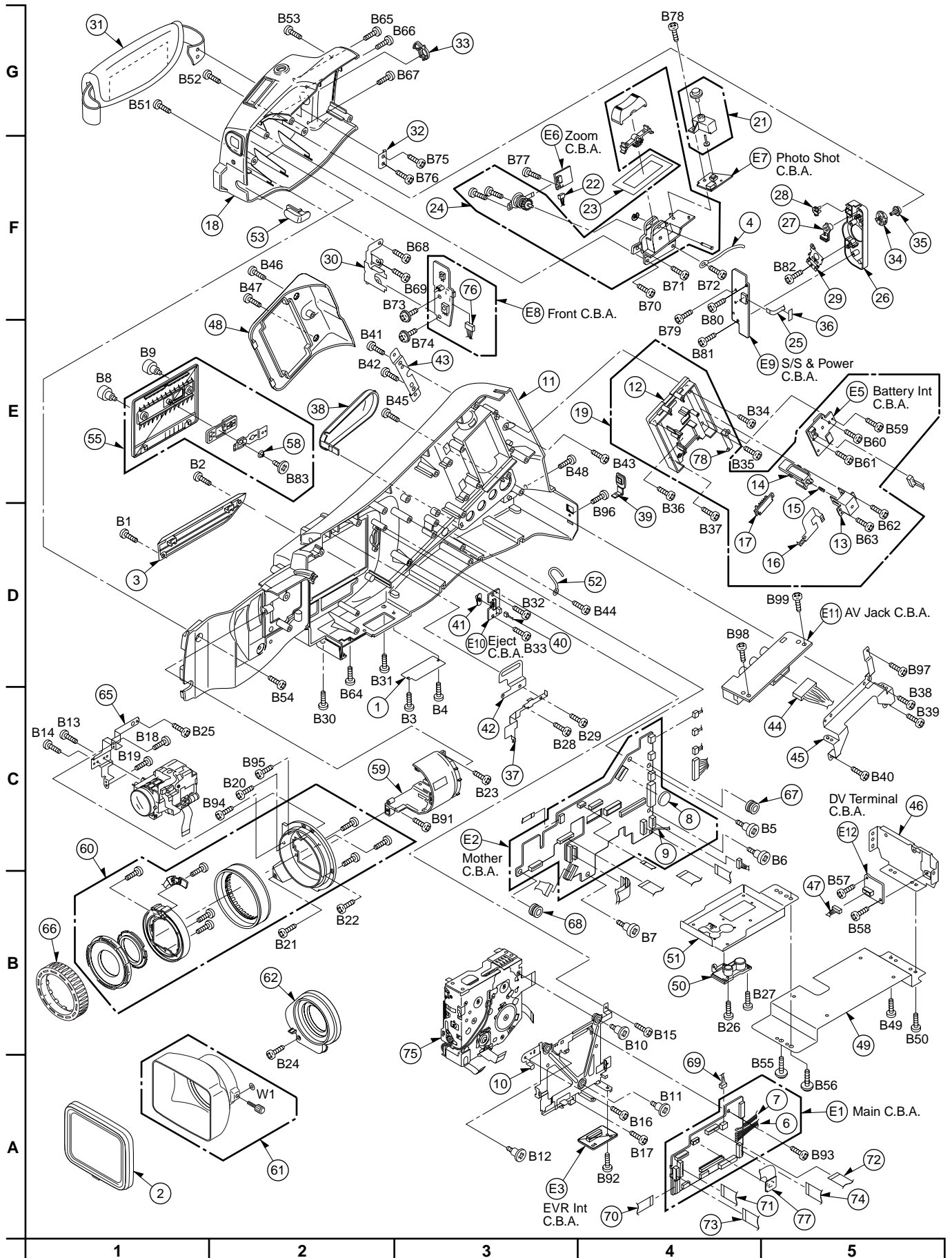


AG-DVC7 Mechanical Parts List

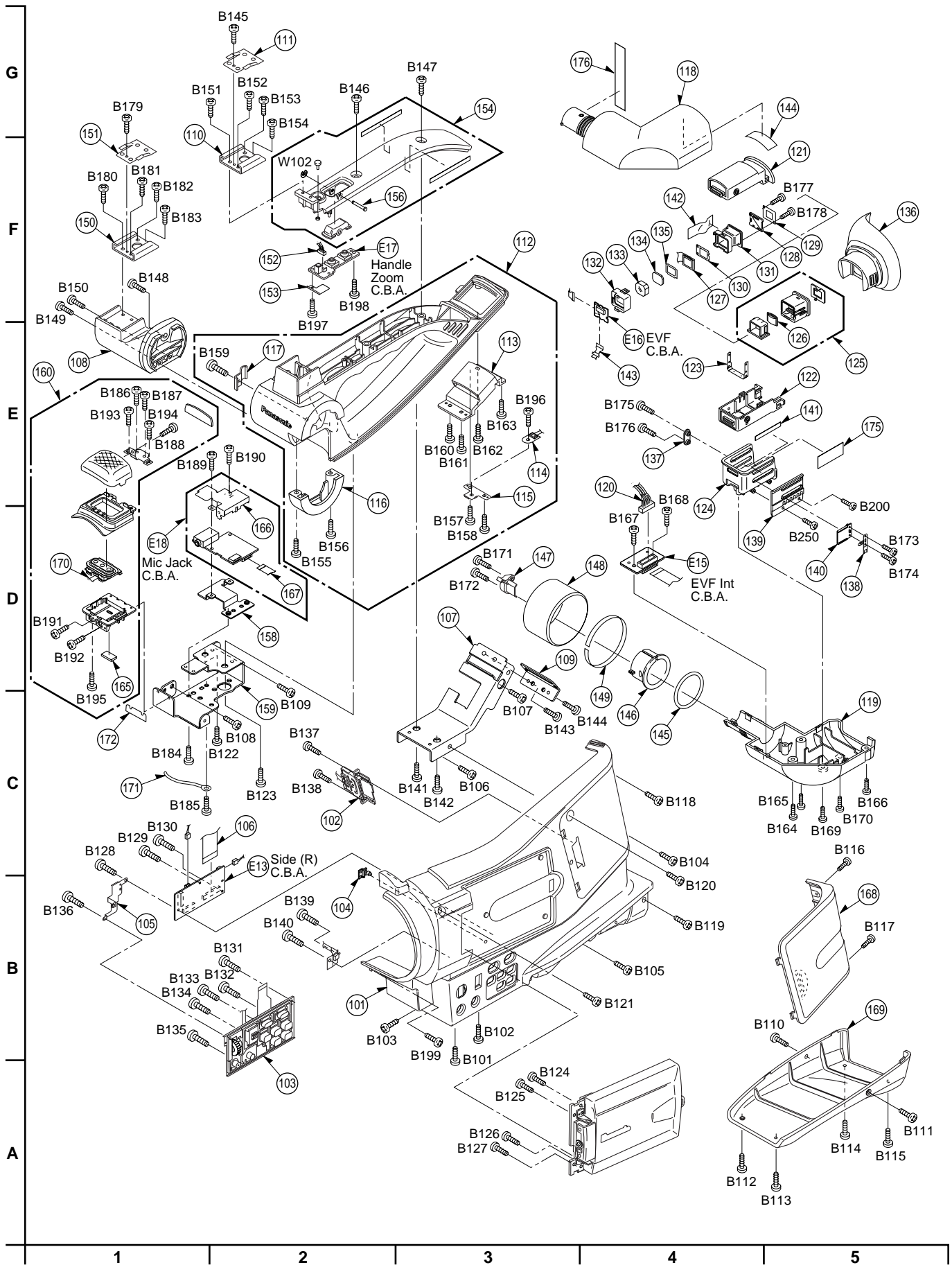
Note:

1. *Be sure to make your orders of replacement parts according to this list.
2. Unless otherwise specified, all resistors are in OHMS, K=1,000 OHMS, all capacitors are in MICROFARADS (μF), P= $\mu\mu\text{F}$.
3. The P.C. Board untils marked with "■" shown below the main assembled parts.
4. The parts marked with $\text{\textcircled{E}}$ on the exploded view show the electric parts.
5. IMPORTANT SAFETY NOTICE
Components identified with the mark Δ have the special characteristics for safety. When replacing any of these components, use only the same type.
6. The marking (RTL) indicates the retention time is limited for this item.
After the diacontinuation of this assembly in production, it will no longer be available.

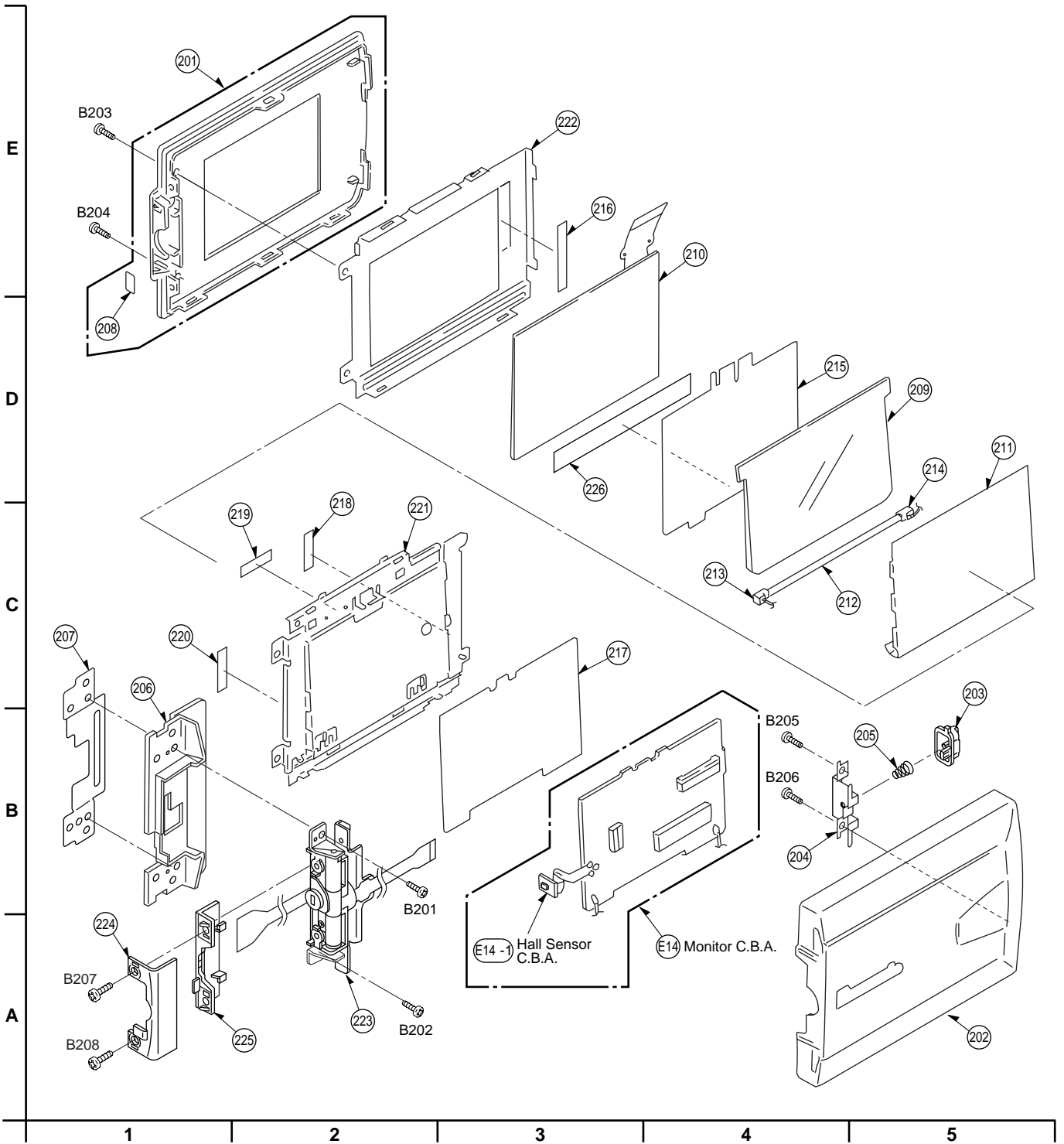
12.1. FRAME & CASING ASSEMBLY (1)



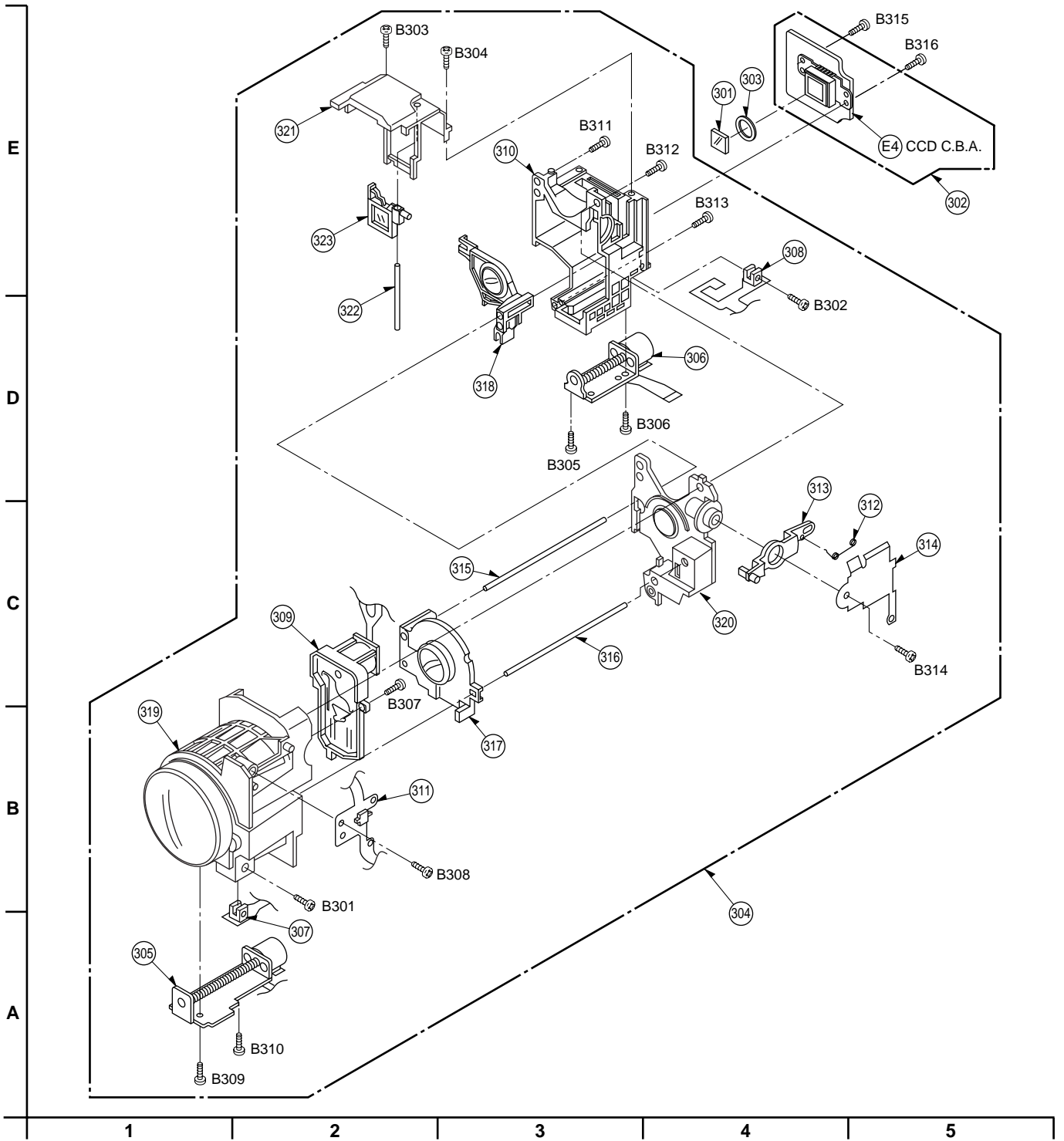
12.2. FRAME & CASING ASSEMBLY (2)



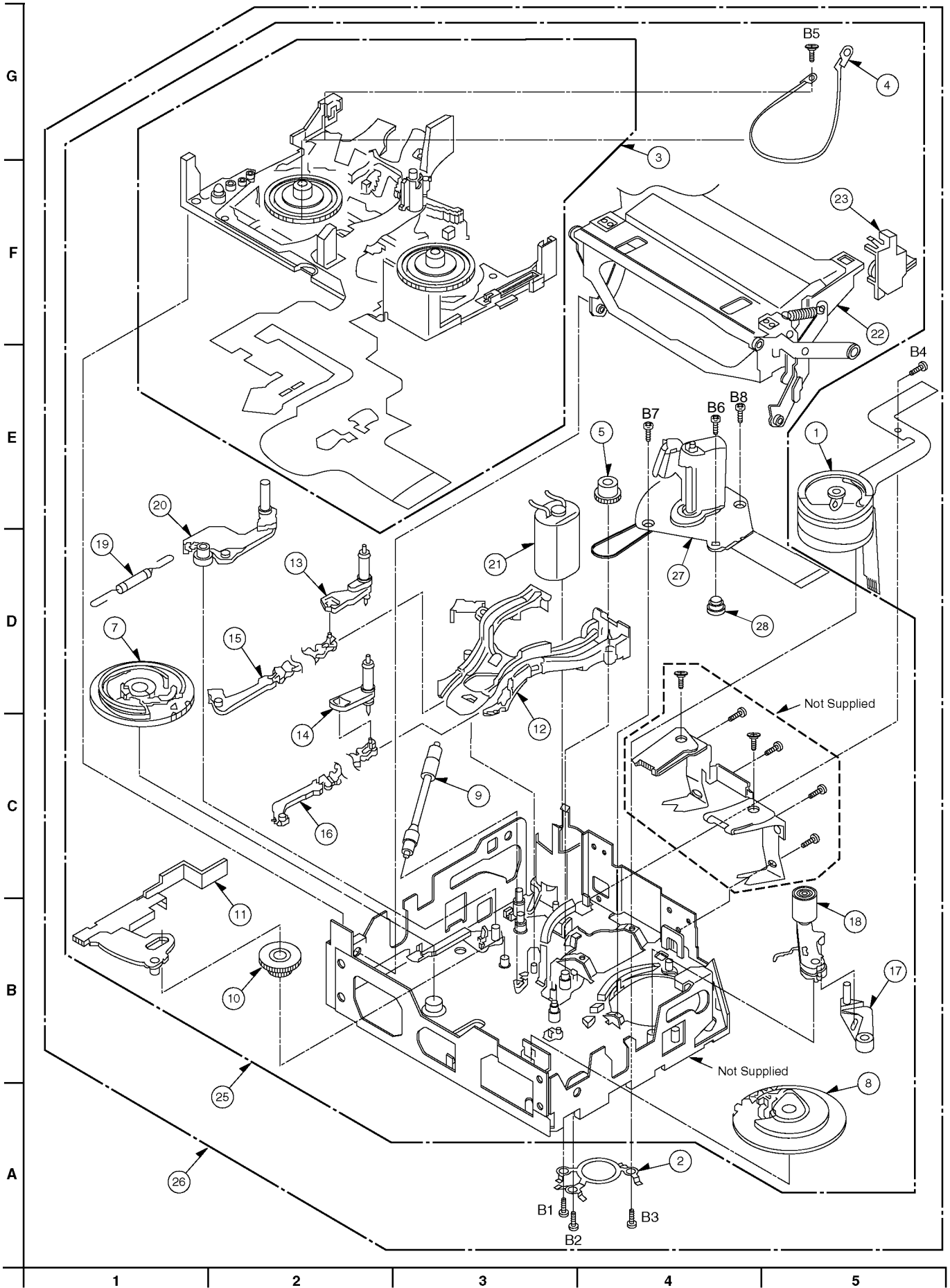
12.3. LCD ASSEMBLY



12.4. CAMERA LENS ASSEMBLY

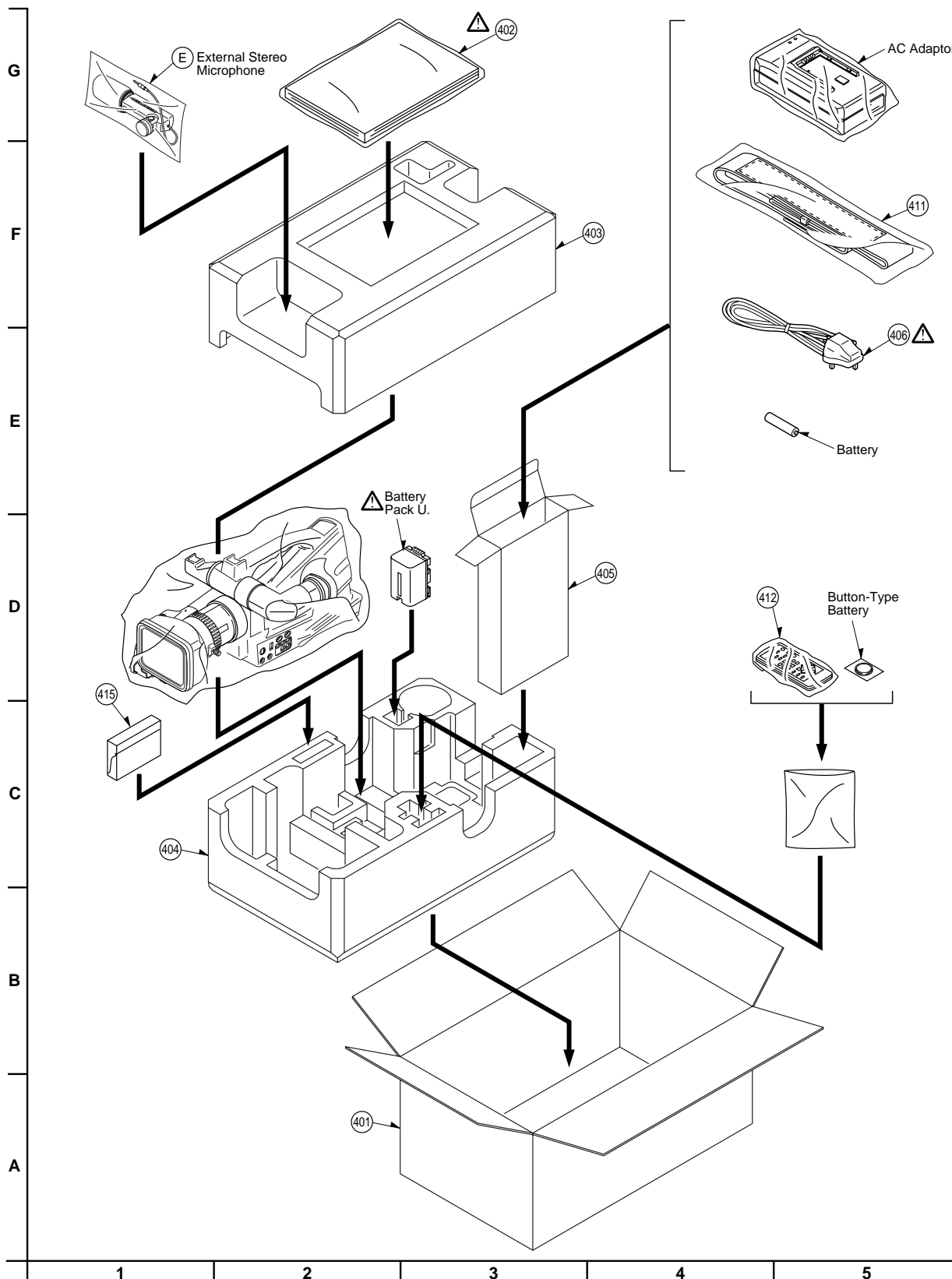


12.5. VCR MECHANISM ASSEMBLY



Components identified with the mark Δ have the special characteristics for safety. When replacing any of these components, use only the same type.

12.6. PACKING PARTS ASSEMBLY



Components identified with the mark Δ have the special characteristics for safety. When replacing any of these components, use only the same type.

12.6. PACKING PARTS ASSEMBLY

Ref.No.	Part No.	Part Name & Description	Pcs	Remarks	Ref.No.	Part No.	Part Name & Description	Pcs	Remarks
401	VPG0S76	PACKING CASE	1		406	K2CB2DB00001	AC CORD	1	
Δ 402	VQTOC34	OPERATING INSTRUCTIONS	1		411	VFC3877	SHOULDER BELT	1	
403	VPN5481	CUSHION (UPPER)	1		412	N2QABC000003	REMOTE CONTROLLER	1	
404	VPN5482	CUSHION (LOWER)	1		415	VFK1451	HEAD CLEANER	1	
405	VPK0825	ACCESSORY BOX	1						

12.7. ELECTRICAL REPLACEMENT PARTS LIST

Ref.No.	Part No.	Part Name & Description	Pcs	Remarks	Ref.No.	Part No.	Part Name & Description	Pcs	Remarks
■ E1	VEP03F85G	MAIN C.B.A.	1	(RTL)	C602	ECJ0EC1H180J	C.CAPACITOR CH 50V 18P	1	
■ E2	VEP06F10A	MOTHER C.B.A.	1	(RTL)	C605	ECJ2YB1A105K	C.CAPACITOR CH 10V 1U	1	
■ E3	VEP06F19B	EVR INT C.B.A.	1	(RTL)	C606,07	ECJ1ZB1C104K	C.CAPACITOR CH 16V 0.1U	2	
■ E4	VEP22335A	CCD C.B.A.	1	(RTL)	C610	ECJ0WB1C103K	C.CAPACITOR CH 16V 0.01U	1	
■ E5	VEP06F12A	BATTERY INT C.B.A.	1	(RTL)	C611	ECJ1ZB1C104K	C.CAPACITOR CH 16V 0.1U	1	
■ E6	VEP06F17A	ZOOM C.B.A.	1	(RTL)	C612	ECJ2YB1A105K	C.CAPACITOR CH 10V 1U	1	
■ E7	VEP06F16A	PHOTO SHOT C.B.A.	1	(RTL)	C614	ECJ0EB1E102K	C.CAPACITOR CH 25V 1000P	1	
■ E8	VEP06F13A	FRONT C.B.A.	1	(RTL)	C616	ECJ0WB1C103K	C.CAPACITOR CH 16V 0.01U	1	
■ E9	VEP06F14A	S/S & POWER C.B.A.	1	(RTL)	C617	FLJ1C105A091	C.CAPACITOR CH 16V 1U	1	
■ E10	VEP06F15A	EJECT C.B.A.	1	(RTL)	C618-20	ECUX1A474KBV	C.CAPACITOR CH 10V 0.1U	3	
■ E11	VEP04824B	AV JACK C.B.A.	1	(RTL)	C622-24	ECJ0EB1E471K	C.CAPACITOR CH 25V 470P	3	
■ E12	VEP03G26A	DV TERMINAL C.B.A.	1	(RTL)	C625	ECUX1A474KBV	C.CAPACITOR CH 10V 0.1U	1	
■ E13	VEP06F11A	SIDE (R) C.B.A.	1	(RTL)	C626	ECJ2YB1A105K	C.CAPACITOR CH 10V 1U	1	
■ E14	VEP26254D	MONITOR C.B.A.	1	(RTL)	C627	ECJ0EB1A104K	C.CAPACITOR CH 10V 0.1U	1	
■	VEP06E18A	HOLE SENSOR FPC C.B.A.	1	(RTL)FOR VEP26254D	C629	ECST0JY335Z	T.CAPACITOR CH6.3V 3.3U	1	
■ E15	VEP28298A	EVF INT C.B.A.	1	(RTL)	C630	ECJ0EB1C682K	C.CAPACITOR CH 16V 6800P	1	
■ E16	VEP28284A	EVF C.B.A.	1	(RTL)	C701	ECJ0EC1H101J	C.CAPACITOR CH 50V 100P	1	
■ E17	VEP06F18A	HANDLE ZOOM C.B.A.	1	(RTL)	C702	ECJ2VB1C224K	C.CAPACITOR CH 16V 0.22U	1	
■ E18	VEP04823A	MIC JACK C.B.A.	1	(RTL)	C704	ECJ0EB1A104K	C.CAPACITOR CH 10V 0.1U	1	
					C706-09	ECJ0EB1A104K	C.CAPACITOR CH 10V 0.1U	4	
					C710	ECJ0EB1E472K	C.CAPACITOR CH 25V 4700P	1	
					C711	F3H1A476A004	T.CAPACITOR CH 10V 47U	1	
					C712	ECJ0EB1E471K	C.CAPACITOR CH 25V 470P	1	
					C713	ECJ0EB1A104K	C.CAPACITOR CH 10V 0.1U	1	
					C714	ECJ0WB1C103K	C.CAPACITOR CH 16V 0.01U	1	
					C716	ECJ0EB1E472K	C.CAPACITOR CH 25V 4700P	1	
					C717	ECJ0EB1A104K	C.CAPACITOR CH 10V 0.1U	1	
					C718	ECJ2YB1A105K	C.CAPACITOR CH 10V 1U	1	
					C719	ECJ0EB1A104K	C.CAPACITOR CH 10V 0.1U	1	
					C720	ECJ1VB1A224K	T.CAPACITOR CH 10V 0.22U	1	
					C721	ECST1AY106Z	T.CAPACITOR CH 10V 10U	1	
					C722	ECJ0EC1H151J	C.CAPACITOR CH 50V 150P	1	
					C723	ECJ0EB1E102K	C.CAPACITOR CH 25V 1000P	1	
					C724	ECJ0WB1C103K	C.CAPACITOR CH 16V 0.01U	1	
					C1002	ECJ4YB1C106V	C.CAPACITOR CH 16V 10U	1	
					C1003	FLJ1A335A005	C.CAPACITOR CH 10V 3.3U	1	
					C1011	ECJ0EB1A104K	C.CAPACITOR CH 10V 0.1U	1	
					C1012	ECJ2YB1A105K	C.CAPACITOR CH 10V 1U	1	
					C1021	ECJ0EB1A104K	C.CAPACITOR CH 10V 0.1U	1	
					C1022	ECJ2YB1A105K	C.CAPACITOR CH 10V 1U	1	
					C1041	ECJ0EB1A104K	C.CAPACITOR CH 10V 0.1U	1	
					C1042	FLJ0J475A006	C.CAPACITOR CH6.3V 1U	1	
					C1043	ECJ0EB1E472K	C.CAPACITOR CH 25V 4700P	1	
					C1052	FLJ1C105A091	C.CAPACITOR CH 16V 1U	1	
					C1053	ECJ0EB1E222K	C.CAPACITOR CH 25V 2200P	1	
					C1054	FLG1C223A004	C.CAPACITOR CH 16V 0.022U	1	
					C1056	FLJ1C105A091	C.CAPACITOR CH 16V 1U	1	
					C1061,62	FLJ1A335A005	C.CAPACITOR CH 10V 3.3U	2	
					C1082	ECJ3YB1E105K	T.CAPACITOR CH 25V 1M	1	
					C1101	ECJ0EC1H101J	C.CAPACITOR CH 50V 100P	1	
					C1102	FIH1A334A028	C.CAPACITOR CH 10V 0.33U	1	
					C1103	FLG1C223A004	C.CAPACITOR CH 16V 0.022U	1	
■ E1	VEP03F85G	MAIN C.B.A.	1	(RTL)	C1104,05	ECJ0EB1A104K	C.CAPACITOR CH 10V 0.1U	2	
					C1106	ECJ2YB1A105K	C.CAPACITOR CH 10V 1U	1	
					C1108	ECJ2VB1E104K	C.CAPACITOR CH 25V 0.1U	1	
C201	ECJ1ZB1C104K	C.CAPACITOR CH 16V 0.1U	1		C1111	ECJ1VB1E223K	C.CAPACITOR CH 25V 0.022U	1	
C202	ECST1VX225Z	T.CAPACITOR CH 35V 2.2U	1		C1113	ECJ0EC1H151J	C.CAPACITOR CH 50V 150P	1	
C203,04	ECST1AX106R	T.CAPACITOR CH 10V 10U	2		C1114	ECJ0EC1H390J	C.CAPACITOR CH 50V 39P	1	
C205	ECJ0EB1E102K	C.CAPACITOR CH 25V 1000P	1		C1121	ECJ1VB1H472K	C.CAPACITOR CH 50V 4700P	1	
C207	ECJ2YB1A105K	C.CAPACITOR CH 10V 1U	1		C1123	ECJ0EC1H151J	C.CAPACITOR CH 50V 150P	1	
C210	ECJ0WB1C103K	C.CAPACITOR CH 16V 0.01U	1		C1124	ECJ0EC1H390J	C.CAPACITOR CH 50V 39P	1	
C211	ECST0JY106Z	T.CAPACITOR CH6.3V 10U	1		C1142	ECJ1ZB1C104K	C.CAPACITOR CH 16V 0.1U	1	
C213	ECJ0EB1A104K	C.CAPACITOR CH 10V 0.1U	1		C1143	ECJ0EC1H151J	C.CAPACITOR CH 50V 150P	1	
C214	ECJ2YB1A105K	C.CAPACITOR CH 10V 1U	1		C1144	ECJ0EC1H390J	C.CAPACITOR CH 50V 39P	1	
C215	ECST0JY106Z	T.CAPACITOR CH6.3V 10U	1		C1151	ECJ1VB1H822K	C.CAPACITOR CH 50V 8200P	1	
C216	ECJ0WB1C103K	C.CAPACITOR CH 16V 0.01U	1		C1152	ECJ0EB1C822K	C.CAPACITOR CH 16V 8200P	1	
C217,18	ECJ0EB1A104K	C.CAPACITOR CH 10V 0.1U	2		C1153	ECJ0EC1H151J	C.CAPACITOR CH 50V 150P	1	
C219	FLJ0J475A006	C.CAPACITOR CH6.3V 1U	1		C1154	ECJ0EC1H820J	C.CAPACITOR CH 50V 82P	1	
C220	ECJ0EB1A104K	C.CAPACITOR CH 10V 0.1U	1		C1155	ECJ2YB1A105K	C.CAPACITOR CH 10V 1U	1	
C221,22	ECJ2YB1A105K	C.CAPACITOR CH 10V 1U	2		C1211,12	ECJ2YB1A105K	C.CAPACITOR CH 10V 1U	2	
C223	ECJ0WB1C103K	C.CAPACITOR CH 16V 0.01U	1		C1221-26	ECJ2YB1A105K	C.CAPACITOR CH 10V 1U	6	
C224,25	ECST0JY106Z	T.CAPACITOR CH6.3V 10U	2		C1228	ECST0JY106Z	T.CAPACITOR CH6.3V 10U	1	
C228	ECJ0EB1A104K	C.CAPACITOR CH 10V 0.1U	1		C1241	ECJ2YB1A105K	C.CAPACITOR CH 10V 1U	1	
C229	ECJ1ZB1C104K	C.CAPACITOR CH 16V 0.1U	1		C1251,52	FLJ1C105A091	C.CAPACITOR CH 16V 1U	2	
C230,31	ECJ0EB1A104K	C.CAPACITOR CH 10V 0.1U	2		C1281	FLJ1C105A091	C.CAPACITOR CH 16V 1U	1	

Ref.No.	Part No.	Part Name & Description	Pcs	Remarks
C1282	ECJ3YB1E105K	T.CAPACITOR CH 25V 1M	1	
C1321	ECST0GY226	T.CAPACITOR CH 4V 22U	1	
C1322,23	ECJ2YB1A105K	C.CAPACITOR CH 10V 1U	2	
C1341	ECJ2YB1A105K	C.CAPACITOR CH 10V 1U	1	
C1451	ECJ2YB1A105K	C.CAPACITOR CH 10V 1U	1	
C2001	ECST0JY106Z	T.CAPACITOR CH6.3V 10U	1	
C2004	ECST0JY106Z	T.CAPACITOR CH6.3V 10U	1	
C2005,06	ECJ0EB1A104K	C.CAPACITOR CH 10V 0.1U	2	
C2007	ECJ0WB1C103K	C.CAPACITOR CH 16V 0.01U	1	
C2008	ECJ0EC1H330J	C.CAPACITOR CH 50V 33P	1	
C2009	ECJ0WB1C103K	C.CAPACITOR CH 16V 0.01U	1	
C2010	ECJ0EB1A104K	C.CAPACITOR CH 10V 0.1U	1	
C2012	ECJ0EB1A104K	C.CAPACITOR CH 10V 0.1U	1	
C2015	ECJ2YB1A105K	C.CAPACITOR CH 10V 1U	1	
C2017	ECJ0EB1A104K	C.CAPACITOR CH 10V 0.1U	1	
C2020	ECJ0EC1H060C	C.CAPACITOR CH 50V 6P	1	
C2021	ECJ0WB1C103K	C.CAPACITOR CH 16V 0.01U	1	
C2022	ECJ0EC1H101J	C.CAPACITOR CH 50V 100P	1	
C2023	ECJ0EC1H060C	C.CAPACITOR CH 50V 6P	1	
C2028	ECJ0WB1C103K	C.CAPACITOR CH 16V 0.01U	1	
C2029	ECJ0EB1A104K	C.CAPACITOR CH 10V 0.1U	1	
C2030	F1G1H100A448	C.CAPACITOR CH 50V 10P	1	
C2031	ECJ0EB1E102K	C.CAPACITOR CH 25V 1000P	1	
C2033	ECJ0EB1E102K	C.CAPACITOR CH 25V 1000P	1	
C2034	ECJ2YB1A105K	C.CAPACITOR CH 10V 1U	1	
C2037	ECJ0EB1A473K	C.CAPACITOR CH 10V 0.047U	1	
C2040-42	ECJ0WB1C103K	C.CAPACITOR CH 16V 0.01U	3	
C2043	F1G1H100A448	C.CAPACITOR CH 50V 10P	1	
C2044,45	ECJ0WB1C103K	C.CAPACITOR CH 16V 0.01U	2	
C2048	ECJ2YB1A105K	C.CAPACITOR CH 10V 1U	1	
C2050,51	ECJ0EB1E102K	C.CAPACITOR CH 25V 1000P	2	
C2053	ECJ0WB1C103K	C.CAPACITOR CH 16V 0.01U	1	
C2201,02	ECJ2YB1A105K	C.CAPACITOR CH 10V 1U	2	
C2203	ECST0JY106Z	T.CAPACITOR CH6.3V 10U	1	
C2204	ECJ2YB1A105K	C.CAPACITOR CH 10V 1U	1	
C2205-07	ECJ0EB1A104K	C.CAPACITOR CH 10V 0.1U	3	
C2211,12	ECJ2YB1A105K	C.CAPACITOR CH 10V 1U	2	
C2213	ECJ0WB1C103K	C.CAPACITOR CH 16V 0.01U	1	
C2216	ECJ1VB0J105K	C.CAPACITOR CH 35V 1M	1	
C2217-19	ECJ0EB1A104K	C.CAPACITOR CH 10V 0.1U	3	
C2220	ECJ0WB1C103K	C.CAPACITOR CH 16V 0.01U	1	
C2221	ECJ2YB1A105K	C.CAPACITOR CH 10V 1U	1	
C2222,23	ECJ0EB1E472K	C.CAPACITOR CH 25V 4700P	2	
C2225	ECJ1VB1A224K	T.CAPACITOR CH 10V 0.22U	1	
C2226	ECST0JY106Z	T.CAPACITOR CH6.3V 10U	1	
C2231	ECJ2YB1A105K	C.CAPACITOR CH 10V 1U	1	
C2232	ECJ0WB1C103K	C.CAPACITOR CH 16V 0.01U	1	
C3001	ECJ2YB1A105K	C.CAPACITOR CH 10V 1U	1	
C3003,04	ECJ2YB1A105K	C.CAPACITOR CH 10V 1U	2	
C3005	F1J0J475A006	C.CAPACITOR CH6.3V 1U	1	
C3006	ECJ0EB1A104K	C.CAPACITOR CH 10V 0.1U	1	
C3007,08	ECST0JY106Z	T.CAPACITOR CH6.3V 10U	2	
C3009,10	ECJ0EB1A104K	C.CAPACITOR CH 10V 0.1U	2	
C3011	ECJ0WB1C103K	C.CAPACITOR CH 16V 0.01U	1	
C3012	ECJ2YB1A105K	C.CAPACITOR CH 10V 1U	1	
C3013	ECJ0WB1C103K	C.CAPACITOR CH 16V 0.01U	1	
C3014,15	ECJ2YB1A105K	C.CAPACITOR CH 10V 1U	2	
C3016	ECST0GY226	T.CAPACITOR CH 4V 22U	1	
C3017-23	ECJ0EB1A104K	C.CAPACITOR CH 10V 0.1U	7	
C3025-27	ECJ0EB1A104K	C.CAPACITOR CH 10V 0.1U	3	
C3028	ECJ1ZB1H103K	C.CAPACITOR CH 50V 0.01U	1	
C3029-33	ECJ0EB1A104K	C.CAPACITOR CH 10V 0.1U	5	
C3034	ECST0JY106Z	T.CAPACITOR CH6.3V 10U	1	
C3035,36	ECJ0EB1A104K	C.CAPACITOR CH 10V 0.1U	2	
C3037	ECJ0WB1C103K	C.CAPACITOR CH 16V 0.01U	1	
C3038	ECST0GY226	T.CAPACITOR CH 4V 22U	1	
C3039	ECJ0WB1C103K	C.CAPACITOR CH 16V 0.01U	1	
C3040	ECJ0EC1H050C	C.CAPACITOR CH 50V 5P	1	
C3041	ECJ0EB1A104K	C.CAPACITOR CH 10V 0.1U	1	
C3042	ECJ0EC1H050C	C.CAPACITOR CH 50V 5P	1	
C3043	ECJ2YB1A105K	C.CAPACITOR CH 10V 1U	1	
C3044	ECST0JY106Z	T.CAPACITOR CH6.3V 10U	1	
C3046-49	ECJ2YB1A105K	C.CAPACITOR CH 10V 1U	4	
C3050	ECJ0WB1C103K	C.CAPACITOR CH 16V 0.01U	1	
C3051	ECJ2YB1A105K	C.CAPACITOR CH 10V 1U	1	

Ref.No.	Part No.	Part Name & Description	Pcs	Remarks
C3052	ECJ0EB1A104K	C.CAPACITOR CH 10V 0.1U	1	
C3053	ECJ2YB1A105K	C.CAPACITOR CH 10V 1U	1	
C3054	ECJ0WB1C103K	C.CAPACITOR CH 16V 0.01U	1	
C3055	ECST0JX476Z	T.CAPACITOR CH6.3V 47U	1	
C3103	ECJ0WB1C103K	C.CAPACITOR CH 16V 0.01U	1	
C3104	ECST0JY106Z	T.CAPACITOR CH6.3V 10U	1	
C3105,06	ECJ0WB1C103K	C.CAPACITOR CH 16V 0.01U	2	
C3107	ECJ0EB1A104K	C.CAPACITOR CH 10V 0.1U	1	
C3108	ECST0JY106Z	T.CAPACITOR CH6.3V 10U	1	
C3109	ECJ0WB1C103K	C.CAPACITOR CH 16V 0.01U	1	
C3110	F3H0J1070005	T.CAPACITOR CH6.3V 100U	1	
C3112	F1J1A225A003	C.CAPACITOR CH 10V 2.2M	1	
C3114	ECJ2YB1A105K	C.CAPACITOR CH 10V 1U	1	
C3115	ECJ2YB1E104K	C.CAPACITOR CH 25V 0.1U	1	
C3116	ECST0JY106Z	T.CAPACITOR CH6.3V 10U	1	
C3117	F1J1A225A003	C.CAPACITOR CH 10V 2.2M	1	
C3118	ECJ0WB1C103K	C.CAPACITOR CH 16V 0.01U	1	
C3119	F3H0J1070005	T.CAPACITOR CH6.3V 100U	1	
C3121	ECJ2YB1A105K	C.CAPACITOR CH 10V 1U	1	
C3123	ECJ2YB1A105K	C.CAPACITOR CH 10V 1U	1	
C3125	ECJ2YB1A105K	C.CAPACITOR CH 10V 1U	1	
C3126,27	ECJ0WB1C103K	C.CAPACITOR CH 16V 0.01U	2	
C3128,29	ECJ2YB1A105K	C.CAPACITOR CH 10V 1U	2	
C3131,32	ECJ2YB1A105K	C.CAPACITOR CH 10V 1U	2	
C3134	ECJ0WB1C103K	C.CAPACITOR CH 16V 0.01U	1	
C3136,37	ECJ2YB1A105K	C.CAPACITOR CH 10V 1U	2	
C3138	ECST0JY106Z	T.CAPACITOR CH6.3V 10U	1	
C3139	ECJ2YB1A105K	C.CAPACITOR CH 10V 1U	1	
C3140,41	ECJ0EB1A104K	C.CAPACITOR CH 10V 0.1U	2	
C3142	ECJ2YB1A105K	C.CAPACITOR CH 10V 1U	1	
C3202	ECJ2YB1A105K	C.CAPACITOR CH 10V 1U	1	
C3203-07	ECJ0EB1A104K	C.CAPACITOR CH 10V 0.1U	5	
C3209	F1J0J475A006	C.CAPACITOR CH6.3V 1U	1	
C3211	ECJ2YB1E104K	C.CAPACITOR CH 25V 0.1U	1	
C3215	ECJ0EB1A104K	C.CAPACITOR CH 10V 0.1U	1	
C3218	ECJ0EB1A104K	C.CAPACITOR CH 10V 0.1U	1	
C3220	F1J0J475A006	C.CAPACITOR CH6.3V 1U	1	
C3221-23	ECJ0EB1A104K	C.CAPACITOR CH 10V 0.1U	3	
C3226	ECJ0EB1A104K	C.CAPACITOR CH 10V 0.1U	1	
C3227	ECJ0WB1C103K	C.CAPACITOR CH 16V 0.01U	1	
C3229	ECJ0EC1H220J	C.CAPACITOR CH 50V 22P	1	
C3252	ECJ2YB1A105K	C.CAPACITOR CH 10V 1U	1	
C3253	ECJ0EC1H221J	C.CAPACITOR CH 50V 220P	1	
C3254	ECJ2YB1A105K	C.CAPACITOR CH 10V 1U	1	
C3255	ECJ0EB1A104K	C.CAPACITOR CH 10V 0.1U	1	
C3256	ECJ2YB1A105K	C.CAPACITOR CH 10V 1U	1	
C3257	ECST0JY106Z	T.CAPACITOR CH6.3V 10U	1	
C3258	ECJ0EB1A104K	C.CAPACITOR CH 10V 0.1U	1	
C3259	ECJ0WB1C103K	C.CAPACITOR CH 16V 0.01U	1	
C5001	F3F0J226A007	T.CAPACITOR CH6.3V 22U	1	
C5002	ECST0JY106Z	T.CAPACITOR CH6.3V 10U	1	
C5003	ECJ2YB1A105K	C.CAPACITOR CH 10V 1U	1	
C5005	ECJ0EB1E681K	C.CAPACITOR CH 25V 680P	1	
C5006	ECJ0WB1C103K	C.CAPACITOR CH 16V 0.01U	1	
C5008	ECJ0WB1C103K	C.CAPACITOR CH 16V 0.01U	1	
C5012	ECJ0EB1A104K	C.CAPACITOR CH 10V 0.1U	1	
C5013	ECJ0WB1C103K	C.CAPACITOR CH 16V 0.01U	1	
C5014	ECJ1VC1H470J	C.CAPACITOR CH 50V 47P	1	
C5021-24	ECUX1H080CCV	C.CAPACITOR CH 50V 8P	4	
C5025	F3F0J226A007	T.CAPACITOR CH6.3V 22U	1	
D201	MA2J11100L	DIODE	1	
D601	MA338	DIODE	1	MA2X338
D701	BOJCE000002	DIODE	1	
D1051,52	MA2J11100L	DIODE	2	
D1082	MA2J11100L	DIODE	1	
D1101	MAZ81200LL	DIODE	1	
D1151	MAZ81600ML	DIODE	1	
D1152	MA2J11100L	DIODE	1	
D1421	MA2J11100L	DIODE	1	
D2001	MA2S72800L	DIODE	1	
D2004	MA2J11100L	DIODE	1	
D2005	MA3S13300L	DIODE	1	
D2009	MA2S72800L	DIODE	1	
D3101	MA2J11100L	DIODE	1	

Components identified with the mark Δ have the special characteristic for safety.
When replacing any of these components, use only the same type.

Ref.No.	Part No.	Part Name & Description	Pcs	Remarks	Ref.No.	Part No.	Part Name & Description	Pcs	Remarks
D6901-04	MA3S781D0L	DIODE	4		LB3006	J0JBC0000013	FILTER	1	
D6905,06	MA2S72800L	DIODE	2		LB3007	J0JCC0000071	FILTER	1	
D6908	MA2S72800L	DIODE	1		LB3013-16	J0JCC0000071	FILTER	4	
FL1001	J0MAB0000091	FILTER	1		LB3201	J0JBC0000013	FILTER	1	
FP601	K1MN26A00043	CONNECTOR	1		LB3203	J0JBC0000013	FILTER	1	
FP701	K1MN22A00042	CONNECTOR	1		LB3205-07	J0JBC0000013	FILTER	3	
FP801	K1MN22A00042	CONNECTOR	1		LB5001-03	J0JCC0000071	FILTER	3	
FP2201	K1MN18B00059	CONNECTOR	1		P4201	VJP3172D002	CONNECTOR (MALE)	1	K1KA02B00051
FP2202	K1MN10B00032	CONNECTOR	1		PP201	K1KA14A00100	CONNECTOR (MALE)	1	
FP2203	K1MN26B00063	CONNECTOR	1		PP3001	K1KA60B00052	CONNECTOR (MALE)	1	
FP4801	K1MN39B00001	CONNECTOR	1		PS3901	K1KBA0A00081	CONNECTOR (FEMALE)	1	
FP5001	K1MN08B00049	CONNECTOR	1		Q201	B1ACGD000006	TRANSISTOR	1	
FP6301	K1MN20A00023	CONNECTOR	1		Q203,04	B1ACGD000006	TRANSISTOR	2	
FP6302	K1MN18A00011	CONNECTOR	1		Q602,03	B1ACGD000006	TRANSISTOR	2	
IC201	MN52A4	IC	1		Q701	XN4501	TRANSISTOR-RESISTOR	1	
IC202	C1AB00001334	IC	1		Q702	2SB1462JHL	TRANSISTOR	1	
IC203	C0DBZCGF00001	IC	1		Q705	B1ACGD000006	TRANSISTOR	1	
IC204	C0DBZFA000008	IC	1		Q706	XN0460100L	TRANSISTOR-RESISTOR	1	
IC305	MN31121SA	IC	1		Q707	B1ADPC000004	TRANSISTOR	1	
IC601	C0HBA0000094	IC	1		Q708	XP0450100L	TRANSISTOR	1	
IC701	C0GBC0000005	IC	1		Q1011	B1ZBZ0000018	TRANSISTOR	1	
IC702	C0ABCA000053	IC	1		Q1021	B1ZBZ0000018	TRANSISTOR	1	
IC703	C0ABAA000046	IC	1		Q1041	B1ZBZ0000018	TRANSISTOR	1	
IC1001	C0DBAFA00012	IC	1		Q1051	B1BDBD000020	TRANSISTOR	1	
IC1321	C0DBZPZ000003	IC	1		Q1061,62	B1ZBZ0000018	TRANSISTOR	2	
IC2001	C2DBLJ000082	IC	1		Q1321	B1BDBD000020	TRANSISTOR	1	
IC2002	C2BBFD000328	IC	1		Q1341	2SB0970X0L	TRANSISTOR	1	
IC2003	C0CABB000037	IC	1		Q1342	XP1501	TRANSISTOR-RESISTOR	1	
IC2004	C0EBE0000091	IC	1		Q1381	2SB1462JHL	TRANSISTOR	1	
IC2005	C0ABAA000046	IC	1		Q1382	XP1501	TRANSISTOR-RESISTOR	1	
IC2006	C0BBBA000059	IC	1		Q1383	2SB1462JHL	TRANSISTOR	1	
IC2007	C1ZBZ0001483	IC	1		Q1384	XP1501	TRANSISTOR-RESISTOR	1	
IC2008	C3EAG0000001	IC	1		Q1411	2SB1462JHL	TRANSISTOR	1	
IC2009	C0FBBD000079	IC	1		Q1422	2SB1462JHL	TRANSISTOR	1	
IC2201	C0GBG0000023	IC	1		Q1451	2SD2216J0L	TRANSISTOR	1	
IC3001	C1AB00001130	IC	1		Q1452	XP1401	TRANSISTOR-RESISTOR	1	
IC3002	AN2903FVQ-V	IC	1		Q1453	2SB1462JHL	TRANSISTOR	1	
IC3004	C0FBZJ000005	IC	1		Q1481	2SD2216J0L	TRANSISTOR	1	
IC3201	C1AB00001132	IC	1		Q1482	XP1401	TRANSISTOR-RESISTOR	1	
IC3202	C1AB00001612	IC	1		Q2007	B1ACGD000006	TRANSISTOR	1	
IC5001	AN3732FJMEFV	IC	1		Q2011	B1HCFJA00010	TRANSISTOR	1	
Δ IP1001	K5H3121A0005	FUSE	1		QR201	B1GBCFJJ0022	TRANSISTOR	1	
Δ IP1003	K5H8011A0004	FUSE	1		QR601	UNR9112J0L	TRANSISTOR	1	
L601	VLQ0426J100	COIL	10UH	1	G1C100J00008	QR602-04	UNR9213J0L	TRANSISTOR	1
L1011	G1C470MA0024	COIL	47UH	1	QR701	UNR9215J0L	TRANSISTOR	1	
L1021	G1C150MA0024	COIL	15UH	1	QR702	XP0121400L	TRANSISTOR	1	
L1041	G1C330MA0024	COIL	33UH	1	QR703	UNR9214J0L	TRANSISTOR	1	
L1061	G1C330MA0024	COIL	33UH	1	QR704	B1GBCFEN0001	TRANSISTOR	1	
L1062	G1C101MA0024	COIL	100UH	1	QR705	UNR9211J0L	TRANSISTOR	1	
L1211	G1C4R7MA0031	COIL	4.7UH	1	QR706	UNR9214J0L	TRANSISTOR	1	
L1212	G1C100MA0031	COIL	100UH	1	QR1001	UNR9111J0L	TRANSISTOR	1	
L1221	G1C4R7M00013	COIL	4.7UH	1	QR1101	UNR9214J0L	TRANSISTOR	1	
L1222-26	VLQ0319K100	COIL	10UH	5	G1C100K00023	QR1161	UNR9115J0L	TRANSISTOR	1
L1241	G1C4R7MA0031	COIL	4.7UH	1	QR1351	UNR9213J0L	TRANSISTOR	1	
L1251,52	VLQ0319K100	COIL	10UH	2	G1C100K00023	QR1352	UNR9113J0L	TRANSISTOR	1
L1281,82	VLQ0319K100	COIL	10UH	2	G1C100K00023	QR1411	UNR9212J0L	TRANSISTOR	1
L1321,22	VLQ0319K100	COIL	10UH	2	G1C100K00023	QR1412	XP0431400L	TRANSISTOR	1
L1341	G1C4R7MA0031	COIL	4.7UH	1	QR1451	UNR9213J0L	TRANSISTOR	1	
L2003	G1C100K00019	COIL	10UH	1	QR1481	UNR9212J0L	TRANSISTOR	1	
L3002	VLQ0807K100	COIL	10UH	1	G1C100K00024	QR1482	UNR9113J0L	TRANSISTOR	1
L3009	G1C100K00019	COIL	10UH	1	QR2001	B1GDBEJG0002	TRANSISTOR	1	
L3011,12	VLQ0807K100	COIL	10UH	2	G1C100K00024	QR2002	UNR921FJ0L	TRANSISTOR	1
L3017	G1C100K00025	COIL	10UH	1	QR2005	UNR921FJ0L	TRANSISTOR	1	
LB201,02	J0JBC0000013	FILTER	2		QR2006	B1GBCFJA0003	TRANSISTOR	1	
LB203-05	J0JCC0000071	FILTER	3		QR2008	B1GDCFJA0006	TRANSISTOR	1	
LB701	J0JCC0000071	FILTER	1		R203	ERJ2GEJ103	M.RESISTOR CH 1/16W 10K	1	
LB703	J0JCC0000071	FILTER	1		R204	ERJ2GEJ102	M.RESISTOR CH 1/16W 1K	1	
LB2001,02	J0JBC0000013	FILTER	2		R205-07	ERJ2GE0R00	M.RESISTOR CH 1/16W 0	3	
LB3001-04	J0JBC0000013	FILTER	4		R208	ERJ2GEJ103	M.RESISTOR CH 1/16W 10K	1	

Ref.No.	Part No.	Part Name & Description	Pcs	Remarks
R209	ERJ2GEJ222	M.RESISTOR CH 1/16W 2.2K	1	
R210	ERJ2GEJ105	M.RESISTOR CH 1/16W 1M	1	
R211-14	ERJ2GEOR00	M.RESISTOR CH 1/16W 0	4	
R216	ERJ2GEOR00	M.RESISTOR CH 1/16W 0	1	
R217	ERJ2GEJ473	M.RESISTOR CH 1/16W 47K	1	
R218,19	ERJ2GEOR00	M.RESISTOR CH 1/16W 0	2	
R221,22	ERJ2GEOR00	M.RESISTOR CH 1/16W 0	2	
R226	ERJ2GEJ102	M.RESISTOR CH 1/16W 1K	1	
R227	ERJ2GEJ103	M.RESISTOR CH 1/16W 10K	1	
R229	ERJ2GEOR00	M.RESISTOR CH 1/16W 0	1	
R232	ERJ2GEOR00	M.RESISTOR CH 1/16W 0	1	
R602-05	ERJ2GEOR00	M.RESISTOR CH 1/16W 0	4	
R606	ERJ2GEJ102	M.RESISTOR CH 1/16W 1K	1	
R608	ERJ2GEOR00	M.RESISTOR CH 1/16W 0	1	
R609	ERJ2GEJ102	M.RESISTOR CH 1/16W 1K	1	
R610,11	ERJ2GEJ101	M.RESISTOR CH 1/16W 100	2	
R612	ERJ6GEY0R00	M.RESISTOR CH 1/10W 0	1	
R613	ERJ2GEOR00	M.RESISTOR CH 1/16W 0	1	
R614	ERJ2GEJ102	M.RESISTOR CH 1/16W 1K	1	
R615	ERJ2GEJ333	M.RESISTOR CH 1/16W 33K	1	
R616	ERJ2GEJ101	M.RESISTOR CH 1/16W 100	1	
R617	ERJ2GEOR00	M.RESISTOR CH 1/16W 0	1	
R618,19	ERJ2GEJ103	M.RESISTOR CH 1/16W 10K	2	
R626	ERJ2GEJ102	M.RESISTOR CH 1/16W 1K	1	
R629	ERJ6GEY0R00	M.RESISTOR CH 1/10W 0	1	
R631	ERJ2GEJ223	M.RESISTOR CH 1/16W 22K	1	
R632	ERJ2GEJ472	M.RESISTOR CH 1/16W 4.7K	1	
R634	ERJ2GEJ103	M.RESISTOR CH 1/16W 10K	1	
R635	ERJ2GEJ153	M.RESISTOR CH 1/16W 15K	1	
R636	ERJ6GEY0R00	M.RESISTOR CH 1/10W 0	1	
R638-40	ERJ2GEJ101	M.RESISTOR CH 1/16W 100	3	
R641	ERJ2GEJ223	M.RESISTOR CH 1/16W 22K	1	
R642	ERJ6GEYJ4R7	M.RESISTOR CH 1/10W 4.7K	1	
R643	ERJ2GEOR00	M.RESISTOR CH 1/16W 0	1	
R644	ERJ2GEJ472	M.RESISTOR CH 1/16W 4.7K	1	
R645	ERJ2RHD393	M.RESISTOR CH 1/16W 39K	1	
R646	ERJ2RHD333	M.RESISTOR CH 1/16W 33K	1	
R651	ERJ2GEJ104	M.RESISTOR CH 1/16W 100K	1	
R652,53	ERJ2GEOR00	M.RESISTOR CH 1/16W 0	2	
R657	ERJ2GEJ394	M.RESISTOR CH 1/16W 390K	1	
R661	ERJ2GEOR00	M.RESISTOR CH 1/16W 0	1	
R701,02	ERJ3GEYJ4R7	M.RESISTOR CH 1/16W 4.7	2	
R703	ERJ2GEJ104	M.RESISTOR CH 1/16W 100K	1	
R704,05	ERJ3GEYJ4R7	M.RESISTOR CH 1/16W 4.7	2	
R706	ERJ2GEJ104	M.RESISTOR CH 1/16W 100K	1	
R707,08	ERJ2GEJ101	M.RESISTOR CH 1/16W 100	2	
R709	ERJ2GEJ103	M.RESISTOR CH 1/16W 10K	1	
R710	ERJ2GEJ153	M.RESISTOR CH 1/16W 15K	1	
R711	ERJ2GEJ223	M.RESISTOR CH 1/16W 22K	1	
R712	ERJ2GEJ103	M.RESISTOR CH 1/16W 10K	1	
R713	ERJ2GEJ472	M.RESISTOR CH 1/16W 4.7K	1	
R714	ERJ2GEJ102	M.RESISTOR CH 1/16W 1K	1	
R715	ERJ2GEJ473	M.RESISTOR CH 1/16W 47K	1	
R716	ERJ2GEJ102	M.RESISTOR CH 1/16W 1K	1	
R717	ERJ2GEJ221	M.RESISTOR CH 1/16W 220	1	
R718	ERJ2GEJ473	M.RESISTOR CH 1/16W 47K	1	
R719	ERJ2GEJ472	M.RESISTOR CH 1/16W 4.7K	1	
R720	ERJ2GEJ103	M.RESISTOR CH 1/16W 10K	1	
R721	ERJ2GEJ184	M.RESISTOR CH 1/16W 180K	1	
R722	ERJ2GEJ102	M.RESISTOR CH 1/16W 1K	1	
R723	ERJ2GEJ155	M.RESISTOR CH 1/16W 1.5M	1	
R724-26	ERJ2GEJ472	M.RESISTOR CH 1/16W 4.7K	3	
R727	ERJ2GEJ224	M.RESISTOR CH 1/16W 220K	1	
R728	ERJ2GEJ103	M.RESISTOR CH 1/16W 10K	1	
R729	ERJ2GEJ472	M.RESISTOR CH 1/16W 4.7K	1	
R730	ERJ2GEJ824	M.RESISTOR CH 1/16W 820K	1	
R731	ERJ2GEJ274	M.RESISTOR CH 1/16W 270K	1	
R732	ERJ2GEJ224	M.RESISTOR CH 1/16W 220K	1	
R733-35	ERJ2GEJ103	M.RESISTOR CH 1/16W 10K	3	
R736	ERJ2GEJ104	M.RESISTOR CH 1/16W 100K	1	
R737	ERJ2GEJ152	M.RESISTOR CH 1/16W 1.5K	1	
R738,39	ERJ2GEJ472	M.RESISTOR CH 1/16W 4.7K	2	
R741	ERJ2GEJ473	M.RESISTOR CH 1/16W 47K	1	
R742	ERJ2GEJ102	M.RESISTOR CH 1/16W 1K	1	
R744	ERJ2GEJ473	M.RESISTOR CH 1/16W 47K	1	

Ref.No.	Part No.	Part Name & Description	Pcs	Remarks
R747	ERJ2GEJ222	M.RESISTOR CH 1/16W 2.2K	1	
R748	ERJ2GEJ473	M.RESISTOR CH 1/16W 47K	1	
R750	ERJ2GEOR00	M.RESISTOR CH 1/16W 0	1	
R751	ERJ2GEJ562	M.RESISTOR CH 1/16W 5.6K	1	
R752	ERJ2GEJ683	M.RESISTOR CH 1/16W 68K	1	
R753	ERJ2GEJ223	M.RESISTOR CH 1/16W 22K	1	
R754	ERJ2GEJ102	M.RESISTOR CH 1/16W 1K	1	
R755	ERJ2GEJ683	M.RESISTOR CH 1/16W 68K	1	
R756	ERJ2GEJ333	M.RESISTOR CH 1/16W 33K	1	
R757	ERJ2GEJ473	M.RESISTOR CH 1/16W 47K	1	
R758	ERJ2GEJ472	M.RESISTOR CH 1/16W 4.7K	1	
R759	ERJ2GEJ473	M.RESISTOR CH 1/16W 47K	1	
R760	ERJ2GEJ393	M.RESISTOR CH 1/16W 39K	1	
R761	ERJ2GEJ472	M.RESISTOR CH 1/16W 4.7K	1	
R1001	ERJ8GEYOR00	M.RESISTOR CH 1/8W 0	1	
R1011	ERJ3RBD682	M.RESISTOR CH 1/16W 6.8K	1	
R1012,13	ERJ2RKD820	M.RESISTOR CH 1/16W 82	2	
R1014	ERJ3RBD361	M.RESISTOR CH 1/16W 360	1	
R1015	ERJ3RBD272	M.RESISTOR CH 1/16W 2.7K	1	
R1021	ERJ3RBD272	M.RESISTOR CH 1/16W 2.7K	1	
R1022,23	ERJ2RKD820	M.RESISTOR CH 1/16W 82	2	
R1024	ERJ3RBD221	M.RESISTOR CH 1/16W 220	1	
R1025	ERJ3RBD272	M.RESISTOR CH 1/16W 2.7K	1	
R1041	ERJ3RBD561	M.RESISTOR CH 1/16W 560	1	
R1042,43	ERJ2RKD820	M.RESISTOR CH 1/16W 82	2	
R1044	ERJ3RBD681	M.RESISTOR CH 1/16W 680	1	
R1045	ERJ3RBD272	M.RESISTOR CH 1/16W 2.7K	1	
R1051	ERJ6RBD273	M.RESISTOR CH 1/10W 27K	1	
R1052,53	ERJ2RKD820	M.RESISTOR CH 1/16W 82	2	
R1054	ERJ3RBD271	M.RESISTOR CH 1/16W 270	1	
R1055	ERJ6RBD272	M.RESISTOR CH 1/10W 2.7K	1	
R1056	ERJ2GEJ331	M.RESISTOR CH 1/16W 330	1	
R1101	ERJ2RHD223	M.RESISTOR CH 1/16W 22K	1	
R1103	ERJ2GEJ472	M.RESISTOR CH 1/16W 4.7K	1	
R1104	ERJ2GEJ123	M.RESISTOR CH 1/16W 12K	1	
R1105	ERJ2GEJ223	M.RESISTOR CH 1/16W 22K	1	
R1107	ERJ2GEJ225	M.RESISTOR CH 1/16W 2.2M	1	
R1112	ERJ2GEJ103	M.RESISTOR CH 1/16W 10K	1	
R1122	ERJ2GEJ682	M.RESISTOR CH 1/16W 6.8K	1	
R1141	ERJ2GEJ471	M.RESISTOR CH 1/16W 470	1	
R1142	ERJ2GEJ103	M.RESISTOR CH 1/16W 10K	1	
R1151	ERJ2GEJ151	M.RESISTOR CH 1/16W 150	1	
R1152	ERJ2GEJ562	M.RESISTOR CH 1/16W 5.6K	1	
R1153	ERJ2RHD243	M.RESISTOR CH 1/16W 24K	1	
R1154	ERJ2RHD104	M.RESISTOR CH 1/16W 100K	1	
R1155	ERJ2GEJ103	M.RESISTOR CH 1/16W 10K	1	
R1161	ERJ2GEJ103	M.RESISTOR CH 1/16W 10K	1	
R1341	ERJ2RKD820	M.RESISTOR CH 1/16W 82	1	
R1343	ERJ2RHD272	M.RESISTOR CH 1/16W 2.7K	1	
R1344	ERJ2GEJ221	M.RESISTOR CH 1/16W 220	1	
R1345	ERJ2GEJ102	M.RESISTOR CH 1/16W 1K	1	
R1349	ERJ3GEYOR00	M.RESISTOR CH 1/16W 0	1	
R1381	ERJ2RHD223	M.RESISTOR CH 1/16W 22K	1	
R1382	ERJ2RHD221	M.RESISTOR CH 1/16W 220	1	
R1383	ERJ2RHD272	M.RESISTOR CH 1/16W 2.7K	1	
R1384	ERJ2GEJ332	M.RESISTOR CH 1/16W 3.3K	1	
R1386	ERJ2RHD822	M.RESISTOR CH 1/16W 8.2K	1	
R1387	ERJ2RHD271	M.RESISTOR CH 1/16W 270	1	
R1388	ERJ2RHD272	M.RESISTOR CH 1/16W 2.7K	1	
R1389	ERJ2GEJ153	M.RESISTOR CH 1/16W 15K	1	
R1401	ERJ2GEJ104	M.RESISTOR CH 1/16W 100K	1	
R1402	ERJ2GEJ102	M.RESISTOR CH 1/16W 1K	1	
R1403	ERJ6GEYOR00	M.RESISTOR CH 1/10W 0	1	
R1404	ERJ3GEYOR00	M.RESISTOR CH 1/16W 0	1	
R1411	ERJ2GEJ203	M.RESISTOR CH 1/16W 20K	1	
R1412	ERJ2GEJ822	M.RESISTOR CH 1/16W 8.2K	1	
R1421	ERJ2GEJ473	M.RESISTOR CH 1/16W 47K	1	
R1422	ERJ2GEJ242	M.RESISTOR CH 1/16W 2.4K	1	
R1451	ERJ2RHD113	M.RESISTOR CH 1/16W 11K	1	
R1452	ERJ2RHD561	M.RESISTOR CH 1/16W 560	1	
R1453	ERJ2RHD272	M.RESISTOR CH 1/16W 2.7K	1	
R1454	ERJ2GEJ332	M.RESISTOR CH 1/16W 3.3K	1	
R1456	ERJ2GEJ224	M.RESISTOR CH 1/16W 220K	1	
R1457	ERJ2GEJ473	M.RESISTOR CH 1/16W 47K	1	
R1481	ERJ2RHD223	M.RESISTOR CH 1/16W 22K	1	

Ref.No.	Part No.	Part Name & Description	Pcs	Remarks
R1482	ERJ2RHD242	M.RESISTOR CH 1/16W 2.4K	1	
R1483	ERJ2RHD272	M.RESISTOR CH 1/16W 2.7K	1	
R1484	ERJ2GEJ332	M.RESISTOR CH 1/16W 3.3K	1	
R2000	ERJ2GEJ104	M.RESISTOR CH 1/16W 100K	1	
R2001	ERJ2GEJ394	M.RESISTOR CH 1/16W 390K	1	
R2002	ERJ2GEJ104	M.RESISTOR CH 1/16W 100K	1	
R2003	ERJ2GEOR00	M.RESISTOR CH 1/16W 0	1	
R2004-07	ERJ2GEJ104	M.RESISTOR CH 1/16W 100K	4	
R2008	ERJ2GEJ473	M.RESISTOR CH 1/16W 47K	1	
R2009,10	ERJ2GEJ102	M.RESISTOR CH 1/16W 1K	2	
R2011	ERJ2GEJ181	M.RESISTOR CH 1/16W 180	1	
R2012	ERJ2GEJ473	M.RESISTOR CH 1/16W 47K	1	
R2013	ERJ2GEJ102	M.RESISTOR CH 1/16W 1K	1	
R2014	ERJ2GEJ153	M.RESISTOR CH 1/16W 15K	1	
R2015	ERJ2GEJ391	M.RESISTOR CH 1/16W 390	1	
R2016	ERJ2GEJ102	M.RESISTOR CH 1/16W 1K	1	
R2017	ERJ2GEJ473	M.RESISTOR CH 1/16W 47K	1	
R2018,19	ERJ2GEJ102	M.RESISTOR CH 1/16W 1K	2	
R2020	ERJ2GEJ331	M.RESISTOR CH 1/16W 330	1	
R2021	ERJ2GEOR00	M.RESISTOR CH 1/16W 0	1	
R2022	ERJ2GEJ102	M.RESISTOR CH 1/16W 1K	1	
R2023	ERJ2GEJ104	M.RESISTOR CH 1/16W 100K	1	
R2024,25	ERJ2GEJ102	M.RESISTOR CH 1/16W 1K	2	
R2026	ERJ2GEJ473	M.RESISTOR CH 1/16W 47K	1	
R2027	ERJ2GEJ474	M.RESISTOR CH 1/16W 470K	1	
R2028	ERJ2GEJ102	M.RESISTOR CH 1/16W 1K	1	
R2029	ERJ2GEJ394	M.RESISTOR CH 1/16W 390K	1	
R2030	ERJ2GEJ274	M.RESISTOR CH 1/16W 270K	1	
R2031	ERJ2GEJ102	M.RESISTOR CH 1/16W 1K	1	
R2032	ERJ2GEJ331	M.RESISTOR CH 1/16W 330	1	
R2033	ERJ2GEOR00	M.RESISTOR CH 1/16W 0	1	
R2034	ERJ2GEJ101	M.RESISTOR CH 1/16W 100	1	
R2035	ERJ2GEOR00	M.RESISTOR CH 1/16W 0	1	
R2036	ERJ2RHD563	M.RESISTOR CH 1/16W 56K	1	
R2037	ERJ2RHD223	M.RESISTOR CH 1/16W 22K	1	
R2038	ERJ2GEJ393	M.RESISTOR CH 1/16W 39K	1	
R2039	ERJ2GEJ223	M.RESISTOR CH 1/16W 22K	1	
R2040	ERJ6GEVGI01	M.RESISTOR CH 1/10W 100	1	
R2041	ERJ2GEJ681	M.RESISTOR CH 1/16W 680	1	
R2042	ERJ2GEJ103	M.RESISTOR CH 1/16W 10K	1	
R2043	ERJ2GEJ152	M.RESISTOR CH 1/16W 1.5K	1	
R2044,45	ERJ2GEJ473	M.RESISTOR CH 1/16W 47K	2	
R2048,49	ERJ2GEJ473	M.RESISTOR CH 1/16W 47K	2	
R2050	ERJ2GEJ105	M.RESISTOR CH 1/16W 1M	1	
R2051	ERJ2GEJ473	M.RESISTOR CH 1/16W 47K	1	
R2053,54	ERJ2GEJ562	M.RESISTOR CH 1/16W 5.6K	2	
R2055	ERJ2GEJ102	M.RESISTOR CH 1/16W 1K	1	
R2056	ERJ2GEJ473	M.RESISTOR CH 1/16W 47K	1	
R2057	ERJ2GEJ102	M.RESISTOR CH 1/16W 1K	1	
R2058	ERJ2GEJ562	M.RESISTOR CH 1/16W 5.6K	1	
R2059	ERJ2GEJ473	M.RESISTOR CH 1/16W 47K	1	
R2060	ERJ2GEJ394	M.RESISTOR CH 1/16W 390K	1	
R2061	ERJ2GEJ393	M.RESISTOR CH 1/16W 39K	1	
R2062	ERJ2GEJ101	M.RESISTOR CH 1/16W 100	1	
R2063	ERJ2GEJ473	M.RESISTOR CH 1/16W 47K	1	
R2064	ERJ2GEJ224	M.RESISTOR CH 1/16W 220K	1	
R2065	ERJ2GEOR00	M.RESISTOR CH 1/16W 0	1	
R2066,67	ERJ2GEJ102	M.RESISTOR CH 1/16W 1K	2	
R2069	ERJ2GEJ473	M.RESISTOR CH 1/16W 47K	1	
R2070	ERJ2GEJ472	M.RESISTOR CH 1/16W 4.7K	1	
R2072	ERJ2GEJ473	M.RESISTOR CH 1/16W 47K	1	
R2073,74	ERJ2GEJ563	M.RESISTOR CH 1/16W 56K	2	
R2075	ERJ2GEJ152	M.RESISTOR CH 1/16W 1.5K	1	
R2076,77	ERJ2GEJ563	M.RESISTOR CH 1/16W 56K	2	
R2078	ERJ2GEJ473	M.RESISTOR CH 1/16W 47K	1	
R2079	ERJ2GEOR00	M.RESISTOR CH 1/16W 0	1	
R2081	ERJ2GEJ223	M.RESISTOR CH 1/16W 22K	1	
R2082,83	ERJ2GEJ154	M.RESISTOR CH 1/16W 150K	2	
R2084-87	ERJ2GEJ102	M.RESISTOR CH 1/16W 1K	4	
R2088-90	ERJ2GEJ473	M.RESISTOR CH 1/16W 47K	3	
R2091	ERJ2GEJ103	M.RESISTOR CH 1/16W 10K	1	
R2092	ERJ2GEJ332	M.RESISTOR CH 1/16W 3.3K	1	
R2093	ERJ2GEJ102	M.RESISTOR CH 1/16W 1K	1	
R2094	ERJ2GEJ472	M.RESISTOR CH 1/16W 4.7K	1	
R2096	ERJ2GEJ102	M.RESISTOR CH 1/16W 1K	1	

Ref.No.	Part No.	Part Name & Description	Pcs	Remarks
R2097	ERJ2GEJ392	M.RESISTOR CH 1/16W 3.9K	1	
R2098,99	ERJ2GEOR00	M.RESISTOR CH 1/16W 0	2	
R2100-04	ERJ2GEJ102	M.RESISTOR CH 1/16W 1K	5	
R2105	ERJ2GEJ473	M.RESISTOR CH 1/16W 47K	1	
R2106,07	ERJ2GEJ102	M.RESISTOR CH 1/16W 1K	2	
R2108	ERJ2GEOR00	M.RESISTOR CH 1/16W 0	1	
R2109,10	ERJ2GEJ473	M.RESISTOR CH 1/16W 47K	2	
R2111	ERJ2GEOR00	M.RESISTOR CH 1/16W 0	1	
R2112	ERJ2GEJ473	M.RESISTOR CH 1/16W 47K	1	
R2113	ERJ2GEJ103	M.RESISTOR CH 1/16W 10K	1	
R2114	ERJ2GEOR00	M.RESISTOR CH 1/16W 0	1	
R2115	ERJ2GEJ104	M.RESISTOR CH 1/16W 100K	1	
R2116	ERJ2GEJ105	M.RESISTOR CH 1/16W 1M	1	
R2117	ERJ2GEJ222	M.RESISTOR CH 1/16W 2.2K	1	
R2118,19	ERJ2GEJ103	M.RESISTOR CH 1/16W 10K	2	
R2120-22	ERJ2GEOR00	M.RESISTOR CH 1/16W 0	3	
R2123	ERJ2GEJ473	M.RESISTOR CH 1/16W 47K	1	
R2124,25	ERJ2GEOR00	M.RESISTOR CH 1/16W 0	2	
R2126,27	ERJ2GEJ331	M.RESISTOR CH 1/16W 330	2	
R2128	ERJ2GEJ104	M.RESISTOR CH 1/16W 100K	1	
R2129	ERJ2RHD473	M.RESISTOR CH 1/16W 47K	1	
R2132	ERJ2RHD103	M.RESISTOR CH 1/16W 10K	1	
R2133	ERJ2RHD273	M.RESISTOR CH 1/16W 27K	1	
R2134,35	ERJ2GEJ102	M.RESISTOR CH 1/16W 1K	2	
R2136	ERJ2RHD473	M.RESISTOR CH 1/16W 47K	1	
R2137	ERJ2RHD273	M.RESISTOR CH 1/16W 27K	1	
R2138	ERJ2RHD103	M.RESISTOR CH 1/16W 10K	1	
R2139	ERJ2GEJ332	M.RESISTOR CH 1/16W 3.3K	1	
R2141	ERJ2GEOR00	M.RESISTOR CH 1/16W 0	1	
R2142	ERJ2GEJ473	M.RESISTOR CH 1/16W 47K	1	
R2143-45	ERJ2GEJ102	M.RESISTOR CH 1/16W 1K	3	
R2146	ERJ2GEJ103	M.RESISTOR CH 1/16W 10K	1	
R2147,48	ERJ2GEJ102	M.RESISTOR CH 1/16W 1K	2	
R2153	ERJ2GEJ103	M.RESISTOR CH 1/16W 10K	1	
R2154	ERJ2GEJ473	M.RESISTOR CH 1/16W 47K	1	
R2155	ERJ2GEJ224	M.RESISTOR CH 1/16W 220K	1	
R2157-60	ERJ2GEJ102	M.RESISTOR CH 1/16W 1K	4	
R2161	ERJ2GEJ101	M.RESISTOR CH 1/16W 100	1	
R2162	ERJ2GEJ104	M.RESISTOR CH 1/16W 100K	1	
R2163	ERJ2GEJ102	M.RESISTOR CH 1/16W 1K	1	
R2164	ERJ2GEJ473	M.RESISTOR CH 1/16W 47K	1	
R2165,66	ERJ2GEJ102	M.RESISTOR CH 1/16W 1K	2	
R2167	ERJ2GEJ473	M.RESISTOR CH 1/16W 47K	1	
R2168	ERJ2GEJ102	M.RESISTOR CH 1/16W 1K	1	
R2169	ERJ2GEJ473	M.RESISTOR CH 1/16W 47K	1	
R2170	ERJ2GEJ822	M.RESISTOR CH 1/16W 8.2K	1	
R2171	ERJ2GEJ102	M.RESISTOR CH 1/16W 1K	1	
R2172	ERJ2GEJ473	M.RESISTOR CH 1/16W 47K	1	
R2173	ERJ2GEJ102	M.RESISTOR CH 1/16W 1K	1	
R2174	ERJ2GEJ473	M.RESISTOR CH 1/16W 47K	1	
R2175-78	ERJ2GEJ102	M.RESISTOR CH 1/16W 1K	4	
R2179	ERJ2GEJ103	M.RESISTOR CH 1/16W 10K	1	
R2180,81	ERJ2GEJ122	M.RESISTOR CH 1/16W 1.2K	2	
R2182	ERJ2GEJ102	M.RESISTOR CH 1/16W 1K	1	
R2183	ERJ2GEJ103	M.RESISTOR CH 1/16W 10K	1	
R2184	ERJ2GEOR00	M.RESISTOR CH 1/16W 0	1	
R2185	ERJ6GEVGI330	M.RESISTOR CH 1/10W 33	1	
R2186	ERJ2GEJ822	M.RESISTOR CH 1/16W 8.2K	1	
R2187-89	ERJ2GEOR00	M.RESISTOR CH 1/16W 0	3	
R2190	ERJ2GEJ102	M.RESISTOR CH 1/16W 1K	1	
R2191	ERJ2GEJ473	M.RESISTOR CH 1/16W 47K	1	
R2192	ERJ2GEOR00	M.RESISTOR CH 1/16W 0	1	
R2193	ERJ2GEJ103	M.RESISTOR CH 1/16W 10K	1	
R2194	ERJ2GEJ473	M.RESISTOR CH 1/16W 47K	1	
R2195	ERJ2GEJ332	M.RESISTOR CH 1/16W 3.3K	1	
R2196	ERJ2GEJ122	M.RESISTOR CH 1/16W 1.2K	1	
R2197	ERJ2GEOR00	M.RESISTOR CH 1/16W 0	1	
R2198	ERJ2GEJ102	M.RESISTOR CH 1/16W 1K	1	
R2199	ERJ2GEOR00	M.RESISTOR CH 1/16W 0	1	
R2201	ERJ2GEJ101	M.RESISTOR CH 1/16W 100	1	
R2202	ERJ2GEJ473	M.RESISTOR CH 1/16W 47K	1	
R2203	ERJ2GEJ823	M.RESISTOR CH 1/16W 82K	1	
R2204	ERJ2GEJ224	M.RESISTOR CH 1/16W 220K	1	
R2205-08	ERJ2GEJ102	M.RESISTOR CH 1/16W 1K	4	
R2209	ERJ2GEJ224	M.RESISTOR CH 1/16W 220K	1	

Ref.No.	Part No.	Part Name & Description	Pcs	Remarks
PP6511	K1MN20A00023	CONNECTOR	1	
PP6516	K1MN50B00013	CONNECTOR	1	
PP6518	K1MN05B00028	CONNECTOR	1	
PP6520	K1MN08A00032	CONNECTOR	1	
PP6521	K1MN18A00011	CONNECTOR	1	
IC501	C0JBAS000075	IC	1	
IC502,03	C0JBAZ0000516	IC	2	
IC504	TC7SH04F	IC	1	
IC507	C0CBCAC000046	IC	1	
IC3501	C1AB00001280	IC	1	
IC3502	C0ABAA000046	IC	1	
IC3503	C1AB00000647	IC	1	
IC6501	C0CBCBC000029	IC	1	
IC6502	C0CBABC00124	IC	1	
L3505-09	VLQ0426J330	COIL	33UH	5 G1C330J00005
P6510	K1KA05A00259	CONNECTOR (MALE)	1	
P6512	VJF3125D015	CONNECTOR (MALE)	1	K1KA15B00034
P6513	VJF3172D003	CONNECTOR (MALE)	1	K1KA03B00006
P6514	K1KA07B00061	CONNECTOR (MALE)	1	
P6515	K1KA06A00207	CONNECTOR (MALE)	1	
P6517	VJF3172D002	CONNECTOR (MALE)	1	K1KA02B00051
P6519	VJF3172D002	CONNECTOR (MALE)	1	K1KA02B00051
P6520	K1KA05A00259	CONNECTOR (MALE)	1	
PP6501	K1KA0A000092	CONNECTOR (MALE)	1	
PP6508	K1KA30A00106	CONNECTOR (MALE)	1	
Q3501	B1ACGD000006	TRANSISTOR	1	
Q3503,04	2SB1218AHL	TRANSISTOR	2	
Q3505	2SD1819A0L	TRANSISTOR	1	
Q3508	2SD1819A0L	TRANSISTOR	1	
Q3581-83	2SD1819A0L	TRANSISTOR	3	
Q4201	XN4504	TRANSISTOR-RESISTOR	1	
QR501	UNR9215J0L	TRANSISTOR	1	
QR3502	B1GBBEM0001	TRANSISTOR	1	
QR3584	UNR9114J0L	TRANSISTOR	1	
QR3585	UNR9213J0L	TRANSISTOR	1	
QR4202	XP0431200L	TRANSISTOR	1	
R501	ERJ3GEYJ101	M.RESISTOR CH 1/16W	100	1
R502	ERJ3GEYJ333	M.RESISTOR CH 1/16W	33K	1
R503	ERJ3GEYJ153	M.RESISTOR CH 1/16W	15K	1
R504	ERJ3GEYG102	M.RESISTOR CH 1/16W	1K	1
R505	ERJ3GEYJ153	M.RESISTOR CH 1/16W	15K	1
R506	ERJ3GEYG102	M.RESISTOR CH 1/16W	1K	1
R507	ERJ3GEYJ333	M.RESISTOR CH 1/16W	33K	1
R508,09	ERJ3GEYJ473	M.RESISTOR CH 1/16W	47K	2
R3501	ERJ3GEYG102	M.RESISTOR CH 1/16W	1K	1
R3502	ERJ3GEYJ392	M.RESISTOR CH 1/16W	3.9K	1
R3503	ERJ3RBD332	M.RESISTOR CH 1/16W	3.3K	1
R3504	ERJ3RBD181	M.RESISTOR CH 1/16W	180	1
R3505,06	ERJ3RBD102	M.RESISTOR CH 1/16W	1K	2
R3507	ERJ3RBD392	M.RESISTOR CH 1/16W	3.9K	1
R3508	ERJ3GEYOR00	M.RESISTOR CH 1/16W	0	1
R3509	ERJ3GEYJ750	M.RESISTOR CH 1/16W	75	1
R3510,11	ERJ3GEYOR00	M.RESISTOR CH 1/16W	0	2
R3512	ERJ3GEYJ680	M.RESISTOR CH 1/16W	68	1
R3513	ERJ3GEYJ750	M.RESISTOR CH 1/16W	75	1
R3514	ERJ3GEYOR00	M.RESISTOR CH 1/16W	0	1
R3515	ERJ3GEYJ331	M.RESISTOR CH 1/16W	330	1
R3516-18	ERJ3GEYOR00	M.RESISTOR CH 1/16W	0	3
R3519	ERJ3GEYG682	M.RESISTOR CH 1/16W	6.8K	1
R3520	ERJ3GEYOR00	M.RESISTOR CH 1/16W	0	1
R3521	ERJ3GEYJ202	M.RESISTOR CH 1/16W	2K	1
R3522	ERJ3GEYOR00	M.RESISTOR CH 1/16W	0	1
R3551	ERJ3GEYJ473	M.RESISTOR CH 1/16W	47K	1
R3552	ERJ3GEYG472	M.RESISTOR CH 1/16W	4.7K	1
R3553	ERJ3GEYG102	M.RESISTOR CH 1/16W	1K	1
R3554	ERJ3GEYJ202	M.RESISTOR CH 1/16W	2K	1
R3555	ERJ3GEYG332	M.RESISTOR CH 1/16W	3.3K	1
R3556	ERJ3GEYJ103	M.RESISTOR CH 1/16W	10K	1

Ref.No.	Part No.	Part Name & Description	Pcs	Remarks
R3557,58	ERJ3GEYJ333	M.RESISTOR CH 1/16W	33K	2
R3559	ERJ3GEYJ821	M.RESISTOR CH 1/16W	820	1
R3560	ERJ3GEYJ222	M.RESISTOR CH 1/16W	2.2K	1
R3561,62	ERJ3GEYG102	M.RESISTOR CH 1/16W	1K	2
R3563	ERJ3GEYJ222	M.RESISTOR CH 1/16W	2.2K	1
R3568	ERJ3GEYJ183	M.RESISTOR CH 1/16W	18K	1
R3580	ERJ3GEYJ473	M.RESISTOR CH 1/16W	47K	1
R3584-86	ERJ3GEYG102	M.RESISTOR CH 1/16W	1K	3
R3591	ERJ3GEYG152	M.RESISTOR CH 1/16W	1.5K	1
R3592	ERJ3GEYJ821	M.RESISTOR CH 1/16W	820	1
R3593	ERJ3GEYG152	M.RESISTOR CH 1/16W	1.5K	1
R3594	ERJ3GEYJ821	M.RESISTOR CH 1/16W	820	1
R4205	ERJ3GEYJ562	M.RESISTOR CH 1/16W	5.6K	1
R4208,09	ERJ3GEYJ330	M.RESISTOR CH 1/16W	33	2
R4210,11	ERJ3GEYG332	M.RESISTOR CH 1/16W	3.3K	2
R4212	ERJ3GEYJ562	M.RESISTOR CH 1/16W	5.6K	1
R4216	ERJ3GEYOR00	M.RESISTOR CH 1/16W	0	1
R4228,29	ERJ3GEYJ680	M.RESISTOR CH 1/16W	68	2
R6502	ERJ3GEYOR00	M.RESISTOR CH 1/16W	0	1
R6504	ERJ6GEYG331	M.RESISTOR CH 1/16W	330	1
R6505	ERJ6GEYOR00	M.RESISTOR CH 1/10W	0	1
R6510,11	ERJ3GEYJ101	M.RESISTOR CH 1/16W	100	2
R6515-20	ERJ3GEYJ101	M.RESISTOR CH 1/16W	100	6
R6523-25	ERJ3GEYOR00	M.RESISTOR CH 1/16W	0	3
R6526	ERJ6GEYOR00	M.RESISTOR CH 1/10W	0	1
R6539	ERJ3GEYJ473	M.RESISTOR CH 1/16W	47K	1
R6540-42	ERJ3GEYOR00	M.RESISTOR CH 1/16W	0	3
R6543,44	ERJ3GEYJ392	M.RESISTOR CH 1/16W	3.9K	2
		MISCELLANEOUS		
	VEE0W08	GND SUPPORT CABLE ASS'Y		1
	VEE8184	AV JACK A MECHA CHASSIS EARTH CABE		1
■ E3	VEP06P19B	EVR INT C.B.A.		1 (RTL)
PP6851	K1KB60A00105	CONNECTOR (FEMALE)		1
PP6852,53	K1KA30A00149	CONNECTOR (MALE)		2
■ E4	VEP22335A	CCD C.B.A.		1 (RTL)
C294	FLJ1C105A091	C.CAPACITOR CH 16V	1U	1
C295	ECJ2VB1E104K	C.CAPACITOR CH 25V	0.1U	1
D291	MA3J14300L	DIODE		1
FP291	K1MN14A00041	CONNECTOR		1
Q291	2SC3930	TRANSISTOR		1
R292	ERJ6GEYF822	M.RESISTOR CH 1/10W	8.2K	1
■ E5	VEP06F12A	BATTERY INT C.B.A.		1 (RTL)
C6751	FLJ0J475A008	C.CAPACITOR CH6.3V	4.7U	1
C6752	FLJ1C105A091	C.CAPACITOR CH 16V	1U	1
PP6751	VJS3319B014	CONNECTOR (FEMALE)		1
JK6751	K2EC3A000001	JACK		1

Ref.No.	Part No.	Part Name & Description	Pcs	Remarks
P6751	K1KA05A00102	CONNECTOR (MALE)	1	
■ E6	VEP06F17A	ZOOM C.B.A.	1 (RTL)	
FP6661	K1MN03B00002	CONNECTOR	1	
P6660	VJP3172D003	CONNECTOR (MALE)	1	K1KA03B00006
■ E7	VEP06F16A	PHOTO SHOT C.B.A.	1 (RTL)	
P6640	VJP3172D004	CONNECTOR (MALE)	1	K1KA04B00007
S6640	EVQP1D05M	SWITCH	1	
■ E8	VEP06F13A	FRONT C.B.A.	1 (RTL)	
C6801	ECJ1VB1C104K	C.CAPACITOR CH 16V 0.1U	1	
C6802	ECST0JY106Z	T.CAPACITOR CH6.3V 10U	1	
C6803	F1H0J474A002	T.CAPACITOR CH6.3V 0.47U	1	
C6804	ECJ1VB1C104K	C.CAPACITOR CH 16V 0.1U	1	
C6806	ECJ1VB1C104K	C.CAPACITOR CH 16V 0.1U	1	
D6801	LN28CALUS	DIODE	1	
D6802	B3GA00000022	DIODE	1	
D6803	MA3S132D0L	DIODE	1	
D6804,05	B0BC6R100014	DIODE	2	
IR6801	PNA4618M05VT	REMOCON	1	
P6801	VJP3172D005	CONNECTOR (MALE)	1	K1KA05B00053
Q6801	2SD103000L	TRANSISTOR	1	
Q6802	2SD1819A-R	TRANSISTOR	1	
R6801	ERJ6GEYG181	M.RESISTOR CH 1/10W 180	1	
R6802	ERJ6GEYG470	M.RESISTOR CH 1/10W 47	1	
R6803	ERJ3GEYG472	M.RESISTOR CH 1/16W 4.7K	1	
R6804	ERJ3GEYJ182	M.RESISTOR CH 1/16W 1.8K	1	
R6805	ERJ3GEYJ334	M.RESISTOR CH 1/16W 330K	1	
R6806	ERJ3GEYJ225	M.RESISTOR CH 1/16W 2.2M	1	
R6807	ERJ3GEYJ106	M.RESISTOR CH 1/16W 10M	1	
		MISCELLANEOUS		
	VMX1658	LED HOLDER	1	
	VEE0U55	FRONT CABLE ASS'Y	1	
	VJS3172B005	CONNECTOR (FEMALE) 5P	2	
■ E9	VEP06F14A	S/S & POWER C.B.A.	1 (RTL)	
D6601	CL150YG	DIODE	1	
D6602	B3AAB0000050	DIODE	1	
FP6601	K1MN08B00040	CONNECTOR	1	

Ref.No.	Part No.	Part Name & Description	Pcs	Remarks
R6601-04	ERJ3GEY0R00	M.RESISTOR CH 1/16W 0	4	
S6601	ESE103119	SWITCH	1	
S6602	VMG0763	SWITCH	1	
S6603	EVQPLPA08	SWITCH	1	
■ E10	VEP06F15A	EJECT C.B.A.	1 (RTL)	
P6620	K1KA02A00385	CONNECTOR (MALE)	1	
S6620	ESD165236	SWITCH	1	
■ E11	VEP04824B	AV JACK C.B.A.	1 (RTL)	
C4501	ECJ1ZB1C104K	C.CAPACITOR CH 16V 0.1U	1	
C4507,08	ECJ1VB1H472K	C.CAPACITOR CH 50V 4700P	2	
C4511	ECJ1ZB1C104K	C.CAPACITOR CH 16V 0.1U	1	
C4512,13	ECJ1ZB1H103K	C.CAPACITOR CH 50V 0.01U	2	
D4501	B0BC6R100014	DIODE	1	
D4511	B0BC6R100014	DIODE	1	
JK4501	K2HZ106B0005	JACK	1	
JK4502	K2HA306B0067	JACK	1	
JK4511	K2HC103B0143	JACK	1	
LB4501-03	VLF1144A102	FILTER	3	
LB4504,05	JOJBC0000034	FILTER	2	
LB4511-13	VLF1144A102	FILTER	3	
P4501	VJP3125D015	CONNECTOR (MALE)	1	K1KA15B00034
R4503	ERJ3GEYG102	M.RESISTOR CH 1/16W 1K	1	
■ E12	VEP03G26A	DV TERMINAL C.B.A.	1 (RTL)	
JK4591	K1FA104A0011	CONNECTOR	1	
P4591	K1KA05A00259	CONNECTOR (MALE)	1	
■ E13	VEP06F11A	SIDE (R) C.B.A.	1 (RTL)	
FP6701	K1MN50B00014	CONNECTOR	1	
FP6702	K1MN26A00043	CONNECTOR	1	
FP6703	K1MN21B00033	CONNECTOR	1	
P6701,02	VJP3172D002	CONNECTOR (MALE)	2	K1KA02B00051
R6701,02	ERJ6GEY0R00	M.RESISTOR CH 1/10W 0	2	
R6705	ERJ6GEY0R00	M.RESISTOR CH 1/10W 0	1	
R6906-08	ERJ6GEYG102	M.RESISTOR CH 1/10W 1K	3	
S6701	K0H1BA000260	SWITCH	1	

Ref.No.	Part No.	Part Name & Description	Pcs	Remarks
■ E14	VEP26254D	MONITOR C.B.A.	1	(RTL)
■	VEP06E18A	HOLE SENSOR FPC C.B.A.	1	(RTL)FOR VEP26254D
C903	ECST0JY106Z	T.CAPACITOR CH6.3V 10U	1	
C906	ECJ0EB1E471K	C.CAPACITOR CH 25V 470P	1	
C907-09	ECJ2YB1A105K	C.CAPACITOR CH 10V 1U	3	
C910	ECJ0EB1A104K	C.CAPACITOR CH 10V 0.1U	1	
C911	ECJ0EB1E471K	C.CAPACITOR CH 25V 470P	1	
C913	ECJ0EB1E471K	C.CAPACITOR CH 25V 470P	1	
C916-18	ECJ2YB1A105K	C.CAPACITOR CH 10V 1U	3	
C921	ECJ2YB1A105K	C.CAPACITOR CH 10V 1U	1	
C923	ECJ4YB1C106V	C.CAPACITOR CH 16V 10U	1	
C927	ECJ2YB1E104K	C.CAPACITOR CH 25V 0.1U	1	
C929	ECJ0EB1E152K	C.CAPACITOR CH 25V 1500P	1	
C931	ECJ2YB1A105K	C.CAPACITOR CH 10V 1U	1	
C932	ECJ3YB1E105K	T.CAPACITOR CH 25V 1M	1	
C934	FLJ1C105A091	C.CAPACITOR CH 16V 1U	1	
C935	ECJ4YB1C106V	C.CAPACITOR CH 16V 10U	1	
C937	ECJ0EB1A104K	C.CAPACITOR CH 10V 0.1U	1	
C938	ECJ0EC1H101J	C.CAPACITOR CH 50V 100P	1	
C939	ECJ1VC1H331G	C.CAPACITOR CH 50V 330P	1	
C940	ECJ0EC1H560J	C.CAPACITOR CH 50V 56P	1	
C941	FLG1H100A448	C.CAPACITOR CH 50V 10P	1	
C942	ECJ2YB1C474K	C.CAPACITOR CH 16V 0.47U	1	
C943,44	ECJ1VB1A224K	T.CAPACITOR CH 10V 0.22U	2	
C945	ECJ0EB1E332K	C.CAPACITOR CH 25V 3300P	1	
C946	ECJ4YB1C106V	C.CAPACITOR CH 16V 10U	1	
C947,48	ECJ1ZB1C104K	C.CAPACITOR CH 16V 0.1U	2	
C950	FLJ1C105A091	C.CAPACITOR CH 16V 1U	1	
C952	ECJ2YB1E104K	C.CAPACITOR CH 25V 0.1U	1	
C953	ECJ0WB1C103K	C.CAPACITOR CH 16V 0.01U	1	
D903	MA3S132D0L	DIODE	1	
D904	MA4X159A0L	DIODE	1	
D905	MA6Z12100L	DIODE	1	
D906	MA2J11100L	DIODE	1	
D908	B0BC6R100014	DIODE	1	
FP901	VJS3320B024	CONNECTOR (FEMALE)	1	
FP903	K1MN25B00033	CONNECTOR	1	
IC901	AN2540FHQ-V	IC	1	
IC902	TC4W53FU	IC	1	
IC908	SN74LV04APW	IC	1	COJBAB000247
IC991	DN8797MSC	IC	1	FOR VEP06E18A
L901	VLQ0807K100	COIL 10UH	1	G1C100K00024
L905	VLQ0807K100	COIL 10UH	1	G1C100K00024
Q901	B1HBCFA00001	TRANSISTOR	1	
Q902	B1DFCG000004	TRANSISTOR	1	
Q903	B1HBCFA00010	TRANSISTOR	1	
Q905	B1HBCFA00010	TRANSISTOR	1	
Q906	2SB1462J0L	TRANSISTOR	1	
QR901	UNR9210J0L	TRANSISTOR	1	
QR902,03	UNR9214J0L	TRANSISTOR	2	
QR904	UNR9210J0L	TRANSISTOR	1	
QR905	UNR9212J0L	TRANSISTOR	1	
R901	ERJ3GEY0R00	M.RESISTOR CH 1/16W 0	1	
R903	ERJ3GEYJ153	M.RESISTOR CH 1/16W 15K	1	
R904	ERJ3RBD622	M.RESISTOR CH 1/16W 6.2K	1	
R907	ERJ3GEY0R00	M.RESISTOR CH 1/16W 0	1	
R908-10	ERJ3GEYJ101	M.RESISTOR CH 1/16W 100	3	
R912	ERJ3GEYJ334	M.RESISTOR CH 1/16W 330K	1	
R914	ERJ3GEYJ104	M.RESISTOR CH 1/16W 100K	1	
R915	ERJ3RBD333	M.RESISTOR CH 1/16W 33K	1	
R917	ERJ3RBD103	M.RESISTOR CH 1/16W 10K	1	
R918	ERJ3GEYJ272	M.RESISTOR CH 1/16W 2.7K	1	

Ref.No.	Part No.	Part Name & Description	Pcs	Remarks
R919	ERJ6GEY0R00	M.RESISTOR CH 1/10W 0	1	
R920	ERJ3GEY0R00	M.RESISTOR CH 1/16W 0	1	
R921	ERJ3GEYJ153	M.RESISTOR CH 1/16W 15K	1	
R922	ERJ3GEYJ333	M.RESISTOR CH 1/16W 33K	1	
R923	ERJ6GEY0R00	M.RESISTOR CH 1/10W 0	1	
R924	ERJ3GEYJ223	M.RESISTOR CH 1/16W 22K	1	
R925	ERJ3GEYJ153	M.RESISTOR CH 1/16W 15K	1	
R926	ERJ3GEYJ101	M.RESISTOR CH 1/16W 100	1	
R927	ERJ3GEYJ393	M.RESISTOR CH 1/16W 39K	1	
R928	ERJ3GEYJ101	M.RESISTOR CH 1/16W 100	1	
R929	ERJ3GEYJ220	M.RESISTOR CH 1/16W 22	1	
R930	ERJ3GEY0R00	M.RESISTOR CH 1/16W 0	1	
R931	ERJ3GEYJ393	M.RESISTOR CH 1/16W 39K	1	
R932	ERJ3RBD203	M.RESISTOR CH 1/16W 20K	1	
R933	ERJ6GEY0R00	M.RESISTOR CH 1/10W 0	1	
R934	ERJ3GEYJ103	M.RESISTOR CH 1/16W 10K	1	
R936	ERJ3GEYJ473	M.RESISTOR CH 1/16W 47K	1	
R937	ERJ3GEY0R00	M.RESISTOR CH 1/16W 0	1	
R938,39	ERJ6GEY0R00	M.RESISTOR CH 1/10W 0	2	
R940,41	ERJ3GEY0R00	M.RESISTOR CH 1/16W 0	2	
R942,43	ERJ6GEY0R00	M.RESISTOR CH 1/10W 0	2	
R945	ERJ6GEY0R00	M.RESISTOR CH 1/10W 0	1	
R946	ERJ3GEYG102	M.RESISTOR CH 1/16W 1K	1	
R947	ERJ3GEYJ101	M.RESISTOR CH 1/16W 100	1	
R948,49	ERJ3GEY0R00	M.RESISTOR CH 1/16W 0	2	
R950	ERJ6GEY0R00	M.RESISTOR CH 1/10W 0	1	
R951	ERJ3GEYJ560	M.RESISTOR CH 1/16W 56	1	
R952	ERJ3GEYJ472	M.RESISTOR CH 1/16W 4.7K	1	
R953	ERJ3GEYJ823	M.RESISTOR CH 1/16W 82K	1	
R954	ERJ3GEY0R00	M.RESISTOR CH 1/16W 0	1	
R956	ERJ3RBD103	M.RESISTOR CH 1/16W 10K	1	
R957	ERJ3RBD101	M.RESISTOR CH 1/16W 100	1	
R958	ERJ3GEYJ153	M.RESISTOR CH 1/16W 15K	1	
R959	ERJ3GEYJ473	M.RESISTOR CH 1/16W 47K	1	
R960	ERJ3GEYJ101	M.RESISTOR CH 1/16W 100	1	
R961	ERJ3GEYJ272	M.RESISTOR CH 1/16W 2.7K	1	
R962	ERJ3GEYJ561	M.RESISTOR CH 1/16W 560	1	
R963	ERJ3GEYJ104	M.RESISTOR CH 1/16W 100K	1	
R964,65	ERJ3GEYJ333	M.RESISTOR CH 1/16W 33K	2	
R966	ERJ3GEYJ152	M.RESISTOR CH 1/16W 1.5K	1	
R967	ERJ3GEYJ104	M.RESISTOR CH 1/16W 100K	1	
R968,69	ERJ3GEYJ333	M.RESISTOR CH 1/16W 33K	2	
R970	ERJ3GEYJ562	M.RESISTOR CH 1/16W 5.6K	1	
R971	ERJ3GEYJ335	M.RESISTOR CH 1/16W 3.3M	1	
R972	ERJ3GEYJ224	M.RESISTOR CH 1/16W 220K	1	
R973,74	ERJ8GEYJ335	M.RESISTOR CH 1/8W 3.3M	2	
R975	ERJ3GEYJ223	M.RESISTOR CH 1/16W 22K	1	
R976	ERJ3RBD681	M.RESISTOR CH 1/16W 680	1	
R977	ERJ3RBD180	M.RESISTOR CH 1/16W 18	1	
R978	ERJ6GEYJ335	M.RESISTOR CH 1/10W 3.3M	1	
R979	ERJ3GEYJ224	M.RESISTOR CH 1/16W 220K	1	
R980	ERJ3GEYJ101	M.RESISTOR CH 1/16W 100	1	
R983	ERJ3GEYJ333	M.RESISTOR CH 1/16W 33K	1	
R988	ERJ3GEYG102	M.RESISTOR CH 1/16W 1K	1	
R989	ERJ3GEYJ104	M.RESISTOR CH 1/16W 100K	1	
T901	ETJ09K59AZ	TRANSFORMER	1	
T902	EFTU21R203	TRANSFORMER	1	
■ E15	VEP28298A	EVF INT C.B.A.	1	(RTL)
FP852	K1MN22B00029	CONNECTOR	1	
P851	K1KA30A00106	CONNECTOR (MALE)	1	
R851	ERJ6GEY0R00	M.RESISTOR CH 1/10W 0	1	

Ref.No.	Part No.	Part Name & Description	Pcs	Remarks
■ E16	VEP28284A	EVP C.B.A.	1	(RTL)
C802	FLJ1C105A091	C.CAPACITOR CH 16V 1U	1	
D801,02	B3AFB0000016	LED	2	
D803	B0BC6R100014	DIODE	1	
D804	MA3S13300L	DIODE	1	
FP802	K1MN21B00020	CONNECTOR	1	
FP803	K1MN22B00062	CONNECTOR	1	
Q801	XP0450100L	TRANSISTOR	1	
R801	ERJ3GEYG472	M.RESISTOR CH 1/16W 4.7K	1	
R803,04	ERJ3RED470	M.RESISTOR CH 1/16W 47	2	
R805	ERJ3GEYJ103	M.RESISTOR CH 1/16W 10K	1	
■ E17	VEP06F18A	HANDLE ZOOM C.B.A.	1	(RTL)
P6681	K1KA07A00067	CONNECTOR (MALE)	1	
S6680	KOH1BA000399	SWITCH	1	
S6681,82	KOH1BA000105	SWITCH	2	
■ E18	VEP04823A	MIC JACK C.B.A.	1	(RTL)
C4901,02	ECJ1VB1H222K	C.CAPACITOR CH 50V 2200P	2	
C4903	ECJ1VB0J105K	C.CAPACITOR CH 35V 1M	1	
C4905	F2H0J470A003	E.CAPACITOR 6.3V 47U	1	
C4906,07	ECJ1VB1E223K	C.CAPACITOR CH 25V 0.022U	2	
C4908	ECJ1VB0J105K	C.CAPACITOR CH 35V 1M	1	
C4910,11	F2H0J470A003	E.CAPACITOR 6.3V 47U	2	
C4912	ECJ1ZB1C104K	C.CAPACITOR CH 16V 0.1U	1	
C4913	ECJ1VB0J105K	C.CAPACITOR CH 35V 1M	1	
C4914,15	ECJ1VB1H102K	C.CAPACITOR CH 50V 1000P	2	
FP4902	K1MN06B00048	CONNECTOR	1	
FP4903	K1MN08B00040	CONNECTOR	1	
JK4901	K2HC105E0003	JACK	1	
LB4901	J0JHC0000032	FILTER	1	
Q4901	2SD1819A-R	TRANSISTOR	1	
Q4902	2SB1218AHL	TRANSISTOR	1	
Q4903	2SD1819A-R	TRANSISTOR	1	
Q4904	2SB1218AHL	TRANSISTOR	1	
Q4905-07	2SD1819A-R	TRANSISTOR	3	
R4901	ERJ3GEYG682	M.RESISTOR CH 1/16W 6.8K	1	
R4902	ERJ3GEYJ104	M.RESISTOR CH 1/16W 100K	1	
R4903	ERJ3GEYG682	M.RESISTOR CH 1/16W 6.8K	1	
R4904	ERJ3GEY0R00	M.RESISTOR CH 1/16W 0	1	
R4905	ERJ3GEYG471	M.RESISTOR CH 1/16W 470	1	
R4906	ERJ6GEYG103	M.RESISTOR CH 1/10W 10K	1	
R4907	ERJ6GEYG154	M.RESISTOR CH 1/10W 150K	1	
R4908	ERJ6GEYG563	M.RESISTOR CH 1/10W 56K	1	
R4909	ERJ3GEYG102	M.RESISTOR CH 1/16W 1K	1	
R4910	ERJ3GEYJ562	M.RESISTOR CH 1/16W 5.6K	1	
R4911	ERJ3GEYJ151	M.RESISTOR CH 1/16W 150	1	
R4912	ERJ3GEYG471	M.RESISTOR CH 1/16W 470	1	
R4913	ERJ6GEYG103	M.RESISTOR CH 1/10W 10K	1	
R4914	ERJ6GEYG154	M.RESISTOR CH 1/10W 150K	1	

Ref.No.	Part No.	Part Name & Description	Pcs	Remarks
R4915	ERJ6GEYG563	M.RESISTOR CH 1/10W 56K	1	
R4916	ERJ3GEYG102	M.RESISTOR CH 1/16W 1K	1	
R4917	ERJ3GEYJ562	M.RESISTOR CH 1/16W 5.6K	1	
R4918	ERJ3GEYJ151	M.RESISTOR CH 1/16W 150	1	
R4919	ERJ3GEYG472	M.RESISTOR CH 1/16W 4.7K	1	
R4921	ERJ3GEY0R00	M.RESISTOR CH 1/16W 0	1	
R4923,24	ERJ3GEY0R00	M.RESISTOR CH 1/16W 0	2	
R4925,26	ERJ3GEYJ393	M.RESISTOR CH 1/16W 39K	2	
R4927	ERJ3GEYJ103	M.RESISTOR CH 1/16W 10K	1	
R4928,29	ERJ6GEYG104	M.RESISTOR CH 1/10W 100K	2	
		MISCELLANEOUS		
	VSC4666	FRONT SHIELD CASE (A)	1	
	VWJ08G4050AA	MIC JACK FFC	1	

Panasonic