

ORDER No. VS9805M907A

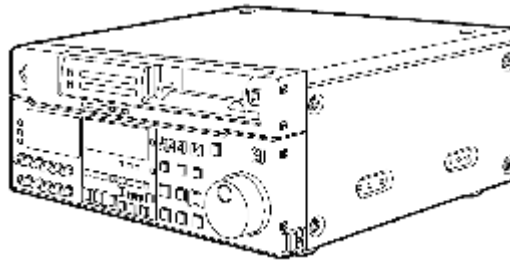
D25

# Service Manual

DVC PRO Studio VTR/Analog Video Interface Kit

**DVCPRO 50** **DVCPRO P**

AJ-D950P / AJ-D950E / AJ-PD950P / AJ-YA951E



**Panasonic**<sup>®</sup>

## 1. INTRODUCTION

This service manual contains technical information which allow service personnel to understand and service the DVCPRO Studio VTR AJ-D950.

### 1.1. Specifications

#### 1.1.1. AJ-D950P

#### 1.1.2. AJ-D950E

## 2. SAFETY PRECAUTIONS

## 2.1. GENERAL GUIDELINES

1. When servicing, observe the original lead dress. If a short circuit is found, replace all parts which have been overheated or damaged by the short circuit.
2. After servicing, make the following leakage current checks to prevent the customer from being exposed to shock properly installed.
3. After servicing, make the following leakage current checks to prevent the customer from being exposed to shock hazards.

## 2.2. LEAKAGE CURRENT COLD CHECK

1. Unplug the AC cord and connect a jumper between the two prongs on the plug.
2. Measure the resistance value, with an ohmmeter, between the jumpered AC plug and each exposed metallic cabinet part on the equipment such as screwheads, connectors, control shafts, etc. When the exposed metallic part has a return path to the chassis, the reading should be between  $1M \Omega$  and  $5.2M \Omega$ . When the exposed metal does not have a return path to the chassis, the reading must be infinity.

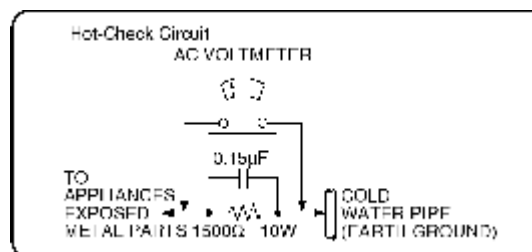


Figure 1

## 2.3. LEAKAGE CURRENT HOT CHECK (See Figure 1.)

1. Plug the AC cord directly into the AC outlet. Do not use an isolation transformer for this check.
2. Connect a  $1.5k \Omega$ , 10 W resistor, in parallel with a  $0.15 \mu$  capacitor, between each exposed metallic part on the set and a good earth ground such as a water pipe, as shown in Figure 1.
3. Use an AC voltmeter, with 1000 ohms/volt or more sensitivity, to measure the potential across the resistor.
4. Check each exposed metallic part, and measure the voltage at

each point.

5. Reverse the AC plug in the AC outlet and repeat each of the above measurements.
6. The potential at any point should not exceed 0.75 volts RMS. A leakage current tester (Simpson Model 229 equivalent) may be used to make the hot checks, leakage current must not exceed 1/2 milliamp. In case a measurement is outside of the limits specified, there is a possibility of a shock hazard, and the equipment should be repaired and rechecked before it is returned to the customer.

#### **2.4. ELECTROSTATICALLY SENSITIVE (ES) DEVICES**

Some semiconductor (solid state) devices can be damaged easily by static electricity. Such components commonly are called Electrostatically Sensitive (ES) Devices. Examples of typical ES devices are integrated circuits and some field-effect transistors and semiconductor “ chip ” components. The following techniques should be used to help reduce the incidence of component damage caused by static electricity.

1. Immediately before handling any semiconductor component or semiconductor-equipped assembly, drain off any electrostatic charge on your body by touching a known earth ground. Alternatively, obtain and wear a commercially available discharging wrist strap device, which should be removed for potential shock reasons prior to applying power to the unit under test.
2. After removing an electrical assembly equipped with ES devices, place the assembly on a conductive surface such as aluminum foil, to prevent electrostatic charge buildup or exposure of the assembly.
3. Use only a grounded-tip soldering iron to solder or unsolder ES devices.
4. Use only an anti-static solder removal device classified as “ anti-static ” can generate electrical charges sufficient to damage ES devices.
5. Do not use freon-propelled chemicals. These can generate electrical charges sufficient to damage ES devices.
6. Do not remove a replacement ES device from its protective package until immediately before you are ready to install it. (most replacement ES devices are packaged with leads electrically

shorted together by conductive foam, aluminum foil or comparable conductive material).

7. Immediately before removing the protective material from the leads of a replacement ES device, touch the protective material to the chassis or circuit assembly into which the device will be installed. **CAUTION:** Be sure no power is applied to the chassis or circuit, and observe all other safety precautions.
8. Minimize bodily motions when handling unpackaged replacement ES devices. (Otherwise harmless motion such as the brushing together of your clothes fabric or the lifting of your foot from a carpeted floor can generate static electricity sufficient to damage an ES device).

## 2.5. X-RADIATION

### WARNING

1. The potential source of X-Radiation in EVF sets is the High Voltage section and the picture tube.
2. When using a picture tube test jig for service, ensure that jig is capable of handling 10kV without causing X-Radiation.

### Note:

It is important to use an accurate periodically calibrated high voltage meter.

3. Measure the High Voltage. The meter (electric type) reading should indicate 2.5kV,  $\pm 0.15$ kV. If the meter indication is out of tolerance, immediate service and correction is required to prevent the possibility of premature component failure. To prevent an X-Radiation possibility, it is essential to use the specified picture tube.

## 3. OPERATING INSTRUCTIONS

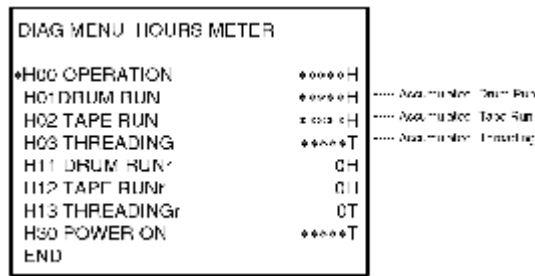
### 3.1. AJ-D950P/AJ-PD950P

### 3.2. AJ-D950E

### 3.3. AJ-YA951E

## 4. SERVICE INFORMATION

### 4.1. How to reset the HOUR METER



1. Turns power OFF and set the DIP SW 501-1 to ON position on the SYSCON (F2) P.C.B.
2. Turns power ON and press DIAG button and then press SEARCH button. Confirm the HOUR METER information is displayed on the monitor as above figure.
3. Set the cursor to mark "r" position by rotating the jog JOG DIAL then press the RESET button.
4. The message is displayed as below. (The following message is a example when "DRUM RUN r".)

DRUM RUN r OK?  
YES<PLAY> NO<STOP>

When PLAY button is pressed, a reset function is executed.

When STOP button is pressed, a reset function is canceled.

5. Set the DIP SW 501-1 to OFF position on the SYSCON (F2) P.C.B.

**Note:**

Accumulated Time can not be reset.

## 4.2. How to confirm the Soft Version

1. Turns power ON.
2. Press the EJECT button.
3. When press the PLAY and STOP button simultaneously, the soft version is displayed on the front panel.
4. By repeating step 3, the display of version is changed as follows.

## 5. Maintenance & Mechanical Adjustment

### 5.1. Maintenance Parts Chart

	Name	Part No.	Hours of Use (unit hours)					
			2,000	4,000	6,000	8,000	10,000	12,000
	Tape Path Cleaning	—	"C" Clean the Tape Path at each 500 hours					
1	Cylinder Unit	VEG1457	R	R	R	R	R	r
2	Pinch Arm Unit	VXL2835	R*1	R*1	R*1	R*1	R*1	r
3	Cleaning Arm Unit	VXL2748	R	R	R	R	R	r
4	S Reel Motor A Unit	VEM0635		R		R		r
5	T Reel Motor A Unit	VEM0636		R		R		r
6	Thrust Screw Unit	VXQ0556		R		R		r
7	S Loading Arm Unit	VXL2812			R			r
8	T1 Boat Unit A	VXA6108			R			r
9	S Post Base A Unit	VXA6052			R			r
10	Tension Arm S Unit	VXL2832			R			r
11	Cassette Compartment	VXA6070						r
12	Mech. Chassis Unit	VXY1318Z1						R
13	Fan Motor	VRF0193	Replace the Fan Motor at each 10,000 hours Operation Time					

**Note:**

Hours of Use are based on the head rotation hours.

Hours of Use are recommendation. It may depend on temperature, humidity or dust.

Hours of Use are listed as the reference of maintenance. They do not mean guaranteed hours.

"R": These parts are replacement parts.

"r": These parts are included in Mech. Chassis Unit. Replacing Mech. Chassis Unit is recommended.

\*1. The lubrication is necessary when replacing the Pinch Arm Unit. (Use Molytone Grease.)

"C": This mark means cleaning is necessary. Detail cleaning procedures are written in Service Manual.

The following parts are included in the mechanism chassis. Therefore usual replacement is not necessary if the mechanism chassis is replaced.

No.	Name	Part No.	2000H	4000H	6000H	12000H
14	A/C Head	VED0419				r
15	Loading Motor (1) A Unit	VEM0645				r
16	Reel Drive Motor Unit	VEM0585				r
17	Mode Switch Unit	VES0814				r
18	Pinch Solenoid	VSJ0227				r
19	S Brake Solenoid	VSJ0216				r
20	T Brake Solenoid	VSJ0216				r
21	Thinner Tape Detection Switch	VXA6119				r
22	Cleaner Solenoid	VSJ0226				r
23	Main Cam Gear	VDG1168				r
24	Brake Solenoid (M Stopper)	VSJ0216				r
25	Slot In Motor	VXA5597				r

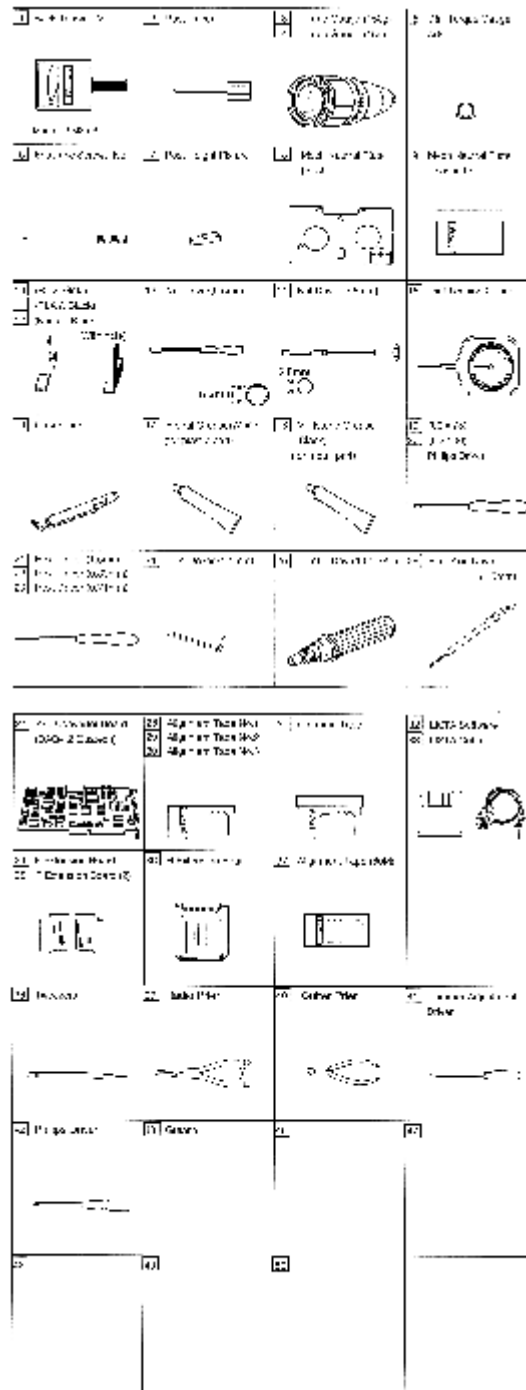
## 5.2. Jigs and Tools List

No.	Item	Part No.	Name	Remark
-----	------	----------	------	--------

1	Jigs	VFK1145	Back Tension Meter (T2-M30-P)	
2		VFK1149	Post Driver	
3		VFK71	Dial Torque Gauge (150 g)	
4		VFK1191	Dial Torque Gauge (45g)	
5		VFK1152	Dial Torque Gauge Adapter	
6		VFK0357	Eccentric Screwdriver (1.5)	
7		VFK1154	Post Height Fixture	
8		VFK1153	Mech Neutral Plate(Post)	
9		VFK1369	Tape Sensor Adjustment Cassette (L)	
10		VFK1155	REV Position Tool (Gold or White color)	
11		VFK1156	PLAY Position Tool (Black color)	
12		VFK1208	Neutral Position tool (Black, with hole)	
13		VFK1150	Nut Driver (5.5mm)	
14		VFK1151	Nut Driver (2.5mm)	
15		VFK1188	Dial Tension Gauge (30g)	
16		VFK0948	Check Light	
17		VFK0749	Froiral Grease(White) (for plastic part)	
18		M0R265	Morlytone Grease(Black) (for metal part)	
19		VFK1146	Philips Driver (00-75)	
20		VFK1147	Philips Driver (0-100)	
21		VFK1148	Hex. Wrench (1.5)	
22		VFK1178	Hex. Wrench (0.89)	
23		VFK1179	Hex. Wrench (0.71)	
24		VFK1190	Hex. Wrench	
25		VFK1209	Torque Driver(0.4-3Kg)	
26		VFK0912	Post Axis Driver(1.5mm)	
27		VFK1300	A/D Board (DAQ-12 Quatech)	
28		VFM3580KM	Alignment Tape (No.1)	
29		VFM3581KM	Alignment Tape (No.2)	
30		VFM3582KM	Alignment Tape (No.3)	
31		AJ-CL12MP	Cleaning Tape	SALES
32		VFK1420	LISTA Software	NEW!
33		VFK1186	LISTA Cable	
34		VFK1192	Extension Board	
35		VFK1383	Extension Board (2)	NEW! F4
36		VFK1193	Extension Board (H)	
37			Alignment Tape (50M confirmation)	NEW!
38		VFK0369	Tweezers	
39		VFK0371	Radio Prier	
40		VFK0372	Cutter Prier	
41		VFK0338	Trimmer Adjustment Driver	
42		VFK0337	Philips Driver	
43		VFK0906	Grease	
44				
--				

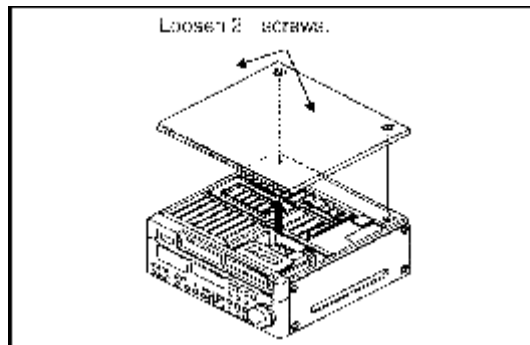


45			
46			
47			
48			
49			
50			



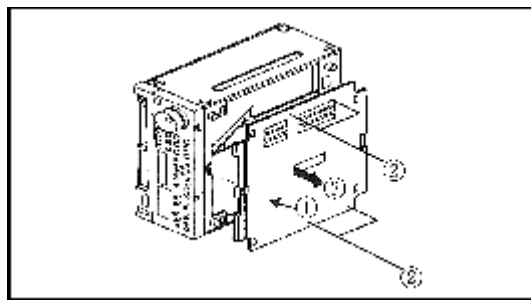
### 5.3. Disassembly Method

### 5.3.1. Removal of Top Panel



Loosen 2 screws and remove the top panel.

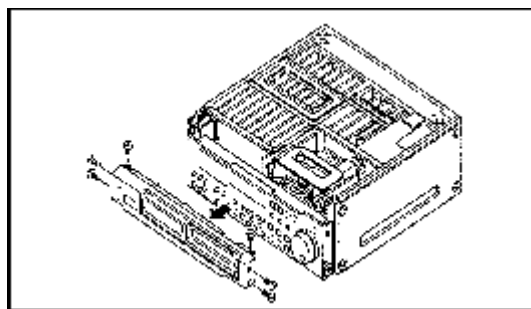
### 5.3.2. Removal of Bottom Panel



1. Loosen the screw 1.
2. Remove the 4 screws numbered 2.
3. Slide the bottom panel and remove it.

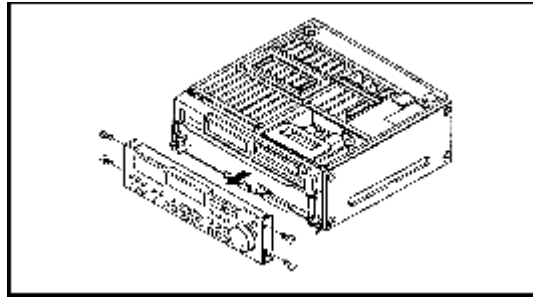
### 5.3.3. Removal of Upper Front Panel

1. Remove the 4 screws at right and left, then draw the upper front panel.



### 5.3.4. Removal of Front Panel

1. Remove the 4 screws at left and right. Then draw it and remove the connector and remove the Front Panel.

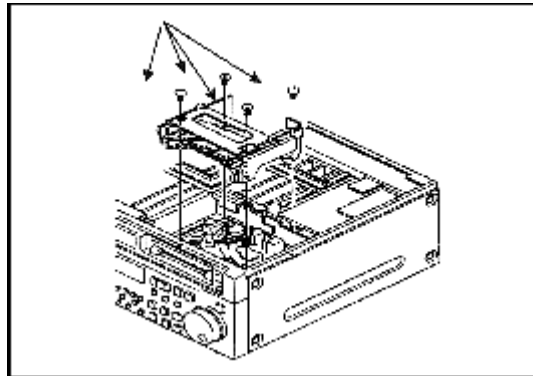


### 5.3.5. Removal of Front Loading Unit

1. Remove the connectors at front loading motor and interconnection board. Then rotate the emergency eject gear (red) counterclockwise until the screw which is used to fix the front loading unit can be seen.

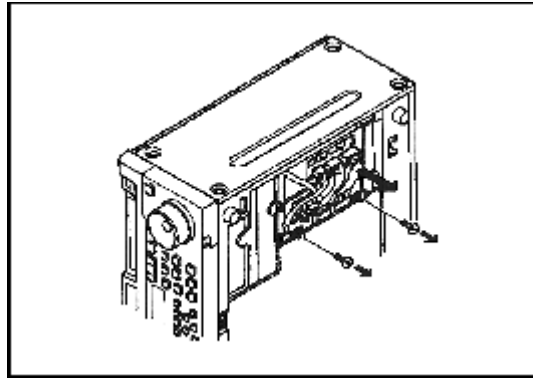


2. Remove the 4 screws of the loading unit as shown below.

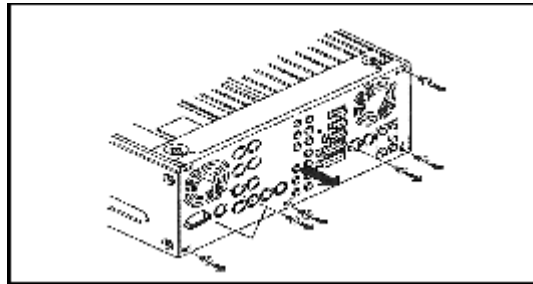


### 5.3.6. Removal of Power Supply Unit

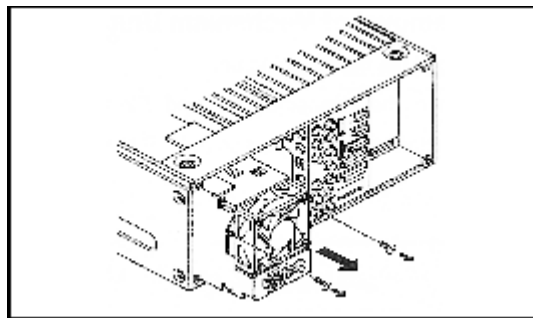
1. Remove 5 connectors with the Power Supply unit on the VTR bottom side.
2. Remove 2 screws with the Power Supply unit on the VTR bottom side.



**3. Remove 1 screw with the Power Supply unit on the VTR top side.**



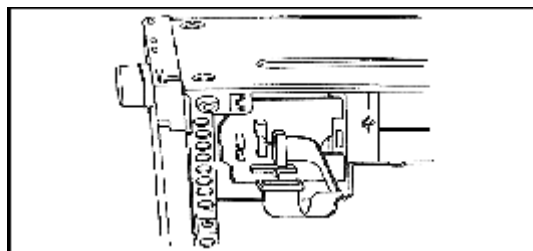
**4. Remove 2 screws at VTR Rear panel which are used to fix the Power supply unit.**



### **5.3.7. Removal of Mechanism Unit**

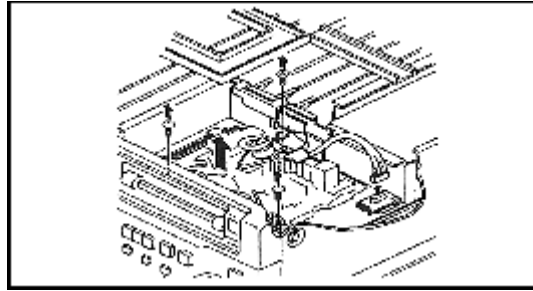
**1. Remove the front loading unit.**

**2. Remove the connector P1 and P2 which are connected to mech interface at VTR bottom.**



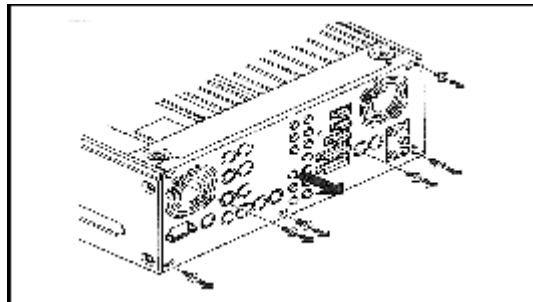
**Remove the A/C Head cable from the intermediate point, and remove the P5003 and P5002 which are connected between the cylinder unit and Head Buffer board. Then remove the 3**

screws and remove the mechanism unit.

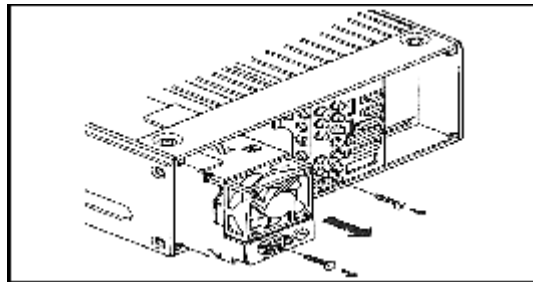


### 5.3.8. Removal of Fan Motor

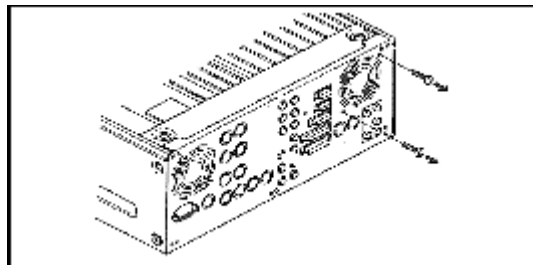
1. Remove the Rear Jack by removing 7 screws.



2. Remove 2 screws and Power 2 connector P14 then remove the fan motor.



3. Remove 2 screws and mother board connector P32, then remove fan motor.



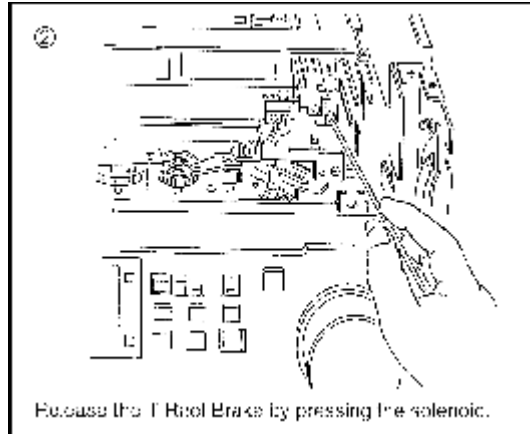
### 5.4. Manual Tape Eject

When a tape can not be ejected, because of Power failure or mechanical tape damage, remove the tape manually.

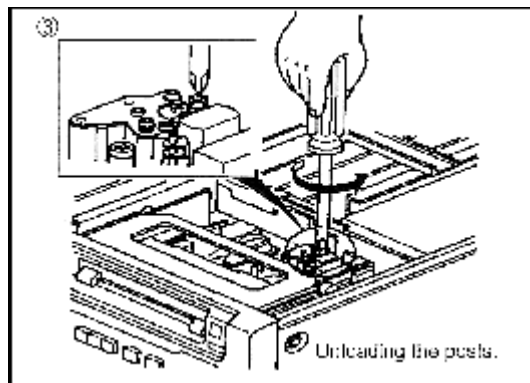
1. Turns power off and remove the top panel and front upper and

front bottom panel.

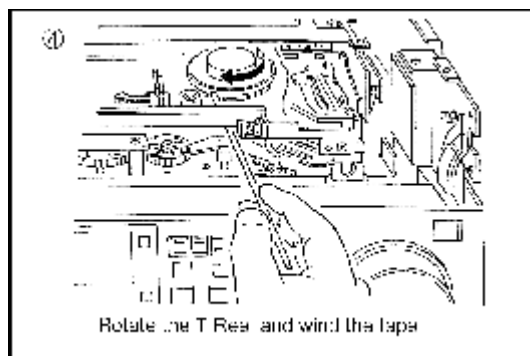
2. Release the Reel brake by pressing the iron axis of the T Reel Brake Solenoid. This is done by a thin stick from the VTR front.



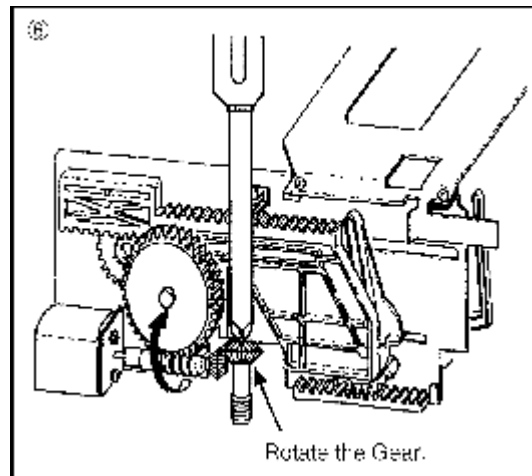
3. Rotate the red plastic screw by a Phillips - head screwdriver to Counterclockwise (CCW ) keep pushing the screw. It needs to rotate about 30 times rotation until starting to move.



4. When the post is unloaded, the tape loosens, so take-up reel must be wound the tape to protect tape loosen. The tape wind method is ; inserting a wood stick (non magnetized) between the cassette and mechanism chassis from the front and rotate the T Reel to the tape wind direction.



5. Repeat item 3 and 4 until the tape is wound completely inside of the cassette.
6. When the tape is completely inside of the cassette, rotate the worm gear of the cassette down motor and remove the cassette. Take care so that the cassette cover does not bite the tape when the cover is closed.



## 5.5. Cleaning Procedures

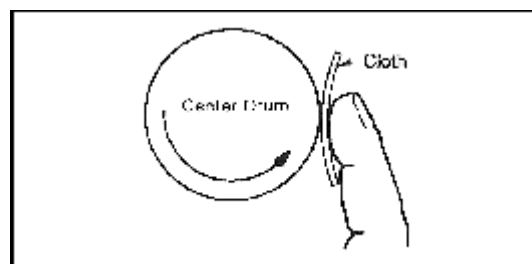
### Note:

Turns power off during cleaning.

Make sure the power is OFF before cleaning. Use ethanol (more than 99% purity) as cleaning liquid.

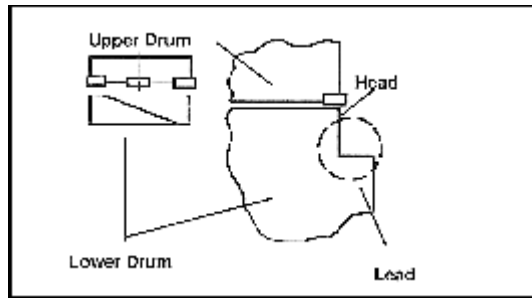
### 5.5.1. Cleaning of Head Chips: (Daily)

Clean heads by applying even pressure and rotating cylinder a few times. Never wipe in up and down motion. Never touch a cylinder by naked hand. First wipe with a cloth soaked by cleaning liquid. Then wipe with dry cloth.



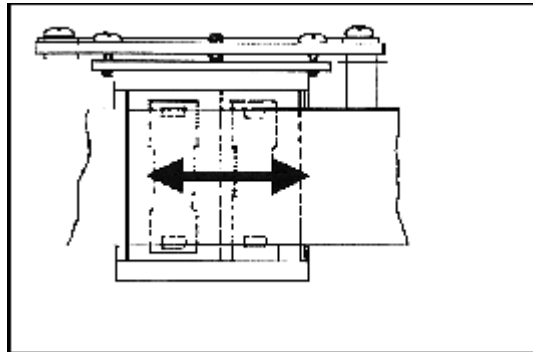
### 5.5.2. Cleaning of Drum Lead: (Weekly)

Be careful not to touch a head chip. Clean the drum lead with a pick.



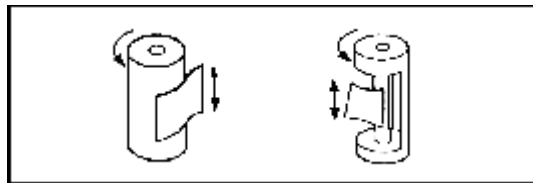
### 5.5.3. Cleaning of A/C Head: (Weekly)

Wipe the A/C head with a cloth soaked by cleaning liquid. Wipe again with a dry cloth.



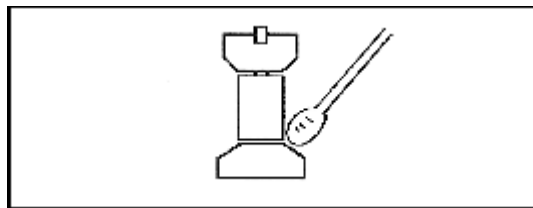
### 5.5.4. Cleaning of Pinch Roller and Capstan: (Weekly)

Wipe the Pinch Roller and Capstan with a cloth soaked by cleaning liquid.



### 5.5.5. Cleaning of Post: (Weekly)

Wind a cloth on a pick. Wipe each post dry with that pick. Wipe again with a dry cloth. For metal postswipe with cleaning liquid. Then wipe dry again.



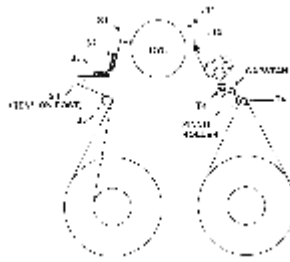
#### Note:

Use the clean cloth for cleaning purpose. Do not use any dirty cloth.

## 5.6. Mechanism Adjustment

### 5.6.1. Name of tape transportation

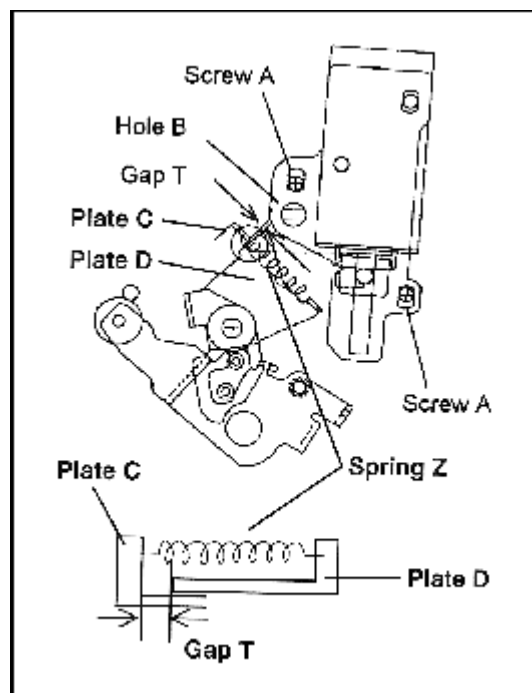


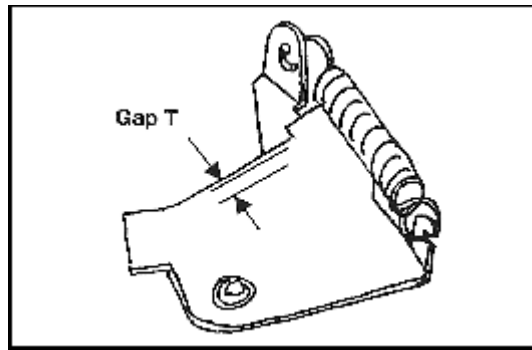


### 5.6.2. Pinch Solenoid Position Adjustment

Specification	T = 0.3mm
Test Point	Space at T portion
Adjustment	A, B
Mode	EJECT (Power Off)
Tool	VFK0357 (Eccentric Driver)

1. Turns power off.
2. Close the pinch roller to the capstan shaft.
3. Press the pinch solenoid by your hand and touch the pinch roller with the capstan shaft.
4. Loosen the 2 screw A and adjust B portion so that the Gap T is in the specification by VFK0357.
5. Tighten the 2 screw A after adjustment.

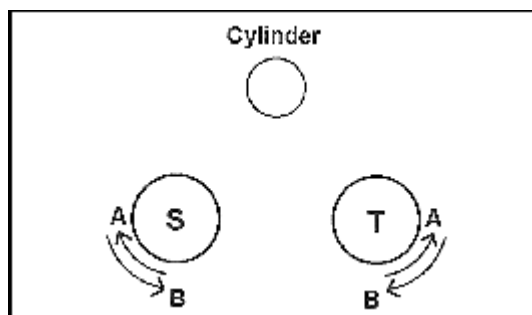




### 5.6.3. Main Brake Torque Confirmation

Specification	A: more than 80g B: more than 15g
Test Point	S Reel, T Reel
Mode	EJECT (Power OFF)
Tool	VFK71(150g),VFK1191(45g),VFK1152

1. Remove the cassette compartment.
2. Attach the Adaptor (VKK1152) with the torque meter.
3. Attach the torque meter with the S Reel table and rotate it to A direction (CW).
4. Confirm the reel torque is in the specification when the brake is released and the reel starts rotation.
5. Confirm T Reel torque in the same way with S Reel torque.
6. Remove the Adaptor (VKK1152) and attach the adaptor with the torque meter (VFK1191).
7. Attach the torque meter with the S Reel table and rotate it to B direction (CCW).
8. Confirm the reel torque is in the specification when the brake is released and the reel starts rotation.
9. Confirm T Reel torque in the same way with S Reel torque.



### 5.6.4. Post Height Pre-Adjustment

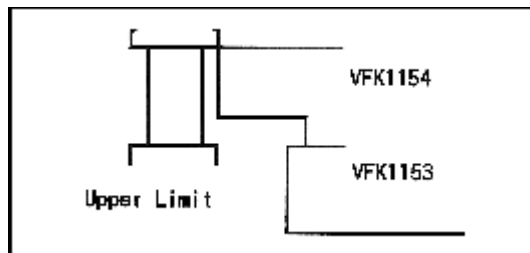
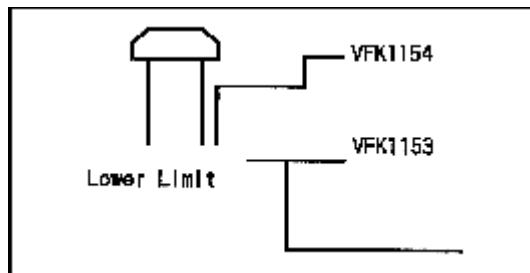
Mode	EJECT (Power OFF)
Tool	VFK1153, VFK1154 (flange tool)

1. Turns power off and remove the cassette compartment and set mechanism plate (VFK153).
2. Place the flange tool (VFK1154) as shown in the figure and adjust the post height.
3. Adjust the S1 and T1 post height by VFK1149 and adjust T3 and T4 by VFK1151.

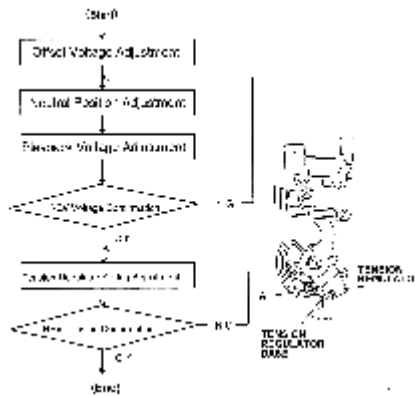
Name	Limit	Post Driver
S5 Post	Note 1	VFK1149
S4 Post	Note 1	VFK1149
T3 Post	Lower Limit	VFK1151(2.5mm Nut Box)
T4 Post	Lower Limit	VFK1151 (2.5mm Nut Box)

**Note:**

Rotate CCW one turn from the lower limit.



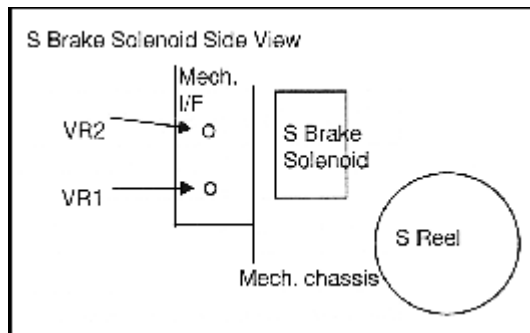
### 5.6.5. Tension Arm Adjustment Procedures



### 5.6.6. Tension Arm Offset Voltage Adjustment

Board	SERVO
Specification	2.5+/-0.05V
Test Point	TP201(SERVO:F1)
Adjustment	VR1(Mech. IF)
Mode	EJECT
M. EQ.	Digital Volt Meter

1. Set the VTR in EJECT mode and confirm the voltage at TP201 is in the specification.
2. If it is not, adjust VR1 on the Mech. I/F Board so that the voltage is in the specification.

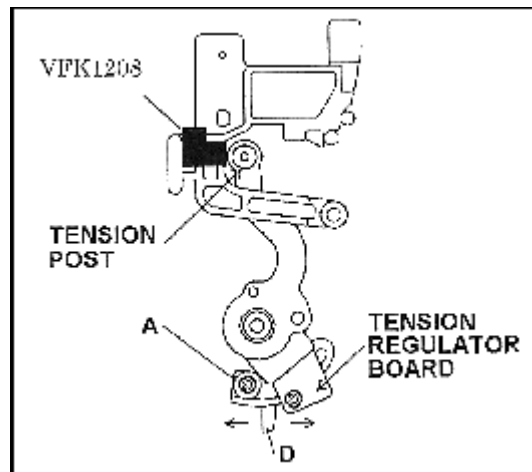


### 5.6.7. Neutral Position Adjustment

Board	SERVO
Specification	2.5+/-0.1V
Test Point	TP201(SERVO:F1)
Adjustment	Tension Regulator Board Base Position
Mode	STOP
M. EQ.	Digital Volt Meter VFK1208(Black, with a hole)

1. Remove 4 screws on the Front Loading Unit and Remove it, then

- set the VFK1208 (Black , with a hole).
2. Set the VTR in the no tape loading mode.
  3. Adjust the Tension Regulator Board Base Position so that the voltage at TP201 is in the specification in STOP mode. To adjust the Tension Regulator Board Base Position, loosen the screw A and move the knob D portion by a screw driver without magnetization and tighten the screw A.
  4. To set the VTR in no tape loading mode, set the DIP SW1 at the rear panel ON to open the service menu. Then select "T REEL TRQ" and press JOG/SHTL key. During adjustment JOG/SHTL key must be hold. Do not touch the adjustment drive to the Reel FG magnet.

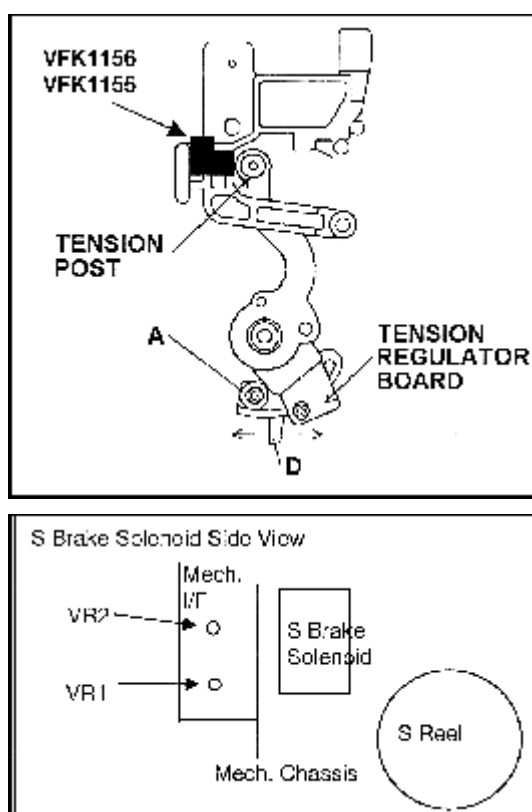


#### 5.6.8. Tension Arm PLAY & REV Voltage Confirmation and Adjustment

Board	SERVO
Specification	(PLAY)3.8+/-0.05V (REV) 1.2+/-0.3V
Test Point	TP201()SERVO:F1
Adjustment	VR2
Mode	STOP
M. EQ.	Digital Volt Meter. VFK1156(Black: PLAY) VFK1155(White: REV)

1. Set the VTR in loading completion mode, and set the VFK1156 between Tension Post and Stopper.
2. Confirm the voltage at TP201 is in the specification.

3. If it is not, adjust VR2 (Mech. I/F) so that the voltage is in the Specification.
4. Then set VFK1155.
5. Set the VTR in no tape loading mode and confirm the voltage at TP201 is in the specification in STOP mode. If it is not, adjust "Tension Arm Neutral Position Adjustment" again. If is out of specification after this adjustment, replace the tension post unit.

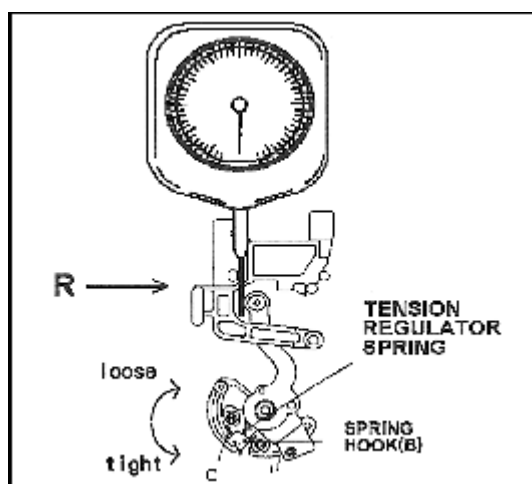


### 5.6.9. Tension Regulator Spring Adjustment

Board	SERVO
Specification	11+/-1gf
Test Point	TP201(SERVO:F1)
Adjustment	Tension Regulator Spring Hook (B)
Mode	STOP
M. EQ.	Digital Volt Meter. VFK1188(30g Dial Tension Meter)

1. Set the VTR in no tape loading.
2. Press the tension post by the Dial Tension Meter to R direction in STOP mode.

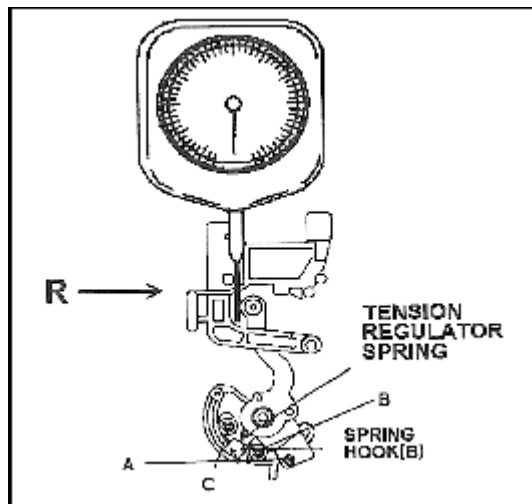
3. Read the Dial Tension Meter when the voltage is 3.8 V (PLAY position) at TP201, and adjust the Tension Regulator Spring Hook (B)
4. To adjust the Tension Regulator Spring Hook (B) position, loosen the Tension Regulator Spring position and after adjustment tighten the screw C



#### 5.6.10. REV Tension Confirmation

Board	SERVO
Specification	18+/-2gf
Test Point	TP201
Mode	STOP
M. EQ.	Digital Volt meter VFK1188(30g Dial Tension Gauge)

1. Place the VTR into no tape loading.
2. Press the tension post by the Dial Tension Meter to R direction in STOP mode.
3. Read the Dial Tension Meter when the voltage is 1.2 V (REV position) at TP201, and adjust the Tension Regulator Adjustment again.
4. Grew the screw A, B and C after Tension Arm adjustment. The grew quantity at B is half of A and C.

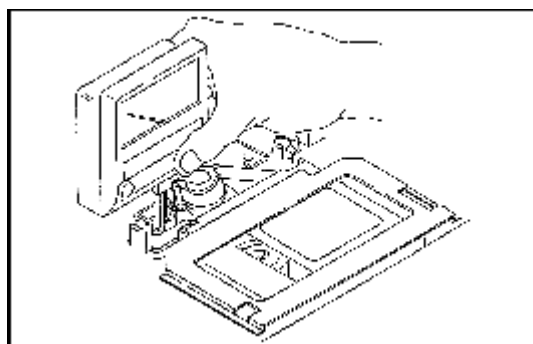


### 5.6.11. Tension Confirmation

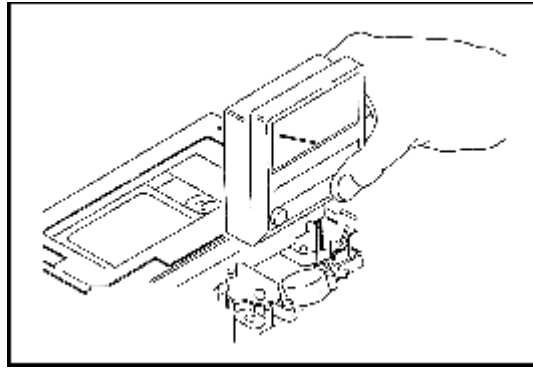
Specification	(PLAY) 6.0 +/- 1gf (REV) 9.0 +/- 2gf
Mode	PLAY, REVx1
Tape	Beginning of 63min.M Cassette
Tool	VFK1145(Tension Meter)

1. Playback the beginning of 63min. M cassette.
2. Set a tension meter between S3 and S4 post.
3. Confirm the tension is in the specification.
4. Set the VTR is in REV mode.
5. Set the tension meter between S4 and S5 posts.
6. Confirm the tension is in the specification.

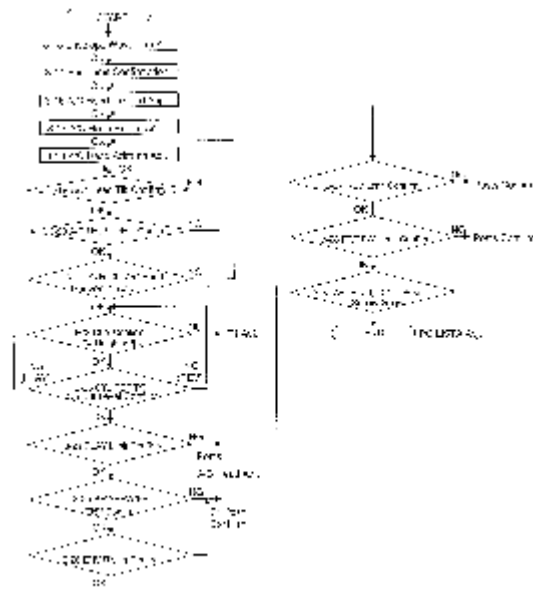
Do not damage a tape during measurement.







### 5.6.12. Tape Pass Adjustment Procedures

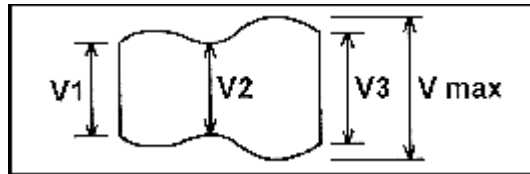


### 5.6.13. ENV waveform Adjustment

Specification	V1/Vmax,V2/Vmax,V3/Vmax >= 0.8
Test Point	TP201 R/P ENV L:H3/ R:H4
Adjustment	S1,T1PostHeight
Mode	PLAY(ATF)
Tape	VFM3580KM(No.1)
M. EQ.	Oscilloscope
Tool	VFK1149(Post Driver)

1. Playback the color bar portion of the alignment tape.
2. Adjust S1 and T1 post height so that the R/P envelope output is in the specification.
3. When the S1 and T1 posts are adjusted, first raise the post height and make small the entrance and exit side of the envelope, then

- down the post until envelope becomes flat.
4. Adjust T1 post and makes exit side of the envelope flat then adjust S1 post.
  5. After the adjustment, unload the tape then loading the tape. Confirm the waveform style.

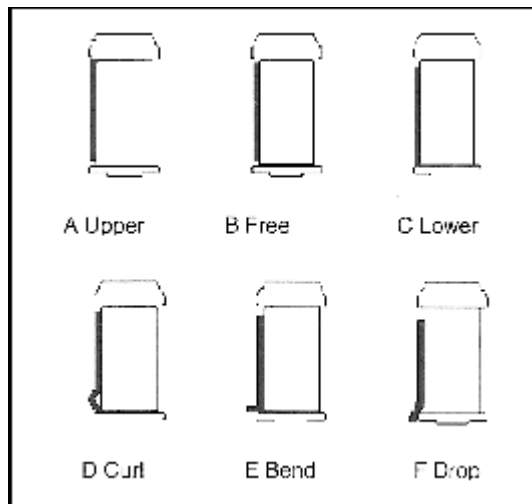


#### 5.6.14. Post Limit Confirmation (Play)

Specification	No curl at the Tape edge All Post Limit
Mode	PLAY
Tape	Work Tape
Tool	VFK1149(Post Driver) VFK1151(Nut Driver)

1. Confirm the each Post Limit is as shown in figure, if it is not adjust the post height.
2. Confirm that there is no tape problem as D,E,F in the figure.

Post	Limit	Adjustment
S5	Free or Lower Limit	S5 Post Height
S4	Lower Limit	S4 Post Height
S1	Upper Limit	Linearity Coarse
T1	Upper Limit	Linearity Coarse
T3	Lower Limit	T3 Post Height
T4	Free or Lower Limit	T4 Post Height



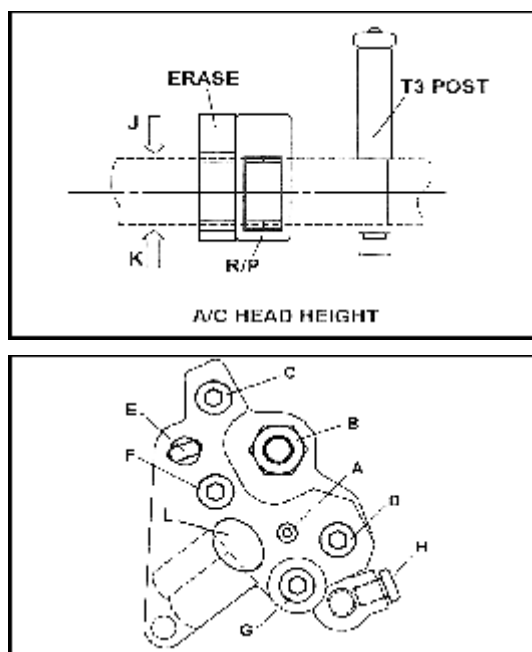
### 5.6.15. A/C Head ADJUSTMENT Method (summary)

Item	Screw	Adjustment	Torque
Tilt Adjustment	A	CW --- Decrease CUE Level CCW --- Increase CUE Level	(Adjustment)
Height Adjustment	B	CW --- If the level is increased at "k". CCW --- If the level is increased at "j".	(Adjustment)
Azimuth Adjustment	F	Adjust phase by the screw F.	(Adjustment)
A/C Head Horizontal Position Adj.	C D	Adjust A/C Head Horizontal Position by VFK0357 (Eccentric Driver) at long hole E, then tighten the screw C and D.	2.5 Kg/cm
Tilt	G	Adjust by tightening the screw except tilt and azimuth adjustment.	1.0 Kg/cm
Height Fix	H	After the Height Adjustment, tighten screw H to fix the A/C Head Height.	

Screw	Tool
A	VFK1178 (0.89 mm Nut Driver)
B	VFK1150 (5.5 mm Nut Driver)
F	VFK1148 (1.5 mm Nut Driver)
C, D, G	VFK1209 (Torque Driver) VFK0912 (1.5 mm Hex Driver Bit)
H	VFK1190 (1.5 mm L type Hex Wrench)

1. Each Adjustment must be done keeping the screw G tighten.
2. When tilt is adjusted, confirm the screw A is tighten. (A/C Head must be touch with the fix plate.)
3. When tilt is adjusted confirm that there is no tape damage at T3 Post.

4. When Height is Adjusted, loosen the screw H. After the adjustment tighten screw H.
5. When the each Adjustment is done, each adjustment screw must be rotated CW. And hit slightly the L part to remove the mechanical distortion.
6. Adjust or confirm alternately each Adjustment and Envelope Output waveform Adjustment.



#### 5.6.16. A/C Head Tilt Adjustment

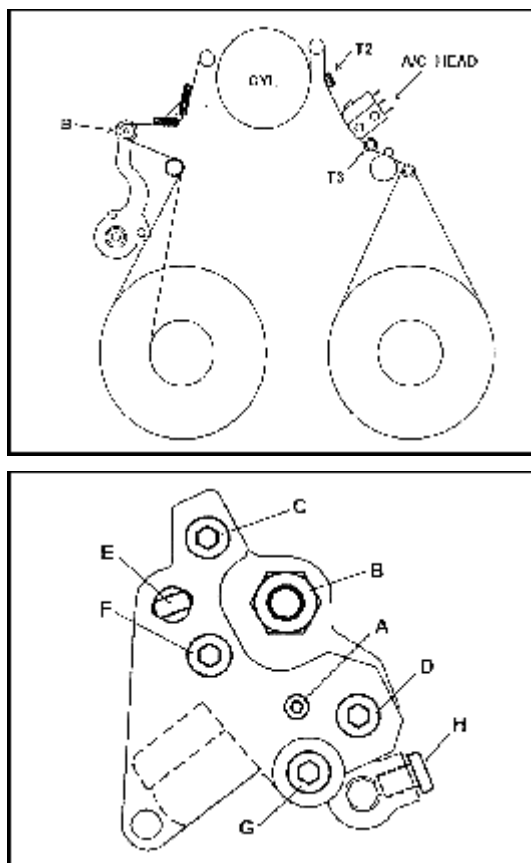
Specification	No curling and bending at tape edge. T3 Post Lower Limit
Adjustment	Screw A, G (A/C Head)
Mode	PLAY
Tape	Work Tape
Tool	VFK1148,VFK1178 (Hex Wrench)

1. Adjust A/C Head Tilt by screw A so that the Tape is at lower limit at T3 Post.
2. For this Adjustment, loosen screw G and make tape curling at T3 lower flange then gradually tighten screw G to make the tape flat. The screw G tightening torque is 1.0 Kg/cm.

(Reference)

1. Screw A CW: Tape up, Screw A CCW: Tape down

2. It is necessary to tighten the each adjustment screw when the adjustment is completed.
3. Confirm and adjust alternately this adjustment and A/C Head each adjustment (Azimuth and Height).



### 5.6.17. A/C Head Height Adjustment

Board	SERVO
Specification	CTL Max (C1,C2=1.8V or more)
Test Point	TP30(SERVO:F1)
Adjustment	Screw B,H (A/C Head)
Mode	PLAY
Tape	VFM3580KM (No.1)
M. EQ.	Oscilloscope
Tool	VFK1150(Nut Driver) VFK1190(Hex Wrench)

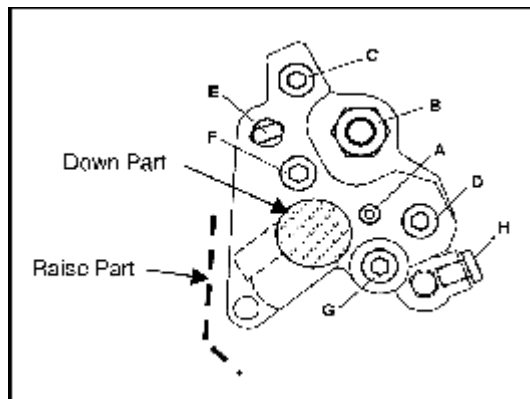
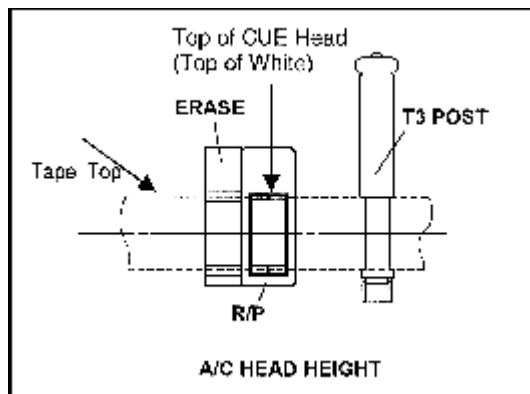
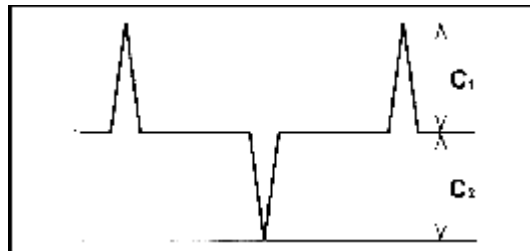
1. Connect a scope to TP30 on Servo (F1) board to observe CTL level.
2. Confirm that CTL level is decreased when A/C head is up and down at the point shown in the figure. If the CTL level is increased adjust

nut B so that the CTL level is max.

3. Tighten screw H with 2.0 Kg/cm torque then confirm the CTL level again.

(Reference)

1. Confirm and adjust alternately this adjustment and A/C Head each adjustment (Azimuth and Height).



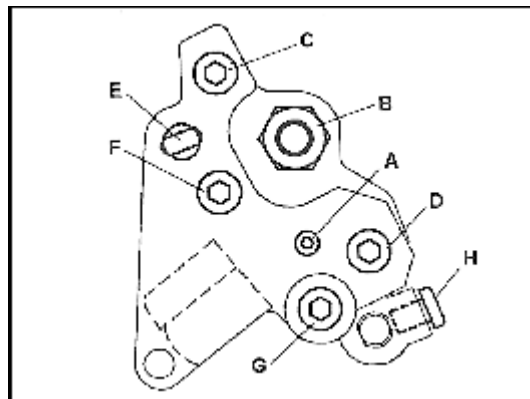
### 5.6.18. A/C Head Azimuth Adjustment

Board	SERVO
Specification	C1,C2 : Max
Test Point	TP30 (SERVO:F1)
Adjustment	Screw F (A/C Head)
Mode	PLAY
Tape	VFM3580KM (No.1)
M. EQ.	Oscilloscope
Tool	VFK1148 (Hex Wrench)

1. Connect a scope to TP30 on Servo (F1) board. Then adjust A/C Head Azimuth by the screw F so that the CTL level is max.
2. For this Adjustment, loosen screw G and adjust screw F then tighten screw G.

(Reference)

Confirm and adjust alternately this adjustment and A/C Head each adjustment (Azimuth and Height).



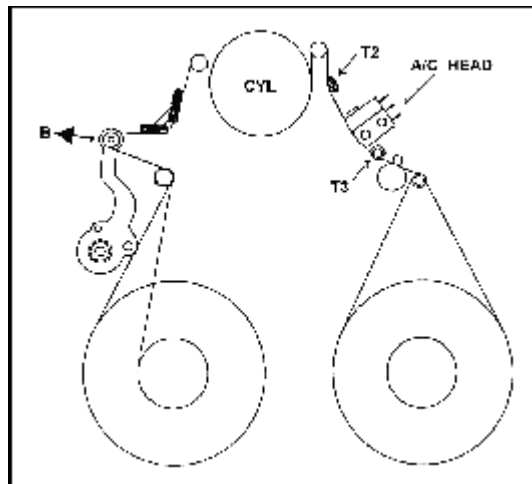
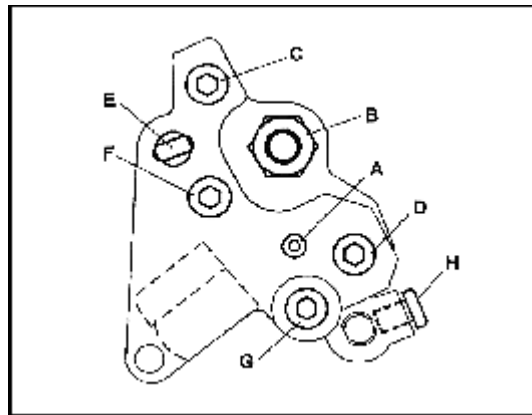
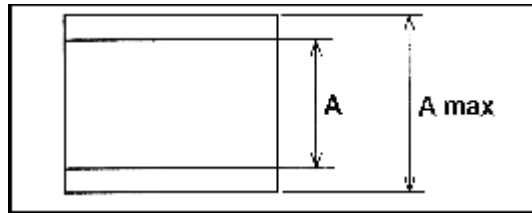
### 5.6.19. A/C Head Tilt Confirmation

Specification	A/Amax = 0.8 or more
Test Point	TP101 (CUE:H1)
Adjustment	Screw A, G (A/C Head)
Mode	PLAY
Tape	VFM3580KM (No.1)
M. EQ.	Oscilloscope
Tool	VFK1178,VFK1148 (Hex Wrench)

1. Playback the alignment tape CUE audio 6 kHz portion.
2. Confirm that screw G and H are tighten.
3. Connect a scope to TP101 and move the tension arm to B direction until T2 post is not moved, then confirm the output level variation

is in the specification.

4. If it is not loosen screw G and adjust screw A then tighten screw G with 1.0 Kg torque.
5. It is necessary to complete the adjustment with screw A tighten and confirm that screw A is not loosen.
6. If this is adjusted confirm the Play Limit Confirmation (PLAY).

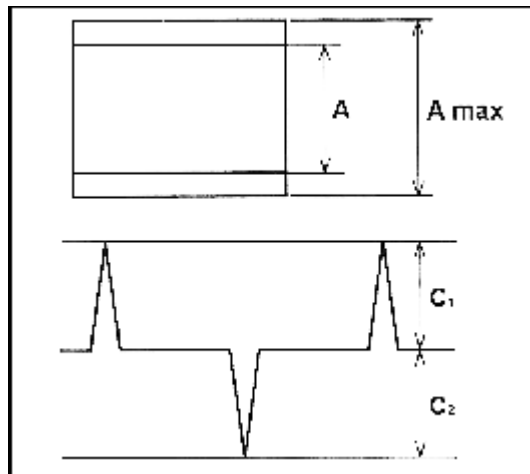


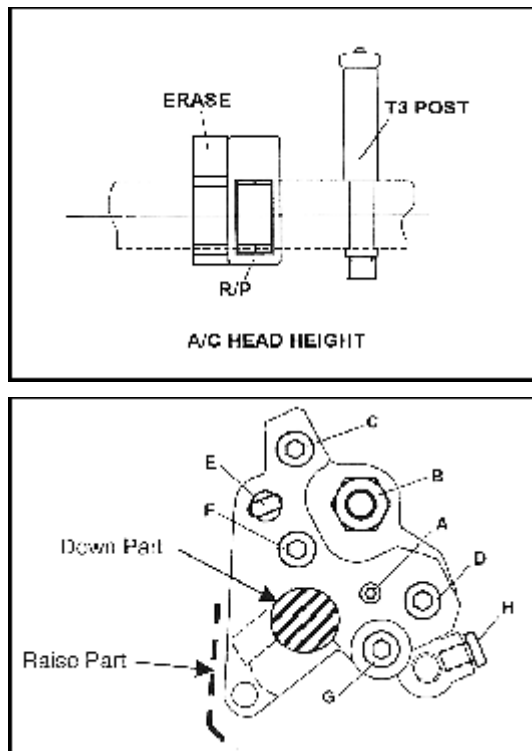
### 5.6.20. A/C Head Height Confirmation



Specification	A=0.95 × Amax or more C1, C2 = 1.8V or more
Test Point	TP101 CUE AUDIO(CUE:H1) TP30 CTL(SERVO:F1)
Adjustment	Screw B, H (A/C Head)
Mode	PLAY
Tape	VFM3580KM (No.1)
M. EQ.	Oscilloscope
Tool	VFK1150,VFK1190(Hex Wrench)

1. Playback the alignment tape CUE audio 6 kHz portion.
2. Connect a scope to TP101 and raise the A/C head or push down it to confirm the CTL level is not increased.
3. If it is increased, slightly adjust the "A/C Head Height Adjustment" and confirm the CTL level is correct.
4. If A/C Head Height is changed the azimuth is changed also. Therefore A/C Head azimuth must be adjusted and confirm alternately.
5. When A/C Head Height is fixed, tilt is changed by tightening screw H and the height is changed. Therefore Height confirmation must be done after tightening screw H.





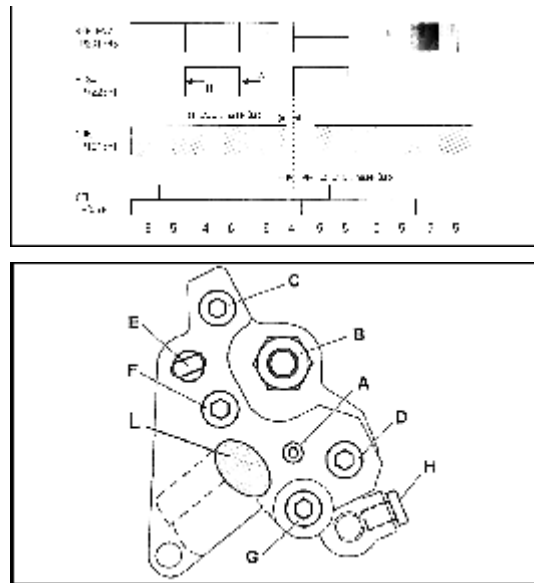
#### 5.6.21. A/C Head Azimuth and Horizontal Position Adjustment

Specification	25M Mode $-250\mu s \leq t_1, t_2 \leq +250\mu s$ 50M Mode $-125\mu s \leq t_1, t_2 \leq +125\mu s$	Test Point	TP201 R/P ENV L (RFEQ:H3) TP722 R/P HSW (SERVO:F1) TP101 CUE AUDIO (CUE:H1) TP30 CTL (SERVO:F1)
Adjustment	A/C Head	M. EQ	Oscilloscope
Mode	Playback	Tool	VFK0357 (Eccentric Driver)
Tape	VFM3582KM (A/C Head H. Position)		

1. Set the VTR in 25M Mode and playback an Alignment Tape (A/C Head H. Position).
2. Adjust Azimuth so that the CTL and CUE drop portion is match (Refer to Azimuth Adjustment).
3. Connect a scope CH1 to TP201 on H3 board and CH2 to TP722 on F1 board. Then find the R/P ENV lack portion, and remember the H\_SW is High or Low at the portion. (H\_SW High or Low is changed at each tape loading.)
4. Adjust A/C Head Horizontal Position so that the memorized H\_SW and CTL trigger at the frame start is matched. The frame start CTL is located at the falling edge between 6:4 and 5:5 portion. To adjust

the Horizontal position loosen screw C and D then adjust horizontal position by eccentric driver at hole E.

5. After adjustment, hit gently at L portion to remove the mechanical distortion. Then tighten the screws and confirm the above specification.
6. Set VTR into 50M PB Mode, and confirm the timing is in the specification. If it is not adjust this item again.



### 5.6.22. REV Confirmation and Adjustment (T4HeightAdjustment)

Specification	C1,C2>=Cp1, Cp2x0.75 Lower Limit at T3Post in REV	Tape	VFM3580KM (No.1)
Test Point	TP30 (SERVO:F1)	M. EQ.	Oscilloscope
Adjustment	T4 Post Height	Tool	Nut Driver
Mode	REV X 1		

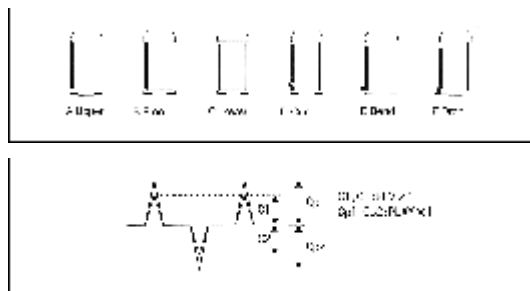
1. Run the Tape in REV x -1 mode, and confirm that the above specification is satisfied. If it is not, adjust the following items.
2. Rotate the T4 nut 45 degrees each and confirm the specification and repeat this adjustment until the specification is satisfied.
3. Specification: CTL level in REV x -1 speed is more than 75 % of Playback CTL level. Tape runs in lower limit at T3 Post, and tape has no curling and bending at T3, T4 upper and lower limit.
4. If the Specification is not satisfied, use height adjustment tool.

T4 Nut Adjustment Direction

T4 Nut Adjustment Direction	REV CTL Output	REV T3 Post Lower Limit
CW	Increase	More
CCW	Decrease	Less

**Post Limit**

Post	Tape Limit					
	A	B	C	D	E	F
T3Post	NG	NG	OK	NG	NG	NG
T4Post	OK	OK	OK	NG	NG	NG



**5.6.23. CTL REC/PB Output Level Confirmation**

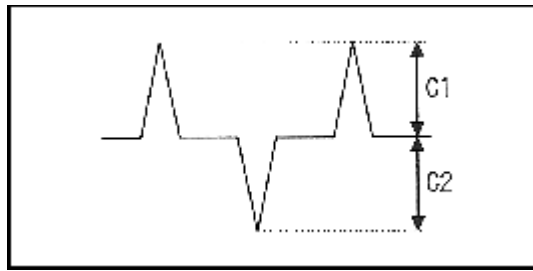
Specification	Refer to Figure
Test Point	TP30 (SERVO:F1)
Mode	Self recording and playback
Tape	Work Tape
M. EQ.	Oscilloscope

A/C Head must be fixed.

1. Set the VTR to 25M Mode, and record a color bar signal and playback the just recorded portion. Then observe the CTL.
2. The CTL level is in the specifications in the following table.

CTL Output Level C1,C2		
PLAY	REV×1	REV×0.2
C1,C2>=1.8V	C1,C2>=1.4V	C1,C2>=1.2V

1. If the PLAY Output Level is NG. Then confirm the A/C Head Height.
2. If the REV Output Level is NG. Then confirm the T4 Post Height.

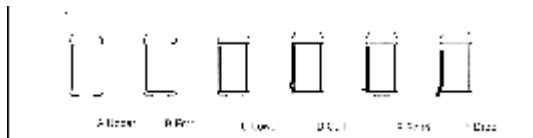


### 5.6.24. PLAY Mode Limit Confirmation

Specification	Confirm the each Post Limit is in the following table.
Mode	PLAY
Tape	M Cassette (MP Tape) Tape begin / Tape end

Post	Tape Limit (Refer to Figure)						Adjustment Point	
	A	B	C	D	E	F		
S5 Post	NG	OK	OK	NG	NG	NG	S4, S5Post	Post Height Pre-Adj.
(S4) Tension Post	NG	NG	OK	NG	NG	NG		
S1 Post	OK	NG	NG	NG	NG	NG	S1Post	Envelope waveform Adj.
T1 Post	OK	NG	NG	NG	NG	NG	T1Post	Envelope waveform Adj.
T3 Post	NG	NG	OK	NG	NG	NG	A/C Head Tilt	A/C Head Tilt Adj.
T4 Post	NG	OK	OK	NG	NG	NG	T4 Post	Post Height Pre-Adj.

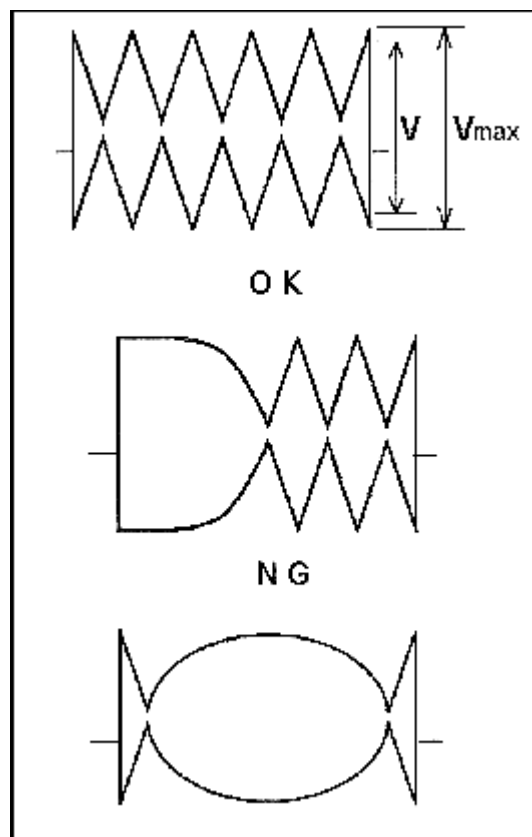
1. Playback a Tape, and confirm the tape limit at each post is as shown in the above table.
2. If it is not adjust each item according with the Adjustment Point in the above table.



### 5.6.25. REV/REW/FF Envelope Confirmation

Specification	Refer to Figure
Test Point	TP201 ENV (RFEQ:H3)
Mode	REV, REW, FF
Tape	VFM3580KM (No.1)
M. EQ.	Oscilloscope

1. Place the VTR in REV, REW, FF and confirm that the Waveform is the same diamond style.
2. Peak level V is always in the following specification.  $V/V_{max} \geq 0.9$
3. If it is not confirm the S4 Post Height.

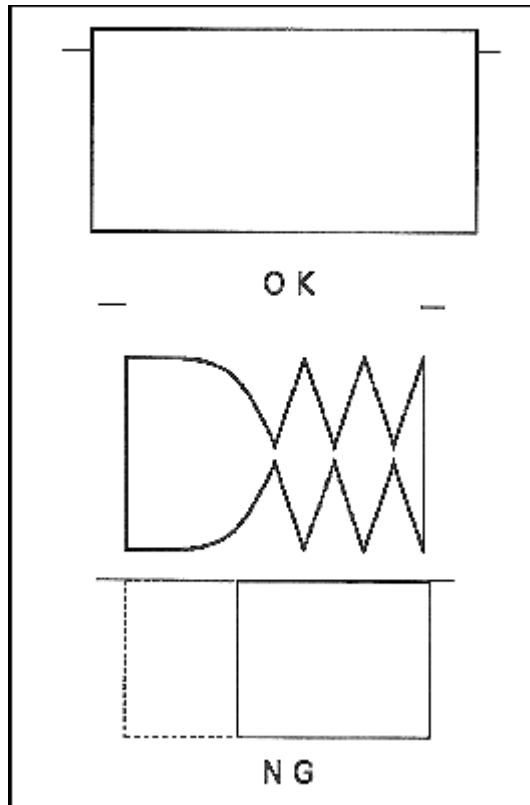


### 5.6.26. Envelope Confirmation

Test Point	TP201 ENV (RFEQ:H3)
Mode	REW/REV to PLAY Loading completion to PLAY FF to PLAY
Tape	L cassette (123 min pre-recorded) Tape begin
M. EQ.	Oscilloscope

This Adjustment must be done after "Envelope waveform Adjustment".

1. Confirm that the envelope waveform becomes stable immediately in the following transition mode, REW to PLAY, REV to PLAY, FF to PLAY, Loading completion to PLAY.
2. If it is not, confirm S4 Post Height.



### 5.6.27. REV Limit Confirmation

Specification	Confirm the Post Limit is as shown in the following table.
Mode	REV
Work Tape	M Cassette (MP Tape) Tape begin and Tape end

Post	Tape Limit (Refer to Figure)					
	A	B	C	D	E	F
S5 Post	OK	OK	OK	NG	NG	NG
Tension Post	NG	OK	OK	NG	NG	NG
S1 Post	OK	NG	NG	NG	NG	NG
T1 Post	OK	OK	OK	NG	NG	NG
T3 Post	NG	NG	OK	NG	NG	NG
T4 Post	NG	NG	OK	NG	NG	NG

1. Run a tape in Reverse mode and confirm that the tape limit is as shown in the above table.

2. This confirmation is done after each adjustment.



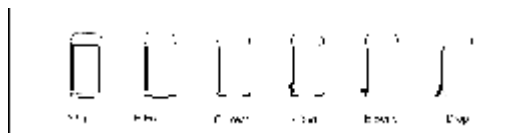
### 5.6.28. FF, REW Limit Confirmation

Specification	Confirm the Post Limit is as shown in the following table.
Mode	FF, REW
Work Tape	M Cassette (MP Tape) Tape begin and Tape end

Post	Tape Limit (Refer to Figure)					
	A	B	C	D	E	F
S5 Post	OK	OK	OK	NG	NG	NG
Tension Post	NG	OK	OK	NG	NG	NG
S1 Post	OK	NG	NG	NG	NG	NG
T1 Post	OK	OK	OK	NG	NG	NG
T3 Post	OK	OK	OK	NG	NG	NG
T4 Post	OK	OK	OK	NG	NG	NG

1. Run a tape in FF, REW mode and confirm that the tape limit is as shown in the above table.

2. This confirmation is done after each adjustment.



### 5.6.29. A/C Head and T3, T4 Post Screw Grew

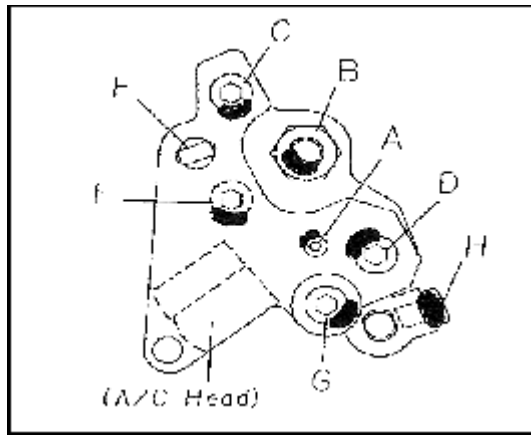
#### A/C Head Screw Grew

	Screw A	Other Screw
Grew amount	About 3 mm	About 5 mm

1. Grew after A/C Head Adjustment.

2. Remove the screw grew before Adjustment.

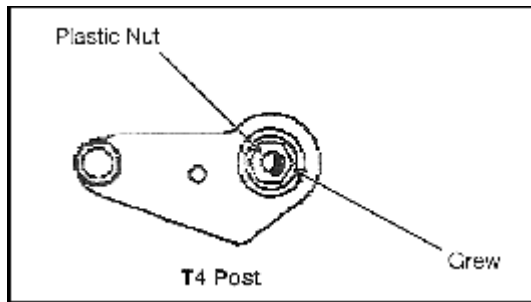




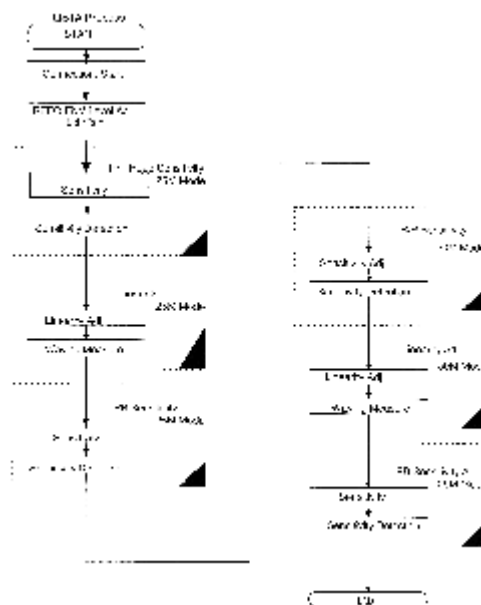
**T3 Post, T4 Post Grew**

	<b>T3 Post</b>	<b>T4 Post</b>
<b>Grew amount</b>	About 3 mm	About 5 mm

- 1. After A/C Head Adjustment, grew the Plastic Nut part of T3 and T4 posts.**
- 2. Remove the screw grew before Adjustment.**



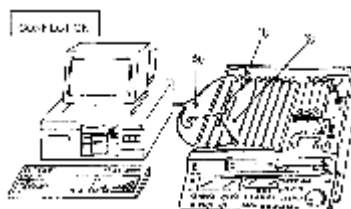
**5.6.30. LISTA**



### 5.6.31. LISTA Connection and Start

Test Point	TP732 ATF ERR (SERVO:F1) TP722 R/P HSW (SERVO:F1) TP723 PB HSW (SERVO:F1) TG510 GND (SERVO:F1)
M. EQ.	PC (AD Board must be installed.), Oscilloscope
Tape	VFM3580KM (ENV LEVEL), VFM3581KM (LISTA)
Tool	VFK1420 (LISTA Software), VFK1186(LISTA Cable)

1. Connect the LISTA cable with the A/D board in the PC.
2. Connect the LISTA clips to the following Test Points.
  - A. ATF:TP732
  - B. HSW:TP722(RP HSW) or TP723(PB HSW)
  - C. GND:TG510



3. Run the LISTA software.

<p>Installation and Operation</p> <p>Make a directory like C:LISTA and copy the all files in the floppy disk of VFK1420.</p> <p>Type Lista50.exe in the DOS mode to run the LISTA software.</p>
---

4. Select the model of AJ-D950 in the menu.
5. Select a alignment tape to use LISTA Adjustment. If it is not displayed choose one of the listed tape and type Y ( (Y)es or (N)o) and resist the data which is supplied with the alignment tape.

### 5.6.32. Alignment Tape Data Registration

1. Select <4> Alignment Tape in the LISTA software main menu.
2. Select <2> ENTRY in the Alignment Tape Menu.
3. When << Alignment tape Data Entry >> is displayed, input the tape serial number according with the menu instruction. The serial number is stumped on the alignment tape. Then select the PAL or NTSC. Type 0 or ENTER to choose DVCPRO.

- Then input the all data (37 items for NTSC) and check sum. IF the data is incorrect registration is not completed so check and input again.

After data registration select <1> SELECT.

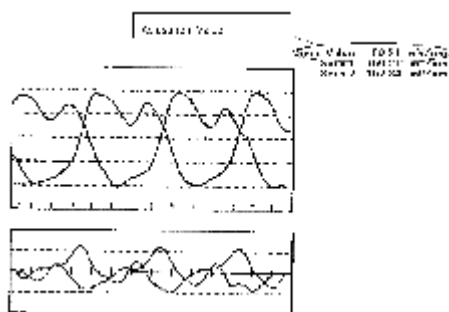
### 5.6.33. RP Head Sensitivity Adjustment (25M Mode)

Specification	Sensitivity 150+/-15 (mV/um)
Mode	Playback
Test Point	(1) ATF:TP732 (2) HSW:TP722(RP HSW) (not TP723(PB HSW)) (3) GND:TG510
Adjustment	SERVO Adjustment Menu:"A09 RP GAIN P"
Tape	VFM3581KM or VFM3581KL

Before this Adjustment adjust RFEQ (H3/H4) ENV Level Adjustment(L/R).

Set the LISTA software in 25M Mode. Select AJ-D950 in the PC menu and displays the main menu. 25M and 50m mode can be changed by " 0" key.

- Set the VTR in Service Mode to open the service menu and select the item of " A09 RP GAIN DP" in the " SERVO ADJUST" menu.
- Playback a LISTA alignment tape (VFM3581KM).
- Select the LISTA (6) ATF Error Signal Monitor and " 1.2% Speed..." and type Enter to start the software.
- When the picture is appeared as shown in figure adjust ATF Gain so that the " Sens. Value:" is in the Specification. To return the main menu press ESC key.

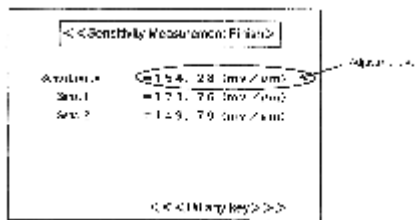


### 5.6.34. RP Head Sensitivity Detection (25M Mode)

Specification	Sensitivity 150+/-15 (mV/um)
Mode	Playback
Test Point	(1) ATF:TP732 (2) HSW:TP722(RP HSW) (not TP723(PB HSW)) (3) GND:TG510
Adjustment	SERVO Adjustment Menu: " A09 RP GAIN DP"
Tape	VFM3581KM or VFM3581KL

Before this adjustment RP Head Sensitivity Adjustment (25M Mode) must be completed.

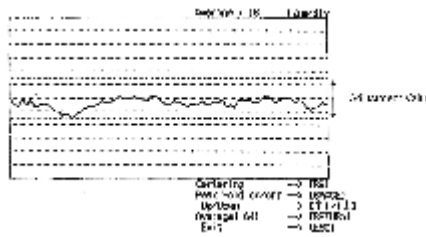
1. Select " A09 RP GAIN DP" in the Service Menu.
2. Playback a LISTA Alignment Tape (VFM3581KM).
3. Select LISTA Main Menu " (1) Sensitivity Measurement" Press enter when " 1.2% Speed..." is appeared to start the Sensitivity measurement.
4. Confirm that the specification is satisfied when << Sensitivity Measurement Finish>> and " Sensitivity = sensitivity value" are appeared.



### 5.6.35. LISTA Linearity Adjustment and Waving Measurement (25M Mode)

Specification	Linearity is less than 3um, Waving is less than 1.5um.
Mode	SERVO Adjustment Menu:"A10 RP LINEAR DP"
Test Point	(1) ATF:TP732 (2) HSW:TP722(RP HSW) (not TP723(PB HSW)) (3) GND:TG510
Adjustment	S1 and T1 Post Height
Tape	VFM3581KM or VFM3581KL

1. Open the Service Menu and select " A10 RP LINEAR DP" in the " SERVO ADJUST"
2. Playback a LISTA alignment Tape (VFM3581KM).
3. Select " (2) Linearity Measurement" then Linearity waveform is appeared.
4. When the following waveform is appeared press " BS" (Back Space) key to centering the waveform. Adjust S1 and T1 Post Height so that the Linearity waveform is flat. Confirm the ENV waveform is flat.  
Red dot lines shows the specification, so linearity waveform should be in the lines.

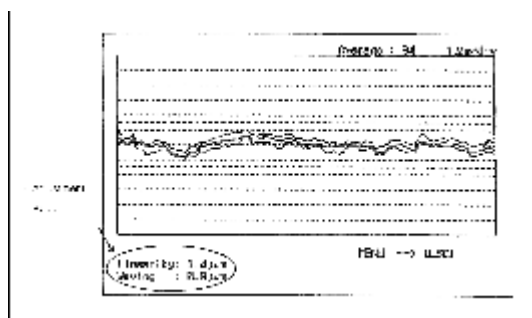


**Points**

- A. The left of linearity (Entrance) is changed by S1 Post Height and right of linearity (Exit) is changed by T1 Post Height.
  - B. Lower of the monitor is changed by the lead of the cylinder.
  - C. When the Post Driver is released from the Post linearity may be changed.
  - D. After Adjustment is completed, EJECT the tape end load it again and confirm the waveform is not changed.
5. After the Linearity Adjustment measure the waving.

**Waving Measurement**

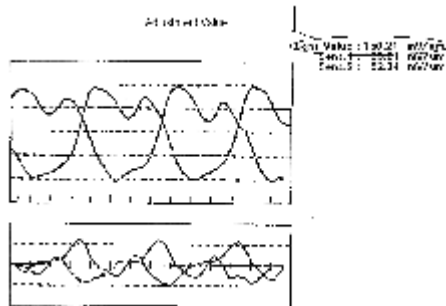
1. While the linearity is displayed on the monitor press "SPACE" key to hold the Peak (30 seconds).
2. Press "SHIFT" and "}" keys together and "Waving" value is displayed at left bottom of the monitor. Then confirm the waving is 1.5 um or less, and the waving is constant from the entrance to exit. If the waving is out of specification adjust S1 (Entrance) and T1 (Exit) Post Height.
3. After measurement press ESC key to return the main menu.



**5.6.36. PB Head LISTA Sensitivity Adjustment (25M Mode)**

Specification	Sensitivity 150+/-15 (mV/um)
Mode	SERVO Adjustment Menu "A11 PB GAIN DP"
Test Point	(1) ATF:TP732 (2) HSW:TP723(PB HSW) (not TP722(RP HSW)) (3) GND:TG510
Adjustment	SERVO Adjustment Menu: " A11 PB GAIN DP"
Tape	VFM3581KM or VFM3581KL

1. Open the Service Menu and select " A11 PB GAIN DP" in the " SERVO ADJUST" menu.
2. Playback a LISTA alignment Tape (VFM3581KM).
3. Select LISTA Main Menu " (6) ATF Error Signal Monitor" Press enter when " 1.2% Speed..." is appeared to start the Sensitivity measurement.
4. When the picture is appeared as shown in figure adjust ATF Gain so that the " Sens. Value:" is in the Specification.
5. After Adjustment press ESC key to return the main menu.

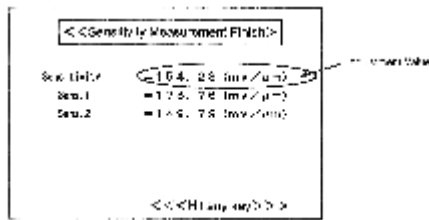


#### 5.6.37. PB Head Sensitivity Detection (25M Mode)

Specification	Sensitivity 150+/-15 (mV/um)
Mode	Playback
Test Point	(1) ATF:TP732 (2) HSW:TP723(PB HSW) (not TP722(RP HSW)) (3) GND:TG510
Adjustment	SERVO Adjustment Menu:"A09 RP GAIN P"
Tape	VFM3581KM or VFM3581KL

Before this adjustment PB Head Sensitivity Adjustment (25M Mode) must be completed.

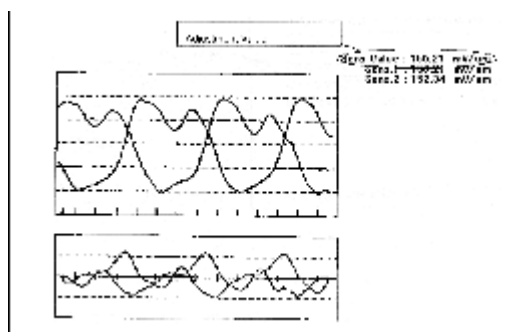
1. Open the Service Menu and select "A11 PB GAIN DP".
2. Playback a LISTA alignment tape (VFM3581KM).
3. Select LISTA Main Menu " (1) Sensitivity Measurement" Press enter when " 1.2% Speed..." is appeared to start the Sensitivity measurement.
4. Confirm that the specification is satisfied when << Sensitivity Measurement Finish>> and " Sensitivity = sensitivity value" are appeared.



### 5.6.38. RP Head Sensitivity Adjustment (50M Mode)

Specification	Sensitivity 150+/-15 (mV/um)
Mode	Playback
Test Point	(1) ATF:TP732 (2) HSW:TP722(RP HSW) (not TP723(PB HSW)) (3) GND:TG510
Adjustment	SERVO Adjustment Menu:"A09 RP GAIN P"
Tape	VFM3581KM or VFM3581KL

1. Set the LISTA software in 50M Mode. Select AJ-D950 in the PC menu and displays the main menu. 25M and 50m mode can be changed by "0" key.
2. Set the VTR in Service Mode to open the service menu and select the item of " A05 RP GAIN ED" in the "SERVO ADJUST" menu.
3. Playback a LISTA alignment tape (VFM3581KM).
4. Select the LISTA (6) ATF Error Signal Monitor and " 1.2% Speed..." and type Enter to start the software.
5. When the picture is appeared as shown in figure adjust ATF Gain so that the " Sens. Value:" is in the Specification. To return the main menu press ESC key.

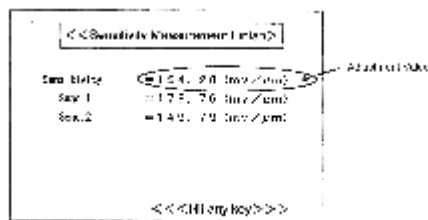


### 5.6.39. RP Head Sensitivity Detection (50M Mode)

Specification	Sensitivity 150+/-15 (mV/um)
Mode	Playback
Test Point	(1) ATF:TP732 (2) HSW:TP722(RP HSW) (not TP723(PB HSW) (3) GND:TG510
Adjustment	SERVO Adjustment Menu: "A05 RP GAIN ED"
Tape	VFM3581KM or VFM3581KL

Before this adjustment RP Head Sensitivity Adjustment (25M Mode) must be completed.

1. Select "A05 RP GAIN ED" in the Service Menu.
2. Playback a LISTA Alignment Tape (VFM3581KM).
3. Select LISTA Main Menu "(1) Sensitivity Measurement" Press enter when " 1.2% Speed..." is appeared to start the Sensitivity measurement.
4. Confirm that the specification is satisfied when << Sensitivity Measurement Finish>> and " Sensitivity = sensitivity value" are appeared.



#### 5.6.40. LISTA Linearity Confirmation and Waving Measurement (50M Mode)

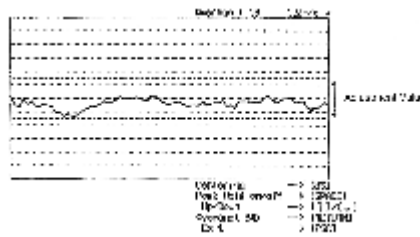
Specification	Linearity is less than 3um, Waving is less than 1.5um.
Mode	SERVO Adjustment Menu:" A06 RP LINEAR ED"
Test Point	(1) ATF:TP732 (2) HSW:TP722(RP HSW) (not TP723(PB HSW) (3) GND:TG510
Adjustment	S1 and T1 Post Height
Tape	VFM3581KM or VFM3581KL

1. Open the Service Menu and select " A06 RP LINEAR ED" in the " SERVO ADJUST"
2. Playback a LISTA alignment Tape (VFM3581KM).
3. Select " (2) Linearity Measurement" then Linearity waveform is appeared.
4. When the following waveform is appeared press " BS" (Back Space) key to centering the waveform. Adjust S1 and T1 Post Height so that the Linearity waveform is flat. Confirm the ENV



**waveform is flat.**

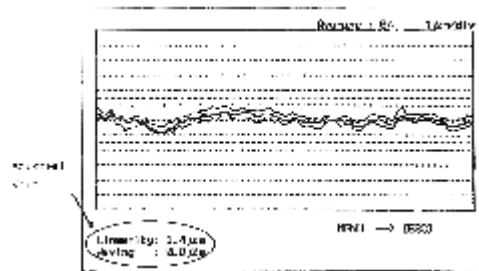
Red dot lines shows the specification, so linearity waveform should be in the lines.



After the Linearity Adjustment measure the waving.

Waving Measurement

1. While the linearity is displayed on the monitor press " SPACE" key to hold the Peak (30 seconds).
2. Press " SHIFT" and "}" keys together and " Waving" value is displayed at left bottom of the monitor. Then confirm the waving is 1.5 um or less, and the waving is constant from the entrance to exit. If the waving is out of specification adjust S1 (Entrance) and T1 (Exit) Post Height.
3. After measurement press ESC key to return the main menu.



#### 5.6.41. PB Head LISTA Sensitivity Adjustment (50M Mode)

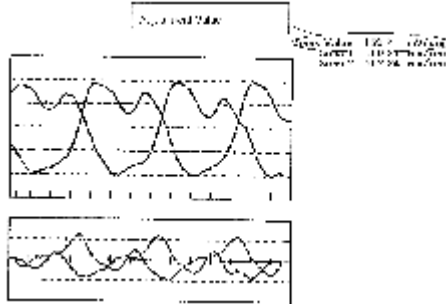
Specification	Sensitivity 150+/-15 (mV/um)
Mode	SERVO Adjustment Menu "A07 PB GAIN ED"
Test Point	(1) ATF:TP732 (2) HSW:TP723(PB HSW) (not TP722(RP HSW)) (3) GND:TG510
Adjustment	SERVO Adjustment Menu: "A07 PB GAIN ED"
Tape	VFM3581KM or VFM3581KL

1. Open the Service Menu and select " A07 PB GAIN ED" in the "SERVO ADJUST" menu.
2. Playback a LISTA alignment Tape (VFM3581KM).
3. Select LISTA Main Menu " (6) ATF Error Signal Monitor" Press enter when " 1.2% Speed..." is appeared to start the Sensitivity

measurement.

4. When the picture is appeared as shown in figure adjust ATF Gain so that the " Sens. Value:" is in the Specification.

After Adjustment press ESC key to return the main menu.



#### 5.6.42. PB Head Sensitivity Detection (50M Mode)

Specification	Sensitivity 150+/-15 (mV/um)
Mode	Playback
Test Point	(1) ATF:TP732 (2) HSW:TP723(PB HSW) (not TP722(RP HSW) (3) GND:TG510
Adjustment	SERVO Adjustment Menu:"A09 RP GAIN P"
Tape	VFM3581KM or VFM3581KL

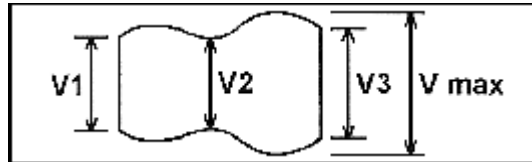
Before this adjustment PB Head Sensitivity Adjustment (50M Mode) must be completed.

1. Open the Service Menu and select " A07 PB GAIN ED".
2. Playback a LISTA alignment tape (VFM3581KM).
3. Select LISTA Main Menu " (1) Sensitivity Measurement" Press enter when " 1.2% Speed..." is appeared to start the Sensitivity measurement.
4. <Confirm that the specification is satisfied when < Sensitivity Measurement Finish>> and " Sensitivity = sensitivity value" are appeared.

#### 5.6.43. REC/PB Envelope Confirmation

Specification	V1/Vmax,V2/Vmax,V3/Vmax >= 0.8
Test Point	TP201 R/P ENV L:H3/ R:H4
Adjustment	S1,T1PostHeight
Mode	PLAY
Tape	VFM3580KM(No.1)
M. EQ.	Oscilloscope
Tool	VFK1149 (Post Driver-)

1. Playback an alignment Tape.
2. Confirm the R/P Envelope Level is in the specification.
3. If it is not adjust ENV waveform Adjustment and LISTA Adjustment.



## 5.7. Measure Parts Replacement and Adjustment

### General

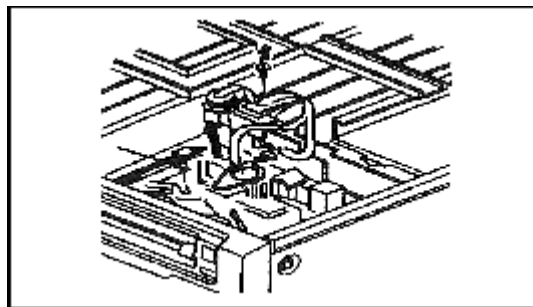
Note the following items for each part replacement.

1. Turn Power Off before replacement.
2. Use the correct tool in the Jigs and Tools list.
3. After replacement clean the VTR according with the cleaning procedures.

### 5.7.1. Cylinder Unit Replacement

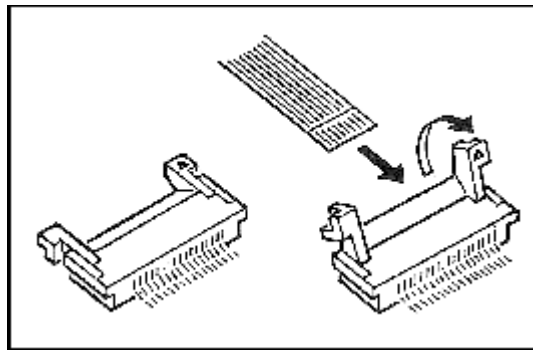
(Removal of Cylinder Unit)

1. Remove the T1 guide and cleaning arm unit. (Refer to the cleaning arm unit replacement.)
2. Remove 2 connectors (P5002, P5003) on the Head Buffer board and remove the screw on the flexible cable.



#### Note:

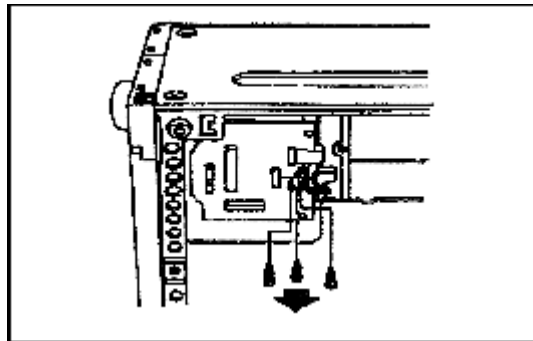
Be careful to remove the flexible cable from the connector. Do not touch on the cylinder surface by finger directly.



3. Remove the connector P33 on the Mech. Interconnection board at bottom of VTR. Then remove 3 screws (with spring) and draw out the cylinder unit without touching any parts.

**Note:**

**Do not touch the cylinder surface by finger directly.**

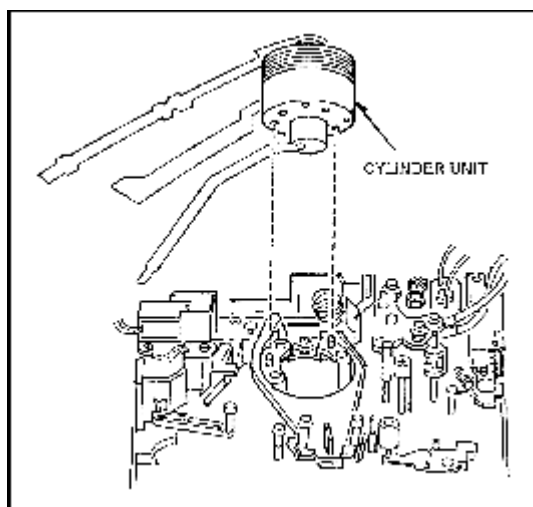


(Installation of cylinder)

1. Install a Cylinder unit as reverse order of its removal.

**Note:**

**Set the Mechanical Chassis pins are matched with the specified cylinder holes on the bottom of the cylinder.**



2. After T1 Guide installation, T1 Guide Position Adjustment is

necessary. (Refer to Cleaning Arm Unit Replacement and T1 Guide Position Adjustment.)

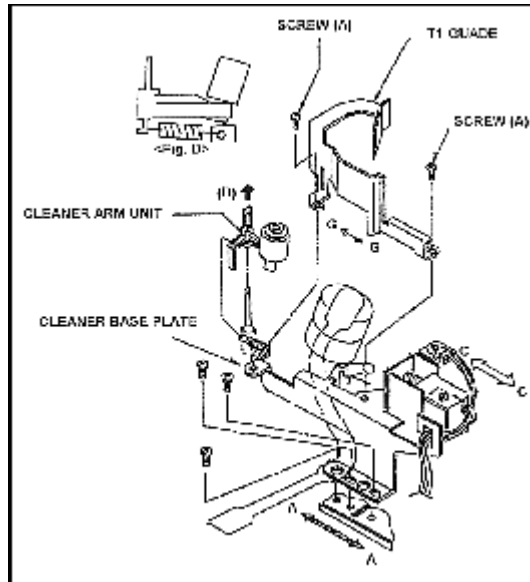
### 5.7.2. Cleaning Arm Unit Replacement

(Removal of Cleaning Arm Unit)

1. Remove 2 screws (A) and remove the T1 Guide.
2. Hang off the tip portion (B) of Cleaning Arm Unit and hang off the spring from Cleaning Arm Unit, then remove the Cleaning Arm Unit as shown in the figure.

(Installation of Cleaning Arm Unit)

1. Install a Cleaning Arm Unit to the T2 Arm Unit. Then remove the spring from the cleaner base plate and hook to cleaning arm unit. Push the cleaning arm unit into T2 Arm Unit.
2. Push the Cleaner Solenoid. Rotate the cylinder and confirm that the cleaner roller is rotated by the cylinder movement.
3. Install a T1 Guide.
4. After T1 Guide installation, T1 Guide position adjustment is necessary.

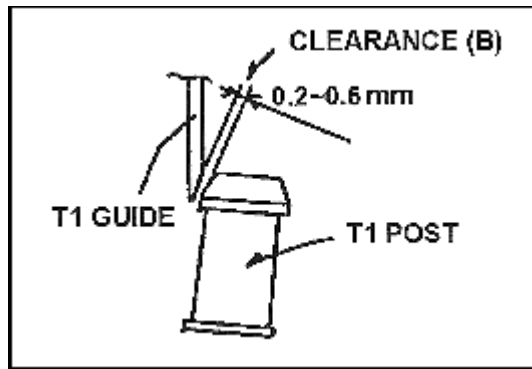


### 5.7.3. T1 Guide Position Adjustment

1. Set the VTR in no tape loading mode.  
< No tape loading procedures >
  - Open the "Servo Adjust" menu in the "Service Menu".
  - Select the item "T TORQUE" and press the search button to

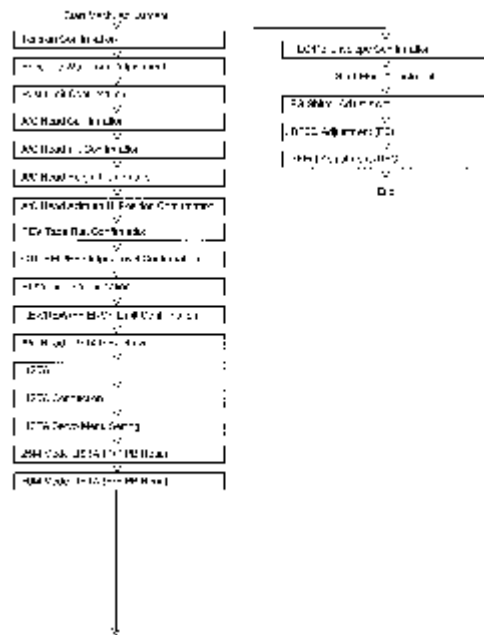
make the loading condition. Then turns power off.

2. Confirm that the clearance between T Guide and T1 Post is 0.2 mm to 0.5 mm. (A little clearance is necessary.)
3. If it is not, loosen the 2 screws (A) and adjust the position of T1 guide by moving arrow direction (B)



#### 5.7.4. Adjustments after Cylinder Unit Replacement

1. Adjust following items after cylinder unit replacement.



**Note:**

For the PG Shifter Adjustment, release hand from the search button after changing the PG Shifter value at right of "PG SHIFT" on the monitor. If the value is not changed for a long time, tape error or ITI envelope lack may be occurred.

#### 5.7.5. A/C Head Replacement

Replacement Procedures

Tool

- Nut Driver (5.5mm)(VFK1150)

- Hex Driver (VFK1148)

- Hex Wrench (VFK1190)

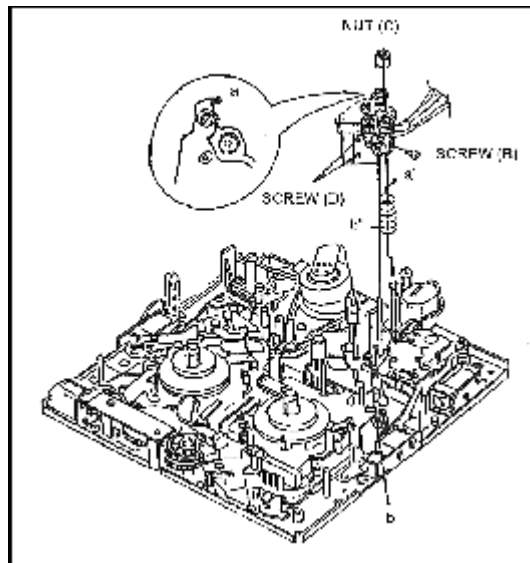
(Removal of A/C Head)

1. Remove the top panel.

2. Loosen the hex screw (B) and remove the nut (C) then hang off the height adjustment spring (a). Remove the A/C Head Unit.

**Note:**

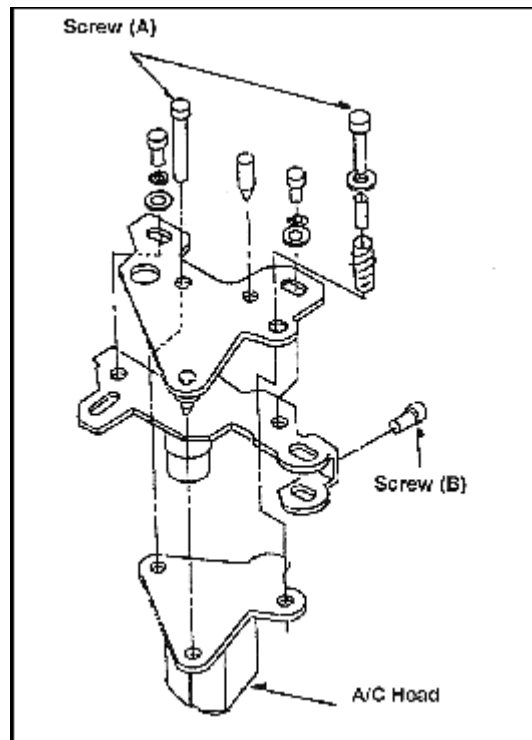
Remember the Nut (C) height before removing it.



3. Remove 2 screws (A) and remove P1 on AC HEAD I/F board and P2030 on Mech. I/F board, then remove A/C Head.

4. Remove 2 screws (D) and remove the shield case.

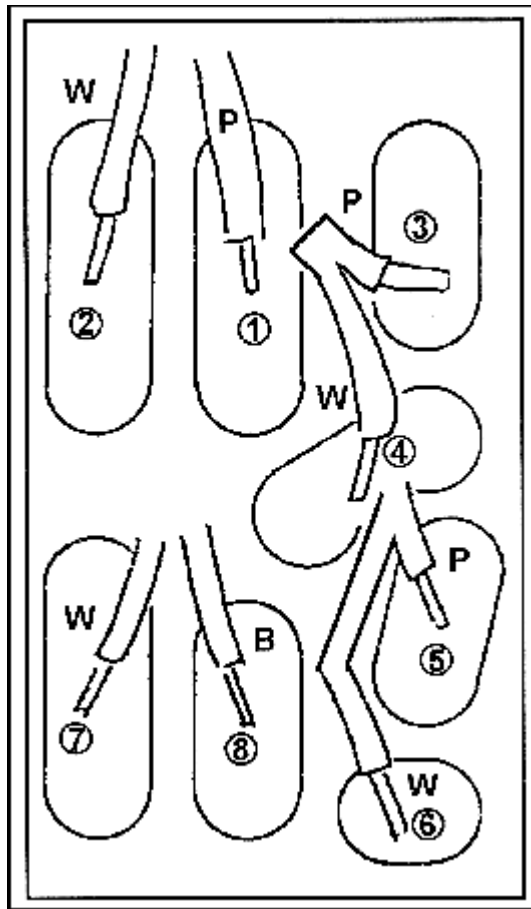
5. Unsolder the Lead wire from the A/C Head. (When unsolder the lead wires, do not unsolder all at the same time.)



(Installation of A/C Head)

1. Remove the shield case from a new A/C Head and solder the each lead wires.
2. Install the shield case.
3. Install the A/C head to the A/C head plate by 2 screws (A). Then set to parallel the gap between A/C Head and A/C Head Plate.
4. Install the A/C Head unit.
5. Hang on the Head Height Adjustment Spring and tighten the Nut (C).
6. Clean the surface of the A/C Head.
7. A/C Head Adjustment is necessary.





A/C Head Side	Cable Color		Connector No.
1	PINK	YELLOW	P1
2	WHITE		
3	PINK	RED	
4	WHITE		
5	PINK	GREEN	
6	WHITE		P30
7	WHITE	YELLOW	
8	BLACK		

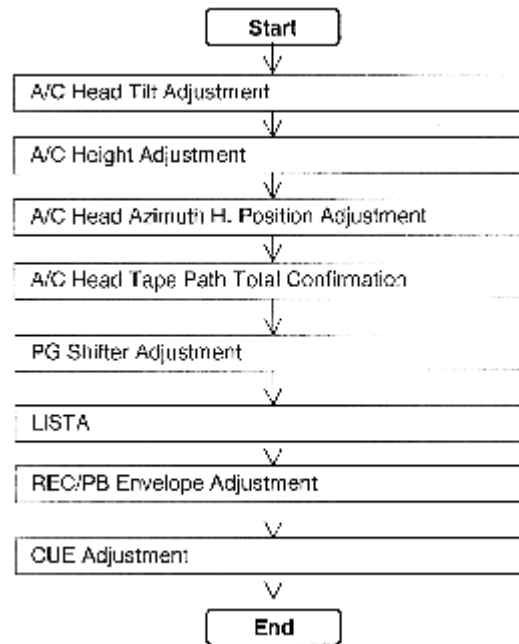
### 5.7.6. A/C Head Adjustment

1. After A/C Head Replacement, from the item of A/C Head Tilt to the item of A/C head horizontal position adjustment are necessary.

**Note:**

Keep loosen the hex screw (B) at the side of A/C head until A/C head height adjustment completion.

2. A/C Head Adjustment and Confirmation are shown in the following flow chart.



### 5.7.7. Supply and Take-up Reel Unit Replacement

(Removal of Supply and Take-up Reel Unit)

1. Remove the top panel.
2. Remove the front loading unit.
3. Remove the bottom panel.
4. Remove the connector P34 and P35 on the Mech. I/F board.
5. Rotate CW the Red Plastic Screw which is used for manual tape eject and load the S1 Post to make the space for screw (C).
6. Confirm that the S and T brake solenoid iron core are released.
7. Push the M Stopper Solenoid to release the M Stopper.
8. Remove 4 Screws (C), (D) and (E).
9. The Reel Table is hooked with inner rail. Slightly lift the Reel Table so that it does not touch the brake release arm. Then remove the Reel Table.

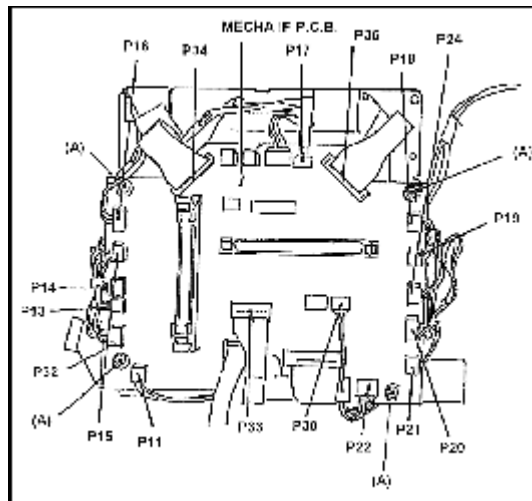
**Note:**

Memorize the groove position of Reel Base which is inserted the pin of Drive Arm Unit. (The position can remember by the attached grease.)

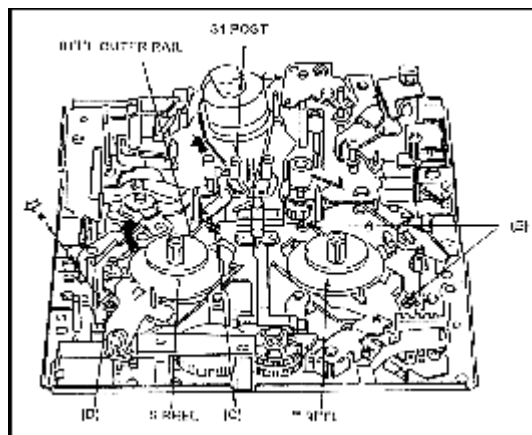
(Installation of Supply and Take-up Reel Unit)

1. Insert the outer rail at the new Reel Table.
2. Hook the Reel Table Unit at the inner rail. Then install a Reel Table

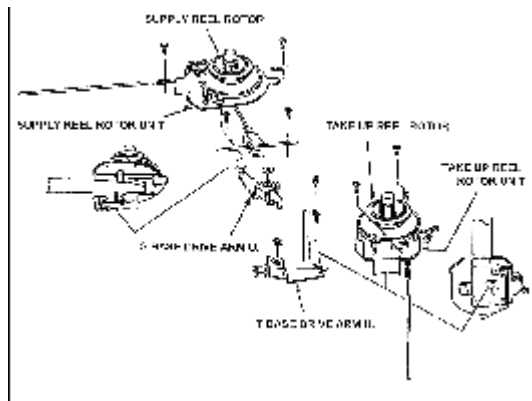
- so that its groove is matched with the pin of Drive Arm Unit.
3. Tighten 4 screws (C), (D) and (E) then confirm the Reel Table moves smoothly on the Rail by hand.
  4. Move the Reel Rotor Unit to front side by hand and pull up the iron core of M stopper solenoid
  5. Unload completely by rotating the Red Plastic screw CCW.
  6. Insert the flexible cable into P34 and P35 on the Mech. I/F board.
  7. Confirm the Main Brake Torque. (Refer to the Main Brake Torque Confirmation.)
  8. Adjust the Motor Torque Offset. (Refer to the Motor Torque Offset Adjustment.)
  9. Confirm the Tension Value. (Refer to the Tension Confirmation.)



**Mech. IF Board**



**Removal Reel Rotor Unit**



Installation of Reel Rotor Unit

### 5.7.8. Supply and Take-up Brake Arm Unit Replacement

(Removal of Brake Arm Unit)

1. Remove the top panel.
2. Remove the front loading unit.
3. Push the supply and take-up brake solenoids to release brake.
4. Remove 2 cut washers (A) and remove supply and take-up brake arm unit.

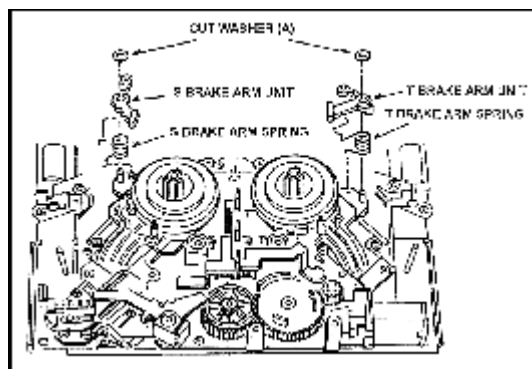
(Installation of Brake Arm Unit)

1. Install new supply and take-up brake arm units as reverse order of removal.

**Note:**

Hook the brake arm spring at the position shown in the figure.

2. After the Brake Arm Unit Installation, confirm the Main Brake Torque. (Refer to the Main Brake Torque Confirmation.)



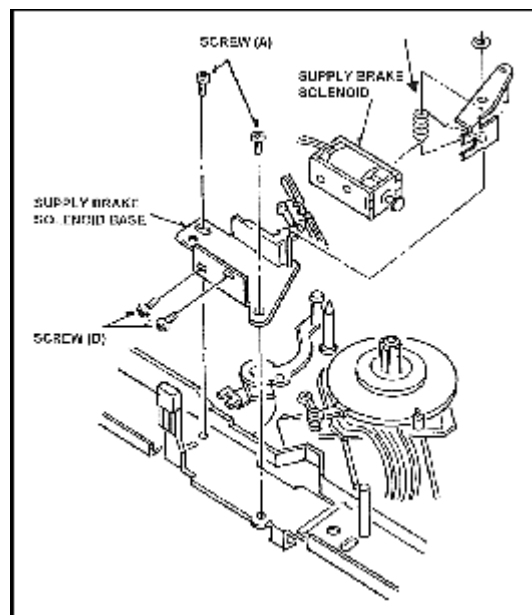
Reel Brake Arm Unit Replacement

### 5.7.9. Supply Brake Solenoid Replacement and Adjustment

(Removal of Supply Brake Solenoid)

1. Remove the top panel.

2. Remove the front loading unit.
3. Remove the bottom panel.
4. Remove the connector P15 on Mech. Interconnection board.
5. Remove 2 screws (A) and remove the Supply Brake Solenoid Base Unit.
6. Remove 2 screws (B) and remove the Supply Brake Solenoid from its unit.



Supply Brake Solenoid Removal

(Installation of Brake Solenoid)

1. Install a new supply brake solenoid as reverse order of its removal.

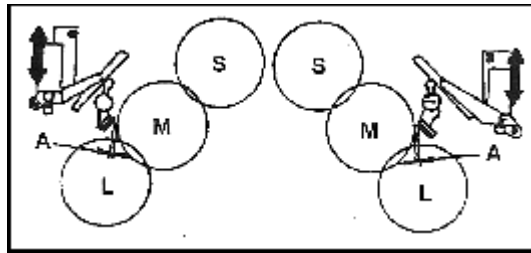
**Note:**

Set the supply brake spring at the position shown in the figure.

2. After installation, adjust following procedures.

(Adjustment Procedures)

1. Set the Reel Table at M cassette position.
2. Confirm the gap (A) between Brake pad and Turn table is 0.2 mm to 0.5 mm.
3. If the gap (A) is out of specification, loosen 2 screws and adjust brake solenoid unit as arrow direction so that the gap is in the specification.
4. After the above adjustment move the Reel Table to S cassette or L cassette position and confirm the gap is in the specification.

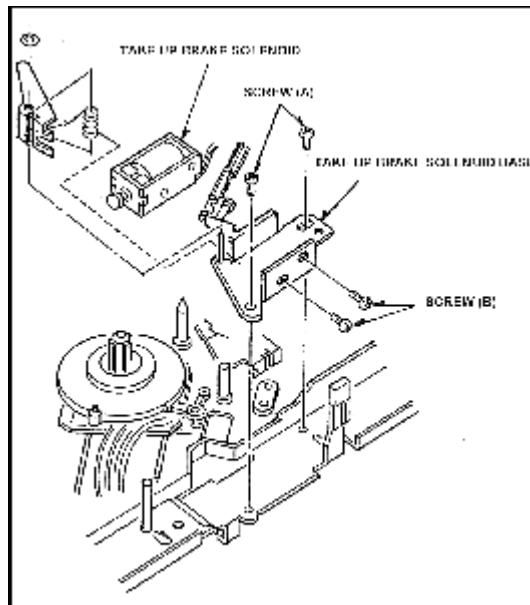


Brake Solenoid Position Adjustment

### 5.7.10. Take-up Brake Solenoid Replacement and Adjustment

(Removal of Take-up Brake Solenoid)

1. Remove the top panel.
2. Remove the front loading unit.
3. Remove the bottom panel.
4. Remove the connector P18 on the Mech. Interconnection board.
5. Remove 2 screws (A) and remove the take-up brake solenoid base unit.
6. Remove 2 screws (B) and remove the Brake Solenoid from the Take-up Brake Solenoid Base Unit.



Take up Brake Solenoid Removal

(Installation)

1. Install a new Take up Brake Solenoid as reverse order of its removal.

**Note:**

Install a take up brake spring as shown in the figure.

2. After installation adjust the gap between brake pad and turn table.  
(Refer to Supply Brake Solenoid Replacement and Adjustment.)

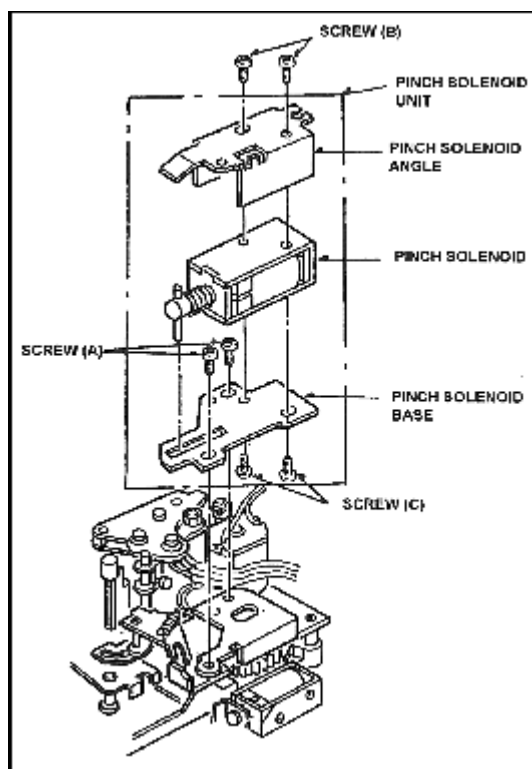
### 5.7.11. Pinch Solenoid Replacement

(Removal of Pinch Solenoid)

1. Remove the top panel.
2. Remove the front loading unit.
3. Remove the bottom panel.
4. Remove 2 screws (A) and remove the Pinch Solenoid Unit.
5. Remove 2 screws (B) and remove the Pinch Solenoid Angle.
6. Remove 2 screws (C) and remove pinch solenoid base then remove Pinch Solenoid.

(Installation of Pinch Solenoid)

1. Install a new Pinch Solenoid as reverse order of its removal. After installation Pinch Solenoid Position Adjustment is necessary.  
(Refer to Pinch Solenoid Position Adjustment.)



Pinch Solenoid Removal

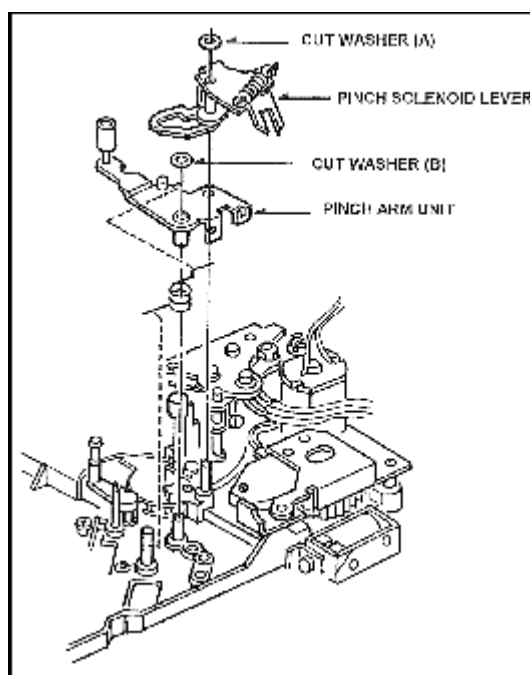
### 5.7.12. Pinch Arm Unit Replacement

(Removal of Pinch Arm Unit)

1. Remove the top panel.
2. Remove the front loading unit.
3. Remove the bottom panel.
4. Disconnect the connector P20 on the Mech. Interconnection board.
5. Remove the Pinch Solenoid Unit.
6. Remove 2 Screws (A) and remove the Pinch Solenoid Unit.
7. Remove the cut washer (B) and remove the Pinch Solenoid Lever.
8. Remove the cut washer (C) and remove the Pinch Arm Unit.

(Installation of Pinch Arm Unit)

1. Install a new Pinch Solenoid as reverse order of its removal. After installation adjust Pinch Solenoid Position Adjustment. (Refer to Pinch Solenoid Position Adjustment.)



Pinch Arm Unit Replacement

### 5.7.13. Loading Motor Replacement

(Removal of Loading Motor)

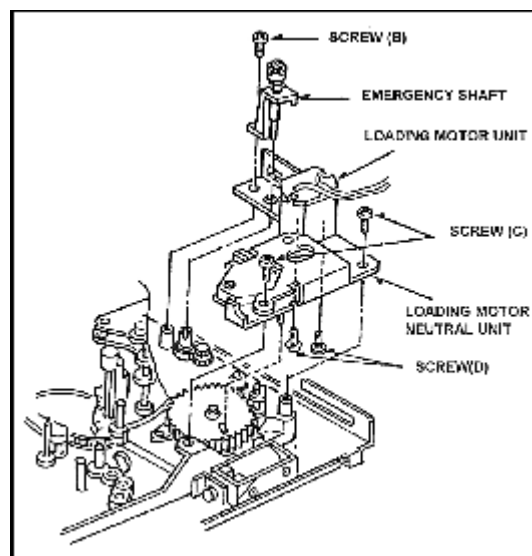
1. Remove the top panel.
2. Remove the front loading unit.
3. Remove the bottom panel.
4. Disconnect the connector P21 on the Mech. I/F board. Which is shown in the Supply an Take-up Reel Unit Replacement.



5. Remove the Pinch Solenoid Unit. (Refer to Pinch Solenoid Replacement.)
6. Remove the screw (B) and remove the Emergency Shaft.
7. Remove 2 screws (C) and remove the Loading Motor Neutral Unit.
8. Remove 2 screws (D) and remove the Loading Motor.

(Installation of Loading Motor)

1. Install a new Loading Motor with 2 screws (D) to the Loading Motor Neutral Unit.
2. Install the Loading Motor unit with 2 screws (C). For this installation, be careful that the pin of Mode SW unit should be matched to groove position of main Cam Gear.
3. Install the emergency shaft with screw (B).
4. Install the Pinch Solenoid Unit. After installation adjust Pinch Solenoid Position Adjustment. (Refer to Pinch Solenoid Position Adjustment.)
5. Connect the connector P21.



Removal of Loading Motor

#### 5.7.14. Mode Switch Unit Replacement

(Removal of Mode Switch Unit)

1. Remove the top panel.
2. Remove the front loading unit.
3. Remove the bottom panel.

4. Disconnect P22 on the Mech. Interconnection board.
5. Remove the Pinch Solenoid Unit and Loading Motor Neutral Unit.  
(Refer to Loading Motor Replacement.)
6. Remove 2 screws (D) and remove the Mode Switch Unit from the Loading Motor Neutral Unit.

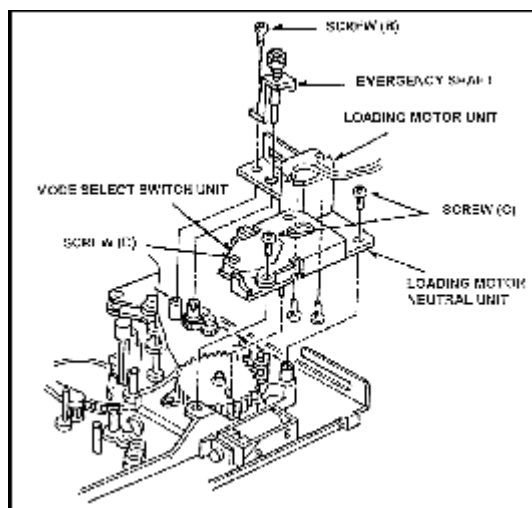
(Installation of Mode Switch Unit)

1. Install a new Mode Switch Unit in reverse order of its removal.

**Note:**

Set the pin of the Mode Switch to the groove of the Main Cam Gear.

2. After Pinch Solenoid Unit, adjust Pinch Solenoid Position Adjustment. (Refer to Pinch Solenoid Position Adjustment.)



Removal of Mode Switch Unit

### 5.7.15. Main Cam Gear Replacement

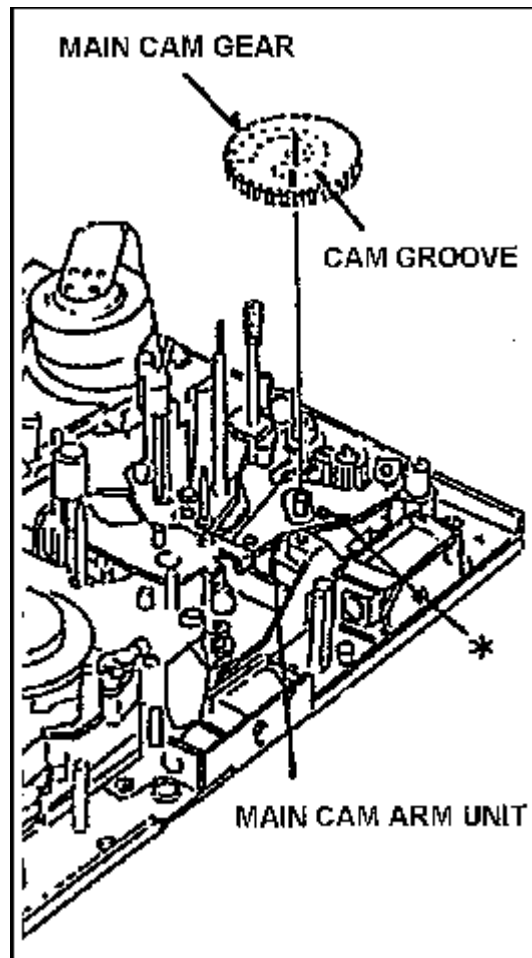
(Removal of Main Cam Gear)

1. Remove the top panel.
2. Remove the front loading unit.
3. Remove the Pinch Solenoid Unit and Loading Motor Neutral Unit.  
(Refer to Loading Motor Replacement and Pinch Arm Unit Replacement.)
4. Remove the Main Cam Gear.

(Installation of Main Cam Gear)

1. Install a new Main Cam Gear in reverse order of its removal. For this installation, set the pin of the Income Arm Unit to the groove

of the Main Cam Gear.



Removal of Main Cam Gear

#### 5.7.16. S5 Post Base Unit Replacement

(Removal of S5 Post Base Unit)

1. Remove the top panel.
2. Remove the front loading unit.
3. Remove the screw (A) and remove the S5 Post Base Unit.

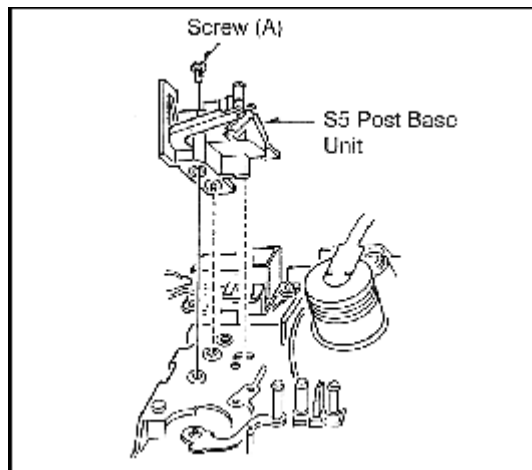
(Installation of S5 Base Unit)

1. Install the new S5 Post Base Unit as reverse order of its removal.

**Note:**

Install the S5 Post by the position fix as shown in the figure.

2. After installation, Post Pre-adjustment and Linearity adjustment are necessary.



Removal of S5 Post Base Unit

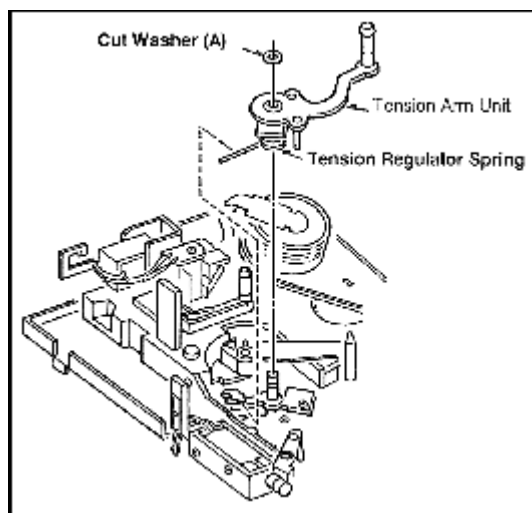
### 5.7.17. Replacement of Tension Arm Unit

(Removal of Tension Arm Unit)

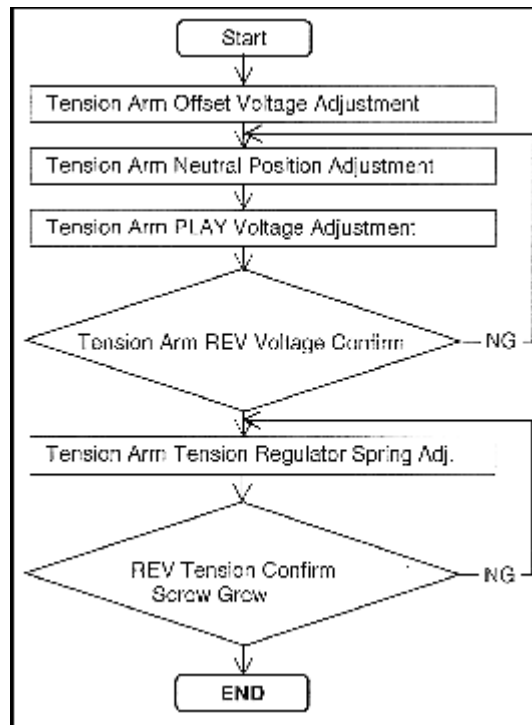
1. Remove the top panel.
2. Remove the front loading unit.
3. Remove the cut washer (A) and remove the tension regulator spring from its hook then remove the tension arm unit.

(Installation of Tension Arm Unit)

1. Install the new Tension Arm Unit as reverse order of its removal.
2. After installation adjust tension arm adjustment following the tension arm adjustment flow chart.



Removal of Tension Arm Unit



Tension Arm Adjustment Flow Chart

### 5.7.18. S1 Post Loading Arm Unit Replacement and Adjustment

(Removal of S1 Post Loading Arm Unit)

1. Remove the top panel.
2. Remove the front loading unit.
3. Remove the S5 Post Base Unit. (Refer to S5 Post Base Unit Replacement.)
4. Remove the tension arm unit. (Refer to Tension Arm Unit Replacement.)
5. Remove the screw (A) and remove the S1 Post from the loading rail.
6. Remove the E ring (A) and remove the S1 Loading Arm Unit.

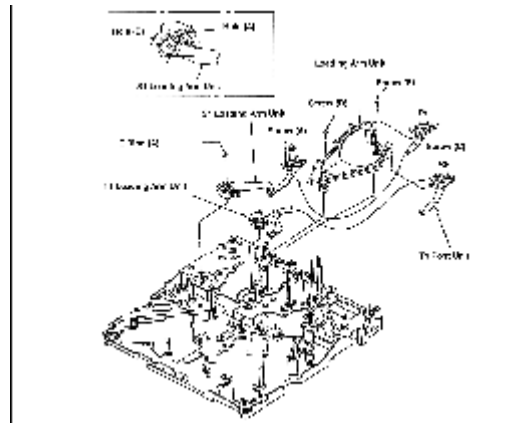
(Installation of S1 Post Loading Arm Unit)

1. Install a new S1 Post Loading Arm Unit as reverse order of removal. After its installation S1 Post Loading Arm Unit Phase Adjustment is necessary.
2. After its installation confirm the S1 Post moves smoothly on the loading rail. Then Adjust the Tension Arm and Linearity.

(Adjustment Procedure)

1. When S1 Post Loading Arm is installed, the hole (A) and (B) must

be parallel.



S1 Post Loading Arm Unit Removal

### 5.7.19. T1 Boat Unit Replacement

(Removal of T1 Boat Unit)

1. Remove the top panel.
2. Remove the front loading unit.
3. Remove the screw (C) and remove the T1 Post from the Loading Rail.
4. Remove the T1 Boat Unit from the T1 Loading Arm Unit.

(Installation of T1 Boat Unit)

1. Install a new T1 Boat Unit as reverse order of its removal.
2. After its installation, confirm the T1 Post moves on the Loading Rail. Then Linearity Adjustment is necessary.

### 5.7.20. T1 Loading Arm Unit Replacement and Adjustment

(Removal of T1 Loading Arm Unit)

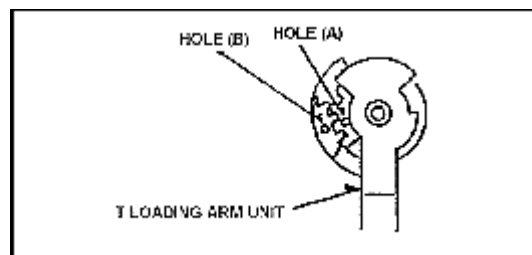
1. Remove the top panel.
2. Remove the front loading unit.
3. Remove the cylinder unit. (Refer to the cylinder unit replacement.)
4. Rotate the emergency eject shaft CW to load the T1 Post and make a space to remove the screw (D) as shown in Fig. 6-15-1.
5. Remove the screw (A) and (C) then remove the S1 and T1 Posts from the Loading Rail.
6. Remove the screw (D) and (E) and remove the Loading Rail.
7. Remove the T1 Boat Unit from the T1 Loading Unit.

(Installation of T1 Loading Arm Unit)

1. Install a new T1 Loading Arm Unit as reverse order of its removal.  
For this installation the following adjustment is necessary.

(Adjustment Procedures)

1. Install T1 Loading Arm Unit so that the Hole (A) and Hole (B) are in parallel.
2. After installation, confirm that the T1 post moves smoothly on the Loading Rail. Then Linearity Adjustment is necessary.



T1 Loading Arm Unit Position Adjustment

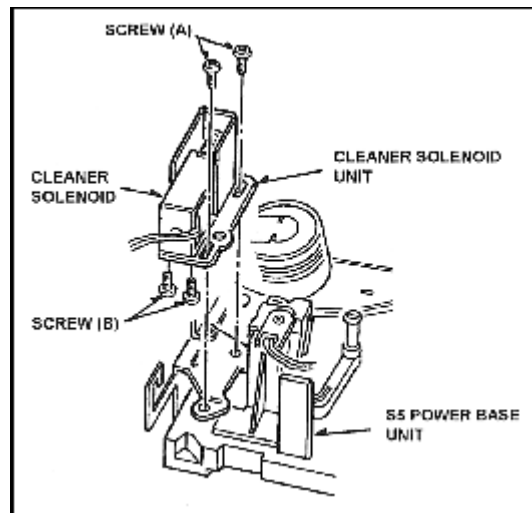
#### 5.7.21. Cleaner Solenoid Replacement and Adjustment

(Removal of Cleaner Solenoid)

1. Remove the top panel.
2. Remove the Front Loading Unit.
3. Remove the connector P11 on the Mechanical Interconnection Board.
4. Remove two screws (A) and remove the Cleaner Solenoid Unit.
5. Remove two screws (B) and remove the Cleaner Solenoid.

(Installation of Cleaner Solenoid)

1. Install a new Cleaner Solenoid as reverse order of its installation.
2. After its installation adjust Cleaner Solenoid Position.



**Cleaner Solenoid Replacement**

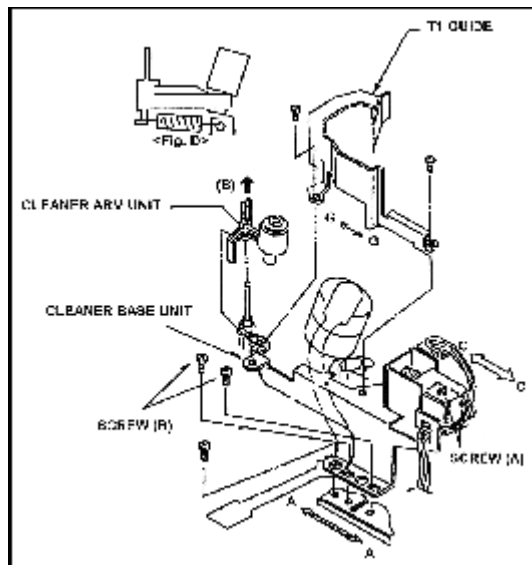
### **5.7.22. Cleaner Solenoid Position Adjustment**

**Tool**

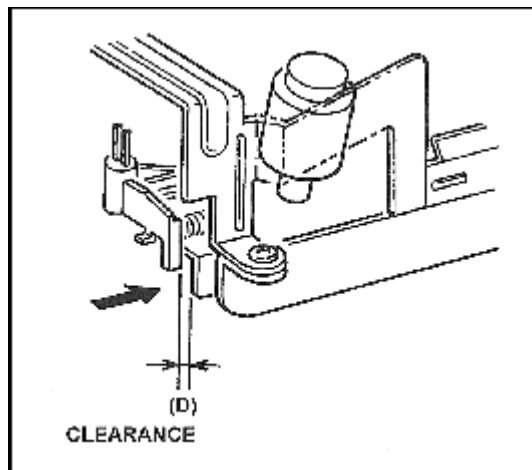
**Eccentric Driver (VFK0357)**

- 1. Push the Cleaner Solenoid Shaft and confirm the clearance between Cleaning Arm Unit and Cleaner Base Plate (D) is 0.5 mm to 0.7 mm.**
- 2. If it is out of specification, loosen 2 screws (A) and move the cleaner solenoid arrow C direction and adjust the clearance (D) is in the specification.**
- 3. Push the cleaner solenoid shaft and confirm that the cleaner roller touches the cylinder. Then confirm that the cleaner roller returns original position when the shaft is released.**
- 4. Push the Solenoid shaft and rotate the cylinder and confirm that the cleaner roller is rotated by the cylinder movement.**





Cleaner Solenoid Position Adjustment



Cleaner Solenoid Position Adjustment

**Note:**

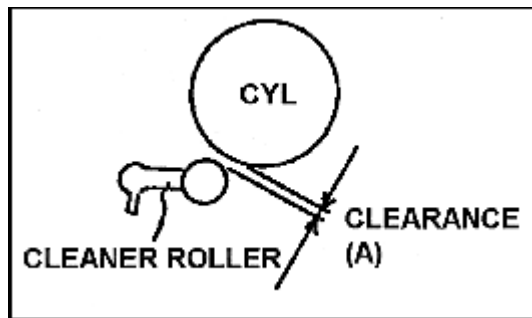
If the Cleaner Base Plate is moved, Cleaner Roller Position Adjustment is necessary.

**5.7.23. Cleaner Roller Position Adjustment**

Tool

Eccentric Driver (VFK0357)

1. Confirm that the clearance (A) between cylinder unit and cleaner roller is 1.0 mm to 1.2 mm.
2. If it is out of specification loosen screw (B) and move the cleaner base unit and adjust its position by the eccentric driver.



Cleaner Roller Position Adjustment

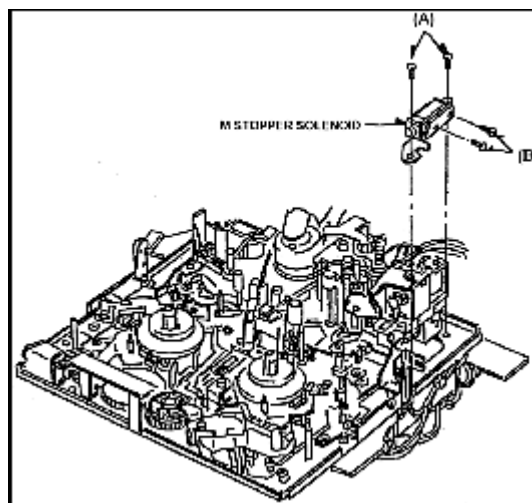
#### 5.7.24. M Stopper Solenoid Replacement and Adjustment

(Removal of M Stopper Solenoid)

1. Remove the top panel.
2. Remove the front loading unit.
3. Remove the connector P24 on the Mech. Interconnection board.
4. Remove 4 screws (A) and (B) and remove the M Stopper Solenoid.

(Installation of M Stopper Solenoid)

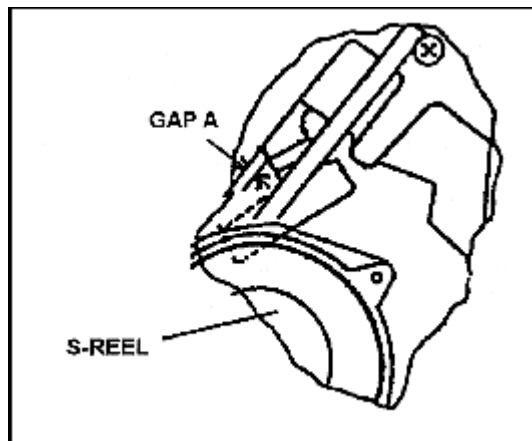
1. Install a new M Stopper Solenoid as reverse order of its removal.
2. After its installation following adjustment is necessary.



M Stopper Solenoid Removal

(Adjustment Procedures)

1. Set the Reel Table at L cassette position.
2. Release the M Stopper by pushing the M Stopper Solenoid Shaft.
3. Loosen the screw (A) and adjust the M Stopper Solenoid Unit Position so that the Gap (A) between Mech. Chassis and M Stopper is 1.1 mm to 1.3 mm.



M Stopper Solenoid Position Adjustment

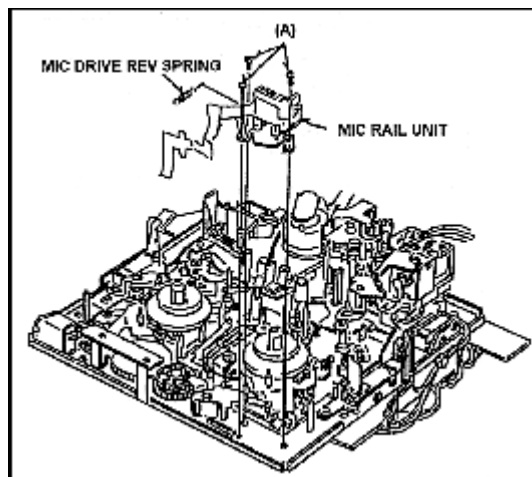
### 5.7.25. MIC Rail Unit Replacement

(Removal of MIC Rail Unit)

1. Remove the top panel.
2. Remove the front loading unit.
3. Remove the bottom panel. (Refer to the bottom panel removal.)
4. Remove the connector P17 on the Mech. Interconnection board.
5. Remove the MIC Drive REV Spring.
6. Remove 3 screws and remove the MIC Rail Unit.

(Installation of MIC Rail Unit)

1. Install a new MIC Rail Unit as reverse order of its installation.
2. Confirm that M and L cassette touches MIC Rail Unit.



MIC Rail Unit Removal

### 5.7.26. Reel Drive Motor Unit Replacement

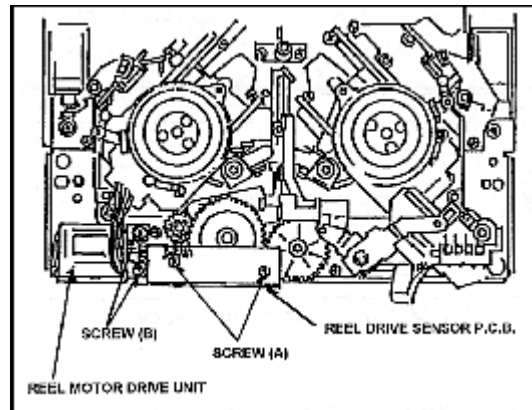
(Removal of Reel Drive Motor Unit)

1. Remove the top panel.

2. Remove the front loading unit.
3. Remove the connector P16 on the Mech. Interconnection board.
4. Remove 2 screws (A) and remove the Reel drive sensor board.
5. Remove 2 screws (B) and remove the Reel Drive Motor Unit.

(Installation of Reel Drive Motor Unit)

1. Install a new Reel Drive Motor Unit as reverse order of its removal.



Reel Drive Motor Unit Removal

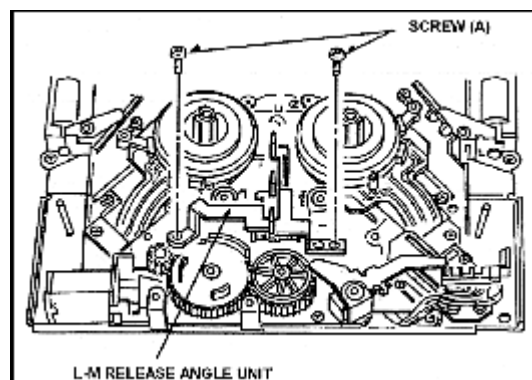
#### 5.7.27. L-M Brake Release U. Replacement

(Installation of L-M Brake Release Unit)

1. Remove the top panel.
2. Remove the front loading unit.
3. Remove the screw (A) and remove the L-M Brake Release Unit.

(Installation of L-M Brake Release Unit)

1. Install a new L-M Brake Release Unit as reverse order of its removal.

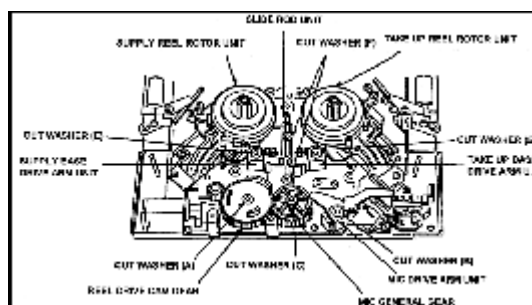


L-M Brake Release Unit Removal

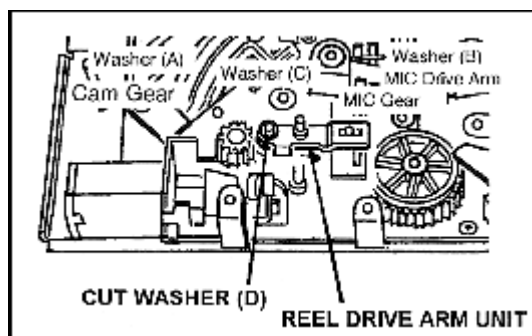
#### 5.7.28. Slide Rod Unit Replacement and Adjustment

(Removal of Slide Rod Unit)

1. Remove the top panel.
2. Remove the front loading unit.
3. Remove the L-M Brake Release Unit. (Refer to L-M Brake Release Unit Replacement.)
4. Remove the Reel Drive Sensor board. (Refer to Reel Drive Motor Unit Replacement.)
5. Remove the cut washer (A) and remove the Reel Drive Cam Gear.
6. Remove the cut washer (B) and remove the MIC Drive Arm Unit.
7. Remove the cut washer (C) and remove the MIC intermittent gear.
8. Remove the cut washer (D) and remove the Reel Drive Arm Unit.
9. Remove the supply and take-up reel rotor unit. (Refer to Supply and Take-up Reel Table Unit Replacement.)
10. Remove the cut washer (E) and remove the supply and take-up side base drive arm unit.
11. Remove the cut washer (F) and remove the slide load.



Slide Rod Unit Removal



Reel Drive Arm Unit Removal

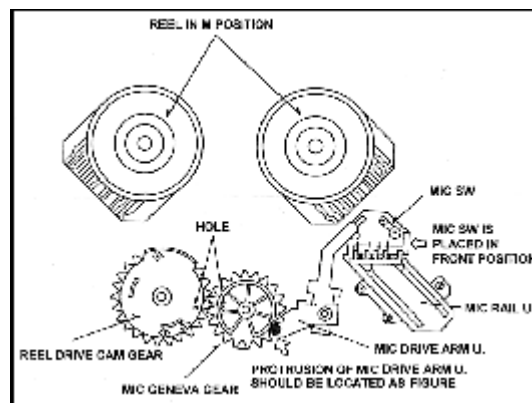
(Installation of Slide Rod Unit)

1. Install a new Slide Rod Unit as reverse order of its removal.
2. When Reel Drive Cam Gear and MIC Intermittent Gear are installed

phase adjustment is necessary.

(Adjustment Procedures)

1. Install a MIC Intermittent Gear.
2. Set the Reel Rotor Unit at M Cassette Position by hand.
3. Install a MIC Drive Arm Unit.
4. Rotate the MIC intermittent Gear by hand so that the Distinction SW is as close as possible.



Gear Position

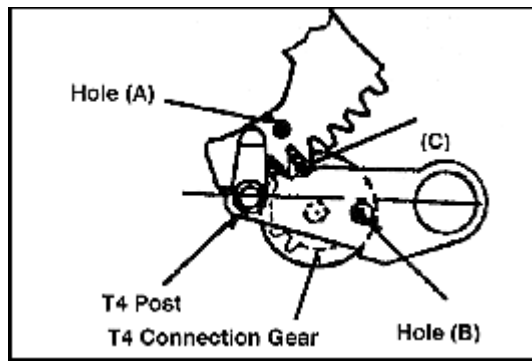
5. Install a Reel Drive Cam Gear so that the its hole is at MIC intermittent gear hole.
6. Install 3 cut washers (A), (B) and (C).

**Adjustment Note:**

1. Close the Reel Table to M Cassette position.
2. Set the MIC SW (Distinction SW) to the nearest position from the Reel.
3. MIC Drive Arm Unit Pin position is as shown in the above figure.
4. Reel Drive Came Gear Hole and MIC Intermittent Gear phase are matched.

**5.7.29. T4 Post Position Adjustment**

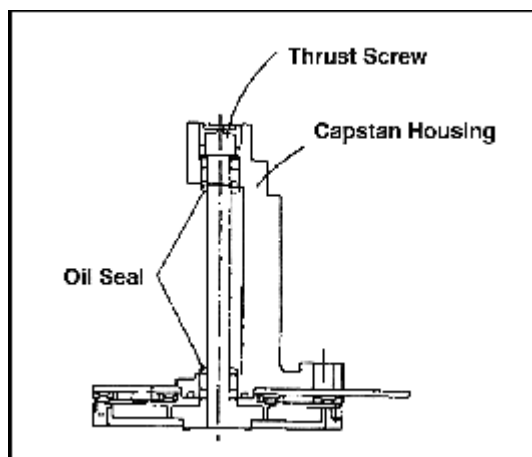
1. Set the VTR unloading condition.
2. Confirm the T4 post hole is at the T4 connection gear (B).
3. Confirm that (c) and hole (A) position is as shown in the figure.
4. If the T4 post position is incorrect adjust following procedures.

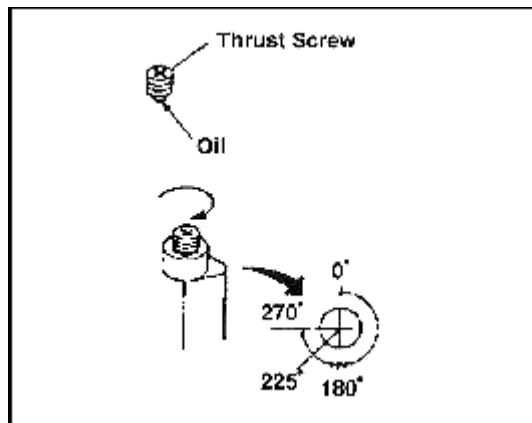


T4 Post Position Adjustment

### 5.7.30. Thrust Screw Replacement and Adjustment

1. Remove the Thrust Screw.
2. Supply oil (VFK0906) as shown in the figure and set the capstan housing.
3. While rotating the capstan shaft CCW tighten the thrust screw CW slowly and stop it when the rotation becomes smoothly.
4. Rotate another 180 degrees or 270 degrees from the stop position of item 3.
5. Grease the thrust screw.
6. Confirm the oil seal as shown in figure.





## 6. ELECTRICAL ADJUSTMENTS

### 6.1. SERVICE MODE

SERVO and RF EQ Adjustments Service Menus and Error rate display are activated in the Service Mode. Service Mode is protected to avoid the miss-operation, to open it the following procedures are necessary.

#### 6.1.1. 1 Service Mode and Service Menu setting procedures

1. Set the LOCAL/REMOTE SW to LOCAL.
2. Set the DIP SW1 on the rear of the front panel to ON.
3. Press the MENU button on the bottom of the front panel and confirm that the Service Menu is displayed on the TV monitor.(Video Out 3)
4. Rotate the search dial and select the item.
5. While holding down the search button, rotate the search dial to change the adjustment data.
6. The adjustment data is changed.

#### 6.1.2. Displaying the Error Rate

The Error Rate is displayed on the Audio Meter in the Service Mode

1. Place the unit in the Service Mode.
2. Set the error display mode according to the confirmation contents with following switches.

SW	MODE	
FRONT CF SW	2F : The error rate is not displayed.	4F/8F : The error rate is displayed.
FRONT TC SW	INT : VIDEO Error rate	EXT : AUDIO Error rate



## 6.2. SERVO

### 6.2.1. Motor Torque Adjustment

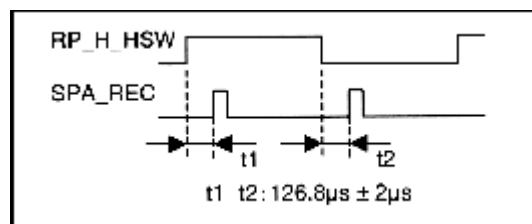
BOARD	SERVO (F1)
SPEC.	15 ± 2grcm(5 times average)
TEST	REEL MOTOR
ADJUST	SERVICE MENU
INPUT	
MODE	SERVICE TEST MODE
TAPE	
M.EQ	Torque meter with an adapter

1. Remove the front loading unit with the connection cable.
2. Set the front Switches as shown below.  
Front rear DIP SW1:ON  
Front bottom MENU SW:ON
3. Set the marker at SERVO by the JOG DIAL, and the SET button to ON
4. Set the marker at T\_REEL\_TRQ by the JOG DIAL
5. Set a torque meter at T-Reel table and adjust the torque data so that the torque is in the specification by JOG DIAL while pressing JOG/SHTL key.
6. Measure it 5 times and calculate the average, and adjust the torque data so that the average is in the specification.
7. Set the marker at S\_REEL\_TRQ by JOG DIAL.
8. Set a torque meter at S-Reel table and adjust the torque data so that the torque is in the specification by JOG DIAL while pressing JOG/SHTL key.
9. Measure it 5 times and calculate the average, and adjust the torque data so that the average is in the specification.

### 6.2.2. PG Shifter Adjustment (1)

BOARD	SERVO (F1)
SPEC.	$t_1, t_2 = 126.8\mu s \pm 2\mu s$
TEST	RP_L_HSW (TP722), SPA_REC (TP729)
ADJUST	SEARCH BUTTON
INPUT	
MODE	PLAY
TAPE	VFM3580KM
M.EQ	Oscilloscope

1. Open the Service menu and select "PG SHIFT ED".
2. Playback the color bar portion of the alignment tape.
3. Press search button and keep it until the number which is displayed at right of "PG SHIFT ED" is renewed.
4. Connect a scope to TP722 and TP729.
5. Confirm the  $t_1$  and  $t_2$  are  $126.8\mu s \pm 2\mu s$ .

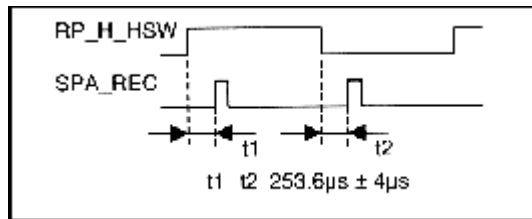


### 6.2.3. PG Shifter Adjustment (2)

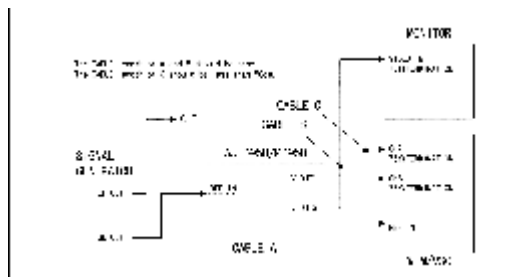
BOARD	SERVO (F1)
SPEC.	$t_1, t_2 = 253.6\mu s \pm 4\mu s$
TEST	RP_L_HSW (TP722), SPA_REC (TP729)
ADJUST	
INPUT	VIDEO OUT 3
MODE	PLAY
TAPE	VFM3580KM
M.EQ	Oscilloscope

1. Open the Service menu and select "PG SHIFT DP".
2. Playback the color bar portion of the alignment tape.
3. Press search button and keep it until the number which is displayed at right of "PG SHIFT ED" is renewed.
4. Connect a scope to TP722 and TP729.

**5. Confirm the t1 and t2 are 253.6us±4us.**



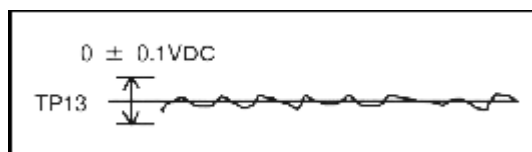
**6.3. V\_OUT CONNECTION**



**6.3.1. 4fsc PLL CENTER FREQ. ADJ.(525)**

Board	V_OUT (F6)
Specification	0Vdc ± 0.1V
Test Point	TP13 (B-1)
Adjustment Point	VC1 (B-1)
Input Signal	REF IN = BB (NTSC)
Mode	EE, INT SG
Tape	
M.EQ	Oscilloscope

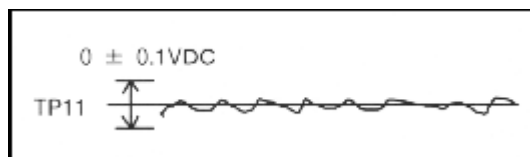
1. Place the unit in the 525 mode.
2. Adjust VC1 so that the DC level is 0V ~ 0.1V DC.



**6.3.2. 4fsc PLL CENTER FREQ. ADJ. (625)**

Board	V_OUT (F6)
Specification	0Vdc ~ 0.1V
Test Point	TP11 (B-2)
Adjustment Point	VC2 (B-1)
Input Signal	REF IN = BB (PAL)
Mode	EE, INT SG
Tape	
M.EQ	Oscilloscope

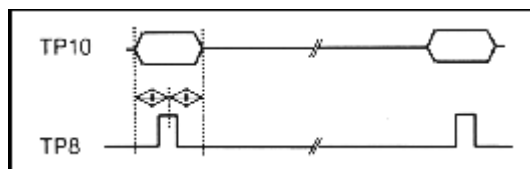
1. Place the unit in the 625 mode
2. Adjust VC1 so that the DC level is 0V ~ 0.1V DC.



### 6.3.3. Burst Sample Phase Adj.(525)

Board	V_OUT (F6)
Specification	
Test Point	TP8 (A-4), TP10 (B-4)
Adjustment Point	S/H PLS P, VR6 (A-3)
Input Signal	REF IN = BB (NTSC)
Mode	EE, INT SG
Tape	
M.EQ	Oscilloscope

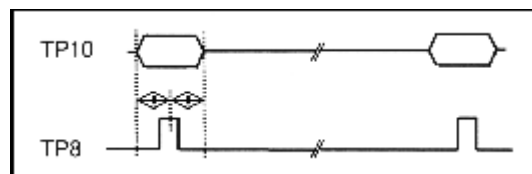
1. Place the unit in the 525 mode.
2. Adjust VR6 so that the sample pulse is located at center of the burst signal as shown in figure.



### 6.3.4. Burst Sample Phase Adj. (625)

Board	V_OUT (F6)
Specification	
Test Point	TP8 (A-4), TP10 (B-4)
Adjustment Point	S/H PLS P, VR12 (A-4)
Input Signal	REF IN = BB (PAL)
Mode	EE, INT SG
Tape	
M.EQ	Oscilloscope

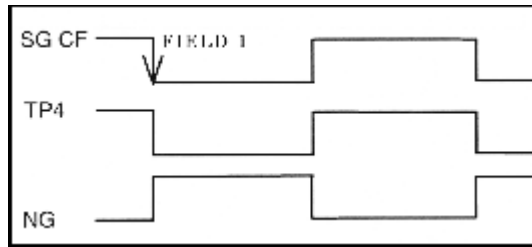
1. Place the unit in the 625 mode.
2. Adjust VR12 so that the sample pulse is located at center of the burst signal as shown in figure.



### 6.3.5. CF PHASE ADJUSTMENT (1) (525)

Board	V_OUT (F6)
Specification	
Test Point	TP4 (A-2), SG CF OUT
Adjustment Point	CF ADJ N, VR7 (B-3)
Input Signal	REF IN = BB (NTSC)
Mode	EE, INT SG
Tape	
M.EQ	Oscilloscope

1. Place the unit in the 525 mode.
2. Scope : CH1 SG CF  
CH2 TP4  
TRIG. SG CF falling edge.
3. Rotate the VR7 fully CCW.
4. Rotate the VR7 CW.slowly.
5. Set the VR7 so that the waveform phases are same as shown in figure

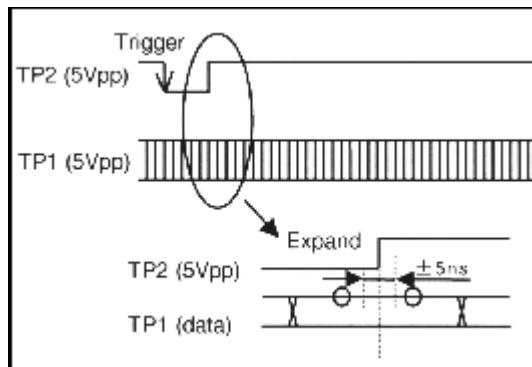


The CF waveform is different by SG type.

### 6.3.6. CF PHASE ADJUSTMENT (2)(525)

Board	V_OUT (F6)
Specification	Data Center $\pm 5nS$
Test Point	TP1 (B-1), TP2 (B-1)
Adjustment Point	CF ADJ N, VR7 (B-3)
Input Signal	REF IN = BB (NTSC)
Mode	EE, INT SG
Tape	
M.EQ	Oscilloscope

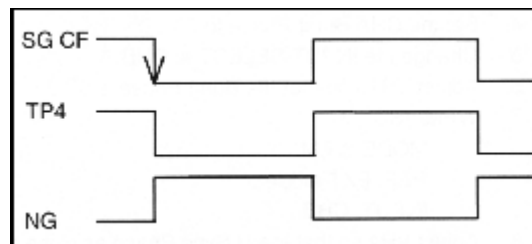
1. Place the unit in the 525 mode.
2. Adjust VR7 so that the rising edge of the TP2 is at center of the data period as shown in figure.
3. After adjustment, confirm that CF phase (refer to the item CF PHASE ADJUSTMENT(1) (525) )



### 6.3.7. CF PHASE ADJUSTMENT (1)(625)

Board	V_OUT (F6)
Specification	
Test Point	TP4 (A-2), TP7 (B-4)
Adjustment Point	CF ADJ P, VR13 (A-3)
Input Signal	REF IN = BB (PAL)
Mode	EE, INT SG
Tape	
M.EQ	Oscilloscope

1. Place the unit in the 625 mode.
2. Scope : CH1 SG CF  
CH2 TP4  
TRIG. SG CF falling edge.
3. Rotate the VR13 fully to CCW
4. Rotate the VR13 to CW.slowly
5. Set the VR13 so that the waveform phases are same as shown in figure



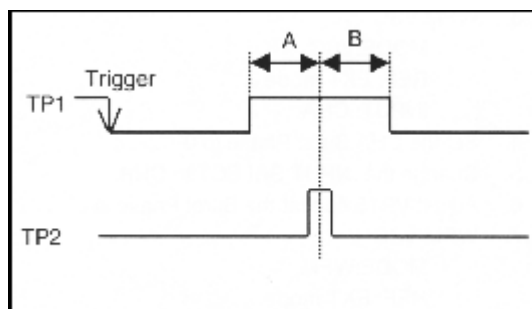
The CF waveform is different by SG type.

### 6.3.8. CF PHASE ADJUSTMENT (2)(625)

Board	V_OUT (F6)
Specification	
Test Point	TP1 (B-1), TP2 (B-1)
Adjustment Point	CF ADJ P, VR13 (A-3)
Input Signal	REF IN = BB (PAL)
Mode	EE, INT SG
Tape	
M.EQ	Oscilloscope

1. Place the unit in the 625 mode.
2. Adjust VR13 so that the pulse (TP2) is at center of the High period of TP1
3. After adjustment, confirm that CF phase (refer to the item CF

## PHASE ADJUSTMENT(1) (625 )



### 6.3.9. SYSTEM\_H,SYSTEM\_SC ADJUSTMENT (525)

Board	V_OUT (F6)
Specification	
Test Point	VIDEO OUT1
Adjustment Point	V PHS N, VR15(D-1), VR14(A-2)
Input Signal	REF_IN, = BB (NTSC)
Mode	EE, INT SG
Tape	
M.EQ	Oscilloscope, WFM / VSC

1. Place the unit in the 525 mode.
2. SYSTEM MENU SETTING
  - SYS H : 0
  - SYS SC : 0
3. WFM/VSC
  - MODE : VSC
  - REF : EXT mode
  - INPUT : CHA
4. Set the CHA Burst Phase to 0°
5. Change the INPUT SELECT to CHB.
6. Adjust VR15 so that the Burst Phase is 0°.
7. WFM/VSC
  - MODE :WFM
  - REF : EXT mode
  - INPUT : CHB
8. Adjust VR14 so that the H Sync Phase as close as the CHA H Sync Phase.



9. After adjustment, turn POWER switch "ON" and "OFF", and confirm that the H Phase position is stable.

#### 6.3.10. SYSTEM\_H,SYSTEM\_SC

Board	V_OUT (F6)
Specification	
Test Point	VIDEO OUT 1
Adjustment Point	V PHS P, VR16 (D-1) VR4 (A-2)
Input Signal	REF_IN, = BB (PAL)
Mode	EE, INT SG
Tape	
M.EQ	Oscilloscope, WFM / VSC

1. Place the unit in the 625 mode.

#### 2. SYSTEM MENU SETTING

SYS H : 0

SYS SC : 0

#### 3. WFM/VSC

MODE : VSC

REF : EXT mode

INPUT : CHA

4. Set the CHA Burst Phase to 0°.

5. Change the INPUT SELECT to CHB.

6. Adjust VR16 so that the Burst Phase is 0°.

#### 7. WFM/VSC

MODE : WFM

REF : EXT mode

INPUT : CHB

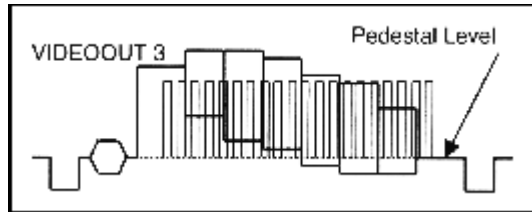
8. Adjust VR4 so that the H Sync Phase as close as the CHA H Sync Phase.

9. After adjustment, turn POWER switch "ON" and "OFF", and confirm that the H Phase position is stable.

#### 6.3.11. COMPOSITE OUT DC LEVEL ADJ.

Board	V_OUT (F6)
Specification	
Test Point	VIDEO OUT 3
Adjustment Point	VR1 (J-4)
Input Signal	
Mode	EE, INT SG
Tape	
M.EQ	WFM

1. Adjust VR1 so that the character black level is at the Pedestal level



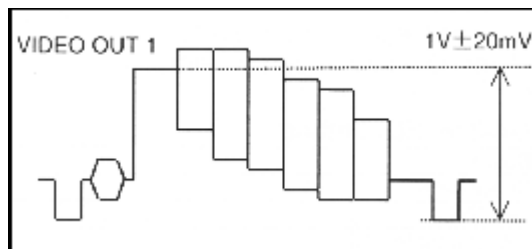
### 6.3.12. COMPOSITE OUT LEVEL ADJ.

Board	V_OUT (F6)
Specification	1V ± 20mV
Test Point	VIDEO OUT 1
Adjustment Point	VR2 (I-1)
Input Signal	
Mode	EE, INT SG
Tape	
M.EQ	WFM

**Note:**

Do not use an extension board.

1. Adjust VR2 so that the VIDEO OUT level is in the specification



## 6.4. Audio AD\_DA

### 6.4.1. SW Setting

Board	A_ADDA (F8)
Specification	
Test Point	
Adjustment Point	SW1,SW41,SW101,SW141
Input Signal	
Mode	
Tape	
M. EQ.	

## 1. Set the audio impedance switches as shown below.

SW1 : HIGH SW41 : HIGH

SW101 : HIGH SW141 : HIGH

### 6.4.2. M. EQ. Setting

Board	
Specification	
Test Point	
Adjustment Point	
Input Signal	
Mode	
Tape	
M. EQ.	Audio Analyzer / Audio Precision

## 1. GENERATOR

OUTPUT A&B BAL

50  $\Omega$  FLOAT

ANALYZER

CHANNEL-A INPUT 100K  $\Omega$

CHANNEL-B INPUT 100K  $\Omega$

### 6.4.3. MENU Setting

Board	
Specification	
Test Point	
Adjustment Point	Service MENU / User MENU
Input Signal	
Mode	EE
Tape	
M. EQ.	Monitor

### Service Menu Setting

1. Open the Service Menu and select the G00 AUDIO ADJUST Menu.
2. Set the items as shown below

G01:REF\_LEVEL1 - Fs-20

G02:REF\_LEVEL2 - 0dB

User Menu Setting

1. Open the User Menu and set the items as shown below.

700	INT SG	OFF
701	CH1 IN LV	0dB
702	CH2 IN LV	0dB
703	CH3 IN LV	0dB
704	CH4 IN LV	0dB
706	CH1 OUT LV	0dB
707	CH2 OUT LV	0dB
708	CH3 OUT LV	0dB
709	CH4 OUT LV	0dB
711	MONIL OUT LV	0dB
712	MONIR OUT LV	0dB
713	MONI OUT	VAR
714	EMPHASIS	OFF
722	REC CH1	CH1
723	REC CH2	CH2
724	REC CH3	CH3
725	REC CH4	CH4

#### 6.4.4. Output Balance Adjustment

Board	A_ADDA(F8)
Specification	Waveform Level = Minimum
Test Point	AUDIO OUT (CH1-CH4) MONI OUT (LCH, RCH)
Adjustment Point	VR402 (CH1), VR477 (CH2), VR522 (CH3), VR627 (CH4), VR751 (LCH), VR831 (RCH)
Input Signal	INT SG
Mode	EE
Tape	
M. EQ.	Oscilloscope

**1. User menu Setting (AUDIO MENU)**

**700 INT SG : ON**

**713 MONI OUT : UNITY**

**2. Scope**

**CH1 : HOT**

**CH2 : COLD**

**Scope Mode : ADD**

**3. Adjust VR402 so that the CH1 waveform level is minimum.**

**4. Repeat the above adjustment in the same way about the other Audio channels.(Refer to above table.)**

**6.4.5. Output Level Adjustment**

Board	A_ADDA(F8)
Specification	0dBu+/-0.2dB
Test Point	AUDIO OUT (CH1-CH4) MONI OUT (LCH, RCH)
Adjustment Point	VR401 (CH1), VR476 (CH2), VR551 (CH3), VR626 (CH4), VR702 (LCH), VR701 (RCH)
Input Signal	INT SG
Mode	EE
Tape	
M. EQ.	Oscilloscope Audio Analyzer / Audio Precision

**1. User menu Setting (AUDIO MENU)**

**700 INT SG : ON**

**713MONI OUT : UNITY**

**2. Adjust VR401 so that the CH1 level is 0dBu+/-0.2dB.**

**3. Repeat the adjustment in the same way about the other Audio channels.(Refer to above table.)**

**4. Confirm that the all channels sinewave output is normal.**

**6.4.6. CMRR Adjustment**

Board	A_ADDA (F8)
Specification	
Test Point	TP201 (CH1), TP202 (CH2), TP251 (CH3), TP252 (CH4)
Adjustment Point	VR1 (CH1), VR41 (CH2), VR101 (CH3), VR141 (CH4)
Input Signal	AUDIO IN(CH1, CH2, CH3, CH4) Sinewave (CMTST)
Mode	EE
Tape	
M. EQ.	Oscilloscope, Audio Analyzer / Audio Precision

1. Connect the scope to TP201
2. Input same phase signal to HOT & COLD terminal of CH1.
3. Adjust VR1 so that the CH1 output level is minimum.
4. Repeat an adjustment in the same way about the other Audio channels.

CMMR = Common Mode Reduction Ratio.

CMTST = Common Mode Test

#### 6.4.7. Input level Adjustment

Board	A_ADDA(F8)
Specification	0dBu+/-0.2dB
Test Point	AUDIO OUT (CH1, CH2, CH3, CH4)
Adjustment Point	VR2 (CH1), VR42 (CH2), VR102 (CH3), VR142 (CH4)
Input Signal	AUDIO IN(CH1, CH2, CH3, CH4) Sinewave (BAL)
Mode	EE
Tape	
M. EQ.	Oscilloscope, Audio Analyzer / Audio Precision

1. Adjust VR2 so that the CH1 level is 0dBu+/-0.2dB.

2. Repeat an adjustment in the same way about the other Audio channels.

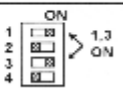
## 6.5. CUE AUDIO

### 6.5.1. Initial Setting

Board	CUE(H1)
Specification	
Test Point	
Adjustment Point	
Input Signal	
Mode	EJECT
Tape	
M.EQ	

1. Set the CUE REC VR and CUE PB VR to UNITY.

2. Set the switches on the CUE P.C.Board as shown below.

Ref No.	Name	Setting
SW4101	Input impedance	HIGH
SW4002	NR	NORMAL
SW4001	REC EQ	

3. Service Menu : G00 AUDIO ADJUST  
G01 REF LEVEL : FS-20

4. Audio analyzer Setting

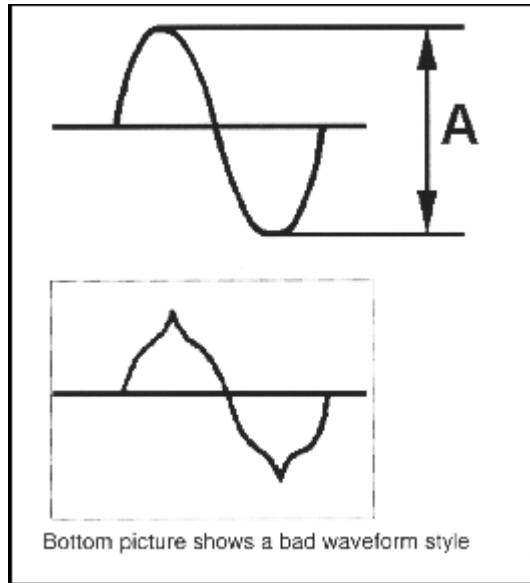
Output Impedance	Less than 50 $\Omega$ (BAL)
Input Impedance	More than 100K $\Omega$ (BAL)

BAL = Balance

### 6.5.2. CTL Erase/CUE Erase Current ADJ.

Board	CUE(H1)
Specification	More than 240mVp-p
Test Point	TP4202, TP4203
Adjustment Point	T4203, T4204
Input Signal	
Mode	REC PLAY
Tape	REC/PB Tape
M.EQ	Oscilloscope

1. Confirm that the voltage at TP4202 is within the specification. If it is not, adjust T4203 so that the Erase Current level A is within the specification.
2. Confirm that the voltage at TP4203 is within the specification. If it is not, adjust T4204 so that the Erase Current level A is within the specification.



### 6.5.3. CUE Bias Current adjustment

Board	CUE(H1)
Specification	7mVrms $\pm$ 0.5mVrms
Test Point	TP4002 (GND:TP4003)
Adjustment Point	T4202, VR4202
Input Signal	
Mode	REC-PLAY
Tape	REC/PB Tape
M.EQ	Electric Volt Meter

1. Connect a Volt Meter between TP4002 and TP4003 (GND) and confirm that the voltage is in the specification.
2. If it is out of Specification, adjust T4202 so that the level becomes maximum and adjust VR4202 so that the level is within the specification.

### 6.5.4. CUE PB Level Adjustment



Board	CUE(H1)
Specification	0dBu ± 0.5dB
Test Point	CUE OUT
Adjustment Point	VR4002
Input Signal	
Mode	PLAY
Tape	NTSC:VFM3580KM (0 to 10min.) PAL:VFM3581KM (0 to 10min.)
M.EQ	Audio Analyzer

1. Place the unit in the 25M Mode.  
(MENU 012 SYS FORMAT : 411)
2. Playback the Alignment Tape and Adjust VR4002 so that the CUE OUT level is within the specification.

#### 6.5.5. Noise Cancel Adjustment

Board	CUE(H1)
Specification	50M mode Less than - 40dBu 25M mode Less than - 35dBu
Test Point	CUE OUT
Adjustment Point	VR4006, VR4003 (50M) VR4007, VR4004 (25M)
Input Signal	
Mode	PLAY
Tape	No signal recorded Tape
M.EQ	Audio Analyzer /Audio precision

(50M Mode)

1. Analyzer setting: Input BPF 600Hz
2. Place the unit in the 50M mode.
3. Confirm that the CUE OUT Level (noise level) is in the specification.
4. If it is out of specification, adjust VR4006 and VR4003 so that the noise level is in the specification

(25M Mode)

1. Analyzer setting: Input BPF 300Hz

2. Place the unit in the 50M mode.
3. Confirm that the CUE OUT Level (noise level) is in the specification.
4. If it is out of specification, adjust VR4007 and VR4004 so that the noise level is in the specification

#### 6.5.6. CUE REC/PB Level Adjustment

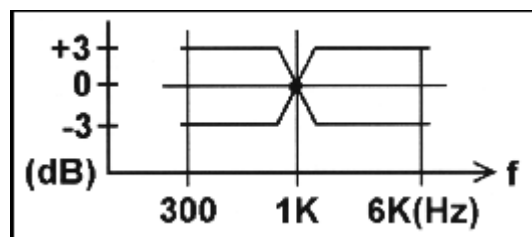
Board	CUE(H1)
Specification	0dBu ± 1dB
Test Point	CUE OUT
Adjustment Point	VR4001
Input Signal	1KHz, 0dBu
Mode	REC PLAY
Tape	REC/PB Tape
M.EQ	Audio Analyzer /Audio precision

1. Place the unit in the 50M mode.
2. Supply a 1kHz, 0dBu signal into the CUE IN and Record the input signal for a few minutes.
3. During the recording mode, slightly adjust VR4001.
4. Playback the just recorded portion and confirm that the CUE OUT level is in the specification.
5. If it is not, repeat step 3, 4.
6. Place the unit in the 25M mode.
7. Supply a 1kHz, 0dBu signal into the CUE IN and Record the input signal for a few minutes.
8. Playback the just recorded portion and confirm that the CUE OUT level is in the specification.

#### 6.5.7. CUE REC/PB Frequency

Board	CUE(H1)
Specification	1KHz level $\pm$ 3dB
Test Point	CUE OUT
Adjustment Point	SW4002 SW4001-1,2,3,4
Input Signal	CUE IN, 300Hz - 6KHz, 0dBu
Mode	REC PLAY
Tape	REC/PB Tape
M.EQ	Audio Analyzer

1. Set the SW4002 on the CUE P.C.Board to NORMAL.
2. Record a 300Hz through 6KHz, 0dBu sinewave for a few minutes.
3. Playback the just recorded portion and confirm the 300Hz through 6KHz signal are within  $\sim$ 3dB compared with 1kHz level.
4. If it is out of specification, adjust SW4001-1,2,3,4 position so that the frequency characteristic is in the specification.  
SW4001-3,4 1KHz  $\sim$  6KHz  
SW4001-1,2 6KHz



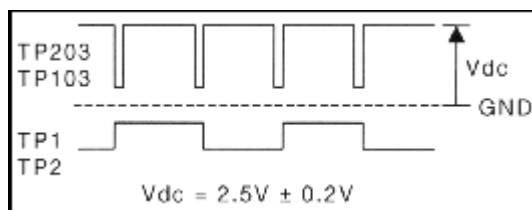
## 6.6. RF EQ

### 6.6.1. ENV Level Adjustment (Lch)

Board	RF EQ (H3)
Specification	Vdc = 2.5V $\pm$ 0.2V
Test Point	TP1, TP2, TP103, TP203
Adjustment Point	Service Menu
Input Signal	
Mode	Playback
Tape	VFM3580KM (Color Bar Portion)
M.EQ	Oscilloscope

1. Scope Probe 10 : 1  
CH1 : TP203 CH2 : TP1 (Trigger)

2. Open the Service Menu and select the item C00 RF ED.
3. Playback the Master Tape
4. Adjust C15 RP MAG L1 and C16 RP MAG L2 so that the DC level Vdc is  $2.5V \pm 0.2V$
5. Change the connection of the Oscilloscope.  
CH1 : TP103 CH2 : TP2 (Trigger)
6. Adjust C23 PB MAG L1 and C24 PB MAG L2 so that the DC level Vdc is  $2.5V \pm 0.2V$
7. Press the MENU Button and the return to the Service Main Menu.
8. Select the item E00 RF DP.
9. Adjust E23 PB MAG L1 and E24 PB MAG L2 so that the DC level Vdc is  $2.5V \pm 0.2V$
10. Change the connection of the Oscilloscope.  
CH1 : TP203 CH2 : TP1 (Trigger)
11. Adjust E15 RP MAG L1 and E16 RP MAG L2 so that the DC level Vdc is  $2.5V \pm 0.2V$ .
12. Eject a tape and close the Service Menu.
13. Turns power OFF.

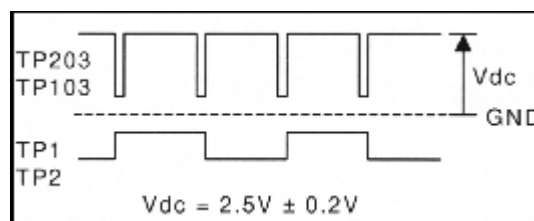


### 6.6.2. ENV Level Adjustment (Rch)

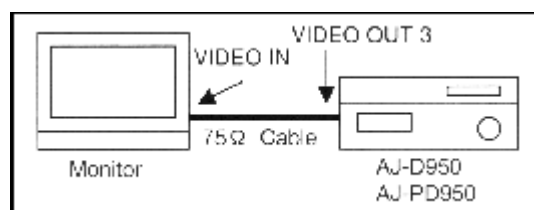
Board	RF EQ (H4)
Specification	$V_{dc} = 2.5V \pm 0.2V$
Test Point	TP1, TP2, TP103, TP203
Adjustment Point	Service Menu
Input Signal	
Mode	Playback
Tape	VFM3580KM (Color Bar Portion)
M.EQ	Oscilloscope

#### 1. Scope Probe 10 : 1

- CH1 : TP203 CH2 : TP1 (Trigger)
2. Open the Service Menu and select the item C00 RF ED.
  3. Playback the Master Tape
  4. Adjust C19 RP MAG L1 and C20 RP MAG R2 so that the DC level Vdc is  $2.5V \pm 0.2V$
  5. Change the connection of the Oscilloscope.  
CH1 : TP103 CH2 : TP2 (Trigger)
  6. Adjust C27 PB MAG R1 and C28 PB MAG R2 so that the DC level Vdc is  $2.5V \pm 0.2V$
  7. Press the MENU Button and the return to the Service Main Menu.
  8. Select the item E00 RF DP.
  9. Adjust E27 PB MAG R1 and E28 PB MAG R2 so that the DC level Vdc is  $2.5V \pm 0.2V$
  10. Change the connection of the Oscilloscope.  
CH1 : TP203 CH2 : TP1 (Trigger)
  11. Adjust E19 RP MAG R1 and E20 RP MAG R2 so that the DC level Vdc is  $2.5V \pm 0.2V$ .
  12. Eject a tape and close the Service Menu.
  13. Turns power OFF.



### 6.6.3. Preparation of EQ Adjustment.



1. Connect a monitor as shown in above figure.
2. Switch Setting  
Front bottom CF : 4F/8F  
TV SYSTEM : 525

**Front TC : INT  
MODE : TAPE**

### **3. USER MENU Setting**

**012 SYS FORMAT : 422  
013 PB FORMAT : MANUAL  
600 INT SIG : CB (color bar)**

**Note:**

Do not escape from the service adjustment menu to direct USER MENU with DIP-SW1  
In this case, a set value is not renewed.

A normal picture is not displayed when 25M tape is played back in 50M mode. (SYS FORMAT : 422 and PB FORMAT : MANUAL position)

#### **6.6.4. PLL Lock Confirmation (50M Mode, PB Lch)**

Board	RF EQ
Specification	V play - V eject $\leq \pm$ 0.05V
Test Point	TP603
Adjustment Point	Service Menu
Input Signal	
Mode	Playback
Tape	VFM3580KM (Color Bar Portion)
M.EQ	Oscilloscope

- 1. Open the service Menu and select item B00 EQ ED ADJUST Menu.**
- 2. Measure the voltage at TP603 in the Eject mode. ( V eject )**
- 3. Playback a 25M Master Tape. (A picture is not appeared on the monitor. )**
- 4. Set the items in the Service MENU as follows.**
  - B01 PB PLL PHS L : 10**
  - B02 PB PLL SL L : -60**
  - B41 VITERBI MODE : OFF**
  - B42 PB MODE : PB H**
- 5. Measure the voltage at TP603.( V play )**
- 6. Adjust B31 PB PLL VCO L so that the voltage is in the specification.**
- 7. Confirm the red segment is not displayed on the Error Meter about L1 and L2.**
- 8. If it is not, adjust B01 PB PLL PHS L and B02 PB PLL SL L and return to the step 6.**

### 6.6.5. PLL Lock Confirmation (50M Mode, RP Lch)

Board	RF EQ (H3)
Specification	V play - V eject $\leq \pm$ 0.05V
Test Point	TP503
Adjustment Point	Service Menu
Input Signal	
Mode	Playback
Tape	VFM3580KM (Color Bar Portion)
M.EQ	Oscilloscope

1. Measure the voltage at TP503 in the Eject mode. ( V eject )
2. Playback a 25M Master Tape.(A picture is not appeared on the monitor. )
3. Set the items in the Service Menu as follows.  
 B15 RP PLL PHS L : 45  
 B16 RP PLL SL L : -60  
 B42 PB MODE : RP H
4. Measure the Voltage at TP503 ( V play )
5. Adjust B32 RP PLL VCO L so that the voltage is in the specification.
6. Confirm the red segment is not displayed on the Error meter of L1 and L2.
7. If it is not, adjust B15 RP PLL PHS L and B16 RP PLL SL L and return to the step 5.

### 6.6.6. PLL Lock Confirmation (25M Mode, PB Lch)

Board	RF EQ (H3)
Specification	V play - V eject $\leq \pm$ 0.05V
Test Point	TP605
Adjustment Point	Service Menu
Input Signal	
Mode	Playback
Tape	VFM3580KM (Color Bar Portion)
M.EQ	Oscilloscope

1. Measure the voltage at TP605 in the Eject mode. ( V eject )
2. Playback a 25M Master Tape.(A picture is not appeared on the monitor. )
3. Set the items in the Service Menu as follows.
  - D01 PB PLL PHS L : 0
  - D02 PB PLL SL L : -20
  - D41 VITERBI MODE : OFF
  - B42 PB MODE : PB H
4. Measure the Voltage at TP503 ( V play )
5. Adjust B31 PB PLL VCO L so that the voltage is in the specification.
6. Confirm the red segment is not displayed on the Error meter of L1 and L2.
7. If it is not, adjust D01 PB PLL PHS L and D02 PB PLL SL L and return to the step 5.

#### 6.6.7. PLL Lock Confirmation (25M Mode, RP Lch)

Board	RF EQ (H3)
Specification	V play - V eject $\leq \pm 0.05V$
Test Point	TP505
Adjustment Point	Service Menu
Input Signal	
Mode	Playback
Tape	VFM3580KM (Color Bar Portion)
M.EQ	Oscilloscope

1. Measure the voltage at TP505 in the Eject mode. ( V eject )
2. Playback a 25M Master Tape.
  - Note:**  
A normal picture is not appeared on the monitor.
3. Set the items in the Service Menu as follows.
  - D15 RP PLL PHS L : 25
  - D16 RP PLL SL L : -5
  - B42 PB MODE : RP H
4. Measure the Voltage at TP505 ( V play )



5. Adjust D32 RP PLL VCO L so that the voltage is in the specification.
6. Confirm the red segment is not displayed on the Error meter of L1 and L2.
7. If it is not, adjust D15 RP PLL PHS L and D16 RP PLL SL L and return to the step 5.

#### 6.6.8. PLL Lock Confirmation (50M Mode, PB Rch)

Board	RF EQ (H4)
Specification	V play - V eject <= ± 0.05V
Test Point	TP603
Adjustment Point	Service Menu
Input Signal	
Mode	Playback
Tape	VFM3580KM (Color Bar Portion)
M.EQ	Oscilloscope

1. Measure the voltage at TP603 in the Eject mode. ( V eject )
2. Playback a 25M Master Tape.
 

**Note:**  
A normal picture is not appeared on the monitor.
3. Set the items in the Service Menu as follows.
  - B08 PB PLL PHS R : 10
  - B69 PB PLL SL R : -60
  - B41 VITERBI MODE : OFF
  - B42 PB MODE : PB H
4. Measure the Voltage at TP603 ( V play )
5. Adjust B35 PB PLL VCO R so that the voltage is in the specification.
6. Confirm the red segment is not displayed on the Error meter of R1 and R2.
7. If it is not, adjust B08 PB PLL PHS R and B09 PB PLL SL R and return to the step 5.

#### 6.6.9. PLL Lock Confirmation (50M Mode, RP Rch)

Board	RF EQ (H4)
Specification	V play - V eject <= ± 0.05V
Test Point	TP503
Adjustment Point	Service Menu
Input Signal	
Mode	Playback
Tape	VFM3580KM (Color Bar Portion)
M.EQ	Oscilloscope

1. Measure the voltage at TP503 in the Eject mode. ( V eject )
2. Playback a 25M Master Tape.

**Note:**

A normal picture is not appeared on the monitor.

3. Set the items in the Service Menu as follows.  
B22 RP PLL PHS R : 45  
B23 RP PLL SL R : -60  
B42 PB MODE : PB H
4. Measure the Voltage at TP503 ( V play )
5. Adjust B36 RP PLL VCO R so that the voltage is in the specification.
6. Confirm the red segment is not displayed on the Error meter of R1 and R2.
7. If it is not, adjust B22 RP PLL PHS R and B23 RP PLL SL R and return to the step 5.

#### 6.6.10. PLL Lock Confirmation (25M Mode, PB Rch)

Board	RF EQ (H4)
Specification	V play - V eject <= ± 0.05V
Test Point	TP605
Adjustment Point	Service Menu
Input Signal	
Mode	Playback
Tape	VFM3580KM (Color Bar Portion)
M.EQ	Oscilloscope

1. Measure the voltage at TP605 in the Eject mode. ( V eject )

**2. Playback a 25M Master Tape.**

**Note:**

A normal picture is not appeared on the monitor.

**3. Set the items in the Service Menu as follows.**

**D08 PB PLL PHS R : 0**

**D09 PB PLL SL R : -20**

**D41 VITERBI MODE : OFF**

**D42 PB MODE : PB H**

**4. Measure the Voltage at TP605 ( V play )**

**5. Adjust D35 PB PLL VCO R so that the voltage is in the specification.**

**6. Confirm the red segment is not displayed on the Error meter of R1 and R2.**

**7. If it is not, adjust D08 PB PLL PHS R and D09 PB PLL SL R and return to the step 5.**

**6.6.11. PLL Lock Confirmation (25M Mode, RP Rch)**

Board	RF EQ (H4)
Specification	V play - V eject $\leq \pm$ 0.05V
Test Point	TP505
Adjustment Point	Service Menu
Input Signal	
Mode	Playback
Tape	VFM3580KM (Color Bar Portion)
M.EQ	Oscilloscope

**1. Measure the voltage at TP505 in the Eject mode. ( V eject )**

**2. Playback a 25M Master Tape.**

**Note:**

A normal picture is not appeared on the monitor.

**3. Set the items in the Service Menu as follows.**

**D22 RP PLL PHS R : 25**

**D23 RP PLL SL R : -5**

**D42 PB MODE : PB H**

**4. Measure the Voltage at TP505 ( V play )**

**5. Adjust D36 RP PLL VCO R so that the voltage is in the specification.**

6. Confirm the red segment is not displayed on the Error meter of R1 and R2.
7. If it is not, adjust D22 RP PLL PHS R and D23 RP PLL SL R and return to the step 5.

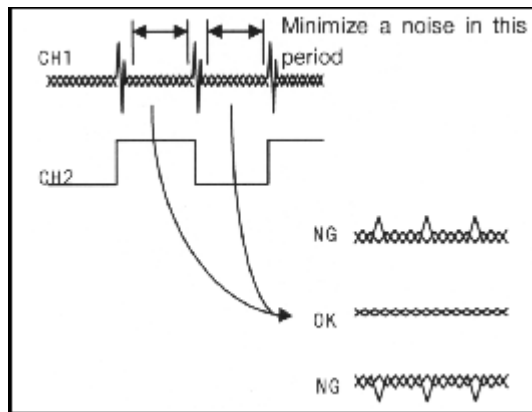
#### 6.6.12. ADC Level Coarse Adjustment

Board	RF EQ (H3) XCAN(H2)
Specification	
Test Point	TP1,TP2(H2) TP2(H3)
Adjustment Point	Service Menu
Input Signal	
Mode	Playback
Tape	VFM3580KM (Color Bar Portion)
M.EQ	Oscilloscope

1. Scope CH1 : TP1(H2)  
CH2 : TP2(H3)
2. Open the Service Menu and select the item B00 EQ ED ADJUST.
3. Playback a 25M Master Tape.
4. Adjust B37 ADC LEVEL L so that the noise level is minimized as shown in the following figure.
5. Change the connection of scope CH1 to the TP2(H2) from TP1(H2).
6. Adjust B38 ADC LEVEL R so that the noise level is minimized as shown in the following figure.
7. Escape the EQ ED ADJUST Menu and select the D00 EQ DP ADJUST Menu.
8. Adjust D38 ADC LEVEL R so that the noise level is minimized as shown in the following figure.
9. Change the connection of scope CH1 to the TP1(H2) from TP2(H2).
10. Adjust D37 ADC LEVEL L so that the noise level is minimized as shown in the following figure.

**Note:**

Confirm that the DC level is not held around ~ 2.5V.



### 6.6.13. EQ Adjustment (50M PB Lch)

Board	RF EQ(H3)
Specification	
Test Point	Error Meter
Adjustment Point	Service Menu
Input Signal	
Mode	PLAY
Tape	VFM3580KM (Color Bar Portion)
M.EQ	

1. Open the Service menu and select item B00 EQ ED ADJUST menu.
2. Playback a 25M Master Tape.
3. Set the item as follows.  
B41 VITERBI MODE : OFF
4. Adjust each adjustment item so that the L1 and L2 error rate is minimum.  
Adjustment items & procedures
  - A. B01 PB PLL PHS L , B02 PB PLL SL L
  - B. B29 PB MAIN DL L
  - C. B03 PB AEQ L
  - D. B04 PB GAIN L1 , B05 PB PHASE L1
  - E. B06 PB GAIN L2 , B07 PB PHASE L2

### 6.6.14. EQ Adjustment (50M PB Rch)

Board	RF EQ
Specification	
Test Point	Error Meter
Adjustment Point	Service Menu
Input Signal	
Mode	PLAY
Tape	VFM3580KM (Color Bar Portion)
M.EQ	

1. Open the Service menu and select item B00 EQ ED ADJUST menu.
2. Playback a 25M Master Tape.
3. Set the item as follows.  
B41 VITERBI MODE : OFF
4. Adjust each adjustment item so that the R1 and R2 error rate is minimum.  
Adjustment items & procedures
  - A. B08 PB PLL PHS R , B09 PB PLL SL R
  - B. B33 PB MAIN DL R
  - C. B10 PB AEQ R
  - D. B11 PB GAIN R1 , B12 PB PHASE R1
  - E. B13 PB GAIN R2 , B14 PB PHASE R2

#### 6.6.15. EQ Adjustment (50M PB VITERBI ON)

Board	RF EQ
Specification	
Test Point	Error Meter
Adjustment Point	Service Menu
Input Signal	
Mode	Playback
Tape	VFM3580KM (Color Bar Portion)
M.EQ	Oscilloscope

1. Set the items as follows.  
B41 VITERBI MODE : ON  
B01 PB PLL PHS L → -55  
B08 PB PLL PHS R → -55
2. Adjust B02 PB PLL SL L so that the L1 and L2 error rate is

minimum.

3. Adjust B09 PB PLL SL R so that the R1 and R2 error rate is minimum.
4. Confirm the error rate on the error meter.
5. When the segment is displayed in more than 7 segments on the error meter, adjust the following items.

B04 PB GAIN L1 , B05 PB PHASE L1

B06 PB GAIN L2 , B07 PB PHASE L2

B11 PB GAIN R1 , B12 PB PHASE R1

B13 PB GAIN R2 , B14 PB PHASE R2

#### 6.6.16. EQ Adjustment (50M RP Lch)

Board	RF EQ
Specification	
Test Point	Error Meter
Adjustment Point	Service Menu
Input Signal	
Mode	Playback
Tape	VFM3580KM (Color Bar Portion)
M.EQ	

1. Playback the 25M Master Tape.
2. Set the item as follows  
B42 PB MODE : RP H
3. Adjust B15 RP PLL PHS L and B16 RP PLL SL L so that the L1 and L2 error rate is minimum.
4. Adjust B30 RP MAIN DL L so that the L1 and L2 error rate is minimum.
5. Adjust B17 RP AEQ L so that the L1 and L2 error rate is minimum.
6. Adjust B18 RP GAIN L1 and B19 RP PHASE L1 so that the L1 error rate is minimum.
7. Adjust B20 RP GAIN L2 and B21 RP PHASE L2 so that the L2 error rate is minimum.
8. Adjust B15 RP PLL PHS L and B16 RP PLL SL L so that the L1 and L2 error rate is minimum

#### 6.6.17. EQ Adjustment (50M RP Rch)

Board	RF EQ
Specification	
Test Point	Error Meter
Adjustment Point	Service Menu
Input Signal	
Mode	PLAY
Tape	VFM3580KM (Color Bar Portion)
M.EQ	

1. Playback the 25M Master Tape.
2. Set the item as follows  
B42 PB MODE : RP H
3. Adjust B22 RP PLL PHS R and B23 RP PLL SL R so that the R1 and R2 error rate is minimum.
4. Adjust B34 RP MAIN DL L so that the R1 and R2 error rate is minimum.
5. Adjust B24 RP AEQ R so that the R1 and R2 error rate is minimum.
6. Adjust B25 RP GAIN R1 and B26 RP PHASE R1 so that the R1 error rate is minimum.
7. Adjust B27 RP GAIN R2 and B28 RP PHASE R2 so that the R2 error rate is minimum.
8. Adjust B22 RP PLL PHS R and B23 RP PLL SL R so that the R1 and R2 error rate is minimum.

#### 6.6.18. Setting For 25M EQ Adjustment

Board	RF EQ
Specification	
Test Point	
Adjustment Point	Service Menu
Input Signal	
Mode	Playback
Tape	VFM3580KM (Color Bar Portion)
M.EQ	

1. Place the unit in the 25M mode.  
USER MENU 012 SYS FORMAT : 411



**2. Open the Service Menu and select the item D00 EQ DP ADJUST MENU.**

**6.6.19. EQ Adjustment (25M PB Lch)**

Board	RF EQ
Specification	
Test Point	
Adjustment Point	Service Menu
Input Signal	
Mode	PLAY
Tape	VFM3580KM (Color Bar Portion)
M.EQ	

1. Playback the 25M Master Tape
2. Set the item as follows  
D41 VITERBI MODE : OFF
3. Adjust D01 PB PLL PHS L and D02 PB PLL SL L so that the L1 and L2 error rate is minimum.
4. Adjust D29 PB MAIN DL L so that the L1 and L2 error rate is minimum.
5. Adjust D03 PB AEQ L so that the L1 and L2 error rate is minimum.
6. Adjust D04 PB GAIN L1 and D05 PB PHASE L1 so that the L1 error rate is minimum.
7. Adjust B06 PB GAIN L2 and B07 PB PHASE L2 so that the L2 error rate is minimum.

**6.6.20. EQ Adjustment (25M PB Rch)**

Board	RF EQ
Specification	
Test Point	
Adjustment Point	Service Menu
Input Signal	
Mode	PLAY
Tape	VFM3580KM (Color Bar Portion)
M.EQ	

1. Playback the 25M Master Tape.

2. Set the item as follows  
D41 VITERBI MODE : OFF
3. Adjust D08 PB PLL PHS R and D09 PB PLL SL R so that the R1 and R2 error rate is minimum.
4. Adjust D33 PB MAIN DL R so that the R1 and R2 error rate is minimum.
5. Adjust D10 PB AEQ R so that the R1 and R2 error rate is minimum.
6. Adjust D11 PB GAIN R1 and D12 PB PHASE R1 so that the R1 error rate is minimum.
7. Adjust D13B PB GAIN R2 and D14 PB PHASE R2 so that the R2 error rate is minimum.

#### 6.6.21. EQ Phase Adjustment (25M PB)

Board	RF EQ
Specification	
Test Point	
Adjustment Point	Service Menu
Input Signal	
Mode	PLAY
Tape	VFM3580KM (Color Bar Portion)
M.EQ	

1. Playback the 25M Master Tape.
2. Set the item as follows.  
D41 VITERBI MODE : OFF
3. Adjust D05 PB PHASE L1 so that the L1 error rate is minimum.
4. Adjust D07 PB PHASE L2 so that the L2 error rate is minimum.
5. Adjust D12 PB PHASE R1 so that the R1 error rate is minimum.
6. Adjust D14 PB PHASE R2 so that the R2 error rate is minimum.

#### 6.6.22. EQ Adjustment (25M PB, VITERBI ON)

Board	RF EQ
Specification	
Test Point	
Adjustment Point	Service Menu
Input Signal	
Mode	PLAY
Tape	VFM3580KM (Color Bar Portion)
M.EQ	

**1. Playback the 25M Master Tape.**

**2. Set the item as follows.**

**D01 PB PLL PHS L → -55**

**D08 PB PLL PHS R → -55**

#### **6.6.23. EQ Adjustment (25M RP Lch)**

Board	RF EQ
Specification	
Test Point	
Adjustment Point	Service Menu
Input Signal	
Mode	PLAY
Tape	VFM3580KM (Color Bar Portion)
M.EQ	

**1. Playback the 25M Master Tape.**

**2. Set the item as follows.**

**D42 PB MODE : RP H**

**3. Adjust D15 RP PLL PHS L and D16 RP PLL SL L so that the L1 and L2 error rate is minimum.**

**4. Adjust D30 RP MAIN DL L so that the L1 and L2 error rate is minimum.**

**5. Adjust D17 RP AEQ L so that the L1 and L2 error rate is minimum.**

**6. Adjust D18 RP GAIN L1 and D19 RP PHASE L1 so that the L1 error rate is minimum.**

**7. Adjust D20 RP GAIN L2 and D21 RP PHASE L2 so that the L2 error rate is minimum.**

**8. Adjust D15 RP PLL PHS L and D16 RP PLL SL L so that the L1 and L2 error rate is minimum.**

**6.6.24. EQ Adjustment (25M RP Rch)**

Board	RF EQ
Specification	
Test Point	
Adjustment Point	Service Menu
Input Signal	
Mode	PLAY
Tape	VFM3580KM (Color Bar Portion)
M.EQ	

- 1. Playback the 25M Master Tape.**
- 2. Set the item as follows.  
PB MODE : RP H**
- 3. Adjust D22 RP PLL PHS R and D23 RP PLL SL R so that the R1 and R2 error rate is minimum.**
- 4. Adjust D34 RP MAIN DL R so that the R1 and R2 error rate is minimum.**
- 5. Adjust D24 RP AEQ L so that the R1 and R2 error rate is minimum.**
- 6. Adjust D25 RP GAIN R1 and D26 RP PHASE R1 so that the R1 error rate is minimum.**
- 7. Adjust D27 RP GAIN R2 and D28 RP PHASE R2 so that the R2 error rate is minimum**
- 8. Adjust D22 RP PLL PHS R and D23 RP PLL SL R so that the R1 and R2 error rate is minimum.**

**6.6.25. EQ Phase Adjustment (25M RP)**

Board	RF EQ
Specification	
Test Point	
Adjustment Point	Service Menu
Input Signal	
Mode	PLAY
Tape	VFM3580KM (Color Bar Portion)
M.EQ	

1. Playback the 25M Master Tape.
2. Set the item as follows.  
PB MODE : RP H
3. Adjust D19 RP PHASE L1 so that the L1 error rate is minimum.
4. Adjust D21 RP PHASE L2 so that the L2 error rate is minimum.
5. Adjust D26 RP PHASE R1 so that the R1 error rate is minimum.
6. Adjust D28 RP PHASE R2 so that the R2 error rate is minimum.

#### 6.6.26. ADC Level Fine Adjustment

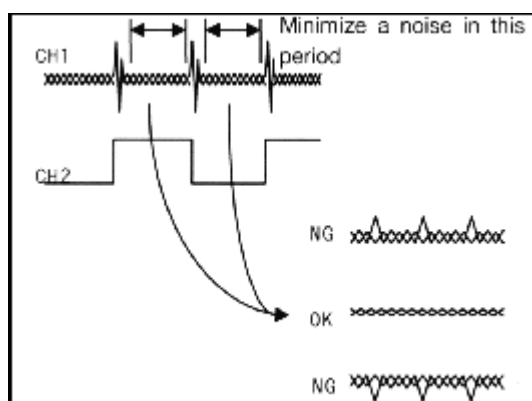
Board	X-CAN(H2)
Specification	
Test Point	TP1,TP2(H2) TP2(H3)
Adjustment Point	Service Menu
Input Signal	
Mode	PLAY
Tape	VFM3580KM (Color Bar Portion)
M.EQ	Oscilloscope

1. Connect a scope CH1 to TP1 on H2 (X-CAN) Board and CH2 to TP2 on H3 (RF EQ L) Board.  
Scope CH1 : TP1(H2)  
CH2 : TP2(H3)
2. Open the Service Menu and select the item B00 EQ ED ADJUST.
3. Playback a 25M Master Tape.
4. Adjust B37 ADC LEVEL L so that the noise level is minimized as shown in the following figure.
5. Change the connection of scope CH1 to TP2(H2) from TP1(H2).

6. Adjust B38 ADC LEVEL R so that the noise level is minimized as shown in the following figure.
7. Escape the EQ ED ADJUST Menu and select the D00 EQ DP ADJUST Menu.
8. Adjust D38 ADC LEVEL R so that the noise level is minimized as shown in the following figure.
9. Change the connection of scope CH1 to TP1(H2) from TP2(H2).
10. Adjust D37 ADC LEVEL L so that the noise level is minimized as shown in the following figure.

**Note:**

Confirm that the DC level is not held around  $\pm 2.5V$ .



### 6.6.27. Error Rate Confirmation (50M)

Board	RF EQ
Specification	
Test Point	
Adjustment Point	Service Menu
Input Signal	
Mode	PLAY
Tape	VFM3580KM (Color Bar Portion)
M.EQ	

1. Set the items in the USER MENU as follows.  
 012 SYS FORMAT : 422  
 013 PB FORMAT : MANUAL
2. Open the Service Menu and select item B00 EQ ED ADJUST Menu.
3. Playback a 25M Master Tape.
4. Set the item as follows.

**B43 ERROR MODE : SLOW**

5. Measure each error rate about L1, L2, R1, R2. (VIDEO/AUDIO)
6. Confirm that the error rate is displayed less than 6 segments on the error meter.

Front TC SW	Measurement Mode
INT	VIDEO Error
EXT	AUDIO Error

7. Set the item as follows.

**B42 PB MODE : RP H**

8. Measure each error rate about L1, L2, R1, R2. (VIDEO/AUDIO)
9. Confirm that the error rate is less than 14 segments on the error meter.
10. Eject the 25M Master Tape and playback a 50M color bar Tape.
11. Confirm that the color bar is displayed on the monitor.

**6.6.28. Error Rate Confirmation (25M)**

Board	RF EQ
Specification	
Test Point	
Adjustment Point	Service Menu
Input Signal	
Mode	PLAY
Tape	VFM3580KM (Color Bar Portion)
M.EQ	

1. Set the items in the USER MENU as follows.  
012 SYS FORMAT : 411  
013 PB FORMAT : MANUAL
2. Open the Service Menu and select item D00 EQ DP ADJUST Menu
3. Playback a 25M Master Tape.
4. Set the item as follows.  
D43 ERROR MODE : SLOW
5. Measure each error rate about L1, L2, R1, R2. (VIDEO/AUDIO)
6. Confirm that the error rate is displayed less than 6 segments on

the error meter.

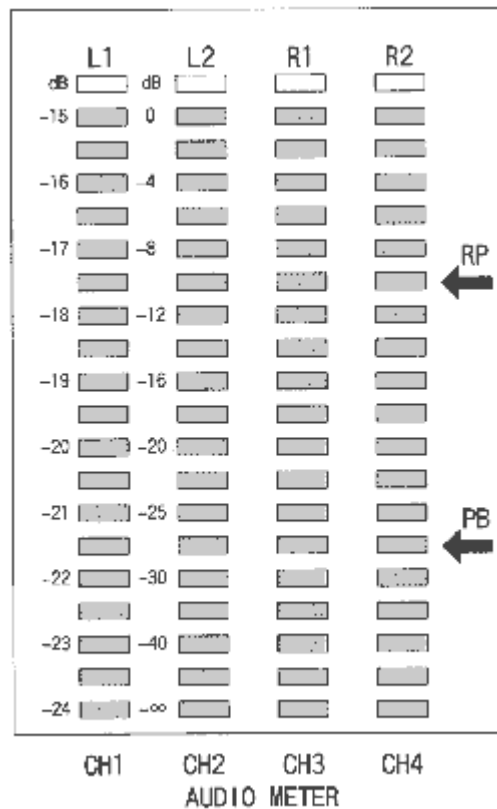
Front TC SW	Measurement Mode
INT	VIDEO Error
EXT	AUDIO Error

7. Set the item as follows.

B42 PB MODE : RP H

8. Measure each error rate about L1, L2, R1, R2. (VIDEO/AUDIO)

9. Confirm that the error rate is less than 14 segments on the error meter.



### 6.6.29. REC Current and Frequency Characteristic Adjustment

#### 1. Spectrum Analyzer setting



Parameter	REG1	REG2
REF LEVEL	-25dBm	-25dBm
ATTEN	10dB	10dB
/DIV	5dB	5dB
START FREQ	0MHz	0MHz
STOP FREQ	40MHz	20MHz
RES BW	1MHz	300MHz
VBW	3KHz	1KHz
SWEEP TIME	100ms	200ms
V AVG	OFF	OFF
TRIG	EXT	EXT

**2. Set the switches on the Front panel as follows.**

**CF SW → 4F/8F**

**TV SYSTEM SW → 525**

**TC SW → INT**

**MODE SW → APE**

**3. Set the items in the USER MENU as follows.**

**012 SYS FORMAT : 422**

**013 PB FORMAT : MANUAL**

**000 INT SIG : CB**

**4. Open the Service Menu.**

### **6.6.30. REC Current and Frequency Characteristic Adjustment (50M Lch)**

Board	RF EQ (H3)
Specification	
Test Point	TP104, TG101, TP2, TG1
Adjustment Point	Service Menu
Input Signal	INT SG Color bar
Mode	REC
Tape	REC/PB Tape
M.EQ	Spectrum Analyzer

**1. Connect a Spectrum Analyzer to the TP104(H3).**

**EXT TRIG. : TP2 (H3)**

**RECALL : REG 1**

**GND : TG101**

**2. Insert a R/P Tape and record a color bar signal.**

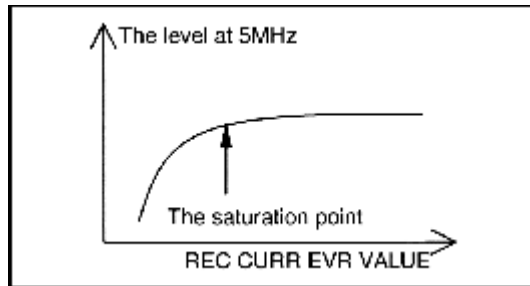
**3. Select the item C00 RF ED ADJUST Menu**

4. Set the values as follows.

C02 REC FREQ L1 -100

C04 REC FREQ L2 -100

5. Change the item C01 REC CURR L1 and C03 REC CURR L2 until just achieve the saturation level at 5MHz



6. Adjust C02 REC FREQ L1 and C04 REC FREQ L2 so that the level at 20MHz is maximum.

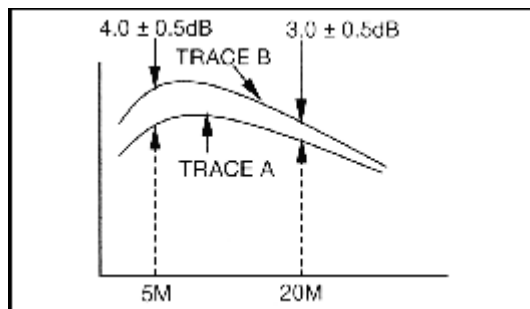
7. Store the signal in the TRACE-B.

8. Adjust following items so that the waveform becomes TRACE-A of the following figure.

Adjustment items

C01 REC CURR L1 , C03 REC CURR L2

C02 REC FREQ L1 , C04 REC FREQ L2



9. Add "+110" to the value of C01 REC CURR L1 and C03 REC CURR L2.

(Ex. In case of -50 → +60)

10. After adjustment, compare the spectrum of Master Playback and Confidence Playback.

#### 6.6.31. Comparison Of the Spectrum of Master PB and Confidence PB (50M Lch)

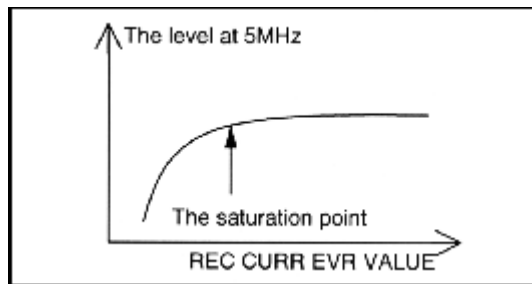
Board	RF EQ
Specification	
Test Point	TP104, TG101, TP2, TG1
Adjustment Point	
Input Signal	INT SG Color bar
Mode	REC, PLAY
Tape	RP/PB Tape, VFM3580KM
M.EQ	Spectrum Analyzer

1. Place the unit in the REC mode.
2. Store the Confidence Playback spectrum in TRACE-B.
3. Playback a 25M Master Tape
4. Store the Master Playback spectrum in TRACE-A.
5. Confirm the level at 5MHz is as follows.  
TRACE-A Level - TRACE-B Level =  $\pm 2.0$  dB

#### 6.6.32. REC Current and Frequency Characteristic Adjustment (50M Rch)

Board	RF EQ (H4)
Specification	
Test Point	TP104, TG101, TP2, TG1
Adjustment Point	
Input Signal	INT SG Color bar
Mode	REC
Tape	RP/PB Tape
M.EQ	Spectrum Analyzer

1. Connect a Spectrum Analyzer to the TP104(H4).  
EXT TRIG. : TP2 (H4)  
RECALL : REG 1  
GND : TG101
2. Insert a R/P Tape and record a color bar signal.
3. Select the item C00 RF ED ADJUST Menu
4. Set the values as follows.  
C08 REC FREQ R1 -100  
C10 REC FREQ R2 -100
5. Change the item C07 REC CURR R1 and C09 REC CURR R2 until just achieve the saturation level at 5MHz



6. Adjust C08 REC FREQ R1 and C10 REC FREQ R2 so that the level at 20MHz is maximum.

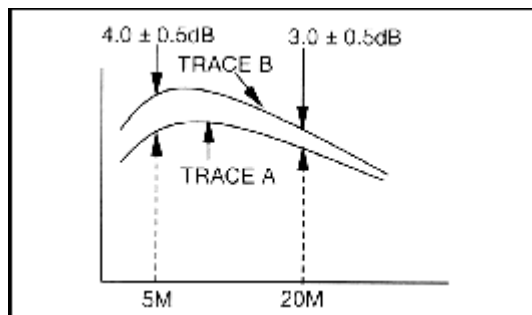
7. Store the signal in the TRACE-B.

8. Adjust following items so that the waveform becomes TRACE-A of the following figure.

Adjustment items

C07 REC CURR R1 , C09 REC CURR R2

C08 REC FREQ R1 , C10 REC FREQ R2



9. Add "+110" to the value of C07 REC CURR R1 and C09 REC CURR R2

(Ex. In case of -50 → +60)

10. After adjustment, compare the spectrum of Master Playback and Confidence Playback

### 6.6.33. Comparison Of the Spectrum of Master PB and Confidence PB (50M Rch)

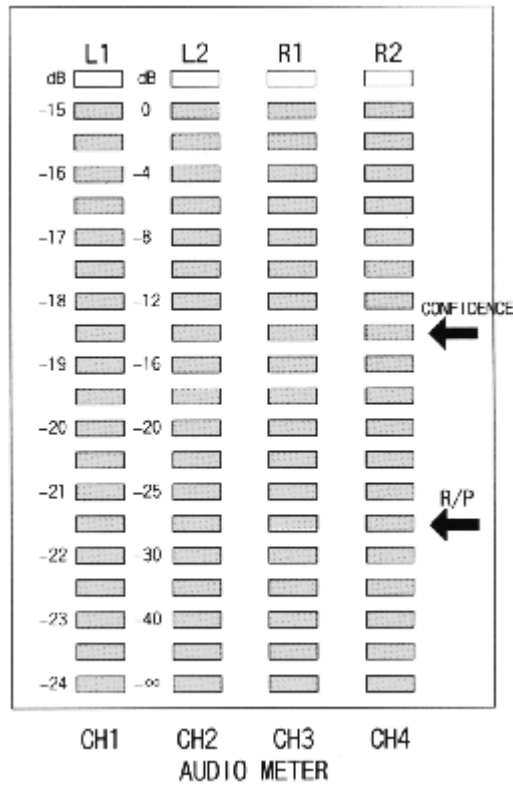
Board	RF EQ (H4)
Specification	
Test Point	TP104, TG101, TP2, TG1
Adjustment Point	
Input Signal	INT SG Color bar
Mode	REC, PLAY
Tape	R/P Tape, VFM3580KM
M.EQ	Spectrum Analyzer

1. Place the unit in the REC mode.
2. Store the Confidence Playback spectrum in TRACE-B.
3. Playback a 25M Master Tape
4. Store the Master Playback spectrum in TRACE-A.
5. Confirm the level at 5MHz is as follows.  
TRACE-A Level - TRACE-B Level =  $\pm 2.0$  dB

#### 6.6.34. Error Rate Confirmation (50M)

Board	RF EQ
Specification	
Test Point	
Adjustment Point	
Input Signal	
Mode	REC, PLAY
Tape	R/P Tape
M.EQ	

1. Place the unit in the REC mode.
2. Set the item as follows  
C33 ERROR MODE : SLOW
3. Measure each error rate about L1, L2, R1, R2. (VIDEO/AUDIO)
4. Confirm that the error rate is displayed less than 12 segments on the error meter.
5. Playback the just recorded portion.
6. Confirm that the error rate is displayed less than 6 segments on the error meter.



### 6.6.35. Preparation For The REC Adjustment (25M)

#### 1. USER MENU Setting

012 SYS FORMAT : 411

#### 2. Open the Service Menu.

### 6.6.36. REC Current And Frequency Characteristic Adjustment (25M Lch)

Board	RF EQ(H3)
Specification	
Test Point	TP104, TG101, TP2, TG1
Adjustment Point	Service Menu
Input Signal	INT SIG Color bar
Mode	REC
Tape	R/P Tape
M.EQ	Spectrum Analyzer

#### 1. Connect the Spectrum Analyzer to the TP104(H3).

EXT TRIG. : TP2 (H3)

RECALL : REG 2

GND : TG101

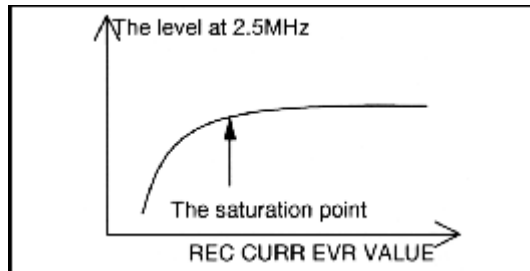
#### 2. Insert a R/P Tape and record a color bar signal.

3. Set the values as follows.

E02 REC FREQ L1 -100

E04 REC FREQ L2 -100

4. Change the item E01 REC CURR L1 and E03 REC CURR L2 until just achieve the saturation level at 2.5MHz.



5. Adjust E02 REC FREQ L1 and E04 REC FREQ L2 so that the level at 10MHz is maximum.

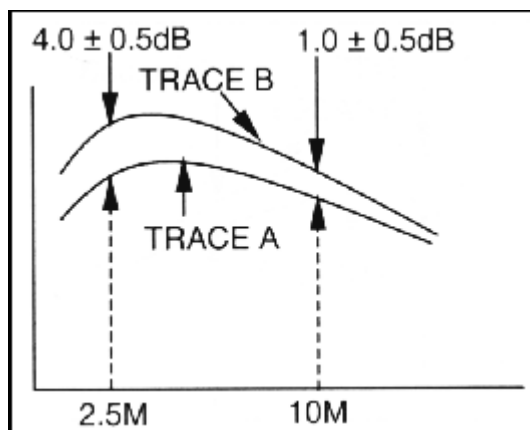
6. Store the signal in the TRACE-B.

7. Adjust following items so that the waveform becomes TRACE-A of the following figure.

Adjustment items

E01 REC CURR L1 , E03 REC CURR L2

E02 REC FREQ L1 , E04 REC FREQ L2



8. Add "+ 90" to the value of E01 REC CURR L1 and E03 REC CURR L2 (Ex. In case of -50 → +40)

9. After adjustment, compare the spectrum of Master Playback and Confidence Playback.

6.6.37. Comparison of the Spectrum of Master PB and Confidence PB (25M Lch)

Board	RF EQ(H3)
Specification	
Test Point	TP104, TG101, TP2, TG1
Adjustment Point	
Input Signal	INT SIG Color bar
Mode	REC, PLAY
Tape	R/P Tape, VFM3580KM
M.EQ	Spectrum Analyzer

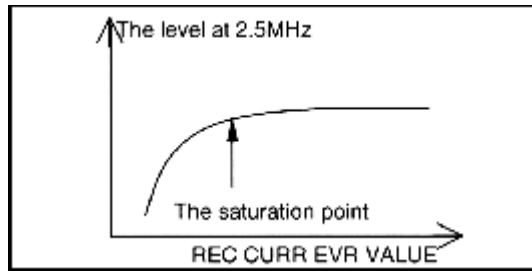
1. Place the unit in the REC mode.
2. Store the Confidence Playback spectrum in TRACE-B.
3. Playback a 25M Master Tape.
4. Store the Master Playback spectrum in TRACE-A.
5. Confirm the level at 2.5MHz is as follows.  
TRACE-A Level - TRACE-B Level =  $\pm 2.0$  dB

#### 6.6.38. REC Current And Frequency Characteristic Adjustment (25M Rch)

Board	RF EQ(H4)
Specification	
Test Point	TP104, TG101, TP2, TG1
Adjustment Point	
Input Signal	INT SIG Color bar
Mode	REC
Tape	R/P Tape
M.EQ	Spectrum Analyzer

1. Connect the Spectrum Analyzer to the TP104(H4).  
EXT TRIG. : TP2 (H4)  
RECALL : REG 2  
GND : TG101
2. Insert a R/P Tape and record a color bar signal.
3. Set the values as follows.  
E08 REC FREQ R1 -100  
E10 REC FREQ R2 -100
4. Change the item E07 REC CURR R1 and E09 REC CURR R2 until just achieve the saturation level at 2.5MHz





5. Adjust E08 REC FREQ R1 and E10 REC FREQ R2 so that the level at 10MHz is maximum.

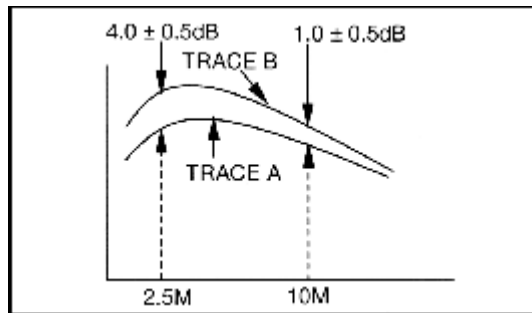
6. Store the signal in the TRACE-B.

7. Adjust following items so that the waveform becomes TRACE-A of the following figure.

Adjustment items

E07 REC CURR R1 , E09 REC CURR R2

8. E09 REC FREQ R1 , E10 REC FREQ R2



9. Add "+ 90" to the value of E07 REC CURR R1 and E09 REC CURR R2 (Ex. In case of -50 → +40)

10. After adjustment, compare the spectrum of Master Playback and Confidence Playback

#### 6.6.39. Comparison Of the Spectrum of Master PB and Confidence PB (25M Rch)

Board	RF EQ(H4)
Specification	
Test Point	TP104, TG101, TP2, TG1
Adjustment Point	
Input Signal	INT SIG Color bar
Mode	REC, PLAY
Tape	R/P Tape, VFM3580KM
M.EQ	Spectrum Analyzer

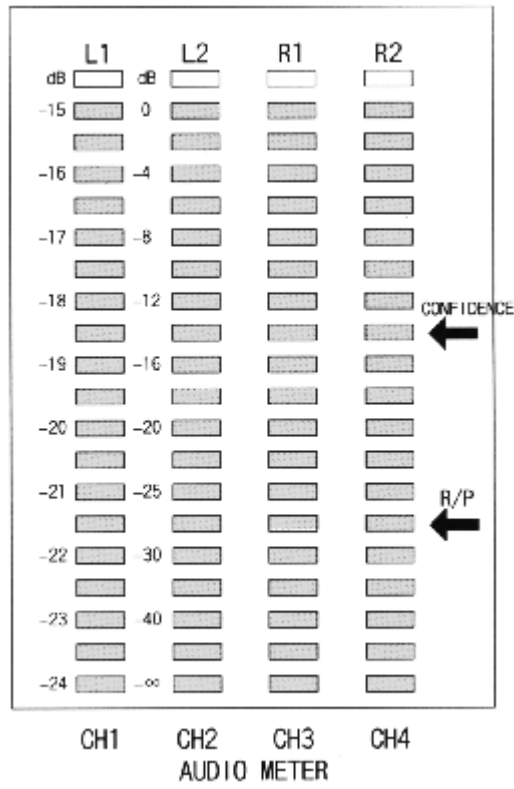
1. Place the unit in the REC mode.

2. Store the Confidence Playback spectrum in TRACE-B.
3. Playback a 25M Master Tape.
4. Store the Master Playback spectrum in TRACE-A.
5. Confirm the level at 2.5MHz is as follows.  
TRACE-A Level - TRACE-B Level =  $\pm 2.0$  dB

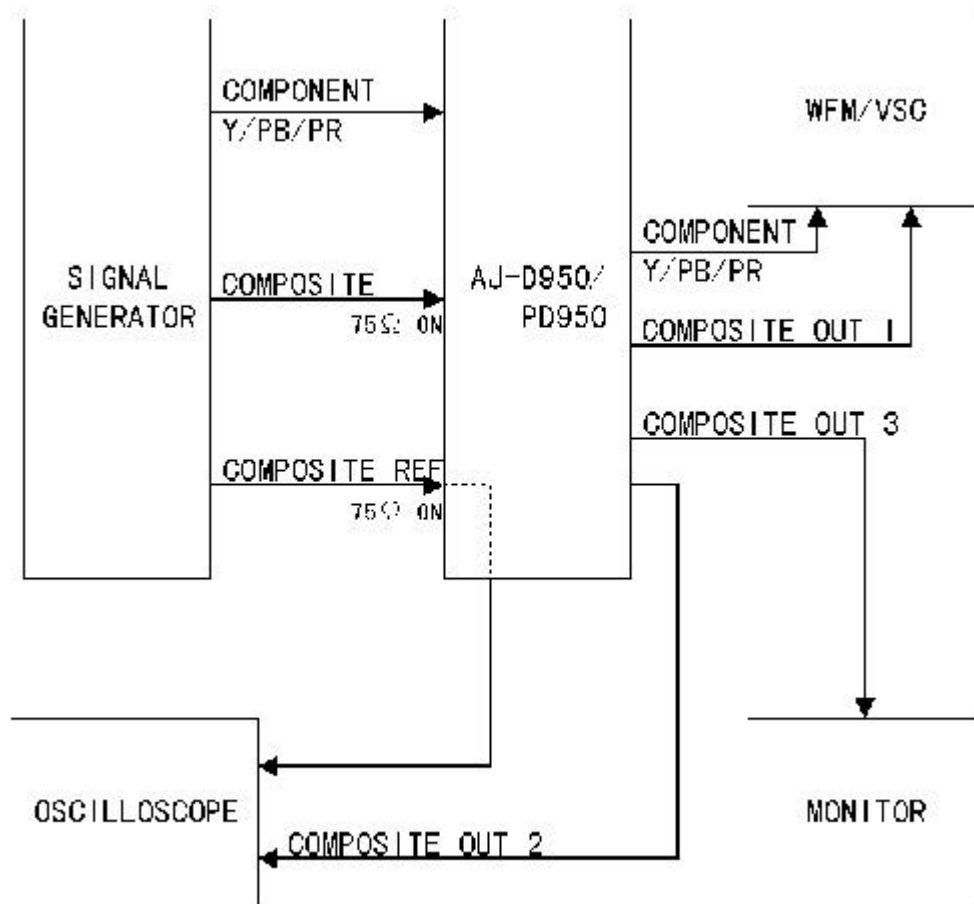
#### 6.6.40. Error Rate Confirmation (25M)

Board	RF EQ
Specification	
Test Point	
Adjustment Point	
Input Signal	
Mode	REC, PLAY
Tape	R/P Tape
M.EQ	

1. Place the unit in the REC mode.
2. Set the item as follows  
C33 ERROR MODE : SLOW
3. Measure each error rate about L1, L2, R1, R2. (VIDEO/AUDIO)
4. Confirm that the error rate is displayed less than 12 segments on the error meter.
5. Playback the just recorded portion.
6. Confirm that the error rate is displayed less than 6 segments on the error meter.



**6.7. F3 V IN <525>  
CONNECTION**



### 6.7.1. DIGITAL INPUT CONFIRMATION

BOARD	F3 V IN
SPEC	
TEST POINT	Component Out Y, PB, PR
ADJ.	
INPUT	Serial Digital Color Bar
MODE	ASSEMBLE
TAPE	
M.EQ	Monitor

### 1. MENU SETTING

<AJ-D950/AJ-PD950>				
005	METER SELECT	>	0001	VIDEO
012	SYS FORMAT	>	0000	422
106	EE MODE SEL	>	0001	THRU
304	SERVO REF	>	0000	AUTO
600	INT SG	>	0000	OFF
606	OUT C KILL	>	0001	COLOR
607	VOUT SETUP	>	0000	THRU
610	PB/PR IN LV	>	0000	MII
611	INPUT C KILL	>	0001	AUTO
613	VIN SETUP	>	0000	THRU
614	PB/PR OUT LV	>	0000	MII
700	INT SG	>	0000	OFF

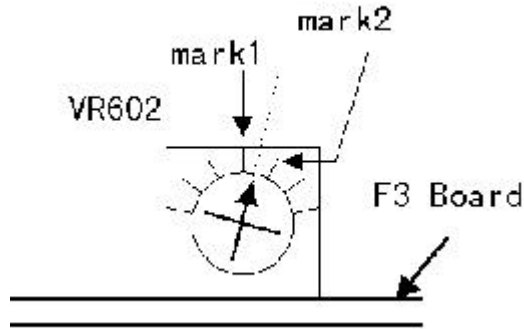
<AJ-PD950 ONLY>				
615	844/422 SEL	>	0000	422
616	OUT MATRIX	>	0000	YPBPR

2. Set the TV SYSTEM sw to 525
3. Confirm that the picture is normal on the monitor. / (Just pre confirmation)
4. Press the ASSEMBLE button.
5. Confirm that the picture is normal on the monitor. / (Just pre confirmation)

#### 6.7.2. COMPONENT 13.5M VCO ADJ.

BOARD	F3 V IN
SPEC.	TP601: 0V±0.1V <sub>DC</sub>
TEST POINT	TP601
ADJ.	VR602, VL601
INPUT	Component Color Bar
MODE	ASSEMBLE
TAPE	
M.EQ	Oscilloscope

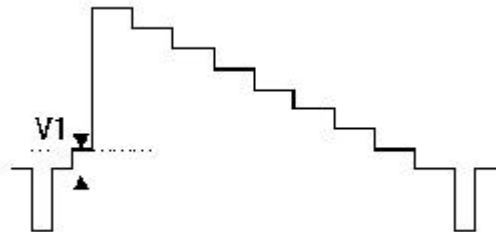
1. Set VR602 at the center of mark1 and mark2 as shown in figure.
2. Adjust VL601 so that the DC voltage is 0V±0.1V<sub>DC</sub> at TP601. / (At first, turn VL601 CCW. )



### 6.7.3. COMPONENT Y LEVEL ADJ.

BOARD	F3 V IN
SPEC.	V1 0V±7mV
TEST POINT	component Y out
ADJ.	VR702
INPUT	Component Color Bar (1000 700 700 setup 0%)
MODE	ASSEMBLE
TAPE	
M.EQ	WFM

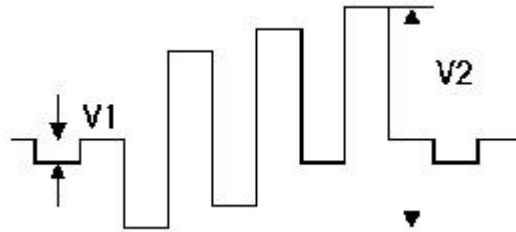
1. Adjust VR702 so that the V1 level is 0V±7mV.



### 6.7.4. COMPONENT PB LEVEL ADJ.

BOARD	F3 V IN
SPEC.	V1 0V±7mV V2 700mV±7mV
TEST POINT	Component PB out
ADJ.	VR752,VR753
INPUT	Component Color Bar (1000 700 700 setup 0%)
MODE	ASSEMBLE
TAPE	
M.EQ	WMF

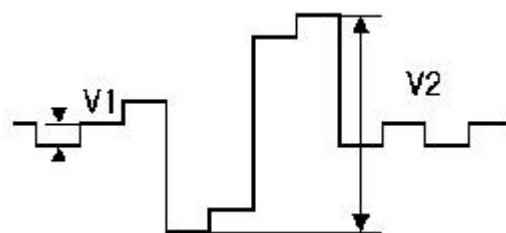
1. Adjust VR752 so that the V1 level is  $0V \pm 7mV$ .
2. Adjust VR753 so that the Pb level V2 is  $700mV \pm 7mV$ .



#### 6.7.5. COMPONENT PR LEVEL ADJ.

BOARD	F3 V IN
SPEC.	V1 $0V \pm 7mV$ V2 $700mV \pm 7mV$
TEST POINT	Component PRout
ADJ.	VR802,VR803
INPUT	Component Color Bar (1000 700 700 setup 0%)
MODE	ASSEMBLE
TAPE	
M.EQ	WFM

1. Adjust VR802 so that the V1 level is  $0V \pm 7mV$
2. Adjust VR803 so that the Pr level V2 is  $700mV \pm 7mV$ .



#### 6.7.6. COMPONENT Y/C TIMING ADJ.

BOARD	F3 V IN
SPEC.	0±10nsec
TEST POINT	Component Y,PB,PR out
ADJ.	VR751,VR801
INPUT	Component BOWTIE
MODE	ASSEMBLE
TAPE	
M.EQ	WFM

#### WFM INPUT CHANNEL

B1 CH : Y

B2 CH : Pb

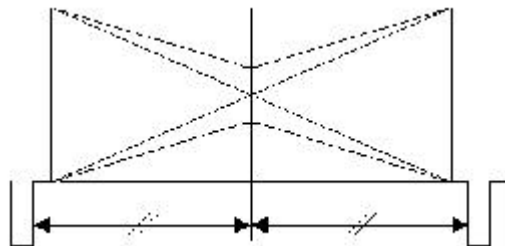
B3 CH : Pr

##### 6.7.6.1. <Y-Pb timing>

1. Set the WFM in the B1 - B2 mode.
2. Adjust VR751 so that the cross point of envelope is at center.

##### 6.7.6.2. <Y-Pr timing>

1. Set the WFM in the B1 - B3 mode.
2. Adjust VR801 so that the cross point of envelope is at center.

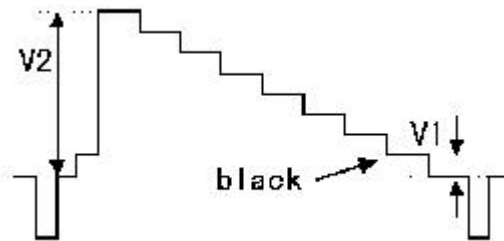


#### 6.7.7. SETUP CUT Y LEVEL ADJ.

BOARD	F3 V IN
SPEC.	V1 0V±3mV V2 700mV±3mV
TEST POINT	Component Y out
ADJ.	VR704,VR701
INPUT	Component Color Bar 100% Setup7.5% (1000 647 647) OR 75% Setup7.5% (1000 486 486)
MODE	ASSEMBLE
TAPE	
M.EQ	WFM



1. Open the service menu.
2. Select F00 VIDEO ADJUST menu and set the item F08 VIN SETUP to 0001 CUT.
3. Adjust VR704 so that the black level V1 is  $0V \pm 3mV$ .
4. Adjust VR701 so that the Y level V2 is  $700mV \pm 3mV$ .
5. Repeat item 3., 4. so that the V1 and V2 are within specification.



Keep this condition (while opening the service menu) and go to next item.

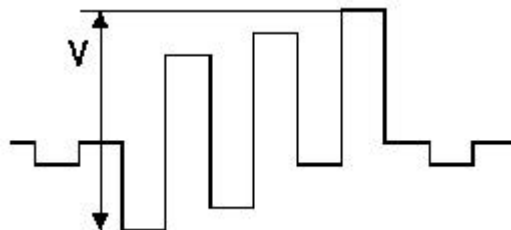
#### 6.7.8. SETUP CUT PB LEVEL ADJ.

BOARD	F3 V IN
SPEC.	100% 7.5%: $700mV \pm 7mV$ 75% 7.5%: $525mV \pm 5mV$
TEST POINT	Component PR out
ADJ.	VR754
INPUT	Component Color Bar 100% Setup 7.5% (1000 647 647) OR 75% Setup 7.5% (1000 486 486)
MODE	ASSEMBLE
TAPE	
M.EQ	WFM

1. Adjust VR754 so that the Pb level V is within specification.

100% 7.5%:  $700mV \pm 7mV$

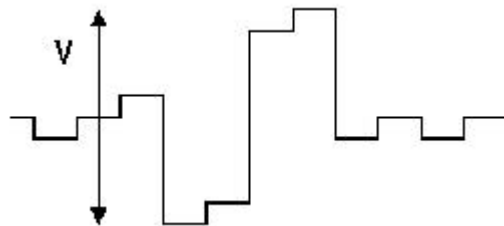
75% 7.5%:  $525mV \pm 5mV$



#### 6.7.9. SETUP CUT PR LEVEL ADJ.

BOARD	F3 V IN
SPEC.	100% 7.5% 75% 7.5% V 700mV±7mV 525mV± 5mV
TEST POINT	Component PR out
ADJ.	VR804
INPUT	Component Color Bar 100% Setup 7.5% (1000 647 647) OR 75% Setup 7.5% (1000 486 486)
MODE	ASSEMBLE
TAPE	
M.EQ	WFM

1. Adjust VR754 so that the Pb level V is within specification. / / 100% 7.5% : 700mV±7mV / 75% 7.5% : 525mV±5mV

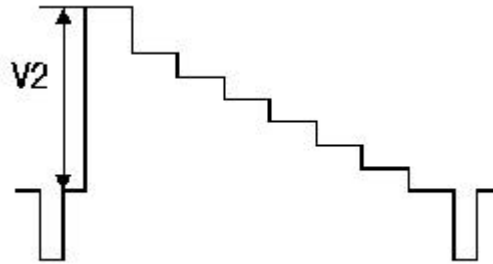


2. Press the MENU button. (service menu is exited.)
3. Place the unit in the user mode.

#### 6.7.10. COMPONENT Y LEVEL ADJ.

BOARD	F3 V IN
SPEC.	V2 700mV±7mV
TEST POINT	Component Y out
ADJ.	VR703
INPUT	Component Color Bar 100% Setup 0% (1000 700 700)
MODE	ASSEMBLE
TAPE	
M.EQ	WFM

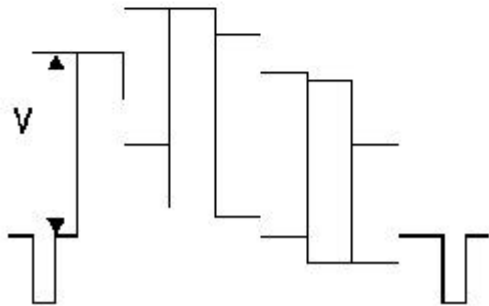
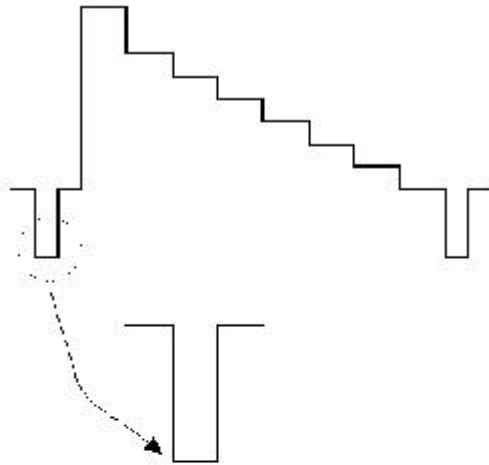
1. Adjust VR703 so that the Y level V2 is 700mV± 7mV.



### 6.7.11. COMPOSITE INPUT LEVEL ADJ.

BOARD	F3 V IN
SPEC.	V 1.6mV±0.02V
TEST POINT	TP701,TP351
ADJ.	VR351,VR301
INPUT	Composite Color Bar (7.5%, Setup 7.5%)
MODE	ASSEMBLE
TAPE	
M.EQ	Oscilloscope

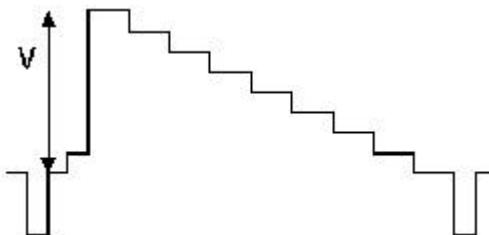
1. Observe TP701 and adjust VR351 at the point where the sync tip just begin to saturate.
2. Adjust VR301 so that the Voltage at TP351 is 1.6mV ±0.02V.



**6.7.12. COMPOSITE Y LEVEL ADJ.**

<b>BOARD</b>	<b>F3 V IN</b>
<b>SPEC.</b>	<b>V 700mV±7mV</b>
<b>TEST POINT</b>	<b>Component Y out</b>
<b>ADJ.</b>	<b>VR455</b>
<b>INPUT</b>	<b>Composite Color Bar (75%, Setup 7.5%)</b>
<b>MODE</b>	<b>ASSEMBLE</b>
<b>TAPE</b>	
<b>M.EQ</b>	<b>WFM</b>

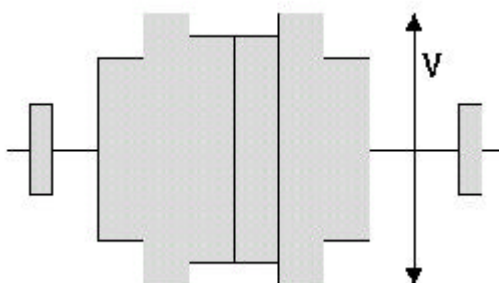
**1. Adjust VR455 so that the Y level is 700mV±7mV.**



### 6.7.13. COMPOSITE COLOR LEVEL ADJ.

BOARD	F3 V IN
SPEC.	V 400mV±20mV
TEST POINT	TP503
ADJ.	VR451
INPUT	compositeColor Bar (75%, Setup 7.5%)
MODE	ASSEMBLE
TAPE	
M.EQ	Oscilloscope

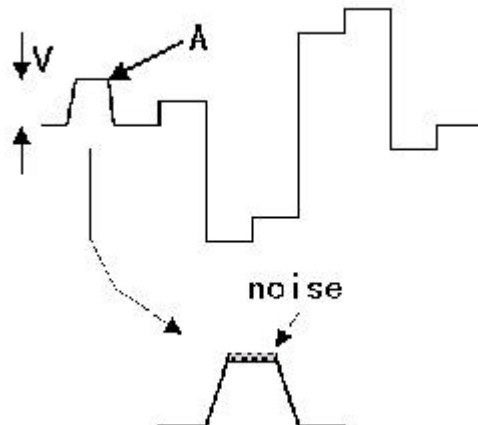
1. Adjust VR451 so that the C level is 400mV± 20mV.



### 6.7.14. COMPOSITE COLOR DEMODULATION TIMING ADJ.

BOARD	F3 V IN
SPEC.	
TEST POINT	TP501
ADJ.	VR501,VR512
INPUT	Composite Color Bar (75%, Setup 7.5%)
MODE	ASSEMBLE
TAPE	
M.EQ	Oscilloscope

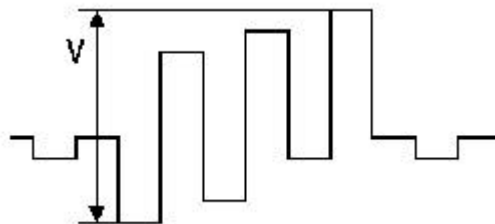
1. Turn VR512 fully CCW.
2. Adjust VR501 so that the noise portion is positioned on the top of A portion as shown in figure.
3. Adjust VR512 so that the V level at A portion is 0V.



### 6.7.15. COMPOSITE PB LEVEL ADJ.

BOARD	F3 V IN
SPEC.	V 486mV±7mV
TEST POINT	Component PB out
ADJ.	VR505
INPUT	Composite Color Bar (75%, Setup 7.5%)
MODE	ASSEMBLE
TAPE	
M.EQ	WFM

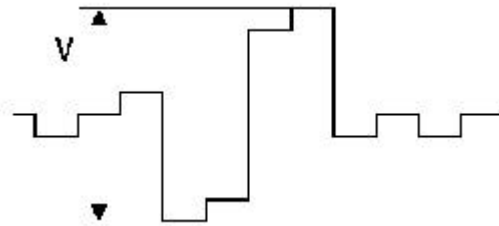
1. Adjust VR505 so that the Pb level is 486mV±7mV.



### 6.7.16. COMPOSITE PR LEVEL ADJ.

BOARD	F3 V IN
SPEC.	V 486mV±7mV
TEST POINT	Component PR out
ADJ.	VR511
INPUT	Composite Color Bar (75%, Setup 7.5%)
MODE	ASSEMBLE
TAPE	
M.EQ	WFM

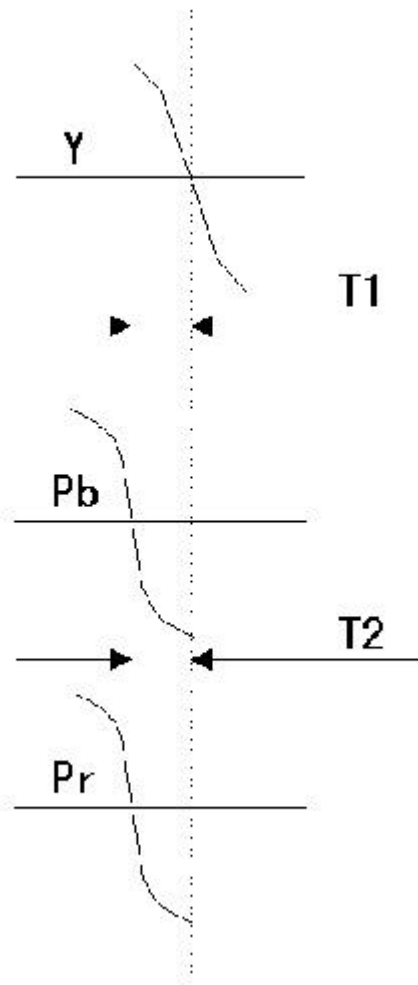
1. Adjust VR511 so that the Pr level is  $486\text{mV} \pm 7\text{mV}$ .



#### 6.7.17. COMPOSITE Y/C TIMING ADJ.

BOARD	F3 V IN
SPEC.	T1 $0 \pm 10\text{nsec}$ T2 $0 \pm 10\text{nsec}$
TEST POINT	Component Y,PB,PR out
ADJ.	VR510,VR507
INPUT	Composite Pulse & Bar
MODE	ASSEMBLE
TAPE	
M.EQ	WFM

1. Set the WFM in the DIFF MODE.
2. Adjust VR510 so that the T1 is  $0 \pm 10\text{nsec}$ .
3. Adjust VR507 so that the T2 is  $0 \pm 10\text{nsec}$ .

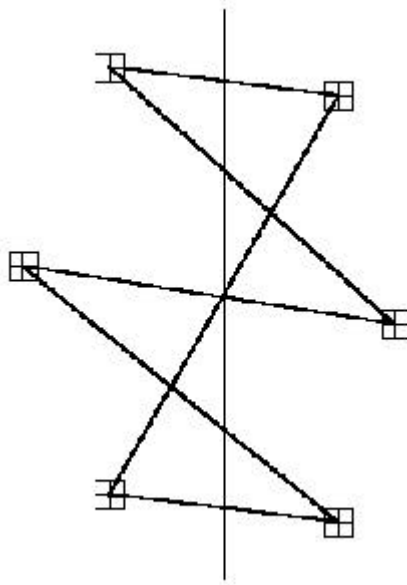


### 6.7.18. COMPOSITE VECTOR ADJ.

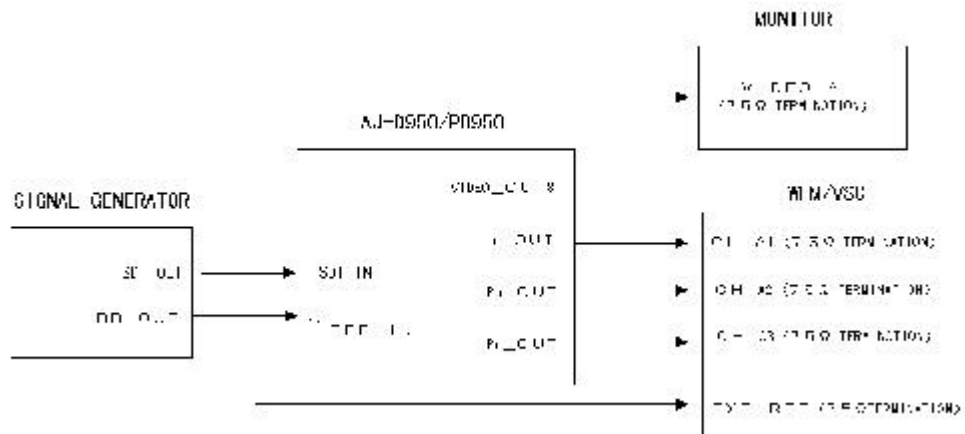
BOARD	F3 V IN
SPEC.	
TEST POINT	Composite out
ADJ.	VR512
INPUT	Composite Color Bar (75%, Setup 7.5%)
MODE	ASSEMBLE
TAPE	
M.EQ	Vector Scope

1. Adjust VR512 so that the each dot is in the mark.





**6.8. F6 SUB V OUT SUB <525>  
CONNECTION**

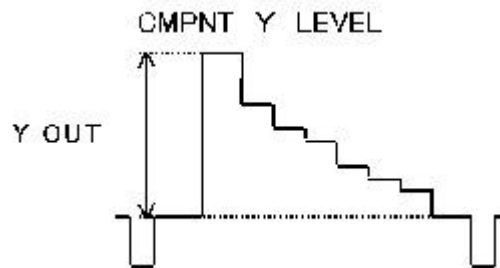


**SETTING:**  
**TV SYSTEM SW: 525**  
**MENU**  
**No. 614 Pb/Pr OUT LV: M2**

**6.8.1. COMPONENT Y LEVEL ADJ.**

BOARD	F6 SUB
SPEC.	700mV±7mV
TEST POINT	Y_OUT
ADJ.	VR3001
INPUT	SDI IN 100%CB 0%SETUP
MODE	EE
TAPE	
M.EQ	WFM

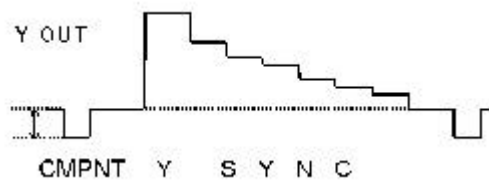
1. Adjust VR3001 so that the Y level is 700mV ±7mV.



### 6.8.2. COMPONENT Y SYNC LEVEL ADJ.

BOARD	F6 SUB
SPEC.	300mV±6mV
TEST POINT	Y_OUT
ADJ.	VR3013
INPUT	SDI IN 100%CB 0%SETUP
MODE	EE
TAPE	
M.EQ	WFM

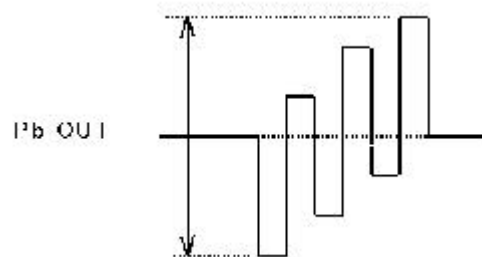
1. Adjust VR3013 so that the SYNC level is 300mV ±6mV.



### 6.8.3. COMPONENT Pb LEVEL ADJ.

BOARD	F6 SUB
SPEC.	700mV±7mV
TEST POINT	Pb_OUT
ADJ.	VR3006
INPUT	SDI IN 100% CB 0% SETUP
MODE	EE
TAPE	
M.EQ	WFM

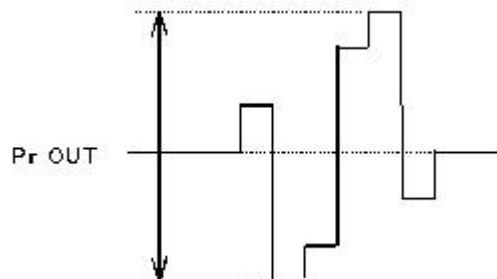
1. Adjust VR3006 so that the Pb level is 700mV±7 mV.



#### 6.8.4. COMPONENT Pr LEVEL ADJ.

BOARD	F6 SUB
SPEC.	700mV±7mV
TEST POINT	Pr_OUT
ADJ.	VR3004
INPUT	SDI IN 100% CB 0% SETUP
MODE	EE
TAPE	
M.EQ	WFM

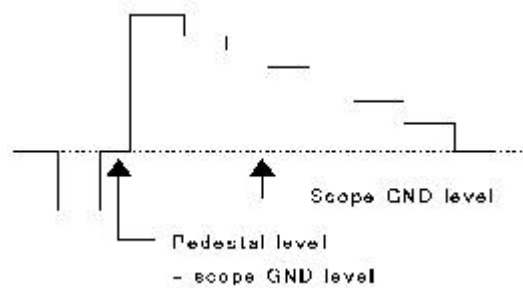
1. Adjust VR3004 so that the Pr level is 700mV ±7mV.



#### 6.8.5. COMPONENT Y CLAMP LEVEL ADJ.

BOARD	F6 SUB
SPEC.	0V±50mV
TEST POINT	Y-OUT
ADJ.	VR3007
INPUT	SDI IN 100% CB 0% SETUP
MODE	EE
TAPE	
M.EQ	OSCILLOSCOPE (DC mode)

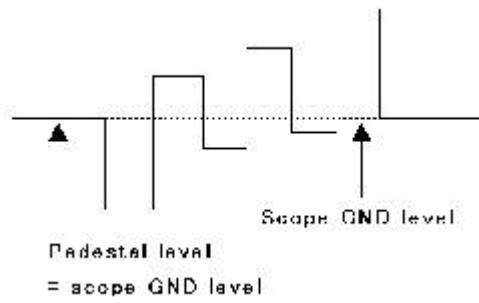
1. Adjust VR3007 so that the Y clamped pedestal level is at scope GND level.



#### 6.8.6. COMPONENT Pb CLAMP LEVEL ADJ.

BOARD	F6
SPEC.	0V±50mV
TEST POINT	Pb_OUT
ADJ.	VR3009
INPUT	SDI IN 100% CB 0% SETUP
MODE	EE
TAPE	
M.EQ	OSCILLOSCOPE (DC mode)

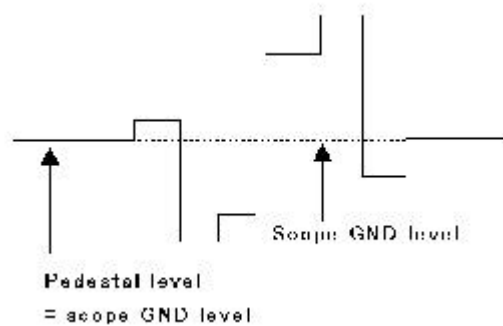
1. Adjust VR3009 so that the Pb clamped pedestal level is at scope GND level.



### 6.8.7. COMPONENT Pr CLAMP LEVEL ADJ.

BOARD	F6 SUB
SPEC.	0V±50mV
TEST POINT	Pr_OUT
ADJ.	VR3008
INPUT	SDI IN 100%CB 0%SETUP
MODE	EE
TAPE	
M.EQ	OSCILLOSCOPE

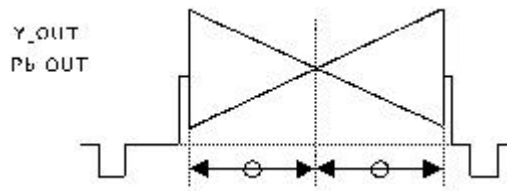
1. Adjust VR3008 so that the Pr clamped pedestal level is at scope GND level.



### 6.8.8. COMPONENT Y-Pb TIMING ADJ.

BOARD	F6 SUB
SPEC.	0 ±10ns
TEST POINT	Y_OUT, Pb_OUT
ADJ.	VR3005
INPUT	SDI IN BOWTIE
MODE	
TAPE	
M.EQ	WFM

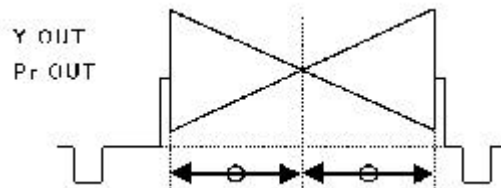
1. Adjust VR3005 so that the cross point of envelope is at center.



### 6.8.9. COMPONENT Y-Pr TIMING ADJ.

BOARD	F6 SUB
SPEC.	0 ±10ns
TEST POINT	Y_OUT, Pr_OUT
ADJ.	VR3003
INPUT	SDI IN BOWTIE
MODE	EE
TAPE	
M.EQ	WFM

1. Adjust VR3003 so that the cross point of envelope is at center.



### 6.8.10. COMPONENT 844 Y SYNC LEVEL ADJ. (AJ-PD950 ONLY)

BOARD	F6 SUB
SPEC.	300mV±6mV
TEST POINT	Y_OUT
ADJ.	VR3014
INPUT	INT SG CB
MODE	EE
TAPE	
M.EQ	OSCILLOSCOPE

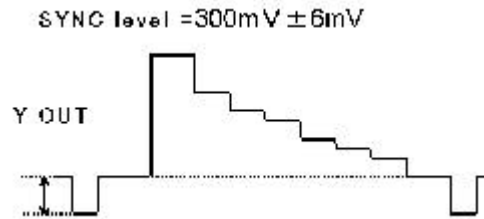
#### MENU SETTING

No.012 SYS FORMAT: 420p

No.615 844/422 SEL: 844

No.616 OUT MATRIX: RGB

1. Adjust VR3014 so that the SYNC level is 300 mV ± 6mV.



### 6.8.11. G LEVEL ADJ. (AJ-PD950 ONLY)

BOARD	F6 SUB
SPEC.	700mV±7mV
TEST POINT	Y_OUT
ADJ.	VR3010
INPUT	INT SG CB
MODE	EE
TAPE	
M.EQ	OSCILLOSCOPE

#### MENU SETTING

No.012 SYS FORMAT: 420p

No.615 844/422 SEL: 844

No.616 OUT MATRIX: RGB

1. Adjust VR3010 so that the G level is 700mV ±7mV.



### 6.8.12. B LEVEL ADJ. (AJ-PD950 ONLY)

BOARD	F6 SUB
SPEC.	700mV±7mV
TEST POINT	Pb_OUT
ADJ.	VR3011
INPUT	INT SG CB
MODE	EE
TAPE	
M.EQ	OSCILLOSCOPE

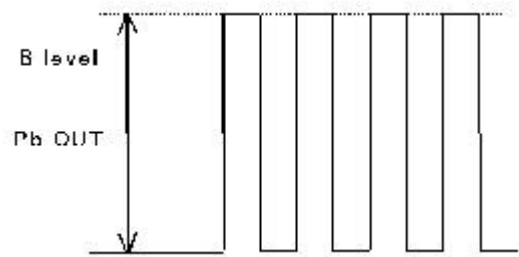
#### MENU SETTING

No.012 SYS FORMAT: 420p

No.615 844/422 SEL: 844

No.616 OUT MATRIX: RGB

1. Adjust VR3011 so that the B level is 700mV ±7mV.



### 6.8.13. R LEVEL ADJ. (AJ-PD950 ONLY)

BOARD	F6 SUB
SPEC.	700mV±7mV
TEST POINT	Pr_ OUT
ADJ.	VR3012
INPUT	INT SG CB
MODE	EE
TAPE	
M.EQ	OSCILLOSCOPE

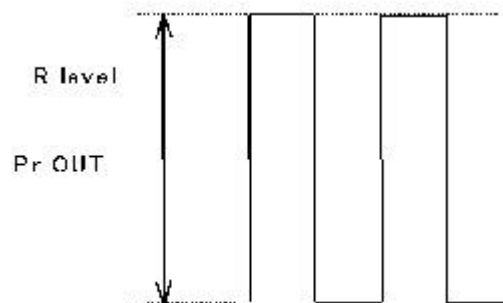
#### MENU SETTING

No.012 SYS FORMAT: 420p

No.615 844/422 SEL: 844

No.616 OUT MATRIX: RGB

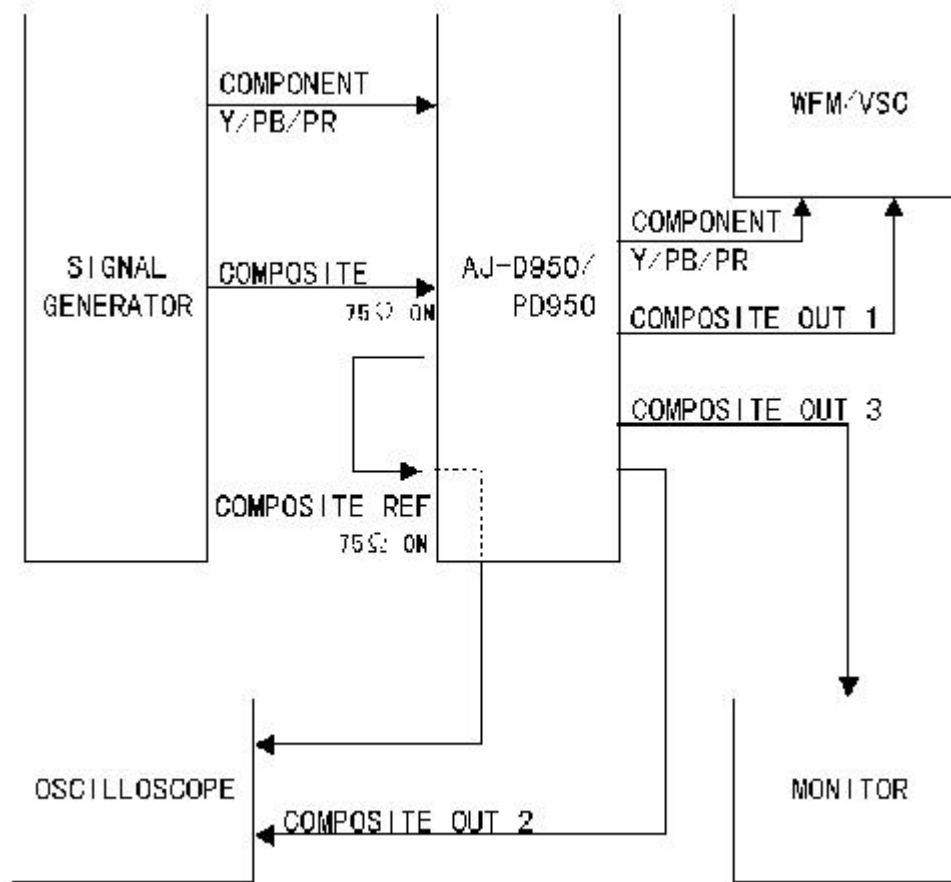
1. Adjust VR3012 so that the R level is 700mV±7mV.



### 6.9. F3 V IN (AJ-YA951E) <625>

#### CONNECTION





### 6.9.1. DIGITAL INPUT CONFIRMATION

BOARD	F3 V IN
SPEC.	
TEST POINT	Component Out Y, PB, PR
ADJ.	
INPUT	Serial Digital Color Bar
MODE	ASSEMBLE
TAPE	
M.EQ	Monitor

### 1. MENU SETTING

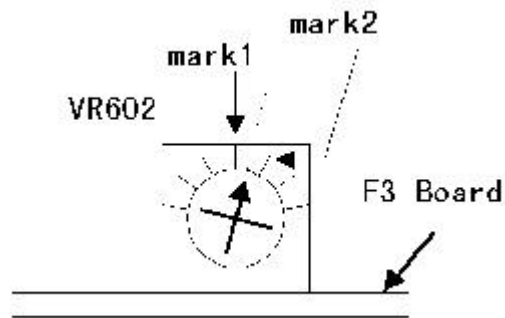
005	METER SELECT	>	0001	VIDEO
012	SYS FORMAT	>	0000	422
106	EE MODE SEL	>	0001	THRU
304	SERVO REF	>	0000	AUTO
600	INT SG	>	0000	OFF
606	OUT C KILL	>	0001	COLOR
607	VOUT SETUP	>	0000	THRU
610	PB/PR IN LV	>	0000	MII
611	INPUT C KILL	>	0001	AUTO
700	INT SG	>	0000	OFF

2. Set the TV SYSTEM sw to 625
3. Confirm that the picture is normal on the monitor. / (Just pre confirmation)
4. Press the ASSEMBLE button.
5. Confirm that the picture is normal on the monitor. / (Just pre confirmation)

#### 6.9.2. COMPONENT 13.5M VCO ADJ.

BOARD	F3 V IN
SPEC.	TP553: $0V \pm 0.1V_{DC}$
TEST POINT	TP553
ADJ.	VR552, VL551
INPUT	Component Color Bar
MODE	ASSEMBLE
TAPE	
M.EQ	Oscilloscope

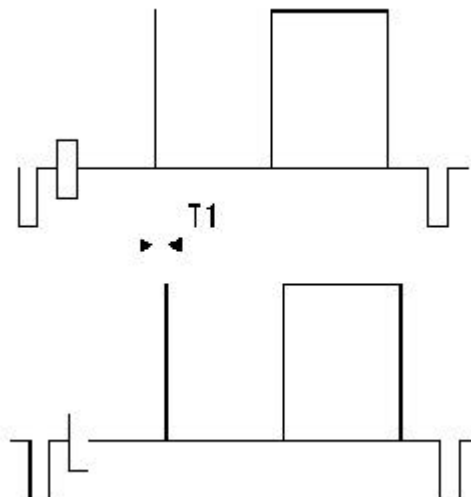
1. Set VR552 at the center of mark1 and mark2 as shown in figure.
2. Adjust VL551 so that the DC voltage is  $0V \pm 0.1V_{DC}$  at TP553. / (At first, turn VL551 CCW. )



### 6.9.3. COMPOSITE Y TIMING ADJ.

BOARD	F3 V IN
SPEC.	T1 0±5nsec
TEST POINT	Composite out REF through
ADJ.	VR601
INPUT	2T PULSE
MODE	ASSEMBLE
TAPE	
M.EQ	Oscilloscope

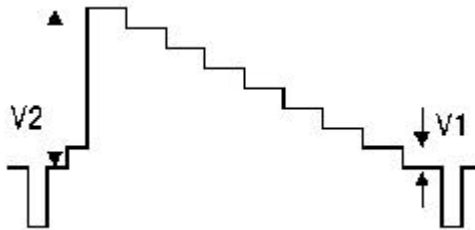
1. Turn VR601 fully CW.
2. Adjust VR601 so that the T1 is 0±5nsec.



### 6.9.4. COMPONENT Y LEVEL ADJ.

BOARD	F3 V IN
SPEC.	V1 $0V \pm 7mV$ V2 $700mV \pm 7mV$
TEST POINT	component Y out
ADJ.	VR652,VR651
INPUT	Component Color Bar
MODE	ASSEMBLE
TAPE	
M.EQ	WFM

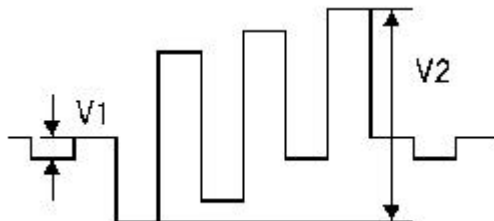
1. Adjust VR652 so that the V1 level is  $0V \pm 7mV$ .
2. Adjust VR651 so that the V2 level is  $700mV \pm 7mV$ .



#### 6.9.5. COMPONENT PB LEVEL ADJ.

BOARD	F3 V IN
SPEC.	V1 $0V \pm 7mV$ V2 $700mV \pm 7mV$
TEST POINT	Component PB out
ADJ.	VR703,VR702
INPUT	Component Color Bar
MODE	ASSEMBLE
TAPE	
M.EQ	WFM

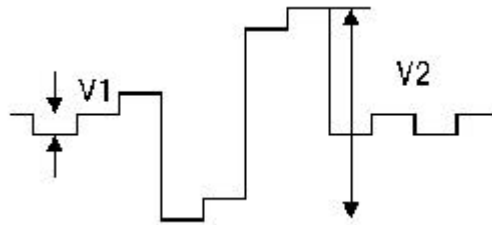
1. Adjust VR703 so that the V1 level is  $0V \pm 7mV$ .
2. Adjust VR702 so that the Pr level V2 is  $700mV \pm 7mV$ .



#### 6.9.6. COMPONENT PR LEVEL ADJ.

BOARD	F3 V IN
SPEC.	V1 $0V \pm 7mV$ V2 $700mV \pm 7mV$
TEST POINT	Component PRout
ADJ.	VR753,VR752
INPUT	Component Color Bar
MODE	ASSEMBLE
TAPE	
M.EQ	WFM

1. Adjust VR753 so that the V1 level is  $0V \pm 7mV$ .
2. Adjust VR752 so that the Pr level V2 is  $700mV \pm 7mV$ .



#### 6.9.7. COMPONENT Y/C TIMING ADJ.

BOARD	F3 V IN
SPEC.	$0 \pm 10nsec$
TEST POINT	Component Y,PB,PR out
ADJ.	VR701,VR751
INPUT	Component BOWTIE
MODE	ASSEMBLE
TAPE	
M.EQ	WFM

##### WFM INPUT CHANNEL

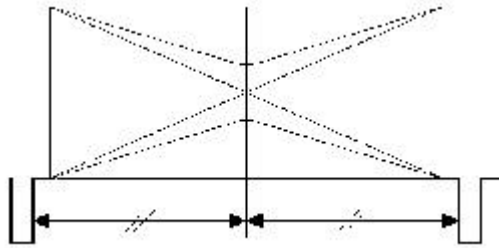
B1 CH : Y  
B2 CH : Pb  
B3 CH : Pr

##### 6.9.7.1. <Y-Pb timing>

1. Set the WFM in the B1 - B2 mode.
2. Adjust VR701 so that the cross point of envelope is at center.

##### 6.9.7.2. <Y-Pr timing>

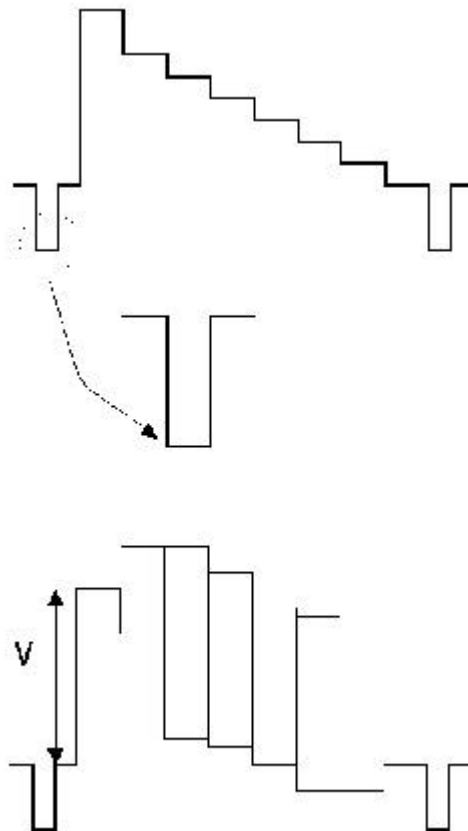
1. Set the WFM in the B1 - B3 mode.
2. Adjust VR751 so that the cross point of envelope is at center.



### 6.9.8. COMPOSITE INPUT LEVEL ADJ.

BOARD	F3 V IN
SPEC.	V 1.6V±0.02V
TEST POINT	TP651,TP301
ADJ.	V301,VR251
INPUT	Composite Color Bar
MODE	ASSEMBLE
TAPE	
M.EQ	Oscilloscope

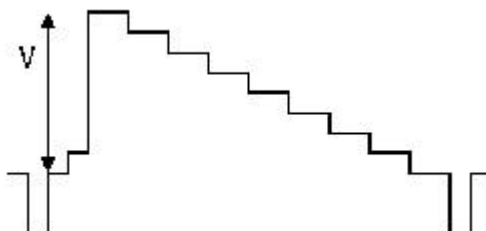
1. Observe TP651 and adjust VR301 at the point where the sync tip just begin to saturate.
2. Adjust VR251 so that the Voltage at TP301 is 1.6V ±0.02V.



### 6.9.9. COMPOSITE Y LEVEL ADJ.

BOARD	F3 V IN
SPEC.	V 700mV $\pm$ 7mV
TEST POINT	Component Y out
ADJ.	VR352
INPUT	Composite Color Bar
MODE	ASSEMBLE
TAPE	
M.EQ	WFM

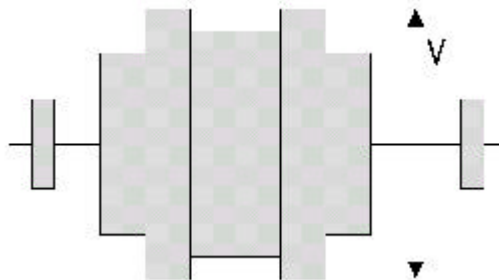
1. Adjust VR352 so that the Y level is 700mV $\pm$ 7mV.



### 6.9.10. COMPOSITE COLOR LEVEL ADJ.

BOARD	F3 V IN
SPEC.	V 500mV±20mV
TEST POINT	TP451
ADJ.	VR351
INPUT	Composite Color Bar
MODE	ASSEMBLE
TAPE	
M.EQ	Oscilloscope

1. Adjust VR351 so that the C level is 500mV±20mV.

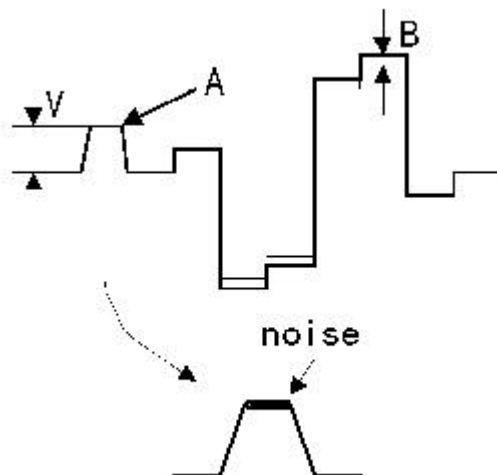


#### 6.9.11. COMPOSITE COLOR DEMODULATION TIMING ADJ.

BOARD	F3 V IN
SPEC.	
TEST POINT	TP401
ADJ.	VR408,VR409
INPUT	Composite Color Bar
MODE	ASSEMBLE
TAPE	
M.EQ	Oscilloscope

1. Adjust VR409 so that the B level is minimum.
2. Adjust VR408 so that the noise portion is positioned on the top of A portion as shown in figure.

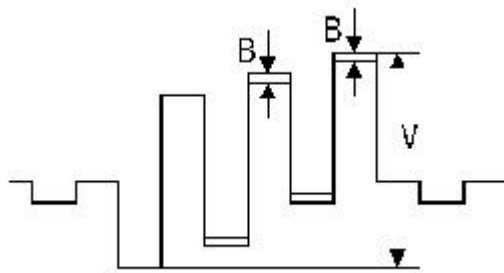




### 6.9.12. COMPOSITE PB LEVEL ADJ.

BOARD	F3 V IN
SPEC.	V 700mV±7mV
TEST POINT	Component PB out
ADJ.	VR409, VR460
INPUT	Composite Color Bar
MODE	ASSEMBLE
TAPE	
M.EQ	WFM

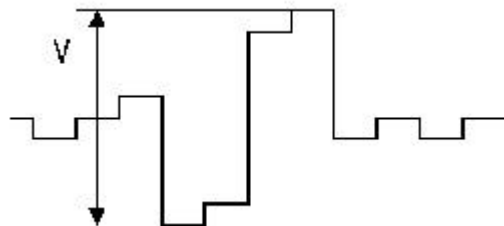
1. Adjust VR409 so that the B level is minimum.
2. Adjust VR460 so that the Pb level is 700mV±7mV.



### 6.9.13. COMPOSITE PR LEVEL ADJ.

BOARD	F3 V IN
SPEC.	V 700mV±7mV
TEST POINT	Component PR out
ADJ.	VR464
INPUT	Composite Color Bar
MODE	ASSEMBLE
TAPE	
M.EQ	WFM

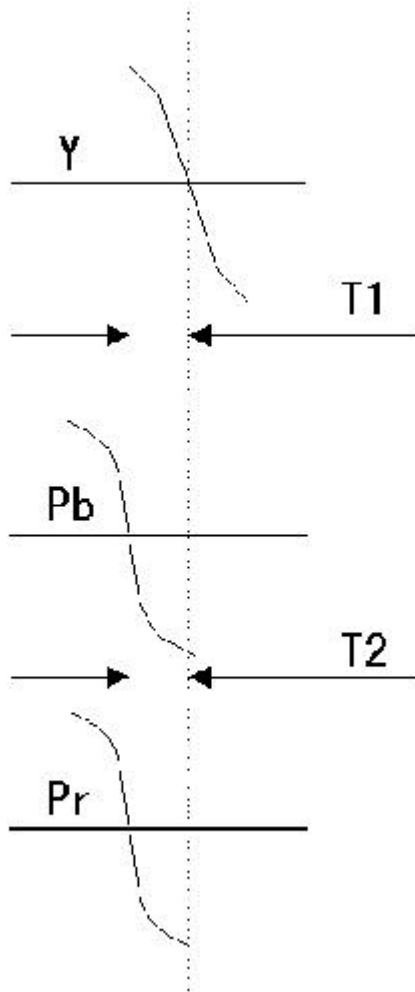
1. Adjust VR464 so that the Pr level is 700mV±7mV.



#### 6.9.14. COMPOSITE Y/C TIMING ADJ.

BOARD	F3 V IN
SPEC.	T1 0±10nsec T2 0±10nsec
TEST POINT	Component Y,PB,PR out
ADJ.	VR459,VR463
INPUT	Composite Pulse & Bar
MODE	ASSEMBLE
TAPE	
M.EQ	WFM

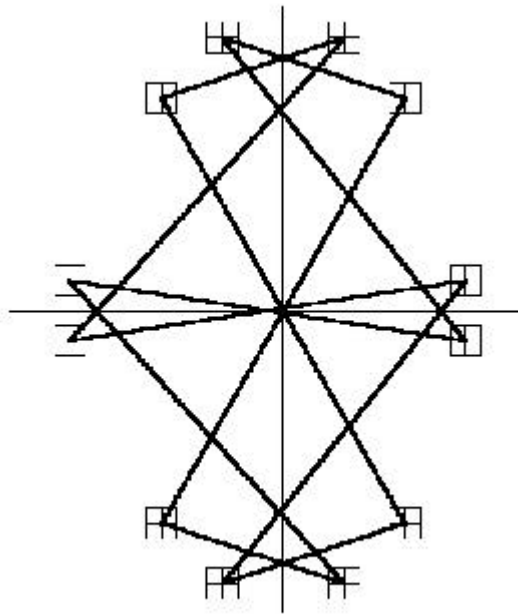
1. Set the WFM in the DIFF MODE.
2. Adjust VR459 so that the T1 is 0±10nsec.
3. Adjust VR463 so that the T2 is 0±10nsec.



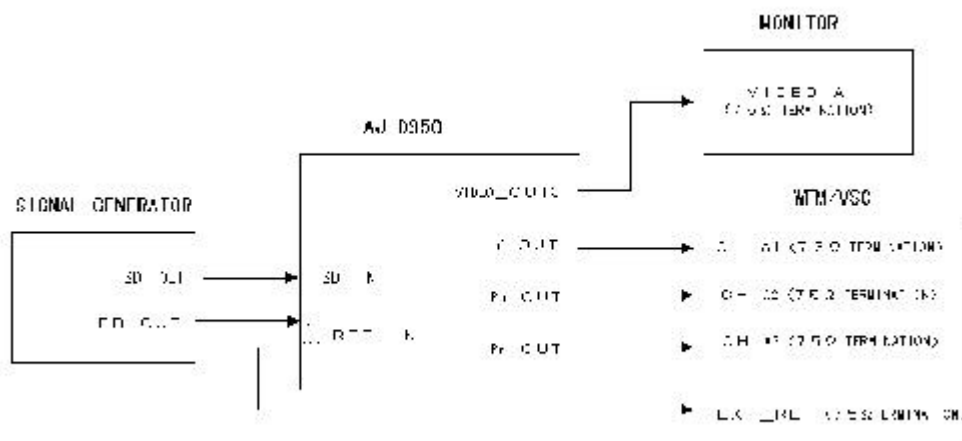
### 6.9.15. COMPOSITE VECTOR ADJ.

BOARD	F3 V IN
SPEC.	
TEST POINT	Composite out
ADJ.	VR409
INPUT	Composite Color Bar
MODE	ASSEMBLE
TAPE	
M.EQ	Vector Scope

1. Adjust VR409 so that the each dot is in the mark.



## 6.10. F6 SUB V OUT SUB (AJ-YA951E) <625> CONNECTION

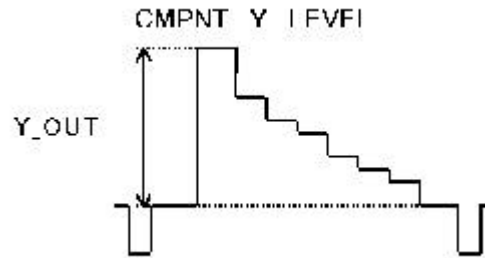


**SETTING:**  
TV SYSTEM SW: 625

### 6.10.1. COMPONENT Y LEVEL ADJ.

BOARD	F6 SUB
SPEC.	700mV±mV
TEST POINT	Y_OUT
ADJ.	VR3001
INPUT	SDI IN 100%CB 0%SETUP
MODE	EE
TAPE	
M.EQ	WFM

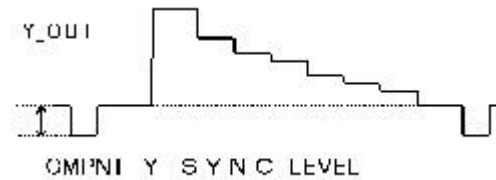
1. Adjust VR3001 so that the Y level is  $700\text{mV} \pm 7\text{mV}$ .



### 6.10.2. COMPONENT Y SYNC LEVEL ADJ.

BOARD	F6 SUB
SPEC.	$300\text{mV} \pm 6\text{mV}$
TEST POINT	Y_OUT
ADJ.	VR3013
INPUT	SDI IN 100% CB 0% SETUP
MODE	EE
TAPE	
M.EQ	WFM

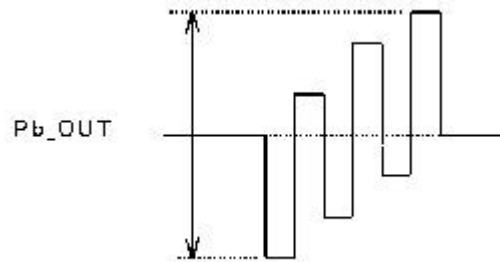
1. Adjust VR3013 so that the SYNC level is  $300\text{mV} \pm 6\text{mV}$



### 6.10.3. COMPONENT Pb LEVEL ADJ.

BOARD	F6 SUB
SPEC.	$700\text{mV} \pm 7\text{mV}$
TEST POINT	Pb_OUT
ADJ.	VR3006
INPUT	SDI IN 100% CB 0% SETUP
MODE	EE
TAPE	
M.EQ	WFM

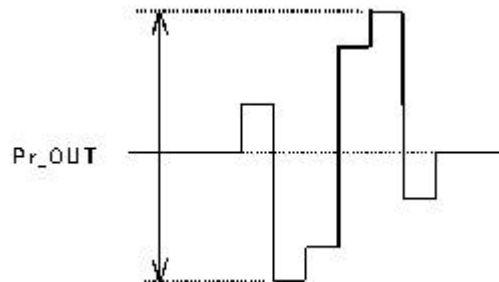
1. Adjust VR3006 so that the Pb level is  $700\text{mV} \pm 7\text{mV}$ .



#### 6.10.4. COMPONENT Pr LEVEL ADJ.

BOARD	F6 SUB
SPEC.	700mV±7mV
TEST POINT	Pr_OUT
ADJ.	VR3004
INPUT	SDI IN 100% CB 0% SETUP
MODE	EE
TAPE	
M.EQ	WFM

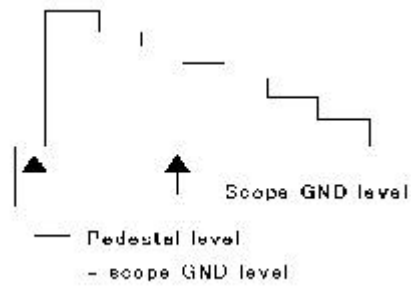
1. Adjust VR3004 so that the Pr level is 700mV±7mV.



#### 6.10.5. COMPONENT Y CLAMP LEVEL ADJ.

BOARD	F6 SUB
SPEC.	0V±50mV
TEST POINT	Y-OUT
ADJ.	VR3007
INPUT	SDI IN 100% CB 0% SETUP
MODE	EE
TAPE	
M.EQ	OSCILLOSCOPE

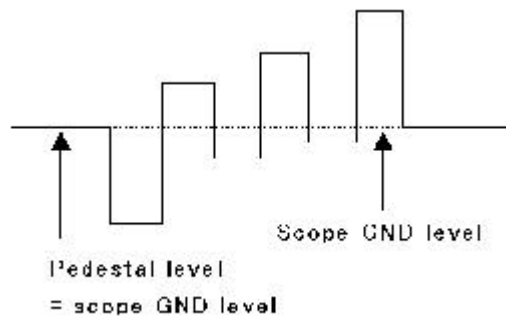
1. Adjust VR3007 so that the Y clamped pedestal level is at scope GND level.



### 6.10.6. COMPONENT Pb CLAMP LEVEL ADJ.

BOARD	F6
SPEC.	0V±50mV
TEST POINT	Pb_OUT
ADJ.	VR3009
INPUT	SDI IN 100%CB 0%SETUP
MODE	EE
TAPE	
M.EQ	OSCILLOSCOPE

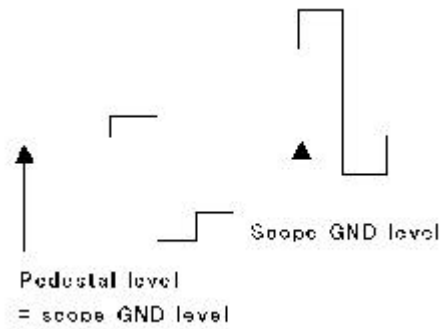
1. Adjust VR3009 so that the Pb clamped pedestal level is at scope GND level.



### 6.10.7. COMPONENT Pr CLAMP LEVEL ADJ.

BOARD	F6 SUB
SPEC.	0V±50mV
TEST POINT	Pr_OUT
ADJ.	VR3008
INPUT	SDI IN 100%CB 0%SETUP
MODE	EE
TAPE	
M.EQ	OSCILLOSCOPE

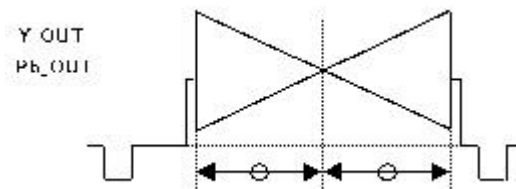
1. Adjust VR3008 so that the Pr clamped pedestal level is at scope GND level.



### 6.10.8. COMPONENT Y-Pb TIMING ADJ.

BOARD	F6 SUB
SPEC.	$0 \pm 10\text{ns}$
TEST POINT	Y_OUT, Pb_OUT
ADJ.	VR3005
INPUT	SDI IN BOWTIE
MODE	
TAPE	
M.EQ	WFM

1. Adjust VR3005 so that the cross point of envelope is at center.

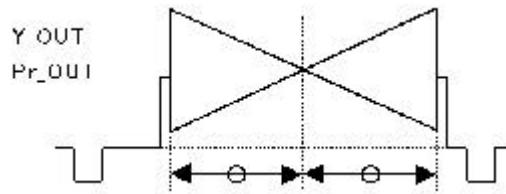


### 6.10.9. COMPONENT Y-Pr TIMING ADJ.

BOARD	F6 SUB
SPEC.	$0 \pm 10\text{ns}$
TEST POINT	Y_OUT, Pr_OUT
ADJ.	VR3003
INPUT	SDI IN BOWTIE
MODE	EE
TAPE	
M.EQ	WFM

1. Adjust VR3003 so that the cross point of envelope is at center.





## 7. BLOCK DIAGRAMS

### 7.1. AV OVERALL BLOCK DIAGRAM

### 7.2. F1 SERVO BLOCK DIAGRAM

### 7.3. F2 SYSCON BLOCK DIAGRAM

### 7.4. F3 VIDEO IN (NTSC) BLOCK DIAGRAM

### 7.5. F3 VIDEO IN (PAL) BLOCK DIAGRAM

### 7.6. F4 SDI BLOCK DIAGRAM

### 7.7. F5 REC PB BLOCK DIAGRAM

### 7.8. F6 V OUT (1/2) BLOCK DIAGRAM

### 7.9. F6 V OUT (2/2) BLOCK DIAGRAM

### 7.10. F6 SUB V OUT SUB BLOCK DIAGRAM

### 7.11. F7 A PROC (1/2) BLOCK DIAGRAM

### 7.12. F7 A PROC (2/2) BLOCK DIAGRAM

### 7.13. F8 AUDIO AD/DA BLOCK DIAGRAM

### 7.14. H1 CUE BLOCK DIAGRAM

### 7.15. H2 X CAN BLOCK DIAGRAM

### 7.16. H3/H4 RF EQ L/R BLOCK DIAGRAM

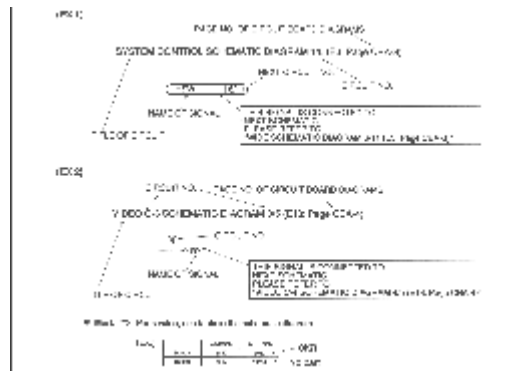
### 7.17. HEAD BUFFER BLOCK DIAGRAM

## 8. SCHEMATIC DIAGRAMS

### Note:

1. Do not use the part number shown on the schematic diagram or P.C. Board layout for ordering. The correct part number for ordering is shown in the Exploded Views/Parts List section.
2. Unless otherwise specified, all resistors are in OHMS,K=1,000

OHMS,all capacitors are in MICROFARADS(  $\mu$  F),P=  $\mu$   $\mu$  F.



NOTE

### 8.1. P MOTHER SCHEMATIC DIAGRAM

VEP89129A

### 8.2. F1 SERVO SCHEMATIC DIAGRAM

VEP82213B

### 8.3. F2 SYSCON SCHEMATIC DIAGRAM

VEP86265A

### 8.4. SYSCON SUB SCHEMATIC DIAGRAM

VEP86277A

### 8.5. F3 V\_IN(NTSC)SCHEMATIC DIAGRAM

VEP83409C

### 8.6. F3 V\_IN(PAL:AJ-YA951E) SCHEMATIC DIAGRAM

VEP83408B

### 8.7. F4 P SDI SCHEMATIC DIAGRAM

VEP83376A

### 8.8. F5 P REC PB SCHEMATIC DIAGRAM

VEP83374A

### 8.9. EDA\_CSP SUB SCHEMATIC DIAGRAM

VEP83411A

### 8.10. BLK SUB SCHEMATIC DIAGRAM

VEP83431A

### 8.11. DV UCOMx2 SCHEMATIC DIAGRAM

VEP88234A

### 8.12. F6 V OUT SCHEMATIC DIAGRAM

VEP83375B

### 8.13. 422(AJ-D950P,PD950,YA950,YA951E)/844(AJ-YA952)DA SUB

## **SCHEMATIC DIAGRAM**

VEP83385A,B

### **8.14. F7 A PROC SCHEMATIC DIAGRAM**

VEP84300A

### **8.15. A JOG SUB SCHEMATIC DIAGRAM**

VEP84313A

### **8.16. AMEN SUB SCHEMATIC DIAGRAM**

VEP84314A

### **8.17. F8 ADDA SCHEMATIC DIAGRAM**

VEP84301A

### **8.18. H1 CUE SCHEMATIC DIAGRAM**

VEP84302

### **8.19. H2 X CAN SCHEMATIC DIAGRAM**

VEP85164A

### **8.20. H3,4 RF EQ L,R SCHEMATIC DIAGRAM**

VEP85163A

### **8.21. RF EQ SUB SCHEMATIC DIAGRAM**

VEP85163A

### **8.22. HEAD BUFFER SCHEMATIC DIAGRAM**

VEP85165A

### **8.23. V/S JACK SCHEMATIC DIAGRAM**

VEP83224A

### **8.24. POWER 1 SCHEMATIC DIAGRAM**

VEP81183A

### **8.25. 1.24. POWER 2 SCHEMATIC DIAGRAM**

VEP81184A

### **8.26. POWER CONNECTION SCHEMATIC DIAGRAM**

VEP80A58A

### **8.27. MECHA I/F SCHEMATIC DIAGRAM**

VEP82216A

### **8.28. CARRIGE SCHEMATIC DIAGRAM**

VEP80856A

### **8.29. AUDIO JACK(OVER SEA) SCHEMATIC DIAGRAM**

VEP84303B

## **8.30. 1.29. AUDIO JACK(JAPAN ONLY) SCHEMATIC DIAGRAM**

VEP83403A

## **8.31. AES/EBU SCHEMATIC DIAGRAM**

VEP84304A

## **8.32. UP FRONT 1 SCHEMATIC DIAGRAM**

VEP80A52A

## **8.33. 1.32. UP FRONT 2 SCHEMATIC DIAGRAM**

VEP80852A

## **8.34. FRONT CPU SCHEMATIC DIAGRAM**

VEP86263A

## **8.35. 1.34. FRONT CPU SUB SCHEMATIC DIAGRAM**

VEP86148C

## **8.36. FRONT SW SCHEMATIC DIAGRAM**

VEP80A49

## **8.37. FRONT VR 1 SCHEMATIC DIAGRAM**

VEP80963D

## **8.38. 1.37. FRONT VR 2 SCHEMATIC DIAGRAM**

VEP80964D

# **9. CIRCUIT BOARD DIAGRAMS**

## **9.1. H1 CUE P.C.BOARD**

VEP84302A

## **9.2. F1 SERVO P.C.BOARD**

VEP82213B

## **9.3. F2 SYSCON P.C.BOARD**

VEP86265A

## **9.4. F3 V IN P.C.BOARD**

(AJ-D950P, PD950P, YA950, YA952 ONLY)

(with pattern)

VEP83409C

## **9.5. F4 SDI P.C.BOARD**

(with pattern)

VEP83376A

## **9.6. F5 P REC / PB P.C.BOARD**

(with pattern)

VEP83374A

### **9.7. DA SUB P.C.BOARD**

4:2:2 DA SUB P.C.BOARD (AJ-D950P, PD950P, YA950, YA951E ONLY)

8:4:4 DA SUB P.C.BOARD (AJ-YA952 ONLY)

(with pattern)

VEP83385B,A

### **9.8. EDA CSP AUB P.C.BOARD**

VEP83411A

### **9.9. BLK SUB P.C.BOARD**

(with pattern)

VEP83431A

### **9.10. DV UCOM P.C.BOARD**

VEP88234A

### **9.11. F6 P V OUT P.C.BOARD**

(with pattern)

VEP83375B

### **9.12. F7 A PROC P.C.BOARD**

VEP84300A

### **9.13. AJOG SUB P.C.BOARD**

(with pattern)

VEP84313A

### **9.14. AMEM SUB P.C.BOARD**

(with pattern)

VEP84314A

### **9.15. H2 X CAN P.C.BOARD**

VEP85164A

### **9.16. F8 A ADDA P.C.BOARD**

VEP84301A

### **9.17. H3, 4 RF EQ L, R BOARD**

VEP85163A

### **9.18. HEAD BUFFER P.C.BOARD**

VEP85165A

### **9.19. FRONT CPU SUB P.C.BOARD**

(with pattern)

VEP86148A

### **9.20. V/S JACK P.C.BOARD**

(with pattern)

VEP83224A

### **9.21. AUDIO JACK P.C.BOARD**

VEP84303B

### **9.22. FRONT SW P.C.BOARD**

(with pattern)

VEP80A49A

### **9.23. FRONT CPU P.C.BOARD**

VEP86263A

### **9.24. UP FRONT1 P.C.BOARD**

VEP80A52A

### **9.25. AES EBU P.C.BOARD**

VEP84304A

### **9.26. MECHANISM I/F P.C.BOARD**

VEP82216A

### **9.27. P MOTHER P.C.BOARD**

(with pattern)

VEP89129A

### **9.28. POWER CONNECTION P.C.BOARD**

VEP80A58A

### **9.29. POWER 1 P.C.BOARD**

(with pattern)

VEP81183A

### **9.30. POWER 2 P.C.BOARD**


(with pattern)

VEP81184A

## **10. EXPLODED VIEWS & PARTS LIST**

### **Note:**

- 1. \*Be sure to make your orders of replacement parts according to this list.**
- 2. Unless otherwise specified, all resistors are in OHMS, K=1,000 OHMS, all capacitors are in MICROFARADS(  $\mu$  F), P=  $\mu$   $\mu$  F.**
- 3. The P.C.Board units marked with "\*"shown below the main assembled parts.**
- 4. The parts marked with "E" on the exploded view show the electric parts.**
- 5. IMPORTANT SAFETY NOTICE**

Components identified with the mark  have the special characteristics for safety. When replacing any of these components, use only the same type.

6. The marking (RTL) indicates the retention time is limited for this item. After the discontinuation of this assembly in production, it will no longer be available.


Abbreviations for part

NAME	DESCRIPTIONS
C.CAPACITOR	CERAMIC CAPACITOR
C.CAPACITOR CH	CERAMIC CHIP CAPACITOR
E.CAPACITOR	ELECTRIC CAPACITOR
G.CAPACITOR	GLASS CAPACITOR
M.CAPACITOR	MICA CAPACITOR
P.CAPACITOR	PLASTIC FILM CAPACITOR
S.CAPACITOR	SEMI-CONDUCTOR CAPACITOR
T.CAPACITOR	TANTALUM CAPACITOR
TRIMMER	TRIMMER
C.RESISTOR	CARBON RESISTOR
F.RESISTOR	FUSE RESISTOR
M.RESISTOR	METAL OXIDE RESISTOR
M.RESISTOR CH	METAL OXIDE CHIP RESISTOR
S.RESISTOR	SOLID RESISTOR
V.RESISTOR	VARIABLE RESISTOR
W.RESISTOR	WIRE WOUND RESISTOR
COMBI.TR-R	TRANSISTOR-RESISTOR COMBINATION PARTS
COMBI.R-R	RESISTOR-RESISTOR COMBINATION PARTS
COMBI.C-R	CAPACITOR-RESISTOR COMBINATION PARTS
COMBI.C-R-R	CAPASITOR-RESISTOR-COIL COMBINATION PARTS
P.C.BOARD	PRINTED CIRCUIT BOARD
W/COMPONENT	WITH COMPONENT

## 10.1. Servicing Fixtures & Tools

Ref. No.	Part No.	Part Name & Description	Pcs	Remark
	VFK1145	BACK TENSION METER (T2-M30-P)	1	
	VFK1149	POST DRIVER	1	
	VFK71	DIAL TORQUE GAUGE (150g)	1	
	VFK1191	DIAL TORQUE GAUGE (45g)	1	
	VFK1152	DIAL TORQUE GAUGE ADAPTOR	1	
	VFK0357	ECCENTRIC SCREWDRIVER (1.5)	1	
	VFK1154	POST HEIGHT FIXTURE	1	
	VFK1153	MECH. NEUTRAL PLATE (POST)	1	
	VFK1157	MECH. NEUTRAL PLATE (CASSETTE)	1	
	VFK1155	NEUTRAL POSITION TOOL (GOLD)	1	
	VFK1156	NEUTRAL POSITION TOOL (BLACK)	1	
	VFK1208	NEUTRAL POSITION TOOL	1	
	VFK1150	NUT DRIVER (5.5mm)	1	
	VFK1151	NUT DRIVER (2.5mm)	1	
	VFK1188	DIAL TENSION GAUGE (30g)	1	
	VFK0948	CHECK LIGHT	1	
	VFK0749	FROIRAL GREASE (FOR PLASTIC)	1	
	MOR265	MORLYTONE GREASE (FOR METAL)	1	
	VFK1146	PHILIPS DRIVER (FINE) (00-75)	1	
	VFK1147	PHILIPS DRIVER (FKNE) (0-100)	1	
	VFK1148	HEX. DRIVER (1.5)	1	
	VFK1178	HEX. DRIVER (0.89)	1	
	VFK1179	HEX. DRIVER (0.71)	1	
	VFK1190	HEX. WRENCH	1	
			1	
	VFK1290	TORQUE DRIVER (0.4-3Kg)	1	
	VFK0912	POST AXIS DRIVER (1.5mm)	1	
	VFK1300	A/D BOARD (DAQ-12 QUATECH)	1	
	VFK1186	LISTACABLE	1	
	VFK1192	F EXTENSION BOARD	1	
	VFK1193	H EXTENSION BOARD	1	
	VFK0369	TWEEZERS	1	
	VFK0371	RADIO PRIER	1	
	VFK0372	CUTTER PRIER	1	
	VFK0338	TRIMMER ADJUSTMENT DRIVER	1	
	VFK0337	PHILIPS DRIVER	1	
	VFK1369	TAPE SENSOR CASSETTE	1	
	VFK0908	HYDRAULIC FLUID	1	
	VFM3000EDS	ALIGNMENT TAPE (DV LISTA)	1	
	VFM3580KM	ALIGNMENT TAPE (No.1)	1	FOR NTSC
	VFM3581KM	ALIGNMENT TAPE (No.2)	1	FOR NTSC
	VFM3582KM	ALIGNMENT TAPE (No.3)	1	FOR NTSC
	VFM3010EDS	ALIGNMENT TAPE (DV COLOR BAR)	1	FOR NTSC
	VFM3680KM	ALIGNMENT TAPE (No.1)	1	FOR PAL
	VFM3681KM	ALIGNMENT TAPE (No.2)	1	FOR PAL
	VFM3682KM	ALIGNMENT TAPE (No.3)	1	FOR PAL
	VFK3110EDS	ALIGNMENT TAPE (DV COLOR BAR)	1	FOR PAL

## 10.2. Maintenance Parts


Components identified with the mark  have the special characteristics for safety. When replacing any of these components, use only the same type.



Ref. No.	Part No.	Part Name & Description	Pcs	Remark
1	VEM0635	S REEL MOTOR AU.	1	MECHANICAL CHASSIS ASS'Y(1)
2	VEM0636	T REEL MOTOR AU.	1	MECHANICAL CHASSIS ASS'Y(1)
2	VED0419	AID HEAD	1	MECHANICAL CHASSIS ASS'Y(2)
5	VEG1457	CYLINDER UNIT	1	MECHANICAL CHASSIS ASS'Y(2)
	VEM0645	LOADING MOTOR (1) AU	1	MECHANICAL CHASSIS ASS'Y(2)
8	VSJ0227	PINCH SOLENOID	1	MECHANICAL CHASSIS ASS'Y(2)
10	VES0714	MODE SW U	1	MECHANICAL CHASSIS ASS'Y(2)
12	VXL2748	CLEANING ARM AU	1	MECHANICAL CHASSIS ASS'Y(2)
14	VXL2832	TENSION ARMS ASS'Y	1	MECHANICAL CHASSIS ASS'Y(2)
16	VXL2812	S1 LOADING ARM N ASS'Y	1	MECHANICAL CHASSIS ASS'Y(2)
18	VXA6108	T1 BOAT ASS'Y	1	MECHANICAL CHASSIS ASS'Y(2)
20	VXA6052	S POST BASE AU.	1	MECHANICAL CHASSIS ASS'Y(2)
34	VXL2835	PINCH ARM ASS'Y	1	MECHANICAL CHASSIS ASS'Y(2)
46	VDG1168	MAIN CAM GEAR	1	MECHANICAL CHASSIS ASS'Y(2)
53-1	VSJ0228	CLEANER SOLENOID	1	MECHANICAL CHASSIS ASS'Y(2)
55	VXQ0556	THRUST SCREW U.	1	MECHANICAL CHASSIS ASS'Y(2)
*	VXY1318Z1	MECHANISM	1	MECHANICAL CHASSIS ASS'Y(2)
8	VEM0585	REEL DRIVE MOTOR U.	1	SUB CHASSIS ASS'Y
14	VSJ0216	BRAKE SOLENOID	3	SUB CHASSIS ASS'Y
17	VXA6199	DISTINCTION SW ASS'Y	1	SUB CHASSIS ASS'Y
1	VXA6070	CASSETTE COMPARTMENT	1	CASSETTE COMPARTMENT ASS'Y
34	VXA5597	MOTOR ASS'Y	1	CASSETTE COMPARTMENT ASS'Y

### 10.3. MECHANICAL CHASSIS ASSEMBLY (1)

#### Mechanical Chassis Assembly (1)


Components identified with the mark  have the special characteristics for safety.


When replacing any of these components, use only the same type.

Ref. No.	Part No.	Part Name & Description	Pcs	Remark
1	VEM0635	S REEL MOTOR AU.	1	(M)
2	VEM0636	T REEL MOTOR AU.	1	(M)
3	VMS5923	REEL OUTER RAIL	2	
4	VMS5924	REEL INNER RAIL	2	
5	VXL2589	S BASE DRIVE ARM U.	1	
6	VMB2944	CHARGE SPRING	2	
7	VXL2590	T BASE DRIVE ARM U.	1	
8	VXA5625	SLIDE ROD U.	1	
9	VXL2597	M STOPPER DRIVE ARM U.	1	
9-1	VMB2955	M STOPPER SPRING (1)	1	
9-2	VMB3017	M STOPPER SPRING (2)	1	
10	VXA6174	L-M RELEASE ANGLE ASS'Y	1	
11	VXZ0424	S BRAKE ARM UNIT	1	
12	VXZ0425	T BRAKE ARM UNIT	1	
31	VMX1061	WASHER	7	
32	VMX1079	CUT WASHER	2	
33	VMX1394	CUT WASHER	2	
34	XQN2+CF3	SCREW	4	

### 10.4. MECHANICAL CHASSIS ASSEMBLY (2)

## Mechanical Chassis Assembly (2)

Components identified with the mark  have the special characteristics for safety.  
When replacing any of these components, use only the same type.

Ref. No.	Part No.	Part Name & Description	Pcs	Remark
1	VXA5554	A/C HEAD BASE (1) U	1	
2	VED0419	A/C HEAD	1	(M)
3	VXA6067	A/C HEAD BASE (2) ASS'Y	1	
4	VMB2935	A/C HEAD HIGHT SPRING	1	
5	VEG1457	CYLINDER UNIT	1	(M)
6	VXA5715	EMARGENCYSHIFT HOLDER U	1	
 7	VEM0645	LOADING MOTOR (1) AU	1	(M)
8	VSJ0227	PINCH SOLENOID	1	(M)
9	VXA5584	MOTOR ANGLE U.	1	
10	VES0814	MODE SW U	1	(M)
11	VMA9376	PINCH SOLENOID BASE	1	
12	VXL2748	CLEANING ARM AU	1	(M)
12-1	VMX2150	CLEANER ROLLER HOLDER	1	
12-2	VXP1808	CLEANER ROLLER UNIT	1	
12-3	VMB3114	CLEANER ROLLER SPRING	1	
13	VXL2707	T2 ARM U.	1	
13-1	VMB2932	T2 ARM SPRING	1	
14	VXL2832	TENSION ARM S ASS'Y	1	(M)
14-1	VXP1761	TENSION ROLLER	1	
14-2	VMB3220	TENSION LEG SPRING	1	
14-3	VXA6173	MAGNET HOLDER N ASS'Y	1	
15	VXA5791	TENSION LEG SPRING HOOK U	1	
16	VXL2812	S1 LOADING ARM N ASS'Y	1	(M)
17	VMD2533	LOADING RAIL	1	
18	VXA6108	T1 BOAT U ASS'Y	1	(M)
19	VHD0561	HEX SCREW	1	
20	VXA6052	S POST BASE AU.	1	(M)
21	VXP1683	T4 CONNECTION GEAR U	1	
22	VXL2772	T4 ARM U	1	
23	VMB2950	T4 THRUST SPRING	1	
24	VXL2842	T LOADING ARM N ASS'Y	1	
25	VMS5906	T3 UPPER FRANGE	1	
26	VMS5905	T3 SLEEVE	1	
27	VMS5904	T3 LOWER FRANGE	1	
28	VMB2929	T3 SPRING	1	
29	VMB2933	PINCH RELEASE SPRING	1	
30	VEK7927	INSULLATION SENSOR	1	
31	VEK7691	LED HOLDER P.C.BOARD	1	
32	VMA9411	PINCH SOLENOID ANGLE	1	
33	VXA5820	TENSION SENSOR U.	1	
34	VXL2835	PINCH ARM ASS'Y	1	(M)
35	VXL2588	PINCH GUIDE ARM U	1	
36	VXA5570	T SECTOR GEAR U	1	
37	VXL2838	TENSION LEG. GUIDE ARM U	1	
38	VXA5567	S SECTOR GEAR U	1	
39	VXA5564	T4 SECTOR GEAR U	1	
40	VXA5563	MAIN ROD U	1	
41	VXA5627	THRUST SHAFT HOLDER U	1	
42	VDG1166	MOTOR WARM GEAR	1	

Ref. No.	Part No.	Part Name & Description	Pcs	Remark
43	VDG1268	MOTOR EMERGENCY GEAR A(A)	1	
44	VDG1267	MOTOR EMERGENCY GEAR B(A)	1	
45	VXL2841	MAIN CAM ARM ASS'Y	1	
46	VDG1168	MAIN CAM GEAR	1	(M)
47	VMB2937	A/C HEAD ADJUST SPRING	1	
48	VXL2600	EJECT ARM U	1	
49	VXA5770	T1 GUIDE U.	1	
50	VMB2934	SPRING	1	
51	VMB3051	CLEANER RETURN SPRING	1	
52	VXA6077	CLEANER BASE 1 ASS'Y	1	
53	VXA6078	CLEANER SOLENOID ASS'Y	1	
53-1	VSJ0226	CLEANER SOLENOID	1	(M)
53-2	VMA9877	CLEANER SOLENOID BASE	1	
54	VMM0429	CLEANER INTERLOCK	1	
55	VXQ0556	THRUST SCREW U.	1	(M)
56	VMT0871	SILENCER A	1	
57	VMT0872	SILENCER B	1	
61	VHD0356	SCREW	1	
62	XQN2+A3	SCREW	1	
64	XQN2+A35FZ	SCREW	3	
65	XQN2+AM2	SCREW	3	
66	XQN2+AM4	SCREW	1	
67	XQN2+CF3	SCREW	12	
68	XQN2+CF4	SCREW	3	
69	XUC12FP	E-RING	2	
70	XVE2B4FZ	HEX SCREW	3	
71	XVE2B6FP	HEX SCREW	1	
72	XVE2B12FP	HEX SCREW	1	
73	VXQ0439	SCREW	3	
74	VMX0967	CUT WASHER	3	
75	VMX1061	WASHER	3	
76	VMX1079	CUT WASHER	1	
77	XWA2B	WASHER	4	
78	XWE2	WASHER	2	
79	XWE16VW	WASHER	1	
80	XXE2A6FP	HEX SCREW	1	
81	XWG2	WASHER	3	
82	XWGV15Z32G	WASHER	2	
83	VHD0045	NYLON NUT	1	
84	VHN0312	NUT	2	
85	XQN2+AQ3.5FZ	SCREW	1	
86	XQN2+A.J5	SCREW	1	
87	XQN2+A1.5	SCREW	4	
88	XQN2+A4	SCREW	1	
89	VMX1394	CUT WASHER	1	
*	VXY1318Z1	MECHANISM	1	(M)

## 10.5. SUB CHASSIS ASSEMBLY

### Sub Chassis Assembly

Ref. No.	Part No.	Part Name & Description	Pcs	Remark
1	VXL2656	MIC DRIVE ARM (A) U.	1	
2	VMB3018	MIC DRIVE SPRING	1	
3	VXL2657	MIC DRIVE ARM (B) U.	1	
4	VDB1429	MIC DRIVE ARM BOSS	1	
5	VXL2613	REEL DRIVE ARM U	1	
6	VDG1192	REEL DRIVE CAM GEAR	1	
7	VDG1193	REEL DRIVE WORM WHEEL	1	
8	VEM0585	REEL DRIVE MOTOR U.	1	(M)
9	VDG1211	MIC GENEVA GEAR	1	
10	VXP1698	REEL DRIVE WORM U.	1	
11	VXA5628	MOTOR BASE U.	1	
12	VMB3019	MIC DRIVE RETURN SPRING	1	
13	VEK7726	REEL SENSOR P.C.BOARD	1	
14	VSJ0216	BRAKE SOLENOID	3	(M)
15	VXA5575	S-BRAKE SOLENOID BASE U.	1	
17	VXA6199	DISTINCTION SW ASS'Y	1	(M)
18	VXA5579	M STOPPER SOLENOID U.	1	
19	VXA5887	T-BRAKE SOLENOID BASE U	1	
20	VXK1336	SUB CHASSIS	1	
21	VEK7692	SENSOR HOLDER U.	1	
22	VMS6193	T BRAKE RELEASE ARM SHAFT	1	
23	VMB2957	S BRAKE SPRING	1	
24	VMB2987	T BRAKE SPRING	1	
31	XQN2+CF3	SCREW	13	
32	XYN26+K6	SCREW	4	
33	XQN2+A1.5	SCREW	2	
34	XQN2+A2	SCREW	2	
35	VMX1079	CUT WASHER	5	
36	VMX0967	CUT WASHER	4	
37	VMX1548	CUT WASHER	2	
38	XQN2+A1.5	SCREW	4	
E21	VEP82216A	MECH I/F P.C.BOARD	1	

## 10.6. CASSETTE COMPARTMENT ASSEMBLY

### Cassette Compartment Assembly

Ref. No.	Part No.	Part Name & Description	Pcs	Remark
1	VXA6070	CASSETTE COMPARTMENT	1	(M)
2	VMS5865	MAIN SHAFT	1	
3	VMA9849	TOP PLATE	1	
4	VXA5761	FRONT GUIDE 1 ASS'Y	1	
5	VMB3075	M GUIDE SPRING	2	
6	VML3191	M GUIDE RIGHT LEVER	1	
7	VML3192	M FRONT GUIDE	2	
8	VML3190	M GUIDE LEFT LEVER	1	
9	VML3196	CASSETTE PROTECT PLATE	1	
10	VMA9760	L OPENER	1	
12	VMB2926	SPRINT	1	
13	VML2A50	BLINDER PANEL OPENER	1	
14	VXA6074	R SIDE PLATE 1 ASS'Y	1	
15	VML3282	SUB RAIL (R)	1	
16	VEK7695	SIDE FLEXIBLE	1	
17	VXA5766	MAIN RACK R ASS'Y	1	
18	VDG1156	WIPER RACK	2	
20	VDB1395	MAIN SHAFT ANGLE	2	
21	VDG1155	INTERLOCK GEAR	2	
22	VML3193	OPENER DRIVE ARM	1	
24	VMB2979	SPRING	1	
23	VXL2692	OPENER ANGLE ASS'Y	1	
25	VXA6072	SIDE PLATE L 1 ASS'Y	1	
26	VML3281	SUB RAIL (L)	1	
27	VDG1254	INTERMEDIATE GEAR	1	
28	VDP1643	WIPER ROLLER	2	
29	VDG1237	CLUTCH GEAR	1	
30	VMB2980	CLUTCH SPRING	1	
31	VDG1236	WORM WHEEL	1	
32	VXA5848	MOTOR ANGLE (A) ASS'Y	1	
33	VXP1797	E.E SLOT IN WORM ASS'Y	1	
34	VXA5597	MOTOR ASS'Y	1	(M)
35	VMA9673	EMERGENCY ANGLE	1	
36	BRK7793	MOTOR P.C.BOARD	1	
37	VMA9668	HOLDER PLATE	1	
38	VEK7715	HOLDER FLEXIBLE ASS'Y	1	
39	VXA6075	MAIN RACK (L) ASS'Y	1	
40	VML2A49	WIPER ARM L	1	
41	VMB2925	WIPER SPRING L	1	
42	VDG1163	WIPER GEAR	2	
43	VMB3013	WIPER SPRING R	1	
44	VML2A52	WIPER ARM R	1	
45	VDP1642	CASSETTE GUIDE ROLLER (2)	2	
46	VDP1641	CASSETTE GUIDE ROLLER (1)	2	
47	VXA5757	CASSETTE HOLDER 1 ASS'Y	1	
48	VXA5758	ROD L	1	
49	VXA5759	ROD R	1	
50	VMB3064	SLIDE SPRING	2	
51	VML3249	SLIDE GUIDE L	1	
52	VML3250	SLIDE GUIDE R	1	
53	VMB3061	SLIDE GUIDE SPRING L	1	
54	VMB3062	SLIDE GUIDE SPRING R	1	
55	VMS6108	KICK OFF ROD SHAFT	2	
56	VML2A54	KICK OFF ARM L	1	

Ref. No.	Part No.	Part Name & Description	Pcs	Remark
57	VML2A55	KICK OFF ARM R	1	
58	VMB2928	KICK OFF SPRING	2	
59	VML2A53	CASSETTE HOLDER ARM	2	
60	VMB2927	CASSETTE HOLDER SPRING	2	
61	VMX2525	ML DETECTION ROLLER	2	
62	VMS5882	CASSETTE HOLDER SHAFT	1	
63	VMB3253	M-L DETECTION SPRING	2	
64	VMX2559	CASSETTE PRESSURE ROLLER2	3	
65	VMX2524	CASSETTE PRESSURE ROLLER1	1	
66	VDG1246	EMERGENCY GEAR	1	
67	VMB3109	EMERGENCY SPRING	1	
68	VMZ2661	FRONT GUIDE COVER	1	
71	VMX0653	CUT WASHER	4	
72	VMX0967	CUT WASHER	14	
73	VMX1061	WASHER	4	
74	XQN16+A2	SCREW	8	
75	XQN2+CF3	SCREW	4	
76	XQN2+A2	SCREW	2	
77	XYN2+C3	SCREW	12	
78	XQN2+A3	SCREW	5	
79	LMHD16061	SCREW	10	
80	XWGV2Y4G	WASHER	2	
81	XWGV2Z5G	WASHER	2	
E22	VEP80856A	CARRIGE P.C.BOARD	1	

## 10.7. FRONT PANEL ASSEMBLY

### Front Panel Assembly


Ref. No.	Part No.	Part Name & Description	Pcs	Remark
1	VYP6726	UPPER FRONT PANEL 1 ASS'Y	1	AJ-D950P
1	VYP6728	UPPER FRONT PANEL 1 ASS'Y	1	AJ-D950E
1	VYP6730	UPPER FRONT PANEL 1 ASS'Y	1	AJ-PD950P
2	VMB2923	BLINDER SPRING	1	
3	VKF2906	BLINDER PANEL	1	
4	VMP4864	UPPER FRONT PANEL ANGLE	1	
5	VDK0147	CASSETTE GUIDE CAM	2	
6	VGQ4009	CASSETTE GUIDE (L)	1	
7	VMB2922	CASSETTE GUIDE SPRING	2	
8	VMB2986	CAM SPRING	2	
9	VMS5864	CASSETTE COVER	1	
10	VMS6017	GUIDE CAM SHAFT	1	
11	VGQ4010	CASSETTE GUIDE (R)	1	
12	VEE9649	UP FRONT CONNECTION CABLE 1	1	
13	VEE9650	UP FRONT CONNECTION CABLE 2	1	
14	VMZ2501	INSULATION SHEET	1	
15	VEE9640	FRONT SW CABLE	2	
16	VGU5334	LEVER VR KNOB	1	
17	VXU0768	VR KNOB U.	5	
18	VXU1160	REC VR KNOB U.	5	
19	VGU5780	SEARCH DIAL COVER	1	
20	VGU7089	SEARCH DIAL KNOB	1	

Ref. No.	Part No.	Part Name & Description	Pcs	Remark
22	VYP6734	LOWER FRONT PANEL 1 ASS'Y	1	
23	VSP1097	SEARCH DIAL	1	
24	VMP4860	VR ANGLE	1	
25	VKU0513	BACK COVER	1	
25	VKU0524	BACK COVER	1	AJ-D950E
26	VMB2978	LEAF SPRING	2	
27	VGM1288	SUB CONTROL SUPPORT ANGLE	1	
28	VGM1287	SUB CONTROL ANGLE	1	
29	VGM1440	SUB SW ANGLE	1	
30	VGU7179	SLIDE SW KNOB	10	
31	VGU7178	VR KNOB	5	
32	VWJ28C2120L0	FR CPU SUB FFC	1	
33	VMS6012	SHAFT	1	
34	VKF2497	SUB SW DOOR	1	
35	VMC1241	EARTH PLATE	1	
36	VMP5091	EARTH PLATE SUB	1	
37	VMP4863	CASSETTE GUIDE ANGLE	1	
38	VMC1277	HEAD PHONE EARTH SPRING	1	
39	VMZ2671	SPACER	1	
40	VGU5287	SLIDE KNOB	5	
41	VGf0659	SLIDE KNOB SHEET	5	
42	VMC1319	FRAME EARTH PLATE	1	AJ-D950E
43	VMP5259	FIXING PLATE	1	AJ-D950E
45	VSC4594	PANEL EARTH SHEET	4	AJ-D950E
46	VMP5262	INSTALLATION PANEL (A)	1	AJ-D950E
47	VMC1317	INSTALLATION PANEL (B)	1	AJ-D950E
48	VMP5260	FRONT SW CABLE ANGLE	1	AJ-D950E
71	XSB3+6FZ	SCREW	2	
72	XSB3+8FZ	SCREW	3	
73	XSN2+8	SCREW	1	
74	XSS26+6FZ	SCREW	2	
75	XTN4+10G	SCREW	13	
76	XTV3+8G	SCREW	16	
77	XQN14+C4	SCREW	5	
78	XTV3+8F	SCREW	2	
79	XSN2+3	SCREW	2	
80	XSN26+3	SCREW	1	
81	VMX2562	WASHER	8	
82	XUC2FP	E-RING	2	
83	XUC25FP	E-RING	2	
84	XSB3+4	SCREW	3	AJ-D950E
85	XSB26+5	SCREW	3	AJ-D950E
86	XTV3+6F	SCREW	2	AJ-D950E
E25	VEP80A52A	UP FRONT 1 P.C.BOARD	1	
E26	VEP80B52A	UP FRONT 2 P.C.BOARD	1	
E27	VEP86263A	FRONT CPU P.C.BOARD	1	
E28	VEP86148C	FRONT CPU SUB P.C.BOARD	1	
E29	VEP80A49A	FRONT SW P.C.BOARD	1	

Ref. No.	Part No.	Part Name & Description	Pcs	Remark
E30	VEP80963D	FRONT VR 1 P.C.BOARD	1	
E31	VEP80964D	FRONT VR 2 P.C.BOARD	1	

## 10.8. REAR PANEL ASSEMBLY

### Rear Panel Assembly

Components identified with the mark  have the special characteristics for safety.

When replacing any of these components, use only the same type.

Ref. No.	Part No.	Part Name & Description	Pcs	Remark
 1	VRF0208	FAN MOTOR	1	
2	VHN0063	NYLON NUT	2	
3	VMX0835	SPACER	2	
4	VJH1051	JACK PANEL	1	AJ-D950P/PD950P
4	VJH1016	JACK PANEL	1	AJ-D950E
5	VML2903	AC CORD HOOK	1	
7	VSC4387	POWER SUPPLYCASE A	1	
8	VRF0190	FAN MOTOR	1	
 9	VMZ2502	SHIELD SHEET A	1	
 10	VMZ2503	SHIELD SHEET B	1	
11	VSC4388	POWER SUPPLYCASE B	1	
 12	VMZ1252	AC INLET COVER	1	
 13	VJP0083	AC INLET	1	
14	VMP4889	AC INLET BRACKET	1	
 15	XBA1C50NB5	FUSE	1	AJ-D950P/PD950P
 15	XBA2C40TH15	FUSE	1	AJ-D950E
 16	VJF1005	FUSE HOLDER	1	
17	VJF0285	WIRE LOCKING SADDLE	1	
18	VMP5613	BLANK PANEL	1	
19	VJS4132	BNC	1	
20	VMP5743	SR HOLD BASE	1	
21	VMP5744	SR HOLD ANGLE	1	
22	VMT0917	SH HOLD CUSHION	1	
71	VHD0426	SCREW	1	
72	XSN26+6FZ	SCREW	22	
73	XSN4+35FC	SCREW	2	
74	XTN26+6FFZ	SCREW	1	
75	XTV3+6F	SCREW	5	
76	XTV3+6FFZ	SCREW	2	
77	XTV3+6FFR	SCREW	7	
78	XSB3+6FZ	SCREW	2	
79	XTW3+8LR	SCREW	10	
80	XYE4+EF8	SCREW	1	
81	XYNV4+K35FCS	SCREW	2	
E17	VEP83224A	V/S JACK P.C.BOARD	1	
 E18	VEP81183A	POWER 1 P.C.BOARD	1	
 E19	VEP81184A	POWER 2 P.C.BOARD	1	



Ref. No.	Part No.	Part Name & Description	Pcs	Remark
E23	VEP84303B	AUDIO JACK P.C.BOARD	1	
E24	VEP84304A	AES/EBU P.C.BOARD	1	


## 10.9. CASING PARTS ASSEMBLY


### Casing Parts Assembly

Ref. No.	Part No.	Part Name & Description	Pcs	Remark
1	VGM1270	TOP PANEL	1	
2	VMP4884	P.C.BOARD PLATE L	1	
3	VMX2511	P.C.BOARD RUBBER CUSHION L	2	
4	VMP4885	P.C.BOARD PLATE S	1	
5	VMX2512	P.C.BOARD RUBBER CUSHION S	1	
6	VMX2510	SPACER	2	
7	VMZ2325	TOP PANEL BARRIER	1	
8	VGM1271	SIDE PANEL	2	
9	VKU0514	BOTTOM PLATE	1	
10	VMX1558	NYLON WASHER	2	
11	VEE9641	FRONT CABLE	1	
12	VMX2582	WASHER	2	
13	VMP5265	CARRIAGE SUPPORT METAL	1	
14	VMT0797	DUST PROOF CUSHION (A)	1	AJ-D950P/PD950P
14	VMT0493	GASKET(A)	1	AJ-D950E
15	VMT0509	GASKET(B)	1	AJ-D950E
16	VMT0800	GASKET(C)	7	AJ-D950E
17	VMT0776	GASKET(D)	2	AJ-D950E
18	VMT0797	DUST PROOF CUSHION (A)	3	
19	VMT0785	DUST PROOF CUSHION (B)	1	
20	VMT0786	DUST PROOF CUSHION (C)	1	
71	VHD0274	SCREW	2	
21	VMT0890	DUST PROOF CUSHION (C)	1	
72	XSB3+8FZ	SCREW	8	
73	XSB4+8FC	SCREW	8	
74	XTV3+6F	SCREW	5	
75	XYN3+K8	SCREW	2	

## 10.10. CHASSIS FRAME ASSEMBLY

### Chassis Frame Assembly


Components identified with the mark  have the special characteristics for safety. When replacing any of these components, use only the same type.


Ref. No.	Part No.	Part Name & Description	Pcs	Remark
1	VMP4871	LEFT SIDE FRAME	1	
2	VGQ4011	P.C.BOARD GUIDE RAIL A	2	
3	VYQ1258	ROTARYBRACKET L	1	
4	VGQ4012	P.C.BOARD GUIDE RAIL B	2	
5	VMP4877	REAR FRAME	1	
6	VKA0117	PLASTIC FOOT	4	
7	VMP4878	BOTTOM FRAME	1	
8	VMP4881	SW BRACKET	1	
 9	EST15372T	POWER SWITCH	1	AJ-D950P/PD950P
9	EST15367S	POWER SWITCH	1	AJ-D950E
 10	VMZ0580	SW COVER	1	
11	VJF0285	WIRE LOCKING SADDLE	4	
12	VJF1259	EDGE HOLDER	1	
13	VMP4876	FRONT FRAME	1	
14	VJF0004	WIRE SADDLE	3	
15	VMP4873	CENTER FRAME	1	
16	VXA5550	MECHANISM FRAME U.	1	
17	VGf0715	BARRIER (B)	1	
18	VMP4874	CENTER SUB FRAME	1	
19	VGQ1543	EDGE GUARD	1	
20	VMP4875	MIDDLE FRAME	1	
21	VYQ1259	ROTARYBRACKET R	1	
22	VMP4872	SIDE FRAMER	1	
23	VJF0384	CLAMPER	2	
24	VSC4528	PROTECT SHEET	1	AJ-D950P/PD950P
25	VMP5264	FPC SHIELD COVER	1	
26	VSC4384	POWER WIRE COVER	1	AJ-D950E
27	VMC1318	FRAME EARTH METAL	1	AJ-D950E
28	VMP5263	WIRING SHIELD COVER	1	AJ-D950E
29	VMT0496	GASKET	1	
30	VMP5285	BOTTOM FRAME ANGLE	4	
31	VGf0714	BARRIER (A)	1	
32	VEE0E12600	SDI CABLE (BLACK)	1	
33	VEE0E13600	SDI CABLE (RED)	1	
34	VEE0E14600	SDI CABLE (ORANGE)	1	
35	VEE0E15600	SDI CABLE (GREEN)	1	
36	VEE0E49600	SDI CABLE (YELLOW)	1	
71	VHD5013	SCREW	2	
72	XTN3+6F	SCREW	2	
73	XTV3+6F	SCREW	43	
74	XTV3+6FFR	SCREW	9	
75	XYN3+C6	SCREW	6	
76	XYNV3+K12S	SCREW	4	
E1	VEP89129A	P MOTHER P.C.BOARD	1	
E2	VEP82213B	F1 SERVO P.C.BOARD	1	
E3	VEP86265A	F2 SYSCON P.C.BOARD	1	
E4	VEP83409C	F3 V IN P.C.BOARD	1	
E5	VEP83376A	F4 P SDI P.C.BOARD	1	
E6	VEP83374A	F5 P REC PB P.C.BOARD	1	
E7	VEP83375B	F6 P V OUT P.C.BOARD	1	

Ref. No.	Part No.	Part Name & Description	Pcs	Remark
E9	VEP84300A	F7 APROC P.C.BOARD	1	
E10	VEP84301A	F8 ADDAP.C.BOARD	1	
E11	VEP84302A	H1 CUE P.C.BOARD	1	
E12	VEP85164A	H2 X CAN P.C.BOARD	1	
E13,14	VEP85163A	H4 RF EQ R P.C.BOARD	2	
E15	VEP85165A	HEAD BUFFER P.C.BOARD	1	
E16	VEP80991A	A/C HEAD I/F P.C.BOARD	1	

## 10.11. PACKING PARTS ASSEMBLY

### Packing Parts Assembly

Components identified with the mark  have the special characteristics for safety.  
When replacing any of these components, use only the same type.

Ref. No.	Part No.	Part Name & Description	Pcs	Remark
1	VJA0488	AC CORD	1	AJ-D950P/PD950P
2	VPN4305	ACCESSORYPAD	1	
1	VJA0774	AC CORD	1	AJ-D950E
1	VJA0775	AC CORD	1	AJ-D950E
	VQT7275	OPERATING INSTRUCTIONS	1	AJ-D950P/PD950P
3	VQT7276	OPERATING INSTRUCTIONS	1	AJ-D950E
4	VPN4302	CUSHION UL	1	
5	VPN4304	CUSHION LL	1	
6	VPN4606	CUSHION UR	1	
7	VPN4607	CUSHION LR	1	
8	VPF0277	POLYETHYLENE BAG	1	AJ-D950P/PD950P
8	VPF0673	POLYETHYLENE BAG	1	AJ-D950E
9	VPG9197	PACKING CASE	1	AJ-D950E
9	VPG9278	PACKING CASE		AJ-PD950P
9	VPG9196	PACKING CASE	1	AJ-D950P
10	VPF0149	HANDLE	2	
11	VXF0151	EMARGENCYEJECT	1	

## 10.12. P. C. BOARD LIST

Ref. No.	Part No.	Part Name & Description	Pcs	Remark
* E1	VEP89129A	P MOTHER P.C.BOARD	1	(RTL)
* E2	VEP82213B	F1 SERVO P.C.BOARD	1	(RTL)
* E3	VEP86265A	F2 SYSCON P.C.BOARD	1	(RTL)FOR AJD950P
* E3	VEP86277A	SYSCON SUB P.C.BOARD	1	(RTL)FOR AJPD950F
* E4	VEP83409C	F3 V-IN P.C.BOARD	1	(RTL)
* E5	VEP83376A	F4 P SDI P.C.BOARD	1	(RTL)
* E6	VEP83374A	F5 P REC PB P.C.BOARD	1	(RTL)
*	VEP83411A	EDA-CSP SUB P.C.BOARD	1	(RTL)FOR VEP83374.
*	VEP83431A	BLK SUB P.C.BOARD	1	(RTL)FOR VEP83374.
*	VEP88234A	DV UCOMx2 P.C.BOARD	1	(RTL)FOR VEP83374.
* E7	VEP83375B	F6 P V OUT P.C.BOARD	1	(RTL)
* E8	VEP83385B	4:2:2 DASUB P.C.BOARD	1	(RTL)FOR AJD950P
* E8	VEP83385A	8:4:4 DASUB P.C.BOARD	1	(RTL)FOR AJPD950F
* E9	VEP84300A	F7 APROC P.C.BOARD	1	(RTL)
*	VEP84313A	AJOG SUB P.C.BOARD	1	(RTL)FOR VEP84300.
*	VEP84314A	AMEM SUB P.C.BOARD	1	(RTL)FOR VEP84300.
* E10	VEP84301A	F8 AADDAP.C.BOARD	1	(RTL)
* E11	VEP84302A	H1 CUE P.C.BOARD	1	(RTL)
* E12	VEP85164A	H2 X CAN P.C.BOARD	1	(RTL)
* E13,14	VEP85163A	H3,4 RF EQ L,R P.C.BOARD	1	(RTL)
*	VEP85173A	RE EQ SUB P.C.BOARD	1	(RTL)FOR VEP85163.
* E15	VEP85165A	HEAD BUFFER P.C.BOARD	1	(RTL)
* E16	VEP80991A	AC HEAD I/F P.C.BOARD	1	(RTL)
* E17	VEP83224A	V/S JACK P.C.BOARD	1	(RTL)
* E18	VEP81183A	POWER 1 P.C.BOARD	1	(RTL)
* E19	VEP81184A	POWER 2 P.C.BOARD	1	(RTL)
* E20	VEP80A58A	POWER CONNECTION P.C.B.	1	(RTL)
* E21	VEP82216A	MECAI/F P.C.BOARD	1	(RTL)
* E22	VEP80856A	CARRIGE P.C.BOARD	1	(RTL)
* E23	VEP84303B	AUDIO JACK P.C.BOARD	1	(RTL)
* E24	VEP84304A	AES/EBU P.C.BOARD	1	(RTL)

Ref. No.	Part No.	Part Name & Description	Pcs	Remark
* E25	VEP80A52A	UP FRONT 1 P.C.BOARD	1	(RTL)
* E26	VEP80852A	UP FRONT 2 P.C.BOARD	1	(RTL)
* E27	VEP86263A	FRONT CPU P.C.BOARD	1	(RTL)
* E28	VEP86148C	FRONT CPU SUB P.C.BOARD	1	(RTL)
* E29	VEP80A49A	FRONT SW P.C.BOARD	1	(RTL)
* E30	VEP80963D	FRONT VR 1 P.C.BOARD	1	(RTL)
* E31	VEP80964D	FRONT VR 2 P.C.BOARD	1	(RTL)

### 10.13. VEP89129A

Ref. No.	Part No.	Part Name & Description	Pcs	Remark
* E1	VEP89129A	P MOTHER P.C.BOARD	1	(RTL)
P001-06	VJS3814	CONNECTOR (FEMALE)	6	
P007-10	VJS3510	CONNECTOR (FEMALE)	4	
P011-20	VJS3814	CONNECTOR (FEMALE)	10	
P021	VJP2891B016	CONNECTOR (MALE)	1	
P022	VJP1248T	CONNECTOR (MALE) 8P	1	
P023	VJP2891A030	CONNECTOR (MALE)	1	
P024	VJP3418A080	CONNECTOR (MALE)	1	
P025	VJP2824B003	CONNECTOR (MALE)	1	
P026	VJP2824B010	CONNECTOR (MALE)	1	
P027	VJP2824B008	CONNECTOR (MALE)	1	
P029,30	VJS3375B060	CONNECTOR (FEMALE)	2	
P031	VJP3080	CONNECTOR (MALE)	1	
P032	VJP1230T	CONNECTOR (MALE) 3P	1	
P033	VJP3375A060	CONNECTOR (MALE)	1	
P777	VJP1231T	CONNECTOR (MALE) 4P	1	
		MISCELLANEOUS		
	VKC0392	SPACER	2	
	VMP4868	XLR GUIDE ANGLE (B)	1	
	VMP5641	MOTHER ANGLE (A)	1	
	VMP5642	MOTHER ANGLE (B)	1	
	VMP5643	MOTHER ANGLE (C)	1	
	XYE3+EF8FZ	SCREW	10	
	XTV26+6F	SCREW	2	
	XYN26+C10	SCREW	16	
	XNG26EFXS	NUT	16	

Ref. No.	Part No.	Part Name & Description	Pcs	Remark

## 10.14. VEP82213B

Ref. No.	Part No.	Part Name & Description	Pcs	Remark
* E2	VEP82213B	F1 SERVO P.C.BOARD	1	(RTL)
C1,C2	ECUX1H103KBV	C.CAPACITOR CH 50V 0.01U	2	
C3	ECEV1CV220Q	E.CAPACITOR CH 16V 22U	1	
C4	ECEV1CV470Q	E.CAPACITOR CH 16V 47U	1	
C5,C6	ECEV1CV220Q	E.CAPACITOR CH 16V 22U	2	
C7	ECUX1H222KBV	C.CAPACITOR CH 50V 2200P	1	
C8,C9	ECUX1H103KBV	C.CAPACITOR CH 50V 0.01U	2	
C10	ECUX1H102JCV	C.CAPACITOR CH 50V 1000P	1	
C11,12	ECUX1H103KBV	C.CAPACITOR CH 50V 0.01U	2	
C13	ECUX1H101JCV	C.CAPACITOR CH 50V 100P	1	
C14	ECUX1H103KBV	C.CAPACITOR CH 50V 0.01U	1	
C15	ECUX1H222KBV	C.CAPACITOR CH 50V 2200P	1	
C30-34	ECUX1H103KBV	C.CAPACITOR CH 50V 0.01U	5	
C35	ECEV1EV330Q	E.CAPACITOR CH 25V 33U	1	
C36-38	ECUX1H103KBV	C.CAPACITOR CH 50V 0.01U	3	
C39	ECEV1CV100Q	E.CAPACITOR CH 16V 10U	1	
C40,41	ECUX1C333KBV	C.CAPACITOR CH 16V 0.033U	2	
C42-45	ECUX1H103KBV	C.CAPACITOR CH 50V 0.01U	4	
C60,61	ECUX1H103KBV	C.CAPACITOR CH 50V 0.01U	2	
C63-74	ECUX1H103KBV	C.CAPACITOR CH 50V 0.01U	12	
C80,81	ECUX1H102JCV	C.CAPACITOR CH 50V 1000P	2	
C82	ECUX1H103KBV	C.CAPACITOR CH 50V 0.01U	1	
C83	ECUX1H100DCV	C.CAPACITOR CH 50V 10P	1	
C84	ECUX1H103KBV	C.CAPACITOR CH 50V 0.01U	1	
C85,86	ECEV1EV330Q	E.CAPACITOR CH 25V 33U	2	
C87	ECUX1H103KBV	C.CAPACITOR CH 50V 0.01U	1	
C88	ECUX1H100DCV	C.CAPACITOR CH 50V 10P	1	
C89,90	ECUX1H102JCV	C.CAPACITOR CH 50V 1000P	2	
C91	ECUX1H103KBV	C.CAPACITOR CH 50V 0.01U	1	
C92,93	ECEV1EV330Q	E.CAPACITOR CH 25V 33U	2	
C94-96	ECUX1H103KBV	C.CAPACITOR CH 50V 0.01U	3	
C120,21	ECUX1H102JCV	C.CAPACITOR CH 50V 1000P	2	
C123	ECUX1H103KBV	C.CAPACITOR CH 50V 0.01U	1	
C124,25	ECUX1H100DCV	C.CAPACITOR CH 50V 10P	2	
C126	ECUX1H103KBV	C.CAPACITOR CH 50V 0.01U	1	
C127,28	ECEV1EV330Q	E.CAPACITOR CH 25V 33U	2	
C129,30	ECUX1H103KBV	C.CAPACITOR CH 50V 0.01U	2	
C131,32	ECUX1H102JCV	C.CAPACITOR CH 50V 1000P	2	
C133,34	ECEV1EV330Q	E.CAPACITOR CH 25V 33U	2	
C135,36	ECUX1H103KBV	C.CAPACITOR CH 50V 0.01U	2	
C160,61	ECUX1H102JCV	C.CAPACITOR CH 50V 1000P	2	
C162	ECUX1H103KBV	C.CAPACITOR CH 50V 0.01U	1	
C163,64	ECUX1H100DCV	C.CAPACITOR CH 50V 10P	2	
C165	ECUX1H103KBV	C.CAPACITOR CH 50V 0.01U	1	
C166,67	ECEV1EV330Q	E.CAPACITOR CH 25V 33U	2	

Ref. No.	Part No.	Part Name & Description	Pcs	Remark
C168	ECUX1H103KBV	C.CAPACITOR CH 50V 0.01U	1	
C170,71	ECUX1H102JCV	C.CAPACITOR CH 50V 1000P	2	
C172	ECUX1H103KBV	C.CAPACITOR CH 50V 0.01U	1	
C173,74	ECEV1EV330Q	E.CAPACITOR CH 25V 33U	2	
C175	ECUX1H103KBV	C.CAPACITOR CH 50V 0.01U	1	
C202,03	ECUX1H103KBV	C.CAPACITOR CH 50V 0.01U	2	
C204	ECEV1CV470Q	E.CAPACITOR CH 16V 47U	1	
C205-07	ECUX1H103KBV	C.CAPACITOR CH 50V 0.01U	3	
C211	ECEV1CV470Q	E.CAPACITOR CH 16V 47U	1	
C212,13	ECUX1H103KBV	C.CAPACITOR CH 50V 0.01U	2	
C214	ECEV1CV470Q	E.CAPACITOR CH 16V 47U	1	
C215,16	ECUX1C104KBV	C.CAPACITOR CH 16V 0.1U	2	
C218,19	ECUX1H103KBV	C.CAPACITOR CH 50V 0.01U	2	
C220	ECCF1H330JC	C.CAPACITOR 50V 33P	1	
C230-32	ECUX1H102JCV	C.CAPACITOR CH 50V 1000P	3	
C233-36	ECUX1H103KBV	C.CAPACITOR CH 50V 0.01U	4	
C237	ECEV1CV470Q	E.CAPACITOR CH 16V 47U	1	
C238	ECUX1H103KBV	C.CAPACITOR CH 50V 0.01U	1	
C239	ECEV1CV470Q	E.CAPACITOR CH 16V 47U	1	
C240-43	ECUX1H103KBV	C.CAPACITOR CH 50V 0.01U	4	
C246-51	ECUX1H103KBV	C.CAPACITOR CH 50V 0.01U	6	
C260,61	ECUX1H103KBV	C.CAPACITOR CH 50V 0.01U	2	
C263-70	ECUX1H103KBV	C.CAPACITOR CH 50V 0.01U	8	
C280-86	ECUX1H103KBV	C.CAPACITOR CH 50V 0.01U	7	
C300	ECUX1H103KBV	C.CAPACITOR CH 50V 0.01U	1	
C303	ECEV1CV470Q	E.CAPACITOR CH 16V 47U	1	
C304-07	ECUX1H103KBV	C.CAPACITOR CH 50V 0.01U	4	
C309	ECEV1CV470Q	E.CAPACITOR CH 16V 47U	1	
C322	ECUX1C104ZfV	C.CAPACITOR CH 16V 0.1U	1	
C323	ECEV1CV100Q	E.CAPACITOR CH 16V 10U	1	
C328	ECUX1C104ZfV	C.CAPACITOR CH 16V 0.1U	1	
C329	ECEV1CV100Q	E.CAPACITOR CH 16V 10U	1	
C333	ECUX1H103KBV	C.CAPACITOR CH 50V 0.01U	1	
C335,36	ECUX1H050CCV	C.CAPACITOR CH 50V 5P	2	
C337	ECUX1H103KBV	C.CAPACITOR CH 50V 0.01U	1	
C340	ECUM1H104ZfN	C.CAPACITOR CH 50V 0.1U	1	
C341	ECA1EXLV101X	E.CAPACITOR 25V 100U	1	
C342,43	ECUX1H103KBV	C.CAPACITOR CH 50V 0.01U	2	
C344	ECUX1H682KBV	C.CAPACITOR CH 50V 6800P	1	
C345	ECA1EXLV101X	E.CAPACITOR 25V 100U	1	
C346	ECUM1H104ZfN	C.CAPACITOR CH 50V 0.1U	1	
C347,48	ECUX1C104KBV	C.CAPACITOR CH 16V 0.1U	2	
C349-53	ECUX1H103KBV	C.CAPACITOR CH 50V 0.01U	5	
C354	ECUX1H102JCV	C.CAPACITOR CH 50V 1000P	1	
C355	ECUX1H103KBV	C.CAPACITOR CH 50V 0.01U	1	
C356	ECUX1C104KBV	C.CAPACITOR CH 16V 0.1U	1	
C357	ECUX1H682KBV	C.CAPACITOR CH 50V 6800P	1	
C358	ECA1EXLV101X	E.CAPACITOR 25V 100U	1	
C359	ECUM1H104ZfN	C.CAPACITOR CH 50V 0.1U	1	
C360	ECA1EXLV101X	E.CAPACITOR 25V 100U	1	
C361	ECUM1H104ZfN	C.CAPACITOR CH 50V 0.1U	1	
C362	ECA1EXLV101X	E.CAPACITOR 25V 100U	1	
C380,81	ECUX1H103KBV	C.CAPACITOR CH 50V 0.01U	2	
C382	ECEV1CV470Q	E.CAPACITOR CH 16V 47U	1	

Ref. No.	Part No.	Part Name & Description	Pcs	Remark
C383	ECUX1H682KBV	C.CAPACITOR CH 50V 6800P	1	
C384	ECEV1CV470Q	E.CAPACITOR CH 16V 47U	1	
C385,86	ECUX1H103KBV	C.CAPACITOR CH 50V 0.01U	2	
C387	ECEV1CV470Q	E.CAPACITOR CH 16V 47U	1	
C388	ECUX1H682KBV	C.CAPACITOR CH 50V 6800P	1	
C389	ECEV1CV470Q	E.CAPACITOR CH 16V 47U	1	
C390	ECUX1H103KBV	C.CAPACITOR CH 50V 0.01U	1	
C391	ECEV1CV470Q	E.CAPACITOR CH 16V 47U	1	
C400	ECEV1CV470Q	E.CAPACITOR CH 16V 47U	1	
C401-03	ECUX1H103KBV	C.CAPACITOR CH 50V 0.01U	3	
C404-06	ECUX1C104KBV	C.CAPACITOR CH 16V 0.1U	3	
C407	ECEV1CV100Q	E.CAPACITOR CH 16V 10U	1	
C408	ECUX1H103KBV	C.CAPACITOR CH 50V 0.01U	1	
C409-11	ECUX1C104KBV	C.CAPACITOR CH 16V 0.1U	3	
C412	ECUM1C224ZFB	C.CAPACITOR CH 16V 0.22U	1	
C413	ECUX1H103KBV	C.CAPACITOR CH 50V 0.01U	1	
C414	ECUM1C105KBM	C.CAPACITOR CH 16V 1U	1	
C415	ECUX1H152KBV	C.CAPACITOR CH 50V 1500P	1	
C416	ECUX1H103KBV	C.CAPACITOR CH 50V 0.01U	1	
C417	ECUX1C104KBV	C.CAPACITOR CH 16V 0.1U	1	
C418	ECUX1H103KBV	C.CAPACITOR CH 50V 0.01U	1	
C419	ECEV1EV220Q	E.CAPACITOR CH 25V 22U	1	
C420	ECEV1CV100Q	E.CAPACITOR CH 16V 10U	1	
C421	ECUX1H103KBV	C.CAPACITOR CH 50V 0.01U	1	
C422	ECUX1H331JCV	C.CAPACITOR CH 50V 330P	1	
C423	ECEV1CV470Q	E.CAPACITOR CH 16V 47U	1	
C424-27	ECUX1H103KBV	C.CAPACITOR CH 50V 0.01U	4	
C428,29	ECUX1C104KBV	C.CAPACITOR CH 16V 0.1U	2	
C430	ECUX1H103KBV	C.CAPACITOR CH 50V 0.01U	1	
C431	ECEV1CV100Q	E.CAPACITOR CH 16V 10U	1	
C432-34	ECUX1C104KBV	C.CAPACITOR CH 16V 0.1U	3	
C450	ECUX1E223KBV	C.CAPACITOR CH 25V 0.023U	1	
C451,52	ECUX1H103KBV	C.CAPACITOR CH 50V 0.01U	2	
C453,54	ECUM1E473KBN	C.CAPACITOR CH 25V 0.047U	2	
C455	ECUM1H104ZFN	C.CAPACITOR CH 50V 0.1U	1	
C456	ECEV1HV2R2Q	E.CAPACITOR CH 50V 2.2U	1	
C457	ECUM1H104ZFN	C.CAPACITOR CH 50V 0.1U	1	
C458,59	ECEV1HV2R2Q	E.CAPACITOR CH 50V 2.2U	2	
C460	ECUM1H104ZFN	C.CAPACITOR CH 50V 0.1U	1	
C461	ECUM1E473KBN	C.CAPACITOR CH 25V 0.047U	1	
C462	ECUX1H472KBV	C.CAPACITOR CH 50V 4700P	1	
C463	ECUX1C333KBV	C.CAPACITOR CH 16V 0.033U	1	
C464	ECUX1H472KBV	C.CAPACITOR CH 50V 4700P	1	
C465	ECUX1C333KBV	C.CAPACITOR CH 16V 0.033U	1	
C466	ECUX1H472KBV	C.CAPACITOR CH 50V 4700P	1	
C467	ECUX1C333KBV	C.CAPACITOR CH 16V 0.033U	1	
C468,69	ECUX1C104KBV	C.CAPACITOR CH 16V 0.1U	2	
C470	ECUX1H103KBV	C.CAPACITOR CH 50V 0.01U	1	
C471	ECEV1CV100Q	E.CAPACITOR CH 16V 10U	1	
C472	ECUM1C474KBM	C.CAPACITOR CH 16V 0.47U	1	
C473	ECUX1E223KBV	C.CAPACITOR CH 25V 0.023U	1	
C474,75	ECUM1E473KBN	C.CAPACITOR CH 25V 0.047U	2	
C476	ECUM1H104ZFN	C.CAPACITOR CH 50V 0.1U	1	
C477,78	ECEV1HV2R2Q	E.CAPACITOR CH 50V 2.2U	2	



Ref. No.	Part No.	Part Name & Description	Pcs	Remark
C479	ECUM1H104ZFN	C.CAPACITOR CH 50V 0.1U	1	
C480	ECEV1HV2R2Q	E.CAPACITOR CH 50V 2.2U	1	
C481	ECUM1H104ZFN	C.CAPACITOR CH 50V 0.1U	1	
C482	ECUM1E473KBN	C.CAPACITOR CH 25V 0.047U	1	
C483	ECUX1H472KBV	C.CAPACITOR CH 50V 4700P	1	
C484	ECUX1C333KBV	C.CAPACITOR CH 16V 0.033U	1	
C485	ECUX1H472KBV	C.CAPACITOR CH 50V 4700P	1	
C486	ECUX1C333KBV	C.CAPACITOR CH 16V 0.033U	1	
C487	ECUX1H472KBV	C.CAPACITOR CH 50V 4700P	1	
C488	ECUX1C333KBV	C.CAPACITOR CH 16V 0.033U	1	
C489,90	ECUX1C104KBV	C.CAPACITOR CH 16V 0.1U	2	
C491	ECUX1H103KBV	C.CAPACITOR CH 50V 0.01U	1	
C492	ECEV1CV100Q	E.CAPACITOR CH 16V 10U	1	
C493	ECUM1C474KBM	C.CAPACITOR CH 16V 0.47U	1	
C510	ECUX1H103KBV	C.CAPACITOR CH 50V 0.01U	1	
C511	ECEV1CV470Q	E.CAPACITOR CH 16V 47U	1	
C512,13	ECUX1H103KBV	C.CAPACITOR CH 50V 0.01U	2	
C514	ECEV1CV470Q	E.CAPACITOR CH 16V 47U	1	
C515	ECUX1H103KBV	C.CAPACITOR CH 50V 0.01U	1	
C516	ECEV1EV330Q	E.CAPACITOR CH 25V 33U	1	
C517-19	ECUX1H103KBV	C.CAPACITOR CH 50V 0.01U	3	
C520	ECEV1EV330Q	E.CAPACITOR CH 25V 33U	1	
C521	ECUX1H103KBV	C.CAPACITOR CH 50V 0.01U	1	
C522,23	ECEV1HV010Q	E.CAPACITOR CH 50V 1U	2	
C524	ECEV1EV330Q	E.CAPACITOR CH 25V 33U	1	
C525	ECUX1H103KBV	C.CAPACITOR CH 50V 0.01U	1	
C526	ECEV1EV330Q	E.CAPACITOR CH 25V 33U	1	
C527,28	ECUX1H103KBV	C.CAPACITOR CH 50V 0.01U	2	
C529	ECEV1EV330Q	E.CAPACITOR CH 25V 33U	1	
C530-32	ECUX1H103KBV	C.CAPACITOR CH 50V 0.01U	3	
C533	ECEV1AV330Q	E.CAPACITOR CH 10V 33U	1	
C534	ECUX1H103KBV	C.CAPACITOR CH 50V 0.01U	1	
C535	ECEV1EV330Q	E.CAPACITOR CH 25V 33U	1	
C536	ECUX1H103KBV	C.CAPACITOR CH 50V 0.01U	1	
C537	ECEV1HV010Q	E.CAPACITOR CH 50V 1U	1	
C538	ECEV1EV330Q	E.CAPACITOR CH 25V 33U	1	
C539	ECUX1H103KBV	C.CAPACITOR CH 50V 0.01U	1	
C600,01	ECUX1H103KBV	C.CAPACITOR CH 50V 0.01U	2	
C701-04	ECUX1H472KBV	C.CAPACITOR CH 50V 4700P	4	
C705-10	ECUX1H103KBV	C.CAPACITOR CH 50V 0.01U	6	
C711	ECUX1H102JCV	C.CAPACITOR CH 50V 1000P	1	
C712	ECUX1H682KBV	C.CAPACITOR CH 50V 6800P	1	
C713,14	ECEV1CV100Q	E.CAPACITOR CH 16V 10U	2	
C715	ECUX1C104ZFN	C.CAPACITOR CH 16V 0.1U	1	
C716-18	ECUX1H103KBV	C.CAPACITOR CH 50V 0.01U	3	
C721	ECUX1H102JCV	C.CAPACITOR CH 50V 1000P	1	
C722	ECUX1H682KBV	C.CAPACITOR CH 50V 6800P	1	
C723,24	ECEV1CV100Q	E.CAPACITOR CH 16V 10U	2	
C725	ECUX1C104ZFN	C.CAPACITOR CH 16V 0.1U	1	
C726-30	ECUX1H103KBV	C.CAPACITOR CH 50V 0.01U	5	
C735,36	ECUX1H103KBV	C.CAPACITOR CH 50V 0.01U	2	
C738	ECUX1H103KBV	C.CAPACITOR CH 50V 0.01U	1	
C740,41	ECUX1H150JCV	C.CAPACITOR CH 50V 15P	2	

Ref. No.	Part No.	Part Name & Description	Pcs	Remark
C742,43	ECUX1H103KBV	C.CAPACITOR CH 50V 0.01U	2	
C744	ECUM1C224ZFV	C.CAPACITOR CH 16V 0.22U	1	
C901-05	ECUX1H103KBV	C.CAPACITOR CH 50V 0.01U	5	
C911	ECUX1H681KBV	C.CAPACITOR CH 50V 680P	1	
C912,13	ECUX1H103KBV	C.CAPACITOR CH 50V 0.01U	2	
C914	ECUX1H471JCV	C.CAPACITOR CH 50V 470P	1	
C915	ECUX1H150JCV	C.CAPACITOR CH 50V 15P	1	
C916	ECUX1C104KBV	C.CAPACITOR CH 16V 0.1U	1	
C921	ECUX1H681KBV	C.CAPACITOR CH 50V 680P	1	
C922,23	ECUX1H103KBV	C.CAPACITOR CH 50V 0.01U	2	
C924	ECUX1H471JCV	C.CAPACITOR CH 50V 470P	1	
C925	ECUX1H150JCV	C.CAPACITOR CH 50V 15P	1	
C926	ECUX1C104KBV	C.CAPACITOR CH 16V 0.1U	1	
C931-34	ECUX1H103KBV	C.CAPACITOR CH 50V 0.01U	4	
C935,36	ECUX1C104KBV	C.CAPACITOR CH 16V 0.1U	2	
C941	ECUM1H123KBV	C.CAPACITOR CH 50V 0.012U	1	
C942	ECUM1C224ZFV	C.CAPACITOR CH 16V 0.22U	1	
C943,44	ECUX1H103KBV	C.CAPACITOR CH 50V 0.01U	2	
C946-48	ECUX1H103KBV	C.CAPACITOR CH 50V 0.01U	3	
C951-55	ECUX1H103KBV	C.CAPACITOR CH 50V 0.01U	5	
C960,61	ECUX1C104KBV	C.CAPACITOR CH 16V 0.1U	2	
D1,D2	MA147	DIODE	2	
D3,D4	MA8075-H	DIODE	2	
D30,31	MA8030	DIODE	2	
D32	MA8047-H	DIODE	1	
D33-35	MA142K	DIODE	3	
D80-83	MA147	DIODE	4	
D120-23	MA147	DIODE	4	
D160-63	MA147	DIODE	4	
D201	MA142K	DIODE	1	
D202	MA8047-H	DIODE	1	
D203	MA142K	DIODE	1	
D204,05	MA8047-H	DIODE	2	
D206-08	MA142K	DIODE	3	
D300-02	LN1251CAL	DIODE	3	
D340	MA728	DIODE	1	
D341	MA736	DIODE	1	
D342	MA728	DIODE	1	
D343	MA736	DIODE	1	
D344	MA8039-L	DIODE	1	
D380	MA728	DIODE	1	
D381	MA736	DIODE	1	
D382	MA728	DIODE	1	
D383	MA736	DIODE	1	
D400-05	MA738	DIODE	6	
D406,07	MA8047-H	DIODE	2	
D408-13	MA738	DIODE	6	
D450	MA142K	DIODE	1	
D451-56	MA738	DIODE	6	
D457	MA142K	DIODE	1	
D458-63	MA738	DIODE	6	
D510-13	MA701A	DIODE	4	
D514-19	MA704A	DIODE	6	

Ref. No.	Part No.	Part Name & Description	Pcs	Remark
D701-07	MA142K	DIODE	7	
D711-14	MA147	DIODE	4	
D715	MA142K	DIODE	1	
D911-16	MA147	DIODE	6	
D921,22	MA142K	DIODE	2	
FL320,21	VLF0576	FILTER	2	
FL510-15	VLF0576	FILTER	6	
IC1	TC7WU04F	IC	1	
IC2	UPC4082G2	IC	1	
IC3	TC4052BF	IC	1	
IC30	UPC4082G2	IC	1	
IC31	NJM4580ED	IC	1	
IC32	AD633JR	IC	1	
IC33	UPC4082G2	IC	1	
IC34	TCVHC74FS	IC	1	
IC35	TC7W00F	IC	1	
IC60,61	MC74HC08AF	IC	2	
IC63-66	TCVHC74FS	IC	4	
IC67	MC74HC157AF	IC	1	
IC68	T74HC191AF	IC	1	
IC69	MC74HC32AF	IC	1	
IC70	MC74HC86AF	IC	1	
IC71	MC74HC04AF	IC	1	
IC72	TCVHC74FS	IC	1	
IC73	TCVHC11FS	IC	1	
IC74	MC74HC27F	IC	1	
IC80,81	UPC4741G2	IC	2	
IC82	NJM2901M	IC	1	
IC83	MC74HC4050F	IC	1	
IC120,21	UPC4741G2	IC	2	

Ref. No.	Part No.	Part Name & Description	Pcs	Remark
IC160	NJM2903M	IC	1	
IC161,62	UPC4741G2	IC	2	
IC200	ADG408BR	IC	1	
IC201	AD7896AR	IC	1	
IC202	AD7943BR	IC	1	
IC203	SMP08FS	IC	1	
IC204	TCVHC244FS	IC	1	
IC207	UPC4082G2	IC	1	
IC230	MC68332CFC25	IC	1	
IC231	TL7705CPSB	IC	1	
IC235	VSI2579B	IC	1	
IC236,37	74AC74SJ	IC	2	
IC240	74AC08SJ	IC	1	
IC241	MC74HC244AF	IC	1	
IC260,61	Y7C18525SC	IC	2	
IC262	IDT71321A55	IC	1	
IC263,64	SN74S1051NS	IC	2	
IC265	TCVHC175FS	IC	1	
IC266	TCVHC164FS	IC	1	
IC267	TCVHC273FS	VHC	1	
IC268	MC74HC74AF	IC	1	
IC269	MC74HC86AF	IC	1	
IC280	TCVHC244FS	IC	1	
IC281	MC74HC151F	IC	1	
IC282	SLA909SF1G	IC	1	
IC300	TE7751	IC	1	
IC301,02	MC74HC244AF	IC	2	
IC304,05	MC74HC244AF	IC	2	
IC324	T74VHCU04F	IC	1	
IC325	74AC74SJ	IC	1	
IC340	TL1451CNS	IC	1	
IC341	UPC393G2	IC	1	
IC342	NJM4580ED	IC	1	
IC400,01	AN3890FBS	IC	2	
IC402	NJM4580ED	IC	1	
IC403	NJM2903M	IC	1	
IC404	NJM4580ED	IC	1	
IC450,51	AN3834S	IC	2	
IC452	UPC4558G2	IC	1	
IC510,11	NJM78L09UA	IC	2	
IC512,13	NJM79L09UA	IC	2	
IC514	XC62AP5002P	IC	1	
IC515,16	XC62AP3002P	IC	2	
IC517	NJM79L05UA	IC	1	
IC600	NJM2903M	IC	1	
IC701,02	UPC4741G2	IC	2	
IC703	MC14052BF	IC	1	
IC704	UPC4082G2	IC	1	
IC705,06	TC7WU04F	IC	2	
IC708	TCVHC14FS	IC	1	
IC711	TCVHC74FS	IC	1	
IC712	MC74HC74AF	IC	1	
IC713,14	SC371025AVFU	IC	2	
IC715	TCVHC157FS	IC	1	

Ref. No.	Part No.	Part Name & Description	Pcs	Remark
IC716	TC7WU04F	IC	1	
IC717	TCVHC32FS	IC	1	
IC901	T74VHCT244F	IC	1	
IC902	TCVHC74FS	IC	1	
IC903	MC74HC74AF	IC	1	
IC904	TC7WU04F	IC	1	
IC910	MC14052BF	IC	1	
IC911	MC14053BF	IC	1	
IC912	MC74HC574AF	IC	1	
IC913	TCVHC74FS	IC	1	
IC915-17	UPC4082G2	IC	3	
IC918	CXA1211M	IC	1	
IC921	UPC4741G2	IC	1	
IC922	MC14538BF	IC	1	
IS235	VJS3096640	CONNECTOR (FEMALE)	1	
L230,31	VLQ0576	COIL	2	
L340	VLQ0504331K	COIL 330UH	1	
L341	VLQ0407120M	COIL 12UH	1	
L342	VLQ0504331K	COIL 330UH	1	
L380	VLQ0407120M	COIL 12UH	1	
L381,82	VLQ0504331K	COIL 330UH	2	
L510	VLP0133	COIL	1	
L901,02	ELJFA221JF	COIL 220UH	2	
P1,P2	VJP3454B096	CONNECTOR (MALE)	2	
Q1	2SD601A-R	TRANSISTOR	1	
Q2,Q3	2SB709A-R	TRANSISTOR	2	
Q4	2SD601A-R	TRANSISTOR	1	
Q5	2SB709A-R	TRANSISTOR	1	
Q6	2SD601A-R	TRANSISTOR	1	
Q340,41	2SB1174-Q	TRANSISTOR	2	
Q380,81	2SB1174-Q	TRANSISTOR	2	
Q400	PU3210	TRANSISTOR	1	
Q401	PU3110	TRANSISTOR	1	
Q402	PU3210	TRANSISTOR	1	
Q403	PU3110	TRANSISTOR	1	
Q510,11	2SD601A-R	TRANSISTOR	2	
Q901,02	2SC3735	TRANSISTOR	2	
QR1	UN5213	TRANSISTOR-RESISTOR	1	
QR2	UN5113	TRANSISTOR-RESISTOR	1	
QR3	UN5215	TRANSISTOR-RESISTOR	1	
QR4	UN5115	TRANSISTOR-RESISTOR	1	
QR5,R6	UN5213	TRANSISTOR-RESISTOR	2	
QR7,R8	UN5113	TRANSISTOR-RESISTOR	2	
QR30	UN5213	TRANSISTOR-RESISTOR	1	
QR81,82	UN5213	TRANSISTOR-RESISTOR	2	
QR83	UN5113	TRANSISTOR-RESISTOR	1	
QR84	UN5213	TRANSISTOR-RESISTOR	1	
QR85	UN5113	TRANSISTOR-RESISTOR	1	
QR120	UN5213	TRANSISTOR-RESISTOR	1	

Ref. No.	Part No.	Part Name & Description	Pcs	Remark
QR121	UN5113	TRANSISTOR-RESISTOR	1	
QR122	UN5213	TRANSISTOR-RESISTOR	1	
QR123	UN5113	TRANSISTOR-RESISTOR	1	
QR124	UN5213	TRANSISTOR-RESISTOR	1	
QR160	UN5213	TRANSISTOR-RESISTOR	1	
QR161	UN5113	TRANSISTOR-RESISTOR	1	
QR162	UN5213	TRANSISTOR-RESISTOR	1	
QR163	UN5113	TRANSISTOR-RESISTOR	1	
QR164	UN5213	TRANSISTOR-RESISTOR	1	
QR340,41	UN5111	TRANSISTOR-RESISTOR	2	
QR400	UN5213	TRANSISTOR-RESISTOR	1	
QR401	UN5113	TRANSISTOR-RESISTOR	1	
QR600	UN5217	TRANSISTOR-RESISTOR	1	
QR601	UN5211	TRANSISTOR-RESISTOR	1	
QR701,02	UN5213	TRANSISTOR-RESISTOR	2	
R1-R3	ERJ3GEYG102	M.RESISTOR CH 1/16W 1K	3	
R4	ERJ3RBD471	M.RESISTOR CH 3W 470	1	
R5	ERJ3GEYG102	M.RESISTOR CH 1/16W 1K	1	
R6	ERJ3RBD471	M.RESISTOR CH 3W 470	1	
R7	ERJ3GEYG152	M.RESISTOR CH 1/16W 1.5K	1	
R8	ERJ3GEYJ563	M.RESISTOR CH 1/16W 56K	1	
R9,10	ERJ3GEYJ104	M.RESISTOR CH 1/16W 100K	2	
R11	ERJ3GEYJ563	M.RESISTOR CH 1/16W 56K	1	
R12,13	ERJ3GEYJ103	M.RESISTOR CH 1/16W 10K	2	
R14	ERJ3GEYJ274	M.RESISTOR CH 1/16W 270K	1	
R15	ERJ3GEYJ823	M.RESISTOR CH 1/16W 82K	1	
R16	ERJ3GEYJ153	M.RESISTOR CH 1/16W 15K	1	
R17	ERJ6GEYG272	M.RESISTOR CH 1/10W 2.7K	1	
R18	ERJ3GEYJ823	M.RESISTOR CH 1/16W 82K	1	
R19,20	ERJ3GEYJ103	M.RESISTOR CH 1/16W 10K	2	
R21	ERJ3GEYJ104	M.RESISTOR CH 1/16W 100K	1	
R32	ERJ3GEYJ103	M.RESISTOR CH 1/16W 10K	1	
R33	ERJ3RBD122	M.RESISTOR CH 3W 1.2K	1	
R34	ERJ3RBD563	M.RESISTOR CH 3W 56K	1	
R35	ERJ3GEYJ223	M.RESISTOR CH 1/16W 22K	1	
R36	ERJ6RBD562	M.RESISTOR CH 1/10W 5.6K	1	
R37	ERJ3RBD823	M.RESISTOR CH 3W 82K	1	
R38,39	ERJ3RBD222	M.RESISTOR CH 3W 2.2K	2	
R40	ERJ3GEYJ222	M.RESISTOR CH 1/16W 2.2K	1	
R41	ERJ3GEYJ562	M.RESISTOR CH 1/16W 5.6K	1	
R42	ERJ3GEYG682	M.RESISTOR CH 1/16W 6.8K	1	
R43-45	ERJ3GEYJ103	M.RESISTOR CH 1/16W 10K	3	
R48	ERJ3GEYJ103	M.RESISTOR CH 1/16W 10K	1	
R49	ERJ3GEYJ222	M.RESISTOR CH 1/16W 2.2K	1	
R50	ERJ3RBD471	M.RESISTOR CH 3W 470	1	
R51	ERJ3RBD562	M.RESISTOR CH 3W 5.2K	1	
R52	ERJ3RBD471	M.RESISTOR CH 3W 470	1	
R53	ERJ3RBD823	M.RESISTOR CH 3W 82K	1	
R54	ERJ3GEYJ562	M.RESISTOR CH 1/16W 5.6K	1	

Ref. No.	Part No.	Part Name & Description	Pcs	Remark
R55	ERJ3GEYG682	M.RESISTOR CH 1/16W 6.8K	1	
R56-58	ERJ3GEY0R00	M.RESISTOR CH 1/16W 0	3	
R59	ERJ3GEYJ103	M.RESISTOR CH 1/16W 10K	1	
R60	ERJ3GEYJ101	M.RESISTOR CH 1/16W 100	1	
R61-66	ERJ3GEY0R00	M.RESISTOR CH 1/16W 0	6	
R69-77	ERJ3GEY0R00	M.RESISTOR CH 1/16W 0	9	
R80,81	ERJ3GEYJ222	M.RESISTOR CH 1/16W 2.2K	2	
R82,83	ERJ3RBD223	M.RESISTOR CH 3W 22K	2	
R84	ERJ3GEYJ474	M.RESISTOR CH 1/16W 470K	1	
R85	ERJ3GEYJ103	M.RESISTOR CH 1/16W 10K	1	
R86	ERJ3GEYJ474	M.RESISTOR CH 1/16W 470K	1	
R87,88	ERJ3GEYJ103	M.RESISTOR CH 1/16W 10K	2	
R89,90	ERJ3RED224	M.RESISTOR CH 3W 220K	2	
R91,92	ERJ3GEYJ154	M.RESISTOR CH 1/16W 150K	2	
R93	ERJ3GEYJ562	M.RESISTOR CH 1/16W 5.6K	1	
R94	ERJ3GEYJ224	M.RESISTOR CH 1/16W 220K	1	
R95	ERJ3GEYJ562	M.RESISTOR CH 1/16W 5.6K	1	
R96	ERJ3GEYJ273	M.RESISTOR CH 1/16W 27K	1	
R97	ERJ3GEYJ333	M.RESISTOR CH 1/16W 33K	1	
R98,99	ERJ3GEYJ222	M.RESISTOR CH 1/16W 2.2K	2	
R100,01	ERJ3GEYJ103	M.RESISTOR CH 1/16W 10K	2	
R102,03	ERJ3RED224	M.RESISTOR CH 3W 220K	2	
R104	ERJ3GEYJ562	M.RESISTOR CH 1/16W 5.6K	1	
R105	ERJ3GEYJ224	M.RESISTOR CH 1/16W 220K	1	
R106	ERJ3GEYJ562	M.RESISTOR CH 1/16W 5.6K	1	
R107	ERJ3GEYJ273	M.RESISTOR CH 1/16W 27K	1	
R108	ERJ3GEYJ333	M.RESISTOR CH 1/16W 33K	1	
R109	ERJ3GEYJ103	M.RESISTOR CH 1/16W 10K	1	
R120,21	ERJ3GEYJ222	M.RESISTOR CH 1/16W 2.2K	2	
R122,23	ERJ3RBD223	M.RESISTOR CH 3W 22K	2	
R124	ERJ3GEYJ103	M.RESISTOR CH 1/16W 10K	1	
R125	ERJ3GEYJ474	M.RESISTOR CH 1/16W 470K	1	
R126	ERJ3GEYJ103	M.RESISTOR CH 1/16W 10K	1	
R127	ERJ3GEYJ474	M.RESISTOR CH 1/16W 470K	1	
R128,29	ERJ3GEYJ103	M.RESISTOR CH 1/16W 10K	2	
R130,31	ERJ3RED224	M.RESISTOR CH 3W 220K	2	
R132,33	ERJ3GEYJ154	M.RESISTOR CH 1/16W 150K	2	
R134	ERJ3GEYJ103	M.RESISTOR CH 1/16W 10K	1	
R135	ERJ3GEYJ224	M.RESISTOR CH 1/16W 220K	1	
R136	ERJ3GEYJ562	M.RESISTOR CH 1/16W 5.6K	1	
R137	ERJ3GEYJ273	M.RESISTOR CH 1/16W 27K	1	
R138	ERJ3GEYJ333	M.RESISTOR CH 1/16W 33K	1	
R139,40	ERJ3GEYJ222	M.RESISTOR CH 1/16W 2.2K	2	
R141,42	ERJ3GEYJ103	M.RESISTOR CH 1/16W 10K	2	
R143,44	ERJ3RED224	M.RESISTOR CH 3W 220K	2	
R145	ERJ3GEYJ103	M.RESISTOR CH 1/16W 10K	1	
R146	ERJ3GEYJ224	M.RESISTOR CH 1/16W 220K	1	
R147	ERJ3GEYJ562	M.RESISTOR CH 1/16W 5.6K	1	
R148	ERJ3GEYJ273	M.RESISTOR CH 1/16W 27K	1	
R149	ERJ3GEYJ333	M.RESISTOR CH 1/16W 33K	1	
R160,61	ERJ3GEYJ222	M.RESISTOR CH 1/16W 2.2K	2	
R162,63	ERJ3RBD223	M.RESISTOR CH 3W 22K	2	
R164	ERJ3GEYJ103	M.RESISTOR CH 1/16W 10K	1	
R165	ERJ3GEYJ474	M.RESISTOR CH 1/16W 470K	1	

Ref. No.	Part No.	Part Name & Description	Pcs	Remark
R166	ERJ3GEYJ103	M.RESISTOR CH 1/16W 10K	1	
R167	ERJ3GEYJ474	M.RESISTOR CH 1/16W 470K	1	
R168,69	ERJ3GEYJ103	M.RESISTOR CH 1/16W 10K	2	
R170,71	ERJ3RED224	M.RESISTOR CH 3W 220K	2	
R172	ERJ3GEYJ103	M.RESISTOR CH 1/16W 10K	1	
R173	ERJ3GEYJ224	M.RESISTOR CH 1/16W 220K	1	
R174	ERJ3GEYJ562	M.RESISTOR CH 1/16W 5.6K	1	
R175	ERJ3GEYJ273	M.RESISTOR CH 1/16W 27K	1	
R176	ERJ3GEYJ333	M.RESISTOR CH 1/16W 33K	1	
R177,78	ERJ3GEYJ154	M.RESISTOR CH 1/16W 150K	2	
R179,80	ERJ3GEYJ222	M.RESISTOR CH 1/16W 2.2K	2	
R181,82	ERJ3GEYJ103	M.RESISTOR CH 1/16W 10K	2	
R183,84	ERJ3RED224	M.RESISTOR CH 3W 220K	2	
R185	ERJ3GEYJ103	M.RESISTOR CH 1/16W 10K	1	
R186	ERJ3GEYJ224	M.RESISTOR CH 1/16W 220K	1	
R187	ERJ3GEYJ562	M.RESISTOR CH 1/16W 5.6K	1	
R188	ERJ3GEYJ273	M.RESISTOR CH 1/16W 27K	1	
R189	ERJ3GEYJ333	M.RESISTOR CH 1/16W 33K	1	
R203	ERJ3GEYG471	M.RESISTOR CH 1/16W 470	1	
R204,05	ERJ3RBD332	M.RESISTOR CH 3W 3.3K	2	
R206	ERJ3GEYG102	M.RESISTOR CH 1/16W 1K	1	
R214	ERJ3GEYG471	M.RESISTOR CH 1/16W 470	1	
R215,16	ERJ3GEYJ681	M.RESISTOR CH 1/16W 680	2	
R217,18	ERJ3GEYG102	M.RESISTOR CH 1/16W 1K	2	
R222	ERJ3GEY0R00	M.RESISTOR CH 1/16W 0	1	
R234	ERJ3GEYJ103	M.RESISTOR CH 1/16W 10K	1	
R235-43	ERJ3GEYJ562	M.RESISTOR CH 1/16W 5.6K	9	
R244	ERJ3GEYJ101	M.RESISTOR CH 1/16W 100	1	
R245	ERJ3GEYJ103	M.RESISTOR CH 1/16W 10K	1	
R246	ERJ3GEYG102	M.RESISTOR CH 1/16W 1K	1	
R247	ERJ3GEY0R00	M.RESISTOR CH 1/16W 0	1	
R248-51	ERJ3GEYJ562	M.RESISTOR CH 1/16W 5.6K	4	
R259,60	ERJ3GEY0R00	M.RESISTOR CH 1/16W 0	2	
R261	ERJ3GEYJ101	M.RESISTOR CH 1/16W 100	1	
R262	ERJ3GEYJ473	M.RESISTOR CH 1/16W 47K	1	
R263,64	ERJ3GEYJ101	M.RESISTOR CH 1/16W 100	2	
R265	ERJ3GEYJ473	M.RESISTOR CH 1/16W 47K	1	
R266	ERJ3GEYG152	M.RESISTOR CH 1/16W 1.5K	1	
R267-69	ERJ3GEYJ101	M.RESISTOR CH 1/16W 100	3	
R270	ERJ3GEY0R00	M.RESISTOR CH 1/16W 0	1	
R275-78	ERJ3GEY0R00	M.RESISTOR CH 1/16W 0	4	
R280	ERJ3GEY0R00	M.RESISTOR CH 1/16W 0	1	
R281,82	ERJ3GEYG471	M.RESISTOR CH 1/16W 470	2	
R283-85	ERJ3GEYJ101	M.RESISTOR CH 1/16W 100	3	
R300	ERJ3GEYJ104	M.RESISTOR CH 1/16W 100K	1	
R301	ERJ3GEYG102	M.RESISTOR CH 1/16W 1K	1	
R305	ERJ3GEYJ103	M.RESISTOR CH 1/16W 10K	1	
R314-16	ERJ3GEYJ222	M.RESISTOR CH 1/16W 2.2K	3	
R318,19	ERJ3GEYJ101	M.RESISTOR CH 1/16W 100	2	
R330	ERJ3GEYJ104	M.RESISTOR CH 1/16W 100K	1	
R331	ERJ3GEYJ271	M.RESISTOR CH 1/16W 270	1	
R332	ERJ3GEYJ391	M.RESISTOR CH 1/16W 390	1	
R340	ERJ6GEYG331	M.RESISTOR CH 1/10W 330	1	
R341	ERJ6GEYJ471	M.RESISTOR CH 1/10W 470	1	



Ref. No.	Part No.	Part Name & Description	Pcs	Remark
R342	ERJ3GEYJ153	M.RESISTOR CH 1/16W 15K	1	
R343	ERJ3GEYJ474	M.RESISTOR CH 1/16W 470K	1	
R344	ERJ6GEYG122	M.RESISTOR CH 1/10W 1.2K	1	
R345	ERJ3GEYJ394	M.RESISTOR CH 1/16W 390K	1	
R346	ERJ3GEYG102	M.RESISTOR CH 1/16W 1K	1	
R347	ERJ3GEYJ563	M.RESISTOR CH 1/16W 56K	1	
R348	ERJ3GEYJ103	M.RESISTOR CH 1/16W 10K	1	
R349	ERJ3GEYJ473	M.RESISTOR CH 1/16W 47K	1	
R350	ERJ3GEYJ183	M.RESISTOR CH 1/16W 18K	1	
R351-53	ERJ3GEYJ103	M.RESISTOR CH 1/16W 10K	3	
R354	ERJ3GEYJ104	M.RESISTOR CH 1/16W 100K	1	
R355	ERJ3GEYJ103	M.RESISTOR CH 1/16W 10K	1	
R356	ERJ3GEYJ104	M.RESISTOR CH 1/16W 100K	1	
R357	ERJ3GEYJ103	M.RESISTOR CH 1/16W 10K	1	
R358	ERJ3GEYJ394	M.RESISTOR CH 1/16W 390K	1	
R359	ERJ3GEYG102	M.RESISTOR CH 1/16W 1K	1	
R360	ERJ3GEYJ183	M.RESISTOR CH 1/16W 18K	1	
R361	ERJ3GEYJ473	M.RESISTOR CH 1/16W 47K	1	
R362,63	ERJ3GEYJ104	M.RESISTOR CH 1/16W 100K	2	
R364	ERJ3GEYJ183	M.RESISTOR CH 1/16W 18K	1	
R365	ERJ3GEYJ474	M.RESISTOR CH 1/16W 470K	1	
R366	ERJ3GEYJ153	M.RESISTOR CH 1/16W 15K	1	
R367	ERJ3GEYJ103	M.RESISTOR CH 1/16W 10K	1	
R368	ERJ3GEYG102	M.RESISTOR CH 1/16W 1K	1	
R369	ERJ6GEYG331	M.RESISTOR CH 1/10W 330	1	
R370	ERJ3GEYJ103	M.RESISTOR CH 1/16W 10K	1	
R371	ERJ3GEYJ563	M.RESISTOR CH 1/16W 56K	1	
R372	ERJ6GEYJ471	M.RESISTOR CH 1/10W 470	1	
R373	ERJ6GEYG122	M.RESISTOR CH 1/10W 1.2K	1	
R374,75	ERJ3GEY0R00	M.RESISTOR CH 1/16W 0	2	

Ref. No.	Part No.	Part Name & Description	Pcs	Remark
R380	ERJ6GEYG102	M.RESISTOR CH 1/10W 1K	1	
R381	ERJ6GEYG681	M.RESISTOR CH 1/10W 680	1	
R382	ERJ6GEYJ471	M.RESISTOR CH 1/10W 470	1	
R383	ERJ6GEYG102	M.RESISTOR CH 1/10W 1K	1	
R384	ERJ6GEYG681	M.RESISTOR CH 1/10W 680	1	
R385	ERJ6GEYJ471	M.RESISTOR CH 1/10W 470	1	
R400,01	ERJ3GEYG471	M.RESISTOR CH 1/16W 470	2	
R402	ERJ3RBD333	M.RESISTOR CH 3W 33K	1	
R403	ERJ3RBD222	M.RESISTOR CH 3W 2.2K	1	
R404,05	ERJ12YJR68	M.RESISTOR CH 1/2W 0.68	2	
R406,07	ERJ3GEYJ274	M.RESISTOR CH 1/16W 270K	2	
R408	ERJ3GEYJ222	M.RESISTOR CH 1/16W 2.2K	1	
R409	ERJ3GEYJ154	M.RESISTOR CH 1/16W 150K	1	
R410	ERJ3GEYJ272	M.RESISTOR CH 1/16W 2.7K	1	
R411	ERJ3GEYJ274	M.RESISTOR CH 1/16W 270K	1	
R412	ERJ3GEYJ272	M.RESISTOR CH 1/16W 2.7K	1	
R413	ERJ3GEYJ273	M.RESISTOR CH 1/16W 27K	1	
R414,15	ERJ3RBD223	M.RESISTOR CH 3W 22K	2	
R416	ERJ3GEYJ621	M.RESISTOR CH 3W 620	1	
R417	ERJ3GEYJ224	M.RESISTOR CH 1/16W 220K	1	
R418	ERJ3RBD223	M.RESISTOR CH 3W 22K	1	

Ref. No.	Part No.	Part Name & Description	Pcs	Remark
R420	ERJ3GEYG472	M.RESISTOR CH 1/16W 4.7K	1	
R421	ERJ3GEYJ274	M.RESISTOR CH 1/16W 270K	1	
R422	ERJ3GEYJ272	M.RESISTOR CH 1/16W 2.7K	1	
R423	ERJ3GEY0R00	M.RESISTOR CH 1/16W 0	1	
R424,25	ERJ3GEYJ223	M.RESISTOR CH 1/16W 22K	2	
R426	ERJ3RBD333	M.RESISTOR CH 3W 33K	1	
R427	ERJ3RBD222	M.RESISTOR CH 3W 2.2K	1	
R428,29	ERJ3GEYG471	M.RESISTOR CH 1/16W 470	2	
R430,31	ERJ12YJR68	M.RESISTOR CH 1/2W 0.68	2	
R432,33	ERJ3GEYJ473	M.RESISTOR CH 1/16W 47K	2	
R436,37	ERJ3GEY0R00	M.RESISTOR CH 1/16W 0	2	
R450	ERJ3RBD472	M.RESISTOR CH 1/10W 4.7K	1	
R451	ERJ3RBD122	M.RESISTOR CH 3W 1.2K	1	
R452	ERJ3GEYG102	M.RESISTOR CH 1/16W 1K	1	
R453-55	ERJ6GEYG330	M.RESISTOR CH 1/10W 33	3	
R456,57	ERJ12YJ2R2	M.RESISTOR CH 1/2W 2.2	2	
R458	ERJ3GEYJ393	M.RESISTOR CH 1/16W 39K	1	
R459	ERJ3GEYJ123	M.RESISTOR CH 1/16W 12K	1	
R460	ERJ3GEYJ271	M.RESISTOR CH 1/16W 270	1	
R461	ERJ3RBD472	M.RESISTOR CH 1/10W 4.7K	1	
R462	ERJ3RBD122	M.RESISTOR CH 3W 1.2K	1	
R463	ERJ3GEYG102	M.RESISTOR CH 1/16W 1K	1	
R464,65	ERJ6GEYG330	M.RESISTOR CH 1/10W 33	2	
R466,67	ERJ12YJ2R2	M.RESISTOR CH 1/2W 2.2	2	
R468	ERJ3GEYJ393	M.RESISTOR CH 1/16W 39K	1	
R469	ERJ3GEYJ123	M.RESISTOR CH 1/16W 12K	1	
R470	ERJ3GEYJ271	M.RESISTOR CH 1/16W 270	1	
R471	ERJ6GEYG330	M.RESISTOR CH 1/10W 33	1	
R510	ERJ3GEYJ681	M.RESISTOR CH 1/16W 680	1	
R511,12	ERJ3RBD391	M.RESISTOR CH 3W 390	2	
R513	ERJ3GEYJ681	M.RESISTOR CH 1/16W 680	1	
R514-17	ERJ3RBD391	M.RESISTOR CH 3W 390	4	
R550-59	ERJ3GEY0R00	M.RESISTOR CH 1/16W 0	10	
R600	ERJ3GEYJ182	M.RESISTOR CH 1/16W 1.8K	1	
R601,02	ERJ3GEY0R00	M.RESISTOR CH 1/16W 0	2	
R603	ERJ3GEYJ101	M.RESISTOR CH 1/16W 100	1	
R605,06	ERJ3GEYJ101	M.RESISTOR CH 1/16W 100	2	
R621	ERJ3GEYJ153	M.RESISTOR CH 1/16W 15K	1	
R622-27	ERJ3GEYJ103	M.RESISTOR CH 1/16W 10K	6	
R628	ERJ3GEYG102	M.RESISTOR CH 1/16W 1K	1	
R631,32	ERJ3GEYJ103	M.RESISTOR CH 1/16W 10K	2	
R640	ERJ3GEYJ103	M.RESISTOR CH 1/16W 10K	1	
R650,51	ERJ3GEYJ562	M.RESISTOR CH 1/16W 5.6K	2	
R652	ERJ3RBD682	M.RESISTOR CH 3W 6.8K	1	
R653	ERJ3RBD102	M.RESISTOR CH 1/10W 1K	1	
R654	ERJ3GEYJ103	M.RESISTOR CH 1/16W 10K	1	
R655	ERJ3GEYG332	M.RESISTOR CH 1/16W 3.3K	1	
R656	ERJ6GEYG271	M.RESISTOR CH 1/10W 270	1	
R701-04	ERJ3GEYJ223	M.RESISTOR CH 1/16W 22K	4	
R705-14	ERJ3GEYJ222	M.RESISTOR CH 1/16W 2.2K	10	
R715-17	ERJ3RBD103	M.RESISTOR CH 3W 10K	3	
R718	ERJ3GEYJ103	M.RESISTOR CH 1/16W 10K	1	
R719	ERJ3RBD103	M.RESISTOR CH 3W 10K	1	
R720	ERJ3GEY0R00	M.RESISTOR CH 1/16W 0	1	

Ref. No.	Part No.	Part Name & Description	Pcs	Remark
R722-24	ERJ3GEYJ103	M.RESISTOR CH 1/16W 10K	3	
R726	ERJ3GEYJ562	M.RESISTOR CH 1/16W 5.6K	1	
R727	ERJ3GEYJ103	M.RESISTOR CH 1/16W 10K	1	
R728,29	ERJ3GEYG472	M.RESISTOR CH 1/16W 4.7K	2	
R730-32	ERJ3GEYJ103	M.RESISTOR CH 1/16W 10K	3	
R736	ERJ3GEY0R00	M.RESISTOR CH 1/16W 0	1	
R739	ERJ3GEY0R00	M.RESISTOR CH 1/16W 0	1	
R741	ERJ3GEYJ101	M.RESISTOR CH 1/16W 100	1	
R742-44	ERJ3GEYJ222	M.RESISTOR CH 1/16W 2.2K	3	
R745	ERJ3GEYG682	M.RESISTOR CH 1/16W 6.8K	1	
R746	ERJ3GEYG102	M.RESISTOR CH 1/16W 1K	1	
R747-49	ERJ3GEYG332	M.RESISTOR CH 1/16W 3.3K	3	
R750	ERJ3GEYJ473	M.RESISTOR CH 1/16W 47K	1	
R751	ERJ3GEYJ331	M.RESISTOR CH 1/16W 330	1	
R752,53	ERJ3GEYG472	M.RESISTOR CH 1/16W 4.7K	2	
R761	ERJ3GEYJ101	M.RESISTOR CH 1/16W 100	1	
R762	ERJ3GEY0R00	M.RESISTOR CH 1/16W 0	1	
R765,66	ERJ3GEY0R00	M.RESISTOR CH 1/16W 0	2	
R769	ERJ3GEY0R00	M.RESISTOR CH 1/16W 0	1	
R770	ERJ3GEYJ473	M.RESISTOR CH 1/16W 47K	1	
R771	ERJ3GEYJ331	M.RESISTOR CH 1/16W 330	1	
R772,73	ERJ3GEYG472	M.RESISTOR CH 1/16W 4.7K	2	
R774-76	ERJ3GEYJ101	M.RESISTOR CH 1/16W 100	3	
R778	ERJ3GEY0R00	M.RESISTOR CH 1/16W 0	1	
R780	ERJ3GEYJ101	M.RESISTOR CH 1/16W 100	1	
R781	ERJ3GEY0R00	M.RESISTOR CH 1/16W 0	1	
R782	ERJ3GEYJ101	M.RESISTOR CH 1/16W 100	1	
R783,84	ERJ3GEY0R00	M.RESISTOR CH 1/16W 0	2	
R793	ERJ3GEYJ104	M.RESISTOR CH 1/16W 100K	1	
R794	ERJ6GEYJ301	M.RESISTOR CH 1/10W 300	1	
R795	ERJ3GEY0R00	M.RESISTOR CH 1/16W 0	1	
R797	ERJ3GEY0R00	M.RESISTOR CH 1/16W 0	1	
R902	ERJ3GEY0R00	M.RESISTOR CH 1/16W 0	1	
R904-06	ERJ3GEY0R00	M.RESISTOR CH 1/16W 0	3	
R908-10	ERJ3GEY0R00	M.RESISTOR CH 1/16W 0	3	
R917-24	ERJ3GEYJ103	M.RESISTOR CH 1/16W 10K	8	
R925	ERJ3GEYJ101	M.RESISTOR CH 1/16W 100	1	
R926,27	ERJ3GEY0R00	M.RESISTOR CH 1/16W 0	2	
R932-35	ERJ3GEY0R00	M.RESISTOR CH 1/16W 0	4	
R942	ERJ3GEY0R00	M.RESISTOR CH 1/16W 0	1	
R944	ERJ3GEY0R00	M.RESISTOR CH 1/16W 0	1	
R947-49	ERJ3GEY0R00	M.RESISTOR CH 1/16W 0	3	
R950-55	ERJ3GEYJ101	M.RESISTOR CH 1/16W 100	6	
R956,57	ERJ3GEY0R00	M.RESISTOR CH 1/16W 0	2	
R958	ERJ3GEYJ222	M.RESISTOR CH 1/16W 2.2K	1	
R959	ERJ3GEYG332	M.RESISTOR CH 1/16W 3.3K	1	
R961	ERJ3GEYJ331	M.RESISTOR CH 1/16W 330	1	
R962	ERJ3GEYJ103	M.RESISTOR CH 1/16W 10K	1	
R963,64	ERJ3GEYJ182	M.RESISTOR CH 1/16W 1.8K	2	
R965	ERJ3GEYJ103	M.RESISTOR CH 1/16W 10K	1	
R966	ERJ3GEYG682	M.RESISTOR CH 1/16W 6.8K	1	
R967	ERJ3GEYJ103	M.RESISTOR CH 1/16W 10K	1	
R968	ERJ3GEYG102	M.RESISTOR CH 1/16W 1K	1	
R969	ERJ3GEYJ331	M.RESISTOR CH 1/16W 330	1	

Ref. No.	Part No.	Part Name & Description	Pcs	Remark
R970	ERJ3GEYJ103	M.RESISTOR CH 1/16W 10K	1	
R971,72	ERJ3GEYJ182	M.RESISTOR CH 1/16W 1.8K	2	
R973	ERJ3GEYJ103	M.RESISTOR CH 1/16W 10K	1	
R974-79	ERJ3GEY0R00	M.RESISTOR CH 1/16W 0	6	
R981-85	ERJ3RBD103	M.RESISTOR CH 3W 10K	5	
R986	ERJ3RBD433	M.RESISTOR CH 3W 43K	1	
R987	ERJ3GEYJ564	M.RESISTOR CH 1/16W 560K	1	
R989-91	ERJ3GEY0R00	M.RESISTOR CH 1/16W 0	3	
R992,93	ERJ3GEYG822	M.RESISTOR CH 1/16W 8.2K	2	
R995	ERJ3GEY0R00	M.RESISTOR CH 1/16W 0	1	
R9O7	ERJ3GEY0R00	M.RESISTOR CH 1/16W 0	1	
TG510,11	VJR0646	TEST POINT	2	
TP1	VJR0646	TEST POINT	1	
TP2	EYF6CU	TEST POINT	1	
TP30,31	VJR0646	TEST POINT	2	
TP32,33	EYF6CU	TEST POINT	2	
TP34,35	VJR0646	TEST POINT	2	
TP60	EYF6CU	TEST POINT	1	
TP80-83	VJR0646	TEST POINT	4	
TP120-23	VJR0646	TEST POINT	4	
TP160-63	VJR0646	TEST POINT	4	
TP201	VJR0646	TEST POINT	1	
TP230,31	VJR0646	TEST POINT	2	
TP280-82	VJR0646	TEST POINT	3	
TP300,01	VJR0646	TEST POINT	2	
TP400,01	VJR0646	TEST POINT	2	
TP450,51	VJR0646	TEST POINT	2	
2TP701-04	EYF6CU	TEST POINT	4	
TP721-29	VJR0646	TEST POINT	9	
TP731	EYF6CU	TEST POINT	1	
TP732	VJR0646	TEST POINT	1	
TP734	VJR0646	TEST POINT	1	
TP741-43	EYF6CU	TEST POINT	3	
TP801-03	EYF6CU	TEST POINT	3	
TP901,02	EYF6CU	TEST POINT	2	
X320	VSX0919	CRYSTAL OSCILLATOR	1	
X701	VSX0918	CRYSTAL OSCILLATOR	1	
		MISCELLANEOUS		
	VML2143	CARD PULLER	1	
	VML2144	CARD PULLER	1	

## 10.15. VEP86265A

Ref. No.	Part No.	Part Name & Description	Pcs	Remark
* E3	VEP86265A	F2 SYSCON P.C.BOARD	1	(RTL)FOR AJD950P

## 10.16. VEP86277A

Ref. No.	Part No.	Part Name & Description	Pcs	Remark
* E3	VEP86277A	SYSCON SUB P.C.BOARD	1	(RTL)FOR AJ-PD950F
C1	ECUM1E104ZFN	C.CAPACITOR CH 25V 0.1U	1	
C9	ECUM1E104ZFN	C.CAPACITOR CH 25V 0.1U	1	
C10,11	ECUM1H150JCN	C.CAPACITOR CH 50V 15P	2	
C12	ECUM1E104ZFN	C.CAPACITOR CH 25V 0.1U	1	
C13	ECQB1H104JF	P.CAPACITOR 50V 0.1U	1	
C14	ECEV1EN4R7Q	E.CAPACITOR CH 25V 4.7U	1	
C15	ECUM1E104ZFN	C.CAPACITOR CH 25V 0.1U	1	
C16-26	ECUM1H103KBN	C.CAPACITOR CH 50V 0.01U	11	
C27-29	ECUM1E104ZFN	C.CAPACITOR CH 25V 0.1U	3	
C30	ECUM1H103KBN	C.CAPACITOR CH 50V 0.01U	1	
C32-34	ECUM1H103KBN	C.CAPACITOR CH 50V 0.01U	3	
C37	ECUM1E104ZFN	C.CAPACITOR CH 25V 0.1U	1	
C38	ECUM1H103KBN	C.CAPACITOR CH 50V 0.01U	1	
C46	ECUM1H103KBN	C.CAPACITOR CH 50V 0.01U	1	
C47	ECUM1E104ZFN	C.CAPACITOR CH 25V 0.1U	1	
C49	ECUM1C105ZFN	C.CAPACITOR CH 16V 1U	1	
C51	ECUM1C105ZFN	C.CAPACITOR CH 16V 1U	1	
C53	ECUM1C105ZFN	C.CAPACITOR CH 16V 1U	1	
C55	ECUM1C105ZFN	C.CAPACITOR CH 16V 1U	1	
C56-58	ECUM1H103KBN	C.CAPACITOR CH 50V 0.01U	3	
C59,60	ECEV1CV470Q	E.CAPACITOR CH 16V 47U	2	
C65	ECEV1CV470Q	E.CAPACITOR CH 16V 47U	1	
C66	ECA12HG682	E.CAPACITOR 6800U	1	
C67	ECUM1E104ZFN	C.CAPACITOR CH 25V 0.1U	1	
C68,69	ECUX1E104KBN	C.CAPACITOR CH 25V 0.1U	2	
C70,71	ECUM1H103KBN	C.CAPACITOR CH 50V 0.01U	2	
C72	ECEV1CV100Q	E.CAPACITOR CH 16V 10U	1	
C73	ECUM1E104ZFN	C.CAPACITOR CH 25V 0.1U	1	
C74	ECEV1CV470Q	E.CAPACITOR CH 16V 47U	1	
C76	ECA12HG682	E.CAPACITOR 6800U	1	
C77,78	ECUM1H103KBN	C.CAPACITOR CH 50V 0.01U	2	
C79	ECUM1C105ZFN	C.CAPACITOR CH 16V 1U	1	
C81	ECUM1C105ZFN	C.CAPACITOR CH 16V 1U	1	
C83	ECUM1E104ZFN	C.CAPACITOR CH 25V 0.1U	1	
C86,87	ECUM1H103KBN	C.CAPACITOR CH 50V 0.01U	2	
C88-90	ECUM1E104ZFN	C.CAPACITOR CH 25V 0.1U	3	
C91,92	ECUM1C105ZFN	C.CAPACITOR CH 16V 1U	2	
C93	ECEV1CV100Q	E.CAPACITOR CH 16V 10U	1	
C94-96	ECEV1CV470Q	E.CAPACITOR CH 16V 47U	3	
C500,01	ECUM1H120JCN	C.CAPACITOR CH 50V 12P	2	
C502	ECUM1H103KBN	C.CAPACITOR CH 50V 0.01U	1	
C503-06	ECUM1E104ZFN	C.CAPACITOR CH 25V 0.1U	4	
C508-13	ECUM1H103KBN	C.CAPACITOR CH 50V 0.01U	6	
C514-19	ECUM1E104ZFN	C.CAPACITOR CH 25V 0.1U	6	
C520-22	ECUM1H103KBN	C.CAPACITOR CH 50V 0.01U	3	
C523	ECUM1H331JCN	C.CAPACITOR CH 50V 330P	1	

Ref. No.	Part No.	Part Name & Description	Pcs	Remark
C524	ECUM1E104ZFN	C.CAPACITOR CH 25V 0.1U	1	
C525	ECUM1H103KBN	C.CAPACITOR CH 50V 0.01U	1	
C526,27	ECUM1H102JCN	C.CAPACITOR CH 50V 1000P	2	
C528-35	ECUM1H103KBN	C.CAPACITOR CH 50V 0.01U	8	
C536	ECEV1CV100Q	E.CAPACITOR CH 16V 10U	1	
C537,38	ECUM1E104ZFN	C.CAPACITOR CH 25V 0.1U	2	
C543-45	ECUM1H103KBN	C.CAPACITOR CH 50V 0.01U	3	
C547	ECUM1H103KBN	C.CAPACITOR CH 50V 0.01U	1	
C548	ECUM1E104ZFN	C.CAPACITOR CH 25V 0.1U	1	
C549,50	ECUM1H103KBN	C.CAPACITOR CH 50V 0.01U	2	
C551	ECUM1H331JCN	C.CAPACITOR CH 50V 330P	1	
C552-55	ECUM1H103KBN	C.CAPACITOR CH 50V 0.01U	4	
C560,61	ECUM1H103KBN	C.CAPACITOR CH 50V 0.01U	2	
C703-13	ECUM1E104ZFN	C.CAPACITOR CH 25V 0.1U	11	
C714	ECUM1H103KBN	C.CAPACITOR CH 50V 0.01U	1	
C715,16	ECUM1H330JCN	C.CAPACITOR CH 50V 33P	2	
C717-21	ECUM1E104ZFN	C.CAPACITOR CH 25V 0.1U	5	
C722,23	ECUM1H100DCN	C.CAPACITOR CH 50V 10P	2	
C724,25	ECUM1E104ZFN	C.CAPACITOR CH 25V 0.1U	2	
C728	ECEV0JV470Q	E.CAPACITOR CH6.3V 47U	1	
C729	ECUM1H102JCN	C.CAPACITOR CH 50V 1000P	1	
C730	ECUM1H682KBN	C.CAPACITOR CH 50V 6800P	1	
C731	ECEV1CV100Q	E.CAPACITOR CH 16V 10U	1	
C732	ECUM1H103KBN	C.CAPACITOR CH 50V 0.01U	1	
C733,34	ECEV1EN4R7Q	E.CAPACITOR CH 25V 4.7U	2	
C735	ECUM1H103KBN	C.CAPACITOR CH 50V 0.01U	1	
C736	ECA1CAXN330	E.CAPACITOR 16V 33U	1	
C737	ECUM1H103KBN	C.CAPACITOR CH 50V 0.01U	1	
C738	ECA1CAXN330	E.CAPACITOR 16V 33U	1	
C739,40	ECUM1H103KBN	C.CAPACITOR CH 50V 0.01U	2	
C741	ECEV1EN4R7Q	E.CAPACITOR CH 25V 4.7U	1	
C742	ECUM1H120JCN	C.CAPACITOR CH 50V 12P	1	
C743	ECEV1CV100Q	E.CAPACITOR CH 16V 10U	1	
C744,45	ECEV1EN4R7Q	E.CAPACITOR CH 25V 4.7U	2	
C746	ECUM1H103KBN	C.CAPACITOR CH 50V 0.01U	1	
C747-56	ECUM1E104ZFN	C.CAPACITOR CH 25V 0.1U	10	
C758-61	ECUM1E104ZFN	C.CAPACITOR CH 25V 0.1U	4	
C762	ECEV1CV470Q	E.CAPACITOR CH 16V 47U	1	
C763	ECUM1E104ZFN	C.CAPACITOR CH 25V 0.1U	1	
C764	ECEV1CV470Q	E.CAPACITOR CH 16V 47U	1	
C765	ECUM1E104ZFN	C.CAPACITOR CH 25V 0.1U	1	
C766	ECEV1CV470Q	E.CAPACITOR CH 16V 47U	1	
C767	ECUM1H103KBN	C.CAPACITOR CH 50V 0.01U	1	
C768	ECEV1CV470Q	E.CAPACITOR CH 16V 47U	1	
C769	ECUM1H103KBN	C.CAPACITOR CH 50V 0.01U	1	
C770	ECUM1H561JCN	C.CAPACITOR CH 50V 560P	1	
C771	ECUM1H821JCN	C.CAPACITOR CH 50V 820P	1	
C772,73	ECUM1H103KBN	C.CAPACITOR CH 50V 0.01U	2	
C774	ECEV1EN4R7Q	E.CAPACITOR CH 25V 4.7U	1	
C775	ECUM1E104ZFN	C.CAPACITOR CH 25V 0.1U	1	
C776	ECUM1H103KBN	C.CAPACITOR CH 50V 0.01U	1	
C777-80	ECUM1E104ZFN	C.CAPACITOR CH 25V 0.1U	4	
C781,82	ECUM1H103KBN	C.CAPACITOR CH 50V 0.01U	2	
C783	ECUM1E104ZFN	C.CAPACITOR CH 25V 0.1U	1	

Ref. No.	Part No.	Part Name & Description	Pcs	Remark
C784	ECUM1H103KBN	C.CAPACITOR CH 50V 0.01U	1	
C785	ECUM1E104ZFN	C.CAPACITOR CH 25V 0.1U	1	
C800-03	ECUM1H270JCN	C.CAPACITOR CH 50V 27P	4	
C804-09	ECUM1E104ZFN	C.CAPACITOR CH 25V 0.1U	6	
C811,12	ECUM1E104ZFN	C.CAPACITOR CH 25V 0.1U	2	
C900,01	ECEV1CV470Q	E.CAPACITOR CH 16V 47U	2	
C902,03	ECUM1E104ZFN	C.CAPACITOR CH 25V 0.1U	2	
C904-07	ECEV1CV470Q	E.CAPACITOR CH 16V 47U	4	
C908-11	ECUM1H103KBN	C.CAPACITOR CH 50V 0.01U	4	
C6400,01	ECUX1H103KBN	C.CAPACITOR CH 50V 0.01U	2	
C6402,03	ECEV1CV100Q	E.CAPACITOR 16V 10U	2	
C6404,05	ECUX1E104KBN	C.CAPACITOR CH 25V 0.1U	2	
D1	MA157	DIODE	1	
D2-D5	MA715	DIODE	4	
D8	MA152WK	DIODE	1	
D9	MA3068-H	DIODE	1	
D10	MA3051-H	DIODE	1	
D11	MA3047-M	DIODE	1	
D12	MA3100-M	DIODE	1	
D13	MA3051-H	DIODE	1	
D14	MA3075-M	DIODE	1	
D15	21DQ04	DIODE	1	
D16	MA3051-H	DIODE	1	
D17	MA157	DIODE	1	
D18-22	MA152WK	DIODE	5	
D25-27	MA152WK	DIODE	3	
D28-43	MA738	DIODE	16	
D44	MA152WK	DIODE	1	
D45-48	NSQ03A04	DIODE	4	
D49,50	SN74S1051NS	IC	2	
D51	MA3062-L	DIODE	1	
D52	MA3082M	DIODE	1	
D53	MA3075-M	DIODE	1	
D54	MA738	DIODE	1	
D500	MA152WK	DIODE	1	
D503	MA152WK	DIODE	1	
D504,05	MA715	DIODE	2	
D506	MA152WK	DIODE	1	
D507	MA715	DIODE	1	
D508	MA152WK	DIODE	1	
D701-06	MA715	DIODE	6	
D709	MA715	DIODE	1	
D711-14	MA157	DIODE	4	
D715	MA152WK	DIODE	1	
D720-22	SN74S1051NS	IC	3	
D723-27	MA715	DIODE	5	
D6400	MA142K	DIODE	1	
FL701,02	VLF0576	FILTER	2	
FL900-03	VLF0576	FILTER	4	
IC1	M37702S4AFP	IC	1	
IC2	VSI2575C	IC	1	

Ref. No.	Part No.	Part Name & Description	Pcs	Remark
IC3	74F573SJ	IC	1	
IC4	74F138SJ	IC	1	
IC5	74F573SJ	IC	1	
IC6	TL7705CPSB	IC	1	
IC7	MC74HC132AF	IC	1	
IC8	MC74HC04AF	IC	1	
IC9,10	74AC32SJ	IC	2	
IC11,12	74F32SJ	IC	2	
IC13	MC74HC74AF	IC	1	
IC14	74F11SJ	IC	1	
IC15	IDT71321A55	IC	1	
IC16	74F245SJ	IC	1	
IC17	STK14C88N45T	IC	1	
IC19,20	74F541SJ	IC	2	
IC23	74F245SJ	IC	1	
IC26	TE7751	IC	1	
IC27,28	M54649L	IC	2	
IC29	NJM2901M	IC	1	
IC30	NJM2904M	IC	1	
IC31,32	MC14538BF	IC	2	
IC33	74F32SJ	IC	1	
IC34	74F00SJ	IC	1	
IC35	NJM2901M	IC	1	
IC36,37	TC7S14F	IC	2	
IC500	HD64180ZRP10	IC	1	
IC501,02	MC74HC541AF	IC	2	
IC503	VSI2576C	IC	1	
IC504	K6256CLG7L	IC	1	
IC505	IDT71321A55	IC	1	
IC506	MC74HC138AF	IC	1	
IC507	74F32SJ	IC	1	
IC508	MC74HC00AF	IC	1	
IC509	T74HC191AF	IC	1	
IC510	Z84C4310FEC	IC	1	
IC511,12	MC74HC126AF	IC	2	
IC513,14	SN75C1168NS	TTL	2	
IC515	MC1488M	IC	1	
IC516	MC1489AM	IC	1	
IC517	MC14024BF	IC	1	
IC518	TE7751	IC	1	
IC519,20	MC14021BF	IC	2	
IC521,22	MC14094BF	IC	2	
IC523	MC74HC04AF	IC	1	
IC524	MC14050BF	IC	1	
IC525	SN74LS38NS	IC	1	
IC527	TE7751	IC	1	
IC528,29	MC14021BF	IC	2	
IC530,31	T74HC191AF	IC	2	
IC532	MC74HC574AF	IC	1	
IC534,35	MC14021BF	IC	2	
IC536	MC14050BF	IC	1	
IC541	MC74HC00AF	IC	1	
IC701	M37702S4AFP	IC	1	
IC702	VSI2577D	IC	1	



Ref. No.	Part No.	Part Name & Description	Pcs	Remark
IC703	K6256CLG7L	IC	1	
IC704	74F573SJ	IC	1	
IC705,06	74F138SJ	IC	2	
IC707,08	74F32SJ	IC	2	
IC709	74F00SJ	IC	1	
IC710	MN51040VPI	IC	1	
IC711	MC74HC574AF	IC	1	
IC712	74AC32SJ	IC	1	
IC714,15	74F541SJ	IC	2	
IC716	74F245SJ	IC	1	
IC717	74F541SJ	IC	1	
IC718	MC14053BF	IC	1	
IC719	NJM4560MD	IC	1	
IC720	NJM2068MD	IC	1	
IC721	UPC319G2	IC	1	
IC722	UPC4741G2	IC	1	
IC723	NJM78L09UA	IC	1	
IC724	NJM79L09UA	IC	1	
IC725,26	NJM084M	IC	2	
IC727	MC74HCU04AF	IC	1	
IC728,29	74F74SJ	IC	2	
IC730	74F32SJ	IC	1	
IC731	74F245SJ	IC	1	
IC732	74F08SJ	IC	1	
IC733	MC14053BF	IC	1	
IC734	NJM084M	IC	1	
IC6400,01	MC14538BF-R	IC	2	
IS2	VJS2336A032	CONNECTOR (FEMALE)	1	
IS503	VJS2336A032	CONNECTOR (FEMALE)	1	
IS702	VJS2336A032	CONNECTOR (FEMALE)	1	
L2	VLQ0319K470	COIL 47UH	1	
L500-03	VLQ0576	COIL	4	
L701	VLQ0163J470	COIL 47UH	1	
L900-03	VLP0133	COIL	4	
LED1-D4	LN1251CAL	DIODE	4	
P1,P2	VJP3454B096	CONNECTOR (MALE)	2	
Q3	2SB710A-R	TRANSISTOR	1	
Q4	2SB936A-Q	TRANSISTOR	1	
Q5,Q6	2SD601A-R	TRANSISTOR	2	
Q7,Q8	2SB1073-R	TRANSISTOR	2	
Q9	2SD601A-R	TRANSISTOR	1	
Q10	2SB709A-R	TRANSISTOR	1	
Q11,12	2SD1119-R	TRANSISTOR	2	
Q13	2SB709A-R	TRANSISTOR	1	

Ref. No.	Part No.	Part Name & Description	Pcs	Remark
Q14	2SD601A-R	TRANSISTOR	1	
Q15,16	2SB1073-R	TRANSISTOR	2	
Q17	2SD601A-R	TRANSISTOR	1	
Q18	2SB709A-R	TRANSISTOR	1	
Q19,20	2SD1119-R	TRANSISTOR	2	
Q21	2SB709A-R	TRANSISTOR	1	
Q22	2SD601A-R	TRANSISTOR	1	
Q23,24	2SB1175-Q	TRANSISTOR	2	(Q)
Q25	2SD601A-R	TRANSISTOR	1	
Q26	2SB709A-R	TRANSISTOR	1	
Q27,28	2SD1747PQY	TRANSISTOR	2	
Q29	2SB709A-R	TRANSISTOR	1	
Q30	2SD601A-R	TRANSISTOR	1	
Q31,32	2SB1073-R	TRANSISTOR	2	
Q33	2SD601A-R	TRANSISTOR	1	
Q34	2SB709A-R	TRANSISTOR	1	
Q35,36	2SD1119-R	TRANSISTOR	2	
Q37	2SB709A-R	TRANSISTOR	1	
Q38	2SD601A-R	TRANSISTOR	1	
Q39	2SB1175-Q	TRANSISTOR	1	(Q)
Q704,05	2SB709A-R	TRANSISTOR	2	
QR3-10	UN2213	TRANSISTOR-RESISTOR	8	
QR11-16	UN2214	TRANSISTOR-RESISTOR	6	
QR17	UN2213	TRANSISTOR-RESISTOR	1	
QR18-26	UN2214	TRANSISTOR-RESISTOR	9	
QR27,28	UN2113	TRANSISTOR-RESISTOR	2	
QR29,30	UN2214	TRANSISTOR-RESISTOR	2	
QR31,32	UN2113	TRANSISTOR-RESISTOR	2	
QR33,34	UN2214	TRANSISTOR-RESISTOR	2	
QR35,36	UN2113	TRANSISTOR-RESISTOR	2	
QR37,38	UN2213	TRANSISTOR-RESISTOR	2	
QR39,40	UN2113	TRANSISTOR-RESISTOR	2	
QR41	UN2213	TRANSISTOR-RESISTOR	1	

Ref. No.	Part No.	Part Name & Description	Pcs	Remark
QR42	UN2113	TRANSISTOR-RESISTOR	1	
QR43	UN2213	TRANSISTOR-RESISTOR	1	
R1-R5	ERJ6GEYF473	M.RESISTOR CH 1/10W 47K	5	
R6-10	ERJ6GEYG103	M.RESISTOR CH 1/10W 10K	5	
R11,12	ERJ6GEYF822	M.RESISTOR CH 1/10W 8.2K	2	
R13,14	ERJ6GEYG103	M.RESISTOR CH 1/10W 10K	2	
R16	ERJ6GEYF473	M.RESISTOR CH 1/10W 47K	1	
R17	ERJ6GEYG394	M.RESISTOR CH 1/10W 390K	1	
R18,19	ERJ6GEYG102	M.RESISTOR CH 1/10W 1K	2	
R20	ERJ6GEYG103	M.RESISTOR CH 1/10W 10K	1	
R21,22	ERJ6GEYF473	M.RESISTOR CH 1/10W 47K	2	
R23,24	ERJ6GEYG103	M.RESISTOR CH 1/10W 10K	2	
R25,26	ERJ6GEYG102	M.RESISTOR CH 1/10W 1K	2	
R27,28	ERJ6GEYF473	M.RESISTOR CH 1/10W 47K	2	
R29	ERJ6GEYG103	M.RESISTOR CH 1/10W 10K	1	
R33-35	ERJ6GEYG103	M.RESISTOR CH 1/10W 10K	3	
R38,39	ERJ6GEYF473	M.RESISTOR CH 1/10W 47K	2	
R43	ERJ6GEYG271	M.RESISTOR CH 1/10W 270	1	
R44	ERJ6GEYF473	M.RESISTOR CH 1/10W 47K	1	
R45	ERJ6GEYG103	M.RESISTOR CH 1/10W 10K	1	
R46	ERJ6GEYF473	M.RESISTOR CH 1/10W 47K	1	
R47	ERJ6GEYG103	M.RESISTOR CH 1/10W 10K	1	
R48	ERJ6GEYG562	M.RESISTOR CH 1/10W 5.6K	1	
R49	ERJ6GEYG222	M.RESISTOR CH 1/10W 2.2K	1	
R54,55	ERJ6GEYF473	M.RESISTOR CH 1/10W 47K	2	
R56	ERJ6GEYG105	M.RESISTOR CH 1/10W 1M	1	
R57	ERJ6GEYG102	M.RESISTOR CH 1/10W 1K	1	
R58-61	ERJ6GEYG222	M.RESISTOR CH 1/10W 2.2K	4	
R62	ERJ6GEYG103	M.RESISTOR CH 1/10W 10K	1	
R63-70	ERJ6GEYF472	M.RESISTOR CH 1/10W 4.7K	8	
R76	ERJ6GEY0R00	M.RESISTOR CH 1/10W 0	1	
R82	ERJ6GEYG104	M.RESISTOR CH 1/10W 100K	1	
R83	ERJ6GEYF473	M.RESISTOR CH 1/10W 47K	1	
R84-88	ERJ6GEYG104	M.RESISTOR CH 1/10W 100K	5	
R90-95	ERJ6GEYG103	M.RESISTOR CH 1/10W 10K	6	
R96	ERJ6GEYF473	M.RESISTOR CH 1/10W 47K	1	
R97	ERJ6GEYG105	M.RESISTOR CH 1/10W 1M	1	
R100	ERJ6GEYG103	M.RESISTOR CH 1/10W 10K	1	
R101,02	ERJ6GEYF473	M.RESISTOR CH 1/10W 47K	2	
R103,04	ERJ6GEYF472	M.RESISTOR CH 1/10W 4.7K	2	
R105	ERJ6GEYF473	M.RESISTOR CH 1/10W 47K	1	
R106	ERJ6GEYG105	M.RESISTOR CH 1/10W 1M	1	
R108	ERJ6GEYG103	M.RESISTOR CH 1/10W 10K	1	
R109,10	ERJ6GEYF473	M.RESISTOR CH 1/10W 47K	2	
R111,12	ERJ6GEYF472	M.RESISTOR CH 1/10W 4.7K	2	
R113	ERJ6GEYF473	M.RESISTOR CH 1/10W 47K	1	
R114	ERJ6GEYG105	M.RESISTOR CH 1/10W 1M	1	
R116	ERJ6GEYG103	M.RESISTOR CH 1/10W 10K	1	
R117,18	ERJ6GEYF473	M.RESISTOR CH 1/10W 47K	2	
R119,20	ERJ6GEYF472	M.RESISTOR CH 1/10W 4.7K	2	
R121	ERJ6GEYF473	M.RESISTOR CH 1/10W 47K	1	
R122	ERJ6GEYG105	M.RESISTOR CH 1/10W 1M	1	
R124	ERJ6GEYG103	M.RESISTOR CH 1/10W 10K	1	

Ref. No.	Part No.	Part Name & Description	Pcs	Remark
R125,26	ERJ6GEYF473	M.RESISTOR CH 1/10W 47K	2	
R127,28	ERJ6GEYF472	M.RESISTOR CH 1/10W 4.7K	2	
R129-37	ERJ6GEYF473	M.RESISTOR CH 1/10W 47K	9	
R138,39	ERJ6GEYG103	M.RESISTOR CH 1/10W 10K	2	
R141,42	ERJ6GEYF473	M.RESISTOR CH 1/10W 47K	2	
R144	ERJ6GEY0R00	M.RESISTOR CH 1/10W 0	1	
R145-47	ERJ6GEYF473	M.RESISTOR CH 1/10W 47K	3	
R150	ERJ6GEYG562	M.RESISTOR CH 1/10W 5.6K	1	
R152	ERJ6GEYG222	M.RESISTOR CH 1/10W 2.2K	1	
R153	ERJ6GEYG271	M.RESISTOR CH 1/10W 270	1	
R154	ERX1SJ1R0	M.RESISTOR 1W 1.0	1	
R155	ERJ6GEY0R00	M.RESISTOR CH 1/10W 0	1	
R156	ERJ6GEYG562	M.RESISTOR CH 1/10W 5.6K	1	
R157	ERJ6GEYG222	M.RESISTOR CH 1/10W 2.2K	1	
R158	ERJ6GEYG271	M.RESISTOR CH 1/10W 270	1	
R159	ERG1SJ220	M.RESISTOR 1W 22	1	
R160	ERJ6GEYG103	M.RESISTOR CH 1/10W 10K	1	
R161	ERJ6GEYG222	M.RESISTOR CH 1/10W 2.2K	1	
R162,63	ERJ8GCYG151	M.RESISTOR CH 1/8W 150	2	
R164,65	ERJ6GEYG563	M.RESISTOR CH 1/10W 56K	2	
R166	ERJ8GCYG152	M.RESISTOR CH 1/8W 1.5K	1	
R167-69	ERJ8GCYG681	M.RESISTOR CH 1/8W 680	3	
R170	ERJ6GEYG103	M.RESISTOR CH 1/10W 10K	1	
R171	ERJ6GEYG563	M.RESISTOR CH 1/10W 56K	1	
R172,73	ERJ6GEYG394	M.RESISTOR CH 1/10W 390K	2	
R174-81	ERJ6GEYG103	M.RESISTOR CH 1/10W 10K	8	
R182	ERJ6GEYG223	M.RESISTOR CH 1/10W 22K	1	
R184	ERJ6GEYF472	M.RESISTOR CH 1/10W 4.7K	1	
R185	ERJ6GEYG103	M.RESISTOR CH 1/10W 10K	1	
R186	ERJ6GEYG332	M.RESISTOR CH 1/10W 3.3K	1	
R187-90	ERJ8GCYJ391	M.RESISTOR CH 1/8W 390	4	
R191	ERJ6GEYG332	M.RESISTOR CH 1/10W 3.3K	1	
R192	ERJ6GEYF472	M.RESISTOR CH 1/10W 4.7K	1	
R193,94	ERJ6GEYG103	M.RESISTOR CH 1/10W 10K	2	
R195	ERJ6GEYF472	M.RESISTOR CH 1/10W 4.7K	1	
R196,97	ERJ8GCYJ391	M.RESISTOR CH 1/8W 390	2	
R198	ERJ6GEYG332	M.RESISTOR CH 1/10W 3.3K	1	
R199,00	ERJ8GCYJ391	M.RESISTOR CH 1/8W 390	2	
R201	ERJ6GEYG332	M.RESISTOR CH 1/10W 3.3K	1	
R202	ERJ6GEYG103	M.RESISTOR CH 1/10W 10K	1	
R203,04	ERJ6GEYF472	M.RESISTOR CH 1/10W 4.7K	2	
R205	ERJ6GEYG103	M.RESISTOR CH 1/10W 10K	1	
R206	ERJ6GEYG332	M.RESISTOR CH 1/10W 3.3K	1	
R207,08	ERJ8GCYJ391	M.RESISTOR CH 1/8W 390	2	
R209	ERJ6GEYG332	M.RESISTOR CH 1/10W 3.3K	1	
R210,11	ERJ8GCYJ391	M.RESISTOR CH 1/8W 390	2	
R212	ERJ6GEYF472	M.RESISTOR CH 1/10W 4.7K	1	
R213,14	ERJ6GEYG103	M.RESISTOR CH 1/10W 10K	2	
R215	ERJ6GEYF472	M.RESISTOR CH 1/10W 4.7K	1	
R216,17	ERJ8GCYJ391	M.RESISTOR CH 1/8W 390	2	
R218	ERJ6GEYG332	M.RESISTOR CH 1/10W 3.3K	1	
R219,20	ERJ8GCYJ391	M.RESISTOR CH 1/8W 390	2	
R221	ERJ6GEYG332	M.RESISTOR CH 1/10W 3.3K	1	
R222	ERJ6GEYG103	M.RESISTOR CH 1/10W 10K	1	

Ref. No.	Part No.	Part Name & Description	Pcs	Remark
R223,24	ERJ6GEYF472	M.RESISTOR CH 1/10W 4.7K	2	
R225	ERJ6GEYG103	M.RESISTOR CH 1/10W 10K	1	
R226	ERJ6GEYG392	M.RESISTOR CH 1/10W 3.9K	1	
R227,28	ERJ8GCYJ391	M.RESISTOR CH 1/8W 390	2	
R229	ERJ6GEYG392	M.RESISTOR CH 1/10W 3.9K	1	
R230,31	ERJ8GCYJ391	M.RESISTOR CH 1/8W 390	2	
R232	ERJ6GEYF472	M.RESISTOR CH 1/10W 4.7K	1	
R233,34	ERJ6GEYG103	M.RESISTOR CH 1/10W 10K	2	
R235	ERJ6GEYF472	M.RESISTOR CH 1/10W 4.7K	1	
R236,37	ERJ8GCYJ391	M.RESISTOR CH 1/8W 390	2	
R238	ERJ6GEYG392	M.RESISTOR CH 1/10W 3.9K	1	
R239,40	ERJ8GCYJ391	M.RESISTOR CH 1/8W 390	2	
R241	ERJ6GEYG392	M.RESISTOR CH 1/10W 3.9K	1	
R242	ERJ6GEYG103	M.RESISTOR CH 1/10W 10K	1	
R243,44	ERJ6GEYF472	M.RESISTOR CH 1/10W 4.7K	2	
R245	ERJ6GEYG103	M.RESISTOR CH 1/10W 10K	1	
R246	ERJ6GEYG332	M.RESISTOR CH 1/10W 3.3K	1	
R247,48	ERJ8GCYJ391	M.RESISTOR CH 1/8W 390	2	
R249	ERJ6GEYG332	M.RESISTOR CH 1/10W 3.3K	1	
R250,51	ERJ8GCYJ391	M.RESISTOR CH 1/8W 390	2	
R252	ERJ6GEYF472	M.RESISTOR CH 1/10W 4.7K	1	
R253,54	ERJ6GEYG103	M.RESISTOR CH 1/10W 10K	2	
R255	ERJ6GEYF472	M.RESISTOR CH 1/10W 4.7K	1	
R256,57	ERJ8GCYJ391	M.RESISTOR CH 1/8W 390	2	
R258	ERJ6GEYG332	M.RESISTOR CH 1/10W 3.3K	1	
R259,60	ERJ8GCYJ391	M.RESISTOR CH 1/8W 390	2	
R261	ERJ6GEYG332	M.RESISTOR CH 1/10W 3.3K	1	
R262	ERJ6GEYG103	M.RESISTOR CH 1/10W 10K	1	
R263	ERJ6GEYF472	M.RESISTOR CH 1/10W 4.7K	1	
R266-69	ERJ6GEY0R00	M.RESISTOR CH 1/10W 0	4	
R271	ERJ6GEYG222	M.RESISTOR CH 1/10W 2.2K	1	
R273	ERJ6GEYG222	M.RESISTOR CH 1/10W 2.2K	1	
R275	ERJ6GEYG222	M.RESISTOR CH 1/10W 2.2K	1	
R277	ERJ6GEYG222	M.RESISTOR CH 1/10W 2.2K	1	
R281	ERJ6GEY0R00	M.RESISTOR CH 1/10W 0	1	
R284,85	ERJ6GEY0R00	M.RESISTOR CH 1/10W 0	2	
R288	ERJ6GEYF472	M.RESISTOR CH 1/10W 4.7K	1	
R290	ERJ6GEYF472	M.RESISTOR CH 1/10W 4.7K	1	
R291	ERJ6GEYG105	M.RESISTOR CH 1/10W 1M	1	
R292,93	ERJ6GEYF473	M.RESISTOR CH 1/10W 47K	2	
R294	ERJ6GEYG103	M.RESISTOR CH 1/10W 10K	1	
R295	ERJ6GEYF472	M.RESISTOR CH 1/10W 4.7K	1	
R296	ERJ6GEYF473	M.RESISTOR CH 1/10W 47K	1	
R297	ERJ6GEYF472	M.RESISTOR CH 1/10W 4.7K	1	
R298	ERJ6GEYG105	M.RESISTOR CH 1/10W 1M	1	
R299	ERJ6GEYF473	M.RESISTOR CH 1/10W 47K	1	
R304-15	ERJ8GCYJ391	M.RESISTOR CH 1/8W 390	12	
R316,17	ERG1SJ100	M.RESISTOR 1W 10	2	
R318	ERX1SJ6R2	M.RESISTOR 1W 6.2	1	
R319	ERG1SJ100	M.RESISTOR 1W 10	1	
R320	ERJ6GEYG222	M.RESISTOR CH 1/10W 2.2K	1	
R321-28	ERJ6GEYG470	M.RESISTOR CH 1/10W 47	8	
R329,30	ERJ6GEYG103	M.RESISTOR CH 1/10W 10K	2	
R332	ERJ6GEYG222	M.RESISTOR CH 1/10W 2.2K	1	

Ref. No.	Part No.	Part Name & Description	Pcs	Remark
R333	ERJ6GEY0R00	M.RESISTOR CH 1/10W 0	1	
R334	ERJ6GEYF472	M.RESISTOR CH 1/10W 4.7K	1	
R335	ERJ6GEYG103	M.RESISTOR CH 1/10W 10K	1	
R336	ERJ6GEYG392	M.RESISTOR CH 1/10W 3.9K	1	
R337,38	ERJ8GCYJ391	M.RESISTOR CH 1/8W 390	2	
R341	ERJ6GEYG105	M.RESISTOR CH 1/10W 1M	1	
R342	ERJ6GEYF473	M.RESISTOR CH 1/10W 47K	1	
R345	ERJ6GEYG105	M.RESISTOR CH 1/10W 1M	1	
R346	ERJ6GEYF473	M.RESISTOR CH 1/10W 47K	1	
R347	ERJ6GEYG104	M.RESISTOR CH 1/10W 100K	1	
R348	ERJ6GEYG103	M.RESISTOR CH 1/10W 10K	1	
R349-62	ERJ6GEYG470	M.RESISTOR CH 1/10W 47	14	
R363,64	ERJ6GEYG271	M.RESISTOR CH 1/10W 270	2	
R365,66	ERJ6GEYG223	M.RESISTOR CH 1/10W 22K	2	
R367	ERJ6GEY0R00	M.RESISTOR CH 1/10W 0	1	
R370,71	ERJ6GEY0R00	M.RESISTOR CH 1/10W 0	2	
R400,01	ERJ6GEY0R00	M.RESISTOR CH 1/10W 0	2	
R402	ERJ6GEYF473	M.RESISTOR CH 1/10W 47K	1	
R403-05	ERJ6GEYG101	M.RESISTOR CH 1/10W 100	3	
R411	ERJ6GEY0R00	M.RESISTOR CH 1/10W 0	1	
R413	ERJ6GEYG103	M.RESISTOR CH 1/10W 10K	1	
R500	ERJ6GEYF473	M.RESISTOR CH 1/10W 47K	1	
R501	ERJ6GEYG103	M.RESISTOR CH 1/10W 10K	1	
R502,03	ERJ6GEYF473	M.RESISTOR CH 1/10W 47K	2	
R504-11	ERJ6GEYG103	M.RESISTOR CH 1/10W 10K	8	
R512	ERJ6GEYF473	M.RESISTOR CH 1/10W 47K	1	
R513-15	ERJ6GEYG103	M.RESISTOR CH 1/10W 10K	3	
R516,17	ERJ6GEYF473	M.RESISTOR CH 1/10W 47K	2	
R518,19	ERJ6GEYF472	M.RESISTOR CH 1/10W 4.7K	2	
R520	ERJ6GEYG101	M.RESISTOR CH 1/10W 100	1	
R521	ERJ6GEYF473	M.RESISTOR CH 1/10W 47K	1	
R523,24	ERJ6GEYF472	M.RESISTOR CH 1/10W 4.7K	2	
R525	ERJ6GEYF473	M.RESISTOR CH 1/10W 47K	1	
R527	ERJ6GEYG101	M.RESISTOR CH 1/10W 100	1	
R528-31	ERJ6GEYF473	M.RESISTOR CH 1/10W 47K	4	
R532,33	ERJ6GEYF472	M.RESISTOR CH 1/10W 4.7K	2	
R534	ERJ6GEYG101	M.RESISTOR CH 1/10W 100	1	
R535,36	ERJ6GEYF472	M.RESISTOR CH 1/10W 4.7K	2	
R537	ERJ6GEYG101	M.RESISTOR CH 1/10W 100	1	
R542	ERJ6GEYG223	M.RESISTOR CH 1/10W 22K	1	
R543	ERJ6GEYG101	M.RESISTOR CH 1/10W 100	1	
R544	ERJ6GEYG394	M.RESISTOR CH 1/10W 390K	1	
R545	ERJ6GEYG103	M.RESISTOR CH 1/10W 10K	1	
R546	ERJ6GEYG223	M.RESISTOR CH 1/10W 22K	1	
R547-49	ERJ6GEYF473	M.RESISTOR CH 1/10W 47K	3	
R550,51	ERJ6GEYG103	M.RESISTOR CH 1/10W 10K	2	
R554-58	ERJ6GEYG103	M.RESISTOR CH 1/10W 10K	5	
R562-65	ERJ6GEYG103	M.RESISTOR CH 1/10W 10K	4	
R580	ERJ6GEYF473	M.RESISTOR CH 1/10W 47K	1	
R585	ERJ6GEY0R00	M.RESISTOR CH 1/10W 0	1	
R590-94	ERJ6GEYF473	M.RESISTOR CH 1/10W 47K	5	
R598	ERJ6GEYG101	M.RESISTOR CH 1/10W 100	1	
R599	ERJ6GEYG103	M.RESISTOR CH 1/10W 10K	1	
R606,07	ERJ6GEY0R00	M.RESISTOR CH 1/10W 0	2	

Ref. No.	Part No.	Part Name & Description	Pcs	Remark
R608	ERJ6GEYG222	M.RESISTOR CH 1/10W 2.2K	1	
R609	ERJ6GEYF473	M.RESISTOR CH 1/10W 47K	1	
R610-17	ERJ6GEYG103	M.RESISTOR CH 1/10W 10K	8	
R629	ERJ6GEY0R00	M.RESISTOR CH 1/10W 0	1	
R634	ERJ6GEY0R00	M.RESISTOR CH 1/10W 0	1	
R636	ERJ6GEY0R00	M.RESISTOR CH 1/10W 0	1	
R638,39	ERJ6GEY0R00	M.RESISTOR CH 1/10W 0	2	
R641	ERJ6GEYF473	M.RESISTOR CH 1/10W 47K	1	
R642	ERJ6GEYG223	M.RESISTOR CH 1/10W 22K	1	
R665	ERJ6GEY0R00	M.RESISTOR CH 1/10W 0	1	
R705-10	ERJ6GEYG394	M.RESISTOR CH 1/10W 390K	6	
R711-16	ERJ6GEYG102	M.RESISTOR CH 1/10W 1K	6	
R717	ERJ6GEYG103	M.RESISTOR CH 1/10W 10K	1	
R718,19	ERJ6GEYG101	M.RESISTOR CH 1/10W 100	2	
R723	ERJ6GEYG102	M.RESISTOR CH 1/10W 1K	1	
R725	ERJ6GEYG101	M.RESISTOR CH 1/10W 100	1	
R726	ERJ6GEYG102	M.RESISTOR CH 1/10W 1K	1	
R728	ERJ6GEYG104	M.RESISTOR CH 1/10W 100K	1	
R729-31	ERJ6GEYF473	M.RESISTOR CH 1/10W 47K	3	
R732-34	ERJ6GEYG102	M.RESISTOR CH 1/10W 1K	3	
R735	ERJ6GEYG103	M.RESISTOR CH 1/10W 10K	1	
R736	ERJ6GEYG104	M.RESISTOR CH 1/10W 100K	1	
R737	ERJ6GEYG105	M.RESISTOR CH 1/10W 1M	1	
R738	ERJ6GEYG221	M.RESISTOR CH 1/10W 220	1	
R739,40	ERJ6GEYG103	M.RESISTOR CH 1/10W 10K	2	
R741,42	ERJ6GEYG104	M.RESISTOR CH 1/10W 100K	2	
R743,44	ERJ6GEYG101	M.RESISTOR CH 1/10W 100	2	
R745,46	ERJ6GEYG102	M.RESISTOR CH 1/10W 1K	2	
R747	ERJ6GEYG562	M.RESISTOR CH 1/10W 5.6K	1	
R748	ERJ6GEYG102	M.RESISTOR CH 1/10W 1K	1	
R749,50	ERJ6GEYG103	M.RESISTOR CH 1/10W 10K	2	
R751	ERJ6GEYG102	M.RESISTOR CH 1/10W 1K	1	
R754	ERJ6GEY0R00	M.RESISTOR CH 1/10W 0	1	
R755	ERJ6GEYG103	M.RESISTOR CH 1/10W 10K	1	
R757-59	ERJ6GEYG104	M.RESISTOR CH 1/10W 100K	3	
R762	ERJ6GEY0R00	M.RESISTOR CH 1/10W 0	1	
R764,65	ERJ6GEY0R00	M.RESISTOR CH 1/10W 0	2	
R766	ERJ6GEYG105	M.RESISTOR CH 1/10W 1M	1	
R767-69	ERJ6GEYG103	M.RESISTOR CH 1/10W 10K	3	
R770	ERJ6GEYF473	M.RESISTOR CH 1/10W 47K	1	
R771	ERJ6GEYG101	M.RESISTOR CH 1/10W 100	1	
R772	ERJ6GEYG103	M.RESISTOR CH 1/10W 10K	1	
R773	ERJ6GEYG562	M.RESISTOR CH 1/10W 5.6K	1	
R774	ERJ6GEYG220	M.RESISTOR CH 1/10W 22	1	
R775,76	ERJ6GEYG332	M.RESISTOR CH 1/10W 3.3K	2	
R777	ERJ6GEYG222	M.RESISTOR CH 1/10W 2.2K	1	
R778-81	ERJ6RBD332	M.RESISTOR CH 1/10W 3.3K	4	
R782	ERJ6RED470	M.RESISTOR CH 1/10W 47	1	
R783	ERJ6RBD562	M.RESISTOR CH 1/10W 5.6K	1	
R784	ERJ6GEYG103	M.RESISTOR CH 1/10W 10K	1	
R785	ERJ6RBD562	M.RESISTOR CH 1/10W 5.6K	1	
R786	ERJ6RED820	M.RESISTOR CH 1/10W 82	1	
R787	ERJ6RED470	M.RESISTOR CH 1/10W 47	1	
R788	ERJ6RBD562	M.RESISTOR CH 1/10W 5.6K	1	

Ref. No.	Part No.	Part Name & Description	Pcs	Remark
R789	ERJ6RBD103	M.RESISTOR CH 1/10W 10K	1	
R790	ERJ6RBD223	M.RESISTOR CH 1/10W 22K	1	
R791	ERJ6RBD683	M.RESISTOR CH 1/10W 68K	1	
R792	ERJ6GEYG394	M.RESISTOR CH 1/10W 390K	1	
R793	ERJ6RBD333	M.RESISTOR CH 1/10W 33K	1	
R794,95	ERJ6GEYG223	M.RESISTOR CH 1/10W 22K	2	
R796	ERJ6GEYG104	M.RESISTOR CH 1/10W 100K	1	
R797,98	ERJ6RBD102	M.RESISTOR CH 1/10W 1K	2	
R799	ERJ6GEYG102	M.RESISTOR CH 1/10W 1K	1	
R800,01	ERJ6GEY0R00	M.RESISTOR CH 1/10W 0	2	
R802	ERJ6RBD103	M.RESISTOR CH 1/10W 10K	1	
R803,04	ERJ6RBD102	M.RESISTOR CH 1/10W 1K	2	
R805-08	ERJ6RBD222	M.RESISTOR CH 1/10W 2.2K	4	
R809	ERJ6GEYF473	M.RESISTOR CH 1/10W 47K	1	
R810	ERJ6GEYG104	M.RESISTOR CH 1/10W 100K	1	
R811,12	ERJ6GEYG103	M.RESISTOR CH 1/10W 10K	2	
R813	ERJ6GEYG824	M.RESISTOR CH 1/10W 820K	1	
R814	ERJ6GEYG102	M.RESISTOR CH 1/10W 1K	1	
R816-39	ERJ6GEYG470	M.RESISTOR CH 1/10W 47	24	
R840-47	ERJ6GEYG103	M.RESISTOR CH 1/10W 10K	8	
R855,56	ERJ6GEY0R00	M.RESISTOR CH 1/10W 0	2	
R858,59	ERJ6GEY0R00	M.RESISTOR CH 1/10W 0	2	
R860-62	ERJ6GEYF473	M.RESISTOR CH 1/10W 47K	3	
R863,64	ERJ6GEY0R00	M.RESISTOR CH 1/10W 0	2	
R865	ERJ6RBD562	M.RESISTOR CH 1/10W 5.6K	1	
R866	ERJ6GEY0R00	M.RESISTOR CH 1/10W 0	1	
R867	ERJ6GEYG102	M.RESISTOR CH 1/10W 1K	1	
R868	ERJ6GEYG103	M.RESISTOR CH 1/10W 10K	1	
R869	ERJ6GEYG223	M.RESISTOR CH 1/10W 22K	1	
R870	ERJ6GEYG102	M.RESISTOR CH 1/10W 1K	1	

Ref. No.	Part No.	Part Name & Description	Pcs	Remark
R871,72	ERJ6GEYG470	M.RESISTOR CH 1/10W 47	2	
R873	ERJ6GEYG102	M.RESISTOR CH 1/10W 1K	1	
R874,75	ERJ6GEYG470	M.RESISTOR CH 1/10W 47	2	
R876	ERJ6GEYG102	M.RESISTOR CH 1/10W 1K	1	
R877,78	ERJ6GEYG394	M.RESISTOR CH 1/10W 390K	2	
R879,80	ERJ6GEYG470	M.RESISTOR CH 1/10W 47	2	
R881	ERJ6GEYG102	M.RESISTOR CH 1/10W 1K	1	
R882,83	ERJ6GEYG394	M.RESISTOR CH 1/10W 390K	2	
R884	ERJ6GEYG103	M.RESISTOR CH 1/10W 10K	1	
R885	ERJ6GEYG223	M.RESISTOR CH 1/10W 22K	1	
R886	ERJ6GEYG102	M.RESISTOR CH 1/10W 1K	1	
R887,88	ERJ6GEYG394	M.RESISTOR CH 1/10W 390K	2	
R890	ERJ6GEYG470	M.RESISTOR CH 1/10W 47	1	
R900-03	ERJ6GEY0R00	M.RESISTOR CH 1/10W 0	4	
R910	ERJ6GEY0R00	M.RESISTOR CH 1/10W 0	1	
R913	ERJ6GEY0R00	M.RESISTOR CH 1/10W 0	1	
R917	ERJ6GEY0R00	M.RESISTOR CH 1/10W 0	1	
R919	ERJ6GEY0R00	M.RESISTOR CH 1/10W 0	1	
R920	ERJ6GEYG104	M.RESISTOR CH 1/10W 100K	1	
R921	ERJ6GEYG103	M.RESISTOR CH 1/10W 10K	1	
R924	ERJ6GEYG104	M.RESISTOR CH 1/10W 100K	1	



Ref. No.	Part No.	Part Name & Description	Pcs	Remark
R925	ERJ6GEYG103	M.RESISTOR CH 1/10W 10K	1	
R928	ERJ6GEYG271	M.RESISTOR CH 1/10W 270	1	
R929	ERJ6GEYF473	M.RESISTOR CH 1/10W 47K	1	
R930-32	ERJ6GEYG103	M.RESISTOR CH 1/10W 10K	3	
R934	ERJ6GEYG103	M.RESISTOR CH 1/10W 10K	1	
R936	ERJ6GEYG101	M.RESISTOR CH 1/10W 100	1	
R937-39	ERJ6GEY0R00	M.RESISTOR CH 1/10W 0	3	
R942,43	ERJ6GEY0R00	M.RESISTOR CH 1/10W 0	2	
R946	ERJ6GEY0R00	M.RESISTOR CH 1/10W 0	1	
R948	ERJ6GEY0R00	M.RESISTOR CH 1/10W 0	1	
R950	ERJ6GEY0R00	M.RESISTOR CH 1/10W 0	1	
R951	ERJ6GEYG105	M.RESISTOR CH 1/10W 1M	1	
R952	ERJ6GEYG184	M.RESISTOR CH 1/10W 180K	1	
R953	ERJ6GEYG105	M.RESISTOR CH 1/10W 1M	1	
R954	ERJ6GEYG184	M.RESISTOR CH 1/10W 180K	1	
R955	ERJ6GEY0R00	M.RESISTOR CH 1/10W 0	1	
R957	ERJ6GEY0R00	M.RESISTOR CH 1/10W 0	1	
R958	ERJ6GEYG470	M.RESISTOR CH 1/10W 47	1	
R960	ERJ6GEY0R00	M.RESISTOR CH 1/10W 0	1	
R961-68	ERJ6GEYG103	M.RESISTOR CH 1/10W 10K	8	
R979-84	ERJ6GEY0R00	M.RESISTOR CH 1/10W 0	6	
R985	ERJ6GEYG470	M.RESISTOR CH 1/10W 47	1	
R990,91	ERJ6GEY0R00	M.RESISTOR CH 1/10W 0	2	
R992	ERJ6GEYG105	M.RESISTOR CH 1/10W 1M	1	
R993	ERJ6GEY0R00	M.RESISTOR CH 1/10W 0	1	
R995,96	ERJ6GEY0R00	M.RESISTOR CH 1/10W 0	2	
R997	ERJ6GEYG105	M.RESISTOR CH 1/10W 1M	1	
R998	ERJ6GEY0R00	M.RESISTOR CH 1/10W 0	1	
R1000,01	ERJ6GEY0R00	M.RESISTOR CH 1/10W 0	2	
R1002	ERJ6GEYG105	M.RESISTOR CH 1/10W 1M	1	
R1003	ERJ6GEY0R00	M.RESISTOR CH 1/10W 0	1	
R1005,06	ERJ6GEY0R00	M.RESISTOR CH 1/10W 0	2	
R1007	ERJ6GEYG105	M.RESISTOR CH 1/10W 1M	1	
R1008	ERJ6GEY0R00	M.RESISTOR CH 1/10W 0	1	
R1010,11	ERJ6GEY0R00	M.RESISTOR CH 1/10W 0	2	
R1012	ERJ6GEYG105	M.RESISTOR CH 1/10W 1M	1	
R1013	ERJ6GEY0R00	M.RESISTOR CH 1/10W 0	1	
R1015,16	ERJ6GEY0R00	M.RESISTOR CH 1/10W 0	2	
R1017	ERJ6GEYG105	M.RESISTOR CH 1/10W 1M	1	
R1018	ERJ6GEY0R00	M.RESISTOR CH 1/10W 0	1	
R1020,21	ERJ6GEY0R00	M.RESISTOR CH 1/10W 0	2	
R6450	ERJ6GEYJ473	M.RESISTOR CH 1/10W 47K	1	
R6451	ERJ6GEYJ683	M.RESISTOR CH 1/10W 68K	1	
R6452	ERJ6GEYJ224	M.RESISTOR CH 1/10W 220K	1	
R6453,54	ERJ6GEYJ394	M.RESISTOR CH 1/10W 390K	2	
SW501	VSS0367-08B	SWITCH	1	
TG1	EYF6CU	TEST POINT	1	
TG701	EYF6CU	TEST POINT	1	
TP8	EYF6CU	TEST POINT	1	

Ref. No.	Part No.	Part Name & Description	Pcs	Remark
X1	VSX0641	CRYSTAL OSCILLATOR	1	
X500	VSX0641	CRYSTAL OSCILLATOR	1	
X701	VSX0654	CRYSTAL OSCILLATOR	1	
X702	VSX0498	CRYSTAL OSCILLATOR	1	
		MISCELLANEOUS		
	VML2143	CARD PULLER	1	
	VML2144	CARD PULLER	1	
	VJP1435	CONNECTOR (MALE)	1	

## 10.17. VEP83409C

Ref. No.	Part No.	Part Name & Description	Pcs	Remark
* E4	VEP83409C	F3 V-IN P.C.BOARD	1	(RTL)
C1,C2	ECUM1H103KBN	C.CAPACITOR CH 50V 0.01U	2	
C3	ECUM1H820JCN	C.CAPACITOR CH 50V 82P	1	
C4	ECUM1H103KBN	C.CAPACITOR CH 50V 0.01U	1	
C5-C7	ECUM1E104ZFN	C.CAPACITOR CH 25V 0.1U	3	
C8	ECEV0JV330Q	E.CAPACITOR CH6.3V 33U	1	
C9	ECUM1H101JCN	C.CAPACITOR CH 50V 100P	1	
C20-26	ECUM1E104ZFN	C.CAPACITOR CH 25V 0.1U	7	
C27	ECEV0JV330Q	E.CAPACITOR CH6.3V 33U	1	
C28	ECUM1E104ZFN	C.CAPACITOR CH 25V 0.1U	1	
C29	ECEV0JV330Q	E.CAPACITOR CH6.3V 33U	1	
C30	ECUM1E104ZFN	C.CAPACITOR CH 25V 0.1U	1	
C31	ECEV0JV330Q	E.CAPACITOR CH6.3V 33U	1	
C32	ECUM1E104ZFN	C.CAPACITOR CH 25V 0.1U	1	
C33	ECEV1EV4R7Q	E.CAPACITOR CH 25V 4.7U	1	
C51	ECUM1H101JCN	C.CAPACITOR CH 50V 100P	1	
C101,02	ECUM1E104ZFN	C.CAPACITOR CH 25V 0.1U	2	
C103	ECEV1CV470Q	E.CAPACITOR CH 16V 47U	1	
C104-06	ECUM1E104ZFN	C.CAPACITOR CH 25V 0.1U	3	
C107	ECEV0JV330Q	E.CAPACITOR CH6.3V 33U	1	
C108	ECUM1E104ZFN	C.CAPACITOR CH 25V 0.1U	1	
C109	ECEV1CV470Q	E.CAPACITOR CH 16V 47U	1	
C110-12	ECUM1E104ZFN	C.CAPACITOR CH 25V 0.1U	3	
C113	ECEV1CV470Q	E.CAPACITOR CH 16V 47U	1	
C114-16	ECUM1E104ZFN	C.CAPACITOR CH 25V 0.1U	3	
C117	ECEV0JV330Q	E.CAPACITOR CH6.3V 33U	1	
C118	ECUM1E104ZFN	C.CAPACITOR CH 25V 0.1U	1	
C119	ECEV1CV470Q	E.CAPACITOR CH 16V 47U	1	
C120	ECUM1E104ZFN	C.CAPACITOR CH 25V 0.1U	1	
C133,34	ECUM1E104ZFN	C.CAPACITOR CH 25V 0.1U	2	
C135	ECEV0JV330Q	E.CAPACITOR CH6.3V 33U	1	
C136	ECUM1E683KBN	C.CAPACITOR CH 25V 0.068U	1	
C137	ECUM1H471JCN	C.CAPACITOR CH 50V 470P	1	
C138	ECEV1HV010Q	E.CAPACITOR CH 50V 1U	1	
C139	ECUM1E104ZFN	C.CAPACITOR CH 25V 0.1U	1	

Ref. No.	Part No.	Part Name & Description	Pcs	Remark
C140	ECEV1HV4R7Q	E.CAPACITOR CH 50V 4.7U	1	
C141	ECUM1H821JCN	C.CAPACITOR CH 50V 820P	1	
C142	ECEV0JV330Q	E.CAPACITOR CH6.3V 33U	1	
C143	ECUM1H392KBN	C.CAPACITOR CH 50V 3900P	1	
C144	ECUM1H152KBN	C.CAPACITOR CH 50V 1500P	1	
C145	ECEV1HVR68Q	E.CAPACITOR CH 50V 0.68U	1	
C146	ECUM1E104ZFN	C.CAPACITOR CH 25V 0.1U	1	
C151-58	ECUM1E104ZFN	C.CAPACITOR CH 25V 0.1U	8	
C160	ECUM1E104ZFN	C.CAPACITOR CH 25V 0.1U	1	
C161	ECUM1H101JCN	C.CAPACITOR CH 50V 100P	1	
C162	ECUM1H271JCN	C.CAPACITOR CH 50V 270P	1	
C163	ECKF1H181KB	C.CAPACITOR 50V 180P	1	
C201-05	ECUM1E104ZFN	C.CAPACITOR CH 25V 0.1U	5	
C207-10	ECUM1E104ZFN	C.CAPACITOR CH 25V 0.1U	4	
C211	ECUM1H103KBN	C.CAPACITOR CH 50V 0.01U	1	
C251-54	ECUM1E104ZFN	C.CAPACITOR CH 25V 0.1U	4	
C256-58	ECUM1E104ZFN	C.CAPACITOR CH 25V 0.1U	3	
C262-66	ECUM1E104ZFN	C.CAPACITOR CH 25V 0.1U	5	
C301	ECEV1CV100Q	E.CAPACITOR CH 16V 10U	1	
C302	ECUM1E104ZFN	C.CAPACITOR CH 25V 0.1U	1	
C303	ECEV1EV4R7Q	E.CAPACITOR CH 25V 4.7U	1	
C304-06	ECUM1E104ZFN	C.CAPACITOR CH 25V 0.1U	3	
C307	ECEV1CV100Q	E.CAPACITOR CH 16V 10U	1	
C308	ECUM1E104ZFN	C.CAPACITOR CH 25V 0.1U	1	
C309	ECEV1CV100Q	E.CAPACITOR CH 16V 10U	1	
C310,11	ECUM1E104ZFN	C.CAPACITOR CH 25V 0.1U	2	
C312	ECUX1E104KBN	C.CAPACITOR CH 25V 0.1U	1	
C317	ECEV1CV100Q	E.CAPACITOR CH 16V 10U	1	
C318-21	ECUM1E104ZFN	C.CAPACITOR CH 25V 0.1U	4	
C351	ECEV0JV330Q	E.CAPACITOR CH6.3V 33U	1	
C352	ECUM1E104ZFN	C.CAPACITOR CH 25V 0.1U	1	
C353	ECEV0JV330Q	E.CAPACITOR CH6.3V 33U	1	
C354	ECUM1E104ZFN	C.CAPACITOR CH 25V 0.1U	1	
C355	ECEV0JV330Q	E.CAPACITOR CH6.3V 33U	1	
C356	ECUM1E104ZFN	C.CAPACITOR CH 25V 0.1U	1	
C357	ECEV0JV330Q	E.CAPACITOR CH6.3V 33U	1	
C358	ECUM1E104ZFN	C.CAPACITOR CH 25V 0.1U	1	
C359	ECEV1CV470Q	E.CAPACITOR CH 16V 47U	1	
C360	ECUM1E104ZFN	C.CAPACITOR CH 25V 0.1U	1	
C361	ECUV1H010CCN	C.CAPACITOR CH 50V 1P	1	
C362	ECUX1H390JCN	C.CAPACITOR CH 50V 39P	1	
C363-65	ECUM1E104ZFN	C.CAPACITOR CH 25V 0.1U	3	
C367	ECUX1E104KBN	C.CAPACITOR CH 25V 0.1U	1	
C368	ECUM1H180JCN	C.CAPACITOR CH 50V 18P	1	
C370-72	ECUM1E104ZFN	C.CAPACITOR CH 25V 0.1U	3	
C373	ECEV0JV330Q	E.CAPACITOR CH6.3V 33U	1	
C374	ECUM1E104ZFN	C.CAPACITOR CH 25V 0.1U	1	
C375	ECEV0JV330Q	E.CAPACITOR CH6.3V 33U	1	
C376-83	ECUM1E104ZFN	C.CAPACITOR CH 25V 0.1U	8	
C385	ECUX1H221JCN	C.CAPACITOR CH 50V 220P	1	
C401	ECEV0JV330Q	E.CAPACITOR CH6.3V 33U	1	
C402	ECUM1E104ZFN	C.CAPACITOR CH 25V 0.1U	1	
C403	ECUM1H470JCN	C.CAPACITOR CH 50V 47P	1	
C404	ECUM1H820JCN	C.CAPACITOR CH 50V 82P	1	

Ref. No.	Part No.	Part Name & Description	Pcs	Remark
C405,06	ECUM1H103KBN	C.CAPACITOR CH 50V 0.01U	2	
C407	ECEV0JV330Q	E.CAPACITOR CH6.3V 33U	1	
C408	ECUM1E104ZFN	C.CAPACITOR CH 25V 0.1U	1	
C409	ECEV1HVR47Q	E.CAPACITOR CH 50V 0.47U	1	
C410,11	ECUM1H103KBN	C.CAPACITOR CH 50V 0.01U	2	
C417	ECUM1E104ZFN	C.CAPACITOR CH 25V 0.1U	1	
C418	ECEV0JV330Q	E.CAPACITOR CH6.3V 33U	1	
C419	ECUM1E104ZFN	C.CAPACITOR CH 25V 0.1U	1	
C420	ECEV0JV330Q	E.CAPACITOR CH6.3V 33U	1	
C421	ECUM1E104ZFN	C.CAPACITOR CH 25V 0.1U	1	
C425	ECEV0JV330Q	E.CAPACITOR CH6.3V 33U	1	
C426	ECUM1E104ZFN	C.CAPACITOR CH 25V 0.1U	1	
C427,28	ECEV1HV010Q	E.CAPACITOR CH 50V 1U	2	
C429	ECEV1CV470Q	E.CAPACITOR CH 16V 47U	1	
C430	ECUM1H102JCN	C.CAPACITOR CH 50V 1000P	1	
C431	ECUM1H103KBN	C.CAPACITOR CH 50V 0.01U	1	
C432	ECUM1H221JCN	C.CAPACITOR CH 50V 220P	1	
C433	ECUM1H152KBN	C.CAPACITOR CH 50V 1500P	1	
C434	ECEV1EV4R7Q	E.CAPACITOR CH 25V 4.7U	1	
C435	ECUM1H103KBN	C.CAPACITOR CH 50V 0.01U	1	
C436,37	ECUM1E104ZFN	C.CAPACITOR CH 25V 0.1U	2	
C438	ECEV0JV330Q	E.CAPACITOR CH6.3V 33U	1	
C439,40	ECUM1E104ZFN	C.CAPACITOR CH 25V 0.1U	2	
C441	ECEV0JV330Q	E.CAPACITOR CH6.3V 33U	1	
C442,43	ECUM1E104ZFN	C.CAPACITOR CH 25V 0.1U	2	
C444	ECUM1H390JCN	C.CAPACITOR CH 50V 39P	1	
C445	ECUM1H080DCN	C.CAPACITOR CH 50V 8P	1	
C446	ECUM1H181JCN	C.CAPACITOR CH 50V 180P	1	
C447,48	ECUM1E104ZFN	C.CAPACITOR CH 25V 0.1U	2	
C449	ECEV1HN010Q	E.CAPACITOR CH 50V 1U	1	
C450	ECEV1CV470Q	E.CAPACITOR CH 16V 47U	1	
C451	ECEV0JV330Q	E.CAPACITOR CH6.3V 33U	1	
C452	ECUM1E104ZFN	C.CAPACITOR CH 25V 0.1U	1	
C453	ECUM1H470JCN	C.CAPACITOR CH 50V 47P	1	
C454	ECEV0JV330Q	E.CAPACITOR CH6.3V 33U	1	
C455-57	ECUM1E104ZFN	C.CAPACITOR CH 25V 0.1U	3	
C458	ECEV1HV010Q	E.CAPACITOR CH 50V 1U	1	
C459,60	ECUM1E104ZFN	C.CAPACITOR CH 25V 0.1U	2	
C461	ECEV0JV330Q	E.CAPACITOR CH6.3V 33U	1	
C462,63	ECUM1H103KBN	C.CAPACITOR CH 50V 0.01U	2	
C464-70	ECUM1E104ZFN	C.CAPACITOR CH 25V 0.1U	7	
C472	ECUM1E104ZFN	C.CAPACITOR CH 25V 0.1U	1	
C473	ECEV0JV330Q	E.CAPACITOR CH6.3V 33U	1	
C474,75	ECUM1E104ZFN	C.CAPACITOR CH 25V 0.1U	2	
C476	ECEV0JV330Q	E.CAPACITOR CH6.3V 33U	1	
C477	ECUM1E104ZFN	C.CAPACITOR CH 25V 0.1U	1	
C478	ECEV0JV330Q	E.CAPACITOR CH6.3V 33U	1	
C479	ECUM1E104ZFN	C.CAPACITOR CH 25V 0.1U	1	
C480	ECUX1E104KBN	C.CAPACITOR CH 25V 0.1U	1	
C481	ECUM1H330JCN	C.CAPACITOR CH 50V 33P	1	
C482	ECUM1H271JCN	C.CAPACITOR CH 50V 270P	1	
C483	ECUM1H220JCN	C.CAPACITOR CH 50V 22P	1	
C484	ECUM1H680JCN	C.CAPACITOR CH 50V 68P	1	
C485	ECUM1H070DCN	C.CAPACITOR CH 50V 7P	1	

Ref. No.	Part No.	Part Name & Description	Pcs	Remark
C486	ECUM1H121JCN	C.CAPACITOR CH 50V 120P	1	
C487,88	ECUM1H100DCN	C.CAPACITOR CH 50V 10P	2	
C489	ECUM1H330JCN	C.CAPACITOR CH 50V 33P	1	
C490-92	ECUX1E104KBN	C.CAPACITOR CH 25V 0.1U	3	
C493,94	ECUM1E104ZFN	C.CAPACITOR CH 25V 0.1U	2	
C495,96	ECUX1E104KBN	C.CAPACITOR CH 25V 0.1U	2	
C497,98	ECUM1E104ZFN	C.CAPACITOR CH 25V 0.1U	2	
C499	ECUM1H151JCN	C.CAPACITOR CH 50V 150P	1	
C501	ECEV0JV330Q	E.CAPACITOR CH6.3V 33U	1	
C502	ECUM1E104ZFN	C.CAPACITOR CH 25V 0.1U	1	
C503	ECEV0JV330Q	E.CAPACITOR CH6.3V 33U	1	
C504	ECUM1E104ZFN	C.CAPACITOR CH 25V 0.1U	1	
C505	ECEV1CV100Q	E.CAPACITOR CH 16V 10U	1	
C506	ECUM1E104ZFN	C.CAPACITOR CH 25V 0.1U	1	
C507	ECEV1CV100Q	E.CAPACITOR CH 16V 10U	1	
C508	ECUM1E104ZFN	C.CAPACITOR CH 25V 0.1U	1	
C509	ECUM1H121JCN	C.CAPACITOR CH 50V 120P	1	
C510	ECUM1E104ZFN	C.CAPACITOR CH 25V 0.1U	1	
C511	ECUM1H102JCN	C.CAPACITOR CH 50V 1000P	1	
C512	ECUM1H221JCN	C.CAPACITOR CH 50V 220P	1	
C513	ECUM1H681JCN	C.CAPACITOR CH 50V 680P	1	
C514,15	ECUM1E104ZFN	C.CAPACITOR CH 25V 0.1U	2	
C516	ECUM1H560JCN	C.CAPACITOR CH 50V 56P	1	
C518	ECUX1E104KBN	C.CAPACITOR CH 25V 0.1U	1	
C519	ECUM1E104ZFN	C.CAPACITOR CH 25V 0.1U	1	
C520	ECUM1H103KBN	C.CAPACITOR CH 50V 0.01U	1	
C521	ECUM1H271JCN	C.CAPACITOR CH 50V 270P	1	
C522	ECEV1CV470Q	E.CAPACITOR CH 16V 47U	1	
C523	ECUM1H220JCN	C.CAPACITOR CH 50V 22P	1	
C524	ECUM1H820JCN	C.CAPACITOR CH 50V 82P	1	
C525	ECUM1H080DCN	C.CAPACITOR CH 50V 8P	1	
C526	ECEV1CV470Q	E.CAPACITOR CH 16V 47U	1	
C527	ECUM1H103KBN	C.CAPACITOR CH 50V 0.01U	1	
C528	ECUM1H470JCN	C.CAPACITOR CH 50V 47P	1	
C529	ECUM1H060DCN	C.CAPACITOR CH 50V 6P	1	
C530	ECUM1H331JCN	C.CAPACITOR CH 50V 330P	1	
C531	ECUM1E104ZFN	C.CAPACITOR CH 25V 0.1U	1	
C532	ECUX1E104KBN	C.CAPACITOR CH 25V 0.1U	1	
C534	ECUM1H103KBN	C.CAPACITOR CH 50V 0.01U	1	
C536	ECUM1H220JCN	C.CAPACITOR CH 50V 22P	1	
C537	ECUM1H820JCN	C.CAPACITOR CH 50V 82P	1	
C538	ECUM1H060DCN	C.CAPACITOR CH 50V 6P	1	
C539	ECUM1H080DCN	C.CAPACITOR CH 50V 8P	1	
C540	ECUM1H470JCN	C.CAPACITOR CH 50V 47P	1	
C541	ECEV1HV4R7Q	E.CAPACITOR CH 50V 4.7U	1	
C542	ECUX1E104KBN	C.CAPACITOR CH 25V 0.1U	1	
C545	ECUM1H120JCN	C.CAPACITOR CH 50V 12P	1	
C550	ECUM1H101JCN	C.CAPACITOR CH 50V 100P	1	
C551	ECUM1E104ZFN	C.CAPACITOR CH 25V 0.1U	1	
C552	ECEV0JV330Q	E.CAPACITOR CH6.3V 33U	1	
C553	ECUM1E104ZFN	C.CAPACITOR CH 25V 0.1U	1	
C554	ECEV1CV470Q	E.CAPACITOR CH 16V 47U	1	
C555	ECUM1E104ZFN	C.CAPACITOR CH 25V 0.1U	1	
C556	ECUM1H390JCN	C.CAPACITOR CH 50V 39P	1	

Ref. No.	Part No.	Part Name & Description	Pcs	Remark
C557	ECUM1H181JCN	C.CAPACITOR CH 50V 180P	1	
C558,59	ECUM1E104ZFN	C.CAPACITOR CH 25V 0.1U	2	
C560	ECEV1HN010Q	E.CAPACITOR CH 50V 1U	1	
C561	ECUM1H080DCN	C.CAPACITOR CH 50V 8P	1	
C562,63	ECUM1H103KBN	C.CAPACITOR CH 50V 0.01U	2	
C565,66	ECUM1H103KBN	C.CAPACITOR CH 50V 0.01U	2	
C567	ECUM1H820JCN	C.CAPACITOR CH 50V 82P	1	
C568	ECUM1H103KBN	C.CAPACITOR CH 50V 0.01U	1	
C569	ECUM1E104ZFN	C.CAPACITOR CH 25V 0.1U	1	
C570	ECEV0JV330Q	E.CAPACITOR CH6.3V 33U	1	
C571-73	ECUM1E104ZFN	C.CAPACITOR CH 25V 0.1U	3	
C601	ECUM1H470JCN	C.CAPACITOR CH 50V 47P	1	
C602	ECEV0JV330Q	E.CAPACITOR CH6.3V 33U	1	
C603	ECUM1E104ZFN	C.CAPACITOR CH 25V 0.1U	1	
C604	ECEV0JV330Q	E.CAPACITOR CH6.3V 33U	1	
C605	ECUM1E104ZFN	C.CAPACITOR CH 25V 0.1U	1	
C606	ECUM1H470JCN	C.CAPACITOR CH 50V 47P	1	
C607	ECUM1E104ZFN	C.CAPACITOR CH 25V 0.1U	1	
C608	ECUM1H331JCN	C.CAPACITOR CH 50V 330P	1	
C609	ECUM1H820JCN	C.CAPACITOR CH 50V 82P	1	
C610	ECUM1E104ZFN	C.CAPACITOR CH 25V 0.1U	1	
C612	ECUM1H470JCN	C.CAPACITOR CH 50V 47P	1	
C613	ECEV1HN010Q	E.CAPACITOR CH 50V 1U	1	
C614	ECUM1H102JCN	C.CAPACITOR CH 50V 1000P	1	
C615	ECUM1E104ZFN	C.CAPACITOR CH 25V 0.1U	1	
C616	ECUM1H331JCN	C.CAPACITOR CH 50V 330P	1	
C617	ECUM1E104ZFN	C.CAPACITOR CH 25V 0.1U	1	
C618	ECUM1H102JCN	C.CAPACITOR CH 50V 1000P	1	
C619	ECUM1E104ZFN	C.CAPACITOR CH 25V 0.1U	1	
C621	ECEV1HN010Q	E.CAPACITOR CH 50V 1U	1	
C622,23	ECUM1E104ZFN	C.CAPACITOR CH 25V 0.1U	2	
C624,25	ECUM1H103KBN	C.CAPACITOR CH 50V 0.01U	2	
C626	ECUM1H102JCN	C.CAPACITOR CH 50V 1000P	1	
C627	ECUM1E104ZFN	C.CAPACITOR CH 25V 0.1U	1	
C629	ECUM1H121JCN	C.CAPACITOR CH 50V 120P	1	
C651	ECEV0JV330Q	E.CAPACITOR CH6.3V 33U	1	
C652,53	ECUM1E104ZFN	C.CAPACITOR CH 25V 0.1U	2	
C654	ECEV0JV330Q	E.CAPACITOR CH6.3V 33U	1	
C655	ECUM1E104ZFN	C.CAPACITOR CH 25V 0.1U	1	
C701	ECUM1E104ZFN	C.CAPACITOR CH 25V 0.1U	1	
C702,03	ECEV0JV330Q	E.CAPACITOR CH6.3V 33U	2	
C704	ECUM1E104ZFN	C.CAPACITOR CH 25V 0.1U	1	
C705	ECEV0JV330Q	E.CAPACITOR CH6.3V 33U	1	
C706	ECUM1E104ZFN	C.CAPACITOR CH 25V 0.1U	1	
C707	ECEV0JV330Q	E.CAPACITOR CH6.3V 33U	1	
C708,09	ECUM1E104ZFN	C.CAPACITOR CH 25V 0.1U	2	
C710	ECUM1H010CCN	C.CAPACITOR CH 50V 1P	1	
C712-14	ECUM1E104ZFN	C.CAPACITOR CH 25V 0.1U	3	
C715	ECUX1E104KBN	C.CAPACITOR CH 25V 0.1U	1	
C716	ECUM1E104ZFN	C.CAPACITOR CH 25V 0.1U	1	
C717	ECEV0JV330Q	E.CAPACITOR CH6.3V 33U	1	
C718	ECUM1E104ZFN	C.CAPACITOR CH 25V 0.1U	1	
C719	ECEV0JV330Q	E.CAPACITOR CH6.3V 33U	1	
C720,21	ECUM1E104ZFN	C.CAPACITOR CH 25V 0.1U	2	

Ref. No.	Part No.	Part Name & Description	Pcs	Remark
C722	ECEV0JV330Q	E.CAPACITOR CH6.3V 33U	1	
C723	ECUM1E104ZFN	C.CAPACITOR CH 25V 0.1U	1	
C724	ECEV0JV330Q	E.CAPACITOR CH6.3V 33U	1	
C725	ECUM1E104ZFN	C.CAPACITOR CH 25V 0.1U	1	
C726	ECEV0JV330Q	E.CAPACITOR CH6.3V 33U	1	
C727	ECUM1E104ZFN	C.CAPACITOR CH 25V 0.1U	1	
C728	ECUX1E104KBN	C.CAPACITOR CH 25V 0.1U	1	
C730	ECEV1CV470Q	E.CAPACITOR CH 16V 47U	1	
C731	ECUX1E104KBN	C.CAPACITOR CH 25V 0.1U	1	
C732	ECUM1H331JCN	C.CAPACITOR CH 50V 330P	1	
C733	ECUM1H470JCN	C.CAPACITOR CH 50V 47P	1	
C734	ECEV0JV330Q	E.CAPACITOR CH6.3V 33U	1	
C735-40	ECUM1E104ZFN	C.CAPACITOR CH 25V 0.1U	6	
C751	ECUM1E104ZFN	C.CAPACITOR CH 25V 0.1U	1	
C752,53	ECEV0JV330Q	E.CAPACITOR CH6.3V 33U	2	
C754	ECUM1E104ZFN	C.CAPACITOR CH 25V 0.1U	1	
C755	ECEV0JV330Q	E.CAPACITOR CH6.3V 33U	1	
C756	ECUM1E104ZFN	C.CAPACITOR CH 25V 0.1U	1	
C757	ECEV0JV330Q	E.CAPACITOR CH6.3V 33U	1	
C758,59	ECUM1E104ZFN	C.CAPACITOR CH 25V 0.1U	2	
C762-66	ECUM1E104ZFN	C.CAPACITOR CH 25V 0.1U	5	
C768	ECUM1E104ZFN	C.CAPACITOR CH 25V 0.1U	1	
C769	ECEV0JV330Q	E.CAPACITOR CH6.3V 33U	1	
C770,71	ECUM1E104ZFN	C.CAPACITOR CH 25V 0.1U	2	
C772	ECEV0JV330Q	E.CAPACITOR CH6.3V 33U	1	
C773	ECUM1E104ZFN	C.CAPACITOR CH 25V 0.1U	1	
C774	ECEV0JV330Q	E.CAPACITOR CH6.3V 33U	1	
C775	ECUM1E104ZFN	C.CAPACITOR CH 25V 0.1U	1	
C776	ECEV1CV100Q	E.CAPACITOR CH 16V 10U	1	
C777	ECUM1E104ZFN	C.CAPACITOR CH 25V 0.1U	1	
C778	ECUX1E104KBN	C.CAPACITOR CH 25V 0.1U	1	
C780	ECEV1CV470Q	E.CAPACITOR CH 16V 47U	1	
C781	ECUX1E104KBN	C.CAPACITOR CH 25V 0.1U	1	
C782	ECUM1H331JCN	C.CAPACITOR CH 50V 330P	1	
C783	ECUM1H470JCN	C.CAPACITOR CH 50V 47P	1	
C784	ECEV0JV330Q	E.CAPACITOR CH6.3V 33U	1	
C785-87	ECUM1E104ZFN	C.CAPACITOR CH 25V 0.1U	3	
C790	ECUM1H080DCN	C.CAPACITOR CH 50V 8P	1	
C791	ECUM1H470JCN	C.CAPACITOR CH 50V 47P	1	
C792	ECEV1CV100Q	E.CAPACITOR CH 16V 10U	1	
C801	ECUM1E104ZFN	C.CAPACITOR CH 25V 0.1U	1	
C802,03	ECEV0JV330Q	E.CAPACITOR CH6.3V 33U	2	
C804	ECUM1E104ZFN	C.CAPACITOR CH 25V 0.1U	1	
C805	ECEV0JV330Q	E.CAPACITOR CH6.3V 33U	1	
C806	ECUM1E104ZFN	C.CAPACITOR CH 25V 0.1U	1	
C807	ECEV0JV330Q	E.CAPACITOR CH6.3V 33U	1	
C808,09	ECUM1E104ZFN	C.CAPACITOR CH 25V 0.1U	2	

Ref. No.	Part No.	Part Name & Description	Pcs	Remark
C812-16	ECUM1E104ZFN	C.CAPACITOR CH 25V 0.1U	5	
C818	ECUM1E104ZFN	C.CAPACITOR CH 25V 0.1U	1	
C819	ECEV0JV330Q	E.CAPACITOR CH6.3V 33U	1	
C820,21	ECUM1E104ZFN	C.CAPACITOR CH 25V 0.1U	2	
C822	ECEV0JV330Q	E.CAPACITOR CH6.3V 33U	1	
C823	ECUM1E104ZFN	C.CAPACITOR CH 25V 0.1U	1	
C824	ECEV0JV330Q	E.CAPACITOR CH6.3V 33U	1	
C825	ECUM1E104ZFN	C.CAPACITOR CH 25V 0.1U	1	
C826	ECEV1CV100Q	E.CAPACITOR CH 16V 10U	1	
C827	ECUM1E104ZFN	C.CAPACITOR CH 25V 0.1U	1	
C828	ECUX1E104KBN	C.CAPACITOR CH 25V 0.1U	1	
C830	ECEV1CV470Q	E.CAPACITOR CH 16V 47U	1	
C831	ECUX1E104KBN	C.CAPACITOR CH 25V 0.1U	1	
C832	ECUM1H331JCN	C.CAPACITOR CH 50V 330P	1	
C833	ECUM1H470JCN	C.CAPACITOR CH 50V 47P	1	
C834	ECEV0JV330Q	E.CAPACITOR CH6.3V 33U	1	
C835-37	ECUM1E104ZFN	C.CAPACITOR CH 25V 0.1U	3	
C840	ECUM1H080DCN	C.CAPACITOR CH 50V 8P	1	
C841	ECUM1H470JCN	C.CAPACITOR CH 50V 47P	1	
C842	ECEV1CV100Q	E.CAPACITOR CH 16V 10U	1	
C851-60	ECUM1E104ZFN	C.CAPACITOR CH 25V 0.1U	10	
C881-96	ECUM1E104ZFN	C.CAPACITOR CH 25V 0.1U	16	
C901-03	ECUM1E104ZFN	C.CAPACITOR CH 25V 0.1U	3	
C905-17	ECUM1E104ZFN	C.CAPACITOR CH 25V 0.1U	13	
C919	ECEV0JV330Q	E.CAPACITOR CH6.3V 33U	1	
C920	ECUM1E104ZFN	C.CAPACITOR CH 25V 0.1U	1	
C921	ECEV0JV330Q	E.CAPACITOR CH6.3V 33U	1	
C922-27	ECUM1E104ZFN	C.CAPACITOR CH 25V 0.1U	6	
C928	ECEV0JV330Q	E.CAPACITOR CH6.3V 33U	1	
C929	ECEV1CV100Q	E.CAPACITOR CH 16V 10U	1	
C930,31	ECUM1E104ZFN	C.CAPACITOR CH 25V 0.1U	2	
C932	ECEV0JV330Q	E.CAPACITOR CH6.3V 33U	1	
C934	ECEV1EV4R7Q	E.CAPACITOR CH 25V 4.7U	1	
C935	ECUM1H470JCN	C.CAPACITOR CH 50V 47P	1	
C936	ECEV0JV330Q	E.CAPACITOR CH6.3V 33U	1	
C937	ECUM1H560JCN	C.CAPACITOR CH 50V 56P	1	
C938	ECUM1H180JCN	C.CAPACITOR CH 50V 18P	1	
C939	ECUM1H121JCN	C.CAPACITOR CH 50V 120P	1	
C940,41	ECUM1E104ZFN	C.CAPACITOR CH 25V 0.1U	2	
C942	ECEV0JV330Q	E.CAPACITOR CH6.3V 33U	1	
C943,44	ECUM1E104ZFN	C.CAPACITOR CH 25V 0.1U	2	
C951	ECUM1H101JCN	C.CAPACITOR CH 50V 100P	1	
C952-56	ECUM1E104ZFN	C.CAPACITOR CH 25V 0.1U	5	
C957	ECUM1H103KBN	C.CAPACITOR CH 50V 0.01U	1	
C958	ECUX1E104KBN	C.CAPACITOR CH 25V 0.1U	1	
C959	ECEV1HNR47Q	E.CAPACITOR CH 50V 0.47U	1	
C960,61	ECUX1E104KBN	C.CAPACITOR CH 25V 0.1U	2	
C962	ECUM1E104ZFN	C.CAPACITOR CH 25V 0.1U	1	
C963	ECEV0JV330Q	E.CAPACITOR CH6.3V 33U	1	
C964,65	ECUM1E104ZFN	C.CAPACITOR CH 25V 0.1U	2	
C966	ECEV0JV330Q	E.CAPACITOR CH6.3V 33U	1	
C967-69	ECUM1E104ZFN	C.CAPACITOR CH 25V 0.1U	3	
C970	ECUM1H080DCN	C.CAPACITOR CH 50V 8P	1	
C971	ECUM1H470JCN	C.CAPACITOR CH 50V 47P	1	



Ref. No.	Part No.	Part Name & Description	Pcs	Remark
C972	ECUM1E104ZFN	C.CAPACITOR CH 25V 0.1U	1	
C973	ECEV1CV470Q	E.CAPACITOR CH 16V 47U	1	
C974	ECUM1E104ZFN	C.CAPACITOR CH 25V 0.1U	1	
C975	ECEV1CV470Q	E.CAPACITOR CH 16V 47U	1	
C976	ECUM1E104ZFN	C.CAPACITOR CH 25V 0.1U	1	
C977	ECUM1H080DCN	C.CAPACITOR CH 50V 8P	1	
C978	ECUM1H470JCN	C.CAPACITOR CH 50V 47P	1	
C979	ECUM1E104ZFN	C.CAPACITOR CH 25V 0.1U	1	
C980	ECEV0JV330Q	E.CAPACITOR CH6.3V 33U	1	
C981,82	ECUM1E104ZFN	C.CAPACITOR CH 25V 0.1U	2	
C983	ECEV0JV330Q	E.CAPACITOR CH6.3V 33U	1	
C984-86	ECUM1E104ZFN	C.CAPACITOR CH 25V 0.1U	3	
D301,02	MA152K	DIODE	2	
D351,52	MA152K	DIODE	2	
D401	MA152WK	DIODE	1	
D551	MA152WK	DIODE	1	
D601	MA335-R	DIODE	1	
D602	MA152WA	DIODE	1	
D603	MA152K	DIODE	1	
D701,02	MA152K	DIODE	2	
D751,52	MA152K	DIODE	2	
D801,02	MA152K	DIODE	2	
D901	MA152K	DIODE	1	
FL101	VLF1016A223	FILTER	1	
FL103	VLF1016A223	FILTER	1	
FL301	VLF1294	FILTER	1	
FL351	VLF1016A223	FILTER	1	
FL451	VLF1016A223	FILTER	1	
FL601,02	VLF1016A223	FILTER	2	
FL701	VLF1294	FILTER	1	
FL702	VLF1016A223	FILTER	1	
FL752	VLF1422	FILTER	1	
FL802	VLF1422	FILTER	1	
FL851,52	VLF1016A223	FILTER	2	
FL911	VLF1016A223	FILTER	1	
FL951	VLF1294	FILTER	1	
FL981,82	VLF1016A223	FILTER	2	
IC101	AN78N09	IC	1	
IC102	AN78N05	IC	1	
IC103	AN79N09	IC	1	
IC104	AN79N05	IC	1	
IC151-54	MC10H125M	IC	4	
IC156	74F244SJ	IC	1	
IC201	VSI2496	PLD	1	
IC204	74F245SJ	IC	1	
IC207,08	UPD71055GB	IC	2	
IC209,10	SN74S1051NS	IC	2	
IC251	VSI2807	IC	1	
IC252	VSI2154	IC	1	
IC253	T74HCT541AF	IC	1	
IC254	T74HCT374AF	IC	1	

Ref. No.	Part No.	Part Name & Description	Pcs	Remark
IC255	74F574SJ	IC	1	
IC259	T74HCT374AF	IC	1	
IC301	EL2082CS	IC	1	
IC302	NJM082BM	IC	1	
IC303	DAC10GS	IC	1	
IC351	AD818AR	IC	1	
IC352	NJM084M	IC	1	
IC353	CXD1175AM	IC	1	
IC354,55	NJM78L05UA	IC	2	
IC356	NJM79L05UA	IC	1	
IC401	UPC1862GS	IC	1	
IC402,03	NJM78L05UA	IC	2	
IC404	NJM79L05UA	IC	1	
IC405	AN91A12S	IC	1	
IC406	TC4W53F	IC	1	
IC407	MC74HC00AF	IC	1	
IC450	AD8047AR	IC	1	
IC451	UPD6486GF3BA	IC	1	
IC452,53	UPD42280G3	IC	2	
IC454	NJM78L05UA	IC	1	
IC455	NJM79L05UA	IC	1	
IC456,57	MC74HC4053F	IC	2	
IC458,59	AD8047AR	IC	2	
IC460	UPD42280G3	IC	1	
IC461	MB40760PF	IC	1	
IC462	VSI2716	IC	1	
IC463	NJM78L05UA	IC	1	
IC501	SN74LS221NS	IC	1	
IC502	MM74HC221AM	IC	1	
IC503	UPD65013BC16	IC	1	
IC504,05	NJM1496M	IC	2	
IC507	MC74HC4053F	IC	1	
IC508	MC74HC04AF	IC	1	
IC509,10	NJM082BM	IC	2	
IC511	NJM78L05UA	IC	1	
IC512	NJM79L05UA	IC	1	
IC513	MM74HC221AM	IC	1	
IC514-16	MC74HC4053F	IC	3	
IC517	NJM78L05UA	IC	1	
IC518	NJM79L05UA	IC	1	
IC551	MC14538BF	IC	1	
IC552	AN91A12S	IC	1	
IC553	NJM78L05UA	IC	1	
IC554	NJM79L05UA	IC	1	
IC555	MN53015VZW	IC	1	
IC601	SN74LS221NS	IC	1	
IC602	MC74HC00AF	IC	1	
IC603	NJM082BM	IC	1	
IC604	MC74HC74AF	IC	1	
IC605	TC4S584F	IC	1	
IC606	TC4W53F	IC	1	
IC607	MC74HC244AF	IC	1	
IC608	SN74LS221NS	IC	1	
IC701	MC74HC4053F	IC	1	

Ref. No.	Part No.	Part Name & Description	Pcs	Remark
IC702	AD848JR	IC	1	
IC703	NJM084M	IC	1	
IC704	CXD1175AM	IC	1	
IC705,06	NJM78L05UA	IC	2	
IC707	NJM79L05UA	IC	1	
IC751	MC74HC4053F	IC	1	
IC752	AD848JR	IC	1	
IC753	NJM084M	IC	1	
IC754	MB40568PF	IC	1	
IC755,56	NJM78L05UA	IC	2	
IC757	NJM79L05UA	IC	1	
IC758	AN78N09	IC	1	
IC759	T74HCT541AF	IC	1	
IC801	MC74HC4053F	IC	1	
IC802	AD848JR	IC	1	
IC803	NJM084M	IC	1	
IC804	MB40568PF	IC	1	
IC805,06	NJM78L05UA	IC	2	
IC807	NJM79L05UA	IC	1	
IC808	AN78N09	IC	1	
IC809	T74HCT541AF	IC	1	
IC851	T160G41-1437	IC	1	
IC852,53	UPD42280G3	IC	2	
IC901-03	74F244SJ	IC	3	
IC904	NJM78L05UA	IC	1	
IC905	AN3296S	IC	1	
IC911	TC7W125FU	IC	1	
IC913	NJM78L05UA	IC	1	
IC951	T74HCT374AF	IC	1	
IC953	TC7W125FU	IC	1	
IC955,56	NJM78L05UA	IC	2	
IC957	NJM79L05UA	IC	1	
IC958	AD8047AR	IC	1	
IC959	MC74HC4053F	IC	1	
IC981	T160G41-1437	IC	1	
IC982,83	UPD42280G3	IC	2	
IC984	VSI2679	IC	1	
IC985,86	74F244SJ	IC	2	
L1,L2	VLP0133	COIL	2	
L101,02	VLP0133	COIL	2	
L301-04	VLQ0319K101	COIL 100UH	4	
L351	VLQ0163J101	COIL 100UH	1	
L352	VLQ0319K101	COIL 100UH	1	
L401	VLQ0163J150	COIL 15UH	1	
L402-05	VLQ0319K100	COIL 10UH	4	
L406	VLQ0133J471	COIL 470UH	1	
L407	VLQ0319K101	COIL 100UH	1	
L451	VLQ0319K101	COIL 100UH	1	
L452	VLQ0319K100	COIL 10UH	1	
L454	VLQ0163J270	COIL 27UH	1	
L455	VLQ0163J6R8	COIL 6.8UH	1	
L456	VLQ0163J5R6	COIL 5.6UH	1	
L457	VLQ0319K101	COIL 100UH	1	

Ref. No.	Part No.	Part Name & Description	Pcs	Remark
L458,59	VLQ0163J2R2	COIL 2.2UH	2	
L501-03	VLQ0319K101	COIL 100UH	3	
L505,06	VLQ0163J680	COIL 68UH	2	
L507	VLQ0319K101	COIL 100UH	1	
L553	VLQ0133J471	COIL 470UH	1	
L601	VLQ0163J3R3	COIL 3.3UH	1	
L651,52	VLQ0319K101	COIL 100UH	2	
L703	VLQ0319K101	COIL 100UH	1	
L704	VLQ0133J821	COIL 820UH	1	
L754	VLQ0133J821	COIL 820UH	1	
L804	VLQ0133J821	COIL 820UH	1	
L911	VLQ0319K101	COIL 100UH	1	
L951	VLQ0163J470	COIL 47UH	1	
P1,P2	VJP3454B096	CONNECTOR (MALE)	2	
Q301	2SB709A-R	TRANSISTOR	1	
Q302,03	2SD601A-R	TRANSISTOR	2	
Q351	2SD601A-R	TRANSISTOR	1	
Q352	2SB709A-R	TRANSISTOR	1	
Q353	2SK198-R	TRANSISTOR	1	
Q401	2SD601A-R	TRANSISTOR	1	
Q404	2SB709A-R	TRANSISTOR	1	
Q405,06	2SD601A-R	TRANSISTOR	2	
Q452	2SD601A-R	TRANSISTOR	1	
Q454	2SB709A-R	TRANSISTOR	1	
Q455	2SD601A-R	TRANSISTOR	1	
Q501,02	2SD601A-R	TRANSISTOR	2	
Q503	2SB709A-R	TRANSISTOR	1	
Q504,05	2SD601A-R	TRANSISTOR	2	
Q507,08	2SD601A-R	TRANSISTOR	2	
Q509	2SB709A-R	TRANSISTOR	1	
Q510,11	2SD601A-R	TRANSISTOR	2	
Q512	2SB709A-R	TRANSISTOR	1	
Q513,14	2SD601A-R	TRANSISTOR	2	
Q515	2SB709A-R	TRANSISTOR	1	
Q516-18	2SD601A-R	TRANSISTOR	3	
Q601	2SC3757-R	TRANSISTOR	1	
Q602,03	2SA1226	TRANSISTOR	2	
Q604	2SC3757-R	TRANSISTOR	1	
Q651	2SB709A-R	TRANSISTOR	1	
Q652	2SD601A-R	TRANSISTOR	1	
Q653	2SB709A-R	TRANSISTOR	1	
Q654	2SD601A-R	TRANSISTOR	1	
Q655	XN1213	TRANSISTOR-RESISTOR	1	
Q656	2SB709A-R	TRANSISTOR	1	
Q657	2SD601A-R	TRANSISTOR	1	
Q658	2SC3757-R	TRANSISTOR	1	
Q701	2SD601A-R	TRANSISTOR	1	
Q702	2SB709A-R	TRANSISTOR	1	
Q703	2SD601A-R	TRANSISTOR	1	
Q704	2SB709A-R	TRANSISTOR	1	
Q705	2SK198-R	TRANSISTOR	1	
Q706	2SB709A-R	TRANSISTOR	1	

Ref. No.	Part No.	Part Name & Description	Pcs	Remark
Q707	2SD601A-R	TRANSISTOR	1	
Q751	2SD601A-R	TRANSISTOR	1	
Q752	2SB709A-R	TRANSISTOR	1	
Q753	2SD601A-R	TRANSISTOR	1	
Q754	2SB709A-R	TRANSISTOR	1	
Q755	2SK198-R	TRANSISTOR	1	
Q756	2SD601A-R	TRANSISTOR	1	
Q801	2SD601A-R	TRANSISTOR	1	
Q802	2SB709A-R	TRANSISTOR	1	
Q803	2SD601A-R	TRANSISTOR	1	
Q804	2SB709A-R	TRANSISTOR	1	
Q805	2SK198-R	TRANSISTOR	1	
Q806	2SD601A-R	TRANSISTOR	1	
Q901,02	2SD601A-R	TRANSISTOR	2	
Q951	2SD601A-R	TRANSISTOR	1	
Q952	2SB709A-R	TRANSISTOR	1	
Q953	2SD601A-R	TRANSISTOR	1	
Q954	2SB709A-R	TRANSISTOR	1	
Q955	2SC3757-R	TRANSISTOR	1	
Q956	2SD601A-R	TRANSISTOR	1	
Q957	2SB709A-R	TRANSISTOR	1	
QR201	MUN2212	TRANSISTOR-RESISTOR	1	
QR551	MUN2212	TRANSISTOR-RESISTOR	1	
QR701,02	MUN2213	TRANSISTOR-RESISTOR	2	
QR751	MUN2213	TRANSISTOR-RESISTOR	1	
QR801	MUN2213	TRANSISTOR-RESISTOR	1	
R7-34	ERJ6GEY0R00	M.RESISTOR CH 1/10W 0	28	
R37-53	ERJ6GEY0R00	M.RESISTOR CH 1/10W 0	17	

Ref. No.	Part No.	Part Name & Description	Pcs	Remark
R56-81	ERJ6GEY0R00	M.RESISTOR CH 1/10W 0	26	
R98	ERJ6GEYG101	M.RESISTOR CH 1/10W 100	1	
R100	ERJ6GEY0R00	M.RESISTOR CH 1/10W 0	1	
R101-08	ERJ6GEYF472	M.RESISTOR CH 1/10W 4.7K	8	
R111	ERJ6GEYG470	M.RESISTOR CH 1/10W 47	1	
R112	ERJ6GEYG222	M.RESISTOR CH 1/10W 2.2K	1	
R113	ERJ6GEYG102	M.RESISTOR CH 1/10W 1K	1	
R114	ERJ6GEY0R00	M.RESISTOR CH 1/10W 0	1	
R115	ERJ6GEYG122	M.RESISTOR CH 1/10W 1.2K	1	
R116	ERJ6GEYG102	M.RESISTOR CH 1/10W 1K	1	
R117,18	ERJ6GEYG222	M.RESISTOR CH 1/10W 2.2K	2	
R119,20	ERJ6GEYG331	M.RESISTOR CH 1/10W 330	2	
R121	ERJ6GEYG222	M.RESISTOR CH 1/10W 2.2K	1	
R122	ERJ6GEYG103	M.RESISTOR CH 1/10W 10K	1	
R123	ERJ6GEYG221	M.RESISTOR CH 1/10W 220	1	
R124	ERJ6GEYG102	M.RESISTOR CH 1/10W 1K	1	
R125,26	ERJ6GEYG103	M.RESISTOR CH 1/10W 10K	2	
R127	ERJ6GEYG102	M.RESISTOR CH 1/10W 1K	1	
R128	ERJ6GEYG222	M.RESISTOR CH 1/10W 2.2K	1	
R129	ERJ6GEYG102	M.RESISTOR CH 1/10W 1K	1	
R130	ERJ6GEYG222	M.RESISTOR CH 1/10W 2.2K	1	

Ref. No.	Part No.	Part Name & Description	Pcs	Remark
R131-33	ERJ6GEYG102	M.RESISTOR CH 1/10W 1K	3	
R134	ERJ6GEYG272	M.RESISTOR CH 1/10W 2.7K	1	
R135	ERJ6GEYG103	M.RESISTOR CH 1/10W 10K	1	
R151-62	ERJ6GEYG101	M.RESISTOR CH 1/10W 100	12	
R163	ERJ6GEY0R00	M.RESISTOR CH 1/10W 0	1	
R165,66	ERJ6GEYG101	M.RESISTOR CH 1/10W 100	2	
R168,69	ERJ6GEYG103	M.RESISTOR CH 1/10W 10K	2	
R172	ERJ6GEYG103	M.RESISTOR CH 1/10W 10K	1	
R173	ERJ6GEY0R00	M.RESISTOR CH 1/10W 0	1	
R175	ERJ6GEY0R00	M.RESISTOR CH 1/10W 0	1	
R177-80	ERJ6GEYG391	M.RESISTOR CH 1/10W 390	4	
R181	ERJ6GEYG332	M.RESISTOR CH 1/10W 3.3K	1	
R182-91	ERJ6GEYG391	M.RESISTOR CH 1/10W 390	10	
R192	ERJ6GEYG332	M.RESISTOR CH 1/10W 3.3K	1	
R193,94	ERJ6GEYG101	M.RESISTOR CH 1/10W 100	2	
R201,02	ERJ6GEYG103	M.RESISTOR CH 1/10W 10K	2	
R208	ERJ6GEYG103	M.RESISTOR CH 1/10W 10K	1	
R214,15	ERJ6GEYG101	M.RESISTOR CH 1/10W 100	2	
R216	ERJ6GEYG103	M.RESISTOR CH 1/10W 10K	1	
R219,20	ERJ6GEY0R00	M.RESISTOR CH 1/10W 0	2	
R221	ERJ6GEYG223	M.RESISTOR CH 1/10W 22K	1	
R222	ERJ6GEYF333	M.RESISTOR CH 1/10W 33K	1	
R223	ERJ6GEYG564	M.RESISTOR CH 1/10W 560K	1	
R224	ERJ6GEYG102	M.RESISTOR CH 1/10W 1K	1	
R225	ERJ6GEYG683	M.RESISTOR CH 1/10W 68K	1	
R226	ERJ6GEYG331	M.RESISTOR CH 1/10W 330	1	
R227	ERJ6GEYJ684	M.RESISTOR CH 1/10W 680K	1	
R228	ERJ6GEYG753	M.RESISTOR CH 1/10W 75	1	
R229	ERJ6GEYG104	M.RESISTOR CH 1/10W 100K	1	
R230	ERJ6GEYG103	M.RESISTOR CH 1/10W 10K	1	
R231	ERJ6GEYG682	M.REISITOR CH 1/10W 6.8K	1	
R232	ERJ6GEYG153	M.RESISTOR CH 1/10W 15K	1	
R233	ERJ6GEYF473	M.RESISTOR CH 1/10W 47K	1	
R251	ERJ6GEYG101	M.RESISTOR CH 1/10W 100	1	
R301	ERJ6GEYG562	M.RESISTOR CH 1/10W 5.6K	1	
R302	ERJ6GEYG102	M.RESISTOR CH 1/10W 1K	1	
R303	ERJ6GEYG101	M.RESISTOR CH 1/10W 100	1	
R304,05	ERJ6GEYG331	M.RESISTOR CH 1/10W 330	2	
R306,07	ERJ6GEYG102	M.RESISTOR CH 1/10W 1K	2	
R308	ERJ6GEYF561	M.RESISTOR CH 1/10W 560	1	
R309	ERJ6GEYG183	M.RESISTOR CH 1/10W 18K	1	
R310	ERJ6GEY0R00	M.RESISTOR CH 1/10W 0	1	
R311	ERJ6GEYG102	M.RESISTOR CH 1/10W 1K	1	
R312	ERJ6GEYG101	M.RESISTOR CH 1/10W 100	1	
R315,16	ERJ6GEYF822	M.RESISTOR CH 1/10W 8.2K	2	
R317	ERJ6GEY0R00	M.RESISTOR CH 1/10W 0	1	
R318	ERJ6GEYF333	M.RESISTOR CH 1/10W 33K	1	
R352	ERJ6GEYG101	M.RESISTOR CH 1/10W 100	1	
R353	ERJ6GEY0R00	M.RESISTOR CH 1/10W 0	1	
R354	ERJ6GEYG152	M.RESISTOR CH 1/10W 1.5K	1	
R355	ERJ6GEYF561	M.RESISTOR CH 1/10W 560	1	
R356	ERJ6GEYJ101	M.RESISTOR CH 1/10W 100	1	
R358	ERJ6GEYG122	M.RESISTOR CH 1/10W 1.2K	1	
R359	ERJ6GEYG101	M.RESISTOR CH 1/10W 100	1	

Ref. No.	Part No.	Part Name & Description	Pcs	Remark
R360	ERJ6GEY0R00	M.RESISTOR CH 1/10W 0	1	
R361	ERJ6GEYG103	M.RESISTOR CH 1/10W 10K	1	
R362	ERJ6GEYG102	M.RESISTOR CH 1/10W 1K	1	
R363	ERJ6GEYG394	M.RESISTOR CH 1/10W 390K	1	
R364	ERJ6GEYG154	M.RESISTOR CH 1/10W 150K	1	
R365	ERJ6GEYG102	M.RESISTOR CH 1/10W 1K	1	
R366	ERJ6GEYG101	M.RESISTOR CH 1/10W 100	1	
R369	ERJ6GEYG101	M.RESISTOR CH 1/10W 100	1	
R370	ERJ6GEYG103	M.RESISTOR CH 1/10W 10K	1	
R371	ERJ6GEYG682	M.REISITOR CH 1/10W 6.8K	1	
R401	ERJ6GEYG681	M.RESISTOR CH 1/10W 680	1	
R402	ERJ6GEYG103	M.RESISTOR CH 1/10W 10K	1	
R403	ERJ6GEYG681	M.RESISTOR CH 1/10W 680	1	
R404	ERJ6GEYG103	M.RESISTOR CH 1/10W 10K	1	
R407	ERJ6GEYG105	M.RESISTOR CH 1/10W 1M	1	
R412	ERJ6GEYG102	M.RESISTOR CH 1/10W 1K	1	
R413	ERJ6GEYF333	M.RESISTOR CH 1/10W 33K	1	
R414	ERJ6GEYG103	M.RESISTOR CH 1/10W 10K	1	
R415	ERJ6GEYG221	M.RESISTOR CH 1/10W 220	1	
R416	ERJ6GEYF473	M.RESISTOR CH 1/10W 47K	1	
R417	ERJ6GEYG221	M.RESISTOR CH 1/10W 220	1	
R418	ERJ6GEYF473	M.RESISTOR CH 1/10W 47K	1	
R419	ERJ6GEYG104	M.RESISTOR CH 1/10W 100K	1	
R420	ERJ6GEYG272	M.RESISTOR CH 1/10W 2.7K	1	
R421	ERJ6GEYG271	M.RESISTOR CH 1/10W 270	1	
R422	ERJ6GEYG222	M.RESISTOR CH 1/10W 2.2K	1	
R423,24	ERJ6GEYG103	M.RESISTOR CH 1/10W 10K	2	
R425	ERJ6GEYG152	M.RESISTOR CH 1/10W 1.5K	1	
R426	ERJ6GEYF822	M.RESISTOR CH 1/10W 8.2K	1	
R431	ERJ6GEY0R00	M.RESISTOR CH 1/10W 0	1	
R432	ERJ6GEYG102	M.RESISTOR CH 1/10W 1K	1	
R433,34	ERJ6GEYG222	M.RESISTOR CH 1/10W 2.2K	2	
R435	ERJ6GEYG221	M.RESISTOR CH 1/10W 220	1	
R436	ERJ6GEYJ224	M.RESISTOR CH 1/10W 220K	1	
R437	ERJ6GEYJ684	M.RESISTOR CH 1/10W 680K	1	
R438-40	ERJ6GEYG103	M.RESISTOR CH 1/10W 10K	3	
R441	ERJ6GEYG562	M.RESISTOR CH 1/10W 5.6K	1	
R451	ERJ6GEYG151	M.RESISTOR CH 1/10W 150	1	
R452	ERJ6GEYG332	M.RESISTOR CH 1/10W 3.3K	1	
R453	ERJ6GEYG102	M.RESISTOR CH 1/10W 1K	1	
R454	ERJ6GEYG330	M.RESISTOR CH 1/10W 33	1	
R455,56	ERJ6GEYG102	M.RESISTOR CH 1/10W 1K	2	
R457-60	ERJ6GEY0R00	M.RESISTOR CH 1/10W 0	4	
R463	ERJ6GEY0R00	M.RESISTOR CH 1/10W 0	1	
R465	ERJ6GEY0R00	M.RESISTOR CH 1/10W 0	1	
R466	ERJ6RBD162	M.RESISTOR CH 1/10W 1.6K	1	
R468	ERJ6GEYG391	M.RESISTOR CH 1/10W 390	1	
R469	ERJ6GEYG103	M.RESISTOR CH 1/10W 10K	1	
R471	ERJ6GEYG102	M.RESISTOR CH 1/10W 1K	1	
R473	ERJ6GEYG331	M.RESISTOR CH 1/10W 330	1	
R474	ERJ6GEYG102	M.RESISTOR CH 1/10W 1K	1	
R475	ERJ6GEYG101	M.RESISTOR CH 1/10W 100	1	
R479	ERJ6GEYG221	M.RESISTOR CH 1/10W 220	1	
R480	ERJ6GEYG101	M.RESISTOR CH 1/10W 100	1	

Ref. No.	Part No.	Part Name & Description	Pcs	Remark
R481	ERJ6GEYG331	M.RESISTOR CH 1/10W 330	1	
R482	ERJ6GEYG103	M.RESISTOR CH 1/10W 10K	1	
R483-86	ERJ6GEYG101	M.RESISTOR CH 1/10W 100	4	
R487	ERJ6GEYG331	M.RESISTOR CH 1/10W 330	1	
R489	ERJ6GEYG821	M.RESISTOR CH 1/10W 820	1	
R491	ERJ6GEYG681	M.RESISTOR CH 1/10W 680	1	
R492	ERJ6GEYG101	M.RESISTOR CH 1/10W 100	1	
R493	ERJ6GEYG821	M.RESISTOR CH 1/10W 820	1	
R494	ERJ6GEYG103	M.RESISTOR CH 1/10W 10K	1	
R495	ERJ6GEYG391	M.RESISTOR CH 1/10W 390	1	
R497	ERJ6GEY0R00	M.RESISTOR CH 1/10W 0	1	
R498	ERJ6GEYG102	M.RESISTOR CH 1/10W 1K	1	
R499	ERJ6GEYJ471	M.RESISTOR CH 1/10W 470	1	
R500	ERJ6GEYG272	M.RESISTOR CH 1/10W 2.7K	1	
R501	ERJ6GEYG183	M.RESISTOR CH 1/10W 18K	1	
R502	ERJ6GEYF333	M.RESISTOR CH 1/10W 33K	1	
R503	ERJ6GEYG223	M.RESISTOR CH 1/10W 22K	1	
R504	ERJ6GEYJ471	M.RESISTOR CH 1/10W 470	1	
R505,06	ERJ6GEY0R00	M.RESISTOR CH 1/10W 0	2	
R510,11	ERJ6GEYG222	M.RESISTOR CH 1/10W 2.2K	2	
R512	ERJ6GEYG102	M.RESISTOR CH 1/10W 1K	1	
R513	ERJ6GEYF472	M.RESISTOR CH 1/10W 4.7K	1	
R514	ERJ6GEYG101	M.RESISTOR CH 1/10W 100	1	
R515	ERJ6GEYG823	M.RESISTOR CH 1/10W 82K	1	
R516	ERJ6GEYG102	M.RESISTOR CH 1/10W 1K	1	
R517	ERJ6GEYF561	M.RESISTOR CH 1/10W 560	1	
R518	ERJ6GEYG102	M.RESISTOR CH 1/10W 1K	1	
R519	ERJ6GEYF822	M.RESISTOR CH 1/10W 8.2K	1	
R520,21	ERJ6GEYG332	M.RESISTOR CH 1/10W 3.3K	2	
R522,23	ERJ6GEYG121	M.RESISTOR CH 1/10W 120	2	
R524	ERJ6GEYG101	M.RESISTOR CH 1/10W 100	1	
R525	ERJ6GEYG222	M.RESISTOR CH 1/10W 2.2K	1	
R526	ERJ6GEYG102	M.RESISTOR CH 1/10W 1K	1	
R527	ERJ6GEYG152	M.RESISTOR CH 1/10W 1.5K	1	
R528	ERJ6GEYG470	M.RESISTOR CH 1/10W 47	1	
R529	ERJ6GEYG152	M.RESISTOR CH 1/10W 1.5K	1	
R530	ERJ6GEYG181	M.RESISTOR CH 1/10W 180	1	
R531	ERJ6GEYG470	M.RESISTOR CH 1/10W 47	1	
R532	ERJ6GEYG102	M.RESISTOR CH 1/10W 1K	1	
R533	ERJ6GEYF472	M.RESISTOR CH 1/10W 4.7K	1	
R534	ERJ6GEYF123	M.RESISTOR CH 1/10W 12K	1	
R535	ERJ6GEYG101	M.RESISTOR CH 1/10W 100	1	
R537	ERJ6GEYG101	M.RESISTOR CH 1/10W 100	1	
R538	ERJ6GEYF472	M.RESISTOR CH 1/10W 4.7K	1	
R539	ERJ6GEYG103	M.RESISTOR CH 1/10W 10K	1	
R540	ERJ6GEYG101	M.RESISTOR CH 1/10W 100	1	
R541	ERJ6GEY0R00	M.RESISTOR CH 1/10W 0	1	
R542	ERJ6GEYG821	M.RESISTOR CH 1/10W 820	1	
R543,44	ERJ6GEYG102	M.RESISTOR CH 1/10W 1K	2	
R545	ERJ6GEYF822	M.RESISTOR CH 1/10W 8.2K	1	
R546,47	ERJ6GEYG332	M.RESISTOR CH 1/10W 3.3K	2	
R548,49	ERJ6GEYG121	M.RESISTOR CH 1/10W 120	2	
R550	ERJ6GEYG153	M.RESISTOR CH 1/10W 15K	1	
R558	ERJ6GEYG222	M.RESISTOR CH 1/10W 2.2K	1	



Ref. No.	Part No.	Part Name & Description	Pcs	Remark
R559	ERJ6GEYG102	M.RESISTOR CH 1/10W 1K	1	
R560,61	ERJ6GEYG222	M.RESISTOR CH 1/10W 2.2K	2	
R562	ERJ6GEYF473	M.RESISTOR CH 1/10W 47K	1	
R565	ERJ6GEYJ224	M.RESISTOR CH 1/10W 220K	1	
R566	ERJ6GEYJ684	M.RESISTOR CH 1/10W 680K	1	
R567-70	ERJ6GEYG103	M.RESISTOR CH 1/10W 10K	4	
R601	ERJ6GEYG103	M.RESISTOR CH 1/10W 10K	1	
R602	ERJ6GEYG222	M.RESISTOR CH 1/10W 2.2K	1	
R603	ERJ6GEYG682	M.REISITOR CH 1/10W 6.8K	1	
R604	ERJ6GEYF472	M.RESISTOR CH 1/10W 4.7K	1	
R605	ERJ6GEYG102	M.RESISTOR CH 1/10W 1K	1	
R606,07	ERJ6GEYF472	M.RESISTOR CH 1/10W 4.7K	2	
R608,09	ERJ6GEYG222	M.RESISTOR CH 1/10W 2.2K	2	
R610	ERJ6GEYG392	M.RESISTOR CH 1/10W 3.9K	1	
R611	ERJ6GEYG332	M.RESISTOR CH 1/10W 3.3K	1	
R612,13	ERJ6GEYG682	M.REISITOR CH 1/10W 6.8K	2	
R614	ERJ6GEYG223	M.RESISTOR CH 1/10W 22K	1	
R615	ERJ6GEYG682	M.REISITOR CH 1/10W 6.8K	1	
R616	ERJ6GEYG223	M.RESISTOR CH 1/10W 22K	1	
R617	ERJ6GEYG332	M.RESISTOR CH 1/10W 3.3K	1	
R618	ERJ6GEYG153	M.RESISTOR CH 1/10W 15K	1	
R619	ERJ6GEYG681	M.RESISTOR CH 1/10W 680	1	
R620,21	ERJ6GEYG152	M.RESISTOR CH 1/10W 1.5K	2	
R622	ERJ6GEYG103	M.RESISTOR CH 1/10W 10K	1	
R623	ERJ6GEYG104	M.RESISTOR CH 1/10W 100K	1	
R624	ERJ6GEYG152	M.RESISTOR CH 1/10W 1.5K	1	
R625	ERJ6GEYG683	M.RESISTOR CH 1/10W 68K	1	
R626	ERJ6GEYG101	M.RESISTOR CH 1/10W 100	1	
R631	ERJ6GEY0R00	M.RESISTOR CH 1/10W 0	1	
R651	ERJ6GEYG152	M.RESISTOR CH 1/10W 1.5K	1	
R652	ERJ6GEYG562	M.RESISTOR CH 1/10W 5.6K	1	
R653	ERJ6GEYG152	M.RESISTOR CH 1/10W 1.5K	1	
R657	ERJ6GEYG102	M.RESISTOR CH 1/10W 1K	1	
R658	ERJ6GEYG152	M.RESISTOR CH 1/10W 1.5K	1	
R659	ERJ6GEYG122	M.RESISTOR CH 1/10W 1.2K	1	
R660	ERJ6GEYG272	M.RESISTOR CH 1/10W 2.7K	1	
R661	ERJ6GEYG152	M.RESISTOR CH 1/10W 1.5K	1	
R663	ERJ6GEYG102	M.RESISTOR CH 1/10W 1K	1	
R664	ERJ6GEYG152	M.RESISTOR CH 1/10W 1.5K	1	
R665	ERJ6RBD122	M.RESISTOR CH 1/10W 1.2K	1	
R666	ERJ6GEYG272	M.RESISTOR CH 1/10W 2.7K	1	
R667	ERJ6GEYG152	M.RESISTOR CH 1/10W 1.5K	1	
R668	ERJ6GEYG102	M.RESISTOR CH 1/10W 1K	1	
R669	ERJ6GEYG101	M.RESISTOR CH 1/10W 100	1	
R670	ERJ6GEYF473	M.RESISTOR CH 1/10W 47K	1	
R671,72	ERJ6GEYG103	M.RESISTOR CH 1/10W 10K	2	
R701	ERJ6GEYG103	M.RESISTOR CH 1/10W 10K	1	
R702	ERJ6GEYG102	M.RESISTOR CH 1/10W 1K	1	
R703	ERJ6GEYG331	M.RESISTOR CH 1/10W 330	1	
R704	ERJ6GEYG152	M.RESISTOR CH 1/10W 1.5K	1	
R707	ERJ6GEYG101	M.RESISTOR CH 1/10W 100	1	
R708	ERJ6GEYG181	M.RESISTOR CH 1/10W 180	1	
R711	ERJ6GEYG122	M.RESISTOR CH 1/10W 1.2K	1	
R712	ERJ6GEYG101	M.RESISTOR CH 1/10W 100	1	

Ref. No.	Part No.	Part Name & Description	Pcs	Remark
R713	ERJ6GEY0R00	M.RESISTOR CH 1/10W 0	1	
R714	ERJ6GEYF333	M.RESISTOR CH 1/10W 33K	1	
R715,16	ERJ6GEYG102	M.RESISTOR CH 1/10W 1K	2	
R717	ERJ6GEYG101	M.RESISTOR CH 1/10W 100	1	
R718	ERJ6GEYG394	M.RESISTOR CH 1/10W 390K	1	
R719	ERJ6GEYG154	M.RESISTOR CH 1/10W 150K	1	
R720,21	ERJ6GEYG105	M.RESISTOR CH 1/10W 1M	2	
R722	ERJ6GEYG101	M.RESISTOR CH 1/10W 100	1	
R723	ERJ6GEYG103	M.RESISTOR CH 1/10W 10K	1	
R724	ERJ6GEYG222	M.RESISTOR CH 1/10W 2.2K	1	
R725	ERJ6GEYG122	M.RESISTOR CH 1/10W 1.2K	1	
R726	ERJ6GEYG331	M.RESISTOR CH 1/10W 330	1	
R727	ERJ6GEYG101	M.RESISTOR CH 1/10W 100	1	
R728	ERJ6GEYG102	M.RESISTOR CH 1/10W 1K	1	
R729	ERJ6GEYG221	M.RESISTOR CH 1/10W 220	1	
R730	ERJ6GEYG152	M.RESISTOR CH 1/10W 1.5K	1	
R731	ERJ6GEYF822	M.RESISTOR CH 1/10W 8.2K	1	
R732	ERJ6GEYG102	M.RESISTOR CH 1/10W 1K	1	
R733	ERJ6GEYG681	M.RESISTOR CH 1/10W 680	1	
R734	ERJ6GEYG102	M.RESISTOR CH 1/10W 1K	1	
R735,36	ERJ6GEYG101	M.RESISTOR CH 1/10W 100	2	
R751	ERJ6GEYG103	M.RESISTOR CH 1/10W 10K	1	
R752	ERJ6GEYG152	M.RESISTOR CH 1/10W 1.5K	1	
R753	ERJ6GEYJ471	M.RESISTOR CH 1/10W 470	1	
R754	ERJ6GEYG152	M.RESISTOR CH 1/10W 1.5K	1	
R757	ERJ6GEYG101	M.RESISTOR CH 1/10W 100	1	
R758	ERJ6GEYG391	M.RESISTOR CH 1/10W 390	1	
R761	ERJ6GEYG122	M.RESISTOR CH 1/10W 1.2K	1	
R762	ERJ6GEYG101	M.RESISTOR CH 1/10W 100	1	
R763,64	ERJ6GEYF123	M.RESISTOR CH 1/10W 12K	2	
R765,66	ERJ6GEYG102	M.RESISTOR CH 1/10W 1K	2	
R767	ERJ6GEYG101	M.RESISTOR CH 1/10W 100	1	
R768	ERJ6GEYG394	M.RESISTOR CH 1/10W 390K	1	
R769	ERJ6GEYJ274	M.RESISTOR CH 1/10W 270K	1	
R770,71	ERJ6GEYG105	M.RESISTOR CH 1/10W 1M	2	
R772	ERJ6GEYG101	M.RESISTOR CH 1/10W 100	1	
R773	ERJ6GEYG103	M.RESISTOR CH 1/10W 10K	1	
R774	ERJ6GEYG222	M.RESISTOR CH 1/10W 2.2K	1	
R775	ERJ6GEYG272	M.RESISTOR CH 1/10W 2.7K	1	
R776	ERJ6GEYJ471	M.RESISTOR CH 1/10W 470	1	
R777	ERJ6GEYG152	M.RESISTOR CH 1/10W 1.5K	1	
R778	ERJ6GEYF561	M.RESISTOR CH 1/10W 560	1	
R779	ERJ6GEYG152	M.RESISTOR CH 1/10W 1.5K	1	
R780	ERJ6GEYF561	M.RESISTOR CH 1/10W 560	1	
R781	ERJ6GEYG682	M.REISITOR CH 1/10W 6.8K	1	
R782	ERJ6GEYG273	M.RESISTOR CH 1/10W 27K	1	
R783	ERJ6GEYG272	M.RESISTOR CH 1/10W 2.7K	1	
R784-91	ERJ6GEYG102	M.RESISTOR CH 1/10W 1K	8	
R801	ERJ6GEYG103	M.RESISTOR CH 1/10W 10K	1	
R802	ERJ6GEYG152	M.RESISTOR CH 1/10W 1.5K	1	
R803	ERJ6GEYJ471	M.RESISTOR CH 1/10W 470	1	
R804	ERJ6GEYG152	M.RESISTOR CH 1/10W 1.5K	1	
R807	ERJ6GEYG101	M.RESISTOR CH 1/10W 100	1	
R808	ERJ6GEYG391	M.RESISTOR CH 1/10W 390	1	

Ref. No.	Part No.	Part Name & Description	Pcs	Remark
R811	ERJ6GEYG122	M.RESISTOR CH 1/10W 1.2K	1	
R812	ERJ6GEYG101	M.RESISTOR CH 1/10W 100	1	
R813,14	ERJ6GEYF123	M.RESISTOR CH 1/10W 12K	2	
R815,16	ERJ6GEYG102	M.RESISTOR CH 1/10W 1K	2	
R817	ERJ6GEYG101	M.RESISTOR CH 1/10W 100	1	
R818	ERJ6GEYG394	M.RESISTOR CH 1/10W 390K	1	
R819	ERJ6GEYJ274	M.RESISTOR CH 1/10W 270K	1	
R820,21	ERJ6GEYG105	M.RESISTOR CH 1/10W 1M	2	
R822	ERJ6GEYG101	M.RESISTOR CH 1/10W 100	1	

Ref. No.	Part No.	Part Name & Description	Pcs	Remark
R823	ERJ6GEYG103	M.RESISTOR CH 1/10W 10K	1	
R824	ERJ6GEYG222	M.RESISTOR CH 1/10W 2.2K	1	
R825	ERJ6GEYG272	M.RESISTOR CH 1/10W 2.7K	1	
R826	ERJ6GEYJ471	M.RESISTOR CH 1/10W 470	1	
R827	ERJ6GEYG152	M.RESISTOR CH 1/10W 1.5K	1	
R828	ERJ6GEYF561	M.RESISTOR CH 1/10W 560	1	
R829	ERJ6GEYG152	M.RESISTOR CH 1/10W 1.5K	1	
R830	ERJ6GEYF561	M.RESISTOR CH 1/10W 560	1	
R831	ERJ6GEYG682	M.REISITOR CH 1/10W 6.8K	1	
R832	ERJ6GEYG273	M.RESISTOR CH 1/10W 27K	1	
R833	ERJ6GEYG272	M.RESISTOR CH 1/10W 2.7K	1	
R834-41	ERJ6GEYG102	M.RESISTOR CH 1/10W 1K	8	
R854-57	ERJ6GEYG391	M.RESISTOR CH 1/10W 390	4	
R858	ERJ6GEYG332	M.RESISTOR CH 1/10W 3.3K	1	
R859-68	ERJ6GEYG391	M.RESISTOR CH 1/10W 390	10	
R869	ERJ6GEYG332	M.RESISTOR CH 1/10W 3.3K	1	
R872	ERJ6GEY0R00	M.RESISTOR CH 1/10W 0	1	
R874	ERJ6GEY0R00	M.RESISTOR CH 1/10W 0	1	
R875	ERJ6GEYG103	M.RESISTOR CH 1/10W 10K	1	
R901-03	ERJ6GEYG101	M.RESISTOR CH 1/10W 100	3	
R911-13	ERJ6GEYG470	M.RESISTOR CH 1/10W 47	3	
R914	ERJ6GEYG101	M.RESISTOR CH 1/10W 100	1	
R916	ERJ6GEYG101	M.RESISTOR CH 1/10W 100	1	
R917,18	ERJ6GEYG103	M.RESISTOR CH 1/10W 10K	2	
R919	ERJ6GEYG101	M.RESISTOR CH 1/10W 100	1	
R920	ERJ6GEYG103	M.RESISTOR CH 1/10W 10K	1	
R921	ERJ6GEYG101	M.RESISTOR CH 1/10W 100	1	
R923	ERJ6GEYG105	M.RESISTOR CH 1/10W 1M	1	
R930	ERJ6GEYG470	M.RESISTOR CH 1/10W 47	1	
R931,32	ERJ6GEYG152	M.RESISTOR CH 1/10W 1.5K	2	
R933	ERJ6GEYG391	M.RESISTOR CH 1/10W 390	1	
R934	ERJ6GEYG470	M.RESISTOR CH 1/10W 47	1	
R935	ERJ6GEYG332	M.RESISTOR CH 1/10W 3.3K	1	
R936	ERJ6GEYG102	M.RESISTOR CH 1/10W 1K	1	
R937	ERJ6GEYF472	M.RESISTOR CH 1/10W 4.7K	1	
R938	ERJ6GEYG101	M.RESISTOR CH 1/10W 100	1	
R939	ERJ6GEYG470	M.RESISTOR CH 1/10W 47	1	

Ref. No.	Part No.	Part Name & Description	Pcs	Remark
R940,41	ERJ6GEYG152	M.RESISTOR CH 1/10W 1.5K	2	
R942	ERJ6GEYG391	M.RESISTOR CH 1/10W 390	1	
R943	ERJ6GEYG470	M.RESISTOR CH 1/10W 47	1	
R944	ERJ6GEYG332	M.RESISTOR CH 1/10W 3.3K	1	
R945	ERJ6GEYG102	M.RESISTOR CH 1/10W 1K	1	
R946	ERJ6GEYF472	M.RESISTOR CH 1/10W 4.7K	1	
R947	ERJ6GEYG101	M.RESISTOR CH 1/10W 100	1	
R948,49	ERJ6GEYG103	M.RESISTOR CH 1/10W 10K	2	
R950	ERJ6GEYG222	M.RESISTOR CH 1/10W 2.2K	1	
R951	ERJ6GEYG101	M.RESISTOR CH 1/10W 100	1	
R952	ERJ6GEYG222	M.RESISTOR CH 1/10W 2.2K	1	
R953	ERJ6GEYG102	M.RESISTOR CH 1/10W 1K	1	
R954	ERJ6GEYG152	M.RESISTOR CH 1/10W 1.5K	1	
R955	ERJ6GEYG470	M.RESISTOR CH 1/10W 47	1	
R956	ERJ6GEYG152	M.RESISTOR CH 1/10W 1.5K	1	
R957	ERJ6GEYG181	M.RESISTOR CH 1/10W 180	1	
R958	ERJ6GEYG470	M.RESISTOR CH 1/10W 47	1	
R959	ERJ6GEYG102	M.RESISTOR CH 1/10W 1K	1	
R960	ERJ6GEYF472	M.RESISTOR CH 1/10W 4.7K	1	
R961	ERJ6GEYG101	M.RESISTOR CH 1/10W 100	1	
R962,63	ERJ6GEYG103	M.RESISTOR CH 1/10W 10K	2	
R965	ERJ6GEYJ274	M.RESISTOR CH 1/10W 270K	1	
R966	ERJ6GEY0R00	M.RESISTOR CH 1/10W 0	1	
R967	ERJ6GEYG102	M.RESISTOR CH 1/10W 1K	1	
R968	ERJ6GEY0R00	M.RESISTOR CH 1/10W 0	1	
R969	ERJ6GEYF333	M.RESISTOR CH 1/10W 33K	1	
R970	ERJ6GEYG103	M.RESISTOR CH 1/10W 10K	1	
R973,74	ERJ6GEYG103	M.RESISTOR CH 1/10W 10K	2	
R975,76	ERJ6GEYG332	M.RESISTOR CH 1/10W 3.3K	2	
R977,78	ERJ6GEY0R00	M.RESISTOR CH 1/10W 0	2	
R979	ERJ6GEYG272	M.RESISTOR CH 1/10W 2.7K	1	
R980	ERJ6GEYG101	M.RESISTOR CH 1/10W 100	1	
R981	ERJ6GEYG103	M.RESISTOR CH 1/10W 10K	1	
R982	ERJ6GEYG101	M.RESISTOR CH 1/10W 100	1	
R983	ERJ6GEYG394	M.RESISTOR CH 1/10W 390K	1	
R984	ERJ6GEYG103	M.RESISTOR CH 1/10W 10K	1	
R985	ERJ6GEYF472	M.RESISTOR CH 1/10W 4.7K	1	
R986,87	ERJ6GEYG103	M.RESISTOR CH 1/10W 10K	2	
R988	ERJ6GEYG563	M.RESISTOR CH 1/10W 56K	1	
R989	ERJ6GEYF561	M.RESISTOR CH 1/10W 560	1	
R990	ERJ6GEYG102	M.RESISTOR CH 1/10W 1K	1	
R991	ERJ6GEY0R00	M.RESISTOR CH 1/10W 0	1	
R992	ERJ6GEYG101	M.RESISTOR CH 1/10W 100	1	
TG1-G5	VJR0646	TEST POINT	5	
TP351	VJR0646	TEST POINT	1	
TP501	VJR0646	TEST POINT	1	
TP502	EYF6CU	TEST POINT	1	
TP503,04	VJR0646	TEST POINT	2	
TP601-03	VJR0646	TEST POINT	3	
TP701	VJR0646	TEST POINT	1	
TP751	VJR0646	TEST POINT	1	
TP801	VJR0646	TEST POINT	1	

Ref. No.	Part No.	Part Name & Description	Pcs	Remark
TP951	EYF6CU	TEST POINT	1	
TP952	VJR0646	TEST POINT	1	
VL601	VLQ0415	COIL	1	
VR301	VRV0064B502	V.RESISTOR 5K	1	
VR351	VRV0064B502	V.RESISTOR 5K	1	
VR451	VRV0112B101	V.RESISTOR 100K	1	
VR455	VRV0064B501	V.RESISTOR 500	1	
VR496	ERJ6GEY0R00	M.RESISTOR CH 1/10W 0	1	
VR501	VRV0064B502	V.RESISTOR 5K	1	
VR502	VRV0064B102	V.RESISTOR 1K	1	
VR505	VRV0064B102	V.RESISTOR 1K	1	
VR507	VRV0064B102	V.RESISTOR 1K	1	
VR510,11	VRV0064B102	V.RESISTOR 1K	2	
VR512	VRV0064B502	V.RESISTOR 5K	1	
VR601	VRV0064B202	V.RESISTOR 2K	1	
VR602	VRV0064B502	V.RESISTOR 5K	1	
VR701	VRV0064B102	V.RESISTOR 1K	1	
VR702	VRV0064B502	V.RESISTOR 5K	1	
VR703	VRV0064B102	V.RESISTOR 1K	1	
VR704	VRV0064B103	V.RESISTOR 10K	1	
VR751	VRV0064B102	V.RESISTOR 1K	1	
VR752	VRV0064B502	V.RESISTOR 5K	1	
VR753	VRV0064B102	V.RESISTOR 1K	1	
VR754	VRV0064B502	V.RESISTOR 5K	1	
VR801	VRV0064B102	V.RESISTOR 1K	1	
VR802	VRV0064B502	V.RESISTOR 5K	1	
VR803	VRV0064B102	V.RESISTOR 1K	1	
VR804	VRV0064B502	V.RESISTOR 5K	1	
X402	VSX0330	CRYSTAL OSCILLATOR	1	
X501	VSX0338	CRYSTAL OSCILLATOR	1	
		MISCELLANEOUS		
	VML2143	CARD PULLER	1	
	VML2144	CARD PULLER	1	

## 10.18. VEP83376A

Ref. No.	Part No.	Part Name & Description	Pcs	Remark
* E5	VEP83376A	F4 P SDI P.C.BOARD	1	(RTL)
C3001	ECEV1CV470Q	E.CAPACITOR CH 16V 47U	1	
C3002	ECUX1E104ZFV	C.CAPACITOR CH 25V 0.1U	1	
C3003	ECEV1CV470Q	E.CAPACITOR CH 16V 47U	1	
C3004	ECUX1E104ZFV	C.CAPACITOR CH 25V 0.1U	1	
C3005	ECEV1CV470Q	E.CAPACITOR CH 16V 47U	1	
C3006	ECUX1E104ZFV	C.CAPACITOR CH 25V 0.1U	1	
C3007	ECEV1CV470Q	E.CAPACITOR CH 16V 47U	1	
C3008	ECUX1E104ZFV	C.CAPACITOR CH 25V 0.1U	1	
C3009	ECEV1CV470Q	E.CAPACITOR CH 16V 47U	1	
C3010	ECUX1E104ZFV	C.CAPACITOR CH 25V 0.1U	1	
C3011	ECEV1CV470Q	E.CAPACITOR CH 16V 47U	1	
C3012	ECUX1E104ZFV	C.CAPACITOR CH 25V 0.1U	1	
C3013	ECEV1CV470Q	E.CAPACITOR CH 16V 47U	1	
C3014,15	ECUX1E104ZFV	C.CAPACITOR CH 25V 0.1U	2	
C3100	ECUM1H100DCN	C.CAPACITOR CH 50V 10P	1	
C3101	ECUM1E104ZFN	C.CAPACITOR CH 25V 0.1U	1	
C3102	ECUX1E104KBN	C.CAPACITOR CH 25V 0.1U	1	
C3108	ECUM1E104ZFN	C.CAPACITOR CH 25V 0.1U	1	
C3109,10	ECUM1H470JCN	C.CAPACITOR CH 50V 47P	2	
C3111	ECUM1E104ZFN	C.CAPACITOR CH 25V 0.1U	1	
C3112	ECUM1H050CCN	C.CAPACITOR CH 50V 5P	1	
C3113	ECUX1E104KBN	C.CAPACITOR CH 25V 0.1U	1	
C3114,15	ECUM1H102JCN	C.CAPACITOR CH 50V 1000P	2	
C3116,17	ECUM1E104ZFN	C.CAPACITOR CH 25V 0.1U	2	
C3118	ECEV1AV330Q	E.CAPACITOR CH 10V 33U	1	
C3119	ECUX1E104KBN	C.CAPACITOR CH 25V 0.1U	1	
C3120	ECUM1H332KBN	C.CAPACITOR CH 50V 3300P	1	
C3121	ECUM1E104ZFN	C.CAPACITOR CH 25V 0.1U	1	
C3122	ECEV1EN3R3Q	E.CAPACITOR CH 25V 3.3U	1	
C3123	ECUM1E823KBN	C.CAPACITOR CH 25V 0.082U	1	
C3124	ECEV1HV010Q	E.CAPACITOR CH 50V 1U	1	
C3125-29	ECUM1E104ZFN	C.CAPACITOR CH 25V 0.1U	5	
C3130	ECUM1H223KBN	C.CAPACITOR CH 50V 0.022U	1	
C3131	ECEV1AV330Q	E.CAPACITOR CH 10V 33U	1	
C3132-35	ECUM1E104ZFN	C.CAPACITOR CH 25V 0.1U	4	
C3136	ECEV1AV330Q	E.CAPACITOR CH 10V 33U	1	
C3138	ECUM1C105ZFN	C.CAPACITOR CH 16V 1U	1	
C3139	ECUM1H030CCN	C.CAPACITOR CH 50V 3P	1	
C3140,41	ECUM1E104ZFN	C.CAPACITOR CH 25V 0.1U	2	
C3142	ECEV0JV330Q	E.CAPACITOR CH6.3V 33U	1	
C3143	ECUM1E104ZFN	C.CAPACITOR CH 25V 0.1U	1	
C3144	ECEV1AV330Q	E.CAPACITOR CH 10V 33U	1	
C3145	ECEV1CV100Q	E.CAPACITOR CH 16V 10U	1	
C3146	ECUX1E104KBN	C.CAPACITOR CH 25V 0.1U	1	
C3147-50	ECUM1E104ZFN	C.CAPACITOR CH 25V 0.1U	4	
C3162	ECUM1C105ZFN	C.CAPACITOR CH 16V 1U	1	
C3163	ECUM1H030CCN	C.CAPACITOR CH 50V 3P	1	
C3170-86	ECUX1E104ZFV	C.CAPACITOR CH 25V 0.1U	17	
C3200-04	ECUX1E104ZFV	C.CAPACITOR CH 25V 0.1U	5	
C3220-23	ECUX1E104ZFV	C.CAPACITOR CH 25V 0.1U	4	
C3240-46	ECUX1E104ZFV	C.CAPACITOR CH 25V 0.1U	7	

Ref. No.	Part No.	Part Name & Description	Pcs	Remark
C3248	ECUX1E104ZFV	C.CAPACITOR CH 25V 0.1U	1	
C3270	ECUM1H103KBN	C.CAPACITOR CH 50V 0.01U	1	
C3271	ECUM1E104ZFN	C.CAPACITOR CH 25V 0.1U	1	
C3272-74	ECUX1E104ZFV	C.CAPACITOR CH 25V 0.1U	3	
C3275-77	ECUM1H103KBN	C.CAPACITOR CH 50V 0.01U	3	
C3278	ECUM1E104ZFN	C.CAPACITOR CH 25V 0.1U	1	
C3279-85	ECUX1E104ZFV	C.CAPACITOR CH 25V 0.1U	7	
C3288-90	ECKF1H181KB	C.CAPACITOR CH 50V 180P	3	
C3291	ECKF1H180KB	C.CAPACITOR CH 50V 180P	1	
C3301,02	ECUX1H103KBV	C.CAPACITOR CH 50V 0.01U	2	
C3303	ECEV1CV470Q	E.CAPACITOR CH 16V 47U	1	
C3304	ECUX1H103KBV	C.CAPACITOR CH 50V 0.01U	1	
C3305	ECUX1H120JCV	C.CAPACITOR CH 50V 12P	1	
C3306	ECUX1H470JCV	C.CAPACITOR CH 50V 47P	1	
C3307	ECUX1E104ZFV	C.CAPACITOR CH 25V 0.1U	1	
C3308	ECEV1CV100Q	E.CAPACITOR CH 16V 10U	1	
C3309	ECUX1E104ZFV	C.CAPACITOR CH 25V 0.1U	1	
C3310,11	ECEV1CV100Q	E.CAPACITOR CH 16V 10U	2	
C3313	ECUX1E104ZFV	C.CAPACITOR CH 25V 0.1U	1	
C3315	ECUX1E104ZFV	C.CAPACITOR CH 25V 0.1U	1	
C3318	ECUX1H120JCV	C.CAPACITOR CH 50V 12P	1	
C3319	ECUX1H121JCV	C.CAPACITOR CH 50V 120P	1	
C3320	ECUX1H180JCV	C.CAPACITOR CH 50V 18P	1	
C3340	ECUX1E104ZFV	C.CAPACITOR CH 25V 0.1U	1	
C3341	ECUX1H221JCV	C.CAPACITOR CH 50V 220P	1	
C3342	ECUX1E104ZFV	C.CAPACITOR CH 25V 0.1U	1	
C3343	ECUX1H180JCV	C.CAPACITOR CH 50V 18P	1	
C3344-49	ECUX1E104ZFV	C.CAPACITOR CH 25V 0.1U	6	
C3350	ECUX1H180JCV	C.CAPACITOR CH 50V 18P	1	
C3351	ECUX1H050CCV	C.CAPACITOR CH 50V 5P	1	
C3352	ECUX1H221JCV	C.CAPACITOR CH 50V 220P	1	
C3353	ECUX1H222KBV	C.CAPACITOR CH 50V 2200P	1	
C3354	ECEV1CV100Q	E.CAPACITOR CH 16V 10U	1	
C3355	ECUX1H050CCV	C.CAPACITOR CH 50V 5P	1	
C3356	ECUX1H222KBV	C.CAPACITOR CH 50V 2200P	1	
C3380,81	ECUX1E104ZFV	C.CAPACITOR CH 25V 0.1U	2	
C3390-95	ECUX1E104ZFV	C.CAPACITOR CH 25V 0.1U	6	
C3396,97	ECUX1H103KBV	C.CAPACITOR CH 50V 0.01U	2	
C3410-12	ECUX1E104ZFV	C.CAPACITOR CH 25V 0.1U	3	
C3430-47	ECUX1E104ZFV	C.CAPACITOR CH 25V 0.1U	18	
C3460-62	ECUX1E104ZFV	C.CAPACITOR CH 25V 0.1U	3	
C3470-72	ECUM1E104ZFN	C.CAPACITOR CH 25V 0.1U	3	
C3473,74	ECEV1AV330Q	E.CAPACITOR CH 10V 33U	2	
C3476	ECUM1E104ZFN	C.CAPACITOR CH 25V 0.1U	1	
C3477,78	ECUM1H100DCN	C.CAPACITOR CH 50V 10P	2	
C3479	ECUM1E104ZFN	C.CAPACITOR CH 25V 0.1U	1	
C3480,81	ECUX1E104KBN	C.CAPACITOR CH 25V 0.1U	2	
C3482	ECUM1E104ZFN	C.CAPACITOR CH 25V 0.1U	1	
C3483	ECUX1E104KBN	C.CAPACITOR CH 25V 0.1U	1	
C3485	ECUM1C105ZFN	C.CAPACITOR CH 16V 1U	1	
C3487,88	ECUM1E104ZFN	C.CAPACITOR CH 25V 0.1U	2	
C3489	ECEV1AV330Q	E.CAPACITOR CH 10V 33U	1	
C3490,91	ECUM1E104ZFN	C.CAPACITOR CH 25V 0.1U	2	
C3493	ECUX1E104KBN	C.CAPACITOR CH 25V 0.1U	1	

Ref. No.	Part No.	Part Name & Description	Pcs	Remark
C3496-98	ECUM1E104ZFN	C.CAPACITOR CH 25V 0.1U	3	
C3499,00	ECUX1E104KBN	C.CAPACITOR CH 25V 0.1U	2	
C3502	ECUX1E104KBN	C.CAPACITOR CH 25V 0.1U	1	
C3503	ECUM1E104ZFN	C.CAPACITOR CH 25V 0.1U	1	
C3509	ECUM1C105ZFN	C.CAPACITOR CH 16V 1U	1	
C3510,11	ECUM1H020CCN	C.CAPACITOR CH 50V 2P	2	
C3512	ECUM1C105ZFN	C.CAPACITOR CH 16V 1U	1	
C3513	ECUM1H020CCN	C.CAPACITOR CH 50V 2P	1	
C3514	ECUX1E104KBN	C.CAPACITOR CH 25V 0.1U	1	
C3516	ECUM1C105ZFN	C.CAPACITOR CH 16V 1U	1	
C3517	ECUM1H020CCN	C.CAPACITOR CH 50V 2P	1	
C3530	ECEV1CV470Q	E.CAPACITOR CH 16V 47U	1	
C3531	ECUX1H103KBV	C.CAPACITOR CH 50V 0.01U	1	
C3532	ECUX1C104ZFN	C.CAPACITOR CH 16V 0.1U	1	
C3533	ECUX1H103KBV	C.CAPACITOR CH 50V 0.01U	1	
C3534	ECEV1CV470Q	E.CAPACITOR CH 16V 47U	1	
C3535-37	ECUX1H103KBV	C.CAPACITOR CH 50V 0.01U	3	
C3538	ECUX1E104ZFN	C.CAPACITOR CH 25V 0.1U	1	
C3539	ECEV1HN010Q	E.CAPACITOR CH 50V 1U	1	
C3540	ECUX1H103KBV	C.CAPACITOR CH 50V 0.01U	1	
C3560	ECEV1CV470Q	E.CAPACITOR CH 16V 47U	1	
C3561,62	ECUX1H103KBV	C.CAPACITOR CH 50V 0.01U	2	
C3563	ECEV1CV470Q	E.CAPACITOR CH 16V 47U	1	
C3564	ECUX1H103KBV	C.CAPACITOR CH 50V 0.01U	1	
C3565	ECEV1CV470Q	E.CAPACITOR CH 16V 47U	1	
C3566-69	ECUX1H103KBV	C.CAPACITOR CH 50V 0.01U	4	
C3570	ECUX1H150JCV	C.CAPACITOR CH 50V 15P	1	
C3571	ECUX1H103KBV	C.CAPACITOR CH 50V 0.01U	1	
C3572	ECEV1CV220Q	E.CAPACITOR CH 16V 22U	1	
C3573	ECUX1H103KBV	C.CAPACITOR CH 50V 0.01U	1	
C3574	ECEV1CV220Q	E.CAPACITOR CH 16V 22U	1	
C3575	ECUX1C104ZFN	C.CAPACITOR CH 16V 0.1U	1	
C3576	ECEV1CV470Q	E.CAPACITOR CH 16V 47U	1	
C3577-80	ECUX1H103KBV	C.CAPACITOR CH 50V 0.01U	4	
C3581	ECUX1H030CCV	C.CAPACITOR CH 50V 3P	1	
C3582	ECUX1H101JCV	C.CAPACITOR CH 50V 100P	1	
C3583	ECEV1CV220Q	E.CAPACITOR CH 16V 22U	1	
C3584	ECUX1H103KBV	C.CAPACITOR CH 50V 0.01U	1	
C3600	ECUX1H103KBV	C.CAPACITOR CH 50V 0.01U	1	
C3601	ECUX1C104ZFN	C.CAPACITOR CH 16V 0.1U	1	
C3602,03	ECUX1H103KBV	C.CAPACITOR CH 50V 0.01U	2	
C3604	ECUX1C104ZFN	C.CAPACITOR CH 16V 0.1U	1	
C3605	ECUX1H103KBV	C.CAPACITOR CH 50V 0.01U	1	
C3606	ECUX1E104ZFN	C.CAPACITOR CH 25V 0.1U	1	
C3607	ECUX1H103KBV	C.CAPACITOR CH 50V 0.01U	1	
C3609	ECUX1H103KBV	C.CAPACITOR CH 50V 0.01U	1	
C3620-27	ECUM1E104ZFN	C.CAPACITOR CH 25V 0.1U	8	
C3629	ECUM1H103KBN	C.CAPACITOR CH 50V 0.01U	1	
C3630	ECUM1E104ZFN	C.CAPACITOR CH 25V 0.1U	1	
C3631,32	ECUX1E104ZFN	C.CAPACITOR CH 25V 0.1U	2	
C3633	ECUM1E104ZFN	C.CAPACITOR CH 25V 0.1U	1	
C3660-67	ECUX1E104ZFN	C.CAPACITOR CH 25V 0.1U	8	
C3670-72	ECUX1E104ZFN	C.CAPACITOR CH 25V 0.1U	3	
C3700,01	ECUX1E104ZFN	C.CAPACITOR CH 25V 0.1U	2	



Ref. No.	Part No.	Part Name & Description	Pcs	Remark
D3001	MA152K	DIODE	1	
D3005	MA3024	DIODE	1	
D3006-08	MA840-A	DIODE	3	
D3010	1SS88	DIODE	1	
D3014	LN1251CAL	DIODE	1	
FL3001-09	VLF0931	FILTER	9	
FL3100	VLF1433	FILTER	1	
IC3001	T74VHC244F	IC	1	
IC3100	GS9005A-CPJ	IC	1	
IC3101	MC74HC4053F	IC	1	
IC3102	GS9010-CKC	IC	1	
IC3103	GS9000BCPJ	IC	1	
IC3104	GS9007-CKA	IC	1	
IC3105	AN7805F	IC	1	
IC3120	TCVHC02F	IC	1	
IC3121	T74VHC244F	IC	1	
IC3122	UPD65929GD12	IC	1	
IC3123	T74LCX244F	IC	1	
IC3124,25	TLCX574F	IC	2	
IC3126	LVT245ANS	IC	1	
IC3127	TCVHC02F	IC	1	
IC3140-42	TVHT574FT	IC	3	
IC3143	M4128-6410VC	IC	1	
IC3160	T160G70-1586	IC	1	
IC3180	TVHT574FT	IC	1	
IC3181,82	TLCX574F	IC	2	
IC3183	T74VHC574F	IC	1	
IC3184	MN47V78S	IC	1	
IC3186	TLCX574F	IC	1	
IC3187	MN47V78S	IC	1	
IC3189	TVHT574FT	IC	1	
IC3210-13	T74VHC244F	IC	4	
IC3214,15	TLCX574F	IC	2	
IC3216	MC10H125M	IC	1	
IC3217	T74LCX244F	IC	1	
IC3218	TLCX574F	IC	1	
IC3219,20	T74VHC244F	IC	2	
IC3240	NJM79L05UA	IC	1	
IC3241	SN74ALS257A	IC	1	
IC3242,43	NJM78L05UA	IC	2	
IC3244	AD8047AR	IC	1	
IC3245	SN74ALS257A	IC	1	
IC3246	MB40768PF	IC	1	
IC3260	T74VHC244F	IC	1	
IC3261	NJM78L05UA	IC	1	
IC3263	CF72417	IC	1	

Ref. No.	Part No.	Part Name & Description	Pcs	Remark
IC3264	MC68HC68VBI	IC	1	
IC3280	M4128-6410VC	IC	1	
IC3290	T74VHC244F	IC	1	
IC3291	TLCX574F	IC	1	
IC3292,93	SN74ALS257A	IC	2	
IC3294	TLCX574F	IC	1	
IC3295	T74VHC244F	IC	1	
IC3296	MC10H124M	IC	1	
IC3310	M4128-6410VC	IC	1	
IC3311	T74VHC244F	IC	1	
IC3330,31	TVHT574FT	IC	2	
IC3332	T74VHC244F	IC	1	
IC3333	UPD65929GD12	IC	1	
IC3334	T74VHC244F	IC	1	
IC3335	LVT245ANS	IC	1	
IC3350	UPD6456T611Y	IC	1	
IC3351	M4128-6410VC	IC	1	
IC3360,61	74F821SC	IC	2	
IC3362	AN7805F	IC	1	
IC3364,65	GS9022-CPJ	IC	2	
IC3380	NJM084M	IC	1	
IC3381	MC74HC125AF	IC	1	
IC3382	NJM78L05UA	IC	1	
IC3383	NJM79L05UA	IC	1	
IC3400	MC10H116M	IC	1	
IC3401	MC10H125M	IC	1	
IC3402	LM337T	IC	1	
IC3403	NJM78L05UA	IC	1	
IC3404	MC10H105M	IC	1	
IC3405	VCR0377	IC	1	
IC3406	MC10H116M	IC	1	
IC3407	NJM79L05UA	IC	1	
IC3408	MC10H124M	IC	1	
IC3420	T74VHC244F	IC	1	
IC3421	T74LCX244F	IC	1	
IC3422,23	T74VHC244F	IC	2	
IC3424,25	T74LCX244F	IC	2	
IC3426,27	T74VHC244F	IC	2	
IC3450-52	74F541SJ	IC	3	
IC3453	SN74S1051NS	IC	1	
IC3455	74F245SJ	IC	1	
IC3456	SN74S1051NS	IC	1	
IC3457	UPD71055GB	IC	1	
IC3458	74F04SJ	IC	1	
IC3459	MACH211S10VC	IC	1	
IC3460	UPD71055GB	IC	1	
IC3490	GS9001-CQM	IC	1	
IC3491	MACH211S10VC	IC	1	
IC3492,93	SN74AS244AN	TTL	2	
IC3494	M4128-6410VC	IC	1	
IC3497,98	TLCX574F	IC	2	
IC3500	M4128-6410VC	IC	1	
L3100,01	VLQ0319K100	COIL 10UH	2	

Ref. No.	Part No.	Part Name & Description	Pcs	Remark
L3102	VLQ0426J015	COIL 15UH	1	
L3103	VLQ0319K100	COIL 10UH	1	
L3104	VLQ0319K4R7	COIL 4.7UH	1	
L3105	VLQ0319K470	COIL 47UH	1	
L3106,07	VLQ0319K100	COIL 10UH	2	
P3001,02	VJP3510	CONNECTOR (MALE)	2	
P3003	VJP3125B008	CONNECTOR (MALE)	1	
P3004,05	VJP3635A080	CONNECTOR (MALE)	2	
P3010	VJP1231T	CONNECTOR (MALE) 4P	1	
P3200	VJP4131	CONNECTOR (MALE)	1	
P3204-07	VJP4131	CONNECTOR (MALE)	4	
Q3100	2SD601A-R	TRANSISTOR	1	
Q3101,02	MSD601	TRANSISTOR	2	
Q3103,04	MSB709	TRANSISTOR	2	
Q3105,06	2SD601A-R	TRANSISTOR	2	
Q3107	2SB709A-R	TRANSISTOR	1	
QR3001	MUN2212	TRANSISTOR-RESISTOR	1	
R3001-04	ERJ3GEYG102	M.RESISTOR CH 1/16W 1K	4	
R3031,32	ERJ3GEYJ101	M.RESISTOR CH 1/16W 100	2	
R3100	ERJ6GEYG273	M.RESISTOR CH 1/10W 27K	1	
R3102	ERJ6GEY0R00	M.RESISTOR CH 1/10W 0	1	
R3103,04	ERJ6GEYG101	M.RESISTOR CH 1/10W 100	2	
R3105	ERJ6GEYG121	M.RESISTOR CH 1/10W 120	1	
R3106	ERJ6GEYG390	M.RESISTOR CH 1/10W 39	1	
R3107-09	ERJ6GEYG121	M.RESISTOR CH 1/10W 120	3	
R3114	ERJ6RED750	M.RESISTOR CH 1/10W 75	1	

Ref. No.	Part No.	Part Name & Description	Pcs	Remark
R3116	ERJ6GEY0R00	M.RESISTOR CH 1/10W 0	1	
R3117	ERJ6RBD182	M.RESISTOR CH 1/10W 1.8K	1	
R3118	ERJ6RBD222	M.RESISTOR CH 1/10W 2.2K	1	
R3120	ERJ6GEY0R00	M.RESISTOR CH 1/10W 0	1	
R3122	ERJ6GEY0R00	M.RESISTOR CH 1/10W 0	1	
R3124	ERJ6RBD471	M.RESISTOR CH 1/10W 470	1	
R3125	ERJ6RBD102	M.RESISTOR CH 1/10W 1K	1	
R3126	ERJ6RBD122	M.RESISTOR CH 1/10W 1.2K	1	
R3127	ERJ6RBD104	M.RESISTOR CH 1/10W 100K	1	
R3128-31	ERJ6RBD221	M.RESISTOR CH 1/10W 220	4	
R3132	ERJ6RBD392	M.RESISTOR CH 1/10W 3.9K	1	
R3133,34	ERJ6GEYG101	M.RESISTOR CH 1/10W 100	2	
R3135	ERJ6GEY0R00	M.RESISTOR CH 1/10W 0	1	
R3136	ERJ6GEYF472	M.RESISTOR CH 1/10W 4.7K	1	
R3138	ERJ6GEYG683	M.RESISTOR CH 1/10W 68K	1	
R3139-44	ERJ6GEYG121	M.RESISTOR CH 1/10W 120	6	
R3146	ERJ6GEYG151	M.RESISTOR CH 1/10W 150	1	
R3147	ERJ6RED560	M.RESISTOR CH 1/10W 56	1	
R3148	ERJ6RED750	M.RESISTOR CH 1/10W 75	1	
R3149	ERJ6RBD121	M.RESISTOR CH 1/10W 120	1	
R3150	ERJ6GEYG102	M.RESISTOR CH 1/10W 1K	1	

Ref. No.	Part No.	Part Name & Description	Pcs	Remark
R3151-53	ERJ6GEYG151	M.RESISTOR CH 1/10W 150	3	
R3163	ERJ6RED560	M.RESISTOR CH 1/10W 56	1	
R3171	ERJ6GEYG560	M.RESISTOR CH 1/10W 56	1	
R3174-84	ERJ6GEYG102	M.RESISTOR CH 1/10W 1K	11	
R3185,86	ERJ6GEYG220	M.RESISTOR CH 1/10W 22	2	
R3189	ERJ6GEYG102	M.RESISTOR CH 1/10W 1K	1	
R3191	ERJ6GEY0R00	M.RESISTOR CH 1/10W 0	1	
R3192,93	ERJ6GEYG102	M.RESISTOR CH 1/10W 1K	2	
R3211	ERJ6GEYG102	M.RESISTOR CH 1/10W 1K	1	
R3219	ERJ6GEYG102	M.RESISTOR CH 1/10W 1K	1	
R3220	ERJ3GEYG102	M.RESISTOR CH 1/16W 1K	1	
R3250,51	ERJ6GEYG103	M.RESISTOR CH 1/10W 10K	2	
R3253	ERJ6GEYG103	M.RESISTOR CH 1/10W 10K	1	
R3285	ERJ6GEYG102	M.RESISTOR CH 1/10W 1K	1	
R3296	ERJ6GEYG103	M.RESISTOR CH 1/10W 10K	1	
R3298	ERJ6GEYG103	M.RESISTOR CH 1/10W 10K	1	
R3299	ERJ6GEYG102	M.RESISTOR CH 1/10W 1K	1	
R3320-23	ERJ6GEYG560	M.RESISTOR CH 1/10W 56	4	
R3324	ERJ6GEYG101	M.RESISTOR CH 1/10W 100	1	
R3325	ERJ6GEY0R00	M.RESISTOR CH 1/10W 0	1	
R3326-33	ERJ6GEYG331	M.RESISTOR CH 1/10W 330	8	
R3334-38	ERJ6GEYG102	M.RESISTOR CH 1/10W 1K	5	
R3339-42	ERJ6GEYG560	M.RESISTOR CH 1/10W 56	4	
R3343	ERJ6GEYG101	M.RESISTOR CH 1/10W 100	1	
R3344	ERJ6GEY0R00	M.RESISTOR CH 1/10W 0	1	
R3345-56	ERJ6GEYG331	M.RESISTOR CH 1/10W 330	12	
R3357,58	ERJ6GEYG102	M.RESISTOR CH 1/10W 1K	2	
R3381	ERJ3GEYJ121	M.RESISTOR CH 1/16W 120	1	
R3382	ERJ3GEYJ122	M.RESISTOR CH 1/16W 1.2K	1	
R3383	ERJ3GEYJ221	M.RESISTOR CH 1/16W 220	1	
R3384	ERJ3GEYG471	M.RESISTOR CH 1/16W 470	1	
R3385	ERJ3GEYJ122	M.RESISTOR CH 1/16W 1.2K	1	
R3387-89	ERJ3GEYJ222	M.RESISTOR CH 1/16W 2.2K	3	
R3390	ERJ6RBD102	M.RESISTOR CH 1/10W 1K	1	
R3391	ERJ3GEY0R00	M.RESISTOR CH 1/16W 0	1	
R3392	ERJ3GEYG102	M.RESISTOR CH 1/16W 1K	1	
R3393	ERJ3GEYJ821	M.RESISTOR CH 1/16W 820	1	
R3395	ERJ3GEYJ103	M.RESISTOR CH 1/16W 10K	1	
R3396	ERJ6RBD471	M.RESISTOR CH 1/10W 470	1	
R3397	ERJ3GEYJ470	M.RESISTOR CH 1/16W 47	1	
R3398	ERJ6RBD471	M.RESISTOR CH 1/10W 470	1	
R3399	ERJ3GEYG471	M.RESISTOR CH 1/16W 470	1	
R3400	ERJ3GEYJ222	M.RESISTOR CH 1/16W 2.2K	1	
R3401,02	ERJ6GEYF472	M.RESISTOR CH 1/10W 4.7K	2	
R3403	ERJ3GEYG102	M.RESISTOR CH 1/16W 1K	1	
R3404	ERJ3GEYJ153	M.RESISTOR CH 1/16W 15K	1	
R3405,06	ERJ3GEYG102	M.RESISTOR CH 1/16W 1K	2	
R3407-12	ERJ6GEYF472	M.RESISTOR CH 1/10W 4.7K	6	
R3413	ERJ3GEYG102	M.RESISTOR CH 1/16W 1K	1	
R3414,15	ERJ6GEYG102	M.RESISTOR CH 1/10W 1K	2	
R3416	ERJ3GEYG102	M.RESISTOR CH 1/16W 1K	1	
R3430	ERJ3GEYG102	M.RESISTOR CH 1/16W 1K	1	
R3431,32	ERJ3GEYJ105	M.RESISTOR CH 1/16W 1M	2	
R3433	ERJ3GEYJ103	M.RESISTOR CH 1/16W 10K	1	

Ref. No.	Part No.	Part Name & Description	Pcs	Remark
R3434,35	ERJ3GEYJ101	M.RESISTOR CH 1/16W 100	2	
R3437	ERJ3GEY0R00	M.RESISTOR CH 1/16W 0	1	
R3439	ERJ3GEYG102	M.RESISTOR CH 1/16W 1K	1	
R3440	ERJ3GEYJ103	M.RESISTOR CH 1/16W 10K	1	
R3461	ERJ6GEYG102	M.RESISTOR CH 1/10W 1K	1	
R3462	ERJ3GEYG102	M.RESISTOR CH 1/16W 1K	1	
R3470,71	ERJ6GEYG220	M.RESISTOR CH 1/10W 22	2	
R3472,73	ERJ6GEYG102	M.RESISTOR CH 1/10W 1K	2	
R3476	ERJ6GEYG102	M.RESISTOR CH 1/10W 1K	1	
R3477-83	ERJ6GEYG220	M.RESISTOR CH 1/10W 22	7	
R3484	ERJ6GEYG102	M.RESISTOR CH 1/10W 1K	1	
R3485-91	ERJ6GEYG220	M.RESISTOR CH 1/10W 22	7	
R3492,93	ERJ3GEYG471	M.RESISTOR CH 1/16W 470	2	
R3494,95	ERJ3GEYJ330	M.RESISTOR CH 1/16W 33	2	
R3510	ERJ6GEYG102	M.RESISTOR CH 1/10W 1K	1	
R3511	ERJ3GEYG102	M.RESISTOR CH 1/16W 1K	1	
R3514	ERJ6GEYG102	M.RESISTOR CH 1/10W 1K	1	
R3516	ERJ3GEY0R00	M.RESISTOR CH 1/16W 0	1	
R3518	ERJ3GEY0R00	M.RESISTOR CH 1/16W 0	1	
R3540	ERJ6GEYG102	M.RESISTOR CH 1/10W 1K	1	
R3543	ERJ6GEYG560	M.RESISTOR CH 1/10W 56	1	
R3544-46	ERJ6GEYG102	M.RESISTOR CH 1/10W 1K	3	
R3559	ERJ6GEY0R00	M.RESISTOR CH 1/10W 0	1	
R3560,61	ERJ6GEYG102	M.RESISTOR CH 1/10W 1K	2	
R3563-71	ERJ6GEYG102	M.RESISTOR CH 1/10W 1K	9	
R3573	ERJ6GEYG102	M.RESISTOR CH 1/10W 1K	1	
R3591	ERJ6GEYG102	M.RESISTOR CH 1/10W 1K	1	
R3592	ERJ3GEYG102	M.RESISTOR CH 1/16W 1K	1	
R3601-11	ERJ6GEYG181	M.RESISTOR CH 1/10W 180	11	
R3612,13	ERJ6GEYG151	M.RESISTOR CH 1/10W 150	2	
R3614,15	ERJ6RBD102	M.RESISTOR CH 1/10W 1K	2	
R3618	ERJ6RBD102	M.RESISTOR CH 1/10W 1K	1	
R3619	ERJ3GEYJ103	M.RESISTOR CH 1/16W 10K	1	
R3620	ERJ6RBD102	M.RESISTOR CH 1/10W 1K	1	
R3621	ERJ6RBD222	M.RESISTOR CH 1/10W 2.2K	1	
R3626	ERJ6RED680	M.RESISTOR CH 1/10W 68	1	
R3630	ERJ6RBD222	M.RESISTOR CH 1/10W 2.2K	1	
R3631-39	ERJ6GEYG181	M.RESISTOR CH 1/10W 180	9	
R3640	ERJ6RED105	M.RESISTOR CH 1/10W 1M	1	
R3641	ERJ6RBD102	M.RESISTOR CH 1/10W 1K	1	
R3644	ERJ3GEYJ103	M.RESISTOR CH 1/16W 10K	1	
R3645	ERJ6RBD102	M.RESISTOR CH 1/10W 1K	1	
R3647	ERJ6RED105	M.RESISTOR CH 1/10W 1M	1	
R3651	ERJ6RED680	M.RESISTOR CH 1/10W 68	1	
R3652-54	ERJ6GEYG151	M.RESISTOR CH 1/10W 150	3	
R3655	ERJ6RED680	M.RESISTOR CH 1/10W 68	1	
R3657	ERJ6GEYG101	M.RESISTOR CH 1/10W 100	1	
R3659	ERJ3GEYG102	M.RESISTOR CH 1/16W 1K	1	
R3660	ERJ6GEYG151	M.RESISTOR CH 1/10W 150	1	
R3661	ERJ6RED680	M.RESISTOR CH 1/10W 68	1	
R3680	ERJ6GEYG102	M.RESISTOR CH 1/10W 1K	1	
R3681	ERJ6GEYG101	M.RESISTOR CH 1/10W 100	1	
R3682,83	ERJ6RBD153	M.RESISTOR CH 1/10W 15K	2	

Ref. No.	Part No.	Part Name & Description	Pcs	Remark
R3684	ERJ6GEYG223	M.RESISTOR CH 1/10W 22K	1	
R3685	ERJ6GEYG105	M.RESISTOR CH 1/10W 1M	1	
R3686	ERJ6GEYF473	M.RESISTOR CH 1/10W 47K	1	
R3687,88	ERJ6GEYG102	M.RESISTOR CH 1/10W 1K	2	
R3700	ERJ6GEYF473	M.RESISTOR CH 1/10W 47K	1	
R3701	ERJ6RBD271	M.RESISTOR CH 1/10W 270	1	
R3702	ERJ6GEYG102	M.RESISTOR CH 1/10W 1K	1	
R3703	ERJ6GEYJ820	M.RESISTOR CH 1/10W 82	1	
R3704	ERJ6GEYG121	M.RESISTOR CH 1/10W 120	1	
R3705,06	ERJ6RBD221	M.RESISTOR CH 1/10W 220	2	
R3713,14	ERJ6GEY0R00	M.RESISTOR CH 1/10W 0	2	
R3715	ERJ6GEYJ471	M.RESISTOR CH 1/10W 470	1	
R3716	ERJ6GEYJ100	M.RESISTOR CH 1/10W 10	1	
R3717	ERJ6RBD221	M.RESISTOR CH 1/10W 220	1	
R3718,19	ERJ6RED750	M.RESISTOR CH 1/10W 75	2	
R3720-25	ERJ6RBD221	M.RESISTOR CH 1/10W 220	6	
R3726	ERJ6GEYG181	M.RESISTOR CH 1/10W 180	1	
R3727	ERJ6GEYJ100	M.RESISTOR CH 1/10W 10	1	
R3728,29	ERJ6RED750	M.RESISTOR CH 1/10W 75	2	
R3730,31	ERJ6RBD221	M.RESISTOR CH 1/10W 220	2	
R3733,34	ERJ6RBD221	M.RESISTOR CH 1/10W 220	2	
R3735-37	ERJ6GEYG102	M.RESISTOR CH 1/10W 1K	3	
R3750	ERJ6GEYG220	M.RESISTOR CH 1/10W 22	1	
R3752	ERJ6GEYG102	M.RESISTOR CH 1/10W 1K	1	
R3754,55	ERJ6GEYG102	M.RESISTOR CH 1/10W 1K	2	
R3756	ERJ6GEYG220	M.RESISTOR CH 1/10W 22	1	
R3758	ERJ6GEYG220	M.RESISTOR CH 1/10W 22	1	
R3759	ERJ6GEYG102	M.RESISTOR CH 1/10W 1K	1	
R3763	ERJ3GEY0R00	M.RESISTOR CH 1/16W 0	1	
R3781	ERJ3GEYG102	M.RESISTOR CH 1/16W 1K	1	
R3788-90	ERJ6GEYG101	M.RESISTOR CH 1/10W 100	3	
R3791	ERJ2TJ102	C.RESISTOR 1K	1	
R3793,94	ERJ3GEYJ103	M.RESISTOR CH 1/16W 10K	2	
R3796-98	ERJ3GEYJ103	M.RESISTOR CH 1/16W 10K	3	
R3801	ERJ3GEYG102	M.RESISTOR CH 1/16W 1K	1	
R3805-07	ERJ3GEYG102	M.RESISTOR CH 1/16W 1K	3	
R3832,33	ERJ3GEY0R00	M.RESISTOR CH 1/16W 0	2	
R3834	ERJ3GEYG102	M.RESISTOR CH 1/16W 1K	1	
R3835,36	ERJ3GEYJ512	M.RESISTOR CH 1/16W 5.1K	2	
R3838	ERJ6GEYG102	M.RESISTOR CH 1/10W 1K	1	
R3839-54	ERJ3GEYJ220	M.RESISTOR CH 1/16W 22	16	
R3855	ERJ3GEYG102	M.RESISTOR CH 1/16W 1K	1	
R3872,73	ERJ6GEYG102	M.RESISTOR CH 1/10W 1K	2	
R3997	ERJ6GEYG102	M.RESISTOR CH 1/10W 1K	1	
R3999	ERJ3GEYG102	M.RESISTOR CH 1/16W 1K	1	
SS3002	VJS1990	CONNECTOR (FEMALE)	1	
SW3002	VJP2536A003	CONNECTOR (MALE)	1	
TG3001-09	VJR0646	TEST POINT	9	
TP3001-03	EYF6CU	TEST POINT	3	
TP3005-13	EYF6CU	TEST POINT	9	

Ref. No.	Part No.	Part Name & Description	Pcs	Remark
VL3001	VLD0264	COIL	1	
VR3004	VRV0113B101	V.RESISTOR 100	1	
X3001	VSX0160	CRYSTAL OSCILLATOR	1	
X3002	VSX0949	CRYSTAL OSCILLATOR	1	
X3003	VSX0906	CRYSTAL OSCILLATOR	1	
		MISCELLANEOUS		
	VML2143	CARD PULLER	1	
	VML2144	CARD PULLER	1	
	XYN26+C12	SCREW	8	
	XNG26EFXS	NUT	8	

### 10.19. VEP83374A

Ref. No.	Part No.	Part Name & Description	Pcs	Remark
* E6	VEP83374A	F5 P REC PB P.C.BOARD	1	(RTL)

### 10.20. VEP83411A

Ref. No.	Part No.	Part Name & Description	Pcs	Remark
*	VEP83411A	EDA-CSP SUB P.C.BOARD	1	(RTL)FOR VEP83374,

### 10.21. VEP83431A

Ref. No.	Part No.	Part Name & Description	Pcs	Remark
*	VEP83431A	BLK SUB P.C.BOARD	1	(RTL)FOR VEP83374,

### 10.22. VEP88234A

Ref. No.	Part No.	Part Name & Description	Pcs	Remark
*	VEP88234A	DV UCOMx2 P.C.BOARD	1	(RTL)FOR VEP83374.
C1 02	ECEV0JV330Q	E.CAPACITOR CH6.3V 33U	1	
C1	ECUM1H103KBN	C.CAPACITOR CH 50V 0.01U	1	
C1 03	ECUX1E104ZFV	C.CAPACITOR CH 25V 0.1U	1	
C2 02	ECEV0JV330Q	E.CAPACITOR CH6.3V 33U	1	
C2	ECEV1CV470Q	E.CAPACITOR CH 16V 47U	1	
C3	ECUX1E104ZFV	C.CAPACITOR CH 25V 0.1U	1	
C4	ECUX1E104ZFV	C.CAPACITOR CH 25V 0.1U	1	
C5	ECUX1E104ZFV	C.CAPACITOR CH 25V 0.1U	1	
C5 02	ECUX1E104ZFV	C.CAPACITOR CH 25V 0.1U	1	
C6	ECEV1CV470Q	E.CAPACITOR CH 16V 47U	1	
C6 02	ECUX1E104ZFV	C.CAPACITOR CH 25V 0.1U	1	
C7	ECUM1H102KBN	C.CAPACITOR CH 50V 1000P	1	
C8	ECUX1E104ZFV	C.CAPACITOR CH 25V 0.1U	1	
C8 02	ECUX1E104ZFV	C.CAPACITOR CH 25V 0.1U	1	
C9	ECEV1CV470Q	E.CAPACITOR CH 16V 47U	1	
C10	ECUX1E104ZFV	C.CAPACITOR CH 25V 0.1U	1	
C11	ECUX1E104ZFV	C.CAPACITOR CH 25V 0.1U	1	
C12	ECUX1E104ZFV	C.CAPACITOR CH 25V 0.1U	1	
C13	ECUX1E104ZFV	C.CAPACITOR CH 25V 0.1U	1	
C14	ECUX1E104ZFV	C.CAPACITOR CH 25V 0.1U	1	
C15	ECUX1E104ZFV	C.CAPACITOR CH 25V 0.1U	1	
C16	ECUX1E104ZFV	C.CAPACITOR CH 25V 0.1U	1	
C17	ECUX1E104ZFV	C.CAPACITOR CH 25V 0.1U	1	
C18	ECUX1E104ZFV	C.CAPACITOR CH 25V 0.1U	1	
C19	ECUX1E104ZFV	C.CAPACITOR CH 25V 0.1U	1	
C20	ECUX1E104ZFV	C.CAPACITOR CH 25V 0.1U	1	
C21	ECUX1E104ZFV	C.CAPACITOR CH 25V 0.1U	1	
C22	ECUX1E104ZFV	C.CAPACITOR CH 25V 0.1U	1	
C23	ECUX1E104ZFV	C.CAPACITOR CH 25V 0.1U	1	
C24	ECUX1E104ZFV	C.CAPACITOR CH 25V 0.1U	1	
C25	ECUX1E104ZFV	C.CAPACITOR CH 25V 0.1U	1	
C25 02	ECUX1E104ZFV	C.CAPACITOR CH 25V 0.1U	1	
C28-30	ECUX1E104ZFV	C.CAPACITOR CH 25V 0.1U	3	
C31	ECUX1E104ZFV	C.CAPACITOR CH 25V 0.1U	1	
C32	ECUX1E104ZFV	C.CAPACITOR CH 25V 0.1U	1	
C33	ECUX1E104ZFV	C.CAPACITOR CH 25V 0.1U	1	
C34	ECUX1E104ZFV	C.CAPACITOR CH 25V 0.1U	1	
C35	ECUX1E104ZFV	C.CAPACITOR CH 25V 0.1U	1	
C36	ECUX1E104ZFV	C.CAPACITOR CH 25V 0.1U	1	
C37	ECUX1E104ZFV	C.CAPACITOR CH 25V 0.1U	1	
C38	ECUX1E104ZFV	C.CAPACITOR CH 25V 0.1U	1	
C39	ECUX1E104ZFV	C.CAPACITOR CH 25V 0.1U	1	
C40	ECUX1E104ZFV	C.CAPACITOR CH 25V 0.1U	1	
C41	ECUX1E104ZFV	C.CAPACITOR CH 25V 0.1U	1	
C42	ECUX1E104ZFV	C.CAPACITOR CH 25V 0.1U	1	
C43	ECUX1E104ZFV	C.CAPACITOR CH 25V 0.1U	1	
C44	ECUX1E104ZFV	C.CAPACITOR CH 25V 0.1U	1	
C45	ECUX1E104ZFV	C.CAPACITOR CH 25V 0.1U	1	
C46	ECUX1E104ZFV	C.CAPACITOR CH 25V 0.1U	1	
C47	ECUX1E104ZFV	C.CAPACITOR CH 25V 0.1U	1	
C48	ECUX1E104ZFV	C.CAPACITOR CH 25V 0.1U	1	



Ref. No.	Part No.	Part Name & Description	Pcs	Remark
C49	ECUX1E104ZFV	C.CAPACITOR CH 25V 0.1U	1	
C57	ECUX1E104ZFV	C.CAPACITOR CH 25V 0.1U	1	
C60	ECUX1E104ZFV	C.CAPACITOR CH 25V 0.1U	1	
C62	ECUX1E104ZFV	C.CAPACITOR CH 25V 0.1U	1	
C86	ECUX1H221JCV	C.CAPACITOR CH 50V 220P	1	
C87	ECUX1E104ZFV	C.CAPACITOR CH 25V 0.1U	1	
C90-94	ECUX1E104ZFV	C.CAPACITOR CH 25V 0.1U	5	
C96-00	ECUX1E104ZFV	C.CAPACITOR CH 25V 0.1U	5	
C103-09	ECUX1E104ZFV	C.CAPACITOR CH 25V 0.1U	7	
C112-14	ECUX1E104ZFV	C.CAPACITOR CH 25V 0.1U	3	
C117-22	ECUX1E104ZFV	C.CAPACITOR CH 25V 0.1U	6	
C123	ECUM1H103KBN	C.CAPACITOR CH 50V 0.01U	1	
C124	ECUX1H180JCV	C.CAPACITOR CH 50V 18P	1	
C125	ECUM1C105ZFN	C.CAPACITOR CH 16V 1U	1	
C126	ECUX1E104ZFV	C.CAPACITOR CH 25V 0.1U	1	
C128-47	ECUX1E104ZFV	C.CAPACITOR CH 25V 0.1U	20	
C148	ECUM1C105ZFN	C.CAPACITOR CH 16V 1U	1	
C149-56	ECUX1E104ZFV	C.CAPACITOR CH 25V 0.1U	8	
C157	ECUM1H103KBN	C.CAPACITOR CH 50V 0.01U	1	
C158	ECUX1E104ZFV	C.CAPACITOR CH 25V 0.1U	1	
C159	ECUX1H180JCV	C.CAPACITOR CH 50V 18P	1	
C160-66	ECUX1E104ZFV	C.CAPACITOR CH 25V 0.1U	7	
C170-78	ECUX1E104ZFV	C.CAPACITOR CH 25V 0.1U	9	
C180-84	ECUX1E104ZFV	C.CAPACITOR CH 25V 0.1U	5	
C190-97	ECUX1E104ZFV	C.CAPACITOR CH 25V 0.1U	8	
C200	ECEV0GV470Q	E.CAPACITOR CH 4V 47U	1	
C201	ECUX1E104ZFV	C.CAPACITOR CH 25V 0.1U	1	
C212-16	ECUX1E104ZFV	C.CAPACITOR CH 25V 0.1U	5	
C217	ECUX1H180JCV	C.CAPACITOR CH 50V 18P	1	
C218	ECUM1C105ZFN	C.CAPACITOR CH 16V 1U	1	
C219	ECUX1H180JCV	C.CAPACITOR CH 50V 18P	1	
C220-22	ECUX1E104ZFV	C.CAPACITOR CH 25V 0.1U	3	
C226,27	ECUM1H103KBN	C.CAPACITOR CH 50V 0.01U	2	
C228,29	ECUM1C105ZFN	C.CAPACITOR CH 16V 1U	2	
C230-37	ECUX1E104ZFV	C.CAPACITOR CH 25V 0.1U	8	
C240	ECUX1E104ZFV	C.CAPACITOR CH 25V 0.1U	1	
C241	ECUM1H103KBN	C.CAPACITOR CH 50V 0.01U	1	
C242	ECUX1H180JCV	C.CAPACITOR CH 50V 18P	1	
C243	ECUM1H103KBN	C.CAPACITOR CH 50V 0.01U	1	
C244	ECUX1H180JCV	C.CAPACITOR CH 50V 18P	1	
C245-47	ECUM1C105ZFN	C.CAPACITOR CH 16V 1U	3	
C248-56	ECUX1E104ZFV	C.CAPACITOR CH 25V 0.1U	9	
C260-67	ECUX1E104ZFV	C.CAPACITOR CH 25V 0.1U	8	
C300,01	ECUX1E104ZFV	C.CAPACITOR CH 25V 0.1U	2	
C303-11	ECUX1E104ZFV	C.CAPACITOR CH 25V 0.1U	9	
C313	ECUX1E104ZFV	C.CAPACITOR CH 25V 0.1U	1	
C315-18	ECUX1E104ZFV	C.CAPACITOR CH 25V 0.1U	4	
C320-31	ECUX1E104ZFV	C.CAPACITOR CH 25V 0.1U	12	
C499	ECUX1E104ZFV	C.CAPACITOR CH 25V 0.1U	1	
C900,01	ECUX1E104ZFV	C.CAPACITOR CH 25V 0.1U	2	
C902	ECEV1CV100Q	E.CAPACITOR CH 16V 10U	1	
C903,04	ECUX1E104ZFV	C.CAPACITOR CH 25V 0.1U	2	
C905	ECEV1CV100Q	E.CAPACITOR CH 16V 10U	1	
C906,07	ECUX1E104ZFV	C.CAPACITOR CH 25V 0.1U	2	

Ref. No.	Part No.	Part Name & Description	Pcs	Remark
C908	ECEV1CV100Q	E.CAPACITOR CH 16V 10U	1	
C909	ECUX1E104ZFV	C.CAPACITOR CH 25V 0.1U	1	
C912	ECUX1E104ZFV	C.CAPACITOR CH 25V 0.1U	1	
C913	ECEV1CV470Q	E.CAPACITOR CH 16V 47U	1	
C914	ECUX1E104ZFV	C.CAPACITOR CH 25V 0.1U	1	
C915	ECEV1CV470Q	E.CAPACITOR CH 16V 47U	1	
C916	ECUX1E104ZFV	C.CAPACITOR CH 25V 0.1U	1	
C917	ECEV0JV101Q	E.CAPACITOR CH6.3V 100U	1	
C918,19	ECUX1E104ZFV	C.CAPACITOR CH 25V 0.1U	2	
C920	ECEV0JV101Q	E.CAPACITOR CH6.3V 100U	1	
D1,D2	MA152K	DIODE	2	
D200,01	LN1251CAL	DIODE	2	
FL1-L4	VLF0576	FILTER	4	
FL5-L7	VLF0931	FILTER	3	
IC1 03	M31020EAVP	IC	1	
IC1 02	M65501WG	IC	1	
IC1	MC74HC125AF	IC	1	
IC2 02	MB81V4260S7	IC	1	
IC2	NJM082BM	IC	1	
IC3	74F244SJ	IC	1	
IC3 02	M65501WG	IC	1	
IC4	MB81V4260S7	IC	1	
IC4	T74LCX244F	IC	1	
IC5	T74VHC244F	IC	1	
IC5 02	TCVHC125F	IC	1	
IC6	MC10H124M	IC	1	
IC7	T74VHC244F	IC	1	
IC8	MC10H124M	IC	1	
IC9	T74LCX244F	IC	1	
IC10 02	M65501WG	IC	1	
IC10	TCVHC157F	IC	1	
IC11 02	MB81V4260S7	IC	1	
IC11	TCVHC157F	IC	1	
IC12 02	M65501WG	IC	1	
IC12	T74VHC244F	IC	1	
IC13 02	MB81V4260S7	IC	1	
IC13	T74VHC244F	IC	1	
IC14	I1032E-70LT	IC	1	
IC15	SN74ALS245A	IC	1	
IC15 02	TLCX125F	IC	1	
IC16	T74VHC245F	IC	1	
IC17,18	74F244SJ	IC	2	
IC19,20	T74VHC244F	IC	2	
IC21	ISP2032-80LT	IC	1	
IC22,23	MN67373	IC	2	
IC24	MC10H125M	IC	1	
IC25	SN74LS123NS	IC	1	
IC26	T74VHC244F	IC	1	
IC27,28	MN67373	IC	2	
IC29	T74VHC244F	IC	1	
IC30	TCVHC74F	IC	1	

Ref. No.	Part No.	Part Name & Description	Pcs	Remark
IC39	UPD65868D022	IC	1	
IC41	T74VHC574F	IC	1	
IC43	T74VHC244F	IC	1	
IC44	MC10H124M	IC	1	
IC45	SN74S1051NS	IC	1	
IC46	SN74S1053NS	IC	1	
IC47	UPD71055GB	IC	1	
IC48,49	T74VHC573F	IC	2	
IC50	IDT71321L55F	IC	1	
IC52	T74VHC245F	IC	1	
IC53	T74VHC138F	IC	1	
IC54	T74VHC244F	IC	1	
IC55	TCVHC157F	IC	1	
IC56	T74VHC08F	IC	1	
IC58-60	T74VHC244F	IC	3	
IC61	T74LCX244F	IC	1	
IC63	TCVHC157F	IC	1	
IC64	T74VHC573F	IC	1	
IC65	IDT71321L55F	IC	1	
IC67	T74VHC573F	IC	1	
IC68	T74VHC245F	IC	1	
IC69	T74VHC138F	IC	1	
IC70,71	TLCX574F	IC	2	
IC73,74	MN4707F	IC	2	
IC75	TLCX04F	IC	1	
IC80,81	MN4707F	IC	2	
IC84-88	TLCX574F	IC	5	
IC89	T74VHCT244F	IC	1	
IC90,91	TCVHC157F	IC	2	
IC92	MB81V4260S7	IC	1	
IC94,95	T74LCX244F	IC	2	
IC96	MB81V4260S7	IC	1	
IC97	MN47V78S	IC	1	
IC98	I1016E-80LT	IC	1	
IC99-03	MN47V78S	IC	5	
IC106	MC10H125M	IC	1	
IC107	T74VHC244F	IC	1	
IC108	T74LCX244F	IC	1	
IC109	MN47V76S	IC	1	
IC110	T74LCX244F	IC	1	
IC111	MN47V76S	IC	1	
IC112	T74VHC244F	IC	1	
IC113	MC10H124M	IC	1	
IC114	TCVHC74F	IC	1	
IC115	T74VHC244F	IC	1	
IC116	MC10H125M	IC	1	
IC117,18	MN47V76S	IC	2	
IC119	T74LCX244F	IC	1	
IC120	ISP2032-80LT	IC	1	
IC121,22	I1032E-70LT	IC	2	
IC125-31	T74VHC244F	IC	7	
IC200,01	L7A1571	IC	2	
IC800,01	L7A1571	IC	2	
IC802,03	L7A1592	IC	2	

Ref. No.	Part No.	Part Name & Description	Pcs	Remark
IC900	NJM78L09UA	IC	1	
IC901	NJM79L09UA	IC	1	
IC902	NJM78L05UA	IC	1	
IC903	XC62FP3302P	IC	1	
IC904	LT1086CM	IC	1	
ID1	VSI2578C	IC	1	
L1-L3	VLQ0319K470	COIL 47UH	3	
P1 03	VJP3510	CONNECTOR (MALE)	1	
P1 02	VJP4106A120L	CONNECTOR (MALE)	1	
P1	VJS4064K120E	CONNECTOR (FEMALE)	1	
P2	VJP3510	CONNECTOR (MALE)	1	
P3	VJP1248T	CONNECTOR (MALE) 8P	1	
P5,P6	VJS4106A120L	CONNECTOR (FEMALE)	2	
P10	VJP4064K120C	CONNECTOR (MALE)	1	
P20	VJP4064N160C	CONNECTOR (MALE)	1	
P20 02	VJS3657	CONNECTOR (FEMALE)	1	
R1 02	ERJ3GEYG102	M.RESISTOR CH 1/16W 1K	1	
R1	ERJ3GEYG471	M.RESISTOR CH 1/16W 470	1	
R2 02	ERJ3GEY0R00	M.RESISTOR CH 1/16W 0	1	
R2	ERJ3GEYJ473	M.RESISTOR CH 1/16W 47K	1	
R3 02	ERJ3GEY0R00	M.RESISTOR CH 1/16W 0	1	
R3	ERJ3GEYJ103	M.RESISTOR CH 1/16W 10K	1	
R4 02	ERJ3GEY0R00	M.RESISTOR CH 1/16W 0	1	
R4	ERJ3GEYJ103	M.RESISTOR CH 1/16W 10K	1	
R5 02	ERJ3GEY0R00	M.RESISTOR CH 1/16W 0	1	
R5	ERJ3GEYJ223	M.RESISTOR CH 1/16W 22K	1	
R6 02	ERJ3GEY0R00	M.RESISTOR CH 1/16W 0	1	
R6	ERJ3GEYJ105	M.RESISTOR CH 1/16W 1M	1	
R7	ERJ3GEYG102	M.RESISTOR CH 1/16W 1K	1	
R8	ERJ3GEYG102	M.RESISTOR CH 1/16W 1K	1	
R8 02	ERJ3GEYG102	M.RESISTOR CH 1/16W 1K	1	
R9-11	ERJ3GEY0R00	M.RESISTOR CH 1/16W 0	3	
R12	ERJ3GEYJ220	M.RESISTOR CH 1/16W 22	1	
R14-19	ERJ3GEYG102	M.RESISTOR CH 1/16W 1K	6	
R21	ERJ3GEYG102	M.RESISTOR CH 1/16W 1K	1	
R22 02	ERJ3GEY0R00	M.RESISTOR CH 1/16W 0	1	
R22	ERJ3GEYJ220	M.RESISTOR CH 1/16W 22	1	
R23 02	ERJ3GEY0R00	M.RESISTOR CH 1/16W 0	1	
R23	ERJ3GEYJ220	M.RESISTOR CH 1/16W 22	1	
R24 02	ERJ3GEY0R00	M.RESISTOR CH 1/16W 0	1	
R24	ERJ3GEYJ220	M.RESISTOR CH 1/16W 22	1	
R25 02	ERJ3GEY0R00	M.RESISTOR CH 1/16W 0	1	
R25	ERJ3GEYJ220	M.RESISTOR CH 1/16W 22	1	
R26 02	ERJ3GEYJ103	M.RESISTOR CH 1/16W 10K	1	
R26,27	ERJ3GEYJ220	M.RESISTOR CH 1/16W 22	2	
R28	ERJ3GEYJ220	M.RESISTOR CH 1/16W 22	1	
R28 02	ERJ3GEYJ220	M.RESISTOR CH 1/16W 22	1	
R29 02	ERJ3GEYG102	M.RESISTOR CH 1/16W 1K	1	
R29	ERJ3GEYJ220	M.RESISTOR CH 1/16W 22	1	

Ref. No.	Part No.	Part Name & Description	Pcs	Remark
R30,02	ERJ3GEYG102	M.RESISTOR CH 1/16W 1K	2	
R31	ERJ3GEYJ220	M.RESISTOR CH 1/16W 22	1	
R32 02	ERJ3GEYG102	M.RESISTOR CH 1/16W 1K	1	
R32	ERJ3GEYJ220	M.RESISTOR CH 1/16W 22	1	
R33 02	ERJ3GEYG102	M.RESISTOR CH 1/16W 1K	1	
R33	ERJ3GEYJ220	M.RESISTOR CH 1/16W 22	1	
R34-02	ERJ3GEY0R00	M.RESISTOR CH 1/16W 0	3	
R36	ERJ6GEYG271	M.RESISTOR CH 1/10W 270	1	
R37 02	ERJ3GEY0R00	M.RESISTOR CH 1/16W 0	1	
R37	ERJ6GEYG271	M.RESISTOR CH 1/10W 270	1	
R38 02	ERJ3GEY0R00	M.RESISTOR CH 1/16W 0	1	
R38	ERJ6GEYG271	M.RESISTOR CH 1/10W 270	1	
R39 02	ERJ3GEYG102	M.RESISTOR CH 1/16W 1K	1	
R39	ERJ6GEYG271	M.RESISTOR CH 1/10W 270	1	
R40 02	ERJ3GEYG102	M.RESISTOR CH 1/16W 1K	1	
R40	ERJ6GEYG271	M.RESISTOR CH 1/10W 270	1	
R41 02	ERJ3GEY0R00	M.RESISTOR CH 1/16W 0	1	
R41	ERJ6GEYG271	M.RESISTOR CH 1/10W 270	1	
R42 02	ERJ3GEY0R00	M.RESISTOR CH 1/16W 0	1	
R42	ERJ3GEYJ220	M.RESISTOR CH 1/16W 22	1	
R43	ERJ3GEYG102	M.RESISTOR CH 1/16W 1K	1	
R44	ERJ3GEYJ220	M.RESISTOR CH 1/16W 22	1	
R44 02	ERJ3GEYJ220	M.RESISTOR CH 1/16W 22	1	
R45-02	ERJ3GEYG102	M.RESISTOR CH 1/16W 1K	3	
R47	ERJ6GEYG271	M.RESISTOR CH 1/10W 270	1	
R48 02	ERJ3GEYG102	M.RESISTOR CH 1/16W 1K	1	
R48	ERJ6GEYG271	M.RESISTOR CH 1/10W 270	1	
R49 02	ERJ3GEYG102	M.RESISTOR CH 1/16W 1K	1	
R49	ERJ3GEYJ220	M.RESISTOR CH 1/16W 22	1	
R50 02	ERJ3GEYG102	M.RESISTOR CH 1/16W 1K	1	

Ref. No.	Part No.	Part Name & Description	Pcs	Remark
R50	ERJ3GEYJ220	M.RESISTOR CH 1/16W 22	1	
R51 02	ERJ3GEYG102	M.RESISTOR CH 1/16W 1K	1	
R51	ERJ3GEYJ220	M.RESISTOR CH 1/16W 22	1	
R52 02	ERJ3GEYG102	M.RESISTOR CH 1/16W 1K	1	
R52	ERJ3GEYJ220	M.RESISTOR CH 1/16W 22	1	
R53 02	ERJ3GEYG102	M.RESISTOR CH 1/16W 1K	1	
R53	ERJ3GEYJ220	M.RESISTOR CH 1/16W 22	1	
R54 02	ERJ3GEY0R00	M.RESISTOR CH 1/16W 0	1	
R54	ERJ3GEYJ220	M.RESISTOR CH 1/16W 22	1	
R55,56	ERJ3GEY0R00	M.RESISTOR CH 1/16W 0	2	
R57 02	ERJ3GEYG102	M.RESISTOR CH 1/16W 1K	1	
R57-59	ERJ3GEYJ220	M.RESISTOR CH 1/16W 22	3	
R60 02	ERJ3GEYG102	M.RESISTOR CH 1/16W 1K	1	
R60	ERJ3GEYJ331	M.RESISTOR CH 1/16W 330	1	
R61-63	ERJ3GEYG102	M.RESISTOR CH 1/16W 1K	3	
R64	ERJ6RED394	M.RESISTOR CH 1/10W 390K	1	
R66	ERJ3GEYG102	M.RESISTOR CH 1/16W 1K	1	
R70 02	ERJ3GEYG102	M.RESISTOR CH 1/16W 1K	1	
R70	ERJ3GEYJ331	M.RESISTOR CH 1/16W 330	1	
R71 02	ERJ3GEY0R00	M.RESISTOR CH 1/16W 0	1	
R71	ERJ3GEYJ331	M.RESISTOR CH 1/16W 330	1	

Ref. No.	Part No.	Part Name & Description	Pcs	Remark
R72 02	ERJ3GEY0R00	M.RESISTOR CH 1/16W 0	1	
R72	ERJ3GEYG102	M.RESISTOR CH 1/16W 1K	1	
R73,02	ERJ3GEY0R00	M.RESISTOR CH 1/16W 0	2	
R74	ERJ3GEYG102	M.RESISTOR CH 1/16W 1K	1	
R75 02	ERJ3GEY0R00	M.RESISTOR CH 1/16W 0	1	
R75	ERJ3GEYJ220	M.RESISTOR CH 1/16W 22	1	
R76,77	ERJ3GEYG102	M.RESISTOR CH 1/16W 1K	2	
R78	ERJ3GEYJ470	M.RESISTOR CH 1/16W 47	1	
R79	ERJ3GEY0R00	M.RESISTOR CH 1/16W 0	1	
R80-83	ERJ3GEYG102	M.RESISTOR CH 1/16W 1K	4	
R88	ERJ3GEYG102	M.RESISTOR CH 1/16W 1K	1	
R89	ERJ3GEY0R00	M.RESISTOR CH 1/16W 0	1	
R90	ERJ3GEYJ103	M.RESISTOR CH 1/16W 10K	1	
R91	ERJ3GEYJ220	M.RESISTOR CH 1/16W 22	1	
R92	ERJ3GEY0R00	M.RESISTOR CH 1/16W 0	1	
R92 02	ERJ3GEYJ220	M.RESISTOR CH 1/16W 22	1	
R93	ERJ3GEYG102	M.RESISTOR CH 1/16W 1K	1	
R93 02	ERJ3GEYG102	M.RESISTOR CH 1/16W 1K	1	
R94	ERJ3GEY0R00	M.RESISTOR CH 1/16W 0	1	
R95 02	ERJ3GEYG102	M.RESISTOR CH 1/16W 1K	1	
R95	ERJ3GEYJ220	M.RESISTOR CH 1/16W 22	1	
R96,97	ERJ3GEYG102	M.RESISTOR CH 1/16W 1K	2	
R98-02	ERJ3GEY0R00	M.RESISTOR CH 1/16W 0	3	
R100	ERJ3GEYJ220	M.RESISTOR CH 1/16W 22	1	
R101 02	ERJ3GEY0R00	M.RESISTOR CH 1/16W 0	1	
R101	ERJ3GEYJ220	M.RESISTOR CH 1/16W 22	1	
R102	ERJ3GEY0R00	M.RESISTOR CH 1/16W 0	1	
R103,04	ERJ3GEYG102	M.RESISTOR CH 1/16W 1K	2	
R105	ERJ3GEYJ470	M.RESISTOR CH 1/16W 47	1	
R106 02	ERJ3GEY0R00	M.RESISTOR CH 1/16W 0	1	
R106	ERJ3GEYJ331	M.RESISTOR CH 1/16W 330	1	
R107-13	ERJ3GEYG102	M.RESISTOR CH 1/16W 1K	7	
R115	ERJ3GEYG102	M.RESISTOR CH 1/16W 1K	1	
R116	ERJ3GEY0R00	M.RESISTOR CH 1/16W 0	1	
R117	ERJ3GEYG102	M.RESISTOR CH 1/16W 1K	1	
R118,19	ERJ3GEYJ220	M.RESISTOR CH 1/16W 22	2	
R120-22	ERJ3GEYG102	M.RESISTOR CH 1/16W 1K	3	
R123	ERJ3GEYG102	M.RESISTOR CH 1/16W 1K	1	
R130,31	ERJ3GEYJ220	M.RESISTOR CH 1/16W 22	2	
R134	ERJ3GEYG102	M.RESISTOR CH 1/16W 1K	1	
R144-46	ERJ3GEYJ103	M.RESISTOR CH 1/16W 10K	3	
R148	ERJ3GEYJ103	M.RESISTOR CH 1/16W 10K	1	
R150,51	ERJ3GEYJ103	M.RESISTOR CH 1/16W 10K	2	
R156-58	ERJ3GEYG102	M.RESISTOR CH 1/16W 1K	3	
R159	ERJ3GEYJ220	M.RESISTOR CH 1/16W 22	1	
R165-67	ERJ3GEYG102	M.RESISTOR CH 1/16W 1K	3	
R169	ERJ3GEYG102	M.RESISTOR CH 1/16W 1K	1	
R176	ERJ3GEYJ220	M.RESISTOR CH 1/16W 22	1	
R182-85	ERJ3GEYJ122	M.RESISTOR CH 1/16W 1.2K	4	
R186	ERJ3GEYG102	M.RESISTOR CH 1/16W 1K	1	
R189,90	ERJ3GEYJ122	M.RESISTOR CH 1/16W 1.2K	2	
R191-94	ERJ3GEYG102	M.RESISTOR CH 1/16W 1K	4	
R195	ERJ3GEYJ101	M.RESISTOR CH 1/16W 100	1	

Ref. No.	Part No.	Part Name & Description	Pcs	Remark
R196	ERJ3GEYG102	M.RESISTOR CH 1/16W 1K	1	
R197,98	ERJ3GEYJ220	M.RESISTOR CH 1/16W 22	2	
R200-02	ERJ3GEYG102	M.RESISTOR CH 1/16W 1K	3	
R203	ERJ6GEYG271	M.RESISTOR CH 1/10W 270	1	
R204,05	ERJ3GEYG102	M.RESISTOR CH 1/16W 1K	2	
R206	ERJ6GEYG271	M.RESISTOR CH 1/10W 270	1	
R207-12	ERJ3GEYG102	M.RESISTOR CH 1/16W 1K	6	
R213	ERJ3GEYJ220	M.RESISTOR CH 1/16W 22	1	
R214	ERJ3GEYG102	M.RESISTOR CH 1/16W 1K	1	
R215	ERJ3GEYJ220	M.RESISTOR CH 1/16W 22	1	
R216	ERJ3GEYG102	M.RESISTOR CH 1/16W 1K	1	
R218,19	ERJ3GEYG102	M.RESISTOR CH 1/16W 1K	2	
R220-29	ERJ3GEYJ220	M.RESISTOR CH 1/16W 22	10	
R232	ERJ3GEYJ821	M.RESISTOR CH 1/16W 820	1	
R233-35	ERJ3GEYJ122	M.RESISTOR CH 1/16W 1.2K	3	
R236	ERJ3GEYG102	M.RESISTOR CH 1/16W 1K	1	
R340	ERJ3GEYG102	M.RESISTOR CH 1/16W 1K	1	
R341	ERJ3GEYJ103	M.RESISTOR CH 1/16W 10K	1	
R342-45	ERJ3GEYG102	M.RESISTOR CH 1/16W 1K	4	
R346,47	ERJ3GEYJ103	M.RESISTOR CH 1/16W 10K	2	
R348,49	ERJ3GEYG102	M.RESISTOR CH 1/16W 1K	2	
R351,52	ERJ3GEYJ103	M.RESISTOR CH 1/16W 10K	2	
R353	ERJ3GEYJ220	M.RESISTOR CH 1/16W 22	1	
R355,56	ERJ3GEYJ103	M.RESISTOR CH 1/16W 10K	2	
R357-59	ERJ3GEYG102	M.RESISTOR CH 1/16W 1K	3	
R364	ERJ3GEYG102	M.RESISTOR CH 1/16W 1K	1	
R398	ERJ3GEYG102	M.RESISTOR CH 1/16W 1K	1	
R400	ERJ3GEYJ101	M.RESISTOR CH 1/16W 100	1	
R407	ERJ3GEYG102	M.RESISTOR CH 1/16W 1K	1	
R409	ERJ3GEYJ101	M.RESISTOR CH 1/16W 100	1	
R412	ERJ3GEYJ122	M.RESISTOR CH 1/16W 1.2K	1	
R425	ERJ3GEYJ103	M.RESISTOR CH 1/16W 10K	1	
R430	ERJ3GEYJ103	M.RESISTOR CH 1/16W 10K	1	
R446	ERJ3GEYG102	M.RESISTOR CH 1/16W 1K	1	
R450	ERJ3GEYG102	M.RESISTOR CH 1/16W 1K	1	
R453	ERJ3GEYJ821	M.RESISTOR CH 1/16W 820	1	
R454,55	ERJ3GEYJ122	M.RESISTOR CH 1/16W 1.2K	2	
R456,57	ERJ3GEYG102	M.RESISTOR CH 1/16W 1K	2	
R458,59	ERJ3GEYJ122	M.RESISTOR CH 1/16W 1.2K	2	
R460	ERJ3GEYJ220	M.RESISTOR CH 1/16W 22	1	
R479	ERJ3GEYJ103	M.RESISTOR CH 1/16W 10K	1	
R480	ERJ3GEYG102	M.RESISTOR CH 1/16W 1K	1	
R481	ERJ3GEYJ103	M.RESISTOR CH 1/16W 10K	1	
R482	ERJ3GEYG102	M.RESISTOR CH 1/16W 1K	1	
R484-88	ERJ3GEYG102	M.RESISTOR CH 1/16W 1K	5	
R490	ERJ3GEYJ122	M.RESISTOR CH 1/16W 1.2K	1	
R493-96	ERJ3GEYJ122	M.RESISTOR CH 1/16W 1.2K	4	
R499	ERJ3GEYJ122	M.RESISTOR CH 1/16W 1.2K	1	
R500-07	ERJ3GEYJ220	M.RESISTOR CH 1/16W 22	8	
R508	ERJ3GEYJ221	M.RESISTOR CH 1/16W 220	1	
R510-12	ERJ3GEYJ220	M.RESISTOR CH 1/16W 22	3	
R515,16	ERJ3GEYJ103	M.RESISTOR CH 1/16W 10K	2	
R518-25	ERJ3GEYJ220	M.RESISTOR CH 1/16W 22	8	
R545	ERJ3GEYG102	M.RESISTOR CH 1/16W 1K	1	

Ref. No.	Part No.	Part Name & Description	Pcs	Remark
R555	ERJ3GEYJ220	M.RESISTOR CH 1/16W 22	1	
R557-60	ERJ3GEYJ220	M.RESISTOR CH 1/16W 22	4	
R561	ERJ3GEYG102	M.RESISTOR CH 1/16W 1K	1	
R583,84	ERJ3GEY0R00	M.RESISTOR CH 1/16W 0	2	
R585,86	ERJ3GEYJ103	M.RESISTOR CH 1/16W 10K	2	
R598-00	ERJ3GEYG102	M.RESISTOR CH 1/16W 1K	3	
R602,03	ERJ3GEYJ103	M.RESISTOR CH 1/16W 10K	2	
R610	ERJ3GEYG102	M.RESISTOR CH 1/16W 1K	1	
R619	ERJ3GEYJ221	M.RESISTOR CH 1/16W 220	1	
R620	ERJ3GEYJ220	M.RESISTOR CH 1/16W 22	1	
R630,31	ERJ3GEYJ220	M.RESISTOR CH 1/16W 22	2	
R632,33	ERJ3GEYJ103	M.RESISTOR CH 1/16W 10K	2	
R635-50	ERJ3GEYJ122	M.RESISTOR CH 1/16W 1.2K	16	
R653	ERJ3GEYG102	M.RESISTOR CH 1/16W 1K	1	
R662-67	ERJ3GEYJ220	M.RESISTOR CH 1/16W 22	6	
R693,94	ERJ3GEYG102	M.RESISTOR CH 1/16W 1K	2	
R700	ERJ3GEYG102	M.RESISTOR CH 1/16W 1K	1	
R721	ERJ3GEYG102	M.RESISTOR CH 1/16W 1K	1	
R722-25	ERJ3GEYJ103	M.RESISTOR CH 1/16W 10K	4	
R727	ERJ3GEYJ103	M.RESISTOR CH 1/16W 10K	1	
R728	ERJ3GEYG102	M.RESISTOR CH 1/16W 1K	1	
R731	ERJ3GEYJ103	M.RESISTOR CH 1/16W 10K	1	
R733	ERJ3GEYJ103	M.RESISTOR CH 1/16W 10K	1	
R737,38	ERJ3GEYJ103	M.RESISTOR CH 1/16W 10K	2	
R739	ERJ3GEYG102	M.RESISTOR CH 1/16W 1K	1	
R765-67	ERJ3GEYJ103	M.RESISTOR CH 1/16W 10K	3	
R781-84	ERJ3GEYG102	M.RESISTOR CH 1/16W 1K	4	
R786	ERJ6GEYG102	M.RESISTOR CH 1/10W 1K	1	
R787	ERJ6RBD101	M.RESISTOR CH 1/10W 100	1	
R788	ERJ6RED820	M.RESISTOR CH 1/10W 82	1	
R790-97	ERJ3GEYJ331	M.RESISTOR CH 1/16W 330	8	
R798	ERJ3GEYG102	M.RESISTOR CH 1/16W 1K	1	
R800-05	ERJ3GEYG102	M.RESISTOR CH 1/16W 1K	6	
R816-19	ERJ3GEYJ220	M.RESISTOR CH 1/16W 22	4	
R820-23	ERJ3GEYJ101	M.RESISTOR CH 1/16W 100	4	
R824-29	ERJ6GEYG271	M.RESISTOR CH 1/10W 270	6	
R830	ERJ3GEYG102	M.RESISTOR CH 1/16W 1K	1	
R832-34	ERJ3GEYG102	M.RESISTOR CH 1/16W 1K	3	
R837,38	ERJ3GEYJ220	M.RESISTOR CH 1/16W 22	2	
R839	ERJ3GEYJ103	M.RESISTOR CH 1/16W 10K	1	
R840	ERJ3GEYJ220	M.RESISTOR CH 1/16W 22	1	
R841	ERJ3GEYJ221	M.RESISTOR CH 1/16W 220	1	
R842,43	ERJ3GEYJ220	M.RESISTOR CH 1/16W 22	2	
R845-47	ERJ3GEYJ103	M.RESISTOR CH 1/16W 10K	3	
R848	ERJ3GEYG102	M.RESISTOR CH 1/16W 1K	1	
R851	ERJ3GEYG102	M.RESISTOR CH 1/16W 1K	1	
R853-55	ERJ3GEYG102	M.RESISTOR CH 1/16W 1K	3	
R859	ERJ3GEYJ103	M.RESISTOR CH 1/16W 10K	1	
R860	ERJ3GEYG102	M.RESISTOR CH 1/16W 1K	1	
R861,62	ERJ3GEYJ103	M.RESISTOR CH 1/16W 10K	2	



Ref. No.	Part No.	Part Name & Description	Pcs	Remark
R863	ERJ3GEYJ220	M.RESISTOR CH 1/16W 22	1	
R864	ERJ3GEYJ221	M.RESISTOR CH 1/16W 220	1	
R871,72	ERJ3GEYJ220	M.RESISTOR CH 1/16W 22	2	
R873	ERJ3GEYG102	M.RESISTOR CH 1/16W 1K	1	
R881	ERJ3GEYG102	M.RESISTOR CH 1/16W 1K	1	
R882,83	ERJ3GEYJ221	M.RESISTOR CH 1/16W 220	2	
R884,85	ERJ3GEYJ220	M.RESISTOR CH 1/16W 22	2	
R886-89	ERJ3GEYJ101	M.RESISTOR CH 1/16W 100	4	
R890	ERJ3GEYJ103	M.RESISTOR CH 1/16W 10K	1	
R891-93	ERJ3GEYG102	M.RESISTOR CH 1/16W 1K	3	
R894,95	ERJ3GEYJ103	M.RESISTOR CH 1/16W 10K	2	
R896-02	ERJ3GEYG102	M.RESISTOR CH 1/16W 1K	7	
R908,09	ERJ3GEYJ220	M.RESISTOR CH 1/16W 22	2	
R910	ERJ3GEY0R00	M.RESISTOR CH 1/16W 0	1	
R912,13	ERJ3GEYJ220	M.RESISTOR CH 1/16W 22	2	
R922	ERJ3GEYJ103	M.RESISTOR CH 1/16W 10K	1	
R952-59	ERJ3GEYJ220	M.RESISTOR CH 1/16W 22	8	
R982	ERJ3GEYJ220	M.RESISTOR CH 1/16W 22	1	
R983	ERJ3GEYJ331	M.RESISTOR CH 1/16W 330	1	
R992	ERJ3GEYG102	M.RESISTOR CH 1/16W 1K	1	
R999	ERJ3GEYJ220	M.RESISTOR CH 1/16W 22	1	
TP5,P6	EYF6CU	TEST POINT	2	
TP12	EYF6CU	TEST POINT	1	
X1	VSX0906	CRYSTAL OSCILLATOR	1	
X2	VSX0970	CRYSTAL OSCILLATOR	1	
		MISCELLANEOUS		
	VML2143	CARD PULLER	1	
	VML2144	CARD PULLER	1	
	XYN26+C12	SCREW	8	
	XNG26EFXS	NUT	8	
	VMX2020	P.C.BOARD POST	3	
	XYN3+K5	SCREW	3	
	XYN3+K6	SCREW	3	
	VMX2020	P.C.BOARD POST	2	
	XYN3+K5	SCREW	2	
	XYN3+K6	SCREW	2	
	VMS6278	POST	2	
	XYN3+K5	SCREW	2	
	XWA3B	WASHER	2	
	XNG3BS	NUT	2	

## 10.23. VEP83375B

Ref. No.	Part No.	Part Name & Description	Pcs	Remark
* E7	VEP83375B	F6 P V OUT P.C.BOARD	1	(RTL)
C3001-13	ECUX1E104ZFV	C.CAPACITOR CH 25V 0.1U	13	
C3014,15	ECUX1H103KBV	C.CAPACITOR CH 50V 0.01U	2	
C3016	ECUX1E104ZFV	C.CAPACITOR CH 25V 0.1U	1	
C3017	ECUX1H103KBV	C.CAPACITOR CH 50V 0.01U	1	
C3018,19	ECUX1E104ZFV	C.CAPACITOR CH 25V 0.1U	2	
C3020,21	ECUX1H103KBV	C.CAPACITOR CH 50V 0.01U	2	
C3022	ECUX1E104ZFV	C.CAPACITOR CH 25V 0.1U	1	
C3023	ECUX1H103KBV	C.CAPACITOR CH 50V 0.01U	1	
C3024	ECUX1E104ZFV	C.CAPACITOR CH 25V 0.1U	1	
C3025	ECUX1H103KBV	C.CAPACITOR CH 50V 0.01U	1	
C3026,27	ECUX1E104ZFV	C.CAPACITOR CH 25V 0.1U	2	
C3028	ECUX1H103KBV	C.CAPACITOR CH 50V 0.01U	1	
C3029	ECUX1E104ZFV	C.CAPACITOR CH 25V 0.1U	1	
C3030	ECUX1H103KBV	C.CAPACITOR CH 50V 0.01U	1	
C3031	ECUX1E104ZFV	C.CAPACITOR CH 25V 0.1U	1	
C3032	ECUX1H390JCV	C.CAPACITOR CH 50V 39P	1	
C3033	ECUX1H070DCV	C.CAPACITOR CH 50V 7P	1	
C3034,35	ECUX1E104ZFV	C.CAPACITOR CH 25V 0.1U	2	
C3036	ECUX1H020CCV	C.CAPACITOR CH 50V 2P	1	
C3037	ECUX1H180JCV	C.CAPACITOR CH 50V 18P	1	
C3038-44	ECUX1E104ZFV	C.CAPACITOR CH 25V 0.1U	7	
C3045	ECEV1CV100Q	E.CAPACITOR CH 16V 10U	1	
C3046-51	ECUX1E104ZFV	C.CAPACITOR CH 25V 0.1U	6	
C3052	ECEV1CV100Q	E.CAPACITOR CH 16V 10U	1	
C3053	ECUX1E104ZFV	C.CAPACITOR CH 25V 0.1U	1	
C3054	ECEV1CV100Q	E.CAPACITOR CH 16V 10U	1	
C3055	ECUX1E104ZFV	C.CAPACITOR CH 25V 0.1U	1	
C3056	ECUX1H560JCV	C.CAPACITOR CH 50V 56P	1	
C3057	ECUX1H331JCV	C.CAPACITOR CH 50V 330P	1	
C3058	ECUX1H471JCV	C.CAPACITOR CH 50V 470P	1	
C3059-96	ECUX1E104ZFV	C.CAPACITOR CH 25V 0.1U	38	
C3097	ECEV1CV470Q	E.CAPACITOR CH 16V 47U	1	
C3098	ECUX1E104ZFV	C.CAPACITOR CH 25V 0.1U	1	
C3099	ECEV1CV470Q	E.CAPACITOR CH 16V 47U	1	
C3100	ECUX1E104ZFV	C.CAPACITOR CH 25V 0.1U	1	
C3101	ECEV1CV470Q	E.CAPACITOR CH 16V 47U	1	
C3102	ECUX1E104KBN	C.CAPACITOR CH 25V 0.1U	1	
C3103	ECUX1E104ZFV	C.CAPACITOR CH 25V 0.1U	1	
C3104	ECEV1CV100Q	E.CAPACITOR CH 16V 10U	1	
C3105	ECUX1E104ZFV	C.CAPACITOR CH 25V 0.1U	1	
C3106,07	ECEV1CV470Q	E.CAPACITOR CH 16V 47U	2	
C3108	ECUX1E104ZFV	C.CAPACITOR CH 25V 0.1U	1	
C3109	ECEV1CV470Q	E.CAPACITOR CH 16V 47U	1	
C3110	ECUX1E104ZFV	C.CAPACITOR CH 25V 0.1U	1	
C3111	ECEV1CV470Q	E.CAPACITOR CH 16V 47U	1	
C3112	ECUX1E104ZFV	C.CAPACITOR CH 25V 0.1U	1	
C3113	ECUX1E104KBN	C.CAPACITOR CH 25V 0.1U	1	
C3114-41	ECUX1E104ZFV	C.CAPACITOR CH 25V 0.1U	28	
C3142-45	ECUX1H103KBV	C.CAPACITOR CH 50V 0.01U	4	
C3146-51	ECUX1E104ZFV	C.CAPACITOR CH 25V 0.1U	6	
C3153-57	ECUX1E104ZFV	C.CAPACITOR CH 25V 0.1U	5	

Ref. No.	Part No.	Part Name & Description	Pcs	Remark
C3162,63	ECUX1E104ZFV	C.CAPACITOR CH 25V 0.1U	2	
C3165-74	ECUX1E104ZFV	C.CAPACITOR CH 25V 0.1U	10	
C3175	ECEV1CV100Q	E.CAPACITOR CH 16V 10U	1	
C3176-82	ECUX1E104ZFV	C.CAPACITOR CH 25V 0.1U	7	
C3183	ECEV1EV100Q	E.CAPACITOR CH 25V 10U	1	
C3184,85	ECEV1CV100Q	E.CAPACITOR CH 16V 10U	2	
C3186	ECEV1EV100Q	E.CAPACITOR CH 25V 10U	1	
C3187,88	ECEV1CV100Q	E.CAPACITOR CH 16V 10U	2	
C3189	ECEV1CV470Q	E.CAPACITOR CH 16V 47U	1	
C3190,91	ECUX1E104ZFV	C.CAPACITOR CH 25V 0.1U	2	
C3192	ECEV1CV100Q	E.CAPACITOR CH 16V 10U	1	
C3193	ECUX1E104ZFV	C.CAPACITOR CH 25V 0.1U	1	
C3194	ECEV1CV100Q	E.CAPACITOR CH 16V 10U	1	
C3195,96	ECUX1E104ZFV	C.CAPACITOR CH 25V 0.1U	2	
C3197	ECEV1CV100Q	E.CAPACITOR CH 16V 10U	1	
C3198	ECUX1E104ZFV	C.CAPACITOR CH 25V 0.1U	1	
C3199	ECEV1EV330Q	E.CAPACITOR CH 25V 33U	1	
C3200-02	ECUX1E104ZFV	C.CAPACITOR CH 25V 0.1U	3	
C3203	ECEV1CV470Q	E.CAPACITOR CH 16V 47U	1	
C3204	ECEV1EV330Q	E.CAPACITOR CH 25V 33U	1	
C3205	ECUX1E104ZFV	C.CAPACITOR CH 25V 0.1U	1	
C3206	ECEV1CV100Q	E.CAPACITOR CH 16V 10U	1	
C3207-13	ECUX1E104ZFV	C.CAPACITOR CH 25V 0.1U	7	
C3214	ECUX1H103KBV	C.CAPACITOR CH 50V 0.01U	1	
C3215-21	ECUX1E104ZFV	C.CAPACITOR CH 25V 0.1U	7	
C3222	ECEV1HN010Q	E.CAPACITOR CH 50V 1U	1	
C3223	ECEV1CV470Q	E.CAPACITOR CH 16V 47U	1	
C3224-36	ECUX1E104ZFV	C.CAPACITOR CH 25V 0.1U	13	
C3237	ECEV1CV100Q	E.CAPACITOR CH 16V 10U	1	
C3238	ECUX1E104ZFV	C.CAPACITOR CH 25V 0.1U	1	
C3239	ECUX1H102JV	C.CAPACITOR CH 50V 1000P	1	
C3240	ECUX1H150JCV	C.CAPACITOR CH 50V 15P	1	
C3241	ECUX1E104KBN	C.CAPACITOR CH 25V 0.1U	1	
C3242	ECUX1H102JCV	C.CAPACITOR CH 50V 1000P	1	
C3243	ECUX1H101JCV	C.CAPACITOR CH 50V 100P	1	
C3244	ECUX1H102JV	C.CAPACITOR CH 50V 1000P	1	
C3245	ECUX1E104ZFV	C.CAPACITOR CH 25V 0.1U	1	
C3246	ECUX1E104KBN	C.CAPACITOR CH 25V 0.1U	1	
C3247-51	ECUX1E104ZFV	C.CAPACITOR CH 25V 0.1U	5	
C3252	ECEV1HN010Q	E.CAPACITOR CH 50V 1U	1	
C3253	ECUX1E104ZFV	C.CAPACITOR CH 25V 0.1U	1	
C3255,56	ECUX1H150JCV	C.CAPACITOR CH 50V 15P	2	
C3257-62	ECUX1E104ZFV	C.CAPACITOR CH 25V 0.1U	6	
C3263	ECUX1H103KBV	C.CAPACITOR CH 50V 0.01U	1	
C3264	ECUX1E104ZFV	C.CAPACITOR CH 25V 0.1U	1	
C3265	ECUX1H103KBV	C.CAPACITOR CH 50V 0.01U	1	
C3266	ECUX1E104ZFV	C.CAPACITOR CH 25V 0.1U	1	
C3267	ECUX1H102JV	C.CAPACITOR CH 50V 1000P	1	
C3268	ECUX1E104ZFV	C.CAPACITOR CH 25V 0.1U	1	
C3269	ECEV1CV470Q	E.CAPACITOR CH 16V 47U	1	
C3270	ECUX1E104ZFV	C.CAPACITOR CH 25V 0.1U	1	
C3271,72	ECUX1H101JCV	C.CAPACITOR CH 50V 100P	2	
C3273	ECUX1H220JCV	C.CAPACITOR CH 50V 22P	1	
C3274	ECUX1H470JCV	C.CAPACITOR CH 50V 47P	1	

Ref. No.	Part No.	Part Name & Description	Pcs	Remark
C3275	ECUX1H390JCV	C.CAPACITOR CH 50V 39P	1	
C3276	ECEV1CV470Q	E.CAPACITOR CH 16V 47U	1	
C3277	ECUX1E104ZFV	C.CAPACITOR CH 25V 0.1U	1	
C3278,79	ECUX1H103KBV	C.CAPACITOR CH 50V 0.01U	2	
C3280	ECUX1H181JCV	C.CAPACITOR CH 50V 180P	1	
C3281	ECUX1H103KBV	C.CAPACITOR CH 50V 0.01U	1	
C3282	ECUX1E104ZFV	C.CAPACITOR CH 25V 0.1U	1	
C3283,84	ECEV1CV470Q	E.CAPACITOR CH 16V 47U	2	
C3285	ECEV1HN010Q	E.CAPACITOR CH 50V 1U	1	
C3286,87	ECUX1E104ZFV	C.CAPACITOR CH 25V 0.1U	2	
C3288	ECUX1H680JCV	C.CAPACITOR CH 50V 68P	1	
C3289	ECUX1H180JCV	C.CAPACITOR CH 50V 18P	1	
C3290	ECUX1E104ZFV	C.CAPACITOR CH 25V 0.1U	1	
C3291	ECUX1H330JCV	C.CAPACITOR CH 50V 33P	1	
C3292	ECUX1H103KBV	C.CAPACITOR CH 50V 0.01U	1	
C3294	ECUX1E104ZFV	C.CAPACITOR CH 25V 0.1U	1	
C3296,97	ECUX1H470JCV	C.CAPACITOR CH 50V 47P	2	
C3298	ECUX1H103KBV	C.CAPACITOR CH 50V 0.01U	1	
C3299	ECEV1VAN2R2	E.CAPACITOR CH 50V 2.2U	1	
C3300,01	ECUX1E104ZFV	C.CAPACITOR CH 25V 0.1U	2	
C3302	ECEV1CV470Q	E.CAPACITOR CH 16V 47U	1	
C3303,04	ECUX1E104ZFV	C.CAPACITOR CH 25V 0.1U	2	
C3305	ECUX1H102JV	C.CAPACITOR CH 50V 1000P	1	
C3306	ECUX1E104ZFV	C.CAPACITOR CH 25V 0.1U	1	
C3307	ECEV1CV100Q	E.CAPACITOR CH 16V 10U	1	
C3308	ECUX1E104ZFV	C.CAPACITOR CH 25V 0.1U	1	
C3309	ECEV1CV470Q	E.CAPACITOR CH 16V 47U	1	
C3310	ECUX1H820JCV	C.CAPACITOR CH 50V 82P	1	
C3311	ECUX1E104ZFV	C.CAPACITOR CH 25V 0.1U	1	
C3312	ECUX1H103KBV	C.CAPACITOR CH 50V 0.01U	1	
C3313,14	ECUX1E104ZFV	C.CAPACITOR CH 25V 0.1U	2	
C3315	ECUX1H103KBV	C.CAPACITOR CH 50V 0.01U	1	
C3316,17	ECUX1H470JCV	C.CAPACITOR CH 50V 47P	2	
C3318	ECUX1H102JV	C.CAPACITOR CH 50V 1000P	1	
C3319,20	ECUX1E104ZFV	C.CAPACITOR CH 25V 0.1U	2	
C3323-38	ECUX1E104ZFV	C.CAPACITOR CH 25V 0.1U	16	
C3339	ECUX1H271JCV	C.CAPACITOR CH 50V 270P	1	
C3340-71	ECUX1E104ZFV	C.CAPACITOR CH 25V 0.1U	32	
C3372	ECUM1H820JCN	C.CAPACITOR CH 50V 82P	1	
C3373	ECUM1H220JCN	C.CAPACITOR CH 50V 22P	1	
C3374	ECUM1H271JCN	C.CAPACITOR CH 50V 270P	1	
C3375,76	ECUX1E104ZFV	C.CAPACITOR CH 25V 0.1U	2	
C3377	ECUM1H820JCN	C.CAPACITOR CH 50V 82P	1	
C3378	ECUM1H220JCN	C.CAPACITOR CH 50V 22P	1	
C3379	ECUM1H271JCN	C.CAPACITOR CH 50V 270P	1	
C3380,81	ECUX1E104ZFV	C.CAPACITOR CH 25V 0.1U	2	
C3382	ECEV1CV100Q	E.CAPACITOR CH 16V 10U	1	
C3383	ECUX1E104ZFV	C.CAPACITOR CH 25V 0.1U	1	
C3384	ECUX1H560JCV	C.CAPACITOR CH 50V 56P	1	
C3385	ECUX1E104ZFV	C.CAPACITOR CH 25V 0.1U	1	
C3386	ECUX1H020CCV	C.CAPACITOR CH 50V 2P	1	
C3387	ECUX1E104ZFV	C.CAPACITOR CH 25V 0.1U	1	
C3388	ECUM1H820JCN	C.CAPACITOR CH 50V 82P	1	

Ref. No.	Part No.	Part Name & Description	Pcs	Remark
C3389	ECUM1H220JCN	C.CAPACITOR CH 50V 22P	1	
C3390	ECUM1H271JCN	C.CAPACITOR CH 50V 270P	1	
C3391	ECUM1H820JCN	C.CAPACITOR CH 50V 82P	1	
C3392	ECUM1H220JCN	C.CAPACITOR CH 50V 22P	1	
C3393	ECUM1H271JCN	C.CAPACITOR CH 50V 270P	1	
C3394-04	ECUX1E104ZFV	C.CAPACITOR CH 25V 0.1U	11	
C3405,06	ECEV1CV100Q	E.CAPACITOR CH 16V 10U	2	
C3407-09	ECUX1E104ZFV	C.CAPACITOR CH 25V 0.1U	3	
C3410	ECUX1H102JV	C.CAPACITOR CH 50V 1000P	1	
C3411	ECUX1H101JCV	C.CAPACITOR CH 50V 100P	1	
C3412	ECUX1H390JCV	C.CAPACITOR CH 50V 39P	1	
C3413-17	ECUX1E104ZFV	C.CAPACITOR CH 25V 0.1U	5	
C3418	ECUX1H102JV	C.CAPACITOR CH 50V 1000P	1	
C3419	ECUX1H150JCV	C.CAPACITOR CH 50V 15P	1	
C3420-22	ECUX1E104ZFV	C.CAPACITOR CH 25V 0.1U	3	
C3425-27	ECUX1E104ZFV	C.CAPACITOR CH 25V 0.1U	3	
C3428	ECUX1H330JCV	C.CAPACITOR CH 50V 33P	1	
C3429	ECUX1E104ZFV	C.CAPACITOR CH 25V 0.1U	1	
C3430,31	ECEV1CV100Q	E.CAPACITOR CH 16V 10U	2	
C3432	ECUX1E104ZFV	C.CAPACITOR CH 25V 0.1U	1	
C3433	ECEV1CV470Q	E.CAPACITOR CH 16V 47U	1	
C3434	ECUX1E104ZFV	C.CAPACITOR CH 25V 0.1U	1	
C3435	ECEV1CV100Q	E.CAPACITOR CH 16V 10U	1	
C3436,37	ECUX1E104ZFV	C.CAPACITOR CH 25V 0.1U	2	
C3438	ECEV1CV100Q	E.CAPACITOR CH 16V 10U	1	
C3439	ECUX1E104ZFV	C.CAPACITOR CH 25V 0.1U	1	
C3440,41	ECUX1E104KBN	C.CAPACITOR CH 25V 0.1U	2	
C3442	ECUX1E104ZFV	C.CAPACITOR CH 25V 0.1U	1	
C3443	ECUX1H103KBV	C.CAPACITOR CH 50V 0.01U	1	
C3444,45	ECUX1E104ZFV	C.CAPACITOR CH 25V 0.1U	2	
C3446,47	ECUX1H103KBV	C.CAPACITOR CH 50V 0.01U	2	
C3448-51	ECUX1E104ZFV	C.CAPACITOR CH 25V 0.1U	4	
C3455	ECUX1E104ZFV	C.CAPACITOR CH 25V 0.1U	1	
C3458	ECUX1H070DCV	C.CAPACITOR CH 50V 7P	1	
C3459	ECUX1E104ZFV	C.CAPACITOR CH 25V 0.1U	1	
D3001,02	MA152K	DIODE	2	
D3003	MA142WK	DIODE	1	
D3004	MA142K	DIODE	1	
D3005	MA335-R	DIODE	1	
D3006	MA142K	DIODE	1	
D3007	MA335-R	DIODE	1	
D3008,09	MA152K	DIODE	2	
FL3001-07	VLF0931	FILTER	7	
FL3008-10	VLF0576	FILTER	3	
FL3012	VLF0576	FILTER	1	
FL3013	VLF0931	FILTER	1	
IC3001	SN74AS240NS	IC	1	
IC3002-08	T74VHCT244F	IC	7	
IC3009-11	T74VHC244F	IC	3	
IC3012,13	AD9300KP	IC	2	
IC3014	TC7S04F	IC	1	

Ref. No.	Part No.	Part Name & Description	Pcs	Remark
IC3015	AD9300KP	IC	1	
IC3016	AD828AR	IC	1	
IC3017	ADV7176AKS	IC	1	
IC3018	MC10H125M	IC	1	
IC3019	TLCX574F	IC	1	
IC3020-22	T74VHC574F	IC	3	
IC3023	TLCX574F	IC	1	
IC3024	T74VHC574F	IC	1	
IC3025	T74VHC244F	IC	1	
IC3026	T74VHCT244F	IC	1	
IC3027	T74VHC244F	IC	1	
IC3028	MC10H124M	IC	1	
IC3029,30	T74VHCT541F	IC	2	
IC3031-40	T74VHC244F	IC	10	
IC3041-43	MN47V78S	IC	3	
IC3044-46	74F283SJ	IC	3	
IC3047,48	TC74ACT374F	IC	2	
IC3049	SN74AS244AN	TTL	1	
IC3050	M4128-6410VC	IC	1	
IC3051	T74VHC244F	IC	1	
IC3052-56	MN47V78S	IC	5	
IC3057	SN74ALS04BNS	IC	1	
IC3058-68	TVHT574FT	IC	11	
IC3069,70	T74VHCT244F	IC	2	
IC3071	T74VHC244F	IC	1	
IC3072	VY06629	IC	1	
IC3073	M4128-6410VC	IC	1	
IC3075	UPD485506G25	IC	1	
IC3076	L7A1519	ASIC	1	
IC3081-84	TC74ACT374F	IC	4	
IC3085	UPD485506G25	IC	1	
IC3086	L7A1519	ASIC	1	
IC3087	NJM78L09UA	IC	1	
IC3088	NJM78L05UA	IC	1	
IC3089	NJM79L05UA	IC	1	
IC3090	AN78N05	IC	1	
IC3091	AN78N10	IC	1	
IC3092	AN79N10	IC	1	
IC3093-95	T74VHCT244F	IC	3	
IC3096-98	TC74ACT374F	IC	3	
IC3099	MC74HC125AF	IC	1	
IC3100	74F08SJ	IC	1	
IC3101	SN74AS74ANS	IC	1	
IC3102,03	T74VHCT244F	IC	2	
IC3104	NJM082BM	IC	1	
IC3105	UPD65650J203	IC	1	
IC3106	SN74LS221NS	IC	1	
IC3107	MC74HC04AF	IC	1	
IC3108	MC74HC257F	IC	1	
IC3109	AN91A12S	IC	1	
IC3110	NE521D	IC	1	
IC3111-14	MM74HC221AM	IC	4	
IC3115	MC74HC04AF	IC	1	
IC3116	NJM082BM	IC	1	

Ref. No.	Part No.	Part Name & Description	Pcs	Remark
IC3117,18	TC7SH00FU	IC	2	
IC3119	SN74LS123NS	IC	1	
IC3120	NE521D	IC	1	
IC3121	NJM084M	IC	1	
IC3122	MC74HC4053F	IC	1	
IC3124	MC74HC4053F	IC	1	
IC3126	TC7SH08FU	IC	1	
IC3127	TC7SH00FU	IC	1	
IC3129	NJM084M	IC	1	
IC3130-33	UPD485506G25	IC	4	
IC3134,35	SN74S1051NS	IC	2	
IC3136	74ALS541SJ	IC	1	
IC3137	74ALS245ASJ	IC	1	
IC3138,39	74ALS541SJ	IC	2	
IC3140	MACH211S10VC	IC	1	
IC3141	UPD71055GB	IC	1	
IC3142,43	T74VHC244F	IC	2	
IC3144	UPD71055GB	IC	1	
IC3145	M4128-6410VC	IC	1	
IC3146-53	T74VHC244F	IC	8	
IC3154-56	MN47V78S	IC	3	
IC3157,58	T74VHC244F	IC	2	
IC3159	T160G70-1586	IC	1	
IC3160	M4128-6410VC	IC	1	
IC3161,62	SN74S1051NS	IC	2	
IC3163	M4128-6410VC	IC	1	
IC3164	MC14053BF	IC	1	
IC3165	NJM78L05UA	IC	1	
IC3166	CXD1175AM	IC	1	
IC3167	EL4089CS	IC	1	

Ref. No.	Part No.	Part Name & Description	Pcs	Remark
IC3168	NJM79L05UA	IC	1	
IC3169	M4128-6410VC	IC	1	
IC3170,71	MM74HC221AM	IC	2	
IC3172	MC74HC157AF	IC	1	
IC3173,74	TC7SH08FU	IC	2	
IC3175	SN74LS221NS	IC	1	
IC3176	SN74AS240NS	IC	1	
IC3177,78	MC74HC4053F	IC	2	
IC3179	NJM79L09UA	IC	1	
IC3180-82	MC74HC574AF	IC	3	
IC3183	DAC10GS	IC	1	
IC3184	NJM082BM	IC	1	
IC3185	MC14053BF	IC	1	
L3001	VLQ0163J180	COIL 18UH	1	
L3002-04	VLQ0163J220	COIL 22UH	3	
L3005	VLQ0163JR68	COIL 0.68UH	1	
L3006	VLQ0163J2R7	COIL 2.7UH	1	
L3007	VLQ0163J1R0	COIL 1UH	1	
L3008	VLP0133	COIL	1	
L3009	VLQ0163J220	COIL 22UH	1	

Ref. No.	Part No.	Part Name & Description	Pcs	Remark
L3010	VLQ0319K470	COIL 47UH	1	
L3011	VLQ0319K680	COIL 68UH	1	
L3012	VLQ0319K221	COIL 220UH	1	
L3013	VLQ0319K101	COIL 100UH	1	
L3014,15	VLQ0319K470	COIL 47UH	2	
L3016	VLQ0163J221	COIL 220UH	1	
L3017	VLQ0163J120	COIL 12UH	1	
L3018	VLQ0163J270	COIL 27UH	1	
L3019	VLQ0163J120	COIL 12UH	1	
L3020	VLQ0163J270	COIL 27UH	1	
L3021	VLQ0163J120	COIL 12UH	1	
L3022	VLQ0163J270	COIL 27UH	1	
L3023	VLQ0163J120	COIL 12UH	1	
L3024	VLQ0163J270	COIL 27UH	1	
L3025	VLQ0163J470	COIL 47UH	1	
L3026	VLQ0319K390	COIL 39UH	1	
L3027,28	VLQ0163J220	COIL 22UH	2	
L3029	VLP0133	COIL	1	
P3001,02	VJP3454B096	CONNECTOR (MALE)	2	
P3003	VJP3515A080	CONNECTOR (MALE)	1	
P3004	VJP3515A052	CONNECTOR (MALE)	1	
P3005	VJP3125B008	CONNECTOR (MALE)	1	
Q3001,02	MSD601	TRANSISTOR	2	
Q3003	MSB709	TRANSISTOR	1	
Q3004,05	2SK608-R	TRANSISTOR	2	
Q3006	2SB709A-R	TRANSISTOR	1	
Q3007,08	2SK608-R	TRANSISTOR	2	
Q3009	MSB709	TRANSISTOR	1	
R3001-05	ERJ3GEYG102	M.RESISTOR CH 1/16W 1K	5	
R3006-31	ERJ3GEYJ220	M.RESISTOR CH 1/16W 22	26	
R3032-34	ERJ3GEYG102	M.RESISTOR CH 1/16W 1K	3	
R3035	ERJ3GEY0R00	M.RESISTOR CH 1/16W 0	1	
R3038,39	ERJ3GEYG102	M.RESISTOR CH 1/16W 1K	2	
R3040-57	ERJ3GEYJ220	M.RESISTOR CH 1/16W 22	18	
R3058-69	ERJ3GEYJ470	M.RESISTOR CH 1/16W 47	12	
R3070	ERJ3GEYJ681	M.RESISTOR CH 1/16W 680	1	
R3071	ERJ3GEYJ821	M.RESISTOR CH 1/16W 820	1	
R3072	ERJ3GEYJ511	M.RESISTOR CH 1/16W 510	1	
R3073	ERJ6RBD152	M.RESISTOR CH 1/10W 1.5K	1	
R3074	ERJ6RED560	M.RESISTOR CH 1/10W 56	1	
R3075	ERJ6RBD681	M.RESISTOR CH 1/10W 680	1	
R3076	ERJ6RBD152	M.RESISTOR CH 1/10W 1.5K	1	
R3077	ERJ6RBD681	M.RESISTOR CH 1/10W 680	1	
R3078	ERJ3GEY0R00	M.RESISTOR CH 1/16W 0	1	
R3079	ERJ6RBD151	M.RESISTOR CH 1/10W 150	1	
R3080	ERJ6RED750	M.RESISTOR CH 1/10W 75	1	
R3082	ERJ6RBD102	M.RESISTOR CH 1/10W 1K	1	
R3083	ERJ3GEY0R00	M.RESISTOR CH 1/16W 0	1	
R3084	ERJ6RBD102	M.RESISTOR CH 1/10W 1K	1	
R3085	ERJ6RED750	M.RESISTOR CH 1/10W 75	1	
R3086	ERJ3GEYJ222	M.RESISTOR CH 1/16W 2.2K	1	



Ref. No.	Part No.	Part Name & Description	Pcs	Remark
R3087	ERJ6RED750	M.RESISTOR CH 1/10W 75	1	
R3088	ERJ3GEYJ101	M.RESISTOR CH 1/16W 100	1	
R3089-92	ERJ3GEYJ103	M.RESISTOR CH 1/16W 10K	4	
R3093-08	ERJ3GEYJ331	M.RESISTOR CH 1/16W 330	16	
R3109	ERJ3GEYG102	M.RESISTOR CH 1/16W 1K	1	
R3110,11	ERJ3GEYJ103	M.RESISTOR CH 1/16W 10K	2	
R3112,13	ERJ3GEYJ101	M.RESISTOR CH 1/16W 100	2	
R3114-17	ERJ3GEYG102	M.RESISTOR CH 1/16W 1K	4	
R3118	ERJ3GEYJ103	M.RESISTOR CH 1/16W 10K	1	
R3119	ERJ3GEYG102	M.RESISTOR CH 1/16W 1K	1	
R3120	ERJ3GEYJ103	M.RESISTOR CH 1/16W 10K	1	
R3121	ERJ3GEYG102	M.RESISTOR CH 1/16W 1K	1	
R3122	ERJ3GEYJ101	M.RESISTOR CH 1/16W 100	1	
R3123	ERJ3GEYG102	M.RESISTOR CH 1/16W 1K	1	
R3124	ERJ3GEYJ103	M.RESISTOR CH 1/16W 10K	1	
R3125,26	ERJ3GEYJ560	M.RESISTOR CH 1/16W 56	2	
R3127	ERJ3GEY0R00	M.RESISTOR CH 1/16W 0	1	
R3129-31	ERJ3GEYJ103	M.RESISTOR CH 1/16W 10K	3	
R3132	ERJ3GEYJ560	M.RESISTOR CH 1/16W 56	1	
R3133	ERJ3GEYJ681	M.RESISTOR CH 1/16W 680	1	
R3134,35	ERJ3GEYJ560	M.RESISTOR CH 1/16W 56	2	
R3136	ERJ3GEYJ681	M.RESISTOR CH 1/16W 680	1	
R3137-41	ERJ3GEYJ560	M.RESISTOR CH 1/16W 56	5	
R3142,43	ERJ3GEYG102	M.RESISTOR CH 1/16W 1K	2	
R3144-53	ERJ3GEYJ220	M.RESISTOR CH 1/16W 22	10	
R3154	ERJ3GEYG102	M.RESISTOR CH 1/16W 1K	1	
R3155-66	ERJ3GEYJ220	M.RESISTOR CH 1/16W 22	12	
R3167-70	ERJ3GEYJ560	M.RESISTOR CH 1/16W 56	4	
R3171,72	ERJ3GEYG102	M.RESISTOR CH 1/16W 1K	2	
R3173,74	ERJ3GEYJ330	M.RESISTOR CH 1/16W 33	2	
R3175	ERJ3GEYG102	M.RESISTOR CH 1/16W 1K	1	
R3176-82	ERJ3GEYG471	M.RESISTOR CH 1/16W 470	7	
R3183,84	ERJ3GEYG102	M.RESISTOR CH 1/16W 1K	2	
R3185-91	ERJ3GEYG471	M.RESISTOR CH 1/16W 470	7	
R3192	ERJ3GEYG102	M.RESISTOR CH 1/16W 1K	1	
R3193-99	ERJ3GEYG471	M.RESISTOR CH 1/16W 470	7	
R3200-03	ERJ3GEYG102	M.RESISTOR CH 1/16W 1K	4	
R3204	ERJ3GEYJ512	M.RESISTOR CH 1/16W 5.1K	1	
R3205,06	ERJ3GEYG102	M.RESISTOR CH 1/16W 1K	2	
R3207	ERJ3GEYJ512	M.RESISTOR CH 1/16W 5.1K	1	
R3208,09	ERJ3GEYG102	M.RESISTOR CH 1/16W 1K	2	
R3211	ERJ3GEY0R00	M.RESISTOR CH 1/16W 0	1	
R3212-39	ERJ3GEYG102	M.RESISTOR CH 1/16W 1K	28	
R3240-51	ERJ3GEYJ103	M.RESISTOR CH 1/16W 10K	12	
R3252	ERJ3GEYG102	M.RESISTOR CH 1/16W 1K	1	
R3253-68	ERJ3GEYJ103	M.RESISTOR CH 1/16W 10K	16	
R3269-76	ERJ3GEYG102	M.RESISTOR CH 1/16W 1K	8	
R3278-08	ERJ3GEYG102	M.RESISTOR CH 1/16W 1K	31	
R3309	ERJ3GEYJ223	M.RESISTOR CH 1/16W 22K	1	
R3310-13	ERJ3GEYJ220	M.RESISTOR CH 1/16W 22	4	
R3315	ERJ3GEYJ220	M.RESISTOR CH 1/16W 22	1	
R3316	ERJ3GEYG102	M.RESISTOR CH 1/16W 1K	1	
R3318	ERJ3GEYJ473	M.RESISTOR CH 1/16W 47K	1	
R3319	ERJ3GEYG471	M.RESISTOR CH 1/16W 470	1	

Ref. No.	Part No.	Part Name & Description	Pcs	Remark
R3320	ERJ3GEYJ101	M.RESISTOR CH 1/16W 100	1	
R3321	ERJ3GEYG102	M.RESISTOR CH 1/16W 1K	1	
R3322	ERJ3GEYJ101	M.RESISTOR CH 1/16W 100	1	
R3323	ERJ3GEYG102	M.RESISTOR CH 1/16W 1K	1	
R3324	ERJ3GEYJ105	M.RESISTOR CH 1/16W 1M	1	
R3326	ERJ3GEYG102	M.RESISTOR CH 1/16W 1K	1	
R3327	ERJ3GEYJ104	M.RESISTOR CH 1/16W 100K	1	
R3332	ERJ3GEY0R00	M.RESISTOR CH 1/16W 0	1	
R3334-38	ERJ3GEY0R00	M.RESISTOR CH 1/16W 0	5	
R3341,42	ERJ3GEY0R00	M.RESISTOR CH 1/16W 0	2	
R3343	ERJ3GEYG472	M.RESISTOR CH 1/16W 4.7K	1	
R3344	ERJ3GEYG682	M.RESISTOR CH 1/16W 6.8K	1	
R3345	ERJ3GEYJ563	M.RESISTOR CH 1/16W 56K	1	
R3346	ERJ3GEYJ223	M.RESISTOR CH 1/16W 22K	1	
R3347	ERJ3GEYJ563	M.RESISTOR CH 1/16W 56K	1	
R3348	ERJ3GEYJ222	M.RESISTOR CH 1/16W 2.2K	1	
R3349	ERJ3GEYG822	M.RESISTOR CH 1/16W 8.2K	1	
R3350	ERJ3GEYJ223	M.RESISTOR CH 1/16W 22K	1	
R3351	ERJ3GEYG102	M.RESISTOR CH 1/16W 1K	1	
R3352,53	ERJ3GEYJ103	M.RESISTOR CH 1/16W 10K	2	
R3354,55	ERJ3GEYG102	M.RESISTOR CH 1/16W 1K	2	
R3356	ERJ3GEYJ473	M.RESISTOR CH 1/16W 47K	1	
R3357	ERJ3GEYJ223	M.RESISTOR CH 1/16W 22K	1	
R3358	ERJ3GEYJ105	M.RESISTOR CH 1/16W 1M	1	
R3359	ERJ3GEYJ103	M.RESISTOR CH 1/16W 10K	1	
R3360	ERJ3GEYG471	M.RESISTOR CH 1/16W 470	1	
R3361	ERJ3GEYG102	M.RESISTOR CH 1/16W 1K	1	
R3362,63	ERJ3GEYJ222	M.RESISTOR CH 1/16W 2.2K	2	
R3364	ERJ3GEYJ683	M.RESISTOR CH 1/16W 68K	1	
R3365	ERJ3GEYJ223	M.RESISTOR CH 1/16W 22K	1	
R3366	ERJ3GEYG152	M.RESISTOR CH 1/16W 1.5K	1	
R3367	ERJ3GEYG822	M.RESISTOR CH 1/16W 8.2K	1	
R3368	ERJ3GEYJ393	M.RESISTOR CH 1/16W 39K	1	
R3369	ERJ3GEYJ272	M.RESISTOR CH 1/16W 2.7K	1	
R3370	ERJ3GEYJ684	M.RESISTOR CH 1/16W 680K	1	
R3371	ERJ3GEYJ103	M.RESISTOR CH 1/16W 10K	1	
R3372,73	ERJ3GEYG822	M.RESISTOR CH 1/16W 8.2K	2	
R3374-77	ERJ3GEYJ222	M.RESISTOR CH 1/16W 2.2K	4	
R3378	ERJ3GEYJ221	M.RESISTOR CH 1/16W 220	1	
R3379	ERJ3GEYJ184	M.RESISTOR CH 1/16W 180K	1	
R3380	ERJ3GEYJ224	M.RESISTOR CH 1/16W 220K	1	
R3381	ERJ3GEYJ153	M.RESISTOR CH 1/16W 15K	1	
R3382-84	ERJ3GEYJ333	M.RESISTOR CH 1/16W 33K	3	
R3389	ERJ3GEYG102	M.RESISTOR CH 1/16W 1K	1	
R3393,94	ERJ3GEYJ473	M.RESISTOR CH 1/16W 47K	2	
R3395,96	ERJ3GEYG332	M.RESISTOR CH 1/16W 3.3K	2	
R3397	ERJ3GEYG102	M.RESISTOR CH 1/16W 1K	1	
R3398	ERJ3GEYJ223	M.RESISTOR CH 1/16W 22K	1	
R3399	ERJ3GEYJ103	M.RESISTOR CH 1/16W 10K	1	
R3400	ERJ3GEYJ123	M.RESISTOR CH 1/16W 12K	1	
R3401	ERJ3GEYG102	M.RESISTOR CH 1/16W 1K	1	
R3402	ERJ3GEYJ473	M.RESISTOR CH 1/16W 47K	1	
R3403	ERJ3GEYG822	M.RESISTOR CH 1/16W 8.2K	1	
R3404	ERJ3GEYJ153	M.RESISTOR CH 1/16W 15K	1	

Ref. No.	Part No.	Part Name & Description	Pcs	Remark
R3407	ERJ3GEYG152	M.RESISTOR CH 1/16W 1.5K	1	
R3408	ERJ3GEYJ222	M.RESISTOR CH 1/16W 2.2K	1	
R3409	ERJ3GEYJ153	M.RESISTOR CH 1/16W 15K	1	
R3410	ERJ3GEYJ273	M.RESISTOR CH 1/16W 27K	1	
R3411	ERJ3GEYJ105	M.RESISTOR CH 1/16W 1M	1	
R3412	ERJ3GEYG102	M.RESISTOR CH 1/16W 1K	1	
R3414	ERJ3GEYJ473	M.RESISTOR CH 1/16W 47K	1	
R3415	ERJ3GEYG102	M.RESISTOR CH 1/16W 1K	1	
R3416	ERJ3GEYG332	M.RESISTOR CH 1/16W 3.3K	1	
R3417,18	ERJ3GEYJ473	M.RESISTOR CH 1/16W 47K	2	
R3419	ERJ3GEYG332	M.RESISTOR CH 1/16W 3.3K	1	
R3420	ERJ3GEYJ153	M.RESISTOR CH 1/16W 15K	1	
R3421	ERJ3GEYG822	M.RESISTOR CH 1/16W 8.2K	1	
R3422-24	ERJ3GEYG102	M.RESISTOR CH 1/16W 1K	3	
R3425	ERJ3GEY0R00	M.RESISTOR CH 1/16W 0	1	
R3426-29	ERJ3GEYG102	M.RESISTOR CH 1/16W 1K	4	
R3430	ERJ3GEYG471	M.RESISTOR CH 1/16W 470	1	
R3431	ERJ3GEYG102	M.RESISTOR CH 1/16W 1K	1	
R3432-34	ERJ3GEYJ103	M.RESISTOR CH 1/16W 10K	3	
R3435	ERJ3GEYG102	M.RESISTOR CH 1/16W 1K	1	
R3436	ERJ3GEYJ103	M.RESISTOR CH 1/16W 10K	1	
R3437,38	ERJ3GEYG102	M.RESISTOR CH 1/16W 1K	2	
R3439-43	ERJ3GEYJ103	M.RESISTOR CH 1/16W 10K	5	
R3444-51	ERJ3GEYG102	M.RESISTOR CH 1/16W 1K	8	
R3452	ERJ3GEY0R00	M.RESISTOR CH 1/16W 0	1	
R3454	ERJ3GEYJ103	M.RESISTOR CH 1/16W 10K	1	
R3455	ERJ3GEYG102	M.RESISTOR CH 1/16W 1K	1	
R3456,57	ERJ3GEY0R00	M.RESISTOR CH 1/16W 0	2	
R3459	ERJ3GEY0R00	M.RESISTOR CH 1/16W 0	1	
R3462	ERJ3GEYG102	M.RESISTOR CH 1/16W 1K	1	
R3465-67	ERJ3GEYG102	M.RESISTOR CH 1/16W 1K	3	
R3468-89	ERJ3GEYJ103	M.RESISTOR CH 1/16W 10K	22	
R3490-92	ERJ3GEYG102	M.RESISTOR CH 1/16W 1K	3	
R3493	ERJ3GEYJ181	M.RESISTOR CH 1/16W 180	1	
R3494	ERJ3GEYJ271	M.RESISTOR CH 1/16W 270	1	
R3495	ERJ3GEYG471	M.RESISTOR CH 1/16W 470	1	
R3497	ERJ3GEYJ181	M.RESISTOR CH 1/16W 180	1	
R3498	ERJ3GEYJ271	M.RESISTOR CH 1/16W 270	1	
R3500	ERJ3GEYG471	M.RESISTOR CH 1/16W 470	1	
R3501	ERJ3GEYJ271	M.RESISTOR CH 1/16W 270	1	
R3502	ERJ3GEYJ181	M.RESISTOR CH 1/16W 180	1	
R3503	ERJ3GEYJ222	M.RESISTOR CH 1/16W 2.2K	1	
R3504	ERJ3GEYJ101	M.RESISTOR CH 1/16W 100	1	
R3505	ERJ3GEYJ681	M.RESISTOR CH 1/16W 680	1	
R3506	ERJ3GEYJ124	M.RESISTOR CH 1/16W 120K	1	
R3508	ERJ3GEYJ103	M.RESISTOR CH 1/16W 10K	1	
R3509	ERJ3GEYG472	M.RESISTOR CH 1/16W 4.7K	1	
R3510,11	ERJ3GEYJ151	M.RESISTOR CH 1/16W 150	2	
R3515	ERJ3GEYG471	M.RESISTOR CH 1/16W 470	1	
R3516	ERJ3GEYJ181	M.RESISTOR CH 1/16W 180	1	
R3517	ERJ3GEYJ271	M.RESISTOR CH 1/16W 270	1	
R3519	ERJ3GEYG471	M.RESISTOR CH 1/16W 470	1	
R3520	ERJ3GEYJ101	M.RESISTOR CH 1/16W 100	1	

Ref. No.	Part No.	Part Name & Description	Pcs	Remark
R3521,22	ERJ3GEYG102	M.RESISTOR CH 1/16W 1K	2	
R3524	ERJ3GEYG822	M.RESISTOR CH 1/16W 8.2K	1	
R3525	ERJ3GEYJ223	M.RESISTOR CH 1/16W 22K	1	
R3526	ERJ3GEYJ272	M.RESISTOR CH 1/16W 2.7K	1	
R3527	ERJ3GEYG102	M.RESISTOR CH 1/16W 1K	1	
R3528	ERJ3GEYJ563	M.RESISTOR CH 1/16W 56K	1	
R3529	ERJ3GEYG472	M.RESISTOR CH 1/16W 4.7K	1	
R3530	ERJ3GEYG682	M.RESISTOR CH 1/16W 6.8K	1	
R3531	ERJ3GEYG102	M.RESISTOR CH 1/16W 1K	1	
R3532,33	ERJ3GEYJ681	M.RESISTOR CH 1/16W 680	2	
R3534,35	ERJ3GEYJ330	M.RESISTOR CH 1/16W 33	2	
R3536	ERJ3GEYJ220	M.RESISTOR CH 1/16W 22	1	
R3537,38	ERJ3GEYJ103	M.RESISTOR CH 1/16W 10K	2	
R3541	ERJ3GEYJ220	M.RESISTOR CH 1/16W 22	1	
R3544,45	ERJ3GEYG102	M.RESISTOR CH 1/16W 1K	2	
R3546,47	ERJ3GEYG472	M.RESISTOR CH 1/16W 4.7K	2	
R3548	ERJ3GEYJ681	M.RESISTOR CH 1/16W 680	1	
R3549	ERJ3GEYJ333	M.RESISTOR CH 1/16W 33K	1	
R3551	ERJ3GEYJ333	M.RESISTOR CH 1/16W 33K	1	
R3552	ERJ3GEYG102	M.RESISTOR CH 1/16W 1K	1	
R3553,54	ERJ3GEYJ473	M.RESISTOR CH 1/16W 47K	2	
R3557	ERJ3GEYJ103	M.RESISTOR CH 1/16W 10K	1	
R3559,60	ERJ3GEYJ560	M.RESISTOR CH 1/16W 56	2	
R3562	ERJ3GEY0R00	M.RESISTOR CH 1/16W 0	1	
R3564	ERJ3GEY0R00	M.RESISTOR CH 1/16W 0	1	
R3565,66	ERJ3GEYJ750	M.RESISTOR CH 1/16W 75	2	
R3567	ERJ3GEYJ222	M.RESISTOR CH 1/16W 2.2K	1	
R3568	ERJ3GEYJ681	M.RESISTOR CH 1/16W 680	1	
R3569-74	ERJ3GEYJ103	M.RESISTOR CH 1/16W 10K	6	
R3575-77	ERJ3GEY0R00	M.RESISTOR CH 1/16W 0	3	
TG3001-03	VJR0646	TEST POINT	3	
TP3001-15	EYF6CU	TEST POINT	15	
VC3001,02	VCV0050	TRIMMER	2	
VR3001	VRV0113B102	V.RESISTOR 1K	1	
VR3002	VRV0161B102	V.RESISTOR 1K	1	
VR3004	VRV0113B502	V.RESISTOR 5K	1	
VR3005	VRV0113B202	V.RESISTOR 2K	1	
VR3006	VRV0113B503	V.RESISTOR 50K	1	
VR3007	VRV0113B103	V.RESISTOR 10K	1	
VR3009	VRV0113B101	V.RESISTOR 100	1	
VR3010	VRV0113B102	V.RESISTOR 1K	1	
VR3011	VRV0113B202	V.RESISTOR 2K	1	
VR3012	VRV0113B503	V.RESISTOR 50K	1	
VR3013	VRV0113B103	V.RESISTOR 10K	1	
VR3014	VRV0113B502	V.RESISTOR 5K	1	
VR3015,16	VRV0113B203	V.RESISTOR 20K	2	
X3001	VSX0788	CRYSTAL OSCILLATOR	1	
X3002	VSX0567A	CRYSTAL OSCILLATOR	1	
X3003	VSX0081	CRYSTAL OSCILLATOR	1	

Ref. No.	Part No.	Part Name & Description	Pcs	Remark
X3004	VSX0363	CRYSTAL OSCILLATOR	1	
		MISCELLANEOUS		
	VML2143	CARD PULLER	1	
	VML2144	CARD PULLER	1	

## 10.24. VEP83385B

Ref. No.	Part No.	Part Name & Description	Pcs	Remark
* E8	VEP83385B	4:2:2 DASUB P.C.BOARD	1	(RTL)FOR AJD950P

## 10.25. VEP83385A

Ref. No.	Part No.	Part Name & Description	Pcs	Remark
* E8	VEP83385A	8:4:4 DASUB P.C.BOARD	1	(RTL)FOR AJPD950F
C3001,02	ECUX1E104ZFV	C.CAPACITOR CH 25V 0.1U	2	
C3003	ECEV1CV470Q	E.CAPACITOR CH 16V 47U	1	
C3004	ECUX1E104ZFV	C.CAPACITOR CH 25V 0.1U	1	
C3005	ECEV1CV470Q	E.CAPACITOR CH 16V 47U	1	
C3006-31	ECUX1E104ZFV	C.CAPACITOR CH 25V 0.1U	26	
C3032	ECEV1CV100Q	E.CAPACITOR CH 16V 10U	1	
C3033	ECUX1E104ZFV	C.CAPACITOR CH 25V 0.1U	1	
C3034	ECEV1CV100Q	E.CAPACITOR CH 16V 10U	1	
C3035	ECUX1E104ZFV	C.CAPACITOR CH 25V 0.1U	1	
C3036	ECEV1CV100Q	E.CAPACITOR CH 16V 10U	1	
C3037,38	ECUX1E104KBN	C.CAPACITOR CH 25V 0.1U	2	
C3039-41	ECUX1E104ZFV	C.CAPACITOR CH 25V 0.1U	3	
C3044	ECUX1H151JCV	C.CAPACITOR CH 50V 150P	1	
C3045	ECUX1H102JCV	C.CAPACITOR CH 50V 1000P	1	
C3047-50	ECUX1E104ZFV	C.CAPACITOR CH 25V 0.1U	4	
C3054,55	ECUX1E104ZFV	C.CAPACITOR CH 25V 0.1U	2	
C3057	ECUX1H680JCV	C.CAPACITOR CH 50V 68P	1	
C3058	ECUX1E104ZFV	C.CAPACITOR CH 25V 0.1U	1	
C3061	ECUX1H102JCV	C.CAPACITOR CH 50V 1000P	1	
C3062	ECUX1H151JCV	C.CAPACITOR CH 50V 150P	1	
C3063,64	ECUX1E104ZFV	C.CAPACITOR CH 25V 0.1U	2	
C3067,68	ECUX1E104ZFV	C.CAPACITOR CH 25V 0.1U	2	
C3070	ECUX1H680JCV	C.CAPACITOR CH 50V 68P	1	
C3071	ECUX1E104ZFV	C.CAPACITOR CH 25V 0.1U	1	
C3074	ECUX1H102JCV	C.CAPACITOR CH 50V 1000P	1	
C3075	ECUX1H151JCV	C.CAPACITOR CH 50V 150P	1	
C3076,77	ECUX1E104ZFV	C.CAPACITOR CH 25V 0.1U	2	
C3078-80	ECEV1CV100Q	E.CAPACITOR CH 16V 10U	3	
C3081-85	ECUX1E104ZFV	C.CAPACITOR CH 25V 0.1U	5	
C3086-05	ECUX1E104ZFV	C.CAPACITOR CH 25V 0.1U	20	FOR AJPD950P
C3113	ECUX1E104ZFV	C.CAPACITOR CH 25V 0.1U	1	
C3114	ECUX1E104ZFV	C.CAPACITOR CH 25V 0.1U	1	FOR AJPD950P

Ref. No.	Part No.	Part Name & Description	Pcs	Remark
C3115	ECUX1E104ZFV	C.CAPACITOR CH 25V 0.1U	1	
C3116	ECUX1H180JCV	C.CAPACITOR CH 50V 18P	1	
C3117	ECUX1H090DCV	C.CAPACITOR CH 50V 9P	1	FOR AJ-PD950P
C3118-20	ECUX1E104ZFV	C.CAPACITOR CH 25V 0.1U	3	
C3121	ECUX1E104ZFV	C.CAPACITOR CH 25V 0.1U	1	FOR AJ-PD950P
C3122	ECUX1E104ZFV	C.CAPACITOR CH 25V 0.1U	1	
C3124	ECUX1E104ZFV	C.CAPACITOR CH 25V 0.1U	1	
C3125	ECUX1E104ZFV	C.CAPACITOR CH 25V 0.1U	1	FOR AJ-PD950P
C3126,27	ECUX1E104ZFV	C.CAPACITOR CH 25V 0.1U	2	
C3128	ECUX1E104ZFV	C.CAPACITOR CH 25V 0.1U	1	FOR AJ-PD950P
C3129,30	ECUX1E104ZFV	C.CAPACITOR CH 25V 0.1U	2	
C3131	ECUX1H121JCV	C.CAPACITOR CH 50V 120P	1	
C3132	ECUX1H560JCV	C.CAPACITOR CH 50V 56P	1	FOR AJ-PD950P
C3135	ECUX1E104ZFV	C.CAPACITOR CH 25V 0.1U	1	
C3136	ECEV1CV470Q	E.CAPACITOR CH 16V 47U	1	
C3137	ECUX1E104ZFV	C.CAPACITOR CH 25V 0.1U	1	
C3138	ECEV1CV100Q	E.CAPACITOR CH 16V 10U	1	
C3139,40	ECUX1E104ZFV	C.CAPACITOR CH 25V 0.1U	2	
C3141	ECEV1CV100Q	E.CAPACITOR CH 16V 10U	1	
C3142	ECUX1E104ZFV	C.CAPACITOR CH 25V 0.1U	1	
C3143,44	ECEV1EV330Q	E.CAPACITOR CH 25V 33U	2	
C3145,46	ECUX1E104ZFV	C.CAPACITOR CH 25V 0.1U	2	
C3147,48	ECEV1CV100Q	E.CAPACITOR CH 16V 10U	2	
C3149-54	ECUX1E104ZFV	C.CAPACITOR CH 25V 0.1U	6	
C3155	ECEV1CV100Q	E.CAPACITOR CH 16V 10U	1	
C3156-60	ECUX1E104ZFV	C.CAPACITOR CH 25V 0.1U	5	
C3161	ECEV1EV330Q	E.CAPACITOR CH 25V 33U	1	
C3162	ECUX1E104ZFV	C.CAPACITOR CH 25V 0.1U	1	
C3163	ECEV1CV100Q	E.CAPACITOR CH 16V 10U	1	
C3164	ECUX1E104ZFV	C.CAPACITOR CH 25V 0.1U	1	
C3165,66	ECEV1CV100Q	E.CAPACITOR CH 16V 10U	2	
C3167	ECUX1E104ZFV	C.CAPACITOR CH 25V 0.1U	1	
C3168,69	ECEV1CV100Q	E.CAPACITOR CH 16V 10U	2	
C3170-73	ECUX1E104ZFV	C.CAPACITOR CH 25V 0.1U	4	
C3174-93	ECUX1E104ZFV	C.CAPACITOR CH 25V 0.1U	20	FOR AJ-PD950P
C3210,11	ECKF1H681KB	C.CAPACITOR CH 50V 680P	2	
C3212	ECCF1H560JC	C.CAPACITOR CH 50V 56P	1	
D3001	MA152K	DIODE	1	
D3002	MA152K	DIODE	1	FOR AJ-PD950P
FL3001	VLF1423	FILTER	1	
FL3002,03	VLF1424	FILTER	2	
IC3001	SN74ALS244C	IC	1	
IC3002,03	74F244SJ	IC	2	
IC3004	PZ5128S10BP	IC	1	
IC3005	74AC04SJ	IC	1	
IC3006-08	T2242AR2C1	IC	3	

Ref. No.	Part No.	Part Name & Description	Pcs	Remark
IC3009	PZ5128S10BP	IC	1	
IC3010-12	UPD485506G25	IC	3	
IC3013	ADV7122KST50	IC	1	
IC3014	AD589JR	IC	1	
IC3015	NJM084M	IC	1	
IC3016-18	LT1228CS8	IC	3	
IC3020-26	AD8056AR	IC	7	FOR AJ-PD950P
IC3027	MA74HC4053F	IC	1	FOR AJ-PD950P
IC3028,29	AD8056AR	IC	2	FOR AJ-PD950P
IC3030	MC74HC32AF	IC	1	
IC3031	TC7S04F	IC	1	
IC3033	AN78N10	IC	1	
IC3034,35	AN78N09	IC	2	FOR AJ-D950P
IC3035	AN78N05	IC	1	FOR AJ-PD950P
IC3036,37	AN79N09	IC	2	FOR AJ-D950P
IC3037	AN79N05	IC	1	FOR AJ-PD950P
IC3038	NJM78L05UA	IC	1	
IC3039	NJM79L05UA	IC	1	
IC3040,41	AN78N05	IC	2	
IC3042	AN79N10	IC	1	
IC3043-46	T74VHC244F	IC	4	FOR AJ-PD950P
IC3047,48	PZ5128S10BP	IC	2	FOR AJ-PD950P
IC3049-52	UPD485506G25	IC	4	FOR AJ-PD950P
IC3053	PZ5128S10BP	IC	1	FOR AJ-PD950P
IC3054	PZ5128S10BP	IC	1	
L3001	VLP0133	COIL	1	
L3002	VLQ0163J220	COIL 22UH	1	
L3003,04	VLQ0576	COIL	2	
L3005	VLQ0163J220	COIL 22UH	1	
L3013	VLQ0163J470	COIL 47UH	1	
L3014	VLQ0163J220	COIL 22UH	1	FOR AJ-PD950P
L3015-18	VLP0133	COIL	4	
P3001	VJS3538A080	CONNECTOR (FEMALE)	1	
P3002	VJS3538A052	CONNECTOR (FEMALE)	1	
P3003	VJP3125B007	CONNECTOR (MALE)	1	
Q3002	MSD601	TRANSISTOR	1	
Q3004	MSB709	TRANSISTOR	1	
Q3005	MSD601	TRANSISTOR	1	
Q3006,07	MSB709	TRANSISTOR	2	
Q3008	MSD601	TRANSISTOR	1	
Q3009,10	MSB709	TRANSISTOR	2	
Q3011,12	MSD601	TRANSISTOR	2	
Q3013	MSB709	TRANSISTOR	1	
Q3014	MSD601	TRANSISTOR	1	
Q3015,16	MSB709	TRANSISTOR	2	
Q3017	MSB709	TRANSISTOR	1	FOR AJ-PD950P
Q3018,19	MSB709	TRANSISTOR	2	
Q3020	MSB709	TRANSISTOR	1	FOR AJ-PD950P
Q3021	MSB709	TRANSISTOR	1	
Q3022	2SC2404-C	TRANSISTOR	1	
Q3023	2SC2404-C	TRANSISTOR	1	FOR AJ-PD950P

Ref. No.	Part No.	Part Name & Description	Pcs	Remark
Q3024-26	2SC3757-R	TRANSISTOR	3	
Q3027	MSD601	TRANSISTOR	1	
Q3028	MSD601-R	TRANSISTOR	1	FOR AJPD950P
Q3029,30	MSD601	TRANSISTOR	2	
Q3032	MSD601	TRANSISTOR	1	
Q3034,35	MSD601	TRANSISTOR	2	
Q3036-38	2SA1532	TRANSISTOR	3	
R3001,02	ERJ3GEYJ101	M.RESISTOR CH 1/16W 100	2	
R3008	ERJ3GEY0R00	M.RESISTOR CH 1/16W 0	1	FOR AJPD950P
R3009	ERJ3GEY0R00	M.RESISTOR CH 1/16W 0	1	FOR AJD950P
R3011	ERJ3GEYJ103	M.RESISTOR CH 1/16W 10K	1	FOR AJPD950P
R3012,13	ERJ3GEYG102	M.RESISTOR CH 1/16W 1K	2	
R3014-16	ERJ3GEY0R00	M.RESISTOR CH 1/16W 0	3	FOR AJD950P
R3017-22	ERJ3GEYJ220	M.RESISTOR CH 1/16W 22	6	FOR AJPD950P
R3023,24	ERJ3GEYJ220	M.RESISTOR CH 1/16W 22	2	
R3025	ERJ3GEYJ681	M.RESISTOR CH 1/16W 680	1	
R3026,27	ERJ3GEYJ151	M.RESISTOR CH 1/16W 150	2	
R3028	ERJ3GEYJ222	M.RESISTOR CH 1/16W 2.2K	1	
R3029,30	ERJ3GEYJ151	M.RESISTOR CH 1/16W 75	2	
R3031	ERJ3GEYJ222	M.RESISTOR CH 1/16W 2.2K	1	
R3033,34	ERJ3GEYJ271	M.RESISTOR CH 1/16W 270	2	
R3036	ERJ3GEYJ221	M.RESISTOR CH 1/16W 220	1	
R3038,39	ERJ3GEYJ151	M.RESISTOR CH 1/16W 150	2	
R3040	ERJ3GEYJ222	M.RESISTOR CH 1/16W 2.2K	1	
R3041,42	ERJ3GEYJ151	M.RESISTOR CH 1/16W 75	2	
R3043	ERJ3GEYJ222	M.RESISTOR CH 1/16W 2.2K	1	
R3044	ERJ3GEYJ101	M.RESISTOR CH 1/16W 100	1	
R3045	ERJ3GEYJ122	M.RESISTOR CH 1/16W 1.2K	1	
R3049	ERJ3GEYJ681	M.RESISTOR CH 1/16W 680	1	
R3050	ERJ3GEYG102	M.RESISTOR CH 1/16W 1K	1	
R3051	ERJ3GEY0R00	M.RESISTOR CH 1/16W 0	1	
R3054	ERJ3GEYJ271	M.RESISTOR CH 1/16W 270	1	
R3055	ERJ3GEYJ821	M.RESISTOR CH 1/16W 820	1	
R3056	ERJ3GEYJ221	M.RESISTOR CH 1/16W 220	1	
R3058,59	ERJ3GEYJ151	M.RESISTOR CH 1/16W 150	2	
R3060	ERJ3GEYJ222	M.RESISTOR CH 1/16W 2.2K	1	
R3061,62	ERJ3GEYJ151	M.RESISTOR CH 1/16W 75	2	
R3063	ERJ3GEYJ222	M.RESISTOR CH 1/16W 2.2K	1	
R3064	ERJ3GEYJ101	M.RESISTOR CH 1/16W 100	1	
R3068	ERJ3GEYJ681	M.RESISTOR CH 1/16W 680	1	
R3069	ERJ3GEYG102	M.RESISTOR CH 1/16W 1K	1	
R3070	ERJ3GEY0R00	M.RESISTOR CH 1/16W 0	1	
R3073	ERJ3GEYJ271	M.RESISTOR CH 1/16W 270	1	
R3074	ERJ3GEYJ821	M.RESISTOR CH 1/16W 820	1	
R3075	ERJ3GEYJ221	M.RESISTOR CH 1/16W 220	1	
R3077	ERJ6GEY0R00	M.RESISTOR CH 1/10W 0	1	
R3084,85	ERJ3GEYJ222	M.RESISTOR CH 1/16W 2.2K	2	
R3086-91	ERJ3GEYJ103	M.RESISTOR CH 1/16W 10K	6	
R3092-94	ERJ3GEYJ331	M.RESISTOR CH 1/16W 330	3	
R3095	ERJ3GEYJ101	M.RESISTOR CH 1/16W 100	1	FOR AJPD950P
R3096	ERJ3GEYJ102	M.RESISTOR CH 1/16W 1K	1	FOR AJPD950P
R3097	ERJ3GEYJ101	M.RESISTOR CH 1/16W 100	1	FOR AJPD950P



Ref. No.	Part No.	Part Name & Description	Pcs	Remark
R3099	ERJ3GEYJ101	M.RESISTOR CH 1/16W 100	1	FOR AJ-PD950P
R3100	ERJ3GEYJ122	M.RESISTOR CH 1/16W 1.2K	1	FOR AJ-PD950P
R3101	ERJ3GEYJ102	M.RESISTOR CH 1/16W 1K	1	FOR AJ-PD950P
R3102	ERJ3GEYJ101	M.RESISTOR CH 1/16W 100	1	FOR AJ-PD950P
R3108	ERJ6GEY0R00	M.RESISTOR CH 1/10W 0	1	FOR AJ-PD950P
R3109	ERJ6RED200	M.RESISTOR CH 1/10W 20	1	FOR AJ-PD950P
R3110	ERJ6GEY0R00	M.RESISTOR CH 1/10W 0	1	FOR AJ-PD950P
R3111	ERJ6RED200	M.RESISTOR CH 1/10W 20	1	FOR AJ-PD950P
R3112	ERJ6RED200	M.RESISTOR CH 1/10W 20	1	FOR AJ-PD950P
R3113	ERJ6GEY0R00	M.RESISTOR CH 1/10W 0	1	FOR AJ-PD950P
R3114	ERJ3GEYJ102	M.RESISTOR CH 1/16W 1K	1	FOR AJ-PD950P
R3115	ERJ6RBD102	M.RESISTOR CH 1/10W 1K	1	FOR AJ-PD950P
R3116,17	ERJ3GEYJ102	M.RESISTOR CH 1/16W 1K	2	FOR AJ-PD950P
R3118,19	ERJ6RBD102	M.RESISTOR CH 1/10W 1K	2	FOR AJ-PD950P
R3120	ERJ3GEYJ102	M.RESISTOR CH 1/16W 1K	1	FOR AJ-PD950P
R3123	ERJ3GEYJ102	M.RESISTOR CH 1/16W 1K	1	FOR AJ-PD950P
R3124	ERJ3GEYJ152	M.RESISTOR CH 1/16W 1.5K	1	FOR AJ-PD950P
R3125	ERJ3GEYJ182	M.RESISTOR CH 1/16W 1.8K	1	FOR AJ-PD950P
R3126	ERJ3GEYJ102	M.RESISTOR CH 1/16W 1K	1	FOR AJ-PD950P
R3127,28	ERJ6RBD102	M.RESISTOR CH 1/10W 1K	2	FOR AJ-PD950P
R3129	ERJ3GEYJ242	M.RESISTOR CH 1/16W 2.4K	1	FOR AJ-PD950P
R3130	ERJ3GEYJ102	M.RESISTOR CH 1/16W 1K	1	FOR AJ-PD950P
R3131	ERJ6RBD102	M.RESISTOR CH 1/10W 1K	1	FOR AJ-PD950P
R3133	ERJ6RBD102	M.RESISTOR CH 1/10W 1K	1	FOR AJ-PD950P
R3138-40	ERJ3GEYJ103	M.RESISTOR CH 1/16W 10K	3	FOR AJ-PD950P
R3141	ERJ6RBD122	M.RESISTOR CH 1/10W 1.2K	1	FOR AJ-PD950P
R3142	ERJ6RBD151	M.RESISTOR CH 1/10W 150	1	FOR AJ-PD950P
R3143	ERJ3GEYJ302	M.RESISTOR CH 1/16W 3K	1	FOR AJ-PD950P
R3144	ERJ6RBD161	M.RESISTOR CH 1/10W 160	1	FOR AJ-PD950P
R3145-47	ERJ3GEYJ161	M.RESISTOR CH 1/16W 160	3	FOR AJ-PD950P
R3148,49	ERJ3GEYJ302	M.RESISTOR CH 1/16W 3K	2	FOR AJ-PD950P
R3150	ERJ6RBD181	M.RESISTOR CH 1/10W 180	1	FOR AJ-PD950P
R3151-53	ERJ6RBD201	M.RESISTOR CH 1/10W 200	3	FOR AJ-PD950P
R3154	ERJ6RBD270	M.RESISTOR CH 1/10W 27	1	FOR AJ-PD950P
R3155	ERJ6RBD271	M.RESISTOR CH 1/10W 270	1	FOR AJ-PD950P
R3156	ERJ6RBD272	M.RESISTOR CH 1/10W 2.7K	1	FOR AJ-PD950P
R3157	ERJ6RBD511	M.RESISTOR CH 1/10W 510	1	FOR AJ-PD950P
R3158	ERJ6RBD560	M.RESISTOR CH 1/10W 56	1	FOR AJ-PD950P
R3159	ERJ6RBD621	M.RESISTOR CH 1/10W 620	1	FOR AJ-PD950P
R3162	ERJ6RBD910	M.RESISTOR CH 1/10W 91	1	FOR AJ-PD950P
R3166	ERJ3GEYG102	M.RESISTOR CH 1/16W 1K	1	
R3167	ERJ3GEYJ102	M.RESISTOR CH 1/16W 1K	1	FOR AJ-PD950P
R3168-70	ERJ3GEYJ103	M.RESISTOR CH 1/16W 10K	3	
R3171	ERJ3GEYJ221	M.RESISTOR CH 1/16W 220	1	
R3172	ERJ3GEYJ221	M.RESISTOR CH 1/16W 220	1	FOR AJ-PD950P
R3173	ERJ3GEYG332	M.RESISTOR CH 1/16W 3.3K	1	
R3174	ERJ3GEYJ332	M.RESISTOR CH 1/16W 3.3K	1	FOR AJ-PD950P
R3175	ERJ3GEYG332	M.RESISTOR CH 1/16W 3.3K	1	
R3176	ERJ3GEYJ473	M.RESISTOR CH 1/16W 47K	1	
R3177	ERJ6RBD221	M.RESISTOR CH 1/10W 220	1	
R3178	ERJ6RBD221	M.RESISTOR CH 1/10W 220	1	FOR AJ-PD950P
R3179	ERJ6RBD221	M.RESISTOR CH 1/10W 220	1	
R3181	ERJ6RBD221	M.RESISTOR CH 1/10W 220	1	
R3183,84	ERJ3GEYG471	M.RESISTOR CH 1/16W 470	2	

Ref. No.	Part No.	Part Name & Description	Pcs	Remark
R3185	ERJ6RBD272	M.RESISTOR CH 1/10W 2.7K	1	
R3186,87	ERJ6RBD122	M.RESISTOR CH 1/10W 1.2K	2	
R3188	ERJ6RBD102	M.RESISTOR CH 1/10W 1K	1	
R3189	ERJ3GEYG472	M.RESISTOR CH 1/16W 4.7K	1	
R3190	ERJ3GEYJ472	M.RESISTOR CH 1/16W 4.7K	1	FOR AJ-PD950P
R3191	ERJ6RBD181	M.RESISTOR CH 1/10W 180	1	
R3192	ERJ6RBD181	M.RESISTOR CH 1/10W 180	1	FOR AJ-PD950P
R3193	ERJ6RBD181	M.RESISTOR CH 1/10W 180	1	
R3195	ERJ6RBD181	M.RESISTOR CH 1/10W 180	1	
R3197	ERJ6RBD151	M.RESISTOR CH 1/10W 150	1	
R3198	ERJ3GEYJ222	M.RESISTOR CH 1/16W 2.2K	1	
R3199	ERJ6RED560	M.RESISTOR CH 1/10W 56	1	
R3200	ERJ3GEYJ470	M.RESISTOR CH 1/16W 47	1	
R3201	ERJ3GEYJ101	M.RESISTOR CH 1/16W 100	1	
R3202	ERJ3GEYJ221	M.RESISTOR CH 1/16W 220	1	
R3203	ERJ3GEYJ221	M.RESISTOR CH 1/16W 220	1	FOR AJ-PD950P
R3204	ERJ3GEYJ221	M.RESISTOR CH 1/16W 220	1	
R3206	ERJ3GEYJ221	M.RESISTOR CH 1/16W 220	1	
R3208	ERJ3GEYJ223	M.RESISTOR CH 1/16W 22K	1	
R3209	ERJ3GEYJ221	M.RESISTOR CH 1/16W 220	1	
R3210	ERJ3GEYJ221	M.RESISTOR CH 1/16W 220	1	FOR AJ-PD950P
R3211	ERJ3GEYJ332	M.RESISTOR CH 1/16W 3.3K	1	FOR AJ-PD950P
R3212	ERJ3GEYG332	M.RESISTOR CH 1/16W 3.3K	1	
R3215	ERJ3GEYG472	M.RESISTOR CH 1/16W 4.7K	1	
R3216	ERJ3GEYJ472	M.RESISTOR CH 1/16W 4.7K	1	FOR AJ-PD950P
R3217-19	ERJ3GEYJ103	M.RESISTOR CH 1/16W 10K	3	
R3220	ERJ3GEYJ151	M.RESISTOR CH 1/16W 150	1	
R3221,22	ERJ3GEYJ222	M.RESISTOR CH 1/16W 2.2K	2	
R3223	ERJ3GEYJ470	M.RESISTOR CH 1/16W 47	1	
R3224	ERJ3GEYJ222	M.RESISTOR CH 1/16W 2.2K	1	
R3225	ERJ6RBD752	M.RESISTOR CH 1/10W 7.5K	1	
R3226	ERJ6RBD272	M.RESISTOR CH 1/10W 2.7K	1	
R3227	ERJ3GEYG102	M.RESISTOR CH 1/16W 1K	1	
R3228	ERJ3GEYJ102	M.RESISTOR CH 1/16W 1K	1	FOR AJ-PD950P
R3229	ERJ3GEYJ222	M.RESISTOR CH 1/16W 2.2K	1	
R3232	ERJ3GEYJ222	M.RESISTOR CH 1/16W 2.2K	1	
R3233	ERJ3GEYJ470	M.RESISTOR CH 1/16W 47	1	
R3234	ERJ3GEYG102	M.RESISTOR CH 1/16W 1K	1	
R3235	ERJ3GEYJ102	M.RESISTOR CH 1/16W 1K	1	FOR AJ-PD950P
R3237	ERJ3GEYJ153	M.RESISTOR CH 1/16W 15K	1	
R3238	ERJ3GEYJ153	M.RESISTOR CH 1/16W 15K	1	FOR AJ-PD950P
R3242,43	ERJ3GEYJ102	M.RESISTOR CH 1/16W 1K	2	FOR AJ-PD950P
R3244	ERJ3GEY0R00	M.RESISTOR CH 1/16W 0	1	FOR AJ-PD950P
R3245	ERJ3GEY0R00	M.RESISTOR CH 1/16W 0	1	FOR AJ-D950P
R3246,47	ERJ3GEYJ102	M.RESISTOR CH 1/16W 1K	2	FOR AJ-PD950P
R3248	ERJ3GEYG102	M.RESISTOR CH 1/16W 1K	1	
R3250-59	ERJ3GEYJ331	M.RESISTOR CH 1/16W 330	10	
R3260-62	ERJ3GEY0R00	M.RESISTOR CH 1/16W 0	3	FOR AJ-D950P
R3263,64	ERJ3GEY0R00	M.RESISTOR CH 1/16W 0	2	

Ref. No.	Part No.	Part Name & Description	Pcs	Remark
R3265,66	ERJ3GEYJ220	M.RESISTOR CH 1/16W 22	2	
R3267-69	ERJ3GEYJ103	M.RESISTOR CH 1/16W 10K	3	
R3270-72	ERJ3GEYJ103	M.RESISTOR CH 1/16W 10K	3	FOR AJ-PD950P
R3273-75	ERJ3GEYG102	M.RESISTOR CH 1/16W 1K	3	
R3276-78	ERJ3GEYJ102	M.RESISTOR CH 1/16W 1K	3	FOR AJ-PD950P
R3280	ERJ3GEY0R00	M.RESISTOR CH 1/16W 0	1	FOR AJ-D950P
R3281	ERJ3GEY0R00	M.RESISTOR CH 1/16W 0	1	FOR AJ-PD950P
R3282	ERJ3GEYG102	M.RESISTOR CH 1/16W 1K	1	
R3283	ERJ3GEYJ121	M.RESISTOR CH 1/16W 120	1	
R3284	ERJ3GEY0R00	M.RESISTOR CH 1/16W 75	1	
R3285	ERJ3GEYJ221	M.RESISTOR CH 1/16W 220	1	
R3286,87	ERJ3GEYG332	M.RESISTOR CH 1/16W 3.3K	2	
R3288,89	ERJ3GEY0R00	M.RESISTOR CH 1/16W 75	2	
R3290	ERJ3GEYJ221	M.RESISTOR CH 1/16W 220	1	
R3291,92	ERJ3GEYG332	M.RESISTOR CH 1/16W 3.3K	2	
R3293	ERJ3GEYJ221	M.RESISTOR CH 1/16W 220	1	
R3294,95	ERJ3GEYG332	M.RESISTOR CH 1/16W 3.3K	2	
R3296-99	ERJ3GEYJ103	M.RESISTOR CH 1/16W 10K	4	
R3300-03	ERJ3GEYJ103	M.RESISTOR CH 1/16W 10K	4	FOR AJ-PD950P
R3304-06	ERJ3GEYJ103	M.RESISTOR CH 1/16W 10K	3	
R3310	ERJ3GEY0R00	M.RESISTOR CH 1/16W 0	1	FOR AJ-D950P
R3361-66	ERJ3GEYJ103	M.RESISTOR CH 1/16W 10K	6	FOR AJ-PD950P
SW3001	VSS0367-08B	SWITCH	1	
TG3001,02	EYF6CU	TEST POINT	2	
TP3001-03	EYF6CU	TEST POINT	3	
VR3001	VRV0113B101	V.RESISTOR 100	1	
VR3002	VRV0113B103	V.RESISTOR 10K	1	
VR3003	VRV0113B102	V.RESISTOR 1K	1	
VR3004	VRV0113B101	V.RESISTOR 100	1	
VR3005	VRV0113B102	V.RESISTOR 1K	1	
VR3006	VRV0113B101	V.RESISTOR 100	1	
VR3007-09	VRV0113B501	V.RESISTOR 500	3	
VR3010-12	VRV0113B102	V.RESISTOR 1K	3	FOR AJ-PD950P
VR3013	VRV0113B102	V.RESISTOR 1K	1	
VR3014	VRV0113B102	V.RESISTOR 1K	1	FOR AJ-PD950P
VR3016,17	VRV0113B103	V.RESISTOR 10K	2	
		MISCELLANEOUS		
	VMS4913	PIN	3	
	XYN3+K6	SCREW	6	

## 10.26. VEP84300A

Ref. No.	Part No.	Part Name & Description	Pcs	Remark
* E9	VEP84300A	F7 APROC P.C.BOARD	1	(RTL)

## 10.27. VEP84313A

Ref. No.	Part No.	Part Name & Description	Pcs	Remark
*	VEP84313A	AJOG SUB P.C.BOARD	1	(RTL)FOR VEP84300.

## 10.28. VEP84314A

Ref. No.	Part No.	Part Name & Description	Pcs	Remark
*	VEP84314A	AMEM SUB P.C.BOARD	1	(RTL)FOR VEP84300.
C1	ECEV1CV470Q	E.CAPACITOR CH 16V 47U	1	
C1 03	ECEV1CV470Q	E.CAPACITOR CH 16V 47U	1	
C1 02	ECUM1H104ZFN	C.CAPACITOR CH 50V 0.1U	1	
C2	ECUM1H103KBN	C.CAPACITOR CH 50V 0.01U	1	
C2 03	ECUM1H103KBN	C.CAPACITOR CH 50V 0.01U	1	
C2 02	ECUM1H104ZFN	C.CAPACITOR CH 50V 0.1U	1	
C3	ECEV1CV470Q	E.CAPACITOR CH 16V 47U	1	
C3 02	ECUM1H104ZFN	C.CAPACITOR CH 50V 0.1U	1	
C4	ECEV1CV470Q	E.CAPACITOR CH 16V 47U	1	
C4 03	ECUM1H103KBN	C.CAPACITOR CH 50V 0.01U	1	
C4 02	ECUM1H104ZFN	C.CAPACITOR CH 50V 0.1U	1	
C5	ECUM1H103KBN	C.CAPACITOR CH 50V 0.01U	1	
C5 03	ECUM1H103KBN	C.CAPACITOR CH 50V 0.01U	1	
C5 02	ECUM1H104ZFN	C.CAPACITOR CH 50V 0.1U	1	
C6	ECEV1CV470Q	E.CAPACITOR CH 16V 47U	1	
C6 03	ECUM1H103KBN	C.CAPACITOR CH 50V 0.01U	1	
C6 02	ECUM1H104ZFN	C.CAPACITOR CH 50V 0.1U	1	
C7	ECEV1CV470Q	E.CAPACITOR CH 16V 47U	1	
C7 03	ECUM1H103KBN	C.CAPACITOR CH 50V 0.01U	1	
C7 02	ECUM1H104ZFN	C.CAPACITOR CH 50V 0.1U	1	
C8	ECUM1H103KBN	C.CAPACITOR CH 50V 0.01U	1	
C8 02	ECUM1H104ZFN	C.CAPACITOR CH 50V 0.1U	1	
C8 03	ECUX1E104KBN	C.CAPACITOR CH 25V 0.1U	1	
C9	ECEV1CV470Q	E.CAPACITOR CH 16V 47U	1	
C9 03	ECUM1H103KBN	C.CAPACITOR CH 50V 0.01U	1	
C9 02	ECUM1H104ZFN	C.CAPACITOR CH 50V 0.1U	1	
C10	ECUM1H103KBN	C.CAPACITOR CH 50V 0.01U	1	
C10 03	ECUM1H103KBN	C.CAPACITOR CH 50V 0.01U	1	
C12	ECUM1H104ZFN	C.CAPACITOR CH 50V 0.1U	1	
C13,14	ECUM1H102JCN	C.CAPACITOR CH 50V 1000P	2	
C15,16	ECUM1H104ZFN	C.CAPACITOR CH 50V 0.1U	2	
C20-32	ECUM1H103KBN	C.CAPACITOR CH 50V 0.01U	13	
C33	ECUX1E104KBN	C.CAPACITOR CH 25V 0.1U	1	
C34,35	ECUM1H103KBN	C.CAPACITOR CH 50V 0.01U	2	
C36-38	ECUM1H101JCN	C.CAPACITOR CH 50V 100P	3	
C51	ECKF1H122KB	C.CAPACITOR 50V 1200P	1	
C99	ECUX1H102KBV	C.CAPACITOR 50V 1000P	1	
C100,01	ECUM1H103KBN	C.CAPACITOR CH 50V 0.01U	2	
C101 02	ECUM1H104ZFN	C.CAPACITOR CH 50V 0.1U	1	
C102	ECUM1H103KBN	C.CAPACITOR CH 50V 0.01U	1	
C112	ECUM1H104ZFN	C.CAPACITOR CH 50V 0.1U	1	

Ref. No.	Part No.	Part Name & Description	Pcs	Remark
C115,16	ECUM1H104ZFN	C.CAPACITOR CH 50V 0.1U	2	
C130	ECUM1H180JCN	C.CAPACITOR CH 50V 18P	1	
C131	ECUM1H103KBN	C.CAPACITOR CH 50V 0.01U	1	
C132	ECUM1H180JCN	C.CAPACITOR CH 50V 18P	1	
C133-37	ECUM1H103KBN	C.CAPACITOR CH 50V 0.01U	5	
C139-42	ECUM1H103KBN	C.CAPACITOR CH 50V 0.01U	4	
C160	ECUM1H180JCN	C.CAPACITOR CH 50V 18P	1	
C161	ECUM1H103KBN	C.CAPACITOR CH 50V 0.01U	1	
C162	ECUM1H180JCN	C.CAPACITOR CH 50V 18P	1	
C163-66	ECUM1H103KBN	C.CAPACITOR CH 50V 0.01U	4	
C168-72	ECUM1H103KBN	C.CAPACITOR CH 50V 0.01U	5	
C200-04	ECUM1H103KBN	C.CAPACITOR CH 50V 0.01U	5	
C205	ECUX1E104KBN	C.CAPACITOR CH 25V 0.1U	1	
C206	ECUM1H100DCN	C.CAPACITOR CH 50V 10P	1	
C207	ECUM1H103KBN	C.CAPACITOR CH 50V 0.01U	1	
C208	ECUM1H150JCN	C.CAPACITOR CH 50V 15P	1	
C209,10	ECUM1H103KBN	C.CAPACITOR CH 50V 0.01U	2	
C220-24	ECUM1H103KBN	C.CAPACITOR CH 50V 0.01U	5	
C225	ECUX1E104KBN	C.CAPACITOR CH 25V 0.1U	1	
C226	ECUM1H100DCN	C.CAPACITOR CH 50V 10P	1	
C227	ECUM1H103KBN	C.CAPACITOR CH 50V 0.01U	1	
C228	ECUM1H150JCN	C.CAPACITOR CH 50V 15P	1	
C229,30	ECUM1H103KBN	C.CAPACITOR CH 50V 0.01U	2	
C240,41	ECEV1CV470Q	E.CAPACITOR CH 16V 47U	2	
C242-46	ECUM1H103KBN	C.CAPACITOR CH 50V 0.01U	5	
C247-49	ECEV1HV0R1Q	E.CAPACITOR CH 50V 0.1U	3	
C250	ECUM1H103KBN	C.CAPACITOR CH 50V 0.01U	1	
C251	ECEV1CV100Q	E.CAPACITOR CH 16V 10U	1	
C252	ECUM1H103KBN	C.CAPACITOR CH 50V 0.01U	1	
C253	ECEV1CV100Q	E.CAPACITOR CH 16V 10U	1	
C254	ECUM1H103KBN	C.CAPACITOR CH 50V 0.01U	1	
C255,56	ECUM1H470JCN	C.CAPACITOR CH 50V 47P	2	
C257-59	ECUM1H103KBN	C.CAPACITOR CH 50V 0.01U	3	
C270-81	ECUM1H103KBN	C.CAPACITOR CH 50V 0.01U	12	
C330-34	ECUM1H103KBN	C.CAPACITOR CH 50V 0.01U	5	
C350-54	ECUM1H103KBN	C.CAPACITOR CH 50V 0.01U	5	
C355	ECEV1CV470Q	E.CAPACITOR CH 16V 47U	1	
C356-58	ECUX1E104KBN	C.CAPACITOR CH 25V 0.1U	3	
C359	ECUM1H103KBN	C.CAPACITOR CH 50V 0.01U	1	
C360	ECUM1H121JCN	C.CAPACITOR CH 50V 120P	1	
C361	ECUM1H222KBN	C.CAPACITOR CH 50V 2200P	1	
C362	ECEV1CV100Q	E.CAPACITOR CH 16V 10U	1	
C363,64	ECEV1CV470Q	E.CAPACITOR CH 16V 47U	2	
C365,66	ECUM1H103KBN	C.CAPACITOR CH 50V 0.01U	2	
C367	ECUM1H101JCN	C.CAPACITOR CH 50V 100P	1	
C368	ECUM1H104ZFN	C.CAPACITOR CH 50V 0.1U	1	
C369	ECEV0JV470Q	E.CAPACITOR CH6.3V 47U	1	
C370	ECUM1H103KBN	C.CAPACITOR CH 50V 0.01U	1	
C371	ECEV1HN3R3Q	E.CAPACITOR CH 50V 3.3U	1	
C372	ECUM1H103KBN	C.CAPACITOR CH 50V 0.01U	1	
C373	ECUX1E104KBN	C.CAPACITOR CH 25V 0.1U	1	
C374-78	ECUM1H103KBN	C.CAPACITOR CH 50V 0.01U	5	
C390-94	ECUM1H103KBN	C.CAPACITOR CH 50V 0.01U	5	
C395	ECEV1CV470Q	E.CAPACITOR CH 16V 47U	1	

Ref. No.	Part No.	Part Name & Description	Pcs	Remark
C396-98	ECUX1E104KBN	C.CAPACITOR CH 25V 0.1U	3	
C399	ECUM1H103KBN	C.CAPACITOR CH 50V 0.01U	1	
C400	ECUM1H121JCN	C.CAPACITOR CH 50V 120P	1	
C401	ECUM1H222KBN	C.CAPACITOR CH 50V 2200P	1	
C402	ECEV1CV100Q	E.CAPACITOR CH 16V 10U	1	
C403,04	ECEV1CV470Q	E.CAPACITOR CH 16V 47U	2	
C405,06	ECUM1H103KBN	C.CAPACITOR CH 50V 0.01U	2	
C407	ECUM1H101JCN	C.CAPACITOR CH 50V 100P	1	
C408	ECEV1HN3R3Q	E.CAPACITOR CH 50V 3.3U	1	
C409	ECUM1H103KBN	C.CAPACITOR CH 50V 0.01U	1	
C410	ECUX1E104KBN	C.CAPACITOR CH 25V 0.1U	1	
C411-15	ECUM1H103KBN	C.CAPACITOR CH 50V 0.01U	5	
C430,31	ECUM1H103KBN	C.CAPACITOR CH 50V 0.01U	2	
C440,41	ECUM1H103KBN	C.CAPACITOR CH 50V 0.01U	2	
C450-57	ECUM1H103KBN	C.CAPACITOR CH 50V 0.01U	8	
C490,91	ECUM1H103KBN	C.CAPACITOR CH 50V 0.01U	2	
C493-97	ECUM1H103KBN	C.CAPACITOR CH 50V 0.01U	5	
C530-35	ECUM1H103KBN	C.CAPACITOR CH 50V 0.01U	6	
C590-93	ECUM1H103KBN	C.CAPACITOR CH 50V 0.01U	4	
C600-02	ECUM1H103KBN	C.CAPACITOR CH 50V 0.01U	3	
C620,21	ECUM1H180JCN	C.CAPACITOR CH 50V 18P	2	
C622,23	ECUM1H103KBN	C.CAPACITOR CH 50V 0.01U	2	
C624,25	ECUM1H180JCN	C.CAPACITOR CH 50V 18P	2	
C626,27	ECUM1H103KBN	C.CAPACITOR CH 50V 0.01U	2	
C651	ECEV1CV470Q	E.CAPACITOR CH 16V 47U	1	
C670	ECEV1CV470Q	E.CAPACITOR CH 16V 47U	1	
C700-03	ECUM1H103KBN	C.CAPACITOR CH 50V 0.01U	4	
C704-06	ECUX1E104KBN	C.CAPACITOR CH 25V 0.1U	3	
C901	ECUX1H103KBN	C.CAPACITOR 50V 0.01U	1	
D350	MA152A	DIODE	1	
D351	MA157	DIODE	1	
D352	MA152A	DIODE	1	
D353	MA157	DIODE	1	
D390	MA152A	DIODE	1	
D391	MA157	DIODE	1	
D392	MA152A	DIODE	1	
D393	MA157	DIODE	1	
FL1	VLF0576	FILTER	1	
IC1 02	EPF10K20TC-4	IC	1	
IC1,C2	EPF10K50RC24	IC	2	
IC2 02	MC74HC541AF	IC	1	
IC3	MB8117805A60	IC	1	
IC5	K6256CLG7L	IC	1	
IC5 02	VSI2721	IC	1	
IC6	K6256CLG7L	IC	1	
IC6-C8	S-80726AL	IC	3	
IC20	MC10H125M	IC	1	
IC21	MC74HC541AF	IC	1	
IC22	MC74HC574AF	IC	1	
IC23	MC74HC541AF	IC	1	
IC24	MC74HC153F	IC	1	

Ref. No.	Part No.	Part Name & Description	Pcs	Remark
IC25	T74HCT541AF	IC	1	
IC26	MC74HC08AF	IC	1	
IC27	T74VHCT244F	IC	1	
IC28	MC74HC74AF	IC	1	
IC29-31	MC74HC541AF	IC	3	
IC32	MC10H124M	IC	1	
IC100	MB621926	IC	1	
IC101 02	EPF10K50RC24	IC	1	
IC101	K6256CLG7L	IC	1	
IC102	EPF10K50RC24	IC	1	
IC105,06	K6256CLG7L	IC	2	
IC130	AD1893JST	IC	1	
IC131	MC74HC157AF	IC	1	
IC133	T16GH7AF1216	IC	1	
IC134,35	K6256CLG7L	IC	2	
IC136	MC74HC157AF	IC	1	
IC137	MC74HC74AF	IC	1	
IC160	AD1893JST	IC	1	
IC161	MC74HC157AF	IC	1	
IC163	T16GH7AF1216	IC	1	
IC164,65	K6256CLG7L	IC	2	
IC166	MC74HC157AF	IC	1	
IC188	MC74HC157AF	IC	1	
IC200	K6256CLG7L	IC	1	
IC201	MN53030VPR	IC	1	
IC202	74AC04SJ	IC	1	
IC203	K6256CLG7L	IC	1	
IC204,05	74AC374SJ	IC	2	
IC206	TMSD72274PH	IC	1	
IC220	K6256CLG7L	IC	1	
IC221	MN53030VPR	IC	1	
IC222	74AC04SJ	IC	1	
IC223	K6256CLG7L	IC	1	
IC224,25	74AC374SJ	IC	2	
IC226	TMSD72274PH	IC	1	
IC240,41	NJM78L05UA	IC	2	
IC242,43	MC4044M	IC	2	
IC244	74AC04SJ	IC	1	
IC260,61	MC74HC74AF	IC	2	
IC262	MC74HC02AF	IC	1	
IC270,71	SN74S1051NS	IC	2	
IC272	74F541SJ	IC	1	
IC273	74F245SJ	IC	1	
IC274,75	74F541SJ	IC	2	
IC276	74F32SJ	IC	1	
IC277	74AC04SJ	IC	1	
IC278	UPD71055GB	IC	1	
IC279,80	74AC138SJ	IC	2	
IC281	UPD71055GB	IC	1	
IC330-32	MC74HC541AF	IC	3	
IC333	MC74HC04AF	IC	1	
IC334	MC74HC541AF	IC	1	
IC350	NJM78L05UA	IC	1	
IC351	DS9637ACN	IC	1	

Ref. No.	Part No.	Part Name & Description	Pcs	Remark
IC352	NJM360M	IC	1	
IC353	74AC04SJ	IC	1	
IC354,55	MC74HC74AF	IC	2	
IC356	L7A0541	IC	1	
IC357	MC74HC08AF	IC	1	
IC358	SN75158P	IC	1	
IC359	TL7705CPSB	IC	1	
IC390	NJM78L05UA	IC	1	
IC391	DS9637ACN	IC	1	
IC392	NJM360M	IC	1	
IC393	74AC04SJ	IC	1	
IC394,95	MC74HC74AF	IC	2	
IC396	L7A0541	IC	1	
IC397	MC74HC08AF	IC	1	
IC398	SN75158P	IC	1	
IC430	L7A0541	IC	1	
IC440	L7A0541	IC	1	
IC450	MC74HC157AF	IC	1	
IC451	MC74HC74AF	IC	1	
IC452	MC74HC04AF	IC	1	
IC453	D485505G25	IC	1	
IC454	MB621926	IC	1	
IC455	K6256CLG7L	IC	1	
IC490	MC74HC157AF	IC	1	
IC491	MC74HC04AF	IC	1	
IC492	D485505G25	IC	1	
IC493	MB621926	IC	1	
IC494	K6256CLG7L	IC	1	
IC530,31	MB621926	IC	2	
IC532,33	K6256CLG7L	IC	2	
IC590-93	MC74HC74AF	IC	4	
IC600	MB621926	IC	1	
IC601	MB814400C70L	DRAM	1	
IC620,21	AD1893JST	IC	2	
IC622,23	MC74HC157AF	IC	2	
IC700	EPF10K20TC-4	IC	1	
IC701	VSI2720B	IC	1	
IC702,03	UPD42280G3	IC	2	
IC800	S-80726AL	IC	1	
IS3-S5	VJS3096308	CONNECTOR (FEMALE)	3	
IS103,04	VJS3096308	CONNECTOR (FEMALE)	2	
IS701	VJS3096308	CONNECTOR (FEMALE)	1	
L1,L2	VLP0133	COIL	2	
L200	VLQ0426J1R8	COIL 1.8UH	1	
L220	VLQ0426J1R8	COIL 1.8UH	1	
L350	VLQ0426J1R8	COIL 1.8UH	1	
L390	VLQ0426J1R8	COIL 1.8UH	1	
P1 02	VJP3454B096	CONNECTOR (MALE)	1	
P1	VJS3886A040	CONNECTOR (FEMALE) 40P	1	
P2	VJP3454B096	CONNECTOR (MALE)	1	



Ref. No.	Part No.	Part Name & Description	Pcs	Remark
P3	VJS3886A040	CONNECTOR (FEMALE) 40P	1	
P650	VJP3635A040	CONNECTOR (MALE)	1	
P670	VJP3635A040	CONNECTOR (MALE)	1	
Q350	2SJ163-R	TRANSISTOR	1	
Q351-53	2SC4444	TRANSISTOR	3	
Q390	2SJ163-R	TRANSISTOR	1	
Q391-93	2SC4444	TRANSISTOR	3	
R1	ERJ6GEYG102	M.RESISTOR CH 1/10W 1K	1	
R1 02	ERJ6GEYG331	M.RESISTOR CH 1/10W 330	1	
R2 02	ERJ6GEY0R00	M.RESISTOR CH 1/10W 0	1	
R2	ERJ6GEYG102	M.RESISTOR CH 1/10W 1K	1	
R3 02	ERJ6GEY0R00	M.RESISTOR CH 1/10W 0	1	
R3	ERJ6GEYG102	M.RESISTOR CH 1/10W 1K	1	
R4 02	ERJ6GEY0R00	M.RESISTOR CH 1/10W 0	1	
R4	ERJ6GEYG102	M.RESISTOR CH 1/10W 1K	1	
R5 02	ERJ6GEY0R00	M.RESISTOR CH 1/10W 0	1	
R5	ERJ6GEYG102	M.RESISTOR CH 1/10W 1K	1	
R6-02	ERJ6GEY0R00	M.RESISTOR CH 1/10W 0	3	
R8	ERJ6GEYG102	M.RESISTOR CH 1/10W 1K	1	
R9 02	ERJ6GEY0R00	M.RESISTOR CH 1/10W 0	1	
R9	ERJ6GEYG102	M.RESISTOR CH 1/10W 1K	1	
R10 02	ERJ6GEY0R00	M.RESISTOR CH 1/10W 0	1	
R10	ERJ6GEYG102	M.RESISTOR CH 1/10W 1K	1	
R11 02	ERJ6GEY0R00	M.RESISTOR CH 1/10W 0	1	
R11,12	ERJ6GEYG102	M.RESISTOR CH 1/10W 1K	2	
R16	ERJ6GEYG102	M.RESISTOR CH 1/10W 1K	1	
R17	ERJ6GEY0R00	M.RESISTOR CH 1/10W 0	1	
R20	ERJ6GEYG103	M.RESISTOR CH 1/10W 10K	1	
R21	ERJ6GEYG101	M.RESISTOR CH 1/10W 100	1	
R22	ERJ6GEYG103	M.RESISTOR CH 1/10W 10K	1	
R23-34	ERJ6GEY0R00	M.RESISTOR CH 1/10W 0	12	
R35-38	ERJ6GEYG331	M.RESISTOR CH 1/10W 330	4	
R39-50	ERJ6GEY0R00	M.RESISTOR CH 1/10W 0	12	
R50 02	ERJ6GEY0R00	M.RESISTOR CH 1/10W 0	1	
R51 02	ERDS2TJ183	C.RESISTOR 1/4W 18K	1	
R51,52	ERJ6GEY0R00	M.RESISTOR CH 1/10W 0	2	
R53	ERJ6GEYG331	M.RESISTOR CH 1/10W 330	1	
R62	ERJ6GEYG103	M.RESISTOR CH 1/10W 10K	1	

Ref. No.	Part No.	Part Name & Description	Pcs	Remark
R63	ERJ6GEYG102	M.RESISTOR CH 1/10W 1K	1	
R64	ERJ6GEYF472	M.RESISTOR CH 1/10W 4.7K	1	
R65	ERJ6GEYG103	M.RESISTOR CH 1/10W 10K	1	
R66-69	ERJ6GEYG331	M.RESISTOR CH 1/10W 330	4	
R70	ERJ6GEYJ471	M.RESISTOR CH 1/10W 470	1	
R71-78	ERJ6GEYG470	M.RESISTOR CH 1/10W 47	8	
R79	ERJ6GEYJ471	M.RESISTOR CH 1/10W 470	1	
R80-88	ERJ6GEYG470	M.RESISTOR CH 1/10W 47	9	
R89,90	ERJ6GEYJ471	M.RESISTOR CH 1/10W 470	2	
R91	ERJ6GEYG101	M.RESISTOR CH 1/10W 100	1	
R92-94	ERJ6GEY0R00	M.RESISTOR CH 1/10W 0	3	
R100	ERJ6GEYG331	M.RESISTOR CH 1/10W 330	1	
R101 02	ERJ6GEYG102	M.RESISTOR CH 1/10W 1K	1	
R101	ERJ6GEYG331	M.RESISTOR CH 1/10W 330	1	
R102 02	ERJ6GEYG102	M.RESISTOR CH 1/10W 1K	1	
R102,03	ERJ6GEYG331	M.RESISTOR CH 1/10W 330	2	
R104 02	ERJ6GEYG102	M.RESISTOR CH 1/10W 1K	1	
R104	ERJ6GEYG331	M.RESISTOR CH 1/10W 330	1	
R105	ERJ6GEYG102	M.RESISTOR CH 1/10W 1K	1	
R106	ERJ6GEY0R00	M.RESISTOR CH 1/10W 0	1	
R108	ERJ6GEY0R00	M.RESISTOR CH 1/10W 0	1	
R109	ERJ6GEYG102	M.RESISTOR CH 1/10W 1K	1	
R110	ERJ6GEY0R00	M.RESISTOR CH 1/10W 0	1	
R111	ERJ6GEYG102	M.RESISTOR CH 1/10W 1K	1	
R112	ERJ6GEY0R00	M.RESISTOR CH 1/10W 0	1	
R112 02	ERJ6GEYG102	M.RESISTOR CH 1/10W 1K	1	
R113	ERJ6GEYG331	M.RESISTOR CH 1/10W 330	1	
R115,16	ERJ6GEY0R00	M.RESISTOR CH 1/10W 0	2	
R119	ERJ6GEY0R00	M.RESISTOR CH 1/10W 0	1	
R130	ERJ6GEYG103	M.RESISTOR CH 1/10W 10K	1	
R131,32	ERJ6GEY0R00	M.RESISTOR CH 1/10W 0	2	
R134	ERJ6GEYG103	M.RESISTOR CH 1/10W 10K	1	
R135	ERJ6GEYG331	M.RESISTOR CH 1/10W 330	1	
R137	ERJ6GEYG331	M.RESISTOR CH 1/10W 330	1	
R138	ERJ6GEY0R00	M.RESISTOR CH 1/10W 0	1	
R139-41	ERJ6GEYG331	M.RESISTOR CH 1/10W 330	3	
R143	ERJ6GEY0R00	M.RESISTOR CH 1/10W 0	1	
R145	ERJ6GEY0R00	M.RESISTOR CH 1/10W 0	1	
R146	ERJ6GEYG331	M.RESISTOR CH 1/10W 330	1	
R147,48	ERJ6GEYG103	M.RESISTOR CH 1/10W 10K	2	
R149	ERJ6GEYG331	M.RESISTOR CH 1/10W 330	1	
R150	ERJ6GEY0R00	M.RESISTOR CH 1/10W 0	1	
R151	ERJ6GEYG331	M.RESISTOR CH 1/10W 330	1	
R152	ERJ6GEY0R00	M.RESISTOR CH 1/10W 0	1	
R153	ERJ6GEYG331	M.RESISTOR CH 1/10W 330	1	
R157	ERJ6GEY0R00	M.RESISTOR CH 1/10W 0	1	
R165	ERJ6GEYG331	M.RESISTOR CH 1/10W 330	1	
R167	ERJ6GEYG331	M.RESISTOR CH 1/10W 330	1	
R168	ERJ6GEY0R00	M.RESISTOR CH 1/10W 0	1	
R169-71	ERJ6GEYG331	M.RESISTOR CH 1/10W 330	3	
R173	ERJ6GEY0R00	M.RESISTOR CH 1/10W 0	1	
R175	ERJ6GEY0R00	M.RESISTOR CH 1/10W 0	1	
R176	ERJ6GEYG331	M.RESISTOR CH 1/10W 330	1	

Ref. No.	Part No.	Part Name & Description	Pcs	Remark
R177,78	ERJ6GEYG103	M.RESISTOR CH 1/10W 10K	2	
R179	ERJ6GEYG331	M.RESISTOR CH 1/10W 330	1	
R180	ERJ6GEY0R00	M.RESISTOR CH 1/10W 0	1	
R181	ERJ6GEYG331	M.RESISTOR CH 1/10W 330	1	
R182	ERJ6GEY0R00	M.RESISTOR CH 1/10W 0	1	
R183	ERJ6GEYG331	M.RESISTOR CH 1/10W 330	1	
R185	ERJ6GEY0R00	M.RESISTOR CH 1/10W 0	1	
R187,88	ERJ6GEY0R00	M.RESISTOR CH 1/10W 0	2	
R200-04	ERJ6GEYG331	M.RESISTOR CH 1/10W 330	5	
R220-24	ERJ6GEYG331	M.RESISTOR CH 1/10W 330	5	
R240,41	ERJ6GEYG152	M.RESISTOR CH 1/10W 1.5K	2	
R242	ERJ6GEYG562	M.RESISTOR CH 1/10W 5.6K	1	
R243	ERJ6GEYG392	M.RESISTOR CH 1/10W 3.9K	1	
R244,45	ERJ6GEYG102	M.RESISTOR CH 1/10W 1K	2	
R246,47	ERJ6GEYG101	M.RESISTOR CH 1/10W 100	2	
R248,49	ERJ6GEYG103	M.RESISTOR CH 1/10W 10K	2	
R252,53	ERJ6GEYG103	M.RESISTOR CH 1/10W 10K	2	
R270-92	ERJ6GEYG470	M.RESISTOR CH 1/10W 47	23	
R293-96	ERJ6GEYG331	M.RESISTOR CH 1/10W 330	4	
R297-00	ERJ6GEYG332	M.RESISTOR CH 1/10W 3.3K	4	
R301-06	ERJ6GEYG152	M.RESISTOR CH 1/10W 1.5K	6	
R307-10	ERJ6GEYG332	M.RESISTOR CH 1/10W 3.3K	4	
R311-15	ERJ6GEYG152	M.RESISTOR CH 1/10W 1.5K	5	
R330	ERJ6GEY0R00	M.RESISTOR CH 1/10W 0	1	
R333-36	ERJ6GEYG331	M.RESISTOR CH 1/10W 330	4	
R350,51	ERJ6GEYG332	M.RESISTOR CH 1/10W 3.3K	2	
R352	ERJ6GEYF561	M.RESISTOR CH 1/10W 560	1	
R353	ERJ6RBD111	M.RESISTOR CH 1/10W 110	1	
R354	ERJ6GEYG222	M.RESISTOR CH 1/10W 2.2K	1	
R355	ERJ6GEYG101	M.RESISTOR CH 1/10W 100	1	
R356	ERJ6GEYG221	M.RESISTOR CH 1/10W 220	1	
R357	ERJ6GEYG103	M.RESISTOR CH 1/10W 10K	1	
R358	ERJ6GEYG102	M.RESISTOR CH 1/10W 1K	1	
R359	ERJ6GEYJ820	M.RESISTOR CH 1/10W 82	1	
R360	ERJ6GEYG101	M.RESISTOR CH 1/10W 100	1	
R361-63	ERJ6GEYG102	M.RESISTOR CH 1/10W 1K	3	
R364	ERJ6GEYF473	M.RESISTOR CH 1/10W 47K	1	
R365	ERJ6GEYG105	M.RESISTOR CH 1/10W 1M	1	
R366	ERJ6GEYG563	M.RESISTOR CH 1/10W 56K	1	
R368	ERJ6GEY0R00	M.RESISTOR CH 1/10W 0	1	
R369,70	ERJ6GEYG331	M.RESISTOR CH 1/10W 330	2	
R371	ERJ6GEYG103	M.RESISTOR CH 1/10W 10K	1	
R372	ERJ6RBD111	M.RESISTOR CH 1/10W 110	1	
R374	ERJ6GEY0R00	M.RESISTOR CH 1/10W 0	1	
R377,78	ERJ6GEY0R00	M.RESISTOR CH 1/10W 0	2	
R390,91	ERJ6GEYG332	M.RESISTOR CH 1/10W 3.3K	2	
R392	ERJ6GEYF561	M.RESISTOR CH 1/10W 560	1	
R393	ERJ6RBD111	M.RESISTOR CH 1/10W 110	1	
R394	ERJ6GEYG222	M.RESISTOR CH 1/10W 2.2K	1	
R395	ERJ6GEYG101	M.RESISTOR CH 1/10W 100	1	
R396	ERJ6GEYG221	M.RESISTOR CH 1/10W 220	1	
R397	ERJ6GEYG103	M.RESISTOR CH 1/10W 10K	1	
R398	ERJ6GEYG102	M.RESISTOR CH 1/10W 1K	1	
R399	ERJ6GEYJ820	M.RESISTOR CH 1/10W 82	1	

Ref. No.	Part No.	Part Name & Description	Pcs	Remark
R400	ERJ6GEYG101	M.RESISTOR CH 1/10W 100	1	
R401-03	ERJ6GEYG102	M.RESISTOR CH 1/10W 1K	3	
R404	ERJ6GEYF473	M.RESISTOR CH 1/10W 47K	1	
R405	ERJ6GEYG105	M.RESISTOR CH 1/10W 1M	1	
R406	ERJ6GEYG563	M.RESISTOR CH 1/10W 56K	1	
R408	ERJ6GEY0R00	M.RESISTOR CH 1/10W 0	1	
R409,10	ERJ6GEYG331	M.RESISTOR CH 1/10W 330	2	
R411	ERJ6RBD111	M.RESISTOR CH 1/10W 110	1	
R413	ERJ6GEY0R00	M.RESISTOR CH 1/10W 0	1	
R416	ERJ6GEY0R00	M.RESISTOR CH 1/10W 0	1	
R430	ERJ6GEYG331	M.RESISTOR CH 1/10W 330	1	
R431	ERJ6GEYG103	M.RESISTOR CH 1/10W 10K	1	
R440	ERJ6GEYG331	M.RESISTOR CH 1/10W 330	1	
R441	ERJ6GEYG103	M.RESISTOR CH 1/10W 10K	1	
R450	ERJ6GEY0R00	M.RESISTOR CH 1/10W 0	1	
R452	ERJ6GEYG331	M.RESISTOR CH 1/10W 330	1	
R453	ERJ6GEYG103	M.RESISTOR CH 1/10W 10K	1	
R454-58	ERJ6GEYG331	M.RESISTOR CH 1/10W 330	5	
R460	ERJ6GEY0R00	M.RESISTOR CH 1/10W 0	1	
R462	ERJ6GEY0R00	M.RESISTOR CH 1/10W 0	1	
R464	ERJ6GEY0R00	M.RESISTOR CH 1/10W 0	1	
R466,67	ERJ6GEY0R00	M.RESISTOR CH 1/10W 0	2	
R469	ERJ6GEYG331	M.RESISTOR CH 1/10W 330	1	
R470	ERJ6GEY0R00	M.RESISTOR CH 1/10W 0	1	
R472	ERJ6GEY0R00	M.RESISTOR CH 1/10W 0	1	
R475	ERJ6GEY0R00	M.RESISTOR CH 1/10W 0	1	
R490	ERJ6GEY0R00	M.RESISTOR CH 1/10W 0	1	
R492	ERJ6GEYG331	M.RESISTOR CH 1/10W 330	1	
R493	ERJ6GEYG103	M.RESISTOR CH 1/10W 10K	1	
R494-98	ERJ6GEYG331	M.RESISTOR CH 1/10W 330	5	
R500	ERJ6GEY0R00	M.RESISTOR CH 1/10W 0	1	
R502	ERJ6GEY0R00	M.RESISTOR CH 1/10W 0	1	
R504	ERJ6GEY0R00	M.RESISTOR CH 1/10W 0	1	
R506,07	ERJ6GEY0R00	M.RESISTOR CH 1/10W 0	2	
R509	ERJ6GEYG331	M.RESISTOR CH 1/10W 330	1	
R510	ERJ6GEY0R00	M.RESISTOR CH 1/10W 0	1	
R512	ERJ6GEY0R00	M.RESISTOR CH 1/10W 0	1	
R515	ERJ6GEY0R00	M.RESISTOR CH 1/10W 0	1	
R532-35	ERJ6GEYG331	M.RESISTOR CH 1/10W 330	4	
R536,37	ERJ6GEY0R00	M.RESISTOR CH 1/10W 0	2	
R538-42	ERJ6GEYG331	M.RESISTOR CH 1/10W 330	5	
R544,45	ERJ6GEYG331	M.RESISTOR CH 1/10W 330	2	
R547	ERJ6GEY0R00	M.RESISTOR CH 1/10W 0	1	
R549	ERJ6GEY0R00	M.RESISTOR CH 1/10W 0	1	
R551	ERJ6GEY0R00	M.RESISTOR CH 1/10W 0	1	
R553	ERJ6GEY0R00	M.RESISTOR CH 1/10W 0	1	
R555	ERJ6GEY0R00	M.RESISTOR CH 1/10W 0	1	
R557,58	ERJ6GEY0R00	M.RESISTOR CH 1/10W 0	2	
R560	ERJ6GEY0R00	M.RESISTOR CH 1/10W 0	1	
R562	ERJ6GEY0R00	M.RESISTOR CH 1/10W 0	1	
R565,66	ERJ6GEY0R00	M.RESISTOR CH 1/10W 0	2	
R568	ERJ6GEY0R00	M.RESISTOR CH 1/10W 0	1	
R571	ERJ6GEY0R00	M.RESISTOR CH 1/10W 0	1	
R573	ERJ6GEY0R00	M.RESISTOR CH 1/10W 0	1	

Ref. No.	Part No.	Part Name & Description	Pcs	Remark
R602	ERJ6GEYG331	M.RESISTOR CH 1/10W 330	1	
R604	ERJ6GEYG331	M.RESISTOR CH 1/10W 330	1	
R607,08	ERJ6GEY0R00	M.RESISTOR CH 1/10W 0	2	
R620,21	ERJ6GEYG331	M.RESISTOR CH 1/10W 330	2	
R651,52	ERJ6GEYG470	M.RESISTOR CH 1/10W 47	2	
R653	ERJ6GEY0R00	M.RESISTOR CH 1/10W 0	1	
R657-59	ERJ6GEY0R00	M.RESISTOR CH 1/10W 0	3	
R661	ERJ6GEY0R00	M.RESISTOR CH 1/10W 0	1	
R670-73	ERJ6GEYG470	M.RESISTOR CH 1/10W 47	4	
R674	ERJ6GEYG103	M.RESISTOR CH 1/10W 10K	1	
R700-09	ERJ6GEY0R00	M.RESISTOR CH 1/10W 0	10	
R710-14	ERJ6GEYG102	M.RESISTOR CH 1/10W 1K	5	
R800	ERJ6GEYG103	M.RESISTOR CH 1/10W 10K	1	
R802	ERJ6GEYG103	M.RESISTOR CH 1/10W 10K	1	
R804	ERJ6GEYG103	M.RESISTOR CH 1/10W 10K	1	
R806	ERJ6GEYG103	M.RESISTOR CH 1/10W 10K	1	
R808	ERJ6GEYG103	M.RESISTOR CH 1/10W 10K	1	
R810	ERJ6GEYG103	M.RESISTOR CH 1/10W 10K	1	
R812	ERJ6GEYG103	M.RESISTOR CH 1/10W 10K	1	
R814	ERJ6GEYG103	M.RESISTOR CH 1/10W 10K	1	
R816	ERJ6GEYG103	M.RESISTOR CH 1/10W 10K	1	
R818	ERJ6GEYG103	M.RESISTOR CH 1/10W 10K	1	
R820	ERJ6GEYG103	M.RESISTOR CH 1/10W 10K	1	
R822	ERJ6GEYG103	M.RESISTOR CH 1/10W 10K	1	
R830,31	ERJ6GEYG101	M.RESISTOR CH 1/10W 100	2	
R834	ERJ6GEY0R00	M.RESISTOR CH 1/10W 0	1	
R836	ERJ6GEYG331	M.RESISTOR CH 1/10W 330	1	
R840,41	ERJ6GEY0R00	M.RESISTOR CH 1/10W 0	2	
R901,02	ERJ6GEYJ103	M.RESISTOR CH 1/10W 10K	2	
SW600	VSS0367-04B	SWITCH	1	
SW601	VSS0367-08B	SWITCH	1	
T350,51	VLT0890	TRANSFORMER	2	
T390,91	VLT0890	TRANSFORMER	2	
TG1 03	EYF6CU	TEST POINT	1	
TG1	VJR0646	TEST POINT	1	
TG1 02	VJR0646	TEST POINT	1	
TG2 03	EYF6CU	TEST POINT	1	
TG2	VJR0646	TEST POINT	1	
TG3	VJR0646	TEST POINT	1	
TG4	VJR0646	TEST POINT	1	
TG6	VJR0646	TEST POINT	1	
TP1-P5	EYF6CU	TEST POINT	5	
TP17,18	EYF6CU	TEST POINT	2	
TP20-22	EYF6CU	TEST POINT	3	
TP130-32	EYF6CU	TEST POINT	3	
TP161-63	EYF6CU	TEST POINT	3	
TP240-43	VJR0646	TEST POINT	4	
TP330-34	VJR0646	TEST POINT	5	
TP350,51	VJR0646	TEST POINT	2	

Ref. No.	Part No.	Part Name & Description	Pcs	Remark
TP390	VJR0646	TEST POINT	1	
TP700-09	EYF6CU	TEST POINT	10	
X130	VSX0519	CRYSTAL OSCILLATOR	1	
X160	VSX0519	CRYSTAL OSCILLATOR	1	
X200	VSX0453	CRYSTAL OSCILLATOR	1	
X220	VSX0453	CRYSTAL OSCILLATOR	1	
X240	VSX0664	CRYSTAL OSCILLATOR	1	
X241	VSX0665	CRYSTAL OSCILLATOR	1	
X350	VSX0392	CRYSTAL OSCILLATOR	1	
X390	VSX0392	CRYSTAL OSCILLATOR	1	
X620,21	VSX0519	CRYSTAL OSCILLATOR	2	
		MISCELLANEOUS		
	VML2143	CARD PULLER	1	
	VML2144	CARD PULLER	1	
	VMS6082	SPACER	4	
	XYN3+K6	SCREW	8	

## 10.29. VEP84301A

Ref. No.	Part No.	Part Name & Description	Pcs	Remark
* E10	VEP84301A	F8 AADDAP.C.BOARD	1	(RTL)
C4001,02	ECUM1E104ZFN	C.CAPACITOR CH 25V 0.1U	2	
C4003	ECEA1HGE330	E.CAPACITOR CH 50V 33U	1	
C4004	ECUM1E104ZFN	C.CAPACITOR CH 25V 0.1U	1	
C4005	ECEV1CV470Q	E.CAPACITOR CH 16V 47U	1	
C4006	ECUM1E104ZFN	C.CAPACITOR CH 25V 0.1U	1	
C4007	ECEV1CV470Q	E.CAPACITOR CH 16V 47U	1	
C4009	ECEA1HGE330	E.CAPACITOR CH 50V 33U	1	
C4011	ECUM1H820JCN	C.CAPACITOR CH 50V 82P	1	
C4012	ECEV1CN100Q	E.CAPACITOR CH 16V 10U	1	
C4013	ECUM1E104ZFN	C.CAPACITOR CH 25V 0.1U	1	
C4014	ECHU1C472G	P.CAPACITOR 16V 4700P	1	
C4015	ECUM1H330JCN	C.CAPACITOR CH 50V 33P	1	
C4016,17	ECUM1H103KBN	C.CAPACITOR CH 50V 0.01U	2	
C4018	ECUM1H561JCN	C.CAPACITOR CH 50V 560P	1	
C4019	ECUM1H182KBN	C.CAPACITOR CH 50V 1800P	1	
C4020	ECUM1H101JCN	C.CAPACITOR CH 50V 100P	1	
C4021	ECEV1CN100Q	E.CAPACITOR CH 16V 10U	1	
C4041,42	ECUM1E104ZFN	C.CAPACITOR CH 25V 0.1U	2	
C4043	ECEA1HGE330	E.CAPACITOR CH 50V 33U	1	
C4044,45	ECUM1E104ZFN	C.CAPACITOR CH 25V 0.1U	2	
C4046,47	ECEV1CV470Q	E.CAPACITOR CH 16V 47U	2	
C4049	ECEA1HGE330	E.CAPACITOR CH 50V 33U	1	
C4051	ECUM1H820JCN	C.CAPACITOR CH 50V 82P	1	
C4052	ECUM1E104ZFN	C.CAPACITOR CH 25V 0.1U	1	
C4053	ECEV1CN100Q	E.CAPACITOR CH 16V 10U	1	

Ref. No.	Part No.	Part Name & Description	Pcs	Remark
C4054	ECHU1C472G	P.CAPACITOR 16V 4700P	1	
C4055	ECUM1H330JCN	C.CAPACITOR CH 50V 33P	1	
C4056,57	ECUM1H103KBN	C.CAPACITOR CH 50V 0.01U	2	
C4058	ECUM1H561JCN	C.CAPACITOR CH 50V 560P	1	
C4059	ECUM1H182KBN	C.CAPACITOR CH 50V 1800P	1	
C4060	ECUM1H101JCN	C.CAPACITOR CH 50V 100P	1	
C4061	ECEV1CN100Q	E.CAPACITOR CH 16V 10U	1	
C4101,02	ECUM1E104ZFN	C.CAPACITOR CH 25V 0.1U	2	
C4103	ECEA1HGE330	E.CAPACITOR CH 50V 33U	1	
C4104	ECUM1E104ZFN	C.CAPACITOR CH 25V 0.1U	1	
C4105	ECEV1CV470Q	E.CAPACITOR CH 16V 47U	1	
C4106	ECUM1E104ZFN	C.CAPACITOR CH 25V 0.1U	1	
C4107	ECEV1CV470Q	E.CAPACITOR CH 16V 47U	1	
C4109	ECEA1HGE330	E.CAPACITOR CH 50V 33U	1	
C4111	ECUM1H820JCN	C.CAPACITOR CH 50V 82P	1	
C4112	ECEV1CN100Q	E.CAPACITOR CH 16V 10U	1	
C4113	ECUM1E104ZFN	C.CAPACITOR CH 25V 0.1U	1	
C4114	ECHU1C472G	P.CAPACITOR 16V 4700P	1	
C4115	ECUM1H330JCN	C.CAPACITOR CH 50V 33P	1	
C4116,17	ECUM1H103KBN	C.CAPACITOR CH 50V 0.01U	2	
C4118	ECUM1H561JCN	C.CAPACITOR CH 50V 560P	1	
C4119	ECUM1H182KBN	C.CAPACITOR CH 50V 1800P	1	
C4120	ECUM1H101JCN	C.CAPACITOR CH 50V 100P	1	
C4121	ECEV1CN100Q	E.CAPACITOR CH 16V 10U	1	
C4141,42	ECUM1E104ZFN	C.CAPACITOR CH 25V 0.1U	2	
C4143	ECEA1HGE330	E.CAPACITOR CH 50V 33U	1	
C4144,45	ECUM1E104ZFN	C.CAPACITOR CH 25V 0.1U	2	
C4146,47	ECEV1CV470Q	E.CAPACITOR CH 16V 47U	2	
C4149	ECEA1HGE330	E.CAPACITOR CH 50V 33U	1	
C4151	ECUM1H820JCN	C.CAPACITOR CH 50V 82P	1	
C4152	ECUM1E104ZFN	C.CAPACITOR CH 25V 0.1U	1	
C4153	ECEV1CN100Q	E.CAPACITOR CH 16V 10U	1	
C4154	ECHU1C472G	P.CAPACITOR 16V 4700P	1	
C4155	ECUM1H330JCN	C.CAPACITOR CH 50V 33P	1	
C4156,57	ECUM1H103KBN	C.CAPACITOR CH 50V 0.01U	2	
C4158	ECUM1H561JCN	C.CAPACITOR CH 50V 560P	1	
C4159	ECUM1H182KBN	C.CAPACITOR CH 50V 1800P	1	
C4160	ECUM1H101JCN	C.CAPACITOR CH 50V 100P	1	
C4161	ECEV1CN100Q	E.CAPACITOR CH 16V 10U	1	
C4201,02	ECUM1E104ZFN	C.CAPACITOR CH 25V 0.1U	2	
C4203	ECEV0JV101Q	E.CAPACITOR CH6.3V 100U	1	
C4204	ECUM1E104ZFN	C.CAPACITOR CH 25V 0.1U	1	
C4205	ECEV1CV100Q	E.CAPACITOR CH 16V 10U	1	
C4206	ECUM1E104ZFN	C.CAPACITOR CH 25V 0.1U	1	
C4207	ECEV1CV100Q	E.CAPACITOR CH 16V 10U	1	
C4208,09	ECEV1CV220Q	E.CAPACITOR CH 16V 22U	2	
C4211	ECUM1H330JCN	C.CAPACITOR CH 50V 33P	1	
C4212	ECUM1E104ZFN	C.CAPACITOR CH 25V 0.1U	1	
C4213	ECEV0JV470Q	E.CAPACITOR CH6.3V 47U	1	
C4214	ECUM1H330JCN	C.CAPACITOR CH 50V 33P	1	
C4215	ECUM1E104ZFN	C.CAPACITOR CH 25V 0.1U	1	
C4216	ECEV0JV470Q	E.CAPACITOR CH6.3V 47U	1	
C4217,18	ECUM1H330JCN	C.CAPACITOR CH 50V 33P	2	
C4219,20	ECUM1H152KBN	C.CAPACITOR CH 50V 1500P	2	

Ref. No.	Part No.	Part Name & Description	Pcs	Remark
C4221,22	ECEV1CV100Q	E.CAPACITOR CH 16V 10U	2	
C4223-26	ECUM1E104ZFN	C.CAPACITOR CH 25V 0.1U	4	
C4227	ECEV1CV100Q	E.CAPACITOR CH 16V 10U	1	
C4228	ECUM1E104ZFN	C.CAPACITOR CH 25V 0.1U	1	
C4251,52	ECUM1E104ZFN	C.CAPACITOR CH 25V 0.1U	2	
C4253	ECEV0JV101Q	E.CAPACITOR CH6.3V 100U	1	
C4254	ECUM1E104ZFN	C.CAPACITOR CH 25V 0.1U	1	
C4255	ECEV1CV100Q	E.CAPACITOR CH 16V 10U	1	
C4256	ECUM1E104ZFN	C.CAPACITOR CH 25V 0.1U	1	
C4257	ECEV1CV100Q	E.CAPACITOR CH 16V 10U	1	
C4258,59	ECEV1CV220Q	E.CAPACITOR CH 16V 22U	2	
C4261	ECUM1H330JCN	C.CAPACITOR CH 50V 33P	1	
C4262	ECUM1E104ZFN	C.CAPACITOR CH 25V 0.1U	1	
C4263	ECEV0JV470Q	E.CAPACITOR CH6.3V 47U	1	
C4264	ECUM1H330JCN	C.CAPACITOR CH 50V 33P	1	
C4265	ECUM1E104ZFN	C.CAPACITOR CH 25V 0.1U	1	
C4266	ECEV0JV470Q	E.CAPACITOR CH6.3V 47U	1	
C4267,68	ECUM1H330JCN	C.CAPACITOR CH 50V 33P	2	
C4269,70	ECUM1H152KBN	C.CAPACITOR CH 50V 1500P	2	
C4271,72	ECEV1CV100Q	E.CAPACITOR CH 16V 10U	2	
C4273-76	ECUM1E104ZFN	C.CAPACITOR CH 25V 0.1U	4	
C4277	ECEV1CV100Q	E.CAPACITOR CH 16V 10U	1	
C4278	ECUM1E104ZFN	C.CAPACITOR CH 25V 0.1U	1	
C4301	ECEV1CV470Q	E.CAPACITOR CH 16V 47U	1	
C4302	ECUM1E104ZFN	C.CAPACITOR CH 25V 0.1U	1	
C4303	ECEV0JV101Q	E.CAPACITOR CH6.3V 100U	1	
C4304	ECUM1E104ZFN	C.CAPACITOR CH 25V 0.1U	1	
C4305	ECEV1CV100Q	E.CAPACITOR CH 16V 10U	1	
C4306	ECEV1CV220Q	E.CAPACITOR CH 16V 22U	1	
C4307	ECUM1E104ZFN	C.CAPACITOR CH 25V 0.1U	1	
C4308	ECEV1CV220Q	E.CAPACITOR CH 16V 22U	1	
C4309	ECUM1E104ZFN	C.CAPACITOR CH 25V 0.1U	1	
C4310	ECUM1H103KBN	C.CAPACITOR CH 50V 0.01U	1	
C4311-13	ECUM1E104ZFN	C.CAPACITOR CH 25V 0.1U	3	
C4314	ECEV1CV100Q	E.CAPACITOR CH 16V 10U	1	
C4315	ECUM1E104ZFN	C.CAPACITOR CH 25V 0.1U	1	
C4316	ECEV0JV101Q	E.CAPACITOR CH6.3V 100U	1	
C4317,18	ECEV1CN100Q	E.CAPACITOR CH 16V 10U	2	
C4319,20	ECUM1H103KBN	C.CAPACITOR CH 50V 0.01U	2	
C4321,22	ECUM1H221JCN	C.CAPACITOR CH 50V 220P	2	
C4323,24	ECUM1H103KBN	C.CAPACITOR CH 50V 0.01U	2	
C4325	ECUM1E104ZFN	C.CAPACITOR CH 25V 0.1U	1	
C4351	ECEV1CV470Q	E.CAPACITOR CH 16V 47U	1	
C4352	ECUM1E104ZFN	C.CAPACITOR CH 25V 0.1U	1	
C4353	ECEV0JV101Q	E.CAPACITOR CH6.3V 100U	1	
C4354	ECUM1E104ZFN	C.CAPACITOR CH 25V 0.1U	1	
C4355	ECEV1CV100Q	E.CAPACITOR CH 16V 10U	1	
C4356	ECEV1CV220Q	E.CAPACITOR CH 16V 22U	1	
C4357	ECUM1E104ZFN	C.CAPACITOR CH 25V 0.1U	1	
C4358	ECEV1CV220Q	E.CAPACITOR CH 16V 22U	1	
C4359	ECUM1E104ZFN	C.CAPACITOR CH 25V 0.1U	1	
C4360	ECUM1H103KBN	C.CAPACITOR CH 50V 0.01U	1	
C4361-63	ECUM1E104ZFN	C.CAPACITOR CH 25V 0.1U	3	



Ref. No.	Part No.	Part Name & Description	Pcs	Remark
C4364	ECEV1CV100Q	E.CAPACITOR CH 16V 10U	1	
C4365	ECUM1E104ZFN	C.CAPACITOR CH 25V 0.1U	1	
C4366	ECEV0JV101Q	E.CAPACITOR CH6.3V 100U	1	
C4367,68	ECEV1CN100Q	E.CAPACITOR CH 16V 10U	2	
C4369,70	ECUM1H103KBN	C.CAPACITOR CH 50V 0.01U	2	
C4371,72	ECUM1H221JCN	C.CAPACITOR CH 50V 220P	2	
C4373,74	ECUM1H103KBN	C.CAPACITOR CH 50V 0.01U	2	
C4375	ECUM1E104ZFN	C.CAPACITOR CH 25V 0.1U	1	
C4401	ECHU1C472G	P.CAPACITOR 16V 4700P	1	
C4402,03	ECUM1E104ZFN	C.CAPACITOR CH 25V 0.1U	2	
C4404	ECEV1CN100Q	E.CAPACITOR CH 16V 10U	1	
C4405,06	ECUM1E104ZFN	C.CAPACITOR CH 25V 0.1U	2	
C4407,08	ECEV1CV470Q	E.CAPACITOR CH 16V 47U	2	
C4409,10	ECUM1H103KBN	C.CAPACITOR CH 50V 0.01U	2	
C4411	ECEV1CV100Q	E.CAPACITOR CH 16V 10U	1	
C4412	ECUM1H470JCN	C.CAPACITOR CH 50V 47P	1	
C4413	ECUM1H103KBN	C.CAPACITOR CH 50V 0.01U	1	
C4414,15	ECEV1CV100Q	E.CAPACITOR CH 16V 10U	2	
C4416	ECUM1H270JCN	C.CAPACITOR CH 50V 27P	1	
C4417	ECUM1H103KBN	C.CAPACITOR CH 50V 0.01U	1	
C4418	ECEV1CV100Q	E.CAPACITOR CH 16V 10U	1	
C4419,20	ECEA1CGE221	E.CAPACITOR 16V 220U	2	
C4421	ECEV1CV220Q	E.CAPACITOR CH 16V 22U	1	
C4422	ECUM1H103KBN	C.CAPACITOR CH 50V 0.01U	1	
C4423	ECEV1CV220Q	E.CAPACITOR CH 16V 22U	1	
C4424	ECUM1H103KBN	C.CAPACITOR CH 50V 0.01U	1	
C4425,26	ECEV1CV220Q	E.CAPACITOR CH 16V 22U	2	
C4427,28	ECUM1H103KBN	C.CAPACITOR CH 50V 0.01U	2	
C4429,30	ECEV1CV470Q	E.CAPACITOR CH 16V 47U	2	
C4476	ECHU1C472G	P.CAPACITOR 16V 4700P	1	
C4477	ECEV1CN100Q	E.CAPACITOR CH 16V 10U	1	
C4478,79	ECUM1H103KBN	C.CAPACITOR CH 50V 0.01U	2	
C4480	ECUM1H270JCN	C.CAPACITOR CH 50V 27P	1	
C4481	ECEV1CV100Q	E.CAPACITOR CH 16V 10U	1	
C4482	ECUM1H470JCN	C.CAPACITOR CH 50V 47P	1	
C4483	ECUM1H103KBN	C.CAPACITOR CH 50V 0.01U	1	
C4484,85	ECEV1CV100Q	E.CAPACITOR CH 16V 10U	2	
C4486	ECUM1H103KBN	C.CAPACITOR CH 50V 0.01U	1	
C4487	ECEV1CV100Q	E.CAPACITOR CH 16V 10U	1	
C4488,89	ECEA1CGE221	E.CAPACITOR 16V 220U	2	
C4490,91	ECEV1CV220Q	E.CAPACITOR CH 16V 22U	2	
C4492,93	ECUM1H103KBN	C.CAPACITOR CH 50V 0.01U	2	
C4494,95	ECEV1CV220Q	E.CAPACITOR CH 16V 22U	2	
C4496,97	ECUM1H103KBN	C.CAPACITOR CH 50V 0.01U	2	
C4551	ECHU1C472G	P.CAPACITOR 16V 4700P	1	
C4552,53	ECUM1E104ZFN	C.CAPACITOR CH 25V 0.1U	2	
C4554	ECEV1CN100Q	E.CAPACITOR CH 16V 10U	1	
C4555,56	ECUM1E104ZFN	C.CAPACITOR CH 25V 0.1U	2	
C4557,58	ECEV1CV470Q	E.CAPACITOR CH 16V 47U	2	
C4559,60	ECUM1H103KBN	C.CAPACITOR CH 50V 0.01U	2	
C4561	ECEV1CV100Q	E.CAPACITOR CH 16V 10U	1	
C4562	ECUM1H470JCN	C.CAPACITOR CH 50V 47P	1	
C4563	ECUM1H103KBN	C.CAPACITOR CH 50V 0.01U	1	
C4564,65	ECEV1CV100Q	E.CAPACITOR CH 16V 10U	2	

Ref. No.	Part No.	Part Name & Description	Pcs	Remark
C4566	ECUM1H270JCN	C.CAPACITOR CH 50V 27P	1	
C4567	ECUM1H103KBN	C.CAPACITOR CH 50V 0.01U	1	
C4568	ECEV1CV100Q	E.CAPACITOR CH 16V 10U	1	
C4569,70	ECEA1CGE221	E.CAPACITOR 16V 220U	2	
C4571	ECEV1CV220Q	E.CAPACITOR CH 16V 22U	1	
C4572	ECUM1H103KBN	C.CAPACITOR CH 50V 0.01U	1	
C4573	ECEV1CV220Q	E.CAPACITOR CH 16V 22U	1	
C4574	ECUM1H103KBN	C.CAPACITOR CH 50V 0.01U	1	
C4575,76	ECEV1CV220Q	E.CAPACITOR CH 16V 22U	2	
C4577,78	ECUM1H103KBN	C.CAPACITOR CH 50V 0.01U	2	
C4579,80	ECEV1CV470Q	E.CAPACITOR CH 16V 47U	2	
C4626	ECHU1C472G	P.CAPACITOR 16V 4700P	1	
C4627	ECEV1CN100Q	E.CAPACITOR CH 16V 10U	1	
C4628,29	ECUM1H103KBN	C.CAPACITOR CH 50V 0.01U	2	
C4630	ECUM1H270JCN	C.CAPACITOR CH 50V 27P	1	
C4631	ECEV1CV100Q	E.CAPACITOR CH 16V 10U	1	
C4632	ECUM1H470JCN	C.CAPACITOR CH 50V 47P	1	
C4633	ECUM1H103KBN	C.CAPACITOR CH 50V 0.01U	1	
C4634,35	ECEV1CV100Q	E.CAPACITOR CH 16V 10U	2	
C4636	ECUM1H103KBN	C.CAPACITOR CH 50V 0.01U	1	
C4637	ECEV1CV100Q	E.CAPACITOR CH 16V 10U	1	
C4638,39	ECEA1CGE221	E.CAPACITOR 16V 220U	2	
C4640,412	ECEV1CV220Q	E.CAPACITOR CH 16V 22U	2	
C4642,43	ECUM1H103KBN	C.CAPACITOR CH 50V 0.01U	2	
C4644,45	ECEV1CV220Q	E.CAPACITOR CH 16V 22U	2	
C4646,47	ECUM1H103KBN	C.CAPACITOR CH 50V 0.01U	2	
C4701-04	ECUM1E104ZFN	C.CAPACITOR CH 25V 0.1U	4	
C4705	ECEV1CV470Q	E.CAPACITOR CH 16V 47U	1	
C4706-10	ECUM1E104ZFN	C.CAPACITOR CH 25V 0.1U	5	
C4711	ECEV0JV101Q	E.CAPACITOR CH6.3V 100U	1	
C4712-14	ECUM1E104ZFN	C.CAPACITOR CH 25V 0.1U	3	
C4715-18	ECEV1CV470Q	E.CAPACITOR CH 16V 47U	4	
C4720	ECEV1CV220Q	E.CAPACITOR CH 16V 22U	1	
C4721	ECUM1E104ZFN	C.CAPACITOR CH 25V 0.1U	1	
C4722	ECEV1CV220Q	E.CAPACITOR CH 16V 22U	1	
C4723,24	ECUM1E104ZFN	C.CAPACITOR CH 25V 0.1U	2	
C4725	ECEV1CV100Q	E.CAPACITOR CH 16V 10U	1	
C4726	ECUM1E104ZFN	C.CAPACITOR CH 25V 0.1U	1	
C4727	ECUM1H103KBN	C.CAPACITOR CH 50V 0.01U	1	
C4728	ECEV0JV101Q	E.CAPACITOR CH6.3V 100U	1	
C4729,30	ECEV1CN100Q	E.CAPACITOR CH 16V 10U	2	
C4731,32	ECUM1H221JCN	C.CAPACITOR CH 50V 220P	2	
C4733-36	ECUM1H103KBN	C.CAPACITOR CH 50V 0.01U	4	
C4737,38	ECHU1C472G	P.CAPACITOR 16V 4700P	2	
C4739,40	ECEV1CN100Q	E.CAPACITOR CH 16V 10U	2	
C4751	ECUM1E104ZFN	C.CAPACITOR CH 25V 0.1U	1	
C4752	ECEV1CV220Q	E.CAPACITOR CH 16V 22U	1	
C4754,55	ECEV1CV470Q	E.CAPACITOR CH 16V 47U	2	
C4756	ECUM1H820JCN	C.CAPACITOR CH 50V 82P	1	
C4757	ECUM1E104ZFN	C.CAPACITOR CH 25V 0.1U	1	
C4758	ECEV1CN100Q	E.CAPACITOR CH 16V 10U	1	
C4759,60	ECUM1E104ZFN	C.CAPACITOR CH 25V 0.1U	2	
C4761,62	ECUM1H103KBN	C.CAPACITOR CH 50V 0.01U	2	
C4763	ECUM1H270JCN	C.CAPACITOR CH 50V 27P	1	

Ref. No.	Part No.	Part Name & Description	Pcs	Remark
C4764	ECUM1H470JCN	C.CAPACITOR CH 50V 47P	1	
C4765,66	ECUM1H103KBN	C.CAPACITOR CH 50V 0.01U	2	
C4767-70	ECEV1CV100Q	E.CAPACITOR CH 16V 10U	4	
C4771,72	ECEA1CGE221	E.CAPACITOR 16V 220U	2	
C4773	ECEV1CV220Q	E.CAPACITOR CH 16V 22U	1	
C4774	ECUM1H103KBN	C.CAPACITOR CH 50V 0.01U	1	
C4775,76	ECEV1CV220Q	E.CAPACITOR CH 16V 22U	2	
C4777	ECUM1H103KBN	C.CAPACITOR CH 50V 0.01U	1	
C4778	ECEV1CV220Q	E.CAPACITOR CH 16V 22U	1	
C4779,80	ECUM1H103KBN	C.CAPACITOR CH 50V 0.01U	2	
C4831	ECUM1H820JCN	C.CAPACITOR CH 50V 82P	1	
C4832	ECEV1CN100Q	E.CAPACITOR CH 16V 10U	1	
C4833-35	ECUM1E104ZFN	C.CAPACITOR CH 25V 0.1U	3	
C4836,37	ECUM1H103KBN	C.CAPACITOR CH 50V 0.01U	2	
C4838	ECUM1H470JCN	C.CAPACITOR CH 50V 47P	1	
C4839	ECUM1H103KBN	C.CAPACITOR CH 50V 0.01U	1	
C4840	ECUM1H270JCN	C.CAPACITOR CH 50V 27P	1	
C4841	ECUM1H103KBN	C.CAPACITOR CH 50V 0.01U	1	
C4842-45	ECEV1CV100Q	E.CAPACITOR CH 16V 10U	4	
C4846,47	ECEA1CGE221	E.CAPACITOR 16V 220U	2	
C4848	ECEV1CV220Q	E.CAPACITOR CH 16V 22U	1	
C4849	ECUM1H103KBN	C.CAPACITOR CH 50V 0.01U	1	
C4850	ECEV1CV220Q	E.CAPACITOR CH 16V 22U	1	
C4851	ECUM1H103KBN	C.CAPACITOR CH 50V 0.01U	1	
C4852,53	ECEV1CV220Q	E.CAPACITOR CH 16V 22U	2	
C4854,55	ECUM1H103KBN	C.CAPACITOR CH 50V 0.01U	2	
C4901,02	ECUM1E104ZFN	C.CAPACITOR CH 25V 0.1U	2	
C4903,04	ECUM1H102JCN	C.CAPACITOR CH 50V 1000P	2	
C4905	ECEV0JV101Q	E.CAPACITOR CH6.3V 100U	1	
C4906	ECUM1H103KBN	C.CAPACITOR CH 50V 0.01U	1	
C4907	ECEV0JV101Q	E.CAPACITOR CH6.3V 100U	1	
C4908	ECUM1H103KBN	C.CAPACITOR CH 50V 0.01U	1	
C4931	ECEV1CV470Q	E.CAPACITOR CH 16V 47U	1	
C4932	ECUM1H103ZFN	C.CAPACITOR CH 50V 0.01U	1	
C4933-36	ECUM1H103KBN	C.CAPACITOR CH 50V 0.01U	4	
C4937-39	ECUM1H103ZFN	C.CAPACITOR CH 50V 0.01U	3	
C4940	ECUM1H103KBN	C.CAPACITOR CH 50V 0.01U	1	
D4001,02	MA157	DIODE	2	
D4041,42	MA157	DIODE	2	
D4101,02	MA157	DIODE	2	
D4141,42	MA157	DIODE	2	
D4401,02	MA157	DIODE	2	
D4476,77	MA157	DIODE	2	
D4551,52	MA157	DIODE	2	
D4626,27	MA157	DIODE	2	
D4751	MA157	DIODE	1	
D4752,53	MA152WK	DIODE	2	
D4754,55	MA157	DIODE	2	
D4831,32	MA157	DIODE	2	
FL4931	VLF0941C223	FILTER	1	
IC4001	NJM4580ED	IC	1	

Ref. No.	Part No.	Part Name & Description	Pcs	Remark
IC4002	MC14052BF	IC	1	
IC4003	NJM79L09UA	IC	1	

Ref. No.	Part No.	Part Name & Description	Pcs	Remark
IC4004	NJM78L09UA	IC	1	
IC4005	NJM4580ED	IC	1	
IC4006	AD7945BR	IC	1	
IC4007,08	NJM4580ED	IC	2	
IC4009	MC14052BF	IC	1	
IC4041,42	NJM4580ED	IC	2	
IC4043	NJM78L09UA	IC	1	
IC4044	NJM79L09UA	IC	1	
IC4045,46	NJM4580ED	IC	2	
IC4047	MC14052BF	IC	1	
IC4048	AD7945BR	IC	1	
IC4049	MC14052BF	IC	1	
IC4101	NJM4580ED	IC	1	
IC4102	MC14052BF	IC	1	
IC4103	NJM79L09UA	IC	1	
IC4104	NJM78L09UA	IC	1	
IC4105	NJM4580ED	IC	1	
IC4106	AD7945BR	IC	1	
IC4107,08	NJM4580ED	IC	2	
IC4109	MC14052BF	IC	1	
IC4141,42	NJM4580ED	IC	2	
IC4143	NJM78L09UA	IC	1	
IC4144	NJM79L09UA	IC	1	
IC4145,46	NJM4580ED	IC	2	
IC4147	MC14052BF	IC	1	
IC4148	AD7945BR	IC	1	
IC4149	MC14052BF	IC	1	
IC4201	MC74HC541AF	IC	1	
IC4202	NJM78L05UA	IC	1	
IC4203,04	NJM2100MD	IC	2	
IC4205	AK5340VS	IC	1	
IC4251	MC74HC541AF	IC	1	
IC4252	NJM78L05UA	IC	1	
IC4253,54	NJM2100MD	IC	2	
IC4255	AK5340VS	IC	1	
IC4301	NJM78L05UA	IC	1	
IC4302	AK4320VM	IC	1	
IC4303,04	NJM4580ED	IC	2	
IC4305	MC74HC157AF	IC	1	
IC4306	TC7W74F	IC	1	
IC4307,08	TC4W53F	IC	2	
IC4351	NJM78L05UA	IC	1	
IC4352	AK4320VM	IC	1	
IC4353,54	NJM4580ED	IC	2	
IC4355	MC74HC157AF	IC	1	
IC4356	TC7W74F	IC	1	
IC4357,58	TC4W53F	IC	2	
IC4401	NJM4580ED	IC	1	
IC4402	NJM79L05UA	IC	1	

Ref. No.	Part No.	Part Name & Description	Pcs	Remark
IC4403	NJM78L05UA	IC	1	
IC4404	NJM4580ED	IC	1	
IC4405	NJM2043MD	IC	1	
IC4406	MC14052BF	IC	1	
IC4407,08	AQV212SX	IC	2	
IC4476,77	NJM4580ED	IC	2	
IC4478	NJM2043MD	IC	1	
IC4479	MC14052BF	IC	1	
IC4480,81	AQV212SX	IC	2	
IC4551	NJM4580ED	IC	1	
IC4552	NJM79L05UA	IC	1	
IC4553	NJM78L05UA	IC	1	
IC4554	NJM4580ED	IC	1	
IC4555	NJM2043MD	IC	1	
IC4556	MC14052BF	IC	1	
IC4557,58	AQV212SX	IC	2	
IC4626,27	NJM4580ED	IC	2	
IC4628	NJM2043MD	IC	1	
IC4629	MC14052BF	IC	1	
IC4630,31	AQV212SX	IC	2	
IC4701	NJM78L05UA	IC	1	
IC4702	AK4320VM	IC	1	
IC4703,04	NJM4580ED	IC	2	
IC4707	NJM78L09UA	IC	1	
IC4708,09	NJM79L09UA	IC	2	
IC4710	NJM78L09UA	IC	1	
IC4711	MC74HC541AF	IC	1	
IC4712,13	TC4W53F	IC	2	
IC4751,52	NJM4580ED	IC	2	
IC4753	NJM2043MD	IC	1	
IC4754	AD7945BR	IC	1	
IC4755	MC14053BF	IC	1	
IC4756	MC14052BF	IC	1	
IC4757,58	AQV212SX	IC	2	
IC4831,32	NJM4580ED	IC	2	
IC4833	NJM2043MD	IC	1	
IC4834	AD7945BR	IC	1	
IC4835	MC14053BF	IC	1	
IC4836	MC14052BF	IC	1	
IC4837,38	AQV212SX	IC	2	
IC4901	NJM4556AM	IC	1	
IC4931,32	SN74S1051NS	IC	2	
IC4933	74F245SJ	IC	1	
IC4934	74F541SJ	IC	1	
IC4935	74AC139SJ	IC	1	
IC4936	74F11SJ	IC	1	
IC4937	TC7S04F	IC	1	
IC4938-40	UPD71055GB	IC	3	
L4201	VLQ0163J100	COIL 10UH	1	
L4251	VLQ0163J100	COIL 10UH	1	
L4301	VLQ0163J100	COIL 10UH	1	
L4351	VLQ0163J100	COIL 10UH	1	
L4701	VLQ0163J100	COIL 10UH	1	

Ref. No.	Part No.	Part Name & Description	Pcs	Remark
P4001,02	VJP3454B096	CONNECTOR (MALE)	2	
Q4003	2SD1328	TRANSISTOR	1	
Q4041	2SD1328	TRANSISTOR	1	
Q4103	2SD1328	TRANSISTOR	1	
Q4141	2SD1328	TRANSISTOR	1	
Q4401	2SD1328	TRANSISTOR	1	
Q4402	2SB1322A-R	TRANSISTOR	1	
Q4403	2SD1994A-R	TRANSISTOR	1	
Q4404	2SB1322A-R	TRANSISTOR	1	
Q4405	2SD1994A-R	TRANSISTOR	1	
Q4406	2SB710A-R	TRANSISTOR	1	
Q4407	2SD602A-R	TRANSISTOR	1	
Q4476	2SD1328	TRANSISTOR	1	
Q4477	2SB1322A-R	TRANSISTOR	1	
Q4478	2SD1994A-R	TRANSISTOR	1	
Q4479	2SB1322A-R	TRANSISTOR	1	
Q4480	2SD1994A-R	TRANSISTOR	1	
Q4481	2SB710A-R	TRANSISTOR	1	
Q4482	2SD602A-R	TRANSISTOR	1	
Q4551	2SD1328	TRANSISTOR	1	
Q4552	2SB1322A-R	TRANSISTOR	1	
Q4553	2SD1994A-R	TRANSISTOR	1	
Q4554	2SB1322A-R	TRANSISTOR	1	
Q4555	2SD1994A-R	TRANSISTOR	1	
Q4556	2SB710A-R	TRANSISTOR	1	
Q4557	2SD602A-R	TRANSISTOR	1	
Q4626	2SD1328	TRANSISTOR	1	
Q4627	2SB1322A-R	TRANSISTOR	1	
Q4628	2SD1994A-R	TRANSISTOR	1	
Q4629	2SB1322A-R	TRANSISTOR	1	
Q4630	2SD1994A-R	TRANSISTOR	1	
Q4631	2SB710A-R	TRANSISTOR	1	
Q4632	2SD602A-R	TRANSISTOR	1	
Q4701,02	2SD1328	TRANSISTOR	2	
Q4751-54	2SB710A-R	TRANSISTOR	4	
Q4755	2SD1994A-R	TRANSISTOR	1	
Q4756	2SB1322A-R	TRANSISTOR	1	
Q4757	2SD1994A-R	TRANSISTOR	1	
Q4758	2SB1322A-R	TRANSISTOR	1	
Q4759	2SD602A-R	TRANSISTOR	1	
Q4760	2SB710A-R	TRANSISTOR	1	
Q4831	2SD1994A-R	TRANSISTOR	1	
Q4832	2SB1322A-R	TRANSISTOR	1	
Q4833	2SD1994A-R	TRANSISTOR	1	
Q4834	2SB1322A-R	TRANSISTOR	1	
Q4835	2SD602A-R	TRANSISTOR	1	
Q4836	2SB710A-R	TRANSISTOR	1	
Q4901-04	2SD1328	TRANSISTOR	4	
QR4001	UN2213	TRANSISTOR-RESISTOR	1	
QR4002	UN2113	TRANSISTOR-RESISTOR	1	
QR4041	UN2213	TRANSISTOR-RESISTOR	1	

Ref. No.	Part No.	Part Name & Description	Pcs	Remark
QR4042	UN2113	TRANSISTOR-RESISTOR	1	
QR4101	UN2213	TRANSISTOR-RESISTOR	1	
QR4102	UN2113	TRANSISTOR-RESISTOR	1	
QR4141	UN2213	TRANSISTOR-RESISTOR	1	
QR4142	UN2113	TRANSISTOR-RESISTOR	1	
QR4301	UN2213	TRANSISTOR-RESISTOR	1	
QR4351	UN2213	TRANSISTOR-RESISTOR	1	
QR4401	UN2213	TRANSISTOR-RESISTOR	1	
QR4402	UN2113	TRANSISTOR-RESISTOR	1	
QR4476	UN2213	TRANSISTOR-RESISTOR	1	
QR4477	UN2113	TRANSISTOR-RESISTOR	1	
QR4551	UN2213	TRANSISTOR-RESISTOR	1	
QR4552	UN2113	TRANSISTOR-RESISTOR	1	
QR4626	UN2213	TRANSISTOR-RESISTOR	1	
QR4627	UN2113	TRANSISTOR-RESISTOR	1	
QR4701-03	UN2213	TRANSISTOR-RESISTOR	3	
QR4704,05	UN2113	TRANSISTOR-RESISTOR	2	
QR4751,52	UN2213	TRANSISTOR-RESISTOR	2	
R4001	ERJ6RBD202	M.RESISTOR CH 1/10W 2K	1	
R4002	ERJ6RBD332	M.RESISTOR CH 1/10W 3.3K	1	
R4003	ERJ6RBD333	M.RESISTOR CH 1/10W 33K	1	
R4004	ERJ12YJ621	M.RESISTOR CH 1/2W 620	1	
R4005	ERJ6RBD223	M.RESISTOR CH 1/10W 22K	1	
R4006	ERJ6RBD123	M.RESISTOR CH 1/10W 12K	1	
R4007,08	ERJ6RBD473	M.RESISTOR CH 1/10W 47K	2	
R4009	ERJ6RBD123	M.RESISTOR CH 1/10W 12K	1	
R4010	ERJ6RBD333	M.RESISTOR CH 1/10W 33K	1	
R4011	ERJ6RBD332	M.RESISTOR CH 1/10W 3.3K	1	
R4012	ERJ6RBD202	M.RESISTOR CH 1/10W 2K	1	
R4013,14	ERJ6RBD472	M.RESISTOR CH 1/10W 4.7K	2	
R4015	ERJ6RED470	M.RESISTOR CH 1/10W 47	1	
R4016,17	ERJ6RBD472	M.RESISTOR CH 1/10W 4.7K	2	
R4018	ERJ6GEYG103	M.RESISTOR CH 1/10W 10K	1	
R4019	ERJ6GEYG102	M.RESISTOR CH 1/10W 1K	1	
R4020	ERJ6GEYG104	M.RESISTOR CH 1/10W 100K	1	
R4021	ERJ6GEYG683	M.RESISTOR CH 1/10W 68K	1	
R4022	ERJ6GEYG103	M.RESISTOR CH 1/10W 10K	1	
R4023	ERJ6RBD102	M.RESISTOR CH 1/10W 1K	1	
R4024	ERJ6GEYG105	M.RESISTOR CH 1/10W 1M	1	
R4025	ERJ6RBD222	M.RESISTOR CH 1/10W 2.2K	1	
R4026,27	ERJ6RBD153	M.RESISTOR CH 1/10W 15K	2	
R4028	ERJ6GEYF472	M.RESISTOR CH 1/10W 4.7K	1	
R4029	ERJ6RBD472	M.RESISTOR CH 1/10W 4.7K	1	
R4030	ERJ6GEYG103	M.RESISTOR CH 1/10W 10K	1	
R4031,32	ERJ6RBD472	M.RESISTOR CH 1/10W 4.7K	2	
R4033	ERJ6GEYG103	M.RESISTOR CH 1/10W 10K	1	
R4034	ERJ6GEYG182	M.RESISTOR CH 1/10W 1.8K	1	
R4035	ERJ6GEYG103	M.RESISTOR CH 1/10W 10K	1	
R4037	ERJ6GEYG103	M.RESISTOR CH 1/10W 10K	1	
R4041	ERJ12YJ621	M.RESISTOR CH 1/2W 620	1	
R4042	ERJ6RBD333	M.RESISTOR CH 1/10W 33K	1	
R4043	ERJ6RBD332	M.RESISTOR CH 1/10W 3.3K	1	
R4044	ERJ6RBD202	M.RESISTOR CH 1/10W 2K	1	

Ref. No.	Part No.	Part Name & Description	Pcs	Remark
R4045	ERJ6RBD223	M.RESISTOR CH 1/10W 22K	1	
R4046,47	ERJ6RBD473	M.RESISTOR CH 1/10W 47K	2	
R4048,49	ERJ6RBD123	M.RESISTOR CH 1/10W 12K	2	
R4050	ERJ6RBD202	M.RESISTOR CH 1/10W 2K	1	
R4051	ERJ6RBD332	M.RESISTOR CH 1/10W 3.3K	1	
R4052	ERJ6RBD333	M.RESISTOR CH 1/10W 33K	1	
R4053-56	ERJ6RBD472	M.RESISTOR CH 1/10W 4.7K	4	
R4057	ERJ6RED470	M.RESISTOR CH 1/10W 47	1	
R4058	ERJ6GEYG103	M.RESISTOR CH 1/10W 10K	1	
R4059	ERJ6GEYG182	M.RESISTOR CH 1/10W 1.8K	1	
R4060	ERJ6GEYG103	M.RESISTOR CH 1/10W 10K	1	
R4061	ERJ6GEYG102	M.RESISTOR CH 1/10W 1K	1	
R4062	ERJ6GEYG104	M.RESISTOR CH 1/10W 100K	1	
R4063	ERJ6GEYG683	M.RESISTOR CH 1/10W 68K	1	
R4064	ERJ6GEYG103	M.RESISTOR CH 1/10W 10K	1	
R4065	ERJ6GEYG105	M.RESISTOR CH 1/10W 1M	1	
R4066	ERJ6RBD102	M.RESISTOR CH 1/10W 1K	1	
R4067	ERJ6RBD222	M.RESISTOR CH 1/10W 2.2K	1	
R4068,69	ERJ6RBD153	M.RESISTOR CH 1/10W 15K	2	
R4070	ERJ6GEYF472	M.RESISTOR CH 1/10W 4.7K	1	
R4071	ERJ6GEYG103	M.RESISTOR CH 1/10W 10K	1	
R4072-74	ERJ6RBD472	M.RESISTOR CH 1/10W 4.7K	3	
R4075	ERJ6GEYG103	M.RESISTOR CH 1/10W 10K	1	
R4077	ERJ6GEYG103	M.RESISTOR CH 1/10W 10K	1	
R4101	ERJ6RBD202	M.RESISTOR CH 1/10W 2K	1	
R4102	ERJ6RBD332	M.RESISTOR CH 1/10W 3.3K	1	
R4103	ERJ6RBD333	M.RESISTOR CH 1/10W 33K	1	
R4104	ERJ12YJ621	M.RESISTOR CH 1/2W 620	1	
R4105	ERJ6RBD223	M.RESISTOR CH 1/10W 22K	1	
R4106	ERJ6RBD123	M.RESISTOR CH 1/10W 12K	1	
R4107,08	ERJ6RBD473	M.RESISTOR CH 1/10W 47K	2	
R4109	ERJ6RBD123	M.RESISTOR CH 1/10W 12K	1	
R4110	ERJ6RBD333	M.RESISTOR CH 1/10W 33K	1	
R4111	ERJ6RBD332	M.RESISTOR CH 1/10W 3.3K	1	
R4112	ERJ6RBD202	M.RESISTOR CH 1/10W 2K	1	
R4113,14	ERJ6RBD472	M.RESISTOR CH 1/10W 4.7K	2	
R4115	ERJ6RED470	M.RESISTOR CH 1/10W 47	1	
R4116,17	ERJ6RBD472	M.RESISTOR CH 1/10W 4.7K	2	
R4118	ERJ6GEYG103	M.RESISTOR CH 1/10W 10K	1	
R4119	ERJ6GEYG102	M.RESISTOR CH 1/10W 1K	1	
R4120	ERJ6GEYG104	M.RESISTOR CH 1/10W 100K	1	
R4121	ERJ6GEYG683	M.RESISTOR CH 1/10W 68K	1	
R4122	ERJ6GEYG103	M.RESISTOR CH 1/10W 10K	1	
R4123	ERJ6RBD102	M.RESISTOR CH 1/10W 1K	1	
R4124	ERJ6GEYG105	M.RESISTOR CH 1/10W 1M	1	
R4125	ERJ6RBD222	M.RESISTOR CH 1/10W 2.2K	1	
R4126,27	ERJ6RBD153	M.RESISTOR CH 1/10W 15K	2	
R4128	ERJ6GEYF472	M.RESISTOR CH 1/10W 4.7K	1	
R4129	ERJ6RBD472	M.RESISTOR CH 1/10W 4.7K	1	
R4130	ERJ6GEYG103	M.RESISTOR CH 1/10W 10K	1	
R4131,32	ERJ6RBD472	M.RESISTOR CH 1/10W 4.7K	2	
R4133	ERJ6GEYG103	M.RESISTOR CH 1/10W 10K	1	
R4134	ERJ6GEYG182	M.RESISTOR CH 1/10W 1.8K	1	
R4135	ERJ6GEYG103	M.RESISTOR CH 1/10W 10K	1	



Ref. No.	Part No.	Part Name & Description	Pcs	Remark
R4137	ERJ6GEYG103	M.RESISTOR CH 1/10W 10K	1	
R4141	ERJ12YJ621	M.RESISTOR CH 1/2W 620	1	
R4142	ERJ6RBD333	M.RESISTOR CH 1/10W 33K	1	
R4143	ERJ6RBD332	M.RESISTOR CH 1/10W 3.3K	1	
R4144	ERJ6RBD202	M.RESISTOR CH 1/10W 2K	1	
R4145	ERJ6RBD223	M.RESISTOR CH 1/10W 22K	1	
R4146,47	ERJ6RBD473	M.RESISTOR CH 1/10W 47K	2	
R4148,49	ERJ6RBD123	M.RESISTOR CH 1/10W 12K	2	
R4150	ERJ6RBD202	M.RESISTOR CH 1/10W 2K	1	
R4151	ERJ6RBD332	M.RESISTOR CH 1/10W 3.3K	1	
R4152	ERJ6RBD333	M.RESISTOR CH 1/10W 33K	1	
R4153-56	ERJ6RBD472	M.RESISTOR CH 1/10W 4.7K	4	
R4157	ERJ6RED470	M.RESISTOR CH 1/10W 47	1	
R4158	ERJ6GEYG103	M.RESISTOR CH 1/10W 10K	1	
R4159	ERJ6GEYG182	M.RESISTOR CH 1/10W 1.8K	1	
R4160	ERJ6GEYG103	M.RESISTOR CH 1/10W 10K	1	
R4161	ERJ6GEYG102	M.RESISTOR CH 1/10W 1K	1	
R4162	ERJ6GEYG104	M.RESISTOR CH 1/10W 100K	1	
R4163	ERJ6GEYG683	M.RESISTOR CH 1/10W 68K	1	
R4164	ERJ6GEYG103	M.RESISTOR CH 1/10W 10K	1	
R4165	ERJ6GEYG105	M.RESISTOR CH 1/10W 1M	1	
R4166	ERJ6RBD102	M.RESISTOR CH 1/10W 1K	1	
R4167	ERJ6RBD222	M.RESISTOR CH 1/10W 2.2K	1	
R4168,69	ERJ6RBD153	M.RESISTOR CH 1/10W 15K	2	
R4170	ERJ6GEYF472	M.RESISTOR CH 1/10W 4.7K	1	
R4171	ERJ6GEYG103	M.RESISTOR CH 1/10W 10K	1	
R4172-74	ERJ6RBD472	M.RESISTOR CH 1/10W 4.7K	3	
R4175	ERJ6GEYG103	M.RESISTOR CH 1/10W 10K	1	
R4177	ERJ6GEYG103	M.RESISTOR CH 1/10W 10K	1	
R4177 02	ERJ6RBD222	M.RESISTOR CH 1/10W 2.2K	1	
R4201	ERJ6GEYG331	M.RESISTOR CH 1/10W 330	1	
R4202	ERJ6GEYG103	M.RESISTOR CH 1/10W 10K	1	
R4203	ERJ6GEYF472	M.RESISTOR CH 1/10W 4.7K	1	
R4204	ERJ6GEYG331	M.RESISTOR CH 1/10W 330	1	
R4205	ERJ6GEYG103	M.RESISTOR CH 1/10W 10K	1	

Ref. No.	Part No.	Part Name & Description	Pcs	Remark
R4206	ERJ6RBD103	M.RESISTOR CH 1/10W 10K	1	
R4207	ERJ6GEYJ100	M.RESISTOR CH 1/10W 10	1	
R4208	ERJ6RBD103	M.RESISTOR CH 1/10W 10K	1	
R4209	ERJ6GEYF472	M.RESISTOR CH 1/10W 4.7K	1	
R4210	ERJ6GEYJ100	M.RESISTOR CH 1/10W 10	1	
R4211,12	ERJ6GEYF472	M.RESISTOR CH 1/10W 4.7K	2	
R4214-18	ERJ6RBD103	M.RESISTOR CH 1/10W 10K	5	
R4219,20	ERJ6RBD331	M.RESISTOR CH 1/10W 330	2	
R4221	ERJ6RBD103	M.RESISTOR CH 1/10W 10K	1	
R4222,23	ERJ6RBD331	M.RESISTOR CH 1/10W 330	2	
R4227-30	ERJ6GEY0R00	M.RESISTOR CH 1/10W 0	4	
R4231	VLQ0576	COIL	1	
R4232	ERJ6GEY0R00	M.RESISTOR CH 1/10W 0	1	
R4251	ERJ6GEYG331	M.RESISTOR CH 1/10W 330	1	
R4252	ERJ6GEYG103	M.RESISTOR CH 1/10W 10K	1	
R4253	ERJ6GEYF472	M.RESISTOR CH 1/10W 4.7K	1	
R4254	ERJ6GEYG331	M.RESISTOR CH 1/10W 330	1	
R4255	ERJ6GEYG103	M.RESISTOR CH 1/10W 10K	1	
R4256	ERJ6RBD103	M.RESISTOR CH 1/10W 10K	1	
R4257	ERJ6GEYJ100	M.RESISTOR CH 1/10W 10	1	
R4258	ERJ6RBD103	M.RESISTOR CH 1/10W 10K	1	
R4259	ERJ6GEYF472	M.RESISTOR CH 1/10W 4.7K	1	
R4260	ERJ6GEYJ100	M.RESISTOR CH 1/10W 10	1	
R4261,62	ERJ6GEYF472	M.RESISTOR CH 1/10W 4.7K	2	
R4264-68	ERJ6RBD103	M.RESISTOR CH 1/10W 10K	5	
R4269,70	ERJ6RBD331	M.RESISTOR CH 1/10W 330	2	
R4271	ERJ6RBD103	M.RESISTOR CH 1/10W 10K	1	
R4272,73	ERJ6RBD331	M.RESISTOR CH 1/10W 330	2	
R4277-80	ERJ6GEY0R00	M.RESISTOR CH 1/10W 0	4	
R4281	VLQ0576	COIL	1	
R4282	ERJ6GEY0R00	M.RESISTOR CH 1/10W 0	1	
R4301	ERJ6GEY0R00	M.RESISTOR CH 1/10W 0	1	
R4302	ERJ6GEYF473	M.RESISTOR CH 1/10W 47K	1	
R4303	ERJ6GEY0R00	M.RESISTOR CH 1/10W 0	1	
R4304-06	ERJ6GEYF473	M.RESISTOR CH 1/10W 47K	3	
R4307	ERJ6GEY0R00	M.RESISTOR CH 1/10W 0	1	
R4308-11	ERJ6GEYF473	M.RESISTOR CH 1/10W 47K	4	
R4314	ERJ6GEYF472	M.RESISTOR CH 1/10W 4.7K	1	
R4316-18	ERJ6GEYF472	M.RESISTOR CH 1/10W 4.7K	3	
R4319,20	ERJ6GEYG273	M.RESISTOR CH 1/10W 27K	2	
R4321	ERJ6RBD391	M.RESISTOR CH 1/10W 390	1	
R4322	ERJ6RBD222	M.RESISTOR CH 1/10W 2.2K	1	
R4323	ERJ6RBD103	M.RESISTOR CH 1/10W 10K	1	
R4324	ERJ6RBD391	M.RESISTOR CH 1/10W 390	1	
R4325	ERJ6RBD222	M.RESISTOR CH 1/10W 2.2K	1	
R4326	ERJ6RBD103	M.RESISTOR CH 1/10W 10K	1	
R4351	ERJ6GEY0R00	M.RESISTOR CH 1/10W 0	1	
R4352	ERJ6GEYF473	M.RESISTOR CH 1/10W 47K	1	
R4353	ERJ6GEY0R00	M.RESISTOR CH 1/10W 0	1	
R4354-56	ERJ6GEYF473	M.RESISTOR CH 1/10W 47K	3	
R4357	ERJ6GEY0R00	M.RESISTOR CH 1/10W 0	1	
R4358-61	ERJ6GEYF473	M.RESISTOR CH 1/10W 47K	4	
R4364	ERJ6GEYF472	M.RESISTOR CH 1/10W 4.7K	1	
R4366-68	ERJ6GEYF472	M.RESISTOR CH 1/10W 4.7K	3	

Ref. No.	Part No.	Part Name & Description	Pcs	Remark
R4369,70	ERJ6GEYG273	M.RESISTOR CH 1/10W 27K	2	
R4371	ERJ6RBD391	M.RESISTOR CH 1/10W 390	1	
R4372	ERJ6RBD222	M.RESISTOR CH 1/10W 2.2K	1	
R4373	ERJ6RBD103	M.RESISTOR CH 1/10W 10K	1	
R4374	ERJ6RBD391	M.RESISTOR CH 1/10W 390	1	
R4375	ERJ6RBD222	M.RESISTOR CH 1/10W 2.2K	1	
R4376	ERJ6RBD103	M.RESISTOR CH 1/10W 10K	1	
R4401	ERJ6GEYG104	M.RESISTOR CH 1/10W 100K	1	
R4402	ERJ6GEYG103	M.RESISTOR CH 1/10W 10K	1	
R4403	ERJ6RBD223	M.RESISTOR CH 1/10W 22K	1	
R4404	ERJ6RBD222	M.RESISTOR CH 1/10W 2.2K	1	
R4405	ERJ6RBD102	M.RESISTOR CH 1/10W 1K	1	
R4406	ERJ6GEYG105	M.RESISTOR CH 1/10W 1M	1	
R4407	ERJ6GEYG683	M.RESISTOR CH 1/10W 68K	1	
R4408	ERJ6RBD123	M.RESISTOR CH 1/10W 12K	1	
R4409	ERJ6GEYF472	M.RESISTOR CH 1/10W 4.7K	1	
R4410	ERJ6GEYG102	M.RESISTOR CH 1/10W 1K	1	
R4411	ERJ6GEYG103	M.RESISTOR CH 1/10W 10K	1	
R4412	ERJ6RBD301	M.RESISTOR CH 1/10W 300	1	
R4413	ERJ6RBD272	M.RESISTOR CH 1/10W 2.7K	1	
R4414	ERJ6RBD472	M.RESISTOR CH 1/10W 4.7K	1	
R4415	ERJ6RBD123	M.RESISTOR CH 1/10W 12K	1	
R4416	ERJ6RBD102	M.RESISTOR CH 1/10W 1K	1	
R4417	ERJ6RBD103	M.RESISTOR CH 1/10W 10K	1	
R4418	ERJ6GEYG563	M.RESISTOR CH 1/10W 56K	1	
R4419	ERJ6GEYF472	M.RESISTOR CH 1/10W 4.7K	1	
R4420	ERJ6RBD682	M.RESISTOR CH 1/10W 6.8K	1	
R4421-24	ERJ6RBD472	M.RESISTOR CH 1/10W 4.7K	4	
R4425	ERJ6GEYG562	M.RESISTOR CH 1/10W 5.6K	1	
R4426	ERJ6GEYG105	M.RESISTOR CH 1/10W 1M	1	
R4427	ERJ6GEYJ100	M.RESISTOR CH 1/10W 10	1	
R4428,29	ERJ6RBD153	M.RESISTOR CH 1/10W 15K	2	
R4430	ERJ6RED150	M.RESISTOR CH 1/10W 15	1	
R4431	ERJ6RBD153	M.RESISTOR CH 1/10W 15K	1	
R4433	ERJ6GEYG562	M.RESISTOR CH 1/10W 5.6K	1	
R4434	ERJ6GEYG105	M.RESISTOR CH 1/10W 1M	1	
R4435	ERJ6GEYJ100	M.RESISTOR CH 1/10W 10	1	
R4436	ERJ6RBD153	M.RESISTOR CH 1/10W 15K	1	
R4437,38	ERJ6GEYG562	M.RESISTOR CH 1/10W 5.6K	2	
R4439,40	ERJ14YJ100	M.RESISTOR CH 1/4W 10	2	
R4441	ERJ14YJ220	M.RESISTOR CH 1/4W 22	1	
R4442,43	ERJ14YJ100	M.RESISTOR CH 1/4W 10	2	
R4444	ERJ14YJ220	M.RESISTOR CH 1/4W 22	1	
R4445,46	ERJ6GEYG103	M.RESISTOR CH 1/10W 10K	2	
R4447,48	ERJ6GEYG102	M.RESISTOR CH 1/10W 1K	2	
R4449	ERJ6GEYG103	M.RESISTOR CH 1/10W 10K	1	
R4450,51	ERJ6GEYF561	M.RESISTOR CH 1/10W 560	2	
R4452	ERJ6GEYG103	M.RESISTOR CH 1/10W 10K	1	
R4453	ERJ6GEY0R00	M.RESISTOR CH 1/10W 0	1	
R4454	ERJ6RBD301	M.RESISTOR CH 1/10W 300	1	
R4455	ERJ6RBD512	M.RESISTOR CH 1/10W 5.1K	1	
R4456	ERJ6RBD472	M.RESISTOR CH 1/10W 4.7K	1	
R4462	ERJ6RED470	M.RESISTOR CH 1/10W 47	1	
R4463	ERJ6RBD911	M.RESISTOR CH 1/10W 910	1	

Ref. No.	Part No.	Part Name & Description	Pcs	Remark
R4465	ERJ6RBD911	M.RESISTOR CH 1/10W 910	1	
R4466	ERJ6RED470	M.RESISTOR CH 1/10W 47	1	
R4467	ERJ6RBD123	M.RESISTOR CH 1/10W 12K	1	
R4468	ERJ6RBD151	M.RESISTOR CH 1/10W 150	1	
R4469	ERJ6RBD682	M.RESISTOR CH 1/10W 6.8K	1	
R4470	ERJ6RBD822	M.RESISTOR CH 1/10W 8.2K	1	
R4471	ERJ6RBD391	M.RESISTOR CH 1/10W 390	1	
R4476	ERJ6GEYG104	M.RESISTOR CH 1/10W 100K	1	
R4477	ERJ6RBD223	M.RESISTOR CH 1/10W 22K	1	
R4478	ERJ6RBD222	M.RESISTOR CH 1/10W 2.2K	1	
R4479	ERJ6GEYG683	M.RESISTOR CH 1/10W 68K	1	
R4480	ERJ6GEYG103	M.RESISTOR CH 1/10W 10K	1	
R4481	ERJ6RBD102	M.RESISTOR CH 1/10W 1K	1	
R4482	ERJ6GEYG105	M.RESISTOR CH 1/10W 1M	1	
R4483	ERJ6RBD123	M.RESISTOR CH 1/10W 12K	1	
R4484	ERJ6GEYF472	M.RESISTOR CH 1/10W 4.7K	1	
R4485	ERJ6GEYG102	M.RESISTOR CH 1/10W 1K	1	
R4486	ERJ6GEYG103	M.RESISTOR CH 1/10W 10K	1	
R4487	ERJ6RBD301	M.RESISTOR CH 1/10W 300	1	
R4488	ERJ6RBD272	M.RESISTOR CH 1/10W 2.7K	1	
R4489	ERJ6RBD472	M.RESISTOR CH 1/10W 4.7K	1	
R4490	ERJ6RBD123	M.RESISTOR CH 1/10W 12K	1	
R4491	ERJ6RBD102	M.RESISTOR CH 1/10W 1K	1	
R4492	ERJ6RBD103	M.RESISTOR CH 1/10W 10K	1	
R4493	ERJ6GEYG563	M.RESISTOR CH 1/10W 56K	1	
R4494	ERJ6GEYF472	M.RESISTOR CH 1/10W 4.7K	1	
R4495	ERJ6RBD682	M.RESISTOR CH 1/10W 6.8K	1	
R4496-99	ERJ6RBD472	M.RESISTOR CH 1/10W 4.7K	4	
R4500	ERJ6GEYG105	M.RESISTOR CH 1/10W 1M	1	
R4501	ERJ6GEYG562	M.RESISTOR CH 1/10W 5.6K	1	
R4502	ERJ6GEYG105	M.RESISTOR CH 1/10W 1M	1	
R4503	ERJ6GEYJ100	M.RESISTOR CH 1/10W 10	1	
R4504,05	ERJ6RBD153	M.RESISTOR CH 1/10W 15K	2	
R4506	ERJ6RED150	M.RESISTOR CH 1/10W 15	1	
R4507	ERJ6RBD153	M.RESISTOR CH 1/10W 15K	1	
R4509	ERJ6GEYG562	M.RESISTOR CH 1/10W 5.6K	1	
R4510	ERJ6GEYJ100	M.RESISTOR CH 1/10W 10	1	
R4511	ERJ6GEYG562	M.RESISTOR CH 1/10W 5.6K	1	
R4512	ERJ6RBD153	M.RESISTOR CH 1/10W 15K	1	
R4513	ERJ6GEYG562	M.RESISTOR CH 1/10W 5.6K	1	
R4514,15	ERJ14YJ100	M.RESISTOR CH 1/4W 10	2	
R4516	ERJ14YJ220	M.RESISTOR CH 1/4W 22	1	
R4517,18	ERJ14YJ100	M.RESISTOR CH 1/4W 10	2	
R4519	ERJ14YJ220	M.RESISTOR CH 1/4W 22	1	
R4520,21	ERJ6GEYG103	M.RESISTOR CH 1/10W 10K	2	
R4522,23	ERJ6GEYG102	M.RESISTOR CH 1/10W 1K	2	
R4524	ERJ6GEYF561	M.RESISTOR CH 1/10W 560	1	
R4525	ERJ6GEYG103	M.RESISTOR CH 1/10W 10K	1	
R4526	ERJ6GEYF561	M.RESISTOR CH 1/10W 560	1	
R4527	ERJ6GEYG103	M.RESISTOR CH 1/10W 10K	1	
R4528	ERJ6GEY0R00	M.RESISTOR CH 1/10W 0	1	
R4529	ERJ6RBD301	M.RESISTOR CH 1/10W 300	1	
R4530	ERJ6RBD512	M.RESISTOR CH 1/10W 5.1K	1	
R4531	ERJ6RBD472	M.RESISTOR CH 1/10W 4.7K	1	

Ref. No.	Part No.	Part Name & Description	Pcs	Remark
R4537	ERJ6RED470	M.RESISTOR CH 1/10W 47	1	
R4538	ERJ6RBD911	M.RESISTOR CH 1/10W 910	1	
R4540	ERJ6RBD911	M.RESISTOR CH 1/10W 910	1	
R4541	ERJ6RED470	M.RESISTOR CH 1/10W 47	1	
R4542	ERJ6RBD123	M.RESISTOR CH 1/10W 12K	1	
R4543	ERJ6RBD151	M.RESISTOR CH 1/10W 150	1	
R4544	ERJ6RBD682	M.RESISTOR CH 1/10W 6.8K	1	
R4545	ERJ6RBD822	M.RESISTOR CH 1/10W 8.2K	1	
R4546	ERJ6RBD391	M.RESISTOR CH 1/10W 390	1	
R4551	ERJ6GEYG104	M.RESISTOR CH 1/10W 100K	1	
R4552	ERJ6GEYG103	M.RESISTOR CH 1/10W 10K	1	
R4553	ERJ6RBD223	M.RESISTOR CH 1/10W 22K	1	
R4554	ERJ6RBD222	M.RESISTOR CH 1/10W 2.2K	1	
R4555	ERJ6RBD102	M.RESISTOR CH 1/10W 1K	1	
R4556	ERJ6GEYG105	M.RESISTOR CH 1/10W 1M	1	
R4557	ERJ6GEYG683	M.RESISTOR CH 1/10W 68K	1	
R4558	ERJ6RBD123	M.RESISTOR CH 1/10W 12K	1	
R4559	ERJ6GEYF472	M.RESISTOR CH 1/10W 4.7K	1	
R4560	ERJ6GEYG102	M.RESISTOR CH 1/10W 1K	1	
R4561	ERJ6GEYG103	M.RESISTOR CH 1/10W 10K	1	
R4562	ERJ6RBD301	M.RESISTOR CH 1/10W 300	1	
R4563	ERJ6RBD272	M.RESISTOR CH 1/10W 2.7K	1	
R4564	ERJ6RBD472	M.RESISTOR CH 1/10W 4.7K	1	
R4565	ERJ6RBD123	M.RESISTOR CH 1/10W 12K	1	
R4566	ERJ6RBD102	M.RESISTOR CH 1/10W 1K	1	
R4567	ERJ6RBD103	M.RESISTOR CH 1/10W 10K	1	
R4568	ERJ6GEYG563	M.RESISTOR CH 1/10W 56K	1	
R4569	ERJ6GEYF472	M.RESISTOR CH 1/10W 4.7K	1	
R4570	ERJ6RBD682	M.RESISTOR CH 1/10W 6.8K	1	
R4571-74	ERJ6RBD472	M.RESISTOR CH 1/10W 4.7K	4	
R4575	ERJ6GEYG562	M.RESISTOR CH 1/10W 5.6K	1	
R4576	ERJ6GEYG105	M.RESISTOR CH 1/10W 1M	1	
R4577	ERJ6GEYJ100	M.RESISTOR CH 1/10W 10	1	
R4578,79	ERJ6RBD153	M.RESISTOR CH 1/10W 15K	2	
R4580	ERJ6RED150	M.RESISTOR CH 1/10W 15	1	
R4581	ERJ6RBD153	M.RESISTOR CH 1/10W 15K	1	
R4583	ERJ6GEYG562	M.RESISTOR CH 1/10W 5.6K	1	
R4584	ERJ6GEYG105	M.RESISTOR CH 1/10W 1M	1	
R4585	ERJ6GEYJ100	M.RESISTOR CH 1/10W 10	1	
R4586	ERJ6RBD153	M.RESISTOR CH 1/10W 15K	1	
R4587,88	ERJ6GEYG562	M.RESISTOR CH 1/10W 5.6K	2	
R4589,90	ERJ14YJ100	M.RESISTOR CH 1/4W 10	2	
R4591	ERJ14YJ220	M.RESISTOR CH 1/4W 22	1	
R4592,93	ERJ14YJ100	M.RESISTOR CH 1/4W 10	2	
R4594	ERJ14YJ220	M.RESISTOR CH 1/4W 22	1	
R4595,96	ERJ6GEYG103	M.RESISTOR CH 1/10W 10K	2	
R4597,98	ERJ6GEYG102	M.RESISTOR CH 1/10W 1K	2	
R4599	ERJ6GEYG103	M.RESISTOR CH 1/10W 10K	1	
R4600,01	ERJ6GEYF561	M.RESISTOR CH 1/10W 560	2	
R4602	ERJ6GEYG103	M.RESISTOR CH 1/10W 10K	1	
R4603	ERJ6GEY0R00	M.RESISTOR CH 1/10W 0	1	
R4604	ERJ6RBD301	M.RESISTOR CH 1/10W 300	1	
R4605	ERJ6RBD512	M.RESISTOR CH 1/10W 5.1K	1	
R4606	ERJ6RBD472	M.RESISTOR CH 1/10W 4.7K	1	

Ref. No.	Part No.	Part Name & Description	Pcs	Remark
R4612	ERJ6RED470	M.RESISTOR CH 1/10W 47	1	
R4613	ERJ6RBD911	M.RESISTOR CH 1/10W 910	1	
R4615	ERJ6RBD911	M.RESISTOR CH 1/10W 910	1	
R4616	ERJ6RED470	M.RESISTOR CH 1/10W 47	1	
R4617	ERJ6RBD123	M.RESISTOR CH 1/10W 12K	1	
R4618	ERJ6RBD151	M.RESISTOR CH 1/10W 150	1	
R4619	ERJ6RBD682	M.RESISTOR CH 1/10W 6.8K	1	
R4620	ERJ6RBD822	M.RESISTOR CH 1/10W 8.2K	1	
R4621	ERJ6RBD391	M.RESISTOR CH 1/10W 390	1	
R4626	ERJ6GEYG104	M.RESISTOR CH 1/10W 100K	1	
R4627	ERJ6RBD223	M.RESISTOR CH 1/10W 22K	1	
R4628	ERJ6RBD222	M.RESISTOR CH 1/10W 2.2K	1	
R4629	ERJ6GEYG683	M.RESISTOR CH 1/10W 68K	1	
R4630	ERJ6GEYG103	M.RESISTOR CH 1/10W 10K	1	
R4631	ERJ6RBD102	M.RESISTOR CH 1/10W 1K	1	
R4632	ERJ6GEYG105	M.RESISTOR CH 1/10W 1M	1	
R4633	ERJ6RBD123	M.RESISTOR CH 1/10W 12K	1	
R4634	ERJ6GEYF472	M.RESISTOR CH 1/10W 4.7K	1	
R4635	ERJ6GEYG102	M.RESISTOR CH 1/10W 1K	1	
R4636	ERJ6GEYG103	M.RESISTOR CH 1/10W 10K	1	
R4637	ERJ6RBD301	M.RESISTOR CH 1/10W 300	1	
R4638	ERJ6RBD272	M.RESISTOR CH 1/10W 2.7K	1	
R4639	ERJ6RBD472	M.RESISTOR CH 1/10W 4.7K	1	
R4640	ERJ6RBD123	M.RESISTOR CH 1/10W 12K	1	
R4641	ERJ6RBD102	M.RESISTOR CH 1/10W 1K	1	
R4642	ERJ6RBD103	M.RESISTOR CH 1/10W 10K	1	
R4643	ERJ6GEYG563	M.RESISTOR CH 1/10W 56K	1	
R4644	ERJ6GEYF472	M.RESISTOR CH 1/10W 4.7K	1	
R4645	ERJ6RBD682	M.RESISTOR CH 1/10W 6.8K	1	
R4646-49	ERJ6RBD472	M.RESISTOR CH 1/10W 4.7K	4	
R4650	ERJ6GEYG105	M.RESISTOR CH 1/10W 1M	1	
R4651	ERJ6GEYG562	M.RESISTOR CH 1/10W 5.6K	1	
R4652	ERJ6GEYG105	M.RESISTOR CH 1/10W 1M	1	
R4653	ERJ6GEYJ100	M.RESISTOR CH 1/10W 10	1	
R4654,55	ERJ6RBD153	M.RESISTOR CH 1/10W 15K	2	
R4656	ERJ6RED150	M.RESISTOR CH 1/10W 15	1	
R4657	ERJ6RBD153	M.RESISTOR CH 1/10W 15K	1	
R4659	ERJ6GEYG562	M.RESISTOR CH 1/10W 5.6K	1	
R4660	ERJ6GEYJ100	M.RESISTOR CH 1/10W 10	1	
R4661	ERJ6GEYG562	M.RESISTOR CH 1/10W 5.6K	1	
R4662	ERJ6RBD153	M.RESISTOR CH 1/10W 15K	1	
R4663	ERJ6GEYG562	M.RESISTOR CH 1/10W 5.6K	1	
R4664,65	ERJ14YJ100	M.RESISTOR CH 1/4W 10	2	
R4666	ERJ14YJ220	M.RESISTOR CH 1/4W 22	1	
R4667,68	ERJ14YJ100	M.RESISTOR CH 1/4W 10	2	
R4669	ERJ14YJ220	M.RESISTOR CH 1/4W 22	1	
R4670,71	ERJ6GEYG103	M.RESISTOR CH 1/10W 10K	2	
R4672,73	ERJ6GEYG102	M.RESISTOR CH 1/10W 1K	2	
R4674	ERJ6GEYF561	M.RESISTOR CH 1/10W 560	1	
R4675	ERJ6GEYG103	M.RESISTOR CH 1/10W 10K	1	
R4676	ERJ6GEYF561	M.RESISTOR CH 1/10W 560	1	
R4677	ERJ6GEYG103	M.RESISTOR CH 1/10W 10K	1	
R4678	ERJ6GEY0R00	M.RESISTOR CH 1/10W 0	1	
R4679	ERJ6RBD301	M.RESISTOR CH 1/10W 300	1	

Ref. No.	Part No.	Part Name & Description	Pcs	Remark
R4680	ERJ6RBD512	M.RESISTOR CH 1/10W 5.1K	1	
R4681	ERJ6RBD472	M.RESISTOR CH 1/10W 4.7K	1	
R4687	ERJ6RED470	M.RESISTOR CH 1/10W 47	1	
R4688	ERJ6RBD911	M.RESISTOR CH 1/10W 910	1	
R4690	ERJ6RBD911	M.RESISTOR CH 1/10W 910	1	
R4691	ERJ6RED470	M.RESISTOR CH 1/10W 47	1	
R4692	ERJ6RBD123	M.RESISTOR CH 1/10W 12K	1	
R4693	ERJ6RBD151	M.RESISTOR CH 1/10W 150	1	
R4694	ERJ6RBD682	M.RESISTOR CH 1/10W 6.8K	1	
R4695	ERJ6RBD822	M.RESISTOR CH 1/10W 8.2K	1	
R4696	ERJ6RBD391	M.RESISTOR CH 1/10W 390	1	
R4701,02	ERJ6GEYF473	M.RESISTOR CH 1/10W 47K	2	
R4703,04	ERJ6GEY0R00	M.RESISTOR CH 1/10W 0	2	
R4705-10	ERJ6GEYF473	M.RESISTOR CH 1/10W 47K	6	
R4713,14	ERJ6GEYF472	M.RESISTOR CH 1/10W 4.7K	2	
R4716,17	ERJ6GEYF472	M.RESISTOR CH 1/10W 4.7K	2	
R4718,19	ERJ6GEYG273	M.RESISTOR CH 1/10W 27K	2	
R4720	ERJ6GEYG104	M.RESISTOR CH 1/10W 100K	1	
R4721	ERJ6GEYG683	M.RESISTOR CH 1/10W 68K	1	
R4722	ERJ6GEYG103	M.RESISTOR CH 1/10W 10K	1	
R4723	ERJ6GEYG104	M.RESISTOR CH 1/10W 100K	1	
R4724	ERJ6GEYG103	M.RESISTOR CH 1/10W 10K	1	
R4725	ERJ6GEYG683	M.RESISTOR CH 1/10W 68K	1	
R4726	ERJ6RBD223	M.RESISTOR CH 1/10W 22K	1	
R4727	ERJ6RBD222	M.RESISTOR CH 1/10W 2.2K	1	
R4728	ERJ6RBD102	M.RESISTOR CH 1/10W 1K	1	
R4729	ERJ6GEYG105	M.RESISTOR CH 1/10W 1M	1	
R4730	ERJ6RBD123	M.RESISTOR CH 1/10W 12K	1	
R4731	ERJ6RBD223	M.RESISTOR CH 1/10W 22K	1	
R4732	ERJ6RBD222	M.RESISTOR CH 1/10W 2.2K	1	

Ref. No.	Part No.	Part Name & Description	Pcs	Remark
R4733	ERJ6RBD102	M.RESISTOR CH 1/10W 1K	1	
R4734	ERJ6GEYG105	M.RESISTOR CH 1/10W 1M	1	
R4735	ERJ6RBD123	M.RESISTOR CH 1/10W 12K	1	
R4736	ERJ6GEYF472	M.RESISTOR CH 1/10W 4.7K	1	
R4737	ERJ6GEYG102	M.RESISTOR CH 1/10W 1K	1	
R4738	ERJ6GEYF472	M.RESISTOR CH 1/10W 4.7K	1	
R4739	ERJ6GEYG102	M.RESISTOR CH 1/10W 1K	1	
R4740,41	ERJ6GEYG103	M.RESISTOR CH 1/10W 10K	2	
R4742	ERJ6RBD391	M.RESISTOR CH 1/10W 390	1	
R4743	ERJ6RBD222	M.RESISTOR CH 1/10W 2.2K	1	
R4744	ERJ6RBD103	M.RESISTOR CH 1/10W 10K	1	
R4745	ERJ6RBD391	M.RESISTOR CH 1/10W 390	1	
R4746	ERJ6RBD222	M.RESISTOR CH 1/10W 2.2K	1	
R4747	ERJ6RBD103	M.RESISTOR CH 1/10W 10K	1	
R4751	ERJ6GEYG104	M.RESISTOR CH 1/10W 100K	1	
R4752	ERJ6GEYF333	M.RESISTOR CH 1/10W 33K	1	
R4753	ERJ6GEYG103	M.RESISTOR CH 1/10W 10K	1	
R4754	ERJ6GEYF473	M.RESISTOR CH 1/10W 47K	1	
R4755	ERJ6GEYG103	M.RESISTOR CH 1/10W 10K	1	
R4756	ERJ6GEYG222	M.RESISTOR CH 1/10W 2.2K	1	
R4757,58	ERJ6GEYF473	M.RESISTOR CH 1/10W 47K	2	

Ref. No.	Part No.	Part Name & Description	Pcs	Remark
R4759	ERJ6GEYG105	M.RESISTOR CH 1/10W 1M	1	
R4760	ERJ6GEYG104	M.RESISTOR CH 1/10W 100K	1	
R4761	ERJ6GEYG103	M.RESISTOR CH 1/10W 10K	1	
R4762	ERJ6GEYF473	M.RESISTOR CH 1/10W 47K	1	
R4763	ERJ6GEYG104	M.RESISTOR CH 1/10W 100K	1	
R4764	ERJ6GEY0R00	M.RESISTOR CH 1/10W 0	1	
R4765	ERJ6RBD102	M.RESISTOR CH 1/10W 1K	1	
R4766	ERJ6GEYG392	M.RESISTOR CH 1/10W 3.9K	1	
R4767	ERJ6RED220	M.RESISTOR CH 1/10W 22	1	
R4768	ERJ6GEYG103	M.RESISTOR CH 1/10W 10K	1	
R4769	ERJ6RBD301	M.RESISTOR CH 1/10W 300	1	
R4770	ERJ6RBD272	M.RESISTOR CH 1/10W 2.7K	1	
R4771	ERJ6RBD472	M.RESISTOR CH 1/10W 4.7K	1	
R4772	ERJ6RBD123	M.RESISTOR CH 1/10W 12K	1	
R4773	ERJ6RBD102	M.RESISTOR CH 1/10W 1K	1	
R4774	ERJ6RBD103	M.RESISTOR CH 1/10W 10K	1	
R4775-77	ERJ6GEY0R00	M.RESISTOR CH 1/10W 0	3	
R4778	ERJ6GEYG563	M.RESISTOR CH 1/10W 56K	1	
R4779	ERJ6RBD682	M.RESISTOR CH 1/10W 6.8K	1	
R4780	ERJ6GEYF472	M.RESISTOR CH 1/10W 4.7K	1	
R4781-84	ERJ6RBD472	M.RESISTOR CH 1/10W 4.7K	4	
R4785	ERJ6GEYG105	M.RESISTOR CH 1/10W 1M	1	
R4786	ERJ6GEYJ100	M.RESISTOR CH 1/10W 10	1	
R4787	ERJ6GEYG105	M.RESISTOR CH 1/10W 1M	1	
R4788-90	ERJ6RBD153	M.RESISTOR CH 1/10W 15K	3	
R4791	ERJ6RED150	M.RESISTOR CH 1/10W 15	1	
R4793	ERJ6GEYJ100	M.RESISTOR CH 1/10W 10	1	
R4794	ERJ6RBD153	M.RESISTOR CH 1/10W 15K	1	
R4795	ERJ6GEYG562	M.RESISTOR CH 1/10W 5.6K	1	
R4796,97	ERJ14YJ100	M.RESISTOR CH 1/4W 10	2	
R4798,99	ERJ6GEYG562	M.RESISTOR CH 1/10W 5.6K	2	
R4800,01	ERJ14YJ100	M.RESISTOR CH 1/4W 10	2	
R4802	ERJ6GEYG562	M.RESISTOR CH 1/10W 5.6K	1	
R4803,04	ERJ14YJ220	M.RESISTOR CH 1/4W 22	2	
R4805,06	ERJ6GEYG103	M.RESISTOR CH 1/10W 10K	2	
R4807,08	ERJ6GEYG102	M.RESISTOR CH 1/10W 1K	2	
R4809,10	ERJ6GEYF561	M.RESISTOR CH 1/10W 560	2	
R4811,12	ERJ6GEYG103	M.RESISTOR CH 1/10W 10K	2	
R4813	ERJ6GEY0R00	M.RESISTOR CH 1/10W 0	1	
R4814	ERJ6RBD301	M.RESISTOR CH 1/10W 300	1	
R4815	ERJ6RBD512	M.RESISTOR CH 1/10W 5.1K	1	
R4816	ERJ6RBD472	M.RESISTOR CH 1/10W 4.7K	1	
R4831	ERJ6RBD102	M.RESISTOR CH 1/10W 1K	1	
R4832	ERJ6GEYG392	M.RESISTOR CH 1/10W 3.9K	1	
R4833	ERJ6RED220	M.RESISTOR CH 1/10W 22	1	
R4834	ERJ6GEYG103	M.RESISTOR CH 1/10W 10K	1	
R4835	ERJ6RBD272	M.RESISTOR CH 1/10W 2.7K	1	
R4836	ERJ6RBD301	M.RESISTOR CH 1/10W 300	1	
R4837-39	ERJ6GEY0R00	M.RESISTOR CH 1/10W 0	3	
R4840	ERJ6RBD472	M.RESISTOR CH 1/10W 4.7K	1	
R4841	ERJ6RBD123	M.RESISTOR CH 1/10W 12K	1	
R4842	ERJ6RBD102	M.RESISTOR CH 1/10W 1K	1	
R4843	ERJ6RBD103	M.RESISTOR CH 1/10W 10K	1	
R4844	ERJ6GEYG563	M.RESISTOR CH 1/10W 56K	1	



Ref. No.	Part No.	Part Name & Description	Pcs	Remark
R4845	ERJ6GEYF472	M.RESISTOR CH 1/10W 4.7K	1	
R4846	ERJ6RBD682	M.RESISTOR CH 1/10W 6.8K	1	
R4847-50	ERJ6RBD472	M.RESISTOR CH 1/10W 4.7K	4	
R4851,52	ERJ6GEYG105	M.RESISTOR CH 1/10W 1M	2	
R4853	ERJ6GEYJ100	M.RESISTOR CH 1/10W 10	1	
R4854-56	ERJ6RBD153	M.RESISTOR CH 1/10W 15K	3	
R4857	ERJ6RED150	M.RESISTOR CH 1/10W 15	1	
R4859	ERJ6GEYJ100	M.RESISTOR CH 1/10W 10	1	
R4860	ERJ6RBD153	M.RESISTOR CH 1/10W 15K	1	
R4861	ERJ6GEYG562	M.RESISTOR CH 1/10W 5.6K	1	
R4862,63	ERJ14YJ100	M.RESISTOR CH 1/4W 10	2	
R4864,65	ERJ6GEYG562	M.RESISTOR CH 1/10W 5.6K	2	
R4866,67	ERJ14YJ100	M.RESISTOR CH 1/4W 10	2	
R4868	ERJ6GEYG562	M.RESISTOR CH 1/10W 5.6K	1	
R4869,70	ERJ14YJ220	M.RESISTOR CH 1/4W 22	2	
R4871,72	ERJ6GEYG103	M.RESISTOR CH 1/10W 10K	2	
R4873,74	ERJ6GEYG102	M.RESISTOR CH 1/10W 1K	2	
R4875,76	ERJ6GEYF561	M.RESISTOR CH 1/10W 560	2	
R4877,78	ERJ6GEYG103	M.RESISTOR CH 1/10W 10K	2	
R4879	ERJ6GEY0R00	M.RESISTOR CH 1/10W 0	1	
R4880	ERJ6RBD301	M.RESISTOR CH 1/10W 300	1	
R4881	ERJ6RBD512	M.RESISTOR CH 1/10W 5.1K	1	
R4882	ERJ6RBD472	M.RESISTOR CH 1/10W 4.7K	1	
R4901,02	ERJ6GEYG102	M.RESISTOR CH 1/10W 1K	2	
R4903,04	ERJ6GEYF472	M.RESISTOR CH 1/10W 4.7K	2	
R4905	ERJ6GEYG103	M.RESISTOR CH 1/10W 10K	1	
R4906	ERJ14YJ330	M.RESISTOR CH 1/4W 33	1	
R4908	ERJ14YJ330	M.RESISTOR CH 1/4W 33	1	
R4910	ERJ6GEYG103	M.RESISTOR CH 1/10W 10K	1	
R4911,12	ERJ6GEYG102	M.RESISTOR CH 1/10W 1K	2	
R4914	ERJ6GEY0R00	M.RESISTOR CH 1/10W 0	1	
R4916	ERJ6GEY0R00	M.RESISTOR CH 1/10W 0	1	
R4931	ERJ6GEYG103	M.RESISTOR CH 1/10W 10K	1	
R4932,33	ERJ6GEY0R00	M.RESISTOR CH 1/10W 0	2	
R4934-42	ERJ6GEYG103	M.RESISTOR CH 1/10W 10K	9	
R4943-50	ERJ6GEYG104	M.RESISTOR CH 1/10W 100K	8	
R4951,52	ERJ6GEYG103	M.RESISTOR CH 1/10W 10K	2	
SW4001	VSS0126	SWITCH	1	
SW4041	VSS0126	SWITCH	1	
SW4101	VSS0126	SWITCH	1	
SW4141	VSS0126	SWITCH	1	
TG4202	VJR0646	TEST POINT	1	
TG4252	VJR0646	TEST POINT	1	
TG4301	VJR0646	TEST POINT	1	
TG4351	VJR0646	TEST POINT	1	
TP4201-03	VJR0646	TEST POINT	3	
TP4251-53	VJR0646	TEST POINT	3	
TP4301,02	VJR0646	TEST POINT	2	
TP4351,52	VJR0646	TEST POINT	2	
TP4401	VJR0646	TEST POINT	1	
TP4476	VJR0646	TEST POINT	1	

Ref. No.	Part No.	Part Name & Description	Pcs	Remark
TP4551	VJR0646	TEST POINT	1	
TP4626	VJR0646	TEST POINT	1	
TP4701-04	VJR0646	TEST POINT	4	
VR4001	VRV0109B101	V.RESISTOR 100	1	
VR4002	VRV0064B103	V.RESISTOR 10K	1	
VR4041	VRV0109B101	V.RESISTOR 100	1	
VR4042	VRV0064B103	V.RESISTOR 10K	1	
VR4101	VRV0109B101	V.RESISTOR 100	1	
VR4102	VRV0064B103	V.RESISTOR 10K	1	
VR4141	VRV0109B101	V.RESISTOR 100	1	
VR4142	VRV0064B103	V.RESISTOR 10K	1	
VR4401	VRV0064B103	V.RESISTOR 10K	1	
VR4402	VRV0064B501	V.RESISTOR 500	1	
VR4476	VRV0064B103	V.RESISTOR 10K	1	
VR4477	VRV0109B501	V.RESISTOR 500	1	
VR4551	VRV0064B103	V.RESISTOR 10K	1	
VR4552	VRV0064B501	V.RESISTOR 500	1	
VR4626	VRV0064B103	V.RESISTOR 10K	1	
VR4627	VRV0109B501	V.RESISTOR 500	1	
VR4701,02	VRV0064B103	V.RESISTOR 10K	2	
VR4751	VRV0109B501	V.RESISTOR 500	1	
VR4831	VRV0109B501	V.RESISTOR 500	1	
		MISCELLANEOUS		
	VML2143	CARD PULLER	1	
	VML2144	CARD PULLER	1	

### 10.30. VEP84302A

Ref. No.	Part No.	Part Name & Description	Pcs	Remark
* E11	VEP84302A	H1 CUE P.C.BOARD	1	(RTL)
C4001	ECUM1H222KBN	C.CAPACITOR CH 50V 2200P	1	
C4002	VCC0030	C.CAPACITOR	1	
C4003	ECEV1EN4R7Q	E.CAPACITOR CH 25V 4.7U	1	
C4004	ECUM1H822KBN	C.CAPACITOR CH 50V 8200P	1	
C4005,06	ECUM1H272KBN	C.CAPACITOR CH 50V 2700P	2	
C4007	ECUM1H273KBN	C.CAPACITOR CH 50V 0.027U	1	
C4008	ECEV1CV100Q	E.CAPACITOR CH 16V 10U	1	
C4009	ECEV1CV220Q	E.CAPACITOR CH 16V 22U	1	
C4010	ECUM1E104ZFN	C.CAPACITOR CH 25V 0.1U	1	
C4011	ECEV1CV100Q	E.CAPACITOR CH 16V 10U	1	
C4012	ECEV0JV101Q	E.CAPACITOR CH6.3V 100U	1	
C4013	ECST1VY684Z	T.CAPACITOR CH 35V 0.68U	1	
C4014,15	ECEV1CV100Q	E.CAPACITOR CH 16V 10U	2	
C4016	ECUM1H151JCN	C.CAPACITOR CH 50V 150P	1	
C4017	ECUM1H103KBN	C.CAPACITOR CH 50V 0.01U	1	
C4018	ECEV1CV470Q	E.CAPACITOR CH 16V 47U	1	
C4019	ECUM1H390JCN	C.CAPACITOR CH 50V 39P	1	
C4020	ECUM1E473KBN	C.CAPACITOR CH 25V 0.047U	1	
C4021	ECEV1CV220Q	E.CAPACITOR CH 16V 22U	1	
C4022	ECUX1C394KBM	C.CAPACITOR CH 16V 390K	1	
C4023	ECEV1CV220Q	E.CAPACITOR CH 16V 22U	1	
C4024,25	ECUX1C394KBM	C.CAPACITOR CH 16V 390K	2	
C4026-28	ECHU1C104J	P.CAPACITOR 16V 0.1U	3	
C4029	ECUM1H333KBN	C.CAPACITOR CH 50V 0.033U	1	
C4030	ECUX1E104KBN	C.CAPACITOR CH 25V 0.1U	1	
C4031	ECEV1CV220Q	E.CAPACITOR CH 16V 22U	1	
C4032,33	ECUM1E104ZFN	C.CAPACITOR CH 25V 0.1U	2	
C4034	ECEV1CV470Q	E.CAPACITOR CH 16V 47U	1	
C4035	ECUM1H222KBN	C.CAPACITOR CH 50V 2200P	1	
C4036	ECUM1H102KBN	C.CAPACITOR CH 50V 1000P	1	
C4037	ECEV1EN4R7Q	E.CAPACITOR CH 25V 4.7U	1	
C4038	ECEV1CV220Q	E.CAPACITOR CH 16V 22U	1	
C4039,40	ECUM1E104ZFN	C.CAPACITOR CH 25V 0.1U	2	
C4041	ECEV1CV470Q	E.CAPACITOR CH 16V 47U	1	
C4042	ECEV1EN4R7Q	E.CAPACITOR CH 25V 4.7U	1	
C4043	ECUM1H822KBN	C.CAPACITOR CH 50V 8200P	1	
C4044	ECUM1H103KBN	C.CAPACITOR CH 50V 0.01U	1	
C4045	ECUM1H182KBN	C.CAPACITOR CH 50V 1800P	1	
C4046	ECUM1H103KBN	C.CAPACITOR CH 50V 0.01U	1	
C4047	ECUM1C224KBM	C.CAPACITOR CH 16V 0.22U	1	
C4048	ECUM1H102KBN	C.CAPACITOR CH 50V 1000P	1	
C4049	ECUM1C105KBM	C.CAPACITOR CH 16V 1U	1	
C4050	ECHU1C104J	P.CAPACITOR 16V 0.1U	1	
C4051	ECUM1H273KBN	C.CAPACITOR CH 50V 0.027U	1	
C4052	ECUM1H471JCN	C.CAPACITOR CH 50V 470P	1	
C4053	ECUM1H822KBN	C.CAPACITOR CH 50V 8200P	1	
C4054	ECUM1H103KBN	C.CAPACITOR CH 50V 0.01U	1	
C4055	ECUM1H182KBN	C.CAPACITOR CH 50V 1800P	1	
C4056	ECUM1H103KBN	C.CAPACITOR CH 50V 0.01U	1	
C4101,02	ECUM1E104ZFN	C.CAPACITOR CH 25V 0.1U	2	
C4103,04	ECUM1H820JCN	C.CAPACITOR CH 50V 82P	2	

Ref. No.	Part No.	Part Name & Description	Pcs	Remark
C4105-07	ECEV1EN4R7Q	E.CAPACITOR CH 25V 4.7U	3	
C4108	ECEV0JV220Q	E.CAPACITOR CH6.3V 22U	1	
C4109	ECEV1CV100Q	E.CAPACITOR CH 16V 10U	1	
C4110	ECUM1H151JCN	C.CAPACITOR CH 50V 150P	1	
C4111,12	ECUM1C105KBM	C.CAPACITOR CH 16V 1U	2	
C4113,14	ECUM1H151JCN	C.CAPACITOR CH 50V 150P	2	
C4115,16	ECUM1C105KBM	C.CAPACITOR CH 16V 1U	2	
C4117	ECUM1H151JCN	C.CAPACITOR CH 50V 150P	1	
C4118	ECEV0JV220Q	E.CAPACITOR CH6.3V 22U	1	
C4119	ECEV1CV100Q	E.CAPACITOR CH 16V 10U	1	
C4120,21	ECUM1E104ZFN	C.CAPACITOR CH 25V 0.1U	2	
C4122	ECEV0JV220Q	E.CAPACITOR CH6.3V 22U	1	
C4123-25	ECUM1E104ZFN	C.CAPACITOR CH 25V 0.1U	3	
C4126	ECUM1H222KBN	C.CAPACITOR CH 50V 2200P	1	
C4127,28	ECEV0JV220Q	E.CAPACITOR CH6.3V 22U	2	
C4129	ECUM1E104ZFN	C.CAPACITOR CH 25V 0.1U	1	
C4130	ECEV0JV220Q	E.CAPACITOR CH6.3V 22U	1	
C4134,35	ECEA1HGE330	E.CAPACITOR CH 50V 33U	2	
C4136,37	ECUM1H030CCN	C.CAPACITOR CH 50V 3P	2	
C4138	ECEV1EN4R7Q	E.CAPACITOR CH 25V 4.7U	1	
C4139	ECEV1CV220Q	E.CAPACITOR CH 16V 22U	1	
C4140,41	ECUM1E104ZFN	C.CAPACITOR CH 25V 0.1U	2	
C4142	ECEV1CV220Q	E.CAPACITOR CH 16V 22U	1	
C4143-46	ECUM1E104ZFN	C.CAPACITOR CH 25V 0.1U	4	
C4147,48	ECUM1C105KBM	C.CAPACITOR CH 16V 1U	2	
C4201,02	ECUM1E104ZFN	C.CAPACITOR CH 25V 0.1U	2	
C4203	ECUM1H470JCN	C.CAPACITOR CH 50V 47P	1	
C4204,05	ECEV1CV100Q	E.CAPACITOR CH 16V 10U	2	
C4206	ECUM1H103KBN	C.CAPACITOR CH 50V 0.01U	1	
C4207	ECUM1H470JCN	C.CAPACITOR CH 50V 47P	1	
C4208	ECUM1H103KBN	C.CAPACITOR CH 50V 0.01U	1	
C4209,10	ECEV1CV100Q	E.CAPACITOR CH 16V 10U	2	
C4211	ECEV1CV220Q	E.CAPACITOR CH 16V 22U	1	
C4212	ECUM1E104ZFN	C.CAPACITOR CH 25V 0.1U	1	
C4213	ECEV1CV220Q	E.CAPACITOR CH 16V 22U	1	
C4214	ECUM1E104ZFN	C.CAPACITOR CH 25V 0.1U	1	
C4215	ECEV1CV470Q	E.CAPACITOR CH 16V 47U	1	
C4216,17	ECEA1CGE101	E.CAPACITOR 16V 100U	2	
C4218	ECEV1CV220Q	E.CAPACITOR CH 16V 22U	1	
C4219	ECUM1E104ZFN	C.CAPACITOR CH 25V 0.1U	1	
C4220	ECEV1CV220Q	E.CAPACITOR CH 16V 22U	1	
C4221	ECUM1E104ZFN	C.CAPACITOR CH 25V 0.1U	1	
C4222	ECEV1CV470Q	E.CAPACITOR CH 16V 47U	1	
C4223-25	ECUM1E104ZFN	C.CAPACITOR CH 25V 0.1U	3	
C4226	ECEV1CV100Q	E.CAPACITOR CH 16V 10U	1	
C4227,28	ECUM1C474KBM	C.CAPACITOR CH 16V 0.47U	2	
C4229,30	ECUM1H472KBN	C.CAPACITOR CH 50V 4700P	2	
C4231	ECUM1H103KBN	C.CAPACITOR CH 50V 0.01U	1	
C4232	ECEV1CV100Q	E.CAPACITOR CH 16V 10U	1	

Ref. No.	Part No.	Part Name & Description	Pcs	Remark
C4233	ECHU1H223JB5	P.CAPACITOR 50V 0.022U	1	
C4234	ECEV1HV4R7Q	E.CAPACITOR CH 50V 4.7U	1	
C4235	VCF2JAB681J	C.CAPACITOR 630V 680P	1	
C4236	ECUM1C474KBM	C.CAPACITOR CH 16V 0.47U	1	
C4237	ECUM1H103KBN	C.CAPACITOR CH 50V 0.01U	1	
C4238	ECUM1C474KBM	C.CAPACITOR CH 16V 0.47U	1	
C4239	ECUM1E104ZFN	C.CAPACITOR CH 25V 0.1U	1	
C4240	ECEV1CV220Q	E.CAPACITOR CH 16V 22U	1	
C4241	ECUM1E104ZFN	C.CAPACITOR CH 25V 0.1U	1	
C4242	VCF2GAB682J	C.CAPACITOR 400V 6800P	1	
C4243	ECUM1H103KBN	C.CAPACITOR CH 50V 0.01U	1	
C4244	ECEV1CV220Q	E.CAPACITOR CH 16V 22U	1	
C4245	VCF2GAB682J	C.CAPACITOR 400V 6800P	1	
C4246,47	ECUM1H471JCN	C.CAPACITOR CH 50V 470P	2	
C4303-06	ECUM1H103KBN	C.CAPACITOR CH 50V 0.01U	4	
C4307,08	ECUM1H103ZFN	C.CAPACITOR CH 50V 0.01U	2	
C4401	ECEV1CV220Q	E.CAPACITOR CH 16V 22U	1	
C4402	ECUM1E104ZFN	C.CAPACITOR CH 25V 0.1U	1	
C4403	ECEV0JV101Q	E.CAPACITOR CH6.3V 100U	1	
C4404-06	ECUM1E104ZFN	C.CAPACITOR CH 25V 0.1U	3	
C4407	ECEV1CV220Q	E.CAPACITOR CH 16V 22U	1	
C4408	ECUM1E104ZFN	C.CAPACITOR CH 25V 0.1U	1	
C4409	ECEV1CV100Q	E.CAPACITOR CH 16V 10U	1	
C4410-13	ECUM1E104ZFN	C.CAPACITOR CH 25V 0.1U	4	
C4414	ECUM1H103KBN	C.CAPACITOR CH 50V 0.01U	1	
C4415	ECEV0JV101Q	E.CAPACITOR CH6.3V 100U	1	
C4416	ECUM1E104ZFN	C.CAPACITOR CH 25V 0.1U	1	
C4417	ECUM1H103KBN	C.CAPACITOR CH 50V 0.01U	1	
C4418	ECEV1CN100Q	E.CAPACITOR CH 16V 10U	1	
C4501-03	ECUM1E104ZFN	C.CAPACITOR CH 25V 0.1U	3	
C4504,05	ECUM1H103KBN	C.CAPACITOR CH 50V 0.01U	2	
D4101	MA152A	DIODE	1	
D4102-04	MA157	DIODE	3	
D4201,02	MA157	DIODE	2	
D4203-05	MA152A	DIODE	3	
FL4001	EIR7QF012B	TRANSFORMER	1	
FL4002	VLF1069	FILTER	1	
FL4201,02	VLF0941C223	FILTER	2	
IC4001	NJM4580ED	IC	1	
IC4002	MC14053BF	IC	1	
IC4003	CXA1102M	IC	1	
IC4004,05	NJM4580ED	IC	2	
IC4006	MC14052BF	IC	1	
IC4008	NJM4580ED	IC	1	
IC4009	AN78N09	IC	1	
IC4010	AN79N09	IC	1	
IC4011,12	NJM4580ED	IC	2	
IC4013	MC14053BF	IC	1	
IC4014	NJM4580ED	IC	1	
IC4015	MC14053BD	IC	1	
IC4016	NJM4580ED	IC	1	

Ref. No.	Part No.	Part Name & Description	Pcs	Remark
IC4101,02	AD7945BR	IC	2	
IC4103-05	NJM4580ED	IC	3	
IC4106	MC14053BF	IC	1	
IC4107	NJM4580ED	IC	1	
IC4108	XC62AP3002P	IC	1	
IC4109	AK4503VF	IC	1	
IC4110	T74VHCT244F	IC	1	
IC4111	T74VHC244F	IC	1	
IC4112	NJM4580ED	IC	1	
IC4113	MC14052BF	IC	1	
IC4114	NJM4580ED	IC	1	
IC4115	NJM78L05UA	IC	1	
IC4116	NJM79L05UA	IC	1	
IC4117	MC14053BF	IC	1	
IC4201	MC14052BF	IC	1	
IC4202	NJM4580ED	IC	1	
IC4203	NJM2043MD	IC	1	
IC4204,05	AQV212SX	IC	2	
IC4206	AN78N09	IC	1	
IC4207	TC4W53F	IC	1	
IC4301,02	SN74S1051NS	IC	2	
IC4303	74F245SJ	IC	1	
IC4304	74F541SJ	IC	1	
IC4305	74AC139SJ	IC	1	
IC4306	TC7SU04F	IC	1	
IC4307,08	UPD71055GB	IC	2	
IC4401	TC4W53F	IC	1	
IC4402	MC74HC74AF	IC	1	
IC4403	MC74HC541AF	IC	1	
IC4404	MB621926	IC	1	
IC4405	MB81480070	IC	1	
IC4406	NJM78L05UA	IC	1	
IC4407	AK4320VM	IC	1	
IC4408	TC4W53F	IC	1	
IC4501	MB621926	IC	1	
IC4502,03	MC74HC164AF	IC	2	
IC4504	TC7SU04F	IC	1	
IC4505	TC7W74F	IC	1	
IC4506	TC4W53F	IC	1	
IC4507	MB81480070	IC	1	
L4001	VLQ0423J472	COIL 4700UH	1	
P4001	VJP3454B096	CONNECTOR (MALE)	1	
P4002	VJP1230T	CONNECTOR (MALE) 3P	1	
P4003	VJP1233T	CONNECTOR (MALE) 6P	1	
Q4001,02	2SD1149-R	TRANSISTOR	2	
Q4003	2SB792-R	TRANSISTOR	1	
Q4004,05	2SD602A-R	TRANSISTOR	2	
Q4006	2SB710A-R	TRANSISTOR	1	
Q4101-03	2SD1328	TRANSISTOR	3	
Q4201	2SD1994A-R	TRANSISTOR	1	
Q4202	2SB1322A-R	TRANSISTOR	1	

Ref. No.	Part No.	Part Name & Description	Pcs	Remark
Q4203	2SD1994A-R	TRANSISTOR	1	
Q4204	2SB1322A-R	TRANSISTOR	1	
Q4205	2SD602A-R	TRANSISTOR	1	
Q4206,07	2SB710A-R	TRANSISTOR	2	
Q4208	2SD602A-R	TRANSISTOR	1	
Q4209	2SB710A-R	TRANSISTOR	1	
Q4210-12	2SD602A-R	TRANSISTOR	3	
Q4213	2SB710A-R	TRANSISTOR	1	
Q4214	2SD602A-R	TRANSISTOR	1	
Q4215	2SB710A-R	TRANSISTOR	1	
Q4216-19	2SD602A-R	TRANSISTOR	4	
QR4001,02	UN2213	TRANSISTOR-RESISTOR	2	
QR4201	UN2213	TRANSISTOR-RESISTOR	1	
R4001	ERJ6GEYF822	M.RESISTOR CH 1/10W 8.2K	1	
R4002	ERJ6GEYG103	M.RESISTOR CH 1/10W 10K	1	
R4003,04	ERJ6GEYF472	M.RESISTOR CH 1/10W 4.7K	2	
R4005	ERJ6GEYG221	M.RESISTOR CH 1/10W 220	1	
R4006	ERJ6GEYF472	M.RESISTOR CH 1/10W 4.7K	1	
R4007	ERJ6GEYG103	M.RESISTOR CH 1/10W 10K	1	
R4008	ERJ6GEYG821	M.RESISTOR CH 1/10W 820	1	
R4009,10	ERJ6GEYG392	M.RESISTOR CH 1/10W 3.9K	2	
R4011	ERJ6GEYF822	M.RESISTOR CH 1/10W 8.2K	1	
R4012	ERJ6GEYG182	M.RESISTOR CH 1/10W 1.8K	1	
R4013	ERJ6RBD433	M.RESISTOR CH 1/10W 43K	1	
R4014,15	ERJ6GEYG103	M.RESISTOR CH 1/10W 10K	2	
R4016	ERJ6GEYJ100	M.RESISTOR CH 1/10W 10	1	
R4017	ERJ6GEYF472	M.RESISTOR CH 1/10W 4.7K	1	
R4018	ERJ6GEYF561	M.RESISTOR CH 1/10W 560	1	
R4019	ERJ6GEYF472	M.RESISTOR CH 1/10W 4.7K	1	
R4020	ERJ6GEYG223	M.RESISTOR CH 1/10W 22K	1	
R4021	ERJ6GEYF472	M.RESISTOR CH 1/10W 4.7K	1	
R4022	ERJ6GEYG103	M.RESISTOR CH 1/10W 10K	1	
R4023,24	ERJ6GEYF472	M.RESISTOR CH 1/10W 4.7K	2	
R4025	ERJ6GEYF473	M.RESISTOR CH 1/10W 47K	1	
R4026	ERJ6GEYG470	M.RESISTOR CH 1/10W 47	1	
R4027	ERJ6GEYG102	M.RESISTOR CH 1/10W 1K	1	
R4028	ERJ6GEYF124	M.RESISTOR CH 1/10W 120K	1	
R4029	ERJ6GEYG222	M.RESISTOR CH 1/10W 2.2K	1	
R4030	ERJ6GEYF393	M.RESISTOR CH 1/10W 39K	1	
R4031	ERJ6GEYF333	M.RESISTOR CH 1/10W 33K	1	
R4032	ERJ6GEYF472	M.RESISTOR CH 1/10W 4.7K	1	
R4033,34	ERJ6GEYG101	M.RESISTOR CH 1/10W 100	2	
R4035	ERJ6RBD152	M.RESISTOR CH 1/10W 1.5K	1	
R4036	ERJ6RBD392	M.RESISTOR CH 1/10W 3.9K	1	
R4037	ERJ6GEY0R00	M.RESISTOR CH 1/10W 0	1	
R4038	ERJ6GEYG101	M.RESISTOR CH 1/10W 100	1	
R4039,40	ERJ6RBD122	M.RESISTOR CH 1/10W 1.2K	2	
R4041	ERJ6RBD823	M.RESISTOR CH 1/10W 82K	1	
R4044	ERJ6GEYG101	M.RESISTOR CH 1/10W 100	1	
R4045	ERJ6GEY0R00	M.RESISTOR CH 1/10W 0	1	
R4046	ERJ6GEYG223	M.RESISTOR CH 1/10W 22K	1	
R4047,48	ERJ6GEYG103	M.RESISTOR CH 1/10W 10K	2	

Ref. No.	Part No.	Part Name & Description	Pcs	Remark
R4049	ERJ6GEY0R00	M.RESISTOR CH 1/10W 0	1	
R4051	ERJ6GEYG103	M.RESISTOR CH 1/10W 10K	1	
R4052	ERJ6RBD202	M.RESISTOR CH 1/10W 2K	1	
R4053	ERJ6GEYG562	M.RESISTOR CH 1/10W 5.6K	1	
R4054	ERJ6GEYG332	M.RESISTOR CH 1/10W 3.3K	1	
R4055	ERJ6GEYG222	M.RESISTOR CH 1/10W 2.2K	1	
R4056	ERJ6GEYG103	M.RESISTOR CH 1/10W 10K	1	
R4057	ERJ6GEYG222	M.RESISTOR CH 1/10W 2.2K	1	
R4058,59	ERJ6GEYG223	M.RESISTOR CH 1/10W 22K	2	
R4060,61	ERJ6GEYF473	M.RESISTOR CH 1/10W 47K	2	
R4064-66	ERJ6GEYG103	M.RESISTOR CH 1/10W 10K	3	
R4068,69	ERJ6GEY0R00	M.RESISTOR CH 1/10W 0	2	
R4071	ERJ6GEYG104	M.RESISTOR CH 1/10W 100K	1	
R4072	ERJ6GEYG103	M.RESISTOR CH 1/10W 10K	1	
R4073	ERJ6GEY0R00	M.RESISTOR CH 1/10W 0	1	
R4075	ERJ6GEYG103	M.RESISTOR CH 1/10W 10K	1	
R4076	ERJ6GEYG102	M.RESISTOR CH 1/10W 1K	1	
R4077	ERJ6GEYG152	M.RESISTOR CH 1/10W 1.5K	1	
R4078	ERJ6GEYF393	M.RESISTOR CH 1/10W 39K	1	
R4079	ERJ6GEY0R00	M.RESISTOR CH 1/10W 0	1	
R4081	ERJ6GEYG103	M.RESISTOR CH 1/10W 10K	1	
R4082	ERJ6GEYF393	M.RESISTOR CH 1/10W 39K	1	
R4083	ERJ6GEYG103	M.RESISTOR CH 1/10W 10K	1	
R4085	ERJ6GEY0R00	M.RESISTOR CH 1/10W 0	1	
R4086,87	ERJ6GEYF473	M.RESISTOR CH 1/10W 47K	2	
R4088,89	ERJ6GEYG104	M.RESISTOR CH 1/10W 100K	2	
R4090	ERJ6GEY0R00	M.RESISTOR CH 1/10W 0	1	
R4091	ERJ6GEYG103	M.RESISTOR CH 1/10W 10K	1	
R4092	ERJ6GEYG104	M.RESISTOR CH 1/10W 100K	1	
R4094	ERJ6GEY0R00	M.RESISTOR CH 1/10W 0	1	

Ref. No.	Part No.	Part Name & Description	Pcs	Remark
R4096	ERJ6GEYG103	M.RESISTOR CH 1/10W 10K	1	
R4101	ERJ6RBD123	M.RESISTOR CH 1/10W 12K	1	
R4102	ERJ6RBD103	M.RESISTOR CH 1/10W 10K	1	
R4103	ERJ6GEYG103	M.RESISTOR CH 1/10W 10K	1	
R4104	ERJ6RED124	M.RESISTOR CH 1/10W 120K	1	
R4105	ERJ6RBD273	M.RESISTOR CH 1/10W 27K	1	
R4106	ERJ6RBD682	M.RESISTOR CH 1/10W 6.8K	1	
R4107	ERJ6RBD123	M.RESISTOR CH 1/10W 12K	1	
R4108	ERJ6RBD822	M.RESISTOR CH 1/10W 8.2K	1	
R4109	ERJ6GEYG470	M.RESISTOR CH 1/10W 47	1	
R4110	ERJ6GEYG103	M.RESISTOR CH 1/10W 10K	1	
R4111	ERJ6GEYG222	M.RESISTOR CH 1/10W 2.2K	1	
R4112	ERJ6RBD912	M.RESISTOR CH 1/10W 9.1K	1	
R4113	ERJ6GEYG103	M.RESISTOR CH 1/10W 10K	1	
R4114	ERJ6GEYF473	M.RESISTOR CH 1/10W 47K	1	
R4115	ERJ6GEYG101	M.RESISTOR CH 1/10W 100	1	
R4116	ERJ6GEYG104	M.RESISTOR CH 1/10W 100K	1	
R4117	ERJ6GEYG103	M.RESISTOR CH 1/10W 10K	1	
R4118	ERJ6RBD102	M.RESISTOR CH 1/10W 1K	1	
R4119	ERJ6RBD153	M.RESISTOR CH 1/10W 15K	1	
R4121	ERJ6GEY0R00	M.RESISTOR CH 1/10W 0	1	



Ref. No.	Part No.	Part Name & Description	Pcs	Remark
R4122-29	ERJ6RBD103	M.RESISTOR CH 1/10W 10K	8	
R4131,32	ERJ6GEYJ100	M.RESISTOR CH 1/10W 10	2	
R4134	ERJ6GEYF472	M.RESISTOR CH 1/10W 4.7K	1	
R4135	ERJ6GEY0R00	M.RESISTOR CH 1/10W 0	1	
R4136	ERJ6GEYJ471	M.RESISTOR CH 1/10W 470	1	
R4137,38	ERJ6GEYG103	M.RESISTOR CH 1/10W 10K	2	
R4139,40	ERJ6GEYF472	M.RESISTOR CH 1/10W 4.7K	2	
R4142	ERJ6GEY0R00	M.RESISTOR CH 1/10W 0	1	
R4143	ERJ12YJ621	M.RESISTOR CH 1/2W 620	1	
R4144	ERJ6RBD223	M.RESISTOR CH 1/10W 22K	1	
R4145	ERJ6RBD123	M.RESISTOR CH 1/10W 12K	1	
R4146,47	ERJ6RBD473	M.RESISTOR CH 1/10W 47K	2	
R4148	ERJ6RBD123	M.RESISTOR CH 1/10W 12K	1	
R4149	ERJ6RBD333	M.RESISTOR CH 1/10W 33K	1	
R4150	ERJ6RBD332	M.RESISTOR CH 1/10W 3.3K	1	
R4151	ERJ6RHD2101	M.RESISTOR CH 1/10W 2.1K	1	
R4152	ERJ6GEYJ335	M.RESISTOR CH 1/10W 3.3M	1	
R4153	ERJ6RBD333	M.RESISTOR CH 1/10W 33K	1	
R4154	ERJ6RBD332	M.RESISTOR CH 1/10W 3.3K	1	
R4155	ERJ6RHD2101	M.RESISTOR CH 1/10W 2.1K	1	
R4156	ERJ6GEYJ335	M.RESISTOR CH 1/10W 3.3M	1	
R4157,58	ERJ6RBD472	M.RESISTOR CH 1/10W 4.7K	2	
R4159	ERJ6RED470	M.RESISTOR CH 1/10W 47	1	
R4160,61	ERJ6RBD472	M.RESISTOR CH 1/10W 4.7K	2	
R4162	ERJ6RED470	M.RESISTOR CH 1/10W 47	1	
R4163	ERJ6RBD152	M.RESISTOR CH 1/10W 1.5K	1	
R4164	ERJ6RBD102	M.RESISTOR CH 1/10W 1K	1	
R4165	ERJ6GEYG103	M.RESISTOR CH 1/10W 10K	1	
R4166	ERJ6RBD472	M.RESISTOR CH 1/10W 4.7K	1	
R4169	ERJ6GEYG563	M.RESISTOR CH 1/10W 56K	1	
R4170	ERJ6RBD102	M.RESISTOR CH 1/10W 1K	1	
R4171	ERJ6RBD151	M.RESISTOR CH 1/10W 150	1	
R4172	ERJ6RBD152	M.RESISTOR CH 1/10W 1.5K	1	
R4173	ERJ6RBD471	M.RESISTOR CH 1/10W 470	1	
R4174	ERJ6RBD103	M.RESISTOR CH 1/10W 10K	1	
R4175	ERJ6RBD222	M.RESISTOR CH 1/10W 2.2K	1	
R4176	ERJ6RBD561	M.RESISTOR CH 1/10W 560	1	
R4177	ERJ6RBD103	M.RESISTOR CH 1/10W 10K	1	
R4178	ERJ6RBD222	M.RESISTOR CH 1/10W 2.2K	1	
R4179	ERJ6RBD561	M.RESISTOR CH 1/10W 560	1	
R4201	ERJ6RBD301	M.RESISTOR CH 1/10W 300	1	
R4202	ERJ6RBD472	M.RESISTOR CH 1/10W 4.7K	1	
R4203	ERJ6RBD272	M.RESISTOR CH 1/10W 2.7K	1	
R4204	ERJ6RBD123	M.RESISTOR CH 1/10W 12K	1	
R4205	ERJ6RBD472	M.RESISTOR CH 1/10W 4.7K	1	
R4206	ERJ6RBD102	M.RESISTOR CH 1/10W 1K	1	
R4207	ERJ6RBD103	M.RESISTOR CH 1/10W 10K	1	
R4208	ERJ6GEYG563	M.RESISTOR CH 1/10W 56K	1	
R4209	ERJ6RBD472	M.RESISTOR CH 1/10W 4.7K	1	
R4210	ERJ6RBD271	M.RESISTOR CH 1/10W 270	1	
R4211	ERJ6RBD153	M.RESISTOR CH 1/10W 15K	1	
R4212	ERJ6RBD472	M.RESISTOR CH 1/10W 4.7K	1	
R4213	ERJ6GEYG105	M.RESISTOR CH 1/10W 1M	1	
R4214,15	ERJ6RBD153	M.RESISTOR CH 1/10W 15K	2	

Ref. No.	Part No.	Part Name & Description	Pcs	Remark
R4216	ERJ6RBD472	M.RESISTOR CH 1/10W 4.7K	1	
R4217	ERJ6RBD153	M.RESISTOR CH 1/10W 15K	1	
R4218,19	ERJ6RBD472	M.RESISTOR CH 1/10W 4.7K	2	
R4220	ERJ6GEYG105	M.RESISTOR CH 1/10W 1M	1	
R4221	ERJ6RBD153	M.RESISTOR CH 1/10W 15K	1	
R4222	ERJ6GEYJ100	M.RESISTOR CH 1/10W 10	1	
R4223,24	ERJ6GEYG562	M.RESISTOR CH 1/10W 5.6K	2	
R4225	ERJ6GEYJ100	M.RESISTOR CH 1/10W 10	1	
R4226,27	ERJ6GEYG562	M.RESISTOR CH 1/10W 5.6K	2	
R4228-31	ERJ14YJ100	M.RESISTOR CH 1/4W 10	4	
R4232,33	ERJ14YJ220	M.RESISTOR CH 1/4W 22	2	
R4234	ERJ6GEYG102	M.RESISTOR CH 1/10W 1K	1	
R4235,36	ERJ6GEYG103	M.RESISTOR CH 1/10W 10K	2	
R4237	ERJ6GEYG102	M.RESISTOR CH 1/10W 1K	1	
R4238,39	ERJ6GEYF561	M.RESISTOR CH 1/10W 560	2	
R4240,41	ERJ6GEYG103	M.RESISTOR CH 1/10W 10K	2	
R4242	ERJ6GEY0R00	M.RESISTOR CH 1/10W 0	1	
R4243	ERJ6GEYG103	M.RESISTOR CH 1/10W 10K	1	
R4244	ERJ6GEYG332	M.RESISTOR CH 1/10W 3.3K	1	
R4245,46	ERJ6GEYG563	M.RESISTOR CH 1/10W 56K	2	
R4247	ERJ6GEYF472	M.RESISTOR CH 1/10W 4.7K	1	
R4248	ERJ6GEYG102	M.RESISTOR CH 1/10W 1K	1	
R4249,50	ERJ6GEYG563	M.RESISTOR CH 1/10W 56K	2	
R4251	ERJ6GEYF472	M.RESISTOR CH 1/10W 4.7K	1	
R4252	ERJ6GEYF333	M.RESISTOR CH 1/10W 33K	1	
R4253	ERJ6GEYF472	M.RESISTOR CH 1/10W 4.7K	1	
R4254	ERJ6GEYG101	M.RESISTOR CH 1/10W 100	1	
R4255	ERJ6GEYG470	M.RESISTOR CH 1/10W 47	1	
R4256	ERJ6GEYF123	M.RESISTOR CH 1/10W 12K	1	
R4257	ERJ6GEYG152	M.RESISTOR CH 1/10W 1.5K	1	
R4258	ERJ6GEYG220	M.RESISTOR CH 1/10W 22	1	
R4259	ERJ6GEYG563	M.RESISTOR CH 1/10W 56K	1	
R4260	ERJ6GEYG332	M.RESISTOR CH 1/10W 3.3K	1	
R4261	ERJ6GEYF472	M.RESISTOR CH 1/10W 4.7K	1	
R4262	ERJ6GEYG563	M.RESISTOR CH 1/10W 56K	1	
R4263	ERJ6GEYG332	M.RESISTOR CH 1/10W 3.3K	1	
R4264	ERJ6GEYF472	M.RESISTOR CH 1/10W 4.7K	1	
R4265,66	ERJ6GEYG563	M.RESISTOR CH 1/10W 56K	2	
R4267,68	ERJ6GEYJ471	M.RESISTOR CH 1/10W 470	2	
R4269	ERJ6GEYG180	M.RESISTOR CH 1/10W 18	1	
R4270,71	ERJ6GEYG103	M.RESISTOR CH 1/10W 10K	2	
R4272	ERJ6GEYG222	M.RESISTOR CH 1/10W 2.2K	1	
R4273	ERJ6GEYJ1R0	M.RESISTOR CH 3W 1	1	
R4274,75	ERJ6GEYJ471	M.RESISTOR CH 1/10W 470	2	
R4276	ERJ6GEYG180	M.RESISTOR CH 1/10W 18	1	
R4277	ERJ6GEYJ1R0	M.RESISTOR CH 3W 1	1	
R4278	ERJ6GEYF123	M.RESISTOR CH 1/10W 12K	1	
R4279,80	ERJ6GEY0R00	M.RESISTOR CH 1/10W 0	2	
R4281	ERJ6RBD512	M.RESISTOR CH 1/10W 5.1K	1	
R4282	ERJ6RBD301	M.RESISTOR CH 1/10W 300	1	
R4283	ERJ6RBD391	M.RESISTOR CH 1/10W 390	1	
R4284	ERJ6RBD222	M.RESISTOR CH 1/10W 2.2K	1	
R4285	ERJ6RBD103	M.RESISTOR CH 1/10W 10K	1	
R4301,02	ERJ6GEY0R00	M.RESISTOR CH 1/10W 0	2	

Ref. No.	Part No.	Part Name & Description	Pcs	Remark
R4303-16	ERJ6GEYG103	M.RESISTOR CH 1/10W 10K	14	
R4401	ERJ6GEY0R00	M.RESISTOR CH 1/10W 0	1	
R4402	ERJ6GEYF473	M.RESISTOR CH 1/10W 47K	1	
R4403-06	ERJ6GEYG331	M.RESISTOR CH 1/10W 330	4	
R4407	ERJ6GEYF473	M.RESISTOR CH 1/10W 47K	1	
R4408	ERJ6GEY0R00	M.RESISTOR CH 1/10W 0	1	
R4409	ERJ6GEYF473	M.RESISTOR CH 1/10W 47K	1	
R4410	ERJ6GEYJ100	M.RESISTOR CH 1/10W 10	1	
R4411-13	ERJ6GEY0R00	M.RESISTOR CH 1/10W 0	3	
R4414,15	ERJ6GEYF473	M.RESISTOR CH 1/10W 47K	2	
R4417-20	ERJ6GEY0R00	M.RESISTOR CH 1/10W 0	4	
R4421	ERJ6GEYG103	M.RESISTOR CH 1/10W 10K	1	
R4423	ERJ6GEY0R00	M.RESISTOR CH 1/10W 0	1	
R4425	ERJ6GEY0R00	M.RESISTOR CH 1/10W 0	1	
R4427	ERJ6GEY0R00	M.RESISTOR CH 1/10W 0	1	
R4430	ERJ6GEY0R00	M.RESISTOR CH 1/10W 0	1	
R4502-05	ERJ6GEYG331	M.RESISTOR CH 1/10W 330	4	
R4506-11	ERJ6GEY0R00	M.RESISTOR CH 1/10W 0	6	
R4513,14	ERJ6GEY0R00	M.RESISTOR CH 1/10W 0	2	
R4517	ERJ6GEY0R00	M.RESISTOR CH 1/10W 0	1	
R4519	ERJ6GEY0R00	M.RESISTOR CH 1/10W 0	1	
SW4001	VSS0367-04B	SWITCH	1	
SW4002	VSS0342	SWITCH	1	
SW4101	VSS0126	SWITCH	1	
T4201	VLT0866	TRANSFORMER	1	
T4202	VLT0868	TRANSFORMER	1	
T4203,04	VLT0867	TRANSFORMER	2	
TG4101	VJR0646	TEST POINT	1	
TG4201	VJR0646	TEST POINT	1	
TP4001-03	VJR0646	TEST POINT	3	
TP4101-03	VJR0646	TEST POINT	3	
TP4201-03	VJR0646	TEST POINT	3	
VR4001	VRV0064B103	V.RESISTOR 10K	1	
VR4002	VRV0064B503	V.RESISTOR 50K	1	
VR4003,04	VRV0064B502	V.RESISTOR 5K	2	
VR4005	VRV0064B203	V.RESISTOR 20K	1	
VR4006,07	VRV0064B103	V.RESISTOR 10K	2	
VR4202	VRV0064B104	V.RESISTOR 100K	1	
		MISCELLANEOUS		
	VML2143	CARD PULLER	1	
	VML2144	CARD PULLER	1	

## 10.31. VEP85164A

Ref. No.	Part No.	Part Name & Description	Pcs	Remark
* E12	VEP85164A	H2 X CAN P.C.BOARD	1	(RTL)
C1,C2	ECUX1H221JCV	C.CAPACITOR CH 50V 220P	2	
C3-C5	ECUX1E104ZFV	C.CAPACITOR CH 25V 0.1U	3	
C6	ECUX1H102KBV	C.CAPACITOR CH 50V 1000P	1	
C7-C9	ECUX1E104ZFV	C.CAPACITOR CH 25V 0.1U	3	
C10	ECUX1H102KBV	C.CAPACITOR CH 50V 1000P	1	
C11-14	ECUX1E104ZFV	C.CAPACITOR CH 25V 0.1U	4	
C15	ECUX1H102KBV	C.CAPACITOR CH 50V 1000P	1	
C16	ECUX1E104ZFV	C.CAPACITOR CH 25V 0.1U	1	
C17	ECUX1H102KBV	C.CAPACITOR CH 50V 1000P	1	
C18-24	ECUX1E104ZFV	C.CAPACITOR CH 25V 0.1U	7	
C101-15	ECUX1E104ZFV	C.CAPACITOR CH 25V 0.1U	15	
C116	ECUX1H561JCV	C.CAPACITOR CH 50V 560P	1	
C117	ECUX1E104ZFV	C.CAPACITOR CH 25V 0.1U	1	
C201-07	ECUX1E104ZFV	C.CAPACITOR CH 25V 0.1U	7	
C208	ECUX1H561JCV	C.CAPACITOR CH 50V 560P	1	
C209	ECUX1E104ZFV	C.CAPACITOR CH 25V 0.1U	1	
C301-05	ECUX1E104ZFV	C.CAPACITOR CH 25V 0.1U	5	
C306	ECEV0JV330Q	E.CAPACITOR CH6.3V 33U	1	
C307-13	ECUX1E104ZFV	C.CAPACITOR CH 25V 0.1U	7	
C314	ECUX1H100DCV	C.CAPACITOR CH 50V 10P	1	
C315-19	ECUX1E104ZFV	C.CAPACITOR CH 25V 0.1U	5	
C401-07	ECUX1E104ZFV	C.CAPACITOR CH 25V 0.1U	7	
C501	ECEV1CV470Q	E.CAPACITOR CH 16V 47U	1	
C502	ECEV0JV101Q	E.CAPACITOR CH6.3V 100U	1	
C503	ECUX1E104ZFV	C.CAPACITOR CH 25V 0.1U	1	
C504	ECUX1H221JCV	C.CAPACITOR CH 50V 220P	1	
C505	ECUX1E104ZFV	C.CAPACITOR CH 25V 0.1U	1	
C506	ECUX1H221JCV	C.CAPACITOR CH 50V 220P	1	
C507	ECUX1E104ZFV	C.CAPACITOR CH 25V 0.1U	1	
C510	ECUX1E104ZFV	C.CAPACITOR CH 25V 0.1U	1	
C511	ECUX1H221JCV	C.CAPACITOR CH 50V 220P	1	
C512-17	ECUX1E104ZFV	C.CAPACITOR CH 25V 0.1U	6	
C601	ECUX1H221JCV	C.CAPACITOR CH 50V 220P	1	
C602	ECUX1E104ZFV	C.CAPACITOR CH 25V 0.1U	1	
C603,04	ECUX1H221JCV	C.CAPACITOR CH 50V 220P	2	
C607-11	ECUX1E104ZFV	C.CAPACITOR CH 25V 0.1U	5	
C701,02	ECEV1CV220Q	E.CAPACITOR CH 16V 22U	2	
C703-08	ECUX1E104ZFV	C.CAPACITOR CH 25V 0.1U	6	
C709	ECEV1CV220Q	E.CAPACITOR CH 16V 22U	1	
C710-12	ECUX1E104ZFV	C.CAPACITOR CH 25V 0.1U	3	
C713	ECEV1CV220Q	E.CAPACITOR CH 16V 22U	1	
C714-19	ECUX1E104ZFV	C.CAPACITOR CH 25V 0.1U	6	
C720,21	ECEV1CV220Q	E.CAPACITOR CH 16V 22U	2	
C722	ECUX1E104ZFV	C.CAPACITOR CH 25V 0.1U	1	
C723	ECEA1CGE221	E.CAPACITOR 16V 220U	1	
C724,25	ECUX1E104ZFV	C.CAPACITOR CH 25V 0.1U	2	
C726	ECUM1C224ZFV	C.CAPACITOR CH 16V 0.22U	1	
D301	MA152K	DIODE	1	
D501	MA153	DIODE	1	
D502	MA152WK	DIODE	1	

Ref. No.	Part No.	Part Name & Description	Pcs	Remark
D701-03	MA701A	DIODE	3	
FL701-04	VLF0931	FILTER	4	
IC1,C2	UPC1663G	IC	2	
IC3,C4	AD9057BRS	IC	2	
IC101	UPD65845GY01	IC	1	
IC102	MC10H125M	IC	1	
IC103,04	TCVHC244FS	IC	2	
IC105	MC10H124M	IC	1	
IC106	NJM084V	IC	1	
IC201	UPD65845GY01	IC	1	
IC301	T74LCX244FS	IC	1	
IC302	TCVHC04FS	IC	1	
IC303	S80727ANDQ	IC	1	
IC304	TC6326AF	IC	1	
IC305	74F74SJ	IC	1	
IC306	74F163ASJ	IC	1	
IC307	74F32SJ	IC	1	
IC308	NJM084V	IC	1	
IC309	T74LCX244FS	IC	1	
IC310	MC10H124M	IC	1	
IC401	TC6326AF	IC	1	
IC402	74F74SJ	IC	1	
IC403	74F163ASJ	IC	1	
IC501	TCVHC08FS	IC	1	
IC502,03	TC4S66F	IC	2	
IC504	MC10H116M	IC	1	
IC505	TCVHC86FS	IC	1	
IC506	TCVHC04FS	IC	1	
IC507	TCVHC32FS	IC	1	
IC508	MC10H102M	IC	1	
IC509	MC10H131M	IC	1	
IC601,02	TC4S66F	IC	2	
IC603	MC10H116M	IC	1	
IC604	TCVHC32FS	IC	1	
IC605	MC10H102M	IC	1	
IC606	MC10H131M	IC	1	
IC701	TCVHC244FS	IC	1	
IC702	MC10H124M	IC	1	
IC703,04	XC62AP3202P	IC	2	
IC705	AN7703F	IC	1	
L301	VLQ0163J8R2	COIL 8.2UH	1	
L302	VLQ0163J2R7	COIL 2.7UH	1	
P1	VJP3454B096	CONNECTOR (MALE)	1	
P2	VJP3440B010	CONNECTOR (MALE)	1	
Q1-Q4	2SK508K512	TRANSISTOR	4	
Q501	2SB709A-R	TRANSISTOR	1	
Q502	2SD601A-R	TRANSISTOR	1	
Q503	2SA1022-C	TRANSISTOR	1	
Q504	2SD601A-R	TRANSISTOR	1	

Ref. No.	Part No.	Part Name & Description	Pcs	Remark
Q505,06	2SA1022-C	TRANSISTOR	2	
Q601-03	2SA1022-C	TRANSISTOR	3	
R1-R4	ERJ3RBD101	M.RESISTOR CH 3W 100	4	
R5,R6	ERJ3RED270	M.RESISTOR CH 3W 27	2	
R7	ERJ3GEYJ470	M.RESISTOR CH 1/16W 47	1	
R8,R9	ERJ3RED270	M.RESISTOR CH 3W 27	2	
R10	ERJ3GEYJ470	M.RESISTOR CH 1/16W 47	1	
R11,12	ERJ3GEYJ101	M.RESISTOR CH 1/16W 100	2	
R13	ERJ3GEYG152	M.RESISTOR CH 1/16W 1.5K	1	
R14,15	ERJ3GEYJ101	M.RESISTOR CH 1/16W 100	2	
R16	ERJ3GEYG152	M.RESISTOR CH 1/16W 1.5K	1	
R19	ERJ3GEYG332	M.RESISTOR CH 1/16W 3.3K	1	
R20,21	ERJ3GEYG152	M.RESISTOR CH 1/16W 1.5K	2	
R22	ERJ3GEYG332	M.RESISTOR CH 1/16W 3.3K	1	
R23	ERJ3GEYG152	M.RESISTOR CH 1/16W 1.5K	1	
R26	ERJ3GEYG332	M.RESISTOR CH 1/16W 3.3K	1	
R27,28	ERJ3GEYG152	M.RESISTOR CH 1/16W 1.5K	2	
R29	ERJ3GEYG332	M.RESISTOR CH 1/16W 3.3K	1	
R30	ERJ3GEYG152	M.RESISTOR CH 1/16W 1.5K	1	
R31	ERJ3GEYJ470	M.RESISTOR CH 1/16W 47	1	
R32	ERJ3GEYG152	M.RESISTOR CH 1/16W 1.5K	1	
R33	ERJ3GEYJ470	M.RESISTOR CH 1/16W 47	1	
R34	ERJ3GEYG152	M.RESISTOR CH 1/16W 1.5K	1	
R35-48	ERJ3GEY0R00	M.RESISTOR CH 1/16W 0	14	
R49-52	ERJ3GEYJ271	M.RESISTOR CH 1/16W 270	4	
R102,03	ERJ3GEY0R00	M.RESISTOR CH 1/16W 0	2	
R105	ERJ3GEYJ103	M.RESISTOR CH 1/16W 10K	1	
R106-08	ERJ3GEYJ101	M.RESISTOR CH 1/16W 100	3	
R116-20	ERJ3GEY0R00	M.RESISTOR CH 1/16W 0	5	
R121	ERJ3GEYJ562	M.RESISTOR CH 1/16W 5.6K	1	
R122	ERJ3GEYJ223	M.RESISTOR CH 1/16W 22K	1	
R124,25	ERJ3GEY0R00	M.RESISTOR CH 1/16W 0	2	
R127-34	ERJ3GEY0R00	M.RESISTOR CH 1/16W 0	8	
R139-42	ERJ3GEY0R00	M.RESISTOR CH 1/16W 0	4	
R144	ERJ3GEYJ223	M.RESISTOR CH 1/16W 22K	1	
R145	ERJ3GEYJ103	M.RESISTOR CH 1/16W 10K	1	
R146-48	ERJ3GEY0R00	M.RESISTOR CH 1/16W 0	3	
R149	ERJ3GEYG102	M.RESISTOR CH 1/16W 1K	1	
R150-53	ERJ3GEYG471	M.RESISTOR CH 1/16W 470	4	
R154	ERJ3GEY0R00	M.RESISTOR CH 1/16W 0	1	
R158	ERJ3GEYJ103	M.RESISTOR CH 1/16W 10K	1	
R159-61	ERJ3GEY0R00	M.RESISTOR CH 1/16W 0	3	
R164	ERJ3GEYG102	M.RESISTOR CH 1/16W 1K	1	
R165	ERJ3GEYJ470	M.RESISTOR CH 1/16W 47	1	
R167,68	ERJ3GEYJ560	M.RESISTOR CH 1/16W 56	2	
R170-73	ERJ3GEYJ560	M.RESISTOR CH 1/16W 56	4	
R174,75	ERJ3GEYG471	M.RESISTOR CH 1/16W 470	2	
R207	ERJ3GEYJ103	M.RESISTOR CH 1/16W 10K	1	
R209-13	ERJ3GEY0R00	M.RESISTOR CH 1/16W 0	5	
R215,16	ERJ3GEY0R00	M.RESISTOR CH 1/16W 0	2	
R218	ERJ3GEYJ562	M.RESISTOR CH 1/16W 5.6K	1	
R219-22	ERJ3GEY0R00	M.RESISTOR CH 1/16W 0	4	
R223	ERJ3GEYJ223	M.RESISTOR CH 1/16W 22K	1	

Ref. No.	Part No.	Part Name & Description	Pcs	Remark
R224-30	ERJ3GEY0R00	M.RESISTOR CH 1/16W 0	7	
R232	ERJ3GEY0R00	M.RESISTOR CH 1/16W 0	1	
R233	ERJ3GEYJ223	M.RESISTOR CH 1/16W 22K	1	
R238	ERJ3GEYJ103	M.RESISTOR CH 1/16W 10K	1	
R239-43	ERJ3GEY0R00	M.RESISTOR CH 1/16W 0	5	
R244	ERJ3GEYG102	M.RESISTOR CH 1/16W 1K	1	
R250	ERJ3GEYG102	M.RESISTOR CH 1/16W 1K	1	
R251	ERJ3GEYJ470	M.RESISTOR CH 1/16W 47	1	
R302	ERJ3GEYJ470	M.RESISTOR CH 1/16W 47	1	
R303	ERJ3GEYJ562	M.RESISTOR CH 1/16W 5.6K	1	
R306,07	ERJ3GEYJ470	M.RESISTOR CH 1/16W 47	2	
R308,09	ERJ3GEYJ103	M.RESISTOR CH 1/16W 10K	2	
R310	ERJ3GEYJ470	M.RESISTOR CH 1/16W 47	1	
R312,13	ERJ3GEYJ181	M.RESISTOR CH 1/16W 180	2	
R314	ERJ3GEYJ470	M.RESISTOR CH 1/16W 47	1	
R315	ERJ3GEY0R00	M.RESISTOR CH 1/16W 0	1	
R317	ERJ3GEYJ181	M.RESISTOR CH 1/16W 180	1	
R318-22	ERJ3GEYJ470	M.RESISTOR CH 1/16W 47	5	
R324-31	ERJ3GEYJ470	M.RESISTOR CH 1/16W 47	8	
R332	ERJ3GEYG471	M.RESISTOR CH 1/16W 470	1	
R333	ERJ3GEYG472	M.RESISTOR CH 1/16W 4.7K	1	
R335-39	ERJ3GEY0R00	M.RESISTOR CH 1/16W 0	5	
R343	ERJ3GEY0R00	M.RESISTOR CH 1/16W 0	1	
R344	ERJ3GEYJ222	M.RESISTOR CH 1/16W 2.2K	1	
R345	ERJ3GEY0R00	M.RESISTOR CH 1/16W 0	1	
R347	ERJ3GEYJ470	M.RESISTOR CH 1/16W 47	1	
R348	ERJ3GEY0R00	M.RESISTOR CH 1/16W 0	1	
R349	ERJ3GEYJ221	M.RESISTOR CH 1/16W 220	1	
R350,51	ERJ3GEYJ470	M.RESISTOR CH 1/16W 47	2	
R352	ERJ3GEYJ101	M.RESISTOR CH 1/16W 100	1	
R353	ERJ3GEYJ470	M.RESISTOR CH 1/16W 47	1	
R354	ERJ3GEYJ101	M.RESISTOR CH 1/16W 100	1	
R356	ERJ3GEY0R00	M.RESISTOR CH 1/16W 0	1	
R357	ERJ3GEYJ470	M.RESISTOR CH 1/16W 47	1	
R358	ERJ3GEYJ101	M.RESISTOR CH 1/16W 100	1	
R359,60	ERJ3GEYG471	M.RESISTOR CH 1/16W 470	2	
R361,62	ERJ3GEYJ560	M.RESISTOR CH 1/16W 56	2	
R363,64	ERJ3GEYG471	M.RESISTOR CH 1/16W 470	2	
R365,66	ERJ3GEYJ560	M.RESISTOR CH 1/16W 56	2	
R401	ERJ3GEYJ103	M.RESISTOR CH 1/16W 10K	1	
R402	ERJ3GEYJ470	M.RESISTOR CH 1/16W 47	1	
R404,05	ERJ3GEYJ181	M.RESISTOR CH 1/16W 180	2	
R406-08	ERJ3GEYJ470	M.RESISTOR CH 1/16W 47	3	
R410-17	ERJ3GEYJ470	M.RESISTOR CH 1/16W 47	8	
R419-23	ERJ3GEY0R00	M.RESISTOR CH 1/16W 0	5	
R427	ERJ3GEY0R00	M.RESISTOR CH 1/16W 0	1	
R428	ERJ3GEYJ222	M.RESISTOR CH 1/16W 2.2K	1	
R429	ERJ3GEYJ470	M.RESISTOR CH 1/16W 47	1	
R430	ERJ3GEY0R00	M.RESISTOR CH 1/16W 0	1	
R431	ERJ3GEYJ221	M.RESISTOR CH 1/16W 220	1	
R432	ERJ3GEYJ470	M.RESISTOR CH 1/16W 47	1	
R433	ERJ3GEYJ101	M.RESISTOR CH 1/16W 100	1	
R434	ERJ3GEYJ470	M.RESISTOR CH 1/16W 47	1	
R435	ERJ3GEYJ101	M.RESISTOR CH 1/16W 100	1	

Ref. No.	Part No.	Part Name & Description	Pcs	Remark
R437	ERJ3GEY0R00	M.RESISTOR CH 1/16W 0	1	
R438	ERJ3GEYJ470	M.RESISTOR CH 1/16W 47	1	
R439	ERJ3GEYJ101	M.RESISTOR CH 1/16W 100	1	
R440,41	ERJ3GEYG471	M.RESISTOR CH 1/16W 470	2	
R442,43	ERJ3GEYJ560	M.RESISTOR CH 1/16W 56	2	
R444,45	ERJ3GEYG471	M.RESISTOR CH 1/16W 470	2	
R446,47	ERJ3GEYJ560	M.RESISTOR CH 1/16W 56	2	
R501,02	ERJ3GEYJ103	M.RESISTOR CH 1/16W 10K	2	
R503	ERJ3GEYJ683	M.RESISTOR CH 1/16W 68K	1	
R504	ERJ3GEYJ104	M.RESISTOR CH 1/16W 100K	1	
R505	ERJ3GEYJ103	M.RESISTOR CH 1/16W 10K	1	
R506	ERJ3GEYJ101	M.RESISTOR CH 1/16W 100	1	
R507	ERJ3GEYJ221	M.RESISTOR CH 1/16W 220	1	
R508	ERJ3GEYJ470	M.RESISTOR CH 1/16W 47	1	
R509-11	ERJ3GEYJ103	M.RESISTOR CH 1/16W 10K	3	
R513	ERJ3GEYJ103	M.RESISTOR CH 1/16W 10K	1	
R514	ERJ3GEYJ101	M.RESISTOR CH 1/16W 100	1	
R515,16	ERJ3GEYG471	M.RESISTOR CH 1/16W 470	2	
R517,18	ERJ3GEYJ470	M.RESISTOR CH 1/16W 47	2	
R519-21	ERJ3GEYJ103	M.RESISTOR CH 1/16W 10K	3	
R522	ERJ3GEYJ101	M.RESISTOR CH 1/16W 100	1	
R523,24	ERJ3GEYG471	M.RESISTOR CH 1/16W 470	2	
R525	ERJ3GEYJ392	M.RESISTOR CH 1/16W 3.9K	1	
R526,27	ERJ3GEYJ103	M.RESISTOR CH 1/16W 10K	2	
R528	ERJ3GEY0R00	M.RESISTOR CH 1/16W 0	1	
R529	ERJ3GEYG471	M.RESISTOR CH 1/16W 470	1	
R530	ERJ3GEYJ562	M.RESISTOR CH 1/16W 5.6K	1	
R531	ERJ3GEYJ103	M.RESISTOR CH 1/16W 10K	1	
R532	ERJ3GEYJ392	M.RESISTOR CH 1/16W 3.9K	1	
R533	ERJ3GEYJ103	M.RESISTOR CH 1/16W 10K	1	
R534	ERJ3GEYJ392	M.RESISTOR CH 1/16W 3.9K	1	
R535,36	ERJ3GEYJ103	M.RESISTOR CH 1/16W 10K	2	
R537,38	ERJ3GEYG471	M.RESISTOR CH 1/16W 470	2	
R539,40	ERJ3GEYJ101	M.RESISTOR CH 1/16W 100	2	
R541	ERJ3GEYJ103	M.RESISTOR CH 1/16W 10K	1	
R542	ERJ3GEYJ562	M.RESISTOR CH 1/16W 5.6K	1	
R543,44	ERJ3GEYJ392	M.RESISTOR CH 1/16W 3.9K	2	
R545,46	ERJ3GEYJ103	M.RESISTOR CH 1/16W 10K	2	
R547	ERJ3GEYG332	M.RESISTOR CH 1/16W 3.3K	1	
R549	ERJ3GEYG332	M.RESISTOR CH 1/16W 3.3K	1	
R550	ERJ3GEYJ562	M.RESISTOR CH 1/16W 5.6K	1	
R551	ERJ3GEYJ392	M.RESISTOR CH 1/16W 3.9K	1	
R552-54	ERJ3GEYJ101	M.RESISTOR CH 1/16W 100	3	
R555,56	ERJ3GEYJ331	M.RESISTOR CH 1/16W 330	2	
R557,58	ERJ3GEYJ221	M.RESISTOR CH 1/16W 220	2	
R559	ERJ3GEYJ153	M.RESISTOR CH 1/16W 15K	1	
R601	ERJ3GEYJ101	M.RESISTOR CH 1/16W 100	1	
R602	ERJ3GEYJ221	M.RESISTOR CH 1/16W 220	1	
R603	ERJ3GEYJ470	M.RESISTOR CH 1/16W 47	1	
R604-06	ERJ3GEYJ103	M.RESISTOR CH 1/16W 10K	3	
R607	ERJ3GEYJ101	M.RESISTOR CH 1/16W 100	1	
R608,09	ERJ3GEYG471	M.RESISTOR CH 1/16W 470	2	
R610,11	ERJ3GEYJ470	M.RESISTOR CH 1/16W 47	2	
R612-14	ERJ3GEYJ103	M.RESISTOR CH 1/16W 10K	3	



Ref. No.	Part No.	Part Name & Description	Pcs	Remark
R615	ERJ3GEYJ101	M.RESISTOR CH 1/16W 100	1	
R616,17	ERJ3GEYG471	M.RESISTOR CH 1/16W 470	2	
R618	ERJ3GEYJ392	M.RESISTOR CH 1/16W 3.9K	1	
R619,20	ERJ3GEYJ103	M.RESISTOR CH 1/16W 10K	2	
R621	ERJ3GEY0R00	M.RESISTOR CH 1/16W 0	1	
R622	ERJ3GEYG471	M.RESISTOR CH 1/16W 470	1	
R623	ERJ3GEYJ562	M.RESISTOR CH 1/16W 5.6K	1	
R624	ERJ3GEYJ103	M.RESISTOR CH 1/16W 10K	1	
R625	ERJ3GEYJ392	M.RESISTOR CH 1/16W 3.9K	1	
R626	ERJ3GEYJ103	M.RESISTOR CH 1/16W 10K	1	
R627	ERJ3GEYJ392	M.RESISTOR CH 1/16W 3.9K	1	
R628,29	ERJ3GEYJ103	M.RESISTOR CH 1/16W 10K	2	
R630	ERJ3GEYG471	M.RESISTOR CH 1/16W 470	1	
R631	ERJ3GEYJ103	M.RESISTOR CH 1/16W 10K	1	
R632	ERJ3GEYJ562	M.RESISTOR CH 1/16W 5.6K	1	
R633,34	ERJ3GEYJ392	M.RESISTOR CH 1/16W 3.9K	2	
R635,36	ERJ3GEYJ103	M.RESISTOR CH 1/16W 10K	2	
R637,38	ERJ3GEYG471	M.RESISTOR CH 1/16W 470	2	
R639,40	ERJ3GEYJ101	M.RESISTOR CH 1/16W 100	2	
R641	ERJ3GEYJ562	M.RESISTOR CH 1/16W 5.6K	1	
R642	ERJ3GEYJ392	M.RESISTOR CH 1/16W 3.9K	1	
R643-45	ERJ3GEYJ101	M.RESISTOR CH 1/16W 100	3	
R647,48	ERJ3GEYG332	M.RESISTOR CH 1/16W 3.3K	2	
R649,50	ERJ3GEYJ331	M.RESISTOR CH 1/16W 330	2	
R651,52	ERJ3GEYJ221	M.RESISTOR CH 1/16W 220	2	
R702,03	ERJ3GEYJ470	M.RESISTOR CH 1/16W 47	2	
R706,07	ERJ3GEYJ470	M.RESISTOR CH 1/16W 47	2	
R709-12	ERJ3GEYJ470	M.RESISTOR CH 1/16W 47	4	
R713-20	ERJ3GEYG471	M.RESISTOR CH 1/16W 470	8	
R721,22	ERJ3GEYJ560	M.RESISTOR CH 1/16W 56	2	

Ref. No.	Part No.	Part Name & Description	Pcs	Remark
R724,25	ERJ3GEYJ560	M.RESISTOR CH 1/16W 56	2	
R727,28	ERJ3GEYJ560	M.RESISTOR CH 1/16W 56	2	
R730,31	ERJ3GEYJ560	M.RESISTOR CH 1/16W 56	2	
RY501	VSY2069	RELAY	1	
SS501	VJS1990	CONNECTOR (FEMALE)	1	
SS601	VJS1990	CONNECTOR (FEMALE)	1	
SW501	VJP2536A003	CONNECTOR (MALE)	1	
SW601	VJP2536A003	CONNECTOR (MALE)	1	
TG1	VJR0646	TEST POINT	1	
TG301	EYF6CU	TEST POINT	1	
TG401	EYF6CU	TEST POINT	1	
TG501	EYF6CU	TEST POINT	1	
TG601	EYF6CU	TEST POINT	1	
TP1-P4	VJR0646	TEST POINT	4	
TP301-03	EYF6CU	TEST POINT	3	
TP401-03	EYF6CU	TEST POINT	3	

Ref. No.	Part No.	Part Name & Description	Pcs	Remark
TP501,02	EYF6CU	TEST POINT	2	
TP601,02	EYF6CU	TEST POINT	2	
TP901-10	VJR0646	TEST POINT	10	
		MISCELLANEOUS		
	VML2143	CARD PULLER	1	
	VML2144	CARD PULLER	1	

### 10.32. VEP85163A

Ref. No.	Part No.	Part Name & Description	Pcs	Remark
* E13,14	VEP85163A	H3,4 RF EQ L,R P.C.BOARD	1	(RTL)

### 10.33. VEP85173A

Ref. No.	Part No.	Part Name & Description	Pcs	Remark
*	VEP85173A	RE EQ SUB P.C.BOARD	1	(RTL)FOR VEP85163A
C1	ECUX1E104ZFV	C.CAPACITOR CH 25V 0.1U	1	
C31	ECUX1E104ZFV	C.CAPACITOR CH 25V 0.1U	1	
C36-66	ECUX1E104ZFV	C.CAPACITOR CH 25V 0.1U	31	
C101	ECUX1E104ZFV	C.CAPACITOR CH 25V 0.1U	1	
C102,03	ECEV1HV2R2Q	E.CAPACITOR CH 50V 2.2U	2	
C104	ECUX1E104ZFV	C.CAPACITOR CH 25V 0.1U	1	
C105	ECUX1H470JCV	C.CAPACITOR CH 50V 47P	1	
C106-09	ECUX1E104ZFV	C.CAPACITOR CH 25V 0.1U	4	
C110	ECUX1H102KBV	C.CAPACITOR CH 50V 1000P	1	
C111-14	ECUX1E104ZFV	C.CAPACITOR CH 25V 0.1U	4	
C116	ECUX1H102KBV	C.CAPACITOR CH 50V 1000P	1	
C118-20	ECUX1E104ZFV	C.CAPACITOR CH 25V 0.1U	3	
C123-27	ECUX1E104ZFV	C.CAPACITOR CH 25V 0.1U	5	
C128	ECUX1H101JCV	C.CAPACITOR CH 50V 100P	1	
C129-32	ECUX1E104ZFV	C.CAPACITOR CH 25V 0.1U	4	
C133	ECUX1H330JCV	C.CAPACITOR CH 50V 33P	1	
C134	ECEV1CV220Q	E.CAPACITOR CH 16V 22U	1	
C135	ECUX1H330JCV	C.CAPACITOR CH 50V 33P	1	
C137	ECEV1CV220Q	E.CAPACITOR CH 16V 22U	1	
C138	ECUX1E104ZFV	C.CAPACITOR CH 25V 0.1U	1	
C140	ECUX1E104ZFV	C.CAPACITOR CH 25V 0.1U	1	
C141,42	ECUX1H103KBV	C.CAPACITOR CH 50V 0.01U	2	
C143	ECUX1E104ZFV	C.CAPACITOR CH 25V 0.1U	1	
C144	ECUX1H103KBV	C.CAPACITOR CH 50V 0.01U	1	
C145,46	ECUX1C473KBV	C.CAPACITOR CH 16V 0.047U	2	
C147	ECUX1E104ZFV	C.CAPACITOR CH 25V 0.1U	1	
C148	ECUX1H102KBV	C.CAPACITOR CH 50V 1000P	1	
C149-51	ECUX1E104ZFV	C.CAPACITOR CH 25V 0.1U	3	
C153	ECUX1H270JCV	C.CAPACITOR CH 50V 27P	1	
C154	ECUX1H680JCV	C.CAPACITOR CH 50V 68P	1	

Ref. No.	Part No.	Part Name & Description	Pcs	Remark
C155	ECUX1H151JCV	C.CAPACITOR CH 50V 150P	1	
C156	ECUX1H181JCV	C.CAPACITOR CH 50V 180P	1	
C157-59	ECUX1E104ZFV	C.CAPACITOR CH 25V 0.1U	3	
C164-67	ECUX1E104ZFV	C.CAPACITOR CH 25V 0.1U	4	
C168-71	ECUX1H220JCV	C.CAPACITOR CH 50V 22P	4	
C172	ECCF1H560JC	C.CAPACITOR 50V 56P	1	
C201	ECUX1E104ZFV	C.CAPACITOR CH 25V 0.1U	1	
C202,03	ECEV1HV2R2Q	E.CAPACITOR CH 50V 2.2U	2	
C204	ECUX1E104ZFV	C.CAPACITOR CH 25V 0.1U	1	
C205	ECUX1H470JCV	C.CAPACITOR CH 50V 47P	1	
C206-09	ECUX1E104ZFV	C.CAPACITOR CH 25V 0.1U	4	
C210	ECUX1H102KBV	C.CAPACITOR CH 50V 1000P	1	
C211-14	ECUX1E104ZFV	C.CAPACITOR CH 25V 0.1U	4	
C216	ECUX1H102KBV	C.CAPACITOR CH 50V 1000P	1	
C218-20	ECUX1E104ZFV	C.CAPACITOR CH 25V 0.1U	3	
C223-27	ECUX1E104ZFV	C.CAPACITOR CH 25V 0.1U	5	
C228	ECUX1H101JCV	C.CAPACITOR CH 50V 100P	1	
C229-32	ECUX1E104ZFV	C.CAPACITOR CH 25V 0.1U	4	
C233	ECUX1H330JCV	C.CAPACITOR CH 50V 33P	1	
C234	ECEV1CV220Q	E.CAPACITOR CH 16V 22U	1	
C235	ECUX1H330JCV	C.CAPACITOR CH 50V 33P	1	
C237	ECEV1CV220Q	E.CAPACITOR CH 16V 22U	1	
C238	ECUX1E104ZFV	C.CAPACITOR CH 25V 0.1U	1	
C240	ECUX1E104ZFV	C.CAPACITOR CH 25V 0.1U	1	
C241,42	ECUX1H103KBV	C.CAPACITOR CH 50V 0.01U	2	
C243	ECUX1E104ZFV	C.CAPACITOR CH 25V 0.1U	1	
C244	ECUX1H103KBV	C.CAPACITOR CH 50V 0.01U	1	
C245,46	ECUX1C473KBV	C.CAPACITOR CH 16V 0.047U	2	
C247	ECUX1E104ZFV	C.CAPACITOR CH 25V 0.1U	1	
C248	ECUX1H102KBV	C.CAPACITOR CH 50V 1000P	1	
C251	ECUX1E104ZFV	C.CAPACITOR CH 25V 0.1U	1	
C253	ECUX1H270JCV	C.CAPACITOR CH 50V 27P	1	
C254	ECUX1H680JCV	C.CAPACITOR CH 50V 68P	1	
C255	ECUX1H151JCV	C.CAPACITOR CH 50V 150P	1	
C256	ECUX1H181JCV	C.CAPACITOR CH 50V 180P	1	
C257-59	ECUX1E104ZFV	C.CAPACITOR CH 25V 0.1U	3	
C265	ECUX1E104ZFV	C.CAPACITOR CH 25V 0.1U	1	
C272	ECCF1H560JC	C.CAPACITOR 50V 56P	1	
C302	ECUX1E104ZFV	C.CAPACITOR CH 25V 0.1U	1	
C305	ECUX1E104ZFV	C.CAPACITOR CH 25V 0.1U	1	
C311,12	ECUX1E104ZFV	C.CAPACITOR CH 25V 0.1U	2	
C313,14	ECUX1H122KBV	C.CAPACITOR CH 50V 1200P	2	
C315	ECUX1H102KBV	C.CAPACITOR CH 50V 1000P	1	
C316-21	ECUX1E104ZFV	C.CAPACITOR CH 25V 0.1U	6	
C323-28	ECUX1E104ZFV	C.CAPACITOR CH 25V 0.1U	6	
C402	ECUX1E104ZFV	C.CAPACITOR CH 25V 0.1U	1	
C405	ECUX1E104ZFV	C.CAPACITOR CH 25V 0.1U	1	
C411,12	ECUX1E104ZFV	C.CAPACITOR CH 25V 0.1U	2	
C413,14	ECUX1H122KBV	C.CAPACITOR CH 50V 1200P	2	
C415	ECUX1H102KBV	C.CAPACITOR CH 50V 1000P	1	
C416-21	ECUX1E104ZFV	C.CAPACITOR CH 25V 0.1U	6	
C423-28	ECUX1E104ZFV	C.CAPACITOR CH 25V 0.1U	6	
C502-24	ECUX1E104ZFV	C.CAPACITOR CH 25V 0.1U	23	
C525-28	ECUX1H103KBV	C.CAPACITOR CH 50V 0.01U	4	

Ref. No.	Part No.	Part Name & Description	Pcs	Remark
C529-37	ECUX1E104ZFV	C.CAPACITOR CH 25V 0.1U	9	
C538,39	ECUX1H103KBV	C.CAPACITOR CH 50V 0.01U	2	
C540	ECUX1E104ZFV	C.CAPACITOR CH 25V 0.1U	1	
C542,43	ECUX1H152KBV	C.CAPACITOR CH 50V 1500P	2	
C544-48	ECUX1E104ZFV	C.CAPACITOR CH 25V 0.1U	5	
C549	ECUX1H103KBV	C.CAPACITOR CH 50V 0.01U	1	
C550,51	ECUX1E104ZFV	C.CAPACITOR CH 25V 0.1U	2	
C552	ECUX1H681KBV	C.CAPACITOR CH 50V 680P	1	
C553-55	ECUX1E104ZFV	C.CAPACITOR CH 25V 0.1U	3	
C556	ECUX1H821JCV	C.CAPACITOR CH 50V 820P	1	
C557	ECUX1E104ZFV	C.CAPACITOR CH 25V 0.1U	1	
C558	ECUM1C224ZFV	C.CAPACITOR CH 16V 0.22U	1	
C559	ECUX1E104ZFV	C.CAPACITOR CH 25V 0.1U	1	
C560	ECUX1H681KBV	C.CAPACITOR CH 50V 680P	1	
C561	ECUX1E104ZFV	C.CAPACITOR CH 25V 0.1U	1	
C562-65	ECUX1H152KBV	C.CAPACITOR CH 50V 1500P	4	
C566	ECUX1E104ZFV	C.CAPACITOR CH 25V 0.1U	1	
C568-71	ECUX1H152KBV	C.CAPACITOR CH 50V 1500P	4	
C572	ECUX1H103KBV	C.CAPACITOR CH 50V 0.01U	1	
C573-91	ECUX1E104ZFV	C.CAPACITOR CH 25V 0.1U	19	
C592	ECUX1H680JCV	C.CAPACITOR CH 50V 68P	1	
C593,94	ECUX1E104ZFV	C.CAPACITOR CH 25V 0.1U	2	
C595	ECUM1H102KBN	C.CAPACITOR CH 50V 1200P	1	
C602,03	ECUX1E104ZFV	C.CAPACITOR CH 25V 0.1U	2	
C605-11	ECUX1E104ZFV	C.CAPACITOR CH 25V 0.1U	7	
C613-24	ECUX1E104ZFV	C.CAPACITOR CH 25V 0.1U	12	
C625-28	ECUX1H103KBV	C.CAPACITOR CH 50V 0.01U	4	
C629-37	ECUX1E104ZFV	C.CAPACITOR CH 25V 0.1U	9	
C638,39	ECUX1H103KBV	C.CAPACITOR CH 50V 0.01U	2	
C640	ECUX1E104ZFV	C.CAPACITOR CH 25V 0.1U	1	
C642,43	ECUX1H152KBV	C.CAPACITOR CH 50V 1500P	2	
C644-48	ECUX1E104ZFV	C.CAPACITOR CH 25V 0.1U	5	
C649	ECUX1H103KBV	C.CAPACITOR CH 50V 0.01U	1	
C650,51	ECUX1E104ZFV	C.CAPACITOR CH 25V 0.1U	2	
C652	ECUX1H681KBV	C.CAPACITOR CH 50V 680P	1	
C653-55	ECUX1E104ZFV	C.CAPACITOR CH 25V 0.1U	3	
C656	ECUX1H821JCV	C.CAPACITOR CH 50V 820P	1	
C657	ECUX1E104ZFV	C.CAPACITOR CH 25V 0.1U	1	
C658	ECUM1C224ZFV	C.CAPACITOR CH 16V 0.22U	1	
C659	ECUX1E104ZFV	C.CAPACITOR CH 25V 0.1U	1	
C660	ECUX1H681KBV	C.CAPACITOR CH 50V 680P	1	
C661	ECUX1E104ZFV	C.CAPACITOR CH 25V 0.1U	1	
C662-65	ECUX1H152KBV	C.CAPACITOR CH 50V 1500P	4	
C666	ECUX1E104ZFV	C.CAPACITOR CH 25V 0.1U	1	
C668-71	ECUX1H152KBV	C.CAPACITOR CH 50V 1500P	4	
C672	ECUX1H103KBV	C.CAPACITOR CH 50V 0.01U	1	
C673-87	ECUX1E104ZFV	C.CAPACITOR CH 25V 0.1U	15	
C689-93	ECUX1E104ZFV	C.CAPACITOR CH 25V 0.1U	5	
C695-98	ECUX1E104ZFV	C.CAPACITOR CH 25V 0.1U	4	
C699	ECUX1H680JCV	C.CAPACITOR CH 50V 68P	1	
C700-05	ECUX1E104ZFV	C.CAPACITOR CH 25V 0.1U	6	
C714-17	ECUX1E104ZFV	C.CAPACITOR CH 25V 0.1U	4	
C718,19	ECUX1H102KBV	C.CAPACITOR CH 50V 1000P	2	

Ref. No.	Part No.	Part Name & Description	Pcs	Remark
C720	ECUX1E104ZFV	C.CAPACITOR CH 25V 0.1U	1	
C801-05	ECUX1E104ZFV	C.CAPACITOR CH 25V 0.1U	5	
C901-03	ECEV1CV220Q	E.CAPACITOR CH 16V 22U	3	
C905-07	ECUX1E104ZFV	C.CAPACITOR CH 25V 0.1U	3	
C908-12	ECEV1CV220Q	E.CAPACITOR CH 16V 22U	5	
C913-15	ECUX1E104ZFV	C.CAPACITOR CH 25V 0.1U	3	
C920	ECUX1E104ZFV	C.CAPACITOR CH 25V 0.1U	1	
C921,22	ECEV1CV220Q	E.CAPACITOR CH 16V 22U	2	
C927	ECEV1CV470Q	E.CAPACITOR CH 16V 47U	1	
C932,33	ECUX1E104ZFV	C.CAPACITOR CH 25V 0.1U	2	
C971-77	ECUX1E104ZFV	C.CAPACITOR CH 25V 0.1U	7	
C978	ECEA1HGE330	E.CAPACITOR CH 50V 33U	1	
D910	MA152K	DIODE	1	
FL901-04	VLF0931	FILTER	4	
IC1	TCVHC04FS	IC	1	
IC21	M62370GP	IC	1	
IC22,23	THC4053FT	IC	2	
IC24,25	NJM084V	IC	2	
IC101	UPC1663G	IC	1	
IC102	NJM1496M	IC	1	
IC103	NJM084V	IC	1	
IC201	UPC1663G	IC	1	
IC202	NJM1496M	IC	1	
IC301	AN3730FA	IC	1	
IC401	AN3730FA	IC	1	
IC501	NJM319V	IC	1	
IC502	THC4053FT	IC	1	
IC503	TC7SH32FU	IC	1	
IC504	TCVHC157FS	IC	1	
IC505-07	NJM084V	IC	3	
IC508	THC4066FT	IC	1	
IC509	AN3740FAP	IC	1	
IC510	AN3745FBP	IC	1	
IC602	THC4053FT	IC	1	
IC605-07	NJM084V	IC	3	
IC609	AN3740FAP	IC	1	
IC610	AN3745FBP	IC	1	
IC611	THC4053FT	IC	1	
IC701	UPC1663G	IC	1	
IC801	M62370GP	IC	1	
IC802	NJM084V	IC	1	
IC901	AN7805	IC	1	
IC902	AN7905F	IC	1	
IC907	AN7703F	IC	1	
L101	VLQ0188K1R0N	COIL 1.0UH	1	
L102,03	VLQ0188KR47N	COIL 0.47UH	2	

Ref. No.	Part No.	Part Name & Description	Pcs	Remark
L104,05	VLQ0188J101	COIL 100UH	2	
L106,07	VLQ0163KR39	COIL 0.39UH	2	
L109,10	VLQ0163J5R6	COIL 5.6UH	2	
L201	VLQ0188K1R0N	COIL 1.0UH	1	
L202,03	VLQ0188KR47N	COIL 0.47UH	2	
L204,05	VLQ0188J101	COIL 100UH	2	
L206,07	VLQ0163KR39	COIL 0.39UH	2	
L801	VLQ0163J101	COIL 100UH	1	
P1	VJP3454B096	CONNECTOR (MALE)	1	
P2	VJP1230T	CONNECTOR (MALE) 3P	1	
P3	VJP1230G	CONNECTOR (MALE) 3P	1	
Q101	XN6537	TRANSISTOR-RESISTOR	1	
Q102,03	2SC2295-C	TRANSISTOR	2	
Q104	2SK508K512	TRANSISTOR	1	
Q105	2SC3130	TRANSISTOR	1	
Q106	2SK508K512	TRANSISTOR	1	
Q108,09	XN5531	TRANSISTOR-RESISTOR	2	
Q110,11	2SK508K512	TRANSISTOR	2	
Q112	2SC3130	TRANSISTOR	1	
Q113,14	2SD1979	TRANSISTOR	2	
Q115-17	2SC2295-C	TRANSISTOR	3	
Q118	XN5531	TRANSISTOR-RESISTOR	1	
Q119	2SC2295-C	TRANSISTOR	1	
Q201	XN6537	TRANSISTOR-RESISTOR	1	
Q202,03	2SC2295-C	TRANSISTOR	2	
Q204	2SK508K512	TRANSISTOR	1	
Q205	2SC3130	TRANSISTOR	1	
Q206	2SK508K512	TRANSISTOR	1	
Q208,09	XN5531	TRANSISTOR-RESISTOR	2	
Q210,11	2SK508K512	TRANSISTOR	2	
Q212	2SC3130	TRANSISTOR	1	
Q213,14	2SD1979	TRANSISTOR	2	
Q215-17	2SC2295-C	TRANSISTOR	3	
Q218	XN5531	TRANSISTOR-RESISTOR	1	
Q301	XN5531	TRANSISTOR-RESISTOR	1	
Q303	XN5531	TRANSISTOR-RESISTOR	1	
Q401	XN5531	TRANSISTOR-RESISTOR	1	
Q403	XN5531	TRANSISTOR-RESISTOR	1	
Q501,02	2SC2295-C	TRANSISTOR	2	
Q503	2SA1022-B	TRANSISTOR	1	(B)
Q504	2SD601A-R	TRANSISTOR	1	
Q505	UN2213	TRANSISTOR-RESISTOR	1	
Q601,02	2SC2295-C	TRANSISTOR	2	
Q603,04	XN5531	TRANSISTOR-RESISTOR	2	
Q605	2SA1022-B	TRANSISTOR	1	(B)
Q701	2SC2295-C	TRANSISTOR	1	
Q702,03	2SK508K512	TRANSISTOR	2	
Q901	2SD601A-R	TRANSISTOR	1	
R1,R2	ERJ3GEYJ103	M.RESISTOR CH 1/16W 10K	2	
R3,R4	ERJ3GEYJ470	M.RESISTOR CH 1/16W 47	2	
R22-24	ERJ3GEYJ103	M.RESISTOR CH 1/16W 10K	3	

Ref. No.	Part No.	Part Name & Description	Pcs	Remark
R25-41	ERJ3GEYJ101	M.RESISTOR CH 1/16W 100	17	
R42	ERJ3GEY0R00	M.RESISTOR CH 1/16W 0	1	
R43,44	ERJ3GEYJ103	M.RESISTOR CH 1/16W 10K	2	
R47	ERJ3RBD103	M.RESISTOR CH 3W 10K	1	
R50	ERJ3RBD103	M.RESISTOR CH 3W 10K	1	
R51	ERJ3RBD333	M.RESISTOR CH 3W 33K	1	
R52	ERJ3GEYJ103	M.RESISTOR CH 1/16W 10K	1	
R53,54	ERJ3RBD272	M.RESISTOR CH 3W 2.7K	2	
R55	ERJ3RBD223	M.RESISTOR CH 3W 22K	1	
R56	ERJ3RBD153	M.RESISTOR CH 3W 15K	1	
R57	ERJ3RBD223	M.RESISTOR CH 3W 22K	1	
R58	ERJ3RBD153	M.RESISTOR CH 3W 15K	1	
R59	ERJ3GEYG822	M.RESISTOR CH 1/16W 8.2K	1	
R60	ERJ3RBD223	M.RESISTOR CH 3W 22K	1	
R61	ERJ3GEYJ222	M.RESISTOR CH 1/16W 2.2K	1	
R62,63	ERJ3RBD153	M.RESISTOR CH 3W 15K	2	
R64,65	ERJ3RBD103	M.RESISTOR CH 3W 10K	2	
R66	ERJ3RBD153	M.RESISTOR CH 3W 15K	1	
R67,68	ERJ3GEYJ101	M.RESISTOR CH 1/16W 100	2	
R69	ERJ3RBD103	M.RESISTOR CH 3W 10K	1	
R70	ERJ3GEYJ103	M.RESISTOR CH 1/16W 10K	1	
R71	ERJ3RBD103	M.RESISTOR CH 3W 10K	1	
R72	ERJ3GEYG822	M.RESISTOR CH 1/16W 8.2K	1	
R73	ERJ3RBD333	M.RESISTOR CH 3W 33K	1	
R74	ERJ3GEYJ222	M.RESISTOR CH 1/16W 2.2K	1	
R75	ERJ3RBD223	M.RESISTOR CH 3W 22K	1	
R76	ERJ3RBD153	M.RESISTOR CH 3W 15K	1	
R77,78	ERJ3RBD562	M.RESISTOR CH 3W 5.2K	2	
R79,80	ERJ3RBD333	M.RESISTOR CH 3W 33K	2	
R81,82	ERJ3RBD153	M.RESISTOR CH 3W 15K	2	
R83,84	ERJ3RBD223	M.RESISTOR CH 3W 22K	2	
R85,86	ERJ3GEYJ101	M.RESISTOR CH 1/16W 100	2	
R87,88	ERJ3RBD103	M.RESISTOR CH 3W 10K	2	
R89,90	ERJ3RBD682	M.RESISTOR CH 3W 6.8K	2	
R101	ERJ3RED470	M.RESISTOR CH 3W 47	1	
R102	ERJ3GEYJ470	M.RESISTOR CH 1/16W 47	1	
R103	ERJ3RED470	M.RESISTOR CH 3W 47	1	
R104,05	ERJ3GEYJ680	M.RESISTOR CH 1/16W 68	2	
R106	ERJ3GEYJ470	M.RESISTOR CH 1/16W 47	1	
R107	ERJ3RBD222	M.RESISTOR CH 3W 2.2K	1	
R108	ERJ3RBD391	M.RESISTOR CH 3W 390	1	
R109	ERJ3RBD271	M.RESISTOR CH 3W 270	1	
R110	ERJ3RED330	M.RESISTOR CH 3W 33	1	
R111	ERJ3RBD391	M.RESISTOR CH 3W 390	1	
R112	ERJ3RBD271	M.RESISTOR CH 3W 270	1	
R113	ERJ3RBD222	M.RESISTOR CH 3W 2.2K	1	
R114	ERJ3GEYJ331	M.RESISTOR CH 1/16W 330	1	
R115	ERJ3GEYG152	M.RESISTOR CH 1/16W 1.5K	1	
R116	ERJ3GEYJ331	M.RESISTOR CH 1/16W 330	1	
R117	ERJ3GEYJ470	M.RESISTOR CH 1/16W 47	1	
R118	ERJ3GEYG472	M.RESISTOR CH 1/16W 4.7K	1	

Ref. No.	Part No.	Part Name & Description	Pcs	Remark
R119	ERJ3RBD332	M.RESISTOR CH 3W 3.3K	1	
R120	ERJ3GEYG152	M.RESISTOR CH 1/16W 1.5K	1	
R121	ERJ3GEYJ272	M.RESISTOR CH 1/16W 2.7K	1	
R122	ERJ3GEY0R00	M.RESISTOR CH 1/16W 0	1	
R125	ERJ3GEYJ470	M.RESISTOR CH 1/16W 47	1	
R126,27	ERJ3GEYG102	M.RESISTOR CH 1/16W 1K	2	
R128	ERJ3GEYG152	M.RESISTOR CH 1/16W 1.5K	1	
R129	ERJ3RBD332	M.RESISTOR CH 3W 3.3K	1	
R131,32	ERJ3GEYJ470	M.RESISTOR CH 1/16W 47	2	
R133	ERJ3GEYG152	M.RESISTOR CH 1/16W 1.5K	1	
R135	ERJ3GEYJ222	M.RESISTOR CH 1/16W 2.2K	1	
R136	ERJ3GEYJ470	M.RESISTOR CH 1/16W 47	1	
R137	ERJ3GEYG102	M.RESISTOR CH 1/16W 1K	1	
R138,39	ERJ3GEYG472	M.RESISTOR CH 1/16W 4.7K	2	
R140	ERJ3GEYG102	M.RESISTOR CH 1/16W 1K	1	
R141	ERJ3RBD181	M.RESISTOR CH 3W 180	1	
R142	ERJ3RBD681	M.RESISTOR CH 3W 680	1	
R143	ERJ3RBD181	M.RESISTOR CH 3W 180	1	
R144	ERJ3GEYJ221	M.RESISTOR CH 1/16W 220	1	
R145	ERJ3RBD821	M.RESISTOR CH 3W 820	1	
R146	ERJ3GEYJ470	M.RESISTOR CH 1/16W 47	1	
R147,48	ERJ3RBD103	M.RESISTOR CH 3W 10K	2	
R149,50	ERJ3GEYG102	M.RESISTOR CH 1/16W 1K	2	
R151,52	ERJ3GEYJ103	M.RESISTOR CH 1/16W 10K	2	
R153,54	ERJ3GEYG102	M.RESISTOR CH 1/16W 1K	2	
R155	ERJ3RBD102	M.RESISTOR CH 1/10W 1K	1	
R156	ERJ3GEYJ470	M.RESISTOR CH 1/16W 47	1	
R157-60	ERJ3GEYJ560	M.RESISTOR CH 1/16W 56	4	
R161	ERJ3GEYJ821	M.RESISTOR CH 1/16W 820	1	
R162	ERJ3GEY0R00	M.RESISTOR CH 1/16W 0	1	
R163	ERJ3GEYJ470	M.RESISTOR CH 1/16W 47	1	
R164	ERJ3RBD822	M.RESISTOR CH 3W 8.2K	1	
R165	ERJ3RBD221	M.RESISTOR CH 3W 220	1	
R166	ERJ3GEY0R00	M.RESISTOR CH 1/16W 0	1	
R167	ERJ3GEYJ470	M.RESISTOR CH 1/16W 47	1	
R168	ERJ3GEYG102	M.RESISTOR CH 1/16W 1K	1	
R169	ERJ3GEYJ470	M.RESISTOR CH 1/16W 47	1	
R170	ERJ3RBD332	M.RESISTOR CH 3W 3.3K	1	
R171	ERJ3RBD392	M.RESISTOR CH 3W 3.9K	1	
R172	ERJ3GEYJ470	M.RESISTOR CH 1/16W 47	1	
R173	ERJ3GEYG102	M.RESISTOR CH 1/16W 1K	1	
R174	ERJ3RBD392	M.RESISTOR CH 3W 3.9K	1	
R175	ERJ3RBD153	M.RESISTOR CH 3W 15K	1	
R176	ERJ3GEYJ103	M.RESISTOR CH 1/16W 10K	1	
R177-80	ERJ3GEYJ470	M.RESISTOR CH 1/16W 47	4	
R181	ERJ3GEYJ182	M.RESISTOR CH 1/16W 1.8K	1	
R182	ERJ3RED560	M.RESISTOR CH 3W 56	1	
R183,84	ERJ3GEYJ103	M.RESISTOR CH 1/16W 10K	2	
R185	ERJ3GEY0R00	M.RESISTOR CH 1/16W 0	1	
R186,87	ERJ3GEYJ470	M.RESISTOR CH 1/16W 47	2	
R188,89	ERJ3GEYJ182	M.RESISTOR CH 1/16W 1.8K	2	
R190	ERJ3GEYJ103	M.RESISTOR CH 1/16W 10K	1	
R191	ERJ3GEYJ470	M.RESISTOR CH 1/16W 47	1	
R192	ERJ3GEYJ103	M.RESISTOR CH 1/16W 10K	1	



Ref. No.	Part No.	Part Name & Description	Pcs	Remark
R193	ERJ3GEYJ470	M.RESISTOR CH 1/16W 47	1	
R194	ERJ3GEYJ182	M.RESISTOR CH 1/16W 1.8K	1	
R195,96	ERJ3GEYJ750	M.RESISTOR CH 1/16W 75	2	
R198,99	ERJ3GEYJ391	M.RESISTOR CH 1/16W 390	2	
R201	ERJ3RED470	M.RESISTOR CH 3W 47	1	
R202	ERJ3GEYJ470	M.RESISTOR CH 1/16W 47	1	
R203	ERJ3RED470	M.RESISTOR CH 3W 47	1	
R204,05	ERJ3GEYJ680	M.RESISTOR CH 1/16W 68	2	
R206	ERJ3GEYJ470	M.RESISTOR CH 1/16W 47	1	
R207	ERJ3RBD222	M.RESISTOR CH 3W 2.2K	1	
R208	ERJ3RBD391	M.RESISTOR CH 3W 390	1	
R209	ERJ3RBD271	M.RESISTOR CH 3W 270	1	
R210	ERJ3RED330	M.RESISTOR CH 3W 33	1	
R211	ERJ3RBD391	M.RESISTOR CH 3W 390	1	
R212	ERJ3RBD271	M.RESISTOR CH 3W 270	1	
R213	ERJ3RBD222	M.RESISTOR CH 3W 2.2K	1	
R214	ERJ3GEYJ331	M.RESISTOR CH 1/16W 330	1	
R215	ERJ3GEYG152	M.RESISTOR CH 1/16W 1.5K	1	
R216	ERJ3GEYJ331	M.RESISTOR CH 1/16W 330	1	
R217	ERJ3GEYJ470	M.RESISTOR CH 1/16W 47	1	
R218	ERJ3GEYG472	M.RESISTOR CH 1/16W 4.7K	1	
R219	ERJ3RBD332	M.RESISTOR CH 3W 3.3K	1	
R220	ERJ3GEYG152	M.RESISTOR CH 1/16W 1.5K	1	
R221	ERJ3GEYJ272	M.RESISTOR CH 1/16W 2.7K	1	
R222	ERJ3GEY0R00	M.RESISTOR CH 1/16W 0	1	
R225	ERJ3GEYJ470	M.RESISTOR CH 1/16W 47	1	
R226,27	ERJ3GEYG102	M.RESISTOR CH 1/16W 1K	2	
R228	ERJ3GEYG152	M.RESISTOR CH 1/16W 1.5K	1	
R229	ERJ3RBD332	M.RESISTOR CH 3W 3.3K	1	
R231,32	ERJ3GEYJ470	M.RESISTOR CH 1/16W 47	2	
R233	ERJ3GEYG152	M.RESISTOR CH 1/16W 1.5K	1	
R235	ERJ3GEYJ222	M.RESISTOR CH 1/16W 2.2K	1	
R236	ERJ3GEYJ470	M.RESISTOR CH 1/16W 47	1	
R237	ERJ3GEYG102	M.RESISTOR CH 1/16W 1K	1	
R238,39	ERJ3GEYG472	M.RESISTOR CH 1/16W 4.7K	2	
R240	ERJ3GEYG102	M.RESISTOR CH 1/16W 1K	1	
R241	ERJ3RBD181	M.RESISTOR CH 3W 180	1	
R242	ERJ3RBD681	M.RESISTOR CH 3W 680	1	
R243	ERJ3RBD181	M.RESISTOR CH 3W 180	1	
R244	ERJ3GEYJ221	M.RESISTOR CH 1/16W 220	1	
R245	ERJ3RBD821	M.RESISTOR CH 3W 820	1	
R246	ERJ3GEYJ470	M.RESISTOR CH 1/16W 47	1	
R247,48	ERJ3RBD103	M.RESISTOR CH 3W 10K	2	
R249,50	ERJ3GEYG102	M.RESISTOR CH 1/16W 1K	2	
R251,52	ERJ3GEYJ103	M.RESISTOR CH 1/16W 10K	2	
R253,54	ERJ3GEYG102	M.RESISTOR CH 1/16W 1K	2	
R255	ERJ3RBD102	M.RESISTOR CH 1/10W 1K	1	
R256	ERJ3GEYJ470	M.RESISTOR CH 1/16W 47	1	
R257-60	ERJ3GEYJ560	M.RESISTOR CH 1/16W 56	4	
R261	ERJ3GEYJ821	M.RESISTOR CH 1/16W 820	1	
R262	ERJ3GEY0R00	M.RESISTOR CH 1/16W 0	1	
R263	ERJ3GEYJ470	M.RESISTOR CH 1/16W 47	1	
R264	ERJ3RBD822	M.RESISTOR CH 3W 8.2K	1	
R265	ERJ3RBD681	M.RESISTOR CH 3W 680	1	

Ref. No.	Part No.	Part Name & Description	Pcs	Remark
R266	ERJ3GEY0R00	M.RESISTOR CH 1/16W 0	1	
R267	ERJ3GEYJ470	M.RESISTOR CH 1/16W 47	1	
R268	ERJ3GEYG102	M.RESISTOR CH 1/16W 1K	1	
R269	ERJ3GEYJ470	M.RESISTOR CH 1/16W 47	1	
R270	ERJ3RBD332	M.RESISTOR CH 3W 3.3K	1	
R271	ERJ3RBD392	M.RESISTOR CH 3W 3.9K	1	
R272	ERJ3GEYJ470	M.RESISTOR CH 1/16W 47	1	
R273	ERJ3GEYG102	M.RESISTOR CH 1/16W 1K	1	
R274	ERJ3RBD392	M.RESISTOR CH 3W 3.9K	1	
R275	ERJ3RBD153	M.RESISTOR CH 3W 15K	1	
R276	ERJ3GEYJ103	M.RESISTOR CH 1/16W 10K	1	
R277-80	ERJ3GEYJ470	M.RESISTOR CH 1/16W 47	4	
R281	ERJ3GEYJ182	M.RESISTOR CH 1/16W 1.8K	1	
R282	ERJ3RED560	M.RESISTOR CH 3W 56	1	
R283,84	ERJ3GEYJ103	M.RESISTOR CH 1/16W 10K	2	
R285	ERJ3GEY0R00	M.RESISTOR CH 1/16W 0	1	
R286	ERJ3GEYJ470	M.RESISTOR CH 1/16W 47	1	
R288	ERJ3GEYJ182	M.RESISTOR CH 1/16W 1.8K	1	
R291	ERJ3GEYJ470	M.RESISTOR CH 1/16W 47	1	
R292	ERJ3GEYJ103	M.RESISTOR CH 1/16W 10K	1	
R301	ERJ3GEYJ470	M.RESISTOR CH 1/16W 47	1	
R302	ERJ3GEYJ222	M.RESISTOR CH 1/16W 2.2K	1	
R303	ERJ3GEYJ470	M.RESISTOR CH 1/16W 47	1	
R304	ERJ3GEYJ222	M.RESISTOR CH 1/16W 2.2K	1	
R307	ERJ3GEYJ470	M.RESISTOR CH 1/16W 47	1	
R311-13	ERJ3GEYJ470	M.RESISTOR CH 1/16W 47	3	
R314	ERJ3GEYJ222	M.RESISTOR CH 1/16W 2.2K	1	
R315	ERJ3GEYJ122	M.RESISTOR CH 1/16W 1.2K	1	
R316,17	ERJ3GEYJ222	M.RESISTOR CH 1/16W 2.2K	2	
R318-20	ERJ3GEYJ470	M.RESISTOR CH 1/16W 47	3	
R401	ERJ3GEYJ470	M.RESISTOR CH 1/16W 47	1	
R402	ERJ3GEYJ222	M.RESISTOR CH 1/16W 2.2K	1	
R403	ERJ3GEYJ470	M.RESISTOR CH 1/16W 47	1	
R404	ERJ3GEYJ222	M.RESISTOR CH 1/16W 2.2K	1	
R407	ERJ3GEYJ470	M.RESISTOR CH 1/16W 47	1	
R411-13	ERJ3GEYJ470	M.RESISTOR CH 1/16W 47	3	
R414	ERJ3GEYJ222	M.RESISTOR CH 1/16W 2.2K	1	
R415	ERJ3GEYJ122	M.RESISTOR CH 1/16W 1.2K	1	
R416,17	ERJ3GEYJ222	M.RESISTOR CH 1/16W 2.2K	2	
R418-20	ERJ3GEYJ470	M.RESISTOR CH 1/16W 47	3	
R501	ERJ3GEYJ103	M.RESISTOR CH 1/16W 10K	1	
R502	ERJ3GEYJ470	M.RESISTOR CH 1/16W 47	1	
R503	ERJ3GEYJ103	M.RESISTOR CH 1/16W 10K	1	
R504-07	ERJ3GEYJ470	M.RESISTOR CH 1/16W 47	4	
R508-11	ERJ3GEYJ222	M.RESISTOR CH 1/16W 2.2K	4	
R512	ERJ3GEYJ273	M.RESISTOR CH 1/16W 27K	1	
R513	ERJ3GEYG682	M.RESISTOR CH 1/16W 6.8K	1	
R514,15	ERJ3GEYJ103	M.RESISTOR CH 1/16W 10K	2	
R516	ERJ3GEYG102	M.RESISTOR CH 1/16W 1K	1	
R517,18	ERJ3GEYJ103	M.RESISTOR CH 1/16W 10K	2	
R519	ERJ3GEY0R00	M.RESISTOR CH 1/16W 0	1	
R520-24	ERJ3GEYJ470	M.RESISTOR CH 1/16W 47	5	
R525	ERJ3GEYG822	M.RESISTOR CH 1/16W 8.2K	1	
R526	ERJ3GEYG682	M.RESISTOR CH 1/16W 6.8K	1	

Ref. No.	Part No.	Part Name & Description	Pcs	Remark
R527-39	ERJ3GEYJ101	M.RESISTOR CH 1/16W 100	13	
R541	ERJ3GEYJ331	M.RESISTOR CH 1/16W 330	1	
R542	ERJ3GEYJ221	M.RESISTOR CH 1/16W 220	1	
R543,44	ERJ3GEY0R00	M.RESISTOR CH 1/16W 0	2	
R545	ERJ3GEYJ470	M.RESISTOR CH 1/16W 47	1	
R546	ERJ3GEY0R00	M.RESISTOR CH 1/16W 0	1	
R547	ERJ3GEYJ470	M.RESISTOR CH 1/16W 47	1	
R548	ERJ3GEYJ680	M.RESISTOR CH 1/16W 68	1	
R549	ERJ3GEYJ224	M.RESISTOR CH 1/16W 220K	1	
R550	ERJ3GEYJ680	M.RESISTOR CH 1/16W 68	1	
R551	ERJ3GEYJ821	M.RESISTOR CH 1/16W 820	1	
R552	ERJ3GEYJ224	M.RESISTOR CH 1/16W 220K	1	
R553,54	ERJ3GEYJ470	M.RESISTOR CH 1/16W 47	2	
R555	ERJ3GEYJ391	M.RESISTOR CH 1/16W 390	1	
R556,57	ERJ3GEYG822	M.RESISTOR CH 1/16W 8.2K	2	
R558	ERJ3GEYJ182	M.RESISTOR CH 1/16W 1.8K	1	
R560	ERJ3GEYJ182	M.RESISTOR CH 1/16W 1.8K	1	
R561,62	ERJ3GEYJ470	M.RESISTOR CH 1/16W 47	2	
R563	ERJ3GEYJ103	M.RESISTOR CH 1/16W 10K	1	
R564	ERJ3GEYJ222	M.RESISTOR CH 1/16W 2.2K	1	
R565	ERJ3GEYJ103	M.RESISTOR CH 1/16W 10K	1	
R566	ERJ3GEYJ222	M.RESISTOR CH 1/16W 2.2K	1	
R567	ERJ3GEYG472	M.RESISTOR CH 1/16W 4.7K	1	
R568	ERJ3GEYJ470	M.RESISTOR CH 1/16W 47	1	
R569	ERJ3GEYG472	M.RESISTOR CH 1/16W 4.7K	1	
R570	ERJ3GEYJ470	M.RESISTOR CH 1/16W 47	1	
R571,72	ERJ3GEY0R00	M.RESISTOR CH 1/16W 0	2	
R573	ERJ3GEYJ272	M.RESISTOR CH 1/16W 2.7K	1	
R574	ERJ3GEYJ470	M.RESISTOR CH 1/16W 47	1	
R575	ERJ3GEYJ103	M.RESISTOR CH 1/16W 10K	1	
R576	ERJ3GEYJ153	M.RESISTOR CH 1/16W 15K	1	
R577	ERJ3GEYG822	M.RESISTOR CH 1/16W 8.2K	1	
R578	ERJ3GEYJ562	M.RESISTOR CH 1/16W 5.6K	1	
R579	ERJ3GEYG332	M.RESISTOR CH 1/16W 3.3K	1	
R580	ERJ3GEYJ153	M.RESISTOR CH 1/16W 15K	1	
R581	ERJ3GEYJ101	M.RESISTOR CH 1/16W 100	1	
R582	ERJ3GEYG102	M.RESISTOR CH 1/16W 1K	1	
R583	ERJ3GEYG822	M.RESISTOR CH 1/16W 8.2K	1	
R584	ERJ3GEYG682	M.RESISTOR CH 1/16W 6.8K	1	
R585,86	ERJ6GEYF123	M.RESISTOR CH 1/10W 12K	2	
R601	ERJ3GEYG822	M.RESISTOR CH 1/16W 8.2K	1	
R602	ERJ3GEYJ470	M.RESISTOR CH 1/16W 47	1	
R603	ERJ3GEYG682	M.RESISTOR CH 1/16W 6.8K	1	
R604-07	ERJ3GEYJ470	M.RESISTOR CH 1/16W 47	4	
R608-11	ERJ3GEYJ222	M.RESISTOR CH 1/16W 2.2K	4	
R612	ERJ3GEYJ273	M.RESISTOR CH 1/16W 27K	1	
R613	ERJ3GEYG682	M.RESISTOR CH 1/16W 6.8K	1	
R614,15	ERJ3GEYJ103	M.RESISTOR CH 1/16W 10K	2	
R616	ERJ3GEYG102	M.RESISTOR CH 1/16W 1K	1	
R617,18	ERJ3GEYJ103	M.RESISTOR CH 1/16W 10K	2	
R619	ERJ3GEY0R00	M.RESISTOR CH 1/16W 0	1	
R620-24	ERJ3GEYJ470	M.RESISTOR CH 1/16W 47	5	
R625	ERJ3GEYG822	M.RESISTOR CH 1/16W 8.2K	1	
R626	ERJ3GEYG682	M.RESISTOR CH 1/16W 6.8K	1	

Ref. No.	Part No.	Part Name & Description	Pcs	Remark
R627-39	ERJ3GEYJ101	M.RESISTOR CH 1/16W 100	13	
R641	ERJ3GEYJ331	M.RESISTOR CH 1/16W 330	1	
R642	ERJ3GEYJ221	M.RESISTOR CH 1/16W 220	1	
R643,44	ERJ3GEY0R00	M.RESISTOR CH 1/16W 0	2	
R645	ERJ3GEYJ470	M.RESISTOR CH 1/16W 47	1	
R646	ERJ3GEY0R00	M.RESISTOR CH 1/16W 0	1	
R647	ERJ3GEYJ470	M.RESISTOR CH 1/16W 47	1	
R648	ERJ3GEYJ680	M.RESISTOR CH 1/16W 68	1	
R649	ERJ3GEYJ224	M.RESISTOR CH 1/16W 220K	1	
R650	ERJ3GEYJ680	M.RESISTOR CH 1/16W 68	1	
R651	ERJ3GEYJ821	M.RESISTOR CH 1/16W 820	1	
R652	ERJ3GEYJ224	M.RESISTOR CH 1/16W 220K	1	
R653,54	ERJ3GEYJ470	M.RESISTOR CH 1/16W 47	2	
R655	ERJ3GEYJ391	M.RESISTOR CH 1/16W 390	1	
R656,57	ERJ3GEYG822	M.RESISTOR CH 1/16W 8.2K	2	
R658	ERJ3GEYJ182	M.RESISTOR CH 1/16W 1.8K	1	
R660	ERJ3GEYJ182	M.RESISTOR CH 1/16W 1.8K	1	
R661,62	ERJ3GEYJ470	M.RESISTOR CH 1/16W 47	2	
R663	ERJ3GEYJ103	M.RESISTOR CH 1/16W 10K	1	
R664	ERJ3GEYJ222	M.RESISTOR CH 1/16W 2.2K	1	
R665	ERJ3GEYJ103	M.RESISTOR CH 1/16W 10K	1	
R666	ERJ3GEYJ222	M.RESISTOR CH 1/16W 2.2K	1	
R667	ERJ3GEYG472	M.RESISTOR CH 1/16W 4.7K	1	
R668	ERJ3GEYJ470	M.RESISTOR CH 1/16W 47	1	
R669	ERJ3GEYG472	M.RESISTOR CH 1/16W 4.7K	1	
R670	ERJ3GEYJ470	M.RESISTOR CH 1/16W 47	1	
R671	ERJ3GEYJ681	M.RESISTOR CH 1/16W 680	1	
R672,73	ERJ3GEYJ470	M.RESISTOR CH 1/16W 47	2	
R674	ERJ3GEYJ681	M.RESISTOR CH 1/16W 680	1	
R675	ERJ3GEYJ821	M.RESISTOR CH 1/16W 820	1	
R676,77	ERJ3GEYJ470	M.RESISTOR CH 1/16W 47	2	
R678	ERJ3GEYJ821	M.RESISTOR CH 1/16W 820	1	
R679	ERJ3GEYG102	M.RESISTOR CH 1/16W 1K	1	
R680-82	ERJ3GEYJ153	M.RESISTOR CH 1/16W 15K	3	
R683	ERJ3GEYJ103	M.RESISTOR CH 1/16W 10K	1	
R684	ERJ3GEYJ223	M.RESISTOR CH 1/16W 22K	1	
R685-87	ERJ3GEYJ560	M.RESISTOR CH 1/16W 56	3	
R688	ERJ3GEYJ330	M.RESISTOR CH 1/16W 33	1	
R689	ERJ3GEYJ122	M.RESISTOR CH 1/16W 1.2K	1	
R691,92	ERJ3GEY0R00	M.RESISTOR CH 1/16W 0	2	
R693	ERJ3GEYJ272	M.RESISTOR CH 1/16W 2.7K	1	
R694	ERJ3GEYJ470	M.RESISTOR CH 1/16W 47	1	
R695	ERJ3GEYG822	M.RESISTOR CH 1/16W 8.2K	1	
R696	ERJ3GEYJ562	M.RESISTOR CH 1/16W 5.6K	1	
R697	ERJ3GEYG332	M.RESISTOR CH 1/16W 3.3K	1	
R698	ERJ3GEYJ153	M.RESISTOR CH 1/16W 15K	1	
R699	ERJ3GEYJ101	M.RESISTOR CH 1/16W 100	1	
R700	ERJ3GEYG102	M.RESISTOR CH 1/16W 1K	1	
R701	ERJ3GEYJ103	M.RESISTOR CH 1/16W 10K	1	
R703	ERJ3GEYJ470	M.RESISTOR CH 1/16W 47	1	
R704	ERJ3GEYG102	M.RESISTOR CH 1/16W 1K	1	
R705	ERJ3GEYJ560	M.RESISTOR CH 1/16W 56	1	
R706,07	ERJ3GEYJ470	M.RESISTOR CH 1/16W 47	2	
R722	ERJ3GEYJ560	M.RESISTOR CH 1/16W 56	1	

Ref. No.	Part No.	Part Name & Description	Pcs	Remark
R723,24	ERJ3GEYJ331	M.RESISTOR CH 1/16W 330	2	
R725	ERJ3GEYG152	M.RESISTOR CH 1/16W 1.5K	1	
R726	ERJ3GEYG332	M.RESISTOR CH 1/16W 3.3K	1	
R727	ERJ3GEYG152	M.RESISTOR CH 1/16W 1.5K	1	
R728,29	ERJ3GEYG102	M.RESISTOR CH 1/16W 1K	2	
R730	ERJ3GEYJ221	M.RESISTOR CH 1/16W 220	1	
R731	ERJ3GEYG332	M.RESISTOR CH 1/16W 3.3K	1	
R732,33	ERJ3GEYG152	M.RESISTOR CH 1/16W 1.5K	2	
R734	ERJ3GEYJ470	M.RESISTOR CH 1/16W 47	1	
R801-03	ERJ3GEYJ101	M.RESISTOR CH 1/16W 100	3	
R804,05	ERJ3GEYJ103	M.RESISTOR CH 1/16W 10K	2	
R806	ERJ3GEYJ153	M.RESISTOR CH 1/16W 15K	1	
R807	ERJ3GEYJ103	M.RESISTOR CH 1/16W 10K	1	
R808-10	ERJ3GEYJ101	M.RESISTOR CH 1/16W 100	3	
R811	ERJ3GEYG682	M.RESISTOR CH 1/16W 6.8K	1	
R813-18	ERJ3GEYJ101	M.RESISTOR CH 1/16W 100	6	
R819	ERJ3GEYG682	M.RESISTOR CH 1/16W 6.8K	1	
R820-31	ERJ3GEYJ101	M.RESISTOR CH 1/16W 100	12	
R832	ERJ3GEYG332	M.RESISTOR CH 1/16W 3.3K	1	
R833	ERJ3GEYJ101	M.RESISTOR CH 1/16W 100	1	
R835	ERJ3GEYG332	M.RESISTOR CH 1/16W 3.3K	1	
R836	ERJ3GEYJ123	M.RESISTOR CH 1/16W 12K	1	
R838	ERJ3GEYJ103	M.RESISTOR CH 1/16W 10K	1	
R839	ERJ3GEYJ473	M.RESISTOR CH 1/16W 47K	1	
R901	ERJ3GEYJ103	M.RESISTOR CH 1/16W 10K	1	
RY901	VSY2069	RELAY	1	
TG1	VJR0646	TEST POINT	1	
TG101,02	VJR0646	TEST POINT	2	

Ref. No.	Part No.	Part Name & Description	Pcs	Remark
TG501	VJR0646	TEST POINT	1	
TP1,P2	VJR0646	TEST POINT	2	
TP21-24	EYF6CU	TEST POINT	4	
TP101	VJR0646	TEST POINT	1	
TP103,04	VJR0646	TEST POINT	2	
TP201	VJR0646	TEST POINT	1	
TP203,04	VJR0646	TEST POINT	2	
TP302	EYF6CU	TEST POINT	1	
TP402	EYF6CU	TEST POINT	1	
TP501-03	VJR0646	TEST POINT	3	
TP504	EYF6CU	TEST POINT	1	
TP505	VJR0646	TEST POINT	1	
TP506,07	EYF6CU	TEST POINT	2	
TP601-03	VJR0646	TEST POINT	3	
TP604	EYF6CU	TEST POINT	1	
TP605	VJR0646	TEST POINT	1	
TP606,07	EYF6CU	TEST POINT	2	
TP702	VJR0646	TEST POINT	1	
VC101,02	ECV1ZW20X53T	TRIMMER	2	

Ref. No.	Part No.	Part Name & Description	Pcs	Remark
VC201,02	ECV1ZW20X53T	TRIMMER	2	
		MISCELLANEOUS		
	VML2143	CARD PULLER	1	
	VML2144	CARD PULLER	1	
	VSC3626	HEAT SINK (A)	1	
	XNG26EFXS	NUT	1	
	XYN26+F10	SCREW	1	
	VJP2509	CONNECTOR	1	

### 10.34. VEP85165A

Ref. No.	Part No.	Part Name & Description	Pcs	Remark
* E15	VEP85165A	HEAD BUFFER P.C.BOARD	1	(RTL)
C102-08	ECUX1E104ZFV	C.CAPACITOR CH 25V 0.1U	7	
C109	ECEV1CV100Q	E.CAPACITOR CH 16V 10U	1	
C110,11	ECUX1H221JCV	C.CAPACITOR CH 50V 220P	2	
C112-15	ECUX1E104ZFV	C.CAPACITOR CH 25V 0.1U	4	
C118-24	ECUX1E104ZFV	C.CAPACITOR CH 25V 0.1U	7	
C125	ECEV1CV100Q	E.CAPACITOR CH 16V 10U	1	
C126-29	ECUX1E104ZFV	C.CAPACITOR CH 25V 0.1U	4	
C131-35	ECEV1CV220Q	E.CAPACITOR CH 16V 22U	5	
C136-43	ECUX1E104ZFV	C.CAPACITOR CH 25V 0.1U	8	
C144-48	ECEV1CV100Q	E.CAPACITOR CH 16V 10U	5	
C149,50	ECUX1E104ZFV	C.CAPACITOR CH 25V 0.1U	2	
C151	ECEV1CV100Q	E.CAPACITOR CH 16V 10U	1	
C152	ECUX1E104ZFV	C.CAPACITOR CH 25V 0.1U	1	
C153	ECUX1H822KBV	C.CAPACITOR CH 50V 8200P	1	
C202-08	ECUX1E104ZFV	C.CAPACITOR CH 25V 0.1U	7	
C209	ECEV1CV100Q	E.CAPACITOR CH 16V 10U	1	
C210,11	ECUX1H221JCV	C.CAPACITOR CH 50V 220P	2	
C212-15	ECUX1E104ZFV	C.CAPACITOR CH 25V 0.1U	4	
C218-24	ECUX1E104ZFV	C.CAPACITOR CH 25V 0.1U	7	
C225	ECEV1CV100Q	E.CAPACITOR CH 16V 10U	1	
C226-29	ECUX1E104ZFV	C.CAPACITOR CH 25V 0.1U	4	
C252	ECUX1E104ZFV	C.CAPACITOR CH 25V 0.1U	1	
C253	ECUX1H822KBV	C.CAPACITOR CH 50V 8200P	1	
C302-04	ECUX1E104ZFV	C.CAPACITOR CH 25V 0.1U	3	
C305	ECUX1H121JCV	C.CAPACITOR CH 50V 120P	1	
C306-10	ECUX1E104ZFV	C.CAPACITOR CH 25V 0.1U	5	
C311,12	ECEV1HV2R2Q	E.CAPACITOR CH 50V 2.2U	2	
C313-15	ECUX1E104ZFV	C.CAPACITOR CH 25V 0.1U	3	
C316	ECUX1H220JCV	C.CAPACITOR CH 50V 22P	1	
C317,18	ECUX1E104ZFV	C.CAPACITOR CH 25V 0.1U	2	
C319	ECUX1H102KBV	C.CAPACITOR CH 50V 1000P	1	
C320	ECEV1EN4R7Q	E.CAPACITOR CH 25V 4.7U	1	
C321	ECUX1H181JCV	C.CAPACITOR CH 50V 180P	1	
C322	ECUX1E104ZFV	C.CAPACITOR CH 25V 0.1U	1	

Ref. No.	Part No.	Part Name & Description	Pcs	Remark
C323	ECEV1CV100Q	E.CAPACITOR CH 16V 10U	1	
C324	ECEV1EN4R7Q	E.CAPACITOR CH 25V 4.7U	1	
C325	ECUX1H102KBV	C.CAPACITOR CH 50V 1000P	1	
C326	ECUX1H030CCV	C.CAPACITOR CH 50V 3P	1	
C327	ECUX1H120JCV	C.CAPACITOR CH 50V 12P	1	
C328,29	ECUX1H030CCV	C.CAPACITOR CH 50V 3P	2	
C330-32	ECUX1E104ZFV	C.CAPACITOR CH 25V 0.1U	3	
C333	ECUX1H470JCV	C.CAPACITOR CH 50V 47P	1	
C334	ECUX1E104ZFV	C.CAPACITOR CH 25V 0.1U	1	
C336	ECUX1E104ZFV	C.CAPACITOR CH 25V 0.1U	1	
C337	ECUX1H470JCV	C.CAPACITOR CH 50V 47P	1	
C338	ECUX1E104ZFV	C.CAPACITOR CH 25V 0.1U	1	
C339	ECUX1H121JCV	C.CAPACITOR CH 50V 120P	1	
C340-42	ECUX1E104ZFV	C.CAPACITOR CH 25V 0.1U	3	
C343,44	ECEV1HV2R2Q	E.CAPACITOR CH 50V 2.2U	2	
C345-47	ECUX1E104ZFV	C.CAPACITOR CH 25V 0.1U	3	
C348	ECUX1H220JCV	C.CAPACITOR CH 50V 22P	1	
C349,50	ECUX1E104ZFV	C.CAPACITOR CH 25V 0.1U	2	
C351	ECUX1H102KBV	C.CAPACITOR CH 50V 1000P	1	
C352	ECEV1EN4R7Q	E.CAPACITOR CH 25V 4.7U	1	
C353	ECUX1H181JCV	C.CAPACITOR CH 50V 180P	1	
C354	ECUX1E104ZFV	C.CAPACITOR CH 25V 0.1U	1	
C355	ECEV1EN4R7Q	E.CAPACITOR CH 25V 4.7U	1	
C356	ECUX1H102KBV	C.CAPACITOR CH 50V 1000P	1	
C357	ECUX1H030CCV	C.CAPACITOR CH 50V 3P	1	
C358	ECUX1H120JCV	C.CAPACITOR CH 50V 12P	1	
C359,60	ECUX1H030CCV	C.CAPACITOR CH 50V 3P	2	
C361,62	ECUX1E104ZFV	C.CAPACITOR CH 25V 0.1U	2	
C363,64	ECUX1H470JCV	C.CAPACITOR CH 50V 47P	2	
C365	ECUX1E104ZFV	C.CAPACITOR CH 25V 0.1U	1	
C370-73	ECUX1E104ZFV	C.CAPACITOR CH 25V 0.1U	4	
C502-04	ECUX1E104ZFV	C.CAPACITOR CH 25V 0.1U	3	
C505	ECUX1H121JCV	C.CAPACITOR CH 50V 120P	1	
C506-08	ECUX1E104ZFV	C.CAPACITOR CH 25V 0.1U	3	
C511,12	ECEV1HV2R2Q	E.CAPACITOR CH 50V 2.2U	2	
C513-15	ECUX1E104ZFV	C.CAPACITOR CH 25V 0.1U	3	
C516	ECUX1H220JCV	C.CAPACITOR CH 50V 22P	1	
C517,18	ECUX1E104ZFV	C.CAPACITOR CH 25V 0.1U	2	
C519	ECUX1H102KBV	C.CAPACITOR CH 50V 1000P	1	
C520	ECEV1EN4R7Q	E.CAPACITOR CH 25V 4.7U	1	
C521	ECUX1H181JCV	C.CAPACITOR CH 50V 180P	1	
C522	ECUX1E104ZFV	C.CAPACITOR CH 25V 0.1U	1	
C523	ECEV1CV100Q	E.CAPACITOR CH 16V 10U	1	
C524	ECEV1EN4R7Q	E.CAPACITOR CH 25V 4.7U	1	
C525	ECUX1H102KBV	C.CAPACITOR CH 50V 1000P	1	
C526	ECUX1H030CCV	C.CAPACITOR CH 50V 3P	1	
C527	ECUX1H120JCV	C.CAPACITOR CH 50V 12P	1	
C528,29	ECUX1H030CCV	C.CAPACITOR CH 50V 3P	2	
C530-32	ECUX1E104ZFV	C.CAPACITOR CH 25V 0.1U	3	
C533	ECUX1H470JCV	C.CAPACITOR CH 50V 47P	1	
C534	ECUX1E104ZFV	C.CAPACITOR CH 25V 0.1U	1	
C536	ECUX1E104ZFV	C.CAPACITOR CH 25V 0.1U	1	
C537	ECUX1H470JCV	C.CAPACITOR CH 50V 47P	1	
C538	ECUX1E104ZFV	C.CAPACITOR CH 25V 0.1U	1	

Ref. No.	Part No.	Part Name & Description	Pcs	Remark
C539	ECUX1H121JCV	C.CAPACITOR CH 50V 120P	1	
C540-42	ECUX1E104ZFV	C.CAPACITOR CH 25V 0.1U	3	
C543,44	ECEV1HV2R2Q	E.CAPACITOR CH 50V 2.2U	2	
C545-47	ECUX1E104ZFV	C.CAPACITOR CH 25V 0.1U	3	
C548	ECUX1H220JCV	C.CAPACITOR CH 50V 22P	1	
C549,50	ECUX1E104ZFV	C.CAPACITOR CH 25V 0.1U	2	
C551	ECUX1H102KBV	C.CAPACITOR CH 50V 1000P	1	
C552	ECEV1EN4R7Q	E.CAPACITOR CH 25V 4.7U	1	
C553	ECUX1H181JCV	C.CAPACITOR CH 50V 180P	1	
C554	ECUX1E104ZFV	C.CAPACITOR CH 25V 0.1U	1	
C555	ECEV1EN4R7Q	E.CAPACITOR CH 25V 4.7U	1	
C556	ECUX1H102KBV	C.CAPACITOR CH 50V 1000P	1	
C557	ECUX1H030CCV	C.CAPACITOR CH 50V 3P	1	
C558	ECUX1H120JCV	C.CAPACITOR CH 50V 12P	1	
C559,60	ECUX1H030CCV	C.CAPACITOR CH 50V 3P	2	
C561,62	ECUX1E104ZFV	C.CAPACITOR CH 25V 0.1U	2	
C563,64	ECUX1H470JCV	C.CAPACITOR CH 50V 47P	2	
C570-73	ECUX1E104ZFV	C.CAPACITOR CH 25V 0.1U	4	
D101	MA152K	DIODE	1	
D301-04	MA152WK	DIODE	4	
D501-04	MA152WK	DIODE	4	
FL101-05	VLF0931	FILTER	5	
IC101,02	UPC5102GS030	IC	2	
IC103	TCVHC04FS	IC	1	
IC104	XC62AP5002P	IC	1	
IC105	XC62DN5002P	IC	1	
IC106	XC62AP5002P	IC	1	
IC201,02	UPC5102GS030	IC	2	
IC203	TCVHC04FS	IC	1	
IC302	TC7S08F	IC	1	
IC303	TC4S69F	IC	1	
IC304	NJM084V	IC	1	
IC305	TCVHC32FS	IC	1	
IC306,07	TC4S30F	IC	2	
IC308	MC10H116M	IC	1	
IC309	XC62DN5002P	IC	1	
IC311	TC7S08F	IC	1	
IC312	TC4S69F	IC	1	
IC313,14	TC4S30F	IC	2	
IC315	MC10H116M	IC	1	
IC502	TC7S08F	IC	1	
IC503	TC4S69F	IC	1	
IC506,07	TC4S30F	IC	2	
IC508	MC10H116M	IC	1	
IC509	XC62DN5002P	IC	1	
IC511	TC7S08F	IC	1	
IC512	TC4S69F	IC	1	
IC513,14	TC4S30F	IC	2	
IC515	MC10H116M	IC	1	
L301	VLQ0163J121	COIL 120UH	1	



Ref. No.	Part No.	Part Name & Description	Pcs	Remark
L302,03	VLQ0163J2R2	COIL 2.2UH	2	
L304,05	VLQ0163J121	COIL 120UH	2	
L306,07	VLQ0163J2R2	COIL 2.2UH	2	
L308	VLQ0163J121	COIL 120UH	1	
L501	VLQ0163J121	COIL 120UH	1	
L502,03	VLQ0163J2R2	COIL 2.2UH	2	
L504,05	VLQ0163J121	COIL 120UH	2	
L506,07	VLQ0163J2R2	COIL 2.2UH	2	
L508	VLQ0163J121	COIL 120UH	1	
P701	VJS3375B060	CONNECTOR (FEMALE)	1	
P702	VJS3900A024	CONNECTOR (FEMALE)	1	
P703	VJS3900C013	CONNECTOR (FEMALE)	1	
Q101,02	XN5531	TRANSISTOR-RESISTOR	2	
Q103,04	2SA1022-C	TRANSISTOR	2	
Q105,06	XN5531	TRANSISTOR-RESISTOR	2	
Q107	2SD601A-R	TRANSISTOR	1	
Q201,02	XN5531	TRANSISTOR-RESISTOR	2	
Q203,04	2SA1022-C	TRANSISTOR	2	
Q205,06	XN5531	TRANSISTOR-RESISTOR	2	
Q301	2SA1022-C	TRANSISTOR	1	
Q302	2SD601A-R	TRANSISTOR	1	
Q303	2SC3130	TRANSISTOR	1	
Q304	2SA1022-C	TRANSISTOR	1	
Q305	2SB709A-R	TRANSISTOR	1	
Q306	XN1504	TRANSISTOR-RESISTOR	1	
Q307	2SK508K512	TRANSISTOR	1	
Q309	2SC2954	TRANSISTOR	1	
Q310	2SA1022-C	TRANSISTOR	1	
Q311	2SC2954	TRANSISTOR	1	
Q312	XN1504	TRANSISTOR-RESISTOR	1	
Q314	2SC3735	TRANSISTOR	1	
Q315	2SK508K512	TRANSISTOR	1	
Q316	2SC2954	TRANSISTOR	1	
Q317	2SC3735	TRANSISTOR	1	
Q318	2SC3130	TRANSISTOR	1	
Q319	XN1504	TRANSISTOR-RESISTOR	1	
Q321	2SA1022-C	TRANSISTOR	1	
Q322	2SD601A-R	TRANSISTOR	1	
Q323	2SC3130	TRANSISTOR	1	
Q324	2SA1022-C	TRANSISTOR	1	
Q325	2SB709A-R	TRANSISTOR	1	
Q326	XN1504	TRANSISTOR-RESISTOR	1	
Q327	2SK508K512	TRANSISTOR	1	
Q329	2SC2954	TRANSISTOR	1	
Q330	2SA1022-C	TRANSISTOR	1	
Q331	2SC2954	TRANSISTOR	1	
Q332	XN1504	TRANSISTOR-RESISTOR	1	

Ref. No.	Part No.	Part Name & Description	Pcs	Remark
Q334	2SC3735	TRANSISTOR	1	
Q335	2SK508K512	TRANSISTOR	1	
Q336	2SC2954	TRANSISTOR	1	
Q337	2SC3735	TRANSISTOR	1	
Q338	XN1504	TRANSISTOR-RESISTOR	1	
Q339	2SC3130	TRANSISTOR	1	
Q341	2SB710A-R	TRANSISTOR	1	
Q501	2SA1022-C	TRANSISTOR	1	
Q502	2SD601A-R	TRANSISTOR	1	
Q503	2SC3130	TRANSISTOR	1	
Q504	2SA1022-C	TRANSISTOR	1	
Q505	2SB709A-R	TRANSISTOR	1	
Q506	XN1504	TRANSISTOR-RESISTOR	1	
Q507	2SK508K512	TRANSISTOR	1	
Q509	2SC2954	TRANSISTOR	1	
Q510	2SA1022-C	TRANSISTOR	1	
Q511	2SC2954	TRANSISTOR	1	
Q512	XN1504	TRANSISTOR-RESISTOR	1	
Q514	2SC3735	TRANSISTOR	1	
Q515	2SK508K512	TRANSISTOR	1	
Q516	2SC2954	TRANSISTOR	1	
Q517	2SC3735	TRANSISTOR	1	
Q518	2SC3130	TRANSISTOR	1	
Q519	XN1504	TRANSISTOR-RESISTOR	1	
Q521	2SA1022-C	TRANSISTOR	1	
Q522	2SD601A-R	TRANSISTOR	1	
Q523	2SC3130	TRANSISTOR	1	
Q524	2SA1022-C	TRANSISTOR	1	
Q525	2SB709A-R	TRANSISTOR	1	
Q526	XN1504	TRANSISTOR-RESISTOR	1	
Q527	2SK508K512	TRANSISTOR	1	
Q529	2SC2954	TRANSISTOR	1	
Q530	2SA1022-C	TRANSISTOR	1	
Q531	2SC2954	TRANSISTOR	1	
Q532	XN1504	TRANSISTOR-RESISTOR	1	
Q534	2SC3735	TRANSISTOR	1	
Q535	2SK508K512	TRANSISTOR	1	
Q536	2SC2954	TRANSISTOR	1	
Q537	2SC3735	TRANSISTOR	1	
Q538	XN1504	TRANSISTOR-RESISTOR	1	
Q539	2SC3130	TRANSISTOR	1	
Q541	2SB710A-R	TRANSISTOR	1	
R101-03	ERJ3GEYJ103	M.RESISTOR CH 1/16W 10K	3	
R104,05	ERJ3GEYJ101	M.RESISTOR CH 1/16W 100	2	
R106,07	ERJ3GEYJ103	M.RESISTOR CH 1/16W 10K	2	
R108	ERJ3GEYJ100	M.RESISTOR CH 1/16W 10	1	
R109,10	ERJ3GEYJ392	M.RESISTOR CH 1/16W 3.9K	2	
R111-14	ERJ3GEYJ103	M.RESISTOR CH 1/16W 10K	4	
R115	ERJ3GEYJ562	M.RESISTOR CH 1/16W 5.6K	1	
R116	ERJ3GEYJ392	M.RESISTOR CH 1/16W 3.9K	1	
R117	ERJ3GEYJ562	M.RESISTOR CH 1/16W 5.6K	1	
R118	ERJ3GEYJ392	M.RESISTOR CH 1/16W 3.9K	1	
R119,20	ERJ3GEYG102	M.RESISTOR CH 1/16W 1K	2	

Ref. No.	Part No.	Part Name & Description	Pcs	Remark
R121,22	ERJ3GEYJ470	M.RESISTOR CH 1/16W 47	2	
R123,24	ERJ3GEYJ391	M.RESISTOR CH 1/16W 390	2	
R125	ERJ3GEYJ330	M.RESISTOR CH 1/16W 33	1	
R126	ERJ3GEYJ222	M.RESISTOR CH 1/16W 2.2K	1	
R127	ERJ3GEYJ330	M.RESISTOR CH 1/16W 33	1	
R128	ERJ3GEYJ222	M.RESISTOR CH 1/16W 2.2K	1	
R129,30	ERJ3GEYJ470	M.RESISTOR CH 1/16W 47	2	
R131	ERJ3GEYJ103	M.RESISTOR CH 1/16W 10K	1	
R132,33	ERJ3GEYJ101	M.RESISTOR CH 1/16W 100	2	
R134	ERJ3GEYJ100	M.RESISTOR CH 1/16W 10	1	
R135,36	ERJ3GEYG102	M.RESISTOR CH 1/16W 1K	2	
R137,38	ERJ3GEYJ470	M.RESISTOR CH 1/16W 47	2	
R139,40	ERJ3GEYJ121	M.RESISTOR CH 1/16W 120	2	
R141	ERJ3GEYJ330	M.RESISTOR CH 1/16W 33	1	
R142	ERJ3GEYJ222	M.RESISTOR CH 1/16W 2.2K	1	
R143	ERJ3GEYJ330	M.RESISTOR CH 1/16W 33	1	
R144	ERJ3GEYJ153	M.RESISTOR CH 1/16W 15K	1	
R145-50	ERJ3GEYJ470	M.RESISTOR CH 1/16W 47	6	
R151	ERJ3GEYJ153	M.RESISTOR CH 1/16W 15K	1	
R152	ERJ3GEYJ103	M.RESISTOR CH 1/16W 10K	1	
R201-03	ERJ3GEYJ103	M.RESISTOR CH 1/16W 10K	3	
R204,05	ERJ3GEYJ101	M.RESISTOR CH 1/16W 100	2	
R206,07	ERJ3GEYJ103	M.RESISTOR CH 1/16W 10K	2	
R208	ERJ3GEYJ100	M.RESISTOR CH 1/16W 10	1	
R209,10	ERJ3GEYJ392	M.RESISTOR CH 1/16W 3.9K	2	
R211-14	ERJ3GEYJ103	M.RESISTOR CH 1/16W 10K	4	
R215	ERJ3GEYJ562	M.RESISTOR CH 1/16W 5.6K	1	
R216	ERJ3GEYJ392	M.RESISTOR CH 1/16W 3.9K	1	
R217	ERJ3GEYJ562	M.RESISTOR CH 1/16W 5.6K	1	
R218	ERJ3GEYJ392	M.RESISTOR CH 1/16W 3.9K	1	
R219,20	ERJ3GEYG102	M.RESISTOR CH 1/16W 1K	2	
R221,22	ERJ3GEYJ470	M.RESISTOR CH 1/16W 47	2	
R223,24	ERJ3GEYJ391	M.RESISTOR CH 1/16W 390	2	
R225	ERJ3GEYJ330	M.RESISTOR CH 1/16W 33	1	
R226	ERJ3GEYJ222	M.RESISTOR CH 1/16W 2.2K	1	
R227	ERJ3GEYJ330	M.RESISTOR CH 1/16W 33	1	
R228	ERJ3GEYJ222	M.RESISTOR CH 1/16W 2.2K	1	
R229,30	ERJ3GEYJ470	M.RESISTOR CH 1/16W 47	2	
R231	ERJ3GEYJ103	M.RESISTOR CH 1/16W 10K	1	
R232,33	ERJ3GEYJ101	M.RESISTOR CH 1/16W 100	2	
R234	ERJ3GEYJ100	M.RESISTOR CH 1/16W 10	1	
R235,36	ERJ3GEYG102	M.RESISTOR CH 1/16W 1K	2	
R237,38	ERJ3GEYJ470	M.RESISTOR CH 1/16W 47	2	
R239,40	ERJ3GEYJ121	M.RESISTOR CH 1/16W 120	2	
R241	ERJ3GEYJ330	M.RESISTOR CH 1/16W 33	1	
R242	ERJ3GEYJ222	M.RESISTOR CH 1/16W 2.2K	1	
R243	ERJ3GEYJ330	M.RESISTOR CH 1/16W 33	1	

Ref. No.	Part No.	Part Name & Description	Pcs	Remark
R244	ERJ3GEYJ153	M.RESISTOR CH 1/16W 15K	1	
R245-50	ERJ3GEYJ470	M.RESISTOR CH 1/16W 47	6	
R301	ERJ3GEYJ103	M.RESISTOR CH 1/16W 10K	1	
R302	ERJ3GEY0R00	M.RESISTOR CH 1/16W 0	1	
R303	ERJ3GEYJ221	M.RESISTOR CH 1/16W 220	1	
R304	ERJ3GEYG682	M.RESISTOR CH 1/16W 6.8K	1	
R306	ERJ3GEYG102	M.RESISTOR CH 1/16W 1K	1	
R307	ERJ3GEYG471	M.RESISTOR CH 1/16W 470	1	
R308	ERJ3GEYJ123	M.RESISTOR CH 1/16W 12K	1	
R309	ERJ3GEYG471	M.RESISTOR CH 1/16W 470	1	
R310	ERJ3GEYJ123	M.RESISTOR CH 1/16W 12K	1	
R311	ERJ3GEYJ103	M.RESISTOR CH 1/16W 10K	1	
R312	ERJ3GEYJ153	M.RESISTOR CH 1/16W 15K	1	
R313	ERJ3GEYJ154	M.RESISTOR CH 1/16W 150K	1	
R314,15	ERJ3GEYJ103	M.RESISTOR CH 1/16W 10K	2	
R316	ERJ3GEYG472	M.RESISTOR CH 1/16W 4.7K	1	
R317	ERJ3GEYJ103	M.RESISTOR CH 1/16W 10K	1	
R318,19	ERJ3GEYJ272	M.RESISTOR CH 1/16W 2.7K	2	
R320,21	ERJ3GEYJ330	M.RESISTOR CH 1/16W 33	2	
R322,23	ERJ3GEYG152	M.RESISTOR CH 1/16W 1.5K	2	
R324,25	ERJ3GEYJ103	M.RESISTOR CH 1/16W 10K	2	
R326	ERJ3GEYJ222	M.RESISTOR CH 1/16W 2.2K	1	
R327-30	ERJ3GEYG472	M.RESISTOR CH 1/16W 4.7K	4	
R331	ERJ3GEYJ821	M.RESISTOR CH 1/16W 820	1	
R332	ERJ3GEYJ470	M.RESISTOR CH 1/16W 47	1	
R333	ERJ3GEYG472	M.RESISTOR CH 1/16W 4.7K	1	
R334	ERJ3GEYJ151	M.RESISTOR CH 1/16W 150	1	
R335	ERJ3GEYJ392	M.RESISTOR CH 1/16W 3.9K	1	
R336	ERJ3GEYJ182	M.RESISTOR CH 1/16W 1.8K	1	
R337	ERJ3GEYG152	M.RESISTOR CH 1/16W 1.5K	1	
R338	ERJ3GEYJ182	M.RESISTOR CH 1/16W 1.8K	1	
R339	ERJ3GEYJ103	M.RESISTOR CH 1/16W 10K	1	
R340	ERJ3GEYJ100	M.RESISTOR CH 1/16W 10	1	
R341	ERJ3GEYJ222	M.RESISTOR CH 1/16W 2.2K	1	
R342	ERJ3GEYJ104	M.RESISTOR CH 1/16W 100K	1	
R343	ERJ3GEYJ392	M.RESISTOR CH 1/16W 3.9K	1	
R344	ERJ3GEYJ122	M.RESISTOR CH 1/16W 1.2K	1	
R345	ERJ8GEYJ221	M.RESISTOR CH 1/8W 220	1	
R346	ERJ3GEYJ222	M.RESISTOR CH 1/16W 2.2K	1	
R347	ERJ12YJ270	M.RESISTOR CH 1/2W 270	1	
R348	ERJ3GEYJ103	M.RESISTOR CH 1/16W 10K	1	
R349	ERJ8GEYJ101	M.RESISTOR CH 1/8W 100	1	
R350	ERJ3GEYG152	M.RESISTOR CH 1/16W 1.5K	1	
R351	ERJ8GEYJ270	M.RESISTOR CH 1/8W 27	1	
R352	ERJ3GEYJ151	M.RESISTOR CH 1/16W 150	1	
R353	ERJ8GEYJ101	M.RESISTOR CH 1/8W 100	1	
R354	ERJ3GEYJ821	M.RESISTOR CH 1/16W 820	1	
R355	ERJ3GEYJ392	M.RESISTOR CH 1/16W 3.9K	1	
R356	ERJ3GEYJ122	M.RESISTOR CH 1/16W 1.2K	1	
R357	ERJ3GEYJ103	M.RESISTOR CH 1/16W 10K	1	
R359,60	ERJ3GEYJ103	M.RESISTOR CH 1/16W 10K	2	
R361	ERJ3GEY0R00	M.RESISTOR CH 1/16W 0	1	
R363	ERJ3GEYJ221	M.RESISTOR CH 1/16W 220	1	

Ref. No.	Part No.	Part Name & Description	Pcs	Remark
R364	ERJ3GEYG682	M.RESISTOR CH 1/16W 6.8K	1	
R366	ERJ3GEYG102	M.RESISTOR CH 1/16W 1K	1	
R367	ERJ3GEYG471	M.RESISTOR CH 1/16W 470	1	
R368	ERJ3GEYJ123	M.RESISTOR CH 1/16W 12K	1	
R369	ERJ3GEYG471	M.RESISTOR CH 1/16W 470	1	
R370	ERJ3GEYJ123	M.RESISTOR CH 1/16W 12K	1	
R371	ERJ3GEYJ103	M.RESISTOR CH 1/16W 10K	1	
R372	ERJ3GEYJ153	M.RESISTOR CH 1/16W 15K	1	
R373	ERJ3GEYJ154	M.RESISTOR CH 1/16W 150K	1	
R374,75	ERJ3GEYJ103	M.RESISTOR CH 1/16W 10K	2	
R376	ERJ3GEYG472	M.RESISTOR CH 1/16W 4.7K	1	
R377	ERJ3GEYJ103	M.RESISTOR CH 1/16W 10K	1	
R378,79	ERJ3GEYJ272	M.RESISTOR CH 1/16W 2.7K	2	
R380,81	ERJ3GEYJ330	M.RESISTOR CH 1/16W 33	2	
R382,83	ERJ3GEYG152	M.RESISTOR CH 1/16W 1.5K	2	
R384,85	ERJ3GEYJ103	M.RESISTOR CH 1/16W 10K	2	
R386	ERJ3GEYJ222	M.RESISTOR CH 1/16W 2.2K	1	
R387-90	ERJ3GEYG472	M.RESISTOR CH 1/16W 4.7K	4	
R391	ERJ3GEYJ821	M.RESISTOR CH 1/16W 820	1	
R392	ERJ3GEYJ470	M.RESISTOR CH 1/16W 47	1	
R393	ERJ3GEYG472	M.RESISTOR CH 1/16W 4.7K	1	
R394	ERJ3GEYJ151	M.RESISTOR CH 1/16W 150	1	
R395	ERJ3GEYJ392	M.RESISTOR CH 1/16W 3.9K	1	
R396	ERJ3GEYJ182	M.RESISTOR CH 1/16W 1.8K	1	
R397	ERJ3GEYG152	M.RESISTOR CH 1/16W 1.5K	1	
R398	ERJ3GEYJ182	M.RESISTOR CH 1/16W 1.8K	1	
R399	ERJ3GEYJ103	M.RESISTOR CH 1/16W 10K	1	
R400	ERJ3GEYJ100	M.RESISTOR CH 1/16W 10	1	
R401	ERJ3GEYJ222	M.RESISTOR CH 1/16W 2.2K	1	
R402	ERJ3GEYJ104	M.RESISTOR CH 1/16W 100K	1	
R403	ERJ3GEYJ392	M.RESISTOR CH 1/16W 3.9K	1	
R404	ERJ3GEYJ122	M.RESISTOR CH 1/16W 1.2K	1	
R405	ERJ8GEYJ221	M.RESISTOR CH 1/8W 220	1	
R406	ERJ3GEYJ222	M.RESISTOR CH 1/16W 2.2K	1	
R407	ERJ12YJ270	M.RESISTOR CH 1/2W 270	1	
R408	ERJ3GEYJ103	M.RESISTOR CH 1/16W 10K	1	
R409	ERJ8GEYJ101	M.RESISTOR CH 1/8W 100	1	
R410	ERJ3GEYG152	M.RESISTOR CH 1/16W 1.5K	1	
R411	ERJ3GEYJ103	M.RESISTOR CH 1/16W 10K	1	
R412	ERJ8GEYJ270	M.RESISTOR CH 1/8W 27	1	
R414	ERJ3GEYJ151	M.RESISTOR CH 1/16W 150	1	
R415	ERJ8GEYJ101	M.RESISTOR CH 1/8W 100	1	
R416	ERJ3GEYJ821	M.RESISTOR CH 1/16W 820	1	
R417	ERJ3GEYJ392	M.RESISTOR CH 1/16W 3.9K	1	
R418	ERJ3GEYJ122	M.RESISTOR CH 1/16W 1.2K	1	
R419	ERJ3GEYJ103	M.RESISTOR CH 1/16W 10K	1	
R421,22	ERJ3GEYJ563	M.RESISTOR CH 1/16W 56K	2	
R423,24	ERJ3GEYJ103	M.RESISTOR CH 1/16W 10K	2	
R425-28	ERJ3GEYJ101	M.RESISTOR CH 1/16W 100	4	
R501	ERJ3GEYJ103	M.RESISTOR CH 1/16W 10K	1	
R502	ERJ3GEY0R00	M.RESISTOR CH 1/16W 0	1	
R503	ERJ3GEYJ221	M.RESISTOR CH 1/16W 220	1	
R504	ERJ3GEYG682	M.RESISTOR CH 1/16W 6.8K	1	
R506	ERJ3GEYG102	M.RESISTOR CH 1/16W 1K	1	

Ref. No.	Part No.	Part Name & Description	Pcs	Remark
R507	ERJ3GEYG471	M.RESISTOR CH 1/16W 470	1	
R508	ERJ3GEYJ123	M.RESISTOR CH 1/16W 12K	1	
R509	ERJ3GEYG471	M.RESISTOR CH 1/16W 470	1	
R510	ERJ3GEYJ123	M.RESISTOR CH 1/16W 12K	1	
R511	ERJ3GEYJ103	M.RESISTOR CH 1/16W 10K	1	
R512	ERJ3GEYJ153	M.RESISTOR CH 1/16W 15K	1	
R513	ERJ3GEYJ154	M.RESISTOR CH 1/16W 150K	1	
R514,15	ERJ3GEYJ103	M.RESISTOR CH 1/16W 10K	2	
R516	ERJ3GEYG472	M.RESISTOR CH 1/16W 4.7K	1	
R517	ERJ3GEYJ103	M.RESISTOR CH 1/16W 10K	1	
R518,19	ERJ3GEYJ272	M.RESISTOR CH 1/16W 2.7K	2	
R520,21	ERJ3GEYJ330	M.RESISTOR CH 1/16W 33	2	
R522,23	ERJ3GEYG152	M.RESISTOR CH 1/16W 1.5K	2	
R524,25	ERJ3GEYJ103	M.RESISTOR CH 1/16W 10K	2	
R526	ERJ3GEYJ222	M.RESISTOR CH 1/16W 2.2K	1	
R527-30	ERJ3GEYG472	M.RESISTOR CH 1/16W 4.7K	4	
R531	ERJ3GEYJ821	M.RESISTOR CH 1/16W 820	1	
R532	ERJ3GEYJ470	M.RESISTOR CH 1/16W 47	1	
R533	ERJ3GEYG472	M.RESISTOR CH 1/16W 4.7K	1	
R534	ERJ3GEYJ151	M.RESISTOR CH 1/16W 150	1	
R535	ERJ3GEYJ392	M.RESISTOR CH 1/16W 3.9K	1	
R536	ERJ3GEYJ182	M.RESISTOR CH 1/16W 1.8K	1	
R537	ERJ3GEYG152	M.RESISTOR CH 1/16W 1.5K	1	
R538	ERJ3GEYJ182	M.RESISTOR CH 1/16W 1.8K	1	
R539	ERJ3GEYJ103	M.RESISTOR CH 1/16W 10K	1	
R540	ERJ3GEYJ100	M.RESISTOR CH 1/16W 10	1	
R541	ERJ3GEYJ222	M.RESISTOR CH 1/16W 2.2K	1	
R542	ERJ3GEYJ104	M.RESISTOR CH 1/16W 100K	1	
R543	ERJ3GEYJ392	M.RESISTOR CH 1/16W 3.9K	1	
R544	ERJ3GEYJ122	M.RESISTOR CH 1/16W 1.2K	1	
R545	ERJ8GEYJ221	M.RESISTOR CH 1/8W 220	1	
R546	ERJ3GEYJ222	M.RESISTOR CH 1/16W 2.2K	1	
R547	ERJ12YJ270	M.RESISTOR CH 1/2W 270	1	
R548	ERJ3GEYJ103	M.RESISTOR CH 1/16W 10K	1	
R549	ERJ8GEYJ101	M.RESISTOR CH 1/8W 100	1	
R550	ERJ3GEYG152	M.RESISTOR CH 1/16W 1.5K	1	
R551	ERJ8GEYJ270	M.RESISTOR CH 1/8W 27	1	
R552	ERJ3GEYJ151	M.RESISTOR CH 1/16W 150	1	
R553	ERJ8GEYJ101	M.RESISTOR CH 1/8W 100	1	
R554	ERJ3GEYJ821	M.RESISTOR CH 1/16W 820	1	
R555	ERJ3GEYJ392	M.RESISTOR CH 1/16W 3.9K	1	
R556	ERJ3GEYJ122	M.RESISTOR CH 1/16W 1.2K	1	
R557	ERJ3GEYJ103	M.RESISTOR CH 1/16W 10K	1	
R559,60	ERJ3GEYJ103	M.RESISTOR CH 1/16W 10K	2	
R561	ERJ3GEY0R00	M.RESISTOR CH 1/16W 0	1	
R563	ERJ3GEYJ221	M.RESISTOR CH 1/16W 220	1	
R564	ERJ3GEYG682	M.RESISTOR CH 1/16W 6.8K	1	
R566	ERJ3GEYG102	M.RESISTOR CH 1/16W 1K	1	
R567	ERJ3GEYG471	M.RESISTOR CH 1/16W 470	1	
R568	ERJ3GEYJ123	M.RESISTOR CH 1/16W 12K	1	
R569	ERJ3GEYG471	M.RESISTOR CH 1/16W 470	1	
R570	ERJ3GEYJ123	M.RESISTOR CH 1/16W 12K	1	
R571	ERJ3GEYJ103	M.RESISTOR CH 1/16W 10K	1	
R572	ERJ3GEYJ153	M.RESISTOR CH 1/16W 15K	1	

Ref. No.	Part No.	Part Name & Description	Pcs	Remark
R573	ERJ3GEYJ154	M.RESISTOR CH 1/16W 150K	1	
R574,75	ERJ3GEYJ103	M.RESISTOR CH 1/16W 10K	2	
R576	ERJ3GEYG472	M.RESISTOR CH 1/16W 4.7K	1	
R577	ERJ3GEYJ103	M.RESISTOR CH 1/16W 10K	1	
R578,79	ERJ3GEYJ272	M.RESISTOR CH 1/16W 2.7K	2	
R580,81	ERJ3GEYJ330	M.RESISTOR CH 1/16W 33	2	
R582,83	ERJ3GEYG152	M.RESISTOR CH 1/16W 1.5K	2	
R584,85	ERJ3GEYJ103	M.RESISTOR CH 1/16W 10K	2	
R586	ERJ3GEYJ222	M.RESISTOR CH 1/16W 2.2K	1	
R587-90	ERJ3GEYG472	M.RESISTOR CH 1/16W 4.7K	4	
R591	ERJ3GEYJ821	M.RESISTOR CH 1/16W 820	1	
R592	ERJ3GEYJ470	M.RESISTOR CH 1/16W 47	1	
R593	ERJ3GEYG472	M.RESISTOR CH 1/16W 4.7K	1	
R594	ERJ3GEYJ151	M.RESISTOR CH 1/16W 150	1	
R595	ERJ3GEYJ392	M.RESISTOR CH 1/16W 3.9K	1	
R596	ERJ3GEYJ182	M.RESISTOR CH 1/16W 1.8K	1	
R597	ERJ3GEYG152	M.RESISTOR CH 1/16W 1.5K	1	
R598	ERJ3GEYJ182	M.RESISTOR CH 1/16W 1.8K	1	
R599	ERJ3GEYJ103	M.RESISTOR CH 1/16W 10K	1	
R600	ERJ3GEYJ100	M.RESISTOR CH 1/16W 10	1	
R601	ERJ3GEYJ222	M.RESISTOR CH 1/16W 2.2K	1	
R602	ERJ3GEYJ104	M.RESISTOR CH 1/16W 100K	1	
R603	ERJ3GEYJ392	M.RESISTOR CH 1/16W 3.9K	1	
R604	ERJ3GEYJ122	M.RESISTOR CH 1/16W 1.2K	1	
R605	ERJ8GEYJ221	M.RESISTOR CH 1/8W 220	1	
R606	ERJ3GEYJ222	M.RESISTOR CH 1/16W 2.2K	1	
R607	ERJ12YJ270	M.RESISTOR CH 1/2W 270	1	
R608	ERJ3GEYJ103	M.RESISTOR CH 1/16W 10K	1	
R609	ERJ8GEYJ101	M.RESISTOR CH 1/8W 100	1	
R610	ERJ3GEYG152	M.RESISTOR CH 1/16W 1.5K	1	
R611	ERJ3GEYJ103	M.RESISTOR CH 1/16W 10K	1	
R612	ERJ8GEYJ270	M.RESISTOR CH 1/8W 27	1	
R614	ERJ3GEYJ151	M.RESISTOR CH 1/16W 150	1	
R615	ERJ8GEYJ101	M.RESISTOR CH 1/8W 100	1	
R616	ERJ3GEYJ821	M.RESISTOR CH 1/16W 820	1	
R617	ERJ3GEYJ392	M.RESISTOR CH 1/16W 3.9K	1	
R618	ERJ3GEYJ122	M.RESISTOR CH 1/16W 1.2K	1	
R619	ERJ3GEYJ103	M.RESISTOR CH 1/16W 10K	1	
R621,22	ERJ3GEYJ563	M.RESISTOR CH 1/16W 56K	2	
R623,24	ERJ3GEYJ103	M.RESISTOR CH 1/16W 10K	2	
R625-28	ERJ3GEYJ101	M.RESISTOR CH 1/16W 100	4	
RY101	VSY2069	RELAY	1	
TG101	VJR0646	TEST POINT	1	
TG301	VJR0646	TEST POINT	1	
TG501	VJR0646	TEST POINT	1	
TP301-04	EYF6CU	TEST POINT	4	
TP501-04	EYF6CU	TEST POINT	4	
		MISCELLANEOUS		
	VMP4891	RF HOLDER ANGLE	1	

Ref. No.	Part No.	Part Name & Description	Pcs	Remark
	VSC4385	RF SHIELD CASE (UPPER)	1	
	VSC4386	RF SHIELD CASE (MIDDLE)	1	
	XTV3+6FFR	SCREW	2	
	VSC4437	RF SHIELD CASE (LOWER)	1	
	VMZ2588	RF BARRIER	1	
	VSC4705	SHIELD CASE (A)	1	
	VSC4706	SHIELD CASE (B)	1	

### 10.35. VEP80991A

Ref. No.	Part No.	Part Name & Description	Pcs	Remark
* E16	VEP80991A	AC HEAD I/F P.C.BOARD	1	(RTL)
P1	VJP2278	CONNECTOR (MALE)	1	
P2	VJP1881T	CONNECTOR (MALE)	1	


### 10.36. VEP83224A

Ref. No.	Part No.	Part Name & Description	Pcs	Remark
* E17	VEP83224A	V/S JACK P.C.BOARD	1	(RTL)
C1,C2	ECUM1E104ZFN	C.CAPACITOR CH 25V 0.1U	2	
C4	ECA1CXS470	E.CAPACITOR 16V 47U	1	
C5,C6	ECUM1E104ZFN	C.CAPACITOR CH 25V 0.1U	2	
C8	ECA1CXS470	E.CAPACITOR 16V 47U	1	
C9,10	ECUM1E104ZFN	C.CAPACITOR CH 25V 0.1U	2	
C11	ECUX1H270JCV	C.CAPACITOR CH 50V 27P	1	
C12,13	ECUM1E104ZFN	C.CAPACITOR CH 25V 0.1U	2	
C14	ECUX1H270JCV	C.CAPACITOR CH 50V 27P	1	
C15,16	ECUM1E104ZFN	C.CAPACITOR CH 25V 0.1U	2	
C17	ECUX1H270JCV	C.CAPACITOR CH 50V 27P	1	
C18,19	ECUM1E104ZFN	C.CAPACITOR CH 25V 0.1U	2	
C20	ECUX1H270JCV	C.CAPACITOR CH 50V 27P	1	
C21,22	ECUM1E104ZFN	C.CAPACITOR CH 25V 0.1U	2	
C23	ECUX1H270JCV	C.CAPACITOR CH 50V 27P	1	
C24,25	ECUM1E104ZFN	C.CAPACITOR CH 25V 0.1U	2	
C26	ECUX1H270JCV	C.CAPACITOR CH 50V 27P	1	
C27	ECUM1E104ZFN	C.CAPACITOR CH 25V 0.1U	1	
C28,29	ECA1CXS470	E.CAPACITOR 16V 47U	2	
C30	ECUM1E104ZFN	C.CAPACITOR CH 25V 0.1U	1	
C31,32	ECA1CXS470	E.CAPACITOR 16V 47U	2	
C33-38	ECUM1H101JCN	C.CAPACITOR CH 50V 100P	6	
C50,51	ECUM1E104ZFN	C.CAPACITOR CH 25V 0.1U	2	
C203	ECUM1H331JCN	C.CAPACITOR CH 50V 330P	1	
C204-27	ECUM1H102JCN	C.CAPACITOR CH 50V 1000P	24	
C240-42	ECA1CXS100	E.CAPACITOR 16V 10U	3	




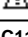

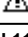


Ref. No.	Part No.	Part Name & Description	Pcs	Remark
C243	ECA1CXS470	E.CAPACITOR 16V 47U	1	
C244	ECUM1E104ZFN	C.CAPACITOR CH 25V 0.1U	1	
C250-57	ECUM1E104ZFN	C.CAPACITOR CH 25V 0.1U	8	
D1-D5	MA152K	DIODE	5	
D6-11	MA3130-L	DIODE	6	
D201,02	MA152K	DIODE	2	
IC1	NJM78L09UA	IC	1	
IC2	NJM79L09UA	IC	1	
IC3	NJM78L09UA	IC	1	
IC4	NJM79L09UA	IC	1	
IC5	NJM78L09UA	IC	1	
IC6	NJM79L09UA	IC	1	
IC201,02	MC14021BF	IC	2	
IC203	SN74S1051NS	IC	1	
IC205,06	MC14094BF	IC	2	
IC207	MC14050BF	IC	1	
IC208	MC14049UBF	IC	1	
IC209	NJM78L09UA	IC	1	
IC210	NJM79L09UA	IC	1	
J1,J2	VJS3902	CONNECTOR (FEMALE)	2	
J3	VJS3901	CONNECTOR (FEMALE)	1	
J4,J5	VJS3902	CONNECTOR (FEMALE)	2	
J14,15	VJP3414A009	CONNECTOR (MALE)	2	
J16	VJP3414A015	CONNECTOR (MALE)	1	
J17,18	VJP3414A025	CONNECTOR (MALE)	2	
L1	VLQEL05F101J	COIL 100UH	1	
P1	VJP3375A060	CONNECTOR (MALE)	1	
Q1	2SA1022-B	TRANSISTOR	1	(B)
Q2	2SC2295-B	TRANSISTOR	1	
Q3	2SA1022-B	TRANSISTOR	1	(B)
Q4	2SC2295-B	TRANSISTOR	1	
Q5	2SA1022-B	TRANSISTOR	1	(B)
Q6	2SC2295-B	TRANSISTOR	1	
Q7	2SA1022-B	TRANSISTOR	1	(B)
Q8	2SC2295-B	TRANSISTOR	1	
Q9	2SA1022-B	TRANSISTOR	1	(B)
Q10	2SC2295-B	TRANSISTOR	1	
Q11	2SB709A-R	TRANSISTOR	1	
Q12,13	2SD601A-R	TRANSISTOR	2	
Q14	2SB709A-R	TRANSISTOR	1	
Q15,16	2SD601A-R	TRANSISTOR	2	
Q17	2SB709A-R	TRANSISTOR	1	
Q18,19	2SD601A-R	TRANSISTOR	2	
Q20	2SB709A-R	TRANSISTOR	1	
Q21,22	2SD601A-R	TRANSISTOR	2	
Q23	2SB709A-R	TRANSISTOR	1	
Q24,25	2SD601A-R	TRANSISTOR	2	
Q26	2SB709A-R	TRANSISTOR	1	



Ref. No.	Part No.	Part Name & Description	Pcs	Remark
Q27,28	2SD601A-R	TRANSISTOR	2	
Q201-12	UN2214	TRANSISTOR-RESISTOR	12	
R1	ERJ6RED750	M.RESISTOR CH 1/10W 75	1	
R2	ERJ6GEYG470	M.RESISTOR CH 1/10W 47	1	
R3	ERJ6GEYJ334	M.RESISTOR CH 1/10W 330K	1	
R4	ERJ6GEYG332	M.RESISTOR CH 1/10W 3.3K	1	
R5,R6	ERJ6GEYG470	M.RESISTOR CH 1/10W 47	2	
R7	ERJ6GEYG102	M.RESISTOR CH 1/10W 1K	1	
R8	ERJ6GEYG330	M.RESISTOR CH 1/10W 33	1	
R9	ERJ6RED750	M.RESISTOR CH 1/10W 75	1	
R10	ERJ6GEYG470	M.RESISTOR CH 1/10W 47	1	
R11	ERJ6GEYJ334	M.RESISTOR CH 1/10W 330K	1	
R12	ERJ6GEYG332	M.RESISTOR CH 1/10W 3.3K	1	
R13,14	ERJ6GEYG470	M.RESISTOR CH 1/10W 47	2	
R15	ERJ6GEYG102	M.RESISTOR CH 1/10W 1K	1	
R16	ERJ6GEYG330	M.RESISTOR CH 1/10W 33	1	
R17	ERJ6RED750	M.RESISTOR CH 1/10W 75	1	
R18	ERJ6GEYG470	M.RESISTOR CH 1/10W 47	1	
R19	ERJ6GEYJ334	M.RESISTOR CH 1/10W 330K	1	
R20	ERJ6GEYG332	M.RESISTOR CH 1/10W 3.3K	1	
R21,22	ERJ6GEYG470	M.RESISTOR CH 1/10W 47	2	
R23	ERJ6GEYG102	M.RESISTOR CH 1/10W 1K	1	
R24	ERJ6GEYG330	M.RESISTOR CH 1/10W 33	1	
R25	ERJ6RED750	M.RESISTOR CH 1/10W 75	1	
R26	ERJ6GEYG470	M.RESISTOR CH 1/10W 47	1	
R27	ERJ6GEYJ334	M.RESISTOR CH 1/10W 330K	1	
R28	ERJ6GEYG332	M.RESISTOR CH 1/10W 3.3K	1	
R29,30	ERJ6GEYG470	M.RESISTOR CH 1/10W 47	2	
R31	ERJ6GEYG102	M.RESISTOR CH 1/10W 1K	1	
R32	ERJ6GEYG330	M.RESISTOR CH 1/10W 33	1	
R33	ERJ6RED750	M.RESISTOR CH 1/10W 75	1	
R34	ERJ6GEYG470	M.RESISTOR CH 1/10W 47	1	
R35	ERJ6GEYJ334	M.RESISTOR CH 1/10W 330K	1	
R36	ERJ6GEYG332	M.RESISTOR CH 1/10W 3.3K	1	
R37,38	ERJ6GEYG470	M.RESISTOR CH 1/10W 47	2	
R39	ERJ6GEYG102	M.RESISTOR CH 1/10W 1K	1	
R40	ERJ6GEYG330	M.RESISTOR CH 1/10W 33	1	
R41,42	ERJ6GEYG222	M.RESISTOR CH 1/10W 2.2K	2	
R43	ERJ6GEYG470	M.RESISTOR CH 1/10W 47	1	
R44	ERJ6GEYG222	M.RESISTOR CH 1/10W 2.2K	1	
R45,46	ERJ6GEYG221	M.RESISTOR CH 1/10W 220	2	
R47	ERJ6RED750	M.RESISTOR CH 1/10W 75	1	
R48-50	ERJ6GEYG222	M.RESISTOR CH 1/10W 2.2K	3	
R51	ERJ6GEYG470	M.RESISTOR CH 1/10W 47	1	
R52	ERJ6GEYG222	M.RESISTOR CH 1/10W 2.2K	1	
R53,54	ERJ6GEYG221	M.RESISTOR CH 1/10W 220	2	
R55	ERJ6RED750	M.RESISTOR CH 1/10W 75	1	
R56-58	ERJ6GEYG222	M.RESISTOR CH 1/10W 2.2K	3	
R59	ERJ6GEYG470	M.RESISTOR CH 1/10W 47	1	
R60	ERJ6GEYG222	M.RESISTOR CH 1/10W 2.2K	1	
R61,62	ERJ6GEYG221	M.RESISTOR CH 1/10W 220	2	
R63	ERJ6RED750	M.RESISTOR CH 1/10W 75	1	
R64-66	ERJ6GEYG222	M.RESISTOR CH 1/10W 2.2K	3	

Ref. No.	Part No.	Part Name & Description	Pcs	Remark
R67	ERJ6GEYG470	M.RESISTOR CH 1/10W 47	1	
R68	ERJ6GEYG222	M.RESISTOR CH 1/10W 2.2K	1	
R69,70	ERJ6GEYG221	M.RESISTOR CH 1/10W 220	2	
R71	ERJ6RED750	M.RESISTOR CH 1/10W 75	1	
R72-74	ERJ6GEYG222	M.RESISTOR CH 1/10W 2.2K	3	
R75	ERJ6GEYG470	M.RESISTOR CH 1/10W 47	1	
R76	ERJ6GEYG222	M.RESISTOR CH 1/10W 2.2K	1	
R77,78	ERJ6GEYG221	M.RESISTOR CH 1/10W 220	2	
R79	ERJ6RED750	M.RESISTOR CH 1/10W 75	1	
R80-82	ERJ6GEYG222	M.RESISTOR CH 1/10W 2.2K	3	
R83	ERJ6GEYG470	M.RESISTOR CH 1/10W 47	1	
R84	ERJ6GEYG222	M.RESISTOR CH 1/10W 2.2K	1	
R85,86	ERJ6GEYG221	M.RESISTOR CH 1/10W 220	2	
R87	ERJ6RED750	M.RESISTOR CH 1/10W 75	1	
R88	ERJ6GEYG222	M.RESISTOR CH 1/10W 2.2K	1	
R201,02	ERJ6GEYG682	M.REISITOR CH 1/10W 6.8K	2	
R203	ERJ6GEYG103	M.RESISTOR CH 1/10W 10K	1	
R204	ERJ6GEYG474	M.RESISTOR CH 1/10W 470K	1	
R205	ERJ6GEYG103	M.RESISTOR CH 1/10W 10K	1	
R206	ERJ6GEYG474	M.RESISTOR CH 1/10W 470K	1	
R207	ERJ6GEYG223	M.RESISTOR CH 1/10W 22K	1	
R208	ERJ6GEYG101	M.RESISTOR CH 1/10W 100	1	
R209-32	ERJ6GEYG103	M.RESISTOR CH 1/10W 10K	24	
R241	ERJ6GEYG103	M.RESISTOR CH 1/10W 10K	1	
R242	ERJ6GEYG474	M.RESISTOR CH 1/10W 470K	1	
R243	ERJ6GEYF473	M.RESISTOR CH 1/10W 47K	1	
 R244	ERQ12HJ2R7	F.RESISTOR 1/2W 2.7	1	
R251-55	ERJ6GEY0R00	M.RESISTOR CH 1/10W 0	5	
SW1,W2	VSS0307	SWITCH	2	
		MISCELLANEOUS		
	VMP4865	VIDEO I/O ANGLE	1	
	VMP4866	D SUB ANGLE	1	
	VXQ0102	SCREW	10	
	XTN26+6FFZ	SCREW	4	
	XTN3+10JFZ	SCREW	5	
	XYE3+EF8	SCREW	2	

## 10.37. VEP81183A

Ref. No.	Part No.	Part Name & Description	Pcs	Remark
* E18	VEP81183A	POWER 1 P.C.BOARD	1	(RTL)
 C1101	ECQU2A224MV	P.CAPACITOR 100V 0.22U	1	
C1102,03	VCK0262K471A	C.CAPACITOR 470P	2	
 C1104	ECQU2A474MV	P.CAPACITOR 100V 0.47U	1	
C1105,06	VCK0262K101A	C.CAPACITOR 100P	2	
 C1107,08	VCK0260M152A	C.CAPACITOR 1500P	2	
 C1109	VCK0260M102A	C.CAPACITOR 1000P	1	
C1110,11	ECUM1H104ZFN	C.CAPACITOR CH 50V 0.1U	2	
C1112	VCK0293	CAPACITOR	1	
C1115,16	VCK0106K471	C.CAPACITOR	2	
C1117,18	ECEC2WB151DB	E.CAPACITOR 450V 150U	2	
C1119,20	VCK0106K471	C.CAPACITOR	2	
C1121	ECA1HXLV100	E.CAPACITOR 50V 10U	1	
C1124,25	ECUM1E474ZFM	C.CAPACITOR CH 25V 0.47U	2	
C1126	ECUM1H102KBN	C.CAPACITOR CH 50V 1000P	1	
C1127	ECQV1H684JF	P.CAPACITOR 50V 0.68U	1	
C1128	ECA1HFQ101	E.CAPACITOR 50V 100U	1	
C1129	ECUM1H103KBN	C.CAPACITOR CH 50V 0.01U	1	
C1130	ECUM1H104ZFN	C.CAPACITOR CH 50V 0.1U	1	
C1131	ECQF6222JZ	P.CAPACITOR 2200P	1	
C1132,33	ECUM1H104ZFN	C.CAPACITOR CH 50V 0.1U	2	
C1134	ECUM1H472KBN	C.CAPACITOR CH 50V 4700P	1	
D1101	RBV606	DIODE	1	
D1102	TM1661S-L	DIODE	1	
D1103	U1GU44	DIODE	1	
D1104	FML-36S	DIODE	1	
D1105,06	ERA15-08	DIODE	2	
D1107,08	MA3200-M	DIODE	2	
D1110	MA151K	DIODE	1	
D1111-13	U1GU44	DIODE	3	
D1114,15	MA3068-M	DIODE	2	
D1116	MA3200-M	DIODE	1	
D1117	MA151K	DIODE	1	
IC1101	MC33262P	IC	1	
IC1102	M51945BL	IC	1	
IC1103	M51953BL	IC	1	
 L1101	ELF18D850C	FILTER	1	
 L1102,03	ELF18D604F	FILTER	2	
L1105	VLQ0820	COIL	1	
P1101	VJP2638	CONNECTOR (MALE)	1	
P1102,03	VJP2639	CONNECTOR (MALE)	2	
P1104	VJP4033	CONNECTOR (MALE)	1	
Q1101,02	2SK1941-01R	TRANSISTOR	2	
Q1105	UN2213	TRANSISTOR-RESISTOR	1	

Ref. No.	Part No.	Part Name & Description	Pcs	Remark
△R1101	ERC12GM334	S.RESISTOR 1/2W 330K	1	
△R1102,03	ERU5TEJ100	F.RESISTOR 5W 10	2	
R1104	ERJ6GEYG103	M.RESISTOR CH 1/10W 10K	1	
R1105,06	ERG2SJ220E	M.RESSITOR 2W 22	2	
R1107	VRE0206	M.RESISTOR	1	
R1108	ERJ14YJ100	M.RESISTOR CH 1/4W 10	1	
R1109	ERJ14YJ220	M.RESISTOR CH 1/4W 22	1	
R1110	ERJ14YJ100	M.RESISTOR CH 1/4W 10	1	
R1111	ERJ14YJ220	M.RESISTOR CH 1/4W 22	1	
R1112	ERJ14YJ100	M.RESISTOR CH 1/4W 10	1	
R1113	ERJ12YJ473	M.RESISTOR CH 1/2W 47K	1	
R1114	ERJ6GEYF123	M.RESISTOR CH 1/10W 12K	1	
R1115,16	ERJ6GEYG221	M.RESISTOR CH 1/10W 220	2	
R1117,18	ERG3SJ333U	M.RESSITOR 3W 33K	2	
R1119	ERJ6RBD273	M.RESISTOR CH 1/10W 27K	1	
R1120	ERJ6RBD183	M.RESISTOR CH 1/10W 18K	1	
R1122	ERJ12YJ473	M.RESISTOR CH 1/2W 47K	1	
R1123	ERJ14YJ474	M.RESISTOR CH 1/4W 470K	1	
R1125	ERJ6GEY0R00	M.RESISTOR CH 1/10W 0	1	
R1127	ERJ6GEY0R00	M.RESISTOR CH 1/10W 0	1	
R1129	ERJ14YJ474	M.RESISTOR CH 1/4W 470K	1	
R1130	ERJ6GEYG562	M.RESISTOR CH 1/10W 5.6K	1	
R1131	ERJ6GEYG221	M.RESISTOR CH 1/10W 220	1	
R1132	ERJ6GEYG470	M.RESISTOR CH 1/10W 47	1	
R1133	ERJ6GEYG390	M.RESISTOR CH 1/10W 39	1	
R1134,35	ERJ14YJ224	M.RESISTOR CH 1/4W 220K	2	
R1136	ERJ14YJ154	M.RESISTOR CH 1/4W 150K	1	
R1137	ERJ6RBD103	M.RESISTOR CH 1/10W 10K	1	
R1138	ERJ6GEYF472	M.RESISTOR CH 1/10W 4.7K	1	
R1139-41	ERJ12YJ154	M.RESISTOR CH 1/2W 150K	3	
R1142	ERJ6RBD272	M.RESISTOR CH 1/10W 2.7K	1	
R1143,44	ERJ12YJ224	M.RESISTOR CH 1/2W 220K	2	
R1145	ERJ6GEYG103	M.RESISTOR CH 1/10W 10K	1	
R1146	VRT0149	THERMISTOR	1	
R1147	ERG2SJ471E	M.RESSITOR 2W 470	1	
R1148-50	ERJ12YJ154	M.RESISTOR CH 1/2W 150K	3	
R1151	ERJ6RBD223	M.RESISTOR CH 1/10W 22K	1	
R1153,54	ERJ12YJ473	M.RESISTOR CH 1/2W 47K	2	
R1155,56	ERJ6GEYG103	M.RESISTOR CH 1/10W 10K	2	
R1158	ERJ6GEY0R00	M.RESISTOR CH 1/10W 0	1	
R1159	ERJ6GEYG104	M.RESISTOR CH 1/10W 100K	1	
R1160	ERJ6RED224	M.RESISTOR CH 1/10W 220K	1	
R1161	ERJ6RBD104	M.RESISTOR CH 1/10W 100K	1	
R1162	ERJ6RED334	M.RESISTOR CH 1/10W 330K	1	
R1163	ERJ6GEYG474	M.RESISTOR CH 1/10W 470K	1	
R1165	ERJ6GEYG273	M.RESISTOR CH 1/10W 27K	1	
R1166	ERJ6GEYG153	M.RESISTOR CH 1/10W 15K	1	
VR1102	VRV0109B501	V.RESISTOR 500	1	
		MISCELLANEOUS		

Ref. No.	Part No.	Part Name & Description	Pcs	Remark
	VMZ0965	CAPACITOR COVER	3	
	VMZ1608	CAPACITOR COVER	4	
	VSC4708	HEAT SINK (A)	1	
	XYE3+EF8	SCREW	2	
	XYN3+F6FZS	SCREW	1	
	XYN3+F8FZS	SCREW	5	
	XYN3+F10	SCREW	1	
	VJR1008	GND LUG	3	

## 10.38. VEP81184A



Ref. No.	Part No.	Part Name & Description	Pcs	Remark
* E19	VEP81184A	POWER 2 P.C.BOARD	1	(RTL)
C1004-07	ECUM1H104ZFN	C.CAPACITOR CH 50V 0.1U	4	
C1008	ECUM1H222KBN	C.CAPACITOR CH 50V 2200P	1	
C1009,10	ECA1HXLV220	E.CAPACITOR 50V 22U	2	
C1011	ECA1HXLV010	E.CAPACITOR 50V 1U	1	
C1012	ECUM1H332KBN	C.CAPACITOR CH 50V 3300P	1	
C1013	ECA1HXLV010	E.CAPACITOR 50V 1U	1	
C1015	ECUM1H332KBN	C.CAPACITOR CH 50V 3300P	1	
C1016	ECHU1H471GB5	P.CAPACITOR 50V 470P	1	
C1017	ECUM1H104ZFN	C.CAPACITOR CH 50V 0.1U	1	
C1018	ECUM1E104KBM	C.CAPACITOR CH 25V 0.1U	1	
C1019	ECUM1H562KBN	C.CAPACITOR CH 50V 5600P	1	
C1020	ECUM1H104ZFN	C.CAPACITOR CH 50V 0.1U	1	
C1021	ECHU1H471GB5	P.CAPACITOR 50V 470P	1	
C1022	ECUM1H562KBN	C.CAPACITOR CH 50V 5600P	1	
C1023	ECUM1E104KBM	C.CAPACITOR CH 25V 0.1U	1	
C1024	ECUM1H104ZFN	C.CAPACITOR CH 50V 0.1U	1	
C1026	ECUM1E474ZFM	C.CAPACITOR CH 25V 0.47U	1	
C1027,28	ECUM1H104ZFN	C.CAPACITOR CH 50V 0.1U	2	
C1040,41	EEUFA1A332LE	E.CAPACITOR 10V 3300U	2	
C1042	EEUFA1V471E	E.CAPACITOR 35V 470U	1	
C1043	EEUFA1E332E	E.CAPACITOR 25V 3300U	1	
C1044,45	EEUFA1C222LE	E.CAPACITOR 16V 2200P	2	
C1046	EEUFA1E681E	E.CAPACITOR 25V 680P	1	
C1047,48	ECA1CXL101	E.CAPACITOR 16V 100U	2	
C1049	ECA1VHG471B	E.CAPACITOR 35V 470U	1	
C1050	ECA1EXLV101	E.CAPACITOR 25V 100U	1	
C1051-53	ECA1CXL101	E.CAPACITOR 16V 100U	3	
C1054	ECUM1E104KBM	C.CAPACITOR CH 25V 0.1U	1	
C1055	ECUM1H104ZFN	C.CAPACITOR CH 50V 0.1U	1	
C1056	ECUM1E104KBM	C.CAPACITOR CH 25V 0.1U	1	
C1059	ECUM1H104ZFN	C.CAPACITOR CH 50V 0.1U	1	
C1060	ECUM1H121JCN	C.CAPACITOR CH 50V 120P	1	
C1062	VCK0106K221	C.CAPACITOR 220P	1	
C1063	ECA1VXLV470	E.CAPACITOR 35V 47U	1	
C1065	VCK0106K221	C.CAPACITOR 220P	1	

Ref. No.	Part No.	Part Name & Description	Pcs	Remark
C1066	ECA1VXLV470	E.CAPACITOR 35V 47U	1	
C1067,68	VCK0106K102	C.CAPACITOR 1000P	2	
C1069-75	ECKD2H101KB	C.CAPACITOR 500V 100P	7	
C1076-78	EEUFA1A822E	E.CAPACITOR 10V 8200P	3	
C1079	ECUM1H121JCN	C.CAPACITOR CH 50V 120P	1	
C1080,81	ECUM1H222KBN	C.CAPACITOR CH 50V 2200P	2	
C1083	ECUM1H104ZFN	C.CAPACITOR CH 50V 0.1U	1	
C1085	EEUFA1C222LE	E.CAPACITOR 16V 2200P	1	
C1086	ECUM1H102KBN	C.CAPACITOR CH 50V 1000P	1	
C1087	ECUM1H104ZFN	C.CAPACITOR CH 50V 0.1U	1	
C1088	EEUFA1A822E	E.CAPACITOR 10V 8200P	1	
C1089	ECA1HXS100	E.CAPACITOR 50V 10U	1	
C1090-93	ECUM1H104ZFN	C.CAPACITOR CH 50V 0.1U	4	
C1094	ECUM1H102KBN	C.CAPACITOR CH 50V 1000P	1	
C1095	ECUM1E474ZFM	C.CAPACITOR CH 25V 0.47U	1	
C1096	ECA1CXL101	E.CAPACITOR 16V 100U	1	
C1097,98	ECUM1E474ZFM	C.CAPACITOR CH 25V 0.47U	2	
C1099	ECUM1H104ZFN	C.CAPACITOR CH 50V 0.1U	1	
D1001	MA151WK	DIODE	1	
D1004	MA151K	DIODE	1	
D1005	MA151WK	DIODE	1	
D1007	MA3082-H	DIODE	1	
D1008	MA3051-M	DIODE	1	
D1009	MA153	DIODE	1	
D1010	U1GU44	DIODE	1	
D1011	MA151K	DIODE	1	
D1012	MA3240-H	DIODE	1	
D1013,14	U1GU44	DIODE	2	
D1015	MA3240-H	DIODE	1	
D1016	FMB-G14L	DIODE	1	
D1017	U1GU44	DIODE	1	
D1018,19	MA3051-M	DIODE	2	
D1020-22	MA151K	DIODE	3	
D1023,24	MA3051-M	DIODE	2	
D1030	D30SC4M	DIODE	1	
D1031	FML-G12SP	DIODE	1	
D1032	RL4Z	DIODE	1	
D1033,34	FML-G12SP	DIODE	2	
D1035	FMB-G14L	DIODE	1	
D1036	FML-G12SP	DIODE	1	
D1037,38	MA3075-M	DIODE	2	
D1039	MA3240-H	DIODE	1	
D1040	MA3160-L	DIODE	1	
D1041,42	MA3130-L	DIODE	2	
D1043	MA3160-L	DIODE	1	
D1044,45	U05NU44	DIODE	2	
D1046	AP01C	DIODE	1	
D1047	U1GU44	DIODE	1	
D1048	MA3240-H	DIODE	1	
D1049	AP01C	DIODE	1	
D1050	U1GU44	DIODE	1	
D1051	MA3240-H	DIODE	1	
D1052	MA151K	DIODE	1	

Ref. No.	Part No.	Part Name & Description	Pcs	Remark
IC1001,02	FA5311BP	IC	2	
IC1011,12	UPC1093J	IC	2	
IC1013	UPC393C	IC	1	
IC1014	PQ30RV31	IC	1	
L1012	VLQ0479	COIL	1	
L1013	VLQ0605	COIL	1	
L1014	VLQ0655K220	COIL 220UH	1	
L1015,16	VLQ0605	COIL	2	
L1017	VLQ0354	COIL	1	
L1018	VLQ0655K220	COIL 220UH	1	
L1019	VLP0074	COIL	1	
L1021,22	VLP0074	COIL	2	
P1011	VJP2824B003	CONNECTOR (MALE)	1	
P1012	VJP2824B009	CONNECTOR (MALE)	1	
P1013	VJP2824B008	CONNECTOR (MALE)	1	
P1014	VJP1243T	CONNECTOR (MALE) 3P	1	
P1015	VJP4033	CONNECTOR (MALE)	1	
Q1002,03	2SD1478-R	TRANSISTOR	2	
Q1004	2SB710-R	TRANSISTOR	1	
Q1005	UN2213	TRANSISTOR-RESISTOR	1	
Q1006,07	2SB709-R	TRANSISTOR	2	
Q1011,12	2SK2677	TRANSISTOR	2	
△Q1013-15	PS2561L1V1WL	TRANSISTOR	3	
Q1017	UN2214	TRANSISTOR-RESISTOR	1	
Q1018	UN2211	TRANSISTOR-RESISTOR	1	
Q1019	UN2111	TRANSISTOR-RESISTOR	1	
△Q1020	PS2561L1V1WL	TRANSISTOR	1	
Q1022	UN2113	TRANSISTOR-RESISTOR	1	
Q1023	UN2213	TRANSISTOR-RESISTOR	1	
Q1024	UN2214	TRANSISTOR-RESISTOR	1	
R1001-05	ERJ6GEYG121	M.RESISTOR CH 1/10W 120	5	
R1006	ERG2SJ681E	M.RESSITOR 2W 680	1	
R1007,08	ERJ6GEYG105	M.RESISTOR CH 1/10W 1M	2	
R1009	ERJ14YJ4R7	M.RESISTOR 1/4W 4.7	1	
R1010	ERJ6GEYG104	M.RESISTOR CH 1/10W 100K	1	
R1011	ERJ6RBD241	M.RESISTOR CH 1/10W 240	1	
R1012,13	ERJ6GEYG104	M.RESISTOR CH 1/10W 100K	2	
R1016	ERJ14YJ4R7	M.RESISTOR 1/4W 4.7	1	
R1017	ERJ6RBD241	M.RESISTOR CH 1/10W 240	1	
R1018,19	ERJ6GEYJ225	M.RESISTOR CH 1/10W 2.2M	2	
R1020	ERJ14YJ100	M.RESISTOR CH 1/4W 10	1	
R1021	ERG3SJ333U	M.RESSITOR 3W 33K	1	
R1023,24	ERJ12YJ154	M.RESISTOR CH 1/2W 150K	2	
R1026	ERJ6GEYG683	M.RESISTOR CH 1/10W 68K	1	
R1027	ERJ6GEYG563	M.RESISTOR CH 1/10W 56K	1	
R1028	ERJ6RBD472	M.RESISTOR CH 1/10W 4.7K	1	
R1029	ERJ6GEYG221	M.RESISTOR CH 1/10W 220	1	
R1030	ERJ6RBD471	M.RESISTOR CH 1/10W 470	1	



Ref. No.	Part No.	Part Name & Description	Pcs	Remark
R1031	ERJ14YJ100	M.RESISTOR CH 1/4W 10	1	
R1033,34	ERJ12YJ154	M.RESISTOR CH 1/2W 150K	2	
R1036	ERJ6GEYG104	M.RESISTOR CH 1/10W 100K	1	
R1037	ERJ6RBD472	M.RESISTOR CH 1/10W 4.7K	1	
R1038	ERJ6GEYJ471	M.RESISTOR CH 1/10W 470	1	
R1039	ERJ6RBD681	M.RESISTOR CH 1/10W 680	1	
R1040,41	ERJ6GEYG121	M.RESISTOR CH 1/10W 120	2	
R1042	ERJ6GEYJ334	M.RESISTOR CH 1/10W 330K	1	
R1043	ERJ6RBD621	M.RESISTOR CH 1/10W 620	1	
R1044	ERJ6RBD391	M.RESISTOR CH 1/10W 390	1	
R1045	ERJ6GEYF472	M.RESISTOR CH 1/10W 4.7K	1	
R1046,47	ERJ6GEYJ224	M.RESISTOR CH 1/10W 220K	2	
R1048,49	ERJ6GEYF473	M.RESISTOR CH 1/10W 47K	2	
R1050	ERG2SJ470	M.RESISTOR 2W 47	1	
R1051,52	ERJ6GEYG183	M.RESISTOR CH 1/10W 18K	2	
R1053	ERJ6RBD182	M.RESISTOR CH 1/10W 1.8K	1	
R1054	ERG2SJ470	M.RESISTOR 2W 47	1	
R1055	VRT0142	THERMISTOR	1	
R1056	ERJ6GEYG331	M.RESISTOR CH 1/10W 330	1	
R1057	ERJ6GEYG103	M.RESISTOR CH 1/10W 10K	1	
R1058	ERJ6RBD362	M.RESISTOR CH 1/10W 3.6K	1	
R1059	ERJ6RBD471	M.RESISTOR CH 1/10W 470	1	
R1060	ERJ6GEYG103	M.RESISTOR CH 1/10W 10K	1	
R1061	ERJ6GEYG104	M.RESISTOR CH 1/10W 100K	1	
R1062	VRT0142	THERMISTOR	1	
R1063	ERJ6GEYG221	M.RESISTOR CH 1/10W 220	1	
R1064,65	ERG2SJ681E	M.RESSITOR 2W 680	2	
R1066	ERJ6GEYG331	M.RESISTOR CH 1/10W 330	1	
R1067	ERJ6GEYG121	M.RESISTOR CH 1/10W 120	1	
R1068	ERJ6GEYG103	M.RESISTOR CH 1/10W 10K	1	
R1069	ERJ6RBD682	M.RESISTOR CH 1/10W 6.8K	1	
R1070	ERJ6RBD162	M.RESISTOR CH 1/10W 1.6K	1	
R1071	ERJ6GEYG103	M.RESISTOR CH 1/10W 10K	1	
R1072	ERG3SJ333U	M.RESSITOR 3W 33K	1	
R1073	ERG2SJ180	M.RESISTOR 2W 18	1	
R1074	ERJ14YJ220	M.RESISTOR CH 1/4W 22	1	
R1075	ERJ6GEYG104	M.RESISTOR CH 1/10W 100K	1	
R1076	ERW1PKR33	W.RESISTOR 1W 0.33	1	
R1077	ERG3SJ333U	M.RESSITOR 3W 33K	1	
R1078	ERG2SJ180	M.RESISTOR 2W 18	1	
R1079	ERJ14YJ220	M.RESISTOR CH 1/4W 22	1	
R1080	ERJ6GEYG104	M.RESISTOR CH 1/10W 100K	1	
R1081	ERW1PKR33	W.RESISTOR 1W 0.33	1	
R1082,83	ERJ6RBD103	M.RESISTOR CH 1/10W 10K	2	
R1084	ERJ6RBD132	M.RESISTOR CH 1/10W 1.3K	1	
R1085,86	ERJ6RBD103	M.RESISTOR CH 1/10W 10K	2	
R1087	ERJ6GEYG103	M.RESISTOR CH 1/10W 10K	1	
R1088	VRE0206	M.RESISTOR	1	
R1090	ERJ6RBD122	M.RESISTOR CH 1/10W 1.2K	1	
R1091,92	ERJ6RBD103	M.RESISTOR CH 1/10W 10K	2	
R1093,94	ERJ6GEYG103	M.RESISTOR CH 1/10W 10K	2	
R1095	ERX2SZJR10	M.RESISTOR 2W 0.1	1	
R1097	ERJ6GEYG223	M.RESISTOR CH 1/10W 22K	1	
R1098	ERJ6GEYG103	M.RESISTOR CH 1/10W 10K	1	

Ref. No.	Part No.	Part Name & Description	Pcs	Remark
R1099	ERG3SJ333U	M.RESSITOR 3W 33K	1	
 T1001	VLT0899	TRANSFORMER	1	
 T1002	VLT0900	TRANSFORMER	1	
VR1001,02	VRV0064B501	V.RESISTOR 500	2	
		MISCELLANEOUS		
	VLP0336	FERRITE BEAD	11	
	VLP0337	AMORPHOUS BEAD	2	
	VSC4779	HEAT SINK (E)	1	
	VSC4778	HEAT SINK (F)	1	
	XYN3+F8FZS	SCREW	16	
	XYN3+F6	SCREW	2	
	VJR1008	GND LUG	2	
	XYE3+EF8	SCREW	4	
	VSC4707	HEAT SINK	1	
	VMZ2779	INSULATION	1	
	VEE0C18	GND CABLE	1	
	VSC4780	HEAT SINK (D)	1	

### 10.39. VEP80A58A

Ref. No.	Part No.	Part Name & Description	Pcs	Remark
* E20	VEP80A58A	POWER CONNECTION P.C.B.	1	(RTL)
		MISCELLANEOUS		
	VJS4033	6P CONNECTOR	2	

### 10.40. VEP82216A

Ref. No.	Part No.	Part Name & Description	Pcs	Remark
* E21	VEP82216A	MECAI/F P.C.BOARD	1	(RTL)
C1	ECUX1H561JCV	C.CAPACITOR CH 50V 560P	1	
C2-C5	ECUX1H103KBV	C.CAPACITOR CH 50V 0.01U	4	
C6	ECEV1CV220Q	E.CAPACITOR CH 16V 22U	1	
C7	ECUX1H103KBV	C.CAPACITOR CH 50V 0.01U	1	
C8	ECEV1CV470Q	E.CAPACITOR CH 16V 47U	1	
C9,10	ECUX1E104ZFV	C.CAPACITOR CH 25V 0.1U	2	
C11	ECUX1H103KBV	C.CAPACITOR CH 50V 0.01U	1	
C12	ECUX1E104ZFV	C.CAPACITOR CH 25V 0.1U	1	
C13,14	ECEV1CV470Q	E.CAPACITOR CH 16V 47U	2	
C15	ECUX1H103KBV	C.CAPACITOR CH 50V 0.01U	1	
C20	ECUX1H103KBV	C.CAPACITOR CH 50V 0.01U	1	
C21	ECUX1E104ZFV	C.CAPACITOR CH 25V 0.1U	1	
C22	ECUX1H103KBV	C.CAPACITOR CH 50V 0.01U	1	
C23	ECUX1E104ZFV	C.CAPACITOR CH 25V 0.1U	1	
C100	ECUX1E104ZFV	C.CAPACITOR CH 25V 0.1U	1	
C101	ECEV1CV470Q	E.CAPACITOR CH 16V 47U	1	
C102	ECA1HEN101	E.CAPACITOR 50V 100U	1	
C103	ECUX1H103KBV	C.CAPACITOR CH 50V 0.01U	1	
C104	ECEV1CV100Q	E.CAPACITOR CH 16V 10U	1	
C200-02	ECUX1H101JCV	C.CAPACITOR CH 50V 100P	3	
D1	MA157	DIODE	1	
D100-02	MA738	DIODE	3	
IC1,C2	0P177GS	IC	2	
IC3	NJM4580ED	IC	1	
IC4-C6	UPC4558G2	IC	3	
IC10	NJM78L09UA	IC	1	
IC11	NJM79L09UA	IC	1	
IC100	MC14538BF	IC	1	
L1,L2	VLF1016A470	FILTER	2	
L100	VLP0133	COIL	1	
P1	VJP2891A030	CONNECTOR (MALE)	1	
P2	VJP3418A080	CONNECTOR (MALE)	1	
P11	VJP3172D002	CONNECTOR (MALE)	1	
P12	VJP3172D005	CONNECTOR (MALE)	1	
P13	VJP3172D002	CONNECTOR (MALE)	1	
P14	VJP3172D003	CONNECTOR (MALE)	1	
P15	VJP3518B002	CONNECTOR (MALE)	1	
P16	VJP3518B003	CONNECTOR (MALE)	1	
P17	VJS3801B010	CONNECTOR (FEMALE)	1	
P18	VJP3518B002	CONNECTOR (MALE)	1	
P19	VJP3172D002	CONNECTOR (MALE)	1	
P20	VJP3518B003	CONNECTOR (MALE)	1	
P21	VJP3518B002	CONNECTOR (MALE)	1	
P22	VJP3172D004	CONNECTOR (MALE)	1	

Ref. No.	Part No.	Part Name & Description	Pcs	Remark
P24	VJP3518B002	CONNECTOR (MALE)	1	
P25	VJP1230T	CONNECTOR (MALE) 3P	1	
P26	VJP1236T	CONNECTOR (MALE) 9P	1	
P30	VJP3172D003	CONNECTOR (MALE)	1	
P32	VJP3172D004	CONNECTOR (MALE)	1	
P33	VJS3406B015	CONNECTOR (FEMALE)	1	
P34,35	VJS2889A017	CONNECTOR (FEMALE)	2	
P36	VJS3406B019	CONNECTOR (FEMALE)	1	
P41	VJP3172D002	CONNECTOR (MALE)	1	
P48	VJP3125B002	CONNECTOR (MALE)	1	
Q1	2SB1218A-R	TRANSISTOR	1	
Q100,01	2SB766-R	TRANSISTOR	2	
QR100,01	UN2214	TRANSISTOR-RESISTOR	2	
R1	ERJ3GEYJ821	M.RESISTOR CH 1/16W 820	1	
R2,R3	ERJ3GEYJ562	M.RESISTOR CH 1/16W 5.6K	2	
R4	ERJ3RBD562	M.RESISTOR CH 3W 5.2K	1	
R5	ERJ3RBD473	M.RESISTOR CH 3W 47K	1	
R6	ERJ3RBD562	M.RESISTOR CH 3W 5.2K	1	
R7	ERJ3GEYJ562	M.RESISTOR CH 1/16W 5.6K	1	
R8	ERJ3RBD333	M.RESISTOR CH 3W 33K	1	
R9	ERJ3GEYJ562	M.RESISTOR CH 1/16W 5.6K	1	
R10	ERJ3RBD562	M.RESISTOR CH 3W 5.2K	1	
R11	ERJ3RBD473	M.RESISTOR CH 3W 47K	1	
R12,13	ERJ6RBD103	M.RESISTOR CH 1/10W 10K	2	
R14	ERJ6RBD104	M.RESISTOR CH 1/10W 100K	1	
R15	ERJ6RBD823	M.RESISTOR CH 1/10W 82K	1	
R16	ERJ6RBD273	M.RESISTOR CH 1/10W 27K	1	
R17	ERJ3GEYJ273	M.RESISTOR CH 1/16W 27K	1	
R18	ERJ6RBD392	M.RESISTOR CH 1/10W 3.9K	1	
R19	ERJ6RBD103	M.RESISTOR CH 1/10W 10K	1	
R20	ERJ3GEYG102	M.RESISTOR CH 1/16W 1K	1	
R21	ERJ6RBD183	M.RESISTOR CH 1/10W 18K	1	
R22	ERJ6RBD473	M.RESISTOR CH 1/10W 47K	1	
R23	ERJ6RBD682	M.RESISTOR CH 1/10W 6.8K	1	
R24	ERJ6RBD222	M.RESISTOR CH 1/10W 2.2K	1	
R25	ERJ6RBD391	M.RESISTOR CH 1/10W 390	1	
R36,37	ERJ3GEY0R00	M.RESISTOR CH 1/16W 0	2	
R100	ERJ3GEYJ223	M.RESISTOR CH 1/16W 22K	1	
R101	ERJ8GICYJ102	M.RESISTOR CH 1/8W 1K	1	
R102	ERJ6GEYG102	M.RESISTOR CH 1/10W 1K	1	
R103	ERJ3GEYJ334	M.RESISTOR CH 1/16W 330K	1	
R104	ERJ3GEYJ223	M.RESISTOR CH 1/16W 22K	1	
R105	ERJ8GICYJ102	M.RESISTOR CH 1/8W 1K	1	
R200	ERJ6GEYG562	M.RESISTOR CH 1/10W 5.6K	1	
R201	ERJ6GEYG122	M.RESISTOR CH 1/10W 1.2K	1	
R202	ERJ6GEYG821	M.RESISTOR CH 1/10W 820	1	
R203	ERJ6GEYG562	M.RESISTOR CH 1/10W 5.6K	1	
R204	ERJ6GEYG122	M.RESISTOR CH 1/10W 1.2K	1	
R205	ERJ6GEYG821	M.RESISTOR CH 1/10W 820	1	
SW200	VSS023706	SWITCH	1	

Ref. No.	Part No.	Part Name & Description	Pcs	Remark
VR1	EVMEGSA00B24	V.RESISTOR 20K	1	
VR2	EVMEGSA00B54	V.RESISTOR 50K	1	

## 10.41. VEP80856A

Ref. No.	Part No.	Part Name & Description	Pcs	Remark
* E22	VEP80856A	CARRIGE P.C.BOARD	1	(RTL)
P1	VJP1249T	CONNECTOR (MALE) 9P	1	
P2	VJS2889A012	CONNECTOR (FEMALE)	1	
P3	VJS2889A016	CONNECTOR (FEMALE)	1	
R1-R7	ERDS2TJ221	C.RESISTOR 1/4W 220	7	

## 10.42. VEP84303B

Ref. No.	Part No.	Part Name & Description	Pcs	Remark
* E23	VEP84303B	AUDIO JACK P.C.BOARD	1	(RTL)
C1-12	ECUM1H103ZFN	C.CAPACITOR CH 50V 0.01U	12	
J1-J6	VJS3417	CONNECTOR (FEMALE)	6	
J7-14	VJP3417	CONNECTOR (MALE)	8	
P1	VJP3375A060	CONNECTOR (MALE)	1	
R2	ERJ6GEY0R00	M.RESISTOR CH 1/10W 0	1	
R4	ERJ6GEY0R00	M.RESISTOR CH 1/10W 0	1	
R6	ERJ6GEY0R00	M.RESISTOR CH 1/10W 0	1	
R8	ERJ6GEY0R00	M.RESISTOR CH 1/10W 0	1	
R10	ERJ6GEY0R00	M.RESISTOR CH 1/10W 0	1	
R12	ERJ6GEY0R00	M.RESISTOR CH 1/10W 0	1	
R14	ERJ6GEY0R00	M.RESISTOR CH 1/10W 0	1	
R16	ERJ6GEY0R00	M.RESISTOR CH 1/10W 0	1	
R18	ERJ6GEY0R00	M.RESISTOR CH 1/10W 0	1	
R20	ERJ6GEY0R00	M.RESISTOR CH 1/10W 0	1	
R22	ERJ6GEY0R00	M.RESISTOR CH 1/10W 0	1	
R24	ERJ6GEY0R00	M.RESISTOR CH 1/10W 0	1	
R26	ERJ6GEY0R00	M.RESISTOR CH 1/10W 0	1	
R28	ERJ6GEY0R00	M.RESISTOR CH 1/10W 0	1	
R30	ERJ6GEY0R00	M.RESISTOR CH 1/10W 0	1	
R32	ERJ6GEY0R00	M.RESISTOR CH 1/10W 0	1	
R34	ERJ6GEY0R00	M.RESISTOR CH 1/10W 0	1	
R36	ERJ6GEY0R00	M.RESISTOR CH 1/10W 0	1	
R38	ERJ6GEY0R00	M.RESISTOR CH 1/10W 0	1	

Ref. No.	Part No.	Part Name & Description	Pcs	Remark
R40	ERJ6GEY0R00	M.RESISTOR CH 1/10W 0	1	
R42	ERJ6GEY0R00	M.RESISTOR CH 1/10W 0	1	
R44	ERJ6GEY0R00	M.RESISTOR CH 1/10W 0	1	
R46	ERJ6GEY0R00	M.RESISTOR CH 1/10W 0	1	
R48	ERJ6GEY0R00	M.RESISTOR CH 1/10W 0	1	
R50	ERJ6GEY0R00	M.RESISTOR CH 1/10W 0	1	
R52	ERJ6GEY0R00	M.RESISTOR CH 1/10W 0	1	
R54	ERJ6GEY0R00	M.RESISTOR CH 1/10W 0	1	
R56	ERJ6GEY0R00	M.RESISTOR CH 1/10W 0	1	
		MISCELLANEOUS		
	VMP4867	XLR GUIDE ANGLE (A)	1	
	XYN26+F8	SCREW	2	

### 10.43. VEP84304A

Ref. No.	Part No.	Part Name & Description	Pcs	Remark
* E24	VEP84304A	AES/EBU P.C.BOARD	1	(RTL)
J1,J2	VJS3417	CONNECTOR (FEMALE)	2	
J3,J4	VJP3417	CONNECTOR (MALE)	2	
P31	VJP3440B012	CONNECTOR (MALE)	1	

### 10.44. VEP80A52A

Ref. No.	Part No.	Part Name & Description	Pcs	Remark
* E25	VEP80A52A	UP FRONT 1 P.C.BOARD	1	(RTL)
C1	ECUM1H331JCN	C.CAPACITOR CH 50V 330P	1	
C2-C5	ECUM1E104ZFN	C.CAPACITOR CH 25V 0.1U	4	
C6	ECA1CXS100	E.CAPACITOR 16V 10U	1	
C11	ECUM1E104ZFN	C.CAPACITOR CH 25V 0.1U	1	
D1-15	LN31GPHL	LED	15	
D16	LN41YPHL	LED	1	
D17	LN81RCPHL	LED	1	
D18	LN31GPHL	LED	1	
D19	MA152K	DIODE	1	
D20	MA142K	DIODE	1	
D21-28	LN31GPHL	LED	8	
IC1	MC14050BF	IC	1	
IC2	MC14049UBF	IC	1	
IC3-C5	MC14094BF	IC	3	
P1	VJP1248T	CONNECTOR (MALE) 8P	1	
P2	VJP1246T	CONNECTOR (MALE) 6P	1	
Q1-18	2SD601A-R	TRANSISTOR	18	
R1,R2	ERJ6GEYG682	M.RESISTOR CH 1/10W 6.8K	2	
R3,R4	ERJ6GEYG103	M.RESISTOR CH 1/10W 10K	2	
R5,R6	ERJ6GEYG474	M.RESISTOR CH 1/10W 470K	2	
R7	ERJ6GEYG223	M.RESISTOR CH 1/10W 22K	1	
R8	ERJ6GEYG103	M.RESISTOR CH 1/10W 10K	1	
R9	ERJ6GEYG474	M.RESISTOR CH 1/10W 470K	1	
R10	ERJ6GEYF473	M.RESISTOR CH 1/10W 47K	1	
R11	ERJ6GEYG103	M.RESISTOR CH 1/10W 10K	1	
R12	ERJ6GEYF473	M.RESISTOR CH 1/10W 47K	1	
R13,14	ERJ6GEYG181	M.RESISTOR CH 1/10W 180	2	
R15	ERJ6GEYG103	M.RESISTOR CH 1/10W 10K	1	
R16	ERJ6GEYF473	M.RESISTOR CH 1/10W 47K	1	
R17,18	ERJ6GEYG181	M.RESISTOR CH 1/10W 180	2	
R19	ERJ6GEYG103	M.RESISTOR CH 1/10W 10K	1	
R20	ERJ6GEYF473	M.RESISTOR CH 1/10W 47K	1	
R21,22	ERJ6GEYG181	M.RESISTOR CH 1/10W 180	2	
R23	ERJ6GEYG103	M.RESISTOR CH 1/10W 10K	1	
R24	ERJ6GEYF473	M.RESISTOR CH 1/10W 47K	1	
R25,26	ERJ6GEYG181	M.RESISTOR CH 1/10W 180	2	
R27	ERJ6GEYG103	M.RESISTOR CH 1/10W 10K	1	
R28	ERJ6GEYF473	M.RESISTOR CH 1/10W 47K	1	
R29,30	ERJ6GEYG181	M.RESISTOR CH 1/10W 180	2	
R31	ERJ6GEYG103	M.RESISTOR CH 1/10W 10K	1	
R32	ERJ6GEYF473	M.RESISTOR CH 1/10W 47K	1	
R33,34	ERJ6GEYG181	M.RESISTOR CH 1/10W 180	2	
R35	ERJ6GEYG103	M.RESISTOR CH 1/10W 10K	1	
R36	ERJ6GEYF473	M.RESISTOR CH 1/10W 47K	1	
R37,38	ERJ6GEYG181	M.RESISTOR CH 1/10W 180	2	
R39	ERJ6GEYG103	M.RESISTOR CH 1/10W 10K	1	

Ref. No.	Part No.	Part Name & Description	Pcs	Remark
R40	ERJ6GEYF473	M.RESISTOR CH 1/10W 47K	1	
R41	ERJ6GEYG181	M.RESISTOR CH 1/10W 180	1	
R42	ERJ6GEYG103	M.RESISTOR CH 1/10W 10K	1	
R43	ERJ6GEYF473	M.RESISTOR CH 1/10W 47K	1	
R44	ERJ6GEYG181	M.RESISTOR CH 1/10W 180	1	
R45	ERJ6GEYG103	M.RESISTOR CH 1/10W 10K	1	
R46	ERJ6GEYF473	M.RESISTOR CH 1/10W 47K	1	
R47	ERJ6GEYG181	M.RESISTOR CH 1/10W 180	1	
R48	ERJ6GEYG103	M.RESISTOR CH 1/10W 10K	1	
R49	ERJ6GEYF473	M.RESISTOR CH 1/10W 47K	1	
R50	ERJ6GEYG181	M.RESISTOR CH 1/10W 180	1	
R51	ERJ6GEYG103	M.RESISTOR CH 1/10W 10K	1	
R52	ERJ6GEYF473	M.RESISTOR CH 1/10W 47K	1	
R53	ERJ6GEYG181	M.RESISTOR CH 1/10W 180	1	
R54	ERJ6GEYG103	M.RESISTOR CH 1/10W 10K	1	
R55	ERJ6GEYF473	M.RESISTOR CH 1/10W 47K	1	
R56-58	ERJ6GEYG181	M.RESISTOR CH 1/10W 180	3	
R59	ERJ6GEYG103	M.RESISTOR CH 1/10W 10K	1	
R60	ERJ6GEYF473	M.RESISTOR CH 1/10W 47K	1	
R61	ERJ6GEYG181	M.RESISTOR CH 1/10W 180	1	
R62	ERJ6GEYG103	M.RESISTOR CH 1/10W 10K	1	
R63	ERJ6GEYF473	M.RESISTOR CH 1/10W 47K	1	
R64	ERJ6GEYG181	M.RESISTOR CH 1/10W 180	1	
R65	ERJ6GEYG103	M.RESISTOR CH 1/10W 10K	1	
R66	ERJ6GEYF473	M.RESISTOR CH 1/10W 47K	1	
R67	ERJ6GEYG181	M.RESISTOR CH 1/10W 180	1	
R68	ERJ6GEYG103	M.RESISTOR CH 1/10W 10K	1	
R69	ERJ6GEYF473	M.RESISTOR CH 1/10W 47K	1	
R70,71	ERJ6GEYG181	M.RESISTOR CH 1/10W 180	2	
R72	ERJ6GEYG103	M.RESISTOR CH 1/10W 10K	1	
R73	ERJ6GEYF473	M.RESISTOR CH 1/10W 47K	1	
R74,75	ERJ6GEYG181	M.RESISTOR CH 1/10W 180	2	
SW1	EVQQSB05G	SWITCH	1	
SW2	EVQQS307K	SWITCH	1	
		MISCELLANEOUS		
	VGQ2507	LED SPACER	19	
	VMX2147	SPACER	7	

## 10.45. VEP80852A



Ref. No.	Part No.	Part Name & Description	Pcs	Remark
* E26	VEP80852A	UP FRONT 2 P.C.BOARD	1	(RTL)
D1	VLL0029	LED	1	
P1	VJP1246T	CONNECTOR (MALE) 6P	1	
SW1	VSP0864C001	SWITCH	1	

## 10.46. VEP86263A

Ref. No.	Part No.	Part Name & Description	Pcs	Remark
* E27	VEP86263A	FRONT CPU P.C.BOARD	1	(RTL)
C1	ECUM1H103KBN	C.CAPACITOR CH 50V 0.01U	1	
C2	ECEV1HV2R2Q	E.CAPACITOR CH 50V 2.2U	1	
C3	ECUM1H103KBN	C.CAPACITOR CH 50V 0.01U	1	
C4,C5	ECUM1H100DCN	C.CAPACITOR CH 50V 10P	2	
C6	ECUM1E104ZFN	C.CAPACITOR CH 25V 0.1U	1	
C7-14	ECUM1H103KBN	C.CAPACITOR CH 50V 0.01U	8	
C15	ECUM1E104ZFN	C.CAPACITOR CH 25V 0.1U	1	
C16,17	ECUM1H103KBN	C.CAPACITOR CH 50V 0.01U	2	
C20,21	ECEV1CV470Q	E.CAPACITOR CH 16V 47U	2	
C22-25	ECUX1E104KBN	C.CAPACITOR CH 25V 0.1U	4	
C26,27	ECEV1CV470Q	E.CAPACITOR CH 16V 47U	2	
C28-37	ECUM1H103KBN	C.CAPACITOR CH 50V 0.01U	10	
C38,39	ECEV1CV470Q	E.CAPACITOR CH 16V 47U	2	
C40-42	ECUM1E104ZFN	C.CAPACITOR CH 25V 0.1U	3	
C43-47	ECUM1H103KBN	C.CAPACITOR CH 50V 0.01U	5	
C48-51	ECUM1E104ZFN	C.CAPACITOR CH 25V 0.1U	4	
C52-82	ECUM1H103KBN	C.CAPACITOR CH 50V 0.01U	31	
C84-86	ECUM1H221JCN	C.CAPACITOR CH 50V 220P	3	
C88,89	ECUM1H103KBN	C.CAPACITOR CH 50V 0.01U	2	
D1-D8	MA152WK	DIODE	8	
DP1	VEQ1847	DISPLAYTUBE	1	
FL1-L4	VLF1016A470	FILTER	4	
IC1	HD64180ZRP8	IC	1	
IC2	VSI2685B	IC	1	
IC3	K6256CLG7L	IC	1	
IC4	TL7705CPSB	IC	1	
IC5	74F32SJ	IC	1	
IC6	MC74HC161AF	IC	1	
IC13	MC74HC04AF	IC	1	
IC14	TE7751	IC	1	
IC15	MC74HC138AF	IC	1	

Ref. No.	Part No.	Part Name & Description	Pcs	Remark
IC16	MC74HC32AF	IC	1	
IC17	SN75C1168NS	TTL	1	
IC18	MC74HC4538AF	IC	1	
IC20,21	NJM78L05UA	IC	2	
IC22	MC14015BF	IC	1	
IC23	UPC339G2	IC	1	
IC24	MC74HC04AF	IC	1	
IC25	MC74HC11F	IC	1	
IC26	MC14013BF	IC	1	
IC27	UPD71055GB	IC	1	
IC28,29	MC14516BF	IC	2	
IC30	TLC549IPS-E	TTL	1	
IC31	MC74HC4051F	IC	1	
IC32	TLC549IPS-E	TTL	1	
IC33	MC74HC4051F	IC	1	
IC34-41	NJM2904M	IC	8	
IC42	MC74HC11F	IC	1	
IC43	MC74HC32AF	IC	1	
IS1	VJS1830	CONNECTOR (FEMALE)	1	
IS2	VJS2336A032	CONNECTOR (FEMALE)	1	
L1,L2	VLP0133	COIL	2	
P1,P2	VJP1942T	CONNECTOR (MALE)	2	
P3,P4	VJP3440A016	CONNECTOR (MALE)	2	
P5	VJP2891A016	CONNECTOR (MALE)	1	
P6	VJS3281A020	CONNECTOR (FEMALE)	1	
P7	VJS2698A028	CONNECTOR (FEMALE)	1	
P8	VJP1233T	CONNECTOR (MALE) 6P	1	
R1	ERJ6GEYG222	M.RESISTOR CH 1/10W 2.2K	1	
R2-R7	ERJ6GEYF473	M.RESISTOR CH 1/10W 47K	6	
R8-15	ERJ6GEYG103	M.RESISTOR CH 1/10W 10K	8	
R16	ERJ6GEYG222	M.RESISTOR CH 1/10W 2.2K	1	
R17	ERJ6GEYG181	M.RESISTOR CH 1/10W 180	1	
R18,19	ERJ6GEYG103	M.RESISTOR CH 1/10W 10K	2	
R20	ERJ6GEYF473	M.RESISTOR CH 1/10W 47K	1	
R21-36	ERJ6GEYG103	M.RESISTOR CH 1/10W 10K	16	
R37-41	ERJ6GEYF473	M.RESISTOR CH 1/10W 47K	5	
R42,43	ERJ6GEYF472	M.RESISTOR CH 1/10W 4.7K	2	
R44	ERJ6GEYG101	M.RESISTOR CH 1/10W 100	1	
R45-47	ERJ6GEYF472	M.RESISTOR CH 1/10W 4.7K	3	
R48	ERJ6GEYG102	M.RESISTOR CH 1/10W 1K	1	
R49,50	ERJ6GEYF472	M.RESISTOR CH 1/10W 4.7K	2	
R51-54	ERJ6GEYG563	M.RESISTOR CH 1/10W 56K	4	
R55-58	ERJ6GEYG103	M.RESISTOR CH 1/10W 10K	4	
R59-63	ERJ6GEYF472	M.RESISTOR CH 1/10W 4.7K	5	
R64	ERJ6GEYG103	M.RESISTOR CH 1/10W 10K	1	
R65-69	ERJ6GEYF472	M.RESISTOR CH 1/10W 4.7K	5	
R70-98	ERJ6GEYG103	M.RESISTOR CH 1/10W 10K	29	
R99,00	ERJ6GEY0R00	M.RESISTOR CH 1/10W 0	2	
R101-04	ERJ6GEYG392	M.RESISTOR CH 1/10W 3.9K	4	
R105-07	ERJ6GEY0R00	M.RESISTOR CH 1/10W 0	3	

Ref. No.	Part No.	Part Name & Description	Pcs	Remark
R128,29	ERJ6GEY0R00	M.RESISTOR CH 1/10W 0	2	
R131-56	ERJ6GEYG103	M.RESISTOR CH 1/10W 10K	26	
R157	ERJ6GEY0R00	M.RESISTOR CH 1/10W 0	1	
R158-65	ERJ6GEYG102	M.RESISTOR CH 1/10W 1K	8	
SW1	VSS0184	SWITCH	1	
X1	VSX0641	CRYSTAL OSCILLATOR	1	
		MISCELLANEOUS		
	VMX2507	SPACER	2	
	XYN3+K8	SCREW	2	

### 10.47. VEP86148C

Ref. No.	Part No.	Part Name & Description	Pcs	Remark
* E28	VEP86148C	FRONT CPU SUB P.C.BOARD	1	(RTL)
P1	VJS3406B028	CONNECTOR (FEMALE)	1	
R1-R5	ERJ6GEYG101	M.RESISTOR CH 1/10W 100	5	
SW1-10	VSS0391	SWITCH	10	
SW11-13	VSP1013	SWITCH	3	
VR1-R5	VRV0273	V.RESISTOR	5	

### 10.48. VEP80A49A

Ref. No.	Part No.	Part Name & Description	Pcs	Remark
* E29	VEP80A49A	FRONT SW P.C.BOARD	1	(RTL)
C1	ECUM1E104ZFN	C.CAPACITOR CH 25V 0.1U	1	
C4,C5	ECUM1H103KBN	C.CAPACITOR CH 50V 0.01U	2	
C7-11	ECUM1H103KBN	C.CAPACITOR CH 50V 0.01U	5	
C13	ECEA0JGE102	E.CAPACITOR 6.3V 1000U	1	
C14	ECUM1H103KBN	C.CAPACITOR CH 50V 0.01U	1	
C16	ECEV1HV4R7Q	E.CAPACITOR CH 50V 4.7U	1	
C17	ECUM1H333KBN	C.CAPACITOR CH 50V 0.033U	1	
C18	ECUM1H103KBN	C.CAPACITOR CH 50V 0.01U	1	
C19	ECEA1AGE331	E.CAPACITOR 10V 330U	1	
C20	ECEA1HGE470	E.CAPACITOR 50V 47U	1	
C30,31	ECUM1H103KBN	C.CAPACITOR CH 50V 0.01U	2	
D2-D5	LN38GCPP	LED	4	
D6	LN28RCPP	LED	1	
D7	LN38GCPP	LED	1	
D8	LN48YCPP	LED	1	
D9	LN38GCPP	LED	1	
D10	LN48YCPP	LED	1	
D12	LN48YCPP	LED	1	
D13-16	LN38GCPP	LED	4	
D17-25	MA152WA	DIODE	9	
D26,27	MA152A	DIODE	2	
D28-38	MA152WA	DIODE	11	
D39	MA152A	DIODE	1	
D40	MA152WA	DIODE	1	
D44	MA4300-M	DIODE	1	
D45	MA166	DIODE	1	
D46	MA701A	DIODE	1	
D47	MA4030M	DIODE	1	
DP1	VSL0462	DISPLAYTUBE	1	
F1	EYP2BN135	FUSE	1	
IC1	UPD71055GB	IC	1	
IC2,C3	MC74HC138AF	IC	2	
IC5-C9	MC74HC273AF	IC	5	
IC11	UPD16310GF	IC	1	
P1,P2	VJP1986T	CONNECTOR (MALE)	2	
Q45,46	2SC1815Y	TRANSISTOR	2	
Q47	2SC3074Y	TRANSISTOR	1	
Q48-53	2SB709A-R	TRANSISTOR	6	
QR1-40	UN2214	TRANSISTOR-RESISTOR	40	
R4-11	ERJ6GEYG181	M.RESISTOR CH 1/10W 180	8	
R12-14	ERJ6GEYG221	M.RESISTOR CH 1/10W 220	3	
R15-19	ERJ6GEYG181	M.RESISTOR CH 1/10W 180	5	
R20-26	ERJ6GEYG221	M.RESISTOR CH 1/10W 220	7	

Ref. No.	Part No.	Part Name & Description	Pcs	Remark
R27-29	ERJ6GEYG181	M.RESISTOR CH 1/10W 180	3	
R30-34	ERJ6GEYG221	M.RESISTOR CH 1/10W 220	5	
R35-42	ERJ6GEYG181	M.RESISTOR CH 1/10W 180	8	
R43-50	ERJ6GEYF472	M.RESISTOR CH 1/10W 4.7K	8	
R51-53	ERJ6GEY0R00	M.RESISTOR CH 1/10W 0	3	
R110	ERJ6GEYG103	M.RESISTOR CH 1/10W 10K	1	
R111	ERDS2TJ682	C.RESISTOR 1/4W 6.8K	1	
R112	ERDS2TJ101	C.RESISTOR 1/4W 100	1	
R113	ERDS2TJ221	C.RESISTOR 1/4W 220	1	
R114	ERDS2TJ220	C.RESISTOR 1/4W 22	1	
R115	ERJ8GCYJ103	M.RESISTOR CH 1/8W 10K	1	
R120	ERJ6GEYF473	M.RESISTOR CH 1/10W 47K	1	
R121-28	ERJ6GEYG103	M.RESISTOR CH 1/10W 10K	8	
R129-40	ERJ6GEYG223	M.RESISTOR CH 1/10W 22K	12	
R141	ERJ6GEYG181	M.RESISTOR CH 1/10W 180	1	
R142	ERJ6GEYF472	M.RESISTOR CH 1/10W 4.7K	1	
R143-45	ERJ6GEYG103	M.RESISTOR CH 1/10W 10K	3	
SW1	VSP0791	SWITCH	1	
SW2	VSP0788	SWITCH	1	
SW3	VSP0792	SWITCH	1	
SW4	VSP0789	SWITCH	1	
SW5	VSP0790	SWITCH	1	
SW6,W7	VSP0795	SWITCH	2	
SW8-10	VSP0864A000	SWITCH	3	
SW11,12	VSP0795	SWITCH	2	
SW13	VSP0998	SWITCH	1	
SW14	VSP0864A051	SWITCH	1	
SW15	VSP0999A001	SWITCH	1	
SW16	VSP0864A050	SWITCH	1	
SW17-24	VSP0853A000	SWITCH	8	
SW25	VSP0997A002	SWITCH	1	
SW26	VSP0997A001	SWITCH	1	
SW27-31	VSS0226	SWITCH	5	
SW32	VSP1005	SWITCH	1	
SW34	VSP1005	SWITCH	1	
SW36-41	VSP1005	SWITCH	6	
SW42	VSP0864A048	SWITCH	1	
SW43	VSP0864A049	SWITCH	1	
TR1	VLT0869	TRANSFORMER	1	
		MISCELLANEOUS		
	VJF1258	HOLDER	1	
	VMX2147	SPACER	14	

## 10.49. VEP80963D

Ref. No.	Part No.	Part Name & Description	Pcs	Remark
* E30	VEP80963D	FRONT VR 1 P.C.BOARD	1	(RTL)
P1	VJP3440A016	CONNECTOR (MALE)	1	
R1-R5	ERDS2TJ101	C.RESISTOR 1/4W 100	5	
R6	ERDS2TJ220	C.RESISTOR 1/4W 22	1	
VR1-R5	EVU023003B14	V.RESISTOR 10K	5	
VR6	EWVBB6018B14	V.RESISTOR 10K	1	

### 10.50. VEP80964D

Ref. No.	Part No.	Part Name & Description	Pcs	Remark
* E31	VEP80964D	FRONT VR 2 P.C.BOARD	1	(RTL)
FL1-L3	VLF1356	FILTER	3	
J1	VJJ0378	M6 JACK	1	
P1	VJP3440A016	CONNECTOR (MALE)	1	
R1-R5	ERDS2TJ101	C.RESISTOR 1/4W 100	5	
VR1-R5	EVU023006B14	V.RESISTOR 10K	5	
		MISCELLANEOUS		
	VMC1321	EARTH METAL	1	

### 10.51. AJ-YA951E

### 10.52. P. C. BOARD LIST

Ref. No.	Part No.	Part Name & Description	Pcs	Remark
*	VEP83408B	F3 V IN P.C.BOARD	1	(RTL)
*	VEP83385B	F6 422DASUB P.C.BOARD	1	(RTL)
*	VEP83408B	F3 V IN P.C.BOARD	1	(RTL)
C51-54	ECUM1E104ZFN	C.CAPACITOR CH 25V 0.1U	4	
C55	ECEV1CV470Q	E.CAPACITOR CH 16V 47U	1	
C56	ECEV0JV330Q	E.CAPACITOR CH6.3V 33U	1	
C57	ECEV1CV470Q	E.CAPACITOR CH 16V 47U	1	
C58-64	ECUM1E104ZFN	C.CAPACITOR CH 25V 0.1U	7	
C65	ECEV1CV470Q	E.CAPACITOR CH 16V 47U	1	
C66	ECEV0JV330Q	E.CAPACITOR CH6.3V 33U	1	
C67	ECEV1CV470Q	E.CAPACITOR CH 16V 47U	1	
C68-70	ECUM1E104ZFN	C.CAPACITOR CH 25V 0.1U	3	
C101-08	ECUM1E104ZFN	C.CAPACITOR CH 25V 0.1U	8	
C110	ECUM1E104ZFN	C.CAPACITOR CH 25V 0.1U	1	
C151-59	ECUM1E104ZFN	C.CAPACITOR CH 25V 0.1U	9	
C160	ECUM1H103KBN	C.CAPACITOR CH 50V 0.01U	1	
C201-08	ECUM1E104ZFN	C.CAPACITOR CH 25V 0.1U	8	
C212-15	ECUM1E104ZFN	C.CAPACITOR CH 25V 0.1U	4	
C251-54	ECEV1CV100Q	E.CAPACITOR CH 16V 10U	4	
C255-60	ECUM1E104ZFN	C.CAPACITOR CH 25V 0.1U	6	
C261	ECUX1E104KBN	C.CAPACITOR CH 25V 0.1U	1	
C262,63	ECUM1E104ZFN	C.CAPACITOR CH 25V 0.1U	2	
C264	ECEV1EV4R7Q	E.CAPACITOR CH 25V 4.7U	1	
C265-68	ECUM1E104ZFN	C.CAPACITOR CH 25V 0.1U	4	
C269,70	ECEV0JV330Q	E.CAPACITOR CH6.3V 33U	2	
C271-76	ECUM1E104ZFN	C.CAPACITOR CH 25V 0.1U	6	
C277	ECUM1H390JCN	C.CAPACITOR CH 50V 39P	1	
C278	ECUM1H181JCN	C.CAPACITOR CH 50V 180P	1	
C279,80	ECUM1E104ZFN	C.CAPACITOR CH 25V 0.1U	2	
C281	ECUM1H080DCN	C.CAPACITOR CH 50V 8P	1	
C283	ECEV1CV470Q	E.CAPACITOR CH 16V 47U	1	
C284	ECUM1E104ZFN	C.CAPACITOR CH 25V 0.1U	1	
C285	ECEV0JV330Q	E.CAPACITOR CH6.3V 33U	1	
C286	ECUM1H103KBN	C.CAPACITOR CH 50V 0.01U	1	
C287	ECUM1H820JCN	C.CAPACITOR CH 50V 82P	1	
C288,89	ECUM1H103KBN	C.CAPACITOR CH 50V 0.01U	2	
C290	ECEV1HN010Q	E.CAPACITOR CH 50V 1U	1	
C292	ECUM1H101JCN	C.CAPACITOR CH 50V 100P	1	
C301,02	ECUM1E104ZFN	C.CAPACITOR CH 25V 0.1U	2	
C303-06	ECEV0JV330Q	E.CAPACITOR CH6.3V 33U	4	
C307	ECEV1CV470Q	E.CAPACITOR CH 16V 47U	1	
C308-11	ECUM1E104ZFN	C.CAPACITOR CH 25V 0.1U	4	
C312	ECUM1H470JCN	C.CAPACITOR CH 50V 47P	1	
C313	ECUM1E104ZFN	C.CAPACITOR CH 25V 0.1U	1	

C313	ECUM1E104ZFN	C.CAPACITOR CH 25V 0.1U	1	
------	--------------	-------------------------	---	--



Ref. No.	Part No.	Part Name & Description	Pcs	Remark
C315	ECUM1E104ZFN	C.CAPACITOR CH 25V 0.1U	1	
C317-21	ECUM1E104ZFN	C.CAPACITOR CH 25V 0.1U	5	
C322	ECUM1H180JCN	C.CAPACITOR CH 50V 18P	1	
C324-26	ECUM1E104ZFN	C.CAPACITOR CH 25V 0.1U	3	
C327	ECEV0JV330Q	E.CAPACITOR CH6.3V 33U	1	
C328,29	ECUM1E104ZFN	C.CAPACITOR CH 25V 0.1U	2	
C330	ECEV0JV330Q	E.CAPACITOR CH6.3V 33U	1	
C331-33	ECUM1E104ZFN	C.CAPACITOR CH 25V 0.1U	3	
C334	ECUM1H271JCN	C.CAPACITOR CH 50V 270P	1	
C351-54	ECUM1E104ZFN	C.CAPACITOR CH 25V 0.1U	4	
C355-57	ECEV0JV330Q	E.CAPACITOR CH6.3V 33U	3	
C358-61	ECUM1E104ZFN	C.CAPACITOR CH 25V 0.1U	4	
C363,64	ECUM1E104ZFN	C.CAPACITOR CH 25V 0.1U	2	
C365,66	ECEV0JV330Q	E.CAPACITOR CH6.3V 33U	2	
C368-76	ECUM1E104ZFN	C.CAPACITOR CH 25V 0.1U	9	
C378	ECUX1E104KBN	C.CAPACITOR CH 25V 0.1U	1	
C380	ECUM1H390JCN	C.CAPACITOR CH 50V 39P	1	
C381	ECUX1E104KBN	C.CAPACITOR CH 25V 0.1U	1	
C383	ECUM1H470JCN	C.CAPACITOR CH 50V 47P	1	
C386,87	ECUM1E104ZFN	C.CAPACITOR CH 25V 0.1U	2	
C389	ECUX1E104KBN	C.CAPACITOR CH 25V 0.1U	1	
C390,91	ECUM1E104ZFN	C.CAPACITOR CH 25V 0.1U	2	
C392	ECUM1H330JCN	C.CAPACITOR CH 50V 33P	1	
C393	ECUM1H271JCN	C.CAPACITOR CH 50V 270P	1	
C394	ECUM1H220JCN	C.CAPACITOR CH 50V 22P	1	
C395	ECUM1H680JCN	C.CAPACITOR CH 50V 68P	1	
C396	ECUM1H070DCN	C.CAPACITOR CH 50V 7P	1	
C397	ECUM1E104ZFN	C.CAPACITOR CH 25V 0.1U	1	
C398	ECUM1H121JCN	C.CAPACITOR CH 50V 120P	1	
C399	ECUM1H100DCN	C.CAPACITOR CH 50V 10P	1	
C400	ECUM1E104ZFN	C.CAPACITOR CH 25V 0.1U	1	
C401	ECUM1H100DCN	C.CAPACITOR CH 50V 10P	1	
C402	ECUM1H330JCN	C.CAPACITOR CH 50V 33P	1	
C403-05	ECUM1E104ZFN	C.CAPACITOR CH 25V 0.1U	3	
C406	ECUX1E104KBN	C.CAPACITOR CH 25V 0.1U	1	
C410-13	ECUM1E104ZFN	C.CAPACITOR CH 25V 0.1U	4	
C414	ECUM1H101JCN	C.CAPACITOR CH 50V 100P	1	
C415,16	ECUM1E104ZFN	C.CAPACITOR CH 25V 0.1U	2	
C417	ECEV1HV4R7Q	E.CAPACITOR CH 50V 4.7U	1	
C418-20	ECEV0JV330Q	E.CAPACITOR CH6.3V 33U	3	
C421-23	ECUM1E104ZFN	C.CAPACITOR CH 25V 0.1U	3	
C424	ECUM1H121JCN	C.CAPACITOR CH 50V 120P	1	
C425	ECUM1H271JCN	C.CAPACITOR CH 50V 270P	1	
C426	ECUM1E104ZFN	C.CAPACITOR CH 25V 0.1U	1	
C427,28	ECUM1H103KBN	C.CAPACITOR CH 50V 0.01U	2	
C429	ECUM1H102JCN	C.CAPACITOR CH 50V 1000P	1	
C430	ECUM1E104ZFN	C.CAPACITOR CH 25V 0.1U	1	
C431	ECUM1H271JCN	C.CAPACITOR CH 50V 270P	1	
C432	ECEV1HNR47Q	E.CAPACITOR CH 50V 0.47U	1	
C433	ECUM1E104ZFN	C.CAPACITOR CH 25V 0.1U	1	
C434	ECUM1H561JCN	C.CAPACITOR CH 50V 560P	1	
C435-39	ECUM1E104ZFN	C.CAPACITOR CH 25V 0.1U	5	
C442	ECUM1H070DCN	C.CAPACITOR CH 50V 7P	1	

Ref. No.	Part No.	Part Name & Description	Pcs	Remark
C443	ECUM1H471JCN	C.CAPACITOR CH 50V 470P	1	
C451	ECEV0JV330Q	E.CAPACITOR CH6.3V 33U	1	
C452-55	ECEV1CV100Q	E.CAPACITOR CH 16V 10U	4	
C456-60	ECUM1E104ZFN	C.CAPACITOR CH 25V 0.1U	5	
C461-64	ECUX1E104KBN	C.CAPACITOR CH 25V 0.1U	4	
C465	ECUM1H270JCN	C.CAPACITOR CH 50V 27P	1	
C466-70	ECUM1E104ZFN	C.CAPACITOR CH 25V 0.1U	5	
C471,72	ECUM1H103KBN	C.CAPACITOR CH 50V 0.01U	2	
C473	ECUM1H220JCN	C.CAPACITOR CH 50V 22P	1	
C474	ECUM1E104ZFN	C.CAPACITOR CH 25V 0.1U	1	
C475	ECUM1H180JCN	C.CAPACITOR CH 50V 18P	1	
C476	ECEV1CV470Q	E.CAPACITOR CH 16V 47U	1	
C477	ECUM1H180JCN	C.CAPACITOR CH 50V 18P	1	
C478-80	ECEV1CV470Q	E.CAPACITOR CH 16V 47U	3	
C481,82	ECUM1H040CCN	C.CAPACITOR CH 50V 4P	2	
C483,84	ECUM1H103ZFN	C.CAPACITOR CH 50V 0.01U	2	
C485,86	ECUM1H680JCN	C.CAPACITOR CH 50V 68P	2	
C487-90	ECUM1H080DCN	C.CAPACITOR CH 50V 8P	4	
C491,92	ECUM1H103ZFN	C.CAPACITOR CH 50V 0.01U	2	
C493-96	ECUM1H470JCN	C.CAPACITOR CH 50V 47P	4	
C497-00	ECUM1H103ZFN	C.CAPACITOR CH 50V 0.01U	4	
C501,02	ECEV0JV330Q	E.CAPACITOR CH6.3V 33U	2	
C503-06	ECUM1H103ZFN	C.CAPACITOR CH 50V 0.01U	4	
C510	ECEV1CV470Q	E.CAPACITOR CH 16V 47U	1	
C511-15	ECUM1E104ZFN	C.CAPACITOR CH 25V 0.1U	5	
C516	ECUM1H270JCN	C.CAPACITOR CH 50V 27P	1	
C517	ECUM1H101JCN	C.CAPACITOR CH 50V 100P	1	
C518,19	ECUM1E104ZFN	C.CAPACITOR CH 25V 0.1U	2	
C520,21	ECEV0JV330Q	E.CAPACITOR CH6.3V 33U	2	
C523	ECEV1HN010Q	E.CAPACITOR CH 50V 1U	1	
C524,25	ECUM1H103KBN	C.CAPACITOR CH 50V 0.01U	2	
C526	ECUM1H820JCN	C.CAPACITOR CH 50V 82P	1	
C527,28	ECUM1H103KBN	C.CAPACITOR CH 50V 0.01U	2	
C530	ECUM1H103KBN	C.CAPACITOR CH 50V 0.01U	1	
C531-34	ECUM1E104ZFN	C.CAPACITOR CH 25V 0.1U	4	
C535	ECEV0JV330Q	E.CAPACITOR CH6.3V 33U	1	
C536	ECUM1E683KBN	C.CAPACITOR CH 25V 0.068U	1	
C537	ECUM1H471JCN	C.CAPACITOR CH 50V 470P	1	
C538	ECEV1HV010Q	E.CAPACITOR CH 50V 1U	1	
C539	ECUM1E104ZFN	C.CAPACITOR CH 25V 0.1U	1	
C540	ECEV1HV4R7Q	E.CAPACITOR CH 50V 4.7U	1	
C541	ECUM1H821JCN	C.CAPACITOR CH 50V 820P	1	
C542	ECEV0JV330Q	E.CAPACITOR CH6.3V 33U	1	
C543	ECUM1H392KBN	C.CAPACITOR CH 50V 3900P	1	
C544	ECUM1H152KBN	C.CAPACITOR CH 50V 1500P	1	
C545	ECEV1HVR68Q	E.CAPACITOR CH 50V 0.68U	1	
C546	ECUM1E104ZFN	C.CAPACITOR CH 25V 0.1U	1	
C551,52	ECEV0JV330Q	E.CAPACITOR CH6.3V 33U	2	
C553	ECUM1H470JCN	C.CAPACITOR CH 50V 47P	1	
C554	ECUM1H102JCN	C.CAPACITOR CH 50V 1000P	1	
C555,56	ECUM1E104ZFN	C.CAPACITOR CH 25V 0.1U	2	
C557	ECUM1H470JCN	C.CAPACITOR CH 50V 47P	1	

Ref. No.	Part No.	Part Name & Description	Pcs	Remark
C558,59	ECUM1E104ZFN	C.CAPACITOR CH 25V 0.1U	2	
C560	ECUM1H101JCN	C.CAPACITOR CH 50V 100P	1	
C561	ECUM1H102JCN	C.CAPACITOR CH 50V 1000P	1	
C562	ECUM1H681JCN	C.CAPACITOR CH 50V 680P	1	
C563	ECUM1E104ZFN	C.CAPACITOR CH 25V 0.1U	1	
C564	ECUM1H271JCN	C.CAPACITOR CH 50V 270P	1	
C565	ECUM1H471JCN	C.CAPACITOR CH 50V 470P	1	
C566	ECUM1E104ZFN	C.CAPACITOR CH 25V 0.1U	1	
C567	ECUM1H820JCN	C.CAPACITOR CH 50V 82P	1	
C568	ECUM1H102JCN	C.CAPACITOR CH 50V 1000P	1	
C569,70	ECUM1E104ZFN	C.CAPACITOR CH 25V 0.1U	2	
C571	ECUM1H103KBN	C.CAPACITOR CH 50V 0.01U	1	
C572	ECUM1E104ZFN	C.CAPACITOR CH 25V 0.1U	1	
C573	ECUM1H470JCN	C.CAPACITOR CH 50V 47P	1	
C576	ECUM1E104ZFN	C.CAPACITOR CH 25V 0.1U	1	
C578	ECUM1H103KBN	C.CAPACITOR CH 50V 0.01U	1	
C579,80	ECEV1HN010Q	E.CAPACITOR CH 50V 1U	2	
C581	ECUM1H102JCN	C.CAPACITOR CH 50V 1000P	1	
C601,02	ECEV0JV330Q	E.CAPACITOR CH6.3V 33U	2	
C603,04	ECUM1E104ZFN	C.CAPACITOR CH 25V 0.1U	2	
C651	ECEV0JV330Q	E.CAPACITOR CH6.3V 33U	1	
C652-54	ECUM1E104ZFN	C.CAPACITOR CH 25V 0.1U	3	
C655	ECEV0JV330Q	E.CAPACITOR CH6.3V 33U	1	
C656-58	ECUM1E104ZFN	C.CAPACITOR CH 25V 0.1U	3	
C659,60	ECEV0JV330Q	E.CAPACITOR CH6.3V 33U	2	
C661,62	ECUM1E104ZFN	C.CAPACITOR CH 25V 0.1U	2	
C663,64	ECEV0JV330Q	E.CAPACITOR CH6.3V 33U	2	
C665	ECUM1E104ZFN	C.CAPACITOR CH 25V 0.1U	1	
C666	ECEV1CV470Q	E.CAPACITOR CH 16V 47U	1	
C667	ECUM1E104ZFN	C.CAPACITOR CH 25V 0.1U	1	
C668,69	ECEV0JV330Q	E.CAPACITOR CH6.3V 33U	2	
C671	ECUM1H010CCN	C.CAPACITOR CH 50V 1P	1	
C672	ECUM1E104ZFN	C.CAPACITOR CH 25V 0.1U	1	
C673	ECUX1E104KBN	C.CAPACITOR CH 25V 0.1U	1	
C675	ECUM1E104ZFN	C.CAPACITOR CH 25V 0.1U	1	
C676	ECUX1E104KBN	C.CAPACITOR CH 25V 0.1U	1	
C677	ECUM1E104ZFN	C.CAPACITOR CH 25V 0.1U	1	
C678	ECUM1H331JCN	C.CAPACITOR CH 50V 330P	1	
C679	ECUM1H470JCN	C.CAPACITOR CH 50V 47P	1	
C680,81	ECUM1E104ZFN	C.CAPACITOR CH 25V 0.1U	2	
C682	ECEV0JV330Q	E.CAPACITOR CH6.3V 33U	1	
C683-85	ECUM1E104ZFN	C.CAPACITOR CH 25V 0.1U	3	
C686	ECEV0JV330Q	E.CAPACITOR CH6.3V 33U	1	
C687-89	ECUM1E104ZFN	C.CAPACITOR CH 25V 0.1U	3	
C701	ECEV0JV330Q	E.CAPACITOR CH6.3V 33U	1	
C702	ECEV1CV100Q	E.CAPACITOR CH 16V 10U	1	
C703-05	ECUM1E104ZFN	C.CAPACITOR CH 25V 0.1U	3	
C706	ECEV0JV330Q	E.CAPACITOR CH6.3V 33U	1	
C707-09	ECUM1E104ZFN	C.CAPACITOR CH 25V 0.1U	3	
C710,11	ECEV0JV330Q	E.CAPACITOR CH6.3V 33U	2	
C712	ECUM1H080DCN	C.CAPACITOR CH 50V 8P	1	
C713	ECUM1E104ZFN	C.CAPACITOR CH 25V 0.1U	1	
C714	ECUM1H470JCN	C.CAPACITOR CH 50V 47P	1	
C715	ECUM1E104ZFN	C.CAPACITOR CH 25V 0.1U	1	

Ref. No.	Part No.	Part Name & Description	Pcs	Remark
C716,17	ECEV0JV330Q	E.CAPACITOR CH6.3V 33U	2	
C718	ECUM1E104ZFN	C.CAPACITOR CH 25V 0.1U	1	
C719	ECEV1CV470Q	E.CAPACITOR CH 16V 47U	1	
C720	ECUM1E104ZFN	C.CAPACITOR CH 25V 0.1U	1	
C721	ECEV1CV100Q	E.CAPACITOR CH 16V 10U	1	
C722	ECEV0JV330Q	E.CAPACITOR CH6.3V 33U	1	
C725	ECUM1E104ZFN	C.CAPACITOR CH 25V 0.1U	1	
C726	ECUX1E104KBN	C.CAPACITOR CH 25V 0.1U	1	
C728	ECUM1E104ZFN	C.CAPACITOR CH 25V 0.1U	1	
C729	ECUX1E104KBN	C.CAPACITOR CH 25V 0.1U	1	
C730	ECUM1E104ZFN	C.CAPACITOR CH 25V 0.1U	1	
C731	ECUM1H331JCN	C.CAPACITOR CH 50V 330P	1	
C732	ECUM1H470JCN	C.CAPACITOR CH 50V 47P	1	
C734	ECUM1E104ZFN	C.CAPACITOR CH 25V 0.1U	1	
C736	ECUM1E104ZFN	C.CAPACITOR CH 25V 0.1U	1	
C738	ECUM1E104ZFN	C.CAPACITOR CH 25V 0.1U	1	
C739	ECEV0JV330Q	E.CAPACITOR CH6.3V 33U	1	
C740-42	ECUM1E104ZFN	C.CAPACITOR CH 25V 0.1U	3	
C751	ECEV0JV330Q	E.CAPACITOR CH6.3V 33U	1	
C752	ECEV1CV100Q	E.CAPACITOR CH 16V 10U	1	
C753-55	ECUM1E104ZFN	C.CAPACITOR CH 25V 0.1U	3	
C756	ECEV0JV330Q	E.CAPACITOR CH6.3V 33U	1	
C757-59	ECUM1E104ZFN	C.CAPACITOR CH 25V 0.1U	3	
C760,61	ECEV0JV330Q	E.CAPACITOR CH6.3V 33U	2	
C762	ECUM1H080DCN	C.CAPACITOR CH 50V 8P	1	
C763	ECUM1E104ZFN	C.CAPACITOR CH 25V 0.1U	1	
C764	ECUM1H470JCN	C.CAPACITOR CH 50V 47P	1	
C765	ECUM1E104ZFN	C.CAPACITOR CH 25V 0.1U	1	
C766,67	ECEV0JV330Q	E.CAPACITOR CH6.3V 33U	2	
C768	ECUM1E104ZFN	C.CAPACITOR CH 25V 0.1U	1	
C769	ECEV1CV470Q	E.CAPACITOR CH 16V 47U	1	
C770	ECUM1E104ZFN	C.CAPACITOR CH 25V 0.1U	1	
C771	ECEV1CV100Q	E.CAPACITOR CH 16V 10U	1	
C772	ECEV0JV330Q	E.CAPACITOR CH6.3V 33U	1	
C775	ECUM1E104ZFN	C.CAPACITOR CH 25V 0.1U	1	
C776	ECUX1E104KBN	C.CAPACITOR CH 25V 0.1U	1	
C778	ECUM1E104ZFN	C.CAPACITOR CH 25V 0.1U	1	
C779	ECUX1E104KBN	C.CAPACITOR CH 25V 0.1U	1	
C780	ECUM1E104ZFN	C.CAPACITOR CH 25V 0.1U	1	
C781	ECUM1H331JCN	C.CAPACITOR CH 50V 330P	1	
C782	ECUM1H470JCN	C.CAPACITOR CH 50V 47P	1	
C784	ECUM1E104ZFN	C.CAPACITOR CH 25V 0.1U	1	
C786	ECUM1E104ZFN	C.CAPACITOR CH 25V 0.1U	1	
C788	ECUM1E104ZFN	C.CAPACITOR CH 25V 0.1U	1	
C789	ECEV0JV330Q	E.CAPACITOR CH6.3V 33U	1	
C790	ECUM1E104ZFN	C.CAPACITOR CH 25V 0.1U	1	
C792,93	ECUM1E104ZFN	C.CAPACITOR CH 25V 0.1U	2	
C801-10	ECUM1E104ZFN	C.CAPACITOR CH 25V 0.1U	10	
C853-55	ECUM1E104ZFN	C.CAPACITOR CH 25V 0.1U	3	
C856	ECUM1H330JCN	C.CAPACITOR CH 50V 33P	1	
C857	ECUM1H150JCN	C.CAPACITOR CH 50V 15P	1	
C858-67	ECUM1E104ZFN	C.CAPACITOR CH 25V 0.1U	10	
C901,02	ECUM1E104ZFN	C.CAPACITOR CH 25V 0.1U	2	

Ref. No.	Part No.	Part Name & Description	Pcs	Remark
C903,04	ECEV0JV330Q	E.CAPACITOR CH6.3V 33U	2	
C905,06	ECUM1H103KBN	C.CAPACITOR CH 50V 0.01U	2	
C907	ECUM1H221JCN	C.CAPACITOR CH 50V 220P	1	
C908,09	ECUM1H150JCN	C.CAPACITOR CH 50V 15P	2	
C910	ECUM1E104ZFN	C.CAPACITOR CH 25V 0.1U	1	
C911	ECUM1H221JCN	C.CAPACITOR CH 50V 220P	1	
C912,13	ECUM1E104ZFN	C.CAPACITOR CH 25V 0.1U	2	
C951-58	ECUM1E104ZFN	C.CAPACITOR CH 25V 0.1U	8	
C959	ECEV0JV330Q	E.CAPACITOR CH6.3V 33U	1	
C960	ECEV1CV100Q	E.CAPACITOR CH 16V 10U	1	
C961,62	ECUM1E104ZFN	C.CAPACITOR CH 25V 0.1U	2	
C963	ECEV0JV330Q	E.CAPACITOR CH6.3V 33U	1	
C965	ECEV1EV4R7Q	E.CAPACITOR CH 25V 4.7U	1	
C966	ECUM1H470JCN	C.CAPACITOR CH 50V 47P	1	
C967	ECEV0JV330Q	E.CAPACITOR CH6.3V 33U	1	
C968	ECUM1H560JCN	C.CAPACITOR CH 50V 56P	1	
C969	ECUM1H180JCN	C.CAPACITOR CH 50V 18P	1	
C970	ECUM1H121JCN	C.CAPACITOR CH 50V 120P	1	
C971,72	ECUM1E104ZFN	C.CAPACITOR CH 25V 0.1U	2	
C973	ECEV0JV330Q	E.CAPACITOR CH6.3V 33U	1	
C974,75	ECUM1E104ZFN	C.CAPACITOR CH 25V 0.1U	2	
C981-96	ECUM1E104ZFN	C.CAPACITOR CH 25V 0.1U	16	
D251,52	MA152K	DIODE	2	
D253	MA152WK	DIODE	1	
D301,02	MA152K	DIODE	2	
D451	MA152K	DIODE	1	
D501	MA152WK	DIODE	1	
D502	MA152K	DIODE	1	

Ref. No.	Part No.	Part Name & Description	Pcs	Remark
D551	MA152K	DIODE	1	
D552	MA335-R	DIODE	1	
D553	MA152WA	DIODE	1	
D651,52	MA152K	DIODE	2	
D701,02	MA152K	DIODE	2	
D751,52	MA152K	DIODE	2	
FL51,52	VLF1016A223	FILTER	2	
FL251	VLF1294	FILTER	1	
FL301	VLF1016A223	FILTER	1	
FL351	VLF1016A223	FILTER	1	
FL551,52	VLF1016A223	FILTER	2	
FL651	VLF1294	FILTER	1	
FL652	VLF1016A223	FILTER	1	
FL702	VLF1422	FILTER	1	
FL752	VLF1422	FILTER	1	
FL801,02	VLF1016A223	FILTER	2	
FL851,52	VLF1016A223	FILTER	2	
FL901	VLF1016A223	FILTER	1	
FL951	VLF1294	FILTER	1	
FL981,82	VLF1016A223	FILTER	2	

Ref. No.	Part No.	Part Name & Description	Pcs	Remark
IC51	AN78N09	IC	1	
IC52	AN78N05	IC	1	
IC53	AN79N09	IC	1	
IC54	AN79N05	IC	1	
IC101-03	MC10H125M	IC	3	
IC107	MC10H125M	IC	1	
IC110	74F244SJ	IC	1	
IC151,52	SN74S1051NS	IC	2	
IC153	VSI2496	IC	1	
IC156	74F245SJ	IC	1	
IC164,65	UPD71055GB	IC	2	
IC201	VSI2402A	PLD	1	
IC202	VSI2382	IC	1	
IC203	T74HCT541AF	IC	1	
IC204	T74HCT374AF	IC	1	
IC205	74F574SJ	IC	1	
IC210	T74HCT374AF	IC	1	
IC251	DAC10GS	IC	1	
IC252	NJM082BM	IC	1	
IC254	EL2082CS	IC	1	
IC255	NJM78L05UA	IC	1	
IC256	NJM79L05UA	IC	1	
IC257	TC4W53F	IC	1	
IC258	AN91A12S	IC	1	
IC259	MC74HC00AF	IC	1	
IC301	NJM79L05UA	IC	1	
IC302	NJM78L05UA	IC	1	
IC303	NJM084M	IC	1	
IC304	AD818AR	IC	1	
IC308	CXD1175AM	IC	1	
IC309	NJM78L05UA	IC	1	
IC351,52	NJM78L05UA	IC	2	
IC353	NJM79L05UA	IC	1	
IC354	CXD2105AQ	IC	1	
IC355	AD8047AR	IC	1	
IC356	MC74HC4053F	IC	1	
IC357,58	AD8047AR	IC	2	
IC359	MC74HC4053F	IC	1	
IC401	SN74LS221NS	IC	1	
IC402,03	MM74HC221AM	IC	2	
IC404	MC74HC04AF	IC	1	
IC406	NJM78L05UA	IC	1	
IC407	NJM79L05UA	IC	1	
IC410	NJM082BM	IC	1	
IC414	MC74HC4053F	IC	1	
IC418	NJM082BM	IC	1	
IC419	MC74HC4053F	IC	1	
IC423	NJM082BM	IC	1	
IC428	UPD65013BC16	IC	1	
IC451	NJM319M	IC	1	
IC452,53	NJM1496M	IC	2	
IC455,56	MC74HC4053F	IC	2	
IC459	NJM78L05UA	IC	1	

Ref. No.	Part No.	Part Name & Description	Pcs	Remark
IC460	NJM79L05UA	IC	1	
IC501	NJM78L05UA	IC	1	
IC502	NJM79L05UA	IC	1	
IC503	AN91A12S	IC	1	
IC504	MC14538BF	IC	1	
IC505	AN3296S	IC	1	
IC506	NJM78L05UA	IC	1	
IC507	MN53015VZW	IC	1	
IC551	MC74HC00AF	IC	1	
IC552	TC4S584F	IC	1	
IC554	MC74HC74AF	IC	1	
IC557	SN74LS221NS	IC	1	
IC560	NJM082BM	IC	1	
IC561	TC4W53F	IC	1	
IC562	SN74LS221NS	IC	1	
IC567	MC74HC244AF	IC	1	
IC651	NJM78L05UA	IC	1	
IC652	NJM79L05UA	IC	1	
IC653	MC74HC4053F	IC	1	
IC655	NJM084M	IC	1	
IC656	AD848JR	IC	1	
IC660	CXD1175AM	IC	1	
IC661	NJM78L05UA	IC	1	
IC701	NJM78L05UA	IC	1	
IC702	NJM79L05UA	IC	1	
IC703	MC74HC4053F	IC	1	
IC705	NJM084M	IC	1	
IC706	AD848JR	IC	1	
IC710	MB40568PF	IC	1	
IC711	NJM78L05UA	IC	1	
IC712	AN78N09	IC	1	
IC713	T74HCT541AF	IC	1	
IC751	NJM78L05UA	IC	1	
IC752	NJM79L05UA	IC	1	
IC753	MC74HC4053F	IC	1	
IC755	NJM084M	IC	1	
IC756	AD848JR	IC	1	
IC760	MB40568PF	IC	1	
IC761	NJM78L05UA	IC	1	
IC762	AN78N09	IC	1	
IC763	T74HCT541AF	IC	1	
IC801	UPD42280G3	IC	1	
IC802	T160G41-1437	IC	1	
IC803	UPD42280G3	IC	1	
IC853	74F244SJ	IC	1	
IC854	CG25123-5106	IC	1	
IC855,56	CY7C19920ZC	IC	2	
IC857,58	74F244SJ	IC	2	
IC901	NJM78L05UA	IC	1	
IC903	TC7W125FU	IC	1	
IC951	T74HCT374AF	IC	1	
IC952	VSI2498	IC	1	
IC953	TC7W125FU	IC	1	

Ref. No.	Part No.	Part Name & Description	Pcs	Remark
IC955,56	NJM78L05UA	IC	2	
IC957	NJM79L05UA	IC	1	
IC958	AD8047AR	IC	1	
IC959	MC74HC4053F	IC	1	
IC981	T160G41-1437	IC	1	
IC982,83	UPD42280G3	IC	2	
IC984	VSI2679	IC	1	
IC985,86	74F244SJ	IC	2	
L1,L2	VLP0133	COIL	2	
L51,52	VLP0133	COIL	2	
L251-54	VLQ0319K101	COIL 100UH	4	
L255	VLQ0133J471	COIL 470UH	1	
L256	VLQ0319K101	COIL 100UH	1	
L301,02	VLQ0319K101	COIL 100UH	2	
L351,52	VLQ0319K101	COIL 100UH	2	
L354	VLQ0163J270	COIL 27UH	1	
L355	VLQ0163J6R8	COIL 6.8UH	1	
L356	VLQ0163J5R6	COIL 5.6UH	1	
L401	VLQ0319K101	COIL 100UH	1	
L451-55	VLQ0319K101	COIL 100UH	5	
L456	VLQ0163J470	COIL 47UH	1	
L457,58	VLQ0163J560	COIL 56UH	2	
L501	VLQ0133J391	COIL 390UH	1	
L551	VLQ0163J3R3	COIL 3.3UH	1	
L601,02	VLQ0319K101	COIL 100UH	2	
L651	VLQ0133J821	COIL 820UH	1	
L652	VLQ0319K101	COIL 100UH	1	
L701	VLQ0133J821	COIL 820UH	1	
L751	VLQ0133J821	COIL 820UH	1	
L901	VLQ0319K101	COIL 100UH	1	
L951	VLQ0163J470	COIL 47UH	1	
P1,P2	VJP3454B096	CONNECTOR (MALE)	2	
Q251	2SB709A-R	TRANSISTOR	1	
Q252,53	2SD601A-R	TRANSISTOR	2	
Q301	2SB709A-R	TRANSISTOR	1	
Q302	2SD601A-R	TRANSISTOR	1	
Q303	2SK198-R	TRANSISTOR	1	
Q351	2SD601A-R	TRANSISTOR	1	
Q352	2SB709A-R	TRANSISTOR	1	
Q401,02	2SD601A-R	TRANSISTOR	2	
Q451-54	2SD601A-R	TRANSISTOR	4	
Q455-58	2SB709A-R	TRANSISTOR	4	
Q459-67	2SD601A-R	TRANSISTOR	9	
Q501,02	2SD601A-R	TRANSISTOR	2	
Q551	2SC3757-R	TRANSISTOR	1	
Q552,53	2SA1226	TRANSISTOR	2	
Q554	2SC3757-R	TRANSISTOR	1	
Q601-03	2SB709A-R	TRANSISTOR	3	
Q606-08	2SD601A-R	TRANSISTOR	3	
Q651	2SD601A-R	TRANSISTOR	1	



Ref. No.	Part No.	Part Name & Description	Pcs	Remark
Q652-54	2SB709A-R	TRANSISTOR	3	
Q655	2SD601A-R	TRANSISTOR	1	
Q656	2SK198-R	TRANSISTOR	1	
Q657	2SD601A-R	TRANSISTOR	1	
Q701	2SD601A-R	TRANSISTOR	1	
Q702	2SB709A-R	TRANSISTOR	1	
Q703	2SD601A-R	TRANSISTOR	1	
Q704	2SB709A-R	TRANSISTOR	1	
Q705	2SD601A-R	TRANSISTOR	1	
Q706	2SK198-R	TRANSISTOR	1	
Q751	2SD601A-R	TRANSISTOR	1	
Q752	2SB709A-R	TRANSISTOR	1	
Q753	2SD601A-R	TRANSISTOR	1	
Q754	2SB709A-R	TRANSISTOR	1	
Q755	2SD601A-R	TRANSISTOR	1	
Q756	2SK198-R	TRANSISTOR	1	
Q951	2SD601A-R	TRANSISTOR	1	
Q952	2SB709A-R	TRANSISTOR	1	
Q953	2SD601A-R	TRANSISTOR	1	
Q954	2SB709A-R	TRANSISTOR	1	
Q955	2SC3757-R	TRANSISTOR	1	
Q956	2SD601A-R	TRANSISTOR	1	
Q957	2SB709A-R	TRANSISTOR	1	
QR151	MUN2212	TRANSISTOR-RESISTOR	1	
QR501	MUN2212	TRANSISTOR-RESISTOR	1	
R2-R8	ERJ6GEY0R00	M.RESISTOR CH 1/10W 0	7	
R10-22	ERJ6GEY0R00	M.RESISTOR CH 1/10W 0	13	
R24-75	ERJ6GEY0R00	M.RESISTOR CH 1/10W 0	52	
R101-12	ERJ6GEYG101	M.RESISTOR CH 1/10W 100	12	
R113	ERJ6GEY0R00	M.RESISTOR CH 1/10W 0	1	
R115,16	ERJ6GEYG101	M.RESISTOR CH 1/10W 100	2	
R118,19	ERJ6GEYG103	M.RESISTOR CH 1/10W 10K	2	
R120	ERJ6GEY0R00	M.RESISTOR CH 1/10W 0	1	
R131	ERJ6GEYG223	M.RESISTOR CH 1/10W 22K	1	
R132	ERJ6GEYF333	M.RESISTOR CH 1/10W 33K	1	
R133	ERJ6GEYG564	M.RESISTOR CH 1/10W 560K	1	
R134	ERJ6GEYG102	M.RESISTOR CH 1/10W 1K	1	
R135	ERJ6GEYG683	M.RESISTOR CH 1/10W 68K	1	
R136	ERJ6GEYG331	M.RESISTOR CH 1/10W 330	1	
R137	ERJ6GEYJ684	M.RESISTOR CH 1/10W 680K	1	
R138	ERJ6GEYG753	M.RESISTOR CH 1/10W 75	1	
R139	ERJ6GEYG104	M.RESISTOR CH 1/10W 100K	1	
R140	ERJ6GEYG103	M.RESISTOR CH 1/10W 10K	1	
R141	ERJ6GEYG682	M.REISITOR CH 1/10W 6.8K	1	
R142	ERJ6GEYG153	M.RESISTOR CH 1/10W 15K	1	
R143	ERJ6GEYF473	M.RESISTOR CH 1/10W 47K	1	
R159-61	ERJ6GEYG103	M.RESISTOR CH 1/10W 10K	3	
R163,64	ERJ6GEY0R00	M.RESISTOR CH 1/10W 0	2	
R172	ERJ6GEYG103	M.RESISTOR CH 1/10W 10K	1	
R173	ERJ6GEY0R00	M.RESISTOR CH 1/10W 0	1	
R175,76	ERJ6GEY0R00	M.RESISTOR CH 1/10W 0	2	
R177-79	ERJ6GEYG391	M.RESISTOR CH 1/10W 390	3	

Ref. No.	Part No.	Part Name & Description	Pcs	Remark
R180	ERJ6GEYG332	M.RESISTOR CH 1/10W 3.3K	1	
R181-91	ERJ6GEYG391	M.RESISTOR CH 1/10W 390	11	
R192	ERJ6GEYG332	M.RESISTOR CH 1/10W 3.3K	1	
R193,94	ERJ6GEYG101	M.RESISTOR CH 1/10W 100	2	
R217	ERJ6GEYG101	M.RESISTOR CH 1/10W 100	1	
R251	ERJ6GEYG183	M.RESISTOR CH 1/10W 18K	1	
R252	ERJ6GEY0R00	M.RESISTOR CH 1/10W 0	1	
R253	ERJ6GEYG562	M.RESISTOR CH 1/10W 5.6K	1	
R254	ERJ6GEYG102	M.RESISTOR CH 1/10W 1K	1	
R255	ERJ6GEYG101	M.RESISTOR CH 1/10W 100	1	
R256	ERJ6GEYG331	M.RESISTOR CH 1/10W 330	1	
R257	ERJ6GEYG102	M.RESISTOR CH 1/10W 1K	1	
R258,59	ERJ6GEYF822	M.RESISTOR CH 1/10W 8.2K	2	
R260	ERJ6GEYG101	M.RESISTOR CH 1/10W 100	1	
R261	ERJ6GEYG331	M.RESISTOR CH 1/10W 330	1	
R262,63	ERJ6GEYG102	M.RESISTOR CH 1/10W 1K	2	
R264	ERJ6GEYF561	M.RESISTOR CH 1/10W 560	1	
R265	ERJ6GEYG102	M.RESISTOR CH 1/10W 1K	1	
R266,67	ERJ6GEYG222	M.RESISTOR CH 1/10W 2.2K	2	
R268	ERJ6GEYG221	M.RESISTOR CH 1/10W 220	1	
R269	ERJ6GEYJ224	M.RESISTOR CH 1/10W 220K	1	
R270	ERJ6GEYJ684	M.RESISTOR CH 1/10W 680K	1	
R271-73	ERJ6GEYG103	M.RESISTOR CH 1/10W 10K	3	
R274	ERJ6GEY0R00	M.RESISTOR CH 1/10W 0	1	
R275	ERJ6GEYF333	M.RESISTOR CH 1/10W 33K	1	
R276	ERJ6GEYG562	M.RESISTOR CH 1/10W 5.6K	1	
R301	ERJ6GEYG394	M.RESISTOR CH 1/10W 390K	1	
R302	ERJ6GEYG154	M.RESISTOR CH 1/10W 150K	1	
R303	ERJ6GEYF561	M.RESISTOR CH 1/10W 560	1	
R304	ERJ6GEYG220	M.RESISTOR CH 1/10W 22	1	
R305	ERJ6GEYG102	M.RESISTOR CH 1/10W 1K	1	
R307	ERJ6GEYG152	M.RESISTOR CH 1/10W 1.5K	1	
R308	ERJ6GEYG122	M.RESISTOR CH 1/10W 1.2K	1	
R309,10	ERJ6GEYG101	M.RESISTOR CH 1/10W 100	2	
R311	ERJ6GEYG102	M.RESISTOR CH 1/10W 1K	1	
R313,14	ERJ6GEYG101	M.RESISTOR CH 1/10W 100	2	
R316,17	ERJ6GEYG103	M.RESISTOR CH 1/10W 10K	2	
R318	ERJ6GEY0R00	M.RESISTOR CH 1/10W 0	1	
R319	ERJ6GEYG682	M.REISITOR CH 1/10W 6.8K	1	
R353	ERJ6GEYG332	M.RESISTOR CH 1/10W 3.3K	1	
R354	ERJ6GEYG331	M.RESISTOR CH 1/10W 330	1	
R355	ERJ6GEYG121	M.RESISTOR CH 1/10W 120	1	
R356	ERJ6GEYG332	M.RESISTOR CH 1/10W 3.3K	1	
R357	ERJ6GEYG560	M.RESISTOR CH 1/10W 56	1	
R358	ERJ6GEYG101	M.RESISTOR CH 1/10W 100	1	
R359	ERJ6GEYG681	M.RESISTOR CH 1/10W 680	1	
R360	ERJ6GEYF561	M.RESISTOR CH 1/10W 560	1	
R362	ERJ6GEYG560	M.RESISTOR CH 1/10W 56	1	
R363	ERJ6GEYG101	M.RESISTOR CH 1/10W 100	1	
R365	ERJ6GEYG103	M.RESISTOR CH 1/10W 10K	1	
R366	ERJ6GEYG221	M.RESISTOR CH 1/10W 220	1	
R367	ERJ6GEYG103	M.RESISTOR CH 1/10W 10K	1	
R368	ERJ6GEYG391	M.RESISTOR CH 1/10W 390	1	

Ref. No.	Part No.	Part Name & Description	Pcs	Remark
R369	ERJ6GEYG681	M.RESISTOR CH 1/10W 680	1	
R370	ERJ6GEYG101	M.RESISTOR CH 1/10W 100	1	
R371	ERJ6GEYG103	M.RESISTOR CH 1/10W 10K	1	
R373	ERJ6GEYG821	M.RESISTOR CH 1/10W 820	1	
R375	ERJ6GEYG391	M.RESISTOR CH 1/10W 390	1	
R376	ERJ6GEYG101	M.RESISTOR CH 1/10W 100	1	
R377	ERJ6GEYG681	M.RESISTOR CH 1/10W 680	1	
R379	ERJ6GEYG331	M.RESISTOR CH 1/10W 330	1	

Ref. No.	Part No.	Part Name & Description	Pcs	Remark
R380	ERJ6GEYG102	M.RESISTOR CH 1/10W 1K	1	
R381,82	ERJ6GEYG101	M.RESISTOR CH 1/10W 100	2	
R384	ERJ6GEYG331	M.RESISTOR CH 1/10W 330	1	
R385	ERJ6GEYG102	M.RESISTOR CH 1/10W 1K	1	
R386	ERJ6GEYG101	M.RESISTOR CH 1/10W 100	1	
R387	ERJ6GEY0R00	M.RESISTOR CH 1/10W 0	1	
R390	ERJ6GEY0R00	M.RESISTOR CH 1/10W 0	1	
R393,94	ERJ6GEY0R00	M.RESISTOR CH 1/10W 0	2	
R395	ERJ6GEYG331	M.RESISTOR CH 1/10W 330	1	
R401	ERJ6GEYG103	M.RESISTOR CH 1/10W 10K	1	
R402	ERJ6GEYF472	M.RESISTOR CH 1/10W 4.7K	1	
R403	ERJ6GEYG103	M.RESISTOR CH 1/10W 10K	1	
R404	ERJ6GEYG101	M.RESISTOR CH 1/10W 100	1	
R405	ERJ6GEYG272	M.RESISTOR CH 1/10W 2.7K	1	
R406	ERJ6GEYG183	M.RESISTOR CH 1/10W 18K	1	
R407	ERJ6GEYF473	M.RESISTOR CH 1/10W 47K	1	
R408	ERJ6GEYF123	M.RESISTOR CH 1/10W 12K	1	
R409	ERJ6GEYG103	M.RESISTOR CH 1/10W 10K	1	
R410-12	ERJ6GEYG101	M.RESISTOR CH 1/10W 100	3	
R413	ERJ6GEYF333	M.RESISTOR CH 1/10W 33K	1	
R414	ERJ6GEYF472	M.RESISTOR CH 1/10W 4.7K	1	
R415	ERJ6GEYG332	M.RESISTOR CH 1/10W 3.3K	1	
R416	ERJ6GEYJ274	M.RESISTOR CH 1/10W 270K	1	
R417	ERJ6GEYF472	M.RESISTOR CH 1/10W 4.7K	1	
R418	ERJ6GEYG183	M.RESISTOR CH 1/10W 18K	1	
R419	ERJ6GEYG394	M.RESISTOR CH 1/10W 390K	1	
R420,21	ERJ6GEYG103	M.RESISTOR CH 1/10W 10K	2	
R422	ERJ6GEYF472	M.RESISTOR CH 1/10W 4.7K	1	
R423,24	ERJ6GEYG103	M.RESISTOR CH 1/10W 10K	2	
R426,27	ERJ6GEYG103	M.RESISTOR CH 1/10W 10K	2	
R428	ERJ6GEYG152	M.RESISTOR CH 1/10W 1.5K	1	
R429	ERJ6GEYG563	M.RESISTOR CH 1/10W 56K	1	
R430	ERJ6GEYF561	M.RESISTOR CH 1/10W 560	1	
R431,32	ERJ6GEYG102	M.RESISTOR CH 1/10W 1K	2	
R433,34	ERJ6GEYG103	M.RESISTOR CH 1/10W 10K	2	
R435,36	ERJ6GEY0R00	M.RESISTOR CH 1/10W 0	2	
R441,42	ERJ6GEYG222	M.RESISTOR CH 1/10W 2.2K	2	
R451	ERJ6GEYG102	M.RESISTOR CH 1/10W 1K	1	
R452	ERJ6GEYF472	M.RESISTOR CH 1/10W 4.7K	1	
R453	ERJ6GEYG223	M.RESISTOR CH 1/10W 22K	1	
R454	ERJ6GEYG821	M.RESISTOR CH 1/10W 820	1	
R455	ERJ6GEYG391	M.RESISTOR CH 1/10W 390	1	

Ref. No.	Part No.	Part Name & Description	Pcs	Remark
R456	ERJ6GEYF561	M.RESISTOR CH 1/10W 560	1	
R457	ERJ6GEYF472	M.RESISTOR CH 1/10W 4.7K	1	
R458,59	ERJ6GEYG101	M.RESISTOR CH 1/10W 100	2	
R460,61	ERJ6GEYG102	M.RESISTOR CH 1/10W 1K	2	
R462	ERJ6GEYG103	M.RESISTOR CH 1/10W 10K	1	
R463	ERJ6GEYG101	M.RESISTOR CH 1/10W 100	1	
R464,65	ERJ6GEYG102	M.RESISTOR CH 1/10W 1K	2	
R466	ERJ6GEYF561	M.RESISTOR CH 1/10W 560	1	
R467	ERJ6GEYG821	M.RESISTOR CH 1/10W 820	1	
R468,69	ERJ6GEYF822	M.RESISTOR CH 1/10W 8.2K	2	
R470	ERJ6GEYG102	M.RESISTOR CH 1/10W 1K	1	
R471-74	ERJ6GEYG121	M.RESISTOR CH 1/10W 120	4	
R475-78	ERJ6GEYG332	M.RESISTOR CH 1/10W 3.3K	4	
R479	ERJ6GEYG153	M.RESISTOR CH 1/10W 15K	1	
R480,81	ERJ6GEYG101	M.RESISTOR CH 1/10W 100	2	
R482,83	ERJ6GEYG222	M.RESISTOR CH 1/10W 2.2K	2	
R484,85	ERJ6GEYG102	M.RESISTOR CH 1/10W 1K	2	
R486,87	ERJ6GEYG103	M.RESISTOR CH 1/10W 10K	2	
R488-91	ERJ6GEYG470	M.RESISTOR CH 1/10W 47	4	
R492-99	ERJ6GEYG152	M.RESISTOR CH 1/10W 1.5K	8	
R500-03	ERJ6GEY0R00	M.RESISTOR CH 1/10W 0	4	
R504-07	ERJ6GEYG470	M.RESISTOR CH 1/10W 47	4	
R508-11	ERJ6GEYG332	M.RESISTOR CH 1/10W 3.3K	4	
R512-15	ERJ6GEYG102	M.RESISTOR CH 1/10W 1K	4	
R516-19	ERJ6GEYF472	M.RESISTOR CH 1/10W 4.7K	4	
R520-23	ERJ6GEYG101	M.RESISTOR CH 1/10W 100	4	
R526	ERJ6GEYG103	M.RESISTOR CH 1/10W 10K	1	
R527	ERJ6GEYG222	M.RESISTOR CH 1/10W 2.2K	1	
R528	ERJ6GEYG103	M.RESISTOR CH 1/10W 10K	1	
R530	ERJ6GEYG102	M.RESISTOR CH 1/10W 1K	1	
R531-33	ERJ6GEYG222	M.RESISTOR CH 1/10W 2.2K	3	
R534	ERJ6GEYJ224	M.RESISTOR CH 1/10W 220K	1	
R535	ERJ6GEYJ684	M.RESISTOR CH 1/10W 680K	1	
R536-38	ERJ6GEYG103	M.RESISTOR CH 1/10W 10K	3	
R539	ERJ6GEYF473	M.RESISTOR CH 1/10W 47K	1	
R541	ERJ6GEYG103	M.RESISTOR CH 1/10W 10K	1	
R546	ERJ6GEYG102	M.RESISTOR CH 1/10W 1K	1	
R547	ERJ6GEYF472	M.RESISTOR CH 1/10W 4.7K	1	
R548	ERJ6GEY0R00	M.RESISTOR CH 1/10W 0	1	
R551	ERJ6GEYG103	M.RESISTOR CH 1/10W 10K	1	
R552	ERJ6GEYG223	M.RESISTOR CH 1/10W 22K	1	
R553	ERJ6GEYG222	M.RESISTOR CH 1/10W 2.2K	1	
R554	ERJ6GEYG682	M.REISITOR CH 1/10W 6.8K	1	
R555	ERJ6GEYF472	M.RESISTOR CH 1/10W 4.7K	1	
R556	ERJ6GEYG102	M.RESISTOR CH 1/10W 1K	1	
R557,58	ERJ6GEYF472	M.RESISTOR CH 1/10W 4.7K	2	
R559,60	ERJ6GEYG222	M.RESISTOR CH 1/10W 2.2K	2	
R561	ERJ6GEYG332	M.RESISTOR CH 1/10W 3.3K	1	
R562,63	ERJ6GEYG153	M.RESISTOR CH 1/10W 15K	2	
R564	ERJ6GEYG683	M.RESISTOR CH 1/10W 68K	1	
R565	ERJ6GEYG562	M.RESISTOR CH 1/10W 5.6K	1	
R566	ERJ6GEYG681	M.RESISTOR CH 1/10W 680	1	
R567	ERJ6GEY0R00	M.RESISTOR CH 1/10W 0	1	

Ref. No.	Part No.	Part Name & Description	Pcs	Remark
R571	ERJ6GEYG332	M.RESISTOR CH 1/10W 3.3K	1	
R572	ERJ6GEYG682	M.REISITOR CH 1/10W 6.8K	1	
R573,74	ERJ6GEYG152	M.RESISTOR CH 1/10W 1.5K	2	
R575	ERJ6GEYG682	M.REISITOR CH 1/10W 6.8K	1	
R576	ERJ6GEYG103	M.RESISTOR CH 1/10W 10K	1	
R577	ERJ6GEYG101	M.RESISTOR CH 1/10W 100	1	
R578	ERJ6GEYG104	M.RESISTOR CH 1/10W 100K	1	
R579	ERJ6GEYG223	M.RESISTOR CH 1/10W 22K	1	
R581	ERJ6GEYG152	M.RESISTOR CH 1/10W 1.5K	1	
R582	ERJ6GEYG682	M.REISITOR CH 1/10W 6.8K	1	
R583,84	ERJ6GEY0R00	M.RESISTOR CH 1/10W 0	2	
R586	ERJ6GEY0R00	M.RESISTOR CH 1/10W 0	1	
R601-03	ERJ6GEYG102	M.RESISTOR CH 1/10W 1K	3	
R604-06	ERJ6GEYG152	M.RESISTOR CH 1/10W 1.5K	3	
R607	ERJ6GEYG101	M.RESISTOR CH 1/10W 100	1	
R609,10	ERJ6GEYG122	M.RESISTOR CH 1/10W 1.2K	2	
R616-18	ERJ6GEYG152	M.RESISTOR CH 1/10W 1.5K	3	
R651	ERJ6GEYG101	M.RESISTOR CH 1/10W 100	1	
R652	ERJ6GEYG103	M.RESISTOR CH 1/10W 10K	1	
R653	ERJ6GEYG102	M.RESISTOR CH 1/10W 1K	1	
R654	ERJ6GEYG221	M.RESISTOR CH 1/10W 220	1	
R655	ERJ6GEYG331	M.RESISTOR CH 1/10W 330	1	
R656	ERJ6GEYG102	M.RESISTOR CH 1/10W 1K	1	
R657	ERJ6GEYG331	M.RESISTOR CH 1/10W 330	1	
R658	ERJ6GEYG152	M.RESISTOR CH 1/10W 1.5K	1	
R659	ERJ6GEYG394	M.RESISTOR CH 1/10W 390K	1	
R660	ERJ6GEYG154	M.RESISTOR CH 1/10W 150K	1	
R661	ERJ6GEYG181	M.RESISTOR CH 1/10W 180	1	
R662	ERJ6GEYG102	M.RESISTOR CH 1/10W 1K	1	
R664,65	ERJ6GEYG122	M.RESISTOR CH 1/10W 1.2K	2	
R666	ERJ6GEYG101	M.RESISTOR CH 1/10W 100	1	
R667	ERJ6GEYG102	M.RESISTOR CH 1/10W 1K	1	
R668,69	ERJ6GEYG101	M.RESISTOR CH 1/10W 100	2	
R670	ERJ6GEYG105	M.RESISTOR CH 1/10W 1M	1	
R671	ERJ6GEYG101	M.RESISTOR CH 1/10W 100	1	
R672	ERJ6GEYG103	M.RESISTOR CH 1/10W 10K	1	
R673	ERJ6GEYG105	M.RESISTOR CH 1/10W 1M	1	
R674	ERJ6GEYF333	M.RESISTOR CH 1/10W 33K	1	
R675	ERJ6GEY0R00	M.RESISTOR CH 1/10W 0	1	
R676	ERJ6GEYG222	M.RESISTOR CH 1/10W 2.2K	1	
R680	ERJ6GEYG102	M.RESISTOR CH 1/10W 1K	1	
R681	ERJ6GEYG681	M.RESISTOR CH 1/10W 680	1	
R682	ERJ6GEYG101	M.RESISTOR CH 1/10W 100	1	
R683	ERJ6GEYG102	M.RESISTOR CH 1/10W 1K	1	
R684	ERJ6GEYG101	M.RESISTOR CH 1/10W 100	1	
R701	ERJ6GEYG103	M.RESISTOR CH 1/10W 10K	1	
R702	ERJ6GEYG682	M.REISITOR CH 1/10W 6.8K	1	
R703	ERJ6GEYG273	M.RESISTOR CH 1/10W 27K	1	
R704	ERJ6GEYG152	M.RESISTOR CH 1/10W 1.5K	1	
R705,06	ERJ6GEYJ471	M.RESISTOR CH 1/10W 470	2	
R707,08	ERJ6GEYG152	M.RESISTOR CH 1/10W 1.5K	2	
R709	ERJ6GEYG331	M.RESISTOR CH 1/10W 330	1	
R710	ERJ6GEYG152	M.RESISTOR CH 1/10W 1.5K	1	
R711	ERJ6GEYF561	M.RESISTOR CH 1/10W 560	1	

Ref. No.	Part No.	Part Name & Description	Pcs	Remark
R712	ERJ6GEYG394	M.RESISTOR CH 1/10W 390K	1	
R713	ERJ6GEYJ274	M.RESISTOR CH 1/10W 270K	1	
R714	ERJ6GEYG391	M.RESISTOR CH 1/10W 390	1	
R715	ERJ6GEYG102	M.RESISTOR CH 1/10W 1K	1	
R717	ERJ6GEYG272	M.RESISTOR CH 1/10W 2.7K	1	
R718	ERJ6GEYG122	M.RESISTOR CH 1/10W 1.2K	1	
R719	ERJ6GEYG101	M.RESISTOR CH 1/10W 100	1	
R720	ERJ6GEYG102	M.RESISTOR CH 1/10W 1K	1	
R721,22	ERJ6GEYG101	M.RESISTOR CH 1/10W 100	2	
R723	ERJ6GEYG105	M.RESISTOR CH 1/10W 1M	1	
R724	ERJ6GEYG101	M.RESISTOR CH 1/10W 100	1	
R725	ERJ6GEYG103	M.RESISTOR CH 1/10W 10K	1	
R726	ERJ6GEYG105	M.RESISTOR CH 1/10W 1M	1	
R727,28	ERJ6GEYF123	M.RESISTOR CH 1/10W 12K	2	
R729	ERJ6GEYG222	M.RESISTOR CH 1/10W 2.2K	1	
R731-38	ERJ6GEYG102	M.RESISTOR CH 1/10W 1K	8	
R751	ERJ6GEYG103	M.RESISTOR CH 1/10W 10K	1	
R752	ERJ6GEYG682	M.REISITOR CH 1/10W 6.8K	1	
R753	ERJ6GEYG273	M.RESISTOR CH 1/10W 27K	1	
R754	ERJ6GEYG152	M.RESISTOR CH 1/10W 1.5K	1	
R755,56	ERJ6GEYJ471	M.RESISTOR CH 1/10W 470	2	
R757,58	ERJ6GEYG152	M.RESISTOR CH 1/10W 1.5K	2	
R759	ERJ6GEYG331	M.RESISTOR CH 1/10W 330	1	
R760	ERJ6GEYG152	M.RESISTOR CH 1/10W 1.5K	1	
R761	ERJ6GEYF561	M.RESISTOR CH 1/10W 560	1	
R762	ERJ6GEYG394	M.RESISTOR CH 1/10W 390K	1	
R763	ERJ6GEYJ274	M.RESISTOR CH 1/10W 270K	1	
R764	ERJ6GEYG391	M.RESISTOR CH 1/10W 390	1	
R765	ERJ6GEYG102	M.RESISTOR CH 1/10W 1K	1	
R767	ERJ6GEYG272	M.RESISTOR CH 1/10W 2.7K	1	
R768	ERJ6GEYG122	M.RESISTOR CH 1/10W 1.2K	1	
R769	ERJ6GEYG101	M.RESISTOR CH 1/10W 100	1	
R770	ERJ6GEYG102	M.RESISTOR CH 1/10W 1K	1	
R771,72	ERJ6GEYG101	M.RESISTOR CH 1/10W 100	2	
R773	ERJ6GEYG105	M.RESISTOR CH 1/10W 1M	1	
R774	ERJ6GEYG101	M.RESISTOR CH 1/10W 100	1	
R775	ERJ6GEYG103	M.RESISTOR CH 1/10W 10K	1	
R776	ERJ6GEYG105	M.RESISTOR CH 1/10W 1M	1	
R777,78	ERJ6GEYF123	M.RESISTOR CH 1/10W 12K	2	
R779	ERJ6GEYG222	M.RESISTOR CH 1/10W 2.2K	1	
R781-88	ERJ6GEYG102	M.RESISTOR CH 1/10W 1K	8	
R801	ERJ6GEYG103	M.RESISTOR CH 1/10W 10K	1	
R803	ERJ6GEY0R00	M.RESISTOR CH 1/10W 0	1	
R805,06	ERJ6GEY0R00	M.RESISTOR CH 1/10W 0	2	
R808-10	ERJ6GEYG391	M.RESISTOR CH 1/10W 390	3	
R811	ERJ6GEYG332	M.RESISTOR CH 1/10W 3.3K	1	
R812-22	ERJ6GEYG391	M.RESISTOR CH 1/10W 390	11	
R823	ERJ6GEYG332	M.RESISTOR CH 1/10W 3.3K	1	
R851	ERJ6GEYG101	M.RESISTOR CH 1/10W 100	1	
R852	ERJ6GEYG271	M.RESISTOR CH 1/10W 270	1	
R853	ERJ6GEYG101	M.RESISTOR CH 1/10W 100	1	
R870-73	ERJ6GEYG101	M.RESISTOR CH 1/10W 100	4	
R901	ERJ6GEYG102	M.RESISTOR CH 1/10W 1K	1	

Ref. No.	Part No.	Part Name & Description	Pcs	Remark
R903	ERJ6GEYG101	M.RESISTOR CH 1/10W 100	1	
R904,05	ERJ6GEYG470	M.RESISTOR CH 1/10W 47	2	
R951-58	ERJ6GEYF472	M.RESISTOR CH 1/10W 4.7K	8	
R961	ERJ6GEYG470	M.RESISTOR CH 1/10W 47	1	
R962	ERJ6GEYG222	M.RESISTOR CH 1/10W 2.2K	1	
R963	ERJ6GEYG102	M.RESISTOR CH 1/10W 1K	1	
R964	ERJ6GEY0R00	M.RESISTOR CH 1/10W 0	1	
R965	ERJ6GEYG122	M.RESISTOR CH 1/10W 1.2K	1	
R966	ERJ6GEYG102	M.RESISTOR CH 1/10W 1K	1	
R967,68	ERJ6GEYG222	M.RESISTOR CH 1/10W 2.2K	2	
R969,70	ERJ6GEYG331	M.RESISTOR CH 1/10W 330	2	
R971	ERJ6GEYG222	M.RESISTOR CH 1/10W 2.2K	1	
R972	ERJ6GEYG103	M.RESISTOR CH 1/10W 10K	1	
R973	ERJ6GEYG221	M.RESISTOR CH 1/10W 220	1	
R974	ERJ6GEYG102	M.RESISTOR CH 1/10W 1K	1	
R975,76	ERJ6GEYG103	M.RESISTOR CH 1/10W 10K	2	
R977	ERJ6GEYG102	M.RESISTOR CH 1/10W 1K	1	
R978	ERJ6GEYG222	M.RESISTOR CH 1/10W 2.2K	1	
R979	ERJ6GEYG102	M.RESISTOR CH 1/10W 1K	1	
R980	ERJ6GEYG222	M.RESISTOR CH 1/10W 2.2K	1	
R981-83	ERJ6GEYG102	M.RESISTOR CH 1/10W 1K	3	
R984	ERJ6GEYG272	M.RESISTOR CH 1/10W 2.7K	1	
R985	ERJ6GEYG103	M.RESISTOR CH 1/10W 10K	1	
TG1-G6	VJR0646	TEST POINT	6	
TP301	VJR0646	TEST POINT	1	
TP401	VJR0646	TEST POINT	1	
TP402	EYF6CU	TEST POINT	1	
TP403	VJR0646	TEST POINT	1	
TP405	VJR0646	TEST POINT	1	
TP451	VJR0646	TEST POINT	1	
TP551-53	VJR0646	TEST POINT	3	
TP651	VJR0646	TEST POINT	1	
TP701	VJR0646	TEST POINT	1	
TP751	VJR0646	TEST POINT	1	
TP951	EYF6CU	TEST POINT	1	
TP952	VJR0646	TEST POINT	1	
VL551	VLQ0415	COIL	1	
VR251	VRV0064B502	V.RESISTOR 5K	1	
VR301	VRV0064B502	V.RESISTOR 5K	1	
VR351	VRV0112B101	V.RESISTOR 100K	1	
VR352	VRV0064B201	V.RESISTOR 200	1	
VR353,54	VRV0064B501	V.RESISTOR 500	2	
VR406,07	VRV0064B102	V.RESISTOR 1K	2	
VR408-10	VRV0064B502	V.RESISTOR 5K	3	
VR459-66	VRV0064B102	V.RESISTOR 1K	8	
VR551	VRV0064B202	V.RESISTOR 2K	1	
VR552	VRV0064B502	V.RESISTOR 5K	1	
VR651	VRV0064B102	V.RESISTOR 1K	1	
VR652	VRV0064B502	V.RESISTOR 5K	1	
VR701,02	VRV0064B102	V.RESISTOR 1K	2	

Ref. No.	Part No.	Part Name & Description	Pcs	Remark
VR703	VRV0064B502	V.RESISTOR 5K	1	
VR751,52	VRV0064B102	V.RESISTOR 1K	2	
VR753	VRV0064B502	V.RESISTOR 5K	1	
VR951	VRV0064B202	V.RESISTOR 2K	1	
VR952	VRV0064B501	V.RESISTOR 500	1	
X401	VSX0270	CRYSTAL OSCILLATOR	1	
X901	VSX0949	CRYSTAL OSCILLATOR	1	
		MISCELLANEOUS		
	VML2143	CARD PULLER	1	
	VML2144	CARD PULLER	1	

### 10.53. VEP83385B

Ref. No.	Part No.	Part Name & Description	Pcs	Remark
*	VEP83385B	F6 422DASUB P.C.BOARD	1	(RTL)
C3101-09	ECUM1E104ZFN	C.CAPACITOR CH 25V 0.1U	9	
C3121	ECUM1H103KBN	C.CAPACITOR CH 50V 0.01U	1	
C3122	ECUM1E104ZFN	C.CAPACITOR CH 25V 0.1U	1	
C3123	ECUM1H331JCN	C.CAPACITOR CH 50V 330P	1	
C3124	ECEV1CV470Q	E.CAPACITOR CH 16V 47U	1	
C3125,26	ECUM1E104ZFN	C.CAPACITOR CH 25V 0.1U	2	
C3127	ECEV1CV470Q	E.CAPACITOR CH 16V 47U	1	
C3128	ECUM1E104ZFN	C.CAPACITOR CH 25V 0.1U	1	
C3129	ECEV1EN3R3Q	E.CAPACITOR CH 25V 3.3U	1	
C3130	ECEV1CV470Q	E.CAPACITOR CH 16V 47U	1	
C3131	ECUM1E104ZFN	C.CAPACITOR CH 25V 0.1U	1	
C3132	ECUM1H102JCN	C.CAPACITOR CH 50V 1000P	1	
C3134	ECUM1E104ZFN	C.CAPACITOR CH 25V 0.1U	1	
C3135	ECUM1H151JCN	C.CAPACITOR CH 50V 150P	1	
C3136	ECUM1H470JCN	C.CAPACITOR CH 50V 47P	1	
C3137,38	ECUM1H101JCN	C.CAPACITOR CH 50V 100P	2	
C3139,40	ECUM1E104ZFN	C.CAPACITOR CH 25V 0.1U	2	
C3141	ECUM1H101JCN	C.CAPACITOR CH 50V 100P	1	
C3142	ECUM1H103KBN	C.CAPACITOR CH 50V 0.01U	1	
C3145	ECEV1CV470Q	E.CAPACITOR CH 16V 47U	1	
C3146,47	ECUM1E104ZFN	C.CAPACITOR CH 25V 0.1U	2	
C3148	ECEV1CV470Q	E.CAPACITOR CH 16V 47U	1	
C3149	ECUM1E104ZFN	C.CAPACITOR CH 25V 0.1U	1	
C3150	ECEV1EN3R3Q	E.CAPACITOR CH 25V 3.3U	1	
C3151	ECUM1H102JCN	C.CAPACITOR CH 50V 1000P	1	
C3152	ECEV1CV470Q	E.CAPACITOR CH 16V 47U	1	
C3153-62	ECUM1E104ZFN	C.CAPACITOR CH 25V 0.1U	10	
C3171-84	ECUM1E104ZFN	C.CAPACITOR CH 25V 0.1U	14	
C3185	ECUM1H102JCN	C.CAPACITOR CH 50V 1000P	1	
C3191-15	ECUM1E104ZFN	C.CAPACITOR CH 25V 0.1U	25	
C3216	ECUM1H102JCN	C.CAPACITOR CH 50V 1000P	1	



Ref. No.	Part No.	Part Name & Description	Pcs	Remark
C3221-28	ECUM1E104ZFN	C.CAPACITOR CH 25V 0.1U	8	
C3229	ECUM1H102JCN	C.CAPACITOR CH 50V 1000P	1	
C3241	ECUM1H103KBN	C.CAPACITOR CH 50V 0.01U	1	
C3242-49	ECUM1E104ZFN	C.CAPACITOR CH 25V 0.1U	8	
C3250	ECUM1H102JCN	C.CAPACITOR CH 50V 1000P	1	
C3261	ECUM1H103KBN	C.CAPACITOR CH 50V 0.01U	1	
C3262	ECUM1H100DCN	C.CAPACITOR CH 50V 10P	1	
C3263	ECUM1H102JCN	C.CAPACITOR CH 50V 1000P	1	
C3264	ECUM1H180JCN	C.CAPACITOR CH 50V 18P	1	
C3265-68	ECUM1E104ZFN	C.CAPACITOR CH 25V 0.1U	4	
C3269	ECUM1H102JCN	C.CAPACITOR CH 50V 1000P	1	
C3281-89	ECUM1E104ZFN	C.CAPACITOR CH 25V 0.1U	9	
C3292,93	ECUM1H102JCN	C.CAPACITOR CH 50V 1000P	2	
C3301-18	ECUM1E104ZFN	C.CAPACITOR CH 25V 0.1U	18	
C3319	VCK0151	C.CAPACITOR	1	
C3320	ECUM1H180JCN	C.CAPACITOR CH 50V 18P	1	
C3321	ECUM1H682KBN	C.CAPACITOR CH 50V 6800P	1	
C3322	ECEV0JV330Q	E.CAPACITOR CH6.3V 33U	1	
C3323	ECUM1E104ZFN	C.CAPACITOR CH 25V 0.1U	1	
C3324	ECUM1H180JCN	C.CAPACITOR CH 50V 18P	1	
C3325	ECUM1H682KBN	C.CAPACITOR CH 50V 6800P	1	
C3326	ECEV0JV330Q	E.CAPACITOR CH6.3V 33U	1	
C3327,28	ECUM1E104ZFN	C.CAPACITOR CH 25V 0.1U	2	
C3329	ECEV1CV100Q	E.CAPACITOR CH 16V 10U	1	
C3330	ECEV1HV2R2Q	E.CAPACITOR CH 50V 2.2U	1	
C3331	ECEV1CV100Q	E.CAPACITOR CH 16V 10U	1	
C3332	ECEV1HV2R2Q	E.CAPACITOR CH 50V 2.2U	1	
C3333	ECUM1E104ZFN	C.CAPACITOR CH 25V 0.1U	1	
C3334	ECEV0JV330Q	E.CAPACITOR CH6.3V 33U	1	
C3335	ECUM1H180JCN	C.CAPACITOR CH 50V 18P	1	
C3336	ECUM1H682KBN	C.CAPACITOR CH 50V 6800P	1	
C3337	ECUM1H102JCN	C.CAPACITOR CH 50V 1000P	1	
C3341-53	ECUM1E104ZFN	C.CAPACITOR CH 25V 0.1U	13	
C3354	ECUM1H102JCN	C.CAPACITOR CH 50V 1000P	1	
C3361-71	ECUM1E104ZFN	C.CAPACITOR CH 25V 0.1U	11	
C3381-92	ECUM1E104ZFN	C.CAPACITOR CH 25V 0.1U	12	
C3401	ECUM1H330JCN	C.CAPACITOR CH 50V 33P	1	
C3402	ECUM1H150JCN	C.CAPACITOR CH 50V 15P	1	
C3403-12	ECUM1E104ZFN	C.CAPACITOR CH 25V 0.1U	10	
C3421-32	ECUM1E104ZFN	C.CAPACITOR CH 25V 0.1U	12	
C3441	ECUM1H102JCN	C.CAPACITOR CH 50V 1000P	1	
C3442-45	ECUM1E104ZFN	C.CAPACITOR CH 25V 0.1U	4	
C3451-58	ECUM1E104ZFN	C.CAPACITOR CH 25V 0.1U	8	
C3459	ECUM1H103KBN	C.CAPACITOR CH 50V 0.01U	1	
C3460,61	ECUM1E104ZFN	C.CAPACITOR CH 25V 0.1U	2	
C3471-77	ECUM1E104ZFN	C.CAPACITOR CH 25V 0.1U	7	
C3478	ECUM1H102JCN	C.CAPACITOR CH 50V 1000P	1	
C3483-86	ECUM1E104ZFN	C.CAPACITOR CH 25V 0.1U	4	
C3491-95	ECUM1E104ZFN	C.CAPACITOR CH 25V 0.1U	5	
C3501	ECUM1E104ZFN	C.CAPACITOR CH 25V 0.1U	1	
C3502-04	ECUM1H103KBN	C.CAPACITOR CH 50V 0.01U	3	
C3506	ECUM1H103KBN	C.CAPACITOR CH 50V 0.01U	1	
C3509	ECUM1E104ZFN	C.CAPACITOR CH 25V 0.1U	1	

Ref. No.	Part No.	Part Name & Description	Pcs	Remark
C3510	ECEV1CV470Q	E.CAPACITOR CH 16V 47U	1	
C3511	ECEV0JV470Q	E.CAPACITOR CH6.3V 47U	1	
C3512	ECUM1E104ZFN	C.CAPACITOR CH 25V 0.1U	1	
C3513	ECUM1H180JCN	C.CAPACITOR CH 50V 18P	1	
C3514	ECUM1H150JCN	C.CAPACITOR CH 50V 15P	1	
C3515,16	ECUM1E104ZFN	C.CAPACITOR CH 25V 0.1U	2	
C3520	ECEV0JV470Q	E.CAPACITOR CH6.3V 47U	1	
C3521,22	ECUM1E104ZFN	C.CAPACITOR CH 25V 0.1U	2	
C3523-25	ECUM1H102JCN	C.CAPACITOR CH 50V 1000P	3	
C3601	ECUM1E104ZFN	C.CAPACITOR CH 25V 0.1U	1	
C3602	ECUM1H103KBN	C.CAPACITOR CH 50V 0.01U	1	
C3605	ECUM1E104ZFN	C.CAPACITOR CH 25V 0.1U	1	
C3701,02	ECUM1E104ZFN	C.CAPACITOR CH 25V 0.1U	2	
C3703	ECEV1CV100Q	E.CAPACITOR CH 16V 10U	1	
C3704,05	ECUM1E104ZFN	C.CAPACITOR CH 25V 0.1U	2	
C3706	ECEV1CV100Q	E.CAPACITOR CH 16V 10U	1	
C3707,08	ECUM1E104ZFN	C.CAPACITOR CH 25V 0.1U	2	
C3709	ECEV1CV100Q	E.CAPACITOR CH 16V 10U	1	
C3710,11	ECUM1E104ZFN	C.CAPACITOR CH 25V 0.1U	2	
C3712	ECEV0JV330Q	E.CAPACITOR CH6.3V 33U	1	
C3713,14	ECUM1E104ZFN	C.CAPACITOR CH 25V 0.1U	2	
C3715	ECEV0JV330Q	E.CAPACITOR CH6.3V 33U	1	
C3716,17	ECUM1E104ZFN	C.CAPACITOR CH 25V 0.1U	2	
C3718	ECEV0JV330Q	E.CAPACITOR CH6.3V 33U	1	
C3719,20	ECUM1E104ZFN	C.CAPACITOR CH 25V 0.1U	2	
C3721	ECEV0JV330Q	E.CAPACITOR CH6.3V 33U	1	
C3722,23	ECUM1E104ZFN	C.CAPACITOR CH 25V 0.1U	2	
C3724	ECEV0JV330Q	E.CAPACITOR CH6.3V 33U	1	
C3725,26	ECUM1E104ZFN	C.CAPACITOR CH 25V 0.1U	2	
C3727	ECEV0JV330Q	E.CAPACITOR CH6.3V 33U	1	
C3731-33	ECUM1H331JCN	C.CAPACITOR CH 50V 330P	3	
C3741,42	ECUM1E104ZFN	C.CAPACITOR CH 25V 0.1U	2	
C3743	ECEV0JV330Q	E.CAPACITOR CH6.3V 33U	1	
C3744,45	ECUM1E104ZFN	C.CAPACITOR CH 25V 0.1U	2	
C3746	ECEV0JV330Q	E.CAPACITOR CH6.3V 33U	1	
D3101	MA715	DIODE	1	
D3102	MA335-R	DIODE	1	
D3103,04	MA152K	DIODE	2	
D3111,12	MA701A	DIODE	2	
D3501-03	MA715	DIODE	3	
D3507,08	MA152K	DIODE	2	
FL3101	VLF1116	FILTER	1	
FL3102	VLF1117	FILTER	1	
FL3103	VLF1118	FILTER	1	
FL3104-06	VLF1016A223	FILTER	3	
IC3001	UPD65841G025	IC	1	
IC3003	MN67372A2	IC	1	
IC3004	MN4707F	IC	1	
IC3005	MN673711	IC	1	
IC3006	M65401FP	IC	1	

Ref. No.	Part No.	Part Name & Description	Pcs	Remark
IC3007	L7A1433	IC	1	
IC3008	MB81V4260S7	IC	1	
IC3009,10	L7A1434	IC	2	
IC3011	L7A1433	IC	1	
IC3012	MB81V4260S7	IC	1	
IC3013	MN673711	IC	1	
IC3014	M65401FP	IC	1	
IC3015	M52660FP	IC	1	
IC3016	MN67372A2	IC	1	
IC3017	MN4707F	IC	1	
IC3018-21	UPD42280G3	IC	4	
IC3022	UPD65843G026	IC	1	
IC3023	UPD42280G3	IC	1	
IC3024	UPD65868D022	IC	1	
IC3025	UPD71055GB	IC	1	
IC3027,28	UPD42280G3	IC	2	
IC3030	UPD71055GB	IC	1	
IC3031	T160G41-1437	IC	1	
IC3035	CG25123-5106	IC	1	
IC3036,37	CY7C19920ZC	IC	2	
IC3101,02	TCVHC257F	IC	2	
IC3103,04	T74VHCT244F	IC	2	
IC3105	MC74HC125AF	IC	1	
IC3107	TC7S66F	IC	1	
IC3108,09	NJM082BM	IC	2	
IC3110	TC7S04F	IC	1	
IC3111,12	74F244SJ	IC	2	
IC3113	T74LCX244F	IC	1	
IC3114	MC10H124M	IC	1	
IC3115-17	T74LCX244F	IC	3	
IC3118-20	T74VHC244F	IC	3	
IC3121	MC10H125M	IC	1	
IC3122	T74LCX244F	IC	1	
IC3123-26	T74VHC245F	IC	4	
IC3127	TC7S66F	IC	1	
IC3128	T74VHCT244F	IC	1	
IC3129	MC10H124M	IC	1	
IC3130	TC7S66F	IC	1	
IC3131	T74VHC08F	IC	1	
IC3132	TCVHC257F	IC	1	
IC3133	T74VHCT244F	IC	1	
IC3134-36	T74VHC244F	IC	3	
IC3137	TCVHC164F	IC	1	
IC3138	T74VHC74F	IC	1	
IC3139	TCVHC02F	IC	1	
IC3140	TC7S00F	IC	1	
IC3141-44	74ALS541SJ	IC	4	
IC3145	MC10H125M	IC	1	
IC3146,47	T74LCX244F	IC	2	
IC3148	T74VHC74F	IC	1	
IC3149,50	SN74S1051NS	IC	2	
IC3151,52	74ALS541SJ	IC	2	
IC3153	74ALS245ASJ	IC	1	
IC3154	74AC139SJ	IC	1	

Ref. No.	Part No.	Part Name & Description	Pcs	Remark
IC3156	T74VHC244F	IC	1	
IC3157	TC7S04F	IC	1	
IC3158	T74VHC244F	IC	1	
IC3159-61	TCVHC257F	IC	3	
IC3162	T74VHC74F	IC	1	
IC3163,64	T74VHCT244F	IC	2	
IC3165,66	T74VHC245F	IC	2	
IC3167,68	T74VHC244F	IC	2	
IC3169	TC7S04F	IC	1	
IC3171	TC7S04F	IC	1	
IC3172	TC7S32F	IC	1	
IC3201	NJM78L09UA	IC	1	
IC3202	NJM79L09UA	IC	1	
IC3203	NJM78L05UA	IC	1	
IC3204	XC62AS0CXXP	IC	1	
IC3205	XC62AP3202P	IC	1	
IC3206	XC62AP2302P	IC	1	
IC3207,08	XC62AP3202P	IC	2	
IC3209	XC62AP2302P	IC	1	
IC3210,11	XC62AP3202P	IC	2	
IC3501	M37709M4L165	IC	1	
IC3502	S80727ANDQ	IC	1	
IC3503	T74VHC08F	IC	1	
IC3504	T74VHCU04F	IC	1	
IC3505	XC62AP3202P	IC	1	
IC3507,08	TC7S66F	IC	2	
IC3601	M37709M4L165	IC	1	
IC3603	T74VHC08F	IC	1	
L3101-06	VLQ0319K470	COIL 47UH	6	
L3107	VLQ0163J3R9	COIL 3.9UH	1	
L3108	VLQ0319K470	COIL 47UH	1	
L3111	VLQ0163J1R5	COIL 1.5UH	1	
L3121-23	VLQ0319K100	COIL 10UH	3	
L3131,32	VLP0133	COIL	2	
L3501	VLQ0319K470	COIL 47UH	1	
P3001,02	VJP3454B096	CONNECTOR (MALE)	2	
P3003	VJP3418B060	CONNECTOR (MALE)	1	
Q3001	2SC2295-B	TRANSISTOR	1	
Q3501	2SB709A-R	TRANSISTOR	1	
QR3501	UN2214	TRANSISTOR-RESISTOR	1	
R3101,02	ERJ6GEY0R00	M.RESISTOR CH 1/10W 0	2	
R3103-08	ERJ6GEYG103	M.RESISTOR CH 1/10W 10K	6	
R3109	ERJ6GEYG101	M.RESISTOR CH 1/10W 100	1	
R3110-13	ERJ6GEYG103	M.RESISTOR CH 1/10W 10K	4	
R3114	ERJ6GEYG101	M.RESISTOR CH 1/10W 100	1	
R3115	ERJ6GEYG103	M.RESISTOR CH 1/10W 10K	1	
R3117	ERJ6GEY0R00	M.RESISTOR CH 1/10W 0	1	
R3118,19	ERJ6GEYG103	M.RESISTOR CH 1/10W 10K	2	

Ref. No.	Part No.	Part Name & Description	Pcs	Remark
R3121	ERJ6GEY0R00	M.RESISTOR CH 1/10W 0	1	
R3123,24	ERJ6GEYG101	M.RESISTOR CH 1/10W 100	2	
R3125-30	ERJ6GEYF472	M.RESISTOR CH 1/10W 4.7K	6	
R3132	ERJ6GEY0R00	M.RESISTOR CH 1/10W 0	1	
R3141,42	ERJ6GEY0R00	M.RESISTOR CH 1/10W 0	2	
R3143	ERJ6GEYF473	M.RESISTOR CH 1/10W 47K	1	
R3145	ERJ6GEYF123	M.RESISTOR CH 1/10W 12K	1	
R3146,47	ERJ6GEYG103	M.RESISTOR CH 1/10W 10K	2	
R3148	ERJ6GEYG273	M.RESISTOR CH 1/10W 27K	1	
R3149	ERJ6GEYG105	M.RESISTOR CH 1/10W 1M	1	
R3150	ERJ6GEYG102	M.RESISTOR CH 1/10W 1K	1	
R3152,53	ERJ6GEYG103	M.RESISTOR CH 1/10W 10K	2	
R3154	ERJ6GEYG223	M.RESISTOR CH 1/10W 22K	1	
R3155	ERJ6GEYG272	M.RESISTOR CH 1/10W 2.7K	1	
R3156	ERJ6GEYG331	M.RESISTOR CH 1/10W 330	1	
R3157	ERJ6GEYG103	M.RESISTOR CH 1/10W 10K	1	
R3158	ERJ6GEYG105	M.RESISTOR CH 1/10W 1M	1	
R3159	ERJ6GEYJ471	M.RESISTOR CH 1/10W 470	1	
R3160	ERJ6GEY0R00	M.RESISTOR CH 1/10W 0	1	
R3161	ERJ6GEYF473	M.RESISTOR CH 1/10W 47K	1	
R3162,63	ERJ6GEYG103	M.RESISTOR CH 1/10W 10K	2	
R3164	ERJ6GEYG223	M.RESISTOR CH 1/10W 22K	1	
R3165	ERJ6GEYG105	M.RESISTOR CH 1/10W 1M	1	
R3166	ERJ6GEYG102	M.RESISTOR CH 1/10W 1K	1	
R3167	ERJ6GEYG101	M.RESISTOR CH 1/10W 100	1	
R3168,69	ERJ6GEYG470	M.RESISTOR CH 1/10W 47	2	
R3171-75	ERJ6GEYG470	M.RESISTOR CH 1/10W 47	5	
R3176	ERJ6GEYG101	M.RESISTOR CH 1/10W 100	1	
R3177-79	ERJ6GEYG470	M.RESISTOR CH 1/10W 47	3	
R3181,82	ERJ6GEYG470	M.RESISTOR CH 1/10W 47	2	
R3185-88	ERJ6GEYG103	M.RESISTOR CH 1/10W 10K	4	
R3189-92	ERJ6GEYJ471	M.RESISTOR CH 1/10W 470	4	
R3193	ERJ6GEYG101	M.RESISTOR CH 1/10W 100	1	
R3195-01	ERJ6GEYG470	M.RESISTOR CH 1/10W 47	7	
R3202	ERJ6GEYG101	M.RESISTOR CH 1/10W 100	1	
R3203-06	ERJ6GEYG470	M.RESISTOR CH 1/10W 47	4	
R3211	ERJ6GEYG101	M.RESISTOR CH 1/10W 100	1	
R3212-19	ERJ6GEYG470	M.RESISTOR CH 1/10W 47	8	
R3220	ERJ6GEYG101	M.RESISTOR CH 1/10W 100	1	
R3221-28	ERJ6GEYG470	M.RESISTOR CH 1/10W 47	8	
R3241-48	ERJ6GEYG103	M.RESISTOR CH 1/10W 10K	8	
R3249	ERJ6GEYG101	M.RESISTOR CH 1/10W 100	1	
R3250-57	ERJ6GEYG103	M.RESISTOR CH 1/10W 10K	8	
R3258	ERJ6GEYG101	M.RESISTOR CH 1/10W 100	1	
R3259,60	ERJ6GEY0R00	M.RESISTOR CH 1/10W 0	2	
R3271	ERJ6GEYG101	M.RESISTOR CH 1/10W 100	1	
R3272-75	ERJ6GEYG103	M.RESISTOR CH 1/10W 10K	4	
R3276-81	ERJ6GEYG101	M.RESISTOR CH 1/10W 100	6	
R3282,83	ERJ6GEYG470	M.RESISTOR CH 1/10W 47	2	

Ref. No.	Part No.	Part Name & Description	Pcs	Remark
R3284	ERJ6GEYG101	M.RESISTOR CH 1/10W 100	1	
R3285-87	ERJ6GEYG470	M.RESISTOR CH 1/10W 47	3	
R3289-91	ERJ6GEYG470	M.RESISTOR CH 1/10W 47	3	
R3292	ERJ6GEYG103	M.RESISTOR CH 1/10W 10K	1	
R3294-02	ERJ6GEYF472	M.RESISTOR CH 1/10W 4.7K	9	
R3303-06	ERJ6GEYG103	M.RESISTOR CH 1/10W 10K	4	
R3311	ERJ6GEYG223	M.RESISTOR CH 1/10W 22K	1	
R3312-22	ERJ6GEY0R00	M.RESISTOR CH 1/10W 0	11	
R3331	ERJ6GEYG103	M.RESISTOR CH 1/10W 10K	1	
R3332	ERJ6GEYG331	M.RESISTOR CH 1/10W 330	1	
R3333,34	ERJ6GEYG332	M.RESISTOR CH 1/10W 3.3K	2	
R3335-38	ERJ6GEYG103	M.RESISTOR CH 1/10W 10K	4	
R3339-42	ERJ6GEYJ471	M.RESISTOR CH 1/10W 470	4	
R3351	ERJ6GEYG103	M.RESISTOR CH 1/10W 10K	1	
R3352	ERJ6GEYG470	M.RESISTOR CH 1/10W 47	1	
R3353	ERJ6GEYG105	M.RESISTOR CH 1/10W 1M	1	
R3361,62	ERJ6GEY0R00	M.RESISTOR CH 1/10W 0	2	
R3363	ERJ6GEYG102	M.RESISTOR CH 1/10W 1K	1	
R3364	ERJ6GEYG223	M.RESISTOR CH 1/10W 22K	1	
R3365-69	ERJ6GEY0R00	M.RESISTOR CH 1/10W 0	5	
R3370,71	ERJ6GEYG103	M.RESISTOR CH 1/10W 10K	2	
R3372-74	ERJ6GEYG273	M.RESISTOR CH 1/10W 27K	3	
R3382	ERJ6GEYG103	M.RESISTOR CH 1/10W 10K	1	
R3383	ERJ6GEYG101	M.RESISTOR CH 1/10W 100	1	
R3384-89	ERJ6GEYF472	M.RESISTOR CH 1/10W 4.7K	6	
R3390	ERJ6GEYG101	M.RESISTOR CH 1/10W 100	1	
R3393	ERJ6GEYF561	M.RESISTOR CH 1/10W 560	1	
R3394	ERJ6GEYG391	M.RESISTOR CH 1/10W 390	1	
R3397	ERJ6GEYF561	M.RESISTOR CH 1/10W 560	1	
R3398	ERJ6GEYG391	M.RESISTOR CH 1/10W 390	1	
R3399	ERJ6GEYG103	M.RESISTOR CH 1/10W 10K	1	
R3400	ERJ6GEYG222	M.RESISTOR CH 1/10W 2.2K	1	
R3401	ERJ6GEYF393	M.RESISTOR CH 1/10W 39K	1	
R3404	ERJ6GEYF561	M.RESISTOR CH 1/10W 560	1	
R3405	ERJ6GEYG391	M.RESISTOR CH 1/10W 390	1	
R3411	ERJ6GEYG101	M.RESISTOR CH 1/10W 100	1	
R3422	ERJ6GEY0R00	M.RESISTOR CH 1/10W 0	1	
R3424-27	ERJ6GEYG102	M.RESISTOR CH 1/10W 1K	4	
R3428	ERJ6GEYG103	M.RESISTOR CH 1/10W 10K	1	
R3429-31	ERJ6GEYG102	M.RESISTOR CH 1/10W 1K	3	
R3434-36	ERJ6GEYG103	M.RESISTOR CH 1/10W 10K	3	
R3437	ERJ6GEYG101	M.RESISTOR CH 1/10W 100	1	
R3454	ERJ6GEYG103	M.RESISTOR CH 1/10W 10K	1	
R3456	ERJ6GEYG102	M.RESISTOR CH 1/10W 1K	1	
R3461	ERJ6GEY0R00	M.RESISTOR CH 1/10W 0	1	
R3463,64	ERJ6GEYG101	M.RESISTOR CH 1/10W 100	2	
R3471	ERJ6GEY0R00	M.RESISTOR CH 1/10W 0	1	
R3472	ERJ6GEYG271	M.RESISTOR CH 1/10W 270	1	
R3473	ERJ6GEYG101	M.RESISTOR CH 1/10W 100	1	
R3481	ERJ6GEY0R00	M.RESISTOR CH 1/10W 0	1	
R3483-88	ERJ6GEYG101	M.RESISTOR CH 1/10W 100	6	
R3491,92	ERJ6GEY0R00	M.RESISTOR CH 1/10W 0	2	

R3491,92	ERJ6GEY0R00	M.RESISTOR CH 1/10W 0	2	
R3495	ERJ6GEY0R00	M.RESISTOR CH 1/10W 0	1	

Ref. No.	Part No.	Part Name & Description	Pcs	Remark
R3499	ERJ6GEYG101	M.RESISTOR CH 1/10W 100	1	
R3501	ERJ6GEYG102	M.RESISTOR CH 1/10W 1K	1	
R3502,03	ERJ6GEYG222	M.RESISTOR CH 1/10W 2.2K	2	
R3504,05	ERJ6GEYG101	M.RESISTOR CH 1/10W 100	2	
R3506,07	ERJ6GEYF472	M.RESISTOR CH 1/10W 4.7K	2	
R3508-10	ERJ6RBD472	M.RESISTOR CH 1/10W 4.7K	3	
R3511	ERJ6GEYF473	M.RESISTOR CH 1/10W 47K	1	
R3512-14	ERJ6GEYG102	M.RESISTOR CH 1/10W 1K	3	
R3515	ERJ6GEYF473	M.RESISTOR CH 1/10W 47K	1	
R3517-19	ERJ6GEYG102	M.RESISTOR CH 1/10W 1K	3	
R3520	ERJ6GEYG103	M.RESISTOR CH 1/10W 10K	1	
R3521,22	ERJ6GEY0R00	M.RESISTOR CH 1/10W 0	2	
R3523	ERJ6GEYG102	M.RESISTOR CH 1/10W 1K	1	
R3524	ERJ6GEYF473	M.RESISTOR CH 1/10W 47K	1	
R3525	ERJ6GEYG105	M.RESISTOR CH 1/10W 1M	1	
R3527,28	ERJ6GEYG102	M.RESISTOR CH 1/10W 1K	2	
R3529	ERJ6GEY0R00	M.RESISTOR CH 1/10W 0	1	
R3530	ERJ6GEYF472	M.RESISTOR CH 1/10W 4.7K	1	
R3531,32	ERJ6GEYG103	M.RESISTOR CH 1/10W 10K	2	
R3533	ERJ6GEYF472	M.RESISTOR CH 1/10W 4.7K	1	
R3534	ERJ6GEYG103	M.RESISTOR CH 1/10W 10K	1	
R3535,36	ERJ6GEY0R00	M.RESISTOR CH 1/10W 0	2	
R3537	ERJ6GEYG105	M.RESISTOR CH 1/10W 1M	1	
R3538	ERJ6GEYG271	M.RESISTOR CH 1/10W 270	1	
R3539,40	ERJ6GEY0R00	M.RESISTOR CH 1/10W 0	2	
R3541,42	ERJ6GEYG102	M.RESISTOR CH 1/10W 1K	2	
R3544	ERJ6GEYG104	M.RESISTOR CH 1/10W 100K	1	
R3545	ERJ6GEY0R00	M.RESISTOR CH 1/10W 0	1	
R3546	ERJ6GEYG104	M.RESISTOR CH 1/10W 100K	1	
R3547	ERJ6GEY0R00	M.RESISTOR CH 1/10W 0	1	
R3548	ERJ6GEYG104	M.RESISTOR CH 1/10W 100K	1	
R3549	ERJ6GEYG103	M.RESISTOR CH 1/10W 10K	1	
R3551	ERJ6GEY0R00	M.RESISTOR CH 1/10W 0	1	
R3552	ERJ6GEYG102	M.RESISTOR CH 1/10W 1K	1	
R3555,56	ERJ6GEY0R00	M.RESISTOR CH 1/10W 0	2	
R3572-74	ERJ6GEYG102	M.RESISTOR CH 1/10W 1K	3	
R3576-94	ERJ6GEY0R00	M.RESISTOR CH 1/10W 0	19	
R3597,98	ERJ6GEY0R00	M.RESISTOR CH 1/10W 0	2	
R3601,02	ERJ6GEYF472	M.RESISTOR CH 1/10W 4.7K	2	
R3603-07	ERJ6GEYG102	M.RESISTOR CH 1/10W 1K	5	
R3609,10	ERJ6GEYG102	M.RESISTOR CH 1/10W 1K	2	
R3612,13	ERJ6GEY0R00	M.RESISTOR CH 1/10W 0	2	
R3614	ERJ6GEYG102	M.RESISTOR CH 1/10W 1K	1	
R3615	ERJ6GEY0R00	M.RESISTOR CH 1/10W 0	1	
R3616,17	ERJ6GEYG102	M.RESISTOR CH 1/10W 1K	2	
R3618	ERJ6GEYF473	M.RESISTOR CH 1/10W 47K	1	
R3621,22	ERJ6GEY0R00	M.RESISTOR CH 1/10W 0	2	
R3623,24	ERJ6GEYG102	M.RESISTOR CH 1/10W 1K	2	
R3625	ERJ6GEYG104	M.RESISTOR CH 1/10W 100K	1	
R3627	ERJ6GEYG104	M.RESISTOR CH 1/10W 100K	1	
R3628	ERJ6GEY0R00	M.RESISTOR CH 1/10W 0	1	
R3629	ERJ6GEYG104	M.RESISTOR CH 1/10W 100K	1	
R3632,33	ERJ6GEY0R00	M.RESISTOR CH 1/10W 0	2	
R3639-49	ERJ6GEY0R00	M.RESISTOR CH 1/10W 0	11	





Ref. No.	Part No.	Part Name & Description	Pcs	Remark
R3651	ERJ6GEY0R00	M.RESISTOR CH 1/10W 0	1	
R3652,53	ERJ6GEYG222	M.RESISTOR CH 1/10W 2.2K	2	
R3654,55	ERJ6GEYG101	M.RESISTOR CH 1/10W 100	2	
R3656,57	ERJ6GEYG103	M.RESISTOR CH 1/10W 10K	2	
R3673-75	ERJ6GEY0R00	M.RESISTOR CH 1/10W 0	3	
R3701	ERJ6GEY0R00	M.RESISTOR CH 1/10W 0	1	
R3703	ERJ6GEY0R00	M.RESISTOR CH 1/10W 0	1	
R3708	ERJ6GEY0R00	M.RESISTOR CH 1/10W 0	1	
R3709	ERJ6GEYG102	M.RESISTOR CH 1/10W 1K	1	
R3710	ERJ6GEYG103	M.RESISTOR CH 1/10W 10K	1	
R3722	ERJ6GEYG470	M.RESISTOR CH 1/10W 47	1	
R3725-32	ERJ6GEYG470	M.RESISTOR CH 1/10W 47	8	
R3737-39	ERJ6GEYG103	M.RESISTOR CH 1/10W 10K	3	
R3743-46	ERJ6GEYG103	M.RESISTOR CH 1/10W 10K	4	
R3747-51	ERJ6GEYG470	M.RESISTOR CH 1/10W 47	5	
R3752	ERJ6GEYG102	M.RESISTOR CH 1/10W 1K	1	
R3753	ERJ6GEYG103	M.RESISTOR CH 1/10W 10K	1	
R3754	ERJ6GEYG102	M.RESISTOR CH 1/10W 1K	1	
R3761,62	ERJ6GEYG101	M.RESISTOR CH 1/10W 100	2	
R3763-66	ERJ6GEYG103	M.RESISTOR CH 1/10W 10K	4	
R3767-74	ERJ6GEYG272	M.RESISTOR CH 1/10W 2.7K	8	
R3775	ERJ6GEYG101	M.RESISTOR CH 1/10W 100	1	
R3776	ERJ6GEY0R00	M.RESISTOR CH 1/10W 0	1	
R3777	ERJ6GEYG103	M.RESISTOR CH 1/10W 10K	1	
R3781-88	ERJ6GEYG103	M.RESISTOR CH 1/10W 10K	8	
R3789-94	ERJ6GEYG101	M.RESISTOR CH 1/10W 100	6	
R3795-09	ERJ6GEYF472	M.RESISTOR CH 1/10W 4.7K	15	
R3811-13	ERJ6GEY0R00	M.RESISTOR CH 1/10W 0	3	
R3815,16	ERJ6GEY0R00	M.RESISTOR CH 1/10W 0	2	
R3818	ERJ6GEY0R00	M.RESISTOR CH 1/10W 0	1	
R3820	ERJ6GEY0R00	M.RESISTOR CH 1/10W 0	1	
R3823,24	ERJ6GEYG101	M.RESISTOR CH 1/10W 100	2	
R3825-32	ERJ6GEY0R00	M.RESISTOR CH 1/10W 0	8	
R3851,52	ERJ6GEYG103	M.RESISTOR CH 1/10W 10K	2	
R3853	ERJ6GEYG331	M.RESISTOR CH 1/10W 330	1	
R3854,55	ERJ6GEYG273	M.RESISTOR CH 1/10W 27K	2	
R3861-66	ERJ6GEYG101	M.RESISTOR CH 1/10W 100	6	
R3869-84	ERJ6GEYG101	M.RESISTOR CH 1/10W 100	16	
R3885	ERJ6GEYG470	M.RESISTOR CH 1/10W 47	1	
R3887,88	ERJ6GEYG101	M.RESISTOR CH 1/10W 100	2	
R3889	ERJ6GEYG470	M.RESISTOR CH 1/10W 47	1	
R3890,91	ERJ6GEYG101	M.RESISTOR CH 1/10W 100	2	
R3892-07	ERJ6GEYG470	M.RESISTOR CH 1/10W 47	16	
R3908	ERJ6GEYG101	M.RESISTOR CH 1/10W 100	1	
SW3101	VSS0367-04TB	SWITCH	1	
SW3102	VSS0367-08	SWITCH	1	
TG3101	VJR0646	TEST POINT	1	
TG3102	EYF6CU	TEST POINT	1	
TG3501	EYF6CU	TEST POINT	1	

Ref. No.	Part No.	Part Name & Description	Pcs	Remark
TP3101-06	EYF6CU	TEST POINT	6	
TP3108-12	EYF6CU	TEST POINT	5	
TP3113	VJR0646	TEST POINT	1	
TP3114	EYF6CU	TEST POINT	1	
TP3501,02	EYF6CU	TEST POINT	2	
TP3601,02	EYF6CU	TEST POINT	2	
VC3001	ECV1ZW50X53T	TRIMMER	1	
VR3101-03	EVMEGSA00B24	V.RESISTOR 20K	3	
X3102	VSX0789	CRYSTAL OSCILLATOR	1	
X3103	VSX0645-B	CRYSTAL OSCILLATOR	1	
X3501	VSX0637-T	CRYSTAL OSCILLATOR	1	
		MISCELLANEOUS		
	VMS4913	PIN	3	
	XYN3+K6	SCREW	6	

## 10.54. PACKING PARTS ASSEMBLY

### Packing Parts Assembly

Components identified with the mark  have the special characteristics for safety. When replacing any of these components, use only the same type.

Ref. No.	Part No.	Part Name & Description	Pcs	Remark
1	VPG8524	PACKING CASE	1	
2	VQT7283	OPERATING INSTRUCTION	1	
 3	VPF0680	AIR CAP	2	
4	VPF0506	EARTH BAG	2	
5	VQL8468	PACKING LABEL S	1	

## 11. PDF for printing (with PDF LINK)

### 11.1. COVER

### 11.2. INTRODUCTION

#### 11.2.1. Specifications

11.2.1.1. AJ-D950P

11.2.1.2. AJ-D950E

### 11.3. SAFETY PRECAUTIONS

### 11.4. OPERATING INSTRUCTION

#### 11.4.1. AJ-D950P/AJ-PD950P

#### 11.4.2. AJ-D950E

### 11.4.3. AJ-YA951E

## 11.5. SERVICE INFORMATION

## 11.6. MAINTENANCE & MECHANICAL ADJUSTMENT

## 11.7. ELECTRICAL ADJUSTMENTS

F3 V IN <525>

F6 SUB V OUT SUB <525>

F3 V IN (AJ-YA951E) <625>

F6 SUB V OUT SUB (AJ-YA951E) <625>

## 11.8. BLOCK DIAGRAMS

### 11.8.1. AV OVERALL BLOCK DIAGRAM

### 11.8.2. F1 SERVO BLOCK DIAGRAM

### 11.8.3. F2 SYSCON BLOCK DIAGRAM

### 11.8.4. F3 VIDEO IN (NTSC) BLOCK DIAGRAM

### 11.8.5. F3 VIDEO IN (PAL) BLOCK DIAGRAM

### 11.8.6. F4 SDI BLOCK DIAGRAM

### 11.8.7. F5 REC PB BLOCK DIAGRAM

### 11.8.8. F6 V OUT (1/2) BLOCK DIAGRAM

### 11.8.9. F6 V OUT (2/2) BLOCK DIAGRAM

### 11.8.10. F6 SUB V OUT SUB BLOCK DIAGRAM

### 11.8.11. F7 APROC (1/2) BLOCK DIAGRAM

### 11.8.12. F7 APROC (2/2) BLOCK DIAGRAM

### 11.8.13. F8 AUDIO AD/DA BLOCK DIAGRAM

### 11.8.14. H1 CUE BLOCK DIAGRAM

### 11.8.15. H2 X CAN BLOCK DIAGRAM

### 11.8.16. H3/H4 RF EQ L/R BLOCK DIAGRAM

### 11.8.17. HEAD BUFFER BLOCK DIAGRAM

## 11.9. SCHEMATIC DIAGRAMS

### 11.9.1. P MOTHER SCHEMATIC DIAGRAM

VEP89129A

### 11.9.2. F1 SERVO SCHEMATIC DIAGRAM

- VEP82213B
- 11.9.3. F2 SYSCON SCHEMATIC DIAGRAM**
- VEP86265A
- 11.9.4. SYSCON SUB SCHEMATIC DIAGRAM**
- VEP86277A
- 11.9.5. F3 V\_IN(NTSC)SCHEMATIC DIAGRAM**
- VEP83409C
- 11.9.6. F3 V\_IN(PAL:AJ-YA951E) SCHEMATIC DIAGRAM**
- VEP83408B
- 11.9.7. F4 P SDI SCHEMATIC DIAGRAM**
- VEP83376A
- 11.9.8. F5 P REC PB SCHEMATIC DIAGRAM**
- VEP83374A
- 11.9.9. EDA\_CSP SUB SCHEMATIC DIAGRAM**
- VEP83411A
- 11.9.10. BLK SUB SCHEMATIC DIAGRAM**
- VEP83431A
- 11.9.11. DV UCOMx2 SCHEMATIC DIAGRAM**
- VEP88234A
- 11.9.12. F6 V OUT SCHEMATIC DIAGRAM**
- VEP83375B
- 11.9.13. 422(AJ-D950P,PD950,YA950,YA951E)/844(AJ-YA952)DA SUB SCHEMATIC DIAGRAM**
- VEP83385A,B
- 11.9.14. F7 APROC SCHEMATIC DIAGRAM**
- VEP84300A
- 11.9.15. AJOG SUB SCHEMATIC DIAGRAM**
- VEP84313A
- 11.9.16. AMEN SUB SCHEMATIC DIAGRAM**
- VEP84314A
- 11.9.17. F8 ADDA SCHEMATIC DIAGRAM**
- VEP84301A
- 11.9.18. H1 CUE SCHEMATIC DIAGRAM**
- VEP84302
- 11.9.19. H2 X CAN SCHEMATIC DIAGRAM**
- VEP85164A
- 11.9.20. H3,4 RF EQ L,R SCHEMATIC DIAGRAM**

	VEP85163A
<b>11.9.21. RF EQ SUB SCHEMATIC DIAGRAM</b>	
	VEP85163A
<b>11.9.22. HEAD BUFFER SCHEMATIC DIAGRAM</b>	
	VEP85165A
<b>11.9.23. V/S JACK SCHEMATIC DIAGRAM</b>	
	VEP83224A
<b>11.9.24. POWER 1 SCHEMATIC DIAGRAM</b>	
	VEP81183A
<b>11.9.25. 1.24. POWER 2 SCHEMATIC DIAGRAM</b>	
	VEP81184A
<b>11.9.26. POWER CONNECTION SCHEMATIC DIAGRAM</b>	
	VEP80A58A
<b>11.9.27. MECHA I/F SCHEMATIC DIAGRAM</b>	
	VEP82216A
<b>11.9.28. CARRIGE SCHEMATIC DIAGRAM</b>	
	VEP80856A
<b>11.9.29. AUDIO JACK(OVER SEA) SCHEMATIC DIAGRAM</b>	
	VEP84303B
<b>11.9.30. 1.29. AUDIO JACK(JAPAN ONLY) SCHEMATIC DIAGRAM</b>	
	VEP83403A
<b>11.9.31. AES/EBU SCHEMATIC DIAGRAM</b>	
	VEP84304A
<b>11.9.32. UP FRONT 1 SCHEMATIC DIAGRAM</b>	
	VEP80A52A
<b>11.9.33. 1.32. UP FRONT 2 SCHEMATIC DIAGRAM</b>	
	VEP80852A
<b>11.9.34. FRONT CPU SCHEMATIC DIAGRAM</b>	
	VEP86263A
<b>11.9.35. 1.34. FRONT CPU SUB SCHEMATIC DIAGRAM</b>	
	VEP86148C
<b>11.9.36. FRONT SW SCHEMATIC DIAGRAM</b>	
	VEP80A49
<b>11.9.37. FRONT VR 1 SCHEMATIC DIAGRAM</b>	
	VEP80963D
<b>11.9.38. 1.37. FRONT VR 2 SCHEMATIC DIAGRAM</b>	

VEP80964D

## **11.10. CIRCUIT BOARD DIAGRAMS**

### **11.10.1. H1 CUE P.C.BOARD**

VEP84302A

### **11.10.2. F1 SERVO P.C.BOARD**

VEP82213B

### **11.10.3. F2 SYSCON P.C.BOARD**

VEP86265A

### **11.10.4. F3 VIN P.C.BOARD**

(AJ-D950P, PD950P, YA950, YA952 ONLY)

VEP83409C

### **11.10.5. F4 SDI P.C.BOARD**

VEP83376A

### **11.10.6. F5 P REC / PB P.C.BOARD**

VEP83374A

### **11.10.7. DASUB P.C.BOARD**

4:2:2 DA SUB P.C.BOARD (AJ-D950P, PD950P, YA950, YA951E ONLY)

8:4:4 DA SUB P.C.BOARD (AJ-YA952 ONLY)

VEP83385B,A

### **11.10.8. EDA CSP AUB P.C.BOARD**

VEP83411A

### **11.10.9. BLK SUB P.C.BOARD**

VEP83431A

### **11.10.10. DV UCOM P.C.BOARD**

VEP88234A

### **11.10.11. F6 P VOUT P.C.BOARD**

VEP83375B

### **11.10.12. F7 APROC P.C.BOARD**

VEP84300A

### **11.10.13. AJOG SUB P.C.BOARD**

VEP84313A

### **11.10.14. AMEM SUB P.C.BOARD**

VEP84314A

### **11.10.15. H2 X CAN P.C.BOARD**

VEP85164A

### **11.10.16. F8 AADDAP.C.BOARD**

VEP84301A

<b>11.10.17. H3, 4 RF EQ L, R BOARD</b>	<b>VEP85163A</b>
<b>11.10.18. HEAD BUFFER P.C.BOARD</b>	<b>VEP85165A</b>
<b>11.10.19. FRONT CPU SUB P.C.BOARD</b>	<b>VEP86148A</b>
<b>11.10.20. V/S JACK P.C.BOARD</b>	<b>VEP83224A</b>
<b>11.10.21. AUDIO JACK P.C.BOARD</b>	<b>VEP84303B</b>
<b>11.10.22. FRONT SWP.C.BOARD</b>	<b>VEP80A49A</b>
<b>11.10.23. FRONT CPU P.C.BOARD</b>	<b>VEP86263A</b>
<b>11.10.24. UP FRONT1 P.C.BOARD</b>	<b>VEP80A52A</b>
<b>11.10.25. AES EBU P.C.BOARD</b>	<b>VEP84304A</b>
<b>11.10.26. MECHANISM I/F P.C.BOARD</b>	<b>VEP82216A</b>
<b>11.10.27. P MOTHER P.C.BOARD</b>	<b>VEP89129A</b>
<b>11.10.28. POWER CONNECTION P.C.BOARD</b>	<b>VEP80A58A</b>
<b>11.10.29. POWER 1 P.C.BOARD</b>	<b>VEP81183A</b>
<b>11.10.30. POWER 2 P.C.BOARD</b>	<b>VEP81184A</b>

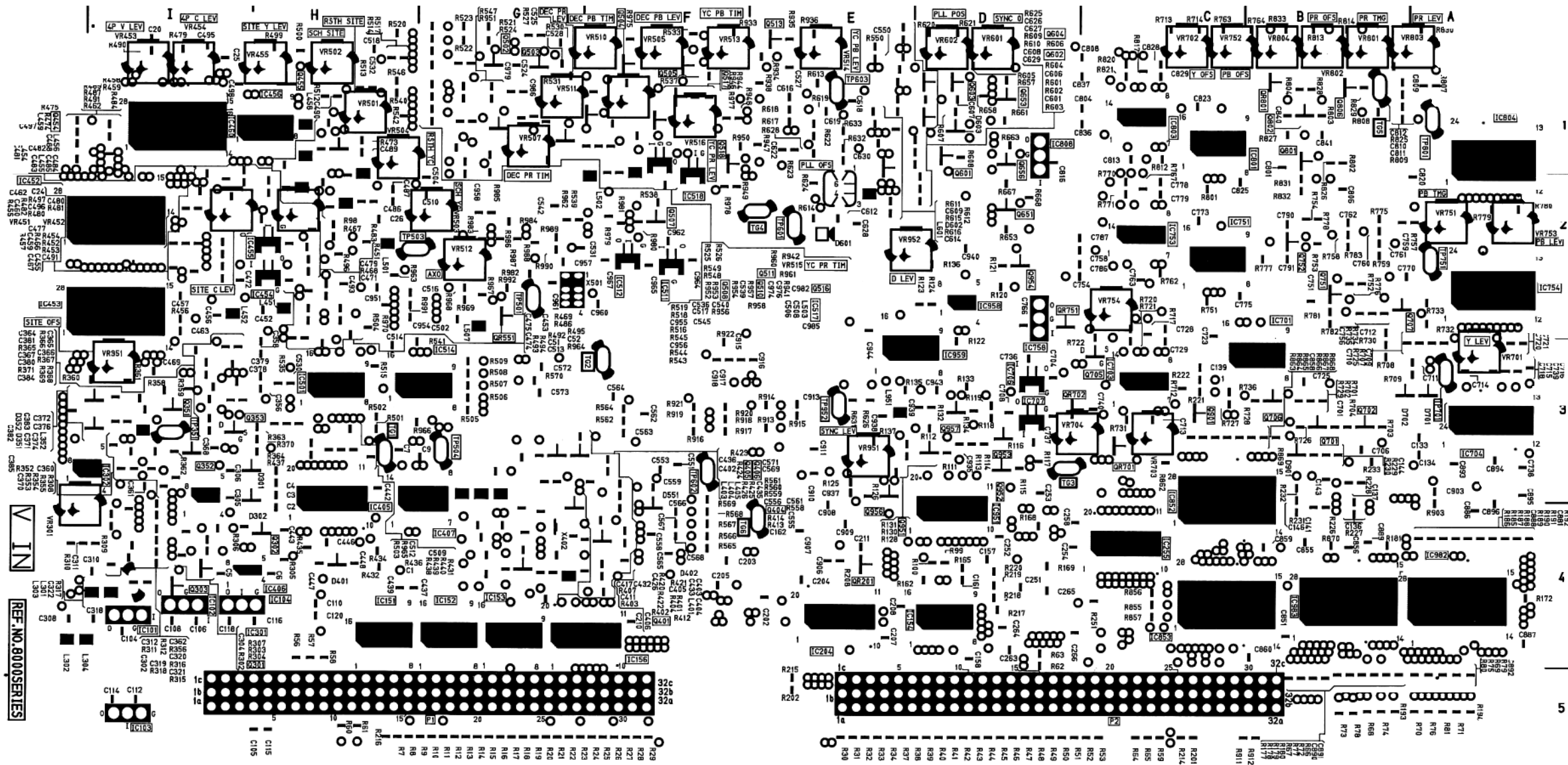
## **11.11. EXPLODED VIEWS & PARTS LIST**

**11.11.1. MECHANICAL REPLACEMENT PARTS LIST**

**11.11.2. ELECTRICAL REPLACEMENT PARTS LIST**

# F3 V IN P.C.BOARD (VEP83409C) (AJ-D950P, PD950P, YA950, YA952 ONLY)

REF	LOC	REF	LOC	REF	LOC	REF	LOC	REF	LOC	REF	LOC	REF	LOC
IC151	H4	IC454	H2	IC707	D3	Q301	I4	Q504	F1	Q651	D2	Q951	D3
IC152	G4	IC455	H2	IC751	C2	Q302	H4	Q505	F1	Q653	D1	Q952	D3
IC153	G4	IC456	H1	IC753	C2	Q303	I4	Q507	F2	Q656	D1	Q953	D3
IC154	D4	IC460	I1	IC754	A2	Q351	I3	Q508	G1	Q701	B3	Q954	D2
IC156	F4	IC501	H3	IC801	C1	Q352	I3	Q510	G1	Q702	B3	Q956	E3
IC204	E4	IC511	F2	IC803	C1	Q353	I3	Q511	F1	Q705	C3	Q957	D3
IC255	C4	IC512	F2	IC804	A1	Q401	G4	Q513	E1	Q706	B3	QR201	E4
IC301	I3	IC514	G3	IC852	C3	Q404	F4	Q516	F1	Q707	B2	QR551	G2
IC302	I3	IC517	F1	IC853	C4	Q405	G3	Q517	F1	Q751	B2	QR701	C3
IC405	H3	IC518	F2	IC951	D4	Q406	G3	Q518	F1	Q752	B2	QR702	D3
IC406	I4	IC701	B3	IC958	D2	Q454	H1	Q601	D1	Q801	B1	QR751	D2
IC407	G3	IC703	C3	IC959	E3	Q455	H1	Q602	D1	Q802	B1	QR801	B1
IC452	I2	IC704	A3	IC982	A4	Q502	G1	Q603	D1	Q806	B1		
IC453	I2	IC706	D3	IC983	B4	Q503	G1	Q604	D1	Q901	C3		

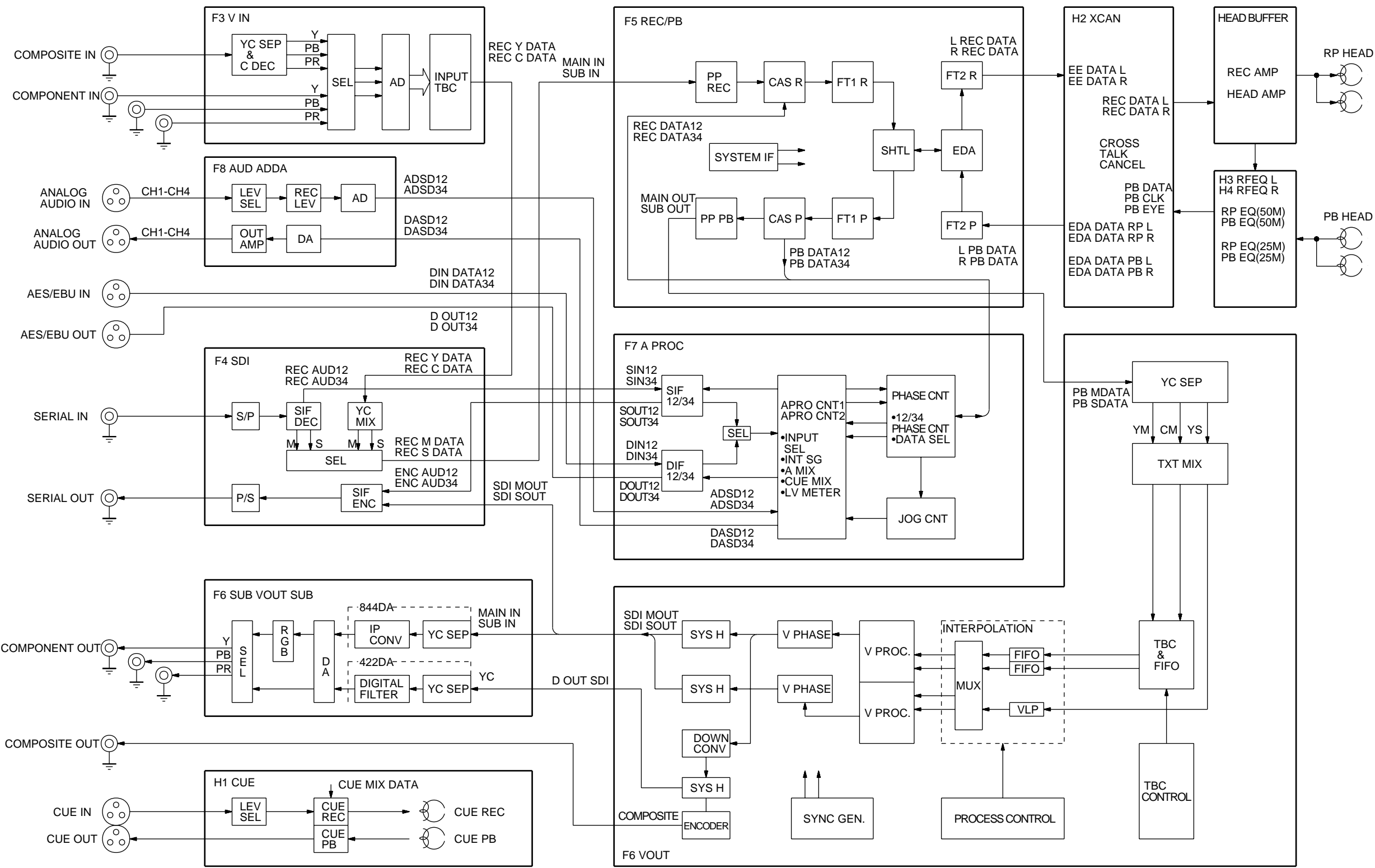


DIP →

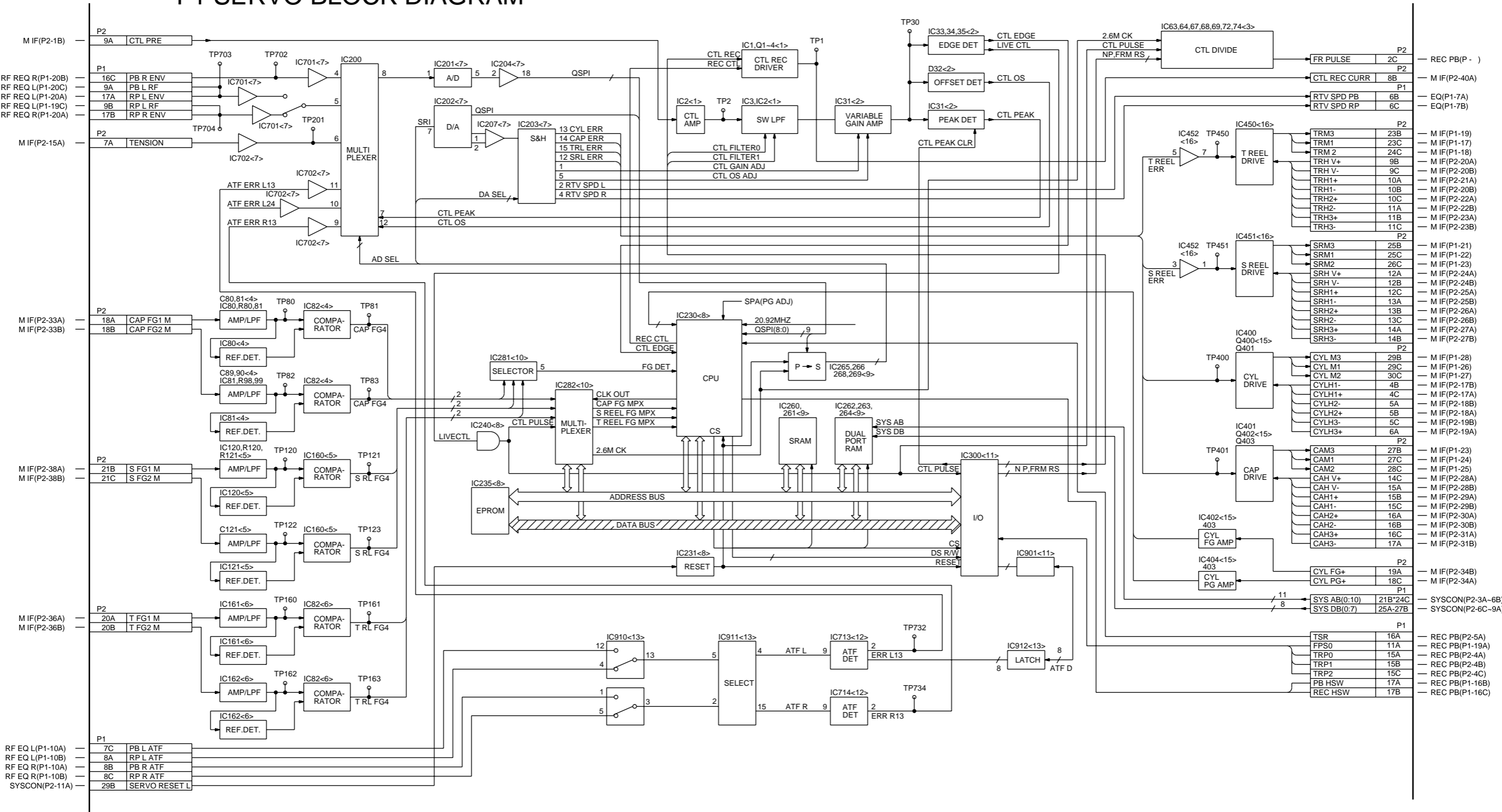
(FOIL SIDE)



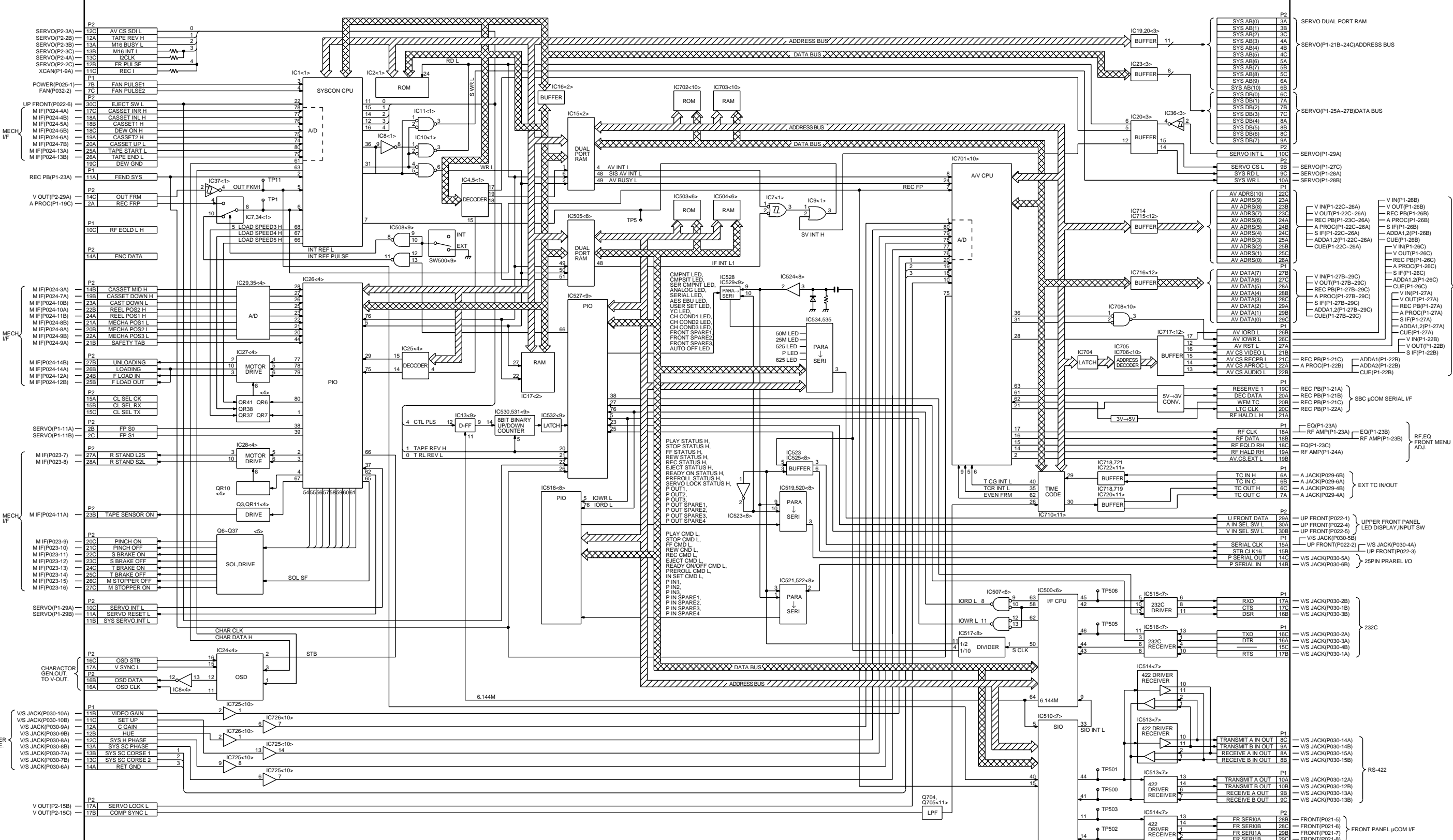
# AV OVERALL BLOCK DIAGRAM



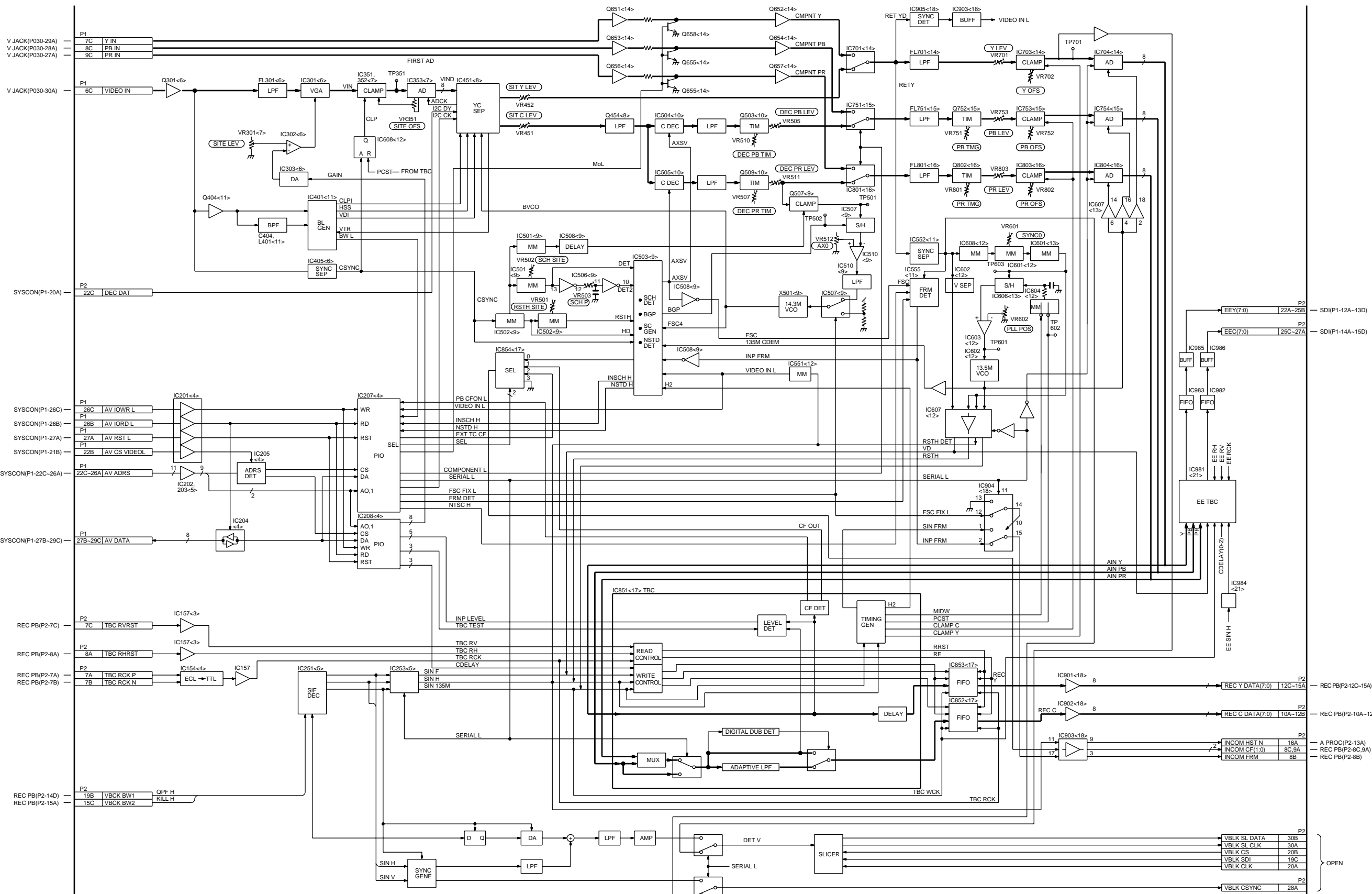
# F1 SERVO BLOCK DIAGRAM



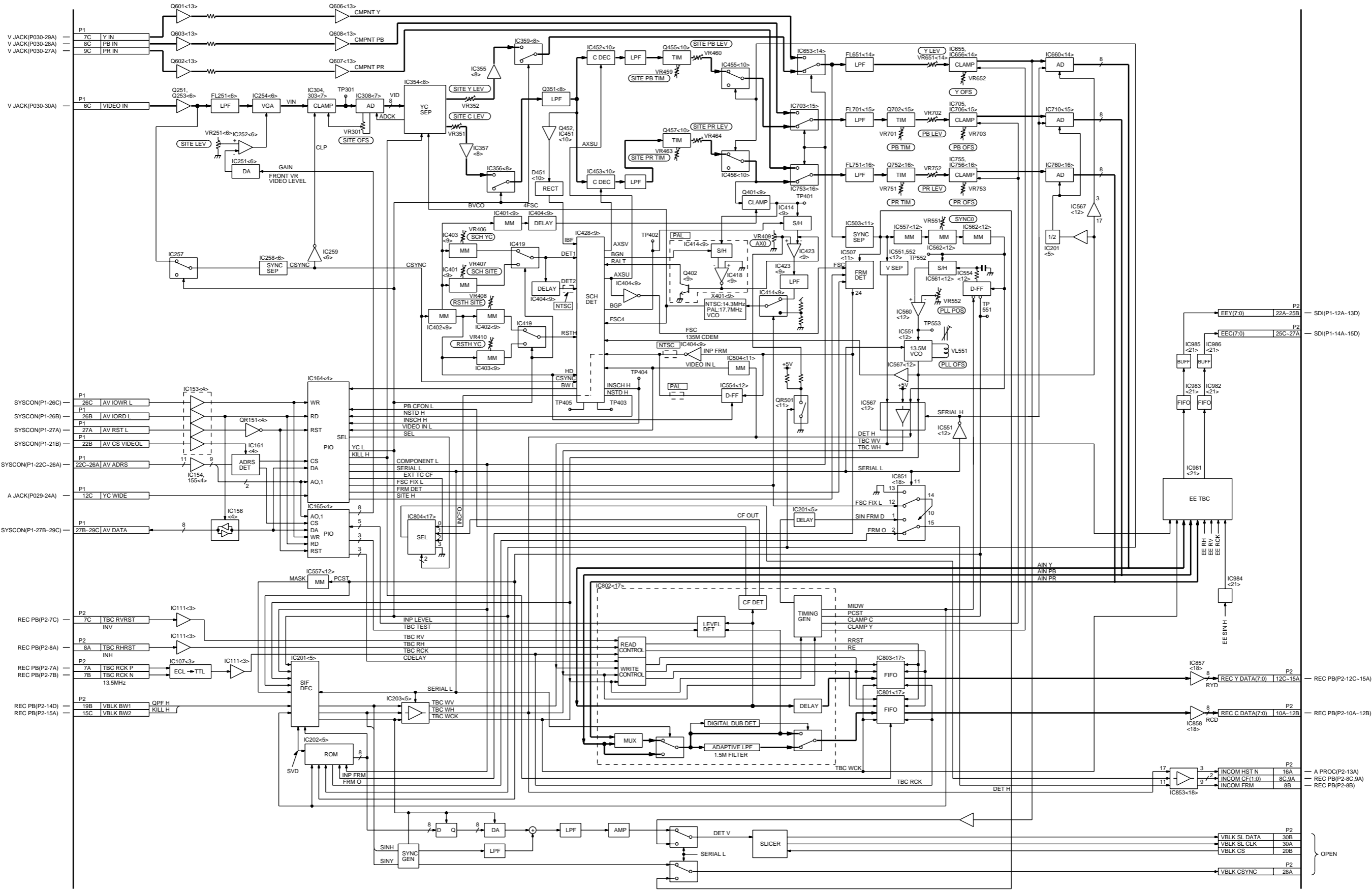
# F2 SYSCON BLOCK DIAGRAM



# F3 VIDEO IN BLOCK DIAGRAM(NTSC)



# F3 VIDEO IN BLOCK DIAGRAM(PAL)



SDI(P1-12A-13D)

SDI(P1-14A-15D)

REC Y DATA(7.0) 12C-15A

REC C DATA(7.0) 10A-12B

A PROC(P2-13A)

REC PB(P2-8C,9A)

REC PB(P2-8B)

VBLK SL DATA 30B

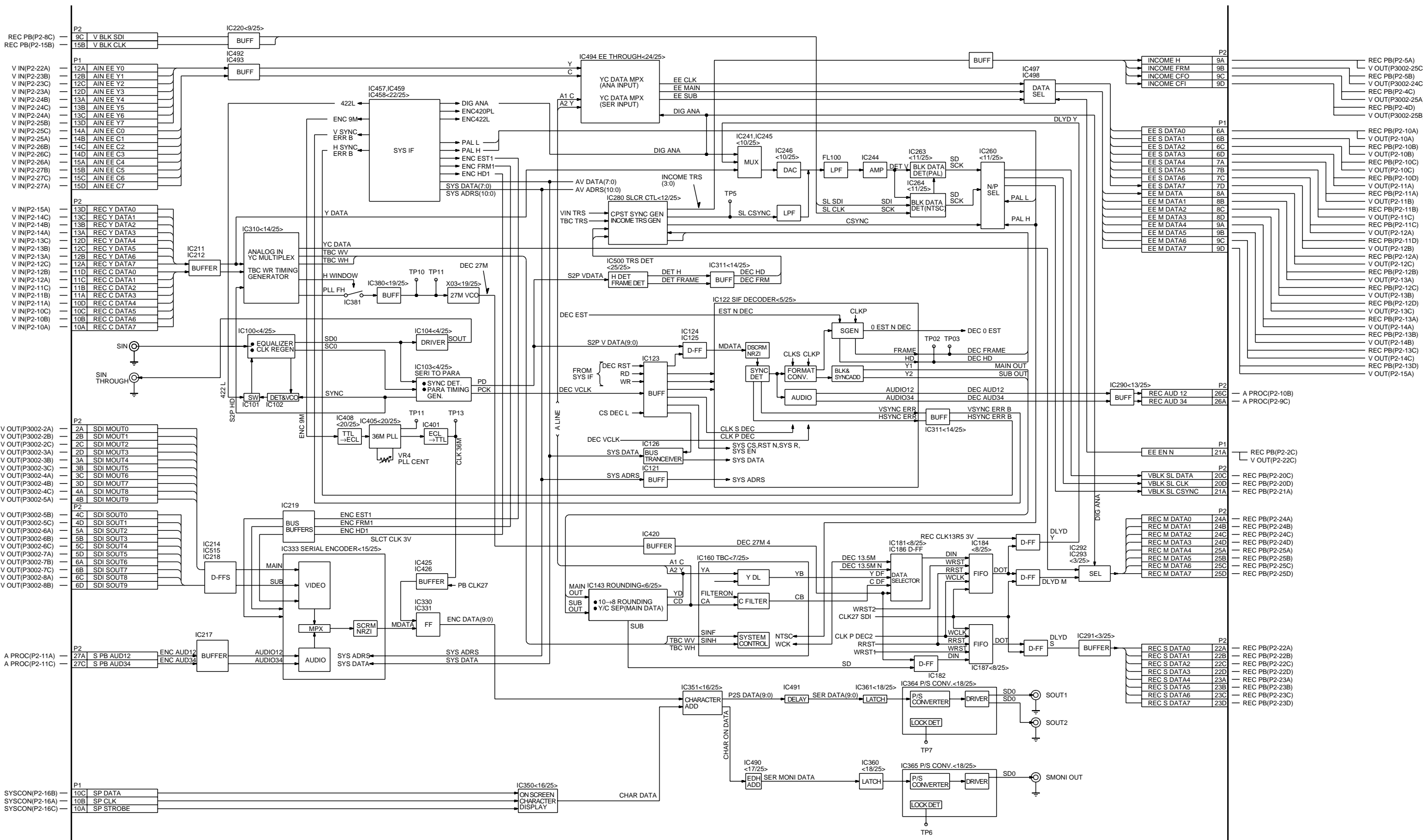
VBLK SL CLK 30A

VBLK CS 20B

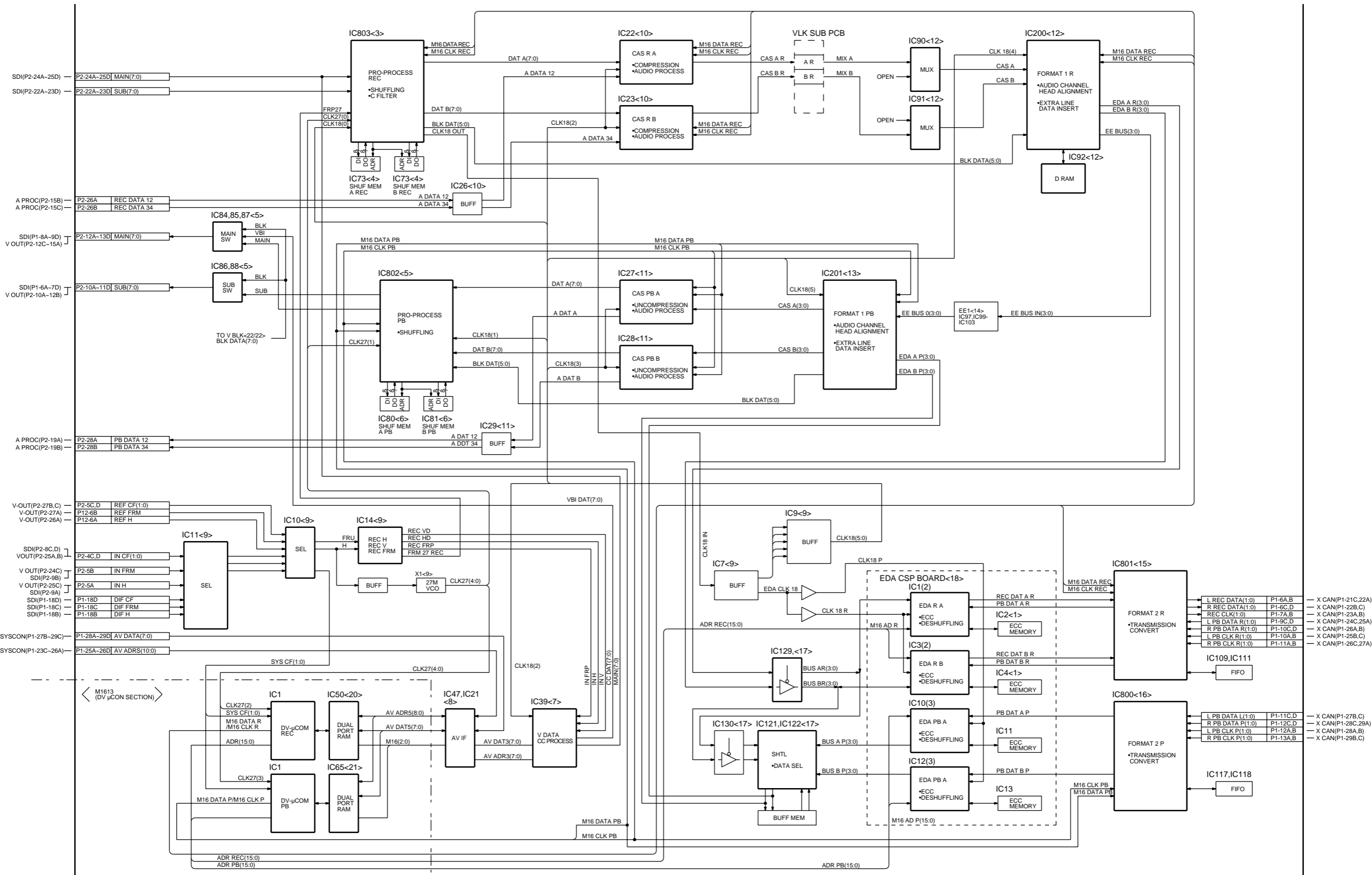
VBLK CSYNC 28A

OPEN

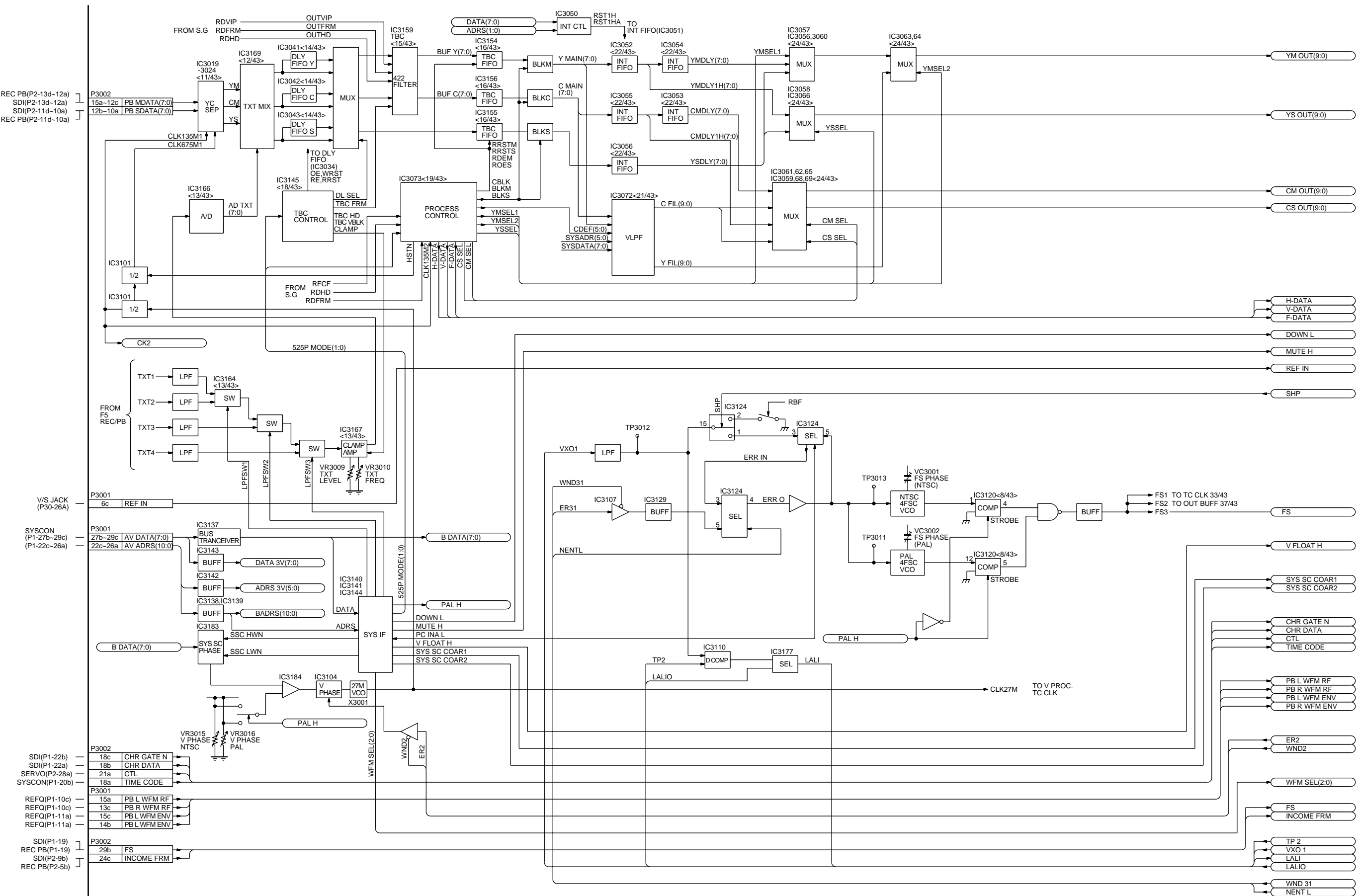
# F4 SDI BLOCK DIAGRAM



# F5 REC PB BLOCK DIAGRAM

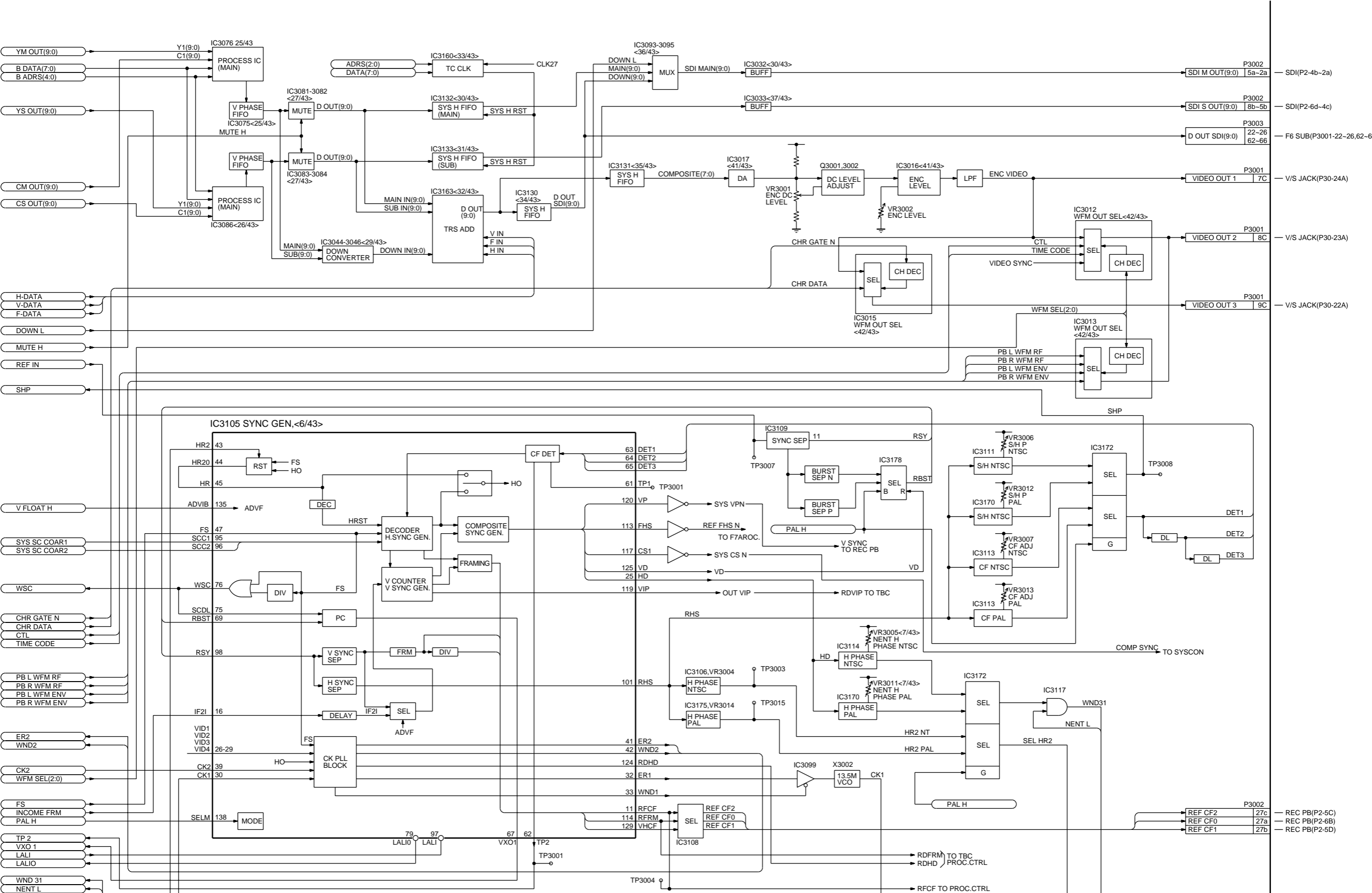


# F6 V OUT BLOCK DIAGRAM(1/2)

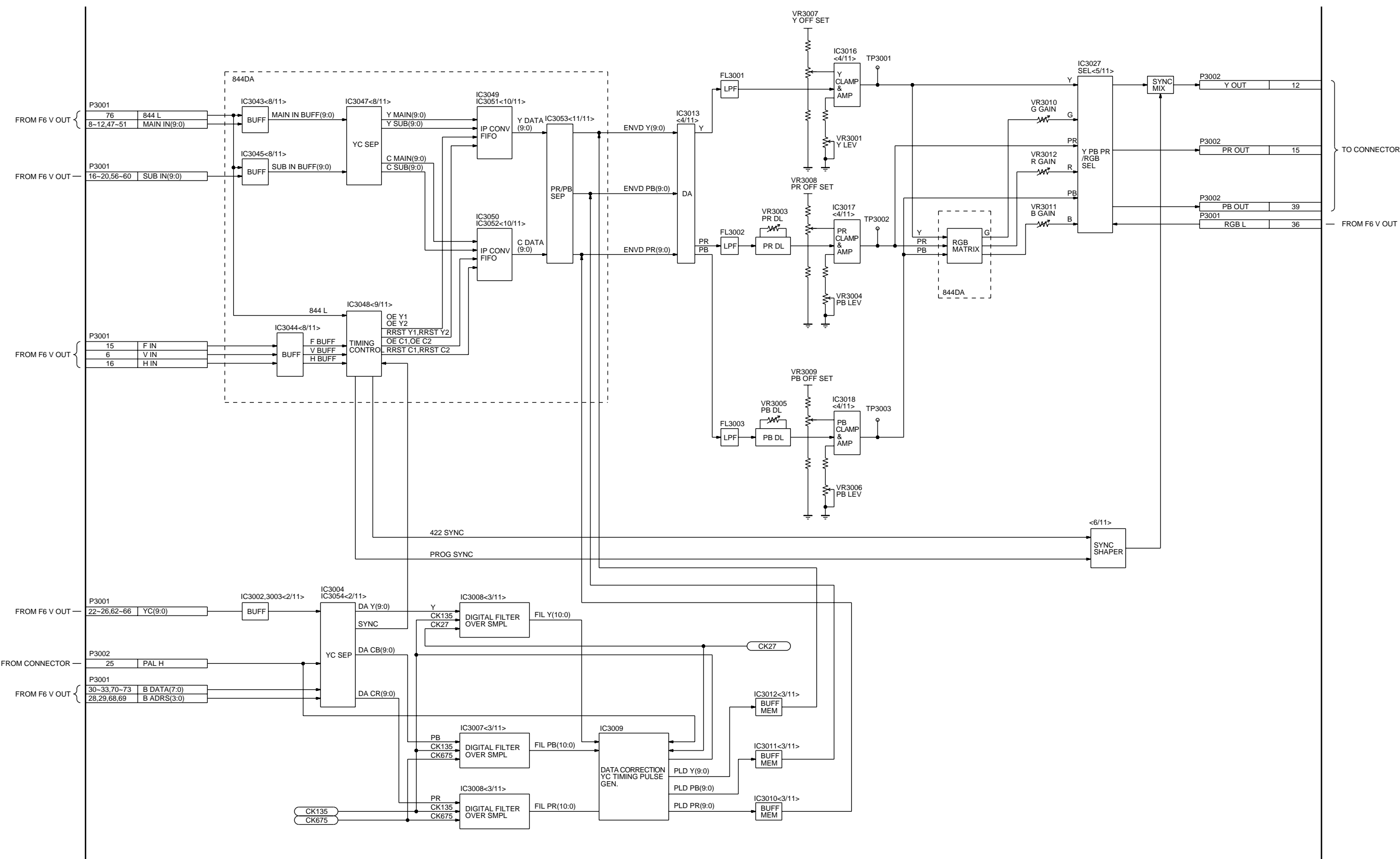




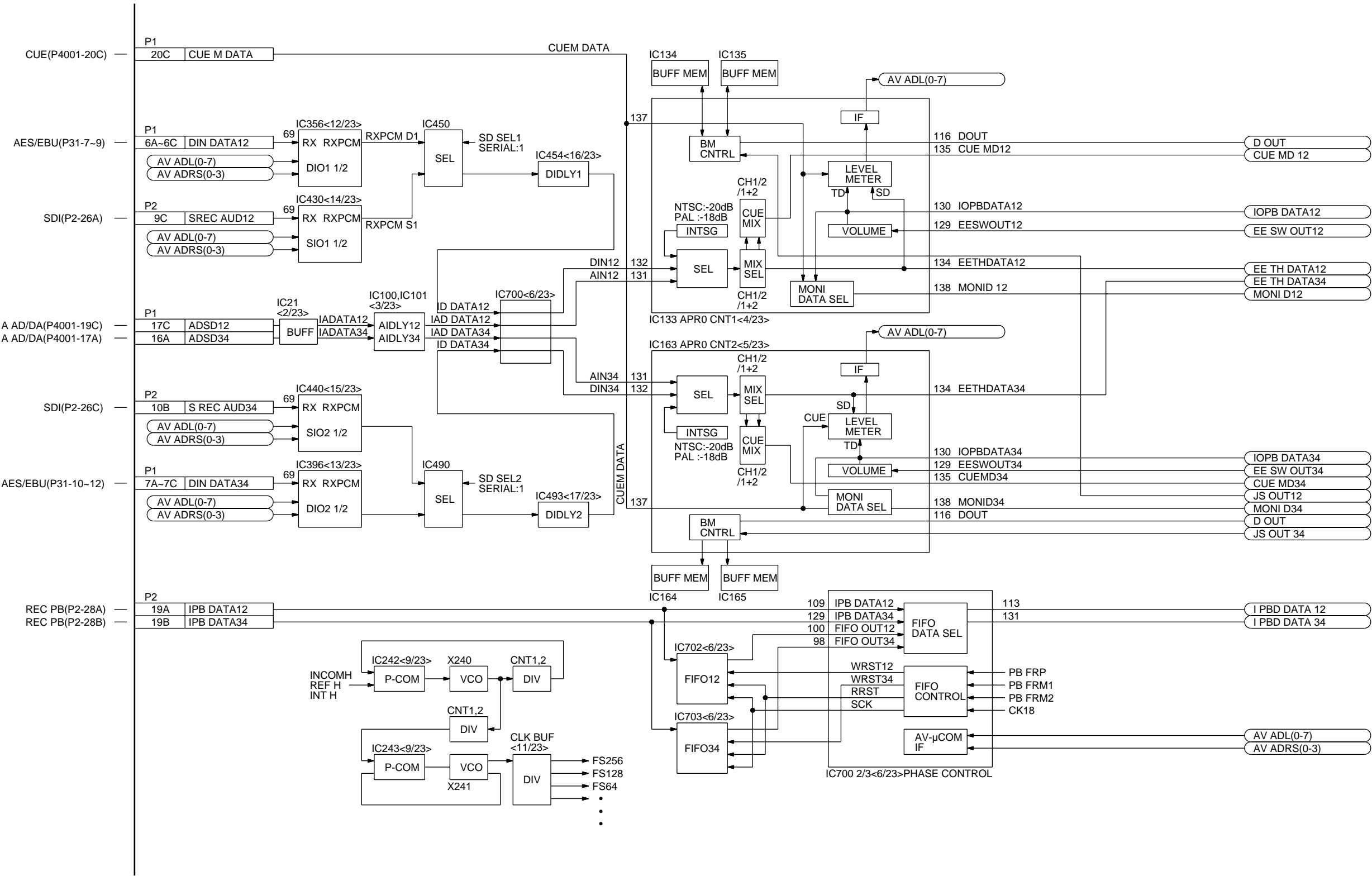
# F6 V OUT BLOCK DIAGRAM(2/2)



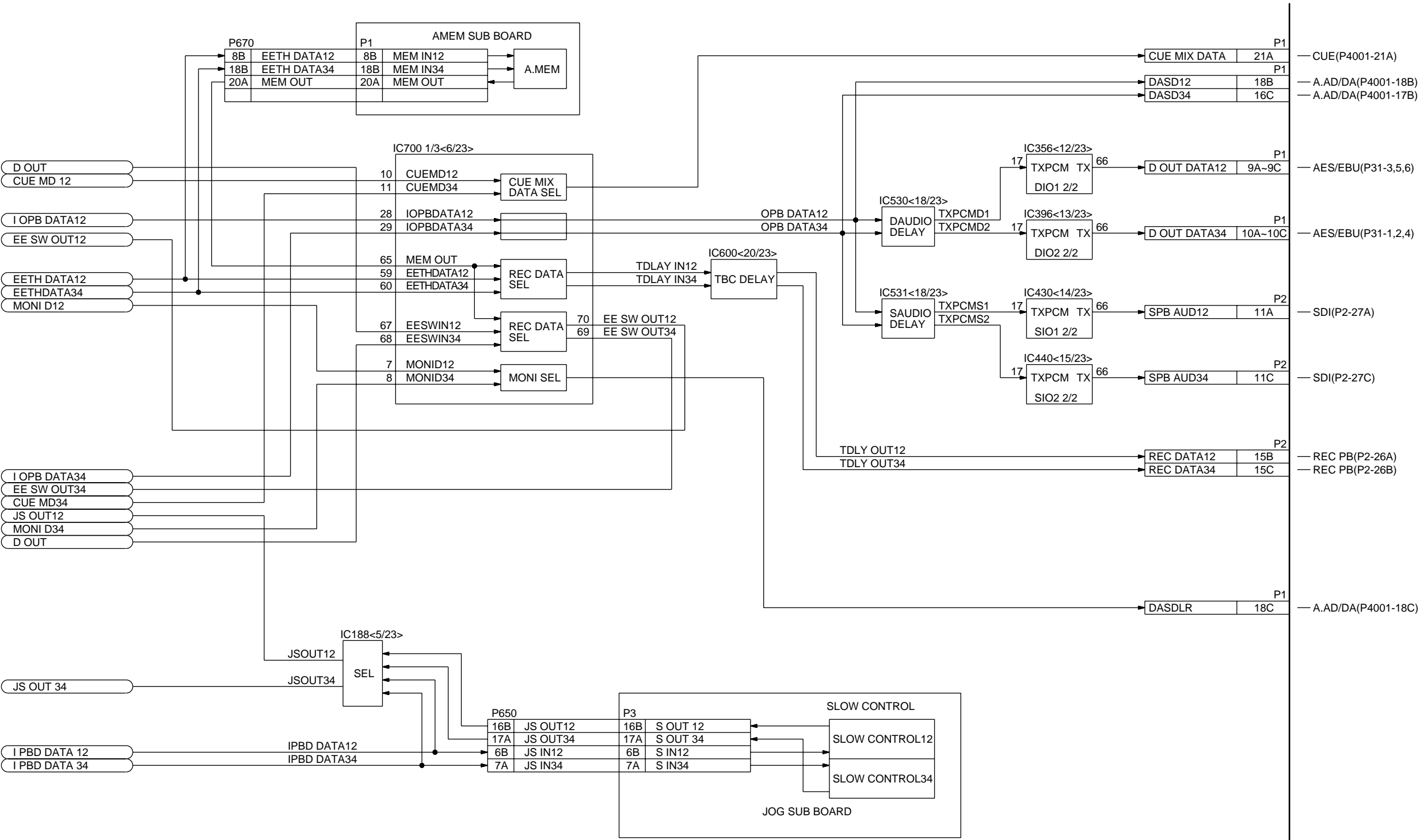
# F6 SUB BLOCK DIAGRAM



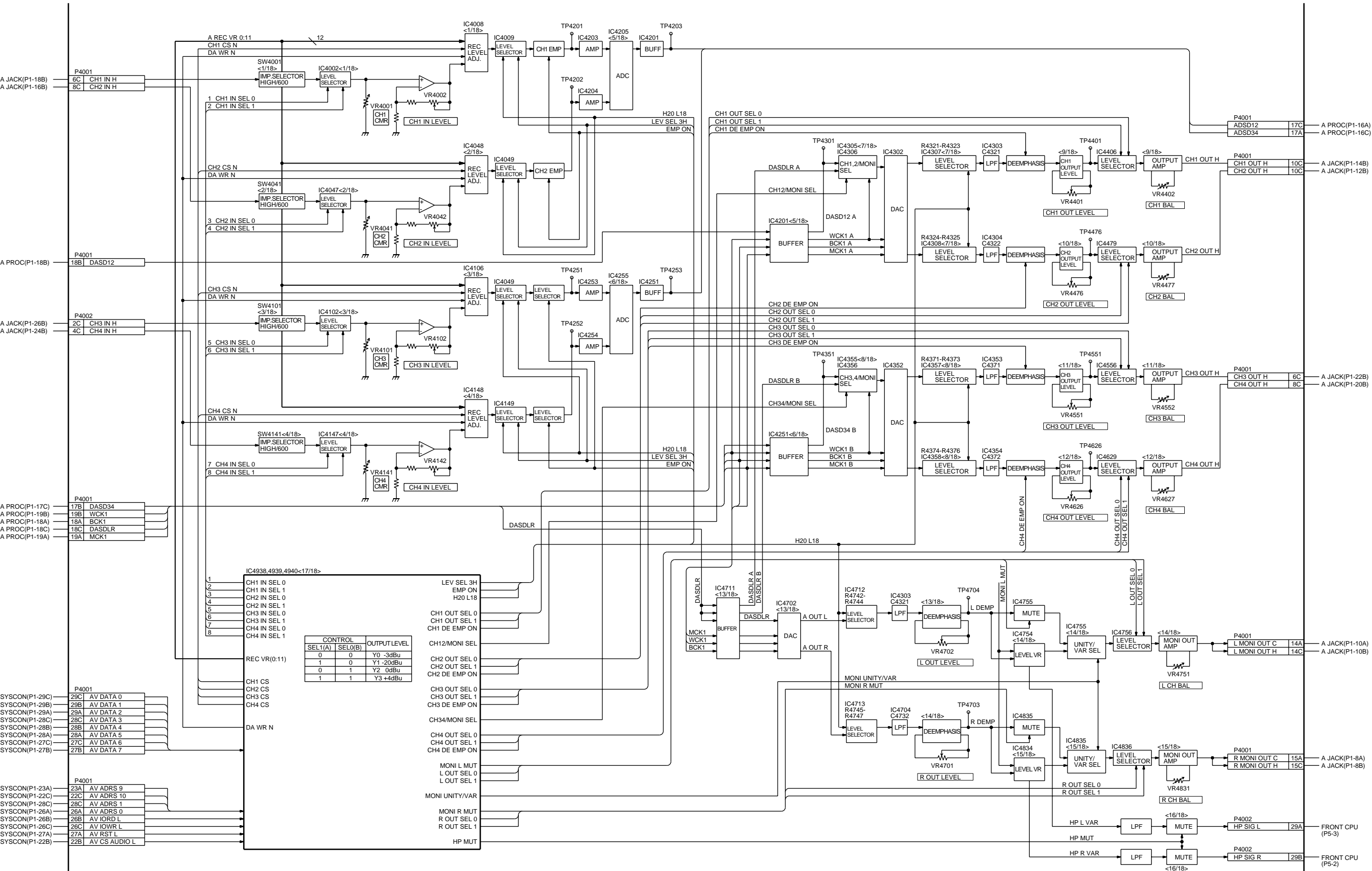
# F7 A.PROC BLOCK DIAGRAM(1/2)



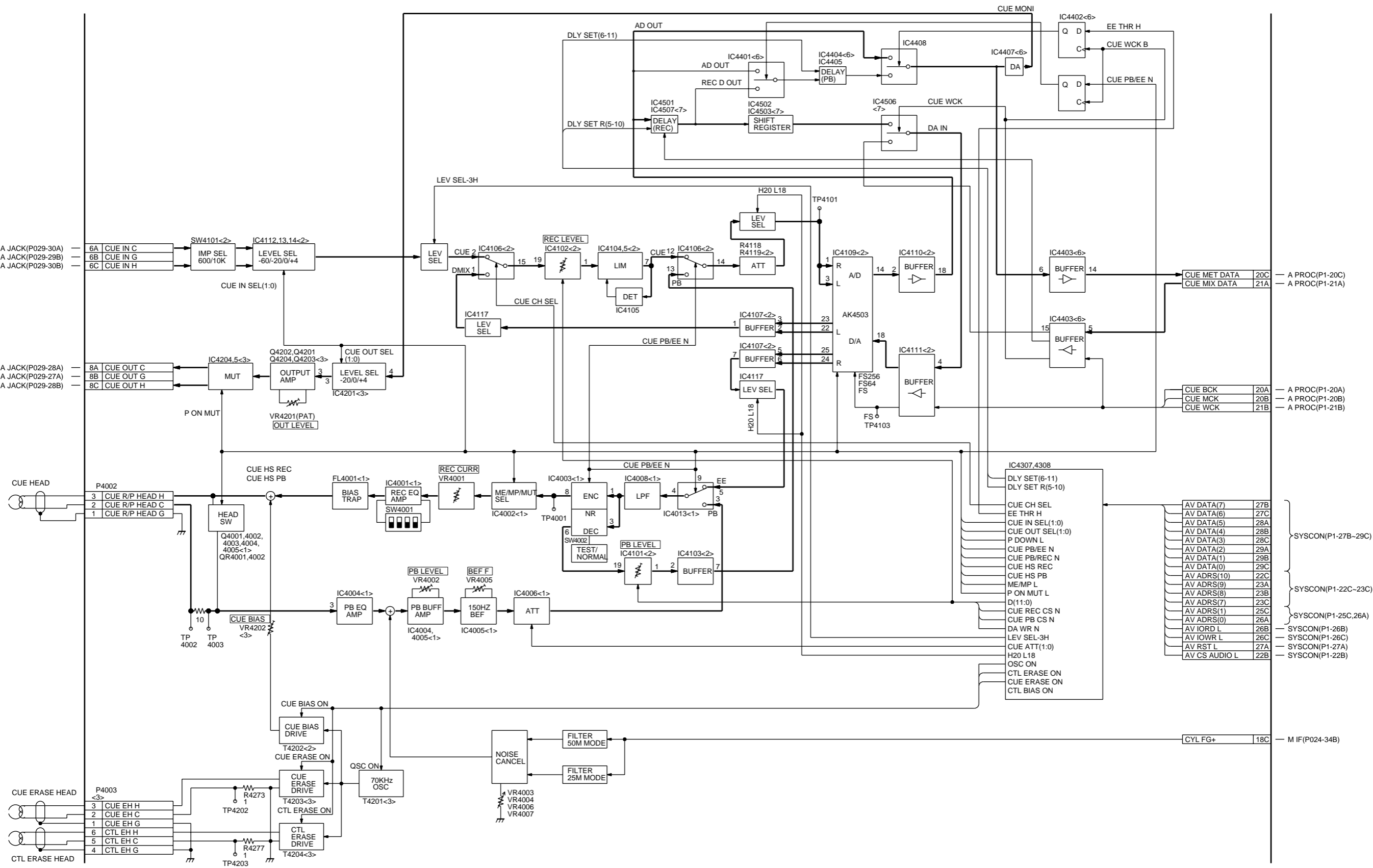
# F7 A.PROC BLOCK DIAGRAM(2/2)



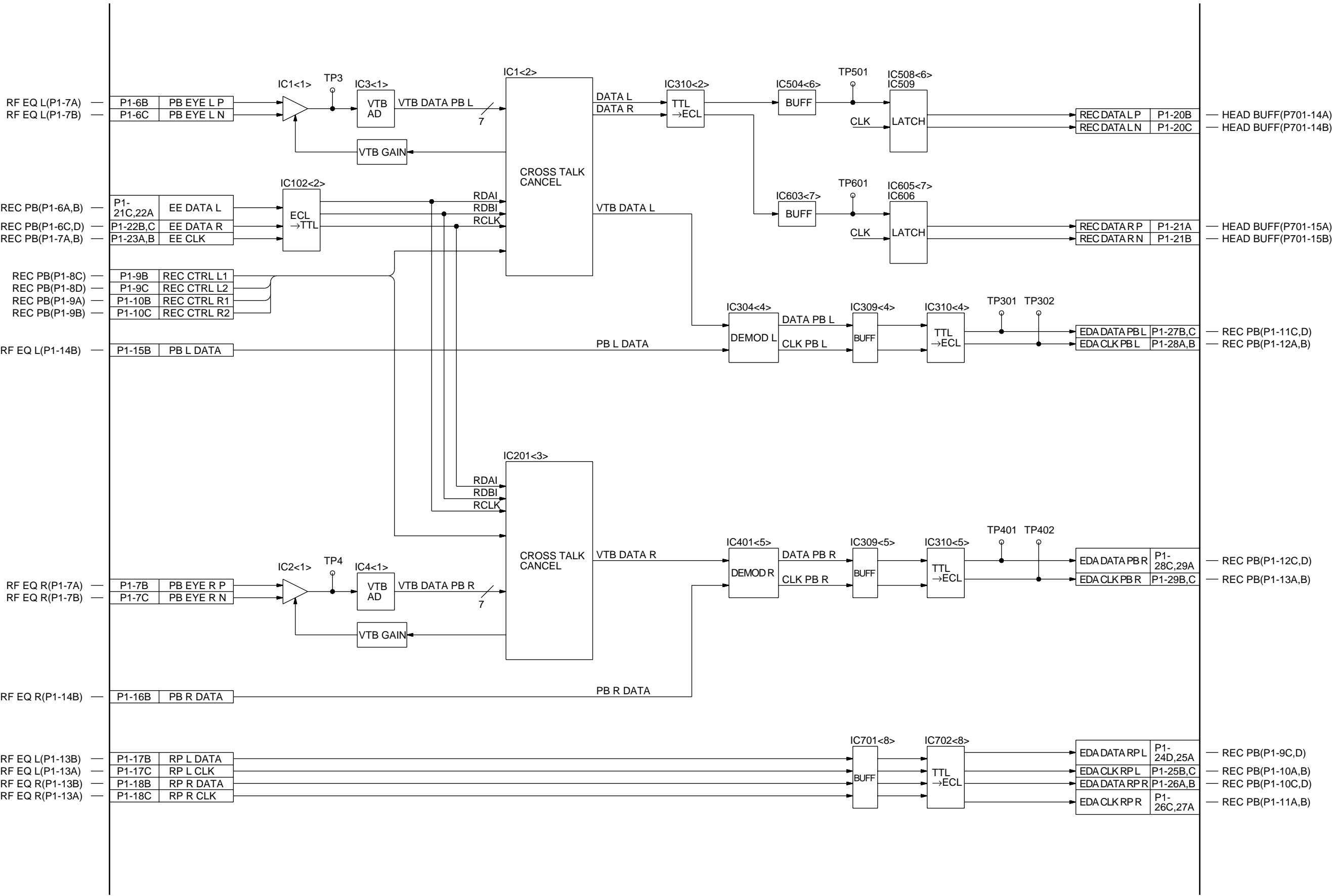
# F8 AUDIO AD/DA BLOCK DIAGRAM



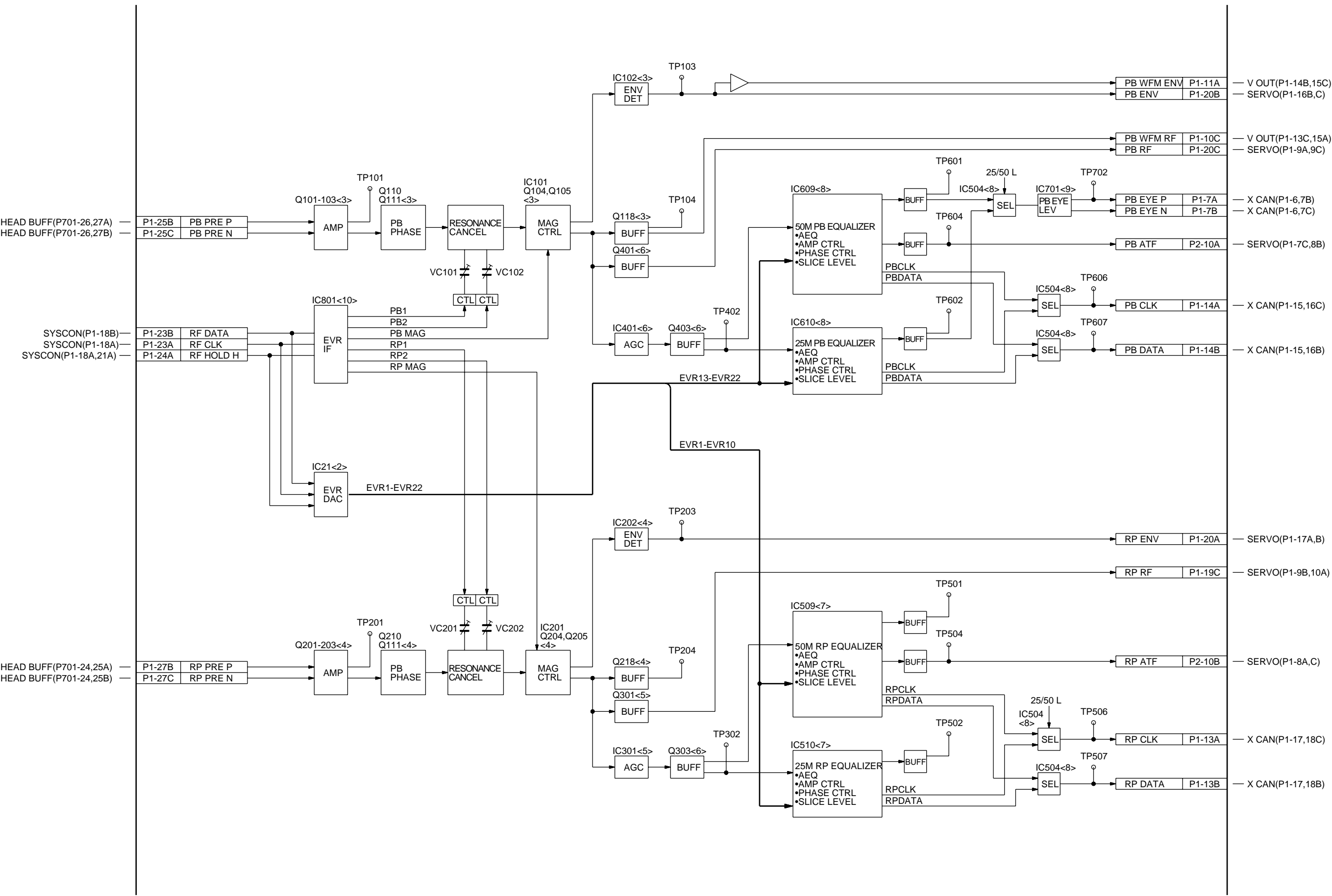
# H1 CUE BLOCK DIAGRAM



# H2 X CAN DIAGRAM

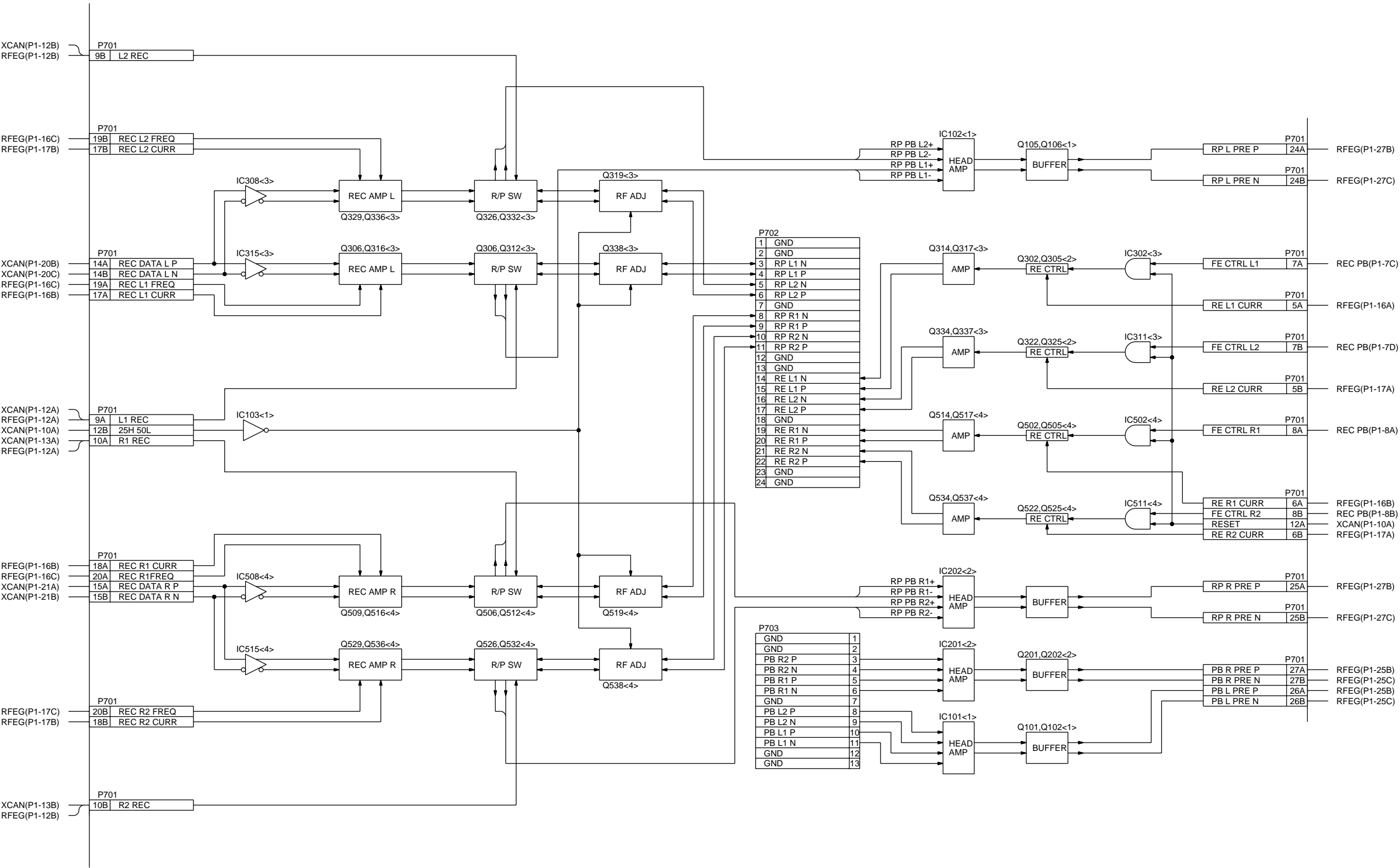


# H3/H4 RF EQ L/R BLOCK DIAGRAM





# HEAD BUFFER BLOCK DIAGRAM



# Specifications

---

## GENERAL

<b>Power supply:</b>	AC 220 – 240 V, 50 – 60 Hz
<b>Power consumption:</b>	300 W

Operating ambient temperature: 5°C to 40°C  
Operating ambient humidity: 10% to 90% (no condensation)  
Weight: 20 kg  
Dimensions (W × H × D): 424 × 175 × 415 mm (Not including the support legs, connectors, and JOG dial)  
Recording format: DVCPRO 50/DVCPRO format selectable  
Recording video signal: 625i/525i selectable  
Recording audio signal: DVCPRO 50: 48 kHz 16-bit 4 channels  
DVCPRO: 48 kHz 16-bit 2 channels  
Recording tracks: Digital video audio: helical track  
The time code is recorded in the sub-code area.  
Cue track: 1 track  
Control track: 1 track  
Tape speed: 67.708 mm/sec (625)  
67.640 mm/sec (525)  
Recording time: 92 minutes (using the AJ-5P92LP)  
Tape: Metal tape  
FF/REW time: Less than 3 min (with AJ-5P92LP)  
Search speed: ±32× speed (colour)  
Digital slow: Plus direction: 0.75× speed  
Minus direction: -0.43× speed  
Editing accuracy: ±0 frames (using the time code)  
Tape timer accuracy: ±1 frame (using the continuous CTL signal)  
Servo lock time: Less than 0.5 sec (colour framing/standby ON)  
Audio split editing: YES

## VIDEO

Sampling frequencies: DVCPRO 50 625i/525i: Y: 13.5 MHz, P<sub>B</sub>/P<sub>R</sub>: 6.75 MHz  
Quantizing: 8 bits  
Video compression method: DCT + variable length code  
Video compression rate: DVCPRO 50: 1/3.3  
DVCPRO: 1/5  
Error correction: Reed-Solomon product code  
Video recording bit rate: DVCPRO 50: 50 Mbps  
DVCPRO: 25 Mbps  
Sample × effective line: DVCPRO/DVCPRO 50 (625i): 720 × 585/frame  
DVCPRO/DVCPRO 50 (525i): 720 × 487.5/frame  
V blanking data: 625i/525i: VITC  
525i: Closed Caption

## Digital IN/Analog Component OUT

Video bandwidth: 625i: Y: 25 Hz to 5.5 MHz (±0.5 dB), 5.75 MHz (-2.0 dB)  
P<sub>B</sub>/P<sub>R</sub>: 25 Hz to 2.5 MHz (±0.5 dB), 2.75 MHz (-2.0 dB)  
525i: Y: 30 Hz to 5.5 MHz (±0.5 dB), 5.75 MHz (-2.0 dB)  
P<sub>B</sub>/P<sub>R</sub>: 30 Hz to 2.5 MHz (±0.5 dB), 2.75 MHz (-2.0 dB)  
S/N ratio: Better than 60 dB  
K factor (2T): Less than 1%

## Video input connector

Analog component input (option): BNC×3 (Y, P<sub>B</sub>, P<sub>R</sub>)  
Y: 1.0 V<sub>p-p</sub>, 75Ω  
P<sub>B</sub>/P<sub>R</sub>: 0.7 V<sub>p-p</sub>, 75Ω (100% colour bar, 0% black level)  
Analog composite input (option): BNC×2, loop-through, 75Ω on/off  
Reference input: Analog composite, BNC×2, 75Ω on/off  
Serial digital component input: Complies with SMPTE259M-C/EBU Tech.3267-E standard, BNC×2, active through  
SDTI input (option): Complies with SMPTE305M standard, BNC×2, active through

# Specifications

---

## Video Output Connector

Analog component output (option):	BNC×3 (Y, P <sub>B</sub> , P <sub>R</sub> ), 4:2:2
	Y: 1.0 Vp-p, 75Ω
	P <sub>B</sub> /P <sub>R</sub> : 0.7 Vp-p, 75Ω (100% colour bar, 0% black level)
Analog composite output:	BNC×3, video 1, video 2, video 3 (superimpose on/off)
Serial digital component output:	BNC×3, complies with SMPTE259M-C/EBU Tech.3267-E standard, SDI 1, SDI 2, SDI 3, (superimpose on/off)
SDTI output (option):	BNC×1, complies with SMPTE305M standard

## Video Signal Adjustment

Composite video input signal:	±3 dB
Video output gain:	±3 dB
Video output chroma gain:	±3 dB
Video output chroma phase:	±30°
Video output black level:	±100 mV
Video output sync phase:	±8 μs
Video output SC phase:	±180°

## AUDIO

### Digital Audio

Sampling frequencies:	48 kHz (synchronous with video)
Quantizing:	16 bits
Frequency response:	20 Hz to 20 kHz ± 1.0 dB (at the reference level)
Dynamic range:	Better than 90 dB (1 kHz, emphasis OFF)
Distortion:	Less than 0.05% (1 kHz, emphasis OFF, reference level)
Crosstalk:	Less than -80 dB (1 kHz, between 2 channels)
Wow & flutter:	Below measurable limit
Headroom:	625i: 18 dB 525i: 20 dB
Emphasis:	T1=50 μs, T2 = 15 μs (on/off selectable)

### Cue Track

Frequency response:	300 Hz to 6 kHz ± 3 dB
---------------------	------------------------

### Audio Input Connector

#### Analog input

(CH1/CH2/CH3/CH4):	XLR×4, 600Ω/high impedance selectable, +4/0/-20 dBu selectable
--------------------	--

#### Digital input

(CH1/CH2, CH3/CH4):	XLR×2, AES/EBU format
---------------------	-----------------------

Serial digital input:	Complies with SMPTE259M-C, 272M/EBU Tech.3267-E (BNC×2, active through)
-----------------------	---

Cue track input:	XLR×1, 600Ω/high impedance selectable, +4/0/-20/-60 dBu selectable
------------------	--

### Audio Output Connector

#### Analog output

(CH1/CH2/CH3/CH4):	XLR×4, low impedance, +4/0/-20 dBu selectable
--------------------	---

#### Digital output

(CH1/CH2, CH3/CH4):	XLR×2, AES/EBU format
---------------------	-----------------------

Serial digital output:	Complies with SMPTE259M-C, 272M/EBU Tech.3267-E (BNC×1)
------------------------	---

Cue track output:	XLR×1, low impedance, +4/0/-20 dBu selectable
-------------------	---

Monitor output:	XLR×2, low impedance, +4/0/-20 dBu selectable
-----------------	---

Headphones:	Variable level, mini-jack, 8Ω
-------------	-------------------------------

### Other Input/Output Connectors

Time code input:	XLR×1, 0.5 to 8 Vp-p
Time code output:	XLR×1, 2.0 Vp-p
RS-422A input:	D-sub 9-pin, RS-422A interface
RS-422A output:	D-sub 9-pin, RS-422A interface
RS-232C:	D-sub 25-pin, RS-232C interface
Parallel input/output:	D-sub 25-pin
Encoder remote:	D-sub 15-pin

Weight and dimensions when shown are approximately.  
Specifications are subject to change without notice.

## IMPORTANT

“Unauthorized recording of copyrighted television programmes, video tapes and other materials may infringe the right of copyright owners and be contrary to copyright laws.”

### ■ THIS APPARATUS MUST BE EARTHED

To ensure safe operation the three-pin plug must be inserted only into a standard three-pin power point which is effectively earthed through the normal house-hold wiring.

Extension cords used with the equipment must be three-core and be correctly wired to provide connection to earth. Wrongly wired extension cords are a major cause of fatalities.

The fact that the equipment operates satisfactorily does not imply that the power point is earthed and that the installation is completely safe. For your safety, if in any doubt about the effective earthing of the power point, consult a qualified electrician.

### ■ DO NOT REMOVE PANEL COVER BY UN-SCREWING

To reduce the risk of electric shock, do not remove cover. No user serviceable parts inside. And do not insert fingers or any other objects into the video cassette holder.

### CAUTION:

Do not install or place this unit in a bookcase, built in cabinet or in another confined space in order to keep well ventilated condition. Ensure that curtains and any other materials do not obstruct the ventilation condition to prevent risk of electric shock or fire hazard due to overheating.

### WARNING:

TO REDUCE THE RISK OF FIRE OR SHOCK HAZARD, DO NOT EXPOSE THIS EQUIPMENT TO RAIN OR MOISTURE.

### CAUTION:

TO REDUCE THE RISK OF FIRE OR SHOCK HAZARD, AND ANNOYING INTERFERENCE, USE THE RECOMMENDED ACCESSOIRES ONLY.

### CAUTION:

TO REDUCE THE RISK OF FIRE OR SHOCK HAZARD, REFER MOUNTING OF THE OPTIONAL BOARD TO QUALIFIED SERVICE PERSONNEL.

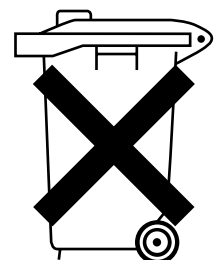
### Operating precaution

Operation near any appliance which generates strong magnetic fields may give rise to noise in the video and audio signals. If this should be the case, deal with the situation by, for instance, moving the source of the magnetic fields away from the unit before operation.

is the safety information.

## Attention/Attentie

- This apparatus contains a lithium battery for memory back-up.
- For the removal of the battery at the moment of the disposal at the end of the service life please consult your dealer.
- Do not throw away the battery. Instead, hand it in as hazardous waste.
- Dit apparaat bevat een lithiumbatterij voor memory back-up.
- Raadpleeg uw leverancier over de verwijdering van de batterij op het moment dat u het apparaat bij einde levensduur afdankt.
- Gooi de batterij niet weg, maar lever hem in als KCA.



# Panasonic

**DVCPRO 50**

ENGLISH

Digital Video Cassette Recorder

**AJ-D950<sub>E</sub>**

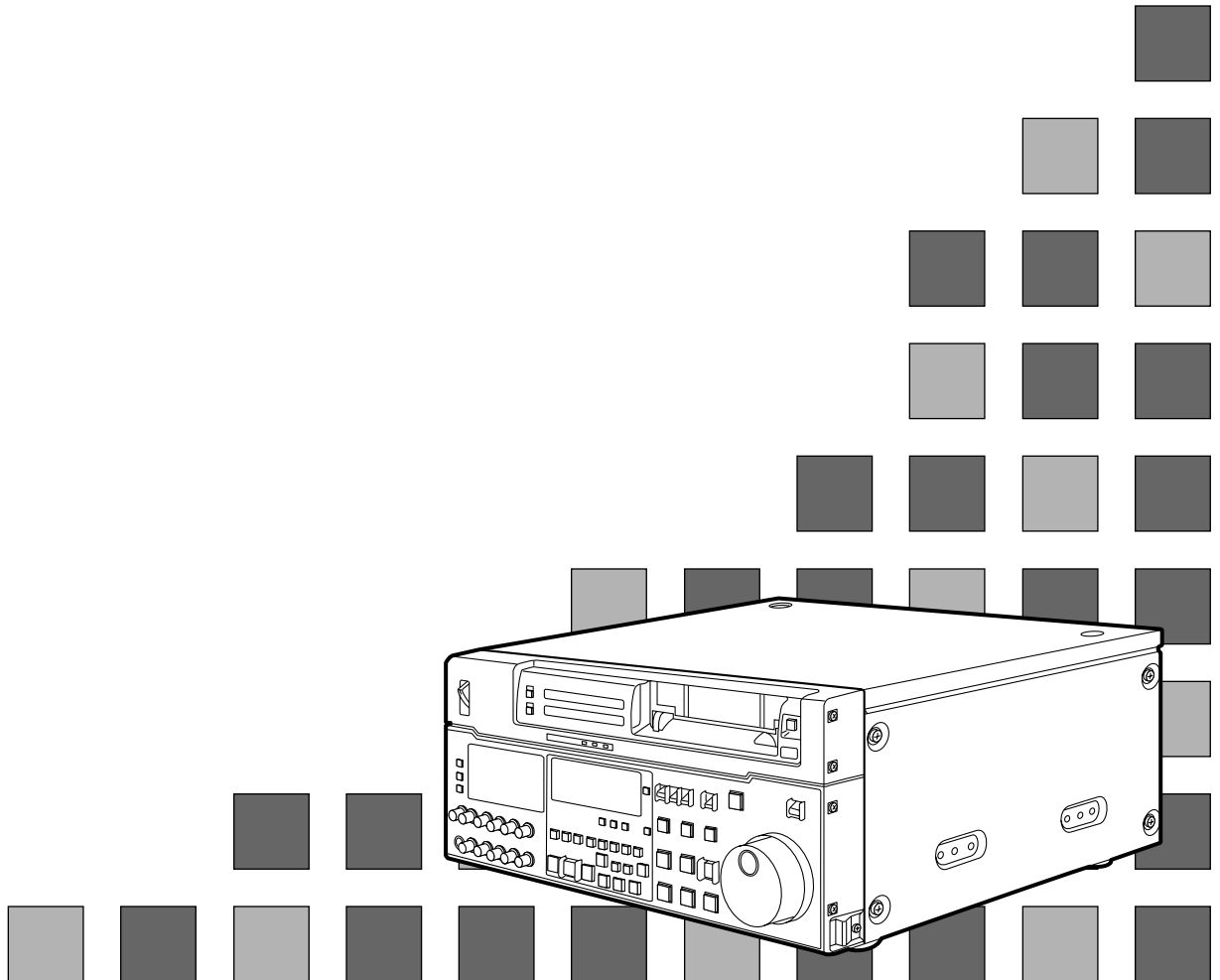
DEUTSCH

**Operating Instructions**

FRANÇAIS

ITALIANO

ESPAÑOL



# Contents

---

General and Features .....	E-5	Video output (encoder output)	
Controls and their functions .....	E-7	signal adjustment .....	E-44
• Front panel .....	E-8	Setup (default settings) .....	E-45
• Front panel bottom section .....	E-15	Setup menus .....	E-46
• Connector area .....	E-17	• System menu .....	E-47
Connections		• Basic menu .....	E-48
• Connections when one unit is used .....	E-20	• Operation menu .....	E-50
• Connections when 2 units are used .....	E-21	• Interface menu .....	E-52
• Connections with editing controller .....	E-22	• Edit menu .....	E-53
• Connections for adjusting video output (encoder output) signals .....	E-23	• Tape protect menu .....	E-55
Tapes .....	E-24	• Time Code menu .....	E-55
Switching on the power/inserting the cassette .....	E-25	• Video menu .....	E-57
STOP/STAND BY mode .....	E-26	• Audio menu .....	E-59
Recording .....	E-27	Time code/user bit .....	E-62
Playback .....	E-28	• Recording internal/external time codes .....	E-63
Jog/shuttle .....	E-29	• Reproducing the time code/user bit .....	E-64
Manual editing .....	E-30	Superimpose screen .....	E-65
Preroll .....	E-31	Servo reference .....	E-66
Automatic editing .....	E-32	Audio V Fade Function .....	E-68
• Switch settings and adjustments .....	E-33	Audio recording channel and monitor output selection .....	E-69
• Selecting the editing mode .....	E-34	Printed circuit board .....	E-70
• Entering the edit points .....	E-35	Rack mounting .....	E-71
• Checking the edit points .....	E-36	Video head cleaning .....	E-72
• Modifying the edit points .....	E-37	Condensation .....	E-72
• Preview .....	E-38	Error messages .....	E-73
• Executing automatic editing .....	E-39	Table of AUTO OFF Error messages .....	E-75
• Review .....	E-40	RS-232C interface .....	E-77
• Split editing .....	E-41	Connector signals .....	E-84
• Audio split editing .....	E-42	Specifications .....	E-86

---

**Before operating this unit, check that all of its accessories are present and accounted for.**

Power cord....1 pc

**Option**

- AJ-MA75P Rack mounting adaptor
- AJ-YA951 Analog video interface kit

# General and Features

---

This multi-purpose studio digital video cassette recorder uses 1/4-inch compact video cassette tapes, and it is designed to record, playback and edit interlace signals (625i/525i, 50 Mbps recording rate) as well as record and play back existing DVCPRO signals (25 Mbps). Its 625/525 switching function makes this a studio video cassette recorder which can be used anywhere in the world. In addition, it incorporates digital compression technology so that the deterioration in picture quality and sound quality resulting from dubbing is significantly minimized.

The compact, lightweight 4U size makes carrying easier, even when mounted in a 19-inch rack. The settings for the unit's setup can be performed interactively while viewing the screen menus on the TV monitor, and editing functions include both assemble and insert editing. The editing functions do not work when using this unit in DVCPRO (25 Mbps) mode.

## Features

### **Compact size and light weight**

This is a 4U-size digital VTR. It can be mounted in a 19-inch rack with ease using the optional rack-mounting adaptors (AJ-MA75P).

### **Up to 92 minutes of recording**

Two sizes of cassette tapes can be used with this unit: M cassette (max. 33 minutes) and L cassettes (max. 92 minutes). The width of the tapes measures 1/4 inch to achieve a compact design.

### **Superior Picture quality**

Superior picture quality is delivered in the component signal recording mode.

### **Switchable 625i/525i**

The video input signal switch (settings: 625i/525i) can be set to accommodate the recording and playback of each type of signal.

### **SDI interface**

This product's standard features include 4:2:2 serial digital interface.

### **Playback compatibility with DVCPRO**

This product is also capable of recording in the existing DVCPRO format and playing back tapes which have been recorded using this format.

### **Digital slow motion/dial jog**

With Panasonic's unique digital slow motion technology, slow motion playback images are clear at the following speeds:  $-0.43/-0.3/-0.2/-0.1/-0.03/+0.03/+0.1/+0.2/+0.3/+0.5/+0.75$

#### **<Note>**

- Some noise may occur when the slow motion speed is changed.

### **Dial shuttle**

Shuttle operations enable the tape to be played back with colour images at a speed of up to 32 times the forward and reverse direction.

### **Time codes**

This unit comes with a built-in time code generator (TCG)/time code reader (TCR). In addition to the internal time code, an external code input or input signal VITC can be recorded on this VTR as the LTC time code.

---

---

## Features

(continued)

### **Multifunctional interface**

- **Serial digital input/output**

The component serial interface, a standard feature, allows for interfacing component signals in serial digital (SMPTE259M-C, 272M/EBU Tech.3267-E).

- **Analog video input/output**

Composite output is a standard feature. Using the optional analog input/output interface board makes possible input/output interfacing of component signals (Y, P<sub>B</sub>, P<sub>R</sub>) as well as composite input interfacing.

- **AES/EBU audio input/output**

Digital audio input/output connectors are featured.

- **SDTI input/output (option)**

- **9-pin (RS-422A)/(RS-232C) remote**

In addition to the standard 9-pin serial remote (RS-422A), RS-232C and 25-pin parallel remote connectors are also featured.

The RS-422A connector enables another VTR to be operated in parallel with the unit if a looping connection is used for the two units.

### **4-channel high-sound-quality digital audio**

The 4-channel PCM audio allows for not only independent editing and mixing on all four channels. One channel is provided for the analog CUE track.

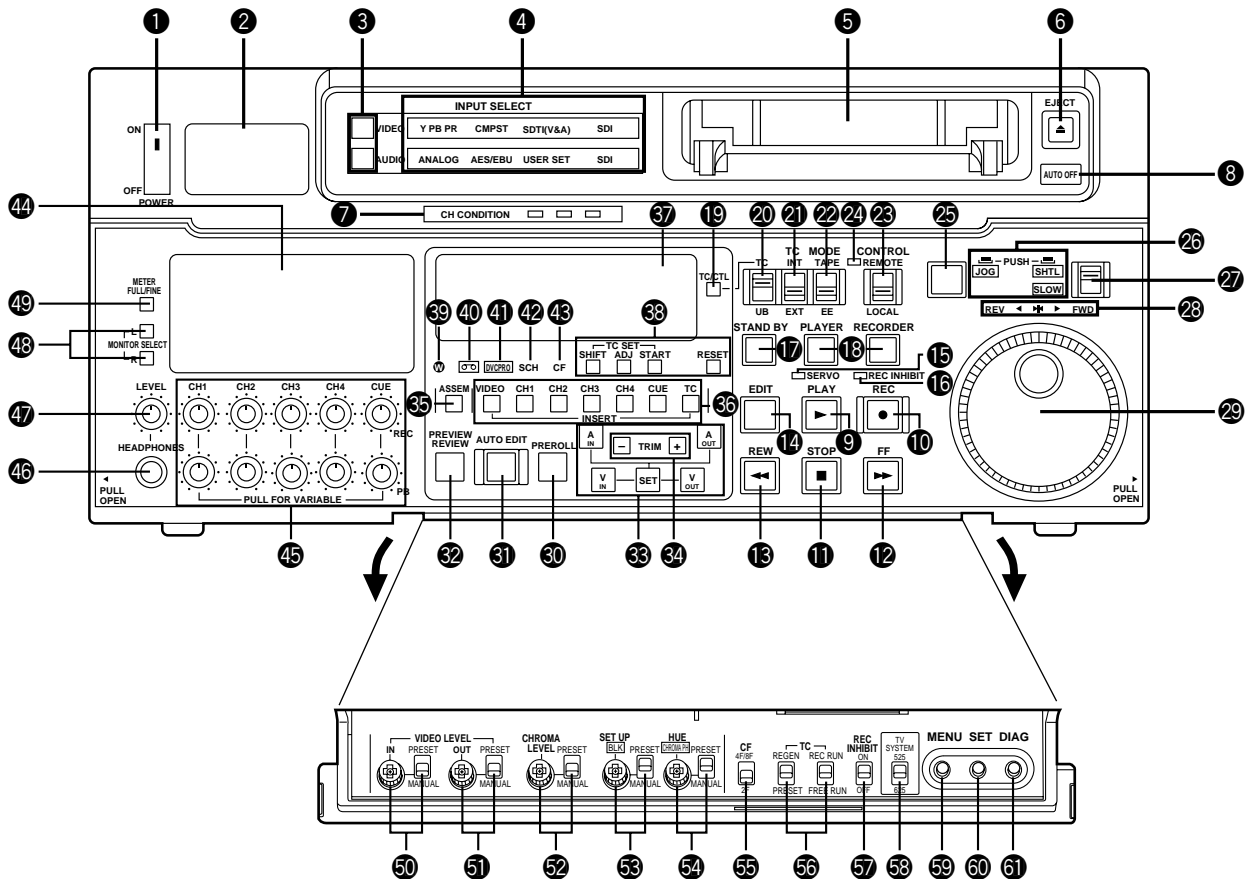
### **Menu-driven setup**

The setup settings, which are conducted prior to operating the unit are performed while viewing the setup menus either on the unit's display or a TV monitor.



# Controls and their functions

## Front panel



### <Front Panel Top Section>

① POWER switch

② TV system/format displays

These displays indicate the type of TV system selected and tape format.

<625/525>

**625:** This lights when a 625 interlaced TV system is selected.

**525:** This lights when the 525 interlaced TV system has been selected.

<25Mbps/50Mbps>

**25Mbps:** This indicates that the tape is recorded or played back in the 25Mbps DVCPRO format.

**50Mbps:** This indicates that the tape is recorded or played back in the 50Mbps DVCPRO format.

---

---

### ③ INPUT SELECT switches

These are used to select the video and audio input signals.

#### <Video>

Each time the VIDEO button is pressed, the input video signal selection is switched in the order of Y/PB/PR, COMPOSITE, SDTI (V&A), SDI and then back to Y/PB/PR. When SDTI (V&A) is selected, both video input and audio input are switched to SDTI.

#### <Audio>

Each time the AUDIO button is pressed, the input audio signal selection is switched in the order of ANALOG, AES/EBU, USER SET, SDI and then back to ANALOG. USER SET is a feature for independently selecting the input signals to record on PCM audio signal channels 1 through 4, and is used together with the setup menu. However, when video input is set to SDTI, audio input is also forcibly set to SDTI. For instance, if USER SET is selected by INPUT SELECT and the channel selections are CH1=ANALOG on setup menu No. 715, CH2=DIGITAL on No. 716, CH2=AES on No. 719, CH3=DIGITAL on No. 717, CH3=SIF on No. 720, and CH4=ANALOG on No. 718, then analog input signals are recorded on PCM audio signal CH1 on the tape, AES/EBU digital signals on CH2, SDI input digital signals on CH3, and analog input signals on CH4.

### ④ INPUT SELECT display

The characters corresponding to the selected input signal light up.

With the exception of analog audio signals, the display flashes to alert the user when the selected input signal is not supplied.

#### <Video>

**Y PB PR:** Analog component video signal (option)

**CMPST:** Analog composite video signal (option)

**SDTI (V&A):** Compressed data serial digital video/audio signal (option)

**SDI:** Serial digital video signal (SMPTE259M-C, 272M/EBU Tech.3267-E)

(The entire display lights when signal generation using the internal signal generator has been selected for setup menu No. 600 (INT SG).)

#### <Audio>

**ANALOG:** Analog audio signal

**AES/EBU:** Digital audio signal

**USER SET:** Selection of the audio signal to record

**SDI:** Serial digital audio signal

(The entire display lights when signal generation using the internal signal generator has been selected for setup menu No. 700 (INT SG).)

### ⑤ Cassette insertion slot

### ⑥ EJECT button

When this is pressed, the tape is unloaded and several seconds later the cassette is automatically ejected. When the counter display indicates "CTL", the display is reset.

### ⑦ Channel condition lamps

One of these lamps lights in accordance with the error rate status. (Green→Amber→Red)

**Green:** This lights when the error rates for the video and audio playback signals are both acceptable.

**Amber:** This lights when the error rate for the video or audio playback signals has deteriorated.

**Red:** The playback picture will remain normal even when this lamp lights.

This lights when the video or audio signals are subject to rectification or interpolation.

### ⑧ AUTO OFF lamp

This lights when trouble has arisen in the deck's operation.

### <Front Panel Centre Section>

#### 9 PLAY button

Playback commences when this button is pressed.

Recording commences when the button is pressed together with the REC button; manual editing commences when it is pressed together with the EDIT button during playback. However, manual editing will not be initiated if the servo is not locked.

Pressing only the PLAY button during manual editing will cut out the editing and establish the playback mode.

#### 10 REC button

Recording commences when this button is pressed together with the PLAY button.

When it is pressed during playback, search<sup>\*1)</sup>, fast forward or rewind, EE mode images and audio signals can be monitored for as long as it is kept depressed.

When it is pressed in the stop mode, EE mode images and sound can be monitored.

When the STOP button is pressed, the original picture and sound are restored.

#### 11 STOP button

When this is pressed, the tape stops travelling, and if the TAPE/EE selector switch is at TAPE, still pictures can be monitored.

The drum continues to rotate even in the stop mode, and the tape remains in close contact with the drum.

If the stop mode continues for more than a certain period of time, the unit automatically switches to the standby OFF mode in order to protect the tape.

The stop mode is established immediately after a cassette has been inserted into the unit.

#### 12 FF button<sup>\*2)</sup>

The tape is fast forwarded when this is pressed.

#### 13 REW button<sup>\*2)</sup>

The tape is rewound when this is pressed.

#### 14 EDIT button

For manual editing, press both this button and the PLAY button together during playback.

When the button is pressed in the stop mode, the input mode signals selected by the ASSEMBLE or INSERT button can be monitored in the EE mode.

The original picture and sound are restored when the STOP button is pressed.

When the button is pressed during playback, search<sup>\*1)</sup>, fast forward or rewind, the input signals of the mode selected by the ASSEMBLE or INSERT button can be monitored in the EE mode for as long as the button is held down.

#### 15 SERVO lamp

This lights when the drum servo and capstan servo have locked.

\*1) No guarantees are given for the audio playback sound in the search mode.

\*2) The FF/REW speed can be selected on the setup menu No. 102 (FF. REW MAX), and it is set to the same speed.

---

---

## <Front Panel Centre Section>

### 16 REC INHIBIT lamp

This lights when the REC INHIBIT switch in the front panel bottom section is at ON or when the accidental erasure prevention mode has been set for the cassette. In this state, neither recording nor editing is possible.

### 17 STAND BY button

When this is pressed, the same tension as in the regular stop mode is applied to the tape, and while the head drum continues to rotate, the button's lamp lights to indicate that the standby ON mode is established.

In the standby OFF mode, the half-loading mode is established.

When this button is pressed in the stop mode, the standby OFF mode is established, the half-loading mode is established. The lamp in the button now goes off. When the unit remains in the stop mode for longer than a predetermined period, the standby OFF mode is automatically established in order to protect the tape.

When this button or the STOP button is pressed in the standby OFF mode, the standby ON mode is established.

When a button other than the STOP button is pressed, the mode corresponding to the button pressed is established.

On-screen settings are available for the transfer time to the standby OFF mode.

### 18 PLAYER/RECORDER buttons

These buttons are operated when editing operations are conducted using the unit as the recorder and a VTR equipped with an RS-422A serial interface remote control connector (9 pins). Neither button functions when the unit is used on its own.

**PLAYER button:** When this button is pressed, its lamp lights, and the player connected to the unit can be operated by remote control. The unit's editing and tape transport buttons now control the player's functions.

**RECORDER button:** When this button is pressed, its lamp lights, and the editing and tape transport buttons control the recorder's (= the unit's) functions.

Both lamps light, and the recorder functions as the master unit for Parallel Run operations if the PLAYER or RECORDER button is pressed while "ENA" has been selected for setup menu No. 200 (PARA RUN). [However, external control can no longer be exercised from the REMOTE connector (9-pin) when this setting has been made.]

### 19 TC/CTL switch

By pressing this switch, what appears on the counter display is changed between TC and CTL.

When TC is selected, either the TC or UB value is displayed depending on the position selected by the TC/UB switch.

### 20 TC/UB switch

This selector switch determines whether the value of TC or UB appears on the counter display when the TC/CTL switch has been set to TC.

### 21 INT/EXT switch

**INT:** For using the built-in time code generator.

**EXT:** For using the time external code which is input from the time code input connector or the video signal VITC. The selection is set at the setup menu No. 505 (EXT TC SEL).

### 22 TAPE/EE switch

<In the stop mode>

**TAPE:** For outputting the signals played back from the tape.

**EE:** For outputting the input signals selected by the INPUT SELECT switch.

<In the editing\*/recording mode>

**TAPE:** For outputting the simultaneous playback signals.

**EE:** For outputting the input signals selected by the INPUT SELECT switch.

\* The SETUP menu No. 310 (CONFI EDIT) setting is required.

### <Front Panel Centre Section>

#### 23 REMOTE/LOCAL switch

This switch is set when the unit is to be controlled from an external source using the REMOTE connector, RS-232C connector or parallel connector.

**REMOTE:** Set to this position when controlling the unit by a device connected using the 9-pin REMOTE connector or RS-232C/parallel connector.

**LOCAL:** Set to this position when controlling the unit using the controls on its own operation panel.

#### 24 REMOTE lamp

This lights when the REMOTE/LOCAL switch has been set to the REMOTE position.

#### 25 Search button

This button is pressed to establish the search mode.

When the search dial is set to the shuttle mode and turned to a particular position, and this button is pressed, playback commences at the speed set by the search dial.

#### 26 JOG/SHTL/SLOW lamps

These indicate the present status of the search dial and SHTL/SLOW switch.

**JOG:** This lights when the unit is in the JOG mode.

**SHTL:** This lights when the unit is in the SHTL mode.

**SLOW:** This lights when the unit is in the VAR (variable) mode.

#### 27 SHTL/SLOW switch

This selector switch is set when the search dial is used for SHTL or SLOW applications.

#### 28 REV/STILL/FWD lamps

One of these lamps lights depending on the operation of the search dial.

**REV:** This lights when the dial is turned counterclockwise and the tape travels in the REV direction provided that the lamp in the search button has lit.

**STILL:** This lights in the JOG mode while the dial is kept stationary, and the tape stops travelling provided that the lamp in the search button has lit.

It lights in the SHTL mode provided that the dial is at the STILL position.

**FWD:** This lights when the dial is turned clockwise, and the tape travels in the FWD direction provided that the lamp in the search button has lit.

#### 29 Search dial

This is used to search for the edit points.

Each time it is pressed, the mode is alternately set to shuttle or jog, and one of the JOG, SHTL and SLOW lamps lights. When the power has been turned on, the dial will not function until it has first returned to the STILL position.

**Shuttle mode:** When the dial is turned and stopped at a particular position while the SHTL/SLOW switch is at SHTL, the tape can be played back at the speed corresponding to the dial's rotary angle position. A still picture appears at the dial's centre position.

When the dial is turned all the way counterclockwise with the SHTL/SLOW switch at SLOW, the tape speed is set to  $-4.1\times$  normal speed, when it is set to the centre position, a still picture is produced, and when it is turned all the way clockwise, the tape speed is set to  $+4.1\times$  normal speed. The speed for SLOW can be set using setup menu No. 300 (VAR RANGE).

**Jog mode:** The dial clickstops are cleared, and the tape is played back at the speed ( $-0.43\times$  to  $+1\times$  normal speed) corresponding to the speed at which the dial is turned.

---

---

## <Front Panel Centre Section>

### 30 PREROLL button

This is used for feeding and cueing the tape for manual editing.

When it is pressed, the tape travels to the preroll point where it stops.

The preroll time can be set on the setup menu No. 000 (P-ROLL TIME).

When this button is pressed together with the IN or OUT button, the tape can be cued to the IN or OUT point entered.

When the AUTO ENTRY on the setup menu No. 313 is set to "ENA", IN point has been entered at the point where the PREROLL button is pressed even if the IN point has not been entered.

### 31 AUTO EDIT button

Automatic editing is executed when this is pressed after an edit point has been entered.

When the AUTO EDIT button is pressed though the IN point has not been entered, automatic editing is executed using the point at which the button was pressed as the IN point.

### 32 PREVIEW/REVIEW buttons

**PREVIEW:** When this is pressed after an edit point has been entered, the tape travels, editing is not performed, and the preview can be activated on the screen connected to the recorder.

If it is pressed when the IN point has not been entered, the point at which the button was pressed is entered as the IN point, and preview is executed accordingly.

**REVIEW:** If this is pressed after a block has been edited, the now edited block can be played back and monitored on the screen connected to the recorder.

### 33 IN (A IN)/SET/OUT (A OUT) buttons

When IN (A IN) or OUT (A OUT) button is pressed together with the SET button, the IN (A IN) or OUT (A OUT) point is entered.

A IN and A OUT are used during audio split editing to enter an audio IN or OUT point that differs from the video In or OUT point.

While an IN (A IN) or OUT (A OUT) point is selected, the IN (A IN) or OUT (A OUT) button corresponding to the point entered lights. When this button is pressed after a point has been entered, the IN (A IN) /OUT (A OUT) point value appears on the counter display. When the IN (A IN) or OUT (A OUT) button is pressed together with the RESET button, the IN (A IN) or OUT (A OUT) point is cleared.

### 34 TRIM buttons

These buttons are used to trim IN or OUT point finely.

When the "+" or "-" button is pressed while the IN or OUT button is held down, the entered edit point can be trimmed in 1-frame increments. When the "+" button is pressed, the tape is advanced by one frame; when the "-" button is pressed, it is rewound by one frame.

### 35 ASSEMBLE button

This is pressed for assemble editing.

The button is self-illuminating, and it is set ON (lamp lights) when it is pressed once and OFF (lamp goes off) when it is pressed again.

### 36 INSERT buttons

Press one of these five buttons to select the input signals to be edited during insert editing.

The buttons are self-illuminating, and they are set ON (lamp lights) when they are pressed once and OFF (lamp goes off) when they are pressed again.

### 37 Counter display

This displays the TC and CTL count values, on-screen information and other messages.

### <Front Panel Centre Section>

#### 38 Time code buttons

These are used to set the TC or UB value.

**SHIFT:** When setting the TC or UB value, first press this button to stop the data running. Change the digit now flashing on the display.

Each time the button is pressed, the flashing moves to the right by one digit, and when it reaches the right-most digit, it returns to the left-most digit.

When it is kept depressed, the flashing moves consecutively.

**ADJ:** This is used to change the numeral of the digit now flashing on the display.

When the button is pressed once, the number is incremented by 1, and when it is kept depressed, the number is incremented consecutively.

**START:** This enters the data which has been changed by the SHIFT and ADJ buttons.

Also, Pressing this button when the TC or UB value are not set enables the TCG or UBG setting values to be confirmed.

**RESET:** When this button is pressed in the CTL mode, the display is reset to "00:00:00:00". In the CTL mode, the entered edit points are cleared.

In the TC/UB mode, the generator is reset when the button is pressed together with the SHIFT button.

#### 39 Warning lamp

This lights to warn the operator of a particular item.

#### 40 Cassette insertion display lamp

This lights when a cassette has been inserted into the unit.

#### 41 DVCPRO format (25Mbps) cassette playback display lamp

This lights when a cassette recorded in the DVCPRO format (25 Mbps) is being played back.

#### 42 SCH lamp

This lights when the SCH of the external sync signal is within a specific range.

#### 43 CF lamp

This lights when the colour framing is locked.

#### 44 Level meters

These indicate the respective levels of the PCM audio signals (CH1/CH2/CH3/CH4), CUE track signal or the video signal\*. The audio signal indicates the input signal levels during recording and E-E selection, and the output signal levels during playback.

For video signal, the meters indicate the input signal levels only.

\*CUE track signal or video signal is to be selected on setup menu No. 005 (METER SEL).

#### 45 Audio input/output level controls

These controls are used to adjust the recording and playback levels of the PCM audio signals (CH1/CH2/CH3/CH4) and the CUE track signal. The upper controls are for adjusting the recording levels. The lower controls are for adjusting the playback levels. Each control is a "pull for variable" control, meaning that the level can be adjusted only when the control has been pulled up. The signal levels are set to the unity value (preset value) when the controls have been pushed down.

#### 46 Headphones jack

The sound being recorded, played back or edited can be monitored on stereo headphones when they are connected to this jack.

---

---

## <Front Panel Centre Section>

### 47 Volume control

This is used to adjust the headphones volume and the monitor output volume.

Whether the headphones output and monitor output volumes are to be linked or kept separate can be set on the setup menu No. 713 (MONI OUT). (Note that the headphones output volume is normally linked.)

When the volumes are kept separate, the monitor output is set to the unity value (preset value).

### 48 MONITOR SELECT switches

These are used to select the audio signals output to the monitor L/R channels.

Each time the “L” button is pressed, the signals output to the monitor L channel are selected in turn in the following order: CH1, CH2, CH3, CH4, CUE and back to CH1.

[However, this switching is disabled when CH1+2 or CH3+4 has been selected for setup menu No. 729 (MONITOR MIX L).]

Each time the “R” button is pressed, the signals output to the monitor R channel are selected in turn in the following order: CH1, CH2, CH3, CH4, CUE and back to CH1.

[However, this switching is disabled when CH1+2 or CH3+4 has been selected for setup menu No. 730 (MONITOR MIX R).]

The L or R lamp on the level meter display lights to indicate which signal is now being selected. (When the unit is set to “AUTO” in No. 721 (MONI CH SEL) on the setup menu, then the display will change according to the monitor output.)

### 49 METER (FULL/FINE) selector switch

This is used to change the scale display (graduations) of the audio level meters.

**FULL mode:** Standard scale (from  $-\infty$  to 0 dB)

**FINE mode:** The scale changes every 0.5 dB



### <Front Panel Bottom Section>

#### 50 VIDEO IN LEVEL control and switch

These are used to adjust the video input level.

**PRESET:** When the switch is set to "PRESET", the video input level is set to the unity value (0 dB).

**MANUAL:** When the switch is set to "MANUAL", the video input level can be adjusted using this control.

#### 51 VIDEO OUT LEVEL control and switch

When setup menu No. 00 (ENCODER SEL) is set to "LOCAL", the video output level can be adjusted.

When the switch is set to "PRESET", the video output level is set to the unity value (0 dB).

When the switch is set to "MANUAL", the video output level can be adjusted using this control.

#### 52 CHROMA LEVEL control and switch

When setup menu No. 00 (ENCODER SEL) is set to "LOCAL", the chroma level can be adjusted.

When the switch is set to "PRESET", the chroma level is set to the unity value (0 dB).

When the switch is set to "MANUAL", the chroma level can be adjusted using this control.

#### 53 BLACK LEVEL control and switch

When setup menu No. 00 (ENCODER SEL) is set to "LOCAL", the black level can be adjusted.

When the switch is set to "PRESET", the black level is set to the unity value (0 IRE).

When the switch is set to "MANUAL", the black level can be adjusted using this control.

#### 54 CHROMA PHASE control and switch

When setup menu No. 00 (ENCODER SEL) is set to "LOCAL", the chroma phase can be adjusted.

When the switch is set to "PRESET", the chroma phase is the unity value (0°).

When the switch is set to "MANUAL", the chroma phase can be adjusted using this control.

#### 55 CF switch

This selects whether the playback framing is to be locked in 4-field or 8-field increments or 2-field increments.

**4F/8F:** 625 mode: The framing is locked in 4- or 8-field increments. The framing can be selected in either 4- or 8-field increments using setup menu No. 108 (CAP. LOCK).

525 mode: The framing is locked in 4-field increments.

**2F:** The framing is locked in 2-field increments.

#### 56 TC generator switch

**REGEN:** When the REGEN/PRESET switch is at REGEN, the internal time code generator is synchronized with the time code which the time code reader read from the tape. Whether to set TC or UB to REGEN can be selected at the setup menu No. 503 (TCG REGEN).

**PRESET:** When the REGEN/PRESET switch is at PRESET, presetting is enabled by the controls on the operation panel or by remote control.

**REC RUN:** The time code runs only during recording when the RUN MODE switch has been set to REC. The time code runs constantly when the REGEN/PRESET switch is set to REGEN.

**FREE RUN:** The time code runs regardless of the operation mode as long as the power is being supplied when the RUN MODE switch has been set to FREE.

---

---

## <Front Panel Bottom Section>

### 57 REC INHIBIT switch

This is used to inhibit or allow recordings on the video cassette tape.

**ON:** Recording on the tape is inhibited. At this setting, the REC INHIBIT lamp in the front panel lights.

**OFF:** Recording on the tape is allowed provided that the accidental erasure prevention tab on the video cassette tape enables recording to be conducted.

### 58 TV SYSTEM selector switch

This selects the type of television system. The setting of this switch takes effect when the power is turned off and then turned back on again.

**625:** 625 interlaced/50 Hz television system selection.

**525:** 525 interlaced/59.94 Hz television selection.

During recording, choose a signal input that corresponds to the 625i/525i selection.

During playback, choose a video cassette tape that corresponds to the 625i/525i selection.

### 59 MENU button

When this is pressed, the setup menu appears on the TV monitor using VIDEO OUT 3 connector, and the setup menu No. appears on the display.

When it is pressed again, the menu setting mode is exited and the original operating mode is restored.

### 60 SET button

When this is pressed, the data which has been set on the setup menu is entered. After data entry, the setup menu setting mode is exited and the original operating mode is restored.

### 61 DIAG button

When this is pressed, VTR information is displayed. When it is pressed again, the original display is restored.

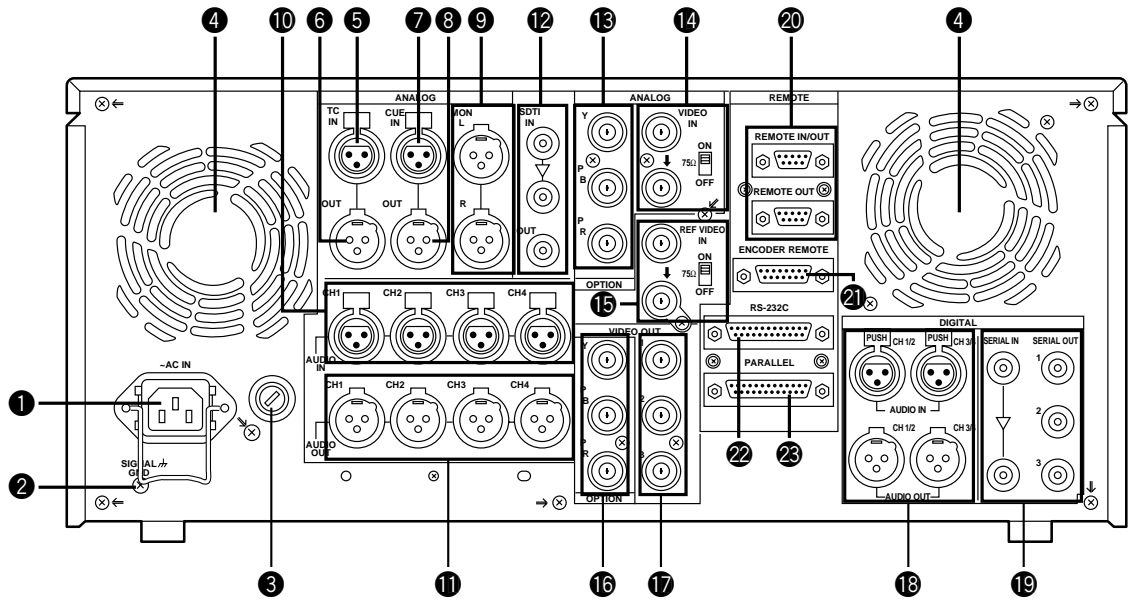
There are two types of VTR information: "HOURS METER" information and "WARNING" information. Switching between these types is enabled by pressing the search button.

Indicated on the "HOURS METER" screen are the power-on time, drum rotation time, tape travel time, loading count and power ON/OFF time, etc.

Indicated on the "WARNING" screen are the warnings.

# Controls and their functions

## Connector area



---

---

## <Connector area>

### ① AC IN connector

This is for connecting the unit to the power outlet using the power cord provided.

### ② SIGNAL GND terminal

This terminal is connected to the signal ground terminal of the connected unit in order to reduce noise. It is not connected to ground for safety purposes.

### ③ Fuse holder

This contains a fuse.

### ④ Fan motor

This is for cooling the unit.

The **W** lamp lights when trouble has caused the fan motor to stop. If the unit is still operated in the warning status, the temperature inside the deck will rise, and when it exceeds the safety temperature, all the unit's operations will be shut down.

### ⑤ TIME CODE IN connector

This is the connector for recording the external time code on the tape.

### ⑥ TIME CODE OUT connector

The playback time code is output from this connector during playback.

During recording, the time code generated by the internal time code generator is output.

### ⑦ CUE IN connector

The analog signal to be recorded on the CUE track is supplied to this connector. The audio signals from a microphone can also be recorded by selecting the –60dB input mode on the setup menu No. 705 (CUE IN LV).

### ⑧ CUE OUT connector

The analog signal recorded on the CUE track is output from this connector.

### ⑨ MONITOR OUT connector

During playback, the playback signals from the CUE track or PCM audio signal CH1/CH2/CH3/CH4 are output from this connector.

### ⑩ ANALOG AUDIO IN connectors

These are the analog audio input connectors.

### ⑪ ANALOG AUDIO OUT connectors

The analog audio signals are output from these connectors.

### ⑫ SDTI IN/OUT connector (option)

### ⑬ ANALOG COMPONENT VIDEO IN connector (option)

The analog component video signal is supplied to this connector.

### ⑭ ANALOG COMPOSITE VIDEO IN connectors and 75Ω termination switch (option)

The analog composite video signal is supplied to these two connectors which are connected in a loop-through configuration. When the termination is required, set the switch to ON.

### ⑮ REF VIDEO IN connectors and 75Ω termination switch

These are the input connectors for the reference video signals. Supply signals with colour burst. When the termination is required, set the switch to ON.

### <Connector area>

**16 ANALOG COMPONENT VIDEO OUT connector (option)**

The analog component video signal is output from this connector.

**17 ANALOG COMPOSITE VIDEO OUT connectors**

The analog composite video signals are output from these connectors.

The video signal with signals superimposed on it can be output from the VIDEO OUT3 connector.

The superimpose function can be set ON or OFF on the setup menu No. 007 (SUPER).

**18 DIGITAL AUDIO IN/OUT connector**

This I/O connector is for digital audio signals which comply with the AES/EBU standard.

**19 SERIAL DIGITAL COMPONENT AUDIO/VIDEO IN/OUT connector**

This I/O connector is for digital component audio and video signals which comply with the SMPTE 259M-C, 272M/EBU Tech.3267-E standard.

**20 Remote control connectors**

The unit can be controlled from an external source by connecting the unit with another unit or an external controller.

There are two remote control connectors, one for IN/OUT uses and the other for OUT uses.

**IN/OUT:** For connection with an external controller.

For connection with deck-to-deck operation.

**OUT:** For connection with parallel running operations.

For use in a loop-through configuration.

**21 ENCODER REMOTE connector**

The external encoder/controller is hooked up to this connector when the video output signal and other settings are to be adjusted from an external source.

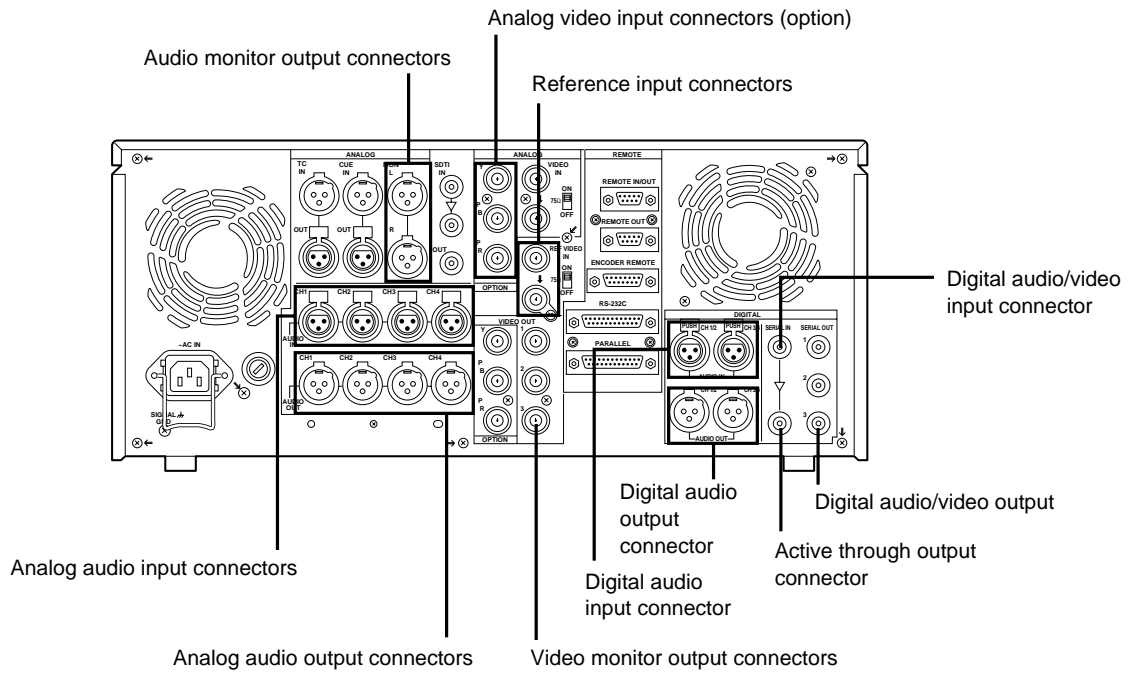
**22 RS-232C connector**

**23 PARALLEL REMOTE connector**

This is used when operating the unit from an external source.

# Connections when one unit is used

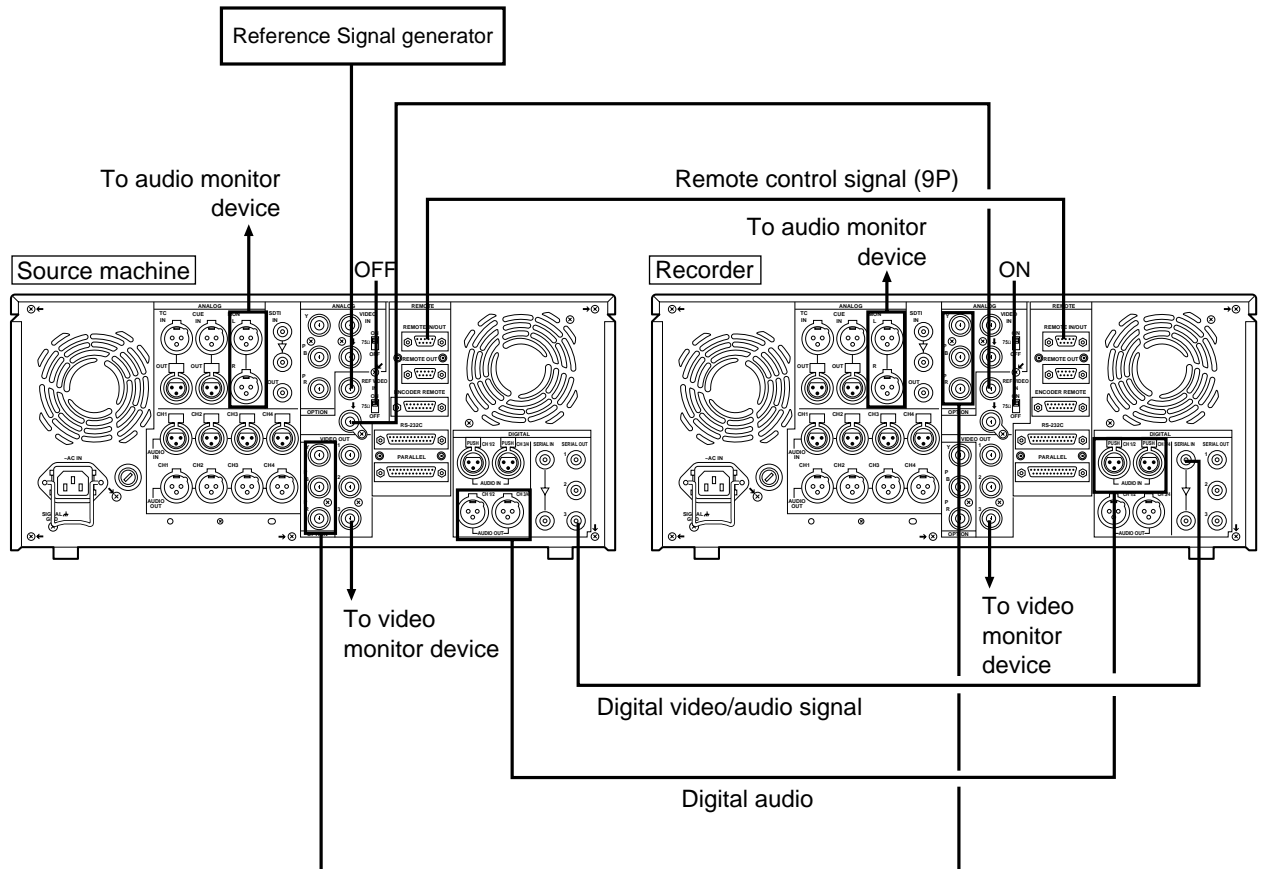
Set the CONTROL switch on the front panel to LOCAL.



# Connections when 2 units are used (deck to deck)

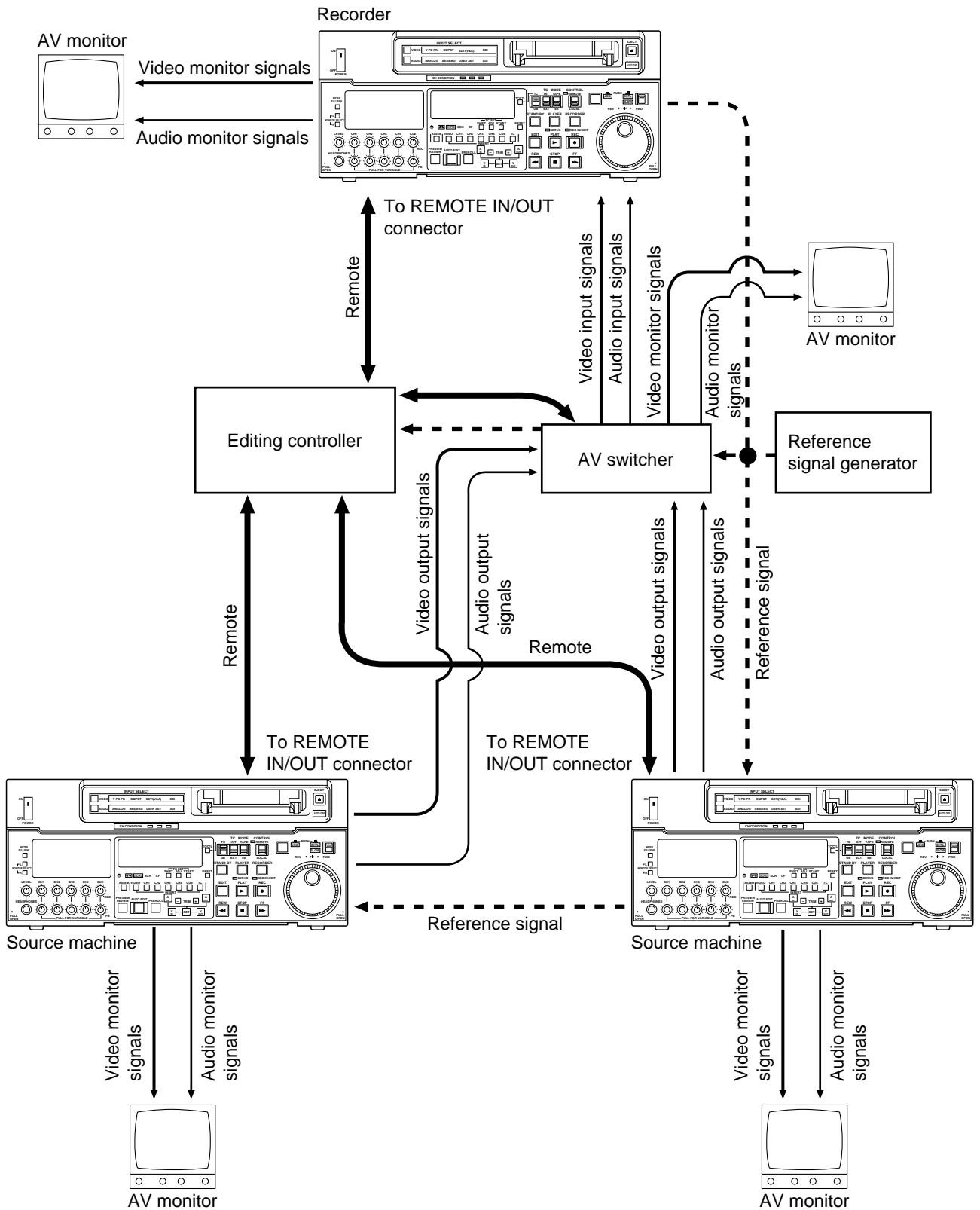
**Source machine:** • Set the CONTROL switch on the front panel to REMOTE.

**Recorder:** • Set the CONTROL switch on the front panel to LOCAL.



Analog video signal (component)  
[When the analog input/output signal interface board kit (option) has been installed]

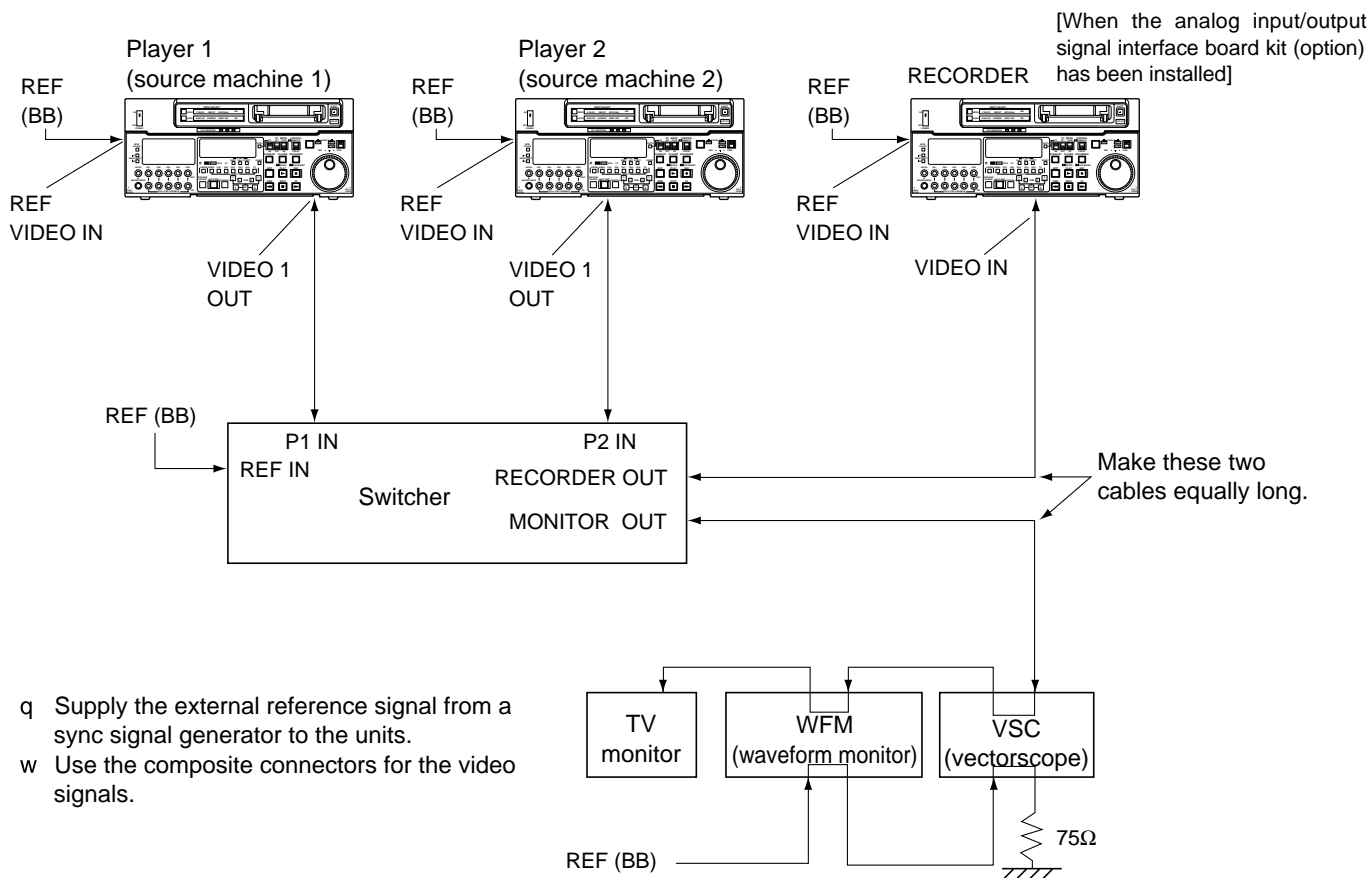
# Connections with editing controller



**<Note>**  
 When an editing controller made by CMX is used, support must be provided at the editing controller side.



# Connections for adjusting video output (encoder output) signals

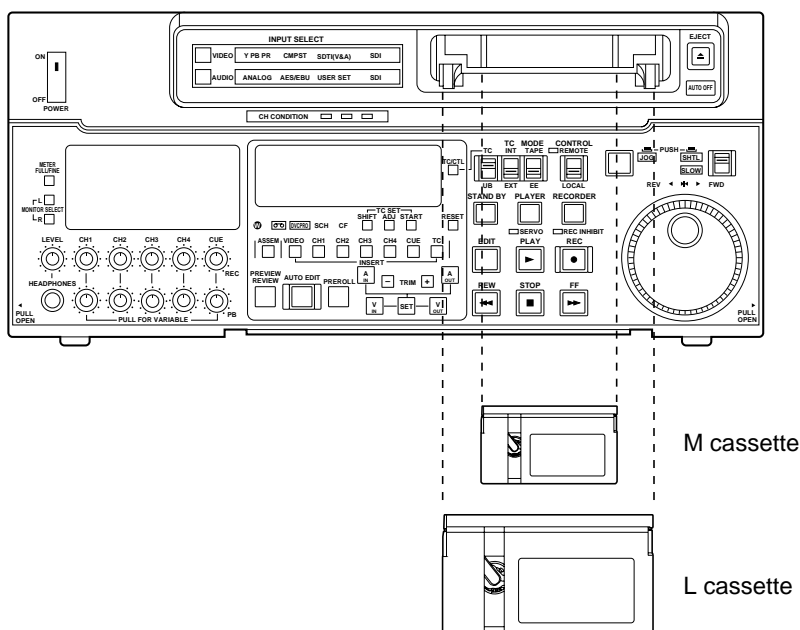


# Tapes

Three types of tapes can be used with the unit.

Type	Description
<b>M cassette</b>	Recording/playback tape with a maximum capacity of 33 minutes. (AJ-P12MP, AJ-P23MP, AJ-P33MP, AJ-P63MP)
<b>L cassette</b>	Recording/playback tape with a maximum capacity of 92 minutes. (AJ-P64LP, AJ-P94LP, AJ-P123LP, AJ-5P92LP)

Align the cassette with the centre of the insertion slot and push it in gently. The cassette tape is loaded automatically.



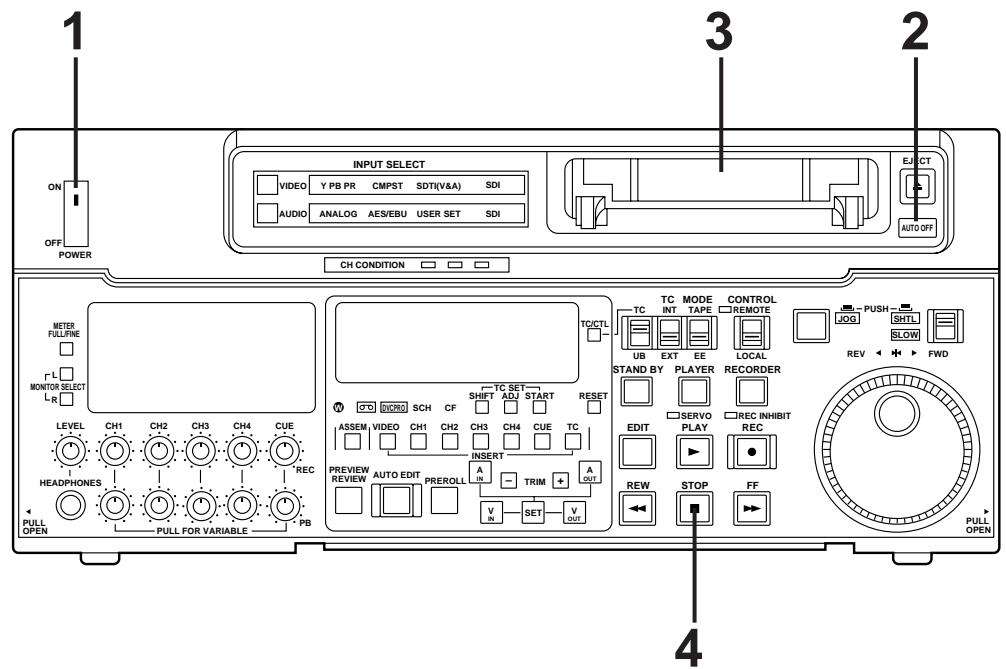
## <Notes>

- Consumer DV tapes cannot be used and should not be inserted.
- AJ-5P92LP tape is used only for DVCPRO 50 (50 Mbps) mode.  
Do not use it for DVCPRO (25 Mbps) mode and DVCPRO (25 Mbps) VTR.

# Switching on the power/inserting the cassette

Before starting to operate the unit, check whether the equipment has been connected properly.

- 1** Turn on the power.
- 2** Check that the AUTO OFF lamp is off.  
When condensation has formed or some other trouble has occurred, the AUTO OFF lamp lights, and all operations are disabled.
- 3** Insert the cassette tape.  
Insert the tape at its proper position without force.
- 4** Check that the STOP lamp is on.  
When the tape is inserted, the cylinder rotates automatically, the tape is loaded and the unit goes into the stop mode. The EJECT lamp goes off.

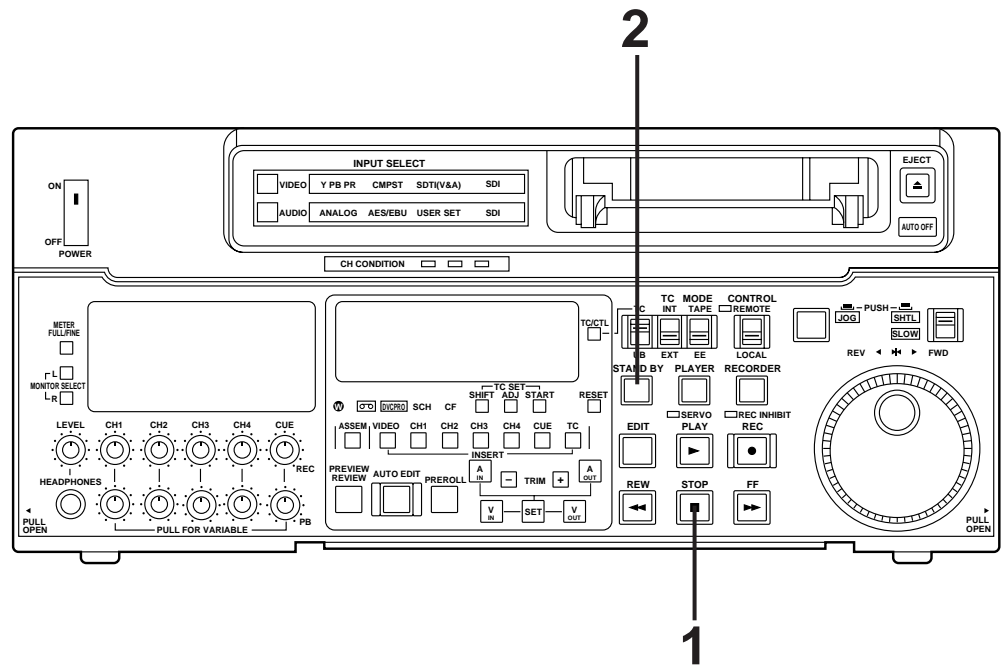


# STOP/STAND BY mode

- 1** When the STOP button is pressed, the unit goes into the stop mode. The STOP lamp lights and the tape stops travelling.
  - In order to protect the tape, the unit goes into the standby OFF mode after the time set by setup menu No. 400 (STILL TIMER) has elapsed. When the STOP, REW, FF or PLAY button is pressed, the unit will go into the appropriate mode.
- 2** When the STAND BY button is pressed, the unit goes into the standby ON/OFF mode. When the button's lamp is lit, the unit is in the standby ON mode. When the button is pressed during the stop mode, the unit goes into the standby OFF mode and half-loading mode and the lamp goes off. When the button is pressed during the standby OFF mode, the unit goes to the standby ON mode.

## Still Timer Setting

Page 55 indicates the settings for menu item 400-Still Timer set. Still Timer settings 4 and below will best protect the tape.



- 1** Set the accidental erasure prevention tab on the cassette tape to the “recording” position and insert the tape.
- 2** Press the STOP button to place the unit in the stop mode.
- 3** Set the TAPE/EE switch to EE.  
EE images now appear on the TV monitor.
- 4** Check that the REC INHIBIT lamp is off.  
If this lamp is lit, set the REC INHIBIT switch to OFF.
- 5** Select the video and audio input signals and adjust their levels.
  - 5-1 Selecting video/audio input signals**
    - 1** Connect the signals to be recorded.
    - 2** Select the input signals using the INPUT SELECT switches on the front panel.  
The input signals corresponding to the lit lamps have been selected.
  - 5-2 Adjusting the video level**

[When the analog input/output signal interface board kit (option) has been installed].

    - 1** Normally, the VIDEO IN LEVEL control/switch **50** is left at the “PRESET” setting (unity value).
    - 2** To adjust the recording level, set the VIDEO IN LEVEL control/switch **50** to “MANUAL” and use it to adjust the level to a setting between +3 dB and –3 dB.
  - 5-3 Adjusting the audio level**
    - 1** Adjust the audio input signal levels of the analog audio CH1/CH2, CH3/CH4 signals and analog cue signal. Keep the audio input/output level controls **45** pushed in (unity value).  
The audio signals will be recorded at the proper level.
    - 2** To adjust the recording level, pull out the controls **45** and adjust them. With the CUE signal, adjust the control in such a way that –20dB will not be exceeded.
- 6** Press the PLAY button while holding down the REC button. The REC and PLAY lamps light, and recording commences.
- 7** To end the recording, press the STOP button.  
Recording is ended, and the unit goes into the stop mode.

### <Notes>

- Check that the SERVO lamp is lit during recording. If it flashes or if it is off, the images played back will be disturbed.
- Only the analog composite video input signals can be adjusted. (The digital video and analog component input signals cannot be adjusted.)

# Playback

---

- 1** Insert the cassette tape, and place the unit in the stop mode.
- 2** Press the PLAY button.  
Regular playback is now commenced.
- 3** Adjust the audio playback level.  
Pull out the audio level controls and turn them clockwise or counterclockwise to adjust the levels. Normally, they are kept in the pushed-in state (unity value).
- 4** To end playback, press the STOP button.  
The VTR now goes into the stop mode.

**<Note>**

- Check that the SERVO lamp is lit during playback. If it flashes or if it is off, the images played back will be disturbed.

# Jog/shuttle

---

## Jog mode

- 1** Push the search dial to the “in” position.  
Be sure that the JOG lamp lights.
- 2** Rotate the search dial.  
The dial's clickstops are cleared, and the tape is played back at the speed ( $-0.43\times$  to  $+1\times$  normal speed) corresponding to the speed at which the dial is turned. When the dial rotation is stopped, a still picture appears. The playback picture is noise-free.
- 3** To transfer from the jog mode to another mode, press the appropriate button.

## Shuttle mode

- 1** Push the search dial to release it from the “in” position. The SHTL lamp lights, and the unit goes into the shuttle mode.
  - Immediately after the power has been turned on, rotate the search dial and set it to the centre position.
- 2** Set the SHTL/SLOW switch to SHTL or SLOW.
- 3** Rotate the search dial.  
When the SHTL/SLOW switch has been set to SHTL, the playback picture speed is varied from 0 to  $\pm 32\times$  normal speed depending on the position of the dial. The playback picture speed can be switched to  $\pm 8\times$  and  $\pm 16\times$  normal speed with setting menu No. 101 (SHTL MAX).  
The dial's centre position is a clickstop where a still picture appears as the playback image. When the SHTL/SLOW switch has been set to SLOW, the playback picture speed is varied from  $-4.1$  to  $+4.1\times$  normal speed depending on the position of the dial. The playback picture speed can be switched from  $-0.43$  to  $1\times$  normal speed with setting menu No. 300 (VAR RANGE). However, noise appears at speeds other than  $-0.43$  to  $+1\times$  normal speed.  
The dial's centre position is a clickstop where a still picture appears as the playback image. The playback picture is noise-free.
- 4** To transfer from the shuttle mode to another mode, press the STOP button or other button.

### <Note>

- When the unit leaves the factory, its operation is set up so that it will be transferred to the shuttle or jog mode when the search dial is rotated. If it is inconvenient for operation to be transferred to the variable-speed mode directly, it can also be transferred through the search button.  
Set setup menu No. 100 (SEARCH ENA) to KEY.

# Manual editing

---

- 1** Select the editing mode.  
**ASSEMBLE:** For assemble editing.  
**INSERT:** For insert editing.
- 2** Select the editing channel.  
In the case of insert editing, press the channel button corresponding to the signals to be edited, and check that its lamp is on.
- 3** Press the PLAY button.
- 4** Search for the position where the editing is to be commenced (IN point) while viewing the TV monitor, and press the PLAY and EDIT buttons together at the IN point.
- 5** Press the STOP or PLAY button at the position where editing is to be completed (OUT point) while viewing the TV monitor. The unit goes into the stop mode, and editing is completed.

## <Notes>

- The edit IN and OUT points are not entered with manual editing.
- The editing functions do not work in DVCPRO (25 Mbps) mode.



# Preroll

---

- 1** Press the PREROLL button.  
The VTR now performs the preroll operation.
  - When the edit IN point has been entered, the tape is rewound from the edit IN point for the duration set by setup menu “000,” and the unit then goes into the stop mode.
  - When the edit IN point has not been entered, the tape is rewound for the duration set by setup menu “000” from the position where the button was pressed, and the unit then goes into the stop mode.

## <Notes>

- The time code or CTL signal must be continuously recorded between the edit IN point and preroll point.
- When the IN point has not been entered, whether to enter the IN point and perform preroll or to perform preroll without entering the IN point can be selected at setup menu No. 313 (AUTO ENTRY).

## Automatic editing (Deck to Deck)

---

Editing refers to the job of using a prerecorded tape to produce a complete recording by joining together separate cuts and deleting unnecessary parts.

The basic steps taken for editing are as follows.

- 1** Set the CONTROL switch to REMOTE on the player and to LOCAL on the recorder.
- 2** Select the editing mode.
- 3** Enter the edit points of the recorder and player.
- 4** Check and modify the edit points.
- 5** Check (Preview) before proceeding with the editing.
- 6** Proceed with the editing.
- 7** Check (Review) the recording that has resulted from the editing.

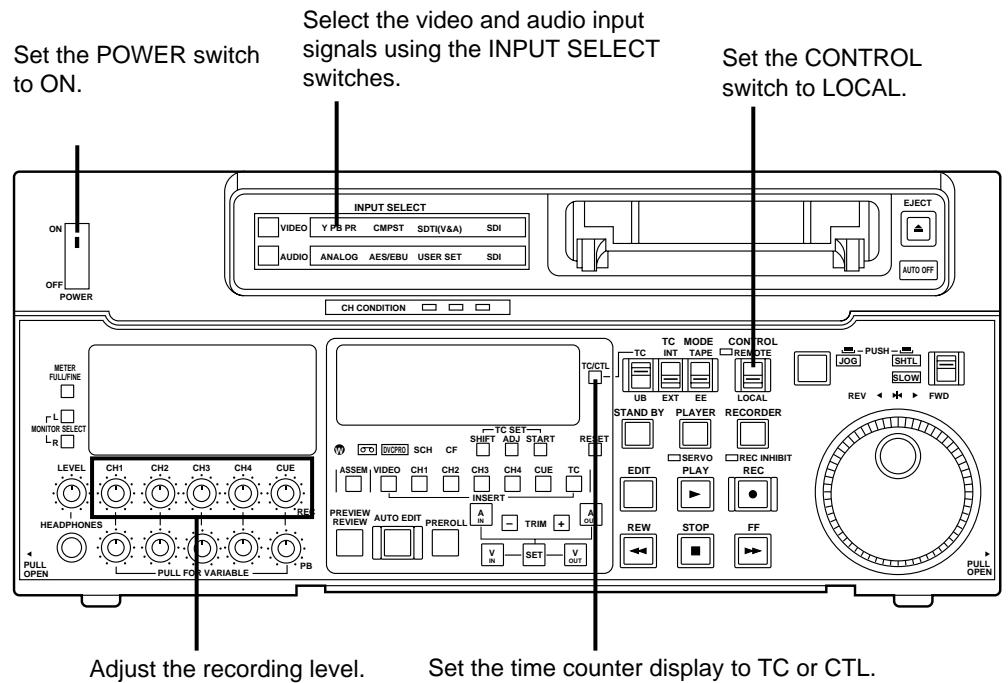
**<Note>**

- The editing can not be performed when the digital videocassette recorder is used in DVCPRO (25 Mbps) mode.

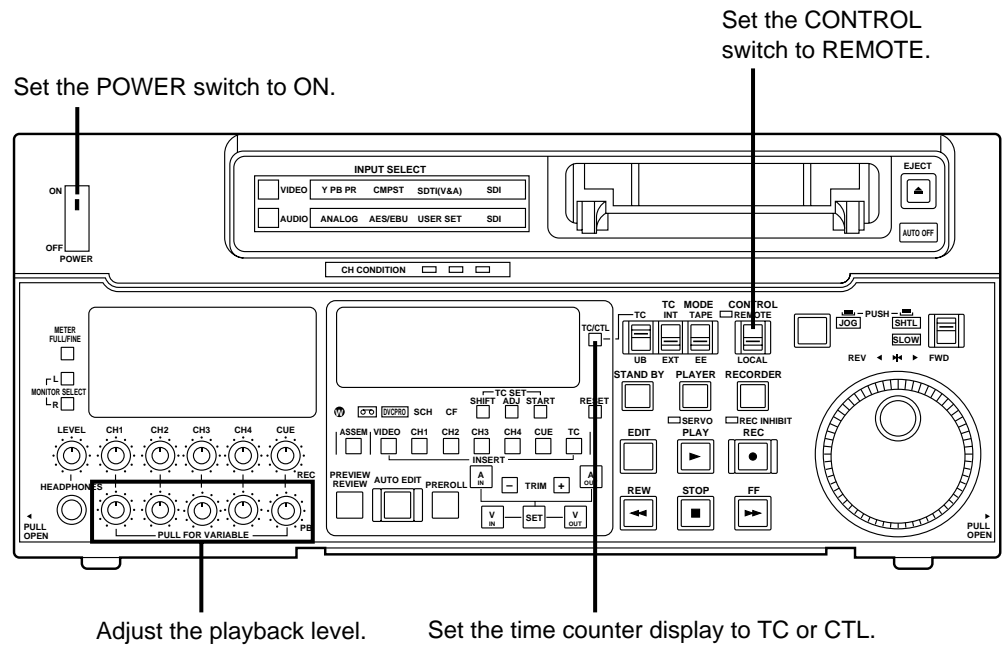
# Automatic editing

## Switch settings and adjustments

When the unit is used as the recorder:

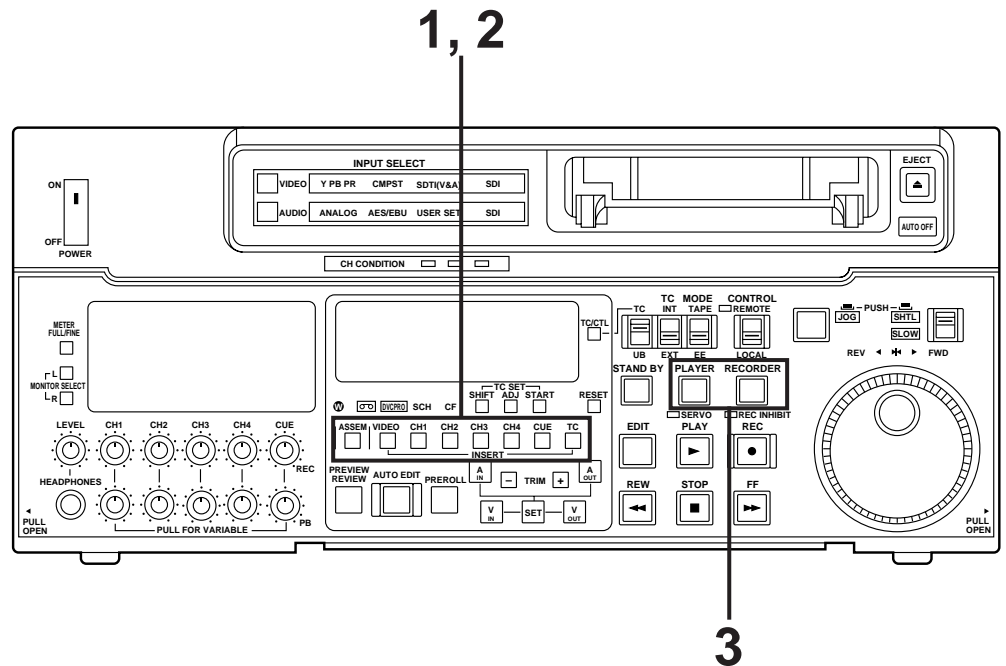


When the unit is used as the player:



## Select the editing mode

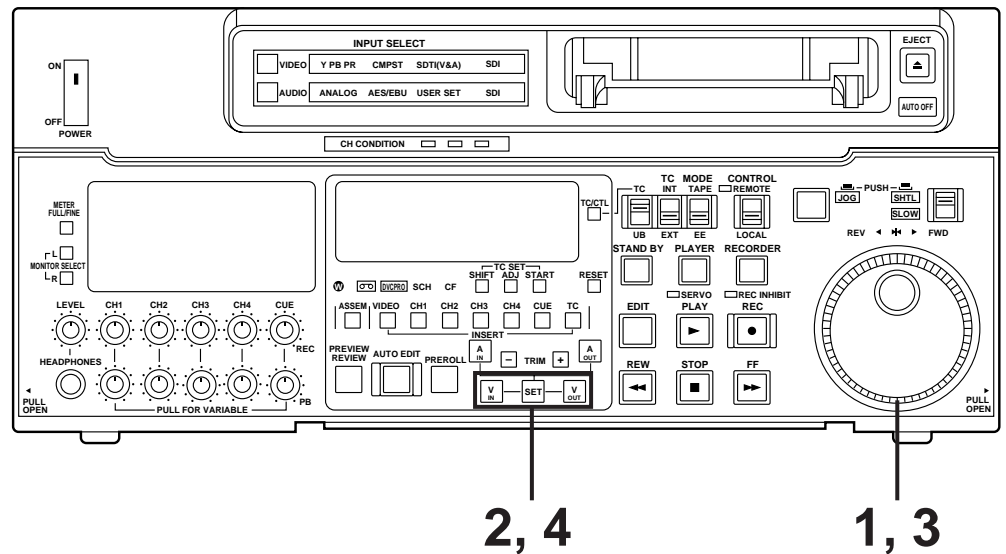
- 1** Select the editing mode.  
For assemble editing, press the ASSEMBLE button.  
For insert editing, press the INSERT button.  
**ASSEMBLE:** The assemble editing mode (in which cuts are joined together) is established.  
**INSERT:** The insert editing mode (in which cuts are inserted) is established.
- 2** Select the editing channel.  
With assemble editing, the ASSEMBLE lamp light.  
With insert editing, press the button of the channel whose signals are to be edited and light its lamp.
- 3** Select the VTR to be operated (this setting is performed when editing with 2 VTRs).  
Press the PLAYER or RECORDER button to select the VTR.  
**PLAYER:** Press this button to operate the player VTR and enter the edit points.  
**RECORDER:** Press this button to operate the recorder VTR (this unit) and enter the edit points.



# Automatic editing

## Entering the edit points

- 1** Search for the edit IN point by performing the jog or shuttle operation. Establish the still picture mode at the desired position. Refer to page 29 for details on the jog/shuttle operations.
- 2** Press the IN and SET buttons together. The edit IN point is now entered. The edit IN point value now appears on the display.
- 3** Search for the edit OUT point by performing the jog or shuttle operation. Establish the still picture mode at the desired position. Refer to page 29 for details on the jog/shuttle operations.
- 4** Press the OUT and SET buttons together. The edit OUT point is now entered. The edit OUT point value now appears on the display.



### Match frame processing function

When using two VTRs for editing, a total of four edit points—namely, the player's IN and OUT points and the recorder's IN and OUT points—need to be entered. However, since the last edit point is calculated automatically, only three of these edit points must be entered.

### Negative duration function

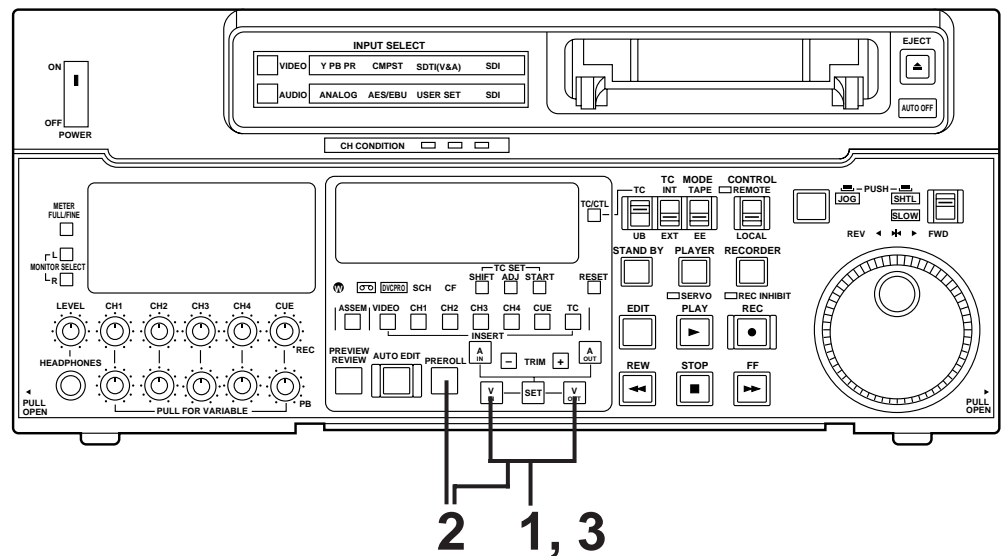
This function is used by combining setup menu No. 301 (IN/OUT DEL) and No. 302 (NEGA FLASH) described on page 53.

## Checking the edit points

- 1** Press the IN (or OUT) button to check the edit point.  
The value of the entered edit point appears on the display.
- 2** Press the PREROLL button while holding down the IN (or OUT) button to check the image at the edit point.  
The tape is cued at the edit IN (or OUT) point, and the still picture mode at that point is displayed.
  - The EE mode is established if the TAPE/EE switch has been set to the “EE” position when “STOP” has been selected for the setup menu No. 315 (AFTER CUE-UP).
- 3** Press the IN and OUT buttons together to check the edit duration.  
The duration time appears on the display.

## Calculating the duration

- When both edit points have been set, the duration between the two edit points.
- When only one edit point has been set, the duration between the set data and the current tape address.
- When neither edit point has been set, the duration of the previously edited interval.



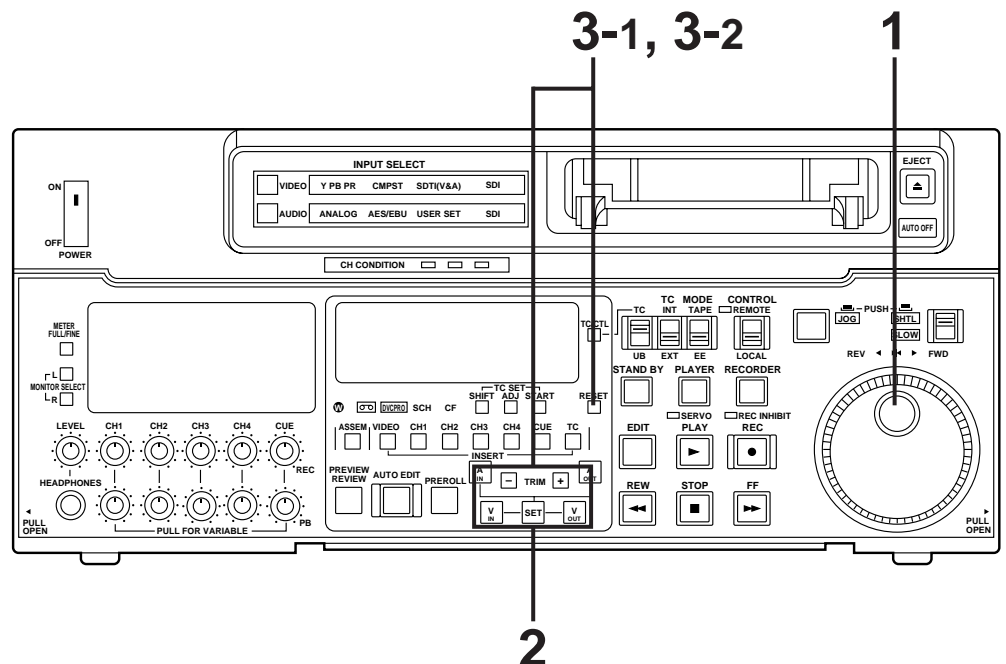
# Automatic editing

## Modifying the edit points

- 1** Re-entering the edit points  
Search for the new edit point by performing the jog or shuttle operation, and press the IN (or OUT) and SET buttons together to re-enter the edit point.
- 2** Modifying the edit point in frame units (trim function)  
Press the TRIM button while holding down the IN (or OUT) button. The edit point is put ahead by 1 frame each time the + button is pressed. The edit point is put back by 1 frame each time the – button is pressed.
- 3** Resetting the edit points
  - 3-1** Resetting both the edit IN and OUT points
    - Press the RESET button.
  - 3-2** Resetting either the edit IN or OUT point
    - Press the RESET button while holding down the IN (or OUT) button.

### <Notes>

- Edit points can be reset only in the CTL mode.
- An edit OUT point can be reset even while editing is in progress.
- The IN and OUT points are automatically reset during the eject mode.

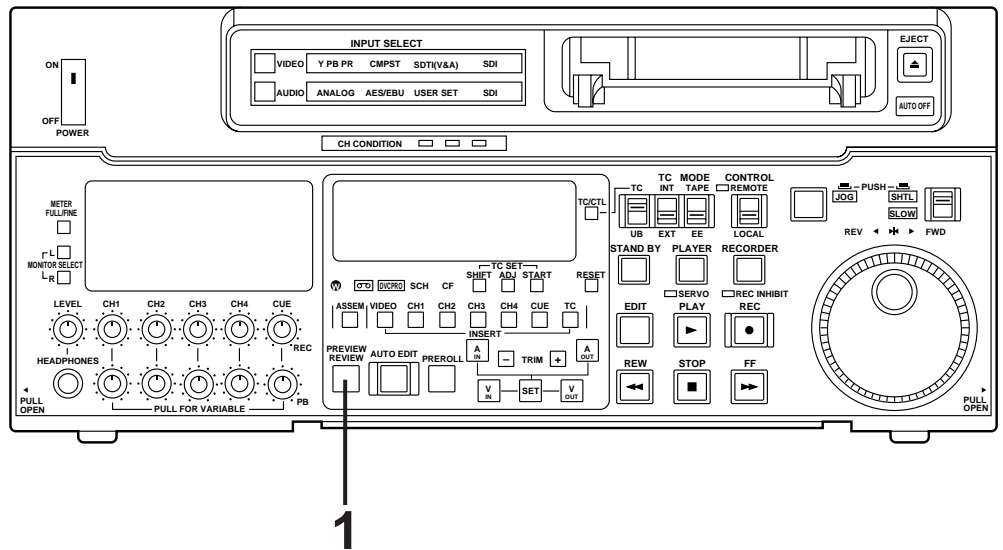


# Preview

- 1 After the edit points have been entered, press the PREVIEW button. Normal preview is now performed.

### <Notes>

- If the edit IN point has not been entered, the position where the PREVIEW button was pressed will be entered at the edit IN point.
- To stop the preview at any time, press the STOP button.
- If the PREVIEW button is pressed again while preview is in progress after the IN point, preview will start again from the beginning.
- When the edit OUT point is reached, the unit automatically goes into the stop mode.





# Automatic editing

## Executing automatic editing

- 1 Press the AUTO EDIT button.  
Automatic editing is now performed.
  - To stop the editing at any time, press the STOP button.
  - When the edit OUT point is reached, the unit goes into the stop mode after postrolling.

### Postroll

With assemble editing, editing continues for approx. 2 seconds even after the edit OUT point has been passed, the tape is rewound to the OUT point, and the unit goes into the stop mode.

With insert editing, the unit goes into the play mode after the edit OUT point has been passed, the tape is rewound to the OUT point, and the unit goes into the stop mode.

### Retry function

If the AUTO EDIT button is pressed again after the STOP button has been pressed to stop the editing, editing will start again from the beginning.

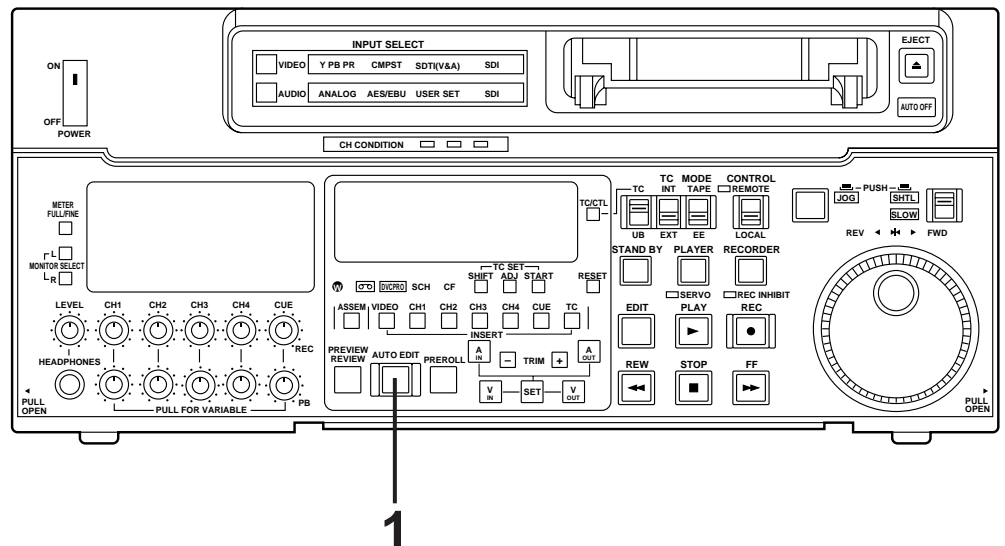
### Auto tag editing

If the AUTO EDIT button is pressed when the next edit point has not yet been entered upon completion of editing, the previous edit OUT point will be entered as the IN point, and editing is performed accordingly.

To release the auto tag mode, press one of the tape transport buttons (PLAY, etc.).

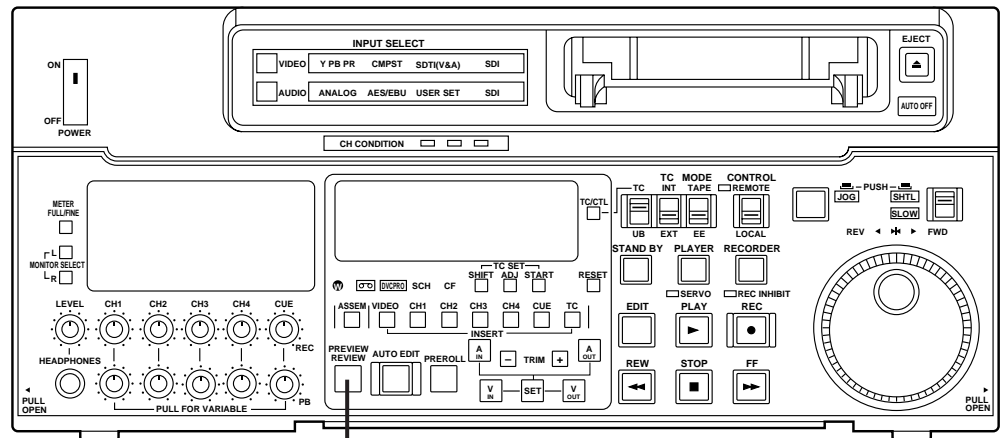
### <Note>

- The entered points are automatically cleared after editing is executed. However, the previous editing points can be recalled by pressing the TRIM+ (or TRIM-) and SET buttons together.



# Review

- 1 Upon completion of the editing, press the REVIEW button.  
The review is started in the recorder.
  - To stop the review at any time, press the STOP button.
  - When the edit OUT point is reached, the unit goes into the stop mode after postrolling.



# Split editing

Split editing refers to editing where the editing channels are switched while insert editing is in progress.

**1** Perform insert editing.

**2** Switch the editing channel.

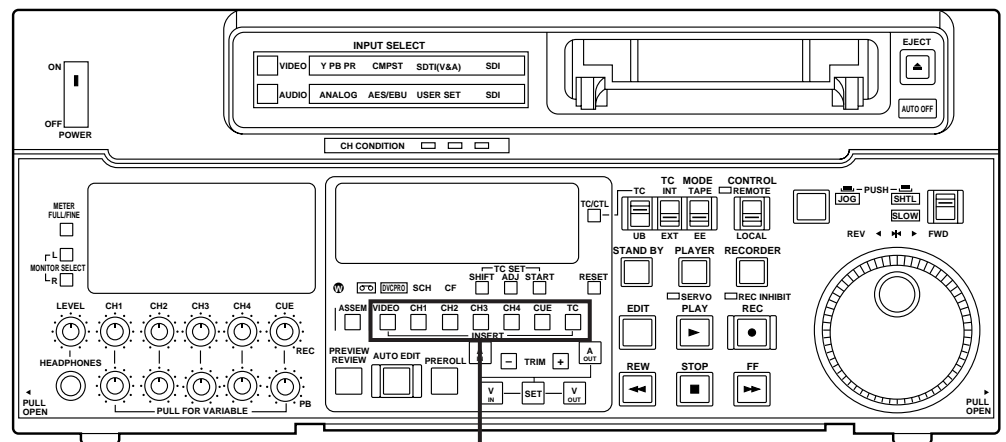
When, for instance, sound from AUDIO CH2 is to be additionally inserted during video channel insert editing:

**2-1** Press the AUDIO CH2 button during video channel editing.

The lamp in the button lights and the AUDIO CH2 sound is insert edited.

**2-2** Press the AUDIO CH2 button again and turn off the lamp in the button.

This completes the AUDIO CH2 insert editing.



**2**

# Audio split editing

The video edit points and audio edit points can be entered separately, and they can be offset from each other and edited.

The audio edit points cannot be entered when the assemble editing mode has been selected. After the edit points have been entered, follow the same operating procedure as that for insert editing.

## ■ Entering the edit points

- Video IN point: Press the SET button while holding down the IN button.
- Video OUT point: Press the SET button while holding down the OUT button.
- Audio IN point: Press the SET button while holding down the A-IN button.
- Audio OUT point: Press the SET button while holding down the A-OUT button.

## ■ Deleting the edit points

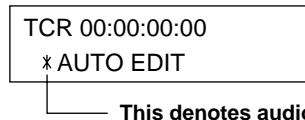
- Video IN point: Press the RESET button while holding down the IN button.
- Video OUT point: Press the RESET button while holding down the OUT button.
- Audio IN point: Press the RESET button while holding down the A-IN button.
- Audio OUT point: Press the RESET button while holding down the A-OUT button.

## ■ Modifying the edit points

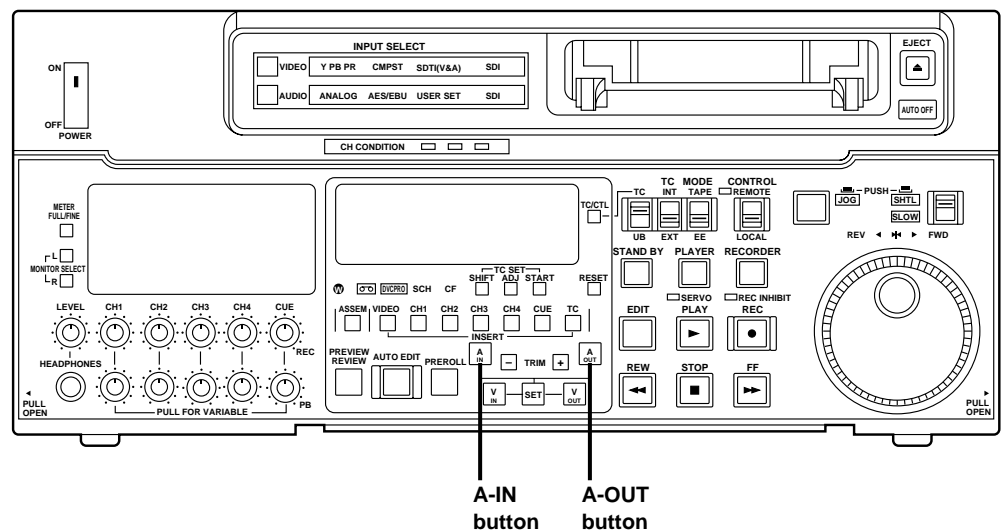
- Video IN point: Press the TRIM+ or TRIM- button while holding down the IN button.
- Video OUT point: Press the TRIM+ or TRIM- button while holding down the OUT button.
- Audio IN point: Press the TRIM+ or TRIM- button while holding down the A-IN button.
- Audio OUT point: Press the TRIM+ or TRIM- button while holding down the A-OUT button.

## ■ Indicating audio split editing

When the audio edit points are entered, “ \* ” appears superimposed on the front panel and TV monitor to denote audio split editing.



This denotes audio split editing.



# Audio split editing

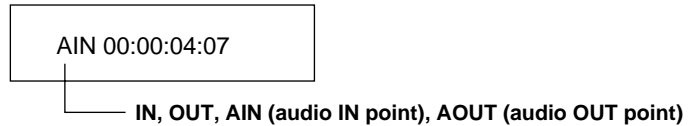
---

## ■ Displaying the audio split edit points

The edit points are displayed on the front panel as shown below. (The figure shows an audio IN point.)

### Operations

- Video IN point: Press the IN button.
- Video OUT point: Press the OUT button.
- Audio IN point: Press the A-IN button.
- Audio OUT point: Press the A-OUT button.



### Note:

If the editing mode is switched to assemble editing after audio edit points have entered, these points will be deleted.

## ■ Cueing up the tape to the edit points

- Cue-up to video IN point: Press the PREROLL button while holding down the IN button.
- Cue-up to video OUT point: Press the PREROLL button while holding down the OUT button.
- Cue-up to audio IN point: Press the PREROLL button while holding down the A-IN button.
- Cue-up to audio OUT point: Press the PREROLL button while holding down the A-OUT button.

## ■ Duration display

The duration can be displayed on the front panel only.

Duration from video IN point to OUT point: Press the IN and OUT buttons simultaneously.

Duration from audio IN point to OUT point: Press the A-IN and A-OUT buttons simultaneously.

## Match frame processing mechanism

When two VTRs are used for audio split editing operations, there will be a total of eight edit points: two pairs of video IN and OUT points, one for the player and the other for the recorder, and two pairs of audio IN and OUT points, one for the player and the other for the recorder. Since the remaining three points are automatically calculated when five of these eight edit points are entered, up to five edit points can be entered.

## ■ When a VTR without a split editing function is to be used as the player

When a VTR which does not have the ability to set the video and audio edit points separately is used as the player, split editing can still be performed by setting the audio IN and OUT points using the recorder and setting the data of three points as the video edit points.

### Note:

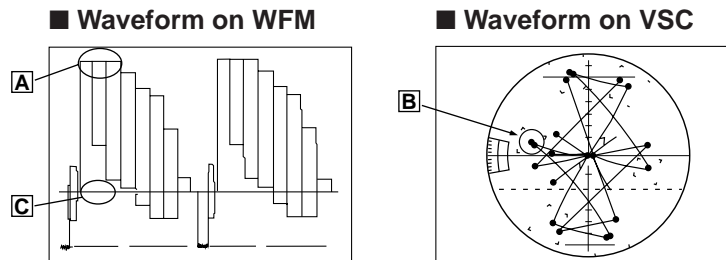
If, during audio split editing, only the video OUT point (or audio OUT point) is entered and automatic editing is executed without the audio OUT point (or video OUT point) having been entered, editing will continue until the audio OUT point (or video OUT point) is entered or the STOP button is pressed to suspend operation.

# Video output (encoder output) signal adjustments

After this system has been connected, the video output signal (ENCODER OUT) must be adjusted if AB roll editing (editing using two source machines) using an editor, for instance, is to be error-free and accurate. (This adjustment must be repeated when one of the connecting cables has been replaced and whenever the connections are changed.)

The adjustment procedure using this unit is outlined below.

- 1** Check the connections. (see page 23.)
- 2** Set setup menu No. 00 (ENCODER SEL) to "LOCAL".  
**REMOTE:** For adjusting the video output signals using an external encoder remote controller.  
**LOCAL:** For adjusting the video output signals using this unit.
- 3** Adjust the source machine independently.
  - 3-1** When using the preset values  
Set the PRESET/MANUAL switches of the VIDEO OUT LEVEL, CHROMA LEVEL, BLACK LEVEL and CHROMA PHASE controls to PRESET.
  - 3-2** When adjusting the video output signals without using the preset values
    - 1** Play back a cassette tape on which standard colour bar signals have been recorded.
    - 2** Adjust the controls in such a way that the waveforms on the waveform monitor (WFM) and vectorscope (VSC) resemble those shown in the figures below.
      - A** Video level  
Adjust this level to 700 mV.
      - B** Chroma level and chroma phase  
Adjust the two controls in such a way that the light spot of the vector waveforms comes inside the rectangular grid mark.
      - C** Black level  
Adjust the control to eliminate deviation.



- 4** Perform the same adjustments on the source machine connected to the unit.

# Setup (default settings)

The unit's major settings are performed by making selections on menus. The setting menus appear on the TV monitor when the TV monitor and VIDEO OUT 3 connector in the unit's connector area are hooked up.

## Changing the settings

- 1 Press the MENU button.  
The setup menu appears on the TV monitor and setup menu No. appears on the counter display. (If the setup has already been performed, the screen showing the changes made last will appear.)
- 2 Rotate the search dial and select the item to be set.  
The cursor (\*) on the menu screen moves and the item No. on the display flashes.
  - When the dial is rotated clockwise, the item No. is incremented from 001→002→003→004 and so on; when it is rotated counterclockwise, the item No. is decremented.
  - The search dial should be used in jog mode if at all possible.
  - Hold down the PLAY button and press the FF (next major item) or REW (previous major item) buttons to select the menu by major item.
- 3 While holding down the search button, rotate the search dial at the position where the change is to be made.  
The setting No. now flashes.  
When the dial is rotated clockwise, the setting value is incremented; when it is rotated counterclockwise, it is decremented.
- 4 Release the search button when the setting is completed.  
The setting value on the menu screen and display flashes.
  - During the SHTL mode, the item moves if the search dial is not at the STILL position.
- 5 Repeat steps 2 through 4 to change another item.
- 6 Press the SET button.  
The changes are now stored in the memory.
  - To return the items to the settings established before the changes were made, press the MENU button.

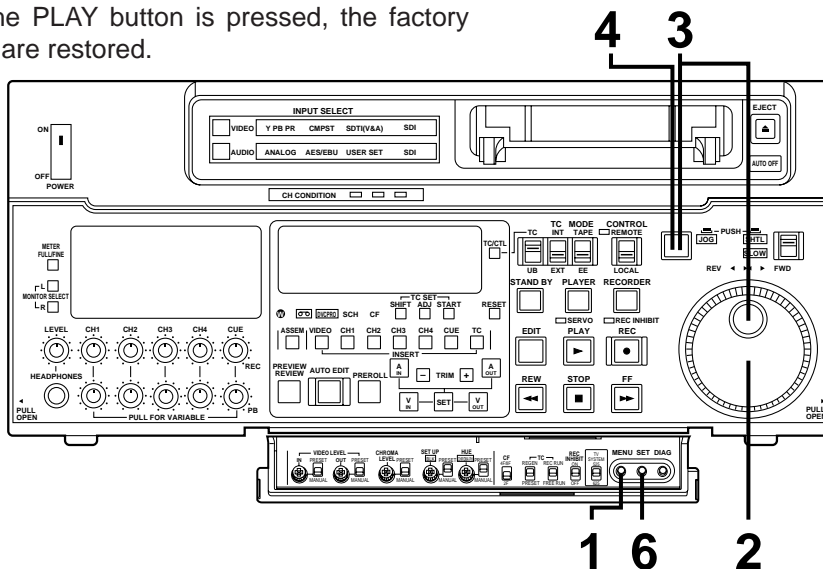
To return the setup settings to the factory (default) settings, press the RESET button while the menu is displayed. **The following message will now appear:**

SETUP-MENU INIT SET  
YES<PLAY>/NO<STOP>

When the PLAY button is pressed, the factory settings are restored.

**<Note>**

- When the RESET button is pressed to return to the factory settings, the factory settings are restored only for the user file currently being used and other user files are not affected.
- The changed SYSTEM menu contents are recorded even if the MENU button is pressed.



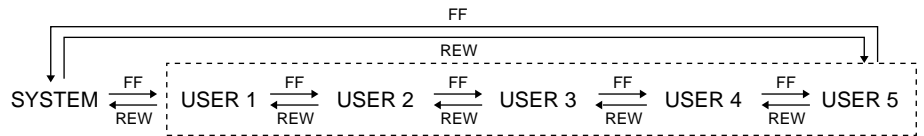
# Setup (setting) menus

---

This unit can store up to 5 user files (user 1 to user 5) containing different menu settings, and these files can be selected and used.

## Changing the file

- 1** Press the MENU button.
- 2** Hold down the STAND BY button and press the FF button to switch to the next user file. Hold down the STAND BY button and press the REW button to switch to the previous user file.



### USER FILE

Each user file contains the following items.

- BASIC
- OPERATION
- INTERFACE
- EDIT
- TAPE PROTECT
- TIME CODE
- VIDEO
- AUDIO

- 3** Repeat the operation in step 2 to select the user file to be used and press the SET button. The user file is changed and stored in the memory.

### <Note>

- SYSTEM menu items are not included in user files 1 to 5. Therefore, after selecting the user file, switch to the SYSTEM file and set the SYSTEM menu items.



# Setup (setting) menus

## SYSTEM menu

### <SYSTEM>

Item		Setting		Description
No.	Superimposed display	No.	Superimposed display	
00	ENCODER SEL	0000 <u>0001</u>	REMOTE <u>LOCAL</u>	This selects whether the video output signal is to be adjusted on the VTR or with the external encoder remote control. 0: Video output signals are adjusted with the external encoder remote control. 1: Video output signals are adjusted on the VTR.
01	SYS SC	0000 ⋮ <u>0127</u> ⋮ 0255	-127 ⋮ <u>0</u> ⋮ 128	System phase adjustment: Total variable range: $\pm 180^\circ$ or more -: Advanced +: Delayed <b>&lt;Note&gt;</b> If setting operation is performed, the setting value does not return to factory (default) setting.
02	SYS H	0000 ⋮ <u>0108</u> ⋮ 0216	-108 ⋮ <u>0</u> ⋮ 108	System phase adjustment: 74 ns steps -: Advanced +: Delayed <b>&lt;Note&gt;</b> If setting operation is performed, the setting value does not return to factory (default) setting.
03	VIDEO PHASE	0000 ⋮ <u>0032</u> ⋮ 0064	-32 ⋮ <u>0</u> ⋮ 32	Video phase adjustment: 148 ns steps -: Advanced +: Delayed
04	SCH COARSE	<u>0000</u> 0001 0002 0003	<u>0</u> 90 180 270	SCH phase adjustment: $90^\circ$ units -: Advanced +: Delayed (The S and C phases change but the H phase does not change.)
05	SCH FINE	0000 ⋮ <u>0032</u> ⋮ 0064	-32 ⋮ <u>0</u> ⋮ 32	SCH phase adjustment: Total variable range: $\pm 45^\circ$ or more -: Advanced +: Delayed (The S and C phases change but the H phase does not change.)
06	AV PHASE	0000 ⋮ <u>0100</u> ⋮ 0200	-100 ⋮ <u>0</u> ⋮ 100	This adjusts the audio output phase with respect to the video output: 20.8 $\mu$ s steps -: The audio output phase is advanced with respect to the video output. +: The audio output phase is delayed with respect to the video output.
07	SYS H RANGE	0000 <u>0001</u>	FULL <u>FINE</u>	This selects the adjustable range for SYSTEM H during when the ENCODER REMOTE is connected. 0: $\pm 6.7 \mu$ sec ( $\pm 30$ seteps) 1: $-1.5$ to $+2.2 \mu$ sec ( $-7$ to $+10$ steps) <b>&lt;Note&gt;</b> If setting operation is performed, the setting value does not return to factory (default) setting.

The underline on the setting item denotes the initial setting.

# Setup (setting) menus

## USER menu

### <BASIC>

Item		Setting		Description
No.	Superimposed display	No.	Superimposed display	
000	P-ROLL TIME	0000 ⋮ <u>0005</u> ⋮ 0015	0S ⋮ <u>5S</u> ⋮ 15S	This sets the preroll time which can be set from 0 to 15 seconds in 1-second increments. <b>&lt;Note&gt;</b> When the unit is set to automatic editing [PREVIEW, AUTO EDIT], the unit will not operate if the preroll time is set to 0 seconds.
001	LOCAL ENA	0000 <u>0001</u> 0002	DIS <u>ST&amp;EJ</u> ENA	This selects the buttons which can be operated on the front panel when the REMOTE/LOCAL switch has been set to REMOTE. 0: No buttons can be operated. 1: Only the STOP and EJECT buttons can be operated. 2: All buttons except for the RECORDER and PLAYER buttons can be operated.
002	TAPE TIMER	<u>0000</u> 0001	<u>±12h</u> 24h	This selects the 12 or 24 hour display for the CTL counter. 0: 12 hour display 1: 24 hour display
003	REMAIN SEL	<u>0000</u> 0001	<u>OFF</u> ON	This selects whether the remaining tape time is shown on the front panel. 0: Not shown. 1: Shown. <b>&lt;Note&gt;</b> Even when "Shown" is selected, the remaining tape time is not shown while the unit is calculating the remaining tape time after ejecting or inserting the cassette.
004	SETUP NUMBER	<u>0000</u> 0001	<u>OFF</u> ON	This selects whether the SETUP-MENU No. is displayed on-screen. 0: The SETUP-MENU No. is not displayed. 1: The SETUP-MENU No. is displayed.
005	METER SEL	<u>0000</u> 0001	<u>CUE</u> VIDEO	This selects whether the level meters are to display the CUE track signal level or the video signal level. 0: The CUE track signal levels are displayed. 1: The video signal levels are displayed.
006	SYNCHRONIZE	<u>0000</u> 0001	<u>OFF</u> ON	This selects whether or not to synchronize between two VTRs. 0: No synchronization. The editing points deviate several frames, but editing can be started quickly. 1: Synchronization. Allows for error-free editing.
007	SUPER	0000 <u>0001</u>	OFF <u>ON</u>	This selects whether the time code and other super display which are output to the VIDEO OUT 3/SERIAL OUT 3 connector is to be shown. 0: Not shown. 1: Shown.
008	DISPLAY SEL	0000 <u>0001</u> 0002	TIME <u>T&amp;STA</u> T&S&M	This selects what information is to be provided by the time code and other super displays output to the VIDEO OUT 3/SERIAL OUT 3 connector. 0: Time only. 1: Time and status. 2: Time, status and mode. <b>&lt;Note&gt;</b> • An error message is displayed when an warning or error occurs.

The underline on the setting item denotes the initial setting.

## USER menu

### <BASIC> (continued)

Item		Setting		Description
No.	Superimposed display	No.	Superimposed display	
009	CHARA H-POS	0000 ⋮ <u>0005</u> ⋮ 0012	0 ⋮ <u>5</u> ⋮ 12	This sets the position of the characters on the horizontal plane for the time code and other super displays output to the VIDEO OUT 3/SERIAL OUT 3 connector. <b>&lt;Notes&gt;</b> 1. When setting this item, the DISPLAY SEL status is output to VIDEO 3 even if SUPER OFF has been set. However, when the menu is exited, operation complies with the SUPER OFF/ON setting. Also, CHARA TYPE is output to VIDEO 3 according to the status set in the menu. 2. When the DISPLAY SEL setting causes characters to extend beyond the edges of the screen, the setting value is changed so that the characters are automatically displayed in a position on the screen.
010	CHARA V-POS	625 mode 0000 ⋮ <u>0023</u> ⋮ 0028	0 ⋮ <u>23</u> ⋮ 28	This sets the position of the characters on the vertical plane for the time code and other super displays output to the VIDEO OUT 3/SERIAL OUT 3 connector. <b>&lt;Notes&gt;</b> 1. When setting this item, the DISPLAY SEL status is output to VIDEO OUT 3/SERIAL OUT 3 even if SUPER OFF has been set. However, when the menu is exited, operation complies with the SUPER OFF/ON setting. 2. When the DISPLAY SEL setting causes characters to extend beyond the edges of the screen, the setting value is changed so that the characters are automatically displayed in a position on the screen.
		525 mode 0000 ⋮ <u>0018</u> ⋮ 0022	0 ⋮ <u>18</u> ⋮ 22	
011	CHARA TYPE	<u>0000</u> 0001	<u>WHITE</u> W/OUT	This selects the display type for the super display output to the VIDEO OUT 3/SERIAL OUT 3 connector as well as for displays such as the setting menu, etc. 0: White characters against a black background. 1: White characters with a black border.
012	SYS FORMAT	<u>0000</u> 0001	<u>422</u> 411	This sets the VTR's recording and playback format. 0: This selects 422 (50M). 1: Selects 411 (25M). <b>&lt;Note&gt;</b> Editing is not possible in the 411 mode.
013	PB FORMAT	<u>0000</u> 0001	<u>MANUAL</u> AUTO	This selects the tape playback format. 0: Compliance with the setup menu No. 012 (SYS FORMAT) setting. 1: Compliance with the format in which the tape was recorded. <b>&lt;Notes&gt;</b> • When an editing mode has been selected, the "MANUAL" setting is forcibly established for internal operations. • There is no automatic setting in the 625/525 mode.

The underline on the setting item denotes the initial setting.

# Setup menus

## USER menu

### <OPERATION>

Item		Setting		Description
No.	Superimposed display	No.	Superimposed display	
100	SEARCH ENA	<u>0000</u> 0001	<u>    </u> DIAL KEY	This selects the direct search dial operation. 0: For direct search dial operations. 1: Operation is not transferred to the search mode unless the search button is pressed.
101	SHTL MAX	0000 0001 <u>0002</u>	×8 ×16 <u>    </u> ×32	This sets the maximum speed for shuttle operations. 0: 8× normal speed 1: 16× normal speed 2: 32× normal speed
102	FF. REW MAX	0000 <u>0001</u> 0002	×16 <u>    </u> ×32 ×50	This sets the maximum speed for FF and REW operations. 0: 16 (32)× normal speed 1: 32 (60)× normal speed 2: 50 (100)× normal speed <b>&lt;Note&gt;</b> Values for the 411 (25M) mode are shown in parentheses ( ).
103	AUDIO MUTE	<u>0000</u> 0001	<u>    </u> OFF ON	This sets the status until the audio signal is output when operation switches from the stop or search modes to the play mode. 0: The time until the audio is output is shortened. 1: The audio is output after the status stabilizes. <b>&lt;Note&gt;</b> When set to 0 (OFF), the sound in the initially output part is incomplete. Therefore, this setting is not recommended for broadcasts.
104	REF ALARM	0000 <u>0001</u>	OFF <u>    </u> ON	This selects whether to warn the operator when the REF.VIDEO signal has not been connected. 0: Warning is not given. 1: Warning is given by the flashing STOP lamp.
105	AUTO EE SEL	<u>0000</u> 0001 0002	<u>    </u> S/F/R STOP BLACK	This selects the VTR mode in which the EE status is established when the TAPE/EE switch is set to EE. 0: EE status is established in the STOP, FF or REW mode. However, EE status is always established in EJECT mode regardless of the TAPE/EE switch setting. 1: EE status is established only in the stop mode. However, EE status is always established in EJECT mode regardless of the TAPE/EE switch setting. 2: EE status is established only in the stop mode. However, depending on TAPE/EE switch setting EJECT mode is as follows: TAPE/EE switch EE: EE status TAPE/EE switch TAPE: BLACK status for video MUTE status for audio
106	EE MODE SEL	<u>0000</u> 0001	<u>    </u> NORMAL THRU	This selects the EE mode output signals. 0: Signals are output with a delay equivalent to the length of internal signal processing. 1: Signals are output directly, without internal processing, and so are output with no delay. <b>&lt;Note&gt;</b> When editing mode is selected, SDTI is selected as the video input signal, or INT SG is selected at either VIDEO or AUDIO, the internal operations are forcibly set to NORMAL.
107	PLAY DELAY	<u>0000</u> : 0015	<u>    </u> 0 : 15	This set the play delay time in frame increments.

The underline on the setting item denotes the initial setting.

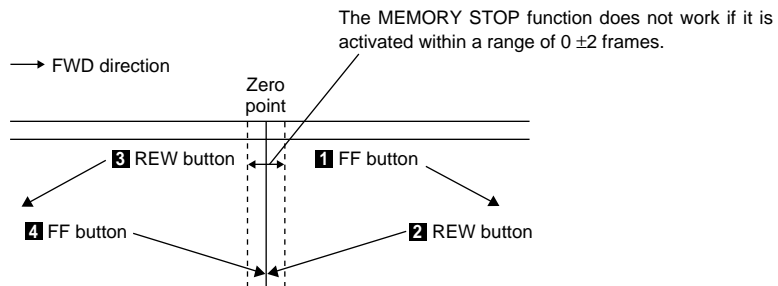
## USER menu

### <OPERATION> (continued)

Item		Setting		Description
No.	Superimposed display	No.	Superimposed display	
108	CAP.LOCK	<u>0000</u> 0001	4F 8F	This selects the CAPSTAN LOCK mode for the 4F and 8F settings of the CF switch. 0: 4F mode 1: 8F mode <b>&lt;Note&gt;</b> This setup menu is not displayed in the 525 mode.
109	AUTO REW	<u>0000</u> 0001	OFF ON	This selects whether to rewind the tape automatically to the tape start when the tape end is detected. 0: The tape stops at the tape end. 1: The tape is rewound to the tape start.
110	MEMORY STOP	<u>0000</u> 0001	OFF ON	This selects whether the VTR is to stop automatically when the counter value reaches "0" during a fast forwarding or rewinding operation in the CTL mode. 0: The VTR does not stop. 1: The VTR stops automatically. <b>&lt;Notes&gt;</b> 1. The stop mode concerned is either the stop or the still-picture (SHTL STILL) mode depending on the setup menu No. 315 (AFTER CUE-UP) setting. 2. When both the AUTO REW function and MEMORY function have been selected at the same time, the AUTO REW function takes precedence.

The underline on the setting item denotes the initial setting.

## Memory stop function



- 1 When the FF button is pressed, the VTR performs the regular fast forward operation since the zero point is not located in the direction of operation.
- 2 When the REW button is pressed, the PREROLL lamp lights (the SHTL lamp lights as well), the VTR proceeds with the preroll operation, and it automatically stops when it reaches the position where the counter reads "0."
- 3 When the REW button is pressed, the VTR performs the regular rewinding operation since the zero point is not located in the direction of operation.
- 4 When the FF button is pressed, the PREROLL lamp lights (the SHTL lamp lights as well), the VTR proceeds with the preroll operation, and it automatically stops when it reaches the position where the counter reads "0."

# Setup menus

## USER menu

### <INTERFACE>

Item		Setting		Description
No.	Superimposed display	No.	Superimposed display	
200	PARA RUN	<u>0000</u> 0001	DIS ENA	This selects whether two or more VTRs are to be operated in synchronization. 0: No operation in synchronization 1: Operation in synchronization <b>&lt;Note&gt;</b> When operating two or more VTRs in synchronization, set item 200 of all the VTRs to 0001.
201	9P SEL	0000 <u>0001</u>	OFF ON	This selects whether the 9P connector functions when the REMOTE/LOCAL switch has been set to REMOTE. 0: Do not function 1: Function
202	ID SEL	<u>0000</u> 0001	OTHER DVCPRO	This selects the ID information which is returned to the controller. 0: 21 25H 1: DVCPRO's, own ID is returned (F1 33H).
203	25P SEL	<u>0000</u> 0001	OFF ON	This selects whether the PARALLEL (25P) connector functions when the REMOTE/LOCAL switch has been set to REMOTE. 0: Does not function 1: Functions
204	RS232C SEL	<u>0000</u> 0001	OFF ON	These settings are for selecting whether the RS-232C connector is to function when the REMOTE/LOCAL switch is set to REMOTE. 0: Connector does not function. 1: Connector functions.
205	BAUD RATE	0000 0001 0002 0003 0004 <u>0005</u>	300 600 1200 2400 4800 9600	These settings are for selecting the RS-232C communication speed (baud rate).
206	DATA LENGTH	0000 <u>0001</u>	7 8	These settings are for selecting the RS-232C data length. (Unit: bit)
207	STOP BIT	<u>0000</u> 0001	1 2	These settings are for selecting the RS-232C stop bit length. (Unit: bit)
208	PARITY	<u>0000</u> 0001 0002	NON ODD EVEN	These settings are for selecting the none, odd or even for the RS-232C parity bit. 0: Parity bit is not used. 1: An odd number of bits is used for the parity system. 2: An even number of bits is used for the parity system.
209	RETURN ACK	0000 <u>0001</u>	OFF ON	These settings are for selecting whether the ACK code is to be returned when a command is received from RS-232C. 0: ACK code is not returned. 1: ACK code is returned.

The underline on the setting item denotes the initial setting.

## USER menu

### <EDIT>

Item		Setting		Description
No.	Superimposed display	No.	Superimposed display	
300	VAR RANGE	0000 <u>0001</u>	– .43~1 <u>– 4~+4</u>	This sets the VAR speed range. 0: The tape is played in slow motion at a speed ranging from –0.43× to +1× normal speed. 1: The tape is played in the ±4.1× normal speed range.
301	IN/OUT DEL	0000 <u>0001</u>	MANU <u>AUTO</u>	This selects the operation to be performed when an edit point has been set incorrectly (when the OUT point is before the IN point). 0: Editing is not executed unless the illegal edit point is cleared or set again properly. 1: The edit points already input are automatically cleared.
302	NEGA FLASH	<u>0000</u> 0001	<u>OFF</u> ON	This selects whether to show a negative display when the IN point is greater than the OUT point. 0: No negative display. 1: Negative display.
303	STD/ NON-STD	<u>0000</u> 0001 0002	<u>AUTO</u> STD N-STD	This selects STD or NON-STD in accordance with the composite input signal. 0: Standard/non-standard signals are automatically identified and processed. 1: Standard signals are processed. (Forced STD) 2: Non-standard signals are processed. (Forced NON-STD)
304	SERVO REF	<u>0000</u> 0001	<u>AUTO</u> EXT	This selects the video signal processing. 0: Servo is synchronized with the input signal during recording and editing, or with the REF signal during playback. 1: Servo is synchronized at all times with the REF signal.
305	EDIT RPLCE1	0000 <u>0001</u> 0002 0003	N-DEF <u>CH1</u> CH2 CH1+2	This sets the channel assignments for the controller's analog audio preset when editing the digital audio of the VTR using a controller which does not have a digital audio edit preset control function. This selects the channel concerned when the VTR CH1 edit preset is set in compliance with the ON or OFF presetting for the analog audio signals designated by the controller. 0: Not set. 1: Compliance with analog CH1 edit preset. 2: Compliance with analog CH2 edit preset. 3: Compliance with either analog CH1 or CH2 edit preset.
306	EDIT RPLCE2	0000 0001 <u>0002</u> 0003	N-DEF CH1 <u>CH2</u> CH1+2	This selects the channel concerned when the VTR CH2 edit preset is set in compliance with the ON or OFF presetting for the analog audio signals designated by the controller. 0: Not set. 1: Compliance with analog CH1 edit preset. 2: Compliance with analog CH2 edit preset. 3: Compliance with either analog CH1 or CH2 edit preset.
307	EDIT RPLCE3	<u>0000</u> 0001 0002 0003	<u>N-DEF</u> CH1 CH2 CH1+CH2	The same type of setting as No. 305. This selects the channel concerned when the VTR CH3 edit preset is set in compliance with the On or OFF presetting for the analog audio signals designated by the controller. 0: Not set. 1: Compliance with analog CH1 edit preset. 2: Compliance with analog CH2 edit preset. 3: Compliance with either analog CH1 or CH2 edit preset.

The underline on the setting item denotes the initial setting.

# Setup menus

## USER menu

### <EDIT> (continued)

Item		Setting		Description
No.	Superimposed display	No.	Superimposed display	
308	EDIT RPLCE4	<u>0000</u> 0001 0002 0003	<u>N-DEF</u> CH1 CH2 CH1+CH2	The same type of setting as No. 305. This selects the channel concerned when the VTR CH4 edit preset is set in compliance with the ON or OFF presetting for the analog audio signals designated by the controller. 0: Not set. 1: Compliance with analog CH1 edit preset. 2: Compliance with analog CH2 edit preset. 3: Compliance with analog CH1 or CH2 edit preset.
309	EDIT RPLCEC	<u>0000</u> 0001 0002 0003	<u>N-DEF</u> CH1 CH2 CH1+2	This selects the channel concerned when the VTR CUE edit preset is set in compliance with the ON or OFF presetting for the analog audio signals designated by the editor or controller. 0: Not set. 1: Compliance with analog CH1 edit preset. 2: Compliance with analog CH2 edit preset. 3: Compliance with either analog CH1 or CH2 edit preset.
310	CONFI EDIT	<u>0000</u> 0001	<u>OFF</u> ON	This selects whether to conduct simultaneous playback while editing is in progress. 0: No simultaneous playback 1: Simultaneous playback <b>&lt;Note&gt;</b> Simultaneous playback is valid when the TAPE/EE switch is set to TAPE.
311	AUD EDIT IN	<u>0000</u> <u>0001</u>	<u>CUT</u> <u>FADE</u>	This selects the connection method for the digital audio edit IN point. 0: Cut processing 1: V Fade processing
312	AUD EDIT OUT	<u>0000</u> <u>0001</u>	<u>CUT</u> <u>FADE</u>	This selects the connection method for the digital audio edit OUT point. 0: Cut processing 1: V Fade processing
313	AUTO ENTRY	<u>0000</u> 0001	<u>DIS</u> ENA	This selects whether the IN point is to be entered using the PREROLL button when it has not been entered. 0: IN point is not entered. 1: IN point is entered.
314	CF ADJ SEL	<u>0000</u> 0001	<u>PLAYER</u> <u>RECORD</u>	This selects the CF adjustment deck with deck-to-deck editing. 0: The player's edit IN/OUT points are adjusted. (reference as the RECORDER side) 1: The recorder's edit IN/OUT points are adjusted. (reference as the PLAYER side)
315	AFTER CUE-UP	<u>0000</u> 0001	<u>STOP</u> <u>STILL</u>	This selects the mode after cue-up operation is complete. 0: STOP mode 1: SHTL STILL mode
316	JOG RANGE	<u>0000</u> 0001	<u>-.43~1</u> <u>-4~+4</u>	This sets the range of the JOG speed during 9P remote operation. 0: Plays at -0.43 to +1 speed range 1: Plays at the ±4.1 speed range

The underline on the setting item denotes the initial setting.



## USER menu

### <TAPE PROTECT>

Item		Setting		Description
No.	Superimposed display	No.	Superimposed display	
400	STILL TIMER	0000	0.5s	This selects the time to be taken until the unit goes into the tape protection mode when it is left standing in the stop or search still (JOG/VAR/SHTL) mode. (Unit: s = second, min = minute)
		0001	5s	
		0002	10s	
		0003	20s	
		0004	30s	
		0005	40s	
		0006	50s	
		0007	1min	
		<u>0008</u>	2min	
401	SRC PROTECT	<u>0000</u>	STEP	This selects the operation during the tape protection mode when the unit is left standing in the still status during the search mode (JOG/VAR/SHTL). 0: STEP FWD. 1: HALF LOADING. <b>&lt;Note&gt;</b> When STEP FWD is selected, the unit automatically goes into the HALF LOADING mode when the total time for which the unit is left standing in the still status reaches 30 minutes.
		0001	HALF	
402	DRUM STDBY	0000	OFF	This selects whether the head drum is to be rotated when operation is transferred to the standby OFF mode. 0: Head drum remains stationary. 1: Head drum is rotated.
		<u>0001</u>	ON	

The underline on the setting item denotes the initial setting.

#### <Note>

The cumulative standby time at the same tape position increases when transmitting programmes or otherwise using identical materials repeatedly.

## USER menu

### <TIME CODE>

Item		Setting		Description
No.	Superimposed display	No.	Superimposed display	
500	VITC BLANK	0000	BLANK	This selects whether to output the VITC data to the positions selected by VITC POS-1 in 501 and VITC POS-2 in 502. 0: Data is not output. 1: Data is output.
		<u>0001</u>	THRU	
501	VITC POS-1	625 mode		This sets the position where the VITC signal is to be inserted. (The same line as for VITC POS-2 in 502 cannot be selected.)
		0000	7L	
		⋮	⋮	
		<u>0004</u>	11L	
		⋮	⋮	
		0014	21L	
		525 mode		
		0000	10L	
		⋮	⋮	
		<u>0006</u>	16L	
		⋮	⋮	
		0010	20L	

The underline on the setting item denotes the initial setting.

# Setup menus

## USER menu

### <TIME CODE> (continued)

Item		Setting		Description
No.	Superimposed display	No.	Superimposed display	
502	VITC POS-2	625 mode		This sets the position where the VITC signal is to be inserted. (The same line as for VITC POS-1 in 501 cannot be selected.)
		0000	7L	
⋮	⋮			
<u>0006</u>	13L			
⋮	⋮			
0014	21L			
525 mode				
0000	10L			
⋮	⋮			
<u>0008</u>	18L			
⋮	⋮			
0010	20L			
503	TCG REGEN	<u>0000</u>	TC&UB	This selects the signal to be regenerated when the time code generator (TCG) in the REGEN mode. 0: Both the time code and user bit are regenerated. 1: Only the time code is regenerated. 2: Only the user bit is regenerated.
		0001	TC	
		0002	UB	
504	REGEN MODE	<u>0000</u>	AS&IN	This selects whether the time code is to be regenerated during automatic editing using the unit's control panel. 0: Time code is regenerated with assemble or insert editing. 1: Time code is regenerated with assemble editing. 2: Time code is regenerated with insert editing. 3: Setting complies with REGEN/PRESET switch setting.
		0001	ASSEM	
		0002	INSRT	
		0003	SW	
505	EXT TC SEL	<u>0000</u>	LTC	This selects the time code to be used when an external time code is to be used. 0: The LTC of the TIME CODE IN connector is used. 1: The video signal VITC is used.
		0001	VITC	
506	BINARY GP	<u>0000</u>	000	This sets the usage status of the user bit of the time code generated by the TCG. 0: NOT SPECIFIED (character set not specified) 1: ISO CHARACTER (8 bits character set based on ISO646, ISO2022) 2: UNASSIGNED 1 (undefined) 3: UNASSIGNED 2 (undefined) 4: UNASSIGNED 3 (undefined) 5: PAGE/LINE 6: UNASSIGNED 4 (undefined) 7: UNASSIGNED 5 (undefined)
		0001	001	
		0002	010	
		0003	011	
		0004	100	
		0005	101	
		0006	110	
		0007	111	
507	PHASE CORR	<u>0000</u>	OFF	This selects whether to control the phase correction of the LTC generated by the TCG. 0: Phase correction control is not performed. 1: Phase correction control is performed.
		0001	ON	
508	TCG CF FLAG	<u>0000</u>	OFF	This selects whether the CF flag of the TCG is to ON. 0: CF flag is OFF. 1: CF flag is ON.
		0001	ON	
509	DF MODE	<u>0000</u>	DF	This selects the DF/NDF mode for CTL and TCG. 0: Drop frame mode. 1: Non-drop frame mode. <b>&lt;Notes&gt;</b> • No. 509 is valid when the CONTROL is LOCAL or LOCAL ENA of item 004 to "ENA". • This setup menu is not displayed in the 625 mode.
		0001	NDF	
510	TC OUT REF	<u>0000</u>	V OUT	This is used to switch the phase of the time code, which is output from the TIME CODE OUT connector, for the external LTC input when the TC INT/EXT switch is at the EXT position. (In EE mode only) 0: Time code is synchronized with output video signal. 1: Time code is synchronized with external time code input.
		0001	TC IN	

The underline on the setting item denotes the initial setting.

## USER menu

### <VIDEO>

Item		Setting		Description
No.	Superimposed display	No.	Superimposed display	
600	INT SG	<u>0000</u> 0001 0002	OFF BB CB	This selects whether to generate the internal signal. 0: Signal is not generated. 1: The black burst is generated. 2: 100% colour bars are generated.
601	OUT VSYNC	<u>0000</u> 0001	N-VF VF	This selects whether to float the vertical sync position of the video output in order to align the video output phase with the input in the EE/record/edit modes. 0: Signals are not floated. 1: Signals are floated.
602	V-MUTE SEL	0000 <u>0001</u>	N-MUTE LOW RF	This selects whether the video output signal is set to MUTE when LOW RF is detected during playback. 0: No muting. (Freeze) 1: Muting. (Set to gray.)
603	CC (F1) BLANK	0000 <u>0001</u>	BLANK THRU	This selects ON or OFF for the closed caption signal in the first field. 0: Forced blanking performed. 1: Blanking not performed.
604	CC (F2) BLANK	0000 <u>0001</u>	BLANK THRU	This selects ON or OFF for the closed caption signal in the second field. 0: Forced blanking performed. 1: Blanking not performed.
605	FREEZE SEL	<u>0000</u> 0001	FIELD FRAME	This selects the freeze mode for still pictures. 0: Field freeze. 1: Frame freeze. <b>&lt;Note&gt;</b> When frame freeze has been selected, the frame slow status is established with the slow setting.
606	OUT C KILL	0000 <u>0001</u>	B/W COLOR	This selects chroma colour killer processing for the video output signals. 0: The signals are forcibly processed as B/W signals. 1: The signals are automatically processed.
607	V OUT SETUP	<u>0000</u> 0001	THRU ADD	This selects the composite output signal. 0: The signal is output without setup. 1: The signal is output with 7.5% setup. <b>&lt;Note&gt;</b> This setup menu is not displayed in the 625 mode.
608	SDI OUT SEL	<u>0000</u> 0001	COMPNT COMPST	This selects the SERIAL OUT signal format. 0: The component 4:2:2 signal is output. 1: The composite signal is output. (option)
609	EDH	0000 <u>0001</u>	OFF ON	This selects whether to superimpose EDH onto the serial output signals. 0: EDH is not superimposed. 1: EDH is superimposed.
610	PB/PR IN LV	0000 <u>0001</u>	MII B-CAM	This selects the component input signal level. 0: MII level. 1: $\beta$ cam level.
611	INPUT C KILL	0000 <u>0001</u>	B/W AUTO	This selects colour killer processing for the video input signals. 0: The signals are forcibly processed as B/W signals. 1: The signals are automatically processed.
612	IN FRM DET	0000 <u>0001</u>	FORCED AUTO	This selects the conditions under which frame detection is to be performed when signals are input. 0: Frame detection is performed at all times. 1: Frame detection is prohibited only when non-standard signals are input.

**<Note>**

When no optional board (AJ-YA951) has been installed, setup menus No. 610 through No. 612 are not displayed.

The underline on the setting item denotes the initial setting.

# Setup menus

## USER menu

### <VIDEO> (continued)

Item		Setting		Description
No.	Superimposed display	No.	Superimposed display	
613	VIN SETUP	<u>0000</u> 0001	<u>THRU</u> CUT	This selects whether the composite signal is to be recorded with setup or without setup. 0: When recording signals with no setup. 1: When recording signals with 7.5% setup. <b>&lt;Notes&gt;</b> • This setup menu is not displayed in the 625 mode. • When recording composite signals, be sure to double-check whether the signals are to be recorded with or without setup.
614	Pb/Pr OUT LV	0000 <u>0001</u>	MII <u>B-CAM</u>	This selects the analog component output level. 0: MII level 1: B-CAM level <b>&lt;Note&gt;</b> This setup menu is not displayed in the 625 mode.
617	WFM SEL	0000 0001 <u>0002</u> 0003 0004 0005 0006 0007	CTL TC <u>VIDEO</u> SYNC RF-L RF-R ENV-L ENV-R	This selects the signal to output from the VIDEO OUT2 connector. 0: The CTL signal is output. 1: The TIME CODE signal is output. 2: The VIDEO OUT signal is output. 3: The SYNC signal is output. 4: The PB L RF signal is output. 5: The PB R RF signal is output. 6: The PB L ENV signal is output. 7: The PB R ENV signal is output. <b>&lt;Note&gt;</b> An optional board (AJ-YA951) is required to output the SYNC signal.

**<Note>**

When no optional board (AJ-YA951) has been installed, setup menus No. 613 and No. 614 are not displayed.

The underline on the setting item denotes the initial setting.

## USER menu

### <AUDIO>

Item		Setting		Description
No.	Superimposed display	No.	Superimposed display	
700	INT SG	<u>0000</u> 0001	— OFF ON	This selects whether or not the internal signal is to be generated. 0: The signal is not generated. 1: The signal is generated.
701	CH1 IN LV	0000 <u>0001</u> 0002	4dB — 0dB -20dB	This selects the audio input (CH1) reference level switching.
702	CH2 IN LV	0000 <u>0001</u> 0002	4dB — 0dB -20dB	This selects the audio input (CH2) reference level switching.
703	CH3 IN LV	0000 <u>0001</u> 0002	4 dB — 0 dB -20 dB	This selects the audio input (CH3) reference level switching.
704	CH4 IN LV	0000 <u>0001</u> 0002	4 dB — 0 dB -20 dB	This selects the audio input (CH4) reference level switching.
705	CUE IN LV	0000 <u>0001</u> 0002 0003	4dB — 0dB -20dB -60dB	This selects the audio input (CUE) reference level switching.
706	CH1 OUT LV	0000 <u>0001</u> 0002	4dB — 0dB -20dB	This selects the audio output (CH1) reference level switching.
707	CH2 OUT LV	0000 <u>0001</u> 0002	4dB — 0dB -20dB	This selects the audio output (CH2) reference level switching.
708	CH3 OUT LV	0000 <u>0001</u> 0002	4 dB — 0dB -20 dB	This selects the audio output (CH3) reference level switching.
709	CH4 OUT LV	0000 <u>0001</u> 0002	4 dB — 0 dB -20 dB	This selects the audio output (CH4) reference level switching.
710	CUE OUT LV	0000 <u>0001</u> 0002	4dB — 0dB -20dB	This selects the audio output (CUE) reference level switching.
711	MONIL OUT LV	0000 <u>0001</u> 0002	4dB — 0dB -20dB	This selects the audio monitor output (Lch) reference level switching.
712	MONIR OUT LV	0000 <u>0001</u> 0002	4dB — 0dB -20dB	This selects the audio monitor output (Rch) reference level switching.
713	MONI OUT	0000 <u>0001</u>	UNITY — VAR	This selects the audio monitor output volume UNITY/ VARIABLE reference switching. 0: The volume is output at the preset value. 1: The volume is linked with the headphones volume control.
714	EMPHASIS	<u>0000</u> 0001	— OFF ON	This sets the emphasis ON or OFF.
715	CH1 IN SEL	<u>0000</u> 0001	— ANA DIGI	This selects the CH1 input when USER SET has been selected by pressing the unit's AUDIO input selector switch. 0: Analog input. 1: Digital input.

The underline on the setting item denotes the initial setting.

# Setup menus

## USER menu

### <AUDIO> (continued)

Item		Setting		Description
No.	Superimposed display	No.	Superimposed display	
716	CH2 IN SEL	<u>0000</u> 0001	— ANA DIGI	This selects the CH2 input when USER SET has been selected by pressing the unit's AUDIO input selector switch. 0: Analog input. 1: Digital input.
717	CH3 IN SEL	<u>0000</u> 0001	— ANA DIGI	This selects the CH3 input when USER SET has been selected with the unit's AUDIO input selector switch. 0: Analog input 1: Digital input
718	CH4 IN SEL	<u>0000</u> 0001	— ANA DIGI	This selects the CH4 input when USER SET has been selected by pressing the unit's AUDIO input selector switch. 0: Analog input 1: Digital input
719	DIGI IN SEL12	<u>0000</u> 0001	— AES SIF	This selects the CH1 and CH2 digital input when USER SET has been selected by pressing the unit's AUDIO input selector switch. 0: AES 1: Serial
720	DIGI IN SEL34	<u>0000</u> 0001	— AES SIF	This selects the CH3 and CH4 digital input when USER SET has been selected by pressing the unit's AUDIO input selector switch. 0: AES 1: Serial
721	MONI CH SEL	<u>0000</u> 0001 0002	— MANU AUTO1 AUTO2	This selects the monitor output. 0: The output is as selected in MONITOR SELECT. 1: The output defaults to AUDIO except when speed factor is between $-0.43\times$ and $1\times$ , inclusive, in which case output is PCM AUDIO. 2: The output defaults to CUE except in PLAY mode, in which case output is PCM AUDIO.
722	REC CH1	<u>0000</u> 0001 0002	— CH1 CH2 CH1+2	This selects the input signal to be recorded on the audio CH1 track. 0: Audio input CH1 signal. 1: Audio input CH2 signal. 2: Mixed audio input CH1 and CH2 signal.
723	REC CH2	0000 <u>0001</u> 0002	CH1 — CH2 CH1+2	This selects the input signal to be recorded on the audio CH2 track. 0: Audio input CH1 signal. 1: Audio input CH2 signal. 2: Mixed audio input CH1 and CH2 signal.
724	REC CH3	<u>0000</u> 0001 0002	— CH3 CH4 CH3+CH4	This selects the input signal to be recorded on the audio CH3 track. 0: Audio input CH3 signal 1: Audio input CH4 signal 2: Mixed audio input CH3 and CH4 signal
725	REC CH4	0000 <u>0001</u> 0002	CH3 — CH4 CH3+CH4	This selects the input signal to be recorded on the audio CH4 track. 0: Audio input CH3 signal 1: Audio input CH4 signal 2: Mixed audio input CH3 and CH4 signal
726	REC CUE	<u>0000</u> 0001 0002 0003 0004 0005 0006	— CUE CH1 CH2 CH1+2 CH3 CH4 CH3+4	This selects the input signal recorded in CUE. 0: CUE IN 1: Audio CH1 input 2: Audio CH2 input 3: Audio CH1 and CH2 MIX signal 4: Audio CH3 input 5: Audio CH4 input 6: Audio CH3 and CH4 MIX signal

The underline on the setting item denotes the initial setting.

## USER menu

### <AUDIO> (continued)

Item		Setting		Description
No.	Superimposed display	No.	Superimposed display	
727	PB FADE	<u>0000</u> 0001 0002	<u>    </u> AUTO CUT FADE	This selects the processing method for the audio edit points (IN point, OUT point) during playback. 0: According to the status during recording. 1: Forced CUT 2: Forced FADE
728	EMBEDDED AUD	0000 <u>0001</u>	OFF <u>    </u> ON	This selects whether to superimpose the audio data onto the serial output. 0: Data is not superimposed. 1: Data is superimposed.
729	MONITOR MIX L	<u>0000</u> 0001 0002	<u>    </u> OFF CH1+2 CH3+4	This selects the mixed signal for the headphone monitor. 0: No mixing. 1: CH1 and CH2 are mixed and output to the left channel. 2: CH3 and CH4 are mixed and output to the left channel.
730	MONITOR MIX R	<u>0000</u> 0001 0002	<u>    </u> OFF CH1+2 CH3+4	This selects the mixed signal for the headphone monitor. 0: No mixing. 1: CH1 and CH2 are mixed and output to the right channel. 2: CH3 and CH4 are mixed and output to the right channel.
731	CUE OUT SEL	<u>0000</u> 0001	<u>    </u> OFF ON	This selects whether or not the cue audio signal is to be output to the main line output in the search mode. 0: CUE AUDIO is not output. 1: CUE AUDIO is output. (This applies only when setup menu No. 721 (MONI CH SEL) is not set to "MANU".)

The underline on the setting item denotes the initial setting.

# Time code/user bit

---

## Time code

The time code is used when the time code signal generated by the time code generator (time code signal generator) is to be recorded on the tape, its values are to be read by the time code reader (time code signal reader), and the absolute position of the tape is to be displayed in increments of hours, minutes, seconds and frames.

The time code is written in the sub-code area (data area) of the helical track. This enables insert editing to be conducted independently using the time code alone. In addition, the VTR's playback speed can be read from the stop mode to slow-motion playback up to high-speed play (approx. 50X normal speed/approx. 100X when using DVCPRO tape).

The time code values are indicated using the display and superimpose functions.

TCR 00 : 07 : 04 : 24  
↑    ↑    ↑    ↑  
Hours | Minutes Seconds Frames

## User bit

“User bit” refers to the 32-bit (8-digit) data frame among the time code signals which has been released to users. It enables operator numbers values to be recorded.

The alphanumeric characters which can be used for the user bit are the figures 0 to 9 and the letters A to F.



# Recording internal/external time codes

---

## 1. Setting the internal time code

- 1** Place the VTR in the stop mode.
- 2** Set the TC/CTL switch to TC.
- 3** Set the TC INT/EXT switch to INT. (Internal time code selected)
- 4** Set the REC RUN/FREE RUN switch position.  
**REC RUN:** The time code runs at the same time as the recording proceeds.  
**FREE RUN:** The time code runs in the same way as the time regardless of the VTR's operation.
- 5** Set the REGEN/PRESET switch position.  
**REGEN:** Continuity is maintained with the recorded time code before editing. (Detailed settings are also possible using the menu settings. See the menu items below.)  
Setup menu No. 503 (TCG REGEN)  
Setup menu No. 504 (REGEN MODE)  
**PRESET:** Recording starts from the value set with the TC SET button.  
**<Note>**  
During auto editing, REGEN will be selected by the setup menu No. 504 setting even if the switch has been set to the PRESET position.
- 6** Set the TC SET button.  
Use the TC SET button to set the start number of the time code or user bit.
  - 1** Press the SHIFT button.  
The leftmost digit flashes.
  - 2** Press the ADJ button to change the value.  
Each time the button is pressed, the number changes. The setting range is given below.
    - **When using the time code and user bit in real time**  
00:00:00:00 – 23:59:59:24
    - **User bit**  
00 00 00 00 – FF FF FF FF
  - 3** Repeat steps 1 and 2 to change the value.
  - 4** When the setting of the start number is completed, press the START button. In the FREE RUN mode, the time code now starts running.
  - 5** Proceed with the recording or editing.

## 2. Setting the external time code (TC switch → EXT)

- 1** Place the VTR in the stop mode.
- 2** Set the TC/CTL switch to TC.
- 3** Set the TC INT/EXT switch to EXT. (External time code selected)
- 4** Setup menu No. 505 (EXT TC SEL) can be set as follows.  
**LTC:** The LTC signal input to the TIME CODE IN connector (XLR) on the rear jack panel is recorded as the time code.  
**<Note>** The LTC signal must be synchronized with the video signal.  
**VITC:** The input video signal's VITC is recorded as the time code.

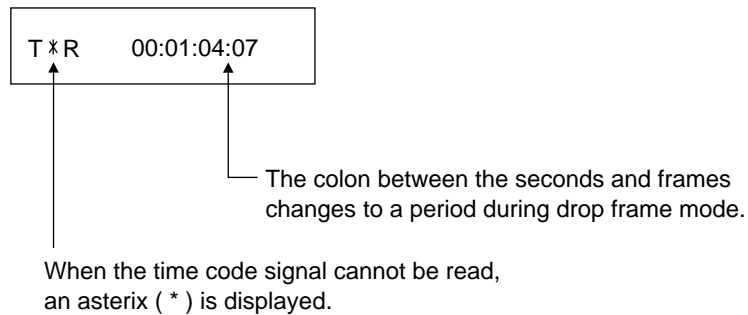
# Reproducing the time code/user bit

---

- 1** Place the unit in the stop mode.
- 2** Set the TC/CTL button to TC.
- 3** Set the TC/UB switch to TC or UB.  
**TC:** The time code is displayed.  
**UB:** The user bit is displayed.
  - When it is no longer possible to read the time code, it is interpolated using the CTL signal.
- 4** Press the PLAY button.  
Playback now commences, and the time code appears on the display.  
When setup menu No. 007 (SUPER) is ON, the time code value is superimposed onto the video signal from the VIDEO OUT 3 connector.

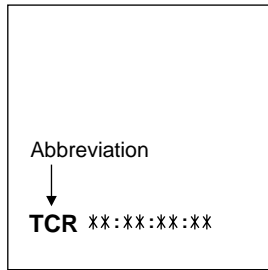
## <Notes>

- The colon between the seconds and frames changes to a period when the drop frame time code is read.
- When the time code signal cannot be read, the time code is automatically interpolated by the CTL signal.  
The display appears as shown below.



# Superimpose screen

The control signals, time code, etc. are displayed using abbreviations.

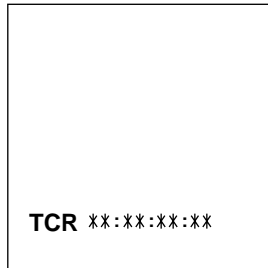


CTL = control signal  
TCR = TC time code reading  
UBR = TC user bit reading

TV monitor

## Characters displayed

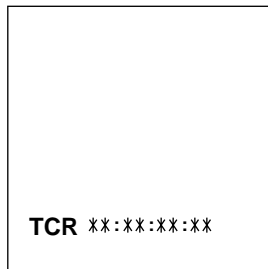
The background of characters superimposed on the display can be changed using setup menu No. 011 (CHARA TYPE).



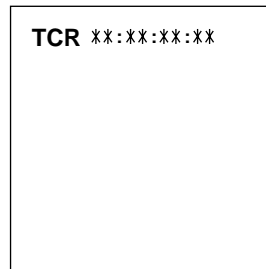
TV monitor

## Display position

The position of the characters superimposed on the display can be changed using setup menus No. 009 (CHARA H-POS) and No. 010 (CHARA V-POS).



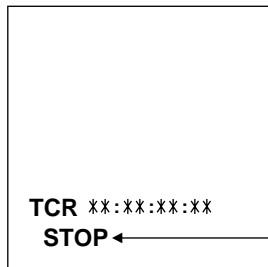
TV monitor



TV monitor

## Operation mode

The VTR's operation mode can also be displayed using setup menu No. 008 (DISPLAY SEL).

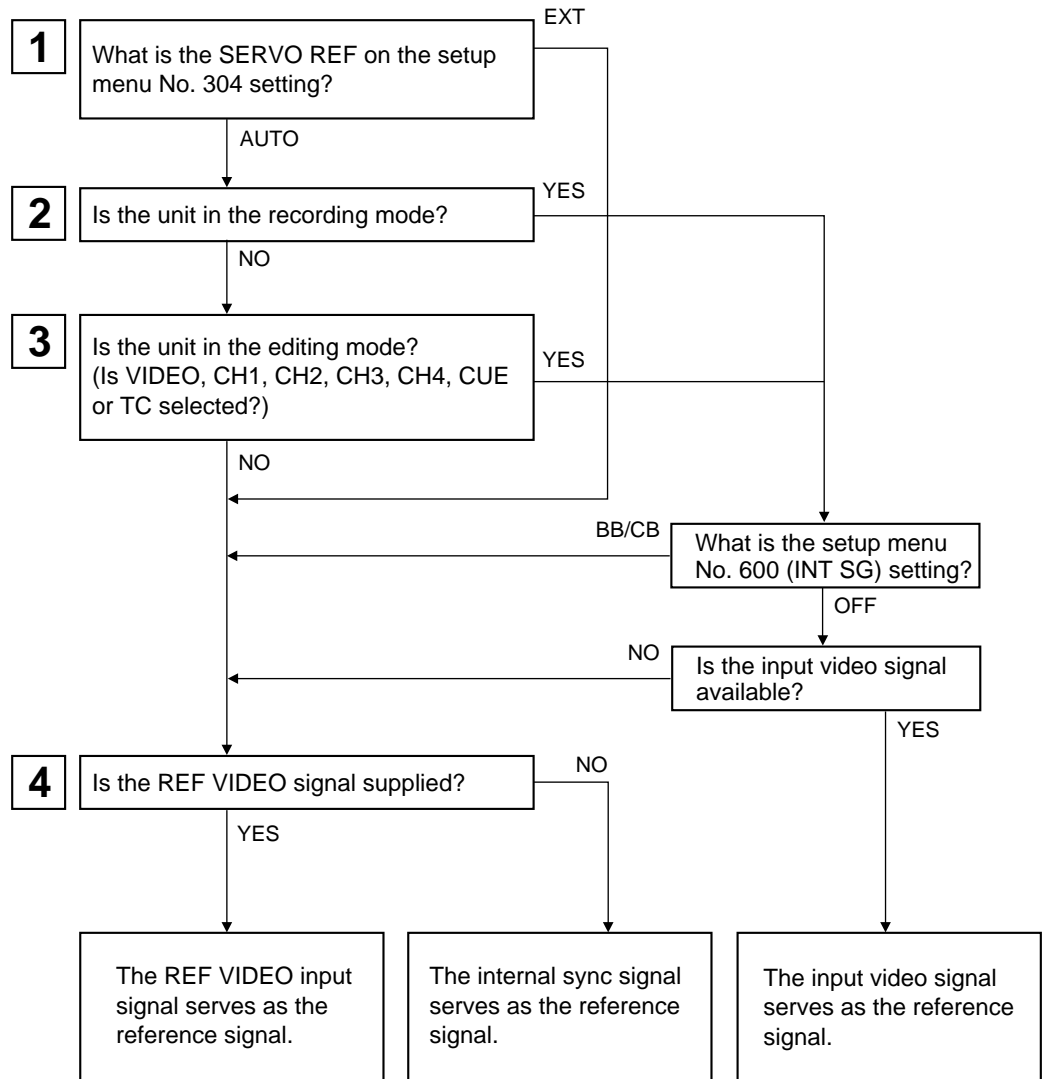


TV monitor

# Servo reference

This unit automatically selects the input video signal selected by the INPUT switch, the reference video signal supplied from the REF VIDEO input connector or the internal sync signal as the servo reference signal.

When the signal is selected, the unit's mode and servo reference stand in the relationship shown in the flowchart presented below.



# Servo reference setting tables

The servo reference signal is switched as shown in the tables below depending on the servo reference setting, deck mode and what input signal is available. When the mode is transferred to editing or recording/playback, the image may be disturbed and the transfer may be delayed if the references during playback and recording do not match.

## ■ During playback or special playback

SERVO REF on the setup menu No. 304 position	Input signal status		Reference signal (servo reference)
	VIDEO IN signal	REF IN signal	
AUTO	○	○	REF IN signal
	○	×	Internal sync signal
	×	○	REF IN signal
	×	×	Internal sync signal
EXIT	○	○	REF IN signal
	○	×	Internal sync signal
	×	○	REF IN signal
	×	×	Internal sync signal

## ■ During recording or editing

SERVO REF on the setup menu No. 304 position	Input signal status		Reference signal (servo reference)
	VIDEO IN signal	REF IN signal	
AUTO	○	○	VIDEO IN signal
	○	×	VIDEO IN signal
	×	○	REF IN signal
	×	×	Internal sync signal
EXIT	○	○	REF IN signal
	○	×	Internal sync signal
	×	○	REF IN signal
	×	×	Internal sync signal

“○” denotes that the signal is supplied: “×” denotes that the signal is not supplied.

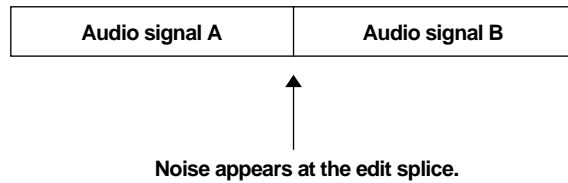
When “BB” or “CB” is set for the setup menu No. 600 and internal signal generation has been selected, the REF IN signal serves as the servo reference when the REF IN signal is provided and the internal sync signal serves as the servo reference when the REF IN signal is not provided.

# Audio V Fade Function

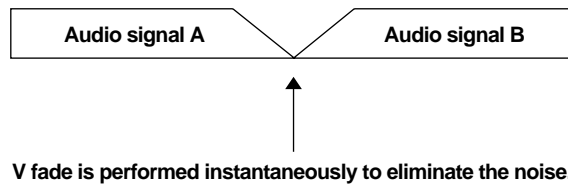
---

When editing tapes, the edit point splicing selection (setup menu No. 311 and 312) information is recorded on the tape. This information is then sensed during playback, and V fade or cut processing is automatically performed for these sections. [However, only when the playback fade selection (No. 727) is AUTO.]

When the edit point splicing selection (setup menu No. 311 and 312) is CUT



When the edit point splicing selection (setup menu No. 311 and 312) is FADE



## <Notes>

- When the playback fade selection (No. 727) is CUT, cut processing is performed for all splices.
- When the playback fade selection (No. 727) is FADE, V fade processing is performed for all splices.

# Audio recording channel and monitor output selection

## Audio recording channel

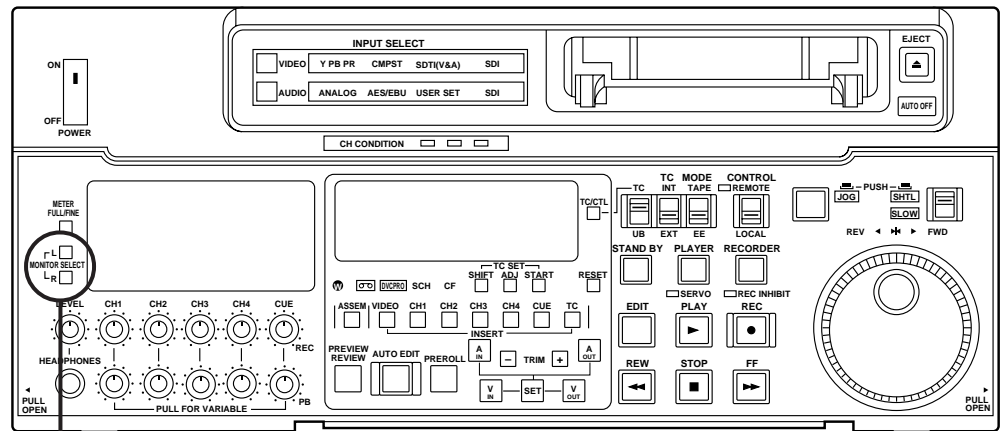
The audio recording channels are selected on the AUDIO setup menu as shown below.

Recording track	Recording signal
CH1	CH1 input/CH2 input/CH1 input + CH2 input
CH2	CH1 input/CH2 input/CH1 input + CH2 input
CH3	CH3 input/CH4 input/CH3 input + CH4 input
CH4	CH3 input/CH4 input/CH3 input+ CH4 input
CUE	CH1 input/CH2 input/CH3 input/CH4 input/CH1 input + CH2 input/CH3 input + CH4 input

## Monitor output channel

The monitor output channels are selected using the MONITOR SELECT switch as shown below.

Monitor output	Output signal
L	CH1/CH2/CH3/CH4/CH1+CH2/CH3+CH4/CUE
R	CH1/CH2/CH3/CH4/CH1+CH2/CH3+CH4/CUE



MONITOR SELECT switch

## Printed circuit board

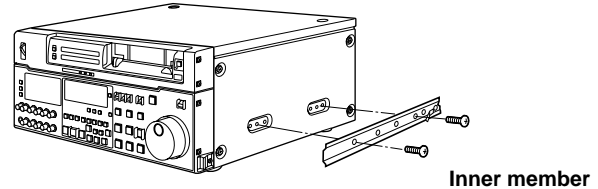
Printed circuit board	Abbr. name	Full name	Function	Factory setting
F8 board ADDA1	SW1	Audio Input Impedance SW	This sets the CH1 audio input impedance. HIGH/600Ω	HIGH
	SW41	Audio Input Impedance SW	This sets the CH2 audio input impedance. HIGH/600Ω	HIGH
	SW 101	Audio Input Impedance SW	This sets the CH3 audio input impedance. HIGH/600Ω	HIGH
	SW 141	Audio Input Impedance SW	This sets the CH4 audio input impedance. HIGH/600Ω	HIGH
H1 board CUE	SW101	Cue Input Impedance SW	This sets the CUE input impedance.	HIGH



# Rack mounting

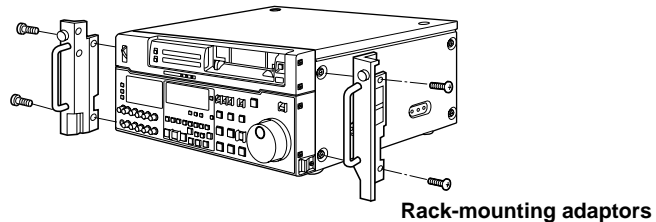
The unit can be mounted into a 19-inch standard rack if the optional rack-mounting adaptors (AJ-MA75P) are used. For the installation rails, it is recommended that the rail and bracket for 18" length (model number CC3001-99-0400) of CHASSIS TRAK be used. (The complete slide rail and bracket unit is not available from Panasonic) For further details, consult with your dealer.

- 1** Remove the screws on the left and right sides of the unit.
- 2** Use the removed screw to attach the inner members of the slide rails.

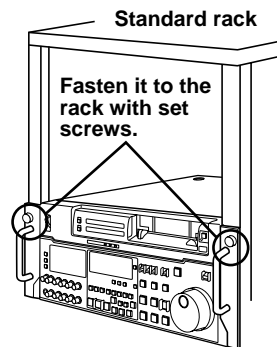


The length of the screws used is subject to restriction. If some of the mounting screws have been lost or misplaced, use screws which are less than 4" long in their place. Use four screws to secure each inner member.

- 3** Attach the outer member brackets to the rack. Check that the height is the same for the left and right brackets.
- 4** Attach the AJ-MA75P rack-mounting adaptors with included 4 screws.



- 5** Remove the 4 rubber legs from the bottom of the unit, and install the unit in the rack. After the unit has been installed, check that it moves smoothly along the rails.



## <Notes>

- Keep the temperature inside the rack to between 5°C and 40°C.
- Bolt the rack securely to the floor so that it will not topple over when the VTR is drawn out.

## Video head cleaning

---

This unit has an auto head cleaning function which automatically reduces the dirt on the heads. However, to further increase the unit's reliability, it is recommended that its video heads be cleaned every day.

Use the cleaning fluid designated by Panasonic.

---

## Condensation

Condensation occurs due to the same principle involved when droplets of water form on a window pane of a heated room. It occurs when the unit or tape is moved between places where the temperature or humidity varies greatly or when, for instance:

- It is moved to a very humid place full of steam or a room immediately after it has been heated up.
- It is suddenly moved from a cold location to a hot or humid location.

When moving the unit to locations such as these, leave it standing for about 10 minutes rather than switching on the power immediately.

If condensation has formed on or in the unit, the AUTO OFF lamp lights and the cassette tape is automatically ejected.

Keep the power supplied and simply wait until the AUTO OFF lamp goes off.

- |  |  |
|--|--|
| <ul style="list-style-type: none"><li>■ Do not insert fingers or any objects into the video cassette holder.</li><li>■ Avoid operating or leaving the unit near strong magnetic fields. Be especially careful of large audio speakers.</li><li>■ Avoid operating or storing the unit in an excessively hot, cold, or damp environment as this may result in damage both to the recorder and to the tape.</li><li>■ Do not spray any cleaner or wax directly on the unit.</li><li>■ If the unit is not going to be used for a length of time, protect it from dirt and dust.</li><li>■ Do not leave a cassette in the recorder when not in use.</li><li>■ Do not block the ventilation slots of the unit.</li></ul> | <ul style="list-style-type: none"><li>■ Use this unit horizontally and do not place anything on the top panel.</li><li>■ Cassette tape can be used only for one-side, one direction recording. Two-way or two-track recordings cannot be made.</li><li>■ Cassette tape can be used for either Colour or Black &amp; White recording.</li><li>■ Do not attempt to disassemble the recorder. There are no user serviceable parts inside.</li><li>■ If any liquid spills inside the recorder, have the recorder examined for possible damage.</li><li>■ Refer any needed servicing to authorized service personnel.</li></ul> |
|--|--|

# Error messages

When a warning occurs in this unit, the warning lamp lights up.

Opening the DIAG menu will display the warning description on the counter display and the monitor. Also, when an abnormal operation is detected in this unit, the AUTO OFF lamp lights up and a message appears on the counter display.

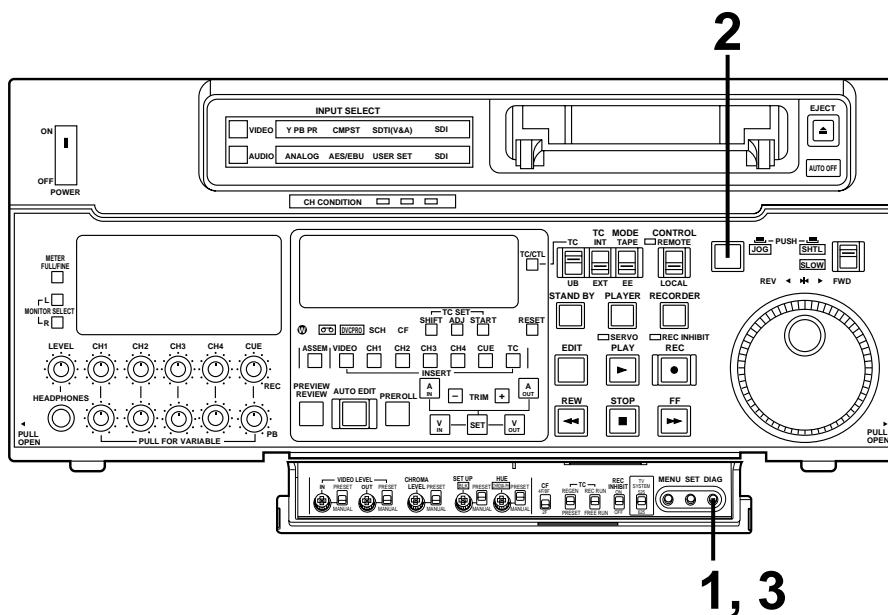
## DIAG menu

This display the VCR information.

VCR information includes “WARNING” information and “HOURS METER” (usage time) information. A DIAG menu appears on the monitor when the monitor is connected to the VIDEO OUT 3 connector on the connector section.

## Displaying the DIAG menu

- 1** Press the DIAG button.  
The DIAG menu screen is displayed on the monitor, and the message is displayed on the counter display.
- 2** The “WARNING” information and “HOURS METER” information can be switched by pressing the search buttons.
- 3** Press the DIAG button again to return to the original display.



### “WARNING” information display

- A warning message is displayed whenever a warning occurs (the warning lamp lights up). When warnings have not been detected, “NO WARNING” is displayed.
- When multiple warning occur, the descriptions for each warning can be checked by turning the search dial.

# Error messages

## Displaying the “HOURS METER” information

Turn the search dial to move the cursor ( \* ). The description for the item where the cursor is located is shown on the counter display.

Item No.	Item	Description
H00	OPERATION	Displays the time that the power has been supplied in one-hour units.
H01	DRUM RUN	Displays the time that the drum has been rotating in one-hour units.
H02	TAPE RUN	Displays the time that the tape has been running during FF, REW, PLAY, SEARCH (JOG, VAR, SHTL), REC, and EDIT modes (except for STILL in the JOG, VAR or SHTL mode) in one-hour units.
H03	THREADING	The number of times for threading/unthreading is displayed in single units.
H11	DRUM RUN r	Displays the time that the drum has been rotating in one-hour units. (Can be reset)
H12	TAPE RUN r	Displays the time that the tape has been running during FF, REW, PLAY, SEARCH (JOG, VAR, SHTL), REC, and EDIT modes (except for STILL in the JOG, VAR or SHTL mode) in one-hour units. (Can be reset)
H13	THREADING r	The number of times for threading/unthreading is displayed in single units. (Can be reset)
H30	POWER ON	The number of times the power has been turned on is displayed in single units.

### <Notes>

- The resettable items in the “HOURS METER” information are reset by the shop when performing maintenance or other work.
- The search buttons and the search dial cannot be operated while the DIAG menu is displayed.

If “T&S&M” is selected in the setup menu No. 008 (DISPLAY SEL), a message appears in the mode display whenever a warning or error occurs. When multiple events occur, the event with the highest priority is displayed.

Priority	Display	Description
High ▲ .... .... .... ▼ Low	Error messages (See error message table)	When an abnormal operation is detected in this unit, the AUTO OFF lamp lights up and an error message is displayed.
	INT SG	If “BB” or “CB” in No. 600 (INT SG) in the setup menu is selected, pressing the REC button or the EDIT button (E to E mode) will display “INT SG” for the first two seconds. This is also displayed for the first two seconds when starting editing.
	NO INPUT	If there is no input signal (except for analog audio) to the connector selected using the INPUT SELECT switch, pressing the REC button or the EDIT button (E to E mode) will display “NO INPUT” for the first two seconds. This is also displayed for the first two seconds when starting editing.
	Warning messages (See error message table)	When a warning occurs in this unit, the warning lamp lights up and a warning message is displayed. When multiple warnings occur, the warning with the highest priority is displayed.

## Warning messages

Priority	Monitor display	Description	VTR operation
High ▲ .... .... ▼ Low	FAN STOP	This is displayed when the fan motor stops.	Operation continues
	SERVO NOT LOCKED	This is displayed when the servo is not locked for three or more seconds during playback, recording, or editing.	Operation continues
	LOW RF	This is displayed when envelope levels approximately 1/3 that of normal levels are detected for more than one second during playback, recording, or editing.	Operation continues
	HIGH ERROR RATE	This is displayed when the error rate increases and correction/interpolation is performed on either the video or audio playback signal.	Operation continues

# Table of AUTO OFF Error messages

Counter display	Monitor display	Description	VTR operation (Restart condition)
<b>CAP ROTATE TOO SLOW</b>	<b>CAP ROTA TOO SLOW</b>	If the capstan motor speed is abnormally low, the AUTO OFF lamp lights, and the message display flashes.	STOP (POWER OFF→ON)
<b>CAP TENSION ERROR</b>	<b>CAP TENSION ERROR</b>	If an abnormal tension at the supply side is detected in the capstan mode, the AUTO OFF lamp lights, and the message display flashes.	STOP (POWER OFF→ON)
<b>DEW</b>	<b>DEW</b>	If condensation is detected, the AUTO OFF lamp lights, the message display flashes, and the VTR is transferred to the eject mode. After the tape is ejected, the drum rotates in order to eliminate the condensation. When the condensation has been eliminated, the AUTO OFF lamp and message display go off, and the VTR can be used. <b>&lt;Notes&gt;</b> 1) If condensation is detected in the eject mode, the drum starts rotating as soon as it is detected. 2) If condensation is detected when the cassette has been inserted, the drum rotation is stopped, and after the tape is ejected, the drum starts rotating.	EJECT (Normal operation resumed after condensation is eliminated)
<b>DRUM ROTATE TOO FAST</b>	<b>DRUM ROTA TOO FAST</b>	If the cylinder motor speed is abnormally high, the AUTO OFF lamp lights, and the message display flashes.	STOP (POWER OFF→ON)
<b>DRUM ROTATE TOO SLOW</b>	<b>DRUM ROTA TOO SLOW</b>	If the cylinder motor speed is abnormally low, the AUTO OFF lamp lights, and the message display flashes.	STOP (POWER OFF→ON)
<b>E-FF</b>	<b>E-FF</b>	If the tape start and tape end are detected simultaneously either during or after loading, the AUTO OFF lamp lights, and the message display flashes.	STOP (POWER OFF→ON)
<b>FRONT LOAD ERROR</b>	<b>FRONT LOAD ERROR</b>	The AUTO OFF lamp lights and the message display flashes when the take-up reel has been rotating idly for a fixed period of time while the start/end processing operation during loading (half position) is being performed.	STOP (POWER OFF→ON)
<b>FRONT LOAD MOTOR</b>	<b>FRONT LOAD MOTOR</b>	If the cassette does not move up even when 6 seconds have elapsed since the VTR was transferred to the eject mode, the AUTO OFF lamp lights, and the message display flashes. <b>&lt;Note&gt;</b> If the cassette does not move down inside the machine even when 6 seconds have elapsed since the cassette was inserted, the VTR is transferred to the eject mode.	STOP (POWER OFF→ON)
<b>LOADING MOTOR</b>	<b>LOADING MOTOR</b>	When the unloading operation is not completed within 6 seconds, the AUTO OFF lamp lights, and the message display flashes. <b>&lt;Note&gt;</b> When the loading operation is not completed within 6 seconds, the VTR is transferred to the eject (unloading) mode.	STOP (POWER OFF→ON)

## Table of AUTO OFF Error messages

Counter display	Monitor display	Description	VTR operation (Restart condition)
<b>REEL DIR UNMATCH</b>	<b>REEL DIR UNMATCH</b>	If the reel motor at the take-up side is running in the reverse direction, the AUTO OFF lamp lights, and the message display flashes.	STOP (POWER OFF→ON)
<b>REEL TENSION ERROR</b>	<b>REEL TENSION ERROR</b>	If an abnormal tension at the supply side is detected in the reel mode, the AUTO OFF lamp lights, and the message display flashes.	STOP (POWER OFF→ON)
<b>SERVO COMM ERROR</b>	<b>SERVO COMM ERROR</b>	When the servo microcomputer does not follow the instructions of the system control microcomputer even when 10 seconds have elapsed, the AUTO OFF lamp lights, and the message display flashes.	STOP (POWER OFF→ON)
<b>SERVO CONTROL ERROR</b>	<b>SERVO CONTROL ERR</b>	When there is no response from the servo microcomputer for 1 or more seconds, the AUTO OFF lamp lights, and the message display flashes.	STOP (POWER OFF→ON)
<b>SERVO ERROR</b>	<b>SERVO ERROR</b>	When only the servo microcomputer was reset in an instantaneous power failure, the AUTO OFF lamp lights, and the message display flashes.	STOP (POWER OFF→ON)
<b>S-FF/REW TIMEOVER</b>	<b>S-FF/REW TIMEOVER</b>	If the start/end processing operation is not completed, the AUTO OFF lamp lights, and the message display flashes.	STOP (POWER OFF→ON)
<b>S REEL ROTA TOO FAST</b>	<b>S REEL TOO FAST</b>	If the supply reel motor should rotate at an abnormally fast rate, the AUTO OFF lamp lights, and the message display flashes.	STOP (POWER OFF→ON)
<b>S REEL TORQUE ERROR</b>	<b>S REEL TORQUE ERR</b>	If an abnormal torque applied to the supply reel motor is detected or if an abnormal current flowing to the current-sensing resistor is detected, the AUTO OFF lamp lights, and the message display flashes.	STOP (POWER OFF→ON)
<b>T REEL ROTA TOO FAST</b>	<b>T REEL TOO FAST</b>	If the take-up reel motor should rotate at an abnormally fast rate, the AUTO OFF lamp lights, and the message display flashes.	STOP (POWER OFF→ON)
<b>T REEL TORQUE ERROR</b>	<b>T REEL TORQUE ERR</b>	If an abnormal torque applied to the take-up reel motor is detected, the AUTO OFF lamp lights, and the message display flashes.	STOP (POWER OFF→ON)
<b>UNLOAD ERROR</b>	<b>UNLOAD ERROR</b>	If the tape has not been wound up during unloading, the AUTO OFF lamp lights, and the message display flashes.	STOP (POWER OFF→ON)
<b>WINDUP ERROR</b>	<b>WINDUP ERROR</b>	If, after the total tape amount has been detected, the amount of tape wound up on the take-up reel and the amount of tape supplied by the supply reel differ to an abnormal extent while the tape is travelling in the forward or reverse direction, the AUTO OFF lamp lights, and the message display flashes.	STOP (POWER OFF→ON)
<b>WINDUP REEL NOT ROTA</b>	<b>W-UP REEL NOT ROTA</b>	If, after the cassette has been inserted, the tape take-up reel has not wound up the tape while the total tape amount is not detected and while the tape is travelling in the forward or reverse direction, the AUTO OFF lamp lights, and the message display flashes.	STOP (POWER OFF→ON)

# RS-232C interface

## 1. Introduction

(1) The VTR can be operated by commands when the RS-232C interface is used.

(See command table on pages 80 – 82.)

(2) Conditions for acknowledging commands from RS-232C interface

The front panel REMOTE/LOCAL switch must be at REMOTE.

The setup menu item No. 204 “RS232C SEL” must be ON.

If the above conditions are not met, [ACK] + [STX]ER001[EXT] is returned to the external unit.

Whether the [ACK] code is returned depends on the setting which has been selected for setup menu item No. 209 “RETURN ACK”.

## 2. Hardware specifications

### External interface specifications

#### 1) Connector specifications

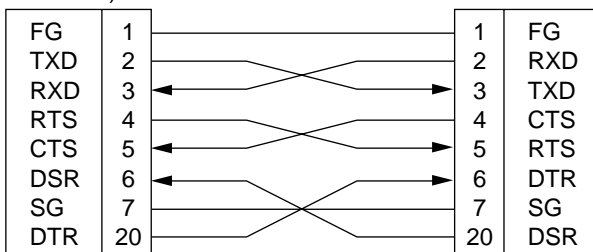
Connector: D-SUB 25-pin (crossover cable supported)

Pin No.	Signal	Circuit name	Description
1	FG	Protective ground	Frame ground
2	RXD	Received data	Data is sent to PC.
3	TXD	Transmitted data	Data is received from PC.
4	CTS	Clear to send	Shorted with pin 5.
5	RTS	Request to send	Shorted with pin 4.
6	DTR	Data terminal ready	No processing
7	SG	Signal ground	Signal ground
20	DSR	Data set ready	+ voltage output after communication enable status

#### 2) Example of connection with controller (PC)

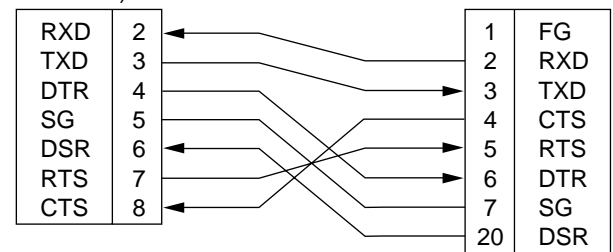
##### ■ Using crossover cable with D-SUB 25-pin connectors

PC side  
(D-SUB 25-pin connector)



##### ■ Using crossover cable with D-SUB 9-pin and 25-pin connectors

PC side  
(D-SUB 9-pin connector)



# RS-232C interface

## 3. Software specifications

### Protocol

#### 1) Communication parameters

Communication system	Asynchronous, full duplex
Communication speed	300/600/1200/2400/4800/ <u>9600</u>
Bit length	7 bit/ <u>8 bit</u>
Stop bit	<u>1 bit</u> /2 bit
Parity bit	<u>NONE</u> /ODD/EVEN
ACK code	ACK code returned/ <u>ACK code not returned</u> <b>&lt;Note&gt;</b> The ACK code is what is returned from the VTR to the controller when data has been successfully sent from the controller.

The underlining indicates the factory settings.

Any changes to the settings can be made using the setup menu items listed below.

Communication parameter	Setup menu item
Communication speed	No. 205 BAUD RATE
Bit length	No. 206 DATA LENGTH
Stop bit	No. 207 STOP BIT
Parity bit	No. 208 PARITY
ACK code	No. 209 RETURN ACK

#### 2) Send format [controller (PC) → VTR]

##### ■ Data format

[STX] [command] [:] [data] [ETX]

02h XX XX XX 3Ah XX-XX 03h ←(ASCII code: symbols, numbers upper-case letters)

20h<XX<7Fh

- [command]: Command identifier; a 3-byte identifier (ASCII code: symbols, numbers, upper-case letters) is sent as the command.
- [:]: This code serves as a delimiter between the command and data.
- [data]: Data (ASCII code: symbols, numbers, upper-case letters) can be added in the number of bytes required.

##### ■ Outline of send procedure from controller

1. The send command starts with STX (start of text = 02h). The command is then identified by COMMAND which follows and the data is added as required.  
The format ends with ETX (end of text = 03h).
2. When a different command is to be sent, a response is awaited from the VTR, and then the command is sent. (See page 79.)
3. If STX is sent again before ETX is sent, the receive data buffer inside the VTR is cleared. A command error is returned to the controller, and the data is newly processed with STX which was received again at the head.



---

### 3) Return format [VTR → controller (PC)]

The following responses are made to the command. If necessary, more than one response is made.

#### ■ When the communication has terminated normally

1. The receive completion message is returned.

```
[ACK]
06h
```

2. The execution completion message is returned.

```
[STX] [command] [data] [ETX]
02h XX XX XX XX-XX 03h
```

- [command]: This is the message (data) which is returned or the execution completion message identifier.
- [data]: This is the data to be returned. It can be omitted.

```
Example:   Send command       Return message (data)
           [STX] OPL [ETX]   →   [ACK] [STX] OPL [ETX]
```

#### ■ When the communication has terminated abnormally

```
[NACK]
15h
```

#### ■ When processing is not possible due to incorrect data or trouble in the VTR

1. The receive completion message is returned.

```
[ACK]
06h
```

2. An error code is returned.

```
[STX] E R N1 N2 N3 [ETX]
02h Error code 03h
```

## 4. Error code table

- ER001: Invalid command
  - Unsupported command received.
  - Error in command execution
- ER002: Parameter error
- ER102: VTR mode error (front loading motor)
- ER103: VTR mode error (loading motor)
- ER104: VTR mode error (drum, capstan system)
- ER105: VTR mode error (reel system)
- ER106: VTR mode error (tension system)
- ER108: VTR dew error
- ER1FF: VTR system error

# RS-232C interface

## 5. Command table

### (1) Commands relating to operation control

#### <Notes>

- As for the return (completion) message, [ACK] is first returned when data is received, and the execution message is subsequently returned. It is only the execution message which is listed in this table.
- In the case of commands not listed in the table, ER001 (invalid command) is returned after [ACK] has been returned.

VTR operation	Send command	Return (completion) message	Supplementary notes
STOP	[STX] OSP [ETX]	[STX] OSP [ETX]	This command is for stopping the tape travel. The resulting output picture and sound statuses differ according to the settings selected for the setup menu No. 105 (AUTO EE SEL).
EJECT	[STX] OEJ [ETX]	[STX] OEJ [ETX]	This command is for ejecting the cassette tape. The resulting output picture and sound statuses differ according to the settings selected for the setup menu No. 105 (AUTO EE SEL).
PLAY	[STX] OPL [ETX]	[STX] OPL [ETX]	This command is for starting playback.
REWIND	[STX] ORW [ETX]	[STX] ORW [ETX]	This command is for rewinding the tape. The resulting output picture and sound statuses differ according to the settings selected for the setup menu No. 105 (AUTO EE SEL). The maximum tape speed differs according to the setting selected for setup menu No. 102 (FF. REW MAX).
FAST FORWARD	[STX] OFF [ETX]	[STX] OFF [ETX]	This command is for fast forwarding the tape. The resulting output picture and sound statuses differ according to the settings selected for the setup menu No. 105 (AUTO EE SEL). The maximum tape speed differs according to the setting selected for setup menu No. 102 (FF. REW MAX).
REC	[STX] ORC [ETX]	[STX] ORC [ETX]	This command is for starting the recording.
SHTL FORWARD	[STX] OSF:data [ETX]	[STX] OSF [ETX]	This is the forward direction shuttle command.
	data = n: speed data 0: STILL 1: ×0.03 2: ×0.1 3: ×0.2 4: ×0.5 5: ×1 6: ×1.85 7: ×4.1 8: ×9.5 9: ×16 : This speed differs according to the setting selected for setup menu No. 101 (SHTL MAX). A: ×32 : This speed differs according to the setting selected for setup menu No. 101 (SHTL MAX).		

VTR operation	Send command	Return (completion) message	Supplementary notes
SHTL REVERSE	[STX] OSR:data [ETX]	[STX] OSR [ETX]	This is the reverse direction shuttle command.
	data = n: speed data 0: STILL 1: ×0.03 2: ×0.1 3: ×0.2 4: ×0.5 5: ×1 6: ×1.85 7: ×4.1 8: ×9.5 9: ×16 : This speed differs according to the setting selected for setup menu No. 101 (SHTL MAX). A: ×32 : This speed differs according to the setting selected for setup menu No. 101 (SHTL MAX).		
STANDBY OFF	[STX] OBF [ETX]	[STX] OBF [ETX]	This command is setting the VTR to standby OFF.
STANDBY ON	[STX] OBN [ETX]	[STX] OBN [ETX]	This command is setting the VTR to standby ON.

# RS-232C interface

## (2) Commands relating to inquiries

### <Notes>

- As for the return (completion) message, [ACK] is first returned when data is received, and the execution message is subsequently returned. It is only the execution message which is listed in this table.
- In the case of commands not listed in the table, ER001 (invalid command) is returned after [ACK] has been returned.

VTR operation	Send command	Return (completion) message	Supplementary notes
CTL/TC DATA REQUEST	[STX] QCD [ETX]	[STX] CD data [ETX]	This command is for inquiring about the counter value.
		data = f w gh mm ss ff f = F w = S gh = CTL: g = SP (20h): for a plus display - (2Dh): for a minus display h = 0-9: hours TC: gh = 00-23: hours mm = 00-59: minutes ss = 00-59: seconds ff = 00-24: frames (625 mode) = 00-29: frames (525 mode)	CTL or TC is returned, whichever corresponds to the front display mode.
STATUS REQUEST	[STX] QOP [ETX]	[STX] xxx [ETX]	This command is for inquiring about the VTR's operation mode.
		xxx = OEJ: EJECT OFF: FAST FORWARD OPL: PLAY ORC: REC ORW: REWIND OSP: STOP (including the STANDBY ON) SRS: (IN/OUT) PREROLL OBF: STANDBY OFF OSF: SHTL FORWARD OSR: SHTL REVERSE OJG: JOG FORWARD/REVERSE OSW: VAR FORWARD/REVERSE EAE: AUTO EDIT EON: EDIT ON (MANUAL EDIT) EPV: PREVIEW ERV: REVIEW	
ID (VTR No.) REQUEST	[STX] QID [ETX]	[STX] data [ETX]	This command is for inquiring about the VTR used.
		data = AJ-D950E	

---

### (3) Microsoft QuickBASIC sample programme

```
CLS
STX$ = CHR$(&H2): ETX$ = CHR$ (&H3): NAK$ = CHR$(15): ACK$ = CHR$(&H6)
PRINT "*** RS-232C COMMUNICATION SAMPLE PROGRAM ***"
PRINT "Type Command 'QUIT' to quit."
PRINT

REM *** Communication Port Initial & Open ***
REM Port 1,9600Bps,No parity,8 bit data,1 stop bit
OPEN "COM1:9600,N,8,1" FOR RANDOM AS #1 LEN = 256

REM *** Input Command & Send Command ***
SendCmd:
INPUT "Input Command ="; SEND$
IF SEND$ = "QUIT" THEN GOTO ProgEnd
PRINT #1, STX$ + SEND$ + ETX$

REM *** Wait for Receive Command ***
WHILE LOC(1) = 0
    WAITKEY$ = INKEY$
    IF WAITKEY$ = "Q" THEN PRINT "**** Quit ****": GOTO ProgEnd
WEND

REM *** Receive Command ***
RecvCmd:
RCV$ = INPUT$(1, #1)
IF RCV$ = STX$ THEN RCV$ = "[Stx]"
IF RCV$ = ACK$ THEN RCV$ = "[Ack]"
IF RCV$ = NAK$ THEN RCV$ = "[Nak]"
IF RCV$ = ETX$ THEN BUFFER$ = BUFFER$ + "[Etx]": GOTO DispOut
BUFFER$ = BUFFER$ + RCV$
GOTO RecvCmd

REM *** Output Receive Command ***
DispOut:
PRINT "Receive Command ="; BUFFER$
PRINT
BUFFER$ = ""
GOTO SendCmd

REM *** End Program ***
ProgEnd:
CLOSE
END
```

# Connector signals

## VIDEO IN

SERIAL IN (DIGITAL)	BNC × 2	Active through
Y, P <sub>B</sub> , P <sub>R</sub> (ANALOG)	BNC × 3	(Board, option)
VIDEO IN	BNC × 2	Loop-through, 75Ω termination switch provided (Board, option)
REF VIDEO IN	BNC × 2	Loop-through, 75Ω termination switch provided

## VIDEO OUT

SERIAL OUT (DIGITAL)	BNC × 3
Y, P <sub>B</sub> , P <sub>R</sub> (ANALOG)	BNC × 3 (Board, option)
VIDEO OUT	BNC × 3

## AUDIO IN

SERIAL IN (DIGITAL)	BNC × 2	Active through
AUDIO IN (DIGITAL)	XLR × 2	CH1/CH2, CH3/CH4 AES/EBU format
AUDIO IN (ANALOG)	XLR × 2	CH1, CH2, CH3, CH4
CUE IN	XLR × 1	
TIME CODE IN	XLR × 1	

Pin No.	Signal
1	GND
2	HOT
3	COLD

## AUDIO OUT

SERIAL OUT (DIGITAL)	BNC × 3	
AUDIO OUT (DIGITAL)	XLR × 2	CH1/CH2, CH3/CH4 AES/EBU format
AUDIO OUT (ANALOG)	XLR × 2	CH1, CH2, CH3, CH4
CUE OUT	XLR × 1	
TIME CODE OUT	XLR × 1	
MONITOR OUT	XLR × 2	
HEADPHONES (front)	M6	

## RS-422A REMOTE (9P)

### REMOTE IN/OUT

Pin No.	Signal	Pin No.	Signal	Pin No.	Signal
1	FRAME GROUND	4	RECEIVE COMMON	7	TRANSMIT B
2	TRANSMIT A	5	—————	8	RECEIVE A
3	RECEIVE B	6	TRANSMIT COMMON	9	FRAME GROUND

### REMOTE OUT

Pin No.	Signal	Pin No.	Signal	Pin No.	Signal
1	FRAME GROUND	4	TRANSMIT COMMON	7	RECEIVE B
2	RECEIVE A	5	—————	8	TRANSMIT A
3	TRANSMIT B	6	RECEIVE COMMON	9	FRAME GROUND

# Connector signals

## PARALLEL REMOTE (25P)

Pin No.	Signal	Pin No.	Signal	Pin No.	Signal
1	PLAY COMMAND	10	————	19	STAND BY ON STATUS
2	STOP COMMAND	11	————	20	PREROLL STATUS
3	FF COMMAND	12	≥10V, MAX 300mA	21	SERVO LOCK STATUS
4	REW COMMAND	13	PLAY STATUS	22	————
5	REC COMMAND	14	STOP STATUS	23	————
6	EJECT COMMAND	15	FF STATUS	24	————
7	STAND BY ON/OFF COMMAND	16	REW STATUS	25	GND
8	PREROLL COMMAND	17	REC STATUS		
9	IN SET COMMAND	18	EJECT STATUS		

### <Notes>

- COMMAND pins: TTL level, active low, ≥100ms edge electrical signal.
- STATUS pins: open collector, sink current 6 mA

## RS-232C REMOTE (25-pin D-SUB crossover cable supported)

Pin No.	Abbreviation	Circuit	Description
1	FRAME GROUND	Protective ground	Frame ground
2	RxD	Received data	Sends data to the PC.
3	TxD	Transmitted data	Receives data from the PC.
4	CTS	Clear to send	Shorted with pin 5.
5	RTS	Request to send	Shorted with pin 4.
6	DTR	Data terminal ready	No processing
7	GND	Signal ground	Signal ground
20	DSR	Data set ready	Positive power output after communication enable status

## ENCODER REMOTE (15P)

Pin No.	Signal	Pin No.	Signal	Pin No.	Signal
1	————	6	SYSTEM H 0	11	RET GND
2	SET UP	7	SYS.SC COARSE (2)	12	————
3	C LEVEL	8	-12V	13	————
4	GND	9	CHROMA PHASE		14 SYS.SC FINE
5	+12V	10	VIDEO LEVEL	15	SYS.SC COARSE (1)

# Specifications

---

## GENERAL

<b>Power supply:</b>	AC 120 V, 50 – 60 Hz
<b>Power consumption:</b>	300 W

Operating ambient temperature: 41°F to 104°F (5°C to 40°C)  
Operating ambient humidity: 10% to 90% (no condensation)  
Weight: 41.8 lbs (19 kg)  
Dimensions (W × H × D): 16-3/4" × 6-15/16" × 16-3/8" (Not including the support legs, connectors, and JOG dial)  
Recording format: DVCPRO 50/DVCPRO P\*/DVCPRO format selectable  
Recording video signal: 525i/525p(4:2:0p)\*/625i selectable  
Recording audio signal: DVCPRO 50/DVCPRO P\*: 48 kHz 16-bit 4 channels  
DVCPRO: 48 kHz 16-bit 2 channels  
Recording tracks: Digital video audio: helical track  
The time code is recorded in the sub-code area.  
Cue track: 1 track  
Control track: 1 track  
Tape speed: 67.640 mm/sec (525)  
67.708 mm/sec (625)  
Recording time: 92 minutes (using the AJ-5P92LP)  
Tape: Metal tape  
FF/REW time: Less than 3 min (with AJ-5P92LP)  
Search speed: ±32× speed (color)  
Digital slow: Plus direction: 0.75× speed  
Minus direction: -0.43× speed  
Editing accuracy: ±0 frames (using the time code)  
Tape timer accuracy: ±1 frame (using the continuous CTL signal)  
Servo lock time: Less than 0.5 sec (color framing/standby ON)  
Audio split editing: YES

## VIDEO

Sampling frequencies: DVCPRO 50 525i/625i: Y: 13.5 MHz, P<sub>B</sub>/P<sub>R</sub>: 6.75 MHz  
DVCPRO P 4:2:0p\*: Y: 27 MHz, P<sub>B</sub>/P<sub>R</sub>: 13.5 MHz  
Quantizing: 8 bits  
Video compression method: DCT + variable length code  
Video compression rate: DVCPRO 50: 1/3.3  
DVCPRO/DVCPRO P\*: 1/5  
Error correction: Reed-Solomon product code  
Video recording bit rate: DVCPRO 50/DVCPRO P\*: 50 Mbps  
DVCPRO: 25 Mbps  
Sample × effective line: DVCPRO/DVCPRO 50 (525i): 720 × 487.5/frame  
DVCPRO/DVCPRO 50 (625i): 720 × 585/frame  
DVCPRO P 4:2:0p\*: 720 × 480/field  
V blanking data: 525i/625i: VITC  
525i: Closed Caption

## Digital IN/Analog Component OUT

Video bandwidth: 525i: Y: 30 Hz to 5.5 MHz (±0.5 dB), 5.75 MHz (-2.0 dB)  
P<sub>B</sub>/P<sub>R</sub>: 30 Hz to 2.5 MHz (±0.5 dB), 2.75 MHz (-2.0 dB)  
625i: Y: 25 Hz to 5.5 MHz (±0.5 dB), 5.75 MHz (-2.0 dB)  
P<sub>B</sub>/P<sub>R</sub>: 25 Hz to 2.5 MHz (±0.5 dB), 2.75 MHz (-2.0 dB)  
S/N ratio: Better than 60 dB  
K factor (2T): Less than 1%

## Video input connector

Analog component input: BNC×3 (Y, P<sub>B</sub>, P<sub>R</sub>)  
Y: 1.0 V<sub>p-p</sub>, 75Ω  
P<sub>B</sub>/P<sub>R</sub>: 0.525/0.757 V<sub>p-p</sub> switchable, 75Ω (75% color bar, 0% setup)  
Analog composite input: BNC×2, loop-through, 75Ω on/off  
Reference input: Analog composite, BNC×2, 75Ω on/off  
Serial digital component input: Complies with SMPTE259M-C, 294M\*standard, BNC×2, active through  
SDTI input (option): Complies with SMPTE305M standard, BNC×2, active through



# Specifications

---

## Video Output Connector

Analog component output:	BNC×3 (Y, P <sub>B</sub> , P <sub>R</sub> ), 4:2:2/8:4:4* Y: 1.0 Vp-p, 75Ω P <sub>B</sub> /P <sub>R</sub> : 0.525/0.757 Vp-p switchable, 75Ω (75% color bar, 0% setup)
Analog composite output:	BNC×3, video 1, video 2, video 3 (superimpose on/off)
Serial digital component output:	BNC×3, complies with SMPTE259M-C, 294M*standard, SDI 1, SDI 2, SDI 3, (superimpose on/off)
SDTI output (option):	BNC×1, complies with SMPTE305M standard

## Video Signal Adjustment

Composite video input signal:	±3 dB
Video output gain:	±3 dB
Video output chroma gain:	±3 dB
Video output hue:	±30°
Video output setup:	±15 IRE
Video output sync phase:	±8 μs
Video output SC phase:	±180°

## AUDIO

Digital Audio	
Sampling frequencies:	48 kHz (synchronous with video)
Quantizing:	16 bits
Frequency response:	20 Hz to 20 kHz ± 1.0 dB (at the reference level)
Dynamic range:	Better than 90 dB (1 kHz, emphasis OFF)
Distortion:	Less than 0.05% (1 kHz, emphasis OFF, reference level)
Crosstalk:	Less than -80 dB (1 kHz, between 2 channels)
Wow & flutter:	Below measurable limit
Headroom:	525i/525p*: 20 dB 625i: 18 dB
Emphasis:	T1=50 μs, T2 = 15 μs (on/off selectable)
Cue Track	
Frequency response:	300 Hz to 6 kHz ± 3 dB
Audio Input Connector	
Analog input (CH1/CH2/CH3/CH4):	XLR×4, 600Ω/high impedance selectable, +4/0/-20 dBu selectable
Digital input (CH1/CH2, CH3/CH4):	XLR×2, AES/EBU format
Serial digital input:	Complies with SMPTE259M-C/272M (BNC×2, active through)
Cue track input:	XLR×1, 600Ω/high impedance selectable, +4/0/-20/-60 dBu selectable

## Audio Output Connector

Analog output (CH1/CH2/CH3/CH4):	XLR×4, low impedance, +4/0/-20 dBu selectable
Digital output (CH1/CH2, CH3/CH4):	XLR×2, AES/EBU format
Serial digital output:	Complies with SMPTE259M-C/272M (BNC×1)
Cue track output:	XLR×1, low impedance, +4/0/-20 dBu selectable
Monitor output:	XLR×2, low impedance, +4/0/-20 dBu selectable
Headphones:	Variable level, mini-jack, 8Ω

## Other Input/Output Connectors

Time code input:	XLR×1, 0.5 to 8 Vp-p
Time code output:	XLR×1, 2.0 Vp-p
RS-422A input:	D-sub 9-pin, RS-422A interface
RS-422A output:	D-sub 9-pin, RS-422A interface
RS-232C:	D-sub 25-pin, RS-232C interface
Parallel input/output:	D-sub 25-pin
Encoder remote:	D-sub 15-pin

Weight and dimensions when shown are approximately.  
Specifications are subject to change without notice.

\* Applies only to AJ-PD950.

## IMPORTANT

“Unauthorized recording of copyrighted television programs, video tapes and other materials may infringe the right of copyright owners and be contrary to copyright laws.”



The lightning flash with arrowhead symbol, within an equilateral triangle, is intended to alert the user to the presence of uninsulated “dangerous voltage” within the product’s enclosure that may be of sufficient magnitude to constitute a risk of electric shock to persons.



The exclamation point within an equilateral triangle is intended to alert the user to the presence of important operating and maintenance (servicing) instructions in the literature accompanying the appliance.

### CAUTION:

To reduce the risk of fire or shock hazard and annoying interference, use the recommended accessories only.

### WARNING:

TO REDUCE THE RISK OF FIRE OR SHOCK HAZARD, DO NOT EXPOSE THIS EQUIPMENT TO RAIN OR MOISTURE.

### CAUTION:

TO REDUCE THE RISK OF FIRE OR SHOCK HAZARD, REFER MOUNTING OF THE OPTIONAL BOARD TO AUTHORIZED SERVICE PERSONNEL.

### FCC Note:

This device complies with Part 15 of the FCC Rules. To assure continued compliance follow the attached installation instructions and do not make any unauthorized modifications.

This equipment has been tested and found to comply with the limits for a Class A digital device, pursuant to Part 15 of the FCC Rules. These limits are designed to provide reasonable protection against harmful interference when the equipment is operated in a commercial environment. This equipment generates, uses, and can radiate radio frequency energy and, if not installed and used in accordance with the instruction manual, may cause harmful interference to radio communications. Operation of this equipment in a residential area is likely to cause harmful interference in which case the user will be required to correct the interference at his own expense.

is the safety information.

- Do not insert fingers or any objects into the video cassette holder.
- Avoid operating or leaving the unit near strong magnetic fields. Be especially careful of large audio speakers.
- Avoid operating or storing the unit in an excessively hot, cold, or damp environment as this may result in damage both to the recorder and to the tape.
- Do not spray any cleaner or wax directly on the unit.
- If the unit is not going to be used for a length of time, protect it from dirt and dust.
- Do not leave a cassette in the recorder when not in use.
- Do not block the ventilation slots of the unit.
- Use this unit horizontally and do not place anything on the top panel.
- Cassette tape can be used only for one-side, one direction recording. Two-way or two-track recordings cannot be made.
- Cassette tape can be used for either Color or Black & White recording.
- Do not attempt to disassemble the recorder. There are no user serviceable parts inside.
- If any liquid spills inside the recorder, have the recorder examined for possible damage.
- Refer any needed servicing to authorized service personnel.

# Panasonic

**DVCPRO 50**

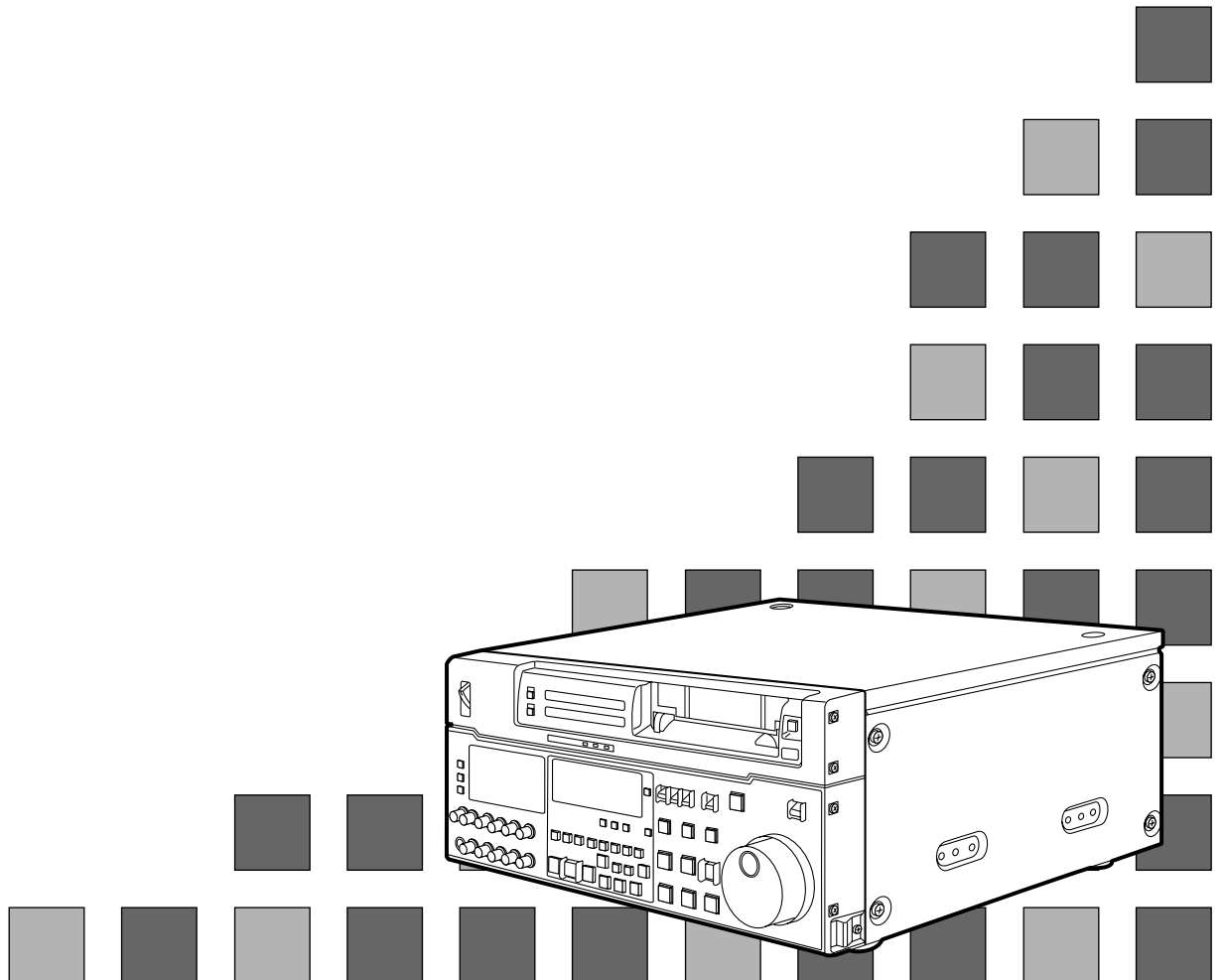
**DVCPRO P**

Digital Video Cassette Recorder

**AJ-D950**

**AJ-PD950**

## Operating Instructions



# Contents

---

General and Features .....	4	Video output (encoder output)	
Controls and their functions .....	6	signal adjustment .....	43
• Front panel .....	7	Setup (default settings) .....	44
• Front panel bottom section .....	14	Setup menus .....	45
• Connector area .....	16	• System menu .....	46
Connections		• Basic menu .....	47
• Connections when one unit is used .....	19	• Operation menu .....	49
• Connections when 2 units are used .....	20	• Interface menu .....	51
• Connections with editing controller .....	21	• Edit menu .....	52
• Connections for adjusting video output		• Tape protect menu .....	54
(encoder output) signals .....	22	• Time Code menu .....	54
Tapes .....	23	• Video menu .....	56
Switching on the power/inserting the cassette .....	24	• Audio menu .....	58
STOP/STAND BY mode .....	25	• AJ-PD950 USER menu .....	60
Recording .....	26	Time code/user bit .....	61
Playback .....	27	• Recording internal/external time codes .....	62
Jog/shuttle .....	28	• Reproducing the time code/user bit .....	63
Manual editing .....	29	Superimpose screen .....	64
Preroll .....	30	Servo reference .....	65
Automatic editing .....	31	Audio V Fade Function .....	67
• Switch settings and adjustments .....	32	Audio recording channel and monitor	
• Selecting the editing mode .....	33	output selection .....	68
• Entering the edit points .....	34	Printed circuit board .....	69
• Checking the edit points .....	35	Rack mounting .....	70
• Modifying the edit points .....	36	Head cleaning .....	71
• Preview .....	37	Condensation .....	71
• Executing automatic editing .....	38	Error messages .....	72
• Review .....	39	Table of AUTO OFF Error messages .....	74
• Split editing .....	40	RS-232C interface .....	76
• Audio split editing .....	41	Connector signals .....	83
		Specifications .....	85

---

**Before operating this unit, check that all of its accessories are present and accounted for.**

Power cord....1 pc

**Option**

- AJ-MA75P Rack mounting adaptor

# General and Features

---

This multi-purpose studio digital video cassette recorder uses 1/4-inch compact video cassette tapes, and it is designed to record, playback and edit both interlace signals (525i/625i, 50 Mbps recording rate) and progressive signals (525p)\* as well as record and playback existing DVCPRO signals (25 Mbps). Its 525/625 switching function makes this a studio video cassette recorder which can be used anywhere in the world. In addition, it incorporates digital compression technology so that the deterioration in picture quality and sound quality resulting from dubbing is significantly minimized.

The compact, lightweight 4U size makes carrying easier, even when mounted in a 19-inch rack. The settings for the unit's setup can be performed interactively while viewing the screen menus on the TV monitor, and editing functions include both assemble and insert editing. The editing functions do not work when using this unit in DVCPRO (25 Mbps) mode.

## Features

### **Compact size and light weight**

This is a 4U-size digital VTR. It can be mounted in a 19-inch rack with ease using the optional rack-mounting adaptors (AJ-MA75P).

### **Up to 92 minutes of recording**

Two sizes of cassette tapes can be used with this unit: M cassette (max. 33 minutes) and L cassettes (max. 92 minutes). The width of the tapes measures 1/4 inch to achieve a compact design.

### **Superior Picture quality**

Superior picture quality is delivered in the component signal and the 4:2:0p progressive signal\* recording mode.

### **Switchable 525i/625i/525p\***

The video input signal switch (settings: 525i/625i/525p\*) can be set to accommodate the recording and playback of each type of signal.

### **SDI interface**

This product's standard features include 4:2:2/4:2:0p\* serial digital interface.

### **Playback compatibility with DVCPRO**

This product is also capable of recording in the existing DVCPRO format and playing back tapes which have been recorded using this format.

### **Digital slow motion/dial jog**

With Panasonic's unique digital slow motion technology, slow motion playback images are clear at the following speeds: -0.43/-0.3/-0.2/-0.1/-0.03/+0.03/+0.1/+0.2/+0.3/+0.5/+0.75

#### **<Note>**

- Some noise may occur when the slow motion speed is changed.

### **Dial shuttle**

Shuttle operations enable the tape to be played back with color images at a speed of up to 32 times the forward and reverse direction.

### **Time codes**

This unit comes with a built-in time code generator (TCG)/time code reader (TCR). In addition to the internal time code, an external code input or input signal VITC can be recorded on this VTR as the LTC time code.

\* Applies only to AJ-PD950.

---

---

## Features

(continued)

### Multifunctional interface

- **Serial digital input/output**

The component serial interface, a standard feature, allows for interfacing with progressive signals\* and component signals in serial digital (SMPTE259M-C, 272M, 294M\*).

- **Analog video input/output**

Analog component input/output signals (Y, P<sub>B</sub>, P<sub>R</sub>) as well as composite input/output signals are standard feature.

- **AES/EBU audio input/output**

Digital audio input/output connectors are featured.

- **SDTI input/output**

- **9-pin (RS-422A)/(RS-232C) remote**

In addition to the standard 9-pin serial remote (RS-422A), RS-232C and 25-pin parallel remote connectors are also featured.

The RS-422A connector enables another VTR to be operated in parallel with the unit if a looping connection is used for the two units.

### 4-channel high-sound-quality digital audio

The 4-channel PCM audio allows for not only independent editing and mixing on all four channels. One channel is provided for the analog CUE track.

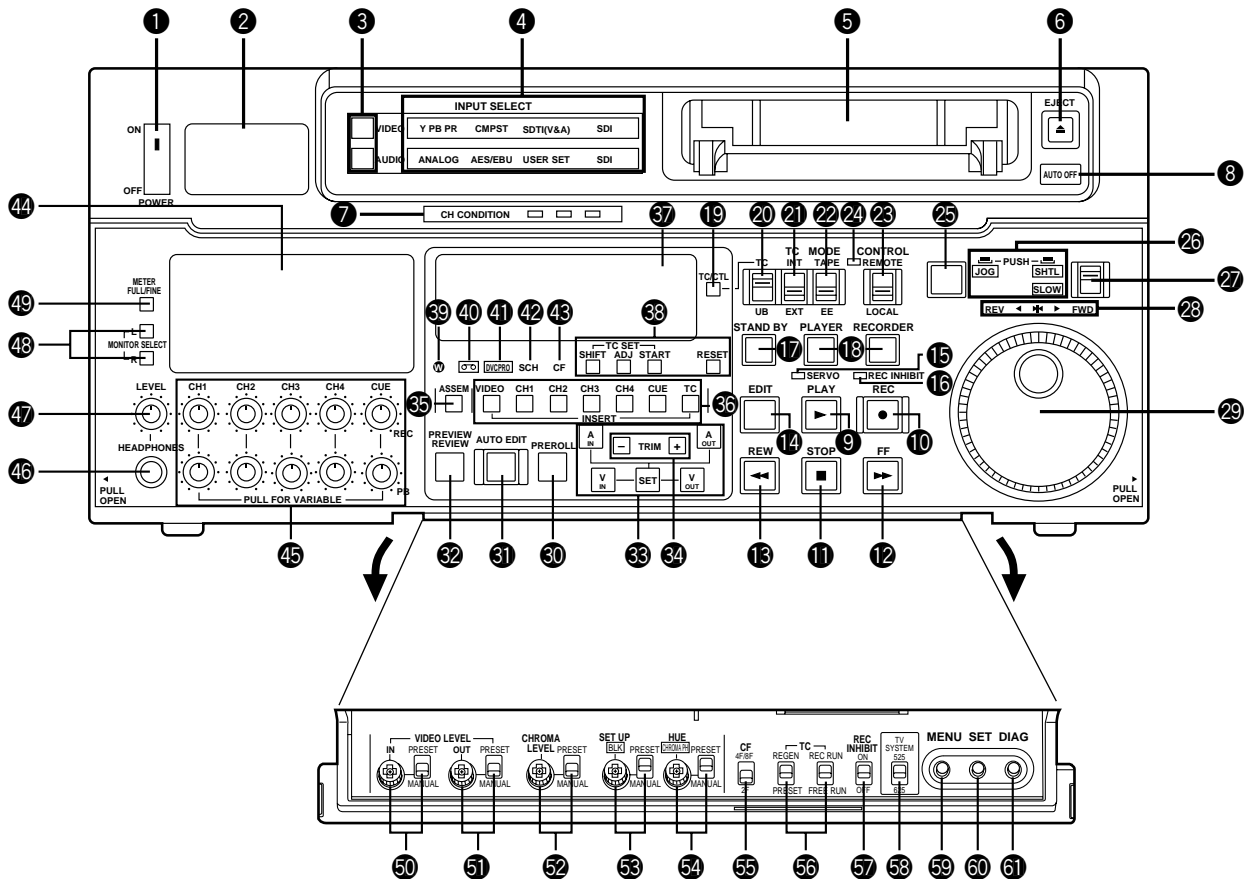
### Menu-driven setup

The setup settings, which are conducted prior to operating the unit are performed while viewing the setup menus either on the unit's display or a TV monitor.

\* Applies only to  
AJ-PD950.

# Controls and their functions

## Front panel



### <Front Panel Top Section>

① POWER switch

② TV system/format displays

These displays indicate the type of TV system selected and tape format.

<525/525P\*/625>

**525:** This lights when the 525 interlaced TV system has been selected.

**525P\*:** This lights when the 525 progressive TV system is selected or is currently playing back. [The 525P setting is selected on setup menu No. 012 (SYSTEM FORMAT).]

**625:** This lights when a 625 interlaced TV system is selected.

<25Mbps/50Mbps>

**25Mbps:** This indicates that the tape is recorded or played back in the 25Mbps DVCPRO format.

**50Mbps:** This indicates that the tape is recorded or played back in the 50Mbps DVCPRO format.

---

---

### ③ INPUT SELECT switches

These are used to select the video and audio input signals.

#### <Video>

Each time the VIDEO button is pressed, the input video signal selection is switched in the order of Y/P<sub>B</sub>/P<sub>R</sub>, COMPOSITE, SDTI (V&A), SDI and then back to Y/P<sub>B</sub>/P<sub>R</sub>. When SDTI (V&A) is selected, both video input and audio input are switched to SDTI.

#### <Audio>

Each time the AUDIO button is pressed, the input audio signal selection is switched in the order of ANALOG, AES/EBU, USER SET, SDI and then back to ANALOG. USER SET is a feature for independently selecting the input signals to record on PCM audio signal channels 1 through 4, and is used together with the setup menu. However, when video input is set to SDTI, audio input is also forcibly set to SDTI. For instance, if USER SET is selected by INPUT SELECT and the channel selections are CH1=ANALOG on setup menu No. 715, CH2=DIGITAL on No. 716, CH2=AES on No. 719, CH3=DIGITAL on No. 717, CH3=SIF on No. 720, and CH4=ANALOG on No. 718, then analog input signals are recorded on PCM audio signal CH1 on the tape, AES/EBU digital signals on CH2, SDI input digital signals on CH3, and analog input signals on CH4.

### ④ INPUT SELECT display

The characters corresponding to the selected input signal light up.

With the exception of analog audio signals, the display flashes to alert the user when the selected input signal is not supplied.

#### <Video>

**Y PB PR:** Analog component video signal

**CMPST:** Analog composite video signal

**SDTI (V&A):** Compressed data serial digital video/audio signal (optional)

**SDI:** Serial digital video signal (SMPTE259M-C, 272M, 294M\*)

(The entire display lights when signal generation using the internal signal generator has been selected for setup menu No. 600 (INT SG).)

#### <Audio>

**ANALOG:** Analog audio signal

**AES/EBU:** Digital audio signal

**USER SET:** Selection of the audio signal to record

**SDI:** Serial digital audio signal

(The entire display lights when signal generation using the internal signal generator has been selected for setup menu No. 700 (INT SG).)

### ⑤ Cassette insertion slot

### ⑥ EJECT button

When this is pressed, the tape is unloaded and several seconds later the cassette is automatically ejected. When the counter display indicates "CTL", the display is reset.

### ⑦ Channel condition lamps

One of these lamps lights in accordance with the error rate status. (Green→Amber→Red)

**Green:** This lights when the error rates for the video and audio playback signals are both acceptable.

**Amber:** This lights when the error rate for the video or audio playback signals has deteriorated.

**Red:** The playback picture will remain normal even when this lamp lights.

This lights when the video or audio signals are subject to rectification or interpolation.

### ⑧ AUTO OFF lamp

This lights when trouble has arisen in the deck's operation.

\* Applies only to  
AJ-PD950.



### <Front Panel Center Section>

#### ⑨ PLAY button

Playback commences when this button is pressed.

Recording commences when the button is pressed together with the REC button; manual editing commences when it is pressed together with the EDIT button during playback. However, manual editing will not be initiated if the servo is not locked.

Pressing only the PLAY button during manual editing will cut out the editing and establish the playback mode.

#### ⑩ REC button

Recording commences when this button is pressed together with the PLAY button.

When it is pressed during playback, search<sup>\*1)</sup>, fast forward or rewind, EE mode images and audio signals can be monitored for as long as it is kept depressed.

When it is pressed in the stop mode, EE mode images and sound can be monitored.

When the STOP button is pressed, the original picture and sound are restored.

#### ⑪ STOP button

When this is pressed, the tape stops traveling, and if the TAPE/EE selector switch is at TAPE, still pictures can be monitored.

The drum continues to rotate even in the stop mode, and the tape remains in close contact with the drum.

If the stop mode continues for more than a certain period of time, the unit automatically switches to the standby OFF mode in order to protect the tape.

The stop mode is established immediately after a cassette has been inserted into the unit.

#### ⑫ FF button<sup>\*2)</sup>

The tape is fast forwarded when this is pressed.

#### ⑬ REW button<sup>\*2)</sup>

The tape is rewound when this is pressed.

#### ⑭ EDIT button

For manual editing, press both this button and the PLAY button together during playback.

When the button is pressed in the stop mode, the input mode signals selected by the ASSEMBLE or INSERT button can be monitored in the EE mode.

The original picture and sound are restored when the STOP button is pressed.

When the button is pressed during playback, search<sup>\*1)</sup>, fast forward or rewind, the input signals of the mode selected by the ASSEMBLE or INSERT button can be monitored in the EE mode for as long as the button is held down.

#### ⑮ SERVO lamp

This lights when the drum servo and capstan servo have locked.

\*1) No guarantees are given for the audio playback sound in the search mode.

\*2) The FF/REW speed can be selected on the setup menu No. 102 (FF. REW MAX), and it is set to the same speed.

---

---

## <Front Panel Center Section>

### 16 REC INHIBIT lamp

This lights when the REC INHIBIT switch in the front panel bottom section is at ON or when the accidental erasure prevention mode has been set for the cassette.  
In this state, neither recording nor editing is possible.

### 17 STAND BY button

When this is pressed, the same tension as in the regular stop mode is applied to the tape, and while the head drum continues to rotate, the button's lamp lights to indicate that the standby ON mode is established.

In the standby OFF mode, the half-loading mode is established.

When this button is pressed in the stop mode, the standby OFF mode is established, the half-loading mode is established. The lamp in the button now goes off. When the unit remains in the stop mode for longer than a predetermined period, the standby OFF mode is automatically established in order to protect the tape.

When this button or the STOP button is pressed in the standby OFF mode, the standby ON mode is established.

When a button other than the STOP button is pressed, the mode corresponding to the button pressed is established.

On-screen settings are available for the transfer time to the standby OFF mode.

### 18 PLAYER/RECORDER buttons

These buttons are operated when editing operations are conducted using the unit as the recorder and a VTR equipped with an RS-422A serial interface remote control connector (9 pins). Neither button functions when the unit is used on its own.

**PLAYER button:** When this button is pressed, its lamp lights, and the player connected to the unit can be operated by remote control. The unit's editing and tape transport buttons now control the player's functions.

**RECORDER button:** When this button is pressed, its lamp lights, and the editing and tape transport buttons control the recorder's (= the unit's) functions.

Both lamps light, and the recorder functions as the master unit for Parallel Run operations if the PLAYER or RECORDER button is pressed while "ENA" has been selected for setup menu No. 200 (PARA RUN). [However, external control can no longer be exercised from the REMOTE connector (9-pin) when this setting has been made.]

### 19 TC/CTL switch

By pressing this switch, what appears on the counter display is changed between TC and CTL.

When TC is selected, either the TC or UB value is displayed depending on the position selected by the TC/UB switch.

### 20 TC/UB switch

This selector switch determines whether the value of TC or UB appears on the counter display when the TC/CTL switch has been set to TC.

### 21 INT/EXT switch

**INT:** For using the built-in time code generator.

**EXT:** For using the time external code which is input from the time code input connector or the video signal VITC. The selection is set at the setup menu No. 505 (EXT TC SEL).

### 22 TAPE/EE switch

<In the stop mode>

**TAPE:** For outputting the signals played back from the tape.

**EE:** For outputting the input signals selected by the INPUT SELECT switch.

<In the editing\*/recording mode>

**TAPE:** For outputting the simultaneous playback signals.

**EE:** For outputting the input signals selected by the INPUT SELECT switch.

\* The SETUP menu No. 310 (CONFI EDIT) setting is required.

### <Front Panel Center Section>

#### 23 REMOTE/LOCAL switch

This switch is set when the unit is to be controlled from an external source using the REMOTE connector, RS-232C connector or parallel connector.

**REMOTE:** Set to this position when controlling the unit by a device connected using the 9-pin REMOTE connector or RS-232C/parallel connector.

**LOCAL:** Set to this position when controlling the unit using the controls on its own operation panel.

#### 24 REMOTE lamp

This lights when the REMOTE/LOCAL switch has been set to the REMOTE position.

#### 25 Search button

This button is pressed to establish the search mode.

When the search dial is set to the shuttle mode and turned to a particular position, and this button is pressed, playback commences at the speed set by the search dial.

#### 26 JOG/SHTL/SLOW lamps

These indicate the present status of the search dial and SHTL/SLOW switch.

**JOG:** This lights when the unit is in the JOG mode.

**SHTL:** This lights when the unit is in the SHTL mode.

**SLOW:** This lights when the unit is in the VAR (variable) mode.

#### 27 SHTL/SLOW switch

This selector switch is set when the search dial is used for SHTL or SLOW applications.

#### 28 REV/STILL/FWD lamps

One of these lamps lights depending on the operation of the search dial.

**REV:** This lights when the dial is turned counterclockwise and the tape travels in the REV direction provided that the lamp in the search button has lighted.

**STILL:** This lights in the JOG mode while the dial is kept stationary, and the tape stops traveling provided that the lamp in the search button has lighted.  
It lights in the SHTL mode provided that the dial is at the STILL position.

**FWD:** This lights when the dial is turned clockwise, and the tape travels in the FWD direction provided that the lamp in the search button has lighted.

#### 29 Search dial

This is used to search for the edit points.

Each time it is pressed, the mode is alternately set to shuttle or jog, and one of the JOG, SHTL and SLOW lamps lights. When the power has been turned on, the dial will not function until it has first returned to the STILL position.

**Shuttle mode:** When the dial is turned and stopped at a particular position while the SHTL/SLOW switch is at SHTL, the tape can be played back at the speed corresponding to the dial's rotary angle position. A still picture appears at the dial's center position.

When the dial is turned all the way counterclockwise with the SHTL/SLOW switch at SLOW, the tape speed is set to  $-4.1\times$  normal speed, when it is set to the center position, a still picture is produced, and when it is turned all the way clockwise, the tape speed is set to  $+4.1\times$  normal speed. The speed for SLOW can be set using setup menu No. 300 (VAR RANGE).

**Jog mode:** The dial clickstops are cleared, and the tape is played back at the speed ( $-0.43\times$  to  $+1\times$  normal speed) corresponding to the speed at which the dial is turned.

---

---

## <Front Panel Center Section>

### 30 PREROLL button

This is used for feeding and cueing the tape for manual editing.

When it is pressed, the tape travels to the preroll point where it stops.

The preroll time can be set on the setup menu No. 000 (P-ROLL TIME).

When this button is pressed together with the IN or OUT button, the tape can be cued to the IN or OUT point entered.

When the AUTO ENTRY on the setup menu No. 313 is set to "ENA", IN point has been entered at the point where the PREROLL button is pressed even if the IN point has not been entered.

### 31 AUTO EDIT button

Automatic editing is executed when this is pressed after an edit point has been entered.

When the AUTO EDIT button is pressed though the IN point has not been entered, automatic editing is executed using the point at which the button was pressed as the IN point.

### 32 PREVIEW/REVIEW buttons

**PREVIEW:** When this is pressed after an edit point has been entered, the tape travels, editing is not performed, and the preview can be activated on the screen connected to the recorder.

If it is pressed when the IN point has not been entered, the point at which the button was pressed is entered as the IN point, and preview is executed accordingly.

**REVIEW:** If this is pressed after a block has been edited, the now edited block can be played back and monitored on the screen connected to the recorder.

### 33 IN (A IN)/SET/OUT (A OUT) buttons

When IN (A IN) or OUT (A OUT) button is pressed together with the SET button, the IN (A IN) or OUT (A OUT) point is entered.

A IN and A OUT are used during audio split editing to enter an audio IN or OUT point that differs from the video In or OUT point.

While an IN (A IN) or OUT (A OUT) point is selected, the IN (A IN) or OUT (A OUT) button corresponding to the point entered lights. When this button is pressed after a point has been entered, the IN (A IN) /OUT (A OUT) point value appears on the counter display. When the IN (A IN) or OUT (A OUT) button is pressed together with the RESET button, the IN (A IN) or OUT (A OUT) point is cleared.

### 34 TRIM buttons

These buttons are used to trim IN or OUT point finely.

When the "+" or "-" button is pressed while the IN or OUT button is held down, the entered edit point can be trimmed in 1-frame increments. When the "+" button is pressed, the tape is advanced by one frame; when the "-" button is pressed, it is rewound by one frame.

### 35 ASSEMBLE button

This is pressed for assemble editing.

The button is self-illuminating, and it is set ON (lamp lights) when it is pressed once and OFF (lamp goes off) when it is pressed again.

### 36 INSERT buttons

Press one of these five buttons to select the input signals to be edited during insert editing.

The buttons are self-illuminating, and they are set ON (lamp lights) when they are pressed once and OFF (lamp goes off) when they are pressed again.

### 37 Counter display

This displays the TC and CTL count values, on-screen information and other messages.

### <Front Panel Center Section>

#### 38 Time code buttons

These are used to set the TC or UB value.

**SHIFT:** When setting the TC or UB value, first press this button to stop the data running. Change the digit now flashing on the display.

Each time the button is pressed, the flashing moves to the right by one digit, and when it reaches the right-most digit, it returns to the left-most digit.

When it is kept depressed, the flashing moves consecutively.

**ADJ:** This is used to change the numeral of the digit now flashing on the display.

When the button is pressed once, the number is incremented by 1, and when it is kept depressed, the number is incremented consecutively.

**START:** This enters the data which has been changed by the SHIFT and ADJ buttons.

Also, Pressing this button when the TC or UB value are not set enables the TCG or UBG setting values to be confirmed.

**RESET:** When this button is pressed in the CTL mode, the display is reset to "00:00:00:00". In the CTL mode, the entered edit points are cleared.

In the TC/UB mode, the generator is reset when the button is pressed together with the SHIFT button.

#### 39 Warning lamp

This lights to warn the operator of a particular item.

#### 40 Cassette insertion display lamp

This lights when a cassette has been inserted into the unit.

#### 41 DVCPRO format (25Mbps) cassette playback display lamp

This lights when a cassette recorded in the DVCPRO format (25 Mbps) is being played back.

#### 42 SCH lamp

This lights when the SCH of the external sync signal is within a specific range.

#### 43 CF lamp

This lights when the color framing is locked.

#### 44 Level meters

These indicate the respective levels of the PCM audio signals (CH1/CH2/CH3/CH4), CUE track signal or the video signal\*. The audio signal indicates the input signal levels during recording and E-E selection, and the output signal levels during playback.

For video signal, the meters indicate the input signal levels only.

\*CUE track signal or video signal is to be selected on setup menu No. 005 (METER SELECT).

#### 45 Audio input/output level controls

These controls are used to adjust the recording and playback levels of the PCM audio signals (CH1/CH2/CH3/CH4) and the CUE track signal. The upper controls are for adjusting the recording levels. The lower controls are for adjusting the playback levels. Each control is a "pull for variable" control, meaning that the level can be adjusted only when the control has been pulled up. The signal levels are set to the unity value (preset value) when the controls have been pushed down.

#### 46 Headphones jack

The sound being recorded, played back or edited can be monitored on stereo headphones when they are connected to this jack.

---

---

## <Front Panel Center Section>

### 47 Volume control

This is used to adjust the headphones volume and the monitor output volume.

Whether the headphones output and monitor output volumes are to be linked or kept separate can be set on the setup menu No. 713 (MONI OUT). (Note that the headphones output volume is normally linked.)

When the volumes are kept separate, the monitor output is set to the unity value (preset value).

### 48 MONITOR SELECT switches

These are used to select the audio signals output to the monitor L/R channels.

Each time the “L” button is pressed, the signals output to the monitor L channel are selected in turn in the following order: CH1, CH2, CH3, CH4, CUE and back to CH1.

[However, this switching is disabled when CH1+2 or CH3+4 has been selected for setup menu No. 729 (MONITOR MIX L).]

Each time the “R” button is pressed, the signals output to the monitor R channel are selected in turn in the following order: CH1, CH2, CH3, CH4, CUE and back to CH1.

[However, this switching is disabled when CH1+2 or CH3+4 has been selected for setup menu No. 730 (MONITOR MIX R).]

The L or R lamp on the level meter display lights to indicate which signal is now being selected. (When the unit is set to “AUTO” in No. 721 (MONI CH SEL) on the setup menu, then the display will change according to the monitor output.)

### 49 METER (FULL/FINE) selector switch

This is used to change the scale display (graduations) of the audio level meters.

**FULL mode:** Standard scale (from  $-\infty$  to 0 dB)

**FINE mode:** The scale changes every 0.5 dB

### <Front Panel Bottom Section>

#### 50 VIDEO IN LEVEL control and switch

These are used to adjust the video input level.

**PRESET:** When the switch is set to "PRESET", the video input level is set to the unity value (0 dB).

**MANUAL:** When the switch is set to "MANUAL", the video input level can be adjusted using this control.

#### 51 VIDEO OUT LEVEL control and switch

When setup menu No. 00 (ENCODER SEL) is set to "LOCAL", the video output level can be adjusted.

When the switch is set to "PRESET", the video output level is set to the unity value (0 dB).

When the switch is set to "MANUAL", the video output level can be adjusted using this control.

#### 52 CHROMA LEVEL control and switch

When setup menu No. 00 (ENCODER SEL) is set to "LOCAL", the chroma level can be adjusted.

When the switch is set to "PRESET", the chroma level is set to the unity value (0 dB).

When the switch is set to "MANUAL", the chroma level can be adjusted using this control.

#### 53 SETUP control and switch

When setup menu No. 00 (ENCODER SEL) is set to "LOCAL", the setup level can be adjusted.

When the switch is set to "PRESET", the setup level is set to the unity value (0 IRE).

When the switch is set to "MANUAL", the setup level can be adjusted using this control.

#### 54 HUE control and switch

When setup menu No. 00 (ENCODER SEL) is set to "LOCAL", the hue can be adjusted.

When the switch is set to "PRESET", the hue is the unity value (0°).

When the switch is set to "MANUAL", the hue can be adjusted using this control.

#### 55 CF switch

This selects whether the playback framing is to be locked in 4-field or 8-field increments or 2-field increments.

**4F/8F:** 525 mode: The framing is locked in 4-field increments.

625 mode: The framing is locked in 4- or 8-field increments. The framing can be selected in either 4- or 8-field increments using setup menu No. 108 (CAP. LOCK).

**2F:** The framing is locked in 2-field increments.

#### 56 TC generator switch

**REGEN:** When the REGEN/PRESET switch is at REGEN, the internal time code generator is synchronized with the time code which the time code reader read from the tape. Whether to set TC or UB to REGEN can be selected at the setup menu No. 503 (TCG REGEN).

**PRESET:** When the REGEN/PRESET switch is at PRESET, presetting is enabled by the controls on the operation panel or by remote control.

**REC RUN:** The time code runs only during recording when the RUN MODE switch has been set to REC. The time code runs constantly when the REGEN/PRESET switch is set to REGEN.

**FREE RUN:** The time code runs regardless of the operation mode as long as the power is being supplied when the RUN MODE switch has been set to FREE.

---

---

## <Front Panel Bottom Section>

### 57 REC INHIBIT switch

This is used to inhibit or allow recordings on the video cassette tape.

**ON:** Recording on the tape is inhibited. At this setting, the REC INHIBIT lamp in the front panel lights.

**OFF:** Recording on the tape is allowed provided that the accidental erasure prevention tab on the video cassette tape enables recording to be conducted.

### 58 TV SYSTEM selector switch

This selects the type of television system. The setting of this switch takes effect when the power is turned off and then turned back on again.

**525:** 525 interlaced/59.94 Hz television selection.

The 525 progressive system\* is selected using setup menu No. 012 (SYSTEM FORMAT).

**625:** 625 interlaced/50 Hz television system selection.

During recording, choose a signal input that corresponds to the 525i/625i/525p\* selection. During playback, choose a video cassette tape that corresponds to the 525i/625i/525p\* selection.

### 59 MENU button

When this is pressed, the setup menu appears on the TV monitor using VIDEO OUT 3 connector, and the setup menu No. appears on the display.

When it is pressed again, the menu setting mode is exited and the original operating mode is restored.

### 60 SET button

When this is pressed, the data which has been set on the setup menu is entered. After data entry, the setup menu setting mode is exited and the original operating mode is restored.

### 61 DIAG button

When this is pressed, VTR information is displayed. When it is pressed again, the original display is restored.

There are two types of VTR information: "HOURS METER" information and "WARNING" information. Switching between these types is enabled by pressing the search button.

Indicated on the "HOURS METER" screen are the power-on time, drum rotation time, tape travel time, loading count and power ON/OFF time, etc.

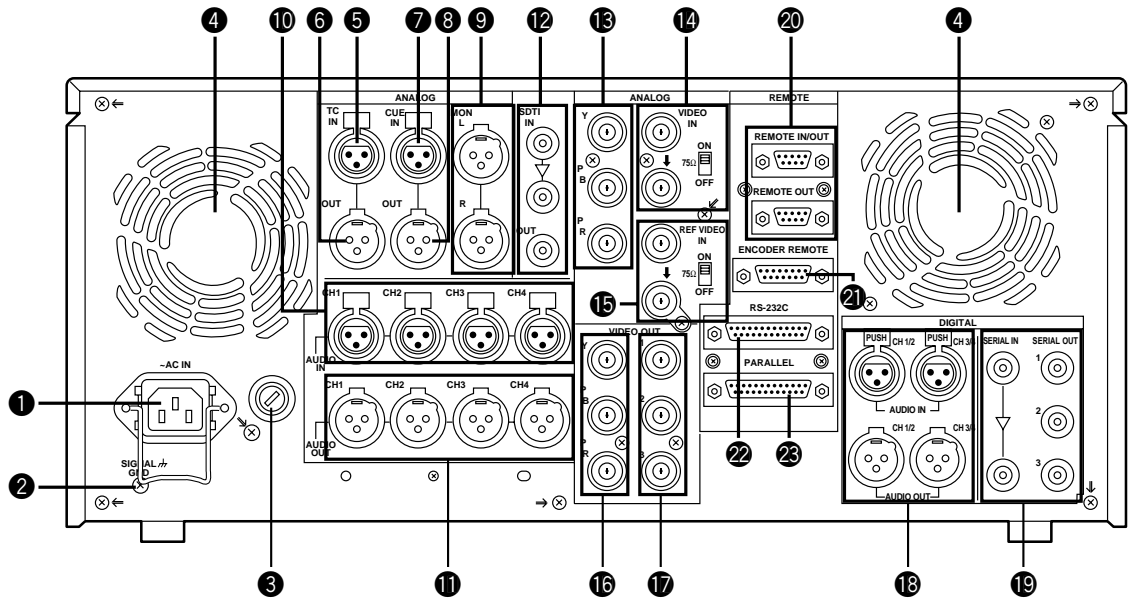
Indicated on the "WARNING" screen are the warnings.

\* Applies only to  
AJ-PD950.



# Controls and their functions

## Connector area



---

---

## <Connector area>

### ① AC IN connector

This is for connecting the unit to the power outlet using the power cord provided.

### ② SIGNAL GND terminal

This terminal is connected to the signal ground terminal of the connected unit in order to reduce noise. It is not connected to ground for safety purposes.

### ③ Fuse holder

This contains a fuse.

### ④ Fan motor

This is for cooling the unit.

The **W** lamp lights when trouble has caused the fan motor to stop. If the unit is still operated in the warning status, the temperature inside the deck will rise, and when it exceeds the safety temperature, all the unit's operations will be shut down.

### ⑤ TIME CODE IN connector

This is the connector for recording the external time code on the tape.

### ⑥ TIME CODE OUT connector

The playback time code is output from this connector during playback.

During recording, the time code generated by the internal time code generator is output.

### ⑦ CUE IN connector

The analog signal to be recorded on the CUE track is supplied to this connector. The audio signals from a microphone can also be recorded by selecting the -60dB input mode on the setup menu No. 705 (CUE IN LV).

### ⑧ CUE OUT connector

The analog signal recorded on the CUE track is output from this connector.

### ⑨ MONITOR OUT connector

During playback, the playback signals from the CUE track or PCM audio signal CH1/CH2/CH3/CH4 are output from this connector.

### ⑩ ANALOG AUDIO IN connectors

These are the analog audio input connectors.

### ⑪ ANALOG AUDIO OUT connectors

The analog audio signals are output from these connectors.

### ⑫ SDTI IN/OUT connector (option)

### ⑬ ANALOG COMPONENT VIDEO IN connector

The analog component video signal is supplied to this connector.

### ⑭ ANALOG COMPOSITE VIDEO IN connectors and 75Ω termination switch

The analog composite video signal is supplied to these two connectors which are connected in a loop-through configuration. When the termination is required, set the switch to ON.

### ⑮ REF VIDEO IN connectors and 75Ω termination switch

These are the input connectors for the reference video signals. Supply signals with color burst. When the termination is required, set the switch to ON.

### <Connector area>

**16 ANALOG COMPONENT VIDEO OUT connector**

The analog component video signal is output from this connector.

**17 ANALOG COMPOSITE VIDEO OUT connectors**

The analog composite video signals are output from these connectors.

The video signal with signals superimposed on it can be output from the VIDEO OUT3 connector.

The superimpose function can be set ON or OFF on the setup menu No. 007 (SUPER).

**18 DIGITAL AUDIO IN/OUT connector**

This I/O connector is for digital audio signals which comply with the AES/EBU standard.

**19 SERIAL DIGITAL COMPONENT AUDIO/VIDEO IN/OUT connector**

This I/O connector is for digital component audio and video signals which comply with the SMPTE 259M-C/272M/294M\* standard.

**20 Remote control connectors**

The unit can be controlled from an external source by connecting the unit with another unit or an external controller.

There are two remote control connectors, one for IN/OUT uses and the other for OUT uses.

**IN/OUT:** For connection with an external controller.

For connection with deck-to-deck operation.

**OUT:** For connection with parallel running operations.

For use in a loop-through configuration.

**21 ENCODER REMOTE connector**

The external encoder/controller is hooked up to this connector when the video output signal and other settings are to be adjusted from an external source.

**22 RS-232C connector**

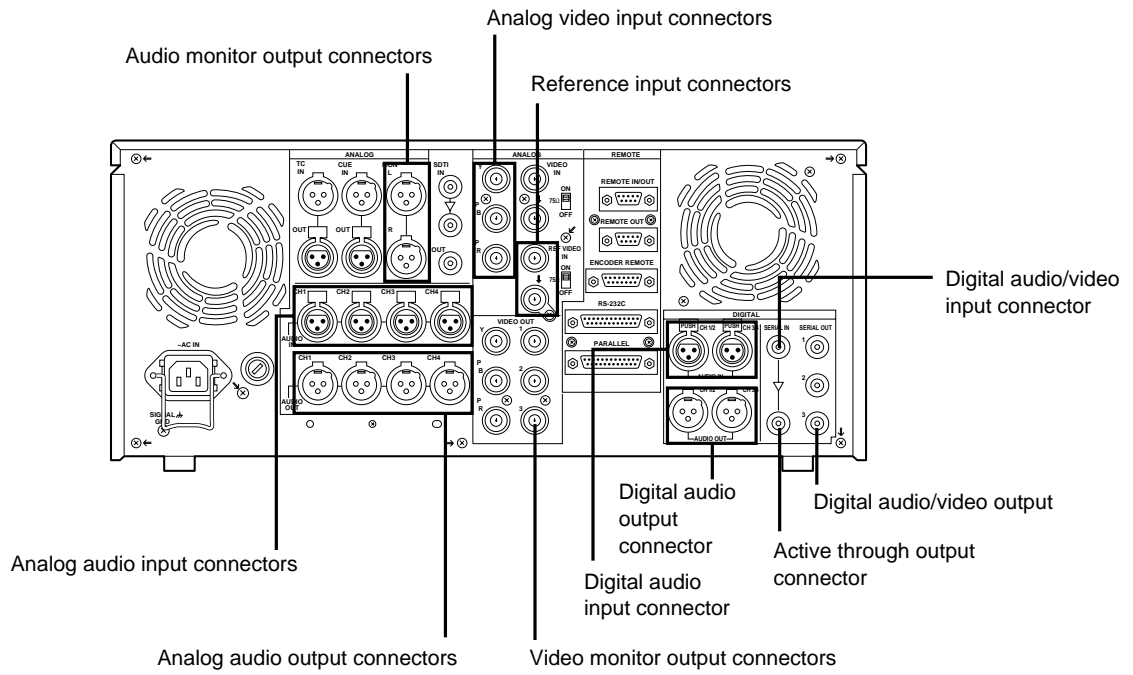
**23 PARALLEL REMOTE connector**

This is used when operating the unit from an external source.

\* Applies only to  
AJ-PD950.

# Connections when one unit is used

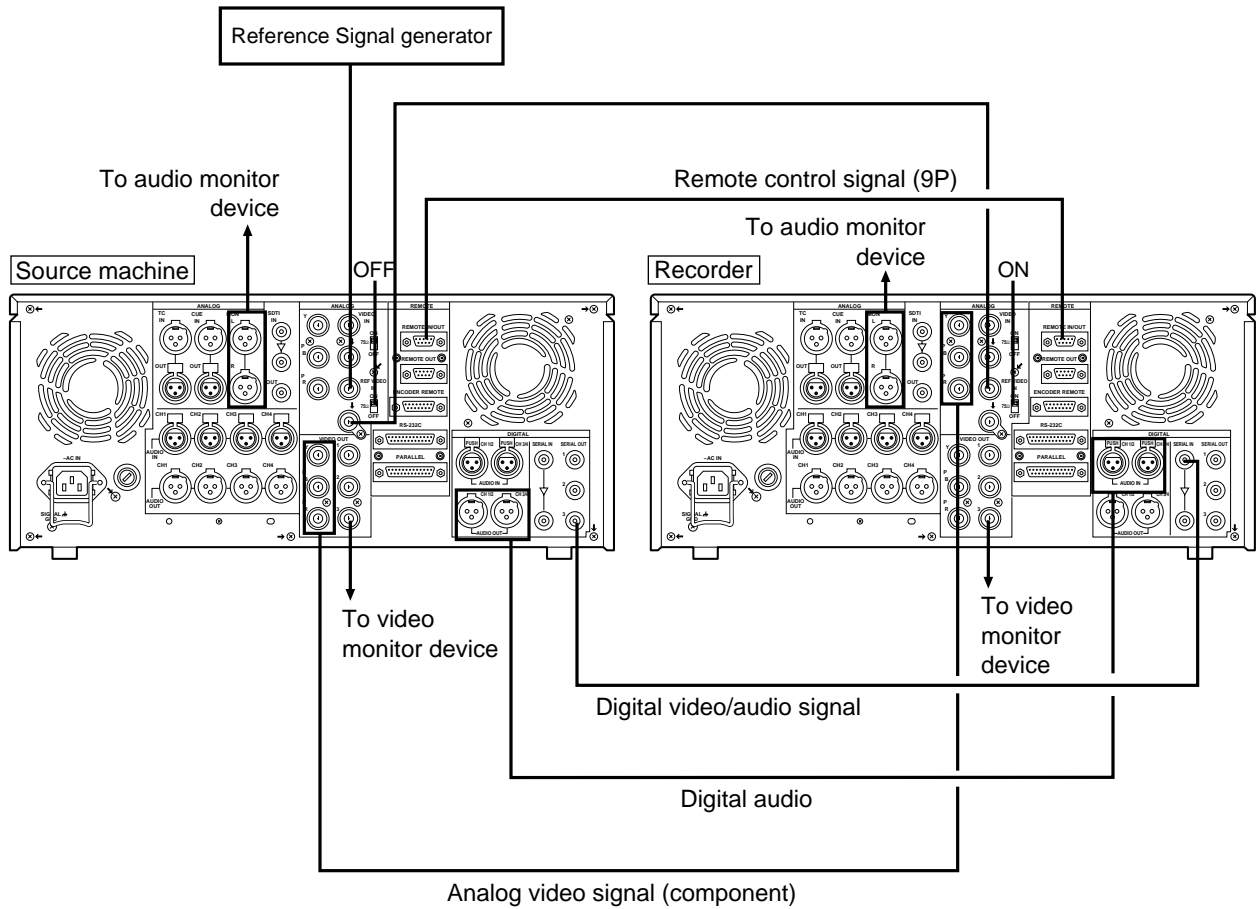
Set the CONTROL switch on the front panel to LOCAL.



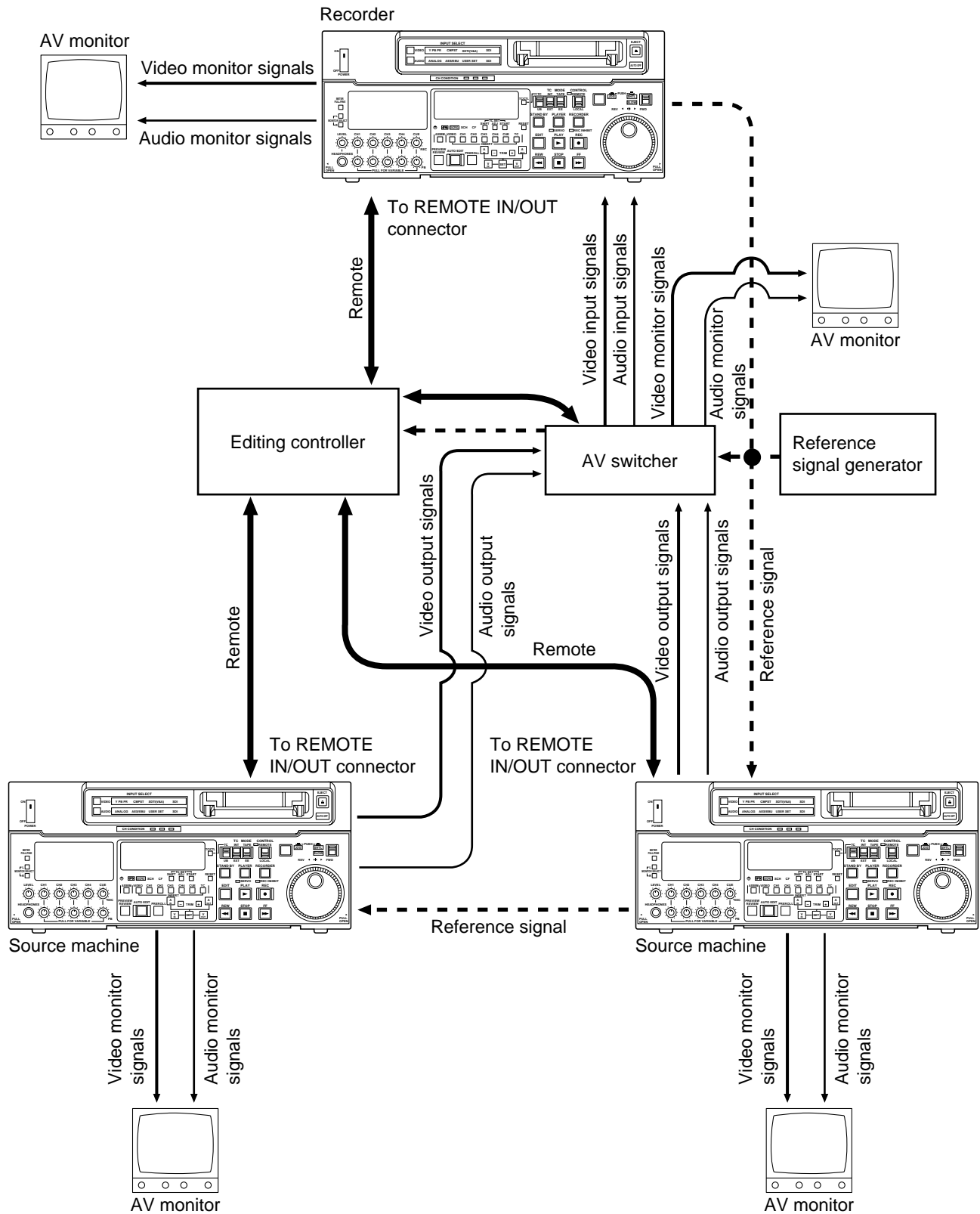
## Connections when 2 units are used (deck to deck)

**Source machine:** • Set the CONTROL switch on the front panel to REMOTE.

**Recorder:** • Set the CONTROL switch on the front panel to LOCAL.

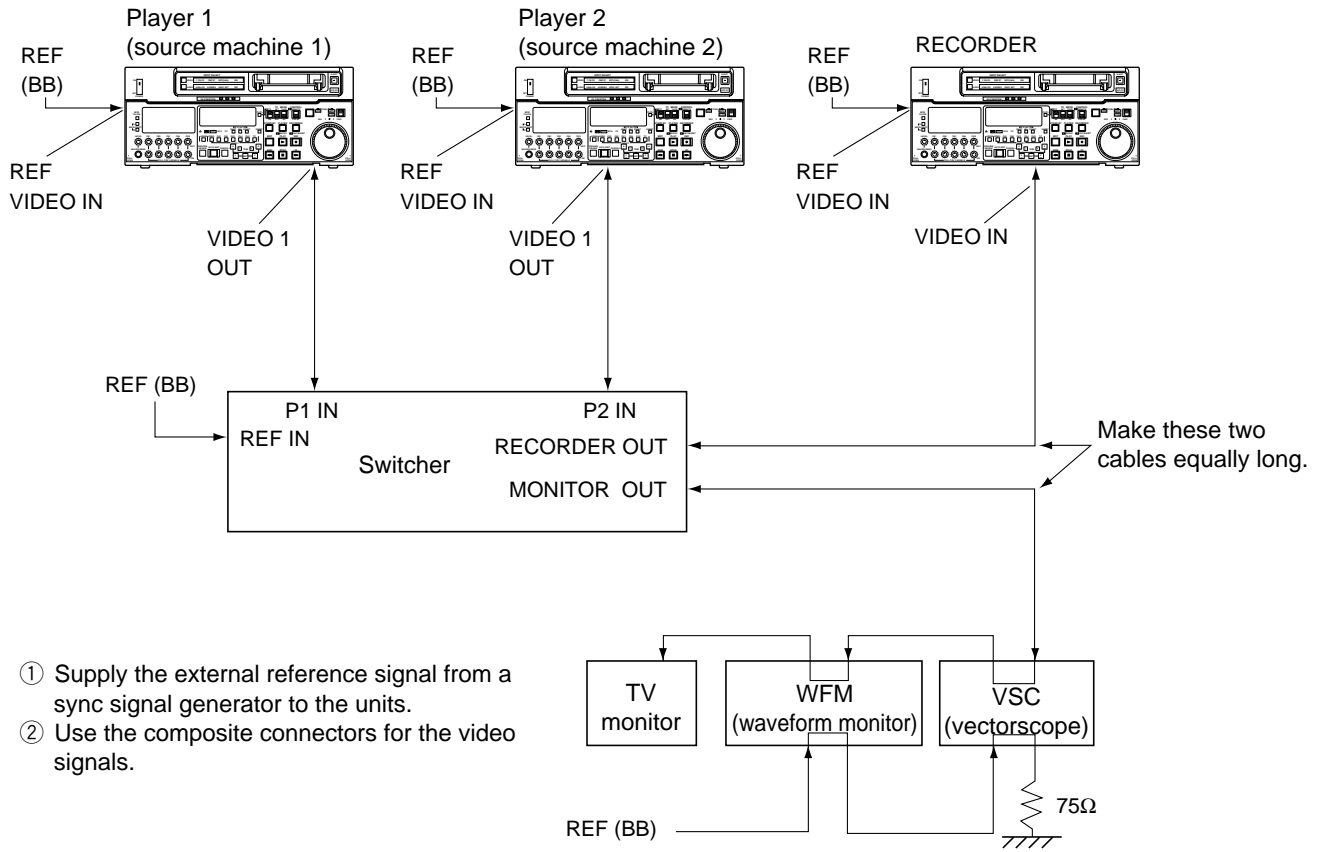


# Connections with editing controller



**<Note>**  
 When an editing controller made by CMX is used, support must be provided at the editing controller side.

# Connections for adjusting video output (encoder output) signals



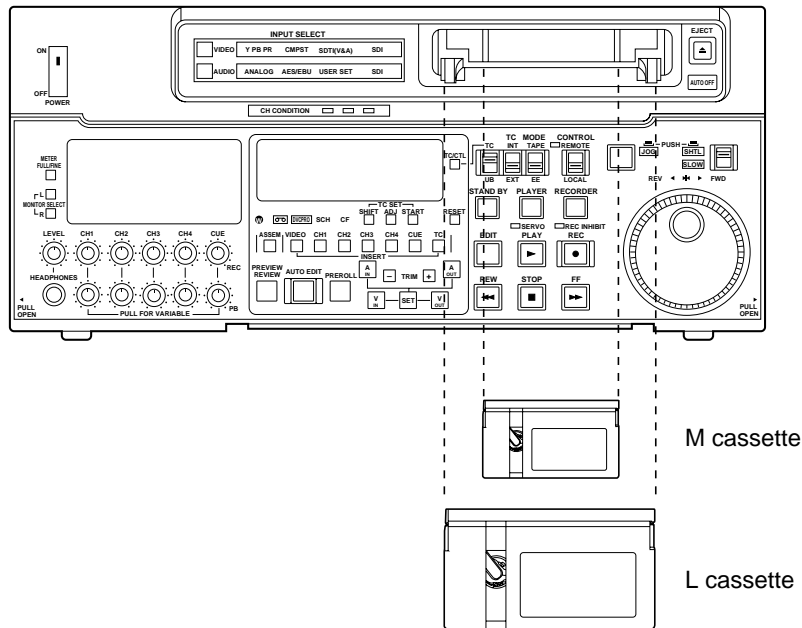
- ① Supply the external reference signal from a sync signal generator to the units.
- ② Use the composite connectors for the video signals.

# Tapes

Three types of tapes can be used with the unit.

Type	Description
<b>M cassette</b>	Recording/playback tape with a maximum capacity of 33 minutes. (AJ-P12MP, AJ-P23MP, AJ-P33MP, AJ-P63MP)
<b>L cassette</b>	Recording/playback tape with a maximum capacity of 92 minutes. (AJ-P64LP, AJ-P94LP, AJ-P123LP, AJ-5P92LP)

Align the cassette with the center of the insertion slot and push it in gently. The cassette tape is loaded automatically.



### <Notes>

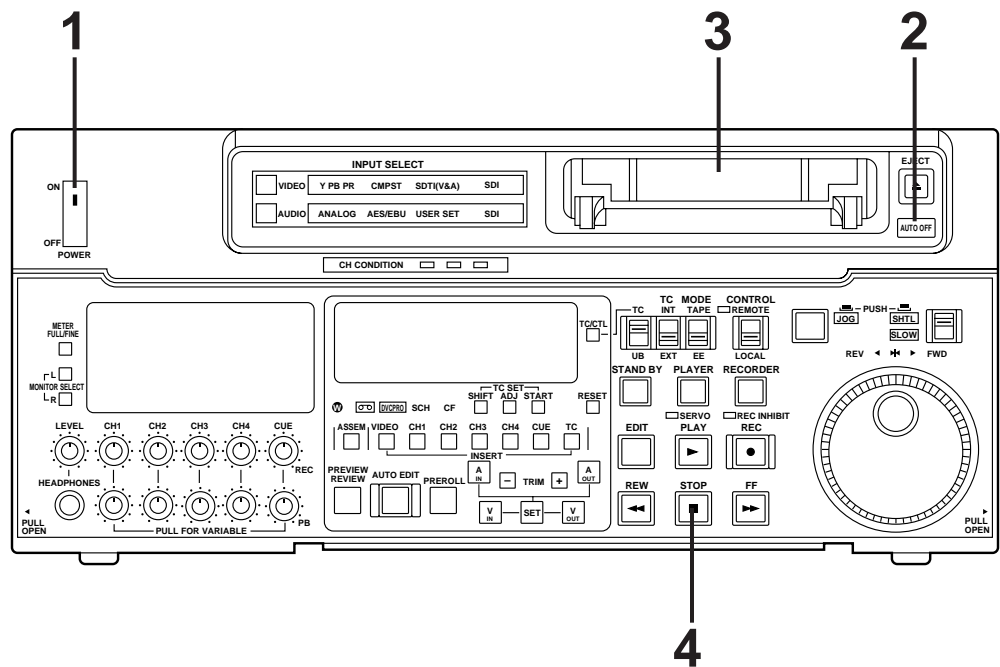
- Consumer DV tapes cannot be used and should not be inserted.
- AJ-5P92LP tape is used only for DVCPRO 50 (50 Mbps) mode.  
Do not use it for DVCPRO (25 Mbps) mode and DVCPRO (25 Mbps) VTR.



# Switching on the power/inserting the cassette

Before starting to operate the unit, check whether the equipment has been connected properly.

- 1** Turn on the power.
- 2** Check that the AUTO OFF lamp is off.  
When condensation has formed or some other trouble has occurred, the AUTO OFF lamp lights, and all operations are disabled.
- 3** Insert the cassette tape.  
Insert the tape at its proper position without force.
- 4** Check that the STOP lamp is on.  
When the tape is inserted, the cylinder rotates automatically, the tape is loaded and the unit goes into the stop mode. The EJECT lamp goes off.

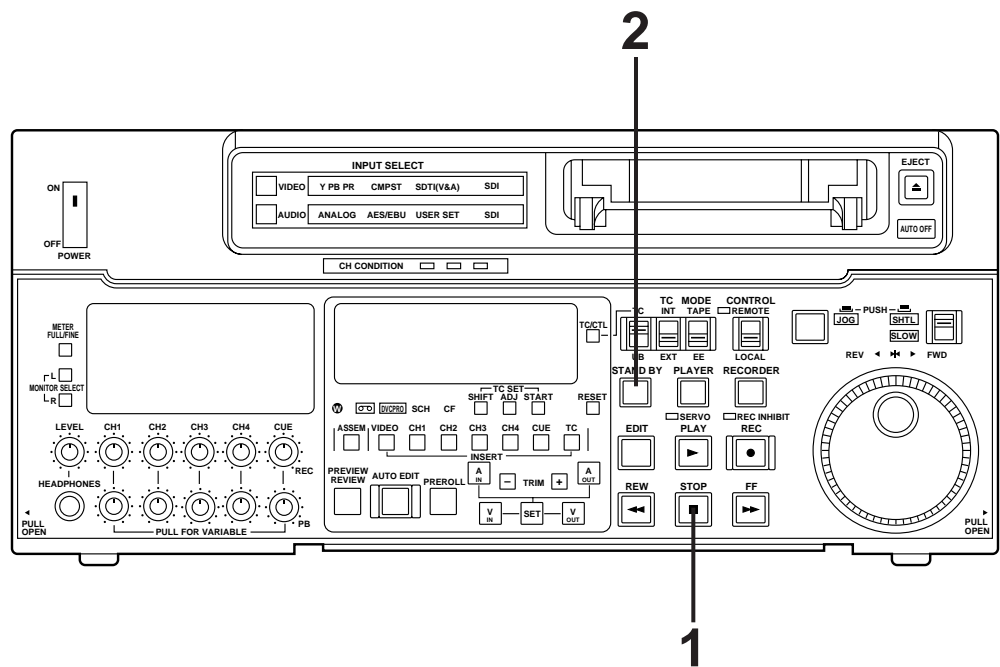


# STOP/STAND BY mode

- 1** When the STOP button is pressed, the unit goes into the stop mode. The STOP lamp lights and the tape stops traveling.
  - In order to protect the tape, the unit goes into the standby OFF mode after the time set by setup menu No. 400 (STILL TIMER) has elapsed. When the STOP, REW, FF or PLAY button is pressed, the unit will go into the appropriate mode.
- 2** When the STAND BY button is pressed, the unit goes into the standby ON/OFF mode. When the button's lamp is lighted, the unit is in the standby ON mode. When the button is pressed during the stop mode, the unit goes into the standby OFF mode and half-loading mode and the lamp goes off. When the button is pressed during the standby OFF mode, the unit goes to the standby ON mode.

## Still Timer Setting

Page 54 indicates the settings for menu item 400-Still Timer set. Still Timer settings 4 and below will best protect the tape.



- 1** Set the accidental erasure prevention tab on the cassette tape to the “recording” position and insert the tape.
- 2** Press the STOP button to place the unit in the stop mode.
- 3** Set the TAPE/EE switch to EE.  
EE images now appear on the TV monitor.
- 4** Check that the REC INHIBIT lamp is off.  
If this lamp is lighted, set the REC INHIBIT switch to OFF.
- 5** Select the video and audio input signals and adjust their levels.
  - 5-1 Selecting video/audio input signals**
    - 1** Connect the signals to be recorded.
    - 2** Select the input signals using the INPUT SELECT switches on the front panel.  
The input signals corresponding to the lighted lamps have been selected.
  - 5-2 Adjusting the video level**
    - 1** Normally, the VIDEO IN LEVEL control/switch **50** is left at the “PRESET” setting (unity value).
    - 2** To adjust the recording level, set the VIDEO IN LEVEL control/switch **50** to “MANUAL” and use it to adjust the level to a setting between +3 dB and –3 dB.
  - 5-3 Adjusting the audio level**
    - 1** Adjust the audio input signal levels of the analog audio CH1/CH2, CH3/CH4 signals and analog cue signal. Keep the audio input/output level controls **45** pushed in (unity value).  
The audio signals will be recorded at the proper level.
    - 2** To adjust the recording level, pull out the controls **45** and adjust them. With the CUE signal, adjust the control in such a way that –20dB will not be exceeded.
- 6** Press the PLAY button while holding down the REC button. The REC and PLAY lamps light, and recording commences.
- 7** To end the recording, press the STOP button.  
Recording is ended, and the unit goes into the stop mode.

**<Notes>**

- Check that the SERVO lamp is lighted during recording. If it flashes or if it is off, the images played back will be disturbed.
- Only the analog composite video input signals can be adjusted. (The digital video and analog component input signals cannot be adjusted.)

# Playback

---

- 1** Insert the cassette tape, and place the unit in the stop mode.
- 2** Press the PLAY button.  
Regular playback is now commenced.
- 3** Adjust the audio playback level.  
Pull out the audio level controls and turn them clockwise or counterclockwise to adjust the levels. Normally, they are kept in the pushed-in state (unity value).
- 4** To end playback, press the STOP button.  
The VTR now goes into the stop mode.

**<Note>**

- Check that the SERVO lamp is lighted during playback. If it flashes or if it is off, the images played back will be disturbed.

# Jog/shuttle

---

## Jog mode

- 1** Push the search dial to the “in” position.  
Be sure that the JOG lamp lights.
- 2** Rotate the search dial.  
The dial's clickstops are cleared, and the tape is played back at the speed ( $-0.43\times$  to  $+1\times$  normal speed) corresponding to the speed at which the dial is turned. When the dial rotation is stopped, a still picture appears. The playback picture is noise-free.
- 3** To transfer from the jog mode to another mode, press the appropriate button.

## Shuttle mode

- 1** Push the search dial to release it from the “in” position. The SHTL lamp lights, and the unit goes into the shuttle mode.
  - Immediately after the power has been turned on, rotate the search dial and set it to the center position.
- 2** Set the SHTL/SLOW switch to SHTL or SLOW.
- 3** Rotate the search dial.  
When the SHTL/SLOW switch has been set to SHTL, the playback picture speed is varied from 0 to  $\pm 32\times$  normal speed depending on the position of the dial. The playback picture speed can be switched to  $\pm 8\times$  and  $\pm 16\times$  normal speed with setting menu No. 101 (SHTL MAX).  
The dial's center position is a clickstop where a still picture appears as the playback image. When the SHTL/SLOW switch has been set to SLOW, the playback picture speed is varied from  $-4.1$  to  $+4.1\times$  normal speed depending on the position of the dial. The playback picture speed can be switched from  $-0.43$  to  $1\times$  normal speed with setting menu No. 300 (VAR RANGE). However, noise appears at speeds other than  $-0.43$  to  $+1\times$  normal speed.  
The dial's center position is a clickstop where a still picture appears as the playback image. The playback picture is noise-free.
- 4** To transfer from the shuttle mode to another mode, press the STOP button or other button.

### <Note>

- When the unit leaves the factory, its operation is set up so that it will be transferred to the shuttle or jog mode when the search dial is rotated. If it is inconvenient for operation to be transferred to the variable-speed mode directly, it can also be transferred through the search button.  
Set setup menu No. 100 (SEARCH ENA) to KEY.

# Manual editing

---

- 1** Select the editing mode.  
**ASSEMBLE:** For assemble editing.  
**INSERT:** For insert editing.
- 2** Select the editing channel.  
In the case of insert editing, press the channel button corresponding to the signals to be edited, and check that its lamp is on.
- 3** Press the PLAY button.
- 4** Search for the position where the editing is to be commenced (IN point) while viewing the TV monitor, and press the PLAY and EDIT buttons together at the IN point.
- 5** Press the STOP or PLAY button at the position where editing is to be completed (OUT point) while viewing the TV monitor. The unit goes into the stop mode, and editing is completed.

## <Notes>

- The edit IN and OUT points are not entered with manual editing.
- The editing functions do not work in DVCPRO (25 Mbps) mode.

# Preroll

---

- 1** Press the PREROLL button.  
The VTR now performs the preroll operation.
  - When the edit IN point has been entered, the tape is rewound from the edit IN point for the duration set by setup menu “000,” and the unit then goes into the stop mode.
  - When the edit IN point has not been entered, the tape is rewound for the duration set by setup menu “000” from the position where the button was pressed, and the unit then goes into the stop mode.

## <Notes>

- The time code or CTL signal must be continuously recorded between the edit IN point and preroll point.
- When the IN point has not been entered, whether to enter the IN point and perform preroll or to perform preroll without entering the IN point can be selected at setup menu No. 313 (AUTO ENTRY).

## Automatic editing (Deck to Deck)

---

Editing refers to the job of using a prerecorded tape to produce a complete recording by joining together separate cuts and deleting unnecessary parts.

The basic steps taken for editing are as follows.

- 1** Set the CONTROL switch to REMOTE on the player and to LOCAL on the recorder.
- 2** Select the editing mode.
- 3** Enter the edit points of the recorder and player.
- 4** Check and modify the edit points.
- 5** Check (Preview) before proceeding with the editing.
- 6** Proceed with the editing.
- 7** Check (Review) the recording that has resulted from the editing.

**<Note>**

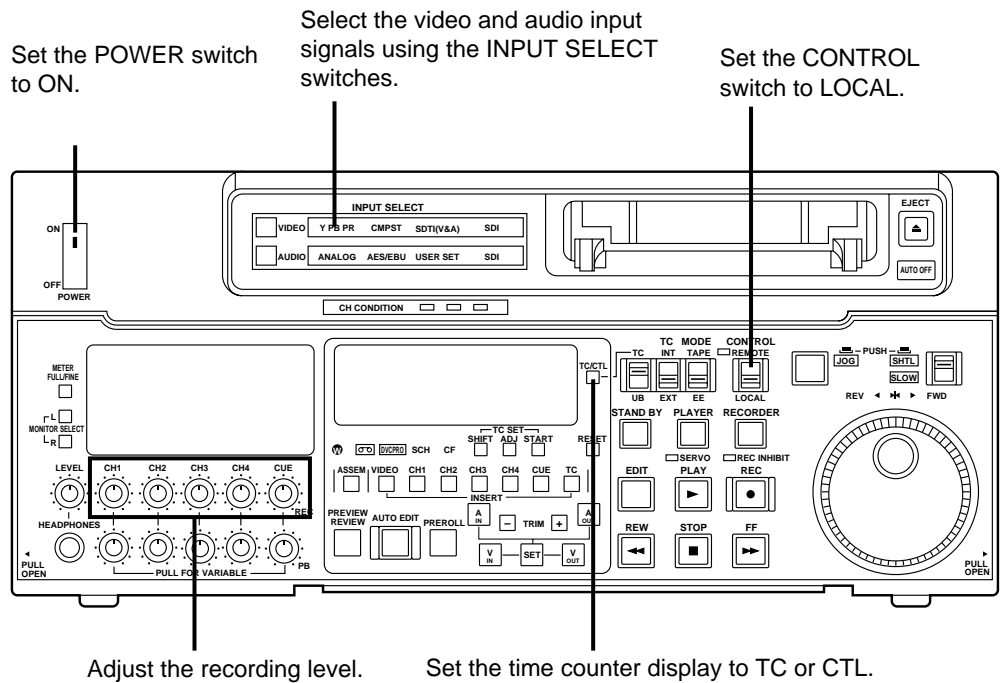
- The editing can not be performed when the digital videocassette recorder is used in DVCPRO (25 Mbps) mode.



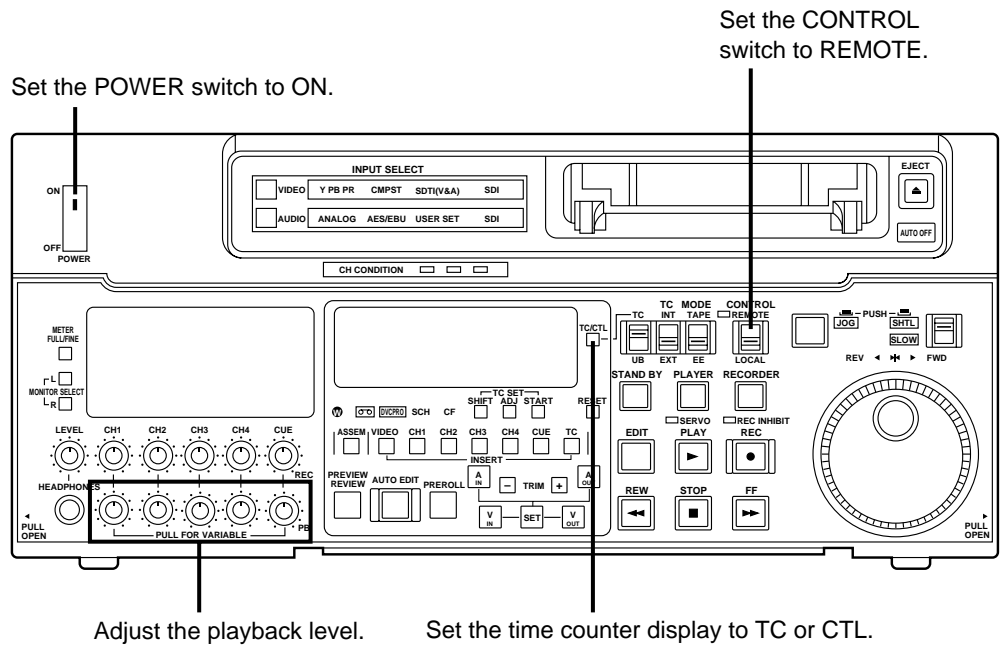
# Automatic editing

## Switch settings and adjustments

When the unit is used as the recorder:

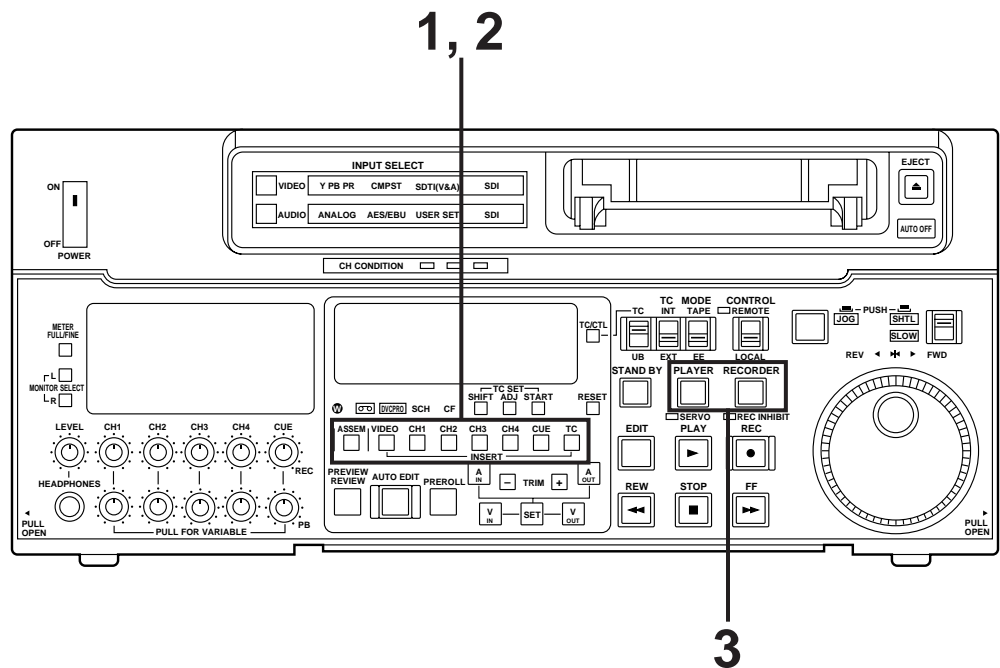


When the unit is used as the player:



## Select the editing mode

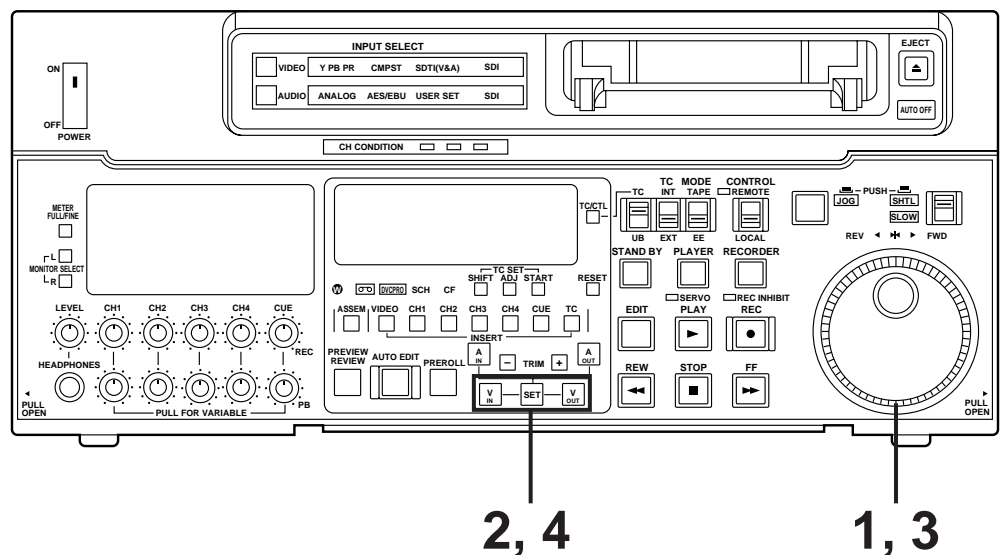
- 1** Select the editing mode.  
For assemble editing, press the ASSEMBLE button.  
For insert editing, press the INSERT button.  
**ASSEMBLE:** The assemble editing mode (in which cuts are joined together) is established.  
**INSERT:** The insert editing mode (in which cuts are inserted) is established.
- 2** Select the editing channel.  
With assemble editing, the ASSEMBLE lamp light.  
With insert editing, press the button of the channel whose signals are to be edited and light its lamp.
- 3** Select the VTR to be operated (this setting is performed when editing with 2 VTRs).  
Press the PLAYER or RECORDER button to select the VTR.  
**PLAYER:** Press this button to operate the player VTR and enter the edit points.  
**RECORDER:** Press this button to operate the recorder VTR (this unit) and enter the edit points.



# Automatic editing

## Entering the edit points

- 1** Search for the edit IN point by performing the jog or shuttle operation. Establish the still picture mode at the desired position. Refer to page 28 for details on the jog/shuttle operations.
- 2** Press the IN and SET buttons together. The edit IN point is now entered. The edit IN point value now appears on the display.
- 3** Search for the edit OUT point by performing the jog or shuttle operation. Establish the still picture mode at the desired position. Refer to page 28 for details on the jog/shuttle operations.
- 4** Press the OUT and SET buttons together. The edit OUT point is now entered. The edit OUT point value now appears on the display.



### Match frame processing function

When using two VTRs for editing, a total of four edit points—namely, the player's IN and OUT points and the recorder's IN and OUT points—need to be entered. However, since the last edit point is calculated automatically, only three of these edit points must be entered.

### Negative duration function

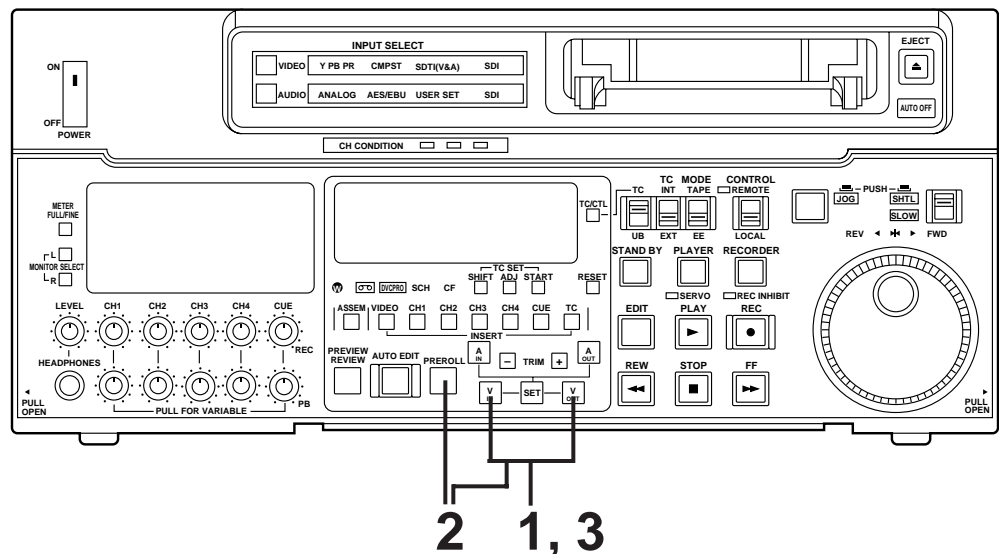
This function is used by combining setup menu No. 301 (IN/OUT DEL) and No. 302 (NEGA FLASH) described on page 52.

## Checking the edit points

- 1** Press the IN (or OUT) button to check the edit point.  
The value of the entered edit point appears on the display.
- 2** Press the PREROLL button while holding down the IN (or OUT) button to check the image at the edit point.  
The tape is cued at the edit IN (or OUT) point, and the still picture mode at that point is displayed.
  - The EE mode is established if the TAPE/EE switch has been set to the “EE” position when “STOP” has been selected for the setup menu No. 315 (AFTER CUE-UP).
- 3** Press the IN and OUT buttons together to check the edit duration.  
The duration time appears on the display.

## Calculating the duration

- When both edit points have been set, the duration between the two edit points.
- When only one edit point has been set, the duration between the set data and the current tape address.
- When neither edit point has been set, the duration of the previously edited interval.



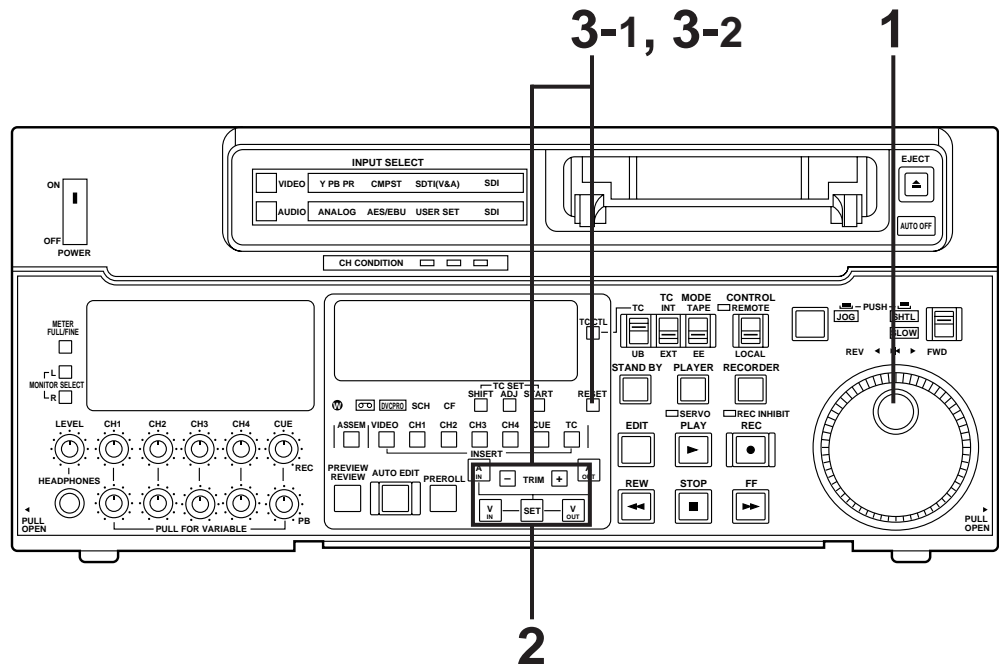
# Automatic editing

## Modifying the edit points

- 1** Re-entering the edit points  
Search for the new edit point by performing the jog or shuttle operation, and press the IN (or OUT) and SET buttons together to re-enter the edit point.
- 2** Modifying the edit point in frame units (trim function)  
Press the TRIM button while holding down the IN (or OUT) button.  
The edit point is put ahead by 1 frame each time the + button is pressed.  
The edit point is put back by 1 frame each time the – button is pressed.
- 3** Resetting the edit points
  - 3-1** Resetting both the edit IN and OUT points
    - Press the RESET button.
  - 3-2** Resetting either the edit IN or OUT point
    - Press the RESET button while holding down the IN (or OUT) button.

### <Notes>

- Edit points can be reset only in the CTL mode.
- An edit OUT point can be reset even while editing is in progress.
- The IN and OUT points are automatically reset during the eject mode.

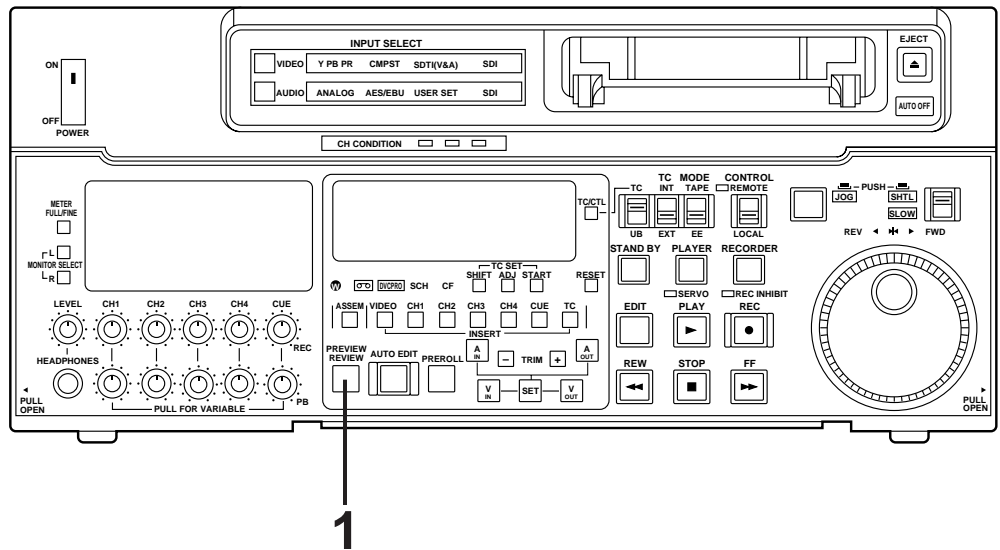


## Preview

- 1 After the edit points have been entered, press the PREVIEW button. Normal preview is now performed.

### <Notes>

- If the edit IN point has not been entered, the position where the PREVIEW button was pressed will be entered at the edit IN point.
- To stop the preview at any time, press the STOP button.
- If the PREVIEW button is pressed again while preview is in progress after the IN point, preview will start again from the beginning.
- When the edit OUT point is reached, the unit automatically goes into the stop mode.



# Automatic editing

## Executing automatic editing

- 1 Press the AUTO EDIT button.  
Automatic editing is now performed.
  - To stop the editing at any time, press the STOP button.
  - When the edit OUT point is reached, the unit goes into the stop mode after postrolling.

### Postroll

With assemble editing, editing continues for approx. 2 seconds even after the edit OUT point has been passed, the tape is rewound to the OUT point, and the unit goes into the stop mode.

With insert editing, the unit goes into the play mode after the edit OUT point has been passed, the tape is rewound to the OUT point, and the unit goes into the stop mode.

### Retry function

If the AUTO EDIT button is pressed again after the STOP button has been pressed to stop the editing, editing will start again from the beginning.

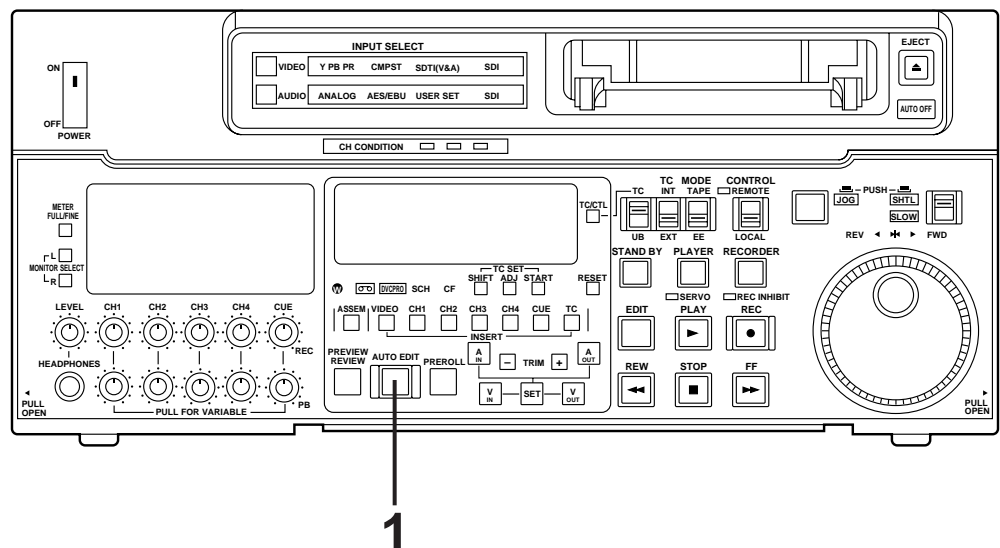
### Auto tag editing

If the AUTO EDIT button is pressed when the next edit point has not yet been entered upon completion of editing, the previous edit OUT point will be entered as the IN point, and editing is performed accordingly.

To release the auto tag mode, press one of the tape transport buttons (PLAY, etc.).

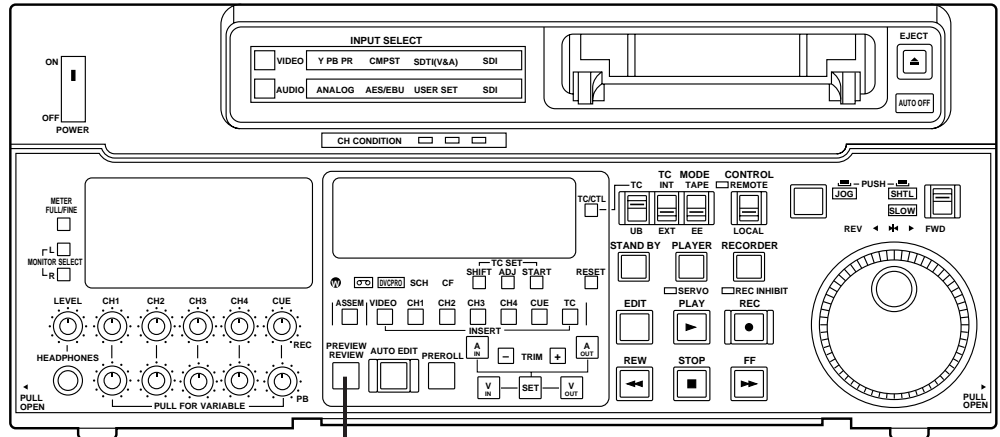
### <Note>

- The entered points are automatically cleared after editing is executed. However, the previous editing points can be recalled by pressing the TRIM+ (or TRIM-) and SET buttons together.



# Review

- 1 Upon completion of the editing, press the REVIEW button.  
The review is started in the recorder.
  - To stop the review at any time, press the STOP button.
  - When the edit OUT point is reached, the unit goes into the stop mode after postrolling.





# Split editing

Split editing refers to editing where the editing channels are switched while insert editing is in progress.

**1** Perform insert editing.

**2** Switch the editing channel.

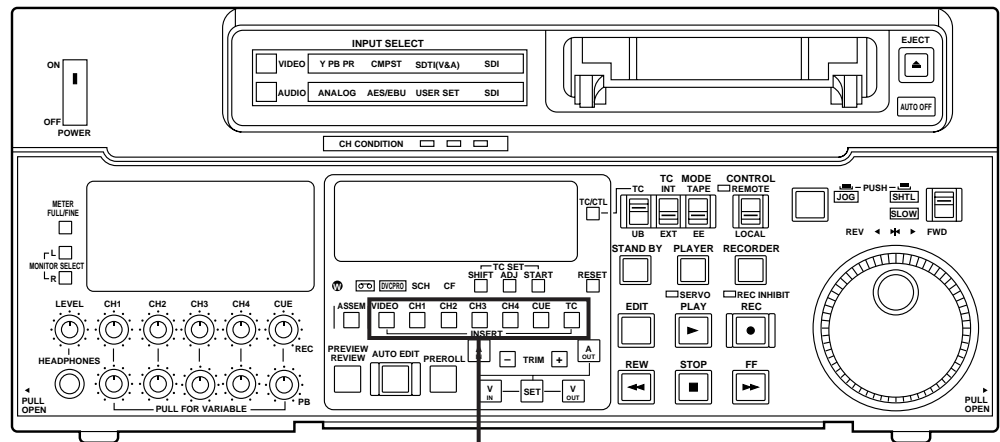
When, for instance, sound from AUDIO CH2 is to be additionally inserted during video channel insert editing:

**2-1** Press the AUDIO CH2 button during video channel editing.

The lamp in the button lights and the AUDIO CH2 sound is insert edited.

**2-2** Press the AUDIO CH2 button again and turn off the lamp in the button.

This completes the AUDIO CH2 insert editing.



# Audio split editing

The video edit points and audio edit points can be entered separately, and they can be offset from each other and edited.

The audio edit points cannot be entered when the assemble editing mode has been selected. After the edit points have been entered, follow the same operating procedure as that for insert editing.

## ■ Entering the edit points

- Video IN point: Press the SET button while holding down the IN button.
- Video OUT point: Press the SET button while holding down the OUT button.
- Audio IN point: Press the SET button while holding down the A-IN button.
- Audio OUT point: Press the SET button while holding down the A-OUT button.

## ■ Deleting the edit points

- Video IN point: Press the RESET button while holding down the IN button.
- Video OUT point: Press the RESET button while holding down the OUT button.
- Audio IN point: Press the RESET button while holding down the A-IN button.
- Audio OUT point: Press the RESET button while holding down the A-OUT button.

## ■ Modifying the edit points

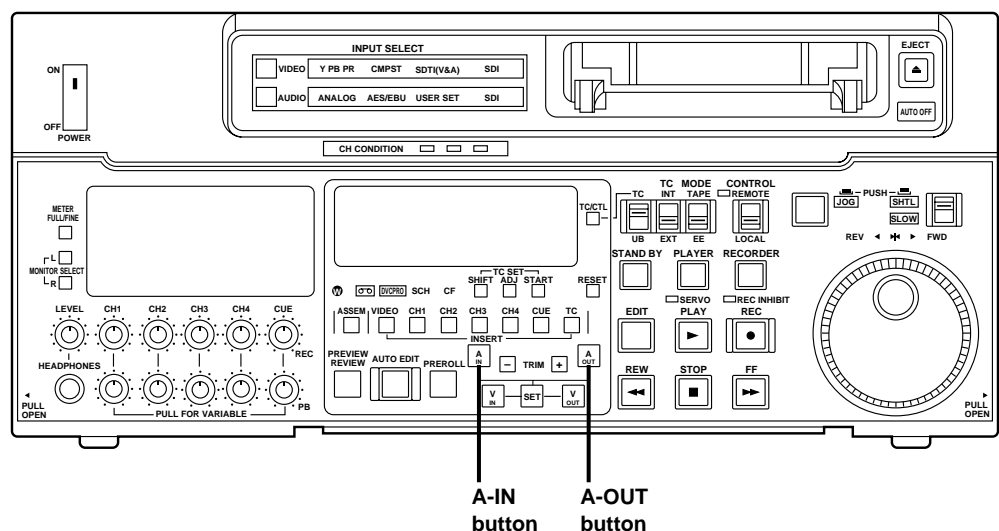
- Video IN point: Press the TRIM+ or TRIM- button while holding down the IN button.
- Video OUT point: Press the TRIM+ or TRIM- button while holding down the OUT button.
- Audio IN point: Press the TRIM+ or TRIM- button while holding down the A-IN button.
- Audio OUT point: Press the TRIM+ or TRIM- button while holding down the A-OUT button.

## ■ Indicating audio split editing

When the audio edit points are entered, “ \* ” appears superimposed on the front panel and TV monitor to denote audio split editing.

TCR 00:00:00:00  
\* AUTO EDIT

This denotes audio split editing.



# Audio split editing

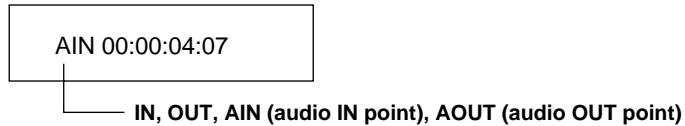
---

## ■ Displaying the audio split edit points

The edit points are displayed on the front panel as shown below. (The figure shows an audio IN point.)

### Operations

- Video IN point: Press the IN button.
- Video OUT point: Press the OUT button.
- Audio IN point: Press the A-IN button.
- Audio OUT point: Press the A-OUT button.



### Note:

If the editing mode is switched to assemble editing after audio edit points have entered, these points will be deleted.

## ■ Cueing up the tape to the edit points

- Cue-up to video IN point: Press the PREROLL button while holding down the IN button.
- Cue-up to video OUT point: Press the PREROLL button while holding down the OUT button.
- Cue-up to audio IN point: Press the PREROLL button while holding down the A-IN button.
- Cue-up to audio OUT point: Press the PREROLL button while holding down the A-OUT button.

## ■ Duration display

The duration can be displayed on the front panel only.

Duration from video IN point to OUT point: Press the IN and OUT buttons simultaneously.

Duration from audio IN point to OUT point: Press the A-IN and A-OUT buttons simultaneously.

## ■ Match frame processing mechanism

When two VTRs are used for audio split editing operations, there will be a total of eight edit points: two pairs of video IN and OUT points, one for the player and the other for the recorder, and two pairs of audio IN and OUT points, one for the player and the other for the recorder. Since the remaining three points are automatically calculated when five of these eight edit points are entered, up to five edit points can be entered.

## ■ When a VTR without a split editing function is to be used as the player

When a VTR which does not have the ability to set the video and audio edit points separately is used as the player, split editing can still be performed by setting the audio IN and OUT points using the recorder and setting the data of three points as the video edit points.

### Note:

If, during audio split editing, only the video OUT point (or audio OUT point) is entered and automatic editing is executed without the audio OUT point (or video OUT point) having been entered, editing will continue until the audio OUT point (or video OUT point) is entered or the STOP button is pressed to suspend operation.

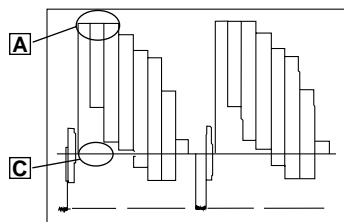
# Video output (encoder output) signal adjustments

After this system has been connected, the video output signal (ENCODER OUT) must be adjusted if AB roll editing (editing using two source machines) using an editor, for instance, is to be error-free and accurate. (This adjustment must be repeated when one of the connecting cables has been replaced and whenever the connections are changed.)

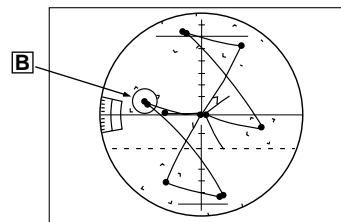
The adjustment procedure using this unit is outlined below.

- 1** Check the connections. (see page 22.)
- 2** Set setup menu No. 00 (ENCODER SEL) to "LOCAL".  
**REMOTE:** For adjusting the video output signals using an external encoder remote controller.  
**LOCAL:** For adjusting the video output signals using this unit.
- 3** Adjust the source machine independently.
  - 3-1** When using the preset values  
Set the PRESET/MANUAL switches of the VIDEO OUT LEVEL, CHROMA LEVEL, SETUP and HUE controls to PRESET.
  - 3-2** When adjusting the video output signals without using the preset values
    - 1** Play back a cassette tape on which standard color bar signals have been recorded.
    - 2** Adjust the controls in such a way that the waveforms on the waveform monitor (WFM) and vectorscope (VSC) resemble those shown in the figures below.
      - A** Video level  
Adjust this level to 100IRE.
      - B** Chroma level and hue  
Adjust the two controls in such a way that the light spot of the vector waveforms comes inside the rectangular grid mark.
      - C** Setup level  
Adjust the control to eliminate deviation.

■ Waveform on WFM



■ Waveform on VSC



- 4** Perform the same adjustments on the source machine connected to the unit.

# Setup (default settings)

The unit's major settings are performed by making selections on menus.

The setting menus appear on the TV monitor when the TV monitor and VIDEO OUT 3 connector in the unit's connector area are hooked up.

## Changing the settings

- 1** Press the MENU button.

The setup menu appears on the TV monitor and setup menu No. appears on the counter display. (If the setup has already been performed, the screen showing the changes made last will appear.)
- 2** Rotate the search dial and select the item to be set.

The cursor (\*) on the menu screen moves and the item No. on the display flashes.

  - When the dial is rotated clockwise, the item No. is incremented from 001→002→003→004 and so on; when it is rotated counterclockwise, the item No. is decremented.
  - The search dial should be used in jog mode if at all possible.
  - Hold down the PLAY button and press the FF (next major item) or REW (previous major item) buttons to select the menu by major item.
- 3** While holding down the search button, rotate the search dial at the position where the change is to be made.

The setting No. now flashes.

When the dial is rotated clockwise, the setting value is incremented; when it is rotated counterclockwise, it is decremented.
- 4** Release the search button when the setting is completed.

The setting value on the menu screen and display flashes.

  - During the SHTL mode, the item moves if the search dial is not at the STILL position.
- 5** Repeat steps 2 through 4 to change another item.
- 6** Press the SET button.

The changes are now stored in the memory.

  - To return the items to the settings established before the changes were made, press the MENU button.

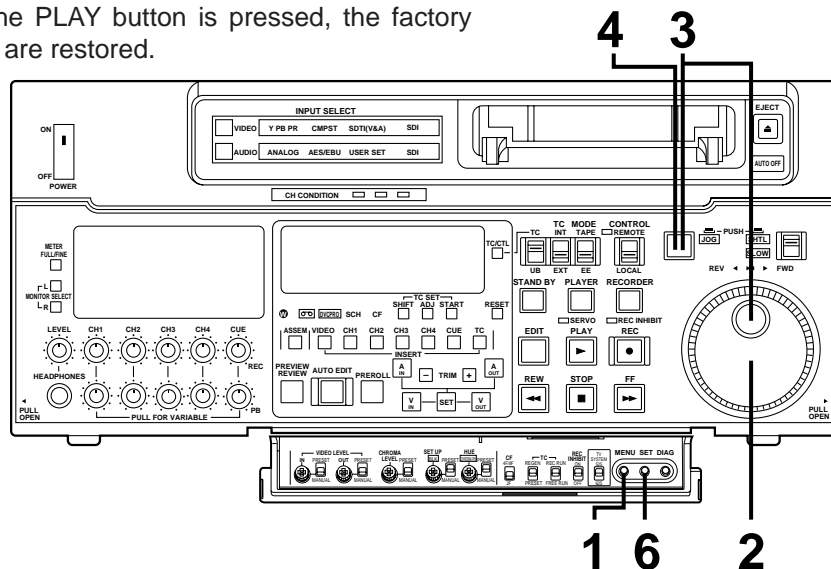
To return the setup settings to the factory (default) settings, press the RESET button while the menu is displayed. **The following message will now appear:**

SETUP-MENU INIT SET  
YES<PLAY>/NO<STOP>

When the PLAY button is pressed, the factory settings are restored.

**<Note>**

- When the RESET button is pressed to return to the factory settings, the factory settings are restored only for the user file currently being used and other user files are not affected.
- The changed SYSTEM menu contents are recorded even if the MENU button is pressed.



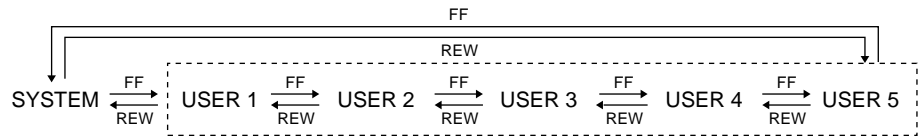
# Setup (setting) menus

---

This unit can store up to 5 user files (user 1 to user 5) containing different menu settings, and these files can be selected and used.

## Changing the file

- 1** Press the MENU button.
- 2** Hold down the STAND BY button and press the FF button to switch to the next user file. Hold down the STAND BY button and press the REW button to switch to the previous user file.



### USER FILE

Each user file contains the following items.

- BASIC
- OPERATION
- INTERFACE
- EDIT
- TAPE PROTECT
- TIME CODE
- VIDEO
- AUDIO

- 3** Repeat the operation in step 2 to select the user file to be used and press the SET button. The user file is changed and stored in the memory.

### <Note>

- SYSTEM menu items are not included in user files 1 to 5. Therefore, after selecting the user file, switch to the SYSTEM file and set the SYSTEM menu items.

# Setup (setting) menus

## SYSTEM menu

### <SYSTEM>

Item		Setting		Description
No.	Superimposed display	No.	Superimposed display	
00	ENCODER SEL	0000 <u>0001</u>	REMOTE <u>LOCAL</u>	This selects whether the video output signal is to be adjusted on the VTR or with the external encoder remote control. 0: Video output signals are adjusted with the external encoder remote control. 1: Video output signals are adjusted on the VTR.
01	SYS SC	0000 ⋮ <u>0127</u> ⋮ 0255	-127 ⋮ <u>0</u> ⋮ 128	System phase adjustment: Total variable range: $\pm 180^\circ$ or more -: Advanced +: Delayed <b>&lt;Note&gt;</b> If setting operation is performed, the setting value does not return to factory (default) setting.
02	SYS H	0000 ⋮ <u>0108</u> ⋮ 0216	-108 ⋮ <u>0</u> ⋮ 108	System phase adjustment: 74 ns steps -: Advanced +: Delayed <b>&lt;Note&gt;</b> If setting operation is performed, the setting value does not return to factory (default) setting.
03	VIDEO PHASE	0000 ⋮ <u>0032</u> ⋮ 0064	-32 ⋮ <u>0</u> ⋮ 32	Video phase adjustment: 148 ns steps -: Advanced +: Delayed
04	SCH COARSE	<u>0000</u> 0001 0002 0003	<u>0</u> 90 180 270	SCH phase adjustment: $90^\circ$ units -: Advanced +: Delayed (The S and C phases change but the H phase does not change.)
05	SCH FINE	0000 ⋮ <u>0032</u> ⋮ 0064	-32 ⋮ <u>0</u> ⋮ 32	SCH phase adjustment: Total variable range: $\pm 45^\circ$ or more -: Advanced +: Delayed (The S and C phases change but the H phase does not change.)
06	AV PHASE	0000 ⋮ <u>0100</u> ⋮ 0200	-100 ⋮ <u>0</u> ⋮ 100	This adjusts the audio output phase with respect to the video output: $20.8 \mu\text{s}$ steps -: The audio output phase is advanced with respect to the video output. +: The audio output phase is delayed with respect to the video output.
07	SYS H RANGE	0000 <u>0001</u>	FULL <u>FINE</u>	This selects the adjustable range for SYSTEM H during when the ENCODER REMOTE is connected. 0: $\pm 8 \mu\text{sec}$ ( $\pm 30$ seteps) 1: $-1.9$ to $+2.7 \mu\text{sec}$ ( $-7$ to $+10$ steps) <b>&lt;Note&gt;</b> If setting operation is performed, the setting value does not return to factory (default) setting.

The underline on the setting item denotes the initial setting.

## USER menu

### <BASIC>

Item		Setting		Description
No.	Superimposed display	No.	Superimposed display	
000	P-ROLL TIME	0000 ⋮ <u>0005</u> ⋮ 0015	0S ⋮ <u>5S</u> ⋮ 15S	This sets the preroll time which can be set from 0 to 15 seconds in 1-second increments. <b>&lt;Note&gt;</b> When the unit is set to automatic editing [PREVIEW, AUTO EDIT], the unit will not operate if the preroll time is set to 0 seconds.
001	LOCAL ENA	0000 <u>0001</u> 0002	DIS <u>ST&amp;EJ</u> ENA	This selects the buttons which can be operated on the front panel when the REMOTE/LOCAL switch has been set to REMOTE. 0: No buttons can be operated. 1: Only the STOP and EJECT buttons can be operated. 2: All buttons except for the RECORDER and PLAYER buttons can be operated.
002	TAPE TIMER	<u>0000</u> 0001	<u>±12h</u> 24h	This selects the 12 or 24 hour display for the CTL counter. 0: 12 hour display 1: 24 hour display
003	REMAIN SEL	<u>0000</u> 0001	<u>OFF</u> ON	This selects whether the remaining tape time is shown on the front panel. 0: Not shown. 1: Shown. <b>&lt;Note&gt;</b> Even when "Shown" is selected, the remaining tape time is not shown while the unit is calculating the remaining tape time after ejecting or inserting the cassette.
004	SETUP NUMBER	<u>0000</u> 0001	<u>OFF</u> ON	This selects whether the SETUP-MENU No. is displayed on-screen. 0: The SETUP-MENU No. is not displayed. 1: The SETUP-MENU No. is displayed.
005	METER SEL	<u>0000</u> 0001	<u>CUE</u> VIDEO	This selects whether the level meters are to display the CUE track signal level or the video signal level. 0: The CUE track signal levels are displayed. 1: The video signal levels are displayed.
006	SYNCHRONIZE	<u>0000</u> 0001	<u>OFF</u> ON	This selects whether or not to synchronize between two VTRs. 0: No synchronization. The editing points deviate several frames, but editing can be started quickly. 1: Synchronization. Allows for error-free editing.
007	SUPER	0000 <u>0001</u>	OFF <u>ON</u>	This selects whether the time code and other super display which are output to the VIDEO OUT 3/SERIAL OUT 3 connector is to be shown. 0: Not shown. 1: Shown.
008	DISPLAY SEL	0000 <u>0001</u> 0002	TIME <u>T&amp;STA</u> T&S&M	This selects what information is to be provided by the time code and other super displays output to the VIDEO OUT 3/SERIAL OUT 3 connector. 0: Time only. 1: Time and status. 2: Time, status and mode. <b>&lt;Note&gt;</b> • An error message is displayed when an warning or error occurs.

The underline on the setting item denotes the initial setting.



# Setup menus

## USER menu

### <BASIC> (continued)

Item		Setting		Description		
No.	Superimposed display	No.	Superimposed display			
009	CHARA H-POS	0000	0	This sets the position of the characters on the horizontal plane for the time code and other super displays output to the VIDEO OUT 3/SERIAL OUT 3 connector. <b>&lt;Notes&gt;</b> 1. When setting this item, the DISPLAY SEL status is output to VIDEO 3 even if SUPER OFF has been set. However, when the menu is exited, operation complies with the SUPER OFF/ON setting. Also, CHARA TYPE is output to VIDEO 3 according to the status set in the menu. 2. When the DISPLAY SEL setting causes characters to extend beyond the edges of the screen, the setting value is changed so that the characters are automatically displayed in a position on the screen.		
		⋮	⋮			
		<u>0005</u>	5			
		⋮	⋮			
		0012	12			
010	CHARA V-POS	525 mode		This sets the position of the characters on the vertical plane for the time code and other super displays output to the VIDEO OUT 3/SERIAL OUT 3 connector. <b>&lt;Notes&gt;</b> 1. When setting this item, the DISPLAY SEL status is output to VIDEO OUT 3/SERIAL OUT 3 even if SUPER OFF has been set. However, when the menu is exited, operation complies with the SUPER OFF/ON setting. 2. When the DISPLAY SEL setting causes characters to extend beyond the edges of the screen, the setting value is changed so that the characters are automatically displayed in a position on the screen.		
		0000	0			
		⋮	⋮			
		<u>0018</u>	18			
		⋮	⋮			
		0022	22			
		625 mode				
		0000	0			
⋮	⋮					
		<u>0023</u>	23			
		⋮	⋮			
		0028	28			
011	CHARA TYPE	<u>0000</u>	<u>WHITE</u>	This selects the display type for the super display output to the VIDEO OUT 3/SERIAL OUT 3 connector as well as for displays such as the setting menu, etc. 0: White characters against a black background. 1: White characters with a black border.		
		0001	W/OUT			
012	SYS FORMAT	<u>0000</u>	<u>422</u>	This sets the VTR's recording and playback format. 0: This selects 422 (50M). 1: Selects 411 (25M). <b>&lt;Note&gt;</b> Editing is not possible in the 411 mode.		
		0001	411			
013	PB FORMAT	<u>0000</u>	<u>MANUAL</u>	This selects the tape playback format. 0: Compliance with the setup menu No. 012 (SYS FORMAT) setting. 1: Compliance with the format in which the tape was recorded. <b>&lt;Notes&gt;</b> • When an editing mode has been selected, the "MANUAL" setting is forcibly established for internal operations. • There is no automatic setting in the 525/625 mode.		
		0001	AUTO			

The underline on the setting item denotes the initial setting.

## USER menu

### <OPERATION>

Item		Setting		Description
No.	Superimposed display	No.	Superimposed display	
100	SEARCH ENA	<u>0000</u> 0001	<u>    </u> DIAL KEY	This selects the direct search dial operation. 0: For direct search dial operations. 1: Operation is not transferred to the search mode unless the search button is pressed.
101	SHTL MAX	0000 0001 <u>0002</u>	×8 ×16 <u>    </u> ×32	This sets the maximum speed for shuttle operations. 0: 8× normal speed 1: 16× normal speed 2: 32× normal speed
102	FF. REW MAX	0000 <u>0001</u> 0002	×16 <u>    </u> ×32 ×50	This sets the maximum speed for FF and REW operations. 0: 16 (32)× normal speed 1: 32 (60)× normal speed 2: 50 (100)× normal speed <b>&lt;Note&gt;</b> Values for the 411 (25M) mode are shown in parentheses ( ).
103	AUDIO MUTE	<u>0000</u> 0001	<u>    </u> OFF ON	This sets the status until the audio signal is output when operation switches from the stop or search modes to the play mode. 0: The time until the audio is output is shortened. 1: The audio is output after the status stabilizes. <b>&lt;Note&gt;</b> When set to 0 (OFF), the sound in the initially output part is incomplete. Therefore, this setting is not recommended for broadcasts.
104	REF ALARM	0000 <u>0001</u>	OFF <u>    </u> ON	This selects whether to warn the operator when the REF.VIDEO signal has not been connected. 0: Warning is not given. 1: Warning is given by the flashing STOP lamp.
105	AUTO EE SEL	<u>0000</u> 0001 0002	<u>    </u> S/F/R STOP BLACK	This selects the VTR mode in which the EE status is established when the TAPE/EE switch is set to EE. 0: EE status is established in the STOP, FF or REW mode. However, EE status is always established in EJECT mode regardless of the TAPE/EE switch setting. 1: EE status is established only in the stop mode. However, EE status is always established in EJECT mode regardless of the TAPE/EE switch setting. 2: EE status is established only in the stop mode. However, depending on TAPE/EE switch setting EJECT mode is as follows: TAPE/EE switch EE: EE status TAPE/EE switch TAPE: BLACK status for video MUTE status for audio
106	EE MODE SEL	<u>0000</u> 0001	<u>    </u> NORMAL THRU	This selects the EE mode output signals. 0: Signals are output with a delay equivalent to the length of internal signal processing. 1: Signals are output directly, without internal processing, and so are output with no delay. <b>&lt;Note&gt;</b> When editing mode is selected, SDTI is selected as the video input signal, or INT SG is selected at either VIDEO or AUDIO, the internal operations are forcibly set to NORMAL.
107	PLAY DELAY	<u>0000</u> : 0015	<u>    </u> 0 : 15	This set the play delay time in frame increments.

The underline on the setting item denotes the initial setting.

# Setup menus

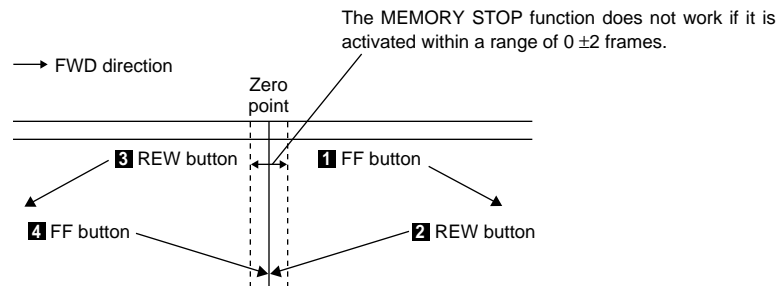
## USER menu

### <OPERATION> (continued)

Item		Setting		Description
No.	Superimposed display	No.	Superimposed display	
108	CAP.LOCK	<u>0000</u> 0001	4F 8F	This selects the CAPSTAN LOCK mode for the 4F and 8F settings of the CF switch. 0: 4F mode 1: 8F mode <b>&lt;Note&gt;</b> This setup menu is not displayed in the 525 mode.
109	AUTO REW	<u>0000</u> 0001	OFF ON	This selects whether to rewind the tape automatically to the tape start when the tape end is detected. 0: The tape stops at the tape end. 1: The tape is rewound to the tape start.
110	MEMORY STOP	<u>0000</u> 0001	OFF ON	This selects whether the VTR is to stop automatically when the counter value reaches "0" during a fast forwarding or rewinding operation in the CTL mode. 0: The VTR does not stop. 1: The VTR stops automatically. <b>&lt;Notes&gt;</b> 1. The stop mode concerned is either the stop or the still-picture (SHTL STILL) mode depending on the setup menu No. 315 (AFTER CUE-UP) setting. 2. When both the AUTO REW function and MEMORY function have been selected at the same time, the AUTO REW function takes precedence.

The underline on the setting item denotes the initial setting.

## Memory stop function



- 1 When the FF button is pressed, the VTR performs the regular fast forward operation since the zero point is not located in the direction of operation.
- 2 When the REW button is pressed, the PREROLL lamp lights (the SHTL lamp lights as well), the VTR proceeds with the preroll operation, and it automatically stops when it reaches the position where the counter reads "0."
- 3 When the REW button is pressed, the VTR performs the regular rewinding operation since the zero point is not located in the direction of operation.
- 4 When the FF button is pressed, the PREROLL lamp lights (the SHTL lamp lights as well), the VTR proceeds with the preroll operation, and it automatically stops when it reaches the position where the counter reads "0."

## USER menu

### <INTERFACE>

Item		Setting		Description
No.	Superimposed display	No.	Superimposed display	
200	PARA RUN	<u>0000</u> 0001	___DIS ENA	This selects whether two or more VTRs are to be operated in synchronization. 0: No operation in synchronization 1: Operation in synchronization <b>&lt;Note&gt;</b> When operating two or more VTRs in synchronization, set item 200 of all the VTRs to 0001.
201	9P SEL	0000 <u>0001</u>	OFF ___ON	This selects whether the 9P connector functions when the REMOTE/LOCAL switch has been set to REMOTE. 0: Do not function 1: Function
202	ID SEL	<u>0000</u> 0001	___OTHER DVCPRO	This selects the ID information which is returned to the controller. 0: 20 25H 1: DVCPRO's, own ID is returned (F0 33H).
203	25P SEL	<u>0000</u> 0001	___OFF ON	This selects whether the PARALLEL (25P) connector functions when the REMOTE/LOCAL switch has been set to REMOTE. 0: Does not function 1: Functions
204	RS232C SEL	<u>0000</u> 0001	___OFF ON	These settings are for selecting whether the RS-232C connector is to function when the REMOTE/LOCAL switch is set to REMOTE. 0: Connector does not function. 1: Connector functions.
205	BAUD RATE	0000 0001 0002 0003 0004 <u>0005</u>	300 600 1200 2400 4800 ___9600	These settings are for selecting the RS-232C communication speed (baud rate).
206	DATA LENGTH	0000 <u>0001</u>	7 ___8	These settings are for selecting the RS-232C data length. (Unit: bit)
207	STOP BIT	<u>0000</u> 0001	___1 2	These settings are for selecting the RS-232C stop bit length. (Unit: bit)
208	PARITY	<u>0000</u> 0001 0002	___NON ODD EVEN	These settings are for selecting the none, odd or even for the RS-232C parity bit. 0: Parity bit is not used. 1: An odd number of bits is used for the parity system. 2: An even number of bits is used for the parity system.
209	RETURN ACK	0000 <u>0001</u>	OFF ___ON	These settings are for selecting whether the ACK code is to be returned when a command is received from RS-232C. 0: ACK code is not returned. 1: ACK code is returned.

The underline on the setting item denotes the initial setting.

# Setup menus

## USER menu

<EDIT>

Item		Setting		Description
No.	Superimposed display	No.	Superimposed display	
300	VAR RANGE	0000 <u>0001</u>	— .43~1 <u>— 4~+4</u>	This sets the VAR speed range. 0: The tape is played in slow motion at a speed ranging from -0.43× to +1× normal speed. 1: The tape is played in the ±4.1× normal speed range.
301	IN/OUT DEL	0000 <u>0001</u>	MANU <u>AUTO</u>	This selects the operation to be performed when an edit point has been set incorrectly (when the OUT point is before the IN point). 0: Editing is not executed unless the illegal edit point is cleared or set again properly. 1: The edit points already input are automatically cleared.
302	NEGA FLASH	<u>0000</u> 0001	— OFF ON	This selects whether to show a negative display when the IN point is greater than the OUT point. 0: No negative display. 1: Negative display.
303	STD/ NON-STD	<u>0000</u> 0001 0002	— AUTO STD N-STD	This selects STD or NON-STD in accordance with the composite input signal. 0: Standard/non-standard signals are automatically identified and processed. 1: Standard signals are processed. (Forced STD) 2: Non-standard signals are processed. (Forced NON-STD)
304	SERVO REF	<u>0000</u> 0001	— AUTO EXT	This selects the video signal processing. 0: Servo is synchronized with the input signal during recording and editing, or with the REF signal during playback. 1: Servo is synchronized at all times with the REF signal.
305	EDIT RPLCE1	0000 <u>0001</u> 0002 0003	N-DEF <u>CH1</u> CH2 CH1+2	This sets the channel assignments for the controller's analog audio preset when editing the digital audio of the VTR using a controller which does not have a digital audio edit preset control function. This selects the channel concerned when the VTR CH1 edit preset is set in compliance with the ON or OFF presetting for the analog audio signals designated by the controller. 0: Not set. 1: Compliance with analog CH1 edit preset. 2: Compliance with analog CH2 edit preset. 3: Compliance with either analog CH1 or CH2 edit preset.
306	EDIT RPLCE2	0000 0001 <u>0002</u> 0003	N-DEF CH1 <u>CH2</u> CH1+2	This selects the channel concerned when the VTR CH2 edit preset is set in compliance with the ON or OFF presetting for the analog audio signals designated by the controller. 0: Not set. 1: Compliance with analog CH1 edit preset. 2: Compliance with analog CH2 edit preset. 3: Compliance with either analog CH1 or CH2 edit preset.
307	EDIT RPLCE3	<u>0000</u> 0001 0002 0003	— N-DEF CH1 CH2 CH1+CH2	The same type of setting as No. 305. This selects the channel concerned when the VTR CH3 edit preset is set in compliance with the On or OFF presetting for the analog audio signals designated by the controller. 0: Not set. 1: Compliance with analog CH1 edit preset. 2: Compliance with analog CH2 edit preset. 3: Compliance with either analog CH1 or CH2 edit preset.

The underline on the setting item denotes the initial setting.

## USER menu

### <EDIT> (continued)

Item		Setting		Description
No.	Superimposed display	No.	Superimposed display	
308	EDIT RPLCE4	<u>0000</u> 0001 0002 0003	<u>    </u> N-DEF CH1 CH2 CH1+CH2	The same type of setting as No. 305. This selects the channel concerned when the VTR CH4 edit preset is set in compliance with the ON or OFF presetting for the analog audio signals designated by the controller. 0: Not set. 1: Compliance with analog CH1 edit preset. 2: Compliance with analog CH2 edit preset. 3: Compliance with analog CH1 or CH2 edit preset.
309	EDIT RPLCEC	<u>0000</u> 0001 0002 0003	<u>    </u> N-DEF CH1 CH2 CH1+2	This selects the channel concerned when the VTR CUE edit preset is set in compliance with the ON or OFF presetting for the analog audio signals designated by the editor or controller. 0: Not set. 1: Compliance with analog CH1 edit preset. 2: Compliance with analog CH2 edit preset. 3: Compliance with either analog CH1 or CH2 edit preset.
310	CONFI EDIT	<u>0000</u> 0001	<u>    </u> OFF ON	This selects whether to conduct simultaneous playback while editing is in progress. 0: No simultaneous playback 1: Simultaneous playback <b>&lt;Note&gt;</b> Simultaneous playback is valid when the TAPE/EE switch is set to TAPE.
311	AUD EDIT IN	<u>0000</u> <u>0001</u>	<u>    </u> CUT FADE	This selects the connection method for the digital audio edit IN point. 0: Cut processing 1: V Fade processing
312	AUD EDIT OUT	<u>0000</u> <u>0001</u>	<u>    </u> CUT FADE	This selects the connection method for the digital audio edit OUT point. 0: Cut processing 1: V Fade processing
313	AUTO ENTRY	<u>0000</u> 0001	<u>    </u> DIS ENA	This selects whether the IN point is to be entered using the PREROLL button when it has not been entered. 0: IN point is not entered. 1: IN point is entered.
314	CF ADJ SEL	<u>0000</u> 0001	<u>    </u> PLAYER RECORD	This selects the CF adjustment deck with deck-to-deck editing. 0: The player's edit IN/OUT points are adjusted. (reference as the RECORDER side) 1: The recorder's edit IN/OUT points are adjusted. (reference as the PLAYER side)
315	AFTER CUE-UP	<u>0000</u> 0001	<u>    </u> STOP STILL	This selects the mode after cue-up operation is complete. 0: STOP mode 1: SHTL STILL mode
316	JOG RANGE	<u>0000</u> 0001	<u>    </u> -.43~1 -4~+4	This sets the range of the JOG speed during 9P remote operation. 0: Plays at -0.43 to +1 speed range 1: Plays at the ±4.1 speed range

The underline on the setting item denotes the initial setting.

# Setup menus

## USER menu

### <TAPE PROTECT>

Item		Setting		Description
No.	Superimposed display	No.	Superimposed display	
400	STILL TIMER	0000	0.5s	This selects the time to be taken until the unit goes into the tape protection mode when it is left standing in the stop or search still (JOG/VAR/SHTL) mode. (Unit: s = second, min = minute)
		0001	5s	
		0002	10s	
		0003	20s	
		0004	30s	
		0005	40s	
		0006	50s	
		0007	1min	
		<u>0008</u>	2min	
401	SRC PROTECT	<u>0000</u>	STEP	This selects the operation during the tape protection mode when the unit is left standing in the still status during the search mode (JOG/VAR/SHTL). 0: STEP FWD. 1: HALF LOADING. <b>&lt;Note&gt;</b> When STEP FWD is selected, the unit automatically goes into the HALF LOADING mode when the total time for which the unit is left standing in the still status reaches 30 minutes.
		0001	HALF	
402	DRUM STDBY	0000	OFF	This selects whether the head drum is to be rotated when operation is transferred to the standby OFF mode. 0: Head drum remains stationary. 1: Head drum is rotated.
		<u>0001</u>	ON	

The underline on the setting item denotes the initial setting.

#### <Note>

The cumulative standby time at the same tape position increases when transmitting programs or otherwise using identical materials repeatedly.

## USER menu

### <TIME CODE>

Item		Setting		Description
No.	Superimposed display	No.	Superimposed display	
500	VITC BLANK	0000	BLANK	This selects whether to output the VITC data to the positions selected by VITC POS-1 in 501 and VITC POS-2 in 502. 0: Data is not output. 1: Data is output.
		<u>0001</u>	THRU	
501	VITC POS-1	525 mode		This sets the position where the VITC signal is to be inserted. (The same line as for VITC POS-2 in 502 cannot be selected.)
		0000	10L	
		⋮	⋮	
		<u>0006</u>	16L	
		⋮	⋮	
		0010	20L	
		625 mode		
		0000	7L	
		⋮	⋮	
		<u>0004</u>	11L	
		⋮	⋮	
		0014	21L	

The underline on the setting item denotes the initial setting.

## USER menu

### <TIME CODE> (continued)

Item		Setting		Description
No.	Superimposed display	No.	Superimposed display	
502	VITC POS-2	525 mode		This sets the position where the VITC signal is to be inserted. (The same line as for VITC POS-1 in 501 cannot be selected.)
		0000	10L	
⋮	⋮			
<u>0008</u>	18L			
⋮	⋮			
0010	20L			
625 mode				
0000	7L			
⋮	⋮			
<u>0006</u>	13L			
⋮	⋮			
0014	21L			
503	TCG REGEN	<u>0000</u>	TC&UB	This selects the signal to be regenerated when the time code generator (TCG) in the REGEN mode. 0: Both the time code and user bit are regenerated. 1: Only the time code is regenerated. 2: Only the user bit is regenerated.
		0001	TC	
		0002	UB	
504	REGEN MODE	<u>0000</u>	AS&IN	This selects whether the time code is to be regenerated during automatic editing using the unit's control panel. 0: Time code is regenerated with assemble or insert editing. 1: Time code is regenerated with assemble editing. 2: Time code is regenerated with insert editing. 3: Setting complies with REGEN/PRESET switch setting.
		0001	ASSEM	
		0002	INSRT	
		0003	SW	
505	EXT TC SEL	<u>0000</u>	LTC	This selects the time code to be used when an external time code is to be used. 0: The LTC of the TIME CODE IN connector is used. 1: The video signal VITC is used.
		0001	VITC	
506	BINARY GP	<u>0000</u>	000	This sets the usage status of the user bit of the time code generated by the TCG. 0: NOT SPECIFIED (character set not specified) 1: ISO CHARACTER (8 bits character set based on ISO646, ISO2022) 2: UNASSIGNED 1 (undefined) 3: UNASSIGNED 2 (undefined) 4: UNASSIGNED 3 (undefined) 5: PAGE/LINE 6: UNASSIGNED 4 (undefined) 7: UNASSIGNED 5 (undefined)
		0001	001	
		0002	010	
		0003	011	
		0004	100	
		0005	101	
		0006	110	
		0007	111	
507	PHASE CORR	<u>0000</u>	OFF	This selects whether to control the phase correction of the LTC generated by the TCG. 0: Phase correction control is not performed. 1: Phase correction control is performed.
		0001	ON	
508	TCG CF FLAG	<u>0000</u>	OFF	This selects whether the CF flag of the TCG is to ON. 0: CF flag is OFF. 1: CF flag is ON.
		0001	ON	
509	DF MODE	<u>0000</u>	DF	This selects the DF/NDF mode for CTL and TCG. 0: Drop frame mode. 1: Non-drop frame mode. <b>&lt;Notes&gt;</b> • No. 509 is valid when the CONTROL is LOCAL or LOCAL ENA of item 004 to "ENA". • This setup menu is not displayed in the 625 mode.
		0001	NDF	
510	TC OUT REF	<u>0000</u>	V OUT	This is used to switch the phase of the time code, which is output from the TIME CODE OUT connector, for the external LTC input when the TC INT/EXT switch is at the EXT position. (In EE mode only) 0: Time code is synchronized with output video signal. 1: Time code is synchronized with external time code input.
		0001	TC IN	

The underline on the setting item denotes the initial setting.



# Setup menus

## USER menu

### <VIDEO>

Item		Setting		Description
No.	Superimposed display	No.	Superimposed display	
600	INT SG	<u>0000</u> 0001 0002	____ OFF ____ BB ____ CB	This selects whether to generate the internal signal. 0: Signal is not generated. 1: The black burst is generated. 2: 100% color bars are generated.
601	OUT VSYNC	<u>0000</u> 0001	____ N-VF ____ VF	This selects whether to float the vertical sync position of the video output in order to align the video output phase with the input in the EE/record/edit modes. 0: Signals are not floated. 1: Signals are floated.
602	V-MUTE SEL	0000 <u>0001</u>	N-MUTE ____ LOW RF	This selects whether the video output signal is set to MUTE when LOW RF is detected during playback. 0: No muting. (Freeze) 1: Muting. (Set to gray.)
603	CC (F1) BLANK	0000 <u>0001</u>	____ BLANK ____ THRU	This selects ON or OFF for the closed caption signal in the first field. 0: Forced blanking performed. 1: Blanking not performed.
604	CC (F2) BLANK	0000 <u>0001</u>	____ BLANK ____ THRU	This selects ON or OFF for the closed caption signal in the second field. 0: Forced blanking performed. 1: Blanking not performed.
605	FREEZE SEL	<u>0000</u> 0001	____ FIELD ____ FRAME	This selects the freeze mode for still pictures. 0: Field freeze. 1: Frame freeze. <b>&lt;Note&gt;</b> When frame freeze has been selected, the frame slow status is established with the slow setting.
606	OUT C KILL	0000 <u>0001</u>	____ B/W ____ COLOR	This selects chroma color killer processing for the video output signals. 0: The signals are forcibly processed as B/W signals. 1: The signals are automatically processed.
607	V OUT SETUP	<u>0000</u> 0001	____ THRU ____ ADD	This selects the composite output signal. 0: The signal is output without setup. 1: The signal is output with 7.5% setup. <b>&lt;Note&gt;</b> This setup menu is not displayed in the 625 mode.
608	SDI OUT SEL	<u>0000</u> 0001	____ COMPNT ____ COMPST	This selects the SERIAL OUT signal format. 0: The component 4:2:2 signal is output. 1: The composite signal is output. (option)
609	EDH	0000 <u>0001</u>	____ OFF ____ ON	This selects whether to superimpose EDH onto the serial output signals. 0: EDH is not superimposed. 1: EDH is superimposed.
610	PB/PR IN LV	0000 <u>0001</u>	____ MII ____ B-CAM	This selects the component input signal level. 0: MII level. 1: β cam level.
611	INPUT C KILL	0000 <u>0001</u>	____ B/W ____ AUTO	This selects color killer processing for the video input signals. 0: The signals are forcibly processed as B/W signals. 1: The signals are automatically processed.
612	IN FRM DET	0000 <u>0001</u>	____ FORCED ____ AUTO	This selects the conditions under which frame detection is to be performed when signals are input. 0: Frame detection is performed at all times. 1: Frame detection is prohibited only when non-standard signals are input.

The underline on the setting item denotes the initial setting.

## USER menu

### <VIDEO> (continued)

Item		Setting		Description
No.	Superimposed display	No.	Superimposed display	
613	VIN SETUP	<u>0000</u> 0001	<u>THRU</u> CUT	This selects whether the composite signal is to be recorded with setup or without setup. 0: When recording signals with no setup. 1: When recording signals with 7.5% setup. <b>&lt;Notes&gt;</b> • This setup menu is not displayed in the 625 mode. • When recording composite signals, be sure to double-check whether the signals are to be recorded with or without setup.
614	Pb/Pr OUT LV	0000 <u>0001</u>	MII <u>B-CAM</u>	This selects the analog component output level. 0: MII level 1: B-CAM level <b>&lt;Note&gt;</b> This setup menu is not displayed in the 625 mode.
617	WFM SEL	0000 0001 <u>0002</u> 0003 0004 0005 0006 0007	CTL TC <u>VIDEO</u> SYNC RF-L RF-R ENV-L ENV-R	This selects the signal to output from the VIDEO OUT2 connector. 0: The CTL signal is output. 1: The TIME CODE signal is output. 2: The VIDEO OUT signal is output. 3: The SYNC signal is output. 4: The PB L RF signal is output. 5: The PB R RF signal is output. 6: The PB L ENV signal is output. 7: The PB R ENV signal is output.

The underline on the setting item denotes the initial setting.

# Setup menus

## USER menu

### <AUDIO>

Item		Setting		Description
No.	Superimposed display	No.	Superimposed display	
700	INT SG	<u>0000</u> 0001	___ OFF ___ ON	This selects whether or not the internal signal is to be generated. 0: The signal is not generated. 1: The signal is generated.
701	CH1 IN LV	0000 <u>0001</u> 0002	___ 4dB ___ 0dB ___ -20dB	This selects the audio input (CH1) reference level switching.
702	CH2 IN LV	0000 <u>0001</u> 0002	___ 4dB ___ 0dB ___ -20dB	This selects the audio input (CH2) reference level switching.
703	CH3 IN LV	0000 <u>0001</u> 0002	___ 4 dB ___ 0 dB ___ -20 dB	This selects the audio input (CH3) reference level switching.
704	CH4 IN LV	0000 <u>0001</u> 0002	___ 4 dB ___ 0 dB ___ -20 dB	This selects the audio input (CH4) reference level switching.
705	CUE IN LV	0000 <u>0001</u> 0002 0003	___ 4dB ___ 0dB ___ -20dB ___ -60dB	This selects the audio input (CUE) reference level switching.
706	CH1 OUT LV	0000 <u>0001</u> 0002	___ 4dB ___ 0dB ___ -20dB	This selects the audio output (CH1) reference level switching.
707	CH2 OUT LV	0000 <u>0001</u> 0002	___ 4dB ___ 0dB ___ -20dB	This selects the audio output (CH2) reference level switching.
708	CH3 OUT LV	0000 <u>0001</u> 0002	___ 4 dB ___ 0dB ___ -20 dB	This selects the audio output (CH3) reference level switching.
709	CH4 OUT LV	0000 <u>0001</u> 0002	___ 4 dB ___ 0 dB ___ -20 dB	This selects the audio output (CH4) reference level switching.
710	CUE OUT LV	0000 <u>0001</u> 0002	___ 4dB ___ 0dB ___ -20dB	This selects the audio output (CUE) reference level switching.
711	MONIL OUT LV	0000 <u>0001</u> 0002	___ 4dB ___ 0dB ___ -20dB	This selects the audio monitor output (Lch) reference level switching.
712	MONIR OUT LV	0000 <u>0001</u> 0002	___ 4dB ___ 0dB ___ -20dB	This selects the audio monitor output (Rch) reference level switching.
713	MONI OUT	0000 <u>0001</u>	___ UNITY ___ VAR	This selects the audio monitor output volume UNITY/ VARIABLE reference switching. 0: The volume is output at the preset value. 1: The volume is linked with the headphones volume control.
714	EMPHASIS	<u>0000</u> 0001	___ OFF ___ ON	This sets the emphasis ON or OFF.
715	CH1 IN SEL	<u>0000</u> 0001	___ ANA ___ DIGI	This selects the CH1 input when USER SET has been selected by pressing the unit's AUDIO input selector switch. 0: Analog input. 1: Digital input.

The underline on the setting item denotes the initial setting.

## USER menu

### <AUDIO> (continued)

Item		Setting		Description
No.	Superimposed display	No.	Superimposed display	
716	CH2 IN SEL	<u>0000</u> 0001	— ANA DIGI	This selects the CH2 input when USER SET has been selected by pressing the unit's AUDIO input selector switch. 0: Analog input. 1: Digital input.
717	CH3 IN SEL	<u>0000</u> 0001	— ANA DIGI	This selects the CH3 input when USER SET has been selected with the unit's AUDIO input selector switch. 0: Analog input 1: Digital input
718	CH4 IN SEL	<u>0000</u> 0001	— ANA DIGI	This selects the CH4 input when USER SET has been selected by pressing the unit's AUDIO input selector switch. 0: Analog input 1: Digital input
719	DIGI IN SEL12	<u>0000</u> 0001	— AES SIF	This selects the CH1 and CH2 digital input when USER SET has been selected by pressing the unit's AUDIO input selector switch. 0: AES 1: Serial
720	DIGI IN SEL34	<u>0000</u> 0001	— AES SIF	This selects the CH3 and CH4 digital input when USER SET has been selected by pressing the unit's AUDIO input selector switch. 0: AES 1: Serial
721	MONI CH SEL	<u>0000</u> 0001 0002	— MANU AUTO1 AUTO2	This selects the monitor output. 0: The output is as selected in MONITOR SELECT. 1: The output defaults to AUDIO except when speed factor is between $-0.43\times$ and $1\times$ , inclusive, in which case output is PCM AUDIO. 2: The output defaults to CUE except in PLAY mode, in which case output is PCM AUDIO.
722	REC CH1	<u>0000</u> 0001 0002	— CH1 CH2 CH1+2	This selects the input signal to be recorded on the audio CH1 track. 0: Audio input CH1 signal. 1: Audio input CH2 signal. 2: Mixed audio input CH1 and CH2 signal.
723	REC CH2	0000 <u>0001</u> 0002	CH1 — CH2 CH1+2	This selects the input signal to be recorded on the audio CH2 track. 0: Audio input CH1 signal. 1: Audio input CH2 signal. 2: Mixed audio input CH1 and CH2 signal.
724	REC CH3	<u>0000</u> 0001 0002	— CH3 CH4 CH3+CH4	This selects the input signal to be recorded on the audio CH3 track. 0: Audio input CH3 signal 1: Audio input CH4 signal 2: Mixed audio input CH3 and CH4 signal
725	REC CH4	0000 <u>0001</u> 0002	CH3 — CH4 CH3+CH4	This selects the input signal to be recorded on the audio CH4 track. 0: Audio input CH3 signal 1: Audio input CH4 signal 2: Mixed audio input CH3 and CH4 signal
726	REC CUE	<u>0000</u> 0001 0002 0003 0004 0005 0006	— CUE CH1 CH2 CH1+2 CH3 CH4 CH3+4	This selects the input signal recorded in CUE. 0: CUE IN 1: Audio CH1 input 2: Audio CH2 input 3: Audio CH1 and CH2 MIX signal 4: Audio CH3 input 5: Audio CH4 input 6: Audio CH3 and CH4 MIX signal

The underline on the setting item denotes the initial setting.

# Setup menus

## USER menu

### <AUDIO> (continued)

Item		Setting		Description
No.	Superimposed display	No.	Superimposed display	
727	PB FADE	<u>0000</u> 0001 0002	— AUTO CUT FADE	This selects the processing method for the audio edit points (IN point, OUT point) during playback. 0: According to the status during recording. 1: Forced CUT 2: Forced FADE
728	EMBEDDED AUD	0000 <u>0001</u>	OFF — ON	This selects whether to superimpose the audio data onto the serial output. 0: Data is not superimposed. 1: Data is superimposed.
729	MONITOR MIX L	<u>0000</u> 0001 0002	— OFF CH1+2 CH3+4	This selects the mixed signal for the headphone monitor. 0: No mixing. 1: CH1 and CH2 are mixed and output to the left channel. 2: CH3 and CH4 are mixed and output to the left channel.
730	MONITOR MIX R	<u>0000</u> 0001 0002	— OFF CH1+2 CH3+4	This selects the mixed signal for the headphone monitor. 0: No mixing. 1: CH1 and CH2 are mixed and output to the right channel. 2: CH3 and CH4 are mixed and output to the right channel.
731	CUE OUT SEL	<u>0000</u> 0001	— OFF ON	This selects whether or not the cue audio signal is to be output to the main line output in the search mode. 0: CUE AUDIO is not output. 1: CUE AUDIO is output. (This applies only when setup menu No. 721 (MONI CH SEL) is not set to "MANU".)

The underline on the setting item denotes the initial setting.

## AJ-PD950 USER menu

The following setup menu is displayed when the AJ-PD950 is used.

Item		Setting		Description
No.	Superimposed display	No.	Superimposed display	
012	SYS FORMAT	0000 0001 <u>0002</u>	422 411 — 420P	This sets the unit's recording/playback format. 0: The 422 (50M) format is selected. 1: The 411 (25M) format is selected. 2: The 420P format is selected. <b>&lt;Notes&gt;</b> • Editing is not possible in the 411 mode. • In the 625 mode, 420P cannot be selected.
608	SDI OUT SEL	0000 0001 <u>0002</u>	COMPNT COMPST — 420P	This selects the SERIAL OUT signal format. 0: Component 4:2:2 signals are output. 1: Composite signals are output. (Option) 2: Component 4:2:2P signals are output.

The underlining indicates the factory setting.

# Time code/user bit

---

## Time code

The time code is used when the time code signal generated by the time code generator (time code signal generator) is to be recorded on the tape, its values are to be read by the time code reader (time code signal reader), and the absolute position of the tape is to be displayed in increments of hours, minutes, seconds and frames.

The time code is written in the sub-code area (data area) of the helical track. This enables insert editing to be conducted independently using the time code alone. In addition, the VTR's playback speed can be read from the stop mode to slow-motion playback up to high-speed play (approx. 50X normal speed/approx. 100X when using DVCPRO tape).

The time code values are indicated using the display and superimpose functions.

TCR 00 : 07 : 04 : 24  
↑    ↑    ↑    ↑  
Hours | Minutes Seconds Frames

## User bit

“User bit” refers to the 32-bit (8-digit) data frame among the time code signals which has been released to users. It enables operator numbers values to be recorded.

The alphanumeric characters which can be used for the user bit are the figures 0 to 9 and the letters A to F.

# Recording internal/external time codes

---

## 1. Setting the internal time code

- 1** Place the VTR in the stop mode.
- 2** Set the TC/CTL switch to TC.
- 3** Set the TC INT/EXT switch to INT. (Internal time code selected)
- 4** Set the REC RUN/FREE RUN switch position.  
**REC RUN:** The time code runs at the same time as the recording proceeds.  
**FREE RUN:** The time code runs in the same way as the time regardless of the VTR's operation.
- 5** Set the REGEN/PRESET switch position.  
**REGEN:** Continuity is maintained with the recorded time code before editing. (Detailed settings are also possible using the menu settings. See the menu items below.)  
Setup menu No. 503 (TCG REGEN)  
Setup menu No. 504 (REGEN MODE)  
**PRESET:** Recording starts from the value set with the TC SET button.  
**<Note>**  
During auto editing, REGEN will be selected by the setup menu No. 504 setting even if the switch has been set to the PRESET position.
- 6** Set the TC SET button.  
Use the TC SET button to set the start number of the time code or user bit.
  - 1** Press the SHIFT button.  
The leftmost digit flashes.
  - 2** Press the ADJ button to change the value.  
Each time the button is pressed, the number changes. The setting range is given below.
    - **When using the time code and user bit in real time**  
00:00:00:00 – 23:59:59:29
    - **User bit**  
00 00 00 00 – FF FF FF FF
  - 3** Repeat steps 1 and 2 to change the value.
  - 4** When the setting of the start number is completed, press the START button. In the FREE RUN mode, the time code now starts running.
  - 5** Proceed with the recording or editing.

## 2. Setting the external time code (TC switch → EXT)

- 1** Place the VTR in the stop mode.
- 2** Set the TC/CTL switch to TC.
- 3** Set the TC INT/EXT switch to EXT. (External time code selected)
- 4** Setup menu No. 505 (EXT TC SEL) can be set as follows.  
**LTC:** The LTC signal input to the TIME CODE IN connector (XLR) on the rear jack panel is recorded as the time code.  
**<Note>** The LTC signal must be synchronized with the video signal.  
**VITC:** The input video signal's VITC is recorded as the time code.

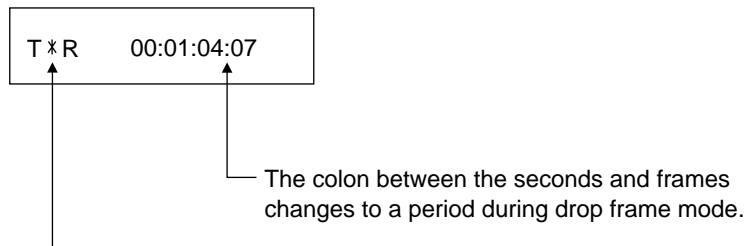
# Reproducing the time code/user bit

---

- 1** Place the unit in the stop mode.
- 2** Set the TC/CTL button to TC.
- 3** Set the TC/UB switch to TC or UB.  
**TC:** The time code is displayed.  
**UB:** The user bit is displayed.
  - When it is no longer possible to read the time code, it is interpolated using the CTL signal.
- 4** Press the PLAY button.  
Playback now commences, and the time code appears on the display.  
When setup menu No. 007 (SUPER) is ON, the time code value is superimposed onto the video signal from the VIDEO OUT 3 connector.

## <Notes>

- The colon between the seconds and frames changes to a period when the drop frame time code is read.
- When the time code signal cannot be read, the time code is automatically interpolated by the CTL signal.  
The display appears as shown below.



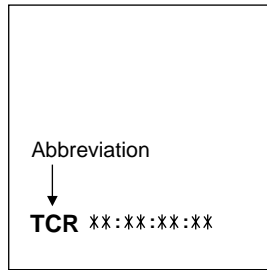
When the time code signal cannot be read, an asterix ( \* ) is displayed.



# Superimpose screen

---

The control signals, time code, etc. are displayed using abbreviations.

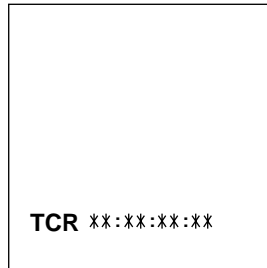


CTL = control signal  
TCR = TC time code reading  
UBR = TC user bit reading

TV monitor

## Characters displayed

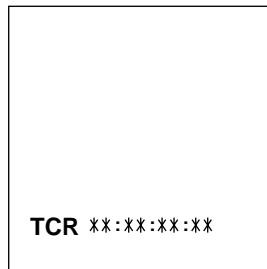
The background of characters superimposed on the display can be changed using setup menu No. 011 (CHARA TYPE).



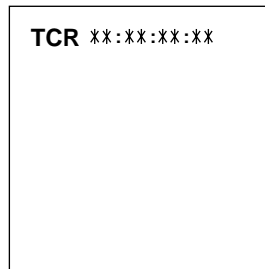
TV monitor

## Display position

The position of the characters superimposed on the display can be changed using setup menus No. 009 (CHARA H-POS) and No. 010 (CHARA V-POS).



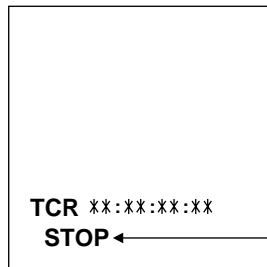
TV monitor



TV monitor

## Operation mode

The VTR's operation mode can also be displayed using setup menu No. 008 (DISPLAY SEL).



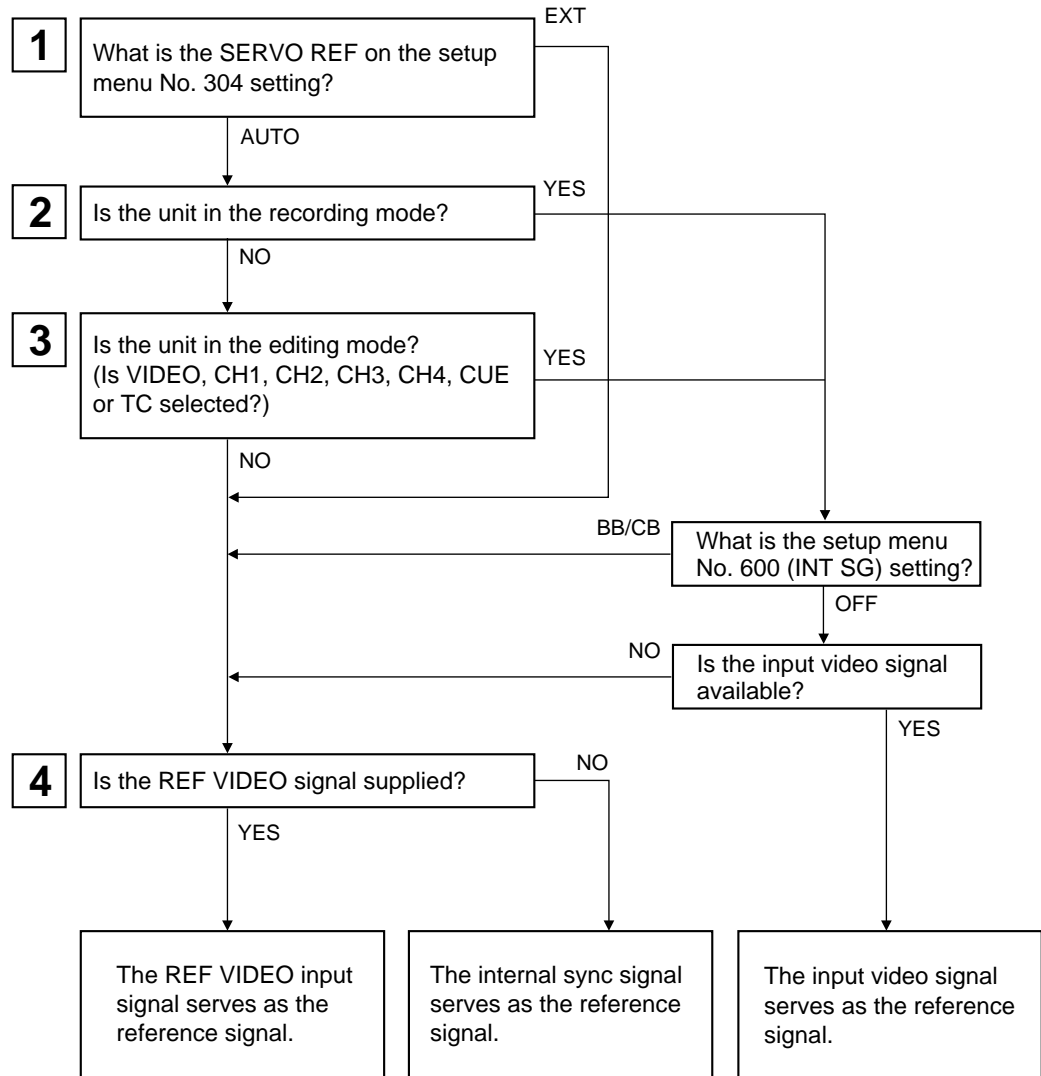
VTR operation mode

TV monitor

# Servo reference

This unit automatically selects the input video signal selected by the INPUT switch, the reference video signal supplied from the REF VIDEO input connector or the internal sync signal as the servo reference signal.

When the signal is selected, the unit's mode and servo reference stand in the relationship shown in the flowchart presented below.



# Servo reference setting tables

The servo reference signal is switched as shown in the tables below depending on the servo reference setting, deck mode and what input signal is available. When the mode is transferred to editing or recording/playback, the image may be disturbed and the transfer may be delayed if the references during playback and recording do not match.

## ■ During playback or special playback

SERVO REF on the setup menu No. 304 position	Input signal status		Reference signal (servo reference)
	VIDEO IN signal	REF IN signal	
AUTO	○	○	REF IN signal
	○	×	Internal sync signal
	×	○	REF IN signal
	×	×	Internal sync signal
EXIT	○	○	REF IN signal
	○	×	Internal sync signal
	×	○	REF IN signal
	×	×	Internal sync signal

## ■ During recording or editing

SERVO REF on the setup menu No. 304 position	Input signal status		Reference signal (servo reference)
	VIDEO IN signal	REF IN signal	
AUTO	○	○	VIDEO IN signal
	○	×	VIDEO IN signal
	×	○	REF IN signal
	×	×	Internal sync signal
EXIT	○	○	REF IN signal
	○	×	Internal sync signal
	×	○	REF IN signal
	×	×	Internal sync signal

“○” denotes that the signal is supplied: “×” denotes that the signal is not supplied.

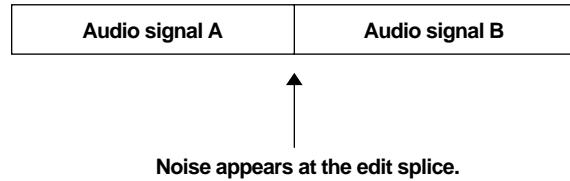
When “BB” or “CB” is set for the setup menu No. 600 and internal signal generation has been selected, the REF IN signal serves as the servo reference when the REF IN signal is provided and the internal sync signal serves as the servo reference when the REF IN signal is not provided.

# Audio V Fade Function

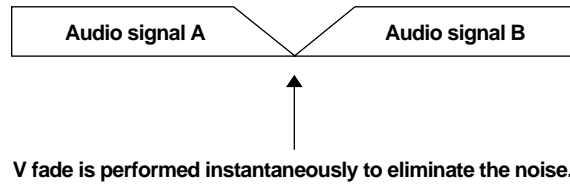
---

When editing tapes, the edit point splicing selection (setup menu No. 311 and 312) information is recorded on the tape. This information is then sensed during playback, and V fade or cut processing is automatically performed for these sections. [However, only when the playback fade selection (No. 727) is AUTO.]

When the edit point splicing selection (setup menu No. 311 and 312) is CUT



When the edit point splicing selection (setup menu No. 311 and 312) is FADE



**<Notes>**

- When the playback fade selection (No. 727) is CUT, cut processing is performed for all splices.
- When the playback fade selection (No. 727) is FADE, V fade processing is performed for all splices.

# Audio recording channel and monitor output selection

## Audio recording channel

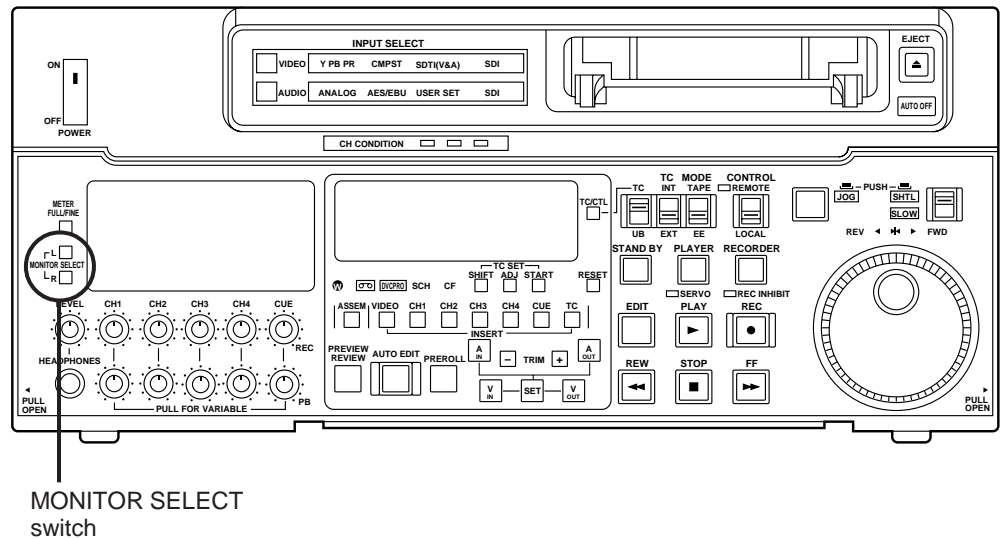
The audio recording channels are selected on the AUDIO setup menu as shown below.

Recording track	Recording signal
CH1	CH1 input/CH2 input/CH1 input + CH2 input
CH2	CH1 input/CH2 input/CH1 input + CH2 input
CH3	CH3 input/CH4 input/CH3 input + CH4 input
CH4	CH3 input/CH4 input/CH3 input+ CH4 input
CUE	CH1 input/CH2 input/CH3 input/CH4 input/CH1 input + CH2 input/CH3 input + CH4 input

## Monitor output channel

The monitor output channels are selected using the MONITOR SELECT switch as shown below.

Monitor output	Output signal
L	CH1/CH2/CH3/CH4/CH1+CH2/CH3+CH4/CUE
R	CH1/CH2/CH3/CH4/CH1+CH2/CH3+CH4/CUE



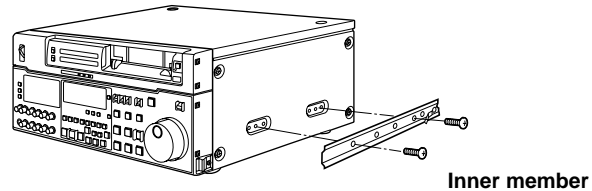
## Printed circuit board

Printed circuit board	Abbr. name	Full name	Function	Factory setting
F8 board ADDA1	SW1	Audio Input Impedance SW	This sets the CH1 audio input impedance. HIGH/600Ω	HIGH
	SW41	Audio Input Impedance SW	This sets the CH2 audio input impedance. HIGH/600Ω	HIGH
	SW 101	Audio Input Impedance SW	This sets the CH3 audio input impedance. HIGH/600Ω	HIGH
	SW 141	Audio Input Impedance SW	This sets the CH4 audio input impedance. HIGH/600Ω	HIGH
H1 board CUE	SW101	Cue Input Impedance SW	This sets the CUE input impedance.	HIGH

# Rack mounting

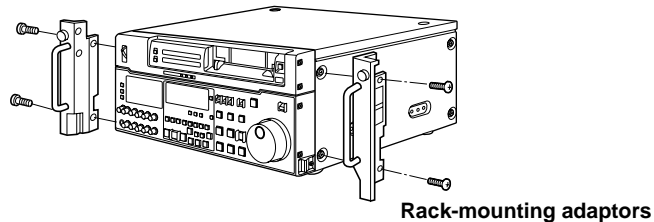
The unit can be mounted into a 19-inch standard rack if the optional rack-mounting adaptors (AJ-MA75P) are used. For the installation rails, it is recommended that the rail and bracket for 18" length (model number CC3001-99-0400) of CHASSIS TRAK be used. (The complete slide rail and bracket unit is not available from Panasonic) For further details, consult with your dealer.

- 1** Remove the screws on the left and right sides of the unit.
- 2** Use the removed screw to attach the inner members of the slide rails.

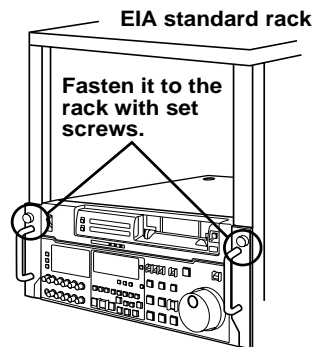


The length of the screws used is subject to restriction. If some of the mounting screws have been lost or misplaced, use screws which are less than 4" long in their place. Use four screws to secure each inner member.

- 3** Attach the outer member brackets to the rack. Check that the height is the same for the left and right brackets.
- 4** Attach the AJ-MA75P rack-mounting adaptors with included 4 screws.



- 5** Remove the 4 rubber legs from the bottom of the unit, and install the unit in the rack. After the unit has been installed, check that it moves smoothly along the rails.



## <Notes>

- Keep the temperature inside the rack to between +41°F (5°C) and +104°F (40°C).
- Bolt the rack securely to the floor so that it will not topple over when the VTR is drawn out.

## Video head cleaning

---

This unit has an auto head cleaning function which automatically reduces the dirt on the heads. However, to further increase the unit's reliability, it is recommended that its video heads be cleaned every day.

Use the cleaning fluid designated by Panasonic.

---

## Condensation

Condensation occurs due to the same principle involved when droplets of water form on a window pane of a heated room. It occurs when the unit or tape is moved between places where the temperature or humidity varies greatly or when, for instance:

- It is moved to a very humid place full of steam or a room immediately after it has been heated up.
- It is suddenly moved from a cold location to a hot or humid location.

When moving the unit to locations such as these, leave it standing for about 10 minutes rather than switching on the power immediately.

If condensation has formed on or in the unit, the AUTO OFF lamp lights and the cassette tape is automatically ejected.

Keep the power supplied and simply wait until the AUTO OFF lamp goes off.



# Error messages

When a warning occurs in this unit, the warning lamp lights up.

Opening the DIAG menu will display the warning description on the counter display and the monitor. Also, when an abnormal operation is detected in this unit, the AUTO OFF lamp lights up and a message appears on the counter display.

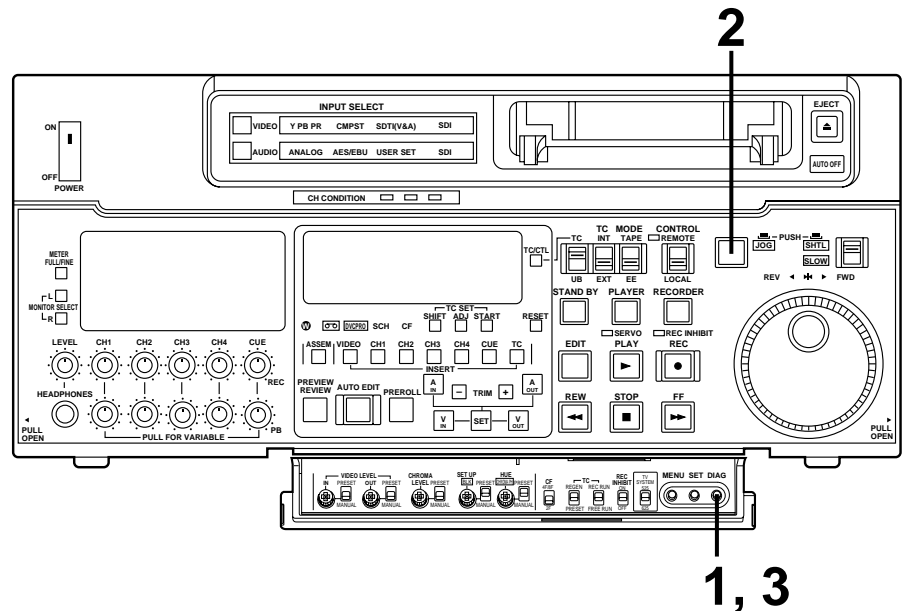
## DIAG menu

This display the VCR information.

VCR information includes “WARNING” information and “HOURS METER” (usage time) information. A DIAG menu appears on the monitor when the monitor is connected to the VIDEO OUT 3 connector on the connector section.

## Displaying the DIAG menu

- 1** Press the DIAG button.  
The DIAG menu screen is displayed on the monitor, and the message is displayed on the counter display.
- 2** The “WARNING” information and “HOURS METER” information can be switched by pressing the search buttons.
- 3** Press the DIAG button again to return to the original display.



### “WARNING” information display

- A warning message is displayed whenever a warning occurs (the warning lamp lights up). When warnings have not been detected, “NO WARNING” is displayed.
- When multiple warning occur, the descriptions for each warning can be checked by turning the search dial.

## Displaying the “HOURS METER” information

Turn the search dial to move the cursor ( \* ). The description for the item where the cursor is located is shown on the counter display.

Item No.	Item	Description
H00	OPERATION	Displays the time that the power has been supplied in one-hour units.
H01	DRUM RUN	Displays the time that the drum has been rotating in one-hour units.
H02	TAPE RUN	Displays the time that the tape has been running during FF, REW, PLAY, SEARCH (JOG, VAR, SHTL), REC, and EDIT modes (except for STILL in the JOG, VAR or SHTL mode) in one-hour units.
H03	THREADING	The number of times for threading/unthreading is displayed in single units.
H11	DRUM RUN r	Displays the time that the drum has been rotating in one-hour units. (Can be reset)
H12	TAPE RUN r	Displays the time that the tape has been running during FF, REW, PLAY, SEARCH (JOG, VAR, SHTL), REC, and EDIT modes (except for STILL in the JOG, VAR or SHTL mode) in one-hour units. (Can be reset)
H13	THREADING r	The number of times for threading/unthreading is displayed in single units. (Can be reset)
H30	POWER ON	The number of times the power has been turned on is displayed in single units.

### <Notes>

- The resettable items in the “HOURS METER” information are reset by the shop when performing maintenance or other work.
- The search buttons and the search dial cannot be operated while the DIAG menu is displayed.

If “T&S&M” is selected in the setup menu No. 008 (DISPLAY SEL), a message appears in the mode display whenever a warning or error occurs. When multiple events occur, the event with the highest priority is displayed.

Priority	Display	Description
High ▲ ..... ▼ Low	Error messages (See error message table)	When an abnormal operation is detected in this unit, the AUTO OFF lamp lights up and an error message is displayed.
	INT SG	If “BB” or “CB” in No. 600 (INT SG) in the setup menu is selected, pressing the REC button or the EDIT button (E to E mode) will display “INT SG” for the first two seconds. This is also displayed for the first two seconds when starting editing.
	NO INPUT	If there is no input signal (except for analog audio) to the connector selected using the INPUT SELECT switch, pressing the REC button or the EDIT button (E to E mode) will display “NO INPUT” for the first two seconds. This is also displayed for the first two seconds when starting editing.
	Warning messages (See error message table)	When a warning occurs in this unit, the warning lamp lights up and a warning message is displayed. When multiple warnings occur, the warning with the highest priority is displayed.

## Warning messages

Priority	Monitor display	Description	VTR operation
High ▲ ..... ▼ Low	FAN STOP	This is displayed when the fan motor stops.	Operation continues
	SERVO NOT LOCKED	This is displayed when the servo is not locked for three or more seconds during playback, recording, or editing.	Operation continues
	LOW RF	This is displayed when envelope levels approximately 1/3 that of normal levels are detected for more than one second during playback, recording, or editing.	Operation continues
	HIGH ERROR RATE	This is displayed when the error rate increases and correction/interpolation is performed on either the video or audio playback signal.	Operation continues

## Table of AUTO OFF Error messages

Counter display	Monitor display	Description	VTR operation (Restart condition)
<b>CAP ROTATE TOO SLOW</b>	<b>CAP ROTA TOO SLOW</b>	If the capstan motor speed is abnormally low, the AUTO OFF lamp lights, and the message display flashes.	STOP (POWER OFF→ON)
<b>CAP TENSION ERROR</b>	<b>CAP TENSION ERROR</b>	If an abnormal tension at the supply side is detected in the capstan mode, the AUTO OFF lamp lights, and the message display flashes.	STOP (POWER OFF→ON)
<b>DEW</b>	<b>DEW</b>	If condensation is detected, the AUTO OFF lamp lights, the message display flashes, and the VTR is transferred to the eject mode. After the tape is ejected, the drum rotates in order to eliminate the condensation. When the condensation has been eliminated, the AUTO OFF lamp and message display go off, and the VTR can be used. <b>&lt;Notes&gt;</b> 1) If condensation is detected in the eject mode, the drum starts rotating as soon as it is detected. 2) If condensation is detected when the cassette has been inserted, the drum rotation is stopped, and after the tape is ejected, the drum starts rotating.	EJECT (Normal operation resumed after condensation is eliminated)
<b>DRUM ROTATE TOO FAST</b>	<b>DRUM ROTA TOO FAST</b>	If the cylinder motor speed is abnormally high, the AUTO OFF lamp lights, and the message display flashes.	STOP (POWER OFF→ON)
<b>DRUM ROTATE TOO SLOW</b>	<b>DRUM ROTA TOO SLOW</b>	If the cylinder motor speed is abnormally low, the AUTO OFF lamp lights, and the message display flashes.	STOP (POWER OFF→ON)
<b>E-FF</b>	<b>E-FF</b>	If the tape start and tape end are detected simultaneously either during or after loading, the AUTO OFF lamp lights, and the message display flashes.	STOP (POWER OFF→ON)
<b>FRONT LOAD ERROR</b>	<b>FRONT LOAD ERROR</b>	The AUTO OFF lamp lights and the message display flashes when the take-up reel has been rotating idly for a fixed period of time while the start/end processing operation during loading (half position) is being performed.	STOP (POWER OFF→ON)
<b>FRONT LOAD MOTOR</b>	<b>FRONT LOAD MOTOR</b>	If the cassette does not move up even when 6 seconds have elapsed since the VTR was transferred to the eject mode, the AUTO OFF lamp lights, and the message display flashes. <b>&lt;Note&gt;</b> If the cassette does not move down inside the machine even when 6 seconds have elapsed since the cassette was inserted, the VTR is transferred to the eject mode.	STOP (POWER OFF→ON)
<b>LOADING MOTOR</b>	<b>LOADING MOTOR</b>	When the unloading operation is not completed within 6 seconds, the AUTO OFF lamp lights, and the message display flashes. <b>&lt;Note&gt;</b> When the loading operation is not completed within 6 seconds, the VTR is transferred to the eject (unloading) mode.	STOP (POWER OFF→ON)

Counter display	Monitor display	Description	VTR operation (Restart condition)
REEL DIR UNMATCH	REEL DIR UNMATCH	If the reel motor at the take-up side is running in the reverse direction, the AUTO OFF lamp lights, and the message display flashes.	STOP (POWER OFF→ON)
REEL TENSION ERROR	REEL TENSION ERROR	If an abnormal tension at the supply side is detected in the reel mode, the AUTO OFF lamp lights, and the message display flashes.	STOP (POWER OFF→ON)
SERVO COMM ERROR	SERVO COMM ERROR	When the servo microcomputer does not follow the instructions of the system control microcomputer even when 10 seconds have elapsed, the AUTO OFF lamp lights, and the message display flashes.	STOP (POWER OFF→ON)
SERVO CONTROL ERROR	SERVO CONTROL ERR	When there is no response from the servo microcomputer for 1 or more seconds, the AUTO OFF lamp lights, and the message display flashes.	STOP (POWER OFF→ON)
SERVO ERROR	SERVO ERROR	When only the servo microcomputer was reset in an instantaneous power failure, the AUTO OFF lamp lights, and the message display flashes.	STOP (POWER OFF→ON)
S-FF/REW TIMEOVER	S-FF/REW TIMEOVER	If the start/end processing operation is not completed, the AUTO OFF lamp lights, and the message display flashes.	STOP (POWER OFF→ON)
S REEL ROTA TOO FAST	S REEL TOO FAST	If the supply reel motor should rotate at an abnormally fast rate, the AUTO OFF lamp lights, and the message display flashes.	STOP (POWER OFF→ON)
S REEL TORQUE ERROR	S REEL TORQUE ERR	If an abnormal torque applied to the supply reel motor is detected or if an abnormal current flowing to the current-sensing resistor is detected, the AUTO OFF lamp lights, and the message display flashes.	STOP (POWER OFF→ON)
T REEL ROTA TOO FAST	T REEL TOO FAST	If the take-up reel motor should rotate at an abnormally fast rate, the AUTO OFF lamp lights, and the message display flashes.	STOP (POWER OFF→ON)
T REEL TORQUE ERROR	T REEL TORQUE ERR	If an abnormal torque applied to the take-up reel motor is detected, the AUTO OFF lamp lights, and the message display flashes.	STOP (POWER OFF→ON)
UNLOAD ERROR	UNLOAD ERROR	If the tape has not been wound up during unloading, the AUTO OFF lamp lights, and the message display flashes.	STOP (POWER OFF→ON)
WINDUP ERROR	WINDUP ERROR	If, after the total tape amount has been detected, the amount of tape wound up on the take-up reel and the amount of tape supplied by the supply reel differ to an abnormal extent while the tape is traveling in the forward or reverse direction, the AUTO OFF lamp lights, and the message display flashes.	STOP (POWER OFF→ON)
WINDUP REEL NOT ROTA	W-UP REEL NOT ROTA	If, after the cassette has been inserted, the tape take-up reel has not wound up the tape while the total tape amount is not detected and while the tape is traveling in the forward or reverse direction, the AUTO OFF lamp lights, and the message display flashes.	STOP (POWER OFF→ON)

# RS-232C interface

## 1. Introduction

(1) The VTR can be operated by commands when the RS-232C interface is used.

(See command table on page 79 – 81.)

(2) Conditions for acknowledging commands from RS-232C interface

The front panel REMOTE/LOCAL switch must be at REMOTE.

The setup menu item No. 204 “RS232C SEL” must be ON.

If the above conditions are not met, [ACK] + [STX]ER001[EXT] is returned to the external unit.

Whether the [ACK] code is returned depends on the setting which has been selected for setup menu item No. 209 “RETURN ACK”.

## 2. Hardware specifications

### External interface specifications

#### 1) Connector specifications

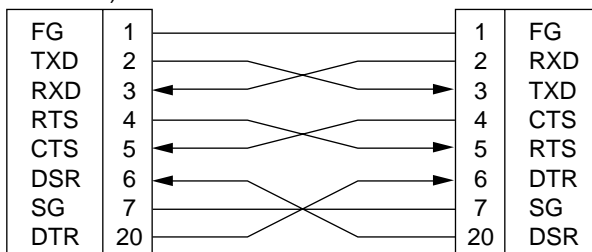
Connector: D-SUB 25-pin (crossover cable supported)

Pin No.	Signal	Circuit name	Description
1	FG	Protective ground	Frame ground
2	RXD	Received data	Data is sent to PC.
3	TXD	Transmitted data	Data is received from PC.
4	CTS	Clear to send	Shorted with pin 5.
5	RTS	Request to send	Shorted with pin 4.
6	DTR	Data terminal ready	No processing
7	SG	Signal ground	Signal ground
20	DSR	Data set ready	+ voltage output after communication enable status

#### 2) Example of connection with controller (PC)

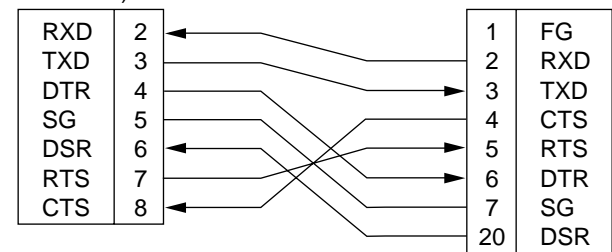
##### ■ Using crossover cable with D-SUB 25-pin connectors

PC side  
(D-SUB 25-pin connector)



##### ■ Using crossover cable with D-SUB 9-pin and 25-pin connectors

PC side  
(D-SUB 9-pin connector)



### 3. Software specifications

#### Protocol

##### 1) Communication parameters

Communication system	Asynchronous, full duplex
Communication speed	300/600/1200/2400/4800/ <u>9600</u>
Bit length	7 bit/ <u>8 bit</u>
Stop bit	<u>1 bit</u> /2 bit
Parity bit	<u>NONE</u> /ODD/EVEN
ACK code	ACK code returned/ <u>ACK code not returned</u> <b>&lt;Note&gt;</b> The ACK code is what is returned from the VTR to the controller when data has been successfully sent from the controller.

The underlining indicates the factory settings.

Any changes to the settings can be made using the setup menu items listed below.

Communication parameter	Setup menu item
Communication speed	No. 205 BAUD RATE
Bit length	No. 206 DATA LENGTH
Stop bit	No. 207 STOP BIT
Parity bit	No. 208 PARITY
ACK code	No. 209 RETURN ACK

##### 2) Send format [controller (PC) → VTR]

###### ■ Data format

[STX] [command] [:] [data] [ETX]

02h XX XX XX 3Ah XX-XX 03h ←(ASCII code: symbols, numbers upper-case letters)

20h<XX<7Fh

- [command]: Command identifier; a 3-byte identifier (ASCII code: symbols, numbers, upper-case letters) is sent as the command.
- [:]: This code serves as a delimiter between the command and data.
- [data]: Data (ASCII code: symbols, numbers, upper-case letters) can be added in the number of bytes required.

###### ■ Outline of send procedure from controller

1. The send command starts with STX (start of text = 02h). The command is then identified by COMMAND which follows and the data is added as required.  
The format ends with ETX (end of text = 03h).
2. When a different command is to be sent, a response is awaited from the VTR, and then the command is sent. (See page 78.)
3. If STX is sent again before ETX is sent, the receive data buffer inside the VTR is cleared. A command error is returned to the controller, and the data is newly processed with STX which was received again at the head.

# RS-232C interface

---

## 3) Return format [VTR → controller (PC)]

The following responses are made to the command. If necessary, more than one response is made.

### ■ When the communication has terminated normally

1. The receive completion message is returned.

```
[ACK]
06h
```

2. The execution completion message is returned.

```
[STX] [command] [data] [ETX]
02h XX XX XX XX-XX 03h
```

- [command]: This is the message (data) which is returned or the execution completion message identifier.
- [data]: This is the data to be returned. It can be omitted.

```
Example:   Send command       Return message (data)
           [STX] OPL [ETX] →  [ACK] [STX] OPL [ETX]
```

### ■ When the communication has terminated abnormally

```
[NACK]
15h
```

### ■ When processing is not possible due to incorrect data or trouble in the VTR

1. The receive completion message is returned.

```
[ACK]
06h
```

2. An error code is returned.

```
[STX] E R N1 N2 N3 [ETX]
02h Error code 03h
```

## 4. Error code table

- ER001: Invalid command
  - Unsupported command received.
  - Error in command execution
- ER002: Parameter error
- ER102: VTR mode error (front loading motor)
- ER103: VTR mode error (loading motor)
- ER104: VTR mode error (drum, capstan system)
- ER105: VTR mode error (reel system)
- ER106: VTR mode error (tension system)
- ER108: VTR dew error
- ER1FF: VTR system error

## 5. Command table

### (1) Commands relating to operation control

#### <Notes>

- As for the return (completion) message, [ACK] is first returned when data is received, and the execution message is subsequently returned. It is only the execution message which is listed in this table.
- In the case of commands not listed in the table, ER001 (invalid command) is returned after [ACK] has been returned.

VTR operation	Send command	Return (completion) message	Supplementary notes
STOP	[STX] OSP [ETX]	[STX] OSP [ETX]	This command is for stopping the tape travel. The resulting output picture and sound statuses differ according to the settings selected for the setup menu No. 105 (AUTO EE SEL).
EJECT	[STX] OEJ [ETX]	[STX] OEJ [ETX]	This command is for ejecting the cassette tape. The resulting output picture and sound statuses differ according to the settings selected for the setup menu No. 105 (AUTO EE SEL).
PLAY	[STX] OPL [ETX]	[STX] OPL [ETX]	This command is for starting playback.
REWIND	[STX] ORW [ETX]	[STX] ORW [ETX]	This command is for rewinding the tape. The resulting output picture and sound statuses differ according to the settings selected for the setup menu No. 105 (AUTO EE SEL). The maximum tape speed differs according to the setting selected for setup menu No. 102 (FF. REW MAX).
FAST FORWARD	[STX] OFF [ETX]	[STX] OFF [ETX]	This command is for fast forwarding the tape. The resulting output picture and sound statuses differ according to the settings selected for the setup menu No. 105 (AUTO EE SEL). The maximum tape speed differs according to the setting selected for setup menu No. 102 (FF. REW MAX).
REC	[STX] ORC [ETX]	[STX] ORC [ETX]	This command is for starting the recording.
SHTL FORWARD	[STX] OSF:data [ETX]	[STX] OSF [ETX]	This is the forward direction shuttle command.
	data = n: speed data 0: STILL 1: ×0.03 2: ×0.1 3: ×0.2 4: ×0.5 5: ×1 6: ×1.85 7: ×4.1 8: ×9.5 9: ×16 : This speed differs according to the setting selected for setup menu No. 101 (SHTL MAX). A: ×32 : This speed differs according to the setting selected for setup menu No. 101 (SHTL MAX).		



# RS-232C interface

VTR operation	Send command	Return (completion) message	Supplementary notes
SHTL REVERSE	[STX] OSR:data [ETX]	[STX] OSR [ETX]	This is the reverse direction shuttle command.
	data = n: speed data 0: STILL 1: ×0.03 2: ×0.1 3: ×0.2 4: ×0.5 5: ×1 6: ×1.85 7: ×4.1 8: ×9.5 9: ×16 : This speed differs according to the setting selected for setup menu No. 101 (SHTL MAX). A: ×32 : This speed differs according to the setting selected for setup menu No. 101 (SHTL MAX).		
STANDBY OFF	[STX] OBF [ETX]	[STX] OBF [ETX]	This command is setting the VTR to standby OFF.
STANDBY ON	[STX] OBN [ETX]	[STX] OBN [ETX]	This command is setting the VTR to standby ON.

## (2) Commands relating to inquiries

### <Notes>

- As for the return (completion) message, [ACK] is first returned when data is received, and the execution message is subsequently returned. It is only the execution message which is listed in this table.
- In the case of commands not listed in the table, ER001 (invalid command) is returned after [ACK] has been returned.

VTR operation	Send command	Return (completion) message	Supplementary notes
CTL/TC DATA REQUEST	[STX] QCD [ETX]	[STX] CD data [ETX]	This command is for inquiring about the counter value.
		data = f w gh mm ss ff f = F w = S gh = CTL: g = SP (20h): for a plus display - (2Dh): for a minus display h = 0-9: hours TC: gh = 00-23: hours mm = 00-59: minutes ss = 00-59: seconds ff = 00-29: frames (525 mode) = 00-24: frames (625 mode)	CTL or TC is returned, whichever corresponds to the front display mode.
STATUS REQUEST	[STX] QOP [ETX]	[STX] xxx [ETX]	This command is for inquiring about the VTR's operation mode.
		xxx = OEJ: EJECT OFF: FAST FORWARD OPL: PLAY ORC: REC ORW: REWIND OSP: STOP (including the STANDBY ON) SRS: (IN/OUT) PREROLL OBF: STANDBY OFF OSF: SHTL FORWARD OSR: SHTL REVERSE OJG: JOG FORWARD/REVERSE OSW: VAR FORWARD/REVERSE EAE: AUTO EDIT EON: EDIT ON (MANUAL EDIT) EPV: PREVIEW ERV: REVIEW	
ID (VTR No.) REQUEST	[STX] QID [ETX]	[STX] data [ETX]	This command is for inquiring about the VTR used.
		data = AJ-D950, AJ-PD950	

# RS-232C interface

---

## (3) Microsoft QuickBASIC sample program

```
CLS
STX$ = CHR$(&H2): ETX$ = CHR$ (&H3): NAK$ = CHR$(15): ACK$ = CHR$(&H6)
PRINT "*** RS-232C COMMUNICATION SAMPLE PROGRAM ***"
PRINT "Type Command 'QUIT' to quit."
PRINT

REM *** Communication Port Initial & Open ***
REM Port 1,9600Bps,No parity,8 bit data,1 stop bit
OPEN "COM1:9600,N,8,1" FOR RANDOM AS #1 LEN = 256

REM *** Input Command & Send Command ***
SendCmd:
INPUT "Input Command ="; SEND$
IF SEND$ = "QUIT" THEN GOTO ProgEnd
PRINT #1, STX$ + SEND$ + ETX$

REM *** Wait for Receive Command ***
WHILE LOC(1) = 0
    WAITKEY$ = INKEY$
    IF WAITKEY$ = "Q" THEN PRINT "**** Quit ****": GOTO ProgEnd
WEND

REM *** Receive Command ***
RecvCmd:
RCV$ = INPUT$(1, #1)
IF RCV$ = STX$ THEN RCV$ = "[Stx]"
IF RCV$ = ACK$ THEN RCV$ = "[Ack]"
IF RCV$ = NAK$ THEN RCV$ = "[Nak]"
IF RCV$ = ETX$ THEN BUFFER$ = BUFFER$ + "[Etx]": GOTO DispOut
BUFFER$ = BUFFER$ + RCV$
GOTO RecvCmd

REM *** Output Receive Command ***
DispOut:
PRINT "Receive Command ="; BUFFER$
PRINT
BUFFER$ = ""
GOTO SendCmd

REM *** End Program ***
ProgEnd:
CLOSE
END
```

# Connector signals

## VIDEO IN

SERIAL IN (DIGITAL)	BNC × 2	Active through
Y, P <sub>B</sub> , P <sub>R</sub> (ANALOG)	BNC × 3	
VIDEO IN	BNC × 2	Loop-through, 75Ω termination switch provided (Board, option)
REF VIDEO IN	BNC × 2	Loop-through, 75Ω termination switch provided

## VIDEO OUT

SERIAL OUT (DIGITAL)	BNC × 3
Y, P <sub>B</sub> , P <sub>R</sub> (ANALOG)	BNC × 3
VIDEO OUT	BNC × 3

## AUDIO IN

SERIAL IN (DIGITAL)	BNC × 2	Active through
AUDIO IN (DIGITAL)	XLR × 2	CH1/CH2, CH3/CH4 AES/EBU format
AUDIO IN (ANALOG)	XLR × 2	CH1, CH2, CH3, CH4
CUE IN	XLR × 1	
TIME CODE IN	XLR × 1	

Pin No.	Signal
1	GND
2	HOT
3	COLD

## AUDIO OUT

SERIAL OUT (DIGITAL)	BNC × 3	
AUDIO OUT (DIGITAL)	XLR × 2	CH1/CH2, CH3/CH4 AES/EBU format
AUDIO OUT (ANALOG)	XLR × 2	CH1, CH2, CH3, CH4
CUE OUT	XLR × 1	
TIME CODE OUT	XLR × 1	
MONITOR OUT	XLR × 2	
HEADPHONES (front)	M6	

## RS-422A REMOTE (9P)

### REMOTE IN/OUT

Pin No.	Signal	Pin No.	Signal	Pin No.	Signal
1	FRAME GROUND	4	RECEIVE COMMON	7	TRANSMIT B
2	TRANSMIT A	5	—————	8	RECEIVE A
3	RECEIVE B	6	TRANSMIT COMMON	9	FRAME GROUND

### REMOTE OUT

Pin No.	Signal	Pin No.	Signal	Pin No.	Signal
1	FRAME GROUND	4	TRANSMIT COMMON	7	RECEIVE B
2	RECEIVE A	5	—————	8	TRANSMIT A
3	TRANSMIT B	6	RECEIVE COMMON	9	FRAME GROUND

# Connector signals

## PARALLEL REMOTE (25P)

Pin No.	Signal	Pin No.	Signal	Pin No.	Signal
1	PLAY COMMAND	10	————	19	STAND BY ON STATUS
2	STOP COMMAND	11	————	20	PREROLL STATUS
3	FF COMMAND	12	≥10V, MAX 300mA	21	SERVO LOCK STATUS
4	REW COMMAND	13	PLAY STATUS	22	————
5	REC COMMAND	14	STOP STATUS	23	————
6	EJECT COMMAND	15	FF STATUS	24	————
7	STAND BY ON/OFF COMMAND	16	REW STATUS	25	GND
8	PREROLL COMMAND	17	REC STATUS		
9	IN SET COMMAND	18	EJECT STATUS		

### <Notes>

- COMMAND pins: TTL level, active low, ≥100ms edge electrical signal.
- STATUS pins: open collector, sink current 6 mA

## RS-232C REMOTE (25-pin D-SUB crossover cable supported)

Pin No.	Abbreviation	Circuit	Description
1	FRAME GROUND	Protective ground	Frame ground
2	RxD	Received data	Sends data to the PC.
3	TxD	Transmitted data	Receives data from the PC.
4	CTS	Clear to send	Shorted with pin 5.
5	RTS	Request to send	Shorted with pin 4.
6	DTR	Data terminal ready	No processing
7	GND	Signal ground	Signal ground
20	DSR	Data set ready	Positive power output after communication enable status

## ENCODER REMOTE (15P)

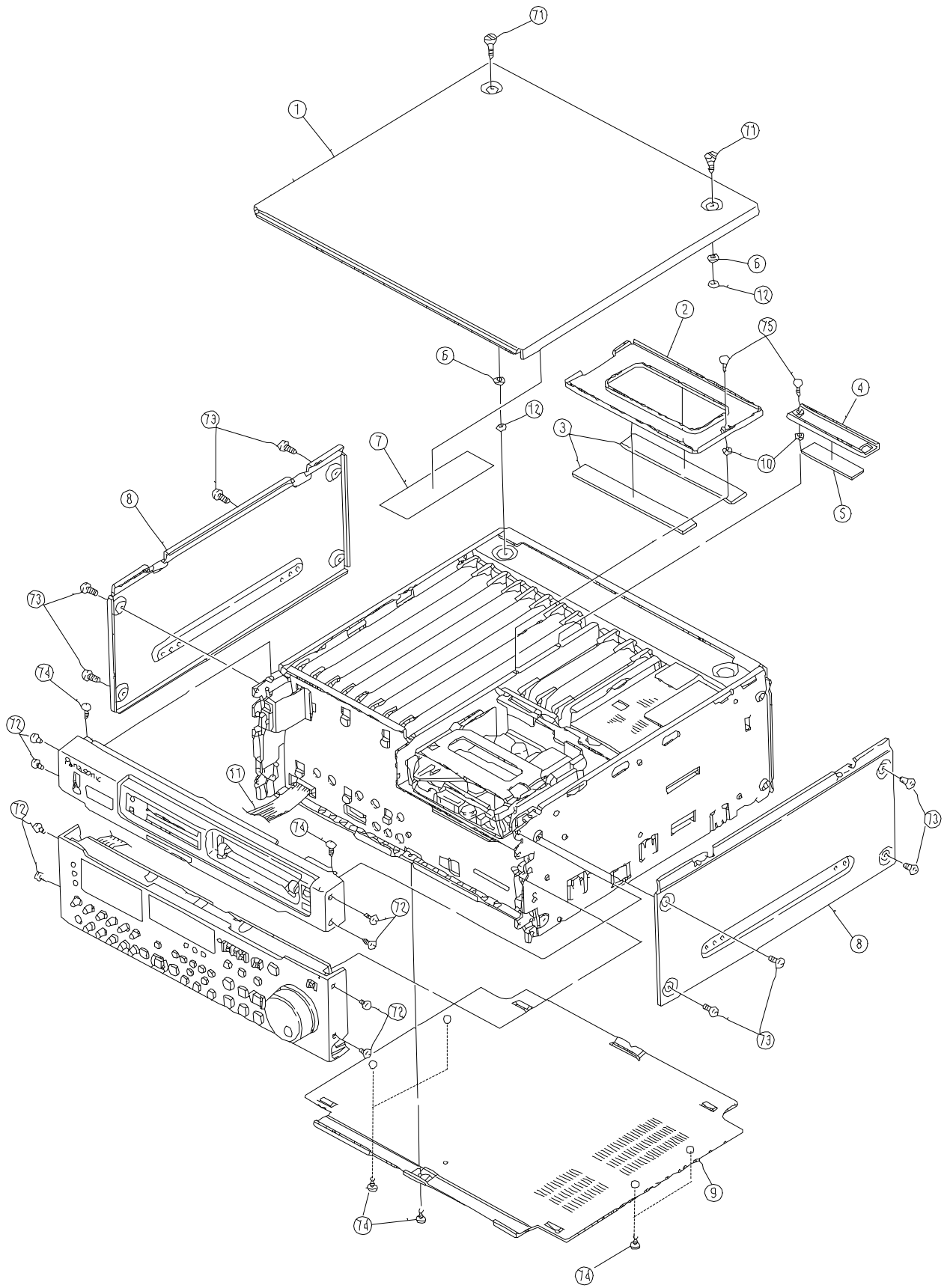
Pin No.	Signal	Pin No.	Signal	Pin No.	Signal
1	————	6	SYSTEM H 0	11	RET GND
2	SET UP	7	SYS.SC COARSE (2)	12	————
3	C LEVEL	8	-12V	13	————
4	GND	9	HUE	14	SYS.SC FINE
5	+12V	10	VIDEO LEVEL	15	SYS.SC COARSE (1)

(Video output connector)  
Analog component output:  
(option)

Analog composite output:



# CASING PARTS ASSEMBLY

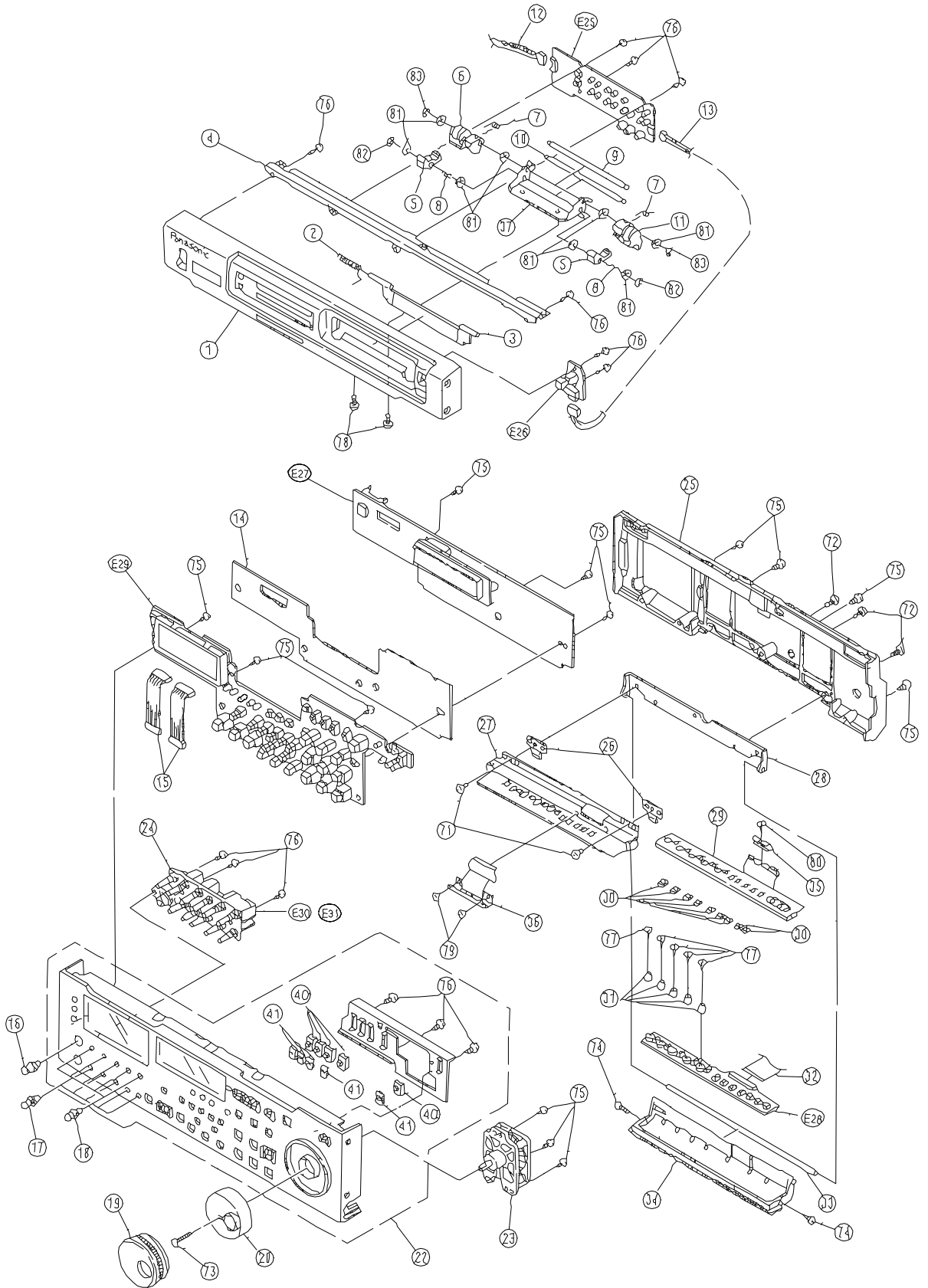


AJ-D950P

Ref.No.	Part No.	Part Name & Description	Pcs	Remarks	Ref.No.	Part No.	Part Name & Description	Pcs	Remarks
1	VYP6726	UPPER FRONT PANEL 1 ASSY	1						
2	VMB2923	BLINDER SPRING	1						
3	VKF2906	BLINDER PANEL	1						
4	VMP4864	UPPER FRONT PANEL ANGLE	1						
5	VDK0147	CASSETTE GUIDE CAM	2						
6	VGQ4009	CASSETTE GUIDE (L)	1						
7	VMB2922	CASSETTE GUIDE SPRING	2						
8	VMB2986	CAM SPRING	2						
9	VMS5864	CASSETTE COVER	1						
10	VMS6017	GUIDE CAM SHAFT	1						
11	VGQ4010	CASSETTE GUIDE (R)	1						
12	VEE9649	UP FRONT CONNECTION CABLE	1						
13	VEE9650	UP FRONT CONNECTION CABLE	1						
14	VMZ2501	INSULATION SHEET	1						
15	VEE9640	FRONT SW CABLE	2						
16	VGU5334	LEVER VR KNOB	1						
17	VXU0768	VR KNOB U.	5						
18	VXU1160	REC VR KNOB U.	5						
19	VGU5780	SEARCH DIAL COVER	1						
20	VGU7089	SEARCH DIAL KNOB	1						
22	VYP6734	LOWER FRONT PANEL 1 ASSY	1						
23	VSP1097	SEARCH DIAL	1						
24	VMP4860	VR ANGLE	1						
25	VKU0513	BACK COVER	1						
26	VMB2978	LEAF SPRING	2						
27	VGM1288	SUB CONTROL SUPPORT ANGLE	1						
28	VGM1287	SUB CONTROL ANGLE	1						
29	VGM1440	SUB SW ANGLE	1						
30	VGU7179	SLIDE SW KNOB	10						
31	VGU7178	VR KNOB	5						
32	VWJ28C2120	FR CPU SUB FFC	1						
33	VMS6012	SHAFT	1						
34	VKF2497	SUB SW DOOR	1						
35	VMC1241	EARTH PLATE	1						
36	VMP5091	EARTH PLATE SUB	1						
37	VMP4863	CASSETTE GUIDE ANGLE	1						
38	VMC1277	HEAD PHONE EARTH SPRING	1						
39	VMZ2671	SPACER	1						
40	VGU5287	SLIDE KNOB	5						
41	VGFO659	SLIDE KNOB SHEET	5						
71	XSB3+6FZ	SCREW	2						
72	XSB3+8FZ	SCREW	3						
73	XSN2+8	SCREW	1						
74	XSS26+6FZ	SCREW	2						
75	XTN4+10G	SCREW	13						
76	XTV3+8G	SCREW	16						
77	XQN14+C4	SCREW	5						
78	XTV3+8F	SCREW	2						
79	XSN2+3	SCREW	2						
80	XSN26+3	SCREW	1						
81	VMX2562	WASHER	8						
82	XUC2FP	E-RING	2						
83	XUC25FP	E-RING	2						
E25		UP FRONT P.C.BOARD	1						
E26		UP FRONT 2 P.C.BOARD	1						
E27		FRONT CPU P.C.BOARD	1						
E28		FRONT CSU SUB P.C.BOARD	1						
E29		FRONT SW P.C.BOARD	1						
E30		FRONT VR 1	1						
E31		FRONT VR 2	1						

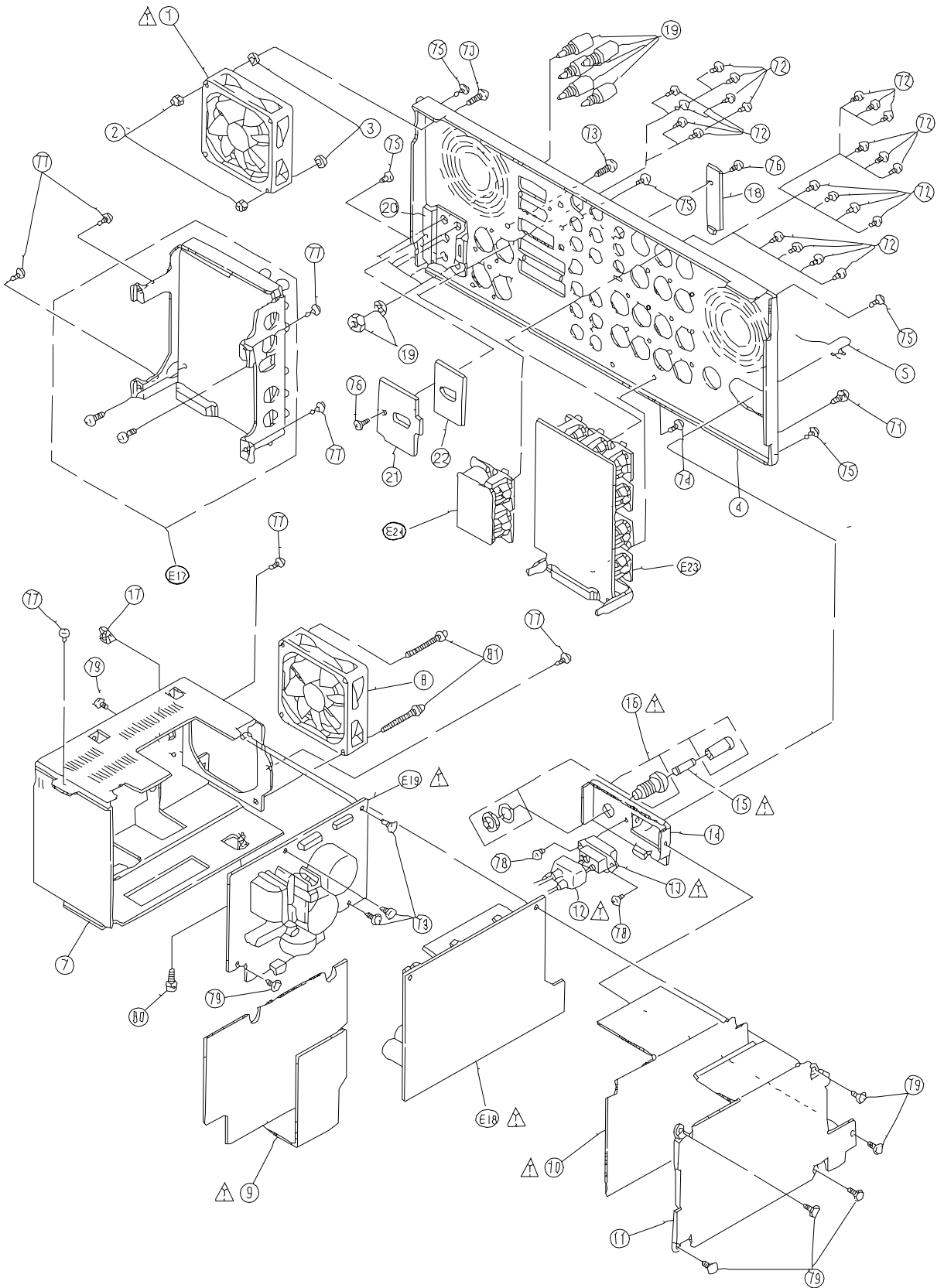


# FRONT PANEL ASSEMBLY



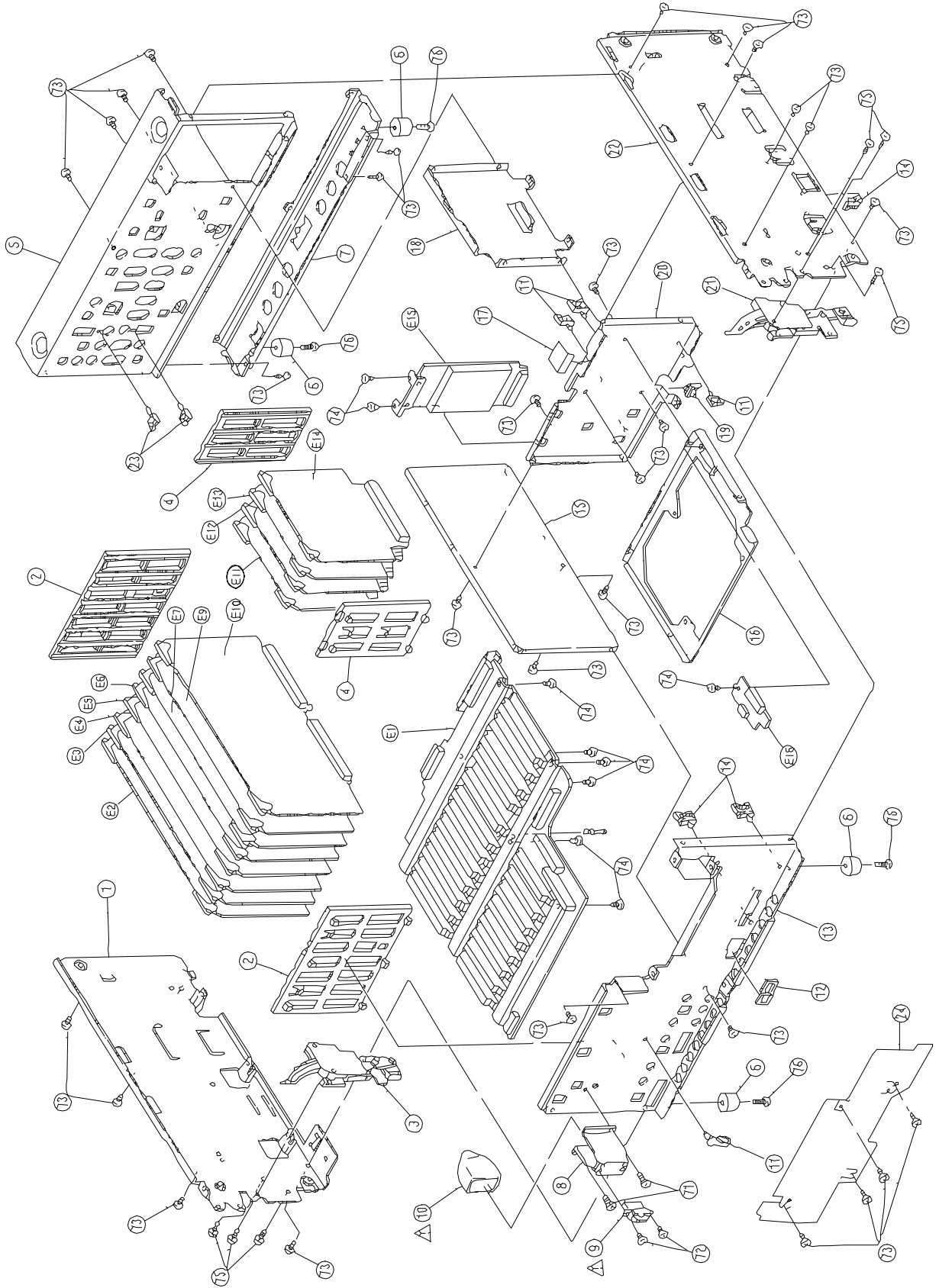


# REAR PANEL ASSEMBLY



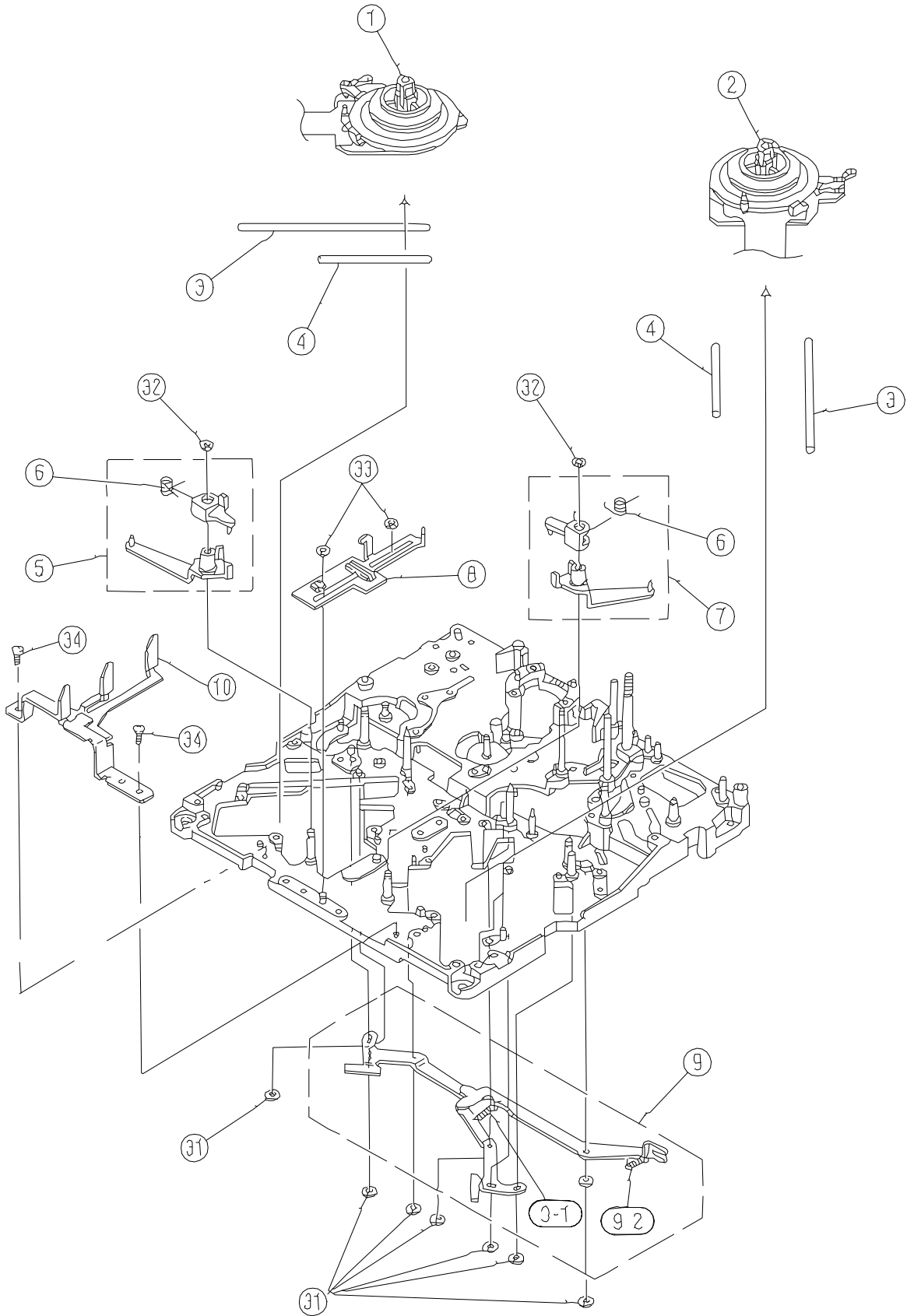


# CHASSIS FRAME ASSEMBLY





# MECHANICAL CHASSIS ASSEMBLY(1)

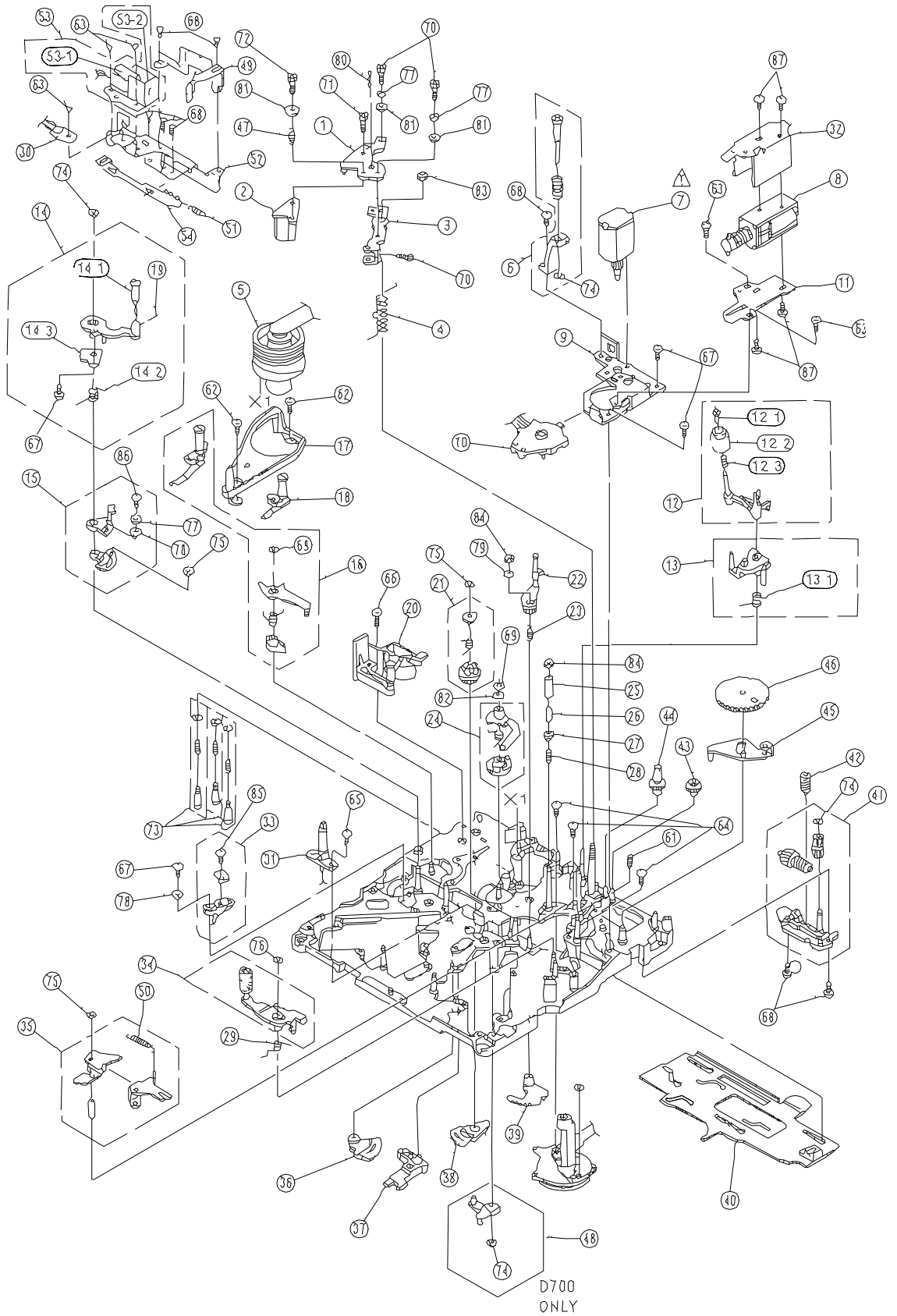


AJ-D950P

Ref.No.	Part No.	Part Name & Description	Pcs	Remarks	Ref.No.	Part No.	Part Name & Description	Pcs	Remarks
1	VXA5554	A/C HEAD BASE (1) U	1		66	XQN2+AM4	SCREW	1	
2	VED0419	A/C HEAD	1	(M)	67	XQN2+CF3	SCREW	12	
3	VXA6067	A/C HEAD BASE (2) ASS'Y	1		68	XQN2+CF4	SCREW	3	
4	VMB2935	A/C HEAD HEIGHT SPRING	1		69	XUC12FP	E-RING	2	
5	VEG1457	CYLINDER UNIT	1	(M)	70	XVE2B4FZ	HEX SCREW	3	
6	VXA5715	EMARGENCY SHIFT HOLDER U	1		71	XVE2B6FP	HEX SCREW	1	
▲ 7	VEM0645	LOADING MOTOR (1) AU	1	(M)	72	XVE2B12FP	HEX SCREW	1	
8	VSJ0227	PINCH SOLENOID	1	(M)	73	VXQ0439	SCREW	3	
9	VXA5584	MOTOR ANGLE U.	1		74	VMX0967	CUT WASHER	3	
10	VES0814	MODE SW U	1	(M)	75	VMX1061	WASHER	3	
11	VMA9376	PINCH SOLENOID BASE	1		76	VMX1079	CUT WASHER	1	
12	VXL2748	CLEANING ARM AU	1	(M)	77	XWA2B	WASHER	4	
12-1	VMX2150	CLEANER ROLLER HOLDER	1		78	XWE2	WASHER	2	
12-2	VXP1808	CLEANER ROLLER UNIT	1		79	XWE16VW	WASHER	1	
12-3	VMB3114	CLEANER ROLLER SPRING	1		80	XXE2A6FP	HEX SCREW	1	
13	VXL2707	T2 ARM U.	1		81	XWG2	WASHER	3	
13-1	VMB2932	T2 ARM SPRING	1		82	XWGV15Z32G	WASHER	2	
14	VXL2832	TENSION ARM S ASS'Y	1	(M)	83	VHDO045	NYLON NUT	1	
14-1	VXP1761	TENSION ROLLER	1		84	VHNO312	NUT	2	
14-2	VMB3220	TENSION LEG SPRING	1		85	XQN2+AQ3.5F	SCREW	1	
14-3	VXA6173	MAGNET HOLDER N ASS'Y	1		86	XQN2+AJ5	SCREW	1	
15	VXA5791	TENSION LEG SPRING HOOK U	1		87	XQN2+A1.5	SCREW	4	
16	VXL2812	S1 LOADING ARM N ASS'Y	1	(M)	88	XQN2+A4	SCREW	1	
17	VMD2533	LOADING RAIL	1		89	VMX1394	CUT WASHER	1	
18	VXA6108	T1 BOAT U ASS'Y	1	(M)	*	VXY1318	MECHANISM	1	
19	VHD0561	HEX SCREW	1						
20	VXA6052	S POST BASE AU.	1	(M)					
21	VXP1683	T4 CONNECTION GEAR U	1						
22	VXL2772	T4 ARM U	1						
23	VMB2950	T4 THRUST SPRING	1						
24	VXL2842	T LOADING ARM N ASS'Y	1						
25	VMS5906	T3 UPPER FRANGE	1						
26	VMS5905	T3 SLEEVE	1						
27	VMS5904	T3 LOWER FRANGE	1						
28	VMB2929	T3 SPRING	1						
29	VMB2933	PINCH RELEASE SPRING	1						
30	VEK7927	INSULATION SENSOR	1						
31	VEK7691	LED HOLDER P.C.BOARD	1						
32	VMA9411	PINCH SOLENOID ANGLE	1						
33	VXA5820	TENSION SENSOR U.	1						
34	VXL2835	PINCH ARM ASS'Y	1	(M)					
35	VXL2588	PINCH GUIDE ARM U	1						
36	VXA5570	T SECTOR GEAR U	1						
37	VXL2838	TENSION LEG. GUIDE ARM U	1						
38	VXA5567	S SECTOR GEAR U	1						
39	VXA5564	T4 SECTOR GEAR U	1						
40	VXA5563	MAIN ROD U	1						
41	VXA5627	THRUST SHAFT HOLDER U	1						
42	VDG1166	MOTOR WARM GEAR	1						
43	VDG1268	MOTOR EMARGENCY GEAR A	1	(A)					
44	VDG1267	MOTOR EMARGENCY GEAR B	1	(A)					
45	VXL2841	MAIN CAM ARM ASS'Y	1						
46	VDG1168	MAIN CAM GEAR	1	(M)					
47	VMB2937	A/C HEAD ADJUST SPRING	1						
48	VXL2600	EJECT ARM U	1						
49	VXA5770	T1 GUIDE U.	1						
50	VMB2934	SPRING	1						
51	VMB3051	CLEANER RETURN SPRING	1						
52	VXA6077	CLEANER BASE 1 ASS'Y	1						
53	VXA6078	CLEANER SOLENOID ASS'Y	1						
53-1	VSJ0226	CLEANER SOLENOID	1	(M)					
53-2	VMA9877	CLEANER SOLENOID BASE	1						
54	VMM0429	CLEANER INTERLOCK	1						
55	VXQ0556	THRUST SCREW U.	1	(M)					
56	VMT0871	SILENCER A	1						
57	VMT0872	SILENCER B	1						
19	VDPO967	MAIN ARM ROLLER	2						
61	VHDO356	SCREW	1						
62	XQN2+A3	SCREW	1						
64	XQN2+A35FZ	SCREW	3						
65	XQN2+AM2	SCREW	3						

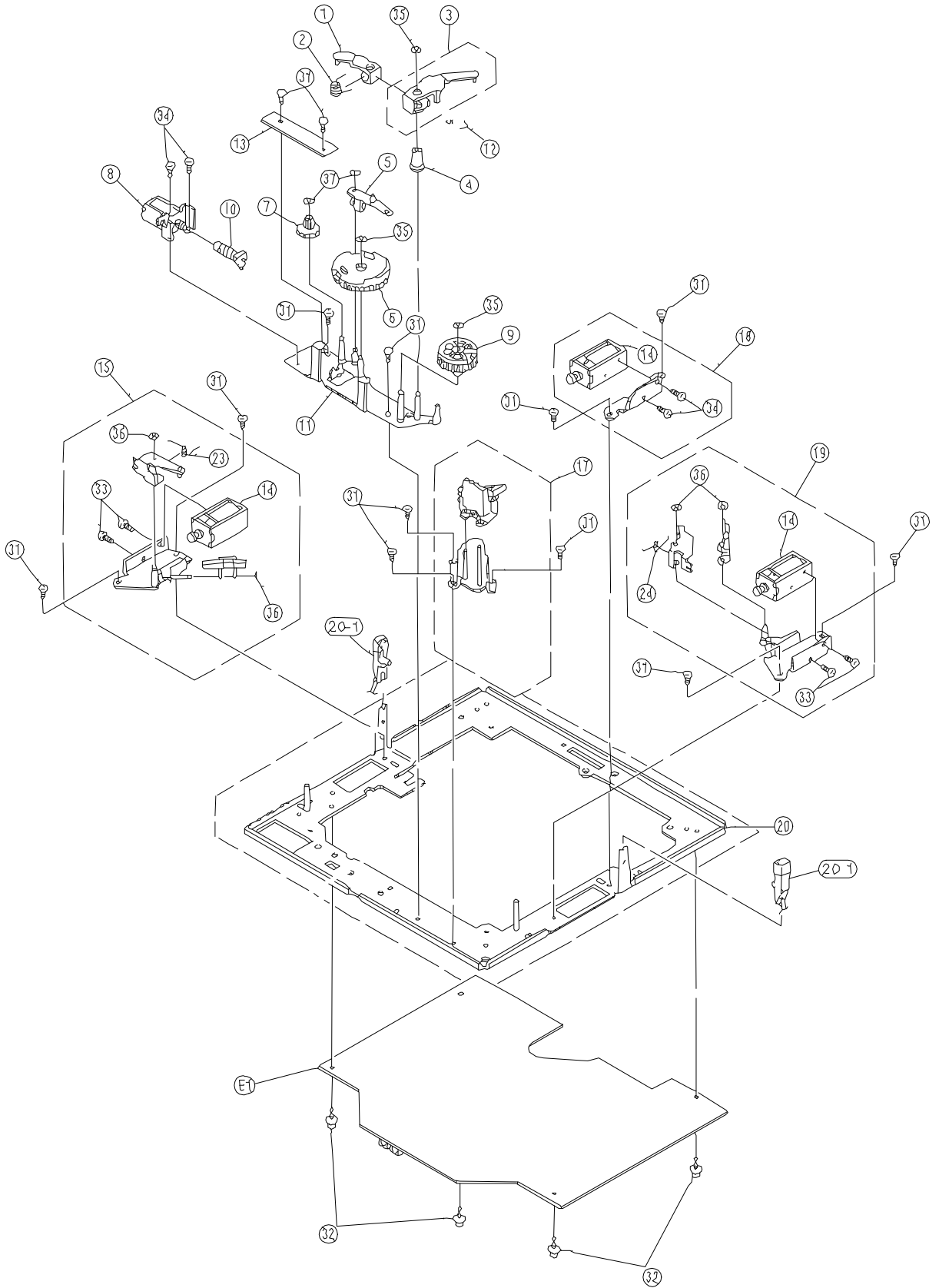


# MECHANICAL CHASSIS ASSEMBLY(2)





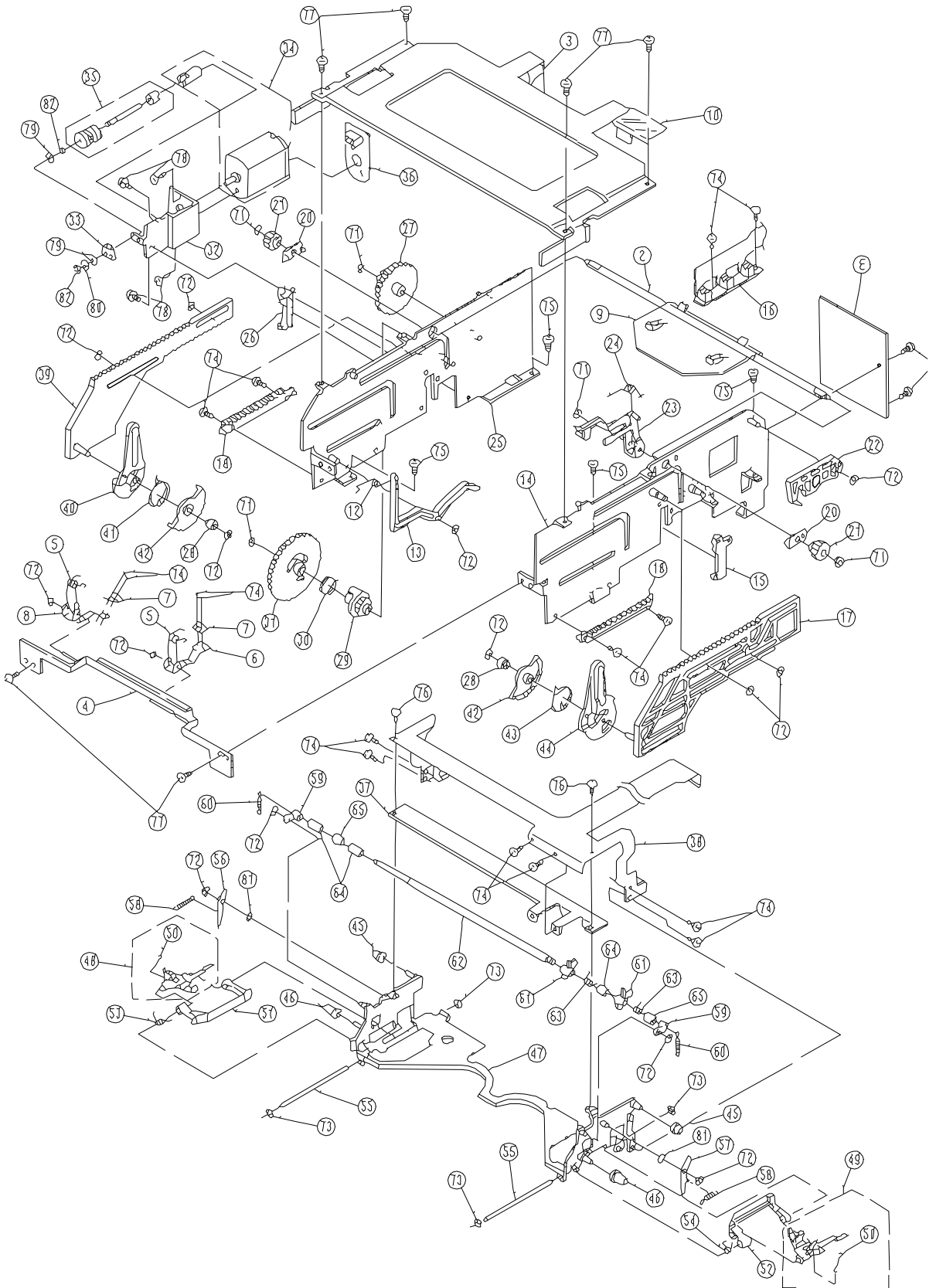
# SUB CHASSIS ASSEMBLY



AJ-D950P  
CASSETTE COMPARTMENT

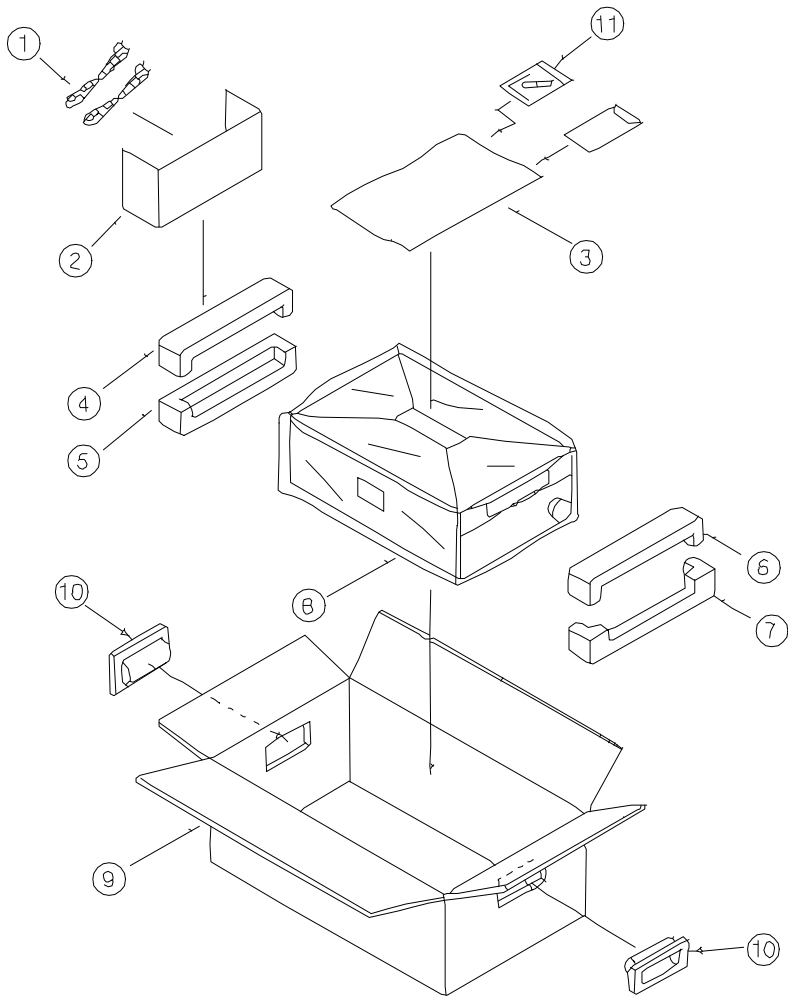
Ref.No.	Part No.	Part Name & Description	Pcs	Remarks	Ref.No.	Part No.	Part Name & Description	Pcs	Remarks
1	VXA6070	CASSETTE COMPARTMENT ASSY	1	(M)	76	XQN2+A2	SCREW	2	
2	VMS5865	MAIN SHAFT	1		77	XYN2+C3	SCREW	12	
3	VMA9849	TOP PLATE	1		78	XQN2+A3	SCREW	5	
4	VXA5761	FRONT GUIDE 1 ASSY	1		79	LMHD16061	SCREW	10	
5	VMB3075	M GUIDE SPRING	2		80	XWGV2Y4G	WASHER	2	
6	VML3191	M GUIDE RIGHT LEVER	1		81	XWGV2Z5G	WASHER	2	
7	VML3192	M FRONT GUIDE	2						
8	VML3190	M GUIDE LEFT LEVER	1						
9	VML3196	CASSETTE PROTECT PLATE	1		E22	VEP80856A	CARRIGE P.C.BOARD	1	
10	VMA9760	L OPENER	1						
12	VMB2926	SPRING	1						
13	VML2A50	BLINDER PANEL OPENER	1						
14	VXA6074	R SIDE PLATE 1 ASS'Y	1						
15	VML3282	SUB RAIL (R)	1						
16	VEK7695	SIDE FLEXIBLE	1						
17	VXA5766	MAIN RACK R ASS'Y	1						
18	VDG1156	WIPER RACK	2						
20	VDB1395	MAIN SHAFT ANGLE	2						
21	VDG1155	INTERLOCK GEAR	2						
22	VML3193	OPENER DRIVE ARM	1						
23	VXL2692	OPENER ANGLE ASS'Y	1						
24	VMB2979	SPRING	1						
25	VXA6072	SIDE PLATE L 1 ASS'Y	1						
26	VML3281	SUB RAIL (L)	1						
27	VDG1254	INTERMEDIATE GEAR	1						
28	VDP1643	WIPER ROLLER	2						
29	VDG1237	CLUTCH GEAR	1						
30	VMB2980	CLUTCH SPRING	1						
31	VDG1236	WORM WHEEL	1						
32	VXA5848	MOTOR ANGLE (A) ASS'Y	1						
33	VXP1797	E.E SLOT IN WORM ASS'Y	1						
34	VXA5597	MOTOR ASS'Y	1	(M)					
35	VMA9673	EMARGENCY ANGLE	1						
36	VEK7793	MOTOR P.C.BOARD	1						
37	VMA9668	HOLDER PLATE	1						
38	VEK7715	HOLDER FLEXIBLE ASS'Y	1						
39	VXA6075	MAIN RACK (L) ASS'Y	1						
40	VML2A49	WIPER ARM L	1						
41	VMB2925	WIPER SPRING L	1						
42	VDG1163	WIPER GEAR	2						
43	VMB3013	WIPER SPRING R	1						
44	VML2A52	WIPER ARM R	1						
45	VDP1642	CASSETTE GUIDE ROLLER (2)	2						
46	VDP1641	CASSETTE GUIDE ROLLER (1)	2						
47	VXA5757	CASSETTE HOLDER 1 ASS'Y	1						
48	VXA5758	ROD L	1						
49	VXA5759	ROD R	1						
50	VMB3064	SLIDE SPRING	2						
51	VML3249	SIDE GUIDE L	1						
52	VML3250	SIDE GUIDE R	1						
53	VMB3061	SLIDE GUIDE SPRING L	1						
54	VMB3062	SLIDE GUIDE SPRING R	1						
55	VMS6108	KICK OFF ROD SHAFT	2						
56	VML2A54	KICK OFF ARM L	1						
57	VML2A55	KICK OFF ARM R	1						
58	VMB2928	KICK OFF SPRING	2						
59	VML2A53	CASSETTE HOLDER ARM	2						
60	VMB2927	CASSETTE HOLDER SPRING	2						
61	VMX2525	ML DETECTION ROLLER	2						
62	VMS5882	CASSETTE HOLDER SHAFT	1						
63	VMB3253	M-L DETECTION SPRING	2						
64	VMX2559	CASSETTE PRESSURE ROLLER	3						
65	VMX2524	CASSETTE PRESSURE ROLLER	1						
66	VDG1246	EMARGENCY GEAR	1						
67	VMB3109	EMARGENCY SPRING	1						
68	VMZ2661	FRONT GUIDE COVER	1						
71	VMX0653	CUT WASHER	4						
72	VMX0967	CUT WASHER	14						
73	VMX1061	WASHER	4						
74	XQN16+A2	SCREW	8						
75	XQN2+CF3	SCREW	4						

# CASSETTE COMPARTMENT ASSEMBLY





# PACKING PARTS ASSEMBLY



AJ-D950P

Ref.No.	Part No.	Part Name & Description	Pcs	Remarks	Ref.No.	Part No.	Part Name & Description	Pcs	Remarks
i E1	VEP89129A	P MOTHER P.C.BOARD	1	(RTL)					
i E2	VEP82213B	F1 SERVO P.C.BOARD	1	(RTL)					
i E3	VEP86265A	F2 SYSCON P.C.BOARD	1	(RTL)					
i E4	VEP83409C	F3 V-IN P.C.BOARD	1	(RTL)					
i E5	VEP83376A	F4 P SDI P.C.BOARD	1	(RTL)					
i E6	VEP83374A	F5 P REC PB P.C.BOARD	1	(RTL)					
	VEP83411A	EDA-CSP SUB P.C.BOARD	1	(RTL)FOR VEP83374A					
	VEP83431A	BLK SUB P.C.BOARD	1	(RTL)FOR VEP83374A					
	VEP88234A	DV UCOM X 2 P.C.BOARD	1	(RTL)FOR VEP83374A					
i E7	VEP83375B	F6 P V OUT P.C.BOARD	1	(RTL)					
i E8	VEP83385B	4:2:2 DA SUB P.C.BOARD	1	(RTL)					
i E9	VEP84300A	F7 A PROC P.C.BOARD	1	(RTL)					
	VEP84313A	A JOG SUB P.C.BOARD	1	(RTL)FOR VEP84300A					
	VEP84314A	AMEM SUB P.C.BOARD	1	(RTL)FOR VEP84300A					
i E10	VEP84301A	F8 A ADDA P.C.BOARD	1	(RTL)					
i E11	VEP84302A	H1 CUE P.C.BOARD	1	(RTL)					
i E12	VEP85164A	H2 X CAN P.C.BOARD	1	(RTL)					
i E13-14	VEP85163A	H3-4 RF EQ L-R P.C.BOARD	1	(RTL)					
	VEP85173A	RF EQ SUB P.C.BOARD	1	(RTL)FOR VEP85163A					
i E15	VEP85165A	HEAD BUFFER P.C.BOARD	1	(RTL)					
i E16	VEP80991A	AC HEAD I/F P.C.BOARD	1	(RTL)					
i E17	VEP83224A	V/S JACK P.C.BOARD	1	(RTL)					
i E18	VEP81183A	POWER 1 P.C.BOARD	1	(RTL)					
i E19	VEP81184A	POWER 2 P.C.BOARD	1	(RTL)					
i E20	VEP80A58A	POWER CONNECTION P.C.B.	1	(RTL)					
i E21	VEP82216A	MECA I/F P.C.BOARD	1	(RTL)					
i E22	VEP80856A	CARRIGE P.C.BOARD	1	(RTL)					
i E23	VEP84303B	AUDIO JACK P.C.BOARD	1	(RTL)					
i E24	VEP84304A	AES/EBU P.C.BOARD	1	(RTL)					
i E25	VEP80A52A	UP FRONT 1 P.C.BOARD	1	(RTL)					
i E26	VEP80852A	UP FRONT 2 P.C.BOARD	1	(RTL)					
i E27	VEP86263A	FRONT CPU P.C.BOARD	1	(RTL)					
i E28	VEP86148C	FRONT CPU SUB P.C.BOARD	1	(RTL)					
i E29	VEP80A49A	FRONT SW P.C.BOARD	1	(RTL)					
i E30	VEP80963D	FRONT VR 1 P.C.BOARD	1	(RTL)					
i E31	VEP80964D	FRONT VR 2 P.C.BOARD	1	(RTL)					



AJ-D950P  
VEP89129A / VEP82213B

Ref.No.	Part No.	Part Name & Description	Pcs	Remarks	Ref.No.	Part No.	Part Name & Description	Pcs	Remarks
i	VEP89129A	P MOTHER P.C.BOARD	1	(RTL)					
PO01-06	VJS3814	CONNECTOR (FEMALE)	6		C131-32	ECUX1H102JCV	CAPACITOR CH 50V 1000P	2	
PO07-10	VJS3510	CONNECTOR (FEMALE)	4		C133-34	ECEV1EV3300E	CAPACITOR CH 25V 33U	2	
PO11-20	VJS3814	CONNECTOR (FEMALE)	10		C135-36	ECUX1H103KBY	CAPACITOR CH 50V 0.01U	2	
PO21	VJP2891B016	CONNECTOR (MALE)	1		C160-61	ECUX1H102JCV	CAPACITOR CH 50V 1000P	2	
PO22	VJP1248T	CONNECTOR (MALE)	8F	1	C162	ECUX1H103KBY	CAPACITOR CH 50V 0.01U	1	
PO23	VJP2891A030	CONNECTOR (MALE)	1		C163-64	ECUX1H100D0V	CAPACITOR CH 50V 10F	2	
PO24	VJP3418A080	CONNECTOR (MALE)	1		C165	ECUX1H103KBY	CAPACITOR CH 50V 0.01U	1	
PO25	VJP2824B003	CONNECTOR (MALE)	1		C166-67	ECEV1EV3300E	CAPACITOR CH 25V 33U	2	
PO26	VJP2824B010	CONNECTOR (MALE)	1		C168	ECUX1H103KBY	CAPACITOR CH 50V 0.01U	1	
PO27	VJP2824B008	CONNECTOR (MALE)	1		C170-71	ECUX1H102JCV	CAPACITOR CH 50V 1000P	2	
PO29-30	VJS3375B060	CONNECTOR (FEMALE)	2		C172	ECUX1H103KBY	CAPACITOR CH 50V 0.01U	1	
PO31	VJP3080	CONNECTOR (MALE)	1		C173-74	ECEV1EV3300E	CAPACITOR CH 25V 33U	2	
PO32	VJP1230T	CONNECTOR (MALE)	3F	1	C175	ECUX1H103KBY	CAPACITOR CH 50V 0.01U	1	
PO33	VJP3375A060	CONNECTOR (MALE)	1		C202-03	ECUX1H103KBY	CAPACITOR CH 50V 0.01U	2	
P777	VJP1231T	CONNECTOR (MALE)	4F	1	C204	ECEV1CV4700E	CAPACITOR CH 16V 47U	1	
		MISCELLANEOUS			C205-07	ECUX1H103KBY	CAPACITOR CH 50V 0.01U	3	
	VKCO392	SPACER	2		C211	ECEV1CV4700E	CAPACITOR CH 16V 47U	1	
	VMP4868	XLR GUIDE ANGLE (B)	1		C212-13	ECUX1H103KBY	CAPACITOR CH 50V 0.01U	2	
	VMP5641	MOTHER ANGLE (A)	1		C214	ECEV1CV4700E	CAPACITOR CH 16V 47U	1	
	VMP5642	MOTHER ANGLE (B)	1		C215-16	ECUX1C104KBY	CAPACITOR CH 16V 0.1U	2	
	VMP5643	MOTHER ANGLE (C)	1		C218-19	ECUX1H103KBY	CAPACITOR CH 50V 0.01U	2	
	XXE3+EF8FZ	SCREW	10		C220	ECCF1H330JCC	CAPACITOR 50V 33P	1	
	XTV26+6F	SCREW	2		C230-32	ECUX1H102JCV	CAPACITOR CH 50V 1000P	3	
	XYN26+C10	SCREW	16		C233-36	ECUX1H103KBY	CAPACITOR CH 50V 0.01U	4	
	XNG26EFXS	NUT	16		C237	ECEV1CV4700E	CAPACITOR CH 16V 47U	1	
i	VEP82213B	F1 SERVO P.C.BOARD	1	(RTL)	C238	ECUX1H103KBY	CAPACITOR CH 50V 0.01U	1	
					C239	ECEV1CV4700E	CAPACITOR CH 16V 47U	1	
C1-C2	ECUX1H103KBY	CAPACITOR CH 50V 0.01U	2		C240-43	ECUX1H103KBY	CAPACITOR CH 50V 0.01U	4	
C3	ECEV1CV2200E	CAPACITOR CH 16V 22U	1		C246-51	ECUX1H103KBY	CAPACITOR CH 50V 0.01U	6	
C4	ECEV1CV4700E	CAPACITOR CH 16V 47U	1		C260-61	ECUX1H103KBY	CAPACITOR CH 50V 0.01U	2	
C5-C6	ECEV1CV2200E	CAPACITOR CH 16V 22U	2		C263-70	ECUX1H103KBY	CAPACITOR CH 50V 0.01U	8	
C7	ECUX1H222KBY	CAPACITOR CH 50V 2200P	1		C280-86	ECUX1H103KBY	CAPACITOR CH 50V 0.01U	7	
C8-C9	ECUX1H103KBY	CAPACITOR CH 50V 0.01U	2		C300	ECUX1H103KBY	CAPACITOR CH 50V 0.01U	1	
C10	ECUX1H102JCV	CAPACITOR CH 50V 1000P	1		C303	ECEV1CV4700E	CAPACITOR CH 16V 47U	1	
C11-12	ECUX1H103KBY	CAPACITOR CH 50V 0.01U	2		C304-07	ECUX1H103KBY	CAPACITOR CH 50V 0.01U	4	
C13	ECUX1H101JCV	CAPACITOR CH 50V 0.01U	1		C309	ECEV1CV4700E	CAPACITOR CH 16V 47U	1	
C14	ECUX1H103KBY	CAPACITOR CH 50V 0.01U	1		C322	ECUX1C104ZFE	CAPACITOR CH 16V 0.1U	1	
C15	ECUX1H222KBY	CAPACITOR CH 50V 2200P	1		C323	ECEV1CV1000E	CAPACITOR CH 16V 10U	1	
C30-34	ECUX1H103KBY	CAPACITOR CH 50V 0.01U	5		C328	ECUX1C104ZFE	CAPACITOR CH 16V 0.1U	1	
C35	ECEV1EV3300E	CAPACITOR CH 25V 33U	1		C329	ECEV1CV1000E	CAPACITOR CH 16V 10U	1	
C36-38	ECUX1H103KBY	CAPACITOR CH 50V 0.01U	3		C333	ECUX1H103KBY	CAPACITOR CH 50V 0.01U	1	
C39	ECEV1CV1000E	CAPACITOR CH 16V 10U	1		C335-36	ECUX1H0500CV	CAPACITOR CH 50V 5P	2	
C40-41	ECUX1C333KBY	CAPACITOR CH 16V 0.033U	2		C337	ECUX1H103KBY	CAPACITOR CH 50V 0.01U	1	
C42-45	ECUX1H103KBY	CAPACITOR CH 50V 0.01U	4		C340	ECUM1H104ZFE	CAPACITOR CH 50V 0.1U	1	
C60-61	ECUX1H103KBY	CAPACITOR CH 50V 0.01U	2		C341	ECA1EXLV101E	CAPACITOR 25V 100U	1	
C63-74	ECUX1H103KBY	CAPACITOR CH 50V 0.01U	12		C342-43	ECUX1H103KBY	CAPACITOR CH 50V 0.01U	2	
C80-81	ECUX1H102JCV	CAPACITOR CH 50V 1000P	2		C344	ECUX1H682KBY	CAPACITOR CH 50V 6800P	1	
C82	ECUX1H103KBY	CAPACITOR CH 50V 0.01U	1		C345	ECA1EXLV101E	CAPACITOR 25V 100U	1	
C83	ECUX1H100D0V	CAPACITOR CH 50V 10F	1		C346	ECUM1H104ZFE	CAPACITOR CH 50V 0.1U	1	
C84	ECUX1H103KBY	CAPACITOR CH 50V 0.01U	1		C347-48	ECUX1C104KBY	CAPACITOR CH 16V 0.1U	2	
C85-86	ECEV1EV3300E	CAPACITOR CH 25V 33U	2		C349-53	ECUX1H103KBY	CAPACITOR CH 50V 0.01U	5	
C87	ECUX1H103KBY	CAPACITOR CH 50V 0.01U	1		C354	ECUX1H102JCV	CAPACITOR CH 50V 1000P	1	
C88	ECUX1H100D0V	CAPACITOR CH 50V 10F	1		C355	ECUX1H103KBY	CAPACITOR CH 50V 0.01U	1	
C89-90	ECUX1H102JCV	CAPACITOR CH 50V 1000P	2		C356	ECUX1C104KBY	CAPACITOR CH 16V 0.1U	1	
C91	ECUX1H103KBY	CAPACITOR CH 50V 0.01U	1		C357	ECUX1H682KBY	CAPACITOR CH 50V 6800P	1	
C92-93	ECEV1EV3300E	CAPACITOR CH 25V 33U	2		C358	ECA1EXLV101E	CAPACITOR 25V 100U	1	
C94-96	ECUX1H103KBY	CAPACITOR CH 50V 0.01U	3		C359	ECUM1H104ZFE	CAPACITOR CH 50V 0.1U	1	
C120-21	ECUX1H102JCV	CAPACITOR CH 50V 1000P	2		C360	ECA1EXLV101E	CAPACITOR 25V 100U	1	
C123	ECUX1H103KBY	CAPACITOR CH 50V 0.01U	1		C361	ECUM1H104ZFE	CAPACITOR CH 50V 0.1U	1	
C124-25	ECUX1H100D0V	CAPACITOR CH 50V 10F	2		C362	ECA1EXLV101E	CAPACITOR 25V 100U	1	
C126	ECUX1H103KBY	CAPACITOR CH 50V 0.01U	1		C380-81	ECUX1H103KBY	CAPACITOR CH 50V 0.01U	2	
C127-28	ECEV1EV3300E	CAPACITOR CH 25V 33U	2		C382	ECEV1CV4700E	CAPACITOR CH 16V 47U	1	
C129-30	ECUX1H103KBY	CAPACITOR CH 50V 0.01U	2		C383	ECUX1H682KBY	CAPACITOR CH 50V 6800P	1	
					C384	ECEV1CV4700E	CAPACITOR CH 16V 47U	1	
					C385-86	ECUX1H103KBY	CAPACITOR CH 50V 0.01U	2	
					C387	ECEV1CV4700E	CAPACITOR CH 16V 47U	1	
					C388	ECUX1H682KBY	CAPACITOR CH 50V 6800P	1	
					C389	ECEV1CV4700E	CAPACITOR CH 16V 47U	1	
					C390	ECUX1H103KBY	CAPACITOR CH 50V 0.01U	1	
					C391	ECEV1CV4700E	CAPACITOR CH 16V 47U	1	
					C400	ECEV1CV4700E	CAPACITOR CH 16V 47U	1	
					C401-03	ECUX1H103KBY	CAPACITOR CH 50V 0.01U	3	
					C404-06	ECUX1C104KBY	CAPACITOR CH 16V 0.1U	3	
					C407	ECEV1CV1000E	CAPACITOR CH 16V 10U	1	
					C408	ECUX1H103KBY	CAPACITOR CH 50V 0.01U	1	

AJ-D950P  
VEP82213B

Ref.No.	Part No.	Part Name & Description	Pcs	Remarks	Ref.No.	Part No.	Part Name & Description	Pcs	Remarks
C409-11	ECUX1C104KB	ECAPACITOR CH 16V 0.1U	3		C537	ECEV1H0100E	ECAPACITOR CH 50V 1U	1	
C412	ECUM1C224Z	ECAPACITOR CH 16V 0.22U	1		C538	ECEV1EV330CE	ECAPACITOR CH 25V 33U	1	
C413	ECUX1H103KB	ECAPACITOR CH 50V 0.01U	1		C539	ECUX1H103KB	ECAPACITOR CH 50V 0.01U	1	
C414	ECUM1C105KB	ECAPACITOR CH 16V 1U	1		C600-01	ECUX1H103KB	ECAPACITOR CH 50V 0.01U	2	
C415	ECUX1H152KB	ECAPACITOR CH 50V 150CP	1		C701-04	ECUX1H472KB	ECAPACITOR CH 50V 470CP	4	
C416	ECUX1H103KB	ECAPACITOR CH 50V 0.01U	1		C705-10	ECUX1H103KB	ECAPACITOR CH 50V 0.01U	6	
C417	ECUX1C104KB	ECAPACITOR CH 16V 0.1U	1		C711	ECUX1H102JCV	ECAPACITOR CH 50V 100CP	1	
C418	ECUX1H103KB	ECAPACITOR CH 50V 0.01U	1		C712	ECUX1H682KB	ECAPACITOR CH 50V 680CP	1	
C419	ECEV1EV220CE	ECAPACITOR CH 25V 22U	1		C713-14	ECEV1CV100CE	ECAPACITOR CH 16V 10U	2	
C420	ECEV1CV100CE	ECAPACITOR CH 16V 10U	1		C715	ECUX1C104ZFC	ECAPACITOR CH 16V 0.1U	1	
C421	ECUX1H103KB	ECAPACITOR CH 50V 0.01U	1		C716-18	ECUX1H103KB	ECAPACITOR CH 50V 0.01U	3	
C422	ECUX1H331JCV	ECAPACITOR CH 50V 33CP	1		C721	ECUX1H102JCV	ECAPACITOR CH 50V 100CP	1	
C423	ECEV1CV470CE	ECAPACITOR CH 16V 47U	1		C722	ECUX1H682KB	ECAPACITOR CH 50V 680CP	1	
C424-27	ECUX1H103KB	ECAPACITOR CH 50V 0.01U	4		C723-24	ECEV1CV100CE	ECAPACITOR CH 16V 10U	2	
C428-29	ECUX1C104KB	ECAPACITOR CH 16V 0.1U	2		C725	ECUX1C104ZFC	ECAPACITOR CH 16V 0.1U	1	
C430	ECUX1H103KB	ECAPACITOR CH 50V 0.01U	1		C726-30	ECUX1H103KB	ECAPACITOR CH 50V 0.01U	5	
C431	ECEV1CV100CE	ECAPACITOR CH 16V 10U	1		C735-36	ECUX1H103KB	ECAPACITOR CH 50V 0.01U	2	
C432-34	ECUX1C104KB	ECAPACITOR CH 16V 0.1U	3		C738	ECUX1H103KB	ECAPACITOR CH 50V 0.01U	1	
C450	ECUX1E223KB	ECAPACITOR CH 25V 0.023U	1		C740-41	ECUX1H150JCV	ECAPACITOR CH 50V 15F	2	
C451-52	ECUX1H103KB	ECAPACITOR CH 50V 0.01U	2		C742-43	ECUX1H103KB	ECAPACITOR CH 50V 0.01U	2	
C453-54	ECUM1E473KB	ECAPACITOR CH 25V 0.047U	2		C744	ECUM1C224ZFC	ECAPACITOR CH 16V 0.22U	1	
C455	ECUM1H104ZFC	ECAPACITOR CH 50V 0.1U	1		C901-05	ECUX1H103KB	ECAPACITOR CH 50V 0.01U	5	
C456	ECEV1HV2R2CE	ECAPACITOR CH 50V 2.2U	1		C911	ECUX1H681KB	ECAPACITOR CH 50V 680CP	1	
C457	ECUM1H104ZFC	ECAPACITOR CH 50V 0.1U	1		C912-13	ECUX1H103KB	ECAPACITOR CH 50V 0.01U	2	
C458-59	ECEV1HV2R2CE	ECAPACITOR CH 50V 2.2U	2		C914	ECUX1H471JCV	ECAPACITOR CH 50V 47CP	1	
C460	ECUM1H104ZFC	ECAPACITOR CH 50V 0.1U	1		C915	ECUX1H150JCV	ECAPACITOR CH 50V 15F	1	
C461	ECUM1E473KB	ECAPACITOR CH 25V 0.047U	1		C916	ECUX1C104KB	ECAPACITOR CH 16V 0.1U	1	
C462	ECUX1H472KB	ECAPACITOR CH 50V 470CP	1		C921	ECUX1H681KB	ECAPACITOR CH 50V 680CP	1	
C463	ECUX1C333KB	ECAPACITOR CH 16V 0.033U	1		C922-23	ECUX1H103KB	ECAPACITOR CH 50V 0.01U	2	
C464	ECUX1H472KB	ECAPACITOR CH 50V 470CP	1		C924	ECUX1H471JCV	ECAPACITOR CH 50V 47CP	1	
C465	ECUX1C333KB	ECAPACITOR CH 16V 0.033U	1		C925	ECUX1H150JCV	ECAPACITOR CH 50V 15F	1	
C466	ECUX1H472KB	ECAPACITOR CH 50V 470CP	1		C926	ECUX1C104KB	ECAPACITOR CH 16V 0.1U	1	
C467	ECUX1C333KB	ECAPACITOR CH 16V 0.033U	1		C931-34	ECUX1H103KB	ECAPACITOR CH 50V 0.01U	4	
C468-69	ECUX1C104KB	ECAPACITOR CH 16V 0.1U	2		C935-36	ECUX1C104KB	ECAPACITOR CH 16V 0.1U	2	
C470	ECUX1H103KB	ECAPACITOR CH 50V 0.01U	1		C941	ECUM1H123KB	ECAPACITOR CH 50V 0.012U	1	
C471	ECEV1CV100CE	ECAPACITOR CH 16V 10U	1		C942	ECUM1C224ZFC	ECAPACITOR CH 16V 0.22U	1	
C472	ECUM1C474KB	ECAPACITOR CH 16V 0.47U	1		C943-44	ECUX1H103KB	ECAPACITOR CH 50V 0.01U	2	
C473	ECUX1E223KB	ECAPACITOR CH 25V 0.023U	1		C946-48	ECUX1H103KB	ECAPACITOR CH 50V 0.01U	3	
C474-75	ECUM1E473KB	ECAPACITOR CH 25V 0.047U	2		C951-55	ECUX1H103KB	ECAPACITOR CH 50V 0.01U	5	
C476	ECUM1H104ZFC	ECAPACITOR CH 50V 0.1U	1		C960-61	ECUX1C104KB	ECAPACITOR CH 16V 0.1U	2	
C477-78	ECEV1HV2R2CE	ECAPACITOR CH 50V 2.2U	2						
C479	ECUM1H104ZFC	ECAPACITOR CH 50V 0.1U	1		D1-D2	MA147	DIODE	2	
C480	ECEV1HV2R2CE	ECAPACITOR CH 50V 2.2U	1		D3-D4	MA8075-H	DIODE	2	
C481	ECUM1H104ZFC	ECAPACITOR CH 50V 0.1U	1		D30-31	MA8030	DIODE	2	
C482	ECUM1E473KB	ECAPACITOR CH 25V 0.047U	1		D32	MA8047-H	DIODE	1	
C483	ECUX1H472KB	ECAPACITOR CH 50V 470CP	1		D33-35	MA142K	DIODE	3	
C484	ECUX1C333KB	ECAPACITOR CH 16V 0.033U	1		D80-83	MA147	DIODE	4	
C485	ECUX1H472KB	ECAPACITOR CH 50V 470CP	1		D120-23	MA147	DIODE	4	
C486	ECUX1C333KB	ECAPACITOR CH 16V 0.033U	1		D160-63	MA147	DIODE	4	
C487	ECUX1H472KB	ECAPACITOR CH 50V 470CP	1		D201	MA142K	DIODE	1	
C488	ECUX1C333KB	ECAPACITOR CH 16V 0.033U	1		D202	MA8047-H	DIODE	1	
C489-90	ECUX1C104KB	ECAPACITOR CH 16V 0.1U	2		D203	MA142K	DIODE	1	
C491	ECUX1H103KB	ECAPACITOR CH 50V 0.01U	1		D204-05	MA8047-H	DIODE	2	
C492	ECEV1CV100CE	ECAPACITOR CH 16V 10U	1		D206-08	MA142K	DIODE	3	
C493	ECUM1C474KB	ECAPACITOR CH 16V 0.47U	1		D300-02	LN1251CAL	DIODE	3	
C510	ECUX1H103KB	ECAPACITOR CH 50V 0.01U	1		D340	MA728	DIODE	1	
C511	ECEV1CV470CE	ECAPACITOR CH 16V 47U	1		D341	MA736	DIODE	1	
C512-13	ECUX1H103KB	ECAPACITOR CH 50V 0.01U	2		D342	MA728	DIODE	1	
C514	ECEV1CV470CE	ECAPACITOR CH 16V 47U	1		D343	MA736	DIODE	1	
C515	ECUX1H103KB	ECAPACITOR CH 50V 0.01U	1		D344	MA8039-L	DIODE	1	
C516	ECEV1EV330CE	ECAPACITOR CH 25V 33U	1		D380	MA728	DIODE	1	
C517-19	ECUX1H103KB	ECAPACITOR CH 50V 0.01U	3		D381	MA736	DIODE	1	
C520	ECEV1EV330CE	ECAPACITOR CH 25V 33U	1		D382	MA728	DIODE	1	
C521	ECUX1H103KB	ECAPACITOR CH 50V 0.01U	1		D383	MA736	DIODE	1	
C522-23	ECEV1H0100E	ECAPACITOR CH 50V 1U	2		D400-05	MA738	DIODE	6	
C524	ECEV1EV330CE	ECAPACITOR CH 25V 33U	1		D406-07	MA8047-H	DIODE	2	
C525	ECUX1H103KB	ECAPACITOR CH 50V 0.01U	1		D408-13	MA738	DIODE	6	
C526	ECEV1EV330CE	ECAPACITOR CH 25V 33U	1		D450	MA142K	DIODE	1	
C527-28	ECUX1H103KB	ECAPACITOR CH 50V 0.01U	2		D451-56	MA738	DIODE	6	
C529	ECEV1EV330CE	ECAPACITOR CH 25V 33U	1		D457	MA142K	DIODE	1	
C530-32	ECUX1H103KB	ECAPACITOR CH 50V 0.01U	3		D458-63	MA738	DIODE	6	
C533	ECEV1AV330CE	ECAPACITOR CH 10V 33U	1		D510-13	MA701A	DIODE	4	
C534	ECUX1H103KB	ECAPACITOR CH 50V 0.01U	1		D514-19	MA704A	DIODE	6	
C535	ECEV1EV330CE	ECAPACITOR CH 25V 33U	1		D701-07	MA142K	DIODE	7	
C536	ECUX1H103KB	ECAPACITOR CH 50V 0.01U	1		D711-14	MA147	DIODE	4	

AJ-D950P  
VEP82213B

Ref.No.	Part No.	Part Name & Description	Pcs	Remarks	Ref.No.	Part No.	Part Name & Description	Pcs	Remarks
D715	MA142K	DIODE	1		IC701-02	UPC4741G2	IC	2	
D911-16	MA147	DIODE	6		IC703	MC14052BF	IC	1	
D921-22	MA142K	DIODE	2		IC704	UPC4082G2	IC	1	
					IC705-06	TC7WU04F	IC	2	
FL320-21	VLF0576	FILTER	2		IC708	TCVHC14FS	IC	1	
FL510-15	VLF0576	FILTER	6		IC711	TCVHC74FS	IC	1	
					IC712	MC74HC74AF	IC	1	
IC1	TC7WU04F	IC	1		IC713-14	SC371025AVH	IC	2	
IC2	UPC4082G2	IC	1		IC715	TCVHC157FS	IC	1	
IC3	TC4052BF	IC	1		IC716	TC7WU04F	IC	1	
IC30	UPC4082G2	IC	1		IC717	TCVHC32FS	IC	1	
IC31	NJM4580ED	IC	1		IC901	T74VHCT244F	IC	1	
IC32	AD633JR	IC	1		IC902	TCVHC74FS	IC	1	
IC33	UPC4082G2	IC	1		IC903	MC74HC74AF	IC	1	
IC34	TCVHC74FS	IC	1		IC904	TC7WU04F	IC	1	
IC35	TC7W00F	IC	1		IC910	MC14052BF	IC	1	
IC60-61	MC74HC08AF	IC	2		IC911	MC14053BF	IC	1	
IC63-66	TCVHC74FS	IC	4		IC912	MC74HC574AF	IC	1	
IC67	MC74HC157AF	IC	1		IC913	TCVHC74FS	IC	1	
IC68	T74HC191AF	IC	1		IC915-17	UPC4082G2	IC	3	
IC69	MC74HC32AF	IC	1		IC918	CXA1211M	IC	1	
IC70	MC74HC86AF	IC	1		IC921	UPC4741G2	IC	1	
IC71	MC74HC04AF	IC	1		IC922	MC14538BF	IC	1	
IC72	TCVHC74FS	IC	1						
IC73	TCVHC11FS	IC	1		IS235	VJS3096640	CONNECTOR (FEMALE)	1	
IC74	MC74HC27F	IC	1						
IC80-81	UPC4741G2	IC	2		L230-31	VLQ0576	COIL	2	
IC82	NJM2901M	IC	1		L340	VLQ0504331	COIL 330UH	1	
IC83	MC74HC4050E	IC	1		L341	VLQ0407120	COIL 12UH	1	
IC120-21	UPC4741G2	IC	2		L342	VLQ0504331	COIL 330UH	1	
IC160	NJM2903M	IC	1		L380	VLQ0407120	COIL 12UH	1	
IC161-62	UPC4741G2	IC	2		L381-82	VLQ0504331	COIL 330UH	2	
IC200	ADG408BR	IC	1		L510	VLP0133	COIL	1	
IC201	AD7896AR	IC	1		L901-02	ELJFA221JF	COIL 220UH	2	
IC202	AD7943BR	IC	1						
IC203	SMP08FS	IC	1		P1-P2	VJP3454B096	CONNECTOR (MALE)	2	
IC204	TCVHC244FS	IC	1						
IC207	UPC4082G2	IC	1		PB1	VJB82213	9° P.P.B	1	
IC230	MC68332CF025	IC	1						
IC231	TL7705CPSB	IC	1		Q1	2SD601A-R	TRANSISTOR	1	
IC235	VSI2579B	IC	1		Q2-Q3	2SB709A-R	TRANSISTOR	2	
IC236-37	74AC74SJ	IC	2		Q4	2SD601A-R	TRANSISTOR	1	
IC240	74AC08SJ	IC	1		Q5	2SB709A-R	TRANSISTOR	1	
IC241	MC74HC244AF	IC	1		Q6	2SD601A-R	TRANSISTOR	1	
IC260-61	Y7C18525SC	IC	2		Q340-41	2SB1174-Q	TRANSISTOR	2	
IC262	IDT71321A55	IC	1		Q380-81	2SB1174-Q	TRANSISTOR	2	
IC263-64	SN74S1051NS	IC	2		Q400	PU3210	TRANSISTOR	1	
IC265	TCVHC175FS	IC	1		Q401	PU3110	TRANSISTOR	1	
IC266	TCVHC164FS	IC	1		Q402	PU3210	TRANSISTOR	1	
IC267	TCVHC273FS	VHC	1		Q403	PU3110	TRANSISTOR	1	
IC268	MC74HC74AF	IC	1		Q510-11	2SD601A-R	TRANSISTOR	2	
IC269	MC74HC86AF	IC	1		Q901-02	2SC3735	TRANSISTOR	2	
IC280	TCVHC244FS	IC	1						
IC281	MC74HC151F	IC	1		QR1	UN5213	TRANSISTOR-RESISTOR	1	
IC282	SLA909SF1G	IC	1		QR2	UN5113	TRANSISTOR-RESISTOR	1	
IC300	TE7751	IC	1		QR3	UN5215	TRANSISTOR-RESISTOR	1	
IC301-02	MC74HC244AF	IC	2		QR4	UN5115	TRANSISTOR-RESISTOR	1	
IC304-05	MC74HC244AF	IC	2		QR5-R6	UN5213	TRANSISTOR-RESISTOR	2	
IC324	T74VHC04F	IC	1		QR7-R8	UN5113	TRANSISTOR-RESISTOR	2	
IC325	74AC74SJ	IC	1		QR30	UN5213	TRANSISTOR-RESISTOR	1	
IC340	TL1451CNS	IC	1		QR81-82	UN5213	TRANSISTOR-RESISTOR	2	
IC341	UPC393G2	IC	1		QR83	UN5113	TRANSISTOR-RESISTOR	1	
IC342	NJM4580ED	IC	1		QR84	UN5213	TRANSISTOR-RESISTOR	1	
IC400-01	AN3890FBS	IC	2		QR85	UN5113	TRANSISTOR-RESISTOR	1	
IC402	NJM4580ED	IC	1		QR120	UN5213	TRANSISTOR-RESISTOR	1	
IC403	NJM2903M	IC	1		QR121	UN5113	TRANSISTOR-RESISTOR	1	
IC404	NJM4580ED	IC	1		QR122	UN5213	TRANSISTOR-RESISTOR	1	
IC450-51	AN3834S	IC	2		QR123	UN5113	TRANSISTOR-RESISTOR	1	
IC452	UPC4558G2	IC	1		QR124	UN5213	TRANSISTOR-RESISTOR	1	
IC510-11	NJM78L09UA	IC	2		QR160	UN5213	TRANSISTOR-RESISTOR	1	
IC512-13	NJM79L09UA	IC	2		QR161	UN5113	TRANSISTOR-RESISTOR	1	
IC514	XC62AP5002PC	IC	1		QR162	UN5213	TRANSISTOR-RESISTOR	1	
IC515-16	XC62AP3002PC	IC	2		QR163	UN5113	TRANSISTOR-RESISTOR	1	
IC517	NJM79L05UA	IC	1		QR164	UN5213	TRANSISTOR-RESISTOR	1	
IC600	NJM2903M	IC	1		QR340-4	UN5111	TRANSISTOR-RESISTOR	2	

AJ-D950P  
VEP82213B

Ref.No.	Part No.	Part Name & Description	Pcs	Remarks	Ref.No.	Part No.	Part Name & Description	Pcs	Remarks
QR400	UN5213	TRANSISTOR-RESISTOR	1		R130-31	ERJ3RED224	M.RESISTOR CH 3W 220K	2	
QR401	UN5113	TRANSISTOR-RESISTOR	1		R132-33	ERJ3GEYJ154	M.RESISTOR CH 1/16W 150K	2	
QR600	UN5217	TRANSISTOR-RESISTOR	1		R134	ERJ3GEYJ103	M.RESISTOR CH 1/16W 10K	1	
QR601	UN5211	TRANSISTOR-RESISTOR	1		R135	ERJ3GEYJ224	M.RESISTOR CH 1/16W 220K	1	
QR701-02	UN5213	TRANSISTOR-RESISTOR	2		R136	ERJ3GEYJ562	M.RESISTOR CH 1/16W 5.6K	1	
R1-R3	ERJ3GEYG102	M.RESISTOR CH 1/16W 1K	3		R137	ERJ3GEYJ273	M.RESISTOR CH 1/16W 27K	1	
R4	ERJ3RBD471	M.RESISTOR CH 3W 470	1		R138	ERJ3GEYJ333	M.RESISTOR CH 1/16W 33K	1	
R5	ERJ3GEYG102	M.RESISTOR CH 1/16W 1K	1		R139-40	ERJ3GEYJ222	M.RESISTOR CH 1/16W 2.2K	2	
R6	ERJ3RBD471	M.RESISTOR CH 3W 470	1		R141-42	ERJ3GEYJ103	M.RESISTOR CH 1/16W 10K	2	
R7	ERJ3GEYG152	M.RESISTOR CH 1/16W 1.5K	1		R143-44	ERJ3RED224	M.RESISTOR CH 3W 220K	2	
R8	ERJ3GEYJ563	M.RESISTOR CH 1/16W 5.6K	1		R145	ERJ3GEYJ103	M.RESISTOR CH 1/16W 10K	1	
R9-10	ERJ3GEYJ104	M.RESISTOR CH 1/16W 100K	2		R146	ERJ3GEYJ224	M.RESISTOR CH 1/16W 220K	1	
R11	ERJ3GEYJ563	M.RESISTOR CH 1/16W 5.6K	1		R147	ERJ3GEYJ562	M.RESISTOR CH 1/16W 5.6K	1	
R12-13	ERJ3GEYJ103	M.RESISTOR CH 1/16W 10K	2		R148	ERJ3GEYJ273	M.RESISTOR CH 1/16W 27K	1	
R14	ERJ3GEYJ274	M.RESISTOR CH 1/16W 270K	1		R149	ERJ3GEYJ333	M.RESISTOR CH 1/16W 33K	1	
R15	ERJ3GEYJ823	M.RESISTOR CH 1/16W 82K	1		R160-61	ERJ3GEYJ222	M.RESISTOR CH 1/16W 2.2K	2	
R16	ERJ3GEYJ153	M.RESISTOR CH 1/16W 15K	1		R162-63	ERJ3RBD223	M.RESISTOR CH 3W 22K	2	
R17	ERJ6GEYG272	M.RESISTOR CH 1/10W 2.7K	1		R164	ERJ3GEYJ103	M.RESISTOR CH 1/16W 10K	1	
R18	ERJ3GEYJ823	M.RESISTOR CH 1/16W 82K	1		R165	ERJ3GEYJ474	M.RESISTOR CH 1/16W 470K	1	
R19-20	ERJ3GEYJ103	M.RESISTOR CH 1/16W 10K	2		R166	ERJ3GEYJ103	M.RESISTOR CH 1/16W 10K	1	
R21	ERJ3GEYJ104	M.RESISTOR CH 1/16W 100K	1		R167	ERJ3GEYJ474	M.RESISTOR CH 1/16W 470K	1	
R32	ERJ3GEYJ103	M.RESISTOR CH 1/16W 10K	1		R168-69	ERJ3GEYJ103	M.RESISTOR CH 1/16W 10K	2	
R33	ERJ3RBD122	M.RESISTOR CH 3W 1.2K	1		R170-71	ERJ3RED224	M.RESISTOR CH 3W 220K	2	
R34	ERJ3RBD563	M.RESISTOR CH 3W 56K	1		R172	ERJ3GEYJ103	M.RESISTOR CH 1/16W 10K	1	
R35	ERJ3GEYJ223	M.RESISTOR CH 1/16W 2.2K	1		R173	ERJ3GEYJ224	M.RESISTOR CH 1/16W 220K	1	
R36	ERJ6RBD562	M.RESISTOR CH 1/10W 5.6K	1		R174	ERJ3GEYJ562	M.RESISTOR CH 1/16W 5.6K	1	
R37	ERJ3RBD823	M.RESISTOR CH 3W 82K	1		R175	ERJ3GEYJ273	M.RESISTOR CH 1/16W 27K	1	
R38-39	ERJ3RBD222	M.RESISTOR CH 3W 2.2K	2		R176	ERJ3GEYJ333	M.RESISTOR CH 1/16W 33K	1	
R40	ERJ3GEYJ222	M.RESISTOR CH 1/16W 2.2K	1		R177-78	ERJ3GEYJ154	M.RESISTOR CH 1/16W 150K	2	
R41	ERJ3GEYJ562	M.RESISTOR CH 1/16W 5.6K	1		R179-80	ERJ3GEYJ222	M.RESISTOR CH 1/16W 2.2K	2	
R42	ERJ3GEYG682	M.RESISTOR CH 1/16W 6.8K	1		R181-82	ERJ3GEYJ103	M.RESISTOR CH 1/16W 10K	2	
R43-45	ERJ3GEYJ103	M.RESISTOR CH 1/16W 10K	3		R183-84	ERJ3RED224	M.RESISTOR CH 3W 220K	2	
R48	ERJ3GEYJ103	M.RESISTOR CH 1/16W 10K	1		R185	ERJ3GEYJ103	M.RESISTOR CH 1/16W 10K	1	
R49	ERJ3GEYJ222	M.RESISTOR CH 1/16W 2.2K	1		R186	ERJ3GEYJ224	M.RESISTOR CH 1/16W 220K	1	
R50	ERJ3RBD471	M.RESISTOR CH 3W 470	1		R187	ERJ3GEYJ562	M.RESISTOR CH 1/16W 5.6K	1	
R51	ERJ3RBD562	M.RESISTOR CH 3W 5.2K	1		R188	ERJ3GEYJ273	M.RESISTOR CH 1/16W 27K	1	
R52	ERJ3RBD471	M.RESISTOR CH 3W 470	1		R189	ERJ3GEYJ333	M.RESISTOR CH 1/16W 33K	1	
R53	ERJ3RBD823	M.RESISTOR CH 3W 82K	1		R203	ERJ3GEYG471	M.RESISTOR CH 1/16W 470	1	
R54	ERJ3GEYJ562	M.RESISTOR CH 1/16W 5.6K	1		R204-05	ERJ3RBD332	M.RESISTOR CH 3W 3.3K	2	
R55	ERJ3GEYG682	M.RESISTOR CH 1/16W 6.8K	1		R206	ERJ3GEYG102	M.RESISTOR CH 1/16W 1K	1	
R56-58	ERJ3GEYOROC	M.RESISTOR CH 1/16W	3		R214	ERJ3GEYG471	M.RESISTOR CH 1/16W 470	1	
R59	ERJ3GEYJ103	M.RESISTOR CH 1/16W 10K	1		R215-16	ERJ3GEYJ681	M.RESISTOR CH 1/16W 680	2	
R60	ERJ3GEYJ101	M.RESISTOR CH 1/16W 100	1		R217-18	ERJ3GEYG102	M.RESISTOR CH 1/16W 1K	2	
R61-66	ERJ3GEYOROC	M.RESISTOR CH 1/16W	6		R222	ERJ3GEYOROC	M.RESISTOR CH 1/16W	1	
R69-77	ERJ3GEYOROC	M.RESISTOR CH 1/16W	9		R234	ERJ3GEYJ103	M.RESISTOR CH 1/16W 10K	1	
R80-81	ERJ3GEYJ222	M.RESISTOR CH 1/16W 2.2K	2		R235-43	ERJ3GEYJ562	M.RESISTOR CH 1/16W 5.6K	9	
R82-83	ERJ3RBD223	M.RESISTOR CH 3W 22K	2		R244	ERJ3GEYJ101	M.RESISTOR CH 1/16W 100	1	
R84	ERJ3GEYJ474	M.RESISTOR CH 1/16W 470K	1		R245	ERJ3GEYJ103	M.RESISTOR CH 1/16W 10K	1	
R85	ERJ3GEYJ103	M.RESISTOR CH 1/16W 10K	1		R246	ERJ3GEYG102	M.RESISTOR CH 1/16W 1K	1	
R86	ERJ3GEYJ474	M.RESISTOR CH 1/16W 470K	1		R247	ERJ3GEYOROC	M.RESISTOR CH 1/16W	1	
R87-88	ERJ3GEYJ103	M.RESISTOR CH 1/16W 10K	2		R248-51	ERJ3GEYJ562	M.RESISTOR CH 1/16W 5.6K	4	
R89-90	ERJ3RED224	M.RESISTOR CH 3W 220K	2		R259-60	ERJ3GEYOROC	M.RESISTOR CH 1/16W	2	
R91-92	ERJ3GEYJ154	M.RESISTOR CH 1/16W 150K	2		R261	ERJ3GEYJ101	M.RESISTOR CH 1/16W 100	1	
R93	ERJ3GEYJ562	M.RESISTOR CH 1/16W 5.6K	1		R262	ERJ3GEYJ473	M.RESISTOR CH 1/16W 47K	1	
R94	ERJ3GEYJ224	M.RESISTOR CH 1/16W 220K	1		R263-64	ERJ3GEYJ101	M.RESISTOR CH 1/16W 100	2	
R95	ERJ3GEYJ562	M.RESISTOR CH 1/16W 5.6K	1		R265	ERJ3GEYJ473	M.RESISTOR CH 1/16W 47K	1	
R96	ERJ3GEYJ273	M.RESISTOR CH 1/16W 27K	1		R266	ERJ3GEYG152	M.RESISTOR CH 1/16W 1.5K	1	
R97	ERJ3GEYJ333	M.RESISTOR CH 1/16W 33K	1		R267-69	ERJ3GEYJ101	M.RESISTOR CH 1/16W 100	3	
R98-99	ERJ3GEYJ222	M.RESISTOR CH 1/16W 2.2K	2		R270	ERJ3GEYOROC	M.RESISTOR CH 1/16W	1	
R100-01	ERJ3GEYJ103	M.RESISTOR CH 1/16W 10K	2		R275-78	ERJ3GEYOROC	M.RESISTOR CH 1/16W	4	
R102-03	ERJ3RED224	M.RESISTOR CH 3W 220K	2		R280	ERJ3GEYOROC	M.RESISTOR CH 1/16W	1	
R104	ERJ3GEYJ562	M.RESISTOR CH 1/16W 5.6K	1		R281-82	ERJ3GEYG471	M.RESISTOR CH 1/16W 470	2	
R105	ERJ3GEYJ224	M.RESISTOR CH 1/16W 220K	1		R283-85	ERJ3GEYJ101	M.RESISTOR CH 1/16W 100	3	
R106	ERJ3GEYJ562	M.RESISTOR CH 1/16W 5.6K	1		R300	ERJ3GEYJ104	M.RESISTOR CH 1/16W 100K	1	
R107	ERJ3GEYJ273	M.RESISTOR CH 1/16W 27K	1		R301	ERJ3GEYG102	M.RESISTOR CH 1/16W 1K	1	
R108	ERJ3GEYJ333	M.RESISTOR CH 1/16W 33K	1		R305	ERJ3GEYJ103	M.RESISTOR CH 1/16W 10K	1	
R109	ERJ3GEYJ103	M.RESISTOR CH 1/16W 10K	1		R314-16	ERJ3GEYJ222	M.RESISTOR CH 1/16W 2.2K	3	
R120-21	ERJ3GEYJ222	M.RESISTOR CH 1/16W 2.2K	2		R318-19	ERJ3GEYJ101	M.RESISTOR CH 1/16W 100	2	
R122-23	ERJ3RBD223	M.RESISTOR CH 3W 22K	2		R330	ERJ3GEYJ104	M.RESISTOR CH 1/16W 100K	1	
R124	ERJ3GEYJ103	M.RESISTOR CH 1/16W 10K	1		R331	ERJ3GEYJ271	M.RESISTOR CH 1/16W 270	1	
R125	ERJ3GEYJ474	M.RESISTOR CH 1/16W 470K	1		R332	ERJ3GEYJ391	M.RESISTOR CH 1/16W 390	1	
R126	ERJ3GEYJ103	M.RESISTOR CH 1/16W 10K	1		R340	ERJ6GEYG331	M.RESISTOR CH 1/10W 330	1	
R127	ERJ3GEYJ474	M.RESISTOR CH 1/16W 470K	1		R341	ERJ6GEYJ471	M.RESISTOR CH 1/10W 470	1	
R128-29	ERJ3GEYJ103	M.RESISTOR CH 1/16W 10K	2		R342	ERJ3GEYJ153	M.RESISTOR CH 1/16W 15K	1	
					R343	ERJ3GEYJ474	M.RESISTOR CH 1/16W 470K	1	

AJ-D950P  
VEP82213B

Ref.No.	Part No.	Part Name & Description	Pcs	Remarks	Ref.No.	Part No.	Part Name & Description	Pcs	Remarks
R344	ERJ6GEYG122	M.RESISTOR CH 1/10W	1.2K	1	R470	ERJ3GEYJ271	M.RESISTOR CH 1/16W	270	1
R345	ERJ3GEYJ394	M.RESISTOR CH 1/16W	390K	1	R471	ERJ6GEYG330	M.RESISTOR CH 1/10W	330	1
R346	ERJ3GEYG102	M.RESISTOR CH 1/16W	1K	1	R510	ERJ3GEYJ681	M.RESISTOR CH 1/16W	680	1
R347	ERJ3GEYJ563	M.RESISTOR CH 1/16W	56K	1	R511-12	ERJ3RBD391	M.RESISTOR CH 3W	390	2
R348	ERJ3GEYJ103	M.RESISTOR CH 1/16W	10K	1	R513	ERJ3GEYJ681	M.RESISTOR CH 1/16W	680	1
R349	ERJ3GEYJ473	M.RESISTOR CH 1/16W	47K	1	R514-17	ERJ3RBD391	M.RESISTOR CH 3W	390	4
R350	ERJ3GEYJ183	M.RESISTOR CH 1/16W	18K	1	R550-59	ERJ3GEYOROC	M.RESISTOR CH 1/16W	0	10
R351-53	ERJ3GEYJ103	M.RESISTOR CH 1/16W	10K	3	R600	ERJ3GEYJ182	M.RESISTOR CH 1/16W	1.8K	1
R354	ERJ3GEYJ104	M.RESISTOR CH 1/16W	100K	1	R601-02	ERJ3GEYOROC	M.RESISTOR CH 1/16W	0	2
R355	ERJ3GEYJ103	M.RESISTOR CH 1/16W	10K	1	R603	ERJ3GEYJ101	M.RESISTOR CH 1/16W	100	1
R356	ERJ3GEYJ104	M.RESISTOR CH 1/16W	100K	1	R605-06	ERJ3GEYJ101	M.RESISTOR CH 1/16W	100	2
R357	ERJ3GEYJ103	M.RESISTOR CH 1/16W	10K	1	R621	ERJ3GEYJ153	M.RESISTOR CH 1/16W	15K	1
R358	ERJ3GEYJ394	M.RESISTOR CH 1/16W	390K	1	R622-27	ERJ3GEYJ103	M.RESISTOR CH 1/16W	10K	6
R359	ERJ3GEYG102	M.RESISTOR CH 1/16W	1K	1	R628	ERJ3GEYG102	M.RESISTOR CH 1/16W	1K	1
R360	ERJ3GEYJ183	M.RESISTOR CH 1/16W	18K	1	R631-32	ERJ3GEYJ103	M.RESISTOR CH 1/16W	10K	2
R361	ERJ3GEYJ473	M.RESISTOR CH 1/16W	47K	1	R640	ERJ3GEYJ103	M.RESISTOR CH 1/16W	10K	1
R362-63	ERJ3GEYJ104	M.RESISTOR CH 1/16W	100K	2	R650-51	ERJ3GEYJ562	M.RESISTOR CH 1/16W	5.6K	2
R364	ERJ3GEYJ183	M.RESISTOR CH 1/16W	18K	1	R652	ERJ3RBD682	M.RESISTOR CH 3W	6.8K	1
R365	ERJ3GEYJ474	M.RESISTOR CH 1/16W	470K	1	R653	ERJ3RBD102	M.RESISTOR CH 1/10W	1K	1
R366	ERJ3GEYJ153	M.RESISTOR CH 1/16W	15K	1	R654	ERJ3GEYJ103	M.RESISTOR CH 1/16W	10K	1
R367	ERJ3GEYJ103	M.RESISTOR CH 1/16W	10K	1	R655	ERJ3GEYG332	M.RESISTOR CH 1/16W	3.3K	1
R368	ERJ3GEYG102	M.RESISTOR CH 1/16W	1K	1	R656	ERJ6GEYG271	M.RESISTOR CH 1/10W	270	1
R369	ERJ6GEYG331	M.RESISTOR CH 1/10W	330	1	R701-04	ERJ3GEYJ223	M.RESISTOR CH 1/16W	22K	4
R370	ERJ3GEYJ103	M.RESISTOR CH 1/16W	10K	1	R705-14	ERJ3GEYJ222	M.RESISTOR CH 1/16W	2.2K	10
R371	ERJ3GEYJ563	M.RESISTOR CH 1/16W	56K	1	R715-17	ERJ3RBD103	M.RESISTOR CH 3W	10K	3
R372	ERJ6GEYJ471	M.RESISTOR CH 1/10W	470	1	R718	ERJ3GEYJ103	M.RESISTOR CH 1/16W	10K	1
R373	ERJ6GEYG122	M.RESISTOR CH 1/10W	1.2K	1	R719	ERJ3RBD103	M.RESISTOR CH 3W	10K	1
R374-75	ERJ3GEYOROC	M.RESISTOR CH 1/16W	0	2	R720	ERJ3GEYOROC	M.RESISTOR CH 1/16W	0	1
R380	ERJ6GEYG102	M.RESISTOR CH 1/10W	1K	1	R722-24	ERJ3GEYJ103	M.RESISTOR CH 1/16W	10K	3
R381	ERJ6GEYG681	M.RESISTOR CH 1/10W	680	1	R726	ERJ3GEYJ562	M.RESISTOR CH 1/16W	5.6K	1
R382	ERJ6GEYJ471	M.RESISTOR CH 1/10W	470	1	R727	ERJ3GEYJ103	M.RESISTOR CH 1/16W	10K	1
R383	ERJ6GEYG102	M.RESISTOR CH 1/10W	1K	1	R728-29	ERJ3GEYG472	M.RESISTOR CH 1/16W	4.7K	2
R384	ERJ6GEYG681	M.RESISTOR CH 1/10W	680	1	R730-32	ERJ3GEYJ103	M.RESISTOR CH 1/16W	10K	3
R385	ERJ6GEYJ471	M.RESISTOR CH 1/10W	470	1	R736	ERJ3GEYOROC	M.RESISTOR CH 1/16W	0	1
R400-01	ERJ3GEYG471	M.RESISTOR CH 1/16W	470	2	R739	ERJ3GEYOROC	M.RESISTOR CH 1/16W	0	1
R402	ERJ3RBD333	M.RESISTOR CH 3W	33K	1	R741	ERJ3GEYJ101	M.RESISTOR CH 1/16W	100	1
R403	ERJ3RBD222	M.RESISTOR CH 3W	2.2K	1	R742-44	ERJ3GEYJ222	M.RESISTOR CH 1/16W	2.2K	3
R404-05	ERJ12YJR68	M.RESISTOR CH 1/2W	0.68	2	R745	ERJ3GEYG682	M.RESISTOR CH 1/16W	6.8K	1
R406-07	ERJ3GEYJ274	M.RESISTOR CH 1/16W	270K	2	R746	ERJ3GEYG102	M.RESISTOR CH 1/16W	1K	1
R408	ERJ3GEYJ222	M.RESISTOR CH 1/16W	2.2K	1	R747-49	ERJ3GEYG332	M.RESISTOR CH 1/16W	3.3K	3
R409	ERJ3GEYJ154	M.RESISTOR CH 1/16W	150K	1	R750	ERJ3GEYJ473	M.RESISTOR CH 1/16W	47K	1
R410	ERJ3GEYJ272	M.RESISTOR CH 1/16W	2.7K	1	R751	ERJ3GEYJ331	M.RESISTOR CH 1/16W	330	1
R411	ERJ3GEYJ274	M.RESISTOR CH 1/16W	270K	1	R752-53	ERJ3GEYG472	M.RESISTOR CH 1/16W	4.7K	2
R412	ERJ3GEYJ272	M.RESISTOR CH 1/16W	2.7K	1	R761	ERJ3GEYJ101	M.RESISTOR CH 1/16W	100	1
R413	ERJ3GEYJ273	M.RESISTOR CH 1/16W	2.7K	1	R762	ERJ3GEYOROC	M.RESISTOR CH 1/16W	0	1
R414-15	ERJ3RBD223	M.RESISTOR CH 3W	22K	2	R765-66	ERJ3GEYOROC	M.RESISTOR CH 1/16W	0	2
R416	ERJ3GEYJ621	M.RESISTOR CH 3W	620	1	R769	ERJ3GEYOROC	M.RESISTOR CH 1/16W	0	1
R417	ERJ3GEYJ224	M.RESISTOR CH 1/16W	220K	1	R770	ERJ3GEYJ473	M.RESISTOR CH 1/16W	47K	1
R418	ERJ3RBD223	M.RESISTOR CH 3W	22K	1	R771	ERJ3GEYJ331	M.RESISTOR CH 1/16W	330	1
R420	ERJ3GEYG472	M.RESISTOR CH 1/16W	4.7K	1	R772-73	ERJ3GEYG472	M.RESISTOR CH 1/16W	4.7K	2
R421	ERJ3GEYJ274	M.RESISTOR CH 1/16W	270K	1	R774-76	ERJ3GEYJ101	M.RESISTOR CH 1/16W	100	3
R422	ERJ3GEYJ272	M.RESISTOR CH 1/16W	2.7K	1	R778	ERJ3GEYOROC	M.RESISTOR CH 1/16W	0	1
R423	ERJ3GEYOROC	M.RESISTOR CH 1/16W	0	1	R780	ERJ3GEYJ101	M.RESISTOR CH 1/16W	100	1
R424-25	ERJ3GEYJ223	M.RESISTOR CH 1/16W	22K	2	R781	ERJ3GEYOROC	M.RESISTOR CH 1/16W	0	1
R426	ERJ3RBD333	M.RESISTOR CH 3W	33K	1	R782	ERJ3GEYJ101	M.RESISTOR CH 1/16W	100	1
R427	ERJ3RBD222	M.RESISTOR CH 3W	2.2K	1	R783-84	ERJ3GEYOROC	M.RESISTOR CH 1/16W	0	2
R428-29	ERJ3GEYG471	M.RESISTOR CH 1/16W	470	2	R793	ERJ3GEYJ104	M.RESISTOR CH 1/16W	100K	1
R430-31	ERJ12YJR68	M.RESISTOR CH 1/2W	0.68	2	R794	ERJ6GEYJ301	M.RESISTOR CH 1/10W	300	1
R432-33	ERJ3GEYJ473	M.RESISTOR CH 1/16W	47K	2	R795	ERJ3GEYOROC	M.RESISTOR CH 1/16W	0	1
R436-37	ERJ3GEYOROC	M.RESISTOR CH 1/16W	0	2	R797	ERJ3GEYOROC	M.RESISTOR CH 1/16W	0	1
R450	ERJ3RBD472	M.RESISTOR CH 1/10W	4.7K	1	R902	ERJ3GEYOROC	M.RESISTOR CH 1/16W	0	1
R451	ERJ3RBD122	M.RESISTOR CH 3W	1.2K	1	R904-06	ERJ3GEYOROC	M.RESISTOR CH 1/16W	0	3
R452	ERJ3GEYG102	M.RESISTOR CH 1/16W	1K	1	R908-10	ERJ3GEYOROC	M.RESISTOR CH 1/16W	0	8
R453-55	ERJ6GEYG330	M.RESISTOR CH 1/10W	330	3	R917-24	ERJ3GEYJ103	M.RESISTOR CH 1/16W	10K	3
R456-57	ERJ12YJ2R2	M.RESISTOR CH 1/2W	2.2	2	R925	ERJ3GEYJ101	M.RESISTOR CH 1/16W	100	1
R458	ERJ3GEYJ393	M.RESISTOR CH 1/16W	39K	1	R926-27	ERJ3GEYOROC	M.RESISTOR CH 1/16W	0	2
R459	ERJ3GEYJ123	M.RESISTOR CH 1/16W	12K	1	R932-35	ERJ3GEYOROC	M.RESISTOR CH 1/16W	0	4
R460	ERJ3GEYJ271	M.RESISTOR CH 1/16W	270	1	R942	ERJ3GEYOROC	M.RESISTOR CH 1/16W	0	1
R461	ERJ3RBD472	M.RESISTOR CH 1/10W	4.7K	1	R944	ERJ3GEYOROC	M.RESISTOR CH 1/16W	0	1
R462	ERJ3RBD122	M.RESISTOR CH 3W	1.2K	1	R947-49	ERJ3GEYOROC	M.RESISTOR CH 1/16W	0	3
R463	ERJ3GEYG102	M.RESISTOR CH 1/16W	1K	1	R950-55	ERJ3GEYJ101	M.RESISTOR CH 1/16W	100	6
R464-65	ERJ6GEYG330	M.RESISTOR CH 1/10W	330	2	R956-57	ERJ3GEYOROC	M.RESISTOR CH 1/16W	0	2
R466-67	ERJ12YJ2R2	M.RESISTOR CH 1/2W	2.2	2	R958	ERJ3GEYJ222	M.RESISTOR CH 1/16W	2.2K	1
R468	ERJ3GEYJ393	M.RESISTOR CH 1/16W	39K	1	R959	ERJ3GEYG332	M.RESISTOR CH 1/16W	3.3K	1
R469	ERJ3GEYJ123	M.RESISTOR CH 1/16W	12K	1	R961	ERJ3GEYJ331	M.RESISTOR CH 1/16W	330	1

AJ-D950P  
VEP82213B / VEP86265A

Ref.No.	Part No.	Part Name & Description	Pcs	Remarks	Ref.No.	Part No.	Part Name & Description	Pcs	Remarks
R962	ERJ3GEYJ103	M.RESISTOR CH 1/16W 10K	1		C47	ECUM1E104Z	HCAPACITOR CH 25V 0.1U	1	
R963-64	ERJ3GEYJ182	M.RESISTOR CH 1/16W 18K	2		C49	ECUM1C105Z	HCAPACITOR CH 16V 1U	1	
R965	ERJ3GEYJ103	M.RESISTOR CH 1/16W 10K	1		C51	ECUM1C105Z	HCAPACITOR CH 16V 1U	1	
R966	ERJ3GEYJ682	M.RESISTOR CH 1/16W 6.8K	1		C53	ECUM1C105Z	HCAPACITOR CH 16V 1U	1	
R967	ERJ3GEYJ103	M.RESISTOR CH 1/16W 10K	1		C55	ECUM1C105Z	HCAPACITOR CH 16V 1U	1	
R968	ERJ3GEYJ102	M.RESISTOR CH 1/16W 1K	1		C56-58	ECUM1H103K	HCAPACITOR CH 50V 0.01U	3	
R969	ERJ3GEYJ331	M.RESISTOR CH 1/16W 330	1		C59-60	ECEV1CV4700E	CAPACITOR CH 16V 47U	2	
R970	ERJ3GEYJ103	M.RESISTOR CH 1/16W 10K	1		C65	ECEV1CV4700E	CAPACITOR CH 16V 47U	1	
R971-72	ERJ3GEYJ182	M.RESISTOR CH 1/16W 18K	2		C66	ECA12HG682	E.CAPACITOR 6800U	1	
R973	ERJ3GEYJ103	M.RESISTOR CH 1/16W 10K	1		C67	ECUM1E104Z	HCAPACITOR CH 25V 0.1U	1	
R974-79	ERJ3GEYOROC	M.RESISTOR CH 1/16W C	6		C68-69	ECUX1E104KE	HCAPACITOR CH 25V 0.1U	2	
R981-85	ERJ3RBD103	M.RESISTOR CH 3W 10K	5		C70-71	ECUM1H103K	HCAPACITOR CH 50V 0.01U	2	
R986	ERJ3RBD433	M.RESISTOR CH 3W 43K	1		C72	ECEV1CV1000E	CAPACITOR CH 16V 10U	1	
R987	ERJ3GEYJ564	M.RESISTOR CH 1/16W 560K	1		C73	ECUM1E104Z	HCAPACITOR CH 25V 0.1U	1	
R989-91	ERJ3GEYOROC	M.RESISTOR CH 1/16W C	3		C74	ECEV1CV4700E	CAPACITOR CH 16V 47U	1	
R992-93	ERJ3GEYJ822	M.RESISTOR CH 1/16W 8.2K	2		C76	ECA12HG682	E.CAPACITOR 6800U	1	
R995	ERJ3GEYOROC	M.RESISTOR CH 1/16W C	1		C77-78	ECUM1H103K	HCAPACITOR CH 50V 0.01U	2	
R907	ERJ3GEYOROC	M.RESISTOR CH 1/16W C	1		C79	ECUM1C105Z	HCAPACITOR CH 16V 1U	1	
TG510-11	VJRO646	TEST POINT	2		C81	ECUM1C105Z	HCAPACITOR CH 16V 1U	1	
TP1	VJRO646	TEST POINT	1		C83	ECUM1E104Z	HCAPACITOR CH 25V 0.1U	1	
TP2	EYF6CU	TEST POINT	1		C86-87	ECUM1H103K	HCAPACITOR CH 50V 0.01U	2	
TP30-31	VJRO646	TEST POINT	2		C88-90	ECUM1E104Z	HCAPACITOR CH 25V 0.1U	3	
TP32-33	EYF6CU	TEST POINT	2		C91-92	ECUM1C105Z	HCAPACITOR CH 16V 1U	2	
TP34-35	VJRO646	TEST POINT	2		C93	ECEV1CV1000E	CAPACITOR CH 16V 10U	1	
TP60	EYF6CU	TEST POINT	1		C94-96	ECEV1CV4700E	CAPACITOR CH 16V 47U	3	
TP80-83	VJRO646	TEST POINT	4		C500-01	ECUM1H120J	HCAPACITOR CH 50V 12P	2	
TP120-23	VJRO646	TEST POINT	4		C502	ECUM1H103K	HCAPACITOR CH 50V 0.01U	1	
TP160-63	VJRO646	TEST POINT	4		C503-06	ECUM1E104Z	HCAPACITOR CH 25V 0.1U	4	
TP201	VJRO646	TEST POINT	1		C508-13	ECUM1H103K	HCAPACITOR CH 50V 0.01U	6	
TP230-31	VJRO646	TEST POINT	2		C514-19	ECUM1E104Z	HCAPACITOR CH 25V 0.1U	6	
TP280-82	VJRO646	TEST POINT	3		C520-22	ECUM1H103K	HCAPACITOR CH 50V 0.01U	3	
TP300-01	VJRO646	TEST POINT	2		C523	ECUM1H331J	HCAPACITOR CH 50V 330P	1	
TP400-01	VJRO646	TEST POINT	2		C524	ECUM1E104Z	HCAPACITOR CH 25V 0.1U	1	
TP450-51	VJRO646	TEST POINT	2		C525	ECUM1H103K	HCAPACITOR CH 50V 0.01U	1	
TP701-04	EYF6CU	TEST POINT	4		C526-27	ECUM1H102J	HCAPACITOR CH 50V 1000P	2	
TP721-29	VJRO646	TEST POINT	9		C528-35	ECUM1H103K	HCAPACITOR CH 50V 0.01U	8	
TP731	EYF6CU	TEST POINT	1		C536	ECEV1CV1000E	CAPACITOR CH 16V 10U	1	
TP732	VJRO646	TEST POINT	1		C537-38	ECUM1E104Z	HCAPACITOR CH 25V 0.1U	2	
TP734	VJRO646	TEST POINT	1		C543-45	ECUM1H103K	HCAPACITOR CH 50V 0.01U	3	
TP741-43	EYF6CU	TEST POINT	3		C547	ECUM1H103K	HCAPACITOR CH 50V 0.01U	1	
TP801-03	EYF6CU	TEST POINT	3		C548	ECUM1E104Z	HCAPACITOR CH 25V 0.1U	1	
TP901-02	EYF6CU	TEST POINT	2		C549-50	ECUM1H103K	HCAPACITOR CH 50V 0.01U	2	
X320	VSX0919	CRYSTAL OSCILLATOR	1		C551	ECUM1H331J	HCAPACITOR CH 50V 330P	1	
X701	VSX0918	CRYSTAL OSCILLATOR	1		C552-55	ECUM1H103K	HCAPACITOR CH 50V 0.01U	4	
		MISCELLANEOUS			C560-61	ECUM1H103K	HCAPACITOR CH 50V 0.01U	2	
	VML2143	CARD PULLER	1		C703-13	ECUM1E104Z	HCAPACITOR CH 25V 0.1U	11	
	VML2144	CARD PULLER	1		C714	ECUM1H103K	HCAPACITOR CH 50V 0.01U	1	
					C715-16	ECUM1H330J	HCAPACITOR CH 50V 33P	2	
					C717-21	ECUM1E104Z	HCAPACITOR CH 25V 0.1U	5	
					C722-23	ECUM1H100D	HCAPACITOR CH 50V 10P	2	
					C724-25	ECUM1E104Z	HCAPACITOR CH 25V 0.1U	2	
					C728	ECEVOJV4700E	CAPACITOR CH6.3V 47U	1	
					C729	ECUM1H102J	HCAPACITOR CH 50V 1000P	1	
					C730	ECUM1H682K	HCAPACITOR CH 50V 6800P	1	
					C731	ECEV1CV1000E	CAPACITOR CH 16V 10U	1	
					C732	ECUM1H103K	HCAPACITOR CH 50V 0.01U	1	
					C733-34	ECEV1EN4R70E	CAPACITOR CH 25V 4.7U	2	
					C735	ECUM1H103K	HCAPACITOR CH 50V 0.01U	1	
i	VEP86265A	F2 SYSCON P.C.BOARD	1 (RTL)		C736	ECA1CAXN330E	CAPACITOR 16V 33U	1	
					C737	ECUM1H103K	HCAPACITOR CH 50V 0.01U	1	
					C738	ECA1CAXN330E	CAPACITOR 16V 33U	1	
C1	ECUM1E104Z	HCAPACITOR CH 25V 0.1U	1		C739-40	ECUM1H103K	HCAPACITOR CH 50V 0.01U	2	
C9	ECUM1E104Z	HCAPACITOR CH 25V 0.1U	1		C741	ECEV1EN4R70E	CAPACITOR CH 25V 4.7U	1	
C10-11	ECUM1H150J	HCAPACITOR CH 50V 15P	2		C742	ECUM1H120J	HCAPACITOR CH 50V 12P	1	
C12	ECUM1E104Z	HCAPACITOR CH 25V 0.1U	1		C743	ECEV1CV1000E	CAPACITOR CH 16V 10U	1	
C13	ECQB1H104JF	P.CAPACITOR 50V 0.1U	1		C744-45	ECEV1EN4R70E	CAPACITOR CH 25V 4.7U	2	
C14	ECEV1EN4R70E	CAPACITOR CH 25V 4.7U	1		C746	ECUM1H103K	HCAPACITOR CH 50V 0.01U	1	
C15	ECUM1E104Z	HCAPACITOR CH 25V 0.1U	1		C747-56	ECUM1E104Z	HCAPACITOR CH 25V 0.1U	10	
C16-26	ECUM1H103K	HCAPACITOR CH 50V 0.01U	11		C758-61	ECUM1E104Z	HCAPACITOR CH 25V 0.1U	4	
C27-29	ECUM1E104Z	HCAPACITOR CH 25V 0.1U	3		C762	ECEV1CV4700E	CAPACITOR CH 16V 47U	1	
C30	ECUM1H103K	HCAPACITOR CH 50V 0.01U	1		C763	ECUM1E104Z	HCAPACITOR CH 25V 0.1U	1	
C32-34	ECUM1H103K	HCAPACITOR CH 50V 0.01U	3		C764	ECEV1CV4700E	CAPACITOR CH 16V 47U	1	
C37	ECUM1E104Z	HCAPACITOR CH 25V 0.1U	1		C765	ECUM1E104Z	HCAPACITOR CH 25V 0.1U	1	
C38	ECUM1H103K	HCAPACITOR CH 50V 0.01U	1		C766	ECEV1CV4700E	CAPACITOR CH 16V 47U	1	
C46	ECUM1H103K	HCAPACITOR CH 50V 0.01U	1		C767	ECUM1H103K	HCAPACITOR CH 50V 0.01U	1	

AJ-D950P  
VEP86265A

Ref.No.	Part No.	Part Name & Description	Pcs	Remarks	Ref.No.	Part No.	Part Name & Description	Pcs	Remarks
C768	ECEV1CV470C	E.CAPACITOR CH 16V 47U	1		IC15	IDT71321A55	IC	1	
C769	ECUM1H103K	E.CAPACITOR CH 50V 0.01U	1		IC16	74F245SJ	IC	1	
C770	ECUM1H561J	E.CAPACITOR CH 50V 560P	1		IC17	STK14C88N45T	IC	1	
C771	ECUM1H821J	E.CAPACITOR CH 50V 820P	1		IC19-20	74F541SJ	IC	2	
C772-73	ECUM1H103K	E.CAPACITOR CH 50V 0.01U	2		IC23	74F245SJ	IC	1	
C774	ECEV1EN4R7C	E.CAPACITOR CH 25V 4.7U	1		IC26	TE7751	IC	1	
C775	ECUM1E104Z	E.CAPACITOR CH 25V 0.1U	1		IC27-28	M54649L	IC	2	
C776	ECUM1H103K	E.CAPACITOR CH 50V 0.01U	1		IC29	NJM2901M	IC	1	
C777-80	ECUM1E104Z	E.CAPACITOR CH 25V 0.1U	4		IC30	NJM2904M	IC	1	
C781-82	ECUM1H103K	E.CAPACITOR CH 50V 0.01U	2		IC31-32	MC14538BF	IC	2	
C783	ECUM1E104Z	E.CAPACITOR CH 25V 0.1U	1		IC33	74F32SJ	IC	1	
C784	ECUM1H103K	E.CAPACITOR CH 50V 0.01U	1		IC34	74FO0SJ	IC	1	
C785	ECUM1E104Z	E.CAPACITOR CH 25V 0.1U	1		IC35	NJM2901M	IC	1	
C800-03	ECUM1H270J	E.CAPACITOR CH 50V 27P	4		IC36-37	TC7S14F	IC	2	
C804-09	ECUM1E104Z	E.CAPACITOR CH 25V 0.1U	6		IC500	HD64180ZRP10	IC	1	
C811-12	ECUM1E104Z	E.CAPACITOR CH 25V 0.1U	2		IC501-02	MC74HC541A	IC	2	
C900-01	ECEV1CV470C	E.CAPACITOR CH 16V 47U	2		IC503	VSI2576C	IC	1	
C902-03	ECUM1E104Z	E.CAPACITOR CH 25V 0.1U	2		IC504	K6256CLG7L	IC	1	
C904-07	ECEV1CV470C	E.CAPACITOR CH 16V 47U	4		IC505	IDT71321A55	IC	1	
C908-11	ECUM1H103K	E.CAPACITOR CH 50V 0.01U	4		IC506	MC74HC138A	IC	1	
C6400-01	ECUM1H103K	E.CAPACITOR CH 50V 0.01U	2		IC507	74F32SJ	IC	1	
C6402-03	ECUX1CV100C	E.CAPACITOR CH 16V 10P	2		IC508	MC74HC00AF	IC	1	
C6404-05	ECUX1E104KE	E.CAPACITOR CH 25V 0.1U	2		IC509	T74HC191AF	IC	1	
					IC510	Z84C4310FEC	IC	1	
D1	MA157	DIODE	1		IC511-12	MC74HC126AF	IC	2	
D2-D5	MA715	DIODE	4		IC513-14	SN75C1168NSLTL	IC	2	
D8	MA152WK	DIODE	1		IC515	MC1488M	IC	1	
D9	MA3068-H	DIODE	1		IC516	MC1489AM	IC	1	
D10	MA3051-H	DIODE	1		IC517	MC14024BF	IC	1	
D11	MA3047-M	DIODE	1		IC518	TE7751	IC	1	
D12	MA3100-M	DIODE	1		IC519-20	MC14021BF	IC	2	
D13	MA3051-H	DIODE	1		IC521-22	MC14094BF	IC	2	
D14	MA3075-M	DIODE	1		IC523	MC74HC04AF	IC	1	
D15	21DQ04	DIODE	1		IC524	MC14050BF	IC	1	
D16	MA3051-H	DIODE	1		IC525	SN74LS38NS	IC	1	
D17	MA157	DIODE	1		IC527	TE7751	IC	1	
D18-22	MA152WK	DIODE	5		IC528-29	MC14021BF	IC	2	
D25-27	MA152WK	DIODE	3		IC530-31	T74HC191AF	IC	2	
D28-43	MA738	DIODE	16		IC532	MC74HC574AF	IC	1	
D44	MA152WK	DIODE	1		IC534-35	MC14021BF	IC	2	
D45-48	NSQ03A04	DIODE	4		IC536	MC14050BF	IC	1	
D49-50	SN74S1051NS	IC	2		IC541	MC74HC00AF	IC	1	
D51	MA3062-L	DIODE	1		IC701	M37702S4AF	IC	1	
D52	MA3082M	DIODE	1		IC702	VSI2577D	IC	1	
D53	MA3075-M	DIODE	1		IC703	K6256CLG7L	IC	1	
D54	MA738	DIODE	1		IC704	74F573SJ	IC	1	
D500	MA152WK	DIODE	1		IC705-06	74F138SJ	IC	2	
D503	MA152WK	DIODE	1		IC707-08	74F32SJ	IC	2	
D504-05	MA715	DIODE	2		IC709	74FO0SJ	IC	1	
D506	MA152WK	DIODE	1		IC710	MN51040VPI	IC	1	
D507	MA715	DIODE	1		IC711	MC74HC574AF	IC	1	
D508	MA152WK	DIODE	1		IC712	74AC32SJ	IC	1	
D701-06	MA715	DIODE	6		IC714-15	74F541SJ	IC	2	
D709	MA715	DIODE	1		IC716	74F245SJ	IC	1	
D711-14	MA157	DIODE	4		IC717	74F541SJ	IC	1	
D715	MA152WK	DIODE	1		IC718	MC14053BF	IC	1	
D720-22	SN74S1051NS	IC	3		IC719	NJM4560MD	IC	1	
D723-27	MA715	DIODE	5		IC720	NJM2068MD	IC	1	
D6400	MA142K	DIODE	1		IC721	UPC319G2	IC	1	
					IC722	UPC4741G2	IC	1	
FL701-02	VLF0576	FILTER	2		IC723	NJM78L09UA	IC	1	
FL900-03	VLF0576	FILTER	4		IC724	NJM79L09UA	IC	1	
					IC725-26	NJM084M	IC	2	
IC1	M37702S4AF	IC	1		IC727	MC74HCU04AF	IC	1	
IC2	VSI2575C	IC	1		IC728-29	74F74SJ	IC	2	
IC3	74F573SJ	IC	1		IC730	74F32SJ	IC	1	
IC4	74F138SJ	IC	1		IC731	74F245SJ	IC	1	
IC5	74F573SJ	IC	1		IC732	74F08SJ	IC	1	
IC6	TL7705CPSB	IC	1		IC733	MC14053BF	IC	1	
IC7	MC74HC132AF	IC	1		IC734	NJM084M	IC	1	
IC8	MC74HCO4AF	IC	1		IC6400-01	MC14538BF	IC	2	
IC9-10	74AC32SJ	IC	2						
IC11-12	74F32SJ	IC	2		IS2	VJS2336A032	CONNECTOR (FEMALE)	1	
IC13	MC74HC74AF	IC	1		IS503	VJS2336A032	CONNECTOR (FEMALE)	1	
IC14	74F11SJ	IC	1		IS702	VJS2336A032	CONNECTOR (FEMALE)	1	

AJ-D950P  
VEP86265A

Ref.No.	Part No.	Part Name & Description	Pcs	Remarks	Ref.No.	Part No.	Part Name & Description	Pcs	Remarks
L2	VLQ0319K470	COIL 47UH	1		R48	ERJ6GEYG562	M.RESISTOR CH 1/10W 5.6K	1	
L500-03	VLQ0576	COIL	4		R49	ERJ6GEYG222	M.RESISTOR CH 1/10W 2.2K	1	
L701	VLQ0163J470	COIL 47UH	1		R54-55	ERJ6GEYF473	M.RESISTOR CH 1/10W 47K	2	
L900-03	VLP0133	COIL	4		R56	ERJ6GEYG105	M.RESISTOR CH 1/10W 1M	1	
LED1-D4	LN1251CAL	DIODE	4		R57	ERJ6GEYG102	M.RESISTOR CH 1/10W 1K	1	
P1-P2	VJP3454B096	CONNECTOR (MALE)	2		R58-61	ERJ6GEYG222	M.RESISTOR CH 1/10W 2.2K	4	
Q3	2SB710A-R	TRANSISTOR	1		R62	ERJ6GEYG103	M.RESISTOR CH 1/10W 10K	1	
Q4	2SB936A-Q	TRANSISTOR	1		R63-70	ERJ6GEYF472	M.RESISTOR CH 1/10W 4.7K	8	
Q5-Q6	2SD601A-R	TRANSISTOR	2		R76	ERJ6GEYOROC	M.RESISTOR CH 1/10W	0	1
Q7-Q8	2SB1073-R	TRANSISTOR	2		R82	ERJ6GEYG104	M.RESISTOR CH 1/10W 100K	1	
Q9	2SD601A-R	TRANSISTOR	1		R83	ERJ6GEYF473	M.RESISTOR CH 1/10W 47K	1	
Q10	2SB709A-R	TRANSISTOR	1		R84-88	ERJ6GEYG104	M.RESISTOR CH 1/10W 100K	5	
Q11-12	2SD1119-R	TRANSISTOR	2		R90-95	ERJ6GEYG103	M.RESISTOR CH 1/10W 10K	6	
Q13	2SB709A-R	TRANSISTOR	1		R96	ERJ6GEYF473	M.RESISTOR CH 1/10W 47K	1	
Q14	2SD601A-R	TRANSISTOR	1		R97	ERJ6GEYG105	M.RESISTOR CH 1/10W 1M	1	
Q15-16	2SB1073-R	TRANSISTOR	2		R100	ERJ6GEYG103	M.RESISTOR CH 1/10W 10K	1	
Q17	2SD601A-R	TRANSISTOR	1		R101-02	ERJ6GEYF473	M.RESISTOR CH 1/10W 47K	2	
Q18	2SB709A-R	TRANSISTOR	1		R103-04	ERJ6GEYF472	M.RESISTOR CH 1/10W 4.7K	2	
Q19-20	2SD1119-R	TRANSISTOR	2		R105	ERJ6GEYF473	M.RESISTOR CH 1/10W 47K	1	
Q21	2SB709A-R	TRANSISTOR	1		R106	ERJ6GEYG105	M.RESISTOR CH 1/10W 1M	1	
Q22	2SD601A-R	TRANSISTOR	1		R108	ERJ6GEYG103	M.RESISTOR CH 1/10W 10K	1	
Q23-24	2SB1175-Q	TRANSISTOR	2	(O)	R109-10	ERJ6GEYF473	M.RESISTOR CH 1/10W 47K	2	
Q25	2SD601A-R	TRANSISTOR	1		R111-12	ERJ6GEYF472	M.RESISTOR CH 1/10W 4.7K	2	
Q26	2SB709A-R	TRANSISTOR	1		R113	ERJ6GEYF473	M.RESISTOR CH 1/10W 47K	1	
Q27-28	2SD1747POY	TRANSISTOR	2		R114	ERJ6GEYG105	M.RESISTOR CH 1/10W 1M	1	
Q29	2SB709A-R	TRANSISTOR	1		R116	ERJ6GEYG103	M.RESISTOR CH 1/10W 10K	1	
Q30	2SD601A-R	TRANSISTOR	1		R117-18	ERJ6GEYF473	M.RESISTOR CH 1/10W 47K	2	
Q31-32	2SB1073-R	TRANSISTOR	2		R119-20	ERJ6GEYF472	M.RESISTOR CH 1/10W 4.7K	2	
Q33	2SD601A-R	TRANSISTOR	1		R121	ERJ6GEYF473	M.RESISTOR CH 1/10W 47K	1	
Q34	2SB709A-R	TRANSISTOR	1		R122	ERJ6GEYG105	M.RESISTOR CH 1/10W 1M	1	
Q35-36	2SD1119-R	TRANSISTOR	2		R124	ERJ6GEYG103	M.RESISTOR CH 1/10W 10K	1	
Q37	2SB709A-R	TRANSISTOR	1		R125-26	ERJ6GEYF473	M.RESISTOR CH 1/10W 47K	2	
Q38	2SD601A-R	TRANSISTOR	1		R127-28	ERJ6GEYF472	M.RESISTOR CH 1/10W 4.7K	2	
Q39	2SB1175-Q	TRANSISTOR	1	(O)	R129-37	ERJ6GEYF473	M.RESISTOR CH 1/10W 47K	9	
Q704-05	2SB709A-R	TRANSISTOR	2		R138-39	ERJ6GEYG103	M.RESISTOR CH 1/10W 10K	2	
QR3-10	UN2213	TRANSISTOR-RESISTOR	8		R141-42	ERJ6GEYF473	M.RESISTOR CH 1/10W 47K	2	
QR11-16	UN2214	TRANSISTOR-RESISTOR	6		R144	ERJ6GEYOROC	M.RESISTOR CH 1/10W	0	1
QR17	UN2213	TRANSISTOR-RESISTOR	1		R145-47	ERJ6GEYF473	M.RESISTOR CH 1/10W 47K	3	
QR18-26	UN2214	TRANSISTOR-RESISTOR	9		R150	ERJ6GEYG562	M.RESISTOR CH 1/10W 5.6K	1	
QR27-28	UN2113	TRANSISTOR-RESISTOR	2		R152	ERJ6GEYG222	M.RESISTOR CH 1/10W 2.2K	1	
QR29-30	UN2214	TRANSISTOR-RESISTOR	2		R153	ERJ6GEYG271	M.RESISTOR CH 1/10W 270	1	
QR31-32	UN2113	TRANSISTOR-RESISTOR	2		R154	ERX1S1R0	M.RESISTOR 1W 1.0	1	
QR33-34	UN2214	TRANSISTOR-RESISTOR	2		R155	ERJ6GEYOROC	M.RESISTOR CH 1/10W	0	1
QR35-36	UN2113	TRANSISTOR-RESISTOR	2		R156	ERJ6GEYG562	M.RESISTOR CH 1/10W 5.6K	1	
QR37-38	UN2213	TRANSISTOR-RESISTOR	2		R157	ERJ6GEYG222	M.RESISTOR CH 1/10W 2.2K	1	
QR39-40	UN2113	TRANSISTOR-RESISTOR	2		R158	ERJ6GEYG271	M.RESISTOR CH 1/10W 270	1	
QR41	UN2213	TRANSISTOR-RESISTOR	1		R159	ERG1SJ220	M.RESISTOR 1W 22	1	
QR42	UN2113	TRANSISTOR-RESISTOR	1		R160	ERJ6GEYG103	M.RESISTOR CH 1/10W 10K	1	
QR43	UN2213	TRANSISTOR-RESISTOR	1		R161	ERJ6GEYG222	M.RESISTOR CH 1/10W 2.2K	1	
R1-R5	ERJ6GEYF473	M.RESISTOR CH 1/10W 47K	5		R162-63	ERJ8GCYJ151	M.RESISTOR CH 1/8W 150	2	
R6-10	ERJ6GEYG103	M.RESISTOR CH 1/10W 10K	5		R164-65	ERJ6GEYG563	M.RESISTOR CH 1/10W 56K	2	
R11-12	ERJ6GEYF822	M.RESISTOR CH 1/10W 8.2K	2		R166	ERJ8GCYJ152	M.RESISTOR CH 1/8W 1.5K	1	
R13-14	ERJ6GEYG103	M.RESISTOR CH 1/10W 10K	2		R167-69	ERJ8GCYJ681	M.RESISTOR CH 1/8W 680	3	
R16	ERJ6GEYF473	M.RESISTOR CH 1/10W 47K	1		R170	ERJ6GEYG103	M.RESISTOR CH 1/10W 10K	1	
R17	ERJ6GEYG394	M.RESISTOR CH 1/10W 390K	1		R171	ERJ6GEYG563	M.RESISTOR CH 1/10W 56K	1	
R18-19	ERJ6GEYG102	M.RESISTOR CH 1/10W 1K	2		R172-73	ERJ6GEYG394	M.RESISTOR CH 1/10W 390K	2	
R20	ERJ6GEYG103	M.RESISTOR CH 1/10W 10K	1		R174-81	ERJ6GEYG103	M.RESISTOR CH 1/10W 10K	8	
R21-22	ERJ6GEYF473	M.RESISTOR CH 1/10W 47K	2		R182	ERJ6GEYG223	M.RESISTOR CH 1/10W 2.2K	1	
R23-24	ERJ6GEYG103	M.RESISTOR CH 1/10W 10K	2		R184	ERJ6GEYF472	M.RESISTOR CH 1/10W 4.7K	1	
R25-26	ERJ6GEYG102	M.RESISTOR CH 1/10W 1K	2		R185	ERJ6GEYG103	M.RESISTOR CH 1/10W 10K	1	
R27-28	ERJ6GEYF473	M.RESISTOR CH 1/10W 47K	2		R186	ERJ6GEYG332	M.RESISTOR CH 1/10W 3.3K	1	
R29	ERJ6GEYG103	M.RESISTOR CH 1/10W 10K	1		R187-90	ERJ8GCYJ391	M.RESISTOR CH 1/8W 390	4	
R33-35	ERJ6GEYG103	M.RESISTOR CH 1/10W 10K	3		R191	ERJ6GEYG332	M.RESISTOR CH 1/10W 3.3K	1	
R38-39	ERJ6GEYF473	M.RESISTOR CH 1/10W 47K	2		R192	ERJ6GEYF472	M.RESISTOR CH 1/10W 4.7K	1	
R43	ERJ6GEYG271	M.RESISTOR CH 1/10W 270	1		R193-94	ERJ6GEYG103	M.RESISTOR CH 1/10W 10K	2	
R44	ERJ6GEYF473	M.RESISTOR CH 1/10W 47K	1		R195	ERJ6GEYF472	M.RESISTOR CH 1/10W 4.7K	1	
R45	ERJ6GEYG103	M.RESISTOR CH 1/10W 10K	1		R196-97	ERJ8GCYJ391	M.RESISTOR CH 1/8W 390	2	
R46	ERJ6GEYF473	M.RESISTOR CH 1/10W 47K	1		R198	ERJ6GEYG332	M.RESISTOR CH 1/10W 3.3K	1	
R47	ERJ6GEYG103	M.RESISTOR CH 1/10W 10K	1		R199-00	ERJ8GCYJ391	M.RESISTOR CH 1/8W 390	2	
					R201	ERJ6GEYG332	M.RESISTOR CH 1/10W 3.3K	1	
					R202	ERJ6GEYG103	M.RESISTOR CH 1/10W 10K	1	
					R203-04	ERJ6GEYF472	M.RESISTOR CH 1/10W 4.7K	2	
					R205	ERJ6GEYG103	M.RESISTOR CH 1/10W 10K	1	
					R206	ERJ6GEYG332	M.RESISTOR CH 1/10W 3.3K	1	
					R207-08	ERJ8GCYJ391	M.RESISTOR CH 1/8W 390	2	



AJ-D950P  
VEP86265A

Ref.No.	Part No.	Part Name & Description	Pcs	Remarks	Ref.No.	Part No.	Part Name & Description	Pcs	Remarks
R209	ERJ6GEYG332	M.RESISTOR CH 1/10W	3.3K 1		R349-62	ERJ6GEYG470	M.RESISTOR CH 1/10W	47 14	
R210-11	ERJ8GCYJ391	M.RESISTOR CH 1/8W	39D 2		R363-64	ERJ6GEYG271	M.RESISTOR CH 1/10W	270 2	
R212	ERJ6GEYF472	M.RESISTOR CH 1/10W	4.7K 1		R365-66	ERJ6GEYG223	M.RESISTOR CH 1/10W	22K 2	
R213-14	ERJ6GEYG103	M.RESISTOR CH 1/10W	10K 2		R367	ERJ6GEYOROC	M.RESISTOR CH 1/10W	0 1	
R215	ERJ6GEYF472	M.RESISTOR CH 1/10W	4.7K 1		R370-71	ERJ6GEYOROC	M.RESISTOR CH 1/10W	0 2	
R216-17	ERJ8GCYJ391	M.RESISTOR CH 1/8W	39D 2		R400-01	ERJ6GEYOROC	M.RESISTOR CH 1/10W	0 2	
R218	ERJ6GEYG332	M.RESISTOR CH 1/10W	3.3K 1		R402	ERJ6GEYF473	M.RESISTOR CH 1/10W	47K 1	
R219-20	ERJ8GCYJ391	M.RESISTOR CH 1/8W	39D 2		R403-05	ERJ6GEYG101	M.RESISTOR CH 1/10W	100 3	
R221	ERJ6GEYG332	M.RESISTOR CH 1/10W	3.3K 1		R411	ERJ6GEYOROC	M.RESISTOR CH 1/10W	0 1	
R222	ERJ6GEYG103	M.RESISTOR CH 1/10W	10K 1		R413	ERJ6GEYG103	M.RESISTOR CH 1/10W	10K 1	
R223-24	ERJ6GEYF472	M.RESISTOR CH 1/10W	4.7K 2		R500	ERJ6GEYF473	M.RESISTOR CH 1/10W	47K 1	
R225	ERJ6GEYG103	M.RESISTOR CH 1/10W	10K 1		R501	ERJ6GEYG103	M.RESISTOR CH 1/10W	10K 1	
R226	ERJ6GEYG392	M.RESISTOR CH 1/10W	3.9K 1		R502-03	ERJ6GEYF473	M.RESISTOR CH 1/10W	47K 2	
R227-28	ERJ8GCYJ391	M.RESISTOR CH 1/8W	39D 2		R504-11	ERJ6GEYG103	M.RESISTOR CH 1/10W	10K 8	
R229	ERJ6GEYG392	M.RESISTOR CH 1/10W	3.9K 1		R512	ERJ6GEYF473	M.RESISTOR CH 1/10W	47K 1	
R230-31	ERJ8GCYJ391	M.RESISTOR CH 1/8W	39D 2		R513-15	ERJ6GEYG103	M.RESISTOR CH 1/10W	10K 3	
R232	ERJ6GEYF472	M.RESISTOR CH 1/10W	4.7K 1		R516-17	ERJ6GEYF473	M.RESISTOR CH 1/10W	47K 2	
R233-34	ERJ6GEYG103	M.RESISTOR CH 1/10W	10K 2		R518-19	ERJ6GEYF472	M.RESISTOR CH 1/10W	4.7K 2	
R235	ERJ6GEYF472	M.RESISTOR CH 1/10W	4.7K 1		R520	ERJ6GEYG101	M.RESISTOR CH 1/10W	100 1	
R236-37	ERJ8GCYJ391	M.RESISTOR CH 1/8W	39D 2		R521	ERJ6GEYF473	M.RESISTOR CH 1/10W	47K 1	
R238	ERJ6GEYG392	M.RESISTOR CH 1/10W	3.9K 1		R523-24	ERJ6GEYF472	M.RESISTOR CH 1/10W	4.7K 2	
R239-40	ERJ8GCYJ391	M.RESISTOR CH 1/8W	39D 2		R525	ERJ6GEYF473	M.RESISTOR CH 1/10W	47K 1	
R241	ERJ6GEYG392	M.RESISTOR CH 1/10W	3.9K 1		R527	ERJ6GEYG101	M.RESISTOR CH 1/10W	100 1	
R242	ERJ6GEYG103	M.RESISTOR CH 1/10W	10K 1		R528-31	ERJ6GEYF473	M.RESISTOR CH 1/10W	47K 4	
R243-44	ERJ6GEYF472	M.RESISTOR CH 1/10W	4.7K 2		R532-33	ERJ6GEYF472	M.RESISTOR CH 1/10W	4.7K 2	
R245	ERJ6GEYG103	M.RESISTOR CH 1/10W	10K 1		R534	ERJ6GEYG101	M.RESISTOR CH 1/10W	100 1	
R246	ERJ6GEYG332	M.RESISTOR CH 1/10W	3.3K 1		R535-36	ERJ6GEYF472	M.RESISTOR CH 1/10W	4.7K 2	
R247-48	ERJ8GCYJ391	M.RESISTOR CH 1/8W	39D 2		R537	ERJ6GEYG101	M.RESISTOR CH 1/10W	100 1	
R249	ERJ6GEYG332	M.RESISTOR CH 1/10W	3.3K 1		R542	ERJ6GEYG223	M.RESISTOR CH 1/10W	22K 1	
R250-51	ERJ8GCYJ391	M.RESISTOR CH 1/8W	39D 2		R543	ERJ6GEYG101	M.RESISTOR CH 1/10W	100 1	
R252	ERJ6GEYF472	M.RESISTOR CH 1/10W	4.7K 1		R544	ERJ6GEYG394	M.RESISTOR CH 1/10W	390K1	
R253-54	ERJ6GEYG103	M.RESISTOR CH 1/10W	10K 2		R545	ERJ6GEYG103	M.RESISTOR CH 1/10W	10K 1	
R255	ERJ6GEYF472	M.RESISTOR CH 1/10W	4.7K 1		R546	ERJ6GEYG223	M.RESISTOR CH 1/10W	22K 1	
R256-57	ERJ8GCYJ391	M.RESISTOR CH 1/8W	39D 2		R547-49	ERJ6GEYF473	M.RESISTOR CH 1/10W	47K 3	
R258	ERJ6GEYG332	M.RESISTOR CH 1/10W	3.3K 1		R550-51	ERJ6GEYG103	M.RESISTOR CH 1/10W	10K 2	
R259-60	ERJ8GCYJ391	M.RESISTOR CH 1/8W	39D 2		R554-58	ERJ6GEYG103	M.RESISTOR CH 1/10W	10K 5	
R261	ERJ6GEYG332	M.RESISTOR CH 1/10W	3.3K 1		R562-65	ERJ6GEYG103	M.RESISTOR CH 1/10W	10K 4	
R262	ERJ6GEYG103	M.RESISTOR CH 1/10W	10K 1		R580	ERJ6GEYF473	M.RESISTOR CH 1/10W	47K 1	
R263	ERJ6GEYF472	M.RESISTOR CH 1/10W	4.7K 1		R585	ERJ6GEYOROC	M.RESISTOR CH 1/10W	0 1	
R266-69	ERJ6GEYOROC	M.RESISTOR CH 1/10W	0 4		R590-94	ERJ6GEYF473	M.RESISTOR CH 1/10W	47K 5	
R271	ERJ6GEYG222	M.RESISTOR CH 1/10W	2.2K 1		R598	ERJ6GEYG101	M.RESISTOR CH 1/10W	100 1	
R273	ERJ6GEYG222	M.RESISTOR CH 1/10W	2.2K 1		R599	ERJ6GEYG103	M.RESISTOR CH 1/10W	10K 1	
R275	ERJ6GEYG222	M.RESISTOR CH 1/10W	2.2K 1		R606-07	ERJ6GEYOROC	M.RESISTOR CH 1/10W	0 2	
R277	ERJ6GEYG222	M.RESISTOR CH 1/10W	2.2K 1		R608	ERJ6GEYG222	M.RESISTOR CH 1/10W	2.2K 1	
R281	ERJ6GEYOROC	M.RESISTOR CH 1/10W	0 1		R609	ERJ6GEYF473	M.RESISTOR CH 1/10W	47K 1	
R284-85	ERJ6GEYOROC	M.RESISTOR CH 1/10W	0 2		R610-17	ERJ6GEYG103	M.RESISTOR CH 1/10W	10K 8	
R288	ERJ6GEYF472	M.RESISTOR CH 1/10W	4.7K 1		R629	ERJ6GEYOROC	M.RESISTOR CH 1/10W	0 1	
R290	ERJ6GEYF472	M.RESISTOR CH 1/10W	4.7K 1		R634	ERJ6GEYOROC	M.RESISTOR CH 1/10W	0 1	
R291	ERJ6GEYG105	M.RESISTOR CH 1/10W	1M 1		R636	ERJ6GEYOROC	M.RESISTOR CH 1/10W	0 1	
R292-93	ERJ6GEYF473	M.RESISTOR CH 1/10W	47K 2		R638-39	ERJ6GEYOROC	M.RESISTOR CH 1/10W	0 2	
R294	ERJ6GEYG103	M.RESISTOR CH 1/10W	10K 1		R641	ERJ6GEYF473	M.RESISTOR CH 1/10W	47K 1	
R295	ERJ6GEYF472	M.RESISTOR CH 1/10W	4.7K 1		R642	ERJ6GEYG223	M.RESISTOR CH 1/10W	22K 1	
R296	ERJ6GEYF473	M.RESISTOR CH 1/10W	47K 1		R665	ERJ6GEYOROC	M.RESISTOR CH 1/10W	0 1	
R297	ERJ6GEYF472	M.RESISTOR CH 1/10W	4.7K 1		R705-10	ERJ6GEYG394	M.RESISTOR CH 1/10W	390K6	
R298	ERJ6GEYG105	M.RESISTOR CH 1/10W	1M 1		R711-16	ERJ6GEYG102	M.RESISTOR CH 1/10W	1K 6	
R299	ERJ6GEYF473	M.RESISTOR CH 1/10W	47K 1		R717	ERJ6GEYG103	M.RESISTOR CH 1/10W	10K 1	
R304-15	ERJ8GCYJ391	M.RESISTOR CH 1/8W	39D12		R718-19	ERJ6GEYG101	M.RESISTOR CH 1/10W	100 2	
R316-17	ERG1SJ100	M.RESISTOR 1W	10 2		R723	ERJ6GEYG102	M.RESISTOR CH 1/10W	1K 1	
R318	ERX1SJ6R2	M.RESISTOR 1W	6.2 1		R725	ERJ6GEYG101	M.RESISTOR CH 1/10W	100 1	
R319	ERG1SJ100	M.RESISTOR 1W	10 1		R726	ERJ6GEYG102	M.RESISTOR CH 1/10W	1K 1	
R320	ERJ6GEYG222	M.RESISTOR CH 1/10W	2.2K 1		R728	ERJ6GEYG104	M.RESISTOR CH 1/10W	100K1	
R321-28	ERJ6GEYG470	M.RESISTOR CH 1/10W	47 8		R729-31	ERJ6GEYF473	M.RESISTOR CH 1/10W	47K 3	
R329-30	ERJ6GEYG103	M.RESISTOR CH 1/10W	10K 2		R732-34	ERJ6GEYG102	M.RESISTOR CH 1/10W	1K 3	
R332	ERJ6GEYG222	M.RESISTOR CH 1/10W	2.2K 1		R735	ERJ6GEYG103	M.RESISTOR CH 1/10W	10K 1	
R333	ERJ6GEYOROC	M.RESISTOR CH 1/10W	0 1		R736	ERJ6GEYG104	M.RESISTOR CH 1/10W	100K1	
R334	ERJ6GEYF472	M.RESISTOR CH 1/10W	4.7K 1		R737	ERJ6GEYG105	M.RESISTOR CH 1/10W	1M 1	
R335	ERJ6GEYG103	M.RESISTOR CH 1/10W	10K 1		R738	ERJ6GEYG221	M.RESISTOR CH 1/10W	220 1	
R336	ERJ6GEYG392	M.RESISTOR CH 1/10W	3.9K 1		R739-40	ERJ6GEYG103	M.RESISTOR CH 1/10W	10K 2	
R337-38	ERJ8GCYJ391	M.RESISTOR CH 1/8W	39D 2		R741-42	ERJ6GEYG104	M.RESISTOR CH 1/10W	100K2	
R341	ERJ6GEYG105	M.RESISTOR CH 1/10W	1M 1		R743-44	ERJ6GEYG101	M.RESISTOR CH 1/10W	100 2	
R342	ERJ6GEYF473	M.RESISTOR CH 1/10W	47K 1		R745-46	ERJ6GEYG102	M.RESISTOR CH 1/10W	1K 2	
R345	ERJ6GEYG105	M.RESISTOR CH 1/10W	1M 1		R747	ERJ6GEYG562	M.RESISTOR CH 1/10W	5.6K 1	
R346	ERJ6GEYF473	M.RESISTOR CH 1/10W	47K 1		R748	ERJ6GEYG102	M.RESISTOR CH 1/10W	1K 1	
R347	ERJ6GEYG104	M.RESISTOR CH 1/10W	100K1		R749-50	ERJ6GEYG103	M.RESISTOR CH 1/10W	10K 2	
R348	ERJ6GEYG103	M.RESISTOR CH 1/10W	10K 1		R751	ERJ6GEYG102	M.RESISTOR CH 1/10W	1K 1	

AJ-D950P  
VEP86265A / VEP83409C

Ref.No.	Part No.	Part Name & Description	Pcs	Remarks	Ref.No.	Part No.	Part Name & Description	Pcs	Remarks
R754	ERJ6GEYOROC	M.RESISTOR CH 1/10W	C 1		R929	ERJ6GEYF473	M.RESISTOR CH 1/10W	47K 1	
R755	ERJ6GEYG103	M.RESISTOR CH 1/10W	10K 1		R930-32	ERJ6GEYG103	M.RESISTOR CH 1/10W	10K 3	
R757-59	ERJ6GEYG104	M.RESISTOR CH 1/10W	100K 3		R934	ERJ6GEYG103	M.RESISTOR CH 1/10W	10K 1	
R762	ERJ6GEYOROC	M.RESISTOR CH 1/10W	C 1		R936	ERJ6GEYG101	M.RESISTOR CH 1/10W	100 1	
R764-65	ERJ6GEYOROC	M.RESISTOR CH 1/10W	C 2		R937-39	ERJ6GEYOROC	M.RESISTOR CH 1/10W	C 3	
R766	ERJ6GEYG105	M.RESISTOR CH 1/10W	1M 1		R942-43	ERJ6GEYOROC	M.RESISTOR CH 1/10W	C 2	
R767-69	ERJ6GEYG103	M.RESISTOR CH 1/10W	10K 3		R946	ERJ6GEYOROC	M.RESISTOR CH 1/10W	C 1	
R770	ERJ6GEYF473	M.RESISTOR CH 1/10W	47K 1		R948	ERJ6GEYOROC	M.RESISTOR CH 1/10W	C 1	
R771	ERJ6GEYG101	M.RESISTOR CH 1/10W	100 1		R950	ERJ6GEYOROC	M.RESISTOR CH 1/10W	C 1	
R772	ERJ6GEYG103	M.RESISTOR CH 1/10W	10K 1		R951	ERJ6GEYG105	M.RESISTOR CH 1/10W	1M 1	
R773	ERJ6GEYG562	M.RESISTOR CH 1/10W	5.6K 1		R952	ERJ6GEYG184	M.RESISTOR CH 1/10W	180K 1	
R774	ERJ6GEYG220	M.RESISTOR CH 1/10W	22 1		R953	ERJ6GEYG105	M.RESISTOR CH 1/10W	1M 1	
R775-76	ERJ6GEYG332	M.RESISTOR CH 1/10W	3.3K 2		R954	ERJ6GEYG184	M.RESISTOR CH 1/10W	180K 1	
R777	ERJ6GEYG222	M.RESISTOR CH 1/10W	2.2K 1		R955	ERJ6GEYOROC	M.RESISTOR CH 1/10W	C 1	
R778-81	ERJ6RBD332	M.RESISTOR CH 1/10W	3.3K 4		R957	ERJ6GEYOROC	M.RESISTOR CH 1/10W	C 1	
R782	ERJ6RED470	M.RESISTOR CH 1/10W	47 1		R958	ERJ6GEYG470	M.RESISTOR CH 1/10W	47 1	
R783	ERJ6RBD562	M.RESISTOR CH 1/10W	5.6K 1		R960	ERJ6GEYOROC	M.RESISTOR CH 1/10W	C 1	
R784	ERJ6GEYG103	M.RESISTOR CH 1/10W	10K 1		R961-68	ERJ6GEYG103	M.RESISTOR CH 1/10W	10K 8	
R785	ERJ6RBD562	M.RESISTOR CH 1/10W	5.6K 1		R979-84	ERJ6GEYOROC	M.RESISTOR CH 1/10W	C 6	
R786	ERJ6RED820	M.RESISTOR CH 1/10W	82 1		R985	ERJ6GEYG470	M.RESISTOR CH 1/10W	47 1	
R787	ERJ6RED470	M.RESISTOR CH 1/10W	47 1		R990-91	ERJ6GEYOROC	M.RESISTOR CH 1/10W	C 2	
R788	ERJ6RBD562	M.RESISTOR CH 1/10W	5.6K 1		R992	ERJ6GEYG105	M.RESISTOR CH 1/10W	1M 1	
R789	ERJ6RBD103	M.RESISTOR CH 1/10W	10K 1		R993	ERJ6GEYOROC	M.RESISTOR CH 1/10W	C 1	
R790	ERJ6RBD223	M.RESISTOR CH 1/10W	22K 1		R995-96	ERJ6GEYOROC	M.RESISTOR CH 1/10W	C 2	
R791	ERJ6RBD683	M.RESISTOR CH 1/10W	68K 1		R997	ERJ6GEYG105	M.RESISTOR CH 1/10W	1M 1	
R792	ERJ6GEYG394	M.RESISTOR CH 1/10W	390K 1		R998	ERJ6GEYOROC	M.RESISTOR CH 1/10W	C 1	
R793	ERJ6RBD333	M.RESISTOR CH 1/10W	33K 1		R1000-01	ERJ6GEYOROC	M.RESISTOR CH 1/10W	C 2	
R794-95	ERJ6GEYG223	M.RESISTOR CH 1/10W	22K 2		R1002	ERJ6GEYG105	M.RESISTOR CH 1/10W	1M 1	
R796	ERJ6GEYG104	M.RESISTOR CH 1/10W	100K 1		R1003	ERJ6GEYOROC	M.RESISTOR CH 1/10W	C 1	
R797-98	ERJ6RBD102	M.RESISTOR CH 1/10W	1K 2		R1005-06	ERJ6GEYOROC	M.RESISTOR CH 1/10W	C 2	
R799	ERJ6GEYG102	M.RESISTOR CH 1/10W	1K 1		R1007	ERJ6GEYG105	M.RESISTOR CH 1/10W	1M 1	
R800-01	ERJ6GEYOROC	M.RESISTOR CH 1/10W	C 2		R1008	ERJ6GEYOROC	M.RESISTOR CH 1/10W	C 1	
R802	ERJ6RBD103	M.RESISTOR CH 1/10W	10K 1		R1010-11	ERJ6GEYOROC	M.RESISTOR CH 1/10W	C 2	
R803-04	ERJ6RBD102	M.RESISTOR CH 1/10W	1K 2		R1012	ERJ6GEYG105	M.RESISTOR CH 1/10W	1M 1	
R805-08	ERJ6RBD222	M.RESISTOR CH 1/10W	2.2K 4		R1013	ERJ6GEYOROC	M.RESISTOR CH 1/10W	C 1	
R809	ERJ6GEYF473	M.RESISTOR CH 1/10W	47K 1		R1015-16	ERJ6GEYOROC	M.RESISTOR CH 1/10W	C 2	
R810	ERJ6GEYG104	M.RESISTOR CH 1/10W	100K 1		R1017	ERJ6GEYG105	M.RESISTOR CH 1/10W	1M 1	
R811-12	ERJ6GEYG103	M.RESISTOR CH 1/10W	10K 2		R1018	ERJ6GEYOROC	M.RESISTOR CH 1/10W	C 1	
R813	ERJ6GEYG824	M.RESISTOR CH 1/10W	820K 1		R1020-21	ERJ6GEYOROC	M.RESISTOR CH 1/10W	C 2	
R814	ERJ6GEYG102	M.RESISTOR CH 1/10W	1K 1		R6450	ERJ6GEY473	M.RESISTOR CH 1/10W	47K 1	
R816-39	ERJ6GEYG470	M.RESISTOR CH 1/10W	47 24		R6451	ERJ6GEY683	M.RESISTOR CH 1/10W	68K 1	
R840-47	ERJ6GEYG103	M.RESISTOR CH 1/10W	10K 8		R6452	ERJ6GEY224	M.RESISTOR CH 1/10W	220K 1	
R855-56	ERJ6GEYOROC	M.RESISTOR CH 1/10W	C 2		R6453-54	ERJ6GEY394	M.RESISTOR CH 1/10W	390K 2	
R858-59	ERJ6GEYOROC	M.RESISTOR CH 1/10W	C 2						
R860-62	ERJ6GEYF473	M.RESISTOR CH 1/10W	47K 3		SW501	VSSO367-08B	SWITCH	1	
R863-64	ERJ6GEYOROC	M.RESISTOR CH 1/10W	C 2						
R865	ERJ6RBD562	M.RESISTOR CH 1/10W	5.6K 1		TG1	EYF6CU	TEST POINT	1	
R866	ERJ6GEYOROC	M.RESISTOR CH 1/10W	C 1		TG701	EYF6CU	TEST POINT	1	
R867	ERJ6GEYG102	M.RESISTOR CH 1/10W	1K 1						
R868	ERJ6GEYG103	M.RESISTOR CH 1/10W	10K 1		TP8	EYF6CU	TEST POINT	1	
R869	ERJ6GEYG223	M.RESISTOR CH 1/10W	22K 1						
R870	ERJ6GEYG102	M.RESISTOR CH 1/10W	1K 1		X1	VSX0641	CRYSTAL OSCILLATOR	1	
R871-72	ERJ6GEYG470	M.RESISTOR CH 1/10W	47 2		X500	VSX0641	CRYSTAL OSCILLATOR	1	
R873	ERJ6GEYG102	M.RESISTOR CH 1/10W	1K 1		X701	VSX0654	CRYSTAL OSCILLATOR	1	
R874-75	ERJ6GEYG470	M.RESISTOR CH 1/10W	47 2		X702	VSX0498	CRYSTAL OSCILLATOR	1	
R876	ERJ6GEYG102	M.RESISTOR CH 1/10W	1K 1						
R877-78	ERJ6GEYG394	M.RESISTOR CH 1/10W	390K 2				MISCELLANEOUS		
R879-80	ERJ6GEYG470	M.RESISTOR CH 1/10W	47 2						
R881	ERJ6GEYG102	M.RESISTOR CH 1/10W	1K 1			VML2143	CARD PULLER	1	
R882-83	ERJ6GEYG394	M.RESISTOR CH 1/10W	390K 2			VML2144	CARD PULLER	1	
R884	ERJ6GEYG103	M.RESISTOR CH 1/10W	10K 1			VJP1435	CONNECTOR (MALE)	1	
R885	ERJ6GEYG223	M.RESISTOR CH 1/10W	22K 1						
R886	ERJ6GEYG102	M.RESISTOR CH 1/10W	1K 1						
R887-88	ERJ6GEYG394	M.RESISTOR CH 1/10W	390K 2						
R890	ERJ6GEYG470	M.RESISTOR CH 1/10W	47 1						
R900-03	ERJ6GEYOROC	M.RESISTOR CH 1/10W	C 4						
R910	ERJ6GEYOROC	M.RESISTOR CH 1/10W	C 1						
R913	ERJ6GEYOROC	M.RESISTOR CH 1/10W	C 1		i	VEP83409C	F3 V-IN P.C.BOARD	1	(RTL)
R917	ERJ6GEYOROC	M.RESISTOR CH 1/10W	C 1						
R919	ERJ6GEYOROC	M.RESISTOR CH 1/10W	C 1						
R920	ERJ6GEYG104	M.RESISTOR CH 1/10W	100K 1		C1-C2	ECUM1H103K8N	MLCAPACITOR CH 50V 0.01U	2	
R921	ERJ6GEYG103	M.RESISTOR CH 1/10W	10K 1		C3	ECUM1H820JCN	MLCAPACITOR CH 50V 82P	1	
R924	ERJ6GEYG104	M.RESISTOR CH 1/10W	100K 1		C4	ECUM1H103K8N	MLCAPACITOR CH 50V 0.01U	1	
R925	ERJ6GEYG103	M.RESISTOR CH 1/10W	10K 1		C5-C7	ECUM1E104ZFN	MLCAPACITOR CH 25V 0.1U	3	
R928	ERJ6GEYG271	M.RESISTOR CH 1/10W	270 1		C8	ECEVOJV3300E	MLCAPACITOR CH6.3V 33U	1	
					C9	ECUM1H101JCN	MLCAPACITOR CH 50V 100P	1	

AJ-D950P  
VEP83409C

Ref.No.	Part No.	Part Name & Description	Pcs	Remarks	Ref.No.	Part No.	Part Name & Description	Pcs	Remarks
C20-26	ECUM1E104Z	CAPACITOR CH 25V 0.1U	7		C401	ECEVOJV330C	CAPACITOR CH6.3V 33U	1	
C27	ECEVOJV330C	CAPACITOR CH6.3V 33U	1		C402	ECUM1E104Z	CAPACITOR CH 25V 0.1U	1	
C28	ECUM1E104Z	CAPACITOR CH 25V 0.1U	1		C403	ECUM1H470J	CAPACITOR CH 50V 47P	1	
C29	ECEVOJV330C	CAPACITOR CH6.3V 33U	1		C404	ECUM1H820J	CAPACITOR CH 50V 82P	1	
C30	ECUM1E104Z	CAPACITOR CH 25V 0.1U	1		C405-06	ECUM1H103K	CAPACITOR CH 50V 0.01U	2	
C31	ECEVOJV330C	CAPACITOR CH6.3V 33U	1		C407	ECEVOJV330C	CAPACITOR CH6.3V 33U	1	
C32	ECUM1E104Z	CAPACITOR CH 25V 0.1U	1		C408	ECUM1E104Z	CAPACITOR CH 25V 0.1U	1	
C33	ECEV1EV4R7C	CAPACITOR CH 25V 4.7U	1		C409	ECEV1HVR47C	CAPACITOR CH 50V 0.47U	1	
C51	ECUM1H101J	CAPACITOR CH 50V 100P	1		C410-11	ECUM1H103K	CAPACITOR CH 50V 0.01U	2	
C101-02	ECUM1E104Z	CAPACITOR CH 25V 0.1U	2		C417	ECUM1E104Z	CAPACITOR CH 25V 0.1U	1	
C103	ECEV1CV470C	CAPACITOR CH 16V 47U	1		C418	ECEVOJV330C	CAPACITOR CH6.3V 33U	1	
C104-06	ECUM1E104Z	CAPACITOR CH 25V 0.1U	3		C419	ECUM1E104Z	CAPACITOR CH 25V 0.1U	1	
C107	ECEVOJV330C	CAPACITOR CH6.3V 33U	1		C420	ECEVOJV330C	CAPACITOR CH6.3V 33U	1	
C108	ECUM1E104Z	CAPACITOR CH 25V 0.1U	1		C421	ECUM1E104Z	CAPACITOR CH 25V 0.1U	1	
C109	ECEV1CV470C	CAPACITOR CH 16V 47U	1		C425	ECEVOJV330C	CAPACITOR CH6.3V 33U	1	
C110-12	ECUM1E104Z	CAPACITOR CH 25V 0.1U	3		C426	ECUM1E104Z	CAPACITOR CH 25V 0.1U	1	
C113	ECEV1CV470C	CAPACITOR CH 16V 47U	1		C427-28	ECEV1HV010C	CAPACITOR CH 50V 1U	2	
C114-16	ECUM1E104Z	CAPACITOR CH 25V 0.1U	3		C429	ECEV1CV470C	CAPACITOR CH 16V 47U	1	
C117	ECEVOJV330C	CAPACITOR CH 25V 33U	1		C430	ECUM1H102J	CAPACITOR CH 50V 100CP	1	
C118	ECUM1E104Z	CAPACITOR CH 25V 0.1U	1		C431	ECUM1H103K	CAPACITOR CH 50V 0.01U	1	
C119	ECEV1CV470C	CAPACITOR CH 16V 47U	1		C432	ECUM1H221J	CAPACITOR CH 50V 220P	1	
C120	ECUM1E104Z	CAPACITOR CH 25V 0.1U	1		C433	ECUM1H152K	CAPACITOR CH 50V 150CP	1	
C133-34	ECUM1E104Z	CAPACITOR CH 25V 0.1U	2		C434	ECEV1EV4R7C	CAPACITOR CH 25V 4.7U	1	
C135	ECEVOJV330C	CAPACITOR CH6.3V 33U	1		C435	ECUM1H103K	CAPACITOR CH 50V 0.01U	1	
C136	ECUM1E683K	CAPACITOR CH 25V 0.068U	1		C436-37	ECUM1E104Z	CAPACITOR CH 25V 0.1U	2	
C137	ECUM1H471J	CAPACITOR CH 50V 470P	1		C438	ECEVOJV330C	CAPACITOR CH6.3V 33U	1	
C138	ECEV1HV010C	CAPACITOR CH 50V 1U	1		C439-40	ECUM1E104Z	CAPACITOR CH 25V 0.1U	2	
C139	ECUM1E104Z	CAPACITOR CH 25V 0.1U	1		C441	ECEVOJV330C	CAPACITOR CH6.3V 33U	1	
C140	ECEV1HV4R7C	CAPACITOR CH 50V 4.7U	1		C442-43	ECUM1E104Z	CAPACITOR CH 25V 0.1U	2	
C141	ECUM1H821J	CAPACITOR CH 50V 820P	1		C444	ECUM1H390J	CAPACITOR CH 50V 39P	1	
C142	ECEVOJV330C	CAPACITOR CH6.3V 33U	1		C445	ECUM1H080C	CAPACITOR CH 50V 8P	1	
C143	ECUM1H392K	CAPACITOR CH 50V 390CP	1		C446	ECUM1H181J	CAPACITOR CH 50V 180P	1	
C144	ECUM1H152K	CAPACITOR CH 50V 150CP	1		C447-48	ECUM1E104Z	CAPACITOR CH 25V 0.1U	2	
C145	ECEV1HVR68C	CAPACITOR CH 50V 0.68U	1		C449	ECEV1HNO10C	CAPACITOR CH 50V 1U	1	
C146	ECUM1E104Z	CAPACITOR CH 25V 0.1U	1		C450	ECEV1CV470C	CAPACITOR CH 16V 47U	1	
C151-58	ECUM1E104Z	CAPACITOR CH 25V 0.1U	8		C451	ECEVOJV330C	CAPACITOR CH6.3V 33U	1	
C160	ECUM1E104Z	CAPACITOR CH 25V 0.1U	1		C452	ECUM1E104Z	CAPACITOR CH 25V 0.1U	1	
C161	ECUM1H101J	CAPACITOR CH 50V 100P	1		C453	ECUM1H470J	CAPACITOR CH 50V 47P	1	
C162	ECUM1H271J	CAPACITOR CH 50V 270P	1		C454	ECEVOJV330C	CAPACITOR CH6.3V 33U	1	
C163	ECKF1H181KB	CAPACITOR 50V 180P	1		C455-57	ECUM1E104Z	CAPACITOR CH 25V 0.1U	3	
C201-05	ECUM1E104Z	CAPACITOR CH 25V 0.1U	5		C458	ECEV1HV010C	CAPACITOR CH 50V 1U	1	
C207-10	ECUM1E104Z	CAPACITOR CH 25V 0.1U	4		C459-60	ECUM1E104Z	CAPACITOR CH 25V 0.1U	2	
C211	ECUM1H103K	CAPACITOR CH 50V 0.01U	1		C461	ECEVOJV330C	CAPACITOR CH6.3V 33U	1	
C251-54	ECUM1E104Z	CAPACITOR CH 25V 0.1U	4		C462-63	ECUM1H103K	CAPACITOR CH 50V 0.01U	2	
C256-58	ECUM1E104Z	CAPACITOR CH 25V 0.1U	3		C464-70	ECUM1E104Z	CAPACITOR CH 25V 0.1U	7	
C262-66	ECUM1E104Z	CAPACITOR CH 25V 0.1U	5		C472	ECUM1E104Z	CAPACITOR CH 25V 0.1U	1	
C301	ECEV1CV100C	CAPACITOR CH 16V 10U	1		C473	ECEVOJV330C	CAPACITOR CH6.3V 33U	1	
C302	ECUM1E104Z	CAPACITOR CH 25V 0.1U	1		C474-75	ECUM1E104Z	CAPACITOR CH 25V 0.1U	2	
C303	ECEV1EV4R7C	CAPACITOR CH 25V 4.7U	1		C476	ECEVOJV330C	CAPACITOR CH6.3V 33U	1	
C304-06	ECUM1E104Z	CAPACITOR CH 25V 0.1U	3		C477	ECUM1E104Z	CAPACITOR CH 25V 0.1U	1	
C307	ECEV1CV100C	CAPACITOR CH 16V 10U	1		C478	ECEVOJV330C	CAPACITOR CH6.3V 33U	1	
C308	ECUM1E104Z	CAPACITOR CH 25V 0.1U	1		C479	ECUM1E104Z	CAPACITOR CH 25V 0.1U	1	
C309	ECEV1CV100C	CAPACITOR CH 16V 10U	1		C480	ECUX1E104KE	CAPACITOR CH 25V 0.1U	1	
C310-11	ECUM1E104Z	CAPACITOR CH 25V 0.1U	2		C481	ECUM1H330J	CAPACITOR CH 50V 33P	1	
C312	ECUX1E104KE	CAPACITOR CH 25V 0.1U	1		C482	ECUM1H271J	CAPACITOR CH 50V 270P	1	
C317	ECEV1CV100C	CAPACITOR CH 16V 10U	1		C483	ECUM1H220J	CAPACITOR CH 50V 22P	1	
C318-21	ECUM1E104Z	CAPACITOR CH 25V 0.1U	4		C484	ECUM1H680J	CAPACITOR CH 50V 68P	1	
C351	ECEVOJV330C	CAPACITOR CH6.3V 33U	1		C485	ECUM1H070C	CAPACITOR CH 50V 7P	1	
C352	ECUM1E104Z	CAPACITOR CH 25V 0.1U	1		C486	ECUM1H121J	CAPACITOR CH 50V 120P	1	
C353	ECEVOJV330C	CAPACITOR CH6.3V 33U	1		C487-88	ECUM1H100D	CAPACITOR CH 50V 10P	2	
C354	ECUM1E104Z	CAPACITOR CH 25V 0.1U	1		C489	ECUM1H330J	CAPACITOR CH 50V 33P	1	
C355	ECEVOJV330C	CAPACITOR CH6.3V 33U	1		C490-92	ECUX1E104KE	CAPACITOR CH 25V 0.1U	3	
C356	ECUM1E104Z	CAPACITOR CH 25V 0.1U	1		C493-94	ECUM1E104Z	CAPACITOR CH 25V 0.1U	2	
C357	ECEVOJV330C	CAPACITOR CH6.3V 33U	1		C495-96	ECUX1E104KE	CAPACITOR CH 25V 0.1U	2	
C358	ECUM1E104Z	CAPACITOR CH 25V 0.1U	1		C497-98	ECUM1E104Z	CAPACITOR CH 25V 0.1U	2	
C359	ECEV1CV470C	CAPACITOR CH 16V 47U	1		C499	ECUM1H151J	CAPACITOR CH 50V 150P	1	
C360	ECUM1E104Z	CAPACITOR CH 25V 0.1U	1		C501	ECEVOJV330C	CAPACITOR CH6.3V 33U	1	
C363-65	ECUM1E104Z	CAPACITOR CH 25V 0.1U	3		C502	ECUM1E104Z	CAPACITOR CH 25V 0.1U	1	
C367	ECUX1E104KE	CAPACITOR CH 25V 0.1U	1		C503	ECEVOJV330C	CAPACITOR CH6.3V 33U	1	
C368	ECUM1H180J	CAPACITOR CH 50V 18P	1		C504	ECUM1E104Z	CAPACITOR CH 25V 0.1U	1	
C370-72	ECUM1E104Z	CAPACITOR CH 25V 0.1U	3		C505	ECEV1CV100C	CAPACITOR CH 16V 10U	1	
C373	ECEVOJV330C	CAPACITOR CH6.3V 33U	1		C506	ECUM1E104Z	CAPACITOR CH 25V 0.1U	1	
C374	ECUM1E104Z	CAPACITOR CH 25V 0.1U	1		C507	ECEV1CV100C	CAPACITOR CH 16V 10U	1	
C375	ECEVOJV330C	CAPACITOR CH6.3V 33U	1		C508	ECUM1E104Z	CAPACITOR CH 25V 0.1U	1	
C376-83	ECUM1E104Z	CAPACITOR CH 25V 0.1U	8		C509	ECUM1H121J	CAPACITOR CH 50V 120P	1	

AJ-D950P  
VEP83409C

Ref.No.	Part No.	Part Name & Description	Pcs	Remarks	Ref.No.	Part No.	Part Name & Description	Pcs	Remarks
C510	ECUM1E104Z	ECUM1E104Z	1		C655	ECUM1E104Z	ECUM1E104Z	1	
C511	ECUM1H102J	ECUM1H102J	1		C701	ECUM1E104Z	ECUM1E104Z	1	
C512	ECUM1H221J	ECUM1H221J	1		C702-03	ECEVOJV3300E	ECEVOJV3300E	2	
C513	ECUM1H681J	ECUM1H681J	1		C704	ECUM1E104Z	ECUM1E104Z	1	
C514-15	ECUM1E104Z	ECUM1E104Z	2		C705	ECEVOJV3300E	ECEVOJV3300E	1	
C516	ECUM1H560J	ECUM1H560J	1		C706	ECUM1E104Z	ECUM1E104Z	1	
C518	ECUX1E104KE	ECUX1E104KE	1		C707	ECEVOJV3300E	ECEVOJV3300E	1	
C519	ECUM1E104Z	ECUM1E104Z	1		C708-09	ECUM1E104Z	ECUM1E104Z	2	
C520	ECUM1H103KE	ECUM1H103KE	1		C710	ECUM1H0100C	ECUM1H0100C	1	
C521	ECUM1H271J	ECUM1H271J	1		C712-14	ECUM1E104Z	ECUM1E104Z	3	
C522	ECEV1CV4700E	ECEV1CV4700E	1		C715	ECUX1E104KE	ECUX1E104KE	1	
C523	ECUM1H220J	ECUM1H220J	1		C716	ECUM1E104Z	ECUM1E104Z	1	
C524	ECUM1H820J	ECUM1H820J	1		C717	ECEVOJV3300E	ECEVOJV3300E	1	
C525	ECUM1H0800C	ECUM1H0800C	1		C718	ECUM1E104Z	ECUM1E104Z	1	
C526	ECEV1CV4700E	ECEV1CV4700E	1		C719	ECEVOJV3300E	ECEVOJV3300E	1	
C527	ECUM1H103KE	ECUM1H103KE	1		C720-21	ECUM1E104Z	ECUM1E104Z	2	
C528	ECUM1H470J	ECUM1H470J	1		C722	ECEVOJV3300E	ECEVOJV3300E	1	
C529	ECUM1H0600C	ECUM1H0600C	1		C723	ECUM1E104Z	ECUM1E104Z	1	
C530	ECUM1H331J	ECUM1H331J	1		C724	ECEVOJV3300E	ECEVOJV3300E	1	
C531	ECUM1E104Z	ECUM1E104Z	1		C725	ECUM1E104Z	ECUM1E104Z	1	
C532	ECUX1E104KE	ECUX1E104KE	1		C726	ECEVOJV3300E	ECEVOJV3300E	1	
C534	ECUM1H103KE	ECUM1H103KE	1		C727	ECUM1E104Z	ECUM1E104Z	1	
C536	ECUM1H220J	ECUM1H220J	1		C728	ECUX1E104KE	ECUX1E104KE	1	
C537	ECUM1H820J	ECUM1H820J	1		C730	ECEV1CV4700E	ECEV1CV4700E	1	
C538	ECUM1H0600C	ECUM1H0600C	1		C731	ECUX1E104KE	ECUX1E104KE	1	
C539	ECUM1H0800C	ECUM1H0800C	1		C732	ECUM1H331J	ECUM1H331J	1	
C540	ECUM1H470J	ECUM1H470J	1		C733	ECUM1H470J	ECUM1H470J	1	
C541	ECEV1HV4R70E	ECEV1HV4R70E	1		C734	ECEVOJV3300E	ECEVOJV3300E	1	
C542	ECUX1E104KE	ECUX1E104KE	1		C735-40	ECUM1E104Z	ECUM1E104Z	6	
C545	ECUM1H120J	ECUM1H120J	1		C751	ECUM1E104Z	ECUM1E104Z	1	
C550	ECUM1H1010J	ECUM1H1010J	1		C752-53	ECEVOJV3300E	ECEVOJV3300E	2	
C551	ECUM1E104Z	ECUM1E104Z	1		C754	ECUM1E104Z	ECUM1E104Z	1	
C552	ECEVOJV3300E	ECEVOJV3300E	1		C755	ECEVOJV3300E	ECEVOJV3300E	1	
C553	ECUM1E104Z	ECUM1E104Z	1		C756	ECUM1E104Z	ECUM1E104Z	1	
C554	ECEV1CV4700E	ECEV1CV4700E	1		C757	ECEVOJV3300E	ECEVOJV3300E	1	
C555	ECUM1E104Z	ECUM1E104Z	1		C758-59	ECUM1E104Z	ECUM1E104Z	2	
C556	ECUM1H390J	ECUM1H390J	1		C762-66	ECUM1E104Z	ECUM1E104Z	5	
C557	ECUM1H1810J	ECUM1H1810J	1		C768	ECUM1E104Z	ECUM1E104Z	1	
C558-59	ECUM1E104Z	ECUM1E104Z	2		C769	ECEVOJV3300E	ECEVOJV3300E	1	
C560	ECEV1HNO100E	ECEV1HNO100E	1		C770-71	ECUM1E104Z	ECUM1E104Z	2	
C561	ECUM1H0800C	ECUM1H0800C	1		C772	ECEVOJV3300E	ECEVOJV3300E	1	
C562-63	ECUM1H103KE	ECUM1H103KE	2		C773	ECUM1E104Z	ECUM1E104Z	1	
C565-66	ECUM1H103KE	ECUM1H103KE	2		C774	ECEVOJV3300E	ECEVOJV3300E	1	
C567	ECUM1H820J	ECUM1H820J	1		C775	ECUM1E104Z	ECUM1E104Z	1	
C568	ECUM1H103KE	ECUM1H103KE	1		C776	ECEV1CV1000E	ECEV1CV1000E	1	
C569	ECUM1E104Z	ECUM1E104Z	1		C777	ECUM1E104Z	ECUM1E104Z	1	
C570	ECEVOJV3300E	ECEVOJV3300E	1		C778	ECUX1E104KE	ECUX1E104KE	1	
C571-73	ECUM1E104Z	ECUM1E104Z	3		C780	ECEV1CV4700E	ECEV1CV4700E	1	
C601	ECUM1H470J	ECUM1H470J	1		C781	ECUX1E104KE	ECUX1E104KE	1	
C602	ECEVOJV3300E	ECEVOJV3300E	1		C782	ECUM1H331J	ECUM1H331J	1	
C603	ECUM1E104Z	ECUM1E104Z	1		C783	ECUM1H470J	ECUM1H470J	1	
C604	ECEVOJV3300E	ECEVOJV3300E	1		C784	ECEVOJV3300E	ECEVOJV3300E	1	
C605	ECUM1E104Z	ECUM1E104Z	1		C785-87	ECUM1E104Z	ECUM1E104Z	3	
C606	ECUM1H470J	ECUM1H470J	1		C790	ECUM1H0800C	ECUM1H0800C	1	
C607	ECUM1E104Z	ECUM1E104Z	1		C791	ECUM1H470J	ECUM1H470J	1	
C608	ECUM1H331J	ECUM1H331J	1		C792	ECEV1CV1000E	ECEV1CV1000E	1	
C609	ECUM1H820J	ECUM1H820J	1		C801	ECUM1E104Z	ECUM1E104Z	1	
C610	ECUM1E104Z	ECUM1E104Z	1		C802-03	ECEVOJV3300E	ECEVOJV3300E	2	
C612	ECUM1H470J	ECUM1H470J	1		C804	ECUM1E104Z	ECUM1E104Z	1	
C613	ECEV1HNO100E	ECEV1HNO100E	1		C805	ECEVOJV3300E	ECEVOJV3300E	1	
C614	ECUM1H102J	ECUM1H102J	1		C806	ECUM1E104Z	ECUM1E104Z	1	
C615	ECUM1E104Z	ECUM1E104Z	1		C807	ECEVOJV3300E	ECEVOJV3300E	1	
C616	ECUM1H331J	ECUM1H331J	1		C808-09	ECUM1E104Z	ECUM1E104Z	2	
C617	ECUM1E104Z	ECUM1E104Z	1		C812-16	ECUM1E104Z	ECUM1E104Z	5	
C618	ECUM1H102J	ECUM1H102J	1		C818	ECUM1E104Z	ECUM1E104Z	1	
C619	ECUM1E104Z	ECUM1E104Z	1		C819	ECEVOJV3300E	ECEVOJV3300E	1	
C621	ECEV1HNO100E	ECEV1HNO100E	1		C820-21	ECUM1E104Z	ECUM1E104Z	2	
C622-23	ECUM1E104Z	ECUM1E104Z	2		C822	ECEVOJV3300E	ECEVOJV3300E	1	
C624-25	ECUM1H103KE	ECUM1H103KE	2		C823	ECUM1E104Z	ECUM1E104Z	1	
C626	ECUM1H102J	ECUM1H102J	1		C824	ECEVOJV3300E	ECEVOJV3300E	1	
C627	ECUM1E104Z	ECUM1E104Z	1		C825	ECUM1E104Z	ECUM1E104Z	1	
C629	ECUM1H1210J	ECUM1H1210J	1		C826	ECEV1CV1000E	ECEV1CV1000E	1	
C651	ECEVOJV3300E	ECEVOJV3300E	1		C827	ECUM1E104Z	ECUM1E104Z	1	
C652-53	ECUM1E104Z	ECUM1E104Z	2		C828	ECUX1E104KE	ECUX1E104KE	1	
C654	ECEVOJV3300E	ECEVOJV3300E	1		C830	ECEV1CV4700E	ECEV1CV4700E	1	

AJ-D950P  
VEP83409C

Ref.No.	Part No.	Part Name & Description	Pcs	Remarks	Ref.No.	Part No.	Part Name & Description	Pcs	Remarks
C831	ECUX1E104KE	1000 CAPACITOR CH 25V 0.1U	1		FL752	VLF1422	FILTER	1	
C832	ECUM1H331J	1000 CAPACITOR CH 50V 330P	1		FL802	VLF1422	FILTER	1	
C833	ECUM1H470J	1000 CAPACITOR CH 50V 47P	1		FL851-52	VLF1016A223	FILTER	2	
C834	ECEVOJV330CE	1000 CAPACITOR CH6.3V 33U	1		FL911	VLF1016A223	FILTER	1	
C835-37	ECUM1E104Z	1000 CAPACITOR CH 25V 0.1U	3		FL951	VLF1294	FILTER	1	
C840	ECUM1H080D	1000 CAPACITOR CH 50V 8P	1		FL981-82	VLF1016A223	FILTER	2	
C841	ECUM1H470J	1000 CAPACITOR CH 50V 47P	1		IC101	AN78N09	IC	1	
C842	ECEV1CV100CE	1000 CAPACITOR CH 16V 10U	1		IC102	AN78N05	IC	1	
C851-60	ECUM1E104Z	1000 CAPACITOR CH 25V 0.1U	10		IC103	AN79N09	IC	1	
C881-96	ECUM1E104Z	1000 CAPACITOR CH 25V 0.1U	16		IC104	AN79N05	IC	1	
C901-03	ECUM1E104Z	1000 CAPACITOR CH 25V 0.1U	3		IC151-54	MC10H125M	IC	4	
C905-17	ECUM1E104Z	1000 CAPACITOR CH 25V 0.1U	13		IC156	74F244SJ	IC	1	
C919	ECEVOJV330CE	1000 CAPACITOR CH6.3V 33U	1		IC201	VSI2496	PLD	1	
C920	ECUM1E104Z	1000 CAPACITOR CH 25V 0.1U	1		IC204	74F245SJ	IC	1	
C921	ECEVOJV330CE	1000 CAPACITOR CH6.3V 33U	1		IC207-08	UPD71055GB	IC	2	
C922-27	ECUM1E104Z	1000 CAPACITOR CH 25V 0.1U	6		IC209-10	SN74S1051NS	IC	2	
C928	ECEVOJV330CE	1000 CAPACITOR CH6.3V 33U	1		IC251	VSI2807	IC	1	
C929	ECEV1CV100CE	1000 CAPACITOR CH 16V 10U	1		IC252	VSI2154	IC	1	
C930-31	ECUM1E104Z	1000 CAPACITOR CH 25V 0.1U	2		IC253	T74HCT541AF	IC	1	
C932	ECEVOJV330CE	1000 CAPACITOR CH6.3V 33U	1		IC254	T74HCT374AF	IC	1	
C934	ECEV1EV4R7CE	1000 CAPACITOR CH 25V 4.7U	1		IC255	74F574SJ	IC	1	
C935	ECUM1H470J	1000 CAPACITOR CH 50V 47P	1		IC259	T74HCT374AF	IC	1	
C936	ECEVOJV330CE	1000 CAPACITOR CH6.3V 33U	1		IC301	EL2082CS	IC	1	
C937	ECUM1H560J	1000 CAPACITOR CH 50V 56P	1		IC302	NJM082BM	IC	1	
C938	ECUM1H180J	1000 CAPACITOR CH 50V 18P	1		IC303	DAC10GS	IC	1	
C939	ECUM1H121J	1000 CAPACITOR CH 50V 120P	1		IC351	AD818AR	IC	1	
C940-41	ECUM1E104Z	1000 CAPACITOR CH 25V 0.1U	2		IC352	NJM084M	IC	1	
C942	ECEVOJV330CE	1000 CAPACITOR CH6.3V 33U	1		IC353	CXD1175AM	IC	1	
C943-44	ECUM1E104Z	1000 CAPACITOR CH 25V 0.1U	2		IC354-55	NJM78L05UA	IC	2	
C951	ECUM1H101J	1000 CAPACITOR CH 50V 100P	1		IC356	NJM79L05UA	IC	1	
C952-56	ECUM1E104Z	1000 CAPACITOR CH 25V 0.1U	5		IC401	UPC1862GS	IC	1	
C957	ECUM1H103K	1000 CAPACITOR CH 50V 0.01U	1		IC402-03	NJM78L05UA	IC	2	
C958	ECUX1E104KE	1000 CAPACITOR CH 25V 0.1U	1		IC404	NJM79L05UA	IC	1	
C959	ECEV1HNR47CE	1000 CAPACITOR CH 50V 0.47U	1		IC405	AN91A12S	IC	1	
C960-61	ECUX1E104KE	1000 CAPACITOR CH 25V 0.1U	2		IC406	TC4W53F	IC	1	
C962	ECUM1E104Z	1000 CAPACITOR CH 25V 0.1U	1		IC407	MC74HC00AF	IC	1	
C963	ECEVOJV330CE	1000 CAPACITOR CH6.3V 33U	1		IC450	AD8047AR	IC	1	
C964-65	ECUM1E104Z	1000 CAPACITOR CH 25V 0.1U	2		IC451	UPD6486GF33A	IC	1	
C966	ECEVOJV330CE	1000 CAPACITOR CH6.3V 33U	1		IC452-53	UPD42280G3	IC	2	
C967-69	ECUM1E104Z	1000 CAPACITOR CH 25V 0.1U	3		IC454	NJM78L05UA	IC	1	
C970	ECUM1H080D	1000 CAPACITOR CH 50V 8P	1		IC455	NJM79L05UA	IC	1	
C971	ECUM1H470J	1000 CAPACITOR CH 50V 47P	1		IC456-57	MC74HC4053IC	IC	2	
C972	ECUM1E104Z	1000 CAPACITOR CH 25V 0.1U	1		IC458-59	AD8047AR	IC	2	
C973	ECEV1CV470CE	1000 CAPACITOR CH 16V 47U	1		IC460	UPD42280G3	IC	1	
C974	ECUM1E104Z	1000 CAPACITOR CH 25V 0.1U	1		IC461	MB40760PF	IC	1	
C975	ECEV1CV470CE	1000 CAPACITOR CH 16V 47U	1		IC462	VSI2716	IC	1	
C976	ECUM1E104Z	1000 CAPACITOR CH 25V 0.1U	1		IC463	NJM78L05UA	IC	1	
C977	ECUM1H080D	1000 CAPACITOR CH 50V 8P	1		IC501	SN74LS221NS	IC	1	
C978	ECUM1H470J	1000 CAPACITOR CH 50V 47P	1		IC502	MM74HC221AM	IC	1	
C979	ECUM1E104Z	1000 CAPACITOR CH 25V 0.1U	1		IC503	UPD65013BC16	IC	1	
C980	ECEVOJV330CE	1000 CAPACITOR CH6.3V 33U	1		IC504-05	NJM1496M	IC	2	
C981-82	ECUM1E104Z	1000 CAPACITOR CH 25V 0.1U	2		IC507	MC74HC4053IC	IC	1	
C983	ECEVOJV330CE	1000 CAPACITOR CH6.3V 33U	1		IC508	MC74HC04AF	IC	1	
C984-86	ECUM1E104Z	1000 CAPACITOR CH 25V 0.1U	3		IC509-10	NJM082BM	IC	2	
D301-02	MA152K	DIODE	2		IC511	NJM78L05UA	IC	1	
D351-52	MA152K	DIODE	2		IC512	NJM79L05UA	IC	1	
D401	MA152WK	DIODE	1		IC513	MM74HC221AM	IC	1	
D551	MA152WK	DIODE	1		IC514-16	MC74HC4053IC	IC	3	
D601	MA335-R	DIODE	1		IC517	NJM78L05UA	IC	1	
D602	MA152WA	DIODE	1		IC518	NJM79L05UA	IC	1	
D603	MA152K	DIODE	1		IC551	MC14538BF	IC	1	
D701-02	MA152K	DIODE	2		IC552	AN91A12S	IC	1	
D751-52	MA152K	DIODE	2		IC553	NJM78L05UA	IC	1	
D801-02	MA152K	DIODE	2		IC554	NJM79L05UA	IC	1	
D901	MA152K	DIODE	1		IC555	MN53015VZV	IC	1	
FL101	VLF1016A223	FILTER	1		IC601	SN74LS221NS	IC	1	
FL103	VLF1016A223	FILTER	1		IC602	MC74HC00AF	IC	1	
FL301	VLF1294	FILTER	1		IC603	NJM082BM	IC	1	
FL351	VLF1016A223	FILTER	1		IC604	MC74HC74AF	IC	1	
FL451	VLF1016A223	FILTER	1		IC605	TC4S584F	IC	1	
FL601-02	VLF1016A223	FILTER	2		IC606	TC4W53F	IC	1	
FL701	VLF1294	FILTER	1		IC607	MC74HC244AF	IC	1	
FL702	VLF1016A223	FILTER	1		IC608	SN74LS221NS	IC	1	
					IC701	MC74HC4053IC	IC	1	

AJ-D950P  
VEP83409C

Ref.No.	Part No.	Part Name & Description	Pcs	Remarks	Ref.No.	Part No.	Part Name & Description	Pcs	Remarks
IC702	AD848JR	IC	1		Q401	2SD601A-R	TRANSISTOR	1	
IC703	NJM084M	IC	1		Q404	2SB709A-R	TRANSISTOR	1	
IC704	CXD1175AM	IC	1		Q405-06	2SD601A-R	TRANSISTOR	2	
IC705-06	NJM78L05UA	IC	2		Q452	2SD601A-R	TRANSISTOR	1	
IC707	NJM79L05UA	IC	1		Q454	2SB709A-R	TRANSISTOR	1	
IC751	MC74HC4053IC	IC	1		Q455	2SD601A-R	TRANSISTOR	1	
IC752	AD848JR	IC	1		Q501-02	2SD601A-R	TRANSISTOR	2	
IC753	NJM084M	IC	1		Q503	2SB709A-R	TRANSISTOR	1	
IC754	MB40568PF	IC	1		Q504-05	2SD601A-R	TRANSISTOR	2	
IC755-56	NJM78L05UA	IC	2		Q507-08	2SD601A-R	TRANSISTOR	2	
IC757	NJM79L05UA	IC	1		Q509	2SB709A-R	TRANSISTOR	1	
IC758	AN78N09	IC	1		Q510-11	2SD601A-R	TRANSISTOR	2	
IC759	T74HCT541AF	IC	1		Q512	2SB709A-R	TRANSISTOR	1	
IC801	MC74HC4053IC	IC	1		Q513-14	2SD601A-R	TRANSISTOR	2	
IC802	AD848JR	IC	1		Q515	2SB709A-R	TRANSISTOR	1	
IC803	NJM084M	IC	1		Q516-18	2SD601A-R	TRANSISTOR	3	
IC804	MB40568PF	IC	1		Q601	2SC3757-R	TRANSISTOR	1	
IC805-06	NJM78L05UA	IC	2		Q602-03	2SA1226	TRANSISTOR	2	
IC807	NJM79L05UA	IC	1		Q604	2SC3757-R	TRANSISTOR	1	
IC808	AN78N09	IC	1		Q651	2SB709A-R	TRANSISTOR	1	
IC809	T74HCT541AF	IC	1		Q652	2SD601A-R	TRANSISTOR	1	
IC851	T160G41-143IC	IC	1		Q653	2SB709A-R	TRANSISTOR	1	
IC852-53	UPD42280G3IC	IC	2		Q654	2SD601A-R	TRANSISTOR	1	
IC901-03	74F244SJ	IC	3		Q655	XN1213	TRANSISTOR-RESISTOR	1	
IC904	NJM78L05UA	IC	1		Q656	2SB709A-R	TRANSISTOR	1	
IC905	AN3296S	IC	1		Q657	2SD601A-R	TRANSISTOR	1	
IC911	TC7W125FU	IC	1		Q658	2SC3757-R	TRANSISTOR	1	
IC913	NJM78L05UA	IC	1		Q701	2SD601A-R	TRANSISTOR	1	
IC951	T74HCT374AF	IC	1		Q702	2SB709A-R	TRANSISTOR	1	
IC953	TC7W125FU	IC	1		Q703	2SD601A-R	TRANSISTOR	1	
IC955-56	NJM78L05UA	IC	2		Q704	2SB709A-R	TRANSISTOR	1	
IC957	NJM79L05UA	IC	1		Q705	2SK198-R	TRANSISTOR	1	
IC958	AD8047AR	IC	1		Q706	2SB709A-R	TRANSISTOR	1	
IC959	MC74HC4053IC	IC	1		Q707	2SD601A-R	TRANSISTOR	1	
IC981	T160G41-143IC	IC	1		Q751	2SD601A-R	TRANSISTOR	1	
IC982-83	UPD42280G3IC	IC	2		Q752	2SB709A-R	TRANSISTOR	1	
IC984	VSI2679	IC	1		Q753	2SD601A-R	TRANSISTOR	1	
IC985-86	74F244SJ	IC	2		Q754	2SB709A-R	TRANSISTOR	1	
					Q755	2SK198-R	TRANSISTOR	1	
L1-L2	VLP0133	COIL	2		Q756	2SD601A-R	TRANSISTOR	1	
L101-02	VLP0133	COIL	2		Q801	2SD601A-R	TRANSISTOR	1	
L301-04	VLQ0319K10	COIL	100UH	4	Q802	2SB709A-R	TRANSISTOR	1	
L351	VLQ0163J101	COIL	100UH	1	Q803	2SD601A-R	TRANSISTOR	1	
L352	VLQ0319K10	COIL	100UH	1	Q804	2SB709A-R	TRANSISTOR	1	
L401	VLQ0163J150	COIL	15UH	1	Q805	2SK198-R	TRANSISTOR	1	
L402-05	VLQ0319K100	COIL	10UH	4	Q806	2SD601A-R	TRANSISTOR	1	
L406	VLQ0133J471	COIL	470UH	1	Q901-02	2SD601A-R	TRANSISTOR	2	
L407	VLQ0319K10	COIL	100UH	1	Q951	2SD601A-R	TRANSISTOR	1	
L451	VLQ0319K10	COIL	100UH	1	Q952	2SB709A-R	TRANSISTOR	1	
L452	VLQ0319K100	COIL	10UH	1	Q953	2SD601A-R	TRANSISTOR	1	
L454	VLQ0163J270	COIL	27UH	1	Q954	2SB709A-R	TRANSISTOR	1	
L455	VLQ0163J6R8	COIL	6.8UH	1	Q955	2SC3757-R	TRANSISTOR	1	
L456	VLQ0163J5R6	COIL	5.6UH	1	Q956	2SD601A-R	TRANSISTOR	1	
L457	VLQ0319K10	COIL	100UH	1	Q957	2SB709A-R	TRANSISTOR	1	
L458-59	VLQ0163J2R2	COIL	2.2UH	2					
L501-03	VLQ0319K10	COIL	100UH	3	QR201	MUN2212	TRANSISTOR-RESISTOR	1	
L505-06	VLQ0163J680	COIL	68UH	2	QR551	MUN2212	TRANSISTOR-RESISTOR	1	
L507	VLQ0319K10	COIL	100UH	1	QR701-02	MUN2213	TRANSISTOR-RESISTOR	2	
L553	VLQ0133J471	COIL	470UH	1	QR751	MUN2213	TRANSISTOR-RESISTOR	1	
L601	VLQ0163J3R3	COIL	3.3UH	1	QR801	MUN2213	TRANSISTOR-RESISTOR	1	
L651-52	VLQ0319K10	COIL	100UH	2					
L703	VLQ0319K10	COIL	100UH	1	R7-34	ERJ6GEYOROC	M.RESISTOR CH 1/10W	0.28K	28
L704	VLQ0133J821	COIL	820UH	1	R37-53	ERJ6GEYOROC	M.RESISTOR CH 1/10W	0.17K	17
L754	VLQ0133J821	COIL	820UH	1	R56-81	ERJ6GEYOROC	M.RESISTOR CH 1/10W	0.26K	26
L804	VLQ0133J821	COIL	820UH	1	R98	ERJ6GEYG101	M.RESISTOR CH 1/10W	100K	100
L911	VLQ0319K10	COIL	100UH	1	R100	ERJ6GEYOROC	M.RESISTOR CH 1/10W	0.1K	1
L951	VLQ0163J470	COIL	47UH	1	R101-08	ERJ6GEYF472	M.RESISTOR CH 1/10W	4.7K	8
					R111	ERJ6GEYG47C	M.RESISTOR CH 1/10W	47K	1
P1-P2	VJP3454B096	CONNECTOR (MALE)	2		R112	ERJ6GEYG222	M.RESISTOR CH 1/10W	2.2K	1
					R113	ERJ6GEYG102	M.RESISTOR CH 1/10W	1K	1
Q301	2SB709A-R	TRANSISTOR	1		R114	ERJ6GEYOROC	M.RESISTOR CH 1/10W	0.1K	1
Q302-03	2SD601A-R	TRANSISTOR	2		R115	ERJ6GEYG122	M.RESISTOR CH 1/10W	1.2K	1
Q351	2SD601A-R	TRANSISTOR	1		R116	ERJ6GEYG102	M.RESISTOR CH 1/10W	1K	1
Q352	2SB709A-R	TRANSISTOR	1		R117-18	ERJ6GEYG222	M.RESISTOR CH 1/10W	2.2K	2
Q353	2SK198-R	TRANSISTOR	1		R119-20	ERJ6GEYG331	M.RESISTOR CH 1/10W	330K	2

AJ-D950P  
VEP83409C

Ref.No.	Part No.	Part Name & Description	Pcs	Remarks	Ref.No.	Part No.	Part Name & Description	Pcs	Remarks
R121	ERJ6GEYG22	M.RESISTOR CH 1/10W 2.2K	1		R407	ERJ6GEYG105	M.RESISTOR CH 1/10W 1M	1	
R122	ERJ6GEYG103	M.RESISTOR CH 1/10W 10K	1		R412	ERJ6GEYG102	M.RESISTOR CH 1/10W 1K	1	
R123	ERJ6GEYG221	M.RESISTOR CH 1/10W 220	1		R413	ERJ6GEYF333	M.RESISTOR CH 1/10W 33K	1	
R124	ERJ6GEYG102	M.RESISTOR CH 1/10W 1K	1		R414	ERJ6GEYG103	M.RESISTOR CH 1/10W 10K	1	
R125-26	ERJ6GEYG103	M.RESISTOR CH 1/10W 10K	2		R415	ERJ6GEYG221	M.RESISTOR CH 1/10W 220	1	
R127	ERJ6GEYG102	M.RESISTOR CH 1/10W 1K	1		R416	ERJ6GEYF473	M.RESISTOR CH 1/10W 47K	1	
R128	ERJ6GEYG222	M.RESISTOR CH 1/10W 2.2K	1		R417	ERJ6GEYG221	M.RESISTOR CH 1/10W 220	1	
R129	ERJ6GEYG102	M.RESISTOR CH 1/10W 1K	1		R418	ERJ6GEYF473	M.RESISTOR CH 1/10W 47K	1	
R130	ERJ6GEYG222	M.RESISTOR CH 1/10W 2.2K	1		R419	ERJ6GEYG104	M.RESISTOR CH 1/10W 100K	1	
R131-33	ERJ6GEYG102	M.RESISTOR CH 1/10W 1K	3		R420	ERJ6GEYG272	M.RESISTOR CH 1/10W 2.7K	1	
R134	ERJ6GEYG272	M.RESISTOR CH 1/10W 2.7K	1		R421	ERJ6GEYG271	M.RESISTOR CH 1/10W 270	1	
R135	ERJ6GEYG103	M.RESISTOR CH 1/10W 10K	1		R422	ERJ6GEYG222	M.RESISTOR CH 1/10W 2.2K	1	
R151-62	ERJ6GEYG101	M.RESISTOR CH 1/10W 100	2		R423-24	ERJ6GEYG103	M.RESISTOR CH 1/10W 10K	2	
R163	ERJ6GEYOR00	M.RESISTOR CH 1/10W 0	1		R425	ERJ6GEYG152	M.RESISTOR CH 1/10W 1.5K	1	
R165-66	ERJ6GEYG101	M.RESISTOR CH 1/10W 100	2		R426	ERJ6GEYF822	M.RESISTOR CH 1/10W 8.2K	1	
R168-69	ERJ6GEYG103	M.RESISTOR CH 1/10W 10K	2		R431	ERJ6GEYOR00	M.RESISTOR CH 1/10W 0	1	
R172	ERJ6GEYG103	M.RESISTOR CH 1/10W 10K	1		R432	ERJ6GEYG102	M.RESISTOR CH 1/10W 1K	1	
R173	ERJ6GEYOR00	M.RESISTOR CH 1/10W 0	1		R433-34	ERJ6GEYG222	M.RESISTOR CH 1/10W 2.2K	2	
R175	ERJ6GEYOR00	M.RESISTOR CH 1/10W 0	1		R435	ERJ6GEYG221	M.RESISTOR CH 1/10W 220	1	
R177-80	ERJ6GEYG391	M.RESISTOR CH 1/10W 390	4		R436	ERJ6GEYJ224	M.RESISTOR CH 1/10W 220K	1	
R181	ERJ6GEYG332	M.RESISTOR CH 1/10W 3.3K	1		R437	ERJ6GEYJ684	M.RESISTOR CH 1/10W 680K	1	
R182-91	ERJ6GEYG391	M.RESISTOR CH 1/10W 390	0		R438-40	ERJ6GEYG103	M.RESISTOR CH 1/10W 10K	3	
R192	ERJ6GEYG332	M.RESISTOR CH 1/10W 3.3K	1		R441	ERJ6GEYG562	M.RESISTOR CH 1/10W 5.6K	1	
R193-94	ERJ6GEYG101	M.RESISTOR CH 1/10W 100	2		R451	ERJ6GEYG151	M.RESISTOR CH 1/10W 150	1	
R201-02	ERJ6GEYG103	M.RESISTOR CH 1/10W 10K	2		R452	ERJ6GEYG332	M.RESISTOR CH 1/10W 3.3K	1	
R208	ERJ6GEYG103	M.RESISTOR CH 1/10W 10K	1		R453	ERJ6GEYG102	M.RESISTOR CH 1/10W 1K	1	
R214-15	ERJ6GEYG101	M.RESISTOR CH 1/10W 100	2		R454	ERJ6GEYG330	M.RESISTOR CH 1/10W 33	1	
R216	ERJ6GEYG103	M.RESISTOR CH 1/10W 10K	1		R455-56	ERJ6GEYG102	M.RESISTOR CH 1/10W 1K	2	
R219-20	ERJ6GEYOR00	M.RESISTOR CH 1/10W 0	2		R457-60	ERJ6GEYOR00	M.RESISTOR CH 1/10W 0	4	
R221	ERJ6GEYG223	M.RESISTOR CH 1/10W 2.2K	1		R463	ERJ6GEYOR00	M.RESISTOR CH 1/10W 0	1	
R222	ERJ6GEYF333	M.RESISTOR CH 1/10W 33K	1		R465	ERJ6GEYOR00	M.RESISTOR CH 1/10W 0	1	
R223	ERJ6GEYG564	M.RESISTOR CH 1/10W 560K	1		R466	ERJ6RBD162	M.RESISTOR CH 1/10W 1.6K	1	
R224	ERJ6GEYG102	M.RESISTOR CH 1/10W 1K	1		R468	ERJ6GEYG391	M.RESISTOR CH 1/10W 390	1	
R225	ERJ6GEYG683	M.RESISTOR CH 1/10W 68K	1		R469	ERJ6GEYG103	M.RESISTOR CH 1/10W 10K	1	
R226	ERJ6GEYG331	M.RESISTOR CH 1/10W 330	1		R471	ERJ6GEYG102	M.RESISTOR CH 1/10W 1K	1	
R227	ERJ6GEYJ684	M.RESISTOR CH 1/10W 680K	1		R473	ERJ6GEYG331	M.RESISTOR CH 1/10W 330	1	
R228	ERJ6GEYG753	M.RESISTOR CH 1/10W 75	1		R474	ERJ6GEYG102	M.RESISTOR CH 1/10W 1K	1	
R229	ERJ6GEYG104	M.RESISTOR CH 1/10W 100K	1		R475	ERJ6GEYG101	M.RESISTOR CH 1/10W 100	1	
R230	ERJ6GEYG103	M.RESISTOR CH 1/10W 10K	1		R479	ERJ6GEYG221	M.RESISTOR CH 1/10W 220	1	
R231	ERJ6GEYG682	M.RESISTOR CH 1/10W 6.8K	1		R480	ERJ6GEYG101	M.RESISTOR CH 1/10W 100	1	
R232	ERJ6GEYG153	M.RESISTOR CH 1/10W 15K	1		R481	ERJ6GEYG331	M.RESISTOR CH 1/10W 330	1	
R233	ERJ6GEYF473	M.RESISTOR CH 1/10W 47K	1		R482	ERJ6GEYG103	M.RESISTOR CH 1/10W 10K	1	
R251	ERJ6GEYG101	M.RESISTOR CH 1/10W 100	1		R483-86	ERJ6GEYG101	M.RESISTOR CH 1/10W 100	4	
R301	ERJ6GEYG562	M.RESISTOR CH 1/10W 5.6K	1		R487	ERJ6GEYG331	M.RESISTOR CH 1/10W 330	1	
R302	ERJ6GEYG102	M.RESISTOR CH 1/10W 1K	1		R489	ERJ6GEYG821	M.RESISTOR CH 1/10W 820	1	
R303	ERJ6GEYG101	M.RESISTOR CH 1/10W 100	1		R491	ERJ6GEYG681	M.RESISTOR CH 1/10W 680	1	
R304-05	ERJ6GEYG331	M.RESISTOR CH 1/10W 330	2		R492	ERJ6GEYG101	M.RESISTOR CH 1/10W 100	1	
R306-07	ERJ6GEYG102	M.RESISTOR CH 1/10W 1K	2		R493	ERJ6GEYG821	M.RESISTOR CH 1/10W 820	1	
R308	ERJ6GEYF561	M.RESISTOR CH 1/10W 560	1		R494	ERJ6GEYG103	M.RESISTOR CH 1/10W 10K	1	
R309	ERJ6GEYG183	M.RESISTOR CH 1/10W 18K	1		R495	ERJ6GEYG391	M.RESISTOR CH 1/10W 390	1	
R310	ERJ6GEYOR00	M.RESISTOR CH 1/10W 0	1		R497	ERJ6GEYOR00	M.RESISTOR CH 1/10W 0	1	
R311	ERJ6GEYG102	M.RESISTOR CH 1/10W 1K	1		R498	ERJ6GEYG102	M.RESISTOR CH 1/10W 1K	1	
R312	ERJ6GEYG101	M.RESISTOR CH 1/10W 100	1		R499	ERJ6GEYJ471	M.RESISTOR CH 1/10W 470	1	
R315-16	ERJ6GEYF822	M.RESISTOR CH 1/10W 8.2K	2		R500	ERJ6GEYG272	M.RESISTOR CH 1/10W 2.7K	1	
R317	ERJ6GEYOR00	M.RESISTOR CH 1/10W 0	1		R501	ERJ6GEYG183	M.RESISTOR CH 1/10W 18K	1	
R318	ERJ6GEYF333	M.RESISTOR CH 1/10W 33K	1		R502	ERJ6GEYF333	M.RESISTOR CH 1/10W 33K	1	
R352	ERJ6GEYG101	M.RESISTOR CH 1/10W 100	1		R503	ERJ6GEYG223	M.RESISTOR CH 1/10W 22K	1	
R354	ERJ6GEYG152	M.RESISTOR CH 1/10W 1.5K	1		R504	ERJ6GEYJ471	M.RESISTOR CH 1/10W 470	1	
R355	ERJ6GEYF561	M.RESISTOR CH 1/10W 560	1		R505-06	ERJ6GEYOR00	M.RESISTOR CH 1/10W 0	2	
R358	ERJ6GEYG122	M.RESISTOR CH 1/10W 1.2K	1		R510-11	ERJ6GEYG222	M.RESISTOR CH 1/10W 2.2K	2	
R359	ERJ6GEYG101	M.RESISTOR CH 1/10W 100	1		R512	ERJ6GEYG102	M.RESISTOR CH 1/10W 1K	1	
R360	ERJ6GEYOR00	M.RESISTOR CH 1/10W 0	1		R513	ERJ6GEYF472	M.RESISTOR CH 1/10W 47K	1	
R361	ERJ6GEYG103	M.RESISTOR CH 1/10W 10K	1		R514	ERJ6GEYG101	M.RESISTOR CH 1/10W 100	1	
R362	ERJ6GEYG102	M.RESISTOR CH 1/10W 1K	1		R515	ERJ6GEYG823	M.RESISTOR CH 1/10W 82K	1	
R363	ERJ6GEYG394	M.RESISTOR CH 1/10W 390K	1		R516	ERJ6GEYG102	M.RESISTOR CH 1/10W 1K	1	
R364	ERJ6GEYG154	M.RESISTOR CH 1/10W 150K	1		R517	ERJ6GEYF561	M.RESISTOR CH 1/10W 560	1	
R365	ERJ6GEYG102	M.RESISTOR CH 1/10W 1K	1		R518	ERJ6GEYG102	M.RESISTOR CH 1/10W 1K	1	
R366	ERJ6GEYG101	M.RESISTOR CH 1/10W 100	1		R519	ERJ6GEYF822	M.RESISTOR CH 1/10W 8.2K	1	
R369	ERJ6GEYG101	M.RESISTOR CH 1/10W 100	1		R520-21	ERJ6GEYG332	M.RESISTOR CH 1/10W 3.3K	2	
R370	ERJ6GEYG103	M.RESISTOR CH 1/10W 10K	1		R522-23	ERJ6GEYG121	M.RESISTOR CH 1/10W 120	2	
R371	ERJ6GEYG682	M.RESISTOR CH 1/10W 6.8K	1		R524	ERJ6GEYG101	M.RESISTOR CH 1/10W 100	1	
R401	ERJ6GEYG681	M.RESISTOR CH 1/10W 680	1		R525	ERJ6GEYG222	M.RESISTOR CH 1/10W 2.2K	1	
R402	ERJ6GEYG103	M.RESISTOR CH 1/10W 10K	1		R526	ERJ6GEYG102	M.RESISTOR CH 1/10W 1K	1	
R403	ERJ6GEYG681	M.RESISTOR CH 1/10W 680	1		R527	ERJ6GEYG152	M.RESISTOR CH 1/10W 1.5K	1	
R404	ERJ6GEYG103	M.RESISTOR CH 1/10W 10K	1		R528	ERJ6GEYG470	M.RESISTOR CH 1/10W 47	1	

AJ-D950P  
VEP83409C

Ref.No.	Part No.	Part Name & Description	Pcs	Remarks	Ref.No.	Part No.	Part Name & Description	Pcs	Remarks
R529	ERJ6GEYG152	M.RESISTOR CH 1/10W	1.5K	1	R715-16	ERJ6GEYG102	M.RESISTOR CH 1/10W	1K	2
R530	ERJ6GEYG181	M.RESISTOR CH 1/10W	180	1	R717	ERJ6GEYG101	M.RESISTOR CH 1/10W	100	1
R531	ERJ6GEYG47C	M.RESISTOR CH 1/10W	47	1	R718	ERJ6GEYG394	M.RESISTOR CH 1/10W	390K	1
R532	ERJ6GEYG102	M.RESISTOR CH 1/10W	1K	1	R719	ERJ6GEYG154	M.RESISTOR CH 1/10W	150K	1
R533	ERJ6GEYF472	M.RESISTOR CH 1/10W	4.7K	1	R720-21	ERJ6GEYG105	M.RESISTOR CH 1/10W	1M	2
R534	ERJ6GEYF123	M.RESISTOR CH 1/10W	12K	1	R722	ERJ6GEYG101	M.RESISTOR CH 1/10W	100	1
R535	ERJ6GEYG101	M.RESISTOR CH 1/10W	100	1	R723	ERJ6GEYG103	M.RESISTOR CH 1/10W	10K	1
R537	ERJ6GEYG101	M.RESISTOR CH 1/10W	100	1	R724	ERJ6GEYG222	M.RESISTOR CH 1/10W	2.2K	1
R538	ERJ6GEYF472	M.RESISTOR CH 1/10W	4.7K	1	R725	ERJ6GEYG122	M.RESISTOR CH 1/10W	1.2K	1
R539	ERJ6GEYG103	M.RESISTOR CH 1/10W	10K	1	R726	ERJ6GEYG331	M.RESISTOR CH 1/10W	330	1
R540	ERJ6GEYG101	M.RESISTOR CH 1/10W	100	1	R727	ERJ6GEYG101	M.RESISTOR CH 1/10W	100	1
R541	ERJ6GEYOROC	M.RESISTOR CH 1/10W	C	1	R728	ERJ6GEYG102	M.RESISTOR CH 1/10W	1K	1
R542	ERJ6GEYG821	M.RESISTOR CH 1/10W	820	1	R729	ERJ6GEYG221	M.RESISTOR CH 1/10W	220	1
R543-44	ERJ6GEYG102	M.RESISTOR CH 1/10W	1K	2	R730	ERJ6GEYG152	M.RESISTOR CH 1/10W	1.5K	1
R545	ERJ6GEYF822	M.RESISTOR CH 1/10W	8.2K	1	R731	ERJ6GEYF822	M.RESISTOR CH 1/10W	8.2K	1
R546-47	ERJ6GEYG332	M.RESISTOR CH 1/10W	3.3K	2	R732	ERJ6GEYG102	M.RESISTOR CH 1/10W	1K	1
R548-49	ERJ6GEYG121	M.RESISTOR CH 1/10W	120	2	R733	ERJ6GEYG681	M.RESISTOR CH 1/10W	680	1
R550	ERJ6GEYG153	M.RESISTOR CH 1/10W	15K	1	R734	ERJ6GEYG102	M.RESISTOR CH 1/10W	1K	1
R558	ERJ6GEYG222	M.RESISTOR CH 1/10W	2.2K	1	R735-36	ERJ6GEYG101	M.RESISTOR CH 1/10W	100	2
R559	ERJ6GEYG102	M.RESISTOR CH 1/10W	1K	1	R751	ERJ6GEYG103	M.RESISTOR CH 1/10W	10K	1
R560-61	ERJ6GEYG222	M.RESISTOR CH 1/10W	2.2K	2	R752	ERJ6GEYG152	M.RESISTOR CH 1/10W	1.5K	1
R562	ERJ6GEYF473	M.RESISTOR CH 1/10W	4.7K	1	R753	ERJ6GEYJ471	M.RESISTOR CH 1/10W	470	1
R565	ERJ6GEYJ224	M.RESISTOR CH 1/10W	220K	1	R754	ERJ6GEYG152	M.RESISTOR CH 1/10W	1.5K	1
R566	ERJ6GEYJ684	M.RESISTOR CH 1/10W	680K	1	R757	ERJ6GEYG101	M.RESISTOR CH 1/10W	100	1
R567-70	ERJ6GEYG103	M.RESISTOR CH 1/10W	10K	4	R758	ERJ6GEYG391	M.RESISTOR CH 1/10W	390	1
R601	ERJ6GEYG103	M.RESISTOR CH 1/10W	10K	1	R761	ERJ6GEYG122	M.RESISTOR CH 1/10W	1.2K	1
R602	ERJ6GEYG222	M.RESISTOR CH 1/10W	2.2K	1	R762	ERJ6GEYG101	M.RESISTOR CH 1/10W	100	1
R603	ERJ6GEYG682	M.RESISTOR CH 1/10W	6.8K	1	R763-64	ERJ6GEYF123	M.RESISTOR CH 1/10W	12K	2
R604	ERJ6GEYF472	M.RESISTOR CH 1/10W	4.7K	1	R765-66	ERJ6GEYG102	M.RESISTOR CH 1/10W	1K	2
R605	ERJ6GEYG102	M.RESISTOR CH 1/10W	1K	1	R767	ERJ6GEYG101	M.RESISTOR CH 1/10W	100	1
R606-07	ERJ6GEYF472	M.RESISTOR CH 1/10W	4.7K	2	R768	ERJ6GEYG394	M.RESISTOR CH 1/10W	390K	1
R608-09	ERJ6GEYG222	M.RESISTOR CH 1/10W	2.2K	2	R769	ERJ6GEYJ274	M.RESISTOR CH 1/10W	270K	1
R610	ERJ6GEYG392	M.RESISTOR CH 1/10W	3.9K	1	R770-71	ERJ6GEYG105	M.RESISTOR CH 1/10W	1M	2
R611	ERJ6GEYG332	M.RESISTOR CH 1/10W	3.3K	1	R772	ERJ6GEYG101	M.RESISTOR CH 1/10W	100	1
R612-13	ERJ6GEYG682	M.RESISTOR CH 1/10W	6.8K	2	R773	ERJ6GEYG103	M.RESISTOR CH 1/10W	10K	1
R614	ERJ6GEYG223	M.RESISTOR CH 1/10W	2.2K	1	R774	ERJ6GEYG222	M.RESISTOR CH 1/10W	2.2K	1
R615	ERJ6GEYG682	M.RESISTOR CH 1/10W	6.8K	1	R775	ERJ6GEYG272	M.RESISTOR CH 1/10W	2.7K	1
R616	ERJ6GEYG223	M.RESISTOR CH 1/10W	2.2K	1	R776	ERJ6GEYJ471	M.RESISTOR CH 1/10W	470	1
R617	ERJ6GEYG332	M.RESISTOR CH 1/10W	3.3K	1	R777	ERJ6GEYG152	M.RESISTOR CH 1/10W	1.5K	1
R618	ERJ6GEYG153	M.RESISTOR CH 1/10W	15K	1	R778	ERJ6GEYF561	M.RESISTOR CH 1/10W	560	1
R619	ERJ6GEYG681	M.RESISTOR CH 1/10W	680	1	R779	ERJ6GEYG152	M.RESISTOR CH 1/10W	1.5K	1
R620-21	ERJ6GEYG152	M.RESISTOR CH 1/10W	1.5K	2	R780	ERJ6GEYF561	M.RESISTOR CH 1/10W	560	1
R622	ERJ6GEYG103	M.RESISTOR CH 1/10W	10K	1	R781	ERJ6GEYG682	M.RESISTOR CH 1/10W	6.8K	1
R623	ERJ6GEYG104	M.RESISTOR CH 1/10W	100K	1	R782	ERJ6GEYG273	M.RESISTOR CH 1/10W	27K	1
R624	ERJ6GEYG152	M.RESISTOR CH 1/10W	1.5K	1	R783	ERJ6GEYG272	M.RESISTOR CH 1/10W	2.7K	1
R625	ERJ6GEYG683	M.RESISTOR CH 1/10W	68K	1	R784-91	ERJ6GEYG102	M.RESISTOR CH 1/10W	1K	8
R626	ERJ6GEYG101	M.RESISTOR CH 1/10W	100	1	R801	ERJ6GEYG103	M.RESISTOR CH 1/10W	10K	1
R631	ERJ6GEYOROC	M.RESISTOR CH 1/10W	C	1	R802	ERJ6GEYG152	M.RESISTOR CH 1/10W	1.5K	1
R651	ERJ6GEYG152	M.RESISTOR CH 1/10W	1.5K	1	R803	ERJ6GEYJ471	M.RESISTOR CH 1/10W	470	1
R652	ERJ6GEYG562	M.RESISTOR CH 1/10W	5.6K	1	R804	ERJ6GEYG152	M.RESISTOR CH 1/10W	1.5K	1
R653	ERJ6GEYG152	M.RESISTOR CH 1/10W	1.5K	1	R807	ERJ6GEYG101	M.RESISTOR CH 1/10W	100	1
R657	ERJ6GEYG102	M.RESISTOR CH 1/10W	1K	1	R808	ERJ6GEYG391	M.RESISTOR CH 1/10W	390	1
R658	ERJ6GEYG152	M.RESISTOR CH 1/10W	1.5K	1	R811	ERJ6GEYG122	M.RESISTOR CH 1/10W	1.2K	1
R659	ERJ6GEYG122	M.RESISTOR CH 1/10W	1.2K	1	R812	ERJ6GEYG101	M.RESISTOR CH 1/10W	100	1
R660	ERJ6GEYG272	M.RESISTOR CH 1/10W	2.7K	1	R813-14	ERJ6GEYF123	M.RESISTOR CH 1/10W	12K	2
R661	ERJ6GEYG152	M.RESISTOR CH 1/10W	1.5K	1	R815-16	ERJ6GEYG102	M.RESISTOR CH 1/10W	1K	2
R663	ERJ6GEYG102	M.RESISTOR CH 1/10W	1K	1	R817	ERJ6GEYG101	M.RESISTOR CH 1/10W	100	1
R664	ERJ6GEYG152	M.RESISTOR CH 1/10W	1.5K	1	R818	ERJ6GEYG394	M.RESISTOR CH 1/10W	390K	1
R665	ERJ6RBD122	M.RESISTOR CH 1/10W	1.2K	1	R819	ERJ6GEYJ274	M.RESISTOR CH 1/10W	270K	1
R666	ERJ6GEYG272	M.RESISTOR CH 1/10W	2.7K	1	R820-21	ERJ6GEYG105	M.RESISTOR CH 1/10W	1M	2
R667	ERJ6GEYG152	M.RESISTOR CH 1/10W	1.5K	1	R822	ERJ6GEYG101	M.RESISTOR CH 1/10W	100	1
R668	ERJ6GEYG102	M.RESISTOR CH 1/10W	1K	1	R823	ERJ6GEYG103	M.RESISTOR CH 1/10W	10K	1
R669	ERJ6GEYG101	M.RESISTOR CH 1/10W	100	1	R824	ERJ6GEYG222	M.RESISTOR CH 1/10W	2.2K	1
R670	ERJ6GEYF473	M.RESISTOR CH 1/10W	4.7K	1	R825	ERJ6GEYG272	M.RESISTOR CH 1/10W	2.7K	1
R671-72	ERJ6GEYG103	M.RESISTOR CH 1/10W	10K	2	R826	ERJ6GEYJ471	M.RESISTOR CH 1/10W	470	1
R701	ERJ6GEYG103	M.RESISTOR CH 1/10W	10K	1	R827	ERJ6GEYG152	M.RESISTOR CH 1/10W	1.5K	1
R702	ERJ6GEYG102	M.RESISTOR CH 1/10W	1K	1	R828	ERJ6GEYF561	M.RESISTOR CH 1/10W	560	1
R703	ERJ6GEYG331	M.RESISTOR CH 1/10W	330	1	R829	ERJ6GEYG152	M.RESISTOR CH 1/10W	1.5K	1
R704	ERJ6GEYG152	M.RESISTOR CH 1/10W	1.5K	1	R830	ERJ6GEYF561	M.RESISTOR CH 1/10W	560	1
R707	ERJ6GEYG101	M.RESISTOR CH 1/10W	100	1	R831	ERJ6GEYG682	M.RESISTOR CH 1/10W	6.8K	1
R708	ERJ6GEYG181	M.RESISTOR CH 1/10W	180	1	R832	ERJ6GEYG273	M.RESISTOR CH 1/10W	27K	1
R711	ERJ6GEYG122	M.RESISTOR CH 1/10W	1.2K	1	R833	ERJ6GEYG272	M.RESISTOR CH 1/10W	2.7K	1
R712	ERJ6GEYG101	M.RESISTOR CH 1/10W	100	1	R834-41	ERJ6GEYG102	M.RESISTOR CH 1/10W	1K	8
R713	ERJ6GEYOROC	M.RESISTOR CH 1/10W	C	1	R854-57	ERJ6GEYG391	M.RESISTOR CH 1/10W	390	4
R714	ERJ6GEYF333	M.RESISTOR CH 1/10W	33K	1	R858	ERJ6GEYG332	M.RESISTOR CH 1/10W	3.3K	1



AJ-D950P  
VEP83409C / VEP83376A

Ref.No.	Part No.	Part Name & Description	Pcs	Remarks	Ref.No.	Part No.	Part Name & Description	Pcs	Remarks
R859-68	ERJ6GEYG391	M.RESISTOR CH 1/10W	390	1	TP751	VJRO646	TEST POINT	1	
R869	ERJ6GEYG332	M.RESISTOR CH 1/10W	3.3K	1	TP801	VJRO646	TEST POINT	1	
R872	ERJ6GEYOROC	M.RESISTOR CH 1/10W	C	1	TP951	EYF6CU	TEST POINT	1	
R874	ERJ6GEYOROC	M.RESISTOR CH 1/10W	C	1	TP952	VJRO646	TEST POINT	1	
R875	ERJ6GEYG103	M.RESISTOR CH 1/10W	10K	1					
R901-03	ERJ6GEYG101	M.RESISTOR CH 1/10W	100	3	VL601	VLQ0415	COIL	1	
R911-13	ERJ6GEYG47C	M.RESISTOR CH 1/10W	47	3					
R914	ERJ6GEYG101	M.RESISTOR CH 1/10W	100	1	VR301	VRV0064B502	RESISTOR 5K	1	
R916	ERJ6GEYG101	M.RESISTOR CH 1/10W	100	1	VR351	VRV0064B502	RESISTOR 5K	1	
R917-18	ERJ6GEYG103	M.RESISTOR CH 1/10W	10K	2	VR451	VRV0112B101	RESISTOR 100K	1	
R919	ERJ6GEYG101	M.RESISTOR CH 1/10W	100	1	VR455	VRV0064B502	RESISTOR 500	1	
R920	ERJ6GEYG103	M.RESISTOR CH 1/10W	10K	1	VR496	ERJ6GEYOROC	M.RESISTOR CH 1/10W	C	1
R921	ERJ6GEYG101	M.RESISTOR CH 1/10W	100	1	VR501	VRV0064B502	RESISTOR 5K	1	
R923	ERJ6GEYG105	M.RESISTOR CH 1/10W	1M	1	VR502	VRV0064B102	RESISTOR 1K	1	
R930	ERJ6GEYG47C	M.RESISTOR CH 1/10W	47	1	VR505	VRV0064B102	RESISTOR 1K	1	
R931-32	ERJ6GEYG152	M.RESISTOR CH 1/10W	1.5K	2	VR507	VRV0064B102	RESISTOR 1K	1	
R933	ERJ6GEYG391	M.RESISTOR CH 1/10W	390	1	VR510-11	VRV0064B102	RESISTOR 1K	2	
R934	ERJ6GEYG47C	M.RESISTOR CH 1/10W	47	1	VR512	VRV0064B502	RESISTOR 5K	1	
R935	ERJ6GEYG332	M.RESISTOR CH 1/10W	3.3K	1	VR601	VRV0064B202	RESISTOR 2K	1	
R936	ERJ6GEYG102	M.RESISTOR CH 1/10W	1K	1	VR602	VRV0064B502	RESISTOR 5K	1	
R937	ERJ6GEYF472	M.RESISTOR CH 1/10W	4.7K	1	VR701	VRV0064B102	RESISTOR 1K	1	
R938	ERJ6GEYG101	M.RESISTOR CH 1/10W	100	1	VR702	VRV0064B502	RESISTOR 5K	1	
R939	ERJ6GEYG47C	M.RESISTOR CH 1/10W	47	1	VR703	VRV0064B102	RESISTOR 1K	1	
R940-41	ERJ6GEYG152	M.RESISTOR CH 1/10W	1.5K	2	VR704	VRV0064B102	RESISTOR 10K	1	
R942	ERJ6GEYG391	M.RESISTOR CH 1/10W	390	1	VR751	VRV0064B102	RESISTOR 1K	1	
R943	ERJ6GEYG47C	M.RESISTOR CH 1/10W	47	1	VR752	VRV0064B502	RESISTOR 5K	1	
R944	ERJ6GEYG332	M.RESISTOR CH 1/10W	3.3K	1	VR753	VRV0064B102	RESISTOR 1K	1	
R945	ERJ6GEYG102	M.RESISTOR CH 1/10W	1K	1	VR754	VRV0064B502	RESISTOR 5K	1	
R946	ERJ6GEYF472	M.RESISTOR CH 1/10W	4.7K	1	VR801	VRV0064B102	RESISTOR 1K	1	
R947	ERJ6GEYG101	M.RESISTOR CH 1/10W	100	1	VR802	VRV0064B502	RESISTOR 5K	1	
R948-49	ERJ6GEYG103	M.RESISTOR CH 1/10W	10K	2	VR803	VRV0064B102	RESISTOR 1K	1	
R950	ERJ6GEYG222	M.RESISTOR CH 1/10W	2.2K	1	VR804	VRV0064B502	RESISTOR 5K	1	
R951	ERJ6GEYG101	M.RESISTOR CH 1/10W	100	1					
R952	ERJ6GEYG222	M.RESISTOR CH 1/10W	2.2K	1	X402	VSX0330	CRYSTAL OSCILLATOR	1	
R953	ERJ6GEYG102	M.RESISTOR CH 1/10W	1K	1	X501	VSX0338	CRYSTAL OSCILLATOR	1	
R954	ERJ6GEYG152	M.RESISTOR CH 1/10W	1.5K	1			MISCELLANEOUS		
R955	ERJ6GEYG47C	M.RESISTOR CH 1/10W	47	1					
R956	ERJ6GEYG152	M.RESISTOR CH 1/10W	1.5K	1					
R957	ERJ6GEYG181	M.RESISTOR CH 1/10W	180	1	VML2143	CARD PULLER	1		
R958	ERJ6GEYG47C	M.RESISTOR CH 1/10W	47	1	VML2144	CARD PULLER	1		
R959	ERJ6GEYG102	M.RESISTOR CH 1/10W	1K	1					
R960	ERJ6GEYF472	M.RESISTOR CH 1/10W	4.7K	1					
R961	ERJ6GEYG101	M.RESISTOR CH 1/10W	100	1					
R962-63	ERJ6GEYG103	M.RESISTOR CH 1/10W	10K	2					
R965	ERJ6GEYJ274	M.RESISTOR CH 1/10W	270K	1					
R966	ERJ6GEYOROC	M.RESISTOR CH 1/10W	C	1	i	VEP83376A	F4 P SDI P.C.BOARD	1	(RTL)
R967	ERJ6GEYG102	M.RESISTOR CH 1/10W	1K	1					
R968	ERJ6GEYOROC	M.RESISTOR CH 1/10W	C	1					
R969	ERJ6GEYF333	M.RESISTOR CH 1/10W	33K	1	C3001	ECEV1CV4700E	CAPACITOR CH 16V 47U	1	
R970	ERJ6GEYG103	M.RESISTOR CH 1/10W	10K	1	C3002	ECUX1E104ZF	CAPACITOR CH 25V 0.1U	1	
R973-74	ERJ6GEYG103	M.RESISTOR CH 1/10W	10K	2	C3003	ECEV1CV4700E	CAPACITOR CH 16V 47U	1	
R975-76	ERJ6GEYG332	M.RESISTOR CH 1/10W	3.3K	2	C3004	ECUX1E104ZF	CAPACITOR CH 25V 0.1U	1	
R977-78	ERJ6GEYOROC	M.RESISTOR CH 1/10W	C	2	C3005	ECEV1CV4700E	CAPACITOR CH 16V 47U	1	
R979	ERJ6GEYG272	M.RESISTOR CH 1/10W	2.7K	1	C3006	ECUX1E104ZF	CAPACITOR CH 25V 0.1U	1	
R980	ERJ6GEYG101	M.RESISTOR CH 1/10W	100	1	C3007	ECEV1CV4700E	CAPACITOR CH 16V 47U	1	
R981	ERJ6GEYG103	M.RESISTOR CH 1/10W	10K	1	C3008	ECUX1E104ZF	CAPACITOR CH 25V 0.1U	1	
R982	ERJ6GEYG101	M.RESISTOR CH 1/10W	100	1	C3009	ECEV1CV4700E	CAPACITOR CH 16V 47U	1	
R983	ERJ6GEYG394	M.RESISTOR CH 1/10W	390K	1	C3010	ECUX1E104ZF	CAPACITOR CH 25V 0.1U	1	
R984	ERJ6GEYG103	M.RESISTOR CH 1/10W	10K	1	C3011	ECEV1CV4700E	CAPACITOR CH 16V 47U	1	
R985	ERJ6GEYF472	M.RESISTOR CH 1/10W	4.7K	1	C3012	ECUX1E104ZF	CAPACITOR CH 25V 0.1U	1	
R986-87	ERJ6GEYG103	M.RESISTOR CH 1/10W	10K	2	C3013	ECEV1CV4700E	CAPACITOR CH 16V 47U	1	
R988	ERJ6GEYG563	M.RESISTOR CH 1/10W	56K	1	C3014-15	ECUX1E104ZF	CAPACITOR CH 25V 0.1U	2	
R989	ERJ6GEYF561	M.RESISTOR CH 1/10W	560	1	C3100	ECUM1H100D	CAPACITOR CH 50V 10P	1	
R990	ERJ6GEYG102	M.RESISTOR CH 1/10W	1K	1	C3101	ECUM1E104ZF	CAPACITOR CH 25V 0.1U	1	
R991	ERJ6GEYOROC	M.RESISTOR CH 1/10W	C	1	C3102	ECUX1E104KE	CAPACITOR CH 25V 0.1U	1	
R992	ERJ6GEYG101	M.RESISTOR CH 1/10W	100	1	C3108	ECUM1E104ZF	CAPACITOR CH 25V 0.1U	1	
					C3109-10	ECUM1H470J	CAPACITOR CH 50V 47P	2	
TG1-G6	VJRO646	TEST POINT		6	C3111	ECUM1E104ZF	CAPACITOR CH 25V 0.1U	1	
					C3112	ECUM1H050G	CAPACITOR CH 50V 5P	1	
TP351	VJRO646	TEST POINT		1	C3113	ECUX1E104KE	CAPACITOR CH 25V 0.1U	1	
TP501	VJRO646	TEST POINT		1	C3114-15	ECUM1H102J	CAPACITOR CH 50V 1000P	2	
TP502	EYF6CU	TEST POINT		1	C3116-17	ECUM1E104ZF	CAPACITOR CH 25V 0.1U	2	
TP503-04	VJRO646	TEST POINT		2	C3118	ECEV1AV3300E	CAPACITOR CH 10V 33U	1	
TP601-03	VJRO646	TEST POINT		3	C3119	ECUX1E104KE	CAPACITOR CH 25V 0.1U	1	
TP701	VJRO646	TEST POINT		1	C3120	ECUM1H332KE	CAPACITOR CH 50V 3300P	1	

AJ-D950P  
VEP83376A

Ref.No.	Part No.	Part Name & Description	Pcs	Remarks	Ref.No.	Part No.	Part Name & Description	Pcs	Remarks
C3121	ECUM1E104ZFN	CAPACITOR CH 25V 0.1U	1		C3490-9	ECUM1E104ZFN	CAPACITOR CH 25V 0.1U	2	
C3122	ECEV1EN3R30E	CAPACITOR CH 25V 3.3U	1		C3493	ECUX1E104KEB	CAPACITOR CH 25V 0.1U	1	
C3123	ECUM1E823KB	CAPACITOR CH 25V 0.082U	1		C3496-98	ECUM1E104ZFN	CAPACITOR CH 25V 0.1U	3	
C3124	ECEV1HV0100E	CAPACITOR CH 50V 1U	1		C3499-00	ECUX1E104KEB	CAPACITOR CH 25V 0.1U	2	
C3125-29	ECUM1E104ZFN	CAPACITOR CH 25V 0.1U	5		C3502	ECUX1E104KEB	CAPACITOR CH 25V 0.1U	1	
C3130	ECUM1H223KB	CAPACITOR CH 50V 0.022U	1		C3503	ECUM1E104ZFN	CAPACITOR CH 25V 0.1U	1	
C3131	ECEV1AV3300E	CAPACITOR CH 10V 33U	1		C3509	ECUM1C105ZFN	CAPACITOR CH 16V 1U	1	
C3132-35	ECUM1E104ZFN	CAPACITOR CH 25V 0.1U	4		C3510-11	ECUM1H0200CN	CAPACITOR CH 50V 2P	2	
C3136	ECEV1AV3300E	CAPACITOR CH 10V 33U	1		C3512	ECUM1C105ZFN	CAPACITOR CH 16V 1U	1	
C3138	ECUM1C105ZFN	CAPACITOR CH 16V 1U	1		C3513	ECUM1H0200CN	CAPACITOR CH 50V 2P	1	
C3139	ECUM1H0300CN	CAPACITOR CH 50V 3P	1		C3514	ECUX1E104KEB	CAPACITOR CH 25V 0.1U	1	
C3140-41	ECUM1E104ZFN	CAPACITOR CH 25V 0.1U	2		C3516	ECUM1C105ZFN	CAPACITOR CH 16V 1U	1	
C3142	ECEV0JV3300E	CAPACITOR CH 6.3V 33U	1		C3517	ECUM1H0200CN	CAPACITOR CH 50V 2P	1	
C3143	ECUM1E104ZFN	CAPACITOR CH 25V 0.1U	1		C3530	ECEV1CV4700E	CAPACITOR CH 16V 47U	1	
C3144	ECEV1AV3300E	CAPACITOR CH 10V 33U	1		C3531	ECUX1H103KEB	CAPACITOR CH 50V 0.01U	1	
C3145	ECEV1CV1000E	CAPACITOR CH 16V 10U	1		C3532	ECUX1C104ZFN	CAPACITOR CH 16V 0.1U	1	
C3146	ECUX1E104KEB	CAPACITOR CH 25V 0.1U	1		C3533	ECUX1H103KEB	CAPACITOR CH 50V 0.01U	1	
C3147-50	ECUM1E104ZFN	CAPACITOR CH 25V 0.1U	4		C3534	ECEV1CV4700E	CAPACITOR CH 16V 47U	1	
C3162	ECUM1C105ZFN	CAPACITOR CH 16V 1U	1		C3535-37	ECUX1H103KEB	CAPACITOR CH 50V 0.01U	3	
C3163	ECUM1H0300CN	CAPACITOR CH 50V 3P	1		C3538	ECUX1E104ZFN	CAPACITOR CH 25V 0.1U	1	
C3170-86	ECUX1E104ZFN	CAPACITOR CH 25V 0.1U	17		C3539	ECEV1HNO100E	CAPACITOR CH 50V 1U	1	
C3200-04	ECUX1E104ZFN	CAPACITOR CH 25V 0.1U	5		C3540	ECUX1H103KEB	CAPACITOR CH 50V 0.01U	1	
C3220-23	ECUX1E104ZFN	CAPACITOR CH 25V 0.1U	4		C3560	ECEV1CV4700E	CAPACITOR CH 16V 47U	1	
C3240-46	ECUX1E104ZFN	CAPACITOR CH 25V 0.1U	7		C3561-62	ECUX1H103KEB	CAPACITOR CH 50V 0.01U	2	
C3248	ECUX1E104ZFN	CAPACITOR CH 25V 0.1U	1		C3563	ECEV1CV4700E	CAPACITOR CH 16V 47U	1	
C3270	ECUM1H103KEB	CAPACITOR CH 50V 0.01U	1		C3564	ECUX1H103KEB	CAPACITOR CH 50V 0.01U	1	
C3271	ECUM1E104ZFN	CAPACITOR CH 25V 0.1U	1		C3565	ECEV1CV4700E	CAPACITOR CH 16V 47U	1	
C3272-74	ECUX1E104ZFN	CAPACITOR CH 25V 0.1U	3		C3566-69	ECUX1H103KEB	CAPACITOR CH 50V 0.01U	4	
C3275-77	ECUM1H103KEB	CAPACITOR CH 50V 0.01U	3		C3570	ECUX1H150JCV	CAPACITOR CH 50V 15F	1	
C3278	ECUM1E104ZFN	CAPACITOR CH 25V 0.1U	1		C3571	ECUX1H103KEB	CAPACITOR CH 50V 0.01U	1	
C3279-85	ECUX1E104ZFN	CAPACITOR CH 25V 0.1U	7		C3572	ECEV1CV2200E	CAPACITOR CH 16V 22U	1	
C3288-89	ECKF1H181KB	CAPACITOR 50V 180P	2		C3573	ECUX1H103KEB	CAPACITOR CH 50V 0.01U	1	
C3301-02	ECUX1H103KEB	CAPACITOR CH 50V 0.01U	2		C3574	ECEV1CV2200E	CAPACITOR CH 16V 22U	1	
C3303	ECEV1CV4700E	CAPACITOR CH 16V 47U	1		C3575	ECUX1C104ZFN	CAPACITOR CH 16V 0.1U	1	
C3304	ECUX1H103KEB	CAPACITOR CH 50V 0.01U	1		C3576	ECEV1CV4700E	CAPACITOR CH 16V 47U	1	
C3305	ECUX1H120JCV	CAPACITOR CH 50V 12F	1		C3577-80	ECUX1H103KEB	CAPACITOR CH 50V 0.01U	4	
C3306	ECUX1H470JCV	CAPACITOR CH 50V 47F	1		C3581	ECUX1H0300CN	CAPACITOR CH 50V 3P	1	
C3307	ECUX1E104ZFN	CAPACITOR CH 25V 0.1U	1		C3582	ECUX1H101JCV	CAPACITOR CH 50V 100P	1	
C3308	ECEV1CV1000E	CAPACITOR CH 16V 10U	1		C3583	ECEV1CV2200E	CAPACITOR CH 16V 22U	1	
C3309	ECUX1E104ZFN	CAPACITOR CH 25V 0.1U	1		C3584	ECUX1H103KEB	CAPACITOR CH 50V 0.01U	1	
C3310-11	ECEV1CV1000E	CAPACITOR CH 16V 10U	2		C3600	ECUX1H103KEB	CAPACITOR CH 50V 0.01U	1	
C3313	ECUX1E104ZFN	CAPACITOR CH 25V 0.1U	1		C3601	ECUX1C104ZFN	CAPACITOR CH 16V 0.1U	1	
C3315	ECUX1E104ZFN	CAPACITOR CH 25V 0.1U	1		C3602-03	ECUX1H103KEB	CAPACITOR CH 50V 0.01U	2	
C3318	ECUX1H120JCV	CAPACITOR CH 50V 12F	1		C3604	ECUX1C104ZFN	CAPACITOR CH 16V 0.1U	1	
C3319	ECUX1H121JCV	CAPACITOR CH 50V 120P	1		C3605	ECUX1H103KEB	CAPACITOR CH 50V 0.01U	1	
C3320	ECUX1H180JCV	CAPACITOR CH 50V 18F	1		C3606	ECUX1E104ZFN	CAPACITOR CH 25V 0.1U	1	
C3340	ECUX1E104ZFN	CAPACITOR CH 25V 0.1U	1		C3607	ECUX1H103KEB	CAPACITOR CH 50V 0.01U	1	
C3341	ECUX1H221JCV	CAPACITOR CH 50V 220P	1		C3609	ECUX1H103KEB	CAPACITOR CH 50V 0.01U	1	
C3342	ECUX1E104ZFN	CAPACITOR CH 25V 0.1U	1		C3620-27	ECUM1E104ZFN	CAPACITOR CH 25V 0.1U	8	
C3343	ECUX1H180JCV	CAPACITOR CH 50V 18F	1		C3629	ECUM1H103KEB	CAPACITOR CH 50V 0.01U	1	
C3344-49	ECUX1E104ZFN	CAPACITOR CH 25V 0.1U	6		C3630	ECUM1E104ZFN	CAPACITOR CH 25V 0.1U	1	
C3350	ECUX1H180JCV	CAPACITOR CH 50V 18F	1		C3631-32	ECUX1E104ZFN	CAPACITOR CH 25V 0.1U	2	
C3351	ECUX1H0500CN	CAPACITOR CH 50V 5P	1		C3633	ECUM1E104ZFN	CAPACITOR CH 25V 0.1U	1	
C3352	ECUX1H221JCV	CAPACITOR CH 50V 220P	1		C3660-67	ECUX1E104ZFN	CAPACITOR CH 25V 0.1U	8	
C3353	ECUX1H222KEB	CAPACITOR CH 50V 2200P	1		C3670-72	ECUX1E104ZFN	CAPACITOR CH 25V 0.1U	3	
C3354	ECEV1CV1000E	CAPACITOR CH 16V 10U	1		C3700-01	ECUX1E104ZFN	CAPACITOR CH 25V 0.1U	2	
C3355	ECUX1H0500CN	CAPACITOR CH 50V 5P	1						
C3356	ECUX1H222KEB	CAPACITOR CH 50V 2200P	1						
C3380-81	ECUX1E104ZFN	CAPACITOR CH 25V 0.1U	2		D3001	MA152K	DIODE	1	
C3390-95	ECUX1E104ZFN	CAPACITOR CH 25V 0.1U	6		D3005	MA3024	DIODE	1	
C3396-97	ECUX1H103KEB	CAPACITOR CH 50V 0.01U	2		D3006-08	MA840-A	DIODE	3	
C3410-12	ECUX1E104ZFN	CAPACITOR CH 25V 0.1U	3		D3010	1SS88	DIODE	1	
C3430-47	ECUX1E104ZFN	CAPACITOR CH 25V 0.1U	18		D3014	LN1251CAL	DIODE	1	
C3460-62	ECUX1E104ZFN	CAPACITOR CH 25V 0.1U	3						
C3470-72	ECUM1E104ZFN	CAPACITOR CH 25V 0.1U	3		FL3001-09	WLF0931	FILTER	9	
C3473-74	ECEV1AV3300E	CAPACITOR CH 10V 33U	2		FL3100	VLF1433	FILTER	1	
C3476	ECUM1E104ZFN	CAPACITOR CH 25V 0.1U	1						
C3477-78	ECUM1H1000CN	CAPACITOR CH 50V 10P	2		IC3001	T74VHC244F	IC	1	
C3479	ECUM1E104ZFN	CAPACITOR CH 25V 0.1U	1		IC3100	GS9005A-CP	IC	1	
C3480-81	ECUX1E104KEB	CAPACITOR CH 25V 0.1U	2		IC3101	MC74HC4053E	IC	1	
C3482	ECUM1E104ZFN	CAPACITOR CH 25V 0.1U	1		IC3102	GS9010-CKC	IC	1	
C3483	ECUX1E104KEB	CAPACITOR CH 25V 0.1U	1		IC3103	GS9000BCPJ	IC	1	
C3485	ECUM1C105ZFN	CAPACITOR CH 16V 1U	1		IC3104	GS9007-CKA	IC	1	
C3487-88	ECUM1E104ZFN	CAPACITOR CH 25V 0.1U	2		IC3105	AN7805F	IC	1	
C3489	ECEV1AV3300E	CAPACITOR CH 10V 33U	1		IC3120	TCVHC02F	IC	1	
					IC3121	T74VHC244F	IC	1	

AJ-D950P  
VEP83376A

Ref.No.	Part No.	Part Name & Description	Pcs	Remarks	Ref.No.	Part No.	Part Name & Description	Pcs	Remarks
IC3122	UPD65929GD	IC	1		IC3460	UPD71055GB	IC	1	
IC3123	T74LCX244F	IC	1		IC3490	GS9001-CQM	IC	1	
IC3124-2	TLCX574F	IC	2		IC3491	MACH211S10	IC	1	
IC3126	LVT245ANS	IC	1		IC3492-9	SN74AS244AN	IC	2	
IC3127	TCVHC02F	IC	1		IC3494	M4128-6410	IC	1	
IC3140-4	TVHT574F	IC	3		IC3497-9	TLCX574F	IC	2	
IC3143	M4128-6410	IC	1		IC3500	M4128-6410	IC	1	
IC3160	T160G70-158	IC	1						
IC3180	TVHT574F	IC	1		L3100-01	VLQ0319K100	COIL	10UH	2
IC3181-8	TLCX574F	IC	2		L3102	VLQ0426J015	COIL	15UH	1
IC3183	T74VHC574F	IC	1		L3103	VLQ0319K100	COIL	10UH	1
IC3184	MN47V78S	IC	1		L3104	VLQ0319K4R	COIL	4.7UH	1
IC3186	TLCX574F	IC	1		L3105	VLQ0319K470	COIL	47UH	1
IC3187	MN47V78S	IC	1		L3106-07	VLQ0319K100	COIL	10UH	2
IC3189	TVHT574F	IC	1						
IC3210-1	T74VHC244F	IC	4		P3001-02	VJP3510	CONNECTOR (MALE)		2
IC3214-1	TLCX574F	IC	2		P3003	VJP3125B008	CONNECTOR (MALE)		1
IC3216	MC10H125M	IC	1		P3004-05	VJP3635A080	CONNECTOR (MALE)		2
IC3217	T74LCX244F	IC	1		P3010	VJP1231T	CONNECTOR (MALE)	4P	1
IC3218	TLCX574F	IC	1		P3200	VJP4131	CONNECTOR (MALE)		1
IC3219-2	T74VHC244F	IC	2		P3204-07	VJP4131	CONNECTOR (MALE)		4
IC3240	NJM79L05UA	IC	1						
IC3241	SN74ALS257A	IC	1		Q3100	2SD601A-R	TRANSISTOR		1
IC3242-4	NJM78L05UA	IC	2		Q3101-02	MSD601	TRANSISTOR		2
IC3244	AD8047AR	IC	1		Q3103-04	MSB709	TRANSISTOR		2
IC3245	SN74ALS257A	IC	1		Q3105-06	2SD601A-R	TRANSISTOR		2
IC3246	MB40768PF-HE	IC	1		Q3107	2SB709A-R	TRANSISTOR		1
IC3260	T74VHC244F	IC	1						
IC3261	NJM78L05UA	IC	1		QR3001	MUN2212	TRANSISTOR-RESISTOR		1
IC3263	CF72417	IC	1						
IC3264	MC68HC68VHC	IC	1		R3001-04	ERJ3GEYG102	M.RESISTOR CH 1/16W	1K	4
IC3280	M4128-6410	IC	1		R3031-32	ERJ3GEYJ101	M.RESISTOR CH 1/16W	100	2
IC3290	T74VHC244F	IC	1		R3100	ERJ6GEYG273	M.RESISTOR CH 1/10W	27K	1
IC3291	TLCX574F	IC	1		R3102	ERJ6GEYOR0C	M.RESISTOR CH 1/10W	0	1
IC3292-9	SN74ALS257A	IC	2		R3103-04	ERJ6GEYG101	M.RESISTOR CH 1/10W	100	2
IC3294	TLCX574F	IC	1		R3105	ERJ6GEYG121	M.RESISTOR CH 1/10W	120	1
IC3295	T74VHC244F	IC	1		R3106	ERJ6GEYG390	M.RESISTOR CH 1/10W	39	1
IC3296	MC10H124M	IC	1		R3107-09	ERJ6GEYG121	M.RESISTOR CH 1/10W	120	3
IC3310	M4128-6410	IC	1		R3114	ERJ6RED750	M.RESISTOR CH 1/10W	75	1
IC3311	T74VHC244F	IC	1		R3116	ERJ6GEYOR0C	M.RESISTOR CH 1/10W	0	1
IC3330-3	TVHT574F	IC	2		R3117	ERJ6RBD182	M.RESISTOR CH 1/10W	1.8K	1
IC3332	T74VHC244F	IC	1		R3118	ERJ6RBD222	M.RESISTOR CH 1/10W	2.2K	1
IC3333	UPD65929GD	IC	1		R3120	ERJ6GEYOR0C	M.RESISTOR CH 1/10W	0	1
IC3334	T74VHC244F	IC	1		R3122	ERJ6GEYOR0C	M.RESISTOR CH 1/10W	0	1
IC3335	LVT245ANS	IC	1		R3124	ERJ6RBD471	M.RESISTOR CH 1/10W	470	1
IC3350	UPD6456T61	IC	1		R3125	ERJ6RBD102	M.RESISTOR CH 1/10W	1K	1
IC3351	M4128-6410	IC	1		R3126	ERJ6RBD122	M.RESISTOR CH 1/10W	1.2K	1
IC3360-6	T74F821SC	IC	2		R3127	ERJ6RBD104	M.RESISTOR CH 1/10W	100K	1
IC3362	AN7805F	IC	1		R3128-31	ERJ6RBD221	M.RESISTOR CH 1/10W	220	4
IC3364-6	SS9022-CPJ	IC	2		R3132	ERJ6RBD392	M.RESISTOR CH 1/10W	3.9K	1
IC3380	NJM084M	IC	1		R3133-34	ERJ6GEYG101	M.RESISTOR CH 1/10W	100	2
IC3381	MC74HC125AF	IC	1		R3135	ERJ6GEYOR0C	M.RESISTOR CH 1/10W	0	1
IC3382	NJM78L05UA	IC	1		R3136	ERJ6GEYF472	M.RESISTOR CH 1/10W	4.7K	1
IC3383	NJM79L05UA	IC	1		R3138	ERJ6GEYG683	M.RESISTOR CH 1/10W	68K	1
IC3400	MC10H116M	IC	1		R3139-44	ERJ6GEYG121	M.RESISTOR CH 1/10W	120	6
IC3401	MC10H125M	IC	1		R3146	ERJ6GEYG151	M.RESISTOR CH 1/10W	150	1
IC3402	LM337T	IC	1		R3147	ERJ6RED560	M.RESISTOR CH 1/10W	56	1
IC3403	NJM78L05UA	IC	1		R3148	ERJ6RED750	M.RESISTOR CH 1/10W	75	1
IC3404	MC10H105M	IC	1		R3149	ERJ6RBD121	M.RESISTOR CH 1/10W	120	1
IC3405	VCR0377	IC	1		R3150	ERJ6GEYG102	M.RESISTOR CH 1/10W	1K	1
IC3406	MC10H116M	IC	1		R3151-53	ERJ6GEYG151	M.RESISTOR CH 1/10W	150	3
IC3407	NJM79L05UA	IC	1		R3163	ERJ6RED560	M.RESISTOR CH 1/10W	56	1
IC3408	MC10H124M	IC	1		R3171	ERJ6GEYG560	M.RESISTOR CH 1/10W	56	1
IC3420	T74VHC244F	IC	1		R3174-84	ERJ6GEYG102	M.RESISTOR CH 1/10W	1K	11
IC3421	T74LCX244F	IC	1		R3185-86	ERJ6GEYG220	M.RESISTOR CH 1/10W	22	2
IC3422-2	T74VHC244F	IC	2		R3189	ERJ6GEYG102	M.RESISTOR CH 1/10W	1K	1
IC3424-2	T74LCX244F	IC	2		R3191	ERJ6GEYOR0C	M.RESISTOR CH 1/10W	0	1
IC3426-2	T74VHC244F	IC	2		R3192-93	ERJ6GEYG102	M.RESISTOR CH 1/10W	1K	2
IC3450-5	T74F541SJ	IC	3		R3211	ERJ6GEYG102	M.RESISTOR CH 1/10W	1K	1
IC3453	SN74S1051NS	IC	1		R3219	ERJ6GEYG102	M.RESISTOR CH 1/10W	1K	1
IC3455	T74F245SJ	IC	1		R3220	ERJ3GEYG102	M.RESISTOR CH 1/16W	1K	1
IC3456	SN74S1051NS	IC	1		R3250-5	ERJ6GEYG103	M.RESISTOR CH 1/10W	10K	2
IC3457	UPD71055GB	IC	1		R3253	ERJ6GEYG103	M.RESISTOR CH 1/10W	10K	1
IC3458	T74F04SJ	IC	1		R3285	ERJ6GEYG102	M.RESISTOR CH 1/10W	1K	1
IC3459	MACH211S10	IC	1		R3296	ERJ6GEYG103	M.RESISTOR CH 1/10W	10K	1

AJ-D950P  
VEP83376A

Ref.No.	Part No.	Part Name & Description	Pcs	Remarks	Ref.No.	Part No.	Part Name & Description	Pcs	Remarks
R3298	ERJ6GEYG103	M.RESISTOR CH 1/10W	10K 1		R3630	ERJ6RBD222	M.RESISTOR CH 1/10W	2.2K 1	
R3299	ERJ6GEYG102	M.RESISTOR CH 1/10W	1K 1		R3631-39	ERJ6GEYG181	M.RESISTOR CH 1/10W	180 9	
R3320-23	ERJ6GEYG56C	M.RESISTOR CH 1/10W	56 4		R3640	ERJ6RED105	M.RESISTOR CH 1/10W	1M 1	
R3324	ERJ6GEYG101	M.RESISTOR CH 1/10W	100 1		R3641	ERJ6RBD102	M.RESISTOR CH 1/10W	1K 1	
R3325	ERJ6GEYOROC	M.RESISTOR CH 1/10W	0 1		R3644	ERJ3GEYJ103	M.RESISTOR CH 1/16W	10K 1	
R3326-33	ERJ6GEYG331	M.RESISTOR CH 1/10W	330 8		R3645	ERJ6RBD102	M.RESISTOR CH 1/10W	1K 1	
R3334-38	ERJ6GEYG102	M.RESISTOR CH 1/10W	1K 5		R3647	ERJ6RED105	M.RESISTOR CH 1/10W	1M 1	
R3339-42	ERJ6GEYG56C	M.RESISTOR CH 1/10W	56 4		R3651	ERJ6RED680	M.RESISTOR CH 1/10W	68 1	
R3343	ERJ6GEYG101	M.RESISTOR CH 1/10W	100 1		R3652-54	ERJ6GEYG151	M.RESISTOR CH 1/10W	150 3	
R3344	ERJ6GEYOROC	M.RESISTOR CH 1/10W	0 1		R3655	ERJ6RED680	M.RESISTOR CH 1/10W	68 1	
R3345-56	ERJ6GEYG331	M.RESISTOR CH 1/10W	330 12		R3657	ERJ6GEYG101	M.RESISTOR CH 1/10W	100 1	
R3357-58	ERJ6GEYG102	M.RESISTOR CH 1/10W	1K 2		R3659	ERJ3GEYG102	M.RESISTOR CH 1/16W	1K 1	
R3381	ERJ3GEYJ121	M.RESISTOR CH 1/16W	120 1		R3660	ERJ6GEYG151	M.RESISTOR CH 1/10W	150 1	
R3382	ERJ3GEYJ122	M.RESISTOR CH 1/16W	1.2K 1		R3661	ERJ6RED680	M.RESISTOR CH 1/10W	68 1	
R3383	ERJ3GEYJ221	M.RESISTOR CH 1/16W	220 1		R3680	ERJ6GEYG102	M.RESISTOR CH 1/10W	1K 1	
R3384	ERJ3GEYG471	M.RESISTOR CH 1/16W	470 1		R3681	ERJ6GEYG101	M.RESISTOR CH 1/10W	100 1	
R3385	ERJ3GEYJ122	M.RESISTOR CH 1/16W	1.2K 1		R3682-83	ERJ6RBD153	M.RESISTOR CH 1/10W	15K 2	
R3387-89	ERJ3GEYJ222	M.RESISTOR CH 1/16W	2.2K 3		R3684	ERJ6GEYG223	M.RESISTOR CH 1/10W	22K 1	
R3390	ERJ6RBD102	M.RESISTOR CH 1/10W	1K 1		R3685	ERJ6GEYG105	M.RESISTOR CH 1/10W	1M 1	
R3391	ERJ3GEYOROC	M.RESISTOR CH 1/16W	0 1		R3686	ERJ6GEYF473	M.RESISTOR CH 1/10W	47K 1	
R3392	ERJ3GEYG102	M.RESISTOR CH 1/16W	1K 1		R3687-88	ERJ6GEYG102	M.RESISTOR CH 1/10W	1K 2	
R3393	ERJ3GEYJ821	M.RESISTOR CH 1/16W	820 1		R3700	ERJ6GEYF473	M.RESISTOR CH 1/10W	47K 1	
R3395	ERJ3GEYJ103	M.RESISTOR CH 1/16W	10K 1		R3701	ERJ6RBD271	M.RESISTOR CH 1/10W	270 1	
R3396	ERJ6RBD471	M.RESISTOR CH 1/10W	470 1		R3702	ERJ6GEYG102	M.RESISTOR CH 1/10W	1K 1	
R3397	ERJ3GEYJ470	M.RESISTOR CH 1/16W	47 1		R3703	ERJ6GEYJ820	M.RESISTOR CH 1/10W	82 1	
R3398	ERJ6RBD471	M.RESISTOR CH 1/10W	470 1		R3704	ERJ6GEYG121	M.RESISTOR CH 1/10W	120 1	
R3399	ERJ3GEYG471	M.RESISTOR CH 1/16W	470 1		R3705-06	ERJ6RBD221	M.RESISTOR CH 1/10W	220 2	
R3400	ERJ3GEYJ222	M.RESISTOR CH 1/16W	2.2K 1		R3713-14	ERJ6GEYOROC	M.RESISTOR CH 1/10W	0 2	
R3401-02	ERJ6GEYF472	M.RESISTOR CH 1/10W	4.7K 2		R3715	ERJ6GEYJ471	M.RESISTOR CH 1/10W	470 1	
R3403	ERJ3GEYG102	M.RESISTOR CH 1/16W	1K 1		R3716	ERJ6GEYJ100	M.RESISTOR CH 1/10W	10 1	
R3404	ERJ3GEYJ153	M.RESISTOR CH 1/16W	15K 1		R3717	ERJ6RBD221	M.RESISTOR CH 1/10W	220 1	
R3405-06	ERJ3GEYG102	M.RESISTOR CH 1/16W	1K 2		R3718-19	ERJ6RED750	M.RESISTOR CH 1/10W	75 2	
R3407-12	ERJ6GEYF472	M.RESISTOR CH 1/10W	4.7K 6		R3720-25	ERJ6RBD221	M.RESISTOR CH 1/10W	220 6	
R3413	ERJ3GEYG102	M.RESISTOR CH 1/16W	1K 1		R3726	ERJ6GEYG181	M.RESISTOR CH 1/10W	180 1	
R3414-15	ERJ6GEYG102	M.RESISTOR CH 1/10W	1K 2		R3727	ERJ6GEYJ100	M.RESISTOR CH 1/10W	10 1	
R3416	ERJ3GEYG102	M.RESISTOR CH 1/16W	1K 1		R3728-29	ERJ6RED750	M.RESISTOR CH 1/10W	75 2	
R3430	ERJ3GEYG102	M.RESISTOR CH 1/16W	1K 1		R3730-31	ERJ6RBD221	M.RESISTOR CH 1/10W	220 2	
R3431-32	ERJ3GEYJ105	M.RESISTOR CH 1/16W	1M 2		R3733-34	ERJ6RBD221	M.RESISTOR CH 1/10W	220 2	
R3433	ERJ3GEYJ103	M.RESISTOR CH 1/16W	10K 1		R3735-37	ERJ6GEYG102	M.RESISTOR CH 1/10W	1K 3	
R3434-35	ERJ3GEYJ101	M.RESISTOR CH 1/16W	100 2		R3750	ERJ6GEYG220	M.RESISTOR CH 1/10W	22 1	
R3437	ERJ3GEYOROC	M.RESISTOR CH 1/16W	0 1		R3752	ERJ6GEYG102	M.RESISTOR CH 1/10W	1K 1	
R3439	ERJ3GEYG102	M.RESISTOR CH 1/16W	1K 1		R3754-55	ERJ6GEYG102	M.RESISTOR CH 1/10W	1K 2	
R3440	ERJ3GEYJ103	M.RESISTOR CH 1/16W	10K 1		R3756	ERJ6GEYG220	M.RESISTOR CH 1/10W	22 1	
R3461	ERJ6GEYG102	M.RESISTOR CH 1/10W	1K 1		R3758	ERJ6GEYG220	M.RESISTOR CH 1/10W	22 1	
R3462	ERJ3GEYG102	M.RESISTOR CH 1/16W	1K 1		R3759	ERJ6GEYG102	M.RESISTOR CH 1/10W	1K 1	
R3470-71	ERJ6GEYG220	M.RESISTOR CH 1/10W	22 2		R3763	ERJ3GEYOROC	M.RESISTOR CH 1/16W	0 1	
R3472-73	ERJ6GEYG102	M.RESISTOR CH 1/10W	1K 2		R3781	ERJ3GEYG102	M.RESISTOR CH 1/16W	1K 1	
R3476	ERJ6GEYG102	M.RESISTOR CH 1/10W	1K 1		R3788-90	ERJ6GEYG101	M.RESISTOR CH 1/10W	100 3	
R3477-83	ERJ6GEYG220	M.RESISTOR CH 1/10W	22 7		R3793-94	ERJ3GEYJ103	M.RESISTOR CH 1/16W	10K 2	
R3484	ERJ6GEYG102	M.RESISTOR CH 1/10W	1K 1		R3796-98	ERJ3GEYJ103	M.RESISTOR CH 1/16W	10K 3	
R3485-91	ERJ6GEYG220	M.RESISTOR CH 1/10W	22 7		R3801	ERJ3GEYG102	M.RESISTOR CH 1/16W	1K 1	
R3492-93	ERJ3GEYG471	M.RESISTOR CH 1/16W	470 2		R3805-07	ERJ3GEYG102	M.RESISTOR CH 1/16W	1K 3	
R3494-95	ERJ3GEYJ330	M.RESISTOR CH 1/16W	33 2		R3832-33	ERJ3GEYOROC	M.RESISTOR CH 1/16W	0 2	
R3510	ERJ6GEYG102	M.RESISTOR CH 1/10W	1K 1		R3834	ERJ3GEYG102	M.RESISTOR CH 1/16W	1K 1	
R3511	ERJ3GEYG102	M.RESISTOR CH 1/16W	1K 1		R3835-36	ERJ3GEYJ512	M.RESISTOR CH 1/16W	5.1K 2	
R3514	ERJ6GEYG102	M.RESISTOR CH 1/10W	1K 1		R3838	ERJ6GEYG102	M.RESISTOR CH 1/10W	1K 1	
R3515	ERJ3GEYOROC	M.RESISTOR CH 1/16W	0 1		R3839-54	ERJ3GEYJ220	M.RESISTOR CH 1/16W	22 16	
R3517	ERJ3GEYOROC	M.RESISTOR CH 1/16W	0 1		R3855	ERJ3GEYG102	M.RESISTOR CH 1/16W	1K 1	
R3540	ERJ6GEYG102	M.RESISTOR CH 1/10W	1K 1		R3872-73	ERJ6GEYG102	M.RESISTOR CH 1/10W	1K 2	
R3543	ERJ6GEYG56C	M.RESISTOR CH 1/10W	56 1		R3997	ERJ6GEYG102	M.RESISTOR CH 1/10W	1K 1	
R3544-46	ERJ6GEYG102	M.RESISTOR CH 1/10W	1K 3		R3999	ERJ3GEYG102	M.RESISTOR CH 1/16W	1K 1	
R3559	ERJ6GEYOROC	M.RESISTOR CH 1/10W	0 1						
R3560-61	ERJ6GEYG102	M.RESISTOR CH 1/10W	1K 2		SS3002	VJS1990	CONNECTOR (FEMALE)	1	
R3563-71	ERJ6GEYG102	M.RESISTOR CH 1/10W	1K 9		SW3002	VJP2536A003	CONNECTOR (MALE)	1	
R3573	ERJ6GEYG102	M.RESISTOR CH 1/10W	1K 1						
R3591	ERJ6GEYG102	M.RESISTOR CH 1/10W	1K 1		TG3001-09	JRO646	TEST POINT	9	
R3592	ERJ3GEYG102	M.RESISTOR CH 1/16W	1K 1						
R3601-11	ERJ6GEYG181	M.RESISTOR CH 1/10W	180 11		TP3001-C	BYF6CU	TEST POINT	3	
R3612-13	ERJ6GEYG151	M.RESISTOR CH 1/10W	150 2		TP3005-18	BYF6CU	TEST POINT	9	
R3614-15	ERJ6RBD102	M.RESISTOR CH 1/10W	1K 2						
R3618	ERJ6RBD102	M.RESISTOR CH 1/10W	1K 1		VL3001	VLD0264	COIL	1	
R3619	ERJ3GEYJ103	M.RESISTOR CH 1/16W	10K 1						
R3620	ERJ6RBD102	M.RESISTOR CH 1/10W	1K 1		VR3004	VRV0113B101	V.RESISTOR	100	1
R3621	ERJ6RBD222	M.RESISTOR CH 1/10W	2.2K 1						
R3626	ERJ6RED680	M.RESISTOR CH 1/10W	68 1						

AJ-D950P

VEP83376A / VEP83374A

Ref.No.	Part No.	Part Name & Description	Pcs	Remarks	Ref.No.	Part No.	Part Name & Description	Pcs	Remarks
X3001	VSX0160	CRYSTAL OSCILLATOR	1		C62	ECUX1E104ZF	C.CAPACITOR CH 25V 0.1U	1	
X3002	VSX0949	CRYSTAL OSCILLATOR	1		C86	ECUX1H221JC	C.CAPACITOR CH 50V 220P	1	
X3003	VSX0906	CRYSTAL OSCILLATOR	1		C87	ECUX1E104ZF	C.CAPACITOR CH 25V 0.1U	1	
		MISCELLANEOUS			C90-94	ECUX1E104ZF	C.CAPACITOR CH 25V 0.1U	5	
	VML2143	CARD PULLER	1		C96-00	ECUX1E104ZF	C.CAPACITOR CH 25V 0.1U	5	
	VML2144	CARD PULLER	1		C103-09	ECUX1E104ZF	C.CAPACITOR CH 25V 0.1U	7	
	XYN26+C12	SCREW	8		C112-14	ECUX1E104ZF	C.CAPACITOR CH 25V 0.1U	3	
	XNG26EFXS	NUT	8		C117-22	ECUX1E104ZF	C.CAPACITOR CH 25V 0.1U	6	
					C123	ECUM1H103K	C.CAPACITOR CH 50V 0.01U	1	
					C124	ECUX1H180JC	C.CAPACITOR CH 50V 18P	1	
					C125	ECUM1C105Z	C.CAPACITOR CH 16V 1U	1	
					C126	ECUX1E104ZF	C.CAPACITOR CH 25V 0.1U	1	
					C128-47	ECUX1E104ZF	C.CAPACITOR CH 25V 0.1U	20	
					C148	ECUM1C105Z	C.CAPACITOR CH 16V 1U	1	
					C149-56	ECUX1E104ZF	C.CAPACITOR CH 25V 0.1U	8	
					C157	ECUM1H103K	C.CAPACITOR CH 50V 0.01U	1	
	VEP83374A	F5 P REC PB P.C.BOARD	1	(RTL)	C158	ECUX1E104ZF	C.CAPACITOR CH 25V 0.1U	1	
	VEP83411A	EDA-CSP SUB P.C.BOARD	1	(RTL)FOR VEP83374A	C159	ECUX1H180JC	C.CAPACITOR CH 50V 18P	1	
	VEP83431A	BLK SUB P.C.BOARD	1	(RTL)FOR VEP83374A	C160-66	ECUX1E104ZF	C.CAPACITOR CH 25V 0.1U	7	
	VEP88234A	DV UCOM X 2 P.C.BOARD	1	(RTL)FOR VEP83374A	C170-78	ECUX1E104ZF	C.CAPACITOR CH 25V 0.1U	9	
					C180-84	ECUX1E104ZF	C.CAPACITOR CH 25V 0.1U	5	
					C190-97	ECUX1E104ZF	C.CAPACITOR CH 25V 0.1U	8	
C1	ECEVOJV330C	E.CAPACITOR CH6.3V 33U	1		C200	ECEVOGV470C	E.CAPACITOR CH 4V 47U	1	
C1	ECUM1H103K	C.CAPACITOR CH 50V 0.01U	1		C201	ECUX1E104ZF	C.CAPACITOR CH 25V 0.1U	1	
C1	ECUX1E104ZF	C.CAPACITOR CH 25V 0.1U	1		C212-16	ECUX1E104ZF	C.CAPACITOR CH 25V 0.1U	5	
C2	ECEVOJV330C	E.CAPACITOR CH6.3V 33U	1		C217	ECUX1H180JC	C.CAPACITOR CH 50V 18P	1	
C2	ECEV1CV470C	E.CAPACITOR CH 16V 47U	1		C218	ECUM1C105Z	C.CAPACITOR CH 16V 1U	1	
C3	ECUX1E104ZF	C.CAPACITOR CH 25V 0.1U	1		C219	ECUX1H180JC	C.CAPACITOR CH 50V 18P	1	
C4	ECUX1E104ZF	C.CAPACITOR CH 25V 0.1U	1		C220-22	ECUX1E104ZF	C.CAPACITOR CH 25V 0.1U	3	
C5	ECUX1E104ZF	C.CAPACITOR CH 25V 0.1U	1		C226-27	ECUM1H103K	C.CAPACITOR CH 50V 0.01U	2	
C5	ECUX1E104ZF	C.CAPACITOR CH 25V 0.1U	1		C228-29	ECUM1C105Z	C.CAPACITOR CH 16V 1U	2	
C6	ECEV1CV470C	E.CAPACITOR CH 16V 47U	1		C230-37	ECUX1E104ZF	C.CAPACITOR CH 25V 0.1U	8	
C6	ECUX1E104ZF	C.CAPACITOR CH 25V 0.1U	1		C240	ECUX1E104ZF	C.CAPACITOR CH 25V 0.1U	1	
C7	ECUM1H102K	C.CAPACITOR CH 50V 1000P	1		C241	ECUM1H103K	C.CAPACITOR CH 50V 0.01U	1	
C8	ECUX1E104ZF	C.CAPACITOR CH 25V 0.1U	1		C242	ECUX1H180JC	C.CAPACITOR CH 50V 18P	1	
C8	ECUX1E104ZF	C.CAPACITOR CH 25V 0.1U	1		C243	ECUM1H103K	C.CAPACITOR CH 50V 0.01U	1	
C9	ECEV1CV470C	E.CAPACITOR CH 16V 47U	1		C244	ECUX1H180JC	C.CAPACITOR CH 50V 18P	1	
C10	ECUX1E104ZF	C.CAPACITOR CH 25V 0.1U	1		C245-47	ECUM1C105Z	C.CAPACITOR CH 16V 1U	3	
C11	ECUX1E104ZF	C.CAPACITOR CH 25V 0.1U	1		C248-56	ECUX1E104ZF	C.CAPACITOR CH 25V 0.1U	9	
C12	ECUX1E104ZF	C.CAPACITOR CH 25V 0.1U	1		C260-67	ECUX1E104ZF	C.CAPACITOR CH 25V 0.1U	8	
C13	ECUX1E104ZF	C.CAPACITOR CH 25V 0.1U	1		C300-01	ECUX1E104ZF	C.CAPACITOR CH 25V 0.1U	2	
C14	ECUX1E104ZF	C.CAPACITOR CH 25V 0.1U	1		C303-11	ECUX1E104ZF	C.CAPACITOR CH 25V 0.1U	9	
C15	ECUX1E104ZF	C.CAPACITOR CH 25V 0.1U	1		C313	ECUX1E104ZF	C.CAPACITOR CH 25V 0.1U	1	
C16	ECUX1E104ZF	C.CAPACITOR CH 25V 0.1U	1		C315-18	ECUX1E104ZF	C.CAPACITOR CH 25V 0.1U	4	
C17	ECUX1E104ZF	C.CAPACITOR CH 25V 0.1U	1		C320-31	ECUX1E104ZF	C.CAPACITOR CH 25V 0.1U	12	
C18	ECUX1E104ZF	C.CAPACITOR CH 25V 0.1U	1		C499	ECUX1E104ZF	C.CAPACITOR CH 25V 0.1U	1	
C19	ECUX1E104ZF	C.CAPACITOR CH 25V 0.1U	1		C900-01	ECUX1E104ZF	C.CAPACITOR CH 25V 0.1U	2	
C20	ECUX1E104ZF	C.CAPACITOR CH 25V 0.1U	1		C902	ECEV1CV100C	E.CAPACITOR CH 16V 100U	1	
C21	ECUX1E104ZF	C.CAPACITOR CH 25V 0.1U	1		C903-04	ECUX1E104ZF	C.CAPACITOR CH 25V 0.1U	2	
C22	ECUX1E104ZF	C.CAPACITOR CH 25V 0.1U	1		C905	ECEV1CV100C	E.CAPACITOR CH 16V 100U	1	
C23	ECUX1E104ZF	C.CAPACITOR CH 25V 0.1U	1		C906-07	ECUX1E104ZF	C.CAPACITOR CH 25V 0.1U	2	
C24	ECUX1E104ZF	C.CAPACITOR CH 25V 0.1U	1		C908	ECEV1CV100C	E.CAPACITOR CH 16V 100U	1	
C25	ECUX1E104ZF	C.CAPACITOR CH 25V 0.1U	1		C909	ECUX1E104ZF	C.CAPACITOR CH 25V 0.1U	1	
C25	ECUX1E104ZF	C.CAPACITOR CH 25V 0.1U	1		C912	ECUX1E104ZF	C.CAPACITOR CH 25V 0.1U	1	
C28-30	ECUX1E104ZF	C.CAPACITOR CH 25V 0.1U	3		C913	ECEV1CV470C	E.CAPACITOR CH 16V 47U	1	
C31	ECUX1E104ZF	C.CAPACITOR CH 25V 0.1U	1		C914	ECUX1E104ZF	C.CAPACITOR CH 25V 0.1U	1	
C32	ECUX1E104ZF	C.CAPACITOR CH 25V 0.1U	1		C915	ECEV1CV470C	E.CAPACITOR CH 16V 47U	1	
C33	ECUX1E104ZF	C.CAPACITOR CH 25V 0.1U	1		C916	ECUX1E104ZF	C.CAPACITOR CH 25V 0.1U	1	
C34	ECUX1E104ZF	C.CAPACITOR CH 25V 0.1U	1		C917	ECEVOJV101G	E.CAPACITOR CH6.3V 100U	1	
C35	ECUX1E104ZF	C.CAPACITOR CH 25V 0.1U	1		C918-19	ECUX1E104ZF	C.CAPACITOR CH 25V 0.1U	2	
C36	ECUX1E104ZF	C.CAPACITOR CH 25V 0.1U	1		C920	ECEVOJV101G	E.CAPACITOR CH6.3V 100U	1	
C37	ECUX1E104ZF	C.CAPACITOR CH 25V 0.1U	1						
C38	ECUX1E104ZF	C.CAPACITOR CH 25V 0.1U	1		D1-D2	MA152K	DIODE	2	
C39	ECUX1E104ZF	C.CAPACITOR CH 25V 0.1U	1		D200-01	LN1251CAL	DIODE	2	
C40	ECUX1E104ZF	C.CAPACITOR CH 25V 0.1U	1						
C41	ECUX1E104ZF	C.CAPACITOR CH 25V 0.1U	1		FL1-L4	VLFO576	FILTER	4	
C42	ECUX1E104ZF	C.CAPACITOR CH 25V 0.1U	1		FL5-L7	VLFO931	FILTER	3	
C43	ECUX1E104ZF	C.CAPACITOR CH 25V 0.1U	1						
C44	ECUX1E104ZF	C.CAPACITOR CH 25V 0.1U	1		IC1	M31020EAVP	IC	1	
C45	ECUX1E104ZF	C.CAPACITOR CH 25V 0.1U	1		IC1	M65501WG	IC	1	
C46	ECUX1E104ZF	C.CAPACITOR CH 25V 0.1U	1		IC1	MC74HC125A	IC	1	
C47	ECUX1E104ZF	C.CAPACITOR CH 25V 0.1U	1		IC2	MB81V4260S	IC	1	
C48	ECUX1E104ZF	C.CAPACITOR CH 25V 0.1U	1		IC2	NJM082BM	IC	1	
C49	ECUX1E104ZF	C.CAPACITOR CH 25V 0.1U	1		IC3	74F244SJ	IC	1	
C57	ECUX1E104ZF	C.CAPACITOR CH 25V 0.1U	1		IC3	M65501WG	IC	1	
C60	ECUX1E104ZF	C.CAPACITOR CH 25V 0.1U	1						

AJ-D950P  
VEP83374A

Ref.No.	Part No.	Part Name & Description	Pcs	Remarks	Ref.No.	Part No.	Part Name & Description	Pcs	Remarks
IC4	MB81V4260S	IC	1		IC116	MC10H125M	IC	1	
IC4	T74LCX244F	IC	1		IC117-18	MN47V76S	IC	2	
IC5	T74VHC244F	IC	1		IC119	T74LCX244F	IC	1	
IC5	TCVHC125F	IC	1		IC120	ISP2032-80L	IC	1	
IC6	MC10H124M	IC	1		IC121-22	I1032E-70LT	IC	2	
IC7	T74VHC244F	IC	1		IC125-31	T74VHC244F	IC	7	
IC8	MC10H124M	IC	1		IC200-01	L7A1571	IC	2	
IC9	T74LCX244F	IC	1		IC800-01	L7A1571	IC	2	
IC10	M65501WG	IC	1		IC802-03	L7A1592	IC	2	
IC10	TCVHC157F	IC	1		IC900	NJM78LO9UA	IC	1	
IC11	MB81V4260S	IC	1		IC901	NJM79LO9UA	IC	1	
IC11	TCVHC157F	IC	1		IC902	NJM78LO5UA	IC	1	
IC12	M65501WG	IC	1		IC903	XC62FP3302	IC	1	
IC12	T74VHC244F	IC	1		IC904	LT1086CM	IC	1	
IC13	MB81V4260S	IC	1						
IC13	T74VHC244F	IC	1		ID1	VSI2578C	IC	1	
IC14	I1032E-70LT	IC	1						
IC15	SN74ALS245	IC	1		L1-L3	VLQ0319K470	COIL 47UH	3	
IC15	TLCX125F	IC	1						
IC16	T74VHC245F	IC	1		P1	VJP3510	CONNECTOR (MALE)	1	
IC17-18	T74F244SJ	IC	2		P1	VJP4106A120	CONNECTOR (MALE)	1	
IC19-20	T74VHC244F	IC	2		P1	VJS4064K120	CONNECTOR (FEMALE)	1	
IC21	ISP2032-80L	IC	1		P2	VJP3510	CONNECTOR (MALE)	1	
IC22-23	MN67373	IC	2		P3	VJP1248T	CONNECTOR (MALE)	8P	1
IC24	MC10H125M	IC	1		P5-P6	VJS4106A120	CONNECTOR (FEMALE)	2	
IC25	SN74LS123NS	IC	1		P10	VJP4064K120	CONNECTOR (MALE)	1	
IC26	T74VHC244F	IC	1		P20	VJP4064N160	CONNECTOR (MALE)	1	
IC27-28	MN67373	IC	2		P20	VJS3657	CONNECTOR (FEMALE)	1	
IC29	T74VHC244F	IC	1						
IC30	TCVHC74F	IC	1		R1	ERJ3GEYG102	M.RESISTOR CH 1/16W	1K	1
IC39	UPD65868DO	IC	2		R1	ERJ3GEYG471	M.RESISTOR CH 1/16W	470	1
IC41	T74VHC574F	IC	1		R2	ERJ3GEYOR00	M.RESISTOR CH 1/16W	0	1
IC43	T74VHC244F	IC	1		R2	ERJ3GEYJ473	M.RESISTOR CH 1/16W	47K	1
IC44	MC10H124M	IC	1		R3	ERJ3GEYOR00	M.RESISTOR CH 1/16W	0	1
IC45	SN74S1051NS	IC	1		R3	ERJ3GEYJ103	M.RESISTOR CH 1/16W	10K	1
IC46	SN74S1053NS	IC	1		R4	ERJ3GEYOR00	M.RESISTOR CH 1/16W	0	1
IC47	UPD71055GB	IC	1		R4	ERJ3GEYJ103	M.RESISTOR CH 1/16W	10K	1
IC48-49	T74VHC573F	IC	2		R5	ERJ3GEYOR00	M.RESISTOR CH 1/16W	0	1
IC50	IDT71321L55	IC	1		R5	ERJ3GEYJ223	M.RESISTOR CH 1/16W	22K	1
IC52	T74VHC245F	IC	1		R6	ERJ3GEYOR00	M.RESISTOR CH 1/16W	0	1
IC53	T74VHC138F	IC	1		R6	ERJ3GEYJ105	M.RESISTOR CH 1/16W	1M	1
IC54	T74VHC244F	IC	1		R7	ERJ3GEYG102	M.RESISTOR CH 1/16W	1K	1
IC55	TCVHC157F	IC	1		R8	ERJ3GEYG102	M.RESISTOR CH 1/16W	1K	1
IC56	T74VHC08F	IC	1		R8	ERJ3GEYG102	M.RESISTOR CH 1/16W	1K	1
IC58-60	T74VHC244F	IC	3		R9-11	ERJ3GEYOR00	M.RESISTOR CH 1/16W	0	3
IC61	T74LCX244F	IC	1		R12	ERJ3GEYJ220	M.RESISTOR CH 1/16W	22	1
IC63	TCVHC157F	IC	1		R14-19	ERJ3GEYG102	M.RESISTOR CH 1/16W	1K	6
IC64	T74VHC573F	IC	1		R21	ERJ3GEYG102	M.RESISTOR CH 1/16W	1K	1
IC65	IDT71321L55	IC	1		R22	ERJ3GEYOR00	M.RESISTOR CH 1/16W	0	1
IC67	T74VHC573F	IC	1		R22	ERJ3GEYJ220	M.RESISTOR CH 1/16W	22	1
IC68	T74VHC245F	IC	1		R23	ERJ3GEYOR00	M.RESISTOR CH 1/16W	0	1
IC69	T74VHC138F	IC	1		R23	ERJ3GEYJ220	M.RESISTOR CH 1/16W	22	1
IC70-71	TLCX574F	IC	2		R24	ERJ3GEYOR00	M.RESISTOR CH 1/16W	0	1
IC73-74	MN4707F	IC	2		R24	ERJ3GEYJ220	M.RESISTOR CH 1/16W	22	1
IC75	TLCX04F	IC	1		R25	ERJ3GEYOR00	M.RESISTOR CH 1/16W	0	1
IC80-81	MN4707F	IC	2		R25	ERJ3GEYJ220	M.RESISTOR CH 1/16W	22	1
IC84-88	TLCX574F	IC	5		R26	ERJ3GEYJ103	M.RESISTOR CH 1/16W	10K	1
IC89	T74VHCT244F	IC	1		R26-27	ERJ3GEYJ220	M.RESISTOR CH 1/16W	22	2
IC90-91	TCVHC157F	IC	2		R28	ERJ3GEYJ220	M.RESISTOR CH 1/16W	22	1
IC92	MB81V4260S	IC	1		R28	ERJ3GEYJ220	M.RESISTOR CH 1/16W	22	1
IC94-95	T74LCX244F	IC	2		R29	ERJ3GEYG102	M.RESISTOR CH 1/16W	1K	1
IC96	MB81V4260S	IC	1		R29	ERJ3GEYJ220	M.RESISTOR CH 1/16W	22	1
IC97	MN47V78S	IC	1		R30-02	ERJ3GEYG102	M.RESISTOR CH 1/16W	1K	2
IC98	I1016E-80LT	IC	1		R31	ERJ3GEYJ220	M.RESISTOR CH 1/16W	22	1
IC99-03	MN47V78S	IC	5		R32	ERJ3GEYG102	M.RESISTOR CH 1/16W	1K	1
IC106	MC10H125M	IC	1		R32	ERJ3GEYJ220	M.RESISTOR CH 1/16W	22	1
IC107	T74VHC244F	IC	1		R33	ERJ3GEYG102	M.RESISTOR CH 1/16W	1K	1
IC108	T74LCX244F	IC	1		R33	ERJ3GEYJ220	M.RESISTOR CH 1/16W	22	1
IC109	MN47V76S	IC	1		R34-02	ERJ3GEYOR00	M.RESISTOR CH 1/16W	0	3
IC110	T74LCX244F	IC	1		R36	ERJ6GEYG271	M.RESISTOR CH 1/10W	270	1
IC111	MN47V76S	IC	1		R37	ERJ3GEYOR00	M.RESISTOR CH 1/16W	0	1
IC112	T74VHC244F	IC	1		R37	ERJ6GEYG271	M.RESISTOR CH 1/10W	270	1
IC113	MC10H124M	IC	1		R38	ERJ3GEYOR00	M.RESISTOR CH 1/16W	0	1
IC114	TCVHC74F	IC	1		R38	ERJ6GEYG271	M.RESISTOR CH 1/10W	270	1
IC115	T74VHC244F	IC	1		R39	ERJ3GEYG102	M.RESISTOR CH 1/16W	1K	1

AJ-D950P  
VEP83374A

Ref.No.	Part No.	Part Name & Description	Pcs	Remarks	Ref.No.	Part No.	Part Name & Description	Pcs	Remarks
R39	ERJ6GEYG271	M.RESISTOR CH 1/10W	270	1	R123	ERJ3GEYG102	M.RESISTOR CH 1/16W	1K	1
R40	ERJ3GEYJ220	M.RESISTOR CH 1/16W	1K	1	R130-31	ERJ3GEYJ220	M.RESISTOR CH 1/16W	22	2
R40	ERJ6GEYG271	M.RESISTOR CH 1/10W	270	1	R134	ERJ3GEYG102	M.RESISTOR CH 1/16W	1K	1
R41	ERJ3GEYOROC	M.RESISTOR CH 1/16W	C	1	R144-46	ERJ3GEYJ103	M.RESISTOR CH 1/16W	10K	3
R41	ERJ6GEYG271	M.RESISTOR CH 1/10W	270	1	R148	ERJ3GEYJ103	M.RESISTOR CH 1/16W	10K	1
R42	ERJ3GEYOROC	M.RESISTOR CH 1/16W	C	1	R150-51	ERJ3GEYJ103	M.RESISTOR CH 1/16W	10K	2
R42	ERJ3GEYJ220	M.RESISTOR CH 1/16W	22	1	R156-58	ERJ3GEYG102	M.RESISTOR CH 1/16W	1K	3
R43	ERJ3GEYG102	M.RESISTOR CH 1/16W	1K	1	R159	ERJ3GEYJ220	M.RESISTOR CH 1/16W	22	1
R44	ERJ3GEYJ220	M.RESISTOR CH 1/16W	22	1	R165-67	ERJ3GEYG102	M.RESISTOR CH 1/16W	1K	3
R44	ERJ3GEYJ220	M.RESISTOR CH 1/16W	22	1	R169	ERJ3GEYG102	M.RESISTOR CH 1/16W	1K	1
R45-02	ERJ3GEYG102	M.RESISTOR CH 1/16W	1K	3	R176	ERJ3GEYJ220	M.RESISTOR CH 1/16W	22	1
R47	ERJ6GEYG271	M.RESISTOR CH 1/10W	270	1	R182-85	ERJ3GEYJ122	M.RESISTOR CH 1/16W	1.2K	4
R48	ERJ3GEYG102	M.RESISTOR CH 1/16W	1K	1	R186	ERJ3GEYG102	M.RESISTOR CH 1/16W	1K	1
R48	ERJ6GEYG271	M.RESISTOR CH 1/10W	270	1	R189-90	ERJ3GEYJ122	M.RESISTOR CH 1/16W	1.2K	2
R49	ERJ3GEYG102	M.RESISTOR CH 1/16W	1K	1	R191-94	ERJ3GEYG102	M.RESISTOR CH 1/16W	1K	4
R49	ERJ3GEYJ220	M.RESISTOR CH 1/16W	22	1	R195	ERJ3GEYJ101	M.RESISTOR CH 1/16W	100	1
R50	ERJ3GEYG102	M.RESISTOR CH 1/16W	1K	1	R196	ERJ3GEYG102	M.RESISTOR CH 1/16W	1K	1
R50	ERJ3GEYJ220	M.RESISTOR CH 1/16W	22	1	R197-98	ERJ3GEYJ220	M.RESISTOR CH 1/16W	22	2
R51	ERJ3GEYG102	M.RESISTOR CH 1/16W	1K	1	R200-02	ERJ3GEYG102	M.RESISTOR CH 1/16W	1K	3
R51	ERJ3GEYJ220	M.RESISTOR CH 1/16W	22	1	R203	ERJ6GEYG271	M.RESISTOR CH 1/10W	270	1
R52	ERJ3GEYG102	M.RESISTOR CH 1/16W	1K	1	R204-05	ERJ3GEYG102	M.RESISTOR CH 1/16W	1K	2
R52	ERJ3GEYJ220	M.RESISTOR CH 1/16W	22	1	R206	ERJ6GEYG271	M.RESISTOR CH 1/10W	270	1
R53	ERJ3GEYG102	M.RESISTOR CH 1/16W	1K	1	R207-12	ERJ3GEYG102	M.RESISTOR CH 1/16W	1K	6
R53	ERJ3GEYJ220	M.RESISTOR CH 1/16W	22	1	R213	ERJ3GEYJ220	M.RESISTOR CH 1/16W	22	1
R54	ERJ3GEYOROC	M.RESISTOR CH 1/16W	C	1	R214	ERJ3GEYG102	M.RESISTOR CH 1/16W	1K	1
R54	ERJ3GEYJ220	M.RESISTOR CH 1/16W	22	1	R215	ERJ3GEYJ220	M.RESISTOR CH 1/16W	22	1
R55-56	ERJ3GEYOROC	M.RESISTOR CH 1/16W	C	2	R216	ERJ3GEYG102	M.RESISTOR CH 1/16W	1K	1
R57	ERJ3GEYG102	M.RESISTOR CH 1/16W	1K	1	R218-19	ERJ3GEYG102	M.RESISTOR CH 1/16W	1K	2
R57-59	ERJ3GEYJ220	M.RESISTOR CH 1/16W	22	3	R220-29	ERJ3GEYJ220	M.RESISTOR CH 1/16W	22	10
R60	ERJ3GEYG102	M.RESISTOR CH 1/16W	1K	1	R232	ERJ3GEYJ821	M.RESISTOR CH 1/16W	820	1
R60	ERJ3GEYJ331	M.RESISTOR CH 1/16W	330	1	R233-35	ERJ3GEYJ122	M.RESISTOR CH 1/16W	1.2K	3
R61-63	ERJ3GEYG102	M.RESISTOR CH 1/16W	1K	3	R236	ERJ3GEYG102	M.RESISTOR CH 1/16W	1K	1
R64	ERJ6RED394	M.RESISTOR CH 1/10W	390K	1	R340	ERJ3GEYG102	M.RESISTOR CH 1/16W	1K	1
R66	ERJ3GEYG102	M.RESISTOR CH 1/16W	1K	1	R341	ERJ3GEYJ103	M.RESISTOR CH 1/16W	10K	1
R70	ERJ3GEYG102	M.RESISTOR CH 1/16W	1K	1	R342-45	ERJ3GEYG102	M.RESISTOR CH 1/16W	1K	4
R70	ERJ3GEYJ331	M.RESISTOR CH 1/16W	330	1	R346-47	ERJ3GEYJ103	M.RESISTOR CH 1/16W	10K	2
R71	ERJ3GEYOROC	M.RESISTOR CH 1/16W	C	1	R348-49	ERJ3GEYG102	M.RESISTOR CH 1/16W	1K	2
R71	ERJ3GEYJ331	M.RESISTOR CH 1/16W	330	1	R351-52	ERJ3GEYJ103	M.RESISTOR CH 1/16W	10K	2
R72	ERJ3GEYOROC	M.RESISTOR CH 1/16W	C	1	R353	ERJ3GEYJ220	M.RESISTOR CH 1/16W	22	1
R72	ERJ3GEYG102	M.RESISTOR CH 1/16W	1K	1	R355-56	ERJ3GEYJ103	M.RESISTOR CH 1/16W	10K	2
R73-02	ERJ3GEYOROC	M.RESISTOR CH 1/16W	C	2	R357-59	ERJ3GEYG102	M.RESISTOR CH 1/16W	1K	3
R74	ERJ3GEYG102	M.RESISTOR CH 1/16W	1K	1	R364	ERJ3GEYG102	M.RESISTOR CH 1/16W	1K	1
R75	ERJ3GEYOROC	M.RESISTOR CH 1/16W	C	1	R398	ERJ3GEYG102	M.RESISTOR CH 1/16W	1K	1
R75	ERJ3GEYJ220	M.RESISTOR CH 1/16W	22	1	R400	ERJ3GEYJ101	M.RESISTOR CH 1/16W	100	1
R76-77	ERJ3GEYG102	M.RESISTOR CH 1/16W	1K	2	R407	ERJ3GEYG102	M.RESISTOR CH 1/16W	1K	1
R78	ERJ3GEYJ470	M.RESISTOR CH 1/16W	47	1	R409	ERJ3GEYJ101	M.RESISTOR CH 1/16W	100	1
R79	ERJ3GEYOROC	M.RESISTOR CH 1/16W	C	1	R412	ERJ3GEYJ122	M.RESISTOR CH 1/16W	1.2K	1
R80-83	ERJ3GEYG102	M.RESISTOR CH 1/16W	1K	4	R425	ERJ3GEYJ103	M.RESISTOR CH 1/16W	10K	1
R88	ERJ3GEYG102	M.RESISTOR CH 1/16W	1K	1	R430	ERJ3GEYJ103	M.RESISTOR CH 1/16W	10K	1
R89	ERJ3GEYOROC	M.RESISTOR CH 1/16W	C	1	R446	ERJ3GEYG102	M.RESISTOR CH 1/16W	1K	1
R90	ERJ3GEYJ103	M.RESISTOR CH 1/16W	10K	1	R450	ERJ3GEYG102	M.RESISTOR CH 1/16W	1K	1
R91	ERJ3GEYJ220	M.RESISTOR CH 1/16W	22	1	R453	ERJ3GEYJ821	M.RESISTOR CH 1/16W	820	1
R92	ERJ3GEYOROC	M.RESISTOR CH 1/16W	C	1	R454-55	ERJ3GEYJ122	M.RESISTOR CH 1/16W	1.2K	2
R92	ERJ3GEYJ220	M.RESISTOR CH 1/16W	22	1	R456-57	ERJ3GEYG102	M.RESISTOR CH 1/16W	1K	2
R93	ERJ3GEYG102	M.RESISTOR CH 1/16W	1K	1	R458-59	ERJ3GEYJ122	M.RESISTOR CH 1/16W	1.2K	2
R93	ERJ3GEYG102	M.RESISTOR CH 1/16W	1K	1	R460	ERJ3GEYJ220	M.RESISTOR CH 1/16W	22	1
R94	ERJ3GEYOROC	M.RESISTOR CH 1/16W	C	1	R479	ERJ3GEYJ103	M.RESISTOR CH 1/16W	10K	1
R95	ERJ3GEYG102	M.RESISTOR CH 1/16W	1K	1	R480	ERJ3GEYG102	M.RESISTOR CH 1/16W	1K	1
R95	ERJ3GEYJ220	M.RESISTOR CH 1/16W	22	1	R481	ERJ3GEYJ103	M.RESISTOR CH 1/16W	10K	1
R96-97	ERJ3GEYG102	M.RESISTOR CH 1/16W	1K	2	R482	ERJ3GEYG102	M.RESISTOR CH 1/16W	1K	1
R98-02	ERJ3GEYOROC	M.RESISTOR CH 1/16W	C	3	R484-88	ERJ3GEYG102	M.RESISTOR CH 1/16W	1K	5
R100	ERJ3GEYJ220	M.RESISTOR CH 1/16W	22	1	R490	ERJ3GEYJ122	M.RESISTOR CH 1/16W	1.2K	1
R101	ERJ3GEYOROC	M.RESISTOR CH 1/16W	C	1	R493-96	ERJ3GEYJ122	M.RESISTOR CH 1/16W	1.2K	4
R101	ERJ3GEYJ220	M.RESISTOR CH 1/16W	22	1	R499	ERJ3GEYJ122	M.RESISTOR CH 1/16W	1.2K	1
R102	ERJ3GEYOROC	M.RESISTOR CH 1/16W	C	1	R500-07	ERJ3GEYJ220	M.RESISTOR CH 1/16W	22	8
R103-04	ERJ3GEYG102	M.RESISTOR CH 1/16W	1K	2	R508	ERJ3GEYJ221	M.RESISTOR CH 1/16W	220	1
R105	ERJ3GEYJ470	M.RESISTOR CH 1/16W	47	1	R510-12	ERJ3GEYJ220	M.RESISTOR CH 1/16W	22	3
R106	ERJ3GEYOROC	M.RESISTOR CH 1/16W	C	1	R515-16	ERJ3GEYJ103	M.RESISTOR CH 1/16W	10K	2
R106	ERJ3GEYJ331	M.RESISTOR CH 1/16W	330	1	R518-25	ERJ3GEYJ220	M.RESISTOR CH 1/16W	22	8
R107-13	ERJ3GEYG102	M.RESISTOR CH 1/16W	1K	7	R545	ERJ3GEYG102	M.RESISTOR CH 1/16W	1K	1
R115	ERJ3GEYG102	M.RESISTOR CH 1/16W	1K	1	R555	ERJ3GEYJ220	M.RESISTOR CH 1/16W	22	1
R116	ERJ3GEYOROC	M.RESISTOR CH 1/16W	C	1	R557-60	ERJ3GEYJ220	M.RESISTOR CH 1/16W	22	4
R117	ERJ3GEYG102	M.RESISTOR CH 1/16W	1K	1	R561	ERJ3GEYG102	M.RESISTOR CH 1/16W	1K	1
R118-19	ERJ3GEYJ220	M.RESISTOR CH 1/16W	22	2	R583-84	ERJ3GEYOROC	M.RESISTOR CH 1/16W	C	2
R120-22	ERJ3GEYG102	M.RESISTOR CH 1/16W	1K	3	R585-86	ERJ3GEYJ103	M.RESISTOR CH 1/16W	10K	2





AJ-D950P  
VEP83375B

Ref.No.	Part No.	Part Name & Description	Pcs	Remarks	Ref.No.	Part No.	Part Name & Description	Pcs	Remarks
C3175	ECEV1CV1000E	CAPACITOR CH 16V	10U	1	C3306	ECUX1E104ZF	CAPACITOR CH 25V	0.1U	1
C3176-82	ECUX1E104ZF	CAPACITOR CH 25V	0.1U	7	C3307	ECEV1CV1000E	CAPACITOR CH 16V	10U	1
C3183	ECEV1EV1000E	CAPACITOR CH 25V	10U	1	C3308	ECUX1E104ZF	CAPACITOR CH 25V	0.1U	1
C3184-85	ECEV1CV1000E	CAPACITOR CH 16V	10U	2	C3309	ECEV1CV4700E	CAPACITOR CH 16V	47U	1
C3186	ECEV1EV1000E	CAPACITOR CH 25V	10U	1	C3310	ECUX1H820JCV	CAPACITOR CH 50V	82P	1
C3187-88	ECEV1CV1000E	CAPACITOR CH 16V	10U	2	C3311	ECUX1E104ZF	CAPACITOR CH 25V	0.1U	1
C3189	ECEV1CV4700E	CAPACITOR CH 16V	47U	1	C3312	ECUX1H103KBV	CAPACITOR CH 50V	0.01U	1
C3190-91	ECUX1E104ZF	CAPACITOR CH 25V	0.1U	2	C3313-14	ECUX1E104ZF	CAPACITOR CH 25V	0.1U	2
C3192	ECEV1CV1000E	CAPACITOR CH 16V	10U	1	C3315	ECUX1H103KBV	CAPACITOR CH 50V	0.01U	1
C3193	ECUX1E104ZF	CAPACITOR CH 25V	0.1U	1	C3316-17	ECUX1H470JCV	CAPACITOR CH 50V	47P	2
C3194	ECEV1CV1000E	CAPACITOR CH 16V	10U	1	C3318	ECUX1H102JVC	CAPACITOR CH 50V	1000P	1
C3195-96	ECUX1E104ZF	CAPACITOR CH 25V	0.1U	2	C3319-20	ECUX1E104ZF	CAPACITOR CH 25V	0.1U	2
C3197	ECEV1CV1000E	CAPACITOR CH 16V	10U	1	C3323-38	ECUX1E104ZF	CAPACITOR CH 25V	0.1U	16
C3198	ECUX1E104ZF	CAPACITOR CH 25V	0.1U	1	C3339	ECUX1H271JCV	CAPACITOR CH 50V	270P	1
C3199	ECEV1EV3300E	CAPACITOR CH 25V	33U	1	C3340-7	ECUX1E104ZF	CAPACITOR CH 25V	0.1U	32
C3200-02	ECUX1E104ZF	CAPACITOR CH 25V	0.1U	3	C3372	ECUM1H820JCV	CAPACITOR CH 50V	82P	1
C3203	ECEV1CV4700E	CAPACITOR CH 16V	47U	1	C3373	ECUM1H220JCV	CAPACITOR CH 50V	22P	1
C3204	ECEV1EV3300E	CAPACITOR CH 25V	33U	1	C3374	ECUM1H271JCV	CAPACITOR CH 50V	270P	1
C3205	ECUX1E104ZF	CAPACITOR CH 25V	0.1U	1	C3375-76	ECUX1E104ZF	CAPACITOR CH 25V	0.1U	2
C3206	ECEV1CV1000E	CAPACITOR CH 16V	10U	1	C3377	ECUM1H820JCV	CAPACITOR CH 50V	82P	1
C3207-13	ECUX1E104ZF	CAPACITOR CH 25V	0.1U	7	C3378	ECUM1H220JCV	CAPACITOR CH 50V	22P	1
C3214	ECUX1H103KBV	CAPACITOR CH 50V	0.01U	1	C3379	ECUM1H271JCV	CAPACITOR CH 50V	270P	1
C3215-21	ECUX1E104ZF	CAPACITOR CH 25V	0.1U	7	C3380-8	ECUX1E104ZF	CAPACITOR CH 25V	0.1U	2
C3222	ECEV1HNO100E	CAPACITOR CH 50V	1U	1	C3382	ECEV1CV1000E	CAPACITOR CH 16V	10U	1
C3223	ECEV1CV4700E	CAPACITOR CH 16V	47U	1	C3383	ECUX1E104ZF	CAPACITOR CH 25V	0.1U	1
C3224-36	ECUX1E104ZF	CAPACITOR CH 25V	0.1U	13	C3384	ECUX1H560JCV	CAPACITOR CH 50V	56P	1
C3237	ECEV1CV1000E	CAPACITOR CH 16V	10U	1	C3385	ECUX1E104ZF	CAPACITOR CH 25V	0.1U	1
C3238	ECUX1E104ZF	CAPACITOR CH 25V	0.1U	1	C3386	ECUX1H020CIV	CAPACITOR CH 50V	2P	1
C3239	ECUX1H102JVC	CAPACITOR CH 50V	1000P	1	C3387	ECUX1E104ZF	CAPACITOR CH 25V	0.1U	1
C3240	ECUX1H150JCV	CAPACITOR CH 50V	15P	1	C3388	ECUM1H820JCV	CAPACITOR CH 50V	82P	1
C3241	ECUX1E104KEB	CAPACITOR CH 25V	0.1U	1	C3389	ECUM1H220JCV	CAPACITOR CH 50V	22P	1
C3242	ECUX1H102JCV	CAPACITOR CH 50V	1000P	1	C3390	ECUM1H271JCV	CAPACITOR CH 50V	270P	1
C3243	ECUX1H101JCV	CAPACITOR CH 50V	100P	1	C3391	ECUM1H820JCV	CAPACITOR CH 50V	82P	1
C3244	ECUX1H102JVC	CAPACITOR CH 50V	1000P	1	C3392	ECUM1H220JCV	CAPACITOR CH 50V	22P	1
C3245	ECUX1E104ZF	CAPACITOR CH 25V	0.1U	1	C3393	ECUM1H271JCV	CAPACITOR CH 50V	270P	1
C3246	ECUX1E104KEB	CAPACITOR CH 25V	0.1U	1	C3394-04	ECUX1E104ZF	CAPACITOR CH 25V	0.1U	11
C3247-5	ECUX1E104ZF	CAPACITOR CH 25V	0.1U	5	C3405-06	ECEV1CV1000E	CAPACITOR CH 16V	10U	2
C3252	ECEV1HNO100E	CAPACITOR CH 50V	1U	1	C3407-09	ECUX1E104ZF	CAPACITOR CH 25V	0.1U	3
C3253	ECUX1E104ZF	CAPACITOR CH 25V	0.1U	1	C3410	ECUX1H102JVC	CAPACITOR CH 50V	1000P	1
C3255-56	ECUX1H150JCV	CAPACITOR CH 50V	15P	2	C3411	ECUX1H101JCV	CAPACITOR CH 50V	100P	1
C3257-62	ECUX1E104ZF	CAPACITOR CH 25V	0.1U	6	C3412	ECUX1H390JCV	CAPACITOR CH 50V	39P	1
C3263	ECUX1H103KBV	CAPACITOR CH 50V	0.01U	1	C3413-17	ECUX1E104ZF	CAPACITOR CH 25V	0.1U	5
C3264	ECUX1E104ZF	CAPACITOR CH 25V	0.1U	1	C3418	ECUX1H102JVC	CAPACITOR CH 50V	1000P	1
C3265	ECUX1H103KBV	CAPACITOR CH 50V	0.01U	1	C3419	ECUX1H150JCV	CAPACITOR CH 50V	15P	1
C3266	ECUX1E104ZF	CAPACITOR CH 25V	0.1U	1	C3420-22	ECUX1E104ZF	CAPACITOR CH 25V	0.1U	3
C3267	ECUX1H102JVC	CAPACITOR CH 50V	1000P	1	C3425-27	ECUX1E104ZF	CAPACITOR CH 25V	0.1U	3
C3268	ECUX1E104ZF	CAPACITOR CH 25V	0.1U	1	C3428	ECUX1H330JCV	CAPACITOR CH 50V	33P	1
C3269	ECEV1CV4700E	CAPACITOR CH 16V	47U	1	C3429	ECUX1E104ZF	CAPACITOR CH 25V	0.1U	1
C3270	ECUX1E104ZF	CAPACITOR CH 25V	0.1U	1	C3430-3	ECEV1CV1000E	CAPACITOR CH 16V	10U	2
C3271-72	ECUX1H101JCV	CAPACITOR CH 50V	100P	2	C3432	ECUX1E104ZF	CAPACITOR CH 25V	0.1U	1
C3273	ECUX1H220JCV	CAPACITOR CH 50V	22P	1	C3433	ECEV1CV4700E	CAPACITOR CH 16V	47U	1
C3274	ECUX1H470JCV	CAPACITOR CH 50V	47P	1	C3434	ECUX1E104ZF	CAPACITOR CH 25V	0.1U	1
C3275	ECUX1H390JCV	CAPACITOR CH 50V	39P	1	C3435	ECEV1CV1000E	CAPACITOR CH 16V	10U	1
C3276	ECEV1CV4700E	CAPACITOR CH 16V	47U	1	C3436-37	ECUX1E104ZF	CAPACITOR CH 25V	0.1U	2
C3277	ECUX1E104ZF	CAPACITOR CH 25V	0.1U	1	C3438	ECEV1CV1000E	CAPACITOR CH 16V	10U	1
C3278-79	ECUX1H103KBV	CAPACITOR CH 50V	0.01U	2	C3439	ECUX1E104ZF	CAPACITOR CH 25V	0.1U	1
C3280	ECUX1H181JCV	CAPACITOR CH 50V	180P	1	C3440-4	ECUX1E104KEB	CAPACITOR CH 25V	0.1U	2
C3281	ECUX1H103KBV	CAPACITOR CH 50V	0.01U	1	C3442	ECUX1E104ZF	CAPACITOR CH 25V	0.1U	1
C3282	ECUX1E104ZF	CAPACITOR CH 25V	0.1U	1	C3443	ECUX1H103KBV	CAPACITOR CH 50V	0.01U	1
C3283-84	ECEV1CV4700E	CAPACITOR CH 16V	47U	2	C3444-45	ECUX1E104ZF	CAPACITOR CH 25V	0.1U	2
C3285	ECEV1HNO100E	CAPACITOR CH 50V	1U	1	C3446-47	ECUX1H103KBV	CAPACITOR CH 50V	0.01U	2
C3286-87	ECUX1E104ZF	CAPACITOR CH 25V	0.1U	2	C3448-5	ECUX1E104ZF	CAPACITOR CH 25V	0.1U	4
C3288	ECUX1H680JCV	CAPACITOR CH 50V	68P	1	C3455	ECUX1E104ZF	CAPACITOR CH 25V	0.1U	1
C3289	ECUX1H180JCV	CAPACITOR CH 50V	18P	1	C3458	ECUX1H070DVC	CAPACITOR CH 50V	7P	1
C3290	ECUX1E104ZF	CAPACITOR CH 25V	0.1U	1	C3459	ECUX1E104ZF	CAPACITOR CH 25V	0.1U	1
C3291	ECUX1H330JCV	CAPACITOR CH 50V	33P	1					
C3292	ECUX1H103KBV	CAPACITOR CH 50V	0.01U	1	D3001-02	MA152K	DIODE		2
C3294	ECUX1E104ZF	CAPACITOR CH 25V	0.1U	1	D3003	MA142WK	DIODE		1
C3296-97	ECUX1H470JCV	CAPACITOR CH 50V	47P	2	D3004	MA142K	DIODE		1
C3298	ECUX1H103KBV	CAPACITOR CH 50V	0.01U	1	D3005	MA335-R	DIODE		1
C3299	ECEV1VAN2R2E	CAPACITOR CH 50V	2.2U	1	D3006	MA142K	DIODE		1
C3300-0	ECUX1E104ZF	CAPACITOR CH 25V	0.1U	2	D3007	MA335-R	DIODE		1
C3302	ECEV1CV4700E	CAPACITOR CH 16V	47U	1	D3008-09	MA152K	DIODE		2
C3303-04	ECUX1E104ZF	CAPACITOR CH 25V	0.1U	2					
C3305	ECUX1H102JVC	CAPACITOR CH 50V	1000P	1	FL3001-07	WLF0931	FILTER		7

AJ-D950P  
VEP83375B

Ref.No.	Part No.	Part Name & Description	Pcs	Remarks	Ref.No.	Part No.	Part Name & Description	Pcs	Remarks
FL3008-1	VLFO576	FILTER	3		IC3137	74ALS245AJ	IC	1	
FL3012	VLFO576	FILTER	1		IC3138-3	74ALS541SJ	IC	2	
FL3013	VLFO931	FILTER	1		IC3140	MACH211S10	IC	1	
					IC3141	UPD71055GB	IC	1	
IC3001	SN74AS240N	IC	1		IC3142-4	74VHC244F	IC	2	
IC3002-0	74VHCT244F	IC	7		IC3144	UPD71055GB	IC	1	
IC3009-1	74VHC244F	IC	3		IC3145	M4128-6410	IC	1	
IC3012-1	AD9300KP	IC	2		IC3146-5	74VHC244F	IC	8	
IC3014	TC7S04F	IC	1		IC3154-5	MN47V78S	IC	3	
IC3015	AD9300KP	IC	1		IC3157-5	74VHC244F	IC	2	
IC3016	AD828AR	IC	1		IC3159	T160G70-158	IC	1	
IC3017	ADV7176AKS	IC	1		IC3160	M4128-6410	IC	1	
IC3018	MC10H125M	IC	1		IC3161-6	SN74S1051NS	IC	2	
IC3019	TLCX574F	IC	1		IC3163	M4128-6410	IC	1	
IC3020-2	74VHC574F	IC	3		IC3164	MC14053BF	IC	1	
IC3023	TLCX574F	IC	1		IC3165	NJM78L05UA	IC	1	
IC3024	74VHC574F	IC	1		IC3166	CXD1175AM	IC	1	
IC3025	74VHC244F	IC	1		IC3167	EL4089CS	IC	1	
IC3026	74VHCT244F	IC	1		IC3168	NJM79L05UA	IC	1	
IC3027	74VHC244F	IC	1		IC3169	M4128-6410	IC	1	
IC3028	MC10H124M	IC	1		IC3170-7	MM74HC221AM	IC	2	
IC3029-3	74VHCT541F	IC	2		IC3172	MC74HC157AF	IC	1	
IC3031-4	74VHC244F	IC	10		IC3173-7	TC7SH08FU	IC	2	
IC3041-4	MN47V78S	IC	3		IC3175	SN74LS221NS	IC	1	
IC3044-4	74F283SJ	IC	3		IC3176	SN74AS240NS	IC	1	
IC3047-4	74ACT374F	IC	2		IC3177-7	MC74HC4053IC	IC	2	
IC3049	SN74AS244AN	TTL	1		IC3179	NJM79L09UA	IC	1	
IC3050	M4128-6410	IC	1		IC3180-8	MC74HC574AF	IC	3	
IC3051	74VHC244F	IC	1		IC3183	DAC10GS	IC	1	
IC3052-5	MN47V78S	IC	5		IC3184	NJM082BM	IC	1	
IC3057	SN74ALS04BNS	IC	1		IC3185	MC14053BF	IC	1	
IC3058-6	3VHT574F	IC	11						
IC3069-7	74VHCT244F	IC	2		L3001	VLQ0163J18C	COIL	18UH	1
IC3071	74VHC244F	IC	1		L3002-04	VLQ0163J22C	COIL	22UH	3
IC3072	VY06629	IC	1		L3005	VLQ0163JR68C	COIL	0.68UH	1
IC3073	M4128-6410	IC	1		L3006	VLQ0163J2R7C	COIL	2.7UH	1
IC3075	UPD485506G25	IC	1		L3007	VLQ0163J1RC	COIL	1UH	1
IC3076	L7A1519	ASIC	1		L3008	VLP0133	COIL		1
IC3081-8	74ACT374F	IC	4		L3009	VLQ0163J22C	COIL	22UH	1
IC3085	UPD485506G25	IC	1		L3010	VLQ0319K47C	COIL	47UH	1
IC3086	L7A1519	ASIC	1		L3011	VLQ0319K68C	COIL	68UH	1
IC3087	NJM78L09UA	IC	1		L3012	VLQ0319K22C	COIL	220UH	1
IC3088	NJM78L05UA	IC	1		L3013	VLQ0319K10C	COIL	100UH	1
IC3089	NJM79L05UA	IC	1		L3014-15	VLQ0319K47C	COIL	47UH	2
IC3090	AN78N05	IC	1		L3016	VLQ0163J22C	COIL	220UH	1
IC3091	AN78N10	IC	1		L3017	VLQ0163J12C	COIL	12UH	1
IC3092	AN79N10	IC	1		L3018	VLQ0163J27C	COIL	27UH	1
IC3093-9	74VHCT244F	IC	3		L3019	VLQ0163J12C	COIL	12UH	1
IC3096-9	74ACT374F	IC	3		L3020	VLQ0163J27C	COIL	27UH	1
IC3099	MC74HC125AF	IC	1		L3021	VLQ0163J12C	COIL	12UH	1
IC3100	74F08SJ	IC	1		L3022	VLQ0163J27C	COIL	27UH	1
IC3101	SN74AS74ANS	IC	1		L3023	VLQ0163J12C	COIL	12UH	1
IC3102-0	74VHCT244F	IC	2		L3024	VLQ0163J27C	COIL	27UH	1
IC3104	NJM082BM	IC	1		L3025	VLQ0163J47C	COIL	47UH	1
IC3105	UPD65650J208	IC	1		L3026	VLQ0319K39C	COIL	39UH	1
IC3106	SN74LS221NS	IC	1		L3027-28	VLQ0163J22C	COIL	22UH	2
IC3107	MC74HC04AF	IC	1		L3029	VLP0133	COIL		1
IC3108	MC74HC257F	IC	1						
IC3109	AN91A12S	IC	1		P3001-02	VJP3454B096	CONNECTOR (MALE)		2
IC3110	NE521D	IC	1		P3003	VJP3515A080C	CONNECTOR (MALE)		1
IC3111-14	MM74HC221AM	IC	4		P3004	VJP3515A052C	CONNECTOR (MALE)		1
IC3115	MC74HC04AF	IC	1		P3005	VJP3125B008C	CONNECTOR (MALE)		1
IC3116	NJM082BM	IC	1						
IC3117-18	TC7SH00FU	IC	2		Q3001-02	MSD601	TRANSISTOR		2
IC3119	SN74LS123NS	IC	1		Q3003	MSB709	TRANSISTOR		1
IC3120	NE521D	IC	1		Q3004-05	2SK608-R	TRANSISTOR		2
IC3121	NJM084M	IC	1		Q3006	2SB709A-R	TRANSISTOR		1
IC3122	MC74HC4053IC	IC	1		Q3007-08	2SK608-R	TRANSISTOR		2
IC3124	MC74HC4053IC	IC	1		Q3009	MSB709	TRANSISTOR		1
IC3126	TC7SH08FU	IC	1						
IC3127	TC7SH00FU	IC	1		R3001-05	ERJ3GEYG102	M.RESISTOR CH 1/16W	1K	5
IC3129	NJM084M	IC	1		R3006-3	ERJ3GEYJ220	M.RESISTOR CH 1/16W	2226	2
IC3130-3	UPD485506G25	IC	4		R3032-34	ERJ3GEYG102	M.RESISTOR CH 1/16W	1K	3
IC3134-3	SN74S1051NS	IC	2		R3035	ERJ3GEYOROC	M.RESISTOR CH 1/16W	0	1
IC3136	74ALS541SJ	IC	1		R3038-39	ERJ3GEYG102	M.RESISTOR CH 1/16W	1K	2

AJ-D950P  
VEP83375B

Ref.No.	Part No.	Part Name & Description	Pcs	Remarks	Ref.No.	Part No.	Part Name & Description	Pcs	Remarks
R3040-57	ERJ3GEYJ220	M.RESISTOR CH 1/16W	2218		R3323	ERJ3GEYG102	M.RESISTOR CH 1/16W	1K 1	
R3058-69	ERJ3GEYJ470	M.RESISTOR CH 1/16W	4712		R3324	ERJ3GEYJ105	M.RESISTOR CH 1/16W	1M 1	
R3070	ERJ3GEYJ681	M.RESISTOR CH 1/16W	680 1		R3326	ERJ3GEYG102	M.RESISTOR CH 1/16W	1K 1	
R3071	ERJ3GEYJ821	M.RESISTOR CH 1/16W	820 1		R3327	ERJ3GEYJ104	M.RESISTOR CH 1/16W	100K 1	
R3072	ERJ3GEYJ511	M.RESISTOR CH 1/16W	510 1		R3332	ERJ3GEYOROC	M.RESISTOR CH 1/16W	0 1	
R3073	ERJ6RBD152	M.RESISTOR CH 1/10W	15K 1		R3334-38	ERJ3GEYOROC	M.RESISTOR CH 1/16W	0 5	
R3074	ERJ6RED560	M.RESISTOR CH 1/10W	56 1		R3341-42	ERJ3GEYOROC	M.RESISTOR CH 1/16W	0 2	
R3075	ERJ6RBD681	M.RESISTOR CH 1/10W	680 1		R3343	ERJ3GEYG472	M.RESISTOR CH 1/16W	47K 1	
R3076	ERJ6RBD152	M.RESISTOR CH 1/10W	15K 1		R3344	ERJ3GEYG682	M.RESISTOR CH 1/16W	68K 1	
R3077	ERJ6RBD681	M.RESISTOR CH 1/10W	680 1		R3345	ERJ3GEYJ563	M.RESISTOR CH 1/16W	56K 1	
R3078	ERJ3GEYOROC	M.RESISTOR CH 1/16W	0 1		R3346	ERJ3GEYJ223	M.RESISTOR CH 1/16W	22K 1	
R3079	ERJ6RBD151	M.RESISTOR CH 1/10W	150 1		R3347	ERJ3GEYJ563	M.RESISTOR CH 1/16W	56K 1	
R3080	ERJ6RED750	M.RESISTOR CH 1/10W	75 1		R3348	ERJ3GEYJ222	M.RESISTOR CH 1/16W	22K 1	
R3082	ERJ6RBD102	M.RESISTOR CH 1/10W	1K 1		R3349	ERJ3GEYG822	M.RESISTOR CH 1/16W	8.2K 1	
R3083	ERJ3GEYOROC	M.RESISTOR CH 1/16W	0 1		R3350	ERJ3GEYJ223	M.RESISTOR CH 1/16W	22K 1	
R3084	ERJ6RBD102	M.RESISTOR CH 1/10W	1K 1		R3351	ERJ3GEYG102	M.RESISTOR CH 1/16W	1K 1	
R3085	ERJ6RED750	M.RESISTOR CH 1/10W	75 1		R3352-53	ERJ3GEYJ103	M.RESISTOR CH 1/16W	10K 2	
R3086	ERJ3GEYJ222	M.RESISTOR CH 1/16W	22K 1		R3354-55	ERJ3GEYG102	M.RESISTOR CH 1/16W	1K 2	
R3087	ERJ6RED750	M.RESISTOR CH 1/10W	75 1		R3356	ERJ3GEYJ473	M.RESISTOR CH 1/16W	47K 1	
R3088	ERJ3GEYJ101	M.RESISTOR CH 1/16W	100 1		R3357	ERJ3GEYJ223	M.RESISTOR CH 1/16W	22K 1	
R3089-92	ERJ3GEYJ103	M.RESISTOR CH 1/16W	10K 4		R3358	ERJ3GEYJ105	M.RESISTOR CH 1/16W	1M 1	
R3093-08	ERJ3GEYJ331	M.RESISTOR CH 1/16W	330 16		R3359	ERJ3GEYJ103	M.RESISTOR CH 1/16W	10K 1	
R3109	ERJ3GEYG102	M.RESISTOR CH 1/16W	1K 1		R3360	ERJ3GEYG471	M.RESISTOR CH 1/16W	470 1	
R3110-11	ERJ3GEYJ103	M.RESISTOR CH 1/16W	10K 2		R3361	ERJ3GEYG102	M.RESISTOR CH 1/16W	1K 1	
R3112-13	ERJ3GEYJ101	M.RESISTOR CH 1/16W	100 2		R3362-63	ERJ3GEYJ222	M.RESISTOR CH 1/16W	22K 2	
R3114-17	ERJ3GEYG102	M.RESISTOR CH 1/16W	1K 4		R3364	ERJ3GEYJ683	M.RESISTOR CH 1/16W	68K 1	
R3118	ERJ3GEYJ103	M.RESISTOR CH 1/16W	10K 1		R3365	ERJ3GEYJ223	M.RESISTOR CH 1/16W	22K 1	
R3119	ERJ3GEYG102	M.RESISTOR CH 1/16W	1K 1		R3366	ERJ3GEYG152	M.RESISTOR CH 1/16W	15K 1	
R3120	ERJ3GEYJ103	M.RESISTOR CH 1/16W	10K 1		R3367	ERJ3GEYG822	M.RESISTOR CH 1/16W	8.2K 1	
R3121	ERJ3GEYG102	M.RESISTOR CH 1/16W	1K 1		R3368	ERJ3GEYJ393	M.RESISTOR CH 1/16W	39K 1	
R3122	ERJ3GEYJ101	M.RESISTOR CH 1/16W	100 1		R3369	ERJ3GEYJ272	M.RESISTOR CH 1/16W	27K 1	
R3123	ERJ3GEYG102	M.RESISTOR CH 1/16W	1K 1		R3370	ERJ3GEYJ684	M.RESISTOR CH 1/16W	680K 1	
R3124	ERJ3GEYJ103	M.RESISTOR CH 1/16W	10K 1		R3371	ERJ3GEYJ103	M.RESISTOR CH 1/16W	10K 1	
R3125-26	ERJ3GEYJ560	M.RESISTOR CH 1/16W	56 2		R3372-73	ERJ3GEYG822	M.RESISTOR CH 1/16W	8.2K 2	
R3127	ERJ3GEYOROC	M.RESISTOR CH 1/16W	0 1		R3374-77	ERJ3GEYJ222	M.RESISTOR CH 1/16W	22K 4	
R3129-31	ERJ3GEYJ103	M.RESISTOR CH 1/16W	10K 3		R3378	ERJ3GEYJ221	M.RESISTOR CH 1/16W	220 1	
R3132	ERJ3GEYJ560	M.RESISTOR CH 1/16W	56 1		R3379	ERJ3GEYJ184	M.RESISTOR CH 1/16W	180K 1	
R3133	ERJ3GEYJ681	M.RESISTOR CH 1/16W	680 1		R3380	ERJ3GEYJ224	M.RESISTOR CH 1/16W	220K 1	
R3134-35	ERJ3GEYJ560	M.RESISTOR CH 1/16W	56 2		R3381	ERJ3GEYJ153	M.RESISTOR CH 1/16W	15K 1	
R3136	ERJ3GEYJ681	M.RESISTOR CH 1/16W	680 1		R3382-84	ERJ3GEYJ333	M.RESISTOR CH 1/16W	33K 3	
R3137-41	ERJ3GEYJ560	M.RESISTOR CH 1/16W	56 5		R3389	ERJ3GEYG102	M.RESISTOR CH 1/16W	1K 1	
R3142-43	ERJ3GEYG102	M.RESISTOR CH 1/16W	1K 2		R3393-94	ERJ3GEYJ473	M.RESISTOR CH 1/16W	47K 2	
R3144-53	ERJ3GEYJ220	M.RESISTOR CH 1/16W	2210		R3395-96	ERJ3GEYG332	M.RESISTOR CH 1/16W	3.3K 2	
R3154	ERJ3GEYG102	M.RESISTOR CH 1/16W	1K 1		R3397	ERJ3GEYG102	M.RESISTOR CH 1/16W	1K 1	
R3155-66	ERJ3GEYJ220	M.RESISTOR CH 1/16W	2212		R3398	ERJ3GEYJ223	M.RESISTOR CH 1/16W	22K 1	
R3167-70	ERJ3GEYJ560	M.RESISTOR CH 1/16W	56 4		R3399	ERJ3GEYJ103	M.RESISTOR CH 1/16W	10K 1	
R3171-72	ERJ3GEYG102	M.RESISTOR CH 1/16W	1K 2		R3400	ERJ3GEYJ123	M.RESISTOR CH 1/16W	12K 1	
R3173-74	ERJ3GEYJ330	M.RESISTOR CH 1/16W	33 2		R3401	ERJ3GEYG102	M.RESISTOR CH 1/16W	1K 1	
R3175	ERJ3GEYG102	M.RESISTOR CH 1/16W	1K 1		R3402	ERJ3GEYJ473	M.RESISTOR CH 1/16W	47K 1	
R3176-82	ERJ3GEYG471	M.RESISTOR CH 1/16W	470 7		R3403	ERJ3GEYG822	M.RESISTOR CH 1/16W	8.2K 1	
R3183-84	ERJ3GEYG102	M.RESISTOR CH 1/16W	1K 2		R3404	ERJ3GEYJ153	M.RESISTOR CH 1/16W	15K 1	
R3185-91	ERJ3GEYG471	M.RESISTOR CH 1/16W	470 7		R3407	ERJ3GEYG152	M.RESISTOR CH 1/16W	15K 1	
R3192	ERJ3GEYG102	M.RESISTOR CH 1/16W	1K 1		R3408	ERJ3GEYJ222	M.RESISTOR CH 1/16W	22K 1	
R3193-99	ERJ3GEYG471	M.RESISTOR CH 1/16W	470 7		R3409	ERJ3GEYJ153	M.RESISTOR CH 1/16W	15K 1	
R3200-03	ERJ3GEYG102	M.RESISTOR CH 1/16W	1K 4		R3410	ERJ3GEYJ273	M.RESISTOR CH 1/16W	27K 1	
R3204	ERJ3GEYJ512	M.RESISTOR CH 1/16W	5.1K 1		R3411	ERJ3GEYJ105	M.RESISTOR CH 1/16W	1M 1	
R3205-06	ERJ3GEYG102	M.RESISTOR CH 1/16W	1K 2		R3412	ERJ3GEYG102	M.RESISTOR CH 1/16W	1K 1	
R3207	ERJ3GEYJ512	M.RESISTOR CH 1/16W	5.1K 1		R3414	ERJ3GEYJ473	M.RESISTOR CH 1/16W	47K 1	
R3208-09	ERJ3GEYG102	M.RESISTOR CH 1/16W	1K 2		R3415	ERJ3GEYG102	M.RESISTOR CH 1/16W	1K 1	
R3211	ERJ3GEYOROC	M.RESISTOR CH 1/16W	0 1		R3416	ERJ3GEYG332	M.RESISTOR CH 1/16W	3.3K 1	
R3212-39	ERJ3GEYG102	M.RESISTOR CH 1/16W	1K 28		R3417-18	ERJ3GEYJ473	M.RESISTOR CH 1/16W	47K 2	
R3240-51	ERJ3GEYJ103	M.RESISTOR CH 1/16W	10K 12		R3419	ERJ3GEYG332	M.RESISTOR CH 1/16W	3.3K 1	
R3252	ERJ3GEYG102	M.RESISTOR CH 1/16W	1K 1		R3420	ERJ3GEYJ153	M.RESISTOR CH 1/16W	15K 1	
R3253-68	ERJ3GEYJ103	M.RESISTOR CH 1/16W	10K 16		R3421	ERJ3GEYG822	M.RESISTOR CH 1/16W	8.2K 1	
R3269-76	ERJ3GEYG102	M.RESISTOR CH 1/16W	1K 8		R3422-24	ERJ3GEYG102	M.RESISTOR CH 1/16W	1K 3	
R3278-08	ERJ3GEYG102	M.RESISTOR CH 1/16W	1K 31		R3425	ERJ3GEYOROC	M.RESISTOR CH 1/16W	0 1	
R3309	ERJ3GEYJ223	M.RESISTOR CH 1/16W	22K 1		R3426-29	ERJ3GEYG102	M.RESISTOR CH 1/16W	1K 4	
R3310-13	ERJ3GEYJ220	M.RESISTOR CH 1/16W	22 4		R3430	ERJ3GEYG471	M.RESISTOR CH 1/16W	470 1	
R3315	ERJ3GEYJ220	M.RESISTOR CH 1/16W	22 1		R3431	ERJ3GEYG102	M.RESISTOR CH 1/16W	1K 1	
R3316	ERJ3GEYG102	M.RESISTOR CH 1/16W	1K 1		R3432-34	ERJ3GEYJ103	M.RESISTOR CH 1/16W	10K 3	
R3318	ERJ3GEYJ473	M.RESISTOR CH 1/16W	47K 1		R3435	ERJ3GEYG102	M.RESISTOR CH 1/16W	1K 1	
R3319	ERJ3GEYG471	M.RESISTOR CH 1/16W	470 1		R3436	ERJ3GEYJ103	M.RESISTOR CH 1/16W	10K 1	
R3320	ERJ3GEYJ101	M.RESISTOR CH 1/16W	100 1		R3437-38	ERJ3GEYG102	M.RESISTOR CH 1/16W	1K 2	
R3321	ERJ3GEYG102	M.RESISTOR CH 1/16W	1K 1		R3439-43	ERJ3GEYJ103	M.RESISTOR CH 1/16W	10K 5	
R3322	ERJ3GEYJ101	M.RESISTOR CH 1/16W	100 1		R3444-51	ERJ3GEYG102	M.RESISTOR CH 1/16W	1K 8	



AJ-D950P  
VEP83385B

Ref.No.	Part No.	Part Name & Description	Pcs	Remarks	Ref.No.	Part No.	Part Name & Description	Pcs	Remarks
C3163	ECEV1CV1000	E.CAPACITOR CH 16V	10U	1	R3031	ERJ3GEYJ222	M.RESISTOR CH 1/16W	2.2K	1
C3164	ECUX1E104ZF	C.CAPACITOR CH 25V	0.1U	1	R3033	ERJ3GEYJ201	M.RESISTOR CH 1/16W	200	1
C3165-66	ECEV1CV1000	E.CAPACITOR CH 16V	10U	2	R3034	ERJ3GEYJ271	M.RESISTOR CH 1/16W	270	1
C3167	ECUX1E104ZF	C.CAPACITOR CH 25V	0.1U	1	R3036	ERJ3GEYJ221	M.RESISTOR CH 1/16W	220	1
C3168-69	ECEV1CV1000	E.CAPACITOR CH 16V	10U	2	R3038-39	ERJ3GEYJ151	M.RESISTOR CH 1/16W	150	2
C3170-73	ECUX1E104ZF	C.CAPACITOR CH 25V	0.1U	4	R3040	ERJ3GEYJ222	M.RESISTOR CH 1/16W	2.2K	1
D3001	MA152K	DIODE		1	R3041	ERJ3GEYJ151	M.RESISTOR CH 1/16W	150	1
FL3001	VLF1423	FILTER		1	R3042	ERJ3GEYJ750	M.RESISTOR CH 1/16W	75	1
FL3002-03	VLF1424	FILTER		2	R3043	ERJ3GEYJ222	M.RESISTOR CH 1/16W	2.2K	1
IC3001	SN74ALS2440	IC		1	R3044	ERJ3GEYJ101	M.RESISTOR CH 1/16W	100	1
IC3002-03	74F244SJ	IC		2	R3049	ERJ3GEYJ681	M.RESISTOR CH 1/16W	680	1
IC3004	PZ5128S10BPH	IC		1	R3050	ERJ3GEYJ102	M.RESISTOR CH 1/16W	1K	1
IC3005	74AC04SJ	IC		1	R3051	ERJ3GEYOROC	M.RESISTOR CH 1/16W	0	1
IC3006-08	32242AR2C1	IC		3	R3054	ERJ3GEYJ271	M.RESISTOR CH 1/16W	270	1
IC3009	PZ5128S10BPH	IC		1	R3055	ERJ3GEYJ821	M.RESISTOR CH 1/16W	820	1
IC3010-12	UPD485506G25	IC		3	R3056	ERJ3GEYJ221	M.RESISTOR CH 1/16W	220	1
IC3013	ADV7122KST50	IC		1	R3058-59	ERJ3GEYJ151	M.RESISTOR CH 1/16W	150	2
IC3014	AD589JR	IC		1	R3060	ERJ3GEYJ222	M.RESISTOR CH 1/16W	2.2K	1
IC3015	NJM084M	IC		1	R3061	ERJ3GEYJ151	M.RESISTOR CH 1/16W	150	1
IC3016-18	LT1228CS8	IC		3	R3062	ERJ3GEYJ750	M.RESISTOR CH 1/16W	75	1
IC3030	MC74HC32AF	IC		1	R3063	ERJ3GEYJ222	M.RESISTOR CH 1/16W	2.2K	1
IC3031	TC7S04F	IC		1	R3064	ERJ3GEYJ101	M.RESISTOR CH 1/16W	100	1
IC3033	AN78N10	IC		1	R3068	ERJ3GEYJ681	M.RESISTOR CH 1/16W	680	1
IC3034-35	AN78N09	IC		2	R3069	ERJ3GEYJ102	M.RESISTOR CH 1/16W	1K	1
IC3036-37	AN79N09	IC		2	R3070	ERJ3GEYOROC	M.RESISTOR CH 1/16W	0	1
IC3038	NJM78L05UA	IC		1	R3073	ERJ3GEYJ271	M.RESISTOR CH 1/16W	270	1
IC3039	NJM79L05UA	IC		1	R3074	ERJ3GEYJ821	M.RESISTOR CH 1/16W	820	1
IC3040-41	AN78N05	IC		2	R3075	ERJ3GEYJ221	M.RESISTOR CH 1/16W	220	1
IC3042	AN79N10	IC		1	R3077	ERJ6GEYOROC	M.RESISTOR CH 1/10W	0	1
IC3054	PZ5128S10BPH	IC		1	R3084-85	ERJ3GEYJ222	M.RESISTOR CH 1/16W	2.2K	2
L3001	VLP0133	COIL		1	R3086-91	ERJ3GEYJ103	M.RESISTOR CH 1/16W	10K	6
L3002	VLQ0163J220	COIL	22UH	1	R3092-94	ERJ3GEYJ331	M.RESISTOR CH 1/16W	330	3
L3003-04	VLQ0576	COIL		2	R3166	ERJ3GEYJ102	M.RESISTOR CH 1/16W	1K	1
L3005	VLQ0163J220	COIL	22UH	1	R3168-70	ERJ3GEYJ103	M.RESISTOR CH 1/16W	10K	3
L3013	VLQ0163J470	COIL	47UH	1	R3171	ERJ3GEYJ221	M.RESISTOR CH 1/16W	220	1
L3015-18	VLP0133	COIL		4	R3173	ERJ3GEYJ332	M.RESISTOR CH 1/16W	3.3K	1
P3001	VJS3538A080	CONNECTOR (FEMALE)		1	R3175	ERJ3GEYJ332	M.RESISTOR CH 1/16W	3.3K	1
P3002	VJS3538A052	CONNECTOR (FEMALE)		1	R3176	ERJ3GEYJ473	M.RESISTOR CH 1/16W	47K	1
P3003	VJP3125B007	CONNECTOR (MALE)		1	R3177	ERJ6RBD221	M.RESISTOR CH 1/10W	220	1
Q3002	MSD601	TRANSISTOR		1	R3179	ERJ6RBD221	M.RESISTOR CH 1/10W	220	1
Q3004	MSB709	TRANSISTOR		1	R3181	ERJ6RBD221	M.RESISTOR CH 1/10W	220	1
Q3005	MSD601	TRANSISTOR		1	R3183-84	ERJ3GEYJ471	M.RESISTOR CH 1/16W	470	2
Q3006-07	MSB709	TRANSISTOR		2	R3185	ERJ6RBD272	M.RESISTOR CH 1/10W	2.7K	1
Q3008	MSD601	TRANSISTOR		1	R3186-87	ERJ6RBD122	M.RESISTOR CH 1/10W	1.2K	2
Q3009-10	MSB709	TRANSISTOR		2	R3188	ERJ6RBD102	M.RESISTOR CH 1/10W	1K	1
Q3011-12	MSD601	TRANSISTOR		2	R3189	ERJ3GEYJ472	M.RESISTOR CH 1/16W	4.7K	1
Q3013	MSB709	TRANSISTOR		1	R3191	ERJ6RBD181	M.RESISTOR CH 1/10W	180	1
Q3014	MSD601	TRANSISTOR		1	R3193	ERJ6RBD181	M.RESISTOR CH 1/10W	180	1
Q3015-16	MSB709	TRANSISTOR		2	R3195	ERJ6RBD181	M.RESISTOR CH 1/10W	180	1
Q3018-19	MSB709	TRANSISTOR		2	R3197	ERJ6RBD151	M.RESISTOR CH 1/10W	150	1
Q3021	MSB709	TRANSISTOR		1	R3198	ERJ3GEYJ222	M.RESISTOR CH 1/16W	2.2K	1
Q3022	2SC2404-C	TRANSISTOR		1	R3199	ERJ6RED560	M.RESISTOR CH 1/16W	56	1
Q3024-26	2SC3757-R	TRANSISTOR		3	R3200	ERJ3GEYJ470	M.RESISTOR CH 1/16W	47	1
Q3027	MSD601	TRANSISTOR		1	R3201	ERJ3GEYJ101	M.RESISTOR CH 1/16W	100	1
Q3029-30	MSD601	TRANSISTOR		2	R3202	ERJ3GEYJ221	M.RESISTOR CH 1/16W	220	1
Q3032	MSD601	TRANSISTOR		1	R3204	ERJ3GEYJ221	M.RESISTOR CH 1/16W	220	1
Q3034-35	MSD601	TRANSISTOR		2	R3206	ERJ3GEYJ221	M.RESISTOR CH 1/16W	220	1
Q3036-38	2SA1532	TRANSISTOR		3	R3208	ERJ3GEYJ223	M.RESISTOR CH 1/16W	2.2K	1
R3001-02	ERJ3GEYJ101	M.RESISTOR CH 1/16W	100	2	R3209	ERJ3GEYJ221	M.RESISTOR CH 1/16W	220	1
R3011	ERJ3GEYJ103	M.RESISTOR CH 1/16W	10K	1	R3212	ERJ3GEYJ332	M.RESISTOR CH 1/16W	3.3K	1
R3012-13	ERJ3GEYJ102	M.RESISTOR CH 1/16W	1K	2	R3215	ERJ3GEYJ472	M.RESISTOR CH 1/16W	4.7K	1
R3014-16	ERJ3GEYOROC	M.RESISTOR CH 1/16W	0	3	R3217-19	ERJ3GEYJ103	M.RESISTOR CH 1/16W	10K	3
R3023-24	ERJ3GEYJ220	M.RESISTOR CH 1/16W	22	2	R3220	ERJ3GEYJ151	M.RESISTOR CH 1/16W	150	1
R3025	ERJ3GEYJ681	M.RESISTOR CH 1/16W	680	1	R3221-22	ERJ3GEYJ222	M.RESISTOR CH 1/16W	2.2K	2
R3026-27	ERJ3GEYJ151	M.RESISTOR CH 1/16W	150	2	R3223	ERJ3GEYJ470	M.RESISTOR CH 1/16W	47	1
R3028	ERJ3GEYJ222	M.RESISTOR CH 1/16W	2.2K	1	R3224	ERJ3GEYJ222	M.RESISTOR CH 1/16W	2.2K	1
R3029	ERJ3GEYJ151	M.RESISTOR CH 1/16W	150	1	R3225	ERJ6RBD752	M.RESISTOR CH 1/10W	7.5K	1
R3030	ERJ3GEYJ750	M.RESISTOR CH 1/16W	75	1	R3226	ERJ6RBD272	M.RESISTOR CH 1/10W	2.7K	1
					R3227	ERJ3GEYJ102	M.RESISTOR CH 1/16W	1K	1
					R3229	ERJ3GEYJ222	M.RESISTOR CH 1/16W	2.2K	1
					R3232	ERJ3GEYJ222	M.RESISTOR CH 1/16W	2.2K	1
					R3233	ERJ3GEYJ470	M.RESISTOR CH 1/16W	47	1
					R3234	ERJ3GEYJ102	M.RESISTOR CH 1/16W	1K	1
					R3237	ERJ3GEYJ153	M.RESISTOR CH 1/16W	15K	1
					R3248	ERJ3GEYJ102	M.RESISTOR CH 1/16W	1K	1

AJ-D950P  
VEP83385B / VEP84300A

Ref.No.	Part No.	Part Name & Description	Pcs	Remarks	Ref.No.	Part No.	Part Name & Description	Pcs	Remarks
R3250-54	ERJ3GEYJ331	M.RESISTOR CH 1/16W	330	0	C10	ECUM1H103K	ENCAPACITOR CH 50V 0.01U	1	
R3263-64	ERJ3GEYOROC	M.RESISTOR CH 1/16W	0	2	C10	ECUM1H103K	ENCAPACITOR CH 50V 0.01U	1	
R3265-66	ERJ3GEYJ220	M.RESISTOR CH 1/16W	22	2	C12	ECUM1H104Z	ENCAPACITOR CH 50V 0.1U	1	
R3267-69	ERJ3GEYJ103	M.RESISTOR CH 1/16W	10K	3	C13-14	ECUM1H102J	ENCAPACITOR CH 50V 100P	2	
R3273-75	ERJ3GEYG102	M.RESISTOR CH 1/16W	1K	3	C15-16	ECUM1H104Z	ENCAPACITOR CH 50V 0.1U	2	
R3280	ERJ3GEYOROC	M.RESISTOR CH 1/16W	0	1	C20-32	ECUM1H103K	ENCAPACITOR CH 50V 0.01U	13	
R3282	ERJ3GEYG102	M.RESISTOR CH 1/16W	1K	1	C33	ECUX1E104KE	ENCAPACITOR CH 25V 0.1U	1	
R3283	ERJ3GEYJ121	M.RESISTOR CH 1/16W	120	1	C34-35	ECUM1H103K	ENCAPACITOR CH 50V 0.01U	2	
R3284	ERJ3GEYJ750	M.RESISTOR CH 1/16W	75	1	C36-38	ECUM1H101J	ENCAPACITOR CH 50V 100P	3	
R3285	ERJ3GEYJ221	M.RESISTOR CH 1/16W	220	1	C51	ECKF1H122KE	ENCAPACITOR 50V 1200P	1	
R3286-87	ERJ3GEYG332	M.RESISTOR CH 1/16W	3.3K	2	C99	ECKF1H102KE	ENCAPACITOR 50V 1000P	1	
R3288-89	ERJ3GEYJ750	M.RESISTOR CH 1/16W	75	2	C100-01	ECUM1H103K	ENCAPACITOR CH 50V 0.01U	2	
R3290	ERJ3GEYJ221	M.RESISTOR CH 1/16W	220	1	C101	ECUM1H104Z	ENCAPACITOR CH 50V 0.1U	1	
R3291-92	ERJ3GEYG332	M.RESISTOR CH 1/16W	3.3K	2	C102	ECUM1H103K	ENCAPACITOR CH 50V 0.01U	1	
R3293	ERJ3GEYJ221	M.RESISTOR CH 1/16W	220	1	C112	ECUM1H104Z	ENCAPACITOR CH 50V 0.1U	1	
R3294-95	ERJ3GEYG332	M.RESISTOR CH 1/16W	3.3K	2	C115-16	ECUM1H104Z	ENCAPACITOR CH 50V 0.1U	2	
R3296-99	ERJ3GEYJ103	M.RESISTOR CH 1/16W	10K	4	C130	ECUM1H180J	ENCAPACITOR CH 50V 18P	1	
R3304-06	ERJ3GEYJ103	M.RESISTOR CH 1/16W	10K	3	C131	ECUM1H103K	ENCAPACITOR CH 50V 0.01U	1	
SW3001	VSS0367-08E	SWITCH		1	C132	ECUM1H180J	ENCAPACITOR CH 50V 18P	1	
TG3001-C	2YF6CU	TEST POINT		2	C133-37	ECUM1H103K	ENCAPACITOR CH 50V 0.01U	5	
TP3001-C	8YF6CU	TEST POINT		3	C139-42	ECUM1H103K	ENCAPACITOR CH 50V 0.01U	4	
VR3001	VRV0113B101	V.RESISTOR	100	1	C160	ECUM1H180J	ENCAPACITOR CH 50V 18P	1	
VR3002	VRV0113B103	V.RESISTOR	10K	1	C161	ECUM1H103K	ENCAPACITOR CH 50V 0.01U	1	
VR3003	VRV0113B102	V.RESISTOR	1K	1	C162	ECUM1H180J	ENCAPACITOR CH 50V 18P	1	
VR3004	VRV0113B101	V.RESISTOR	100	1	C163-66	ECUM1H103K	ENCAPACITOR CH 50V 0.01U	4	
VR3005	VRV0113B102	V.RESISTOR	1K	1	C168-72	ECUM1H103K	ENCAPACITOR CH 50V 0.01U	5	
VR3006	VRV0113B101	V.RESISTOR	100	1	C200-04	ECUM1H103K	ENCAPACITOR CH 50V 0.01U	5	
VR3007-09	VRV0113B501	V.RESISTOR	500	3	C205	ECUX1E104KE	ENCAPACITOR CH 25V 0.1U	1	
VR3013	VRV0113B102	V.RESISTOR	1K	1	C206	ECUM1H100D	ENCAPACITOR CH 50V 10P	1	
VR3016-17	VRV0113B103	V.RESISTOR	10K	2	C207	ECUM1H103K	ENCAPACITOR CH 50V 0.01U	1	
		MISCELLANEOUS			C208	ECUM1H150J	ENCAPACITOR CH 50V 15P	1	
	VMS4913	PIN		3	C209-10	ECUM1H103K	ENCAPACITOR CH 50V 0.01U	2	
	XYN3+K6	SCREW		6	C220-24	ECUM1H103K	ENCAPACITOR CH 50V 0.01U	5	
					C225	ECUX1E104KE	ENCAPACITOR CH 25V 0.1U	1	
					C226	ECUM1H100D	ENCAPACITOR CH 50V 10P	1	
					C227	ECUM1H103K	ENCAPACITOR CH 50V 0.01U	1	
					C228	ECUM1H150J	ENCAPACITOR CH 50V 15P	1	
					C229-30	ECUM1H103K	ENCAPACITOR CH 50V 0.01U	2	
					C240-41	ECEV1CV4700E	CAPACITOR CH 16V 47U	2	
					C242-46	ECUM1H103K	ENCAPACITOR CH 50V 0.01U	5	
					C247-49	ECEV1HVOR10E	CAPACITOR CH 50V 0.1U	3	
					C250	ECUM1H103K	ENCAPACITOR CH 50V 0.01U	1	
					C251	ECEV1CV1000E	CAPACITOR CH 16V 10U	1	
					C252	ECUM1H103K	ENCAPACITOR CH 50V 0.01U	1	
					C253	ECEV1CV1000E	CAPACITOR CH 16V 10U	1	
					C254	ECUM1H103K	ENCAPACITOR CH 50V 0.01U	1	
					C255-56	ECUM1H470J	ENCAPACITOR CH 50V 47P	2	
					C257-59	ECUM1H103K	ENCAPACITOR CH 50V 0.01U	3	
					C270-81	ECUM1H103K	ENCAPACITOR CH 50V 0.01U	12	
					C330-34	ECUM1H103K	ENCAPACITOR CH 50V 0.01U	5	
					C350-54	ECUM1H103K	ENCAPACITOR CH 50V 0.01U	5	
					C355	ECEV1CV4700E	CAPACITOR CH 16V 47U	1	
					C356-58	ECUX1E104KE	ENCAPACITOR CH 25V 0.1U	3	
					C359	ECUM1H103K	ENCAPACITOR CH 50V 0.01U	1	
					C360	ECUM1H121J	ENCAPACITOR CH 50V 120P	1	
					C361	ECUM1H222K	ENCAPACITOR CH 50V 2200P	1	
					C362	ECEV1CV1000E	CAPACITOR CH 16V 10U	1	
					C363-64	ECEV1CV4700E	CAPACITOR CH 16V 47U	2	
					C365-66	ECUM1H103K	ENCAPACITOR CH 50V 0.01U	2	
					C367	ECUM1H101J	ENCAPACITOR CH 50V 100P	1	
					C368	ECUM1H104Z	ENCAPACITOR CH 50V 0.1U	1	
					C369	ECEVOJV4700E	CAPACITOR CH6.3V 47U	1	
					C370	ECUM1H103K	ENCAPACITOR CH 50V 0.01U	1	
					C371	ECEV1HN3R30E	CAPACITOR CH 50V 3.3U	1	
					C372	ECUM1H103K	ENCAPACITOR CH 50V 0.01U	1	
					C373	ECUX1E104KE	ENCAPACITOR CH 25V 0.1U	1	
					C374-78	ECUM1H103K	ENCAPACITOR CH 50V 0.01U	5	
					C390-94	ECUM1H103K	ENCAPACITOR CH 50V 0.01U	5	
					C395	ECEV1CV4700E	CAPACITOR CH 16V 47U	1	
					C396-98	ECUX1E104KE	ENCAPACITOR CH 25V 0.1U	3	
					C399	ECUM1H103K	ENCAPACITOR CH 50V 0.01U	1	
					C400	ECUM1H121J	ENCAPACITOR CH 50V 120P	1	
					C401	ECUM1H222K	ENCAPACITOR CH 50V 2200P	1	
					C402	ECEV1CV1000E	CAPACITOR CH 16V 10U	1	
					C403-04	ECEV1CV4700E	CAPACITOR CH 16V 47U	2	
C1	ECEV1CV4700E	CAPACITOR CH 16V 47U		1					
C1	ECEV1CV4700E	CAPACITOR CH 16V 47U		1					
C1	ECUM1H104Z	ENCAPACITOR CH 50V 0.1U		1					
C2	ECUM1H103K	ENCAPACITOR CH 50V 0.01U		1					
C2	ECUM1H103K	ENCAPACITOR CH 50V 0.01U		1					
C2	ECUM1H104Z	ENCAPACITOR CH 50V 0.1U		1					
C3	ECEV1CV4700E	CAPACITOR CH 16V 47U		1					
C3	ECUM1H104Z	ENCAPACITOR CH 50V 0.1U		1					
C4	ECEV1CV4700E	CAPACITOR CH 16V 47U		1					
C4	ECUM1H103K	ENCAPACITOR CH 50V 0.01U		1					
C4	ECUM1H104Z	ENCAPACITOR CH 50V 0.1U		1					
C5	ECUM1H103K	ENCAPACITOR CH 50V 0.01U		1					
C5	ECUM1H103K	ENCAPACITOR CH 50V 0.01U		1					
C5	ECUM1H104Z	ENCAPACITOR CH 50V 0.1U		1					
C6	ECEV1CV4700E	CAPACITOR CH 16V 47U		1					
C6	ECUM1H103K	ENCAPACITOR CH 50V 0.01U		1					
C6	ECUM1H104Z	ENCAPACITOR CH 50V 0.1U		1					
C7	ECEV1CV4700E	CAPACITOR CH 16V 47U		1					
C7	ECUM1H103K	ENCAPACITOR CH 50V 0.01U		1					
C7	ECUM1H104Z	ENCAPACITOR CH 50V 0.1U		1					
C8	ECUM1H103K	ENCAPACITOR CH 50V 0.01U		1					
C8	ECUM1H104Z	ENCAPACITOR CH 50V 0.1U		1					
C8	ECUX1E104KE	ENCAPACITOR CH 25V 0.1U		1					
C9	ECEV1CV4700E	CAPACITOR CH 16V 47U		1					
C9	ECUM1H103K	ENCAPACITOR CH 50V 0.01U		1					
C9	ECUM1H104Z	ENCAPACITOR CH 50V 0.1U		1					

AJ-D950P  
VEP84300A

Ref.No.	Part No.	Part Name & Description	Pcs	Remarks	Ref.No.	Part No.	Part Name & Description	Pcs	Remarks
C405-06	ECUM1H103K	ENCAPACITOR CH 50V 0.01U	2		IC204-05	74AC374SJ	IC	2	
C407	ECUM1H101J	ENCAPACITOR CH 50V 100P	1		IC206	TMSD72274P	IC	1	
C408	ECEV1HN3R3C	ENCAPACITOR CH 50V 3.3U	1		IC220	K6256CLG7L	IC	1	
C409	ECUM1H103K	ENCAPACITOR CH 50V 0.01U	1		IC221	MN53030VPP	IC	1	
C410	ECUX1E104KE	ENCAPACITOR CH 25V 0.1U	1		IC222	74AC04SJ	IC	1	
C411-15	ECUM1H103K	ENCAPACITOR CH 50V 0.01U	5		IC223	K6256CLG7L	IC	1	
C430-31	ECUM1H103K	ENCAPACITOR CH 50V 0.01U	2		IC224-25	74AC374SJ	IC	2	
C440-41	ECUM1H103K	ENCAPACITOR CH 50V 0.01U	2		IC226	TMSD72274P	IC	1	
C450-57	ECUM1H103K	ENCAPACITOR CH 50V 0.01U	8		IC240-41	NJM78L05UA	IC	2	
C490-91	ECUM1H103K	ENCAPACITOR CH 50V 0.01U	2		IC242-43	MC4044M	IC	2	
C493-97	ECUM1H103K	ENCAPACITOR CH 50V 0.01U	5		IC244	74AC04SJ	IC	1	
C530-35	ECUM1H103K	ENCAPACITOR CH 50V 0.01U	6		IC260-61	MC74HC74AF	IC	2	
C590-93	ECUM1H103K	ENCAPACITOR CH 50V 0.01U	4		IC262	MC74HC02AF	IC	1	
C600-02	ECUM1H103K	ENCAPACITOR CH 50V 0.01U	3		IC270-71	SN74S1051NS	IC	2	
C620-21	ECUM1H180J	ENCAPACITOR CH 50V 18P	2		IC272	74F541SJ	IC	1	
C622-23	ECUM1H103K	ENCAPACITOR CH 50V 0.01U	2		IC273	74F245SJ	IC	1	
C624-25	ECUM1H180J	ENCAPACITOR CH 50V 18P	2		IC274-75	74F541SJ	IC	2	
C626-27	ECUM1H103K	ENCAPACITOR CH 50V 0.01U	2		IC276	74F32SJ	IC	1	
C651	ECEV1CV470CE	ENCAPACITOR CH 16V 47U	1		IC277	74AC04SJ	IC	1	
C670	ECEV1CV470CE	ENCAPACITOR CH 16V 47U	1		IC278	UPD71055GB	IC	1	
C700-03	ECUM1H103K	ENCAPACITOR CH 50V 0.01U	4		IC279-80	74AC138SJ	IC	2	
C704-06	ECUX1E104KE	ENCAPACITOR CH 25V 0.1U	3		IC281	UPD71055GB	IC	1	
C901	ECKF1H103ZF	ENCAPACITOR 50V 0.01U	1		IC330-32	MC74HC541AF	IC	3	
					IC333	MC74HC04AF	IC	1	
D350	MA152A	DIODE	1		IC334	MC74HC541AF	IC	1	
D351	MA157	DIODE	1		IC350	NJM78L05UA	IC	1	
D352	MA152A	DIODE	1		IC351	DS9637ACN	IC	1	
D353	MA157	DIODE	1		IC352	NJM360M	IC	1	
D390	MA152A	DIODE	1		IC353	74AC04SJ	IC	1	
D391	MA157	DIODE	1		IC354-55	MC74HC74AF	IC	2	
D392	MA152A	DIODE	1		IC356	L7A0541	IC	1	
D393	MA157	DIODE	1		IC357	MC74HC08AF	IC	1	
					IC358	SN75158P	IC	1	
FL1	VLF0576	FILTER	1		IC359	TL7705CPSB	IC	1	
					IC390	NJM78L05UA	IC	1	
IC1	EPF10K20TC-4C	IC	1		IC391	DS9637ACN	IC	1	
IC1	UPD65845G06B	IC	1		IC392	NJM360M	IC	1	
IC2	EPF10K50RC2IC	IC	1		IC393	74AC04SJ	IC	1	
IC2	MC74HC541AF	IC	1		IC394-95	MC74HC74AF	IC	2	
IC3	MB8117805A4C	IC	1		IC396	L7A0541	IC	1	
IC5	K6256CLG7L	IC	1		IC397	MC74HC08AF	IC	1	
IC5	VSI2721	IC	1		IC398	SN75158P	IC	1	
IC6	K6256CLG7L	IC	1		IC430	L7A0541	IC	1	
IC20	MC10H125M	IC	1		IC440	L7A0541	IC	1	
IC21	MC74HC541AF	IC	1		IC450	MC74HC157AF	IC	1	
IC22	MC74HC574AF	IC	1		IC451	MC74HC74AF	IC	1	
IC23	MC74HC541AF	IC	1		IC452	MC74HC04AF	IC	1	
IC24	MC74HC153F	IC	1		IC453	D485505G25	IC	1	
IC25	T74HCT541AF	IC	1		IC454	MB621926	IC	1	
IC26	MC74HC08AF	IC	1		IC455	K6256CLG7L	IC	1	
IC27	T74VHCT244	IC	1		IC490	MC74HC157AF	IC	1	
IC28	MC74HC74AF	IC	1		IC491	MC74HC04AF	IC	1	
IC29-31	MC74HC541AF	IC	3		IC492	D485505G25	IC	1	
IC32	MC10H124M	IC	1		IC493	MB621926	IC	1	
IC100	MB621926	IC	1		IC494	K6256CLG7L	IC	1	
IC101	K6256CLG7L	IC	1		IC530-31	MB621926	IC	2	
IC101	UPD65845G06B	IC	1		IC532-33	K6256CLG7L	IC	2	
IC102	EPF10K50RC2IC	IC	1		IC590-93	MC74HC74AF	IC	4	
IC105-06	K6256CLG7L	IC	2		IC600	MB621926	IC	1	
IC130	AD1893JST	IC	1		IC601	MB814400C7	DRAM	1	
IC131	MC74HC157AF	IC	1		IC620-21	AD1893JST	IC	2	
IC133	T16GH7AF121	IC	1		IC622-23	MC74HC157AF	IC	2	
IC134-35	K6256CLG7L	IC	2		IC700	EPF10K20TC-4C	IC	1	
IC136	MC74HC157AF	IC	1		IC701	VSI2720B	IC	1	
IC137	MC74HC74AF	IC	1		IC702-03	UPD42280G3	IC	2	
IC160	AD1893JST	IC	1						
IC161	MC74HC157AF	IC	1		IS3-S5	VJS3096308	CONNECTOR (FEMALE)	3	
IC163	T16GH7AF121	IC	1		IS103-04	VJS3096308	CONNECTOR (FEMALE)	2	
IC164-65	K6256CLG7L	IC	2		IS701	VJS3096308	CONNECTOR (FEMALE)	1	
IC166	MC74HC157AF	IC	1						
IC188	MC74HC157AF	IC	1		L1-L2	VLP0133	COIL	2	
IC200	K6256CLG7L	IC	1		L200	VLO0426J1R8	COIL 1.8UH	1	
IC201	MN53030VPP	IC	1		L220	VLO0426J1R8	COIL 1.8UH	1	
IC202	74AC04SJ	IC	1		L350	VLO0426J1R8	COIL 1.8UH	1	
IC203	K6256CLG7L	IC	1		L390	VLO0426J1R8	COIL 1.8UH	1	

AJ-D950P  
VEP84300A

Ref.No.	Part No.	Part Name & Description	Pcs	Remarks	Ref.No.	Part No.	Part Name & Description	Pcs	Remarks
P1	VJP3454B09	CONNECTOR (MALE)	1		R130	ERJ6GEYG103	M.RESISTOR CH 1/10W	10K 1	
P1	VJS3886A040	CONNECTOR (FEMALE)	4CP 1		R131-32	ERJ6GEYOROC	M.RESISTOR CH 1/10W	0 2	
P2	VJP3454B09	CONNECTOR (MALE)	1		R134	ERJ6GEYG103	M.RESISTOR CH 1/10W	10K 1	
P3	VJS3886A040	CONNECTOR (FEMALE)	4CP 1		R135	ERJ6GEYG331	M.RESISTOR CH 1/10W	330 1	
P650	VJP3635A040	CONNECTOR (MALE)	1		R137	ERJ6GEYG331	M.RESISTOR CH 1/10W	330 1	
P670	VJP3635A040	CONNECTOR (MALE)	1		R138	ERJ6GEYOROC	M.RESISTOR CH 1/10W	0 1	
					R139-41	ERJ6GEYG331	M.RESISTOR CH 1/10W	330 3	
Q350	2SJ163-R	TRANSISTOR	1		R143	ERJ6GEYOROC	M.RESISTOR CH 1/10W	0 1	
Q351-53	2SC4444	TRANSISTOR	3		R145	ERJ6GEYOROC	M.RESISTOR CH 1/10W	0 1	
Q390	2SJ163-R	TRANSISTOR	1		R146	ERJ6GEYG331	M.RESISTOR CH 1/10W	330 1	
Q391-93	2SC4444	TRANSISTOR	3		R147-48	ERJ6GEYG103	M.RESISTOR CH 1/10W	10K 2	
					R149	ERJ6GEYG331	M.RESISTOR CH 1/10W	330 1	
					R150	ERJ6GEYOROC	M.RESISTOR CH 1/10W	0 1	
R1	ERJ6GEYG102	M.RESISTOR CH 1/10W	1K 1		R151	ERJ6GEYG331	M.RESISTOR CH 1/10W	330 1	
R1	ERJ6GEYG331	M.RESISTOR CH 1/10W	330 1		R152	ERJ6GEYOROC	M.RESISTOR CH 1/10W	0 1	
R2	ERJ6GEYOROC	M.RESISTOR CH 1/10W	0 1		R153	ERJ6GEYG331	M.RESISTOR CH 1/10W	330 1	
R2	ERJ6GEYG102	M.RESISTOR CH 1/10W	1K 1		R157	ERJ6GEYOROC	M.RESISTOR CH 1/10W	0 1	
R3	ERJ6GEYOROC	M.RESISTOR CH 1/10W	0 1		R165	ERJ6GEYG331	M.RESISTOR CH 1/10W	330 1	
R3	ERJ6GEYG102	M.RESISTOR CH 1/10W	1K 1		R167	ERJ6GEYG331	M.RESISTOR CH 1/10W	330 1	
R4	ERJ6GEYOROC	M.RESISTOR CH 1/10W	0 1		R168	ERJ6GEYOROC	M.RESISTOR CH 1/10W	0 1	
R4	ERJ6GEYG102	M.RESISTOR CH 1/10W	1K 1		R169-71	ERJ6GEYG331	M.RESISTOR CH 1/10W	330 3	
R5	ERJ6GEYOROC	M.RESISTOR CH 1/10W	0 1		R173	ERJ6GEYOROC	M.RESISTOR CH 1/10W	0 1	
R5	ERJ6GEYG102	M.RESISTOR CH 1/10W	1K 1		R175	ERJ6GEYOROC	M.RESISTOR CH 1/10W	0 1	
R6-02	ERJ6GEYOROC	M.RESISTOR CH 1/10W	0 3		R176	ERJ6GEYG331	M.RESISTOR CH 1/10W	330 1	
R8	ERJ6GEYG102	M.RESISTOR CH 1/10W	1K 1		R177-78	ERJ6GEYG103	M.RESISTOR CH 1/10W	10K 2	
R9	ERJ6GEYOROC	M.RESISTOR CH 1/10W	0 1		R179	ERJ6GEYG331	M.RESISTOR CH 1/10W	330 1	
R9	ERJ6GEYG102	M.RESISTOR CH 1/10W	1K 1		R180	ERJ6GEYOROC	M.RESISTOR CH 1/10W	0 1	
R10	ERJ6GEYOROC	M.RESISTOR CH 1/10W	0 1		R181	ERJ6GEYG331	M.RESISTOR CH 1/10W	330 1	
R10	ERJ6GEYG102	M.RESISTOR CH 1/10W	1K 1		R182	ERJ6GEYOROC	M.RESISTOR CH 1/10W	0 1	
R11	ERJ6GEYOROC	M.RESISTOR CH 1/10W	0 1		R183	ERJ6GEYG331	M.RESISTOR CH 1/10W	330 1	
R11-12	ERJ6GEYG102	M.RESISTOR CH 1/10W	1K 2		R185	ERJ6GEYOROC	M.RESISTOR CH 1/10W	0 1	
R16	ERJ6GEYG102	M.RESISTOR CH 1/10W	1K 1		R187-88	ERJ6GEYOROC	M.RESISTOR CH 1/10W	0 2	
R17	ERJ6GEYOROC	M.RESISTOR CH 1/10W	0 1		R200-04	ERJ6GEYG331	M.RESISTOR CH 1/10W	330 5	
R20	ERJ6GEYG103	M.RESISTOR CH 1/10W	10K 1		R220-24	ERJ6GEYG331	M.RESISTOR CH 1/10W	330 5	
R21	ERJ6GEYG101	M.RESISTOR CH 1/10W	100 1		R240-41	ERJ6GEYG152	M.RESISTOR CH 1/10W	1.5K 2	
R22	ERJ6GEYG103	M.RESISTOR CH 1/10W	10K 1		R242	ERJ6GEYG562	M.RESISTOR CH 1/10W	5.6K 1	
R23-34	ERJ6GEYOROC	M.RESISTOR CH 1/10W	0 12		R243	ERJ6GEYG392	M.RESISTOR CH 1/10W	3.9K 1	
R35-38	ERJ6GEYG331	M.RESISTOR CH 1/10W	330 4		R244-45	ERJ6GEYG102	M.RESISTOR CH 1/10W	1K 2	
R39-50	ERJ6GEYOROC	M.RESISTOR CH 1/10W	0 12		R246-47	ERJ6GEYG101	M.RESISTOR CH 1/10W	100 2	
R50	ERJ6GEYOROC	M.RESISTOR CH 1/10W	0 1		R248-49	ERJ6GEYG103	M.RESISTOR CH 1/10W	10K 2	
R51	ERDS2TJ183	C.RESISTOR 1/4W 18K	1		R252-53	ERJ6GEYG103	M.RESISTOR CH 1/10W	10K 2	
R51-52	ERJ6GEYOROC	M.RESISTOR CH 1/10W	0 2		R270-92	ERJ6GEYG470	M.RESISTOR CH 1/10W	47 23	
R53	ERJ6GEYG331	M.RESISTOR CH 1/10W	330 1		R293-96	ERJ6GEYG331	M.RESISTOR CH 1/10W	330 4	
R62	ERJ6GEYG103	M.RESISTOR CH 1/10W	10K 1		R297-00	ERJ6GEYG332	M.RESISTOR CH 1/10W	3.3K 4	
R63	ERJ6GEYG102	M.RESISTOR CH 1/10W	1K 1		R301-06	ERJ6GEYG152	M.RESISTOR CH 1/10W	1.5K 6	
R64	ERJ6GEYF472	M.RESISTOR CH 1/10W 4.7K	1		R307-10	ERJ6GEYG332	M.RESISTOR CH 1/10W	3.3K 4	
R65	ERJ6GEYG103	M.RESISTOR CH 1/10W	10K 1		R311-15	ERJ6GEYG152	M.RESISTOR CH 1/10W	1.5K 5	
R66-69	ERJ6GEYG331	M.RESISTOR CH 1/10W	330 4		R330	ERJ6GEYOROC	M.RESISTOR CH 1/10W	0 1	
R70	ERJ6GEYJ471	M.RESISTOR CH 1/10W 470	1		R333-36	ERJ6GEYG331	M.RESISTOR CH 1/10W	330 4	
R71-78	ERJ6GEYG470	M.RESISTOR CH 1/10W 47	8		R350-51	ERJ6GEYG332	M.RESISTOR CH 1/10W	3.3K 2	
R79	ERJ6GEYJ471	M.RESISTOR CH 1/10W 470	1		R352	ERJ6GEYF561	M.RESISTOR CH 1/10W	560 1	
R80-88	ERJ6GEYG470	M.RESISTOR CH 1/10W 47	9		R353	ERJ6RBD111	M.RESISTOR CH 1/10W	110 1	
R89-90	ERJ6GEYJ471	M.RESISTOR CH 1/10W 470	2		R354	ERJ6GEYG222	M.RESISTOR CH 1/10W	2.2K 1	
R91	ERJ6GEYG101	M.RESISTOR CH 1/10W	100 1		R355	ERJ6GEYG101	M.RESISTOR CH 1/10W	100 1	
R92-94	ERJ6GEYOROC	M.RESISTOR CH 1/10W	0 3		R356	ERJ6GEYG221	M.RESISTOR CH 1/10W	220 1	
R100	ERJ6GEYG331	M.RESISTOR CH 1/10W	330 1		R357	ERJ6GEYG103	M.RESISTOR CH 1/10W	10K 1	
R101	ERJ6GEYG102	M.RESISTOR CH 1/10W	1K 1		R358	ERJ6GEYG102	M.RESISTOR CH 1/10W	1K 1	
R101	ERJ6GEYG331	M.RESISTOR CH 1/10W	330 1		R359	ERJ6GEYJ820	M.RESISTOR CH 1/10W	82 1	
R102	ERJ6GEYG102	M.RESISTOR CH 1/10W	1K 1		R360	ERJ6GEYG101	M.RESISTOR CH 1/10W	100 1	
R102	ERJ6GEYG331	M.RESISTOR CH 1/10W	330 1		R361-63	ERJ6GEYG102	M.RESISTOR CH 1/10W	1K 3	
R103	ERJ6GEYG102	M.RESISTOR CH 1/10W	1K 1		R364	ERJ6GEYF473	M.RESISTOR CH 1/10W 47K	1	
R103	ERJ6GEYG331	M.RESISTOR CH 1/10W	330 1		R365	ERJ6GEYG105	M.RESISTOR CH 1/10W	1M 1	
R104	ERJ6GEYG102	M.RESISTOR CH 1/10W	1K 1		R366	ERJ6GEYG563	M.RESISTOR CH 1/10W	56K 1	
R104	ERJ6GEYG331	M.RESISTOR CH 1/10W	330 1		R368	ERJ6GEYOROC	M.RESISTOR CH 1/10W	0 1	
R105	ERJ6GEYG102	M.RESISTOR CH 1/10W	1K 1		R369-70	ERJ6GEYG331	M.RESISTOR CH 1/10W	330 2	
R106	ERJ6GEYOROC	M.RESISTOR CH 1/10W	0 1		R371	ERJ6GEYG103	M.RESISTOR CH 1/10W	10K 1	
R108	ERJ6GEYOROC	M.RESISTOR CH 1/10W	0 1		R372	ERJ6RBD111	M.RESISTOR CH 1/10W	110 1	
R109	ERJ6GEYG102	M.RESISTOR CH 1/10W	1K 1		R374	ERJ6GEYOROC	M.RESISTOR CH 1/10W	0 1	
R110	ERJ6GEYOROC	M.RESISTOR CH 1/10W	0 1		R377-78	ERJ6GEYOROC	M.RESISTOR CH 1/10W	0 2	
R111	ERJ6GEYG102	M.RESISTOR CH 1/10W	1K 1		R390-91	ERJ6GEYG332	M.RESISTOR CH 1/10W	3.3K 2	
R112	ERJ6GEYOROC	M.RESISTOR CH 1/10W	0 1		R392	ERJ6GEYF561	M.RESISTOR CH 1/10W	560 1	
R112	ERJ6GEYG102	M.RESISTOR CH 1/10W	1K 1		R393	ERJ6RBD111	M.RESISTOR CH 1/10W	110 1	
R113	ERJ6GEYG331	M.RESISTOR CH 1/10W	330 1		R394	ERJ6GEYG222	M.RESISTOR CH 1/10W	2.2K 1	
R115-16	ERJ6GEYOROC	M.RESISTOR CH 1/10W	0 2		R395	ERJ6GEYG101	M.RESISTOR CH 1/10W	100 1	
R119	ERJ6GEYOROC	M.RESISTOR CH 1/10W	0 1		R396	ERJ6GEYG221	M.RESISTOR CH 1/10W	220 1	



AJ-D950P  
VEP84300A / VEP84301A

Ref.No.	Part No.	Part Name & Description	Pcs	Remarks	Ref.No.	Part No.	Part Name & Description	Pcs	Remarks
R397	ERJ6GEYG103	M.RESISTOR CH 1/10W	10K	1	R812	ERJ6GEYG103	M.RESISTOR CH 1/10W	10K	1
R398	ERJ6GEYG102	M.RESISTOR CH 1/10W	1K	1	R814	ERJ6GEYG103	M.RESISTOR CH 1/10W	10K	1
R399	ERJ6GEYJ820	M.RESISTOR CH 1/10W	82	1	R816	ERJ6GEYG103	M.RESISTOR CH 1/10W	10K	1
R400	ERJ6GEYG101	M.RESISTOR CH 1/10W	100	1	R818	ERJ6GEYG103	M.RESISTOR CH 1/10W	10K	1
R401-03	ERJ6GEYG102	M.RESISTOR CH 1/10W	1K	3	R820	ERJ6GEYG103	M.RESISTOR CH 1/10W	10K	1
R404	ERJ6GEYF473	M.RESISTOR CH 1/10W	47K	1	R822	ERJ6GEYG103	M.RESISTOR CH 1/10W	10K	1
R405	ERJ6GEYG105	M.RESISTOR CH 1/10W	1M	1	R830-31	ERJ6GEYG101	M.RESISTOR CH 1/10W	100	2
R406	ERJ6GEYG563	M.RESISTOR CH 1/10W	56K	1	R834	ERJ6GEYOROC	M.RESISTOR CH 1/10W	C	1
R408	ERJ6GEYOROC	M.RESISTOR CH 1/10W	C	1	R836	ERJ6GEYG331	M.RESISTOR CH 1/10W	330	1
R409-10	ERJ6GEYG331	M.RESISTOR CH 1/10W	330	2	R840-41	ERJ6GEYOROC	M.RESISTOR CH 1/10W	C	2
R411	ERJ6RBD111	M.RESISTOR CH 1/10W	110	1	R901-02	ERDS2TJ103	C.RESISTOR 1/4W	10K	2
R413	ERJ6GEYOROC	M.RESISTOR CH 1/10W	C	1					
R416	ERJ6GEYOROC	M.RESISTOR CH 1/10W	C	1	SW600	VSS0367-04B	SWITCH		1
R430	ERJ6GEYG331	M.RESISTOR CH 1/10W	330	1	SW601	VSS0367-08B	SWITCH		1
R431	ERJ6GEYG103	M.RESISTOR CH 1/10W	10K	1					
R440	ERJ6GEYG331	M.RESISTOR CH 1/10W	330	1	T350-51	VLTO890	TRANSFORMER		2
R441	ERJ6GEYG103	M.RESISTOR CH 1/10W	10K	1	T390-91	VLTO890	TRANSFORMER		2
R450	ERJ6GEYOROC	M.RESISTOR CH 1/10W	C	1					
R452	ERJ6GEYG331	M.RESISTOR CH 1/10W	330	1	TG1	EYF6CU	TEST POINT		1
R453	ERJ6GEYG103	M.RESISTOR CH 1/10W	10K	1	TG1	VJRO646	TEST POINT		1
R454-58	ERJ6GEYG331	M.RESISTOR CH 1/10W	330	5	TG1	VJRO646	TEST POINT		1
R460	ERJ6GEYOROC	M.RESISTOR CH 1/10W	C	1	TG2	EYF6CU	TEST POINT		1
R462	ERJ6GEYOROC	M.RESISTOR CH 1/10W	C	1	TG2	VJRO646	TEST POINT		1
R464	ERJ6GEYOROC	M.RESISTOR CH 1/10W	C	1	TG3	VJRO646	TEST POINT		1
R466-67	ERJ6GEYOROC	M.RESISTOR CH 1/10W	C	2	TG4	VJRO646	TEST POINT		1
R469	ERJ6GEYG331	M.RESISTOR CH 1/10W	330	1	TG6	VJRO646	TEST POINT		1
R470	ERJ6GEYOROC	M.RESISTOR CH 1/10W	C	1					
R472	ERJ6GEYOROC	M.RESISTOR CH 1/10W	C	1	TP1-P5	EYF6CU	TEST POINT		5
R475	ERJ6GEYOROC	M.RESISTOR CH 1/10W	C	1	TP17-18	EYF6CU	TEST POINT		2
R490	ERJ6GEYOROC	M.RESISTOR CH 1/10W	C	1	TP20-22	EYF6CU	TEST POINT		3
R492	ERJ6GEYG331	M.RESISTOR CH 1/10W	330	1	TP130-32	EYF6CU	TEST POINT		3
R493	ERJ6GEYG103	M.RESISTOR CH 1/10W	10K	1	TP161-63	EYF6CU	TEST POINT		3
R494-98	ERJ6GEYG331	M.RESISTOR CH 1/10W	330	5	TP240-43	VJRO646	TEST POINT		4
R500	ERJ6GEYOROC	M.RESISTOR CH 1/10W	C	1	TP330-34	VJRO646	TEST POINT		5
R502	ERJ6GEYOROC	M.RESISTOR CH 1/10W	C	1	TP350-51	VJRO646	TEST POINT		2
R504	ERJ6GEYOROC	M.RESISTOR CH 1/10W	C	1	TP390	VJRO646	TEST POINT		1
R506-07	ERJ6GEYOROC	M.RESISTOR CH 1/10W	C	2	TP700-09	EYF6CU	TEST POINT		10
R509	ERJ6GEYG331	M.RESISTOR CH 1/10W	330	1					
R510	ERJ6GEYOROC	M.RESISTOR CH 1/10W	C	1	X130	VSX0519	CRYSTAL OSCILLATOR		1
R512	ERJ6GEYOROC	M.RESISTOR CH 1/10W	C	1	X160	VSX0519	CRYSTAL OSCILLATOR		1
R515	ERJ6GEYOROC	M.RESISTOR CH 1/10W	C	1	X200	VSX0453	CRYSTAL OSCILLATOR		1
R532-35	ERJ6GEYG331	M.RESISTOR CH 1/10W	330	4	X220	VSX0453	CRYSTAL OSCILLATOR		1
R536-37	ERJ6GEYOROC	M.RESISTOR CH 1/10W	C	2	X240	VSX0664	CRYSTAL OSCILLATOR		1
R538-42	ERJ6GEYG331	M.RESISTOR CH 1/10W	330	5	X241	VSX0665	CRYSTAL OSCILLATOR		1
R544-45	ERJ6GEYG331	M.RESISTOR CH 1/10W	330	2	X350	VSX0392	CRYSTAL OSCILLATOR		1
R547	ERJ6GEYOROC	M.RESISTOR CH 1/10W	C	1	X390	VSX0392	CRYSTAL OSCILLATOR		1
R549	ERJ6GEYOROC	M.RESISTOR CH 1/10W	C	1	X620-21	VSX0519	CRYSTAL OSCILLATOR		2
R551	ERJ6GEYOROC	M.RESISTOR CH 1/10W	C	1					
R553	ERJ6GEYOROC	M.RESISTOR CH 1/10W	C	1			MISCELLANEOUS		
R555	ERJ6GEYOROC	M.RESISTOR CH 1/10W	C	1					
R557-58	ERJ6GEYOROC	M.RESISTOR CH 1/10W	C	2	VML2143	CARD PULLER			1
R560	ERJ6GEYOROC	M.RESISTOR CH 1/10W	C	1	VML2144	CARD PULLER			1
R562	ERJ6GEYOROC	M.RESISTOR CH 1/10W	C	1	VMS6082	SPACER			4
R565-66	ERJ6GEYOROC	M.RESISTOR CH 1/10W	C	2	XYN3+K6	SCREW			8
R568	ERJ6GEYOROC	M.RESISTOR CH 1/10W	C	1					
R571	ERJ6GEYOROC	M.RESISTOR CH 1/10W	C	1					
R573	ERJ6GEYOROC	M.RESISTOR CH 1/10W	C	1					
R602	ERJ6GEYG331	M.RESISTOR CH 1/10W	330	1					
R604	ERJ6GEYG331	M.RESISTOR CH 1/10W	330	1					
R607-08	ERJ6GEYOROC	M.RESISTOR CH 1/10W	C	2	i	VEP84301A	F8 A ADDA P.C.BOARD		1 (RTL)
R620-21	ERJ6GEYG331	M.RESISTOR CH 1/10W	330	2					
R651-52	ERJ6GEYG470	M.RESISTOR CH 1/10W	47	2	C4001-02	ECUM1E104Z	MLCAPACITOR CH 25V	0.1U	2
R653	ERJ6GEYOROC	M.RESISTOR CH 1/10W	C	1	C4003	ECEA1HGE330E	MLCAPACITOR CH 50V	33U	1
R657-59	ERJ6GEYOROC	M.RESISTOR CH 1/10W	C	3	C4004	ECUM1E104Z	MLCAPACITOR CH 25V	0.1U	1
R661	ERJ6GEYOROC	M.RESISTOR CH 1/10W	C	1	C4005	ECEV1CV4700E	MLCAPACITOR CH 16V	47U	1
R670-73	ERJ6GEYG470	M.RESISTOR CH 1/10W	47	4	C4006	ECUM1E104Z	MLCAPACITOR CH 25V	0.1U	1
R674	ERJ6GEYG103	M.RESISTOR CH 1/10W	10K	1	C4007	ECEV1CV4700E	MLCAPACITOR CH 16V	47U	1
R700-09	ERJ6GEYOROC	M.RESISTOR CH 1/10W	C	10	C4009	ECEA1HGE330E	MLCAPACITOR CH 50V	33U	1
R710-14	ERJ6GEYG102	M.RESISTOR CH 1/10W	1K	5	C4011	ECUM1H820J	MLCAPACITOR CH 50V	82P	1
R800	ERJ6GEYG103	M.RESISTOR CH 1/10W	10K	1	C4012	ECEV1CN1000E	MLCAPACITOR CH 16V	10U	1
R802	ERJ6GEYG103	M.RESISTOR CH 1/10W	10K	1	C4013	ECUM1E104Z	MLCAPACITOR CH 25V	0.1U	1
R804	ERJ6GEYG103	M.RESISTOR CH 1/10W	10K	1	C4014	ECHU1C472G	P.CAPACITOR 16V	4700P	1
R806	ERJ6GEYG103	M.RESISTOR CH 1/10W	10K	1	C4015	ECUM1H330J	MLCAPACITOR CH 50V	33P	1
R808	ERJ6GEYG103	M.RESISTOR CH 1/10W	10K	1	C4016-17	ECUM1H103KE	MLCAPACITOR CH 50V	0.01U	2
R810	ERJ6GEYG103	M.RESISTOR CH 1/10W	10K	1					

AJ-D950P  
VEP84301A

Ref.No.	Part No.	Part Name & Description	Pcs	Remarks	Ref.No.	Part No.	Part Name & Description	Pcs	Remarks
C4018	ECUM1H561J	CAPACITOR CH 50V	560P	1	C4257	ECEV1CV1000E	CAPACITOR CH 16V	10U	1
C4019	ECUM1H182K	CAPACITOR CH 50V	1800P	1	C4258-59	ECEV1CV2200E	CAPACITOR CH 16V	22U	2
C4020	ECUM1H101J	CAPACITOR CH 50V	100P	1	C4261	ECUM1H330J	CAPACITOR CH 50V	33P	1
C4021	ECEV1CN1000E	CAPACITOR CH 16V	10U	1	C4262	ECUM1E104Z	CAPACITOR CH 25V	0.1U	1
C4041-42	ECUM1E104Z	CAPACITOR CH 25V	0.1U	2	C4263	ECEVOJV4700E	CAPACITOR CH 6.3V	47U	1
C4043	ECEA1HGE330E	CAPACITOR CH 50V	33U	1	C4264	ECUM1H330J	CAPACITOR CH 50V	33P	1
C4044-45	ECUM1E104Z	CAPACITOR CH 25V	0.1U	2	C4265	ECUM1E104Z	CAPACITOR CH 25V	0.1U	1
C4046-47	ECEV1CV4700E	CAPACITOR CH 16V	47U	2	C4266	ECEVOJV4700E	CAPACITOR CH 6.3V	47U	1
C4049	ECEA1HGE330E	CAPACITOR CH 50V	33U	1	C4267-68	ECUM1H330J	CAPACITOR CH 50V	33P	2
C4051	ECUM1H820J	CAPACITOR CH 50V	82P	1	C4269-70	ECUM1H152K	CAPACITOR CH 50V	1500P	2
C4052	ECUM1E104Z	CAPACITOR CH 25V	0.1U	1	C4271-72	ECEV1CV1000E	CAPACITOR CH 16V	10U	2
C4053	ECEV1CN1000E	CAPACITOR CH 16V	10U	1	C4273-76	ECUM1E104Z	CAPACITOR CH 25V	0.1U	4
C4054	ECHU1C472G	P.CAPACITOR 16V 4700P	1	1	C4277	ECEV1CV1000E	CAPACITOR CH 16V	10U	1
C4055	ECUM1H330J	CAPACITOR CH 50V	33P	1	C4278	ECUM1E104Z	CAPACITOR CH 25V	0.1U	1
C4056-57	ECUM1H103K	CAPACITOR CH 50V	0.01U	2	C4301	ECEV1CV4700E	CAPACITOR CH 16V	47U	1
C4058	ECUM1H561J	CAPACITOR CH 50V	560P	1	C4302	ECUM1E104Z	CAPACITOR CH 25V	0.1U	1
C4059	ECUM1H182K	CAPACITOR CH 50V	1800P	1	C4303	ECEVOJV1010E	CAPACITOR CH 6.3V	100U	1
C4060	ECUM1H101J	CAPACITOR CH 50V	100P	1	C4304	ECUM1E104Z	CAPACITOR CH 25V	0.1U	1
C4061	ECEV1CN1000E	CAPACITOR CH 16V	10U	1	C4305	ECEV1CV1000E	CAPACITOR CH 16V	10U	1
C4101-02	ECUM1E104Z	CAPACITOR CH 25V	0.1U	2	C4306	ECEV1CV2200E	CAPACITOR CH 16V	22U	1
C4103	ECEA1HGE330E	CAPACITOR CH 50V	33U	1	C4307	ECUM1E104Z	CAPACITOR CH 25V	0.1U	1
C4104	ECUM1E104Z	CAPACITOR CH 25V	0.1U	1	C4308	ECEV1CV2200E	CAPACITOR CH 16V	22U	1
C4105	ECEV1CV4700E	CAPACITOR CH 16V	47U	1	C4309	ECUM1E104Z	CAPACITOR CH 25V	0.1U	1
C4106	ECUM1E104Z	CAPACITOR CH 25V	0.1U	1	C4310	ECUM1H103K	CAPACITOR CH 50V	0.01U	1
C4107	ECEV1CV4700E	CAPACITOR CH 16V	47U	1	C4311-13	ECUM1E104Z	CAPACITOR CH 25V	0.1U	3
C4109	ECEA1HGE330E	CAPACITOR CH 50V	33U	1	C4314	ECEV1CV1000E	CAPACITOR CH 16V	10U	1
C4111	ECUM1H820J	CAPACITOR CH 50V	82P	1	C4315	ECUM1E104Z	CAPACITOR CH 25V	0.1U	1
C4112	ECEV1CN1000E	CAPACITOR CH 16V	10U	1	C4316	ECEVOJV1010E	CAPACITOR CH 6.3V	100U	1
C4113	ECUM1E104Z	CAPACITOR CH 25V	0.1U	1	C4317-18	ECEV1CN1000E	CAPACITOR CH 16V	10U	2
C4114	ECHU1C472G	P.CAPACITOR 16V 4700P	1	1	C4319-20	ECUM1H103K	CAPACITOR CH 50V	0.01U	2
C4115	ECUM1H330J	CAPACITOR CH 50V	33P	1	C4321-22	ECUM1H221J	CAPACITOR CH 50V	220P	2
C4116-17	ECUM1H103K	CAPACITOR CH 50V	0.01U	2	C4323-24	ECUM1H103K	CAPACITOR CH 50V	0.01U	2
C4118	ECUM1H561J	CAPACITOR CH 50V	560P	1	C4325	ECUM1E104Z	CAPACITOR CH 25V	0.1U	1
C4119	ECUM1H182K	CAPACITOR CH 50V	1800P	1	C4351	ECEV1CV4700E	CAPACITOR CH 16V	47U	1
C4120	ECUM1H101J	CAPACITOR CH 50V	100P	1	C4352	ECUM1E104Z	CAPACITOR CH 25V	0.1U	1
C4121	ECEV1CN1000E	CAPACITOR CH 16V	10U	1	C4353	ECEVOJV1010E	CAPACITOR CH 6.3V	100U	1
C4141-42	ECUM1E104Z	CAPACITOR CH 25V	0.1U	2	C4354	ECUM1E104Z	CAPACITOR CH 25V	0.1U	1
C4143	ECEA1HGE330E	CAPACITOR CH 50V	33U	1	C4355	ECEV1CV1000E	CAPACITOR CH 16V	10U	1
C4144-45	ECUM1E104Z	CAPACITOR CH 25V	0.1U	2	C4356	ECEV1CV2200E	CAPACITOR CH 16V	22U	1
C4146-47	ECEV1CV4700E	CAPACITOR CH 16V	47U	2	C4357	ECUM1E104Z	CAPACITOR CH 25V	0.1U	1
C4149	ECEA1HGE330E	CAPACITOR CH 50V	33U	1	C4358	ECEV1CV2200E	CAPACITOR CH 16V	22U	1
C4151	ECUM1H820J	CAPACITOR CH 50V	82P	1	C4359	ECUM1E104Z	CAPACITOR CH 25V	0.1U	1
C4152	ECUM1E104Z	CAPACITOR CH 25V	0.1U	1	C4360	ECUM1H103K	CAPACITOR CH 50V	0.01U	1
C4153	ECEV1CN1000E	CAPACITOR CH 16V	10U	1	C4361-63	ECUM1E104Z	CAPACITOR CH 25V	0.1U	3
C4154	ECHU1C472G	P.CAPACITOR 16V 4700P	1	1	C4364	ECEV1CV1000E	CAPACITOR CH 16V	10U	1
C4155	ECUM1H330J	CAPACITOR CH 50V	33P	1	C4365	ECUM1E104Z	CAPACITOR CH 25V	0.1U	1
C4156-57	ECUM1H103K	CAPACITOR CH 50V	0.01U	2	C4366	ECEVOJV1010E	CAPACITOR CH 6.3V	100U	1
C4158	ECUM1H561J	CAPACITOR CH 50V	560P	1	C4367-68	ECEV1CN1000E	CAPACITOR CH 16V	10U	2
C4159	ECUM1H182K	CAPACITOR CH 50V	1800P	1	C4369-70	ECUM1H103K	CAPACITOR CH 50V	0.01U	2
C4160	ECUM1H101J	CAPACITOR CH 50V	100P	1	C4371-72	ECUM1H221J	CAPACITOR CH 50V	220P	2
C4161	ECEV1CN1000E	CAPACITOR CH 16V	10U	1	C4373-74	ECUM1H103K	CAPACITOR CH 50V	0.01U	2
C4201-02	ECUM1E104Z	CAPACITOR CH 25V	0.1U	2	C4375	ECUM1E104Z	CAPACITOR CH 25V	0.1U	1
C4203	ECEVOJV1010E	CAPACITOR CH 6.3V	100U	1	C4401	ECHU1C472G	P.CAPACITOR 16V 4700P	1	1
C4204	ECUM1E104Z	CAPACITOR CH 25V	0.1U	1	C4402-03	ECUM1E104Z	CAPACITOR CH 25V	0.1U	2
C4205	ECEV1CV1000E	CAPACITOR CH 16V	10U	1	C4404	ECEV1CN1000E	CAPACITOR CH 16V	10U	1
C4206	ECUM1E104Z	CAPACITOR CH 25V	0.1U	1	C4405-06	ECUM1E104Z	CAPACITOR CH 25V	0.1U	2
C4207	ECEV1CV1000E	CAPACITOR CH 16V	10U	1	C4407-08	ECEV1CV4700E	CAPACITOR CH 16V	47U	2
C4208-09	ECEV1CV2200E	CAPACITOR CH 16V	22U	2	C4409-10	ECUM1H103K	CAPACITOR CH 50V	0.01U	2
C4211	ECUM1H330J	CAPACITOR CH 50V	33P	1	C4411	ECEV1CV1000E	CAPACITOR CH 16V	10U	1
C4212	ECUM1E104Z	CAPACITOR CH 25V	0.1U	1	C4412	ECUM1H470J	CAPACITOR CH 50V	47P	1
C4213	ECEVOJV4700E	CAPACITOR CH 6.3V	47U	1	C4413	ECUM1H103K	CAPACITOR CH 50V	0.01U	1
C4214	ECUM1H330J	CAPACITOR CH 50V	33P	1	C4414-15	ECEV1CV1000E	CAPACITOR CH 16V	10U	2
C4215	ECUM1E104Z	CAPACITOR CH 25V	0.1U	1	C4416	ECUM1H270J	CAPACITOR CH 50V	27P	1
C4216	ECEVOJV4700E	CAPACITOR CH 6.3V	47U	1	C4417	ECUM1H103K	CAPACITOR CH 50V	0.01U	1
C4217-18	ECUM1H330J	CAPACITOR CH 50V	33P	2	C4418	ECEV1CV1000E	CAPACITOR CH 16V	10U	1
C4219-20	ECUM1H152K	CAPACITOR CH 50V	1500P	2	C4419-20	ECEA1CGE221E	CAPACITOR 16V 220U	2	2
C4221-22	ECEV1CV1000E	CAPACITOR CH 16V	10U	2	C4421	ECEV1CV2200E	CAPACITOR CH 16V	22U	1
C4223-26	ECUM1E104Z	CAPACITOR CH 25V	0.1U	4	C4422	ECUM1H103K	CAPACITOR CH 50V	0.01U	1
C4227	ECEV1CV1000E	CAPACITOR CH 16V	10U	1	C4423	ECEV1CV2200E	CAPACITOR CH 16V	22U	1
C4228	ECUM1E104Z	CAPACITOR CH 25V	0.1U	1	C4424	ECUM1H103K	CAPACITOR CH 50V	0.01U	1
C4251-52	ECUM1E104Z	CAPACITOR CH 25V	0.1U	2	C4425-26	ECEV1CV2200E	CAPACITOR CH 16V	22U	2
C4253	ECEVOJV1010E	CAPACITOR CH 6.3V	100U	1	C4427-28	ECUM1H103K	CAPACITOR CH 50V	0.01U	2
C4254	ECUM1E104Z	CAPACITOR CH 25V	0.1U	1	C4429-30	ECEV1CV4700E	CAPACITOR CH 16V	47U	2
C4255	ECEV1CV1000E	CAPACITOR CH 16V	10U	1	C4476	ECHU1C472G	P.CAPACITOR 16V 4700P	1	1
C4256	ECUM1E104Z	CAPACITOR CH 25V	0.1U	1	C4477	ECEV1CN1000E	CAPACITOR CH 16V	10U	1

AJ-D950P  
VEP84301A

Ref.No.	Part No.	Part Name & Description	Pcs	Remarks	Ref.No.	Part No.	Part Name & Description	Pcs	Remarks
C4478-79	ECUM1H103K	ECAPACITOR CH 50V 0.01U	2		C4761-62	ECUM1H103K	ECAPACITOR CH 50V 0.01U	2	
C4480	ECUM1H270J	ECAPACITOR CH 50V 27P	1		C4763	ECUM1H270J	ECAPACITOR CH 50V 27P	1	
C4481	ECEV1CV100E	ECAPACITOR CH 16V 10U	1		C4764	ECUM1H470J	ECAPACITOR CH 50V 47P	1	
C4482	ECUM1H470J	ECAPACITOR CH 50V 47P	1		C4765-66	ECUM1H103K	ECAPACITOR CH 50V 0.01U	2	
C4483	ECUM1H103K	ECAPACITOR CH 50V 0.01U	1		C4767-70	ECEV1CV100E	ECAPACITOR CH 16V 10U	4	
C4484-85	ECEV1CV100E	ECAPACITOR CH 16V 10U	2		C4771-72	ECEA1CGE221	ECAPACITOR 16V 220U	2	
C4486	ECUM1H103K	ECAPACITOR CH 50V 0.01U	1		C4773	ECEV1CV220E	ECAPACITOR CH 16V 22U	1	
C4487	ECEV1CV100E	ECAPACITOR CH 16V 10U	1		C4774	ECUM1H103K	ECAPACITOR CH 50V 0.01U	1	
C4488-89	ECEA1CGE221	ECAPACITOR 16V 220U	2		C4775-76	ECEV1CV220E	ECAPACITOR CH 16V 22U	2	
C4490-91	ECEV1CV220E	ECAPACITOR CH 16V 22U	2		C4777	ECUM1H103K	ECAPACITOR CH 50V 0.01U	1	
C4492-93	ECUM1H103K	ECAPACITOR CH 50V 0.01U	2		C4778	ECEV1CV220E	ECAPACITOR CH 16V 22U	1	
C4494-95	ECEV1CV220E	ECAPACITOR CH 16V 22U	2		C4779-80	ECUM1H103K	ECAPACITOR CH 50V 0.01U	2	
C4496-97	ECUM1H103K	ECAPACITOR CH 50V 0.01U	2		C4831	ECUM1H820J	ECAPACITOR CH 50V 82P	1	
C4551	ECHU1C472G	P.CAPACITOR 16V 4700F	1		C4832	ECEV1CN100E	ECAPACITOR CH 16V 10U	1	
C4552-53	ECUM1E104Z	ECAPACITOR CH 25V 0.1U	2		C4833-35	ECUM1E104Z	ECAPACITOR CH 25V 0.1U	3	
C4554	ECEV1CN100E	ECAPACITOR CH 16V 10U	1		C4836-37	ECUM1H103K	ECAPACITOR CH 50V 0.01U	2	
C4555-56	ECUM1E104Z	ECAPACITOR CH 25V 0.1U	2		C4838	ECUM1H470J	ECAPACITOR CH 50V 47P	1	
C4557-58	ECEV1CV470E	ECAPACITOR CH 16V 47U	2		C4839	ECUM1H103K	ECAPACITOR CH 50V 0.01U	1	
C4559-60	ECUM1H103K	ECAPACITOR CH 50V 0.01U	2		C4840	ECUM1H270J	ECAPACITOR CH 50V 27P	1	
C4561	ECEV1CV100E	ECAPACITOR CH 16V 10U	1		C4841	ECUM1H103K	ECAPACITOR CH 50V 0.01U	1	
C4562	ECUM1H470J	ECAPACITOR CH 50V 47P	1		C4842-45	ECEV1CV100E	ECAPACITOR CH 16V 10U	4	
C4563	ECUM1H103K	ECAPACITOR CH 50V 0.01U	1		C4846-47	ECEA1CGE221	ECAPACITOR 16V 220U	2	
C4564-65	ECEV1CV100E	ECAPACITOR CH 16V 10U	2		C4848	ECEV1CV220E	ECAPACITOR CH 16V 22U	1	
C4566	ECUM1H270J	ECAPACITOR CH 50V 27P	1		C4849	ECUM1H103K	ECAPACITOR CH 50V 0.01U	1	
C4567	ECUM1H103K	ECAPACITOR CH 50V 0.01U	1		C4850	ECEV1CV220E	ECAPACITOR CH 16V 22U	1	
C4568	ECEV1CV100E	ECAPACITOR CH 16V 10U	1		C4851	ECUM1H103K	ECAPACITOR CH 50V 0.01U	1	
C4569-70	ECEA1CGE221	ECAPACITOR 16V 220U	2		C4852-53	ECEV1CV220E	ECAPACITOR CH 16V 22U	2	
C4571	ECEV1CV220E	ECAPACITOR CH 16V 22U	1		C4854-55	ECUM1H103K	ECAPACITOR CH 50V 0.01U	2	
C4572	ECUM1H103K	ECAPACITOR CH 50V 0.01U	1		C4901-02	ECUM1E104Z	ECAPACITOR CH 25V 0.1U	2	
C4573	ECEV1CV220E	ECAPACITOR CH 16V 22U	1		C4903-04	ECUM1H102J	ECAPACITOR CH 50V 100U	2	
C4574	ECUM1H103K	ECAPACITOR CH 50V 0.01U	1		C4905	ECEVOJV101E	ECAPACITOR CH6.3V 100U	1	
C4575-76	ECEV1CV220E	ECAPACITOR CH 16V 22U	2		C4906	ECUM1H103K	ECAPACITOR CH 50V 0.01U	1	
C4577-78	ECUM1H103K	ECAPACITOR CH 50V 0.01U	2		C4907	ECEVOJV101E	ECAPACITOR CH6.3V 100U	1	
C4579-80	ECEV1CV470E	ECAPACITOR CH 16V 47U	2		C4908	ECUM1H103K	ECAPACITOR CH 50V 0.01U	1	
C4626	ECHU1C472G	P.CAPACITOR 16V 4700F	1		C4931	ECEV1CV470E	ECAPACITOR CH 16V 47U	1	
C4627	ECEV1CN100E	ECAPACITOR CH 16V 10U	1		C4932	ECUM1H103Z	ECAPACITOR CH 50V 0.01U	1	
C4628-29	ECUM1H103K	ECAPACITOR CH 50V 0.01U	2		C4933-36	ECUM1H103K	ECAPACITOR CH 50V 0.01U	4	
C4630	ECUM1H270J	ECAPACITOR CH 50V 27P	1		C4937-39	ECUM1H103Z	ECAPACITOR CH 50V 0.01U	3	
C4631	ECEV1CV100E	ECAPACITOR CH 16V 10U	1		C4940	ECUM1H103K	ECAPACITOR CH 50V 0.01U	1	
C4632	ECUM1H470J	ECAPACITOR CH 50V 47P	1						
C4633	ECUM1H103K	ECAPACITOR CH 50V 0.01U	1		D4001-02	MA157	DIODE	2	
C4634-35	ECEV1CV100E	ECAPACITOR CH 16V 10U	2		D4041-42	MA157	DIODE	2	
C4636	ECUM1H103K	ECAPACITOR CH 50V 0.01U	1		D4101-02	MA157	DIODE	2	
C4637	ECEV1CV100E	ECAPACITOR CH 16V 10U	1		D4141-42	MA157	DIODE	2	
C4638-39	ECEA1CGE221	ECAPACITOR 16V 220U	2		D4401-02	MA157	DIODE	2	
C4640-41	ECEV1CV220E	ECAPACITOR CH 16V 22U	2		D4476-77	MA157	DIODE	2	
C4642-43	ECUM1H103K	ECAPACITOR CH 50V 0.01U	2		D4551-52	MA157	DIODE	2	
C4644-45	ECEV1CV220E	ECAPACITOR CH 16V 22U	2		D4626-27	MA157	DIODE	2	
C4646-47	ECUM1H103K	ECAPACITOR CH 50V 0.01U	2		D4751	MA157	DIODE	1	
C4701-04	ECUM1E104Z	ECAPACITOR CH 25V 0.1U	4		D4752-53	MA152WK	DIODE	2	
C4705	ECEV1CV470E	ECAPACITOR CH 16V 47U	1		D4754-55	MA157	DIODE	2	
C4706-10	ECUM1E104Z	ECAPACITOR CH 25V 0.1U	5		D4831-32	MA157	DIODE	2	
C4711	ECEVOJV101E	ECAPACITOR CH6.3V 100U	1						
C4712-14	ECUM1E104Z	ECAPACITOR CH 25V 0.1U	3		FL4931	VLFO941C223	FILTER	1	
C4715-18	ECEV1CV470E	ECAPACITOR CH 16V 47U	4						
C4720	ECEV1CV220E	ECAPACITOR CH 16V 22U	1		IC4001	NJM4580ED	IC	1	
C4721	ECUM1E104Z	ECAPACITOR CH 25V 0.1U	1		IC4002	MC14052BF	IC	1	
C4722	ECEV1CV220E	ECAPACITOR CH 16V 22U	1		IC4003	NJM79L09UA	IC	1	
C4723-24	ECUM1E104Z	ECAPACITOR CH 25V 0.1U	2		IC4004	NJM78L09UA	IC	1	
C4725	ECEV1CV100E	ECAPACITOR CH 16V 10U	1		IC4005	NJM4580ED	IC	1	
C4726	ECUM1E104Z	ECAPACITOR CH 25V 0.1U	1		IC4006	AD7945BR	IC	1	
C4727	ECUM1H103K	ECAPACITOR CH 50V 0.01U	1		IC4007-08	NJM4580ED	IC	2	
C4728	ECEVOJV101E	ECAPACITOR CH6.3V 100U	1		IC4009	MC14052BF	IC	1	
C4729-30	ECEV1CN100E	ECAPACITOR CH 16V 10U	2		IC4041-42	NJM4580ED	IC	2	
C4731-32	ECUM1H221J	ECAPACITOR CH 50V 220P	2		IC4043	NJM78L09UA	IC	1	
C4733-36	ECUM1H103K	ECAPACITOR CH 50V 0.01U	4		IC4044	NJM79L09UA	IC	1	
C4737-38	ECHU1C472G	P.CAPACITOR 16V 4700F	2		IC4045-46	NJM4580ED	IC	2	
C4739-40	ECEV1CN100E	ECAPACITOR CH 16V 10U	2		IC4047	MC14052BF	IC	1	
C4751	ECUM1E104Z	ECAPACITOR CH 25V 0.1U	1		IC4048	AD7945BR	IC	1	
C4752	ECEV1CV220E	ECAPACITOR CH 16V 22U	1		IC4049	MC14052BF	IC	1	
C4754-55	ECEV1CV470E	ECAPACITOR CH 16V 47U	2		IC4101	NJM4580ED	IC	1	
C4756	ECUM1H820J	ECAPACITOR CH 50V 82P	1		IC4102	MC14052BF	IC	1	
C4757	ECUM1E104Z	ECAPACITOR CH 25V 0.1U	1		IC4103	NJM79L09UA	IC	1	
C4758	ECEV1CN100E	ECAPACITOR CH 16V 10U	1		IC4104	NJM78L09UA	IC	1	
C4759-60	ECUM1E104Z	ECAPACITOR CH 25V 0.1U	2		IC4105	NJM4580ED	IC	1	

AJ-D950P  
VEP84301A

Ref.No.	Part No.	Part Name & Description	Pcs	Remarks	Ref.No.	Part No.	Part Name & Description	Pcs	Remarks
IC4106	AD7945BR	IC	1		IC4934	74F541SJ	IC	1	
IC4107-0	NJM4580ED	IC	2		IC4935	74AC139SJ	IC	1	
IC4109	MC14052BF	IC	1		IC4936	74F11SJ	IC	1	
IC4141-4	NJM4580ED	IC	2		IC4937	TC7S04F	IC	1	
IC4143	NJM78L09UA	IC	1		IC4938-4	DPD71055GB	IC	3	
IC4144	NJM79L09UA	IC	1						
IC4145-4	NJM4580ED	IC	2		L4201	VLQ0163J10C	COIL 10UH	1	
IC4147	MC14052BF	IC	1		L4251	VLQ0163J10C	COIL 10UH	1	
IC4148	AD7945BR	IC	1		L4301	VLQ0163J10C	COIL 10UH	1	
IC4149	MC14052BF	IC	1		L4351	VLQ0163J10C	COIL 10UH	1	
IC4201	MC74HC541A	IC	1		L4701	VLQ0163J10C	COIL 10UH	1	
IC4202	NJM78L05UA	IC	1						
IC4203-0	NJM2100MD	IC	2		P4001-02	VJP3454B096	CONNECTOR (MALE)	2	
IC4205	AK5340VS	IC	1						
IC4251	MC74HC541A	IC	1		Q4003	2SD1328	TRANSISTOR	1	
IC4252	NJM78L05UA	IC	1		Q4041	2SD1328	TRANSISTOR	1	
IC4253-5	NJM2100MD	IC	2		Q4103	2SD1328	TRANSISTOR	1	
IC4255	AK5340VS	IC	1		Q4141	2SD1328	TRANSISTOR	1	
IC4301	NJM78L05UA	IC	1		Q4401	2SD1328	TRANSISTOR	1	
IC4302	AK4320VM	IC	1		Q4402	2SB1322A-R	TRANSISTOR	1	
IC4303-0	NJM4580ED	IC	2		Q4403	2SD1994A-R	TRANSISTOR	1	
IC4305	MC74HC157A	IC	1		Q4404	2SB1322A-R	TRANSISTOR	1	
IC4306	TC7W74F	IC	1		Q4405	2SD1994A-R	TRANSISTOR	1	
IC4307-0	TC4W53F	IC	2		Q4406	2SB710A-R	TRANSISTOR	1	
IC4351	NJM78L05UA	IC	1		Q4407	2SD602A-R	TRANSISTOR	1	
IC4352	AK4320VM	IC	1		Q4476	2SD1328	TRANSISTOR	1	
IC4353-5	NJM4580ED	IC	2		Q4477	2SB1322A-R	TRANSISTOR	1	
IC4355	MC74HC157A	IC	1		Q4478	2SD1994A-R	TRANSISTOR	1	
IC4356	TC7W74F	IC	1		Q4479	2SB1322A-R	TRANSISTOR	1	
IC4357-5	TC4W53F	IC	2		Q4480	2SD1994A-R	TRANSISTOR	1	
IC4401	NJM4580ED	IC	1		Q4481	2SB710A-R	TRANSISTOR	1	
IC4402	NJM79L05UA	IC	1		Q4482	2SD602A-R	TRANSISTOR	1	
IC4403	NJM78L05UA	IC	1		Q4551	2SD1328	TRANSISTOR	1	
IC4404	NJM4580ED	IC	1		Q4552	2SB1322A-R	TRANSISTOR	1	
IC4405	NJM2043MD	IC	1		Q4553	2SD1994A-R	TRANSISTOR	1	
IC4406	MC14052BF	IC	1		Q4554	2SB1322A-R	TRANSISTOR	1	
IC4407-0	AQV212SX	IC	2		Q4555	2SD1994A-R	TRANSISTOR	1	
IC4476-7	NJM4580ED	IC	2		Q4556	2SB710A-R	TRANSISTOR	1	
IC4478	NJM2043MD	IC	1		Q4557	2SD602A-R	TRANSISTOR	1	
IC4479	MC14052BF	IC	1		Q4626	2SD1328	TRANSISTOR	1	
IC4480-8	AQV212SX	IC	2		Q4627	2SB1322A-R	TRANSISTOR	1	
IC4551	NJM4580ED	IC	1		Q4628	2SD1994A-R	TRANSISTOR	1	
IC4552	NJM79L05UA	IC	1		Q4629	2SB1322A-R	TRANSISTOR	1	
IC4553	NJM78L05UA	IC	1		Q4630	2SD1994A-R	TRANSISTOR	1	
IC4554	NJM4580ED	IC	1		Q4631	2SB710A-R	TRANSISTOR	1	
IC4555	NJM2043MD	IC	1		Q4632	2SD602A-R	TRANSISTOR	1	
IC4556	MC14052BF	IC	1		Q4701-02	2SD1328	TRANSISTOR	2	
IC4557-5	AQV212SX	IC	2		Q4751-54	2SB710A-R	TRANSISTOR	4	
IC4626-2	NJM4580ED	IC	2		Q4755	2SD1994A-R	TRANSISTOR	1	
IC4628	NJM2043MD	IC	1		Q4756	2SB1322A-R	TRANSISTOR	1	
IC4629	MC14052BF	IC	1		Q4757	2SD1994A-R	TRANSISTOR	1	
IC4630-3	AQV212SX	IC	2		Q4758	2SB1322A-R	TRANSISTOR	1	
IC4701	NJM78L05UA	IC	1		Q4759	2SD602A-R	TRANSISTOR	1	
IC4702	AK4320VM	IC	1		Q4760	2SB710A-R	TRANSISTOR	1	
IC4703-0	NJM4580ED	IC	2		Q4831	2SD1994A-R	TRANSISTOR	1	
IC4707	NJM78L09UA	IC	1		Q4832	2SB1322A-R	TRANSISTOR	1	
IC4708-0	NJM79L09UA	IC	2		Q4833	2SD1994A-R	TRANSISTOR	1	
IC4710	NJM78L09UA	IC	1		Q4834	2SB1322A-R	TRANSISTOR	1	
IC4711	MC74HC541A	IC	1		Q4835	2SD602A-R	TRANSISTOR	1	
IC4712-1	TC4W53F	IC	2		Q4836	2SB710A-R	TRANSISTOR	1	
IC4751-5	NJM4580ED	IC	2		Q4901-04	2SD1328	TRANSISTOR	4	
IC4753	NJM2043MD	IC	1						
IC4754	AD7945BR	IC	1		QR4001	UN2213	TRANSISTOR-RESISTOR	1	
IC4755	MC14053BF	IC	1		QR4002	UN2113	TRANSISTOR-RESISTOR	1	
IC4756	MC14052BF	IC	1		QR4041	UN2213	TRANSISTOR-RESISTOR	1	
IC4757-5	AQV212SX	IC	2		QR4042	UN2113	TRANSISTOR-RESISTOR	1	
IC4831-3	NJM4580ED	IC	2		QR4101	UN2213	TRANSISTOR-RESISTOR	1	
IC4833	NJM2043MD	IC	1		QR4102	UN2113	TRANSISTOR-RESISTOR	1	
IC4834	AD7945BR	IC	1		QR4141	UN2213	TRANSISTOR-RESISTOR	1	
IC4835	MC14053BF	IC	1		QR4142	UN2113	TRANSISTOR-RESISTOR	1	
IC4836	MC14052BF	IC	1		QR4301	UN2213	TRANSISTOR-RESISTOR	1	
IC4837-3	AQV212SX	IC	2		QR4351	UN2213	TRANSISTOR-RESISTOR	1	
IC4901	NJM4556AM	IC	1		QR4401	UN2213	TRANSISTOR-RESISTOR	1	
IC4931-3	SN74S1051NS	IC	2		QR4402	UN2113	TRANSISTOR-RESISTOR	1	
IC4933	74F245SJ	IC	1		QR4476	UN2213	TRANSISTOR-RESISTOR	1	

AJ-D950P  
VEP84301A

Ref.No.	Part No.	Part Name & Description	Pcs	Remarks	Ref.No.	Part No.	Part Name & Description	Pcs	Remarks
QR4477	UN2113	TRANSISTOR-RESISTOR	1		R4109	ERJ6RBD123	M.RESISTOR CH 1/10W 12K	1	
QR4551	UN2213	TRANSISTOR-RESISTOR	1		R4110	ERJ6RBD333	M.RESISTOR CH 1/10W 33K	1	
QR4552	UN2113	TRANSISTOR-RESISTOR	1		R4111	ERJ6RBD332	M.RESISTOR CH 1/10W 3.3K	1	
QR4626	UN2213	TRANSISTOR-RESISTOR	1		R4112	ERJ6RBD202	M.RESISTOR CH 1/10W 2K	1	
QR4627	UN2113	TRANSISTOR-RESISTOR	1		R4113-14	ERJ6RBD472	M.RESISTOR CH 1/10W 4.7K	2	
QR4701-03	UN2213	TRANSISTOR-RESISTOR	3		R4115	ERJ6RED470	M.RESISTOR CH 1/10W 47	1	
QR4704-05	UN2113	TRANSISTOR-RESISTOR	2		R4116-17	ERJ6RBD472	M.RESISTOR CH 1/10W 4.7K	2	
QR4751-52	UN2213	TRANSISTOR-RESISTOR	2		R4118	ERJ6GEYG103	M.RESISTOR CH 1/10W 10K	1	
R4001	ERJ6RBD202	M.RESISTOR CH 1/10W 2K	1		R4119	ERJ6GEYG102	M.RESISTOR CH 1/10W 1K	1	
R4002	ERJ6RBD332	M.RESISTOR CH 1/10W 3.3K	1		R4120	ERJ6GEYG104	M.RESISTOR CH 1/10W 100K	1	
R4003	ERJ6RBD333	M.RESISTOR CH 1/10W 33K	1		R4121	ERJ6GEYG683	M.RESISTOR CH 1/10W 68K	1	
R4004	ERJ12YJ621	M.RESISTOR CH 1/2W 620	1		R4122	ERJ6GEYG103	M.RESISTOR CH 1/10W 10K	1	
R4005	ERJ6RBD223	M.RESISTOR CH 1/10W 22K	1		R4123	ERJ6RBD102	M.RESISTOR CH 1/10W 1K	1	
R4006	ERJ6RBD123	M.RESISTOR CH 1/10W 12K	1		R4124	ERJ6GEYG105	M.RESISTOR CH 1/10W 1M	1	
R4007-08	ERJ6RBD473	M.RESISTOR CH 1/10W 47K	2		R4125	ERJ6RBD222	M.RESISTOR CH 1/10W 2.2K	1	
R4009	ERJ6RBD123	M.RESISTOR CH 1/10W 12K	1		R4126-27	ERJ6RBD153	M.RESISTOR CH 1/10W 15K	2	
R4010	ERJ6RBD333	M.RESISTOR CH 1/10W 33K	1		R4128	ERJ6GEYF472	M.RESISTOR CH 1/10W 4.7K	1	
R4011	ERJ6RBD332	M.RESISTOR CH 1/10W 3.3K	1		R4129	ERJ6RBD472	M.RESISTOR CH 1/10W 4.7K	1	
R4012	ERJ6RBD202	M.RESISTOR CH 1/10W 2K	1		R4130	ERJ6GEYG103	M.RESISTOR CH 1/10W 10K	1	
R4013-14	ERJ6RBD472	M.RESISTOR CH 1/10W 4.7K	2		R4131-32	ERJ6RBD472	M.RESISTOR CH 1/10W 4.7K	2	
R4015	ERJ6RED470	M.RESISTOR CH 1/10W 47	1		R4133	ERJ6GEYG103	M.RESISTOR CH 1/10W 10K	1	
R4016-17	ERJ6RBD472	M.RESISTOR CH 1/10W 4.7K	2		R4134	ERJ6GEYG182	M.RESISTOR CH 1/10W 1.8K	1	
R4018	ERJ6GEYG103	M.RESISTOR CH 1/10W 10K	1		R4135	ERJ6GEYG103	M.RESISTOR CH 1/10W 10K	1	
R4019	ERJ6GEYG102	M.RESISTOR CH 1/10W 1K	1		R4137	ERJ6GEYG103	M.RESISTOR CH 1/10W 10K	1	
R4020	ERJ6GEYG104	M.RESISTOR CH 1/10W 100K	1		R4141	ERJ12YJ621	M.RESISTOR CH 1/2W 620	1	
R4021	ERJ6GEYG683	M.RESISTOR CH 1/10W 68K	1		R4142	ERJ6RBD333	M.RESISTOR CH 1/10W 33K	1	
R4022	ERJ6GEYG103	M.RESISTOR CH 1/10W 10K	1		R4143	ERJ6RBD332	M.RESISTOR CH 1/10W 3.3K	1	
R4023	ERJ6RBD102	M.RESISTOR CH 1/10W 1K	1		R4144	ERJ6RBD202	M.RESISTOR CH 1/10W 2K	1	
R4024	ERJ6GEYG105	M.RESISTOR CH 1/10W 1M	1		R4145	ERJ6RBD223	M.RESISTOR CH 1/10W 2.2K	1	
R4025	ERJ6RBD222	M.RESISTOR CH 1/10W 2.2K	1		R4146-47	ERJ6RBD473	M.RESISTOR CH 1/10W 47K	2	
R4026-27	ERJ6RBD153	M.RESISTOR CH 1/10W 15K	2		R4148-49	ERJ6RBD123	M.RESISTOR CH 1/10W 12K	2	
R4028	ERJ6GEYF472	M.RESISTOR CH 1/10W 4.7K	1		R4150	ERJ6RBD202	M.RESISTOR CH 1/10W 2K	1	
R4029	ERJ6RBD472	M.RESISTOR CH 1/10W 4.7K	1		R4151	ERJ6RBD332	M.RESISTOR CH 1/10W 3.3K	1	
R4030	ERJ6GEYG103	M.RESISTOR CH 1/10W 10K	1		R4152	ERJ6RBD333	M.RESISTOR CH 1/10W 33K	1	
R4031-32	ERJ6RBD472	M.RESISTOR CH 1/10W 4.7K	2		R4153-56	ERJ6RBD472	M.RESISTOR CH 1/10W 4.7K	4	
R4033	ERJ6GEYG103	M.RESISTOR CH 1/10W 10K	1		R4157	ERJ6RED470	M.RESISTOR CH 1/10W 47	1	
R4034	ERJ6GEYG182	M.RESISTOR CH 1/10W 1.8K	1		R4158	ERJ6GEYG103	M.RESISTOR CH 1/10W 10K	1	
R4035	ERJ6GEYG103	M.RESISTOR CH 1/10W 10K	1		R4159	ERJ6GEYG182	M.RESISTOR CH 1/10W 1.8K	1	
R4037	ERJ6GEYG103	M.RESISTOR CH 1/10W 10K	1		R4160	ERJ6GEYG103	M.RESISTOR CH 1/10W 10K	1	
R4041	ERJ12YJ621	M.RESISTOR CH 1/2W 620	1		R4161	ERJ6GEYG102	M.RESISTOR CH 1/10W 1K	1	
R4042	ERJ6RBD333	M.RESISTOR CH 1/10W 33K	1		R4162	ERJ6GEYG104	M.RESISTOR CH 1/10W 100K	1	
R4043	ERJ6RBD332	M.RESISTOR CH 1/10W 3.3K	1		R4163	ERJ6GEYG683	M.RESISTOR CH 1/10W 68K	1	
R4044	ERJ6RBD202	M.RESISTOR CH 1/10W 2K	1		R4164	ERJ6GEYG103	M.RESISTOR CH 1/10W 10K	1	
R4045	ERJ6RBD223	M.RESISTOR CH 1/10W 22K	1		R4165	ERJ6GEYG105	M.RESISTOR CH 1/10W 1M	1	
R4046-47	ERJ6RBD473	M.RESISTOR CH 1/10W 47K	2		R4166	ERJ6RBD102	M.RESISTOR CH 1/10W 1K	1	
R4048-49	ERJ6RBD123	M.RESISTOR CH 1/10W 12K	2		R4167	ERJ6RBD222	M.RESISTOR CH 1/10W 2.2K	1	
R4050	ERJ6RBD202	M.RESISTOR CH 1/10W 2K	1		R4168-69	ERJ6RBD153	M.RESISTOR CH 1/10W 15K	2	
R4051	ERJ6RBD332	M.RESISTOR CH 1/10W 3.3K	1		R4170	ERJ6GEYF472	M.RESISTOR CH 1/10W 4.7K	1	
R4052	ERJ6RBD333	M.RESISTOR CH 1/10W 33K	1		R4171	ERJ6GEYG103	M.RESISTOR CH 1/10W 10K	1	
R4053-56	ERJ6RBD472	M.RESISTOR CH 1/10W 4.7K	4		R4172-74	ERJ6RBD472	M.RESISTOR CH 1/10W 4.7K	3	
R4057	ERJ6RED470	M.RESISTOR CH 1/10W 47	1		R4175	ERJ6GEYG103	M.RESISTOR CH 1/10W 10K	1	
R4058	ERJ6GEYG103	M.RESISTOR CH 1/10W 10K	1		R4177	ERJ6GEYG103	M.RESISTOR CH 1/10W 10K	1	
R4059	ERJ6GEYG182	M.RESISTOR CH 1/10W 1.8K	1		R4177	ERJ6RBD222	M.RESISTOR CH 1/10W 2.2K	1	
R4060	ERJ6GEYG103	M.RESISTOR CH 1/10W 10K	1		R4201	ERJ6GEYG331	M.RESISTOR CH 1/10W 330	1	
R4061	ERJ6GEYG102	M.RESISTOR CH 1/10W 1K	1		R4202	ERJ6GEYG103	M.RESISTOR CH 1/10W 10K	1	
R4062	ERJ6GEYG104	M.RESISTOR CH 1/10W 100K	1		R4203	ERJ6GEYF472	M.RESISTOR CH 1/10W 4.7K	1	
R4063	ERJ6GEYG683	M.RESISTOR CH 1/10W 68K	1		R4204	ERJ6GEYG331	M.RESISTOR CH 1/10W 330	1	
R4064	ERJ6GEYG103	M.RESISTOR CH 1/10W 10K	1		R4205	ERJ6GEYG103	M.RESISTOR CH 1/10W 10K	1	
R4065	ERJ6GEYG105	M.RESISTOR CH 1/10W 1M	1		R4206	ERJ6RBD103	M.RESISTOR CH 1/10W 10K	1	
R4066	ERJ6RBD102	M.RESISTOR CH 1/10W 1K	1		R4207	ERJ6GEYJ100	M.RESISTOR CH 1/10W 10	1	
R4067	ERJ6RBD222	M.RESISTOR CH 1/10W 2.2K	1		R4208	ERJ6RBD103	M.RESISTOR CH 1/10W 10K	1	
R4068-69	ERJ6RBD153	M.RESISTOR CH 1/10W 15K	2		R4209	ERJ6GEYF472	M.RESISTOR CH 1/10W 4.7K	1	
R4070	ERJ6GEYF472	M.RESISTOR CH 1/10W 4.7K	1		R4210	ERJ6GEYJ100	M.RESISTOR CH 1/10W 10	1	
R4071	ERJ6GEYG103	M.RESISTOR CH 1/10W 10K	1		R4211-12	ERJ6GEYF472	M.RESISTOR CH 1/10W 4.7K	2	
R4072-74	ERJ6RBD472	M.RESISTOR CH 1/10W 4.7K	3		R4214-18	ERJ6RBD103	M.RESISTOR CH 1/10W 10K	5	
R4075	ERJ6GEYG103	M.RESISTOR CH 1/10W 10K	1		R4219-20	ERJ6RBD331	M.RESISTOR CH 1/10W 330	2	
R4077	ERJ6GEYG103	M.RESISTOR CH 1/10W 10K	1		R4221	ERJ6RBD103	M.RESISTOR CH 1/10W 10K	1	
R4101	ERJ6RBD202	M.RESISTOR CH 1/10W 2K	1		R4222-23	ERJ6RBD331	M.RESISTOR CH 1/10W 330	2	
R4102	ERJ6RBD332	M.RESISTOR CH 1/10W 3.3K	1		R4227-30	ERJ6GEYOROC	M.RESISTOR CH 1/10W 0	4	
R4103	ERJ6RBD333	M.RESISTOR CH 1/10W 33K	1		R4231	VLQ0576	COIL	1	
R4104	ERJ12YJ621	M.RESISTOR CH 1/2W 620	1		R4232	ERJ6GEYOROC	M.RESISTOR CH 1/10W 0	1	
R4105	ERJ6RBD223	M.RESISTOR CH 1/10W 22K	1		R4251	ERJ6GEYG331	M.RESISTOR CH 1/10W 330	1	
R4106	ERJ6RBD123	M.RESISTOR CH 1/10W 12K	1		R4252	ERJ6GEYG103	M.RESISTOR CH 1/10W 10K	1	
R4107-08	ERJ6RBD473	M.RESISTOR CH 1/10W 47K	2		R4253	ERJ6GEYF472	M.RESISTOR CH 1/10W 4.7K	1	
					R4254	ERJ6GEYG331	M.RESISTOR CH 1/10W 330	1	

AJ-D950P  
VEP84301A

Ref.No.	Part No.	Part Name & Description	Pcs	Remarks	Ref.No.	Part No.	Part Name & Description	Pcs	Remarks
R4255	ERJ6GEYG103	M.RESISTOR CH 1/10W	10K 1		R4437-38	ERJ6GEYG562	M.RESISTOR CH 1/10W	5.6K 2	
R4256	ERJ6RBD103	M.RESISTOR CH 1/10W	10K 1		R4439-40	ERJ14YJ100	M.RESISTOR CH 1/4W	10K 2	
R4257	ERJ6GEYJ100	M.RESISTOR CH 1/10W	10 1		R4441	ERJ14YJ220	M.RESISTOR CH 1/4W	22 1	
R4258	ERJ6RBD103	M.RESISTOR CH 1/10W	10K 1		R4442-43	ERJ14YJ100	M.RESISTOR CH 1/4W	10K 2	
R4259	ERJ6GEYF472	M.RESISTOR CH 1/10W	4.7K 1		R4444	ERJ14YJ220	M.RESISTOR CH 1/4W	22 1	
R4260	ERJ6GEYJ100	M.RESISTOR CH 1/10W	10 1		R4445-46	ERJ6GEYG103	M.RESISTOR CH 1/10W	10K 2	
R4261-62	ERJ6GEYF472	M.RESISTOR CH 1/10W	4.7K 2		R4447-48	ERJ6GEYG102	M.RESISTOR CH 1/10W	1K 2	
R4264-68	ERJ6RBD103	M.RESISTOR CH 1/10W	10K 5		R4449	ERJ6GEYG103	M.RESISTOR CH 1/10W	10K 1	
R4269-70	ERJ6RBD331	M.RESISTOR CH 1/10W	330 2		R4450-51	ERJ6GEYF561	M.RESISTOR CH 1/10W	560 2	
R4271	ERJ6RBD103	M.RESISTOR CH 1/10W	10K 1		R4452	ERJ6GEYG103	M.RESISTOR CH 1/10W	10K 1	
R4272-73	ERJ6RBD331	M.RESISTOR CH 1/10W	330 2		R4453	ERJ6GEYOROC	M.RESISTOR CH 1/10W	0 1	
R4277-80	ERJ6GEYOROC	M.RESISTOR CH 1/10W	0 4		R4454	ERJ6RBD301	M.RESISTOR CH 1/10W	300 1	
R4281	VLQ0576	COIL	1		R4455	ERJ6RBD512	M.RESISTOR CH 1/10W	5.1K 1	
R4282	ERJ6GEYOROC	M.RESISTOR CH 1/10W	0 1		R4456	ERJ6RBD472	M.RESISTOR CH 1/10W	4.7K 1	
R4301	ERJ6GEYOROC	M.RESISTOR CH 1/10W	0 1		R4462	ERJ6RED470	M.RESISTOR CH 1/10W	47 1	
R4302	ERJ6GEYF473	M.RESISTOR CH 1/10W	4.7K 1		R4463	ERJ6RBD911	M.RESISTOR CH 1/10W	910 1	
R4303	ERJ6GEYOROC	M.RESISTOR CH 1/10W	0 1		R4465	ERJ6RBD911	M.RESISTOR CH 1/10W	910 1	
R4304-06	ERJ6GEYF473	M.RESISTOR CH 1/10W	4.7K 3		R4466	ERJ6RED470	M.RESISTOR CH 1/10W	47 1	
R4307	ERJ6GEYOROC	M.RESISTOR CH 1/10W	0 1		R4467	ERJ6RBD123	M.RESISTOR CH 1/10W	12K 1	
R4308-11	ERJ6GEYF473	M.RESISTOR CH 1/10W	4.7K 4		R4468	ERJ6RBD151	M.RESISTOR CH 1/10W	150 1	
R4314	ERJ6GEYF472	M.RESISTOR CH 1/10W	4.7K 1		R4469	ERJ6RBD682	M.RESISTOR CH 1/10W	6.8K 1	
R4316-18	ERJ6GEYF472	M.RESISTOR CH 1/10W	4.7K 3		R4470	ERJ6RBD822	M.RESISTOR CH 1/10W	8.2K 1	
R4319-20	ERJ6GEYG273	M.RESISTOR CH 1/10W	27K 2		R4471	ERJ6RBD391	M.RESISTOR CH 1/10W	390 1	
R4321	ERJ6RBD391	M.RESISTOR CH 1/10W	390 1		R4476	ERJ6GEYG104	M.RESISTOR CH 1/10W	100K 1	
R4322	ERJ6RBD222	M.RESISTOR CH 1/10W	2.2K 1		R4477	ERJ6RBD223	M.RESISTOR CH 1/10W	2.2K 1	
R4323	ERJ6RBD103	M.RESISTOR CH 1/10W	10K 1		R4478	ERJ6RBD222	M.RESISTOR CH 1/10W	2.2K 1	
R4324	ERJ6RBD391	M.RESISTOR CH 1/10W	390 1		R4479	ERJ6GEYG683	M.RESISTOR CH 1/10W	68K 1	
R4325	ERJ6RBD222	M.RESISTOR CH 1/10W	2.2K 1		R4480	ERJ6GEYG103	M.RESISTOR CH 1/10W	10K 1	
R4326	ERJ6RBD103	M.RESISTOR CH 1/10W	10K 1		R4481	ERJ6RBD102	M.RESISTOR CH 1/10W	1K 1	
R4351	ERJ6GEYOROC	M.RESISTOR CH 1/10W	0 1		R4482	ERJ6GEYG105	M.RESISTOR CH 1/10W	1M 1	
R4352	ERJ6GEYF473	M.RESISTOR CH 1/10W	4.7K 1		R4483	ERJ6RBD123	M.RESISTOR CH 1/10W	12K 1	
R4353	ERJ6GEYOROC	M.RESISTOR CH 1/10W	0 1		R4484	ERJ6GEYF472	M.RESISTOR CH 1/10W	4.7K 1	
R4354-56	ERJ6GEYF473	M.RESISTOR CH 1/10W	4.7K 3		R4485	ERJ6GEYG102	M.RESISTOR CH 1/10W	1K 1	
R4357	ERJ6GEYOROC	M.RESISTOR CH 1/10W	0 1		R4486	ERJ6GEYG103	M.RESISTOR CH 1/10W	10K 1	
R4358-61	ERJ6GEYF473	M.RESISTOR CH 1/10W	4.7K 4		R4487	ERJ6RBD301	M.RESISTOR CH 1/10W	300 1	
R4364	ERJ6GEYF472	M.RESISTOR CH 1/10W	4.7K 1		R4488	ERJ6RBD272	M.RESISTOR CH 1/10W	2.7K 1	
R4366-68	ERJ6GEYF472	M.RESISTOR CH 1/10W	4.7K 3		R4489	ERJ6RBD472	M.RESISTOR CH 1/10W	4.7K 1	
R4369-70	ERJ6GEYG273	M.RESISTOR CH 1/10W	27K 2		R4490	ERJ6RBD123	M.RESISTOR CH 1/10W	12K 1	
R4371	ERJ6RBD391	M.RESISTOR CH 1/10W	390 1		R4491	ERJ6RBD102	M.RESISTOR CH 1/10W	1K 1	
R4372	ERJ6RBD222	M.RESISTOR CH 1/10W	2.2K 1		R4492	ERJ6RBD103	M.RESISTOR CH 1/10W	10K 1	
R4373	ERJ6RBD103	M.RESISTOR CH 1/10W	10K 1		R4493	ERJ6GEYG563	M.RESISTOR CH 1/10W	56K 1	
R4374	ERJ6RBD391	M.RESISTOR CH 1/10W	390 1		R4494	ERJ6GEYF472	M.RESISTOR CH 1/10W	4.7K 1	
R4375	ERJ6RBD222	M.RESISTOR CH 1/10W	2.2K 1		R4495	ERJ6RBD682	M.RESISTOR CH 1/10W	6.8K 1	
R4376	ERJ6RBD103	M.RESISTOR CH 1/10W	10K 1		R4496-99	ERJ6RBD472	M.RESISTOR CH 1/10W	4.7K 4	
R4401	ERJ6GEYG104	M.RESISTOR CH 1/10W	100K 1		R4500	ERJ6GEYG105	M.RESISTOR CH 1/10W	1M 1	
R4402	ERJ6GEYG103	M.RESISTOR CH 1/10W	10K 1		R4501	ERJ6GEYG562	M.RESISTOR CH 1/10W	5.6K 1	
R4403	ERJ6RBD223	M.RESISTOR CH 1/10W	2.2K 1		R4502	ERJ6GEYG105	M.RESISTOR CH 1/10W	1M 1	
R4404	ERJ6RBD222	M.RESISTOR CH 1/10W	2.2K 1		R4503	ERJ6GEYJ100	M.RESISTOR CH 1/10W	10 1	
R4405	ERJ6RBD102	M.RESISTOR CH 1/10W	1K 1		R4504-05	ERJ6RBD153	M.RESISTOR CH 1/10W	15K 2	
R4406	ERJ6GEYG105	M.RESISTOR CH 1/10W	1M 1		R4506	ERJ6RED150	M.RESISTOR CH 1/10W	15 1	
R4407	ERJ6GEYG683	M.RESISTOR CH 1/10W	68K 1		R4507	ERJ6RBD153	M.RESISTOR CH 1/10W	15K 1	
R4408	ERJ6RBD123	M.RESISTOR CH 1/10W	12K 1		R4509	ERJ6GEYG562	M.RESISTOR CH 1/10W	5.6K 1	
R4409	ERJ6GEYF472	M.RESISTOR CH 1/10W	4.7K 1		R4510	ERJ6GEYJ100	M.RESISTOR CH 1/10W	10 1	
R4410	ERJ6GEYG102	M.RESISTOR CH 1/10W	1K 1		R4511	ERJ6GEYG562	M.RESISTOR CH 1/10W	5.6K 1	
R4411	ERJ6GEYG103	M.RESISTOR CH 1/10W	10K 1		R4512	ERJ6RBD153	M.RESISTOR CH 1/10W	15K 1	
R4412	ERJ6RBD301	M.RESISTOR CH 1/10W	300 1		R4513	ERJ6GEYG562	M.RESISTOR CH 1/10W	5.6K 1	
R4413	ERJ6RBD272	M.RESISTOR CH 1/10W	2.7K 1		R4514-15	ERJ14YJ100	M.RESISTOR CH 1/4W	10K 2	
R4414	ERJ6RBD472	M.RESISTOR CH 1/10W	4.7K 1		R4516	ERJ14YJ220	M.RESISTOR CH 1/4W	22 1	
R4415	ERJ6RBD123	M.RESISTOR CH 1/10W	12K 1		R4517-18	ERJ14YJ100	M.RESISTOR CH 1/4W	10K 2	
R4416	ERJ6RBD102	M.RESISTOR CH 1/10W	1K 1		R4519	ERJ14YJ220	M.RESISTOR CH 1/4W	22 1	
R4417	ERJ6RBD103	M.RESISTOR CH 1/10W	10K 1		R4520-21	ERJ6GEYG103	M.RESISTOR CH 1/10W	10K 2	
R4418	ERJ6GEYG563	M.RESISTOR CH 1/10W	56K 1		R4522-23	ERJ6GEYG102	M.RESISTOR CH 1/10W	1K 2	
R4419	ERJ6GEYF472	M.RESISTOR CH 1/10W	4.7K 1		R4524	ERJ6GEYF561	M.RESISTOR CH 1/10W	560 1	
R4420	ERJ6RBD682	M.RESISTOR CH 1/10W	6.8K 1		R4525	ERJ6GEYG103	M.RESISTOR CH 1/10W	10K 1	
R4421-24	ERJ6RBD472	M.RESISTOR CH 1/10W	4.7K 4		R4526	ERJ6GEYF561	M.RESISTOR CH 1/10W	560 1	
R4425	ERJ6GEYG562	M.RESISTOR CH 1/10W	5.6K 1		R4527	ERJ6GEYG103	M.RESISTOR CH 1/10W	10K 1	
R4426	ERJ6GEYG105	M.RESISTOR CH 1/10W	1M 1		R4528	ERJ6GEYOROC	M.RESISTOR CH 1/10W	0 1	
R4427	ERJ6GEYJ100	M.RESISTOR CH 1/10W	10 1		R4529	ERJ6RBD301	M.RESISTOR CH 1/10W	300 1	
R4428-29	ERJ6RBD153	M.RESISTOR CH 1/10W	15K 2		R4530	ERJ6RBD512	M.RESISTOR CH 1/10W	5.1K 1	
R4430	ERJ6RED150	M.RESISTOR CH 1/10W	15 1		R4531	ERJ6RBD472	M.RESISTOR CH 1/10W	4.7K 1	
R4431	ERJ6RBD153	M.RESISTOR CH 1/10W	15K 1		R4537	ERJ6RED470	M.RESISTOR CH 1/10W	47 1	
R4433	ERJ6GEYG562	M.RESISTOR CH 1/10W	5.6K 1		R4538	ERJ6RBD911	M.RESISTOR CH 1/10W	910 1	
R4434	ERJ6GEYG105	M.RESISTOR CH 1/10W	1M 1		R4540	ERJ6RBD911	M.RESISTOR CH 1/10W	910 1	
R4435	ERJ6GEYJ100	M.RESISTOR CH 1/10W	10 1		R4541	ERJ6RED470	M.RESISTOR CH 1/10W	47 1	
R4436	ERJ6RBD153	M.RESISTOR CH 1/10W	15K 1		R4542	ERJ6RBD123	M.RESISTOR CH 1/10W	12K 1	

AJ-D950P  
VEP84301A

Ref.No.	Part No.	Part Name & Description	Pcs	Remarks	Ref.No.	Part No.	Part Name & Description	Pcs	Remarks
R4543	ERJ6RBD151	M.RESISTOR CH 1/10W	150	1	R4643	ERJ6GEYG562	M.RESISTOR CH 1/10W	56	1
R4544	ERJ6RBD682	M.RESISTOR CH 1/10W	6.8	1	R4644	ERJ6GEYF472	M.RESISTOR CH 1/10W	4.7	1
R4545	ERJ6RBD822	M.RESISTOR CH 1/10W	8.2	1	R4645	ERJ6RBD682	M.RESISTOR CH 1/10W	6.8	1
R4546	ERJ6RBD391	M.RESISTOR CH 1/10W	390	1	R4646-49	ERJ6RBD472	M.RESISTOR CH 1/10W	4.7	4
R4551	ERJ6GEYG104	M.RESISTOR CH 1/10W	100	1	R4650	ERJ6GEYG105	M.RESISTOR CH 1/10W	1	1
R4552	ERJ6GEYG103	M.RESISTOR CH 1/10W	10	1	R4651	ERJ6GEYG562	M.RESISTOR CH 1/10W	5.6	1
R4553	ERJ6RBD223	M.RESISTOR CH 1/10W	2.2	1	R4652	ERJ6GEYG105	M.RESISTOR CH 1/10W	1	1
R4554	ERJ6RBD222	M.RESISTOR CH 1/10W	2.2	1	R4653	ERJ6GEYJ100	M.RESISTOR CH 1/10W	10	1
R4555	ERJ6RBD102	M.RESISTOR CH 1/10W	1	1	R4654-55	ERJ6RBD153	M.RESISTOR CH 1/10W	15	2
R4556	ERJ6GEYG105	M.RESISTOR CH 1/10W	1	1	R4656	ERJ6RED150	M.RESISTOR CH 1/10W	15	1
R4557	ERJ6GEYG683	M.RESISTOR CH 1/10W	6.8	1	R4657	ERJ6RBD153	M.RESISTOR CH 1/10W	15	1
R4558	ERJ6RBD123	M.RESISTOR CH 1/10W	12	1	R4659	ERJ6GEYG562	M.RESISTOR CH 1/10W	5.6	1
R4559	ERJ6GEYF472	M.RESISTOR CH 1/10W	4.7	1	R4660	ERJ6GEYJ100	M.RESISTOR CH 1/10W	10	1
R4560	ERJ6GEYG102	M.RESISTOR CH 1/10W	1	1	R4661	ERJ6GEYG562	M.RESISTOR CH 1/10W	5.6	1
R4561	ERJ6GEYG103	M.RESISTOR CH 1/10W	10	1	R4662	ERJ6RBD153	M.RESISTOR CH 1/10W	15	1
R4562	ERJ6RBD301	M.RESISTOR CH 1/10W	300	1	R4663	ERJ6GEYG562	M.RESISTOR CH 1/10W	5.6	1
R4563	ERJ6RBD272	M.RESISTOR CH 1/10W	2.7	1	R4664-65	ERJ14YJ100	M.RESISTOR CH 1/4W	10	2
R4564	ERJ6RBD472	M.RESISTOR CH 1/10W	4.7	1	R4666	ERJ14YJ220	M.RESISTOR CH 1/4W	22	1
R4565	ERJ6RBD123	M.RESISTOR CH 1/10W	12	1	R4667-68	ERJ14YJ100	M.RESISTOR CH 1/4W	10	2
R4566	ERJ6RBD102	M.RESISTOR CH 1/10W	1	1	R4669	ERJ14YJ220	M.RESISTOR CH 1/4W	22	1
R4567	ERJ6RBD103	M.RESISTOR CH 1/10W	10	1	R4670-71	ERJ6GEYG103	M.RESISTOR CH 1/10W	10	2
R4568	ERJ6GEYG563	M.RESISTOR CH 1/10W	5.6	1	R4672-73	ERJ6GEYG102	M.RESISTOR CH 1/10W	1	2
R4569	ERJ6GEYF472	M.RESISTOR CH 1/10W	4.7	1	R4674	ERJ6GEYF561	M.RESISTOR CH 1/10W	5.6	1
R4570	ERJ6RBD682	M.RESISTOR CH 1/10W	6.8	1	R4675	ERJ6GEYG103	M.RESISTOR CH 1/10W	10	1
R4571-74	ERJ6RBD472	M.RESISTOR CH 1/10W	4.7	4	R4676	ERJ6GEYF561	M.RESISTOR CH 1/10W	5.6	1
R4575	ERJ6GEYG562	M.RESISTOR CH 1/10W	5.6	1	R4677	ERJ6GEYG103	M.RESISTOR CH 1/10W	10	1
R4576	ERJ6GEYG105	M.RESISTOR CH 1/10W	1	1	R4678	ERJ6GEYOROC	M.RESISTOR CH 1/10W	0	1
R4577	ERJ6GEYJ100	M.RESISTOR CH 1/10W	10	1	R4679	ERJ6RBD301	M.RESISTOR CH 1/10W	300	1
R4578-79	ERJ6RBD153	M.RESISTOR CH 1/10W	15	2	R4680	ERJ6RBD512	M.RESISTOR CH 1/10W	5.1	1
R4580	ERJ6RED150	M.RESISTOR CH 1/10W	15	1	R4681	ERJ6RBD472	M.RESISTOR CH 1/10W	4.7	1
R4581	ERJ6RBD153	M.RESISTOR CH 1/10W	15	1	R4687	ERJ6RED470	M.RESISTOR CH 1/10W	4.7	1
R4583	ERJ6GEYG562	M.RESISTOR CH 1/10W	5.6	1	R4688	ERJ6RBD911	M.RESISTOR CH 1/10W	910	1
R4584	ERJ6GEYG105	M.RESISTOR CH 1/10W	1	1	R4690	ERJ6RBD911	M.RESISTOR CH 1/10W	910	1
R4585	ERJ6GEYJ100	M.RESISTOR CH 1/10W	10	1	R4691	ERJ6RED470	M.RESISTOR CH 1/10W	4.7	1
R4586	ERJ6RBD153	M.RESISTOR CH 1/10W	15	1	R4692	ERJ6RBD123	M.RESISTOR CH 1/10W	12	1
R4587-88	ERJ6GEYG562	M.RESISTOR CH 1/10W	5.6	2	R4693	ERJ6RBD151	M.RESISTOR CH 1/10W	150	1
R4589-90	ERJ14YJ100	M.RESISTOR CH 1/4W	10	2	R4694	ERJ6RBD682	M.RESISTOR CH 1/10W	6.8	1
R4591	ERJ14YJ220	M.RESISTOR CH 1/4W	22	1	R4695	ERJ6RBD822	M.RESISTOR CH 1/10W	8.2	1
R4592-93	ERJ14YJ100	M.RESISTOR CH 1/4W	10	2	R4696	ERJ6RBD391	M.RESISTOR CH 1/10W	390	1
R4594	ERJ14YJ220	M.RESISTOR CH 1/4W	22	1	R4701-02	ERJ6GEYF473	M.RESISTOR CH 1/10W	4.7	2
R4595-96	ERJ6GEYG103	M.RESISTOR CH 1/10W	10	2	R4703-04	ERJ6GEYOROC	M.RESISTOR CH 1/10W	0	2
R4597-98	ERJ6GEYG102	M.RESISTOR CH 1/10W	1	2	R4705-10	ERJ6GEYF473	M.RESISTOR CH 1/10W	4.7	6
R4599	ERJ6GEYG103	M.RESISTOR CH 1/10W	10	1	R4713-14	ERJ6GEYF472	M.RESISTOR CH 1/10W	4.7	2
R4600-01	ERJ6GEYF561	M.RESISTOR CH 1/10W	5.6	2	R4716-17	ERJ6GEYF472	M.RESISTOR CH 1/10W	4.7	2
R4602	ERJ6GEYG103	M.RESISTOR CH 1/10W	10	1	R4718-19	ERJ6GEYG273	M.RESISTOR CH 1/10W	2.7	2
R4603	ERJ6GEYOROC	M.RESISTOR CH 1/10W	0	1	R4720	ERJ6GEYG104	M.RESISTOR CH 1/10W	100	1
R4604	ERJ6RBD301	M.RESISTOR CH 1/10W	300	1	R4721	ERJ6GEYG683	M.RESISTOR CH 1/10W	6.8	1
R4605	ERJ6RBD512	M.RESISTOR CH 1/10W	5.1	1	R4722	ERJ6GEYG103	M.RESISTOR CH 1/10W	10	1
R4606	ERJ6RBD472	M.RESISTOR CH 1/10W	4.7	1	R4723	ERJ6GEYG104	M.RESISTOR CH 1/10W	100	1
R4612	ERJ6RED470	M.RESISTOR CH 1/10W	4.7	1	R4724	ERJ6GEYG103	M.RESISTOR CH 1/10W	10	1
R4613	ERJ6RBD911	M.RESISTOR CH 1/10W	910	1	R4725	ERJ6GEYG683	M.RESISTOR CH 1/10W	6.8	1
R4615	ERJ6RBD911	M.RESISTOR CH 1/10W	910	1	R4726	ERJ6RBD223	M.RESISTOR CH 1/10W	2.2	1
R4616	ERJ6RED470	M.RESISTOR CH 1/10W	4.7	1	R4727	ERJ6RBD222	M.RESISTOR CH 1/10W	2.2	1
R4617	ERJ6RBD123	M.RESISTOR CH 1/10W	12	1	R4728	ERJ6RBD102	M.RESISTOR CH 1/10W	1	1
R4618	ERJ6RBD151	M.RESISTOR CH 1/10W	150	1	R4729	ERJ6GEYG105	M.RESISTOR CH 1/10W	1	1
R4619	ERJ6RBD682	M.RESISTOR CH 1/10W	6.8	1	R4730	ERJ6RBD123	M.RESISTOR CH 1/10W	12	1
R4620	ERJ6RBD822	M.RESISTOR CH 1/10W	8.2	1	R4731	ERJ6RBD223	M.RESISTOR CH 1/10W	2.2	1
R4621	ERJ6RBD391	M.RESISTOR CH 1/10W	390	1	R4732	ERJ6RBD222	M.RESISTOR CH 1/10W	2.2	1
R4626	ERJ6GEYG104	M.RESISTOR CH 1/10W	100	1	R4733	ERJ6RBD102	M.RESISTOR CH 1/10W	1	1
R4627	ERJ6RBD223	M.RESISTOR CH 1/10W	2.2	1	R4734	ERJ6GEYG105	M.RESISTOR CH 1/10W	1	1
R4628	ERJ6RBD222	M.RESISTOR CH 1/10W	2.2	1	R4735	ERJ6RBD123	M.RESISTOR CH 1/10W	12	1
R4629	ERJ6GEYG683	M.RESISTOR CH 1/10W	6.8	1	R4736	ERJ6GEYF472	M.RESISTOR CH 1/10W	4.7	1
R4630	ERJ6GEYG103	M.RESISTOR CH 1/10W	10	1	R4737	ERJ6GEYG102	M.RESISTOR CH 1/10W	1	1
R4631	ERJ6RBD102	M.RESISTOR CH 1/10W	1	1	R4738	ERJ6GEYF472	M.RESISTOR CH 1/10W	4.7	1
R4632	ERJ6GEYG105	M.RESISTOR CH 1/10W	1	1	R4739	ERJ6GEYG102	M.RESISTOR CH 1/10W	1	1
R4633	ERJ6RBD123	M.RESISTOR CH 1/10W	12	1	R4740-41	ERJ6GEYG103	M.RESISTOR CH 1/10W	10	2
R4634	ERJ6GEYF472	M.RESISTOR CH 1/10W	4.7	1	R4742	ERJ6RBD391	M.RESISTOR CH 1/10W	390	1
R4635	ERJ6GEYG102	M.RESISTOR CH 1/10W	1	1	R4743	ERJ6RBD222	M.RESISTOR CH 1/10W	2.2	1
R4636	ERJ6GEYG103	M.RESISTOR CH 1/10W	10	1	R4744	ERJ6RBD103	M.RESISTOR CH 1/10W	10	1
R4637	ERJ6RBD301	M.RESISTOR CH 1/10W	300	1	R4745	ERJ6RBD391	M.RESISTOR CH 1/10W	390	1
R4638	ERJ6RBD272	M.RESISTOR CH 1/10W	2.7	1	R4746	ERJ6RBD222	M.RESISTOR CH 1/10W	2.2	1
R4639	ERJ6RBD472	M.RESISTOR CH 1/10W	4.7	1	R4747	ERJ6RBD103	M.RESISTOR CH 1/10W	10	1
R4640	ERJ6RBD123	M.RESISTOR CH 1/10W	12	1	R4751	ERJ6GEYG104	M.RESISTOR CH 1/10W	100	1
R4641	ERJ6RBD102	M.RESISTOR CH 1/10W	1	1	R4752	ERJ6GEYF333	M.RESISTOR CH 1/10W	3.3	1
R4642	ERJ6RBD103	M.RESISTOR CH 1/10W	10	1	R4753	ERJ6GEYG103	M.RESISTOR CH 1/10W	10	1

AJ-D950P  
VEP84301A / VEP84302A

Ref.No.	Part No.	Part Name & Description	Pcs	Remarks	Ref.No.	Part No.	Part Name & Description	Pcs	Remarks	
R4754	ERJ6GEYF473	M.RESISTOR CH 1/10W	47K 1		R4875-76	ERJ6GEYF561	M.RESISTOR CH 1/10W	560 2		
R4755	ERJ6GEYG103	M.RESISTOR CH 1/10W	10K 1		R4877-78	ERJ6GEYG103	M.RESISTOR CH 1/10W	10K 2		
R4756	ERJ6GEYG222	M.RESISTOR CH 1/10W	2.2K 1		R4879	ERJ6GEYOROC	M.RESISTOR CH 1/10W	0 1		
R4757-58	ERJ6GEYF473	M.RESISTOR CH 1/10W	47K 2		R4880	ERJ6RBD301	M.RESISTOR CH 1/10W	300 1		
R4759	ERJ6GEYG105	M.RESISTOR CH 1/10W	10K 1		R4881	ERJ6RBD512	M.RESISTOR CH 1/10W	5.1K 1		
R4760	ERJ6GEYG104	M.RESISTOR CH 1/10W	100K 1		R4882	ERJ6RBD472	M.RESISTOR CH 1/10W	4.7K 1		
R4761	ERJ6GEYG103	M.RESISTOR CH 1/10W	10K 1		R4901-02	ERJ6GEYG102	M.RESISTOR CH 1/10W	1K 2		
R4762	ERJ6GEYF473	M.RESISTOR CH 1/10W	47K 1		R4903-04	ERJ6GEYF472	M.RESISTOR CH 1/10W	4.7K 2		
R4763	ERJ6GEYG104	M.RESISTOR CH 1/10W	100K 1		R4905	ERJ6GEYG103	M.RESISTOR CH 1/10W	10K 1		
R4764	ERJ6GEYOROC	M.RESISTOR CH 1/10W	0 1		R4906	ERJ14YJ330	M.RESISTOR CH 1/4W	33 1		
R4765	ERJ6RBD102	M.RESISTOR CH 1/10W	1K 1		R4908	ERJ14YJ330	M.RESISTOR CH 1/4W	33 1		
R4766	ERJ6GEYG392	M.RESISTOR CH 1/10W	3.9K 1		R4910	ERJ6GEYG103	M.RESISTOR CH 1/10W	10K 1		
R4767	ERJ6RED220	M.RESISTOR CH 1/10W	22 1		R4911-12	ERJ6GEYG102	M.RESISTOR CH 1/10W	1K 2		
R4768	ERJ6GEYG103	M.RESISTOR CH 1/10W	10K 1		R4914	ERJ6GEYOROC	M.RESISTOR CH 1/10W	0 1		
R4769	ERJ6RBD301	M.RESISTOR CH 1/10W	300 1		R4916	ERJ6GEYOROC	M.RESISTOR CH 1/10W	0 1		
R4770	ERJ6RBD272	M.RESISTOR CH 1/10W	2.7K 1		R4931	ERJ6GEYG103	M.RESISTOR CH 1/10W	10K 1		
R4771	ERJ6RBD472	M.RESISTOR CH 1/10W	4.7K 1		R4932-33	ERJ6GEYOROC	M.RESISTOR CH 1/10W	0 2		
R4772	ERJ6RBD123	M.RESISTOR CH 1/10W	12K 1		R4934-42	ERJ6GEYG103	M.RESISTOR CH 1/10W	10K 9		
R4773	ERJ6RBD102	M.RESISTOR CH 1/10W	1K 1		R4943-50	ERJ6GEYG104	M.RESISTOR CH 1/10W	100K 8		
R4774	ERJ6RBD103	M.RESISTOR CH 1/10W	10K 1		R4951-52	ERJ6GEYG103	M.RESISTOR CH 1/10W	10K 2		
R4775-77	ERJ6GEYOROC	M.RESISTOR CH 1/10W	0 3							
R4778	ERJ6GEYG563	M.RESISTOR CH 1/10W	56K 1		SW4001	VSS0126	SWITCH	1		
R4779	ERJ6RBD682	M.RESISTOR CH 1/10W	6.8K 1		SW4041	VSS0126	SWITCH	1		
R4780	ERJ6GEYF472	M.RESISTOR CH 1/10W	4.7K 1		SW4101	VSS0126	SWITCH	1		
R4781-84	ERJ6RBD472	M.RESISTOR CH 1/10W	4.7K 4		SW4141	VSS0126	SWITCH	1		
R4785	ERJ6GEYG105	M.RESISTOR CH 1/10W	10K 1							
R4786	ERJ6GEYJ100	M.RESISTOR CH 1/10W	10 1		TG4202	VJRO646	TEST POINT	1		
R4787	ERJ6GEYG105	M.RESISTOR CH 1/10W	10K 1		TG4252	VJRO646	TEST POINT	1		
R4788-90	ERJ6RBD153	M.RESISTOR CH 1/10W	15K 3		TG4301	VJRO646	TEST POINT	1		
R4791	ERJ6RED150	M.RESISTOR CH 1/10W	15 1		TG4351	VJRO646	TEST POINT	1		
R4793	ERJ6GEYJ100	M.RESISTOR CH 1/10W	10 1							
R4794	ERJ6RBD153	M.RESISTOR CH 1/10W	15K 1		TP4201-03	VJRO646	TEST POINT	3		
R4795	ERJ6GEYG562	M.RESISTOR CH 1/10W	5.6K 1		TP4251-53	VJRO646	TEST POINT	3		
R4796-97	ERJ14YJ100	M.RESISTOR CH 1/4W	10 2		TP4301-03	VJRO646	TEST POINT	2		
R4798-99	ERJ6GEYG562	M.RESISTOR CH 1/10W	5.6K 2		TP4351-53	VJRO646	TEST POINT	2		
R4800-01	ERJ14YJ100	M.RESISTOR CH 1/4W	10 2		TP4401	VJRO646	TEST POINT	1		
R4802	ERJ6GEYG562	M.RESISTOR CH 1/10W	5.6K 1		TP4476	VJRO646	TEST POINT	1		
R4803-04	ERJ14YJ220	M.RESISTOR CH 1/4W	22 2		TP4551	VJRO646	TEST POINT	1		
R4805-06	ERJ6GEYG103	M.RESISTOR CH 1/10W	10K 2		TP4626	VJRO646	TEST POINT	1		
R4807-08	ERJ6GEYG102	M.RESISTOR CH 1/10W	1K 2		TP4701-04	VJRO646	TEST POINT	4		
R4809-10	ERJ6GEYF561	M.RESISTOR CH 1/10W	560 2							
R4811-12	ERJ6GEYG103	M.RESISTOR CH 1/10W	10K 2		VR4001	VRVO109B10	V.RESISTOR	100 1		
R4813	ERJ6GEYOROC	M.RESISTOR CH 1/10W	0 1		VR4002	VRVO064B10	V.RESISTOR	10K 1		
R4814	ERJ6RBD301	M.RESISTOR CH 1/10W	300 1		VR4041	VRVO109B10	V.RESISTOR	100 1		
R4815	ERJ6RBD512	M.RESISTOR CH 1/10W	5.1K 1		VR4042	VRVO064B10	V.RESISTOR	10K 1		
R4816	ERJ6RBD472	M.RESISTOR CH 1/10W	4.7K 1		VR4101	VRVO109B10	V.RESISTOR	100 1		
R4831	ERJ6RBD102	M.RESISTOR CH 1/10W	1K 1		VR4102	VRVO064B10	V.RESISTOR	10K 1		
R4832	ERJ6GEYG392	M.RESISTOR CH 1/10W	3.9K 1		VR4141	VRVO109B10	V.RESISTOR	100 1		
R4833	ERJ6RED220	M.RESISTOR CH 1/10W	22 1		VR4142	VRVO064B10	V.RESISTOR	10K 1		
R4834	ERJ6GEYG103	M.RESISTOR CH 1/10W	10K 1		VR4401	VRVO064B10	V.RESISTOR	10K 1		
R4835	ERJ6RBD272	M.RESISTOR CH 1/10W	2.7K 1		VR4402	VRVO064B50	V.RESISTOR	500 1		
R4836	ERJ6RBD301	M.RESISTOR CH 1/10W	300 1		VR4476	VRVO064B10	V.RESISTOR	10K 1		
R4837-39	ERJ6GEYOROC	M.RESISTOR CH 1/10W	0 3		VR4477	VRVO109B50	V.RESISTOR	500 1		
R4840	ERJ6RBD472	M.RESISTOR CH 1/10W	4.7K 1		VR4551	VRVO064B10	V.RESISTOR	10K 1		
R4841	ERJ6RBD123	M.RESISTOR CH 1/10W	12K 1		VR4552	VRVO064B50	V.RESISTOR	500 1		
R4842	ERJ6RBD102	M.RESISTOR CH 1/10W	1K 1		VR4626	VRVO064B10	V.RESISTOR	10K 1		
R4843	ERJ6RBD103	M.RESISTOR CH 1/10W	10K 1		VR4627	VRVO109B50	V.RESISTOR	500 1		
R4844	ERJ6GEYG563	M.RESISTOR CH 1/10W	56K 1		VR4701-03	VRVO064B10	V.RESISTOR	10K 2		
R4845	ERJ6GEYF472	M.RESISTOR CH 1/10W	4.7K 1		VR4751	VRVO109B50	V.RESISTOR	500 1		
R4846	ERJ6RBD682	M.RESISTOR CH 1/10W	6.8K 1		VR4831	VRVO109B50	V.RESISTOR	500 1		
R4847-50	ERJ6RBD472	M.RESISTOR CH 1/10W	4.7K 4							
R4851-52	ERJ6GEYG105	M.RESISTOR CH 1/10W	10K 2				MISCELLANEOUS			
R4853	ERJ6GEYJ100	M.RESISTOR CH 1/10W	10 1							
R4854-56	ERJ6RBD153	M.RESISTOR CH 1/10W	15K 3		VML2143	CARD PULLER		1		
R4857	ERJ6RED150	M.RESISTOR CH 1/10W	15 1		VML2144	CARD PULLER		1		
R4859	ERJ6GEYJ100	M.RESISTOR CH 1/10W	10 1							
R4860	ERJ6RBD153	M.RESISTOR CH 1/10W	15K 1							
R4861	ERJ6GEYG562	M.RESISTOR CH 1/10W	5.6K 1							
R4862-63	ERJ14YJ100	M.RESISTOR CH 1/4W	10 2							
R4864-65	ERJ6GEYG562	M.RESISTOR CH 1/10W	5.6K 2							
R4866-67	ERJ14YJ100	M.RESISTOR CH 1/4W	10 2							
R4868	ERJ6GEYG562	M.RESISTOR CH 1/10W	5.6K 1		i	VEP84302A	H1 CUE P.C.BOARD	1	(RTL)	
R4869-70	ERJ14YJ220	M.RESISTOR CH 1/4W	22 2							
R4871-72	ERJ6GEYG103	M.RESISTOR CH 1/10W	10K 2							
R4873-74	ERJ6GEYG102	M.RESISTOR CH 1/10W	1K 2		C4001	ECUM1H222K	ENCAPACITOR CH 50V	2200P 1		
					C4002	VCC0030	C.CAPACITOR		1	



AJ-D950P  
VEP84302A

Ref.No.	Part No.	Part Name & Description	Pcs	Remarks	Ref.No.	Part No.	Part Name & Description	Pcs	Remarks
C4003	ECEV1EN4R7CE	CAPACITOR CH 25V 4.7U	1		C4203	ECUM1H470J	CAPACITOR CH 50V 47P	1	
C4004	ECUM1H822KE	CAPACITOR CH 50V 8200P	1		C4204-05	ECEV1CV100CE	CAPACITOR CH 16V 10U	2	
C4005-06	ECUM1H272KE	CAPACITOR CH 50V 2700P	2		C4206	ECUM1H103KE	CAPACITOR CH 50V 0.01U	1	
C4007	ECUM1H273KE	CAPACITOR CH 50V 0.027U	1		C4207	ECUM1H470J	CAPACITOR CH 50V 47P	1	
C4008	ECEV1CV100CE	CAPACITOR CH 16V 10U	1		C4208	ECUM1H103KE	CAPACITOR CH 50V 0.01U	1	
C4009	ECEV1CV220CE	CAPACITOR CH 16V 22U	1		C4209-10	ECEV1CV100CE	CAPACITOR CH 16V 10U	2	
C4010	ECUM1E104Z	CAPACITOR CH 25V 0.1U	1		C4211	ECEV1CV220CE	CAPACITOR CH 16V 22U	1	
C4011	ECEV1CV100CE	CAPACITOR CH 16V 10U	1		C4212	ECUM1E104Z	CAPACITOR CH 25V 0.1U	1	
C4012	ECEVOJV101CE	CAPACITOR CH6.3V 100U	1		C4213	ECEV1CV220CE	CAPACITOR CH 16V 22U	1	
C4013	ECST1VY684ZT	CAPACITOR CH 35V 0.68U	1		C4214	ECUM1E104Z	CAPACITOR CH 25V 0.1U	1	
C4014-15	ECEV1CV100CE	CAPACITOR CH 16V 10U	2		C4215	ECEV1CV470CE	CAPACITOR CH 16V 47U	1	
C4016	ECUM1H151J	CAPACITOR CH 50V 150P	1		C4216-17	ECEA1CGE101E	CAPACITOR 16V 100U	2	
C4017	ECUM1H103KE	CAPACITOR CH 50V 0.01U	1		C4218	ECEV1CV220CE	CAPACITOR CH 16V 22U	1	
C4018	ECEV1CV470CE	CAPACITOR CH 16V 47U	1		C4219	ECUM1E104Z	CAPACITOR CH 25V 0.1U	1	
C4019	ECUM1H390J	CAPACITOR CH 50V 39P	1		C4220	ECEV1CV220CE	CAPACITOR CH 16V 22U	1	
C4020	ECUM1E473KE	CAPACITOR CH 25V 0.047U	1		C4221	ECUM1E104Z	CAPACITOR CH 25V 0.1U	1	
C4021	ECEV1CV220CE	CAPACITOR CH 16V 22U	1		C4222	ECEV1CV470CE	CAPACITOR CH 16V 47U	1	
C4022	ECUX1C394KE	CAPACITOR CH 16V 390K	1		C4223-25	ECUM1E104Z	CAPACITOR CH 25V 0.1U	3	
C4023	ECEV1CV220CE	CAPACITOR CH 16V 22U	1		C4226	ECEV1CV100CE	CAPACITOR CH 16V 10U	1	
C4024-25	ECUX1C394KE	CAPACITOR CH 16V 390K	2		C4227-28	ECUM1C474KE	CAPACITOR CH 16V 0.47U	2	
C4026-28	ECHU1C104J	P.CAPACITOR 16V 0.1U	3		C4229-30	ECUM1H472KE	CAPACITOR CH 50V 4700P	2	
C4029	ECUM1H333KE	CAPACITOR CH 50V 0.033U	1		C4231	ECUM1H103KE	CAPACITOR CH 50V 0.01U	1	
C4030	ECUX1E104KE	CAPACITOR CH 25V 0.1U	1		C4232	ECEV1CV100CE	CAPACITOR CH 16V 10U	1	
C4031	ECEV1CV220CE	CAPACITOR CH 16V 22U	1		C4233	ECHU1H223J	P.CAPACITOR 50V 0.022U	1	
C4032-33	ECUM1E104Z	CAPACITOR CH 25V 0.1U	2		C4234	ECEV1HV470CE	CAPACITOR CH 50V 4.7U	1	
C4034	ECEV1CV470CE	CAPACITOR CH 16V 47U	1		C4235	VCF2JAB681J	C.CAPACITOR 630V 680P	1	
C4035	ECUM1H222KE	CAPACITOR CH 50V 2200P	1		C4236	ECUM1C474KE	CAPACITOR CH 16V 0.47U	1	
C4036	ECUM1H102KE	CAPACITOR CH 50V 1000P	1		C4237	ECUM1H103KE	CAPACITOR CH 50V 0.01U	1	
C4037	ECEV1EN4R7CE	CAPACITOR CH 25V 4.7U	1		C4238	ECUM1C474KE	CAPACITOR CH 16V 0.47U	1	
C4038	ECEV1CV220CE	CAPACITOR CH 16V 22U	1		C4239	ECUM1E104Z	CAPACITOR CH 25V 0.1U	1	
C4039-40	ECUM1E104Z	CAPACITOR CH 25V 0.1U	2		C4240	ECEV1CV220CE	CAPACITOR CH 16V 22U	1	
C4041	ECEV1CV470CE	CAPACITOR CH 16V 47U	1		C4241	ECUM1E104Z	CAPACITOR CH 25V 0.1U	1	
C4042	ECEV1EN4R7CE	CAPACITOR CH 25V 4.7U	1		C4242	VCF2GAB682J	C.CAPACITOR 400V 6800P	1	
C4043	ECUM1H822KE	CAPACITOR CH 50V 8200P	1		C4243	ECUM1H103KE	CAPACITOR CH 50V 0.01U	1	
C4044	ECUM1H103KE	CAPACITOR CH 50V 0.01U	1		C4244	ECEV1CV220CE	CAPACITOR CH 16V 22U	1	
C4045	ECUM1H182KE	CAPACITOR CH 50V 1800P	1		C4245	VCF2GAB682J	C.CAPACITOR 400V 6800P	1	
C4046	ECUM1H103KE	CAPACITOR CH 50V 0.01U	1		C4246-47	ECUM1H471J	CAPACITOR CH 50V 470P	2	
C4047	ECUM1C224KE	CAPACITOR CH 16V 0.22U	1		C4303-06	ECUM1H103KE	CAPACITOR CH 50V 0.01U	4	
C4048	ECUM1H102KE	CAPACITOR CH 50V 1000P	1		C4307-08	ECUM1H103Z	CAPACITOR CH 50V 0.01U	2	
C4049	ECUM1C105KE	CAPACITOR CH 16V 1U	1		C4401	ECEV1CV220CE	CAPACITOR CH 16V 22U	1	
C4050	ECHU1C104J	P.CAPACITOR 16V 0.1U	1		C4402	ECUM1E104Z	CAPACITOR CH 25V 0.1U	1	
C4051	ECUM1H273KE	CAPACITOR CH 50V 0.027U	1		C4403	ECEVOJV101CE	CAPACITOR CH6.3V 100U	1	
C4052	ECUM1H471J	CAPACITOR CH 50V 470P	1		C4404-06	ECUM1E104Z	CAPACITOR CH 25V 0.1U	3	
C4053	ECUM1H822KE	CAPACITOR CH 50V 8200P	1		C4407	ECEV1CV220CE	CAPACITOR CH 16V 22U	1	
C4054	ECUM1H103KE	CAPACITOR CH 50V 0.01U	1		C4408	ECUM1E104Z	CAPACITOR CH 25V 0.1U	1	
C4055	ECUM1H182KE	CAPACITOR CH 50V 1800P	1		C4409	ECEV1CV100CE	CAPACITOR CH 16V 10U	1	
C4056	ECUM1H103KE	CAPACITOR CH 50V 0.01U	1		C4410-13	ECUM1E104Z	CAPACITOR CH 25V 0.1U	4	
C4101-02	ECUM1E104Z	CAPACITOR CH 25V 0.1U	2		C4414	ECUM1H103KE	CAPACITOR CH 50V 0.01U	1	
C4103-04	ECUM1H820J	CAPACITOR CH 50V 82P	2		C4415	ECEVOJV101CE	CAPACITOR CH6.3V 100U	1	
C4105-07	ECEV1EN4R7CE	CAPACITOR CH 25V 4.7U	3		C4416	ECUM1E104Z	CAPACITOR CH 25V 0.1U	1	
C4108	ECEVOJV220CE	CAPACITOR CH6.3V 22U	1		C4417	ECUM1H103KE	CAPACITOR CH 50V 0.01U	1	
C4109	ECEV1CV100CE	CAPACITOR CH 16V 10U	1		C4418	ECEV1CN100CE	CAPACITOR CH 16V 10U	1	
C4110	ECUM1H151J	CAPACITOR CH 50V 150P	1		C4501-03	ECUM1E104Z	CAPACITOR CH 25V 0.1U	3	
C4111-12	ECUM1C105KE	CAPACITOR CH 16V 1U	2		C4504-05	ECUM1H103KE	CAPACITOR CH 50V 0.01U	2	
C4113-14	ECUM1H151J	CAPACITOR CH 50V 150P	2						
C4115-16	ECUM1C105KE	CAPACITOR CH 16V 1U	2		D4101	MA152A	DIODE	1	
C4117	ECUM1H151J	CAPACITOR CH 50V 150P	1		D4102-04	MA157	DIODE	3	
C4118	ECEVOJV220CE	CAPACITOR CH6.3V 22U	1		D4201-02	MA157	DIODE	2	
C4119	ECEV1CV100CE	CAPACITOR CH 16V 10U	1		D4203-05	MA152A	DIODE	3	
C4120-21	ECUM1E104Z	CAPACITOR CH 25V 0.1U	2						
C4122	ECEVOJV220CE	CAPACITOR CH6.3V 22U	1		FL4001	EIR7QFO12B	TRANSFORMER	1	
C4123-25	ECUM1E104Z	CAPACITOR CH 25V 0.1U	3		FL4002	VLF1069	FILTER	1	
C4126	ECUM1H222KE	CAPACITOR CH 50V 2200P	1		FL4201-02	WLF0941C223	FILTER	2	
C4127-28	ECEVOJV220CE	CAPACITOR CH6.3V 22U	2						
C4129	ECUM1E104Z	CAPACITOR CH 25V 0.1U	1		IC4001	NJM4580ED	IC	1	
C4130	ECEVOJV220CE	CAPACITOR CH6.3V 22U	1		IC4002	MC14053BF	IC	1	
C4134-35	ECEA1HGE33CE	CAPACITOR CH 50V 33U	2		IC4003	CXA1102M	IC	1	
C4136-37	ECUM1H030CE	CAPACITOR CH 50V 3P	2		IC4004-05	NJM4580ED	IC	2	
C4138	ECEV1EN4R7CE	CAPACITOR CH 25V 4.7U	1		IC4006	MC14052BF	IC	1	
C4139	ECEV1CV220CE	CAPACITOR CH 16V 22U	1		IC4008	NJM4580ED	IC	1	
C4140-41	ECUM1E104Z	CAPACITOR CH 25V 0.1U	2		IC4009	AN78N09	IC	1	
C4142	ECEV1CV220CE	CAPACITOR CH 16V 22U	1		IC4010	AN79N09	IC	1	
C4143-46	ECUM1E104Z	CAPACITOR CH 25V 0.1U	4		IC4011-12	NJM4580ED	IC	2	
C4147-48	ECUM1C105KE	CAPACITOR CH 16V 1U	2		IC4013	MC14053BF	IC	1	
C4201-02	ECUM1E104Z	CAPACITOR CH 25V 0.1U	2		IC4014	NJM4580ED	IC	1	

AJ-D950P  
VEP84302A

Ref.No.	Part No.	Part Name & Description	Pcs	Remarks	Ref.No.	Part No.	Part Name & Description	Pcs	Remarks
IC4015	MC14053BD	IC	1		R4006	ERJ6GEYF472	M.RESISTOR CH 1/10W 4.7K	1	
IC4016	NJM4580ED	IC	1		R4007	ERJ6GEYG103	M.RESISTOR CH 1/10W 10K	1	
IC4101-02	AD7945BR	IC	2		R4008	ERJ6GEYG821	M.RESISTOR CH 1/10W 820	1	
IC4103-03	NJM4580ED	IC	3		R4009-10	ERJ6GEYG392	M.RESISTOR CH 1/10W 3.9K	2	
IC4106	MC14053BF	IC	1		R4011	ERJ6GEYF822	M.RESISTOR CH 1/10W 8.2K	1	
IC4107	NJM4580ED	IC	1		R4012	ERJ6GEYG182	M.RESISTOR CH 1/10W 1.8K	1	
IC4108	XC62AP3002	PC	1		R4013	ERJ6RBD433	M.RESISTOR CH 1/10W 43K	1	
IC4109	AK4503VF	IC	1		R4014-15	ERJ6GEYG103	M.RESISTOR CH 1/10W 10K	2	
IC4110	T74VHCT244	IC	1		R4016	ERJ6GEYJ100	M.RESISTOR CH 1/10W 10	1	
IC4111	T74VHC244F	IC	1		R4017	ERJ6GEYF472	M.RESISTOR CH 1/10W 4.7K	1	
IC4112	NJM4580ED	IC	1		R4018	ERJ6GEYF561	M.RESISTOR CH 1/10W 560	1	
IC4113	MC14052BF	IC	1		R4019	ERJ6GEYF472	M.RESISTOR CH 1/10W 4.7K	1	
IC4114	NJM4580ED	IC	1		R4020	ERJ6GEYG223	M.RESISTOR CH 1/10W 22K	1	
IC4115	NJM78L05UA	IC	1		R4021	ERJ6GEYF472	M.RESISTOR CH 1/10W 4.7K	1	
IC4116	NJM79L05UA	IC	1		R4022	ERJ6GEYG103	M.RESISTOR CH 1/10W 10K	1	
IC4117	MC14053BF	IC	1		R4023-24	ERJ6GEYF472	M.RESISTOR CH 1/10W 4.7K	2	
IC4201	MC14052BF	IC	1		R4025	ERJ6GEYF473	M.RESISTOR CH 1/10W 47K	1	
IC4202	NJM4580ED	IC	1		R4026	ERJ6GEYG470	M.RESISTOR CH 1/10W 47	1	
IC4203	NJM2043MD	IC	1		R4027	ERJ6GEYG102	M.RESISTOR CH 1/10W 1K	1	
IC4204-05	AOV212SX	IC	2		R4028	ERJ6GEYF124	M.RESISTOR CH 1/10W 120K	1	
IC4206	AN78N09	IC	1		R4029	ERJ6GEYG222	M.RESISTOR CH 1/10W 2.2K	1	
IC4207	TC4W53F	IC	1		R4030	ERJ6GEYF393	M.RESISTOR CH 1/10W 39K	1	
IC4301-02	SN7451051N3	IC	2		R4031	ERJ6GEYF333	M.RESISTOR CH 1/10W 33K	1	
IC4303	74F245SJ	IC	1		R4032	ERJ6GEYF472	M.RESISTOR CH 1/10W 4.7K	1	
IC4304	74F541SJ	IC	1		R4033-34	ERJ6GEYG101	M.RESISTOR CH 1/10W 100	2	
IC4305	74AC139SJ	IC	1		R4035	ERJ6RBD152	M.RESISTOR CH 1/10W 1.5K	1	
IC4306	TC7SU04F	IC	1		R4036	ERJ6RBD392	M.RESISTOR CH 1/10W 3.9K	1	
IC4307-08	BJPD71055GB	IC	2		R4037	ERJ6GEYOR00	M.RESISTOR CH 1/10W 0	1	
IC4401	TC4W53F	IC	1		R4038	ERJ6GEYG101	M.RESISTOR CH 1/10W 100	1	
IC4402	MC74HC74AF	IC	1		R4039-40	ERJ6RBD122	M.RESISTOR CH 1/10W 1.2K	2	
IC4403	MC74HC541AF	IC	1		R4041	ERJ6RBD823	M.RESISTOR CH 1/10W 82K	1	
IC4404	MB621926	IC	1		R4044	ERJ6GEYG101	M.RESISTOR CH 1/10W 100	1	
IC4405	MB81480070C	IC	1		R4045	ERJ6GEYOR00	M.RESISTOR CH 1/10W 0	1	
IC4406	NJM78L05UA	IC	1		R4046	ERJ6GEYG223	M.RESISTOR CH 1/10W 22K	1	
IC4407	AK4320VM	IC	1		R4047-48	ERJ6GEYG103	M.RESISTOR CH 1/10W 10K	2	
IC4408	TC4W53F	IC	1		R4049	ERJ6GEYOR00	M.RESISTOR CH 1/10W 0	1	
IC4501	MB621926	IC	1		R4051	ERJ6GEYG103	M.RESISTOR CH 1/10W 10K	1	
IC4502-03	MC74HC164AF	IC	2		R4052	ERJ6RBD202	M.RESISTOR CH 1/10W 2K	1	
IC4504	TC7SU04F	IC	1		R4053	ERJ6GEYG562	M.RESISTOR CH 1/10W 5.6K	1	
IC4505	TC7W74F	IC	1		R4054	ERJ6GEYG332	M.RESISTOR CH 1/10W 3.3K	1	
IC4506	TC4W53F	IC	1		R4055	ERJ6GEYG222	M.RESISTOR CH 1/10W 2.2K	1	
IC4507	MB81480070C	IC	1		R4056	ERJ6GEYG103	M.RESISTOR CH 1/10W 10K	1	
L4001	VLQ0423J472	COIL 4700UH	1		R4057	ERJ6GEYG222	M.RESISTOR CH 1/10W 2.2K	1	
P4001	VJP3454B096	CONNECTOR (MALE)	1		R4058-59	ERJ6GEYG223	M.RESISTOR CH 1/10W 2.2K	2	
P4002	VJP1230T	CONNECTOR (MALE)	3F		R4060-61	ERJ6GEYF473	M.RESISTOR CH 1/10W 47K	2	
P4003	VJP1233T	CONNECTOR (MALE)	6F		R4064-65	ERJ6GEYG103	M.RESISTOR CH 1/10W 10K	3	
Q4001-02	2SD1149-R	TRANSISTOR	2		R4068-69	ERJ6GEYOR00	M.RESISTOR CH 1/10W 0	2	
Q4003	2SB792-R	TRANSISTOR	1		R4071	ERJ6GEYG104	M.RESISTOR CH 1/10W 100K	1	
Q4004-05	2SD602A-R	TRANSISTOR	2		R4072	ERJ6GEYG103	M.RESISTOR CH 1/10W 10K	1	
Q4006	2SB710A-R	TRANSISTOR	1		R4073	ERJ6GEYOR00	M.RESISTOR CH 1/10W 0	1	
Q4101-03	2SD1328	TRANSISTOR	3		R4075	ERJ6GEYG103	M.RESISTOR CH 1/10W 10K	1	
Q4201	2SD1994A-R	TRANSISTOR	1		R4076	ERJ6GEYG102	M.RESISTOR CH 1/10W 1K	1	
Q4202	2SB1322A-R	TRANSISTOR	1		R4077	ERJ6GEYG152	M.RESISTOR CH 1/10W 1.5K	1	
Q4203	2SD1994A-R	TRANSISTOR	1		R4078	ERJ6GEYF393	M.RESISTOR CH 1/10W 39K	1	
Q4204	2SB1322A-R	TRANSISTOR	1		R4079	ERJ6GEYOR00	M.RESISTOR CH 1/10W 0	1	
Q4205	2SD602A-R	TRANSISTOR	1		R4081	ERJ6GEYG103	M.RESISTOR CH 1/10W 10K	1	
Q4206-07	2SB710A-R	TRANSISTOR	2		R4082	ERJ6GEYF393	M.RESISTOR CH 1/10W 39K	1	
Q4208	2SD602A-R	TRANSISTOR	1		R4083	ERJ6GEYG103	M.RESISTOR CH 1/10W 10K	1	
Q4209	2SB710A-R	TRANSISTOR	1		R4085	ERJ6GEYOR00	M.RESISTOR CH 1/10W 0	1	
Q4210-12	2SD602A-R	TRANSISTOR	3		R4086-87	ERJ6GEYF473	M.RESISTOR CH 1/10W 47K	2	
Q4213	2SB710A-R	TRANSISTOR	1		R4088-89	ERJ6GEYG104	M.RESISTOR CH 1/10W 100K	2	
Q4214	2SD602A-R	TRANSISTOR	1		R4090	ERJ6GEYOR00	M.RESISTOR CH 1/10W 0	1	
Q4215	2SB710A-R	TRANSISTOR	1		R4091	ERJ6GEYG103	M.RESISTOR CH 1/10W 10K	1	
Q4216-19	2SD602A-R	TRANSISTOR	4		R4092	ERJ6GEYG104	M.RESISTOR CH 1/10W 100K	1	
QR4001-02	UN2213	TRANSISTOR-RESISTOR	2		R4094	ERJ6GEYOR00	M.RESISTOR CH 1/10W 0	1	
QR4201	UN2213	TRANSISTOR-RESISTOR	1		R4096	ERJ6GEYG103	M.RESISTOR CH 1/10W 10K	1	
R4001	ERJ6GEYF822	M.RESISTOR CH 1/10W 8.2K	1		R4101	ERJ6RBD123	M.RESISTOR CH 1/10W 12K	1	
R4002	ERJ6GEYG103	M.RESISTOR CH 1/10W 10K	1		R4102	ERJ6RBD103	M.RESISTOR CH 1/10W 10K	1	
R4003-04	ERJ6GEYF472	M.RESISTOR CH 1/10W 4.7K	2		R4103	ERJ6GEYG103	M.RESISTOR CH 1/10W 10K	1	
R4005	ERJ6GEYG221	M.RESISTOR CH 1/10W 220	1		R4104	ERJ6RED124	M.RESISTOR CH 1/10W 120K	1	
					R4105	ERJ6RBD273	M.RESISTOR CH 1/10W 27K	1	
					R4106	ERJ6RBD682	M.RESISTOR CH 1/10W 6.8K	1	
					R4107	ERJ6RBD123	M.RESISTOR CH 1/10W 12K	1	
					R4108	ERJ6RBD822	M.RESISTOR CH 1/10W 8.2K	1	
					R4109	ERJ6GEYG470	M.RESISTOR CH 1/10W 47	1	

AJ-D950P  
VEP84302A

Ref.No.	Part No.	Part Name & Description	Pcs	Remarks	Ref.No.	Part No.	Part Name & Description	Pcs	Remarks
R4110	ERJ6GEYG103	M.RESISTOR CH 1/10W	10K 1		R4232-33	ERJ14YJ220	M.RESISTOR CH 1/4W	22 2	
R4111	ERJ6GEYG222	M.RESISTOR CH 1/10W	2.2K 1		R4234	ERJ6GEYG102	M.RESISTOR CH 1/10W	1K 1	
R4112	ERJ6RBD912	M.RESISTOR CH 1/10W	9.1K 1		R4235-36	ERJ6GEYG103	M.RESISTOR CH 1/10W	10K 2	
R4113	ERJ6GEYG103	M.RESISTOR CH 1/10W	10K 1		R4237	ERJ6GEYG102	M.RESISTOR CH 1/10W	1K 1	
R4114	ERJ6GEYF473	M.RESISTOR CH 1/10W	47K 1		R4238-39	ERJ6GEYF561	M.RESISTOR CH 1/10W	560 2	
R4115	ERJ6GEYG101	M.RESISTOR CH 1/10W	100 1		R4240-41	ERJ6GEYG103	M.RESISTOR CH 1/10W	10K 2	
R4116	ERJ6GEYG104	M.RESISTOR CH 1/10W	100K 1		R4242	ERJ6GEYOROC	M.RESISTOR CH 1/10W	0 1	
R4117	ERJ6GEYG103	M.RESISTOR CH 1/10W	10K 1		R4243	ERJ6GEYG103	M.RESISTOR CH 1/10W	10K 1	
R4118	ERJ6RBD102	M.RESISTOR CH 1/10W	1K 1		R4244	ERJ6GEYG332	M.RESISTOR CH 1/10W	3.3K 1	
R4119	ERJ6RBD153	M.RESISTOR CH 1/10W	15K 1		R4245-46	ERJ6GEYG563	M.RESISTOR CH 1/10W	56K 2	
R4121	ERJ6GEYOROC	M.RESISTOR CH 1/10W	0 1		R4247	ERJ6GEYF472	M.RESISTOR CH 1/10W	4.7K 1	
R4122-29	ERJ6RBD103	M.RESISTOR CH 1/10W	10K 8		R4248	ERJ6GEYG102	M.RESISTOR CH 1/10W	1K 1	
R4131-32	ERJ6GEYJ100	M.RESISTOR CH 1/10W	10 2		R4249-50	ERJ6GEYG563	M.RESISTOR CH 1/10W	56K 2	
R4134	ERJ6GEYF472	M.RESISTOR CH 1/10W	4.7K 1		R4251	ERJ6GEYF472	M.RESISTOR CH 1/10W	4.7K 1	
R4135	ERJ6GEYOROC	M.RESISTOR CH 1/10W	0 1		R4252	ERJ6GEYF333	M.RESISTOR CH 1/10W	33K 1	
R4136	ERJ6GEYJ471	M.RESISTOR CH 1/10W	470 1		R4253	ERJ6GEYF472	M.RESISTOR CH 1/10W	4.7K 1	
R4137-38	ERJ6GEYG103	M.RESISTOR CH 1/10W	10K 2		R4254	ERJ6GEYG101	M.RESISTOR CH 1/10W	100 1	
R4139-40	ERJ6GEYF472	M.RESISTOR CH 1/10W	4.7K 2		R4255	ERJ6GEYG470	M.RESISTOR CH 1/10W	47 1	
R4142	ERJ6GEYOROC	M.RESISTOR CH 1/10W	0 1		R4256	ERJ6GEYF123	M.RESISTOR CH 1/10W	12K 1	
R4143	ERJ12YJ621	M.RESISTOR CH 1/2W	620 1		R4257	ERJ6GEYG152	M.RESISTOR CH 1/10W	1.5K 1	
R4144	ERJ6RBD223	M.RESISTOR CH 1/10W	22K 1		R4258	ERJ6GEYG220	M.RESISTOR CH 1/10W	22 1	
R4145	ERJ6RBD123	M.RESISTOR CH 1/10W	12K 1		R4259	ERJ6GEYG563	M.RESISTOR CH 1/10W	56K 1	
R4146-47	ERJ6RBD473	M.RESISTOR CH 1/10W	47K 2		R4260	ERJ6GEYG332	M.RESISTOR CH 1/10W	3.3K 1	
R4148	ERJ6RBD123	M.RESISTOR CH 1/10W	12K 1		R4261	ERJ6GEYF472	M.RESISTOR CH 1/10W	4.7K 1	
R4149	ERJ6RBD333	M.RESISTOR CH 1/10W	33K 1		R4262	ERJ6GEYG563	M.RESISTOR CH 1/10W	56K 1	
R4150	ERJ6RBD332	M.RESISTOR CH 1/10W	3.3K 1		R4263	ERJ6GEYG332	M.RESISTOR CH 1/10W	3.3K 1	
R4151	ERJ6RHD2101	M.RESISTOR CH 1/10W	2.1K 1		R4264	ERJ6GEYF472	M.RESISTOR CH 1/10W	4.7K 1	
R4152	ERJ6GEYJ335	M.RESISTOR CH 1/10W	3.3M 1		R4265-66	ERJ6GEYG563	M.RESISTOR CH 1/10W	56K 2	
R4153	ERJ6RBD333	M.RESISTOR CH 1/10W	33K 1		R4267-68	ERJ6GEYJ471	M.RESISTOR CH 1/10W	470 2	
R4154	ERJ6RBD332	M.RESISTOR CH 1/10W	3.3K 1		R4269	ERJ6GEYG180	M.RESISTOR CH 1/10W	18 1	
R4155	ERJ6RHD2101	M.RESISTOR CH 1/10W	2.1K 1		R4270-71	ERJ6GEYG103	M.RESISTOR CH 1/10W	10K 2	
R4156	ERJ6GEYJ335	M.RESISTOR CH 1/10W	3.3M 1		R4272	ERJ6GEYG222	M.RESISTOR CH 1/10W	2.2K 1	
R4157-58	ERJ6RBD472	M.RESISTOR CH 1/10W	4.7K 2		R4273	ERJ6GEYJ1R0	M.RESISTOR CH 3W	1 1	
R4159	ERJ6RED470	M.RESISTOR CH 1/10W	47 1		R4274-75	ERJ6GEYJ471	M.RESISTOR CH 1/10W	470 2	
R4160-61	ERJ6RBD472	M.RESISTOR CH 1/10W	4.7K 2		R4276	ERJ6GEYG180	M.RESISTOR CH 1/10W	18 1	
R4162	ERJ6RED470	M.RESISTOR CH 1/10W	47 1		R4277	ERJ6GEYJ1R0	M.RESISTOR CH 3W	1 1	
R4163	ERJ6RBD152	M.RESISTOR CH 1/10W	1.5K 1		R4278	ERJ6GEYF123	M.RESISTOR CH 1/10W	12K 1	
R4164	ERJ6RBD102	M.RESISTOR CH 1/10W	1K 1		R4279-80	ERJ6GEYOROC	M.RESISTOR CH 1/10W	0 2	
R4165	ERJ6GEYG103	M.RESISTOR CH 1/10W	10K 1		R4281	ERJ6RBD512	M.RESISTOR CH 1/10W	51.2K 1	
R4166	ERJ6RBD472	M.RESISTOR CH 1/10W	4.7K 1		R4282	ERJ6RBD301	M.RESISTOR CH 1/10W	300 1	
R4169	ERJ6GEYG563	M.RESISTOR CH 1/10W	56K 1		R4283	ERJ6RBD391	M.RESISTOR CH 1/10W	390 1	
R4170	ERJ6RBD102	M.RESISTOR CH 1/10W	1K 1		R4284	ERJ6RBD222	M.RESISTOR CH 1/10W	2.2K 1	
R4171	ERJ6RBD151	M.RESISTOR CH 1/10W	150 1		R4285	ERJ6RBD103	M.RESISTOR CH 1/10W	10K 1	
R4172	ERJ6RBD152	M.RESISTOR CH 1/10W	1.5K 1		R4301-02	ERJ6GEYOROC	M.RESISTOR CH 1/10W	0 2	
R4173	ERJ6RBD471	M.RESISTOR CH 1/10W	470 1		R4303-16	ERJ6GEYG103	M.RESISTOR CH 1/10W	10K 14	
R4174	ERJ6RBD103	M.RESISTOR CH 1/10W	10K 1		R4401	ERJ6GEYOROC	M.RESISTOR CH 1/10W	0 1	
R4175	ERJ6RBD222	M.RESISTOR CH 1/10W	2.2K 1		R4402	ERJ6GEYF473	M.RESISTOR CH 1/10W	47K 1	
R4176	ERJ6RBD561	M.RESISTOR CH 1/10W	560 1		R4403-06	ERJ6GEYG331	M.RESISTOR CH 1/10W	330 4	
R4177	ERJ6RBD103	M.RESISTOR CH 1/10W	10K 1		R4407	ERJ6GEYF473	M.RESISTOR CH 1/10W	47K 1	
R4178	ERJ6RBD222	M.RESISTOR CH 1/10W	2.2K 1		R4408	ERJ6GEYOROC	M.RESISTOR CH 1/10W	0 1	
R4179	ERJ6RBD561	M.RESISTOR CH 1/10W	560 1		R4409	ERJ6GEYF473	M.RESISTOR CH 1/10W	47K 1	
R4201	ERJ6RBD301	M.RESISTOR CH 1/10W	300 1		R4410	ERJ6GEYJ100	M.RESISTOR CH 1/10W	10 1	
R4202	ERJ6RBD472	M.RESISTOR CH 1/10W	4.7K 1		R4411-13	ERJ6GEYOROC	M.RESISTOR CH 1/10W	0 3	
R4203	ERJ6RBD272	M.RESISTOR CH 1/10W	2.7K 1		R4414-15	ERJ6GEYF473	M.RESISTOR CH 1/10W	47K 2	
R4204	ERJ6RBD123	M.RESISTOR CH 1/10W	12K 1		R4417-20	ERJ6GEYOROC	M.RESISTOR CH 1/10W	0 4	
R4205	ERJ6RBD472	M.RESISTOR CH 1/10W	4.7K 1		R4421	ERJ6GEYG103	M.RESISTOR CH 1/10W	10K 1	
R4206	ERJ6RBD102	M.RESISTOR CH 1/10W	1K 1		R4423	ERJ6GEYOROC	M.RESISTOR CH 1/10W	0 1	
R4207	ERJ6RBD103	M.RESISTOR CH 1/10W	10K 1		R4425	ERJ6GEYOROC	M.RESISTOR CH 1/10W	0 1	
R4208	ERJ6GEYG563	M.RESISTOR CH 1/10W	56K 1		R4427	ERJ6GEYOROC	M.RESISTOR CH 1/10W	0 1	
R4209	ERJ6RBD472	M.RESISTOR CH 1/10W	4.7K 1		R4430	ERJ6GEYOROC	M.RESISTOR CH 1/10W	0 1	
R4210	ERJ6RBD271	M.RESISTOR CH 1/10W	270 1		R4502-05	ERJ6GEYG331	M.RESISTOR CH 1/10W	330 4	
R4211	ERJ6RBD153	M.RESISTOR CH 1/10W	15K 1		R4506-11	ERJ6GEYOROC	M.RESISTOR CH 1/10W	0 6	
R4212	ERJ6RBD472	M.RESISTOR CH 1/10W	4.7K 1		R4513-14	ERJ6GEYOROC	M.RESISTOR CH 1/10W	0 2	
R4213	ERJ6GEYG105	M.RESISTOR CH 1/10W	1M 1		R4517	ERJ6GEYOROC	M.RESISTOR CH 1/10W	0 1	
R4214-15	ERJ6RBD153	M.RESISTOR CH 1/10W	15K 2		R4519	ERJ6GEYOROC	M.RESISTOR CH 1/10W	0 1	
R4216	ERJ6RBD472	M.RESISTOR CH 1/10W	4.7K 1						
R4217	ERJ6RBD153	M.RESISTOR CH 1/10W	15K 1						
R4218-19	ERJ6RBD472	M.RESISTOR CH 1/10W	4.7K 2		SW4001	VSS0367-04B	SWITCH	1	
R4220	ERJ6GEYG105	M.RESISTOR CH 1/10W	1M 1		SW4002	VSS0342	SWITCH	1	
R4221	ERJ6RBD153	M.RESISTOR CH 1/10W	15K 1		SW4101	VSS0126	SWITCH	1	
R4222	ERJ6GEYJ100	M.RESISTOR CH 1/10W	10 1						
R4223-24	ERJ6GEYG562	M.RESISTOR CH 1/10W	5.6K 2		T4201	VLTO866	TRANSFORMER	1	
R4225	ERJ6GEYJ100	M.RESISTOR CH 1/10W	10 1		T4202	VLTO868	TRANSFORMER	1	
R4226-27	ERJ6GEYG562	M.RESISTOR CH 1/10W	5.6K 2		T4203-04	VLTO867	TRANSFORMER	2	
R4228-31	ERJ14YJ100	M.RESISTOR CH 1/4W	10 4						
					TG4101	VJR0646	TEST POINT	1	

AJ-D950P  
VEP84302A / VEP85164A

Ref.No.	Part No.	Part Name & Description	Pcs	Remarks	Ref.No.	Part No.	Part Name & Description	Pcs	Remarks
TG4201	VJR0646	TEST POINT	1		D502	MA152WK	DIODE	1	
TP4001-C	VJR0646	TEST POINT	3		D701-03	MA701A	DIODE	3	
TP4101-0	VJR0646	TEST POINT	3		FL701-04	VLF0931	FILTER	4	
TP4201-C	VJR0646	TEST POINT	3		IC1-C2	UPC1663G	IC	2	
VR4001	VRV0064B10	M.RESISTOR 10K	1		IC3-C4	AD9057BRS	IC	2	
VR4002	VRV0064B50	M.RESISTOR 50K	1		IC101	UPD65845GY	IC	1	
VR4003-0	VRV0064B50	M.RESISTOR 5K	2		IC102	MC10H125M	IC	1	
VR4005	VRV0064B20	M.RESISTOR 20K	1		IC103-04	TCVHC244FS	IC	2	
VR4006-0	VRV0064B10	M.RESISTOR 10K	2		IC105	MC10H124M	IC	1	
VR4202	VRV0064B10	M.RESISTOR 100K	1		IC106	NJM084V	IC	1	
		MISCELLANEOUS			IC201	UPD65845GY	IC	1	
	VML2143	CARD PULLER	1		IC301	T74LCX244FS	IC	1	
	VML2144	CARD PULLER	1		IC302	TCVHC04FS	IC	1	
					IC303	S80727AND	IC	1	
					IC304	TC6326AF	IC	1	
					IC305	74F74SJ	IC	1	
					IC306	74F163ASJ	IC	1	
					IC307	74F32SJ	IC	1	
					IC308	NJM084V	IC	1	
					IC309	T74LCX244FS	IC	1	
i	VEP85164A	H2 X CAN P.C.BOARD	1 (RTL)		IC310	MC10H124M	IC	1	
					IC401	TC6326AF	IC	1	
C1-C2	ECUX1H221JC	C.CAPACITOR CH 50V 220P	2		IC402	74F74SJ	IC	1	
C3-C5	ECUX1E104ZF	C.CAPACITOR CH 25V 0.1U	3		IC403	74F163ASJ	IC	1	
C6	ECUX1H102KB	C.CAPACITOR CH 50V 1000P	1		IC501	TCVHC08FS	IC	1	
C7-C9	ECUX1E104ZF	C.CAPACITOR CH 25V 0.1U	3		IC502-03	TC4S66F	IC	2	
C10	ECUX1H102KB	C.CAPACITOR CH 50V 1000P	1		IC504	MC10H116M	IC	1	
C11-14	ECUX1E104ZF	C.CAPACITOR CH 25V 0.1U	4		IC505	TCVHC86FS	IC	1	
C15	ECUX1H102KB	C.CAPACITOR CH 50V 1000P	1		IC506	TCVHC04FS	IC	1	
C16	ECUX1E104ZF	C.CAPACITOR CH 25V 0.1U	1		IC507	TCVHC32FS	IC	1	
C17	ECUX1H102KB	C.CAPACITOR CH 50V 1000P	1		IC508	MC10H102M	IC	1	
C18-24	ECUX1E104ZF	C.CAPACITOR CH 25V 0.1U	7		IC509	MC10H131M	IC	1	
C101-15	ECUX1E104ZF	C.CAPACITOR CH 25V 0.1U	15		IC601-02	TC4S66F	IC	2	
C116	ECUX1H561JC	C.CAPACITOR CH 50V 560P	1		IC603	MC10H116M	IC	1	
C117	ECUX1E104ZF	C.CAPACITOR CH 25V 0.1U	1		IC604	TCVHC32FS	IC	1	
C201-07	ECUX1E104ZF	C.CAPACITOR CH 25V 0.1U	7		IC605	MC10H102M	IC	1	
C208	ECUX1H561JC	C.CAPACITOR CH 50V 560P	1		IC606	MC10H131M	IC	1	
C209	ECUX1E104ZF	C.CAPACITOR CH 25V 0.1U	1		IC701	TCVHC244FS	IC	1	
C301-05	ECUX1E104ZF	C.CAPACITOR CH 25V 0.1U	5		IC702	MC10H124M	IC	1	
C306	ECEVOJV330C	E.CAPACITOR CH6.3V 33U	1		IC703-04	XC62AP3202	IC	2	
C307-13	ECUX1E104ZF	C.CAPACITOR CH 25V 0.1U	7		IC705	AN7703F	IC	1	
C314	ECUX1H1000D	C.CAPACITOR CH 50V 10P	1		L301	VLQ0163J8R2	COIL 8.2UH	1	
C315-19	ECUX1E104ZF	C.CAPACITOR CH 25V 0.1U	5		L302	VLQ0163J2R7	COIL 2.7UH	1	
C401-07	ECUX1E104ZF	C.CAPACITOR CH 25V 0.1U	7		P1	VJP3454B096	CONNECTOR (MALE)	1	
C501	ECEV1CV470C	E.CAPACITOR CH 16V 47U	1		P2	VJP3440B010	CONNECTOR (MALE)	1	
C502	ECEVOJV101C	E.CAPACITOR CH6.3V 100U	1		Q1-Q4	2SK508K512	TRANSISTOR	4	
C503	ECUX1E104ZF	C.CAPACITOR CH 25V 0.1U	1		Q501	2SB709A-R	TRANSISTOR	1	
C504	ECUX1H221JC	C.CAPACITOR CH 50V 220P	1		Q502	2SD601A-R	TRANSISTOR	1	
C505	ECUX1E104ZF	C.CAPACITOR CH 25V 0.1U	1		Q503	2SA1022-C	TRANSISTOR	1	
C506	ECUX1H221JC	C.CAPACITOR CH 50V 220P	1		Q504	2SD601A-R	TRANSISTOR	1	
C507	ECUX1E104ZF	C.CAPACITOR CH 25V 0.1U	1		Q505-06	2SA1022-C	TRANSISTOR	2	
C510	ECUX1E104ZF	C.CAPACITOR CH 25V 0.1U	1		Q601-03	2SA1022-C	TRANSISTOR	3	
C511	ECUX1H221JC	C.CAPACITOR CH 50V 220P	1		R1-R4	ERJ3RBD101	M.RESISTOR CH 3W 100K	4	
C512-17	ECUX1E104ZF	C.CAPACITOR CH 25V 0.1U	6		R5-R6	ERJ3RED270	M.RESISTOR CH 3W 27K	2	
C601	ECUX1H221JC	C.CAPACITOR CH 50V 220P	1		R7	ERJ3GEYJ470	M.RESISTOR CH 1/16W 47K	1	
C602	ECUX1E104ZF	C.CAPACITOR CH 25V 0.1U	1		R8-R9	ERJ3RED270	M.RESISTOR CH 3W 27K	2	
C603-04	ECUX1H221JC	C.CAPACITOR CH 50V 220P	2		R10	ERJ3GEYJ470	M.RESISTOR CH 1/16W 47K	1	
C607-11	ECUX1E104ZF	C.CAPACITOR CH 25V 0.1U	5		R11-12	ERJ3GEYJ101	M.RESISTOR CH 1/16W 100K	2	
C701-02	ECEV1CV220C	E.CAPACITOR CH 16V 22U	2		R13	ERJ3GEYG152	M.RESISTOR CH 1/16W 1.5K	1	
C703-08	ECUX1E104ZF	C.CAPACITOR CH 25V 0.1U	6		R14-15	ERJ3GEYJ101	M.RESISTOR CH 1/16W 100K	2	
C709	ECEV1CV220C	E.CAPACITOR CH 16V 22U	1		R16	ERJ3GEYG152	M.RESISTOR CH 1/16W 1.5K	1	
C710-12	ECUX1E104ZF	C.CAPACITOR CH 25V 0.1U	3		R19	ERJ3GEYG332	M.RESISTOR CH 1/16W 3.3K	1	
C713	ECEV1CV220C	E.CAPACITOR CH 16V 22U	1		R20-21	ERJ3GEYG152	M.RESISTOR CH 1/16W 1.5K	2	
C714-19	ECUX1E104ZF	C.CAPACITOR CH 25V 0.1U	6		R22	ERJ3GEYG332	M.RESISTOR CH 1/16W 3.3K	1	
C720-21	ECEV1CV220C	E.CAPACITOR CH 16V 22U	2		R23	ERJ3GEYG152	M.RESISTOR CH 1/16W 1.5K	1	
C722	ECUX1E104ZF	C.CAPACITOR CH 25V 0.1U	1		R26	ERJ3GEYG332	M.RESISTOR CH 1/16W 3.3K	1	
C723	ECEA1CGE221	E.CAPACITOR 16V 220U	1		R27-28	ERJ3GEYG152	M.RESISTOR CH 1/16W 1.5K	2	
C724-25	ECUX1E104ZF	C.CAPACITOR CH 25V 0.1U	2		R29	ERJ3GEYG332	M.RESISTOR CH 1/16W 3.3K	1	
C726	ECUM1C224Z	C.CAPACITOR CH 16V 0.22U	1		R30	ERJ3GEYG152	M.RESISTOR CH 1/16W 1.5K	1	
D301	MA152K	DIODE	1						
D501	MA153	DIODE	1						

AJ-D950P  
VEP85164A

Ref.No.	Part No.	Part Name & Description	Pcs	Remarks	Ref.No.	Part No.	Part Name & Description	Pcs	Remarks
R31	ERJ3GEYJ470	M.RESISTOR CH 1/16W	47	1	R404-05	ERJ3GEYJ181	M.RESISTOR CH 1/16W	180	2
R32	ERJ3GEYG152	M.RESISTOR CH 1/16W	1.5K	1	R406-08	ERJ3GEYJ470	M.RESISTOR CH 1/16W	47	3
R33	ERJ3GEYJ470	M.RESISTOR CH 1/16W	47	1	R410-17	ERJ3GEYJ470	M.RESISTOR CH 1/16W	47	8
R34	ERJ3GEYG152	M.RESISTOR CH 1/16W	1.5K	1	R419-23	ERJ3GEYOROC	M.RESISTOR CH 1/16W	0	5
R35-48	ERJ3GEYOROC	M.RESISTOR CH 1/16W	0	14	R427	ERJ3GEYOROC	M.RESISTOR CH 1/16W	0	1
R49-52	ERJ3GEYJ271	M.RESISTOR CH 1/16W	270	4	R428	ERJ3GEYJ222	M.RESISTOR CH 1/16W	22K	1
R102-03	ERJ3GEYOROC	M.RESISTOR CH 1/16W	0	2	R429	ERJ3GEYJ470	M.RESISTOR CH 1/16W	47	1
R105	ERJ3GEYJ103	M.RESISTOR CH 1/16W	10K	1	R430	ERJ3GEYOROC	M.RESISTOR CH 1/16W	0	1
R106-08	ERJ3GEYJ101	M.RESISTOR CH 1/16W	100	3	R431	ERJ3GEYJ221	M.RESISTOR CH 1/16W	220	1
R116-20	ERJ3GEYOROC	M.RESISTOR CH 1/16W	0	5	R432	ERJ3GEYJ470	M.RESISTOR CH 1/16W	47	1
R121	ERJ3GEYJ562	M.RESISTOR CH 1/16W	5.6K	1	R433	ERJ3GEYJ101	M.RESISTOR CH 1/16W	100	1
R122	ERJ3GEYJ223	M.RESISTOR CH 1/16W	22K	1	R434	ERJ3GEYJ470	M.RESISTOR CH 1/16W	47	1
R124-25	ERJ3GEYOROC	M.RESISTOR CH 1/16W	0	2	R435	ERJ3GEYJ101	M.RESISTOR CH 1/16W	100	1
R127-34	ERJ3GEYOROC	M.RESISTOR CH 1/16W	0	8	R437	ERJ3GEYOROC	M.RESISTOR CH 1/16W	0	1
R139-42	ERJ3GEYOROC	M.RESISTOR CH 1/16W	0	4	R438	ERJ3GEYJ470	M.RESISTOR CH 1/16W	47	1
R144	ERJ3GEYJ223	M.RESISTOR CH 1/16W	22K	1	R439	ERJ3GEYJ101	M.RESISTOR CH 1/16W	100	1
R145	ERJ3GEYJ103	M.RESISTOR CH 1/16W	10K	1	R440-41	ERJ3GEYG471	M.RESISTOR CH 1/16W	470	2
R146-48	ERJ3GEYOROC	M.RESISTOR CH 1/16W	0	3	R442-43	ERJ3GEYJ560	M.RESISTOR CH 1/16W	56	2
R149	ERJ3GEYG102	M.RESISTOR CH 1/16W	1K	1	R444-45	ERJ3GEYG471	M.RESISTOR CH 1/16W	470	2
R150-53	ERJ3GEYG471	M.RESISTOR CH 1/16W	470	4	R446-47	ERJ3GEYJ560	M.RESISTOR CH 1/16W	56	2
R154	ERJ3GEYOROC	M.RESISTOR CH 1/16W	0	1	R501-02	ERJ3GEYJ103	M.RESISTOR CH 1/16W	10K	2
R158	ERJ3GEYJ103	M.RESISTOR CH 1/16W	10K	1	R503	ERJ3GEYJ683	M.RESISTOR CH 1/16W	68K	1
R159-61	ERJ3GEYOROC	M.RESISTOR CH 1/16W	0	3	R504	ERJ3GEYJ104	M.RESISTOR CH 1/16W	100K	1
R164	ERJ3GEYG102	M.RESISTOR CH 1/16W	1K	1	R505	ERJ3GEYJ103	M.RESISTOR CH 1/16W	10K	1
R165	ERJ3GEYJ470	M.RESISTOR CH 1/16W	47	1	R506	ERJ3GEYJ101	M.RESISTOR CH 1/16W	100	1
R167-68	ERJ3GEYJ560	M.RESISTOR CH 1/16W	56	2	R507	ERJ3GEYJ221	M.RESISTOR CH 1/16W	220	1
R170-73	ERJ3GEYJ560	M.RESISTOR CH 1/16W	56	4	R508	ERJ3GEYJ470	M.RESISTOR CH 1/16W	47	1
R174-75	ERJ3GEYG471	M.RESISTOR CH 1/16W	470	2	R509-11	ERJ3GEYJ103	M.RESISTOR CH 1/16W	10K	3
R207	ERJ3GEYJ103	M.RESISTOR CH 1/16W	10K	1	R513	ERJ3GEYJ103	M.RESISTOR CH 1/16W	10K	1
R209-13	ERJ3GEYOROC	M.RESISTOR CH 1/16W	0	5	R514	ERJ3GEYJ101	M.RESISTOR CH 1/16W	100	1
R215-16	ERJ3GEYOROC	M.RESISTOR CH 1/16W	0	2	R515-16	ERJ3GEYG471	M.RESISTOR CH 1/16W	470	2
R218	ERJ3GEYJ562	M.RESISTOR CH 1/16W	5.6K	1	R517-18	ERJ3GEYJ470	M.RESISTOR CH 1/16W	47	2
R219-22	ERJ3GEYOROC	M.RESISTOR CH 1/16W	0	4	R519-21	ERJ3GEYJ103	M.RESISTOR CH 1/16W	10K	3
R223	ERJ3GEYJ223	M.RESISTOR CH 1/16W	22K	1	R522	ERJ3GEYJ101	M.RESISTOR CH 1/16W	100	1
R224-30	ERJ3GEYOROC	M.RESISTOR CH 1/16W	0	7	R523-24	ERJ3GEYG471	M.RESISTOR CH 1/16W	470	2
R232	ERJ3GEYOROC	M.RESISTOR CH 1/16W	0	1	R525	ERJ3GEYJ392	M.RESISTOR CH 1/16W	3.9K	1
R233	ERJ3GEYJ223	M.RESISTOR CH 1/16W	22K	1	R526-27	ERJ3GEYJ103	M.RESISTOR CH 1/16W	10K	2
R238	ERJ3GEYJ103	M.RESISTOR CH 1/16W	10K	1	R528	ERJ3GEYOROC	M.RESISTOR CH 1/16W	0	1
R239-43	ERJ3GEYOROC	M.RESISTOR CH 1/16W	0	5	R529	ERJ3GEYG471	M.RESISTOR CH 1/16W	470	1
R244	ERJ3GEYG102	M.RESISTOR CH 1/16W	1K	1	R530	ERJ3GEYJ562	M.RESISTOR CH 1/16W	5.6K	1
R250	ERJ3GEYG102	M.RESISTOR CH 1/16W	1K	1	R531	ERJ3GEYJ103	M.RESISTOR CH 1/16W	10K	1
R251	ERJ3GEYJ470	M.RESISTOR CH 1/16W	47	1	R532	ERJ3GEYJ392	M.RESISTOR CH 1/16W	3.9K	1
R302	ERJ3GEYJ470	M.RESISTOR CH 1/16W	47	1	R533	ERJ3GEYJ103	M.RESISTOR CH 1/16W	10K	1
R303	ERJ3GEYJ562	M.RESISTOR CH 1/16W	5.6K	1	R534	ERJ3GEYJ392	M.RESISTOR CH 1/16W	3.9K	1
R306-07	ERJ3GEYJ470	M.RESISTOR CH 1/16W	47	2	R535-36	ERJ3GEYJ103	M.RESISTOR CH 1/16W	10K	2
R308-09	ERJ3GEYJ103	M.RESISTOR CH 1/16W	10K	2	R537-38	ERJ3GEYG471	M.RESISTOR CH 1/16W	470	2
R310	ERJ3GEYJ470	M.RESISTOR CH 1/16W	47	1	R539-40	ERJ3GEYJ101	M.RESISTOR CH 1/16W	100	2
R312-13	ERJ3GEYJ181	M.RESISTOR CH 1/16W	180	2	R541	ERJ3GEYJ103	M.RESISTOR CH 1/16W	10K	1
R314	ERJ3GEYJ470	M.RESISTOR CH 1/16W	47	1	R542	ERJ3GEYJ562	M.RESISTOR CH 1/16W	5.6K	1
R315	ERJ3GEYOROC	M.RESISTOR CH 1/16W	0	1	R543-44	ERJ3GEYJ392	M.RESISTOR CH 1/16W	3.9K	2
R317	ERJ3GEYJ181	M.RESISTOR CH 1/16W	180	1	R545-46	ERJ3GEYJ103	M.RESISTOR CH 1/16W	10K	2
R318-22	ERJ3GEYJ470	M.RESISTOR CH 1/16W	47	5	R547	ERJ3GEYG332	M.RESISTOR CH 1/16W	3.3K	1
R324-31	ERJ3GEYJ470	M.RESISTOR CH 1/16W	47	8	R549	ERJ3GEYG332	M.RESISTOR CH 1/16W	3.3K	1
R332	ERJ3GEYG471	M.RESISTOR CH 1/16W	470	1	R550	ERJ3GEYJ562	M.RESISTOR CH 1/16W	5.6K	1
R333	ERJ3GEYG472	M.RESISTOR CH 1/16W	4.7K	1	R551	ERJ3GEYJ392	M.RESISTOR CH 1/16W	3.9K	1
R335-39	ERJ3GEYOROC	M.RESISTOR CH 1/16W	0	5	R552-54	ERJ3GEYJ101	M.RESISTOR CH 1/16W	100	3
R343	ERJ3GEYOROC	M.RESISTOR CH 1/16W	0	1	R555-56	ERJ3GEYJ331	M.RESISTOR CH 1/16W	330	2
R344	ERJ3GEYJ222	M.RESISTOR CH 1/16W	22K	1	R557-58	ERJ3GEYJ221	M.RESISTOR CH 1/16W	220	2
R345	ERJ3GEYOROC	M.RESISTOR CH 1/16W	0	1	R559	ERJ3GEYJ153	M.RESISTOR CH 1/16W	15K	1
R347	ERJ3GEYJ470	M.RESISTOR CH 1/16W	47	1	R601	ERJ3GEYJ101	M.RESISTOR CH 1/16W	100	1
R348	ERJ3GEYOROC	M.RESISTOR CH 1/16W	0	1	R602	ERJ3GEYJ221	M.RESISTOR CH 1/16W	220	1
R349	ERJ3GEYJ221	M.RESISTOR CH 1/16W	220	1	R603	ERJ3GEYJ470	M.RESISTOR CH 1/16W	47	1
R350-51	ERJ3GEYJ470	M.RESISTOR CH 1/16W	47	2	R604-06	ERJ3GEYJ103	M.RESISTOR CH 1/16W	10K	3
R352	ERJ3GEYJ101	M.RESISTOR CH 1/16W	100	1	R607	ERJ3GEYJ101	M.RESISTOR CH 1/16W	100	1
R353	ERJ3GEYJ470	M.RESISTOR CH 1/16W	47	1	R608-09	ERJ3GEYG471	M.RESISTOR CH 1/16W	470	2
R354	ERJ3GEYJ101	M.RESISTOR CH 1/16W	100	1	R610-11	ERJ3GEYJ470	M.RESISTOR CH 1/16W	47	2
R356	ERJ3GEYOROC	M.RESISTOR CH 1/16W	0	1	R612-14	ERJ3GEYJ103	M.RESISTOR CH 1/16W	10K	3
R357	ERJ3GEYJ470	M.RESISTOR CH 1/16W	47	1	R615	ERJ3GEYJ101	M.RESISTOR CH 1/16W	100	1
R358	ERJ3GEYJ101	M.RESISTOR CH 1/16W	100	1	R616-17	ERJ3GEYG471	M.RESISTOR CH 1/16W	470	2
R359-60	ERJ3GEYG471	M.RESISTOR CH 1/16W	470	2	R618	ERJ3GEYJ392	M.RESISTOR CH 1/16W	3.9K	1
R361-62	ERJ3GEYJ560	M.RESISTOR CH 1/16W	56	2	R619-20	ERJ3GEYJ103	M.RESISTOR CH 1/16W	10K	2
R363-64	ERJ3GEYG471	M.RESISTOR CH 1/16W	470	2	R621	ERJ3GEYOROC	M.RESISTOR CH 1/16W	0	1
R365-66	ERJ3GEYJ560	M.RESISTOR CH 1/16W	56	2	R622	ERJ3GEYG471	M.RESISTOR CH 1/16W	470	1
R401	ERJ3GEYJ103	M.RESISTOR CH 1/16W	10K	1	R623	ERJ3GEYJ562	M.RESISTOR CH 1/16W	5.6K	1
R402	ERJ3GEYJ470	M.RESISTOR CH 1/16W	47	1	R624	ERJ3GEYJ103	M.RESISTOR CH 1/16W	10K	1

## AJ-D950P

## VEP85164A / VEP85163A

Ref.No.	Part No.	Part Name & Description	Pcs	Remarks	Ref.No.	Part No.	Part Name & Description	Pcs	Remarks
R625	ERJ3GEYJ392	M.RESISTOR CH 1/16W 3.9K	1		C133	ECUX1H330JCV	CAPACITOR CH 50V 33P	1	
R626	ERJ3GEYJ103	M.RESISTOR CH 1/16W 10K	1		C134	ECEV1CV2200E	CAPACITOR CH 16V 22U	1	
R627	ERJ3GEYJ392	M.RESISTOR CH 1/16W 3.9K	1		C135	ECUX1H330JCV	CAPACITOR CH 50V 33P	1	
R628-29	ERJ3GEYJ103	M.RESISTOR CH 1/16W 10K	2		C137	ECEV1CV2200E	CAPACITOR CH 16V 22U	1	
R630	ERJ3GEYG471	M.RESISTOR CH 1/16W 470	1		C138	ECUX1E104ZFC	CAPACITOR CH 25V 0.1U	1	
R631	ERJ3GEYJ103	M.RESISTOR CH 1/16W 10K	1		C140	ECUX1E104ZFC	CAPACITOR CH 25V 0.1U	1	
R632	ERJ3GEYJ562	M.RESISTOR CH 1/16W 5.6K	1		C141-42	ECUX1H103KBV	CAPACITOR CH 50V 0.01U	2	
R633-34	ERJ3GEYJ392	M.RESISTOR CH 1/16W 3.9K	2		C143	ECUX1E104ZFC	CAPACITOR CH 25V 0.1U	1	
R635-36	ERJ3GEYJ103	M.RESISTOR CH 1/16W 10K	2		C144	ECUX1H103KBV	CAPACITOR CH 50V 0.01U	1	
R637-38	ERJ3GEYG471	M.RESISTOR CH 1/16W 470	2		C145-46	ECUX1C473KBV	CAPACITOR CH 16V 0.047U	2	
R639-40	ERJ3GEYJ101	M.RESISTOR CH 1/16W 100	2		C147	ECUX1E104ZFC	CAPACITOR CH 25V 0.1U	1	
R641	ERJ3GEYJ562	M.RESISTOR CH 1/16W 5.6K	1		C148	ECUX1H102KBV	CAPACITOR CH 50V 100P	1	
R642	ERJ3GEYJ392	M.RESISTOR CH 1/16W 3.9K	1		C149-51	ECUX1E104ZFC	CAPACITOR CH 25V 0.1U	3	
R643-45	ERJ3GEYJ101	M.RESISTOR CH 1/16W 100	3		C153	ECUX1H270JCV	CAPACITOR CH 50V 27P	1	
R647-48	ERJ3GEYG332	M.RESISTOR CH 1/16W 3.3K	2		C154	ECUX1H680JCV	CAPACITOR CH 50V 68P	1	
R649-50	ERJ3GEYJ331	M.RESISTOR CH 1/16W 330	2		C155	ECUX1H151JCV	CAPACITOR CH 50V 150P	1	
R651-52	ERJ3GEYJ221	M.RESISTOR CH 1/16W 220	2		C156	ECUX1H181JCV	CAPACITOR CH 50V 180P	1	
R702-03	ERJ3GEYJ470	M.RESISTOR CH 1/16W 47	2		C157-59	ECUX1E104ZFC	CAPACITOR CH 25V 0.1U	3	
R706-07	ERJ3GEYJ470	M.RESISTOR CH 1/16W 47	2		C164-67	ECUX1E104ZFC	CAPACITOR CH 25V 0.1U	4	
R709-12	ERJ3GEYJ470	M.RESISTOR CH 1/16W 47	4		C168-71	ECUX1H220JCV	CAPACITOR CH 50V 22P	4	
R713-20	ERJ3GEYG471	M.RESISTOR CH 1/16W 470	8		C172	ECCF1H560JCC	CAPACITOR 50V 56P	1	
R721-22	ERJ3GEYJ560	M.RESISTOR CH 1/16W 56	2		C201	ECUX1E104ZFC	CAPACITOR CH 25V 0.1U	1	
R724-25	ERJ3GEYJ560	M.RESISTOR CH 1/16W 56	2		C202-03	ECEV1HV2R2CE	CAPACITOR CH 50V 2.2U	2	
R727-28	ERJ3GEYJ560	M.RESISTOR CH 1/16W 56	2		C204	ECUX1E104ZFC	CAPACITOR CH 25V 0.1U	1	
R730-31	ERJ3GEYJ560	M.RESISTOR CH 1/16W 56	2		C205	ECUX1H470JCV	CAPACITOR CH 50V 47P	1	
					C206-09	ECUX1E104ZFC	CAPACITOR CH 25V 0.1U	4	
RY501	VSY2069	RELAY	1		C210	ECUX1H102KBV	CAPACITOR CH 50V 100P	1	
					C211-14	ECUX1E104ZFC	CAPACITOR CH 25V 0.1U	4	
SS501	VJS1990	CONNECTOR (FEMALE)	1		C216	ECUX1H102KBV	CAPACITOR CH 50V 100P	1	
SS601	VJS1990	CONNECTOR (FEMALE)	1		C218-20	ECUX1E104ZFC	CAPACITOR CH 25V 0.1U	3	
					C223-27	ECUX1E104ZFC	CAPACITOR CH 25V 0.1U	5	
SW501	VJP2536A003	CONNECTOR (MALE)	1		C228	ECUX1H101JCV	CAPACITOR CH 50V 100P	1	
SW601	VJP2536A003	CONNECTOR (MALE)	1		C229-32	ECUX1E104ZFC	CAPACITOR CH 25V 0.1U	4	
					C233	ECUX1H330JCV	CAPACITOR CH 50V 33P	1	
TG1	VJR0646	TEST POINT	1		C234	ECEV1CV2200E	CAPACITOR CH 16V 22U	1	
TG301	EYF6CU	TEST POINT	1		C235	ECUX1H330JCV	CAPACITOR CH 50V 33P	1	
TG401	EYF6CU	TEST POINT	1		C237	ECEV1CV2200E	CAPACITOR CH 16V 22U	1	
TG501	EYF6CU	TEST POINT	1		C238	ECUX1E104ZFC	CAPACITOR CH 25V 0.1U	1	
TG601	EYF6CU	TEST POINT	1		C240	ECUX1E104ZFC	CAPACITOR CH 25V 0.1U	1	
					C241-42	ECUX1H103KBV	CAPACITOR CH 50V 0.01U	2	
TP1-P4	VJR0646	TEST POINT	4		C243	ECUX1E104ZFC	CAPACITOR CH 25V 0.1U	1	
TP301-03	EYF6CU	TEST POINT	3		C244	ECUX1H103KBV	CAPACITOR CH 50V 0.01U	1	
TP401-03	EYF6CU	TEST POINT	3		C245-46	ECUX1C473KBV	CAPACITOR CH 16V 0.047U	2	
TP501-02	EYF6CU	TEST POINT	2		C247	ECUX1E104ZFC	CAPACITOR CH 25V 0.1U	1	
TP601-02	EYF6CU	TEST POINT	2		C248	ECUX1H102KBV	CAPACITOR CH 50V 100P	1	
TP901-10	VJR0646	TEST POINT	10		C251	ECUX1E104ZFC	CAPACITOR CH 25V 0.1U	1	
					C253	ECUX1H270JCV	CAPACITOR CH 50V 27P	1	
		MISCELLANEOUS			C254	ECUX1H680JCV	CAPACITOR CH 50V 68P	1	
	VML2143	CARD PULLER	1		C255	ECUX1H151JCV	CAPACITOR CH 50V 150P	1	
	VML2144	CARD PULLER	1		C256	ECUX1H181JCV	CAPACITOR CH 50V 180P	1	
					C257-59	ECUX1E104ZFC	CAPACITOR CH 25V 0.1U	3	
					C265	ECUX1E104ZFC	CAPACITOR CH 25V 0.1U	1	
					C272	ECCF1H560JCC	CAPACITOR 50V 56P	1	
					C302	ECUX1E104ZFC	CAPACITOR CH 25V 0.1U	1	
					C305	ECUX1E104ZFC	CAPACITOR CH 25V 0.1U	1	
					C311-12	ECUX1E104ZFC	CAPACITOR CH 25V 0.1U	2	
i	VEP85163A	H3-4 RF EQ L-R P.C.BOARD	1	(RTL)	C313-14	ECUX1H122KBV	CAPACITOR CH 50V 120P	2	
	VEP85173A	RF EQ SUB P.C.BOARD	1	(RTL)FOR VEP85163A	C315	ECUX1H102KBV	CAPACITOR CH 50V 100P	1	
					C316-21	ECUX1E104ZFC	CAPACITOR CH 25V 0.1U	6	
					C323-28	ECUX1E104ZFC	CAPACITOR CH 25V 0.1U	6	
C1	ECUX1E104ZFC	CAPACITOR CH 25V 0.1U	1		C402	ECUX1E104ZFC	CAPACITOR CH 25V 0.1U	1	
C31	ECUX1E104ZFC	CAPACITOR CH 25V 0.1U	1		C405	ECUX1E104ZFC	CAPACITOR CH 25V 0.1U	1	
C36-66	ECUX1E104ZFC	CAPACITOR CH 25V 0.1U	31		C411-12	ECUX1E104ZFC	CAPACITOR CH 25V 0.1U	2	
C101	ECUX1E104ZFC	CAPACITOR CH 25V 0.1U	1		C413-14	ECUX1H122KBV	CAPACITOR CH 50V 120P	2	
C102-03	ECEV1HV2R2CE	CAPACITOR CH 50V 2.2U	2		C415	ECUX1H102KBV	CAPACITOR CH 50V 100P	1	
C104	ECUX1E104ZFC	CAPACITOR CH 25V 0.1U	1		C416-21	ECUX1E104ZFC	CAPACITOR CH 25V 0.1U	6	
C105	ECUX1H470JCV	CAPACITOR CH 50V 47P	1		C423-28	ECUX1E104ZFC	CAPACITOR CH 25V 0.1U	6	
C106-09	ECUX1E104ZFC	CAPACITOR CH 25V 0.1U	4		C502-24	ECUX1E104ZFC	CAPACITOR CH 25V 0.1U	23	
C110	ECUX1H102KBV	CAPACITOR CH 50V 100P	1		C525-28	ECUX1H103KBV	CAPACITOR CH 50V 0.01U	4	
C111-14	ECUX1E104ZFC	CAPACITOR CH 25V 0.1U	4		C529-37	ECUX1E104ZFC	CAPACITOR CH 25V 0.1U	9	
C116	ECUX1H102KBV	CAPACITOR CH 50V 100P	1		C538-39	ECUX1H103KBV	CAPACITOR CH 50V 0.01U	2	
C118-20	ECUX1E104ZFC	CAPACITOR CH 25V 0.1U	3		C540	ECUX1E104ZFC	CAPACITOR CH 25V 0.1U	1	
C123-27	ECUX1E104ZFC	CAPACITOR CH 25V 0.1U	5		C542-43	ECUX1H152KBV	CAPACITOR CH 50V 150P	2	
C128	ECUX1H101JCV	CAPACITOR CH 50V 100P	1		C544-48	ECUX1E104ZFC	CAPACITOR CH 25V 0.1U	5	
C129-32	ECUX1E104ZFC	CAPACITOR CH 25V 0.1U	4		C549	ECUX1H103KBV	CAPACITOR CH 50V 0.01U	1	

AJ-D950P  
VEP85163A

Ref.No.	Part No.	Part Name & Description	Pcs	Remarks	Ref.No.	Part No.	Part Name & Description	Pcs	Remarks
C550-51	ECUX1E104ZF	C.CAPACITOR CH 25V 0.1U	2		IC501	NJM319V	IC	1	
C552	ECUX1H681KB	C.CAPACITOR CH 50V 680P	1		IC502	THC4053FT	IC	1	
C553-55	ECUX1E104ZF	C.CAPACITOR CH 25V 0.1U	3		IC503	TC7SH32FU	IC	1	
C556	ECUX1H821JC	C.CAPACITOR CH 50V 820P	1		IC504	TCVHC157FS	IC	1	
C557	ECUX1E104ZF	C.CAPACITOR CH 25V 0.1U	1		IC505-07	NJM084V	IC	3	
C558	ECUM1C224Z	C.CAPACITOR CH 16V 0.22U	1		IC508	THC4066FT	IC	1	
C559	ECUX1E104ZF	C.CAPACITOR CH 25V 0.1U	1		IC509	AN3740FAP	IC	1	
C560	ECUX1H681KB	C.CAPACITOR CH 50V 680P	1		IC510	AN3745FBP	IC	1	
C561	ECUX1E104ZF	C.CAPACITOR CH 25V 0.1U	1		IC602	THC4053FT	IC	1	
C562-65	ECUX1H152KB	C.CAPACITOR CH 50V 1500P	4		IC605-07	NJM084V	IC	3	
C566	ECUX1E104ZF	C.CAPACITOR CH 25V 0.1U	1		IC609	AN3740FAP	IC	1	
C568-71	ECUX1H152KB	C.CAPACITOR CH 50V 1500P	4		IC610	AN3745FBP	IC	1	
C572	ECUX1H103KB	C.CAPACITOR CH 50V 0.01U	1		IC611	THC4053FT	IC	1	
C573-91	ECUX1E104ZF	C.CAPACITOR CH 25V 0.1U	19		IC701	UPC1663G	IC	1	
C592	ECUX1H680JC	C.CAPACITOR CH 50V 68P	1		IC801	M62370GP	IC	1	
C593-94	ECUX1E104ZF	C.CAPACITOR CH 25V 0.1U	2		IC802	NJM084V	IC	1	
C595	ECUM1H102KB	C.CAPACITOR CH 50V 1200P	1		IC901	AN7805	IC	1	
C602-03	ECUX1E104ZF	C.CAPACITOR CH 25V 0.1U	2		IC902	AN7905F	IC	1	
C605-11	ECUX1E104ZF	C.CAPACITOR CH 25V 0.1U	7		IC907	AN7703F	IC	1	
C613-24	ECUX1E104ZF	C.CAPACITOR CH 25V 0.1U	12		L101	VLQ0188K1R00	COIL 1.0UH	1	
C625-28	ECUX1H103KB	C.CAPACITOR CH 50V 0.01U	4		L102-03	VLQ0188KR470	COIL 0.47UH	2	
C629-37	ECUX1E104ZF	C.CAPACITOR CH 25V 0.1U	9		L104-05	VLQ0188J101	COIL 100UH	2	
C638-39	ECUX1H103KB	C.CAPACITOR CH 50V 0.01U	2		L106-07	VLQ0163KR390	COIL 0.39UH	2	
C640	ECUX1E104ZF	C.CAPACITOR CH 25V 0.1U	1		L109-10	VLQ0163J5R60	COIL 5.6UH	2	
C642-43	ECUX1H152KB	C.CAPACITOR CH 50V 1500P	2		L201	VLQ0188K1R00	COIL 1.0UH	1	
C644-48	ECUX1E104ZF	C.CAPACITOR CH 25V 0.1U	5		L202-03	VLQ0188KR470	COIL 0.47UH	2	
C649	ECUX1H103KB	C.CAPACITOR CH 50V 0.01U	1		L204-05	VLQ0188J101	COIL 100UH	2	
C650-51	ECUX1E104ZF	C.CAPACITOR CH 25V 0.1U	2		L206-07	VLQ0163KR390	COIL 0.39UH	2	
C652	ECUX1H681KB	C.CAPACITOR CH 50V 680P	1		L801	VLQ0163J101	COIL 100UH	1	
C653-55	ECUX1E104ZF	C.CAPACITOR CH 25V 0.1U	3		P1	VJP3454B096	CONNECTOR (MALE)	1	
C656	ECUX1H821JC	C.CAPACITOR CH 50V 820P	1		P2	VJP1230T	CONNECTOR (MALE)	3F	1
C657	ECUX1E104ZF	C.CAPACITOR CH 25V 0.1U	1		P3	VJP1230G	CONNECTOR (MALE)	3F	1
C658	ECUM1C224Z	C.CAPACITOR CH 16V 0.22U	1		Q101	XN6537	TRANSISTOR-RESISTOR	1	
C659	ECUX1E104ZF	C.CAPACITOR CH 25V 0.1U	1		Q102-03	2SC2295-C	TRANSISTOR	2	
C660	ECUX1H681KB	C.CAPACITOR CH 50V 680P	1		Q104	2SK508K512	TRANSISTOR	1	
C661	ECUX1E104ZF	C.CAPACITOR CH 25V 0.1U	1		Q105	2SC3130	TRANSISTOR	1	
C662-65	ECUX1H152KB	C.CAPACITOR CH 50V 1500P	4		Q106	2SK508K512	TRANSISTOR	1	
C666	ECUX1E104ZF	C.CAPACITOR CH 25V 0.1U	1		Q108-09	XN5531	TRANSISTOR-RESISTOR	2	
C668-71	ECUX1H152KB	C.CAPACITOR CH 50V 1500P	4		Q110-11	2SK508K512	TRANSISTOR	2	
C672	ECUX1H103KB	C.CAPACITOR CH 50V 0.01U	1		Q112	2SC3130	TRANSISTOR	1	
C673-87	ECUX1E104ZF	C.CAPACITOR CH 25V 0.1U	15		Q113-14	2SD1979	TRANSISTOR	2	
C689-93	ECUX1E104ZF	C.CAPACITOR CH 25V 0.1U	5		Q115-17	2SC2295-C	TRANSISTOR	3	
C695-98	ECUX1E104ZF	C.CAPACITOR CH 25V 0.1U	4		Q118	XN5531	TRANSISTOR-RESISTOR	1	
C699	ECUX1H680JC	C.CAPACITOR CH 50V 68P	1		Q119	2SC2295-C	TRANSISTOR	1	
C700-05	ECUX1E104ZF	C.CAPACITOR CH 25V 0.1U	6		Q201	XN6537	TRANSISTOR-RESISTOR	1	
C714-17	ECUX1E104ZF	C.CAPACITOR CH 25V 0.1U	4		Q202-03	2SC2295-C	TRANSISTOR	2	
C718-19	ECUX1H102KB	C.CAPACITOR CH 50V 1000P	2		Q204	2SK508K512	TRANSISTOR	1	
C720	ECUX1E104ZF	C.CAPACITOR CH 25V 0.1U	1		Q205	2SC3130	TRANSISTOR	1	
C801-05	ECUX1E104ZF	C.CAPACITOR CH 25V 0.1U	5		Q206	2SK508K512	TRANSISTOR	1	
C901-03	ECEV1CV220CE	CAPACITOR CH 16V 22U	3		Q208-09	XN5531	TRANSISTOR-RESISTOR	2	
C905-07	ECUX1E104ZF	C.CAPACITOR CH 25V 0.1U	3		Q210-11	2SK508K512	TRANSISTOR	2	
C908-12	ECEV1CV220CE	CAPACITOR CH 16V 22U	5		Q212	2SC3130	TRANSISTOR	1	
C913-15	ECUX1E104ZF	C.CAPACITOR CH 25V 0.1U	3		Q213-14	2SD1979	TRANSISTOR	2	
C920	ECUX1E104ZF	C.CAPACITOR CH 25V 0.1U	1		Q215-17	2SC2295-C	TRANSISTOR	3	
C921-22	ECEV1CV220CE	CAPACITOR CH 16V 22U	2		Q218	XN5531	TRANSISTOR-RESISTOR	1	
C927	ECEV1CV470CE	CAPACITOR CH 16V 47U	1		Q301	XN5531	TRANSISTOR-RESISTOR	1	
C932-33	ECUX1E104ZF	C.CAPACITOR CH 25V 0.1U	2		Q303	XN5531	TRANSISTOR-RESISTOR	1	
C971-77	ECUX1E104ZF	C.CAPACITOR CH 25V 0.1U	7		Q401	XN5531	TRANSISTOR-RESISTOR	1	
C978	ECEA1HGE33CE	CAPACITOR CH 50V 33U	1		Q403	XN5531	TRANSISTOR-RESISTOR	1	
D910	MA152K	DIODE	1		Q501-02	2SC2295-C	TRANSISTOR	2	
FL901-04	VLF0931	FILTER	4		Q503	2SA1022-B	TRANSISTOR	1	(B)
IC1	TCVHC04FS	IC	1		Q504	2SD601A-R	TRANSISTOR	1	
IC21	M62370GP	IC	1		Q505	UN2213	TRANSISTOR-RESISTOR	1	
IC22-23	THC4053FT	IC	2		Q601-02	2SC2295-C	TRANSISTOR	2	
IC24-25	NJM084V	IC	2		Q603-04	XN5531	TRANSISTOR-RESISTOR	2	
IC101	UPC1663G	IC	1		Q605	2SA1022-B	TRANSISTOR	1	(B)
IC102	NJM1496M	IC	1		Q701	2SC2295-C	TRANSISTOR	1	
IC103	NJM084V	IC	1		Q702-03	2SK508K512	TRANSISTOR	2	
IC201	UPC1663G	IC	1		Q901	2SD601A-R	TRANSISTOR	1	
IC202	NJM1496M	IC	1		R1-R2	ERJ3GEYJ103	M.RESISTOR CH 1/16W 10K	2	
IC301	AN3730FA	IC	1		R3-R4	ERJ3GEYJ470	M.RESISTOR CH 1/16W 47	2	
IC401	AN3730FA	IC	1						

AJ-D950P  
VEP85163A

Ref.No.	Part No.	Part Name & Description	Pcs	Remarks	Ref.No.	Part No.	Part Name & Description	Pcs	Remarks
R22-24	ERJ3GEYJ103	M.RESISTOR CH 1/16W	10K 3		R151-52	ERJ3GEYJ103	M.RESISTOR CH 1/16W	10K 2	
R25-41	ERJ3GEYJ101	M.RESISTOR CH 1/16W	10017		R153-54	ERJ3GEYG102	M.RESISTOR CH 1/16W	1K 2	
R42	ERJ3GEYOROC	M.RESISTOR CH 1/16W	0 1		R155	ERJ3RBD102	M.RESISTOR CH 1/10W	1K 1	
R43-44	ERJ3GEYJ103	M.RESISTOR CH 1/16W	10K 2		R156	ERJ3GEYJ470	M.RESISTOR CH 1/16W	47 1	
R47	ERJ3RBD103	M.RESISTOR CH 3W	10K 1		R157-60	ERJ3GEYJ560	M.RESISTOR CH 1/16W	56 4	
R50	ERJ3RBD103	M.RESISTOR CH 3W	10K 1		R161	ERJ3GEYJ821	M.RESISTOR CH 1/16W	820 1	
R51	ERJ3RBD333	M.RESISTOR CH 3W	33K 1		R162	ERJ3GEYOROC	M.RESISTOR CH 1/16W	0 1	
R52	ERJ3GEYJ103	M.RESISTOR CH 1/16W	10K 1		R163	ERJ3GEYJ470	M.RESISTOR CH 1/16W	47 1	
R53-54	ERJ3RBD272	M.RESISTOR CH 3W	2.7K 2		R164	ERJ3RBD822	M.RESISTOR CH 3W	8.2K 1	
R55	ERJ3RBD223	M.RESISTOR CH 3W	22K 1		R165	ERJ3RBD221	M.RESISTOR CH 3W	220 1	
R56	ERJ3RBD153	M.RESISTOR CH 3W	15K 1		R166	ERJ3GEYOROC	M.RESISTOR CH 1/16W	0 1	
R57	ERJ3RBD223	M.RESISTOR CH 3W	22K 1		R167	ERJ3GEYJ470	M.RESISTOR CH 1/16W	47 1	
R58	ERJ3RBD153	M.RESISTOR CH 3W	15K 1		R168	ERJ3GEYG102	M.RESISTOR CH 1/16W	1K 1	
R59	ERJ3GEYG822	M.RESISTOR CH 1/16W	8.2K 1		R169	ERJ3GEYJ470	M.RESISTOR CH 1/16W	47 1	
R60	ERJ3RBD223	M.RESISTOR CH 3W	22K 1		R170	ERJ3RBD332	M.RESISTOR CH 3W	3.3K 1	
R61	ERJ3GEYJ222	M.RESISTOR CH 1/16W	2.2K 1		R171	ERJ3RBD392	M.RESISTOR CH 3W	3.9K 1	
R62-63	ERJ3RBD153	M.RESISTOR CH 3W	15K 2		R172	ERJ3GEYJ470	M.RESISTOR CH 1/16W	47 1	
R64-65	ERJ3RBD103	M.RESISTOR CH 3W	10K 2		R173	ERJ3GEYG102	M.RESISTOR CH 1/16W	1K 1	
R66	ERJ3RBD153	M.RESISTOR CH 3W	15K 1		R174	ERJ3RBD392	M.RESISTOR CH 3W	3.9K 1	
R67-68	ERJ3GEYJ101	M.RESISTOR CH 1/16W	100 2		R175	ERJ3RBD153	M.RESISTOR CH 3W	15K 1	
R69	ERJ3RBD103	M.RESISTOR CH 3W	10K 1		R176	ERJ3GEYJ103	M.RESISTOR CH 1/16W	10K 1	
R70	ERJ3GEYJ103	M.RESISTOR CH 1/16W	10K 1		R177-80	ERJ3GEYJ470	M.RESISTOR CH 1/16W	47 4	
R71	ERJ3RBD103	M.RESISTOR CH 3W	10K 1		R181	ERJ3GEYJ182	M.RESISTOR CH 1/16W	1.8K 1	
R72	ERJ3GEYG822	M.RESISTOR CH 1/16W	8.2K 1		R182	ERJ3RED560	M.RESISTOR CH 3W	56 1	
R73	ERJ3RBD333	M.RESISTOR CH 3W	33K 1		R183-84	ERJ3GEYJ103	M.RESISTOR CH 1/16W	10K 2	
R74	ERJ3GEYJ222	M.RESISTOR CH 1/16W	2.2K 1		R185	ERJ3GEYOROC	M.RESISTOR CH 1/16W	0 1	
R75	ERJ3RBD223	M.RESISTOR CH 3W	22K 1		R186-87	ERJ3GEYJ470	M.RESISTOR CH 1/16W	47 2	
R76	ERJ3RBD153	M.RESISTOR CH 3W	15K 1		R188-89	ERJ3GEYJ182	M.RESISTOR CH 1/16W	1.8K 2	
R77-78	ERJ3RBD562	M.RESISTOR CH 3W	5.2K 2		R190	ERJ3GEYJ103	M.RESISTOR CH 1/16W	10K 1	
R79-80	ERJ3RBD333	M.RESISTOR CH 3W	33K 2		R191	ERJ3GEYJ470	M.RESISTOR CH 1/16W	47 1	
R81-82	ERJ3RBD153	M.RESISTOR CH 3W	15K 2		R192	ERJ3GEYJ103	M.RESISTOR CH 1/16W	10K 1	
R83-84	ERJ3RBD223	M.RESISTOR CH 3W	22K 2		R193	ERJ3GEYJ470	M.RESISTOR CH 1/16W	47 1	
R85-86	ERJ3GEYJ101	M.RESISTOR CH 1/16W	100 2		R194	ERJ3GEYJ182	M.RESISTOR CH 1/16W	1.8K 1	
R87-88	ERJ3RBD103	M.RESISTOR CH 3W	10K 2		R195-96	ERJ3GEYJ750	M.RESISTOR CH 1/16W	75 2	
R89-90	ERJ3RBD682	M.RESISTOR CH 3W	6.8K 2		R198-99	ERJ3GEYJ391	M.RESISTOR CH 1/16W	390 2	
R101	ERJ3RED470	M.RESISTOR CH 3W	47 1		R201	ERJ3RED470	M.RESISTOR CH 3W	47 1	
R102	ERJ3GEYJ470	M.RESISTOR CH 1/16W	47 1		R202	ERJ3GEYJ470	M.RESISTOR CH 1/16W	47 1	
R103	ERJ3RED470	M.RESISTOR CH 3W	47 1		R203	ERJ3RED470	M.RESISTOR CH 3W	47 1	
R104-05	ERJ3GEYJ680	M.RESISTOR CH 1/16W	68 2		R204-05	ERJ3GEYJ680	M.RESISTOR CH 1/16W	68 2	
R106	ERJ3GEYJ470	M.RESISTOR CH 1/16W	47 1		R206	ERJ3GEYJ470	M.RESISTOR CH 1/16W	47 1	
R107	ERJ3RBD222	M.RESISTOR CH 3W	2.2K 1		R207	ERJ3RBD222	M.RESISTOR CH 3W	2.2K 1	
R108	ERJ3RBD391	M.RESISTOR CH 3W	390 1		R208	ERJ3RBD391	M.RESISTOR CH 3W	390 1	
R109	ERJ3RBD271	M.RESISTOR CH 3W	270 1		R209	ERJ3RBD271	M.RESISTOR CH 3W	270 1	
R110	ERJ3RED330	M.RESISTOR CH 3W	33 1		R210	ERJ3RED330	M.RESISTOR CH 3W	33 1	
R111	ERJ3RBD391	M.RESISTOR CH 3W	390 1		R211	ERJ3RBD391	M.RESISTOR CH 3W	390 1	
R112	ERJ3RBD271	M.RESISTOR CH 3W	270 1		R212	ERJ3RBD271	M.RESISTOR CH 3W	270 1	
R113	ERJ3RBD222	M.RESISTOR CH 3W	2.2K 1		R213	ERJ3RBD222	M.RESISTOR CH 3W	2.2K 1	
R114	ERJ3GEYJ331	M.RESISTOR CH 1/16W	330 1		R214	ERJ3GEYJ331	M.RESISTOR CH 1/16W	330 1	
R115	ERJ3GEYG152	M.RESISTOR CH 1/16W	1.5K 1		R215	ERJ3GEYG152	M.RESISTOR CH 1/16W	1.5K 1	
R116	ERJ3GEYJ331	M.RESISTOR CH 1/16W	330 1		R216	ERJ3GEYJ331	M.RESISTOR CH 1/16W	330 1	
R117	ERJ3GEYJ470	M.RESISTOR CH 1/16W	47 1		R217	ERJ3GEYJ470	M.RESISTOR CH 1/16W	47 1	
R118	ERJ3GEYG472	M.RESISTOR CH 1/16W	4.7K 1		R218	ERJ3GEYG472	M.RESISTOR CH 1/16W	4.7K 1	
R119	ERJ3RBD332	M.RESISTOR CH 3W	3.3K 1		R219	ERJ3RBD332	M.RESISTOR CH 3W	3.3K 1	
R120	ERJ3GEYG152	M.RESISTOR CH 1/16W	1.5K 1		R220	ERJ3GEYG152	M.RESISTOR CH 1/16W	1.5K 1	
R121	ERJ3GEYJ272	M.RESISTOR CH 1/16W	2.7K 1		R221	ERJ3GEYJ272	M.RESISTOR CH 1/16W	2.7K 1	
R122	ERJ3GEYOROC	M.RESISTOR CH 1/16W	0 1		R222	ERJ3GEYOROC	M.RESISTOR CH 1/16W	0 1	
R125	ERJ3GEYJ470	M.RESISTOR CH 1/16W	47 1		R225	ERJ3GEYJ470	M.RESISTOR CH 1/16W	47 1	
R126-27	ERJ3GEYG102	M.RESISTOR CH 1/16W	1K 2		R226-27	ERJ3GEYG102	M.RESISTOR CH 1/16W	1K 2	
R128	ERJ3GEYG152	M.RESISTOR CH 1/16W	1.5K 1		R228	ERJ3GEYG152	M.RESISTOR CH 1/16W	1.5K 1	
R129	ERJ3RBD332	M.RESISTOR CH 3W	3.3K 1		R229	ERJ3RBD332	M.RESISTOR CH 3W	3.3K 1	
R131-32	ERJ3GEYJ470	M.RESISTOR CH 1/16W	47 2		R231-32	ERJ3GEYJ470	M.RESISTOR CH 1/16W	47 2	
R133	ERJ3GEYG152	M.RESISTOR CH 1/16W	1.5K 1		R233	ERJ3GEYG152	M.RESISTOR CH 1/16W	1.5K 1	
R135	ERJ3GEYJ222	M.RESISTOR CH 1/16W	2.2K 1		R235	ERJ3GEYJ222	M.RESISTOR CH 1/16W	2.2K 1	
R136	ERJ3GEYJ470	M.RESISTOR CH 1/16W	47 1		R236	ERJ3GEYJ470	M.RESISTOR CH 1/16W	47 1	
R137	ERJ3GEYG102	M.RESISTOR CH 1/16W	1K 1		R237	ERJ3GEYG102	M.RESISTOR CH 1/16W	1K 1	
R138-39	ERJ3GEYG472	M.RESISTOR CH 1/16W	4.7K 2		R238-39	ERJ3GEYG472	M.RESISTOR CH 1/16W	4.7K 2	
R140	ERJ3GEYG102	M.RESISTOR CH 1/16W	1K 1		R240	ERJ3GEYG102	M.RESISTOR CH 1/16W	1K 1	
R141	ERJ3RBD181	M.RESISTOR CH 3W	180 1		R241	ERJ3RBD181	M.RESISTOR CH 3W	180 1	
R142	ERJ3RBD681	M.RESISTOR CH 3W	680 1		R242	ERJ3RBD681	M.RESISTOR CH 3W	680 1	
R143	ERJ3RBD181	M.RESISTOR CH 3W	180 1		R243	ERJ3RBD181	M.RESISTOR CH 3W	180 1	
R144	ERJ3GEYJ221	M.RESISTOR CH 1/16W	220 1		R244	ERJ3GEYJ221	M.RESISTOR CH 1/16W	220 1	
R145	ERJ3RBD821	M.RESISTOR CH 3W	820 1		R245	ERJ3RBD821	M.RESISTOR CH 3W	820 1	
R146	ERJ3GEYJ470	M.RESISTOR CH 1/16W	47 1		R246	ERJ3GEYJ470	M.RESISTOR CH 1/16W	47 1	
R147-48	ERJ3RBD103	M.RESISTOR CH 3W	10K 2		R247-48	ERJ3RBD103	M.RESISTOR CH 3W	10K 2	
R149-50	ERJ3GEYG102	M.RESISTOR CH 1/16W	1K 2		R249-50	ERJ3GEYG102	M.RESISTOR CH 1/16W	1K 2	



AJ-D950P  
VEP85163A

Ref.No.	Part No.	Part Name & Description	Pcs	Remarks	Ref.No.	Part No.	Part Name & Description	Pcs	Remarks
R251-52	ERJ3GEYJ103	M.RESISTOR CH 1/16W	10K 2		R552	ERJ3GEYJ224	M.RESISTOR CH 1/16W	220K1	
R253-54	ERJ3GEYG102	M.RESISTOR CH 1/16W	1K 2		R553-54	ERJ3GEYJ470	M.RESISTOR CH 1/16W	47 2	
R255	ERJ3RBD102	M.RESISTOR CH 1/10W	1K 1		R555	ERJ3GEYJ391	M.RESISTOR CH 1/16W	390 1	
R256	ERJ3GEYJ470	M.RESISTOR CH 1/16W	47 1		R556-57	ERJ3GEYG822	M.RESISTOR CH 1/16W	8.2K 2	
R257-60	ERJ3GEYJ560	M.RESISTOR CH 1/16W	56 4		R558	ERJ3GEYJ182	M.RESISTOR CH 1/16W	1.8K 1	
R261	ERJ3GEYJ821	M.RESISTOR CH 1/16W	820 1		R560	ERJ3GEYJ182	M.RESISTOR CH 1/16W	1.8K 1	
R262	ERJ3GEYOROC	M.RESISTOR CH 1/16W	0 1		R561-62	ERJ3GEYJ470	M.RESISTOR CH 1/16W	47 2	
R263	ERJ3GEYJ470	M.RESISTOR CH 1/16W	47 1		R563	ERJ3GEYJ103	M.RESISTOR CH 1/16W	10K 1	
R264	ERJ3RBD822	M.RESISTOR CH 3W	8.2K 1		R564	ERJ3GEYJ222	M.RESISTOR CH 1/16W	2.2K 1	
R265	ERJ3RBD681	M.RESISTOR CH 3W	680 1		R565	ERJ3GEYJ103	M.RESISTOR CH 1/16W	10K 1	
R266	ERJ3GEYOROC	M.RESISTOR CH 1/16W	0 1		R566	ERJ3GEYJ222	M.RESISTOR CH 1/16W	2.2K 1	
R267	ERJ3GEYJ470	M.RESISTOR CH 1/16W	47 1		R567	ERJ3GEYG472	M.RESISTOR CH 1/16W	4.7K 1	
R268	ERJ3GEYG102	M.RESISTOR CH 1/16W	1K 1		R568	ERJ3GEYJ470	M.RESISTOR CH 1/16W	47 1	
R269	ERJ3GEYJ470	M.RESISTOR CH 1/16W	47 1		R569	ERJ3GEYG472	M.RESISTOR CH 1/16W	4.7K 1	
R270	ERJ3RBD332	M.RESISTOR CH 3W	3.3K 1		R570	ERJ3GEYJ470	M.RESISTOR CH 1/16W	47 1	
R271	ERJ3RBD392	M.RESISTOR CH 3W	3.9K 1		R571-72	ERJ3GEYOROC	M.RESISTOR CH 1/16W	0 2	
R272	ERJ3GEYJ470	M.RESISTOR CH 1/16W	47 1		R573	ERJ3GEYJ272	M.RESISTOR CH 1/16W	2.7K 1	
R273	ERJ3GEYG102	M.RESISTOR CH 1/16W	1K 1		R574	ERJ3GEYJ470	M.RESISTOR CH 1/16W	47 1	
R274	ERJ3RBD392	M.RESISTOR CH 3W	3.9K 1		R575	ERJ3GEYJ103	M.RESISTOR CH 1/16W	10K 1	
R275	ERJ3RBD153	M.RESISTOR CH 3W	15K 1		R576	ERJ3GEYJ153	M.RESISTOR CH 1/16W	15K 1	
R276	ERJ3GEYJ103	M.RESISTOR CH 1/16W	10K 1		R577	ERJ3GEYG822	M.RESISTOR CH 1/16W	8.2K 1	
R277-80	ERJ3GEYJ470	M.RESISTOR CH 1/16W	47 4		R578	ERJ3GEYJ562	M.RESISTOR CH 1/16W	5.6K 1	
R281	ERJ3GEYJ182	M.RESISTOR CH 1/16W	1.8K 1		R579	ERJ3GEYG332	M.RESISTOR CH 1/16W	3.3K 1	
R282	ERJ3RED560	M.RESISTOR CH 3W	56 1		R580	ERJ3GEYJ153	M.RESISTOR CH 1/16W	15K 1	
R283-84	ERJ3GEYJ103	M.RESISTOR CH 1/16W	10K 2		R581	ERJ3GEYJ101	M.RESISTOR CH 1/16W	100 1	
R285	ERJ3GEYOROC	M.RESISTOR CH 1/16W	0 1		R582	ERJ3GEYG102	M.RESISTOR CH 1/16W	1K 1	
R286	ERJ3GEYJ470	M.RESISTOR CH 1/16W	47 1		R583	ERJ3GEYG822	M.RESISTOR CH 1/16W	8.2K 1	
R288	ERJ3GEYJ182	M.RESISTOR CH 1/16W	1.8K 1		R584	ERJ3GEYG682	M.RESISTOR CH 1/16W	6.8K 1	
R291	ERJ3GEYJ470	M.RESISTOR CH 1/16W	47 1		R585-86	ERJ6GEYF123	M.RESISTOR CH 1/10W	12K 2	
R292	ERJ3GEYJ103	M.RESISTOR CH 1/16W	10K 1		R601	ERJ3GEYG822	M.RESISTOR CH 1/16W	8.2K 1	
R301	ERJ3GEYJ470	M.RESISTOR CH 1/16W	47 1		R602	ERJ3GEYJ470	M.RESISTOR CH 1/16W	47 1	
R302	ERJ3GEYJ222	M.RESISTOR CH 1/16W	2.2K 1		R603	ERJ3GEYG682	M.RESISTOR CH 1/16W	6.8K 1	
R303	ERJ3GEYJ470	M.RESISTOR CH 1/16W	47 1		R604-07	ERJ3GEYJ470	M.RESISTOR CH 1/16W	47 4	
R304	ERJ3GEYJ222	M.RESISTOR CH 1/16W	2.2K 1		R608-11	ERJ3GEYJ222	M.RESISTOR CH 1/16W	2.2K 4	
R307	ERJ3GEYJ470	M.RESISTOR CH 1/16W	47 1		R612	ERJ3GEYJ273	M.RESISTOR CH 1/16W	27K 1	
R311-13	ERJ3GEYJ470	M.RESISTOR CH 1/16W	47 3		R613	ERJ3GEYG682	M.RESISTOR CH 1/16W	6.8K 1	
R314	ERJ3GEYJ222	M.RESISTOR CH 1/16W	2.2K 1		R614-15	ERJ3GEYJ103	M.RESISTOR CH 1/16W	10K 2	
R315	ERJ3GEYJ122	M.RESISTOR CH 1/16W	1.2K 1		R616	ERJ3GEYG102	M.RESISTOR CH 1/16W	1K 1	
R316-17	ERJ3GEYJ222	M.RESISTOR CH 1/16W	2.2K 2		R617-18	ERJ3GEYJ103	M.RESISTOR CH 1/16W	10K 2	
R318-20	ERJ3GEYJ470	M.RESISTOR CH 1/16W	47 3		R619	ERJ3GEYOROC	M.RESISTOR CH 1/16W	0 1	
R401	ERJ3GEYJ470	M.RESISTOR CH 1/16W	47 1		R620-24	ERJ3GEYJ470	M.RESISTOR CH 1/16W	47 5	
R402	ERJ3GEYJ222	M.RESISTOR CH 1/16W	2.2K 1		R625	ERJ3GEYG822	M.RESISTOR CH 1/16W	8.2K 1	
R403	ERJ3GEYJ470	M.RESISTOR CH 1/16W	47 1		R626	ERJ3GEYG682	M.RESISTOR CH 1/16W	6.8K 1	
R404	ERJ3GEYJ222	M.RESISTOR CH 1/16W	2.2K 1		R627-39	ERJ3GEYJ101	M.RESISTOR CH 1/16W	10013	
R407	ERJ3GEYJ470	M.RESISTOR CH 1/16W	47 1		R641	ERJ3GEYJ331	M.RESISTOR CH 1/16W	330 1	
R411-13	ERJ3GEYJ470	M.RESISTOR CH 1/16W	47 3		R642	ERJ3GEYJ221	M.RESISTOR CH 1/16W	220 1	
R414	ERJ3GEYJ222	M.RESISTOR CH 1/16W	2.2K 1		R643-44	ERJ3GEYOROC	M.RESISTOR CH 1/16W	0 2	
R415	ERJ3GEYJ122	M.RESISTOR CH 1/16W	1.2K 1		R645	ERJ3GEYJ470	M.RESISTOR CH 1/16W	47 1	
R416-17	ERJ3GEYJ222	M.RESISTOR CH 1/16W	2.2K 2		R646	ERJ3GEYOROC	M.RESISTOR CH 1/16W	0 1	
R418-20	ERJ3GEYJ470	M.RESISTOR CH 1/16W	47 3		R647	ERJ3GEYJ470	M.RESISTOR CH 1/16W	47 1	
R501	ERJ3GEYJ103	M.RESISTOR CH 1/16W	10K 1		R648	ERJ3GEYJ680	M.RESISTOR CH 1/16W	68 1	
R502	ERJ3GEYJ470	M.RESISTOR CH 1/16W	47 1		R649	ERJ3GEYJ224	M.RESISTOR CH 1/16W	220K1	
R503	ERJ3GEYJ103	M.RESISTOR CH 1/16W	10K 1		R650	ERJ3GEYJ680	M.RESISTOR CH 1/16W	68 1	
R504-07	ERJ3GEYJ470	M.RESISTOR CH 1/16W	47 4		R651	ERJ3GEYJ821	M.RESISTOR CH 1/16W	820 1	
R508-11	ERJ3GEYJ222	M.RESISTOR CH 1/16W	2.2K 4		R652	ERJ3GEYJ224	M.RESISTOR CH 1/16W	220K1	
R512	ERJ3GEYJ273	M.RESISTOR CH 1/16W	27K 1		R653-54	ERJ3GEYJ470	M.RESISTOR CH 1/16W	47 2	
R513	ERJ3GEYG682	M.RESISTOR CH 1/16W	6.8K 1		R655	ERJ3GEYJ391	M.RESISTOR CH 1/16W	390 1	
R514-15	ERJ3GEYJ103	M.RESISTOR CH 1/16W	10K 2		R656-57	ERJ3GEYG822	M.RESISTOR CH 1/16W	8.2K 2	
R516	ERJ3GEYG102	M.RESISTOR CH 1/16W	1K 1		R658	ERJ3GEYJ182	M.RESISTOR CH 1/16W	1.8K 1	
R517-18	ERJ3GEYJ103	M.RESISTOR CH 1/16W	10K 2		R660	ERJ3GEYJ182	M.RESISTOR CH 1/16W	1.8K 1	
R519	ERJ3GEYOROC	M.RESISTOR CH 1/16W	0 1		R661-62	ERJ3GEYJ470	M.RESISTOR CH 1/16W	47 2	
R520-24	ERJ3GEYJ470	M.RESISTOR CH 1/16W	47 5		R663	ERJ3GEYJ103	M.RESISTOR CH 1/16W	10K 1	
R525	ERJ3GEYG822	M.RESISTOR CH 1/16W	8.2K 1		R664	ERJ3GEYJ222	M.RESISTOR CH 1/16W	2.2K 1	
R526	ERJ3GEYG682	M.RESISTOR CH 1/16W	6.8K 1		R665	ERJ3GEYJ103	M.RESISTOR CH 1/16W	10K 1	
R527-39	ERJ3GEYJ101	M.RESISTOR CH 1/16W	10013		R666	ERJ3GEYJ222	M.RESISTOR CH 1/16W	2.2K 1	
R541	ERJ3GEYJ331	M.RESISTOR CH 1/16W	330 1		R667	ERJ3GEYG472	M.RESISTOR CH 1/16W	4.7K 1	
R542	ERJ3GEYJ221	M.RESISTOR CH 1/16W	220 1		R668	ERJ3GEYJ470	M.RESISTOR CH 1/16W	47 1	
R543-44	ERJ3GEYOROC	M.RESISTOR CH 1/16W	0 2		R669	ERJ3GEYG472	M.RESISTOR CH 1/16W	4.7K 1	
R545	ERJ3GEYJ470	M.RESISTOR CH 1/16W	47 1		R670	ERJ3GEYJ470	M.RESISTOR CH 1/16W	47 1	
R546	ERJ3GEYOROC	M.RESISTOR CH 1/16W	0 1		R671	ERJ3GEYJ681	M.RESISTOR CH 1/16W	680 1	
R547	ERJ3GEYJ470	M.RESISTOR CH 1/16W	47 1		R672-73	ERJ3GEYJ470	M.RESISTOR CH 1/16W	47 2	
R548	ERJ3GEYJ680	M.RESISTOR CH 1/16W	68 1		R674	ERJ3GEYJ681	M.RESISTOR CH 1/16W	680 1	
R549	ERJ3GEYJ224	M.RESISTOR CH 1/16W	220K1		R675	ERJ3GEYJ821	M.RESISTOR CH 1/16W	820 1	
R550	ERJ3GEYJ680	M.RESISTOR CH 1/16W	68 1		R676-77	ERJ3GEYJ470	M.RESISTOR CH 1/16W	47 2	
R551	ERJ3GEYJ821	M.RESISTOR CH 1/16W	820 1		R678	ERJ3GEYJ821	M.RESISTOR CH 1/16W	820 1	

AJ-D950P  
VEP85163A / VEP85165A

Ref.No.	Part No.	Part Name & Description	Pcs	Remarks	Ref.No.	Part No.	Part Name & Description	Pcs	Remarks
R679	ERJ3GEYG102	M.RESISTOR CH 1/16W	1K 1				MISCELLANEOUS		
R680-82	ERJ3GEYJ153	M.RESISTOR CH 1/16W	15K 3						
R683	ERJ3GEYJ103	M.RESISTOR CH 1/16W	10K 1			VML2143	CARD PULLER	1	
R684	ERJ3GEYJ223	M.RESISTOR CH 1/16W	22K 1			VML2144	CARD PULLER	1	
R685-87	ERJ3GEYJ560	M.RESISTOR CH 1/16W	56 3			VSC3626	HEAT SINK (A)	1	
R688	ERJ3GEYJ330	M.RESISTOR CH 1/16W	33 1			XNG26FXS	NUT	1	
R689	ERJ3GEYJ122	M.RESISTOR CH 1/16W	1.2K 1			XYN26+F10	SCREW	1	
R691-92	ERJ3GEYOROC	M.RESISTOR CH 1/16W	0 2			VJP2509	CONNECTOR	1	
R693	ERJ3GEYJ272	M.RESISTOR CH 1/16W	2.7K 1						
R694	ERJ3GEYJ470	M.RESISTOR CH 1/16W	47 1						
R695	ERJ3GEYB22	M.RESISTOR CH 1/16W	8.2K 1						
R696	ERJ3GEYJ562	M.RESISTOR CH 1/16W	5.6K 1						
R697	ERJ3GEYG332	M.RESISTOR CH 1/16W	3.3K 1						
R698	ERJ3GEYJ153	M.RESISTOR CH 1/16W	15K 1						
R699	ERJ3GEYJ101	M.RESISTOR CH 1/16W	100 1			i VEP85165A	HEAD BUFFER P.C.BOARD	1	(RTL)
R700	ERJ3GEYG102	M.RESISTOR CH 1/16W	1K 1						
R701	ERJ3GEYJ103	M.RESISTOR CH 1/16W	10K 1			C102-08	ECUX1E104ZFC	CAPACITOR CH 25V 0.1U	7
R703	ERJ3GEYJ470	M.RESISTOR CH 1/16W	47 1			C109	ECEV1CV100CE	CAPACITOR CH 16V 10U	1
R704	ERJ3GEYG102	M.RESISTOR CH 1/16W	1K 1			C110-11	ECUX1H221JCV	CAPACITOR CH 50V 220P	2
R705	ERJ3GEYJ560	M.RESISTOR CH 1/16W	56 1			C112-15	ECUX1E104ZFC	CAPACITOR CH 25V 0.1U	4
R706-07	ERJ3GEYJ470	M.RESISTOR CH 1/16W	47 2			C118-24	ECUX1E104ZFC	CAPACITOR CH 25V 0.1U	7
R722	ERJ3GEYJ560	M.RESISTOR CH 1/16W	56 1			C125	ECEV1CV100CE	CAPACITOR CH 16V 10U	1
R723-24	ERJ3GEYJ331	M.RESISTOR CH 1/16W	330 2			C126-29	ECUX1E104ZFC	CAPACITOR CH 25V 0.1U	4
R725	ERJ3GEYG152	M.RESISTOR CH 1/16W	1.5K 1			C131-35	ECEV1CV220CE	CAPACITOR CH 16V 22U	5
R726	ERJ3GEYG332	M.RESISTOR CH 1/16W	3.3K 1			C136-43	ECUX1E104ZFC	CAPACITOR CH 25V 0.1U	8
R727	ERJ3GEYG152	M.RESISTOR CH 1/16W	1.5K 1			C144-48	ECEV1CV100CE	CAPACITOR CH 16V 10U	5
R728-29	ERJ3GEYG102	M.RESISTOR CH 1/16W	1K 2			C149-50	ECUX1E104ZFC	CAPACITOR CH 25V 0.1U	2
R730	ERJ3GEYJ221	M.RESISTOR CH 1/16W	220 1			C151	ECEV1CV100CE	CAPACITOR CH 16V 10U	1
R731	ERJ3GEYG332	M.RESISTOR CH 1/16W	3.3K 1			C152	ECUX1E104ZFC	CAPACITOR CH 25V 0.1U	1
R732-33	ERJ3GEYG152	M.RESISTOR CH 1/16W	1.5K 2			C153	ECUX1H822KBV	CAPACITOR CH 50V 8200P	1
R734	ERJ3GEYJ470	M.RESISTOR CH 1/16W	47 1			C202-08	ECUX1E104ZFC	CAPACITOR CH 25V 0.1U	7
R801-03	ERJ3GEYJ101	M.RESISTOR CH 1/16W	100 3			C209	ECEV1CV100CE	CAPACITOR CH 16V 10U	1
R804-05	ERJ3GEYJ103	M.RESISTOR CH 1/16W	10K 2			C210-11	ECUX1H221JCV	CAPACITOR CH 50V 220P	2
R806	ERJ3GEYJ153	M.RESISTOR CH 1/16W	15K 1			C212-15	ECUX1E104ZFC	CAPACITOR CH 25V 0.1U	4
R807	ERJ3GEYJ103	M.RESISTOR CH 1/16W	10K 1			C218-24	ECUX1E104ZFC	CAPACITOR CH 25V 0.1U	7
R808-10	ERJ3GEYJ101	M.RESISTOR CH 1/16W	100 3			C225	ECEV1CV100CE	CAPACITOR CH 16V 10U	1
R811	ERJ3GEYG682	M.RESISTOR CH 1/16W	6.8K 1			C226-29	ECUX1E104ZFC	CAPACITOR CH 25V 0.1U	4
R813-18	ERJ3GEYJ101	M.RESISTOR CH 1/16W	100 6			C252	ECUX1E104ZFC	CAPACITOR CH 25V 0.1U	1
R819	ERJ3GEYG682	M.RESISTOR CH 1/16W	6.8K 1			C253	ECUX1H822KBV	CAPACITOR CH 50V 8200P	1
R820-31	ERJ3GEYJ101	M.RESISTOR CH 1/16W	100 12			C302-04	ECUX1E104ZFC	CAPACITOR CH 25V 0.1U	3
R832	ERJ3GEYG332	M.RESISTOR CH 1/16W	3.3K 1			C305	ECUX1H121JCV	CAPACITOR CH 50V 120P	1
R833	ERJ3GEYJ101	M.RESISTOR CH 1/16W	100 1			C306-10	ECUX1E104ZFC	CAPACITOR CH 25V 0.1U	5
R835	ERJ3GEYG332	M.RESISTOR CH 1/16W	3.3K 1			C311-12	ECEV1HV2R2CE	CAPACITOR CH 50V 2.2U	2
R836	ERJ3GEYJ123	M.RESISTOR CH 1/16W	12K 1			C313-15	ECUX1E104ZFC	CAPACITOR CH 25V 0.1U	3
R838	ERJ3GEYJ103	M.RESISTOR CH 1/16W	10K 1			C316	ECUX1H220JCV	CAPACITOR CH 50V 22P	1
R839	ERJ3GEYJ473	M.RESISTOR CH 1/16W	47K 1			C317-18	ECUX1E104ZFC	CAPACITOR CH 25V 0.1U	2
R901	ERJ3GEYJ103	M.RESISTOR CH 1/16W	10K 1			C319	ECUX1H102KBV	CAPACITOR CH 50V 1000P	1
						C320	ECEV1EN4R7CE	CAPACITOR CH 25V 4.7U	1
RY901	VSY2069	RELAY	1			C321	ECUX1H181JCV	CAPACITOR CH 50V 180P	1
TG1	VJRO646	TEST POINT	1			C322	ECUX1E104ZFC	CAPACITOR CH 25V 0.1U	1
TG101-02	VJRO646	TEST POINT	2			C323	ECEV1CV100CE	CAPACITOR CH 16V 10U	1
TG501	VJRO646	TEST POINT	1			C324	ECEV1EN4R7CE	CAPACITOR CH 25V 4.7U	1
						C325	ECUX1H102KBV	CAPACITOR CH 50V 1000P	1
TP1-P2	VJRO646	TEST POINT	2			C326	ECUX1H030CIV	CAPACITOR CH 50V 3P	1
TP21-24	EYF6CU	TEST POINT	4			C327	ECUX1H120JCV	CAPACITOR CH 50V 12P	1
TP101	VJRO646	TEST POINT	1			C328-29	ECUX1H030CIV	CAPACITOR CH 50V 3P	2
TP103-04	VJRO646	TEST POINT	2			C330-32	ECUX1E104ZFC	CAPACITOR CH 25V 0.1U	3
TP201	VJRO646	TEST POINT	1			C333	ECUX1H470JCV	CAPACITOR CH 50V 47P	1
TP203-04	VJRO646	TEST POINT	2			C334	ECUX1E104ZFC	CAPACITOR CH 25V 0.1U	1
TP302	EYF6CU	TEST POINT	1			C336	ECUX1E104ZFC	CAPACITOR CH 25V 0.1U	1
TP402	EYF6CU	TEST POINT	1			C337	ECUX1H470JCV	CAPACITOR CH 50V 47P	1
TP501-03	VJRO646	TEST POINT	3			C338	ECUX1E104ZFC	CAPACITOR CH 25V 0.1U	1
TP504	EYF6CU	TEST POINT	1			C339	ECUX1H121JCV	CAPACITOR CH 50V 120P	1
TP505	VJRO646	TEST POINT	1			C340-42	ECUX1E104ZFC	CAPACITOR CH 25V 0.1U	3
TP506-07	EYF6CU	TEST POINT	2			C343-44	ECEV1HV2R2CE	CAPACITOR CH 50V 2.2U	2
TP601-03	VJRO646	TEST POINT	3			C345-47	ECUX1E104ZFC	CAPACITOR CH 25V 0.1U	3
TP604	EYF6CU	TEST POINT	1			C348	ECUX1H220JCV	CAPACITOR CH 50V 22P	1
TP605	VJRO646	TEST POINT	1			C349-50	ECUX1E104ZFC	CAPACITOR CH 25V 0.1U	2
TP606-07	EYF6CU	TEST POINT	2			C351	ECUX1H102KBV	CAPACITOR CH 50V 1000P	1
TP702	VJRO646	TEST POINT	1			C352	ECEV1EN4R7CE	CAPACITOR CH 25V 4.7U	1
						C353	ECUX1H181JCV	CAPACITOR CH 50V 180P	1
VC101-02	ECV1ZW20X5	TRIMMER	2			C354	ECUX1E104ZFC	CAPACITOR CH 25V 0.1U	1
VC201-02	ECV1ZW20X5	TRIMMER	2			C355	ECEV1EN4R7CE	CAPACITOR CH 25V 4.7U	1
						C356	ECUX1H102KBV	CAPACITOR CH 50V 1000P	1
						C357	ECUX1H030CIV	CAPACITOR CH 50V 3P	1

AJ-D950P  
VEP85165A

Ref.No.	Part No.	Part Name & Description	Pcs	Remarks	Ref.No.	Part No.	Part Name & Description	Pcs	Remarks
C358	ECUX1H120JCV	CAPACITOR CH 50V 12P	1		IC508	MC10H116M	IC	1	
C359-60	ECUX1H030CV	CAPACITOR CH 50V 3P	2		IC509	XC62DN5002PC	IC	1	
C361-62	ECUX1E104ZF	CAPACITOR CH 25V 0.1U	2		IC511	TC7S08F	IC	1	
C363-64	ECUX1H470JCV	CAPACITOR CH 50V 47P	2		IC512	TC4S69F	IC	1	
C365	ECUX1E104ZF	CAPACITOR CH 25V 0.1U	1		IC513-14	TC4S30F	IC	2	
C370-73	ECUX1E104ZF	CAPACITOR CH 25V 0.1U	4		IC515	MC10H116M	IC	1	
C502-04	ECUX1E104ZF	CAPACITOR CH 25V 0.1U	3		L301	VLQ0163J121	COIL 120UH	1	
C505	ECUX1H121JCV	CAPACITOR CH 50V 120P	1		L302-03	VLQ0163J2R2	COIL 2.2UH	2	
C506-08	ECUX1E104ZF	CAPACITOR CH 25V 0.1U	3		L304-05	VLQ0163J121	COIL 120UH	2	
C511-12	ECEV1HV2R2CE	CAPACITOR CH 50V 2.2U	2		L306-07	VLQ0163J2R2	COIL 2.2UH	2	
C513-15	ECUX1E104ZF	CAPACITOR CH 25V 0.1U	3		L308	VLQ0163J121	COIL 120UH	1	
C516	ECUX1H220JCV	CAPACITOR CH 50V 22P	1		L501	VLQ0163J121	COIL 120UH	1	
C517-18	ECUX1E104ZF	CAPACITOR CH 25V 0.1U	2		L502-03	VLQ0163J2R2	COIL 2.2UH	2	
C519	ECUX1H102KBY	CAPACITOR CH 50V 100CP	1		L504-05	VLQ0163J121	COIL 120UH	2	
C520	ECEV1EN4R7CE	CAPACITOR CH 25V 4.7U	1		L506-07	VLQ0163J2R2	COIL 2.2UH	2	
C521	ECUX1H181JCV	CAPACITOR CH 50V 180P	1		L508	VLQ0163J121	COIL 120UH	1	
C522	ECUX1E104ZF	CAPACITOR CH 25V 0.1U	1		P701	VJS3375B060	CONNECTOR (FEMALE)	1	
C523	ECEV1CV100CE	CAPACITOR CH 16V 10U	1		P702	VJS3900A024	CONNECTOR (FEMALE)	1	
C524	ECEV1EN4R7CE	CAPACITOR CH 25V 4.7U	1		P703	VJS3900C013	CONNECTOR (FEMALE)	1	
C525	ECUX1H102KBY	CAPACITOR CH 50V 100CP	1		Q101-02	XN5531	TRANSISTOR-RESISTOR	2	
C526	ECUX1H030CV	CAPACITOR CH 50V 3P	1		Q103-04	2SA1022-C	TRANSISTOR	2	
C527	ECUX1H120JCV	CAPACITOR CH 50V 12P	1		Q105-06	XN5531	TRANSISTOR-RESISTOR	2	
C528-29	ECUX1H030CV	CAPACITOR CH 50V 3P	2		Q107	2SD601A-R	TRANSISTOR	1	
C530-32	ECUX1E104ZF	CAPACITOR CH 25V 0.1U	3		Q201-02	XN5531	TRANSISTOR-RESISTOR	2	
C533	ECUX1H470JCV	CAPACITOR CH 50V 47P	1		Q203-04	2SA1022-C	TRANSISTOR	2	
C534	ECUX1E104ZF	CAPACITOR CH 25V 0.1U	1		Q205-06	XN5531	TRANSISTOR-RESISTOR	2	
C536	ECUX1E104ZF	CAPACITOR CH 25V 0.1U	1		Q301	2SA1022-C	TRANSISTOR	1	
C537	ECUX1H470JCV	CAPACITOR CH 50V 47P	1		Q302	2SD601A-R	TRANSISTOR	1	
C538	ECUX1E104ZF	CAPACITOR CH 25V 0.1U	1		Q303	2SC3130	TRANSISTOR	1	
C539	ECUX1H121JCV	CAPACITOR CH 50V 120P	1		Q304	2SA1022-C	TRANSISTOR	1	
C540-42	ECUX1E104ZF	CAPACITOR CH 25V 0.1U	3		Q305	2SB709A-R	TRANSISTOR	1	
C543-44	ECEV1HV2R2CE	CAPACITOR CH 50V 2.2U	2		Q306	XN1504	TRANSISTOR-RESISTOR	1	
C545-47	ECUX1E104ZF	CAPACITOR CH 25V 0.1U	3		Q307	2SK508K512	TRANSISTOR	1	
C548	ECUX1H220JCV	CAPACITOR CH 50V 22P	1		Q309	2SC2954	TRANSISTOR	1	
C549-50	ECUX1E104ZF	CAPACITOR CH 25V 0.1U	2		Q310	2SA1022-C	TRANSISTOR	1	
C551	ECUX1H102KBY	CAPACITOR CH 50V 100CP	1		Q311	2SC2954	TRANSISTOR	1	
C552	ECEV1EN4R7CE	CAPACITOR CH 25V 4.7U	1		Q312	XN1504	TRANSISTOR-RESISTOR	1	
C553	ECUX1H181JCV	CAPACITOR CH 50V 180P	1		Q314	2SC3735	TRANSISTOR	1	
C554	ECUX1E104ZF	CAPACITOR CH 25V 0.1U	1		Q315	2SK508K512	TRANSISTOR	1	
C555	ECEV1EN4R7CE	CAPACITOR CH 25V 4.7U	1		Q316	2SC2954	TRANSISTOR	1	
C556	ECUX1H102KBY	CAPACITOR CH 50V 100CP	1		Q317	2SC3735	TRANSISTOR	1	
C557	ECUX1H030CV	CAPACITOR CH 50V 3P	1		Q318	2SC3130	TRANSISTOR	1	
C558	ECUX1H120JCV	CAPACITOR CH 50V 12P	1		Q319	XN1504	TRANSISTOR-RESISTOR	1	
C559-60	ECUX1H030CV	CAPACITOR CH 50V 3P	2		Q321	2SA1022-C	TRANSISTOR	1	
C561-62	ECUX1E104ZF	CAPACITOR CH 25V 0.1U	2		Q322	2SD601A-R	TRANSISTOR	1	
C563-64	ECUX1H470JCV	CAPACITOR CH 50V 47P	2		Q323	2SC3130	TRANSISTOR	1	
C570-73	ECUX1E104ZF	CAPACITOR CH 25V 0.1U	4		Q324	2SA1022-C	TRANSISTOR	1	
D101	MA152K	DIODE	1		Q325	2SB709A-R	TRANSISTOR	1	
D301-04	MA152WK	DIODE	4		Q326	XN1504	TRANSISTOR-RESISTOR	1	
D501-04	MA152WK	DIODE	4		Q327	2SK508K512	TRANSISTOR	1	
FL101-05	VLF0931	FILTER	5		Q329	2SC2954	TRANSISTOR	1	
IC101-02	UPC5102GSOBO		2		Q330	2SA1022-C	TRANSISTOR	1	
IC103	TCVHC04FS	IC	1		Q331	2SC2954	TRANSISTOR	1	
IC104	XC62AP5002PC	IC	1		Q332	XN1504	TRANSISTOR-RESISTOR	1	
IC105	XC62DN5002PC	IC	1		Q334	2SC3735	TRANSISTOR	1	
IC106	XC62AP5002PC	IC	1		Q335	2SK508K512	TRANSISTOR	1	
IC201-02	UPC5102GSOBO		2		Q336	2SC2954	TRANSISTOR	1	
IC203	TCVHC04FS	IC	1		Q337	2SC3735	TRANSISTOR	1	
IC302	TC7S08F	IC	1		Q338	XN1504	TRANSISTOR-RESISTOR	1	
IC303	TC4S69F	IC	1		Q339	2SC3130	TRANSISTOR	1	
IC304	NJM084V	IC	1		Q341	2SB710A-R	TRANSISTOR	1	
IC305	TCVHC32FS	IC	1		Q501	2SA1022-C	TRANSISTOR	1	
IC306-07	TC4S30F	IC	2		Q502	2SD601A-R	TRANSISTOR	1	
IC308	MC10H116M	IC	1		Q503	2SC3130	TRANSISTOR	1	
IC309	XC62DN5002PC	IC	1		Q504	2SA1022-C	TRANSISTOR	1	
IC311	TC7S08F	IC	1		Q505	2SB709A-R	TRANSISTOR	1	
IC312	TC4S69F	IC	1		Q506	XN1504	TRANSISTOR-RESISTOR	1	
IC313-14	TC4S30F	IC	2		Q507	2SK508K512	TRANSISTOR	1	
IC315	MC10H116M	IC	1		Q509	2SC2954	TRANSISTOR	1	
IC502	TC7S08F	IC	1		Q510	2SA1022-C	TRANSISTOR	1	
IC503	TC4S69F	IC	1		Q511	2SC2954	TRANSISTOR	1	
IC506-07	TC4S30F	IC	2		Q512	XN1504	TRANSISTOR-RESISTOR	1	

AJ-D950P  
VEP85165A

Ref.No.	Part No.	Part Name & Description	Pcs	Remarks	Ref.No.	Part No.	Part Name & Description	Pcs	Remarks
Q514	2SC3735	TRANSISTOR	1		R232-33	ERJ3GEYJ101	M.RESISTOR CH 1/16W	100	2
Q515	2SK508K512	TRANSISTOR	1		R234	ERJ3GEYJ100	M.RESISTOR CH 1/16W	10	1
Q516	2SC2954	TRANSISTOR	1		R235-36	ERJ3GEYJ102	M.RESISTOR CH 1/16W	1K	2
Q517	2SC3735	TRANSISTOR	1		R237-38	ERJ3GEYJ470	M.RESISTOR CH 1/16W	47	2
Q518	2SC3130	TRANSISTOR	1		R239-40	ERJ3GEYJ121	M.RESISTOR CH 1/16W	120	2
Q519	XN1504	TRANSISTOR-RESISTOR	1		R241	ERJ3GEYJ330	M.RESISTOR CH 1/16W	33	1
Q521	2SA1022-C	TRANSISTOR	1		R242	ERJ3GEYJ222	M.RESISTOR CH 1/16W	2.2K	1
Q522	2SD601A-R	TRANSISTOR	1		R243	ERJ3GEYJ330	M.RESISTOR CH 1/16W	33	1
Q523	2SC3130	TRANSISTOR	1		R244	ERJ3GEYJ153	M.RESISTOR CH 1/16W	15K	1
Q524	2SA1022-C	TRANSISTOR	1		R245-50	ERJ3GEYJ470	M.RESISTOR CH 1/16W	47	6
Q525	2SB709A-R	TRANSISTOR	1		R301	ERJ3GEYJ103	M.RESISTOR CH 1/16W	10K	1
Q526	XN1504	TRANSISTOR-RESISTOR	1		R302	ERJ3GEYOROC	M.RESISTOR CH 1/16W	0	1
Q527	2SK508K512	TRANSISTOR	1		R303	ERJ3GEYJ221	M.RESISTOR CH 1/16W	220	1
Q529	2SC2954	TRANSISTOR	1		R304	ERJ3GEYG682	M.RESISTOR CH 1/16W	6.8K	1
Q530	2SA1022-C	TRANSISTOR	1		R306	ERJ3GEYG102	M.RESISTOR CH 1/16W	1K	1
Q531	2SC2954	TRANSISTOR	1		R307	ERJ3GEYG471	M.RESISTOR CH 1/16W	470	1
Q532	XN1504	TRANSISTOR-RESISTOR	1		R308	ERJ3GEYJ123	M.RESISTOR CH 1/16W	12K	1
Q534	2SC3735	TRANSISTOR	1		R309	ERJ3GEYG471	M.RESISTOR CH 1/16W	470	1
Q535	2SK508K512	TRANSISTOR	1		R310	ERJ3GEYJ123	M.RESISTOR CH 1/16W	12K	1
Q536	2SC2954	TRANSISTOR	1		R311	ERJ3GEYJ103	M.RESISTOR CH 1/16W	10K	1
Q537	2SC3735	TRANSISTOR	1		R312	ERJ3GEYJ153	M.RESISTOR CH 1/16W	15K	1
Q538	XN1504	TRANSISTOR-RESISTOR	1		R313	ERJ3GEYJ154	M.RESISTOR CH 1/16W	150K	1
Q539	2SC3130	TRANSISTOR	1		R314-15	ERJ3GEYJ103	M.RESISTOR CH 1/16W	10K	2
Q541	2SB710A-R	TRANSISTOR	1		R316	ERJ3GEYG472	M.RESISTOR CH 1/16W	4.7K	1
					R317	ERJ3GEYJ103	M.RESISTOR CH 1/16W	10K	1
R101-03	ERJ3GEYJ103	M.RESISTOR CH 1/16W	10K	3	R318-19	ERJ3GEYJ272	M.RESISTOR CH 1/16W	2.7K	2
R104-05	ERJ3GEYJ101	M.RESISTOR CH 1/16W	100	2	R320-21	ERJ3GEYJ330	M.RESISTOR CH 1/16W	33	2
R106-07	ERJ3GEYJ103	M.RESISTOR CH 1/16W	10K	2	R322-23	ERJ3GEYG152	M.RESISTOR CH 1/16W	1.5K	2
R108	ERJ3GEYJ100	M.RESISTOR CH 1/16W	10	1	R324-25	ERJ3GEYJ103	M.RESISTOR CH 1/16W	10K	2
R109-10	ERJ3GEYJ392	M.RESISTOR CH 1/16W	3.9K	2	R326	ERJ3GEYJ222	M.RESISTOR CH 1/16W	2.2K	1
R111-14	ERJ3GEYJ103	M.RESISTOR CH 1/16W	10K	4	R327-30	ERJ3GEYG472	M.RESISTOR CH 1/16W	4.7K	4
R115	ERJ3GEYJ562	M.RESISTOR CH 1/16W	5.6K	1	R331	ERJ3GEYJ821	M.RESISTOR CH 1/16W	820	1
R116	ERJ3GEYJ392	M.RESISTOR CH 1/16W	3.9K	1	R332	ERJ3GEYJ470	M.RESISTOR CH 1/16W	47	1
R117	ERJ3GEYJ562	M.RESISTOR CH 1/16W	5.6K	1	R333	ERJ3GEYG472	M.RESISTOR CH 1/16W	4.7K	1
R118	ERJ3GEYJ392	M.RESISTOR CH 1/16W	3.9K	1	R334	ERJ3GEYJ151	M.RESISTOR CH 1/16W	150	1
R119-20	ERJ3GEYG102	M.RESISTOR CH 1/16W	1K	2	R335	ERJ3GEYJ392	M.RESISTOR CH 1/16W	3.9K	1
R121-22	ERJ3GEYJ470	M.RESISTOR CH 1/16W	47	2	R336	ERJ3GEYJ182	M.RESISTOR CH 1/16W	1.8K	1
R123-24	ERJ3GEYJ391	M.RESISTOR CH 1/16W	390	2	R337	ERJ3GEYG152	M.RESISTOR CH 1/16W	1.5K	1
R125	ERJ3GEYJ330	M.RESISTOR CH 1/16W	33	1	R338	ERJ3GEYJ182	M.RESISTOR CH 1/16W	1.8K	1
R126	ERJ3GEYJ222	M.RESISTOR CH 1/16W	2.2K	1	R339	ERJ3GEYJ103	M.RESISTOR CH 1/16W	10K	1
R127	ERJ3GEYJ330	M.RESISTOR CH 1/16W	33	1	R340	ERJ3GEYJ100	M.RESISTOR CH 1/16W	10	1
R128	ERJ3GEYJ222	M.RESISTOR CH 1/16W	2.2K	1	R341	ERJ3GEYJ222	M.RESISTOR CH 1/16W	2.2K	1
R129-30	ERJ3GEYJ470	M.RESISTOR CH 1/16W	47	2	R342	ERJ3GEYJ104	M.RESISTOR CH 1/16W	100K	1
R131	ERJ3GEYJ103	M.RESISTOR CH 1/16W	10K	1	R343	ERJ3GEYJ392	M.RESISTOR CH 1/16W	3.9K	1
R132-33	ERJ3GEYJ101	M.RESISTOR CH 1/16W	100	2	R344	ERJ3GEYJ122	M.RESISTOR CH 1/16W	1.2K	1
R134	ERJ3GEYJ100	M.RESISTOR CH 1/16W	10	1	R345	ERJ8GEYJ221	M.RESISTOR CH 1/8W	220	1
R135-36	ERJ3GEYG102	M.RESISTOR CH 1/16W	1K	2	R346	ERJ3GEYJ222	M.RESISTOR CH 1/16W	2.2K	1
R137-38	ERJ3GEYJ470	M.RESISTOR CH 1/16W	47	2	R347	ERJ12YJ270	M.RESISTOR CH 1/2W	270	1
R139-40	ERJ3GEYJ121	M.RESISTOR CH 1/16W	120	2	R348	ERJ3GEYJ103	M.RESISTOR CH 1/16W	10K	1
R141	ERJ3GEYJ330	M.RESISTOR CH 1/16W	33	1	R349	ERJ8GEYJ101	M.RESISTOR CH 1/8W	100	1
R142	ERJ3GEYJ222	M.RESISTOR CH 1/16W	2.2K	1	R350	ERJ3GEYG152	M.RESISTOR CH 1/16W	1.5K	1
R143	ERJ3GEYJ330	M.RESISTOR CH 1/16W	33	1	R351	ERJ8GEYJ270	M.RESISTOR CH 1/8W	27	1
R144	ERJ3GEYJ153	M.RESISTOR CH 1/16W	15K	1	R352	ERJ3GEYJ151	M.RESISTOR CH 1/16W	150	1
R145-50	ERJ3GEYJ470	M.RESISTOR CH 1/16W	47	6	R353	ERJ8GEYJ101	M.RESISTOR CH 1/8W	100	1
R151	ERJ3GEYJ153	M.RESISTOR CH 1/16W	15K	1	R354	ERJ3GEYJ821	M.RESISTOR CH 1/16W	820	1
R152	ERJ3GEYJ103	M.RESISTOR CH 1/16W	10K	1	R355	ERJ3GEYJ392	M.RESISTOR CH 1/16W	3.9K	1
R201-03	ERJ3GEYJ103	M.RESISTOR CH 1/16W	10K	3	R356	ERJ3GEYJ122	M.RESISTOR CH 1/16W	1.2K	1
R204-05	ERJ3GEYJ101	M.RESISTOR CH 1/16W	100	2	R357	ERJ3GEYJ103	M.RESISTOR CH 1/16W	10K	1
R206-07	ERJ3GEYJ103	M.RESISTOR CH 1/16W	10K	2	R359-60	ERJ3GEYJ103	M.RESISTOR CH 1/16W	10K	2
R208	ERJ3GEYJ100	M.RESISTOR CH 1/16W	10	1	R361	ERJ3GEYOROC	M.RESISTOR CH 1/16W	0	1
R209-10	ERJ3GEYJ392	M.RESISTOR CH 1/16W	3.9K	2	R363	ERJ3GEYJ221	M.RESISTOR CH 1/16W	220	1
R211-14	ERJ3GEYJ103	M.RESISTOR CH 1/16W	10K	4	R364	ERJ3GEYG682	M.RESISTOR CH 1/16W	6.8K	1
R215	ERJ3GEYJ562	M.RESISTOR CH 1/16W	5.6K	1	R366	ERJ3GEYG102	M.RESISTOR CH 1/16W	1K	1
R216	ERJ3GEYJ392	M.RESISTOR CH 1/16W	3.9K	1	R367	ERJ3GEYG471	M.RESISTOR CH 1/16W	470	1
R217	ERJ3GEYJ562	M.RESISTOR CH 1/16W	5.6K	1	R368	ERJ3GEYJ123	M.RESISTOR CH 1/16W	12K	1
R218	ERJ3GEYJ392	M.RESISTOR CH 1/16W	3.9K	1	R369	ERJ3GEYG471	M.RESISTOR CH 1/16W	470	1
R219-20	ERJ3GEYG102	M.RESISTOR CH 1/16W	1K	2	R370	ERJ3GEYJ123	M.RESISTOR CH 1/16W	12K	1
R221-22	ERJ3GEYJ470	M.RESISTOR CH 1/16W	47	2	R371	ERJ3GEYJ103	M.RESISTOR CH 1/16W	10K	1
R223-24	ERJ3GEYJ391	M.RESISTOR CH 1/16W	390	2	R372	ERJ3GEYJ153	M.RESISTOR CH 1/16W	15K	1
R225	ERJ3GEYJ330	M.RESISTOR CH 1/16W	33	1	R373	ERJ3GEYJ154	M.RESISTOR CH 1/16W	150K	1
R226	ERJ3GEYJ222	M.RESISTOR CH 1/16W	2.2K	1	R374-75	ERJ3GEYJ103	M.RESISTOR CH 1/16W	10K	2
R227	ERJ3GEYJ330	M.RESISTOR CH 1/16W	33	1	R376	ERJ3GEYG472	M.RESISTOR CH 1/16W	4.7K	1
R228	ERJ3GEYJ222	M.RESISTOR CH 1/16W	2.2K	1	R377	ERJ3GEYJ103	M.RESISTOR CH 1/16W	10K	1
R229-30	ERJ3GEYJ470	M.RESISTOR CH 1/16W	47	2	R378-79	ERJ3GEYJ272	M.RESISTOR CH 1/16W	2.7K	2
R231	ERJ3GEYJ103	M.RESISTOR CH 1/16W	10K	1	R380-81	ERJ3GEYJ330	M.RESISTOR CH 1/16W	33	2

AJ-D950P  
VEP85165A

Ref.No.	Part No.	Part Name & Description	Pcs	Remarks	Ref.No.	Part No.	Part Name & Description	Pcs	Remarks
R382-83	ERJ3GEYG152	M.RESISTOR CH 1/16W	1.5K	2	R550	ERJ3GEYG152	M.RESISTOR CH 1/16W	1.5K	1
R384-85	ERJ3GEYJ103	M.RESISTOR CH 1/16W	10K	2	R551	ERJ8GEYJ270	M.RESISTOR CH 1/8W	27	1
R386	ERJ3GEYJ222	M.RESISTOR CH 1/16W	2.2K	1	R552	ERJ3GEYJ151	M.RESISTOR CH 1/16W	150	1
R387-90	ERJ3GEYG472	M.RESISTOR CH 1/16W	4.7K	4	R553	ERJ8GEYJ101	M.RESISTOR CH 1/8W	100	1
R391	ERJ3GEYJ821	M.RESISTOR CH 1/16W	820	1	R554	ERJ3GEYJ821	M.RESISTOR CH 1/16W	820	1
R392	ERJ3GEYJ470	M.RESISTOR CH 1/16W	47	1	R555	ERJ3GEYJ392	M.RESISTOR CH 1/16W	3.9K	1
R393	ERJ3GEYG472	M.RESISTOR CH 1/16W	4.7K	1	R556	ERJ3GEYJ122	M.RESISTOR CH 1/16W	1.2K	1
R394	ERJ3GEYJ151	M.RESISTOR CH 1/16W	150	1	R557	ERJ3GEYJ103	M.RESISTOR CH 1/16W	10K	1
R395	ERJ3GEYJ392	M.RESISTOR CH 1/16W	3.9K	1	R559-60	ERJ3GEYJ103	M.RESISTOR CH 1/16W	10K	2
R396	ERJ3GEYJ182	M.RESISTOR CH 1/16W	1.8K	1	R561	ERJ3GEYOROC	M.RESISTOR CH 1/16W	0	1
R397	ERJ3GEYG152	M.RESISTOR CH 1/16W	1.5K	1	R563	ERJ3GEYJ221	M.RESISTOR CH 1/16W	220	1
R398	ERJ3GEYJ182	M.RESISTOR CH 1/16W	1.8K	1	R564	ERJ3GEYG682	M.RESISTOR CH 1/16W	6.8K	1
R399	ERJ3GEYJ103	M.RESISTOR CH 1/16W	10K	1	R566	ERJ3GEYG102	M.RESISTOR CH 1/16W	1K	1
R400	ERJ3GEYJ100	M.RESISTOR CH 1/16W	10	1	R567	ERJ3GEYG471	M.RESISTOR CH 1/16W	470	1
R401	ERJ3GEYJ222	M.RESISTOR CH 1/16W	2.2K	1	R568	ERJ3GEYJ123	M.RESISTOR CH 1/16W	12K	1
R402	ERJ3GEYJ104	M.RESISTOR CH 1/16W	100K	1	R569	ERJ3GEYG471	M.RESISTOR CH 1/16W	470	1
R403	ERJ3GEYJ392	M.RESISTOR CH 1/16W	3.9K	1	R570	ERJ3GEYJ123	M.RESISTOR CH 1/16W	12K	1
R404	ERJ3GEYJ122	M.RESISTOR CH 1/16W	1.2K	1	R571	ERJ3GEYJ103	M.RESISTOR CH 1/16W	10K	1
R405	ERJ8GEYJ221	M.RESISTOR CH 1/8W	220	1	R572	ERJ3GEYJ153	M.RESISTOR CH 1/16W	15K	1
R406	ERJ3GEYJ222	M.RESISTOR CH 1/16W	2.2K	1	R573	ERJ3GEYJ154	M.RESISTOR CH 1/16W	150K	1
R407	ERJ12YJ270	M.RESISTOR CH 1/2W	270	1	R574-75	ERJ3GEYJ103	M.RESISTOR CH 1/16W	10K	2
R408	ERJ3GEYJ103	M.RESISTOR CH 1/16W	10K	1	R576	ERJ3GEYG472	M.RESISTOR CH 1/16W	4.7K	1
R409	ERJ8GEYJ101	M.RESISTOR CH 1/8W	100	1	R577	ERJ3GEYJ103	M.RESISTOR CH 1/16W	10K	1
R410	ERJ3GEYG152	M.RESISTOR CH 1/16W	1.5K	1	R578-79	ERJ3GEYJ272	M.RESISTOR CH 1/16W	2.7K	2
R411	ERJ3GEYJ103	M.RESISTOR CH 1/16W	10K	1	R580-81	ERJ3GEYJ330	M.RESISTOR CH 1/16W	33	2
R412	ERJ8GEYJ270	M.RESISTOR CH 1/8W	27	1	R582-83	ERJ3GEYG152	M.RESISTOR CH 1/16W	1.5K	2
R414	ERJ3GEYJ151	M.RESISTOR CH 1/16W	150	1	R584-85	ERJ3GEYJ103	M.RESISTOR CH 1/16W	10K	2
R415	ERJ8GEYJ101	M.RESISTOR CH 1/8W	100	1	R586	ERJ3GEYJ222	M.RESISTOR CH 1/16W	2.2K	1
R416	ERJ3GEYJ821	M.RESISTOR CH 1/16W	820	1	R587-90	ERJ3GEYG472	M.RESISTOR CH 1/16W	4.7K	4
R417	ERJ3GEYJ392	M.RESISTOR CH 1/16W	3.9K	1	R591	ERJ3GEYJ821	M.RESISTOR CH 1/16W	820	1
R418	ERJ3GEYJ122	M.RESISTOR CH 1/16W	1.2K	1	R592	ERJ3GEYJ470	M.RESISTOR CH 1/16W	47	1
R419	ERJ3GEYJ103	M.RESISTOR CH 1/16W	10K	1	R593	ERJ3GEYG472	M.RESISTOR CH 1/16W	4.7K	1
R421-22	ERJ3GEYJ563	M.RESISTOR CH 1/16W	56K	2	R594	ERJ3GEYJ151	M.RESISTOR CH 1/16W	150	1
R423-24	ERJ3GEYJ103	M.RESISTOR CH 1/16W	10K	2	R595	ERJ3GEYJ392	M.RESISTOR CH 1/16W	3.9K	1
R425-28	ERJ3GEYJ101	M.RESISTOR CH 1/16W	100	4	R596	ERJ3GEYJ182	M.RESISTOR CH 1/16W	1.8K	1
R501	ERJ3GEYJ103	M.RESISTOR CH 1/16W	10K	1	R597	ERJ3GEYG152	M.RESISTOR CH 1/16W	1.5K	1
R502	ERJ3GEYOROC	M.RESISTOR CH 1/16W	0	1	R598	ERJ3GEYJ182	M.RESISTOR CH 1/16W	1.8K	1
R503	ERJ3GEYJ221	M.RESISTOR CH 1/16W	220	1	R599	ERJ3GEYJ103	M.RESISTOR CH 1/16W	10K	1
R504	ERJ3GEYG682	M.RESISTOR CH 1/16W	6.8K	1	R600	ERJ3GEYJ100	M.RESISTOR CH 1/16W	10	1
R506	ERJ3GEYG102	M.RESISTOR CH 1/16W	1K	1	R601	ERJ3GEYJ222	M.RESISTOR CH 1/16W	2.2K	1
R507	ERJ3GEYG471	M.RESISTOR CH 1/16W	470	1	R602	ERJ3GEYJ104	M.RESISTOR CH 1/16W	100K	1
R508	ERJ3GEYJ123	M.RESISTOR CH 1/16W	12K	1	R603	ERJ3GEYJ392	M.RESISTOR CH 1/16W	3.9K	1
R509	ERJ3GEYG471	M.RESISTOR CH 1/16W	470	1	R604	ERJ3GEYJ122	M.RESISTOR CH 1/16W	1.2K	1
R510	ERJ3GEYJ123	M.RESISTOR CH 1/16W	12K	1	R605	ERJ8GEYJ221	M.RESISTOR CH 1/8W	220	1
R511	ERJ3GEYJ103	M.RESISTOR CH 1/16W	10K	1	R606	ERJ3GEYJ222	M.RESISTOR CH 1/16W	2.2K	1
R512	ERJ3GEYJ153	M.RESISTOR CH 1/16W	15K	1	R607	ERJ12YJ270	M.RESISTOR CH 1/2W	270	1
R513	ERJ3GEYJ154	M.RESISTOR CH 1/16W	150K	1	R608	ERJ3GEYJ103	M.RESISTOR CH 1/16W	10K	1
R514-15	ERJ3GEYJ103	M.RESISTOR CH 1/16W	10K	2	R609	ERJ8GEYJ101	M.RESISTOR CH 1/8W	100	1
R516	ERJ3GEYG472	M.RESISTOR CH 1/16W	4.7K	1	R610	ERJ3GEYG152	M.RESISTOR CH 1/16W	1.5K	1
R517	ERJ3GEYJ103	M.RESISTOR CH 1/16W	10K	1	R611	ERJ3GEYJ103	M.RESISTOR CH 1/16W	10K	1
R518-19	ERJ3GEYJ272	M.RESISTOR CH 1/16W	2.7K	2	R612	ERJ8GEYJ270	M.RESISTOR CH 1/8W	27	1
R520-21	ERJ3GEYJ330	M.RESISTOR CH 1/16W	33	2	R614	ERJ3GEYJ151	M.RESISTOR CH 1/16W	150	1
R522-23	ERJ3GEYG152	M.RESISTOR CH 1/16W	1.5K	2	R615	ERJ8GEYJ101	M.RESISTOR CH 1/8W	100	1
R524-25	ERJ3GEYJ103	M.RESISTOR CH 1/16W	10K	2	R616	ERJ3GEYJ821	M.RESISTOR CH 1/16W	820	1
R526	ERJ3GEYJ222	M.RESISTOR CH 1/16W	2.2K	1	R617	ERJ3GEYJ392	M.RESISTOR CH 1/16W	3.9K	1
R527-30	ERJ3GEYG472	M.RESISTOR CH 1/16W	4.7K	4	R618	ERJ3GEYJ122	M.RESISTOR CH 1/16W	1.2K	1
R531	ERJ3GEYJ821	M.RESISTOR CH 1/16W	820	1	R619	ERJ3GEYJ103	M.RESISTOR CH 1/16W	10K	1
R532	ERJ3GEYJ470	M.RESISTOR CH 1/16W	47	1	R621-22	ERJ3GEYJ563	M.RESISTOR CH 1/16W	56K	2
R533	ERJ3GEYG472	M.RESISTOR CH 1/16W	4.7K	1	R623-24	ERJ3GEYJ103	M.RESISTOR CH 1/16W	10K	2
R534	ERJ3GEYJ151	M.RESISTOR CH 1/16W	150	1	R625-28	ERJ3GEYJ101	M.RESISTOR CH 1/16W	100	4
R535	ERJ3GEYJ392	M.RESISTOR CH 1/16W	3.9K	1					
R536	ERJ3GEYJ182	M.RESISTOR CH 1/16W	1.8K	1	RY101	VSY2069	RELAY		1
R537	ERJ3GEYG152	M.RESISTOR CH 1/16W	1.5K	1					
R538	ERJ3GEYJ182	M.RESISTOR CH 1/16W	1.8K	1	TG101	VJRO646	TEST POINT		1
R539	ERJ3GEYJ103	M.RESISTOR CH 1/16W	10K	1	TG301	VJRO646	TEST POINT		1
R540	ERJ3GEYJ100	M.RESISTOR CH 1/16W	10	1	TG501	VJRO646	TEST POINT		1
R541	ERJ3GEYJ222	M.RESISTOR CH 1/16W	2.2K	1					
R542	ERJ3GEYJ104	M.RESISTOR CH 1/16W	100K	1	TP301-04	EYF6CU	TEST POINT		4
R543	ERJ3GEYJ392	M.RESISTOR CH 1/16W	3.9K	1	TP501-04	EYF6CU	TEST POINT		4
R544	ERJ3GEYJ122	M.RESISTOR CH 1/16W	1.2K	1					
R545	ERJ8GEYJ221	M.RESISTOR CH 1/8W	220	1			MISCELLANEOUS		
R546	ERJ3GEYJ222	M.RESISTOR CH 1/16W	2.2K	1					
R547	ERJ12YJ270	M.RESISTOR CH 1/2W	270	1		VMP4891	RF HOLDER ANGLE		1
R548	ERJ3GEYJ103	M.RESISTOR CH 1/16W	10K	1		VSC4385	RF SHIELD CASE (UPPER)		1
R549	ERJ8GEYJ101	M.RESISTOR CH 1/8W	100	1		VSC4386	RF SHIELD CASE (MIDDLE)		1

AJ-D950P  
VEP85165A / VEP80991A / VEP83224A

Ref.No.	Part No.	Part Name & Description	Pcs	Remarks	Ref.No.	Part No.	Part Name & Description	Pcs	Remarks
	XTV3+6FFR	SCREW	2		J17-18	VJP3414A025	CONNECTOR (MALE)	2	
	VSC4437	RF SHIELD CASE (LOWER)	1		L1	VLQEL05F101	COIL 100UH	1	
	VMZ2588	RF BARRIER	1		P1	VJP3375A060	CONNECTOR (MALE)	1	
	VSC4705	SHIELD CASE (A)	1		Q1	2SA1022-B	TRANSISTOR	1	(B)
	VSC4706	SHIELD CASE (B)	1		Q2	2SC2295-B	TRANSISTOR	1	
					Q3	2SA1022-B	TRANSISTOR	1	(B)
i	VEP80991A	AC HEAD I/F P.C.BOARD	1	(RTL)	Q4	2SC2295-B	TRANSISTOR	1	
					Q5	2SA1022-B	TRANSISTOR	1	(B)
P1	VJP2278	CONNECTOR (MALE)	1		Q6	2SC2295-B	TRANSISTOR	1	
P2	VJP1881T	CONNECTOR (MALE)	1		Q7	2SA1022-B	TRANSISTOR	1	(B)
					Q8	2SC2295-B	TRANSISTOR	1	
					Q9	2SA1022-B	TRANSISTOR	1	(B)
					Q10	2SC2295-B	TRANSISTOR	1	
i	VEP83224A	V/S JACK P.C.BOARD	1	(RTL)	Q11	2SB709A-R	TRANSISTOR	1	
					Q12-13	2SD601A-R	TRANSISTOR	2	
C1-C2	ECUM1E104Z	ECAPACITOR CH 25V 0.1U	2		Q14	2SB709A-R	TRANSISTOR	1	
C4	ECA1CXS470	E.CAPACITOR 16V 47U	1		Q15-16	2SD601A-R	TRANSISTOR	2	
C5-C6	ECUM1E104Z	ECAPACITOR CH 25V 0.1U	2		Q17	2SB709A-R	TRANSISTOR	1	
C8	ECA1CXS470	E.CAPACITOR 16V 47U	1		Q18-19	2SD601A-R	TRANSISTOR	2	
C9-10	ECUM1E104Z	ECAPACITOR CH 25V 0.1U	2		Q20	2SB709A-R	TRANSISTOR	1	
C11	ECUX1H270J0	ECAPACITOR CH 50V 27P	1		Q21-22	2SD601A-R	TRANSISTOR	2	
C12-13	ECUM1E104Z	ECAPACITOR CH 25V 0.1U	2		Q23	2SB709A-R	TRANSISTOR	1	
C14	ECUX1H270J0	ECAPACITOR CH 50V 27P	1		Q24-25	2SD601A-R	TRANSISTOR	2	
C15-16	ECUM1E104Z	ECAPACITOR CH 25V 0.1U	2		Q26	2SB709A-R	TRANSISTOR	1	
C17	ECUX1H270J0	ECAPACITOR CH 50V 27P	1		Q27-28	2SD601A-R	TRANSISTOR	2	
C18-19	ECUM1E104Z	ECAPACITOR CH 25V 0.1U	2		Q201-12	UN2214	TRANSISTOR-RESISTOR	12	
C20	ECUX1H270J0	ECAPACITOR CH 50V 27P	1		R1	ERJ6RED750	M.RESISTOR CH 1/10W 75	1	
C21-22	ECUM1E104Z	ECAPACITOR CH 25V 0.1U	2		R2	ERJ6GEYG470	M.RESISTOR CH 1/10W 47	1	
C23	ECUX1H270J0	ECAPACITOR CH 50V 27P	1		R3	ERJ6GEYJ334	M.RESISTOR CH 1/10W 330K	1	
C24-25	ECUM1E104Z	ECAPACITOR CH 25V 0.1U	2		R4	ERJ6GEYG332	M.RESISTOR CH 1/10W 3.3K	1	
C26	ECUX1H270J0	ECAPACITOR CH 50V 27P	1		R5-R6	ERJ6GEYG470	M.RESISTOR CH 1/10W 47	2	
C27	ECUM1E104Z	ECAPACITOR CH 25V 0.1U	1		R7	ERJ6GEYG102	M.RESISTOR CH 1/10W 1K	1	
C28-29	ECA1CXS470	E.CAPACITOR 16V 47U	2		R8	ERJ6GEYG330	M.RESISTOR CH 1/10W 33	1	
C30	ECUM1E104Z	ECAPACITOR CH 25V 0.1U	1		R9	ERJ6RED750	M.RESISTOR CH 1/10W 75	1	
C31-32	ECA1CXS470	E.CAPACITOR 16V 47U	2		R10	ERJ6GEYG470	M.RESISTOR CH 1/10W 47	1	
C33-38	ECUM1H101J0	ECAPACITOR CH 50V 100P	6		R11	ERJ6GEYJ334	M.RESISTOR CH 1/10W 330K	1	
C50-51	ECUM1E104Z	ECAPACITOR CH 25V 0.1U	2		R12	ERJ6GEYG332	M.RESISTOR CH 1/10W 3.3K	1	
C203	ECUM1H331J0	ECAPACITOR CH 50V 330P	1		R13-14	ERJ6GEYG470	M.RESISTOR CH 1/10W 47	2	
C204-27	ECUM1H102J0	ECAPACITOR CH 50V 100P	24		R15	ERJ6GEYG102	M.RESISTOR CH 1/10W 1K	1	
C240-42	ECA1CXS100	E.CAPACITOR 16V 10U	3		R16	ERJ6GEYG330	M.RESISTOR CH 1/10W 33	1	
C243	ECA1CXS470	E.CAPACITOR 16V 47U	1		R17	ERJ6RED750	M.RESISTOR CH 1/10W 75	1	
C244	ECUM1E104Z	ECAPACITOR CH 25V 0.1U	1		R18	ERJ6GEYG470	M.RESISTOR CH 1/10W 47	1	
C250-57	ECUM1E104Z	ECAPACITOR CH 25V 0.1U	8		R19	ERJ6GEYJ334	M.RESISTOR CH 1/10W 330K	1	
D1-D5	MA152K	DIODE	5		R20	ERJ6GEYG332	M.RESISTOR CH 1/10W 3.3K	1	
D6-11	MA3130-L	DIODE	6		R21-22	ERJ6GEYG470	M.RESISTOR CH 1/10W 47	2	
D201-02	MA152K	DIODE	2		R23	ERJ6GEYG102	M.RESISTOR CH 1/10W 1K	1	
IC1	NJM78L09UA	IC	1		R24	ERJ6GEYG330	M.RESISTOR CH 1/10W 33	1	
IC2	NJM79L09UA	IC	1		R25	ERJ6RED750	M.RESISTOR CH 1/10W 75	1	
IC3	NJM78L09UA	IC	1		R26	ERJ6GEYG470	M.RESISTOR CH 1/10W 47	1	
IC4	NJM79L09UA	IC	1		R27	ERJ6GEYJ334	M.RESISTOR CH 1/10W 330K	1	
IC5	NJM78L09UA	IC	1		R28	ERJ6GEYG332	M.RESISTOR CH 1/10W 3.3K	1	
IC6	NJM79L09UA	IC	1		R29-30	ERJ6GEYG470	M.RESISTOR CH 1/10W 47	2	
IC201-02	MC14021BF	IC	2		R31	ERJ6GEYG102	M.RESISTOR CH 1/10W 1K	1	
IC203	SN74S1051NS	IC	1		R32	ERJ6GEYG330	M.RESISTOR CH 1/10W 33	1	
IC205-06	MC14094BF	IC	2		R33	ERJ6RED750	M.RESISTOR CH 1/10W 75	1	
IC207	MC14050BF	IC	1		R34	ERJ6GEYG470	M.RESISTOR CH 1/10W 47	1	
IC208	MC14049UBF	IC	1		R35	ERJ6GEYJ334	M.RESISTOR CH 1/10W 330K	1	
IC209	NJM78L09UA	IC	1		R36	ERJ6GEYG332	M.RESISTOR CH 1/10W 3.3K	1	
IC210	NJM79L09UA	IC	1		R37-38	ERJ6GEYG470	M.RESISTOR CH 1/10W 47	2	
J1-J2	VJS3902	CONNECTOR (FEMALE)	2		R39	ERJ6GEYG102	M.RESISTOR CH 1/10W 1K	1	
J3	VJS3901	CONNECTOR (FEMALE)	1		R40	ERJ6GEYG330	M.RESISTOR CH 1/10W 33	1	
J4-J5	VJS3902	CONNECTOR (FEMALE)	2		R41-42	ERJ6GEYG222	M.RESISTOR CH 1/10W 2.2K	2	
J14-15	VJP3414A009	CONNECTOR (MALE)	2		R43	ERJ6GEYG470	M.RESISTOR CH 1/10W 47	1	
J16	VJP3414A015	CONNECTOR (MALE)	1		R44	ERJ6GEYG222	M.RESISTOR CH 1/10W 2.2K	1	
					R45-46	ERJ6GEYG221	M.RESISTOR CH 1/10W 2.2K	2	
					R47	ERJ6RED750	M.RESISTOR CH 1/10W 75	1	
					R48-50	ERJ6GEYG222	M.RESISTOR CH 1/10W 2.2K	3	
					R51	ERJ6GEYG470	M.RESISTOR CH 1/10W 47	1	
					R52	ERJ6GEYG222	M.RESISTOR CH 1/10W 2.2K	1	
					R53-54	ERJ6GEYG221	M.RESISTOR CH 1/10W 2.2K	2	
					R55	ERJ6RED750	M.RESISTOR CH 1/10W 75	1	

AJ-D950P  
VEP83224A / VEP81183A

Ref.No.	Part No.	Part Name & Description	Pcs	Remarks	Ref.No.	Part No.	Part Name & Description	Pcs	Remarks
R56-58	ERJ6GEYG22	M.RESISTOR CH 1/10W 2.2K	3		D1101	RBV606	DIODE	1	
R59	ERJ6GEYG47C	M.RESISTOR CH 1/10W 47	1		D1102	TM1661S-L	DIODE	1	
R60	ERJ6GEYG22	M.RESISTOR CH 1/10W 2.2K	1		D1103	U1GU44	DIODE	1	
R61-62	ERJ6GEYG22	M.RESISTOR CH 1/10W 2.2K	2		D1104	FML-36S	DIODE	1	
R63	ERJ6RED750	M.RESISTOR CH 1/10W 75	1		D1105-06	ERA15-08	DIODE	2	
R64-66	ERJ6GEYG22	M.RESISTOR CH 1/10W 2.2K	3		D1107-08	MA3200-M	DIODE	2	
R67	ERJ6GEYG47C	M.RESISTOR CH 1/10W 47	1		D1110	MA151K	DIODE	1	
R68	ERJ6GEYG22	M.RESISTOR CH 1/10W 2.2K	1		D1111-13	U1GU44	DIODE	3	
R69-70	ERJ6GEYG22	M.RESISTOR CH 1/10W 2.2K	2		D1114-15	MA3068-M	DIODE	2	
R71	ERJ6RED750	M.RESISTOR CH 1/10W 75	1		D1116	MA3200-M	DIODE	1	
R72-74	ERJ6GEYG22	M.RESISTOR CH 1/10W 2.2K	3		D1117	MA151K	DIODE	1	
R75	ERJ6GEYG47C	M.RESISTOR CH 1/10W 47	1						
R76	ERJ6GEYG22	M.RESISTOR CH 1/10W 2.2K	1		IC1101	MC33262P	IC	1	
R77-78	ERJ6GEYG22	M.RESISTOR CH 1/10W 2.2K	2		IC1102	M51945BL	IC	1	
R79	ERJ6RED750	M.RESISTOR CH 1/10W 75	1		IC1103	M51953BL	IC	1	
R80-82	ERJ6GEYG22	M.RESISTOR CH 1/10W 2.2K	3						
R83	ERJ6GEYG47C	M.RESISTOR CH 1/10W 47	1		▲ L1101	ELF18D850C	FILTER	1	
R84	ERJ6GEYG22	M.RESISTOR CH 1/10W 2.2K	1		▲ L1102-03	ELF18D604B	FILTER	2	
R85-86	ERJ6GEYG22	M.RESISTOR CH 1/10W 2.2K	2		L1105	VLQ0820	COIL	1	
R87	ERJ6RED750	M.RESISTOR CH 1/10W 75	1						
R88	ERJ6GEYG22	M.RESISTOR CH 1/10W 2.2K	1		P1101	VJP2638	CONNECTOR (MALE)	1	
R201-02	ERJ6GEYG682	M.RESISTOR CH 1/10W 6.8K	2		P1102-03	VJP2639	CONNECTOR (MALE)	2	
R203	ERJ6GEYG103	M.RESISTOR CH 1/10W 10K	1		P1104	VJP4033	CONNECTOR (MALE)	1	
R204	ERJ6GEYG474	M.RESISTOR CH 1/10W 470K	1						
R205	ERJ6GEYG103	M.RESISTOR CH 1/10W 10K	1						
R206	ERJ6GEYG474	M.RESISTOR CH 1/10W 470K	1		Q1101-02	2SK1941-01R	TRANSISTOR	2	
R207	ERJ6GEYG223	M.RESISTOR CH 1/10W 22K	1		Q1105	UN2213	TRANSISTOR-RESISTOR	1	
R208	ERJ6GEYG101	M.RESISTOR CH 1/10W 100	1						
R209-32	ERJ6GEYG103	M.RESISTOR CH 1/10W 10K	24		▲ R1101	ERC12GM334	S.RESISTOR 1/2W 330K	1	
R241	ERJ6GEYG103	M.RESISTOR CH 1/10W 10K	1		▲ R1102-03	ERU5TEJ100	F.RESISTOR 5W 10	2	
R242	ERJ6GEYG474	M.RESISTOR CH 1/10W 470K	1		R1104	ERJ6GEYG103	M.RESISTOR CH 1/10W 10K	1	
R243	ERJ6GEYF473	M.RESISTOR CH 1/10W 47K	1		R1105-06	ERG2SJ220E	M.RESSISTOR 2W 22	2	
▲ R244	ERO12HJ2R7	F.RESISTOR 1/2W 2.7	1		R1107	VRE0206	M.RESISTOR	1	
R251-55	ERJ6GEYOROC	M.RESISTOR CH 1/10W	5		R1108	ERJ14YJ100	M.RESISTOR CH 1/4W 10	1	
					R1109	ERJ14YJ220	M.RESISTOR CH 1/4W 22	1	
SW1-W2	VSS0307	SWITCH	2		R1110	ERJ14YJ100	M.RESISTOR CH 1/4W 10	1	
		MISCELLANEOUS			R1111	ERJ14YJ220	M.RESISTOR CH 1/4W 22	1	
					R1112	ERJ14YJ100	M.RESISTOR CH 1/4W 10	1	
	VMP4865	VIDEO I/O ANGLE	1		R1113	ERJ12YJ473	M.RESISTOR CH 1/2W 47K	1	
	VMP4866	D SUB ANGLE	1		R1114	ERJ6GEYF123	M.RESISTOR CH 1/10W 12K	1	
	VXQ0102	SCREW	10		R1115-16	ERJ6GEYG221	M.RESISTOR CH 1/10W 220	2	
	XTN26+6FFZ	SCREW	4		R1117-18	ERG3SJ333U	M.RESSISTOR 3W 33K	2	
	XTN3+10JFZ	SCREW	5		R1119	ERJ6RBD273	M.RESISTOR CH 1/10W 27K	1	
	XYE3+EF8	SCREW	2		R1120	ERJ6RBD183	M.RESISTOR CH 1/10W 18K	1	
					R1122	ERJ12YJ473	M.RESISTOR CH 1/2W 47K	1	
					R1123	ERJ14YJ474	M.RESISTOR CH 1/4W 470K	1	
					R1125	ERJ6GEYOROC	M.RESISTOR CH 1/10W	0	
					R1127	ERJ6GEYOROC	M.RESISTOR CH 1/10W	0	
					R1129	ERJ14YJ474	M.RESISTOR CH 1/4W 470K	1	
					R1130	ERJ6GEYG562	M.RESISTOR CH 1/10W 5.6K	1	
					R1131	ERJ6GEYG221	M.RESISTOR CH 1/10W 220	1	
	VEP81183A	POWER 1 P.C.BOARD	1 (RTL)		R1132	ERJ6GEYG47C	M.RESISTOR CH 1/10W 47	1	
					R1133	ERJ6GEYG390	M.RESISTOR CH 1/10W 39	1	
					R1134-35	ERJ14YJ224	M.RESISTOR CH 1/4W 220K	2	
▲ C1101	ECQU2A224M	M.CAPACITOR 100V 0.22U	1		R1136	ERJ14YJ154	M.RESISTOR CH 1/4W 150K	1	
C1102-03	VCKO262K47	M.CAPACITOR 470P	2		R1137	ERJ6RBD103	M.RESISTOR CH 1/10W 10K	1	
▲ C1104	ECQU2A474M	M.CAPACITOR 100V 0.47U	1		R1138	ERJ6GEYF472	M.RESISTOR CH 1/10W 47K	1	
C1105-06	VCKO262K10	M.CAPACITOR 100P	2		R1139-41	ERJ12YJ154	M.RESISTOR CH 1/2W 150K	3	
▲ C1107-08	VCKO260M15	M.CAPACITOR 1500P	2		R1142	ERJ6RBD272	M.RESISTOR CH 1/10W 27K	1	
▲ C1109	VCKO260M10	M.CAPACITOR 1000P	1		R1143-44	ERJ12YJ224	M.RESISTOR CH 1/2W 220K	2	
C1110-11	ECUM1H104Z	M.CAPACITOR CH 50V 0.1U	2		R1145	ERJ6GEYG103	M.RESISTOR CH 1/10W 10K	1	
C1112	VCKO293	CAPACITOR	1		R1146	VRT0149	THERMISTOR	1	
C1115-16	VCKO106K47	C.CAPACITOR	2		R1147	ERG2SJ471E	M.RESSISTOR 2W 470	1	
C1117-18	ECEC2WB151	M.CAPACITOR 450V 150U	2		R1148-50	ERJ12YJ154	M.RESISTOR CH 1/2W 150K	3	
C1119-20	VCKO106K47	C.CAPACITOR	2		R1151	ERJ6RBD223	M.RESISTOR CH 1/10W 22K	1	
C1121	ECA1HXLV10C	E.CAPACITOR 50V 10U	1		R1153-54	ERJ12YJ473	M.RESISTOR CH 1/2W 47K	2	
C1124-25	ECUM1E474Z	M.CAPACITOR CH 25V 0.47U	2		R1155-56	ERJ6GEYG103	M.RESISTOR CH 1/10W 10K	2	
C1126	ECUM1H102K	M.CAPACITOR CH 50V 1000P	1		R1158	ERJ6GEYOROC	M.RESISTOR CH 1/10W	0	
C1127	ECOV1H684JF	P.CAPACITOR 50V 0.68U	1		R1159	ERJ6GEYG104	M.RESISTOR CH 1/10W 100K	1	
C1128	ECA1HFQ101	E.CAPACITOR 50V 100U	1		R1160	ERJ6RED224	M.RESISTOR CH 1/10W 220K	1	
C1129	ECUM1H103K	M.CAPACITOR CH 50V 0.01U	1		R1161	ERJ6RBD104	M.RESISTOR CH 1/10W 100K	1	
C1130	ECUM1H104Z	M.CAPACITOR CH 50V 0.1U	1		R1162	ERJ6RED334	M.RESISTOR CH 1/10W 330K	1	
C1131	ECQF6222JZ	P.CAPACITOR 2200P	1		R1163	ERJ6GEYG474	M.RESISTOR CH 1/10W 470K	1	
C1132-33	ECUM1H104Z	M.CAPACITOR CH 50V 0.1U	2		R1165	ERJ6GEYG273	M.RESISTOR CH 1/10W 27K	1	
C1134	ECUM1H472K	M.CAPACITOR CH 50V 4700P	1		R1166	ERJ6GEYG153	M.RESISTOR CH 1/10W 15K	1	

AJ-D950P  
VEP81183A / VEP81184A

Ref.No.	Part No.	Part Name & Description	Pcs	Remarks	Ref.No.	Part No.	Part Name & Description	Pcs	Remarks
VR1102	VRV0109B50	V.RESISTOR	500	1	D1004	MA151K	DIODE	1	
		MISCELLANEOUS			D1005	MA151WK	DIODE	1	
▲	VMZ0965	CAPACITOR COVER	3		D1007	MA3082-H	DIODE	1	
▲	VMZ1608	CAPACITOR COVER	4		D1008	MA3051-M	DIODE	1	
	VSC4708	HEAT SINK (A)	1		D1009	MA153	DIODE	1	
	XYE3+EF8	SCREW	2		D1010	U1GU44	DIODE	1	
	XYN3+F6FZS	SCREW	1		D1011	MA151K	DIODE	1	
	XYN3+F8FZS	SCREW	5		D1012	MA3240-H	DIODE	1	
	XYN3+F10	SCREW	1		D1013-14	U1GU44	DIODE	2	
	VJR1008	GND LUG	3		D1015	MA3240-H	DIODE	1	
					D1016	FMB-G14L	DIODE	1	
					D1017	U1GU44	DIODE	1	
					D1018-19	MA3051-M	DIODE	2	
					D1020-22	MA151K	DIODE	3	
					D1023-24	MA3051-M	DIODE	2	
					D1030	D30SC4M	DIODE	1	
					D1031	FML-G12SP	DIODE	1	
	VEP81184A	POWER 2 P.C.BOARD	1 (RTL)		D1032	RL4Z	DIODE	1	
					D1033-34	FML-G12SP	DIODE	2	
C1004-07	ECUM1H104Z	ECAPACITOR CH 50V 0.1U	4		D1035	FMB-G14L	DIODE	1	
C1008	ECUM1H222K	ECAPACITOR CH 50V 2200P	1		D1036	FML-G12SP	DIODE	1	
C1009-10	ECA1HXLV220	E.CAPACITOR 50V 22U	2		D1037-38	MA3075-M	DIODE	2	
C1011	ECA1HXLV010	E.CAPACITOR 50V 1U	1		D1039	MA3240-H	DIODE	1	
C1012	ECUM1H332K	ECAPACITOR CH 50V 3300P	1		D1040	MA3160-L	DIODE	1	
C1013	ECA1HXLV010	E.CAPACITOR 50V 1U	1		D1041-42	MA3130-L	DIODE	2	
C1015	ECUM1H332K	ECAPACITOR CH 50V 3300P	1		D1043	MA3160-L	DIODE	1	
C1016	ECHU1H471G	ECAPACITOR 50V 470P	1		D1044-45	U05NU44	DIODE	2	
C1017	ECUM1H104Z	ECAPACITOR CH 50V 0.1U	1		D1046	AP01C	DIODE	1	
C1018	ECUM1E104K	ECAPACITOR CH 25V 0.1U	1		D1047	U1GU44	DIODE	1	
C1019	ECUM1H562K	ECAPACITOR CH 50V 5600P	1		D1048	MA3240-H	DIODE	1	
C1020	ECUM1H104Z	ECAPACITOR CH 50V 0.1U	1		D1049	AP01C	DIODE	1	
C1021	ECHU1H471G	ECAPACITOR 50V 470P	1		D1050	U1GU44	DIODE	1	
C1022	ECUM1H562K	ECAPACITOR CH 50V 5600P	1		D1051	MA3240-H	DIODE	1	
C1023	ECUM1E104K	ECAPACITOR CH 25V 0.1U	1		D1052	MA151K	DIODE	1	
C1024	ECUM1H104Z	ECAPACITOR CH 50V 0.1U	1		IC1001-02	FA5311BP	IC	2	
C1026	ECUM1E474Z	ECAPACITOR CH 25V 0.47U	1		IC1011-12	UPC1093J	IC	2	
C1027-28	ECUM1H104Z	ECAPACITOR CH 50V 0.1U	2		IC1013	UPC393C	IC	1	
C1040-41	EEUFA1A332L	E.CAPACITOR 10V 3300U	2		IC1014	PQ30RV31	IC	1	
C1042	EEUFA1V471E	E.CAPACITOR 35V 470U	1		L1012	VLQ0479	COIL	1	
C1043	EEUFA1E332E	E.CAPACITOR 25V 3300U	1		L1013	VLQ0605	COIL	1	
C1044-45	EEUFA1C222L	E.CAPACITOR 16V 2200P	2		L1014	VLQ0655K22	COIL 220UH	1	
C1046	EEUFA1E681E	E.CAPACITOR 25V 680P	1		L1015-16	VLQ0605	COIL	2	
C1047-48	ECA1CXL101	E.CAPACITOR 16V 100U	2		L1017	VLQ0354	COIL	1	
C1049	ECA1VHG471E	E.CAPACITOR 35V 470U	1		L1018	VLQ0655K22	COIL 220UH	1	
C1050	ECA1EXLV101	E.CAPACITOR 25V 100U	1		L1019	VLPO074	COIL	1	
C1051-53	ECA1CXL101	E.CAPACITOR 16V 100U	3		L1021-22	VLPO074	COIL	2	
C1054	ECUM1E104K	ECAPACITOR CH 25V 0.1U	1		P1011	VJP2824B003	CONNECTOR (MALE)	1	
C1055	ECUM1H104Z	ECAPACITOR CH 50V 0.1U	1		P1012	VJP2824B009	CONNECTOR (MALE)	1	
C1056	ECUM1E104K	ECAPACITOR CH 25V 0.1U	1		P1013	VJP2824B008	CONNECTOR (MALE)	1	
C1059	ECUM1H104Z	ECAPACITOR CH 50V 0.1U	1		P1014	VJP1243T	CONNECTOR (MALE)	3F	
C1060	ECUM1H121J	ECAPACITOR CH 50V 120P	1		P1015	VJP4033	CONNECTOR (MALE)	1	
C1062	VCKO106K22	C.CAPACITOR 220P	1		Q1002-03	2SD1478-R	TRANSISTOR	2	
C1063	ECA1VXLV470	E.CAPACITOR 35V 47U	1		Q1004	2SB710-R	TRANSISTOR	1	
C1065	VCKO106K22	C.CAPACITOR 220P	1		Q1005	UN2213	TRANSISTOR-RESISTOR	1	
C1066	ECA1VXLV470	E.CAPACITOR 35V 47U	1		Q1006-07	2SB709-R	TRANSISTOR	2	
C1067-68	VCKO106K102	C.CAPACITOR 1000P	2		Q1011-12	2SK2677	TRANSISTOR	2	
C1069-75	ECKD2H101K	C.CAPACITOR 500V 100F	7		▲ Q1013-15	PS2561L1V1W	TRANSISTOR	3	
C1076-78	EEUFA1A822E	E.CAPACITOR 10V 8200P	3		Q1017	UN2214	TRANSISTOR-RESISTOR	1	
C1079	ECUM1H121J	ECAPACITOR CH 50V 120P	1		Q1018	UN2211	TRANSISTOR-RESISTOR	1	
C1080-81	ECUM1H222K	ECAPACITOR CH 50V 2200P	2		Q1019	UN2111	TRANSISTOR-RESISTOR	1	
C1083	ECUM1H104Z	ECAPACITOR CH 50V 0.1U	1		▲ Q1020	PS2561L1V1W	TRANSISTOR	1	
C1085	EEUFA1C222L	E.CAPACITOR 16V 2200P	1		Q1022	UN2113	TRANSISTOR-RESISTOR	1	
C1086	ECUM1H102K	ECAPACITOR CH 50V 1000P	1		Q1023	UN2213	TRANSISTOR-RESISTOR	1	
C1087	ECUM1H104Z	ECAPACITOR CH 50V 0.1U	1		Q1024	UN2214	TRANSISTOR-RESISTOR	1	
C1088	EEUFA1A822E	E.CAPACITOR 10V 8200P	1		R1001-05	ERJ6GEYG121	M.RESISTOR CH 1/10W 120	5	
C1089	ECA1HXS100	E.CAPACITOR 50V 10U	1		R1006	ERG2SJ681E	M.RESISTOR 2W 680	1	
C1090-93	ECUM1H104Z	ECAPACITOR CH 50V 0.1U	4		R1007-08	ERJ6GEYG105	M.RESISTOR CH 1/10W 1M	2	
C1094	ECUM1H102K	ECAPACITOR CH 50V 1000P	1		R1009	ERJ14YJ4R7	M.RESISTOR 1/4W 4.7	1	
C1095	ECUM1E474Z	ECAPACITOR CH 25V 0.47U	1		R1010	ERJ6GEYG104	M.RESISTOR CH 1/10W 100K	1	
C1096	ECA1CXL101	E.CAPACITOR 16V 100U	1		R1011	ERJ6RBD241	M.RESISTOR CH 1/10W 240	1	
C1097-98	ECUM1E474Z	ECAPACITOR CH 25V 0.47U	2						
C1099	ECUM1H104Z	ECAPACITOR CH 50V 0.1U	1						
D1001	MA151WK	DIODE	1						



## AJ-D950P

## VEP81184A / VEP80A58A / VEP82216A

Ref.No.	Part No.	Part Name & Description	Pcs	Remarks	Ref.No.	Part No.	Part Name & Description	Pcs	Remarks
R1012-13	ERJ6GEYG104	M.RESISTOR CH 1/10W 100K	2			VLP0336	FERRITE BEAD	11	
R1016	ERJ14YJ4R7	M.RESISTOR 1/4W 4.7	1			VLP0337	AMORPHOUS BEAD	2	
R1017	ERJ6RBD241	M.RESISTOR CH 1/10W 240	1			VSC4779	HEAT SINK (E)	1	
R1018-19	ERJ6GEYJ225	M.RESISTOR CH 1/10W 2.2M	2			VSC4778	HEAT SINK (F)	1	
R1020	ERJ14YJ100	M.RESISTOR CH 1/4W 10	1			XYN3+F8FZS	SCREW	16	
R1021	ERG3SJ333U	M.RESSITOR 3W 33K	1			XYN3+F6	SCREW	2	
R1023-24	ERJ12YJ154	M.RESISTOR CH 1/2W 150K	2			VJR1008	GND LUG	2	
R1026	ERJ6GEYG683	M.RESISTOR CH 1/10W 68K	1			XYE3+EF8	SCREW	4	
R1027	ERJ6GEYG563	M.RESISTOR CH 1/10W 56K	1			VSC4707	HEAT SINK	1	
R1028	ERJ6RBD472	M.RESISTOR CH 1/10W 4.7K	1			VMZ2779	INSULATION	1	
R1029	ERJ6GEYG221	M.RESISTOR CH 1/10W 220	1			VEEOC18	GND CABLE	1	
R1030	ERJ6RBD471	M.RESISTOR CH 1/10W 470	1			VSC4780	HEAT SINK (D)	1	
R1031	ERJ14YJ100	M.RESISTOR CH 1/4W 10	1						
R1033-34	ERJ12YJ154	M.RESISTOR CH 1/2W 150K	2						
R1036	ERJ6GEYG104	M.RESISTOR CH 1/10W 100K	1						
R1037	ERJ6RBD472	M.RESISTOR CH 1/10W 4.7K	1						
R1038	ERJ6GEYJ471	M.RESISTOR CH 1/10W 470	1						
R1039	ERJ6RBD681	M.RESISTOR CH 1/10W 680	1						
R1040-41	ERJ6GEYJ121	M.RESISTOR CH 1/10W 120	2		i	VEP80A58A	POWER CONNECTION P.C.B.	1	(RTL)
R1042	ERJ6GEYJ334	M.RESISTOR CH 1/10W 330K	1						
R1043	ERJ6RBD621	M.RESISTOR CH 1/10W 620	1				MISCELLANEOUS		
R1044	ERJ6RBD391	M.RESISTOR CH 1/10W 390	1						
R1045	ERJ6GEYF472	M.RESISTOR CH 1/10W 4.7K	1			VJS4033	6P CONNECTOR	2	
R1046-47	ERJ6GEYJ224	M.RESISTOR CH 1/10W 220K	2						
R1048-49	ERJ6GEYF473	M.RESISTOR CH 1/10W 47K	2						
R1050	ERG2SJ470	M.RESISTOR 2W 47	1						
R1051-52	ERJ6GEYG183	M.RESISTOR CH 1/10W 18K	2						
R1053	ERJ6RBD182	M.RESISTOR CH 1/10W 1.8K	1						
R1054	ERG2SJ470	M.RESISTOR 2W 47	1		i	VEP82216A	MECA I/F P.C.BOARD	1	(RTL)
R1055	VRT0142	THERMISTOR	1						
R1056	ERJ6GEYG331	M.RESISTOR CH 1/10W 330	1						
R1057	ERJ6GEYG103	M.RESISTOR CH 1/10W 10K	1		C1	ECUX1H561J0V	CAPACITOR CH 50V 560P	1	
R1058	ERJ6RBD362	M.RESISTOR CH 1/10W 3.6K	1		C2-C5	ECUX1H103K0V	CAPACITOR CH 50V 0.01U	4	
R1059	ERJ6RBD471	M.RESISTOR CH 1/10W 470	1		C6	ECEV1CV2200E	CAPACITOR CH 16V 22U	1	
R1060	ERJ6GEYG103	M.RESISTOR CH 1/10W 10K	1		C7	ECUX1H103K0V	CAPACITOR CH 50V 0.01U	1	
R1061	ERJ6GEYG104	M.RESISTOR CH 1/10W 100K	1		C8	ECEV1CV4700E	CAPACITOR CH 16V 47U	1	
R1062	VRT0142	THERMISTOR	1		C9-10	ECUX1E104ZF0C	CAPACITOR CH 25V 0.1U	2	
R1063	ERJ6GEYG221	M.RESISTOR CH 1/10W 220	1		C11	ECUX1H103K0V	CAPACITOR CH 50V 0.01U	1	
R1064-65	ERG2SJ681E	M.RESSITOR 2W 680	2		C12	ECUX1E104ZF0C	CAPACITOR CH 25V 0.1U	1	
R1066	ERJ6GEYG331	M.RESISTOR CH 1/10W 330	1		C13-14	ECEV1CV4700E	CAPACITOR CH 16V 47U	2	
R1067	ERJ6GEYG121	M.RESISTOR CH 1/10W 120	1		C15	ECUX1H103K0V	CAPACITOR CH 50V 0.01U	1	
R1068	ERJ6GEYG103	M.RESISTOR CH 1/10W 10K	1		C20	ECUX1H103K0V	CAPACITOR CH 50V 0.01U	1	
R1069	ERJ6RBD682	M.RESISTOR CH 1/10W 6.8K	1		C21	ECUX1E104ZF0C	CAPACITOR CH 25V 0.1U	1	
R1070	ERJ6RBD162	M.RESISTOR CH 1/10W 1.6K	1		C22	ECUX1H103K0V	CAPACITOR CH 50V 0.01U	1	
R1071	ERJ6GEYG103	M.RESISTOR CH 1/10W 10K	1		C23	ECUX1E104ZF0C	CAPACITOR CH 25V 0.1U	1	
R1072	ERG3SJ333U	M.RESSITOR 3W 33K	1		C100	ECUX1E104ZF0C	CAPACITOR CH 25V 0.1U	1	
R1073	ERG2SJ180	M.RESISTOR 2W 18	1		C101	ECEV1CV4700E	CAPACITOR CH 16V 47U	1	
R1074	ERJ14YJ220	M.RESISTOR CH 1/4W 22	1		C102	ECA1HEN101	E.CAPACITOR 50V 100U	1	
R1075	ERJ6GEYG104	M.RESISTOR CH 1/10W 100K	1		C103	ECUX1H103K0V	CAPACITOR CH 50V 0.01U	1	
R1076	ERW1PKR33	W.RESISTOR 1W 0.33	1		C104	ECEV1CV1000E	CAPACITOR CH 16V 10U	1	
R1077	ERG3SJ333U	M.RESSITOR 3W 33K	1		C200-02	ECUX1H101J0V	CAPACITOR CH 50V 100P	3	
R1078	ERG2SJ180	M.RESISTOR 2W 18	1						
R1079	ERJ14YJ220	M.RESISTOR CH 1/4W 22	1		D1	MA157	DIODE	1	
R1080	ERJ6GEYG104	M.RESISTOR CH 1/10W 100K	1		D100-02	MA738	DIODE	3	
R1081	ERW1PKR33	W.RESISTOR 1W 0.33	1						
R1082-83	ERJ6RBD103	M.RESISTOR CH 1/10W 10K	2		IC1-C2	OP177GS	IC	2	
R1084	ERJ6RBD132	M.RESISTOR CH 1/10W 1.3K	1		IC3	NJM4580ED	IC	1	
R1085-86	ERJ6RBD103	M.RESISTOR CH 1/10W 10K	2		IC4-C6	UPC4558G2	IC	3	
R1087	ERJ6GEYG103	M.RESISTOR CH 1/10W 10K	1		IC10	NJM78L09UA	IC	1	
R1088	VRE0206	M.RESISTOR	1		IC11	NJM79L09UA	IC	1	
R1090	ERJ6RBD122	M.RESISTOR CH 1/10W 1.2K	1		IC100	MC14538BF	IC	1	
R1091-92	ERJ6RBD103	M.RESISTOR CH 1/10W 10K	2						
R1093-94	ERJ6GEYG103	M.RESISTOR CH 1/10W 10K	2		L1-L2	VL1016A47C	FILTER	2	
R1095	ERX2SZJR10	M.RESISTOR 2W 0.1	1		L100	VLP0133	COIL	1	
R1097	ERJ6GEYG223	M.RESISTOR CH 1/10W 22K	1						
R1098	ERJ6GEYG103	M.RESISTOR CH 1/10W 10K	1		P1	VJP2891A030	CONNECTOR (MALE)	1	
R1099	ERG3SJ333U	M.RESSITOR 3W 33K	1		P2	VJP3418A080	CONNECTOR (MALE)	1	
▲ T1001	VLT0899	TRANSFORMER	1		P11	VJP3172D002	CONNECTOR (MALE)	1	
▲ T1002	VLT0900	TRANSFORMER	1		P12	VJP3172D005	CONNECTOR (MALE)	1	
					P13	VJP3172D002	CONNECTOR (MALE)	1	
VR1001-02	VRV0064B50	W.RESISTOR 500	2		P14	VJP3172D003	CONNECTOR (MALE)	1	
		MISCELLANEOUS			P15	VJP3518B002	CONNECTOR (MALE)	1	
					P16	VJP3518B003	CONNECTOR (MALE)	1	
					P17	VJS3801B010	CONNECTOR (FEMALE)	1	
					P18	VJP3518B002	CONNECTOR (MALE)	1	



AJ-D950P  
VEP80A52A / VEP80852A / VEP86263A

Ref.No.	Part No.	Part Name & Description	Pcs	Remarks	Ref.No.	Part No.	Part Name & Description	Pcs	Remarks
D18	LN31GPHL	LED	1						
D19	MA152K	DIODE	1		SW1	EVOQSB05G	SWITCH	1	
D20	MA142K	DIODE	1		SW2	EVOQS307K	SWITCH	1	
D21-28	LN31GPHL	LED	8				MISCELLANEOUS		
IC1	MC14050BF	IC	1						
IC2	MC14049UBF	IC	1			VGO2507	LED SPACER	19	
IC3-C5	MC14094BF	IC	3			VMX2147	SPACER	7	
P1	VJP1248T	CONNECTOR (MALE)	8F	1					
P2	VJP1246T	CONNECTOR (MALE)	6F	1					
Q1-18	2SD601A-R	TRANSISTOR	18						
R1-R2	ERJ6GEYG682	M.RESISTOR CH 1/10W 6.8K	2		i	VEP80852A	UP FRONT 2 P.C.BOARD	1	(RTL)
R3-R4	ERJ6GEYG103	M.RESISTOR CH 1/10W 10K	2						
R5-R6	ERJ6GEYG474	M.RESISTOR CH 1/10W 470K	2		D1	VLL0029	LED	1	
R7	ERJ6GEYG223	M.RESISTOR CH 1/10W 22K	1						
R8	ERJ6GEYG103	M.RESISTOR CH 1/10W 10K	1		P1	VJP1246T	CONNECTOR (MALE)	6F	1
R9	ERJ6GEYG474	M.RESISTOR CH 1/10W 470K	1						
R10	ERJ6GEYF473	M.RESISTOR CH 1/10W 47K	1		SW1	VSP0864C00	SWITCH	1	
R11	ERJ6GEYG103	M.RESISTOR CH 1/10W 10K	1						
R12	ERJ6GEYF473	M.RESISTOR CH 1/10W 47K	1						
R13-14	ERJ6GEYG181	M.RESISTOR CH 1/10W 180	2						
R15	ERJ6GEYG103	M.RESISTOR CH 1/10W 10K	1						
R16	ERJ6GEYF473	M.RESISTOR CH 1/10W 47K	1						
R17-18	ERJ6GEYG181	M.RESISTOR CH 1/10W 180	2		i	VEP86263A	FRONT CPU P.C.BOARD	1	(RTL)
R19	ERJ6GEYG103	M.RESISTOR CH 1/10W 10K	1						
R20	ERJ6GEYF473	M.RESISTOR CH 1/10W 47K	1						
R21-22	ERJ6GEYG181	M.RESISTOR CH 1/10W 180	2		C1	ECUM1H103K5	ENCAPACITOR CH 50V 0.01U	1	
R23	ERJ6GEYG103	M.RESISTOR CH 1/10W 10K	1		C2	ECEV1HV2R20E	ENCAPACITOR CH 50V 2.2U	1	
R24	ERJ6GEYF473	M.RESISTOR CH 1/10W 47K	1		C3	ECUM1H103K5	ENCAPACITOR CH 50V 0.01U	1	
R25-26	ERJ6GEYG181	M.RESISTOR CH 1/10W 180	2		C4-C5	ECUM1H100D	ENCAPACITOR CH 50V 10P	2	
R27	ERJ6GEYG103	M.RESISTOR CH 1/10W 10K	1		C6	ECUM1E104Z	ENCAPACITOR CH 25V 0.1U	1	
R28	ERJ6GEYF473	M.RESISTOR CH 1/10W 47K	1		C7-14	ECUM1H103K5	ENCAPACITOR CH 50V 0.01U	8	
R29-30	ERJ6GEYG181	M.RESISTOR CH 1/10W 180	2		C15	ECUM1E104Z	ENCAPACITOR CH 25V 0.1U	1	
R31	ERJ6GEYG103	M.RESISTOR CH 1/10W 10K	1		C16-17	ECUM1H103K5	ENCAPACITOR CH 50V 0.01U	2	
R32	ERJ6GEYF473	M.RESISTOR CH 1/10W 47K	1		C20-21	ECEV1CV4700E	ENCAPACITOR CH 16V 47U	2	
R33-34	ERJ6GEYG181	M.RESISTOR CH 1/10W 180	2		C22-25	ECUX1E104KE	ENCAPACITOR CH 25V 0.1U	4	
R35	ERJ6GEYG103	M.RESISTOR CH 1/10W 10K	1		C26-27	ECEV1CV4700E	ENCAPACITOR CH 16V 47U	2	
R36	ERJ6GEYF473	M.RESISTOR CH 1/10W 47K	1		C28-37	ECUM1H103K5	ENCAPACITOR CH 50V 0.01U	10	
R37-38	ERJ6GEYG181	M.RESISTOR CH 1/10W 180	2		C38-39	ECEV1CV4700E	ENCAPACITOR CH 16V 47U	2	
R39	ERJ6GEYG103	M.RESISTOR CH 1/10W 10K	1		C40-42	ECUM1E104Z	ENCAPACITOR CH 25V 0.1U	3	
R40	ERJ6GEYF473	M.RESISTOR CH 1/10W 47K	1		C43-47	ECUM1H103K5	ENCAPACITOR CH 50V 0.01U	5	
R41	ERJ6GEYG181	M.RESISTOR CH 1/10W 180	1		C48-51	ECUM1E104Z	ENCAPACITOR CH 25V 0.1U	4	
R42	ERJ6GEYG103	M.RESISTOR CH 1/10W 10K	1		C52-82	ECUM1H103K5	ENCAPACITOR CH 50V 0.01U	31	
R43	ERJ6GEYF473	M.RESISTOR CH 1/10W 47K	1		C84-86	ECUM1H221J	ENCAPACITOR CH 50V 220P	3	
R44	ERJ6GEYG181	M.RESISTOR CH 1/10W 180	1		C88-89	ECUM1H103K5	ENCAPACITOR CH 50V 0.01U	2	
R45	ERJ6GEYG103	M.RESISTOR CH 1/10W 10K	1						
R46	ERJ6GEYF473	M.RESISTOR CH 1/10W 47K	1		D1-D8	MA152WK	DIODE	8	
R47	ERJ6GEYG181	M.RESISTOR CH 1/10W 180	1						
R48	ERJ6GEYG103	M.RESISTOR CH 1/10W 10K	1		DP1	VEQ1847	DISPLAY TUBE	1	
R49	ERJ6GEYF473	M.RESISTOR CH 1/10W 47K	1						
R50	ERJ6GEYG181	M.RESISTOR CH 1/10W 180	1		FL1-L4	VLF1016A47C	FILTER	4	
R51	ERJ6GEYG103	M.RESISTOR CH 1/10W 10K	1						
R52	ERJ6GEYF473	M.RESISTOR CH 1/10W 47K	1		IC1	HD64180ZRP3C	IC	1	
R53	ERJ6GEYG181	M.RESISTOR CH 1/10W 180	1		IC2	VSI2685B	IC	1	
R54	ERJ6GEYG103	M.RESISTOR CH 1/10W 10K	1		IC3	K6256CLG7L	IC	1	
R55	ERJ6GEYF473	M.RESISTOR CH 1/10W 47K	1		IC4	TL7705CPSB	IC	1	
R56-58	ERJ6GEYG181	M.RESISTOR CH 1/10W 180	3		IC5	74F32SJ	IC	1	
R59	ERJ6GEYG103	M.RESISTOR CH 1/10W 10K	1		IC6	MC74HC161AF	IC	1	
R60	ERJ6GEYF473	M.RESISTOR CH 1/10W 47K	1		IC13	MC74HC04AF	IC	1	
R61	ERJ6GEYG181	M.RESISTOR CH 1/10W 180	1		IC14	TE7751	IC	1	
R62	ERJ6GEYG103	M.RESISTOR CH 1/10W 10K	1		IC15	MC74HC138AF	IC	1	
R63	ERJ6GEYF473	M.RESISTOR CH 1/10W 47K	1		IC16	MC74HC32AF	IC	1	
R64	ERJ6GEYG181	M.RESISTOR CH 1/10W 180	1		IC17	SN75C1168NS	IC	1	
R65	ERJ6GEYG103	M.RESISTOR CH 1/10W 10K	1		IC18	MC74HC4538AF	IC	1	
R66	ERJ6GEYF473	M.RESISTOR CH 1/10W 47K	1		IC20-21	NJM78L05UA	IC	2	
R67	ERJ6GEYG181	M.RESISTOR CH 1/10W 180	1		IC22	MC14015BF	IC	1	
R68	ERJ6GEYG103	M.RESISTOR CH 1/10W 10K	1		IC23	UPC339G2	IC	1	
R69	ERJ6GEYF473	M.RESISTOR CH 1/10W 47K	1		IC24	MC74HC04AF	IC	1	
R70-71	ERJ6GEYG181	M.RESISTOR CH 1/10W 180	2		IC25	MC74HC11F	IC	1	
R72	ERJ6GEYG103	M.RESISTOR CH 1/10W 10K	1		IC26	MC14013BF	IC	1	
R73	ERJ6GEYF473	M.RESISTOR CH 1/10W 47K	1		IC27	UPD71055GB	IC	1	
R74-75	ERJ6GEYG181	M.RESISTOR CH 1/10W 180	2		IC28-29	MC14516BF	IC	2	





## 4. ELECTRICAL ADJUSTMENTS

### 4-1. SERVICE MODE

SERVO and RF EQ Adjustments Service Menus and Error rate display are activated in the Service Mode. Service Mode is protected to avoid the miss-operation, to open it the following procedures are necessary.

#### 1 Service Mode and Service Menu setting procedures

1. Set the LOCAL/REMOTE SW to LOCAL.
2. Set the DIP SW1 on the rear of the front panel to ON.
3. Press the MENU button on the bottom of the front panel and confirm that the Service Menu is displayed on the TV monitor.(Video Out 3)
4. Rotate the search dial and select the item.
5. While holding down the search button, rotate the search dial to change the adjustment data.
6. The adjustment data is changed.

#### 2 Displaying the Error Rate

The Error Rate is displayed on the Audio Meter in the Service Mode

- 1.Place the unit in the Service Mode.
- 2.Set the error display mode according to the confirmation contents with following switches.

SW	MODE	
FRONT CF SW	2F : The error rate is not displayed.	4F/8F : The error rate is displayed.
FRONT TC SW	INT : VIDEO Error rate	EXT : AUDIO Error rate

## 4-2. SERVO

### 4-2-1. Motor Torque Adjustment

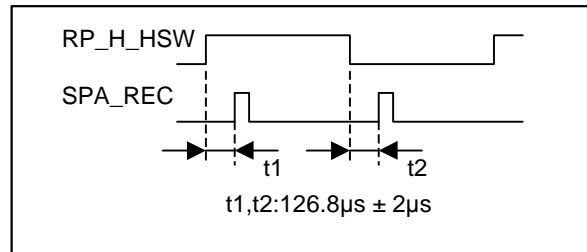
BOARD	SERVO (F1)
SPEC.	15 ± 2grcm(5 times average)
TEST	REEL MOTOR
ADJUST	SERVICE MENU
INPUT	
MODE	SERVICE TEST MODE
TAPE	
M.EQ	Torque meter with an adapter

1. Remove the front loading unit with the connection cable.
2. Set the front Switches as shown below.  
Front rear DIP SW1:ON  
Front bottom MENU SW:ON
3. Set the marker at SERVO by the JOG DIAL, and the SET button to ON
4. Set the marker at T\_REEL\_TRQ by the JOG DIAL
5. Set a torque meter at T-Reel table and adjust the torque data so that the torque is in the specification by JOG DIAL while pressing JOG/SHTL key.
6. Measure it 5 times and calculate the average, and adjust the torque data so that the average is in the specification.
7. Set the marker at S\_REEL\_TRQ by JOG DIAL.
8. Set a torque meter at S-Reel table and adjust the torque data so that the torque is in the specification by JOG DIAL while pressing JOG/SHTL key.
9. Measure it 5 times and calculate the average, and adjust the torque data so that the average is in the specification.

### 4-2-2. PG Shifter Adjustment (1)

BOARD	SERVO (F1)
SPEC.	t1, t2 = 126.8µs ± 2µs
TEST	RP_L_HSW (TP722), SPA_REC (TP729)
ADJUST	SEARCH BUTTON
INPUT	
MODE	PLAY
TAPE	VFM3580KM
M.EQ	Oscilloscope

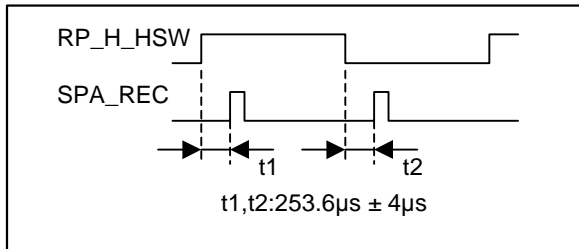
1. Open the Service menu and select "PG SHIFT ED".
2. Playback the color bar portion of the alignment tape.
3. Press search button and keep it until the number which is displayed at right of "PG SHIFT ED" is renewed.
4. Connect a scope to TP722 and TP729.
5. Confirm the t1 and t2 are 126.8us±2us.



### 4-2-3. PG Shifter Adjustment (2)

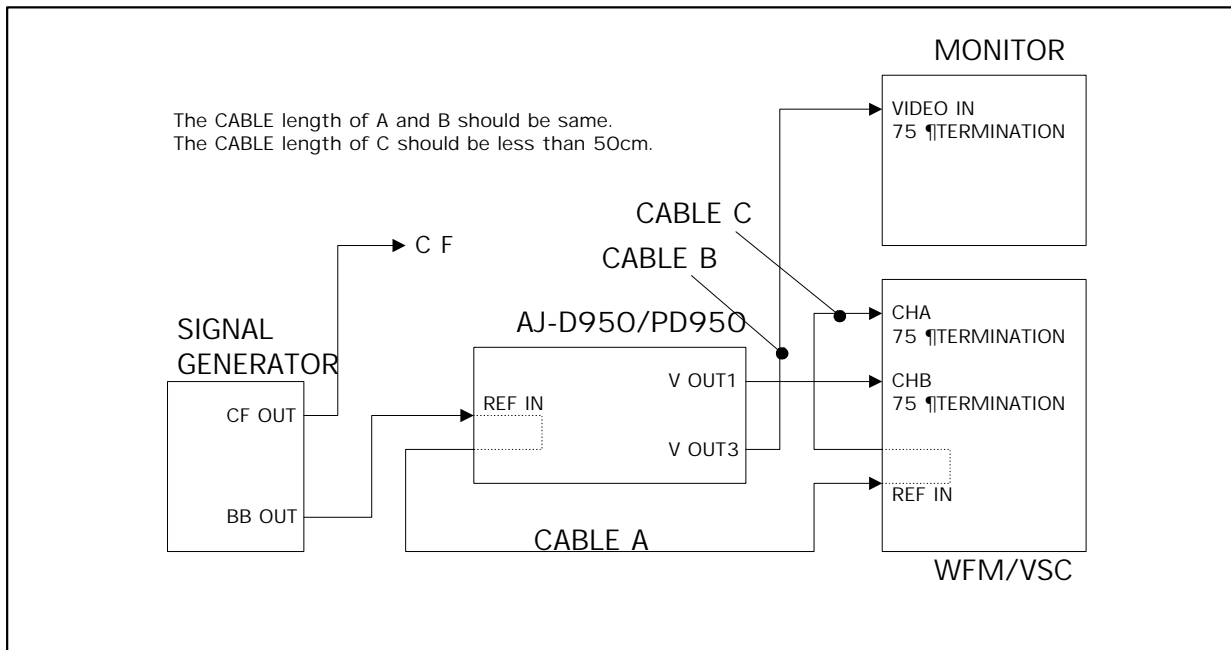
BOARD	SERVO (F1)
SPEC.	$t_1, t_2 = 253.6\mu\text{s} \pm 4\mu\text{s}$
TEST	RP_L_HSW (TP722), SPA_REC (TP729)
ADJUST	
INPUT	VIDEO OUT 3
MODE	PLAY
TAPE	VFM3580KM
M.EQ	Oscilloscope

1. Open the Service menu and select "PG SHIFT DP".
2. Playback the color bar portion of the alignment tape.
3. Press search button and keep it until the number which is displayed at right of "PG SHIFT ED" is renewed.
4. Connect a scope to TP722 and TP729.
5. Confirm the  $t_1$  and  $t_2$  are  $253.6\mu\text{s} \pm 4\mu\text{s}$ .





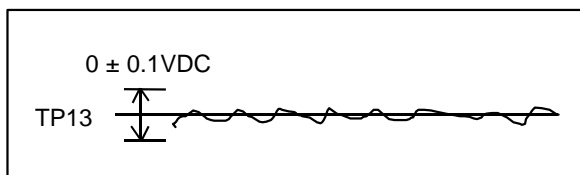
### 4-3. V\_OUT CONNECTION



#### 4-3-1. 4fsc PLL CENTER FREQ. ADJ. (525)

Board	V_OUT (F6)
Specification	0Vdc ± 0.1V
Test Point	TP13 (B-1)
Adjustment Point	VC1 (B-1)
Input Signal	REF IN = BB (NTSC)
Mode	EE, INT SG
Tape	
M.EQ	Oscilloscope

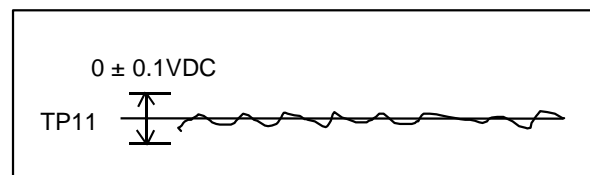
1. Place the unit in the 525 mode.
2. Adjust VC1 so that the DC level is 0V ± 0.1V DC.



#### 4-3-2. 4fsc PLL CENTER FREQ. ADJ. (625)

Board	V_OUT (F6)
Specification	0Vdc ± 0.1V
Test Point	TP11 (B-2)
Adjustment Point	VC2 (B-1)
Input Signal	REF IN = BB (PAL)
Mode	EE, INT SG
Tape	
M.EQ	Oscilloscope

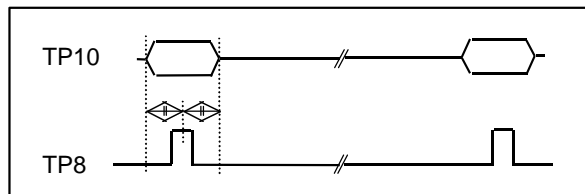
1. Place the unit in the 625 mode
2. Adjust VC1 so that the DC level is 0V ± 0.1V DC.



### 4-3-3. Burst Sample Phase Adj.(525)

Board	V_OUT (F6)
Specification	
Test Point	TP8 (A-4), TP10 (B-4)
Adjustment Point	S/H PLS P, VR6 (A-3)
Input Signal	REF IN = BB (NTSC)
Mode	EE, INT SG
Tape	
M.EQ	Oscilloscope

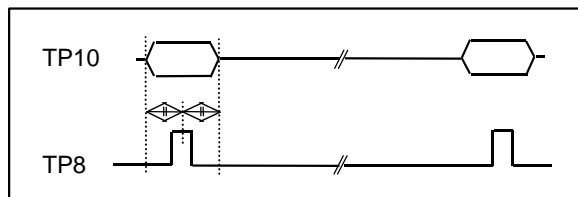
1. Place the unit in the 525 mode.
2. Adjust VR6 so that the sample pulse is located at center of the burst signal as shown in figure.



### 4-3-4. Burst Sample Phase Adj. (625)

Board	V_OUT (F6)
Specification	
Test Point	TP8 (A-4), TP10 (B-4)
Adjustment Point	S/H PLS P, VR12 (A-4)
Input Signal	REF IN = BB (PAL)
Mode	EE, INT SG
Tape	
M.EQ	Oscilloscope

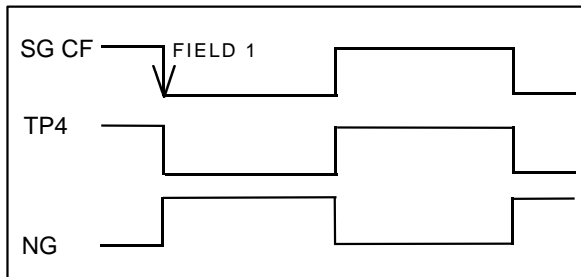
1. Place the unit in the 625 mode.
2. Adjust VR12 so that the sample pulse is located at center of the burst signal as shown in figure.



### 4-3-5. CF PHASE ADJUSTMENT (1) (525)

Board	V_OUT (F6)
Specification	
Test Point	TP4 (A-2), SG CF OUT
Adjustment Point	CF ADJ N, VR7 (B-3)
Input Signal	REF IN = BB (NTSC)
Mode	EE, INT SG
Tape	
M.EQ	Oscilloscope

1. Place the unit in the 525 mode.
2. Scope : CH1 SG CF  
CH2 TP4  
TRIG. SG CF falling edge.
3. Rotate the VR7 fully CCW.
4. Rotate the VR7 CW.slowly.
5. Set the VR7 so that the waveform phases are same as shown in figure

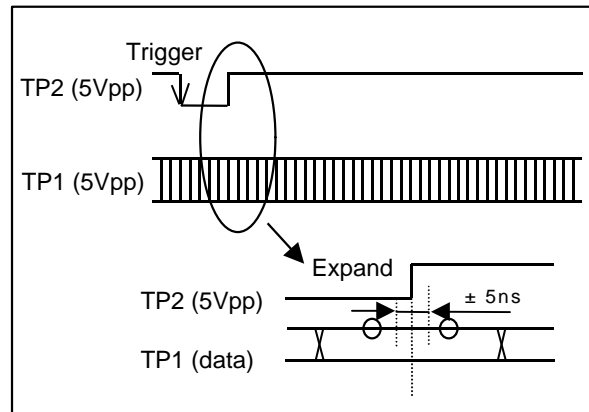


The CF waveform is different by SG type.

### 4-3-6. CF PHASE ADJUSTMENT (2)(525)

Board	V_OUT (F6)
Specification	Data Center $\pm 5nS$
Test Point	TP1 (B-1), TP2 (B-1)
Adjustment Point	CF ADJ N, VR7 (B-3)
Input Signal	REF IN = BB (NTSC)
Mode	EE, INT SG
Tape	
M.EQ	Oscilloscope

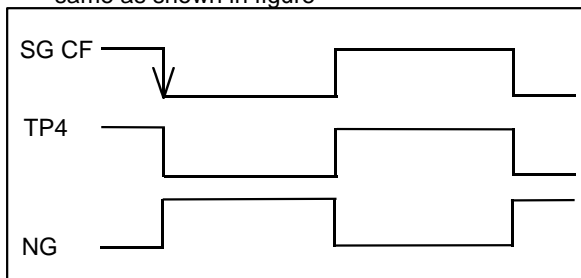
1. Place the unit in the 525 mode.
2. Adjust VR7 so that the rising edge of the TP2 is at center of the data period as shown in figure.
3. After adjustment, confirm that CF phase (refer to the item CF PHASE ADJUSTMENT(1) (525) )



### 4-3-7. CF PHASE ADJUSTMENT (1)(625)

Board	V_OUT (F6)
Specification	
Test Point	TP4 (A-2), TP7 (B-4)
Adjustment Point	CF ADJ P, VR13 (A-3)
Input Signal	REF IN = BB (PAL)
Mode	EE, INT SG
Tape	
M.EQ	Oscilloscope

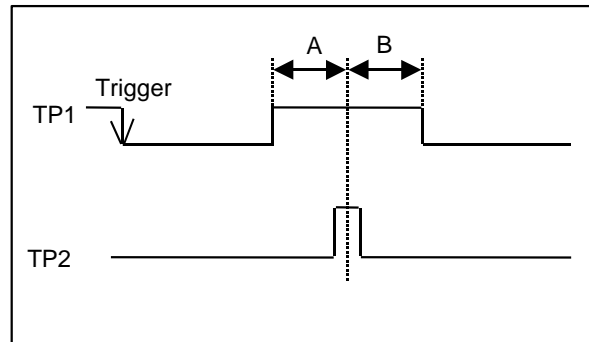
1. Place the unit in the 625 mode.
2. Scope : CH1 SG CF  
CH2 TP4  
TRIG. SG CF falling edge.
3. Rotate the VR13 fully to CCW.
4. Rotate the VR13 to CW.slowly
5. Set the VR13 so that the waveform phases are same as shown in figure



### 4-3-8. CF PHASE ADJUSTMENT (2)(625)

Board	V_OUT (F6)
Specification	
Test Point	TP1 (B-1), TP2 (B-1)
Adjustment Point	CF ADJ P, VR13 (A-3)
Input Signal	REF IN = BB (PAL)
Mode	EE, INT SG
Tape	
M.EQ	Oscilloscope

1. Place the unit in the 625 mode.
2. Adjust VR13 so that the pulse (TP2) is at center of the High period of TP1
3. After adjustment, confirm that CF phase (refer to the item CF PHASE ADJUSTMENT(1) (625) )



The CF waveform is different by SG type.

### 4-3-9 SYSTEM\_H,SYSTEM\_SC ADJUSTMENT (525)

Board	V_OUT (F6)
Specification	
Test Point	VIDEO OUT1
Adjustment Point	V PHS N, VR15(D-1), VR14(A-2)
Input Signal	REF_IN, = BB (NTSC)
Mode	EE, INT SG
Tape	
M.EQ	Oscilloscope, WFM / VSC

1. Place the unit in the 525 mode.
2. SYSTEM MENU SETTING  
SYS H : 0  
SYS SC : 0
3. WFM/VSC  
MODE:VSC  
REF: EXT mode  
INPUT: CHA
4. Set the CHA Burst Phase to 0 .
5. Change the INPUT SELECT to CHB.
6. Adjust VR15 so that the Burst Phase is 0 .
7. WFM/VSC  
MODE:WFM  
REF: EXT mode  
INPUT: CHB
8. Adjust VR14 so that the H Sync Phase as close as the CHA H Sync Phase.
9. After adjustment, turn POWER switch "ON" and "OFF", and confirm that the H Phase position is stable.

### 4-3-10. SYSTEM\_H,SYSTEM\_SC ADJUSTMENT (625)

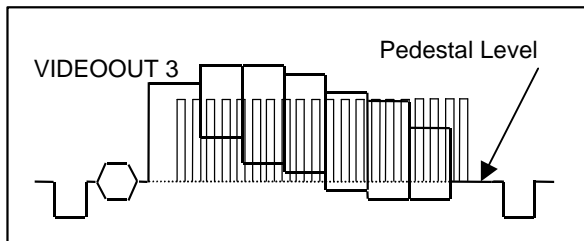
Board	V_OUT (F6)
Specification	
Test Point	VIDEO OUT 1
Adjustment Point	V PHS P, VR16 (D-1) VR4 (A-2)
Input Signal	REF_IN, = BB (PAL)
Mode	EE, INT SG
Tape	
M.EQ	Oscilloscope, WFM / VSC

1. Place the unit in the 625 mode.
2. SYSTEM MENU SETTING  
SYS H : 0  
SYS SC : 0
3. WFM/VSC  
MODE:VSC  
REF: EXT mode  
INPUT: CHA
4. Set the CHA Burst Phase to 0 .
5. Change the INPUT SELECT to CHB.
6. Adjust VR16 so that the Burst Phase is 0 .
7. WFM/VSC  
MODE:WFM  
REF: EXT mode  
INPUT: CHB
8. Adjust VR4 so that the H Sync Phase as close as the CHA H Sync Phase.
9. After adjustment, turn POWER switch "ON" and "OFF", and confirm that the H Phase position is stable.

### 4-3-11. COMPOSITE OUT DC LEVEL ADJ.

Board	V_OUT (F6)
Specification	
Test Point	VIDEO OUT 3
Adjustment Point	VR1 (J-4)
Input Signal	
Mode	EE, INT SG
Tape	
M.EQ	WFM

1. Adjust VR1 so that the character black level is at the Pedestal level

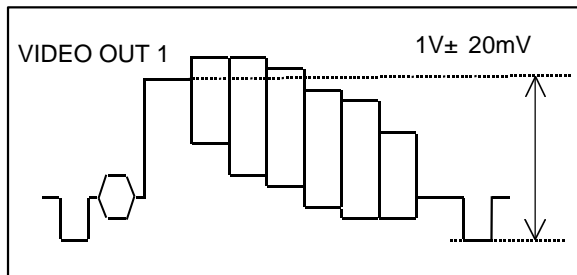


### 4-3-12.COMPOSITE OUT LEVEL ADJ.

Board	V_OUT (F6)
Specification	$1V \pm 20mV$
Test Point	VIDEO OUT 1
Adjustment Point	VR2 (I-1)
Input Signal	
Mode	EE, INT SG
Tape	
M.EQ	WFM

Note : Do not use an extension board.

1. Adjust VR2 so that the VIDEO OUT level is in the specification



## 4-4. Audio AD\_DA

### 4-4-1. SW Setting

Board	A_ADDA (F8)
Specification	
Test Point	
Adjustment Point	SW1,SW41,SW101,SW141
Input Signal	
Mode	
Tape	
M. EQ.	

1. Set the audio impedance switches as shown below.

SW1 : HIGH      SW41 : HIGH  
 SW101 : HIGH    SW141 : HIGH

### 4-4-2.M. EQ. Setting

Board	
Specification	
Test Point	
Adjustment Point	
Input Signal	
Mode	
Tape	
M. EQ.	Audio Analyzer / Audio Precision

1. GENERATOR  
 OUTPUT A&B BAL  
       50Ω FLOAT  
  
 ANALYZER  
 CHANNEL-A INPUT 100KΩ  
 CHANNEL-B INPUT 100KΩ

### 4-4-3.MENU Setting

Board	
Specification	
Test Point	
Adjustment Point	Service MENU / User MENU
Input Signal	
Mode	EE
Tape	
M. EQ.	Monitor

#### Service Menu Setting

1. Open the Service Menu and select the G00 AUDIO ADJUST Menu.
2. Set the items as shown below  
 G01:REF\_LEVEL1 - Fs-20  
 G02:REF\_LEVEL2 - 0dB

#### User Menu Setting

1. Open the User Menu and set the items as shown below.
 

700	INT SG	OFF
701	CH1 IN LV	0dB
702	CH2 IN LV	0dB
703	CH3 IN LV	0dB
704	CH4 IN LV	0dB
706	CH1 OUT LV	0dB
707	CH2 OUT LV	0dB
708	CH3 OUT LV	0dB
709	CH4 OUT LV	0dB
711	MONIL OUT LV	0dB
712	MONIR OUT LV	0dB
713	MONI OUT	VAR
714	EMPHASIS	OFF
722	REC CH1	CH1
723	REC CH2	CH2
724	REC CH3	CH3
725	REC CH4	CH4

#### 4-4-4. Output Balance Adjustment

Board	A_ADDA(F8)
Specification	Waveform Level = Minimum
Test Point	AUDIO OUT (CH1-CH4) MONI OUT (LCH, RCH)
Adjustment Point	VR402 (CH1), VR477 (CH2), VR522 (CH3), VR627 (CH4), VR751 (LCH), VR831 (RCH)
Input Signal	INT SG
Mode	EE
Tape	
M. EQ.	Oscilloscope

1. User menu Setting (AUDIO MENU)  
700 INT SG : ON  
713 MONI OUT : UNITY
2. Scope  
CH1 : HOT  
CH2 : COLD  
Scope Mode : ADD
3. Adjust VR402 so that the CH1 waveform level is minimum.
4. Repeat the above adjustment in the same way about the other Audio channels.(Refer to above table.)

#### 4-4-5. Output Level Adjustment

Board	A_ADDA(F8)
Specification	0dBu+/-0.2dB
Test Point	AUDIO OUT (CH1-CH4) MONI OUT (LCH, RCH)
Adjustment Point	VR401 (CH1), VR476 (CH2), VR551 (CH3), VR626 (CH4), VR702 (LCH), VR701 (RCH)
Input Signal	INT SG
Mode	EE
Tape	
M. EQ.	Oscilloscope Audio Analyzer / Audio Precision

1. User menu Setting (AUDIO MENU)  
700 INT SG : ON  
713MONI OUT : UNITY
2. Adjust VR401 so that the CH1 level is 0dBu+/-0.2dB.
3. Repeat the adjustment in the same way about the other Audio channels.(Refer to above table.)
4. Confirm that the all channels sinewave output is normal.



#### 4-4-6. CMRR Adjustment

Board	A_ADDA (F8)
Specification	
Test Point	TP201 (CH1), TP202 (CH2), TP251 (CH3), TP252 (CH4)
Adjustment Point	VR1 (CH1), VR41 (CH2), VR101 (CH3), VR141 (CH4)
Input Signal	AUDIO IN(CH1, CH2, CH3, CH4) Sinewave (CMTST)
Mode	EE
Tape	
M. EQ.	Oscilloscope, Audio Analyzer / Audio Precision

1. Connect the scope to TP201
2. Input same phase signal to HOT & COLD terminal of CH1.
3. Adjust VR1 so that the CH1 output level is minimum.
4. Repeat an adjustment in the same way about the other Audio channels.

CMMR = Common Mode Reduction Ratio.

CMTST = Common Mode Test

#### 4-4-7. Input level Adjustment

Board	A_ADDA(F8)
Specification	0dBu+/-0.2dB
Test Point	AUDIO OUT (CH1, CH2, CH3, CH4)
Adjustment Point	VR2 (CH1), VR42 (CH2), VR102 (CH3), VR142 (CH4)
Input Signal	AUDIO IN(CH1, CH2, CH3, CH4) Sinewave (BAL)
Mode	EE
Tape	
M. EQ.	Oscilloscope, Audio Analyzer / Audio Precision

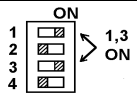
1. Adjust VR2 so that the CH1 level is 0dBu+/-0.2dB.
2. Repeat an adjustment in the same way about the other Audio channels.

## 4-5. CUE AUDIO

### 4-5-1. Initial Setting

Board	CUE(H1)
Specification	
Test Point	
Adjustment Point	
Input Signal	
Mode	EJECT
Tape	
M.EQ	

1. Set the CUE REC VR and CUE PB VR to UNITY.
2. Set the switches on the CUE P.C.Board as shown below.

Ref No.	Name	Setting
SW4101	Input impedance	HIGH
SW4002	NR	NORMAL
SW4001	REC EQ	

3. Service Menu : G00 AUDIO ADJUST  
G01 REF LEVEL : FS-20
4. Audio analyzer Setting

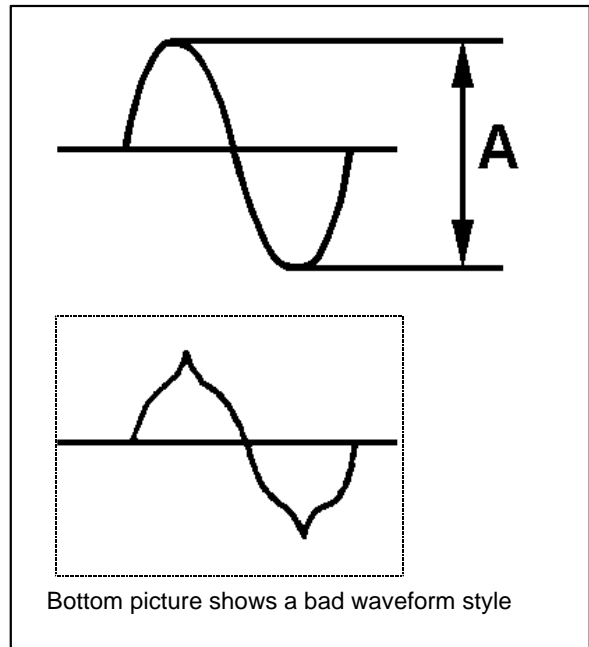
Output Impedance	Less than 50Ω (BAL)
Input Impedance	More than 100KΩ (BAL)

BAL = Balance

### 4-5-2. CTL Erase/CUE Erase Current ADJ.

Board	CUE(H1)
Specification	More than 240mVp-p
Test Point	TP4202, TP4203
Adjustment Point	T4203, T4204
Input Signal	
Mode	REC PLAY
Tape	REC/PB Tape
M.EQ	Oscilloscope

1. Confirm that the voltage at TP4202 is within the specification. If it is not, adjust T4203 so that the Erase Current level A is within the specification.
2. Confirm that the voltage at TP4203 is within the specification. If it is not, adjust T4204 so that the Erase Current level A is within the specification.



### 4-5-3. CUE Bias Current adjustment

Board	CUE(H1)
Specification	7mVrms $\pm$ 0.5mVrms
Test Point	TP4002 (GND:TP4003)
Adjustment Point	T4202, VR4202
Input Signal	
Mode	REC-PLAY
Tape	REC/PB Tape
M.EQ	Electric Volt Meter

1. Connect a Volt Meter between TP4002 and TP4003 (GND) and confirm that the voltage is in the specification.
2. If it is out of Specification, adjust T4202 so that the level becomes maximum and adjust VR4202 so that the level is within the specification.

### 4-5-4. CUE PB Level Adjustment

Board	CUE(H1)
Specification	0dBu $\pm$ 0.5dB
Test Point	CUE OUT
Adjustment Point	VR4002
Input Signal	
Mode	PLAY
Tape	NTSC:VFM3580KM (0 to 10min.) PAL:VFM3581KM (0 to 10min.)
M.EQ	Audio Analyzer

1. Place the unit in the 25M Mode.  
(MENU 012 SYS FORMAT : 411)
2. Playback the Alignment Tape and Adjust VR4002 so that the CUE OUT level is within the specification.

#### 4-5-5. Noise Cancel Adjustment

Board	CUE(H1)
Specification	50M mode Less than -40dBu 25M mode Less than -35dBu
Test Point	CUE OUT
Adjustment Point	VR4006, VR4003 (50M) VR4007, VR4004 (25M)
Input Signal	
Mode	PLAY
Tape	No signal recorded Tape
M.EQ	Audio Analyzer /Audio precision

(50M Mode)

1. Analyzer setting: Input BPF 600Hz
2. Place the unit in the 50M mode.
3. Confirm that the CUE OUT Level (noise level) is in the specification.
4. If it is out of specification, adjust VR4006 and VR4003 so that the noise level is in the specification

(25M Mode)

1. Analyzer setting: Input BPF 300Hz
2. Place the unit in the 50M mode.
3. Confirm that the CUE OUT Level (noise level) is in the specification.
4. If it is out of specification, adjust VR4007 and VR4004 so that the noise level is in the specification

#### 4-5-6. CUE REC/PB Level Adjustment

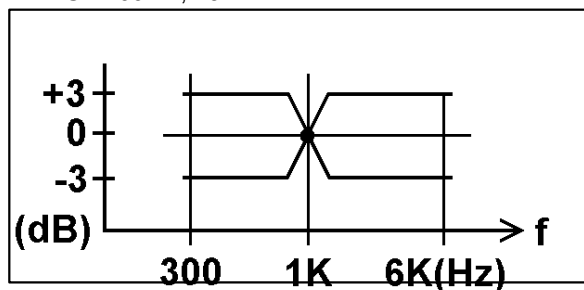
Board	CUE(H1)
Specification	0dBu ± 1dB
Test Point	CUE OUT
Adjustment Point	VR4001
Input Signal	1KHz, 0dBu
Mode	REC PLAY
Tape	REC/PB Tape
M.EQ	Audio Analyzer /Audio precision

1. Place the unit in the 50M mode.
2. Supply a 1kHz, 0dBu signal into the CUE IN and Record the input signal for a few minutes.
3. During the recording mode, slightly adjust VR4001.
4. Playback the just recorded portion and confirm that the CUE OUT level is in the specification.
5. If it is not, repeat step 3, 4.
6. Place the unit in the 25M mode.
7. Supply a 1kHz, 0dBu signal into the CUE IN and Record the input signal for a few minutes.
8. Playback the just recorded portion and confirm that the CUE OUT level is in the specification.

#### 4-5-7. CUE REC/PB Frequency Characteristic Adjustment

Board	CUE(H1)
Specification	1KHz level $\pm$ 3dB
Test Point	CUE OUT
Adjustment Point	SW4002 SW4001-1,2,3,4
Input Signal	CUE IN, 300Hz - 6KHz, 0dBu
Mode	REC PLAY
Tape	REC/PB Tape
M.EQ	Audio Analyzer

1. Set the SW4002 on the CUE P.C.Board to NORMAL.
2. Record a 300Hz through 6KHz, 0dBu sinewave for a few minutes.
3. Playback the just recorded portion and confirm the 300Hz through 6KHz signal are within  $\pm 3$ dB compared with 1kHz level.
4. If it is out of specification, adjust SW4001-1,2,3,4 position so that the frequency characteristic is in the specification.  
 SW4001-3,4 1KHz ~ 6KHz  
 SW4001-1,2 6KHz

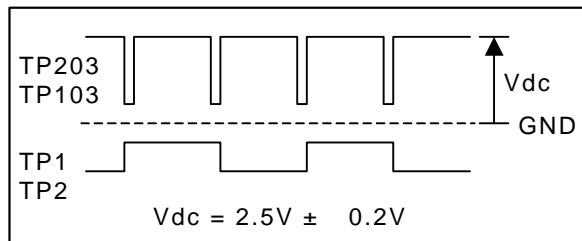


## 4-6. RF EQ

### 4-6-1. ENV Level Adjustment (Lch)

Board	RF EQ (H3)
Specification	$V_{dc} = 2.5V \pm 0.2V$
Test Point	TP1, TP2, TP103, TP203
Adjustment Point	Service Menu
Input Signal	
Mode	Playback
Tape	VFM3580KM (Color Bar Portion)
M.EQ	Oscilloscope

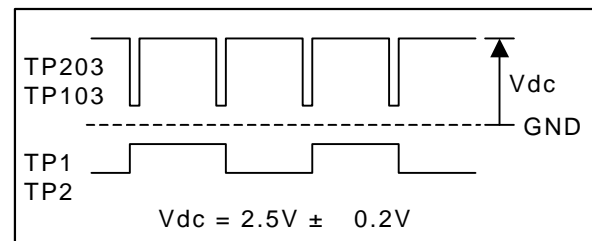
- Scope Probe 10 : 1  
CH1 : TP203 CH2 : TP1 (Trigger)
- Open the Service Menu and select the item C00 RF ED.
- Playback the Master Tape
- Adjust C15 RP MAG L1 and C16 RP MAG L2 so that the DC level  $V_{dc}$  is  $2.5V \pm 0.2V$
- Change the connection of the Oscilloscope.  
CH1 : TP103 CH2 : TP2 (Trigger)
- Adjust C23 PB MAG L1 and C24 PB MAG L2 so that the DC level  $V_{dc}$  is  $2.5V \pm 0.2V$ .
- Press the MENU Button and the return to the Service Main Menu.
- Select the item E00 RF DP.
- Adjust E23 PB MAG L1 and E24 PB MAG L2 so that the DC level  $V_{dc}$  is  $2.5V \pm 0.2V$
- Change the connection of the Oscilloscope.  
CH1 : TP203 CH2 : TP1 (Trigger)
- Adjust E15 RP MAG L1 and E16 RP MAG L2 so that the DC level  $V_{dc}$  is  $2.5V \pm 0.2V$ .
- Eject a tape and close the Service Menu.
- Turns power OFF.



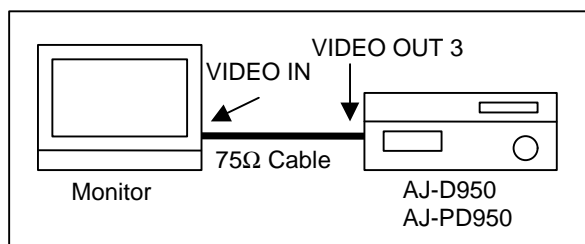
### 4-6-2. ENV Level Adjustment (Rch)

Board	RF EQ (H4)
Specification	$V_{dc} = 2.5V \pm 0.2V$
Test Point	TP1, TP2, TP103, TP203
Adjustment Point	Service Menu
Input Signal	
Mode	Playback
Tape	VFM3580KM (Color Bar Portion)
M.EQ	Oscilloscope

- Scope Probe 10 : 1  
CH1 : TP203 CH2 : TP1 (Trigger)
- Open the Service Menu and select the item C00 RF ED.
- Playback the Master Tape
- Adjust C19 RP MAG R1 and C20 RP MAG R2 so that the DC level  $V_{dc}$  is  $2.5V \pm 0.2V$
- Change the connection of the Oscilloscope.  
CH1 : TP103 CH2 : TP2 (Trigger)
- Adjust C27 PB MAG R1 and C28 PB MAG R2 so that the DC level  $V_{dc}$  is  $2.5V \pm 0.2V$ .
- Press the MENU Button and the return to the Service Main Menu.
- Select the item E00 RF DP.
- Adjust E27 PB MAG R1 and E28 PB MAG R2 so that the DC level  $V_{dc}$  is  $2.5V \pm 0.2V$
- Change the connection of the Oscilloscope.  
CH1 : TP203 CH2 : TP1 (Trigger)
- Adjust E19 RP MAG R1 and E20 RP MAG R2 so that the DC level  $V_{dc}$  is  $2.5V \pm 0.2V$ .
- Eject the tape and close the Service Menu.
- Turns power OFF.



### 4-6-3. Preparation of EQ Adjustment.



1. Connect a monitor as shown in above figure.
2. Switch Setting
  - Front bottom CF : 4F/8F
  - TV SYSTEM : 525
  - Front TC : INT
  - MODE : TAPE
3. USER MENU Setting
  - 012 SYS FORMAT : 422
  - 013 PB FORMAT : MANUAL
  - 600 INT SIG : CB (color bar)

#### Note

Do not escape from the service adjustment menu to direct USER MENU with DIP-SW1

In this case, a set value is not renewed.

A normal picture is not displayed when 25M tape is played back in 50M mode. (SYS FORMAT : 422 and PB FORMAT : MANUAL position)

### 4-6-4. PLL Lock Confirmation (50M Mode, PB Lch)

Board	RF EQ
Specification	V play - V eject <= ± 0.05V
Test Point	TP603
Adjustment Point	Service Menu
Input Signal	
Mode	Playback
Tape	VFM3580KM (Color Bar Portion)
M.EQ	Oscilloscope

1. Open the service Menu and select item B00 EQ ED ADJUST Menu.
2. Measure the voltage at TP603 in the Eject mode. **( V eject )**
3. Playback a 25M Master Tape. (A picture is not appeared on the monitor. )
4. Set the items in the Service MENU as follows.
  - B01 PB PLL PHS L : 10
  - B02 PB PLL SL L : -60
  - B41 VITERBI MODE : OFF
  - B42 PB MODE : PB H
5. Measure the voltage at TP603. **( V play )**
6. Adjust B31 PB PLL VCO L so that the voltage is in the specification.
7. Confirm the red segment is not displayed on the Error Meter about L1 and L2.
8. If it is not, adjust B01 PB PLL PHS L and B02 PB PLL SL L and return to the step 6.

#### 4-6-5. PLL Lock Confirmation (50M Mode, RP Lch)

Board	RF EQ (H3)
Specification	V <sub>play</sub> - V <sub>eject</sub> ≤ ± 0.05V
Test Point	TP503
Adjustment Point	Service Menu
Input Signal	
Mode	Playback
Tape	VFM3580KM (Color Bar Portion)
M.EQ	Oscilloscope

1. Measure the voltage at TP503 in the Eject mode.  
**( V eject )**
2. Playback a 25M Master Tape.(A picture is not appeared on the monitor. )
3. Set the items in the Service Menu as follows.  
B15 RP PLL PHS L : 45  
B16 RP PLL SL L : -60  
B42 PB MODE : RP H
4. Measure the Voltage at TP503 **( V play )**
5. Adjust B32 RP PLL VCO L so that the voltage is in the specification.
6. Confirm the red segment is not displayed on the Error meter of L1 and L2.
7. If it is not, adjust B15 RP PLL PHS L and B16 RP PLL SL L and return to the step 5.

#### 4-6-6.PLL Lock Confirmation (25M Mode, PB Lch)

Board	RF EQ (H3)
Specification	V <sub>play</sub> - V <sub>eject</sub> ≤ ± 0.05V
Test Point	TP605
Adjustment Point	Service Menu
Input Signal	
Mode	Playback
Tape	VFM3580KM (Color Bar Portion)
M.EQ	Oscilloscope

1. Measure the voltage at TP605 in the Eject mode.  
**( V Eject )**
2. Playback a 25M Master Tape.(A picture is not appeared on the monitor. )
3. Set the items in the Service Menu as follows.  
D01 PB PLL PHS L : 0  
D02 PB PLL SL L : -20  
D41 VITERBI MODE : OFF  
D42 PB MODE : PB H
4. Measure the Voltage at TP605 **( V play )**
5. Adjust D31 PB PLL VCO L so that the voltage is in the specification.
6. Confirm the red segment is not displayed on the Error meter of L1 and L2
7. If it is not, adjust D01 PB PLL PHS L and D02 PB PLL SL L and return to the step 5.



#### 4-6-7.PLL Lock Confirmation (25M Mode, RP Lch)

Board	RF EQ(H3)
Specification	V play - V eject <= ± 0.05V
Test Point	TP505
Adjustment Point	Service Menu
Input Signal	
Mode	Playback
Tape	VFM3580KM (Color Bar Portion)
M.EQ	Oscilloscope

1. Measure the voltage at TP505 in the Eject mode.  
**( V eject )**

2. Playback the 25M Master Tape.

Note : A normal picture is not appeared on the monitor.

3. Set the items in the Service Menu as follows.

D15 RP PLL PHS L : 25

D16 RP PLL SL L : -5

D42 PB MODE : RP H

4. Measure the Voltage at TP505 **( V play )**

5. Adjust D32 RP PLL VCO L so that the voltage is in the specification.

6. Confirm the red segment is not displayed on the Error meter about L1 and L2

7. If it is not, adjust D15 RP PLL PHS L and D16 RP PLL SL L and return to the step 5.

#### 4-6-8.PLL Lock Confirmation (50M Mode, PB Rch)

Board	RF EQ(H4)
Specification	V play - V eject <= ± 0.05V
Test Point	TP603
Adjustment Point	Service Menu
Input Signal	
Mode	Playback
Tape	VFM3580KM (Color Bar Portion)
M.EQ	Oscilloscope

1. Measure the voltage at TP603 in the Eject mode.  
**( V eject )**

2. Playback the 25M Master Tape

Note : A normal picture is not appeared on the monitor.

3. Set the items in the Service Menu as follows.

B08 PB PLL PHS R : 10

B69 PB PLL SL R : -60

B41 VITERBI MODE : OFF

B42 PB MODE : PB H

4. Measure the Voltage at TP603 **( V play )**

5. Adjust B35 PB PLL VCO R so that the voltage is in the specification.

6. Confirm the red segment is not displayed on the Error meter about R1 and R2

7. If it is not, adjust B08 PB PLL PHS R and B09 PB PLL SL R and return to the step 5

#### 4-6-9.PLL Lock Confirmation (50M Mode, RP Rch)

Board	RF EQ(H4)
Specification	V play - V eject <= ± 0.05V
Test Point	TP503
Adjustment Point	Service Menu
Input Signal	
Mode	Playback
Tape	VFM3580KM (Color Bar Portion)
M.EQ	Oscilloscope

1. Measure the voltage at TP503 in the Eject mode.  
**( V eject )**

2. Playback the 25M Master Tape.

Note : A normal picture is not appeared on the monitor.

3. Set the items in the Service Menu as follows.

B22 RP PLL PHS R : 45

B23 RP PLL SL R : -60

B42 PB MODE : RP H

4. Measure the Voltage at TP503 **( V play )**

5. Adjust B36 RP PLL VCO R so that the voltage is in the specification.

6. Confirm the red segment is not displayed on the Error meter about R1 and R2.

7. If it is not, adjust B22 RP PLL PHS R and B23 RP PLL SL R and return to the step 5

#### 4-6-10.PLL Lock Confirmation (25M Mode, PB Rch)

Board	RF EQ(H4)
Specification	V play - V eject <= ± 0.05V
Test Point	TP605
Adjustment Point	Service Menu
Input Signal	
Mode	Playback
Tape	VFM3580KM (Color Bar Portion)
M.EQ	Oscilloscope

1. Measure the voltage at TP605 in the Eject mode.  
**( V eject )**

2. Playback the 25M Master Tape.

Note : A normal picture is not appeared on the monitor.

3. Set the items in the Service Menu as follows.

D08 PB PLL PHS R : 0

D09 PB PLL SL R : -20

D41 VITERBI MODE : OFF

D42 PB MODE : PB H

4. Measure the Voltage at TP605 **( V play )**

5. Adjust D35 PB PLL VCO R so that the voltage is in the specification.

6. Confirm the red segment is not displayed on the Error meter about R1 and R2.

7. If it is not, adjust D08 PB PLL PHS R and D09 PB PLL SL R and return to the step 5.

#### 4-6-11.PLL Lock Confirmation (25M Mode, RP Rch)

Board	RF EQ(H4)
Specification	V play - V eject $\leq \pm 0.05V$
Test Point	TP505
Adjustment Point	Service Menu
Input Signal	
Mode	Playback
Tape	VFM3580KM (Color Bar Portion)
M.EQ	Oscilloscope

1. Measure the voltage at TP505 in the Eject mode.  
( **V eject** )

2. Playback the 25M Master Tape.

Note : A normal picture is not appeared on the monitor.

3. Set the items in the Service Menu as follows.

D22 RP PLL PHS R : 25

D23 RP PLL SL R : -5

D42 PB MODE : RP H

4. Measure the Voltage at TP505 ( **V play** )

5. Adjust D36 RP PLL VCO R so that the voltage is in the specification.

6. Confirm the red segment is not displayed on the Error meter about R1 and R2

7. If it is not, adjust D22 RP PLL PHS R and D23 RP PLL SL R and return to the step 5.

#### 4-6-12.ADC Level Coarse Adjustment

Board	RF EQ (H3) XCAN(H2)
Specification	
Test Point	TP1,TP2(H2) TP2(H3)
Adjustment Point	Service Menu
Input Signal	
Mode	Playback
Tape	VFM3580KM (Color Bar Portion)
M.EQ	Oscilloscope

1. Scope CH1 : TP1(H2)  
CH2 : TP2(H3)

2. Open the Service Menu and select the item B00 EQ ED ADJUST.

3. Playback a 25M Master Tape.

4. Adjust B37 ADC LEVEL L so that the noise level is minimized as shown in the following figure.

5. Change the connection of scope CH1 to the TP2(H2) from TP1(H2).

6. Adjust B38 ADC LEVEL R so that the noise level is minimized as shown in the following figure.

7. Escape the EQ ED ADJUST Menu and select the D00 EQ DP ADJUST Menu.

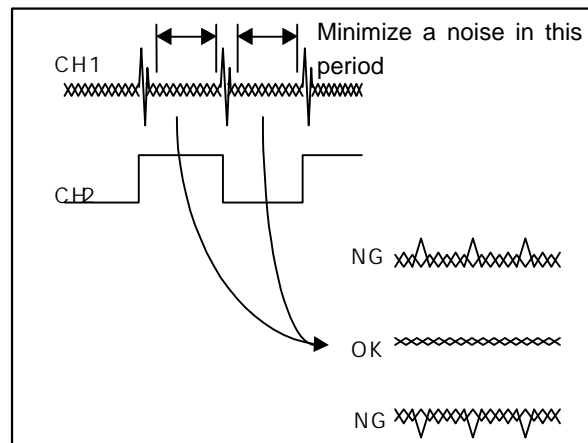
8. Adjust D38 ADC LEVEL R so that the noise level is minimized as shown in the following figure.

9. Change the connection of scope CH1 to the TP1(H2) from TP2(H2).

10. Adjust D37 ADC LEVEL L so that the noise level is minimized as shown in the following figure.

Note

Confirm that the DC level is not held around  $\pm 2.5V$ .



#### 4-6-13. EQ Adjustment (50M PB Lch)

Board	RF EQ(H3)
Specification	
Test Point	Error Meter
Adjustment Point	Service Menu
Input Signal	
Mode	PLAY
Tape	VFM3580KM (Color Bar Portion)
M.EQ	

1. Open the Service menu and select item B00 EQ ED ADJUST menu.
2. Playback a 25M Master Tape.
3. Set the item as follows.  
B41 VITERBI MODE : OFF
4. Adjust each adjustment item so that the L1 and L2 error rate is minimum.

##### Adjustment items & procedures

- 1 B01 PB PLL PHS L , B02 PB PLL SL L
- 2 B29 PB MAIN DL L
- 3 B03 PB AEQ L
- 4 B04 PB GAIN L1 , B05 PB PHASE L1
- 5 B06 PB GAIN L2 , B07 PB PHASE L2

#### 4-6-14. EQ Adjustment (50M PB Rch)

Board	RF EQ
Specification	
Test Point	Error Meter
Adjustment Point	Service Menu
Input Signal	
Mode	PLAY
Tape	VFM3580KM (Color Bar Portion)
M.EQ	

1. Open the Service menu and select item B00 EQ ED ADJUST menu.
2. Playback a 25M Master Tape.
3. Set the item as follows.  
B41 VITERBI MODE : OFF
4. Adjust each adjustment item so that the R1 and R2 error rate is minimum.

##### Adjustment items & procedures

- 1 B08 PB PLL PHS R , B09 PB PLL SL R
- 2 B33 PB MAIN DL R
- 3 B10 PB AEQ R
- 4 B11 PB GAIN R1 , B12 PB PHASE R1
- 5 B13 PB GAIN R2 , B14 PB PHASE R2

#### 4-6-15.EQ Adjustment (50M PB VITERBI ON)

Board	RF EQ
Specification	
Test Point	Error Meter
Adjustment Point	Service Menu
Input Signal	
Mode	Playback
Tape	VFM3580KM (Color Bar Portion)
M.EQ	Oscilloscope

1. Set the items as follows.  
 B41 VITERBI MODE : ON  
 B01 PB PLL PHS L → -55  
 B08 PB PLL PHS R → -55
2. Adjust B02 PB PLL SL L so that the L1 and L2 error rate is minimum.
3. Adjust B09 PB PLL SL R so that the R1 and R2 error rate is minimum.
4. Confirm the error rate on the error meter.
5. When the segment is displayed in more than 7 segments on the error meter, adjust the following items.

B04 PB GAIN L1 , B05 PB PHASE L1  
 B06 PB GAIN L2 , B07 PB PHASE L2  
 B11 PB GAIN R1 , B12 PB PHASE R1  
 B13 PB GAIN R2 , B14 PB PHASE R2

#### 4-6-16.EQ Adjustment (50M RP Lch)

Board	RF EQ
Specification	
Test Point	Error meter
Adjustment Point	Service Menu
Input Signal	
Mode	PLAY
Tape	VFM3580KM (Color Bar Portion)
M.EQ	

1. Playback the 25M Master Tape.
2. Set the item as follows  
 B42 PB MODE : RP H
3. Adjust B15 RP PLL PHS L and B16 RP PLL SL L so that the L1 and L2 error rate is minimum.
4. Adjust B30 RP MAIN DL L so that the L1 and L2 error rate is minimum.
5. Adjust B17 RP AEQ L so that the L1 and L2 error rate is minimum.
6. Adjust B18 RP GAIN L1 and B19 RP PHASE L1 so that the L1 error rate is minimum.
7. Adjust B20 RP GAIN L2 and B21 RP PHASE L2 so that the L2 error rate is minimum.
8. Adjust B15 RP PLL PHS L and B16 RP PLL SL L so that the L1 and L2 error rate is minimum

#### 4-6-17.EQ Adjustment (50M RP Rch)

Board	RF EQ
Specification	
Test Point	Error meter
Adjustment Point	Service Menu
Input Signal	
Mode	PLAY
Tape	VFM3580KM (Color Bar Portion)
M.EQ	

1. Playback the 25M Master Tape.
2. Set the item as follows  
B42 PB MODE : RP H
3. Adjust B22 RP PLL PHS R and B23 RP PLL SL R so that the R1 and R2 error rate is minimum.
4. Adjust B34 RP MAIN DL L so that the R1 and R2 error rate is minimum.
5. Adjust B24 RP AEQ R so that the R1 and R2 error rate is minimum.
6. Adjust B25 RP GAIN R1 and B26 RP PHASE R1 so that the R1 error rate is minimum.
7. Adjust B27 RP GAIN R2 and B28 RP PHASE R2 so that the R2 error rate is minimum.
8. Adjust B22 RP PLL PHS R and B23 RP PLL SL R so that the R1 and R2 error rate is minimum.

#### 4-6-18. Setting For 25M EQ Adjustment

Board	RF EQ
Specification	
Test Point	
Adjustment Point	Service Menu
Input Signal	
Mode	Playback
Tape	VFM3580KM (Color Bar Portion)
M.EQ	

1. Place the unit in the 25M mode.  
USER MENU 012 SYS FORMAT : 411
2. Open the Service Menu and select the item D00 EQ DP ADJUST MENU.

#### 4-6-19. EQ Adjustment (25M PB Lch)

Board	RF EQ
Specification	
Test Point	
Adjustment Point	Service Menu
Input Signal	
Mode	PLAY
Tape	VFM3580KM (Color Bar Portion)
M.EQ	

1. Playback the 25M Master Tape
2. Set the item as follows  
D41 VITERBI MODE : OFF
3. Adjust D01 PB PLL PHS L and D02 PB PLL SL L so that the L1 and L2 error rate is minimum.
4. Adjust D29 PB MAIN DL L so that the L1 and L2 error rate is minimum.
5. Adjust D03 PB AEQ L so that the L1 and L2 error rate is minimum.
6. Adjust D04 PB GAIN L1 and D05 PB PHASE L1 so that the L1 error rate is minimum.
7. Adjust B06 PB GAIN L2 and B07 PB PHASE L2 so that the L2 error rate is minimum.

#### 4-6-20.EQ Adjustment (25M PB Rch)

Board	RF EQ
Specification	
Test Point	
Adjustment Point	Service Menu
Input Signal	
Mode	PLAY
Tape	VFM3580KM (Color Bar Portion)
M.EQ	

1. Playback the 25M Master Tape.
2. Set the item as follows  
D41 VITERBI MODE : OFF
3. Adjust D08 PB PLL PHS R and D09 PB PLL SL R so that the R1 and R2 error rate is minimum.
4. Adjust D33 PB MAIN DL R so that the R1 and R2 error rate is minimum.
5. Adjust D10 PB AEQ R so that the R1 and R2 error rate is minimum.
6. Adjust D11 PB GAIN R1 and D12 PB PHASE R1 so that the R1 error rate is minimum.
7. Adjust D13B PB GAIN R2 and D14 PB PHASE R2 so that the R2 error rate is minimum.

#### 4-6-21.EQ Phase Adjustment (25M PB)

Board	RF EQ
Specification	
Test Point	
Adjustment Point	Service Menu
Input Signal	
Mode	PLAY
Tape	VFM3580KM (Color Bar Portion)
M.EQ	

1. Playback the 25M Master Tape.
2. Set the item as follows.  
D41 VITERBI MODE: OFF
3. Adjust D05 PB PHASE L1 so that the L1 error rate is minimum.
4. Adjust D07 PB PHASE L2 so that the L2 error rate is minimum.
5. Adjust D12 PB PHASE R1 so that the R1 error rate is minimum.
6. Adjust D14 PB PHASE R2 so that the R2 error rate is minimum.

#### 4-6-22.EQ Adjustment (25M PB, VITERBI ON)

Board	RF EQ
Specification	
Test Point	
Adjustment Point	Service Menu
Input Signal	
Mode	PLAY
Tape	VFM3580KM (Color Bar Portion)
M.EQ	

1. Playback the 25M Master Tape.
2. Set the item as follows.  
D01 PB PLL PHS L → -55  
D08 PB PLL PHS R → -55



#### 4-6-23.EQ Adjustment (25M RP Lch)

Board	RF EQ
Specification	
Test Point	
Adjustment Point	Service Menu
Input Signal	
Mode	PLAY
Tape	VFM3580KM (Color Bar Portion)
M.EQ	

1. Playback the 25M Master Tape.
2. Set the item as follows.  
D42 PB MODE : RP H
3. Adjust D15 RP PLL PHS L and D16 RP PLL SL L so that the L1 and L2 error rate is minimum.
4. Adjust D30 RP MAIN DL L so that the L1 and L2 error rate is minimum.
5. Adjust D17 RP AEQ L so that the L1 and L2 error rate is minimum.
6. Adjust D18 RP GAIN L1 and D19 RP PHASE L1 so that the L1 error rate is minimum.
7. Adjust D20 RP GAIN L2 and D21 RP PHASE L2 so that the L2 error rate is minimum.
8. Adjust D15 RP PLL PHS L and D16 RP PLL SL L so that the L1 and L2 error rate is minimum.

#### 4-6-24.EQ Adjustment (25M RP Rch)

Board	RF EQ
Specification	
Test Point	
Adjustment Point	Service Menu
Input Signal	
Mode	PLAY
Tape	VFM3580KM (Color Bar Portion)
M.EQ	

1. Playback the 25M Master Tape.
2. Set the item as follows.  
PB MODE : RP H
3. Adjust D22 RP PLL PHS R and D23 RP PLL SL R so that the R1 and R2 error rate is minimum.
4. Adjust D34 RP MAIN DL R so that the R1 and R2 error rate is minimum.
5. Adjust D24 RP AEQ L so that the R1 and R2 error rate is minimum.
6. Adjust D25 RP GAIN R1 and D26 RP PHASE R1 so that the R1 error rate is minimum.
7. Adjust D27 RP GAIN R2 and D28 RP PHASE R2 so that the R2 error rate is minimum.
8. Adjust D22 RP PLL PHS R and D23 RP PLL SL R so that the R1 and R2 error rate is minimum.

#### 4-6-25.EQ Phase Adjustment (25M RP)

Board	RF EQ
Specification	
Test Point	
Adjustment Point	Service Menu
Input Signal	
Mode	PLAY
Tape	VFM3580KM (Color Bar Portion)
M.EQ	

1. Playback the 25M Master Tape.
2. Set the item as follows.  
PB MODE : RP H
3. Adjust D19 RP PHASE L1 so that the L1 error rate is minimum.
4. Adjust D21 RP PHASE L2 so that the L2 error rate is minimum.
5. Adjust D26 RP PHASE R1 so that the R1 error rate is minimum.
6. Adjust D28 RP PHASE R2 so that the R2 error rate is minimum.

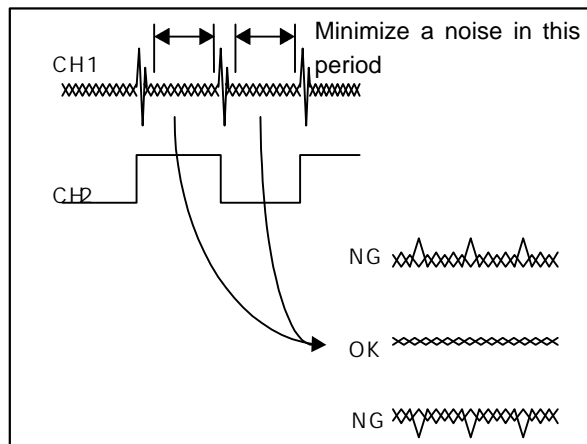
#### 4-6-26.ADC Level Fine Adjustment

Board	X-CAN(H2)
Specification	
Test Point	TP1,TP2(H2) TP2(H3)
Adjustment Point	Service Menu
Input Signal	
Mode	PLAY
Tape	VFM3580KM (Color Bar Portion)
M.EQ	Oscilloscope

1. Connect a scope CH1 to TP1 on H2 (X-CAN) Board and CH2 to TP2 on H3 (RF EQ L) Board.  
Scope CH1 : TP1(H2)  
CH2 : TP2(H3)
2. Open the Service Menu and select the item B00 EQ ED ADJUST.
3. Playback a 25M Master Tape.
4. Adjust B37 ADC LEVEL L so that the noise level is minimized as shown in the following figure.
5. Change the connection of scope CH1 to TP2(H2) from TP1(H2).
6. Adjust B38 ADC LEVEL R so that the noise level is minimized as shown in the following figure.
7. Escape the EQ ED ADJUST Menu and select the D00 EQ DP ADJUST Menu.
8. Adjust D38 ADC LEVEL R so that the noise level is minimized as shown in the following figure.
9. Change the connection of scope CH1 to TP1(H2) from TP2(H2).
10. Adjust D37 ADC LEVEL L so that the noise level is minimized as shown in the following figure.

#### Note

Confirm that the DC level is not held around  $\pm 2.5V$ .



#### 4-6-27. Error Rate Confirmation (50M)

Board	RF EQ
Specification	
Test Point	
Adjustment Point	Service Menu
Input Signal	
Mode	PLAY
Tape	VFM3580KM (Color Bar Portion)
M.EQ	

1. Set the items in the USER MENU as follows.  
012 SYS FORMAT : 422  
013 PB FORMAT : MANUAL
2. Open the Service Menu and select item B00 EQ ED ADJUST Menu.
3. Playback a 25M Master Tape.
4. Set the item as follows.  
B43 ERROR MODE : SLOW
5. Measure each error rate about L1, L2, R1, R2. (VIDEO/AUDIO)
6. Confirm that the error rate is displayed less than 6 segments on the error meter.

Front TC SW	Measurement Mode
INT	VIDEO Error
EXT	AUDIO Error

7. Set the item as follows.  
B42 PB MODE : RP H
8. Measure each error rate about L1, L2, R1, R2. (VIDEO/AUDIO)
9. Confirm that the error rate is less than 14 segments on the error meter.
10. Eject the 25M Master Tape and playback a 50M color bar Tape.
11. Confirm that the color bar is displayed on the monitor.

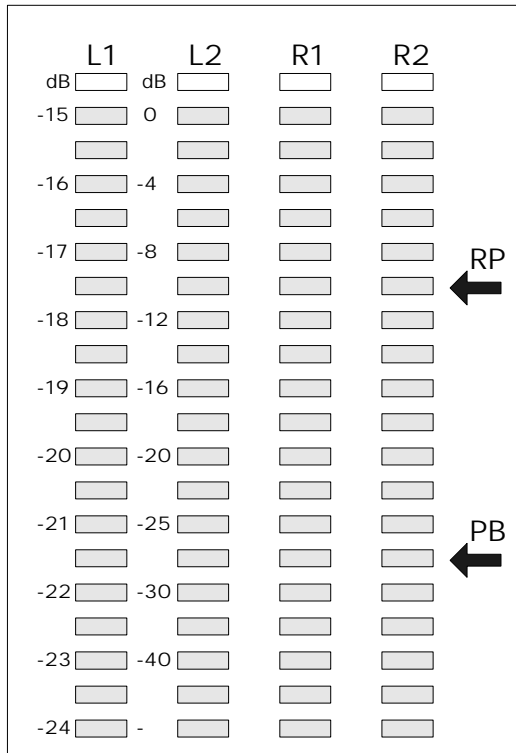
#### 4-6-28. Error Rate Confirmation (25M)

Board	RF EQ
Specification	
Test Point	
Adjustment Point	Service Menu
Input Signal	
Mode	PLAY
Tape	VFM3580KM (Color Bar Portion)
M.EQ	

1. Set the items in the USER MENU as follows.  
012 SYS FORMAT : 411  
013 PB FORMAT : MANUAL
2. Open the Service Menu and select item D00 EQ DP ADJUST Menu
3. Playback a 25M Master Tape.
4. Set the item as follows.  
D43 ERROR MODE : SLOW
5. Measure each error rate about L1, L2, R1, R2. (VIDEO/AUDIO)
6. Confirm that the error rate is displayed less than 6 segments on the error meter.

Front TC SW	Measurement Mode
INT	VIDEO Error
EXT	AUDIO Error

7. Set the item as follows.  
B42 PB MODE : RP H
8. Measure each error rate about L1, L2, R1, R2. (VIDEO/AUDIO)
9. Confirm that the error rate is less than 14 segments on the error meter.



CH1 CH2 CH3 CH4  
AUDIO METER

#### 4-6-29. REC Current and Frequency Characteristic Adjustment

1. Spectrum Analyzer setting

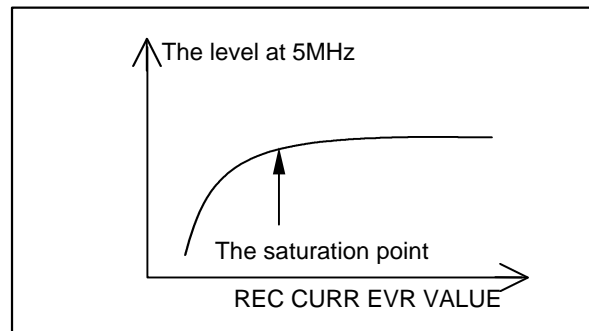
Parameter	REG1	REG2
REF LEVEL	-25dBm	-25dBm
ATTEN	10dB	10dB
/DIV	5dB	5dB
START FREQ	0MHz	0MHz
STOP FREQ	40MHz	20MHz
RES BW	1MHz	300MHz
VBW	3KHz	1KHz
SWEEP TIME	100ms	200ms
V AVG	OFF	OFF
TRIG	EXT	EXT

2. Set the switches on the Front panel as follows.  
CF SW → 4F/8F  
TV SYSTEM SW → 525  
TC SW → INT  
MODE SW → TAPE
3. Set the items in the USER MENU as follows.  
012 SYS FORMAT : 422  
013 PB FORMAT : MANUAL  
000 INT SIG : CB
4. Open the Service Menu.

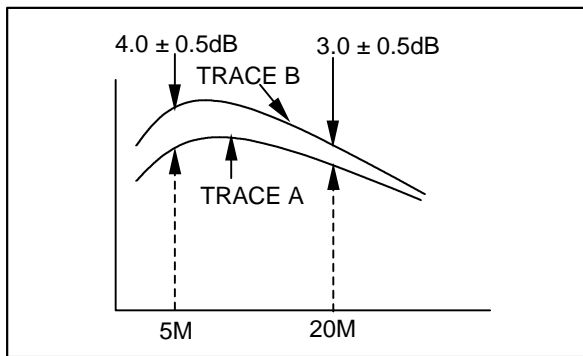
#### 4-6-30. REC Current and Frequency Characteristic Adjustment (50M Lch)

Board	RF EQ (H3)
Specification	
Test Point	TP104, TG101, TP2, TG1
Adjustment Point	Service Menu
Input Signal	INT SG color bar
Mode	REC
Tape	REC/PB Tape
M.EQ	Spectrum Analyzer

1. Connect a Spectrum Analyzer to the TP104(H3).  
EXT TRIG. : TP2 (H3)  
RECALL : REG 1  
GND : TG101
2. Insert a R/P Tape and record a color bar signal.
3. Select the item C00 RF ED ADJUST Menu
4. Set the values as follows.  
C02 REC FREQ L1 -100  
C04 REC FREQ L2 -100
5. Change the item C01 REC CURR L1 and C03 REC CURR L2 until just achieve the saturation level at 5MHz



6. Adjust C02 REC FREQ L1 and C04 REC FREQ L2 so that the level at 20MHz is maximum.
7. Store the signal in the TRACE-B.
8. Adjust following items so that the waveform becomes TRACE-A of the following figure.  
Adjustment items  
C01 REC CURR L1 , C03 REC CURR L2  
C02 REC FREQ L1 , C04 REC FREQ L2



#### 4-6-31. Comparison Of the Spectrum of Master PB and Confidence PB (50M Lch)

Board	RF EQ
Specification	
Test Point	TP104, TG101, TP2, TG1
Adjustment Point	
Input Signal	INT SIG color bar
Mode	REC, PLAY
Tape	RP/PB Tape, VFM3580KM
M.EQ	Spectrum Analyzer

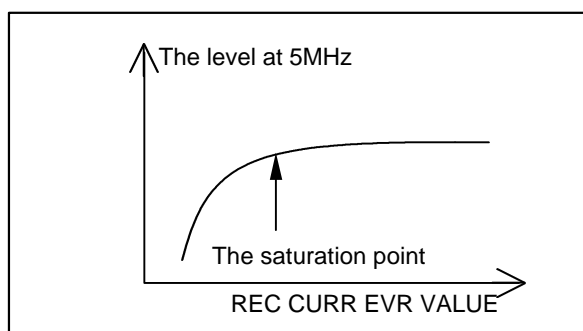
9. Add "+110" to the value of C01 REC CURR L1 and C03 REC CURR L2.  
(Ex. In case of -50 → +60)
10. After adjustment, compare the spectrum of Master Playback and Confidence Playback.

1. Place the unit in the REC mode.
2. Store the Confidence Playback spectrum in TRACE-B.
3. Playback a 25M Master Tape
4. Store the Master Playback spectrum in TRACE-A.
5. Confirm the level at 5MHz is as follows.  
TRACE-A Level - TRACE-B Level = ± 2.0 dB

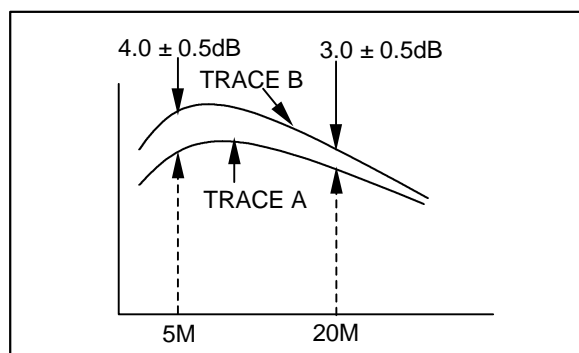
#### 4-6-32. REC Current and Frequency Characteristic Adjustment (50M Rch)

Board	RF EQ (H4)
Specification	
Test Point	TP104, TG101, TP2, TG1
Adjustment Point	
Input Signal	INT SIG color bar
Mode	REC
Tape	R/P Tape
M.EQ	Spectrum Analyzer

1. Connect a Spectrum Analyzer to the TP104(H4).  
EXT TRIG. : TP2 (H4)  
RECALL : REG 1  
GND : TG101
2. Insert a R/P Tape and record a color bar signal.
3. Select the item C00 RF ED ADJUST Menu
4. Set the values as follows.  
C08 REC FREQ R1 -100  
C10 REC FREQ R2 -100
5. Change the item C07 REC CURR R1 and C09 REC CURR R2 until just achieve the saturation level at 5MHz



6. Adjust C08 REC FREQ R1 and C10 REC FREQ R2 so that the level at 20MHz is maximum.
7. Store the signal in the TRACE-B.
8. Adjust following items so that the waveform becomes TRACE-A of the following figure.  
Adjustment items  
C07 REC CURR R1 , C09 REC CURR R2  
C08 REC FREQ R1 , C10 REC FREQ R2



9. Add "+110" to the value of C07 REC CURR R1 and C09 REC CURR R2  
(Ex. In case of -50 → +60)
13. After adjustment, compare the spectrum of Master Playback and Confidence Playback

### 4-6-33. Comparison Of the Spectrum of Master PB and Confidence PB (50M Rch)

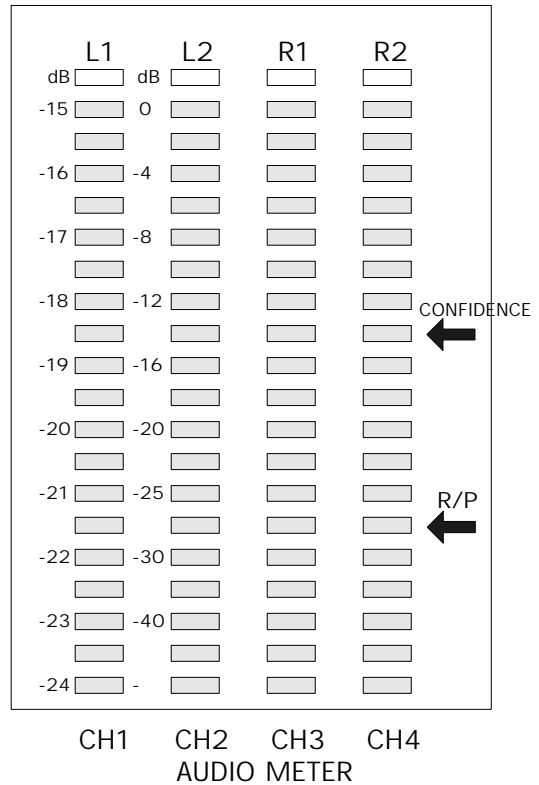
Board	RF EQ (H4)
Specification	
Test Point	TP104, TG101, TP2, TG1
Adjustment Point	
Input Signal	INT SIG color bar
Mode	REC, PLAY
Tape	R/P Tape, VFM3580KM
M.EQ	Spectrum Analyzer

1. Place the unit in the REC mode.
2. Store the Confidence Playback spectrum in TRACE-B.
3. Playback a 25M Master Tape
4. Store the Master Playback spectrum in TRACE-A.
5. Confirm the level at 5MHz is as follows.  
TRACE-A Level - TRACE-B Level = ± 2.0 dB

### 4-6-34. Error Rate Confirmation (50M)

Board	RF EQ
Specification	
Test Point	
Adjustment Point	
Input Signal	
Mode	REC, PLAY
Tape	R/P Tape
M.EQ	

1. Place the unit in the REC mode.
2. Set the item as follows  
C33 ERROR MODE : SLOW
3. Measure each error rate about L1, L2, R1, R2. (VIDEO/AUDIO)
4. Confirm that the error rate is displayed less than 12 segments on the error meter.
5. Playback the just recorded portion.
6. Confirm that the error rate is displayed less than 6 segments on the error meter.





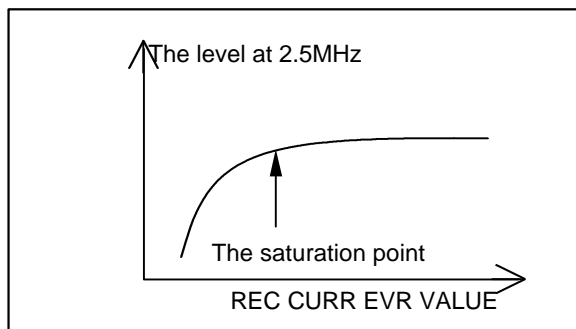
#### 4-6-35. Preparation For The REC Adjustment (25M)

1. USER MENU Setting  
012 SYS FORMAT : 411
2. Open the Service Menu.

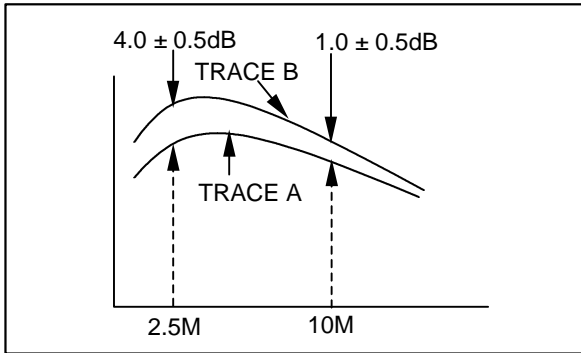
#### 4-6-36. REC Current And Frequency Characteristic Adjustment (25M Lch)

Board	RF EQ(H3)
Specification	
Test Point	TP104, TG101, TP2, TG1
Adjustment Point	Service Menu
Input Signal	INT SIG color bar
Mode	REC
Tape	R/P Tape
M.EQ	Spectrum Analyzer

1. Connect the Spectrum Analyzer to the TP104(H3).  
EXT TRIG. : TP2 (H3)  
RECALL : REG 2  
GND : TG101
2. Insert a R/P Tape and record a color bar signal.
3. Set the values as follows.  
E02 REC FREQ L1 -100  
E04 REC FREQ L2 -100
4. Change the item E01 REC CURR L1 and E03 REC CURR L2 until just achieve the saturation level at 2.5MHz.



5. Adjust E02 REC FREQ L1 and E04 REC FREQ L2 so that the level at 10MHz is maximum.
6. Store the signal in the TRACE-B.
7. Adjust following items so that the waveform becomes TRACE-A of the following figure.  
Adjustment items  
E01 REC CURR L1 , E03 REC CURR L2  
E02 REC FREQ L1 , E04 REC FREQ L2



8. Add "+ 90" to the value of E01 REC CURR L1 and E03 REC CURR L2  
(Ex. In case of -50 → +40)
9. After adjustment, compare the spectrum of Master Playback and Confidence Playback.

#### 4-6-37. Comparison of the Spectrum of Master PB and Confidence PB (25M Lch)

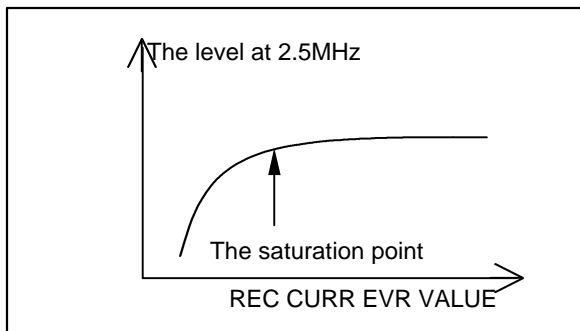
Board	RF EQ(H3)
Specification	
Test Point	TP104, TG101, TP2, TG1
Adjustment Point	
Input Signal	INT SIG color bar
Mode	REC, PLAY
Tape	R/P Tape MFM3580KM
M.EQ	Spectrum Analyzer

1. Place the unit in the REC mode.
2. Store the Confidence Playback spectrum in TRACE-B.
3. Playback a 25M Master Tape.
4. Store the Master Playback spectrum in TRACE-A.
5. Confirm the level at 2.5MHz is as follows.  
TRACE-A Level - TRACE-B Level = ± 2.0 dB

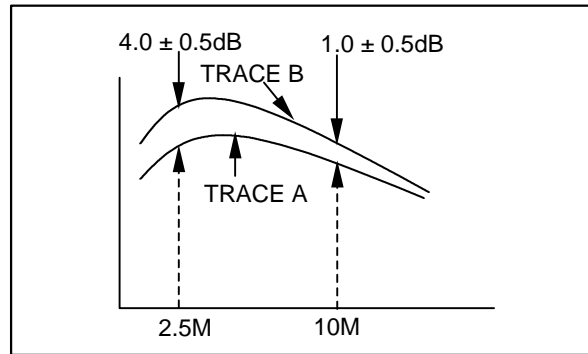
#### 4-6-38. REC Current And Frequency Characteristic Adjustment (25M Rch)

Board	RF EQ (H4)
Specification	
Test Point	TP104, TG101, TP2, TG1
Adjustment Point	
Input Signal	INT SIG Color bar
Mode	REC
Tape	R/P Tape
M.EQ	Spectrum Analyzer

1. Connect the Spectrum Analyzer to the TP104(H4).  
EXT TRIG. : TP2 (H4)  
RECALL : REG 2  
GND : TG101
2. Insert a R/P Tape and record a color bar signal.
3. Set the values as follows.  
E08 REC FREQ R1 -100  
E10 REC FREQ R2 -100
4. Change the item E07 REC CURR R1 and E09 REC CURR R2 until just achieve the saturation level at 2.5MHz



5. Adjust E08 REC FREQ R1 and E10 REC FREQ R2 so that the level at 10MHz is maximum.
6. Store the signal in the TRACE-B.
10. Adjust following items so that the waveform becomes TRACE-A of the following figure.  
Adjustment items  
E07 REC CURR R1 , E09 REC CURR R2
7. E09 REC FREQ R1 , E10 REC FREQ R2



11. Add "+ 90" to the value of E07 REC CURR R1 and E09 REC CURR R2  
(Ex. In case of -50 → +40)
12. After adjustment, compare the spectrum of Master Playback and Confidence Playback

#### 4-6-39. Comparison Of the Spectrum of Master PB and Confidence PB (25M Rch)

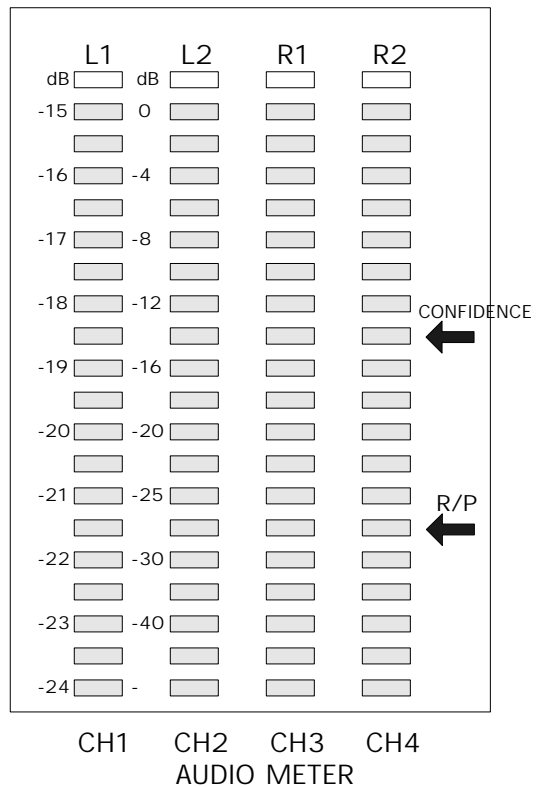
Board	RF EQ(H4)
Specification	
Test Point	TP104, TG101, TP2, TG1
Adjustment Point	
Input Signal	INT SIG Color Bar
Mode	REC, PLAY
Tape	R/P Tape, VFM3580KM
M.EQ	Spectrum Analyzer

1. Place the unit in the REC mode.
2. Store the Confidence Playback spectrum in TRACE-B.
3. Playback a 25M Master Tape.
4. Store the Master Playback spectrum in TRACE-A.
5. Confirm the level at 2.5MHz is as follows.  
TRACE-A Level - TRACE-B Level = ± 2.0 dB

#### 4-6-40. Error Rate Confirmation (25M)

Board	RF EQ
Specification	
Test Point	
Adjustment Point	
Input Signal	
Mode	REC, PLAY
Tape	R/P tape
M.EQ	

1. Place the unit in the REC mode.
2. Set the item as follows  
C33 ERROR MODE : SLOW
3. Measure each error rate about L1, L2, R1, R2. (VIDEO/AUDIO)
4. Confirm that the error rate is displayed less than 12 segments on the error meter.
5. Playback the just recorded portion.
6. Confirm that the error rate is displayed less than 6 segments on the error meter.





Ref.No.	Part No.	Part Name & Description	Pcs	Remarks
* E1	VEP89129A	P MOTHER P.C.BOARD	1 (RTL)	
P001-06	VJS3814	CONNECTOR (FEMALE)	6	
P007-10	VJS3510	CONNECTOR (FEMALE)	4	
P011-20	VJS3814	CONNECTOR (FEMALE)	10	
P021	VJP2891B016	CONNECTOR (MALE)	1	
P022	VJP1248T	CONNECTOR (MALE) 8P	1	
P023	VJP2891A030	CONNECTOR (MALE)	1	
P024	VJP3418A080	CONNECTOR (MALE)	1	
P025	VJP2824B003	CONNECTOR (MALE)	1	
P026	VJP2824B010	CONNECTOR (MALE)	1	
P027	VJP2824B008	CONNECTOR (MALE)	1	
P029,30	VJS3375B060	CONNECTOR (FEMALE)	2	
P031	VJP3080	CONNECTOR (MALE)	1	
P032	VJP1230T	CONNECTOR (MALE) 3P	1	
P033	VJP3375A060	CONNECTOR (MALE)	1	
P777	VJP1231T	CONNECTOR (MALE) 4P	1	
		MISCELLANEOUS		
	VKC0392	SPACER	2	
	VMP4868	XLR GUIDE ANGLE (B)	1	
	VMP5641	MOTHER ANGLE (A)	1	
	VMP5642	MOTHER ANGLE (B)	1	
	VMP5643	MOTHER ANGLE (C)	1	
	XYE3+EF8FZ	SCREW	10	
	XTV26+6F	SCREW	2	
	XYN26-C10	SCREW	16	
	XNG26EFXS	NUT	16	
* E2	VEP82213B	F1 SERVO P.C.BOARD	1 (RTL)	
C1,C2	ECUX1H103KBV	C.CAPACITOR CH 50V 0.01U	2	
C3	ECEV1CV220Q	E.CAPACITOR CH 16V 22U	1	
C4	ECEV1CV470Q	E.CAPACITOR CH 16V 47U	1	
C5,C6	ECEV1CV220Q	E.CAPACITOR CH 16V 22U	2	
C7	ECUX1H222KBV	C.CAPACITOR CH 50V 2200P	1	
C8,C9	ECUX1H103KBV	C.CAPACITOR CH 50V 0.01U	2	
C10	ECUX1H102JCV	C.CAPACITOR CH 50V 1000P	1	
C11,12	ECUX1H103KBV	C.CAPACITOR CH 50V 0.01U	2	
C13	ECUX1H101JCV	C.CAPACITOR CH 50V 100P	1	
C14	ECUX1H103KBV	C.CAPACITOR CH 50V 0.01U	1	
C15	ECUX1H222KBV	C.CAPACITOR CH 50V 2200P	1	
C30-34	ECUX1H103KBV	C.CAPACITOR CH 50V 0.01U	5	
C35	ECEV1EV330Q	E.CAPACITOR CH 25V 33U	1	
C36-38	ECUX1H103KBV	C.CAPACITOR CH 50V 0.01U	3	
C39	ECEV1CV100Q	E.CAPACITOR CH 16V 10U	1	
C40,41	ECUX1C333KBV	C.CAPACITOR CH 16V 0.033U	2	
C42-45	ECUX1H103KBV	C.CAPACITOR CH 50V 0.01U	4	
C60,61	ECUX1H103KBV	C.CAPACITOR CH 50V 0.01U	2	
C63-74	ECUX1H103KBV	C.CAPACITOR CH 50V 0.01U	12	
C80,81	ECUX1H102JCV	C.CAPACITOR CH 50V 1000P	2	
C82	ECUX1H103KBV	C.CAPACITOR CH 50V 0.01U	1	
C83	ECUX1H100DCV	C.CAPACITOR CH 50V 10P	1	
C84	ECUX1H103KBV	C.CAPACITOR CH 50V 0.01U	1	
C85,86	ECEV1EV330Q	E.CAPACITOR CH 25V 33U	2	
C87	ECUX1H103KBV	C.CAPACITOR CH 50V 0.01U	1	
C88	ECUX1H100DCV	C.CAPACITOR CH 50V 10P	1	
C89,90	ECUX1H102JCV	C.CAPACITOR CH 50V 1000P	2	
C91	ECUX1H103KBV	C.CAPACITOR CH 50V 0.01U	1	
C92,93	ECEV1EV330Q	E.CAPACITOR CH 25V 33U	2	
C94-96	ECUX1H103KBV	C.CAPACITOR CH 50V 0.01U	3	
C120,21	ECUX1H102JCV	C.CAPACITOR CH 50V 1000P	2	
C123	ECUX1H103KBV	C.CAPACITOR CH 50V 0.01U	1	
C124,25	ECUX1H100DCV	C.CAPACITOR CH 50V 10P	2	
C126	ECUX1H103KBV	C.CAPACITOR CH 50V 0.01U	1	
C127,28	ECEV1EV330Q	E.CAPACITOR CH 25V 33U	2	
C129,30	ECUX1H103KBV	C.CAPACITOR CH 50V 0.01U	2	
C131,32	ECUX1H102JCV	C.CAPACITOR CH 50V 1000P	2	
C133,34	ECEV1EV330Q	E.CAPACITOR CH 25V 33U	2	
C135,36	ECUX1H103KBV	C.CAPACITOR CH 50V 0.01U	2	

Ref.No.	Part No.	Part Name & Description	Pcs	Remarks
C160,61	ECUX1H102JCV	C.CAPACITOR CH 50V 1000P	2	
C162	ECUX1H103KBV	C.CAPACITOR CH 50V 0.01U	1	
C163,64	ECUX1H100DCV	C.CAPACITOR CH 50V 10P	2	
C165	ECUX1H103KBV	C.CAPACITOR CH 50V 0.01U	1	
C166,67	ECEV1EV330Q	E.CAPACITOR CH 25V 33U	2	
C168	ECUX1H103KBV	C.CAPACITOR CH 50V 0.01U	1	
C170,71	ECUX1H102JCV	C.CAPACITOR CH 50V 1000P	2	
C172	ECUX1H103KBV	C.CAPACITOR CH 50V 0.01U	1	
C173,74	ECEV1EV330Q	E.CAPACITOR CH 25V 33U	2	
C175	ECUX1H103KBV	C.CAPACITOR CH 50V 0.01U	1	
C202,03	ECUX1H103KBV	C.CAPACITOR CH 50V 0.01U	2	
C204	ECEV1CV470Q	E.CAPACITOR CH 16V 47U	1	
C205-07	ECUX1H103KBV	C.CAPACITOR CH 50V 0.01U	3	
C211	ECEV1CV470Q	E.CAPACITOR CH 16V 47U	1	
C212,13	ECUX1H103KBV	C.CAPACITOR CH 50V 0.01U	2	
C214	ECEV1CV470Q	E.CAPACITOR CH 16V 47U	1	
C215,16	ECUX1C104KBV	C.CAPACITOR CH 16V 0.1U	2	
C218,19	ECUX1H103KBV	C.CAPACITOR CH 50V 0.01U	2	
C220	ECCF1H330JC	C.CAPACITOR 50V 33P	1	
C230-32	ECUX1H102JCV	C.CAPACITOR CH 50V 1000P	3	
C233-36	ECUX1H103KBV	C.CAPACITOR CH 50V 0.01U	4	
C237	ECEV1CV470Q	E.CAPACITOR CH 16V 47U	1	
C238	ECUX1H103KBV	C.CAPACITOR CH 50V 0.01U	1	
C239	ECEV1CV470Q	E.CAPACITOR CH 16V 47U	1	
C240-43	ECUX1H103KBV	C.CAPACITOR CH 50V 0.01U	4	
C246-51	ECUX1H103KBV	C.CAPACITOR CH 50V 0.01U	6	
C260,61	ECUX1H103KBV	C.CAPACITOR CH 50V 0.01U	2	
C263-70	ECUX1H103KBV	C.CAPACITOR CH 50V 0.01U	8	
C280-86	ECUX1H103KBV	C.CAPACITOR CH 50V 0.01U	7	
C300	ECUX1H103KBV	C.CAPACITOR CH 50V 0.01U	1	
C303	ECEV1CV470Q	E.CAPACITOR CH 16V 47U	1	
C304-07	ECUX1H103KBV	C.CAPACITOR CH 50V 0.01U	4	
C309	ECEV1CV470Q	E.CAPACITOR CH 16V 47U	1	
C322	ECUX1C104ZVF	C.CAPACITOR CH 16V 0.1U	1	
C323	ECEV1CV100Q	E.CAPACITOR CH 16V 10U	1	
C328	ECUX1C104ZVF	C.CAPACITOR CH 16V 0.1U	1	
C329	ECEV1CV100Q	E.CAPACITOR CH 16V 10U	1	
C333	ECUX1H103KBV	C.CAPACITOR CH 50V 0.01U	1	
C335,36	ECUX1H050CCV	C.CAPACITOR CH 50V 5P	2	
C337	ECUX1H103KBV	C.CAPACITOR CH 50V 0.01U	1	
C340	ECUM1H104ZFN	C.CAPACITOR CH 50V 0.1U	1	
C341	ECA1EXLV101X	E.CAPACITOR 25V 100U	1	
C342,43	ECUX1H103KBV	C.CAPACITOR CH 50V 0.01U	2	
C344	ECUX1H682KBV	C.CAPACITOR CH 50V 6800P	1	
C345	ECA1EXLV101X	E.CAPACITOR 25V 100U	1	
C346	ECUM1H104ZFN	C.CAPACITOR CH 50V 0.1U	1	
C347,48	ECUX1C104KBV	C.CAPACITOR CH 16V 0.1U	2	
C349-53	ECUX1H103KBV	C.CAPACITOR CH 50V 0.01U	5	
C354	ECUX1H102JCV	C.CAPACITOR CH 50V 1000P	1	
C355	ECUX1H103KBV	C.CAPACITOR CH 50V 0.01U	1	
C356	ECUX1C104KBV	C.CAPACITOR CH 16V 0.1U	1	
C357	ECUX1H682KBV	C.CAPACITOR CH 50V 6800P	1	
C358	ECA1EXLV101X	E.CAPACITOR 25V 100U	1	
C359	ECUM1H104ZFN	C.CAPACITOR CH 50V 0.1U	1	
C360	ECA1EXLV101X	E.CAPACITOR 25V 100U	1	
C361	ECUM1H104ZFN	C.CAPACITOR CH 50V 0.1U	1	
C362	ECA1EXLV101X	E.CAPACITOR 25V 100U	1	
C380,81	ECUX1H103KBV	C.CAPACITOR CH 50V 0.01U	2	
C382	ECEV1CV470Q	E.CAPACITOR CH 16V 47U	1	
C383	ECUX1H682KBV	C.CAPACITOR CH 50V 6800P	1	
C384	ECEV1CV470Q	E.CAPACITOR CH 16V 47U	1	
C385,86	ECUX1H103KBV	C.CAPACITOR CH 50V 0.01U	2	
C387	ECEV1CV470Q	E.CAPACITOR CH 16V 47U	1	
C388	ECUX1H682KBV	C.CAPACITOR CH 50V 6800P	1	
C389	ECEV1CV470Q	E.CAPACITOR CH 16V 47U	1	
C390	ECUX1H103KBV	C.CAPACITOR CH 50V 0.01U	1	
C391	ECEV1CV470Q	E.CAPACITOR CH 16V 47U	1	
C400	ECEV1CV470Q	E.CAPACITOR CH 16V 47U	1	
C401-03	ECUX1H103KBV	C.CAPACITOR CH 50V 0.01U	3	
C404-06	ECUX1C104KBV	C.CAPACITOR CH 16V 0.1U	3	
C407	ECEV1CV100Q	E.CAPACITOR CH 16V 10U	1	
C408	ECUX1H103KBV	C.CAPACITOR CH 50V 0.01U	1	
C409-11	ECUX1C104KBV	C.CAPACITOR CH 16V 0.1U	3	
C412	ECUM1C224ZVF	C.CAPACITOR CH 16V 0.22U	1	
C413	ECUX1H103KBV	C.CAPACITOR CH 50V 0.01U	1	

Ref.No.	Part No.	Part Name & Description	Pcs	Remarks
C414	ECUM1C105KBM	C.CAPACITOR CH 16V 1U	1	
C415	ECUX1H152KBV	C.CAPACITOR CH 50V 1500P	1	
C416	ECUX1H103KBV	C.CAPACITOR CH 50V 0.01U	1	
C417	ECUX1C104KBV	C.CAPACITOR CH 16V 0.1U	1	
C418	ECUX1H103KBV	C.CAPACITOR CH 50V 0.01U	1	
C419	ECEV1E220Q	E.CAPACITOR CH 25V 22U	1	
C420	ECEV1CV100Q	E.CAPACITOR CH 16V 10U	1	
C421	ECUX1H103KBV	C.CAPACITOR CH 50V 0.01U	1	
C422	ECUX1H331JCV	C.CAPACITOR CH 50V 330P	1	
C423	ECEV1CV470Q	E.CAPACITOR CH 16V 47U	1	
C424-27	ECUX1H103KBV	C.CAPACITOR CH 50V 0.01U	4	
C428,29	ECUX1C104KBV	C.CAPACITOR CH 16V 0.1U	2	
C430	ECUX1H103KBV	C.CAPACITOR CH 50V 0.01U	1	
C431	ECEV1CV100Q	E.CAPACITOR CH 16V 10U	1	
C432-34	ECUX1C104KBV	C.CAPACITOR CH 16V 0.1U	3	
C450	ECUX1E223KBV	C.CAPACITOR CH 25V 0.023U	1	
C451,52	ECUX1H103KBV	C.CAPACITOR CH 50V 0.01U	2	
C453,54	ECUM1E473KBN	C.CAPACITOR CH 25V 0.047U	2	
C455	ECUM1H104ZFN	C.CAPACITOR CH 50V 0.1U	1	
C456	ECEV1HV2R2Q	E.CAPACITOR CH 50V 2.2U	1	
C457	ECUM1H104ZFN	C.CAPACITOR CH 50V 0.1U	1	
C458,59	ECEV1HV2R2Q	E.CAPACITOR CH 50V 2.2U	2	
C460	ECUM1H104ZFN	C.CAPACITOR CH 50V 0.1U	1	
C461	ECUM1E473KBN	C.CAPACITOR CH 25V 0.047U	1	
C462	ECUX1H472KBV	C.CAPACITOR CH 50V 4700P	1	
C463	ECUX1C333KBV	C.CAPACITOR CH 16V 0.033U	1	
C464	ECUX1H472KBV	C.CAPACITOR CH 50V 4700P	1	
C465	ECUX1C333KBV	C.CAPACITOR CH 16V 0.033U	1	
C466	ECUX1H472KBV	C.CAPACITOR CH 50V 4700P	1	
C467	ECUX1C333KBV	C.CAPACITOR CH 16V 0.033U	1	
C468,69	ECUX1C104KBV	C.CAPACITOR CH 16V 0.1U	2	
C470	ECUX1H103KBV	C.CAPACITOR CH 50V 0.01U	1	
C471	ECEV1CV100Q	E.CAPACITOR CH 16V 10U	1	
C472	ECUM1C474KBM	C.CAPACITOR CH 16V 0.47U	1	
C473	ECUM1E223KBV	C.CAPACITOR CH 25V 0.023U	1	
C474,75	ECUM1E473KBN	C.CAPACITOR CH 25V 0.047U	2	
C476	ECUM1H104ZFN	C.CAPACITOR CH 50V 0.1U	1	
C477,78	ECEV1HV2R2Q	E.CAPACITOR CH 50V 2.2U	2	
C479	ECUM1H104ZFN	C.CAPACITOR CH 50V 0.1U	1	
C480	ECEV1HV2R2Q	E.CAPACITOR CH 50V 2.2U	1	
C481	ECUM1H104ZFN	C.CAPACITOR CH 50V 0.1U	1	
C482	ECUM1E473KBN	C.CAPACITOR CH 25V 0.047U	1	
C483	ECUX1H472KBV	C.CAPACITOR CH 50V 4700P	1	
C484	ECUX1C333KBV	C.CAPACITOR CH 16V 0.033U	1	
C485	ECUX1H472KBV	C.CAPACITOR CH 50V 4700P	1	
C486	ECUX1C333KBV	C.CAPACITOR CH 16V 0.033U	1	
C487	ECUX1H472KBV	C.CAPACITOR CH 50V 4700P	1	
C488	ECUX1C333KBV	C.CAPACITOR CH 16V 0.033U	1	
C489,90	ECUX1C104KBV	C.CAPACITOR CH 16V 0.1U	2	
C491	ECUX1H103KBV	C.CAPACITOR CH 50V 0.01U	1	
C492	ECEV1CV100Q	E.CAPACITOR CH 16V 10U	1	
C493	ECUM1C474KBM	C.CAPACITOR CH 16V 0.47U	1	
C510	ECUX1H103KBV	C.CAPACITOR CH 50V 0.01U	1	
C511	ECEV1CV470Q	E.CAPACITOR CH 16V 47U	1	
C512,13	ECUX1H103KBV	C.CAPACITOR CH 50V 0.01U	2	
C514	ECEV1CV470Q	E.CAPACITOR CH 16V 47U	1	
C515	ECUX1H103KBV	C.CAPACITOR CH 50V 0.01U	1	
C516	ECEV1EV330Q	E.CAPACITOR CH 25V 33U	1	
C517-19	ECUX1H103KBV	C.CAPACITOR CH 50V 0.01U	3	
C520	ECEV1EV330Q	E.CAPACITOR CH 25V 33U	1	
C521	ECUX1H103KBV	C.CAPACITOR CH 50V 0.01U	1	
C522,23	ECEV1HV010Q	E.CAPACITOR CH 50V 1U	2	
C524	ECEV1EV330Q	E.CAPACITOR CH 25V 33U	1	
C525	ECUX1H103KBV	C.CAPACITOR CH 50V 0.01U	1	
C526	ECEV1EV330Q	E.CAPACITOR CH 25V 33U	1	
C527,28	ECUX1H103KBV	C.CAPACITOR CH 50V 0.01U	2	
C529	ECEV1EV330Q	E.CAPACITOR CH 25V 33U	1	
C530-32	ECUX1H103KBV	C.CAPACITOR CH 50V 0.01U	3	
C533	ECEV1AV330Q	E.CAPACITOR CH 10V 33U	1	
C534	ECUX1H103KBV	C.CAPACITOR CH 50V 0.01U	1	
C535	ECEV1EV330Q	E.CAPACITOR CH 25V 33U	1	
C536	ECUX1H103KBV	C.CAPACITOR CH 50V 0.01U	1	
C537	ECEV1HV010Q	E.CAPACITOR CH 50V 1U	1	
C538	ECEV1EV330Q	E.CAPACITOR CH 25V 33U	1	
C539	ECUX1H103KBV	C.CAPACITOR CH 50V 0.01U	1	

Ref.No.	Part No.	Part Name & Description	Pcs	Remarks
C600,01	ECUX1H103KBV	C.CAPACITOR CH 50V 0.01U	2	
C701-04	ECUX1H472KBV	C.CAPACITOR CH 50V 4700P	4	
C705-10	ECUX1H103KBV	C.CAPACITOR CH 50V 0.01U	6	
C711	ECUX1H102JCV	C.CAPACITOR CH 50V 1000P	1	
C712	ECUX1H682KBV	C.CAPACITOR CH 50V 6800P	1	
C713,14	ECEV1CV100Q	E.CAPACITOR CH 16V 10U	2	
C715	ECUX1C104ZFV	C.CAPACITOR CH 16V 0.1U	1	
C716-18	ECUX1H103KBV	C.CAPACITOR CH 50V 0.01U	3	
C721	ECUX1H102JCV	C.CAPACITOR CH 50V 1000P	1	
C722	ECUX1H682KBV	C.CAPACITOR CH 50V 6800P	1	
C723,24	ECEV1CV100Q	E.CAPACITOR CH 16V 10U	2	
C725	ECUX1C104ZFV	C.CAPACITOR CH 16V 0.1U	1	
C726-30	ECUX1H103KBV	C.CAPACITOR CH 50V 0.01U	5	
C735,36	ECUX1H103KBV	C.CAPACITOR CH 50V 0.01U	2	
C738	ECUX1H103KBV	C.CAPACITOR CH 50V 0.01U	1	
C740,41	ECUX1H150JCV	C.CAPACITOR CH 50V 15P	2	
C742,43	ECUX1H103KBV	C.CAPACITOR CH 50V 0.01U	2	
C744	ECUM1C224ZFV	C.CAPACITOR CH 16V 0.22U	1	
C901-05	ECUX1H103KBV	C.CAPACITOR CH 50V 0.01U	5	
C911	ECUX1H681KBV	C.CAPACITOR CH 50V 680P	1	
C912,13	ECUX1H103KBV	C.CAPACITOR CH 50V 0.01U	2	
C914	ECUX1H471JCV	C.CAPACITOR CH 50V 470P	1	
C915	ECUX1H150JCV	C.CAPACITOR CH 50V 15P	1	
C916	ECUX1C104KBV	C.CAPACITOR CH 16V 0.1U	1	
C921	ECUX1H681KBV	C.CAPACITOR CH 50V 680P	1	
C922,23	ECUX1H103KBV	C.CAPACITOR CH 50V 0.01U	2	
C924	ECUX1H471JCV	C.CAPACITOR CH 50V 470P	1	
C925	ECUX1H150JCV	C.CAPACITOR CH 50V 15P	1	
C926	ECUX1C104KBV	C.CAPACITOR CH 16V 0.1U	1	
C931-34	ECUX1H103KBV	C.CAPACITOR CH 50V 0.01U	4	
C935,36	ECUX1C104KBV	C.CAPACITOR CH 16V 0.1U	2	
C941	ECUM1H123KVB	C.CAPACITOR CH 50V 0.012U	1	
C942	ECUM1C224ZFV	C.CAPACITOR CH 16V 0.22U	1	
C943,44	ECUX1H103KBV	C.CAPACITOR CH 50V 0.01U	2	
C946-48	ECUX1H103KBV	C.CAPACITOR CH 50V 0.01U	3	
C951-55	ECUX1H103KBV	C.CAPACITOR CH 50V 0.01U	5	
C960,61	ECUX1C104KBV	C.CAPACITOR CH 16V 0.1U	2	
D1,D2	MA147	DIODE	2	
D3,D4	MA8075-H	DIODE	2	
D30,31	MA8030	DIODE	2	
D32	MA8047-H	DIODE	1	
D33-35	MA142K	DIODE	3	
D80-83	MA147	DIODE	4	
D120-23	MA147	DIODE	4	
D160-63	MA147	DIODE	4	
D201	MA142K	DIODE	1	
D202	MA8047-H	DIODE	1	
D203	MA142K	DIODE	1	
D204,05	MA8047-H	DIODE	2	
D206-08	MA142K	DIODE	3	
D300-02	LN1251CAL	DIODE	3	
D340	MA728	DIODE	1	
D341	MA736	DIODE	1	
D342	MA728	DIODE	1	
D343	MA736	DIODE	1	
D344	MA8039-L	DIODE	1	
D380	MA728	DIODE	1	
D381	MA736	DIODE	1	
D382	MA728	DIODE	1	
D383	MA736	DIODE	1	
D400-05	MA738	DIODE	6	
D406,07	MA8047-H	DIODE	2	
D408-13	MA738	DIODE	6	
D450	MA142K	DIODE	1	
D451-56	MA738	DIODE	6	
D457	MA142K	DIODE	1	
D458-63	MA738	DIODE	6	
D510-13	MA701A	DIODE	4	
D514-19	MA704A	DIODE	6	
D701-07	MA142K	DIODE	7	
D711-14	MA147	DIODE	4	
D715	MA142K	DIODE	1	
D911-16	MA147	DIODE	6	
D921,22	MA142K	DIODE	2	

Ref.No.	Part No.	Part Name & Description	Pcs	Remarks
FL320,21	VLF0576	FILTER	2	
FL510-15	VLF0576	FILTER	6	
IC1	TC7WU04F	IC	1	
IC2	UPC4082G2	IC	1	
IC3	TC4052BF	IC	1	
IC30	UPC4082G2	IC	1	
IC31	NJM4580ED	IC	1	
IC32	AD633JR	IC	1	
IC33	UPC4082G2	IC	1	
IC34	TCVHC74FS	IC	1	
IC35	TC7W00F	IC	1	
IC60,61	MC74HC08AF	IC	2	
IC63-66	TCVHC74FS	IC	4	
IC67	MC74HC157AF	IC	1	
IC68	T74HC191AF	IC	1	
IC69	MC74HC32AF	IC	1	
IC70	MC74HC86AF	IC	1	
IC71	MC74HC04AF	IC	1	
IC72	TCVHC74FS	IC	1	
IC73	TCVHC11FS	IC	1	
IC74	MC74HC27F	IC	1	
IC80,81	UPC4741G2	IC	2	
IC82	NJM2901M	IC	1	
IC83	MC74HC4050F	IC	1	
IC120,21	UPC4741G2	IC	2	
IC160	NJM2903M	IC	1	
IC161,62	UPC4741G2	IC	2	
IC200	ADG408BR	IC	1	
IC201	AD7896AR	IC	1	
IC202	AD7943BR	IC	1	
IC203	SMP08FS	IC	1	
IC204	TCVHC244FS	IC	1	
IC207	UPC4082G2	IC	1	
IC230	MC68332CFC25	IC	1	
IC231	TL7705CPSB	IC	1	
IC235	VS12579B	IC	1	
IC236,37	74AC74SJ	IC	2	
IC240	74AC08SJ	IC	1	
IC241	MC74HC244AF	IC	1	
IC260,61	Y7C18525SC	IC	2	
IC262	IDT71321A55	IC	1	
IC263,64	SN74S1051NS	IC	2	
IC265	TCVHC175FS	IC	1	
IC266	TCVHC164FS	IC	1	
IC267	TCVHC273FS	VHC	1	
IC268	MC74HC74AF	IC	1	
IC269	MC74HC86AF	IC	1	
IC280	TCVHC244FS	IC	1	
IC281	MC74HC151F	IC	1	
IC282	SLA909SF1G	IC	1	
IC300	TE7751	IC	1	
IC301,02	MC74HC244AF	IC	2	
IC304,05	MC74HC244AF	IC	2	
IC324	T74VHCU04F	IC	1	
IC325	74AC74SJ	IC	1	
IC340	TL1451CNS	IC	1	
IC341	UPC393G2	IC	1	
IC342	NJM4580ED	IC	1	
IC400,01	AN3890FBS	IC	2	
IC402	NJM4580ED	IC	1	
IC403	NJM2903M	IC	1	
IC404	NJM4580ED	IC	1	
IC450,51	AN3834S	IC	2	
IC452	UPC4558G2	IC	1	
IC510,11	NJM78L09UA	IC	2	
IC512,13	NJM79L09UA	IC	2	
IC514	XC62AP5002P	IC	1	
IC515,16	XC62AP3002P	IC	2	
IC517	NJM79L05UA	IC	1	
IC600	NJM2903M	IC	1	
IC701,02	UPC4741G2	IC	2	
IC703	MC14052BF	IC	1	
IC704	UPC4082G2	IC	1	

Ref.No.	Part No.	Part Name & Description	Pcs	Remarks
IC705,06	TC7WU04F	IC	2	
IC708	TCVHC14FS	IC	1	
IC711	TCVHC74FS	IC	1	
IC712	MC74HC74AF	IC	1	
IC713,14	SC371025AVFU	IC	2	
IC715	TCVHC157FS	IC	1	
IC716	TC7WU04F	IC	1	
IC717	TCVHC32FS	IC	1	
IC901	T74VHCT244F	IC	1	
IC902	TCVHC74FS	IC	1	
IC903	MC74HC74AF	IC	1	
IC904	TC7WU04F	IC	1	
IC910	MC14052BF	IC	1	
IC911	MC14053BF	IC	1	
IC912	MC74HC574AF	IC	1	
IC913	TCVHC74FS	IC	1	
IC915-17	UPC4082G2	IC	3	
IC918	CXA1211M	IC	1	
IC921	UPC4741G2	IC	1	
IC922	MC14538BF	IC	1	
IS235	VJS3096640	CONNECTOR (FEMALE)	1	
L230,31	VLQ0576	COIL	2	
L340	VLQ0504331K	COIL 330UH	1	
L341	VLQ0407120M	COIL 12UH	1	
L342	VLQ0504331K	COIL 330UH	1	
L380	VLQ0407120M	COIL 12UH	1	
L381,82	VLQ0504331K	COIL 330UH	2	
L510	VLFP013	COIL	1	
L901,02	ELJFA2211JF	COIL 220UH	2	
P1,P2	VJP3454B096	CONNECTOR (MALE)	2	
Q1	2SD601A-R	TRANSISTOR	1	
Q2,Q3	2SB709A-R	TRANSISTOR	2	
Q4	2SD601A-R	TRANSISTOR	1	
Q5	2SB709A-R	TRANSISTOR	1	
Q6	2SD601A-R	TRANSISTOR	1	
Q340,41	2SB1174-Q	TRANSISTOR	2	
Q380,81	2SB1174-Q	TRANSISTOR	2	
Q400	PU3210	TRANSISTOR	1	
Q401	PU3110	TRANSISTOR	1	
Q402	PU3210	TRANSISTOR	1	
Q403	PU3110	TRANSISTOR	1	
Q510,11	2SD601A-R	TRANSISTOR	2	
Q901,02	2SC3735	TRANSISTOR	2	
QR1	UN5213	TRANSISTOR-RESISTOR	1	
QR2	UN5113	TRANSISTOR-RESISTOR	1	
QR3	UN5215	TRANSISTOR-RESISTOR	1	
QR4	UN5115	TRANSISTOR-RESISTOR	1	
QR5,R6	UN5213	TRANSISTOR-RESISTOR	2	
QR7,R8	UN5113	TRANSISTOR-RESISTOR	2	
QR30	UN5213	TRANSISTOR-RESISTOR	1	
QR81,82	UN5213	TRANSISTOR-RESISTOR	2	
QR83	UN5113	TRANSISTOR-RESISTOR	1	
QR84	UN5213	TRANSISTOR-RESISTOR	1	
QR85	UN5113	TRANSISTOR-RESISTOR	1	
QR120	UN5213	TRANSISTOR-RESISTOR	1	
QR121	UN5113	TRANSISTOR-RESISTOR	1	
QR122	UN5213	TRANSISTOR-RESISTOR	1	
QR123	UN5113	TRANSISTOR-RESISTOR	1	
QR124	UN5213	TRANSISTOR-RESISTOR	1	
QR160	UN5213	TRANSISTOR-RESISTOR	1	
QR161	UN5113	TRANSISTOR-RESISTOR	1	
QR162	UN5213	TRANSISTOR-RESISTOR	1	
QR163	UN5113	TRANSISTOR-RESISTOR	1	
QR164	UN5213	TRANSISTOR-RESISTOR	1	
QR340,41	UN5111	TRANSISTOR-RESISTOR	2	
QR400	UN5213	TRANSISTOR-RESISTOR	1	
QR401	UN5113	TRANSISTOR-RESISTOR	1	
QR600	UN5217	TRANSISTOR-RESISTOR	1	
QR601	UN5211	TRANSISTOR-RESISTOR	1	
QR701,02	UN5213	TRANSISTOR-RESISTOR	2	



Ref.No.	Part No.	Part Name & Description	Pcs	Remarks
R1-R3	ERJ3GGEY102	M.RESISTOR CH 1/16W 1K	3	
	ERJ3RBD471	M.RESISTOR CH 3W 470	1	
R5	ERJ3GGEY102	M.RESISTOR CH 1/16W 1K	1	
R6	ERJ3RBD471	M.RESISTOR CH 3W 470	1	
R7	ERJ3GGEY152	M.RESISTOR CH 1/16W 1.5K	1	
R8	ERJ3GGEYJ563	M.RESISTOR CH 1/16W 56K	1	
R9,10	ERJ3GGEYJ104	M.RESISTOR CH 1/16W 100K	2	
R11	ERJ3GGEYJ563	M.RESISTOR CH 1/16W 56K	1	
R12,13	ERJ3GGEYJ103	M.RESISTOR CH 1/16W 10K	2	
R14	ERJ3GGEYJ274	M.RESISTOR CH 1/16W 270K	1	
R15	ERJ3GGEYJ823	M.RESISTOR CH 1/16W 82K	1	
R16	ERJ3GGEYJ153	M.RESISTOR CH 1/16W 15K	1	
R17	ERJ6GGEY272	M.RESISTOR CH 1/10W 27K	1	
R18	ERJ3GGEYJ823	M.RESISTOR CH 1/16W 82K	1	
R19,20	ERJ3GGEYJ103	M.RESISTOR CH 1/16W 10K	2	
R21	ERJ3GGEYJ104	M.RESISTOR CH 1/16W 100K	1	
R32	ERJ3GGEYJ103	M.RESISTOR CH 1/16W 10K	1	
R33	ERJ3RBD122	M.RESISTOR CH 3W 1.2K	1	
R34	ERJ3RBD563	M.RESISTOR CH 3W 56K	1	
R35	ERJ3GGEYJ223	M.RESISTOR CH 1/16W 22K	1	
R36	ERJ6RBD562	M.RESISTOR CH 1/10W 56K	1	
R37	ERJ3RBD823	M.RESISTOR CH 3W 82K	1	
R38,39	ERJ3RBD222	M.RESISTOR CH 3W 2.2K	2	
R40	ERJ3GGEYJ222	M.RESISTOR CH 1/16W 2.2K	1	
R41	ERJ3GGEYJ562	M.RESISTOR CH 1/16W 5.6K	1	
R42	ERJ3GGEY6882	M.RESISTOR CH 1/16W 6.8K	1	
R43-45	ERJ3GGEYJ103	M.RESISTOR CH 1/16W 10K	3	
R48	ERJ3GGEYJ103	M.RESISTOR CH 1/16W 10K	1	
R49	ERJ3GGEYJ222	M.RESISTOR CH 1/16W 2.2K	1	
R50	ERJ3RBD471	M.RESISTOR CH 3W 470	1	
R51	ERJ3RBD562	M.RESISTOR CH 3W 5.2K	1	
R52	ERJ3RBD471	M.RESISTOR CH 3W 470	1	
R53	ERJ3RBD823	M.RESISTOR CH 3W 82K	1	
R54	ERJ3GGEYJ562	M.RESISTOR CH 1/16W 5.6K	1	
R55	ERJ3GGEY6882	M.RESISTOR CH 1/16W 6.8K	1	
R56-58	ERJ3GGEY0R00	M.RESISTOR CH 1/16W 0	3	
R59	ERJ3GGEYJ103	M.RESISTOR CH 1/16W 10K	1	
R60	ERJ3GGEYJ101	M.RESISTOR CH 1/16W 100	1	
R61-66	ERJ3GGEY0R00	M.RESISTOR CH 1/16W 0	6	
R69-77	ERJ3GGEY0R00	M.RESISTOR CH 1/16W 0	9	
R80,81	ERJ3GGEYJ222	M.RESISTOR CH 1/16W 2.2K	2	
R82,83	ERJ3RBD223	M.RESISTOR CH 3W 22K	2	
R84	ERJ3GGEYJ474	M.RESISTOR CH 1/16W 470K	1	
R85	ERJ3GGEYJ103	M.RESISTOR CH 1/16W 10K	1	
R86	ERJ3GGEYJ474	M.RESISTOR CH 1/16W 470K	1	
R87,88	ERJ3GGEYJ103	M.RESISTOR CH 1/16W 10K	2	
R89,90	ERJ3RED224	M.RESISTOR CH 3W 220K	2	
R91,92	ERJ3GGEYJ154	M.RESISTOR CH 1/16W 150K	2	
R93	ERJ3GGEYJ562	M.RESISTOR CH 1/16W 5.6K	1	
R94	ERJ3GGEYJ224	M.RESISTOR CH 1/16W 220K	1	
R95	ERJ3GGEYJ562	M.RESISTOR CH 1/16W 5.6K	1	
R96	ERJ3GGEYJ273	M.RESISTOR CH 1/16W 27K	1	
R97	ERJ3GGEYJ333	M.RESISTOR CH 1/16W 33K	1	
R98,99	ERJ3GGEYJ222	M.RESISTOR CH 1/16W 2.2K	2	
R100,01	ERJ3GGEYJ103	M.RESISTOR CH 1/16W 10K	2	
R102,03	ERJ3RED224	M.RESISTOR CH 3W 220K	2	
R104	ERJ3GGEYJ562	M.RESISTOR CH 1/16W 5.6K	1	
R105	ERJ3GGEYJ224	M.RESISTOR CH 1/16W 220K	1	
R106	ERJ3GGEYJ562	M.RESISTOR CH 1/16W 5.6K	1	
R107	ERJ3GGEYJ273	M.RESISTOR CH 1/16W 27K	1	
R108	ERJ3GGEYJ333	M.RESISTOR CH 1/16W 33K	1	
R109	ERJ3GGEYJ103	M.RESISTOR CH 1/16W 10K	1	
R120,21	ERJ3GGEYJ222	M.RESISTOR CH 1/16W 2.2K	2	
R122,23	ERJ3RBD223	M.RESISTOR CH 3W 22K	2	
R124	ERJ3GGEYJ103	M.RESISTOR CH 1/16W 10K	1	
R125	ERJ3GGEYJ474	M.RESISTOR CH 1/16W 470K	1	
R126	ERJ3GGEYJ103	M.RESISTOR CH 1/16W 10K	1	
R127	ERJ3GGEYJ474	M.RESISTOR CH 1/16W 470K	1	
R128,29	ERJ3GGEYJ103	M.RESISTOR CH 1/16W 10K	2	
R130,31	ERJ3RED224	M.RESISTOR CH 3W 220K	2	
R132,33	ERJ3GGEY154	M.RESISTOR CH 1/16W 150K	2	
R134	ERJ3GGEYJ103	M.RESISTOR CH 1/16W 10K	1	
R135	ERJ3GGEYJ224	M.RESISTOR CH 1/16W 220K	1	
R136	ERJ3GGEYJ562	M.RESISTOR CH 1/16W 5.6K	1	

Ref.No.	Part No.	Part Name & Description	Pcs	Remarks
R137	ERJ3GGEYJ273	M.RESISTOR CH 1/16W 27K	1	
R138	ERJ3GGEYJ333	M.RESISTOR CH 1/16W 33K	1	
R139,40	ERJ3GGEYJ222	M.RESISTOR CH 1/16W 2.2K	2	
R141,42	ERJ3GGEYJ103	M.RESISTOR CH 1/16W 10K	2	
R143,44	ERJ3RED224	M.RESISTOR CH 3W 220K	2	
R145	ERJ3GGEYJ103	M.RESISTOR CH 1/16W 10K	1	
R146	ERJ3GGEYJ224	M.RESISTOR CH 1/16W 220K	1	
R147	ERJ3GGEYJ562	M.RESISTOR CH 1/16W 5.6K	1	
R148	ERJ3GGEYJ273	M.RESISTOR CH 1/16W 27K	1	
R149	ERJ3GGEYJ333	M.RESISTOR CH 1/16W 33K	1	
R160,61	ERJ3GGEYJ222	M.RESISTOR CH 1/16W 2.2K	2	
R162,63	ERJ3RBD223	M.RESISTOR CH 3W 22K	2	
R164	ERJ3GGEYJ103	M.RESISTOR CH 1/16W 10K	1	
R165	ERJ3GGEYJ474	M.RESISTOR CH 1/16W 470K	1	
R166	ERJ3GGEYJ103	M.RESISTOR CH 1/16W 10K	1	
R167	ERJ3GGEYJ474	M.RESISTOR CH 1/16W 470K	1	
R168,69	ERJ3GGEYJ103	M.RESISTOR CH 1/16W 10K	2	
R170,71	ERJ3RED224	M.RESISTOR CH 3W 220K	2	
R172	ERJ3GGEYJ103	M.RESISTOR CH 1/16W 10K	1	
R173	ERJ3GGEYJ224	M.RESISTOR CH 1/16W 220K	1	
R174	ERJ3GGEYJ562	M.RESISTOR CH 1/16W 5.6K	1	
R175	ERJ3GGEYJ273	M.RESISTOR CH 1/16W 27K	1	
R176	ERJ3GGEYJ333	M.RESISTOR CH 1/16W 33K	1	
R177,78	ERJ3GGEYJ154	M.RESISTOR CH 1/16W 150K	2	
R179,80	ERJ3GGEYJ222	M.RESISTOR CH 1/16W 2.2K	2	
R181,82	ERJ3GGEYJ103	M.RESISTOR CH 1/16W 10K	2	
R183,84	ERJ3RED224	M.RESISTOR CH 3W 220K	2	
R185	ERJ3GGEYJ103	M.RESISTOR CH 1/16W 10K	1	
R186	ERJ3GGEYJ224	M.RESISTOR CH 1/16W 220K	1	
R187	ERJ3GGEYJ562	M.RESISTOR CH 1/16W 5.6K	1	
R188	ERJ3GGEYJ273	M.RESISTOR CH 1/16W 27K	1	
R189	ERJ3GGEYJ333	M.RESISTOR CH 1/16W 33K	1	
R203	ERJ3GGEYJ471	M.RESISTOR CH 1/16W 470	1	
R204,05	ERJ3RBD332	M.RESISTOR CH 3W 3.3K	2	
R206	ERJ3GGEYJ102	M.RESISTOR CH 1/16W 1K	1	
R214	ERJ3GGEYJ471	M.RESISTOR CH 1/16W 470	1	
R215,16	ERJ3GGEYJ681	M.RESISTOR CH 1/16W 680	2	
R217,18	ERJ3GGEYJ102	M.RESISTOR CH 1/16W 1K	2	
R222	ERJ3GGEY0R00	M.RESISTOR CH 1/16W 0	1	
R234	ERJ3GGEYJ103	M.RESISTOR CH 1/16W 10K	1	
R235-43	ERJ3GGEYJ562	M.RESISTOR CH 1/16W 5.6K	9	
R244	ERJ3GGEYJ101	M.RESISTOR CH 1/16W 100	1	
R245	ERJ3GGEYJ103	M.RESISTOR CH 1/16W 10K	1	
R246	ERJ3GGEYJ102	M.RESISTOR CH 1/16W 1K	1	
R247	ERJ3GGEY0R00	M.RESISTOR CH 1/16W 0	1	
R248-51	ERJ3GGEYJ562	M.RESISTOR CH 1/16W 5.6K	4	
R259,60	ERJ3GGEY0R00	M.RESISTOR CH 1/16W 0	2	
R261	ERJ3GGEYJ101	M.RESISTOR CH 1/16W 100	1	
R262	ERJ3GGEYJ473	M.RESISTOR CH 1/16W 47K	1	
R263,64	ERJ3GGEYJ101	M.RESISTOR CH 1/16W 100	2	
R265	ERJ3GGEYJ473	M.RESISTOR CH 1/16W 47K	1	
R266	ERJ3GGEYJ152	M.RESISTOR CH 1/16W 1.5K	1	
R267-69	ERJ3GGEYJ101	M.RESISTOR CH 1/16W 100	3	
R270	ERJ3GGEY0R00	M.RESISTOR CH 1/16W 0	1	
R275-78	ERJ3GGEY0R00	M.RESISTOR CH 1/16W 0	4	
R280	ERJ3GGEY0R00	M.RESISTOR CH 1/16W 0	1	
R281,82	ERJ3GGEYJ471	M.RESISTOR CH 1/16W 470	2	
R283-85	ERJ3GGEYJ101	M.RESISTOR CH 1/16W 100	3	
R300	ERJ3GGEYJ104	M.RESISTOR CH 1/16W 100K	1	
R301	ERJ3GGEYJ102	M.RESISTOR CH 1/16W 1K	1	
R305	ERJ3GGEYJ103	M.RESISTOR CH 1/16W 10K	1	
R314-16	ERJ3GGEYJ222	M.RESISTOR CH 1/16W 2.2K	3	
R318,19	ERJ3GGEYJ101	M.RESISTOR CH 1/16W 100	2	
R330	ERJ3GGEYJ104	M.RESISTOR CH 1/16W 100K	1	
R331	ERJ3GGEYJ271	M.RESISTOR CH 1/16W 270	1	
R332	ERJ3GGEYJ391	M.RESISTOR CH 1/16W 390	1	
R340	ERJ6GGEYJ331	M.RESISTOR CH 1/10W 330	1	
R341	ERJ6GGEYJ471	M.RESISTOR CH 1/10W 470	1	
R342	ERJ3GGEYJ153	M.RESISTOR CH 1/16W 15K	1	
R343	ERJ3GGEYJ474	M.RESISTOR CH 1/16W 470K	1	
R344	ERJ6GGEYJ122	M.RESISTOR CH 1/10W 1.2K	1	
R345	ERJ3GGEYJ394	M.RESISTOR CH 1/16W 390K	1	
R346	ERJ3GGEYJ102	M.RESISTOR CH 1/16W 1K	1	
R347	ERJ3GGEYJ563	M.RESISTOR CH 1/16W 56K	1	
R348	ERJ3GGEYJ103	M.RESISTOR CH 1/16W 10K	1	

Ref.No.	Part No.	Part Name & Description	Pcs	Remarks
R349	ERJ3GEYJ473	M.RESISTOR CH 1/16W 47K	1	
R350	ERJ3GEYJ183	M.RESISTOR CH 1/16W 18K	1	
R351-53	ERJ3GEYJ103	M.RESISTOR CH 1/16W 10K	3	
R354	ERJ3GEYJ104	M.RESISTOR CH 1/16W 100K	1	
R355	ERJ3GEYJ103	M.RESISTOR CH 1/16W 10K	1	
R356	ERJ3GEYJ104	M.RESISTOR CH 1/16W 100K	1	
R357	ERJ3GEYJ103	M.RESISTOR CH 1/16W 10K	1	
R358	ERJ3GEYJ394	M.RESISTOR CH 1/16W 390K	1	
R359	ERJ3GEYG102	M.RESISTOR CH 1/16W 1K	1	
R360	ERJ3GEYJ183	M.RESISTOR CH 1/16W 18K	1	
R361	ERJ3GEYJ473	M.RESISTOR CH 1/16W 47K	1	
R362,63	ERJ3GEYJ104	M.RESISTOR CH 1/16W 100K	2	
R364	ERJ3GEYJ183	M.RESISTOR CH 1/16W 18K	1	
R365	ERJ3GEYJ474	M.RESISTOR CH 1/16W 470K	1	
R366	ERJ3GEYJ153	M.RESISTOR CH 1/16W 15K	1	
R367	ERJ3GEYJ103	M.RESISTOR CH 1/16W 10K	1	
R368	ERJ3GEYG102	M.RESISTOR CH 1/16W 1K	1	
R369	ERJ6GEYG331	M.RESISTOR CH 1/10W 330	1	
R370	ERJ3GEYJ103	M.RESISTOR CH 1/16W 10K	1	
R371	ERJ3GEYJ563	M.RESISTOR CH 1/16W 56K	1	
R372	ERJ6GEYJ471	M.RESISTOR CH 1/10W 470	1	
R373	ERJ6GEYG122	M.RESISTOR CH 1/10W 1.2K	1	
R374,75	ERJ3GEY0R00	M.RESISTOR CH 1/16W 0	2	
R380	ERJ6GEYG102	M.RESISTOR CH 1/10W 1K	1	
R381	ERJ6GEYG681	M.RESISTOR CH 1/10W 680	1	
R382	ERJ6GEYJ471	M.RESISTOR CH 1/10W 470	1	
R383	ERJ6GEYG102	M.RESISTOR CH 1/10W 1K	1	
R384	ERJ6GEYG681	M.RESISTOR CH 1/10W 680	1	
R385	ERJ6GEYJ471	M.RESISTOR CH 1/10W 470	1	
R400,01	ERJ3GEYG471	M.RESISTOR CH 1/16W 470	2	
R402	ERJ3RBD333	M.RESISTOR CH 3W 33K	1	
R403	ERJ3RBD222	M.RESISTOR CH 3W 2.2K	1	
R404,05	ERJ12YJR68	M.RESISTOR CH 1/2W 0.68	2	
R406,07	ERJ3GEYJ274	M.RESISTOR CH 1/16W 270K	2	
R408	ERJ3GEYJ222	M.RESISTOR CH 1/16W 2.2K	1	
R409	ERJ3GEYJ154	M.RESISTOR CH 1/16W 150K	1	
R410	ERJ3GEYJ274	M.RESISTOR CH 1/16W 2.7K	1	
R411	ERJ3GEYJ274	M.RESISTOR CH 1/16W 270K	1	
R412	ERJ3GEYJ273	M.RESISTOR CH 1/16W 2.7K	1	
R413	ERJ3GEYJ273	M.RESISTOR CH 1/16W 27K	1	
R414,15	ERJ3RBD223	M.RESISTOR CH 3W 22K	2	
R416	ERJ3GEYJ621	M.RESISTOR CH 3W 620	1	
R417	ERJ3GEYJ224	M.RESISTOR CH 1/16W 220K	1	
R418	ERJ3RBD223	M.RESISTOR CH 3W 22K	1	
R420	ERJ3GEYG472	M.RESISTOR CH 1/16W 4.7K	1	
R421	ERJ3GEYJ274	M.RESISTOR CH 1/16W 270K	1	
R422	ERJ3GEYJ272	M.RESISTOR CH 1/16W 2.7K	1	
R423	ERJ3GEY0R00	M.RESISTOR CH 1/16W 0	1	
R424,25	ERJ3GEYJ223	M.RESISTOR CH 1/16W 22K	2	
R426	ERJ3RBD333	M.RESISTOR CH 3W 33K	1	
R427	ERJ3RBD222	M.RESISTOR CH 3W 2.2K	1	
R428,29	ERJ3GEYG471	M.RESISTOR CH 1/16W 470	2	
R430,31	ERJ12YJR68	M.RESISTOR CH 1/2W 0.68	2	
R432,33	ERJ3GEYJ473	M.RESISTOR CH 1/16W 47K	2	
R436,37	ERJ3GEY0R00	M.RESISTOR CH 1/16W 0	2	
R450	ERJ3RBD472	M.RESISTOR CH 1/10W 4.7K	1	
R451	ERJ3RBD122	M.RESISTOR CH 3W 1.2K	1	
R452	ERJ3GEYG102	M.RESISTOR CH 1/16W 1K	1	
R453-55	ERJ6GEYG330	M.RESISTOR CH 1/10W 33	3	
R456,57	ERJ12YJ2R2	M.RESISTOR CH 1/2W 2.2	2	
R458	ERJ3GEYJ393	M.RESISTOR CH 1/16W 39K	1	
R459	ERJ3GEYJ123	M.RESISTOR CH 1/16W 12K	1	
R460	ERJ3GEYJ271	M.RESISTOR CH 1/16W 270	1	
R461	ERJ3RBD472	M.RESISTOR CH 1/10W 4.7K	1	
R462	ERJ3RBD122	M.RESISTOR CH 3W 1.2K	1	
R463	ERJ3GEYG102	M.RESISTOR CH 1/16W 1K	1	
R464,65	ERJ6GEYG330	M.RESISTOR CH 1/10W 33	2	
R466,67	ERJ12YJ2R2	M.RESISTOR CH 1/2W 2.2	2	
R468	ERJ3GEYJ393	M.RESISTOR CH 1/16W 39K	1	
R469	ERJ3GEYJ123	M.RESISTOR CH 1/16W 12K	1	
R470	ERJ3GEYJ271	M.RESISTOR CH 1/16W 270	1	
R471	ERJ6GEYG330	M.RESISTOR CH 1/10W 33	1	
R510	ERJ3GEYJ681	M.RESISTOR CH 1/16W 680	1	
R511,12	ERJ3RBD391	M.RESISTOR CH 3W 390	2	
R513	ERJ3GEYJ681	M.RESISTOR CH 1/16W 680	1	

Ref.No.	Part No.	Part Name & Description	Pcs	Remarks
R514-17	ERJ3RBD391	M.RESISTOR CH 3W 390	4	
R550-59	ERJ3GEY0R00	M.RESISTOR CH 1/16W 0	10	
R600	ERJ3GEYJ182	M.RESISTOR CH 1/16W 1.8K	1	
R601,02	ERJ3GEY0R00	M.RESISTOR CH 1/16W 0	2	
R603	ERJ3GEYJ101	M.RESISTOR CH 1/16W 100	1	
R605,06	ERJ3GEYJ101	M.RESISTOR CH 1/16W 100	2	
R621	ERJ3GEYJ153	M.RESISTOR CH 1/16W 15K	1	
R622-27	ERJ3GEYJ103	M.RESISTOR CH 1/16W 10K	6	
R628	ERJ3GEYG102	M.RESISTOR CH 1/16W 1K	1	
R631,32	ERJ3GEYJ103	M.RESISTOR CH 1/16W 10K	2	
R640	ERJ3GEYJ103	M.RESISTOR CH 1/16W 10K	1	
R650,51	ERJ3GEYJ562	M.RESISTOR CH 1/16W 5.6K	2	
R652	ERJ3RBD682	M.RESISTOR CH 3W 6.8K	1	
R653	ERJ3RBD102	M.RESISTOR CH 1/10W 1K	1	
R654	ERJ3GEYJ103	M.RESISTOR CH 1/16W 10K	1	
R655	ERJ3GEYG332	M.RESISTOR CH 1/16W 3.3K	1	
R656	ERJ6GEYG271	M.RESISTOR CH 1/10W 270	1	
R701-04	ERJ3GEYJ223	M.RESISTOR CH 1/16W 22K	4	
R705-14	ERJ3GEYJ222	M.RESISTOR CH 1/16W 2.2K	10	
R715-17	ERJ3RBD103	M.RESISTOR CH 3W 10K	3	
R718	ERJ3GEYJ103	M.RESISTOR CH 1/16W 10K	1	
R719	ERJ3RBD103	M.RESISTOR CH 3W 10K	1	
R720	ERJ3GEY0R00	M.RESISTOR CH 1/16W 0	1	
R722-24	ERJ3GEYJ103	M.RESISTOR CH 1/16W 10K	3	
R726	ERJ3GEYJ562	M.RESISTOR CH 1/16W 5.6K	1	
R727	ERJ3GEYJ103	M.RESISTOR CH 1/16W 10K	1	
R728,29	ERJ3GEYG472	M.RESISTOR CH 1/16W 4.7K	2	
R730-32	ERJ3GEYJ103	M.RESISTOR CH 1/16W 10K	3	
R736	ERJ3GEY0R00	M.RESISTOR CH 1/16W 0	1	
R739	ERJ3GEY0R00	M.RESISTOR CH 1/16W 0	1	
R741	ERJ3GEYJ101	M.RESISTOR CH 1/16W 100	1	
R742-44	ERJ3GEYJ222	M.RESISTOR CH 1/16W 2.2K	3	
R745	ERJ3GEYG682	M.RESISTOR CH 1/16W 6.8K	1	
R746	ERJ3GEYG102	M.RESISTOR CH 1/16W 1K	1	
R747-49	ERJ3GEYG332	M.RESISTOR CH 1/16W 3.3K	3	
R750	ERJ3GEYJ473	M.RESISTOR CH 1/16W 47K	1	
R751	ERJ3GEYJ331	M.RESISTOR CH 1/16W 330	1	
R752,53	ERJ3GEYG472	M.RESISTOR CH 1/16W 4.7K	2	
R761	ERJ3GEYJ101	M.RESISTOR CH 1/16W 100	1	
R762	ERJ3GEY0R00	M.RESISTOR CH 1/16W 0	1	
R765,66	ERJ3GEY0R00	M.RESISTOR CH 1/16W 0	2	
R769	ERJ3GEY0R00	M.RESISTOR CH 1/16W 0	1	
R770	ERJ3GEYJ473	M.RESISTOR CH 1/16W 47K	1	
R771	ERJ3GEYJ331	M.RESISTOR CH 1/16W 330	1	
R772,73	ERJ3GEYG472	M.RESISTOR CH 1/16W 4.7K	2	
R774-76	ERJ3GEYJ101	M.RESISTOR CH 1/16W 100	3	
R778	ERJ3GEY0R00	M.RESISTOR CH 1/16W 0	1	
R780	ERJ3GEYJ101	M.RESISTOR CH 1/16W 100	1	
R781	ERJ3GEY0R00	M.RESISTOR CH 1/16W 0	1	
R782	ERJ3GEYJ101	M.RESISTOR CH 1/16W 100	1	
R783,84	ERJ3GEY0R00	M.RESISTOR CH 1/16W 0	2	
R793	ERJ3GEYJ104	M.RESISTOR CH 1/16W 100K	1	
R794	ERJ6GEYJ301	M.RESISTOR CH 1/10W 300	1	
R795	ERJ3GEY0R00	M.RESISTOR CH 1/16W 0	1	
R797	ERJ3GEY0R00	M.RESISTOR CH 1/16W 0	1	
R902	ERJ3GEY0R00	M.RESISTOR CH 1/16W 0	1	
R904-06	ERJ3GEY0R00	M.RESISTOR CH 1/16W 0	3	
R908-10	ERJ3GEY0R00	M.RESISTOR CH 1/16W 0	3	
R917-24	ERJ3GEYJ103	M.RESISTOR CH 1/16W 100K	8	
R925	ERJ3GEYJ101	M.RESISTOR CH 1/16W 100	1	
R926,27	ERJ3GEY0R00	M.RESISTOR CH 1/16W 0	2	
R932-35	ERJ3GEY0R00	M.RESISTOR CH 1/16W 0	4	
R942	ERJ3GEY0R00	M.RESISTOR CH 1/16W 0	1	
R944	ERJ3GEY0R00	M.RESISTOR CH 1/16W 0	1	
R947-49	ERJ3GEY0R00	M.RESISTOR CH 1/16W 0	3	
R950-55	ERJ3GEYJ101	M.RESISTOR CH 1/16W 100	6	
R956,57	ERJ3GEY0R00	M.RESISTOR CH 1/16W 0	2	
R958	ERJ3GEYJ222	M.RESISTOR CH 1/16W 2.2K	1	
R959	ERJ3GEYG332	M.RESISTOR CH 1/16W 3.3K	1	
R961	ERJ3GEYJ331	M.RESISTOR CH 1/16W 330	1	
R962	ERJ3GEYJ103	M.RESISTOR CH 1/16W 10K	1	
R963,64	ERJ3GEYJ182	M.RESISTOR CH 1/16W 1.8K	2	
R965	ERJ3GEYJ103	M.RESISTOR CH 1/16W 10K	1	
R966	ERJ3GEYG682	M.RESISTOR CH 1/16W 6.8K	1	
R967	ERJ3GEYJ103	M.RESISTOR CH 1/16W 10K	1	

Ref.No.	Part No.	Part Name & Description	Pcs	Remarks
R968	ERJ3GEYG102	M.RESISTOR CH 1/16W 1K	1	
R969	ERJ3GEYJ331	M.RESISTOR CH 1/16W 330	1	
R970	ERJ3GEYJ103	M.RESISTOR CH 1/16W 10K	1	
R971.72	ERJ3GEYJ182	M.RESISTOR CH 1/16W 1.8K	2	
R973	ERJ3GEYJ103	M.RESISTOR CH 1/16W 10K	1	
R974-79	ERJ3GEYOR00	M.RESISTOR CH 1/16W 0	6	
R981-85	ERJ3RBD103	M.RESISTOR CH 3W 10K	5	
R986	ERJ3RBD433	M.RESISTOR CH 3W 43K	1	
R987	ERJ3GEYJ564	M.RESISTOR CH 1/16W 560K	1	
R989-91	ERJ3GEYOR00	M.RESISTOR CH 1/16W 0	3	
R992.93	ERJ3GEY822	M.RESISTOR CH 1/16W 8.2K	2	
R995	ERJ3GEYOR00	M.RESISTOR CH 1/16W 0	1	
R907	ERJ3GEYOR00	M.RESISTOR CH 1/16W 0	1	
TG510,11	VJR0646	TEST POINT	2	
TP1	VJR0646	TEST POINT	1	
TP2	EYF6CU	TEST POINT	1	
TP30,31	VJR0646	TEST POINT	2	
TP32,33	EYF6CU	TEST POINT	2	
TP34,35	VJR0646	TEST POINT	2	
TP60	EYF6CU	TEST POINT	1	
TP80-83	VJR0646	TEST POINT	4	
TP120-23	VJR0646	TEST POINT	4	
TP160-63	VJR0646	TEST POINT	4	
TP201	VJR0646	TEST POINT	1	
TP230,31	VJR0646	TEST POINT	2	
TP280-82	VJR0646	TEST POINT	3	
TP300,01	VJR0646	TEST POINT	2	
TP400,01	VJR0646	TEST POINT	2	
TP450,51	VJR0646	TEST POINT	2	
TP701-04	EYF6CU	TEST POINT	4	
TP721-29	VJR0646	TEST POINT	9	
TP731	EYF6CU	TEST POINT	1	
TP732	VJR0646	TEST POINT	1	
TP734	VJR0646	TEST POINT	1	
TP741-43	EYF6CU	TEST POINT	3	
TP801-03	EYF6CU	TEST POINT	3	
TP901,02	EYF6CU	TEST POINT	2	
X320	VSX0919	CRYSTAL OSCILLATOR	1	
X701	VSX0918	CRYSTAL OSCILLATOR	1	
		MISCELLANEOUS		
	VML2143	CARD PULLER	1	
	VML2144	CARD PULLER	1	
* E3	VEP86265A	F2 SYSCON P.C.BOARD	1	(RTL)FOR AJ-D950P
* E3	VEP86277A	SYSCON SUB P.C.BOARD	1	(RTL)FOR AJ-PD950P
C1	ECUM1E104ZFN	C.CAPACITOR CH 25V 0.1U	1	
C9	ECUM1E104ZFN	C.CAPACITOR CH 25V 0.1U	1	
C10,11	ECUM1H150JCN	C.CAPACITOR CH 50V 15P	2	
C12	ECUM1E104ZFN	C.CAPACITOR CH 25V 0.1U	1	
C13	ECQB1H104JF	P.CAPACITOR 50V 0.1U	1	
C14	ECEV1EN4R7Q	E.CAPACITOR CH 25V 4.7U	1	
C15	ECUM1E104ZFN	C.CAPACITOR CH 25V 0.1U	1	
C16-26	ECUM1H103KBN	C.CAPACITOR CH 50V 0.01U	11	
C27-29	ECUM1E104ZFN	C.CAPACITOR CH 25V 0.1U	3	
C30	ECUM1H103KBN	C.CAPACITOR CH 50V 0.01U	1	
C32-34	ECUM1H103KBN	C.CAPACITOR CH 50V 0.01U	3	
C37	ECUM1E104ZFN	C.CAPACITOR CH 25V 0.1U	1	
C38	ECUM1H103KBN	C.CAPACITOR CH 50V 0.01U	1	
C46	ECUM1H103KBN	C.CAPACITOR CH 50V 0.01U	1	
C47	ECUM1E104ZFN	C.CAPACITOR CH 25V 0.1U	1	
C49	ECUM1C105ZFN	C.CAPACITOR CH 16V 1U	1	
C51	ECUM1C105ZFN	C.CAPACITOR CH 16V 1U	1	
C53	ECUM1C105ZFN	C.CAPACITOR CH 16V 1U	1	
C55	ECUM1C105ZFN	C.CAPACITOR CH 16V 1U	1	
C56-58	ECUM1H103KBN	C.CAPACITOR CH 50V 0.01U	3	
C59,60	ECEV1CV470Q	E.CAPACITOR CH 16V 47U	2	

Ref.No.	Part No.	Part Name & Description	Pcs	Remarks
C65	ECEV1CV470Q	E.CAPACITOR CH 16V 47U	1	
C66	ECA12HG682	E.CAPACITOR 6800U	1	
C67	ECUM1E104ZFN	C.CAPACITOR CH 25V 0.1U	1	
C68,69	ECUX1E104KBN	C.CAPACITOR CH 25V 0.1U	2	
C70,71	ECUM1H103KBN	C.CAPACITOR CH 50V 0.01U	2	
C72	ECEV1CV100Q	E.CAPACITOR CH 16V 10U	1	
C73	ECUM1E104ZFN	C.CAPACITOR CH 25V 0.1U	1	
C74	ECEV1CV470Q	E.CAPACITOR CH 16V 47U	1	
C76	ECA12HG682	E.CAPACITOR 6800U	1	
C77,78	ECUM1H103KBN	C.CAPACITOR CH 50V 0.01U	2	
C79	ECUM1C105ZFN	C.CAPACITOR CH 16V 1U	1	
C81	ECUM1C105ZFN	C.CAPACITOR CH 16V 1U	1	
C83	ECUM1E104ZFN	C.CAPACITOR CH 25V 0.1U	1	
C86,87	ECUM1H103KBN	C.CAPACITOR CH 50V 0.01U	2	
C88-90	ECUM1E104ZFN	C.CAPACITOR CH 25V 0.1U	3	
C91,92	ECUM1C105ZFN	C.CAPACITOR CH 16V 1U	2	
C93	ECEV1CV100Q	E.CAPACITOR CH 16V 10U	1	
C94-96	ECEV1CV470Q	E.CAPACITOR CH 16V 47U	3	
C500,01	ECUM1H120JCN	C.CAPACITOR CH 50V 12P	2	
C502	ECUM1H103KBN	C.CAPACITOR CH 50V 0.01U	1	
C503-06	ECUM1E104ZFN	C.CAPACITOR CH 25V 0.1U	4	
C508-13	ECUM1H103KBN	C.CAPACITOR CH 50V 0.01U	6	
C514-19	ECUM1E104ZFN	C.CAPACITOR CH 25V 0.1U	6	
C520-22	ECUM1H103KBN	C.CAPACITOR CH 50V 0.01U	3	
C523	ECUM1H331JCN	C.CAPACITOR CH 50V 330P	1	
C524	ECUM1E104ZFN	C.CAPACITOR CH 25V 0.1U	1	
C525	ECUM1H103KBN	C.CAPACITOR CH 50V 0.01U	1	
C526,27	ECUM1H102JCN	C.CAPACITOR CH 50V 1000P	2	
C528-35	ECUM1H103KBN	C.CAPACITOR CH 50V 0.01U	8	
C536	ECEV1CV100Q	E.CAPACITOR CH 16V 10U	1	
C537,38	ECUM1E104ZFN	C.CAPACITOR CH 25V 0.1U	2	
C543-45	ECUM1H103KBN	C.CAPACITOR CH 50V 0.01U	3	
C547	ECUM1H103KBN	C.CAPACITOR CH 50V 0.01U	1	
C548	ECUM1E104ZFN	C.CAPACITOR CH 25V 0.1U	1	
C549,50	ECUM1H103KBN	C.CAPACITOR CH 50V 0.01U	2	
C551	ECUM1H331JCN	C.CAPACITOR CH 50V 330P	1	
C552-55	ECUM1H103KBN	C.CAPACITOR CH 50V 0.01U	4	
C560,61	ECUM1H103KBN	C.CAPACITOR CH 50V 0.01U	2	
C703-13	ECUM1E104ZFN	C.CAPACITOR CH 25V 0.1U	11	
C714	ECUM1H103KBN	C.CAPACITOR CH 50V 0.01U	1	
C715,16	ECUM1H330JCN	C.CAPACITOR CH 50V 33P	2	
C717-21	ECUM1E104ZFN	C.CAPACITOR CH 25V 0.1U	5	
C722,23	ECUM1H100DCN	C.CAPACITOR CH 50V 10P	2	
C724,25	ECUM1E104ZFN	C.CAPACITOR CH 25V 0.1U	2	
C728	ECEV0JV470Q	E.CAPACITOR CH6.3V 47U	1	
C729	ECUM1H102JCN	C.CAPACITOR CH 50V 1000P	1	
C730	ECUM1H682KBN	C.CAPACITOR CH 50V 6800P	1	
C731	ECEV1CV100Q	E.CAPACITOR CH 16V 10U	1	
C732	ECUM1H103KBN	C.CAPACITOR CH 50V 0.01U	1	
C733,34	ECEV1EN4R7Q	E.CAPACITOR CH 25V 4.7U	2	
C735	ECUM1H103KBN	C.CAPACITOR CH 50V 0.01U	1	
C736	ECA1CAXN330	E.CAPACITOR 16V 33U	1	
C737	ECUM1H103KBN	C.CAPACITOR CH 50V 0.01U	1	
C738	ECA1CAXN330	E.CAPACITOR 16V 33U	1	
C739,40	ECUM1H103KBN	C.CAPACITOR CH 50V 0.01U	2	
C741	ECEV1EN4R7Q	E.CAPACITOR CH 25V 4.7U	1	
C742	ECUM1H120JCN	C.CAPACITOR CH 50V 12P	1	
C743	ECEV1CV100Q	E.CAPACITOR CH 16V 10U	1	
C744,45	ECEV1EN4R7Q	E.CAPACITOR CH 25V 4.7U	2	
C746	ECUM1H103KBN	C.CAPACITOR CH 50V 0.01U	1	
C747-56	ECUM1E104ZFN	C.CAPACITOR CH 25V 0.1U	10	
C758-61	ECUM1E104ZFN	C.CAPACITOR CH 25V 0.1U	4	
C762	ECEV1CV470Q	E.CAPACITOR CH 16V 47U	1	
C763	ECUM1E104ZFN	C.CAPACITOR CH 25V 0.1U	1	
C764	ECEV1CV470Q	E.CAPACITOR CH 16V 47U	1	
C765	ECUM1E104ZFN	C.CAPACITOR CH 25V 0.1U	1	
C766	ECEV1CV470Q	E.CAPACITOR CH 16V 47U	1	
C767	ECUM1H103KBN	C.CAPACITOR CH 50V 0.01U	1	
C768	ECEV1CV470Q	E.CAPACITOR CH 16V 47U	1	
C769	ECUM1H103KBN	C.CAPACITOR CH 50V 0.01U	1	
C770	ECUM1H561JCN	C.CAPACITOR CH 50V 560P	1	
C771	ECUM1H821JCN	C.CAPACITOR CH 50V 820P	1	
C772,73	ECUM1H103KBN	C.CAPACITOR CH 50V 0.01U	2	
C774	ECEV1EN4R7Q	E.CAPACITOR CH 25V 4.7U	1	
C775	ECUM1E104ZFN	C.CAPACITOR CH 25V 0.1U	1	

Ref.No.	Part No.	Part Name & Description	Pcs	Remarks
C776	ECUM1H103KBN	C.CAPACITOR CH 50V 0.01U	1	
C777-80	ECUM1E104ZFN	C.CAPACITOR CH 25V 0.1U	4	
C781,82	ECUM1H103KBN	C.CAPACITOR CH 50V 0.01U	2	
C783	ECUM1E104ZFN	C.CAPACITOR CH 25V 0.1U	1	
C784	ECUM1H103KBN	C.CAPACITOR CH 50V 0.01U	1	
C785	ECUM1E104ZFN	C.CAPACITOR CH 25V 0.1U	1	
C800-03	ECUM1H270JCN	C.CAPACITOR CH 50V 27P	4	
C804-09	ECUM1E104ZFN	C.CAPACITOR CH 25V 0.1U	6	
C811,12	ECUM1E104ZFN	C.CAPACITOR CH 25V 0.1U	2	
C900,01	ECEV1CV470Q	E.CAPACITOR CH 16V 47U	2	
C902,03	ECUM1E104ZFN	C.CAPACITOR CH 25V 0.1U	2	
C904-07	ECEV1CV470Q	E.CAPACITOR CH 16V 47U	4	
C908-11	ECUM1H103KBN	C.CAPACITOR CH 50V 0.01U	4	
C6400,01	ECUX1H103KBN	C.CAPACITOR CH 50V 0.01U	2	
C6402,03	ECEV1CV100Q	E.CAPACITOR 16V 10U	2	
C6404,05	ECUX1E104KBN	C.CAPACITOR CH 25V 0.1U	2	
D1	MA157	DIODE	1	
D2-D5	MA715	DIODE	4	
D8	MA152WK	DIODE	1	
D9	MA3068-H	DIODE	1	
D10	MA3051-H	DIODE	1	
D11	MA3047-M	DIODE	1	
D12	MA3100-M	DIODE	1	
D13	MA3051-H	DIODE	1	
D14	MA3075-M	DIODE	1	
D15	21DQ04	DIODE	1	
D16	MA3051-H	DIODE	1	
D17	MA157	DIODE	1	
D18-22	MA152WK	DIODE	5	
D25-27	MA152WK	DIODE	3	
D28-43	MA738	DIODE	16	
D44	MA152WK	DIODE	1	
D45-48	NSQ03A04	DIODE	4	
D49,50	SN74S1051NS	IC	2	
D51	MA3062-L	DIODE	1	
D52	MA3082M	DIODE	1	
D53	MA3075-M	DIODE	1	
D54	MA738	DIODE	1	
D500	MA152WK	DIODE	1	
D503	MA152WK	DIODE	1	
D504,05	MA715	DIODE	2	
D506	MA152WK	DIODE	1	
D507	MA715	DIODE	1	
D508	MA152WK	DIODE	1	
D701-06	MA715	DIODE	6	
D709	MA715	DIODE	1	
D711-14	MA157	DIODE	4	
D715	MA152WK	DIODE	1	
D720-22	SN74S1051NS	IC	3	
D723-27	MA715	DIODE	5	
D6400	MA142K	DIODE	1	
FL701,02	VLFO576	FILTER	2	
FL900-03	VLFO576	FILTER	4	
IC1	M37702S4AFP	IC	1	
IC2	VSI2575C	IC	1	
IC3	74F573SJ	IC	1	
IC4	74F138SJ	IC	1	
IC5	74F573SJ	IC	1	
IC6	TL7705CPSB	IC	1	
IC7	MC74HC132AF	IC	1	
IC8	MC74HC04AF	IC	1	
IC9,10	74AC32SJ	IC	2	
IC11,12	74F32SJ	IC	2	
IC13	MC74HC74AF	IC	1	
IC14	74F11SJ	IC	1	
IC15	IDT71321A55	IC	1	
IC16	74F245SJ	IC	1	
IC17	STK14C88N45T	IC	1	
IC19,20	74F541SJ	IC	2	
IC23	74F245SJ	IC	1	
IC26	TE7751	IC	1	
IC27,28	M54649L	IC	2	

Ref.No.	Part No.	Part Name & Description	Pcs	Remarks
IC29	NJM2901M	IC	1	
IC30	NJM2904M	IC	1	
IC31,32	MC14538BF	IC	2	
IC33	74F32SJ	IC	1	
IC34	74F00SJ	IC	1	
IC35	NJM2901M	IC	1	
IC36,37	TC7S14F	IC	2	
IC500	HD64180ZRP10	IC	1	
IC501,02	MC74HC541AF	IC	2	
IC503	VSI2576C	IC	1	
IC504	K6256CLG7L	IC	1	
IC505	IDT71321A55	IC	1	
IC506	MC74HC138AF	IC	1	
IC507	74F32SJ	IC	1	
IC508	MC74HC00AF	IC	1	
IC509	T74HC191AF	IC	1	
IC510	Z84C4310FEC	IC	1	
IC511,12	MC74HC126AF	IC	2	
IC513,14	SN75C1168NS	TTL	2	
IC515	MC1488M	IC	1	
IC516	MC1489AM	IC	1	
IC517	MC14024BF	IC	1	
IC518	TE7751	IC	1	
IC519,20	MC14021BF	IC	2	
IC521,22	MC14094BF	IC	2	
IC523	MC74HC04AF	IC	1	
IC524	MC14050BF	IC	1	
IC525	SN74LS38NS	IC	1	
IC527	TE7751	IC	1	
IC528,29	MC14021BF	IC	2	
IC530,31	T74HC191AF	IC	2	
IC532	MC74HC574AF	IC	1	
IC534,35	MC14021BF	IC	2	
IC536	MC14050BF	IC	1	
IC541	MC74HC00AF	IC	1	
IC701	M37702S4AFP	IC	1	
IC702	VSI2577D	IC	1	
IC703	K6256CLG7L	IC	1	
IC704	74F573SJ	IC	1	
IC705,06	74F138SJ	IC	2	
IC707,08	74F32SJ	IC	2	
IC709	74F00SJ	IC	1	
IC710	MN51040VPI	IC	1	
IC711	MC74HC574AF	IC	1	
IC712	74AC32SJ	IC	1	
IC714,15	74F541SJ	IC	2	
IC716	74F245SJ	IC	1	
IC717	74F541SJ	IC	1	
IC718	MC14053BF	IC	1	
IC719	NJM4560MD	IC	1	
IC720	NJM2068MD	IC	1	
IC721	UPC319G2	IC	1	
IC722	UPC4741G2	IC	1	
IC723	NJM78L09UA	IC	1	
IC724	NJM79L09UA	IC	1	
IC725,26	NJM084M	IC	2	
IC727	MC74HC04AF	IC	1	
IC728,29	74F74SJ	IC	2	
IC730	74F32SJ	IC	1	
IC731	74F245SJ	IC	1	
IC732	74F08SJ	IC	1	
IC733	MC14053BF	IC	1	
IC734	NJM084M	IC	1	
IC6400,01	MC14538BF-R	IC	2	
IS2	VJS2336A032	CONNECTOR (FEMALE)	1	
IS503	VJS2336A032	CONNECTOR (FEMALE)	1	
IS702	VJS2336A032	CONNECTOR (FEMALE)	1	
L2	VLQ0319K470	COIL 47UH	1	
L500-03	VLQ0576	COIL	4	
L701	VLQ0163J470	COIL 47UH	1	
L900-03	VLP0133	COIL	4	
LED1-D4	LN1251CAL	DIODE	4	

Ref.No.	Part No.	Part Name & Description	Pcs	Remarks
P1,P2	VJP3454B096	CONNECTOR (MALE)	2	
Q3	2SB710A-R	TRANSISTOR	1	
Q4	2SB936A-Q	TRANSISTOR	1	
Q5,Q6	2SD601A-R	TRANSISTOR	2	
Q7,Q8	2SB1073-R	TRANSISTOR	2	
Q9	2SD601A-R	TRANSISTOR	1	
Q10	2SB709A-R	TRANSISTOR	1	
Q11,12	2SD1119-R	TRANSISTOR	2	
Q13	2SB709A-R	TRANSISTOR	1	
Q14	2SD601A-R	TRANSISTOR	1	
Q15,16	2SB1073-R	TRANSISTOR	2	
Q17	2SD601A-R	TRANSISTOR	1	
Q18	2SB709A-R	TRANSISTOR	1	
Q19,20	2SD1119-R	TRANSISTOR	2	
Q21	2SB709A-R	TRANSISTOR	1	
Q22	2SD601A-R	TRANSISTOR	1	
Q23,24	2SB1175-Q	TRANSISTOR	2	(Q)
Q25	2SD601A-R	TRANSISTOR	1	
Q26	2SB709A-R	TRANSISTOR	1	
Q27,28	2SD1747PQY	TRANSISTOR	2	
Q29	2SB709A-R	TRANSISTOR	1	
Q30	2SD601A-R	TRANSISTOR	1	
Q31,32	2SB1073-R	TRANSISTOR	2	
Q33	2SD601A-R	TRANSISTOR	1	
Q34	2SB709A-R	TRANSISTOR	1	
Q35,36	2SD1119-R	TRANSISTOR	2	
Q37	2SB709A-R	TRANSISTOR	1	
Q38	2SD601A-R	TRANSISTOR	1	
Q39	2SB1175-Q	TRANSISTOR	1	(Q)
Q704,05	2SB709A-R	TRANSISTOR	2	
QR3-10	UN2213	TRANSISTOR-RESISTOR	8	
QR11-16	UN2214	TRANSISTOR-RESISTOR	6	
QR17	UN2213	TRANSISTOR-RESISTOR	1	
QR18-26	UN2214	TRANSISTOR-RESISTOR	9	
QR27,28	UN2113	TRANSISTOR-RESISTOR	2	
QR29,30	UN2214	TRANSISTOR-RESISTOR	2	
QR31,32	UN2113	TRANSISTOR-RESISTOR	2	
QR33,34	UN2214	TRANSISTOR-RESISTOR	2	
QR35,36	UN2113	TRANSISTOR-RESISTOR	2	
QR37,38	UN2213	TRANSISTOR-RESISTOR	2	
QR39,40	UN2113	TRANSISTOR-RESISTOR	2	
QR41	UN2213	TRANSISTOR-RESISTOR	1	
QR42	UN2113	TRANSISTOR-RESISTOR	1	
QR43	UN2213	TRANSISTOR-RESISTOR	1	
R1-R5	ERJ6GEYF473	M.RESISTOR CH 1/10W 47K	5	
R6-10	ERJ6GEYG103	M.RESISTOR CH 1/10W 10K	5	
R11,12	ERJ6GEYF822	M.RESISTOR CH 1/10W 8.2K	2	
R13,14	ERJ6GEYG103	M.RESISTOR CH 1/10W 10K	2	
R16	ERJ6GEYF473	M.RESISTOR CH 1/10W 47K	1	
R17	ERJ6GEYG394	M.RESISTOR CH 1/10W 390K	1	
R18,19	ERJ6GEYG102	M.RESISTOR CH 1/10W 1K	2	
R20	ERJ6GEYG103	M.RESISTOR CH 1/10W 10K	1	
R21,22	ERJ6GEYF473	M.RESISTOR CH 1/10W 47K	2	
R23,24	ERJ6GEYG103	M.RESISTOR CH 1/10W 10K	2	
R25,26	ERJ6GEYG102	M.RESISTOR CH 1/10W 1K	2	
R27,28	ERJ6GEYF473	M.RESISTOR CH 1/10W 47K	2	
R29	ERJ6GEYG103	M.RESISTOR CH 1/10W 10K	1	
R33-35	ERJ6GEYG103	M.RESISTOR CH 1/10W 10K	3	
R38,39	ERJ6GEYF473	M.RESISTOR CH 1/10W 47K	2	
R43	ERJ6GEYG271	M.RESISTOR CH 1/10W 270	1	
R44	ERJ6GEYF473	M.RESISTOR CH 1/10W 47K	1	
R45	ERJ6GEYG103	M.RESISTOR CH 1/10W 10K	1	
R46	ERJ6GEYF473	M.RESISTOR CH 1/10W 47K	1	
R47	ERJ6GEYG103	M.RESISTOR CH 1/10W 10K	1	
R48	ERJ6GEYG562	M.RESISTOR CH 1/10W 5.6K	1	
R49	ERJ6GEYG222	M.RESISTOR CH 1/10W 2.2K	1	
R54,55	ERJ6GEYF473	M.RESISTOR CH 1/10W 47K	2	
R56	ERJ6GEYG105	M.RESISTOR CH 1/10W 1M	1	
R57	ERJ6GEYG102	M.RESISTOR CH 1/10W 1K	1	
R58-61	ERJ6GEYG222	M.RESISTOR CH 1/10W 2.2K	4	
R62	ERJ6GEYG103	M.RESISTOR CH 1/10W 10K	1	

Ref.No.	Part No.	Part Name & Description	Pcs	Remarks
R63-70	ERJ6GEYF472	M.RESISTOR CH 1/10W 4.7K	8	
R76	ERJ6GEYOR00	M.RESISTOR CH 1/10W 0	1	
R82	ERJ6GEYG104	M.RESISTOR CH 1/10W 100K	1	
R83	ERJ6GEYF473	M.RESISTOR CH 1/10W 47K	1	
R84-88	ERJ6GEYG104	M.RESISTOR CH 1/10W 100K	5	
R90-95	ERJ6GEYG103	M.RESISTOR CH 1/10W 10K	6	
R96	ERJ6GEYF473	M.RESISTOR CH 1/10W 47K	1	
R97	ERJ6GEYG105	M.RESISTOR CH 1/10W 1M	1	
R100	ERJ6GEYG103	M.RESISTOR CH 1/10W 10K	1	
R101,02	ERJ6GEYF473	M.RESISTOR CH 1/10W 47K	2	
R103,04	ERJ6GEYF472	M.RESISTOR CH 1/10W 4.7K	2	
R105	ERJ6GEYF473	M.RESISTOR CH 1/10W 47K	1	
R106	ERJ6GEYG105	M.RESISTOR CH 1/10W 1M	1	
R108	ERJ6GEYG103	M.RESISTOR CH 1/10W 10K	1	
R109,10	ERJ6GEYF473	M.RESISTOR CH 1/10W 47K	2	
R111,12	ERJ6GEYF472	M.RESISTOR CH 1/10W 4.7K	2	
R113	ERJ6GEYF473	M.RESISTOR CH 1/10W 47K	1	
R114	ERJ6GEYG105	M.RESISTOR CH 1/10W 1M	1	
R116	ERJ6GEYG103	M.RESISTOR CH 1/10W 10K	1	
R117,18	ERJ6GEYF473	M.RESISTOR CH 1/10W 47K	2	
R119,20	ERJ6GEYF472	M.RESISTOR CH 1/10W 4.7K	2	
R121	ERJ6GEYF473	M.RESISTOR CH 1/10W 47K	1	
R122	ERJ6GEYG105	M.RESISTOR CH 1/10W 1M	1	
R124	ERJ6GEYG103	M.RESISTOR CH 1/10W 10K	1	
R125,26	ERJ6GEYF473	M.RESISTOR CH 1/10W 47K	2	
R127,28	ERJ6GEYF472	M.RESISTOR CH 1/10W 4.7K	2	
R129-37	ERJ6GEYF473	M.RESISTOR CH 1/10W 47K	9	
R138,39	ERJ6GEYG103	M.RESISTOR CH 1/10W 10K	2	
R141,42	ERJ6GEYF473	M.RESISTOR CH 1/10W 47K	2	
R144	ERJ6GEYOR00	M.RESISTOR CH 1/10W 0	1	
R145-47	ERJ6GEYF473	M.RESISTOR CH 1/10W 47K	3	
R150	ERJ6GEYG562	M.RESISTOR CH 1/10W 5.6K	1	
R152	ERJ6GEYG222	M.RESISTOR CH 1/10W 2.2K	1	
R153	ERJ6GEYG271	M.RESISTOR CH 1/10W 270	1	
R154	ERX1SJ1R0	M.RESISTOR 1W 1.0	1	
R155	ERJ6GEYOR00	M.RESISTOR CH 1/10W 0	1	
R156	ERJ6GEYG562	M.RESISTOR CH 1/10W 5.6K	1	
R157	ERJ6GEYG222	M.RESISTOR CH 1/10W 2.2K	1	
R158	ERJ6GEYG271	M.RESISTOR CH 1/10W 270	1	
R159	ERG1SJ220	M.RESISTOR 1W 22	1	
R160	ERJ6GEYG103	M.RESISTOR CH 1/10W 10K	1	
R161	ERJ6GEYG222	M.RESISTOR CH 1/10W 2.2K	1	
R162,63	ERJ8GCYG151	M.RESISTOR CH 1/8W 150	2	
R164,65	ERJ6GEYG563	M.RESISTOR CH 1/10W 56K	2	
R166	ERJ8GCYG152	M.RESISTOR CH 1/8W 1.5K	1	
R167-69	ERJ8GCYG681	M.RESISTOR CH 1/8W 680	3	
R170	ERJ6GEYG103	M.RESISTOR CH 1/10W 10K	1	
R171	ERJ6GEYG563	M.RESISTOR CH 1/10W 56K	1	
R172,73	ERJ6GEYG394	M.RESISTOR CH 1/10W 390K	2	
R174-81	ERJ6GEYG103	M.RESISTOR CH 1/10W 10K	8	
R182	ERJ6GEYG223	M.RESISTOR CH 1/10W 22K	1	
R184	ERJ6GEYF472	M.RESISTOR CH 1/10W 4.7K	1	
R185	ERJ6GEYG103	M.RESISTOR CH 1/10W 10K	1	
R186	ERJ6GEYG332	M.RESISTOR CH 1/10W 3.3K	1	
R187-90	ERJ8GCYJ391	M.RESISTOR CH 1/8W 390	4	
R191	ERJ6GEYG332	M.RESISTOR CH 1/10W 3.3K	1	
R192	ERJ6GEYF472	M.RESISTOR CH 1/10W 4.7K	1	
R193,94	ERJ6GEYG103	M.RESISTOR CH 1/10W 10K	2	
R195	ERJ6GEYF472	M.RESISTOR CH 1/10W 4.7K	1	
R196,97	ERJ8GCYJ391	M.RESISTOR CH 1/8W 390	2	
R198	ERJ6GEYG332	M.RESISTOR CH 1/10W 3.3K	1	
R199,00	ERJ8GCYJ391	M.RESISTOR CH 1/8W 390	2	
R201	ERJ6GEYG332	M.RESISTOR CH 1/10W 3.3K	1	
R202	ERJ6GEYG103	M.RESISTOR CH 1/10W 10K	1	
R203,04	ERJ6GEYF472	M.RESISTOR CH 1/10W 4.7K	2	
R205	ERJ6GEYG103	M.RESISTOR CH 1/10W 10K	1	
R206	ERJ6GEYG332	M.RESISTOR CH 1/10W 3.3K	1	
R207,08	ERJ8GCYJ391	M.RESISTOR CH 1/8W 390	2	
R209	ERJ6GEYG332	M.RESISTOR CH 1/10W 3.3K	1	
R210,11	ERJ8GCYJ391	M.RESISTOR CH 1/8W 390	2	
R212	ERJ6GEYF472	M.RESISTOR CH 1/10W 4.7K	1	
R213,14	ERJ6GEYG103	M.RESISTOR CH 1/10W 10K	2	
R215	ERJ6GEYF472	M.RESISTOR CH 1/10W 4.7K	1	
R216,17	ERJ8GCYJ391	M.RESISTOR CH 1/8W 390	2	
R218	ERJ6GEYG332	M.RESISTOR CH 1/10W 3.3K	1	

Ref.No.	Part No.	Part Name & Description	Qty	Remarks
R219,20	ERJ8GCYJ391	M.RESISTOR CH 1/8W 390 2	2	
R221	ERJ6GEYG332	M.RESISTOR CH 1/10W 3.3K 1	1	
R222	ERJ6GEYG103	M.RESISTOR CH 1/10W 10K 1	1	
R223,24	ERJ6GEYF472	M.RESISTOR CH 1/10W 4.7K 2	2	
R225	ERJ6GEYG103	M.RESISTOR CH 1/10W 10K 1	1	
R226	ERJ6GEYG392	M.RESISTOR CH 1/10W 3.9K 1	1	
R227,28	ERJ8GCYJ391	M.RESISTOR CH 1/8W 390 2	2	
R229	ERJ6GEYG392	M.RESISTOR CH 1/10W 3.9K 1	1	
R230,31	ERJ8GCYJ391	M.RESISTOR CH 1/8W 390 2	2	
R232	ERJ6GEYF472	M.RESISTOR CH 1/10W 4.7K 1	1	
R233,34	ERJ6GEYG103	M.RESISTOR CH 1/10W 10K 2	2	
R235	ERJ6GEYF472	M.RESISTOR CH 1/10W 4.7K 1	1	
R236,37	ERJ8GCYJ391	M.RESISTOR CH 1/8W 390 2	2	
R238	ERJ6GEYG392	M.RESISTOR CH 1/10W 3.9K 1	1	
R239,40	ERJ8GCYJ391	M.RESISTOR CH 1/8W 390 2	2	
R241	ERJ6GEYG392	M.RESISTOR CH 1/10W 3.9K 1	1	
R242	ERJ6GEYG103	M.RESISTOR CH 1/10W 10K 1	1	
R243,44	ERJ6GEYF472	M.RESISTOR CH 1/10W 4.7K 2	2	
R245	ERJ6GEYG103	M.RESISTOR CH 1/10W 10K 1	1	
R246	ERJ6GEYG332	M.RESISTOR CH 1/10W 3.3K 1	1	
R247,48	ERJ8GCYJ391	M.RESISTOR CH 1/8W 390 2	2	
R249	ERJ6GEYG332	M.RESISTOR CH 1/10W 3.3K 1	1	
R250,51	ERJ8GCYJ391	M.RESISTOR CH 1/8W 390 2	2	
R252	ERJ6GEYF472	M.RESISTOR CH 1/10W 4.7K 1	1	
R253,54	ERJ6GEYG103	M.RESISTOR CH 1/10W 10K 2	2	
R255	ERJ6GEYF472	M.RESISTOR CH 1/10W 4.7K 1	1	
R256,57	ERJ8GCYJ391	M.RESISTOR CH 1/8W 390 2	2	
R258	ERJ6GEYG332	M.RESISTOR CH 1/10W 3.3K 1	1	
R259,60	ERJ8GCYJ391	M.RESISTOR CH 1/8W 390 2	2	
R261	ERJ6GEYG332	M.RESISTOR CH 1/10W 3.3K 1	1	
R262	ERJ6GEYG103	M.RESISTOR CH 1/10W 10K 1	1	
R263	ERJ6GEYF472	M.RESISTOR CH 1/10W 4.7K 1	1	
R266-69	ERJ6GEYOR00	M.RESISTOR CH 1/10W 0 4	4	
R271	ERJ6GEYG222	M.RESISTOR CH 1/10W 2.2K 1	1	
R273	ERJ6GEYG222	M.RESISTOR CH 1/10W 2.2K 1	1	
R275	ERJ6GEYG222	M.RESISTOR CH 1/10W 2.2K 1	1	
R277	ERJ6GEYG222	M.RESISTOR CH 1/10W 2.2K 1	1	
R281	ERJ6GEYOR00	M.RESISTOR CH 1/10W 0 1	1	
R284,85	ERJ6GEYOR00	M.RESISTOR CH 1/10W 0 2	2	
R288	ERJ6GEYF472	M.RESISTOR CH 1/10W 4.7K 1	1	
R290	ERJ6GEYF472	M.RESISTOR CH 1/10W 4.7K 1	1	
R291	ERJ6GEYG105	M.RESISTOR CH 1/10W 1M 1	1	
R292,93	ERJ6GEYF473	M.RESISTOR CH 1/10W 4.7K 2	2	
R294	ERJ6GEYG103	M.RESISTOR CH 1/10W 10K 1	1	
R295	ERJ6GEYF472	M.RESISTOR CH 1/10W 4.7K 1	1	
R296	ERJ6GEYF473	M.RESISTOR CH 1/10W 4.7K 1	1	
R297	ERJ6GEYF472	M.RESISTOR CH 1/10W 4.7K 1	1	
R298	ERJ6GEYG105	M.RESISTOR CH 1/10W 1M 1	1	
R299	ERJ6GEYF473	M.RESISTOR CH 1/10W 4.7K 1	1	
R304-15	ERJ8GCYJ391	M.RESISTOR CH 1/8W 390 12	12	
R316,17	ERG1SJ100	M.RESISTOR 1W 10 2	2	
R318	ERX1SJ6R2	M.RESISTOR 1W 6.2 1	1	
R319	ERG1SJ100	M.RESISTOR 1W 10 1	1	
R320	ERJ6GEYG222	M.RESISTOR CH 1/10W 2.2K 1	1	
R321-28	ERJ6GEYG470	M.RESISTOR CH 1/10W 4.7K 8	8	
R329,30	ERJ6GEYG103	M.RESISTOR CH 1/10W 10K 2	2	
R332	ERJ6GEYG222	M.RESISTOR CH 1/10W 2.2K 1	1	
R333	ERJ6GEYOR00	M.RESISTOR CH 1/10W 0 1	1	
R334	ERJ6GEYF472	M.RESISTOR CH 1/10W 4.7K 1	1	
R335	ERJ6GEYG103	M.RESISTOR CH 1/10W 10K 1	1	
R336	ERJ6GEYG392	M.RESISTOR CH 1/10W 3.9K 1	1	
R337,38	ERJ8GCYJ391	M.RESISTOR CH 1/8W 390 2	2	
R341	ERJ6GEYG105	M.RESISTOR CH 1/10W 1M 1	1	
R342	ERJ6GEYF473	M.RESISTOR CH 1/10W 4.7K 1	1	
R345	ERJ6GEYG105	M.RESISTOR CH 1/10W 1M 1	1	
R346	ERJ6GEYF473	M.RESISTOR CH 1/10W 4.7K 1	1	
R347	ERJ6GEYG104	M.RESISTOR CH 1/10W 100K 1	1	
R348	ERJ6GEYG103	M.RESISTOR CH 1/10W 10K 1	1	
R349-62	ERJ6GEYG470	M.RESISTOR CH 1/10W 4.7K 14	14	
R363,64	ERJ6GEYG271	M.RESISTOR CH 1/10W 270 2	2	
R365,66	ERJ6GEYG223	M.RESISTOR CH 1/10W 22K 2	2	
R367	ERJ6GEYOR00	M.RESISTOR CH 1/10W 0 1	1	
R370,71	ERJ6GEYOR00	M.RESISTOR CH 1/10W 0 2	2	
R400,01	ERJ6GEYOR00	M.RESISTOR CH 1/10W 0 2	2	
R402	ERJ6GEYF473	M.RESISTOR CH 1/10W 4.7K 1	1	

Ref.No.	Part No.	Part Name & Description	Qty	Remarks
R403-05	ERJ6GEYG101	M.RESISTOR CH 1/10W 100 3	3	
R411	ERJ6GEYOR00	M.RESISTOR CH 1/10W 0 1	1	
R413	ERJ6GEYG103	M.RESISTOR CH 1/10W 10K 1	1	
R500	ERJ6GEYF473	M.RESISTOR CH 1/10W 4.7K 1	1	
R501	ERJ6GEYG103	M.RESISTOR CH 1/10W 10K 1	1	
R502,03	ERJ6GEYF473	M.RESISTOR CH 1/10W 4.7K 2	2	
R504-11	ERJ6GEYG103	M.RESISTOR CH 1/10W 10K 8	8	
R512	ERJ6GEYF473	M.RESISTOR CH 1/10W 4.7K 1	1	
R513-15	ERJ6GEYG103	M.RESISTOR CH 1/10W 10K 3	3	
R516,17	ERJ6GEYF473	M.RESISTOR CH 1/10W 4.7K 2	2	
R518,19	ERJ6GEYF472	M.RESISTOR CH 1/10W 4.7K 2	2	
R520	ERJ6GEYG101	M.RESISTOR CH 1/10W 100 1	1	
R521	ERJ6GEYF473	M.RESISTOR CH 1/10W 4.7K 1	1	
R523,24	ERJ6GEYF472	M.RESISTOR CH 1/10W 4.7K 2	2	
R525	ERJ6GEYF473	M.RESISTOR CH 1/10W 4.7K 1	1	
R527	ERJ6GEYG101	M.RESISTOR CH 1/10W 100 1	1	
R528-31	ERJ6GEYF473	M.RESISTOR CH 1/10W 4.7K 4	4	
R532,33	ERJ6GEYF472	M.RESISTOR CH 1/10W 4.7K 2	2	
R534	ERJ6GEYG101	M.RESISTOR CH 1/10W 100 1	1	
R535,36	ERJ6GEYF472	M.RESISTOR CH 1/10W 4.7K 2	2	
R537	ERJ6GEYG101	M.RESISTOR CH 1/10W 100 1	1	
R542	ERJ6GEYG223	M.RESISTOR CH 1/10W 22K 1	1	
R543	ERJ6GEYG101	M.RESISTOR CH 1/10W 100 1	1	
R544	ERJ6GEYG394	M.RESISTOR CH 1/10W 390K 1	1	
R545	ERJ6GEYG103	M.RESISTOR CH 1/10W 10K 1	1	
R546	ERJ6GEYG223	M.RESISTOR CH 1/10W 22K 1	1	
R547-49	ERJ6GEYF473	M.RESISTOR CH 1/10W 4.7K 3	3	
R550,51	ERJ6GEYG103	M.RESISTOR CH 1/10W 10K 2	2	
R554-58	ERJ6GEYG103	M.RESISTOR CH 1/10W 10K 5	5	
R562-65	ERJ6GEYG103	M.RESISTOR CH 1/10W 10K 4	4	
R580	ERJ6GEYF473	M.RESISTOR CH 1/10W 4.7K 1	1	
R585	ERJ6GEYOR00	M.RESISTOR CH 1/10W 0 1	1	
R590-94	ERJ6GEYF473	M.RESISTOR CH 1/10W 4.7K 5	5	
R598	ERJ6GEYG101	M.RESISTOR CH 1/10W 100 1	1	
R599	ERJ6GEYG103	M.RESISTOR CH 1/10W 10K 1	1	
R606,07	ERJ6GEYOR00	M.RESISTOR CH 1/10W 0 2	2	
R608	ERJ6GEYG222	M.RESISTOR CH 1/10W 2.2K 1	1	
R609	ERJ6GEYF473	M.RESISTOR CH 1/10W 4.7K 1	1	
R610-17	ERJ6GEYG103	M.RESISTOR CH 1/10W 10K 8	8	
R629	ERJ6GEYOR00	M.RESISTOR CH 1/10W 0 1	1	
R634	ERJ6GEYOR00	M.RESISTOR CH 1/10W 0 1	1	
R636	ERJ6GEYOR00	M.RESISTOR CH 1/10W 0 1	1	
R638,39	ERJ6GEYOR00	M.RESISTOR CH 1/10W 0 2	2	
R641	ERJ6GEYF473	M.RESISTOR CH 1/10W 4.7K 1	1	
R642	ERJ6GEYG223	M.RESISTOR CH 1/10W 22K 1	1	
R665	ERJ6GEYOR00	M.RESISTOR CH 1/10W 0 1	1	
R705-10	ERJ6GEYG394	M.RESISTOR CH 1/10W 390K 6	6	
R711-16	ERJ6GEYG102	M.RESISTOR CH 1/10W 1K 6	6	
R717	ERJ6GEYG103	M.RESISTOR CH 1/10W 10K 1	1	
R718,19	ERJ6GEYG101	M.RESISTOR CH 1/10W 100 2	2	
R723	ERJ6GEYG102	M.RESISTOR CH 1/10W 1K 1	1	
R725	ERJ6GEYG101	M.RESISTOR CH 1/10W 100 1	1	
R726	ERJ6GEYG102	M.RESISTOR CH 1/10W 1K 1	1	
R728	ERJ6GEYG104	M.RESISTOR CH 1/10W 100K 1	1	
R729-31	ERJ6GEYF473	M.RESISTOR CH 1/10W 4.7K 3	3	
R732-34	ERJ6GEYG102	M.RESISTOR CH 1/10W 1K 3	3	
R735	ERJ6GEYG103	M.RESISTOR CH 1/10W 10K 1	1	
R736	ERJ6GEYG104	M.RESISTOR CH 1/10W 100K 1	1	
R737	ERJ6GEYG105	M.RESISTOR CH 1/10W 1M 1	1	
R738	ERJ6GEYG221	M.RESISTOR CH 1/10W 220 1	1	
R739,40	ERJ6GEYG103	M.RESISTOR CH 1/10W 10K 2	2	
R741,42	ERJ6GEYG104	M.RESISTOR CH 1/10W 100K 2	2	
R743,44	ERJ6GEYG101	M.RESISTOR CH 1/10W 100 2	2	
R745,46	ERJ6GEYG102	M.RESISTOR CH 1/10W 1K 2	2	
R747	ERJ6GEYG562	M.RESISTOR CH 1/10W 5.6K 1	1	
R748	ERJ6GEYG102	M.RESISTOR CH 1/10W 1K 1	1	
R749,50	ERJ6GEYG103	M.RESISTOR CH 1/10W 10K 2	2	
R751	ERJ6GEYG102	M.RESISTOR CH 1/10W 1K 1	1	
R754	ERJ6GEYOR00	M.RESISTOR CH 1/10W 0 1	1	
R755	ERJ6GEYG103	M.RESISTOR CH 1/10W 10K 1	1	
R757-59	ERJ6GEYG104	M.RESISTOR CH 1/10W 100K 3	3	
R762	ERJ6GEYOR00	M.RESISTOR CH 1/10W 0 1	1	
R764,65	ERJ6GEYOR00	M.RESISTOR CH 1/10W 0 2	2	
R766	ERJ6GEYG105	M.RESISTOR CH 1/10W 1M 1	1	
R767-69	ERJ6GEYG103	M.RESISTOR CH 1/10W 10K 3	3	

Ref.No.	Part No.	Part Name & Description	Pcs	Remarks
R770	ERJ6GEYF473	M.RESISTOR CH 1/10W 47K	1	
R771	ERJ6GEYG101	M.RESISTOR CH 1/10W 100	1	
R772	ERJ6GEYG103	M.RESISTOR CH 1/10W 10K	1	
R773	ERJ6GEYG562	M.RESISTOR CH 1/10W 5.6K	1	
R774	ERJ6GEYG220	M.RESISTOR CH 1/10W 22	1	
R775,76	ERJ6GEYG332	M.RESISTOR CH 1/10W 3.3K	2	
R777	ERJ6GEYG222	M.RESISTOR CH 1/10W 2.2K	1	
R778-81	ERJ6RBD332	M.RESISTOR CH 1/10W 3.3K	4	
R782	ERJ6RED470	M.RESISTOR CH 1/10W 47	1	
R783	ERJ6RBD562	M.RESISTOR CH 1/10W 5.6K	1	
R784	ERJ6GEYG103	M.RESISTOR CH 1/10W 10K	1	
R785	ERJ6RBD562	M.RESISTOR CH 1/10W 5.6K	1	
R786	ERJ6RED820	M.RESISTOR CH 1/10W 82	1	
R787	ERJ6RED470	M.RESISTOR CH 1/10W 47	1	
R788	ERJ6RBD562	M.RESISTOR CH 1/10W 5.6K	1	
R789	ERJ6RBD103	M.RESISTOR CH 1/10W 10K	1	
R790	ERJ6RBD223	M.RESISTOR CH 1/10W 22K	1	
R791	ERJ6RBD683	M.RESISTOR CH 1/10W 68K	1	
R792	ERJ6GEYG394	M.RESISTOR CH 1/10W 390K	1	
R793	ERJ6RBD333	M.RESISTOR CH 1/10W 33K	1	
R794,95	ERJ6GEYG223	M.RESISTOR CH 1/10W 22K	2	
R796	ERJ6GEYG104	M.RESISTOR CH 1/10W 100K	1	
R797,98	ERJ6RBD102	M.RESISTOR CH 1/10W 1K	2	
R799	ERJ6GEYG102	M.RESISTOR CH 1/10W 1K	1	
R800,01	ERJ6GEY0R00	M.RESISTOR CH 1/10W 0	2	
R802	ERJ6RBD103	M.RESISTOR CH 1/10W 10K	1	
R803,04	ERJ6RBD102	M.RESISTOR CH 1/10W 1K	2	
R805-08	ERJ6RBD222	M.RESISTOR CH 1/10W 2.2K	4	
R809	ERJ6GEYF473	M.RESISTOR CH 1/10W 47K	1	
R810	ERJ6GEYG104	M.RESISTOR CH 1/10W 100K	1	
R811,12	ERJ6GEYG103	M.RESISTOR CH 1/10W 10K	2	
R813	ERJ6GEYG824	M.RESISTOR CH 1/10W 820K	1	
R814	ERJ6GEYG102	M.RESISTOR CH 1/10W 1K	1	
R816-39	ERJ6GEYG470	M.RESISTOR CH 1/10W 47	24	
R840-47	ERJ6GEYG103	M.RESISTOR CH 1/10W 10K	8	
R855,56	ERJ6GEY0R00	M.RESISTOR CH 1/10W 0	2	
R858,59	ERJ6GEY0R00	M.RESISTOR CH 1/10W 0	2	
R860-62	ERJ6GEYF473	M.RESISTOR CH 1/10W 47K	3	
R863,64	ERJ6GEY0R00	M.RESISTOR CH 1/10W 0	2	
R865	ERJ6RBD562	M.RESISTOR CH 1/10W 5.6K	1	
R866	ERJ6GEY0R00	M.RESISTOR CH 1/10W 0	1	
R867	ERJ6GEYG102	M.RESISTOR CH 1/10W 1K	1	
R868	ERJ6GEYG103	M.RESISTOR CH 1/10W 10K	1	
R869	ERJ6GEYG223	M.RESISTOR CH 1/10W 22K	1	
R870	ERJ6GEYG102	M.RESISTOR CH 1/10W 1K	1	
R871,72	ERJ6GEYG470	M.RESISTOR CH 1/10W 47	2	
R873	ERJ6GEYG102	M.RESISTOR CH 1/10W 1K	1	
R874,75	ERJ6GEYG470	M.RESISTOR CH 1/10W 47	2	
R876	ERJ6GEYG102	M.RESISTOR CH 1/10W 1K	1	
R877,78	ERJ6GEYG394	M.RESISTOR CH 1/10W 390K	2	
R879,80	ERJ6GEYG470	M.RESISTOR CH 1/10W 47	2	
R881	ERJ6GEYG102	M.RESISTOR CH 1/10W 1K	1	
R882,83	ERJ6GEYG394	M.RESISTOR CH 1/10W 390K	2	
R884	ERJ6GEYG103	M.RESISTOR CH 1/10W 10K	1	
R885	ERJ6GEYG223	M.RESISTOR CH 1/10W 22K	1	
R886	ERJ6GEYG102	M.RESISTOR CH 1/10W 1K	1	
R887,88	ERJ6GEYG394	M.RESISTOR CH 1/10W 390K	2	
R890	ERJ6GEYG470	M.RESISTOR CH 1/10W 47	1	
R900-03	ERJ6GEY0R00	M.RESISTOR CH 1/10W 0	4	
R910	ERJ6GEY0R00	M.RESISTOR CH 1/10W 0	1	
R913	ERJ6GEY0R00	M.RESISTOR CH 1/10W 0	1	
R917	ERJ6GEY0R00	M.RESISTOR CH 1/10W 0	1	
R919	ERJ6GEY0R00	M.RESISTOR CH 1/10W 0	1	
R920	ERJ6GEYG104	M.RESISTOR CH 1/10W 100K	1	
R921	ERJ6GEYG103	M.RESISTOR CH 1/10W 10K	1	
R924	ERJ6GEYG104	M.RESISTOR CH 1/10W 100K	1	
R925	ERJ6GEYG103	M.RESISTOR CH 1/10W 10K	1	
R928	ERJ6GEYG271	M.RESISTOR CH 1/10W 270	1	
R929	ERJ6GEYF473	M.RESISTOR CH 1/10W 47K	1	
R930-32	ERJ6GEYG103	M.RESISTOR CH 1/10W 10K	3	
R934	ERJ6GEYG103	M.RESISTOR CH 1/10W 10K	1	
R936	ERJ6GEYG101	M.RESISTOR CH 1/10W 100	1	
R937-39	ERJ6GEY0R00	M.RESISTOR CH 1/10W 0	3	
R942,43	ERJ6GEY0R00	M.RESISTOR CH 1/10W 0	2	
R946	ERJ6GEY0R00	M.RESISTOR CH 1/10W 0	1	

Ref.No.	Part No.	Part Name & Description	Pcs	Remarks
R948	ERJ6GEY0R00	M.RESISTOR CH 1/10W 0	1	
R950	ERJ6GEY0R00	M.RESISTOR CH 1/10W 0	1	
R951	ERJ6GEYG105	M.RESISTOR CH 1/10W 1M	1	
R952	ERJ6GEYG184	M.RESISTOR CH 1/10W 180K	1	
R953	ERJ6GEYG105	M.RESISTOR CH 1/10W 1M	1	
R954	ERJ6GEYG184	M.RESISTOR CH 1/10W 180K	1	
R955	ERJ6GEY0R00	M.RESISTOR CH 1/10W 0	1	
R957	ERJ6GEY0R00	M.RESISTOR CH 1/10W 0	1	
R958	ERJ6GEYG470	M.RESISTOR CH 1/10W 47	1	
R960	ERJ6GEY0R00	M.RESISTOR CH 1/10W 0	1	
R961-68	ERJ6GEYG103	M.RESISTOR CH 1/10W 10K	8	
R979-84	ERJ6GEY0R00	M.RESISTOR CH 1/10W 0	6	
R985	ERJ6GEYG470	M.RESISTOR CH 1/10W 47	1	
R990,91	ERJ6GEY0R00	M.RESISTOR CH 1/10W 0	2	
R992	ERJ6GEYG105	M.RESISTOR CH 1/10W 1M	1	
R993	ERJ6GEY0R00	M.RESISTOR CH 1/10W 0	1	
R995,96	ERJ6GEY0R00	M.RESISTOR CH 1/10W 0	2	
R997	ERJ6GEYG105	M.RESISTOR CH 1/10W 1M	1	
R998	ERJ6GEY0R00	M.RESISTOR CH 1/10W 0	1	
R1000,01	ERJ6GEY0R00	M.RESISTOR CH 1/10W 0	2	
R1002	ERJ6GEYG105	M.RESISTOR CH 1/10W 1M	1	
R1003	ERJ6GEY0R00	M.RESISTOR CH 1/10W 0	1	
R1005,06	ERJ6GEY0R00	M.RESISTOR CH 1/10W 0	2	
R1007	ERJ6GEYG105	M.RESISTOR CH 1/10W 1M	1	
R1008	ERJ6GEY0R00	M.RESISTOR CH 1/10W 0	1	
R1010,11	ERJ6GEY0R00	M.RESISTOR CH 1/10W 0	2	
R1012	ERJ6GEYG105	M.RESISTOR CH 1/10W 1M	1	
R1013	ERJ6GEY0R00	M.RESISTOR CH 1/10W 0	1	
R1015,16	ERJ6GEY0R00	M.RESISTOR CH 1/10W 0	2	
R1017	ERJ6GEYG105	M.RESISTOR CH 1/10W 1M	1	
R1018	ERJ6GEY0R00	M.RESISTOR CH 1/10W 0	1	
R1020,21	ERJ6GEY0R00	M.RESISTOR CH 1/10W 0	2	
R6450	ERJ6GEYJ473	M.RESISTOR CH 1/10W 47K	1	
R6451	ERJ6GEYJ683	M.RESISTOR CH 1/10W 68K	1	
R6452	ERJ6GEYJ224	M.RESISTOR CH 1/10W 220K	1	
R6453,54	ERJ6GEYJ394	M.RESISTOR CH 1/10W 390K	2	
SW501	VSS0367-08B	SWITCH	1	
TG1	EYF6CU	TEST POINT	1	
TG701	EYF6CU	TEST POINT	1	
TP8	EYF6CU	TEST POINT	1	
X1	VSX0641	CRYSTAL OSCILLATOR	1	
X500	VSX0641	CRYSTAL OSCILLATOR	1	
X701	VSX0654	CRYSTAL OSCILLATOR	1	
X702	VSX0498	CRYSTAL OSCILLATOR	1	
		MISCELLANEOUS		
	VML2143	CARD PULLER	1	
	VML2144	CARD PULLER	1	
	VJP1435	CONNECTOR (MALE)	1	
* E4	VEP83409C	F3 V-IN P.C.BOARD	1 (RTL)	
C1,C2	ECUM1H103KBN	C.CAPACITOR CH 50V 0.01U	2	
C3	ECUM1H820JCN	C.CAPACITOR CH 50V 82P	1	
C4	ECUM1H103KBN	C.CAPACITOR CH 50V 0.01U	1	
C5-C7	ECUM1E104ZFN	C.CAPACITOR CH 25V 0.1U	3	
C8	ECEVOJV330Q	E.CAPACITOR CH6.3V 33U	1	
C9	ECUM1H101JCN	C.CAPACITOR CH 50V 100P	1	
C20-26	ECUM1E104ZFN	C.CAPACITOR CH 25V 0.1U	7	
C27	ECEVOJV330Q	E.CAPACITOR CH6.3V 33U	1	
C28	ECUM1E104ZFN	C.CAPACITOR CH 25V 0.1U	1	
C29	ECEVOJV330Q	E.CAPACITOR CH6.3V 33U	1	
C30	ECUM1E104ZFN	C.CAPACITOR CH 25V 0.1U	1	
C31	ECEVOJV330Q	E.CAPACITOR CH6.3V 33U	1	
C32	ECUM1E104ZFN	C.CAPACITOR CH 25V 0.1U	1	
C33	ECEV1EV4R7Q	E.CAPACITOR CH 25V 4.7U	1	
C51	ECUM1H101JCN	C.CAPACITOR CH 50V 100P	1	
C101,02	ECUM1E104ZFN	C.CAPACITOR CH 25V 0.1U	2	

Ref.No.	Part No.	Part Name & Description	Pcs	Remarks
C103	ECEV1CV470Q	E.CAPACITOR CH 16V 47U	1	
C104-06	ECUM1E104ZFN	C.CAPACITOR CH 25V 0.1U	3	
C107	ECEVOJV330Q	E.CAPACITOR CH6.3V 33U	1	
C108	ECUM1E104ZFN	C.CAPACITOR CH 25V 0.1U	1	
C109	ECEV1CV470Q	E.CAPACITOR CH 16V 47U	1	
C110-12	ECUM1E104ZFN	C.CAPACITOR CH 25V 0.1U	3	
C113	ECEV1CV470Q	E.CAPACITOR CH 16V 47U	1	
C114-16	ECUM1E104ZFN	C.CAPACITOR CH 25V 0.1U	3	
C117	ECEVOJV330Q	E.CAPACITOR CH6.3V 33U	1	
C118	ECUM1E104ZFN	C.CAPACITOR CH 25V 0.1U	1	
C119	ECEV1CV470Q	E.CAPACITOR CH 16V 47U	1	
C120	ECUM1E104ZFN	C.CAPACITOR CH 25V 0.1U	1	
C133,34	ECUM1E104ZFN	C.CAPACITOR CH 25V 0.1U	2	
C135	ECEVOJV330Q	E.CAPACITOR CH6.3V 33U	1	
C136	ECUM1E683KBN	C.CAPACITOR CH 25V 0.068U	1	
C137	ECUM1H471JCN	C.CAPACITOR CH 50V 470P	1	
C138	ECEV1HV010Q	E.CAPACITOR CH 50V 1U	1	
C139	ECUM1E104ZFN	C.CAPACITOR CH 25V 0.1U	1	
C140	ECEV1HV4R7Q	E.CAPACITOR CH 50V 4.7U	1	
C141	ECUM1H821JCN	C.CAPACITOR CH 50V 820P	1	
C142	ECEVOJV330Q	E.CAPACITOR CH6.3V 33U	1	
C143	ECUM1H392KBN	C.CAPACITOR CH 50V 3900P	1	
C144	ECUM1H152KBN	C.CAPACITOR CH 50V 1500P	1	
C145	ECEV1HVR68Q	E.CAPACITOR CH 50V 0.68U	1	
C146	ECUM1E104ZFN	C.CAPACITOR CH 25V 0.1U	1	
C151-58	ECUM1E104ZFN	C.CAPACITOR CH 25V 0.1U	8	
C160	ECUM1E104ZFN	C.CAPACITOR CH 25V 0.1U	1	
C161	ECUM1H101JCN	C.CAPACITOR CH 50V 100P	1	
C162	ECUM1H271JCN	C.CAPACITOR CH 50V 270P	1	
C163	ECKF1H181KB	C.CAPACITOR 50V 180P	1	
C201-05	ECUM1E104ZFN	C.CAPACITOR CH 25V 0.1U	5	
C207-10	ECUM1E104ZFN	C.CAPACITOR CH 25V 0.1U	4	
C211	ECUM1H103KBN	C.CAPACITOR CH 50V 0.01U	1	
C251-54	ECUM1E104ZFN	C.CAPACITOR CH 25V 0.1U	4	
C256-58	ECUM1E104ZFN	C.CAPACITOR CH 25V 0.1U	3	
C262-66	ECUM1E104ZFN	C.CAPACITOR CH 25V 0.1U	5	
C301	ECEV1CV100Q	E.CAPACITOR CH 16V 10U	1	
C302	ECUM1E104ZFN	C.CAPACITOR CH 25V 0.1U	1	
C303	ECEV1EV4R7Q	E.CAPACITOR CH 25V 4.7U	1	
C304-06	ECUM1E104ZFN	C.CAPACITOR CH 25V 0.1U	3	
C307	ECEV1CV100Q	E.CAPACITOR CH 16V 10U	1	
C308	ECUM1E104ZFN	C.CAPACITOR CH 25V 0.1U	1	
C309	ECEV1CV100Q	E.CAPACITOR CH 16V 10U	1	
C310,11	ECUM1E104ZFN	C.CAPACITOR CH 25V 0.1U	2	
C312	ECUX1E104KBN	C.CAPACITOR CH 25V 0.1U	1	
C317	ECEV1CV100Q	E.CAPACITOR CH 16V 10U	1	
C318-21	ECUM1E104ZFN	C.CAPACITOR CH 25V 0.1U	4	
C351	ECEVOJV330Q	E.CAPACITOR CH6.3V 33U	1	
C352	ECUM1E104ZFN	C.CAPACITOR CH 25V 0.1U	1	
C353	ECEVOJV330Q	E.CAPACITOR CH6.3V 33U	1	
C354	ECUM1E104ZFN	C.CAPACITOR CH 25V 0.1U	1	
C355	ECEVOJV330Q	E.CAPACITOR CH6.3V 33U	1	
C356	ECUM1E104ZFN	C.CAPACITOR CH 25V 0.1U	1	
C357	ECEVOJV330Q	E.CAPACITOR CH6.3V 33U	1	
C358	ECUM1E104ZFN	C.CAPACITOR CH 25V 0.1U	1	
C359	ECEV1CV470Q	E.CAPACITOR CH 16V 47U	1	
C360	ECUM1E104ZFN	C.CAPACITOR CH 25V 0.1U	1	
C361	ECUV1H010CCN	C.CAPACITOR CH 50V 1P	1	
C362	ECUX1H390JCN	C.CAPACITOR CH 50V 39P	1	
C363-65	ECUM1E104ZFN	C.CAPACITOR CH 25V 0.1U	3	
C367	ECUX1E104KBN	C.CAPACITOR CH 25V 0.1U	1	
C368	ECUM1H180JCN	C.CAPACITOR CH 50V 18P	1	
C370-72	ECUM1E104ZFN	C.CAPACITOR CH 25V 0.1U	3	
C373	ECEVOJV330Q	E.CAPACITOR CH6.3V 33U	1	
C374	ECUM1E104ZFN	C.CAPACITOR CH 25V 0.1U	1	
C375	ECEVOJV330Q	E.CAPACITOR CH6.3V 33U	1	
C376-83	ECUM1E104ZFN	C.CAPACITOR CH 25V 0.1U	8	
C385	ECUX1H221JCN	C.CAPACITOR CH 50V 220P	1	
C401	ECEVOJV330Q	E.CAPACITOR CH6.3V 33U	1	
C402	ECUM1E104ZFN	C.CAPACITOR CH 25V 0.1U	1	
C403	ECUM1H470JCN	C.CAPACITOR CH 50V 47P	1	
C404	ECUM1H820JCN	C.CAPACITOR CH 50V 82P	1	
C405,06	ECUM1H103KBN	C.CAPACITOR CH 50V 0.01U	2	
C407	ECEVOJV330Q	E.CAPACITOR CH6.3V 33U	1	
C408	ECUM1E104ZFN	C.CAPACITOR CH 25V 0.1U	1	

Ref.No.	Part No.	Part Name & Description	Pcs	Remarks
C409	ECEV1HVR47Q	E.CAPACITOR CH 50V 0.47U	1	
C410,11	ECUM1H103KBN	C.CAPACITOR CH 50V 0.01U	2	
C417	ECUM1E104ZFN	C.CAPACITOR CH 25V 0.1U	1	
C418	ECEVOJV330Q	E.CAPACITOR CH6.3V 33U	1	
C419	ECUM1E104ZFN	C.CAPACITOR CH 25V 0.1U	1	
C420	ECEVOJV330Q	E.CAPACITOR CH6.3V 33U	1	
C421	ECUM1E104ZFN	C.CAPACITOR CH 25V 0.1U	1	
C425	ECEVOJV330Q	E.CAPACITOR CH6.3V 33U	1	
C426	ECUM1E104ZFN	C.CAPACITOR CH 25V 0.1U	1	
C427,28	ECEV1HV010Q	E.CAPACITOR CH 50V 1U	2	
C429	ECEV1CV470Q	E.CAPACITOR CH 16V 47U	1	
C430	ECUM1H102JCN	C.CAPACITOR CH 50V 1000P	1	
C431	ECUM1H103KBN	C.CAPACITOR CH 50V 0.01U	1	
C432	ECUM1H221JCN	C.CAPACITOR CH 50V 220P	1	
C433	ECUM1H152KBN	C.CAPACITOR CH 50V 1500P	1	
C434	ECEV1EV4R7Q	E.CAPACITOR CH 25V 4.7U	1	
C435	ECUM1H103KBN	C.CAPACITOR CH 50V 0.01U	1	
C436,37	ECUM1E104ZFN	C.CAPACITOR CH 25V 0.1U	2	
C438	ECEVOJV330Q	E.CAPACITOR CH6.3V 33U	1	
C439,40	ECUM1E104ZFN	C.CAPACITOR CH 25V 0.1U	2	
C441	ECEVOJV330Q	E.CAPACITOR CH6.3V 33U	1	
C442,43	ECUM1E104ZFN	C.CAPACITOR CH 25V 0.1U	2	
C444	ECUM1H390JCN	C.CAPACITOR CH 50V 39P	1	
C445	ECUM1H080DCN	C.CAPACITOR CH 50V 8P	1	
C446	ECUM1H181JCN	C.CAPACITOR CH 50V 180P	1	
C447,48	ECUM1E104ZFN	C.CAPACITOR CH 25V 0.1U	2	
C449	ECEV1HN010Q	E.CAPACITOR CH 50V 1U	1	
C450	ECEV1CV470Q	E.CAPACITOR CH 16V 47U	1	
C451	ECEVOJV330Q	E.CAPACITOR CH6.3V 33U	1	
C452	ECUM1E104ZFN	C.CAPACITOR CH 25V 0.1U	1	
C453	ECUM1H470JCN	C.CAPACITOR CH 50V 47P	1	
C454	ECEVOJV330Q	E.CAPACITOR CH6.3V 33U	1	
C455-57	ECUM1E104ZFN	C.CAPACITOR CH 25V 0.1U	3	
C458	ECEV1HV010Q	E.CAPACITOR CH 50V 1U	1	
C459,60	ECUM1E104ZFN	C.CAPACITOR CH 25V 0.1U	2	
C461	ECEVOJV330Q	E.CAPACITOR CH6.3V 33U	1	
C462,63	ECUM1H103KBN	C.CAPACITOR CH 50V 0.01U	2	
C464-70	ECUM1E104ZFN	C.CAPACITOR CH 25V 0.1U	7	
C472	ECUM1E104ZFN	C.CAPACITOR CH 25V 0.1U	1	
C473	ECEVOJV330Q	E.CAPACITOR CH6.3V 33U	1	
C474,75	ECUM1E104ZFN	C.CAPACITOR CH 25V 0.1U	2	
C476	ECEVOJV330Q	E.CAPACITOR CH6.3V 33U	1	
C477	ECUM1E104ZFN	C.CAPACITOR CH 25V 0.1U	1	
C478	ECEVOJV330Q	E.CAPACITOR CH6.3V 33U	1	
C479	ECUM1E104ZFN	C.CAPACITOR CH 25V 0.1U	1	
C480	ECUX1E104KBN	C.CAPACITOR CH 25V 0.1U	1	
C481	ECUM1H330JCN	C.CAPACITOR CH 50V 33P	1	
C482	ECUM1H271JCN	C.CAPACITOR CH 50V 270P	1	
C483	ECUM1H220JCN	C.CAPACITOR CH 50V 22P	1	
C484	ECUM1H680JCN	C.CAPACITOR CH 50V 68P	1	
C485	ECUM1H070DCN	C.CAPACITOR CH 50V 7P	1	
C486	ECUM1H121JCN	C.CAPACITOR CH 50V 120P	1	
C487,88	ECUM1H100DCN	C.CAPACITOR CH 50V 10P	2	
C489	ECUM1H330JCN	C.CAPACITOR CH 50V 33P	1	
C490-92	ECUX1E104KBN	C.CAPACITOR CH 25V 0.1U	3	
C493,94	ECUM1E104ZFN	C.CAPACITOR CH 25V 0.1U	2	
C495,96	ECUX1E104KBN	C.CAPACITOR CH 25V 0.1U	2	
C497,98	ECUM1E104ZFN	C.CAPACITOR CH 25V 0.1U	2	
C499	ECUM1H151JCN	C.CAPACITOR CH 50V 150P	1	
C501	ECEVOJV330Q	E.CAPACITOR CH6.3V 33U	1	
C502	ECUM1E104ZFN	C.CAPACITOR CH 25V 0.1U	1	
C503	ECEVOJV330Q	E.CAPACITOR CH6.3V 33U	1	
C504	ECUM1E104ZFN	C.CAPACITOR CH 25V 0.1U	1	
C505	ECEV1CV100Q	E.CAPACITOR CH 16V 10U	1	
C506	ECUM1E104ZFN	C.CAPACITOR CH 25V 0.1U	1	
C507	ECEV1CV100Q	E.CAPACITOR CH 16V 10U	1	
C508	ECUM1E104ZFN	C.CAPACITOR CH 25V 0.1U	1	
C509	ECUM1H121JCN	C.CAPACITOR CH 50V 120P	1	
C510	ECUM1E104ZFN	C.CAPACITOR CH 25V 0.1U	1	
C511	ECUM1H102JCN	C.CAPACITOR CH 50V 1000P	1	
C512	ECUM1H221JCN	C.CAPACITOR CH 50V 220P	1	
C513	ECUM1H681JCN	C.CAPACITOR CH 50V 680P	1	
C514,15	ECUM1E104ZFN	C.CAPACITOR CH 25V 0.1U	2	
C516	ECUM1H560JCN	C.CAPACITOR CH 50V 56P	1	
C518	ECUX1E104KBN	C.CAPACITOR CH 25V 0.1U	1	



Ref.No.	Part No.	Part Name & Description	Pcs	Remarks
C519	ECUM1E1042FN	C.CAPACITOR CH 25V 0.1U	1	
C520	ECUM1H103KBN	C.CAPACITOR CH 50V 0.01U	1	
C521	ECUM1H271JCN	C.CAPACITOR CH 50V 270P	1	
C522	ECEV1CV470Q	E.CAPACITOR CH 16V 47U	1	
C523	ECUM1H220JCN	C.CAPACITOR CH 50V 22P	1	
C524	ECUM1H820JCN	C.CAPACITOR CH 50V 82P	1	
C525	ECUM1H080DCN	C.CAPACITOR CH 50V 8P	1	
C526	ECEV1CV470Q	E.CAPACITOR CH 16V 47U	1	
C527	ECUM1H103KBN	C.CAPACITOR CH 50V 0.01U	1	
C528	ECUM1H470JCN	C.CAPACITOR CH 50V 47P	1	
C529	ECUM1H060DCN	C.CAPACITOR CH 50V 6P	1	
C530	ECUM1H331JCN	C.CAPACITOR CH 50V 330P	1	
C531	ECUM1E1042FN	C.CAPACITOR CH 25V 0.1U	1	
C532	ECUX1E104KBN	C.CAPACITOR CH 25V 0.1U	1	
C534	ECUM1H103KBN	C.CAPACITOR CH 50V 0.01U	1	
C536	ECUM1H220JCN	C.CAPACITOR CH 50V 22P	1	
C537	ECUM1H820JCN	C.CAPACITOR CH 50V 82P	1	
C538	ECUM1H060DCN	C.CAPACITOR CH 50V 6P	1	
C539	ECUM1H080DCN	C.CAPACITOR CH 50V 8P	1	
C540	ECUM1H470JCN	C.CAPACITOR CH 50V 47P	1	
C541	ECEV1HV4R7Q	E.CAPACITOR CH 50V 4.7U	1	
C542	ECUX1E104KBN	C.CAPACITOR CH 25V 0.1U	1	
C545	ECUM1H120JCN	C.CAPACITOR CH 50V 12P	1	
C550	ECUM1H101JCN	C.CAPACITOR CH 50V 100P	1	
C551	ECUM1E1042FN	C.CAPACITOR CH 25V 0.1U	1	
C552	ECEV0J330Q	E.CAPACITOR CH6.3V 33U	1	
C553	ECUM1E1042FN	C.CAPACITOR CH 25V 0.1U	1	
C554	ECEV1CV470Q	E.CAPACITOR CH 16V 47U	1	
C555	ECUM1E1042FN	C.CAPACITOR CH 25V 0.1U	1	
C556	ECUM1H390JCN	C.CAPACITOR CH 50V 39P	1	
C557	ECUM1H181JCN	C.CAPACITOR CH 50V 180P	1	
C558,59	ECUM1E1042FN	C.CAPACITOR CH 25V 0.1U	2	
C560	ECEV1HN010Q	E.CAPACITOR CH 50V 1U	1	
C561	ECUM1H080DCN	C.CAPACITOR CH 50V 8P	1	
C562,63	ECUM1H103KBN	C.CAPACITOR CH 50V 0.01U	2	
C565,66	ECUM1H103KBN	C.CAPACITOR CH 50V 0.01U	2	
C567	ECUM1H820JCN	C.CAPACITOR CH 50V 82P	1	
C568	ECUM1H103KBN	C.CAPACITOR CH 50V 0.01U	1	
C569	ECUM1E1042FN	C.CAPACITOR CH 25V 0.1U	1	
C570	ECEV0J330Q	E.CAPACITOR CH6.3V 33U	1	
C571-73	ECUM1E1042FN	C.CAPACITOR CH 25V 0.1U	3	
C601	ECUM1H470JCN	C.CAPACITOR CH 50V 47P	1	
C602	ECEV0J330Q	E.CAPACITOR CH6.3V 33U	1	
C603	ECUM1E1042FN	C.CAPACITOR CH 25V 0.1U	1	
C604	ECEV0J330Q	E.CAPACITOR CH6.3V 33U	1	
C605	ECUM1E1042FN	C.CAPACITOR CH 25V 0.1U	1	
C606	ECUM1H470JCN	C.CAPACITOR CH 50V 47P	1	
C607	ECUM1E1042FN	C.CAPACITOR CH 25V 0.1U	1	
C608	ECUM1H331JCN	C.CAPACITOR CH 50V 330P	1	
C609	ECUM1H820JCN	C.CAPACITOR CH 50V 82P	1	
C610	ECUM1E1042FN	C.CAPACITOR CH 25V 0.1U	1	
C612	ECUM1H470JCN	C.CAPACITOR CH 50V 47P	1	
C613	ECEV1HN010Q	E.CAPACITOR CH 50V 1U	1	
C614	ECUM1H102JCN	C.CAPACITOR CH 50V 1000P	1	
C615	ECUM1E1042FN	C.CAPACITOR CH 25V 0.1U	1	
C616	ECUM1H331JCN	C.CAPACITOR CH 50V 330P	1	
C617	ECUM1E1042FN	C.CAPACITOR CH 25V 0.1U	1	
C618	ECUM1H102JCN	C.CAPACITOR CH 50V 1000P	1	
C619	ECUM1E1042FN	C.CAPACITOR CH 25V 0.1U	1	
C621	ECEV1HN010Q	E.CAPACITOR CH 50V 1U	1	
C622,23	ECUM1E1042FN	C.CAPACITOR CH 25V 0.1U	2	
C624,25	ECUM1H103KBN	C.CAPACITOR CH 50V 0.01U	2	
C626	ECUM1H102JCN	C.CAPACITOR CH 50V 1000P	1	
C627	ECUM1E1042FN	C.CAPACITOR CH 25V 0.1U	1	
C629	ECUM1H121JCN	C.CAPACITOR CH 50V 120P	1	
C651	ECEV0J330Q	E.CAPACITOR CH6.3V 33U	1	
C652,53	ECUM1E1042FN	C.CAPACITOR CH 25V 0.1U	2	
C654	ECEV0J330Q	E.CAPACITOR CH6.3V 33U	1	
C655	ECUM1E1042FN	C.CAPACITOR CH 25V 0.1U	1	
C701	ECUM1E1042FN	C.CAPACITOR CH 25V 0.1U	1	
C702,03	ECEV0J330Q	E.CAPACITOR CH6.3V 33U	2	
C704	ECUM1E1042FN	C.CAPACITOR CH 25V 0.1U	1	
C705	ECEV0J330Q	E.CAPACITOR CH6.3V 33U	1	
C706	ECUM1E1042FN	C.CAPACITOR CH 25V 0.1U	1	
C707	ECEV0J330Q	E.CAPACITOR CH6.3V 33U	1	

Ref.No.	Part No.	Part Name & Description	Pcs	Remarks
C708,09	ECUM1E1042FN	C.CAPACITOR CH 25V 0.1U	2	
C710	ECUM1H010CCN	C.CAPACITOR CH 50V 1P	1	
C712-14	ECUM1E1042FN	C.CAPACITOR CH 25V 0.1U	3	
C715	ECUX1E104KBN	C.CAPACITOR CH 25V 0.1U	1	
C716	ECUM1E1042FN	C.CAPACITOR CH 25V 0.1U	1	
C717	ECEV0J330Q	E.CAPACITOR CH6.3V 33U	1	
C718	ECUM1E1042FN	C.CAPACITOR CH 25V 0.1U	1	
C719	ECEV0J330Q	E.CAPACITOR CH6.3V 33U	1	
C720,21	ECUM1E1042FN	C.CAPACITOR CH 25V 0.1U	2	
C722	ECEV0J330Q	E.CAPACITOR CH6.3V 33U	1	
C723	ECUM1E1042FN	C.CAPACITOR CH 25V 0.1U	1	
C724	ECEV0J330Q	E.CAPACITOR CH6.3V 33U	1	
C725	ECUM1E1042FN	C.CAPACITOR CH 25V 0.1U	1	
C726	ECEV0J330Q	E.CAPACITOR CH6.3V 33U	1	
C727	ECUM1E1042FN	C.CAPACITOR CH 25V 0.1U	1	
C728	ECUX1E104KBN	C.CAPACITOR CH 25V 0.1U	1	
C730	ECEV1CV470Q	E.CAPACITOR CH 16V 47U	1	
C731	ECUX1E104KBN	C.CAPACITOR CH 25V 0.1U	1	
C732	ECUM1H331JCN	C.CAPACITOR CH 50V 330P	1	
C733	ECUM1H470JCN	C.CAPACITOR CH 50V 47P	1	
C734	ECEV0J330Q	E.CAPACITOR CH6.3V 33U	1	
C735-40	ECUM1E1042FN	C.CAPACITOR CH 25V 0.1U	6	
C751	ECUM1E1042FN	C.CAPACITOR CH 25V 0.1U	1	
C752,53	ECEV0J330Q	E.CAPACITOR CH6.3V 33U	2	
C754	ECUM1E1042FN	C.CAPACITOR CH 25V 0.1U	1	
C755	ECEV0J330Q	E.CAPACITOR CH6.3V 33U	1	
C756	ECUM1E1042FN	C.CAPACITOR CH 25V 0.1U	1	
C757	ECEV0J330Q	E.CAPACITOR CH6.3V 33U	1	
C758,59	ECUM1E1042FN	C.CAPACITOR CH 25V 0.1U	2	
C762-66	ECUM1E1042FN	C.CAPACITOR CH 25V 0.1U	5	
C768	ECUM1E1042FN	C.CAPACITOR CH 25V 0.1U	1	
C769	ECEV0J330Q	E.CAPACITOR CH6.3V 33U	1	
C770,71	ECUM1E1042FN	C.CAPACITOR CH 25V 0.1U	2	
C772	ECEV0J330Q	E.CAPACITOR CH6.3V 33U	1	
C773	ECUM1E1042FN	C.CAPACITOR CH 25V 0.1U	1	
C774	ECEV0J330Q	E.CAPACITOR CH6.3V 33U	1	
C775	ECUM1E1042FN	C.CAPACITOR CH 25V 0.1U	1	
C776	ECEV1CV100Q	E.CAPACITOR CH 16V 100U	1	
C777	ECUM1E1042FN	C.CAPACITOR CH 25V 0.1U	1	
C778	ECUX1E104KBN	C.CAPACITOR CH 25V 0.1U	1	
C780	ECEV1CV470Q	E.CAPACITOR CH 16V 47U	1	
C781	ECUX1E104KBN	C.CAPACITOR CH 25V 0.1U	1	
C782	ECUM1H331JCN	C.CAPACITOR CH 50V 330P	1	
C783	ECUM1H470JCN	C.CAPACITOR CH 50V 47P	1	
C784	ECEV0J330Q	E.CAPACITOR CH6.3V 33U	1	
C785-87	ECUM1E1042FN	C.CAPACITOR CH 25V 0.1U	3	
C790	ECUM1H080DCN	C.CAPACITOR CH 50V 8P	1	
C791	ECUM1H470JCN	C.CAPACITOR CH 50V 47P	1	
C792	ECEV1CV100Q	E.CAPACITOR CH 16V 100U	1	
C801	ECUM1E1042FN	C.CAPACITOR CH 25V 0.1U	1	
C802,03	ECEV0J330Q	E.CAPACITOR CH6.3V 33U	2	
C804	ECUM1E1042FN	C.CAPACITOR CH 25V 0.1U	1	
C805	ECEV0J330Q	E.CAPACITOR CH6.3V 33U	1	
C806	ECUM1E1042FN	C.CAPACITOR CH 25V 0.1U	1	
C807	ECEV0J330Q	E.CAPACITOR CH6.3V 33U	1	
C808,09	ECUM1E1042FN	C.CAPACITOR CH 25V 0.1U	2	
C812-16	ECUM1E1042FN	C.CAPACITOR CH 25V 0.1U	5	
C818	ECUM1E1042FN	C.CAPACITOR CH 25V 0.1U	1	
C819	ECEV0J330Q	E.CAPACITOR CH6.3V 33U	1	
C820,21	ECUM1E1042FN	C.CAPACITOR CH 25V 0.1U	2	
C822	ECEV0J330Q	E.CAPACITOR CH6.3V 33U	1	
C823	ECUM1E1042FN	C.CAPACITOR CH 25V 0.1U	1	
C824	ECEV0J330Q	E.CAPACITOR CH6.3V 33U	1	
C825	ECUM1E1042FN	C.CAPACITOR CH 25V 0.1U	1	
C826	ECEV1CV100Q	E.CAPACITOR CH 16V 100U	1	
C827	ECUM1E1042FN	C.CAPACITOR CH 25V 0.1U	1	
C828	ECUX1E104KBN	C.CAPACITOR CH 25V 0.1U	1	
C830	ECEV1CV470Q	E.CAPACITOR CH 16V 47U	1	
C831	ECUX1E104KBN	C.CAPACITOR CH 25V 0.1U	1	
C832	ECUM1H331JCN	C.CAPACITOR CH 50V 330P	1	
C833	ECUM1H470JCN	C.CAPACITOR CH 50V 47P	1	
C834	ECEV0J330Q	E.CAPACITOR CH6.3V 33U	1	
C835-37	ECUM1E1042FN	C.CAPACITOR CH 25V 0.1U	3	
C840	ECUM1H080DCN	C.CAPACITOR CH 50V 8P	1	
C841	ECUM1H470JCN	C.CAPACITOR CH 50V 47P	1	

Ref.No.	Part No.	Part Name & Description	Pcs	Remarks
C842	ECEV1CV100Q	E.CAPACITOR CH 16V 10U	1	
C851-60	ECUM1E104ZFN	C.CAPACITOR CH 25V 0.1U	10	
C881-96	ECUM1E104ZFN	C.CAPACITOR CH 25V 0.1U	16	
C901-03	ECUM1E104ZFN	C.CAPACITOR CH 25V 0.1U	3	
C905-17	ECUM1E104ZFN	C.CAPACITOR CH 25V 0.1U	13	
C919	ECEV0JV330Q	E.CAPACITOR CH6.3V 33U	1	
C920	ECUM1E104ZFN	C.CAPACITOR CH 25V 0.1U	1	
C921	ECEV0JV330Q	E.CAPACITOR CH6.3V 33U	1	
C922-27	ECUM1E104ZFN	C.CAPACITOR CH 25V 0.1U	6	
C928	ECEV0JV330Q	E.CAPACITOR CH6.3V 33U	1	
C929	ECEV1CV100Q	E.CAPACITOR CH 16V 10U	1	
C930,31	ECUM1E104ZFN	C.CAPACITOR CH 25V 0.1U	2	
C932	ECEV0JV330Q	E.CAPACITOR CH6.3V 33U	1	
C934	ECEV1EV4R7Q	E.CAPACITOR CH 25V 4.7U	1	
C935	ECUM1H470JCN	C.CAPACITOR CH 50V 47P	1	
C936	ECEV0JV330Q	E.CAPACITOR CH6.3V 33U	1	
C937	ECUM1H560JCN	C.CAPACITOR CH 50V 56P	1	
C938	ECUM1H180JCN	C.CAPACITOR CH 50V 18P	1	
C939	ECUM1H121JCN	C.CAPACITOR CH 50V 120P	1	
C940,41	ECUM1E104ZFN	C.CAPACITOR CH 25V 0.1U	2	
C942	ECEV0JV330Q	E.CAPACITOR CH6.3V 33U	1	
C943,44	ECUM1E104ZFN	C.CAPACITOR CH 25V 0.1U	2	
C951	ECUM1H101JCN	C.CAPACITOR CH 50V 100P	1	
C952-56	ECUM1E104ZFN	C.CAPACITOR CH 25V 0.1U	5	
C957	ECUM1H103KBN	C.CAPACITOR CH 50V 0.01U	1	
C958	ECUX1E104KBN	C.CAPACITOR CH 25V 0.1U	1	
C959	ECEV1HNR47Q	E.CAPACITOR CH 50V 0.47U	1	
C960,61	ECUX1E104KBN	C.CAPACITOR CH 25V 0.1U	2	
C962	ECUM1E104ZFN	C.CAPACITOR CH 25V 0.1U	1	
C963	ECEV0JV330Q	E.CAPACITOR CH6.3V 33U	1	
C964,65	ECUM1E104ZFN	C.CAPACITOR CH 25V 0.1U	2	
C966	ECEV0JV330Q	E.CAPACITOR CH6.3V 33U	1	
C967-69	ECUM1E104ZFN	C.CAPACITOR CH 25V 0.1U	3	
C970	ECUM1H080DCN	C.CAPACITOR CH 50V 8P	1	
C971	ECUM1H470JCN	C.CAPACITOR CH 50V 47P	1	
C972	ECUM1E104ZFN	C.CAPACITOR CH 25V 0.1U	1	
C973	ECEV1CV470Q	E.CAPACITOR CH 16V 47U	1	
C974	ECUM1E104ZFN	C.CAPACITOR CH 25V 0.1U	1	
C975	ECEV1CV470Q	E.CAPACITOR CH 16V 47U	1	
C976	ECUM1E104ZFN	C.CAPACITOR CH 25V 0.1U	1	
C977	ECUM1H080DCN	C.CAPACITOR CH 50V 8P	1	
C978	ECUM1H470JCN	C.CAPACITOR CH 50V 47P	1	
C979	ECUM1E104ZFN	C.CAPACITOR CH 25V 0.1U	1	
C980	ECEV0JV330Q	E.CAPACITOR CH6.3V 33U	1	
C981,82	ECUM1E104ZFN	C.CAPACITOR CH 25V 0.1U	2	
C983	ECEV0JV330Q	E.CAPACITOR CH6.3V 33U	1	
C984-86	ECUM1E104ZFN	C.CAPACITOR CH 25V 0.1U	3	
D301,02	MA152K	DIODE	2	
D351,52	MA152K	DIODE	2	
D401	MA152WK	DIODE	1	
D551	MA152WK	DIODE	1	
D601	MA335-R	DIODE	1	
D602	MA152WA	DIODE	1	
D603	MA152K	DIODE	1	
D701,02	MA152K	DIODE	2	
D751,52	MA152K	DIODE	2	
D801,02	MA152K	DIODE	2	
D901	MA152K	DIODE	1	
FL101	VLF1016A223	FILTER	1	
FL103	VLF1016A223	FILTER	1	
FL301	VLF1294	FILTER	1	
FL351	VLF1016A223	FILTER	1	
FL451	VLF1016A223	FILTER	1	
FL601,02	VLF1016A223	FILTER	2	
FL701	VLF1294	FILTER	1	
FL702	VLF1016A223	FILTER	1	
FL752	VLF1422	FILTER	1	
FL802	VLF1422	FILTER	1	
FL851,52	VLF1016A223	FILTER	2	
FL911	VLF1016A223	FILTER	1	
FL951	VLF1294	FILTER	1	
FL981,82	VLF1016A223	FILTER	2	

Ref.No.	Part No.	Part Name & Description	Pcs	Remarks
IC101	AN78N09	IC	1	
IC102	AN78N05	IC	1	
IC103	AN79N09	IC	1	
IC104	AN79N05	IC	1	
IC151-54	MC10H125M	IC	4	
IC156	74F2445J	IC	1	
IC201	VSI2496	PLD	1	
IC204	74F2455J	IC	1	
IC207,08	UPD71055GB	IC	2	
IC209,10	SN74S1051NS	IC	2	
IC251	VSI2807	IC	1	
IC252	VSI2154	IC	1	
IC253	T74HCT541AF	IC	1	
IC254	T74HCT374AF	IC	1	
IC255	74F574SJ	IC	1	
IC259	T74HCT374AF	IC	1	
IC301	EL2082CS	IC	1	
IC302	NJM082BM	IC	1	
IC303	DAC10GS	IC	1	
IC351	AD818AR	IC	1	
IC352	NJM084M	IC	1	
IC353	CXD1175AM	IC	1	
IC354,55	NJM78L05UA	IC	2	
IC356	NJM79L05UA	IC	1	
IC401	UPC1862GS	IC	1	
IC402,03	NJM78L05UA	IC	2	
IC404	NJM79L05UA	IC	1	
IC405	AN91A12S	IC	1	
IC406	TC4W53F	IC	1	
IC407	MC74HC00AF	IC	1	
IC450	AD8047AR	IC	1	
IC451	UPD6486GF3BA	IC	1	
IC452,53	UPD42280G3	IC	2	
IC454	NJM78L05UA	IC	1	
IC455	NJM79L05UA	IC	1	
IC456,57	MC74HC4053F	IC	2	
IC458,59	AD8047AR	IC	2	
IC460	UPD42280G3	IC	1	
IC461	MB40760PF	IC	1	
IC462	VSI2716	IC	1	
IC463	NJM78L05UA	IC	1	
IC501	SN74LS221NS	IC	1	
IC502	MM74HC221AM	IC	1	
IC503	UPD65013BC16	IC	1	
IC504,05	NJM1496M	IC	2	
IC507	MC74HC4053F	IC	1	
IC508	MC74HC04AF	IC	1	
IC509,10	NJM082BM	IC	2	
IC511	NJM78L05UA	IC	1	
IC512	NJM79L05UA	IC	1	
IC513	MM74HC221AM	IC	1	
IC514-16	MC74HC4053F	IC	3	
IC517	NJM78L05UA	IC	1	
IC518	NJM79L05UA	IC	1	
IC551	MC14538BF	IC	1	
IC552	AN91A12S	IC	1	
IC553	NJM78L05UA	IC	1	
IC554	NJM79L05UA	IC	1	
IC555	MN53015VZV	IC	1	
IC601	SN74LS221NS	IC	1	
IC602	MC74HC00AF	IC	1	
IC603	NJM082BM	IC	1	
IC604	MC74HC74AF	IC	1	
IC605	TC4S584F	IC	1	
IC606	TC4W53F	IC	1	
IC607	MC74HC244AF	IC	1	
IC608	SN74LS221NS	IC	1	
IC701	MC74HC4053F	IC	1	
IC702	AD84BJR	IC	1	
IC703	NJM084M	IC	1	
IC704	CXD1175AM	IC	1	
IC705,06	NJM78L05UA	IC	2	
IC707	NJM79L05UA	IC	1	
IC751	MC74HC4053F	IC	1	
IC752	AD84BJR	IC	1	

Ref.No.	Part No.	Part Name & Description	Pcs	Remarks
IC753	NJM084M	IC	1	
IC754	MB40568PF	IC	1	
IC755,56	NJM78L05UA	IC	2	
IC757	NJM79L05UA	IC	1	
IC758	AN78N09	IC	1	
IC759	T74HCT541AF	IC	1	
IC801	MC74HC4053F	IC	1	
IC802	AD84BJR	IC	1	
IC803	NJM084M	IC	1	
IC804	MB40568PF	IC	1	
IC805,06	NJM78L05UA	IC	2	
IC807	NJM79L05UA	IC	1	
IC808	AN78N09	IC	1	
IC809	T74HCT541AF	IC	1	
IC851	T160G41-1437	IC	1	
IC852,53	UPD42280G3	IC	2	
IC901-03	74F244SJ	IC	3	
IC904	NJM78L05UA	IC	1	
IC905	AN3296S	IC	1	
IC911	TC7W125FU	IC	1	
IC913	NJM78L05UA	IC	1	
IC951	T74HCT374AF	IC	1	
IC953	TC7W125FU	IC	1	
IC955,56	NJM78L05UA	IC	2	
IC957	NJM79L05UA	IC	1	
IC958	AD8047AR	IC	1	
IC959	MC74HC4053F	IC	1	
IC981	T160G41-1437	IC	1	
IC982,83	UPD42280G3	IC	2	
IC984	VSI2679	IC	1	
IC985,86	74F244SJ	IC	2	
L1,L2	VLP0133	COIL	2	
L101,02	VLP0133	COIL	2	
L301-04	VLQ0319K101	COIL 100UH	4	
L351	VLQ0163J101	COIL 100UH	1	
L352	VLQ0319K101	COIL 100UH	1	
L401	VLQ0163J150	COIL 15UH	1	
L402-05	VLQ0319K100	COIL 10UH	4	
L406	VLQ0133J471	COIL 470UH	1	
L407	VLQ0319K101	COIL 100UH	1	
L451	VLQ0319K101	COIL 100UH	1	
L452	VLQ0319K100	COIL 10UH	1	
L454	VLQ0163J270	COIL 27UH	1	
L455	VLQ0163J6R8	COIL 6.8UH	1	
L456	VLQ0163J5R6	COIL 5.6UH	1	
L457	VLQ0319K101	COIL 100UH	1	
L458,59	VLQ0163J2R2	COIL 2.2UH	2	
L501-03	VLQ0319K101	COIL 100UH	3	
L505,06	VLQ0163J680	COIL 68UH	2	
L507	VLQ0319K101	COIL 100UH	1	
L553	VLQ0133J471	COIL 470UH	1	
L601	VLQ0163J3R3	COIL 3.3UH	1	
L651,52	VLQ0319K101	COIL 100UH	2	
L703	VLQ0319K101	COIL 100UH	1	
L704	VLQ0133J821	COIL 820UH	1	
L754	VLQ0133J821	COIL 820UH	1	
L804	VLQ0133J821	COIL 820UH	1	
L911	VLQ0319K101	COIL 100UH	1	
L951	VLQ0163J470	COIL 47UH	1	
P1,P2	VJP3454B096	CONNECTOR (MALE)	2	
Q301	2SB709A-R	TRANSISTOR	1	
Q302,03	2SD601A-R	TRANSISTOR	2	
Q351	2SD601A-R	TRANSISTOR	1	
Q352	2SB709A-R	TRANSISTOR	1	
Q353	2SK198-R	TRANSISTOR	1	
Q401	2SD601A-R	TRANSISTOR	1	
Q404	2SB709A-R	TRANSISTOR	1	
Q405,06	2SD601A-R	TRANSISTOR	2	
Q452	2SD601A-R	TRANSISTOR	1	
Q454	2SB709A-R	TRANSISTOR	1	
Q455	2SD601A-R	TRANSISTOR	1	
Q501,02	2SD601A-R	TRANSISTOR	2	

Ref.No.	Part No.	Part Name & Description	Pcs	Remarks
Q503	2SB709A-R	TRANSISTOR	1	
Q504,05	2SD601A-R	TRANSISTOR	2	
Q507,08	2SD601A-R	TRANSISTOR	2	
Q509	2SB709A-R	TRANSISTOR	1	
Q510,11	2SD601A-R	TRANSISTOR	2	
Q512	2SB709A-R	TRANSISTOR	1	
Q513,14	2SD601A-R	TRANSISTOR	2	
Q515	2SB709A-R	TRANSISTOR	1	
Q516-18	2SD601A-R	TRANSISTOR	3	
Q601	2SC3757-R	TRANSISTOR	1	
Q602,03	2SA1226	TRANSISTOR	2	
Q604	2SC3757-R	TRANSISTOR	1	
Q651	2SB709A-R	TRANSISTOR	1	
Q652	2SD601A-R	TRANSISTOR	1	
Q653	2SB709A-R	TRANSISTOR	1	
Q654	2SD601A-R	TRANSISTOR	1	
Q655	XN1213	TRANSISTOR-RESISTOR	1	
Q656	2SB709A-R	TRANSISTOR	1	
Q657	2SD601A-R	TRANSISTOR	1	
Q658	2SC3757-R	TRANSISTOR	1	
Q701	2SD601A-R	TRANSISTOR	1	
Q702	2SB709A-R	TRANSISTOR	1	
Q703	2SD601A-R	TRANSISTOR	1	
Q704	2SB709A-R	TRANSISTOR	1	
Q705	2SK198-R	TRANSISTOR	1	
Q706	2SB709A-R	TRANSISTOR	1	
Q707	2SD601A-R	TRANSISTOR	1	
Q751	2SD601A-R	TRANSISTOR	1	
Q752	2SB709A-R	TRANSISTOR	1	
Q753	2SD601A-R	TRANSISTOR	1	
Q754	2SB709A-R	TRANSISTOR	1	
Q755	2SK198-R	TRANSISTOR	1	
Q756	2SD601A-R	TRANSISTOR	1	
Q801	2SD601A-R	TRANSISTOR	1	
Q802	2SB709A-R	TRANSISTOR	1	
Q803	2SD601A-R	TRANSISTOR	1	
Q804	2SB709A-R	TRANSISTOR	1	
Q805	2SK198-R	TRANSISTOR	1	
Q806	2SD601A-R	TRANSISTOR	1	
Q901,02	2SD601A-R	TRANSISTOR	2	
Q951	2SD601A-R	TRANSISTOR	1	
Q952	2SB709A-R	TRANSISTOR	1	
Q953	2SD601A-R	TRANSISTOR	1	
Q954	2SB709A-R	TRANSISTOR	1	
Q955	2SC3757-R	TRANSISTOR	1	
Q956	2SD601A-R	TRANSISTOR	1	
Q957	2SB709A-R	TRANSISTOR	1	
QR201	MUN2212	TRANSISTOR-RESISTOR	1	
QR551	MUN2212	TRANSISTOR-RESISTOR	1	
QR701,02	MUN2213	TRANSISTOR-RESISTOR	2	
QR751	MUN2213	TRANSISTOR-RESISTOR	1	
QR801	MUN2213	TRANSISTOR-RESISTOR	1	
R7-34	ERJ6GEY0R00	M.RESISTOR CH 1/10W 0	28	
R37-53	ERJ6GEY0R00	M.RESISTOR CH 1/10W 0	17	
R56-81	ERJ6GEY0R00	M.RESISTOR CH 1/10W 0	26	
R98	ERJ6GEYG101	M.RESISTOR CH 1/10W 100	1	
R100	ERJ6GEY0R00	M.RESISTOR CH 1/10W 0	1	
R101-08	ERJ6GEYF472	M.RESISTOR CH 1/10W 4.7K	8	
R111	ERJ6GEYG470	M.RESISTOR CH 1/10W 47	1	
R112	ERJ6GEYG222	M.RESISTOR CH 1/10W 2.2K	1	
R113	ERJ6GEYG102	M.RESISTOR CH 1/10W 1K	1	
R114	ERJ6GEY0R00	M.RESISTOR CH 1/10W 0	1	
R115	ERJ6GEYG122	M.RESISTOR CH 1/10W 1.2K	1	
R116	ERJ6GEYG102	M.RESISTOR CH 1/10W 1K	1	
R117,18	ERJ6GEYG222	M.RESISTOR CH 1/10W 2.2K	2	
R119,20	ERJ6GEYG331	M.RESISTOR CH 1/10W 330	2	
R121	ERJ6GEYG222	M.RESISTOR CH 1/10W 2.2K	1	
R122	ERJ6GEYG103	M.RESISTOR CH 1/10W 10K	1	
R123	ERJ6GEYG221	M.RESISTOR CH 1/10W 220	1	
R124	ERJ6GEYG102	M.RESISTOR CH 1/10W 1K	1	
R125,26	ERJ6GEYG103	M.RESISTOR CH 1/10W 10K	2	
R127	ERJ6GEYG102	M.RESISTOR CH 1/10W 1K	1	
R128	ERJ6GEYG222	M.RESISTOR CH 1/10W 2.2K	1	

Ref.No.	Part No.	Part Name & Description	Pcs	Remarks
R129	ERJ6GEYG102	M.RESISTOR CH 1/10W 1K	1	
R130	ERJ6GEYG222	M.RESISTOR CH 1/10W 2.2K	1	
R131-33	ERJ6GEYG102	M.RESISTOR CH 1/10W 1K	3	
R134	ERJ6GEYG272	M.RESISTOR CH 1/10W 2.7K	1	
R135	ERJ6GEYG103	M.RESISTOR CH 1/10W 10K	1	
R151-62	ERJ6GEYG101	M.RESISTOR CH 1/10W 100	12	
R163	ERJ6GEYOR00	M.RESISTOR CH 1/10W 0	1	
R165,66	ERJ6GEYG100	M.RESISTOR CH 1/10W 100	2	
R168,69	ERJ6GEYG103	M.RESISTOR CH 1/10W 10K	2	
R172	ERJ6GEYG103	M.RESISTOR CH 1/10W 10K	1	
R173	ERJ6GEYOR00	M.RESISTOR CH 1/10W 0	1	
R175	ERJ6GEYOR00	M.RESISTOR CH 1/10W 0	1	
R177-80	ERJ6GEYG391	M.RESISTOR CH 1/10W 390	4	
R181	ERJ6GEYG332	M.RESISTOR CH 1/10W 3.3K	1	
R182-91	ERJ6GEYG391	M.RESISTOR CH 1/10W 390	10	
R192	ERJ6GEYG332	M.RESISTOR CH 1/10W 3.3K	1	
R193,94	ERJ6GEYG101	M.RESISTOR CH 1/10W 100	2	
R201,02	ERJ6GEYG103	M.RESISTOR CH 1/10W 10K	2	
R208	ERJ6GEYG103	M.RESISTOR CH 1/10W 10K	1	
R214,15	ERJ6GEYG101	M.RESISTOR CH 1/10W 100	2	
R216	ERJ6GEYG103	M.RESISTOR CH 1/10W 10K	1	
R219,20	ERJ6GEYOR00	M.RESISTOR CH 1/10W 0	2	
R221	ERJ6GEYG223	M.RESISTOR CH 1/10W 2.2K	1	
R222	ERJ6GEYF333	M.RESISTOR CH 1/10W 33K	1	
R223	ERJ6GEYG564	M.RESISTOR CH 1/10W 560K	1	
R224	ERJ6GEYG102	M.RESISTOR CH 1/10W 1K	1	
R225	ERJ6GEYG683	M.RESISTOR CH 1/10W 68K	1	
R226	ERJ6GEYG331	M.RESISTOR CH 1/10W 330	1	
R227	ERJ6GEYJ684	M.RESISTOR CH 1/10W 680K	1	
R228	ERJ6GEYG753	M.RESISTOR CH 1/10W 75	1	
R229	ERJ6GEYG104	M.RESISTOR CH 1/10W 100K	1	
R230	ERJ6GEYG103	M.RESISTOR CH 1/10W 10K	1	
R231	ERJ6GEYG682	M.RESISTOR CH 1/10W 6.8K	1	
R232	ERJ6GEYG153	M.RESISTOR CH 1/10W 15K	1	
R233	ERJ6GEYF473	M.RESISTOR CH 1/10W 47K	1	
R251	ERJ6GEYG101	M.RESISTOR CH 1/10W 100	1	
R301	ERJ6GEYG562	M.RESISTOR CH 1/10W 5.6K	1	
R302	ERJ6GEYG102	M.RESISTOR CH 1/10W 1K	1	
R303	ERJ6GEYG101	M.RESISTOR CH 1/10W 100	1	
R304,05	ERJ6GEYG331	M.RESISTOR CH 1/10W 330	2	
R306,07	ERJ6GEYG102	M.RESISTOR CH 1/10W 1K	2	
R308	ERJ6GEYF561	M.RESISTOR CH 1/10W 560	1	
R309	ERJ6GEYG183	M.RESISTOR CH 1/10W 18K	1	
R310	ERJ6GEYOR00	M.RESISTOR CH 1/10W 0	1	
R311	ERJ6GEYG102	M.RESISTOR CH 1/10W 1K	1	
R312	ERJ6GEYG101	M.RESISTOR CH 1/10W 100	1	
R315,16	ERJ6GEYF822	M.RESISTOR CH 1/10W 8.2K	2	
R317	ERJ6GEYOR00	M.RESISTOR CH 1/10W 0	1	
R318	ERJ6GEYF333	M.RESISTOR CH 1/10W 33K	1	
R352	ERJ6GEYG101	M.RESISTOR CH 1/10W 100	1	
R353	ERJ6GEYOR00	M.RESISTOR CH 1/10W 0	1	
R354	ERJ6GEYG152	M.RESISTOR CH 1/10W 1.5K	1	
R355	ERJ6GEYF561	M.RESISTOR CH 1/10W 560	1	
R356	ERJ6GEYG101	M.RESISTOR CH 1/10W 100	1	
R358	ERJ6GEYG122	M.RESISTOR CH 1/10W 1.2K	1	
R359	ERJ6GEYG101	M.RESISTOR CH 1/10W 100	1	
R360	ERJ6GEYOR00	M.RESISTOR CH 1/10W 0	1	
R361	ERJ6GEYG103	M.RESISTOR CH 1/10W 10K	1	
R362	ERJ6GEYG102	M.RESISTOR CH 1/10W 1K	1	
R363	ERJ6GEYG394	M.RESISTOR CH 1/10W 390K	1	
R364	ERJ6GEYG154	M.RESISTOR CH 1/10W 150K	1	
R365	ERJ6GEYG102	M.RESISTOR CH 1/10W 1K	1	
R366	ERJ6GEYG101	M.RESISTOR CH 1/10W 100	1	
R369	ERJ6GEYG101	M.RESISTOR CH 1/10W 100	1	
R370	ERJ6GEYG103	M.RESISTOR CH 1/10W 10K	1	
R371	ERJ6GEYG682	M.RESISTOR CH 1/10W 6.8K	1	
R401	ERJ6GEYG681	M.RESISTOR CH 1/10W 680	1	
R402	ERJ6GEYG103	M.RESISTOR CH 1/10W 10K	1	
R403	ERJ6GEYG681	M.RESISTOR CH 1/10W 680	1	
R404	ERJ6GEYG103	M.RESISTOR CH 1/10W 10K	1	
R407	ERJ6GEYG105	M.RESISTOR CH 1/10W 1M	1	
R412	ERJ6GEYG102	M.RESISTOR CH 1/10W 1K	1	
R413	ERJ6GEYF333	M.RESISTOR CH 1/10W 33K	1	
R414	ERJ6GEYG103	M.RESISTOR CH 1/10W 10K	1	
R415	ERJ6GEYG221	M.RESISTOR CH 1/10W 220	1	

Ref.No.	Part No.	Part Name & Description	Pcs	Remarks
R416	ERJ6GEYF473	M.RESISTOR CH 1/10W 47K	1	
R417	ERJ6GEYG221	M.RESISTOR CH 1/10W 220	1	
R418	ERJ6GEYF473	M.RESISTOR CH 1/10W 47K	1	
R419	ERJ6GEYG104	M.RESISTOR CH 1/10W 100K	1	
R420	ERJ6GEYG272	M.RESISTOR CH 1/10W 2.7K	1	
R421	ERJ6GEYG271	M.RESISTOR CH 1/10W 270	1	
R422	ERJ6GEYG222	M.RESISTOR CH 1/10W 2.2K	1	
R423,24	ERJ6GEYG103	M.RESISTOR CH 1/10W 10K	2	
R425	ERJ6GEYG152	M.RESISTOR CH 1/10W 1.5K	1	
R426	ERJ6GEYF822	M.RESISTOR CH 1/10W 8.2K	1	
R431	ERJ6GEYOR00	M.RESISTOR CH 1/10W 0	1	
R432	ERJ6GEYG102	M.RESISTOR CH 1/10W 1K	1	
R433,34	ERJ6GEYG222	M.RESISTOR CH 1/10W 2.2K	2	
R435	ERJ6GEYG221	M.RESISTOR CH 1/10W 220	1	
R436	ERJ6GEYJ224	M.RESISTOR CH 1/10W 220K	1	
R437	ERJ6GEYJ684	M.RESISTOR CH 1/10W 680K	1	
R438-40	ERJ6GEYG103	M.RESISTOR CH 1/10W 10K	3	
R441	ERJ6GEYF562	M.RESISTOR CH 1/10W 5.6K	1	
R451	ERJ6GEYG151	M.RESISTOR CH 1/10W 150	1	
R452	ERJ6GEYG332	M.RESISTOR CH 1/10W 3.3K	1	
R453	ERJ6GEYG102	M.RESISTOR CH 1/10W 1K	1	
R454	ERJ6GEYG330	M.RESISTOR CH 1/10W 33	1	
R455,56	ERJ6GEYG102	M.RESISTOR CH 1/10W 1K	2	
R457-60	ERJ6GEYOR00	M.RESISTOR CH 1/10W 0	4	
R463	ERJ6GEYOR00	M.RESISTOR CH 1/10W 0	1	
R465	ERJ6GEYOR00	M.RESISTOR CH 1/10W 0	1	
R466	ERJ6RBD162	M.RESISTOR CH 1/10W 1.6K	1	
R468	ERJ6GEYG391	M.RESISTOR CH 1/10W 390	1	
R469	ERJ6GEYG103	M.RESISTOR CH 1/10W 10K	1	
R471	ERJ6GEYG102	M.RESISTOR CH 1/10W 1K	1	
R473	ERJ6GEYF331	M.RESISTOR CH 1/10W 330	1	
R474	ERJ6GEYG102	M.RESISTOR CH 1/10W 1K	1	
R475	ERJ6GEYG101	M.RESISTOR CH 1/10W 100	1	
R479	ERJ6GEYG221	M.RESISTOR CH 1/10W 220	1	
R480	ERJ6GEYG101	M.RESISTOR CH 1/10W 100	1	
R481	ERJ6GEYF331	M.RESISTOR CH 1/10W 330	1	
R482	ERJ6GEYG103	M.RESISTOR CH 1/10W 10K	1	
R483-86	ERJ6GEYG101	M.RESISTOR CH 1/10W 100	4	
R487	ERJ6GEYF331	M.RESISTOR CH 1/10W 330	1	
R489	ERJ6GEYF821	M.RESISTOR CH 1/10W 820	1	
R491	ERJ6GEYF681	M.RESISTOR CH 1/10W 680	1	
R492	ERJ6GEYG101	M.RESISTOR CH 1/10W 100	1	
R493	ERJ6GEYF821	M.RESISTOR CH 1/10W 820	1	
R494	ERJ6GEYG103	M.RESISTOR CH 1/10W 10K	1	
R495	ERJ6GEYF391	M.RESISTOR CH 1/10W 390	1	
R497	ERJ6GEYOR00	M.RESISTOR CH 1/10W 0	1	
R498	ERJ6GEYF102	M.RESISTOR CH 1/10W 1K	1	
R499	ERJ6GEYJ471	M.RESISTOR CH 1/10W 470	1	
R500	ERJ6GEYG272	M.RESISTOR CH 1/10W 2.7K	1	
R501	ERJ6GEYF183	M.RESISTOR CH 1/10W 18K	1	
R502	ERJ6GEYF333	M.RESISTOR CH 1/10W 33K	1	
R503	ERJ6GEYG223	M.RESISTOR CH 1/10W 2.2K	1	
R504	ERJ6GEYJ471	M.RESISTOR CH 1/10W 470	1	
R505,06	ERJ6GEYOR00	M.RESISTOR CH 1/10W 0	2	
R510,11	ERJ6GEYG222	M.RESISTOR CH 1/10W 2.2K	2	
R512	ERJ6GEYG102	M.RESISTOR CH 1/10W 1K	1	
R513	ERJ6GEYF472	M.RESISTOR CH 1/10W 4.7K	1	
R514	ERJ6GEYG101	M.RESISTOR CH 1/10W 100	1	
R515	ERJ6GEYF823	M.RESISTOR CH 1/10W 82K	1	
R516	ERJ6GEYG102	M.RESISTOR CH 1/10W 1K	1	
R517	ERJ6GEYF561	M.RESISTOR CH 1/10W 560	1	
R518	ERJ6GEYG102	M.RESISTOR CH 1/10W 1K	1	
R519	ERJ6GEYF822	M.RESISTOR CH 1/10W 8.2K	1	
R520,21	ERJ6GEYG332	M.RESISTOR CH 1/10W 3.3K	2	
R522,23	ERJ6GEYF121	M.RESISTOR CH 1/10W 120	2	
R524	ERJ6GEYG101	M.RESISTOR CH 1/10W 100	1	
R525	ERJ6GEYG222	M.RESISTOR CH 1/10W 2.2K	1	
R526	ERJ6GEYG102	M.RESISTOR CH 1/10W 1K	1	
R527	ERJ6GEYF152	M.RESISTOR CH 1/10W 1.5K	1	
R528	ERJ6GEYF470	M.RESISTOR CH 1/10W 47	1	
R529	ERJ6GEYF152	M.RESISTOR CH 1/10W 1.5K	1	
R530	ERJ6GEYF181	M.RESISTOR CH 1/10W 180	1	
R531	ERJ6GEYF470	M.RESISTOR CH 1/10W 47	1	
R532	ERJ6GEYG102	M.RESISTOR CH 1/10W 1K	1	
R533	ERJ6GEYF472	M.RESISTOR CH 1/10W 4.7K	1	

Ref.No.	Part No.	Part Name & Description	Pcs	Remarks
R534	ERJ6GEYF123	M.RESISTOR CH 1/10W 12K 1	1	
R535	ERJ6GEYG101	M.RESISTOR CH 1/10W 100 1	1	
R537	ERJ6GEYG101	M.RESISTOR CH 1/10W 100 1	1	
R538	ERJ6GEYF472	M.RESISTOR CH 1/10W 4.7K 1	1	
R539	ERJ6GEYG103	M.RESISTOR CH 1/10W 10K 1	1	
R540	ERJ6GEYG101	M.RESISTOR CH 1/10W 100 1	1	
R541	ERJ6GEYOR00	M.RESISTOR CH 1/10W 0 1	1	
R542	ERJ6GEYG821	M.RESISTOR CH 1/10W 820 1	1	
R543,44	ERJ6GEYG102	M.RESISTOR CH 1/10W 1K 2	2	
R545	ERJ6GEYF822	M.RESISTOR CH 1/10W 8.2K 1	1	
R546,47	ERJ6GEYG332	M.RESISTOR CH 1/10W 3.3K 2	2	
R548,49	ERJ6GEYG121	M.RESISTOR CH 1/10W 120 2	2	
R550	ERJ6GEYG153	M.RESISTOR CH 1/10W 15K 1	1	
R558	ERJ6GEYG222	M.RESISTOR CH 1/10W 2.2K 1	1	
R559	ERJ6GEYG102	M.RESISTOR CH 1/10W 1K 1	1	
R560,61	ERJ6GEYG222	M.RESISTOR CH 1/10W 2.2K 2	2	
R562	ERJ6GEYF473	M.RESISTOR CH 1/10W 47K 1	1	
R565	ERJ6GEYJ224	M.RESISTOR CH 1/10W 220K 1	1	
R566	ERJ6GEYJ684	M.RESISTOR CH 1/10W 680K 1	1	
R567-70	ERJ6GEYG103	M.RESISTOR CH 1/10W 10K 4	4	
R601	ERJ6GEYG103	M.RESISTOR CH 1/10W 10K 1	1	
R602	ERJ6GEYG222	M.RESISTOR CH 1/10W 2.2K 1	1	
R603	ERJ6GEYG682	M.RESISTOR CH 1/10W 6.8K 1	1	
R604	ERJ6GEYF472	M.RESISTOR CH 1/10W 4.7K 1	1	
R605	ERJ6GEYG102	M.RESISTOR CH 1/10W 1K 1	1	
R606,07	ERJ6GEYF472	M.RESISTOR CH 1/10W 4.7K 2	2	
R608,09	ERJ6GEYG222	M.RESISTOR CH 1/10W 2.2K 2	2	
R610	ERJ6GEYG392	M.RESISTOR CH 1/10W 3.9K 1	1	
R611	ERJ6GEYG332	M.RESISTOR CH 1/10W 3.3K 1	1	
R612,13	ERJ6GEYG682	M.RESISTOR CH 1/10W 6.8K 2	2	
R614	ERJ6GEYG223	M.RESISTOR CH 1/10W 22K 1	1	
R615	ERJ6GEYG682	M.RESISTOR CH 1/10W 6.8K 1	1	
R616	ERJ6GEYG223	M.RESISTOR CH 1/10W 22K 1	1	
R617	ERJ6GEYG332	M.RESISTOR CH 1/10W 3.3K 1	1	
R618	ERJ6GEYG153	M.RESISTOR CH 1/10W 15K 1	1	
R619	ERJ6GEYG681	M.RESISTOR CH 1/10W 680 1	1	
R620,21	ERJ6GEYG152	M.RESISTOR CH 1/10W 1.5K 2	2	
R622	ERJ6GEYG103	M.RESISTOR CH 1/10W 10K 1	1	
R623	ERJ6GEYG104	M.RESISTOR CH 1/10W 100K 1	1	
R624	ERJ6GEYG152	M.RESISTOR CH 1/10W 1.5K 1	1	
R625	ERJ6GEYG683	M.RESISTOR CH 1/10W 68K 1	1	
R626	ERJ6GEYG101	M.RESISTOR CH 1/10W 100 1	1	
R631	ERJ6GEYOR00	M.RESISTOR CH 1/10W 0 1	1	
R651	ERJ6GEYG152	M.RESISTOR CH 1/10W 1.5K 1	1	
R652	ERJ6GEYG562	M.RESISTOR CH 1/10W 5.6K 1	1	
R653	ERJ6GEYG152	M.RESISTOR CH 1/10W 1.5K 1	1	
R657	ERJ6GEYG102	M.RESISTOR CH 1/10W 1K 1	1	
R658	ERJ6GEYG152	M.RESISTOR CH 1/10W 1.5K 1	1	
R659	ERJ6GEYG122	M.RESISTOR CH 1/10W 1.2K 1	1	
R660	ERJ6GEYG272	M.RESISTOR CH 1/10W 2.7K 1	1	
R661	ERJ6GEYG152	M.RESISTOR CH 1/10W 1.5K 1	1	
R663	ERJ6GEYG102	M.RESISTOR CH 1/10W 1K 1	1	
R664	ERJ6GEYG152	M.RESISTOR CH 1/10W 1.5K 1	1	
R665	ERJ6RBD122	M.RESISTOR CH 1/10W 1.2K 1	1	
R666	ERJ6GEYG272	M.RESISTOR CH 1/10W 2.7K 1	1	
R667	ERJ6GEYG152	M.RESISTOR CH 1/10W 1.5K 1	1	
R668	ERJ6GEYG102	M.RESISTOR CH 1/10W 1K 1	1	
R669	ERJ6GEYG101	M.RESISTOR CH 1/10W 100 1	1	
R670	ERJ6GEYF473	M.RESISTOR CH 1/10W 47K 1	1	
R671,72	ERJ6GEYG103	M.RESISTOR CH 1/10W 10K 2	2	
R701	ERJ6GEYG103	M.RESISTOR CH 1/10W 10K 1	1	
R702	ERJ6GEYG102	M.RESISTOR CH 1/10W 1K 1	1	
R703	ERJ6GEYG331	M.RESISTOR CH 1/10W 330 1	1	
R704	ERJ6GEYG152	M.RESISTOR CH 1/10W 1.5K 1	1	
R707	ERJ6GEYG101	M.RESISTOR CH 1/10W 100 1	1	
R708	ERJ6GEYG181	M.RESISTOR CH 1/10W 180 1	1	
R711	ERJ6GEYG122	M.RESISTOR CH 1/10W 1.2K 1	1	
R712	ERJ6GEYG101	M.RESISTOR CH 1/10W 100 1	1	
R713	ERJ6GEYOR00	M.RESISTOR CH 1/10W 0 1	1	
R714	ERJ6GEYF333	M.RESISTOR CH 1/10W 33K 1	1	
R715,16	ERJ6GEYG102	M.RESISTOR CH 1/10W 1K 2	2	
R717	ERJ6GEYG101	M.RESISTOR CH 1/10W 100 1	1	
R718	ERJ6GEYG394	M.RESISTOR CH 1/10W 390K 1	1	
R719	ERJ6GEYG154	M.RESISTOR CH 1/10W 150K 1	1	
R720,21	ERJ6GEYG105	M.RESISTOR CH 1/10W 1M 2	2	

Ref.No.	Part No.	Part Name & Description	Pcs	Remarks
R722	ERJ6GEYG101	M.RESISTOR CH 1/10W 100 1	1	
R723	ERJ6GEYG103	M.RESISTOR CH 1/10W 10K 1	1	
R724	ERJ6GEYG222	M.RESISTOR CH 1/10W 2.2K 1	1	
R725	ERJ6GEYG122	M.RESISTOR CH 1/10W 1.2K 1	1	
R726	ERJ6GEYG331	M.RESISTOR CH 1/10W 330 1	1	
R727	ERJ6GEYG101	M.RESISTOR CH 1/10W 100 1	1	
R728	ERJ6GEYG102	M.RESISTOR CH 1/10W 1K 1	1	
R729	ERJ6GEYG221	M.RESISTOR CH 1/10W 2.2K 1	1	
R730	ERJ6GEYG152	M.RESISTOR CH 1/10W 1.5K 1	1	
R731	ERJ6GEYF822	M.RESISTOR CH 1/10W 8.2K 1	1	
R732	ERJ6GEYG102	M.RESISTOR CH 1/10W 1K 1	1	
R733	ERJ6GEYG681	M.RESISTOR CH 1/10W 680 1	1	
R734	ERJ6GEYG102	M.RESISTOR CH 1/10W 1K 1	1	
R735,36	ERJ6GEYG101	M.RESISTOR CH 1/10W 100 2	2	
R751	ERJ6GEYG103	M.RESISTOR CH 1/10W 10K 1	1	
R752	ERJ6GEYG152	M.RESISTOR CH 1/10W 1.5K 1	1	
R753	ERJ6GEYJ471	M.RESISTOR CH 1/10W 470 1	1	
R754	ERJ6GEYG152	M.RESISTOR CH 1/10W 1.5K 1	1	
R757	ERJ6GEYG101	M.RESISTOR CH 1/10W 100 1	1	
R758	ERJ6GEYG391	M.RESISTOR CH 1/10W 390 1	1	
R761	ERJ6GEYG122	M.RESISTOR CH 1/10W 1.2K 1	1	
R762	ERJ6GEYG101	M.RESISTOR CH 1/10W 100 1	1	
R763,64	ERJ6GEYF123	M.RESISTOR CH 1/10W 12K 2	2	
R765,66	ERJ6GEYG102	M.RESISTOR CH 1/10W 1K 2	2	
R767	ERJ6GEYG101	M.RESISTOR CH 1/10W 100 1	1	
R768	ERJ6GEYG394	M.RESISTOR CH 1/10W 390K 1	1	
R769	ERJ6GEYJ274	M.RESISTOR CH 1/10W 270K 1	1	
R770,71	ERJ6GEYG105	M.RESISTOR CH 1/10W 1M 2	2	
R772	ERJ6GEYG101	M.RESISTOR CH 1/10W 100 1	1	
R773	ERJ6GEYG103	M.RESISTOR CH 1/10W 10K 1	1	
R774	ERJ6GEYG222	M.RESISTOR CH 1/10W 2.2K 1	1	
R775	ERJ6GEYG272	M.RESISTOR CH 1/10W 2.7K 1	1	
R776	ERJ6GEYJ471	M.RESISTOR CH 1/10W 470 1	1	
R777	ERJ6GEYG152	M.RESISTOR CH 1/10W 1.5K 1	1	
R778	ERJ6GEYF561	M.RESISTOR CH 1/10W 560 1	1	
R779	ERJ6GEYG152	M.RESISTOR CH 1/10W 1.5K 1	1	
R780	ERJ6GEYF561	M.RESISTOR CH 1/10W 560 1	1	
R781	ERJ6GEYG682	M.RESISTOR CH 1/10W 6.8K 1	1	
R782	ERJ6GEYG273	M.RESISTOR CH 1/10W 2.7K 1	1	
R783	ERJ6GEYG272	M.RESISTOR CH 1/10W 2.7K 1	1	
R784-91	ERJ6GEYG102	M.RESISTOR CH 1/10W 1K 8	8	
R801	ERJ6GEYG103	M.RESISTOR CH 1/10W 10K 1	1	
R802	ERJ6GEYG152	M.RESISTOR CH 1/10W 1.5K 1	1	
R803	ERJ6GEYJ471	M.RESISTOR CH 1/10W 470 1	1	
R804	ERJ6GEYG152	M.RESISTOR CH 1/10W 1.5K 1	1	
R807	ERJ6GEYG101	M.RESISTOR CH 1/10W 100 1	1	
R808	ERJ6GEYG391	M.RESISTOR CH 1/10W 390 1	1	
R811	ERJ6GEYG122	M.RESISTOR CH 1/10W 1.2K 1	1	
R812	ERJ6GEYG101	M.RESISTOR CH 1/10W 100 1	1	
R813,14	ERJ6GEYF123	M.RESISTOR CH 1/10W 12K 2	2	
R815,16	ERJ6GEYG102	M.RESISTOR CH 1/10W 1K 2	2	
R817	ERJ6GEYG101	M.RESISTOR CH 1/10W 100 1	1	
R818	ERJ6GEYG394	M.RESISTOR CH 1/10W 390K 1	1	
R819	ERJ6GEYJ274	M.RESISTOR CH 1/10W 270K 1	1	
R820,21	ERJ6GEYG105	M.RESISTOR CH 1/10W 1M 2	2	
R822	ERJ6GEYG101	M.RESISTOR CH 1/10W 100 1	1	
R823	ERJ6GEYG103	M.RESISTOR CH 1/10W 10K 1	1	
R824	ERJ6GEYG222	M.RESISTOR CH 1/10W 2.2K 1	1	
R825	ERJ6GEYG272	M.RESISTOR CH 1/10W 2.7K 1	1	
R826	ERJ6GEYJ471	M.RESISTOR CH 1/10W 470 1	1	
R827	ERJ6GEYG152	M.RESISTOR CH 1/10W 1.5K 1	1	
R828	ERJ6GEYF561	M.RESISTOR CH 1/10W 560 1	1	
R829	ERJ6GEYG152	M.RESISTOR CH 1/10W 1.5K 1	1	
R830	ERJ6GEYF561	M.RESISTOR CH 1/10W 560 1	1	
R831	ERJ6GEYG682	M.RESISTOR CH 1/10W 6.8K 1	1	
R832	ERJ6GEYG273	M.RESISTOR CH 1/10W 2.7K 1	1	
R833	ERJ6GEYG272	M.RESISTOR CH 1/10W 2.7K 1	1	
R834-41	ERJ6GEYG102	M.RESISTOR CH 1/10W 1K 8	8	
R854-57	ERJ6GEYG391	M.RESISTOR CH 1/10W 390 4	4	
R858	ERJ6GEYG332	M.RESISTOR CH 1/10W 3.3K 1	1	
R859-68	ERJ6GEYG391	M.RESISTOR CH 1/10W 390 10	10	
R869	ERJ6GEYG332	M.RESISTOR CH 1/10W 3.3K 1	1	
R872	ERJ6GEYOR00	M.RESISTOR CH 1/10W 0 1	1	
R874	ERJ6GEYOR00	M.RESISTOR CH 1/10W 0 1	1	
R875	ERJ6GEYG103	M.RESISTOR CH 1/10W 10K 1	1	

Ref.No.	Part No.	Part Name & Description	Pcs	Remarks
R901-03	ERJ6GEGY101	M.RESISTOR CH 1/10W 100	3	
R911-13	ERJ6GEGY470	M.RESISTOR CH 1/10W 47	3	
R914	ERJ6GEGY101	M.RESISTOR CH 1/10W 100	1	
R916	ERJ6GEGY101	M.RESISTOR CH 1/10W 100	1	
R917,18	ERJ6GEGY103	M.RESISTOR CH 1/10W 10K	2	
R919	ERJ6GEGY101	M.RESISTOR CH 1/10W 100	1	
R920	ERJ6GEGY103	M.RESISTOR CH 1/10W 10K	1	
R921	ERJ6GEGY101	M.RESISTOR CH 1/10W 100	1	
R923	ERJ6GEGY105	M.RESISTOR CH 1/10W 1M	1	
R930	ERJ6GEGY470	M.RESISTOR CH 1/10W 47	1	
R931,32	ERJ6GEGY152	M.RESISTOR CH 1/10W 1.5K	2	
R933	ERJ6GEGY391	M.RESISTOR CH 1/10W 390	1	
R934	ERJ6GEGY470	M.RESISTOR CH 1/10W 47	1	
R935	ERJ6GEGY332	M.RESISTOR CH 1/10W 3.3K	1	
R936	ERJ6GEGY102	M.RESISTOR CH 1/10W 1K	1	
R937	ERJ6GEYF472	M.RESISTOR CH 1/10W 4.7K	1	
R938	ERJ6GEGY101	M.RESISTOR CH 1/10W 100	1	
R939	ERJ6GEGY470	M.RESISTOR CH 1/10W 47	1	
R940,41	ERJ6GEGY152	M.RESISTOR CH 1/10W 1.5K	2	
R942	ERJ6GEGY391	M.RESISTOR CH 1/10W 390	1	
R943	ERJ6GEGY470	M.RESISTOR CH 1/10W 47	1	
R944	ERJ6GEGY332	M.RESISTOR CH 1/10W 3.3K	1	
R945	ERJ6GEGY102	M.RESISTOR CH 1/10W 1K	1	
R946	ERJ6GEYF472	M.RESISTOR CH 1/10W 4.7K	1	
R947	ERJ6GEGY101	M.RESISTOR CH 1/10W 100	1	
R948,49	ERJ6GEGY103	M.RESISTOR CH 1/10W 10K	2	
R950	ERJ6GEGY222	M.RESISTOR CH 1/10W 2.2K	1	
R951	ERJ6GEGY101	M.RESISTOR CH 1/10W 100	1	
R952	ERJ6GEGY222	M.RESISTOR CH 1/10W 2.2K	1	
R953	ERJ6GEGY102	M.RESISTOR CH 1/10W 1K	1	
R954	ERJ6GEGY152	M.RESISTOR CH 1/10W 1.5K	1	
R955	ERJ6GEGY470	M.RESISTOR CH 1/10W 47	1	
R956	ERJ6GEGY152	M.RESISTOR CH 1/10W 1.5K	1	
R957	ERJ6GEGY181	M.RESISTOR CH 1/10W 180	1	
R958	ERJ6GEGY470	M.RESISTOR CH 1/10W 47	1	
R959	ERJ6GEGY102	M.RESISTOR CH 1/10W 1K	1	
R960	ERJ6GEYF472	M.RESISTOR CH 1/10W 4.7K	1	
R961	ERJ6GEGY101	M.RESISTOR CH 1/10W 100	1	
R962,63	ERJ6GEGY103	M.RESISTOR CH 1/10W 10K	2	
R965	ERJ6GEYJ274	M.RESISTOR CH 1/10W 270K	1	
R966	ERJ6GEYOR00	M.RESISTOR CH 1/10W 0	1	
R967	ERJ6GEGY102	M.RESISTOR CH 1/10W 1K	1	
R968	ERJ6GEYOR00	M.RESISTOR CH 1/10W 0	1	
R969	ERJ6GEYF333	M.RESISTOR CH 1/10W 33K	1	
R970	ERJ6GEGY103	M.RESISTOR CH 1/10W 10K	1	
R973,74	ERJ6GEGY103	M.RESISTOR CH 1/10W 10K	2	
R975,76	ERJ6GEGY332	M.RESISTOR CH 1/10W 3.3K	2	
R977,78	ERJ6GEYOR00	M.RESISTOR CH 1/10W 0	2	
R979	ERJ6GEGY272	M.RESISTOR CH 1/10W 2.7K	1	
R980	ERJ6GEGY101	M.RESISTOR CH 1/10W 100	1	
R981	ERJ6GEGY103	M.RESISTOR CH 1/10W 10K	1	
R982	ERJ6GEGY101	M.RESISTOR CH 1/10W 100	1	
R983	ERJ6GEGY394	M.RESISTOR CH 1/10W 390K	1	
R984	ERJ6GEGY103	M.RESISTOR CH 1/10W 10K	1	
R985	ERJ6GEYF472	M.RESISTOR CH 1/10W 4.7K	1	
R986,87	ERJ6GEGY103	M.RESISTOR CH 1/10W 10K	2	
R988	ERJ6GEGY563	M.RESISTOR CH 1/10W 56K	1	
R989	ERJ6GEYF561	M.RESISTOR CH 1/10W 560	1	
R990	ERJ6GEGY102	M.RESISTOR CH 1/10W 1K	1	
R991	ERJ6GEYOR00	M.RESISTOR CH 1/10W 0	1	
R992	ERJ6GEGY101	M.RESISTOR CH 1/10W 100	1	
TG1-G5	VJR0646	TEST POINT	5	
TP351	VJR0646	TEST POINT	1	
TP501	VJR0646	TEST POINT	1	
TP502	EYF6CU	TEST POINT	1	
TP503,04	VJR0646	TEST POINT	2	
TP601-03	VJR0646	TEST POINT	3	
TP701	VJR0646	TEST POINT	1	
TP751	VJR0646	TEST POINT	1	
TP801	VJR0646	TEST POINT	1	
TP951	EYF6CU	TEST POINT	1	
TP952	VJR0646	TEST POINT	1	

Ref.No.	Part No.	Part Name & Description	Pcs	Remarks
VL601	VLQ0415	COIL	1	
VR301	VRV0064B502	V.RESISTOR 5K	1	
VR351	VRV0064B502	V.RESISTOR 5K	1	
VR451	VRV0112B101	V.RESISTOR 100K	1	
VR455	VRV0064B501	V.RESISTOR 500	1	
VR496	ERJ6GEYOR00	M.RESISTOR CH 1/10W 0	1	
VR501	VRV0064B502	V.RESISTOR 5K	1	
VR502	VRV0064B102	V.RESISTOR 1K	1	
VR505	VRV0064B102	V.RESISTOR 1K	1	
VR507	VRV0064B102	V.RESISTOR 1K	1	
VR510,11	VRV0064B102	V.RESISTOR 1K	2	
VR512	VRV0064B502	V.RESISTOR 5K	1	
VR601	VRV0064B202	V.RESISTOR 2K	1	
VR602	VRV0064B502	V.RESISTOR 5K	1	
VR701	VRV0064B102	V.RESISTOR 1K	1	
VR702	VRV0064B502	V.RESISTOR 5K	1	
VR703	VRV0064B102	V.RESISTOR 1K	1	
VR704	VRV0064B103	V.RESISTOR 10K	1	
VR751	VRV0064B102	V.RESISTOR 1K	1	
VR752	VRV0064B502	V.RESISTOR 5K	1	
VR753	VRV0064B102	V.RESISTOR 1K	1	
VR754	VRV0064B502	V.RESISTOR 5K	1	
VR801	VRV0064B102	V.RESISTOR 1K	1	
VR802	VRV0064B502	V.RESISTOR 5K	1	
VR803	VRV0064B102	V.RESISTOR 1K	1	
VR804	VRV0064B502	V.RESISTOR 5K	1	
X402	VSX0330	CRYSTAL OSCILLATOR	1	
X501	VSX0338	CRYSTAL OSCILLATOR	1	
		MISCELLANEOUS		
	VML2143	CARD PULLER	1	
	VML2144	CARD PULLER	1	
* E5	VEP83376A	F4 P SDI P.C.BOARD	1	(RTL)
C3001	ECEV1CV470Q	E.CAPACITOR CH 16V 47U	1	
C3002	ECUX1E104ZJV	C.CAPACITOR CH 25V 0.1U	1	
C3003	ECEV1CV470Q	E.CAPACITOR CH 16V 47U	1	
C3004	ECUX1E104ZJV	C.CAPACITOR CH 25V 0.1U	1	
C3005	ECEV1CV470Q	E.CAPACITOR CH 16V 47U	1	
C3006	ECUX1E104ZJV	C.CAPACITOR CH 25V 0.1U	1	
C3007	ECEV1CV470Q	E.CAPACITOR CH 16V 47U	1	
C3008	ECUX1E104ZJV	C.CAPACITOR CH 25V 0.1U	1	
C3009	ECEV1CV470Q	E.CAPACITOR CH 16V 47U	1	
C3010	ECUX1E104ZJV	C.CAPACITOR CH 25V 0.1U	1	
C3011	ECEV1CV470Q	E.CAPACITOR CH 16V 47U	1	
C3012	ECUX1E104ZJV	C.CAPACITOR CH 25V 0.1U	1	
C3013	ECEV1CV470Q	E.CAPACITOR CH 16V 47U	1	
C3014,15	ECUX1E104ZJV	C.CAPACITOR CH 25V 0.1U	2	
C3100	ECUM1H100DCN	C.CAPACITOR CH 50V 10P	1	
C3101	ECUM1E104ZFN	C.CAPACITOR CH 25V 0.1U	1	
C3102	ECUX1E104KBN	C.CAPACITOR CH 25V 0.1U	1	
C3108	ECUM1E104ZFN	C.CAPACITOR CH 25V 0.1U	1	
C3109,10	ECUM1H470JCN	C.CAPACITOR CH 50V 47P	2	
C3111	ECUM1E104ZFN	C.CAPACITOR CH 25V 0.1U	1	
C3112	ECUM1H050CCN	C.CAPACITOR CH 50V 5P	1	
C3113	ECUX1E104KBN	C.CAPACITOR CH 25V 0.1U	1	
C3114,15	ECUM1H102JCN	C.CAPACITOR CH 50V 1000P	2	
C3116,17	ECUM1E104ZFN	C.CAPACITOR CH 25V 0.1U	2	
C3118	ECEV1AV330Q	E.CAPACITOR CH 10V 33U	1	
C3119	ECUX1E104KBN	C.CAPACITOR CH 25V 0.1U	1	
C3120	ECUM1H332KBN	C.CAPACITOR CH 50V 3300P	1	
C3121	ECUM1E104ZFN	C.CAPACITOR CH 25V 0.1U	1	
C3122	ECEV1EN3R3Q	E.CAPACITOR CH 25V 3.3U	1	
C3123	ECUM1E823KBN	C.CAPACITOR CH 25V 0.082U	1	
C3124	ECEV1HV010Q	E.CAPACITOR CH 50V 1U	1	
C3125-29	ECUM1E104ZFN	C.CAPACITOR CH 25V 0.1U	5	
C3130	ECUM1H223KBN	C.CAPACITOR CH 50V 0.022U	1	
C3131	ECEV1AV330Q	E.CAPACITOR CH 10V 33U	1	
C3132-35	ECUM1E104ZFN	C.CAPACITOR CH 25V 0.1U	4	

Ref.No.	Part No.	Part Name & Description	Pcs	Remarks
C3136	ECEV1AV330Q	E.CAPACITOR CH 10V 33U 1	1	
C3138	ECUM1C105ZFN	C.CAPACITOR CH 16V 1U 1	1	
C3139	ECUM1H030CCN	C.CAPACITOR CH 50V 3P 1	1	
C3140,41	ECUM1E104ZFN	C.CAPACITOR CH 25V 01U 2	2	
C3142	ECEVOJV330Q	E.CAPACITOR CH6.3V 33U 1	1	
C3143	ECUM1E104ZFN	C.CAPACITOR CH 25V 0.1U 1	1	
C3144	ECEV1AV330Q	E.CAPACITOR CH 10V 33U 1	1	
C3145	ECEV1CV100Q	E.CAPACITOR CH 16V 10U 1	1	
C3146	ECUX1E104KBN	C.CAPACITOR CH 25V 0.1U 1	1	
C3147-50	ECUM1E104ZFN	C.CAPACITOR CH 25V 0.1U 4	4	
C3162	ECUM1C105ZFN	C.CAPACITOR CH 16V 1U 1	1	
C3163	ECUM1H030CCN	C.CAPACITOR CH 50V 3P 1	1	
C3170-86	ECUX1E104ZFN	C.CAPACITOR CH 25V 0.1U 17	17	
C3200-04	ECUX1E104ZFN	C.CAPACITOR CH 25V 0.1U 5	5	
C3220-23	ECUX1E104ZFN	C.CAPACITOR CH 25V 0.1U 4	4	
C3240-46	ECUX1E104ZFN	C.CAPACITOR CH 25V 0.1U 7	7	
C3248	ECUX1E104ZFN	C.CAPACITOR CH 25V 0.1U 1	1	
C3270	ECUM1H103KBN	C.CAPACITOR CH 50V 0.01U 1	1	
C3271	ECUM1E104ZFN	C.CAPACITOR CH 25V 0.1U 1	1	
C3272-74	ECUX1E104ZFN	C.CAPACITOR CH 25V 0.1U 3	3	
C3275-77	ECUM1H103KBN	C.CAPACITOR CH 50V 0.01U 3	3	
C3278	ECUM1E104ZFN	C.CAPACITOR CH 25V 0.1U 1	1	
C3279-85	ECUX1E104ZFN	C.CAPACITOR CH 25V 0.1U 7	7	
C3288-90	ECKF1H181KB	C.CAPACITOR CH 50V 180P 3	3	
C3291	ECKF1H180KB	C.CAPACITOR CH 50V 180P 1	1	
C3301,02	ECUX1H103KBV	C.CAPACITOR CH 50V 0.01U 2	2	
C3303	ECEV1CV470Q	E.CAPACITOR CH 16V 47U 1	1	
C3304	ECUX1H103KBV	C.CAPACITOR CH 50V 0.01U 1	1	
C3305	ECUX1H120JCV	C.CAPACITOR CH 50V 12P 1	1	
C3306	ECUX1H470JCV	C.CAPACITOR CH 50V 47P 1	1	
C3307	ECUX1E104ZFN	C.CAPACITOR CH 25V 0.1U 1	1	
C3308	ECEV1CV100Q	E.CAPACITOR CH 16V 10U 1	1	
C3309	ECUX1E104ZFN	C.CAPACITOR CH 25V 0.1U 1	1	
C3310,11	ECEV1CV100Q	E.CAPACITOR CH 16V 10U 2	2	
C3313	ECUX1E104ZFN	C.CAPACITOR CH 25V 0.1U 1	1	
C3315	ECUX1E104ZFN	C.CAPACITOR CH 25V 0.1U 1	1	
C3318	ECUX1H120JCV	C.CAPACITOR CH 50V 12P 1	1	
C3319	ECUX1H121JCV	C.CAPACITOR CH 50V 120P 1	1	
C3320	ECUX1H180JCV	C.CAPACITOR CH 50V 18P 1	1	
C3340	ECUX1E104ZFN	C.CAPACITOR CH 25V 0.1U 1	1	
C3341	ECUX1H221JCV	C.CAPACITOR CH 50V 220P 1	1	
C3342	ECUX1E104ZFN	C.CAPACITOR CH 25V 0.1U 1	1	
C3343	ECUX1H180JCV	C.CAPACITOR CH 50V 18P 1	1	
C3344-49	ECUX1E104ZFN	C.CAPACITOR CH 25V 0.1U 6	6	
C3350	ECUX1H180JCV	C.CAPACITOR CH 50V 18P 1	1	
C3351	ECUX1H050CCV	C.CAPACITOR CH 50V 5P 1	1	
C3352	ECUX1H221JCV	C.CAPACITOR CH 50V 220P 1	1	
C3353	ECUX1H222KBV	C.CAPACITOR CH 50V 2200P 1	1	
C3354	ECEV1CV100Q	E.CAPACITOR CH 16V 10U 1	1	
C3355	ECUX1H050CCV	C.CAPACITOR CH 50V 5P 1	1	
C3356	ECUX1H222KBV	C.CAPACITOR CH 50V 2200P 1	1	
C3380,81	ECUX1E104ZFN	C.CAPACITOR CH 25V 0.1U 2	2	
C3390-95	ECUX1E104ZFN	C.CAPACITOR CH 25V 0.1U 6	6	
C3396,97	ECUX1H103KBV	C.CAPACITOR CH 50V 0.01U 2	2	
C3410-12	ECUX1E104ZFN	C.CAPACITOR CH 25V 0.1U 3	3	
C3430-47	ECUX1E104ZFN	C.CAPACITOR CH 25V 0.1U 18	18	
C3460-62	ECUX1E104ZFN	C.CAPACITOR CH 25V 0.1U 3	3	
C3470-72	ECUM1E104ZFN	C.CAPACITOR CH 25V 0.1U 3	3	
C3473,74	ECEV1AV330Q	E.CAPACITOR CH 10V 33U 2	2	
C3476	ECUM1E104ZFN	C.CAPACITOR CH 25V 0.1U 1	1	
C3477,78	ECUM1H100DCN	C.CAPACITOR CH 50V 10P 2	2	
C3479	ECUM1E104ZFN	C.CAPACITOR CH 25V 0.1U 1	1	
C3480,81	ECUX1E104KBN	C.CAPACITOR CH 25V 0.1U 2	2	
C3482	ECUM1E104ZFN	C.CAPACITOR CH 25V 0.1U 1	1	
C3483	ECUX1E104KBN	C.CAPACITOR CH 25V 0.1U 1	1	
C3485	ECUM1C105ZFN	C.CAPACITOR CH 16V 1U 1	1	
C3487,88	ECUM1E104ZFN	C.CAPACITOR CH 25V 0.1U 2	2	
C3489	ECEV1AV330Q	E.CAPACITOR CH 10V 33U 1	1	
C3490,91	ECUM1E104ZFN	C.CAPACITOR CH 25V 0.1U 2	2	
C3493	ECUX1E104KBN	C.CAPACITOR CH 25V 0.1U 1	1	
C3496-98	ECUM1E104ZFN	C.CAPACITOR CH 25V 0.1U 3	3	
C3499,00	ECUX1E104KBN	C.CAPACITOR CH 25V 0.1U 2	2	
C3502	ECUX1E104KBN	C.CAPACITOR CH 25V 0.1U 1	1	
C3503	ECUM1E104ZFN	C.CAPACITOR CH 25V 0.1U 1	1	
C3509	ECUM1C105ZFN	C.CAPACITOR CH 16V 1U 1	1	

Ref.No.	Part No.	Part Name & Description	Pcs	Remarks
C3510,11	ECUM1H020CCN	C.CAPACITOR CH 50V 2P 2	2	
C3512	ECUM1C105ZFN	C.CAPACITOR CH 16V 1U 1	1	
C3513	ECUM1H020CCN	C.CAPACITOR CH 50V 2P 1	1	
C3514	ECUX1E104KBN	C.CAPACITOR CH 25V 0.1U 1	1	
C3516	ECUM1C105ZFN	C.CAPACITOR CH 16V 1U 1	1	
C3517	ECUM1H020CCN	C.CAPACITOR CH 50V 2P 1	1	
C3530	ECEV1CV470Q	E.CAPACITOR CH 16V 47U 1	1	
C3531	ECUX1H103KBV	C.CAPACITOR CH 50V 0.01U 1	1	
C3532	ECUX1C104ZFN	C.CAPACITOR CH 16V 0.1U 1	1	
C3533	ECUX1H103KBV	C.CAPACITOR CH 50V 0.01U 1	1	
C3534	ECEV1CV470Q	E.CAPACITOR CH 16V 47U 1	1	
C3535-37	ECUX1H103KBV	C.CAPACITOR CH 50V 0.01U 3	3	
C3538	ECUX1E104ZFN	C.CAPACITOR CH 25V 0.1U 1	1	
C3539	ECEV1H010QV	E.CAPACITOR CH 50V 1U 1	1	
C3540	ECUX1H103KBV	C.CAPACITOR CH 50V 0.01U 1	1	
C3560	ECEV1CV470Q	E.CAPACITOR CH 16V 47U 1	1	
C3561,62	ECUX1H103KBV	C.CAPACITOR CH 50V 0.01U 2	2	
C3563	ECEV1CV470Q	E.CAPACITOR CH 16V 47U 1	1	
C3564	ECUX1H103KBV	C.CAPACITOR CH 50V 0.01U 1	1	
C3565	ECEV1CV470Q	E.CAPACITOR CH 16V 47U 1	1	
C3566-69	ECUX1H103KBV	C.CAPACITOR CH 50V 0.01U 4	4	
C3570	ECUX1H150JCV	C.CAPACITOR CH 50V 15P 1	1	
C3571	ECUX1H103KBV	C.CAPACITOR CH 50V 0.01U 1	1	
C3572	ECEV1CV220Q	E.CAPACITOR CH 16V 22U 1	1	
C3573	ECUX1H103KBV	C.CAPACITOR CH 50V 0.01U 1	1	
C3574	ECEV1CV220Q	E.CAPACITOR CH 16V 22U 1	1	
C3575	ECUX1C104ZFN	C.CAPACITOR CH 16V 0.1U 1	1	
C3576	ECEV1CV470Q	E.CAPACITOR CH 16V 47U 1	1	
C3577-80	ECUX1H103KBV	C.CAPACITOR CH 50V 0.01U 4	4	
C3581	ECUX1H030CCV	C.CAPACITOR CH 50V 3P 1	1	
C3582	ECUX1H101JCV	C.CAPACITOR CH 50V 100P 1	1	
C3583	ECEV1CV220Q	E.CAPACITOR CH 16V 22U 1	1	
C3584	ECUX1H103KBV	C.CAPACITOR CH 50V 0.01U 1	1	
C3600	ECUX1H103KBV	C.CAPACITOR CH 50V 0.01U 1	1	
C3601	ECUX1C104ZFN	C.CAPACITOR CH 16V 0.1U 1	1	
C3602,03	ECUX1H103KBV	C.CAPACITOR CH 50V 0.01U 2	2	
C3604	ECUX1C104ZFN	C.CAPACITOR CH 16V 0.1U 1	1	
C3605	ECUX1H103KBV	C.CAPACITOR CH 50V 0.01U 1	1	
C3606	ECUX1E104ZFN	C.CAPACITOR CH 25V 0.1U 1	1	
C3607	ECUX1H103KBV	C.CAPACITOR CH 50V 0.01U 1	1	
C3609	ECUX1H103KBV	C.CAPACITOR CH 50V 0.01U 1	1	
C3620-27	ECUM1E104ZFN	C.CAPACITOR CH 25V 0.1U 8	8	
C3629	ECUM1H103KBN	C.CAPACITOR CH 50V 0.01U 1	1	
C3630	ECUM1E104ZFN	C.CAPACITOR CH 25V 0.1U 1	1	
C3631,32	ECUX1E104ZFN	C.CAPACITOR CH 25V 0.1U 2	2	
C3633	ECUM1E104ZFN	C.CAPACITOR CH 25V 0.1U 1	1	
C3660-67	ECUX1E104ZFN	C.CAPACITOR CH 25V 0.1U 8	8	
C3670-72	ECUX1E104ZFN	C.CAPACITOR CH 25V 0.1U 3	3	
C3700,01	ECUX1E104ZFN	C.CAPACITOR CH 25V 0.1U 2	2	
D3001	MA152K	DIODE	1	
D3005	MA3024	DIODE	1	
D3006-08	MA840-A	DIODE	3	
D3010	1S588	DIODE	1	
D3014	LN1251CAL	DIODE	1	
FL3001-09	VLF0931	FILTER	9	
FL3100	VLF1433	FILTER	1	
IC3001	T74VHC244F	IC	1	
IC3100	GS9005A-CPJ	IC	1	
IC3101	MC74HC4053F	IC	1	
IC3102	GS9010-CKC	IC	1	
IC3103	GS9000BCPJ	IC	1	
IC3104	GS9007-CKA	IC	1	
IC3105	AN7805F	IC	1	
IC3120	TCVHC02F	IC	1	
IC3121	T74VHC244F	IC	1	
IC3122	UPD65929GD12	IC	1	
IC3123	T74LXC244F	IC	1	
IC3124,25	TLCX574F	IC	2	
IC3126	LVT245ANS	IC	1	
IC3127	TCVHC02F	IC	1	
IC3140-42	TVHT574FT	IC	3	
IC3143	M4128-6410VC	IC	1	

Ref.No.	Part No.	Part Name & Description	Pcs	Remarks
IC3160	T160G70-1586	IC	1	
IC3180	TVHT574FT	IC	1	
IC3181.82	TLCX574F	IC	2	
IC3183	T74VHC574F	IC	1	
IC3184	MN47V78S	IC	1	
IC3186	TLCX574F	IC	1	
IC3187	MN47V78S	IC	1	
IC3189	TVHT574FT	IC	1	
IC3210-13	T74VHC244F	IC	4	
IC3214.15	TLCX574F	IC	2	
IC3216	MC10H125M	IC	1	
IC3217	T74LCX244F	IC	1	
IC3218	TLCX574F	IC	1	
IC3219.20	T74VHC244F	IC	2	
IC3240	NJM79L05UA	IC	1	
IC3241	SN74ALS257A	IC	1	
IC3242.43	NJM78L05UA	IC	2	
IC3244	AD8047AR	IC	1	
IC3245	SN74ALS257A	IC	1	
IC3246	MB40768PF	IC	1	
IC3260	T74VHC244F	IC	1	
IC3261	NJM78L05UA	IC	1	
IC3263	CF72417	IC	1	
IC3264	MC68HC68VBI	IC	1	
IC3280	M4128-6410VC	IC	1	
IC3290	T74VHC244F	IC	1	
IC3291	TLCX574F	IC	1	
IC3292.93	SN74ALS257A	IC	2	
IC3294	TLCX574F	IC	1	
IC3295	T74VHC244F	IC	1	
IC3296	MC10H124M	IC	1	
IC3310	M4128-6410VC	IC	1	
IC3311	T74VHC244F	IC	1	
IC3330.31	TVHT574FT	IC	2	
IC3332	T74VHC244F	IC	1	
IC3333	UPD65929GD12	IC	1	
IC3334	T74VHC244F	IC	1	
IC3335	LVT245ANS	IC	1	
IC3350	UPD6456T611Y	IC	1	
IC3351	M4128-6410VC	IC	1	
IC3360.61	74F821SC	IC	2	
IC3362	AN7805F	IC	1	
IC3364.65	GS9022-CPJ	IC	2	
IC3380	NJM084M	IC	1	
IC3381	MC74HC125AF	IC	1	
IC3382	NJM78L05UA	IC	1	
IC3383	NJM79L05UA	IC	1	
IC3400	MC10H116M	IC	1	
IC3401	MC10H125M	IC	1	
IC3402	LM337T	IC	1	
IC3403	NJM78L05UA	IC	1	
IC3404	MC10H105M	IC	1	
IC3405	VCR0377	IC	1	
IC3406	MC10H116M	IC	1	
IC3407	NJM79L05UA	IC	1	
IC3408	MC10H124M	IC	1	
IC3420	T74VHC244F	IC	1	
IC3421	T74LCX244F	IC	1	
IC3422.23	T74VHC244F	IC	2	
IC3424.25	T74LCX244F	IC	2	
IC3426.27	T74VHC244F	IC	2	
IC3450-52	74F541SJ	IC	3	
IC3453	SN74S1051NS	IC	1	
IC3455	74F245SJ	IC	1	
IC3456	SN74S1051NS	IC	1	
IC3457	UPD71055GB	IC	1	
IC3458	74F04SJ	IC	1	
IC3459	MACH211S10VC	IC	1	
IC3460	UPD71055GB	IC	1	
IC3490	GS9001-COM	IC	1	
IC3491	MACH211S10VC	IC	1	
IC3492.93	SN74AS244AN	TTL	2	
IC3494	M4128-6410VC	IC	1	
IC3497.98	TLCX574F	IC	2	
IC3500	M4128-6410VC	IC	1	

Ref.No.	Part No.	Part Name & Description	Pcs	Remarks
L3100.01	VLQ0319K100	COIL 10UH	2	
L3102	VLQ0426J015	COIL 15UH	1	
L3103	VLQ0319K100	COIL 10UH	1	
L3104	VLQ0319K4R7	COIL 4.7UH	1	
L3105	VLQ0319K470	COIL 47UH	1	
L3106.07	VLQ0319K100	COIL 10UH	2	
P3001.02	VJP3510	CONNECTOR (MALE)	2	
P3003	VJP3125B008	CONNECTOR (MALE)	1	
P3004.05	VJP3635A080	CONNECTOR (MALE)	2	
P3010	VJP1231T	CONNECTOR (MALE) 4P	1	
P3200	VJP4131	CONNECTOR (MALE)	1	
P3204-07	VJP4131	CONNECTOR (MALE)	4	
Q3100	2SD601A-R	TRANSISTOR	1	
Q3101.02	MSD601	TRANSISTOR	2	
Q3103.04	MSB709	TRANSISTOR	2	
Q3105.06	2SD601A-R	TRANSISTOR	2	
Q3107	2SB709A-R	TRANSISTOR	1	
QR3001	MUN2212	TRANSISTOR-RESISTOR	1	
R3001-04	ERJ3GEYG102	M.RESISTOR CH 1/16W 1K	4	
R3031.32	ERJ3GEYJ101	M.RESISTOR CH 1/16W 100	2	
R3100	ERJ6GEYG273	M.RESISTOR CH 1/10W 27K	1	
R3102	ERJ6GEY0R00	M.RESISTOR CH 1/10W 0	1	
R3103.04	ERJ6GEYG101	M.RESISTOR CH 1/10W 100	2	
R3105	ERJ6GEYG121	M.RESISTOR CH 1/10W 120	1	
R3106	ERJ6GEYG390	M.RESISTOR CH 1/10W 39	1	
R3107-09	ERJ6GEYG121	M.RESISTOR CH 1/10W 120	3	
R3114	ERJ6RED750	M.RESISTOR CH 1/10W 75	1	
R3116	ERJ6GEY0R00	M.RESISTOR CH 1/10W 0	1	
R3117	ERJ6RBD182	M.RESISTOR CH 1/10W 1.8K	1	
R3118	ERJ6RBD222	M.RESISTOR CH 1/10W 2.2K	1	
R3120	ERJ6GEY0R00	M.RESISTOR CH 1/10W 0	1	
R3122	ERJ6GEY0R00	M.RESISTOR CH 1/10W 0	1	
R3124	ERJ6RBD471	M.RESISTOR CH 1/10W 470	1	
R3125	ERJ6RBD102	M.RESISTOR CH 1/10W 1K	1	
R3126	ERJ6RBD122	M.RESISTOR CH 1/10W 1.2K	1	
R3127	ERJ6RBD104	M.RESISTOR CH 1/10W 100K	1	
R3128-31	ERJ6RBD221	M.RESISTOR CH 1/10W 220	4	
R3132	ERJ6RBD392	M.RESISTOR CH 1/10W 3.9K	1	
R3133.34	ERJ6GEYG101	M.RESISTOR CH 1/10W 100	2	
R3135	ERJ6GEY0R00	M.RESISTOR CH 1/10W 0	1	
R3136	ERJ6GEYF472	M.RESISTOR CH 1/10W 4.7K	1	
R3138	ERJ6GEYG683	M.RESISTOR CH 1/10W 68K	1	
R3139-44	ERJ6GEYG121	M.RESISTOR CH 1/10W 120	6	
R3146	ERJ6GEYG151	M.RESISTOR CH 1/10W 150	1	
R3147	ERJ6RED560	M.RESISTOR CH 1/10W 56	1	
R3148	ERJ6RED750	M.RESISTOR CH 1/10W 75	1	
R3149	ERJ6RBD121	M.RESISTOR CH 1/10W 120	1	
R3150	ERJ6GEYG102	M.RESISTOR CH 1/10W 1K	1	
R3151-53	ERJ6GEYG151	M.RESISTOR CH 1/10W 150	3	
R3163	ERJ6RED560	M.RESISTOR CH 1/10W 56	1	
R3171	ERJ6GEYG560	M.RESISTOR CH 1/10W 56	1	
R3174-84	ERJ6GEYG102	M.RESISTOR CH 1/10W 1K	11	
R3185.86	ERJ6GEYG220	M.RESISTOR CH 1/10W 22	2	
R3189	ERJ6GEYG102	M.RESISTOR CH 1/10W 1K	1	
R3191	ERJ6GEY0R00	M.RESISTOR CH 1/10W 0	1	
R3192.93	ERJ6GEYG102	M.RESISTOR CH 1/10W 1K	2	
R3211	ERJ6GEYG102	M.RESISTOR CH 1/10W 1K	1	
R3219	ERJ6GEYG102	M.RESISTOR CH 1/10W 1K	1	
R3220	ERJ3GEYG102	M.RESISTOR CH 1/16W 1K	1	
R3250.51	ERJ6GEYG103	M.RESISTOR CH 1/10W 10K	2	
R3253	ERJ6GEYG103	M.RESISTOR CH 1/10W 10K	1	
R3285	ERJ6GEYG102	M.RESISTOR CH 1/10W 1K	1	
R3296	ERJ6GEYG103	M.RESISTOR CH 1/10W 10K	1	
R3298	ERJ6GEYG103	M.RESISTOR CH 1/10W 10K	1	
R3299	ERJ6GEYG102	M.RESISTOR CH 1/10W 1K	1	
R3320-23	ERJ6GEYG560	M.RESISTOR CH 1/10W 56	4	
R3324	ERJ6GEYG101	M.RESISTOR CH 1/10W 100	1	
R3325	ERJ6GEY0R00	M.RESISTOR CH 1/10W 0	1	
R3326-33	ERJ6GEYG331	M.RESISTOR CH 1/10W 330	8	
R3334-38	ERJ6GEYG102	M.RESISTOR CH 1/10W 1K	5	



Ref.No.	Part No.	Part Name & Description	Pcs	Remarks
R3339-42	ERJ6GEG560	M.RESISTOR CH 1/10W 56 4	4	
R3343	ERJ6GEG101	M.RESISTOR CH 1/10W 100 1	1	
R3344	ERJ6GEY0R00	M.RESISTOR CH 1/10W 0 1	1	
R3345-56	ERJ6GEG331	M.RESISTOR CH 1/10W 330 12	12	
R3357.58	ERJ6GEGY102	M.RESISTOR CH 1/10W 1K 2	2	
R3381	ERJ3GEYJ121	M.RESISTOR CH 1/16W 120 1	1	
R3382	ERJ3GEYJ122	M.RESISTOR CH 1/16W 1.2K 1	1	
R3383	ERJ3GEYJ221	M.RESISTOR CH 1/16W 220 1	1	
R3384	ERJ3GEYG471	M.RESISTOR CH 1/16W 470 1	1	
R3385	ERJ3GEYJ122	M.RESISTOR CH 1/16W 1.2K 1	1	
R3387-89	ERJ3GEYJ222	M.RESISTOR CH 1/16W 2.2K 3	3	
R3390	ERJ6RBD102	M.RESISTOR CH 1/10W 1K 1	1	
R3391	ERJ3GEY0R00	M.RESISTOR CH 1/10W 0 1	1	
R3392	ERJ3GEYG102	M.RESISTOR CH 1/16W 1K 1	1	
R3393	ERJ3GEYJ821	M.RESISTOR CH 1/16W 820 1	1	
R3395	ERJ3GEYJ103	M.RESISTOR CH 1/16W 10K 1	1	
R3396	ERJ6RBD471	M.RESISTOR CH 1/10W 470 1	1	
R3397	ERJ3GEYJ470	M.RESISTOR CH 1/16W 47 1	1	
R3398	ERJ6RBD471	M.RESISTOR CH 1/10W 470 1	1	
R3399	ERJ3GEYG471	M.RESISTOR CH 1/16W 470 1	1	
R3400	ERJ3GEYJ222	M.RESISTOR CH 1/16W 2.2K 1	1	
R3401.02	ERJ6GEYF472	M.RESISTOR CH 1/10W 4.7K 2	2	
R3403	ERJ3GEYG102	M.RESISTOR CH 1/16W 1K 1	1	
R3404	ERJ3GEYJ153	M.RESISTOR CH 1/16W 15K 1	1	
R3405.06	ERJ3GEYG102	M.RESISTOR CH 1/16W 1K 2	2	
R3407-12	ERJ6GEYF472	M.RESISTOR CH 1/10W 4.7K 6	6	
R3413	ERJ3GEYG102	M.RESISTOR CH 1/16W 1K 1	1	
R3414.15	ERJ6GEYG102	M.RESISTOR CH 1/10W 1K 2	2	
R3416	ERJ3GEYG102	M.RESISTOR CH 1/16W 1K 1	1	
R3430	ERJ3GEYG102	M.RESISTOR CH 1/16W 1K 1	1	
R3431.32	ERJ3GEYJ105	M.RESISTOR CH 1/16W 1M 2	2	
R3433	ERJ3GEYJ103	M.RESISTOR CH 1/16W 10K 1	1	
R3434.35	ERJ3GEYJ101	M.RESISTOR CH 1/16W 100 2	2	
R3437	ERJ3GEY0R00	M.RESISTOR CH 1/16W 0 1	1	
R3439	ERJ3GEYG102	M.RESISTOR CH 1/16W 1K 1	1	
R3440	ERJ3GEYJ103	M.RESISTOR CH 1/16W 10K 1	1	
R3461	ERJ6GEYG102	M.RESISTOR CH 1/10W 1K 1	1	
R3462	ERJ3GEYG102	M.RESISTOR CH 1/16W 1K 1	1	
R3470.71	ERJ6GEYG220	M.RESISTOR CH 1/10W 22 2	2	
R3472.73	ERJ6GEYG102	M.RESISTOR CH 1/10W 1K 2	2	
R3476	ERJ6GEYG102	M.RESISTOR CH 1/10W 1K 1	1	
R3477-83	ERJ6GEYG220	M.RESISTOR CH 1/10W 22 7	7	
R3484	ERJ6GEYG102	M.RESISTOR CH 1/10W 1K 1	1	
R3485-91	ERJ6GEYG220	M.RESISTOR CH 1/10W 22 7	7	
R3492.93	ERJ3GEYG471	M.RESISTOR CH 1/16W 470 2	2	
R3494.95	ERJ3GEYJ330	M.RESISTOR CH 1/16W 33 2	2	
R3510	ERJ6GEYG102	M.RESISTOR CH 1/10W 1K 1	1	
R3511	ERJ3GEYG102	M.RESISTOR CH 1/16W 1K 1	1	
R3514	ERJ6GEYG102	M.RESISTOR CH 1/10W 1K 1	1	
R3516	ERJ3GEY0R00	M.RESISTOR CH 1/16W 0 1	1	
R3518	ERJ3GEY0R00	M.RESISTOR CH 1/16W 0 1	1	
R3540	ERJ6GEYG102	M.RESISTOR CH 1/10W 1K 1	1	
R3543	ERJ6GEYG560	M.RESISTOR CH 1/10W 56 1	1	
R3544-46	ERJ6GEYG102	M.RESISTOR CH 1/10W 1K 3	3	
R3559	ERJ6GEY0R00	M.RESISTOR CH 1/10W 0 1	1	
R3560.61	ERJ6GEYG102	M.RESISTOR CH 1/10W 1K 2	2	
R3563-71	ERJ6GEYG102	M.RESISTOR CH 1/10W 1K 9	9	
R3573	ERJ6GEYG102	M.RESISTOR CH 1/10W 1K 1	1	
R3591	ERJ6GEYG102	M.RESISTOR CH 1/10W 1K 1	1	
R3592	ERJ3GEYG102	M.RESISTOR CH 1/16W 1K 1	1	
R3601-11	ERJ6GEYG181	M.RESISTOR CH 1/10W 180 11	11	
R3612.13	ERJ6GEYG151	M.RESISTOR CH 1/10W 150 2	2	
R3614.15	ERJ6RBD102	M.RESISTOR CH 1/10W 1K 2	2	
R3618	ERJ6RBD102	M.RESISTOR CH 1/10W 1K 1	1	
R3619	ERJ3GEYJ103	M.RESISTOR CH 1/16W 10K 1	1	
R3620	ERJ6RBD102	M.RESISTOR CH 1/10W 1K 1	1	
R3621	ERJ6RBD222	M.RESISTOR CH 1/10W 2.2K 1	1	
R3626	ERJ6RED680	M.RESISTOR CH 1/10W 68 1	1	
R3630	ERJ6RBD222	M.RESISTOR CH 1/10W 2.2K 1	1	
R3631-39	ERJ6GEYG181	M.RESISTOR CH 1/10W 180 9	9	
R3640	ERJ6RED105	M.RESISTOR CH 1/10W 1M 1	1	
R3641	ERJ6RBD102	M.RESISTOR CH 1/10W 1K 1	1	
R3644	ERJ3GEYJ103	M.RESISTOR CH 1/16W 10K 1	1	
R3645	ERJ6RBD102	M.RESISTOR CH 1/10W 1K 1	1	
R3647	ERJ6RED105	M.RESISTOR CH 1/10W 1M 1	1	

Ref.No.	Part No.	Part Name & Description	Pcs	Remarks
R3651	ERJ6RED680	M.RESISTOR CH 1/10W 68 1	1	
R3652-54	ERJ6GEYG151	M.RESISTOR CH 1/10W 150 3	3	
R3655	ERJ6RED680	M.RESISTOR CH 1/10W 68 1	1	
R3657	ERJ6GEYG101	M.RESISTOR CH 1/10W 100 1	1	
R3659	ERJ3GEYG102	M.RESISTOR CH 1/16W 1K 1	1	
R3660	ERJ6GEYG151	M.RESISTOR CH 1/10W 150 1	1	
R3661	ERJ6RED680	M.RESISTOR CH 1/10W 68 1	1	
R3680	ERJ6GEYG102	M.RESISTOR CH 1/10W 1K 1	1	
R3681	ERJ6GEYG101	M.RESISTOR CH 1/10W 100 1	1	
R3682.83	ERJ6RBD153	M.RESISTOR CH 1/10W 15K 2	2	
R3684	ERJ6GEYG223	M.RESISTOR CH 1/10W 22K 1	1	
R3685	ERJ6GEYG105	M.RESISTOR CH 1/10W 1M 1	1	
R3686	ERJ6GEYF473	M.RESISTOR CH 1/10W 4.7K 1	1	
R3687.88	ERJ6GEYG102	M.RESISTOR CH 1/10W 1K 2	2	
R3700	ERJ6GEYF473	M.RESISTOR CH 1/10W 4.7K 1	1	
R3701	ERJ6RBD271	M.RESISTOR CH 1/10W 270 1	1	
R3702	ERJ6GEYG102	M.RESISTOR CH 1/10W 1K 1	1	
R3703	ERJ6GEYJ820	M.RESISTOR CH 1/10W 82 1	1	
R3704	ERJ6GEYG121	M.RESISTOR CH 1/10W 120 1	1	
R3705.06	ERJ6RBD221	M.RESISTOR CH 1/10W 220 2	2	
R3713.14	ERJ6GEY0R00	M.RESISTOR CH 1/10W 0 2	2	
R3715	ERJ6GEYJ471	M.RESISTOR CH 1/10W 470 1	1	
R3716	ERJ6GEYJ100	M.RESISTOR CH 1/10W 10 1	1	
R3717	ERJ6RBD221	M.RESISTOR CH 1/10W 220 1	1	
R3718.19	ERJ6RED750	M.RESISTOR CH 1/10W 75 2	2	
R3720-25	ERJ6RBD221	M.RESISTOR CH 1/10W 220 6	6	
R3726	ERJ6GEYG181	M.RESISTOR CH 1/10W 180 1	1	
R3727	ERJ6GEYJ100	M.RESISTOR CH 1/10W 10 1	1	
R3728.29	ERJ6RED750	M.RESISTOR CH 1/10W 75 2	2	
R3730.31	ERJ6RBD221	M.RESISTOR CH 1/10W 220 2	2	
R3733.34	ERJ6RBD221	M.RESISTOR CH 1/10W 220 2	2	
R3735-37	ERJ6GEYG102	M.RESISTOR CH 1/10W 1K 3	3	
R3750	ERJ6GEYG220	M.RESISTOR CH 1/10W 22 1	1	
R3752	ERJ6GEYG102	M.RESISTOR CH 1/10W 1K 1	1	
R3754.55	ERJ6GEYG102	M.RESISTOR CH 1/10W 1K 2	2	
R3756	ERJ6GEYG220	M.RESISTOR CH 1/10W 22 1	1	
R3758	ERJ6GEYG220	M.RESISTOR CH 1/10W 22 1	1	
R3759	ERJ6GEYG102	M.RESISTOR CH 1/10W 1K 1	1	
R3763	ERJ3GEY0R00	M.RESISTOR CH 1/16W 0 1	1	
R3781	ERJ3GEYG102	M.RESISTOR CH 1/16W 1K 1	1	
R3788-90	ERJ6GEYG101	M.RESISTOR CH 1/10W 100 3	3	
R3791	ERJ2TJ102	C.RESISTOR 1K 1	1	
R3793.94	ERJ3GEYJ103	M.RESISTOR CH 1/16W 10K 2	2	
R3796-98	ERJ3GEYJ103	M.RESISTOR CH 1/16W 10K 3	3	
R3801	ERJ3GEYG102	M.RESISTOR CH 1/16W 1K 1	1	
R3805-07	ERJ3GEYG102	M.RESISTOR CH 1/16W 1K 3	3	
R3832.33	ERJ3GEY0R00	M.RESISTOR CH 1/16W 0 2	2	
R3834	ERJ3GEYG102	M.RESISTOR CH 1/16W 1K 1	1	
R3835.36	ERJ3GEYJ512	M.RESISTOR CH 1/16W 5.1K 2	2	
R3838	ERJ6GEYG102	M.RESISTOR CH 1/10W 1K 1	1	
R3839-54	ERJ3GEYJ220	M.RESISTOR CH 1/16W 22 16	16	
R3855	ERJ3GEYG102	M.RESISTOR CH 1/16W 1K 1	1	
R3872.73	ERJ6GEYG102	M.RESISTOR CH 1/10W 1K 2	2	
R3997	ERJ6GEYG102	M.RESISTOR CH 1/10W 1K 1	1	
R3999	ERJ3GEYG102	M.RESISTOR CH 1/16W 1K 1	1	
SS3002	VJS1990	CONNECTOR (FEMALE)	1	
SW3002	VJP2536A003	CONNECTOR (MALE)	1	
TG3001-09	VJR0646	TEST POINT	9	
TP3001-03	EYF6CU	TEST POINT	3	
TP3005-13	EYF6CU	TEST POINT	9	
VL3001	VLD0264	COIL	1	
VR3004	VRV0113B101	V.RESISTOR 100	1	
X3001	VSX0160	CRYSTAL OSCILLATOR	1	
X3002	VSX0949	CRYSTAL OSCILLATOR	1	
X3003	VSX0906	CRYSTAL OSCILLATOR	1	
		MISCELLANEOUS		

Ref.No.	Part No.	Part Name & Description	Pcs	Remarks
	VML2143	CARD PULLER	1	
	VML2144	CARD PULLER	1	
	XYN26-C12	SCREW	8	
	XNG26EFXS	NUT	8	
* E6	VEP83374A	F5 P REC PB P.C.BOARD	1	(RTL)
*	VEP83411A	EDA-CSP SUB P.C.BOARD	1	(RTL)FOR VEP83374A
*	VEP83431A	BLK SUB P.C.BOARD	1	(RTL)FOR VEP83374A
*	VEP88234A	DV UCOMx2 P.C.BOARD	1	(RTL)FOR VEP83374A
C1 02	ECEV0JV330Q	E.CAPACITOR CH6.3V 33U	1	
C1	ECUM1H103KBN	C.CAPACITOR CH 50V 0.01U	1	
C1 03	ECUX1E104ZVF	C.CAPACITOR CH 25V 0.1U	1	
C2 02	ECEV0JV330Q	E.CAPACITOR CH6.3V 33U	1	
C2	ECEV1CV470Q	E.CAPACITOR CH 16V 47U	1	
C3	ECUX1E104ZVF	C.CAPACITOR CH 25V 0.1U	1	
C4	ECUX1E104ZVF	C.CAPACITOR CH 25V 0.1U	1	
C5	ECUX1E104ZVF	C.CAPACITOR CH 25V 0.1U	1	
C5 02	ECUX1E104ZVF	C.CAPACITOR CH 25V 0.1U	1	
C6	ECEV1CV470Q	E.CAPACITOR CH 16V 47U	1	
C6 02	ECUX1E104ZVF	C.CAPACITOR CH 25V 0.1U	1	
C7	ECUM1H102KBN	C.CAPACITOR CH 50V 1000P	1	
C8	ECUX1E104ZVF	C.CAPACITOR CH 25V 0.1U	1	
C8 02	ECUX1E104ZVF	C.CAPACITOR CH 25V 0.1U	1	
C9	ECEV1CV470Q	E.CAPACITOR CH 16V 47U	1	
C10	ECUX1E104ZVF	C.CAPACITOR CH 25V 0.1U	1	
C11	ECUX1E104ZVF	C.CAPACITOR CH 25V 0.1U	1	
C12	ECUX1E104ZVF	C.CAPACITOR CH 25V 0.1U	1	
C13	ECUX1E104ZVF	C.CAPACITOR CH 25V 0.1U	1	
C14	ECUX1E104ZVF	C.CAPACITOR CH 25V 0.1U	1	
C15	ECUX1E104ZVF	C.CAPACITOR CH 25V 0.1U	1	
C16	ECUX1E104ZVF	C.CAPACITOR CH 25V 0.1U	1	
C17	ECUX1E104ZVF	C.CAPACITOR CH 25V 0.1U	1	
C18	ECUX1E104ZVF	C.CAPACITOR CH 25V 0.1U	1	
C19	ECUX1E104ZVF	C.CAPACITOR CH 25V 0.1U	1	
C20	ECUX1E104ZVF	C.CAPACITOR CH 25V 0.1U	1	
C21	ECUX1E104ZVF	C.CAPACITOR CH 25V 0.1U	1	
C22	ECUX1E104ZVF	C.CAPACITOR CH 25V 0.1U	1	
C23	ECUX1E104ZVF	C.CAPACITOR CH 25V 0.1U	1	
C24	ECUX1E104ZVF	C.CAPACITOR CH 25V 0.1U	1	
C25	ECUX1E104ZVF	C.CAPACITOR CH 25V 0.1U	1	
C25 02	ECUX1E104ZVF	C.CAPACITOR CH 25V 0.1U	1	
C28-30	ECUX1E104ZVF	C.CAPACITOR CH 25V 0.1U	3	
C31	ECUX1E104ZVF	C.CAPACITOR CH 25V 0.1U	1	
C32	ECUX1E104ZVF	C.CAPACITOR CH 25V 0.1U	1	
C33	ECUX1E104ZVF	C.CAPACITOR CH 25V 0.1U	1	
C34	ECUX1E104ZVF	C.CAPACITOR CH 25V 0.1U	1	
C35	ECUX1E104ZVF	C.CAPACITOR CH 25V 0.1U	1	
C36	ECUX1E104ZVF	C.CAPACITOR CH 25V 0.1U	1	
C37	ECUX1E104ZVF	C.CAPACITOR CH 25V 0.1U	1	
C38	ECUX1E104ZVF	C.CAPACITOR CH 25V 0.1U	1	
C39	ECUX1E104ZVF	C.CAPACITOR CH 25V 0.1U	1	
C40	ECUX1E104ZVF	C.CAPACITOR CH 25V 0.1U	1	
C41	ECUX1E104ZVF	C.CAPACITOR CH 25V 0.1U	1	
C42	ECUX1E104ZVF	C.CAPACITOR CH 25V 0.1U	1	
C43	ECUX1E104ZVF	C.CAPACITOR CH 25V 0.1U	1	
C44	ECUX1E104ZVF	C.CAPACITOR CH 25V 0.1U	1	
C45	ECUX1E104ZVF	C.CAPACITOR CH 25V 0.1U	1	
C46	ECUX1E104ZVF	C.CAPACITOR CH 25V 0.1U	1	
C47	ECUX1E104ZVF	C.CAPACITOR CH 25V 0.1U	1	
C48	ECUX1E104ZVF	C.CAPACITOR CH 25V 0.1U	1	
C49	ECUX1E104ZVF	C.CAPACITOR CH 25V 0.1U	1	
C57	ECUX1E104ZVF	C.CAPACITOR CH 25V 0.1U	1	
C60	ECUX1E104ZVF	C.CAPACITOR CH 25V 0.1U	1	
C62	ECUX1E104ZVF	C.CAPACITOR CH 25V 0.1U	1	
C86	ECUX1H221JCV	C.CAPACITOR CH 50V 220P	1	
C87	ECUX1E104ZVF	C.CAPACITOR CH 25V 0.1U	1	
C90-94	ECUX1E104ZVF	C.CAPACITOR CH 25V 0.1U	5	
C96-00	ECUX1E104ZVF	C.CAPACITOR CH 25V 0.1U	5	
C103-09	ECUX1E104ZVF	C.CAPACITOR CH 25V 0.1U	7	
C112-14	ECUX1E104ZVF	C.CAPACITOR CH 25V 0.1U	3	
C117-22	ECUX1E104ZVF	C.CAPACITOR CH 25V 0.1U	6	
C123	ECUM1H103KBN	C.CAPACITOR CH 50V 0.01U	1	

Ref.No.	Part No.	Part Name & Description	Pcs	Remarks
C124	ECUX1H180JCV	C.CAPACITOR CH 50V 18P	1	
C125	ECUM1C105ZFN	C.CAPACITOR CH 16V 1U	1	
C126	ECUX1E104ZVF	C.CAPACITOR CH 25V 0.1U	1	
C128-47	ECUX1E104ZVF	C.CAPACITOR CH 25V 0.1U	20	
C148	ECUM1C105ZFN	C.CAPACITOR CH 16V 1U	1	
C149-56	ECUX1E104ZVF	C.CAPACITOR CH 25V 0.1U	8	
C157	ECUM1H103KBN	C.CAPACITOR CH 50V 0.01U	1	
C158	ECUX1E104ZVF	C.CAPACITOR CH 25V 0.1U	1	
C159	ECUX1H180JCV	C.CAPACITOR CH 50V 18P	1	
C160-66	ECUX1E104ZVF	C.CAPACITOR CH 25V 0.1U	7	
C170-78	ECUX1E104ZVF	C.CAPACITOR CH 25V 0.1U	9	
C180-84	ECUX1E104ZVF	C.CAPACITOR CH 25V 0.1U	5	
C190-97	ECUX1E104ZVF	C.CAPACITOR CH 25V 0.1U	8	
C200	ECEV0GV470Q	E.CAPACITOR CH 4V 47U	1	
C201	ECUX1E104ZVF	C.CAPACITOR CH 25V 0.1U	1	
C212-16	ECUX1E104ZVF	C.CAPACITOR CH 25V 0.1U	5	
C217	ECUX1H180JCV	C.CAPACITOR CH 50V 18P	1	
C218	ECUM1C105ZFN	C.CAPACITOR CH 16V 1U	1	
C219	ECUX1H180JCV	C.CAPACITOR CH 50V 18P	1	
C220-22	ECUX1E104ZVF	C.CAPACITOR CH 25V 0.1U	3	
C226,27	ECUM1H103KBN	C.CAPACITOR CH 50V 0.01U	2	
C228,29	ECUM1C105ZFN	C.CAPACITOR CH 16V 1U	2	
C230-37	ECUX1E104ZVF	C.CAPACITOR CH 25V 0.1U	8	
C240	ECUX1E104ZVF	C.CAPACITOR CH 25V 0.1U	1	
C241	ECUM1H103KBN	C.CAPACITOR CH 50V 0.01U	1	
C242	ECUX1H180JCV	C.CAPACITOR CH 50V 18P	1	
C243	ECUM1H103KBN	C.CAPACITOR CH 50V 0.01U	1	
C244	ECUX1H180JCV	C.CAPACITOR CH 50V 18P	1	
C245-47	ECUM1C105ZFN	C.CAPACITOR CH 16V 1U	3	
C248-56	ECUX1E104ZVF	C.CAPACITOR CH 25V 0.1U	9	
C260-67	ECUX1E104ZVF	C.CAPACITOR CH 25V 0.1U	8	
C300,01	ECUX1E104ZVF	C.CAPACITOR CH 25V 0.1U	2	
C303-11	ECUX1E104ZVF	C.CAPACITOR CH 25V 0.1U	9	
C313	ECUX1E104ZVF	C.CAPACITOR CH 25V 0.1U	1	
C315-18	ECUX1E104ZVF	C.CAPACITOR CH 25V 0.1U	4	
C320-31	ECUX1E104ZVF	C.CAPACITOR CH 25V 0.1U	12	
C499	ECUX1E104ZVF	C.CAPACITOR CH 25V 0.1U	1	
C900,01	ECUX1E104ZVF	C.CAPACITOR CH 25V 0.1U	2	
C902	ECEV1CV100Q	E.CAPACITOR CH 16V 100U	1	
C903,04	ECUX1E104ZVF	C.CAPACITOR CH 25V 0.1U	2	
C905	ECEV1CV100Q	E.CAPACITOR CH 16V 100U	1	
C906,07	ECUX1E104ZVF	C.CAPACITOR CH 25V 0.1U	2	
C908	ECEV1CV100Q	E.CAPACITOR CH 16V 100U	1	
C909	ECUX1E104ZVF	C.CAPACITOR CH 25V 0.1U	1	
C912	ECUX1E104ZVF	C.CAPACITOR CH 25V 0.1U	1	
C913	ECEV1CV470Q	E.CAPACITOR CH 16V 47U	1	
C914	ECUX1E104ZVF	C.CAPACITOR CH 25V 0.1U	1	
C915	ECEV1CV470Q	E.CAPACITOR CH 16V 47U	1	
C916	ECUX1E104ZVF	C.CAPACITOR CH 25V 0.1U	1	
C917	ECEV0JV101Q	E.CAPACITOR CH6.3V 100U	1	
C918,19	ECUX1E104ZVF	C.CAPACITOR CH 25V 0.1U	2	
C920	ECEV0JV101Q	E.CAPACITOR CH6.3V 100U	1	
D1,D2	MA152K	DIODE	2	
D200,01	LN1251CAL	DIODE	2	
FL1-L4	VLF0576	FILTER	4	
FL5-L7	VLF0931	FILTER	3	
IC1 03	M31020EAVP	IC	1	
IC1 02	M65501WG	IC	1	
IC1	MC74HC125AF	IC	1	
IC2 02	MB81V4260S7	IC	1	
IC2	NJM082BM	IC	1	
IC3	74F2445J	IC	1	
IC3 02	M65501WG	IC	1	
IC4	MB81V4260S7	IC	1	
IC4	T74LCX244F	IC	1	
IC5	T74VHC244F	IC	1	
IC5 02	TCVHC125F	IC	1	
IC6	MC10H124M	IC	1	
IC7	T74VHC244F	IC	1	
IC8	MC10H124M	IC	1	
IC9	T74LCX244F	IC	1	
IC10 02	M65501WG	IC	1	

Ref.No.	Part No.	Part Name & Description	Pcs	Remarks
IC10	TCVHC157F	IC	1	
IC11	02 MB81V4260S7	IC	1	
IC11	TCVHC157F	IC	1	
IC12	02 M65501WG	IC	1	
IC12	T74VHC244F	IC	1	
IC13	02 MB81V4260S7	IC	1	
IC13	T74VHC244F	IC	1	
IC14	I1032E-70LT	IC	1	
IC15	SN74ALS245A	IC	1	
IC15	02 TLCX125F	IC	1	
IC16	T74VHC245F	IC	1	
IC17,18	74F244SJ	IC	2	
IC19,20	T74VHC244F	IC	2	
IC21	ISP2032-80LT	IC	1	
IC22,23	MN67373	IC	2	
IC24	MC10H125M	IC	1	
IC25	SN74LS123NS	IC	1	
IC26	T74VHC244F	IC	1	
IC27,28	MN67373	IC	2	
IC29	T74VHC244F	IC	1	
IC30	TCVHC74F	IC	1	
IC39	UPD65868D022	IC	1	
IC41	T74VHC574F	IC	1	
IC43	T74VHC244F	IC	1	
IC44	MC10H124M	IC	1	
IC45	SN74S1051NS	IC	1	
IC46	SN74S1053NS	IC	1	
IC47	UPD71055GB	IC	1	
IC48,49	T74VHC573F	IC	2	
IC50	IDT7132L1L55F	IC	1	
IC52	T74VHC245F	IC	1	
IC53	T74VHC138F	IC	1	
IC54	T74VHC244F	IC	1	
IC55	TCVHC157F	IC	1	
IC56	T74VHC08F	IC	1	
IC58-60	T74VHC244F	IC	3	
IC61	T74LCX244F	IC	1	
IC63	TCVHC157F	IC	1	
IC64	T74VHC573F	IC	1	
IC65	IDT7132L1L55F	IC	1	
IC67	T74VHC573F	IC	1	
IC68	T74VHC245F	IC	1	
IC69	T74VHC138F	IC	1	
IC70,71	TLCX574F	IC	2	
IC73,74	MN4707F	IC	2	
IC75	TLCX04F	IC	1	
IC80,81	MN4707F	IC	2	
IC84-88	TLCX574F	IC	5	
IC89	T74VHC244F	IC	1	
IC90,91	TCVHC157F	IC	2	
IC92	MB81V4260S7	IC	1	
IC94,95	T74LCX244F	IC	2	
IC96	MB81V4260S7	IC	1	
IC97	MN47V78S	IC	1	
IC98	I1016E-80LT	IC	1	
IC99-03	MN47V78S	IC	5	
IC106	MC10H125M	IC	1	
IC107	T74VHC244F	IC	1	
IC108	T74LCX244F	IC	1	
IC109	MN47V76S	IC	1	
IC110	T74LCX244F	IC	1	
IC111	MN47V76S	IC	1	
IC112	T74VHC244F	IC	1	
IC113	MC10H124M	IC	1	
IC114	TCVHC74F	IC	1	
IC115	T74VHC244F	IC	1	
IC116	MC10H125M	IC	1	
IC117,18	MN47V76S	IC	2	
IC119	T74LCX244F	IC	1	
IC120	ISP2032-80LT	IC	1	
IC121,22	I1032E-70LT	IC	2	
IC125-31	T74VHC244F	IC	7	
IC200,01	L7A1571	IC	2	
IC800,01	L7A1571	IC	2	
IC802,03	L7A1592	IC	2	

Ref.No.	Part No.	Part Name & Description	Pcs	Remarks
IC900	NJM78L09UA	IC	1	
IC901	NJM79L09UA	IC	1	
IC902	NJM78L05UA	IC	1	
IC903	XC62FP3302P	IC	1	
IC904	LT1086CM	IC	1	
ID1	VSI2578C	IC	1	
L1-L3	VLQ0319K470	COIL 47UH	3	
P1	03 VJP3510	CONNECTOR (MALE)	1	
P1	02 VJP4106A120L	CONNECTOR (MALE)	1	
P1	VJS4064K120E	CONNECTOR (FEMALE)	1	
P2	VJP3510	CONNECTOR (MALE)	1	
P3	VJP1248T	CONNECTOR (MALE) 8P	1	
P5,P6	VJS4106A120L	CONNECTOR (FEMALE)	2	
P10	VJP4064K120C	CONNECTOR (MALE)	1	
P10	VJP4064N160C	CONNECTOR (MALE)	1	
P20	02 VJS3657	CONNECTOR (FEMALE)	1	
R1	02 ERJ3GEYG102	M.RESISTOR CH 1/16W 1K	1	
R1	ERJ3GEYG471	M.RESISTOR CH 1/16W 470	1	
R2	02 ERJ3GEY0R00	M.RESISTOR CH 1/16W 0	1	
R2	ERJ3GEYJ473	M.RESISTOR CH 1/16W 47K	1	
R3	02 ERJ3GEY0R00	M.RESISTOR CH 1/16W 0	1	
R3	ERJ3GEYJ103	M.RESISTOR CH 1/16W 10K	1	
R4	02 ERJ3GEY0R00	M.RESISTOR CH 1/16W 0	1	
R4	ERJ3GEYJ103	M.RESISTOR CH 1/16W 10K	1	
R5	02 ERJ3GEY0R00	M.RESISTOR CH 1/16W 0	1	
R5	ERJ3GEYJ223	M.RESISTOR CH 1/16W 22K	1	
R6	02 ERJ3GEY0R00	M.RESISTOR CH 1/16W 0	1	
R6	ERJ3GEYJ105	M.RESISTOR CH 1/16W 1M	1	
R7	ERJ3GEYG102	M.RESISTOR CH 1/16W 1K	1	
R8	ERJ3GEYG102	M.RESISTOR CH 1/16W 1K	1	
R8	02 ERJ3GEYG102	M.RESISTOR CH 1/16W 1K	1	
R9-11	ERJ3GEY0R00	M.RESISTOR CH 1/16W 0	3	
R12	ERJ3GEYJ220	M.RESISTOR CH 1/16W 22	1	
R14-19	ERJ3GEYG102	M.RESISTOR CH 1/16W 1K	6	
R21	ERJ3GEYG102	M.RESISTOR CH 1/16W 1K	1	
R22	02 ERJ3GEY0R00	M.RESISTOR CH 1/16W 0	1	
R22	ERJ3GEYJ220	M.RESISTOR CH 1/16W 22	1	
R23	02 ERJ3GEY0R00	M.RESISTOR CH 1/16W 0	1	
R23	ERJ3GEYJ220	M.RESISTOR CH 1/16W 22	1	
R24	02 ERJ3GEY0R00	M.RESISTOR CH 1/16W 0	1	
R24	ERJ3GEYJ220	M.RESISTOR CH 1/16W 22	1	
R25	02 ERJ3GEY0R00	M.RESISTOR CH 1/16W 0	1	
R25	ERJ3GEYJ220	M.RESISTOR CH 1/16W 22	1	
R26	02 ERJ3GEYJ103	M.RESISTOR CH 1/16W 10K	1	
R26,27	ERJ3GEYJ220	M.RESISTOR CH 1/16W 22	2	
R28	ERJ3GEYJ220	M.RESISTOR CH 1/16W 22	1	
R28	02 ERJ3GEYJ220	M.RESISTOR CH 1/16W 22	1	
R29	02 ERJ3GEYJ220	M.RESISTOR CH 1/16W 22	1	
R29	ERJ3GEYJ220	M.RESISTOR CH 1/16W 22	1	
R30,02	ERJ3GEYG102	M.RESISTOR CH 1/16W 1K	2	
R31	ERJ3GEYJ220	M.RESISTOR CH 1/16W 22	1	
R32	02 ERJ3GEY102	M.RESISTOR CH 1/16W 1K	1	
R32	ERJ3GEYJ220	M.RESISTOR CH 1/16W 22	1	
R33	02 ERJ3GEYG102	M.RESISTOR CH 1/16W 1K	1	
R33	ERJ3GEYJ220	M.RESISTOR CH 1/16W 22	1	
R34-02	ERJ3GEY0R00	M.RESISTOR CH 1/16W 0	3	
R36	ERJ6GEYG271	M.RESISTOR CH 1/10W 270	1	
R37	02 ERJ3GEY0R00	M.RESISTOR CH 1/16W 0	1	
R37	ERJ6GEYG271	M.RESISTOR CH 1/10W 270	1	
R38	02 ERJ3GEY0R00	M.RESISTOR CH 1/16W 0	1	
R38	ERJ6GEYG271	M.RESISTOR CH 1/10W 270	1	
R39	02 ERJ3GEYG102	M.RESISTOR CH 1/16W 1K	1	
R39	ERJ6GEYG271	M.RESISTOR CH 1/10W 270	1	
R40	02 ERJ3GEYG102	M.RESISTOR CH 1/16W 1K	1	
R40	ERJ6GEYG271	M.RESISTOR CH 1/10W 270	1	
R41	02 ERJ3GEY0R00	M.RESISTOR CH 1/16W 0	1	
R41	ERJ6GEYG271	M.RESISTOR CH 1/10W 270	1	
R42	02 ERJ3GEY0R00	M.RESISTOR CH 1/16W 0	1	
R42	ERJ3GEYJ220	M.RESISTOR CH 1/16W 22	1	
R43	ERJ3GEYG102	M.RESISTOR CH 1/16W 1K	1	
R44	ERJ3GEYJ220	M.RESISTOR CH 1/16W 22	1	

Ref.No.	Part No.	Part Name & Description	Pcs	Remarks
R44	02	ERJ3GEYJ220	M.RESISTOR CH 1/16W 22	1
R45-02		ERJ3GEGY102	M.RESISTOR CH 1/16W 1K	3
R47		ERJ6GEY271	M.RESISTOR CH 1/10W 270	1
R48	02	ERJ3GEGY102	M.RESISTOR CH 1/16W 1K	1
R48		ERJ6GEY271	M.RESISTOR CH 1/10W 270	1
R49	02	ERJ3GEGY120	M.RESISTOR CH 1/16W 1K	1
R49		ERJ3GEGY220	M.RESISTOR CH 1/16W 22	1
R50	02	ERJ3GEGY102	M.RESISTOR CH 1/16W 1K	1
R50		ERJ3GEGY220	M.RESISTOR CH 1/16W 22	1
R51	02	ERJ3GEGY102	M.RESISTOR CH 1/16W 1K	1
R51		ERJ3GEGY220	M.RESISTOR CH 1/16W 22	1
R52	02	ERJ3GEGY120	M.RESISTOR CH 1/16W 1K	1
R52		ERJ3GEGY220	M.RESISTOR CH 1/16W 22	1
R53	02	ERJ3GEGY102	M.RESISTOR CH 1/16W 1K	1
R53		ERJ3GEGY220	M.RESISTOR CH 1/16W 22	1
R54	02	ERJ3GEY0R00	M.RESISTOR CH 1/16W 0	1
R54		ERJ3GEGY220	M.RESISTOR CH 1/16W 22	1
R55.56		ERJ3GEY0R00	M.RESISTOR CH 1/16W 0	2
R57	02	ERJ3GEGY102	M.RESISTOR CH 1/16W 1K	1
R57-59		ERJ3GEGY220	M.RESISTOR CH 1/16W 22	3
R60	02	ERJ3GEGY102	M.RESISTOR CH 1/16W 1K	1
R60		ERJ3GEGY331	M.RESISTOR CH 1/16W 330	1
R61-63		ERJ3GEGY102	M.RESISTOR CH 1/16W 1K	3
R64		ERJ6RED394	M.RESISTOR CH 1/10W 390K	1
R66		ERJ3GEGY102	M.RESISTOR CH 1/16W 1K	1
R70	02	ERJ3GEGY102	M.RESISTOR CH 1/16W 1K	1
R70		ERJ3GEGY331	M.RESISTOR CH 1/16W 330	1
R71	02	ERJ3GEY0R00	M.RESISTOR CH 1/16W 0	1
R71		ERJ3GEGY331	M.RESISTOR CH 1/16W 330	1
R72	02	ERJ3GEY0R00	M.RESISTOR CH 1/16W 0	1
R72		ERJ3GEGY102	M.RESISTOR CH 1/16W 1K	1
R73.02		ERJ3GEY0R00	M.RESISTOR CH 1/16W 0	2
R74		ERJ3GEGY102	M.RESISTOR CH 1/16W 1K	1
R75	02	ERJ3GEY0R00	M.RESISTOR CH 1/16W 0	1
R75		ERJ3GEGY220	M.RESISTOR CH 1/16W 22	1
R76.77		ERJ3GEGY102	M.RESISTOR CH 1/16W 1K	2
R78		ERJ3GEGY470	M.RESISTOR CH 1/16W 47	1
R79		ERJ3GEY0R00	M.RESISTOR CH 1/16W 0	1
R80-83		ERJ3GEGY102	M.RESISTOR CH 1/16W 1K	4
R88		ERJ3GEGY102	M.RESISTOR CH 1/16W 1K	1
R89		ERJ3GEY0R00	M.RESISTOR CH 1/16W 0	1
R90		ERJ3GEGYJ103	M.RESISTOR CH 1/16W 10K	1
R91		ERJ3GEGY220	M.RESISTOR CH 1/16W 22	1
R92		ERJ3GEY0R00	M.RESISTOR CH 1/16W 0	1
R92	02	ERJ3GEGY220	M.RESISTOR CH 1/16W 22	1
R93		ERJ3GEGY102	M.RESISTOR CH 1/16W 1K	1
R93	02	ERJ3GEGY102	M.RESISTOR CH 1/16W 1K	1
R94		ERJ3GEY0R00	M.RESISTOR CH 1/16W 0	1
R95	02	ERJ3GEGY102	M.RESISTOR CH 1/16W 1K	1
R95		ERJ3GEGY220	M.RESISTOR CH 1/16W 22	1
R96.97		ERJ3GEGY102	M.RESISTOR CH 1/16W 1K	2
R98-02		ERJ3GEY0R00	M.RESISTOR CH 1/16W 0	3
R100		ERJ3GEGY220	M.RESISTOR CH 1/16W 22	1
R101	02	ERJ3GEY0R00	M.RESISTOR CH 1/16W 0	1
R101		ERJ3GEGY220	M.RESISTOR CH 1/16W 22	1
R102		ERJ3GEY0R00	M.RESISTOR CH 1/16W 0	1
R103.04		ERJ3GEGY102	M.RESISTOR CH 1/16W 1K	2
R105		ERJ3GEGY470	M.RESISTOR CH 1/16W 47	1
R106	02	ERJ3GEY0R00	M.RESISTOR CH 1/16W 0	1
R106		ERJ3GEGY331	M.RESISTOR CH 1/16W 330	1
R107-13		ERJ3GEGY102	M.RESISTOR CH 1/16W 1K	7
R115		ERJ3GEGY102	M.RESISTOR CH 1/16W 1K	1
R116		ERJ3GEY0R00	M.RESISTOR CH 1/16W 0	1
R117		ERJ3GEGY220	M.RESISTOR CH 1/16W 1K	1
R118.19		ERJ3GEGY102	M.RESISTOR CH 1/16W 22	2
R120-22		ERJ3GEGY102	M.RESISTOR CH 1/16W 1K	3
R123		ERJ3GEGY102	M.RESISTOR CH 1/16W 1K	1
R130.31		ERJ3GEGY220	M.RESISTOR CH 1/16W 22	2
R134		ERJ3GEGY102	M.RESISTOR CH 1/16W 1K	1
R144-46		ERJ3GEGY103	M.RESISTOR CH 1/16W 10K	3
R148		ERJ3GEGY103	M.RESISTOR CH 1/16W 10K	1
R150.51		ERJ3GEGY103	M.RESISTOR CH 1/16W 10K	2
R156-58		ERJ3GEGY102	M.RESISTOR CH 1/16W 1K	3
R159		ERJ3GEGY220	M.RESISTOR CH 1/16W 22	1
R165-67		ERJ3GEGY102	M.RESISTOR CH 1/16W 1K	3

Ref.No.	Part No.	Part Name & Description	Pcs	Remarks
R169		ERJ3GEGY102	M.RESISTOR CH 1/16W 1K	1
R176		ERJ3GEGY220	M.RESISTOR CH 1/16W 22	1
R182-85		ERJ3GEGY122	M.RESISTOR CH 1/16W 1.2K	4
R186		ERJ3GEGY102	M.RESISTOR CH 1/16W 1K	1
R189.90		ERJ3GEGY122	M.RESISTOR CH 1/16W 1.2K	2
R191-94		ERJ3GEGY102	M.RESISTOR CH 1/16W 1K	4
R195		ERJ3GEGY101	M.RESISTOR CH 1/16W 100	1
R196		ERJ3GEGY102	M.RESISTOR CH 1/16W 1K	1
R197.98		ERJ3GEGY220	M.RESISTOR CH 1/16W 22	2
R200-02		ERJ3GEGY102	M.RESISTOR CH 1/16W 1K	3
R203		ERJ6GEY271	M.RESISTOR CH 1/10W 270	1
R204.05		ERJ3GEGY102	M.RESISTOR CH 1/16W 1K	2
R206		ERJ6GEY271	M.RESISTOR CH 1/10W 270	1
R207-12		ERJ3GEGY102	M.RESISTOR CH 1/16W 1K	6
R213		ERJ3GEGY220	M.RESISTOR CH 1/16W 22	1
R214		ERJ3GEGY102	M.RESISTOR CH 1/16W 1K	1
R215		ERJ3GEGY220	M.RESISTOR CH 1/16W 22	1
R216		ERJ3GEGY102	M.RESISTOR CH 1/16W 1K	1
R218.19		ERJ3GEGY102	M.RESISTOR CH 1/16W 1K	2
R220-29		ERJ3GEGY220	M.RESISTOR CH 1/16W 22	10
R232		ERJ3GEGY821	M.RESISTOR CH 1/16W 820	1
R233-35		ERJ3GEGY122	M.RESISTOR CH 1/16W 1.2K	3
R236		ERJ3GEGY102	M.RESISTOR CH 1/16W 1K	1
R340		ERJ3GEGY102	M.RESISTOR CH 1/16W 1K	1
R341		ERJ3GEGY103	M.RESISTOR CH 1/16W 10K	1
R342-45		ERJ3GEGY102	M.RESISTOR CH 1/16W 1K	4
R346.47		ERJ3GEGY103	M.RESISTOR CH 1/16W 10K	2
R348.49		ERJ3GEGY102	M.RESISTOR CH 1/16W 1K	1
R351.52		ERJ3GEGY103	M.RESISTOR CH 1/16W 10K	2
R353		ERJ3GEGY220	M.RESISTOR CH 1/16W 22	1
R355.56		ERJ3GEGY103	M.RESISTOR CH 1/16W 10K	2
R357-59		ERJ3GEGY102	M.RESISTOR CH 1/16W 1K	3
R364		ERJ3GEGY102	M.RESISTOR CH 1/16W 1K	1
R398		ERJ3GEGY102	M.RESISTOR CH 1/16W 1K	1
R400		ERJ3GEGY101	M.RESISTOR CH 1/16W 100	1
R407		ERJ3GEGY102	M.RESISTOR CH 1/16W 1K	1
R409		ERJ3GEGY101	M.RESISTOR CH 1/16W 100	1
R412		ERJ3GEGY122	M.RESISTOR CH 1/16W 1.2K	1
R425		ERJ3GEGY103	M.RESISTOR CH 1/16W 10K	1
R430		ERJ3GEGY103	M.RESISTOR CH 1/16W 10K	1
R446		ERJ3GEGY102	M.RESISTOR CH 1/16W 1K	1
R450		ERJ3GEGY102	M.RESISTOR CH 1/16W 1K	1
R453		ERJ3GEGY821	M.RESISTOR CH 1/16W 820	1
R454.55		ERJ3GEGY122	M.RESISTOR CH 1/16W 1.2K	2
R456.57		ERJ3GEGY102	M.RESISTOR CH 1/16W 1K	2
R458.59		ERJ3GEGY122	M.RESISTOR CH 1/16W 1.2K	2
R460		ERJ3GEGY220	M.RESISTOR CH 1/16W 22	1
R479		ERJ3GEGY103	M.RESISTOR CH 1/16W 10K	1
R480		ERJ3GEGY102	M.RESISTOR CH 1/16W 1K	1
R481		ERJ3GEGY103	M.RESISTOR CH 1/16W 10K	1
R482		ERJ3GEGY102	M.RESISTOR CH 1/16W 1K	1
R484-88		ERJ3GEGY102	M.RESISTOR CH 1/16W 1K	5
R490		ERJ3GEGY122	M.RESISTOR CH 1/16W 1.2K	1
R493-96		ERJ3GEGY122	M.RESISTOR CH 1/16W 1.2K	4
R499		ERJ3GEGY122	M.RESISTOR CH 1/16W 1.2K	1
R500-07		ERJ3GEGY220	M.RESISTOR CH 1/16W 22	8
R508		ERJ3GEGY221	M.RESISTOR CH 1/16W 220	1
R510-12		ERJ3GEGY220	M.RESISTOR CH 1/16W 22	3
R515.16		ERJ3GEGY103	M.RESISTOR CH 1/16W 10K	2
R518-25		ERJ3GEGY220	M.RESISTOR CH 1/16W 22	8
R545		ERJ3GEGY102	M.RESISTOR CH 1/16W 1K	1
R555		ERJ3GEGY220	M.RESISTOR CH 1/16W 22	1
R557-60		ERJ3GEGY220	M.RESISTOR CH 1/16W 22	4
R561		ERJ3GEGY102	M.RESISTOR CH 1/16W 1K	1
R583.84		ERJ3GEY0R00	M.RESISTOR CH 1/16W 0	2
R585.86		ERJ3GEGY103	M.RESISTOR CH 1/16W 10K	2
R598-00		ERJ3GEGY102	M.RESISTOR CH 1/16W 1K	3
R602.03		ERJ3GEGY103	M.RESISTOR CH 1/16W 10K	2
R610		ERJ3GEGY102	M.RESISTOR CH 1/16W 1K	1
R619		ERJ3GEGY221	M.RESISTOR CH 1/16W 220	1
R620		ERJ3GEGY220	M.RESISTOR CH 1/16W 22	1
R630.31		ERJ3GEGY220	M.RESISTOR CH 1/16W 22	2
R632.33		ERJ3GEGY103	M.RESISTOR CH 1/16W 10K	2
R635-50		ERJ3GEGY122	M.RESISTOR CH 1/16W 1.2K	16
R653		ERJ3GEGY102	M.RESISTOR CH 1/16W 1K	1

Ref.No.	Part No.	Part Name & Description	Pcs	Remarks
R662-67	ERJ3GEYJ220	M.RESISTOR CH 1/16W 22	6	
R693,94	ERJ3GEYG102	M.RESISTOR CH 1/16W 1K	2	
R700	ERJ3GEYG102	M.RESISTOR CH 1/16W 1K	1	
R721	ERJ3GEYG102	M.RESISTOR CH 1/16W 1K	1	
R722-25	ERJ3GEYJ103	M.RESISTOR CH 1/16W 10K	4	
R727	ERJ3GEYJ103	M.RESISTOR CH 1/16W 10K	1	
R728	ERJ3GEYG102	M.RESISTOR CH 1/16W 1K	1	
R731	ERJ3GEYJ103	M.RESISTOR CH 1/16W 10K	1	
R733	ERJ3GEYJ103	M.RESISTOR CH 1/16W 10K	1	
R737,38	ERJ3GEYJ103	M.RESISTOR CH 1/16W 10K	2	
R739	ERJ3GEYG102	M.RESISTOR CH 1/16W 1K	1	
R765-67	ERJ3GEYJ103	M.RESISTOR CH 1/16W 10K	3	
R781-84	ERJ3GEYG102	M.RESISTOR CH 1/16W 1K	4	
R786	ERJ6GEYG102	M.RESISTOR CH 1/10W 1K	1	
R787	ERJ6RBD101	M.RESISTOR CH 1/10W 100	1	
R788	ERJ6RED820	M.RESISTOR CH 1/10W 82	1	
R790-97	ERJ3GEYJ331	M.RESISTOR CH 1/16W 330	8	
R798	ERJ3GEYG102	M.RESISTOR CH 1/16W 1K	1	
R800-05	ERJ3GEYG102	M.RESISTOR CH 1/16W 1K	6	
R816-19	ERJ3GEYJ220	M.RESISTOR CH 1/16W 22	4	
R820-23	ERJ3GEYJ101	M.RESISTOR CH 1/16W 100	4	
R824-29	ERJ6GEYG271	M.RESISTOR CH 1/10W 270	6	
R830	ERJ3GEYG102	M.RESISTOR CH 1/16W 1K	1	
R832-34	ERJ3GEYG102	M.RESISTOR CH 1/16W 1K	3	
R837,38	ERJ3GEYJ220	M.RESISTOR CH 1/16W 22	2	
R839	ERJ3GEYJ103	M.RESISTOR CH 1/16W 10K	1	
R840	ERJ3GEYJ220	M.RESISTOR CH 1/16W 22	1	
R841	ERJ3GEYJ221	M.RESISTOR CH 1/16W 220	1	
R842,43	ERJ3GEYJ220	M.RESISTOR CH 1/16W 22	2	
R845-47	ERJ3GEYJ103	M.RESISTOR CH 1/16W 10K	3	
R848	ERJ3GEYG102	M.RESISTOR CH 1/16W 1K	1	
R851	ERJ3GEYG102	M.RESISTOR CH 1/16W 1K	1	
R853-55	ERJ3GEYG102	M.RESISTOR CH 1/16W 1K	3	
R859	ERJ3GEYJ103	M.RESISTOR CH 1/16W 10K	1	
R860	ERJ3GEYG102	M.RESISTOR CH 1/16W 1K	1	
R861,62	ERJ3GEYJ103	M.RESISTOR CH 1/16W 10K	2	
R863	ERJ3GEYJ220	M.RESISTOR CH 1/16W 22	1	
R864	ERJ3GEYJ221	M.RESISTOR CH 1/16W 220	1	
R871,72	ERJ3GEYJ220	M.RESISTOR CH 1/16W 22	2	
R873	ERJ3GEYG102	M.RESISTOR CH 1/16W 1K	1	
R881	ERJ3GEYG102	M.RESISTOR CH 1/16W 1K	1	
R882,83	ERJ3GEYJ221	M.RESISTOR CH 1/16W 220	2	
R884,85	ERJ3GEYJ220	M.RESISTOR CH 1/16W 22	1	
R886-89	ERJ3GEYJ101	M.RESISTOR CH 1/16W 100	4	
R890	ERJ3GEYJ103	M.RESISTOR CH 1/16W 10K	1	
R891-93	ERJ3GEYG102	M.RESISTOR CH 1/16W 1K	3	
R894,95	ERJ3GEYJ103	M.RESISTOR CH 1/16W 10K	2	
R896-02	ERJ3GEYG102	M.RESISTOR CH 1/16W 1K	7	
R908,09	ERJ3GEYJ220	M.RESISTOR CH 1/16W 22	2	
R910	ERJ3GEYOR000	M.RESISTOR CH 1/16W 0	1	
R912,13	ERJ3GEYJ220	M.RESISTOR CH 1/16W 22	2	
R922	ERJ3GEYJ103	M.RESISTOR CH 1/16W 10K	1	
R952-59	ERJ3GEYJ220	M.RESISTOR CH 1/16W 22	8	
R982	ERJ3GEYJ220	M.RESISTOR CH 1/16W 22	1	
R983	ERJ3GEYJ331	M.RESISTOR CH 1/16W 330	1	
R992	ERJ3GEYG102	M.RESISTOR CH 1/16W 1K	1	
R999	ERJ3GEYJ220	M.RESISTOR CH 1/16W 22	1	
TP5,P6	EYF6CU	TEST POINT	2	
TP12	EYF6CU	TEST POINT	1	
X1	VSX0906	CRYSTAL OSCILLATOR	1	
X2	VSX0970	CRYSTAL OSCILLATOR	1	
		MISCELLANEOUS		
	VML2143	CARD PULLER	1	
	VML2144	CARD PULLER	1	
	XYN26+C12	SCREW	8	
	XNG26FXS	NUT	8	
	VMX2020	P.C.BOARD POST	3	
	XYN3+K5	SCREW	3	
	XYN3+K6	SCREW	3	
	VMX2020	P.C.BOARD POST	2	
	XYN3+K5	SCREW	2	

Ref.No.	Part No.	Part Name & Description	Pcs	Remarks
	XYN3+K6	SCREW	2	
	VMS6278	POST	2	
	XYN3+K5	SCREW	2	
	XWA3B	WASHER	2	
	XNG3BS	NUT	2	
* E7	VEP83375B	F6 P V OUT P.C.BOARD	1	(RTL)
	C3001-13	ECUX1E104ZVF	C.CAPACITOR CH 25V 0.1U	13
	C3014,15	ECUX1H103KBV	C.CAPACITOR CH 50V 0.01U	2
	C3016	ECUX1E104ZVF	C.CAPACITOR CH 25V 0.1U	1
	C3017	ECUX1H103KBV	C.CAPACITOR CH 50V 0.01U	1
	C3018,19	ECUX1E104ZVF	C.CAPACITOR CH 25V 0.1U	2
	C3020,21	ECUX1H103KBV	C.CAPACITOR CH 50V 0.01U	2
	C3022	ECUX1E104ZVF	C.CAPACITOR CH 25V 0.1U	1
	C3023	ECUX1H103KBV	C.CAPACITOR CH 50V 0.01U	1
	C3024	ECUX1E104ZVF	C.CAPACITOR CH 25V 0.1U	1
	C3025	ECUX1H103KBV	C.CAPACITOR CH 50V 0.01U	1
	C3026,27	ECUX1E104ZVF	C.CAPACITOR CH 25V 0.1U	2
	C3028	ECUX1H103KBV	C.CAPACITOR CH 50V 0.01U	1
	C3029	ECUX1E104ZVF	C.CAPACITOR CH 25V 0.1U	1
	C3030	ECUX1H103KBV	C.CAPACITOR CH 50V 0.01U	1
	C3031	ECUX1E104ZVF	C.CAPACITOR CH 25V 0.1U	1
	C3032	ECUX1H390JCV	C.CAPACITOR CH 50V 39P	1
	C3033	ECUX1H070DCV	C.CAPACITOR CH 50V 7P	1
	C3034,35	ECUX1E104ZVF	C.CAPACITOR CH 25V 0.1U	2
	C3036	ECUX1H020CCV	C.CAPACITOR CH 50V 2P	1
	C3037	ECUX1H180JCV	C.CAPACITOR CH 50V 18P	1
	C3038-44	ECUX1E104ZVF	C.CAPACITOR CH 25V 0.1U	7
	C3045	ECEV1CV100Q	E.CAPACITOR CH 16V 10U	1
	C3046-51	ECUX1E104ZVF	C.CAPACITOR CH 25V 0.1U	6
	C3052	ECEV1CV100Q	E.CAPACITOR CH 16V 10U	1
	C3053	ECUX1E104ZVF	C.CAPACITOR CH 25V 0.1U	1
	C3054	ECEV1CV100Q	E.CAPACITOR CH 16V 10U	1
	C3055	ECUX1E104ZVF	C.CAPACITOR CH 25V 0.1U	1
	C3056	ECUX1H560JCV	C.CAPACITOR CH 50V 56P	1
	C3057	ECUX1H331JCV	C.CAPACITOR CH 50V 330P	1
	C3058	ECUX1H471JCV	C.CAPACITOR CH 50V 470P	1
	C3059-96	ECUX1E104ZVF	C.CAPACITOR CH 25V 0.1U	38
	C3097	ECEV1CV470Q	E.CAPACITOR CH 16V 47U	1
	C3098	ECUX1E104ZVF	C.CAPACITOR CH 25V 0.1U	1
	C3099	ECEV1CV470Q	E.CAPACITOR CH 16V 47U	1
	C3100	ECUX1E104ZVF	C.CAPACITOR CH 25V 0.1U	1
	C3101	ECEV1CV470Q	E.CAPACITOR CH 16V 47U	1
	C3102	ECUX1E104KBN	C.CAPACITOR CH 25V 0.1U	1
	C3103	ECUX1E104ZVF	C.CAPACITOR CH 25V 0.1U	1
	C3104	ECEV1CV100Q	E.CAPACITOR CH 16V 10U	1
	C3105	ECUX1E104ZVF	C.CAPACITOR CH 25V 0.1U	1
	C3106,07	ECEV1CV470Q	E.CAPACITOR CH 16V 47U	2
	C3108	ECUX1E104ZVF	C.CAPACITOR CH 25V 0.1U	1
	C3109	ECEV1CV470Q	E.CAPACITOR CH 16V 47U	1
	C3110	ECUX1E104ZVF	C.CAPACITOR CH 25V 0.1U	1
	C3111	ECEV1CV470Q	E.CAPACITOR CH 16V 47U	1
	C3112	ECUX1E104ZVF	C.CAPACITOR CH 25V 0.1U	1
	C3113	ECUX1E104KBN	C.CAPACITOR CH 25V 0.1U	1
	C3114-41	ECUX1E104ZVF	C.CAPACITOR CH 25V 0.1U	28
	C3142-45	ECUX1H103KBV	C.CAPACITOR CH 50V 0.01U	4
	C3146-51	ECUX1E104ZVF	C.CAPACITOR CH 25V 0.1U	6
	C3153-57	ECUX1E104ZVF	C.CAPACITOR CH 25V 0.1U	5
	C3162,63	ECUX1E104ZVF	C.CAPACITOR CH 25V 0.1U	2
	C3165-74	ECUX1E104ZVF	C.CAPACITOR CH 25V 0.1U	10
	C3175	ECEV1CV100Q	E.CAPACITOR CH 16V 10U	1
	C3176-82	ECUX1E104ZVF	C.CAPACITOR CH 25V 0.1U	7
	C3183	ECEV1EV100Q	E.CAPACITOR CH 25V 10U	1
	C3184,85	ECEV1CV100Q	E.CAPACITOR CH 16V 10U	2
	C3186	ECEV1EV100Q	E.CAPACITOR CH 25V 10U	1
	C3187,88	ECEV1CV100Q	E.CAPACITOR CH 16V 10U	2
	C3189	ECEV1CV470Q	E.CAPACITOR CH 16V 47U	1
	C3190,91	ECUX1E104ZVF	C.CAPACITOR CH 25V 0.1U	2
	C3192	ECEV1CV100Q	E.CAPACITOR CH 16V 10U	1
	C3193	ECUX1E104ZVF	C.CAPACITOR CH 25V 0.1U	1
	C3194	ECEV1CV100Q	E.CAPACITOR CH 16V 10U	1
	C3195,96	ECUX1E104ZVF	C.CAPACITOR CH 25V 0.1U	2

Ref.No.	Part No.	Part Name & Description	Pcs	Remarks
C3197	ECEV1CV100Q	E.CAPACITOR CH 16V 10U	1	
C3198	ECUX1E104ZVF	C.CAPACITOR CH 25V 0.1U	1	
C3199	ECEV1EV330Q	E.CAPACITOR CH 25V 33U	1	
C3200-02	ECUX1E104ZVF	C.CAPACITOR CH 25V 0.1U	3	
C3203	ECEV1CV470Q	E.CAPACITOR CH 16V 47U	1	
C3204	ECEV1EV330Q	E.CAPACITOR CH 25V 33U	1	
C3205	ECUX1E104ZVF	C.CAPACITOR CH 25V 0.1U	1	
C3206	ECEV1CV100Q	E.CAPACITOR CH 16V 10U	1	
C3207-13	ECUX1E104ZVF	C.CAPACITOR CH 25V 0.1U	7	
C3214	ECUX1H103KBV	C.CAPACITOR CH 50V 0.01U	1	
C3215-21	ECUX1E104ZVF	C.CAPACITOR CH 25V 0.1U	7	
C3222	ECEV1HN010Q	E.CAPACITOR CH 50V 1U	1	
C3223	ECEV1CV470Q	E.CAPACITOR CH 16V 47U	1	
C3224-36	ECUX1E104ZVF	C.CAPACITOR CH 25V 0.1U	13	
C3237	ECEV1CV100Q	E.CAPACITOR CH 16V 10U	1	
C3238	ECUX1E104ZVF	C.CAPACITOR CH 25V 0.1U	1	
C3239	ECUX1H102JV	C.CAPACITOR CH 50V 1000P	1	
C3240	ECUX1H150JCV	C.CAPACITOR CH 50V 15P	1	
C3241	ECUX1E104KBN	C.CAPACITOR CH 25V 0.1U	1	
C3242	ECUX1H102JCV	C.CAPACITOR CH 50V 1000P	1	
C3243	ECUX1H101JCV	C.CAPACITOR CH 50V 100P	1	
C3244	ECUX1H102JV	C.CAPACITOR CH 50V 1000P	1	
C3245	ECUX1E104ZVF	C.CAPACITOR CH 25V 0.1U	1	
C3246	ECUX1E104KBN	C.CAPACITOR CH 25V 0.1U	1	
C3247-51	ECUX1E104ZVF	C.CAPACITOR CH 25V 0.1U	5	
C3252	ECEV1HN010Q	E.CAPACITOR CH 50V 1U	1	
C3253	ECUX1E104ZVF	C.CAPACITOR CH 25V 0.1U	1	
C3255,56	ECUX1H150JCV	C.CAPACITOR CH 50V 15P	2	
C3257-62	ECUX1E104ZVF	C.CAPACITOR CH 25V 0.1U	6	
C3263	ECUX1H103KBV	C.CAPACITOR CH 50V 0.01U	1	
C3264	ECUX1E104ZVF	C.CAPACITOR CH 25V 0.1U	1	
C3265	ECUX1H103KBV	C.CAPACITOR CH 50V 0.01U	1	
C3266	ECUX1E104ZVF	C.CAPACITOR CH 25V 0.1U	1	
C3267	ECUX1H102JV	C.CAPACITOR CH 50V 1000P	1	
C3268	ECUX1E104ZVF	C.CAPACITOR CH 25V 0.1U	1	
C3269	ECEV1CV470Q	E.CAPACITOR CH 16V 47U	1	
C3270	ECUX1E104ZVF	C.CAPACITOR CH 25V 0.1U	1	
C3271,72	ECUX1H101JCV	C.CAPACITOR CH 50V 100P	2	
C3273	ECUX1H220JCV	C.CAPACITOR CH 50V 22P	1	
C3274	ECUX1H470JCV	C.CAPACITOR CH 50V 47P	1	
C3275	ECUX1H390JCV	C.CAPACITOR CH 50V 39P	1	
C3276	ECEV1CV470Q	E.CAPACITOR CH 16V 47U	1	
C3277	ECUX1E104ZVF	C.CAPACITOR CH 25V 0.1U	1	
C3278,79	ECUX1H103KBV	C.CAPACITOR CH 50V 0.01U	2	
C3280	ECUX1H181JCV	C.CAPACITOR CH 50V 180P	1	
C3281	ECUX1H103KBV	C.CAPACITOR CH 50V 0.01U	1	
C3282	ECUX1E104ZVF	C.CAPACITOR CH 25V 0.1U	1	
C3283,84	ECEV1CV470Q	E.CAPACITOR CH 16V 47U	2	
C3285	ECEV1HN010Q	E.CAPACITOR CH 50V 1U	1	
C3286,87	ECUX1E104ZVF	C.CAPACITOR CH 25V 0.1U	2	
C3288	ECUX1H680JCV	C.CAPACITOR CH 50V 68P	1	
C3289	ECUX1H180JCV	C.CAPACITOR CH 50V 18P	1	
C3290	ECUX1E104ZVF	C.CAPACITOR CH 25V 0.1U	1	
C3291	ECUX1H330JCV	C.CAPACITOR CH 50V 33P	1	
C3292	ECUX1H103KBV	C.CAPACITOR CH 50V 0.01U	1	
C3294	ECUX1E104ZVF	C.CAPACITOR CH 25V 0.1U	1	
C3296,97	ECUX1H470JCV	C.CAPACITOR CH 50V 47P	2	
C3298	ECUX1H103KBV	C.CAPACITOR CH 50V 0.01U	1	
C3299	ECEV1VAN2R2	E.CAPACITOR CH 50V 2.2U	1	
C3300,01	ECUX1E104ZVF	C.CAPACITOR CH 25V 0.1U	2	
C3302	ECEV1CV470Q	E.CAPACITOR CH 16V 47U	1	
C3303,04	ECUX1E104ZVF	C.CAPACITOR CH 25V 0.1U	2	
C3305	ECUX1H102JV	C.CAPACITOR CH 50V 1000P	1	
C3306	ECUX1E104ZVF	C.CAPACITOR CH 25V 0.1U	1	
C3307	ECEV1CV100Q	E.CAPACITOR CH 16V 10U	1	
C3308	ECUX1E104ZVF	C.CAPACITOR CH 25V 0.1U	1	
C3309	ECEV1CV470Q	E.CAPACITOR CH 16V 47U	1	
C3310	ECUX1H820JCV	C.CAPACITOR CH 50V 82P	1	
C3311	ECUX1E104ZVF	C.CAPACITOR CH 25V 0.1U	1	
C3312	ECUX1H103KBV	C.CAPACITOR CH 50V 0.01U	1	
C3313,14	ECUX1E104ZVF	C.CAPACITOR CH 25V 0.1U	2	
C3315	ECUX1H103KBV	C.CAPACITOR CH 50V 0.01U	1	
C3316,17	ECUX1H470JCV	C.CAPACITOR CH 50V 47P	2	
C3318	ECUX1H102JV	C.CAPACITOR CH 50V 1000P	1	
C3319,20	ECUX1E104ZVF	C.CAPACITOR CH 25V 0.1U	2	

Ref.No.	Part No.	Part Name & Description	Pcs	Remarks
C3323-38	ECUX1E104ZVF	C.CAPACITOR CH 25V 0.1U	16	
C3339	ECUX1H271JCV	C.CAPACITOR CH 50V 270P	1	
C3340-71	ECUX1E104ZVF	C.CAPACITOR CH 25V 0.1U	32	
C3372	ECUM1H820JCN	C.CAPACITOR CH 50V 82P	1	
C3373	ECUM1H220JCN	C.CAPACITOR CH 50V 22P	1	
C3374	ECUM1H271JCN	C.CAPACITOR CH 50V 270P	1	
C3375,76	ECUX1E104ZVF	C.CAPACITOR CH 25V 0.1U	2	
C3377	ECUM1H820JCN	C.CAPACITOR CH 50V 82P	1	
C3378	ECUM1H220JCN	C.CAPACITOR CH 50V 22P	1	
C3379	ECUM1H271JCN	C.CAPACITOR CH 50V 270P	1	
C3380,81	ECUX1E104ZVF	C.CAPACITOR CH 25V 0.1U	2	
C3382	ECEV1CV100Q	E.CAPACITOR CH 16V 10U	1	
C3383	ECUX1E104ZVF	C.CAPACITOR CH 25V 0.1U	1	
C3384	ECUX1H560JCV	C.CAPACITOR CH 50V 56P	1	
C3385	ECUX1E104ZVF	C.CAPACITOR CH 25V 0.1U	1	
C3386	ECUX1H020CCV	C.CAPACITOR CH 50V 2P	1	
C3387	ECUX1E104ZVF	C.CAPACITOR CH 25V 0.1U	1	
C3388	ECUM1H820JCN	C.CAPACITOR CH 50V 82P	1	
C3389	ECUM1H220JCN	C.CAPACITOR CH 50V 22P	1	
C3390	ECUM1H271JCN	C.CAPACITOR CH 50V 270P	1	
C3391	ECUM1H820JCN	C.CAPACITOR CH 50V 82P	1	
C3392	ECUM1H220JCN	C.CAPACITOR CH 50V 22P	1	
C3393	ECUM1H271JCN	C.CAPACITOR CH 50V 270P	1	
C3394-04	ECUX1E104ZVF	C.CAPACITOR CH 25V 0.1U	11	
C3405,06	ECEV1CV100Q	E.CAPACITOR CH 16V 10U	2	
C3407-09	ECUX1E104ZVF	C.CAPACITOR CH 25V 0.1U	3	
C3410	ECUX1H102JV	C.CAPACITOR CH 50V 1000P	1	
C3411	ECUX1H101JCV	C.CAPACITOR CH 50V 100P	1	
C3412	ECUX1H390JCV	C.CAPACITOR CH 50V 39P	1	
C3413-17	ECUX1E104ZVF	C.CAPACITOR CH 25V 0.1U	5	
C3418	ECUX1H102JV	C.CAPACITOR CH 50V 1000P	1	
C3419	ECUX1H150JCV	C.CAPACITOR CH 50V 15P	1	
C3420-22	ECUX1E104ZVF	C.CAPACITOR CH 25V 0.1U	3	
C3425-27	ECUX1E104ZVF	C.CAPACITOR CH 25V 0.1U	3	
C3428	ECUX1H330JCV	C.CAPACITOR CH 50V 33P	1	
C3429	ECUX1E104ZVF	C.CAPACITOR CH 25V 0.1U	1	
C3430,31	ECEV1CV100Q	E.CAPACITOR CH 16V 10U	2	
C3432	ECUX1E104ZVF	C.CAPACITOR CH 25V 0.1U	1	
C3433	ECEV1CV470Q	E.CAPACITOR CH 16V 47U	1	
C3434	ECUX1E104ZVF	C.CAPACITOR CH 25V 0.1U	1	
C3435	ECEV1CV100Q	E.CAPACITOR CH 16V 10U	1	
C3436,37	ECUX1E104ZVF	C.CAPACITOR CH 25V 0.1U	2	
C3438	ECEV1CV100Q	E.CAPACITOR CH 16V 10U	1	
C3439	ECUX1E104ZVF	C.CAPACITOR CH 25V 0.1U	1	
C3440,41	ECUX1E104KBN	C.CAPACITOR CH 25V 0.1U	2	
C3442	ECUX1E104ZVF	C.CAPACITOR CH 25V 0.1U	1	
C3443	ECUX1H103KBV	C.CAPACITOR CH 50V 0.01U	1	
C3444,45	ECUX1E104ZVF	C.CAPACITOR CH 25V 0.1U	2	
C3446,47	ECUX1H103KBV	C.CAPACITOR CH 50V 0.01U	2	
C3448-51	ECUX1E104ZVF	C.CAPACITOR CH 25V 0.1U	4	
C3455	ECUX1E104ZVF	C.CAPACITOR CH 25V 0.1U	1	
C3458	ECUX1H070DCV	C.CAPACITOR CH 50V 7P	1	
C3459	ECUX1E104ZVF	C.CAPACITOR CH 25V 0.1U	1	
D3001,02	MA152K	DIODE	2	
D3003	MA142WK	DIODE	1	
D3004	MA142K	DIODE	1	
D3005	MA335-R	DIODE	1	
D3006	MA142K	DIODE	1	
D3007	MA335-R	DIODE	1	
D3008,09	MA152K	DIODE	2	
FL3001-07	VLFO931	FILTER	7	
FL3008-10	VLFO576	FILTER	3	
FL3012	VLFO576	FILTER	1	
FL3013	VLFO931	FILTER	1	
IC3001	SN74AS240NS	IC	1	
IC3002-08	T74VHCT244F	IC	7	
IC3009-11	T74VHC244F	IC	3	
IC3012,13	AD9300KP	IC	2	
IC3014	TC7S04F	IC	1	
IC3015	AD9300KP	IC	1	
IC3016	AD828AR	IC	1	
IC3017	ADV7176AKS	IC	1	

Ref.No.	Part No.	Part Name & Description	Pcs	Remarks
IC3018	MC10H125M	IC	1	
IC3019	TLX574F	IC	1	
IC3020-22	T74VHC574F	IC	3	
IC3023	TLX574F	IC	1	
IC3024	T74VHC574F	IC	1	
IC3025	T74VHC244F	IC	1	
IC3026	T74VHCT244F	IC	1	
IC3027	T74VHC244F	IC	1	
IC3028	MC10H124M	IC	1	
IC3029,30	T74VHCT541F	IC	2	
IC3031-40	T74VHC244F	IC	10	
IC3041-43	MN47V78S	IC	3	
IC3044-46	74F283SJ	IC	3	
IC3047,48	TC74ACT374F	IC	2	
IC3049	SN74AS244AN	TTL	1	
IC3050	M4128-6410VC	IC	1	
IC3051	T74VHC244F	IC	1	
IC3052-56	MN47V78S	IC	5	
IC3057	SN74ALS04BNS	IC	1	
IC3058-68	TVHT574FT	IC	11	
IC3069,70	T74VHCT244F	IC	2	
IC3071	T74VHC244F	IC	1	
IC3072	VY06629	IC	1	
IC3073	M4128-6410VC	IC	1	
IC3075	UPD485506G25	IC	1	
IC3076	L7A1519	ASIC	1	
IC3081-84	TC74ACT374F	IC	4	
IC3085	UPD485506G25	IC	1	
IC3086	L7A1519	ASIC	1	
IC3087	NJM78L09UA	IC	1	
IC3088	NJM78L05UA	IC	1	
IC3089	NJM79L05UA	IC	1	
IC3090	AN78N05	IC	1	
IC3091	AN78N10	IC	1	
IC3092	AN79N10	IC	1	
IC3093-95	T74VHCT244F	IC	3	
IC3096-98	TC74ACT374F	IC	3	
IC3099	MC74HC125AF	IC	1	
IC3100	74F08SJ	IC	1	
IC3101	SN74AS74ANS	IC	1	
IC3102,03	T74VHCT244F	IC	2	
IC3104	NJM082BM	IC	1	
IC3105	UPD65650J203	IC	1	
IC3106	SN74LS221NS	IC	1	
IC3107	MC74HC04AF	IC	1	
IC3108	MC74HC257F	IC	1	
IC3109	AN91A12S	IC	1	
IC3110	NE521D	IC	1	
IC3111-14	MM74HC221AM	IC	4	
IC3115	MC74HC04AF	IC	1	
IC3116	NJM082BM	IC	1	
IC3117,18	TC7SH00FU	IC	2	
IC3119	SN74LS123NS	IC	1	
IC3120	NE521D	IC	1	
IC3121	NJM084M	IC	1	
IC3122	MC74HC4053F	IC	1	
IC3124	MC74HC4053F	IC	1	
IC3126	TC7SH08FU	IC	1	
IC3127	TC7SH00FU	IC	1	
IC3129	NJM084M	IC	1	
IC3130-33	UPD485506G25	IC	4	
IC3134,35	SN74S1051NS	IC	2	
IC3136	74ALS541SJ	IC	1	
IC3137	74ALS245ASJ	IC	1	
IC3138,39	74ALS541SJ	IC	2	
IC3140	MACH211S10VC	IC	1	
IC3141	UPD71055GB	IC	1	
IC3142,43	T74VHC244F	IC	2	
IC3144	UPD71055GB	IC	1	
IC3145	M4128-6410VC	IC	1	
IC3146-53	T74VHC244F	IC	8	
IC3154-56	MN47V78S	IC	3	
IC3157,58	T74VHC244F	IC	2	
IC3159	T160G70-1586	IC	1	
IC3160	M4128-6410VC	IC	1	

Ref.No.	Part No.	Part Name & Description	Pcs	Remarks
IC3161,62	SN74S1051NS	IC	2	
IC3163	M4128-6410VC	IC	1	
IC3164	MC14053BF	IC	1	
IC3165	NJM78L05UA	IC	1	
IC3166	CXD1175AM	IC	1	
IC3167	EL4089CS	IC	1	
IC3168	NJM79L05UA	IC	1	
IC3169	M4128-6410VC	IC	1	
IC3170,71	MM74HC221AM	IC	2	
IC3172	MC74HC157AF	IC	1	
IC3173,74	TC7SH08FU	IC	2	
IC3175	SN74LS221NS	IC	1	
IC3176	SN74AS240NS	IC	1	
IC3177,78	MC74HC4053F	IC	2	
IC3179	NJM79L09UA	IC	1	
IC3180-82	MC74HC574AF	IC	3	
IC3183	DAC10GS	IC	1	
IC3184	NJM082BM	IC	1	
IC3185	MC14053BF	IC	1	
L3001	VLQ0163J180	COIL	18UH	1
L3002-04	VLQ0163J220	COIL	22UH	3
L3005	VLQ0163JR68	COIL	0.68UH	1
L3006	VLQ0163J2R7	COIL	2.7UH	1
L3007	VLQ0163J1R0	COIL	1UH	1
L3008	VLP0133	COIL		1
L3009	VLQ0163J220	COIL	22UH	1
L3010	VLQ0319K470	COIL	47UH	1
L3011	VLQ0319K680	COIL	68UH	1
L3012	VLQ0319K221	COIL	220UH	1
L3013	VLQ0319K101	COIL	100UH	1
L3014,15	VLQ0319K470	COIL	47UH	2
L3016	VLQ0163J221	COIL	220UH	1
L3017	VLQ0163J120	COIL	12UH	1
L3018	VLQ0163J270	COIL	27UH	1
L3019	VLQ0163J120	COIL	12UH	1
L3020	VLQ0163J270	COIL	27UH	1
L3021	VLQ0163J120	COIL	12UH	1
L3022	VLQ0163J270	COIL	27UH	1
L3023	VLQ0163J120	COIL	12UH	1
L3024	VLQ0163J270	COIL	27UH	1
L3025	VLQ0163J470	COIL	47UH	1
L3026	VLQ0319K390	COIL	39UH	1
L3027,28	VLQ0163J220	COIL	22UH	2
L3029	VLP0133	COIL		1
P3001,02	VJP3454B096	CONNECTOR (MALE)		2
P3003	VJP3515A080	CONNECTOR (MALE)		1
P3004	VJP3515A052	CONNECTOR (MALE)		1
P3005	VJP3125B008	CONNECTOR (MALE)		1
Q3001,02	MSD601	TRANSISTOR		2
Q3003	MSB709	TRANSISTOR		1
Q3004,05	2SK608-R	TRANSISTOR		2
Q3006	2SB709A-R	TRANSISTOR		1
Q3007,08	2SK608-R	TRANSISTOR		2
Q3009	MSB709	TRANSISTOR		1
R3001-05	ERJ3GEYG102	M.RESISTOR CH 1/16W	1K	5
R3006-31	ERJ3GEYJ220	M.RESISTOR CH 1/16W	22	26
R3032-34	ERJ3GEYG102	M.RESISTOR CH 1/16W	1K	3
R3035	ERJ3GEYR00	M.RESISTOR CH 1/16W	0	1
R3038,39	ERJ3GEYG102	M.RESISTOR CH 1/16W	1K	2
R3040-57	ERJ3GEYJ220	M.RESISTOR CH 1/16W	22	18
R3058-69	ERJ3GEYJ470	M.RESISTOR CH 1/16W	47	12
R3070	ERJ3GEYJ681	M.RESISTOR CH 1/16W	680	1
R3071	ERJ3GEYJ821	M.RESISTOR CH 1/16W	820	1
R3072	ERJ3GEYJ511	M.RESISTOR CH 1/16W	510	1
R3073	ERJ6RBD152	M.RESISTOR CH 1/10W	1.5K	1
R3074	ERJ6RED560	M.RESISTOR CH 1/10W	56	1
R3075	ERJ6RBD681	M.RESISTOR CH 1/10W	680	1
R3076	ERJ6RBD152	M.RESISTOR CH 1/10W	1.5K	1
R3077	ERJ6RBD681	M.RESISTOR CH 1/10W	680	1
R3078	ERJ3GEYR00	M.RESISTOR CH 1/16W	0	1
R3079	ERJ6RBD151	M.RESISTOR CH 1/10W	150	1

Ref.No.	Part No.	Part Name & Description	Pcs	Remarks
R3080	ERJ6RED750	M.RESISTOR CH 1/10W 75 1	1	
R3082	ERJ6RBD102	M.RESISTOR CH 1/10W 1K 1	1	
R3083	ERJ3GEY0R00	M.RESISTOR CH 1/16W 0 1	1	
R3084	ERJ6RBD102	M.RESISTOR CH 1/10W 1K 1	1	
R3085	ERJ6RED750	M.RESISTOR CH 1/10W 75 1	1	
R3086	ERJ3GEYJ222	M.RESISTOR CH 1/16W 2.2K 1	1	
R3087	ERJ6RED750	M.RESISTOR CH 1/10W 75 1	1	
R3088	ERJ3GEYJ101	M.RESISTOR CH 1/16W 100 1	1	
R3089-92	ERJ3GEYJ103	M.RESISTOR CH 1/16W 10K 4	4	
R3093-08	ERJ3GEYJ331	M.RESISTOR CH 1/16W 330 16	16	
R3109	ERJ3GEY102	M.RESISTOR CH 1/16W 1K 1	1	
R3110,11	ERJ3GEYJ103	M.RESISTOR CH 1/16W 10K 2	2	
R3112,13	ERJ3GEYJ101	M.RESISTOR CH 1/16W 100 2	2	
R3114-17	ERJ3GEY102	M.RESISTOR CH 1/16W 1K 4	4	
R3118	ERJ3GEYJ103	M.RESISTOR CH 1/16W 10K 1	1	
R3119	ERJ3GEY102	M.RESISTOR CH 1/16W 1K 1	1	
R3120	ERJ3GEYJ103	M.RESISTOR CH 1/16W 10K 1	1	
R3121	ERJ3GEY102	M.RESISTOR CH 1/16W 1K 1	1	
R3122	ERJ3GEYJ101	M.RESISTOR CH 1/16W 100 1	1	
R3123	ERJ3GEY102	M.RESISTOR CH 1/16W 1K 1	1	
R3124	ERJ3GEYJ103	M.RESISTOR CH 1/16W 10K 1	1	
R3125,26	ERJ3GEYJ560	M.RESISTOR CH 1/16W 56 2	2	
R3127	ERJ3GEY0R00	M.RESISTOR CH 1/16W 0 1	1	
R3129-31	ERJ3GEYJ103	M.RESISTOR CH 1/16W 10K 3	3	
R3132	ERJ3GEYJ560	M.RESISTOR CH 1/16W 56 1	1	
R3133	ERJ3GEYJ681	M.RESISTOR CH 1/16W 680 1	1	
R3134,35	ERJ3GEYJ560	M.RESISTOR CH 1/16W 56 2	2	
R3136	ERJ3GEYJ681	M.RESISTOR CH 1/16W 680 1	1	
R3137-41	ERJ3GEYJ560	M.RESISTOR CH 1/16W 56 5	5	
R3142,43	ERJ3GEY102	M.RESISTOR CH 1/16W 1K 2	2	
R3144-53	ERJ3GEYJ220	M.RESISTOR CH 1/16W 22 10	10	
R3154	ERJ3GEY102	M.RESISTOR CH 1/16W 1K 1	1	
R3155-66	ERJ3GEYJ220	M.RESISTOR CH 1/16W 22 12	12	
R3167-70	ERJ3GEYJ560	M.RESISTOR CH 1/16W 56 4	4	
R3171,72	ERJ3GEY102	M.RESISTOR CH 1/16W 1K 2	2	
R3173,74	ERJ3GEYJ330	M.RESISTOR CH 1/16W 33 2	2	
R3175	ERJ3GEY102	M.RESISTOR CH 1/16W 1K 1	1	
R3176-82	ERJ3GEY471	M.RESISTOR CH 1/16W 470 7	7	
R3183,84	ERJ3GEY102	M.RESISTOR CH 1/16W 1K 2	2	
R3185-91	ERJ3GEY471	M.RESISTOR CH 1/16W 470 7	7	
R3192	ERJ3GEY102	M.RESISTOR CH 1/16W 1K 1	1	
R3193-99	ERJ3GEY471	M.RESISTOR CH 1/16W 470 7	7	
R3200-03	ERJ3GEY102	M.RESISTOR CH 1/16W 1K 4	4	
R3204	ERJ3GEYJ512	M.RESISTOR CH 1/16W 5.1K 1	1	
R3205,06	ERJ3GEY102	M.RESISTOR CH 1/16W 1K 2	2	
R3207	ERJ3GEYJ512	M.RESISTOR CH 1/16W 5.1K 1	1	
R3208,09	ERJ3GEY102	M.RESISTOR CH 1/16W 1K 2	2	
R3211	ERJ3GEY0R00	M.RESISTOR CH 1/16W 0 1	1	
R3212-39	ERJ3GEY102	M.RESISTOR CH 1/16W 1K 28	28	
R3240-51	ERJ3GEYJ103	M.RESISTOR CH 1/16W 10K 12	12	
R3252	ERJ3GEY102	M.RESISTOR CH 1/16W 1K 1	1	
R3253-68	ERJ3GEYJ103	M.RESISTOR CH 1/16W 10K 16	16	
R3269-76	ERJ3GEY102	M.RESISTOR CH 1/16W 1K 8	8	
R3278-08	ERJ3GEY102	M.RESISTOR CH 1/16W 1K 31	31	
R3309	ERJ3GEYJ223	M.RESISTOR CH 1/16W 2.2K 1	1	
R3310-13	ERJ3GEYJ220	M.RESISTOR CH 1/16W 22 4	4	
R3315	ERJ3GEYJ220	M.RESISTOR CH 1/16W 22 1	1	
R3316	ERJ3GEY102	M.RESISTOR CH 1/16W 1K 1	1	
R3318	ERJ3GEYJ473	M.RESISTOR CH 1/16W 47K 1	1	
R3319	ERJ3GEY471	M.RESISTOR CH 1/16W 470 1	1	
R3320	ERJ3GEYJ101	M.RESISTOR CH 1/16W 100 1	1	
R3321	ERJ3GEY102	M.RESISTOR CH 1/16W 1K 1	1	
R3322	ERJ3GEYJ101	M.RESISTOR CH 1/16W 100 1	1	
R3323	ERJ3GEY102	M.RESISTOR CH 1/16W 1K 1	1	
R3324	ERJ3GEYJ105	M.RESISTOR CH 1/16W 1M 1	1	
R3326	ERJ3GEY102	M.RESISTOR CH 1/16W 1K 1	1	
R3327	ERJ3GEYJ104	M.RESISTOR CH 1/16W 100K 1	1	
R3332	ERJ3GEY0R00	M.RESISTOR CH 1/16W 0 1	1	
R3334-38	ERJ3GEY0R00	M.RESISTOR CH 1/16W 0 5	5	
R3341,42	ERJ3GEY0R00	M.RESISTOR CH 1/16W 0 2	2	
R3343	ERJ3GEY472	M.RESISTOR CH 1/16W 4.7K 1	1	
R3344	ERJ3GEY682	M.RESISTOR CH 1/16W 6.8K 1	1	
R3345	ERJ3GEYJ563	M.RESISTOR CH 1/16W 56K 1	1	
R3346	ERJ3GEYJ223	M.RESISTOR CH 1/16W 2.2K 1	1	
R3347	ERJ3GEYJ563	M.RESISTOR CH 1/16W 56K 1	1	

Ref.No.	Part No.	Part Name & Description	Pcs	Remarks
R3348	ERJ3GEYJ222	M.RESISTOR CH 1/16W 2.2K 1	1	
R3349	ERJ3GEYJ222	M.RESISTOR CH 1/16W 2.2K 1	1	
R3350	ERJ3GEYJ223	M.RESISTOR CH 1/16W 2.2K 1	1	
R3351	ERJ3GEY102	M.RESISTOR CH 1/16W 1K 1	1	
R3352,53	ERJ3GEYJ103	M.RESISTOR CH 1/16W 10K 2	2	
R3354,55	ERJ3GEY102	M.RESISTOR CH 1/16W 1K 2	2	
R3356	ERJ3GEYJ473	M.RESISTOR CH 1/16W 47K 1	1	
R3357	ERJ3GEYJ223	M.RESISTOR CH 1/16W 2.2K 1	1	
R3358	ERJ3GEYJ105	M.RESISTOR CH 1/16W 1M 1	1	
R3359	ERJ3GEYJ103	M.RESISTOR CH 1/16W 10K 1	1	
R3360	ERJ3GEYJ471	M.RESISTOR CH 1/16W 470 1	1	
R3361	ERJ3GEY102	M.RESISTOR CH 1/16W 1K 1	1	
R3362,63	ERJ3GEYJ222	M.RESISTOR CH 1/16W 2.2K 2	2	
R3364	ERJ3GEYJ683	M.RESISTOR CH 1/16W 68K 1	1	
R3365	ERJ3GEYJ223	M.RESISTOR CH 1/16W 2.2K 1	1	
R3366	ERJ3GEY152	M.RESISTOR CH 1/16W 1.5K 1	1	
R3367	ERJ3GEYJ222	M.RESISTOR CH 1/16W 2.2K 1	1	
R3368	ERJ3GEYJ393	M.RESISTOR CH 1/16W 39K 1	1	
R3369	ERJ3GEYJ272	M.RESISTOR CH 1/16W 2.7K 1	1	
R3370	ERJ3GEYJ684	M.RESISTOR CH 1/16W 680K 1	1	
R3371	ERJ3GEYJ103	M.RESISTOR CH 1/16W 10K 1	1	
R3372,73	ERJ3GEYJ222	M.RESISTOR CH 1/16W 2.2K 2	2	
R3374-77	ERJ3GEYJ222	M.RESISTOR CH 1/16W 2.2K 4	4	
R3378	ERJ3GEYJ221	M.RESISTOR CH 1/16W 2.2K 1	1	
R3379	ERJ3GEYJ184	M.RESISTOR CH 1/16W 180K 1	1	
R3380	ERJ3GEYJ224	M.RESISTOR CH 1/16W 220K 1	1	
R3381	ERJ3GEYJ153	M.RESISTOR CH 1/16W 15K 1	1	
R3382-84	ERJ3GEYJ333	M.RESISTOR CH 1/16W 33K 3	3	
R3389	ERJ3GEY102	M.RESISTOR CH 1/16W 1K 1	1	
R3393,94	ERJ3GEYJ473	M.RESISTOR CH 1/16W 47K 2	2	
R3395,96	ERJ3GEYJ332	M.RESISTOR CH 1/16W 3.3K 2	2	
R3397	ERJ3GEY102	M.RESISTOR CH 1/16W 1K 1	1	
R3398	ERJ3GEYJ223	M.RESISTOR CH 1/16W 2.2K 1	1	
R3399	ERJ3GEYJ103	M.RESISTOR CH 1/16W 10K 1	1	
R3400	ERJ3GEYJ123	M.RESISTOR CH 1/16W 12K 1	1	
R3401	ERJ3GEY102	M.RESISTOR CH 1/16W 1K 1	1	
R3402	ERJ3GEYJ473	M.RESISTOR CH 1/16W 47K 1	1	
R3403	ERJ3GEYJ222	M.RESISTOR CH 1/16W 2.2K 1	1	
R3404	ERJ3GEYJ153	M.RESISTOR CH 1/16W 15K 1	1	
R3407	ERJ3GEY152	M.RESISTOR CH 1/16W 1.5K 1	1	
R3408	ERJ3GEYJ222	M.RESISTOR CH 1/16W 2.2K 1	1	
R3409	ERJ3GEYJ153	M.RESISTOR CH 1/16W 15K 1	1	
R3410	ERJ3GEYJ273	M.RESISTOR CH 1/16W 27K 1	1	
R3411	ERJ3GEYJ105	M.RESISTOR CH 1/16W 1M 1	1	
R3412	ERJ3GEY102	M.RESISTOR CH 1/16W 1K 1	1	
R3414	ERJ3GEYJ473	M.RESISTOR CH 1/16W 47K 1	1	
R3415	ERJ3GEY102	M.RESISTOR CH 1/16W 1K 1	1	
R3416	ERJ3GEYJ332	M.RESISTOR CH 1/16W 3.3K 1	1	
R3417,18	ERJ3GEYJ473	M.RESISTOR CH 1/16W 47K 2	2	
R3419	ERJ3GEYJ332	M.RESISTOR CH 1/16W 3.3K 1	1	
R3420	ERJ3GEYJ153	M.RESISTOR CH 1/16W 15K 1	1	
R3421	ERJ3GEYJ222	M.RESISTOR CH 1/16W 2.2K 1	1	
R3422-24	ERJ3GEY102	M.RESISTOR CH 1/16W 1K 3	3	
R3425	ERJ3GEY0R00	M.RESISTOR CH 1/16W 0 1	1	
R3426-29	ERJ3GEY102	M.RESISTOR CH 1/16W 1K 4	4	
R3430	ERJ3GEYJ471	M.RESISTOR CH 1/16W 470 1	1	
R3431	ERJ3GEY102	M.RESISTOR CH 1/16W 1K 1	1	
R3432-34	ERJ3GEYJ103	M.RESISTOR CH 1/16W 10K 3	3	
R3435	ERJ3GEY102	M.RESISTOR CH 1/16W 1K 1	1	
R3436	ERJ3GEYJ103	M.RESISTOR CH 1/16W 10K 1	1	
R3437,38	ERJ3GEY102	M.RESISTOR CH 1/16W 1K 2	2	
R3439-43	ERJ3GEYJ103	M.RESISTOR CH 1/16W 10K 5	5	
R3444-51	ERJ3GEY102	M.RESISTOR CH 1/16W 1K 8	8	
R3452	ERJ3GEY0R00	M.RESISTOR CH 1/16W 0 1	1	
R3454	ERJ3GEYJ103	M.RESISTOR CH 1/16W 10K 1	1	
R3455	ERJ3GEY102	M.RESISTOR CH 1/16W 1K 1	1	
R3456,57	ERJ3GEY0R00	M.RESISTOR CH 1/16W 0 2	2	
R3459	ERJ3GEY0R00	M.RESISTOR CH 1/16W 0 1	1	
R3462	ERJ3GEY102	M.RESISTOR CH 1/16W 1K 1	1	
R3465-67	ERJ3GEY102	M.RESISTOR CH 1/16W 1K 3	3	
R3468-89	ERJ3GEYJ103	M.RESISTOR CH 1/16W 10K 22	22	
R3490-92	ERJ3GEY102	M.RESISTOR CH 1/16W 1K 3	3	
R3493	ERJ3GEYJ181	M.RESISTOR CH 1/16W 180 1	1	
R3494	ERJ3GEYJ271	M.RESISTOR CH 1/16W 270 1	1	
R3495	ERJ3GEYJ471	M.RESISTOR CH 1/16W 470 1	1	



Ref.No.	Part No.	Part Name & Description	Pcs	Remarks
R3497	ERJ3GEYJ181	M.RESISTOR CH 1/16W 180	1	
R3498	ERJ3GEYJ271	M.RESISTOR CH 1/16W 270	1	
R3500	ERJ3GEYJ471	M.RESISTOR CH 1/16W 470	1	
R3501	ERJ3GEYJ271	M.RESISTOR CH 1/16W 270	1	
R3502	ERJ3GEYJ181	M.RESISTOR CH 1/16W 180	1	
R3503	ERJ3GEYJ222	M.RESISTOR CH 1/16W 2.2K	1	
R3504	ERJ3GEYJ101	M.RESISTOR CH 1/16W 100	1	
R3505	ERJ3GEYJ681	M.RESISTOR CH 1/16W 680	1	
R3506	ERJ3GEYJ124	M.RESISTOR CH 1/16W 120K	1	
R3508	ERJ3GEYJ103	M.RESISTOR CH 1/16W 10K	1	
R3509	ERJ3GEYJ472	M.RESISTOR CH 1/16W 4.7K	1	
R3510,11	ERJ3GEYJ151	M.RESISTOR CH 1/16W 150	2	
R3515	ERJ3GEYJ471	M.RESISTOR CH 1/16W 470	1	
R3516	ERJ3GEYJ181	M.RESISTOR CH 1/16W 180	1	
R3517	ERJ3GEYJ271	M.RESISTOR CH 1/16W 270	1	
R3519	ERJ3GEYJ471	M.RESISTOR CH 1/16W 470	1	
R3520	ERJ3GEYJ101	M.RESISTOR CH 1/16W 100	1	
R3521,22	ERJ3GEYJ102	M.RESISTOR CH 1/16W 1K	2	
R3524	ERJ3GEYJ682	M.RESISTOR CH 1/16W 8.2K	1	
R3525	ERJ3GEYJ223	M.RESISTOR CH 1/16W 22K	1	
R3526	ERJ3GEYJ272	M.RESISTOR CH 1/16W 2.7K	1	
R3527	ERJ3GEYJ102	M.RESISTOR CH 1/16W 1K	1	
R3528	ERJ3GEYJ563	M.RESISTOR CH 1/16W 56K	1	
R3529	ERJ3GEYJ472	M.RESISTOR CH 1/16W 4.7K	1	
R3530	ERJ3GEYJ682	M.RESISTOR CH 1/16W 6.8K	1	
R3531	ERJ3GEYJ102	M.RESISTOR CH 1/16W 1K	1	
R3532,33	ERJ3GEYJ681	M.RESISTOR CH 1/16W 680	2	
R3534,35	ERJ3GEYJ330	M.RESISTOR CH 1/16W 33	2	
R3536	ERJ3GEYJ220	M.RESISTOR CH 1/16W 22	1	
R3537,38	ERJ3GEYJ103	M.RESISTOR CH 1/16W 10K	2	
R3541	ERJ3GEYJ220	M.RESISTOR CH 1/16W 22	1	
R3544,45	ERJ3GEYJ102	M.RESISTOR CH 1/16W 1K	2	
R3546,47	ERJ3GEYJ472	M.RESISTOR CH 1/16W 4.7K	2	
R3548	ERJ3GEYJ681	M.RESISTOR CH 1/16W 680	1	
R3549	ERJ3GEYJ333	M.RESISTOR CH 1/16W 33K	1	
R3551	ERJ3GEYJ333	M.RESISTOR CH 1/16W 33K	1	
R3552	ERJ3GEYJ102	M.RESISTOR CH 1/16W 1K	1	
R3553,54	ERJ3GEYJ473	M.RESISTOR CH 1/16W 47K	2	
R3557	ERJ3GEYJ103	M.RESISTOR CH 1/16W 10K	1	
R3559,60	ERJ3GEYJ560	M.RESISTOR CH 1/16W 56	2	
R3562	ERJ3GEYJ0R00	M.RESISTOR CH 1/16W 0	1	
R3564	ERJ3GEYJ0R00	M.RESISTOR CH 1/16W 0	1	
R3565,66	ERJ3GEYJ750	M.RESISTOR CH 1/16W 75	2	
R3567	ERJ3GEYJ222	M.RESISTOR CH 1/16W 2.2K	1	
R3568	ERJ3GEYJ681	M.RESISTOR CH 1/16W 680	1	
R3569-74	ERJ3GEYJ103	M.RESISTOR CH 1/16W 10K	6	
R3575-77	ERJ3GEYJ0R00	M.RESISTOR CH 1/16W 0	3	
TG3001-03	VJR0646	TEST POINT	3	
TP3001-15	EYF6CU	TEST POINT	15	
VC3001.02	VCV0050	TRIMMER	2	
VR3001	VRV0113B102	V.RESISTOR 1K	1	
VR3002	VRV0161B102	V.RESISTOR 1K	1	
VR3004	VRV0113B502	V.RESISTOR 5K	1	
VR3005	VRV0113B202	V.RESISTOR 2K	1	
VR3006	VRV0113B503	V.RESISTOR 50K	1	
VR3007	VRV0113B103	V.RESISTOR 10K	1	
VR3009	VRV0113B101	V.RESISTOR 100	1	
VR3010	VRV0113B102	V.RESISTOR 1K	1	
VR3011	VRV0113B202	V.RESISTOR 2K	1	
VR3012	VRV0113B503	V.RESISTOR 50K	1	
VR3013	VRV0113B103	V.RESISTOR 10K	1	
VR3014	VRV0113B502	V.RESISTOR 5K	1	
VR3015,16	VRV0113B203	V.RESISTOR 20K	2	
X3001	V SX0788	CRYSTAL OSCILLATOR	1	
X3002	V SX0567A	CRYSTAL OSCILLATOR	1	
X3003	V SX0081	CRYSTAL OSCILLATOR	1	
X3004	V SX0363	CRYSTAL OSCILLATOR	1	
		MISCELLANEOUS		

Ref.No.	Part No.	Part Name & Description	Pcs	Remarks
	VML2143	CARD PULLER	1	
	VML2144	CARD PULLER	1	
* E8	VEP83385B	4:2:2 DA SUB P.C. BOARD	1	(RTL)FOR AJ-D950P
* E8	VEP83385A	8:4:4 DA SUB P.C. BOARD	1	(RTL)FOR AJ-PD950P
	C3001,02	ECUX1E104ZJV	C.CAPACITOR CH 25V 0.1U	2
	C3003	ECEV1CV470Q	E.CAPACITOR CH 16V 47U	1
	C3004	ECUX1E104ZVF	C.CAPACITOR CH 25V 0.1U	1
	C3005	ECEV1CV470Q	E.CAPACITOR CH 16V 47U	1
	C3006-31	ECUX1E104ZVF	C.CAPACITOR CH 25V 0.1U	26
	C3032	ECEV1CV100Q	E.CAPACITOR CH 16V 10U	1
	C3033	ECUX1E104ZVF	C.CAPACITOR CH 25V 0.1U	1
	C3034	ECEV1CV100Q	E.CAPACITOR CH 16V 10U	1
	C3035	ECUX1E104ZVF	C.CAPACITOR CH 25V 0.1U	1
	C3036	ECEV1CV100Q	E.CAPACITOR CH 16V 10U	1
	C3037,38	ECUX1E104KBN	C.CAPACITOR CH 25V 0.1U	2
	C3039-41	ECUX1E104ZVF	C.CAPACITOR CH 25V 0.1U	3
	C3044	ECUX1H151JCV	C.CAPACITOR CH 50V 150P	1
	C3045	ECUX1H102JCV	C.CAPACITOR CH 50V 1000P	1
	C3047-50	ECUX1E104ZVF	C.CAPACITOR CH 25V 0.1U	4
	C3054,55	ECUX1E104ZVF	C.CAPACITOR CH 25V 0.1U	2
	C3057	ECUX1H680JCV	C.CAPACITOR CH 50V 68P	1
	C3058	ECUX1E104ZVF	C.CAPACITOR CH 25V 0.1U	1
	C3061	ECUX1H102JCV	C.CAPACITOR CH 50V 1000P	1
	C3062	ECUX1H151JCV	C.CAPACITOR CH 50V 150P	1
	C3063,64	ECUX1E104ZVF	C.CAPACITOR CH 25V 0.1U	2
	C3067,68	ECUX1E104ZVF	C.CAPACITOR CH 25V 0.1U	2
	C3070	ECUX1H680JCV	C.CAPACITOR CH 50V 68P	1
	C3071	ECUX1E104ZVF	C.CAPACITOR CH 25V 0.1U	1
	C3074	ECUX1H102JCV	C.CAPACITOR CH 50V 1000P	1
	C3075	ECUX1H151JCV	C.CAPACITOR CH 50V 150P	1
	C3076,77	ECUX1E104ZVF	C.CAPACITOR CH 25V 0.1U	2
	C3078-80	ECEV1CV100Q	E.CAPACITOR CH 16V 10U	3
	C3081-85	ECUX1E104ZVF	C.CAPACITOR CH 25V 0.1U	5
	C3086-05	ECUX1E104ZVF	C.CAPACITOR CH 25V 0.1U	20
	C3113	ECUX1E104ZVF	C.CAPACITOR CH 25V 0.1U	1
	C3114	ECUX1E104ZVF	C.CAPACITOR CH 25V 0.1U	1
	C3115	ECUX1E104ZVF	C.CAPACITOR CH 25V 0.1U	1
	C3116	ECUX1H180JCV	C.CAPACITOR CH 50V 18P	1
	C3117	ECUX1H090DCV	C.CAPACITOR CH 50V 9P	1
	C3118-20	ECUX1E104ZVF	C.CAPACITOR CH 25V 0.1U	3
	C3121	ECUX1E104ZVF	C.CAPACITOR CH 25V 0.1U	1
	C3122	ECUX1E104ZVF	C.CAPACITOR CH 25V 0.1U	1
	C3124	ECUX1E104ZVF	C.CAPACITOR CH 25V 0.1U	1
	C3125	ECUX1E104ZVF	C.CAPACITOR CH 25V 0.1U	1
	C3126,27	ECUX1E104ZVF	C.CAPACITOR CH 25V 0.1U	2
	C3128	ECUX1E104ZVF	C.CAPACITOR CH 25V 0.1U	1
	C3129,30	ECUX1E104ZVF	C.CAPACITOR CH 25V 0.1U	2
	C3131	ECUX1H121JCV	C.CAPACITOR CH 50V 120P	1
	C3132	ECUX1H560JCV	C.CAPACITOR CH 50V 56P	1
	C3135	ECUX1E104ZVF	C.CAPACITOR CH 25V 0.1U	1
	C3136	ECEV1CV470Q	E.CAPACITOR CH 16V 47U	1
	C3137	ECUX1E104ZVF	C.CAPACITOR CH 25V 0.1U	1
	C3138	ECEV1CV100Q	E.CAPACITOR CH 16V 10U	1
	C3139,40	ECUX1E104ZVF	C.CAPACITOR CH 25V 0.1U	2
	C3141	ECEV1CV100Q	E.CAPACITOR CH 16V 10U	1
	C3142	ECUX1E104ZVF	C.CAPACITOR CH 25V 0.1U	1
	C3143,44	ECEV1EV330Q	E.CAPACITOR CH 25V 33U	2
	C3145,46	ECUX1E104ZVF	C.CAPACITOR CH 25V 0.1U	2
	C3147,48	ECEV1CV100Q	E.CAPACITOR CH 16V 10U	2
	C3149-54	ECUX1E104ZVF	C.CAPACITOR CH 25V 0.1U	6
	C3155	ECEV1CV100Q	E.CAPACITOR CH 16V 10U	1
	C3156-60	ECUX1E104ZVF	C.CAPACITOR CH 25V 0.1U	5
	C3161	ECEV1EV330Q	E.CAPACITOR CH 25V 33U	1
	C3162	ECUX1E104ZVF	C.CAPACITOR CH 25V 0.1U	1
	C3163	ECEV1CV100Q	E.CAPACITOR CH 16V 10U	1
	C3164	ECUX1E104ZVF	C.CAPACITOR CH 25V 0.1U	1
	C3165,66	ECEV1CV100Q	E.CAPACITOR CH 16V 10U	2
	C3167	ECUX1E104ZVF	C.CAPACITOR CH 25V 0.1U	1
	C3168,69	ECEV1CV100Q	E.CAPACITOR CH 16V 10U	2
	C3170-73	ECUX1E104ZVF	C.CAPACITOR CH 25V 0.1U	4
	C3174-93	ECUX1E104ZVF	C.CAPACITOR CH 25V 0.1U	20

Ref.No.	Part No.	Part Name & Description	Pcs	Remarks
C3210,11	ECCF1H681KB	C.CAPACITOR CH 50V 680P	2	
C3212	ECCF1H560JC	C.CAPACITOR CH 50V 56P	1	
D3001	MA152K	DIODE	1	
D3002	MA152K	DIODE	1	FOR AJ-PD950P
FL3001	VLF1423	FILTER	1	
FL3002,03	VLF1424	FILTER	2	
IC3001	SN74ALS244C	IC	1	
IC3002,03	74F244SJ	IC	2	
IC3004	PZ5128S10BP	IC	1	
IC3005	74AC04SJ	IC	1	
IC3006-08	T2242AR2C1	IC	3	
IC3009	PZ5128S10BP	IC	1	
IC3010-12	UPD48506G25	IC	3	
IC3013	ADV7122KST50	IC	1	
IC3014	AD589JR	IC	1	
IC3015	NJM084M	IC	1	
IC3016-18	LT1122CS8	IC	3	
IC3020-26	AD8056AR	IC	7	FOR AJ-PD950P
IC3027	MA74HC4053F	IC	1	FOR AJ-PD950P
IC3028,29	AD8056AR	IC	2	FOR AJ-PD950P
IC3030	MC74HC32AF	IC	1	
IC3031	TC7504F	IC	1	
IC3033	AN78N10	IC	1	
IC3034,35	AN78N09	IC	2	FOR AJ-D950P
IC3035	AN78N05	IC	1	FOR AJ-PD950P
IC3036,37	AN79N09	IC	2	FOR AJ-D950P
IC3037	AN79N05	IC	1	FOR AJ-PD950P
IC3038	NJM78L05UA	IC	1	
IC3039	NJM79L05UA	IC	1	
IC3040,41	AN78N05	IC	2	
IC3042	AN79N10	IC	1	
IC3043-46	T74VHC244F	IC	4	FOR AJ-PD950P
IC3047,48	PZ5128S10BP	IC	2	FOR AJ-PD950P
IC3049-52	UPD48506G25	IC	4	FOR AJ-PD950P
IC3053	PZ5128S10BP	IC	1	FOR AJ-PD950P
IC3054	PZ5128S10BP	IC	1	
L3001	VLP0133	COIL	1	
L3002	VLQ0163J220	COIL 22UH	1	
L3003,04	VLQ0576	COIL	2	
L3005	VLQ0163J220	COIL 22UH	1	
L3013	VLQ0163J470	COIL 47UH	1	
L3014	VLQ0163J220	COIL 22UH	1	FOR AJ-PD950P
L3015-18	VLP0133	COIL	4	
P3001	VJS3538A080	CONNECTOR (FEMALE)	1	
P3002	VJS3538A052	CONNECTOR (FEMALE)	1	
P3003	VJP3125B007	CONNECTOR (MALE)	1	
Q3002	MSD601	TRANSISTOR	1	
Q3004	MSB709	TRANSISTOR	1	
Q3005	MSD601	TRANSISTOR	1	
Q3006,07	MSB709	TRANSISTOR	2	
Q3008	MSD601	TRANSISTOR	1	
Q3009,10	MSB709	TRANSISTOR	2	
Q3011,12	MSD601	TRANSISTOR	2	
Q3013	MSB709	TRANSISTOR	1	
Q3014	MSD601	TRANSISTOR	1	
Q3015,16	MSB709	TRANSISTOR	2	
Q3017	MSB709	TRANSISTOR	1	FOR AJ-PD950P
Q3018,19	MSB709	TRANSISTOR	2	
Q3020	MSB709	TRANSISTOR	1	FOR AJ-PD950P
Q3021	MSB709	TRANSISTOR	1	
Q3022	2SC2404-C	TRANSISTOR	1	
Q3023	2SC2404-C	TRANSISTOR	1	FOR AJ-PD950P
Q3024-26	2SC3757-R	TRANSISTOR	3	
Q3027	MSD601	TRANSISTOR	1	
Q3028	MSD601-R	TRANSISTOR	1	FOR AJ-PD950P
Q3029,30	MSD601	TRANSISTOR	2	
Q3032	MSD601	TRANSISTOR	1	
Q3033	MSD601	TRANSISTOR	1	
Q3034,35	MSD601	TRANSISTOR	2	
Q3036-38	2SA1532	TRANSISTOR	3	

Ref.No.	Part No.	Part Name & Description	Pcs	Remarks
R3001,02	ERJ3GEYJ101	M.RESISTOR CH 1/16W 100	2	
R3008	ERJ3GEY0R00	M.RESISTOR CH 1/16W 0	1	FOR AJ-PD950P
R3009	ERJ3GEY0R00	M.RESISTOR CH 1/16W 0	1	FOR AJ-D950P
R3011	ERJ3GEYJ103	M.RESISTOR CH 1/16W 10K	1	FOR AJ-PD950P
R3012,13	ERJ3GEYJ102	M.RESISTOR CH 1/16W 1K	2	
R3014-16	ERJ3GEY0R00	M.RESISTOR CH 1/16W 0	3	FOR AJ-D950P
R3017-22	ERJ3GEYJ220	M.RESISTOR CH 1/16W 22	6	FOR AJ-PD950P
R3023,24	ERJ3GEYJ220	M.RESISTOR CH 1/16W 22	2	
R3025	ERJ3GEYJ681	M.RESISTOR CH 1/16W 680	1	
R3026,27	ERJ3GEYJ151	M.RESISTOR CH 1/16W 150	2	
R3028	ERJ3GEYJ222	M.RESISTOR CH 1/16W 2.2K	1	
R3029,30	ERJ3GEYJ151	M.RESISTOR CH 1/16W 75	2	
R3031	ERJ3GEYJ222	M.RESISTOR CH 1/16W 2.2K	1	
R3033,34	ERJ3GEYJ271	M.RESISTOR CH 1/16W 270	2	
R3036	ERJ3GEYJ221	M.RESISTOR CH 1/16W 220	1	
R3038,39	ERJ3GEYJ151	M.RESISTOR CH 1/16W 150	2	
R3040	ERJ3GEYJ222	M.RESISTOR CH 1/16W 2.2K	1	
R3041,42	ERJ3GEYJ151	M.RESISTOR CH 1/16W 75	2	
R3043	ERJ3GEYJ222	M.RESISTOR CH 1/16W 2.2K	1	
R3044	ERJ3GEYJ101	M.RESISTOR CH 1/16W 100	1	
R3045	ERJ3GEYJ122	M.RESISTOR CH 1/16W 1.2K	1	
R3049	ERJ3GEYJ681	M.RESISTOR CH 1/16W 680	1	
R3050	ERJ3GEY0I02	M.RESISTOR CH 1/16W 1K	1	
R3051	ERJ3GEY0R00	M.RESISTOR CH 1/16W 0	1	
R3054	ERJ3GEYJ271	M.RESISTOR CH 1/16W 270	1	
R3055	ERJ3GEYJ821	M.RESISTOR CH 1/16W 820	1	
R3056	ERJ3GEYJ221	M.RESISTOR CH 1/16W 220	1	
R3058,59	ERJ3GEYJ151	M.RESISTOR CH 1/16W 150	2	
R3060	ERJ3GEYJ222	M.RESISTOR CH 1/16W 2.2K	1	
R3061,62	ERJ3GEYJ151	M.RESISTOR CH 1/16W 75	2	
R3063	ERJ3GEYJ222	M.RESISTOR CH 1/16W 2.2K	1	
R3064	ERJ3GEYJ101	M.RESISTOR CH 1/16W 100	1	
R3068	ERJ3GEYJ681	M.RESISTOR CH 1/16W 680	1	
R3069	ERJ3GEY0I02	M.RESISTOR CH 1/16W 1K	1	
R3070	ERJ3GEY0R00	M.RESISTOR CH 1/16W 0	1	
R3073	ERJ3GEYJ271	M.RESISTOR CH 1/16W 270	1	
R3074	ERJ3GEYJ821	M.RESISTOR CH 1/16W 820	1	
R3075	ERJ3GEYJ221	M.RESISTOR CH 1/16W 220	1	
R3077	ERJ6GEY0R00	M.RESISTOR CH 1/10W 0	1	
R3084,85	ERJ3GEYJ222	M.RESISTOR CH 1/16W 2.2K	2	
R3086-91	ERJ3GEYJ103	M.RESISTOR CH 1/16W 10K	6	
R3092-94	ERJ3GEYJ331	M.RESISTOR CH 1/16W 330	3	
R3095	ERJ3GEYJ101	M.RESISTOR CH 1/16W 100	1	FOR AJ-PD950P
R3096	ERJ3GEYJ102	M.RESISTOR CH 1/16W 1K	1	FOR AJ-PD950P
R3097	ERJ3GEYJ101	M.RESISTOR CH 1/16W 100	1	FOR AJ-PD950P
R3099	ERJ3GEYJ101	M.RESISTOR CH 1/16W 100	1	FOR AJ-PD950P
R3100	ERJ3GEYJ122	M.RESISTOR CH 1/16W 1.2K	1	FOR AJ-PD950P
R3101	ERJ3GEYJ102	M.RESISTOR CH 1/16W 1K	1	FOR AJ-PD950P
R3102	ERJ3GEYJ101	M.RESISTOR CH 1/16W 100	1	FOR AJ-PD950P
R3108	ERJ6GEY0R00	M.RESISTOR CH 1/10W 0	1	FOR AJ-PD950P
R3109	ERJ6RED200	M.RESISTOR CH 1/10W 20	1	FOR AJ-PD950P
R3110	ERJ6GEY0R00	M.RESISTOR CH 1/10W 0	1	FOR AJ-PD950P
R3111	ERJ6RED200	M.RESISTOR CH 1/10W 20	1	FOR AJ-PD950P
R3112	ERJ6RED200	M.RESISTOR CH 1/10W 20	1	FOR AJ-PD950P
R3113	ERJ6GEY0R00	M.RESISTOR CH 1/10W 0	1	FOR AJ-PD950P
R3114	ERJ3GEYJ102	M.RESISTOR CH 1/16W 1K	1	FOR AJ-PD950P
R3115	ERJ6RBD102	M.RESISTOR CH 1/10W 1K	1	FOR AJ-PD950P
R3116,17	ERJ3GEYJ102	M.RESISTOR CH 1/16W 1K	2	FOR AJ-PD950P
R3118,19	ERJ6RBD102	M.RESISTOR CH 1/10W 1K	2	FOR AJ-PD950P
R3120	ERJ3GEYJ102	M.RESISTOR CH 1/16W 1K	1	FOR AJ-PD950P
R3123	ERJ3GEYJ102	M.RESISTOR CH 1/16W 1K	1	FOR AJ-PD950P
R3124	ERJ3GEYJ152	M.RESISTOR CH 1/16W 1.5K	1	FOR AJ-PD950P
R3125	ERJ3GEYJ182	M.RESISTOR CH 1/16W 1.8K	1	FOR AJ-PD950P
R3126	ERJ3GEYJ102	M.RESISTOR CH 1/16W 1K	1	FOR AJ-PD950P
R3127,28	ERJ6RBD102	M.RESISTOR CH 1/10W 1K	2	FOR AJ-PD950P
R3129	ERJ3GEYJ242	M.RESISTOR CH 1/16W 2.4K	1	FOR AJ-PD950P
R3130	ERJ3GEYJ102	M.RESISTOR CH 1/16W 1K	1	FOR AJ-PD950P
R3131	ERJ6RBD102	M.RESISTOR CH 1/10W 1K	1	FOR AJ-PD950P
R3133	ERJ6RBD102	M.RESISTOR CH 1/10W 1K	1	FOR AJ-PD950P
R3138-40	ERJ3GEYJ103	M.RESISTOR CH 1/16W 10K	3	FOR AJ-PD950P
R3141	ERJ6RBD122	M.RESISTOR CH 1/10W 1.2K	1	FOR AJ-PD950P
R3142	ERJ6RBD151	M.RESISTOR CH 1/10W 150	1	FOR AJ-PD950P
R3143	ERJ3GEYJ302	M.RESISTOR CH 1/16W 3K	1	FOR AJ-PD950P
R3144	ERJ6RBD161	M.RESISTOR CH 1/10W 160	1	FOR AJ-PD950P

Ref.No.	Part No.	Part Name & Description	Qty	Remarks
R3145-47	ERJ3GEYJ161	M.RESISTOR CH 1/16W 160	3	FOR AJ-PD950P
R3148,49	ERJ3GEYJ302	M.RESISTOR CH 1/16W 3K	2	FOR AJ-PD950P
R3150	ERJ6RBD181	M.RESISTOR CH 1/10W 180	1	FOR AJ-PD950P
R3151-53	ERJ6RBD201	M.RESISTOR CH 1/10W 200	3	FOR AJ-PD950P
R3154	ERJ6RBD270	M.RESISTOR CH 1/10W 27	1	FOR AJ-PD950P
R3155	ERJ6RBD271	M.RESISTOR CH 1/10W 270	1	FOR AJ-PD950P
R3156	ERJ6RBD272	M.RESISTOR CH 1/10W 2.7K	1	FOR AJ-PD950P
R3157	ERJ6RBD511	M.RESISTOR CH 1/10W 510	1	FOR AJ-PD950P
R3158	ERJ6RBD560	M.RESISTOR CH 1/10W 56	1	FOR AJ-PD950P
R3159	ERJ6RBD621	M.RESISTOR CH 1/10W 620	1	FOR AJ-PD950P
R3162	ERJ6RBD910	M.RESISTOR CH 1/10W 91	1	FOR AJ-PD950P
R3166	ERJ3GEY102	M.RESISTOR CH 1/16W 1K	1	
R3167	ERJ3GEY1102	M.RESISTOR CH 1/16W 1K	1	FOR AJ-PD950P
R3168-70	ERJ3GEYJ103	M.RESISTOR CH 1/16W 10K	3	
R3171	ERJ3GEYJ221	M.RESISTOR CH 1/16W 220	1	
R3172	ERJ3GEYJ221	M.RESISTOR CH 1/16W 220	1	FOR AJ-PD950P
R3173	ERJ3GEYJ332	M.RESISTOR CH 1/16W 3.3K	1	
R3174	ERJ3GEYG332	M.RESISTOR CH 1/16W 3.3K	1	FOR AJ-PD950P
R3175	ERJ3GEYG332	M.RESISTOR CH 1/16W 3.3K	1	
R3176	ERJ3GEYJ473	M.RESISTOR CH 1/16W 47K	1	
R3177	ERJ6RBD221	M.RESISTOR CH 1/10W 220	1	
R3178	ERJ6RBD221	M.RESISTOR CH 1/10W 220	1	FOR AJ-PD950P
R3179	ERJ6RBD221	M.RESISTOR CH 1/10W 220	1	
R3181	ERJ6RBD221	M.RESISTOR CH 1/10W 220	1	
R3183,84	ERJ3GEYG471	M.RESISTOR CH 1/16W 470	2	
R3185	ERJ6RBD272	M.RESISTOR CH 1/10W 2.7K	1	
R3186,87	ERJ6RBD122	M.RESISTOR CH 1/10W 1.2K	2	
R3188	ERJ6RBD102	M.RESISTOR CH 1/10W 1K	1	
R3189	ERJ3GEYG472	M.RESISTOR CH 1/16W 4.7K	1	
R3190	ERJ3GEYJ472	M.RESISTOR CH 1/16W 4.7K	1	FOR AJ-PD950P
R3191	ERJ6RBD181	M.RESISTOR CH 1/10W 180	1	
R3192	ERJ6RBD181	M.RESISTOR CH 1/10W 180	1	FOR AJ-PD950P
R3193	ERJ6RBD181	M.RESISTOR CH 1/10W 180	1	
R3195	ERJ6RBD181	M.RESISTOR CH 1/10W 180	1	
R3197	ERJ6RBD151	M.RESISTOR CH 1/10W 150	1	
R3198	ERJ3GEYJ222	M.RESISTOR CH 1/16W 2.2K	1	
R3199	ERJ6RED560	M.RESISTOR CH 1/10W 56	1	
R3200	ERJ3GEYJ470	M.RESISTOR CH 1/16W 47	1	
R3201	ERJ3GEYJ101	M.RESISTOR CH 1/16W 100	1	
R3202	ERJ3GEYJ221	M.RESISTOR CH 1/16W 220	1	
R3203	ERJ3GEYJ221	M.RESISTOR CH 1/16W 220	1	FOR AJ-PD950P
R3204	ERJ3GEYJ221	M.RESISTOR CH 1/16W 220	1	
R3206	ERJ3GEYJ221	M.RESISTOR CH 1/16W 220	1	
R3208	ERJ3GEYJ223	M.RESISTOR CH 1/16W 2.2K	1	
R3209	ERJ3GEYJ221	M.RESISTOR CH 1/16W 220	1	
R3210	ERJ3GEYJ221	M.RESISTOR CH 1/16W 220	1	FOR AJ-PD950P
R3211	ERJ3GEYJ332	M.RESISTOR CH 1/16W 3.3K	1	FOR AJ-PD950P
R3212	ERJ3GEYG332	M.RESISTOR CH 1/16W 3.3K	1	
R3215	ERJ3GEYG472	M.RESISTOR CH 1/16W 4.7K	1	
R3216	ERJ3GEYJ472	M.RESISTOR CH 1/16W 4.7K	1	FOR AJ-PD950P
R3217-19	ERJ3GEYJ103	M.RESISTOR CH 1/16W 10K	3	
R3220	ERJ3GEYJ151	M.RESISTOR CH 1/16W 150	1	
R3221,22	ERJ3GEYJ222	M.RESISTOR CH 1/16W 2.2K	2	
R3223	ERJ3GEYJ470	M.RESISTOR CH 1/16W 47	1	
R3224	ERJ3GEYJ222	M.RESISTOR CH 1/16W 2.2K	1	
R3225	ERJ6RBD752	M.RESISTOR CH 1/10W 7.5K	1	
R3226	ERJ6RBD272	M.RESISTOR CH 1/10W 2.7K	1	
R3227	ERJ3GEYG102	M.RESISTOR CH 1/16W 1K	1	
R3228	ERJ3GEYJ102	M.RESISTOR CH 1/16W 1K	1	FOR AJ-PD950P
R3229	ERJ3GEYJ222	M.RESISTOR CH 1/16W 2.2K	1	
R3232	ERJ3GEYJ222	M.RESISTOR CH 1/16W 2.2K	1	
R3233	ERJ3GEYJ470	M.RESISTOR CH 1/16W 47	1	
R3234	ERJ3GEYG102	M.RESISTOR CH 1/16W 1K	1	
R3235	ERJ3GEYJ102	M.RESISTOR CH 1/16W 1K	1	FOR AJ-PD950P
R3237	ERJ3GEYJ153	M.RESISTOR CH 1/16W 15K	1	
R3238	ERJ3GEYJ153	M.RESISTOR CH 1/16W 15K	1	FOR AJ-PD950P
R3242,43	ERJ3GEYJ102	M.RESISTOR CH 1/16W 1K	2	FOR AJ-PD950P
R3244	ERJ3GEYOR00	M.RESISTOR CH 1/16W 0	1	FOR AJ-PD950P
R3245	ERJ3GEYOR00	M.RESISTOR CH 1/16W 0	1	FOR AJ-D950P
R3246,47	ERJ3GEYJ102	M.RESISTOR CH 1/16W 1K	2	FOR AJ-PD950P
R3248	ERJ3GEYG102	M.RESISTOR CH 1/16W 1K	1	
R3250-59	ERJ3GEYJ331	M.RESISTOR CH 1/16W 330	10	
R3260-62	ERJ3GEYOR00	M.RESISTOR CH 1/16W 0	3	FOR AJ-D950P
R3263,64	ERJ3GEYOR00	M.RESISTOR CH 1/16W 0	2	
R3265,66	ERJ3GEYJ220	M.RESISTOR CH 1/16W 22	2	

Ref.No.	Part No.	Part Name & Description	Qty	Remarks
R3267-69	ERJ3GEYJ103	M.RESISTOR CH 1/16W 10K	3	
R3270-72	ERJ3GEYJ103	M.RESISTOR CH 1/16W 10K	3	FOR AJ-PD950P
R3273-75	ERJ3GEYJ102	M.RESISTOR CH 1/16W 1K	3	
R3276-78	ERJ3GEYJ102	M.RESISTOR CH 1/16W 1K	3	FOR AJ-PD950P
R3280	ERJ3GEYOR00	M.RESISTOR CH 1/16W 0	1	FOR AJ-D950P
R3281	ERJ3GEYOR00	M.RESISTOR CH 1/16W 0	1	FOR AJ-PD950P
R3282	ERJ3GEYG102	M.RESISTOR CH 1/16W 1K	1	
R3283	ERJ3GEYJ121	M.RESISTOR CH 1/16W 120	1	
R3284	ERJ3GEYOR00	M.RESISTOR CH 1/16W 75	1	
R3285	ERJ3GEYJ221	M.RESISTOR CH 1/16W 220	1	
R3286,87	ERJ3GEYG332	M.RESISTOR CH 1/16W 3.3K	2	
R3288,89	ERJ3GEYOR00	M.RESISTOR CH 1/16W 75	2	
R3290	ERJ3GEYJ221	M.RESISTOR CH 1/16W 220	1	
R3291,92	ERJ3GEYG332	M.RESISTOR CH 1/16W 3.3K	2	
R3293	ERJ3GEYJ221	M.RESISTOR CH 1/16W 220	1	
R3294,95	ERJ3GEYG332	M.RESISTOR CH 1/16W 3.3K	2	
R3296-99	ERJ3GEYJ103	M.RESISTOR CH 1/16W 10K	4	
R3300-03	ERJ3GEYJ103	M.RESISTOR CH 1/16W 10K	4	FOR AJ-PD950P
R3304-06	ERJ3GEYJ103	M.RESISTOR CH 1/16W 10K	3	
R3310	ERJ3GEYOR00	M.RESISTOR CH 1/16W 0	1	FOR AJ-D950P
R3361-66	ERJ3GEYJ103	M.RESISTOR CH 1/16W 10K	6	FOR AJ-PD950P
SW3001	VSS0367-08B	SWITCH	1	
TG3001,02	EYF6CU	TEST POINT	2	
TP3001-03	EYF6CU	TEST POINT	3	
VR3001	VRV0113B101	V.RESISTOR 100	1	
VR3002	VRV0113B103	V.RESISTOR 10K	1	
VR3003	VRV0113B102	V.RESISTOR 1K	1	
VR3004	VRV0113B101	V.RESISTOR 100	1	
VR3005	VRV0113B102	V.RESISTOR 1K	1	
VR3006	VRV0113B101	V.RESISTOR 100	1	
VR3007-09	VRV0113B501	V.RESISTOR 500	3	
VR3010-12	VRV0113B102	V.RESISTOR 1K	3	FOR AJ-PD950P
VR3013	VRV0113B102	V.RESISTOR 1K	1	
VR3014	VRV0113B102	V.RESISTOR 1K	1	FOR AJ-PD950P
VR3016,17	VRV0113B103	V.RESISTOR 10K	2	
		MISCELLANEOUS		
	VMS4913	PIN	3	
	XYN3+K6	SCREW	6	
* E9	VEP84300A	F7 A PROC P.C.BOARD	1	(RTL)
*	VEP84313A	A JOG SUB P.C.BOARD	1	(RTL)FOR VEP84300A
*	VEP84314A	AMEM SUB P.C.BOARD	1	(RTL)FOR VEP84300A
C1	ECEV1CV470Q	E.CAPACITOR CH 16V 47U	1	
C1 03	ECEV1CV470Q	E.CAPACITOR CH 16V 47U	1	
C1 02	ECUM1H104ZFN	C.CAPACITOR CH 50V 0.1U	1	
C2	ECUM1H103KBN	C.CAPACITOR CH 50V 0.01U	1	
C2 03	ECUM1H103KBN	C.CAPACITOR CH 50V 0.01U	1	
C2 02	ECUM1H104ZFN	C.CAPACITOR CH 50V 0.1U	1	
C3	ECEV1CV470Q	E.CAPACITOR CH 16V 47U	1	
C3 02	ECUM1H104ZFN	C.CAPACITOR CH 50V 0.1U	1	
C4	ECEV1CV470Q	E.CAPACITOR CH 16V 47U	1	
C4 03	ECUM1H103KBN	C.CAPACITOR CH 50V 0.01U	1	
C4 02	ECUM1H104ZFN	C.CAPACITOR CH 50V 0.1U	1	
C5	ECUM1H103KBN	C.CAPACITOR CH 50V 0.01U	1	
C5 03	ECUM1H103KBN	C.CAPACITOR CH 50V 0.01U	1	
C5 02	ECUM1H104ZFN	C.CAPACITOR CH 50V 0.1U	1	
C6	ECEV1CV470Q	E.CAPACITOR CH 16V 47U	1	
C6 03	ECUM1H103KBN	C.CAPACITOR CH 50V 0.01U	1	
C6 02	ECUM1H104ZFN	C.CAPACITOR CH 50V 0.1U	1	
C7	ECEV1CV470Q	E.CAPACITOR CH 16V 47U	1	
C7 03	ECUM1H103KBN	C.CAPACITOR CH 50V 0.01U	1	
C7 02	ECUM1H104ZFN	C.CAPACITOR CH 50V 0.1U	1	
C8	ECUM1H103KBN	C.CAPACITOR CH 50V 0.01U	1	
C8 02	ECUM1H104ZFN	C.CAPACITOR CH 50V 0.1U	1	
C8 03	ECEV1E104KBN	C.CAPACITOR CH 25V 0.1U	1	
C9	ECEV1CV470Q	E.CAPACITOR CH 16V 47U	1	

Ref.No.	Part No.	Part Name & Description	Pcs	Remarks
C9 03	ECUM1H103KBN	C.CAPACITOR CH 50V 0.01U	1	
C9 02	ECUM1H1042FN	C.CAPACITOR CH 50V 0.1U	1	
C10	ECUM1H103KBN	C.CAPACITOR CH 50V 0.01U	1	
C10 03	ECUM1H103KBN	C.CAPACITOR CH 50V 0.01U	1	
C12	ECUM1H1042FN	C.CAPACITOR CH 50V 0.1U	1	
C13,14	ECUM1H102JCN	C.CAPACITOR CH 50V 1000P	2	
C15,16	ECUM1H1042FN	C.CAPACITOR CH 50V 0.1U	2	
C20-32	ECUM1H103KBN	C.CAPACITOR CH 50V 0.01U	13	
C33	ECUX1E104KBN	C.CAPACITOR CH 25V 0.1U	1	
C34,35	ECUM1H103KBN	C.CAPACITOR CH 50V 0.01U	2	
C36-38	ECUM1H101JCN	C.CAPACITOR CH 50V 100P	3	
C51	ECKF1H122KB	C.CAPACITOR 50V 1200P	1	
C99	ECUX1H102KBV	C.CAPACITOR 50V 1000P	1	
C100,01	ECUM1H103KBN	C.CAPACITOR CH 50V 0.01U	2	
C101 02	ECUM1H1042FN	C.CAPACITOR CH 50V 0.1U	1	
C102	ECUM1H103KBN	C.CAPACITOR CH 50V 0.01U	1	
C112	ECUM1H1042FN	C.CAPACITOR CH 50V 0.1U	1	
C115,16	ECUM1H1042FN	C.CAPACITOR CH 50V 0.1U	2	
C130	ECUM1H180JCN	C.CAPACITOR CH 50V 18P	1	
C131	ECUM1H103KBN	C.CAPACITOR CH 50V 0.01U	1	
C132	ECUM1H180JCN	C.CAPACITOR CH 50V 18P	1	
C133-37	ECUM1H103KBN	C.CAPACITOR CH 50V 0.01U	5	
C139-42	ECUM1H103KBN	C.CAPACITOR CH 50V 0.01U	4	
C160	ECUM1H180JCN	C.CAPACITOR CH 50V 18P	1	
C161	ECUM1H103KBN	C.CAPACITOR CH 50V 0.01U	1	
C162	ECUM1H180JCN	C.CAPACITOR CH 50V 18P	1	
C163-66	ECUM1H103KBN	C.CAPACITOR CH 50V 0.01U	4	
C168-72	ECUM1H103KBN	C.CAPACITOR CH 50V 0.01U	5	
C200-04	ECUM1H103KBN	C.CAPACITOR CH 50V 0.01U	5	
C205	ECUX1E104KBN	C.CAPACITOR CH 25V 0.1U	1	
C206	ECUM1H100DCN	C.CAPACITOR CH 50V 10P	1	
C207	ECUM1H103KBN	C.CAPACITOR CH 50V 0.01U	1	
C208	ECUM1H150JCN	C.CAPACITOR CH 50V 15P	1	
C209,10	ECUM1H103KBN	C.CAPACITOR CH 50V 0.01U	2	
C220-24	ECUM1H103KBN	C.CAPACITOR CH 50V 0.01U	5	
C225	ECUX1E104KBN	C.CAPACITOR CH 25V 0.1U	1	
C226	ECUM1H100DCN	C.CAPACITOR CH 50V 10P	1	
C227	ECUM1H103KBN	C.CAPACITOR CH 50V 0.01U	1	
C228	ECUM1H150JCN	C.CAPACITOR CH 50V 15P	1	
C229,30	ECUM1H103KBN	C.CAPACITOR CH 50V 0.01U	2	
C240,41	ECEV1CV470Q	E.CAPACITOR CH 16V 47U	2	
C242-46	ECUM1H103KBN	C.CAPACITOR CH 50V 0.01U	5	
C247-49	ECEV1HV0R1Q	E.CAPACITOR CH 50V 0.1U	3	
C250	ECUM1H103KBN	C.CAPACITOR CH 50V 0.01U	1	
C251	ECEV1CV100Q	E.CAPACITOR CH 16V 100U	1	
C252	ECUM1H103KBN	C.CAPACITOR CH 50V 0.01U	1	
C253	ECEV1CV100Q	E.CAPACITOR CH 16V 100U	1	
C254	ECUM1H103KBN	C.CAPACITOR CH 50V 0.01U	1	
C255,56	ECUM1H470JCN	C.CAPACITOR CH 50V 47P	2	
C257-59	ECUM1H103KBN	C.CAPACITOR CH 50V 0.01U	3	
C270-81	ECUM1H103KBN	C.CAPACITOR CH 50V 0.01U	12	
C330-34	ECUM1H103KBN	C.CAPACITOR CH 50V 0.01U	5	
C350-54	ECUM1H103KBN	C.CAPACITOR CH 50V 0.01U	5	
C355	ECEV1CV470Q	E.CAPACITOR CH 16V 47U	1	
C356-58	ECUX1E104KBN	C.CAPACITOR CH 25V 0.1U	3	
C359	ECUM1H103KBN	C.CAPACITOR CH 50V 0.01U	1	
C360	ECUM1H121JCN	C.CAPACITOR CH 50V 120P	1	
C361	ECUM1H222KBN	C.CAPACITOR CH 50V 2200P	1	
C362	ECEV1CV100Q	E.CAPACITOR CH 16V 100U	1	
C363,64	ECEV1CV470Q	E.CAPACITOR CH 16V 47U	2	
C365,66	ECUM1H103KBN	C.CAPACITOR CH 50V 0.01U	2	
C367	ECUM1H101JCN	C.CAPACITOR CH 50V 100P	1	
C368	ECUM1H1042FN	C.CAPACITOR CH 50V 0.1U	1	
C369	ECEV0JV470Q	E.CAPACITOR CH6.3V 47U	1	
C370	ECUM1H103KBN	C.CAPACITOR CH 50V 0.01U	1	
C371	ECEV1HN3R3Q	E.CAPACITOR CH 50V 3.3U	1	
C372	ECUM1H103KBN	C.CAPACITOR CH 50V 0.01U	1	
C373	ECUX1E104KBN	C.CAPACITOR CH 25V 0.1U	1	
C374-78	ECUM1H103KBN	C.CAPACITOR CH 50V 0.01U	5	
C390-94	ECUM1H103KBN	C.CAPACITOR CH 50V 0.01U	5	
C395	ECEV1CV470Q	E.CAPACITOR CH 16V 47U	1	
C396-98	ECUX1E104KBN	C.CAPACITOR CH 25V 0.1U	3	
C399	ECUM1H103KBN	C.CAPACITOR CH 50V 0.01U	1	
C400	ECUM1H121JCN	C.CAPACITOR CH 50V 120P	1	
C401	ECUM1H222KBN	C.CAPACITOR CH 50V 2200P	1	

Ref.No.	Part No.	Part Name & Description	Pcs	Remarks
C402	ECEV1CV100Q	E.CAPACITOR CH 16V 100U	1	
C403,04	ECEV1CV470Q	E.CAPACITOR CH 16V 47U	2	
C405,06	ECUM1H103KBN	C.CAPACITOR CH 50V 0.01U	2	
C407	ECUM1H101JCN	C.CAPACITOR CH 50V 100P	1	
C408	ECEV1HN3R3Q	E.CAPACITOR CH 50V 3.3U	1	
C409	ECUM1H103KBN	C.CAPACITOR CH 50V 0.01U	1	
C410	ECUX1E104KBN	C.CAPACITOR CH 25V 0.1U	1	
C411-15	ECUM1H103KBN	C.CAPACITOR CH 50V 0.01U	5	
C430,31	ECUM1H103KBN	C.CAPACITOR CH 50V 0.01U	2	
C440,41	ECUM1H103KBN	C.CAPACITOR CH 50V 0.01U	2	
C450-57	ECUM1H103KBN	C.CAPACITOR CH 50V 0.01U	8	
C490,91	ECUM1H103KBN	C.CAPACITOR CH 50V 0.01U	2	
C493-97	ECUM1H103KBN	C.CAPACITOR CH 50V 0.01U	5	
C530-35	ECUM1H103KBN	C.CAPACITOR CH 50V 0.01U	6	
C590-93	ECUM1H103KBN	C.CAPACITOR CH 50V 0.01U	4	
C600-02	ECUM1H103KBN	C.CAPACITOR CH 50V 0.01U	3	
C620,21	ECUM1H180JCN	C.CAPACITOR CH 50V 18P	2	
C622,23	ECUM1H103KBN	C.CAPACITOR CH 50V 0.01U	2	
C624,25	ECUM1H180JCN	C.CAPACITOR CH 50V 18P	2	
C626,27	ECUM1H103KBN	C.CAPACITOR CH 50V 0.01U	2	
C651	ECEV1CV470Q	E.CAPACITOR CH 16V 47U	1	
C670	ECEV1CV470Q	E.CAPACITOR CH 16V 47U	1	
C700-03	ECUM1H103KBN	C.CAPACITOR CH 50V 0.01U	4	
C704-06	ECUX1E104KBN	C.CAPACITOR CH 25V 0.1U	3	
C901	ECUX1H103KBN	C.CAPACITOR 50V 0.01U	1	
D350	MA152A	DIODE	1	
D351	MA157	DIODE	1	
D352	MA152A	DIODE	1	
D353	MA157	DIODE	1	
D390	MA152A	DIODE	1	
D391	MA157	DIODE	1	
D392	MA152A	DIODE	1	
D393	MA157	DIODE	1	
FL1	VLF0576	FILTER	1	
IC1 02	EPF10K20TC-4	IC	1	
IC1,C2	EPF10K50RC24	IC	2	
IC2 02	MC74HC541AF	IC	1	
IC3	MB817B05A60	IC	1	
IC5	K6256CLG7L	IC	1	
IC5 02	VS12721	IC	1	
IC6	K6256CLG7L	IC	1	
IC6-C8	S-80726AL	IC	3	
IC20	MC10H125M	IC	1	
IC21	MC74HC541AF	IC	1	
IC22	MC74HC574AF	IC	1	
IC23	MC74HC541AF	IC	1	
IC24	MC74HC153F	IC	1	
IC25	T74HCT541AF	IC	1	
IC26	MC74HC08AF	IC	1	
IC27	T74VHCT244F	IC	1	
IC28	MC74HC74AF	IC	1	
IC29-31	MC74HC541AF	IC	3	
IC32	MC10H124M	IC	1	
IC100	MB621926	IC	1	
IC101 02	EPF10K50RC24	IC	1	
IC101	K6256CLG7L	IC	1	
IC102	EPF10K50RC24	IC	1	
IC105,06	K6256CLG7L	IC	2	
IC130	AD1893JST	IC	1	
IC131	MC74HC157AF	IC	1	
IC133	T16GH7AF1216	IC	1	
IC134,35	K6256CLG7L	IC	2	
IC136	MC74HC157AF	IC	1	
IC137	MC74HC74AF	IC	1	
IC160	AD1893JST	IC	1	
IC161	MC74HC157AF	IC	1	
IC163	T16GH7AF1216	IC	1	
IC164,65	K6256CLG7L	IC	2	
IC166	MC74HC157AF	IC	1	
IC188	MC74HC157AF	IC	1	
IC200	K6256CLG7L	IC	1	
IC201	MN53030VPR	IC	1	

Ref.No.	Part No.	Part Name & Description	Pcs	Remarks
IC202	74AC04SJ	IC	1	
IC203	K6256CLG7L	IC	1	
IC204.05	74AC374SJ	IC	2	
IC206	TMSD72274PH	IC	1	
IC220	K6256CLG7L	IC	1	
IC221	MN53030VPR	IC	1	
IC222	74AC04SJ	IC	1	
IC223	K6256CLG7L	IC	1	
IC224.25	74AC374SJ	IC	2	
IC226	TMSD72274PH	IC	1	
IC240.41	NJM78L05UA	IC	2	
IC242.43	MC4044M	IC	2	
IC244	74AC04SJ	IC	1	
IC260.61	MC74HC74AF	IC	2	
IC262	MC74HC02AF	IC	1	
IC270.71	SN74S1051NS	IC	2	
IC272	74F541SJ	IC	1	
IC273	74F245SJ	IC	1	
IC274.75	74F541SJ	IC	2	
IC276	74F32SJ	IC	1	
IC277	74AC04SJ	IC	1	
IC278	UPD71055GB	IC	1	
IC279.80	74AC138SJ	IC	2	
IC281	UPD71055GB	IC	1	
IC330-32	MC74HC541AF	IC	3	
IC333	MC74HC04AF	IC	1	
IC334	MC74HC541AF	IC	1	
IC350	NJM78L05UA	IC	1	
IC351	DS9637ACN	IC	1	
IC352	NJM360M	IC	1	
IC353	74AC04SJ	IC	1	
IC354.55	MC74HC74AF	IC	2	
IC356	L7A0541	IC	1	
IC357	MC74HC08AF	IC	1	
IC358	SN75158P	IC	1	
IC359	TL7705CPSB	IC	1	
IC390	NJM78L05UA	IC	1	
IC391	DS9637ACN	IC	1	
IC392	NJM360M	IC	1	
IC393	74AC04SJ	IC	1	
IC394.95	MC74HC74AF	IC	2	
IC396	L7A0541	IC	1	
IC397	MC74HC08AF	IC	1	
IC398	SN75158P	IC	1	
IC430	L7A0541	IC	1	
IC440	L7A0541	IC	1	
IC450	MC74HC157AF	IC	1	
IC451	MC74HC74AF	IC	1	
IC452	MC74HC04AF	IC	1	
IC453	D485505G25	IC	1	
IC454	MB621926	IC	1	
IC455	K6256CLG7L	IC	1	
IC490	MC74HC157AF	IC	1	
IC491	MC74HC04AF	IC	1	
IC492	D485505G25	IC	1	
IC493	MB621926	IC	1	
IC494	K6256CLG7L	IC	1	
IC530.31	MB621926	IC	2	
IC532.33	K6256CLG7L	IC	2	
IC590-93	MC74HC74AF	IC	4	
IC600	MB621926	IC	1	
IC601	MB814400C70L	DRAM	1	
IC620.21	AD1893JST	IC	2	
IC622.23	MC74HC157AF	IC	2	
IC700	EPF10K20TC-4	IC	1	
IC701	VS12720B	IC	1	
IC702.03	UPD42280G3	IC	2	
IC800	S-80726AL	IC	1	
IS3-S5	VJS3096308	CONNECTOR (FEMALE)	3	
IS103.04	VJS3096308	CONNECTOR (FEMALE)	2	
IS701	VJS3096308	CONNECTOR (FEMALE)	1	
L1,L2	VLP0133	COIL	2	
L200	VLQ0426J1R8	COIL 1.8UH	1	

Ref.No.	Part No.	Part Name & Description	Pcs	Remarks
L220	VLQ0426J1R8	COIL 1.8UH	1	
L350	VLQ0426J1R8	COIL 1.8UH	1	
L390	VLQ0426J1R8	COIL 1.8UH	1	
P1 02	VJP3454B096	CONNECTOR (MALE)	1	
P1	VJS3886A040	CONNECTOR (FEMALE) 40P	1	
P2	VJP3454B096	CONNECTOR (MALE)	1	
P3	VJS3886A040	CONNECTOR (FEMALE) 40P	1	
P650	VJP3635A040	CONNECTOR (MALE)	1	
P670	VJP3635A040	CONNECTOR (MALE)	1	
Q350	2SJ163-R	TRANSISTOR	1	
Q351-53	2SC4444	TRANSISTOR	3	
Q390	2SJ163-R	TRANSISTOR	1	
Q391-93	2SC4444	TRANSISTOR	3	
R1	ERJ6GEYG102	M.RESISTOR CH 1/10W 1K	1	
R1 02	ERJ6GEYG331	M.RESISTOR CH 1/10W 330	1	
R2 02	ERJ6GEY0R00	M.RESISTOR CH 1/10W 0	1	
R2	ERJ6GEYG102	M.RESISTOR CH 1/10W 1K	1	
R3 02	ERJ6GEY0R00	M.RESISTOR CH 1/10W 0	1	
R3	ERJ6GEYG102	M.RESISTOR CH 1/10W 1K	1	
R4 02	ERJ6GEY0R00	M.RESISTOR CH 1/10W 0	1	
R4	ERJ6GEYG102	M.RESISTOR CH 1/10W 1K	1	
R5 02	ERJ6GEY0R00	M.RESISTOR CH 1/10W 0	1	
R5	ERJ6GEYG102	M.RESISTOR CH 1/10W 1K	1	
R6-02	ERJ6GEY0R00	M.RESISTOR CH 1/10W 0	3	
R8	ERJ6GEYG102	M.RESISTOR CH 1/10W 1K	1	
R9 02	ERJ6GEY0R00	M.RESISTOR CH 1/10W 0	1	
R9	ERJ6GEYG102	M.RESISTOR CH 1/10W 1K	1	
R10 02	ERJ6GEY0R00	M.RESISTOR CH 1/10W 0	1	
R10	ERJ6GEYG102	M.RESISTOR CH 1/10W 1K	1	
R11 02	ERJ6GEY0R00	M.RESISTOR CH 1/10W 0	1	
R11,12	ERJ6GEYG102	M.RESISTOR CH 1/10W 1K	2	
R16	ERJ6GEYG102	M.RESISTOR CH 1/10W 1K	1	
R17	ERJ6GEY0R00	M.RESISTOR CH 1/10W 0	1	
R20	ERJ6GEYG103	M.RESISTOR CH 1/10W 10K	1	
R21	ERJ6GEYG101	M.RESISTOR CH 1/10W 100	1	
R22	ERJ6GEYG103	M.RESISTOR CH 1/10W 10K	1	
R23-34	ERJ6GEY0R00	M.RESISTOR CH 1/10W 0	12	
R35-38	ERJ6GEYG331	M.RESISTOR CH 1/10W 330	4	
R39-50	ERJ6GEY0R00	M.RESISTOR CH 1/10W 0	12	
R50 02	ERJ6GEY0R00	M.RESISTOR CH 1/10W 0	1	
R51 02	ERD52TJ183	C.RESISTOR 1/4W 18K	1	
R51.52	ERJ6GEY0R00	M.RESISTOR CH 1/10W 0	2	
R53	ERJ6GEYG331	M.RESISTOR CH 1/10W 330	1	
R62	ERJ6GEYG103	M.RESISTOR CH 1/10W 10K	1	
R63	ERJ6GEYG102	M.RESISTOR CH 1/10W 1K	1	
R64	ERJ6GEYF472	M.RESISTOR CH 1/10W 4.7K	1	
R65	ERJ6GEYG103	M.RESISTOR CH 1/10W 10K	1	
R66-69	ERJ6GEYG331	M.RESISTOR CH 1/10W 330	4	
R70	ERJ6GEYJ471	M.RESISTOR CH 1/10W 470	1	
R71-78	ERJ6GEYG470	M.RESISTOR CH 1/10W 47	8	
R79	ERJ6GEYJ471	M.RESISTOR CH 1/10W 470	1	
R80-88	ERJ6GEYG470	M.RESISTOR CH 1/10W 47	9	
R89,90	ERJ6GEYJ471	M.RESISTOR CH 1/10W 470	2	
R91	ERJ6GEYG101	M.RESISTOR CH 1/10W 100	1	
R92-94	ERJ6GEY0R00	M.RESISTOR CH 1/10W 0	3	
R100	ERJ6GEYG331	M.RESISTOR CH 1/10W 330	1	
R101 02	ERJ6GEYG102	M.RESISTOR CH 1/10W 1K	1	
R101	ERJ6GEYG331	M.RESISTOR CH 1/10W 330	1	
R102 02	ERJ6GEYG102	M.RESISTOR CH 1/10W 1K	1	
R102,03	ERJ6GEYG331	M.RESISTOR CH 1/10W 330	2	
R104 02	ERJ6GEYG102	M.RESISTOR CH 1/10W 1K	1	
R104	ERJ6GEYG331	M.RESISTOR CH 1/10W 330	1	
R105	ERJ6GEYG102	M.RESISTOR CH 1/10W 1K	1	
R106	ERJ6GEY0R00	M.RESISTOR CH 1/10W 0	1	
R108	ERJ6GEY0R00	M.RESISTOR CH 1/10W 0	1	
R109	ERJ6GEYG102	M.RESISTOR CH 1/10W 1K	1	
R110	ERJ6GEY0R00	M.RESISTOR CH 1/10W 0	1	
R111	ERJ6GEYG102	M.RESISTOR CH 1/10W 1K	1	
R112	ERJ6GEY0R00	M.RESISTOR CH 1/10W 0	1	
R112 02	ERJ6GEYG102	M.RESISTOR CH 1/10W 1K	1	
R113	ERJ6GEYG331	M.RESISTOR CH 1/10W 330	1	
R115,16	ERJ6GEY0R00	M.RESISTOR CH 1/10W 0	2	

Ref.No.	Part No.	Part Name & Description	Pcs	Remarks
R119	ERJ6GEY0R00	M.RESISTOR CH 1/10W 0	1	
R130	ERJ6GEYG103	M.RESISTOR CH 1/10W 10K	1	
R131_32	ERJ6GEY0R00	M.RESISTOR CH 1/10W 0	2	
R134	ERJ6GEYG103	M.RESISTOR CH 1/10W 10K	1	
R135	ERJ6GEYG331	M.RESISTOR CH 1/10W 330	1	
R137	ERJ6GEY0R00	M.RESISTOR CH 1/10W 330	1	
R138	ERJ6GEY0R00	M.RESISTOR CH 1/10W 0	1	
R139-41	ERJ6GEYG331	M.RESISTOR CH 1/10W 330	3	
R143	ERJ6GEY0R00	M.RESISTOR CH 1/10W 0	1	
R145	ERJ6GEY0R00	M.RESISTOR CH 1/10W 0	1	
R146	ERJ6GEYG331	M.RESISTOR CH 1/10W 330	1	
R147_48	ERJ6GEYG103	M.RESISTOR CH 1/10W 10K	2	
R149	ERJ6GEYG331	M.RESISTOR CH 1/10W 330	1	
R150	ERJ6GEY0R00	M.RESISTOR CH 1/10W 0	1	
R151	ERJ6GEYG331	M.RESISTOR CH 1/10W 330	1	
R152	ERJ6GEY0R00	M.RESISTOR CH 1/10W 0	1	
R153	ERJ6GEYG331	M.RESISTOR CH 1/10W 330	1	
R157	ERJ6GEY0R00	M.RESISTOR CH 1/10W 0	1	
R165	ERJ6GEYG331	M.RESISTOR CH 1/10W 330	1	
R167	ERJ6GEYG331	M.RESISTOR CH 1/10W 330	1	
R168	ERJ6GEY0R00	M.RESISTOR CH 1/10W 0	1	
R169-71	ERJ6GEYG331	M.RESISTOR CH 1/10W 330	3	
R173	ERJ6GEY0R00	M.RESISTOR CH 1/10W 0	1	
R175	ERJ6GEY0R00	M.RESISTOR CH 1/10W 0	1	
R176	ERJ6GEYG331	M.RESISTOR CH 1/10W 330	1	
R177_78	ERJ6GEYG103	M.RESISTOR CH 1/10W 10K	2	
R179	ERJ6GEYG331	M.RESISTOR CH 1/10W 330	1	
R180	ERJ6GEY0R00	M.RESISTOR CH 1/10W 0	1	
R181	ERJ6GEYG331	M.RESISTOR CH 1/10W 330	1	
R182	ERJ6GEY0R00	M.RESISTOR CH 1/10W 0	1	
R183	ERJ6GEYG331	M.RESISTOR CH 1/10W 330	1	
R185	ERJ6GEY0R00	M.RESISTOR CH 1/10W 0	1	
R187_88	ERJ6GEY0R00	M.RESISTOR CH 1/10W 0	2	
R200-04	ERJ6GEYG331	M.RESISTOR CH 1/10W 330	5	
R220-24	ERJ6GEYG331	M.RESISTOR CH 1/10W 330	5	
R240,41	ERJ6GEYG152	M.RESISTOR CH 1/10W 15K	2	
R242	ERJ6GEYG562	M.RESISTOR CH 1/10W 5.6K	1	
R243	ERJ6GEYG392	M.RESISTOR CH 1/10W 3.9K	1	
R244,45	ERJ6GEYG102	M.RESISTOR CH 1/10W 1K	2	
R246,47	ERJ6GEYG101	M.RESISTOR CH 1/10W 100	2	
R248,49	ERJ6GEYG103	M.RESISTOR CH 1/10W 10K	2	
R252,53	ERJ6GEYG103	M.RESISTOR CH 1/10W 10K	2	
R270-92	ERJ6GEYG470	M.RESISTOR CH 1/10W 47	23	
R293-96	ERJ6GEYG331	M.RESISTOR CH 1/10W 330	4	
R297-00	ERJ6GEYG332	M.RESISTOR CH 1/10W 3.3K	4	
R301-06	ERJ6GEYG152	M.RESISTOR CH 1/10W 15K	6	
R307-10	ERJ6GEYG332	M.RESISTOR CH 1/10W 3.3K	4	
R311-15	ERJ6GEYG152	M.RESISTOR CH 1/10W 1.5K	5	
R330	ERJ6GEY0R00	M.RESISTOR CH 1/10W 0	1	
R333-36	ERJ6GEYG331	M.RESISTOR CH 1/10W 330	4	
R350,51	ERJ6GEYG332	M.RESISTOR CH 1/10W 3.3K	2	
R352	ERJ6GEYF561	M.RESISTOR CH 1/10W 560	1	
R353	ERJ6RBD111	M.RESISTOR CH 1/10W 110	1	
R354	ERJ6GEYG222	M.RESISTOR CH 1/10W 2.2K	1	
R355	ERJ6GEYG101	M.RESISTOR CH 1/10W 100	1	
R356	ERJ6GEYG221	M.RESISTOR CH 1/10W 220	1	
R357	ERJ6GEYG103	M.RESISTOR CH 1/10W 10K	1	
R358	ERJ6GEYG102	M.RESISTOR CH 1/10W 1K	1	
R359	ERJ6GEYJ820	M.RESISTOR CH 1/10W 82	1	
R360	ERJ6GEYG101	M.RESISTOR CH 1/10W 100	1	
R361-63	ERJ6GEYG102	M.RESISTOR CH 1/10W 1K	3	
R364	ERJ6GEYF473	M.RESISTOR CH 1/10W 47K	1	
R365	ERJ6GEYG105	M.RESISTOR CH 1/10W 1M	1	
R366	ERJ6GEYG563	M.RESISTOR CH 1/10W 56K	1	
R368	ERJ6GEY0R00	M.RESISTOR CH 1/10W 0	1	
R369,70	ERJ6GEYG331	M.RESISTOR CH 1/10W 330	2	
R371	ERJ6GEYG103	M.RESISTOR CH 1/10W 10K	1	
R372	ERJ6RBD111	M.RESISTOR CH 1/10W 110	1	
R374	ERJ6GEY0R00	M.RESISTOR CH 1/10W 0	1	
R377_78	ERJ6GEY0R00	M.RESISTOR CH 1/10W 0	2	
R390,91	ERJ6GEYG332	M.RESISTOR CH 1/10W 3.3K	2	
R392	ERJ6GEYF561	M.RESISTOR CH 1/10W 560	1	
R393	ERJ6RBD111	M.RESISTOR CH 1/10W 110	1	
R394	ERJ6GEYG222	M.RESISTOR CH 1/10W 2.2K	1	
R395	ERJ6GEYG101	M.RESISTOR CH 1/10W 100	1	

Ref.No.	Part No.	Part Name & Description	Pcs	Remarks
R396	ERJ6GEYG221	M.RESISTOR CH 1/10W 220	1	
R397	ERJ6GEYG103	M.RESISTOR CH 1/10W 10K	1	
R398	ERJ6GEYG102	M.RESISTOR CH 1/10W 1K	1	
R399	ERJ6GEYJ820	M.RESISTOR CH 1/10W 82	1	
R400	ERJ6GEYG101	M.RESISTOR CH 1/10W 100	1	
R401-03	ERJ6GEYG102	M.RESISTOR CH 1/10W 1K	3	
R404	ERJ6GEYF473	M.RESISTOR CH 1/10W 47K	1	
R405	ERJ6GEYG105	M.RESISTOR CH 1/10W 1M	1	
R406	ERJ6GEYG563	M.RESISTOR CH 1/10W 56K	1	
R408	ERJ6GEY0R00	M.RESISTOR CH 1/10W 0	1	
R409,10	ERJ6GEYG331	M.RESISTOR CH 1/10W 330	2	
R411	ERJ6RBD111	M.RESISTOR CH 1/10W 110	1	
R413	ERJ6GEY0R00	M.RESISTOR CH 1/10W 0	1	
R416	ERJ6GEY0R00	M.RESISTOR CH 1/10W 0	1	
R430	ERJ6GEYG331	M.RESISTOR CH 1/10W 330	1	
R431	ERJ6GEYG103	M.RESISTOR CH 1/10W 10K	1	
R440	ERJ6GEYG331	M.RESISTOR CH 1/10W 330	1	
R441	ERJ6GEYG103	M.RESISTOR CH 1/10W 10K	1	
R450	ERJ6GEY0R00	M.RESISTOR CH 1/10W 0	1	
R452	ERJ6GEYG331	M.RESISTOR CH 1/10W 330	1	
R453	ERJ6GEYG103	M.RESISTOR CH 1/10W 10K	1	
R454-58	ERJ6GEYG331	M.RESISTOR CH 1/10W 330	5	
R460	ERJ6GEY0R00	M.RESISTOR CH 1/10W 0	1	
R462	ERJ6GEY0R00	M.RESISTOR CH 1/10W 0	1	
R464	ERJ6GEY0R00	M.RESISTOR CH 1/10W 0	1	
R466,67	ERJ6GEY0R00	M.RESISTOR CH 1/10W 0	2	
R469	ERJ6GEYG331	M.RESISTOR CH 1/10W 330	1	
R470	ERJ6GEY0R00	M.RESISTOR CH 1/10W 0	1	
R472	ERJ6GEY0R00	M.RESISTOR CH 1/10W 0	1	
R475	ERJ6GEY0R00	M.RESISTOR CH 1/10W 0	1	
R490	ERJ6GEY0R00	M.RESISTOR CH 1/10W 0	1	
R492	ERJ6GEYG331	M.RESISTOR CH 1/10W 330	1	
R493	ERJ6GEYG103	M.RESISTOR CH 1/10W 10K	1	
R494-98	ERJ6GEYG331	M.RESISTOR CH 1/10W 330	5	
R500	ERJ6GEY0R00	M.RESISTOR CH 1/10W 0	1	
R502	ERJ6GEY0R00	M.RESISTOR CH 1/10W 0	1	
R504	ERJ6GEY0R00	M.RESISTOR CH 1/10W 0	1	
R506,07	ERJ6GEY0R00	M.RESISTOR CH 1/10W 0	2	
R509	ERJ6GEYG331	M.RESISTOR CH 1/10W 330	1	
R510	ERJ6GEY0R00	M.RESISTOR CH 1/10W 0	1	
R512	ERJ6GEY0R00	M.RESISTOR CH 1/10W 0	1	
R515	ERJ6GEY0R00	M.RESISTOR CH 1/10W 0	1	
R532-35	ERJ6GEYG331	M.RESISTOR CH 1/10W 330	4	
R536,37	ERJ6GEY0R00	M.RESISTOR CH 1/10W 0	2	
R538-42	ERJ6GEYG331	M.RESISTOR CH 1/10W 330	5	
R544,45	ERJ6GEYG331	M.RESISTOR CH 1/10W 330	2	
R547	ERJ6GEY0R00	M.RESISTOR CH 1/10W 0	1	
R549	ERJ6GEY0R00	M.RESISTOR CH 1/10W 0	1	
R551	ERJ6GEY0R00	M.RESISTOR CH 1/10W 0	1	
R553	ERJ6GEY0R00	M.RESISTOR CH 1/10W 0	1	
R555	ERJ6GEY0R00	M.RESISTOR CH 1/10W 0	1	
R557,58	ERJ6GEY0R00	M.RESISTOR CH 1/10W 0	2	
R560	ERJ6GEY0R00	M.RESISTOR CH 1/10W 0	1	
R562	ERJ6GEY0R00	M.RESISTOR CH 1/10W 0	1	
R565,66	ERJ6GEY0R00	M.RESISTOR CH 1/10W 0	2	
R568	ERJ6GEY0R00	M.RESISTOR CH 1/10W 0	1	
R571	ERJ6GEY0R00	M.RESISTOR CH 1/10W 0	1	
R573	ERJ6GEY0R00	M.RESISTOR CH 1/10W 0	1	
R602	ERJ6GEYG331	M.RESISTOR CH 1/10W 330	1	
R604	ERJ6GEYG331	M.RESISTOR CH 1/10W 330	1	
R607,08	ERJ6GEY0R00	M.RESISTOR CH 1/10W 0	2	
R620,21	ERJ6GEYG331	M.RESISTOR CH 1/10W 330	2	
R651,52	ERJ6GEYG470	M.RESISTOR CH 1/10W 47	2	
R653	ERJ6GEY0R00	M.RESISTOR CH 1/10W 0	1	
R657-59	ERJ6GEY0R00	M.RESISTOR CH 1/10W 0	3	
R661	ERJ6GEY0R00	M.RESISTOR CH 1/10W 0	1	
R670-73	ERJ6GEYG470	M.RESISTOR CH 1/10W 47	4	
R674	ERJ6GEYG103	M.RESISTOR CH 1/10W 10K	1	
R700-09	ERJ6GEY0R00	M.RESISTOR CH 1/10W 0	10	
R710-14	ERJ6GEYG102	M.RESISTOR CH 1/10W 1K	5	
R800	ERJ6GEYG103	M.RESISTOR CH 1/10W 10K	1	
R802	ERJ6GEYG103	M.RESISTOR CH 1/10W 10K	1	
R804	ERJ6GEYG103	M.RESISTOR CH 1/10W 10K	1	
R806	ERJ6GEYG103	M.RESISTOR CH 1/10W 10K	1	
R808	ERJ6GEYG103	M.RESISTOR CH 1/10W 10K	1	



Ref.No.	Part No.	Part Name & Description	Pcs	Remarks
C4261	ECUM1H330JCN	C.CAPACITOR CH 50V 33P	1	
C4262	ECUM1E104ZFN	C.CAPACITOR CH 25V 0.1U	1	
C4263	ECEV0JV470Q	E.CAPACITOR CH6.3V 47U	1	
C4264	ECUM1H330JCN	C.CAPACITOR CH 50V 33P	1	
C4265	ECUM1E104ZFN	C.CAPACITOR CH 25V 0.1U	1	
C4266	ECEV0JV470Q	E.CAPACITOR CH6.3V 47U	1	
C4267.68	ECUM1H330JCN	C.CAPACITOR CH 50V 33P	2	
C4269.70	ECUM1H152KBN	C.CAPACITOR CH 50V 1500P	2	
C4271.72	ECEV1CV100Q	E.CAPACITOR CH 16V 10U	2	
C4273-76	ECUM1E104ZFN	C.CAPACITOR CH 25V 0.1U	4	
C4277	ECEV1CV100Q	E.CAPACITOR CH 16V 10U	1	
C4278	ECUM1E104ZFN	C.CAPACITOR CH 25V 0.1U	1	
C4301	ECEV1CV470Q	E.CAPACITOR CH 16V 47U	1	
C4302	ECUM1E104ZFN	C.CAPACITOR CH 25V 0.1U	1	
C4303	ECEV0JV101Q	E.CAPACITOR CH6.3V 100U	1	
C4304	ECUM1E104ZFN	C.CAPACITOR CH 25V 0.1U	1	
C4305	ECEV1CV100Q	E.CAPACITOR CH 16V 10U	1	
C4306	ECEV1CV220Q	E.CAPACITOR CH 16V 22U	1	
C4307	ECUM1E104ZFN	C.CAPACITOR CH 25V 0.1U	1	
C4308	ECEV1CV220Q	E.CAPACITOR CH 16V 22U	1	
C4309	ECUM1E104ZFN	C.CAPACITOR CH 25V 0.1U	1	
C4310	ECUM1H103KBN	C.CAPACITOR CH 50V 0.01U	1	
C4311-13	ECUM1E104ZFN	C.CAPACITOR CH 25V 0.1U	3	
C4314	ECEV1CV100Q	E.CAPACITOR CH 16V 10U	1	
C4315	ECUM1E104ZFN	C.CAPACITOR CH 25V 0.1U	1	
C4316	ECEV0JV101Q	E.CAPACITOR CH6.3V 100U	1	
C4317.18	ECEV1CN100Q	E.CAPACITOR CH 16V 10U	2	
C4319.20	ECUM1H103KBN	C.CAPACITOR CH 50V 0.01U	2	
C4321.22	ECUM1H221JCN	C.CAPACITOR CH 50V 220P	2	
C4323.24	ECUM1H103KBN	C.CAPACITOR CH 50V 0.01U	2	
C4325	ECUM1E104ZFN	C.CAPACITOR CH 25V 0.1U	1	
C4351	ECEV1CV470Q	E.CAPACITOR CH 16V 47U	1	
C4352	ECUM1E104ZFN	C.CAPACITOR CH 25V 0.1U	1	
C4353	ECEV0JV101Q	E.CAPACITOR CH6.3V 100U	1	
C4354	ECUM1E104ZFN	C.CAPACITOR CH 25V 0.1U	1	
C4355	ECEV1CV100Q	E.CAPACITOR CH 16V 10U	1	
C4356	ECEV1CV220Q	E.CAPACITOR CH 16V 22U	1	
C4357	ECUM1E104ZFN	C.CAPACITOR CH 25V 0.1U	1	
C4358	ECEV1CV220Q	E.CAPACITOR CH 16V 22U	1	
C4359	ECUM1E104ZFN	C.CAPACITOR CH 25V 0.1U	1	
C4360	ECUM1H103KBN	C.CAPACITOR CH 50V 0.01U	1	
C4361-63	ECUM1E104ZFN	C.CAPACITOR CH 25V 0.1U	3	
C4364	ECEV1CV100Q	E.CAPACITOR CH 16V 10U	1	
C4365	ECUM1E104ZFN	C.CAPACITOR CH 25V 0.1U	1	
C4366	ECEV0JV101Q	E.CAPACITOR CH6.3V 100U	1	
C4367.68	ECEV1CN100Q	E.CAPACITOR CH 16V 10U	2	
C4369.70	ECUM1H103KBN	C.CAPACITOR CH 50V 0.01U	2	
C4371.72	ECUM1H221JCN	C.CAPACITOR CH 50V 220P	2	
C4373.74	ECUM1H103KBN	C.CAPACITOR CH 50V 0.01U	2	
C4375	ECUM1E104ZFN	C.CAPACITOR CH 25V 0.1U	1	
C4401	ECHU1C472G	P.CAPACITOR 16V 4700P	1	
C4402.03	ECUM1E104ZFN	C.CAPACITOR CH 25V 0.1U	2	
C4404	ECEV1CN100Q	E.CAPACITOR CH 16V 10U	1	
C4405.06	ECUM1E104ZFN	C.CAPACITOR CH 25V 0.1U	2	
C4407.08	ECEV1CV470Q	E.CAPACITOR CH 16V 47U	2	
C4409.10	ECUM1H103KBN	C.CAPACITOR CH 50V 0.01U	2	
C4411	ECEV1CV100Q	E.CAPACITOR CH 16V 10U	1	
C4412	ECUM1H470JCN	C.CAPACITOR CH 50V 47P	1	
C4413	ECUM1H103KBN	C.CAPACITOR CH 50V 0.01U	1	
C4414.15	ECEV1CV100Q	E.CAPACITOR CH 16V 10U	2	
C4416	ECUM1H270JCN	C.CAPACITOR CH 50V 27P	1	
C4417	ECUM1H103KBN	C.CAPACITOR CH 50V 0.01U	1	
C4418	ECEV1CV100Q	E.CAPACITOR CH 16V 10U	1	
C4419.20	ECEA1CGE221	E.CAPACITOR 16V 220U	2	
C4421	ECEV1CV220Q	E.CAPACITOR CH 16V 22U	1	
C4422	ECUM1H103KBN	C.CAPACITOR CH 50V 0.01U	1	
C4423	ECEV1CV220Q	E.CAPACITOR CH 16V 22U	1	
C4424	ECUM1H103KBN	C.CAPACITOR CH 50V 0.01U	1	
C4425.26	ECEV1CV220Q	E.CAPACITOR CH 16V 22U	2	
C4427.28	ECUM1H103KBN	C.CAPACITOR CH 50V 0.01U	2	
C4429.30	ECEV1CV470Q	E.CAPACITOR CH 16V 47U	2	
C4476	ECHU1C472G	P.CAPACITOR 16V 4700P	1	
C4477	ECEV1CN100Q	E.CAPACITOR CH 16V 10U	1	
C4478.79	ECUM1H103KBN	C.CAPACITOR CH 50V 0.01U	2	
C4480	ECUM1H270JCN	C.CAPACITOR CH 50V 27P	1	

Ref.No.	Part No.	Part Name & Description	Pcs	Remarks
C4481	ECEV1CV100Q	E.CAPACITOR CH 16V 10U	1	
C4482	ECUM1H470JCN	C.CAPACITOR CH 50V 47P	1	
C4483	ECUM1H103KBN	C.CAPACITOR CH 50V 0.01U	1	
C4484.85	ECEV1CV100Q	E.CAPACITOR CH 16V 10U	2	
C4486	ECUM1H103KBN	C.CAPACITOR CH 50V 0.01U	1	
C4487	ECEV1CV100Q	E.CAPACITOR CH 16V 10U	1	
C4488.89	ECEA1CGE221	E.CAPACITOR 16V 220U	2	
C4490.91	ECEV1CV220Q	E.CAPACITOR CH 16V 22U	2	
C4492.93	ECUM1H103KBN	C.CAPACITOR CH 50V 0.01U	2	
C4494.95	ECEV1CV220Q	E.CAPACITOR CH 16V 22U	2	
C4496.97	ECUM1H103KBN	C.CAPACITOR CH 50V 0.01U	2	
C4551	ECHU1C472G	P.CAPACITOR 16V 4700P	1	
C4552.53	ECUM1E104ZFN	C.CAPACITOR CH 25V 0.1U	2	
C4554	ECEV1CN100Q	E.CAPACITOR CH 16V 10U	1	
C4555.56	ECUM1E104ZFN	C.CAPACITOR CH 25V 0.1U	2	
C4557.58	ECEV1CV470Q	E.CAPACITOR CH 16V 47U	2	
C4559.60	ECUM1H103KBN	C.CAPACITOR CH 50V 0.01U	2	
C4561	ECEV1CV100Q	E.CAPACITOR CH 16V 10U	1	
C4562	ECUM1H470JCN	C.CAPACITOR CH 50V 47P	1	
C4563	ECUM1H103KBN	C.CAPACITOR CH 50V 0.01U	1	
C4564.65	ECEV1CV100Q	E.CAPACITOR CH 16V 10U	2	
C4566	ECUM1H270JCN	C.CAPACITOR CH 50V 27P	1	
C4567	ECUM1H103KBN	C.CAPACITOR CH 50V 0.01U	1	
C4568	ECEV1CV100Q	E.CAPACITOR CH 16V 10U	1	
C4569.70	ECEA1CGE221	E.CAPACITOR 16V 220U	2	
C4571	ECEV1CV220Q	E.CAPACITOR CH 16V 22U	1	
C4572	ECUM1H103KBN	C.CAPACITOR CH 50V 0.01U	1	
C4573	ECEV1CV220Q	E.CAPACITOR CH 16V 22U	1	
C4574	ECUM1H103KBN	C.CAPACITOR CH 50V 0.01U	1	
C4575.76	ECEV1CV220Q	E.CAPACITOR CH 16V 22U	2	
C4577.78	ECUM1H103KBN	C.CAPACITOR CH 50V 0.01U	2	
C4579.80	ECEV1CV470Q	E.CAPACITOR CH 16V 47U	2	
C4626	ECHU1C472G	P.CAPACITOR 16V 4700P	1	
C4627	ECEV1CN100Q	E.CAPACITOR CH 16V 10U	1	
C4628.29	ECUM1H103KBN	C.CAPACITOR CH 50V 0.01U	2	
C4630	ECUM1H270JCN	C.CAPACITOR CH 50V 27P	1	
C4631	ECEV1CV100Q	E.CAPACITOR CH 16V 10U	1	
C4632	ECUM1H470JCN	C.CAPACITOR CH 50V 47P	1	
C4633	ECUM1H103KBN	C.CAPACITOR CH 50V 0.01U	1	
C4634.35	ECEV1CV100Q	E.CAPACITOR CH 16V 10U	2	
C4636	ECUM1H103KBN	C.CAPACITOR CH 50V 0.01U	1	
C4637	ECEV1CV100Q	E.CAPACITOR CH 16V 10U	1	
C4638.39	ECEA1CGE221	E.CAPACITOR 16V 220U	2	
C4640.41	ECEV1CV220Q	E.CAPACITOR CH 16V 22U	2	
C4642.43	ECUM1H103KBN	C.CAPACITOR CH 50V 0.01U	2	
C4644.45	ECEV1CV220Q	E.CAPACITOR CH 16V 22U	2	
C4646.47	ECUM1H103KBN	C.CAPACITOR CH 50V 0.01U	2	
C4701-04	ECUM1E104ZFN	C.CAPACITOR CH 25V 0.1U	4	
C4705	ECEV1CV470Q	E.CAPACITOR CH 16V 47U	1	
C4706-10	ECUM1E104ZFN	C.CAPACITOR CH 25V 0.1U	5	
C4711	ECEV0JV101Q	E.CAPACITOR CH6.3V 100U	1	
C4712-14	ECUM1E104ZFN	C.CAPACITOR CH 25V 0.1U	3	
C4715-18	ECEV1CV470Q	E.CAPACITOR CH 16V 47U	4	
C4720	ECEV1CV220Q	E.CAPACITOR CH 16V 22U	1	
C4721	ECUM1E104ZFN	C.CAPACITOR CH 25V 0.1U	1	
C4722	ECEV1CV220Q	E.CAPACITOR CH 16V 22U	1	
C4723.24	ECUM1E104ZFN	C.CAPACITOR CH 25V 0.1U	2	
C4725	ECEV1CV100Q	E.CAPACITOR CH 16V 10U	1	
C4726	ECUM1E104ZFN	C.CAPACITOR CH 25V 0.1U	1	
C4727	ECUM1H103KBN	C.CAPACITOR CH 50V 0.01U	1	
C4728	ECEV0JV101Q	E.CAPACITOR CH6.3V 100U	1	
C4729.30	ECEV1CN100Q	E.CAPACITOR CH 16V 10U	2	
C4731.32	ECUM1H221JCN	C.CAPACITOR CH 50V 220P	2	
C4733-36	ECUM1H103KBN	C.CAPACITOR CH 50V 0.01U	4	
C4737.38	ECHU1C472G	P.CAPACITOR 16V 4700P	2	
C4739.40	ECEV1CN100Q	E.CAPACITOR CH 16V 10U	2	
C4751	ECUM1E104ZFN	C.CAPACITOR CH 25V 0.1U	1	
C4752	ECEV1CV220Q	E.CAPACITOR CH 16V 22U	1	
C4754.55	ECEV1CV470Q	E.CAPACITOR CH 16V 47U	2	
C4756	ECUM1H820JCN	C.CAPACITOR CH 50V 82P	1	
C4757	ECUM1E104ZFN	C.CAPACITOR CH 25V 0.1U	1	
C4758	ECEV1CN100Q	E.CAPACITOR CH 16V 10U	1	
C4759.60	ECUM1E104ZFN	C.CAPACITOR CH 25V 0.1U	2	
C4761.62	ECUM1H103KBN	C.CAPACITOR CH 50V 0.01U	2	
C4763	ECUM1H270JCN	C.CAPACITOR CH 50V 27P	1	



Ref.No.	Part No.	Part Name & Description	Pcs	Remarks
C4764	ECUM1H470JCN	C.CAPACITOR CH 50V 47P	1	
C4765.66	ECUM1H103KBN	C.CAPACITOR CH 50V 0.01U	2	
C4767-70	ECEV1CV100Q	E.CAPACITOR CH 16V 10U	4	
C4771.72	ECEA1CGE221	E.CAPACITOR 16V 220U	2	
C4773	ECEV1CV220Q	E.CAPACITOR CH 16V 22U	1	
C4774	ECUM1H103KBN	C.CAPACITOR CH 50V 0.01U	1	
C4775.76	ECEV1CV220Q	E.CAPACITOR CH 16V 22U	2	
C4777	ECUM1H103KBN	C.CAPACITOR CH 50V 0.01U	1	
C4778	ECEV1CV220Q	E.CAPACITOR CH 16V 22U	1	
C4779.80	ECUM1H103KBN	C.CAPACITOR CH 50V 0.01U	2	
C4831	ECUM1H820JCN	C.CAPACITOR CH 50V 82P	1	
C4832	ECEV1CN100Q	E.CAPACITOR CH 16V 10U	1	
C4833-35	ECUM1E104ZFN	C.CAPACITOR CH 25V 0.1U	3	
C4836.37	ECUM1H103KBN	C.CAPACITOR CH 50V 0.01U	2	
C4838	ECUM1H470JCN	C.CAPACITOR CH 50V 47P	1	
C4839	ECUM1H103KBN	C.CAPACITOR CH 50V 0.01U	1	
C4840	ECUM1H270JCN	C.CAPACITOR CH 50V 27P	1	
C4841	ECUM1H103KBN	C.CAPACITOR CH 50V 0.01U	1	
C4842-45	ECEV1CV100Q	E.CAPACITOR CH 16V 10U	4	
C4846.47	ECEA1CGE221	E.CAPACITOR 16V 220U	2	
C4848	ECEV1CV220Q	E.CAPACITOR CH 16V 22U	1	
C4849	ECUM1H103KBN	C.CAPACITOR CH 50V 0.01U	1	
C4850	ECEV1CV220Q	E.CAPACITOR CH 16V 22U	1	
C4851	ECUM1H103KBN	C.CAPACITOR CH 50V 0.01U	1	
C4852.53	ECEV1CV220Q	E.CAPACITOR CH 16V 22U	2	
C4854.55	ECUM1H103KBN	C.CAPACITOR CH 50V 0.01U	2	
C4901.02	ECUM1E104ZFN	C.CAPACITOR CH 25V 0.1U	2	
C4903.04	ECUM1H102JCN	C.CAPACITOR CH 50V 1000P	2	
C4905	ECEV0JV101Q	E.CAPACITOR CH6.3V 100U	1	
C4906	ECUM1H103KBN	C.CAPACITOR CH 50V 0.01U	1	
C4907	ECEV0JV101Q	E.CAPACITOR CH6.3V 100U	1	
C4908	ECUM1H103KBN	C.CAPACITOR CH 50V 0.01U	1	
C4931	ECEV1CV470Q	E.CAPACITOR CH 16V 47U	1	
C4932	ECUM1H103ZFN	C.CAPACITOR CH 50V 0.01U	1	
C4933-36	ECUM1H103KBN	C.CAPACITOR CH 50V 0.01U	4	
C4937-39	ECUM1H103ZFN	C.CAPACITOR CH 50V 0.01U	3	
C4940	ECUM1H103KBN	C.CAPACITOR CH 50V 0.01U	1	
D4001.02	MA157	DIODE	2	
D4041.42	MA157	DIODE	2	
D4101.02	MA157	DIODE	2	
D4141.42	MA157	DIODE	2	
D4401.02	MA157	DIODE	2	
D4476.77	MA157	DIODE	2	
D4551.52	MA157	DIODE	2	
D4626.27	MA157	DIODE	2	
D4751	MA157	DIODE	2	
D4752.53	MA152WK	DIODE	2	
D4754.55	MA157	DIODE	2	
D4831.32	MA157	DIODE	2	
FL4931	VLF0941C223	FILTER	1	
IC4001	NJM4580ED	IC	1	
IC4002	MC14052BF	IC	1	
IC4003	NJM79L09UA	IC	1	
IC4004	NJM78L09UA	IC	1	
IC4005	NJM4580ED	IC	1	
IC4006	AD7945BR	IC	1	
IC4007.08	NJM4580ED	IC	2	
IC4009	MC14052BF	IC	1	
IC4041.42	NJM4580ED	IC	2	
IC4043	NJM78L09UA	IC	1	
IC4044	NJM79L09UA	IC	1	
IC4045.46	NJM4580ED	IC	2	
IC4047	MC14052BF	IC	1	
IC4048	AD7945BR	IC	1	
IC4049	MC14052BF	IC	1	
IC4101	NJM4580ED	IC	1	
IC4102	MC14052BF	IC	1	
IC4103	NJM79L09UA	IC	1	
IC4104	NJM78L09UA	IC	1	
IC4105	NJM4580ED	IC	1	
IC4106	AD7945BR	IC	1	
IC4107.08	NJM4580ED	IC	2	

Ref.No.	Part No.	Part Name & Description	Pcs	Remarks
IC4109	MC14052BF	IC	1	
IC4141.42	NJM4580ED	IC	2	
IC4143	NJM78L09UA	IC	1	
IC4144	NJM79L09UA	IC	1	
IC4145.46	NJM4580ED	IC	2	
IC4147	MC14052BF	IC	1	
IC4148	AD7945BR	IC	1	
IC4149	MC14052BF	IC	1	
IC4201	MC74HC541AF	IC	1	
IC4202	NJM78L05UA	IC	1	
IC4203.04	NJM2100MD	IC	2	
IC4205	AK5340VS	IC	1	
IC4251	MC74HC541AF	IC	1	
IC4252	NJM78L05UA	IC	1	
IC4253.54	NJM2100MD	IC	2	
IC4255	AK5340VS	IC	1	
IC4301	NJM78L05UA	IC	1	
IC4302	AK4320VM	IC	1	
IC4303.04	NJM4580ED	IC	2	
IC4305	MC74HC157AF	IC	1	
IC4306	TC7W74F	IC	1	
IC4307.08	TC4W53F	IC	2	
IC4351	NJM78L05UA	IC	1	
IC4352	AK4320VM	IC	1	
IC4353.54	NJM4580ED	IC	2	
IC4355	MC74HC157AF	IC	1	
IC4356	TC7W74F	IC	1	
IC4357.58	TC4W53F	IC	2	
IC4401	NJM4580ED	IC	1	
IC4402	NJM79L05UA	IC	1	
IC4403	NJM78L05UA	IC	1	
IC4404	NJM4580ED	IC	1	
IC4405	NJM2043MD	IC	1	
IC4406	MC14052BF	IC	1	
IC4407.08	AQV212SX	IC	2	
IC4476.77	NJM4580ED	IC	2	
IC4478	NJM2043MD	IC	1	
IC4479	MC14052BF	IC	1	
IC4480.81	AQV212SX	IC	2	
IC4551	NJM4580ED	IC	1	
IC4552	NJM79L05UA	IC	1	
IC4553	NJM78L05UA	IC	1	
IC4554	NJM4580ED	IC	1	
IC4555	NJM2043MD	IC	1	
IC4556	MC14052BF	IC	1	
IC4557.58	AQV212SX	IC	2	
IC4626.27	NJM4580ED	IC	2	
IC4628	NJM2043MD	IC	1	
IC4629	MC14052BF	IC	1	
IC4630.31	AQV212SX	IC	2	
IC4701	NJM78L05UA	IC	1	
IC4702	AK4320VM	IC	1	
IC4703.04	NJM4580ED	IC	2	
IC4707	NJM78L09UA	IC	1	
IC4708.09	NJM79L09UA	IC	2	
IC4710	NJM78L09UA	IC	1	
IC4711	MC74HC541AF	IC	1	
IC4712.13	TC4W53F	IC	2	
IC4751.52	NJM4580ED	IC	2	
IC4753	NJM2043MD	IC	1	
IC4754	AD7945BR	IC	1	
IC4755	MC14053BF	IC	1	
IC4756	MC14052BF	IC	1	
IC4757.58	AQV212SX	IC	2	
IC4831.32	NJM4580ED	IC	2	
IC4833	NJM2043MD	IC	1	
IC4834	AD7945BR	IC	1	
IC4835	MC14053BF	IC	1	
IC4836	MC14052BF	IC	1	
IC4837.38	AQV212SX	IC	2	
IC4901	NJM4556AM	IC	1	
IC4931.32	SN74S1051NS	IC	2	
IC4933	74F245SJ	IC	1	
IC4934	74F541SJ	IC	1	
IC4935	74AC139SJ	IC	1	

Ref.No.	Part No.	Part Name & Description	Pcs	Remarks
IC4936	74F11SJ	IC	1	
IC4937	TC7S04F	IC	1	
IC4938-40	UPD71055GB	IC	3	
L4201	VLQ0163J100	COIL 10UH	1	
L4251	VLQ0163J100	COIL 10UH	1	
L4301	VLQ0163J100	COIL 10UH	1	
L4351	VLQ0163J100	COIL 10UH	1	
L4701	VLQ0163J100	COIL 10UH	1	
P4001,02	VJP3454B096	CONNECTOR (MALE)	2	
Q4003	2SD1328	TRANSISTOR	1	
Q4041	2SD1328	TRANSISTOR	1	
Q4103	2SD1328	TRANSISTOR	1	
Q4141	2SD1328	TRANSISTOR	1	
Q4401	2SD1328	TRANSISTOR	1	
Q4402	2SB1322A-R	TRANSISTOR	1	
Q4403	2SD1994A-R	TRANSISTOR	1	
Q4404	2SB1322A-R	TRANSISTOR	1	
Q4405	2SD1994A-R	TRANSISTOR	1	
Q4406	2SB710A-R	TRANSISTOR	1	
Q4407	2SD602A-R	TRANSISTOR	1	
Q4476	2SD1328	TRANSISTOR	1	
Q4477	2SB1322A-R	TRANSISTOR	1	
Q4478	2SD1994A-R	TRANSISTOR	1	
Q4479	2SB1322A-R	TRANSISTOR	1	
Q4480	2SD1994A-R	TRANSISTOR	1	
Q4481	2SB710A-R	TRANSISTOR	1	
Q4482	2SD602A-R	TRANSISTOR	1	
Q4551	2SD1328	TRANSISTOR	1	
Q4552	2SB1322A-R	TRANSISTOR	1	
Q4553	2SD1994A-R	TRANSISTOR	1	
Q4554	2SB1322A-R	TRANSISTOR	1	
Q4555	2SD1994A-R	TRANSISTOR	1	
Q4556	2SB710A-R	TRANSISTOR	1	
Q4557	2SD602A-R	TRANSISTOR	1	
Q4626	2SD1328	TRANSISTOR	1	
Q4627	2SB1322A-R	TRANSISTOR	1	
Q4628	2SD1994A-R	TRANSISTOR	1	
Q4629	2SB1322A-R	TRANSISTOR	1	
Q4630	2SD1994A-R	TRANSISTOR	1	
Q4631	2SB710A-R	TRANSISTOR	1	
Q4632	2SD602A-R	TRANSISTOR	1	
Q4701,02	2SD1328	TRANSISTOR	2	
Q4751-54	2SB710A-R	TRANSISTOR	4	
Q4755	2SD1994A-R	TRANSISTOR	1	
Q4756	2SB1322A-R	TRANSISTOR	1	
Q4757	2SD1994A-R	TRANSISTOR	1	
Q4758	2SB1322A-R	TRANSISTOR	1	
Q4759	2SD602A-R	TRANSISTOR	1	
Q4760	2SB710A-R	TRANSISTOR	1	
Q4831	2SD1994A-R	TRANSISTOR	1	
Q4832	2SB1322A-R	TRANSISTOR	1	
Q4833	2SD1994A-R	TRANSISTOR	1	
Q4834	2SB1322A-R	TRANSISTOR	1	
Q4835	2SD602A-R	TRANSISTOR	1	
Q4836	2SB710A-R	TRANSISTOR	1	
Q4901-04	2SD1328	TRANSISTOR	4	
QR4001	UN2213	TRANSISTOR-RESISTOR	1	
QR4002	UN2113	TRANSISTOR-RESISTOR	1	
QR4041	UN2213	TRANSISTOR-RESISTOR	1	
QR4042	UN2113	TRANSISTOR-RESISTOR	1	
QR4101	UN2213	TRANSISTOR-RESISTOR	1	
QR4102	UN2113	TRANSISTOR-RESISTOR	1	
QR4141	UN2213	TRANSISTOR-RESISTOR	1	
QR4142	UN2113	TRANSISTOR-RESISTOR	1	
QR4301	UN2213	TRANSISTOR-RESISTOR	1	
QR4351	UN2213	TRANSISTOR-RESISTOR	1	
QR4401	UN2213	TRANSISTOR-RESISTOR	1	
QR4402	UN2113	TRANSISTOR-RESISTOR	1	
QR4476	UN2213	TRANSISTOR-RESISTOR	1	
QR4477	UN2113	TRANSISTOR-RESISTOR	1	
QR4551	UN2213	TRANSISTOR-RESISTOR	1	

Ref.No.	Part No.	Part Name & Description	Pcs	Remarks
QR4552	UN2113	TRANSISTOR-RESISTOR	1	
QR4626	UN2213	TRANSISTOR-RESISTOR	1	
QR4627	UN2113	TRANSISTOR-RESISTOR	1	
QR4701-03	UN2213	TRANSISTOR-RESISTOR	3	
QR4704,05	UN2113	TRANSISTOR-RESISTOR	2	
QR4751,52	UN2213	TRANSISTOR-RESISTOR	2	
R4001	ERJ6RBD202	M.RESISTOR CH 1/10W 2K	1	
R4002	ERJ6RBD332	M.RESISTOR CH 1/10W 3.3K	1	
R4003	ERJ6RBD333	M.RESISTOR CH 1/10W 33K	1	
R4004	ERJ12YJ621	M.RESISTOR CH 1/2W 620	1	
R4005	ERJ6RBD223	M.RESISTOR CH 1/10W 22K	1	
R4006	ERJ6RBD123	M.RESISTOR CH 1/10W 12K	1	
R4007,08	ERJ6RBD473	M.RESISTOR CH 1/10W 47K	2	
R4009	ERJ6RBD123	M.RESISTOR CH 1/10W 12K	1	
R4010	ERJ6RBD333	M.RESISTOR CH 1/10W 33K	1	
R4011	ERJ6RBD332	M.RESISTOR CH 1/10W 3.3K	1	
R4012	ERJ6RBD202	M.RESISTOR CH 1/10W 2K	1	
R4013,14	ERJ6RBD472	M.RESISTOR CH 1/10W 4.7K	2	
R4015	ERJ6RED470	M.RESISTOR CH 1/10W 47	1	
R4016,17	ERJ6RBD472	M.RESISTOR CH 1/10W 4.7K	2	
R4018	ERJ6GEYG103	M.RESISTOR CH 1/10W 10K	1	
R4019	ERJ6GEYG102	M.RESISTOR CH 1/10W 1K	1	
R4020	ERJ6GEYG104	M.RESISTOR CH 1/10W 100K	1	
R4021	ERJ6GEYG683	M.RESISTOR CH 1/10W 68K	1	
R4022	ERJ6GEYG103	M.RESISTOR CH 1/10W 10K	1	
R4023	ERJ6RBD102	M.RESISTOR CH 1/10W 1K	1	
R4024	ERJ6GEYG105	M.RESISTOR CH 1/10W 1M	1	
R4025	ERJ6RBD222	M.RESISTOR CH 1/10W 2.2K	1	
R4026,27	ERJ6RBD153	M.RESISTOR CH 1/10W 15K	2	
R4028	ERJ6GEYF472	M.RESISTOR CH 1/10W 4.7K	1	
R4029	ERJ6RBD472	M.RESISTOR CH 1/10W 4.7K	1	
R4030	ERJ6GEYG103	M.RESISTOR CH 1/10W 10K	1	
R4031,32	ERJ6RBD472	M.RESISTOR CH 1/10W 4.7K	2	
R4033	ERJ6GEYG103	M.RESISTOR CH 1/10W 10K	1	
R4034	ERJ6GEYG182	M.RESISTOR CH 1/10W 1.8K	1	
R4035	ERJ6GEYG103	M.RESISTOR CH 1/10W 10K	1	
R4037	ERJ6GEYG103	M.RESISTOR CH 1/10W 10K	1	
R4041	ERJ12YJ621	M.RESISTOR CH 1/2W 620	1	
R4042	ERJ6RBD333	M.RESISTOR CH 1/10W 33K	1	
R4043	ERJ6RBD332	M.RESISTOR CH 1/10W 3.3K	1	
R4044	ERJ6RBD202	M.RESISTOR CH 1/10W 2K	1	
R4045	ERJ6RBD223	M.RESISTOR CH 1/10W 22K	1	
R4046,47	ERJ6RBD473	M.RESISTOR CH 1/10W 47K	2	
R4048,49	ERJ6RBD123	M.RESISTOR CH 1/10W 12K	2	
R4050	ERJ6RBD202	M.RESISTOR CH 1/10W 2K	1	
R4051	ERJ6RBD332	M.RESISTOR CH 1/10W 3.3K	1	
R4052	ERJ6RBD333	M.RESISTOR CH 1/10W 33K	1	
R4053-56	ERJ6RBD472	M.RESISTOR CH 1/10W 4.7K	4	
R4057	ERJ6RED470	M.RESISTOR CH 1/10W 47	1	
R4058	ERJ6GEYG103	M.RESISTOR CH 1/10W 10K	1	
R4059	ERJ6GEYG182	M.RESISTOR CH 1/10W 1.8K	1	
R4060	ERJ6GEYG103	M.RESISTOR CH 1/10W 10K	1	
R4061	ERJ6GEYG102	M.RESISTOR CH 1/10W 1K	1	
R4062	ERJ6GEYG104	M.RESISTOR CH 1/10W 100K	1	
R4063	ERJ6GEYG683	M.RESISTOR CH 1/10W 68K	1	
R4064	ERJ6GEYG103	M.RESISTOR CH 1/10W 10K	1	
R4065	ERJ6GEYG105	M.RESISTOR CH 1/10W 1M	1	
R4066	ERJ6RBD102	M.RESISTOR CH 1/10W 1K	1	
R4067	ERJ6RBD222	M.RESISTOR CH 1/10W 2.2K	1	
R4068,69	ERJ6RBD153	M.RESISTOR CH 1/10W 15K	2	
R4070	ERJ6GEYF472	M.RESISTOR CH 1/10W 4.7K	1	
R4071	ERJ6GEYG103	M.RESISTOR CH 1/10W 10K	1	
R4072-74	ERJ6RBD472	M.RESISTOR CH 1/10W 4.7K	3	
R4075	ERJ6GEYG103	M.RESISTOR CH 1/10W 10K	1	
R4077	ERJ6GEYG103	M.RESISTOR CH 1/10W 10K	1	
R4101	ERJ6RBD202	M.RESISTOR CH 1/10W 2K	1	
R4102	ERJ6RBD332	M.RESISTOR CH 1/10W 3.3K	1	
R4103	ERJ6RBD333	M.RESISTOR CH 1/10W 33K	1	
R4104	ERJ12YJ621	M.RESISTOR CH 1/2W 620	1	
R4105	ERJ6RBD223	M.RESISTOR CH 1/10W 22K	1	
R4106	ERJ6RBD123	M.RESISTOR CH 1/10W 12K	1	
R4107,08	ERJ6RBD473	M.RESISTOR CH 1/10W 47K	2	
R4109	ERJ6RBD123	M.RESISTOR CH 1/10W 12K	1	
R4110	ERJ6RBD333	M.RESISTOR CH 1/10W 33K	1	

Ref.No.	Part No.	Part Name & Description	Pcs	Remarks
R4111	ERJ6RB332	M.RESISTOR CH 1/10W 3.3K	1	
R4112	ERJ6RBD202	M.RESISTOR CH 1/10W 2K	1	
R4113,14	ERJ6RBD472	M.RESISTOR CH 1/10W 4.7K	2	
R4115	ERJ6RED470	M.RESISTOR CH 1/10W 47	1	
R4116,17	ERJ6RBD472	M.RESISTOR CH 1/10W 4.7K	2	
R4118	ERJ6GEYG103	M.RESISTOR CH 1/10W 10K	1	
R4119	ERJ6GEYG102	M.RESISTOR CH 1/10W 1K	1	
R4120	ERJ6GEYG104	M.RESISTOR CH 1/10W 100K	1	
R4121	ERJ6GEYG683	M.RESISTOR CH 1/10W 68K	1	
R4122	ERJ6GEYG103	M.RESISTOR CH 1/10W 10K	1	
R4123	ERJ6RBD102	M.RESISTOR CH 1/10W 1K	1	
R4124	ERJ6GEYG105	M.RESISTOR CH 1/10W 1M	1	
R4125	ERJ6RBD222	M.RESISTOR CH 1/10W 2.2K	1	
R4126,27	ERJ6RBD153	M.RESISTOR CH 1/10W 15K	2	
R4128	ERJ6GEYF472	M.RESISTOR CH 1/10W 4.7K	1	
R4129	ERJ6RBD472	M.RESISTOR CH 1/10W 4.7K	1	
R4130	ERJ6GEYG103	M.RESISTOR CH 1/10W 10K	1	
R4131,32	ERJ6RBD472	M.RESISTOR CH 1/10W 4.7K	2	
R4133	ERJ6GEYG103	M.RESISTOR CH 1/10W 10K	1	
R4134	ERJ6GEYG182	M.RESISTOR CH 1/10W 1.8K	1	
R4135	ERJ6GEYG103	M.RESISTOR CH 1/10W 10K	1	
R4137	ERJ6GEYG103	M.RESISTOR CH 1/10W 10K	1	
R4141	ERJ12YJ621	M.RESISTOR CH 1/2W 60K	1	
R4142	ERJ6RBD333	M.RESISTOR CH 1/10W 33K	1	
R4143	ERJ6RBD332	M.RESISTOR CH 1/10W 3.3K	1	
R4144	ERJ6RBD202	M.RESISTOR CH 1/10W 2K	1	
R4145	ERJ6RBD223	M.RESISTOR CH 1/10W 22K	1	
R4146,47	ERJ6RBD473	M.RESISTOR CH 1/10W 4.7K	2	
R4148,49	ERJ6RBD123	M.RESISTOR CH 1/10W 12K	2	
R4150	ERJ6RBD202	M.RESISTOR CH 1/10W 2K	1	
R4151	ERJ6RBD332	M.RESISTOR CH 1/10W 3.3K	1	
R4152	ERJ6RBD333	M.RESISTOR CH 1/10W 33K	1	
R4153-56	ERJ6RBD472	M.RESISTOR CH 1/10W 4.7K	4	
R4157	ERJ6RED470	M.RESISTOR CH 1/10W 47	1	
R4158	ERJ6GEYG103	M.RESISTOR CH 1/10W 10K	1	
R4159	ERJ6GEYG182	M.RESISTOR CH 1/10W 1.8K	1	
R4160	ERJ6GEYG103	M.RESISTOR CH 1/10W 10K	1	
R4161	ERJ6GEYG102	M.RESISTOR CH 1/10W 1K	1	
R4162	ERJ6GEYG104	M.RESISTOR CH 1/10W 100K	1	
R4163	ERJ6GEYG683	M.RESISTOR CH 1/10W 68K	1	
R4164	ERJ6GEYG103	M.RESISTOR CH 1/10W 10K	1	
R4165	ERJ6GEYG105	M.RESISTOR CH 1/10W 1M	1	
R4166	ERJ6RBD102	M.RESISTOR CH 1/10W 1K	1	
R4167	ERJ6RBD222	M.RESISTOR CH 1/10W 2.2K	1	
R4168,69	ERJ6RBD153	M.RESISTOR CH 1/10W 15K	2	
R4170	ERJ6GEYF472	M.RESISTOR CH 1/10W 4.7K	1	
R4171	ERJ6GEYG103	M.RESISTOR CH 1/10W 10K	1	
R4172-74	ERJ6RBD472	M.RESISTOR CH 1/10W 4.7K	3	
R4175	ERJ6GEYG103	M.RESISTOR CH 1/10W 10K	1	
R4177	ERJ6GEYG103	M.RESISTOR CH 1/10W 10K	1	
R4177 02	ERJ6RBD222	M.RESISTOR CH 1/10W 2.2K	1	
R4201	ERJ6GEYG331	M.RESISTOR CH 1/10W 330	1	
R4202	ERJ6GEYG103	M.RESISTOR CH 1/10W 10K	1	
R4203	ERJ6GEYF472	M.RESISTOR CH 1/10W 4.7K	1	
R4204	ERJ6GEYG331	M.RESISTOR CH 1/10W 330	1	
R4205	ERJ6GEYG103	M.RESISTOR CH 1/10W 10K	1	
R4206	ERJ6RBD103	M.RESISTOR CH 1/10W 10K	1	
R4207	ERJ6GEYJ100	M.RESISTOR CH 1/10W 10	1	
R4208	ERJ6RBD103	M.RESISTOR CH 1/10W 10K	1	
R4209	ERJ6GEYF472	M.RESISTOR CH 1/10W 4.7K	1	
R4210	ERJ6GEYJ100	M.RESISTOR CH 1/10W 10	1	
R4211,12	ERJ6GEYF472	M.RESISTOR CH 1/10W 4.7K	2	
R4214-18	ERJ6RBD103	M.RESISTOR CH 1/10W 10K	5	
R4219,20	ERJ6RBD331	M.RESISTOR CH 1/10W 330	2	
R4221	ERJ6RBD103	M.RESISTOR CH 1/10W 10K	1	
R4222,23	ERJ6RBD331	M.RESISTOR CH 1/10W 330	2	
R4227-30	ERJ6GEY0R00	M.RESISTOR CH 1/10W 0	4	
R4231	VLQ0576	COIL	1	
R4232	ERJ6GEY0R00	M.RESISTOR CH 1/10W 0	1	
R4231	ERJ6GEYG331	M.RESISTOR CH 1/10W 330	1	
R4252	ERJ6GEYG103	M.RESISTOR CH 1/10W 10K	1	
R4253	ERJ6GEYF472	M.RESISTOR CH 1/10W 4.7K	1	
R4254	ERJ6GEYG331	M.RESISTOR CH 1/10W 330	1	
R4255	ERJ6GEYG103	M.RESISTOR CH 1/10W 10K	1	
R4256	ERJ6RBD103	M.RESISTOR CH 1/10W 10K	1	

Ref.No.	Part No.	Part Name & Description	Pcs	Remarks
R4257	ERJ6GEYJ100	M.RESISTOR CH 1/10W 10	1	
R4258	ERJ6RBD103	M.RESISTOR CH 1/10W 10K	1	
R4259	ERJ6GEYF472	M.RESISTOR CH 1/10W 4.7K	1	
R4260	ERJ6GEYJ100	M.RESISTOR CH 1/10W 10	1	
R4261,62	ERJ6GEYF472	M.RESISTOR CH 1/10W 4.7K	2	
R4264-68	ERJ6RBD103	M.RESISTOR CH 1/10W 10K	5	
R4269,70	ERJ6RBD331	M.RESISTOR CH 1/10W 330	2	
R4271	ERJ6RBD103	M.RESISTOR CH 1/10W 10K	1	
R4272,73	ERJ6RBD331	M.RESISTOR CH 1/10W 330	2	
R4277-80	ERJ6GEY0R00	M.RESISTOR CH 1/10W 0	4	
R4281	VLQ0576	COIL	1	
R4282	ERJ6GEY0R00	M.RESISTOR CH 1/10W 0	1	
R4301	ERJ6GEY0R00	M.RESISTOR CH 1/10W 0	1	
R4302	ERJ6GEYF473	M.RESISTOR CH 1/10W 47K	1	
R4303	ERJ6GEY0R00	M.RESISTOR CH 1/10W 0	1	
R4304-06	ERJ6GEYF473	M.RESISTOR CH 1/10W 47K	3	
R4307	ERJ6GEY0R00	M.RESISTOR CH 1/10W 0	1	
R4308-11	ERJ6GEYF473	M.RESISTOR CH 1/10W 47K	4	
R4314	ERJ6GEYF472	M.RESISTOR CH 1/10W 4.7K	1	
R4316-18	ERJ6GEYF472	M.RESISTOR CH 1/10W 4.7K	3	
R4319,20	ERJ6GEYG273	M.RESISTOR CH 1/10W 27K	2	
R4321	ERJ6RBD391	M.RESISTOR CH 1/10W 390	1	
R4322	ERJ6RBD222	M.RESISTOR CH 1/10W 2.2K	1	
R4323	ERJ6RBD103	M.RESISTOR CH 1/10W 10K	1	
R4324	ERJ6RBD391	M.RESISTOR CH 1/10W 390	1	
R4325	ERJ6RBD222	M.RESISTOR CH 1/10W 2.2K	1	
R4326	ERJ6RBD103	M.RESISTOR CH 1/10W 10K	1	
R4351	ERJ6GEY0R00	M.RESISTOR CH 1/10W 0	1	
R4352	ERJ6GEYF473	M.RESISTOR CH 1/10W 47K	1	
R4353	ERJ6GEY0R00	M.RESISTOR CH 1/10W 0	1	
R4354-56	ERJ6GEYF473	M.RESISTOR CH 1/10W 47K	3	
R4357	ERJ6GEY0R00	M.RESISTOR CH 1/10W 0	1	
R4358-61	ERJ6GEYF473	M.RESISTOR CH 1/10W 47K	4	
R4364	ERJ6GEYF472	M.RESISTOR CH 1/10W 4.7K	1	
R4366-68	ERJ6GEYF472	M.RESISTOR CH 1/10W 4.7K	3	
R4369,70	ERJ6GEYG273	M.RESISTOR CH 1/10W 27K	2	
R4371	ERJ6RBD391	M.RESISTOR CH 1/10W 390	1	
R4372	ERJ6RBD222	M.RESISTOR CH 1/10W 2.2K	1	
R4373	ERJ6RBD103	M.RESISTOR CH 1/10W 10K	1	
R4374	ERJ6RBD391	M.RESISTOR CH 1/10W 390	1	
R4375	ERJ6RBD222	M.RESISTOR CH 1/10W 2.2K	1	
R4376	ERJ6RBD103	M.RESISTOR CH 1/10W 10K	1	
R4401	ERJ6GEYG104	M.RESISTOR CH 1/10W 100K	1	
R4402	ERJ6GEYG103	M.RESISTOR CH 1/10W 10K	1	
R4403	ERJ6RBD223	M.RESISTOR CH 1/10W 22K	1	
R4404	ERJ6RBD222	M.RESISTOR CH 1/10W 2.2K	1	
R4405	ERJ6RBD102	M.RESISTOR CH 1/10W 1K	1	
R4406	ERJ6GEYG105	M.RESISTOR CH 1/10W 1M	1	
R4407	ERJ6GEYG683	M.RESISTOR CH 1/10W 68K	1	
R4408	ERJ6RBD123	M.RESISTOR CH 1/10W 12K	1	
R4409	ERJ6GEYF472	M.RESISTOR CH 1/10W 4.7K	1	
R4410	ERJ6GEYG102	M.RESISTOR CH 1/10W 1K	1	
R4411	ERJ6GEYG103	M.RESISTOR CH 1/10W 10K	1	
R4412	ERJ6RBD301	M.RESISTOR CH 1/10W 300	1	
R4413	ERJ6RBD272	M.RESISTOR CH 1/10W 2.7K	1	
R4414	ERJ6RBD472	M.RESISTOR CH 1/10W 4.7K	1	
R4415	ERJ6RBD123	M.RESISTOR CH 1/10W 12K	1	
R4416	ERJ6RBD102	M.RESISTOR CH 1/10W 1K	1	
R4417	ERJ6RBD103	M.RESISTOR CH 1/10W 10K	1	
R4418	ERJ6GEYG563	M.RESISTOR CH 1/10W 56K	1	
R4419	ERJ6GEYF472	M.RESISTOR CH 1/10W 4.7K	1	
R4420	ERJ6RBD682	M.RESISTOR CH 1/10W 6.8K	1	
R4421-24	ERJ6RBD472	M.RESISTOR CH 1/10W 4.7K	4	
R4425	ERJ6GEYG562	M.RESISTOR CH 1/10W 5.6K	1	
R4426	ERJ6GEYG105	M.RESISTOR CH 1/10W 1M	1	
R4427	ERJ6GEYJ100	M.RESISTOR CH 1/10W 10	1	
R4428,29	ERJ6RBD153	M.RESISTOR CH 1/10W 15K	2	
R4430	ERJ6RED150	M.RESISTOR CH 1/10W 15	1	
R4431	ERJ6RBD153	M.RESISTOR CH 1/10W 15K	1	
R4433	ERJ6GEYG562	M.RESISTOR CH 1/10W 5.6K	1	
R4434	ERJ6GEYG105	M.RESISTOR CH 1/10W 1M	1	
R4435	ERJ6GEYJ100	M.RESISTOR CH 1/10W 10	1	
R4436	ERJ6RBD153	M.RESISTOR CH 1/10W 15K	1	
R4437,38	ERJ6GEYG562	M.RESISTOR CH 1/10W 5.6K	2	
R4439,40	ERJ14YJ100	M.RESISTOR CH 1/4W 10	2	

Ref.No.	Part No.	Part Name & Description	Pcs	Remarks
R4441	ERJ14YJ20	M.RESISTOR CH 1/4W 22	1	
R4442,43	ERJ14YJ100	M.RESISTOR CH 1/4W 10	2	
R4444	ERJ14YJ20	M.RESISTOR CH 1/4W 22	1	
R4445,46	ERJ6GEYG103	M.RESISTOR CH 1/10W 10K	2	
R4447,48	ERJ6GEYG102	M.RESISTOR CH 1/10W 1K	2	
R4449	ERJ6GEYG103	M.RESISTOR CH 1/10W 10K	1	
R4450,51	ERJ6GEYF561	M.RESISTOR CH 1/10W 560	2	
R4452	ERJ6GEYG103	M.RESISTOR CH 1/10W 10K	1	
R4453	ERJ6GEYOR00	M.RESISTOR CH 1/10W 0	1	
R4454	ERJ6RBD301	M.RESISTOR CH 1/10W 300	1	
R4455	ERJ6RBD512	M.RESISTOR CH 1/10W 5.1K	1	
R4456	ERJ6RBD472	M.RESISTOR CH 1/10W 4.7K	1	
R4462	ERJ6RED470	M.RESISTOR CH 1/10W 47	1	
R4463	ERJ6RBD911	M.RESISTOR CH 1/10W 910	1	
R4465	ERJ6RBD911	M.RESISTOR CH 1/10W 910	1	
R4466	ERJ6RED470	M.RESISTOR CH 1/10W 47	1	
R4467	ERJ6RBD123	M.RESISTOR CH 1/10W 12K	1	
R4468	ERJ6RBD151	M.RESISTOR CH 1/10W 150	1	
R4469	ERJ6RBD682	M.RESISTOR CH 1/10W 6.8K	1	
R4470	ERJ6RBD822	M.RESISTOR CH 1/10W 8.2K	1	
R4471	ERJ6RBD391	M.RESISTOR CH 1/10W 390	1	
R4476	ERJ6GEYG104	M.RESISTOR CH 1/10W 100K	1	
R4477	ERJ6RBD223	M.RESISTOR CH 1/10W 22K	1	
R4478	ERJ6RBD222	M.RESISTOR CH 1/10W 2.2K	1	
R4479	ERJ6GEY683	M.RESISTOR CH 1/10W 68K	1	
R4480	ERJ6GEYG103	M.RESISTOR CH 1/10W 10K	1	
R4481	ERJ6RBD102	M.RESISTOR CH 1/10W 1K	1	
R4482	ERJ6GEYG105	M.RESISTOR CH 1/10W 1M	1	
R4483	ERJ6RBD123	M.RESISTOR CH 1/10W 12K	1	
R4484	ERJ6GEYF472	M.RESISTOR CH 1/10W 4.7K	1	
R4485	ERJ6GEYG102	M.RESISTOR CH 1/10W 1K	1	
R4486	ERJ6GEYG103	M.RESISTOR CH 1/10W 10K	1	
R4487	ERJ6RBD301	M.RESISTOR CH 1/10W 300	1	
R4488	ERJ6RBD272	M.RESISTOR CH 1/10W 2.7K	1	
R4489	ERJ6RBD472	M.RESISTOR CH 1/10W 4.7K	1	
R4490	ERJ6RBD123	M.RESISTOR CH 1/10W 12K	1	
R4491	ERJ6RBD102	M.RESISTOR CH 1/10W 1K	1	
R4492	ERJ6RBD103	M.RESISTOR CH 1/10W 10K	1	
R4493	ERJ6GEYG563	M.RESISTOR CH 1/10W 56K	1	
R4494	ERJ6GEYF472	M.RESISTOR CH 1/10W 4.7K	1	
R4495	ERJ6RBD682	M.RESISTOR CH 1/10W 6.8K	1	
R4496-99	ERJ6RBD472	M.RESISTOR CH 1/10W 4.7K	4	
R4500	ERJ6GEYG105	M.RESISTOR CH 1/10W 1M	1	
R4501	ERJ6GEYG562	M.RESISTOR CH 1/10W 5.6K	1	
R4502	ERJ6GEYG105	M.RESISTOR CH 1/10W 1M	1	
R4503	ERJ6GEYG100	M.RESISTOR CH 1/10W 10	1	
R4504,05	ERJ6RBD153	M.RESISTOR CH 1/10W 15K	2	
R4506	ERJ6RED150	M.RESISTOR CH 1/10W 15	1	
R4507	ERJ6RBD153	M.RESISTOR CH 1/10W 15K	1	
R4509	ERJ6GEYG562	M.RESISTOR CH 1/10W 5.6K	1	
R4510	ERJ6GEYG100	M.RESISTOR CH 1/10W 10	1	
R4511	ERJ6GEYG562	M.RESISTOR CH 1/10W 5.6K	1	
R4512	ERJ6RBD153	M.RESISTOR CH 1/10W 15K	1	
R4513	ERJ6GEYG562	M.RESISTOR CH 1/10W 5.6K	1	
R4514,15	ERJ14YJ100	M.RESISTOR CH 1/4W 10	2	
R4516	ERJ14YJ20	M.RESISTOR CH 1/4W 22	1	
R4517,18	ERJ14YJ100	M.RESISTOR CH 1/4W 10	2	
R4519	ERJ14YJ20	M.RESISTOR CH 1/4W 22	1	
R4520,21	ERJ6GEYG103	M.RESISTOR CH 1/10W 10K	2	
R4522,23	ERJ6GEYG102	M.RESISTOR CH 1/10W 1K	2	
R4524	ERJ6GEYF561	M.RESISTOR CH 1/10W 560	1	
R4525	ERJ6GEYG103	M.RESISTOR CH 1/10W 10K	1	
R4526	ERJ6GEYF561	M.RESISTOR CH 1/10W 560	1	
R4527	ERJ6GEYG103	M.RESISTOR CH 1/10W 10K	1	
R4528	ERJ6GEYOR00	M.RESISTOR CH 1/10W 0	1	
R4529	ERJ6RBD301	M.RESISTOR CH 1/10W 300	1	
R4530	ERJ6RBD512	M.RESISTOR CH 1/10W 5.1K	1	
R4531	ERJ6RBD472	M.RESISTOR CH 1/10W 4.7K	1	
R4537	ERJ6RED470	M.RESISTOR CH 1/10W 47	1	
R4538	ERJ6RBD911	M.RESISTOR CH 1/10W 910	1	
R4540	ERJ6RBD911	M.RESISTOR CH 1/10W 910	1	
R4541	ERJ6RED470	M.RESISTOR CH 1/10W 47	1	
R4542	ERJ6RBD123	M.RESISTOR CH 1/10W 12K	1	
R4543	ERJ6RBD151	M.RESISTOR CH 1/10W 150	1	
R4544	ERJ6RBD682	M.RESISTOR CH 1/10W 6.8K	1	

Ref.No.	Part No.	Part Name & Description	Pcs	Remarks
R4545	ERJ6RBD822	M.RESISTOR CH 1/10W 8.2K	1	
R4546	ERJ6RBD391	M.RESISTOR CH 1/10W 390	1	
R4551	ERJ6GEYG104	M.RESISTOR CH 1/10W 100K	1	
R4552	ERJ6GEYG103	M.RESISTOR CH 1/10W 10K	1	
R4553	ERJ6RBD223	M.RESISTOR CH 1/10W 22K	1	
R4554	ERJ6RBD222	M.RESISTOR CH 1/10W 2.2K	1	
R4555	ERJ6RBD102	M.RESISTOR CH 1/10W 1K	1	
R4556	ERJ6GEYG105	M.RESISTOR CH 1/10W 1M	1	
R4557	ERJ6GEYG683	M.RESISTOR CH 1/10W 68K	1	
R4558	ERJ6RBD123	M.RESISTOR CH 1/10W 12K	1	
R4559	ERJ6GEYF472	M.RESISTOR CH 1/10W 4.7K	1	
R4560	ERJ6GEYG102	M.RESISTOR CH 1/10W 1K	1	
R4561	ERJ6GEYG103	M.RESISTOR CH 1/10W 10K	1	
R4562	ERJ6RBD301	M.RESISTOR CH 1/10W 300	1	
R4563	ERJ6RBD272	M.RESISTOR CH 1/10W 2.7K	1	
R4564	ERJ6RBD472	M.RESISTOR CH 1/10W 4.7K	1	
R4565	ERJ6RBD123	M.RESISTOR CH 1/10W 12K	1	
R4566	ERJ6RBD102	M.RESISTOR CH 1/10W 1K	1	
R4567	ERJ6RBD103	M.RESISTOR CH 1/10W 10K	1	
R4568	ERJ6GEYG563	M.RESISTOR CH 1/10W 56K	1	
R4569	ERJ6GEYF472	M.RESISTOR CH 1/10W 4.7K	1	
R4570	ERJ6RBD682	M.RESISTOR CH 1/10W 6.8K	1	
R4571-74	ERJ6RBD472	M.RESISTOR CH 1/10W 4.7K	4	
R4575	ERJ6GEYG562	M.RESISTOR CH 1/10W 5.6K	1	
R4576	ERJ6GEYG105	M.RESISTOR CH 1/10W 1M	1	
R4577	ERJ6GEYG100	M.RESISTOR CH 1/10W 10	1	
R4578,79	ERJ6RBD153	M.RESISTOR CH 1/10W 15K	2	
R4580	ERJ6RED150	M.RESISTOR CH 1/10W 15	1	
R4581	ERJ6RBD153	M.RESISTOR CH 1/10W 15K	1	
R4583	ERJ6GEYG562	M.RESISTOR CH 1/10W 5.6K	1	
R4584	ERJ6GEYG105	M.RESISTOR CH 1/10W 1M	1	
R4585	ERJ6GEYJ100	M.RESISTOR CH 1/10W 10	1	
R4586	ERJ6RBD153	M.RESISTOR CH 1/10W 15K	1	
R4587,88	ERJ6GEYG562	M.RESISTOR CH 1/10W 5.6K	2	
R4589,90	ERJ14YJ100	M.RESISTOR CH 1/4W 10	2	
R4591	ERJ14YJ20	M.RESISTOR CH 1/4W 22	1	
R4592,93	ERJ14YJ100	M.RESISTOR CH 1/4W 10	2	
R4594	ERJ14YJ20	M.RESISTOR CH 1/4W 22	1	
R4595,96	ERJ6GEYG103	M.RESISTOR CH 1/10W 10K	2	
R4597,98	ERJ6GEYG102	M.RESISTOR CH 1/10W 1K	2	
R4599	ERJ6GEYG103	M.RESISTOR CH 1/10W 10K	1	
R4600,01	ERJ6GEYF561	M.RESISTOR CH 1/10W 560	2	
R4602	ERJ6GEYG103	M.RESISTOR CH 1/10W 10K	1	
R4603	ERJ6GEYOR00	M.RESISTOR CH 1/10W 0	1	
R4604	ERJ6RBD301	M.RESISTOR CH 1/10W 300	1	
R4605	ERJ6RBD512	M.RESISTOR CH 1/10W 5.1K	1	
R4606	ERJ6RBD472	M.RESISTOR CH 1/10W 4.7K	1	
R4612	ERJ6RED470	M.RESISTOR CH 1/10W 47	1	
R4613	ERJ6RBD911	M.RESISTOR CH 1/10W 910	1	
R4615	ERJ6RBD911	M.RESISTOR CH 1/10W 910	1	
R4616	ERJ6RED470	M.RESISTOR CH 1/10W 47	1	
R4617	ERJ6RBD123	M.RESISTOR CH 1/10W 12K	1	
R4618	ERJ6RBD151	M.RESISTOR CH 1/10W 150	1	
R4619	ERJ6RBD682	M.RESISTOR CH 1/10W 6.8K	1	
R4620	ERJ6RBD822	M.RESISTOR CH 1/10W 8.2K	1	
R4621	ERJ6RBD391	M.RESISTOR CH 1/10W 390	1	
R4626	ERJ6GEYG104	M.RESISTOR CH 1/10W 100K	1	
R4627	ERJ6RBD223	M.RESISTOR CH 1/10W 22K	1	
R4628	ERJ6RBD222	M.RESISTOR CH 1/10W 2.2K	1	
R4629	ERJ6GEYG683	M.RESISTOR CH 1/10W 68K	1	
R4630	ERJ6GEYG103	M.RESISTOR CH 1/10W 10K	1	
R4631	ERJ6RBD102	M.RESISTOR CH 1/10W 1K	1	
R4632	ERJ6GEYG105	M.RESISTOR CH 1/10W 1M	1	
R4633	ERJ6RBD123	M.RESISTOR CH 1/10W 12K	1	
R4634	ERJ6GEYF472	M.RESISTOR CH 1/10W 4.7K	1	
R4635	ERJ6GEYG102	M.RESISTOR CH 1/10W 1K	1	
R4636	ERJ6GEYG103	M.RESISTOR CH 1/10W 10K	1	
R4637	ERJ6RBD301	M.RESISTOR CH 1/10W 300	1	
R4638	ERJ6RBD272	M.RESISTOR CH 1/10W 2.7K	1	
R4639	ERJ6RBD472	M.RESISTOR CH 1/10W 4.7K	1	
R4640	ERJ6RBD123	M.RESISTOR CH 1/10W 12K	1	
R4641	ERJ6RBD102	M.RESISTOR CH 1/10W 1K	1	
R4642	ERJ6RBD103	M.RESISTOR CH 1/10W 10K	1	
R4643	ERJ6GEYG563	M.RESISTOR CH 1/10W 56K	1	
R4644	ERJ6GEYF472	M.RESISTOR CH 1/10W 4.7K	1	

Ref.No.	Part No.	Part Name & Description	Pcs	Remarks
R4645	ERJ6RBD682	M.RESISTOR CH 1/10W 6.8K	1	
R4646-49	ERJ6RBD472	M.RESISTOR CH 1/10W 4.7K	4	
R4650	ERJ6GEYG105	M.RESISTOR CH 1/10W 1M	1	
R4651	ERJ6GEYG562	M.RESISTOR CH 1/10W 5.6K	1	
R4652	ERJ6GEYG105	M.RESISTOR CH 1/10W 1M	1	
R4653	ERJ6GEYJ100	M.RESISTOR CH 1/10W 10	1	
R4654.55	ERJ6RBD153	M.RESISTOR CH 1/10W 15K	2	
R4656	ERJ6RED150	M.RESISTOR CH 1/10W 15	1	
R4657	ERJ6RBD153	M.RESISTOR CH 1/10W 15K	1	
R4659	ERJ6GEYG562	M.RESISTOR CH 1/10W 5.6K	1	
R4660	ERJ6GEYJ100	M.RESISTOR CH 1/10W 10	1	
R4661	ERJ6GEYG562	M.RESISTOR CH 1/10W 5.6K	1	
R4662	ERJ6RBD153	M.RESISTOR CH 1/10W 15K	1	
R4663	ERJ6GEYG562	M.RESISTOR CH 1/10W 5.6K	1	
R4664.65	ERJ14YJ100	M.RESISTOR CH 1/4W 10	2	
R4666	ERJ14YJ220	M.RESISTOR CH 1/4W 22	1	
R4667.68	ERJ14YJ100	M.RESISTOR CH 1/4W 10	2	
R4669	ERJ14YJ220	M.RESISTOR CH 1/4W 22	1	
R4670.71	ERJ6GEYG103	M.RESISTOR CH 1/10W 10K	2	
R4672.73	ERJ6GEYG102	M.RESISTOR CH 1/10W 1K	2	
R4674	ERJ6GEYF561	M.RESISTOR CH 1/10W 560	1	
R4675	ERJ6GEYG103	M.RESISTOR CH 1/10W 10K	1	
R4676	ERJ6GEYF561	M.RESISTOR CH 1/10W 560	1	
R4677	ERJ6GEYG103	M.RESISTOR CH 1/10W 10K	1	
R4678	ERJ6GEYOR00	M.RESISTOR CH 1/10W 0	1	
R4679	ERJ6RBD301	M.RESISTOR CH 1/10W 300	1	
R4680	ERJ6RBD512	M.RESISTOR CH 1/10W 5.1K	1	
R4681	ERJ6RBD472	M.RESISTOR CH 1/10W 4.7K	1	
R4687	ERJ6RED470	M.RESISTOR CH 1/10W 47	1	
R4688	ERJ6RBD911	M.RESISTOR CH 1/10W 910	1	
R4690	ERJ6RBD911	M.RESISTOR CH 1/10W 910	1	
R4691	ERJ6RED470	M.RESISTOR CH 1/10W 47	1	
R4692	ERJ6RBD123	M.RESISTOR CH 1/10W 12K	1	
R4693	ERJ6RBD151	M.RESISTOR CH 1/10W 150	1	
R4694	ERJ6RBD682	M.RESISTOR CH 1/10W 6.8K	1	
R4695	ERJ6RBD822	M.RESISTOR CH 1/10W 8.2K	1	
R4696	ERJ6RBD391	M.RESISTOR CH 1/10W 390	1	
R4701.02	ERJ6GEYF473	M.RESISTOR CH 1/10W 47K	2	
R4703.04	ERJ6GEYOR00	M.RESISTOR CH 1/10W 0	2	
R4705-10	ERJ6GEYF473	M.RESISTOR CH 1/10W 47K	6	
R4713.14	ERJ6GEYF472	M.RESISTOR CH 1/10W 4.7K	2	
R4716.17	ERJ6GEYF472	M.RESISTOR CH 1/10W 4.7K	2	
R4718.19	ERJ6GEYG273	M.RESISTOR CH 1/10W 27K	2	
R4720	ERJ6GEYG104	M.RESISTOR CH 1/10W 100K	1	
R4721	ERJ6GEYG683	M.RESISTOR CH 1/10W 68K	1	
R4722	ERJ6GEYG103	M.RESISTOR CH 1/10W 10K	1	
R4723	ERJ6GEYG104	M.RESISTOR CH 1/10W 100K	1	
R4724	ERJ6GEYG103	M.RESISTOR CH 1/10W 10K	1	
R4725	ERJ6GEYG683	M.RESISTOR CH 1/10W 68K	1	
R4726	ERJ6RBD223	M.RESISTOR CH 1/10W 22K	1	
R4727	ERJ6RBD222	M.RESISTOR CH 1/10W 2.2K	1	
R4728	ERJ6RBD102	M.RESISTOR CH 1/10W 1K	1	
R4729	ERJ6GEYG105	M.RESISTOR CH 1/10W 1M	1	
R4730	ERJ6RBD123	M.RESISTOR CH 1/10W 12K	1	
R4731	ERJ6RBD223	M.RESISTOR CH 1/10W 22K	1	
R4732	ERJ6RBD222	M.RESISTOR CH 1/10W 2.2K	1	
R4733	ERJ6RBD102	M.RESISTOR CH 1/10W 1K	1	
R4734	ERJ6GEYG105	M.RESISTOR CH 1/10W 1M	1	
R4735	ERJ6RBD123	M.RESISTOR CH 1/10W 12K	1	
R4736	ERJ6GEYF473	M.RESISTOR CH 1/10W 4.7K	1	
R4737	ERJ6GEYG102	M.RESISTOR CH 1/10W 1K	1	
R4738	ERJ6GEYF472	M.RESISTOR CH 1/10W 4.7K	1	
R4739	ERJ6GEYG102	M.RESISTOR CH 1/10W 1K	1	
R4740.41	ERJ6GEYG103	M.RESISTOR CH 1/10W 10K	2	
R4742	ERJ6RBD391	M.RESISTOR CH 1/10W 390	1	
R4743	ERJ6RBD222	M.RESISTOR CH 1/10W 2.2K	1	
R4744	ERJ6RBD103	M.RESISTOR CH 1/10W 10K	1	
R4745	ERJ6RBD391	M.RESISTOR CH 1/10W 390	1	
R4746	ERJ6RBD222	M.RESISTOR CH 1/10W 2.2K	1	
R4747	ERJ6RBD103	M.RESISTOR CH 1/10W 10K	1	
R4751	ERJ6GEYG104	M.RESISTOR CH 1/10W 100K	1	
R4752	ERJ6GEYF333	M.RESISTOR CH 1/10W 33K	1	
R4753	ERJ6GEYG103	M.RESISTOR CH 1/10W 10K	1	
R4754	ERJ6GEYF473	M.RESISTOR CH 1/10W 47K	1	
R4755	ERJ6GEYG103	M.RESISTOR CH 1/10W 10K	1	

Ref.No.	Part No.	Part Name & Description	Pcs	Remarks
R4756	ERJ6GEYG222	M.RESISTOR CH 1/10W 2.2K	1	
R4757.58	ERJ6GEYF473	M.RESISTOR CH 1/10W 47K	2	
R4759	ERJ6GEYG105	M.RESISTOR CH 1/10W 1M	1	
R4760	ERJ6GEYG104	M.RESISTOR CH 1/10W 100K	1	
R4761	ERJ6GEYG103	M.RESISTOR CH 1/10W 10K	1	
R4762	ERJ6GEYF473	M.RESISTOR CH 1/10W 47K	1	
R4763	ERJ6GEYG104	M.RESISTOR CH 1/10W 100K	1	
R4764	ERJ6GEYOR00	M.RESISTOR CH 1/10W 0	1	
R4765	ERJ6RBD102	M.RESISTOR CH 1/10W 1K	1	
R4766	ERJ6GEYG392	M.RESISTOR CH 1/10W 3.9K	1	
R4767	ERJ6RED220	M.RESISTOR CH 1/10W 22	1	
R4768	ERJ6GEYG103	M.RESISTOR CH 1/10W 10K	1	
R4769	ERJ6RBD301	M.RESISTOR CH 1/10W 300	1	
R4770	ERJ6RBD272	M.RESISTOR CH 1/10W 2.7K	1	
R4771	ERJ6RBD472	M.RESISTOR CH 1/10W 4.7K	1	
R4772	ERJ6RBD123	M.RESISTOR CH 1/10W 12K	1	
R4773	ERJ6RBD102	M.RESISTOR CH 1/10W 1K	1	
R4774	ERJ6RBD103	M.RESISTOR CH 1/10W 10K	1	
R4775-77	ERJ6GEYOR00	M.RESISTOR CH 1/10W 0	3	
R4778	ERJ6GEYG563	M.RESISTOR CH 1/10W 56K	1	
R4779	ERJ6RBD682	M.RESISTOR CH 1/10W 6.8K	1	
R4780	ERJ6GEYF472	M.RESISTOR CH 1/10W 4.7K	1	
R4781-84	ERJ6RBD472	M.RESISTOR CH 1/10W 4.7K	4	
R4785	ERJ6GEYG105	M.RESISTOR CH 1/10W 1M	1	
R4786	ERJ6GEYJ100	M.RESISTOR CH 1/10W 10	1	
R4787	ERJ6GEYG105	M.RESISTOR CH 1/10W 1M	1	
R4788-90	ERJ6RBD153	M.RESISTOR CH 1/10W 15K	3	
R4791	ERJ6RED150	M.RESISTOR CH 1/10W 15	1	
R4793	ERJ6GEYJ100	M.RESISTOR CH 1/10W 10	1	
R4794	ERJ6RBD153	M.RESISTOR CH 1/10W 15K	1	
R4795	ERJ6GEYG562	M.RESISTOR CH 1/10W 5.6K	1	
R4796.97	ERJ14YJ100	M.RESISTOR CH 1/4W 10	2	
R4798.99	ERJ6GEYG562	M.RESISTOR CH 1/10W 5.6K	2	
R4800.01	ERJ14YJ100	M.RESISTOR CH 1/4W 10	2	
R4802	ERJ6GEYG562	M.RESISTOR CH 1/10W 5.6K	1	
R4803.04	ERJ14YJ220	M.RESISTOR CH 1/4W 22	2	
R4805.06	ERJ6GEYG103	M.RESISTOR CH 1/10W 10K	2	
R4807.08	ERJ6GEYG102	M.RESISTOR CH 1/10W 1K	2	
R4809.10	ERJ6GEYF561	M.RESISTOR CH 1/10W 560	2	
R4811.12	ERJ6GEYG103	M.RESISTOR CH 1/10W 10K	2	
R4813	ERJ6GEYOR00	M.RESISTOR CH 1/10W 0	1	
R4814	ERJ6RBD301	M.RESISTOR CH 1/10W 300	1	
R4815	ERJ6RBD512	M.RESISTOR CH 1/10W 5.1K	1	
R4816	ERJ6RBD472	M.RESISTOR CH 1/10W 4.7K	1	
R4831	ERJ6RBD102	M.RESISTOR CH 1/10W 1K	1	
R4832	ERJ6GEYG392	M.RESISTOR CH 1/10W 3.9K	1	
R4833	ERJ6RED220	M.RESISTOR CH 1/10W 22	1	
R4834	ERJ6GEYG103	M.RESISTOR CH 1/10W 10K	1	
R4835	ERJ6RBD272	M.RESISTOR CH 1/10W 2.7K	1	
R4836	ERJ6RBD301	M.RESISTOR CH 1/10W 300	1	
R4837-39	ERJ6GEYOR00	M.RESISTOR CH 1/10W 0	3	
R4840	ERJ6RBD472	M.RESISTOR CH 1/10W 4.7K	1	
R4841	ERJ6RBD123	M.RESISTOR CH 1/10W 12K	1	
R4842	ERJ6RBD102	M.RESISTOR CH 1/10W 1K	1	
R4843	ERJ6RBD103	M.RESISTOR CH 1/10W 10K	1	
R4844	ERJ6GEYG563	M.RESISTOR CH 1/10W 56K	1	
R4845	ERJ6GEYF472	M.RESISTOR CH 1/10W 4.7K	1	
R4846	ERJ6RBD682	M.RESISTOR CH 1/10W 6.8K	1	
R4847-50	ERJ6RBD472	M.RESISTOR CH 1/10W 4.7K	4	
R4851.52	ERJ6GEYG105	M.RESISTOR CH 1/10W 1M	2	
R4853	ERJ6GEYJ100	M.RESISTOR CH 1/10W 10	1	
R4854-56	ERJ6RBD153	M.RESISTOR CH 1/10W 15K	3	
R4857	ERJ6RED150	M.RESISTOR CH 1/10W 15	1	
R4859	ERJ6GEYJ100	M.RESISTOR CH 1/10W 10	1	
R4860	ERJ6RBD153	M.RESISTOR CH 1/10W 15K	1	
R4861	ERJ6GEYG562	M.RESISTOR CH 1/10W 5.6K	1	
R4862.63	ERJ14YJ100	M.RESISTOR CH 1/4W 10	2	
R4864.65	ERJ6GEYG562	M.RESISTOR CH 1/10W 5.6K	2	
R4866.67	ERJ14YJ100	M.RESISTOR CH 1/4W 10	2	
R4868	ERJ6GEYG562	M.RESISTOR CH 1/10W 5.6K	1	
R4869.70	ERJ14YJ220	M.RESISTOR CH 1/4W 22	2	
R4871.72	ERJ6GEYG103	M.RESISTOR CH 1/10W 10K	2	
R4873.74	ERJ6GEYG102	M.RESISTOR CH 1/10W 1K	2	
R4875.76	ERJ6GEYF561	M.RESISTOR CH 1/10W 560	2	
R4877.78	ERJ6GEYG103	M.RESISTOR CH 1/10W 10K	2	

Ref.No.	Part No.	Part Name & Description	Pcs	Remarks
R4879	ERJ6GEY0R00	M.RESISTOR CH 1/10W 0	1	
R4880	ERJ6RBD301	M.RESISTOR CH 1/10W 300	1	
R4881	ERJ6RBD512	M.RESISTOR CH 1/10W 5.1K	1	
R4882	ERJ6RBD472	M.RESISTOR CH 1/10W 4.7K	1	
R4901,02	ERJ6GEYG102	M.RESISTOR CH 1/10W 1K	2	
R4903,04	ERJ6GEYF472	M.RESISTOR CH 1/10W 4.7K	2	
R4905	ERJ6GEYG103	M.RESISTOR CH 1/10W 10K	1	
R4906	ERJ14YJ330	M.RESISTOR CH 1/4W 33	1	
R4908	ERJ14YJ330	M.RESISTOR CH 1/4W 33	1	
R4910	ERJ6GEYG103	M.RESISTOR CH 1/10W 10K	1	
R4911,12	ERJ6GEYG102	M.RESISTOR CH 1/10W 1K	2	
R4914	ERJ6GEY0R00	M.RESISTOR CH 1/10W 0	1	
R4916	ERJ6GEY0R00	M.RESISTOR CH 1/10W 0	1	
R4931	ERJ6GEYG103	M.RESISTOR CH 1/10W 10K	1	
R4932,33	ERJ6GEY0R00	M.RESISTOR CH 1/10W 0	2	
R4934-42	ERJ6GEYG103	M.RESISTOR CH 1/10W 10K	9	
R4943-50	ERJ6GEYG104	M.RESISTOR CH 1/10W 100K	8	
R4951,52	ERJ6GEYG103	M.RESISTOR CH 1/10W 10K	2	
SW4001	VSS0126	SWITCH	1	
SW4041	VSS0126	SWITCH	1	
SW4101	VSS0126	SWITCH	1	
SW4141	VSS0126	SWITCH	1	
TG4202	VJR0646	TEST POINT	1	
TG4252	VJR0646	TEST POINT	1	
TG4301	VJR0646	TEST POINT	1	
TG4351	VJR0646	TEST POINT	1	
TP4201-03	VJR0646	TEST POINT	3	
TP4251-53	VJR0646	TEST POINT	3	
TP4301,02	VJR0646	TEST POINT	2	
TP4351,52	VJR0646	TEST POINT	2	
TP4401	VJR0646	TEST POINT	1	
TP4476	VJR0646	TEST POINT	1	
TP4551	VJR0646	TEST POINT	1	
TP4626	VJR0646	TEST POINT	1	
TP4701-04	VJR0646	TEST POINT	4	
VR4001	VRV0109B101	V.RESISTOR 100	1	
VR4002	VRV0064B103	V.RESISTOR 10K	1	
VR4041	VRV0109B101	V.RESISTOR 100	1	
VR4042	VRV0064B103	V.RESISTOR 10K	1	
VR4101	VRV0109B101	V.RESISTOR 100	1	
VR4102	VRV0064B103	V.RESISTOR 10K	1	
VR4141	VRV0109B101	V.RESISTOR 100	1	
VR4142	VRV0064B103	V.RESISTOR 10K	1	
VR4401	VRV0064B103	V.RESISTOR 10K	1	
VR4402	VRV0064B501	V.RESISTOR 500	1	
VR4476	VRV0064B103	V.RESISTOR 10K	1	
VR4477	VRV0109B501	V.RESISTOR 500	1	
VR4551	VRV0064B103	V.RESISTOR 10K	1	
VR4552	VRV0064B501	V.RESISTOR 500	1	
VR4626	VRV0064B103	V.RESISTOR 10K	1	
VR4627	VRV0109B501	V.RESISTOR 500	1	
VR4701,02	VRV0064B103	V.RESISTOR 10K	2	
VR4751	VRV0109B501	V.RESISTOR 500	1	
VR4831	VRV0109B501	V.RESISTOR 500	1	
		MISCELLANEOUS		
	VML2143	CARD PULLER	1	
	VML2144	CARD PULLER	1	
* E11	VEP84302A	H1 CUE P.C.BOARD	1 (RTL)	
C4001	ECUM1H222KBN	C.CAPACITOR CH 50V 2200P	1	
C4002	VCC0030	C.CAPACITOR	1	
C4003	ECEV1EN4R7Q	E.CAPACITOR CH 25V 4.7U	1	
C4004	ECUM1H822KBN	C.CAPACITOR CH 50V 8200P	1	
C4005,06	ECUM1H272KBN	C.CAPACITOR CH 50V 2700P	2	
C4007	ECUM1H273KBN	C.CAPACITOR CH 50V 0.027U	1	
C4008	ECEV1CV100Q	E.CAPACITOR CH 16V 10U	1	

Ref.No.	Part No.	Part Name & Description	Pcs	Remarks
C4009	ECEV1CV220Q	E.CAPACITOR CH 16V 22U	1	
C4010	ECUM1E104ZFN	C.CAPACITOR CH 25V 0.1U	1	
C4011	ECEV1CV100Q	E.CAPACITOR CH 16V 10U	1	
C4012	ECEV0JV101Q	E.CAPACITOR CH6.3V 100U	1	
C4013	ECST1VY684Z	T.CAPACITOR CH 35V 0.68U	1	
C4014,15	ECEV1CV100Q	E.CAPACITOR CH 16V 10U	2	
C4016	ECUM1H151JCN	C.CAPACITOR CH 50V 150P	1	
C4017	ECUM1H103KBN	C.CAPACITOR CH 50V 0.01U	1	
C4018	ECEV1CV470Q	E.CAPACITOR CH 16V 47U	1	
C4019	ECUM1H390JCN	C.CAPACITOR CH 50V 39P	1	
C4020	ECUM1E473KBN	C.CAPACITOR CH 25V 0.047U	1	
C4021	ECEV1CV220Q	E.CAPACITOR CH 16V 22U	1	
C4022	ECUX1C394KBM	C.CAPACITOR CH 16V 390K	1	
C4023	ECEV1CV220Q	E.CAPACITOR CH 16V 22U	1	
C4024,25	ECUX1C394KBM	C.CAPACITOR CH 16V 390K	2	
C4026-28	ECHU1C104J	P.CAPACITOR 16V 0.1U	3	
C4029	ECUM1H333KBN	C.CAPACITOR CH 50V 0.033U	1	
C4030	ECUX1E104KBN	C.CAPACITOR CH 25V 0.1U	1	
C4031	ECEV1CV220Q	E.CAPACITOR CH 16V 22U	1	
C4032,33	ECUM1E104ZFN	C.CAPACITOR CH 25V 0.1U	2	
C4034	ECEV1CV470Q	E.CAPACITOR CH 16V 47U	1	
C4035	ECUM1H222KBN	C.CAPACITOR CH 50V 2200P	1	
C4036	ECUM1H102KBN	C.CAPACITOR CH 50V 1000P	1	
C4037	ECEV1EN4R7Q	E.CAPACITOR CH 25V 4.7U	1	
C4038	ECEV1CV220Q	E.CAPACITOR CH 16V 22U	1	
C4039,40	ECUM1E104ZFN	C.CAPACITOR CH 25V 0.1U	2	
C4041	ECEV1CV470Q	E.CAPACITOR CH 16V 47U	1	
C4042	ECEV1EN4R7Q	E.CAPACITOR CH 25V 4.7U	1	
C4043	ECUM1H822KBN	C.CAPACITOR CH 50V 8200P	1	
C4044	ECUM1H103KBN	C.CAPACITOR CH 50V 0.01U	1	
C4045	ECUM1H182KBN	C.CAPACITOR CH 50V 1800P	1	
C4046	ECUM1H103KBN	C.CAPACITOR CH 50V 0.01U	1	
C4047	ECUM1C224KBM	C.CAPACITOR CH 16V 0.22U	1	
C4048	ECUM1H102KBN	C.CAPACITOR CH 50V 1000P	1	
C4049	ECUM1C105KBM	C.CAPACITOR CH 16V 1U	1	
C4050	ECHU1C104J	P.CAPACITOR 16V 0.1U	1	
C4051	ECUM1H273KBN	C.CAPACITOR CH 50V 0.027U	1	
C4052	ECUM1H471JCN	C.CAPACITOR CH 50V 470P	1	
C4053	ECUM1H822KBN	C.CAPACITOR CH 50V 8200P	1	
C4054	ECUM1H103KBN	C.CAPACITOR CH 50V 0.01U	1	
C4055	ECUM1H182KBN	C.CAPACITOR CH 50V 1800P	1	
C4056	ECUM1H103KBN	C.CAPACITOR CH 50V 0.01U	1	
C4101,02	ECUM1E104ZFN	C.CAPACITOR CH 25V 0.1U	2	
C4103,04	ECUM1H820JCN	C.CAPACITOR CH 50V 82P	2	
C4105-07	ECEV1EN4R7Q	E.CAPACITOR CH 25V 4.7U	3	
C4108	ECEV0JV220Q	E.CAPACITOR CH6.3V 22U	1	
C4109	ECEV1CV100Q	E.CAPACITOR CH 16V 10U	1	
C4110	ECUM1H151JCN	C.CAPACITOR CH 50V 150P	1	
C4111,12	ECUM1C105KBM	C.CAPACITOR CH 16V 1U	2	
C4113,14	ECUM1H151JCN	C.CAPACITOR CH 50V 150P	2	
C4115,16	ECUM1C105KBM	C.CAPACITOR CH 16V 1U	2	
C4117	ECUM1H151JCN	C.CAPACITOR CH 50V 150P	1	
C4118	ECEV0JV220Q	E.CAPACITOR CH6.3V 22U	1	
C4119	ECEV1CV100Q	E.CAPACITOR CH 16V 10U	1	
C4120,21	ECUM1E104ZFN	C.CAPACITOR CH 25V 0.1U	2	
C4122	ECEV0JV220Q	E.CAPACITOR CH6.3V 22U	1	
C4123-25	ECUM1E104ZFN	C.CAPACITOR CH 25V 0.1U	3	
C4126	ECUM1H222KBN	C.CAPACITOR CH 50V 2200P	1	
C4127,28	ECEV0JV220Q	E.CAPACITOR CH6.3V 22U	2	
C4129	ECUM1E104ZFN	C.CAPACITOR CH 25V 0.1U	1	
C4130	ECEV0JV220Q	E.CAPACITOR CH6.3V 22U	1	
C4134,35	ECEA1HGE330	E.CAPACITOR CH 50V 33U	2	
C4136,37	ECUM1H030CCN	C.CAPACITOR CH 50V 3P	2	
C4138	ECEV1EN4R7Q	E.CAPACITOR CH 25V 4.7U	1	
C4139	ECEV1CV220Q	E.CAPACITOR CH 16V 22U	1	
C4140,41	ECUM1E104ZFN	C.CAPACITOR CH 25V 0.1U	2	
C4142	ECEV1CV220Q	E.CAPACITOR CH 16V 22U	1	
C4143-46	ECUM1E104ZFN	C.CAPACITOR CH 25V 0.1U	4	
C4147,48	ECUM1C105KBM	C.CAPACITOR CH 16V 1U	2	
C4201,02	ECUM1E104ZFN	C.CAPACITOR CH 25V 0.1U	2	
C4203	ECUM1H470JCN	C.CAPACITOR CH 50V 47P	1	
C4204,05	ECEV1CV100Q	E.CAPACITOR CH 16V 10U	2	
C4206	ECUM1H103KBN	C.CAPACITOR CH 50V 0.01U	1	
C4207	ECUM1H470JCN	C.CAPACITOR CH 50V 47P	1	
C4208	ECUM1H103KBN	C.CAPACITOR CH 50V 0.01U	1	

Ref.No.	Part No.	Part Name & Description	Pcs	Remarks
C4209.10	ECEV1CV100Q	E.CAPACITOR CH 16V 10U	2	
C4211	ECEV1CV220Q	E.CAPACITOR CH 16V 22U	1	
C4212	ECUM1E104ZFN	C.CAPACITOR CH 25V 0.1U	1	
C4213	ECEV1CV220Q	E.CAPACITOR CH 16V 22U	1	
C4214	ECUM1E104ZFN	C.CAPACITOR CH 25V 0.1U	1	
C4215	ECEV1CV470Q	E.CAPACITOR CH 16V 47U	1	
C4216,17	ECEA1CGE101	E.CAPACITOR 16V 100U	2	
C4218	ECEV1CV220Q	E.CAPACITOR CH 16V 22U	1	
C4219	ECUM1E104ZFN	C.CAPACITOR CH 25V 0.1U	1	
C4220	ECEV1CV220Q	E.CAPACITOR CH 16V 22U	1	
C4221	ECUM1E104ZFN	C.CAPACITOR CH 25V 0.1U	1	
C4222	ECEV1CV470Q	E.CAPACITOR CH 16V 47U	1	
C4223-25	ECUM1E104ZFN	C.CAPACITOR CH 25V 0.1U	3	
C4226	ECEV1CV100Q	E.CAPACITOR CH 16V 10U	1	
C4227,28	ECUM1C474KBM	C.CAPACITOR CH 16V 0.47U	2	
C4229,30	ECUM1H472KBN	C.CAPACITOR CH 50V 4700P	2	
C4231	ECUM1H103KBN	C.CAPACITOR CH 50V 0.01U	1	
C4232	ECEV1CV100Q	E.CAPACITOR CH 16V 10U	1	
C4233	ECU1H223JB5	P.CAPACITOR 50V 0.022U	1	
C4234	ECEV1HV4R7Q	E.CAPACITOR CH 50V 4.7U	1	
C4235	VCF2JAB681J	C.CAPACITOR 630V 680P	1	
C4236	ECUM1C474KBM	C.CAPACITOR CH 16V 0.47U	1	
C4237	ECUM1H103KBN	C.CAPACITOR CH 50V 0.01U	1	
C4238	ECUM1C474KBM	C.CAPACITOR CH 16V 0.47U	1	
C4239	ECUM1E104ZFN	C.CAPACITOR CH 25V 0.1U	1	
C4240	ECEV1CV220Q	E.CAPACITOR CH 16V 22U	1	
C4241	ECUM1E104ZFN	C.CAPACITOR CH 25V 0.1U	1	
C4242	VCF2GAB682J	C.CAPACITOR 400V 6800P	1	
C4243	ECUM1H103KBN	C.CAPACITOR CH 50V 0.01U	1	
C4244	ECEV1CV220Q	E.CAPACITOR CH 16V 22U	1	
C4245	VCF2GAB682J	C.CAPACITOR 400V 6800P	1	
C4246,47	ECUM1H471JCN	C.CAPACITOR CH 50V 470P	2	
C4303-06	ECUM1H103KBN	C.CAPACITOR CH 50V 0.01U	4	
C4307,08	ECUM1H103ZFN	C.CAPACITOR CH 50V 0.01U	2	
C4401	ECEV1CV220Q	E.CAPACITOR CH 16V 22U	1	
C4402	ECUM1E104ZFN	C.CAPACITOR CH 25V 0.1U	1	
C4403	ECEV0JV101Q	E.CAPACITOR CH6.3V 100U	1	
C4404-06	ECUM1E104ZFN	C.CAPACITOR CH 25V 0.1U	3	
C4407	ECEV1CV220Q	E.CAPACITOR CH 16V 22U	1	
C4408	ECUM1E104ZFN	C.CAPACITOR CH 25V 0.1U	1	
C4409	ECEV1CV100Q	E.CAPACITOR CH 16V 10U	1	
C4410-13	ECUM1E104ZFN	C.CAPACITOR CH 25V 0.1U	4	
C4414	ECUM1H103KBN	C.CAPACITOR CH 50V 0.01U	1	
C4415	ECEV0JV101Q	E.CAPACITOR CH6.3V 100U	1	
C4416	ECUM1E104ZFN	C.CAPACITOR CH 25V 0.1U	1	
C4417	ECUM1H103KBN	C.CAPACITOR CH 50V 0.01U	1	
C4418	ECEV1CN100Q	E.CAPACITOR CH 16V 10U	1	
C4501-03	ECUM1E104ZFN	C.CAPACITOR CH 25V 0.1U	3	
C4504,05	ECUM1H103KBN	C.CAPACITOR CH 50V 0.01U	2	
D4101	MA152A	DIODE	1	
D4102-04	MA157	DIODE	3	
D4201,02	MA157	DIODE	2	
D4203-05	MA152A	DIODE	3	
FL4001	EIR7QF012B	TRANSFORMER	1	
FL4002	VLF1069	FILTER	1	
FL4201,02	VLF0941C223	FILTER	2	
IC4001	NJM4580ED	IC	1	
IC4002	MC14053BF	IC	1	
IC4003	CXA1102M	IC	1	
IC4004,05	NJM4580ED	IC	2	
IC4006	MC14052BF	IC	1	
IC4008	NJM4580ED	IC	1	
IC4009	AN78N09	IC	1	
IC4010	AN79N09	IC	1	
IC4011,12	NJM4580ED	IC	2	
IC4013	MC14053BF	IC	1	
IC4014	NJM4580ED	IC	1	
IC4015	MC14053BD	IC	1	
IC4016	NJM4580ED	IC	1	
IC4101,02	AD7945BR	IC	2	
IC4103-05	NJM4580ED	IC	3	
IC4106	MC14053BF	IC	1	

Ref.No.	Part No.	Part Name & Description	Pcs	Remarks
IC4107	NJM4580ED	IC	1	
IC4108	XC62AP3002P	IC	1	
IC4109	AK4503VF	IC	1	
IC4110	T74VHCT244F	IC	1	
IC4111	T74VHCT244F	IC	1	
IC4112	NJM4580ED	IC	1	
IC4113	MC14052BF	IC	1	
IC4114	NJM4580ED	IC	1	
IC4115	NJM78L05UA	IC	1	
IC4116	NJM79L05UA	IC	1	
IC4117	MC14053BF	IC	1	
IC4201	MC14052BF	IC	1	
IC4202	NJM4580ED	IC	1	
IC4203	NJM2043MD	IC	1	
IC4204,05	AQV212SX	IC	2	
IC4206	AN78N09	IC	1	
IC4207	TC4W53F	IC	1	
IC4301,02	SN7451051NS	IC	2	
IC4303	74F245SJ	IC	1	
IC4304	74F541SJ	IC	1	
IC4305	74AC139SJ	IC	1	
IC4306	TC7S0U4F	IC	1	
IC4307,08	UPD71055GB	IC	2	
IC4401	TC4W53F	IC	1	
IC4402	MC74HC74AF	IC	1	
IC4403	MC74HC541AF	IC	1	
IC4404	MB62192E	IC	1	
IC4405	MB81480070	IC	1	
IC4406	NJM78L05UA	IC	1	
IC4407	AK4320VM	IC	1	
IC4408	TC4W53F	IC	1	
IC4501	MB62192E	IC	1	
IC4502,03	MC74HC164AF	IC	2	
IC4504	TC7S0U4F	IC	1	
IC4505	TC7W74F	IC	1	
IC4506	TC4W53F	IC	1	
IC4507	MB81480070	IC	1	
L4001	VLQ0423J472	COIL 4700UH	1	
P4001	VJP3454B096	CONNECTOR (MALE)	1	
P4002	VJP1230T	CONNECTOR (MALE) 3P	1	
P4003	VJP1233T	CONNECTOR (MALE) 6P	1	
Q4001,02	2SD1149-R	TRANSISTOR	2	
Q4003	2SB792-R	TRANSISTOR	1	
Q4004,05	2SD602A-R	TRANSISTOR	2	
Q4006	2SB710A-R	TRANSISTOR	1	
Q4101-03	2SD1328	TRANSISTOR	3	
Q4201	2SD1994A-R	TRANSISTOR	1	
Q4202	2SB1322A-R	TRANSISTOR	1	
Q4203	2SD1994A-R	TRANSISTOR	1	
Q4204	2SB1322A-R	TRANSISTOR	1	
Q4205	2SD602A-R	TRANSISTOR	1	
Q4206,07	2SB710A-R	TRANSISTOR	2	
Q4208	2SD602A-R	TRANSISTOR	1	
Q4209	2SB710A-R	TRANSISTOR	1	
Q4210-12	2SD602A-R	TRANSISTOR	3	
Q4213	2SB710A-R	TRANSISTOR	1	
Q4214	2SD602A-R	TRANSISTOR	1	
Q4215	2SB710A-R	TRANSISTOR	1	
Q4216-19	2SD602A-R	TRANSISTOR	4	
QR4001,02	UN2213	TRANSISTOR-RESISTOR	2	
QR4201	UN2213	TRANSISTOR-RESISTOR	1	
R4001	ERJ6GEYF822	M.RESISTOR CH 1/10W 8.2K	1	
R4002	ERJ6GEYG103	M.RESISTOR CH 1/10W 10K	1	
R4003,04	ERJ6GEYF472	M.RESISTOR CH 1/10W 4.7K	2	
R4005	ERJ6GEYG221	M.RESISTOR CH 1/10W 220	1	
R4006	ERJ6GEYF472	M.RESISTOR CH 1/10W 4.7K	1	
R4007	ERJ6GEYG103	M.RESISTOR CH 1/10W 10K	1	
R4008	ERJ6GEYG821	M.RESISTOR CH 1/10W 820	1	
R4009,10	ERJ6GEYG392	M.RESISTOR CH 1/10W 3.9K	2	
R4011	ERJ6GEYF822	M.RESISTOR CH 1/10W 8.2K	1	

Ref.No.	Part No.	Part Name & Description	Pcs	Remarks
R4012	ERJ6GEYG182	M.RESISTOR CH 1/10W 1.8K	1	
R4013	ERJ6RBD433	M.RESISTOR CH 1/10W 43K	1	
R4014,15	ERJ6GEYG103	M.RESISTOR CH 1/10W 10K	2	
R4016	ERJ6GEYG100	M.RESISTOR CH 1/10W 10	1	
R4017	ERJ6GEYF472	M.RESISTOR CH 1/10W 4.7K	1	
R4018	ERJ6GEYF561	M.RESISTOR CH 1/10W 560	1	
R4019	ERJ6GEYF472	M.RESISTOR CH 1/10W 4.7K	1	
R4020	ERJ6GEYG223	M.RESISTOR CH 1/10W 22K	1	
R4021	ERJ6GEYF472	M.RESISTOR CH 1/10W 4.7K	1	
R4022	ERJ6GEYG103	M.RESISTOR CH 1/10W 10K	1	
R4023,24	ERJ6GEYF472	M.RESISTOR CH 1/10W 4.7K	2	
R4025	ERJ6GEYF473	M.RESISTOR CH 1/10W 47K	1	
R4026	ERJ6GEYG470	M.RESISTOR CH 1/10W 47	1	
R4027	ERJ6GEYG102	M.RESISTOR CH 1/10W 1K	1	
R4028	ERJ6GEYF124	M.RESISTOR CH 1/10W 120K	1	
R4029	ERJ6GEYG222	M.RESISTOR CH 1/10W 2.2K	1	
R4030	ERJ6GEYF393	M.RESISTOR CH 1/10W 39K	1	
R4031	ERJ6GEYF333	M.RESISTOR CH 1/10W 33K	1	
R4032	ERJ6GEYF472	M.RESISTOR CH 1/10W 4.7K	1	
R4033,34	ERJ6GEYG101	M.RESISTOR CH 1/10W 100	2	
R4035	ERJ6RBD152	M.RESISTOR CH 1/10W 1.5K	1	
R4036	ERJ6RBD392	M.RESISTOR CH 1/10W 3.9K	1	
R4037	ERJ6GEYOR00	M.RESISTOR CH 1/10W 0	1	
R4038	ERJ6GEYG101	M.RESISTOR CH 1/10W 100	1	
R4039,40	ERJ6RBD122	M.RESISTOR CH 1/10W 1.2K	2	
R4041	ERJ6RBD823	M.RESISTOR CH 1/10W 82K	1	
R4044	ERJ6GEYG101	M.RESISTOR CH 1/10W 100	1	
R4045	ERJ6GEYOR00	M.RESISTOR CH 1/10W 0	1	
R4046	ERJ6GEYG223	M.RESISTOR CH 1/10W 22K	1	
R4047,48	ERJ6GEYG103	M.RESISTOR CH 1/10W 10K	2	
R4049	ERJ6GEYOR00	M.RESISTOR CH 1/10W 0	1	
R4051	ERJ6GEYG103	M.RESISTOR CH 1/10W 10K	1	
R4052	ERJ6RBD202	M.RESISTOR CH 1/10W 2K	1	
R4053	ERJ6GEYG562	M.RESISTOR CH 1/10W 5.6K	1	
R4054	ERJ6GEYG332	M.RESISTOR CH 1/10W 3.3K	1	
R4055	ERJ6GEYG222	M.RESISTOR CH 1/10W 2.2K	1	
R4056	ERJ6GEYG103	M.RESISTOR CH 1/10W 10K	1	
R4057	ERJ6GEYG222	M.RESISTOR CH 1/10W 2.2K	1	
R4058,59	ERJ6GEYG223	M.RESISTOR CH 1/10W 22K	2	
R4060,61	ERJ6GEYF473	M.RESISTOR CH 1/10W 47K	2	
R4064-66	ERJ6GEYG103	M.RESISTOR CH 1/10W 10K	3	
R4068,69	ERJ6GEYOR00	M.RESISTOR CH 1/10W 0	2	
R4071	ERJ6GEYG104	M.RESISTOR CH 1/10W 100K	1	
R4072	ERJ6GEYG103	M.RESISTOR CH 1/10W 10K	1	
R4073	ERJ6GEYOR00	M.RESISTOR CH 1/10W 0	1	
R4075	ERJ6GEYG103	M.RESISTOR CH 1/10W 10K	1	
R4076	ERJ6GEYG102	M.RESISTOR CH 1/10W 1K	1	
R4077	ERJ6GEYG152	M.RESISTOR CH 1/10W 1.5K	1	
R4078	ERJ6GEYF393	M.RESISTOR CH 1/10W 39K	1	
R4079	ERJ6GEYOR00	M.RESISTOR CH 1/10W 0	1	
R4081	ERJ6GEYG103	M.RESISTOR CH 1/10W 10K	1	
R4082	ERJ6GEYF393	M.RESISTOR CH 1/10W 39K	1	
R4083	ERJ6GEYG103	M.RESISTOR CH 1/10W 10K	1	
R4085	ERJ6GEYOR00	M.RESISTOR CH 1/10W 0	1	
R4086,87	ERJ6GEYF473	M.RESISTOR CH 1/10W 47K	2	
R4088,89	ERJ6GEYG104	M.RESISTOR CH 1/10W 100K	2	
R4090	ERJ6GEYOR00	M.RESISTOR CH 1/10W 0	1	
R4091	ERJ6GEYG103	M.RESISTOR CH 1/10W 10K	1	
R4092	ERJ6GEYG104	M.RESISTOR CH 1/10W 100K	1	
R4094	ERJ6GEYOR00	M.RESISTOR CH 1/10W 0	1	
R4096	ERJ6GEYG103	M.RESISTOR CH 1/10W 10K	1	
R4101	ERJ6RBD123	M.RESISTOR CH 1/10W 12K	1	
R4102	ERJ6RBD103	M.RESISTOR CH 1/10W 10K	1	
R4103	ERJ6GEYG103	M.RESISTOR CH 1/10W 10K	1	
R4104	ERJ6RED124	M.RESISTOR CH 1/10W 120K	1	
R4105	ERJ6RBD273	M.RESISTOR CH 1/10W 27K	1	
R4106	ERJ6RBD682	M.RESISTOR CH 1/10W 6.8K	1	
R4107	ERJ6RBD123	M.RESISTOR CH 1/10W 12K	1	
R4108	ERJ6RBD822	M.RESISTOR CH 1/10W 8.2K	1	
R4109	ERJ6GEYG470	M.RESISTOR CH 1/10W 47	1	
R4110	ERJ6GEYG103	M.RESISTOR CH 1/10W 10K	1	
R4111	ERJ6GEYG222	M.RESISTOR CH 1/10W 2.2K	1	
R4112	ERJ6RBD912	M.RESISTOR CH 1/10W 9.1K	1	
R4113	ERJ6GEYG103	M.RESISTOR CH 1/10W 10K	1	
R4114	ERJ6GEYF473	M.RESISTOR CH 1/10W 47K	1	

Ref.No.	Part No.	Part Name & Description	Pcs	Remarks
R4115	ERJ6GEYG101	M.RESISTOR CH 1/10W 100	1	
R4116	ERJ6GEYG104	M.RESISTOR CH 1/10W 100K	1	
R4117	ERJ6GEYG103	M.RESISTOR CH 1/10W 10K	1	
R4118	ERJ6RBD102	M.RESISTOR CH 1/10W 1K	1	
R4119	ERJ6RBD153	M.RESISTOR CH 1/10W 1.5K	1	
R4121	ERJ6GEYOR00	M.RESISTOR CH 1/10W 0	1	
R4122-29	ERJ6RBD103	M.RESISTOR CH 1/10W 10K	8	
R4131,32	ERJ6GEYJ100	M.RESISTOR CH 1/10W 10	2	
R4134	ERJ6GEYF472	M.RESISTOR CH 1/10W 4.7K	1	
R4135	ERJ6GEYOR00	M.RESISTOR CH 1/10W 0	1	
R4136	ERJ6GEYJ471	M.RESISTOR CH 1/10W 470	1	
R4137,38	ERJ6GEYG103	M.RESISTOR CH 1/10W 10K	2	
R4139,40	ERJ6GEYF472	M.RESISTOR CH 1/10W 4.7K	2	
R4142	ERJ6GEYOR00	M.RESISTOR CH 1/10W 0	1	
R4143	ERJ12YJ621	M.RESISTOR CH 1/2W 620	1	
R4144	ERJ6RBD223	M.RESISTOR CH 1/10W 22K	1	
R4145	ERJ6RBD123	M.RESISTOR CH 1/10W 12K	1	
R4146,47	ERJ6RBD473	M.RESISTOR CH 1/10W 47K	2	
R4148	ERJ6RBD123	M.RESISTOR CH 1/10W 12K	1	
R4149	ERJ6RBD333	M.RESISTOR CH 1/10W 33K	1	
R4150	ERJ6RBD332	M.RESISTOR CH 1/10W 3.3K	1	
R4151	ERJ6RHD2101	M.RESISTOR CH 1/10W 2.1K	1	
R4152	ERJ6GEYJ335	M.RESISTOR CH 1/10W 3.3M	1	
R4153	ERJ6RBD333	M.RESISTOR CH 1/10W 33K	1	
R4154	ERJ6RBD332	M.RESISTOR CH 1/10W 3.3K	1	
R4155	ERJ6RHD2101	M.RESISTOR CH 1/10W 2.1K	1	
R4156	ERJ6GEYJ335	M.RESISTOR CH 1/10W 3.3M	1	
R4157,58	ERJ6RBD472	M.RESISTOR CH 1/10W 4.7K	2	
R4159	ERJ6RED470	M.RESISTOR CH 1/10W 47	1	
R4160,61	ERJ6RBD472	M.RESISTOR CH 1/10W 4.7K	2	
R4162	ERJ6RED470	M.RESISTOR CH 1/10W 47	1	
R4163	ERJ6RBD152	M.RESISTOR CH 1/10W 1.5K	1	
R4164	ERJ6RBD102	M.RESISTOR CH 1/10W 1K	1	
R4165	ERJ6GEYG103	M.RESISTOR CH 1/10W 10K	1	
R4166	ERJ6RBD472	M.RESISTOR CH 1/10W 4.7K	1	
R4169	ERJ6GEY563	M.RESISTOR CH 1/10W 56K	1	
R4170	ERJ6RBD102	M.RESISTOR CH 1/10W 1K	1	
R4171	ERJ6RBD151	M.RESISTOR CH 1/10W 150	1	
R4172	ERJ6RBD152	M.RESISTOR CH 1/10W 1.5K	1	
R4173	ERJ6RBD471	M.RESISTOR CH 1/10W 470	1	
R4174	ERJ6RBD103	M.RESISTOR CH 1/10W 10K	1	
R4175	ERJ6RBD222	M.RESISTOR CH 1/10W 2.2K	1	
R4176	ERJ6RBD561	M.RESISTOR CH 1/10W 560	1	
R4177	ERJ6RBD103	M.RESISTOR CH 1/10W 10K	1	
R4178	ERJ6RBD222	M.RESISTOR CH 1/10W 2.2K	1	
R4179	ERJ6RBD561	M.RESISTOR CH 1/10W 560	1	
R4201	ERJ6RBD301	M.RESISTOR CH 1/10W 300	1	
R4202	ERJ6RBD472	M.RESISTOR CH 1/10W 4.7K	1	
R4203	ERJ6RBD272	M.RESISTOR CH 1/10W 2.7K	1	
R4204	ERJ6RBD123	M.RESISTOR CH 1/10W 12K	1	
R4205	ERJ6RBD472	M.RESISTOR CH 1/10W 4.7K	1	
R4206	ERJ6RBD102	M.RESISTOR CH 1/10W 1K	1	
R4207	ERJ6RBD103	M.RESISTOR CH 1/10W 10K	1	
R4208	ERJ6GEY563	M.RESISTOR CH 1/10W 56K	1	
R4209	ERJ6RBD472	M.RESISTOR CH 1/10W 4.7K	1	
R4210	ERJ6RBD271	M.RESISTOR CH 1/10W 270	1	
R4211	ERJ6RBD153	M.RESISTOR CH 1/10W 1.5K	1	
R4212	ERJ6RBD472	M.RESISTOR CH 1/10W 4.7K	1	
R4213	ERJ6GEYG105	M.RESISTOR CH 1/10W 1M	1	
R4214,15	ERJ6RBD153	M.RESISTOR CH 1/10W 1.5K	2	
R4216	ERJ6RBD472	M.RESISTOR CH 1/10W 4.7K	1	
R4217	ERJ6RBD153	M.RESISTOR CH 1/10W 1.5K	1	
R4218,19	ERJ6RBD472	M.RESISTOR CH 1/10W 4.7K	2	
R4220	ERJ6GEYG105	M.RESISTOR CH 1/10W 1M	1	
R4221	ERJ6RBD153	M.RESISTOR CH 1/10W 1.5K	1	
R4222	ERJ6GEYJ100	M.RESISTOR CH 1/10W 10	1	
R4223,24	ERJ6GEY562	M.RESISTOR CH 1/10W 5.6K	2	
R4225	ERJ6GEYJ100	M.RESISTOR CH 1/10W 10	1	
R4226,27	ERJ6GEY562	M.RESISTOR CH 1/10W 5.6K	2	
R4228-31	ERJ14YJ100	M.RESISTOR CH 1/4W 10	4	
R4232,33	ERJ14YJ220	M.RESISTOR CH 1/4W 22	2	
R4234	ERJ6GEYG102	M.RESISTOR CH 1/10W 1K	1	
R4235,36	ERJ6GEYG103	M.RESISTOR CH 1/10W 10K	2	
R4237	ERJ6GEYG102	M.RESISTOR CH 1/10W 1K	1	
R4238,39	ERJ6GEYF561	M.RESISTOR CH 1/10W 560	2	



Ref.No.	Part No.	Part Name & Description	Pcs	Remarks
R4240.41	ERJ6GEYG103	M.RESISTOR CH 1/10W 10K	2	
R4242	ERJ6GEYOR00	M.RESISTOR CH 1/10W 0	1	
R4243	ERJ6GEYG103	M.RESISTOR CH 1/10W 10K	1	
R4244	ERJ6GEYG332	M.RESISTOR CH 1/10W 3.3K	1	
R4245.46	ERJ6GEYG563	M.RESISTOR CH 1/10W 56K	2	
R4247	ERJ6GEYF472	M.RESISTOR CH 1/10W 4.7K	1	
R4248	ERJ6GEYG102	M.RESISTOR CH 1/10W 1K	1	
R4249.50	ERJ6GEYG563	M.RESISTOR CH 1/10W 56K	2	
R4251	ERJ6GEYF472	M.RESISTOR CH 1/10W 4.7K	1	
R4252	ERJ6GEYF333	M.RESISTOR CH 1/10W 33K	1	
R4253	ERJ6GEYF472	M.RESISTOR CH 1/10W 4.7K	1	
R4254	ERJ6GEYG101	M.RESISTOR CH 1/10W 100	1	
R4255	ERJ6GEYG470	M.RESISTOR CH 1/10W 47	1	
R4256	ERJ6GEYF123	M.RESISTOR CH 1/10W 12K	1	
R4257	ERJ6GEYG152	M.RESISTOR CH 1/10W 1.5K	1	
R4258	ERJ6GEYG220	M.RESISTOR CH 1/10W 22	1	
R4259	ERJ6GEYG563	M.RESISTOR CH 1/10W 56K	1	
R4260	ERJ6GEYG332	M.RESISTOR CH 1/10W 3.3K	1	
R4261	ERJ6GEYF472	M.RESISTOR CH 1/10W 4.7K	1	
R4262	ERJ6GEYG563	M.RESISTOR CH 1/10W 56K	1	
R4263	ERJ6GEYG332	M.RESISTOR CH 1/10W 3.3K	1	
R4264	ERJ6GEYF472	M.RESISTOR CH 1/10W 4.7K	1	
R4265.66	ERJ6GEYG563	M.RESISTOR CH 1/10W 56K	2	
R4267.68	ERJ6GEYJ471	M.RESISTOR CH 1/10W 470	2	
R4269	ERJ6GEYG180	M.RESISTOR CH 1/10W 18	1	
R4270.71	ERJ6GEYG103	M.RESISTOR CH 1/10W 10K	2	
R4272	ERJ6GEYG222	M.RESISTOR CH 1/10W 2.2K	1	
R4273	ERJ6GEYJ1R0	M.RESISTOR CH 3W	1	
R4274.75	ERJ6GEYJ471	M.RESISTOR CH 1/10W 470	2	
R4276	ERJ6GEYG180	M.RESISTOR CH 1/10W 18	1	
R4277	ERJ6GEYJ1R0	M.RESISTOR CH 3W	1	
R4278	ERJ6GEYF123	M.RESISTOR CH 1/10W 12K	1	
R4279.80	ERJ6GEYOR00	M.RESISTOR CH 1/10W 0	2	
R4281	ERJ6RBD512	M.RESISTOR CH 1/10W 5.1K	1	
R4282	ERJ6RBD301	M.RESISTOR CH 1/10W 300	1	
R4283	ERJ6RBD391	M.RESISTOR CH 1/10W 390	1	
R4284	ERJ6RBD222	M.RESISTOR CH 1/10W 2.2K	1	
R4285	ERJ6RBD103	M.RESISTOR CH 1/10W 10K	1	
R4301.02	ERJ6GEYOR00	M.RESISTOR CH 1/10W 0	2	
R4303-16	ERJ6GEYG103	M.RESISTOR CH 1/10W 10K	14	
R4401	ERJ6GEYOR00	M.RESISTOR CH 1/10W 0	1	
R4402	ERJ6GEYF473	M.RESISTOR CH 1/10W 47K	1	
R4403-06	ERJ6GEYG331	M.RESISTOR CH 1/10W 330	4	
R4407	ERJ6GEYF473	M.RESISTOR CH 1/10W 47K	1	
R4408	ERJ6GEYOR00	M.RESISTOR CH 1/10W 0	1	
R4409	ERJ6GEYF473	M.RESISTOR CH 1/10W 47K	1	
R4410	ERJ6GEYJ100	M.RESISTOR CH 1/10W 10	1	
R4411-13	ERJ6GEYOR00	M.RESISTOR CH 1/10W 0	3	
R4414.15	ERJ6GEYF473	M.RESISTOR CH 1/10W 47K	2	
R4417-20	ERJ6GEYOR00	M.RESISTOR CH 1/10W 0	4	
R4421	ERJ6GEYG103	M.RESISTOR CH 1/10W 10K	1	
R4423	ERJ6GEYOR00	M.RESISTOR CH 1/10W 0	1	
R4425	ERJ6GEYOR00	M.RESISTOR CH 1/10W 0	1	
R4427	ERJ6GEYOR00	M.RESISTOR CH 1/10W 0	1	
R4430	ERJ6GEYOR00	M.RESISTOR CH 1/10W 0	1	
R4502-05	ERJ6GEYG331	M.RESISTOR CH 1/10W 330	4	
R4506-11	ERJ6GEYOR00	M.RESISTOR CH 1/10W 0	6	
R4513.14	ERJ6GEYOR00	M.RESISTOR CH 1/10W 0	2	
R4517	ERJ6GEYOR00	M.RESISTOR CH 1/10W 0	1	
R4519	ERJ6GEYOR00	M.RESISTOR CH 1/10W 0	1	
SW4001	VSS0367-04B	SWITCH	1	
SW4002	VSS0342	SWITCH	1	
SW4101	VSS0126	SWITCH	1	
T4201	VLT0866	TRANSFORMER	1	
T4202	VLT0868	TRANSFORMER	1	
T4203.04	VLT0867	TRANSFORMER	2	
TG4101	VJR0646	TEST POINT	1	
TG4201	VJR0646	TEST POINT	1	
TP4001-03	VJR0646	TEST POINT	3	
TP4101-03	VJR0646	TEST POINT	3	
TP4201-03	VJR0646	TEST POINT	3	

Ref.No.	Part No.	Part Name & Description	Pcs	Remarks
VR4001	VRV0064B103	V.RESISTOR 10K	1	
VR4002	VRV0064B503	V.RESISTOR 50K	1	
VR4003.04	VRV0064B502	V.RESISTOR 5K	2	
VR4005	VRV0064B203	V.RESISTOR 20K	1	
VR4006.07	VRV0064B103	V.RESISTOR 10K	2	
VR4202	VRV0064B104	V.RESISTOR 100K	1	
		MISCELLANEOUS		
	VML2143	CARD PULLER	1	
	VML2144	CARD PULLER	1	
* E12	VEP85164A	H2 X CAN P.C.BOARD	1	(RTL)
C1,C2	ECUX1H221JCV	C.CAPACITOR CH 50V 220P	2	
C3-C5	ECUX1E104ZFV	C.CAPACITOR CH 25V 0.1U	3	
C6	ECUX1H102KBV	C.CAPACITOR CH 50V 1000P	1	
C7-C9	ECUX1E104ZFV	C.CAPACITOR CH 25V 0.1U	3	
C10	ECUX1H102KBV	C.CAPACITOR CH 50V 1000P	1	
C11-14	ECUX1E104ZFV	C.CAPACITOR CH 25V 0.1U	4	
C15	ECUX1H102KBV	C.CAPACITOR CH 50V 1000P	1	
C16	ECUX1E104ZFV	C.CAPACITOR CH 25V 0.1U	1	
C17	ECUX1H102KBV	C.CAPACITOR CH 50V 1000P	1	
C18-24	ECUX1E104ZFV	C.CAPACITOR CH 25V 0.1U	7	
C101-15	ECUX1E104ZFV	C.CAPACITOR CH 25V 0.1U	15	
C116	ECUX1H561JCV	C.CAPACITOR CH 50V 560P	1	
C117	ECUX1E104ZFV	C.CAPACITOR CH 25V 0.1U	1	
C201-07	ECUX1E104ZFV	C.CAPACITOR CH 25V 0.1U	7	
C208	ECUX1H561JCV	C.CAPACITOR CH 50V 560P	1	
C209	ECUX1E104ZFV	C.CAPACITOR CH 25V 0.1U	1	
C301-05	ECUX1E104ZFV	C.CAPACITOR CH 25V 0.1U	5	
C306	ECEV0JV330Q	E.CAPACITOR CH6.3V 33U	1	
C307-13	ECUX1E104ZFV	C.CAPACITOR CH 25V 0.1U	7	
C314	ECUX1H100DCV	C.CAPACITOR CH 50V 10P	1	
C315-19	ECUX1E104ZFV	C.CAPACITOR CH 25V 0.1U	5	
C401-07	ECUX1E104ZFV	C.CAPACITOR CH 25V 0.1U	7	
C501	ECEV1CV470Q	E.CAPACITOR CH 16V 47U	1	
C502	ECEV0JV101Q	E.CAPACITOR CH6.3V 100U	1	
C503	ECUX1E104ZFV	C.CAPACITOR CH 25V 0.1U	1	
C504	ECUX1H221JCV	C.CAPACITOR CH 50V 220P	1	
C505	ECUX1E104ZFV	C.CAPACITOR CH 25V 0.1U	1	
C506	ECUX1H221JCV	C.CAPACITOR CH 50V 220P	1	
C507	ECUX1E104ZFV	C.CAPACITOR CH 25V 0.1U	1	
C510	ECUX1E104ZFV	C.CAPACITOR CH 25V 0.1U	1	
C511	ECUX1H221JCV	C.CAPACITOR CH 50V 220P	1	
C512-17	ECUX1E104ZFV	C.CAPACITOR CH 25V 0.1U	6	
C601	ECUX1H221JCV	C.CAPACITOR CH 50V 220P	1	
C602	ECUX1E104ZFV	C.CAPACITOR CH 25V 0.1U	1	
C603.04	ECUX1H221JCV	C.CAPACITOR CH 50V 220P	2	
C607-11	ECUX1E104ZFV	C.CAPACITOR CH 25V 0.1U	5	
C701.02	ECEV1CV220Q	E.CAPACITOR CH 16V 22U	2	
C703-08	ECUX1E104ZFV	C.CAPACITOR CH 25V 0.1U	6	
C709	ECEV1CV220Q	E.CAPACITOR CH 16V 22U	1	
C710-12	ECUX1E104ZFV	C.CAPACITOR CH 25V 0.1U	3	
C713	ECEV1CV220Q	E.CAPACITOR CH 16V 22U	1	
C714-19	ECUX1E104ZFV	C.CAPACITOR CH 25V 0.1U	6	
C720.21	ECEV1CV220Q	E.CAPACITOR CH 16V 22U	2	
C722	ECUX1E104ZFV	C.CAPACITOR CH 25V 0.1U	1	
C723	ECEA1GGE221	E.CAPACITOR 16V 220U	1	
C724.25	ECUX1E104ZFV	C.CAPACITOR CH 25V 0.1U	2	
C726	ECUM1C224ZV	C.CAPACITOR CH 16V 0.22U	1	
D301	MA152K	DIODE	1	
D501	MA153	DIODE	1	
D502	MA152WK	DIODE	1	
D701-03	MA701A	DIODE	3	
FL701-04	VLF0931	FILTER	4	
IC1,C2	UPC1663G	IC	2	
IC3,C4	AD9057BRS	IC	2	
IC101	UPD65845GY01	IC	1	

Ref.No.	Part No.	Part Name & Description	Pcs	Remarks
IC102	MC10H125M	IC	1	
IC103,04	TCVHC244FS	IC	2	
IC105	MC10H124M	IC	1	
IC106	NJM084V	IC	1	
IC201	UPD65845GY01	IC	1	
IC301	T74LXC244FS	IC	1	
IC302	TCVHC04FS	IC	1	
IC303	S80727ANDQ	IC	1	
IC304	TC6326AF	IC	1	
IC305	74F74SJ	IC	1	
IC306	74F163ASJ	IC	1	
IC307	74F32SJ	IC	1	
IC308	NJM084V	IC	1	
IC309	T74LXC244FS	IC	1	
IC310	MC10H124M	IC	1	
IC401	TC6326AF	IC	1	
IC402	74F74SJ	IC	1	
IC403	74F163ASJ	IC	1	
IC501	TCVHC08FS	IC	1	
IC502_03	TC4S66F	IC	2	
IC504	MC10H116M	IC	1	
IC505	TCVHC86FS	IC	1	
IC506	TCVHC04FS	IC	1	
IC507	TCVHC32FS	IC	1	
IC508	MC10H102M	IC	1	
IC509	MC10H131M	IC	1	
IC601,02	TC4S66F	IC	2	
IC603	MC10H116M	IC	1	
IC604	TCVHC32FS	IC	1	
IC605	MC10H102M	IC	1	
IC606	MC10H131M	IC	1	
IC701	TCVHC244FS	IC	1	
IC702	MC10H124M	IC	1	
IC703,04	XC62AP3202P	IC	2	
IC705	AN7703F	IC	1	
L301	VLQ0163J8R2	COIL 8.2UH	1	
L302	VLQ0163J2R7	COIL 2.7UH	1	
P1	VJP3454B096	CONNECTOR (MALE)	1	
P2	VJP3440B010	CONNECTOR (MALE)	1	
Q1-Q4	2SK508K512	TRANSISTOR	4	
Q501	2SB709A-R	TRANSISTOR	1	
Q502	2SD601A-R	TRANSISTOR	1	
Q503	2SA1022-C	TRANSISTOR	1	
Q504	2SD601A-R	TRANSISTOR	1	
Q505,06	2SA1022-C	TRANSISTOR	2	
Q601-03	2SA1022-C	TRANSISTOR	3	
R1-R4	ERJ3RBD101	M.RESISTOR CH 3W 100	4	
R5,R6	ERJ3RED270	M.RESISTOR CH 3W 27	2	
R7	ERJ3GEYJ470	M.RESISTOR CH 1/16W 47	1	
R8,R9	ERJ3RED270	M.RESISTOR CH 3W 27	2	
R10	ERJ3GEYJ470	M.RESISTOR CH 1/16W 47	1	
R11,12	ERJ3GEYJ101	M.RESISTOR CH 1/16W 100	2	
R13	ERJ3GEYG152	M.RESISTOR CH 1/16W 1.5K	1	
R14,15	ERJ3GEYJ101	M.RESISTOR CH 1/16W 100	2	
R16	ERJ3GEYG152	M.RESISTOR CH 1/16W 1.5K	1	
R19	ERJ3GEYG332	M.RESISTOR CH 1/16W 3.3K	1	
R20,21	ERJ3GEYG152	M.RESISTOR CH 1/16W 1.5K	2	
R22	ERJ3GEYG332	M.RESISTOR CH 1/16W 3.3K	1	
R23	ERJ3GEYG152	M.RESISTOR CH 1/16W 1.5K	1	
R26	ERJ3GEYG332	M.RESISTOR CH 1/16W 3.3K	1	
R27,28	ERJ3GEYG152	M.RESISTOR CH 1/16W 1.5K	2	
R29	ERJ3GEYG332	M.RESISTOR CH 1/16W 3.3K	1	
R30	ERJ3GEYG152	M.RESISTOR CH 1/16W 1.5K	1	
R31	ERJ3GEYJ470	M.RESISTOR CH 1/16W 47	1	
R32	ERJ3GEYG152	M.RESISTOR CH 1/16W 1.5K	1	
R33	ERJ3GEYJ470	M.RESISTOR CH 1/16W 47	1	
R34	ERJ3GEYG152	M.RESISTOR CH 1/16W 1.5K	1	
R35-48	ERJ3GEY0R00	M.RESISTOR CH 1/16W 0	14	
R49-52	ERJ3GEYJ271	M.RESISTOR CH 1/16W 270	4	
R102,03	ERJ3GEY0R00	M.RESISTOR CH 1/16W 0	2	
R105	ERJ3GEYJ103	M.RESISTOR CH 1/16W 10K	1	

Ref.No.	Part No.	Part Name & Description	Pcs	Remarks
R106-08	ERJ3GEYJ101	M.RESISTOR CH 1/16W 100	3	
R116-20	ERJ3GEY0R00	M.RESISTOR CH 1/16W 0	5	
R121	ERJ3GEYJ562	M.RESISTOR CH 1/16W 5.6K	1	
R122	ERJ3GEYJ223	M.RESISTOR CH 1/16W 22K	1	
R124,25	ERJ3GEY0R00	M.RESISTOR CH 1/16W 0	2	
R127-34	ERJ3GEY0R00	M.RESISTOR CH 1/16W 0	8	
R139-42	ERJ3GEY0R00	M.RESISTOR CH 1/16W 0	4	
R144	ERJ3GEYJ223	M.RESISTOR CH 1/16W 22K	1	
R145	ERJ3GEYJ103	M.RESISTOR CH 1/16W 10K	1	
R146-48	ERJ3GEY0R00	M.RESISTOR CH 1/16W 0	3	
R149	ERJ3GEYJ102	M.RESISTOR CH 1/16W 1K	1	
R150-53	ERJ3GEYG471	M.RESISTOR CH 1/16W 470	4	
R154	ERJ3GEY0R00	M.RESISTOR CH 1/16W 0	1	
R158	ERJ3GEYJ103	M.RESISTOR CH 1/16W 10K	1	
R159-61	ERJ3GEY0R00	M.RESISTOR CH 1/16W 0	3	
R164	ERJ3GEYJ102	M.RESISTOR CH 1/16W 1K	1	
R165	ERJ3GEYJ470	M.RESISTOR CH 1/16W 47	1	
R167,68	ERJ3GEYJ560	M.RESISTOR CH 1/16W 56	2	
R170-73	ERJ3GEYJ560	M.RESISTOR CH 1/16W 56	4	
R174,75	ERJ3GEYG471	M.RESISTOR CH 1/16W 470	2	
R207	ERJ3GEYJ103	M.RESISTOR CH 1/16W 10K	1	
R209-13	ERJ3GEY0R00	M.RESISTOR CH 1/16W 0	5	
R215,16	ERJ3GEY0R00	M.RESISTOR CH 1/16W 0	2	
R218	ERJ3GEYJ562	M.RESISTOR CH 1/16W 5.6K	1	
R219-22	ERJ3GEY0R00	M.RESISTOR CH 1/16W 0	4	
R223	ERJ3GEYJ223	M.RESISTOR CH 1/16W 22K	1	
R224-30	ERJ3GEY0R00	M.RESISTOR CH 1/16W 0	7	
R232	ERJ3GEY0R00	M.RESISTOR CH 1/16W 0	1	
R233	ERJ3GEYJ223	M.RESISTOR CH 1/16W 22K	1	
R238	ERJ3GEYJ103	M.RESISTOR CH 1/16W 10K	1	
R239-43	ERJ3GEY0R00	M.RESISTOR CH 1/16W 0	5	
R244	ERJ3GEYJ102	M.RESISTOR CH 1/16W 1K	1	
R250	ERJ3GEYJ102	M.RESISTOR CH 1/16W 1K	1	
R251	ERJ3GEYJ470	M.RESISTOR CH 1/16W 47	1	
R302	ERJ3GEYJ470	M.RESISTOR CH 1/16W 47	1	
R303	ERJ3GEYJ562	M.RESISTOR CH 1/16W 5.6K	1	
R306,07	ERJ3GEYJ470	M.RESISTOR CH 1/16W 47	2	
R308,09	ERJ3GEYJ103	M.RESISTOR CH 1/16W 10K	2	
R310	ERJ3GEYJ470	M.RESISTOR CH 1/16W 47	1	
R312,13	ERJ3GEYJ181	M.RESISTOR CH 1/16W 180	2	
R314	ERJ3GEYJ470	M.RESISTOR CH 1/16W 47	1	
R315	ERJ3GEY0R00	M.RESISTOR CH 1/16W 0	1	
R317	ERJ3GEYJ181	M.RESISTOR CH 1/16W 180	1	
R318-22	ERJ3GEYJ470	M.RESISTOR CH 1/16W 47	5	
R324-31	ERJ3GEYJ470	M.RESISTOR CH 1/16W 47	8	
R332	ERJ3GEYG471	M.RESISTOR CH 1/16W 470	1	
R333	ERJ3GEYG472	M.RESISTOR CH 1/16W 4.7K	1	
R335-39	ERJ3GEY0R00	M.RESISTOR CH 1/16W 0	5	
R343	ERJ3GEY0R00	M.RESISTOR CH 1/16W 0	1	
R344	ERJ3GEYJ222	M.RESISTOR CH 1/16W 2.2K	1	
R345	ERJ3GEY0R00	M.RESISTOR CH 1/16W 0	1	
R347	ERJ3GEYJ470	M.RESISTOR CH 1/16W 47	1	
R348	ERJ3GEY0R00	M.RESISTOR CH 1/16W 0	1	
R349	ERJ3GEYJ221	M.RESISTOR CH 1/16W 220	1	
R350,51	ERJ3GEYJ470	M.RESISTOR CH 1/16W 47	2	
R352	ERJ3GEYJ101	M.RESISTOR CH 1/16W 100	1	
R353	ERJ3GEYJ470	M.RESISTOR CH 1/16W 47	1	
R354	ERJ3GEYJ101	M.RESISTOR CH 1/16W 100	1	
R356	ERJ3GEY0R00	M.RESISTOR CH 1/16W 0	1	
R357	ERJ3GEYJ470	M.RESISTOR CH 1/16W 47	1	
R358	ERJ3GEYJ101	M.RESISTOR CH 1/16W 100	1	
R359,60	ERJ3GEYG471	M.RESISTOR CH 1/16W 470	2	
R361,62	ERJ3GEYJ560	M.RESISTOR CH 1/16W 56	2	
R363,64	ERJ3GEYG471	M.RESISTOR CH 1/16W 470	2	
R365,66	ERJ3GEYJ560	M.RESISTOR CH 1/16W 56	2	
R401	ERJ3GEYJ103	M.RESISTOR CH 1/16W 10K	1	
R402	ERJ3GEYJ470	M.RESISTOR CH 1/16W 47	1	
R404,05	ERJ3GEYJ181	M.RESISTOR CH 1/16W 180	2	
R406-08	ERJ3GEYJ470	M.RESISTOR CH 1/16W 47	3	
R410-17	ERJ3GEYJ470	M.RESISTOR CH 1/16W 47	8	
R419-23	ERJ3GEY0R00	M.RESISTOR CH 1/16W 0	5	
R427	ERJ3GEY0R00	M.RESISTOR CH 1/16W 0	1	
R428	ERJ3GEYJ222	M.RESISTOR CH 1/16W 2.2K	1	
R429	ERJ3GEYJ470	M.RESISTOR CH 1/16W 47	1	
R430	ERJ3GEY0R00	M.RESISTOR CH 1/16W 0	1	

Ref.No.	Part No.	Part Name & Description	Pcs	Remarks
R431	ERJ3GEYJ221	M.RESISTOR CH 1/16W 220 1		
R432	ERJ3GEYJ470	M.RESISTOR CH 1/16W 47 1		
R433	ERJ3GEYJ101	M.RESISTOR CH 1/16W 100 1		
R434	ERJ3GEYJ470	M.RESISTOR CH 1/16W 47 1		
R435	ERJ3GEYJ101	M.RESISTOR CH 1/16W 100 1		
R437	ERJ3GEYOR00	M.RESISTOR CH 1/16W 0 1		
R438	ERJ3GEYJ470	M.RESISTOR CH 1/16W 47 1		
R439	ERJ3GEYJ101	M.RESISTOR CH 1/16W 100 1		
R440,41	ERJ3GEYG471	M.RESISTOR CH 1/16W 470 2		
R442,43	ERJ3GEYJ560	M.RESISTOR CH 1/16W 56 2		
R444,45	ERJ3GEYG471	M.RESISTOR CH 1/16W 470 2		
R446,47	ERJ3GEYJ560	M.RESISTOR CH 1/16W 56 2		
R501,02	ERJ3GEYJ103	M.RESISTOR CH 1/16W 10K 2		
R503	ERJ3GEYJ683	M.RESISTOR CH 1/16W 68K 1		
R504	ERJ3GEYJ104	M.RESISTOR CH 1/16W 100K 1		
R505	ERJ3GEYJ103	M.RESISTOR CH 1/16W 10K 1		
R506	ERJ3GEYJ101	M.RESISTOR CH 1/16W 100 1		
R507	ERJ3GEYJ221	M.RESISTOR CH 1/16W 220 1		
R508	ERJ3GEYJ470	M.RESISTOR CH 1/16W 47 1		
R509-11	ERJ3GEYJ103	M.RESISTOR CH 1/16W 10K 3		
R513	ERJ3GEYJ103	M.RESISTOR CH 1/16W 10K 1		
R514	ERJ3GEYJ101	M.RESISTOR CH 1/16W 100 1		
R515,16	ERJ3GEYG471	M.RESISTOR CH 1/16W 470 2		
R517,18	ERJ3GEYJ470	M.RESISTOR CH 1/16W 47 2		
R519-21	ERJ3GEYJ103	M.RESISTOR CH 1/16W 10K 3		
R522	ERJ3GEYJ101	M.RESISTOR CH 1/16W 100 1		
R523,24	ERJ3GEYG471	M.RESISTOR CH 1/16W 470 2		
R525	ERJ3GEYJ392	M.RESISTOR CH 1/16W 3.9K 1		
R526,27	ERJ3GEYJ103	M.RESISTOR CH 1/16W 10K 2		
R528	ERJ3GEYOR00	M.RESISTOR CH 1/16W 0 1		
R529	ERJ3GEYG471	M.RESISTOR CH 1/16W 470 1		
R530	ERJ3GEYJ562	M.RESISTOR CH 1/16W 5.6K 1		
R531	ERJ3GEYJ103	M.RESISTOR CH 1/16W 10K 1		
R532	ERJ3GEYJ392	M.RESISTOR CH 1/16W 3.9K 1		
R533	ERJ3GEYJ103	M.RESISTOR CH 1/16W 10K 1		
R534	ERJ3GEYJ392	M.RESISTOR CH 1/16W 3.9K 1		
R535,36	ERJ3GEYJ103	M.RESISTOR CH 1/16W 10K 2		
R537,38	ERJ3GEYG471	M.RESISTOR CH 1/16W 470 2		
R539,40	ERJ3GEYJ101	M.RESISTOR CH 1/16W 100 2		
R541	ERJ3GEYJ103	M.RESISTOR CH 1/16W 10K 1		
R542	ERJ3GEYJ562	M.RESISTOR CH 1/16W 5.6K 1		
R543,44	ERJ3GEYJ392	M.RESISTOR CH 1/16W 3.9K 2		
R545,46	ERJ3GEYJ103	M.RESISTOR CH 1/16W 10K 2		
R547	ERJ3GEYJ332	M.RESISTOR CH 1/16W 3.3K 1		
R549	ERJ3GEYJ332	M.RESISTOR CH 1/16W 3.3K 1		
R550	ERJ3GEYJ562	M.RESISTOR CH 1/16W 5.6K 1		
R551	ERJ3GEYJ392	M.RESISTOR CH 1/16W 3.9K 1		
R552-54	ERJ3GEYJ101	M.RESISTOR CH 1/16W 100 3		
R555,56	ERJ3GEYJ331	M.RESISTOR CH 1/16W 330 2		
R557,58	ERJ3GEYJ221	M.RESISTOR CH 1/16W 220 2		
R559	ERJ3GEYJ153	M.RESISTOR CH 1/16W 15K 1		
R601	ERJ3GEYJ101	M.RESISTOR CH 1/16W 100 1		
R602	ERJ3GEYJ221	M.RESISTOR CH 1/16W 220 1		
R603	ERJ3GEYJ470	M.RESISTOR CH 1/16W 47 1		
R604-06	ERJ3GEYJ103	M.RESISTOR CH 1/16W 10K 3		
R607	ERJ3GEYJ101	M.RESISTOR CH 1/16W 100 1		
R608,09	ERJ3GEYG471	M.RESISTOR CH 1/16W 470 2		
R610,11	ERJ3GEYJ470	M.RESISTOR CH 1/16W 47 2		
R612-14	ERJ3GEYJ103	M.RESISTOR CH 1/16W 10K 3		
R615	ERJ3GEYJ101	M.RESISTOR CH 1/16W 100 1		
R616,17	ERJ3GEYG471	M.RESISTOR CH 1/16W 470 2		
R618	ERJ3GEYJ392	M.RESISTOR CH 1/16W 3.9K 1		
R619,20	ERJ3GEYJ103	M.RESISTOR CH 1/16W 10K 2		
R621	ERJ3GEYOR00	M.RESISTOR CH 1/16W 0 1		
R622	ERJ3GEYG471	M.RESISTOR CH 1/16W 470 1		
R623	ERJ3GEYJ562	M.RESISTOR CH 1/16W 5.6K 1		
R624	ERJ3GEYJ103	M.RESISTOR CH 1/16W 10K 1		
R625	ERJ3GEYJ392	M.RESISTOR CH 1/16W 3.9K 1		
R626	ERJ3GEYJ103	M.RESISTOR CH 1/16W 10K 1		
R627	ERJ3GEYJ392	M.RESISTOR CH 1/16W 3.9K 1		
R628,29	ERJ3GEYJ103	M.RESISTOR CH 1/16W 10K 2		
R630	ERJ3GEYG471	M.RESISTOR CH 1/16W 470 1		
R631	ERJ3GEYJ103	M.RESISTOR CH 1/16W 10K 1		
R632	ERJ3GEYJ562	M.RESISTOR CH 1/16W 5.6K 1		
R633,34	ERJ3GEYJ392	M.RESISTOR CH 1/16W 3.9K 2		

Ref.No.	Part No.	Part Name & Description	Pcs	Remarks
R635,36	ERJ3GEYJ103	M.RESISTOR CH 1/16W 10K 2		
R637,38	ERJ3GEYJ471	M.RESISTOR CH 1/16W 470 2		
R639,40	ERJ3GEYJ101	M.RESISTOR CH 1/16W 100 2		
R641	ERJ3GEYJ562	M.RESISTOR CH 1/16W 5.6K 1		
R642	ERJ3GEYJ392	M.RESISTOR CH 1/16W 3.9K 1		
R643-45	ERJ3GEYJ101	M.RESISTOR CH 1/16W 100 3		
R647,48	ERJ3GEYJ332	M.RESISTOR CH 1/16W 3.3K 2		
R649,50	ERJ3GEYJ331	M.RESISTOR CH 1/16W 330 2		
R651,52	ERJ3GEYJ221	M.RESISTOR CH 1/16W 220 2		
R702,03	ERJ3GEYJ470	M.RESISTOR CH 1/16W 47 2		
R706,07	ERJ3GEYJ470	M.RESISTOR CH 1/16W 47 2		
R709-12	ERJ3GEYJ470	M.RESISTOR CH 1/16W 47 4		
R713-20	ERJ3GEYG471	M.RESISTOR CH 1/16W 470 8		
R721,22	ERJ3GEYJ560	M.RESISTOR CH 1/16W 56 2		
R724,25	ERJ3GEYJ560	M.RESISTOR CH 1/16W 56 2		
R727,28	ERJ3GEYJ560	M.RESISTOR CH 1/16W 56 2		
R730,31	ERJ3GEYJ560	M.RESISTOR CH 1/16W 56 2		
RY501	VSY2069	RELAY	1	
SS501	VJS1990	CONNECTOR (FEMALE)	1	
SS601	VJS1990	CONNECTOR (FEMALE)	1	
SW501	VJP2536A003	CONNECTOR (MALE)	1	
SW601	VJP2536A003	CONNECTOR (MALE)	1	
TG1	VJR0646	TEST POINT	1	
TG301	EYF6CU	TEST POINT	1	
TG401	EYF6CU	TEST POINT	1	
TG501	EYF6CU	TEST POINT	1	
TG601	EYF6CU	TEST POINT	1	
TP1-P4	VJR0646	TEST POINT	4	
TP301-03	EYF6CU	TEST POINT	3	
TP401-03	EYF6CU	TEST POINT	3	
TP501,02	EYF6CU	TEST POINT	2	
TP601,02	EYF6CU	TEST POINT	2	
TP901-10	VJR0646	TEST POINT	10	
		MISCELLANEOUS		
	VML2143	CARD PULLER	1	
	VML2144	CARD PULLER	1	
* E13,14	VEP85163A	H3.4 RF EQ L,R P.C BOARD	1 (RTL)	
*	VEP85173A	RE EQ SUB P.C.BOARD	1 (RTL)FOR VEP85163A	
C1	ECUX1E104ZV	C.CAPACITOR CH 25V 0.1U	1	
C31	ECUX1E104ZV	C.CAPACITOR CH 25V 0.1U	1	
C36-66	ECUX1E104ZV	C.CAPACITOR CH 25V 0.1U	31	
C101	ECUX1E104ZV	C.CAPACITOR CH 25V 0.1U	1	
C102,03	ECEV1H2R2Q	E.CAPACITOR CH 50V 2.2U	2	
C104	ECUX1E104ZV	C.CAPACITOR CH 25V 0.1U	1	
C105	ECUX1H470JCV	C.CAPACITOR CH 50V 47P	1	
C106-09	ECUX1E104ZV	C.CAPACITOR CH 25V 0.1U	4	
C110	ECUX1H102KBV	C.CAPACITOR CH 50V 1000P	1	
C111-14	ECUX1E104ZV	C.CAPACITOR CH 25V 0.1U	4	
C116	ECUX1H102KBV	C.CAPACITOR CH 50V 1000P	1	
C118-20	ECUX1E104ZV	C.CAPACITOR CH 25V 0.1U	3	
C123-27	ECUX1E104ZV	C.CAPACITOR CH 25V 0.1U	5	
C128	ECUX1H101JCV	C.CAPACITOR CH 50V 100P	1	
C129-32	ECUX1E104ZV	C.CAPACITOR CH 25V 0.1U	4	
C133	ECUX1H330JCV	C.CAPACITOR CH 50V 33P	1	
C134	ECEV1CV220Q	E.CAPACITOR CH 16V 22U	1	
C135	ECUX1H330JCV	C.CAPACITOR CH 50V 33P	1	
C137	ECEV1CV220Q	E.CAPACITOR CH 16V 22U	1	
C138	ECUX1E104ZV	C.CAPACITOR CH 25V 0.1U	1	
C140	ECUX1E104ZV	C.CAPACITOR CH 25V 0.1U	1	
C141,42	ECUX1H103KBV	C.CAPACITOR CH 50V 0.01U	2	
C143	ECUX1E104ZV	C.CAPACITOR CH 25V 0.1U	1	
C144	ECUX1H103KBV	C.CAPACITOR CH 50V 0.01U	1	
C145,46	ECUX1C473KBV	C.CAPACITOR CH 16V 0.047U	2	
C147	ECUX1E104ZV	C.CAPACITOR CH 25V 0.1U	1	

Ref.No.	Part No.	Part Name & Description	Pcs	Remarks
C148	ECUX1H102KBV	C.CAPACITOR CH 50V 1000P	1	
C149-51	ECUX1E104ZVF	C.CAPACITOR CH 25V 0.1U	3	
C153	ECUX1H270JCV	C.CAPACITOR CH 50V 27P	1	
C154	ECUX1H680JCV	C.CAPACITOR CH 50V 68P	1	
C155	ECUX1H151JCV	C.CAPACITOR CH 50V 150P	1	
C156	ECUX1H181JCV	C.CAPACITOR CH 50V 180P	1	
C157-59	ECUX1E104ZVF	C.CAPACITOR CH 25V 0.1U	3	
C164-67	ECUX1E104ZVF	C.CAPACITOR CH 25V 0.1U	4	
C168-71	ECUX1H220JCV	C.CAPACITOR CH 50V 22P	4	
C172	ECCF1H560JC	C.CAPACITOR 50V 56P	1	
C201	ECUX1E104ZVF	C.CAPACITOR CH 25V 0.1U	1	
C202,03	ECEV1HV2R2Q	E.CAPACITOR CH 50V 2.2U	2	
C204	ECUX1E104ZVF	C.CAPACITOR CH 25V 0.1U	1	
C205	ECUX1H470JCV	C.CAPACITOR CH 50V 47P	1	
C206-09	ECUX1E104ZVF	C.CAPACITOR CH 25V 0.1U	4	
C210	ECUX1H102KBV	C.CAPACITOR CH 50V 1000P	1	
C211-14	ECUX1E104ZVF	C.CAPACITOR CH 25V 0.1U	4	
C216	ECUX1H102KBV	C.CAPACITOR CH 50V 1000P	1	
C218-20	ECUX1E104ZVF	C.CAPACITOR CH 25V 0.1U	3	
C223-27	ECUX1E104ZVF	C.CAPACITOR CH 25V 0.1U	5	
C228	ECUX1H101JCV	C.CAPACITOR CH 50V 100P	1	
C229-32	ECUX1E104ZVF	C.CAPACITOR CH 25V 0.1U	4	
C233	ECUX1H330JCV	C.CAPACITOR CH 50V 33P	1	
C234	ECEV1CV220Q	E.CAPACITOR CH 16V 22U	1	
C235	ECUX1H330JCV	C.CAPACITOR CH 50V 33P	1	
C237	ECEV1CV220Q	E.CAPACITOR CH 16V 22U	1	
C238	ECUX1E104ZVF	C.CAPACITOR CH 25V 0.1U	1	
C240	ECUX1E104ZVF	C.CAPACITOR CH 25V 0.1U	1	
C241,42	ECUX1H103KBV	C.CAPACITOR CH 50V 0.01U	2	
C243	ECUX1E104ZVF	C.CAPACITOR CH 25V 0.1U	1	
C244	ECUX1H103KBV	C.CAPACITOR CH 50V 0.01U	1	
C245,46	ECUX1C473KBV	C.CAPACITOR CH 16V 0.047U	2	
C247	ECUX1E104ZVF	C.CAPACITOR CH 25V 0.1U	1	
C248	ECUX1H102KBV	C.CAPACITOR CH 50V 1000P	1	
C251	ECUX1E104ZVF	C.CAPACITOR CH 25V 0.1U	1	
C253	ECUX1H270JCV	C.CAPACITOR CH 50V 27P	1	
C254	ECUX1H680JCV	C.CAPACITOR CH 50V 68P	1	
C255	ECUX1H151JCV	C.CAPACITOR CH 50V 150P	1	
C256	ECUX1H181JCV	C.CAPACITOR CH 50V 180P	1	
C257-59	ECUX1E104ZVF	C.CAPACITOR CH 25V 0.1U	3	
C265	ECUX1E104ZVF	C.CAPACITOR CH 25V 0.1U	1	
C272	ECCF1H560JC	C.CAPACITOR 50V 56P	1	
C302	ECUX1E104ZVF	C.CAPACITOR CH 25V 0.1U	1	
C305	ECUX1E104ZVF	C.CAPACITOR CH 25V 0.1U	1	
C311,12	ECUX1E104ZVF	C.CAPACITOR CH 25V 0.1U	2	
C313,14	ECUX1H122KBV	C.CAPACITOR CH 50V 1200P	2	
C315	ECUX1H102KBV	C.CAPACITOR CH 50V 1000P	1	
C316-21	ECUX1E104ZVF	C.CAPACITOR CH 25V 0.1U	6	
C323-28	ECUX1E104ZVF	C.CAPACITOR CH 25V 0.1U	6	
C402	ECUX1E104ZVF	C.CAPACITOR CH 25V 0.1U	1	
C405	ECUX1E104ZVF	C.CAPACITOR CH 25V 0.1U	1	
C411,12	ECUX1E104ZVF	C.CAPACITOR CH 25V 0.1U	2	
C413,14	ECUX1H122KBV	C.CAPACITOR CH 50V 1200P	2	
C415	ECUX1H102KBV	C.CAPACITOR CH 50V 1000P	1	
C416-21	ECUX1E104ZVF	C.CAPACITOR CH 25V 0.1U	6	
C423-28	ECUX1E104ZVF	C.CAPACITOR CH 25V 0.1U	6	
C502-24	ECUX1E104ZVF	C.CAPACITOR CH 25V 0.1U	23	
C525-28	ECUX1H103KBV	C.CAPACITOR CH 50V 0.01U	4	
C529-37	ECUX1E104ZVF	C.CAPACITOR CH 25V 0.1U	9	
C538,39	ECUX1H103KBV	C.CAPACITOR CH 50V 0.01U	2	
C540	ECUX1E104ZVF	C.CAPACITOR CH 25V 0.1U	1	
C542,43	ECUX1H152KBV	C.CAPACITOR CH 50V 1500P	2	
C544-48	ECUX1E104ZVF	C.CAPACITOR CH 25V 0.1U	5	
C549	ECUX1H103KBV	C.CAPACITOR CH 50V 0.01U	1	
C550,51	ECUX1E104ZVF	C.CAPACITOR CH 25V 0.1U	2	
C552	ECUX1H681KBV	C.CAPACITOR CH 50V 680P	1	
C553-55	ECUX1E104ZVF	C.CAPACITOR CH 25V 0.1U	3	
C556	ECUX1H821JCV	C.CAPACITOR CH 50V 820P	1	
C557	ECUX1E104ZVF	C.CAPACITOR CH 25V 0.1U	1	
C558	ECUM1C224ZVF	E.CAPACITOR CH 16V 0.22U	1	
C559	ECUX1E104ZVF	C.CAPACITOR CH 25V 0.1U	1	
C560	ECUX1H681KBV	C.CAPACITOR CH 50V 680P	1	
C561	ECUX1E104ZVF	C.CAPACITOR CH 25V 0.1U	1	
C562-65	ECUX1H152KBV	C.CAPACITOR CH 50V 1500P	4	
C566	ECUX1E104ZVF	C.CAPACITOR CH 25V 0.1U	1	

Ref.No.	Part No.	Part Name & Description	Pcs	Remarks
C568-71	ECUX1H152KBV	C.CAPACITOR CH 50V 1500P	4	
C572	ECUX1H103KBV	C.CAPACITOR CH 50V 0.01U	1	
C573-91	ECUX1E104ZVF	C.CAPACITOR CH 25V 0.1U	19	
C592	ECUX1H680JCV	C.CAPACITOR CH 50V 68P	1	
C593,94	ECUX1E104ZVF	C.CAPACITOR CH 25V 0.1U	2	
C595	ECUM1H102KBN	C.CAPACITOR CH 50V 1200P	1	
C602,03	ECUX1E104ZVF	C.CAPACITOR CH 25V 0.1U	2	
C605-11	ECUX1E104ZVF	C.CAPACITOR CH 25V 0.1U	7	
C613-24	ECUX1E104ZVF	C.CAPACITOR CH 25V 0.1U	12	
C625-28	ECUX1H103KBV	C.CAPACITOR CH 50V 0.01U	4	
C629-37	ECUX1E104ZVF	C.CAPACITOR CH 25V 0.1U	9	
C638,39	ECUX1H103KBV	C.CAPACITOR CH 50V 0.01U	2	
C640	ECUX1E104ZVF	C.CAPACITOR CH 25V 0.1U	1	
C642,43	ECUX1H152KBV	C.CAPACITOR CH 50V 1500P	2	
C644-48	ECUX1E104ZVF	C.CAPACITOR CH 25V 0.1U	5	
C649	ECUX1H103KBV	C.CAPACITOR CH 50V 0.01U	1	
C650,51	ECUX1E104ZVF	C.CAPACITOR CH 25V 0.1U	2	
C652	ECUX1H681KBV	C.CAPACITOR CH 50V 680P	1	
C653-55	ECUX1E104ZVF	C.CAPACITOR CH 25V 0.1U	3	
C656	ECUX1H821JCV	C.CAPACITOR CH 50V 820P	1	
C657	ECUX1E104ZVF	C.CAPACITOR CH 25V 0.1U	1	
C658	ECUM1C224ZVF	E.CAPACITOR CH 16V 0.22U	1	
C659	ECUX1E104ZVF	C.CAPACITOR CH 25V 0.1U	1	
C660	ECUX1H681KBV	C.CAPACITOR CH 50V 680P	1	
C661	ECUX1E104ZVF	C.CAPACITOR CH 25V 0.1U	1	
C662-65	ECUX1H152KBV	C.CAPACITOR CH 50V 1500P	4	
C666	ECUX1E104ZVF	C.CAPACITOR CH 25V 0.1U	1	
C668-71	ECUX1H152KBV	C.CAPACITOR CH 50V 1500P	4	
C672	ECUX1H103KBV	C.CAPACITOR CH 50V 0.01U	1	
C673-87	ECUX1E104ZVF	C.CAPACITOR CH 25V 0.1U	15	
C689-93	ECUX1E104ZVF	C.CAPACITOR CH 25V 0.1U	5	
C695-98	ECUX1E104ZVF	C.CAPACITOR CH 25V 0.1U	4	
C699	ECUX1H680JCV	C.CAPACITOR CH 50V 68P	1	
C700-05	ECUX1E104ZVF	C.CAPACITOR CH 25V 0.1U	6	
C714-17	ECUX1E104ZVF	C.CAPACITOR CH 25V 0.1U	4	
C718,19	ECUX1H102KBV	C.CAPACITOR CH 50V 1000P	2	
C720	ECUX1E104ZVF	C.CAPACITOR CH 25V 0.1U	1	
C801-05	ECUX1E104ZVF	C.CAPACITOR CH 25V 0.1U	5	
C901-03	ECEV1CV220Q	E.CAPACITOR CH 16V 22U	3	
C905-07	ECUX1E104ZVF	C.CAPACITOR CH 25V 0.1U	3	
C908-12	ECEV1CV220Q	E.CAPACITOR CH 16V 22U	5	
C913-15	ECUX1E104ZVF	C.CAPACITOR CH 25V 0.1U	3	
C920	ECUX1E104ZVF	C.CAPACITOR CH 25V 0.1U	1	
C921,22	ECEV1CV220Q	E.CAPACITOR CH 16V 22U	2	
C927	ECEV1CV470Q	E.CAPACITOR CH 16V 47U	1	
C932,33	ECUX1E104ZVF	C.CAPACITOR CH 25V 0.1U	2	
C971-77	ECUX1E104ZVF	C.CAPACITOR CH 25V 0.1U	7	
C978	ECEA1HGE330	E.CAPACITOR CH 50V 33U	1	
D910	MA152K	DIODE	1	
FL901-04	VLF0931	FILTER	4	
IC1	TCVHC04FS	IC	1	
IC21	M62370GP	IC	1	
IC22,23	THC4053FT	IC	2	
IC24,25	NUM084V	IC	2	
IC101	UPC1663G	IC	1	
IC102	NJM1496M	IC	1	
IC103	NJM084V	IC	1	
IC201	UPC1663G	IC	1	
IC202	NJM1496M	IC	1	
IC301	AN3730FA	IC	1	
IC401	AN3730FA	IC	1	
IC501	NJM319V	IC	1	
IC502	THC4053FT	IC	1	
IC503	TC7S32FU	IC	1	
IC504	TCVHC157FS	IC	1	
IC505-07	NJM084V	IC	3	
IC508	THC4066FT	IC	1	
IC509	AN3740FAP	IC	1	
IC510	AN3745FBP	IC	1	
IC602	THC4053FT	IC	1	
IC605-07	NJM084V	IC	3	
IC609	AN3740FAP	IC	1	

Ref.No.	Part No.	Part Name & Description	Pcs	Remarks
IC610	AN3745FBP	IC	1	
IC611	THC4053FT	IC	1	
IC701	UPC11663G	IC	1	
IC801	M62370GP	IC	1	
IC802	NJM084V	IC	1	
IC901	AN7805	IC	1	
IC902	AN7905F	IC	1	
IC907	AN7703F	IC	1	
L101	VLQ0188K1R0N	COIL 1.0UH	1	
L102.03	VLQ0188KR47N	COIL 0.47UH	2	
L104.05	VLQ0188J101	COIL 100UH	2	
L106.07	VLQ0163KR39	COIL 0.39UH	2	
L109.10	VLQ0163J5R6	COIL 5.6UH	2	
L201	VLQ0188K1R0N	COIL 1.0UH	1	
L202.03	VLQ0188KR47N	COIL 0.47UH	2	
L204.05	VLQ0188J101	COIL 100UH	2	
L206.07	VLQ0163KR39	COIL 0.39UH	2	
L801	VLQ0163J101	COIL 100UH	1	
P1	VJP3454B096	CONNECTOR (MALE)	1	
P2	VJP1230T	CONNECTOR (MALE) 3P	1	
P3	VJP1230G	CONNECTOR (MALE) 3P	1	
Q101	XN6537	TRANSISTOR-RESISTOR	1	
Q102.03	2SC2295-C	TRANSISTOR	2	
Q104	2SK508K512	TRANSISTOR	1	
Q105	2SC3130	TRANSISTOR	1	
Q106	2SK508K512	TRANSISTOR	1	
Q108.09	XN5531	TRANSISTOR-RESISTOR	2	
Q110.11	2SK508K512	TRANSISTOR	2	
Q112	2SC3130	TRANSISTOR	1	
Q113.14	2SD1979	TRANSISTOR	2	
Q115-17	2SC2295-C	TRANSISTOR	3	
Q118	XN5531	TRANSISTOR-RESISTOR	1	
Q119	2SC2295-C	TRANSISTOR	1	
Q201	XN6537	TRANSISTOR-RESISTOR	1	
Q202.03	2SC2295-C	TRANSISTOR	2	
Q204	2SK508K512	TRANSISTOR	1	
Q205	2SC3130	TRANSISTOR	1	
Q206	2SK508K512	TRANSISTOR	1	
Q208.09	XN5531	TRANSISTOR-RESISTOR	2	
Q210.11	2SK508K512	TRANSISTOR	2	
Q212	2SC3130	TRANSISTOR	1	
Q213.14	2SD1979	TRANSISTOR	2	
Q215-17	2SC2295-C	TRANSISTOR	3	
Q218	XN5531	TRANSISTOR-RESISTOR	1	
Q301	XN5531	TRANSISTOR-RESISTOR	1	
Q303	XN5531	TRANSISTOR-RESISTOR	1	
Q401	XN5531	TRANSISTOR-RESISTOR	1	
Q403	XN5531	TRANSISTOR-RESISTOR	1	
Q501.02	2SC2295-C	TRANSISTOR	2	
Q503	2SA1022-B	TRANSISTOR	1 (B)	
Q504	2SD601A-R	TRANSISTOR	1	
Q505	UN2213	TRANSISTOR-RESISTOR	1	
Q601.02	2SC2295-C	TRANSISTOR	2	
Q603.04	XN5531	TRANSISTOR-RESISTOR	2	
Q605	2SA1022-B	TRANSISTOR	1 (B)	
Q701	2SC2295-C	TRANSISTOR	1	
Q702.03	2SK508K512	TRANSISTOR	2	
Q901	2SD601A-R	TRANSISTOR	1	
R1,R2	ERJ3GEYJ103	M.RESISTOR CH 1/16W 10K	2	
R3,R4	ERJ3GEYJ470	M.RESISTOR CH 1/16W 47	2	
R22-24	ERJ3GEYJ103	M.RESISTOR CH 1/16W 10K	3	
R25-41	ERJ3GEYJ101	M.RESISTOR CH 1/16W 100	17	
R42	ERJ3GEYOR00	M.RESISTOR CH 1/16W 0	1	
R43.44	ERJ3GEYJ103	M.RESISTOR CH 1/16W 10K	2	
R47	ERJ3RBD103	M.RESISTOR CH 3W 10K	1	
R50	ERJ3RBD103	M.RESISTOR CH 3W 10K	1	
R51	ERJ3RBD303	M.RESISTOR CH 3W 33K	1	
R52	ERJ3GEYJ103	M.RESISTOR CH 1/16W 10K	1	
R53.54	ERJ3RBD272	M.RESISTOR CH 3W 2.7K	2	
R55	ERJ3RBD223	M.RESISTOR CH 3W 22K	1	
R56	ERJ3RBD153	M.RESISTOR CH 3W 15K	1	

Ref.No.	Part No.	Part Name & Description	Pcs	Remarks
R57	ERJ3RBD223	M.RESISTOR CH 3W 22K	1	
R58	ERJ3RBD153	M.RESISTOR CH 3W 15K	1	
R59	ERJ3GEYG822	M.RESISTOR CH 1/16W 8.2K	1	
R60	ERJ3RBD223	M.RESISTOR CH 3W 22K	1	
R61	ERJ3GEYJ222	M.RESISTOR CH 1/16W 2.2K	1	
R62.63	ERJ3RBD153	M.RESISTOR CH 3W 15K	2	
R64.65	ERJ3RBD103	M.RESISTOR CH 3W 10K	2	
R66	ERJ3RBD153	M.RESISTOR CH 3W 15K	1	
R67.68	ERJ3GEYJ101	M.RESISTOR CH 1/16W 100	2	
R69	ERJ3RBD103	M.RESISTOR CH 3W 10K	1	
R70	ERJ3GEYJ103	M.RESISTOR CH 1/16W 10K	1	
R71	ERJ3RBD103	M.RESISTOR CH 3W 10K	1	
R72	ERJ3GEYG822	M.RESISTOR CH 1/16W 8.2K	1	
R73	ERJ3RBD333	M.RESISTOR CH 3W 33K	1	
R74	ERJ3GEYJ222	M.RESISTOR CH 1/16W 2.2K	1	
R75	ERJ3RBD223	M.RESISTOR CH 3W 22K	1	
R76	ERJ3RBD153	M.RESISTOR CH 3W 15K	1	
R77.78	ERJ3RBD562	M.RESISTOR CH 3W 5.2K	2	
R79.80	ERJ3RBD333	M.RESISTOR CH 3W 33K	2	
R81.82	ERJ3RBD153	M.RESISTOR CH 3W 15K	2	
R83.84	ERJ3RBD223	M.RESISTOR CH 3W 22K	2	
R85.86	ERJ3GEYJ101	M.RESISTOR CH 1/16W 100	2	
R87.88	ERJ3RBD103	M.RESISTOR CH 3W 10K	2	
R89.90	ERJ3RBD682	M.RESISTOR CH 3W 6.8K	2	
R101	ERJ3RED470	M.RESISTOR CH 3W 47	1	
R102	ERJ3GEYJ470	M.RESISTOR CH 1/16W 47	1	
R103	ERJ3RED470	M.RESISTOR CH 3W 47	1	
R104.05	ERJ3GEYJ880	M.RESISTOR CH 1/16W 68	2	
R106	ERJ3GEYJ470	M.RESISTOR CH 1/16W 47	1	
R107	ERJ3RBD222	M.RESISTOR CH 3W 2.2K	1	
R108	ERJ3RBD391	M.RESISTOR CH 3W 390	1	
R109	ERJ3RBD271	M.RESISTOR CH 3W 270	1	
R110	ERJ3RED330	M.RESISTOR CH 3W 33	1	
R111	ERJ3RBD391	M.RESISTOR CH 3W 390	1	
R112	ERJ3RBD271	M.RESISTOR CH 3W 270	1	
R113	ERJ3RBD222	M.RESISTOR CH 3W 2.2K	1	
R114	ERJ3GEYJ331	M.RESISTOR CH 1/16W 330	1	
R115	ERJ3GEYG152	M.RESISTOR CH 1/16W 1.5K	1	
R116	ERJ3GEYJ331	M.RESISTOR CH 1/16W 330	1	
R117	ERJ3GEYJ470	M.RESISTOR CH 1/16W 47	1	
R118	ERJ3GEYG472	M.RESISTOR CH 1/16W 4.7K	1	
R119	ERJ3RBD332	M.RESISTOR CH 3W 3.3K	1	
R120	ERJ3GEYG152	M.RESISTOR CH 1/16W 1.5K	1	
R121	ERJ3GEYJ272	M.RESISTOR CH 1/16W 2.7K	1	
R122	ERJ3GEYOR00	M.RESISTOR CH 1/16W 0	1	
R125	ERJ3GEYJ470	M.RESISTOR CH 1/16W 47	1	
R126.27	ERJ3GEYG102	M.RESISTOR CH 1/16W 1K	2	
R128	ERJ3GEYG152	M.RESISTOR CH 1/16W 1.5K	1	
R129	ERJ3RBD332	M.RESISTOR CH 3W 3.3K	1	
R131.32	ERJ3GEYJ470	M.RESISTOR CH 1/16W 47	2	
R133	ERJ3GEYG152	M.RESISTOR CH 1/16W 1.5K	1	
R135	ERJ3GEYJ222	M.RESISTOR CH 1/16W 2.2K	1	
R136	ERJ3GEYJ470	M.RESISTOR CH 1/16W 47	1	
R137	ERJ3GEYG102	M.RESISTOR CH 1/16W 1K	1	
R138.39	ERJ3GEYG472	M.RESISTOR CH 1/16W 4.7K	2	
R140	ERJ3GEYG102	M.RESISTOR CH 1/16W 1K	1	
R141	ERJ3RBD181	M.RESISTOR CH 3W 180	1	
R142	ERJ3RBD681	M.RESISTOR CH 3W 680	1	
R143	ERJ3RBD181	M.RESISTOR CH 3W 180	1	
R144	ERJ3GEYJ221	M.RESISTOR CH 1/16W 220	1	
R145	ERJ3RBD821	M.RESISTOR CH 3W 820	1	
R146	ERJ3GEYJ470	M.RESISTOR CH 1/16W 47	1	
R147.48	ERJ3RBD103	M.RESISTOR CH 3W 10K	2	
R149.50	ERJ3GEYG102	M.RESISTOR CH 1/16W 1K	2	
R151.52	RJ3GEYJ103	M.RESISTOR CH 1/16W 10K	2	
R153.54	ERJ3GEYG102	M.RESISTOR CH 1/16W 1K	2	
R155	ERJ3RBD102	M.RESISTOR CH 1/10W 1K	1	
R156	ERJ3GEYJ470	M.RESISTOR CH 1/16W 47	1	
R157-60	ERJ3GEYJ560	M.RESISTOR CH 1/16W 56	4	
R161	ERJ3GEYJ821	M.RESISTOR CH 1/16W 820	1	
R162	ERJ3GEYOR00	M.RESISTOR CH 1/16W 0	1	
R163	ERJ3GEYJ470	M.RESISTOR CH 1/16W 47	1	
R164	ERJ3RBD822	M.RESISTOR CH 3W 8.2K	1	
R165	ERJ3RBD221	M.RESISTOR CH 3W 220	1	
R166	ERJ3GEYOR00	M.RESISTOR CH 1/16W 0	1	

Ref.No.	Part No.	Part Name & Description	Pcs	Remarks
R167	ERJ3GEYJ470	M.RESISTOR CH 1/16W 47 1	1	
R168	ERJ3GEGY102	M.RESISTOR CH 1/16W 1K 1	1	
R169	ERJ3GEYJ470	M.RESISTOR CH 1/16W 47 1	1	
R170	ERJ3RBD332	M.RESISTOR CH 3W 3.3K 1	1	
R171	ERJ3RBD392	M.RESISTOR CH 3W 3.9K 1	1	
R172	ERJ3GEYJ470	M.RESISTOR CH 1/16W 47 1	1	
R173	ERJ3GEGY102	M.RESISTOR CH 1/16W 1K 1	1	
R174	ERJ3RBD392	M.RESISTOR CH 3W 3.9K 1	1	
R175	ERJ3RBD153	M.RESISTOR CH 3W 15K 1	1	
R176	ERJ3GEYJ103	M.RESISTOR CH 1/16W 10K 1	1	
R177-80	ERJ3GEYJ470	M.RESISTOR CH 1/16W 47 4	4	
R181	ERJ3GEYJ182	M.RESISTOR CH 1/16W 1.8K 1	1	
R182	ERJ3RED560	M.RESISTOR CH 3W 56 1	1	
R183,84	ERJ3GEYJ103	M.RESISTOR CH 1/16W 10K 2	2	
R185	ERJ3GEY0R00	M.RESISTOR CH 1/16W 0 1	1	
R186,87	ERJ3GEYJ470	M.RESISTOR CH 1/16W 47 2	2	
R188,89	ERJ3GEYJ182	M.RESISTOR CH 1/16W 1.8K 2	2	
R190	ERJ3GEYJ103	M.RESISTOR CH 1/16W 10K 1	1	
R191	ERJ3GEYJ470	M.RESISTOR CH 1/16W 47 1	1	
R192	ERJ3GEYJ103	M.RESISTOR CH 1/16W 10K 1	1	
R193	ERJ3GEYJ470	M.RESISTOR CH 1/16W 47 1	1	
R194	ERJ3GEYJ182	M.RESISTOR CH 1/16W 1.8K 1	1	
R195,96	ERJ3GEYJ750	M.RESISTOR CH 1/16W 75 2	2	
R198,99	ERJ3GEYJ391	M.RESISTOR CH 1/16W 390 2	2	
R201	ERJ3RED470	M.RESISTOR CH 3W 47 1	1	
R202	ERJ3GEYJ470	M.RESISTOR CH 1/16W 47 1	1	
R203	ERJ3RED470	M.RESISTOR CH 3W 47 1	1	
R204,05	ERJ3GEYJ680	M.RESISTOR CH 1/16W 68 2	2	
R206	ERJ3GEYJ470	M.RESISTOR CH 1/16W 47 1	1	
R207	ERJ3RBD222	M.RESISTOR CH 3W 2.2K 1	1	
R208	ERJ3RBD391	M.RESISTOR CH 3W 390 1	1	
R209	ERJ3RBD271	M.RESISTOR CH 3W 270 1	1	
R210	ERJ3RED330	M.RESISTOR CH 3W 33 1	1	
R211	ERJ3RBD391	M.RESISTOR CH 3W 390 1	1	
R212	ERJ3RBD271	M.RESISTOR CH 3W 270 1	1	
R213	ERJ3RBD222	M.RESISTOR CH 3W 2.2K 1	1	
R214	ERJ3GEYJ331	M.RESISTOR CH 1/16W 330 1	1	
R215	ERJ3GEGY152	M.RESISTOR CH 1/16W 1.5K 1	1	
R216	ERJ3GEYJ331	M.RESISTOR CH 1/16W 330 1	1	
R217	ERJ3GEYJ470	M.RESISTOR CH 1/16W 47 1	1	
R218	ERJ3GEGY472	M.RESISTOR CH 1/16W 4.7K 1	1	
R219	ERJ3RBD332	M.RESISTOR CH 3W 3.3K 1	1	
R220	ERJ3GEGY152	M.RESISTOR CH 1/16W 1.5K 1	1	
R221	ERJ3GEYJ272	M.RESISTOR CH 1/16W 2.7K 1	1	
R222	ERJ3GEY0R00	M.RESISTOR CH 1/16W 0 1	1	
R225	ERJ3GEYJ470	M.RESISTOR CH 1/16W 47 1	1	
R226,27	ERJ3GEGY102	M.RESISTOR CH 1/16W 1K 2	2	
R228	ERJ3GEGY152	M.RESISTOR CH 1/16W 1.5K 1	1	
R229	ERJ3RBD332	M.RESISTOR CH 3W 3.3K 1	1	
R231,32	ERJ3GEYJ470	M.RESISTOR CH 1/16W 47 2	2	
R233	ERJ3GEGY152	M.RESISTOR CH 1/16W 1.5K 1	1	
R235	ERJ3GEYJ222	M.RESISTOR CH 1/16W 2.2K 1	1	
R236	ERJ3GEYJ470	M.RESISTOR CH 1/16W 47 1	1	
R237	ERJ3GEGY102	M.RESISTOR CH 1/16W 1K 1	1	
R238,39	ERJ3GEGY472	M.RESISTOR CH 1/16W 4.7K 2	2	
R240	ERJ3GEGY102	M.RESISTOR CH 1/16W 1K 1	1	
R241	ERJ3RBD181	M.RESISTOR CH 3W 180 1	1	
R242	ERJ3RBD681	M.RESISTOR CH 3W 680 1	1	
R243	ERJ3RBD181	M.RESISTOR CH 3W 180 1	1	
R244	ERJ3GEYJ221	M.RESISTOR CH 1/16W 220 1	1	
R245	ERJ3RBD821	M.RESISTOR CH 3W 820 1	1	
R246	ERJ3GEYJ470	M.RESISTOR CH 1/16W 47 1	1	
R247,48	ERJ3RBD103	M.RESISTOR CH 3W 10K 2	2	
R249,50	ERJ3GEGY102	M.RESISTOR CH 1/16W 1K 2	2	
R251,52	ERJ3GEYJ103	M.RESISTOR CH 1/16W 10K 2	2	
R253,54	ERJ3GEGY102	M.RESISTOR CH 1/16W 1K 2	2	
R255	ERJ3RBD102	M.RESISTOR CH 1/10W 1K 1	1	
R256	ERJ3GEYJ470	M.RESISTOR CH 1/16W 47 1	1	
R257-60	ERJ3GEYJ560	M.RESISTOR CH 1/16W 56 4	4	
R261	ERJ3GEYJ821	M.RESISTOR CH 1/16W 820 1	1	
R262	ERJ3GEY0R00	M.RESISTOR CH 1/16W 0 1	1	
R263	ERJ3GEYJ470	M.RESISTOR CH 1/16W 47 1	1	
R264	ERJ3RBD822	M.RESISTOR CH 3W 8.2K 1	1	
R265	ERJ3RBD681	M.RESISTOR CH 3W 680 1	1	
R266	ERJ3GEY0R00	M.RESISTOR CH 1/16W 0 1	1	

Ref.No.	Part No.	Part Name & Description	Pcs	Remarks
R267	ERJ3GEYJ470	M.RESISTOR CH 1/16W 47 1	1	
R268	ERJ3GEGY102	M.RESISTOR CH 1/16W 1K 1	1	
R269	ERJ3GEYJ470	M.RESISTOR CH 1/16W 47 1	1	
R270	ERJ3RBD332	M.RESISTOR CH 3W 3.3K 1	1	
R271	ERJ3RBD392	M.RESISTOR CH 3W 3.9K 1	1	
R272	ERJ3GEYJ470	M.RESISTOR CH 1/16W 47 1	1	
R273	ERJ3GEGY102	M.RESISTOR CH 1/16W 1K 1	1	
R274	ERJ3RBD392	M.RESISTOR CH 3W 3.9K 1	1	
R275	ERJ3RBD153	M.RESISTOR CH 3W 15K 1	1	
R276	ERJ3GEYJ103	M.RESISTOR CH 1/16W 10K 1	1	
R277-80	ERJ3GEYJ470	M.RESISTOR CH 1/16W 47 4	4	
R281	ERJ3GEYJ182	M.RESISTOR CH 1/16W 1.8K 1	1	
R282	ERJ3RED560	M.RESISTOR CH 3W 56 1	1	
R283,84	ERJ3GEYJ103	M.RESISTOR CH 1/16W 10K 2	2	
R285	ERJ3GEY0R00	M.RESISTOR CH 1/16W 0 1	1	
R286	ERJ3GEYJ470	M.RESISTOR CH 1/16W 47 1	1	
R288	ERJ3GEYJ182	M.RESISTOR CH 1/16W 1.8K 1	1	
R291	ERJ3GEYJ470	M.RESISTOR CH 1/16W 47 1	1	
R292	ERJ3GEYJ103	M.RESISTOR CH 1/16W 10K 1	1	
R301	ERJ3GEYJ470	M.RESISTOR CH 1/16W 47 1	1	
R302	ERJ3GEYJ222	M.RESISTOR CH 1/16W 2.2K 1	1	
R303	ERJ3GEYJ470	M.RESISTOR CH 1/16W 47 1	1	
R304	ERJ3GEYJ222	M.RESISTOR CH 1/16W 2.2K 1	1	
R307	ERJ3GEYJ470	M.RESISTOR CH 1/16W 47 1	1	
R311-13	ERJ3GEYJ470	M.RESISTOR CH 1/16W 47 3	3	
R314	ERJ3GEYJ222	M.RESISTOR CH 1/16W 2.2K 1	1	
R315	ERJ3GEYJ122	M.RESISTOR CH 1/16W 1.2K 1	1	
R316,17	ERJ3GEYJ222	M.RESISTOR CH 1/16W 2.2K 2	2	
R318-20	ERJ3GEYJ470	M.RESISTOR CH 1/16W 47 3	3	
R401	ERJ3GEYJ470	M.RESISTOR CH 1/16W 47 1	1	
R402	ERJ3GEYJ222	M.RESISTOR CH 1/16W 2.2K 1	1	
R403	ERJ3GEYJ470	M.RESISTOR CH 1/16W 47 1	1	
R404	ERJ3GEYJ222	M.RESISTOR CH 1/16W 2.2K 1	1	
R407	ERJ3GEYJ470	M.RESISTOR CH 1/16W 47 1	1	
R411-13	ERJ3GEYJ470	M.RESISTOR CH 1/16W 47 3	3	
R414	ERJ3GEYJ222	M.RESISTOR CH 1/16W 2.2K 1	1	
R415	ERJ3GEYJ122	M.RESISTOR CH 1/16W 1.2K 1	1	
R416,17	ERJ3GEYJ222	M.RESISTOR CH 1/16W 2.2K 2	2	
R418-20	ERJ3GEYJ470	M.RESISTOR CH 1/16W 47 3	3	
R501	ERJ3GEYJ103	M.RESISTOR CH 1/16W 10K 1	1	
R502	ERJ3GEYJ470	M.RESISTOR CH 1/16W 47 1	1	
R503	ERJ3GEYJ103	M.RESISTOR CH 1/16W 10K 1	1	
R504-07	ERJ3GEYJ470	M.RESISTOR CH 1/16W 47 4	4	
R508-11	ERJ3GEYJ222	M.RESISTOR CH 1/16W 2.2K 4	4	
R512	ERJ3GEYJ273	M.RESISTOR CH 1/16W 2.7K 1	1	
R513	ERJ3GEYJ682	M.RESISTOR CH 1/16W 6.8K 1	1	
R514,15	ERJ3GEYJ103	M.RESISTOR CH 1/16W 10K 2	2	
R516	ERJ3GEGY102	M.RESISTOR CH 1/16W 1K 1	1	
R517,18	ERJ3GEYJ103	M.RESISTOR CH 1/16W 10K 2	2	
R519	ERJ3GEY0R00	M.RESISTOR CH 1/16W 0 1	1	
R520-24	ERJ3GEYJ470	M.RESISTOR CH 1/16W 47 5	5	
R525	ERJ3GEYJ822	M.RESISTOR CH 1/16W 8.2K 1	1	
R526	ERJ3GEGY682	M.RESISTOR CH 1/16W 6.8K 1	1	
R527-39	ERJ3GEYJ101	M.RESISTOR CH 1/16W 100 13	13	
R541	ERJ3GEYJ331	M.RESISTOR CH 1/16W 330 1	1	
R542	ERJ3GEYJ221	M.RESISTOR CH 1/16W 220 1	1	
R543,44	ERJ3GEY0R00	M.RESISTOR CH 1/16W 0 2	2	
R545	ERJ3GEYJ470	M.RESISTOR CH 1/16W 47 1	1	
R546	ERJ3GEY0R00	M.RESISTOR CH 1/16W 0 1	1	
R547	ERJ3GEYJ470	M.RESISTOR CH 1/16W 47 1	1	
R548	ERJ3GEYJ680	M.RESISTOR CH 1/16W 68 1	1	
R549	ERJ3GEYJ224	M.RESISTOR CH 1/16W 220K 1	1	
R550	ERJ3GEYJ680	M.RESISTOR CH 1/16W 68 1	1	
R551	ERJ3GEYJ821	M.RESISTOR CH 1/16W 820 1	1	
R552	ERJ3GEYJ224	M.RESISTOR CH 1/16W 220K 1	1	
R553,54	ERJ3GEYJ470	M.RESISTOR CH 1/16W 47 2	2	
R555	ERJ3GEYJ391	M.RESISTOR CH 1/16W 390 1	1	
R556,57	ERJ3GEYJ822	M.RESISTOR CH 1/16W 8.2K 2	2	
R558	ERJ3GEYJ182	M.RESISTOR CH 1/16W 1.8K 1	1	
R560	ERJ3GEYJ182	M.RESISTOR CH 1/16W 1.8K 1	1	
R561,62	ERJ3GEYJ470	M.RESISTOR CH 1/16W 47 2	2	
R563	ERJ3GEYJ103	M.RESISTOR CH 1/16W 10K 1	1	
R564	ERJ3GEYJ222	M.RESISTOR CH 1/16W 2.2K 1	1	
R565	ERJ3GEYJ103	M.RESISTOR CH 1/16W 10K 1	1	
R566	ERJ3GEYJ222	M.RESISTOR CH 1/16W 2.2K 1	1	

Ref.No.	Part No.	Part Name & Description	Pcs	Remarks
R567	ERJ3GEYG472	M.RESISTOR CH 1/16W 4.7K	1	
R568	ERJ3GEYJ470	M.RESISTOR CH 1/16W 47	1	
R569	ERJ3GEYG472	M.RESISTOR CH 1/16W 4.7K	1	
R570	ERJ3GEYJ470	M.RESISTOR CH 1/16W 47	1	
R571.72	ERJ3GEYOR00	M.RESISTOR CH 1/16W 0	2	
R573	ERJ3GEYJ272	M.RESISTOR CH 1/16W 2.7K	1	
R574	ERJ3GEYJ470	M.RESISTOR CH 1/16W 47	1	
R575	ERJ3GEYJ103	M.RESISTOR CH 1/16W 10K	1	
R576	ERJ3GEYJ153	M.RESISTOR CH 1/16W 15K	1	
R577	ERJ3GEYG822	M.RESISTOR CH 1/16W 8.2K	1	
R578	ERJ3GEYJ562	M.RESISTOR CH 1/16W 5.6K	1	
R579	ERJ3GEYG332	M.RESISTOR CH 1/16W 3.3K	1	
R580	ERJ3GEYJ153	M.RESISTOR CH 1/16W 15K	1	
R581	ERJ3GEYJ101	M.RESISTOR CH 1/16W 100	1	
R582	ERJ3GEYG102	M.RESISTOR CH 1/16W 1K	1	
R583	ERJ3GEYG822	M.RESISTOR CH 1/16W 8.2K	1	
R584	ERJ3GEYJ682	M.RESISTOR CH 1/16W 6.8K	1	
R585.86	ERJ6GEYF123	M.RESISTOR CH 1/10W 12K	2	
R601	ERJ3GEYG822	M.RESISTOR CH 1/16W 8.2K	1	
R602	ERJ3GEYJ470	M.RESISTOR CH 1/16W 47	1	
R603	ERJ3GEYJ682	M.RESISTOR CH 1/16W 6.8K	1	
R604-07	ERJ3GEYJ470	M.RESISTOR CH 1/16W 47	4	
R608-11	ERJ3GEYJ222	M.RESISTOR CH 1/16W 2.2K	4	
R612	ERJ3GEYJ273	M.RESISTOR CH 1/16W 27K	1	
R613	ERJ3GEYJ682	M.RESISTOR CH 1/16W 6.8K	1	
R614.15	ERJ3GEYJ103	M.RESISTOR CH 1/16W 10K	2	
R616	ERJ3GEYJ102	M.RESISTOR CH 1/16W 1K	1	
R617.18	ERJ3GEYJ103	M.RESISTOR CH 1/16W 10K	2	
R619	ERJ3GEYOR00	M.RESISTOR CH 1/16W 0	1	
R620-24	ERJ3GEYJ470	M.RESISTOR CH 1/16W 47	5	
R625	ERJ3GEYG822	M.RESISTOR CH 1/16W 8.2K	1	
R626	ERJ3GEYJ682	M.RESISTOR CH 1/16W 6.8K	1	
R627-39	ERJ3GEYJ101	M.RESISTOR CH 1/16W 100	13	
R641	ERJ3GEYJ331	M.RESISTOR CH 1/16W 330	1	
R642	ERJ3GEYJ221	M.RESISTOR CH 1/16W 220	1	
R643.44	ERJ3GEYOR00	M.RESISTOR CH 1/16W 0	2	
R645	ERJ3GEYJ470	M.RESISTOR CH 1/16W 47	1	
R646	ERJ3GEYOR00	M.RESISTOR CH 1/16W 0	1	
R647	ERJ3GEYJ470	M.RESISTOR CH 1/16W 47	1	
R648	ERJ3GEYJ680	M.RESISTOR CH 1/16W 68	1	
R649	ERJ3GEYJ224	M.RESISTOR CH 1/16W 220K	1	
R650	ERJ3GEYJ680	M.RESISTOR CH 1/16W 68	1	
R651	ERJ3GEYJ821	M.RESISTOR CH 1/16W 820	1	
R652	ERJ3GEYJ224	M.RESISTOR CH 1/16W 220K	1	
R653.54	ERJ3GEYJ470	M.RESISTOR CH 1/16W 47	2	
R655	ERJ3GEYJ391	M.RESISTOR CH 1/16W 390	1	
R656.57	ERJ3GEYG822	M.RESISTOR CH 1/16W 8.2K	2	
R658	ERJ3GEYJ182	M.RESISTOR CH 1/16W 1.8K	1	
R660	ERJ3GEYJ182	M.RESISTOR CH 1/16W 1.8K	1	
R661.62	ERJ3GEYJ470	M.RESISTOR CH 1/16W 47	2	
R663	ERJ3GEYJ103	M.RESISTOR CH 1/16W 10K	1	
R664	ERJ3GEYJ222	M.RESISTOR CH 1/16W 2.2K	1	
R665	ERJ3GEYJ103	M.RESISTOR CH 1/16W 10K	1	
R666	ERJ3GEYJ222	M.RESISTOR CH 1/16W 2.2K	1	
R667	ERJ3GEYG472	M.RESISTOR CH 1/16W 4.7K	1	
R668	ERJ3GEYJ470	M.RESISTOR CH 1/16W 47	1	
R669	ERJ3GEY472	M.RESISTOR CH 1/16W 4.7K	1	
R670	ERJ3GEYJ470	M.RESISTOR CH 1/16W 47	1	
R671	ERJ3GEYJ681	M.RESISTOR CH 1/16W 680	1	
R672.73	ERJ3GEYJ470	M.RESISTOR CH 1/16W 47	2	
R674	ERJ3GEYJ681	M.RESISTOR CH 1/16W 680	1	
R675	ERJ3GEYJ821	M.RESISTOR CH 1/16W 820	1	
R676.77	ERJ3GEYJ470	M.RESISTOR CH 1/16W 47	2	
R678	ERJ3GEYJ821	M.RESISTOR CH 1/16W 820	1	
R679	ERJ3GEYG102	M.RESISTOR CH 1/16W 1K	1	
R680-82	ERJ3GEYJ153	M.RESISTOR CH 1/16W 15K	3	
R683	ERJ3GEYJ103	M.RESISTOR CH 1/16W 10K	1	
R684	ERJ3GEYJ223	M.RESISTOR CH 1/16W 22K	1	
R685-87	ERJ3GEYJ560	M.RESISTOR CH 1/16W 56	3	
R688	ERJ3GEYJ330	M.RESISTOR CH 1/16W 33	1	
R689	ERJ3GEYJ122	M.RESISTOR CH 1/16W 1.2K	1	
R691.92	ERJ3GEYOR00	M.RESISTOR CH 1/16W 0	2	
R693	ERJ3GEYJ272	M.RESISTOR CH 1/16W 2.7K	1	
R694	ERJ3GEYJ470	M.RESISTOR CH 1/16W 47	1	
R695	ERJ3GEYG822	M.RESISTOR CH 1/16W 8.2K	1	

Ref.No.	Part No.	Part Name & Description	Pcs	Remarks
R696	ERJ3GEYJ562	M.RESISTOR CH 1/16W 5.6K	1	
R697	ERJ3GEYG332	M.RESISTOR CH 1/16W 3.3K	1	
R698	ERJ3GEYJ153	M.RESISTOR CH 1/16W 15K	1	
R699	ERJ3GEYJ101	M.RESISTOR CH 1/16W 100	1	
R700	ERJ3GEYG102	M.RESISTOR CH 1/16W 1K	1	
R701	ERJ3GEYJ103	M.RESISTOR CH 1/16W 10K	1	
R703	ERJ3GEYJ470	M.RESISTOR CH 1/16W 47	1	
R704	ERJ3GEYG102	M.RESISTOR CH 1/16W 1K	1	
R705	ERJ3GEYJ560	M.RESISTOR CH 1/16W 56	1	
R706.07	ERJ3GEYJ470	M.RESISTOR CH 1/16W 47	2	
R722	ERJ3GEYJ560	M.RESISTOR CH 1/16W 56	1	
R723.24	ERJ3GEYJ331	M.RESISTOR CH 1/16W 330	2	
R725	ERJ3GEYJ152	M.RESISTOR CH 1/16W 1.5K	1	
R726	ERJ3GEYG332	M.RESISTOR CH 1/16W 3.3K	1	
R727	ERJ3GEYJ152	M.RESISTOR CH 1/16W 1.5K	1	
R728.29	ERJ3GEYG102	M.RESISTOR CH 1/16W 1K	2	
R730	ERJ3GEYJ221	M.RESISTOR CH 1/16W 220	1	
R731	ERJ3GEYG332	M.RESISTOR CH 1/16W 3.3K	1	
R732.33	ERJ3GEYJ152	M.RESISTOR CH 1/16W 1.5K	2	
R734	ERJ3GEYJ470	M.RESISTOR CH 1/16W 47	1	
R801-03	ERJ3GEYJ101	M.RESISTOR CH 1/16W 100	3	
R804.05	ERJ3GEYJ103	M.RESISTOR CH 1/16W 10K	2	
R806	ERJ3GEYJ153	M.RESISTOR CH 1/16W 15K	1	
R807	ERJ3GEYJ103	M.RESISTOR CH 1/16W 10K	1	
R808-10	ERJ3GEYJ101	M.RESISTOR CH 1/16W 100	3	
R811	ERJ3GEYG682	M.RESISTOR CH 1/16W 6.8K	1	
R813-18	ERJ3GEYJ101	M.RESISTOR CH 1/16W 100	6	
R819	ERJ3GEYJ682	M.RESISTOR CH 1/16W 6.8K	1	
R820-31	ERJ3GEYJ101	M.RESISTOR CH 1/16W 100	12	
R832	ERJ3GEYG332	M.RESISTOR CH 1/16W 3.3K	1	
R833	ERJ3GEYJ101	M.RESISTOR CH 1/16W 100	1	
R835	ERJ3GEYG332	M.RESISTOR CH 1/16W 3.3K	1	
R836	ERJ3GEYJ123	M.RESISTOR CH 1/16W 12K	1	
R838	ERJ3GEYJ103	M.RESISTOR CH 1/16W 10K	1	
R839	ERJ3GEYJ473	M.RESISTOR CH 1/16W 47K	1	
R901	ERJ3GEYJ103	M.RESISTOR CH 1/16W 10K	1	
RY901	VSY2069	RELAY	1	
TG1	VJR0646	TEST POINT	1	
TG101.02	VJR0646	TEST POINT	2	
TG501	VJR0646	TEST POINT	1	
TP1.P2	VJR0646	TEST POINT	2	
TP21-24	EYF6CU	TEST POINT	4	
TP101	VJR0646	TEST POINT	1	
TP103.04	VJR0646	TEST POINT	2	
TP201	VJR0646	TEST POINT	1	
TP203.04	VJR0646	TEST POINT	2	
TP302	EYF6CU	TEST POINT	1	
TP402	EYF6CU	TEST POINT	1	
TP501-03	VJR0646	TEST POINT	3	
TP504	EYF6CU	TEST POINT	1	
TP505	VJR0646	TEST POINT	1	
TP506.07	EYF6CU	TEST POINT	2	
TP601-03	VJR0646	TEST POINT	3	
TP604	EYF6CU	TEST POINT	1	
TP605	VJR0646	TEST POINT	1	
TP606.07	EYF6CU	TEST POINT	2	
TP702	VJR0646	TEST POINT	1	
VC101.02	ECV1ZW20X53T	TRIMMER	2	
VC201.02	ECV1ZW20X53T	TRIMMER	2	
		MISCELLANEOUS		
	VML2143	CARD PULLER	1	
	VML2144	CARD PULLER	1	
	VSC3626	HEAT SINK (A)	1	
	XNG26EFPXS	NUT	1	
	XYN26+F10	SCREW	1	
	VJP2509	CONNECTOR	1	
* E15	VEP85165A	HEAD BUFFER P.C.BOARD	1	(RTL)

Ref.No.	Part No.	Part Name & Description	Pcs	Remarks
C102-08	ECUX1E104ZVF	C.CAPACITOR CH 25V 0.1U	7	
C109	ECEV1CV100Q	E.CAPACITOR CH 16V 10U	1	
C110,11	ECUX1H221JCV	C.CAPACITOR CH 50V 220P	2	
C112-15	ECUX1E104ZVF	C.CAPACITOR CH 25V 0.1U	4	
C118-24	ECUX1E104ZVF	C.CAPACITOR CH 25V 0.1U	7	
C125	ECEV1CV100Q	E.CAPACITOR CH 16V 10U	1	
C126-29	ECUX1E104ZVF	C.CAPACITOR CH 25V 0.1U	4	
C131-35	ECEV1CV220Q	E.CAPACITOR CH 16V 22U	5	
C136-43	ECUX1E104ZVF	C.CAPACITOR CH 25V 0.1U	8	
C144-48	ECEV1CV100Q	E.CAPACITOR CH 16V 10U	5	
C149,50	ECUX1E104ZVF	C.CAPACITOR CH 25V 0.1U	2	
C151	ECEV1CV100Q	E.CAPACITOR CH 16V 10U	1	
C152	ECUX1E104ZVF	C.CAPACITOR CH 25V 0.1U	1	
C153	ECUX1H822KBV	C.CAPACITOR CH 50V 8200P	1	
C202-08	ECUX1E104ZVF	C.CAPACITOR CH 25V 0.1U	7	
C209	ECEV1CV100Q	E.CAPACITOR CH 16V 10U	1	
C210,11	ECUX1H221JCV	C.CAPACITOR CH 50V 220P	2	
C212-15	ECUX1E104ZVF	C.CAPACITOR CH 25V 0.1U	4	
C218-24	ECUX1E104ZVF	C.CAPACITOR CH 25V 0.1U	7	
C225	ECEV1CV100Q	E.CAPACITOR CH 16V 10U	1	
C226-29	ECUX1E104ZVF	C.CAPACITOR CH 25V 0.1U	4	
C252	ECUX1E104ZVF	C.CAPACITOR CH 25V 0.1U	1	
C253	ECUX1H822KBV	C.CAPACITOR CH 50V 8200P	1	
C302-04	ECUX1E104ZVF	C.CAPACITOR CH 25V 0.1U	3	
C305	ECUX1H121JCV	C.CAPACITOR CH 50V 120P	1	
C306-10	ECUX1E104ZVF	C.CAPACITOR CH 25V 0.1U	5	
C311,12	ECEV1HV2R2Q	E.CAPACITOR CH 50V 2.2U	2	
C313-15	ECUX1E104ZVF	C.CAPACITOR CH 25V 0.1U	3	
C316	ECUX1H220JCV	C.CAPACITOR CH 50V 22P	1	
C317,18	ECUX1E104ZVF	C.CAPACITOR CH 25V 0.1U	2	
C319	ECUX1H102KBV	C.CAPACITOR CH 50V 1000P	1	
C320	ECEV1EN4R7Q	E.CAPACITOR CH 25V 4.7U	1	
C321	ECUX1H181JCV	C.CAPACITOR CH 50V 180P	1	
C322	ECUX1E104ZVF	C.CAPACITOR CH 25V 0.1U	1	
C323	ECEV1CV100Q	E.CAPACITOR CH 16V 10U	1	
C324	ECEV1EN4R7Q	E.CAPACITOR CH 25V 4.7U	1	
C325	ECUX1H102KBV	C.CAPACITOR CH 50V 1000P	1	
C326	ECUX1H030CCV	C.CAPACITOR CH 50V 3P	1	
C327	ECUX1H120JCV	C.CAPACITOR CH 50V 12P	1	
C328,29	ECUX1H030CCV	C.CAPACITOR CH 50V 3P	2	
C330-32	ECUX1E104ZVF	C.CAPACITOR CH 25V 0.1U	3	
C333	ECUX1H470JCV	C.CAPACITOR CH 50V 47P	1	
C334	ECUX1E104ZVF	C.CAPACITOR CH 25V 0.1U	1	
C336	ECUX1E104ZVF	C.CAPACITOR CH 25V 0.1U	1	
C337	ECUX1H470JCV	C.CAPACITOR CH 50V 47P	1	
C338	ECUX1E104ZVF	C.CAPACITOR CH 25V 0.1U	1	
C339	ECUX1H121JCV	C.CAPACITOR CH 50V 120P	1	
C340-42	ECUX1E104ZVF	C.CAPACITOR CH 25V 0.1U	3	
C343,44	ECEV1HV2R2Q	E.CAPACITOR CH 50V 2.2U	2	
C345-47	ECUX1E104ZVF	C.CAPACITOR CH 25V 0.1U	3	
C348	ECUX1H220JCV	C.CAPACITOR CH 50V 22P	1	
C349,50	ECUX1E104ZVF	C.CAPACITOR CH 25V 0.1U	2	
C351	ECUX1H102KBV	C.CAPACITOR CH 50V 1000P	1	
C352	ECEV1EN4R7Q	E.CAPACITOR CH 25V 4.7U	1	
C353	ECUX1H181JCV	C.CAPACITOR CH 50V 180P	1	
C354	ECUX1E104ZVF	C.CAPACITOR CH 25V 0.1U	1	
C355	ECEV1EN4R7Q	E.CAPACITOR CH 25V 4.7U	1	
C356	ECUX1H102KBV	C.CAPACITOR CH 50V 1000P	1	
C357	ECUX1H030CCV	C.CAPACITOR CH 50V 3P	1	
C358	ECUX1H120JCV	C.CAPACITOR CH 50V 12P	1	
C359,60	ECUX1H030CCV	C.CAPACITOR CH 50V 3P	2	
C361,62	ECUX1E104ZVF	C.CAPACITOR CH 25V 0.1U	2	
C363,64	ECUX1H470JCV	C.CAPACITOR CH 50V 47P	2	
C365	ECUX1E104ZVF	C.CAPACITOR CH 25V 0.1U	1	
C370-73	ECUX1E104ZVF	C.CAPACITOR CH 25V 0.1U	4	
C502-04	ECUX1E104ZVF	C.CAPACITOR CH 25V 0.1U	3	
C505	ECUX1H121JCV	C.CAPACITOR CH 50V 120P	1	
C506-08	ECUX1E104ZVF	C.CAPACITOR CH 25V 0.1U	3	
C511,12	ECEV1HV2R2Q	E.CAPACITOR CH 50V 2.2U	2	
C513-15	ECUX1E104ZVF	C.CAPACITOR CH 25V 0.1U	3	
C516	ECUX1H220JCV	C.CAPACITOR CH 50V 22P	1	
C517,18	ECUX1E104ZVF	C.CAPACITOR CH 25V 0.1U	2	
C519	ECUX1H102KBV	C.CAPACITOR CH 50V 1000P	1	

Ref.No.	Part No.	Part Name & Description	Pcs	Remarks
C520	ECEV1EN4R7Q	E.CAPACITOR CH 25V 4.7U	1	
C521	ECUX1H181JCV	C.CAPACITOR CH 50V 180P	1	
C522	ECUX1E104ZVF	C.CAPACITOR CH 25V 0.1U	1	
C523	ECEV1CV100Q	E.CAPACITOR CH 16V 10U	1	
C524	ECEV1EN4R7Q	E.CAPACITOR CH 25V 4.7U	1	
C525	ECUX1H102KBV	C.CAPACITOR CH 50V 1000P	1	
C526	ECUX1H030CCV	C.CAPACITOR CH 50V 3P	1	
C527	ECUX1H120JCV	C.CAPACITOR CH 50V 12P	1	
C528,29	ECUX1H030CCV	C.CAPACITOR CH 50V 3P	2	
C530-32	ECUX1E104ZVF	C.CAPACITOR CH 25V 0.1U	3	
C533	ECUX1H470JCV	C.CAPACITOR CH 50V 47P	1	
C534	ECUX1E104ZVF	C.CAPACITOR CH 25V 0.1U	1	
C536	ECUX1E104ZVF	C.CAPACITOR CH 25V 0.1U	1	
C537	ECUX1H470JCV	C.CAPACITOR CH 50V 47P	1	
C538	ECUX1E104ZVF	C.CAPACITOR CH 25V 0.1U	1	
C539	ECUX1H121JCV	C.CAPACITOR CH 50V 120P	1	
C540-42	ECUX1E104ZVF	C.CAPACITOR CH 25V 0.1U	3	
C543,44	ECEV1HV2R2Q	E.CAPACITOR CH 50V 2.2U	2	
C545-47	ECUX1E104ZVF	C.CAPACITOR CH 25V 0.1U	3	
C548	ECUX1H220JCV	C.CAPACITOR CH 50V 22P	1	
C549,50	ECUX1E104ZVF	C.CAPACITOR CH 25V 0.1U	2	
C551	ECUX1H102KBV	C.CAPACITOR CH 50V 1000P	1	
C552	ECEV1EN4R7Q	E.CAPACITOR CH 25V 4.7U	1	
C553	ECUX1H181JCV	C.CAPACITOR CH 50V 180P	1	
C554	ECUX1E104ZVF	C.CAPACITOR CH 25V 0.1U	1	
C555	ECEV1EN4R7Q	E.CAPACITOR CH 25V 4.7U	1	
C556	ECUX1H102KBV	C.CAPACITOR CH 50V 1000P	1	
C557	ECUX1H030CCV	C.CAPACITOR CH 50V 3P	1	
C558	ECUX1H120JCV	C.CAPACITOR CH 50V 12P	1	
C559,60	ECUX1H030CCV	C.CAPACITOR CH 50V 3P	2	
C561,62	ECUX1E104ZVF	C.CAPACITOR CH 25V 0.1U	2	
C563,64	ECUX1H470JCV	C.CAPACITOR CH 50V 47P	2	
C570-73	ECUX1E104ZVF	C.CAPACITOR CH 25V 0.1U	4	
D101	MA152K	DIODE	1	
D301-04	MA152WK	DIODE	4	
D501-04	MA152WK	DIODE	4	
FL101-05	VLF0931	FILTER	5	
IC101,02	UPC5102GS030	IC	2	
IC103	TCVHC04FS	IC	1	
IC104	XC62AP5002P	IC	1	
IC105	XC62DN5002P	IC	1	
IC106	XC62AP5002P	IC	1	
IC201,02	UPC5102GS030	IC	2	
IC203	TCVHC04FS	IC	1	
IC302	TC7S08F	IC	1	
IC303	TC4S69F	IC	1	
IC304	NJM084V	IC	1	
IC305	TCVHC32FS	IC	1	
IC306,07	TC4S30F	IC	2	
IC308	MC10H116M	IC	1	
IC309	XC62DN5002P	IC	1	
IC311	TC7S08F	IC	1	
IC312	TC4S69F	IC	1	
IC313,14	TC4S30F	IC	2	
IC315	MC10H116M	IC	1	
IC502	TC7S08F	IC	1	
IC503	TC4S69F	IC	1	
IC506,07	TC4S30F	IC	2	
IC508	MC10H116M	IC	1	
IC509	XC62DN5002P	IC	1	
IC511	TC7S08F	IC	1	
IC512	TC4S69F	IC	1	
IC513,14	TC4S30F	IC	2	
IC515	MC10H116M	IC	1	
L301	VLQ0163J121	COIL 120UH	1	
L302,03	VLQ0163J2R2	COIL 2.2UH	2	
L304,05	VLQ0163J121	COIL 120UH	2	
L306,07	VLQ0163J2R2	COIL 2.2UH	2	
L308	VLQ0163J121	COIL 120UH	1	
L501	VLQ0163J121	COIL 120UH	1	
L502,03	VLQ0163J2R2	COIL 2.2UH	2	



Ref.No.	Part No.	Part Name & Description	Pcs	Remarks
L504.05	VLQ0163J121	COIL 120UH	2	
L506.07	VLQ0163J2R2	COIL 2.2UH	2	
L508	VLQ0163J121	COIL 120UH	1	
P701	VJS3375B060	CONNECTOR (FEMALE)	1	
P702	VJS3900A024	CONNECTOR (FEMALE)	1	
P703	VJS3900C013	CONNECTOR (FEMALE)	1	
Q101.02	XN5531	TRANSISTOR-RESISTOR	2	
Q103.04	2SA1022-C	TRANSISTOR	2	
Q105.06	XN5531	TRANSISTOR-RESISTOR	2	
Q107	2SD601A-R	TRANSISTOR	1	
Q201.02	XN5531	TRANSISTOR-RESISTOR	2	
Q203.04	2SA1022-C	TRANSISTOR	2	
Q205.06	XN5531	TRANSISTOR-RESISTOR	2	
Q301	2SA1022-C	TRANSISTOR	1	
Q302	2SD601A-R	TRANSISTOR	1	
Q303	2SC3130	TRANSISTOR	1	
Q304	2SA1022-C	TRANSISTOR	1	
Q305	2SB709A-R	TRANSISTOR	1	
Q306	XN1504	TRANSISTOR-RESISTOR	1	
Q307	2SK508K512	TRANSISTOR	1	
Q309	2SC2954	TRANSISTOR	1	
Q310	2SA1022-C	TRANSISTOR	1	
Q311	2SC2954	TRANSISTOR	1	
Q312	XN1504	TRANSISTOR-RESISTOR	1	
Q314	2SC3735	TRANSISTOR	1	
Q315	2SK508K512	TRANSISTOR	1	
Q316	2SC2954	TRANSISTOR	1	
Q317	2SC3735	TRANSISTOR	1	
Q318	2SC3130	TRANSISTOR	1	
Q319	XN1504	TRANSISTOR-RESISTOR	1	
Q321	2SA1022-C	TRANSISTOR	1	
Q322	2SD601A-R	TRANSISTOR	1	
Q323	2SC3130	TRANSISTOR	1	
Q324	2SA1022-C	TRANSISTOR	1	
Q325	2SB709A-R	TRANSISTOR	1	
Q326	XN1504	TRANSISTOR-RESISTOR	1	
Q327	2SK508K512	TRANSISTOR	1	
Q329	2SC2954	TRANSISTOR	1	
Q330	2SA1022-C	TRANSISTOR	1	
Q331	2SC2954	TRANSISTOR	1	
Q332	XN1504	TRANSISTOR-RESISTOR	1	
Q334	2SC3735	TRANSISTOR	1	
Q335	2SK508K512	TRANSISTOR	1	
Q336	2SC2954	TRANSISTOR	1	
Q337	2SC3735	TRANSISTOR	1	
Q338	XN1504	TRANSISTOR-RESISTOR	1	
Q339	2SC3130	TRANSISTOR	1	
Q341	2SB710A-R	TRANSISTOR	1	
Q501	2SA1022-C	TRANSISTOR	1	
Q502	2SD601A-R	TRANSISTOR	1	
Q503	2SC3130	TRANSISTOR	1	
Q504	2SA1022-C	TRANSISTOR	1	
Q505	2SB709A-R	TRANSISTOR	1	
Q506	XN1504	TRANSISTOR-RESISTOR	1	
Q507	2SK508K512	TRANSISTOR	1	
Q509	2SC2954	TRANSISTOR	1	
Q510	2SA1022-C	TRANSISTOR	1	
Q511	2SC2954	TRANSISTOR	1	
Q512	XN1504	TRANSISTOR-RESISTOR	1	
Q514	2SC3735	TRANSISTOR	1	
Q515	2SK508K512	TRANSISTOR	1	
Q516	2SC2954	TRANSISTOR	1	
Q517	2SC3735	TRANSISTOR	1	
Q518	2SC3130	TRANSISTOR	1	
Q519	XN1504	TRANSISTOR-RESISTOR	1	
Q521	2SA1022-C	TRANSISTOR	1	
Q522	2SD601A-R	TRANSISTOR	1	
Q523	2SC3130	TRANSISTOR	1	
Q524	2SA1022-C	TRANSISTOR	1	
Q525	2SB709A-R	TRANSISTOR	1	
Q526	XN1504	TRANSISTOR-RESISTOR	1	
Q527	2SK508K512	TRANSISTOR	1	
Q529	2SC2954	TRANSISTOR	1	

Ref.No.	Part No.	Part Name & Description	Pcs	Remarks
Q530	2SA1022-C	TRANSISTOR	1	
Q531	2SC2954	TRANSISTOR	1	
Q532	XN1504	TRANSISTOR-RESISTOR	1	
Q534	2SC3735	TRANSISTOR	1	
Q535	2SK508K512	TRANSISTOR	1	
Q536	2SC2954	TRANSISTOR	1	
Q537	2SC3735	TRANSISTOR	1	
Q538	XN1504	TRANSISTOR-RESISTOR	1	
Q539	2SC3130	TRANSISTOR	1	
Q541	2SB710A-R	TRANSISTOR	1	
R101-03	ERJ3GEYJ103	M.RESISTOR CH 1/16W 10K	3	
R104.05	ERJ3GEYJ101	M.RESISTOR CH 1/16W 100 2	2	
R106.07	ERJ3GEYJ103	M.RESISTOR CH 1/16W 10K 2	2	
R108	ERJ3GEYJ100	M.RESISTOR CH 1/16W 10 1	1	
R109.10	ERJ3GEYJ392	M.RESISTOR CH 1/16W 3.9K 2	2	
R111-14	ERJ3GEYJ103	M.RESISTOR CH 1/16W 10K 4	4	
R115	ERJ3GEYJ562	M.RESISTOR CH 1/16W 5.6K 1	1	
R116	ERJ3GEYJ392	M.RESISTOR CH 1/16W 3.9K 1	1	
R117	ERJ3GEYJ562	M.RESISTOR CH 1/16W 5.6K 1	1	
R118	ERJ3GEYJ392	M.RESISTOR CH 1/16W 3.9K 1	1	
R119.20	ERJ3GEYJ102	M.RESISTOR CH 1/16W 1K 2	2	
R121.22	ERJ3GEYJ470	M.RESISTOR CH 1/16W 47 2	2	
R123.24	ERJ3GEYJ391	M.RESISTOR CH 1/16W 390 2	2	
R125	ERJ3GEYJ330	M.RESISTOR CH 1/16W 33 1	1	
R126	ERJ3GEYJ222	M.RESISTOR CH 1/16W 2.2K 1	1	
R127	ERJ3GEYJ330	M.RESISTOR CH 1/16W 33 1	1	
R128	ERJ3GEYJ222	M.RESISTOR CH 1/16W 2.2K 1	1	
R129.30	ERJ3GEYJ470	M.RESISTOR CH 1/16W 47 2	2	
R131	ERJ3GEYJ103	M.RESISTOR CH 1/16W 10K 1	1	
R132.33	ERJ3GEYJ101	M.RESISTOR CH 1/16W 100 2	2	
R134	ERJ3GEYJ100	M.RESISTOR CH 1/16W 10 1	1	
R135.36	ERJ3GEYJ102	M.RESISTOR CH 1/16W 1K 2	2	
R137.38	ERJ3GEYJ470	M.RESISTOR CH 1/16W 47 2	2	
R139.40	ERJ3GEYJ121	M.RESISTOR CH 1/16W 120 2	2	
R141	ERJ3GEYJ330	M.RESISTOR CH 1/16W 33 1	1	
R142	ERJ3GEYJ222	M.RESISTOR CH 1/16W 2.2K 1	1	
R143	ERJ3GEYJ330	M.RESISTOR CH 1/16W 33 1	1	
R144	ERJ3GEYJ153	M.RESISTOR CH 1/16W 15K 1	1	
R145-50	ERJ3GEYJ470	M.RESISTOR CH 1/16W 47 6	6	
R151	ERJ3GEYJ153	M.RESISTOR CH 1/16W 15K 1	1	
R152	ERJ3GEYJ103	M.RESISTOR CH 1/16W 10K 1	1	
R201-03	ERJ3GEYJ103	M.RESISTOR CH 1/16W 10K 3	3	
R204.05	ERJ3GEYJ101	M.RESISTOR CH 1/16W 100 2	2	
R206.07	ERJ3GEYJ103	M.RESISTOR CH 1/16W 10K 2	2	
R208	ERJ3GEYJ100	M.RESISTOR CH 1/16W 10 1	1	
R209.10	ERJ3GEYJ392	M.RESISTOR CH 1/16W 3.9K 2	2	
R211-14	ERJ3GEYJ103	M.RESISTOR CH 1/16W 10K 4	4	
R215	ERJ3GEYJ562	M.RESISTOR CH 1/16W 5.6K 1	1	
R216	ERJ3GEYJ392	M.RESISTOR CH 1/16W 3.9K 1	1	
R217	ERJ3GEYJ562	M.RESISTOR CH 1/16W 5.6K 1	1	
R218	ERJ3GEYJ392	M.RESISTOR CH 1/16W 3.9K 1	1	
R219.20	ERJ3GEYJ102	M.RESISTOR CH 1/16W 1K 2	2	
R221.22	ERJ3GEYJ470	M.RESISTOR CH 1/16W 47 2	2	
R223.24	ERJ3GEYJ391	M.RESISTOR CH 1/16W 390 2	2	
R225	ERJ3GEYJ330	M.RESISTOR CH 1/16W 33 1	1	
R226	ERJ3GEYJ222	M.RESISTOR CH 1/16W 2.2K 1	1	
R227	ERJ3GEYJ330	M.RESISTOR CH 1/16W 33 1	1	
R228	ERJ3GEYJ222	M.RESISTOR CH 1/16W 2.2K 1	1	
R229.30	ERJ3GEYJ470	M.RESISTOR CH 1/16W 47 2	2	
R231	ERJ3GEYJ103	M.RESISTOR CH 1/16W 10K 1	1	
R232.33	ERJ3GEYJ101	M.RESISTOR CH 1/16W 100 2	2	
R234	ERJ3GEYJ100	M.RESISTOR CH 1/16W 10 1	1	
R235.36	ERJ3GEYJ102	M.RESISTOR CH 1/16W 1K 2	2	
R237.38	ERJ3GEYJ470	M.RESISTOR CH 1/16W 47 2	2	
R239.40	ERJ3GEYJ121	M.RESISTOR CH 1/16W 120 2	2	
R241	ERJ3GEYJ330	M.RESISTOR CH 1/16W 33 1	1	
R242	ERJ3GEYJ222	M.RESISTOR CH 1/16W 2.2K 1	1	
R243	ERJ3GEYJ330	M.RESISTOR CH 1/16W 33 1	1	
R244	ERJ3GEYJ153	M.RESISTOR CH 1/16W 15K 1	1	
R245-50	ERJ3GEYJ470	M.RESISTOR CH 1/16W 47 6	6	
R301	ERJ3GEYJ103	M.RESISTOR CH 1/16W 10K 1	1	
R302	ERJ3GEY0R00	M.RESISTOR CH 1/16W 0 1	1	
R303	ERJ3GEYJ221	M.RESISTOR CH 1/16W 220 1	1	
R304	ERJ3GEYJ682	M.RESISTOR CH 1/16W 6.8K 1	1	

Ref.No.	Part No.	Part Name & Description	Pcs	Remarks
R306	ERJ3GEG102	M.RESISTOR CH 1/16W 1K	1	
R307	ERJ3GEG471	M.RESISTOR CH 1/16W 470	1	
R308	ERJ3GEG123	M.RESISTOR CH 1/16W 12K	1	
R309	ERJ3GEG471	M.RESISTOR CH 1/16W 470	1	
R310	ERJ3GEG123	M.RESISTOR CH 1/16W 12K	1	
R311	ERJ3GEG1103	M.RESISTOR CH 1/16W 10K	1	
R312	ERJ3GEG153	M.RESISTOR CH 1/16W 15K	1	
R313	ERJ3GEG154	M.RESISTOR CH 1/16W 150K	1	
R314,15	ERJ3GEG1103	M.RESISTOR CH 1/16W 10K	2	
R316	ERJ3GEG472	M.RESISTOR CH 1/16W 47K	1	
R317	ERJ3GEG1103	M.RESISTOR CH 1/16W 10K	1	
R318,19	ERJ3GEGJ272	M.RESISTOR CH 1/16W 2.7K	2	
R320,21	ERJ3GEGJ330	M.RESISTOR CH 1/16W 33	2	
R322,23	ERJ3GEG152	M.RESISTOR CH 1/16W 1.5K	2	
R324,25	ERJ3GEG1103	M.RESISTOR CH 1/16W 10K	2	
R326	ERJ3GEGJ222	M.RESISTOR CH 1/16W 2.2K	1	
R327-30	ERJ3GEG472	M.RESISTOR CH 1/16W 47K	4	
R331	ERJ3GEGJ821	M.RESISTOR CH 1/16W 820	1	
R332	ERJ3GEG470	M.RESISTOR CH 1/16W 47	1	
R333	ERJ3GEG472	M.RESISTOR CH 1/16W 47K	1	
R334	ERJ3GEG151	M.RESISTOR CH 1/16W 150	1	
R335	ERJ3GEGJ392	M.RESISTOR CH 1/16W 3.9K	1	
R336	ERJ3GEG182	M.RESISTOR CH 1/16W 1.8K	1	
R337	ERJ3GEG152	M.RESISTOR CH 1/16W 1.5K	1	
R338	ERJ3GEG182	M.RESISTOR CH 1/16W 1.8K	1	
R339	ERJ3GEG1103	M.RESISTOR CH 1/16W 10K	1	
R340	ERJ3GEG1100	M.RESISTOR CH 1/16W 10	1	
R341	ERJ3GEGJ222	M.RESISTOR CH 1/16W 2.2K	1	
R342	ERJ3GEG1104	M.RESISTOR CH 1/16W 100K	1	
R343	ERJ3GEGJ392	M.RESISTOR CH 1/16W 3.9K	1	
R344	ERJ3GEGJ122	M.RESISTOR CH 1/16W 1.2K	1	
R345	ERJ8GEGJ221	M.RESISTOR CH 1/8W 220	1	
R346	ERJ3GEGJ222	M.RESISTOR CH 1/16W 2.2K	1	
R347	ERJ12YJ270	M.RESISTOR CH 1/2W 270	1	
R348	ERJ3GEG1103	M.RESISTOR CH 1/16W 10K	1	
R349	ERJ8GEGJ101	M.RESISTOR CH 1/8W 100	1	
R350	ERJ3GEG152	M.RESISTOR CH 1/16W 1.5K	1	
R351	ERJ8GEGJ270	M.RESISTOR CH 1/8W 27	1	
R352	ERJ3GEG151	M.RESISTOR CH 1/16W 150	1	
R353	ERJ8GEGJ101	M.RESISTOR CH 1/8W 100	1	
R354	ERJ3GEGJ821	M.RESISTOR CH 1/16W 820	1	
R355	ERJ3GEGJ392	M.RESISTOR CH 1/16W 3.9K	1	
R356	ERJ3GEGJ122	M.RESISTOR CH 1/16W 1.2K	1	
R357	ERJ3GEG1103	M.RESISTOR CH 1/16W 10K	1	
R359,60	ERJ3GEG1103	M.RESISTOR CH 1/16W 10K	2	
R361	ERJ3GEGY000	M.RESISTOR CH 1/16W 0	1	
R363	ERJ3GEGJ221	M.RESISTOR CH 1/16W 220	1	
R364	ERJ3GEG682	M.RESISTOR CH 1/16W 6.8K	1	
R366	ERJ3GEGY102	M.RESISTOR CH 1/16W 1K	1	
R367	ERJ3GEG471	M.RESISTOR CH 1/16W 470	1	
R368	ERJ3GEGJ123	M.RESISTOR CH 1/16W 12K	1	
R369	ERJ3GEG471	M.RESISTOR CH 1/16W 470	1	
R370	ERJ3GEGJ123	M.RESISTOR CH 1/16W 12K	1	
R371	ERJ3GEG1103	M.RESISTOR CH 1/16W 10K	1	
R372	ERJ3GEG153	M.RESISTOR CH 1/16W 15K	1	
R373	ERJ3GEG154	M.RESISTOR CH 1/16W 150K	1	
R374,75	ERJ3GEG1103	M.RESISTOR CH 1/16W 10K	2	
R376	ERJ3GEG472	M.RESISTOR CH 1/16W 47K	1	
R377	ERJ3GEG1103	M.RESISTOR CH 1/16W 10K	1	
R378,79	ERJ3GEGJ272	M.RESISTOR CH 1/16W 2.7K	2	
R380,81	ERJ3GEGJ330	M.RESISTOR CH 1/16W 33	2	
R382,83	ERJ3GEG152	M.RESISTOR CH 1/16W 1.5K	2	
R384,85	ERJ3GEG1103	M.RESISTOR CH 1/16W 10K	2	
R386	ERJ3GEGJ222	M.RESISTOR CH 1/16W 2.2K	1	
R387-90	ERJ3GEG472	M.RESISTOR CH 1/16W 47K	4	
R391	ERJ3GEGJ821	M.RESISTOR CH 1/16W 820	1	
R392	ERJ3GEG470	M.RESISTOR CH 1/16W 47	1	
R393	ERJ3GEG472	M.RESISTOR CH 1/16W 47K	1	
R394	ERJ3GEG151	M.RESISTOR CH 1/16W 150	1	
R395	ERJ3GEGJ392	M.RESISTOR CH 1/16W 3.9K	1	
R396	ERJ3GEG182	M.RESISTOR CH 1/16W 1.8K	1	
R397	ERJ3GEG152	M.RESISTOR CH 1/16W 1.5K	1	
R398	ERJ3GEG182	M.RESISTOR CH 1/16W 1.8K	1	
R399	ERJ3GEG1103	M.RESISTOR CH 1/16W 10K	1	
R400	ERJ3GEG1100	M.RESISTOR CH 1/16W 10	1	

Ref.No.	Part No.	Part Name & Description	Pcs	Remarks
R401	ERJ3GEGJ222	M.RESISTOR CH 1/16W 2.2K	1	
R402	ERJ3GEGY104	M.RESISTOR CH 1/16W 100K	1	
R403	ERJ3GEGJ392	M.RESISTOR CH 1/16W 3.9K	1	
R404	ERJ3GEGY122	M.RESISTOR CH 1/16W 1.2K	1	
R405	ERJ8GEGJ221	M.RESISTOR CH 1/8W 220	1	
R406	ERJ3GEGYJ222	M.RESISTOR CH 1/16W 2.2K	1	
R407	ERJ12YJ270	M.RESISTOR CH 1/2W 270	1	
R408	ERJ3GEGY1103	M.RESISTOR CH 1/16W 10K	1	
R409	ERJ8GEGY101	M.RESISTOR CH 1/8W 100	1	
R410	ERJ3GEGY152	M.RESISTOR CH 1/16W 1.5K	1	
R411	ERJ3GEGY1103	M.RESISTOR CH 1/16W 10K	1	
R412	ERJ8GEGY270	M.RESISTOR CH 1/8W 27	1	
R414	ERJ3GEGY151	M.RESISTOR CH 1/16W 150	1	
R415	ERJ8GEGY101	M.RESISTOR CH 1/8W 100	1	
R416	ERJ3GEGY821	M.RESISTOR CH 1/16W 820	1	
R417	ERJ3GEGYJ392	M.RESISTOR CH 1/16W 3.9K	1	
R418	ERJ3GEGYJ222	M.RESISTOR CH 1/16W 1.2K	1	
R419	ERJ3GEGY1103	M.RESISTOR CH 1/16W 10K	1	
R421,22	ERJ3GEGYJ563	M.RESISTOR CH 1/16W 56K	2	
R423,24	ERJ3GEGY1103	M.RESISTOR CH 1/16W 10K	2	
R425-28	ERJ3GEGYJ101	M.RESISTOR CH 1/16W 100	4	
R501	ERJ3GEGY1103	M.RESISTOR CH 1/16W 10K	1	
R502	ERJ3GEGY0R00	M.RESISTOR CH 1/16W 0	1	
R503	ERJ3GEGYJ221	M.RESISTOR CH 1/16W 220	1	
R504	ERJ3GEGY682	M.RESISTOR CH 1/16W 6.8K	1	
R506	ERJ3GEGY102	M.RESISTOR CH 1/16W 1K	1	
R507	ERJ3GEGY471	M.RESISTOR CH 1/16W 470	1	
R508	ERJ3GEGYJ123	M.RESISTOR CH 1/16W 12K	1	
R509	ERJ3GEGY471	M.RESISTOR CH 1/16W 470	1	
R510	ERJ3GEGYJ123	M.RESISTOR CH 1/16W 12K	1	
R511	ERJ3GEGY1103	M.RESISTOR CH 1/16W 10K	1	
R512	ERJ3GEGY153	M.RESISTOR CH 1/16W 15K	1	
R513	ERJ3GEGY154	M.RESISTOR CH 1/16W 150K	1	
R514,15	ERJ3GEGY1103	M.RESISTOR CH 1/16W 10K	2	
R516	ERJ3GEGY472	M.RESISTOR CH 1/16W 47K	1	
R517	ERJ3GEGY1103	M.RESISTOR CH 1/16W 10K	1	
R518,19	ERJ3GEGYJ272	M.RESISTOR CH 1/16W 2.7K	2	
R520,21	ERJ3GEGYJ330	M.RESISTOR CH 1/16W 33	2	
R522,23	ERJ3GEGY152	M.RESISTOR CH 1/16W 1.5K	2	
R524,25	ERJ3GEGY1103	M.RESISTOR CH 1/16W 10K	2	
R526	ERJ3GEGYJ222	M.RESISTOR CH 1/16W 2.2K	1	
R527-30	ERJ3GEGY472	M.RESISTOR CH 1/16W 47K	4	
R531	ERJ3GEGYJ821	M.RESISTOR CH 1/16W 820	1	
R532	ERJ3GEGY470	M.RESISTOR CH 1/16W 47	1	
R533	ERJ3GEGY472	M.RESISTOR CH 1/16W 47K	1	
R534	ERJ3GEGY151	M.RESISTOR CH 1/16W 150	1	
R535	ERJ3GEGYJ392	M.RESISTOR CH 1/16W 3.9K	1	
R536	ERJ3GEGY182	M.RESISTOR CH 1/16W 1.8K	1	
R537	ERJ3GEGY152	M.RESISTOR CH 1/16W 1.5K	1	
R538	ERJ3GEGY182	M.RESISTOR CH 1/16W 1.8K	1	
R539	ERJ3GEGY1103	M.RESISTOR CH 1/16W 10K	1	
R540	ERJ3GEGY1100	M.RESISTOR CH 1/16W 10	1	
R541	ERJ3GEGYJ222	M.RESISTOR CH 1/16W 2.2K	1	
R542	ERJ3GEGY1104	M.RESISTOR CH 1/16W 100K	1	
R543	ERJ3GEGYJ392	M.RESISTOR CH 1/16W 3.9K	1	
R544	ERJ3GEGYJ122	M.RESISTOR CH 1/16W 1.2K	1	
R545	ERJ8GEGYJ221	M.RESISTOR CH 1/8W 220	1	
R546	ERJ3GEGYJ222	M.RESISTOR CH 1/16W 2.2K	1	
R547	ERJ12YJ270	M.RESISTOR CH 1/2W 270	1	
R548	ERJ3GEGY1103	M.RESISTOR CH 1/16W 10K	1	
R549	ERJ8GEGY101	M.RESISTOR CH 1/8W 100	1	
R550	ERJ3GEGY152	M.RESISTOR CH 1/16W 1.5K	1	
R551	ERJ8GEGYJ270	M.RESISTOR CH 1/8W 27	1	
R552	ERJ3GEGY151	M.RESISTOR CH 1/16W 150	1	
R553	ERJ8GEGY101	M.RESISTOR CH 1/8W 100	1	
R554	ERJ3GEGYJ821	M.RESISTOR CH 1/16W 820	1	
R555	ERJ3GEGYJ392	M.RESISTOR CH 1/16W 3.9K	1	
R556	ERJ3GEGYJ122	M.RESISTOR CH 1/16W 1.2K	1	
R557	ERJ3GEGY1103	M.RESISTOR CH 1/16W 10K	1	
R559,60	ERJ3GEGY1103	M.RESISTOR CH 1/16W 10K	2	
R561	ERJ3GEGY0R00	M.RESISTOR CH 1/16W 0	1	
R563	ERJ3GEGYJ221	M.RESISTOR CH 1/16W 220	1	
R564	ERJ3GEGY682	M.RESISTOR CH 1/16W 6.8K	1	
R566	ERJ3GEGY102	M.RESISTOR CH 1/16W 1K	1	
R567	ERJ3GEGY471	M.RESISTOR CH 1/16W 47	1	

Ref.No.	Part No.	Part Name & Description	Pcs	Remarks
R568	ERJ3GGEYJ123	M.RESISTOR CH 1/16W 12K	1	
R569	ERJ3GGEY471	M.RESISTOR CH 1/16W 470	1	
R570	ERJ3GGEYJ123	M.RESISTOR CH 1/16W 12K	1	
R571	ERJ3GGEYJ103	M.RESISTOR CH 1/16W 10K	1	
R572	ERJ3GGEYJ153	M.RESISTOR CH 1/16W 15K	1	
R573	ERJ3GGEYJ154	M.RESISTOR CH 1/16W 150K	1	
R574,75	ERJ3GGEYJ103	M.RESISTOR CH 1/16W 10K	2	
R576	ERJ3GGEY472	M.RESISTOR CH 1/16W 4.7K	1	
R577	ERJ3GGEYJ103	M.RESISTOR CH 1/16W 10K	1	
R578,79	ERJ3GGEYJ272	M.RESISTOR CH 1/16W 2.7K	2	
R580,81	ERJ3GGEYJ330	M.RESISTOR CH 1/16W 33	2	
R582,83	ERJ3GGEYJ152	M.RESISTOR CH 1/16W 1.5K	2	
R584,85	ERJ3GGEYJ103	M.RESISTOR CH 1/16W 10K	2	
R586	ERJ3GGEYJ222	M.RESISTOR CH 1/16W 2.2K	1	
R587-90	ERJ3GGEY472	M.RESISTOR CH 1/16W 4.7K	4	
R591	ERJ3GGEYJ821	M.RESISTOR CH 1/16W 820	1	
R592	ERJ3GGEYJ470	M.RESISTOR CH 1/16W 47	1	
R593	ERJ3GGEY472	M.RESISTOR CH 1/16W 4.7K	1	
R594	ERJ3GGEYJ151	M.RESISTOR CH 1/16W 150	1	
R595	ERJ3GGEYJ392	M.RESISTOR CH 1/16W 3.9K	1	
R596	ERJ3GGEYJ182	M.RESISTOR CH 1/16W 1.8K	1	
R597	ERJ3GGEYJ152	M.RESISTOR CH 1/16W 1.5K	1	
R598	ERJ3GGEYJ182	M.RESISTOR CH 1/16W 1.8K	1	
R599	ERJ3GGEYJ103	M.RESISTOR CH 1/16W 10K	1	
R600	ERJ3GGEYJ100	M.RESISTOR CH 1/16W 10	1	
R601	ERJ3GGEYJ222	M.RESISTOR CH 1/16W 2.2K	1	
R602	ERJ3GGEYJ104	M.RESISTOR CH 1/16W 100K	1	
R603	ERJ3GGEYJ392	M.RESISTOR CH 1/16W 3.9K	1	
R604	ERJ3GGEYJ122	M.RESISTOR CH 1/16W 1.2K	1	
R605	ERJ8GGEYJ221	M.RESISTOR CH 1/8W 220	1	
R606	ERJ3GGEYJ222	M.RESISTOR CH 1/16W 2.2K	1	
R607	ERJ12YJ270	M.RESISTOR CH 1/2W 270	1	
R608	ERJ3GGEYJ103	M.RESISTOR CH 1/16W 10K	1	
R609	ERJ8GGEYJ101	M.RESISTOR CH 1/8W 100	1	
R610	ERJ3GGEYJ152	M.RESISTOR CH 1/16W 1.5K	1	
R611	ERJ3GGEYJ103	M.RESISTOR CH 1/16W 10K	1	
R612	ERJ8GGEYJ270	M.RESISTOR CH 1/8W 27	1	
R614	ERJ3GGEYJ151	M.RESISTOR CH 1/16W 150	1	
R615	ERJ8GGEYJ101	M.RESISTOR CH 1/8W 100	1	
R616	ERJ3GGEYJ821	M.RESISTOR CH 1/16W 820	1	
R617	ERJ3GGEYJ392	M.RESISTOR CH 1/16W 3.9K	1	
R618	ERJ3GGEYJ122	M.RESISTOR CH 1/16W 1.2K	1	
R619	ERJ3GGEYJ103	M.RESISTOR CH 1/16W 10K	1	
R621,22	ERJ3GGEYJ563	M.RESISTOR CH 1/16W 56K	2	
R623,24	ERJ3GGEYJ103	M.RESISTOR CH 1/16W 10K	2	
R625-28	ERJ3GGEYJ101	M.RESISTOR CH 1/16W 100	4	
RY101	VSY2069	RELAY	1	
TG101	VJR0646	TEST POINT	1	
TG301	VJR0646	TEST POINT	1	
TG501	VJR0646	TEST POINT	1	
TP301-04	EYF6CU	TEST POINT	4	
TP501-04	EYF6CU	TEST POINT	4	
		MISCELLANEOUS		
	VMP4891	RF HOLDER ANGLE	1	
	VSC4385	RF SHIELD CASE (UPPER)	1	
	VSC4386	RF SHIELD CASE (MIDDLE)	1	
	XTV3+6FFR	SCREW	2	
	VSC4437	RF SHIELD CASE (LOWER)	1	
	VMZZ588	RF BARRIER	1	
	VSC4705	SHIELD CASE (A)	1	
	VSC4706	SHIELD CASE (B)	1	
* E16	VEP80991A	AC HEAD I/F P.C.BOARD	1	(RTL)
P1	VJP2278	CONNECTOR (MALE)	1	
P2	VJP1881T	CONNECTOR (MALE)	1	

Ref.No.	Part No.	Part Name & Description	Pcs	Remarks
* E17	VEP83224A	V/S JACK P.C.BOARD	1	(RTL)
C1,C2	ECUM1E104ZFN	C.CAPACITOR CH 25V 0.1U	2	
C4	ECA1CX5470	E.CAPACITOR 16V 47U	1	
C5,C6	ECUM1E104ZFN	C.CAPACITOR CH 25V 0.1U	2	
C8	ECA1CX5470	E.CAPACITOR 16V 47U	1	
C9,10	ECUM1E104ZFN	C.CAPACITOR CH 25V 0.1U	2	
C11	ECUX1H270JCV	C.CAPACITOR CH 50V 27P	1	
C12,13	ECUM1E104ZFN	C.CAPACITOR CH 25V 0.1U	2	
C14	ECUX1H270JCV	C.CAPACITOR CH 50V 27P	1	
C15,16	ECUM1E104ZFN	C.CAPACITOR CH 25V 0.1U	2	
C17	ECUX1H270JCV	C.CAPACITOR CH 50V 27P	1	
C18,19	ECUM1E104ZFN	C.CAPACITOR CH 25V 0.1U	2	
C20	ECUX1H270JCV	C.CAPACITOR CH 50V 27P	1	
C21,22	ECUM1E104ZFN	C.CAPACITOR CH 25V 0.1U	2	
C23	ECUX1H270JCV	C.CAPACITOR CH 50V 27P	1	
C24,25	ECUM1E104ZFN	C.CAPACITOR CH 25V 0.1U	2	
C26	ECUX1H270JCV	C.CAPACITOR CH 50V 27P	1	
C27	ECUM1E104ZFN	C.CAPACITOR CH 25V 0.1U	1	
C28,29	ECA1CX5470	E.CAPACITOR 16V 47U	2	
C30	ECUM1E104ZFN	C.CAPACITOR CH 25V 0.1U	1	
C31,32	ECA1CX5470	E.CAPACITOR 16V 47U	2	
C33-38	ECUM1H101JCN	C.CAPACITOR CH 50V 100P	6	
C50,51	ECUM1E104ZFN	C.CAPACITOR CH 25V 0.1U	2	
C203	ECUM1H331JCN	C.CAPACITOR CH 50V 330P	1	
C204-27	ECUM1H102JCN	C.CAPACITOR CH 50V 1000P	24	
C240-42	ECA1CX5100	E.CAPACITOR 16V 10U	3	
C243	ECA1CX5470	E.CAPACITOR 16V 47U	1	
C244	ECUM1E104ZFN	C.CAPACITOR CH 25V 0.1U	1	
C250-57	ECUM1E104ZFN	C.CAPACITOR CH 25V 0.1U	8	
D1-D5	MA152K	DIODE	5	
D6-11	MA3130-L	DIODE	6	
D201,02	MA152K	DIODE	2	
IC1	NJM78L09UA	IC	1	
IC2	NJM79L09UA	IC	1	
IC3	NJM78L09UA	IC	1	
IC4	NJM79L09UA	IC	1	
IC5	NUM78L09UA	IC	1	
IC6	NJM79L09UA	IC	1	
IC201,02	MC14021BF	IC	2	
IC203	SN74S1051NS	IC	1	
IC205,06	MC14094BF	IC	2	
IC207	MC14050BF	IC	1	
IC208	MC14049UBF	IC	1	
IC209	NJM78L09UA	IC	1	
IC210	NJM79L09UA	IC	1	
J1,J2	VJS3902	CONNECTOR (FEMALE)	2	
J3	VJS3901	CONNECTOR (FEMALE)	1	
J4,J5	VJS3902	CONNECTOR (FEMALE)	2	
J14,15	VJP3414A009	CONNECTOR (MALE)	2	
J16	VJP3414A015	CONNECTOR (MALE)	1	
J17,18	VJP3414A025	CONNECTOR (MALE)	2	
L1	VLQEL05F101J	COIL 100UH	1	
P1	VJP3375A060	CONNECTOR (MALE)	1	
Q1	2SA1022-B	TRANSISTOR	1	(B)
Q2	2SC2295-B	TRANSISTOR	1	
Q3	2SA1022-B	TRANSISTOR	1	(B)
Q4	2SC2295-B	TRANSISTOR	1	
Q5	2SA1022-B	TRANSISTOR	1	(B)
Q6	2SC2295-B	TRANSISTOR	1	
Q7	2SA1022-B	TRANSISTOR	1	(B)
Q8	2SC2295-B	TRANSISTOR	1	
Q9	2SA1022-B	TRANSISTOR	1	(B)
Q10	2SC2295-B	TRANSISTOR	1	
Q11	2SB709A-R	TRANSISTOR	1	
Q12,13	2SD601A-R	TRANSISTOR	2	
Q14	2SB709A-R	TRANSISTOR	1	
Q15,16	2SD601A-R	TRANSISTOR	2	

Ref.No.	Part No.	Part Name & Description	Pcs	Remarks
Q17	2SB709A-R	TRANSISTOR	1	
Q18,19	2SD601A-R	TRANSISTOR	2	
Q20	2SB709A-R	TRANSISTOR	1	
Q21,22	2SD601A-R	TRANSISTOR	2	
Q23	2SB709A-R	TRANSISTOR	1	
Q24,25	2SD601A-R	TRANSISTOR	2	
Q26	2SB709A-R	TRANSISTOR	1	
Q27,28	2SD601A-R	TRANSISTOR	2	
Q201-12	UN2214	TRANSISTOR-RESISTOR	12	
R1	ERJ6RED750	M.RESISTOR CH 1/10W 75	1	
R2	ERJ6GEYG470	M.RESISTOR CH 1/10W 47	1	
R3	ERJ6GEYGJ334	M.RESISTOR CH 1/10W 330K	1	
R4	ERJ6GEYG332	M.RESISTOR CH 1/10W 3.3K	1	
R5,R6	ERJ6GEYG470	M.RESISTOR CH 1/10W 47	2	
R7	ERJ6GEYG102	M.RESISTOR CH 1/10W 1K	1	
R8	ERJ6GEYG330	M.RESISTOR CH 1/10W 33	1	
R9	ERJ6RED750	M.RESISTOR CH 1/10W 75	1	
R10	ERJ6GEYG470	M.RESISTOR CH 1/10W 47	1	
R11	ERJ6GEYGJ334	M.RESISTOR CH 1/10W 330K	1	
R12	ERJ6GEYG332	M.RESISTOR CH 1/10W 3.3K	1	
R13,14	ERJ6GEYG470	M.RESISTOR CH 1/10W 47	2	
R15	ERJ6GEYG102	M.RESISTOR CH 1/10W 1K	1	
R16	ERJ6GEYG330	M.RESISTOR CH 1/10W 33	1	
R17	ERJ6RED750	M.RESISTOR CH 1/10W 75	1	
R18	ERJ6GEYG470	M.RESISTOR CH 1/10W 47	1	
R19	ERJ6GEYGJ334	M.RESISTOR CH 1/10W 330K	1	
R20	ERJ6GEYG332	M.RESISTOR CH 1/10W 3.3K	1	
R21,22	ERJ6GEYG470	M.RESISTOR CH 1/10W 47	2	
R23	ERJ6GEYG102	M.RESISTOR CH 1/10W 1K	1	
R24	ERJ6GEYG330	M.RESISTOR CH 1/10W 33	1	
R25	ERJ6RED750	M.RESISTOR CH 1/10W 75	1	
R26	ERJ6GEYG470	M.RESISTOR CH 1/10W 47	1	
R27	ERJ6GEYGJ334	M.RESISTOR CH 1/10W 330K	1	
R28	ERJ6GEYG332	M.RESISTOR CH 1/10W 3.3K	1	
R29,30	ERJ6GEYG470	M.RESISTOR CH 1/10W 47	2	
R31	ERJ6GEYG102	M.RESISTOR CH 1/10W 1K	1	
R32	ERJ6GEYG330	M.RESISTOR CH 1/10W 33	1	
R33	ERJ6RED750	M.RESISTOR CH 1/10W 75	1	
R34	ERJ6GEYG470	M.RESISTOR CH 1/10W 47	1	
R35	ERJ6GEYGJ334	M.RESISTOR CH 1/10W 330K	1	
R36	ERJ6GEYG332	M.RESISTOR CH 1/10W 3.3K	1	
R37,38	ERJ6GEYG470	M.RESISTOR CH 1/10W 47	2	
R39	ERJ6GEYG102	M.RESISTOR CH 1/10W 1K	1	
R40	ERJ6GEYG330	M.RESISTOR CH 1/10W 33	1	
R41,42	ERJ6GEYG222	M.RESISTOR CH 1/10W 2.2K	2	
R43	ERJ6GEYG470	M.RESISTOR CH 1/10W 47	1	
R44	ERJ6GEYG222	M.RESISTOR CH 1/10W 2.2K	1	
R45,46	ERJ6GEYG221	M.RESISTOR CH 1/10W 220	2	
R47	ERJ6RED750	M.RESISTOR CH 1/10W 75	1	
R48-50	ERJ6GEYG222	M.RESISTOR CH 1/10W 2.2K	3	
R51	ERJ6GEYG470	M.RESISTOR CH 1/10W 47	1	
R52	ERJ6GEYG222	M.RESISTOR CH 1/10W 2.2K	1	
R53,54	ERJ6GEYG221	M.RESISTOR CH 1/10W 220	2	
R55	ERJ6RED750	M.RESISTOR CH 1/10W 75	1	
R56-58	ERJ6GEYG222	M.RESISTOR CH 1/10W 2.2K	3	
R59	ERJ6GEYG470	M.RESISTOR CH 1/10W 47	1	
R60	ERJ6GEYG222	M.RESISTOR CH 1/10W 2.2K	1	
R61,62	ERJ6GEYG221	M.RESISTOR CH 1/10W 220	2	
R63	ERJ6RED750	M.RESISTOR CH 1/10W 75	1	
R64-66	ERJ6GEYG222	M.RESISTOR CH 1/10W 2.2K	3	
R67	ERJ6GEYG470	M.RESISTOR CH 1/10W 47	1	
R68	ERJ6GEYG222	M.RESISTOR CH 1/10W 2.2K	1	
R69,70	ERJ6GEYG221	M.RESISTOR CH 1/10W 220	2	
R71	ERJ6RED750	M.RESISTOR CH 1/10W 75	1	
R72-74	ERJ6GEYG222	M.RESISTOR CH 1/10W 2.2K	3	
R75	ERJ6GEYG470	M.RESISTOR CH 1/10W 47	1	
R76	ERJ6GEYG222	M.RESISTOR CH 1/10W 2.2K	1	
R77,78	ERJ6GEYG221	M.RESISTOR CH 1/10W 220	2	
R79	ERJ6RED750	M.RESISTOR CH 1/10W 75	1	
R80-82	ERJ6GEYG222	M.RESISTOR CH 1/10W 2.2K	3	
R83	ERJ6GEYG470	M.RESISTOR CH 1/10W 47	1	
R84	ERJ6GEYG222	M.RESISTOR CH 1/10W 2.2K	1	
R85,86	ERJ6GEYG221	M.RESISTOR CH 1/10W 220	2	
R87	ERJ6RED750	M.RESISTOR CH 1/10W 75	1	

Ref.No.	Part No.	Part Name & Description	Pcs	Remarks
R88	ERJ6GEYG222	M.RESISTOR CH 1/10W 2.2K	1	
R201,02	ERJ6GEYG682	M.REISITOR CH 1/10W 6.8K	2	
R203	ERJ6GEYG103	M.RESISTOR CH 1/10W 10K	1	
R204	ERJ6GEYG474	M.RESISTOR CH 1/10W 470K	1	
R205	ERJ6GEYG103	M.RESISTOR CH 1/10W 10K	1	
R206	ERJ6GEYG474	M.RESISTOR CH 1/10W 470K	1	
R207	ERJ6GEYG223	M.RESISTOR CH 1/10W 22K	1	
R208	ERJ6GEYG101	M.RESISTOR CH 1/10W 100	1	
R209-32	ERJ6GEYG103	M.RESISTOR CH 1/10W 10K	24	
R241	ERJ6GEYG103	M.RESISTOR CH 1/10W 10K	1	
R242	ERJ6GEYG474	M.RESISTOR CH 1/10W 470K	1	
R243	ERJ6GEYF473	M.RESISTOR CH 1/10W 47K	1	
R244	ERQ12HJ2R7	F.RESISTOR 1/2W 2.7	1	
R251-55	ERJ6GEYOR00	M.RESISTOR CH 1/10W 0	5	
SW1,W2	VSS0307	SWITCH	2	
		MISCELLANEOUS		
	VMP4865	VIDEO I/O ANGLE	1	
	VMP4866	D SUB ANGLE	1	
	VXQ0102	SCREW	10	
	XTN26+6FFZ	SCREW	4	
	XTN3+10JFZ	SCREW	5	
	XYE3+EF8	SCREW	2	
* E18	VEP81183A	POWER 1 P.C.BOARD	1 (RTL)	
! C1101	ECQU2A224MV	P.CAPACITOR 100V 0.22U	1	
C1102,03	VCK0262K471A	C.CAPACITOR 470P	2	
! C1104	ECQU2A474MV	P.CAPACITOR 100V 0.47U	1	
C1105,06	VCK0262K101A	C.CAPACITOR 100P	2	
! C1107,08	VCK0260M152A	C.CAPACITOR 1500P	2	
! C1109	VCK0260M102A	C.CAPACITOR 1000P	1	
C1110,11	ECUM1H104ZFN	C.CAPACITOR CH 50V 0.1U	2	
C1112	VCK0293	CAPACITOR	1	
C1115,16	VCK0106K471	C.CAPACITOR	2	
C1117,18	ECEC2WB151DB	C.CAPACITOR 450V 150U	2	
C1119,20	VCK0106K471	C.CAPACITOR	2	
C1121	ECA1HXLV100	E.CAPACITOR 50V 10U	1	
C1124,25	ECUM1E474ZFM	C.CAPACITOR CH 25V 0.47U	2	
C1126	ECUM1H102KBN	C.CAPACITOR CH 50V 1000P	1	
C1127	ECQV1H684JF	P.CAPACITOR 50V 0.68U	1	
C1128	ECA1HFQ101	E.CAPACITOR 50V 100U	1	
C1129	ECUM1H103KBN	C.CAPACITOR CH 50V 0.01U	1	
C1130	ECUM1H104ZFN	C.CAPACITOR CH 50V 0.1U	1	
C1131	ECQF622ZJ	P.CAPACITOR 2200P	1	
C1132,33	ECUM1H104ZFN	C.CAPACITOR CH 50V 0.1U	2	
C1134	ECUM1H472KBN	C.CAPACITOR CH 50V 4700P	1	
D1101	RBV606	DIODE	1	
D1102	TM1661S-L	DIODE	1	
D1103	U1GU44	DIODE	1	
D1104	FML-36S	DIODE	1	
D1105,06	ERA15-08	DIODE	2	
D1107,08	MA3200-M	DIODE	2	
D1110	MA151K	DIODE	1	
D1111-13	U1GU44	DIODE	3	
D1114,15	MA3068-M	DIODE	2	
D1116	MA3200-M	DIODE	1	
D1117	MA151K	DIODE	1	
IC1101	MC33262P	IC	1	
IC1102	M51945BL	IC	1	
IC1103	M51953BL	IC	1	
! L1101	ELF18D850C	FILTER	1	
! L1102,03	ELF18D604F	FILTER	2	
L1105	VLQ0820	COIL	1	
P1101	VJP2838	CONNECTOR (MALE)	1	
P1102,03	VJP2639	CONNECTOR (MALE)	2	
P1104	VJP4033	CONNECTOR (MALE)	1	

Ref.No.	Part No.	Part Name & Description	Pcs	Remarks
Q1101.02	2SK1941-01R	TRANSISTOR	2	
Q1105	UN2213	TRANSISTOR-RESISTOR	1	
R1101	ERC12GM334	S.RESISTOR 1/2W 330K	1	
R1102.03	ERU5TEJ100	F.RESISTOR 5W 10	2	
R1104	ERJ6GEEY103	M.RESISTOR CH 1/10W 10K	1	
R1105.06	ERG2SJ220E	M.RESSITOR 2W 22	2	
R1107	VRE0206	M.RESISTOR	1	
R1108	ERJ14YJ100	M.RESISTOR CH 1/4W 10	1	
R1109	ERJ14YJ220	M.RESISTOR CH 1/4W 22	1	
R1110	ERJ14YJ100	M.RESISTOR CH 1/4W 10	1	
R1111	ERJ14YJ220	M.RESISTOR CH 1/4W 22	1	
R1112	ERJ14YJ100	M.RESISTOR CH 1/4W 10	1	
R1113	ERJ12YJ473	M.RESISTOR CH 1/2W 47K	1	
R1114	ERJ6GEEY123	M.RESISTOR CH 1/10W 12K	1	
R1115.16	ERJ6GEEY221	M.RESISTOR CH 1/10W 220	2	
R1117.18	ERG3SJ333U	M.RESSITOR 3W 33K	2	
R1119	ERJ6RBD273	M.RESISTOR CH 1/10W 27K	1	
R1120	ERJ6RBD183	M.RESISTOR CH 1/10W 18K	1	
R1122	ERJ12YJ473	M.RESISTOR CH 1/2W 47K	1	
R1123	ERJ14YJ474	M.RESISTOR CH 1/4W 470K	1	
R1125	ERJ6GEYOR00	M.RESISTOR CH 1/10W 0	1	
R1127	ERJ6GEYOR00	M.RESISTOR CH 1/10W 0	1	
R1129	ERJ14YJ474	M.RESISTOR CH 1/4W 470K	1	
R1130	ERJ6GEEYG562	M.RESISTOR CH 1/10W 5.6K	1	
R1131	ERJ6GEEYG221	M.RESISTOR CH 1/10W 220	1	
R1132	ERJ6GEEYG470	M.RESISTOR CH 1/10W 47	1	
R1133	ERJ6GEEYG390	M.RESISTOR CH 1/10W 39	1	
R1134.35	ERJ14YJ224	M.RESISTOR CH 1/4W 220K	2	
R1136	ERJ14YJ154	M.RESISTOR CH 1/4W 150K	1	
R1137	ERJ6RBD103	M.RESISTOR CH 1/10W 10K	1	
R1138	ERJ6GEEYF472	M.RESISTOR CH 1/10W 4.7K	1	
R1139-41	ERJ12YJ154	M.RESISTOR CH 1/2W 150K	3	
R1142	ERJ6RBD272	M.RESISTOR CH 1/10W 2.7K	1	
R1143.44	ERJ12YJ224	M.RESISTOR CH 1/2W 220K	2	
R1145	ERJ6GEEY103	M.RESISTOR CH 1/10W 10K	1	
R1146	VRT0149	THERMISTOR	1	
R1147	ERG2SJ471E	M.RESSITOR 2W 470	1	
R1148-50	ERJ12YJ154	M.RESISTOR CH 1/2W 150K	3	
R1151	ERJ6RBD223	M.RESISTOR CH 1/10W 22K	1	
R1153.54	ERJ12YJ473	M.RESISTOR CH 1/2W 47K	2	
R1155.56	ERJ6GEEY103	M.RESISTOR CH 1/10W 10K	2	
R1158	ERJ6GEYOR00	M.RESISTOR CH 1/10W 0	1	
R1159	ERJ6GEEY104	M.RESISTOR CH 1/10W 100K	1	
R1160	ERJ6RED224	M.RESISTOR CH 1/10W 220K	1	
R1161	ERJ6RBD104	M.RESISTOR CH 1/10W 100K	1	
R1162	ERJ6RED334	M.RESISTOR CH 1/10W 330K	1	
R1163	ERJ6GEEYG474	M.RESISTOR CH 1/10W 47K	1	
R1165	ERJ6GEEYG273	M.RESISTOR CH 1/10W 27K	1	
R1166	ERJ6GEEY153	M.RESISTOR CH 1/10W 15K	1	
VR1102	VRV0109B501	V.RESISTOR 500	1	
		MISCELLANEOUS		
	VMZ0965	CAPACITOR COVER	3	
	VMZ1608	CAPACITOR COVER	4	
	VSC4708	HEAT SINK (A)	1	
	XYE3+EF8	SCREW	2	
	XYN3+F6FZS	SCREW	1	
	XYN3+F8FZS	SCREW	5	
	XYN3+F10	SCREW	1	
	VJR1008	GND LUG	3	
* E19	VEP81184A	POWER 2 P.C.BOARD	1 (RTL)	
C1004-07	ECUM1H104ZFN	C.CAPACITOR CH 50V 0.1U	4	
C1008	ECUM1H222KBN	C.CAPACITOR CH 50V 2200P	1	
C1009.10	ECA1HXLV220	E.CAPACITOR 50V 22U	2	
C1011	ECA1HXLV010	E.CAPACITOR 50V 1U	1	
C1012	ECUM1H332KBN	C.CAPACITOR CH 50V 3300P	1	
C1013	ECA1HXLV010	E.CAPACITOR 50V 1U	1	

Ref.No.	Part No.	Part Name & Description	Pcs	Remarks
C1015	ECUM1H332KBN	C.CAPACITOR CH 50V 3300P	1	
C1016	ECHU1H471GB5	P.CAPACITOR 50V 470P	1	
C1017	ECUM1H104ZFN	C.CAPACITOR CH 50V 0.1U	1	
C1018	ECUM1E104KBM	C.CAPACITOR CH 25V 0.1U	1	
C1019	ECUM1H562KBN	C.CAPACITOR CH 50V 5600P	1	
C1020	ECUM1H104ZFN	C.CAPACITOR CH 50V 0.1U	1	
C1021	ECHU1H471GB5	P.CAPACITOR 50V 470P	1	
C1022	ECUM1H562KBN	C.CAPACITOR CH 50V 5600P	1	
C1023	ECUM1E104KBM	C.CAPACITOR CH 25V 0.1U	1	
C1024	ECUM1H104ZFN	C.CAPACITOR CH 50V 0.1U	1	
C1026	ECUM1E474ZFM	C.CAPACITOR CH 25V 0.47U	1	
C1027.28	ECUM1H104ZFN	C.CAPACITOR CH 50V 0.1U	2	
C1040.41	EEUFA1A332LE	E.CAPACITOR 10V 3300U	2	
C1042	EEUFA1V471E	E.CAPACITOR 35V 470U	1	
C1043	EEUFA1E332E	E.CAPACITOR 25V 3300U	1	
C1044.45	EEUFA1C222LE	E.CAPACITOR 16V 2200P	2	
C1046	EEUFA1E681E	E.CAPACITOR 25V 680P	1	
C1047.48	ECA1CXL101	E.CAPACITOR 16V 100U	2	
C1049	ECA1VHG471B	E.CAPACITOR 35V 470U	1	
C1050	ECA1EXLV101	E.CAPACITOR 25V 100U	1	
C1051-53	ECA1CXL101	E.CAPACITOR 16V 100U	3	
C1054	ECUM1E104KBM	C.CAPACITOR CH 25V 0.1U	1	
C1055	ECUM1H104ZFN	C.CAPACITOR CH 50V 0.1U	1	
C1056	ECUM1E104KBM	C.CAPACITOR CH 25V 0.1U	1	
C1059	ECUM1H104ZFN	C.CAPACITOR CH 50V 0.1U	1	
C1060	ECUM1H121JCN	C.CAPACITOR CH 50V 120P	1	
C1062	VCK0106K221	C.CAPACITOR 220P	1	
C1063	ECA1VXLV470	E.CAPACITOR 35V 47U	1	
C1065	VCK0106K221	C.CAPACITOR 220P	1	
C1066	ECA1VXLV470	E.CAPACITOR 35V 47U	1	
C1067.68	VCK0106K102	C.CAPACITOR 1000P	2	
C1069-75	ECKD2H101KB	C.CAPACITOR 500V 100P	7	
C1076-78	EEUFA1A822E	E.CAPACITOR 10V 8200P	3	
C1079	ECUM1H121JCN	C.CAPACITOR CH 50V 120P	1	
C1080.81	ECUM1H222KBN	C.CAPACITOR CH 50V 2200P	2	
C1083	ECUM1H104ZFN	C.CAPACITOR CH 50V 0.1U	1	
C1085	EEUFA1C222LE	E.CAPACITOR 16V 2200P	1	
C1086	ECUM1H102KBN	C.CAPACITOR CH 50V 1000P	1	
C1087	ECUM1H104ZFN	C.CAPACITOR CH 50V 0.1U	1	
C1088	EEUFA1A822E	E.CAPACITOR 10V 8200P	1	
C1089	ECA1HXS100	E.CAPACITOR 50V 10U	1	
C1090-93	ECUM1H104ZFN	C.CAPACITOR CH 50V 0.1U	4	
C1094	ECUM1H102KBN	C.CAPACITOR CH 50V 1000P	1	
C1095	ECUM1E474ZFM	C.CAPACITOR CH 25V 0.47U	1	
C1096	ECA1CXL101	E.CAPACITOR 16V 100U	1	
C1097.98	ECUM1E474ZFM	C.CAPACITOR CH 25V 0.47U	2	
C1099	ECUM1H104ZFN	C.CAPACITOR CH 50V 0.1U	1	
D1001	MA151WK	DIODE	1	
D1004	MA151K	DIODE	1	
D1005	MA151WK	DIODE	1	
D1007	MA3082-H	DIODE	1	
D1008	MA3051-M	DIODE	1	
D1009	MA153	DIODE	1	
D1010	U1GU44	DIODE	1	
D1011	MA151K	DIODE	1	
D1012	MA3240-H	DIODE	1	
D1013.14	U1GU44	DIODE	2	
D1015	MA3240-H	DIODE	1	
D1016	FMB-G14L	DIODE	1	
D1017	U1GU44	DIODE	1	
D1018.19	MA3051-M	DIODE	2	
D1020-22	MA151K	DIODE	3	
D1023.24	MA3051-M	DIODE	2	
D1030	D30SC4M	DIODE	1	
D1031	FML-G12SP	DIODE	1	
D1032	RL4Z	DIODE	1	
D1033.34	FML-G12SP	DIODE	2	
D1035	FMB-G14L	DIODE	1	
D1036	FML-G12SP	DIODE	1	
D1037.38	MA3075-M	DIODE	2	
D1039	MA3240-H	DIODE	1	
D1040	MA3160-L	DIODE	1	
D1041.42	MA3130-L	DIODE	2	
D1043	MA3160-L	DIODE	1	

Ref.No.	Part No.	Part Name & Description	Pcs	Remarks
D1044,45	U05N944	DIODE	2	
D1046	AP01C	DIODE	1	
D1047	U1GU44	DIODE	1	
D1048	MA3240-H	DIODE	1	
D1049	AP01C	DIODE	1	
D1050	U1GU44	DIODE	1	
D1051	MA3240-H	DIODE	1	
D1052	MA151K	DIODE	1	
IC1001,02	FA5311BP	IC	2	
IC1011,12	UPC1093J	IC	2	
IC1013	UPC393C	IC	1	
IC1014	PQ30RV31	IC	1	
L1012	VLQ0479	COIL	1	
L1013	VLQ0605	COIL	1	
L1014	VLQ0655K220	COIL 220UH	1	
L1015,16	VLQ0605	COIL	2	
L1017	VLQ0354	COIL	1	
L1018	VLQ0655K220	COIL 220UH	1	
L1019	VLP0074	COIL	1	
L1021,22	VLP0074	COIL	2	
P1011	VJP2824B003	CONNECTOR (MALE)	1	
P1012	VJP2824B009	CONNECTOR (MALE)	1	
P1013	VJP2824B008	CONNECTOR (MALE)	1	
P1014	VJP1243T	CONNECTOR (MALE) 3P	1	
P1015	VJP4033	CONNECTOR (MALE)	1	
Q1002,03	2SD1478-R	TRANSISTOR	2	
Q1004	2SB710-R	TRANSISTOR	1	
Q1005	UN2213	TRANSISTOR-RESISTOR	1	
Q1006,07	2SB709-R	TRANSISTOR	2	
Q1011,12	2SK2677	TRANSISTOR	2	
Q1013-15	PS25611L1V1WL	TRANSISTOR	3	
Q1017	UN2214	TRANSISTOR-RESISTOR	1	
Q1018	UN2211	TRANSISTOR-RESISTOR	1	
Q1019	UN2111	TRANSISTOR-RESISTOR	1	
Q1020	PS25611L1V1WL	TRANSISTOR	1	
Q1022	UN2113	TRANSISTOR-RESISTOR	1	
Q1023	UN2213	TRANSISTOR-RESISTOR	1	
Q1024	UN2214	TRANSISTOR-RESISTOR	1	
R1001-05	ERJ6GEYG121	M.RESISTOR CH 1/10W 120	5	
R1006	ERG2SJ681E	M.RESSITOR 2W 680	1	
R1007,08	ERJ6GEYG105	M.RESISTOR CH 1/10W 1M	2	
R1009	ERJ14YJ4R7	M.RESISTOR 1/4W 4.7	1	
R1010	ERJ6GEYG104	M.RESISTOR CH 1/10W 100K	1	
R1011	ERJ6RBD241	M.RESISTOR CH 1/10W 240	1	
R1012,13	ERJ6GEYG104	M.RESISTOR CH 1/10W 100K	2	
R1016	ERJ14YJ4R7	M.RESISTOR 1/4W 4.7	1	
R1017	ERJ6RBD241	M.RESISTOR CH 1/10W 240	1	
R1018,19	ERJ6GEYJ225	M.RESISTOR CH 1/10W 2.2M	2	
R1020	ERJ14YJ100	M.RESISTOR CH 1/4W 10	1	
R1021	ERG3SJ333U	M.RESSITOR 3W 33K	1	
R1023,24	ERJ12YJ154	M.RESISTOR CH 1/2W 150K	2	
R1026	ERJ6GEYG683	M.RESISTOR CH 1/10W 68K	1	
R1027	ERJ6GEYG563	M.RESISTOR CH 1/10W 56K	1	
R1028	ERJ6RBD472	M.RESISTOR CH 1/10W 4.7K	1	
R1029	ERJ6GEYG221	M.RESISTOR CH 1/10W 220	1	
R1030	ERJ6RBD471	M.RESISTOR CH 1/10W 470	1	
R1031	ERJ14YJ100	M.RESISTOR CH 1/4W 10	1	
R1033,34	ERJ12YJ154	M.RESISTOR CH 1/2W 150K	2	
R1036	ERJ6GEYG104	M.RESISTOR CH 1/10W 100K	1	
R1037	ERJ6RBD472	M.RESISTOR CH 1/10W 4.7K	1	
R1038	ERJ6GEYJ471	M.RESISTOR CH 1/10W 470	1	
R1039	ERJ6RBD681	M.RESISTOR CH 1/10W 680	1	
R1040,41	ERJ6GEYG121	M.RESISTOR CH 1/10W 120	2	
R1042	ERJ6GEYJ334	M.RESISTOR CH 1/10W 330K	1	
R1043	ERJ6RBD621	M.RESISTOR CH 1/10W 620	1	
R1044	ERJ6RBD391	M.RESISTOR CH 1/10W 390	1	
R1045	ERJ6GEYF472	M.RESISTOR CH 1/10W 4.7K	1	
R1046,47	ERJ6GEYJ224	M.RESISTOR CH 1/10W 220K	2	
R1048,49	ERJ6GEYF473	M.RESISTOR CH 1/10W 47K	2	
R1050	ERG2SJ470	M.RESISTOR 2W 47	1	

Ref.No.	Part No.	Part Name & Description	Pcs	Remarks
R1051,52	ERJ6GEYG183	M.RESISTOR CH 1/10W 18K	2	
R1053	ERJ6RBD182	M.RESISTOR CH 1/10W 1.8K	1	
R1054	ERG2SJ470	M.RESISTOR 2W 47	1	
R1055	VRT0142	THERMISTOR	1	
R1056	ERJ6GEYG331	M.RESISTOR CH 1/10W 330	1	
R1057	ERJ6GEYG103	M.RESISTOR CH 1/10W 10K	1	
R1058	ERJ6RBD362	M.RESISTOR CH 1/10W 3.6K	1	
R1059	ERJ6RBD471	M.RESISTOR CH 1/10W 470	1	
R1060	ERJ6GEYG103	M.RESISTOR CH 1/10W 10K	1	
R1061	ERJ6GEYG104	M.RESISTOR CH 1/10W 100K	1	
R1062	VRT0142	THERMISTOR	1	
R1063	ERJ6GEYG221	M.RESISTOR CH 1/10W 220	1	
R1064,65	ERG2SJ681E	M.RESSITOR 2W 680	2	
R1066	ERJ6GEYG331	M.RESISTOR CH 1/10W 330	1	
R1067	ERJ6GEYG121	M.RESISTOR CH 1/10W 120	1	
R1068	ERJ6GEYG103	M.RESISTOR CH 1/10W 10K	1	
R1069	ERJ6RBD682	M.RESISTOR CH 1/10W 6.8K	1	
R1070	ERJ6RBD162	M.RESISTOR CH 1/10W 1.6K	1	
R1071	ERJ6GEYG103	M.RESISTOR CH 1/10W 10K	1	
R1072	ERG3SJ333U	M.RESSITOR 3W 33K	1	
R1073	ERG2SJ180	M.RESISTOR 2W 18	1	
R1074	ERJ14YJ220	M.RESISTOR CH 1/4W 22	1	
R1075	ERJ6GEYG104	M.RESISTOR CH 1/10W 100K	1	
R1076	ERW1PKR33	W.RESISTOR 1W 0.33	1	
R1077	ERG3SJ333U	M.RESSITOR 3W 33K	1	
R1078	ERG2SJ180	M.RESISTOR 2W 18	1	
R1079	ERJ14YJ220	M.RESISTOR CH 1/4W 22	1	
R1080	ERJ6GEYG104	M.RESISTOR CH 1/10W 100K	1	
R1081	ERW1PKR33	W.RESISTOR 1W 0.33	1	
R1082,83	ERJ6RBD103	M.RESISTOR CH 1/10W 10K	2	
R1084	ERJ6RBD132	M.RESISTOR CH 1/10W 1.3K	1	
R1085,86	ERJ6RBD103	M.RESISTOR CH 1/10W 10K	2	
R1087	ERJ6GEYG103	M.RESISTOR CH 1/10W 10K	1	
R1088	VRE0206	M.RESISTOR	1	
R1090	ERJ6RBD122	M.RESISTOR CH 1/10W 1.2K	1	
R1091,92	ERJ6RBD103	M.RESISTOR CH 1/10W 10K	2	
R1093,94	ERJ6GEYG103	M.RESISTOR CH 1/10W 10K	2	
R1095	ERX2SZJR10	M.RESISTOR 2W 0.1	1	
R1097	ERJ6GEYG223	M.RESISTOR CH 1/10W 22K	1	
R1098	ERJ6GEYG103	M.RESISTOR CH 1/10W 10K	1	
R1099	ERG3SJ333U	M.RESSITOR 3W 33K	1	
T1001	VLT0899	TRANSFORMER	1	
T1002	VLT0900	TRANSFORMER	1	
VR1001,02	VRV0064B501	V.RESISTOR 500	2	
		MISCELLANEOUS		
	VLP0336	FERRITE BEAD	11	
	VLP0337	AMORPHOUS BEAD	2	
	VSC4779	HEAT SINK (E)	1	
	VSC4778	HEAT SINK (F)	1	
	XYN3+HFBZ5	SCREW	16	
	XYN3+H6	SCREW	2	
	VJR1008	GND LUG	2	
	XYE3+EF8	SCREW	4	
	VSC4707	HEAT SINK	1	
	VMZ2779	INSULATION	1	
	VEE0C18	GND CABLE	1	
	VSC4780	HEAT SINK (D)	1	
* E20	VEP80A58A	POWER CONNECTION P.C.B.	1 (RTL)	
	VJS4033	6P CONNECTOR	2	
* E21	VEP82216A	MECA I/F P.C.BOARD	1 (RTL)	
C1	ECUX1H561JCV	C.CAPACITOR CH 50V 560P	1	

Ref.No.	Part No.	Part Name & Description	Pcs	Remarks
C2-C5	ECUX1H103KBV	C.CAPACITOR CH 50V 0.01U	4	
C6	ECEV1CV220Q	E.CAPACITOR CH 16V 22U	1	
C7	ECUX1H103KBV	C.CAPACITOR CH 50V 0.01U	1	
C8	ECEV1CV470Q	E.CAPACITOR CH 16V 47U	1	
C9,10	ECUX1E104ZV	C.CAPACITOR CH 25V 0.1U	2	
C11	ECUX1H103KBV	C.CAPACITOR CH 50V 0.01U	1	
C12	ECUX1E104ZV	C.CAPACITOR CH 25V 0.1U	1	
C13,14	ECEV1CV470Q	E.CAPACITOR CH 16V 47U	2	
C15	ECUX1H103KBV	C.CAPACITOR CH 50V 0.01U	1	
C20	ECUX1H103KBV	C.CAPACITOR CH 50V 0.01U	1	
C21	ECUX1E104ZV	C.CAPACITOR CH 25V 0.1U	1	
C22	ECUX1H103KBV	C.CAPACITOR CH 50V 0.01U	1	
C23	ECUX1E104ZV	C.CAPACITOR CH 25V 0.1U	1	
C100	ECUX1E104ZV	C.CAPACITOR CH 25V 0.1U	1	
C101	ECEV1CV470Q	E.CAPACITOR CH 16V 47U	1	
C102	ECA1HEN101	E.CAPACITOR 50V 100U	1	
C103	ECUX1H103KBV	C.CAPACITOR CH 50V 0.01U	1	
C104	ECEV1CV100Q	E.CAPACITOR CH 16V 10U	1	
C200-02	ECUX1H101JCV	C.CAPACITOR CH 50V 100P	3	
D1	MA157	DIODE	1	
D100-02	MA738	DIODE	3	
IC1,C2	0P177GS	IC	2	
IC3	NJM4580ED	IC	1	
IC4-C6	UPC4558G2	IC	3	
IC10	NJM78L09UA	IC	1	
IC11	NJM79L09UA	IC	1	
IC100	MC14538BF	IC	1	
L1,L2	VL1016A470	FILTER	2	
L100	VLP0133	COIL	1	
P1	VJP2891A030	CONNECTOR (MALE)	1	
P2	VJP3418A080	CONNECTOR (MALE)	1	
P11	VJP3172D002	CONNECTOR (MALE)	1	
P12	VJP3172D005	CONNECTOR (MALE)	1	
P13	VJP3172D002	CONNECTOR (MALE)	1	
P14	VJP3172D003	CONNECTOR (MALE)	1	
P15	VJP3518B002	CONNECTOR (MALE)	1	
P16	VJP3518B003	CONNECTOR (MALE)	1	
P17	VJS3801B010	CONNECTOR (FEMALE)	1	
P18	VJP3518B002	CONNECTOR (MALE)	1	
P19	VJP3172D002	CONNECTOR (MALE)	1	
P20	VJP3518B003	CONNECTOR (MALE)	1	
P21	VJP3518B002	CONNECTOR (MALE)	1	
P22	VJP3172D004	CONNECTOR (MALE)	1	
P24	VJP3518B002	CONNECTOR (MALE)	1	
P25	VJP1230T	CONNECTOR (MALE) 3P	1	
P26	VJP1236T	CONNECTOR (MALE) 9P	1	
P30	VJP3172D003	CONNECTOR (MALE)	1	
P32	VJP3172D004	CONNECTOR (MALE)	1	
P33	VJS3406B015	CONNECTOR (FEMALE)	1	
P34,35	VJS2889A017	CONNECTOR (FEMALE)	2	
P36	VJS3406B019	CONNECTOR (FEMALE)	1	
P41	VJP3172D002	CONNECTOR (MALE)	1	
P48	VJP3125B002	CONNECTOR (MALE)	1	
Q1	2SB1218A-R	TRANSISTOR	1	
Q100,01	2SB766-R	TRANSISTOR	2	
QR100,01	UN2214	TRANSISTOR-RESISTOR	2	
R1	ERJ3GEYJ821	M.RESISTOR CH 1/16W 820	1	
R2,R3	ERJ3GEYJ562	M.RESISTOR CH 1/16W 5.6K	2	
R4	ERJ3RBD562	M.RESISTOR CH 3W 5.2K	1	
R5	ERJ3RBD473	M.RESISTOR CH 3W 47K	1	
R6	ERJ3RBD562	M.RESISTOR CH 3W 5.2K	1	
R7	ERJ3GEYJ562	M.RESISTOR CH 1/16W 5.6K	1	
R8	ERJ3RBD333	M.RESISTOR CH 3W 33K	1	
R9	ERJ3GEYJ562	M.RESISTOR CH 1/16W 5.6K	1	
R10	ERJ3RBD562	M.RESISTOR CH 3W 5.2K	1	
R11	ERJ3RBD473	M.RESISTOR CH 3W 47K	1	
R12,13	ERJ6RBD103	M.RESISTOR CH 1/10W 10K	2	
R14	ERJ6RBD104	M.RESISTOR CH 1/10W 100K	1	

Ref.No.	Part No.	Part Name & Description	Pcs	Remarks
R15	ERJ6RBD823	M.RESISTOR CH 1/10W 82K	1	
R16	ERJ6RBD273	M.RESISTOR CH 1/10W 27K	1	
R17	ERJ3GEYJ273	M.RESISTOR CH 1/16W 27K	1	
R18	ERJ6RBD392	M.RESISTOR CH 1/10W 3.9K	1	
R19	ERJ6RBD103	M.RESISTOR CH 1/10W 10K	1	
R20	ERJ3GEYJ102	M.RESISTOR CH 1/16W 1K	1	
R21	ERJ6RBD183	M.RESISTOR CH 1/10W 18K	1	
R22	ERJ6RBD473	M.RESISTOR CH 1/10W 47K	1	
R23	ERJ6RBD682	M.RESISTOR CH 1/10W 6.8K	1	
R24	ERJ6RBD222	M.RESISTOR CH 1/10W 2.2K	1	
R25	ERJ6RBD391	M.RESISTOR CH 1/10W 390	1	
R36,37	ERJ3GEY0R00	M.RESISTOR CH 1/16W 0	2	
R100	ERJ3GEYJ223	M.RESISTOR CH 1/16W 22K	1	
R101	ERJ8GCYJ102	M.RESISTOR CH 1/8W 1K	1	
R102	ERJ6GEYJ102	M.RESISTOR CH 1/10W 1K	1	
R103	ERJ3GEYJ334	M.RESISTOR CH 1/16W 330K	1	
R104	ERJ3GEYJ223	M.RESISTOR CH 1/16W 22K	1	
R105	ERJ8GCYJ102	M.RESISTOR CH 1/8W 1K	1	
R200	ERJ6GEY6562	M.RESISTOR CH 1/10W 5.6K	1	
R201	ERJ6GEYJ122	M.RESISTOR CH 1/10W 1.2K	1	
R202	ERJ6GEY821	M.RESISTOR CH 1/10W 820	1	
R203	ERJ6GEY6562	M.RESISTOR CH 1/10W 5.6K	1	
R204	ERJ6GEYJ122	M.RESISTOR CH 1/10W 1.2K	1	
R205	ERJ6GEY821	M.RESISTOR CH 1/10W 820	1	
SW200	VSS023706	SWITCH	1	
VR1	EVMEGSA00B24	V.RESISTOR 20K	1	
VR2	EVMEGSA00B54	V.RESISTOR 50K	1	
* E22	VEP80856A	CARRIGE P.C.BOARD	1 (RTL)	
P1	VJP1249T	CONNECTOR (MALE) 9P	1	
P2	VJS2889A012	CONNECTOR (FEMALE)	1	
P3	VJS2889A016	CONNECTOR (FEMALE)	1	
R1-R7	ERDS2TJ21	C.RESISTOR 1/4W 220	7	
* E23	VEP84303B	AUDIO JACK P.C.BOARD	1 (RTL)	
C1-12	ECUM1H103ZFN	C.CAPACITOR CH 50V 0.01U	12	
J1-J6	VJS3417	CONNECTOR (FEMALE)	6	
J7-14	VJP3417	CONNECTOR (MALE)	8	
P1	VJP3375A060	CONNECTOR (MALE)	1	
R2	ERJ6GEY0R00	M.RESISTOR CH 1/10W 0	1	
R4	ERJ6GEY0R00	M.RESISTOR CH 1/10W 0	1	
R6	ERJ6GEY0R00	M.RESISTOR CH 1/10W 0	1	
R8	ERJ6GEY0R00	M.RESISTOR CH 1/10W 0	1	
R10	ERJ6GEY0R00	M.RESISTOR CH 1/10W 0	1	
R12	ERJ6GEY0R00	M.RESISTOR CH 1/10W 0	1	
R14	ERJ6GEY0R00	M.RESISTOR CH 1/10W 0	1	
R16	ERJ6GEY0R00	M.RESISTOR CH 1/10W 0	1	
R18	ERJ6GEY0R00	M.RESISTOR CH 1/10W 0	1	
R20	ERJ6GEY0R00	M.RESISTOR CH 1/10W 0	1	
R22	ERJ6GEY0R00	M.RESISTOR CH 1/10W 0	1	
R24	ERJ6GEY0R00	M.RESISTOR CH 1/10W 0	1	
R26	ERJ6GEY0R00	M.RESISTOR CH 1/10W 0	1	
R28	ERJ6GEY0R00	M.RESISTOR CH 1/10W 0	1	
R30	ERJ6GEY0R00	M.RESISTOR CH 1/10W 0	1	
R32	ERJ6GEY0R00	M.RESISTOR CH 1/10W 0	1	
R34	ERJ6GEY0R00	M.RESISTOR CH 1/10W 0	1	
R36	ERJ6GEY0R00	M.RESISTOR CH 1/10W 0	1	
R38	ERJ6GEY0R00	M.RESISTOR CH 1/10W 0	1	
R40	ERJ6GEY0R00	M.RESISTOR CH 1/10W 0	1	
R42	ERJ6GEY0R00	M.RESISTOR CH 1/10W 0	1	
R44	ERJ6GEY0R00	M.RESISTOR CH 1/10W 0	1	
R46	ERJ6GEY0R00	M.RESISTOR CH 1/10W 0	1	
R48	ERJ6GEY0R00	M.RESISTOR CH 1/10W 0	1	

Ref.No.	Part No.	Part Name & Description	Pcs	Remarks
R50	ERJ6GEY0R00	M.RESISTOR CH 1/10W 0	1	
R52	ERJ6GEY0R00	M.RESISTOR CH 1/10W 0	1	
R54	ERJ6GEY0R00	M.RESISTOR CH 1/10W 0	1	
R56	ERJ6GEY0R00	M.RESISTOR CH 1/10W 0	1	
		MISCELLANEOUS		
	VMP4867	XLR GUIDE ANGLE (A)	1	
	XYN26+F8	SCREW	2	
* E24	VEP84304A	AES/EBU P.C.BOARD	1 (RTL)	
J1,J2	VJS3417	CONNECTOR (FEMALE)	2	
J3,J4	VJP3417	CONNECTOR (MALE)	2	
P31	VJP3440B012	CONNECTOR (MALE)	1	
* E25	VEP80A52A	UP FRONT 1 P.C.BOARD	1 (RTL)	
C1	ECUM1H331JCN	C.CAPACITOR CH 50V 330P	1	
C2-C5	ECUM1E104ZFN	C.CAPACITOR CH 25V 0.1U	4	
C6	ECA1CX5100	E.CAPACITOR 16V 10U	1	
C11	ECUM1E104ZFN	C.CAPACITOR CH 25V 0.1U	1	
D1-15	LN31GPHL	LED	15	
D16	LN41YPHL	LED	1	
D17	LN81RCPHL	LED	1	
D18	LN31GPHL	LED	1	
D19	MA152K	DIODE	1	
D20	MA142K	DIODE	1	
D21-28	LN31GPHL	LED	8	
IC1	MC14050BF	IC	1	
IC2	MC14049UBF	IC	1	
IC3-C5	MC14094BF	IC	3	
P1	VJP1248T	CONNECTOR (MALE) 8P	1	
P2	VJP1246T	CONNECTOR (MALE) 6P	1	
Q1-18	2SD601A-R	TRANSISTOR	18	
R1,R2	ERJ6GEYG682	M.REISITOR CH 1/10W 6.8K	2	
R3,R4	ERJ6GEYG103	M.RESISTOR CH 1/10W 10K	2	
R5,R6	ERJ6GEYG474	M.RESISTOR CH 1/10W 470K	2	
R7	ERJ6GEYG223	M.RESISTOR CH 1/10W 22K	1	
R8	ERJ6GEYG103	M.RESISTOR CH 1/10W 10K	1	
R9	ERJ6GEYG474	M.RESISTOR CH 1/10W 470K	1	
R10	ERJ6GEYF473	M.RESISTOR CH 1/10W 47K	1	
R11	ERJ6GEYG103	M.RESISTOR CH 1/10W 10K	1	
R12	ERJ6GEYF473	M.RESISTOR CH 1/10W 47K	1	
R13,14	ERJ6GEYG181	M.RESISTOR CH 1/10W 180	2	
R15	ERJ6GEYG103	M.RESISTOR CH 1/10W 10K	1	
R16	ERJ6GEYF473	M.RESISTOR CH 1/10W 47K	1	
R17,18	ERJ6GEYG181	M.RESISTOR CH 1/10W 180	2	
R19	ERJ6GEYG103	M.RESISTOR CH 1/10W 10K	1	
R20	ERJ6GEYF473	M.RESISTOR CH 1/10W 47K	1	
R21,22	ERJ6GEYG181	M.RESISTOR CH 1/10W 180	2	
R23	ERJ6GEYG103	M.RESISTOR CH 1/10W 10K	1	
R24	ERJ6GEYF473	M.RESISTOR CH 1/10W 47K	1	
R25,26	ERJ6GEYG181	M.RESISTOR CH 1/10W 180	2	
R27	ERJ6GEYG103	M.RESISTOR CH 1/10W 10K	1	
R28	ERJ6GEYF473	M.RESISTOR CH 1/10W 47K	1	
R29,30	ERJ6GEYG181	M.RESISTOR CH 1/10W 180	2	
R31	ERJ6GEYG103	M.RESISTOR CH 1/10W 10K	1	
R32	ERJ6GEYF473	M.RESISTOR CH 1/10W 47K	1	
R33,34	ERJ6GEYG181	M.RESISTOR CH 1/10W 180	2	
R35	ERJ6GEYG103	M.RESISTOR CH 1/10W 10K	1	
R36	ERJ6GEYF473	M.RESISTOR CH 1/10W 47K	1	
R37,38	ERJ6GEYG181	M.RESISTOR CH 1/10W 180	2	
R39	ERJ6GEYG103	M.RESISTOR CH 1/10W 10K	1	
R40	ERJ6GEYF473	M.RESISTOR CH 1/10W 47K	1	

Ref.No.	Part No.	Part Name & Description	Pcs	Remarks
R41	ERJ6GEYG181	M.RESISTOR CH 1/10W 180	1	
R42	ERJ6GEYG103	M.RESISTOR CH 1/10W 10K	1	
R43	ERJ6GEYF473	M.RESISTOR CH 1/10W 47K	1	
R44	ERJ6GEYG181	M.RESISTOR CH 1/10W 180	1	
R45	ERJ6GEYG103	M.RESISTOR CH 1/10W 10K	1	
R46	ERJ6GEYF473	M.RESISTOR CH 1/10W 47K	1	
R47	ERJ6GEYG181	M.RESISTOR CH 1/10W 180	1	
R48	ERJ6GEYG103	M.RESISTOR CH 1/10W 10K	1	
R49	ERJ6GEYF473	M.RESISTOR CH 1/10W 47K	1	
R50	ERJ6GEYG181	M.RESISTOR CH 1/10W 180	1	
R51	ERJ6GEYG103	M.RESISTOR CH 1/10W 10K	1	
R52	ERJ6GEYF473	M.RESISTOR CH 1/10W 47K	1	
R53	ERJ6GEYG181	M.RESISTOR CH 1/10W 180	1	
R54	ERJ6GEYG103	M.RESISTOR CH 1/10W 10K	1	
R55	ERJ6GEYF473	M.RESISTOR CH 1/10W 47K	1	
R56-58	ERJ6GEYG181	M.RESISTOR CH 1/10W 180	3	
R59	ERJ6GEYG103	M.RESISTOR CH 1/10W 10K	1	
R60	ERJ6GEYF473	M.RESISTOR CH 1/10W 47K	1	
R61	ERJ6GEYG181	M.RESISTOR CH 1/10W 180	1	
R62	ERJ6GEYG103	M.RESISTOR CH 1/10W 10K	1	
R63	ERJ6GEYF473	M.RESISTOR CH 1/10W 47K	1	
R64	ERJ6GEYG181	M.RESISTOR CH 1/10W 180	1	
R65	ERJ6GEYG103	M.RESISTOR CH 1/10W 10K	1	
R66	ERJ6GEYF473	M.RESISTOR CH 1/10W 47K	1	
R67	ERJ6GEYG181	M.RESISTOR CH 1/10W 180	1	
R68	ERJ6GEYG103	M.RESISTOR CH 1/10W 10K	1	
R69	ERJ6GEYF473	M.RESISTOR CH 1/10W 47K	1	
R70,71	ERJ6GEYG181	M.RESISTOR CH 1/10W 180	2	
R72	ERJ6GEYG103	M.RESISTOR CH 1/10W 10K	1	
R73	ERJ6GEYF473	M.RESISTOR CH 1/10W 47K	1	
R74,75	ERJ6GEYG181	M.RESISTOR CH 1/10W 180	2	
SW1	EVQQS805G	SWITCH	1	
SW2	EVQQS307K	SWITCH	1	
		MISCELLANEOUS		
	VGQ2507	LED SPACER	19	
	VMX2147	SPACER	7	
* E26	VEP80852A	UP FRONT 2 P.C.BOARD	1 (RTL)	
D1	VLL0029	LED	1	
P1	VJP1246T	CONNECTOR (MALE) 6P	1	
SW1	VSP0864C001	SWITCH	1	
* E27	VEP86283A	FRONT CPU P.C.BOARD	1 (RTL)	
C1	ECUM1H103KBN	C.CAPACITOR CH 50V 0.01U	1	
C2	ECEV1HV2R2Q	E.CAPACITOR CH 50V 2.2U	1	
C3	ECUM1H103KBN	C.CAPACITOR CH 50V 0.01U	1	
C4,C5	ECUM1H100DCN	C.CAPACITOR CH 50V 10P	2	
C6	ECUM1E104ZFN	C.CAPACITOR CH 25V 0.1U	1	
C7-14	ECUM1H103KBN	C.CAPACITOR CH 50V 0.01U	8	
C15	ECUM1E104ZFN	C.CAPACITOR CH 25V 0.1U	1	
C16,17	ECUM1H103KBN	C.CAPACITOR CH 50V 0.01U	2	
C20,21	ECEV1CV470Q	E.CAPACITOR CH 16V 47U	2	
C22-25	ECUX1E104KBN	C.CAPACITOR CH 25V 0.1U	4	
C26,27	ECEV1CV470Q	E.CAPACITOR CH 16V 47U	2	
C28-37	ECUM1H103KBN	C.CAPACITOR CH 50V 0.01U	10	
C38,39	ECEV1CV470Q	E.CAPACITOR CH 16V 47U	2	
C40-42	ECUM1E104ZFN	C.CAPACITOR CH 25V 0.1U	3	
C43-47	ECUM1H103KBN	C.CAPACITOR CH 50V 0.01U	5	
C48-51	ECUM1E104ZFN	C.CAPACITOR CH 25V 0.1U	4	
C52-82	ECUM1H103KBN	C.CAPACITOR CH 50V 0.01U	31	
C84-86	ECUM1H221JCN	C.CAPACITOR CH 50V 220P	3	
C88,89	ECUM1H103KBN	C.CAPACITOR CH 50V 0.01U	2	
D1-D8	MA152WK	DIODE	8	



Ref.No.	Part No.	Part Name & Description	Pcs	Remarks
DP1	VEQ1847	DISPLAY TUBE	1	
FL1-L4	VLF1016A470	FILTER	4	
IC1	HD64180ZRP8	IC	1	
IC2	VSI2685B	IC	1	
IC3	K6256CLG7L	IC	1	
IC4	TL7705CPSB	IC	1	
IC5	74F32SJ	IC	1	
IC6	MC74HC161AF	IC	1	
IC13	MC74HC04AF	IC	1	
IC14	TE7751	IC	1	
IC15	MC74HC138AF	IC	1	
IC16	MC74HC32AF	IC	1	
IC17	SN75C1168NS	TTL	1	
IC18	MC74HC4538AF	IC	1	
IC20,21	NJM78L05UA	IC	2	
IC22	MC14015BF	IC	1	
IC23	UPC339G2	IC	1	
IC24	MC74HC04AF	IC	1	
IC25	MC74HC11F	IC	1	
IC26	MC14013BF	IC	1	
IC27	UPD71055GB	IC	1	
IC28,29	MC14516BF	IC	2	
IC30	TLC549IPS-E	TTL	1	
IC31	MC74HC4051F	IC	1	
IC32	TLC549IPS-E	TTL	1	
IC33	MC74HC4051F	IC	1	
IC34-41	NJM2904M	IC	8	
IC42	MC74HC11F	IC	1	
IC43	MC74HC32AF	IC	1	
IS1	VJS1830	CONNECTOR (FEMALE)	1	
IS2	VJS2336A032	CONNECTOR (FEMALE)	1	
L1,L2	VLP0133	COIL	2	
P1,P2	VJP1942T	CONNECTOR (MALE)	2	
P3,P4	VJP3440A016	CONNECTOR (MALE)	2	
P5	VJP2891A016	CONNECTOR (MALE)	1	
P6	VJS3281A020	CONNECTOR (FEMALE)	1	
P7	VJS2698A028	CONNECTOR (FEMALE)	1	
P8	VJP1233T	CONNECTOR (MALE) 6P	1	
R1	ERJ6GEYG222	M.RESISTOR CH 1/10W 2.2K	1	
R2-R7	ERJ6GEYF473	M.RESISTOR CH 1/10W 47K	6	
R8-15	ERJ6GEYG103	M.RESISTOR CH 1/10W 10K	8	
R16	ERJ6GEYG222	M.RESISTOR CH 1/10W 2.2K	1	
R17	ERJ6GEYG181	M.RESISTOR CH 1/10W 180	1	
R18,19	ERJ6GEYG103	M.RESISTOR CH 1/10W 10K	2	
R20	ERJ6GEYF473	M.RESISTOR CH 1/10W 47K	1	
R21-36	ERJ6GEYG103	M.RESISTOR CH 1/10W 10K	16	
R37-41	ERJ6GEYF473	M.RESISTOR CH 1/10W 47K	5	
R42,43	ERJ6GEYF472	M.RESISTOR CH 1/10W 4.7K	2	
R44	ERJ6GEYG101	M.RESISTOR CH 1/10W 100	1	
R45-47	ERJ6GEYF472	M.RESISTOR CH 1/10W 4.7K	3	
R48	ERJ6GEYG102	M.RESISTOR CH 1/10W 1K	1	
R49,50	ERJ6GEYF472	M.RESISTOR CH 1/10W 4.7K	2	
R51-54	ERJ6GEYG563	M.RESISTOR CH 1/10W 56K	4	
R55-58	ERJ6GEYG103	M.RESISTOR CH 1/10W 10K	4	
R59-63	ERJ6GEYF472	M.RESISTOR CH 1/10W 4.7K	5	
R64	ERJ6GEYG103	M.RESISTOR CH 1/10W 10K	1	
R65-69	ERJ6GEYF472	M.RESISTOR CH 1/10W 4.7K	5	
R70-98	ERJ6GEYG103	M.RESISTOR CH 1/10W 10K	29	
R99,00	ERJ6GEYOR00	M.RESISTOR CH 1/10W 0	2	
R101-04	ERJ6GEYG392	M.RESISTOR CH 1/10W 3.9K	4	
R105-07	ERJ6GEYOR00	M.RESISTOR CH 1/10W 0	3	
R128,29	ERJ6GEYOR00	M.RESISTOR CH 1/10W 0	2	
R131-56	ERJ6GEYG103	M.RESISTOR CH 1/10W 10K	26	
R157	ERJ6GEYOR00	M.RESISTOR CH 1/10W 0	1	
R158-65	ERJ6GEYG102	M.RESISTOR CH 1/10W 1K	8	
SW1	VSS0184	SWITCH	1	

Ref.No.	Part No.	Part Name & Description	Pcs	Remarks
X1	VSX0641	CRYSTAL OSCILLATOR	1	
		MISCELLANEOUS		
	VMX2507	SPACER	2	
	XYN3+K8	SCREW	2	
* E28	VEP86148C	FRONT CPU SUB P.C.BOARD	1 (RTL)	
P1	VJS3406B028	CONNECTOR (FEMALE)	1	
R1-R5	ERJ6GEYG101	M.RESISTOR CH 1/10W 100	5	
SW1-10	VSS0391	SWITCH	10	
SW11-13	VSP1013	SWITCH	3	
VR1-R5	VRV0273	V.RESISTOR	5	
* E29	VEP80A49A	FRONT SW P.C.BOARD	1 (RTL)	
C1	ECUM1E104ZFN	C.CAPACITOR CH 25V 0.1U	1	
C4,C5	ECUM1H103KBN	C.CAPACITOR CH 50V 0.01U	2	
C7-11	ECUM1H103KBN	C.CAPACITOR CH 50V 0.01U	5	
C13	ECEA0JGE102	E.CAPACITOR 6.3V 1000U	1	
C14	ECUM1H103KBN	C.CAPACITOR CH 50V 0.01U	1	
C16	ECEV1HV47RQ	E.CAPACITOR CH 50V 4.7U	1	
C17	ECUM1H333KBN	C.CAPACITOR CH 50V 0.033U	1	
C18	ECUM1H103KBN	C.CAPACITOR CH 50V 0.01U	1	
C19	ECEA1AGE331	E.CAPACITOR 10V 330U	1	
C20	ECEA1HGE470	E.CAPACITOR 50V 47U	1	
C30,31	ECUM1H103KBN	C.CAPACITOR CH 50V 0.01U	2	
D2-D5	LN38GCPP	LED	4	
D6	LN28RCPP	LED	1	
D7	LN38GCPP	LED	1	
D8	LN48YCYP	LED	1	
D9	LN38GCPP	LED	1	
D10	LN48YCYP	LED	1	
D12	LN48YCYP	LED	1	
D13-16	LN38GCPP	LED	4	
D17-25	MA152WA	DIODE	9	
D26,27	MA152A	DIODE	2	
D28-38	MA152WA	DIODE	11	
D39	MA152A	DIODE	1	
D40	MA152WA	DIODE	1	
D44	MA4300-M	DIODE	1	
D45	MA166	DIODE	1	
D46	MA701A	DIODE	1	
D47	MA4030M	DIODE	1	
DP1	VSL0462	DISPLAY TUBE	1	
F1	EYP2BN135	FUSE	1	
IC1	UPD71055GB	IC	1	
IC2,C3	MC74HC138AF	IC	2	
IC5-C9	MC74HC273AF	IC	5	
IC11	UPD16310GF	IC	1	
P1,P2	VJP1986T	CONNECTOR (MALE)	2	
Q45,46	2SC1815Y	TRANSISTOR	2	
Q47	2SC3074Y	TRANSISTOR	1	
Q48-53	2SB709A-R	TRANSISTOR	6	
QR1-40	UN2214	TRANSISTOR-RESISTOR	40	
R4-11	ERJ6GEYG181	M.RESISTOR CH 1/10W 180	8	
R12-14	ERJ6GEYG221	M.RESISTOR CH 1/10W 220	3	
R15-19	ERJ6GEYG181	M.RESISTOR CH 1/10W 180	5	
R20-26	ERJ6GEYG221	M.RESISTOR CH 1/10W 220	7	





AJ-YA951E  
VEP83408B

Ref.No.	Part No.	Part Name & Description	Pcs	Remarks
*	VEP83408B	F3 V IN P.C.BOARD	1	(RTL)
C51-54	ECUM1E104ZFN	C.CAPACITOR CH 25V 0.1U	4	
C55	ECEV1CV470Q	E.CAPACITOR CH 16V 47U	1	
C56	ECEV0JV330Q	E.CAPACITOR CH6.3V 33U	1	
C57	ECEV1CV470Q	E.CAPACITOR CH 16V 47U	1	
C58-64	ECUM1E104ZFN	C.CAPACITOR CH 25V 0.1U	7	
C65	ECEV1CV470Q	E.CAPACITOR CH 16V 47U	1	
C66	ECEV0JV330Q	E.CAPACITOR CH6.3V 33U	1	
C67	ECEV1CV470Q	E.CAPACITOR CH 16V 47U	1	
C68-70	ECUM1E104ZFN	C.CAPACITOR CH 25V 0.1U	3	
C101-08	ECUM1E104ZFN	C.CAPACITOR CH 25V 0.1U	8	
C110	ECUM1E104ZFN	C.CAPACITOR CH 25V 0.1U	1	
C151-59	ECUM1E104ZFN	C.CAPACITOR CH 25V 0.1U	9	
C160	ECUM1H103KBN	C.CAPACITOR CH 50V 0.01U	1	
C201-08	ECUM1E104ZFN	C.CAPACITOR CH 25V 0.1U	8	
C212-15	ECUM1E104ZFN	C.CAPACITOR CH 25V 0.1U	4	
C251-54	ECEV1CV100Q	E.CAPACITOR CH 16V 10U	4	
C255-60	ECUM1E104ZFN	C.CAPACITOR CH 25V 0.1U	6	
C261	ECUX1E104KBN	C.CAPACITOR CH 25V 0.1U	1	
C262.63	ECUM1E104ZFN	C.CAPACITOR CH 25V 0.1U	2	
C264	ECEV1EV47RQ	E.CAPACITOR CH 25V 4.7U	1	
C265-68	ECUM1E104ZFN	C.CAPACITOR CH 25V 0.1U	4	
C269.70	ECEV0JV330Q	E.CAPACITOR CH6.3V 33U	2	
C271-76	ECUM1E104ZFN	C.CAPACITOR CH 25V 0.1U	6	
C277	ECUM1H390JCN	C.CAPACITOR CH 50V 39P	1	
C278	ECUM1H181JCN	C.CAPACITOR CH 50V 180P	1	
C279.80	ECUM1E104ZFN	C.CAPACITOR CH 25V 0.1U	2	
C281	ECUM1H080DCN	C.CAPACITOR CH 50V 8P	1	
C283	ECEV1CV470Q	E.CAPACITOR CH 16V 47U	1	
C284	ECUM1E104ZFN	C.CAPACITOR CH 25V 0.1U	1	
C285	ECEV0JV330Q	E.CAPACITOR CH6.3V 33U	1	
C286	ECUM1H103KBN	C.CAPACITOR CH 50V 0.01U	1	
C287	ECUM1H820JCN	C.CAPACITOR CH 50V 82P	1	
C288.89	ECUM1H103KBN	C.CAPACITOR CH 50V 0.01U	2	
C290	ECEV1HN010Q	E.CAPACITOR CH 50V 1U	1	
C292	ECUM1H101JCN	C.CAPACITOR CH 50V 100P	1	
C301.02	ECUM1E104ZFN	C.CAPACITOR CH 25V 0.1U	2	
C303-06	ECEV0JV330Q	E.CAPACITOR CH6.3V 33U	4	
C307	ECEV1CV470Q	E.CAPACITOR CH 16V 47U	1	
C308-11	ECUM1E104ZFN	C.CAPACITOR CH 25V 0.1U	4	
C312	ECUM1H470JCN	C.CAPACITOR CH 50V 47P	1	
C313	ECUM1E104ZFN	C.CAPACITOR CH 25V 0.1U	1	
C315	ECUM1E104ZFN	C.CAPACITOR CH 25V 0.1U	1	
C317-21	ECUM1E104ZFN	C.CAPACITOR CH 25V 0.1U	5	
C322	ECUM1H180JCN	C.CAPACITOR CH 50V 18P	1	
C324-26	ECUM1E104ZFN	C.CAPACITOR CH 25V 0.1U	3	
C327	ECEV0JV330Q	E.CAPACITOR CH6.3V 33U	1	
C328.29	ECUM1E104ZFN	C.CAPACITOR CH 25V 0.1U	2	
C330	ECEV0JV330Q	E.CAPACITOR CH6.3V 33U	1	
C331-33	ECUM1E104ZFN	C.CAPACITOR CH 25V 0.1U	3	
C334	ECUM1H271JCN	C.CAPACITOR CH 50V 270P	1	
C351-54	ECUM1E104ZFN	C.CAPACITOR CH 25V 0.1U	4	
C355-57	ECEV0JV330Q	E.CAPACITOR CH6.3V 33U	3	
C358-61	ECUM1E104ZFN	C.CAPACITOR CH 25V 0.1U	4	
C363.64	ECUM1E104ZFN	C.CAPACITOR CH 25V 0.1U	2	
C365.66	ECEV0JV330Q	E.CAPACITOR CH6.3V 33U	2	
C368-76	ECUM1E104ZFN	C.CAPACITOR CH 25V 0.1U	9	
C378	ECUX1E104KBN	C.CAPACITOR CH 25V 0.1U	1	
C380	ECUM1H390JCN	C.CAPACITOR CH 50V 39P	1	
C381	ECUX1E104KBN	C.CAPACITOR CH 25V 0.1U	1	
C383	ECUM1H470JCN	C.CAPACITOR CH 50V 47P	1	
C386.87	ECUM1E104ZFN	C.CAPACITOR CH 25V 0.1U	2	
C389	ECUX1E104KBN	C.CAPACITOR CH 25V 0.1U	1	
C390.91	ECUM1E104ZFN	C.CAPACITOR CH 25V 0.1U	2	
C392	ECUM1H330JCN	C.CAPACITOR CH 50V 33P	1	
C393	ECUM1H271JCN	C.CAPACITOR CH 50V 270P	1	
C394	ECUM1H220JCN	C.CAPACITOR CH 50V 22P	1	
C395	ECUM1H680JCN	C.CAPACITOR CH 50V 68P	1	
C396	ECUM1H070DCN	C.CAPACITOR CH 50V 7P	1	
C397	ECUM1E104ZFN	C.CAPACITOR CH 25V 0.1U	1	
C398	ECUM1H121JCN	C.CAPACITOR CH 50V 120P	1	
C399	ECUM1H100DCN	C.CAPACITOR CH 50V 10P	1	

Ref.No.	Part No.	Part Name & Description	Pcs	Remarks
C400	ECUM1E104ZFN	C.CAPACITOR CH 25V 0.1U	1	
C401	ECUM1H100DCN	C.CAPACITOR CH 50V 10P	1	
C402	ECUM1H330JCN	C.CAPACITOR CH 50V 33P	1	
C403-05	ECUM1E104ZFN	C.CAPACITOR CH 25V 0.1U	3	
C406	ECUX1E104KBN	C.CAPACITOR CH 25V 0.1U	1	
C410-13	ECUM1E104ZFN	C.CAPACITOR CH 25V 0.1U	4	
C414	ECUM1H101JCN	C.CAPACITOR CH 50V 100P	1	
C415.16	ECUM1E104ZFN	C.CAPACITOR CH 25V 0.1U	2	
C417	ECEV1HV47RQ	E.CAPACITOR CH 50V 4.7U	1	
C418-20	ECEV0JV330Q	E.CAPACITOR CH6.3V 33U	3	
C421-23	ECUM1E104ZFN	C.CAPACITOR CH 25V 0.1U	3	
C424	ECUM1H121JCN	C.CAPACITOR CH 50V 120P	1	
C425	ECUM1H271JCN	C.CAPACITOR CH 50V 270P	1	
C426	ECUM1E104ZFN	C.CAPACITOR CH 25V 0.1U	1	
C427.28	ECUM1H103KBN	C.CAPACITOR CH 50V 0.01U	2	
C429	ECUM1H102JCN	C.CAPACITOR CH 50V 1000P	1	
C430	ECUM1E104ZFN	C.CAPACITOR CH 25V 0.1U	1	
C431	ECUM1H271JCN	C.CAPACITOR CH 50V 270P	1	
C432	ECEV1HNR47Q	E.CAPACITOR CH 50V 0.47U	1	
C433	ECUM1E104ZFN	C.CAPACITOR CH 25V 0.1U	1	
C434	ECUM1H561JCN	C.CAPACITOR CH 50V 560P	1	
C435-39	ECUM1E104ZFN	C.CAPACITOR CH 25V 0.1U	5	
C442	ECUM1H070DCN	C.CAPACITOR CH 50V 7P	1	
C443	ECUM1H471JCN	C.CAPACITOR CH 50V 470P	1	
C451	ECEV0JV330Q	E.CAPACITOR CH6.3V 33U	1	
C452-55	ECEV1CV100Q	E.CAPACITOR CH 16V 10U	4	
C456-60	ECUM1E104ZFN	C.CAPACITOR CH 25V 0.1U	5	
C461-64	ECUX1E104KBN	C.CAPACITOR CH 25V 0.1U	4	
C465	ECUM1H270JCN	C.CAPACITOR CH 50V 27P	1	
C466-70	ECUM1E104ZFN	C.CAPACITOR CH 25V 0.1U	5	
C471.72	ECUM1H103KBN	C.CAPACITOR CH 50V 0.01U	2	
C473	ECUM1H220JCN	C.CAPACITOR CH 50V 22P	1	
C474	ECUM1E104ZFN	C.CAPACITOR CH 25V 0.1U	1	
C475	ECUM1H180JCN	C.CAPACITOR CH 50V 18P	1	
C476	ECEV1CV470Q	E.CAPACITOR CH 16V 47U	1	
C477	ECUM1H180JCN	C.CAPACITOR CH 50V 18P	1	
C478-80	ECEV1CV470Q	E.CAPACITOR CH 16V 47U	3	
C481.82	ECUM1H040CCN	C.CAPACITOR CH 50V 4P	2	
C483.84	ECUM1H103ZFN	C.CAPACITOR CH 50V 0.01U	2	
C485.86	ECUM1H680JCN	C.CAPACITOR CH 50V 68P	2	
C487-90	ECUM1H080DCN	C.CAPACITOR CH 50V 8P	4	
C491.92	ECUM1H103ZFN	C.CAPACITOR CH 50V 0.01U	2	
C493-96	ECUM1H470JCN	C.CAPACITOR CH 50V 47P	4	
C497-00	ECUM1H103ZFN	C.CAPACITOR CH 50V 0.01U	4	
C501.02	ECEV0JV330Q	E.CAPACITOR CH6.3V 33U	2	
C503-06	ECUM1H103ZFN	C.CAPACITOR CH 50V 0.01U	4	
C510	ECEV1CV470Q	E.CAPACITOR CH 16V 47U	1	
C511-15	ECUM1E104ZFN	C.CAPACITOR CH 25V 0.1U	5	
C516	ECUM1H270JCN	C.CAPACITOR CH 50V 27P	1	
C517	ECUM1H101JCN	C.CAPACITOR CH 50V 100P	1	
C518.19	ECUM1E104ZFN	C.CAPACITOR CH 25V 0.1U	2	
C520.21	ECEV0JV330Q	E.CAPACITOR CH6.3V 33U	2	
C523	ECEV1HN010Q	E.CAPACITOR CH 50V 1U	1	
C524.25	ECUM1H103KBN	C.CAPACITOR CH 50V 0.01U	2	
C526	ECUM1H820JCN	C.CAPACITOR CH 50V 82P	1	
C527.28	ECUM1H103KBN	C.CAPACITOR CH 50V 0.01U	2	
C530	ECUM1H103KBN	C.CAPACITOR CH 50V 0.01U	1	
C531-34	ECUM1E104ZFN	C.CAPACITOR CH 25V 0.1U	4	
C535	ECEV0JV330Q	E.CAPACITOR CH6.3V 33U	1	
C536	ECUM1E683KBN	C.CAPACITOR CH 25V 0.068U	1	
C537	ECUM1H471JCN	C.CAPACITOR CH 50V 470P	1	
C538	ECEV1HV010Q	E.CAPACITOR CH 50V 1U	1	
C539	ECUM1E104ZFN	C.CAPACITOR CH 25V 0.1U	1	
C540	ECEV1HV47RQ	E.CAPACITOR CH 50V 4.7U	1	
C541	ECUM1H821JCN	C.CAPACITOR CH 50V 820P	1	
C542	ECEV0JV330Q	E.CAPACITOR CH6.3V 33U	1	
C543	ECUM1H392KBN	C.CAPACITOR CH 50V 3900P	1	
C544	ECUM1H152KBN	C.CAPACITOR CH 50V 1500P	1	
C545	ECEV1HVR68Q	E.CAPACITOR CH 50V 0.68U	1	
C546	ECUM1E104ZFN	C.CAPACITOR CH 25V 0.1U	1	
C551.52	ECEV0JV330Q	E.CAPACITOR CH6.3V 33U	2	
C553	ECUM1H470JCN	C.CAPACITOR CH 50V 47P	1	
C554	ECUM1H102JCN	C.CAPACITOR CH 50V 1000P	1	
C555.56	ECUM1E104ZFN	C.CAPACITOR CH 25V 0.1U	2	
C557	ECUM1H470JCN	C.CAPACITOR CH 50V 47P	1	

AJ-YA951E  
VEP83408B

Ref.No.	Part No.	Part Name & Description	Pcs	Remarks
C558.59	ECUM1E104ZFN	C.CAPACITOR CH 25V 0.1U	2	
C560	ECUM1H101JCN	C.CAPACITOR CH 50V 100P	1	
C561	ECUM1H102JCN	C.CAPACITOR CH 50V 1000P	1	
C562	ECUM1H681JCN	C.CAPACITOR CH 50V 680P	1	
C563	ECUM1E104ZFN	C.CAPACITOR CH 25V 0.1U	1	
C564	ECUM1H271JCN	C.CAPACITOR CH 50V 270P	1	
C565	ECUM1H471JCN	C.CAPACITOR CH 50V 470P	1	
C566	ECUM1E104ZFN	C.CAPACITOR CH 25V 0.1U	1	
C567	ECUM1H820JCN	C.CAPACITOR CH 50V 82P	1	
C568	ECUM1H102JCN	C.CAPACITOR CH 50V 1000P	1	
C569.70	ECUM1E104ZFN	C.CAPACITOR CH 25V 0.1U	2	
C571	ECUM1H103KBN	C.CAPACITOR CH 50V 0.01U	1	
C572	ECUM1E104ZFN	C.CAPACITOR CH 25V 0.1U	1	
C573	ECUM1H470JCN	C.CAPACITOR CH 50V 47P	1	
C576	ECUM1E104ZFN	C.CAPACITOR CH 25V 0.1U	1	
C578	ECUM1H103KBN	C.CAPACITOR CH 50V 0.01U	1	
C579.80	ECEV1HN010Q	E.CAPACITOR CH 50V 1U	2	
C581	ECUM1H102JCN	C.CAPACITOR CH 50V 1000P	1	
C601.02	ECEV0JV330Q	E.CAPACITOR CH6.3V 33U	2	
C603.04	ECUM1E104ZFN	C.CAPACITOR CH 25V 0.1U	2	
C651	ECEV0JV330Q	E.CAPACITOR CH6.3V 33U	1	
C652-54	ECUM1E104ZFN	C.CAPACITOR CH 25V 0.1U	3	
C655	ECEV0JV330Q	E.CAPACITOR CH6.3V 33U	1	
C656-58	ECUM1E104ZFN	C.CAPACITOR CH 25V 0.1U	3	
C659.60	ECEV0JV330Q	E.CAPACITOR CH6.3V 33U	2	
C661.62	ECUM1E104ZFN	C.CAPACITOR CH 25V 0.1U	2	
C663.64	ECEV0JV330Q	E.CAPACITOR CH6.3V 33U	2	
C665	ECUM1E104ZFN	C.CAPACITOR CH 25V 0.1U	1	
C666	ECEV1CV470Q	E.CAPACITOR CH 16V 47U	1	
C667	ECUM1E104ZFN	C.CAPACITOR CH 25V 0.1U	1	
C668.69	ECEV0JV330Q	E.CAPACITOR CH6.3V 33U	2	
C671	ECUM1H010CCN	C.CAPACITOR CH 50V 1P	1	
C672	ECUM1E104ZFN	C.CAPACITOR CH 25V 0.1U	1	
C673	ECUX1E104KBN	C.CAPACITOR CH 25V 0.1U	1	
C675	ECUM1E104ZFN	C.CAPACITOR CH 25V 0.1U	1	
C676	ECUX1E104KBN	C.CAPACITOR CH 25V 0.1U	1	
C677	ECUM1E104ZFN	C.CAPACITOR CH 25V 0.1U	1	
C678	ECUM1H331JCN	C.CAPACITOR CH 50V 330P	1	
C679	ECUM1H470JCN	C.CAPACITOR CH 50V 47P	1	
C680.81	ECUM1E104ZFN	C.CAPACITOR CH 25V 0.1U	2	
C682	ECEV0JV330Q	E.CAPACITOR CH6.3V 33U	1	
C683-85	ECUM1E104ZFN	C.CAPACITOR CH 25V 0.1U	3	
C686	ECEV0JV330Q	E.CAPACITOR CH6.3V 33U	1	
C687-89	ECUM1E104ZFN	C.CAPACITOR CH 25V 0.1U	3	
C701	ECEV0JV330Q	E.CAPACITOR CH6.3V 33U	1	
C702	ECEV1CV100Q	E.CAPACITOR CH 16V 10U	1	
C703-05	ECUM1E104ZFN	C.CAPACITOR CH 25V 0.1U	3	
C706	ECEV0JV330Q	E.CAPACITOR CH6.3V 33U	1	
C707-09	ECUM1E104ZFN	C.CAPACITOR CH 25V 0.1U	3	
C710.11	ECEV0JV330Q	E.CAPACITOR CH6.3V 33U	2	
C712	ECUM1H080DCN	C.CAPACITOR CH 50V 8P	1	
C713	ECUM1E104ZFN	C.CAPACITOR CH 25V 0.1U	1	
C714	ECUM1H470JCN	C.CAPACITOR CH 50V 47P	1	
C715	ECUM1E104ZFN	C.CAPACITOR CH 25V 0.1U	1	
C716.17	ECEV0JV330Q	E.CAPACITOR CH6.3V 33U	2	
C718	ECUM1E104ZFN	C.CAPACITOR CH 25V 0.1U	1	
C719	ECEV1CV470Q	E.CAPACITOR CH 16V 47U	1	
C720	ECUM1E104ZFN	C.CAPACITOR CH 25V 0.1U	1	
C721	ECEV1CV100Q	E.CAPACITOR CH 16V 10U	1	
C722	ECEV0JV330Q	E.CAPACITOR CH6.3V 33U	1	
C725	ECUM1E104ZFN	C.CAPACITOR CH 25V 0.1U	1	
C726	ECUX1E104KBN	C.CAPACITOR CH 25V 0.1U	1	
C728	ECUM1E104ZFN	C.CAPACITOR CH 25V 0.1U	1	
C729	ECUX1E104KBN	C.CAPACITOR CH 25V 0.1U	1	
C730	ECUM1E104ZFN	C.CAPACITOR CH 25V 0.1U	1	
C731	ECUM1H331JCN	C.CAPACITOR CH 50V 330P	1	
C732	ECUM1H470JCN	C.CAPACITOR CH 50V 47P	1	
C734	ECUM1E104ZFN	C.CAPACITOR CH 25V 0.1U	1	
C736	ECUM1E104ZFN	C.CAPACITOR CH 25V 0.1U	1	
C738	ECUM1E104ZFN	C.CAPACITOR CH 25V 0.1U	1	
C739	ECEV0JV330Q	E.CAPACITOR CH6.3V 33U	1	
C740-42	ECUM1E104ZFN	C.CAPACITOR CH 25V 0.1U	3	
C751	ECEV0JV330Q	E.CAPACITOR CH6.3V 33U	1	
C752	ECEV1CV100Q	E.CAPACITOR CH 16V 10U	1	
C753-55	ECUM1E104ZFN	C.CAPACITOR CH 25V 0.1U	3	

Ref.No.	Part No.	Part Name & Description	Pcs	Remarks
C756	ECEV0JV330Q	E.CAPACITOR CH6.3V 33U	1	
C757-59	ECUM1E104ZFN	C.CAPACITOR CH 25V 0.1U	3	
C760.61	ECEV0JV330Q	E.CAPACITOR CH6.3V 33U	2	
C762	ECUM1H080DCN	C.CAPACITOR CH 50V 8P	1	
C763	ECUM1E104ZFN	C.CAPACITOR CH 25V 0.1U	1	
C764	ECUM1H470JCN	C.CAPACITOR CH 50V 47P	1	
C765	ECUM1E104ZFN	C.CAPACITOR CH 25V 0.1U	1	
C766.67	ECEV0JV330Q	E.CAPACITOR CH6.3V 33U	2	
C768	ECUM1E104ZFN	C.CAPACITOR CH 25V 0.1U	1	
C769	ECEV1CV470Q	E.CAPACITOR CH 16V 47U	1	
C770	ECUM1E104ZFN	C.CAPACITOR CH 25V 0.1U	1	
C771	ECEV1CV100Q	E.CAPACITOR CH 16V 10U	1	
C772	ECEV0JV330Q	E.CAPACITOR CH6.3V 33U	1	
C775	ECUM1E104ZFN	C.CAPACITOR CH 25V 0.1U	1	
C776	ECUX1E104KBN	C.CAPACITOR CH 25V 0.1U	1	
C778	ECUM1E104ZFN	C.CAPACITOR CH 25V 0.1U	1	
C779	ECUX1E104KBN	E.CAPACITOR CH 25V 0.1U	1	
C780	ECUM1E104ZFN	C.CAPACITOR CH 25V 0.1U	1	
C781	ECUM1H331JCN	C.CAPACITOR CH 50V 330P	1	
C782	ECUM1H470JCN	C.CAPACITOR CH 50V 47P	1	
C784	ECUM1E104ZFN	C.CAPACITOR CH 25V 0.1U	1	
C786	ECUM1E104ZFN	C.CAPACITOR CH 25V 0.1U	1	
C788	ECUM1E104ZFN	C.CAPACITOR CH 25V 0.1U	1	
C789	ECEV0JV330Q	E.CAPACITOR CH6.3V 33U	1	
C790	ECUM1E104ZFN	C.CAPACITOR CH 25V 0.1U	1	
C792.93	ECUM1E104ZFN	C.CAPACITOR CH 25V 0.1U	2	
C801-10	ECUM1E104ZFN	C.CAPACITOR CH 25V 0.1U	10	
C853-55	ECUM1E104ZFN	C.CAPACITOR CH 25V 0.1U	3	
C856	ECUM1H330JCN	C.CAPACITOR CH 50V 33P	1	
C857	ECUM1H150JCN	C.CAPACITOR CH 50V 15P	1	
C858-67	ECUM1E104ZFN	C.CAPACITOR CH 25V 0.1U	10	
C901.02	ECUM1E104ZFN	C.CAPACITOR CH 25V 0.1U	2	
C903.04	ECEV0JV330Q	E.CAPACITOR CH6.3V 33U	2	
C905.06	ECUM1H103KBN	C.CAPACITOR CH 50V 0.01U	2	
C907	ECUM1H221JCN	C.CAPACITOR CH 50V 220P	1	
C908.09	ECUM1H150JCN	C.CAPACITOR CH 50V 15P	2	
C910	ECUM1E104ZFN	C.CAPACITOR CH 25V 0.1U	1	
C911	ECUM1H221JCN	C.CAPACITOR CH 50V 220P	1	
C912.13	ECUM1E104ZFN	C.CAPACITOR CH 25V 0.1U	2	
C951-58	ECUM1E104ZFN	C.CAPACITOR CH 25V 0.1U	8	
C959	ECEV0JV330Q	E.CAPACITOR CH6.3V 33U	1	
C960	ECEV1CV100Q	E.CAPACITOR CH 16V 10U	1	
C961.62	ECUM1E104ZFN	C.CAPACITOR CH 25V 0.1U	2	
C963	ECEV0JV330Q	E.CAPACITOR CH6.3V 33U	1	
C965	ECEV1EV4R7Q	E.CAPACITOR CH 25V 4.7U	1	
C966	ECUM1H470JCN	C.CAPACITOR CH 50V 47P	1	
C967	ECEV0JV330Q	E.CAPACITOR CH6.3V 33U	1	
C968	ECUM1H560JCN	C.CAPACITOR CH 50V 56P	1	
C969	ECUM1H180JCN	C.CAPACITOR CH 50V 18P	1	
C970	ECUM1H121JCN	C.CAPACITOR CH 50V 120P	1	
C971.72	ECUM1E104ZFN	C.CAPACITOR CH 25V 0.1U	2	
C973	ECEV0JV330Q	E.CAPACITOR CH6.3V 33U	1	
C974.75	ECUM1E104ZFN	C.CAPACITOR CH 25V 0.1U	2	
C981-96	ECUM1E104ZFN	C.CAPACITOR CH 25V 0.1U	16	
D251.52	MA152K	DIODE	2	
D253	MA152WK	DIODE	1	
D301.02	MA152K	DIODE	2	
D451	MA152K	DIODE	1	
D501	MA152WK	DIODE	1	
D502	MA152K	DIODE	1	
D551	MA152K	DIODE	1	
D552	MA335-R	DIODE	1	
D553	MA152WA	DIODE	1	
D651.52	MA152K	DIODE	2	
D701.02	MA152K	DIODE	2	
D751.52	MA152K	DIODE	2	
FL51.52	VLF1016A223	FILTER	2	
FL251	VLF1294	FILTER	1	
FL301	VLF1016A223	FILTER	1	
FL351	VLF1016A223	FILTER	1	
FL551.52	VLF1016A223	FILTER	2	
FL651	VLF1294	FILTER	1	
FL652	VLF1016A223	FILTER	1	

AJ-YA951E  
VEP83408B

Ref.No.	Part No.	Part Name & Description	Pcs	Remarks	Ref.No.	Part No.	Part Name & Description	Pcs	Remarks
FL702	VLf1422	FILTER	1		IC562	SN74LS221NS	IC	1	
FL752	VLf1422	FILTER	1		IC567	MC74HC244AF	IC	1	
FL801,02	VLf1016A223	FILTER	2		IC651	NJM78L05UA	IC	1	
FL851,52	VLf1016A223	FILTER	2		IC652	NJM79L05UA	IC	1	
FL901	VLf1016A223	FILTER	1		IC653	MC74HC4053F	IC	1	
FL951	VLf1294	FILTER	1		IC655	NJM084M	IC	1	
FL981,82	VLf1016A223	FILTER	2		IC656	AD848JR	IC	1	
					IC660	CXD1175AM	IC	1	
IC51	AN78N09	IC	1		IC661	NJM78L05UA	IC	1	
IC52	AN78N05	IC	1		IC701	NJM78L05UA	IC	1	
IC53	AN79N09	IC	1		IC702	NJM79L05UA	IC	1	
IC54	AN79N05	IC	1		IC703	MC74HC4053F	IC	1	
IC101-03	MC10H125M	IC	3		IC705	NJM084M	IC	1	
IC107	MC10H125M	IC	1		IC706	AD848JR	IC	1	
IC110	74F244SJ	IC	1		IC710	MB40568PF	IC	1	
IC151,52	SN74S1051NS	IC	2		IC711	NJM78L05UA	IC	1	
IC153	VSI2496	IC	1		IC712	AN78N09	IC	1	
IC156	74F245SJ	IC	1		IC713	T74HCT541AF	IC	1	
IC164,65	UPD71055GB	IC	2		IC751	NJM78L05UA	IC	1	
IC201	VSI2402A	PLD	1		IC752	NJM79L05UA	IC	1	
IC202	VSI2382	IC	1		IC753	MC74HC4053F	IC	1	
IC203	T74HCT541AF	IC	1		IC755	NJM084M	IC	1	
IC204	T74HCT374AF	IC	1		IC756	AD848JR	IC	1	
IC205	74F574SJ	IC	1		IC760	MB40568PF	IC	1	
IC210	T74HCT374AF	IC	1		IC761	NJM78L05UA	IC	1	
IC251	DAC10GS	IC	1		IC762	AN78N09	IC	1	
IC252	NJM082BM	IC	1		IC763	T74HCT541AF	IC	1	
IC254	EL2082CS	IC	1		IC801	UPD42280G3	IC	1	
IC255	NJM78L05UA	IC	1		IC802	T160G41-1437	IC	1	
IC256	NJM79L05UA	IC	1		IC803	UPD42280G3	IC	1	
IC257	TC4W53F	IC	1		IC853	74F244SJ	IC	1	
IC258	AN91A12S	IC	1		IC854	CG25123-5106	IC	1	
IC259	MC74HC00AF	IC	1		IC855,56	CY7C19920ZC	IC	2	
IC301	NJM79L05UA	IC	1		IC857,58	74F244SJ	IC	2	
IC302	NJM78L05UA	IC	1		IC901	NJM78L05UA	IC	1	
IC303	NJM084M	IC	1		IC903	TC7W125FU	IC	1	
IC304	AD818AR	IC	1		IC951	T74HCT374AF	IC	1	
IC308	CXD1175AM	IC	1		IC952	VSI2498	IC	1	
IC309	NJM78L05UA	IC	1		IC953	TC7W125FU	IC	1	
IC351,52	NJM78L05UA	IC	2		IC955,56	NJM78L05UA	IC	2	
IC353	NJM79L05UA	IC	1		IC957	NJM79L05UA	IC	1	
IC354	CXD2105AQ	IC	1		IC958	AD8047AR	IC	1	
IC355	AD8047AR	IC	1		IC959	MC74HC4053F	IC	1	
IC356	MC74HC4053F	IC	1		IC981	T160G41-1437	IC	1	
IC357,58	AD8047AR	IC	2		IC982,83	UPD42280G3	IC	2	
IC359	MC74HC4053F	IC	1		IC984	VSI2679	IC	1	
IC401	SN74LS221NS	IC	1		IC985,86	74F244SJ	IC	2	
IC402,03	MM74HC221AM	IC	2						
IC404	MC74HC04AF	IC	1		L1,L2	VLP0133	COIL	2	
IC406	NJM78L05UA	IC	1		L51,52	VLP0133	COIL	2	
IC407	NJM79L05UA	IC	1		L251-54	VLQ0319K101	COIL	100UH	4
IC410	NJM082BM	IC	1		L255	VLQ0133J471	COIL	470UH	1
IC414	MC74HC4053F	IC	1		L256	VLQ0319K101	COIL	100UH	1
IC418	NJM082BM	IC	1		L301,02	VLQ0319K101	COIL	100UH	2
IC419	MC74HC4053F	IC	1		L351,52	VLQ0319K101	COIL	100UH	2
IC423	NJM082BM	IC	1		L354	VLQ0163J270	COIL	27UH	1
IC428	UPD65013BC16	IC	1		L355	VLQ0163J6R8	COIL	6.8UH	1
IC451	NJM319M	IC	1		L356	VLQ0163J5R6	COIL	5.6UH	1
IC452,53	NJM1496M	IC	2		L401	VLQ0319K101	COIL	100UH	1
IC455,56	MC74HC4053F	IC	2		L451-55	VLQ0319K101	COIL	100UH	5
IC459	NJM78L05UA	IC	1		L456	VLQ0163J470	COIL	47UH	1
IC460	NJM79L05UA	IC	1		L457,58	VLQ0163J560	COIL	56UH	2
IC501	NJM78L05UA	IC	1		L501	VLQ0133J391	COIL	390UH	1
IC502	NJM79L05UA	IC	1		L551	VLQ0163J3R3	COIL	3.3UH	1
IC503	AN91A12S	IC	1		L601,02	VLQ0319K101	COIL	100UH	2
IC504	MC14538BF	IC	1		L651	VLQ0133J821	COIL	820UH	1
IC505	AN3296S	IC	1		L652	VLQ0319K101	COIL	100UH	1
IC506	NJM78L05UA	IC	1		L701	VLQ0133J821	COIL	820UH	1
IC507	MN53015VZV	IC	1		L751	VLQ0133J821	COIL	820UH	1
IC551	MC74HC00AF	IC	1		L901	VLQ0319K101	COIL	100UH	1
IC552	TC4S584F	IC	1		L951	VLQ0163J470	COIL	47UH	1
IC554	MC74HC74AF	IC	1						
IC557	SN74LS221NS	IC	1		P1,P2	VJP3454B096	CONNECTOR (MALE)	2	
IC560	NJM082BM	IC	1						
IC561	TC4W53F	IC	1		Q251	2SB709A-R	TRANSISTOR	1	

AJ-YA951E  
VEP83408B

Ref.No.	Part No.	Part Name & Description	Pcs	Remarks
Q252,53	2SD601A-R	TRANSISTOR	2	
Q301	2SB709A-R	TRANSISTOR	1	
Q302	2SD601A-R	TRANSISTOR	1	
Q303	2SK198-R	TRANSISTOR	1	
Q351	2SD601A-R	TRANSISTOR	1	
Q352	2SB709A-R	TRANSISTOR	1	
Q401,02	2SD601A-R	TRANSISTOR	2	
Q451-54	2SD601A-R	TRANSISTOR	4	
Q455-58	2SB709A-R	TRANSISTOR	4	
Q459-67	2SD601A-R	TRANSISTOR	9	
Q501,02	2SD601A-R	TRANSISTOR	2	
Q551	2SC3757-R	TRANSISTOR	1	
Q552,53	2SA1226	TRANSISTOR	2	
Q554	2SC3757-R	TRANSISTOR	1	
Q601-03	2SB709A-R	TRANSISTOR	3	
Q606-08	2SD601A-R	TRANSISTOR	3	
Q651	2SD601A-R	TRANSISTOR	1	
Q652-54	2SB709A-R	TRANSISTOR	3	
Q655	2SD601A-R	TRANSISTOR	1	
Q656	2SK198-R	TRANSISTOR	1	
Q657	2SD601A-R	TRANSISTOR	1	
Q701	2SD601A-R	TRANSISTOR	1	
Q702	2SB709A-R	TRANSISTOR	1	
Q703	2SD601A-R	TRANSISTOR	1	
Q704	2SB709A-R	TRANSISTOR	1	
Q705	2SD601A-R	TRANSISTOR	1	
Q706	2SK198-R	TRANSISTOR	1	
Q751	2SD601A-R	TRANSISTOR	1	
Q752	2SB709A-R	TRANSISTOR	1	
Q753	2SD601A-R	TRANSISTOR	1	
Q754	2SB709A-R	TRANSISTOR	1	
Q755	2SD601A-R	TRANSISTOR	1	
Q756	2SK198-R	TRANSISTOR	1	
Q951	2SD601A-R	TRANSISTOR	1	
Q952	2SB709A-R	TRANSISTOR	1	
Q953	2SD601A-R	TRANSISTOR	1	
Q954	2SB709A-R	TRANSISTOR	1	
Q955	2SC3757-R	TRANSISTOR	1	
Q956	2SD601A-R	TRANSISTOR	1	
Q957	2SB709A-R	TRANSISTOR	1	
QR151	MUN2212	TRANSISTOR-RESISTOR	1	
QR501	MUN2212	TRANSISTOR-RESISTOR	1	
R2-R8	ERJ6GEY0R00	M.RESISTOR CH 1/10W 0	7	
R10-22	ERJ6GEY0R00	M.RESISTOR CH 1/10W 0	13	
R24-75	ERJ6GEY0R00	M.RESISTOR CH 1/10W 0	52	
R101-12	ERJ6GEY0R00	M.RESISTOR CH 1/10W 100	12	
R113	ERJ6GEY0R00	M.RESISTOR CH 1/10W 0	1	
R115,16	ERJ6GEY0R00	M.RESISTOR CH 1/10W 100	2	
R118,19	ERJ6GEY0R00	M.RESISTOR CH 1/10W 10K	2	
R120	ERJ6GEY0R00	M.RESISTOR CH 1/10W 0	1	
R131	ERJ6GEY0R00	M.RESISTOR CH 1/10W 22K	1	
R132	ERJ6GEY0R00	M.RESISTOR CH 1/10W 33K	1	
R133	ERJ6GEY0R00	M.RESISTOR CH 1/10W 560K	1	
R134	ERJ6GEY0R00	M.RESISTOR CH 1/10W 1K	1	
R135	ERJ6GEY0R00	M.RESISTOR CH 1/10W 68K	1	
R136	ERJ6GEY0R00	M.RESISTOR CH 1/10W 330	1	
R137	ERJ6GEY0R00	M.RESISTOR CH 1/10W 680K	1	
R138	ERJ6GEY0R00	M.RESISTOR CH 1/10W 75	1	
R139	ERJ6GEY0R00	M.RESISTOR CH 1/10W 100K	1	
R140	ERJ6GEY0R00	M.RESISTOR CH 1/10W 10K	1	
R141	ERJ6GEY0R00	M.RESISTOR CH 1/10W 6.8K	1	
R142	ERJ6GEY0R00	M.RESISTOR CH 1/10W 15K	1	
R143	ERJ6GEY0R00	M.RESISTOR CH 1/10W 47K	1	
R159-61	ERJ6GEY0R00	M.RESISTOR CH 1/10W 10K	3	
R163,64	ERJ6GEY0R00	M.RESISTOR CH 1/10W 0	2	
R172	ERJ6GEY0R00	M.RESISTOR CH 1/10W 10K	1	
R173	ERJ6GEY0R00	M.RESISTOR CH 1/10W 0	1	
R175,76	ERJ6GEY0R00	M.RESISTOR CH 1/10W 0	2	
R177-79	ERJ6GEY0R00	M.RESISTOR CH 1/10W 390	3	
R180	ERJ6GEY0R00	M.RESISTOR CH 1/10W 3.3K	1	
R181-91	ERJ6GEY0R00	M.RESISTOR CH 1/10W 390	11	
R192	ERJ6GEY0R00	M.RESISTOR CH 1/10W 3.3K	1	
R193,94	ERJ6GEY0R00	M.RESISTOR CH 1/10W 100	2	

Ref.No.	Part No.	Part Name & Description	Pcs	Remarks
R217	ERJ6GEY0R00	M.RESISTOR CH 1/10W 100	1	
R251	ERJ6GEY0R00	M.RESISTOR CH 1/10W 18K	1	
R252	ERJ6GEY0R00	M.RESISTOR CH 1/10W 0	1	
R253	ERJ6GEY0R00	M.RESISTOR CH 1/10W 5.6K	1	
R254	ERJ6GEY0R00	M.RESISTOR CH 1/10W 1K	1	
R255	ERJ6GEY0R00	M.RESISTOR CH 1/10W 100	1	
R256	ERJ6GEY0R00	M.RESISTOR CH 1/10W 330	1	
R257	ERJ6GEY0R00	M.RESISTOR CH 1/10W 1K	1	
R258,59	ERJ6GEY0R00	M.RESISTOR CH 1/10W 8.2K	2	
R260	ERJ6GEY0R00	M.RESISTOR CH 1/10W 100	1	
R261	ERJ6GEY0R00	M.RESISTOR CH 1/10W 330	1	
R262,63	ERJ6GEY0R00	M.RESISTOR CH 1/10W 1K	2	
R264	ERJ6GEY0R00	M.RESISTOR CH 1/10W 560	1	
R265	ERJ6GEY0R00	M.RESISTOR CH 1/10W 1K	1	
R266,67	ERJ6GEY0R00	M.RESISTOR CH 1/10W 2.2K	2	
R268	ERJ6GEY0R00	M.RESISTOR CH 1/10W 220	1	
R269	ERJ6GEY0R00	M.RESISTOR CH 1/10W 220K	1	
R270	ERJ6GEY0R00	M.RESISTOR CH 1/10W 680K	1	
R271-73	ERJ6GEY0R00	M.RESISTOR CH 1/10W 10K	3	
R274	ERJ6GEY0R00	M.RESISTOR CH 1/10W 0	1	
R275	ERJ6GEY0R00	M.RESISTOR CH 1/10W 33K	1	
R276	ERJ6GEY0R00	M.RESISTOR CH 1/10W 5.6K	1	
R301	ERJ6GEY0R00	M.RESISTOR CH 1/10W 390K	1	
R302	ERJ6GEY0R00	M.RESISTOR CH 1/10W 150K	1	
R303	ERJ6GEY0R00	M.RESISTOR CH 1/10W 560	1	
R304	ERJ6GEY0R00	M.RESISTOR CH 1/10W 22	1	
R305	ERJ6GEY0R00	M.RESISTOR CH 1/10W 1K	1	
R307	ERJ6GEY0R00	M.RESISTOR CH 1/10W 1.5K	1	
R308	ERJ6GEY0R00	M.RESISTOR CH 1/10W 1.2K	1	
R309,10	ERJ6GEY0R00	M.RESISTOR CH 1/10W 100	2	
R311	ERJ6GEY0R00	M.RESISTOR CH 1/10W 1K	1	
R313,14	ERJ6GEY0R00	M.RESISTOR CH 1/10W 100	2	
R316,17	ERJ6GEY0R00	M.RESISTOR CH 1/10W 10K	2	
R318	ERJ6GEY0R00	M.RESISTOR CH 1/10W 0	1	
R319	ERJ6GEY0R00	M.RESISTOR CH 1/10W 6.8K	1	
R353	ERJ6GEY0R00	M.RESISTOR CH 1/10W 3.3K	1	
R354	ERJ6GEY0R00	M.RESISTOR CH 1/10W 330	1	
R355	ERJ6GEY0R00	M.RESISTOR CH 1/10W 120	1	
R356	ERJ6GEY0R00	M.RESISTOR CH 1/10W 3.3K	1	
R357	ERJ6GEY0R00	M.RESISTOR CH 1/10W 56	1	
R358	ERJ6GEY0R00	M.RESISTOR CH 1/10W 100	1	
R359	ERJ6GEY0R00	M.RESISTOR CH 1/10W 680	1	
R360	ERJ6GEY0R00	M.RESISTOR CH 1/10W 560	1	
R362	ERJ6GEY0R00	M.RESISTOR CH 1/10W 56	1	
R363	ERJ6GEY0R00	M.RESISTOR CH 1/10W 100	1	
R365	ERJ6GEY0R00	M.RESISTOR CH 1/10W 10K	1	
R366	ERJ6GEY0R00	M.RESISTOR CH 1/10W 220	1	
R367	ERJ6GEY0R00	M.RESISTOR CH 1/10W 10K	1	
R368	ERJ6GEY0R00	M.RESISTOR CH 1/10W 390	1	
R369	ERJ6GEY0R00	M.RESISTOR CH 1/10W 680	1	
R370	ERJ6GEY0R00	M.RESISTOR CH 1/10W 100	1	
R371	ERJ6GEY0R00	M.RESISTOR CH 1/10W 10K	1	
R373	ERJ6GEY0R00	M.RESISTOR CH 1/10W 820	1	
R375	ERJ6GEY0R00	M.RESISTOR CH 1/10W 390	1	
R376	ERJ6GEY0R00	M.RESISTOR CH 1/10W 100	1	
R377	ERJ6GEY0R00	M.RESISTOR CH 1/10W 680	1	
R379	ERJ6GEY0R00	M.RESISTOR CH 1/10W 330	1	
R380	ERJ6GEY0R00	M.RESISTOR CH 1/10W 1K	1	
R381,82	ERJ6GEY0R00	M.RESISTOR CH 1/10W 100	2	
R384	ERJ6GEY0R00	M.RESISTOR CH 1/10W 330	1	
R385	ERJ6GEY0R00	M.RESISTOR CH 1/10W 1K	1	
R386	ERJ6GEY0R00	M.RESISTOR CH 1/10W 100	1	
R387	ERJ6GEY0R00	M.RESISTOR CH 1/10W 0	1	
R390	ERJ6GEY0R00	M.RESISTOR CH 1/10W 0	1	
R393,94	ERJ6GEY0R00	M.RESISTOR CH 1/10W 0	2	
R395	ERJ6GEY0R00	M.RESISTOR CH 1/10W 330	1	
R401	ERJ6GEY0R00	M.RESISTOR CH 1/10W 10K	1	
R402	ERJ6GEY0R00	M.RESISTOR CH 1/10W 4.7K	1	
R403	ERJ6GEY0R00	M.RESISTOR CH 1/10W 10K	1	
R404	ERJ6GEY0R00	M.RESISTOR CH 1/10W 100	1	
R405	ERJ6GEY0R00	M.RESISTOR CH 1/10W 2.7K	1	
R406	ERJ6GEY0R00	M.RESISTOR CH 1/10W 18K	1	
R407	ERJ6GEY0R00	M.RESISTOR CH 1/10W 47K	1	
R408	ERJ6GEY0R00	M.RESISTOR CH 1/10W 12K	1	
R409	ERJ6GEY0R00	M.RESISTOR CH 1/10W 10K	1	

AJ-YA951E  
VEP83408B

Ref.No.	Part No.	Part Name & Description	Pcs	Remarks	Ref.No.	Part No.	Part Name & Description	Pcs	Remarks
R410-12	ERJ6GEYG101	M.RESISTOR CH 1/10W 100	3		R566	ERJ6GEYG681	M.RESISTOR CH 1/10W 680	1	
R413	ERJ6GEYF333	M.RESISTOR CH 1/10W 33K	1		R567	ERJ6GEY0R00	M.RESISTOR CH 1/10W 0	1	
R414	ERJ6GEYF472	M.RESISTOR CH 1/10W 4.7K	1		R571	ERJ6GEYG332	M.RESISTOR CH 1/10W 3.3K	1	
R415	ERJ6GEYG332	M.RESISTOR CH 1/10W 3.3K	1		R572	ERJ6GEYG682	M.RESISTOR CH 1/10W 6.8K	1	
R416	ERJ6GEYJ274	M.RESISTOR CH 1/10W 270K	1		R573,74	ERJ6GEYG152	M.RESISTOR CH 1/10W 1.5K	2	
R417	ERJ6GEYF472	M.RESISTOR CH 1/10W 4.7K	1		R575	ERJ6GEYG682	M.RESISTOR CH 1/10W 6.8K	1	
R418	ERJ6GEYG183	M.RESISTOR CH 1/10W 18K	1		R576	ERJ6GEYG103	M.RESISTOR CH 1/10W 10K	1	
R419	ERJ6GEYG394	M.RESISTOR CH 1/10W 390K	1		R577	ERJ6GEYG101	M.RESISTOR CH 1/10W 100	1	
R420,21	ERJ6GEYG103	M.RESISTOR CH 1/10W 10K	2		R578	ERJ6GEYG104	M.RESISTOR CH 1/10W 100K	1	
R422	ERJ6GEYF472	M.RESISTOR CH 1/10W 4.7K	1		R579	ERJ6GEYG223	M.RESISTOR CH 1/10W 22K	1	
R423,24	ERJ6GEYG103	M.RESISTOR CH 1/10W 10K	2		R581	ERJ6GEYG152	M.RESISTOR CH 1/10W 1.5K	1	
R426,27	ERJ6GEYG103	M.RESISTOR CH 1/10W 10K	2		R582	ERJ6GEYG682	M.RESISTOR CH 1/10W 6.8K	1	
R428	ERJ6GEYG152	M.RESISTOR CH 1/10W 1.5K	1		R583,84	ERJ6GEY0R00	M.RESISTOR CH 1/10W 0	2	
R429	ERJ6GEYG563	M.RESISTOR CH 1/10W 56K	1		R586	ERJ6GEY0R00	M.RESISTOR CH 1/10W 0	1	
R430	ERJ6GEYF561	M.RESISTOR CH 1/10W 560	1		R601-03	ERJ6GEYG102	M.RESISTOR CH 1/10W 1K	3	
R431,32	ERJ6GEYG102	M.RESISTOR CH 1/10W 1K	2		R604-06	ERJ6GEYG152	M.RESISTOR CH 1/10W 1.5K	3	
R433,34	ERJ6GEYG103	M.RESISTOR CH 1/10W 10K	2		R607	ERJ6GEYG101	M.RESISTOR CH 1/10W 100	1	
R435,36	ERJ6GEY0R00	M.RESISTOR CH 1/10W 0	2		R609,10	ERJ6GEYG122	M.RESISTOR CH 1/10W 1.2K	2	
R441,42	ERJ6GEYG222	M.RESISTOR CH 1/10W 2.2K	2		R616-18	ERJ6GEYG152	M.RESISTOR CH 1/10W 1.5K	3	
R451	ERJ6GEYG102	M.RESISTOR CH 1/10W 1K	1		R651	ERJ6GEYG101	M.RESISTOR CH 1/10W 100	1	
R452	ERJ6GEYF472	M.RESISTOR CH 1/10W 4.7K	1		R652	ERJ6GEYG103	M.RESISTOR CH 1/10W 10K	1	
R453	ERJ6GEYG223	M.RESISTOR CH 1/10W 22K	1		R653	ERJ6GEYG102	M.RESISTOR CH 1/10W 1K	1	
R454	ERJ6GEYG821	M.RESISTOR CH 1/10W 820	1		R654	ERJ6GEYG221	M.RESISTOR CH 1/10W 220	1	
R455	ERJ6GEYG391	M.RESISTOR CH 1/10W 390	1		R655	ERJ6GEYG331	M.RESISTOR CH 1/10W 330	1	
R456	ERJ6GEYF561	M.RESISTOR CH 1/10W 560	1		R656	ERJ6GEYG102	M.RESISTOR CH 1/10W 1K	1	
R457	ERJ6GEYF472	M.RESISTOR CH 1/10W 4.7K	1		R657	ERJ6GEYG331	M.RESISTOR CH 1/10W 330	1	
R458,59	ERJ6GEYG101	M.RESISTOR CH 1/10W 100	2		R658	ERJ6GEYG152	M.RESISTOR CH 1/10W 1.5K	1	
R460,61	ERJ6GEYG102	M.RESISTOR CH 1/10W 1K	2		R659	ERJ6GEYG394	M.RESISTOR CH 1/10W 390K	1	
R462	ERJ6GEYG103	M.RESISTOR CH 1/10W 10K	1		R660	ERJ6GEYG154	M.RESISTOR CH 1/10W 150K	1	
R463	ERJ6GEYG101	M.RESISTOR CH 1/10W 100	1		R661	ERJ6GEYG181	M.RESISTOR CH 1/10W 180	1	
R464,65	ERJ6GEYG102	M.RESISTOR CH 1/10W 1K	2		R662	ERJ6GEYG102	M.RESISTOR CH 1/10W 1K	1	
R466	ERJ6GEYF561	M.RESISTOR CH 1/10W 560	1		R664,65	ERJ6GEYG122	M.RESISTOR CH 1/10W 1.2K	2	
R467	ERJ6GEYG821	M.RESISTOR CH 1/10W 820	1		R666	ERJ6GEYG101	M.RESISTOR CH 1/10W 100	1	
R468,69	ERJ6GEYF822	M.RESISTOR CH 1/10W 8.2K	2		R667	ERJ6GEYG102	M.RESISTOR CH 1/10W 1K	1	
R470	ERJ6GEYG102	M.RESISTOR CH 1/10W 1K	1		R668,69	ERJ6GEYG101	M.RESISTOR CH 1/10W 100	2	
R471-74	ERJ6GEYG121	M.RESISTOR CH 1/10W 120	4		R670	ERJ6GEYG105	M.RESISTOR CH 1/10W 1M	1	
R475-78	ERJ6GEYG332	M.RESISTOR CH 1/10W 3.3K	4		R671	ERJ6GEYG101	M.RESISTOR CH 1/10W 100	1	
R479	ERJ6GEYG153	M.RESISTOR CH 1/10W 15K	1		R672	ERJ6GEYG103	M.RESISTOR CH 1/10W 10K	1	
R480,81	ERJ6GEYG101	M.RESISTOR CH 1/10W 100	2		R673	ERJ6GEYG105	M.RESISTOR CH 1/10W 1M	1	
R482,83	ERJ6GEYG222	M.RESISTOR CH 1/10W 2.2K	2		R674	ERJ6GEYF333	M.RESISTOR CH 1/10W 33K	1	
R484,85	ERJ6GEYG102	M.RESISTOR CH 1/10W 1K	2		R675	ERJ6GEY0R00	M.RESISTOR CH 1/10W 0	1	
R486,87	ERJ6GEYG103	M.RESISTOR CH 1/10W 10K	2		R676	ERJ6GEYG222	M.RESISTOR CH 1/10W 2.2K	1	
R488-91	ERJ6GEYG470	M.RESISTOR CH 1/10W 47	4		R680	ERJ6GEYG102	M.RESISTOR CH 1/10W 1K	1	
R492-99	ERJ6GEYG152	M.RESISTOR CH 1/10W 1.5K	8		R681	ERJ6GEYG681	M.RESISTOR CH 1/10W 680	1	
R500-03	ERJ6GEY0R00	M.RESISTOR CH 1/10W 0	4		R682	ERJ6GEYG101	M.RESISTOR CH 1/10W 100	1	
R504-07	ERJ6GEYG470	M.RESISTOR CH 1/10W 47	4		R683	ERJ6GEYG102	M.RESISTOR CH 1/10W 1K	1	
R508-11	ERJ6GEYG332	M.RESISTOR CH 1/10W 3.3K	4		R684	ERJ6GEYG101	M.RESISTOR CH 1/10W 100	1	
R512-15	ERJ6GEYG102	M.RESISTOR CH 1/10W 1K	4		R701	ERJ6GEYG103	M.RESISTOR CH 1/10W 10K	1	
R516-19	ERJ6GEYF472	M.RESISTOR CH 1/10W 4.7K	4		R702	ERJ6GEYG682	M.RESISTOR CH 1/10W 6.8K	1	
R520-23	ERJ6GEYG101	M.RESISTOR CH 1/10W 100	4		R703	ERJ6GEYG273	M.RESISTOR CH 1/10W 27K	1	
R526	ERJ6GEYG103	M.RESISTOR CH 1/10W 10K	1		R704	ERJ6GEYG152	M.RESISTOR CH 1/10W 1.5K	1	
R527	ERJ6GEYG222	M.RESISTOR CH 1/10W 2.2K	1		R705,06	ERJ6GEYJ471	M.RESISTOR CH 1/10W 470	2	
R528	ERJ6GEYG103	M.RESISTOR CH 1/10W 10K	1		R707,08	ERJ6GEYG152	M.RESISTOR CH 1/10W 1.5K	2	
R530	ERJ6GEYG102	M.RESISTOR CH 1/10W 1K	1		R709	ERJ6GEYG331	M.RESISTOR CH 1/10W 330	1	
R531-33	ERJ6GEYG222	M.RESISTOR CH 1/10W 2.2K	3		R710	ERJ6GEYG152	M.RESISTOR CH 1/10W 1.5K	1	
R534	ERJ6GEYJ224	M.RESISTOR CH 1/10W 220K	1		R711	ERJ6GEYF561	M.RESISTOR CH 1/10W 560	1	
R535	ERJ6GEYJ684	M.RESISTOR CH 1/10W 680K	1		R712	ERJ6GEYG394	M.RESISTOR CH 1/10W 390K	1	
R536-38	ERJ6GEYG103	M.RESISTOR CH 1/10W 10K	3		R713	ERJ6GEYJ274	M.RESISTOR CH 1/10W 270K	1	
R539	ERJ6GEYF473	M.RESISTOR CH 1/10W 47K	1		R714	ERJ6GEYG391	M.RESISTOR CH 1/10W 390	1	
R541	ERJ6GEYG103	M.RESISTOR CH 1/10W 10K	1		R715	ERJ6GEYG102	M.RESISTOR CH 1/10W 1K	1	
R546	ERJ6GEYG102	M.RESISTOR CH 1/10W 1K	1		R717	ERJ6GEYG272	M.RESISTOR CH 1/10W 2.7K	1	
R547	ERJ6GEYF472	M.RESISTOR CH 1/10W 4.7K	1		R718	ERJ6GEYG122	M.RESISTOR CH 1/10W 1.2K	1	
R548	ERJ6GEY0R00	M.RESISTOR CH 1/10W 0	1		R719	ERJ6GEYG101	M.RESISTOR CH 1/10W 100	1	
R551	ERJ6GEYG103	M.RESISTOR CH 1/10W 10K	1		R720	ERJ6GEYG102	M.RESISTOR CH 1/10W 1K	1	
R552	ERJ6GEYG223	M.RESISTOR CH 1/10W 22K	1		R721,22	ERJ6GEYG101	M.RESISTOR CH 1/10W 100	2	
R553	ERJ6GEYG222	M.RESISTOR CH 1/10W 2.2K	1		R723	ERJ6GEYG105	M.RESISTOR CH 1/10W 1M	1	
R554	ERJ6GEYG682	M.RESISTOR CH 1/10W 6.8K	1		R724	ERJ6GEYG101	M.RESISTOR CH 1/10W 100	1	
R555	ERJ6GEYF472	M.RESISTOR CH 1/10W 4.7K	1		R725	ERJ6GEYG103	M.RESISTOR CH 1/10W 10K	1	
R556	ERJ6GEYG102	M.RESISTOR CH 1/10W 1K	1		R726	ERJ6GEYG105	M.RESISTOR CH 1/10W 1M	1	
R557,58	ERJ6GEYF472	M.RESISTOR CH 1/10W 4.7K	2		R727,28	ERJ6GEYF123	M.RESISTOR CH 1/10W 12K	2	
R559,60	ERJ6GEYG222	M.RESISTOR CH 1/10W 2.2K	2		R729	ERJ6GEYG222	M.RESISTOR CH 1/10W 2.2K	1	
R561	ERJ6GEYG332	M.RESISTOR CH 1/10W 3.3K	1		R731-38	ERJ6GEYG102	M.RESISTOR CH 1/10W 1K	8	
R562,63	ERJ6GEYG153	M.RESISTOR CH 1/10W 15K	2		R751	ERJ6GEYG103	M.RESISTOR CH 1/10W 10K	1	
R564	ERJ6GEYG683	M.RESISTOR CH 1/10W 68K	1		R752	ERJ6GEYG682	M.RESISTOR CH 1/10W 6.8K	1	
R565	ERJ6GEYG562	M.RESISTOR CH 1/10W 5.6K	1		R753	ERJ6GEYG273	M.RESISTOR CH 1/10W 27K	1	



AJ-YA951E  
VEP83408B / VEP83385B

Ref.No.	Part No.	Part Name & Description	Pcs	Remarks	Ref.No.	Part No.	Part Name & Description	Pcs	Remarks
R754	ERJ6GEYG152	M.RESISTOR CH 1/10W 1.5K	1		VR251	VRV0064B502	V.RESISTOR 5K	1	
R755,56	ERJ6GEYJ471	M.RESISTOR CH 1/10W 470	2		VR301	VRV0064B502	V.RESISTOR 5K	1	
R757,58	ERJ6GEYG152	M.RESISTOR CH 1/10W 1.5K	2		VR351	VRV0112B101	V.RESISTOR 100K	1	
R759	ERJ6GEYG331	M.RESISTOR CH 1/10W 330	1		VR352	VRV0064B201	V.RESISTOR 200	1	
R760	ERJ6GEYG152	M.RESISTOR CH 1/10W 1.5K	1		VR353,54	VRV0064B501	V.RESISTOR 500	2	
R761	ERJ6GEYF561	M.RESISTOR CH 1/10W 560	1		VR406,07	VRV0064B102	V.RESISTOR 1K	2	
R762	ERJ6GEYG394	M.RESISTOR CH 1/10W 390K	1		VR408-10	VRV0064B502	V.RESISTOR 5K	3	
R763	ERJ6GEYJ274	M.RESISTOR CH 1/10W 270K	1		VR459-66	VRV0064B102	V.RESISTOR 1K	8	
R764	ERJ6GEYG391	M.RESISTOR CH 1/10W 390	1		VR551	VRV0064B202	V.RESISTOR 2K	1	
R765	ERJ6GEYG102	M.RESISTOR CH 1/10W 1K	1		VR552	VRV0064B502	V.RESISTOR 5K	1	
R767	ERJ6GEYG272	M.RESISTOR CH 1/10W 2.7K	1		VR651	VRV0064B102	V.RESISTOR 1K	1	
R768	ERJ6GEYG122	M.RESISTOR CH 1/10W 1.2K	1		VR652	VRV0064B502	V.RESISTOR 5K	1	
R769	ERJ6GEYG101	M.RESISTOR CH 1/10W 100	1		VR701,02	VRV0064B102	V.RESISTOR 1K	2	
R770	ERJ6GEYG102	M.RESISTOR CH 1/10W 1K	1		VR703	VRV0064B502	V.RESISTOR 5K	1	
R771,72	ERJ6GEYG101	M.RESISTOR CH 1/10W 100	2		VR751,52	VRV0064B102	V.RESISTOR 1K	2	
R773	ERJ6GEYG105	M.RESISTOR CH 1/10W 1M	1		VR753	VRV0064B502	V.RESISTOR 5K	1	
R774	ERJ6GEYG101	M.RESISTOR CH 1/10W 100	1		VR951	VRV0064B202	V.RESISTOR 2K	1	
R775	ERJ6GEYG103	M.RESISTOR CH 1/10W 10K	1		VR952	VRV0064B501	V.RESISTOR 500	1	
R776	ERJ6GEYG105	M.RESISTOR CH 1/10W 1M	1						
R777,78	ERJ6GEYF123	M.RESISTOR CH 1/10W 12K	2		X401	VSX0270	CRYSTAL OSCILLATOR	1	
R779	ERJ6GEYG222	M.RESISTOR CH 1/10W 2.2K	1		X901	VSX0949	CRYSTAL OSCILLATOR	1	
R781-88	ERJ6GEYG102	M.RESISTOR CH 1/10W 1K	8				MISCELLANEOUS		
R801	ERJ6GEYG103	M.RESISTOR CH 1/10W 10K	1						
R803	ERJ6GEY0R00	M.RESISTOR CH 1/10W 0	1						
R805,06	ERJ6GEY0R00	M.RESISTOR CH 1/10W 0	2			VML2143	CARD PULLER	1	
R808-10	ERJ6GEYG391	M.RESISTOR CH 1/10W 390	3			VML2144	CARD PULLER	1	
R811	ERJ6GEYG332	M.RESISTOR CH 1/10W 3.3K	1						
R812-22	ERJ6GEYG391	M.RESISTOR CH 1/10W 390	11						
R823	ERJ6GEYG332	M.RESISTOR CH 1/10W 3.3K	1						
R851	ERJ6GEYG101	M.RESISTOR CH 1/10W 100	1		*	VEP83385B	F6 422DA SUB P.C.BOARD	1	(RTL)
R852	ERJ6GEYG271	M.RESISTOR CH 1/10W 270	1						
R853	ERJ6GEYG101	M.RESISTOR CH 1/10W 100	1						
R870-73	ERJ6GEYG101	M.RESISTOR CH 1/10W 100	4		C3101-09	ECUM1E104ZFN	C.CAPACITOR CH 25V 0.1U	9	
R901	ERJ6GEYG102	M.RESISTOR CH 1/10W 1K	1		C3121	ECUM1H103KBN	C.CAPACITOR CH 50V 0.01U	1	
R903	ERJ6GEYG101	M.RESISTOR CH 1/10W 100	1		C3122	ECUM1E104ZFN	C.CAPACITOR CH 25V 0.1U	1	
R904,05	ERJ6GEYG470	M.RESISTOR CH 1/10W 47	2		C3123	ECUM1H331JCN	C.CAPACITOR CH 50V 330P	1	
R951-58	ERJ6GEYF472	M.RESISTOR CH 1/10W 4.7K	8		C3124	ECEV1CV470Q	E.CAPACITOR CH 16V 47U	1	
R961	ERJ6GEYG470	M.RESISTOR CH 1/10W 47	1		C3125,26	ECUM1E104ZFN	C.CAPACITOR CH 25V 0.1U	2	
R962	ERJ6GEYG222	M.RESISTOR CH 1/10W 2.2K	1		C3127	ECEV1CV470Q	E.CAPACITOR CH 16V 47U	1	
R963	ERJ6GEYG102	M.RESISTOR CH 1/10W 1K	1		C3128	ECUM1E104ZFN	C.CAPACITOR CH 25V 0.1U	1	
R964	ERJ6GEY0R00	M.RESISTOR CH 1/10W 0	1		C3129	ECEV1EN3R3Q	E.CAPACITOR CH 25V 3.3U	1	
R965	ERJ6GEYG122	M.RESISTOR CH 1/10W 1.2K	1		C3130	ECEV1CV470Q	E.CAPACITOR CH 16V 47U	1	
R966	ERJ6GEYG102	M.RESISTOR CH 1/10W 1K	1		C3131	ECUM1E104ZFN	C.CAPACITOR CH 25V 0.1U	1	
R967,68	ERJ6GEYG222	M.RESISTOR CH 1/10W 2.2K	2		C3132	ECUM1H102JCN	C.CAPACITOR CH 50V 1000P	1	
R969,70	ERJ6GEYG331	M.RESISTOR CH 1/10W 330	2		C3134	ECUM1E104ZFN	C.CAPACITOR CH 25V 0.1U	1	
R971	ERJ6GEYG222	M.RESISTOR CH 1/10W 2.2K	1		C3135	ECUM1H151JCN	C.CAPACITOR CH 50V 150P	1	
R972	ERJ6GEYG103	M.RESISTOR CH 1/10W 10K	1		C3136	ECUM1H470JCN	C.CAPACITOR CH 50V 47P	1	
R973	ERJ6GEYG221	M.RESISTOR CH 1/10W 220	1		C3137,38	ECUM1H101JCN	C.CAPACITOR CH 50V 100P	2	
R974	ERJ6GEYG102	M.RESISTOR CH 1/10W 1K	1		C3139,40	ECUM1E104ZFN	C.CAPACITOR CH 25V 0.1U	2	
R975,76	ERJ6GEYG103	M.RESISTOR CH 1/10W 10K	2		C3141	ECUM1H101JCN	C.CAPACITOR CH 50V 100P	1	
R977	ERJ6GEYG102	M.RESISTOR CH 1/10W 1K	1		C3142	ECUM1H103KBN	C.CAPACITOR CH 50V 0.01U	1	
R978	ERJ6GEYG222	M.RESISTOR CH 1/10W 2.2K	1		C3145	ECEV1CV470Q	E.CAPACITOR CH 16V 47U	1	
R979	ERJ6GEYG102	M.RESISTOR CH 1/10W 1K	1		C3146,47	ECUM1E104ZFN	C.CAPACITOR CH 25V 0.1U	2	
R980	ERJ6GEYG222	M.RESISTOR CH 1/10W 2.2K	1		C3148	ECEV1CV470Q	E.CAPACITOR CH 16V 47U	1	
R981-83	ERJ6GEYG102	M.RESISTOR CH 1/10W 1K	3		C3149	ECUM1E104ZFN	C.CAPACITOR CH 25V 0.1U	1	
R984	ERJ6GEYG272	M.RESISTOR CH 1/10W 2.7K	1		C3150	ECEV1EN3R3Q	E.CAPACITOR CH 25V 3.3U	1	
R985	ERJ6GEYG103	M.RESISTOR CH 1/10W 10K	1		C3151	ECUM1H102JCN	C.CAPACITOR CH 50V 1000P	1	
					C3152	ECEV1CV470Q	E.CAPACITOR CH 16V 47U	1	
VG1-G6	VJR0646	TEST POINT	6		C3153-62	ECUM1E104ZFN	C.CAPACITOR CH 25V 0.1U	10	
					C3171-84	ECUM1E104ZFN	C.CAPACITOR CH 25V 0.1U	14	
TP301	VJR0646	TEST POINT	1		C3185	ECUM1H102JCN	C.CAPACITOR CH 50V 1000P	1	
TP401	VJR0646	TEST POINT	1		C3191-15	ECUM1E104ZFN	C.CAPACITOR CH 25V 0.1U	25	
TP402	EYF6CU	TEST POINT	1		C3216	ECUM1H102JCN	C.CAPACITOR CH 50V 1000P	1	
TP403	VJR0646	TEST POINT	1		C3221-28	ECUM1E104ZFN	C.CAPACITOR CH 25V 0.1U	8	
TP405	VJR0646	TEST POINT	1		C3229	ECUM1H102JCN	C.CAPACITOR CH 50V 1000P	1	
TP451	VJR0646	TEST POINT	1		C3241	ECUM1H103KBN	C.CAPACITOR CH 50V 0.01U	1	
TP551-53	VJR0646	TEST POINT	3		C3242-49	ECUM1E104ZFN	C.CAPACITOR CH 25V 0.1U	8	
TP651	VJR0646	TEST POINT	1		C3250	ECUM1H102JCN	C.CAPACITOR CH 50V 1000P	1	
TP701	VJR0646	TEST POINT	1		C3261	ECUM1H103KBN	C.CAPACITOR CH 50V 0.01U	1	
TP751	VJR0646	TEST POINT	1		C3262	ECUM1H100DCN	C.CAPACITOR CH 50V 10P	1	
TP951	EYF6CU	TEST POINT	1		C3263	ECUM1H102JCN	C.CAPACITOR CH 50V 1000P	1	
TP952	VJR0646	TEST POINT	1		C3264	ECUM1H180JCN	C.CAPACITOR CH 50V 18P	1	
					C3265-68	ECUM1E104ZFN	C.CAPACITOR CH 25V 0.1U	4	
VL551	VLQ0415	COIL	1		C3269	ECUM1H102JCN	C.CAPACITOR CH 50V 1000P	1	
					C3281-89	ECUM1E104ZFN	C.CAPACITOR CH 25V 0.1U	9	
					C3292,93	ECUM1H102JCN	C.CAPACITOR CH 50V 1000P	2	

AJ-YA951E  
VEP83385B

Ref.No.	Part No.	Part Name & Description	Pcs	Remarks	Ref.No.	Part No.	Part Name & Description	Pcs	Remarks
C3301-18	ECUM1E104ZFN	C.CAPACITOR CH 25V 0.1U	18						
C3319	VCK0151	C.CAPACITOR	1		D3101	MA715	DIODE	1	
C3320	ECUM1H180JCN	C.CAPACITOR CH 50V 18P	1		D3102	MA335-R	DIODE	1	
C3321	ECUM1H682KBN	C.CAPACITOR CH 50V 6800P	1		D3103,04	MA152K	DIODE	2	
C3322	ECEV0JV330Q	E.CAPACITOR CH6.3V 33U	1		D3111,12	MA701A	DIODE	2	
C3323	ECUM1E104ZFN	C.CAPACITOR CH 25V 0.1U	1		D3501-03	MA715	DIODE	3	
C3324	ECUM1H180JCN	C.CAPACITOR CH 50V 18P	1		D3507,08	MA152K	DIODE	2	
C3325	ECUM1H682KBN	C.CAPACITOR CH 50V 6800P	1						
C3326	ECEV0JV330Q	E.CAPACITOR CH6.3V 33U	1		FL3101	VLF1116	FILTER	1	
C3327,28	ECUM1E104ZFN	C.CAPACITOR CH 25V 0.1U	2		FL3102	VLF1117	FILTER	1	
C3329	ECEV1CV100Q	E.CAPACITOR CH 16V 10U	1		FL3103	VLF1118	FILTER	1	
C3330	ECEV1HV2R2Q	E.CAPACITOR CH 50V 2.2U	1		FL3104-06	VLF1016A223	FILTER	3	
C3331	ECEV1CV100Q	E.CAPACITOR CH 16V 10U	1						
C3332	ECEV1HV2R2Q	E.CAPACITOR CH 50V 2.2U	1		IC3001	UPD65841G025	IC	1	
C3333	ECUM1E104ZFN	C.CAPACITOR CH 25V 0.1U	1		IC3003	MN67372A2	IC	1	
C3334	ECEV0JV330Q	E.CAPACITOR CH6.3V 33U	1		IC3004	MN4707F	IC	1	
C3335	ECUM1H180JCN	C.CAPACITOR CH 50V 18P	1		IC3005	MN673711	IC	1	
C3336	ECUM1H682KBN	C.CAPACITOR CH 50V 6800P	1		IC3006	M65401FP	IC	1	
C3337	ECUM1H102JCN	C.CAPACITOR CH 25V 1000P	1		IC3007	L7A1433	IC	1	
C3341-53	ECUM1E104ZFN	C.CAPACITOR CH 25V 0.1U	13		IC3008	MB81V4260S7	IC	1	
C3354	ECUM1H102JCN	C.CAPACITOR CH 50V 1000P	1		IC3009,10	L7A1434	IC	2	
C3361-71	ECUM1E104ZFN	C.CAPACITOR CH 25V 0.1U	11		IC3011	L7A1433	IC	1	
C3381-92	ECUM1E104ZFN	C.CAPACITOR CH 25V 0.1U	12		IC3012	MB81V4260S7	IC	1	
C3401	ECUM1H330JCN	C.CAPACITOR CH 50V 33P	1		IC3013	MN673711	IC	1	
C3402	ECUM1H150JCN	C.CAPACITOR CH 50V 15P	1		IC3014	M65401FP	IC	1	
C3403-12	ECUM1E104ZFN	C.CAPACITOR CH 25V 0.1U	10		IC3015	M52660FP	IC	1	
C3421-32	ECUM1E104ZFN	C.CAPACITOR CH 25V 0.1U	12		IC3016	MN67372A2	IC	1	
C3441	ECUM1H102JCN	C.CAPACITOR CH 50V 1000P	1		IC3017	MN4707F	IC	1	
C3442-45	ECUM1E104ZFN	C.CAPACITOR CH 25V 0.1U	4		IC3018-21	UPD42280G3	IC	4	
C3451-58	ECUM1E104ZFN	C.CAPACITOR CH 25V 0.1U	8		IC3022	UPD65843G026	IC	1	
C3459	ECUM1H103KBN	C.CAPACITOR CH 50V 0.01U	1		IC3023	UPD42280G3	IC	1	
C3460,61	ECUM1E104ZFN	C.CAPACITOR CH 25V 0.1U	2		IC3024	UPD65868D022	IC	1	
C3471-77	ECUM1E104ZFN	C.CAPACITOR CH 25V 0.1U	7		IC3025	UPD71055GB	IC	1	
C3478	ECUM1H102JCN	C.CAPACITOR CH 50V 1000P	1		IC3027,28	UPD42280G3	IC	2	
C3483-86	ECUM1E104ZFN	C.CAPACITOR CH 25V 0.1U	4		IC3030	UPD71055GB	IC	1	
C3491-95	ECUM1E104ZFN	C.CAPACITOR CH 25V 0.1U	5		IC3031	T160G41-1437	IC	1	
C3501	ECUM1E104ZFN	C.CAPACITOR CH 25V 0.1U	1		IC3035	CG25123-5106	IC	1	
C3502-04	ECUM1H103KBN	C.CAPACITOR CH 50V 0.01U	3		IC3036,37	CY7C19920ZC	IC	2	
C3506	ECUM1H103KBN	C.CAPACITOR CH 50V 0.01U	1		IC3101,02	TCVHC257F	IC	2	
C3509	ECUM1E104ZFN	C.CAPACITOR CH 25V 0.1U	1		IC3103,04	T74VHCT244F	IC	2	
C3510	ECEV1CV470Q	E.CAPACITOR CH 16V 47U	1		IC3105	MC74HC125AF	IC	1	
C3511	ECEV0JV470Q	E.CAPACITOR CH6.3V 47U	1		IC3107	TC7S66F	IC	1	
C3512	ECUM1E104ZFN	C.CAPACITOR CH 25V 0.1U	1		IC3108,09	NJM082BM	IC	2	
C3513	ECUM1H180JCN	C.CAPACITOR CH 50V 18P	1		IC3110	TC7S04F	IC	1	
C3514	ECUM1H150JCN	C.CAPACITOR CH 50V 15P	1		IC3111,12	74F244SJ	IC	2	
C3515,16	ECUM1E104ZFN	C.CAPACITOR CH 25V 0.1U	2		IC3113	T74LCX244F	IC	1	
C3520	ECEV0JV470Q	E.CAPACITOR CH6.3V 47U	1		IC3114	MC10H124M	IC	1	
C3521,22	ECUM1E104ZFN	C.CAPACITOR CH 25V 0.1U	2		IC3115-17	T74LCX244F	IC	3	
C3523-25	ECUM1H102JCN	C.CAPACITOR CH 50V 1000P	3		IC3118-20	T74VHC244F	IC	3	
C3601	ECUM1E104ZFN	C.CAPACITOR CH 25V 0.1U	1		IC3121	MC10H125M	IC	1	
C3602	ECUM1H103KBN	C.CAPACITOR CH 50V 0.01U	1		IC3122	T74LCX244F	IC	1	
C3605	ECUM1E104ZFN	C.CAPACITOR CH 25V 0.1U	1		IC3123-26	T74VHC245F	IC	4	
C3701,02	ECUM1E104ZFN	C.CAPACITOR CH 25V 0.1U	2		IC3127	TC7S66F	IC	1	
C3703	ECEV1CV100Q	E.CAPACITOR CH 16V 10U	1		IC3128	T74VHCT244F	IC	1	
C3704,05	ECUM1E104ZFN	C.CAPACITOR CH 25V 0.1U	2		IC3129	MC10H124M	IC	1	
C3706	ECEV1CV100Q	E.CAPACITOR CH 16V 10U	1		IC3130	TC7S66F	IC	1	
C3707,08	ECUM1E104ZFN	C.CAPACITOR CH 25V 0.1U	2		IC3131	T74VHC08F	IC	1	
C3709	ECEV1CV100Q	E.CAPACITOR CH 16V 10U	1		IC3132	TCVHC257F	IC	1	
C3710,11	ECUM1E104ZFN	C.CAPACITOR CH 25V 0.1U	2		IC3133	T74VHCT244F	IC	1	
C3712	ECEV0JV330Q	E.CAPACITOR CH6.3V 33U	1		IC3134-36	T74VHC244F	IC	3	
C3713,14	ECUM1E104ZFN	C.CAPACITOR CH 25V 0.1U	2		IC3137	TCVHC164F	IC	1	
C3715	ECEV0JV330Q	E.CAPACITOR CH6.3V 33U	1		IC3138	T74VHC74F	IC	1	
C3716,17	ECUM1E104ZFN	C.CAPACITOR CH 25V 0.1U	2		IC3139	TCVHC02F	IC	1	
C3718	ECEV0JV330Q	E.CAPACITOR CH6.3V 33U	1		IC3140	TC7S00F	IC	1	
C3719,20	ECUM1E104ZFN	C.CAPACITOR CH 25V 0.1U	2		IC3141-44	74ALS541SJ	IC	4	
C3721	ECEV0JV330Q	E.CAPACITOR CH6.3V 33U	1		IC3145	MC10H125M	IC	1	
C3722,23	ECUM1E104ZFN	C.CAPACITOR CH 25V 0.1U	2		IC3146,47	T74LCX244F	IC	2	
C3724	ECEV0JV330Q	E.CAPACITOR CH6.3V 33U	1		IC3148	T74VHC74F	IC	1	
C3725,26	ECUM1E104ZFN	C.CAPACITOR CH 25V 0.1U	2		IC3149,50	SN74ALS1051NS	IC	2	
C3727	ECEV0JV330Q	E.CAPACITOR CH6.3V 33U	1		IC3151,52	74ALS541SJ	IC	2	
C3731-33	ECUM1H331JCN	C.CAPACITOR CH 50V 330P	3		IC3153	74ALS245ASJ	IC	1	
C3741,42	ECUM1E104ZFN	C.CAPACITOR CH 25V 0.1U	2		IC3154	74AC139SJ	IC	1	
C3743	ECEV0JV330Q	E.CAPACITOR CH6.3V 33U	1		IC3156	T74VHC244F	IC	1	
C3744,45	ECUM1E104ZFN	C.CAPACITOR CH 25V 0.1U	2		IC3157	TC7S04F	IC	1	
C3746	ECEV0JV330Q	E.CAPACITOR CH6.3V 33U	1		IC3158	T74VHC244F	IC	1	

AJ-YA951E  
VEP83385B

Ref.No.	Part No.	Part Name & Description	Pcs	Remarks	Ref.No.	Part No.	Part Name & Description	Pcs	Remarks
IC3159-61	TCVHC257F	IC	3		R3168,69	ERJ6GEYG470	M.RESISTOR CH 1/10W 47	2	
IC3162	T74VHC74F	IC	1		R3171-75	ERJ6GEYG470	M.RESISTOR CH 1/10W 47	5	
IC3163,64	T74VHCT244F	IC	2		R3176	ERJ6GEYG101	M.RESISTOR CH 1/10W 100	1	
IC3165,66	T74VHC245F	IC	2		R3177-79	ERJ6GEYG470	M.RESISTOR CH 1/10W 47	3	
IC3167,68	T74VHC244F	IC	2		R3181,82	ERJ6GEYG470	M.RESISTOR CH 1/10W 47	2	
IC3169	TC7S04F	IC	1		R3185-88	ERJ6GEYG103	M.RESISTOR CH 1/10W 10K	4	
IC3171	TC7S04F	IC	1		R3189-92	ERJ6GEYJ471	M.RESISTOR CH 1/10W 470	4	
IC3172	TC7S32F	IC	1		R3193	ERJ6GEYG101	M.RESISTOR CH 1/10W 100	1	
IC3201	NJM78L09UA	IC	1		R3195-01	ERJ6GEYG470	M.RESISTOR CH 1/10W 47	7	
IC3202	NJM79L09UA	IC	1		R3202	ERJ6GEYG101	M.RESISTOR CH 1/10W 100	1	
IC3203	NJM78L05UA	IC	1		R3203-06	ERJ6GEYG470	M.RESISTOR CH 1/10W 47	4	
IC3204	XC62A50CXXP	IC	1		R3211	ERJ6GEYG101	M.RESISTOR CH 1/10W 100	1	
IC3205	XC62AP3202P	IC	1		R3212-19	ERJ6GEYG470	M.RESISTOR CH 1/10W 47	8	
IC3206	XC62AP2302P	IC	1		R3220	ERJ6GEYG101	M.RESISTOR CH 1/10W 100	1	
IC3207,08	XC62AP3202P	IC	2		R3221-28	ERJ6GEYG470	M.RESISTOR CH 1/10W 47	8	
IC3209	XC62AP2302P	IC	1		R3241-48	ERJ6GEYG103	M.RESISTOR CH 1/10W 10K	8	
IC3210,11	XC62AP3202P	IC	2		R3249	ERJ6GEYG101	M.RESISTOR CH 1/10W 100	1	
IC3501	M37709M4L165	IC	1		R3250-57	ERJ6GEYG103	M.RESISTOR CH 1/10W 10K	8	
IC3502	S80727ANDQ	IC	1		R3258	ERJ6GEYG101	M.RESISTOR CH 1/10W 100	1	
IC3503	T74VHC08F	IC	1		R3259,60	ERJ6GEY0R00	M.RESISTOR CH 1/10W 0	2	
IC3504	T74VHC04F	IC	1		R3271	ERJ6GEYG101	M.RESISTOR CH 1/10W 100	1	
IC3505	XC62AP3202P	IC	1		R3272-75	ERJ6GEYG103	M.RESISTOR CH 1/10W 10K	4	
IC3507,08	TC7S66F	IC	2		R3276-81	ERJ6GEYG101	M.RESISTOR CH 1/10W 100	6	
IC3601	M37709M4L165	IC	1		R3282,83	ERJ6GEYG470	M.RESISTOR CH 1/10W 47	2	
IC3603	T74VHC08F	IC	1		R3284	ERJ6GEYG101	M.RESISTOR CH 1/10W 100	1	
					R3285-87	ERJ6GEYG470	M.RESISTOR CH 1/10W 47	3	
L3101-06	VLQ0319K470	COIL 47UH	6		R3289-91	ERJ6GEYG470	M.RESISTOR CH 1/10W 47	3	
L3107	VLQ0163J3R9	COIL 3.9UH	1		R3292	ERJ6GEYG103	M.RESISTOR CH 1/10W 10K	1	
L3108	VLQ0319K470	COIL 47UH	1		R3294-02	ERJ6GEYF472	M.RESISTOR CH 1/10W 4.7K	9	
L3111	VLQ0163J1R5	COIL 1.5UH	1		R3303-06	ERJ6GEYG103	M.RESISTOR CH 1/10W 10K	4	
L3121-23	VLQ0319K100	COIL 10UH	3		R3311	ERJ6GEYG223	M.RESISTOR CH 1/10W 22K	1	
L3131,32	VLP0133	COIL	2		R3312-22	ERJ6GEY0R00	M.RESISTOR CH 1/10W 0	11	
L3501	VLQ0319K470	COIL 47UH	1		R3331	ERJ6GEYG103	M.RESISTOR CH 1/10W 10K	1	
					R3332	ERJ6GEYG331	M.RESISTOR CH 1/10W 330	1	
P3001,02	VJP3454B096	CONNECTOR (MALE)	2		R3333,34	ERJ6GEYG332	M.RESISTOR CH 1/10W 3.3K	2	
P3003	VJP3418B060	CONNECTOR (MALE)	1		R3335-38	ERJ6GEYG103	M.RESISTOR CH 1/10W 10K	4	
					R3339-42	ERJ6GEYJ471	M.RESISTOR CH 1/10W 470	4	
Q3001	2SC2295-B	TRANSISTOR	1		R3351	ERJ6GEYG103	M.RESISTOR CH 1/10W 10K	1	
Q3501	2SB709A-R	TRANSISTOR	1		R3352	ERJ6GEYG470	M.RESISTOR CH 1/10W 47	1	
					R3353	ERJ6GEYG105	M.RESISTOR CH 1/10W 1M	1	
QR3501	UN2214	TRANSISTOR-RESISTOR	1		R3361,62	ERJ6GEY0R00	M.RESISTOR CH 1/10W 0	2	
					R3363	ERJ6GEYG102	M.RESISTOR CH 1/10W 1K	1	
R3101,02	ERJ6GEY0R00	M.RESISTOR CH 1/10W 0	2		R3364	ERJ6GEYG223	M.RESISTOR CH 1/10W 22K	1	
R3103-08	ERJ6GEYG103	M.RESISTOR CH 1/10W 10K	6		R3365-69	ERJ6GEY0R00	M.RESISTOR CH 1/10W 0	5	
R3109	ERJ6GEYG101	M.RESISTOR CH 1/10W 100	1		R3370,71	ERJ6GEYG103	M.RESISTOR CH 1/10W 10K	2	
R3110-13	ERJ6GEYG103	M.RESISTOR CH 1/10W 10K	4		R3372-74	ERJ6GEYG273	M.RESISTOR CH 1/10W 27K	3	
R3114	ERJ6GEYG101	M.RESISTOR CH 1/10W 100	1		R3382	ERJ6GEYG103	M.RESISTOR CH 1/10W 10K	1	
R3115	ERJ6GEYG103	M.RESISTOR CH 1/10W 10K	1		R3383	ERJ6GEYG101	M.RESISTOR CH 1/10W 100	1	
R3117	ERJ6GEY0R00	M.RESISTOR CH 1/10W 0	1		R3384-89	ERJ6GEYF472	M.RESISTOR CH 1/10W 4.7K	6	
R3118,19	ERJ6GEYG103	M.RESISTOR CH 1/10W 10K	2		R3390	ERJ6GEYG101	M.RESISTOR CH 1/10W 100	1	
R3121	ERJ6GEY0R00	M.RESISTOR CH 1/10W 0	1		R3393	ERJ6GEYF561	M.RESISTOR CH 1/10W 560	1	
R3123,24	ERJ6GEYG101	M.RESISTOR CH 1/10W 100	2		R3394	ERJ6GEYG391	M.RESISTOR CH 1/10W 390	1	
R3125-30	ERJ6GEYF472	M.RESISTOR CH 1/10W 4.7K	6		R3397	ERJ6GEYF561	M.RESISTOR CH 1/10W 560	1	
R3132	ERJ6GEY0R00	M.RESISTOR CH 1/10W 0	1		R3398	ERJ6GEYG391	M.RESISTOR CH 1/10W 390	1	
R3141,42	ERJ6GEY0R00	M.RESISTOR CH 1/10W 0	2		R3399	ERJ6GEYG103	M.RESISTOR CH 1/10W 10K	1	
R3143	ERJ6GEYF473	M.RESISTOR CH 1/10W 47K	1		R3400	ERJ6GEYG222	M.RESISTOR CH 1/10W 2.2K	1	
R3145	ERJ6GEYF123	M.RESISTOR CH 1/10W 12K	1		R3401	ERJ6GEYF393	M.RESISTOR CH 1/10W 39K	1	
R3146,47	ERJ6GEYG103	M.RESISTOR CH 1/10W 10K	2		R3404	ERJ6GEYF561	M.RESISTOR CH 1/10W 560	1	
R3148	ERJ6GEYG273	M.RESISTOR CH 1/10W 27K	1		R3405	ERJ6GEYG391	M.RESISTOR CH 1/10W 390	1	
R3149	ERJ6GEYG105	M.RESISTOR CH 1/10W 1M	1		R3411	ERJ6GEYG101	M.RESISTOR CH 1/10W 100	1	
R3150	ERJ6GEYG102	M.RESISTOR CH 1/10W 1K	1		R3422	ERJ6GEY0R00	M.RESISTOR CH 1/10W 0	1	
R3152,53	ERJ6GEYG103	M.RESISTOR CH 1/10W 10K	2		R3424-27	ERJ6GEYG102	M.RESISTOR CH 1/10W 1K	4	
R3154	ERJ6GEYG223	M.RESISTOR CH 1/10W 22K	1		R3428	ERJ6GEYG103	M.RESISTOR CH 1/10W 10K	1	
R3155	ERJ6GEYG272	M.RESISTOR CH 1/10W 2.7K	1		R3429-31	ERJ6GEYG102	M.RESISTOR CH 1/10W 1K	3	
R3156	ERJ6GEYG331	M.RESISTOR CH 1/10W 330	1		R3434-36	ERJ6GEYG103	M.RESISTOR CH 1/10W 10K	3	
R3157	ERJ6GEYG103	M.RESISTOR CH 1/10W 10K	1		R3437	ERJ6GEYG101	M.RESISTOR CH 1/10W 100	1	
R3158	ERJ6GEYG105	M.RESISTOR CH 1/10W 1M	1		R3454	ERJ6GEYG103	M.RESISTOR CH 1/10W 10K	1	
R3159	ERJ6GEYJ471	M.RESISTOR CH 1/10W 470	1		R3456	ERJ6GEYG102	M.RESISTOR CH 1/10W 1K	1	
R3160	ERJ6GEY0R00	M.RESISTOR CH 1/10W 0	1		R3461	ERJ6GEY0R00	M.RESISTOR CH 1/10W 0	1	
R3161	ERJ6GEYF473	M.RESISTOR CH 1/10W 47K	1		R3463,64	ERJ6GEYG101	M.RESISTOR CH 1/10W 100	2	
R3162,63	ERJ6GEYG103	M.RESISTOR CH 1/10W 10K	2		R3471	ERJ6GEY0R00	M.RESISTOR CH 1/10W 0	1	
R3164	ERJ6GEYG223	M.RESISTOR CH 1/10W 22K	1		R3472	ERJ6GEYG271	M.RESISTOR CH 1/10W 270	1	
R3165	ERJ6GEYG105	M.RESISTOR CH 1/10W 1M	1		R3473	ERJ6GEYG101	M.RESISTOR CH 1/10W 100	1	
R3166	ERJ6GEYG102	M.RESISTOR CH 1/10W 1K	1		R3481	ERJ6GEY0R00	M.RESISTOR CH 1/10W 0	1	
R3167	ERJ6GEYG101	M.RESISTOR CH 1/10W 100	1		R3483-88	ERJ6GEYG101	M.RESISTOR CH 1/10W 100	6	



AJ-YA951E  
VEP83385B

Ref.No.	Part No.	Part Name & Description	Pcs	Remarks	Ref.No.	Part No.	Part Name & Description	Pcs	Remarks
R3491,92	ERJ6GEY0R00	M.RESISTOR CH 1/10W 0	2		R3763-66	ERJ6GEYG103	M.RESISTOR CH 1/10W 10K	4	
R3495	ERJ6GEY0R00	M.RESISTOR CH 1/10W 0	1		R3767-74	ERJ6GEYG272	M.RESISTOR CH 1/10W 2.7K	8	
R3499	ERJ6GEY0R00	M.RESISTOR CH 1/10W 100	1		R3775	ERJ6GEY0R00	M.RESISTOR CH 1/10W 100	1	
R3501	ERJ6GEY0R00	M.RESISTOR CH 1/10W 1K	1		R3776	ERJ6GEY0R00	M.RESISTOR CH 1/10W 0	1	
R3502,03	ERJ6GEYG222	M.RESISTOR CH 1/10W 2.2K	2		R3777	ERJ6GEYG103	M.RESISTOR CH 1/10W 10K	1	
R3504,05	ERJ6GEYG101	M.RESISTOR CH 1/10W 100	2		R3781-88	ERJ6GEYG103	M.RESISTOR CH 1/10W 10K	8	
R3506,07	ERJ6GEYF472	M.RESISTOR CH 1/10W 4.7K	2		R3789-94	ERJ6GEY0R00	M.RESISTOR CH 1/10W 100	6	
R3508-10	ERJ6RBD472	M.RESISTOR CH 1/10W 4.7K	3		R3795-09	ERJ6GEYF472	M.RESISTOR CH 1/10W 4.7K	15	
R3511	ERJ6GEYF473	M.RESISTOR CH 1/10W 47K	1		R3811-13	ERJ6GEY0R00	M.RESISTOR CH 1/10W 0	3	
R3512-14	ERJ6GEYG102	M.RESISTOR CH 1/10W 1K	3		R3815,16	ERJ6GEY0R00	M.RESISTOR CH 1/10W 0	2	
R3515	ERJ6GEYF473	M.RESISTOR CH 1/10W 47K	1		R3818	ERJ6GEY0R00	M.RESISTOR CH 1/10W 0	1	
R3517-19	ERJ6GEYG102	M.RESISTOR CH 1/10W 1K	3		R3820	ERJ6GEY0R00	M.RESISTOR CH 1/10W 0	1	
R3520	ERJ6GEYG103	M.RESISTOR CH 1/10W 10K	1		R3823,24	ERJ6GEYG101	M.RESISTOR CH 1/10W 100	2	
R3521,22	ERJ6GEY0R00	M.RESISTOR CH 1/10W 0	2		R3825-32	ERJ6GEY0R00	M.RESISTOR CH 1/10W 0	8	
R3523	ERJ6GEYG102	M.RESISTOR CH 1/10W 1K	1		R3851,52	ERJ6GEYG103	M.RESISTOR CH 1/10W 10K	2	
R3524	ERJ6GEYF473	M.RESISTOR CH 1/10W 47K	1		R3853	ERJ6GEYG331	M.RESISTOR CH 1/10W 330	1	
R3525	ERJ6GEYG105	M.RESISTOR CH 1/10W 1M	1		R3854,55	ERJ6GEYG273	M.RESISTOR CH 1/10W 27K	2	
R3527,28	ERJ6GEYG102	M.RESISTOR CH 1/10W 1K	2		R3861-66	ERJ6GEYG101	M.RESISTOR CH 1/10W 100	6	
R3529	ERJ6GEY0R00	M.RESISTOR CH 1/10W 0	1		R3869-84	ERJ6GEY0R00	M.RESISTOR CH 1/10W 100	16	
R3530	ERJ6GEYF472	M.RESISTOR CH 1/10W 4.7K	1		R3885	ERJ6GEYG470	M.RESISTOR CH 1/10W 47	1	
R3531,32	ERJ6GEYG103	M.RESISTOR CH 1/10W 10K	2		R3887,88	ERJ6GEY0R00	M.RESISTOR CH 1/10W 100	2	
R3533	ERJ6GEYF472	M.RESISTOR CH 1/10W 4.7K	1		R3889	ERJ6GEYF470	M.RESISTOR CH 1/10W 47	1	
R3534	ERJ6GEYG103	M.RESISTOR CH 1/10W 10K	1		R3890,91	ERJ6GEY0R00	M.RESISTOR CH 1/10W 100	2	
R3535,36	ERJ6GEY0R00	M.RESISTOR CH 1/10W 0	2		R3892-07	ERJ6GEYF470	M.RESISTOR CH 1/10W 47	16	
R3537	ERJ6GEYG105	M.RESISTOR CH 1/10W 1M	1		R3908	ERJ6GEY0R00	M.RESISTOR CH 1/10W 100	1	
R3538	ERJ6GEYG271	M.RESISTOR CH 1/10W 270	1		SW3101	VSS0367-04TB	SWITCH	1	
R3539,40	ERJ6GEY0R00	M.RESISTOR CH 1/10W 0	2		SW3102	VSS0367-08	SWITCH	1	
R3541,42	ERJ6GEYG102	M.RESISTOR CH 1/10W 1K	2		TG3101	VJR0646	TEST POINT	1	
R3544	ERJ6GEYG104	M.RESISTOR CH 1/10W 100K	1		TG3102	EYF6CU	TEST POINT	1	
R3545	ERJ6GEY0R00	M.RESISTOR CH 1/10W 0	1		TG3501	EYF6CU	TEST POINT	1	
R3546	ERJ6GEYG104	M.RESISTOR CH 1/10W 100K	1		TP3101-06	EYF6CU	TEST POINT	6	
R3547	ERJ6GEY0R00	M.RESISTOR CH 1/10W 0	1		TP3108-12	EYF6CU	TEST POINT	5	
R3548	ERJ6GEYG104	M.RESISTOR CH 1/10W 100K	1		TP3113	VJR0646	TEST POINT	1	
R3549	ERJ6GEYG103	M.RESISTOR CH 1/10W 10K	1		TP3114	EYF6CU	TEST POINT	1	
R3551	ERJ6GEY0R00	M.RESISTOR CH 1/10W 0	1		TP3501,02	EYF6CU	TEST POINT	2	
R3552	ERJ6GEYG102	M.RESISTOR CH 1/10W 1K	1		TP3601,02	EYF6CU	TEST POINT	2	
R3555,56	ERJ6GEY0R00	M.RESISTOR CH 1/10W 0	2		VC3001	ECV1Z2W50X53T	TRIMMER	1	
R3572-74	ERJ6GEYG102	M.RESISTOR CH 1/10W 1K	3		VR3101-03	EVMEGSA00B24	V.RESISTOR 20K	3	
R3576-94	ERJ6GEY0R00	M.RESISTOR CH 1/10W 0	19		X3102	VSX0789	CRYSTAL OSCILLATOR	1	
R3597,98	ERJ6GEY0R00	M.RESISTOR CH 1/10W 0	2		X3103	VSX0645-B	CRYSTAL OSCILLATOR	1	
R3601,02	ERJ6GEYF472	M.RESISTOR CH 1/10W 4.7K	2		X3501	VSX0637-T	CRYSTAL OSCILLATOR	1	
R3603-07	ERJ6GEYG102	M.RESISTOR CH 1/10W 1K	5				MISCELLANEOUS		
R3609,10	ERJ6GEYG102	M.RESISTOR CH 1/10W 1K	2			VMS4913	PIN	3	
R3612,13	ERJ6GEY0R00	M.RESISTOR CH 1/10W 0	2			XYN3+K6	SCREW	6	
R3614	ERJ6GEYG102	M.RESISTOR CH 1/10W 1K	1						
R3615	ERJ6GEY0R00	M.RESISTOR CH 1/10W 0	1						
R3616,17	ERJ6GEYG102	M.RESISTOR CH 1/10W 1K	2						
R3618	ERJ6GEYF473	M.RESISTOR CH 1/10W 47K	1						
R3621,22	ERJ6GEY0R00	M.RESISTOR CH 1/10W 0	2						
R3623,24	ERJ6GEYG102	M.RESISTOR CH 1/10W 1K	2						
R3625	ERJ6GEYG104	M.RESISTOR CH 1/10W 100K	1						
R3627	ERJ6GEYG104	M.RESISTOR CH 1/10W 100K	1						
R3628	ERJ6GEY0R00	M.RESISTOR CH 1/10W 0	1						
R3629	ERJ6GEYG104	M.RESISTOR CH 1/10W 100K	1						
R3632,33	ERJ6GEY0R00	M.RESISTOR CH 1/10W 0	2						
R3639-49	ERJ6GEY0R00	M.RESISTOR CH 1/10W 0	11						
R3651	ERJ6GEY0R00	M.RESISTOR CH 1/10W 0	1						
R3652,53	ERJ6GEYG222	M.RESISTOR CH 1/10W 2.2K	2						
R3654,55	ERJ6GEYG101	M.RESISTOR CH 1/10W 100	2						
R3656,57	ERJ6GEYG103	M.RESISTOR CH 1/10W 10K	2						
R3673-75	ERJ6GEY0R00	M.RESISTOR CH 1/10W 0	3						
R3701	ERJ6GEY0R00	M.RESISTOR CH 1/10W 0	1						
R3703	ERJ6GEY0R00	M.RESISTOR CH 1/10W 0	1						
R3708	ERJ6GEY0R00	M.RESISTOR CH 1/10W 0	1						
R3709	ERJ6GEYG102	M.RESISTOR CH 1/10W 1K	1						
R3710	ERJ6GEYG103	M.RESISTOR CH 1/10W 10K	1						
R3722	ERJ6GEYG470	M.RESISTOR CH 1/10W 47	1						
R3725-32	ERJ6GEYG470	M.RESISTOR CH 1/10W 47	8						
R3737-39	ERJ6GEYG103	M.RESISTOR CH 1/10W 10K	3						
R3743-46	ERJ6GEYG103	M.RESISTOR CH 1/10W 10K	4						
R3747-51	ERJ6GEYG470	M.RESISTOR CH 1/10W 47	5						
R3752	ERJ6GEYG102	M.RESISTOR CH 1/10W 1K	1						
R3753	ERJ6GEYG103	M.RESISTOR CH 1/10W 10K	1						
R3754	ERJ6GEYG102	M.RESISTOR CH 1/10W 1K	1						
R3761,62	ERJ6GEYG101	M.RESISTOR CH 1/10W 100	2						

**⚠ WARNING**

This service information is designed for experienced repair technicians only and is not designed for use by the general public. It does not contain warnings or cautions to advise non-technical individuals of potential dangers in attempting to service a product. Products powered by electricity should be serviced or repaired only by experienced professional technicians. Any attempt to service or repair the product or products deal with in this service manual by anyone else could result in serious injury or death.

# Service Manual

**DVCPRO 50**

**DVCPRO P**

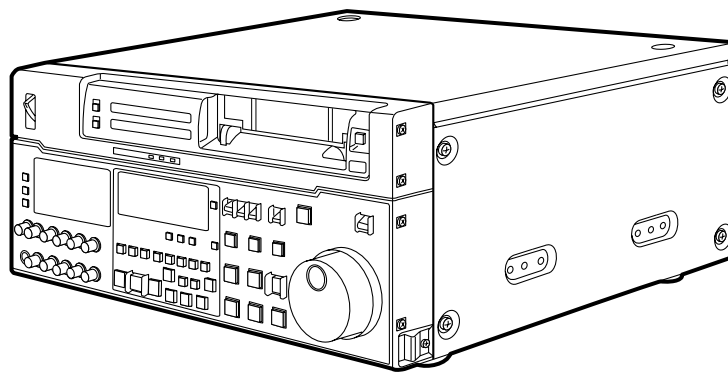
DVCPRO Studio VTR

**AJ-D950<sub>P/E</sub>**

**AJ-PD950<sub>P</sub>**

Analog Video Interface Kit

**AJ-YA951<sub>E</sub>**



**Panasonic**

### 3. Maintenance & Mechanical Adjustment

#### 3-1. Maintenance Parts Chart

	Name	Part No.	Hours of Use (unit hours)					
			2,000	4,000	6,000	8,000	10,000	12,000
	Tape Path Cleaning	—	"C" Clean the Tape Path at each 500 hours					
1	Cylinder Unit	VEG1457	R	R	R	R	R	r
2	Pinch Arm Unit	VXL2835	R *1	R*1	R*1	R*1	R*1	r
3	Cleaning Arm Unit	VXL2748	R	R	R	R	R	r
4	S Reel Motor A Unit	VEM0635		R		R		r
5	T Reel Motor A Unit	VEM0636		R		R		r
6	Thrust Screw Unit	VXQ0556		R		R		r
7	S Loading Arm Unit	VXL2812			R			r
8	T1 Boat Unit A	VXA6108			R			r
9	S Post Base A Unit	VXA6052			R			r
10	Tension Arm S Unit	VXL2832			R			r
11	Cassette Compartment	VXA6070						r
12	Mech. Chassis Unit	VXY1318Z1						R
13	Fan Motor	VRF0193	Replace the Fan Motor at each 10,000 hours <b><i>Operation Time.</i></b>					

**Note:** Hours of Use are based on the head rotation hours.

Hours of Use are recommendation. It may depend on temperature, humidity or dust.

Hours of Use are listed as the reference of maintenance. They do not mean guaranteed hours.

"R": These parts are replacement parts.

"r": These parts are included in Mech. Chassis Unit. Replacing Mech. Chassis Unit is recommended.

\*1. The lubrication is necessary when replacing the Pinch Arm Unit. (Use Molytone Grease.)

"C": This mark means cleaning is necessary. Detail cleaning procedures are written in Service Manual.

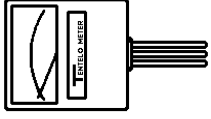
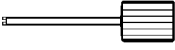
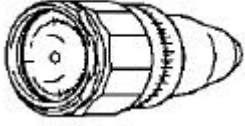



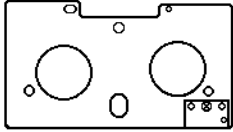
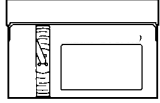
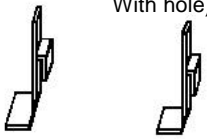
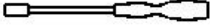



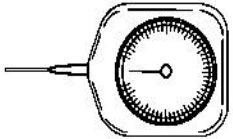



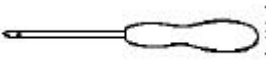


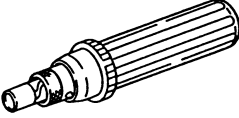
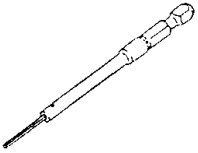
The following parts are included in the mechanism chassis. Therefore usual replacement is not necessary if the mechanism chassis is replaced.

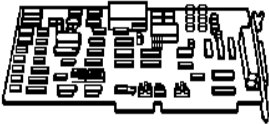
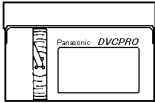
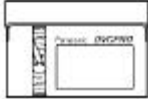
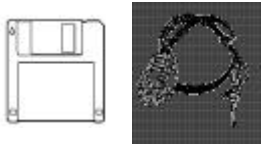
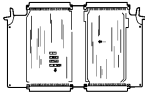
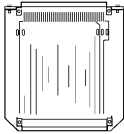
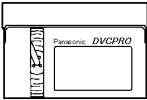
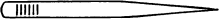
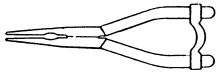

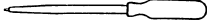

No.	Name	Part No.	2000H	4000H	6000H	12000H
14	A/C Head	VED0419				r
15	Loading Motor (1) A Unit	VEM0645				r
16	Reel Drive Motor Unit	VEM0585				r
17	Mode Switch Unit	VES0814				r
18	Pinch Solenoid	VSJ0227				r
19	S Brake Solenoid	VSJ0216				r
20	T Brake Solenoid	VSJ0216				r
21	Thinner Tape Detection Switch	VXA6119				r
22	Cleaner Solenoid	VSJ0226				r
23	Main Cam Gear	VDG1168				r
24	Brake Solenoid (M Stopper)	VSJ0216				r
25	Slot In Motor	VXA5597				r



### 3-2. Jigs and Tools List

No.	Item	Part No.	Name	Remark
1	Jigs	VFK1145	Back Tension Meter (T2-M30-P)	
2		VFK1149	Post Driver	
3		VFK71	Dial Torque Gauge (150 g)	
4		VFK1191	Dial Torque Gauge (45g)	
5		VFK1152	Dial Torque Gauge Adapter	
6		VFK0357	Eccentric Screwdriver (1.5)	
7		VFK1154	Post Height Fixture	
8		VFK1153	Mech Neutral Plate(Post)	
9		VFK1369	Tape Sensor Adjustment Cassette (L)	
10		VFK1155	REV Position Tool (Gold or White color)	
11		VFK1156	PLAY Position Tool (Black color)	
12		VFK1208	Neutral Position tool (Black, with hole)	
13		VFK1150	Nut Driver (5.5mm)	
14		VFK1151	Nut Driver (2.5mm)	
15		VFK1188	Dial Tension Gauge (30g)	
16		VFK0948	Check Light	
17		VFK0749	Froiral Grease(White) (for plastic part)	
18		M0R265	Morlytone Grease(Black) (for metal part)	
19		VFK1146	Philips Driver (00-75)	
20		VFK1147	Philips Driver (0-100)	
21		VFK1148	Hex. Wrench (1.5)	
22		VFK1178	Hex. Wrench (0.89)	
23		VFK1179	Hex. Wrench (0.71)	
24		VFK1190	Hex. Wrench	
25		VFK1209	Torque Driver(0.4-3Kg)	
26		VFK0912	Post Axis Driver(1.5mm)	
27		VFK1300	A/D Board (DAQ-12 Quatech)	
28		VFM3580KM	Alignment Tape (No.1)	
29		VFM3581KM	Alignment Tape (No.2)	
30		VFM3582KM	Alignment Tape (No.3)	
31		AJ-CL12MP	Cleaning Tape	SALES
32		VFK1420	LISTA Software	<b>NEW!</b>
33		VFK1186	LISTA Cable	
34		VFK1192	Extension Board	
35		VFK1383	Extension Board (2)	<b>NEW!</b> F4, F5
36		VFK1193	Extension Board (H)	
37			Alignment Tape (50M confirmation)	<b>NEW!</b>
38		VFK0369	Tweezers	
39		VFK0371	Radio Prier	
40		VFK0372	Cutter Prier	
41		VFK0338	Trimmer Adjustment Driver	
42		VFK0337	Philips Driver	
43		VFK0906	Grease	
44				
45				
46				
47				
48				
49				
50				

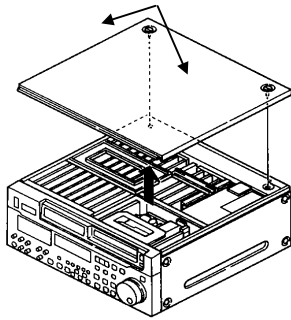
<p>1 Back Tension Meter</p>  <p>Model:T2-M30-P</p>	<p>2 Post Driver</p> 	<p>3 Torque Gauge (150g)</p> <p>4 Torque Gauge (45g)</p> 	<p>5 Dial Torque Gauge Adapter</p> 
<p>6 Eccentric Screwdriver</p> 	<p>7 Post Height Fixture</p> 	<p>8 Mech Neutral Plate (Post)</p> 	<p>9 Mech Neutral Plate (cassette)</p> 
<p>10 (REV, Gold)</p> <p>11 (PLAY, Black)</p> <p>12 (Neutral, Black</p> <p>With hole)</p> 	<p>13 Nut Driver(5.5mm)</p>  <p>5.5mm</p> 	<p>14 Nut Driver(2.5mm)</p>  <p>2.5mm</p> 	<p>15 Dial Tension Gauge</p> 
<p>16 Check Light</p> 	<p>17 Froiral Grease(White) (for plastic part)</p> 	<p>18 Morlytone Grease (Black) (for metal part)</p> 	<p>19 (00 x 75)</p> <p>20 (0 x 100)</p> <p>Philips Driver</p> 
<p>21 Hex. Driver (1.5mm)</p> <p>22 Hex. Driver (0.89mm)</p> <p>23 Hex. Driver (0.71mm)</p> 	<p>24 Hex. Driver (1.5mm)</p> 	<p>25 Torque Driver(0.4-3Kg)</p> 	<p>26 Post Axis Driver (1.5mm)</p> 

<p>27 A/D Converter Board (DAQ-12 Quatech)</p> 	<p>28 Alignment Tape No.1 29 Alignment Tape No.2 30 Alignment Tape No.3</p> 	<p>31 Cleaning Tape</p> 	<p>32 LISTA Software 33 LISTA Cable</p> 
<p>34 F Extension Board 35 F Extension Board (2)</p> 	<p>36 H Extension Board</p> 	<p>37 Alignment Tape (50M)</p> 	
<p>38 Tweezers</p> 	<p>39 Radio Prier</p> 	<p>40 Cutter Prier</p> 	<p>41 Trimmer Adjustment Driver</p> 
<p>42 Philips Driver</p> 	<p>43 Grease</p>	<p>46</p>	<p>47</p>
<p>48</p>	<p>49</p>	<p>50</p>	

### 3-3. Disassembly Method

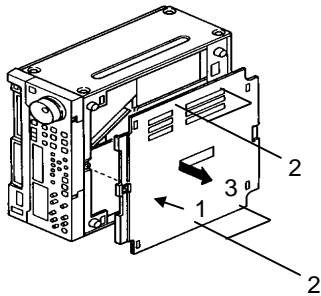
#### 3-3-1. Removal of Top Panel

Loosen 2 screws.



Loosen 2 screws and remove the top panel.

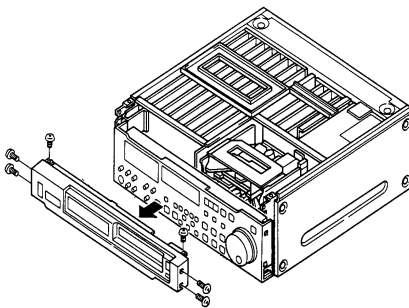
#### 3-3-2. Removal of Bottom Panel



- (1) Loosen the screw 1.
- (2) Remove the 4 screws numbered 2.
- (3) Slide the bottom panel and remove it.

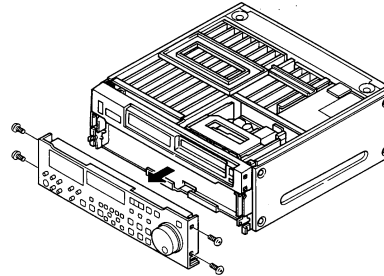
#### 3-3-3. Removal of Upper Front Panel

- (1) Remove the 4 screws at right and left, then draw the upper front panel.



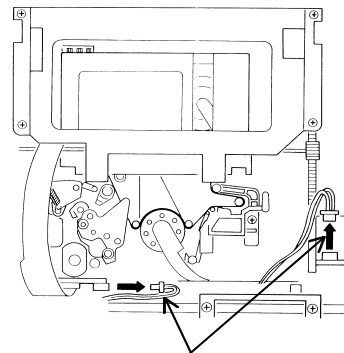
#### 3-3-4. Removal of Front Panel

- (1) Remove the 4 screws at left and right. Then draw it and remove the connector and remove the Front Panel.



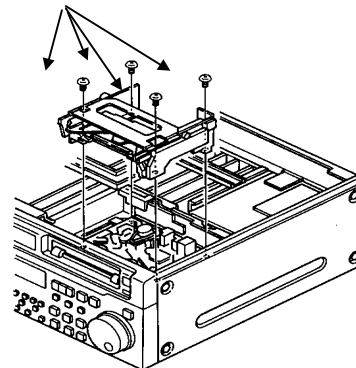
#### 3-3-5. Removal of Front Loading Unit

- (1) Remove the connectors at front loading motor and interconnection board. Then rotate the emergency eject gear (red) counterclockwise until the screw which is used to fix the front loading u can be seen.



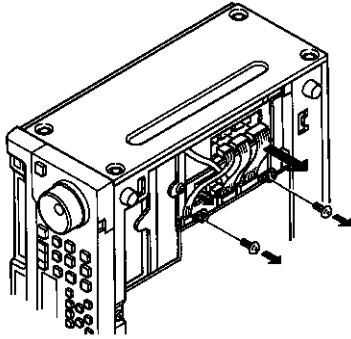
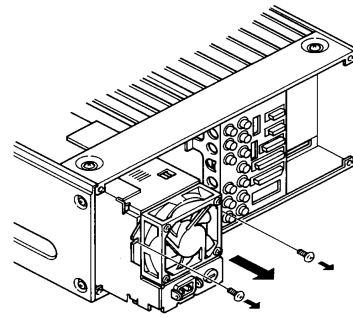
Remove 2 connectors.

- (2) Remove the 4 screws of the loading unit as shown below.

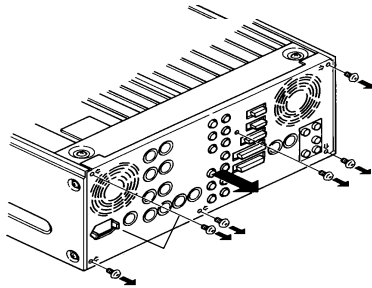


### 3-3-6. Removal of Power Supply Unit

- (1) Remove 5 connectors with the Power Supply unit on the VTR bottom side.
- (2) Remove 2 screws with the Power Supply unit on the VTR bottom side.



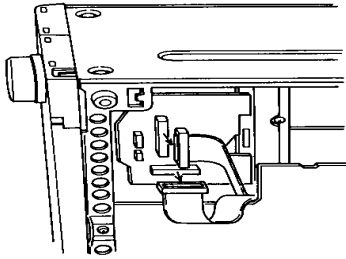
- (3) Remove 1 screw with the Power Supply unit on the VTR top side.



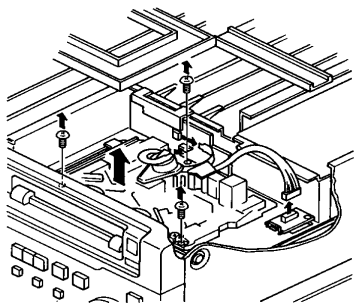
- (2) Remove 2 screws at VTR Rear panel which are used to fix the Power supply unit.

### 3-3-7. Removal of Mechanism Unit

1. Remove the front loading unit.
2. Remove the connector P1 and P2 which are connected to mech interface at VTR bottom.

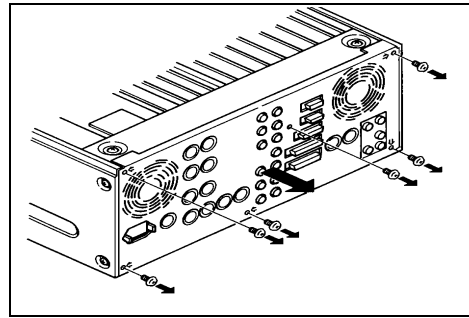


Remove the A/C Head cable from the intermediate point, and remove the P5003 and P5002 which are connected between the cylinder unit and Head Buffer board. Then remove the 3 screws and remove the mechanism unit.

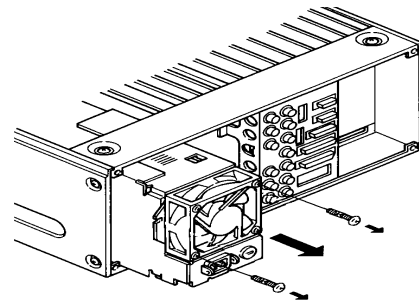


### 3-3-8. Removal of Fan Motor

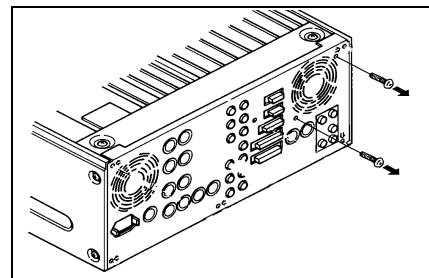
1. Remove the Rear Jack by removing 7 screws.



2. Remove 2 screws and Power 2 connector P14 then remove the fan motor.



3. Remove 2 screws and mother board connector P32, then remove fan motor.



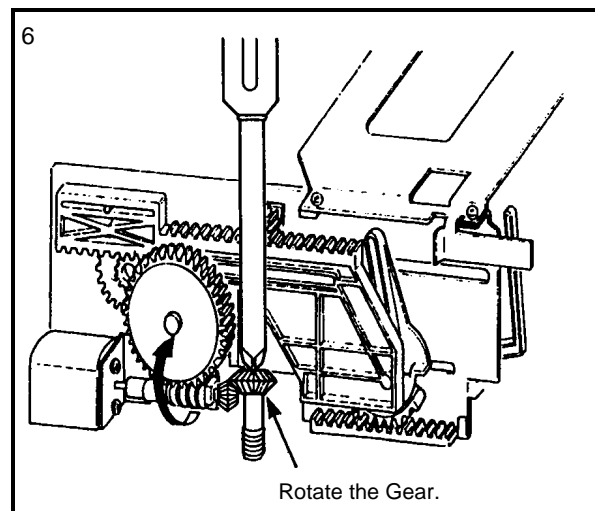
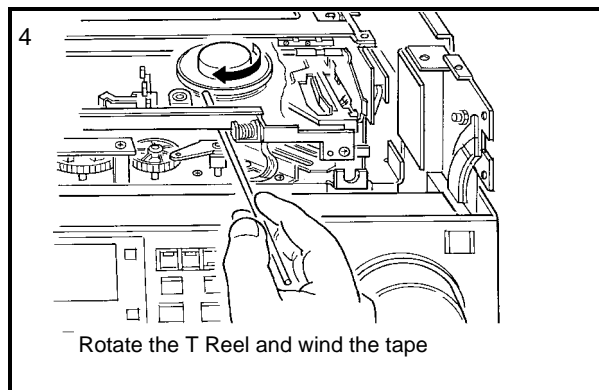
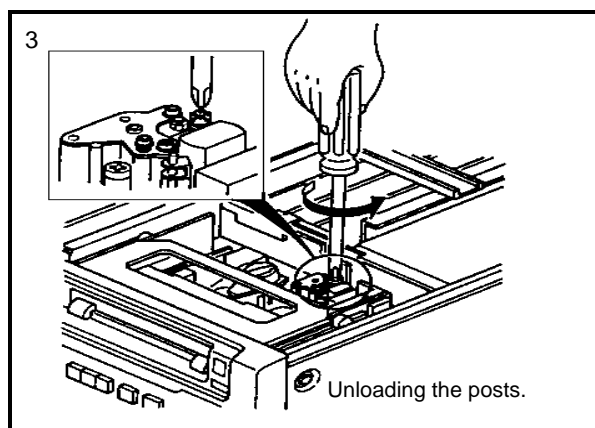
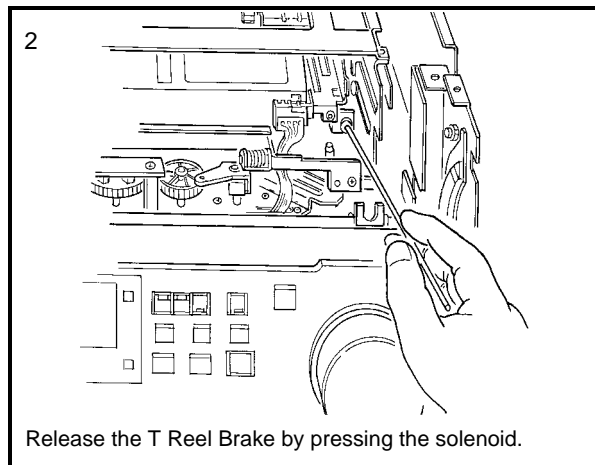
### 3-4. Manual Tape Eject

When a tape can not be ejected, because of Power failure or mechanical tape damage, remove the tape manually.

1. Turns power off and remove the top panel and front upper and front bottom panel.
2. Release the Reel brake by pressing the iron axis of the T Reel Brake Solenoid. This is done by a thin stick from the VTR front.
3. Rotate the red plastic screw by a Phillips - head screwdriver to Counterclockwise (CCW ) keep pushing the screw. It needs to rotate about 30 times rotation until starting to move.
4. When the post is unloaded, the tape loosens, so take-up reel must be wound the tape to protect tape loosen.

The tape wind method is ; inserting a wood stick (non magnetized) between the cassette and mechanism chassis from the front and rotate the T Reel to the tape wind direction.

5. Repeat item 3 and 4 until the tape in wound completely inside of the cassette.
6. When the tape is completely inside of the cassette, rotate the worm gear of the cassette down motor and remove the cassette. Take care so that the cassette cover does not bite the tape when the cover is closed.



### 3-5. Cleaning Procedures

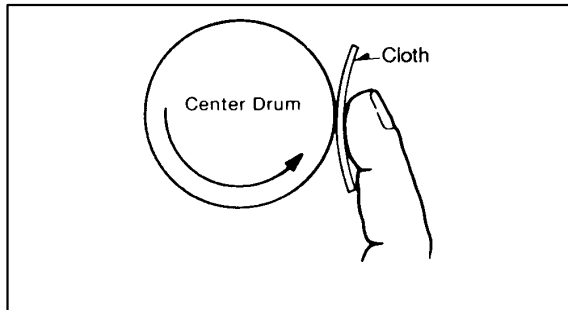
**Note:** Turns power off during cleaning.

Make sure the power is OFF before cleaning.

Use ethanol (more than 99% purity) as cleaning liquid.

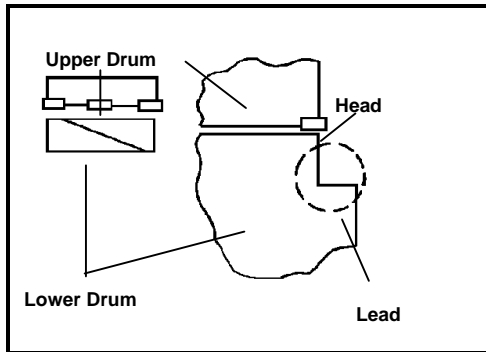
#### 3-5-1. Cleaning of Head Chips: (Daily)

Clean heads by applying even pressure and rotating cylinder a few times. Never wipe in up and down motion. Never touch a cylinder by naked hand. First wipe with a cloth soaked by cleaning liquid. Then wipe with dry cloth.



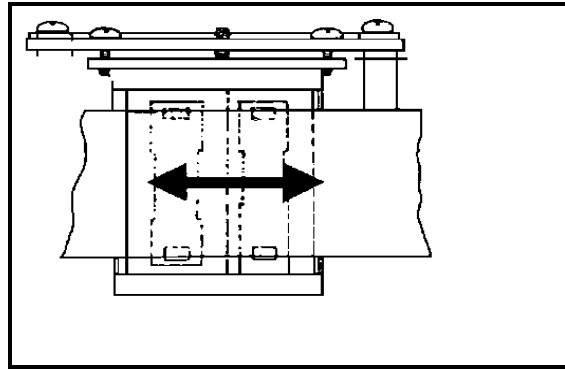
#### 3-5-2. Cleaning of Drum Lead: (Weekly)

Be careful not to touch a head chip. Clean the drum lead with a pick.



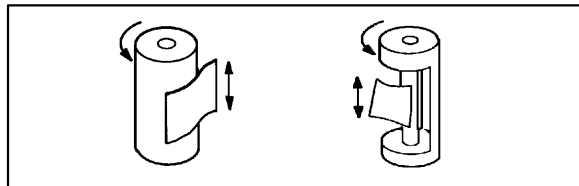
#### 3-5-3. Cleaning of A/C Head: (Weekly)

Wipe the A/C head with a cloth soaked by cleaning liquid. Wipe again with a dry cloth.



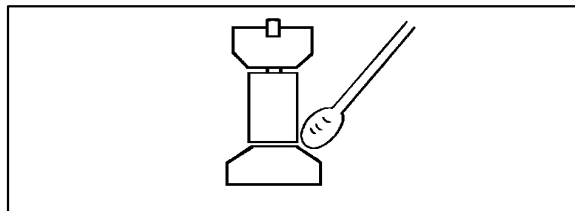
#### 3-5-4. Cleaning of Pinch Roller and Capstan: (Weekly)

Wipe the Pinch Roller and Capstan with a cloth soaked by cleaning liquid.



#### 3-5-5. Cleaning of Post: (Weekly)

Wind a cloth on a pick. Wipe each post dry with that pick. Wipe again with a dry cloth. For metal posts wipe with cleaning liquid. Then wipe dry again.

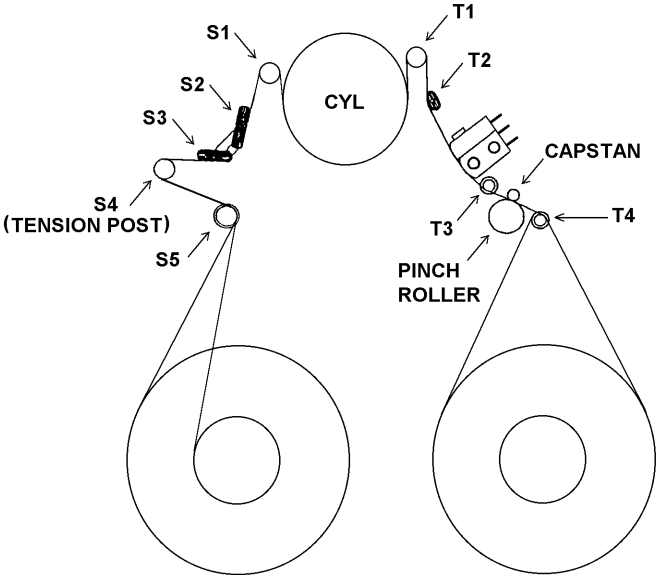


Note: Use the clean cloth for cleaning purpose. Do not use any dirty cloth.



### 3-6. Mechanism Adjustment

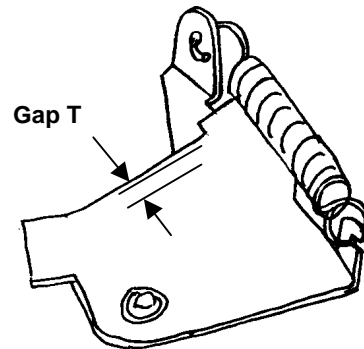
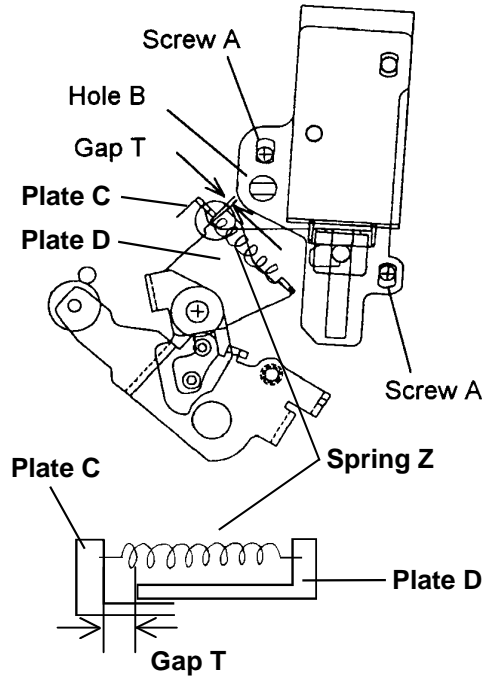
#### 3-6-1. Name of tape transportation



### 3-6-2. Pinch Solenoid Position Adjustment

<b>Specificatio</b>	T = 0.3mm
<b>Test Point</b>	Space at T portion
<b>Adjustment</b>	A, B
<b>Mode</b>	EJECT (Power Off)
<b>Tool</b>	VFK0357 (Eccentric Driver)

1. Turns power off.
2. Close the pinch roller to the capstan shaft.
3. Press the pinch solenoid by your hand and touch the pinch roller with the capstan shaft.
4. Loosen the 2 screw A and adjust B portion so that the Gap T is in the specification by VFK0357.
5. Tighten the 2 screw A after adjustment.

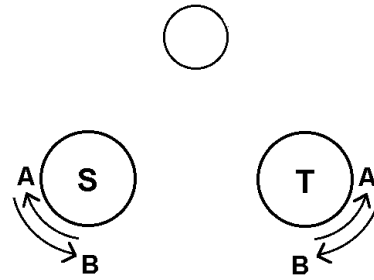


### 3-6-3. Main Brake Torque Confirmation

<b>Specification</b>	A: more than 80g B: more than 15g
<b>Test Point</b>	S Reel, T Reel
<b>Mode</b>	EJECT (Power OFF)
<b>Tool</b>	VFK71(150g),VFK1191(45g),VFK115

1. Remove the cassette compartment.
2. Attach the Adaptor (VKK1152) with the torque meter.
3. Attach the torque meter with the S Reel table and rotate it to A direction (CW).
4. Confirm the reel torque is in the specification when the brake is released and the reel starts rotation.
5. Confirm T Reel torque in the same way with S Reel torque.
6. Remove the Adaptor (VKK1152) and attach the adaptor with the torque meter (VFK1191).
7. Attach the torque meter with the S Reel table and rotate it to B direction (CCW).
8. Confirm the reel torque is in the specification when the brake is released and the reel starts rotation.
9. Confirm T Reel torque in the same way with S Reel torque.

Cylinder



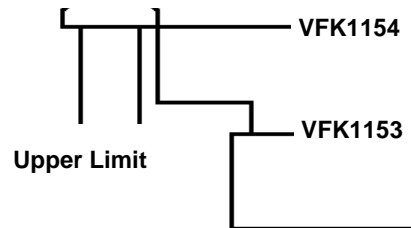
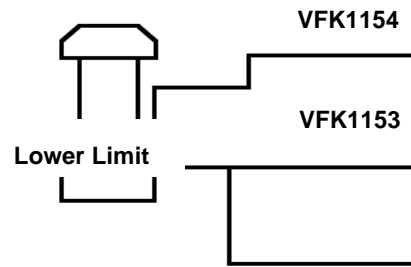
### 3-6-4. Post Height Pre-Adjustment

<b>Mode</b>	EJECT (Power OFF)
<b>Tool</b>	VFK1153, VFK1154 (flange tool)

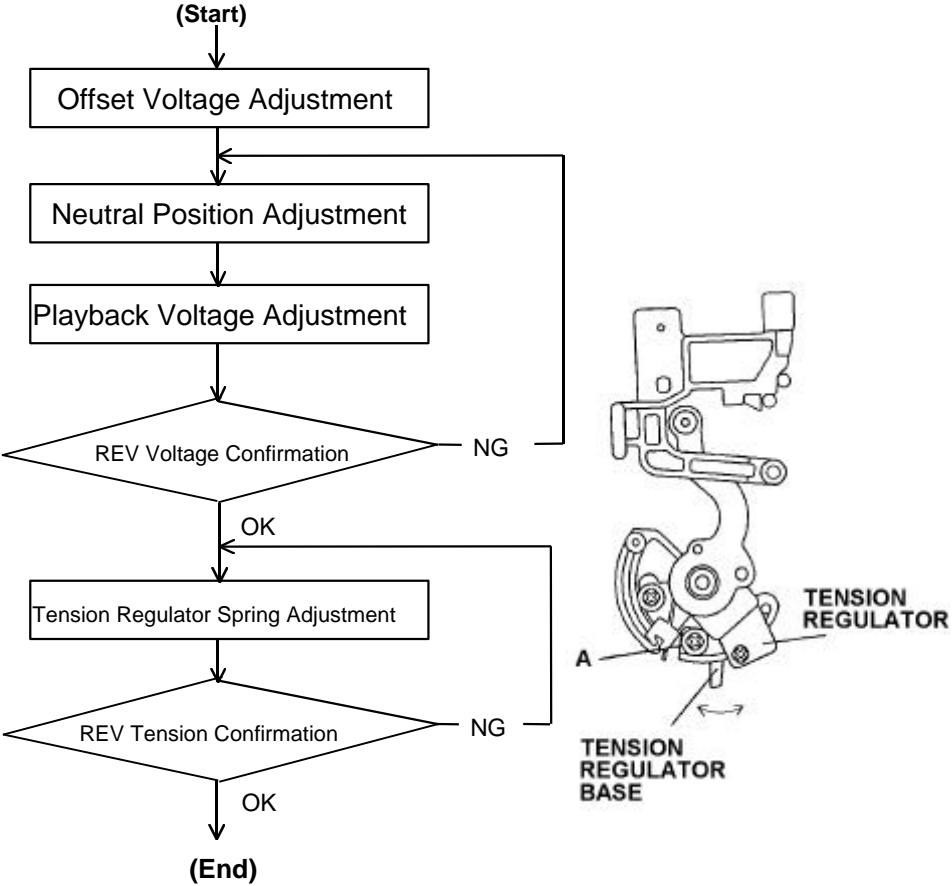
1. Turns power off and remove the cassette compartment and set mechanism plate (VFK153).
2. Place the flange tool (VFK1154) as shown in the figure and adjust the post height.
3. Adjust the S1 and T1 post height by VFK1149 and adjust T3 and T4 by VFK1151.

Name	Limit	Post Driver
S5 Post	Note 1	VFK1149
S4 Post	Note 1	VFK1149
T3 Post	Lower Limit	VFK1151(2.5mm Nut Box)
T4 Post	Lower Limit	VFK1151 (2.5mm Nut Box)

Note 1: Rotate CCW one turn from the lower limit.



**3-6-5. Tension Arm Adjustment Procedures**

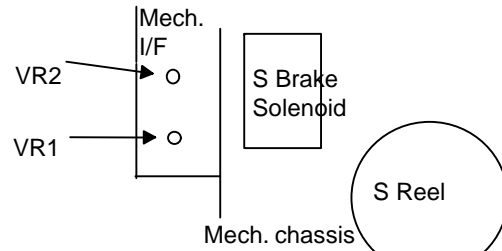


### 3-6-6.Tension Arm Offset Voltage Adjustment

<b>Board</b>	SERVO
<b>Specification</b>	2.5+/-0.05V
<b>Test Point</b>	TP201(SERVO:F1)
<b>Adjustment</b>	VR1(Mech. IF)
<b>Mode</b>	EJECT
<b>M. EQ.</b>	Digital Volt Meter

1. Set the VTR in EJECT mode and confirm the voltage at TP201 is in the specification.
2. If it is not, adjust VR1 on the Mech. I/F Board so that the voltage is in the specification.

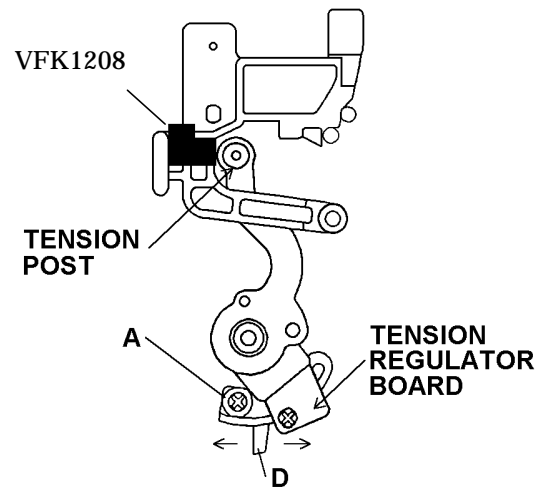
S Brake Solenoid Side View



### 3-6-7. Neutral Position Adjustment

<b>Board</b>	SERVO
<b>Specification</b>	2.5+/-0.1V
<b>Test Point</b>	TP201(SERVO:F1)
<b>Adjustment</b>	Tension Regulator Board Base Position
<b>Mode</b>	STOP
<b>M. EQ.</b>	Digital Volt Meter VFK1208(Black, with a hole)

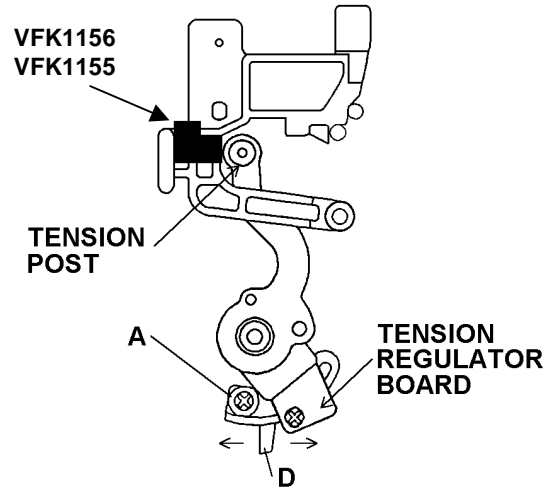
1. Remove 4 screws on the Front Loading Unit and Remove it, then set the VFK1208 (Black , with a hole).
2. Set the VTR in the no tape loading mode.
3. Adjust the Tension Regulator Board Base Position so that the voltage at TP201 is in the specification in STOP mode. To adjust the Tension Regulator Board Base Position, loosen the screw A and move the knob D portion by a screw driver without magnetization and tighten the screw A.
4. To set the VTR in no tape loading mode, set the DIP SW1 at the rear panel ON to open the service menu. Then select "T REEL TRQ" and press JOG/SHTL key. During adjustment JOG/SHTL key must be hold. Do not touch the adjustment drive to the Reel FG magnet.



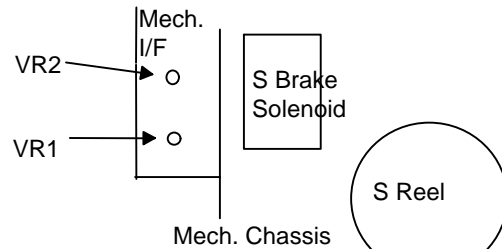
### 3-6-8. Tension Arm PLAY & REV Voltage Confirmation and Adjustment

<b>Board</b>	SERVO
<b>Specification</b>	(PLAY)3.8+/-0.05V (REV) 1.2+/-0.3V
<b>Test Point</b>	TP201()SERVO:F1
<b>Adjustment</b>	VR2
<b>Mode</b>	STOP
<b>M. EQ.</b>	Digital Volt Meter. VFK1156(Black: PLAY) VFK1155(White: REV)

1. Set the VTR in loading completion mode, and set the VFK1156 between Tension Post and Stopper.
2. Confirm the voltage at TP201 is in the specification.
3. If it is not, adjust VR2 (Mech. I/F) so that the voltage is in the Specification.
4. Then set VFK1155.
5. Set the VTR in no tape loading mode and confirm the voltage at TP201 is in the specification in STOP mode. If it is not, adjust "Tension Arm Neutral Position Adjustment" again. If is out of specification after this adjustment, replace the tension post unit.



S Brake Solenoid Side View

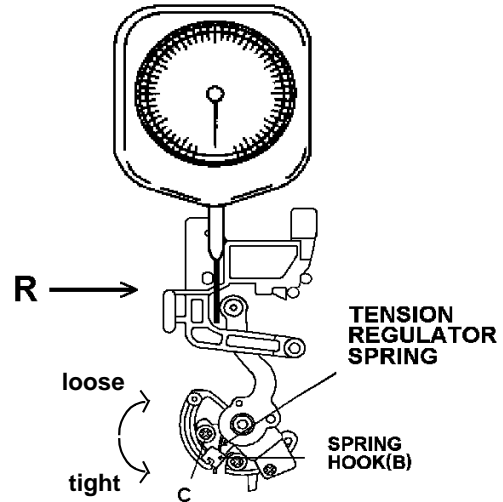




### 3-6-9. Tension Regulator Spring Adjustment

<b>Board</b>	SERVO
<b>Specification</b>	11+/-1gf
<b>Test Point</b>	TP201(SERVO:F1)
<b>Adjustment</b>	Tension Regulator Spring Hook (B)
<b>Mode</b>	STOP
<b>M. EQ.</b>	Digital Volt Meter. VFK1188(30g Dial Tension Meter)

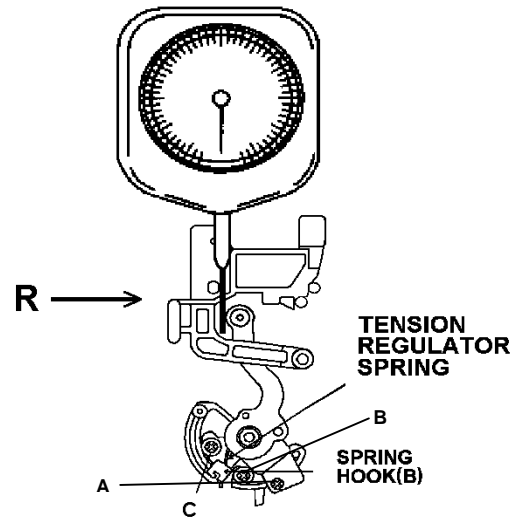
1. Set the VTR in no tape loading.
2. Press the tension post by the Dial Tension Meter to R direction in STOP mode.
3. Read the Dial Tension Meter when the voltage is 3.8 V (PLAY position) at TP201, and adjust the Tension Regulator Spring Hook (B)
4. To adjust the Tension Regulator Spring Hook (B) position, loosen the Tension Regulator Spring position, loosen the Tension Regulator Spring position and after adjustment tighten the screw C



### 3-6-10. REV Tension Confirmation

<b>Board</b>	SERVO
<b>Specification</b>	18+/-2gf
<b>Test Point</b>	TP201
<b>Mode</b>	STOP
<b>M. EQ.</b>	Digital Volt meter VFK1188(30g Dial Tension Gauge)

1. Place the VTR into no tape loading.
2. Press the tension post by the Dial Tension Meter to R direction in STOP mode.
3. Read the Dial Tension Meter when the voltage is 1.2 V (REV position) at TP201, and adjust the Tension Regulator Adjustment again.
4. Grew the screw A, B and C after Tension Arm adjustment. The grew quantity at B is half of A and C.

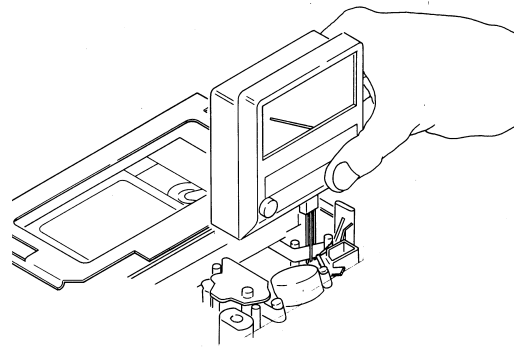
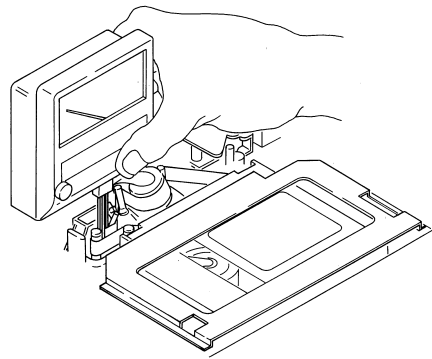


### 3-6-11. Tension Confirmation

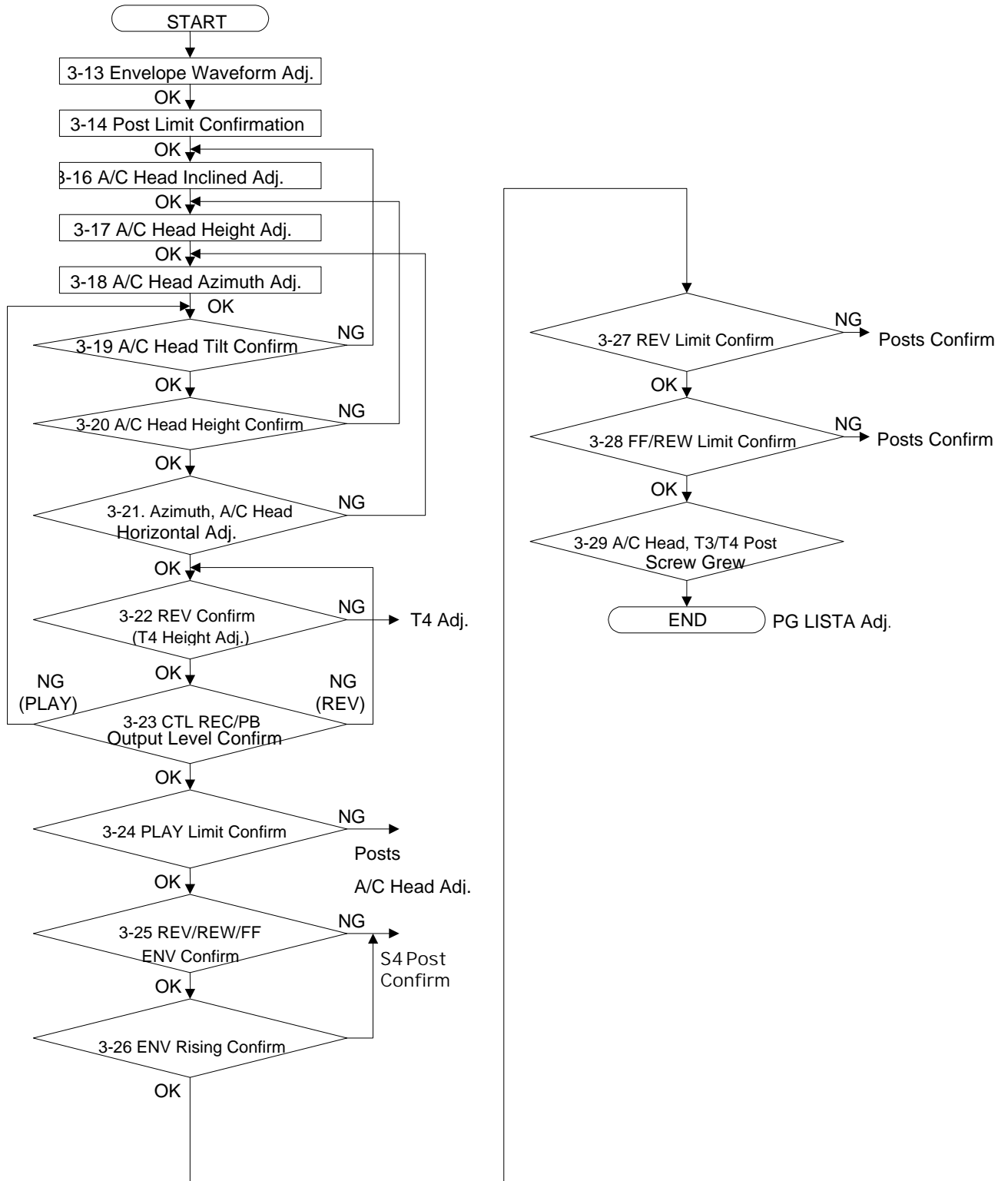
<b>Specification</b>	(PLAY)6.0+/-1gf (REV) 9.0+/-2gf
<b>Mode</b>	PLAY/ REV 4
<b>Tape</b>	Beginning of 63min.M Cassette
<b>Tool</b>	VFK1145(Tension Meter)

1. Playback the beginning of 63min. M cassette.
2. Set a tension meter between S3 and S4 post.
3. Confirm the tension is in the specification.
4. Set the VTR is in REV mode.
5. Set the tension meter between S4 and S5 posts.
6. Confirm the tension is in the specification.

Do not damage a tape during measurement.



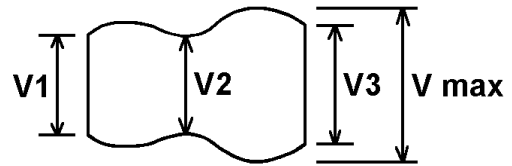
### 3-6-12. Tape Pass Adjustment Procedures



### 3-6-13. ENV waveform Adjustment

<b>Specification</b>	$V1/V_{max}, V2/V_{max}, V3/V_{max} \geq 0.8$
<b>Test Point</b>	TP201 R/P ENV L:H3/ R:H4
<b>Adjustment</b>	S1/T1PostHeight
<b>Mode</b>	PLAY(ATF)
<b>Tape</b>	VFM3580KM(No.1)
<b>M. EQ.</b>	Oscilloscope
<b>Tool</b>	VFK1149(Post Driver)

1. Playback the color bar portion of the alignment tape.
2. Adjust S1 and T1 post height so that the R/P envelope output is in the specification.
3. When the S1 and T1 posts are adjusted, first raise the post height and make small the entrance and exit side of the envelope, then down the post until envelope becomes flat.
4. Adjust T1 post and makes exit side of the envelope flat then adjust S1 post.
5. After the adjustment, unload the tape then loading the tape. Confirm the waveform style.



### 3-6-14. Post Limit Confirmation (Play)

<b>Specification</b>	No curl at the Tape edge All Post Limit
<b>Mode</b>	PLAY
<b>Tape</b>	Work Tape
<b>Tool</b>	VFK1149(Post Driver) VFK1151(Nut Driver)

1. Confirm the each Post Limit is as shown in figure, if it is not adjust the post height.
2. Confirm that there is no tape problem as D,E,F in the figure.

Post	Limit	Adjustment
S5	Free or Lower Limit	S5 Post Height
S4	Lower Limit	S4 Post Height
S1	Upper Limit	Linearity Coarse
T1	Upper Limit	Linearity Coarse
T3	Lower Limit	T3 Post Height
T4	Free or Lower Limit	T4 Post Height



A Upper



B Free



C Lower



D Curl



E Bend



F Drop

### 3-6-15. A/C Head ADJUSTMENT Method (summary)

Item	Screw	Adjustment	Torque
Tilt Adjustment	A	CW --- Decrease CUE Level CCW --- Increase CUE Level	(Adjustment)
Height Adjustment	B	CW --- If the level is increased at "k". CCW --- If the level is increased at "j".	(Adjustment)
Azimuth Adjustment	F	Adjust phase by the screw F.	(Adjustment)
A/C Head Horizontal Position Adj.	C D	Adjust A/C Head Horizontal Position by VFK0357 (Eccentric Driver) at long hole E, then tighten the screw C and D.	2.5 Kg/cm
Tilt	G	Adjust by tightening the screw except tilt and azimuth adjustment.	1.0 Kg/cm
Height Fix	H	After the Height Adjustment, tighten screw H to fix the A/C Head Height.	

Screw	Tool
A	VFK1178 (0.89 mm Nut Driver)
B	VFK1150 (5.5 mm Nut Driver)
F	VFK1148 (1.5 mm Nut Driver)
C, D, G	VFK1209 (Torque Driver) VFK0912 (1.5 mm Hex Driver Bit)
H	VFK1190 (1.5 mm L type Hex Wrench)

Each Adjustment must be done keeping the screw G tighten.

When tilt is adjusted, confirm the screw A is tighten. (A/C Head must be touch with the fix plate.)

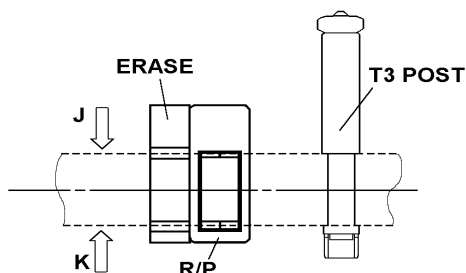
When tilt is adjusted confirm that there is no tape damage at T3 Post.

When Height is Adjusted, loosen the screw H. After the adjustment tighten screw H.

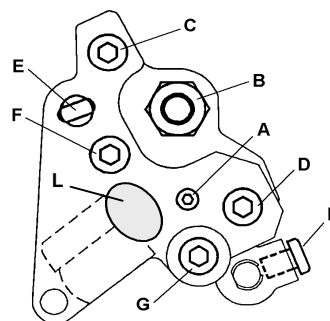
When the each Adjustment is done, each adjustment screw must be rotated CW.

And hit slightly the L part to remove the mechanical distortion.

Adjust or confirm alternately each Adjustment and Envelope Output waveform Adjustment



A/C HEAD HEIGHT



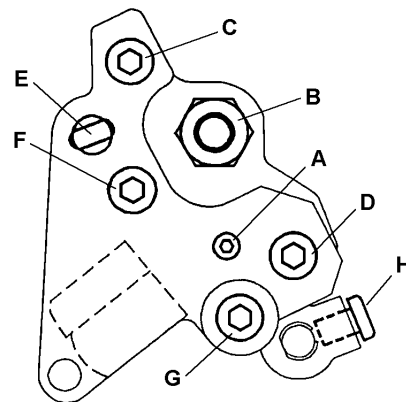
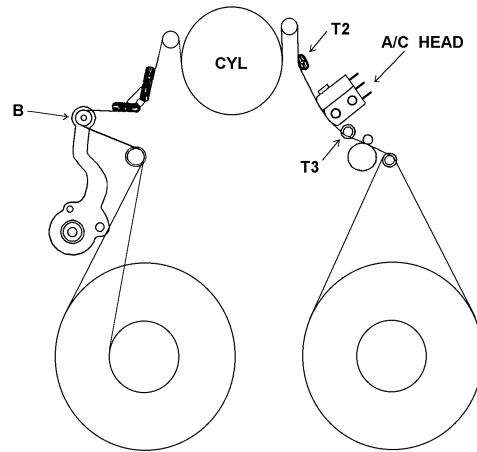
### 3-6-16. A/C Head Tilt Adjustment

<b>Specification</b>	No curling and bending at tape edge. T3 Post Lower Limit
<b>Adjustment</b>	Screw A, G (A/C Head)
<b>Mode</b>	PLAY
<b>Tape</b>	Work Tape
<b>Tool</b>	VFK1148,VFK1178 (Hex Wrench)

1. Adjust A/C Head Tilt by screw A so that the Tape is at lower limit at T3 Post.*j*
2. For this Adjustment, loosen screw G and make tape curling at T3 lower flange then gradually tighten screw G to make the tape flat. The screw G tightening torque is 1.0 Kg/cm.

#### (Reference)

1. Screw A CW: Tape up  
Screw A CCW: Tape down
2. It is necessary to tighten the each adjustment screw when the adjustment is completed.
3. Confirm and adjust alternately this adjustment and A/C Head each adjustment (Azimuth and Height).





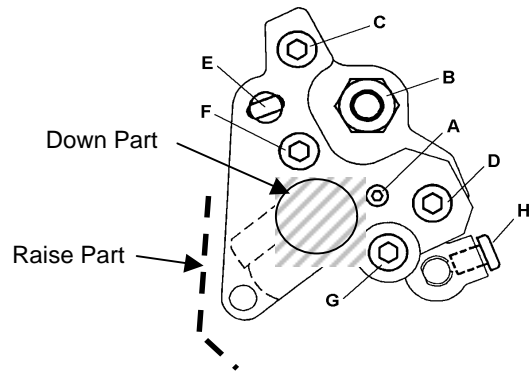
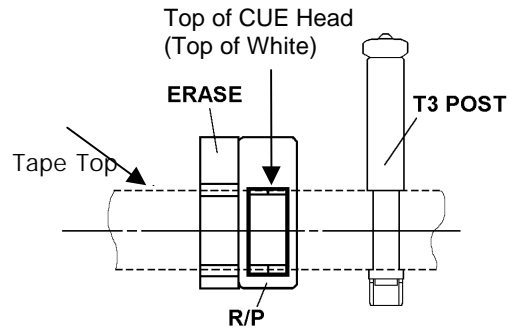
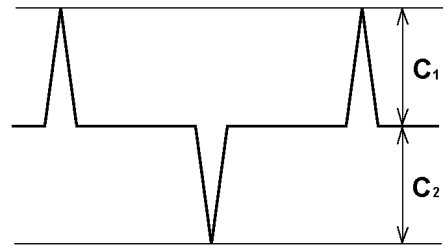
### 3-6-17. A/C Head Height Adjustment

<b>Board</b>	SERVO
<b>Specification</b>	CTL Max (C1,C2=1.8V or more)
<b>Test Point</b>	TP30(SERVO:F1)
<b>Adjustment</b>	Screw B/H (A/C Head)
<b>Mode</b>	PLAY
<b>Tape</b>	VFM3580KM (No.1)
<b>M. EQ.</b>	Oscilloscope
<b>Tool</b>	VFK1150(Nut Driver) VFK1190(Hex Wrench)

1. Connect a scope to TP30 on Servo (F1) board to observe CTL level.
2. Confirm that CTL level is decreased when A/C head is up and down at the point shown in the figure. If the CTL level is increased adjust nut B so that the CTL level is max.
3. Tighten screw H with 2.0 Kg/cm torque then confirm the CTL level again.

(Reference)

1. Confirm and adjust alternately this adjustment and A/C Head each adjustment (Azimuth and Height).



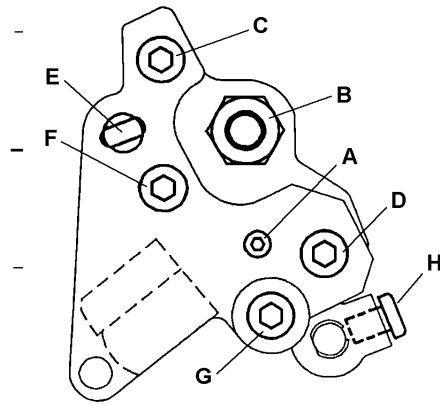
### 3-6-18. A/C Head Azimuth Adjustment

<b>Board</b>	SERVO
<b>Specification</b>	C1,C2 : Max
<b>Test Point</b>	TP30 (SERVO:F1)
<b>Adjustment</b>	Screw F (A/C Head)
<b>Mode</b>	PLAY
<b>Tape</b>	VFM3580KM (No.1)
<b>M. EQ.</b>	Oscilloscope
<b>Tool</b>	VFK1148 (Hex Wrench)

1. Connect a scope to TP30 on Servo (F1) board. Then adjust A/C Head Azimuth by the screw F so that the CTL level is max.
2. For this Adjustment, loosen screw G and adjust screw F then tighten screw G.

(Reference)

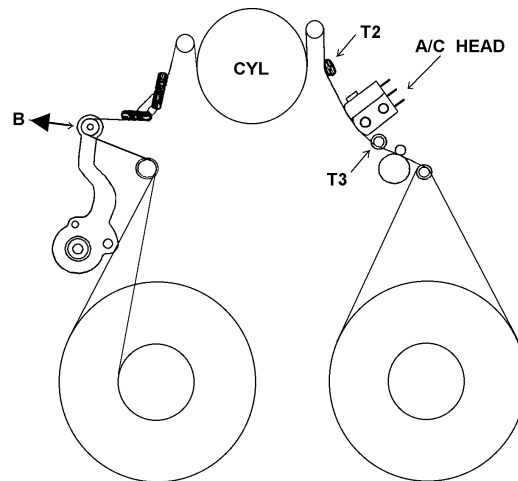
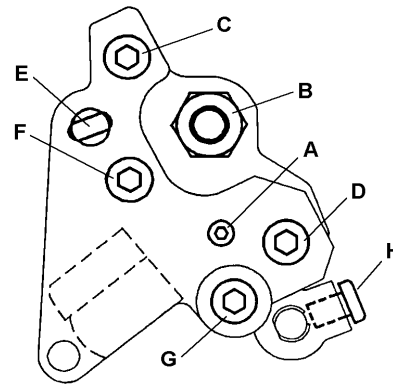
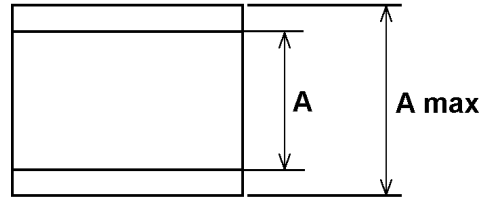
Confirm and adjust alternately this adjustment and A/C Head each adjustment (Azimuth and Height).



### 3-6-19. A/C Head Tilt Confirmation

<b>Specification</b>	A/Amax = 0.8 or more
<b>Test Point</b>	TP101 (CUE:H1)
<b>Adjustment</b>	Screw A, G (A/C Head)
<b>Mode</b>	PLAY
<b>Tape</b>	VFM3580KM (No.1)
<b>M. EQ.</b>	Oscilloscope
<b>Tool</b>	VFK1178,VFK1148 (Hex Wrench)

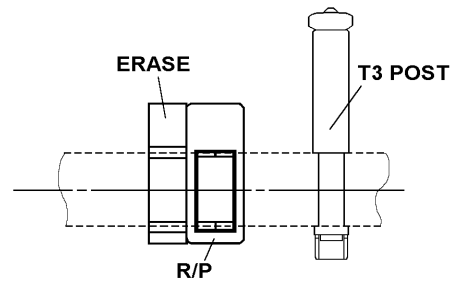
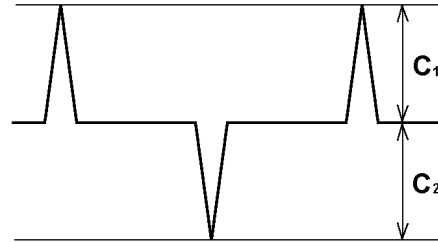
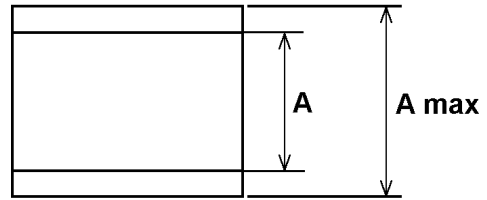
1. Playback the alignment tape CUE audio 6 kHz portion.
2. Confirm that screw G and H are tighten.
3. Connect a scope to TP101 and move the tension arm to B direction until T2 post is not moved, then confirm the output level variation is in the specification.
4. If it is not loosen screw G and adjust screw A then tighten screw G with 1.0 Kg torque.
5. It is necessary to complete the adjustment with screw A tighten and confirm that screw A is not loosen.
6. If this is adjusted confirm the Play Limit Confirmation (PLAY).



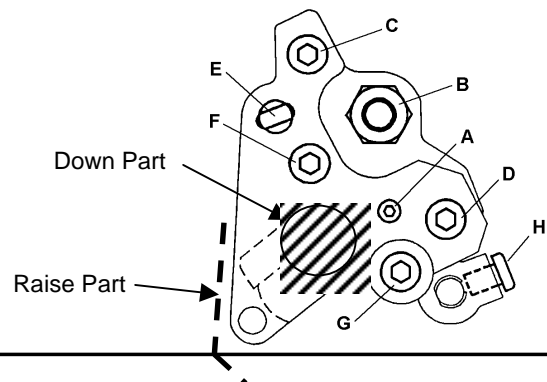
### 3-6-20. A/C Head Height Confirmation

<b>Specification</b>	A=0.95 X Amax or more C1, C2 = 1.8V or more
<b>Test Point</b>	TP101 CUE AUDIO(CUE:H1) TP30 CTL(SERVO:F1)
<b>Adjustment</b>	Screw B, H (A/C Head)
<b>Mode</b>	PLAY
<b>Tape</b>	VFM3580KM (No.1)
<b>M. EQ.</b>	Oscilloscope
<b>Tool</b>	VFK1150,VFK1190(Hex Wrench)

1. Playback the alignment tape CUE audio 6 kHz portion.
2. Connect a scope to TP101 and raise the A/C head or push down it to confirm the CTL level is not increased.
3. If it is increased, slightly adjust the "A/C Head Height Adjustment" and confirm the CTL level is correct.
4. If A/C Head Height is changed the azimuth is changed also. Therefore A/C Head azimuth must be adjusted and confirm alternately.
5. When A/C Head Height is fixed, tilt is changed by tightening screw H and the height is changed. Therefore Height confirmation must be done after tightening screw H.



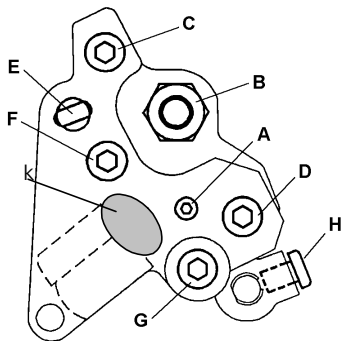
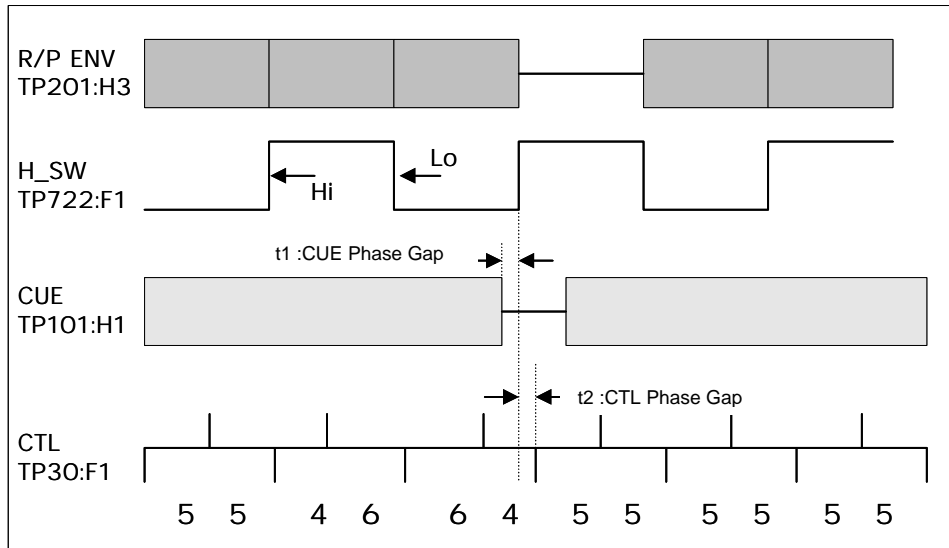
A/C HEAD HEIGHT



### 3-6-21. A/C Head Azimuth and Horizontal Position Adjustment

<b>Specification</b>	25MMode -250us<=t1, t2<=+250us 50MMode -125us<=t1, t2<=+125us	<b>Test Point</b>	TP201 R/P ENV L(RFEQ:H3) TP722 R/P HSW (SERVO:F1) TP101 CUE AUDIO (CUE:H1) TP30 CTL (SERVO:F1)
<b>Adjustment</b>	A/C Head	<b>M. EQ.</b>	Oscilloscope
<b>Mode</b>	Playback	<b>Tool</b>	VFK0357(Eccentric Driver)
<b>Tape</b>	VFM3582KM (A/C Head H. Position)		

1. Set the VTR in 25M Mode and playback an Alignment Tape (A/C Head H. Position).
2. Adjust Azimuth so that the CTL and CUE drop portion is match (Refer to Azimuth Adjustment).
3. Connect a scope CH1 to TP201 on H3 board and CH2 to TP722 on F1 board. Then find the R/P ENV lack portion, and remember the H\_SW is High or Low at the portion. (H\_SW High or Low is changed at each tape loading.)
4. Adjust A/C Head Horizontal Position so that the memorized H\_SW and CTL trigger at the frame start is matched. The frame start CTL is located at the falling edge between 6:4 and 5:5 portion. To adjust the Horizontal position loosen screw C and D then adjust horizontal position by eccentric driver at hole E.
5. After adjustment, hit gently at L portion to remove the mechanical distortion. Then tighten the screws and confirm the above specification.
6. Set VTR into 50M PB Mode, and confirm the timing is in the specification. If it is not adjust this item again.



### 3-6-22. REV Confirmation and Adjustment (T4HeightAdjustment)

<b>Specification</b>	C1/C2>=Cp1, Cp2×0.75 Lower Limit at T3Post in REV	<b>Tape</b>	VFM3580KM (No.1)
<b>Test Point</b>	TP30 (SERVO:F1)	<b>M. EQ.</b>	Oscilloscope
<b>Adjustment</b>	T4 Post Height	<b>Tool</b>	Nut Driver
<b>Mode</b>	REV X 1		

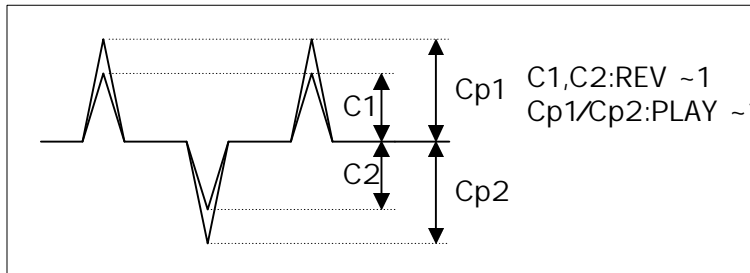
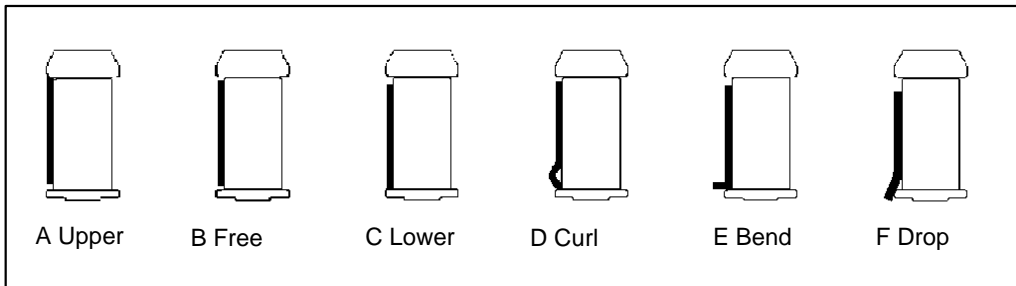
1. Run the Tape in REV x -1 mode, and confirm that the above specification is satisfied. If it is not, adjust the following items.
2. Rotate the T4 nut 45 degrees each and confirm the specification and repeat this adjustment until the specification is satisfied.
3. Specification: CTL level in REV x -1 speed is more than 75 % of Playback CTL level.  
Tape runs in lower limit at T3 Post, and tape has no curling and bending at T3, T4 upper and lower limit.
4. If the Specification is not satisfied, use height adjustment tool.

#### T4 Nut Adjustment Direction

T4 Nut Adjustment Direction	REV CTL Output	REV T3 Post Lower Limit
CW	Increase	More
CCW	Decrease	Less

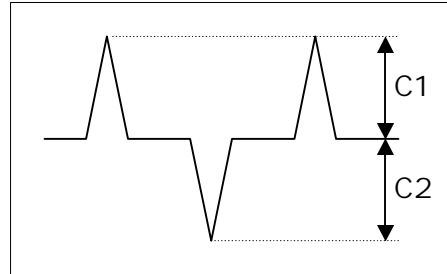
#### Post Limit

Post	Tape Limit					
	A	B	C	D	E	F
T3Post	NG	NG	OK	NG	NG	NG
T4Post	OK	OK	OK	NG	NG	NG



### 3-6-23. CTL REC/PB Output Level Confirmation

<b>Specification</b>	Refer to Figure
<b>Test Point</b>	TP30 (SERVO:F1)
<b>Mode</b>	Self recording and playback
<b>Tape</b>	Work Tape
<b>M. EQ.</b>	Oscilloscope



A/C Head must be fixed.

1. Set the VTR to 25M Mode, and record a color bar signal and playback the just recorded portion. Then observe the CTL.
2. The CTL level is in the specifications in the following table.

#### CTL Output Level C1,C2

PLAY	REV×1	REV×0.2
C1,C2≥1.8V	C1,C2≥1.4V	C1,C2≥1.2V

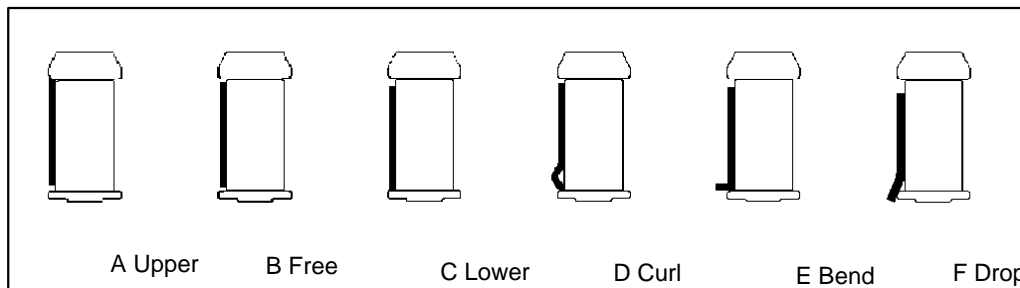
1. If the PLAY Output Level is NG. Then confirm the A/C Head Height.
2. If the REV Output Level is NG. Then confirm the T4 Post Height.

### 3-6-24. PLAY Mode Limit Confirmation

Specification	Confirm the each Post Limit is in the following table.
Mode	PLAY
Tape	M Cassette (MP Tape) Tape begin / Tape end

Post	Tape Limit (Refer to Figure)						Adjustment Point	
	A	B	C	D	E	F		
S5 Post	NG	OK	OK	NG	NG	NG	S4, S5Post	Post Height Pre-Adj.
(S4) Tension Post	NG	NG	OK	NG	NG	NG		
S1 Post	OK	NG	NG	NG	NG	NG	S1Post	Envelope waveform Adj.
T1 Post	OK	NG	NG	NG	NG	NG	T1Post	Envelope waveform Adj.
T3 Post	NG	NG	OK	NG	NG	NG	A/C Head Tilt	A/C Head Tilt Adj.
T4 Post	NG	OK	OK	NG	NG	NG	T4 Post	Post Height Pre-Adj.

1. Playback a Tape, and confirm the tape limit at each post is as shown in the above table.
2. If it is not adjust each item according with the Adjustment Point in the above table.

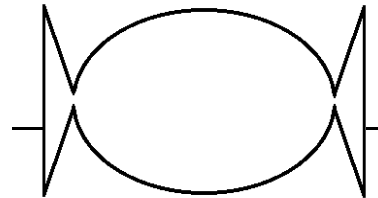
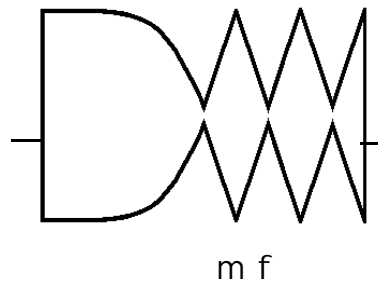
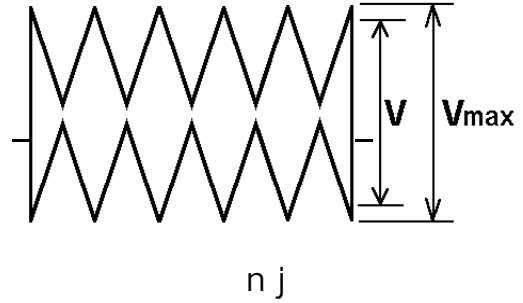




### 3-6-25. REV/REW/FF Envelope Confirmation

<b>Specification</b>	Refer to Figure
<b>Test Point</b>	TP201 ENV (RFEQ:H3)
<b>Mode</b>	REV, REW, FF
<b>Tape</b>	VFM3580KM (No.1)
<b>M. EQ.</b>	Oscilloscope

1. Place the VTR in REV, REW, FF and confirm that the Waveform is the same diamond style.
2. Peak level  $V$  is always in the following specification.  
 $V/V_{max} \geq 0.9$
3. If it is not confirm the S4 Post Height.

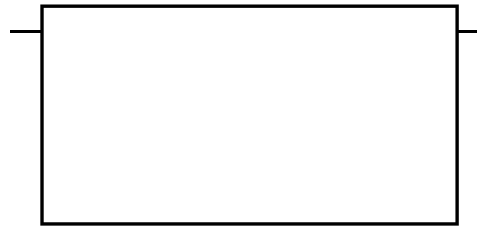


### 3-6-26. Envelope Confirmation

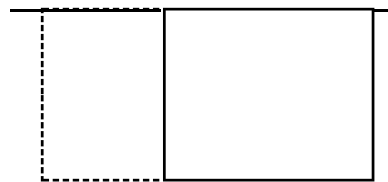
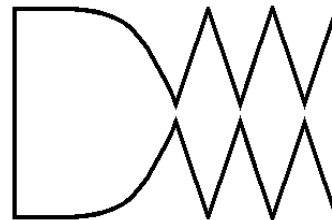
<b>Test Point</b>	TP201 ENV (RFEQ:H3)
<b>Mode</b>	REW/REV to PLAY Loading completion to PLAY FF to PLAY
<b>Tape</b>	L cassette (123 min pre-recorded) Tape begin
<b>M. EQ.</b>	Oscilloscope

This Adjustment must be done after "Envelope waveform Adjustment".

1. Confirm that the envelope waveform becomes stable immediately in the following transition mode, REW to PLAY, REV to PLAY, FF to PLAY, Loading completion to PLAY.
2. If it is not, confirm S4 Post Height.



— n j —



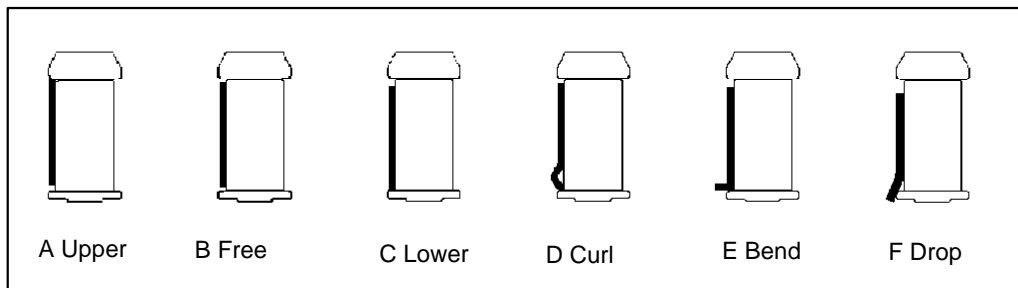
m f

### 3-6-27. REV Limit Confirmation

Specification	Confirm the Post Limit is as shown in the following table.
Mode	REV
Work Tape	M Cassette (MP Tape) Tape begin and Tape end

Post	Tape Limit (Refer to Figure)					
	A	B	C	D	E	F
S5 Post	OK	OK	OK	NG	NG	NG
Tension Post	NG	OK	OK	NG	NG	NG
S1 Post	OK	NG	NG	NG	NG	NG
T1 Post	OK	OK	OK	NG	NG	NG
T3 Post	NG	NG	OK	NG	NG	NG
T4 Post	NG	NG	OK	NG	NG	NG

1. Run a tape in Reverse mode and confirm that the tape limit is as shown in the above table.
2. This confirmation is done after each adjustment.

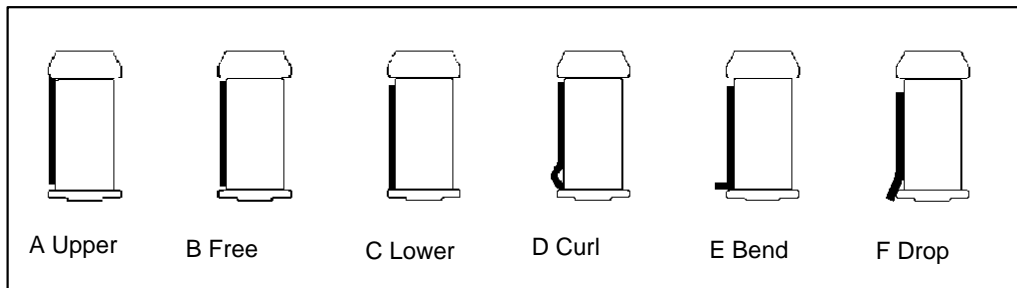


### 3-6-28. FF, REW Limit Confirmation

Specification	Confirm the Post Limit is as shown in the following table.
Mode	FF, REW
Work Tape	M Cassette (MP Tape) Tape begin and Tape end

Post	Tape Limit (Refer to Figure)					
	A	B	C	D	E	F
S5 Post	OK	OK	OK	NG	NG	NG
Tension Post	NG	OK	OK	NG	NG	NG
S1 Post	OK	NG	NG	NG	NG	NG
T1 Post	OK	OK	OK	NG	NG	NG
T3 Post	OK	OK	OK	NG	NG	NG
T4 Post	OK	OK	OK	NG	NG	NG

1. Run a tape in FF, REW mode and confirm that the tape limit is as shown in the above table.
2. This confirmation is done after each adjustment.

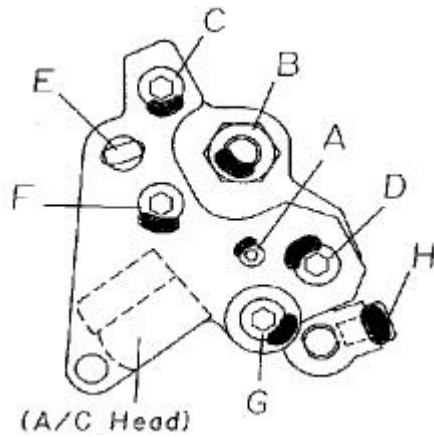


### 3-6-29. A/C Head and T3, T4 Post Screw Grew

#### [ A/C Head Screw Grew]

	Screw A	Other Screw
Grew amount	About 3 mm	About 5 mm

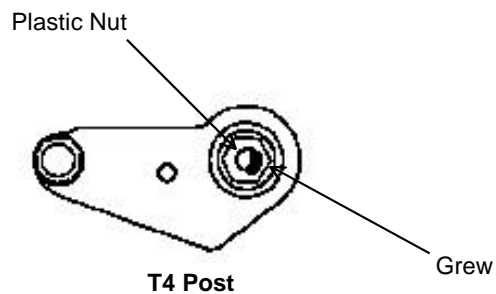
1. Grew after A/C Head Adjustment.
2. Remove the screw grew before Adjustment.



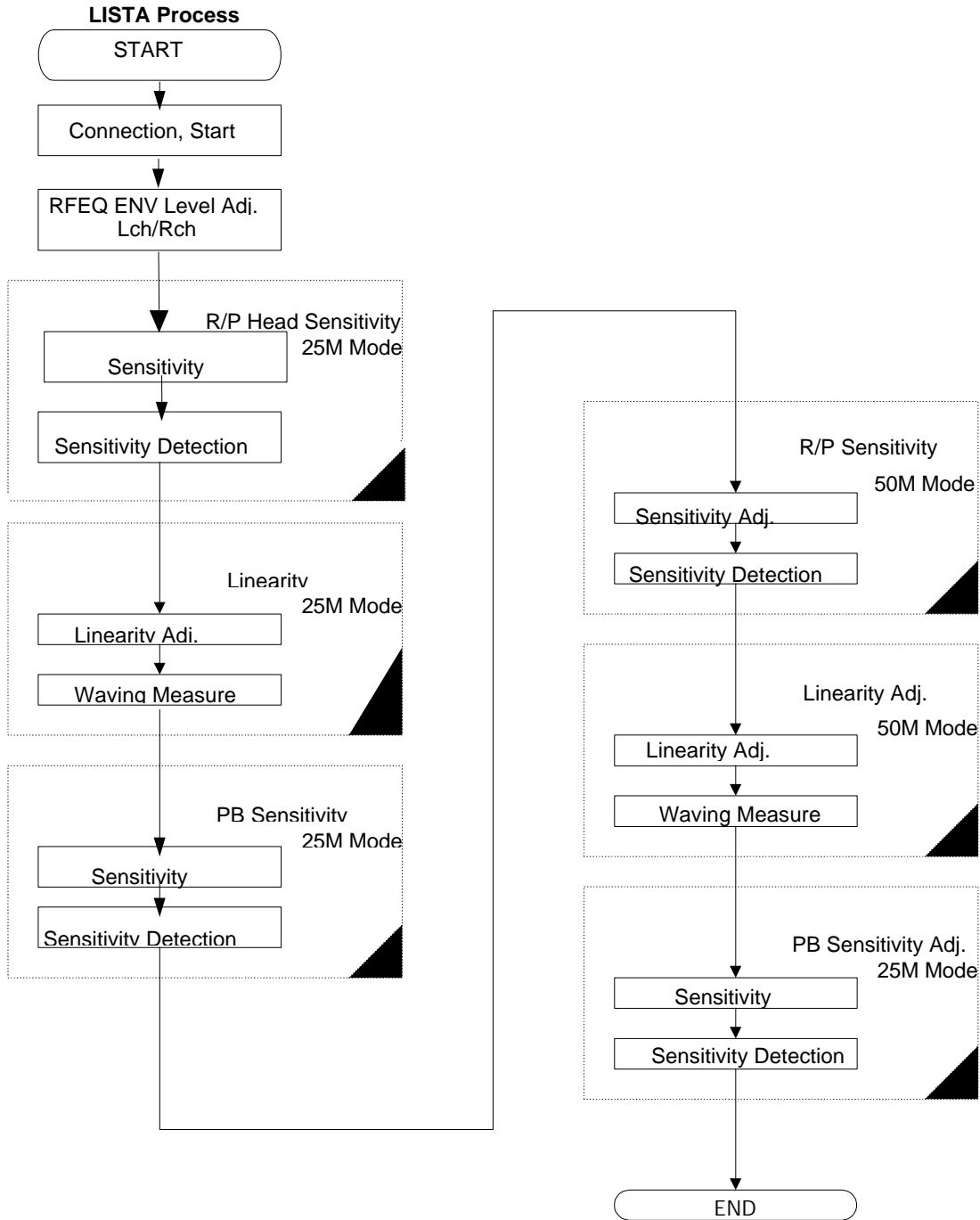
#### [ T3 Post, T4 Post Grew]

	T3 Post	T4 Post
Grew amount	About 3 mm	About 5 mm

1. After A/C Head Adjustment, grew the Plastic Nut part of T3 and T4 posts.
2. Remove the screw grew before Adjustment.



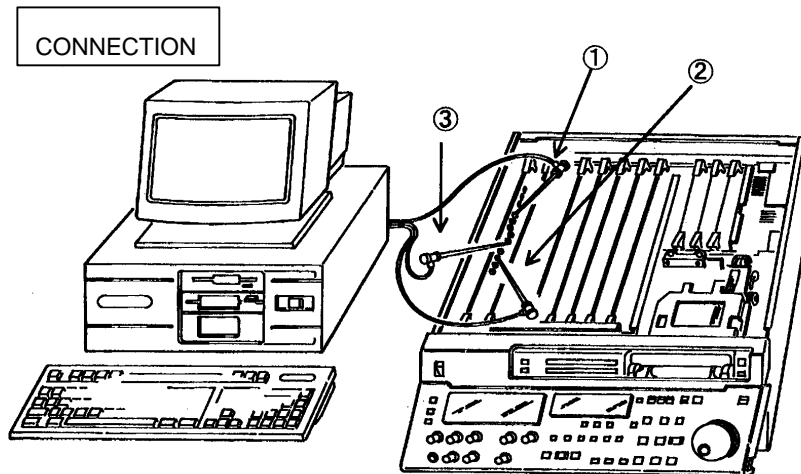
### 3-6-30. LISTA



### 3-6-31. LISTA Connection and Start

Test Point	TP732 ATF ERR (SERVO:F1) TP722 R/P HSW (SERVO:F1) TP723 PB HSW (SERVO:F1) TG510 GND (SERVO:F1)
M. EQ.	PC (AD Board must be installed.), Oscilloscope
Tape	VFM3580KM (ENV LEVEL), VFM3581KM (LISTA)
Tool	VFK1420 (LISTA Software), VFK1186(LISTA Cable)

1. Connect the LISTA cable with the A/D board in the PC.
2. Connect the LISTA clips to the following Test Points.
  - (1) ATF:TP732
  - (2) HSW:TP722(RP HSW) or TP723(PB HSW)
  - (3) GND:TG510



3. Run the LISTA software.

#### Installation and Operation

Make a directory like C:LISTA and copy the all files in the floppy disk of VFK1420.

Type Lista50.exe in the DOS mode to run the LISTA software.

4. Select the model of AJ-D950 in the menu.
5. Select a alignment tape to use LISTA Adjustment. If it is not displayed choose one of the listed tape and type Y ( (Y)es or (N)o) and resist the data which is supplied with the alignment tape.

### **3-6-32. Alignment Tape Data Registration**

1. Select <4> Alignment Tape in the LISTA software main menu.
2. Select <2> ENTRY in the Alignment Tape Menu.
3. When << Alignment tape Data Entry >> is displayed, input the tape serial number according with the menu instruction. The serial number is stumped on the alignment tape. Then select the PAL or NTSC. Type 0 or ENTER to choose DVCPRO.
4. Then input the all data (37 items for NTSC) and check sum. IF the data is incorrect registration is not completed so check and input again.

After data registration select <1> SELECT.



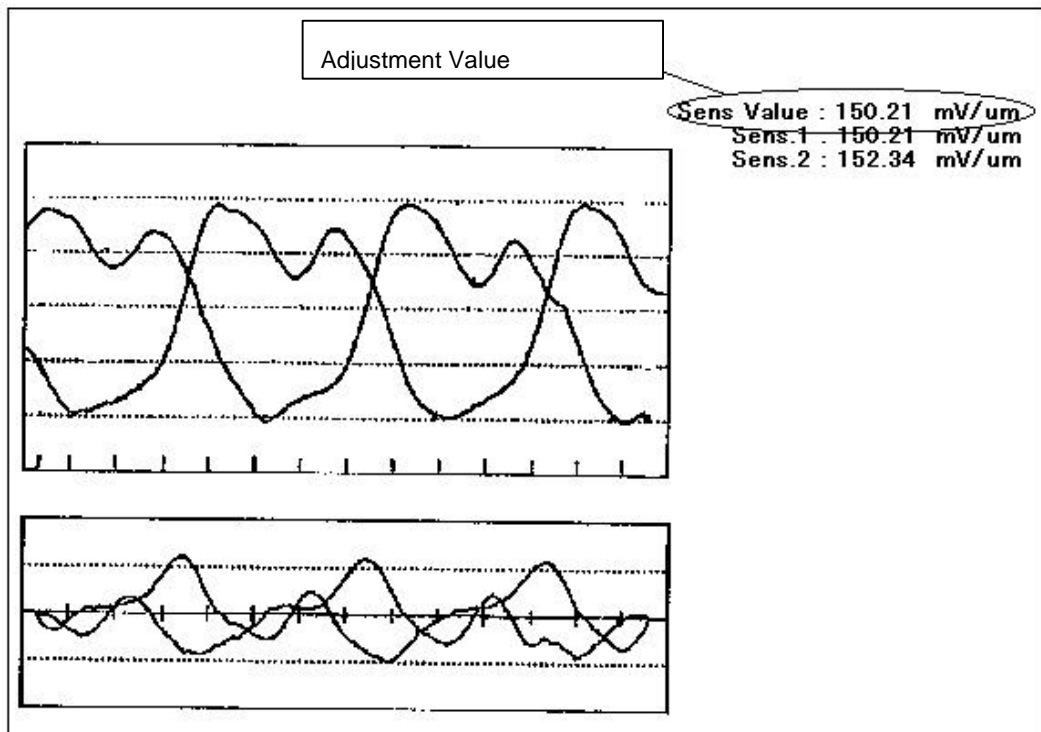
### 3-6-33. RP Head Sensitivity Adjustment (25M Mode)

<b>Specification</b>	Sensitivity 150+/-15 (mV/um)
<b>Mode</b>	Playback
<b>Test Point</b>	(1) ATF:TP732 (2) HSW:TP722(RP HSW) (not TP723(PB HSW) (3) GND:TG510
<b>Adjustment</b>	SERVO Adjustment Menu:"A09 RP GAIN P"
<b>Tape</b>	VFM3581KM or VFM3581KL

Before this Adjustment adjust RFEQ (H3/H4) ENV Level Adjustment(L/R).

Set the LISTA software in 25M Mode. Select AJ-D950 in the PC menu and displays the main menu. 25M and 50m mode can be changed by " 0" key.

1. Set the VTR in Service Mode to open the service menu and select the item of " A09 RP GAIN DP" in the " SERVO ADJUST" menu.
2. Playback a LISTA alignment tape (VFM3581KM).
3. Select the LISTA (6) ATF Error Signal Monitor and " 1.2% Speed..." and type Enter to start the software.
4. When the picture is appeared as shown in figure adjust ATF Gain so that the " Sens. Value:" is in the Specification. To return the main menu press ESC key.



### 3-6-34. RP Head Sensitivity Detection (25M Mode)

<b>Specification</b>	Sensitivity 150+/-15 (mV/um)
<b>Mode</b>	Playback
<b>Test Point</b>	(1) ATF:TP732 (2) HSW:TP722(RP HSW) (not TP723(PB HSW) (3) GND:TG510
<b>Adjustment</b>	SERVO Adjustment Menu: " A09 RP GAIN DP"
<b>Tape</b>	VFM3581KM or VFM3581KL

Before this adjustment RP Head Sensitivity Adjustment (25M Mode) must be completed.

1. Select " A09 RP GAIN DP" in the Service Menu.
2. Playback a LISTA Alignment Tape (VFM3581KM).
3. Select LISTA Main Menu " (1) Sensitivity Measurement" Press enter when " 1.2% Speed..." is appeared to start the Sensitivity measurement.
4. Confirm that the specification is satisfied when << Sensitivity Measurement Finish>> and " Sensitivity = sensitivity value" are appeared.

<< Sensitivity Measurement Finish >>

Sensitivity = 154.28 (mv /  $\mu$ m)

Sens. 1 = 178.76 (mv /  $\mu$ m)

Sens. 2 = 149.79 (mv /  $\mu$ m)

<<<Hit any key>>>

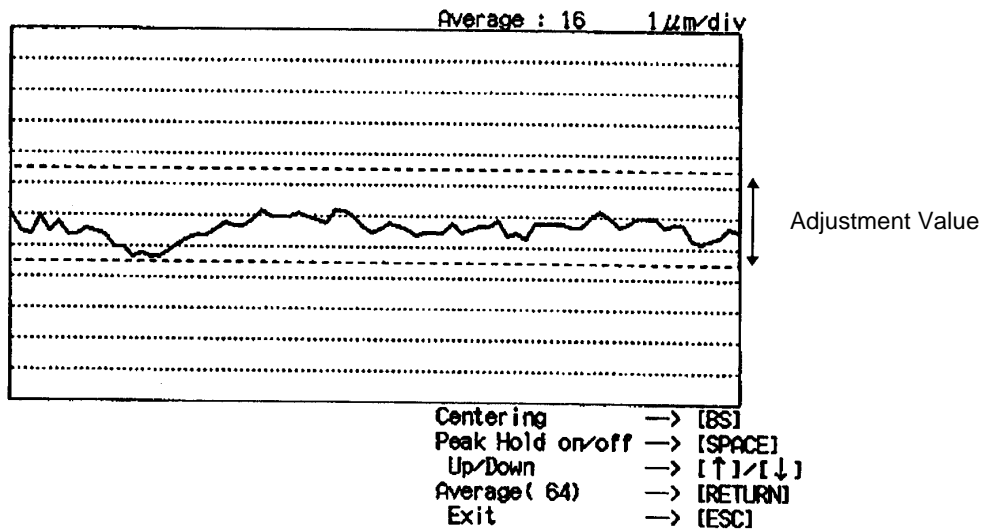
Adjustment Value

### 3-6-35. LISTA Linearity Adjustment and Waving Measurement (25M Mode)

<b>Specification</b>	Linearity is less than 3um, Waving is less than 1.5um.
<b>Mode</b>	SERVO Adjustment Menu:"A10 RP LINEAR DP"
<b>Test Point</b>	(1) ATF:TP732 (2) HSW:TP722(RP HSW) (not TP723(PB HSW) (3) GND:TG510
<b>Adjustment</b>	S1 and T1 Post Height
<b>Tape</b>	VFM3581KM or VFM3581KL

1. Open the Service Menu and select " A10 RP LINEAR DP" in the " SERVO ADJUST"
2. Playback a LISTA alignment Tape (VFM3581KM).
3. Select " (2) Linearity Measurement" then Linearity waveform is appeared.
4. When the following waveform is appeared press " BS" (Back Space) key to centering the waveform. Adjust S1 and T1 Post Height so that the Linearity waveform is flat. Confirm the ENV waveform is flat.

Red dot lines shows the specification, so linearity waveform should be in the lines.



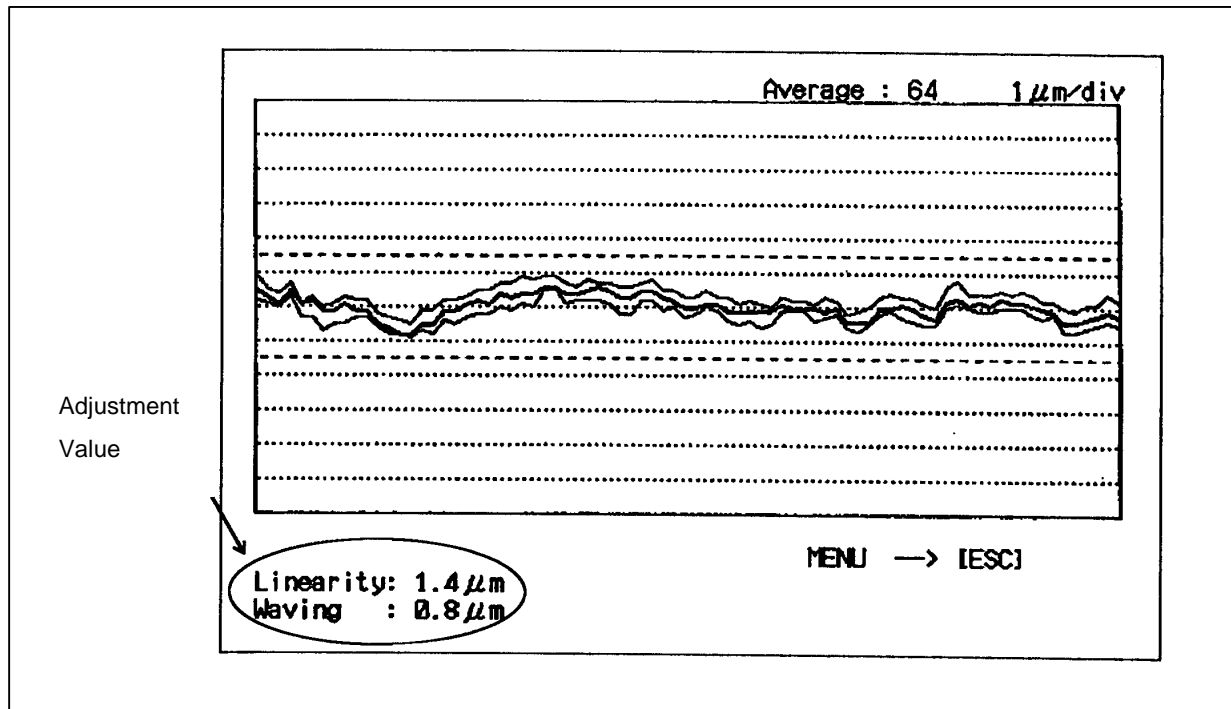
#### Points

- (1) The left of linearity (Entrance) is changed by S1 Post Height and right of linearity (Exit) is changed by T1 Post Height.
- (2) Lower of the monitor is changed by the lead of the cylinder.
- (3) When the Post Driver is released from the Post linearity may be changed.
- (4) After Adjustment is completed, EJECT the tape end load it again and confirm the waveform is not changed.

5. After the Linearity Adjustment measure the waving.

## Waving Measurement

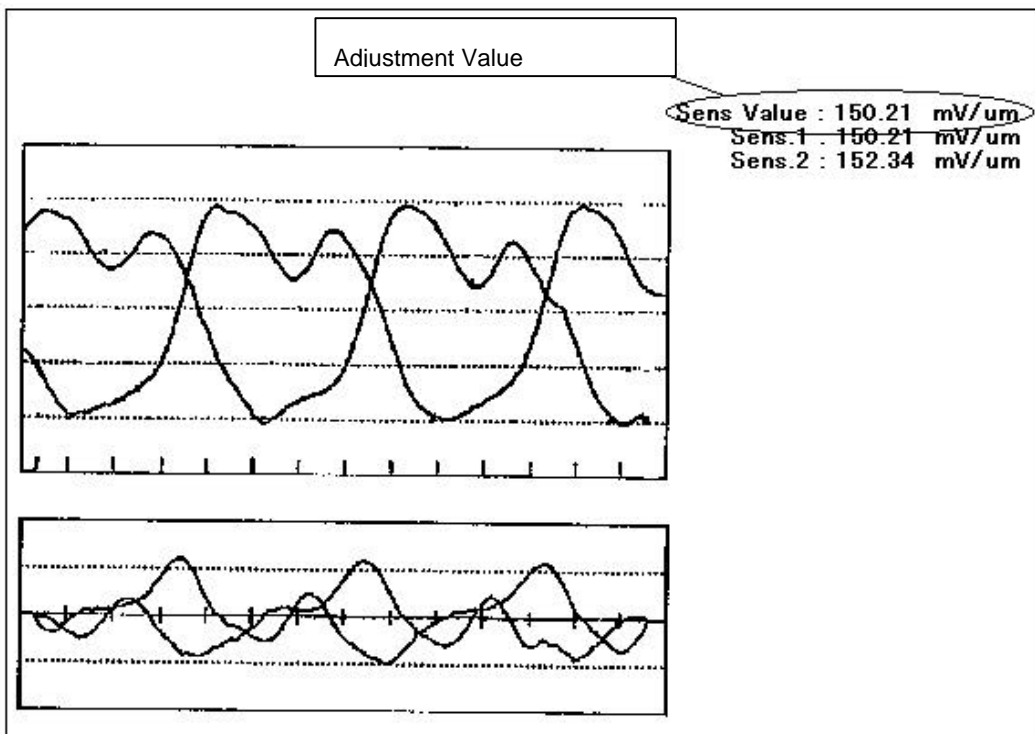
1. While the linearity is displayed on the monitor press "SPACE" key to hold the Peak (30 seconds).
2. Press "SHIFT" and "}" keys together and "Waving" value is displayed at left bottom of the monitor. Then confirm the waving is 1.5  $\mu\text{m}$  or less, and the waving is constant from the entrance to exit. If the waving is out of specification adjust S1 (Entrance) and T1 (Exit) Post Height.
3. After measurement press ESC key to return the main menu.



### 3-6-36. PB Head LISTA Sensitivity Adjustment (25M Mode)

<b>Specification</b>	Sensitivity 150+/-15 (mV/um)
<b>Mode</b>	SERVO Adjustment Menu "A11 PB GAIN DP"
<b>Test Point</b>	(1) ATF:TP732 (2) HSW:TP723(PB HSW) (not TP722(RP HSW) (3) GND:TG510
<b>Adjustment</b>	SERVO Adjustment Menu: " A11 PB GAIN DP"
<b>Tape</b>	VFM3581KM or VFM3581KL

1. Open the Service Menu and select " A11 PB GAIN DP" in the " SERVO ADJUST" menu.
2. Playback a LISTA alignment Tape (VFM3581KM).
3. Select LISTA Main Menu " (6) ATF Error Signal Monitor" Press enter when " 1.2% Speed..." is appeared to start the Sensitivity measurement.
4. When the picture is appeared as shown in figure adjust ATF Gain so that the " Sens. Value: his in the Specification.
5. After Adjustment press ESC key to return the main menu.



### 3-6-37. PB Head Sensitivity Detection (25M Mode)

<b>Specification</b>	Sensitivity 150+/-15 (mV/um)
<b>Mode</b>	Playback
<b>Test Point</b>	(1) ATF:TP732 (2) HSW:TP723(PB HSW) (not TP722(RP HSW) (3) GND:TG510
<b>Adjustment</b>	SERVO Adjustment Menu:"A09 RP GAIN P"
<b>Tape</b>	VFM3581KM or VFM3581KL

Before this adjustment PB Head Sensitivity Adjustment (25M Mode) must be completed.

1. Open the Service Menu and select "A11 PB GAIN DP".
2. Playback a LISTA alignment tape (VFM3581KM).
3. Select LISTA Main Menu " (1) Sensitivity Measurement" Press enter when " 1.2% Speed..." is appeared to start the Sensitivity measurement.
4. Confirm that the specification is satisfied when << Sensitivity Measurement Finish>> and " Sensitivity = sensitivity value" are appeared.

The screenshot shows a menu with the following text:

<< Sensitivity Measurement Finish >>

Sensitivity = 154.28 (m v / μ m)

Sens. 1 = 178.76 (m v / μ m)

Sens. 2 = 149.79 (m v / μ m)

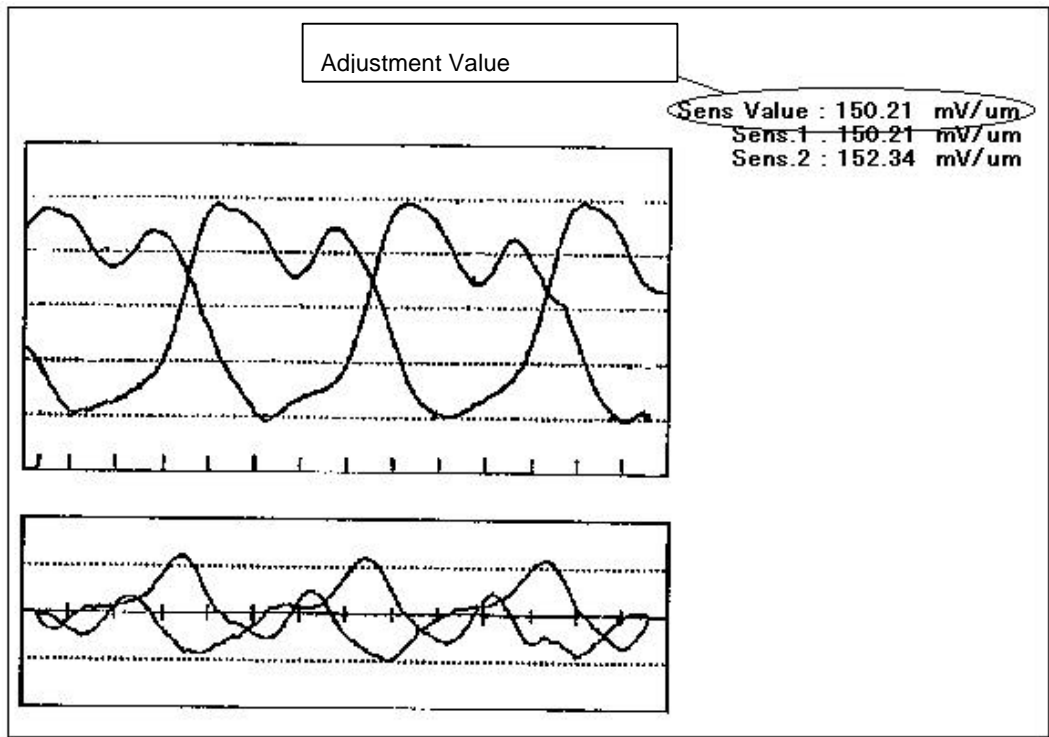
<<<Hit any key>>>

An arrow points from the text "Adjustment Value" to the circled value "154.28 (m v / μ m)".

### 3-6-38. RP Head Sensitivity Adjustment (50M Mode)

<b>Specification</b>	Sensitivity 150+/-15 (mV/um)
<b>Mode</b>	Playback
<b>Test Point</b>	(1) ATF:TP732 (2) HSW:TP722(RP HSW) (not TP723(PB HSW) (3) GND:TG510
<b>Adjustment</b>	SERVO Adjustment Menu:"A09 RP GAIN P"
<b>Tape</b>	VFM3581KM or VFM3581KL

1. Set the LISTA software in 50M Mode. Select AJ-D950 in the PC menu and displays the main menu. 25M and 50m mode can be changed by "0" key.
2. Set the VTR in Service Mode to open the service menu and select the item of " A05 RP GAIN ED" in the "SERVO ADJUST" menu.
3. Playback a LISTA alignment tape (VFM3581KM).
4. Select the LISTA (6) ATF Error Signal Monitor and " 1.2% Speed..." and type Enter to start the software.
5. When the picture is appeared as shown in figure adjust ATF Gain so that the " Sens. Value:" is in the Specification. To return the main menu press ESC key.



### 3-6-39. RP Head Sensitivity Detection (50M Mode)

<b>Specification</b>	Sensitivity 150+/-15 (mV/um)
<b>Mode</b>	Playback
<b>Test Point</b>	(1) ATF:TP732 (2) HSW:TP722(RP HSW) (not TP723(PB HSW) (3) GND:TG510
<b>Adjustment</b>	SERVO Adjustment Menu: "A05 RP GAIN ED"
<b>Tape</b>	VFM3581KM or VFM3581KL

Before this adjustment RP Head Sensitivity Adjustment (25M Mode) must be completed.

1. Select "A05 RP GAIN ED" in the Service Menu.
2. Playback a LISTA Alignment Tape (VFM3581KM).
3. Select LISTA Main Menu "(1) Sensitivity Measurement" Press enter when " 1.2% Speed..." is appeared to start the Sensitivity measurement.
4. Confirm that the specification is satisfied when << Sensitivity Measurement Finish>> and " Sensitivity = sensitivity value" are appeared.

The screenshot shows a menu with the following text:

<<Sensitivity Measurement Finish>

Sensitivity = 154.28 (m v / μ m) ← Adjustment Value

Sens. 1 = 178.76 (m v / μ m)

Sens. 2 = 149.79 (m v / μ m)

<<<Hit any key>>>

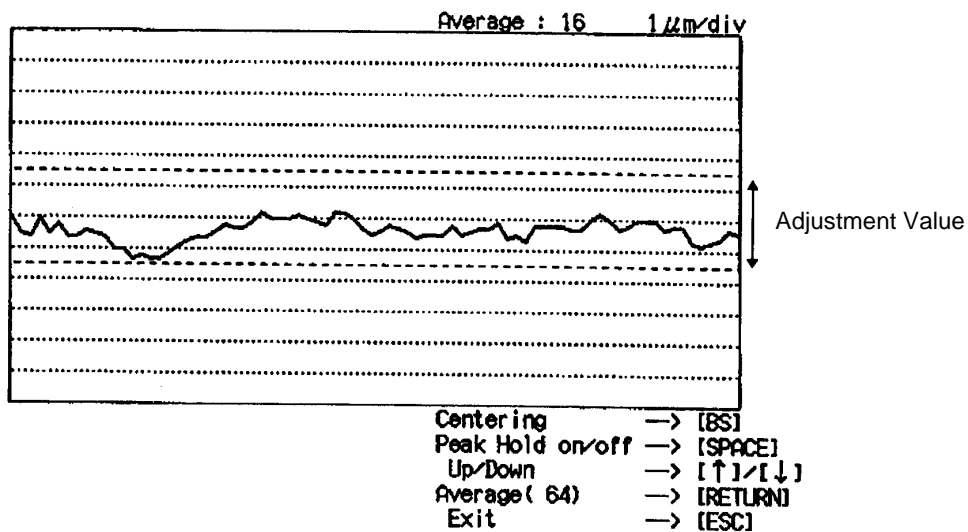


### 3-6-40. LISTA Linearity Confirmation and Waving Measurement (50M Mode)

<b>Specification</b>	Linearity is less than 3um, Waving is less than 1.5um.
<b>Mode</b>	SERVO Adjustment Menu:" A06 RP LINEAR ED"
<b>Test Point</b>	(1) ATF:TP732 (2) HSW:TP722(RP HSW) (not TP723(PB HSW) (3) GND:TG510
<b>Adjustment</b>	S1 and T1 Post Height
<b>Tape</b>	VFM3581KM or VFM3581KL

1. Open the Service Menu and select " A06 RP LINEAR ED" in the " SERVO ADJUST"
2. Playback a LISTA alignment Tape (VFM3581KM).
3. Select " (2) Linearity Measurement" then Linearity waveform is appeared.
4. When the following waveform is appeared press " BS" (Back Space) key to centering the waveform. Adjust S1 and T1 Post Height so that the Linearity waveform is flat. Confirm the ENV waveform is flat.

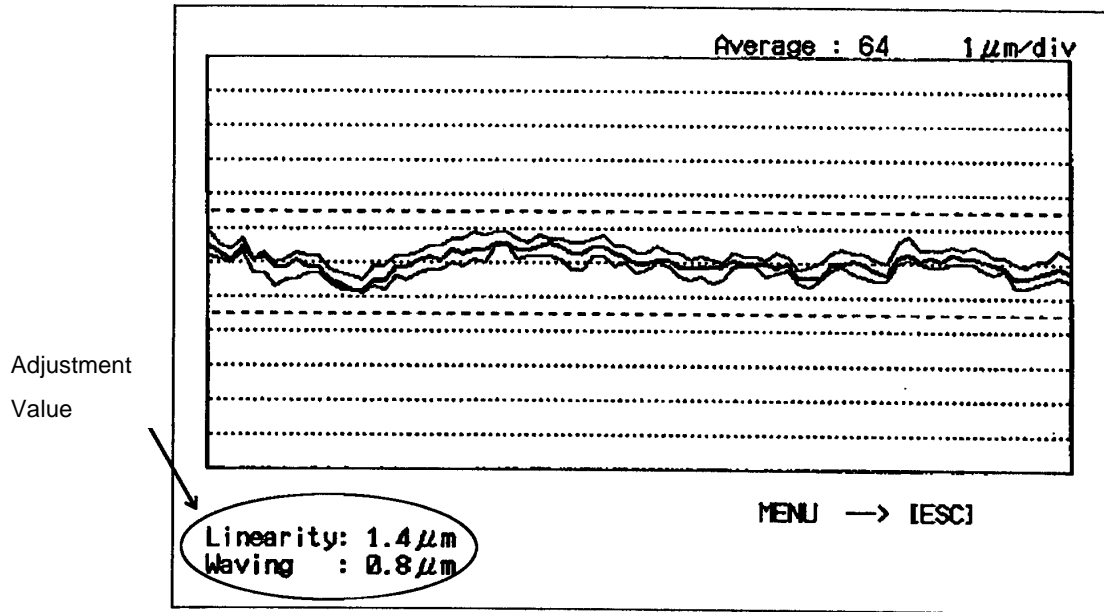
Red dot lines shows the specification, so linearity waveform should be in the lines.



After the Linearity Adjustment measure the waving.

## Waving Measurement

1. While the linearity is displayed on the monitor press "SPACE" key to hold the Peak (30 seconds).
2. Press "SHIFT" and "]" keys together and "Waving" value is displayed at left bottom of the monitor. Then confirm the waving is 1.5  $\mu\text{m}$  or less, and the waving is constant from the entrance to exit. If the waving is out of specification adjust S1 (Entrance) and T1 (Exit) Post Height.
3. After measurement press ESC key to return the main menu.

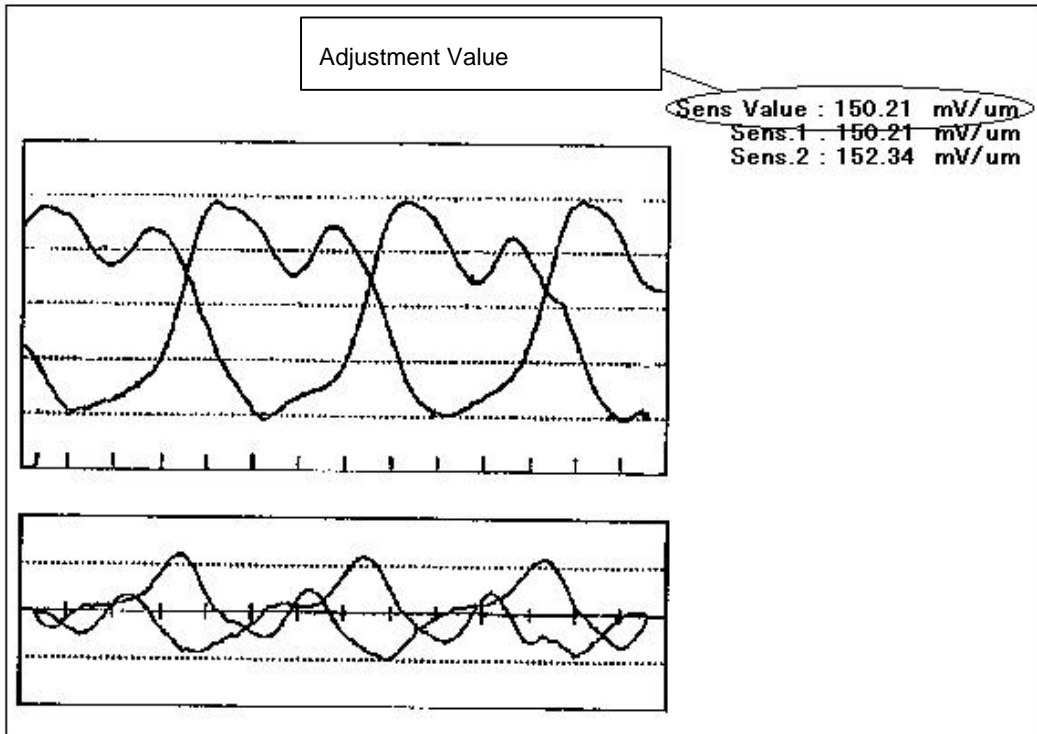


### 3-6-41. PB Head LISTA Sensitivity Adjustment (50M Mode)

<b>Specification</b>	Sensitivity 150+/-15 (mV/um)
<b>Mode</b>	SERVO Adjustment Menu "A07 PB GAIN ED"
<b>Test Point</b>	(1) ATF:TP732 (2) HSW:TP723(PB HSW) (not TP722(RP HSW) (3) GND:TG510
<b>Adjustment</b>	SERVO Adjustment Menu: "A07 PB GAIN ED"
<b>Tape</b>	VFM3581KM or VFM3581KL

1. Open the Service Menu and select " A07 PB GAIN ED" in the "SERVO ADJUST" menu.
2. Playback a LISTA alignment Tape (VFM3581KM).
3. Select LISTA Main Menu " (6) ATF Error Signal Monitor" Press enter when " 1.2% Speed..." is appeared to start the Sensitivity measurement.
4. When the picture is appeared as shown in figure adjust ATF Gain so that the " Sens. Value:" is in the Specification.

After Adjustment press ESC key to return the main menu.



### 3-6-42. PB Head Sensitivity Detection (50M Mode)

<b>Specification</b>	Sensitivity 150+/-15 (mV/um)
<b>Mode</b>	Playback
<b>Test Point</b>	(1) ATF:TP732 (2) HSW:TP723(PB HSW) (not TP722(RP HSW) (3) GND:TG510
<b>Adjustment</b>	SERVO Adjustment Menu:"A09 RP GAIN P"
<b>Tape</b>	VFM3581KM or VFM3581KL

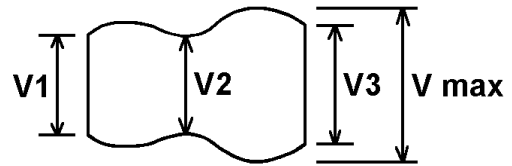
Before this adjustment PB Head Sensitivity Adjustment (50M Mode) must be completed.

1. Open the Service Menu and select " A07 PB GAIN ED".
2. Playback a LISTA alignment tape (VFM3581KM).
3. Select LISTA Main Menu " (1) Sensitivity Measurement" Press enter when " 1.2% Speed..." is appeared to start the Sensitivity measurement.
4. Confirm that the specification is satisfied when << Sensitivity Measurement Finish>> and " Sensitivity = sensitivity value" are appeared.

### 3-6-43. REC/PB Envelope Confirmation

<b>Specification</b>	$V1/V_{max}, V2/V_{max}, V3/V_{max} \geq 0.8$
<b>Test Point</b>	TP201 R/P ENV L:H3/ R:H4
<b>Adjustment</b>	S1, T1 Post Height
<b>Mode</b>	PLAY
<b>Tape</b>	VFM3580KM(No.1)
<b>M. EQ.</b>	Oscilloscope
<b>Tool</b>	VFK1149 (Post Driver-)

1. Playback an alignment Tape.
2. Confirm the R/P Envelope Level is in the specification.
3. If it is not adjust ENV waveform Adjustment and LISTA Adjustment.



## 3-7. Measure Parts Replacement and Adjustment

### General

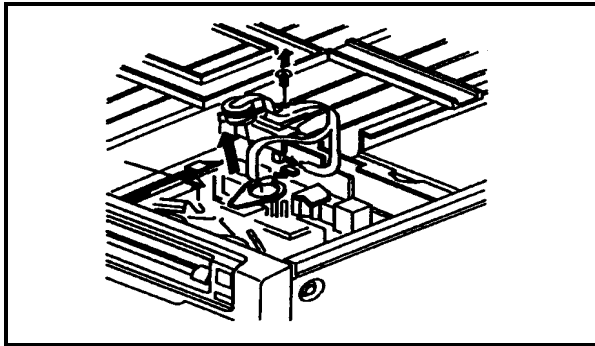
Note the following items for each part replacement.

1. Turn Power Off before replacement.
2. Use the correct tool in the Jigs and Tools list.
3. After replacement clean the VTR according with the cleaning procedures.

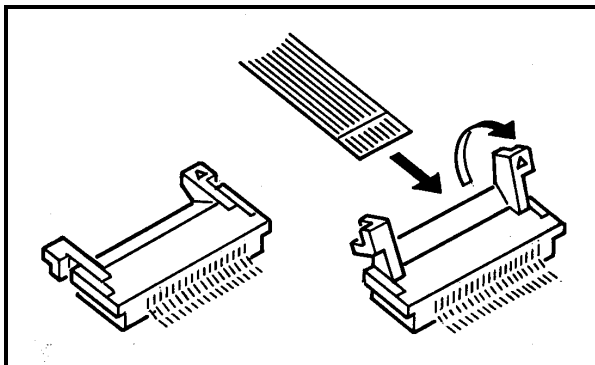
### 3-7-1. Cylinder Unit Replacement

#### (Removal of Cylinder Unit)

1. Remove the T1 guide and cleaning arm unit. (Refer to the cleaning arm unit replacement.)
2. Remove 2 connectors (P5002, P5003) on the Head Buffer board and remove the screw on the flexible cable.

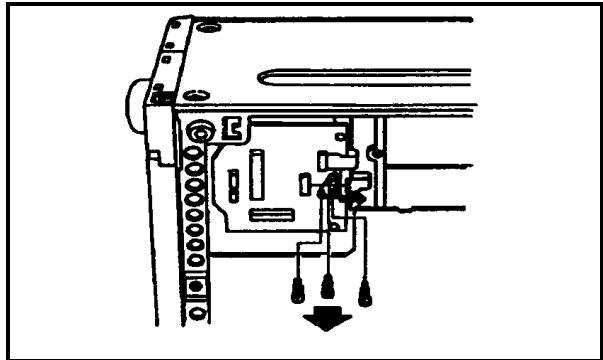


**Note:** Be careful to remove the flexible cable from the connector. Do not touch on the cylinder surface by finger directly.



3. Remove the connector P33 on the Mech. Interconnection board at bottom of VTR. Then remove 3 screws (with spring) and draw out the cylinder unit without touching any parts.

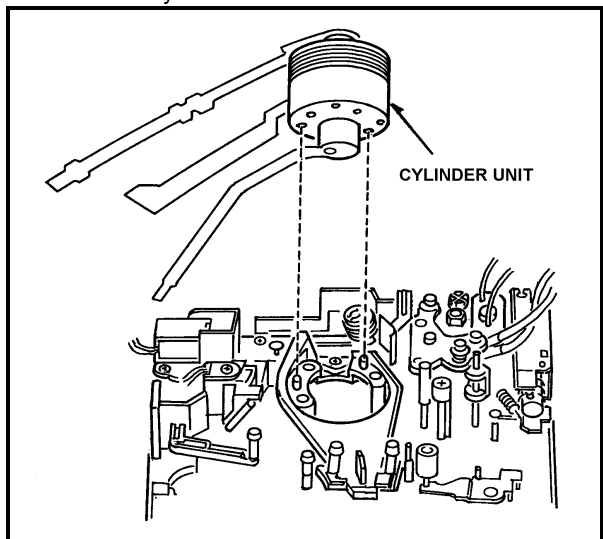
**Note:** Do not touch the cylinder surface by finger directly.



#### (Installation of cylinder)

1. Install a Cylinder unit as reverse order of its removal.

**Note:** Set the Mechanical Chassis pins are matched with the specified cylinder holes on the bottom of the cylinder.



2. After T1 Guide installation, T1 Guide Position Adjustment is necessary. (Refer to Cleaning Arm Unit Replacement and T1 Guide Position Adjustment.)

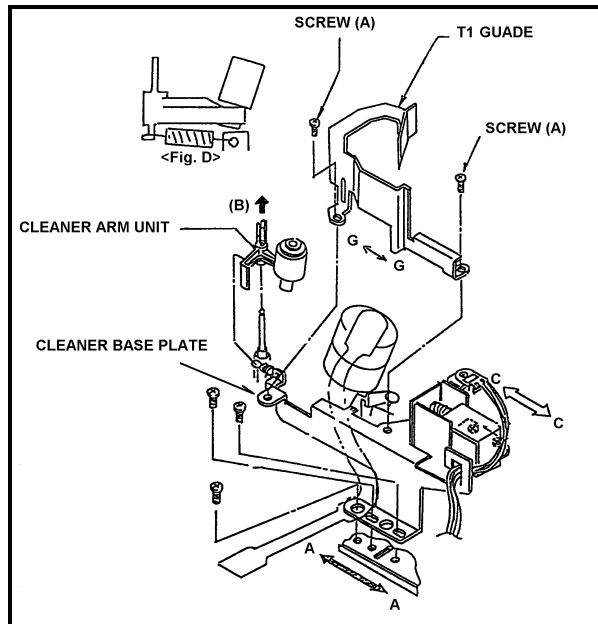
### 3-7-2. Cleaning Arm Unit Replacement

#### (Removal of Cleaning Arm Unit)

1. Remove 2 screws (A) and remove the T1 Guide.
2. Hang off the tip portion (B) of Cleaning Arm Unit and hang off the spring from Cleaning Arm Unit, then remove the Cleaning Arm Unit as shown in the figure.

#### (Installation of Cleaning Arm Unit)

1. Install a Cleaning Arm Unit to the T2 Arm Unit. Then remove the spring from the cleaner base plate and hook to cleaning arm unit. Push the cleaning arm unit into T2 Arm Unit.
2. Push the Cleaner Solenoid. Rotate the cylinder and confirm that the cleaner roller is rotated by the cylinder movement.
3. Install a T1 Guide.
4. After T1 Guide installation, T1 Guide position adjustment is necessary.

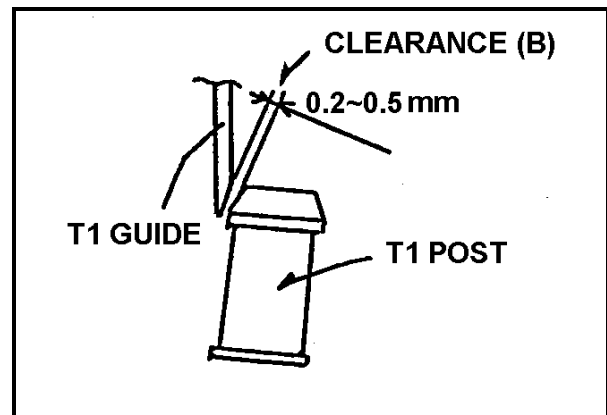


### 3-7-3. T1 Guide Position Adjustment

1. Set the VTR in no tape loading mode.

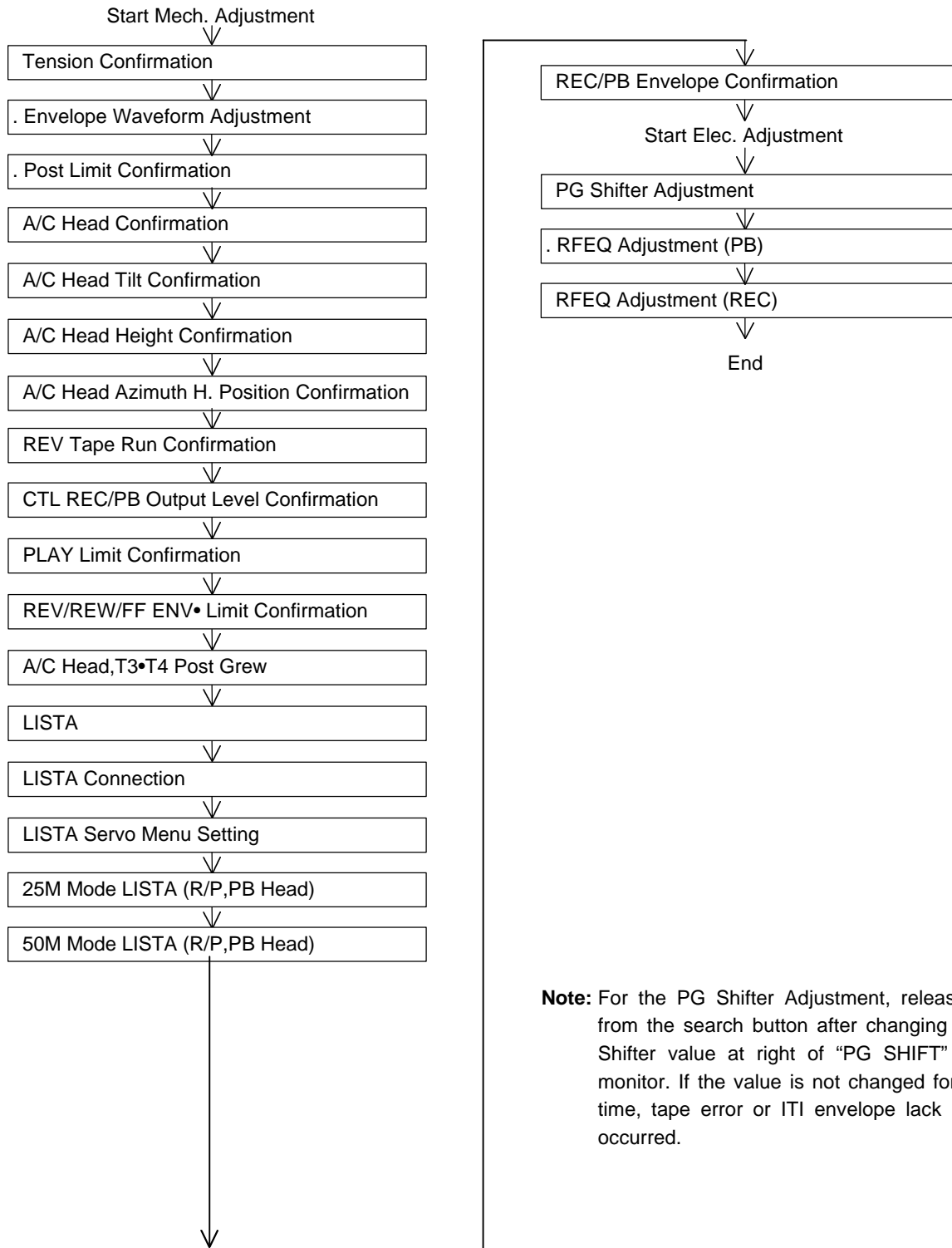
#### < No tape loading procedures >

- Open the "Servo Adjust" menu in the "Service Menu".
  - Select the item "T TORQUE" and press the search button to make the loading condition. Then turns power off.
2. Confirm that the clearance between T Guide and T1 Post is 0.2 mm to 0.5 mm. (A little clearance is necessary.)
  3. If it is not, loosen the 2 screws (A) and adjust the position of T1 guide by moving arrow direction (B)



### 3-7-4. Adjustments after Cylinder Unit Replacement

1. Adjust following items after cylinder unit replacement.



**Note:** For the PG Shifter Adjustment, release hand from the search button after changing the PG Shifter value at right of “PG SHIFT” on the monitor. If the value is not changed for a long time, tape error or ITI envelope lack may be occurred.



## Replacement Procedures

### Tool

Nut Driver (5.5mm)(VFK1150)

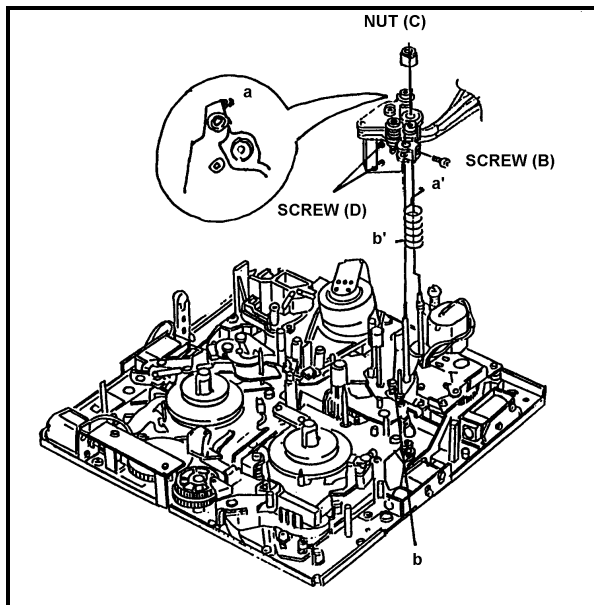
Hex Driver (VFK1148)

Hex Wrench (VFK1190)

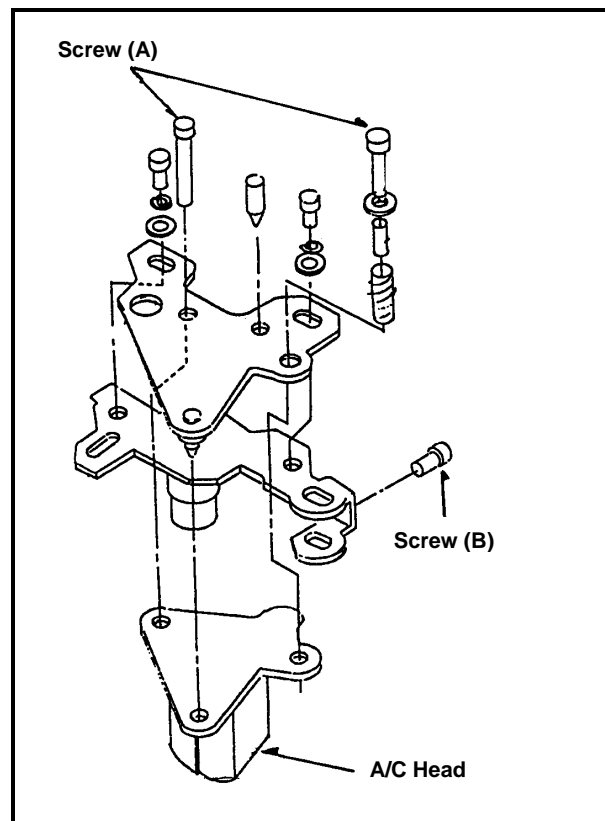
### (Removal of A/C Head)

1. Remove the top panel.
2. Loosen the hex screw (B) and remove the nut (C) then hang off the height adjustment spring (a). Remove the A/C Head Unit.

**Note:** Remember the Nut (C) height before removing it.



3. Remove 2 screws (A) and remove P1 on AC HEAD I/F board and P2030 on Mech. I/F board, then remove A/C Head.
4. Remove 2 screws (D) and remove the shield case.
5. Unsolder the Lead wire from the A/C Head. (When unsolder the lead wires, do not unsolder all at the same time.)



### (Installation of A/C Head)

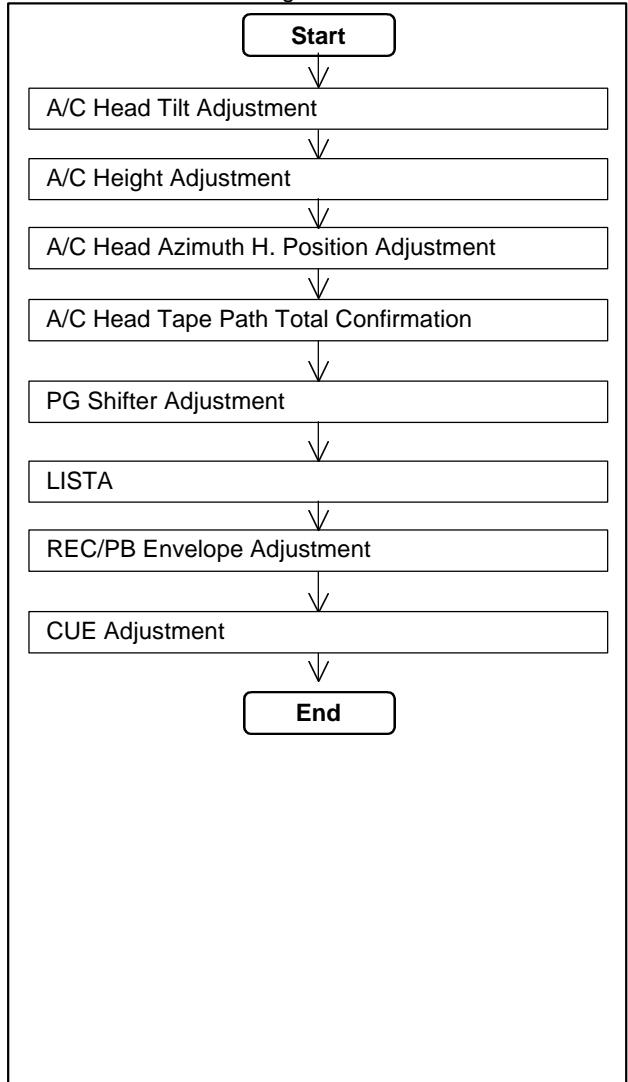
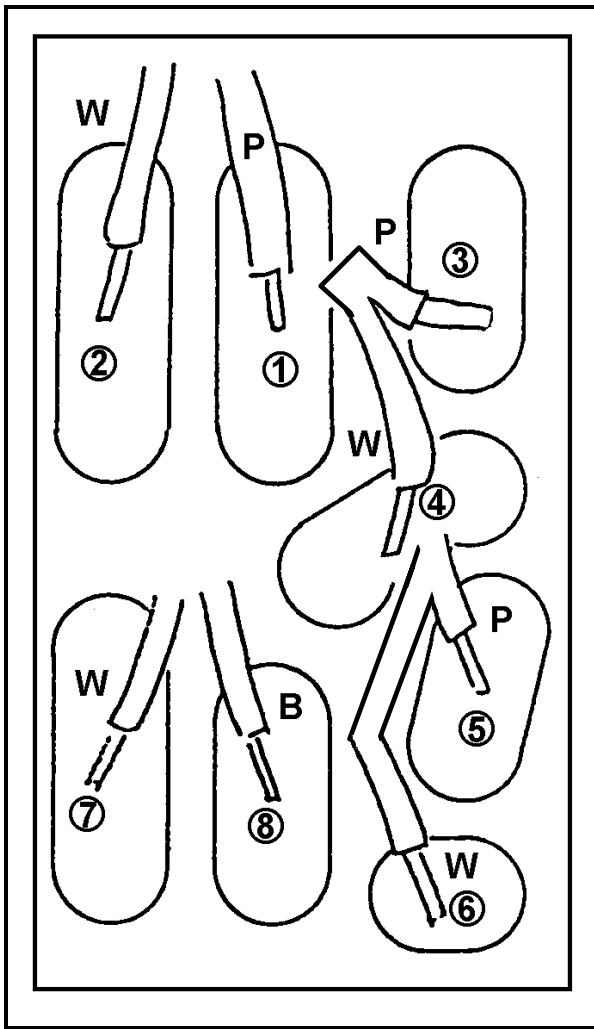
1. Remove the shield case from a new A/C Head and solder the each lead wires.
2. Install the shield case.
3. Install the A/C head to the A/C head plate by 2 screws (A). Then set to parallel the gap between A/C Head and A/C Head Plate.
4. Install the A/C Head unit.
5. Hang on the Head Height Adjustment Spring and tighten the Nut (C).
6. Clean the surface of the A/C Head.
7. A/C Head Adjustment is necessary.

### 3-7-6. A/C Head Adjustment

1. After A/C Head Replacement, from the item of A/C Head Tilt to the item of A/C head horizontal position adjustment are necessary.

**Note:** Keep loosen the hex screw (B) at the side of A/C head until A/C head height adjustment completion.

2. A/C Head Adjustment and Confirmation are shown in the following flow chart.



A/C Head Side	Cable Color		Connector No.
1	PINK	YELLOW	P1
2	WHITE		
3	PINK	RED	
4	WHITE		
5	PINK	GREEN	P30
6	WHITE		
7	WHITE	YELLOW	
8	BLACK		

### 3-7-7. Supply and Take-up Reel Unit Replacement

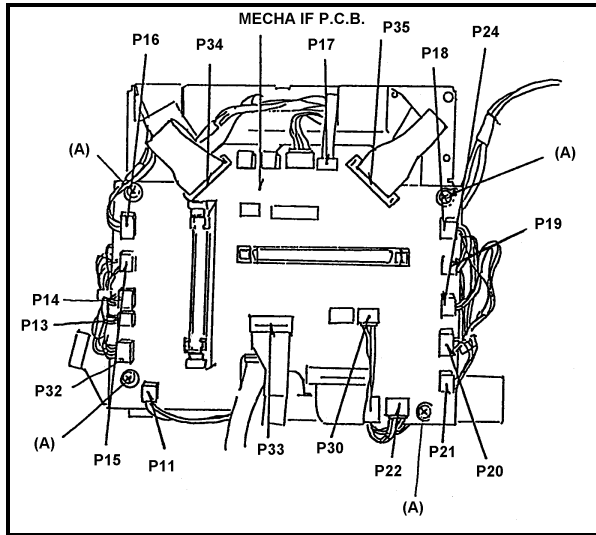
#### (Removal of Supply and Take-up Reel Unit)

1. Remove the top panel.
2. Remove the front loading unit.
3. Remove the bottom panel.
4. Remove the connector P34 and P35 on the Mech. I/F board.
5. Rotate CW the Red Plastic Screw which is used for manual tape eject and load the S1 Post to make the space for screw (C).
6. Confirm that the S and T brake solenoid iron core are released.
7. Push the M Stopper Solenoid to release the M Stopper.
8. Remove 4 Screws (C), (D) and (E).
9. The Reel Table is hooked with inner rail. Slightly lift the Reel Table so that it does not touch the brake release arm. Then remove the Reel Table.

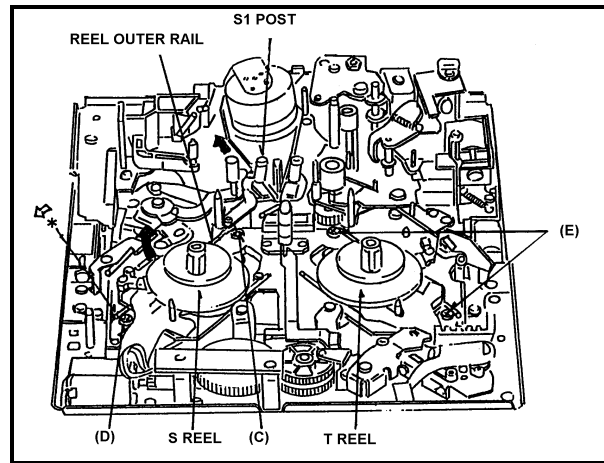
**Note:** Memorize the groove position of Reel Base which is inserted the pin of Drive Arm Unit. (The position can remember by the attached grease.)

#### (Installation of Supply and Take-up Reel Unit)

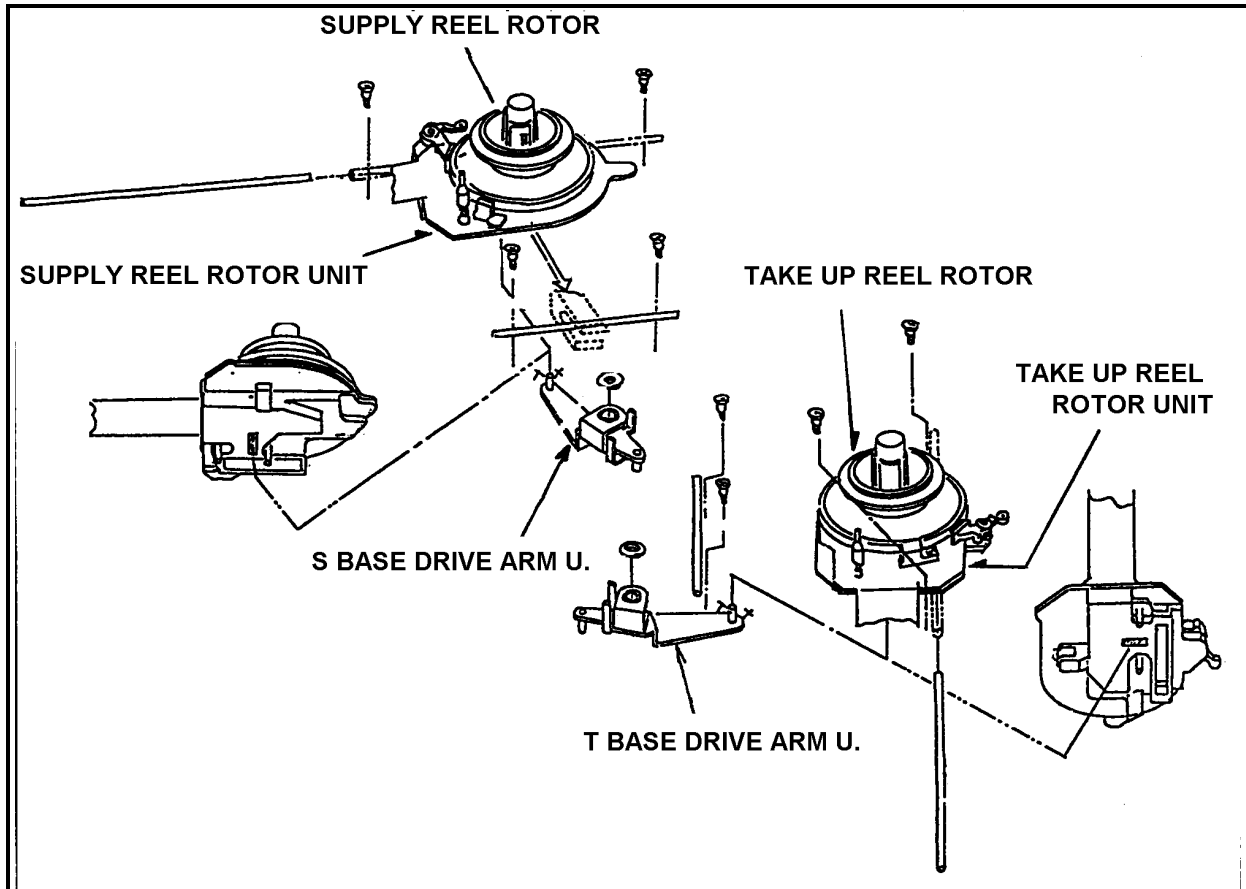
1. Insert the outer rail at the new Reel Table.
2. Hook the Reel Table Unit at the inner rail. Then install a Reel Table so that its groove is matched with the pin of Drive Arm Unit.
3. Tighten 4 screws (C), (D) and (E) then confirm the Reel Table moves smoothly on the Rail by hand.
4. Move the Reel Rotor Unit to front side by hand and pull up the iron core of M stopper solenoid
5. Unload completely by rotating the Red Plastic screw CCW.
6. Insert the flexible cable into P34 and P35 on the Mech. I/F board.
7. Confirm the Main Brake Torque. (Refer to the Main Brake Torque Confirmation.)
8. Adjust the Motor Torque Offset. (Refer to the Motor Torque Offset Adjustment.)
9. Confirm the Tension Value. (Refer to the Tension Confirmation.)



Mech. IF Board



Removal Reel Rotor Unit



Installation of Reel Rotor Unit

### 3-7-8. Supply and Take-up Brake Arm Unit Replacement

#### (Removal of Brake Arm Unit)

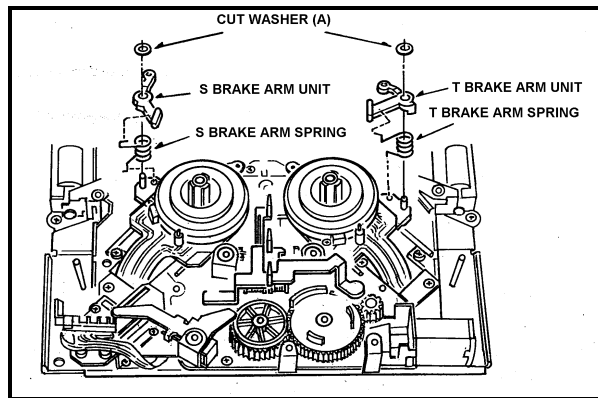
1. Remove the top panel.
2. Remove the front loading unit.
3. Push the supply and take-up brake solenoids to release brake.
4. Remove 2 cut washers (A) and remove supply and take-up brake arm unit.

#### (Installation of Brake Arm Unit)

1. Install new supply and take-up brake arm units as reverse order of removal.

**Note:** Hook the brake arm spring at the position shown in the figure.

2. After the Brake Arm Unit Installation, confirm the Main Brake Torque. (Refer to the Main Brake Torque Confirmation.)

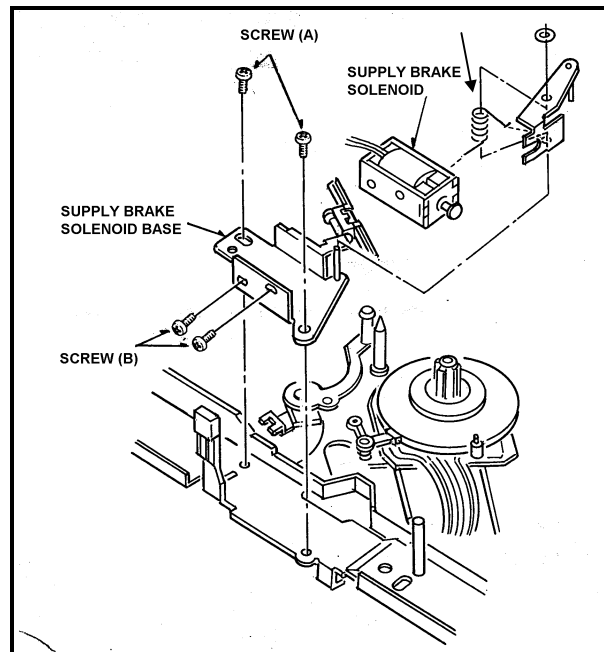


Reel Brake Arm Unit Replacement

### 3-7-9. Supply Brake Solenoid Replacement and Adjustment

#### (Removal of Supply Brake Solenoid)

1. Remove the top panel.
2. Remove the front loading unit.
3. Remove the bottom panel.
4. Remove the connector P15 on Mech. Interconnection board.
5. Remove 2 screws (A) and remove the Supply Brake Solenoid Base Unit.
6. Remove 2 screws (B) and remove the Supply Brake Solenoid from its unit.



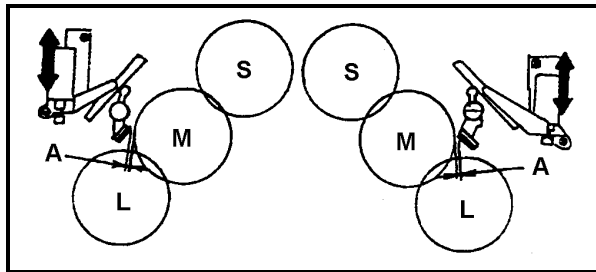
Supply Brake Solenoid Removal

#### (Installation of Brake Solenoid)

1. Install a new supply brake solenoid as reverse order of its removal.  
**Note:** Set the supply brake spring at the position shown in the figure.
2. After installation, adjust following procedures.

### (Adjustment Procedures)

1. Set the Reel Table at M cassette position.
2. Confirm the gap (A) between Brake pad and Turn table is 0.2 mm to 0.5 mm.
3. If the gap (A) is out of specification, loosen 2 screws and adjust brake solenoid unit as arrow direction so that the gap is in the specification.
4. After the above adjustment move the Reel Table to S cassette or L cassette position and confirm the gap is in the specification.

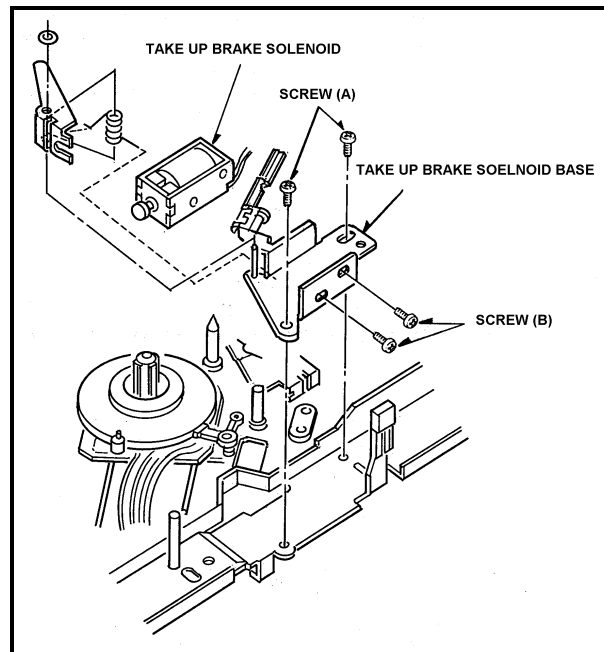


Brake Solenoid Position Adjustment

## 3-7-10 Take-up Brake Solenoid Replacement and Adjustment

### (Removal of Take-up Brake Solenoid)

1. Remove the top panel.
2. Remove the front loading unit.
3. Remove the bottom panel.
4. Remove the connector P18 on the Mech. Interconnection board.
5. Remove 2 screws (A) and remove the take-up brake solenoid base unit.
6. Remove 2 screws (B) and remove the Brake Solenoid from the Take-up Brake Solenoid Base Unit.



Take up Brake Solenoid Removal

### (Installation)

1. Install a new Take up Brake Solenoid as reverse order of its removal.  
**Note:** Install a take up brake spring as shown in the figure.
2. After installation adjust the gap between brake pad and turn table. (Refer to Supply Brake Solenoid Replacement and Adjustment.)

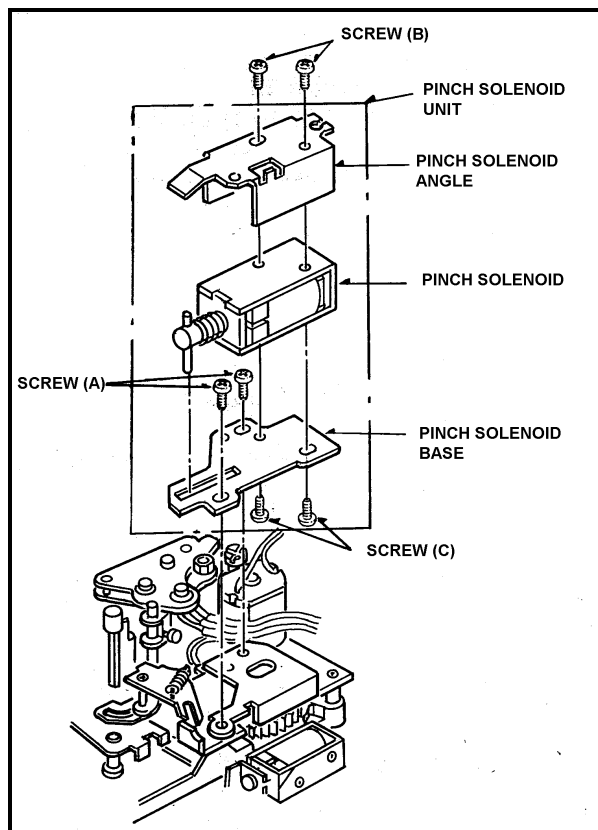
### 3-7-11. Pinch Solenoid Replacement

#### (Removal of Pinch Solenoid)

1. Remove the top panel.
2. Remove the front loading unit.
3. Remove the bottom panel.
4. Remove 2 screws (A) and remove the Pinch Solenoid Unit.
5. Remove 2 screws (B) and remove the Pinch Solenoid Angle.
6. Remove 2 screws (C) and remove pinch solenoid base then remove Pinch Solenoid.

#### (Installation of Pinch Solenoid)

1. Install a new Pinch Solenoid as reverse order of its removal. After installation Pinch Solenoid Position Adjustment is necessary. (Refer to Pinch Solenoid Position Adjustment.)



Pinch Solenoid Removal

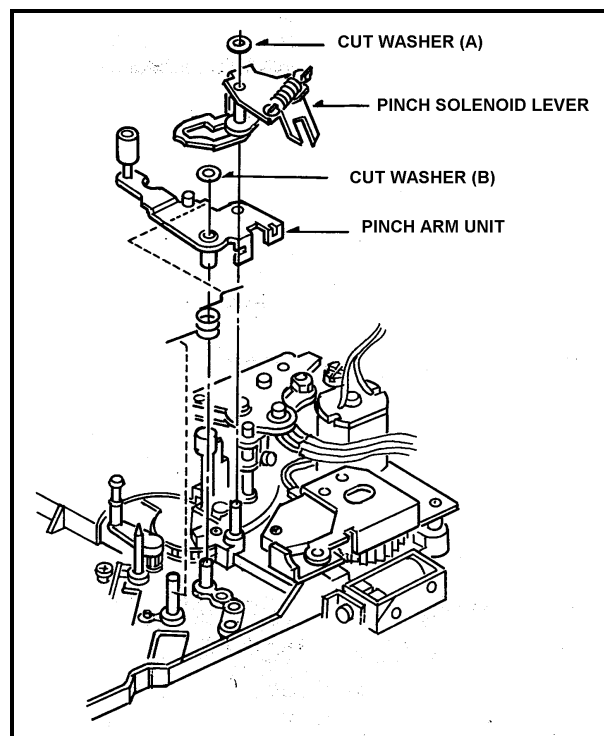
### 3-7-12. Pinch Arm Unit Replacement

#### (Removal of Pinch Arm Unit)

1. Remove the top panel.
2. Remove the front loading unit.
3. Remove the bottom panel.
4. Disconnect the connector P20 on the Mech. Interconnection board.
5. Remove the Pinch Solenoid Unit.
6. Remove 2 Screws (A) and remove the Pinch Solenoid Unit.
7. Remove the cut washer (B) and remove the Pinch Solenoid Lever.
8. Remove the cut washer (C) and remove the Pinch Arm Unit.

#### (Installation of Pinch Arm Unit)

1. Install a new Pinch Solenoid as reverse order of its removal. After installation adjust Pinch Solenoid Position Adjustment. (Refer to Pinch Solenoid Position Adjustment.)



Pinch Arm Unit Replacement

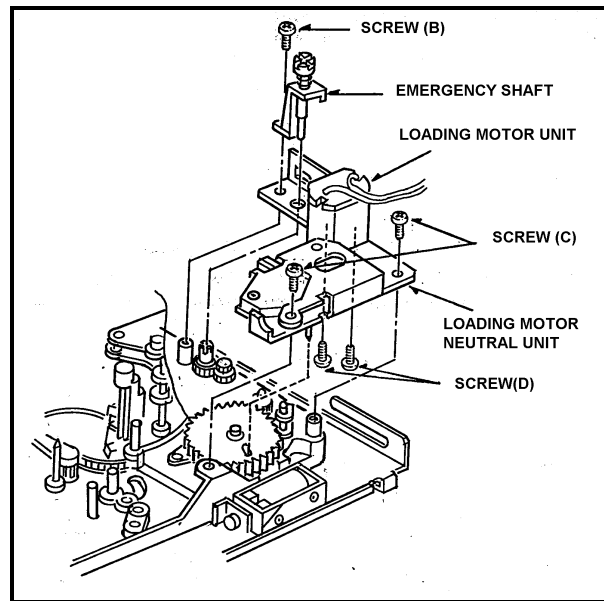
### 3-7-13 Loading Motor Replacement

#### (Removal of Loading Motor)

1. Remove the top panel.
2. Remove the front loading unit.
3. Remove the bottom panel.
4. Disconnect the connector P21 on the Mech. I/F board. Which is shown in the Supply an Take-up Reel Unit Replacement.
5. Remove the Pinch Solenoid Unit. (Refer to Pinch Solenoid Replacement.)
6. Remove the screw (B) and remove the Emergency Shaft.
7. Remove 2 screws (C) and remove the Loading Motor Neutral Unit.
8. Remove 2 screws (D) and remove the Loading Motor.

#### (Installation of Loading Motor)

1. Install a new Loading Motor with 2 screws (D) to the Loading Motor Neutral Unit.
2. Install the Loading Motor unit with 2 screws (C). For this installation, be careful that the pin of Mode SW unit should be matched to groove position of main Cam Gear.
3. Install the emergency shaft with screw (B).
4. Install the Pinch Solenoid Unit. After installation adjust Pinch Solenoid Position Adjustment. (Refer to Pinch Solenoid Position Adjustment.)
5. Connect the connector P21.



Removal of Loading Motor

### 3-7-14. Mode Switch Unit Replacement

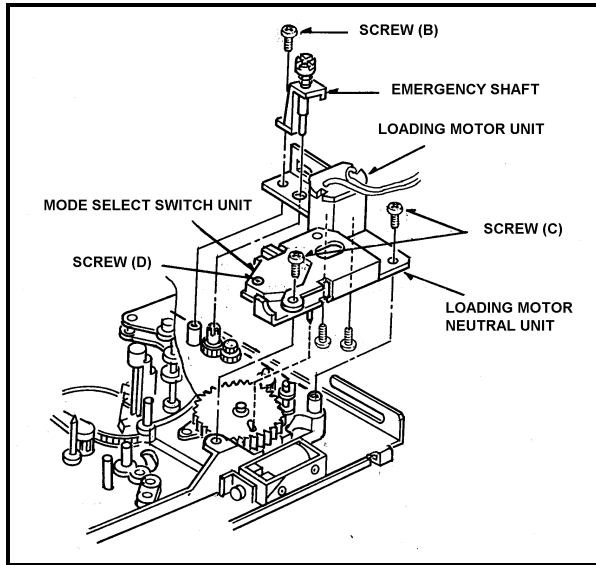
#### (Removal of Mode Switch Unit)

1. Remove the top panel.
2. Remove the front loading unit.
3. Remove the bottom panel.
4. Disconnect P22 on the Mech. Interconnection board.
5. Remove the Pinch Solenoid Unit and Loading Motor Neutral Unit. (Refer to Loading Motor Replacement.)
6. Remove 2 screws (D) and remove the Mode Switch Unit from the Loading Motor Neutral Unit.

#### (Installation of Mode Switch Unit)

1. Install a new Mode Switch Unit in reverse order of its removal.  
**Note:** Set the pin of the Mode Switch to the groove of the Main Cam Gear.
2. After Pinch Solenoid Unit, adjust Pinch Solenoid Position Adjustment. (Refer to Pinch Solenoid Position Adjustment.)





Removal of Mode Switch Unit

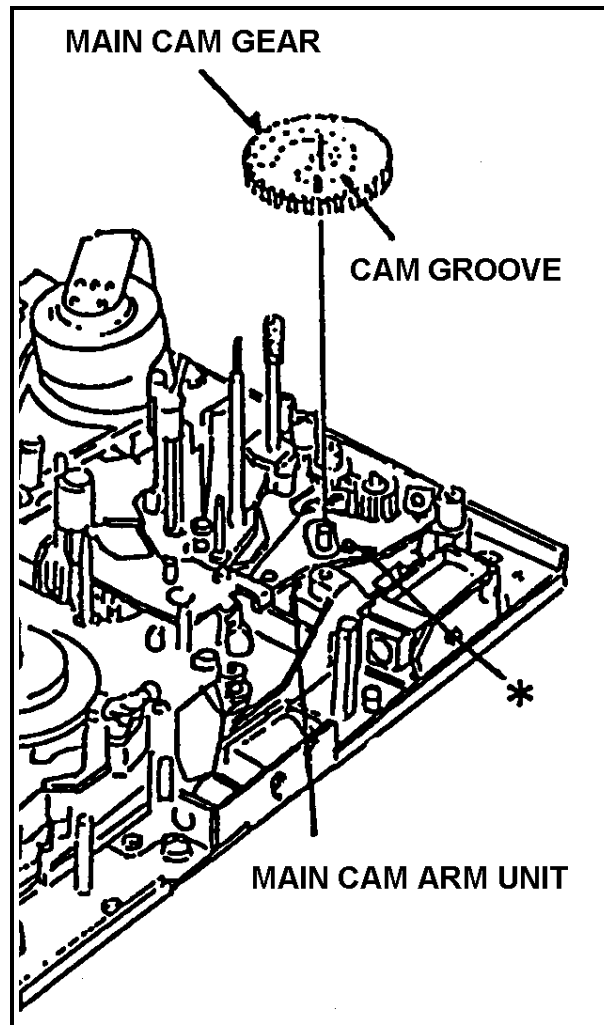
### 3-7-15. Main Cam Gear Replacement

#### (Removal of Main Cam Gear)

1. Remove the top panel.
2. Remove the front loading unit.
3. Remove the Pinch Solenoid Unit and Loading Motor Neutral Unit. (Refer to Loading Motor Replacement and Pinch Arm Unit Replacement.)
4. Remove the Main Cam Gear.

#### (Installation of Main Cam Gear)

1. Install a new Main Cam Gear in reverse order of its removal. For this installation, set the pin of the Income Arm Unit to the groove of the Main Cam Gear.



Removal of Main Cam Gear

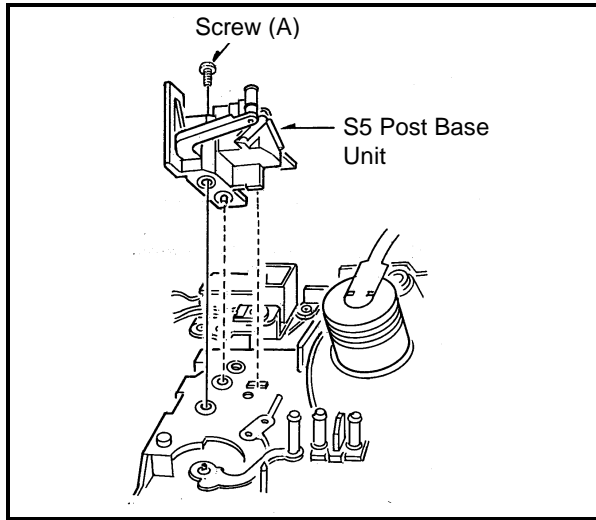
### 3-7-16. S5 Post Base Unit Replacement

#### (Removal of S5 Post Base Unit)

1. Remove the top panel.
2. Remove the front loading unit.
3. Remove the screw (A) and remove the S5 Post Base Unit.

#### (Installation of S5 Base Unit)

1. Install the new S5 Post Base Unit as reverse order of its removal.  
(Note) Install the S5 Post by the position fix as shown in the figure.
2. After installation, Post Pre-adjustment and Linearity adjustment are necessary.



Removal of S5 Post Base Unit

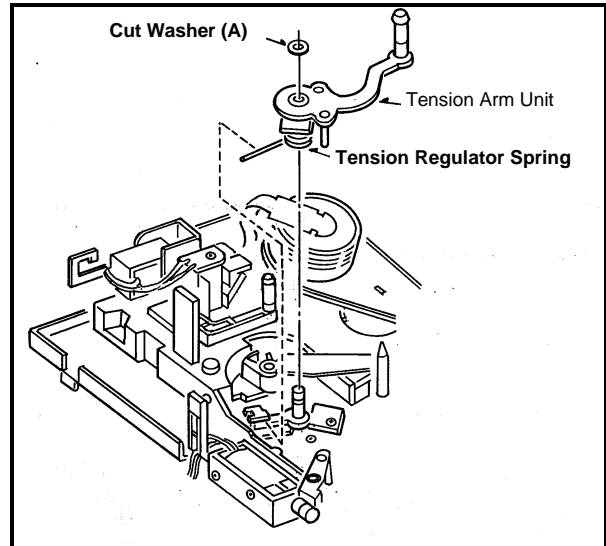
### 3-7-17. Replacement of Tension Arm Unit

#### (Removal of Tension Arm Unit)

1. Remove the top panel.
2. Remove the front loading unit.
3. Remove the cut washer (A) and remove the tension regulator spring from its hook then remove the tension arm unit.

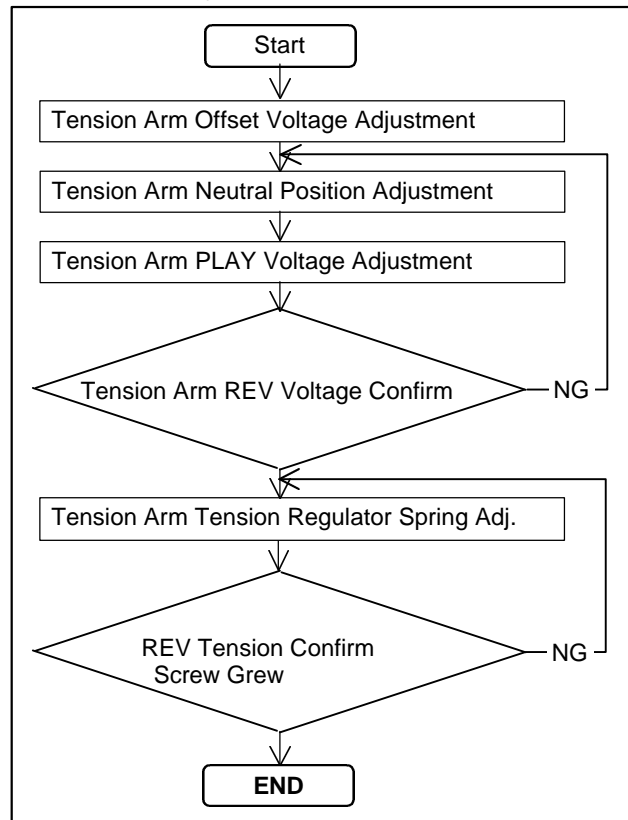
#### (Installation of Tension Arm Unit)

1. Install the new Tension Arm Unit as reverse order of its removal.
2. After installation adjust tension arm adjustment following the tension arm adjustment flow chart.



Removal of Tension Arm Unit

#### Tension Arm Adjustment Flow Chart



### 3-7-18. S1 Post Loading Arm Unit Replacement and Adjustment

#### (Removal of S1 Post Loading Arm Unit)

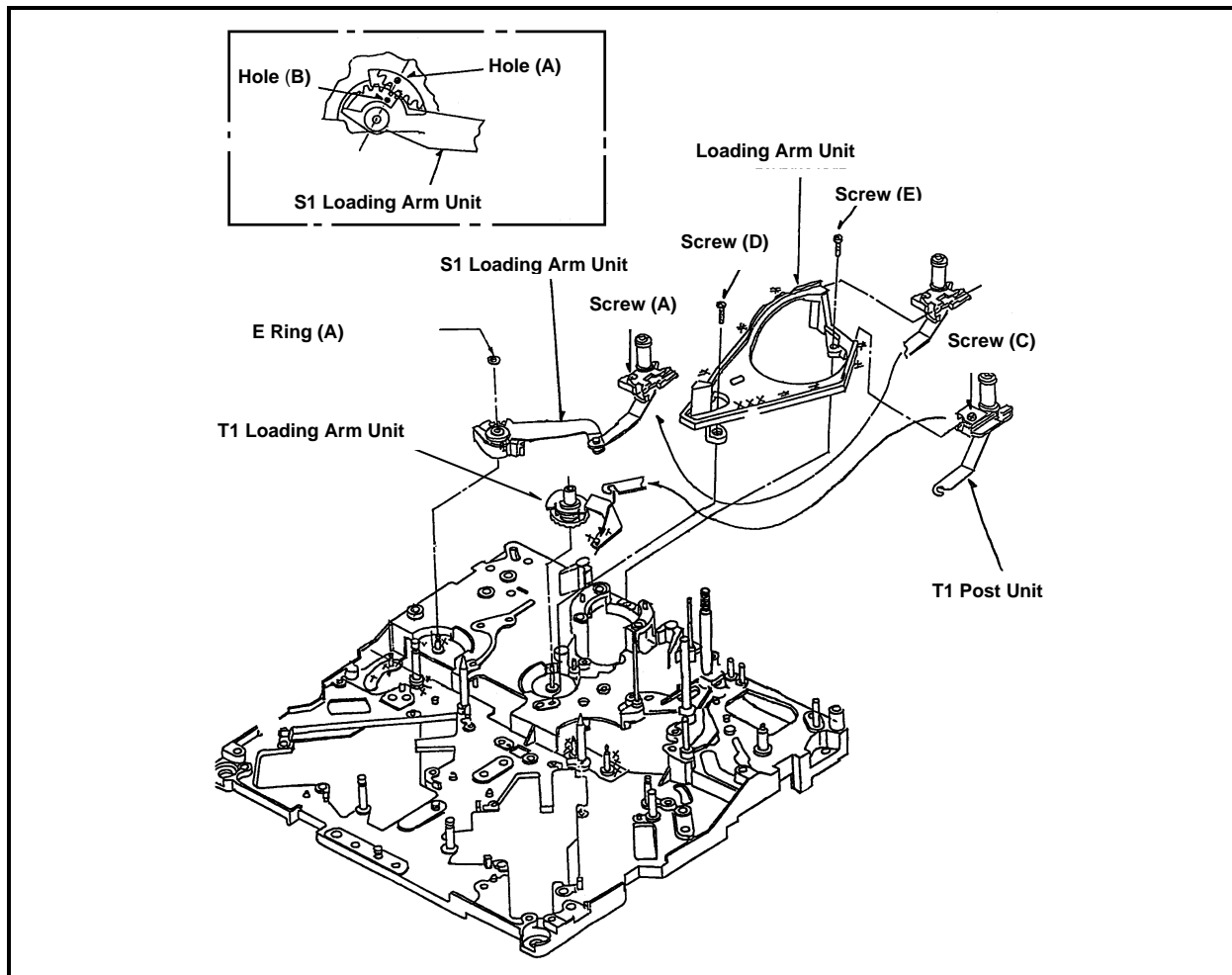
1. Remove the top panel.
2. Remove the front loading unit.
3. Remove the S5 Post Base Unit. (Refer to S5 Post Base Unit Replacement.)
4. Remove the tension arm unit. (Refer to Tension Arm Unit Replacement.)
5. Remove the screw (A) and remove the S1 Post from the loading rail.
6. Remove the E ring (A) and remove the S1 Loading Arm Unit.

#### (Installation of S1 Post Loading Arm Unit)

1. Install a new S1 Post Loading Arm Unit as reverse order of removal. After its installation S1 Post Loading Arm Unit Phase Adjustment is necessary.
2. After its installation confirm the S1 Post moves smoothly on the loading rail. Then Adjust the Tension Arm and Linearity.

#### (Adjustment Procedure)

1. When S1 Post Loading Arm is installed, the hole (A) and (B) must be parallel.



S1 Post Loading Arm Unit Removal

### 3-7-19. T1 Boat Unit Replacement

#### (Removal of T1 Boat Unit)

1. Remove the top panel.
2. Remove the front loading unit.
3. Remove the screw (C) and remove the T1 Post from the Loading Rail.
4. Remove the T1 Boat Unit from the T1 Loading Arm Unit.

#### (Installation of T1 Boat Unit)

1. Install a new T1 Boat Unit as reverse order of its removal.
2. After its installation, confirm the T1 Post moves on the Loading Rail. Then Linearity Adjustment is necessary.

### 3-7-20. T1 Loading Arm Unit Replacement and Adjustment

#### (Removal of T1 Loading Arm Unit)

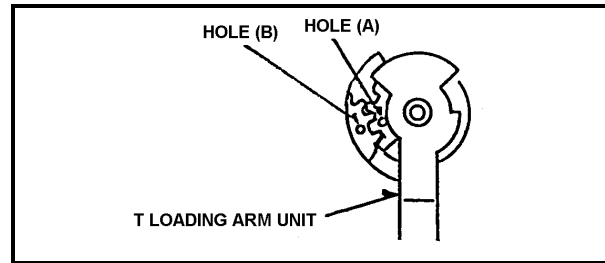
1. Remove the top panel.
2. Remove the front loading unit.
3. Remove the cylinder unit. (Refer to the cylinder unit replacement.)
4. Rotate the emergency eject shaft CW to load the T1 Post and make a space to remove the screw (D) as shown in Fig. 6-15-1.
5. Remove the screw (A) and (C) then remove the S1 and T1 Posts from the Loading Rail.
6. Remove the screw (D) and (E) and remove the Loading Rail.
7. Remove the T1 Boat Unit from the T1 Loading Unit.

#### (Installation of T1 Loading Arm Unit)

1. Install a new T1 Loading Arm Unit as reverse order of its removal. For this installation the following adjustment is necessary.

#### (Adjustment Procedures)

1. Install T1 Loading Arm Unit so that the Hole (A) and Hole (B) are in parallel.
2. After installation, confirm that the T1 post moves smoothly on the Loading Rail. Then Linearity Adjustment is necessary.



T1 Loading Arm Unit Position Adjustment

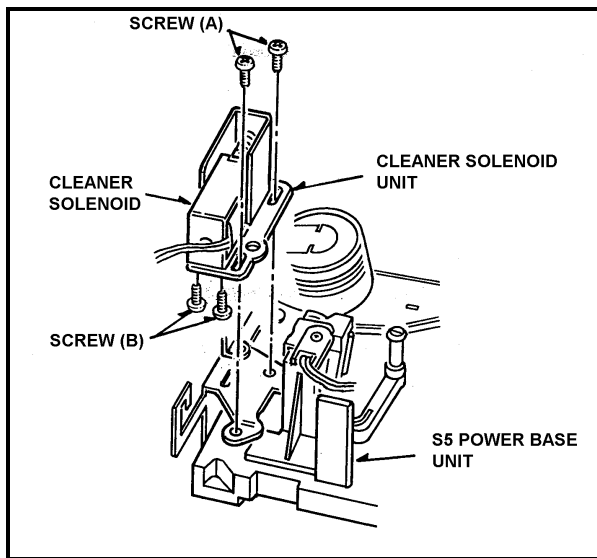
### 3-7-21. Cleaner Solenoid Replacement and Adjustment

#### (Removal of Cleaner Solenoid)

1. Remove the top panel.
2. Remove the Front Loading Unit.
3. Remove the connector P11 on the Mechanical Interconnection Board.
4. Remove two screws (A) and remove the Cleaner Solenoid Unit.
5. Remove two screws (B) and remove the Cleaner Solenoid.

#### (Installation of Cleaner Solenoid)

1. Install a new Cleaner Solenoid as reverse order of its installation.
2. After its installation adjust Cleaner Solenoid Position.



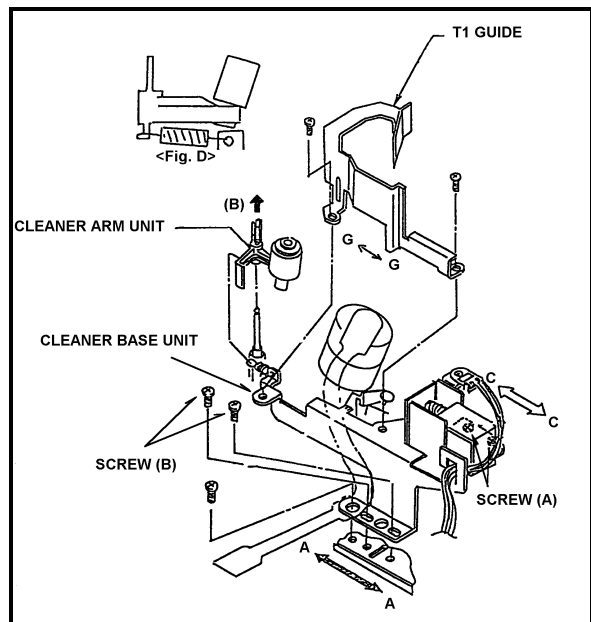
Cleaner Solenoid Replacement

### 3-7-22. Cleaner Solenoid Position Adjustment

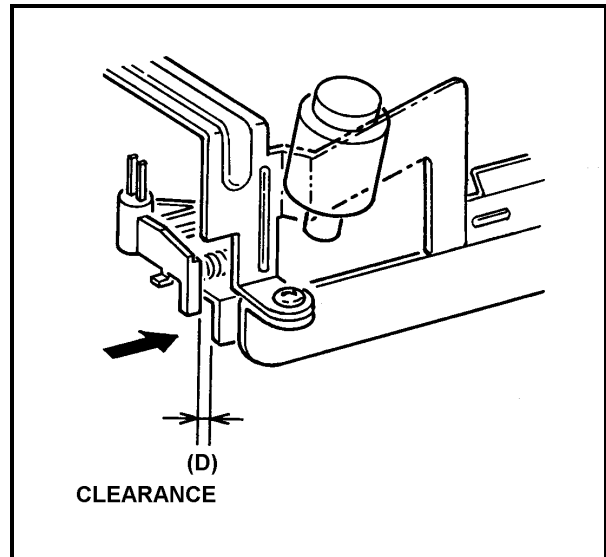
#### Tool

Eccentric Driver (VFK0357)

1. Push the Cleaner Solenoid Shaft and confirm the clearance between Cleaning Arm Unit and Cleaner Base Plate (D) is 0.5 mm to 0.7 mm.
2. If it is out of specification, loosen 2 screws (A) and move the cleaner solenoid arrow C direction and adjust the clearance (D) is in the specification.
3. Push the cleaner solenoid shaft and confirm that the cleaner roller touches the cylinder. Then confirm that the cleaner roller returns original position when the shaft is released.
4. Push the Solenoid shaft and rotate the cylinder and confirm that the cleaner roller is rotated by the cylinder movement.



Cleaner Solenoid Position Adjustment



Cleaner Solenoid Position Adjustment

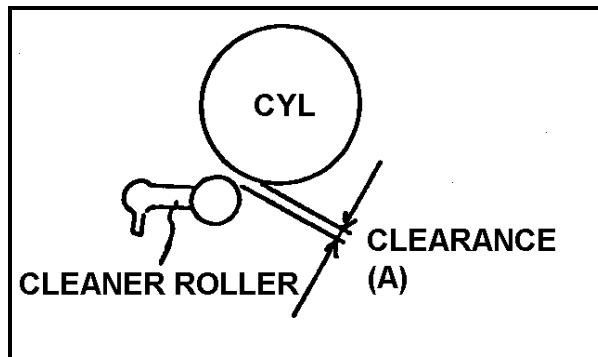
**Note:** If the Cleaner Base Plate is moved, Cleaner Roller Position Adjustment is necessary.

### 3-7-23. Cleaner Roller Position Adjustment

#### Tool

Eccentric Driver (VFK0357)

1. Confirm that the clearance (A) between cylinder unit and cleaner roller is 1.0 mm to 1.2 mm.
2. If it is out of specification loosen screw (B) and move the cleaner base unit and adjust its position by the eccentric driver.



Cleaner Roller Position Adjustment

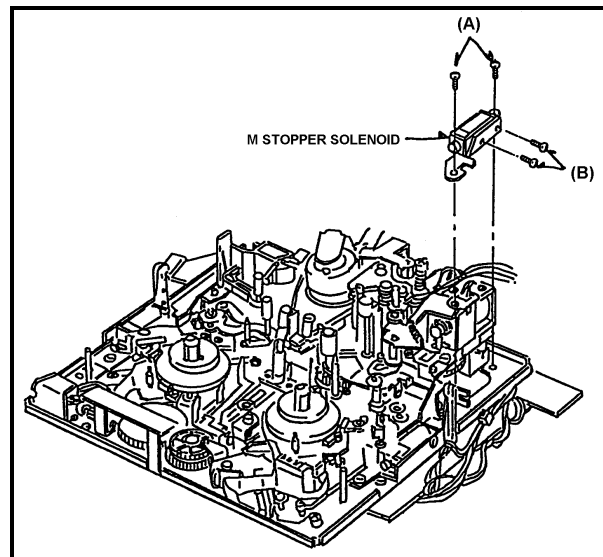
### 3-7-24. M Stopper Solenoid Replacement and Adjustment

#### (Removal of M Stopper Solenoid)

1. Remove the top panel.
2. Remove the front loading unit.
3. Remove the connector P24 on the Mech. Interconnection board.
4. Remove 4 screws (A) and (B) and remove the M Stopper Solenoid.

#### (Installation of M Stopper Solenoid)

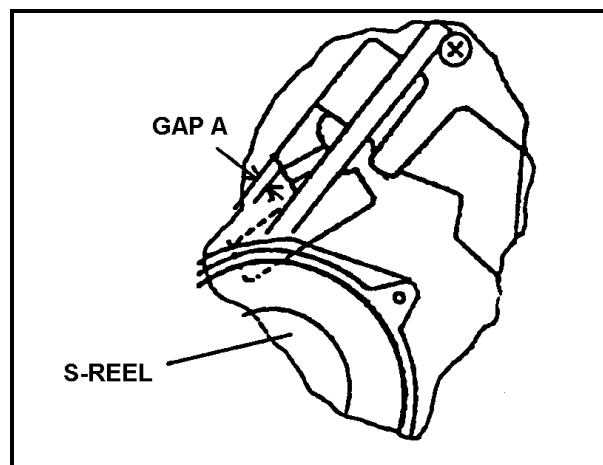
1. Install a new M Stopper Solenoid as reverse order of its removal.
2. After its installation following adjustment is necessary.



M Stopper Solenoid Removal

#### (Adjustment Procedures)

1. Set the Reel Table at L cassette position.
2. Release the M Stopper by pushing the M Stopper Solenoid Shaft.
3. Loosen the screw (A) and adjust the M Stopper Solenoid Unit Position so that the Gap (A) between Mech. Chassis and M Stopper is 1.1 mm to 1.3 mm.



M Stopper Solenoid Position Adjustment

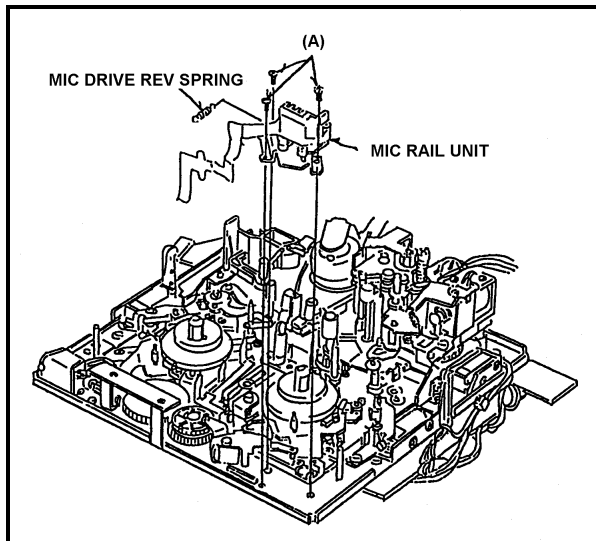
### 3-7-25. MIC Rail Unit Replacement

#### (Removal of MIC Rail Unit)

1. Remove the top panel.
2. Remove the front loading unit.
3. Remove the bottom panel. (Refer to the bottom panel removal.)
4. Remove the connector P17 on the Mech. Interconnection board.
5. Remove the MIC Drive REV Spring.
6. Remove 3 screws and remove the MIC Rail Unit.

#### (Installation of MIC Rail Unit)

1. Install a new MIC Rail Unit as reverse order of its installation.
2. Confirm that M and L cassette touches MIC Rail Unit.



MIC Rail Unit Removal

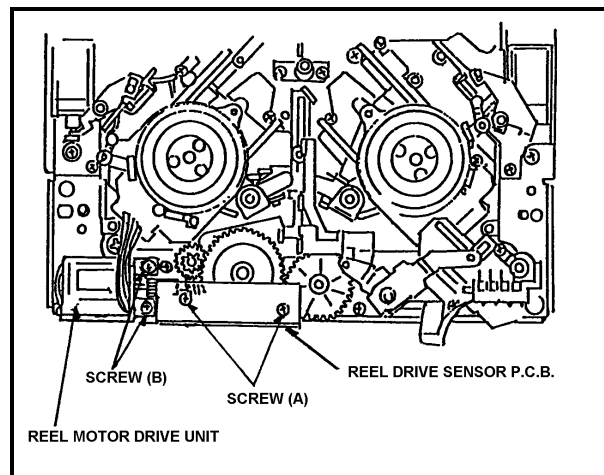
### 3-7-26. Reel Drive Motor Unit Replacement

#### (Removal of Reel Drive Motor Unit)

1. Remove the top panel.
2. Remove the front loading unit.
3. Remove the connector P16 on the Mech. Interconnection board.
4. Remove 2 screws (A) and remove the Reel drive sensor board.
5. Remove 2 screws (B) and remove the Reel Drive Motor Unit.

#### (Installation of Reel Drive Motor Unit)

1. Install a new Reel Drive Motor Unit as reverse order of its removal.



Reel Drive Motor Unit Removal

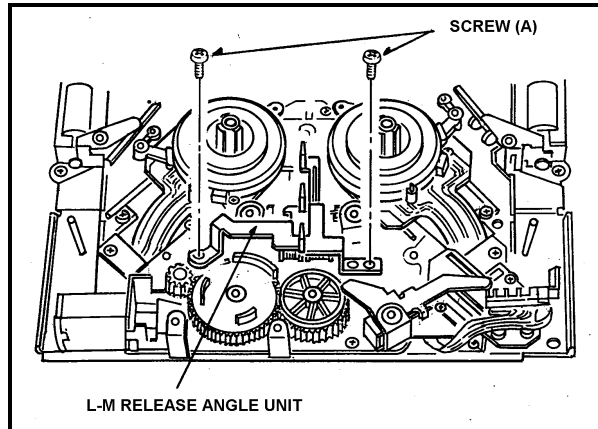
### 3-7-27. L-M Brake Release U. Replacement

#### (Installation of L-M Brake Release Unit)

1. Remove the top panel.
2. Remove the front loading unit.
3. Remove the screw (A) and remove the L-M Brake Release Unit.

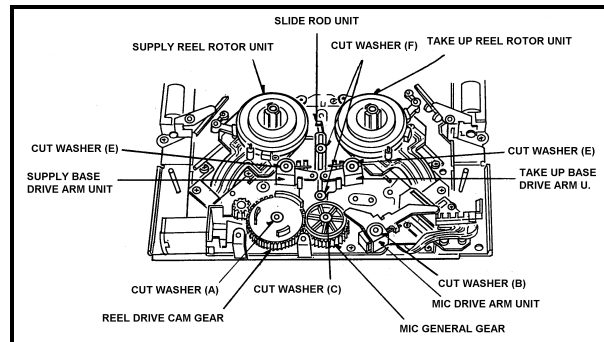
#### (Installation of L-M Brake Release Unit)

1. Install a new L-M Brake Release Unit as reverse order of its removal.

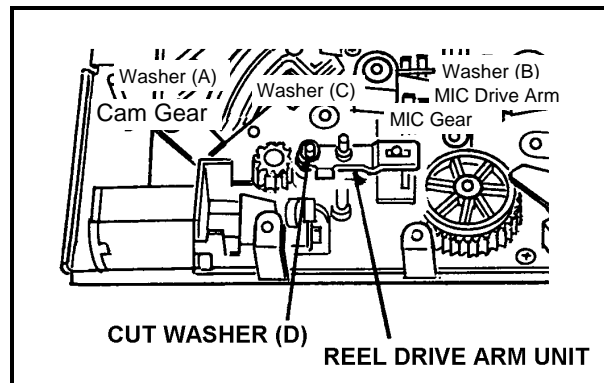


L-M Brake Release Unit Removal

10. Remove the cut washer (E) and remove the supply and take-up side base drive arm unit.
11. Remove the cut washer (F) and remove the slide load.



Slide Rod Unit Removal



Reel Drive Arm Unit Removal

### 3-7-28. Slide Rod Unit Replacement and Adjustment

#### (Removal of Slide Rod Unit)

1. Remove the top panel.
2. Remove the front loading unit.
3. Remove the L-M Brake Release Unit. (Refer to L-M Brake Release Unit Replacement.)
4. Remove the Reel Drive Sensor board. (Refer to Reel Drive Motor Unit Replacement.)
5. Remove the cut washer (A) and remove the Reel Drive Cam Gear.
6. Remove the cut washer (B) and remove the MIC Drive Arm Unit.
7. Remove the cut washer © and remove the MIC intermittent gear.
8. Remove the cut washer (D) and remove the Reel Drive Arm Unit.
9. Remove the supply and take-up reel rotor unit. (Refer to Supply and Take-up Reel Table Unit Replacement.)

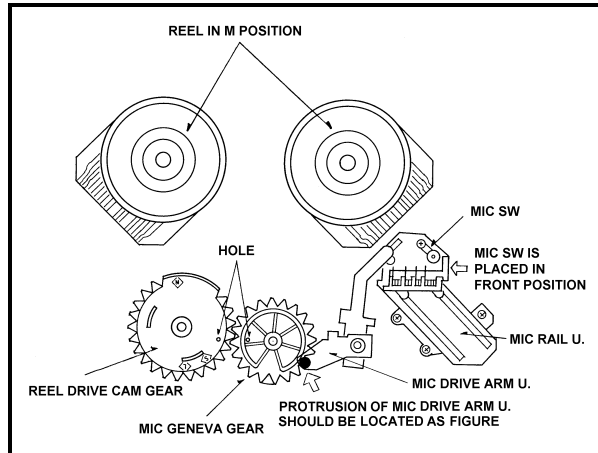
#### (Installation of Slide Rod Unit)

1. Install a new Slide Rod Unit as reverse order of its removal.
2. When Reel Drive Cam Gear and MIC Intermittent Gear are installed phase adjustment is necessary.



### (Adjustment Procedures)

1. Install a MIC Intermittent Gear.
2. Set the Reel Rotor Unit at M Cassette Position by hand.
3. Install a MIC Drive Arm Unit.
4. Rotate the MIC intermittent Gear by hand so that the Distinction SW is as close as possible.



Gear Position

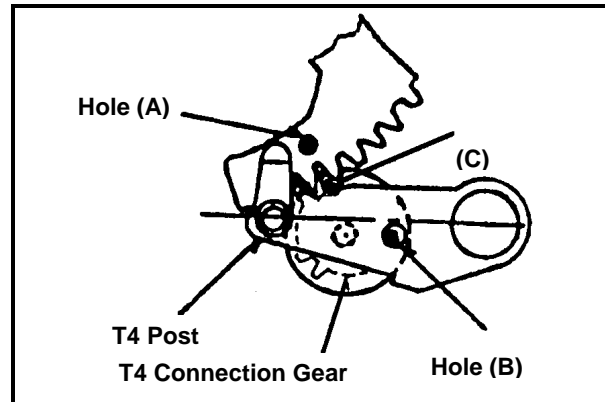
5. Install a Reel Drive Cam Gear so that its hole is at MIC intermittent gear hole.
6. Install 3 cut washers (A), (B) and (C).

### Adjustment Note:

- 1) Close the Reel Table to M Cassette position.
- 2) Set the MIC SW (Distinction SW) to the nearest position from the Reel.
- 3) MIC Drive Arm Unit Pin position is as shown in the above figure.
- 4) Reel Drive Came Gear Hole and MIC Intermittent Gear phase are matched.

### 3-7-29. T4 Post Position Adjustment

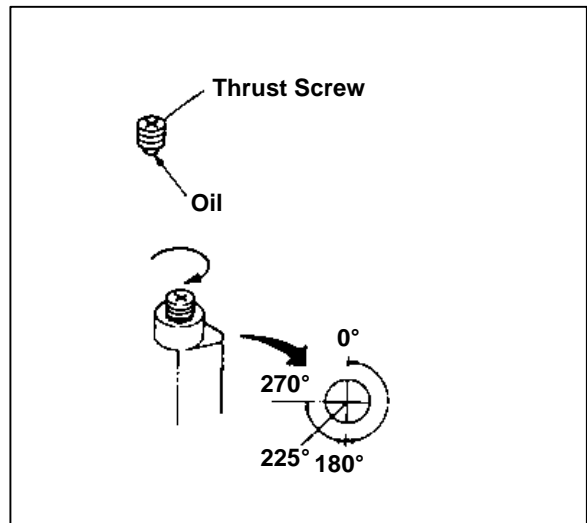
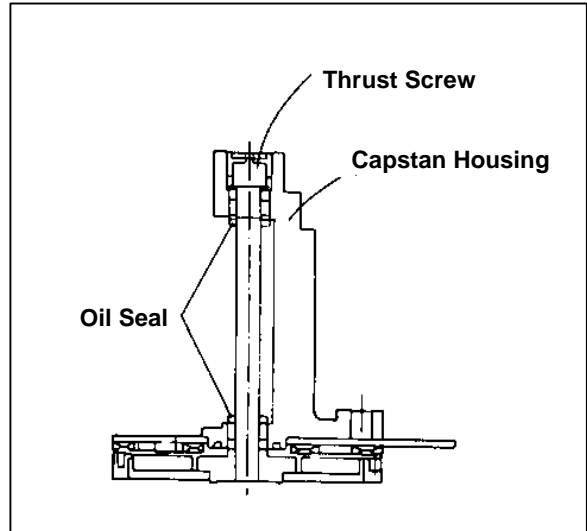
1. Set the VTR unloading condition.
2. Confirm the T4 post hole is at the T4 connection gear (B).
3. Confirm that © and hole (A) position is as shown in the figure.
4. If the T4 post position is incorrect adjust following procedures.



T4 Post Position Adjustment

### 3-7-30. Thrust Screw Replacement and Adjustment

1. Remove the Thrust Screw.
2. Supply oil (VFK0906) as shown in the figure and set the capstan housing.
3. While rotating the capstan shaft CCW tighten the thrust screw CW slowly and stop it when the rotation becomes smoothly.
4. Rotate another 180 degrees or 270 degrees from the stop position of item 3.
5. Grew the thrust screw.
6. Confirm the oil seal as shown in figure.



## Servicing Fixtures & Tools

Ref.No.	Part No.	Part Name & Description	Pcs	Remarks
	VFK1145	BACK TENSION METER (T2-M30-P)	1	
	VFK1149	POST DRIVER	1	
	VFK71	DIAL TORQUE GAUGE (150g)	1	
	VFK1191	DIAL TORQUE GAUGE (45g)	1	
	VFK1152	DIAL TORQUE GAUGE ADAPTOR	1	
	VFK0357	ECCENTRIC SCREWDRIVER (1.5)	1	
	VFK1154	POST HEIGHT FIXTURE	1	
	VFK1153	MECH. NEUTRAL PLATE (POST)	1	
	VFK1157	MECH. NEUTRAL PLATE (CASSETTE)	1	
	VFK1155	NEUTRAL POSITION TOOL (GOLD)	1	
	VFK1156	NEUTRAL POSITION TOOL (BLACK)	1	
	VFK1208	NEUTRAL POSITION TOOL	1	
	VFK1150	NUT DRIVER (5.5mm)	1	
	VFK1151	NUT DRIVER (2.5mm)	1	
	VFK1188	DIAL TENSION GAUGE (30g)	1	
	VFK0948	CHECK LIGHT	1	
	VFK0749	FROIRAL GREASE (FOR PLASTIC)	1	
	MOR265	MORLYTONE GREASE (FOR METAL)	1	
	VFK1146	PHILIPS DRIVER (FINE) (00-75)	1	
	VFK1147	PHILIPS DRIVER (FKNE) (0-100)	1	
	VFK1148	HEX. DRIVER (1.5)	1	
	VFK1178	HEX. DRIVER (0.89)	1	
	VFK1179	HEX. DRIVER (0.71)	1	
	VFK1190	HEX. WRENCH	1	

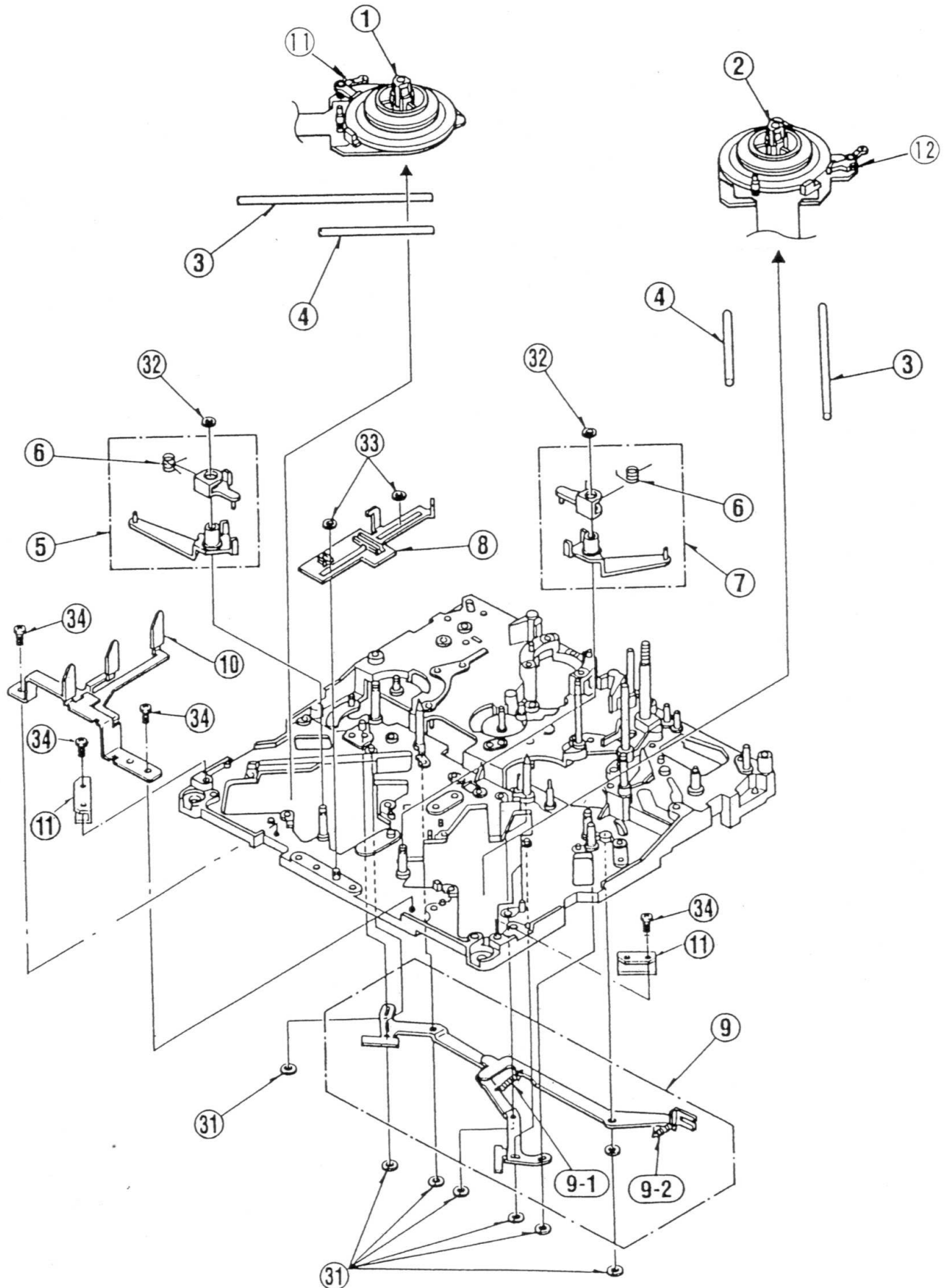
Ref.No.	Part No.	Part Name & Description	Pcs	Remarks
	VFK1290	TORQUE DRIVER (0.4-3Kg)	1	
	VFK0912	POST AXIS DRIVER (1.5mm)	1	
	VFK1300	A/D BOARD (DAQ-12 QUATECH)	1	
	VFK1186	LISTA CABLE	1	
	VFK1192	F EXTENSION BOARD	1	
	VFK1193	H EXTENSION BOARD	1	
	VFK0369	TWEEZERS	1	
	VFK0371	RADIO PRIER	1	
	VFK0372	CUTTER PRIER	1	
	VFK0338	TRIMMER ADJUSTMENT DRIVER	1	
	VFK0337	PHILIPS DRIVER	1	
	VFK1369	TAPE SENSOR CASSETTE	1	
	VFK0908	HYDRAULIC FLUID	1	
	VFM3000EDS	ALIGNMENT TAPE (DV LISTA)	1	
	VFM3580KM	ALIGNMENT TAPE (No.1)	1	FOR NTSC
	VFM3581KM	ALIGNMENT TAPE (No.2)	1	FOR NTSC
	VFM3582KM	ALIGNMENT TAPE (No.3)	1	FOR NTSC
	VFM3010EDS	ALIGNMENT TAPE (DV COLOR BAR)	1	FOR NTSC
	VFM3680KM	ALIGNMENT TAPE (No.1)	1	FOR PAL
	VFM3681KM	ALIGNMENT TAPE (No.2)	1	FOR PAL
	VFM3682KM	ALIGNMENT TAPE (No.3)	1	FOR PAL
	VFK3110EDS	ALIGNMENT TAPE (DV COLOR BAR)	1	FOR PAL

## Maintenance Parts


Ref.No.	Part No.	Part Name & Description	Pcs	Remarks	
1	VEM0635	S REEL MOTOR A U.	1	MECHANICAL CHASSIS ASS'Y	
2	VEM0636	T REEL MOTOR A U.	1	MECHANICAL CHASSIS ASS'Y	
2	VED0419	A/D HEAD	1	MECHANICAL CHASSIS ASS'Y	
5	VEG1457	CYLINDER UNIT	1	MECHANICAL CHASSIS ASS'Y	
!	7	VEM0645	LOADING MOTOR (1) AU	1	MECHANICAL CHASSIS ASS'Y
8	VSJ0227	PINCH SOLENOID	1	MECHANICAL CHASSIS ASS'Y	
10	VES0714	MODE SW U	1	MECHANICAL CHASSIS ASS'Y	
12	VXL2748	CLEANING ARM AU	1	MECHANICAL CHASSIS ASS'Y	
14	VXL2832	TENSION ARM S ASS'Y	1	MECHANICAL CHASSIS ASS'Y	
16	VXL2812	S1 LOADING ARM N ASS'Y	1	MECHANICAL CHASSIS ASS'Y	
18	VXA6108	T1 BOAT ASS'Y	1	MECHANICAL CHASSIS ASS'Y	

Ref.No.	Part No.	Part Name & Description	Pcs	Remarks	
20	VXA6052	S POST BASE AU.	1	MECHANICAL CHASSIS ASS'Y	
34	VXL2835	PINCH ARM ASS'Y	1	MECHANICAL CHASSIS ASS'Y	
46	VDG1168	MAIN CAM GEAR	1	MECHANICAL CHASSIS ASS'Y	
53-1	VSJ0228	CLEANER SOLENOID	1	MECHANICAL CHASSIS ASS'Y	
	55	VXQ0556	THRUST SCREW U.	1	MECHANICAL CHASSIS ASS'Y
*	VXY1318Z1	MECHANISM	1	MECHANICAL CHASSIS ASS'Y	
8	VEM0585	REEL DRIVE MOTOR U.	1	SUB CHASSIS ASS'Y	
14	VSJ0216	BRAKE SOLENOID	3	SUB CHASSIS ASS'Y	
17	VXA6199	DISTINCTION SW ASS'Y	1	SUB CHASSIS ASS'Y	
1	VXA6070	CASSETTE COMPARTMENT	1	CASSETTE COMPARTMENT AS	
34	VXA5597	MOTOR ASS'Y	1	CASSETTE COMPARTMENT AS	

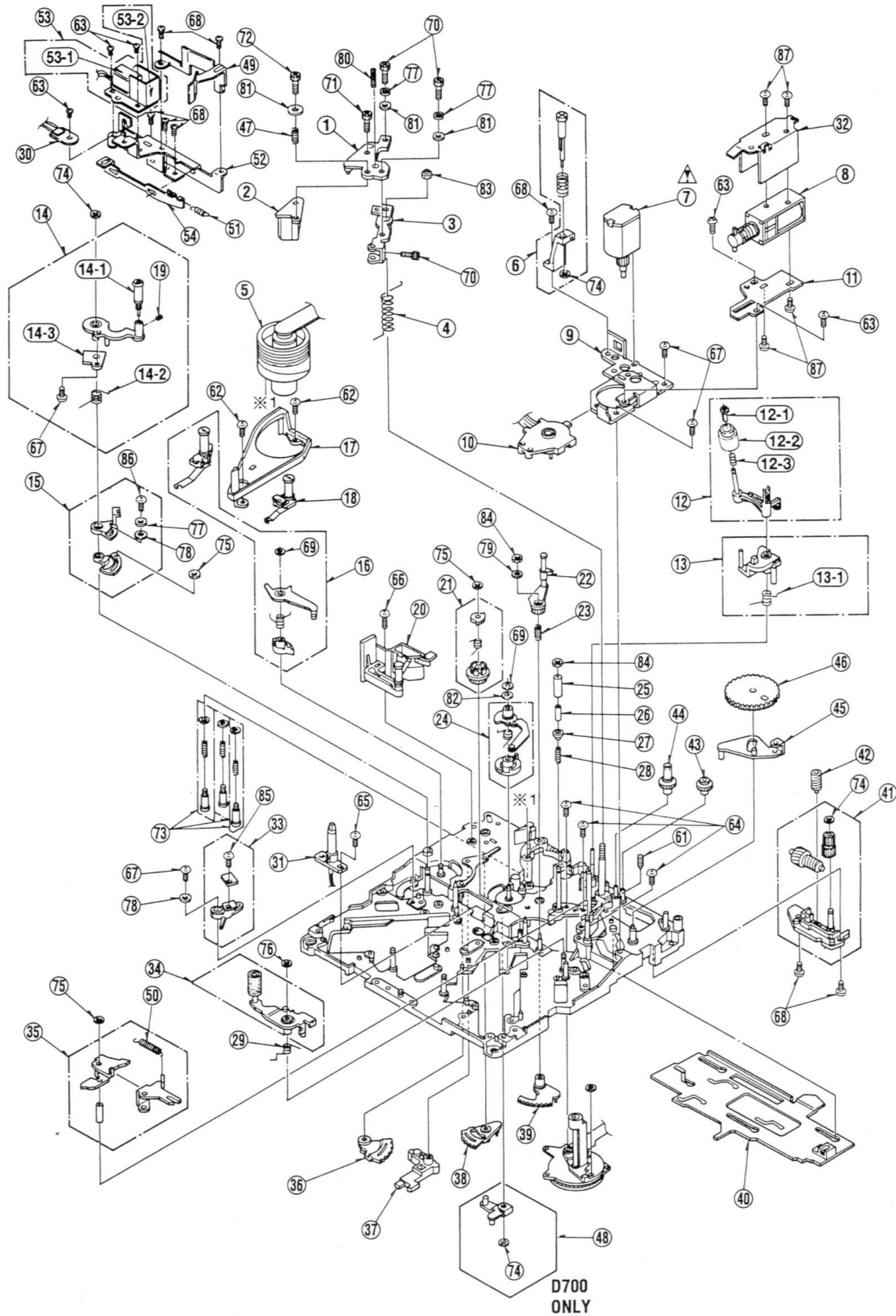
# MECHANICAL CHASSIS ASSEMBLY(1)





Components identified with the mark  have the special characteristics for safety. When replacing any of these components, use only the same type.

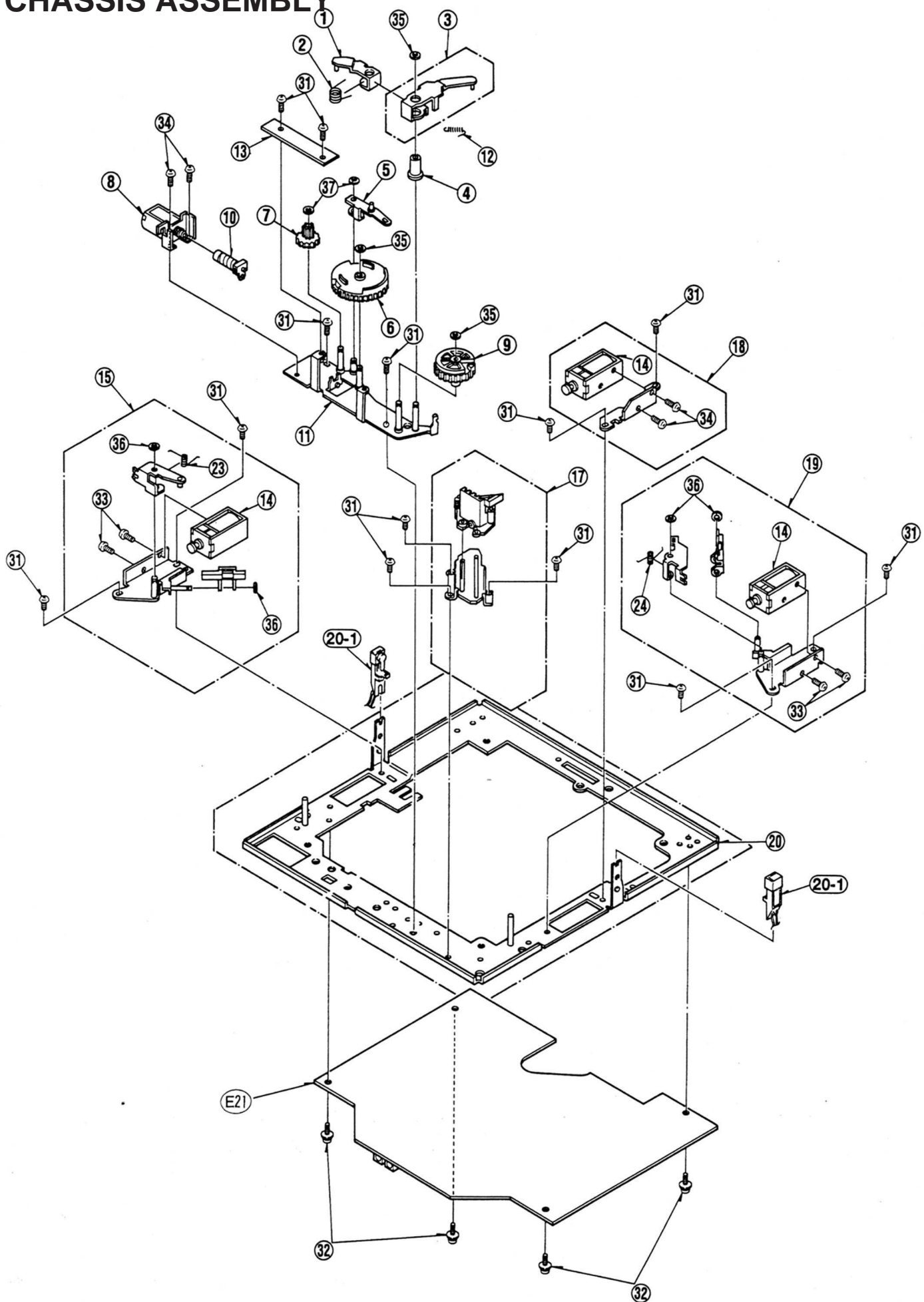
# MECHANICAL CHASSIS ASSEMBLY(2)





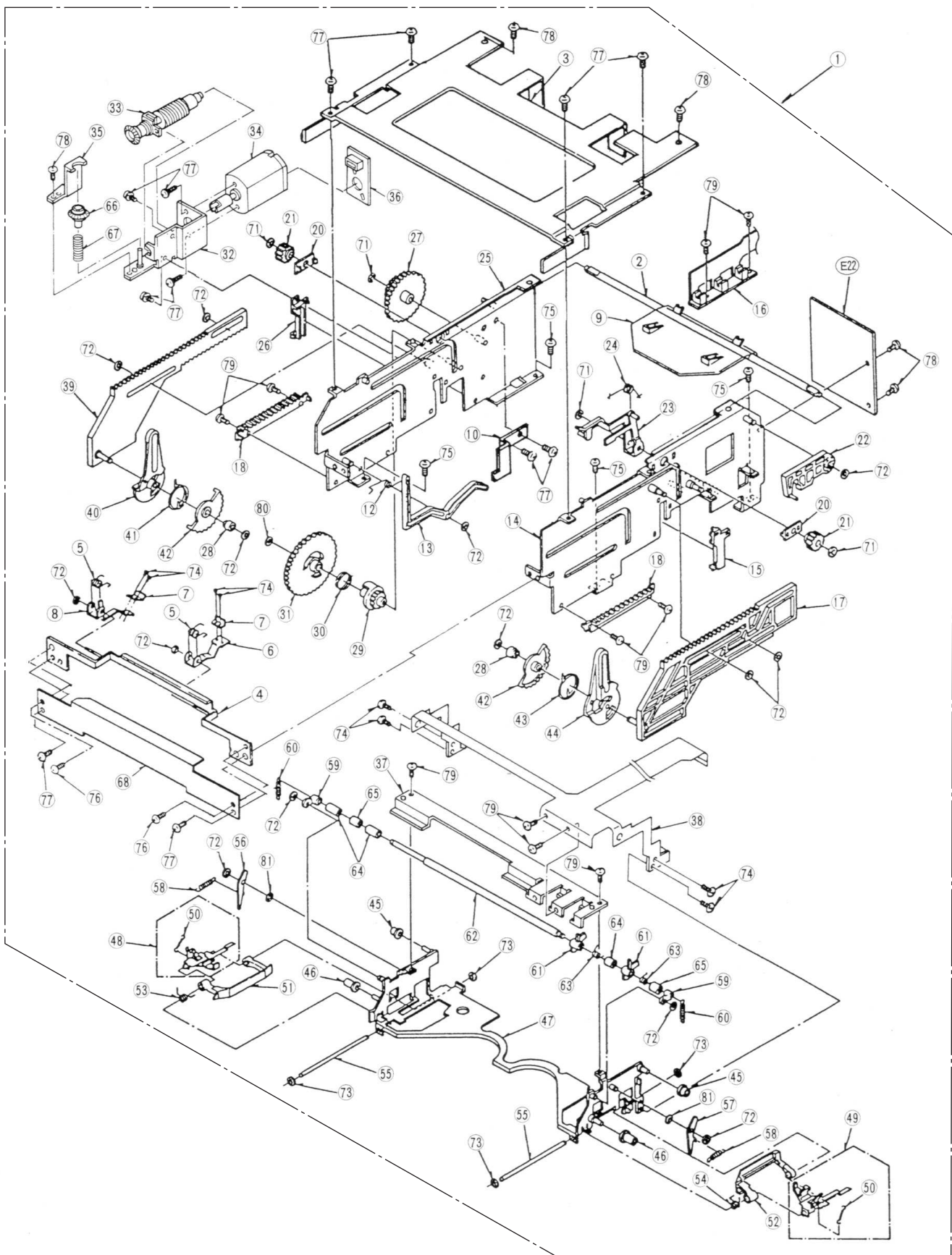


# SUB CHASSIS ASSEMBLY



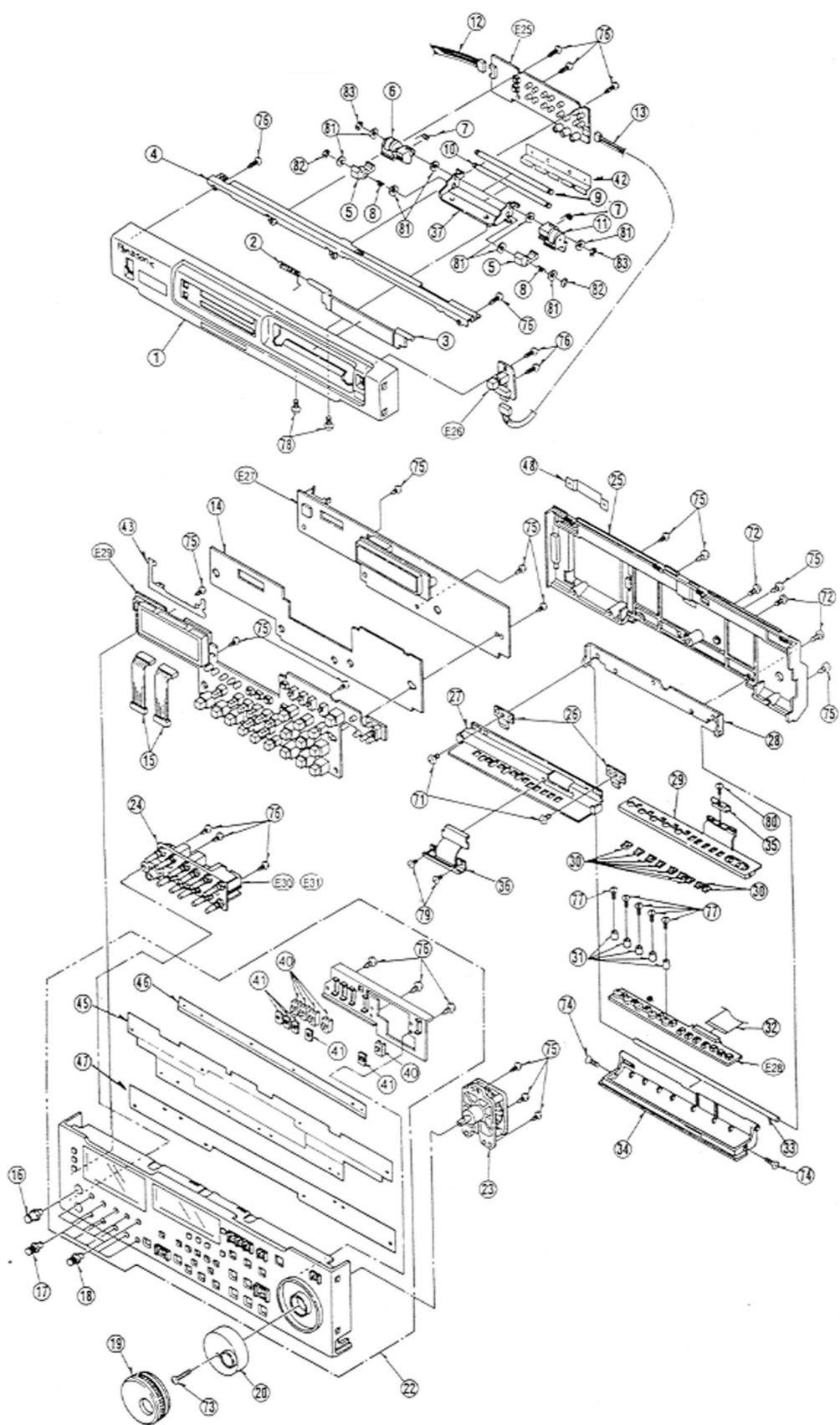


# CASSETTE COMPARTMENT ASSEMBLY






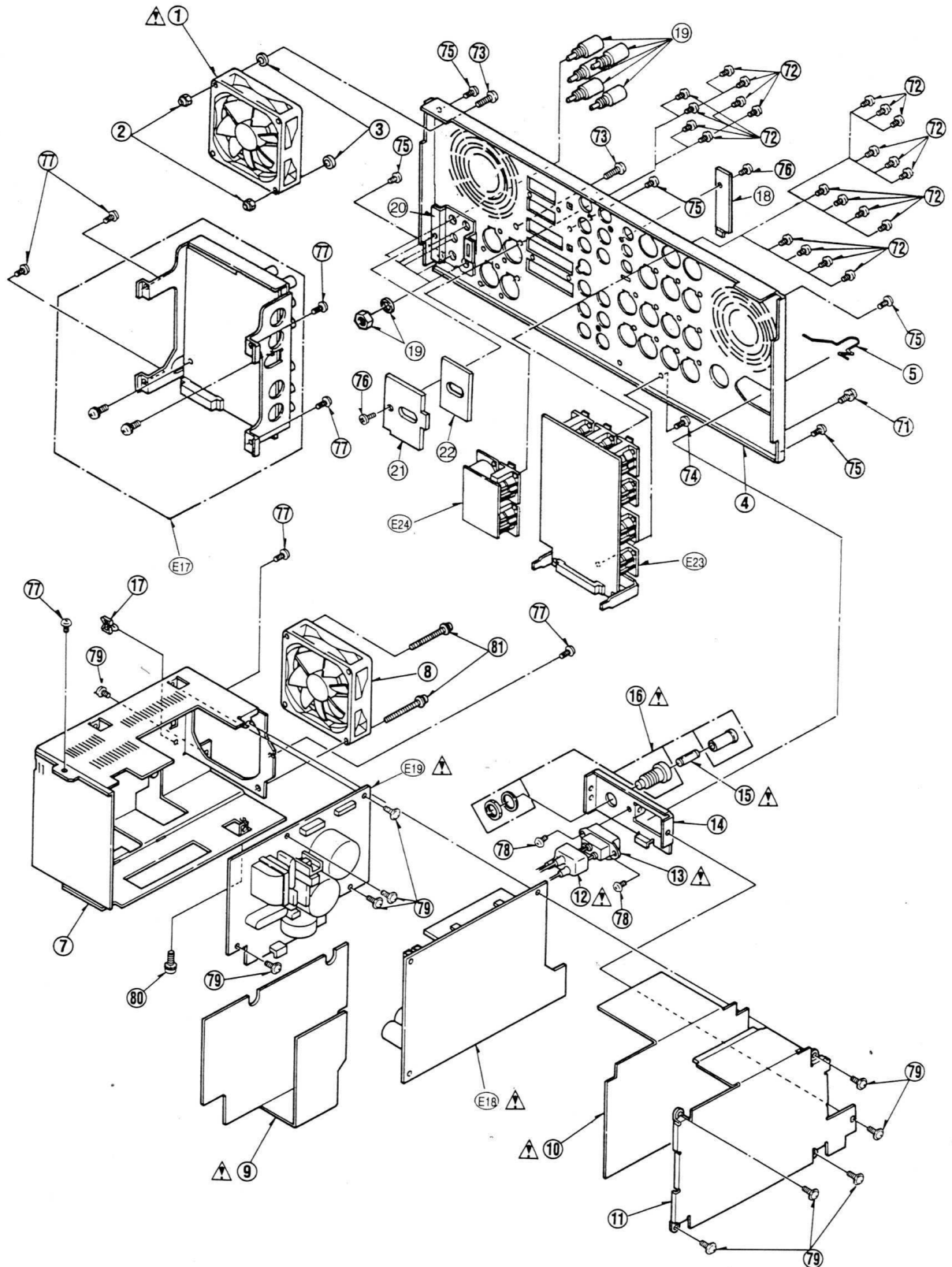
# FRONT PANEL ASSEMBLY





Components identified with the mark  have the special characteristics for safety. When replacing any of these components, use only the same type.

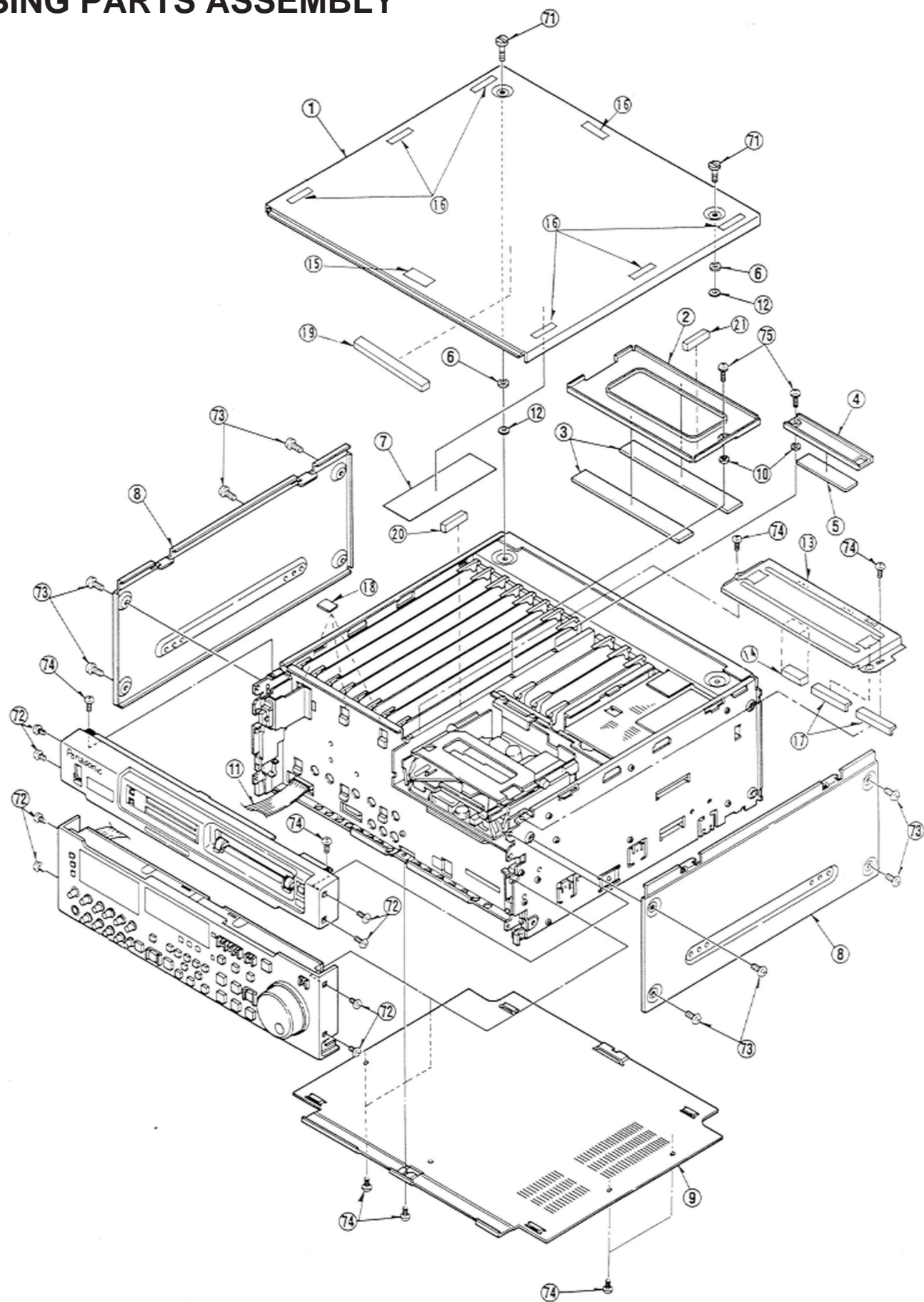
# REAR PANEL ASSEMBLY







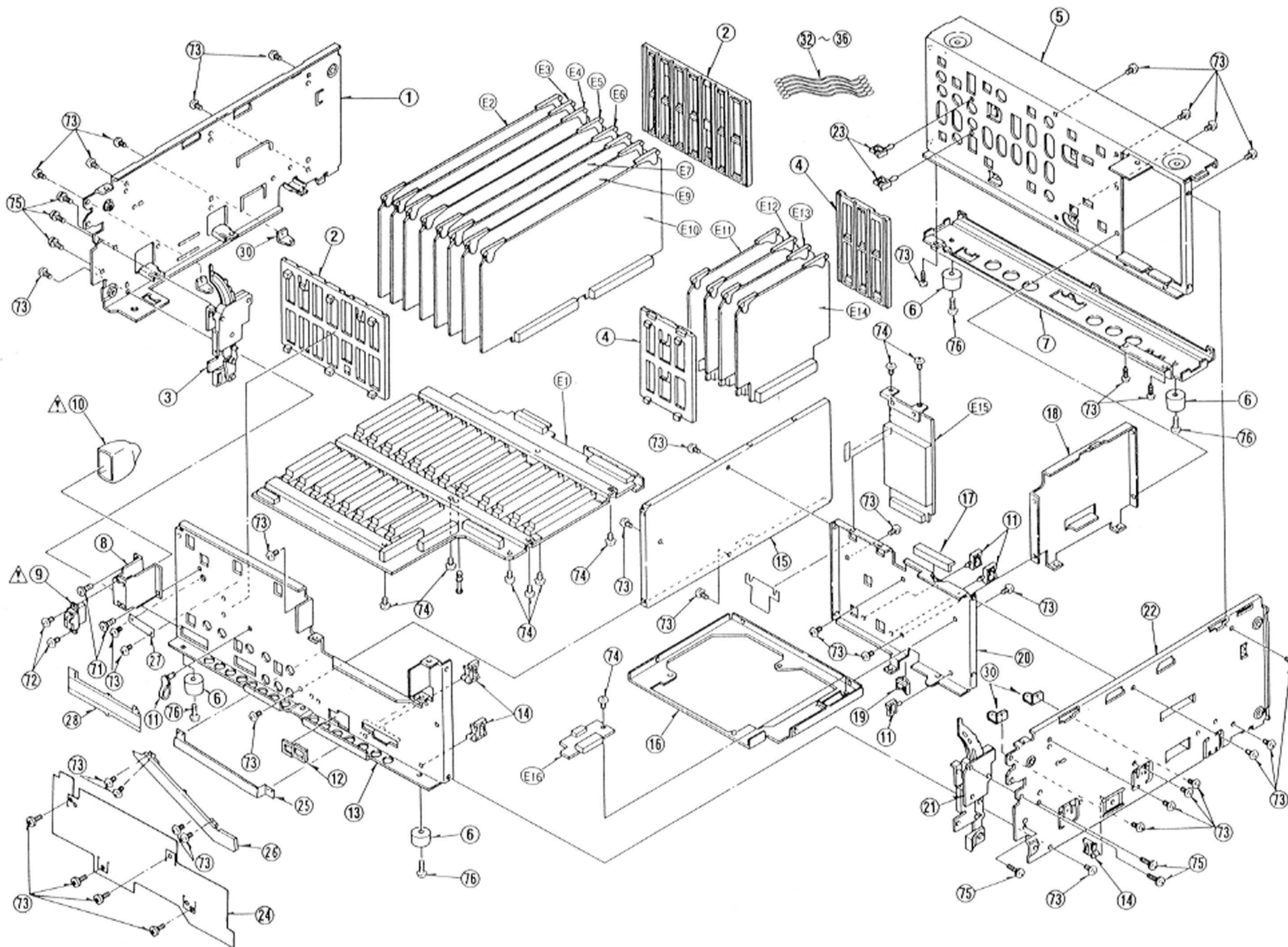
# CASING PARTS ASSEMBLY






# CHASSIS FRAME ASSEMBLY

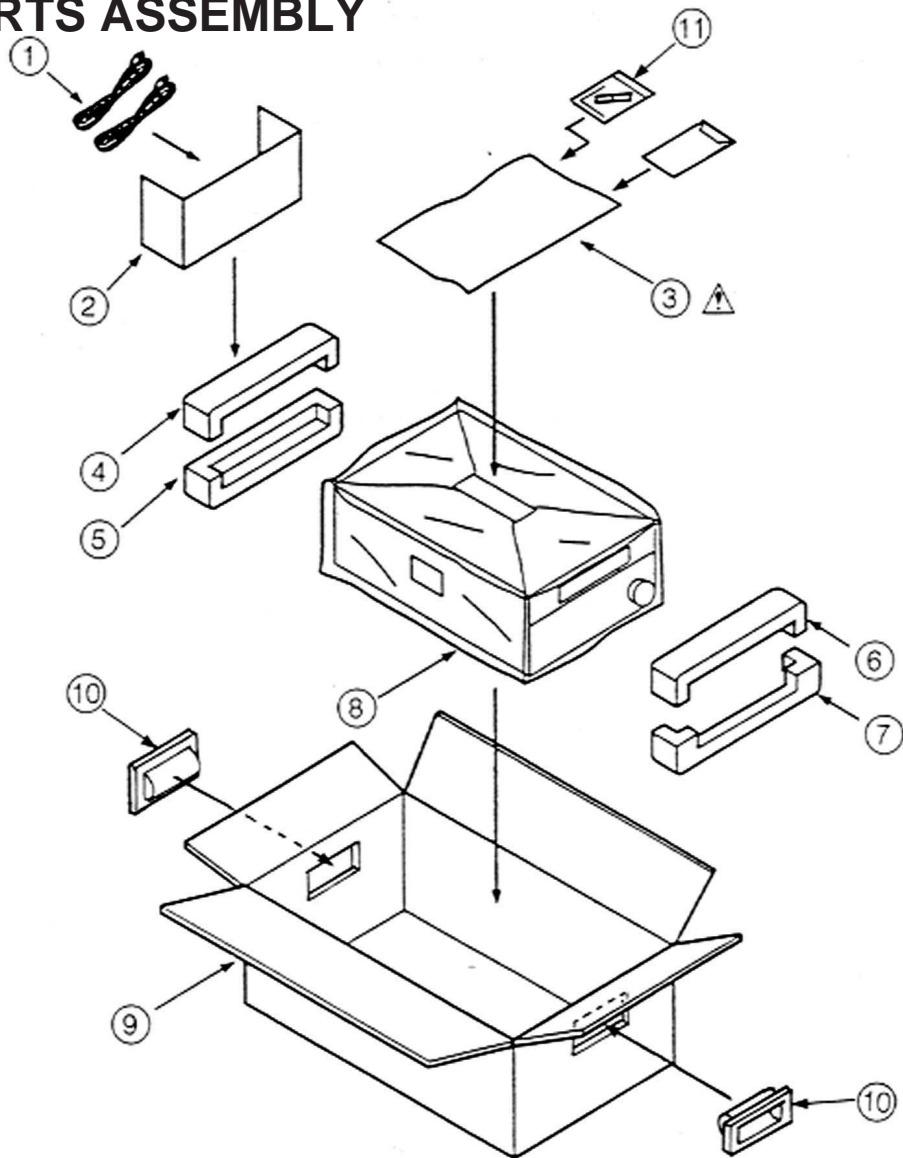
Components identified with the mark  $\triangle$  have the special characteristics for safety. When replacing any of these components, use only the same type.





Components identified with the mark  have the special characteristics for safety.  
When replacing any of these components, use only the same type.

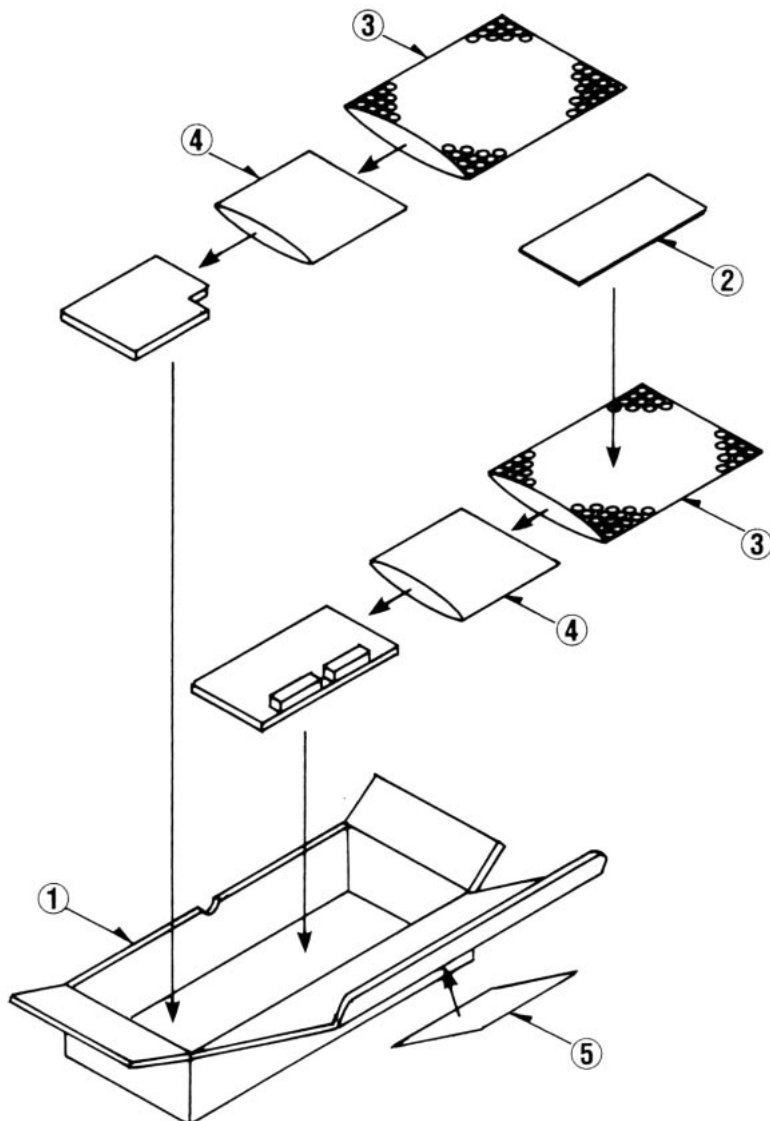
## PACKING PARTS ASSEMBLY





# PACKING PARTS ASSEMBLY

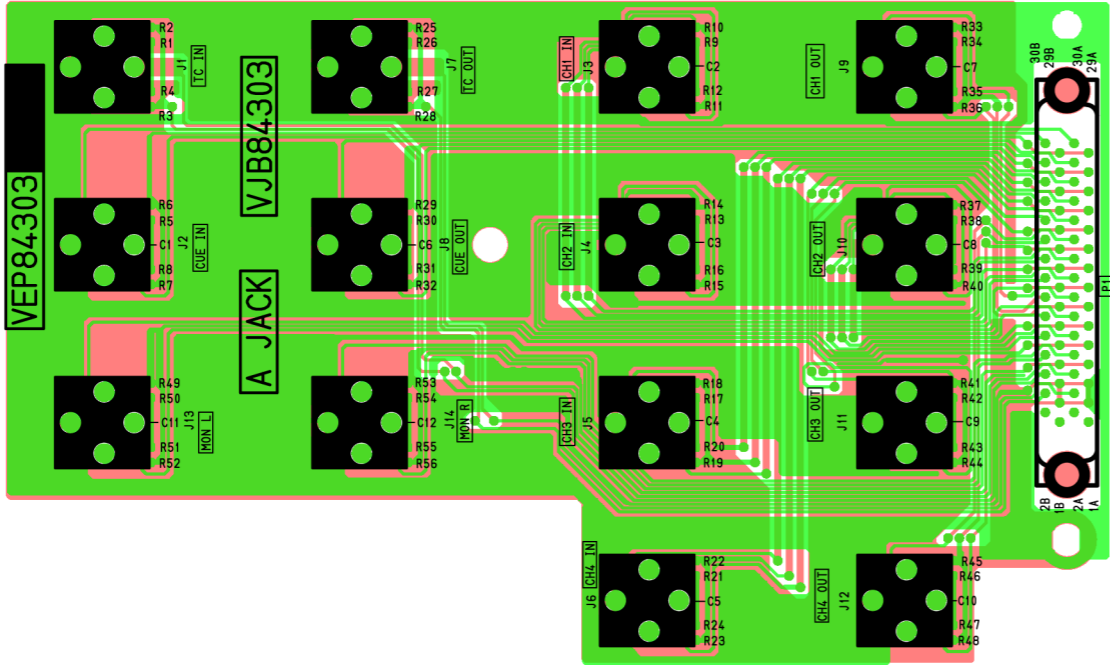
Components identified with the mark  $\triangle$  have the special characteristics for safety.  
When replacing any of these components, use only the same type.



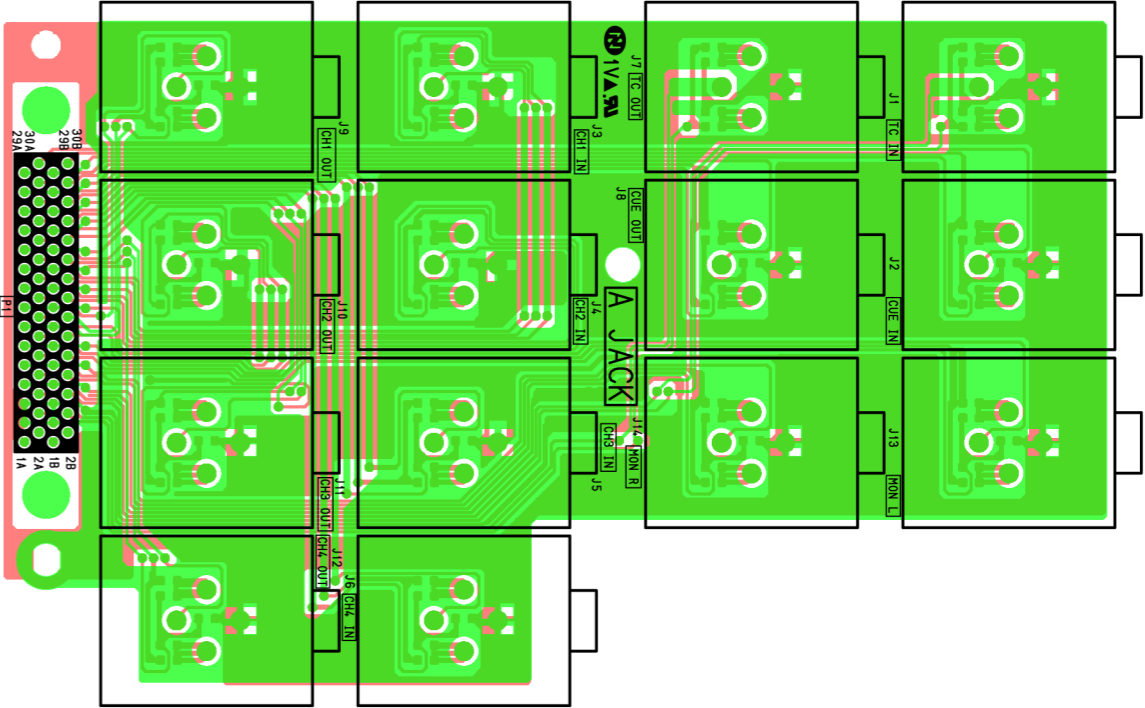




# AUDIO JACK P.C.BOARD (VEP84303B)



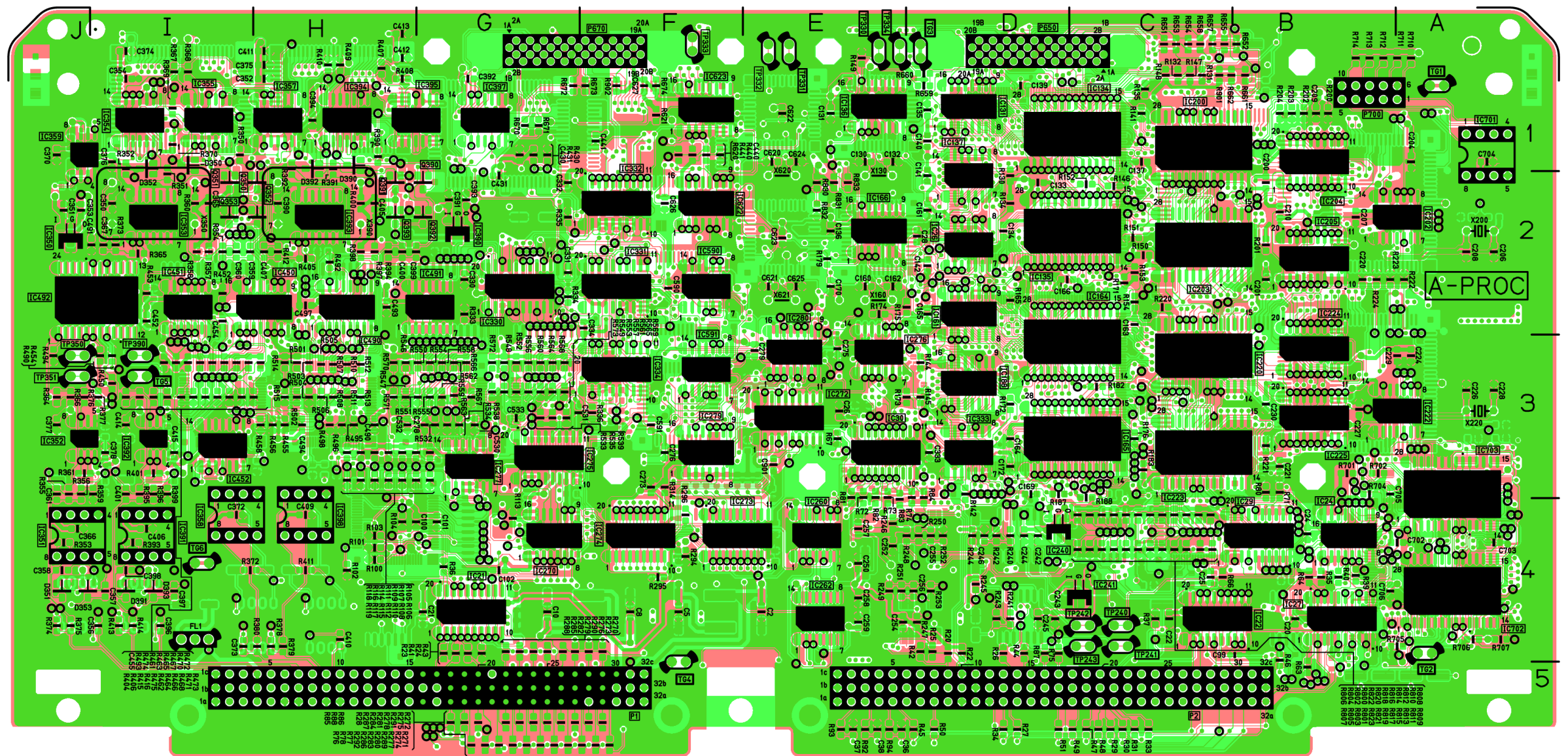
(FOIL SIDE)



(COMPONENT SIDE)

# F7 A PROC P.C.BOARD (VEP84300A)

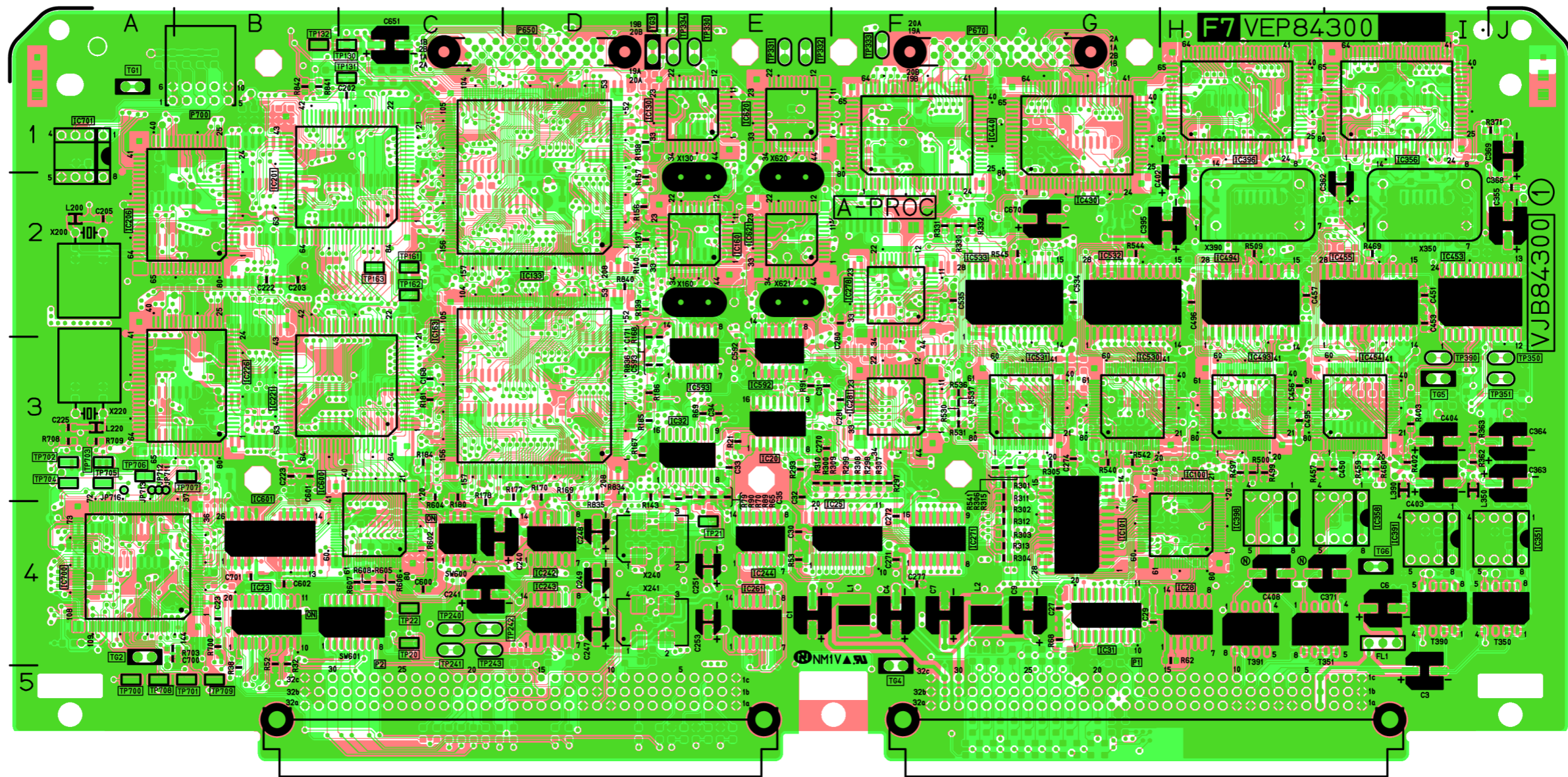
REF	LOC	REF	LOC	REF	LOC	REF	LOC	REF	LOC	REF	LOC
IC21	G4	IC165	C3	IC241	C4	IC332	F2	IC395	H1	Q350	H2
IC22	C4	IC166	E2	IC260	E4	IC333	D3	IC397	G1	Q351	I2
IC24	B4	IC188	D3	IC262	E4	IC334	F3	IC450	H2	Q352	H2
IC26	D2	IC200	C1	IC270	G4	IC350	J2	IC451	I2	Q353	I2
IC27	B4	IC202	A2	IC272	E3	IC352	J3	IC452	I3	Q390	G2
IC29	B4	IC203	C2	IC273	F4	IC353	I2	IC490	H2	Q391	H2
IC30	E3	IC204	B1	IC274	F4	IC354	I1	IC491	G2	Q392	G2
IC131	D1	IC205	B2	IC275	G3	IC355	I1	IC492	I2	Q393	H2
IC134	C1	IC220	C3	IC276	E3	IC357	H1	IC590	F2		
IC135	C2	IC222	A3	IC277	G3	IC359	J1	IC591	F3		
IC136	E1	IC223	C3	IC279	F3	IC390	G2	IC622	F2		
IC137	D2	IC224	B3	IC280	E3	IC392	I3	IC623	F1		
IC161	D2	IC225	B3	IC330	G2	IC393	H2	IC702	A4		
IC164	C3	IC240	D4	IC331	F2	IC394	H1	IC703	A3		



(FOIL SIDE)

# F7 A PROC P.C.BOARD (VEP84300A)

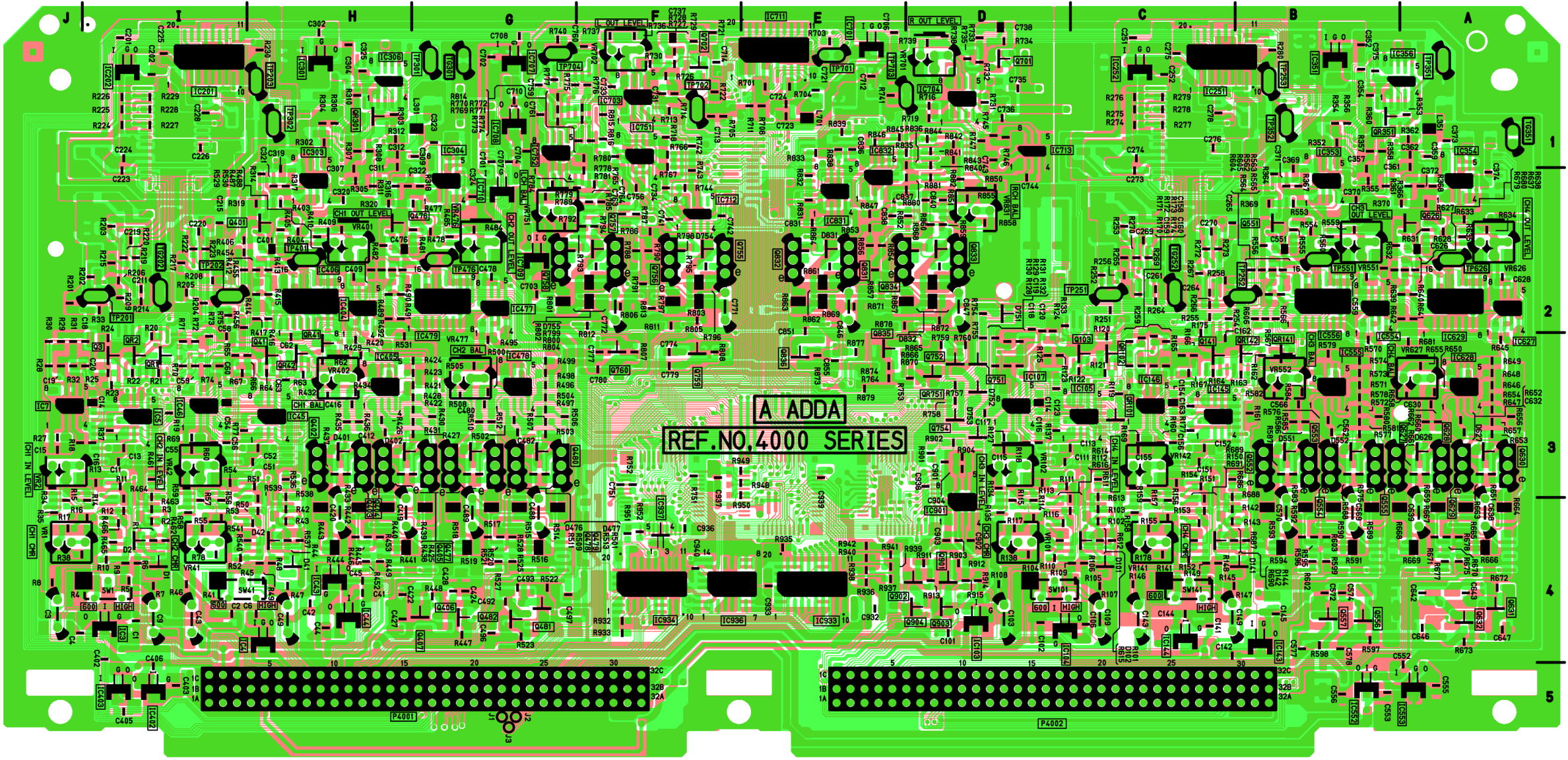
REF	LOC	REF	LOC	REF	LOC	REF	LOC	REF	LOC	REF	LOC
IC100	H4	IC358	I3	IC620	E1	P700	B1	TP132	B1	TP351	J3
IC130	E1	IC358	I3	IC621	E2	SW600	C4	TP161	C2	TP390	I3
IC133	D2	IC391	I4	IC700	A4	SW601	C4	TP162	C2	TP700	A5
IC160	E2	IC391	I4	IC701	A1	TG1	A1	TP163	C2	TP701	B5
IC163	D3	IC396	H1	IC701	A1	TG2	A4	TP240	C4	TP702	A3
IC201	C2	IC398	H3	P1	G5	TG3	D1	TP241	C4	TP703	A3
IC206	B2	IC398	H3	P1	G5	TG4	F5	TP242	C4	TP704	A3
IC221	C3	IC430	G1	P2	D5	TG5	I3	TP243	C4	TP705	A3
IC226	B3	IC440	F1	P2	D5	TG6	I4	TP330	E1	TP706	A3
IC278	F2	IC454	I3	P650	D1	TP20	C4	TP331	E1	TP707	B3
IC281	F3	IC493	H3	P650	D1	TP21	E4	TP332	E1	TP708	A5
IC351	J4	IC530	G3	P670	G1	TP22	C4	TP333	F1	TP709	B5
IC351	J4	IC531	G3	P670	G1	TP130	C1	TP334	E1		
IC356	I1	IC600	C4	P700	B1	TP131	C1	TP350	J3		



(COMPONENT SIDE)

F8 A ADDA P.C.BOARD (VEP84301A)

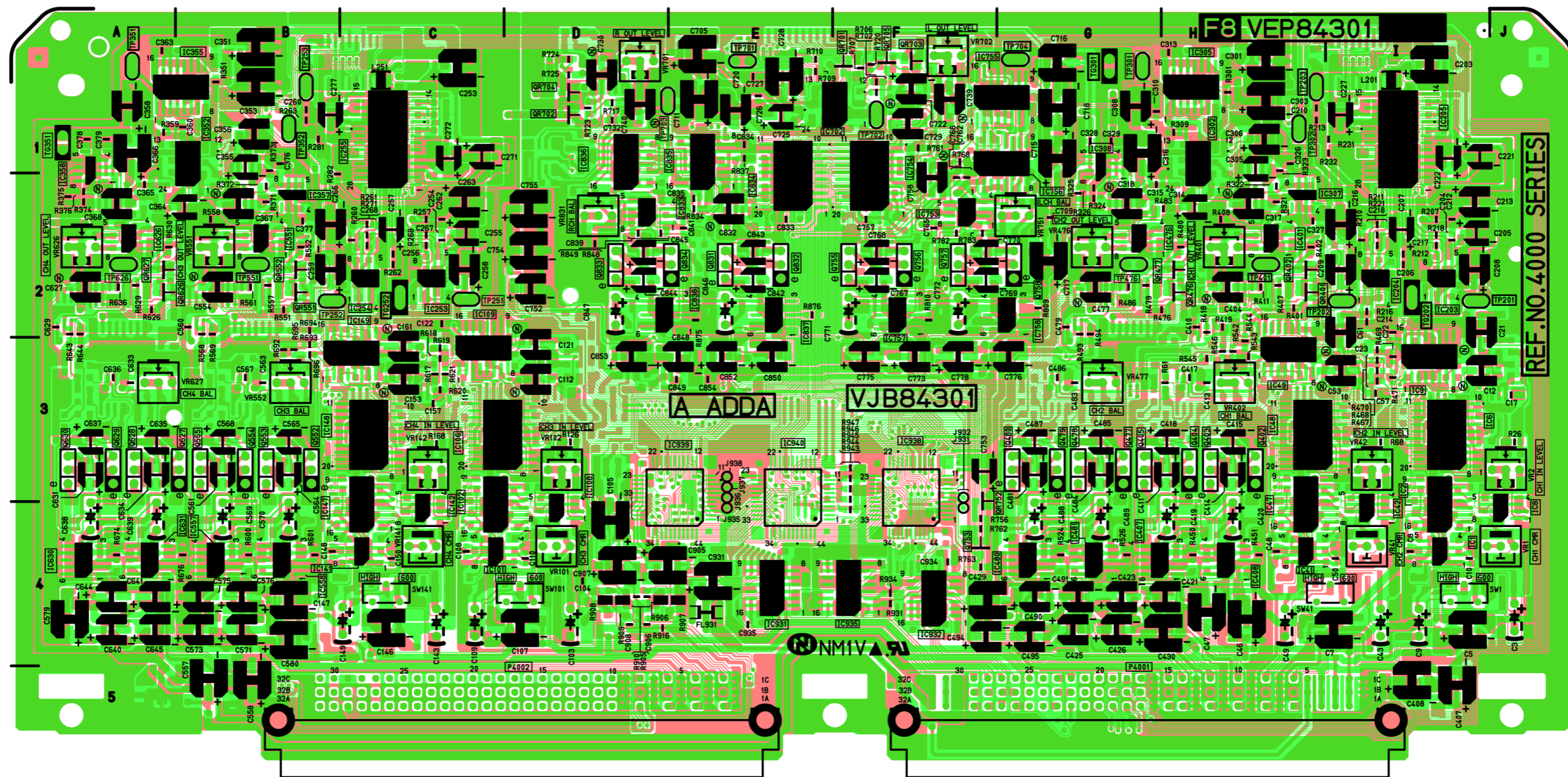
REF	LOC	REF	LOC	REF	LOC	REF	LOC	REF	LOC	REF	LOC	REF	LOC
IC4003	I4	IC4146	C3	IC4404	H2	IC4703	F1	IC4934	F4	Q4557	B4	Q4903	D4
IC4004	H4	IC4201	I1	IC4405	H3	IC4704	D1	IC4936	F4	Q4626	A2	Q4904	D4
IC4005	I3	IC4202	I1	IC4406	H2	IC4707	G1	IC4937	F4	Q4631	A4	QR4001	I3
IC4007	J3	IC4251	C1	IC4477	G2	IC4708	G1	Q4003	I3	Q4632	A4	QR4002	I3
IC4043	H4	IC4252	C1	IC4478	G3	IC4709	G2	Q4041	H3	Q4701	D1	QR4041	H3
IC4044	H4	IC4301	H1	IC4479	G2	IC4710	G2	Q4103	C3	Q4702	F1	QR4042	H3
IC4045	H3	IC4303	H2	IC4552	B5	IC4711	E1	Q4141	C3	Q4751	D3	QR4101	C3
IC4046	I3	IC4304	G2	IC4553	A5	IC4712	F2	Q4401	H2	Q4752	D3	QR4102	C3
IC4103	D4	IC4306	H1	IC4554	B2	IC4713	D1	Q4406	G4	Q4754	D3	QR4141	B3
IC4104	D4	IC4351	B1	IC4555	B3	IC4751	F1	Q4407	G4	Q4759	F3	QR4142	B3
IC4105	C3	IC4353	B2	IC4556	B2	IC4752	G1	Q4476	H2	Q4760	F3	QR4301	H1
IC4107	D3	IC4354	A2	IC4627	A2	IC4831	E2	Q4481	G4	Q4835	E3	QR4351	B1
IC4143	B4	IC4356	A1	IC4628	A3	IC4832	E2	Q4482	G4	Q4836	E3	QR4751	D3
IC4144	C4	IC4402	I5	IC4629	A2	IC4901	D4	Q4551	B2	Q4901	D4		
IC4145	C3	IC4403	I5	IC4701	E1	IC4933	E4	Q4556	B4	Q4902	D4		



(FOIL SIDE)

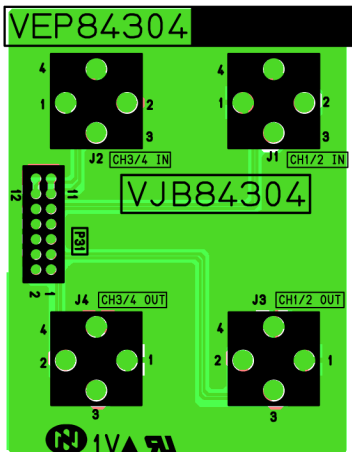
# F8 A ADDA P.C.BOARD (VEP84301A)

REF	LOC	REF	LOC	REF	LOC	REF	LOC	REF	LOC	REF	LOC	REF	LOC	REF	LOC	REF	LOC	REF	LOC	REF	LOC
IC240	G4	IC4102	C4	IC4302	H1	IC4557	B4	IC4836	D1	Q392	C2	Q4628	A3	QR4477	H2	TP4201	I2	TP4702	F1	VR4551	B2
IC241	G4	IC4106	C3	IC4305	H1	IC4558	B4	IC4837	E2	Q393	C2	Q4629	A3	QR4551	B2	TP4202	I2	TP4703	D1	VR4552	B3
IC350	A2	IC4108	D4	IC4307	H2	IC4626	A2	IC4838	D2	Q4402	H3	Q4630	A3	QR4552	B2	TP4203	H1	TP4704	G1	VR4626	A2
IC390	C2	IC4109	C3	IC4308	G1	IC4630	A4	IC4931	E4	Q4403	H3	Q4753	F4	QR4626	A2	TP4251	C2	VR4001	J4	VR4627	A3
IC4001	I4	IC4141	C4	IC4352	B1	IC4631	A4	IC4932	F4	Q4404	H3	Q4755	F2	QR4627	A2	TP4252	B2	VR4002	J3	VR4701	D1
IC4002	I4	IC4142	C4	IC4355	B1	IC4702	F1	IC4935	F4	Q4405	G3	Q4756	F2	QR4701	F1	TP4253	B1	VR4041	I4	VR4702	F1
IC4006	I3	IC4147	C4	IC4357	B2	IC4753	F2	IC4938	F3	Q4477	G3	Q4757	F2	QR4702	D1	TP4301	G1	VR4042	I3	VR4751	G2
IC4008	J4	IC4148	C3	IC4358	A1	IC4754	F2	IC4939	E3	Q4478	G3	Q4758	G2	QR4703	F1	TP4302	H1	VR4101	D4	VR4831	D2
IC4009	I3	IC4149	C3	IC4401	H2	IC4755	G1	IC4940	E3	Q4479	G3	Q4831	E2	QR4704	D1	TP4351	A1	VR4102	D3		
IC4041	H4	IC4203	I2	IC4407	G4	IC4756	G1	Q350	B2	Q4480	G3	Q4832	E2	QR4705	F1	TP4352	B1	VR4141	C4		
IC4042	I4	IC4204	I2	IC4408	H4	IC4757	F2	Q351	B2	Q4552	B3	Q4833	D2	QR4752	F3	TP4401	H2	VR4142	C3		
IC4047	H4	IC4205	I1	IC4476	G2	IC4758	G2	Q352	B2	Q4553	B3	Q4834	E2	TG4202	I2	TP4476	G2	VR4401	H2		
IC4048	H3	IC4253	C2	IC4480	G4	IC4833	D2	Q353	B2	Q4554	B3	QR4401	H2	TG4252	C2	TP4551	B2	VR4402	H3		
IC4049	H3	IC4254	C2	IC4481	G4	IC4834	E2	Q390	C2	Q4555	B3	QR4402	H2	TG4301	G1	TP4626	A2	VR4476	G2		
IC4101	C4	IC4255	C1	IC4551	B2	IC4835	E1	Q391	C2	Q4627	B3	QR4476	H2	TG4351	A1	TP4701	E1	VR4477	G3		

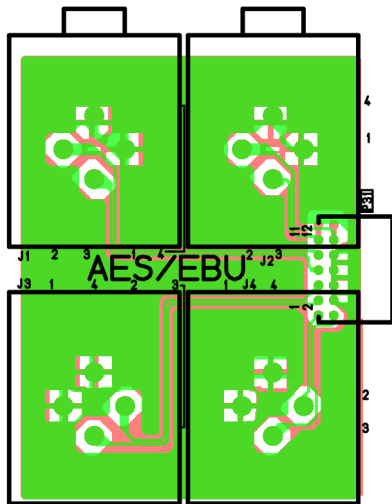


(COMPONENT SIDE)

# AES EBU P.C.BOARD (VEP84304A)



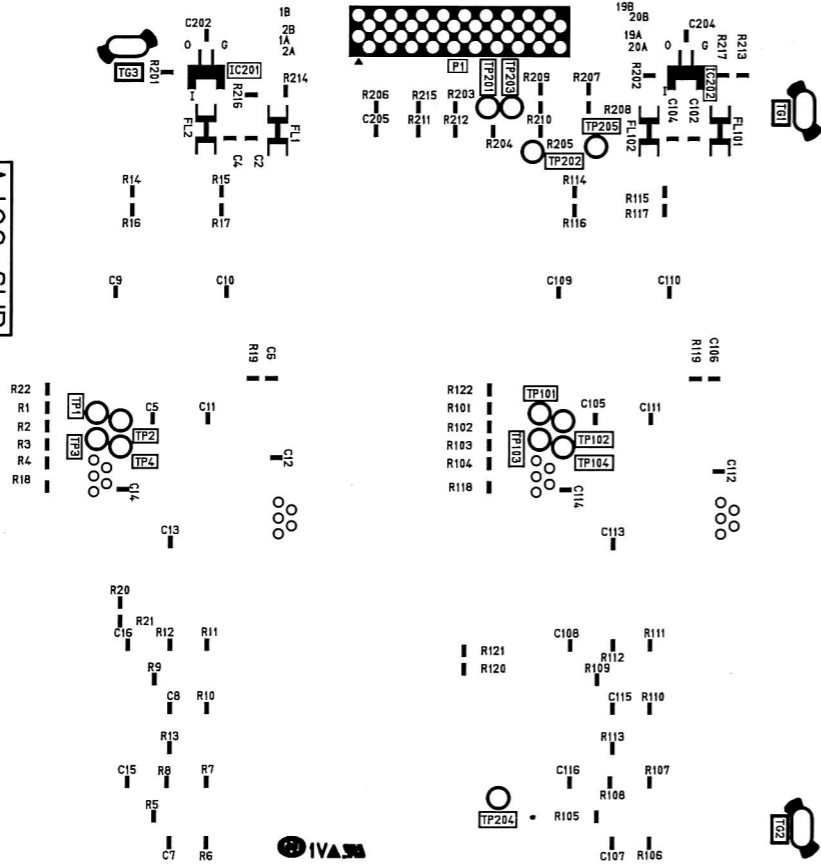
(FOIL SIDE)



(COMPONENT SIDE)

# AJOG SUB P.C.BOARD (VEP84313A)

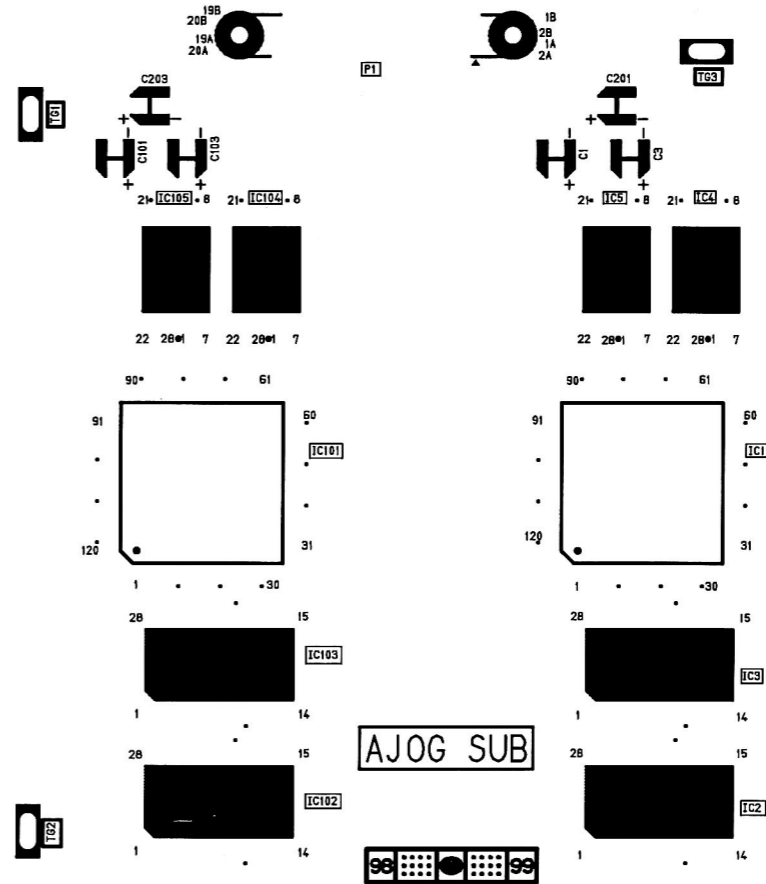
AJOG SUB  
VJB84313  
VEP84313



VJB84313-1

DIP →

(FOIL SIDE)



AJOG SUB

← DIP

(COMPONENT SIDE)





# BLK SUB P.C.BOARD (VEP83431A)

A1

P20

A80

B1

B80

BLK\_SUB

VJB83431

VEP83431

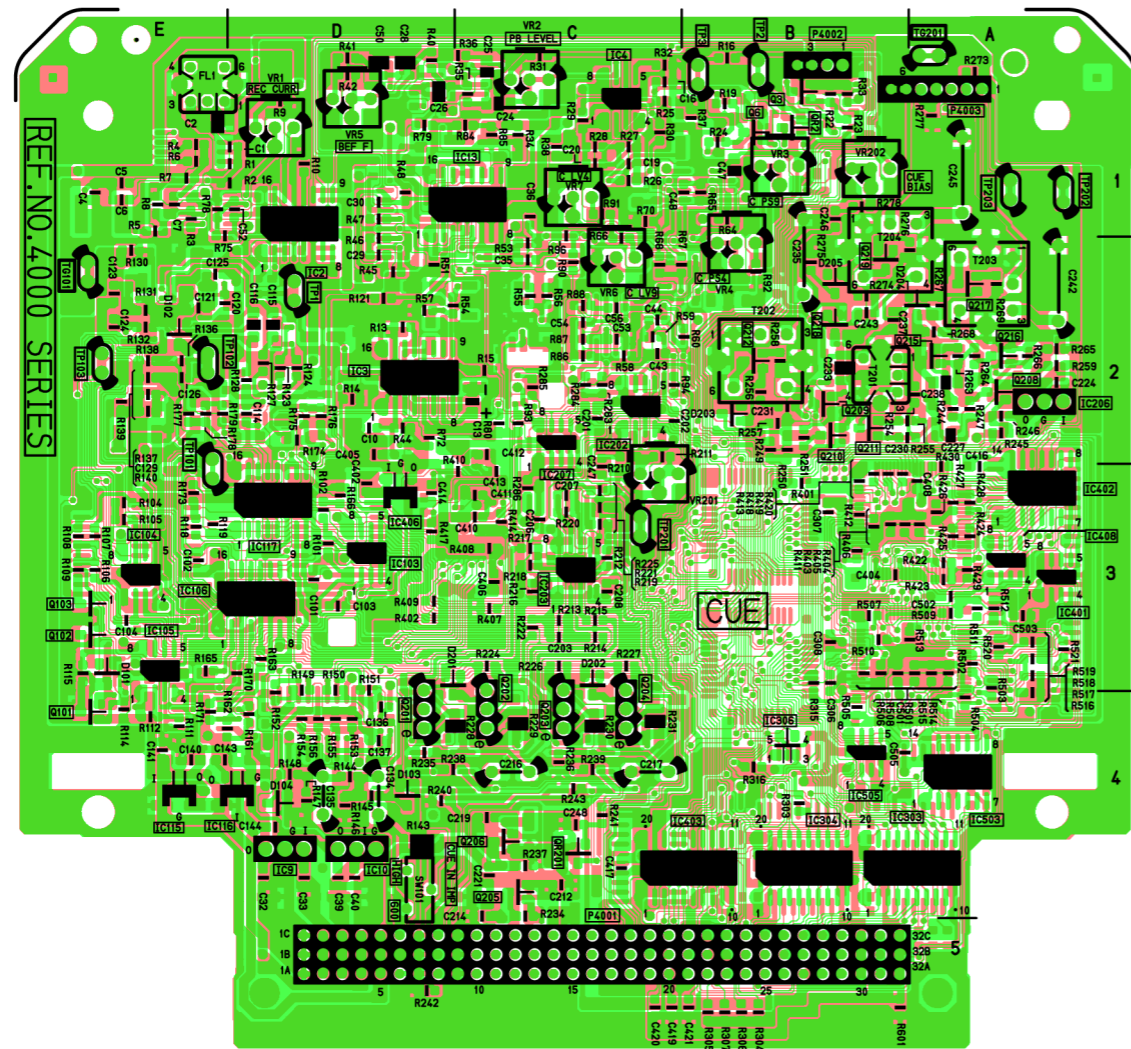
REF.NO 3000 SERIES



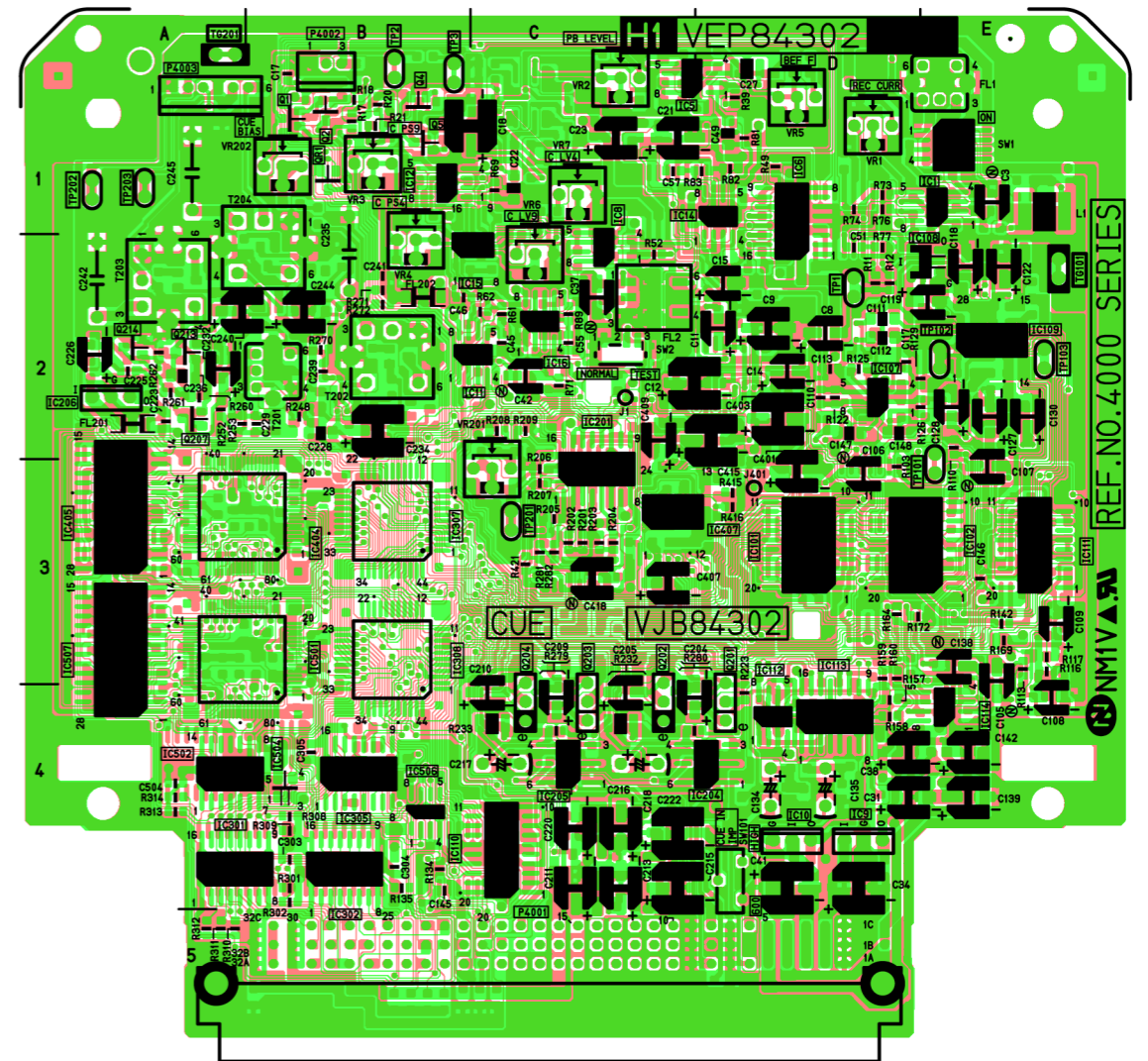
# H1 CUE P.C.BOARD (VEP84302A)

REF	LOC	REF	LOC	REF	LOC	REF	LOC
IC4002	D1	IC4203	C3	Q4003	B1	Q4215	A2
IC4003	D2	IC4207	C2	Q4006	B1	Q4216	A2
IC4004	C1	IC4303	A4	Q4101	E4	Q4217	A2
IC4013	C1	IC4304	B4	Q4102	E3	Q4218	B2
IC4103	D3	IC4306	B4	Q4103	E3	Q4219	B2
IC4104	E3	IC4401	A3	Q4205	C4	QR4002	B1
IC4105	E3	IC4402	A3	Q4206	C4	QR4201	C4
IC4106	D3	IC4403	B4	Q4208	A2		
IC4115	E4	IC4406	D3	Q4209	B2		
IC4116	D4	IC4408	A3	Q4210	B2		
IC4117	D3	IC4503	A4	Q4211	B2		
IC4202	C2	IC4505	B4	Q4212	B2		

REF	LOC	REF	LOC	REF	LOC	REF	LOC	REF	LOC	REF	LOC	REF	LOC
IC4001	E1	IC4102	D3	IC4206	A2	IC4506	B4	Q4204	C4	TP4003	B1	VR4006	C2
IC4005	C1	IC4107	D2	IC4301	A4	IC4507	A3	Q4207	A2	TP4101	E3	VR4007	C1
IC4006	D1	IC4108	E2	IC4302	B4	P4001	C5	Q4213	A2	TP4102	E2	VR4201	C3
IC4008	C2	IC4109	E2	IC4305	B4	P4002	B1	Q4214	A2	TP4103	E2	VR4202	B1
IC4009	D4	IC4110	C4	IC4307	B3	P4003	A1	QR4001	B1	TP4201	C3		
IC4010	D4	IC4111	E3	IC4308	B3	Q4001	B1	SW4001	E1	TP4202	A1		
IC4011	C2	IC4112	D4	IC4404	A3	Q4002	B1	SW4002	C2	TP4203	A1		
IC4012	B1	IC4113	D4	IC4405	A3	Q4004	B1	SW4101	D4	VR4001	D1		
IC4014	D1	IC4114	E4	IC4407	C3	Q4005	B1	TG4101	E2	VR4002	C1		
IC4015	C2	IC4201	C3	IC4501	A3	Q4201	D4	TG4201	A1	VR4003	B1		
IC4016	C2	IC4204	D4	IC4502	A4	Q4202	C4	TP4001	D2	VR4004	B2		
IC4101	D3	IC4205	C4	IC4504	B4	Q4203	C4	TP4002	B1	VR4005	D1		



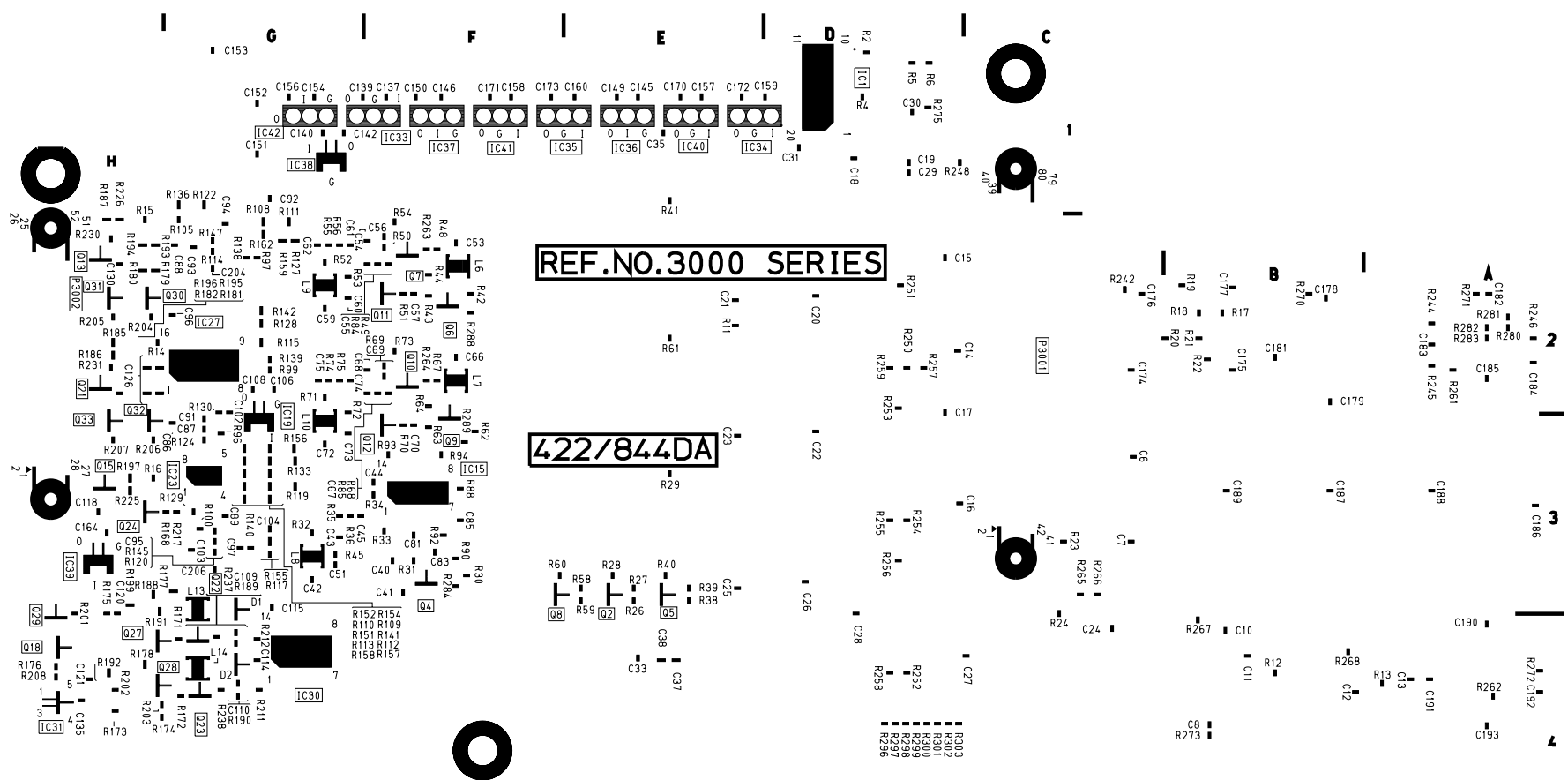
(FOIL SIDE)



(COMPONENT SIDE)

**4:2:2 DA SUB P.C.BOARD (VEP83358B) (AJ-D950P, PD950P, YA950, YA951E ONLY)**  
**8:4:4 DA SUB P.C.BOARD (VEP83358A) (AJ-YA952 ONLY)**

REF	LOC	REF	LOC	REF	LOC	REF	LOC
IC3001	D1	IC3038	G1	Q3007	F2	Q3024	H3
IC3015	F3	IC3039	H3	Q3008	F3	Q3027	H4
IC3019	G3	IC3040	D1	Q3009	F3	Q3028	H4
IC3023	G3	IC3041	C1	Q3010	F2	Q3029	H4
IC3027	G2	IC3042	B1	Q3011	F2	Q3030	H2
IC3030	G4	P3001	C2	Q3012	F3	Q3031	H2
IC3031	H4	P3002	H2	Q3013	H2	Q3032	H3
IC3033	B1	P3003	E1	Q3015	H3	Q3033	H3
IC3034	D1	Q3002	E3	Q3018	H4		
IC3035	C1	Q3004	F3	Q3021	H2		
IC3036	D1	Q3005	E3	Q3022	G4		
IC3037	C1	Q3006	F2	Q3023	G4		

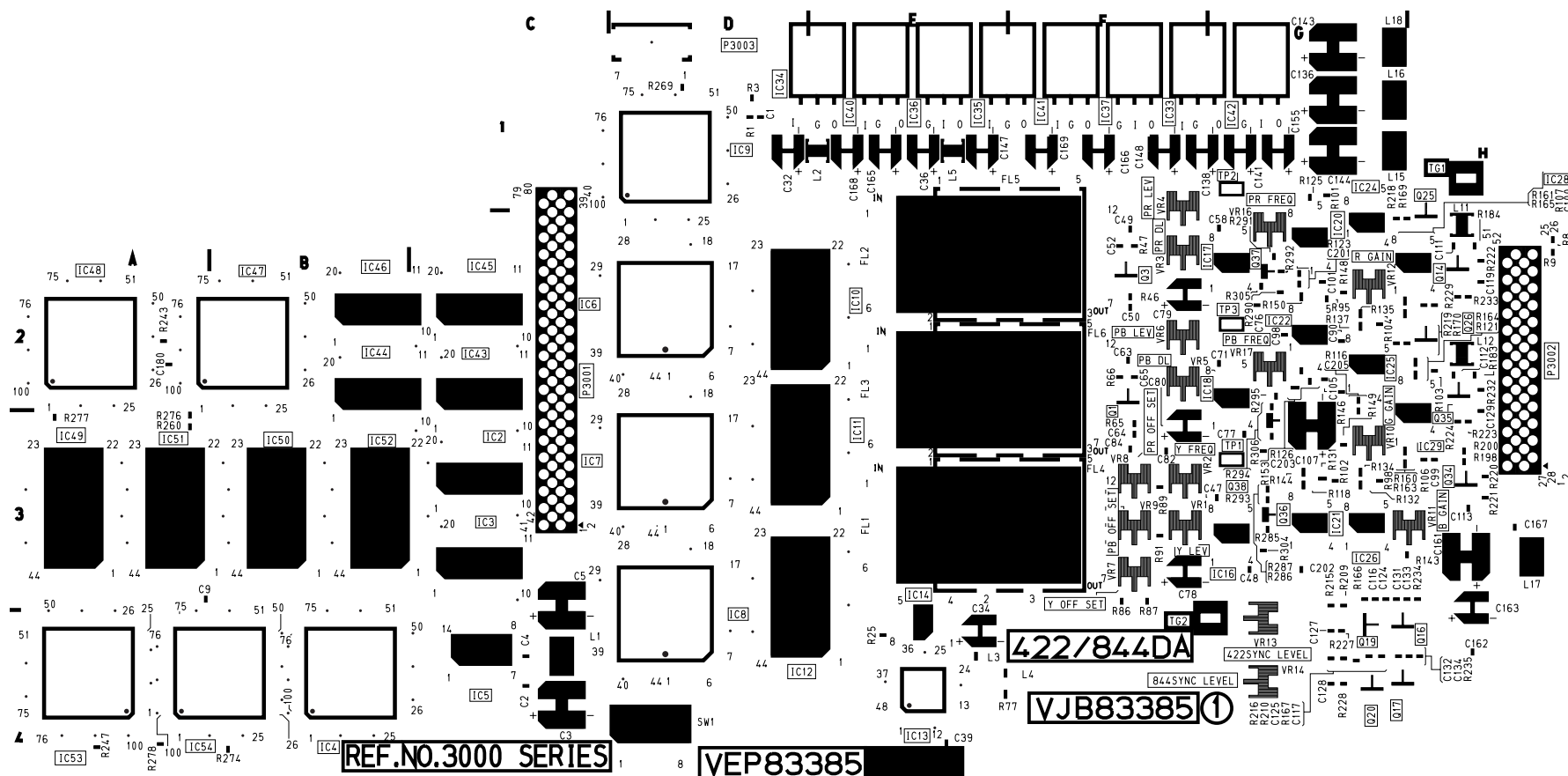


(FOIL SIDE)

**4:2:2 DA SUB P.C.BOARD (VEP83358B) (AJ-D950P, PD950P, YA950, YA951E ONLY)**  
**8:4:4 DA SUB P.C.BOARD (VEP83358A) (AJ-YA952 ONLY)**

REF	LOC	REF	LOC	REF	LOC	REF	LOC	REF	LOC
IC3002	C3	IC3017	G2	IC3046	B2	Q3019	G4	VR3004	F1
IC3003	C3	IC3018	G2	IC3047	B2	Q3020	G4	VR3005	F2
IC3004	B4	IC3020	G2	IC3048	A2	Q3025	H2	VR3006	F2
IC3005	C4	IC3021	G3	IC3049	A3	Q3026	H2	VR3007	F3
IC3006	D2	IC3022	G2	IC3050	B3	Q3034	H3	VR3008	F3
IC3007	D3	IC3024	G2	IC3051	A3	Q3035	H2	VR3009	F3
IC3008	D4	IC3025	G2	IC3052	B3	TG3001	H1	VR3010	G3
IC3009	D1	IC3026	G3	IC3053	A4	TG3002	G4	VR3011	H3
IC3010	D2	IC3028	H2	IC3054	B4	TP3001	G3	VR3012	G2
IC3011	D3	IC3029	H3	Q3001	F2	TP3002	G1	VR3013	G4
IC3012	D3	IC3032	H4	Q3003	F2	TP3003	G2	VR3014	G4
IC3013	E4	IC3043	C2	Q3014	H2	VR3001	F3		
IC3014	E4	IC3044	B2	Q3016	G4	VR3002	F3		
IC3016	G3	IC3045	C2	Q3017	G4	VR3003	F2		

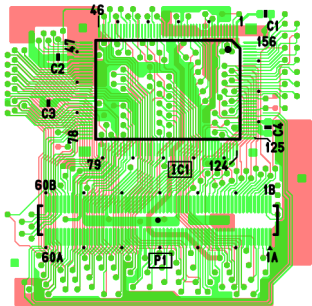
**SINGLE REFLOW SIDE**



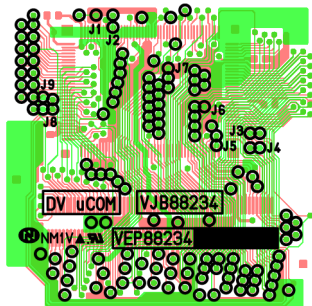
**(COMPONENT SIDE)**

**VJB83385-1**

# DV UCOM P.C.BOARD (VEP88234A)

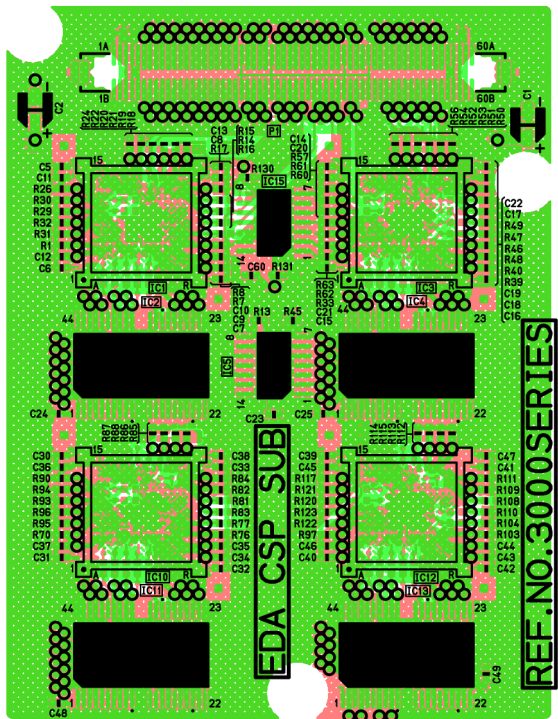


(FOIL SIDE)

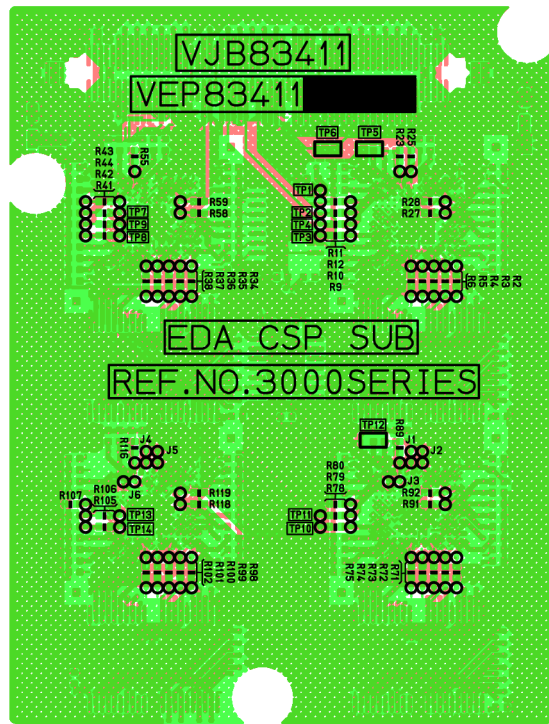


(COMPONENT SIDE)

# EDA CSP SUB P.C.BOARD (VEP83411A)

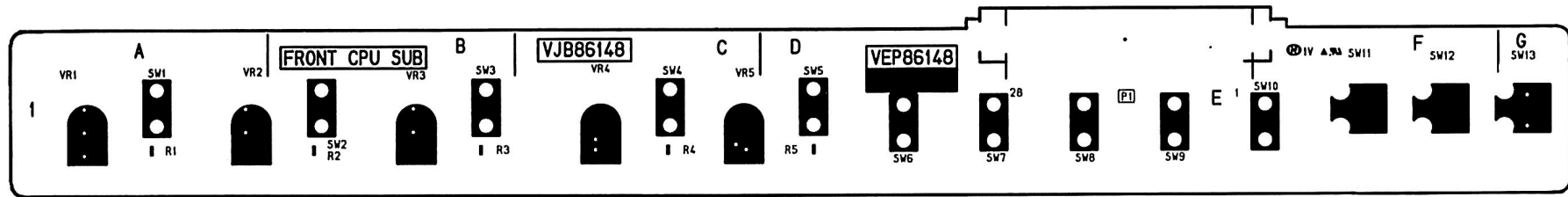


(FOIL SIDE)

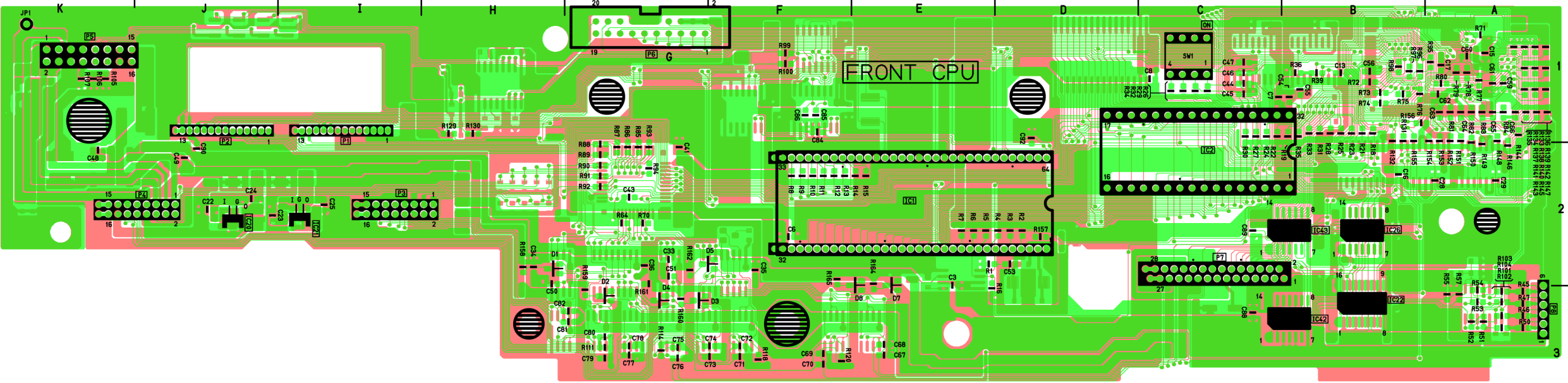


(COMPONENT SIDE)

# FRONT CPU SUB P.C.BOARD (VEP86148A)



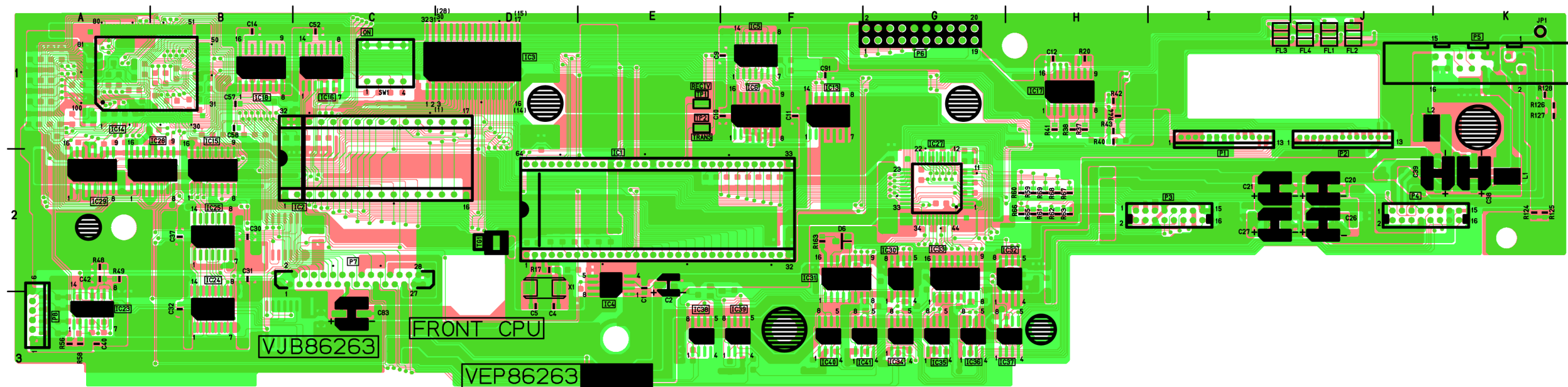
# FRONT CPU P.C.BOARD (VEP86263A)



(FOIL SIDE)



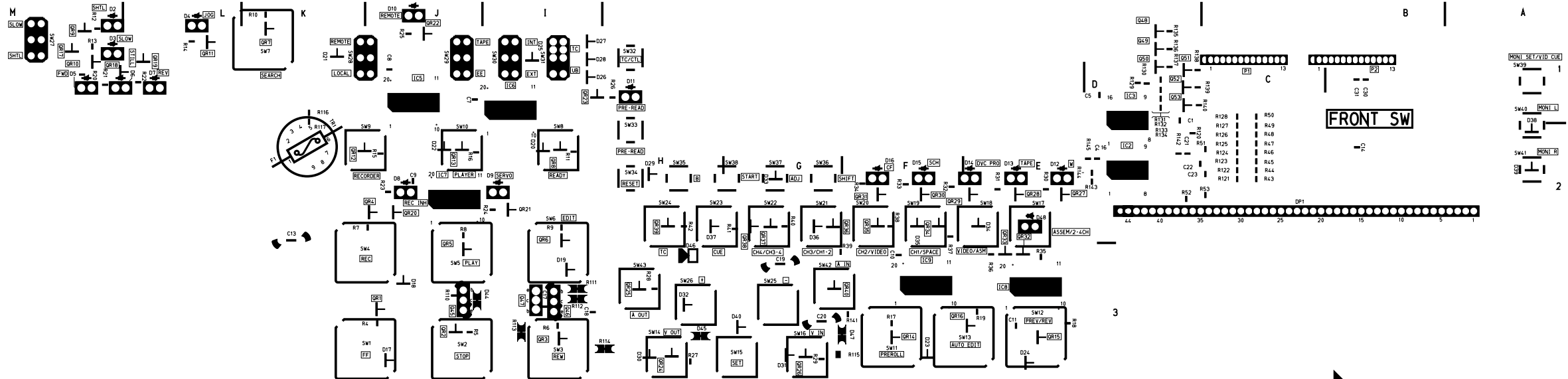
# FRONT CPU P.C. BOARD (VEP86263A)



(COMPONENT SIDE)

# FRONT SW P.C.BOARD (VEP80A49A)

REF	LOC	REF	LOC	REF	LOC	REF	LOC	REF	LOC	REF	LOC	REF	LOC
IC2	D2	Q49	D1	QR4	J2	QR12	K2	QR20	J2	QR28	E2	QR36	G2
IC3	D1	Q50	D1	QR5	J3	QR13	J2	QR21	I2	QR29	E2	QR37	G2
IC5	J1	Q51	D1	QR6	I2	QR14	F3	QR22	J1	QR30	F2	QR38	G2
IC6	I1	Q52	D1	QR7	K1	QR15	E3	QR23	I1	QR31	F2	QR39	H2
IC7	J2	Q53	D1	QR8	I2	QR16	E3	QR24	H3	QR32	E3	QR40	G3
IC8	E3	QR1	J3	QR9	M1	QR17	M1	QR25	H3	QR33	E3		
IC9	F3	QR2	J3	QR10	M1	QR18	M1	QR26	G3	QR34	F2		
Q48	D1	QR3	I3	QR11	L1	QR19	L1	QR27	E2	QR35	F2		



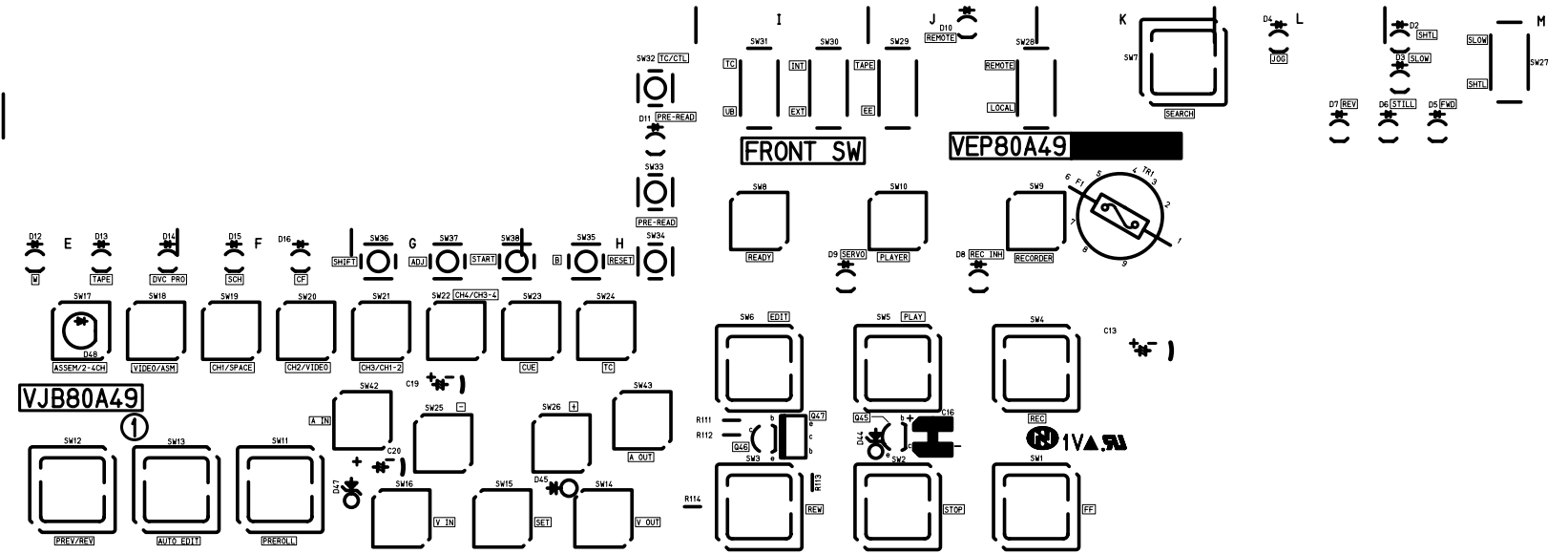
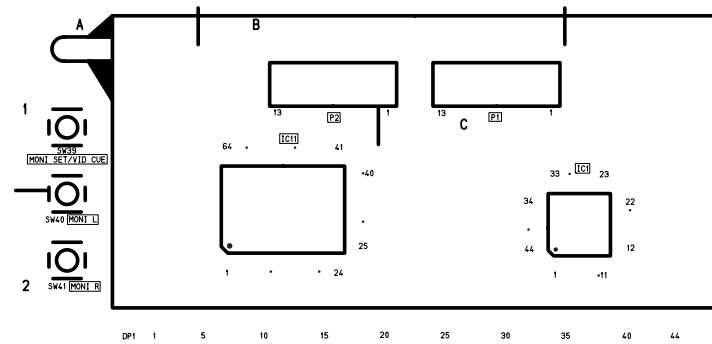
VJB80A49-1



(FOIL SIDE)

# FRONT SW P.C.BOARD (VEP80A49A)

REF	LOC	REF	LOC	REF	LOC	REF	LOC	REF	LOC	REF	LOC	REF	LOC
IC1	D2	SW2	J3	SW10	J2	SW18	E2	SW26	H3	SW34	H2	SW42	G3
IC11	B2	SW3	I3	SW11	F3	SW19	F2	SW27	M1	SW35	H2	SW43	H3
P1	C1	SW4	J3	SW12	E3	SW20	F2	SW28	J1	SW36	G2		
P2	C1	SW5	J3	SW13	E3	SW21	G2	SW29	J1	SW37	G2		
Q45	J3	SW6	I3	SW14	H3	SW22	G2	SW30	I1	SW38	G2		
Q46	I3	SW7	K1	SW15	G3	SW23	H2	SW31	I1	SW39	A1		
Q47	I3	SW8	I2	SW16	G3	SW24	H2	SW32	H1	SW40	A2		
SW1	J3	SW9	J2	SW17	E2	SW25	G3	SW33	H2	SW41	A2		



(COMPONENT SIDE)

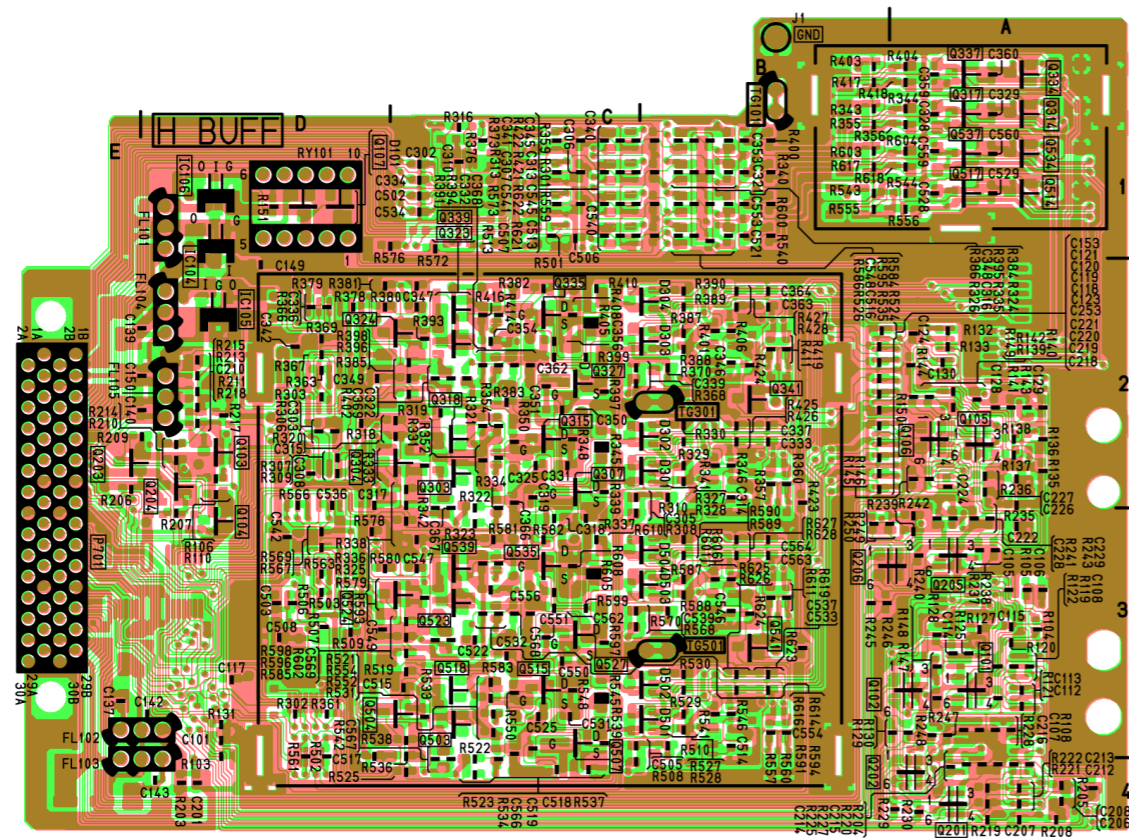


VJB80A49-1

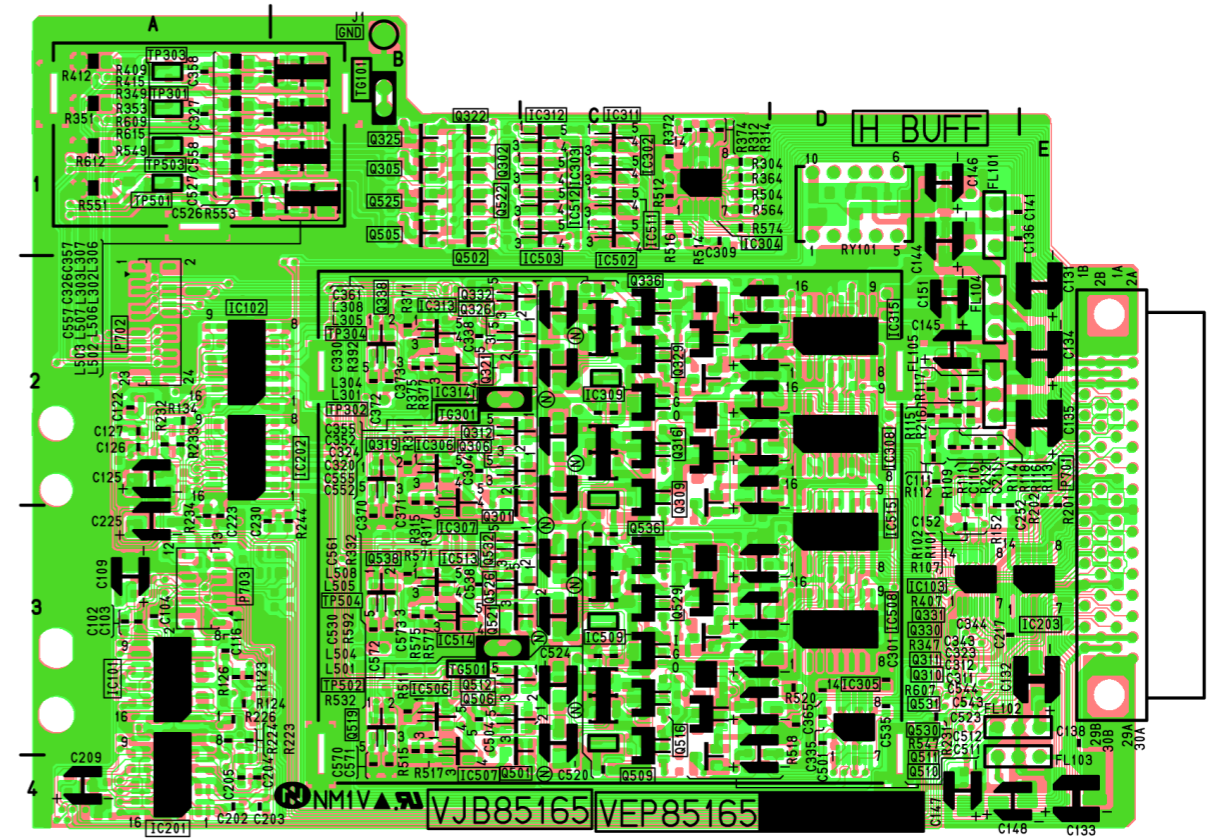
# HEAD BUFFER P.C.BOARD (VEP85165A)

REF	LOC	REF	LOC	REF	LOC
IC104	D1	Q303	C2	Q504	C3
IC105	D2	Q304	C2	Q507	C3
IC106	D1	Q307	C2	Q514	A1
Q101	A3	Q314	A1	Q515	C3
Q102	A3	Q315	C2	Q517	A1
Q103	D2	Q317	A1	Q518	C3
Q104	D3	Q318	C2	Q523	C3
Q105	A2	Q323	C2	Q524	C3
Q106	A2	Q324	C2	Q527	C3
Q107	D1	Q327	C2	Q534	A1
Q201	A4	Q334	A1	Q535	C3
Q202	A4	Q335	C2	Q537	A1
Q203	E2	Q337	A1	Q539	C3
Q204	D2	Q339	C2	Q541	B3
Q205	A3	Q341	B2		
Q206	A3	Q503	C3		

REF	LOC	REF	LOC	REF	LOC	REF	LOC	REF	LOC	REF	LOC
IC101	A3	IC313	B2	P703	A3	Q330	C2	Q522	B1	TP501	A1
IC102	B2	IC314	B2	Q301	C2	Q331	C2	Q525	B1	TP502	C3
IC103	D3	IC315	D2	Q302	B1	Q332	C2	Q526	C3	TP503	A1
IC201	A4	IC502	C1	Q305	B1	Q336	C2	Q529	C3	TP504	C3
IC202	B2	IC503	C1	Q306	C2	Q338	B2	Q530	C3		
IC203	E3	IC506	B3	Q309	C2	Q501	C3	Q531	C3		
IC302	C1	IC507	B3	Q310	C2	Q502	B1	Q532	C3		
IC303	C1	IC508	D3	Q311	C2	Q505	B1	Q536	C3		
IC304	C1	IC509	C3	Q312	C2	Q506	C3	Q538	B3		
IC305	D3	IC511	C1	Q316	C2	Q509	C3	TG101	B1		
IC306	B2	IC512	C1	Q319	B2	Q510	C4	TG301	C2		
IC307	B2	IC513	B3	Q321	C2	Q511	C3	TG501	C3		
IC308	D2	IC514	B3	Q322	B1	Q512	C3	TP301	A1		
IC309	C2	IC515	D3	Q325	B1	Q516	C3	TP302	C2		
IC311	C1	P701	E2	Q326	C2	Q519	B3	TP303	A1		
IC312	C1	P702	A2	Q329	C2	Q521	C3	TP304	C2		



(FOIL SIDE)



(COMPONENT SIDE)

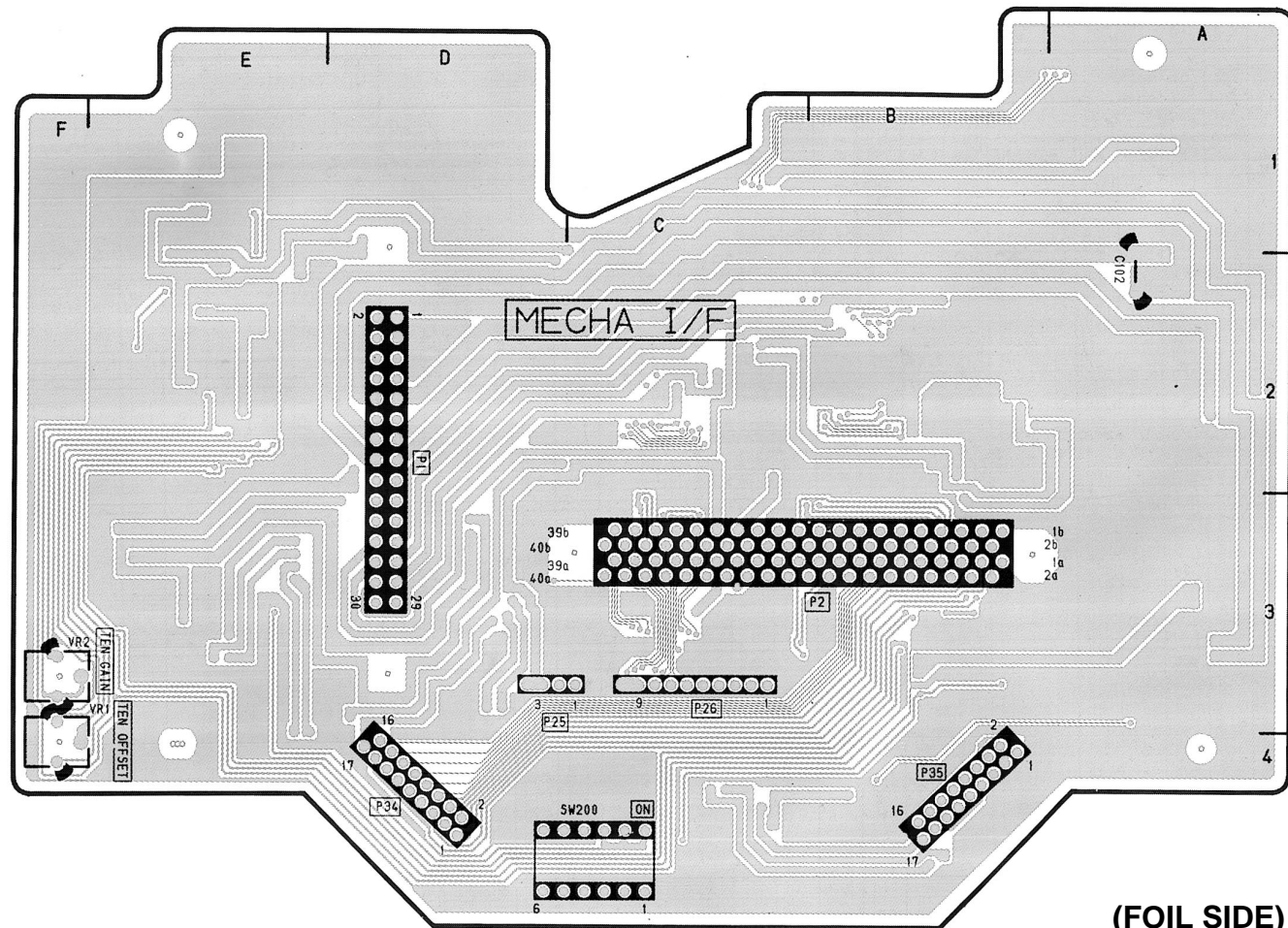
# MECHANISM I/F P.C. BOARD (VEP82216A)

MECHANISM INTERFACE C.B.A. (FOIL SIDE)	
<b>Adjustment</b>	
VR1	F-4
VR2	F-3
<b>Connector</b>	
P1	D-2
P2	B-3
P25	D-3
P26	C-3
P34	D-4
P35	B-4

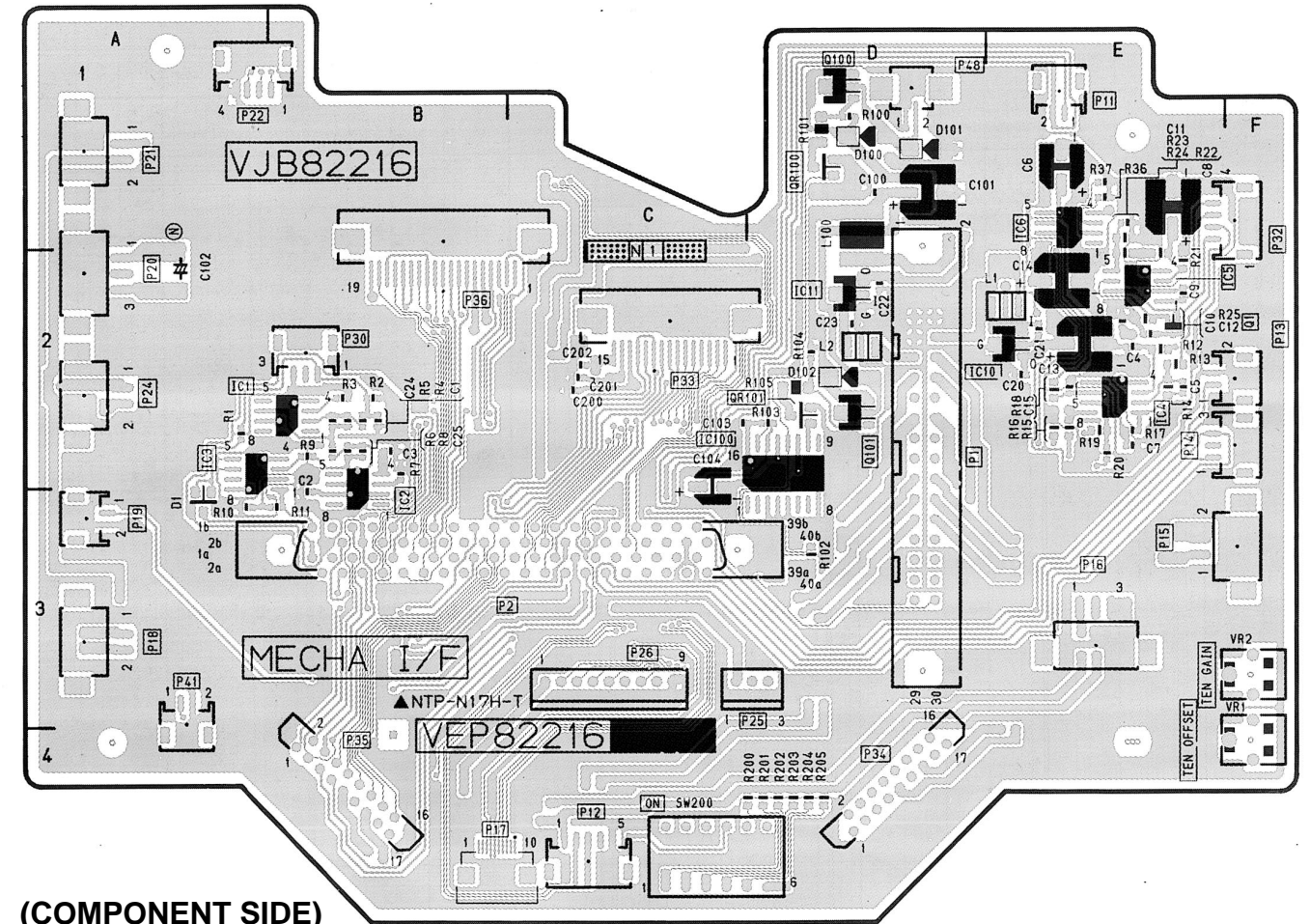
ADDRESS INFORMATION

MECHANISM INTERFACE C.B.A. (COMPONENT SIDE)			
<b>Transistor</b>		P11	E-1
Q1	F-2	P12	C-4
Q100	D-1	P13	F-2
Q101	D-2	P14	E-2
<b>Transistor &amp; Resistor</b>		P15	E-3
QR100	D-1	P16	E-3
QR101	D-2	P17	B-4
<b>Integrated Circuit</b>		P18	A-3
IC1	A-2	P19	A-3
IC2	B-3	P20	A-2
IC3	A-2	P21	A-1
IC4	E-2	P22	A-1
IC5	F-2	P24	A-2
IC6	E-1	P25	D-3
IC10	E-2	P26	C-3
IC11	D-2	P30	B-2
IC100	C-2	P32	F-1
<b>Adjustment</b>		P33	C-2
VR1	F-3	P34	D-4
VR2	F-3	P35	B-4
<b>Connector</b>		P36	B-2
P1	D-2	P41	A-3
P2	B-3	P48	D-1

ADDRESS INFORMATION

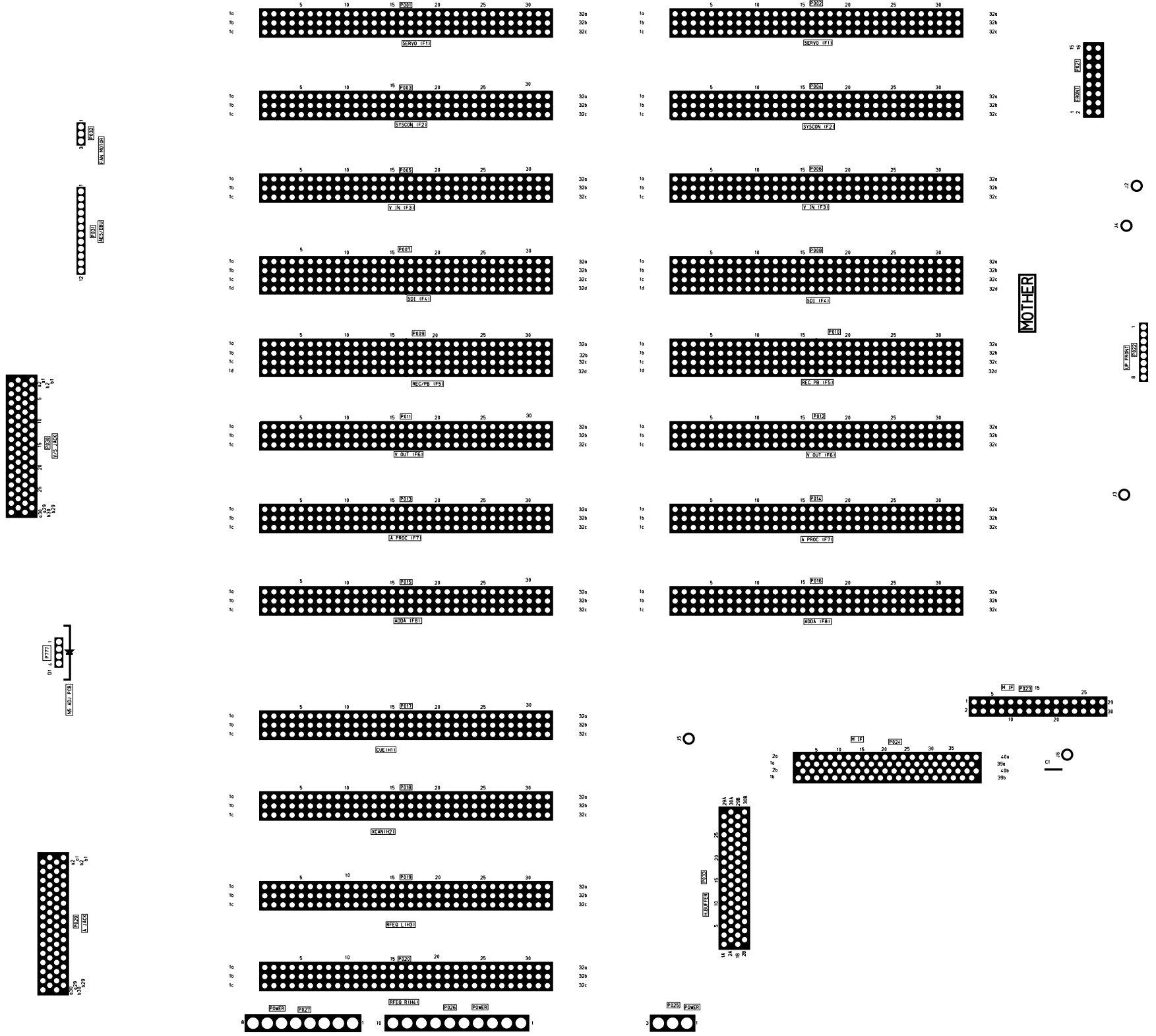


(FOIL SIDE)

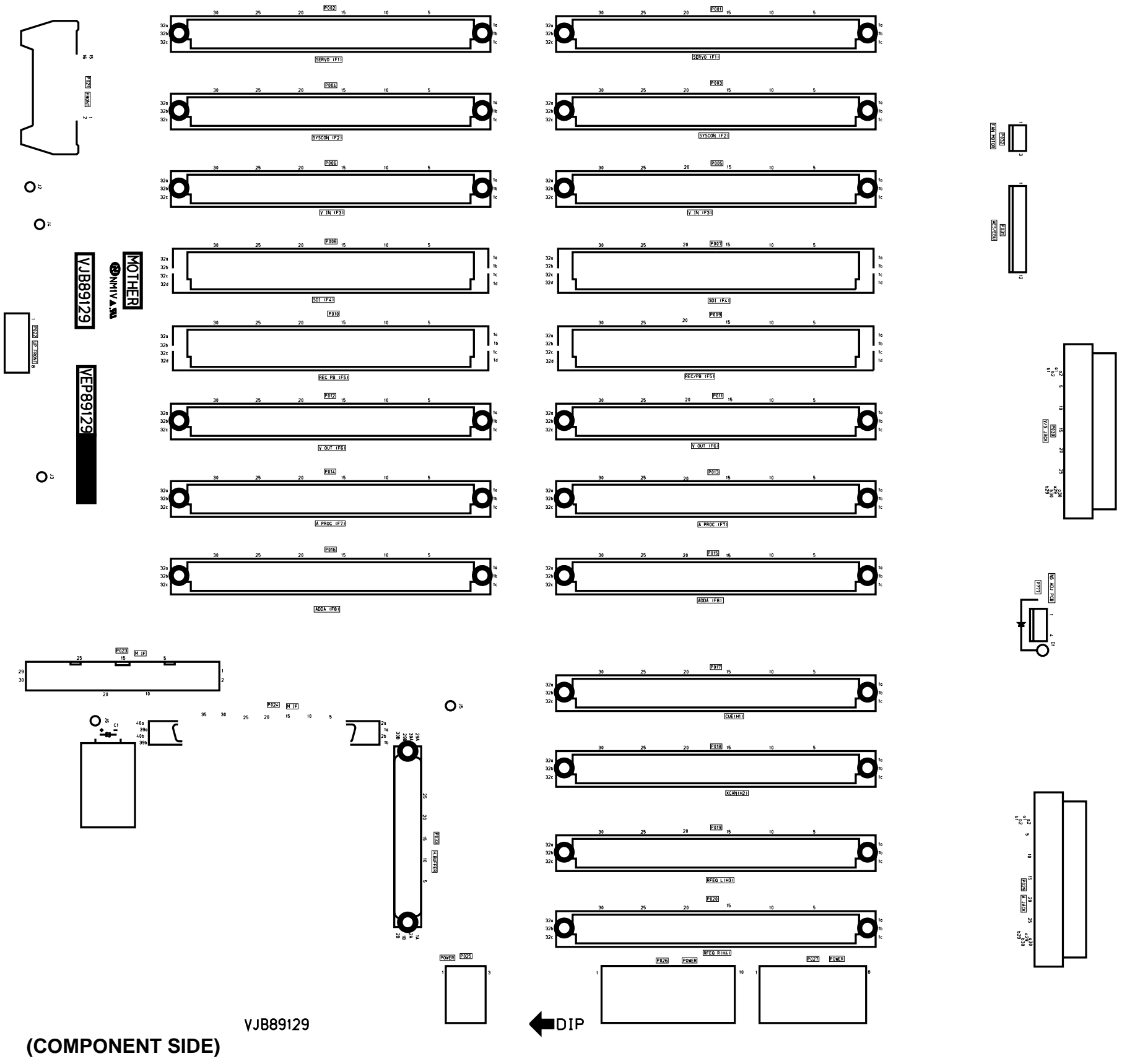


(COMPONENT SIDE)

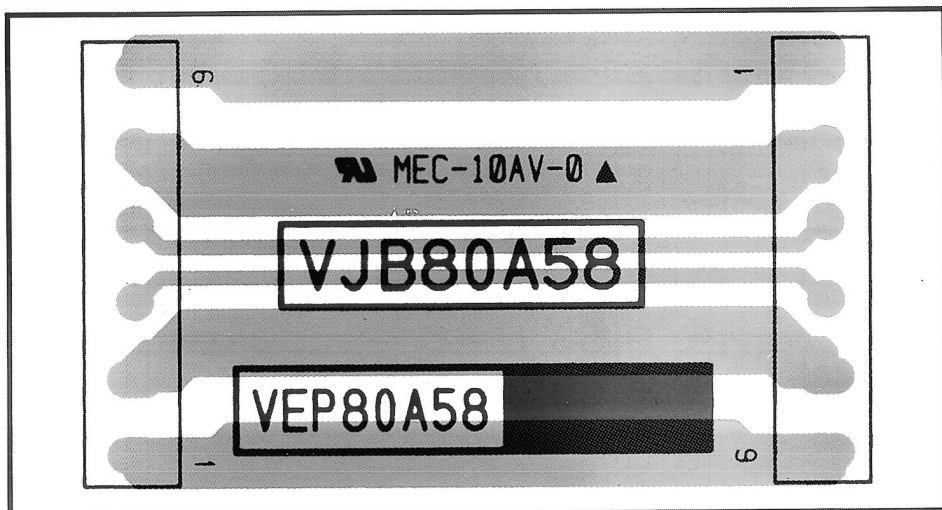
# P MOTHER P.C. BOARD (VEP89129A)



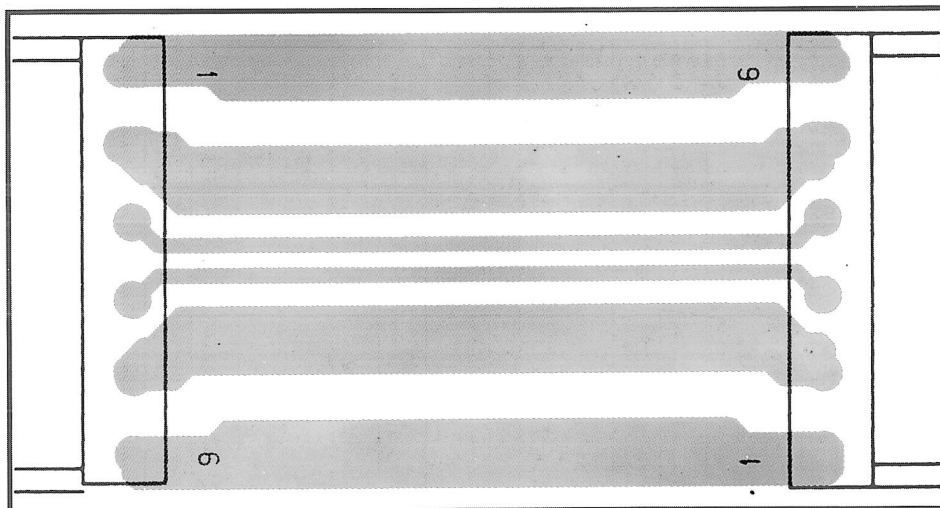
# P MOTHER P.C. BOARD (VEP89129A)



# POWER CONNECTION P.C. BOARD (VEP80A58A)



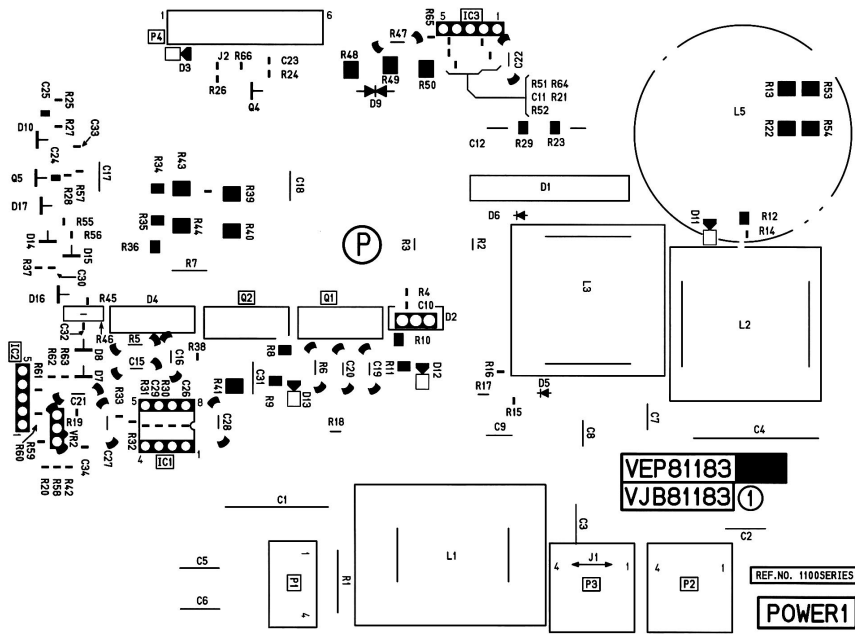
(FOIL SIDE)



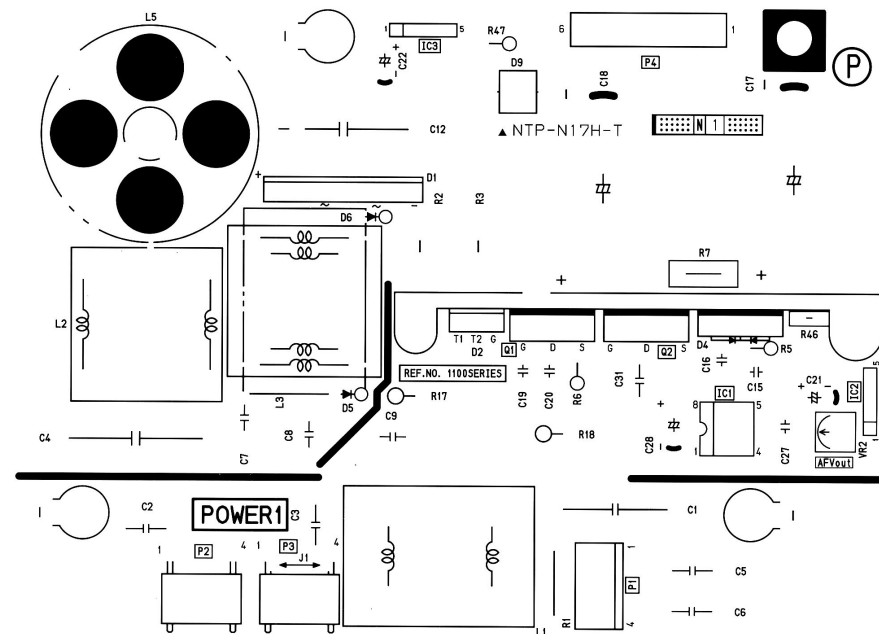
(COMPONENT SIDE)



# POWER 1 P.C. BOARD (VEP81183A)

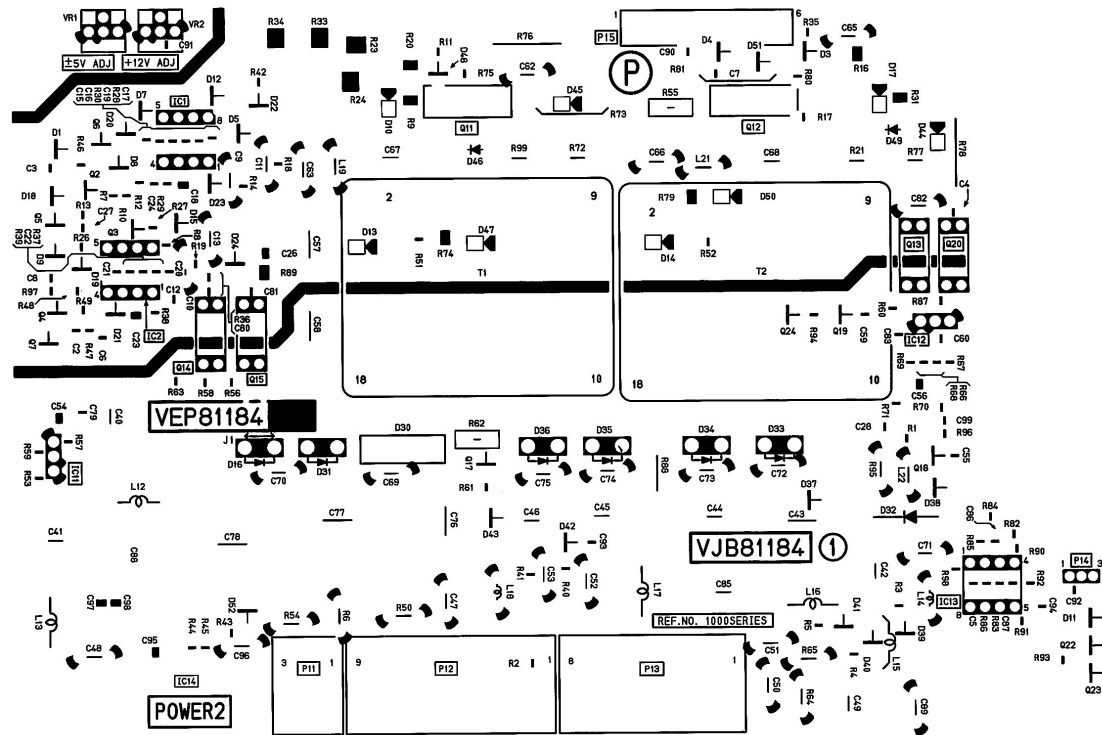


(FOIL SIDE)

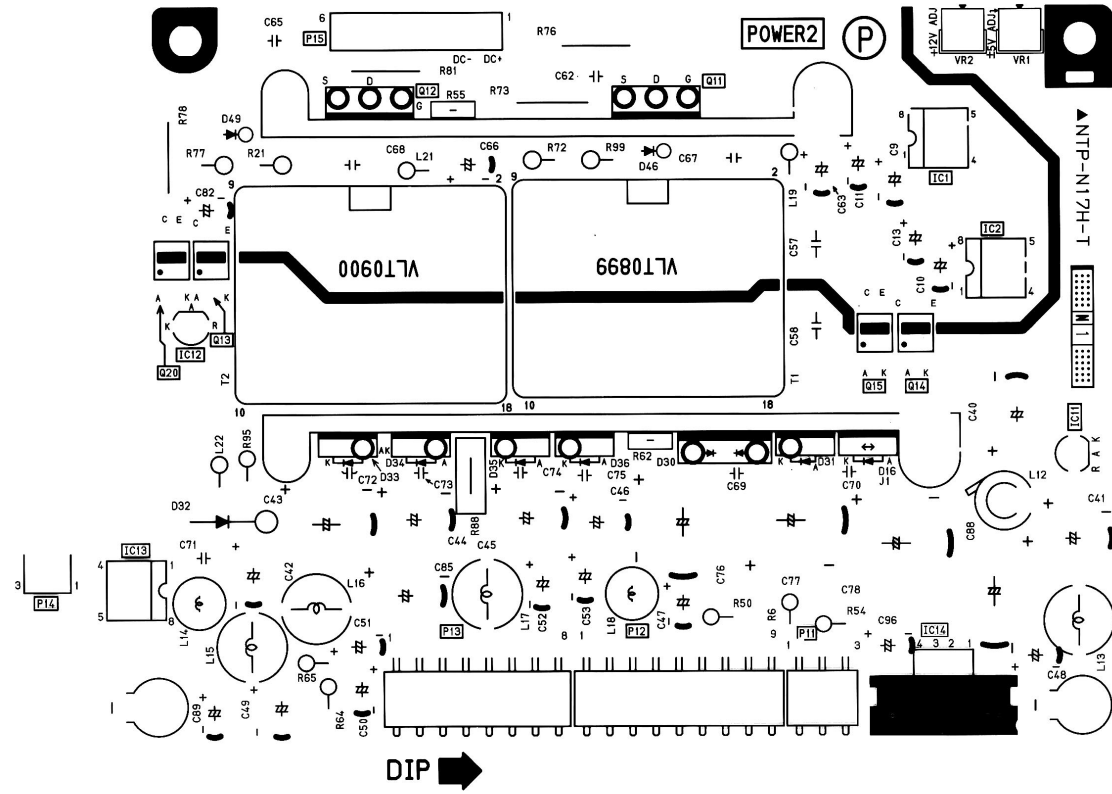


(COMPONENT SIDE)

# POWER 2 P.C. BOARD (VEP81184A)



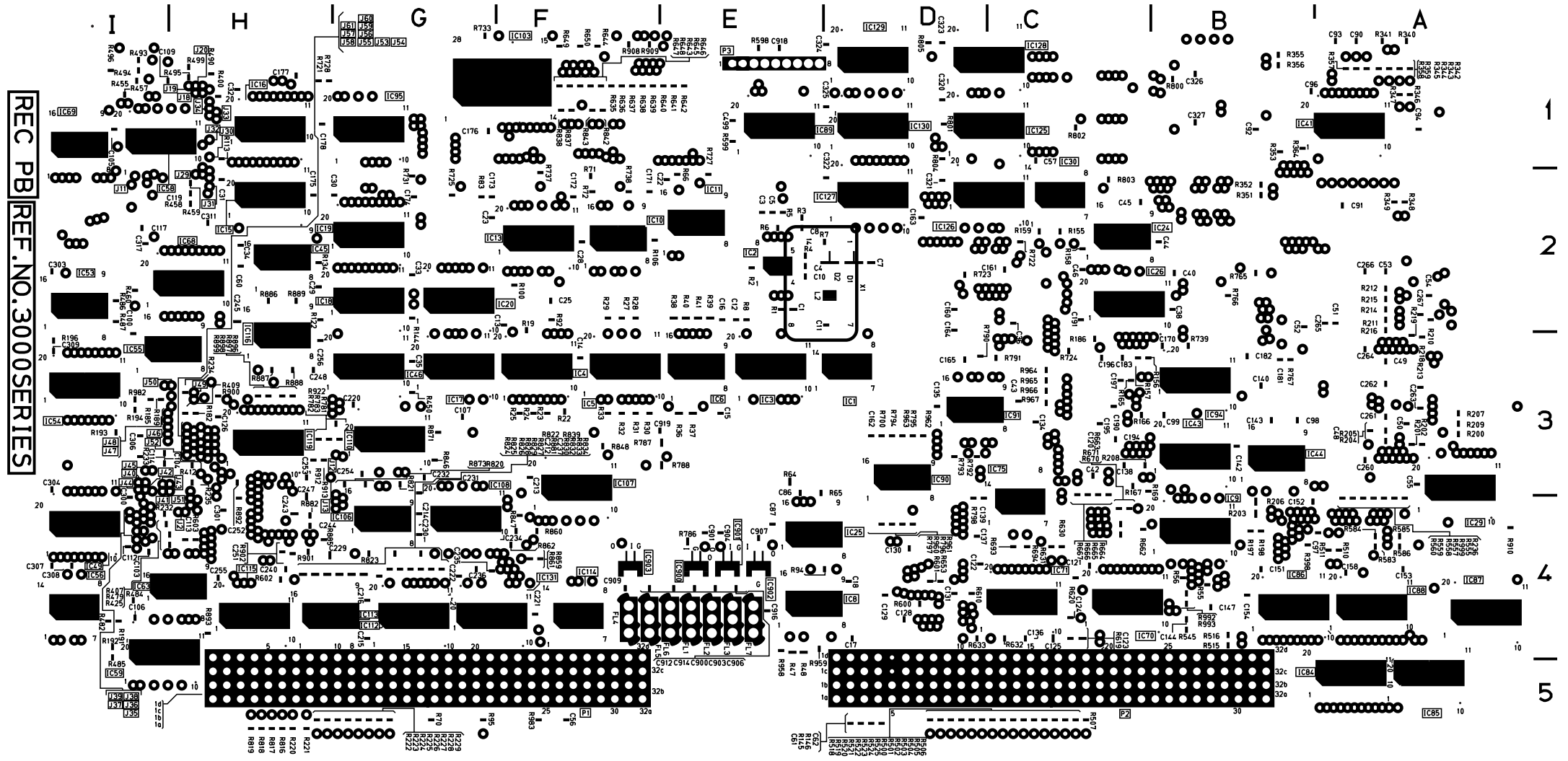
(FOIL SIDE)



(COMPONENT SIDE)

# F5 P REC PB P.C.BOARD (VEP83374A)

REF	LOC	REF	LOC	REF	LOC	REF	LOC	REF	LOC
IC1	D3	IC19	G2	IC55	H3	IC89	E1	IC119	H3
IC2	E2	IC20	G2	IC56	I4	IC90	D3	IC125	C1
IC3	E3	IC24	C2	IC58	I1	IC91	D3	IC126	C2
IC4	F3	IC25	E4	IC59	I4	IC94	B3	IC127	D2
IC5	F3	IC26	C2	IC63	H4	IC95	G1	IC128	C1
IC6	E3	IC29	A3	IC68	H2	IC103	F1	IC129	D1
IC8	E4	IC30	C2	IC69	I1	IC106	G4	IC130	D1
IC9	B4	IC41	A1	IC70	C4	IC107	F3	IC131	G4
IC10	F2	IC43	B3	IC71	C4	IC108	G4	IC900	E4
IC11	E2	IC44	B3	IC75	C4	IC110	G3	IC901	E4
IC13	F2	IC45	H2	IC84	A5	IC112	G4	IC902	E4
IC15	H2	IC46	G3	IC85	A5	IC113	H4	IC903	F4
IC16	H1	IC49	I4	IC86	B4	IC114	F4		
IC17	G3	IC53	I2	IC87	A4	IC115	H4		
IC18	G2	IC54	I3	IC88	A4	IC116	H3		

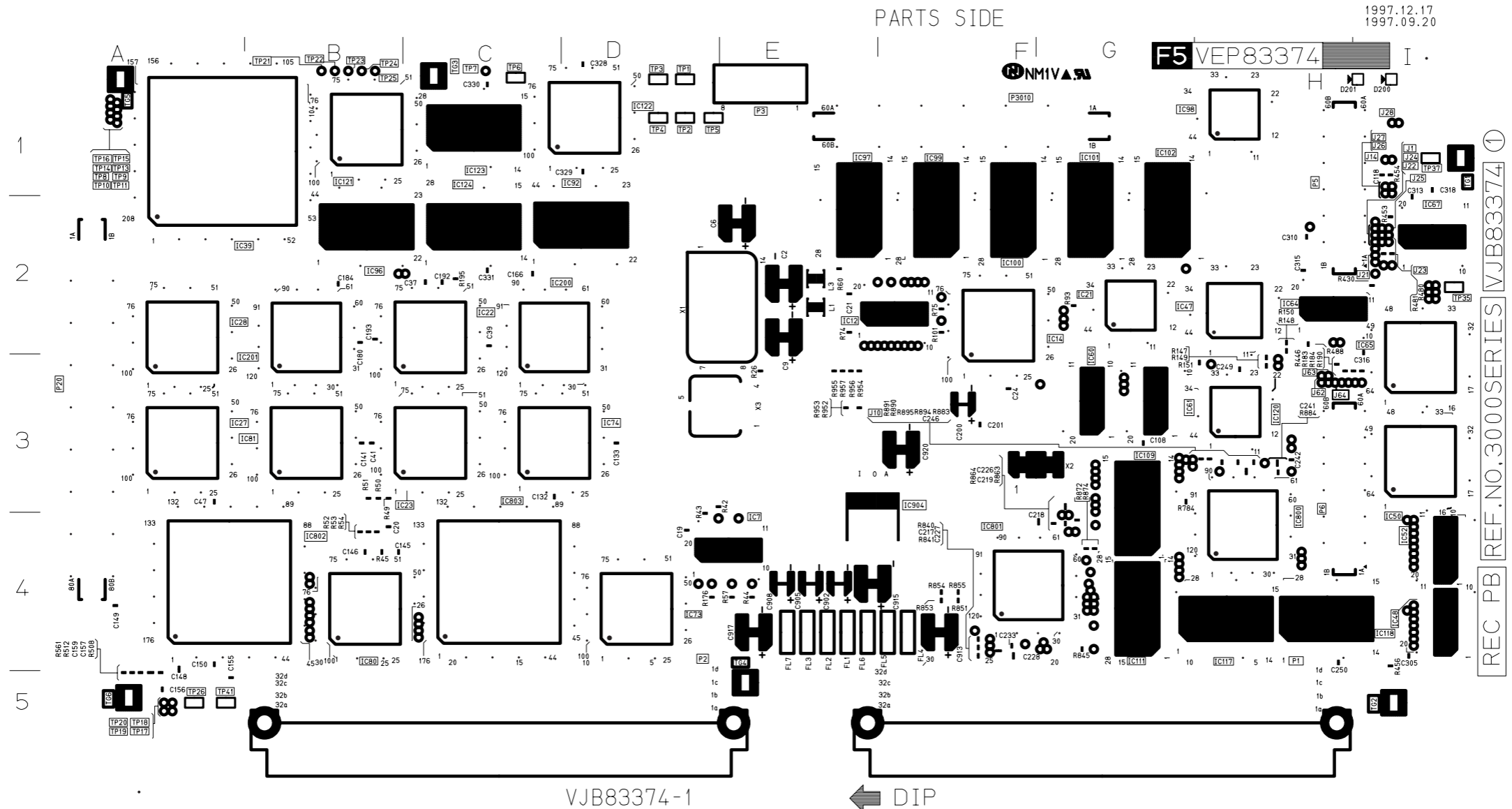


DIP →

(FOIL SIDE)

# F5 P REC PB P.C.BOARD (VEP83374A)

REF	LOC	REF	LOC	REF	LOC	REF	LOC	REF	LOC	REF	LOC
IC7	E4	IC64	H2	IC109	G3	IC904	E4	TP2	D1	TP18	A5
IC12	F2	IC65	I3	IC111	G4	P1	G5	TP3	D1	TP19	A5
IC14	F2	IC67	I2	IC117	H4	P2	C5	TP4	D1	TP20	A5
IC21	G2	IC73	D4	IC118	H4	P3	E1	TP5	D1	TP21	B1
IC22	C2	IC74	C3	IC120	H3	P5	H1	TP6	C1	TP22	B1
IC23	C3	IC80	B4	IC121	B1	P6	H3	TP7	C1	TP23	B1
IC27	A3	IC81	B3	IC122	D1	P10	F1	TP8	A1	TP24	B1
IC28	A2	IC92	D2	IC123	C1	P20	A3	TP9	A1	TP25	B1
IC39	A1	IC96	B2	IC124	C2	TG1	I1	TP10	A1	TP26	A5
IC47	H2	IC97	E2	IC200	C2	TG2	I5	TP11	A1	TP35	I2
IC48	I4	IC98	H1	IC201	B2	TG3	C1	TP13	A1	TP37	I1
IC50	I3	IC99	F2	IC800	H4	TG4	E5	TP14	A1	TP41	A5
IC52	I4	IC100	F2	IC801	F4	TG5	A1	TP15	A1		
IC60	G3	IC101	G2	IC802	A4	TG6	A5	TP16	A1		
IC61	G3	IC102	G2	IC803	C4	TP1	D1	TP17	A5		

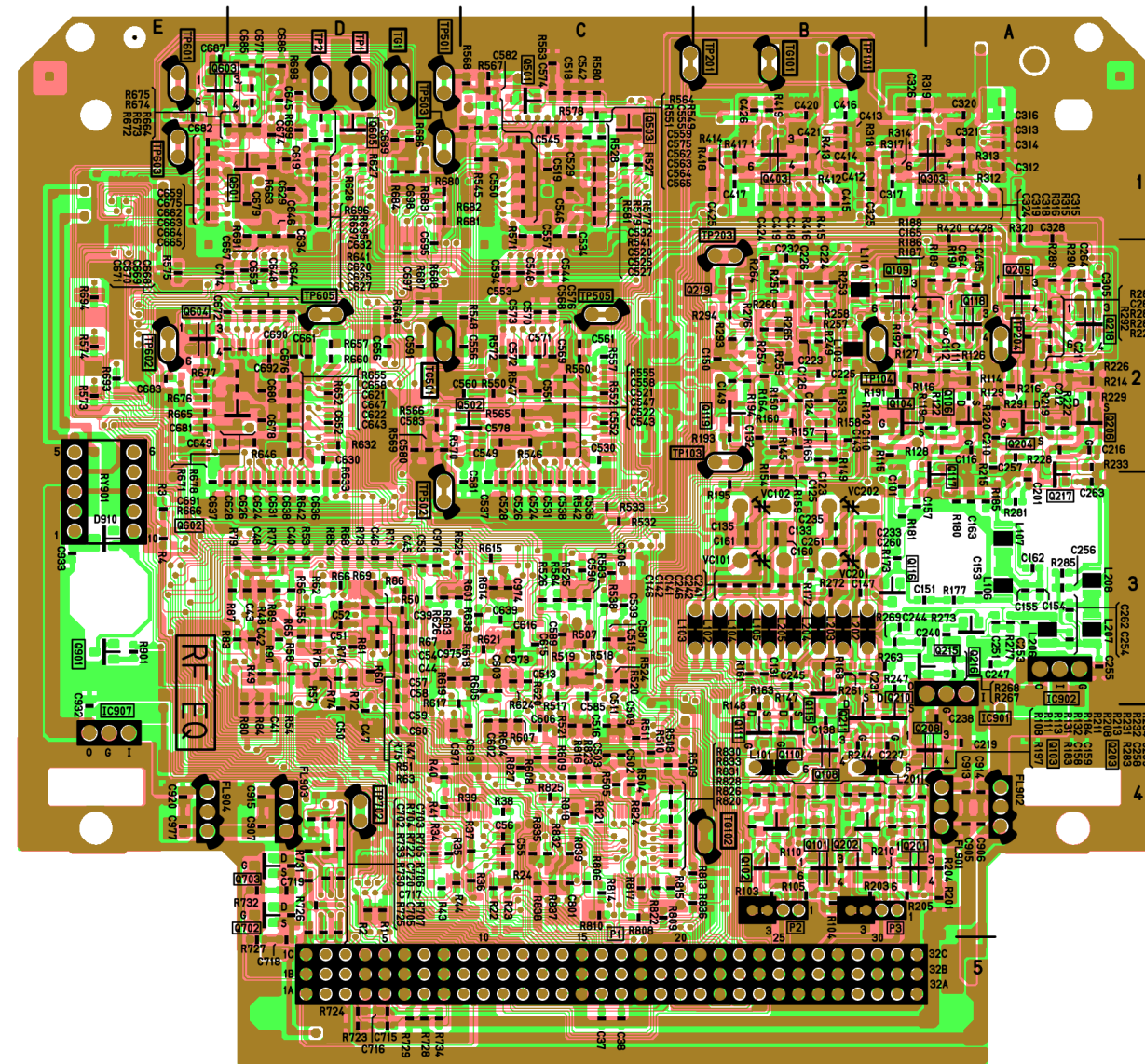


(COMPONENT SIDE)

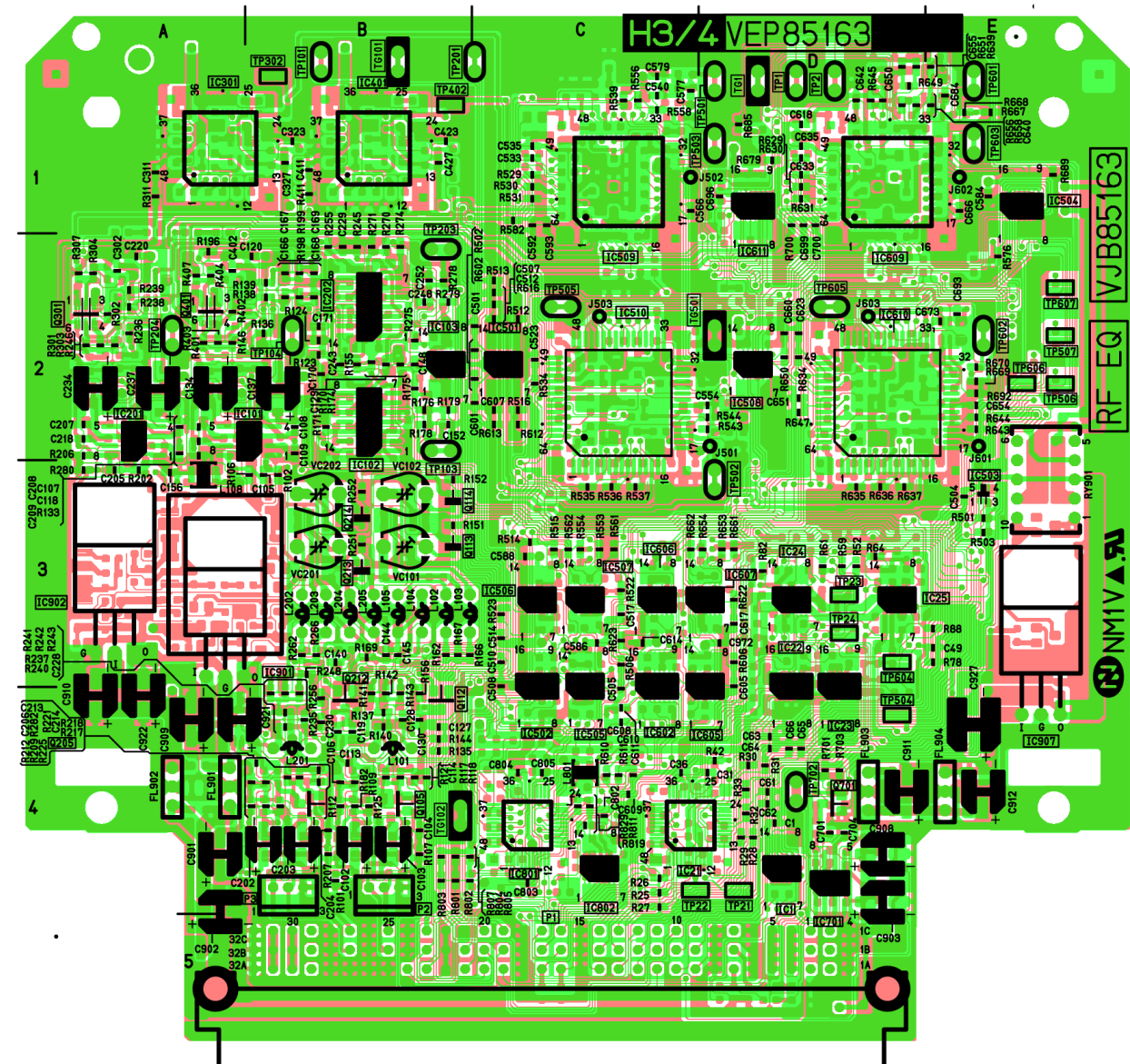
### H3, 4 RF EQ L, R P.C.BOARD (VEP85163A)

REF	LOC	REF	LOC	REF	LOC	REF	LOC
Q101	B4	Q118	A2	Q216	A3	Q604	E2
Q102	B4	Q119	B2	Q217	A3	Q605	D1
Q103	B4	Q201	B4	Q218	A2	Q702	D4
Q104	B2	Q202	B4	Q219	B2	Q703	D4
Q106	A2	Q203	B4	Q303	A1	Q901	E3
Q108	B4	Q204	A2	Q403	B1		
Q109	B2	Q206	A2	Q501	C1		
Q110	B4	Q208	A4	Q502	C2		
Q111	B4	Q209	A2	Q503	C1		
Q115	B3	Q210	B4	Q601	D1		
Q116	B3	Q211	B4	Q602	D2		
Q117	A3	Q215	B3	Q603	E1		

REF	LOC	REF	LOC	REF	LOC	REF	LOC	REF	LOC	REF	LOC
IC1	D4	IC503	E3	IC701	D4	Q213	B3	TP101	B1	TP601	E1
IC21	C4	IC504	E1	IC801	C4	Q214	B3	TP103	B2	TP602	E2
IC22	D3	IC505	C3	IC802	C4	Q301	A2	TP104	B2	TP603	E1
IC23	D3	IC506	C3	IC901	A3	Q401	A2	TP201	C1	TP604	D3
IC24	D3	IC507	C3	IC902	A3	Q701	D4	TP203	B2	TP605	D2
IC25	D3	IC508	D2	IC907	E4	TG1	D1	TP204	A2	TP606	E2
IC101	B2	IC509	C1	P1	C5	TG101	B1	TP302	B1	TP607	E2
IC102	B2	IC510	C2	P2	B4	TG102	B4	TP402	B1	TP702	D4
IC103	B2	IC602	C3	P3	B4	TG501	D2	TP501	D1	VC101	B3
IC201	A2	IC605	D3	Q105	B4	TP1	D1	TP502	D3	VC102	B3
IC202	B2	IC606	C3	Q112	B4	TP2	D1	TP503	D1	VC201	B3
IC301	A1	IC607	D3	Q113	B3	TP21	D4	TP504	D4	VC202	B3
IC401	B1	IC609	D1	Q114	B3	TP22	C4	TP505	C2		
IC501	C2	IC610	D2	Q205	B4	TP23	D3	TP506	E2		
IC502	C3	IC611	D1	Q212	B4	TP24	D3	TP507	E2		



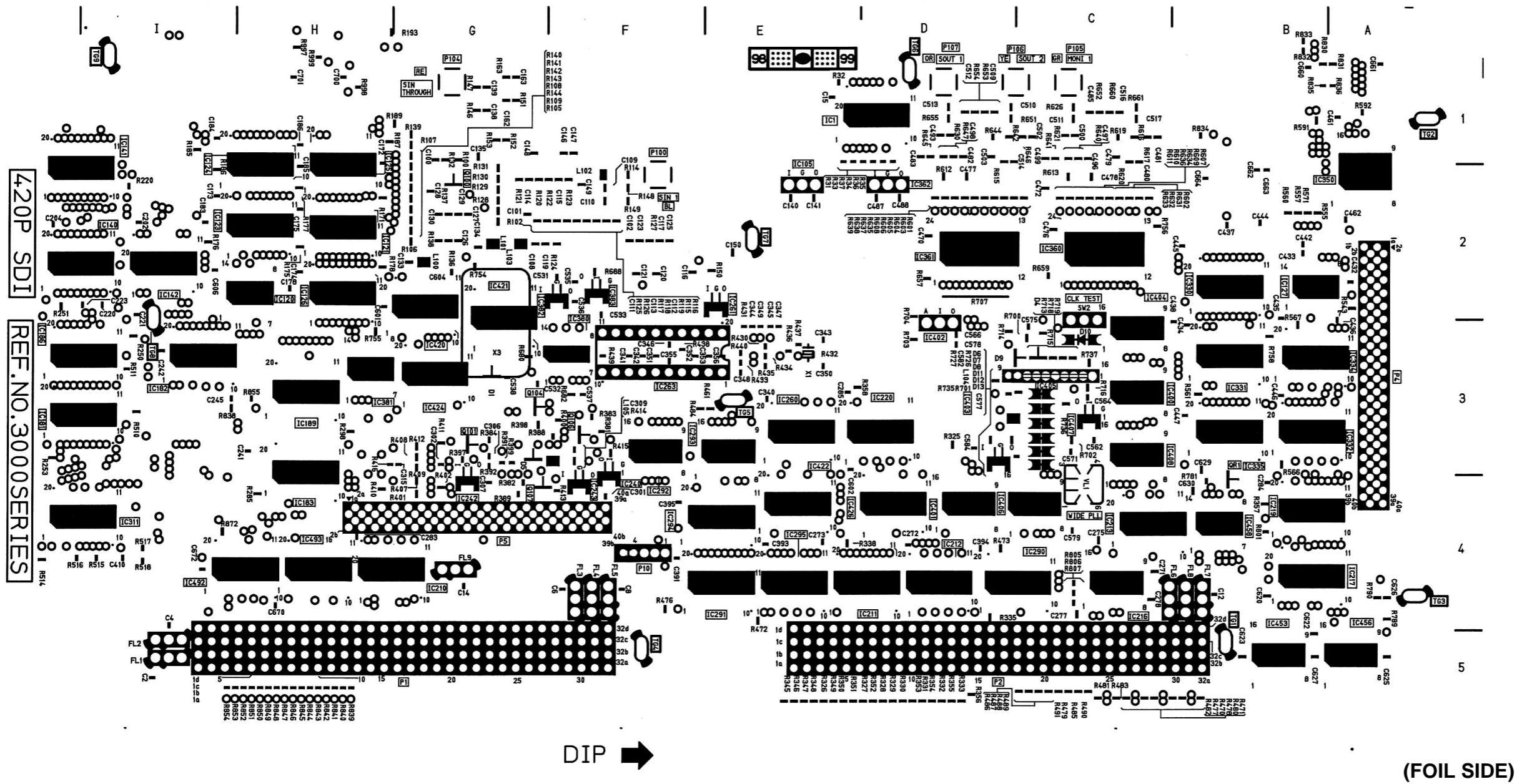
(FOIL SIDE)



(COMPONENT SIDE)

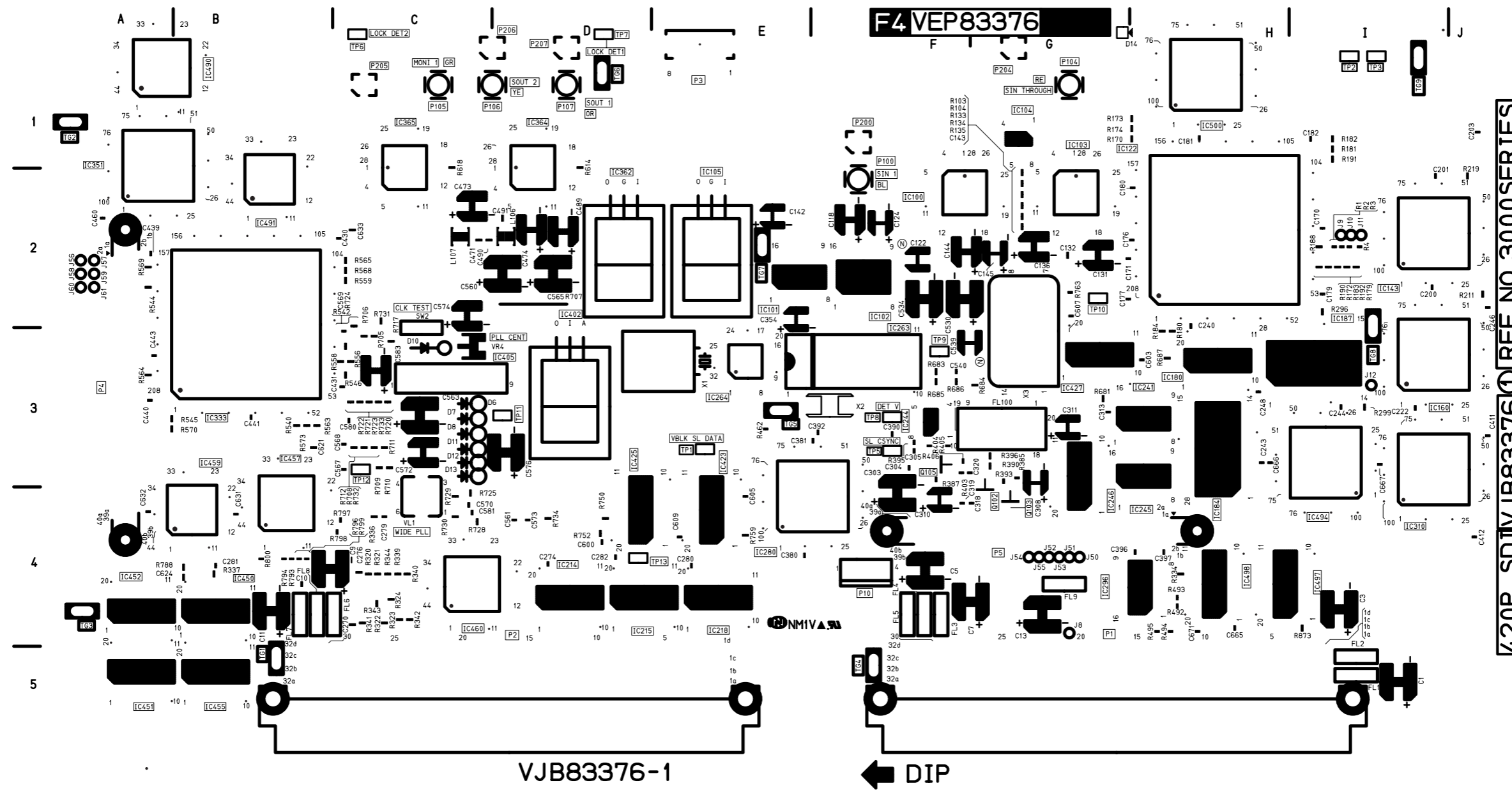
# F4 SDI P.C.BOARD (VEP83376A)

REF	LOC	REF	LOC	REF	LOC	REF	LOC	REF	LOC
IC3001	D1	IC3189	H3	IC3291	E4	IC3381	H3	IC3453	B5
IC3120	H2	IC3210	H4	IC3292	F3	IC3382	F2	IC3456	A5
IC3121	H2	IC3211	D4	IC3293	E3	IC3383	F2	IC3458	B4
IC3123	H2	IC3212	D4	IC3294	E4	IC3400	C3	IC3492	H4
IC3124	H2	IC3213	C4	IC3295	E4	IC3401	D4	IC3493	H4
IC3125	H2	IC3216	C4	IC3311	I4	IC3403	D3	Q3100	G2
IC3126	H2	IC3217	B4	IC3330	B2	IC3404	C3	Q3101	G3
IC3127	B2	IC3219	B4	IC3331	B3	IC3406	C4	Q3104	G3
IC3140	I2	IC3220	D3	IC3332	B3	IC3407	C3	Q3106	F3
IC3141	I2	IC3240	F4	IC3334	B3	IC3408	C3	Q3107	G4
IC3142	I2	IC3242	G4	IC3335	B3	IC3420	G2	QR3001	B4
IC3181	I3	IC3243	F4	IC3350	A2	IC3421	G2		
IC3182	H3	IC3260	E3	IC3360	C2	IC3422	E4		
IC3183	H3	IC3261	E2	IC3361	D2	IC3424	G3		
IC3186	I3	IC3290	C4	IC3380	F3	IC3426	D4		



# F4 SDI P.C.BOARD (VEP83376A)

REF	LOC	REF	LOC	REF	LOC	REF	LOC	REF	LOC
IC3100	F2	IC3244	F3	IC3451	A5	P3205	C1	TP3001	E3
IC3101	E2	IC3245	H3	IC3452	A4	P3206	D1	TP3002	I1
IC3102	F2	IC3246	G3	IC3455	B5	P3207	D1	TP3003	I1
IC3103	G2	IC3264	E3	IC3457	B4	Q3102	G4	TP3005	F3
IC3104	G1	IC3280	F4	IC3459	B4	Q3103	G4	TP3006	C1
IC3122	H2	IC3296	H4	IC3460	C4	Q3105	F3	TP3007	D1
IC3143	I2	IC3310	I3	IC3490	A1	TG3001	B5	TP3008	F3
IC3160	I3	IC3333	B2	IC3491	B2	TG3002	A1	TP3009	F3
IC3180	H3	IC3351	A1	IC3494	I3	TG3003	A4	TP3010	G2
IC3184	H3	IC3364	D1	IC3497	H4	TG3004	F5	TP3011	D3
IC3187	I3	IC3365	C1	IC3498	H4	TG3005	E3	TP3012	C3
IC3214	D4	IC3423	E4	IC3500	H1	TG3006	D1	TP3013	D4
IC3215	D4	IC3425	D4	P3003	E1	TG3007	E2	VR3004	C3
IC3218	E4	IC3427	G3	P3200	F1	TG3008	I2		
IC3241	H3	IC3450	B4	P3204	G1	TG3009	I1		

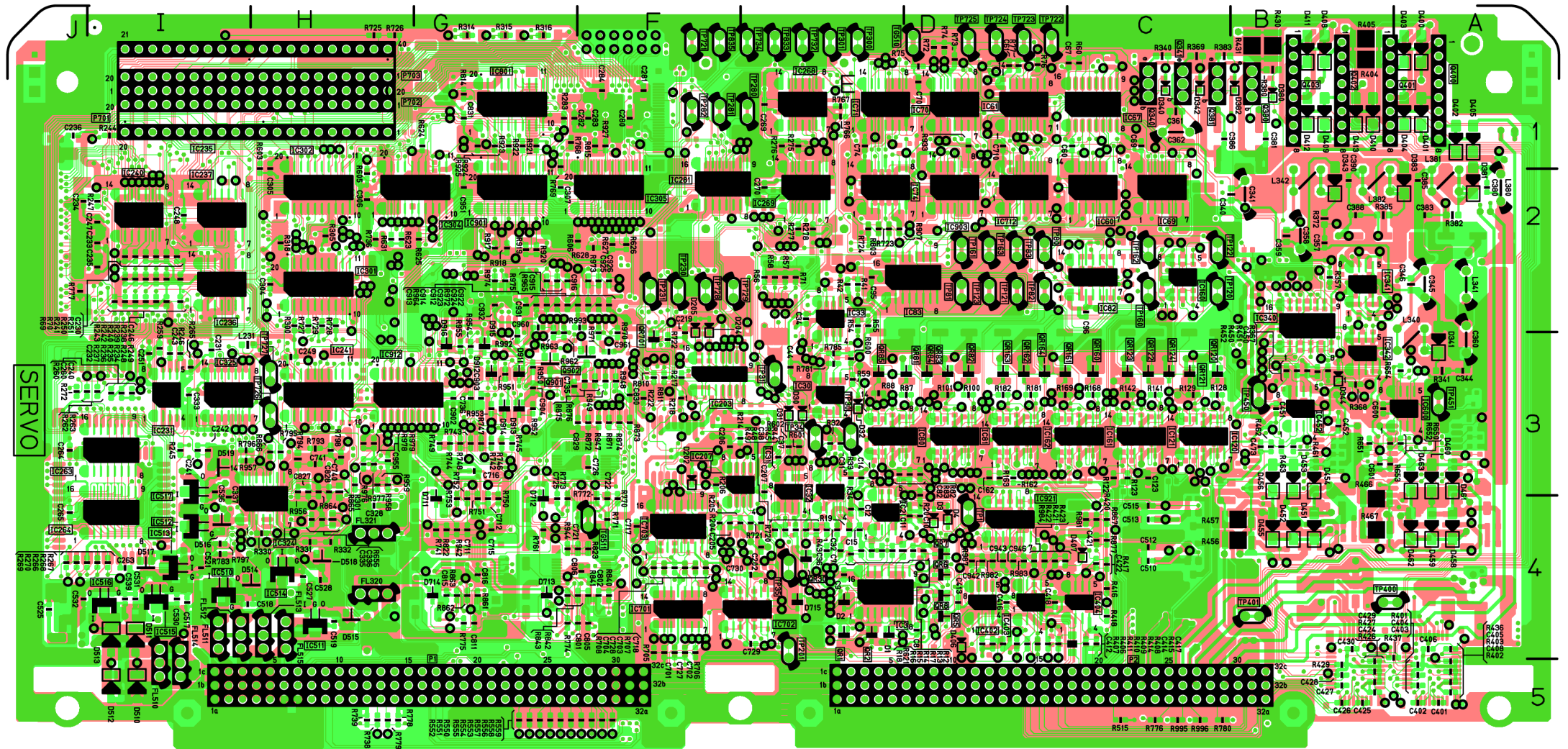


(COMPONENT SIDE)

420P SDI VJB83376 ① REF. NO. 3000SERIES

# F1 SERVO P.C.BOARD (VEP82213B)

REF	LOC	REF	LOC	REF	LOC	REF	LOC	REF	LOC	REF	LOC	REF	LOC
IC2	E4	IC81	D3	IC241	H3	IC342	B3	IC701	F4	QR6	D4	QR160	C3
IC3	E4	IC82	C2	IC263	I3	IC402	D4	IC702	E4	QR7	D4	QR161	D3
IC30	E3	IC83	D2	IC264	I4	IC403	D4	IC703	F4	QR8	D4	QR162	D3
IC31	E3	IC120	C3	IC268	E1	IC404	C4	IC712	D2	QR30	E4	QR163	D3
IC32	E3	IC121	C3	IC269	E2	IC452	B3	IC801	G1	QR81	D3	QR164	D3
IC33	E2	IC160	C2	IC281	F2	IC510	H4	IC901	G2	QR82	D3	QR701	F3
IC60	C2	IC161	C3	IC301	H2	IC511	H4	IC903	D2	QR83	D3		
IC61	D1	IC162	D3	IC302	H2	IC512	I4	IC912	H3	QR84	D3		
IC67	C1	IC203	F3	IC304	H2	IC513	I4	IC921	D4	QR85	E3		
IC69	C2	IC207	F3	IC305	F2	IC514	H4	Q901	G3	QR120	C3		
IC70	D1	IC231	I3	IC324	H4	IC515	I4	Q902	F3	QR121	C3		
IC71	E1	IC236	H2	IC325	H3	IC516	I4	QR1	E4	QR122	C3		
IC74	E2	IC237	H2	IC340	B2	IC517	I3	QR2	E4	QR123	C3		
IC80	E3	IC240	I2	IC341	B2	IC600	A3	QR5	D4	QR124	C3		

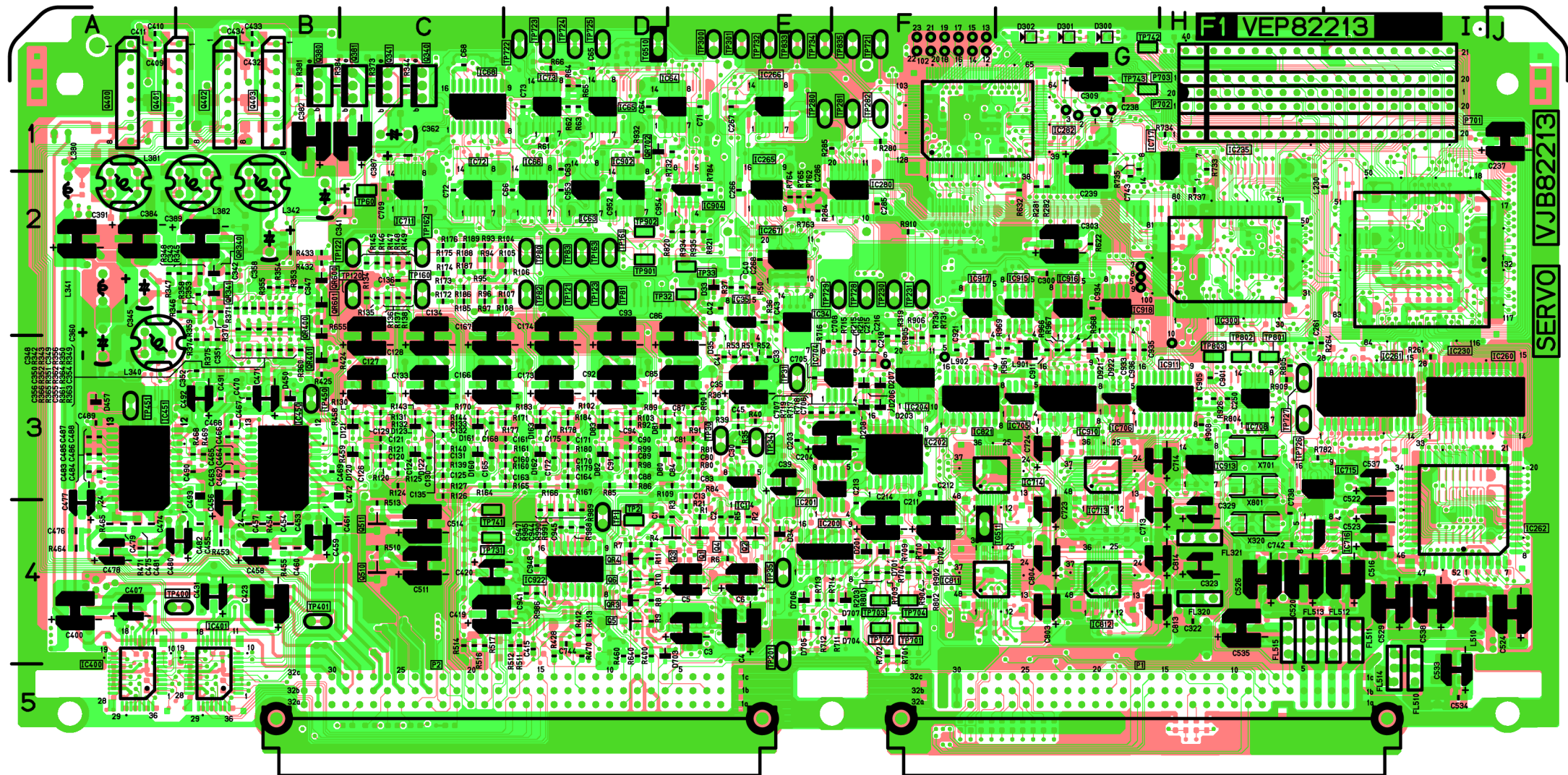


(FOIL SIDE)



# F1 SERVO P.C.BOARD (VEP82213B)

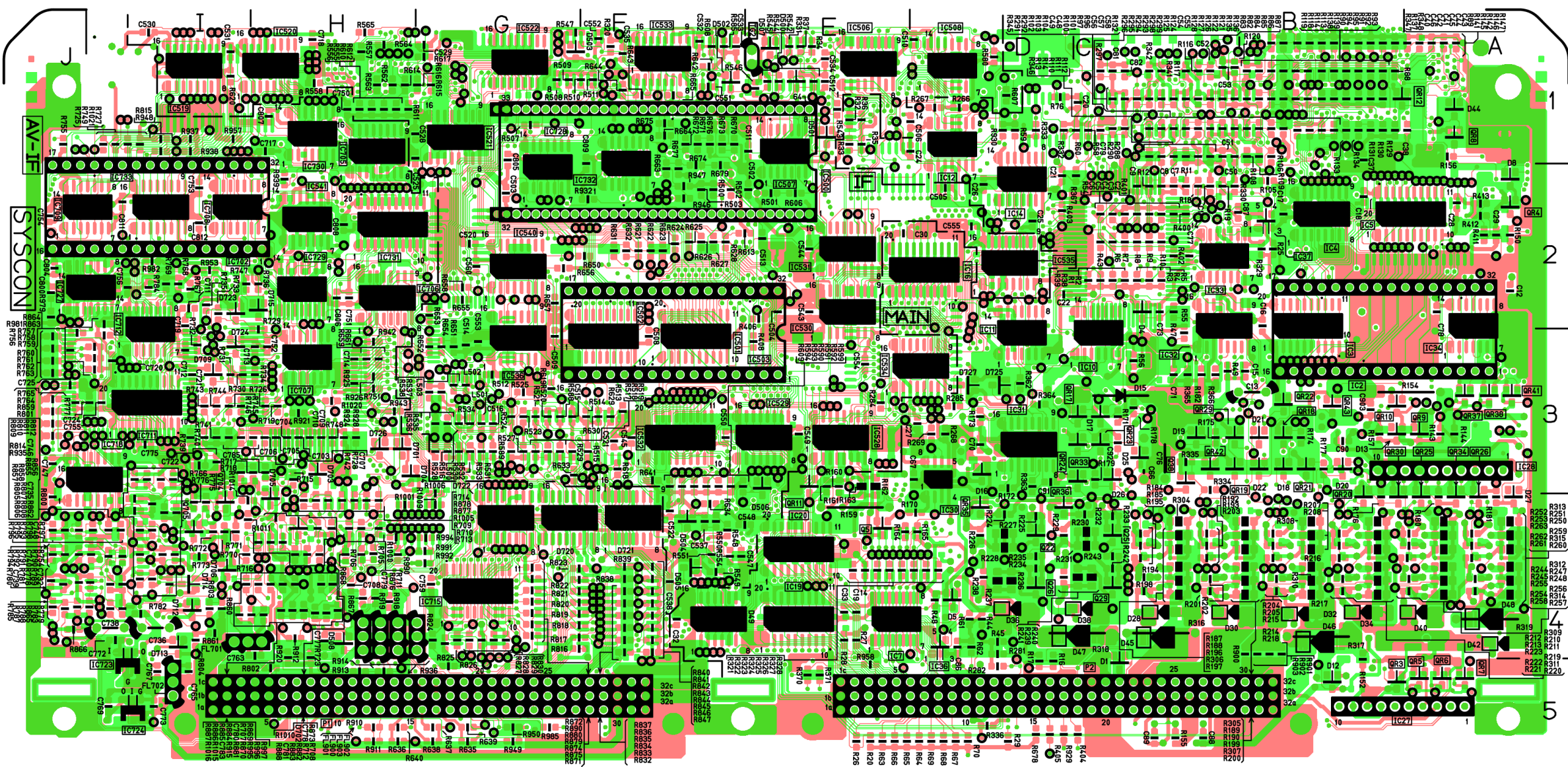
REF	LOC	REF	LOC	REF	LOC	REF	LOC	REF	LOC	REF	LOC	REF	LOC	REF	LOC	REF	LOC	REF	LOC	REF	LOC
IC1	E3	IC230	I2	IC451	A3	IC902	D2	P703	H1	Q403	B1	TP1	D4	TP121	D2	TP301	E1	TP726	H3	TP835	F1
IC34	E2	IC235	H1	IC704	F3	IC904	E2	Q1	E4	Q510	C4	TP2	D4	TP122	C2	TP400	B4	TP727	H3	TP901	D2
IC35	E2	IC260	I3	IC705	G3	IC910	G3	Q2	E4	Q511	C4	TP30	E3	TP123	D2	TP401	B4	TP728	F2	TP902	D2
IC63	D2	IC261	I3	IC706	G3	IC911	H3	Q3	E4	QR3	D4	TP31	E3	TP160	C2	TP450	B3	TP729	F2		
IC64	E1	IC262	I4	IC708	H3	IC913	H3	Q4	E4	QR4	D4	TP32	E2	TP161	D2	TP451	A3	TP731	C4		
IC65	D1	IC265	E2	IC711	C2	IC915	G2	Q5	D4	QR340	B2	TP33	E2	TP162	C2	TP701	F4	TP732	E1		
IC66	D2	IC266	E1	IC713	G3	IC916	G2	Q6	D4	QR341	B2	TP34	E3	TP163	D2	TP702	F4	TP734	E1		
IC68	C1	IC267	E2	IC714	F3	IC917	F2	Q340	C1	QR400	B3	TP35	E4	TP201	E4	TP703	F4	TP741	C4		
IC72	C2	IC280	F2	IC715	H3	IC918	G2	Q341	C1	QR401	B3	TP60	C2	TP230	F2	TP704	F4	TP742	G1		
IC73	D1	IC282	F1	IC716	H4	IC922	D4	Q380	B1	QR600	B2	TP80	D2	TP231	F2	TP721	F1	TP743	G1		
IC200	E4	IC300	H2	IC717	H1	P1	G5	Q381	C1	QR601	B2	TP81	D2	TP280	E1	TP722	D1	TP801	H3		
IC201	F3	IC400	A5	IC811	F4	P2	D5	Q400	A1	QR702	D1	TP82	D2	TP281	F1	TP723	D1	TP802	H3		
IC202	F3	IC401	B5	IC812	G4	P701	I1	Q401	B1	TG510	D1	TP83	D2	TP282	F1	TP724	D1	TP803	H3		
IC204	F3	IC450	B3	IC821	F3	P702	H1	Q402	B1	TG511	F4	TP120	C2	TP300	E1	TP725	D1	TP833	E1		



(COMPONENT SIDE)

# F2 SYSCON P.C.BOARD (VEP86265A)

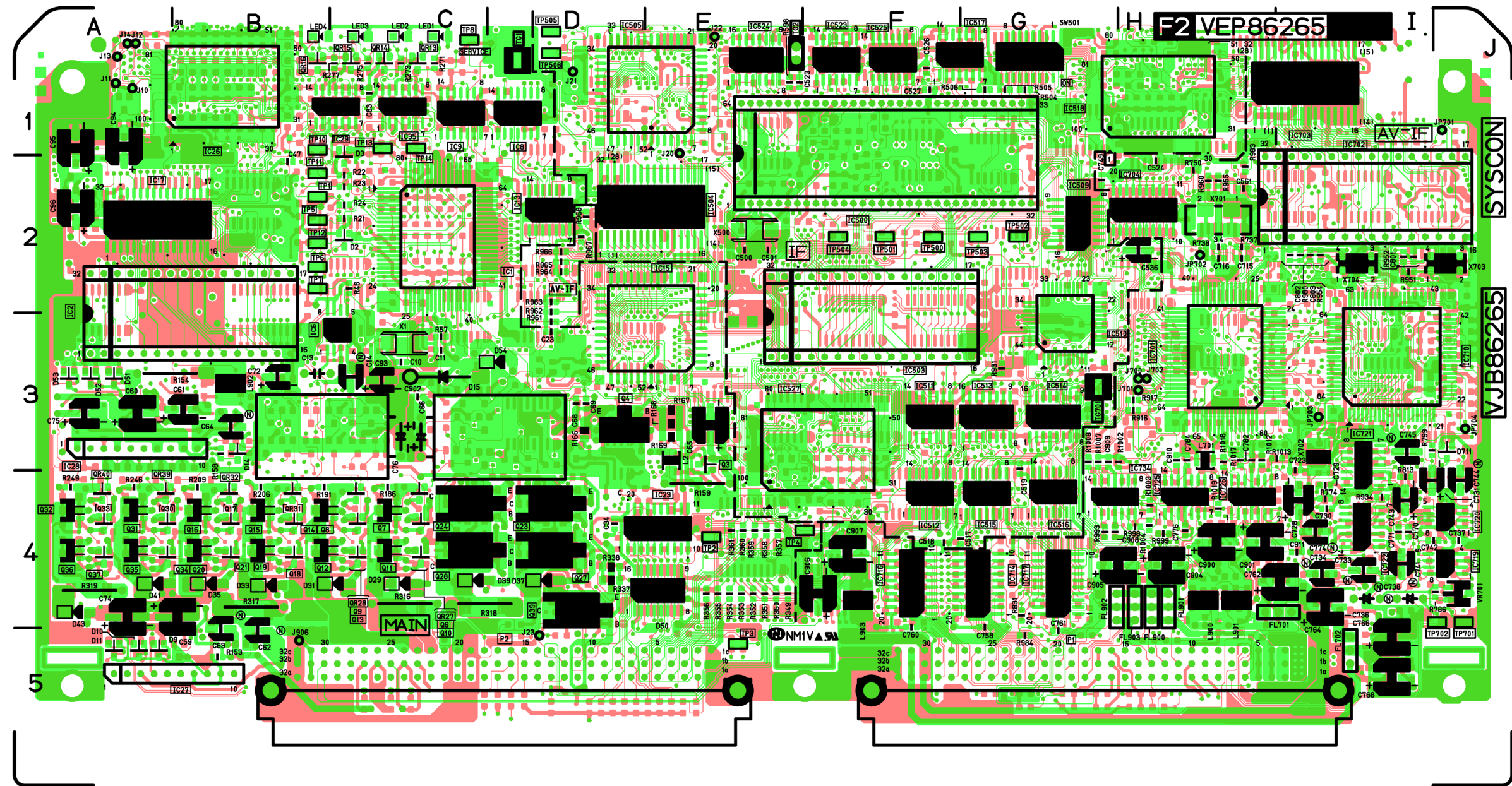
REF	LOC	REF	LOC	REF	LOC	REF	LOC	REF	LOC	REF	LOC	REF	LOC
IC3	B2	IC33	C2	IC529	E3	IC709	I2	Q5	E4	QR9	A3	QR29	C3
IC4	B2	IC34	A2	IC530	E2	IC711	I3	Q22	D4	QR10	B3	QR30	B4
IC5	A2	IC36	D4	IC531	E2	IC712	I3	Q25	C4	QR11	E3	QR33	C3
IC7	E4	IC37	B2	IC532	F3	IC715	G4	Q26	D4	QR12	B1	QR34	A4
IC10	C3	IC501	F3	IC533	F1	IC718	I3	Q29	C4	QR17	C3	QR35	D4
IC11	D3	IC502	F3	IC534	D3	IC723	I5	Q38	C3	QR18	B3	QR36	D4
IC12	D1	IC506	E1	IC535	D2	IC724	I5	Q704	I4	QR19	C3	QR37	A3
IC14	D2	IC507	E1	IC536	G3	IC727	I2	Q705	I4	QR20	B4	QR38	A3
IC16	D2	IC508	D1	IC540	G2	IC728	G2	QR3	B5	QR21	B3	QR41	A3
IC19	E4	IC519	I1	IC541	H2	IC729	H2	QR4	A2	QR22	B3	QR42	C3
IC20	E4	IC520	H1	IC705	H1	IC730	H1	QR5	A5	QR23	C3	QR43	B3
IC30	D3	IC521	G1	IC706	H2	IC731	H2	QR6	A5	QR24	C3		
IC31	D3	IC522	G1	IC707	H3	IC732	F1	QR7	A5	QR25	A4		
IC32	C2	IC528	E3	IC708	I2	IC733	I2	QR8	A1	QR26	A4		



(FOIL SIDE)

# F2 SYSCON P.C.BOARD (VEP86265A)

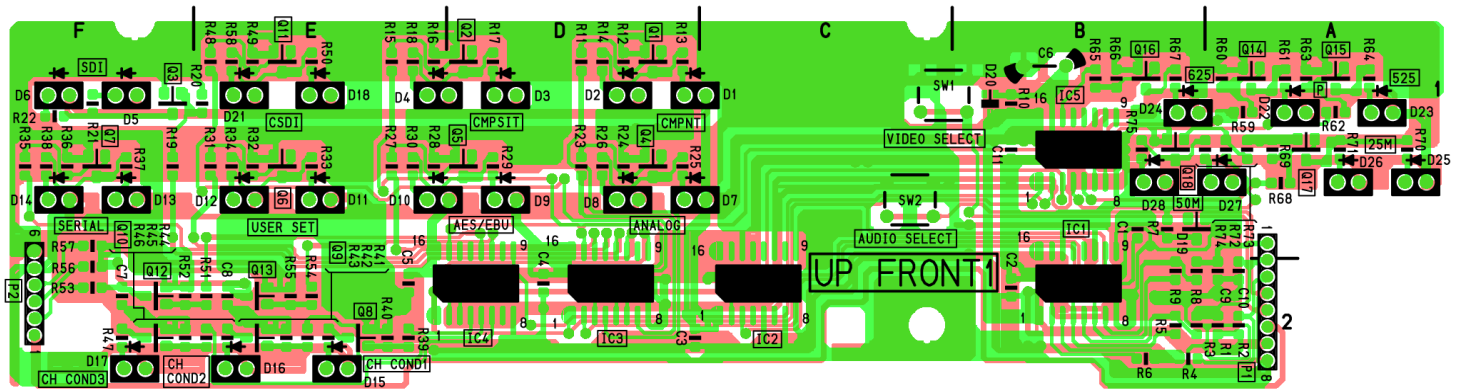
REF	LOC	REF	LOC	REF	LOC	REF	LOC	REF	LOC	REF	LOC	REF	LOC	REF	LOC	REF	LOC
IC1	C2	IC500	E2	IC523	F1	IC721	I3	Q11	C4	Q28	C4	QR27	C4	TP5	B2	TP505	D1
IC2	A3	IC503	E3	IC524	E1	IC722	I4	Q12	B4	Q30	A4	QR28	C4	TP6	B2	TP506	D1
IC6	C3	IC504	E2	IC525	F1	IC725	H4	Q13	C4	Q31	A4	QR31	B4	TP7	B2	TP701	J4
IC8	D1	IC505	E1	IC527	F3	IC726	H4	Q14	B4	Q32	A4	QR32	B4	TP8	C1	TP702	I4
IC9	C1	IC509	G2	IC701	H3	IC734	G4	Q15	B4	Q33	A4	QR39	A4	TP10	B1	VR701	J4
IC13	D2	IC510	G3	IC702	H2	P1	G5	Q16	B4	Q34	A4	QR40	A4	TP11	B2		
IC15	E3	IC511	F3	IC703	I1	P2	D5	Q17	B4	Q35	A4	SW501	G1	TP12	B2		
IC17	A2	IC512	F4	IC704	H2	Q3	E3	Q18	B4	Q36	A4	TG1	D1	TP13	C1		
IC23	E4	IC513	G3	IC710	I3	Q4	D3	Q19	B4	Q37	A4	TG2	E1	TP14	C1		
IC26	B1	IC514	G3	IC714	G4	Q6	C4	Q20	B4	Q39	D4	TG701	G3	TP500	F2		
IC27	A5	IC515	G4	IC716	F4	Q7	C4	Q21	B4	QR13	C1	TP1	B2	TP501	F2		
IC28	A3	IC516	G4	IC717	G4	Q8	B4	Q23	D4	QR14	C1	TP2	E4	TP502	G2		
IC29	C1	IC517	F1	IC719	J4	Q9	C4	Q24	C4	QR15	C1	TP3	E5	TP503	G2		
IC35	C1	IC518	H1	IC720	J4	Q10	C4	Q27	D4	QR16	B1	TP4	E4	TP504	F2		



(COMPONENT SIDE)

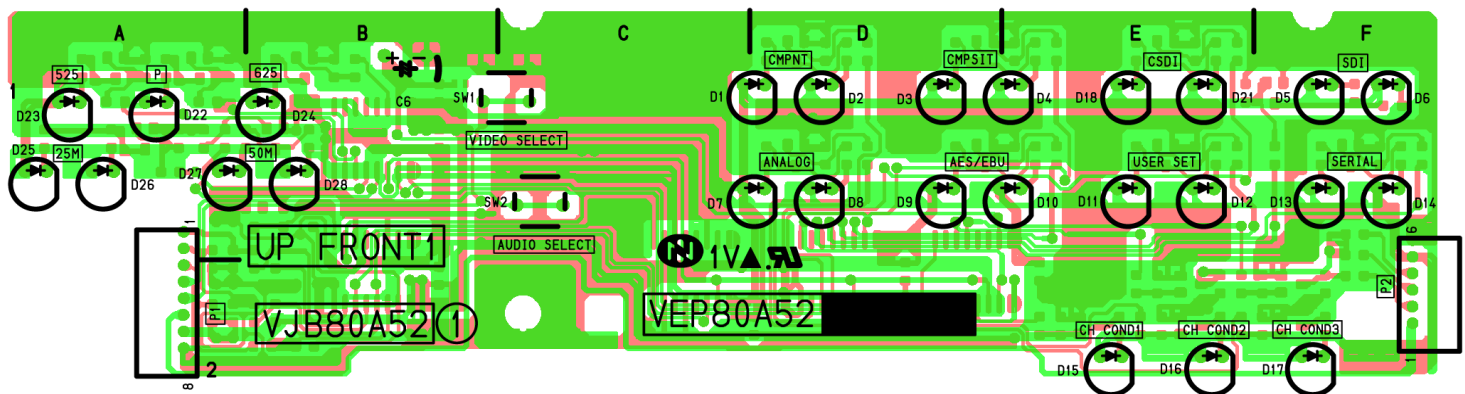
# UP FRONT1 P.C.BOARD (VEP80A52A)

REF	LOC	REF	LOC	REF	LOC
IC1	B2	Q3	F1	Q11	E1
IC2	D2	Q4	D1	Q12	F2
IC3	D2	Q5	E1	Q13	F2
IC4	E2	Q6	E1	Q14	B1
IC5	B1	Q7	F1	Q15	A1
IC6	C1	Q8	E2	Q16	B1
Q1	D1	Q9	F2	Q17	A1
Q2	E1	Q10	F2	Q18	B1



(FOIL SIDE)

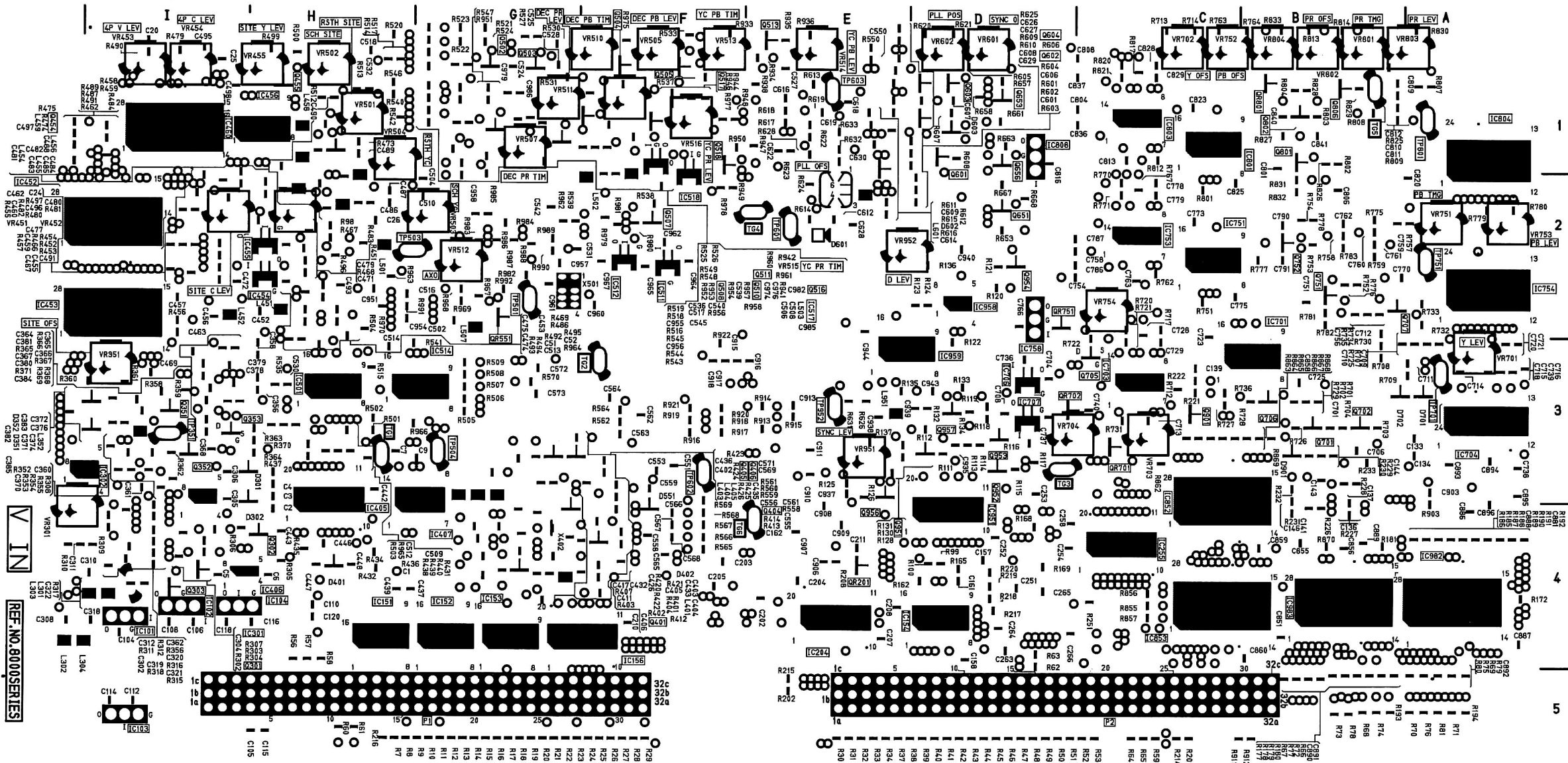
REF	LOC
P1	B1
P2	F2
SW1	C1
SW2	C1



(COMPONENT SIDE)

# F3 V IN P.C.BOARD (VEP83409C) (AJ-D950P, PD950P, YA950, YA952 ONLY)

REF	LOC	REF	LOC	REF	LOC	REF	LOC	REF	LOC	REF	LOC	REF	LOC
IC151	H4	IC454	H2	IC707	D3	Q301	I4	Q504	F1	Q651	D2	Q951	D3
IC152	G4	IC455	H2	IC751	C2	Q302	H4	Q505	F1	Q653	D1	Q952	D3
IC153	G4	IC456	H1	IC753	C2	Q303	I4	Q507	F2	Q656	D1	Q953	D3
IC154	D4	IC460	I1	IC754	A2	Q351	I3	Q508	G1	Q701	B3	Q954	D2
IC156	F4	IC501	H3	IC801	C1	Q352	I3	Q510	G1	Q702	B3	Q956	E3
IC204	E4	IC511	F2	IC803	C1	Q353	I3	Q511	F1	Q705	C3	Q957	D3
IC255	C4	IC512	F2	IC804	A1	Q401	G4	Q513	E1	Q706	B3	QR201	E4
IC301	I3	IC514	G3	IC852	C3	Q404	F4	Q516	F1	Q707	B2	QR551	G2
IC302	I3	IC517	F1	IC853	C4	Q405	G3	Q517	F1	Q751	B2	QR701	C3
IC405	H3	IC518	F2	IC951	D4	Q406	G3	Q518	F1	Q752	B2	QR702	D3
IC406	I4	IC701	B3	IC958	D2	Q454	H1	Q601	D1	Q801	B1	QR751	D2
IC407	G3	IC703	C3	IC959	E3	Q455	H1	Q602	D1	Q802	B1	QR801	B1
IC452	I2	IC704	A3	IC982	A4	Q502	G1	Q603	D1	Q806	B1		
IC453	I2	IC706	D3	IC983	B4	Q503	G1	Q604	D1	Q901	C3		

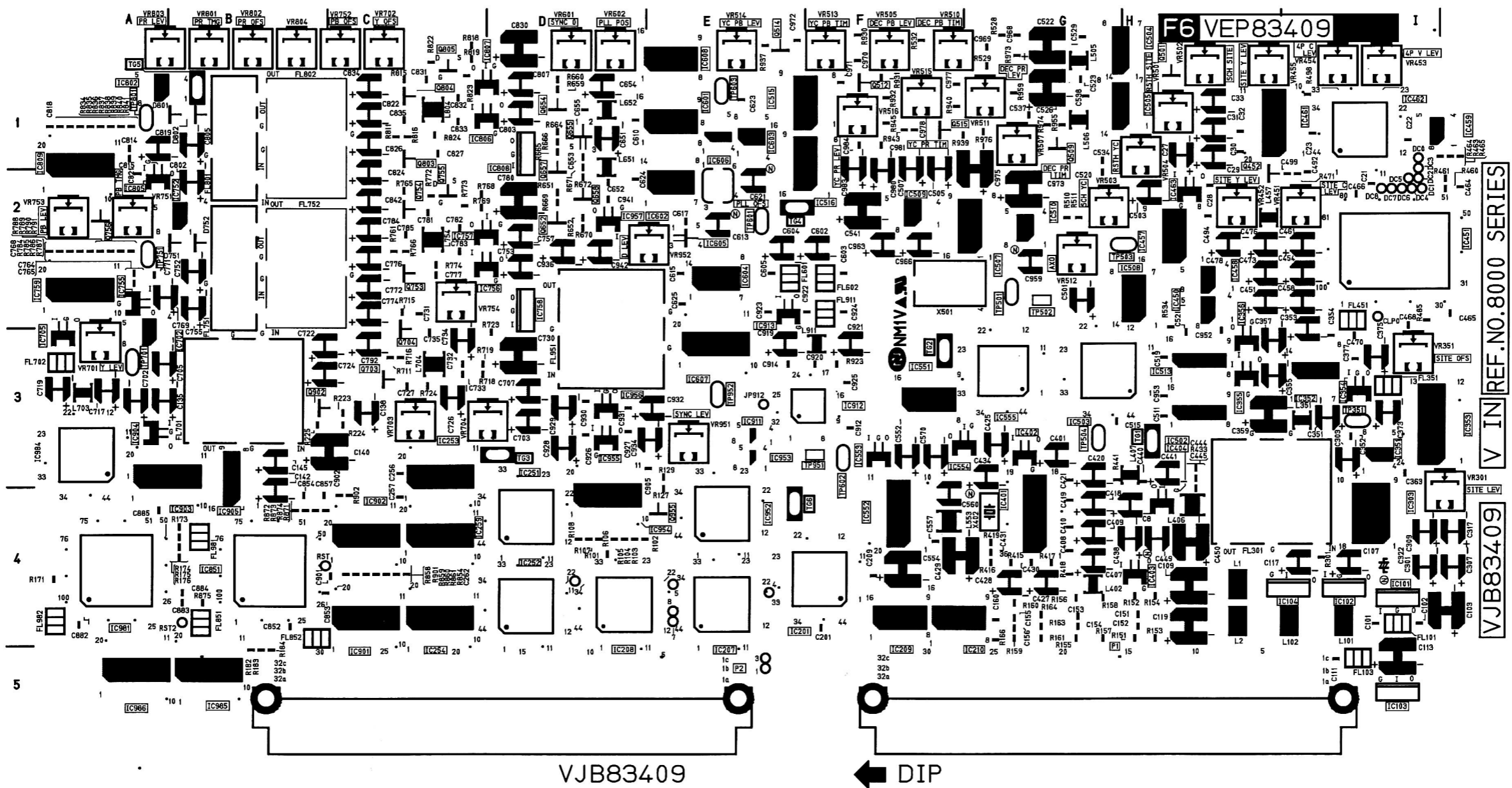


DIP →

(FOIL SIDE)

# F3 V IN P.C.BOARD (VEP83409C) (AJ-D950P, PD950P, YA950, YA952 ONLY)

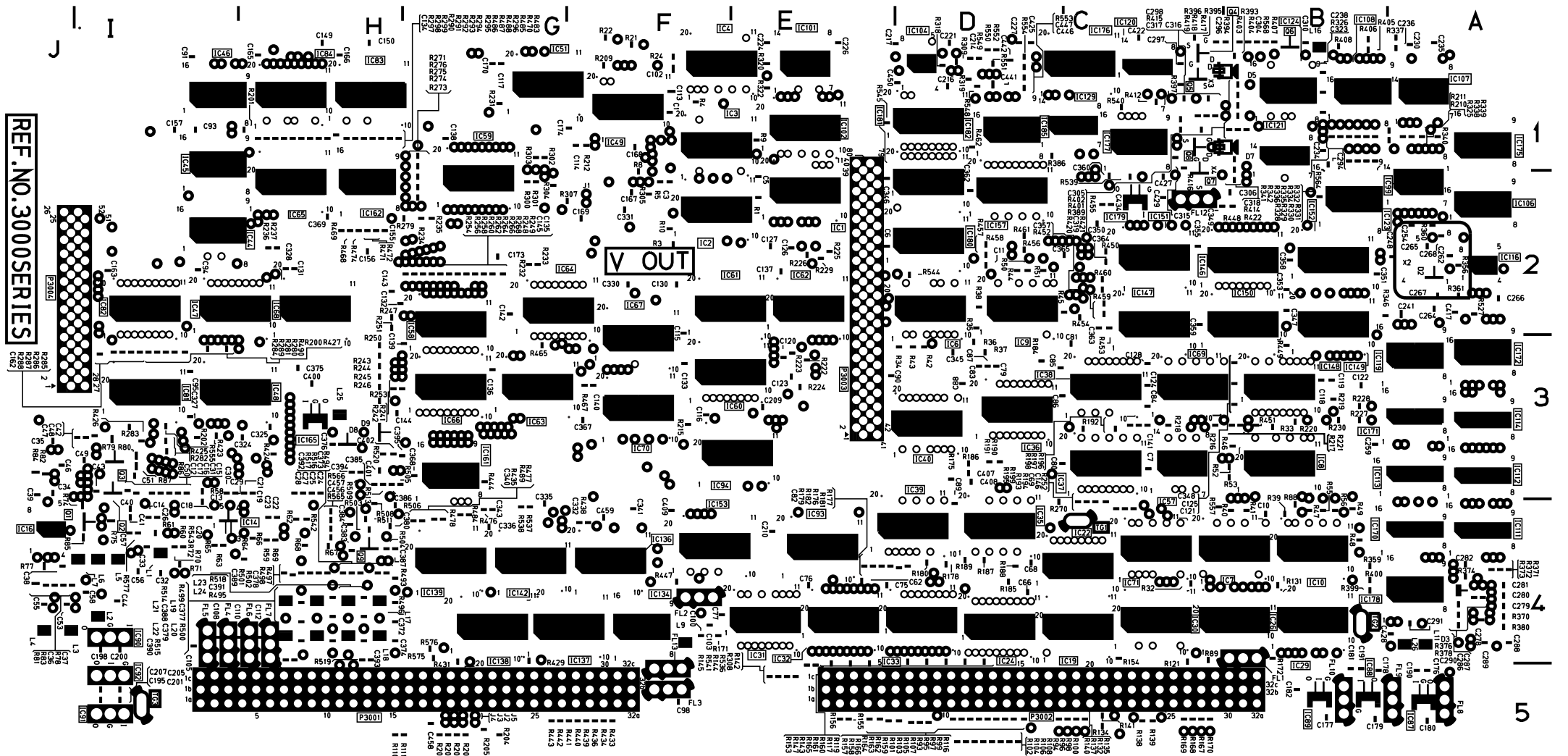
REF	LOC	REF	LOC	REF	LOC	REF	LOC	REF	LOC	REF	LOC	REF	LOC	REF	LOC	REF	LOC	REF	LOC	REF	LOC	REF	LOC
IC101	I4	IC351	I3	IC461	H1	IC552	F4	IC755	A2	IC904	A3	P1	G5	Q753	C2	TP351	I3	VR351	I3	VR513	F1	VR802	B1
IC102	I4	IC352	I3	IC462	I1	IC553	F3	IC756	D2	IC905	B3	P2	D5	Q754	C2	TP501	G2	VR451	I2	VR514	E1	VR803	A1
IC103	I5	IC353	I3	IC463	H2	IC554	G3	IC757	D2	IC911	E3	Q452	H2	Q755	C2	TP502	G2	VR452	H2	VR515	F1	VR804	B1
IC104	I4	IC354	I3	IC502	H3	IC555	G3	IC758	D2	IC912	F3	Q501	H1	Q756	A2	TP503	H2	VR453	I1	VR516	F1	VR951	E3
IC201	F4	IC355	H3	IC503	G3	IC601	E1	IC759	A2	IC913	E2	Q509	G1	Q803	C1	TP504	G3	VR454	I1	VR601	D1	VR952	E2
IC207	E4	IC356	H3	IC504	G1	IC602	E2	IC802	A1	IC952	E4	Q512	F1	Q804	C1	TP601	E2	VR455	H1	VR602	D1		
IC208	D4	IC401	G4	IC505	G1	IC603	E1	IC805	A2	IC953	E3	Q514	E1	Q805	C1	TP602	F3	VR501	H1	VR701	A3		
IC209	F4	IC402	G3	IC507	G2	IC604	E2	IC806	D1	IC954	D4	Q515	F1	Q902	B3	TP603	E1	VR502	H1	VR702	C1		
IC210	F4	IC403	H4	IC508	H2	IC605	E2	IC807	D1	IC955	D3	Q652	D2	Q955	E4	TP701	A3	VR503	G2	VR703	C3		
IC251	D4	IC404	H4	IC509	F2	IC606	E1	IC808	D1	IC956	D3	Q654	D1	TG1	H3	TP751	A2	VR504	H1	VR704	D3		
IC252	D4	IC450	H2	IC510	G2	IC607	E3	IC809	A1	IC957	D2	Q655	D1	TG2	F3	TP801	A1	VR505	F1	VR751	A2		
IC253	C3	IC451	I2	IC513	H3	IC608	E1	IC851	B4	IC981	A4	Q657	D2	TG3	D3	TP951	F3	VR507	G1	VR752	C1		
IC254	C4	IC457	H2	IC515	F1	IC702	A3	IC901	C4	IC984	A3	Q658	D2	TG4	E2	TP952	E3	VR510	F1	VR753	A2		
IC259	C4	IC458	H2	IC516	F1	IC705	A3	IC902	C4	IC985	B5	Q703	C3	TG5	B1	VL601	E2	VR511	G1	VR754	C2		
IC303	I4	IC459	I1	IC551	F3	IC752	B2	IC903	B3	IC986	A5	Q704	C3	TG6	E4	VR301	J4	VR512	G2	VR801	B1		



(COMPONENT SIDE)

# F6 P V OUT P.C.BOARD (VEP83375B)

REF	LOC	REF	LOC	REF	LOC	REF	LOC	REF	LOC	REF	LOC	REF	LOC	REF	LOC
IC3001	E2	IC3029	B4	IC3048	I3	IC3069	C3	IC3104	D1	IC3134	F4	IC3161	G3	Q3001	I4
IC3002	F2	IC3030	C4	IC3049	F1	IC3070	F3	IC3106	A2	IC3136	F4	IC3162	H2	Q3002	I3
IC3003	F1	IC3031	E4	IC3051	G1	IC3071	C4	IC3107	A1	IC3137	F4	IC3165	H3	Q3003	I3
IC3004	F1	IC3032	E4	IC3057	C3	IC3081	I3	IC3108	B1	IC3138	G4	IC3170	A4	Q3004	C1
IC3006	D2	IC3033	D4	IC3058	G2	IC3082	I2	IC3111	A4	IC3139	G4	IC3171	A3	Q3005	C1
IC3007	B4	IC3035	D4	IC3059	G2	IC3083	H1	IC3112	A3	IC3142	G4	IC3172	A3	Q3006	B1
IC3008	B3	IC3036	D3	IC3060	F3	IC3084	H1	IC3113	A3	IC3146	B2	IC3175	A1	Q3007	C2
IC3009	D2	IC3037	C3	IC3061	F2	IC3087	A5	IC3114	A3	IC3147	C2	IC3176	C1	Q3008	C1
IC3010	B4	IC3038	C3	IC3062	E2	IC3088	B5	IC3116	A2	IC3148	B3	IC3177	C1	Q3009	H4
IC3014	I4	IC3039	D4	IC3063	G3	IC3089	B5	IC3119	A3	IC3149	B2	IC3178	A4		
IC3016	J4	IC3040	D3	IC3064	G2	IC3093	E4	IC3120	C1	IC3150	B2	IC3179	C2		
IC3019	C4	IC3044	I2	IC3065	H2	IC3094	E3	IC3121	B1	IC3151	C2	IC3180	D2		
IC3022	C4	IC3045	I1	IC3066	G3	IC3099	A2	IC3123	B2	IC3152	B2	IC3181	D2		
IC3024	D4	IC3046	I1	IC3067	F3	IC3101	E1	IC3124	B1	IC3153	F4	IC3182	D1		
IC3026	B4	IC3047	I2	IC3068	H2	IC3102	E1	IC3129	C1	IC3157	D2	IC3185	D1		

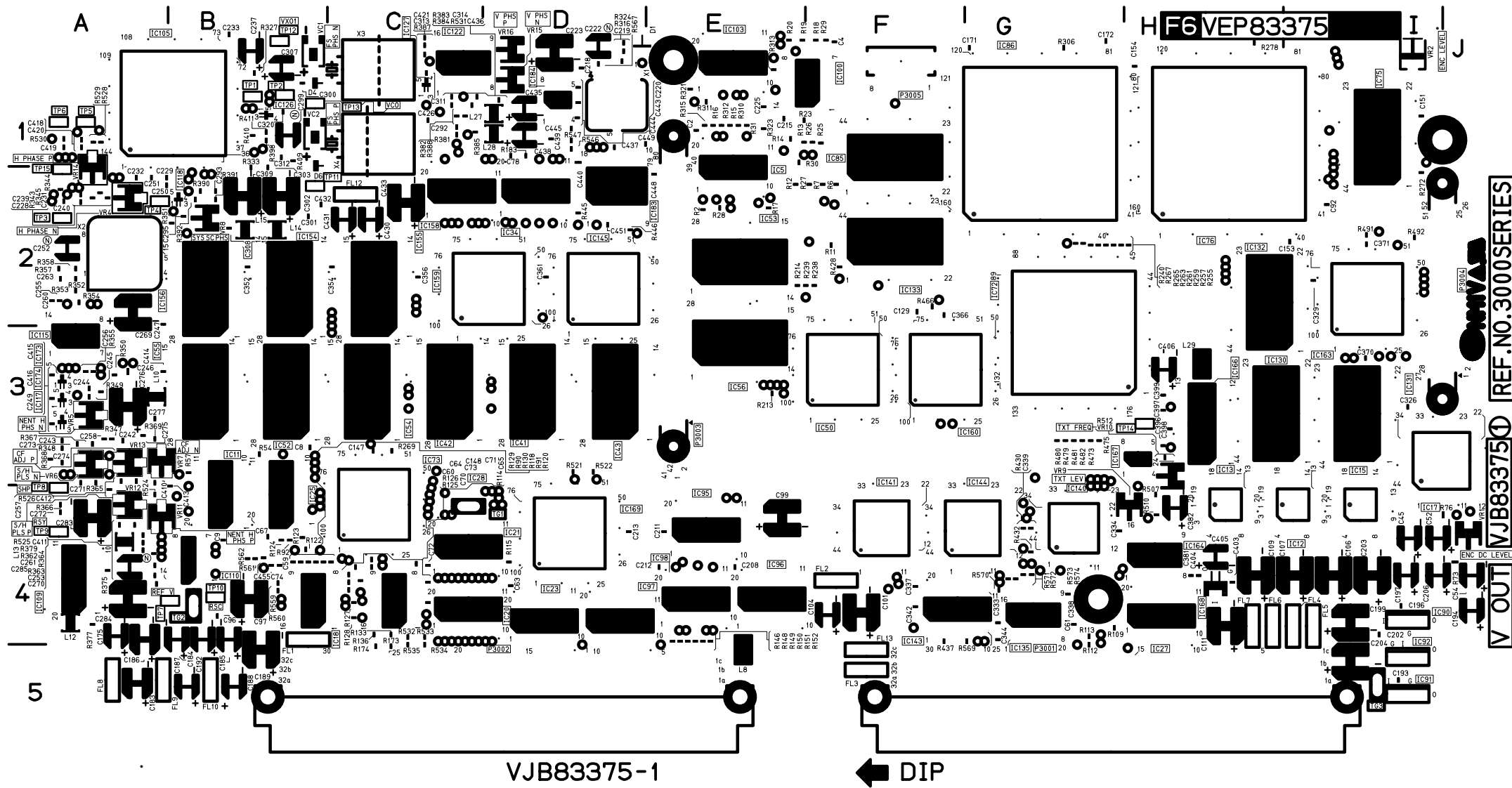


DIP →

(FOIL SIDE)

# F6 P V OUT P.C.BOARD (VEP83375B)

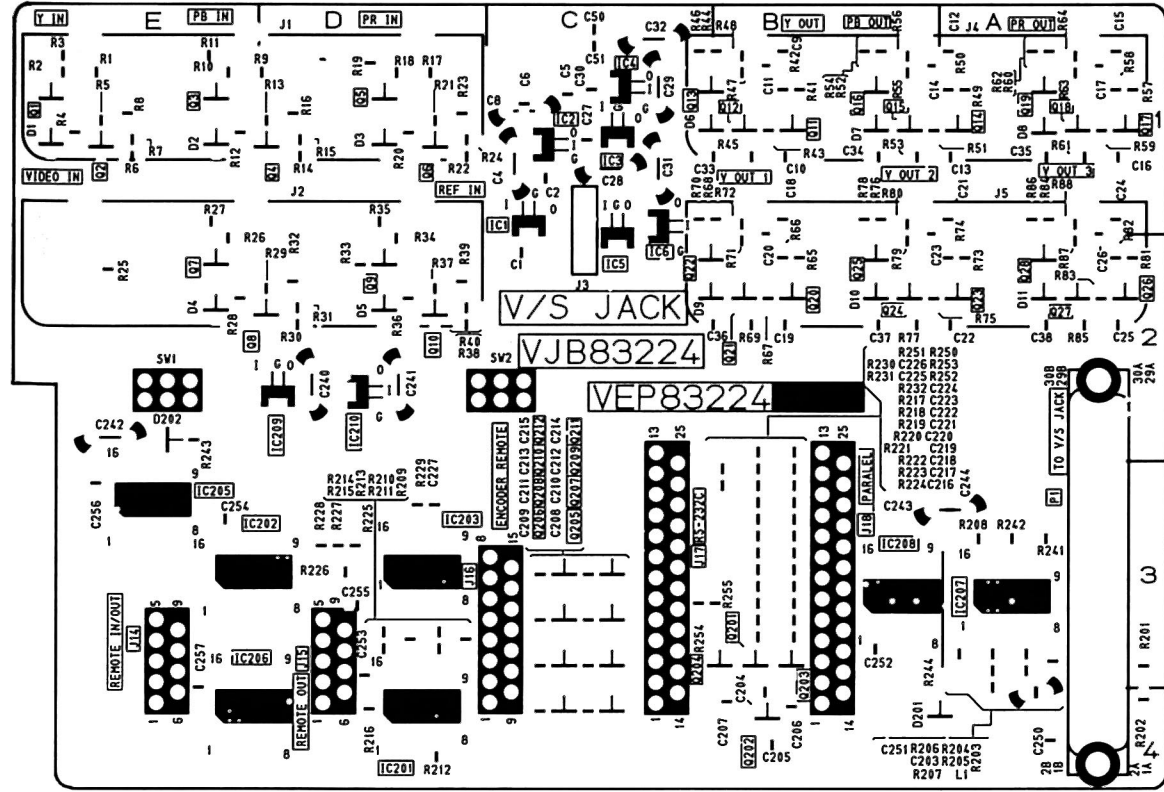
REF	LOC	REF	LOC	REF	LOC	REF	LOC	REF	LOC	REF	LOC	REF	LOC	REF	LOC
IC3005	E2	IC3042	C3	IC3091	I5	IC3126	B1	IC3158	C2	P3003	E2	TP3010	B4	VR3009	H4
IC3011	B4	IC3043	D3	IC3092	I5	IC3127	C1	IC3159	D2	P3004	I2	TP3011	B2	VR3010	H3
IC3012	I4	IC3050	F3	IC3095	E4	IC3130	H3	IC3160	F3	P3005	F1	TP3012	B1	VR3011	A4
IC3013	H4	IC3052	B3	IC3096	E4	IC3131	I3	IC3163	I2	TG3001	C4	TP3013	B1	VR3012	A4
IC3015	I4	IC3053	E2	IC3097	D4	IC3132	H2	IC3164	H4	TG3002	B4	TP3014	H3	VR3013	A3
IC3017	I3	IC3054	C3	IC3098	E4	IC3133	F2	IC3166	H3	TG3003	I5	TP3015	A2	VR3014	A2
IC3018	B4	IC3055	B3	IC3100	F1	IC3135	G4	IC3167	H3	TP3001	B1	VC3001	B1	VR3015	D1
IC3020	C4	IC3056	E3	IC3103	E1	IC3140	G4	IC3168	H4	TP3002	B1	VC3002	B1	VR3016	D1
IC3021	C4	IC3072	G3	IC3105	B1	IC3141	F4	IC3169	D4	TP3003	A2	VR3001	J4		
IC3023	D4	IC3073	C4	IC3109	A4	IC3143	F4	IC3173	A3	TP3004	A2	VR3002	I1		
IC3025	B4	IC3075	I1	IC3110	B4	IC3144	G4	IC3174	A3	TP3005	A1	VR3004	A2		
IC3027	H4	IC3076	H1	IC3115	A3	IC3145	D2	IC3183	D2	TP3006	A1	VR3005	A3		
IC3028	C4	IC3085	F1	IC3117	A3	IC3154	B2	IC3184	D1	TP3007	B4	VR3006	A3		
IC3034	D2	IC3086	G1	IC3118	B2	IC3155	C2	P3001	G5	TP3008	A4	VR3007	A3		
IC3041	D3	IC3090	I4	IC3122	C1	IC3156	B2	P3002	D5	TP3009	A4	VR3008	B2		



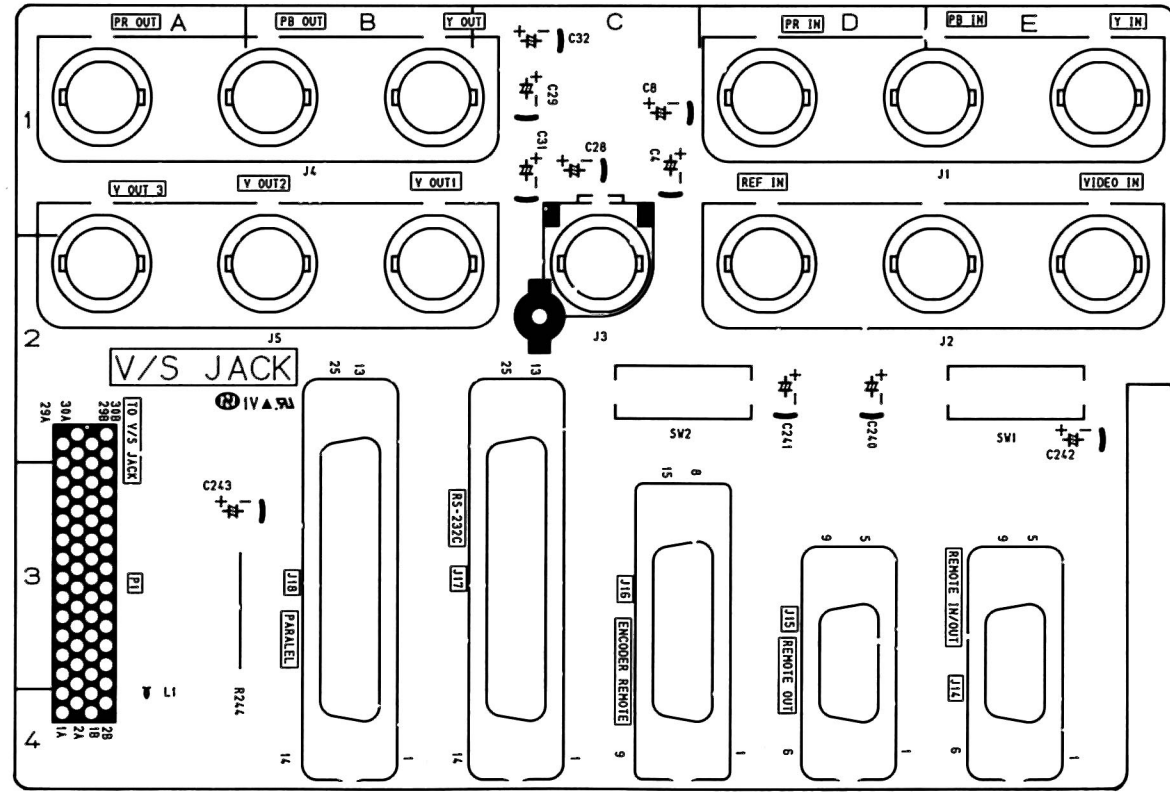
(COMPONENT SIDE)



# V/S JACK P.C.BOARD (VEP83224A)



(FOIL SIDE)



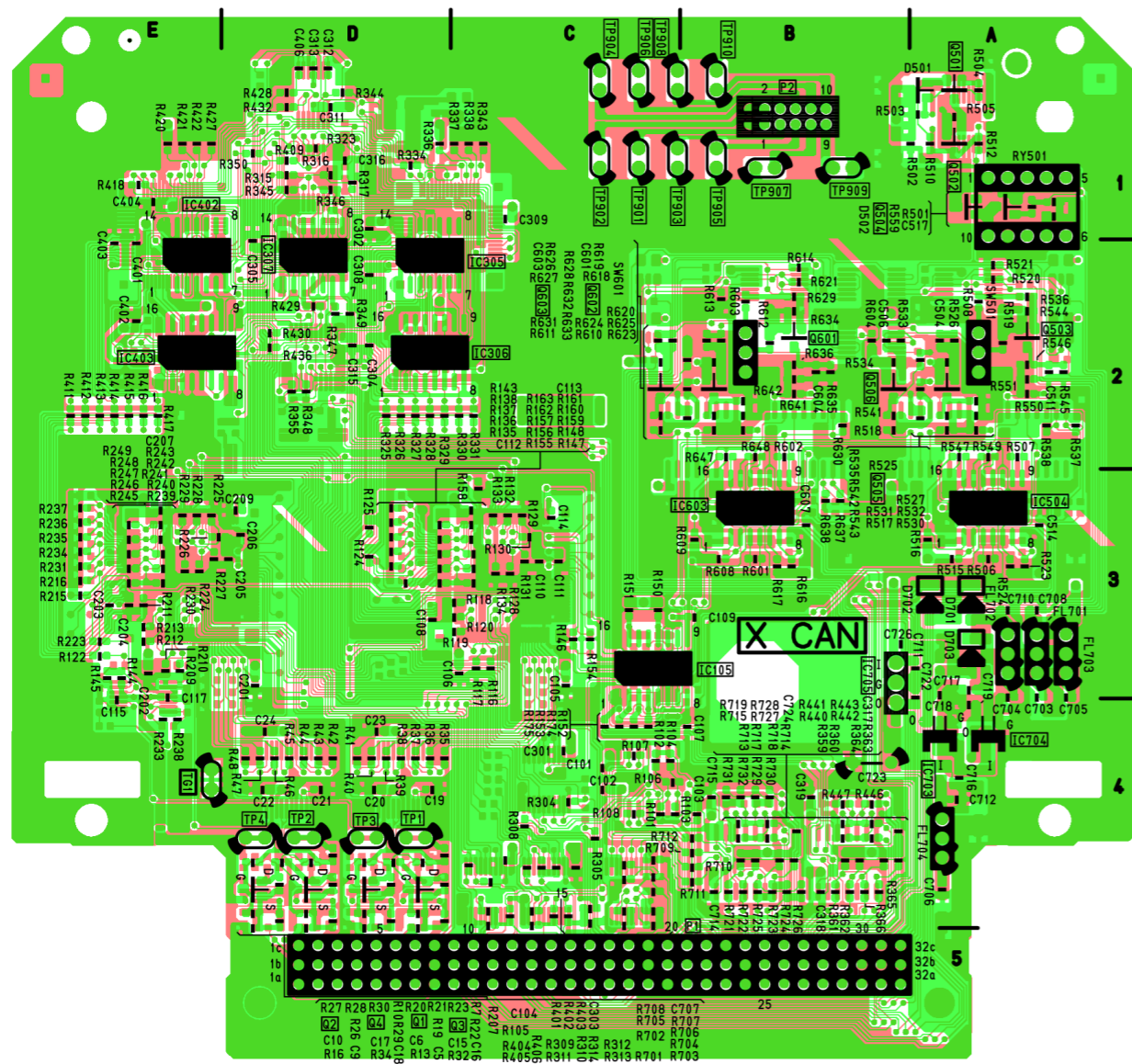
(COMPONENT SIDE)

V/S JACK		
<b>Transistors</b>		
Q1	E-1	⊗
Q2	E-1	⊗
Q3	E-1	⊗
Q4	D-1	⊗
Q5	D-1	⊗
Q6	D-1	⊗
Q7	E-2	⊗
Q8	E-2	⊗
Q9	D-2	⊗
Q10	D-2	⊗
Q11	B-1	⊗
Q12	B-1	⊗
Q13	C-1	⊗
Q14	A-1	⊗
Q15	B-1	⊗
Q16	B-1	⊗
Q17	A-1	⊗
Q18	A-1	⊗
Q19	A-1	⊗
Q20	B-2	⊗
Q21	B-2	⊗
Q22	C-2	⊗
Q23	A-2	⊗
Q24	B-2	⊗
Q25	B-2	⊗
Q26	A-2	⊗
Q27	A-2	⊗
Q28	A-2	⊗
Q201	B-3	⊗
Q202	B-4	⊗
Q203	B-3	⊗
Q204	C-3	⊗
Q205	C-3	⊗
Q206	C-3	⊗
Q207	C-3	⊗
Q208	C-3	⊗
Q209	C-3	⊗
Q210	C-3	⊗
Q211	C-2	⊗
Q212	C-2	⊗
<b>Integrated Circuits</b>		
IC1	C-1	⊗
IC2	C-1	⊗
IC3	C-1	⊗
IC4	C-1	⊗
IC5	C-2	⊗
IC6	C-2	⊗
IC201	D-4	⊗
IC202	E-3	⊗
IC203	D-3	⊗
IC205	E-3	⊗
IC206	E-3	⊗
IC207	A-3	⊗
IC208	B-3	⊗
IC209	D-2	⊗
IC210	D-2	⊗
<b>Switches</b>		
SW1	E-2	
SW2	C-2	
<b>Connector</b>		
P1	A-3	

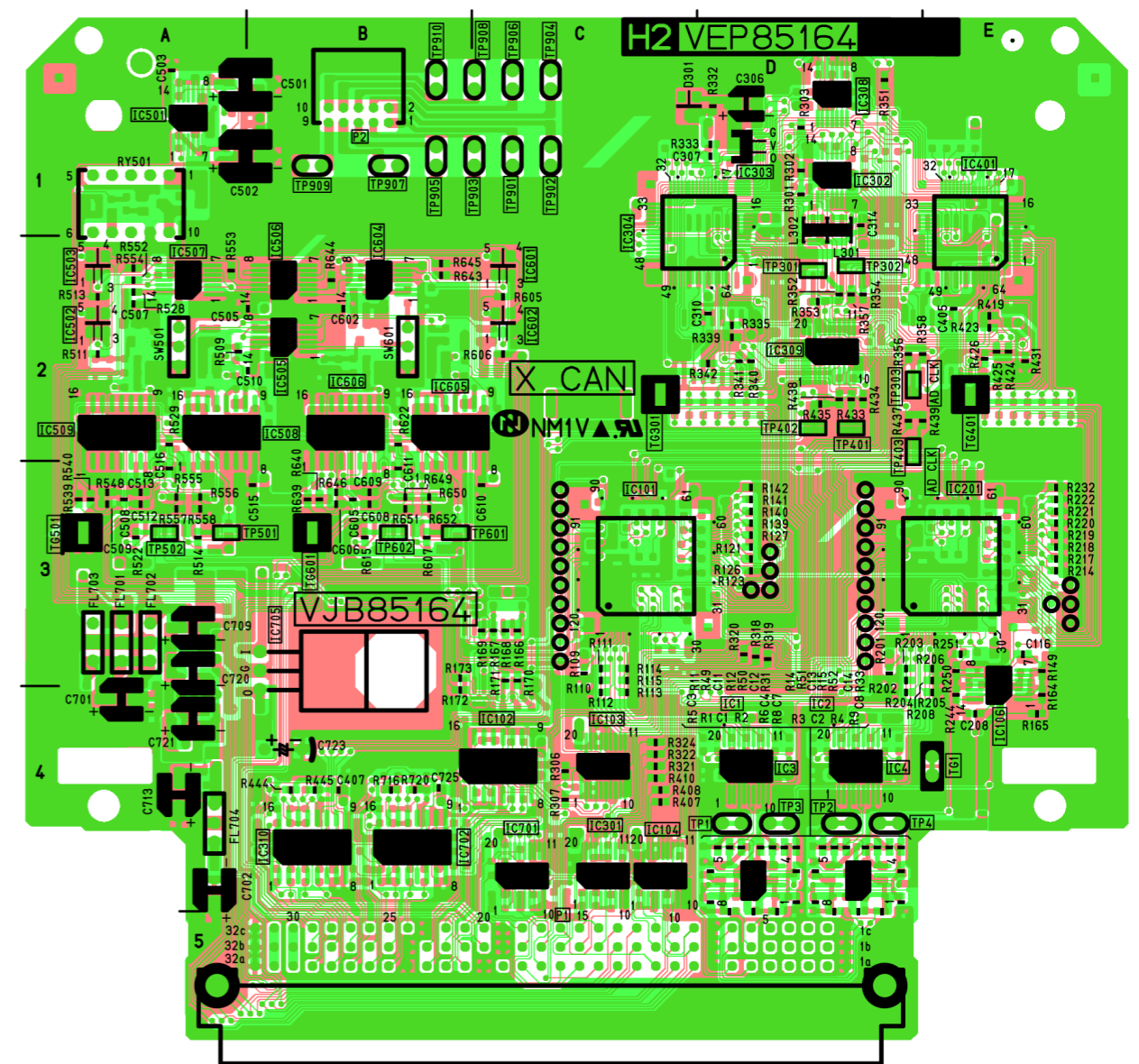
# H2 X CAN P.C.BOARD (VEP85164A)

REF	LOC	REF	LOC
IC105	C3	Q3	D4
IC305	D2	Q4	D4
IC306	D2	Q501	A1
IC307	D2	Q502	A1
IC402	E2	Q503	A2
IC403	E2	Q504	A1
IC504	A3	Q505	A2
IC603	B3	Q506	B2
IC703	A4	Q601	B2
IC704	A4	Q602	B2
Q1	D4	Q603	C2
Q2	D4		

REF	LOC	REF	LOC	REF	LOC	REF	LOC	REF	LOC	REF	LOC
IC1	D4	IC303	D1	IC508	A2	SW501	A2	TP302	D2	TP904	C1
IC2	D4	IC304	D1	IC509	A2	SW601	B2	TP303	D2	TP905	B1
IC3	D4	IC308	D1	IC601	C2	TG1	E4	TP401	D2	TP906	C1
IC4	D4	IC309	D2	IC602	C2	TG301	C2	TP402	D2	TP907	B1
IC101	C3	IC310	B4	IC604	B2	TG401	E2	TP403	D2	TP908	C1
IC102	C4	IC401	E1	IC605	B2	TG501	A3	TP501	A3	TP909	B1
IC103	C4	IC501	A1	IC606	B2	TG601	B3	TP502	A3	TP910	B1
IC104	C4	IC502	A2	IC701	C4	TP1	D4	TP601	B3		
IC106	E3	IC503	A2	IC702	B4	TP2	D4	TP602	B3		
IC201	E3	IC505	B2	IC705	B3	TP3	D4	TP901	C1		
IC301	C4	IC506	B2	P1	C5	TP4	D4	TP902	C1		
IC302	D1	IC507	A2	P2	B1	TP301	D2	TP903	C1		



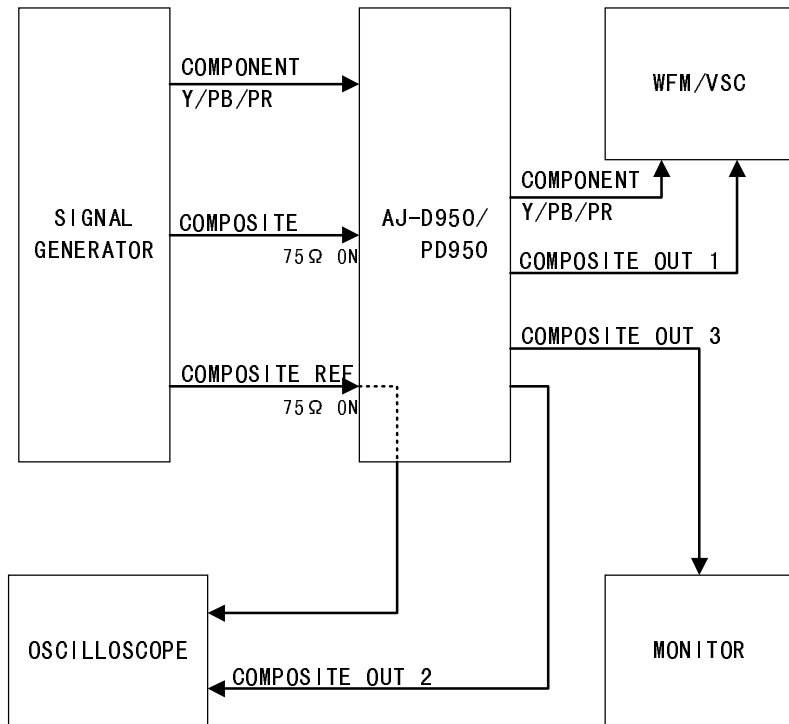
(FOIL SIDE)



(COMPONENT SIDE)

# 1-1. F3 V IN

## CONNECTION



### 1-1-1. DIGITAL INPUT CONFIRMATION

BOARD	F3 V IN
SPEC.	
TEST POINT	Component Out Y, PB, PR
ADJ.	
INPUT	Serial Digital Color Bar
MODE	ASSEMBLE
TAPE	
M.EQ	Monitor

#### 1. MENU SETTING

<AJ-D950/AJ-PD950>

005 METER SELECT > 0001 VIDEO  
012 SYS FORMAT > 0000 422  
106 EE MODE SEL > 0001 THRU  
304 SERVO REF > 0000 AUTO  
600 INT SG > 0000 OFF  
606 OUT C KILL > 0001 COLOR  
607 VOUT SETUP > 0000 THRU  
610 PB/PR IN LV > 0000 M I I  
611 INPUT C KILL > 0001 AUTO  
613 VIN SETUP > 0000 THRU  
614 PB/PR OUT LV > 0000 M I I  
700 INT SG > 0000 OFF

<AJ-PD950 ONLY>

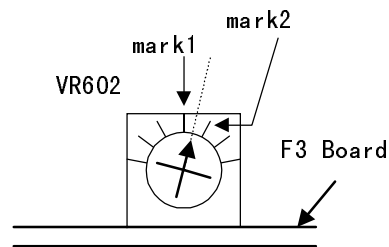
615 844/422 SEL > 0000 422  
616 OUT MATRIX > 0000 YPBPR

2. Set the TV SYSTEM sw to 525
3. Confirm that the picture is normal on the monitor.  
(Just pre confirmation)
4. Press the ASSEMBLE button.
5. Confirm that the picture is normal on the monitor.  
(Just pre confirmation)

### 1-1-2. COMPONENT 13.5M VCO ADJ.

BOARD	F3 V IN
SPEC.	TP601: 0V±0.1VDC
TEST POINT	TP601
ADJ.	VR602, VL601
INPUT	Component Color Bar
MODE	ASSEMBLE
TAPE	
M.EQ	Oscilloscope

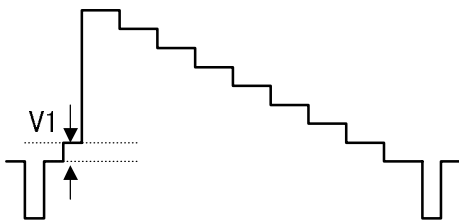
1. Set VR602 at the center of mark1 and mark2 as shown in figure.
2. Adjust VL601 so that the DC voltage is 0V±0.1VDC at TP601.  
(At first, turn VL601 CCW.)



### 1-1-3.COMPONENT Y LEVEL ADJ.

BOARD	F3 V IN
SPEC.	V1 0V±7mV
TEST POINT	component Y out
ADJ.	VR702
INPUT	Component Color Bar (1000 700 700 setup 0%)
MODE	ASSEMBLE
TAPE	
M.EQ	WFM

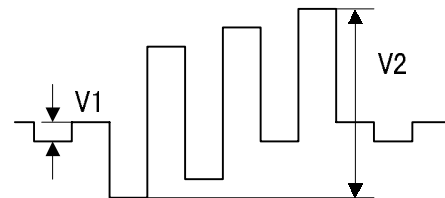
1. Adjust VR702 so that the V1 level is 0V±7mV.



### 1-1-4. COMPONENT PB LEVEL ADJ.

BOARD	F3 V IN
SPEC.	V1 0V±7mV V2 700mV±7mV
TEST POINT	Component PB out
ADJ.	VR752,VR753
INPUT	Component Color Bar (1000 700 700 setup 0%)
MODE	ASSEMBLE
TAPE	
M.EQ	W F M

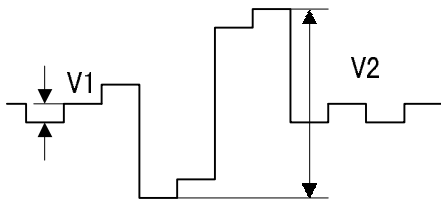
1. Adjust VR752 so that the V1 level is 0V±7mV.
2. Adjust VR753 so that the Pb level V2 is 700mV±7mV.



### 1-1-5.COMPONENT PR LEVEL ADJ.

BOARD	F3 V IN
SPEC.	V1 $0V\pm 7mV$ V2 $700mV\pm 7mV$
TEST POINT	Component PRout
ADJ.	VR802,VR803
INPUT	Component Color Bar (1000 700 700 setup 0%)
MODE	ASSEMBLE
TAPE	
M.EQ	W F M

1. Adjust VR802 so that the V1 level is  $0V\pm 7mV$ .
2. Adjust VR803 so that the Pr level V2 is  $700mV\pm 7mV$ .



### 1-1-6.COMPONENT Y/C TIMING ADJ.

BOARD	F3 V IN
SPEC.	$0\pm 10nsec$
TEST POINT	Component Y,PB,PR out
ADJ.	VR751,VR801
INPUT	Component BOWTIE
MODE	ASSEMBLE
TAPE	
M.EQ	W F M

#### WFM INPUT CHANNEL

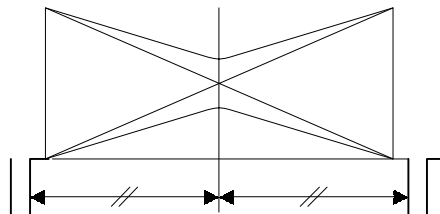
B1 CH : Y  
B2 CH : Pb  
B3 CH : Pr

#### <Y-Pb timing>

1. Set the WFM in the B1 - B2 mode.
2. Adjust VR751 so that the cross point of envelope is at center.

#### <Y-Pr timing>

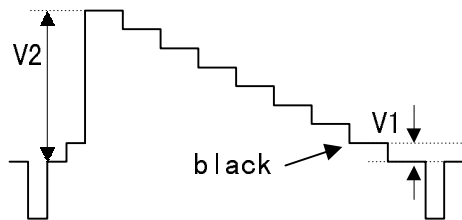
1. Set the WFM in the B1 - B3 mode.
2. Adjust VR801 so that the cross point of envelope is at center.



### 1-1-7. SETUP CUT Y LEVEL ADJ.

BOARD	F3 V IN
SPEC.	V1 0V±3mV V2 700mV±3mV
TEST POINT	Component Y out
ADJ.	VR704,VR701
INPUT	Component Color Bar 100% Setup7.5% (1000 64 647) OR 75% Setup7.5% (1000 486 486)
MODE	ASSEMBLE
TAPE	
M.EQ	W F M

1. Open the service menu.
2. Select F00 VIDEO ADJUST menu and set the item F08 VIN SETUP to 0001 CUT.
3. Adjust VR704 so that the black level V1 is 0 V±3mV.
4. Adjust VR701 so that the Y level V2 is 700mV ±3mV.
5. Repeat item 3., 4. so that the V1 and V2 are within specification.



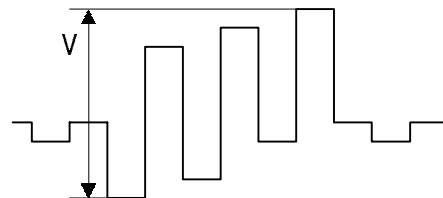
Keep this condition (while opening the service menu) and go to next item.

### 1-1-8. SETUP CUT PB LEVEL ADJ.

BOARD	F3 V IN
SPEC.	100% 7.5% : 700mV±7mV 75% 7.5% : 525mV±5mV
TEST POINT	Component PR out
ADJ.	VR754
INPUT	Component Color Bar 100% Setup7.5% (1000 64 647) OR 75% Setup7.5% (1000 486 486)
MODE	ASSEMBLE
TAPE	
M.EQ	W F M

1. Adjust VR754 so that the Pb level V is within specification.

100% 7.5% : 700mV±7mV  
75% 7.5% : 525mV±5mV



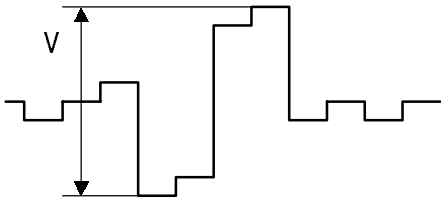
### 1-1-9. SETUP CUT PR LEVEL ADJ.

BOARD	F3 V IN
SPEC.	100% 7.5% 75% 7.5% V 700mV±7mV 525mV±5mV
TEST POINT	Component PR out
ADJ.	VR804
INPUT	Component Color Bar 100% Setup7.5% (1000 64 647) OR 75% Setup7.5% (1000 486 486)
MODE	ASSEMBLE
TAPE	
M.EQ	W F M

1. Adjust VR754 so that the Pb level V is within specification.

100% 7.5% : 700mV±7mV

75% 7.5% : 525mV±5mV

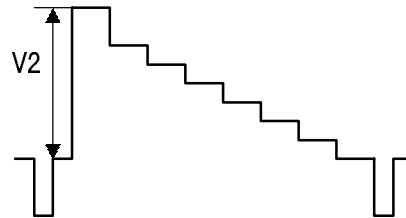


2. Press the MENU button. (service menu is exited.)
3. Place the unit in the user mode.

### 1-1-10. COMPONENT Y LEVEL ADJ.

BOARD	F3 V IN
SPEC.	V2 700mV±7mV
TEST POINT	Component Y out
ADJ.	VR703
INPUT	Component Color Bar 100% Setup 0% (1000 700 700)
MODE	ASSEMBLE
TAPE	
M.EQ	W F M

4. Adjust VR703 so that the Y level V2 is 700mV ± 7mV.

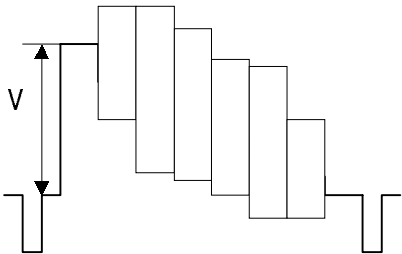
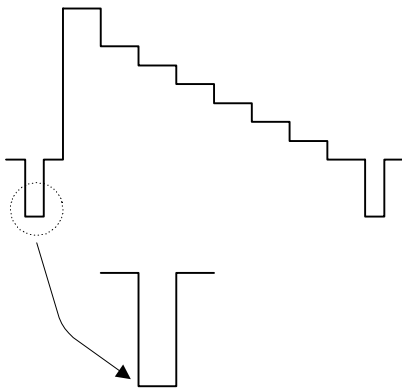




### 1-1-11. COMPOSITE INPUT LEVEL ADJ.

BOARD	F3 V IN
SPEC.	V 1.6mV±0.02V
TEST POINT	TP701,TP351
ADJ.	VR351,VR301
INPUT	Composite Color Bar (7.5% Setup 7.5%)
MODE	ASSEMBLE
TAPE	
M.EQ	Oscilloscope

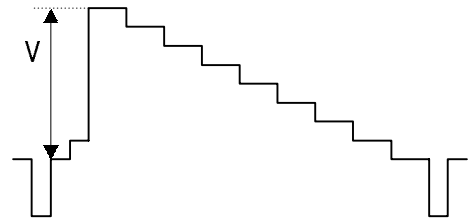
1. Observe TP701 and adjust VR351 at the point where the sync tip just begin to saturate.
2. Adjust VR301 so that the Voltage at TP351 is 1.6mV ±0.02V.



### 1-1-12. COMPOSITE Y LEVEL ADJ.

BOARD	F3 V IN
SPEC.	V 700mV±7mV
TEST POINT	Component Y out
ADJ.	VR455
INPUT	Composite Color Bar (75% Setup 7.5%)
MODE	ASSEMBLE
TAPE	
M.EQ	W F M

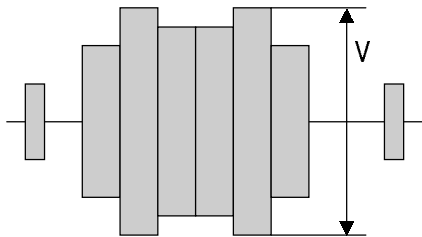
1. Adjust VR455 so that the Y level is 700mV±7mV.



### 1-1-13. COMPOSITE COLOR LEVEL ADJ.

BOARD	F3 V IN
SPEC.	V 400mV±20mV
TEST POINT	TP503
ADJ.	VR451
INPUT	compositeColor Ba (75%、 Setup 7.5%)
MODE	ASSEMBLE
TAPE	
M.EQ	Oscilloscope

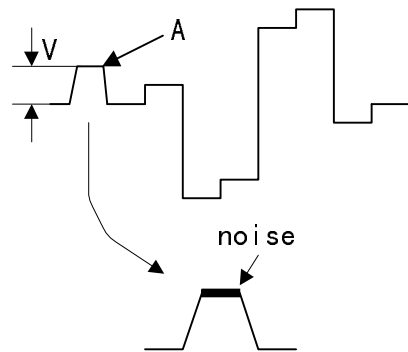
1. Adjust VR451 so that the C level is 400mV±20mV.



### 1-1-14. COMPOSITE COLOR DEMODULATION TIMING ADJ.

BOARD	F3 V IN
SPEC.	
TEST POINT	TP501
ADJ.	VR501,VR512
INPUT	Composite Color Bar (75%、 Setup 7.5%)
MODE	ASSEMBLE
TAPE	
M.EQ	Oscilloscope

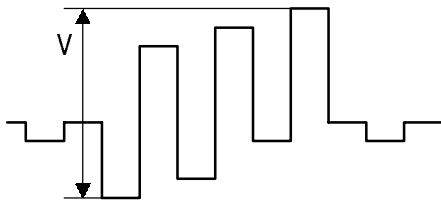
1. Turn VR512 fully CCW.
2. Adjust VR501 so that the noise portion is positioned on the top of A portion as shown in figure.
3. Adjust VR512 so that the V level at A portion is 0V.



### 1-1-15. COMPOSITE PB LEVEL ADJ.

BOARD	F3 V IN
SPEC.	V 486mV±7mV
TEST POINT	Component PB out
ADJ.	VR505
INPUT	Composite Color Bar (75%, Setup 7.5%)
MODE	ASSEMBLE
TAPE	
M.EQ	WFM

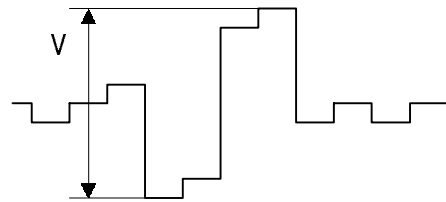
1. Adjust VR505 so that the Pb level is 486mV±7mV.



### 1-1-16. COMPOSITE PR LEVEL ADJ.

BOARD	F3 V IN
SPEC.	V 486mV±7mV
TEST POINT	Component PR out
ADJ.	VR511
INPUT	Composite Color Bar (75%, Setup 7.5%)
MODE	ASSEMBLE
TAPE	
M.EQ	WFM

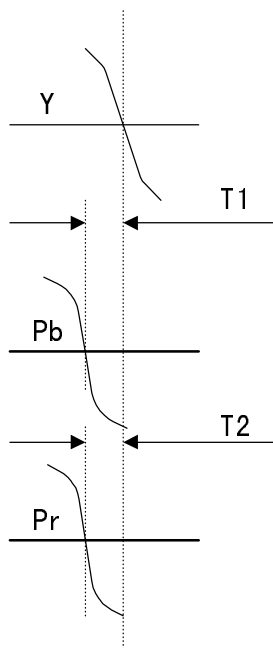
1. Adjust VR511 so that the Pr level is 486mV±7mV.



### 1-1-17. COMPOSITE Y/C TIMING ADJ.

BOARD	F3 V IN
SPEC.	T1 $0 \pm 10\text{nsec}$ T2 $0 \pm 10\text{nsec}$
TEST POINT	Component Y,PB,PR out
ADJ.	VR510,VR507
INPUT	Composite Pulse & Bar
MODE	ASSEMBLE
TAPE	
M.EQ	WFM

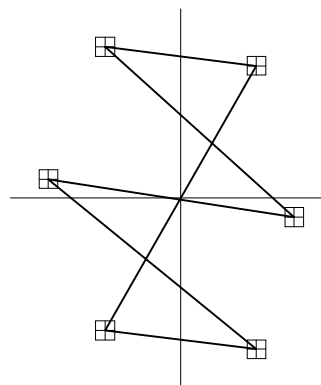
1. Set the WFM in the DIFF MODE.
2. Adjust VR510 so that the T1 is  $0 \pm 10\text{nsec}$ .
3. Adjust VR507 so that the T2 is  $0 \pm 10\text{nsec}$ .



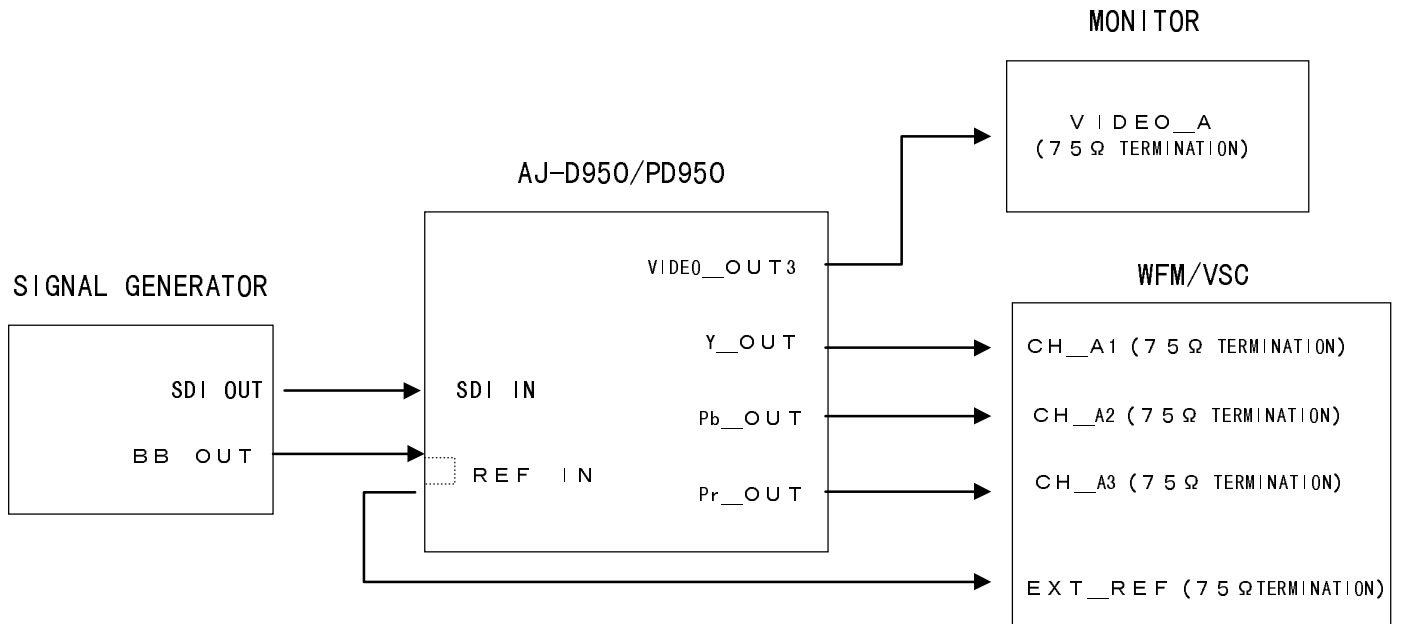
### 1-1-18. COMPOSITE VECTOR ADJ.

BOARD	F3 V IN
SPEC.	
TEST POINT	Composite ou
ADJ.	VR512
INPUT	Composite Color Bar (75%, Setup 7.5%)
MODE	ASSEMBLE
TAPE	
M.EQ	Vector Scope

1. Adjust VR512 so that the each dot is in the mark.



## 1-2. F6 SUB V OUT SUB CONNECTION



### SETTING :

TV SYSTEM SW : 525

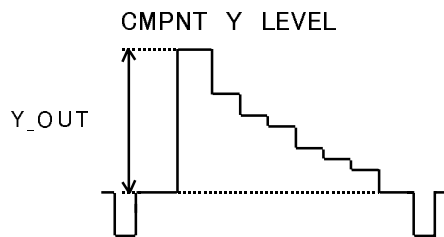
### MENU

No. 614 Pb/Pr OUT LV : M II

### 1-2-1. COMPONENT Y LEVEL ADJ.

BOARD	F6 SUB
SPEC.	700mV±7mV
TEST POINT	Y_OUT
ADJ.	VR3001
INPUT	SDI IN 100% CB % SETUP
MODE	EE
TAPE	
M.EQ	WFM

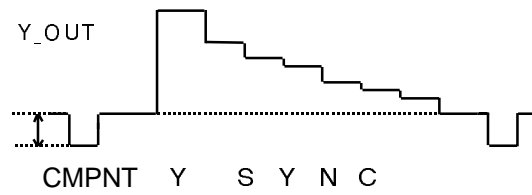
1. Adjust VR3001 so that the Y level is 700mV ±7mV.



### 1-2-2. COMPONENT Y SYNC LEVEL ADJ.

BOARD	F6 SUB
SPEC.	300mV±6mV
TEST POINT	Y_OUT
ADJ.	VR3013
INPUT	SDI IN 100% CB 0% SETUP
MODE	EE
TAPE	
M.EQ	WFM

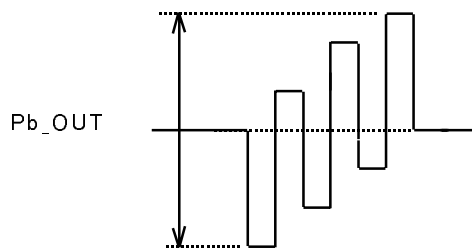
1. Adjust VR3013 so that the SYNC level is 300mV ±6mV.



### 1-2-3. COMPONENT Pb LEVEL ADJ.

BOARD	F6 SUB
SPEC.	700mV±7mV
TEST POINT	Pb_OUT
ADJ.	VR3006
INPUT	SDI IN 100% CB 0% SETUP
MODE	EE
TAPE	
M.EQ	WFM

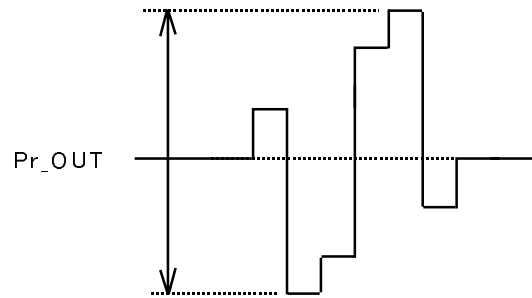
1. Adjust VR3006 so that the Pb level is 700mV±7 mV.



### 1-2-4. COMPONENT Pr LEVEL ADJ.

BOARD	F6 SUB
SPEC.	700mV±7mV
TEST POINT	Pr_OUT
ADJ.	VR3004
INPUT	SDI IN 100% CB 0% SETUP
MODE	EE
TAPE	
M.EQ	WFM

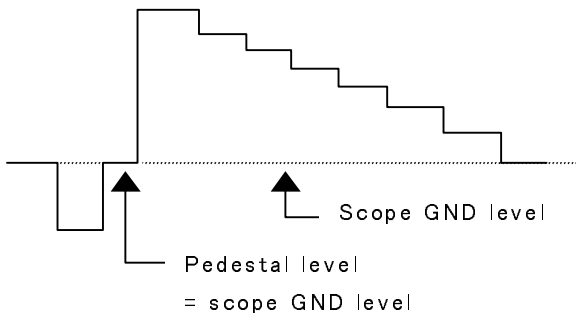
1. Adjust VR3004 so that the Pr level is 700mV ± 7mV.



### 1-2-5.COMPONENT Y CLAMP LEVEL ADJ.

BOARD	F6 SUB
SPEC.	0V±50mV
TEST POINT	Y-OUT
ADJ.	VR3007
INPUT	SDI IN 100% CB 0% SETUP
MODE	EE
TAPE	
M.EQ	OSCILLOSCOPE (DC mode)

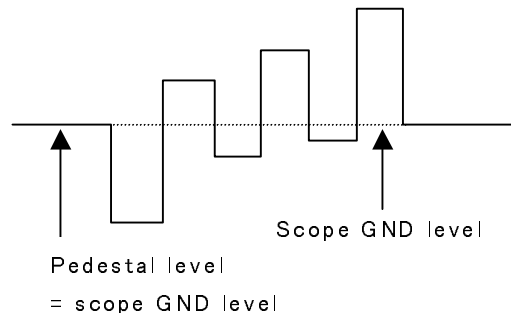
1. Adjust VR3007 so that the Y clamped pedestal level is at scope GND level.



### 1-2-6.COMPONENT Pb CLAMP LEVEL ADJ.

BOARD	F6
SPEC.	0V±50mV
TEST POINT	Pb_OUT
ADJ.	VR3009
INPUT	SDI IN 100% CB 0% SETUP
MODE	EE
TAPE	
M.EQ	OSCILLOSCOPE (DC mode)

1. Adjust VR3009 so that the Pb clamped pedestal level is at scope GND level.

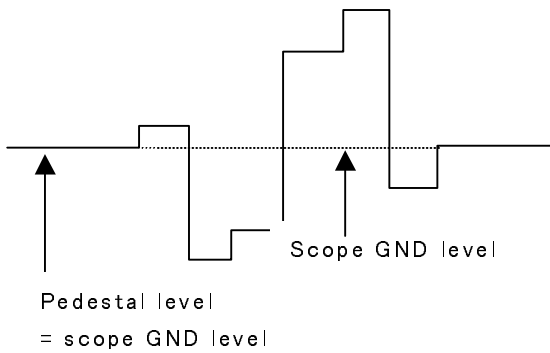




### 1-2-7.COMPONENT Pr CLAMP LEVEL ADJ.

BOARD	F6 SUB
SPEC.	0V±50mV
TEST POINT	Pr_OUT
ADJ.	VR3008
INPUT	SDI IN 100% CB 0% SETUP
MODE	EE
TAPE	
M.EQ	OSCILLOSCOPE

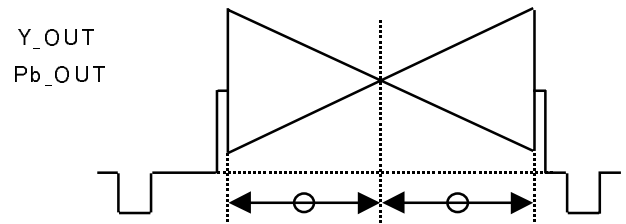
1. Adjust VR3008 so that the Pr clamped pedestal level is at scope GND level.



### 1-2-8.COMPONENT Y-Pb TIMING ADJ.

BOARD	F6 SUB
SPEC.	0 ±10ns
TEST POINT	Y_OUT, Pb_OUT
ADJ.	VR3005
INPUT	SDI IN BOWTIE
MODE	
TAPE	
M.EQ	WFM

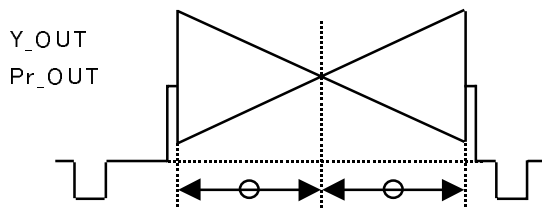
1. Adjust VR3005 so that the cross point of envelope is at center.



### 1-2-9. COMPONENT Y-Pr TIMING ADJ.

BOARD	F6 SUB
SPEC.	$0 \pm 10\text{ns}$
TEST POINT	Y_OUT, Pr_OUT
ADJ.	VR3003
INPUT	SDI IN BOWTIE
MODE	EE
TAPE	
M.EQ	WFM

1. Adjust VR3003 so that the cross point of envelope is at center.



### 1-2-10. COMPONENT 844 Y SYNC LEVEL ADJ. (AJ-PD950 ONLY)

BOARD	F6 SUB
SPEC.	$300\text{mV} \pm 6\text{mV}$
TEST POINT	Y_OUT
ADJ.	VR3014
INPUT	INT SG CB
MODE	EE
TAPE	
M.EQ	OSCILLOSCOPE

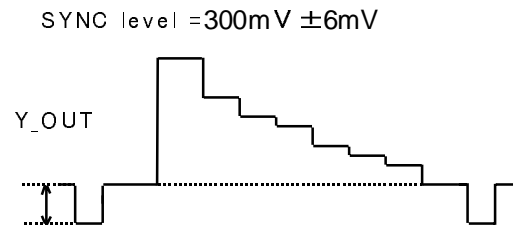
#### MENU SETTING

No.012 SYS FORMAT : 420p

No.615 844/422 SEL : 844

No.616 OUT MATRIX : RGB

1. Adjust VR3014 so that the SYNC level is  $300\text{mV} \pm 6\text{mV}$ .



### 1-2-11. G LEVEL ADJ. (AJ-PD950 ONLY)

BOARD	F6 SUB
SPEC.	700mV±7mV
TEST POINT	Y_OUT
ADJ.	VR3010
INPUT	INT SG CB
MODE	EE
TAPE	
M.EQ	OSCILLOSCOPE

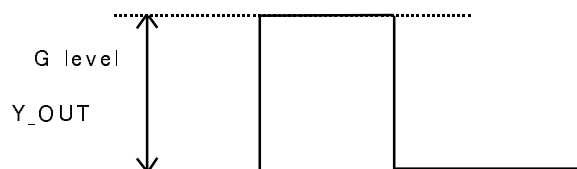
#### MENU SETTING

No.012 SYS FORMAT : 420p

No.615 844/422 SEL : 844

No.616 OUT MATRIX : RGB

1. Adjust VR3010 so that the G level is 700mV ±7mV.



### 1-2-12. B LEVEL ADJ. (AJ-PD950 ONLY)

BOARD	F6 SUB
SPEC.	700mV±7mV
TEST POINT	Pb_OUT
ADJ.	VR3011
INPUT	INT SG CB
MODE	EE
TAPE	
M.EQ	OSCILLOSCOPE

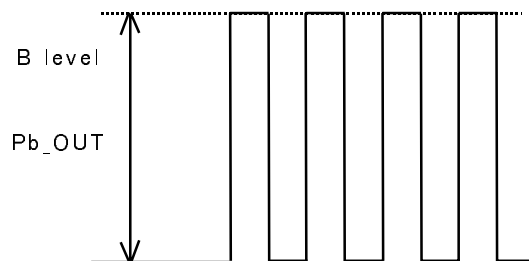
#### MENU SETTING

No.012 SYS FORMAT : 420p

No.615 844/422 SEL : 844

No.616 OUT MATRIX : RGB

1. Adjust VR3011 so that the B level is 700mV ±7mV.



### 1-2-13. R LEVEL ADJ. (AJ-PD950 ONLY)

BOARD	F6 SUB
SPEC.	700mV±7mV
TEST POINT	Pr_OUT
ADJ.	VR3012
INPUT	INT SG CB
MODE	EE
TAPE	
M.EQ	OSCILLOSCOPE

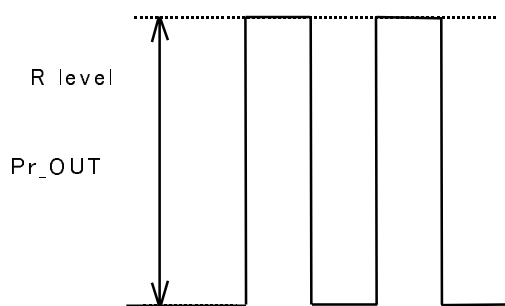
#### MENU SETTING

No.012 SYS FORMAT : 420p

No.615 844/422 SEL : 844

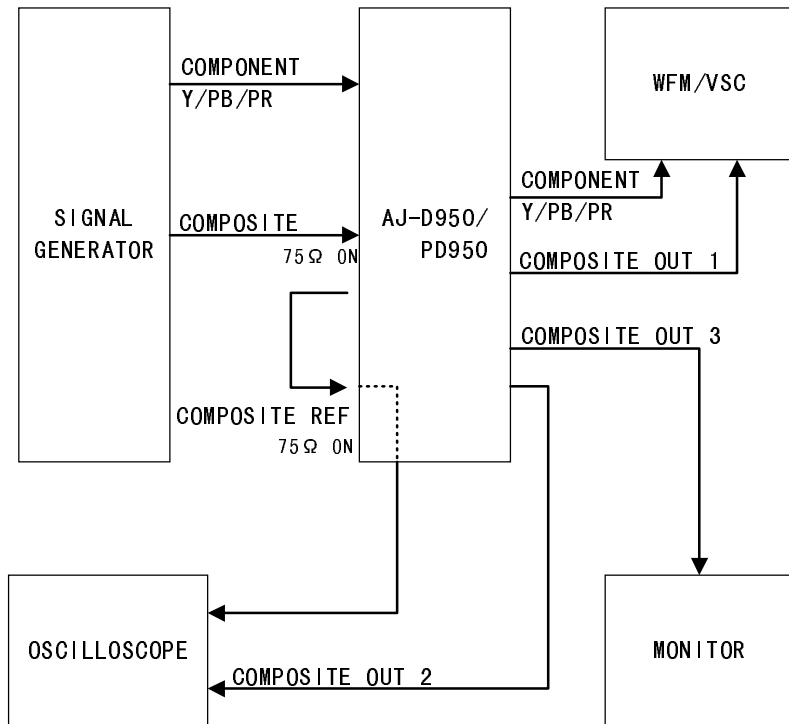
No.616 OUT MATRIX : RGB

1. Adjust VR3012 so that the R level is 700mV±7mV.



# 1-1. F3 V IN (AJ-YA951E)

## CONNECTION



### 1-1-1. DIGITAL INPUT CONFIRMATION

BOARD	F3 V IN
SPEC.	
TEST POINT	Component Out Y, PB, PR
ADJ.	
INPUT	Serial Digital Color Bar
MODE	ASSEMBLE
TAPE	
M.EQ	Monitor

#### 1. MENU SETTING

```

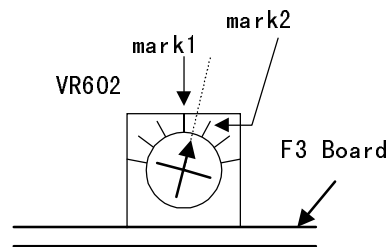
005 METER SELECT > 0001 VIDEO
012 SYS FORMAT   > 0000 422
106 EE MODE SEL  > 0001 THRU
304 SERVO REF    > 0000 AUTO
600 INT SG       > 0000 OFF
606 OUT C KILL   > 0001 COLOR
607 VOUT SETUP   > 0000 THRU
610 PB/PR IN LV  > 0000 MII
611 INPUT C KILL > 0001 AUTO
700 INT SG       > 0000 OFF
    
```

- Set the TV SYSTEM sw to 625
- Confirm that the picture is normal on the monitor.  
(Just pre confirmation)
- Press the ASSEMBLE button.
- Confirm that the picture is normal on the monitor.  
(Just pre confirmation)

### 1-1-2. COMPONENT 13.5M VCO ADJ.

BOARD	F3 V IN
SPEC.	TP553: 0V±0.1VDC
TEST POINT	TP553
ADJ.	VR552, VL551
INPUT	Component Color Bar
MODE	ASSEMBLE
TAPE	
M.EQ	Oscilloscope

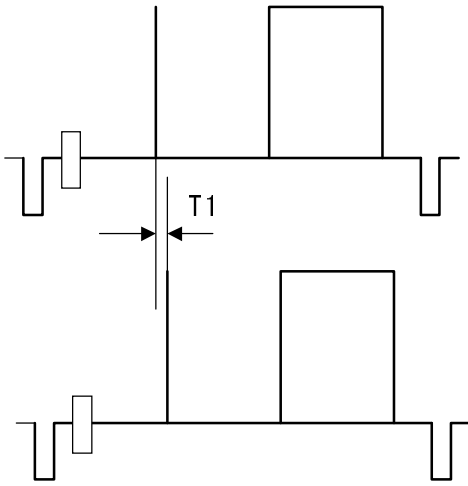
- Set VR552 at the center of mark1 and mark2 as shown in figure.
- Adjust VL551 so that the DC voltage is  $0V \pm 0.1VDC$  at TP553.  
(At first, turn VL551 CCW. )



### 1-1-3.COMPOSITE Y TIMING ADJ.

BOARD	F3 V IN
SPEC.	T1 $0\pm 5\text{nsec}$
TEST POINT	Composite out REF through
ADJ.	VR601
INPUT	2T PULSE
MODE	ASSEMBLE
TAPE	
M.EQ	Oscilloscope

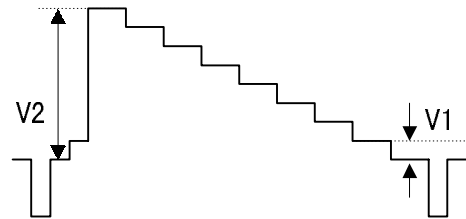
1. Turn VR601 fully CW.
2. Adjust VR601 so that the T1 is  $0\pm 5\text{nsec}$ .



### 1-1-4. COMPONENT Y LEVEL ADJ.

BOARD	F3 V IN
SPEC.	V1 $0V\pm 7\text{mV}$ V2 $700\text{mV}\pm 7\text{mV}$
TEST POINT	component Y out
ADJ.	VR652,VR651
INPUT	Component Color Bar
MODE	ASSEMBLE
TAPE	
M.EQ	WFM

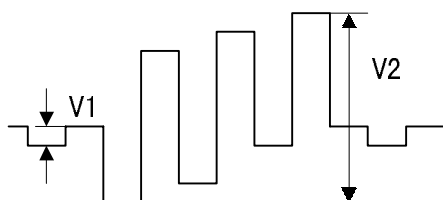
1. Adjust VR652 so that the V1 level is  $0V\pm 7\text{mV}$ .
2. Adjust VR651 so that the V2 level is  $700\text{mV}\pm 7\text{mV}$ .



### 1-1-5. COMPONENT PB LEVEL ADJ.

BOARD	F3 V IN
SPEC.	V1 $0V \pm 7mV$ V2 $700mV \pm 7mV$
TEST POINT	Component PB out
ADJ.	VR703,VR702
INPUT	Component Color Bar
MODE	ASSEMBLE
TAPE	
M.EQ	W F M

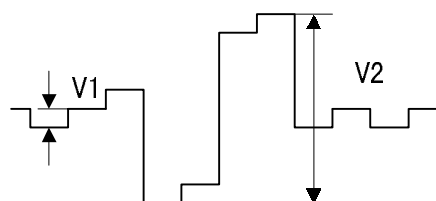
1. Adjust VR703 so that the V1 level is  $0V \pm 7mV$ .
2. Adjust VR702 so that the Pr level V2 is  $700mV \pm 7mV$ .



### 1-1-6. COMPONENT PR LEVEL ADJ.

BOARD	F3 V IN
SPEC.	V1 $0V \pm 7mV$ V2 $700mV \pm 7mV$
TEST POINT	Component PRout
ADJ.	VR753,VR752
INPUT	Component Color Bar
MODE	ASSEMBLE
TAPE	
M.EQ	W F M

1. Adjust VR753 so that the V1 level is  $0V \pm 7mV$ .
2. Adjust VR752 so that the Pr level V2 is  $700mV \pm 7mV$ .





### 1-1-7. COMPONENT Y/C TIMING ADJ.

BOARD	F3 V IN
SPEC.	$0 \pm 10 \text{ nsec}$
TEST POINT	Component Y,PB,PR out
ADJ.	VR701,VR751
INPUT	Component BOWTIE
MODE	ASSEMBLE
TAPE	
M.EQ	W F M

#### WFM INPUT CHANNEL

B1 CH : Y

B2 CH : Pb

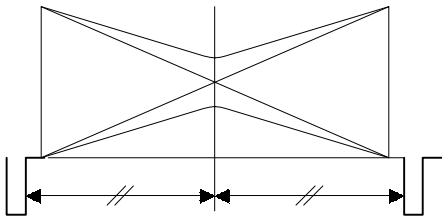
B3 CH : Pr

#### <Y-Pb timing>

1. Set the WFM in the B1 - B2 mode.
2. Adjust VR701 so that the cross point of envelope is at center.

#### <Y-Pr timing>

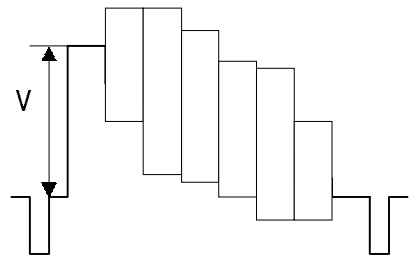
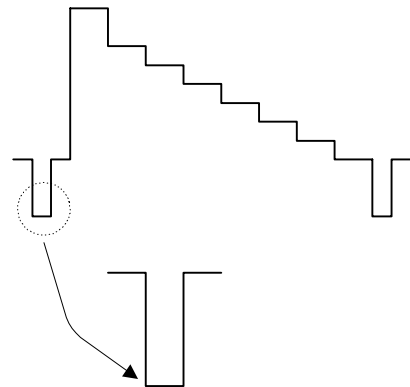
1. Set the WFM in the B1 - B3 mode.
2. Adjust VR751 so that the cross point of envelope is at center.



### 1-1-8. COMPOSITE INPUT LEVEL ADJ.

BOARD	F3 V IN
SPEC.	V $1.6 \text{ V} \pm 0.02 \text{ V}$
TEST POINT	TP651,TP301
ADJ.	V301,VR251
INPUT	Composite Color Bar
MODE	ASSEMBLE
TAPE	
M.EQ	Oscilloscope

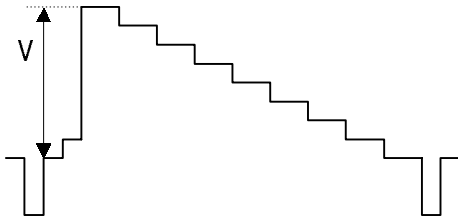
1. Observe TP651 and adjust VR301 at the point where the sync tip just begin to saturate.
2. Adjust VR251 so that the Voltage at TP301 is  $1.6 \text{ V} \pm 0.02 \text{ V}$ .



### 1-1-9. COMPOSITE Y LEVEL ADJ.

BOARD	F3 V IN
SPEC.	V 700mV±7mV
TEST POINT	Component Y out
ADJ.	VR352
INPUT	Composite Color Bar
MODE	ASSEMBLE
TAPE	
M.EQ	W F M

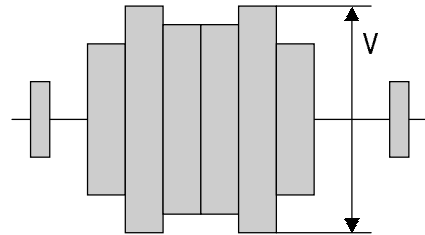
1. Adjust VR352 so that the Y level is 700mV±7mV.



### 1-1-10. COMPOSITE COLOR LEVEL ADJ.

BOARD	F3 V IN
SPEC.	V 500mV±20mV
TEST POINT	TP451
ADJ.	VR351
INPUT	Composite Color Bar
MODE	ASSEMBLE
TAPE	
M.EQ	Oscilloscope

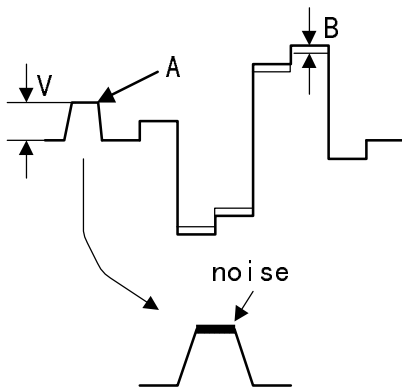
1. Adjust VR351 so that the C level is 500mV±20mV.



### 1-1-11. COMPOSITE COLOR DEMODULATION TIMING ADJ.

BOARD	F3 V IN
SPEC.	
TEST POINT	TP401
ADJ.	VR408,VR409
INPUT	Composite Color Bar
MODE	ASSEMBLE
TAPE	
M.EQ	Oscilloscope

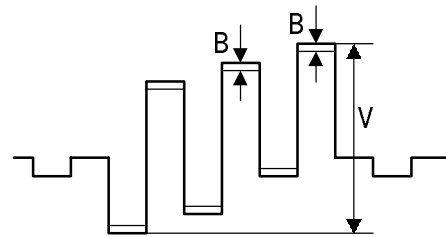
1. Adjust VR409 so that the B level is minimum.
2. Adjust VR408 so that the noise portion is positioned on the top of A portion as shown in figure.



### 1-1-12. COMPOSITE PB LEVEL ADJ.

BOARD	F3 V IN
SPEC.	V 700mV±7mV
TEST POINT	Component PB out
ADJ.	VR409, VR460
INPUT	Composite Color Bar
MODE	ASSEMBLE
TAPE	
M.EQ	WFM

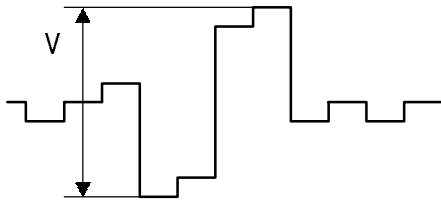
1. Adjust VR409 so that the B level is minimum.
2. Adjust VR460 so that the Pb level is 700mV±7mV.



### 1-1-13. COMPOSITE PR LEVEL ADJ.

BOARD	F3 V IN
SPEC.	V 700mV±7mV
TEST POINT	Component PR out
ADJ.	VR464
INPUT	Composite Color Bar
MODE	ASSEMBLE
TAPE	
M.EQ	WFM

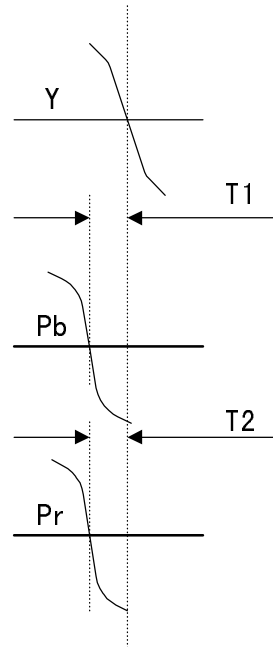
1. Adjust VR464 so that the Pr level is 700mV±7mV.



### 1-1-14. COMPOSITE Y/C TIMING ADJ.

BOARD	F3 V IN
SPEC.	T1 0 ±10nsec T2 0 ±10nsec
TEST POINT	Component Y,PB,PR out
ADJ.	VR459,VR463
INPUT	Composite Pulse & Bar
MODE	ASSEMBLE
TAPE	
M.EQ	WFM

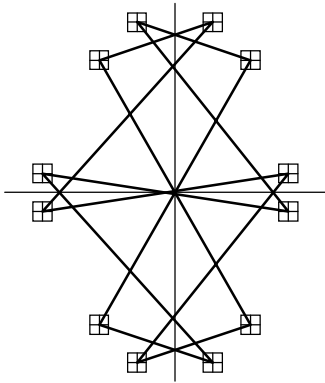
1. Set the WFM in the DIFF MODE.
2. Adjust VR459 so that the T1 is 0±10nsec.
3. Adjust VR463 so that the T2 is 0±10nsec.



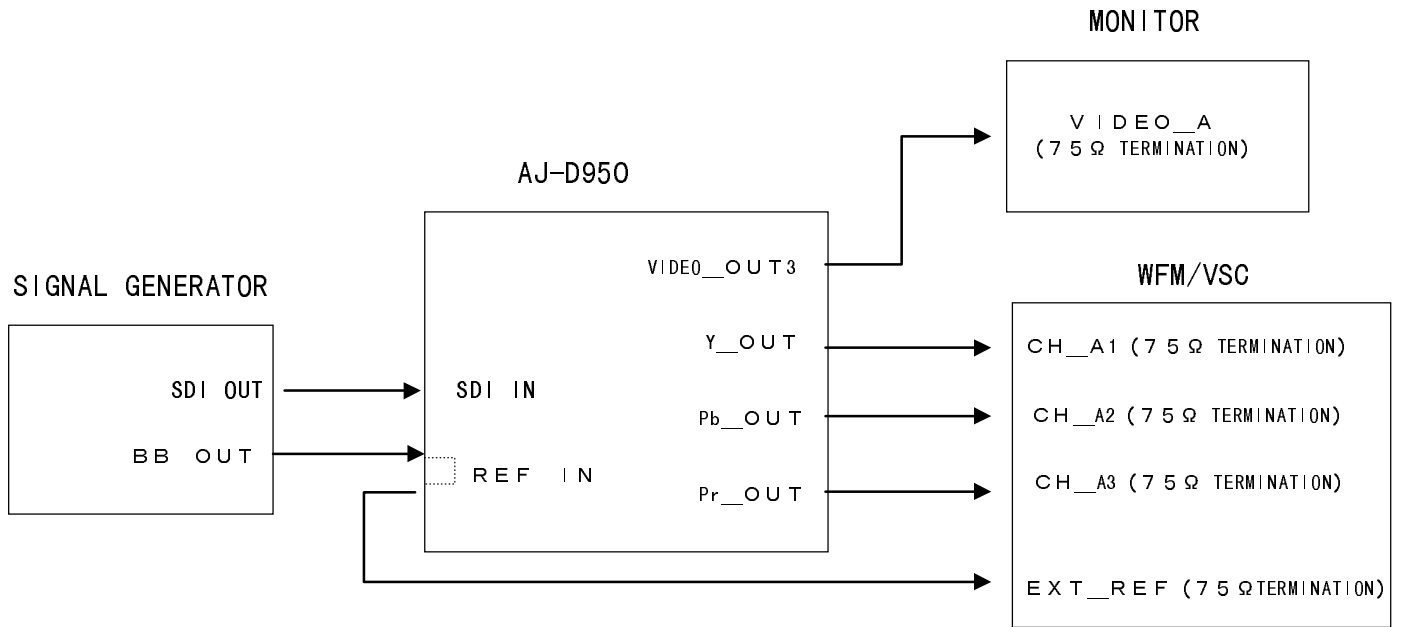
### 1-1-15. COMPOSITE VECTOR ADJ.

BOARD	F3 V IN
SPEC.	
TEST POINT	Composite out
ADJ.	VR409
INPUT	Composite Color Bar
MODE	ASSEMBLE
TAPE	
M.EQ	Vector Scope

1. Adjust VR409 so that the each dot is in the mark.



# 1-2. F6 SUB V OUT SUB (AJ-YA951E) CONNECTION



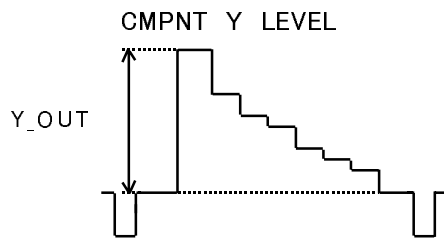
SETTING :

TV SYSTEM SW : 625

### 1-2-1. COMPONENT Y LEVEL ADJ.

BOARD	F6 SUB
SPEC.	700mV±mV
TEST POINT	Y_OUT
ADJ.	VR3001
INPUT	SDI IN 100% CB 0% SETUP
MODE	EE
TAPE	
M.EQ	WFM

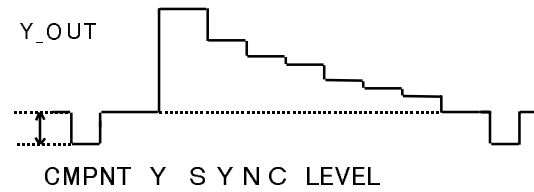
1. Adjust VR3001 so that the Y level is 700mV±7mV.



### 1-2-2. COMPONENT Y SYNC LEVEL ADJ.

BOARD	F6 SUB
SPEC.	300mV±6mV
TEST POINT	Y_OUT
ADJ.	VR3013
INPUT	SDI IN 100% CB 0% SETUP
MODE	EE
TAPE	
M.EQ	WFM

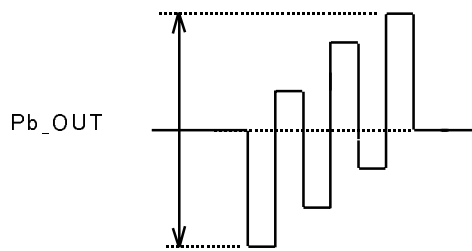
1. Adjust VR3013 so that the SYNC level is 300mV±6mV



### 1-2-3. COMPONENT Pb LEVEL ADJ.

BOARD	F6 SUB
SPEC.	700mV±7mV
TEST POINT	Pb_OUT
ADJ.	VR3006
INPUT	SDI IN 100% CB 0% SETUP
MODE	EE
TAPE	
M.EQ	WFM

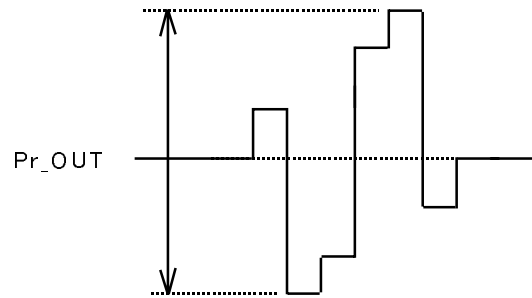
1. Adjust VR3006 so that the Pb level is 700mV±7mV.



### 1-2-4. COMPONENT Pr LEVEL ADJ.

BOARD	F6 SUB
SPEC.	700mV±7mV
TEST POINT	Pr_OUT
ADJ.	VR3004
INPUT	SDI IN 100% CB 0% SETUP
MODE	EE
TAPE	
M.EQ	WFM

1. Adjust VR3004 so that the Pr level is 700mV±7mV.

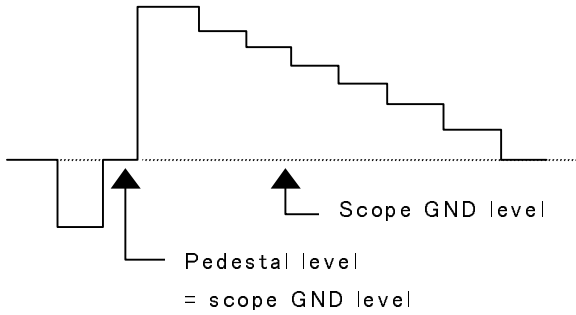




### 1-2-5.COMPONENT Y CLAMP LEVEL ADJ.

BOARD	F6 SUB
SPEC.	0V±50mV
TEST POINT	Y-OUT
ADJ.	VR3007
INPUT	SDI IN 100% CB 0% SETUP
MODE	EE
TAPE	
M.EQ	OSCILLOSCOPE

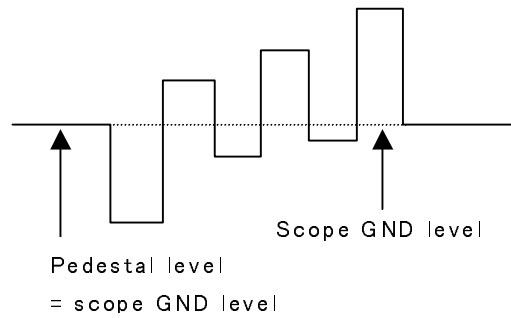
1. Adjust VR3007 so that the Y clamped pedestal level is at scope GND level.



### 1-2-6.COMPONENT Pb CLAMP LEVEL ADJ.

BOARD	F6
SPEC.	0V±50mV
TEST POINT	Pb_OUT
ADJ.	VR3009
INPUT	SDI IN 100% CB 0% SETUP
MODE	EE
TAPE	
M.EQ	OSCILLOSCOPE

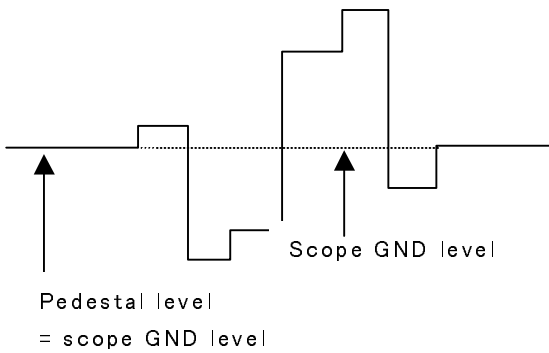
1. Adjust VR3009 so that the Pb clamped pedestal level is at scope GND level.



### 1-2-7.COMPONENT Pr CLAMP LEVEL ADJ.

BOARD	F6 SUB
SPEC.	0V±50mV
TEST POINT	Pr_OUT
ADJ.	VR3008
INPUT	SDI IN 100% CB 0% SETUP
MODE	EE
TAPE	
M.EQ	OSCILLOSCOPE

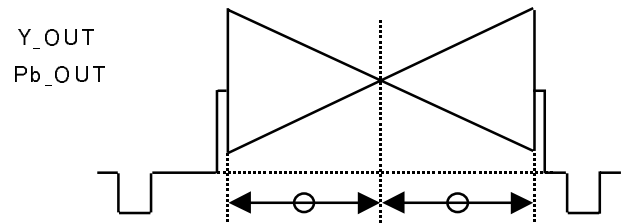
1. Adjust VR3008 so that the Pr clamped pedestal level is at scope GND level.



### 1-2-8.COMPONENT Y-Pb TIMING ADJ.

BOARD	F6 SUB
SPEC.	0 ± 10ns
TEST POINT	Y_OUT, Pb_OUT
ADJ.	VR3005
INPUT	SDI IN BOWTIE
MODE	
TAPE	
M.EQ	WFM

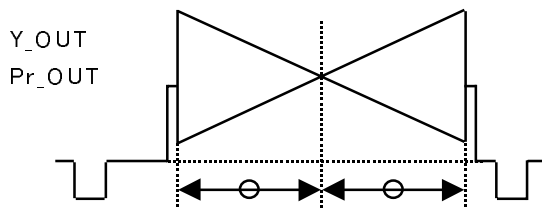
1. Adjust VR3005 so that the cross point of envelope is at center.

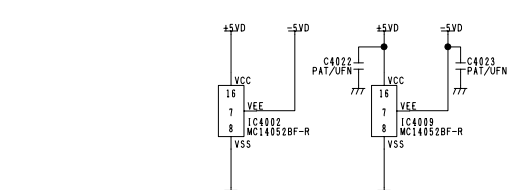
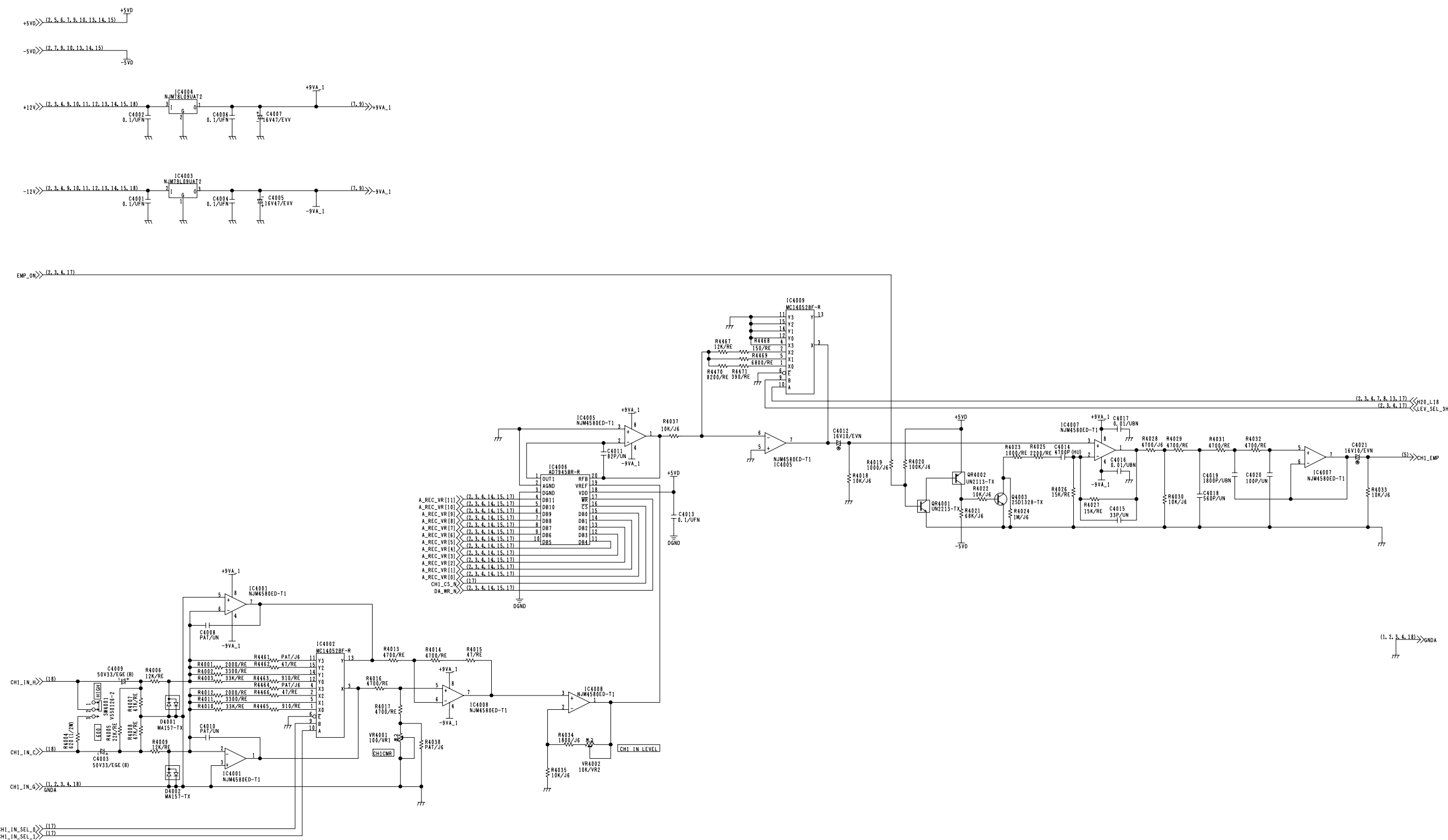


### 1-2-9. COMPONENT Y-Pr TIMING ADJ.

BOARD	F6 SUB
SPEC.	$0 \pm 10\text{ns}$
TEST POINT	Y_OUT, Pr_OUT
ADJ.	VR3003
INPUT	SDI IN BOWTIE
MODE	EE
TAPE	
M.EQ	WFM

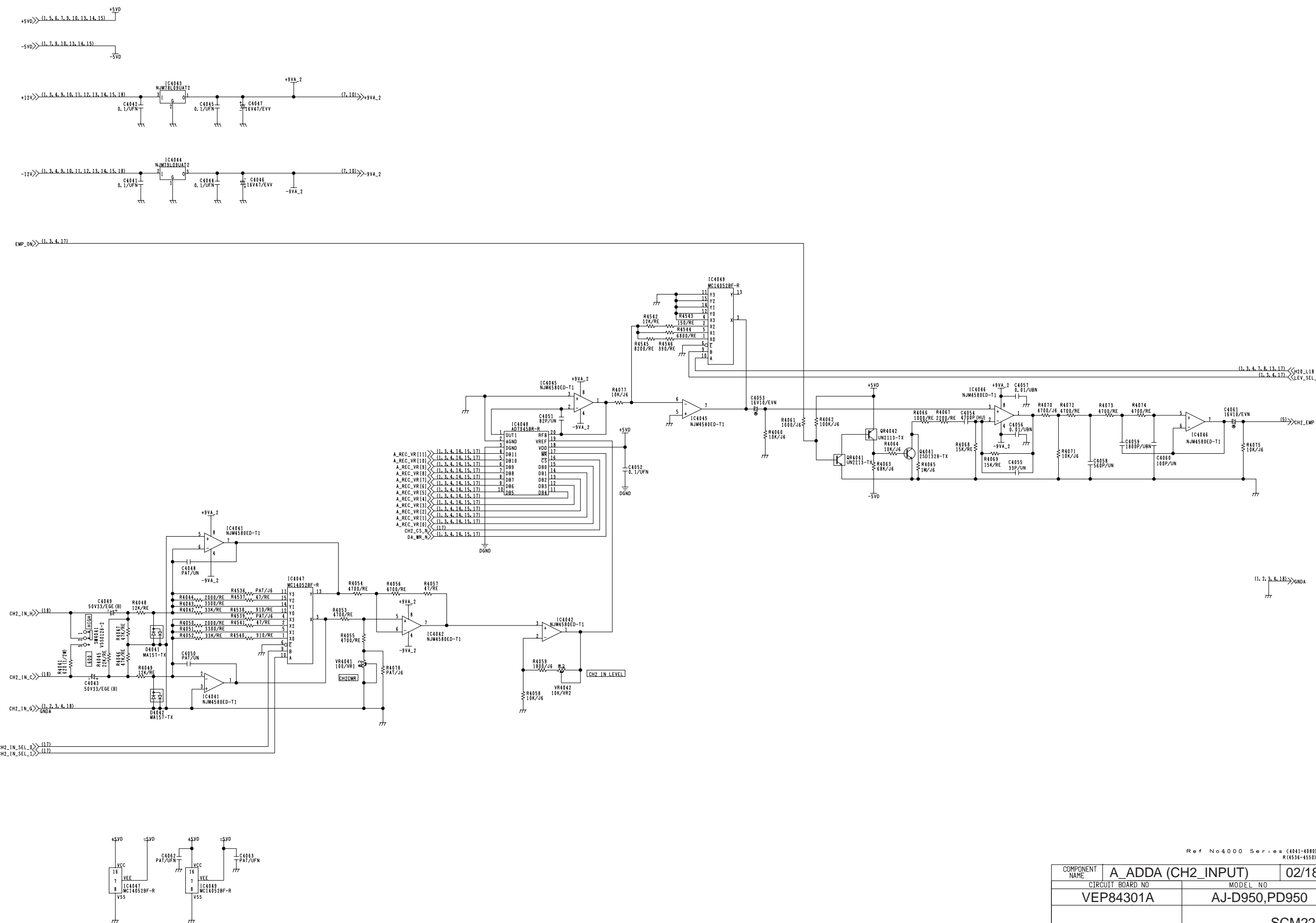
1. Adjust VR3003 so that the cross point of envelope is at center.





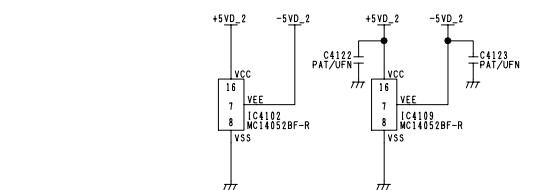
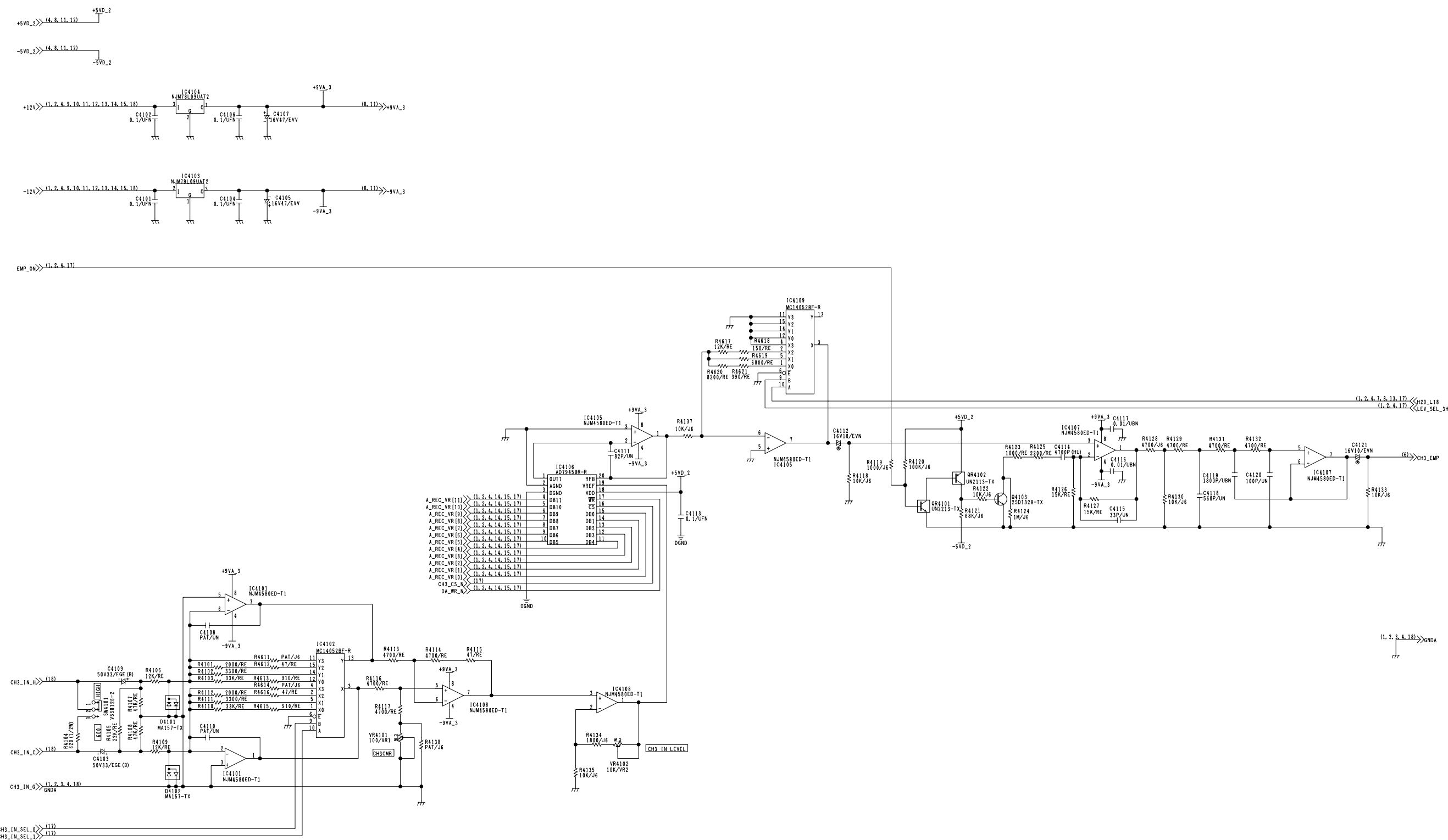
Ref No 4000 Series (4000-4040)  
R (4461-4475)

COMPONENT NAME	A_ADDA (CH1_INPUT)	01/18
CIRCUIT BOARD NO	VEP84301A	MODEL NO
		AJ-D950,PD950
		SCM223



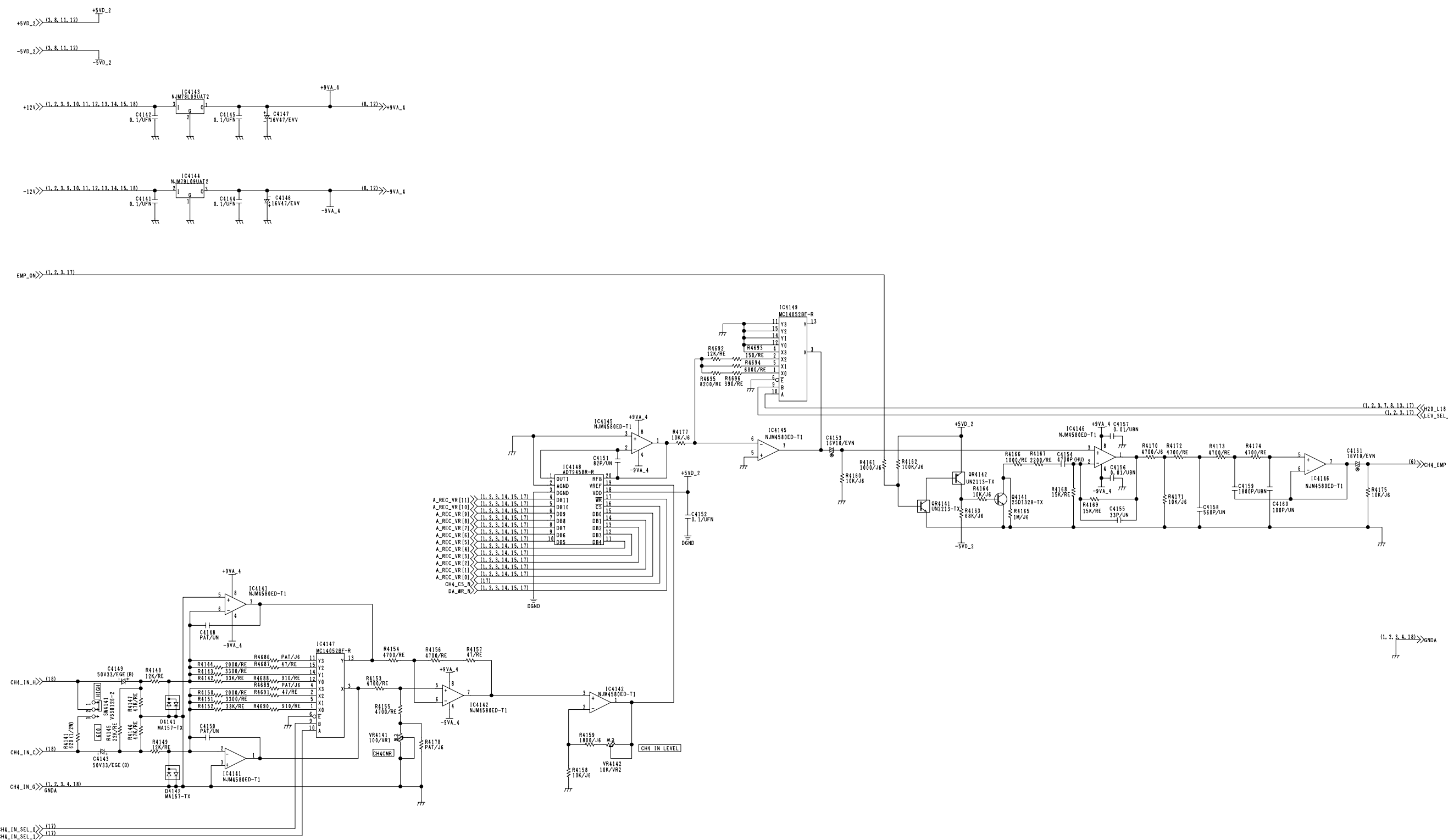
Ref No4000 Series (4041-4080)  
R(4536-4550)

COMPONENT NAME	A_ADDA (CH2_INPUT)	02/18
CIRCUIT BOARD NO	VEP84301A	MODEL NO
		AJ-D950,PD950
		SCM224



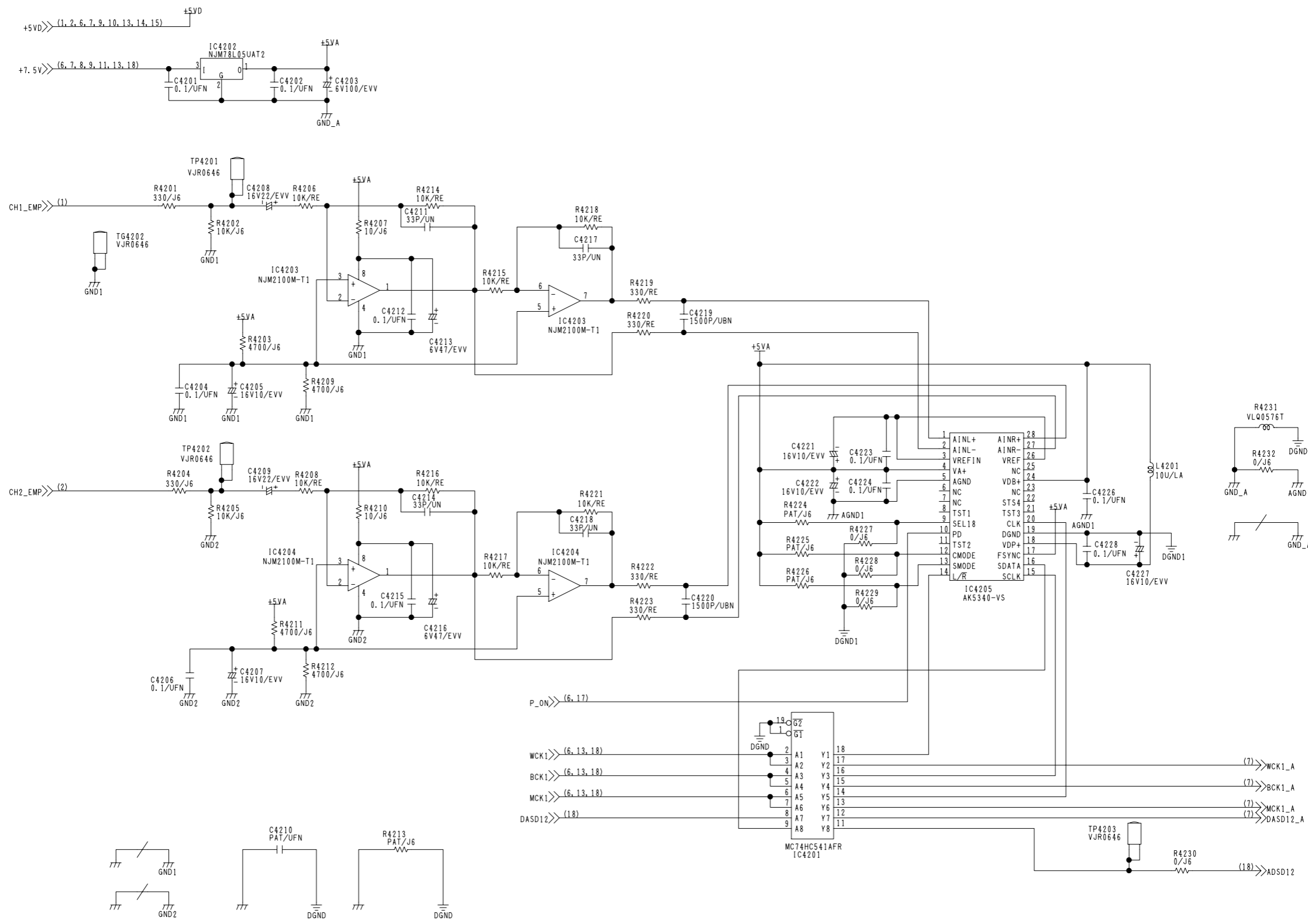
Ref No 4000 Series (4100-4140)  
R (4611-4475)

COMPONENT NAME	A_ADDA (CH3_INPUT)	03/18
CIRCUIT BOARD NO	VEP84301A	MODEL NO
		AJ-D950,PD950
		SCM225



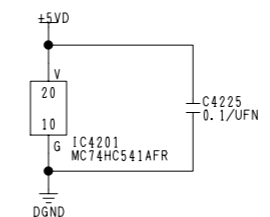
Ref No4000 Series (4141-4180)  
R(4686-4700)

COMPONENT NAME	A_ADDA (CH4_INPUT)	04/18
CIRCUIT BOARD NO	VEP84301A	MODEL NO
		AJ-D950,PD950
		SCM226

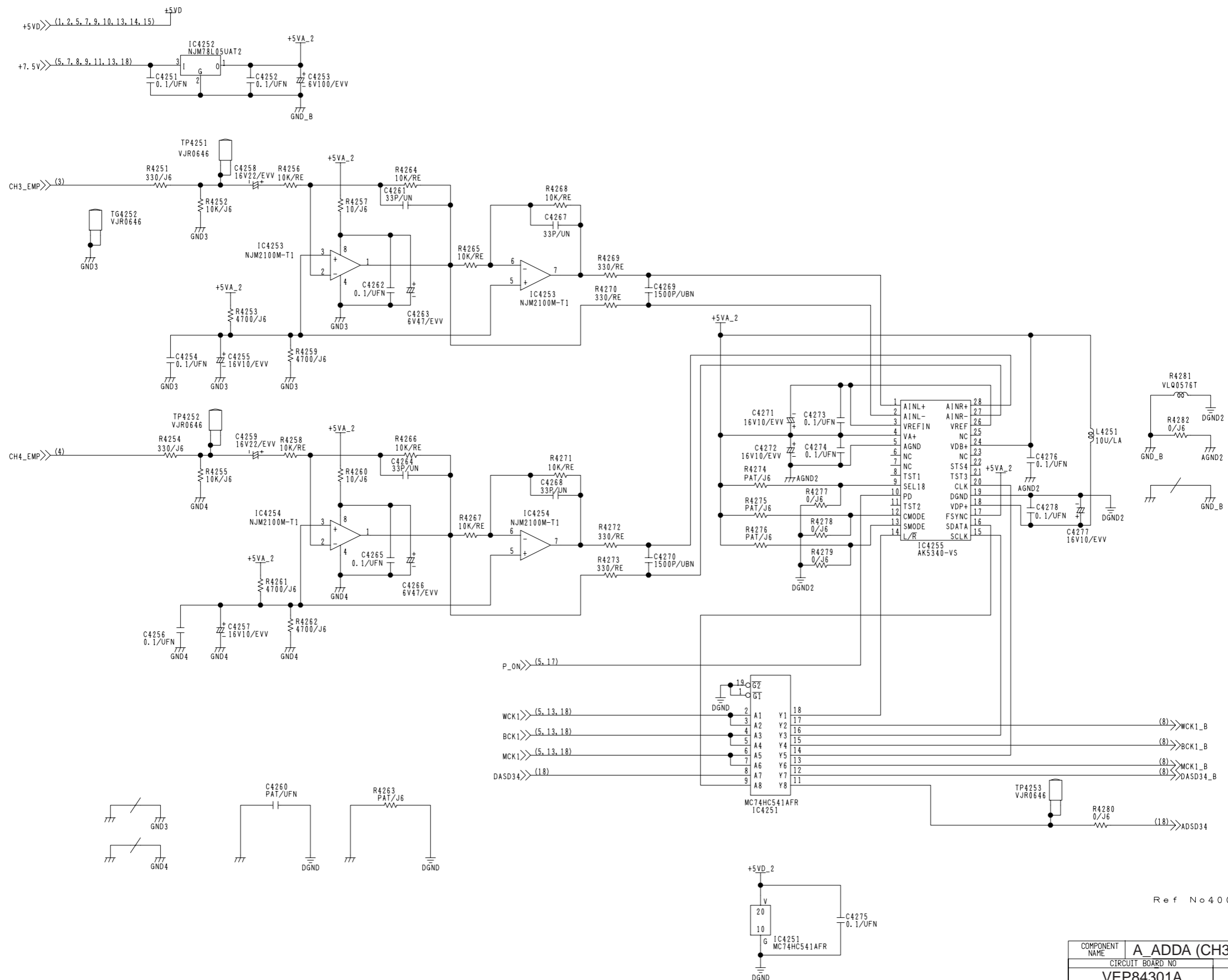


Ref No4000 Series (4201-4250)

COMPONENT NAME	A_ADDA (CH12_AD)	05/18
CIRCUIT BOARD NO	VEP84301A	MODEL NO
		AJ-D950,PD950
		SCM227

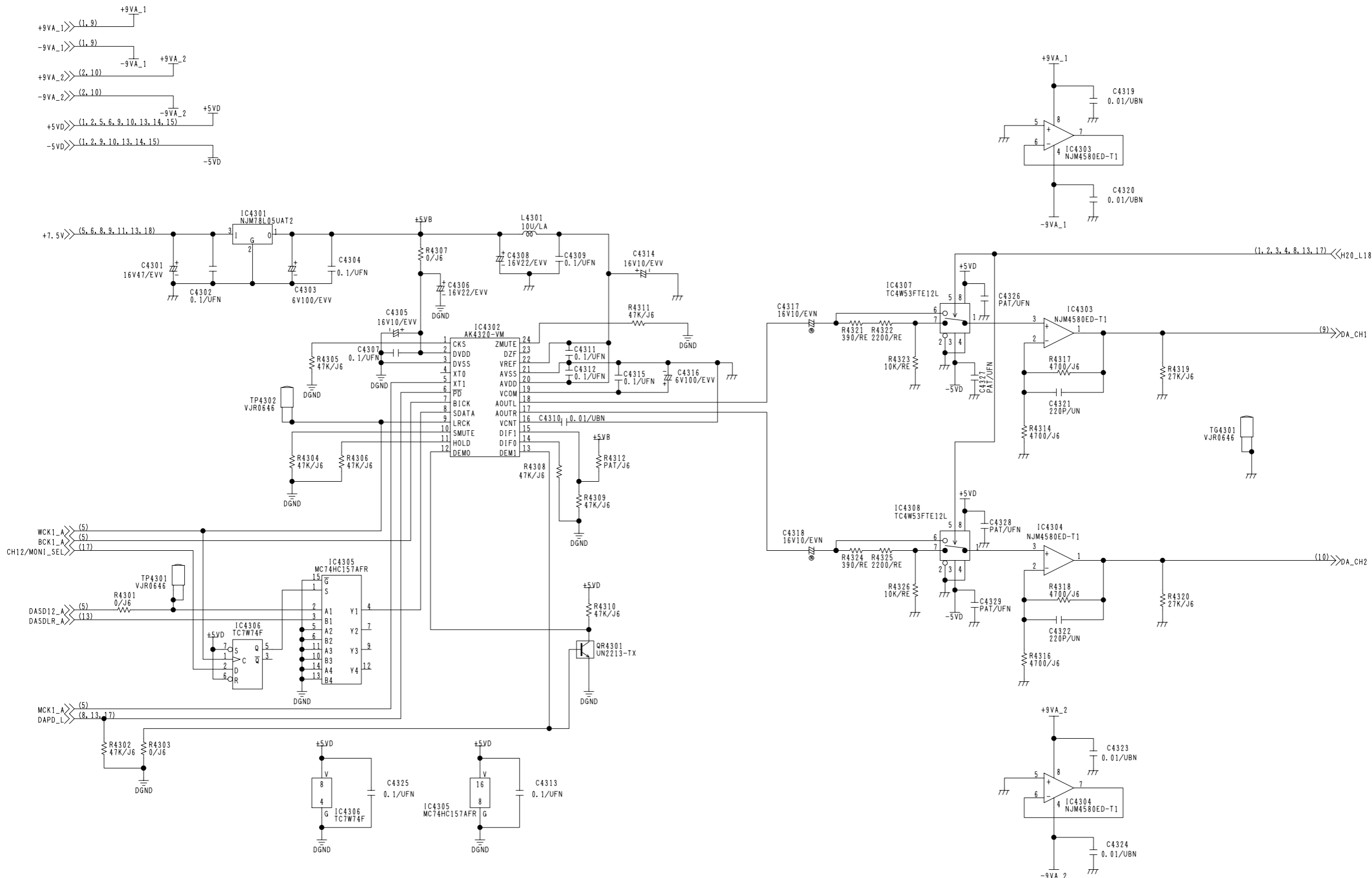






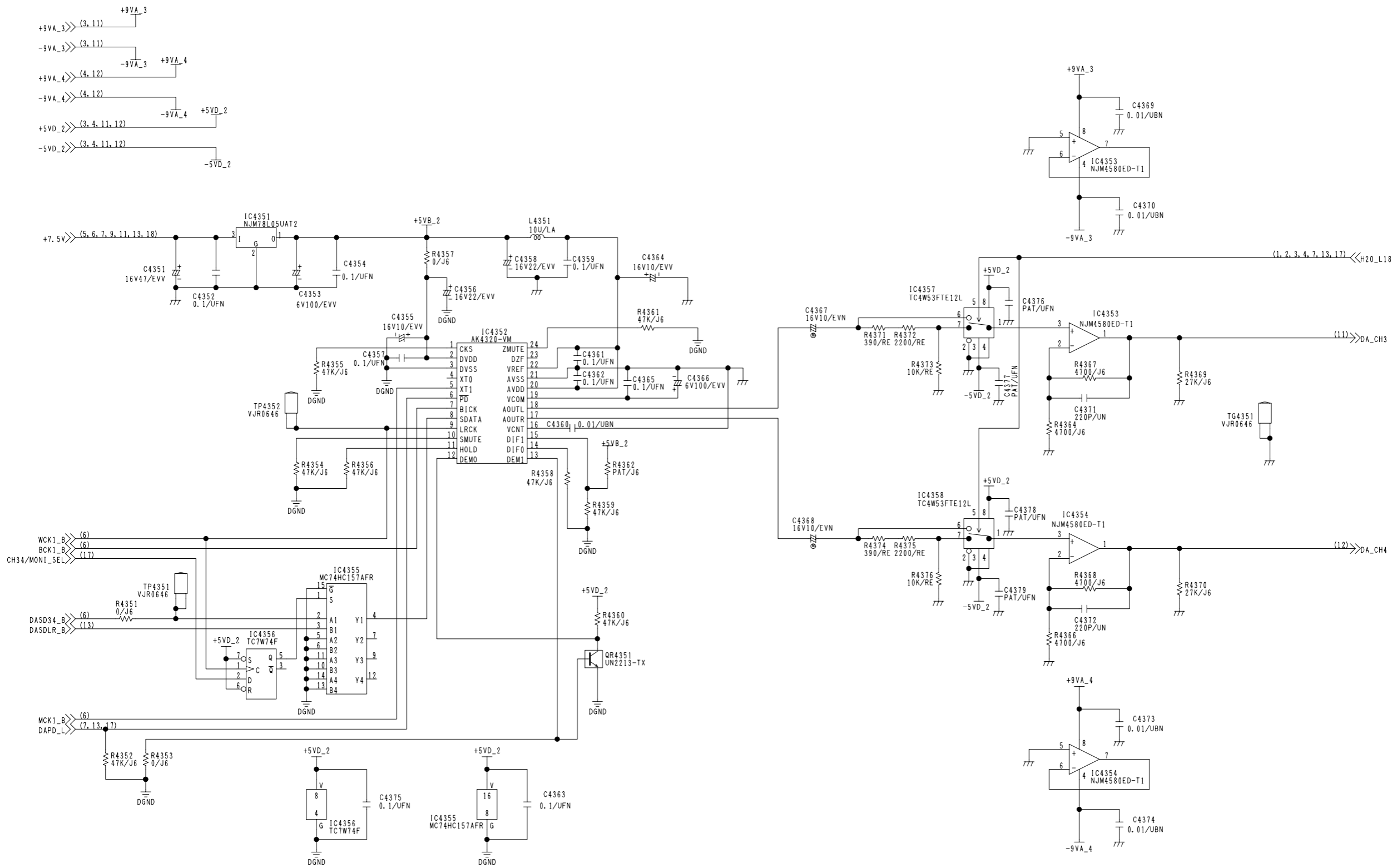
Ref No4000 Series (4251-4300)

COMPONENT NAME	A_ADDA (CH34_AD)	06/18
CIRCUIT BOARD NO	VEP84301A	MODEL NO
		AJ-D950,PD950
		SCM228



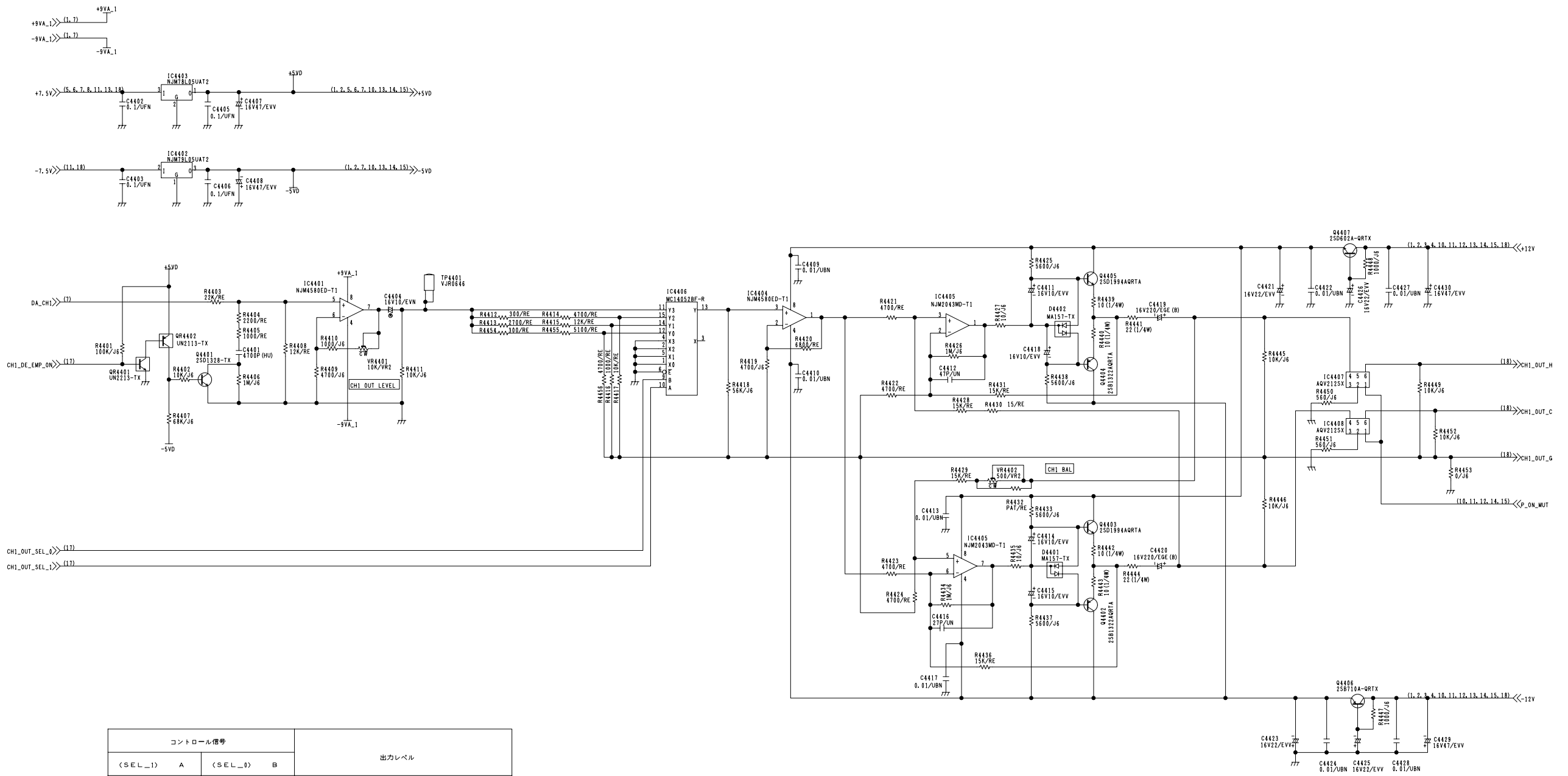
Ref No4000 Series (4301-4350)

COMPONENT NAME	A_ADDA (CH12_DA)	07/18
CIRCUIT BOARD NO	VEP84301A	MODEL NO
		AJ-D950,PD950
		SCM229

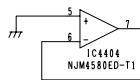
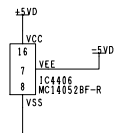
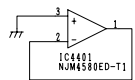


Ref No4000 Series (4351-4400)

COMPONENT NAME	A_ADDA (CH34_DA)	08/18
CIRCUIT BOARD NO	VEP84301A	MODEL NO
		AJ-D950,PD950
		SCM230

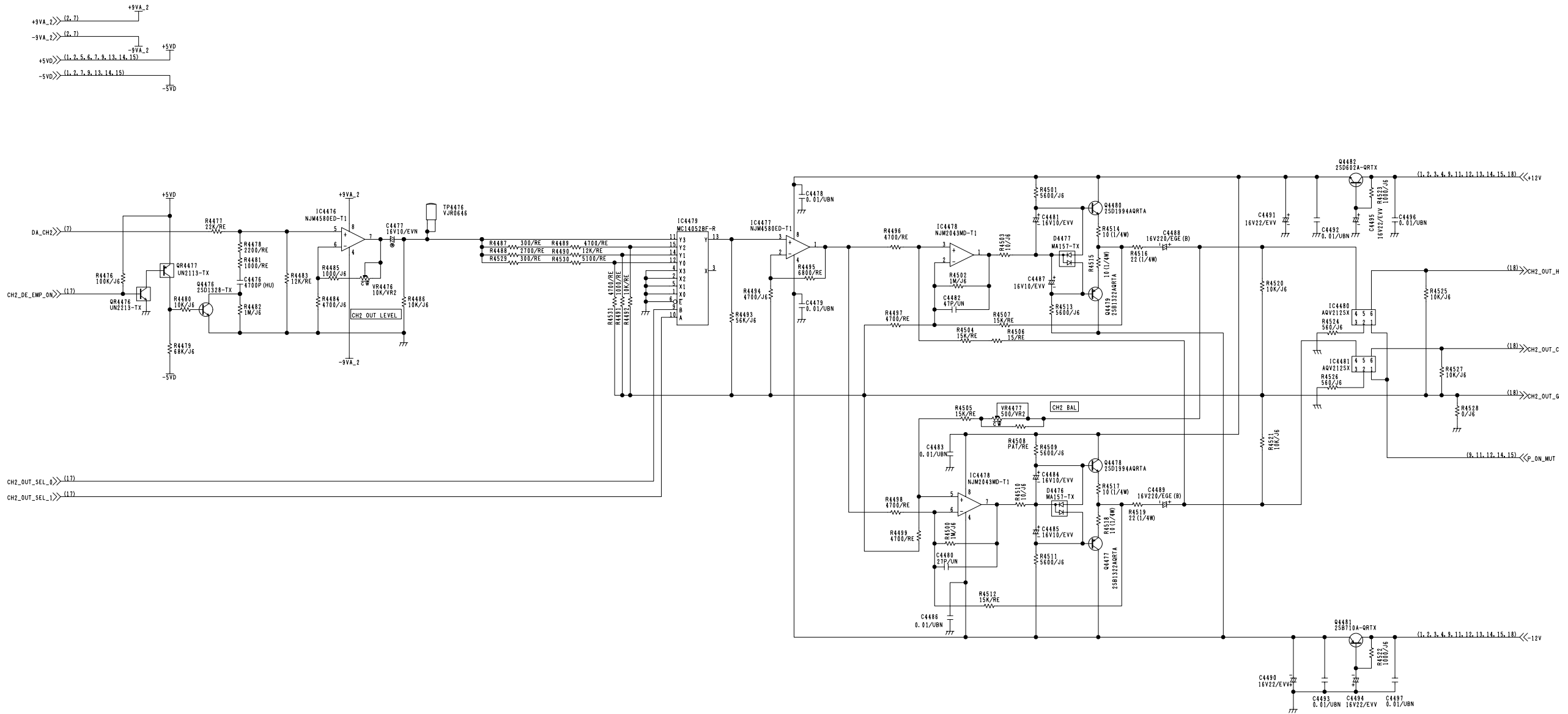


コントロール信号			出力レベル	
(SEL_1)	A	(SEL_0)	B	
	0	0	Y0	-3dBu
	1	0	Y1	-20dBu
	0	1	Y2	0dBu
	1	1	Y3	+4dBu

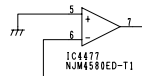
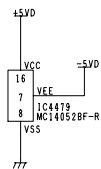
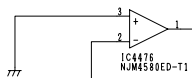


Ref No4000 Series (4401-4475)  
R(4401-4460)

COMPONENT NAME	A_ADDA (CH1_OUTPUT)		09/18
CIRCUIT BOARD NO	VEP84301A		MODEL NO
			AJ-D950,PD950
			SCM231

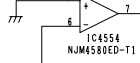
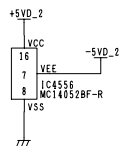
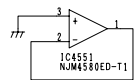
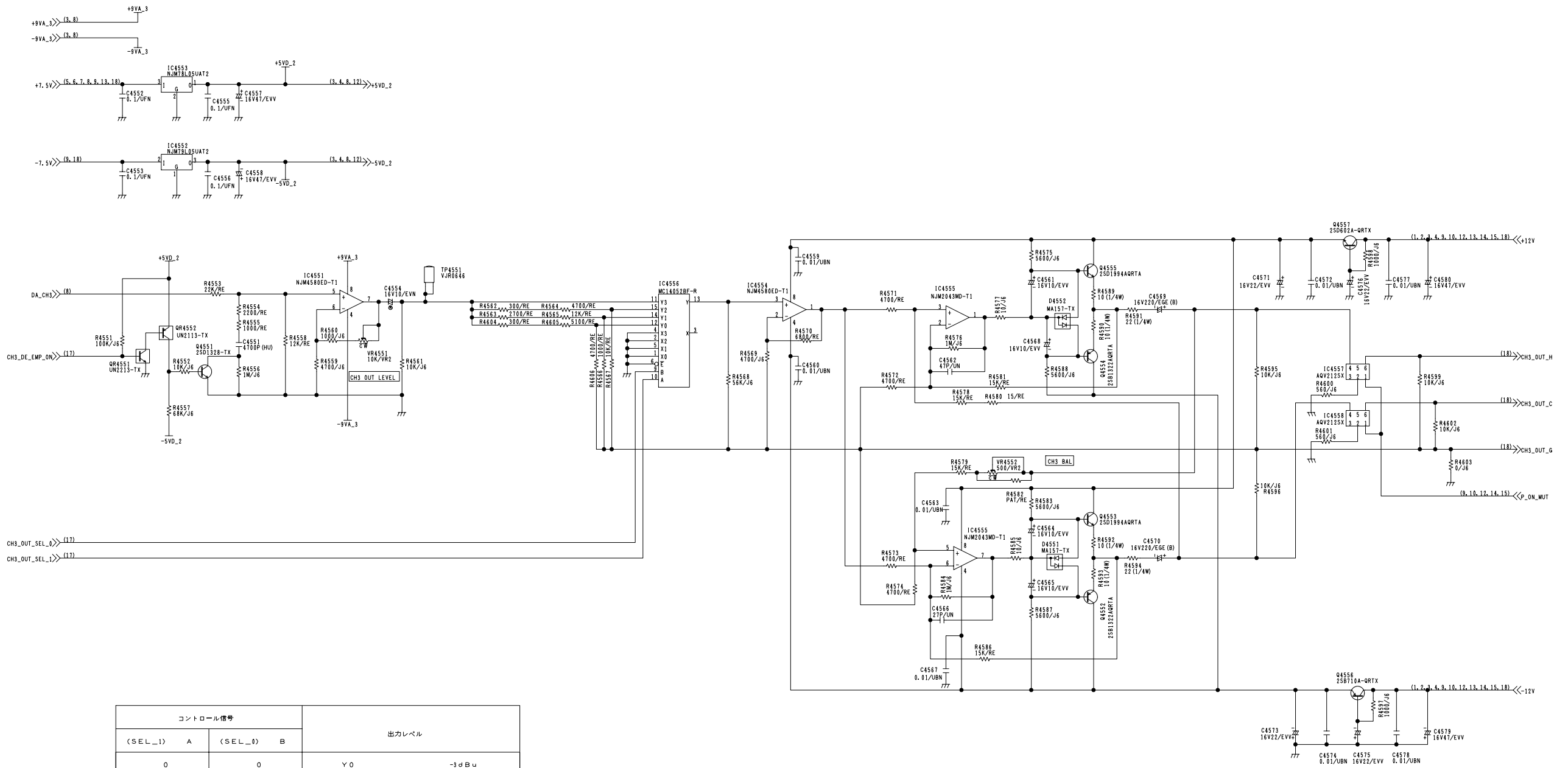


コントロール信号		出力レベル	
(SEL_1)	A	(SEL_0)	B
0	0	Y0	-3dBu
1	0	Y1	-20dBu
0	1	Y2	0dBu
1	1	Y3	+4dBu



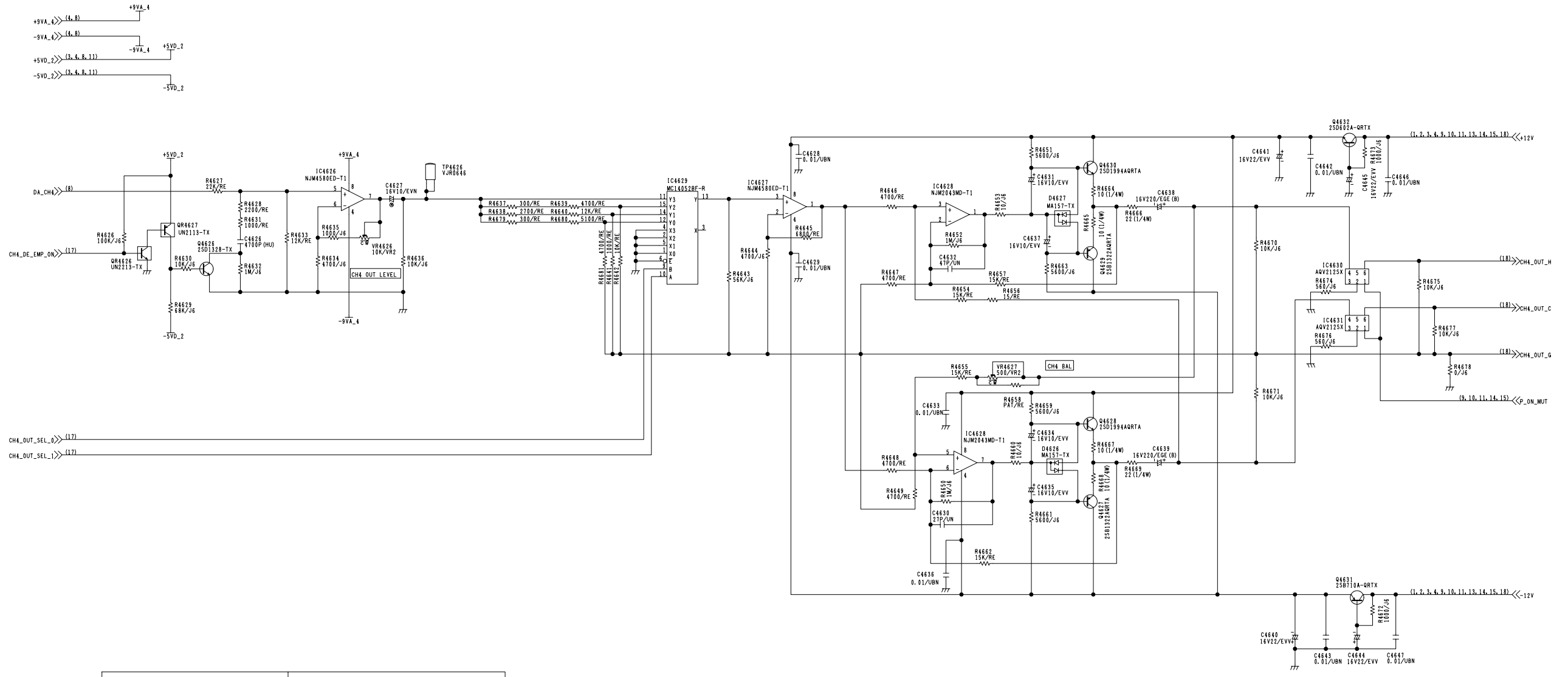
Ref No4000 Series (4476-4550)  
R(4476-4535)

COMPONENT NAME	A_ADDA (CH2_OUTPUT)	10/18
CIRCUIT BOARD NO	VEP84301A	MODEL NO
		AJ-D950,PD950
		SCM232

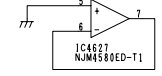
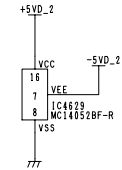
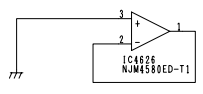


Ref No4000 Series (4551-4625)  
R(4551-4610)

COMPONENT NAME	A_ADDA (CH3_OUTPUT)		11/18
CIRCUIT BOARD NO	VEP84301A		MODEL NO AJ-D950,PD950
			SCM233

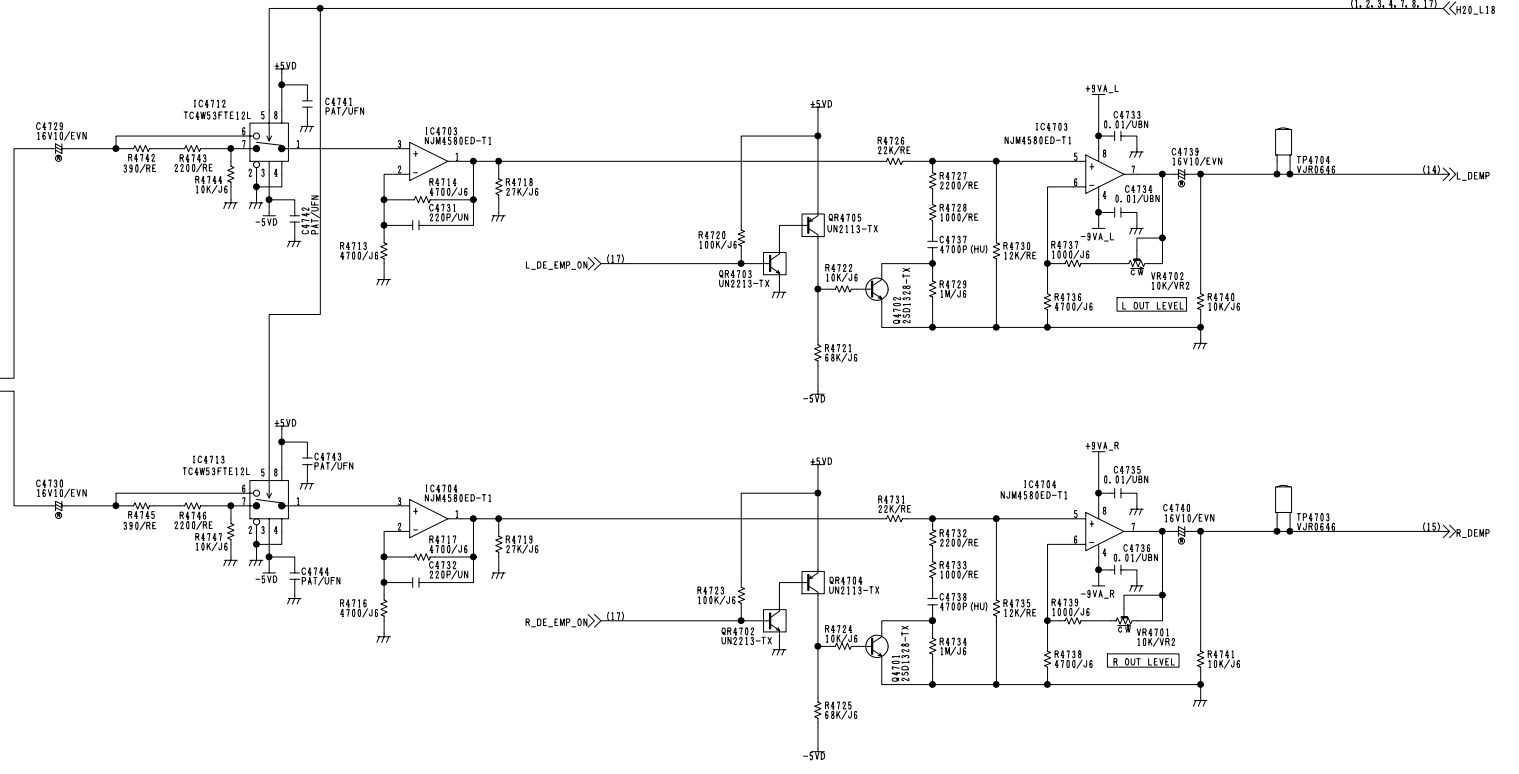
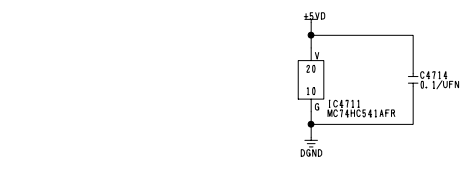
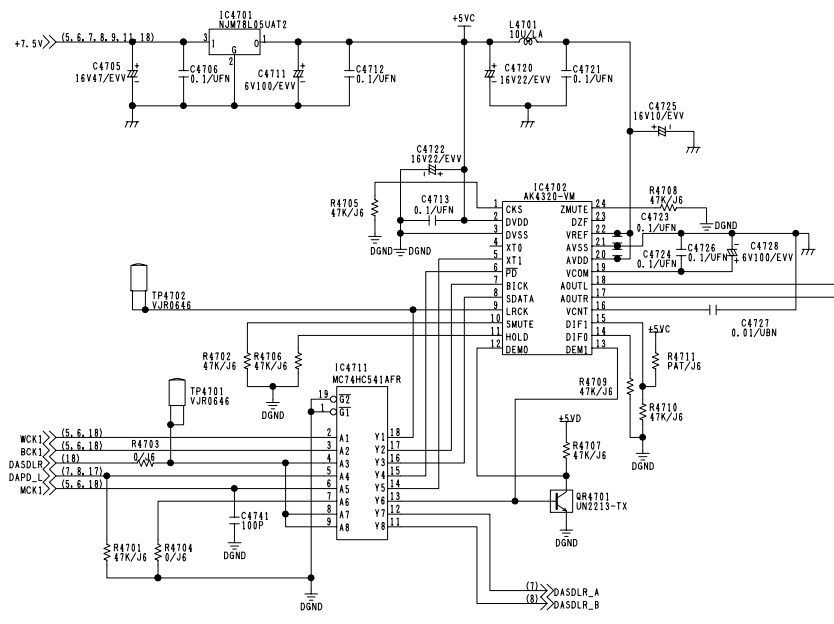
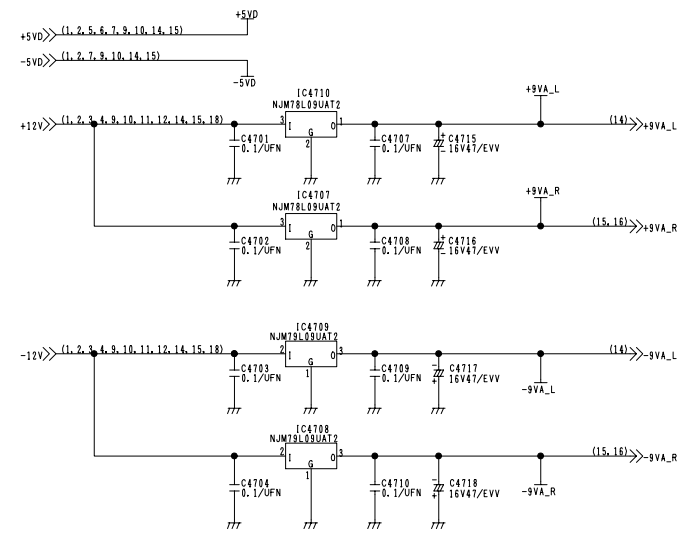


コントロール信号		出力レベル	
(SEL_1)	A	(SEL_0)	B
0	0	Y0	-3dBu
1	0	Y1	-20dBu
0	1	Y2	0dBu
1	1	Y3	+4dBu



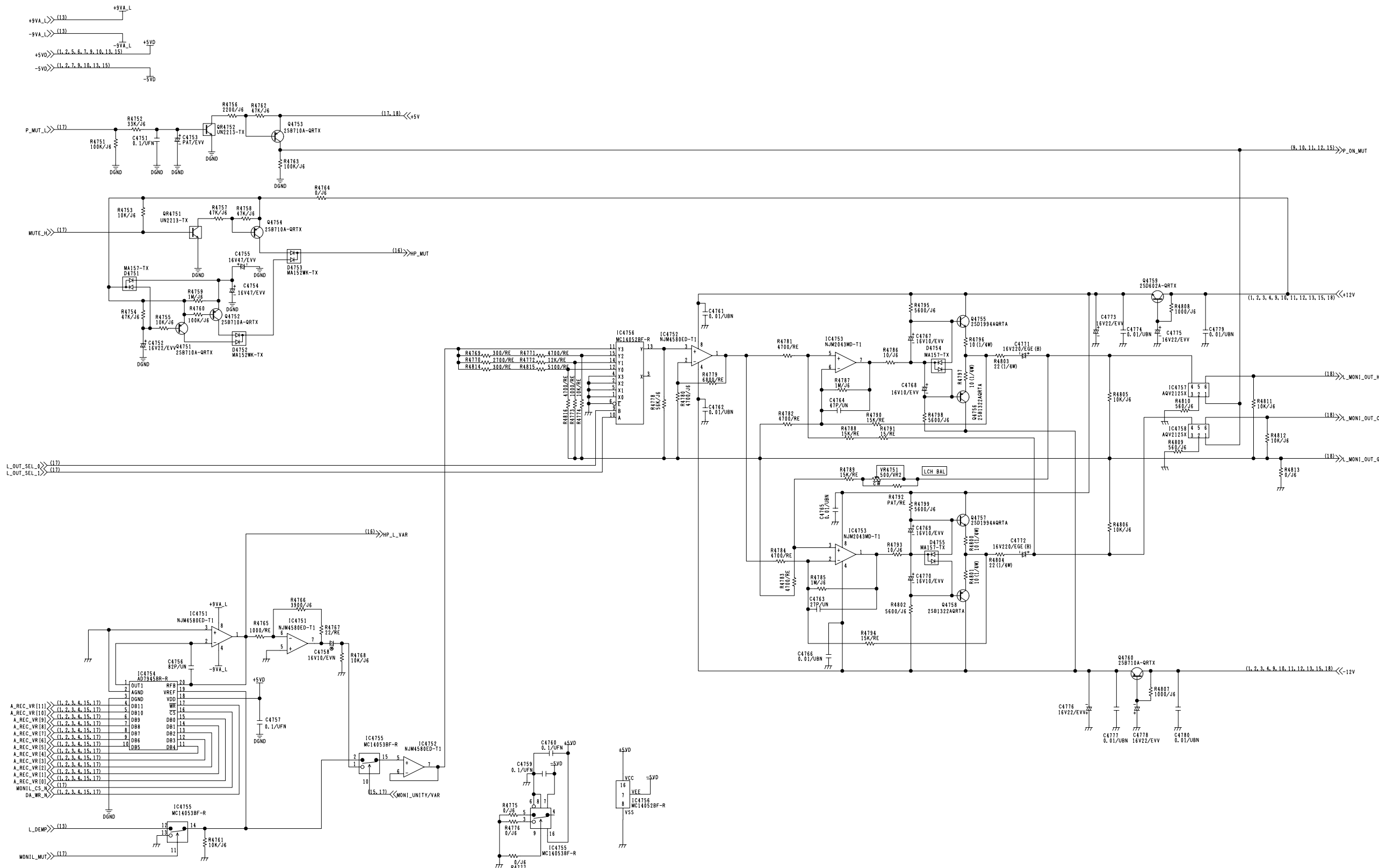
Ref No4000 Series (4626-4700)  
R (4626-4685)

COMPONENT NAME	A_ADDA (CH4_OUTPUT)	12/18
CIRCUIT BOARD NO	VEP84301A	MODEL NO
		AJ-D950,PD950
		SCM234



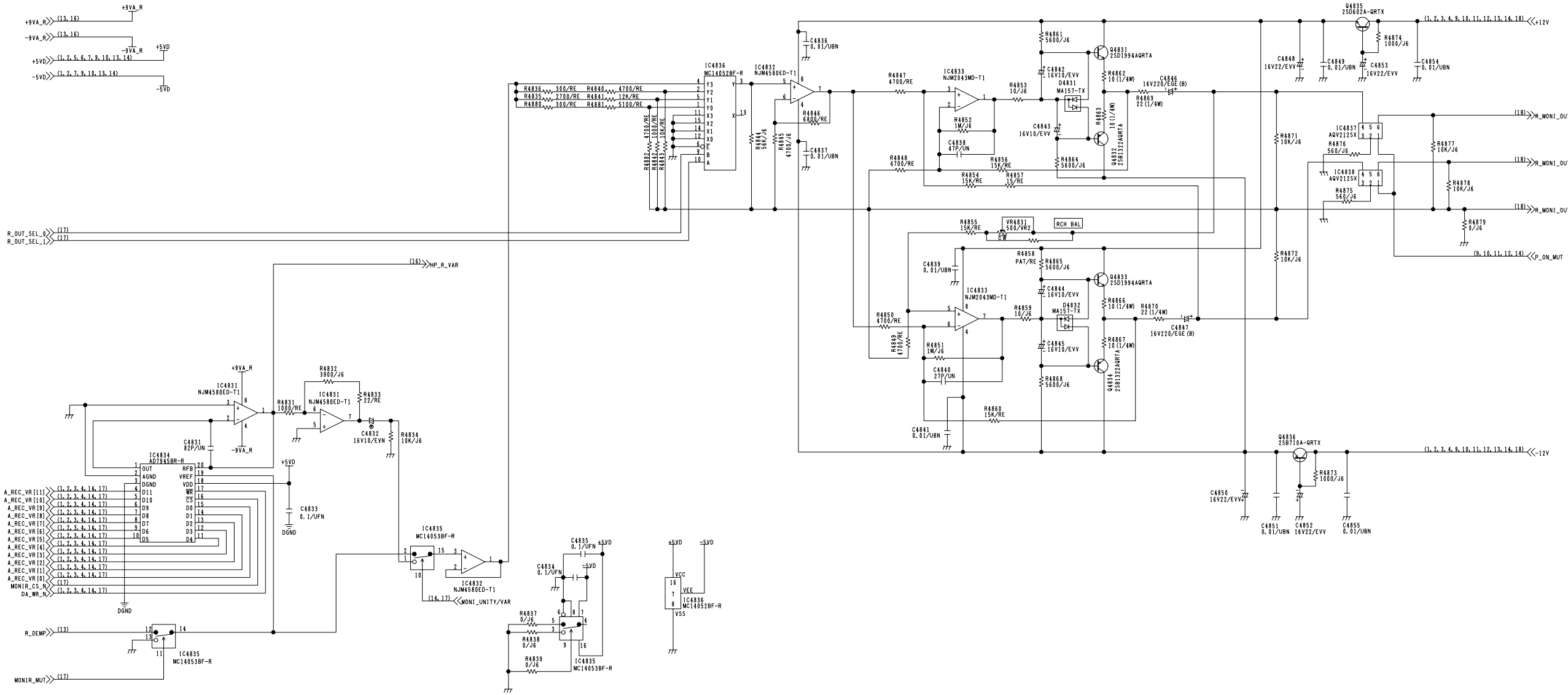
COMPONENT NAME	A_ADDA (MONILR_DA)	13/18
CIRCUIT BOARD NO	VEP84301A	MODEL NO
		AJ-D950,PD950
		SCM235





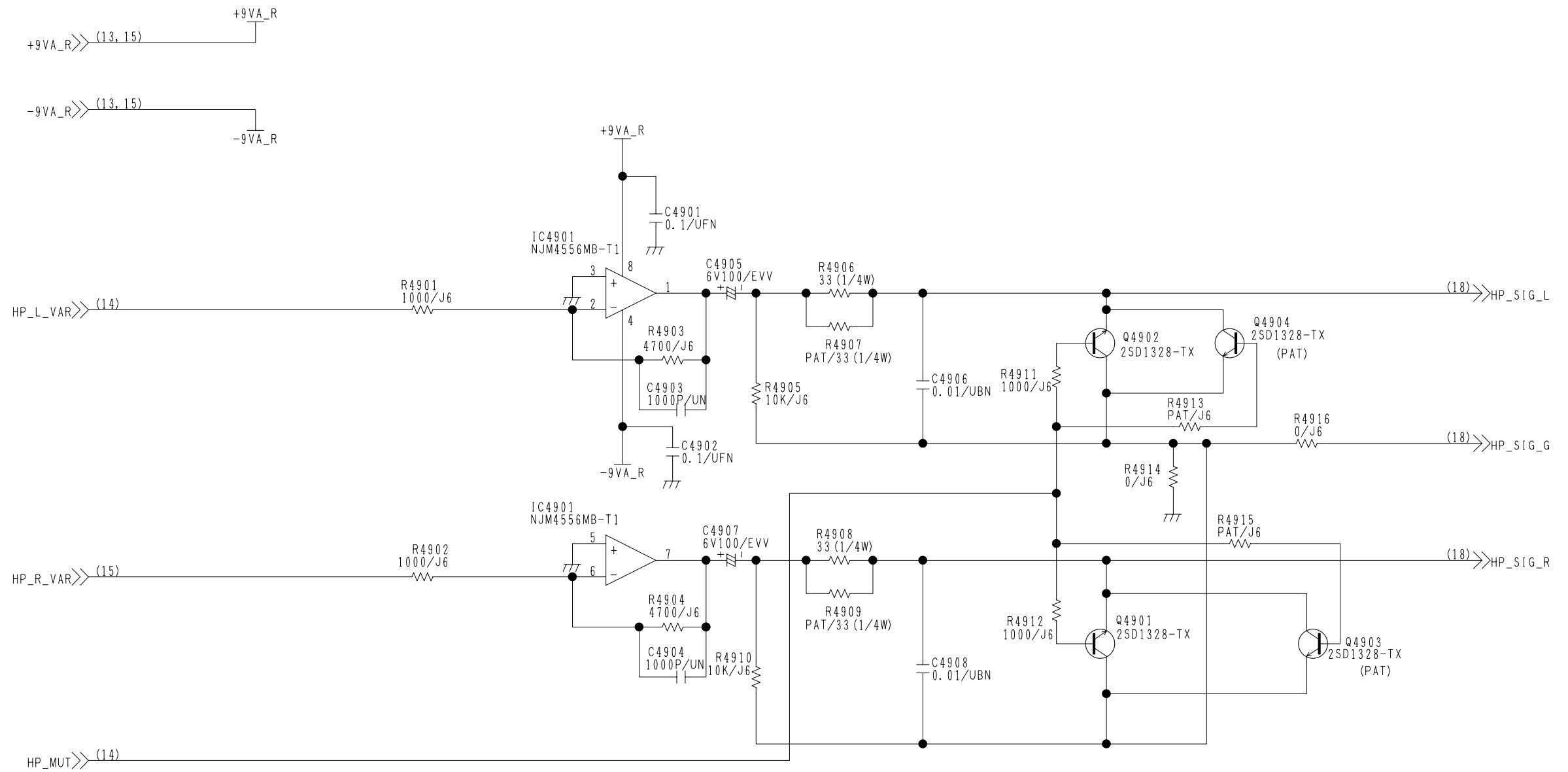
Ref No4000 Series (4751-4830)

COMPONENT NAME	A_ADDA (MONIL_OUTPUT) 14/18	
CIRCUIT BOARD NO	MODEL NO	
VEP84301A	AJ-D950,PD950	
SCM236		



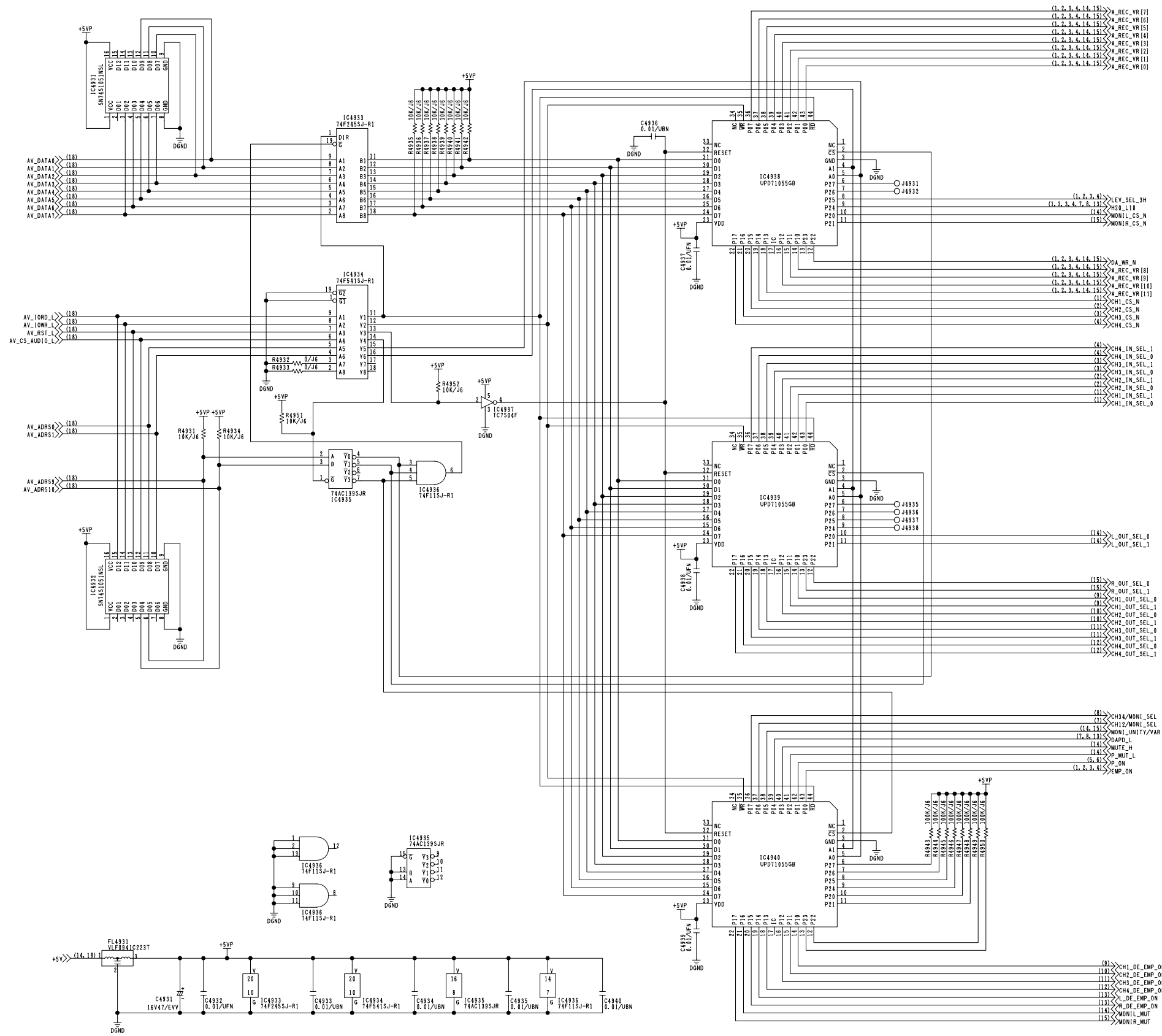
Ref No 4000 Series (4831-4900)

COMPONENT NAME	A_ADDA (MONIR_OUTPUT) 15/18	
CIRCUIT BOARD NO	MODEL NO	
VEP84301A	AJ-D950,PD950	
	SCM237	



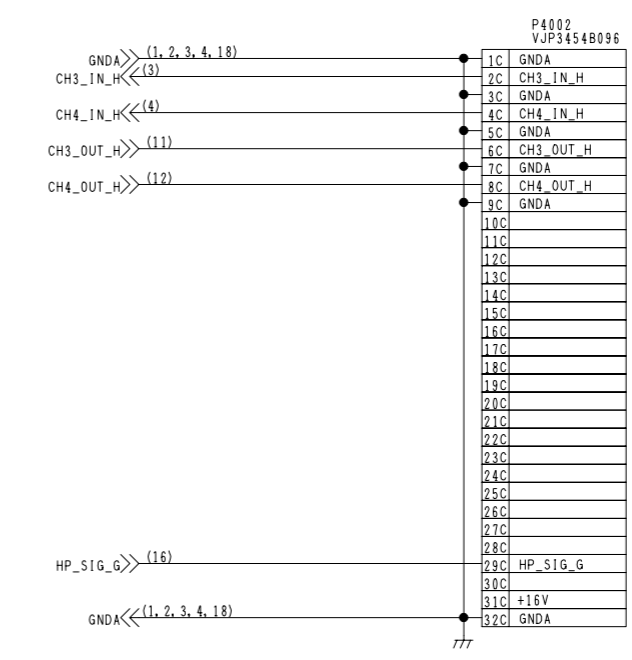
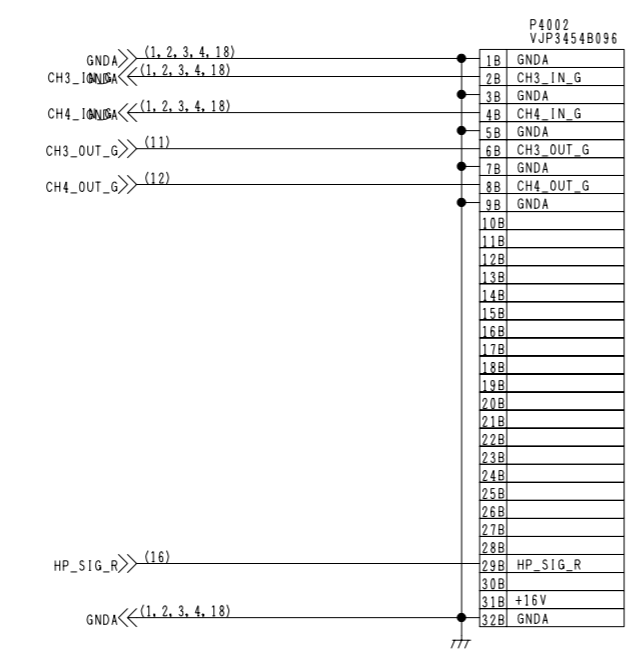
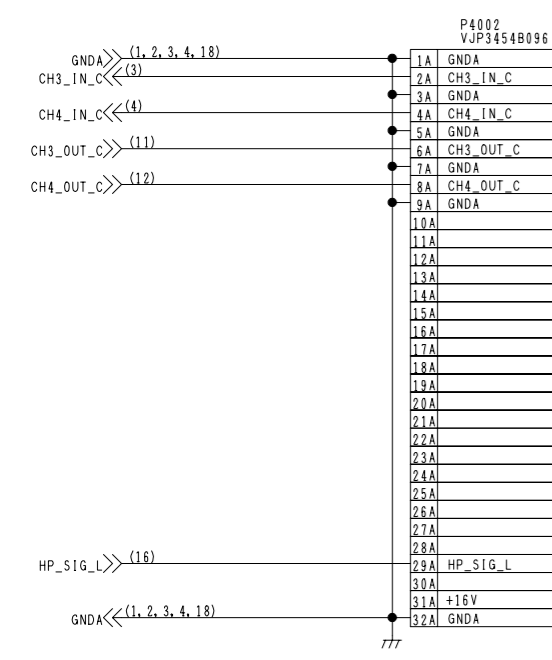
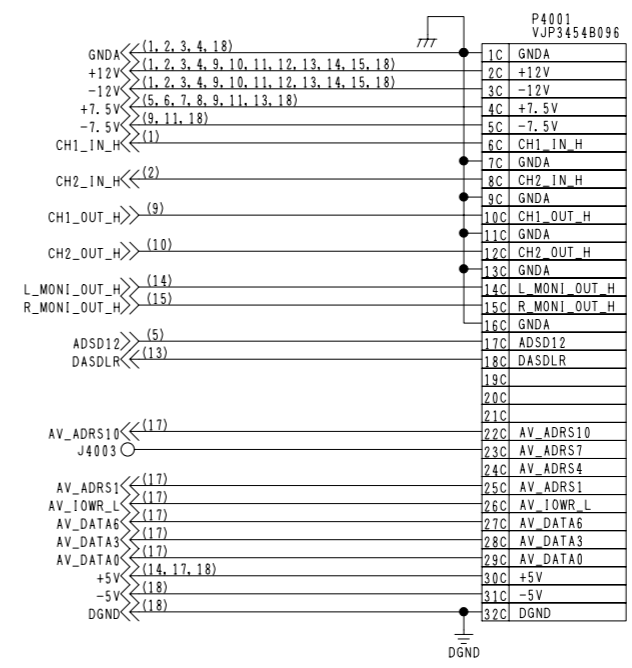
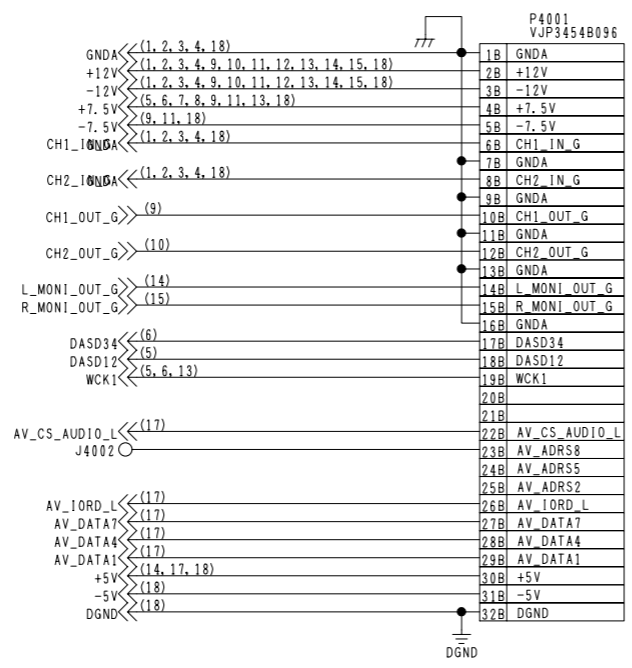
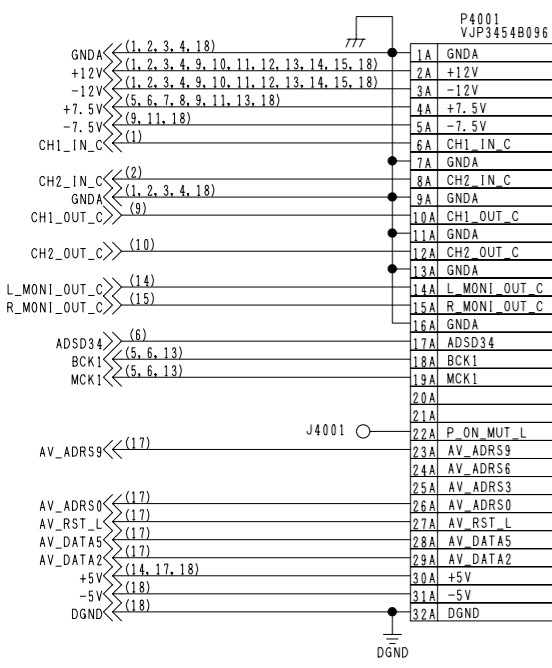
Ref No4000 Series (4901-4930)

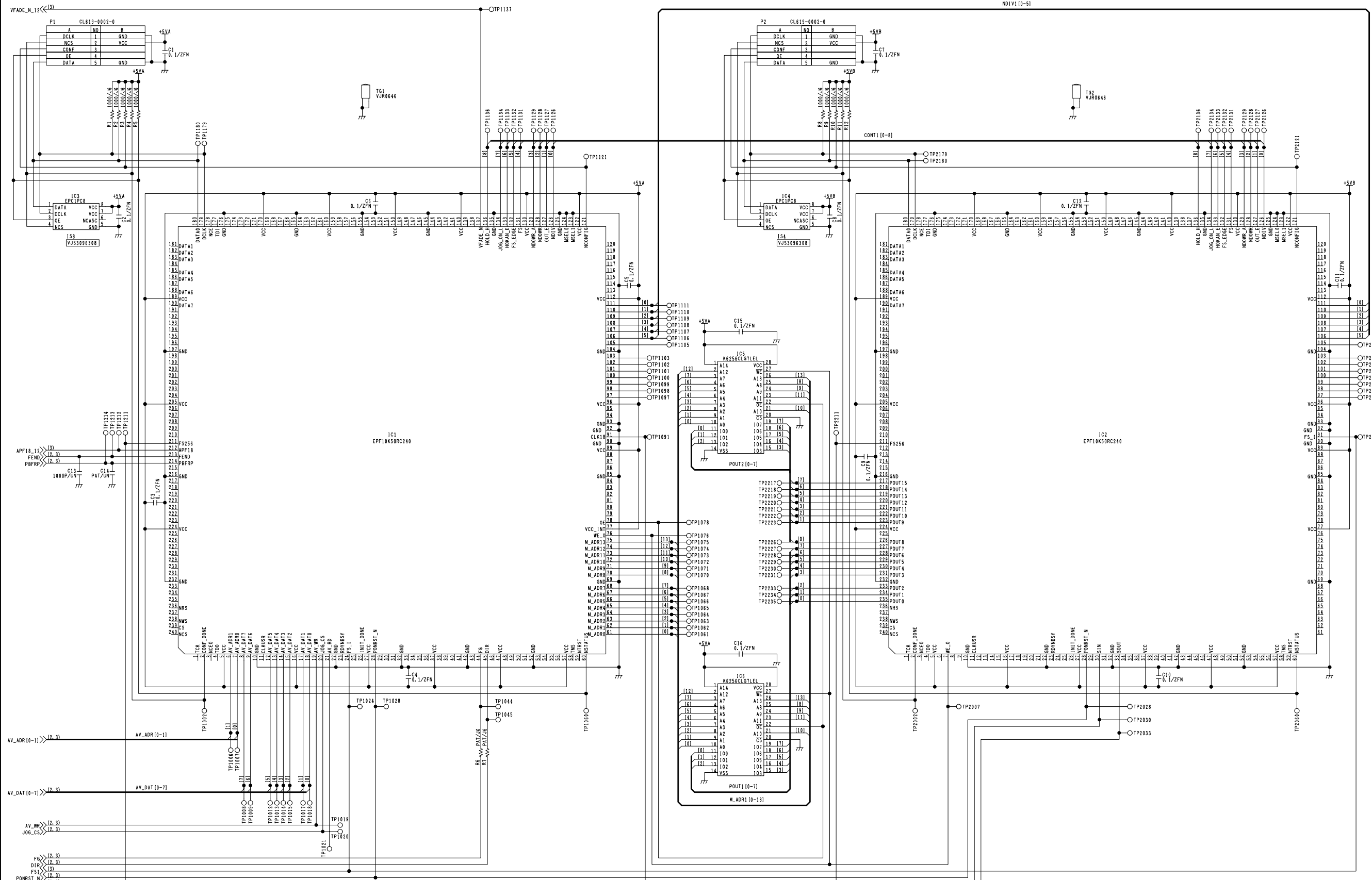
COMPONENT NAME	A_ADDA (HP_OUTPUT)	16/18
CIRCUIT BOARD NO	VEP84301A	MODEL NO
		AJ-D950,PD950
		SCM238



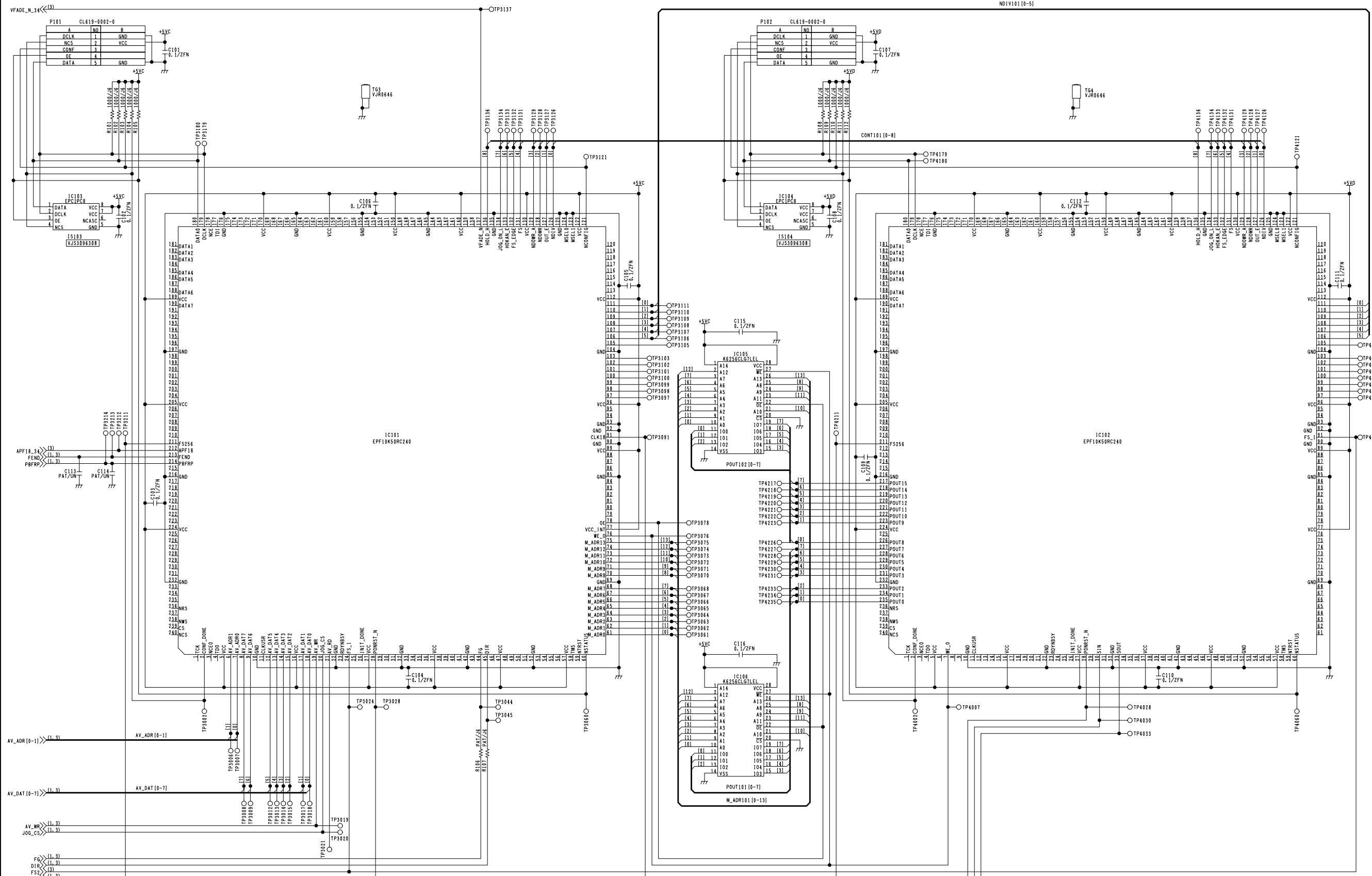
Ref No 400 Series (4931-4999)

COMPONENT NAME	A_ADDA (P10)	17/18
CIRCUIT BOARD NO	VEP84301A	MODEL NO
		AJ-D950,PD950
		SCM239

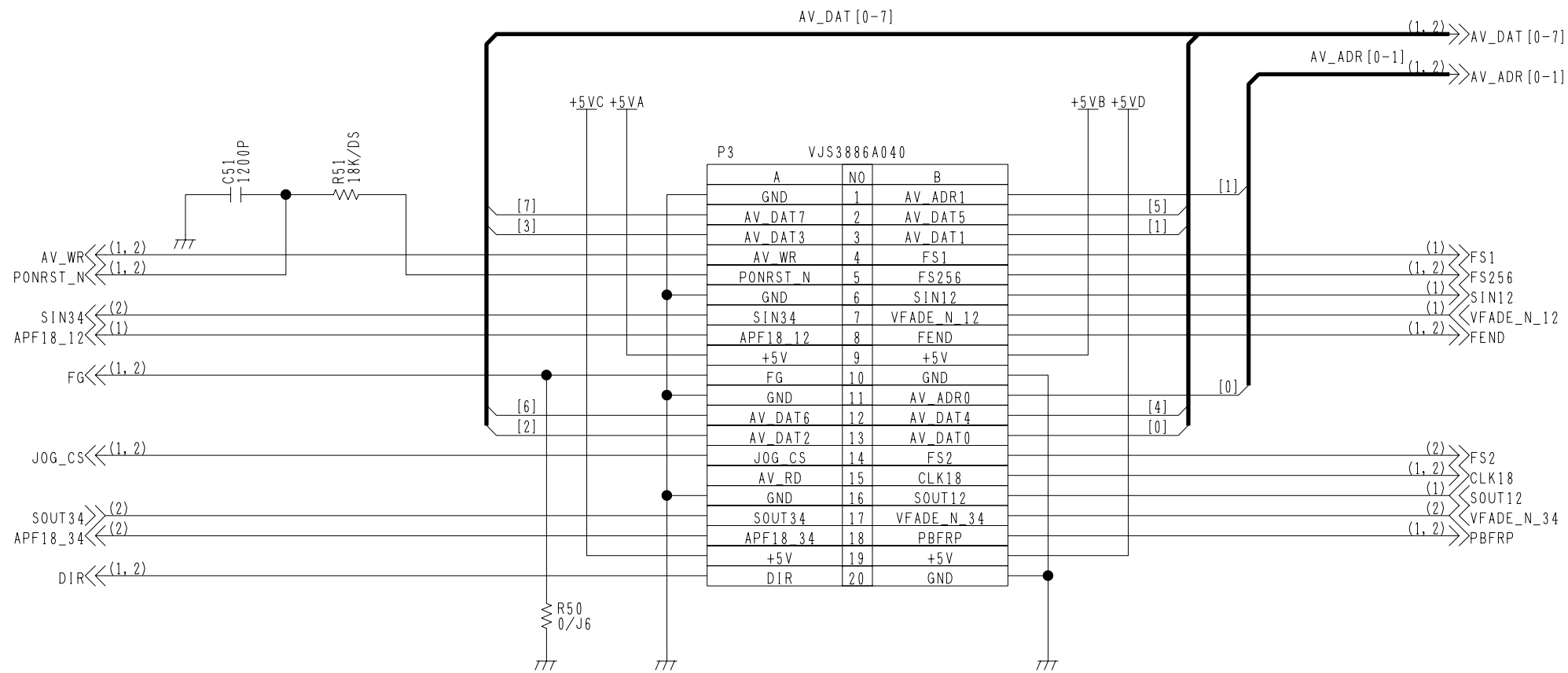




COMPONENT NAME	AJOG_SUB	01/03
CIRCUIT BOARD NO	VEP84313A	MODEL NO
		AJ-D950,PD950
SCM219		

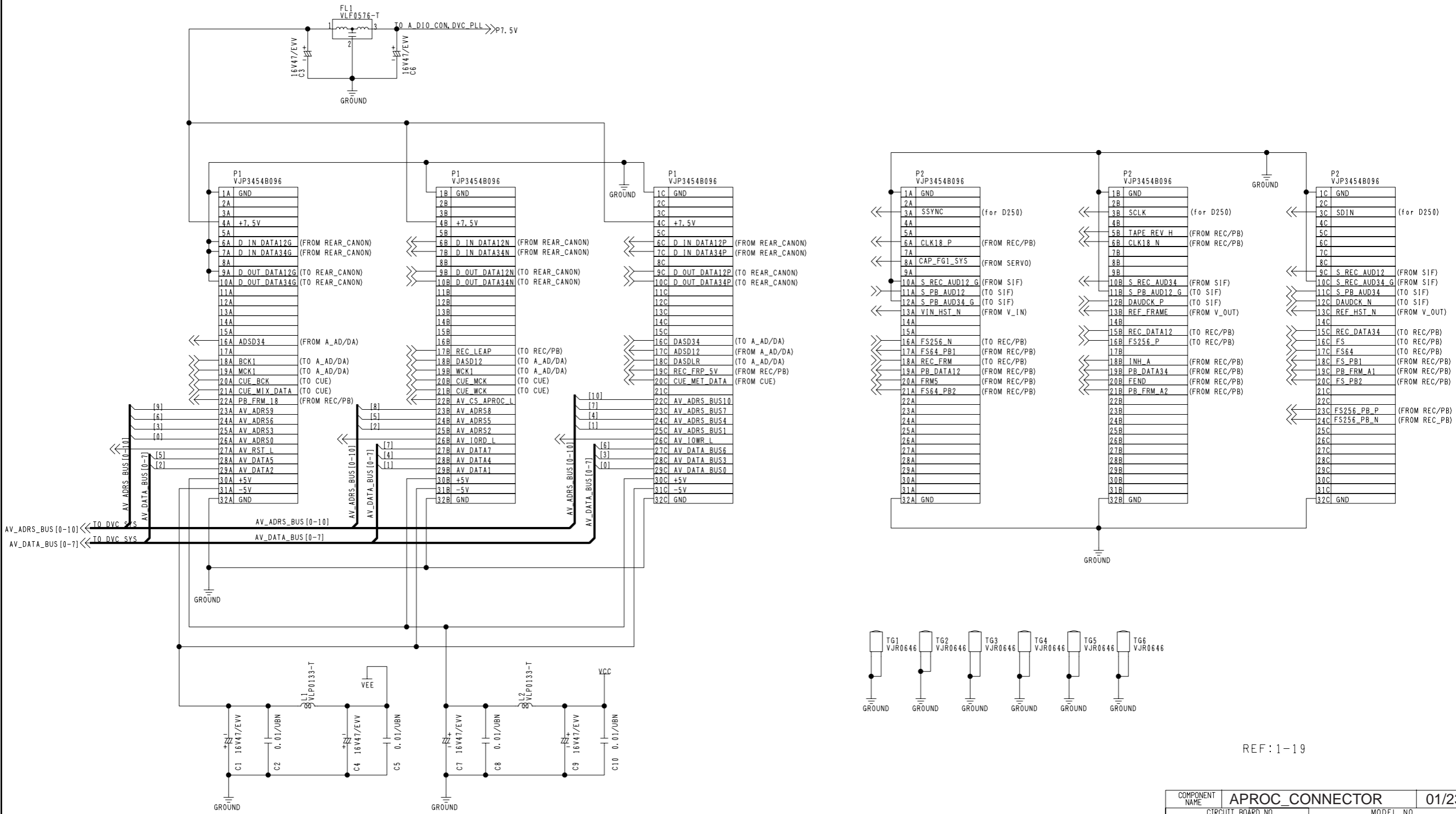


COMPONENT NAME	AJOG_SUB	02/03
CIRCUIT BOARD NO	VEP84313A	MODEL NO
		AJ-D950,PD950
		SCM220



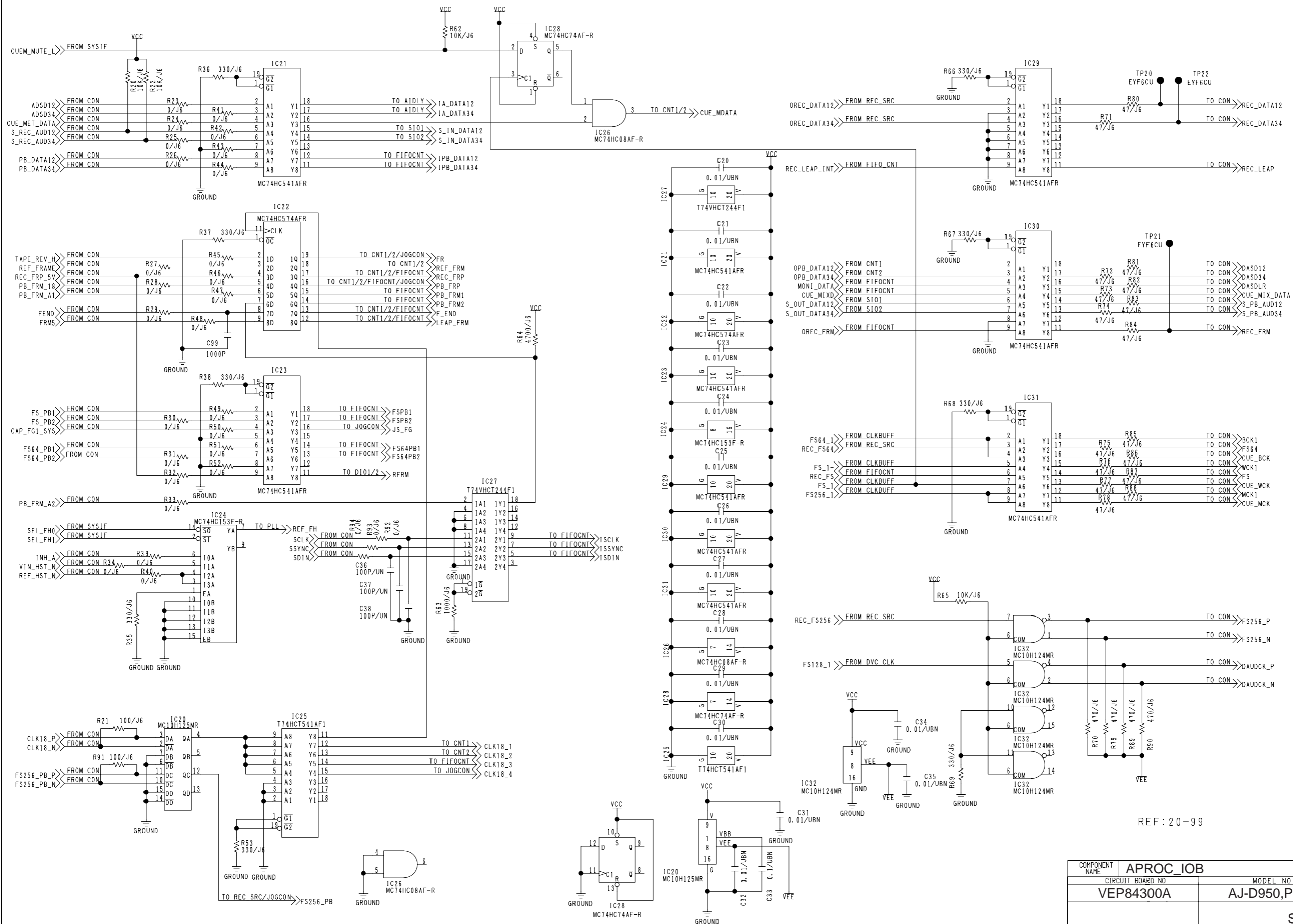
COMPONENT NAME	AJOG_SUB	03/03
CIRCUIT BOARD NO	VEP84313A	MODEL NO
		AJ-D950,PD950
		SCM221



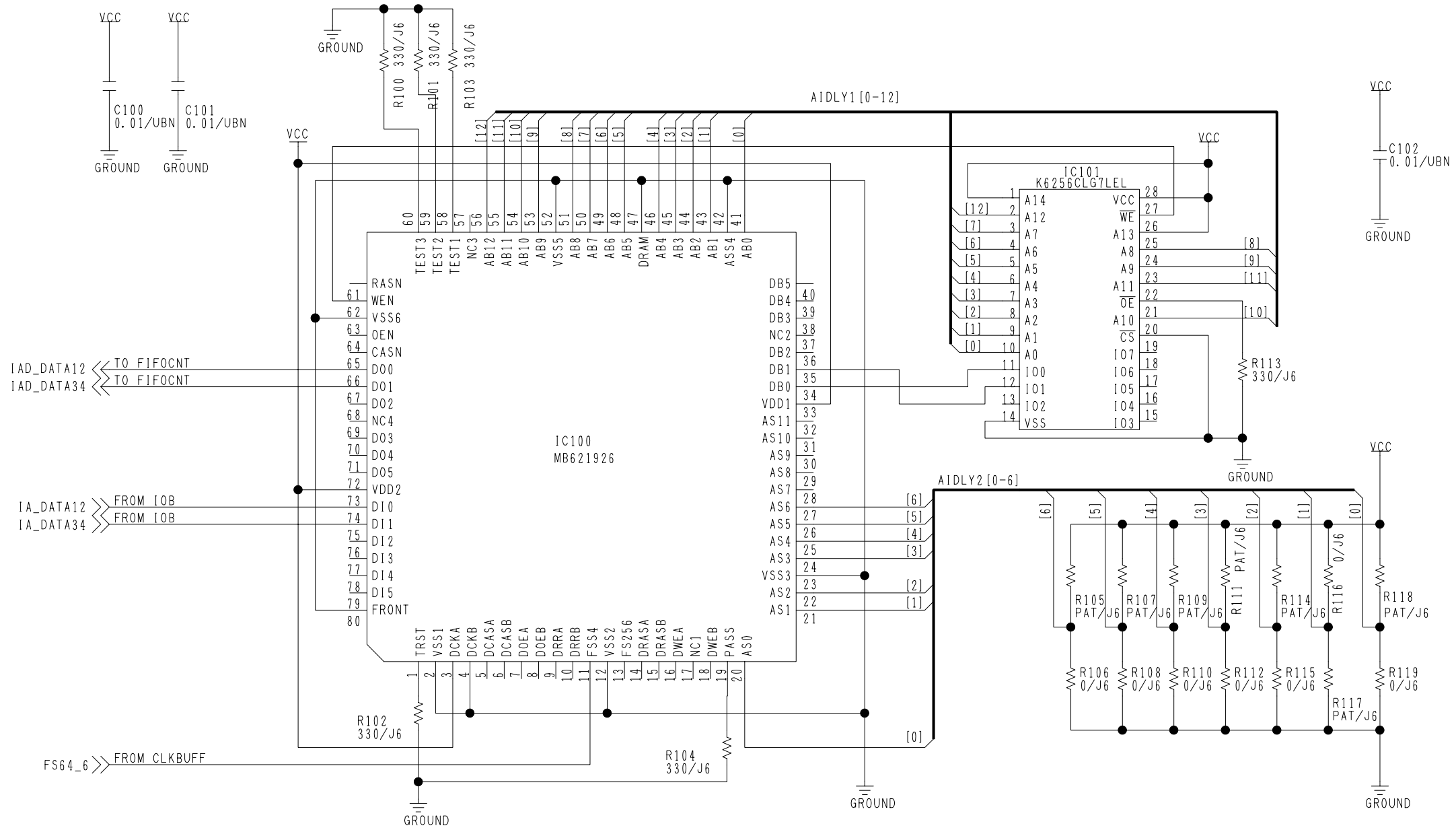


REF: 1-19

COMPONENT NAME	APROC_CONNECTOR	01/23
CIRCUIT BOARD NO	VEP84300A	MODEL NO
		AJ-D950,PD950
		SCM196

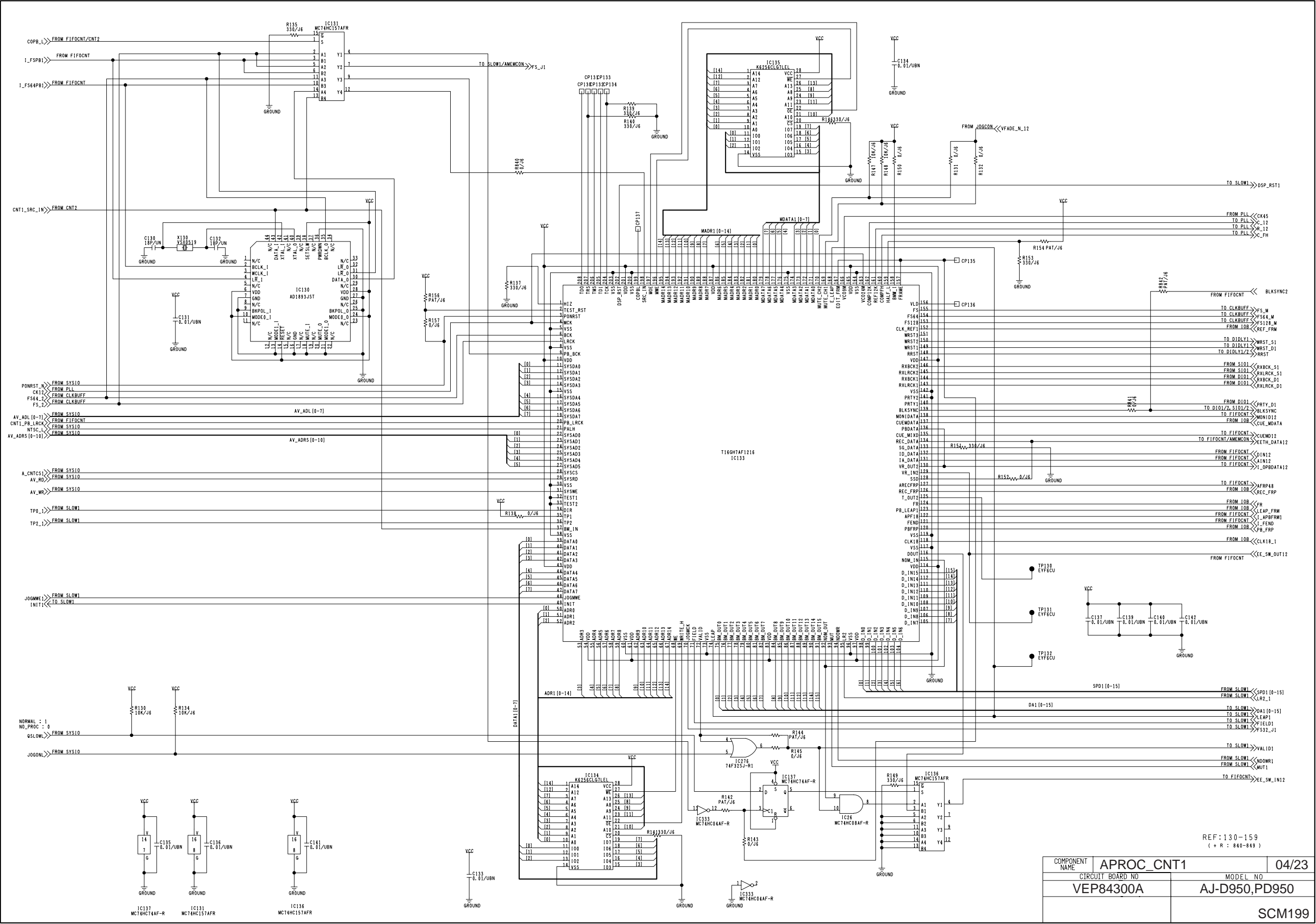


COMPONENT NAME	APROC_IJOB		02/23
CIRCUIT BOARD NO	VEP84300A		MODEL NO
			AJ-D950,PD950
			SCM197



REF: 100-130

COMPONENT NAME	APROC_AIDLY	03/23
CIRCUIT BOARD NO	VEP84300A	MODEL NO
		AJ-D950,PD950
		SCM198

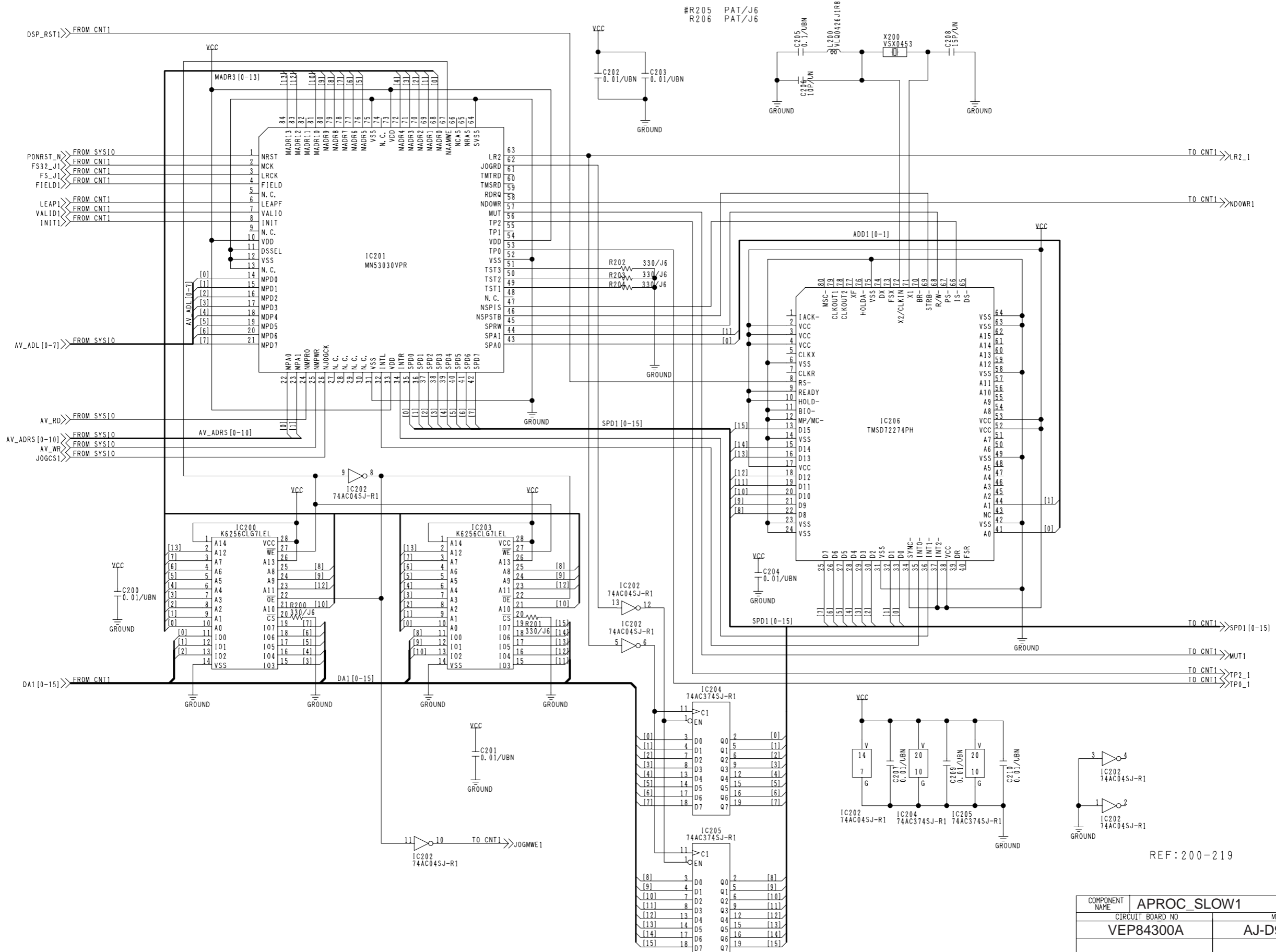


REF: 130-159  
( + R : 840-849 )

COMPONENT NAME	APROC_CNT1	04/23
CIRCUIT BOARD NO	VEP84300A	MODEL NO
		AJ-D950,PD950
		SCM199

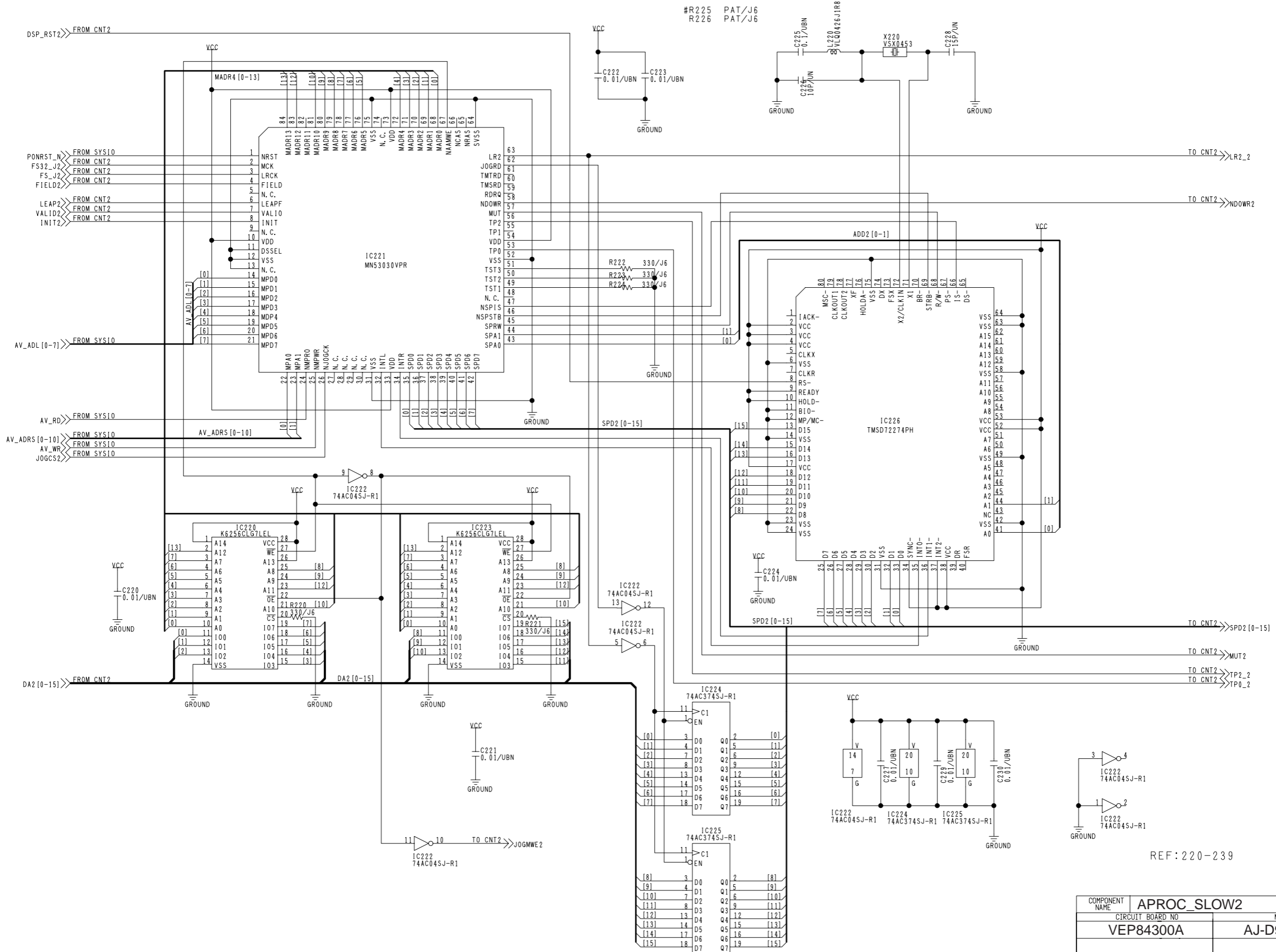






REF: 200-219

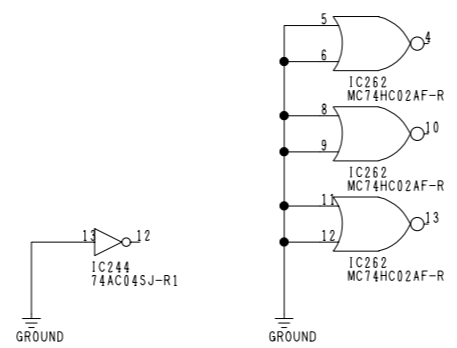
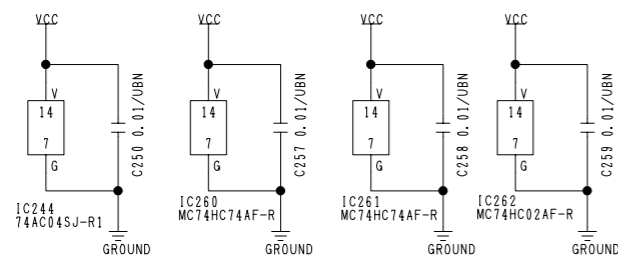
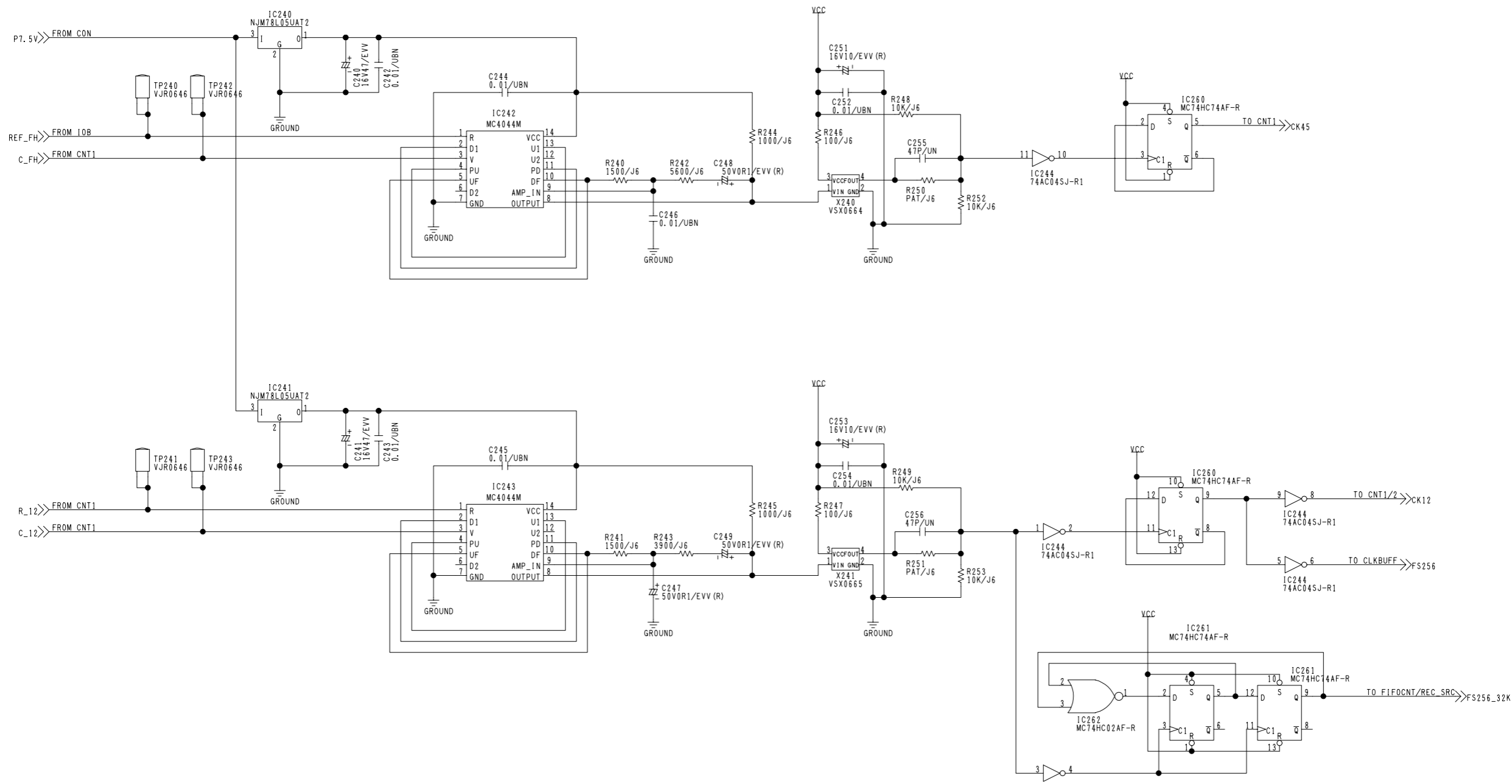
COMPONENT NAME	APROC_SLOW1	07/23
CIRCUIT BOARD NO	VEP84300A	MODEL NO
		AJ-D950,PD950
		SCM202



REF: 220-239

COMPONENT NAME	APROC_SLOW2	08/23
CIRCUIT BOARD NO	VEP84300A	MODEL NO
		AJ-D950,PD950
		SCM203

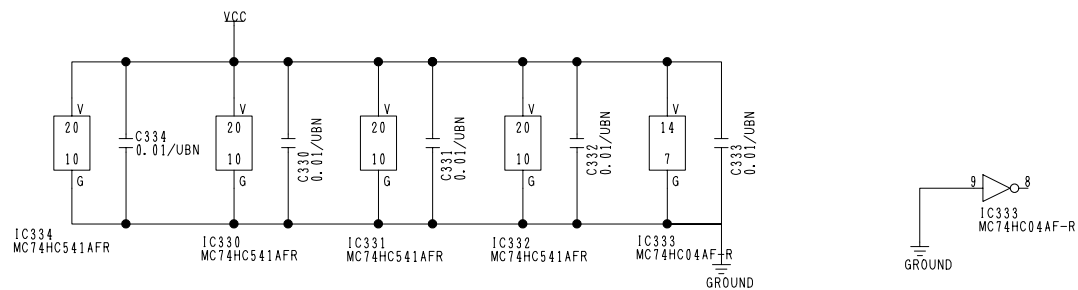
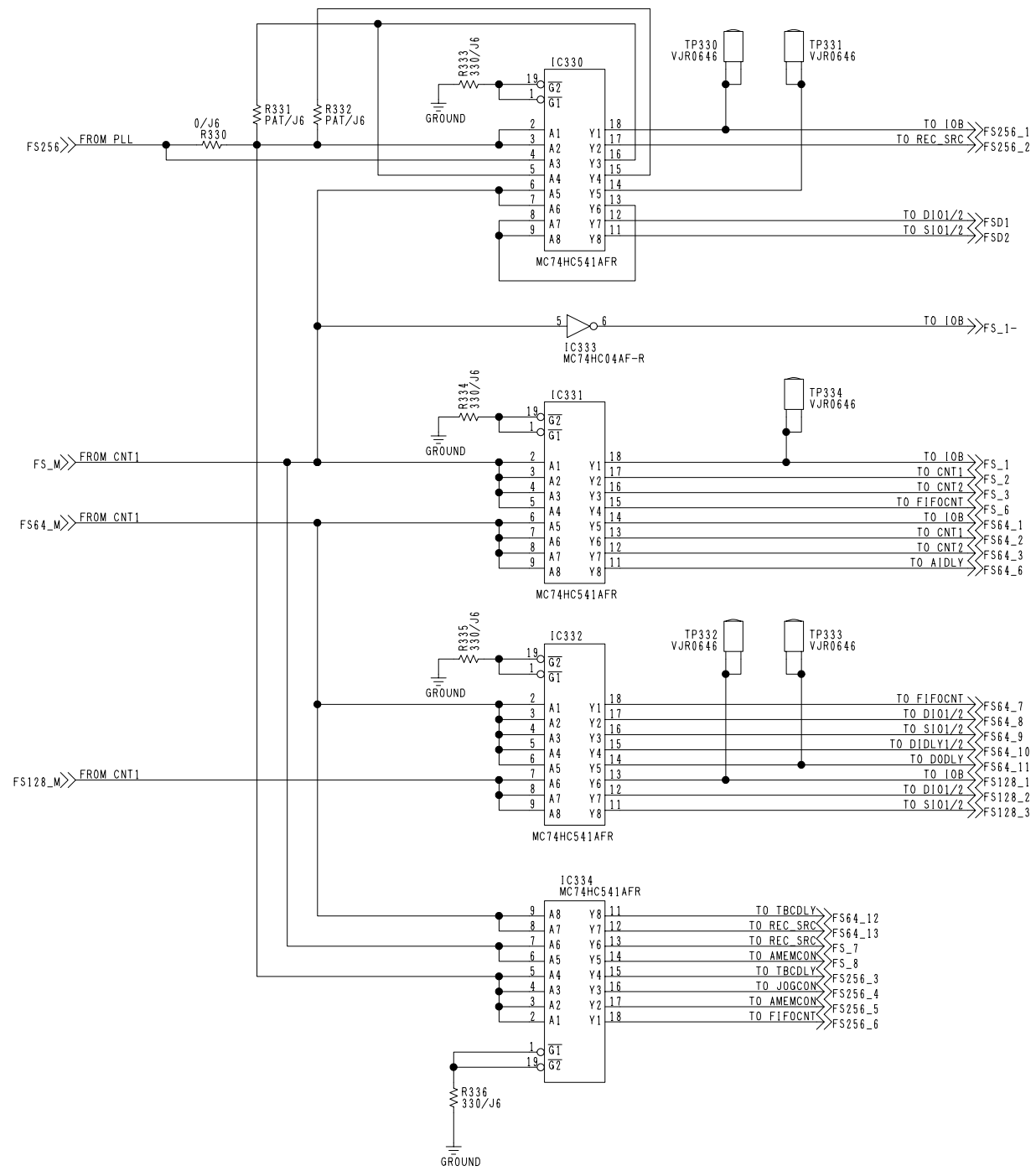




REF: 240-269

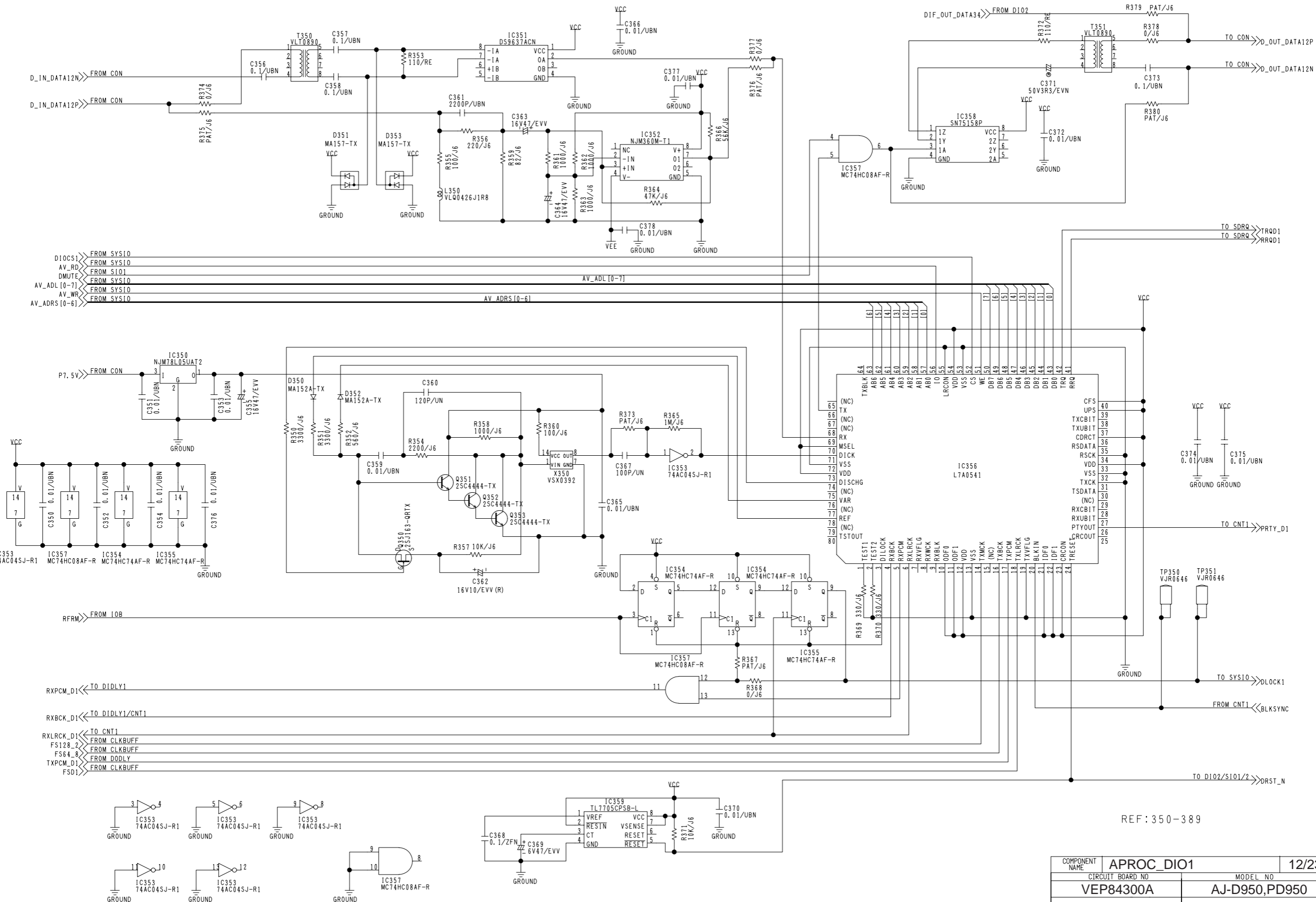
COMPONENT NAME	APROC_PLL	09/23
CIRCUIT BOARD NO	VEP84300A	MODEL NO
		AJ-D950,PD950
		SCM204





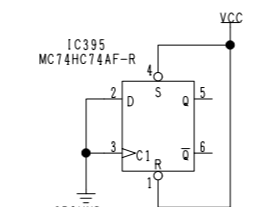
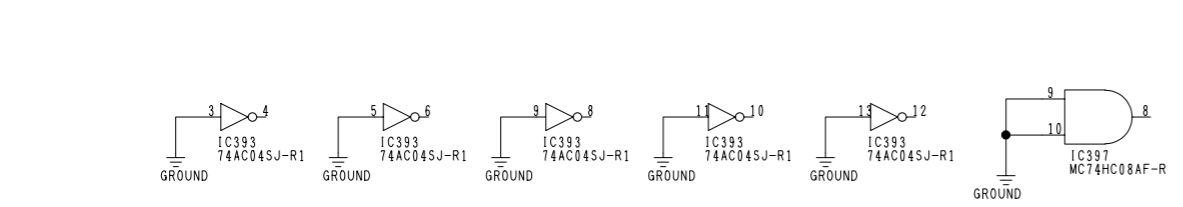
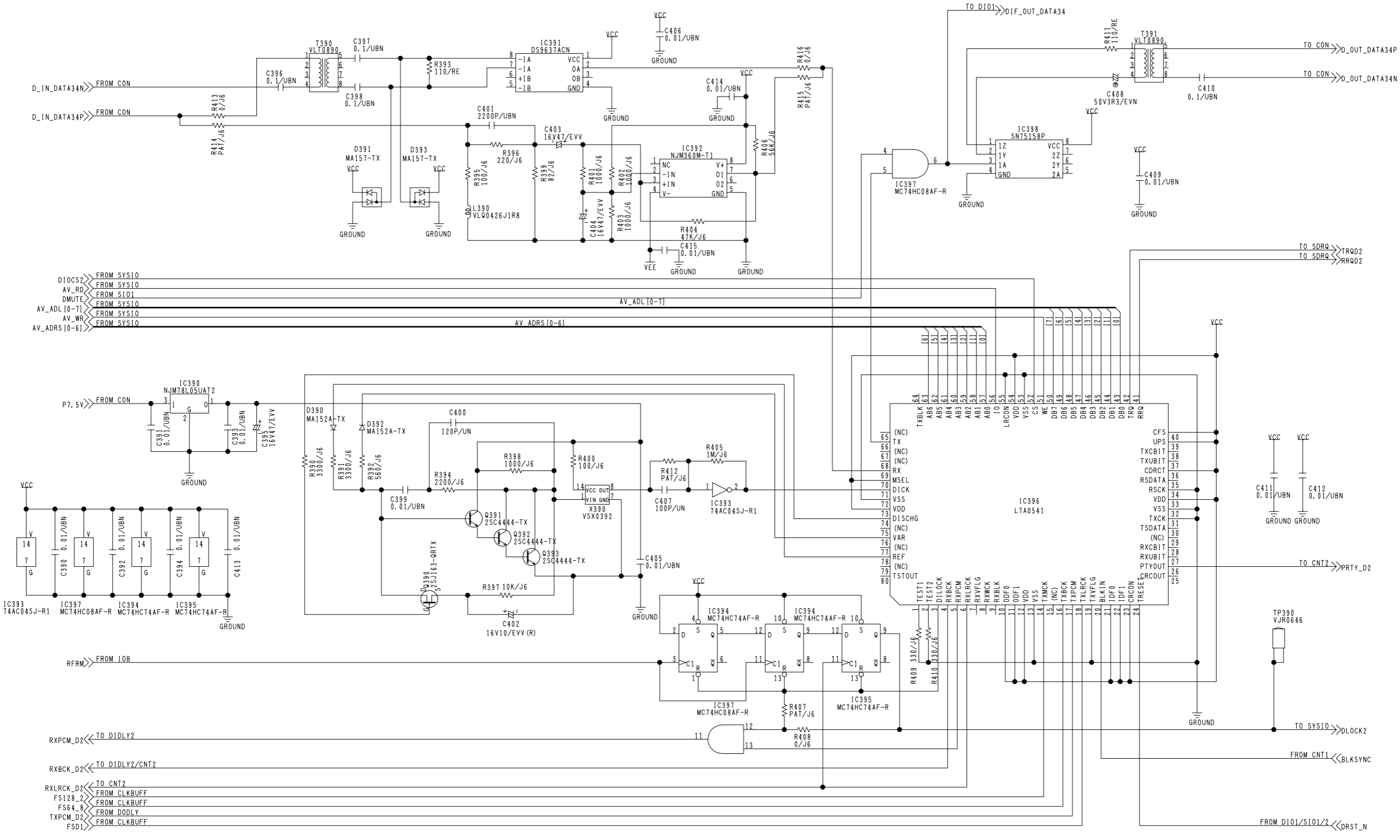
REF: 330-349

COMPONENT NAME	APROC_CLKBUFF	11/23
CIRCUIT BOARD NO	VEP84300A	MODEL NO
		AJ-D950,PD950
		SCM206



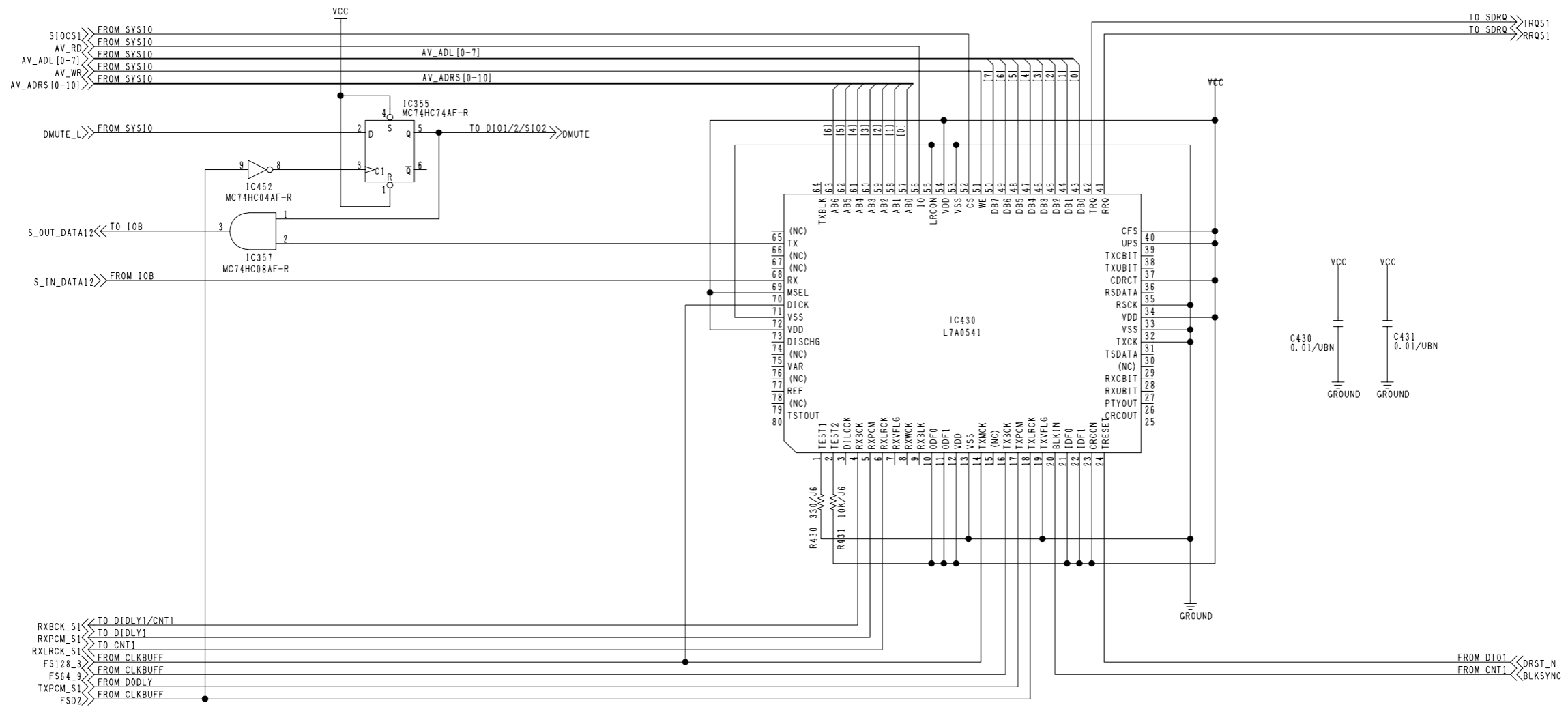
REF: 350-389

COMPONENT NAME	APROC_DIO1		12/23
CIRCUIT BOARD NO	VEP84300A		MODEL NO
			AJ-D950,PD950
			SCM207



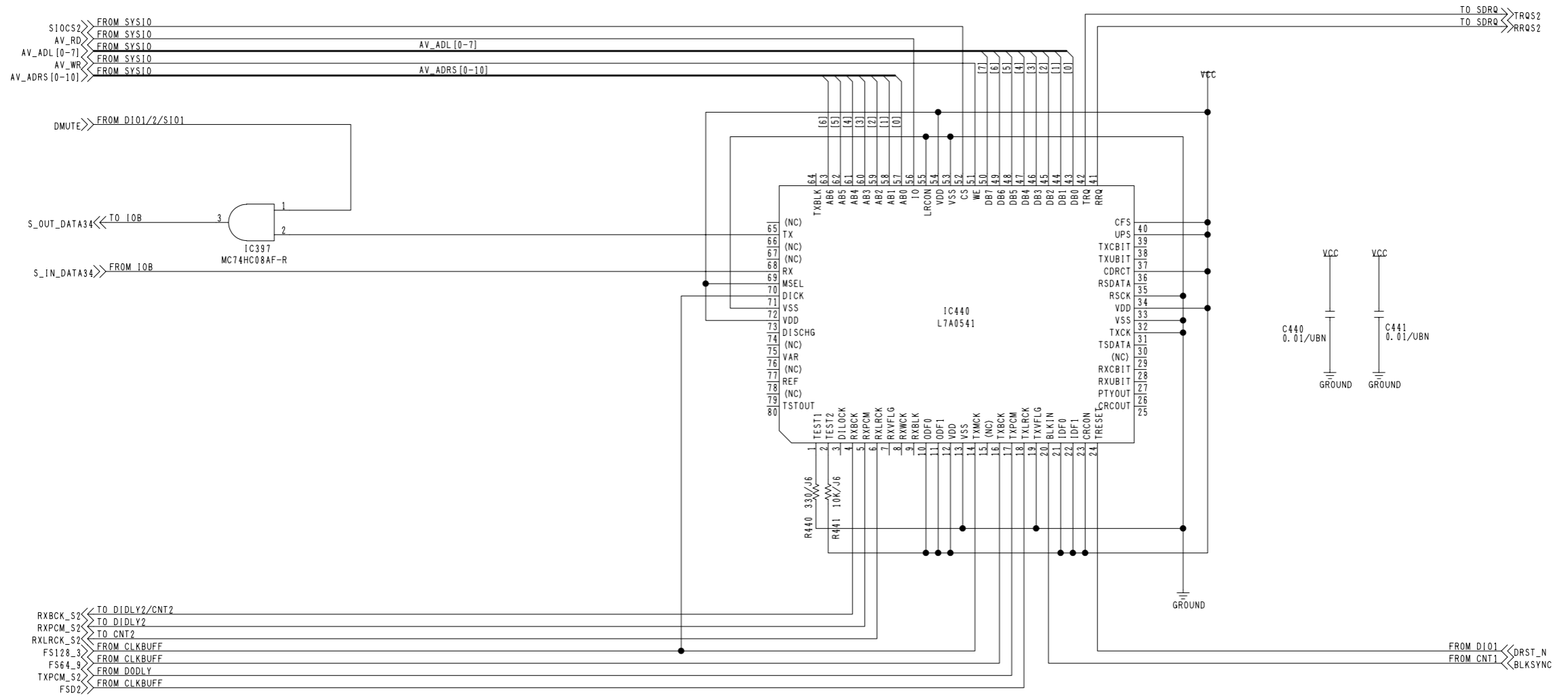
REF: 390-429

COMPONENT NAME	APROC_DIO2		13/23
CIRCUIT BOARD NO	VEP84300A		MODEL NO
			AJ-D950,PD950
			SCM208



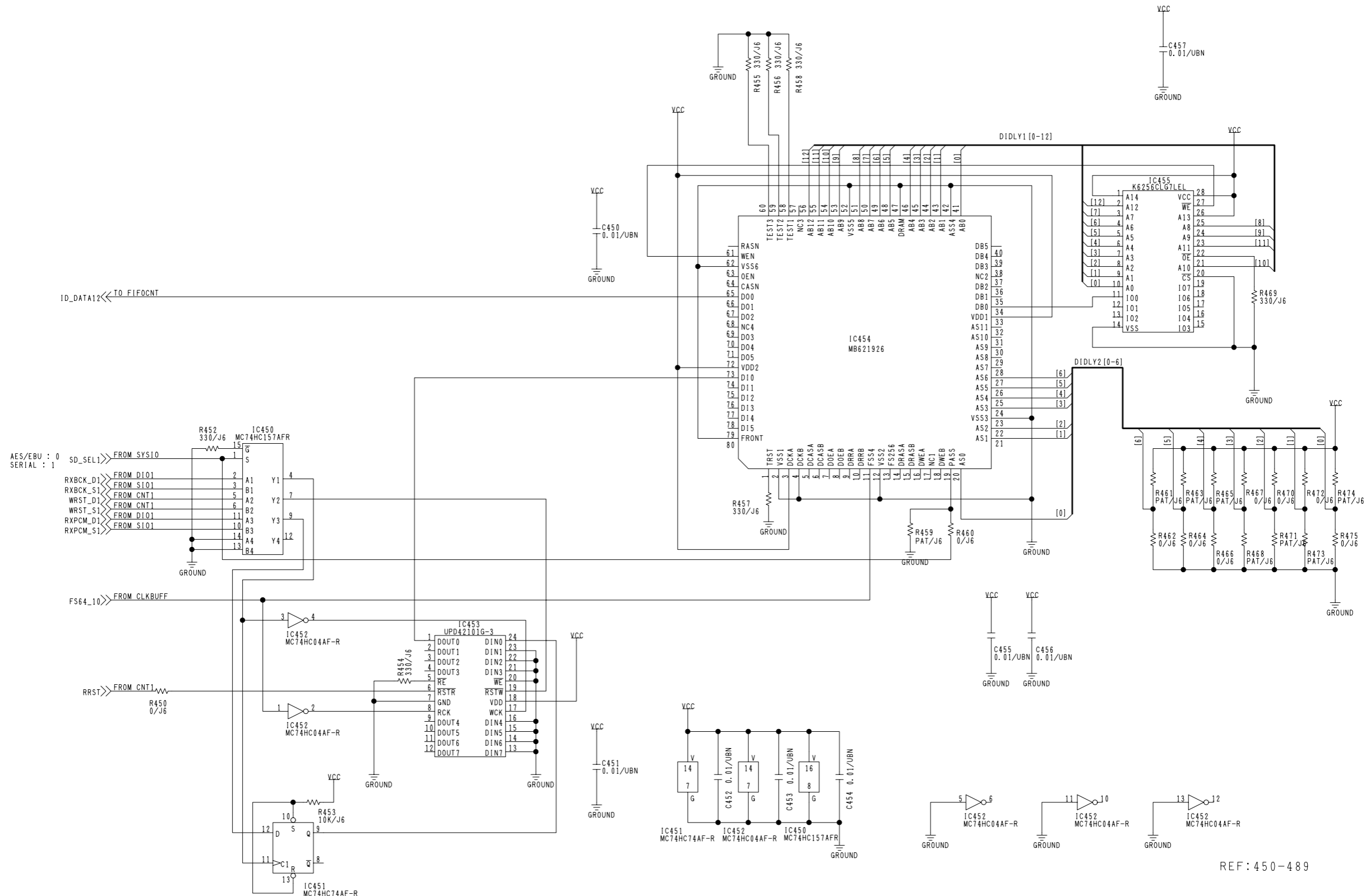
REF: 430-439

COMPONENT NAME	APROC_SIO1	14/23
CIRCUIT BOARD NO	VEP84300A	MODEL NO
		AJ-D950,PD950
		SCM209



REF: 440-449

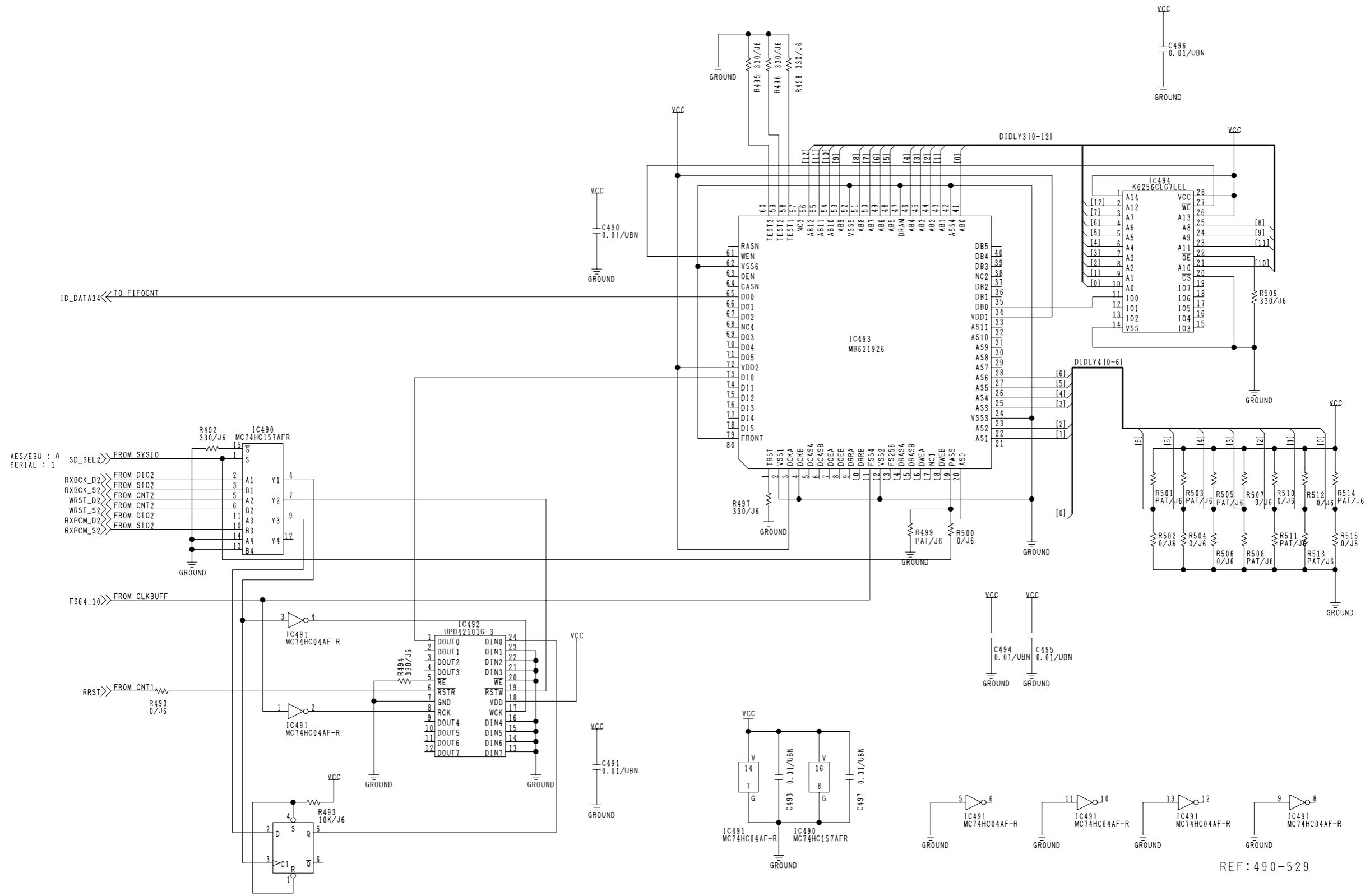
COMPONENT NAME	APROC_SIO2	MODEL NO	15/23
CIRCUIT BOARD NO	VEP84300A	MODEL NO	AJ-D950,PD950
		SCM210	



REF : 450-489

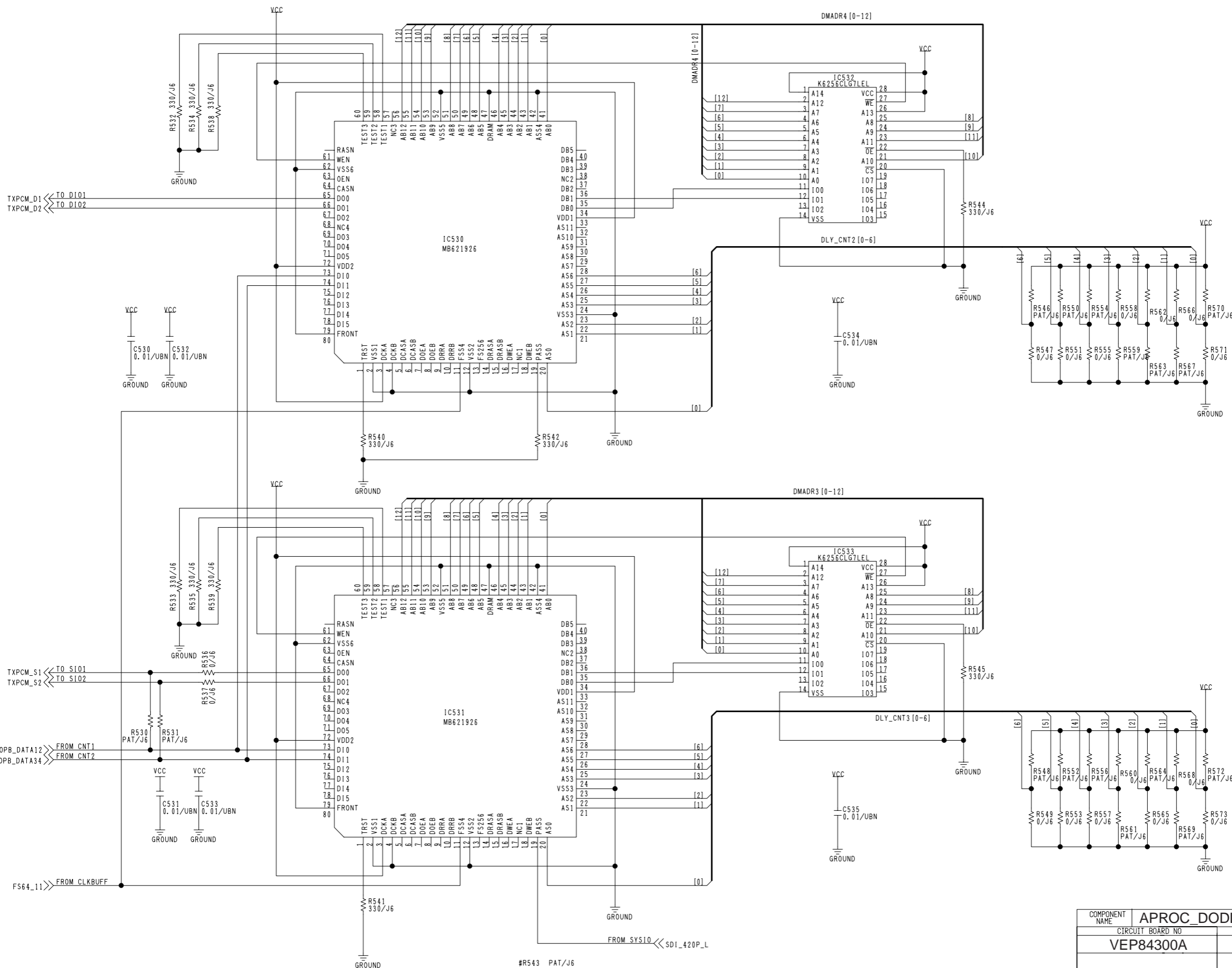
COMPONENT NAME	APROC_DIDLY1		16/23
CIRCUIT BOARD NO	VEP84300A		MODEL NO
			AJ-D950,PD950
			SCM211





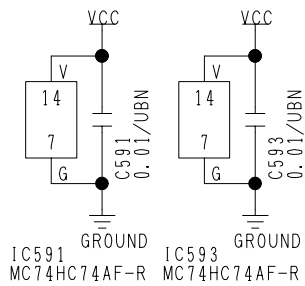
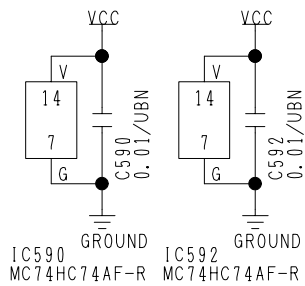
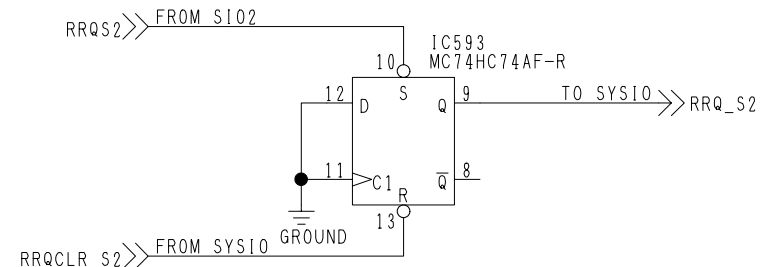
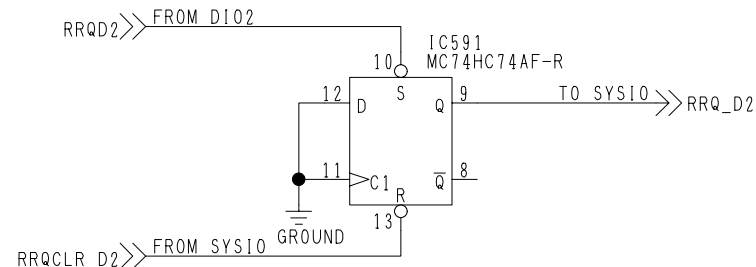
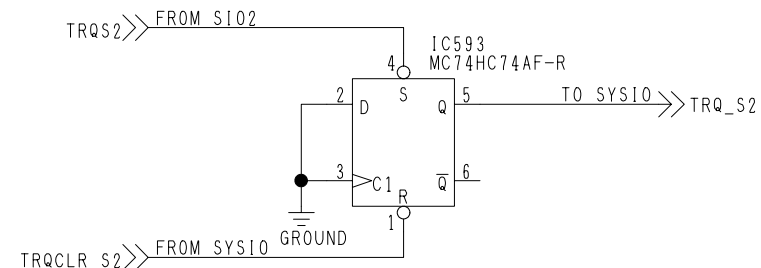
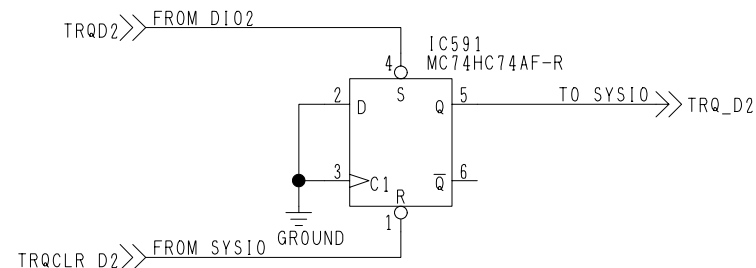
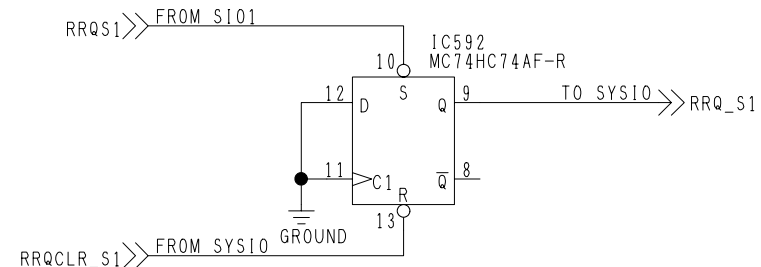
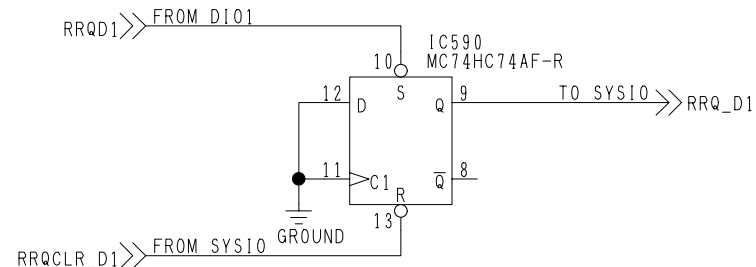
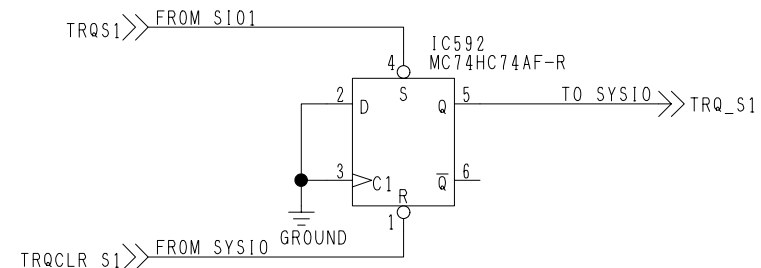
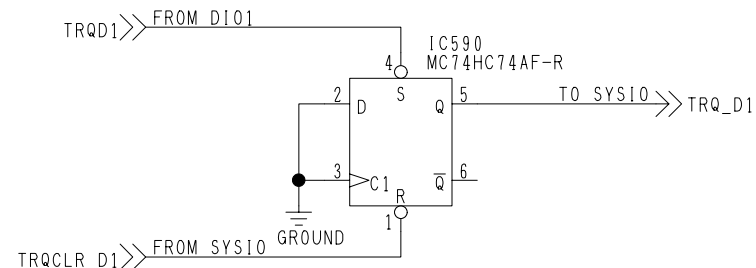
REF : 490-529

COMPONENT NAME	APROC_DIDL2	17/23
CIRCUIT BOARD NO	VEP84300A	MODEL NO
		AJ-D950,PD950
		SCM212



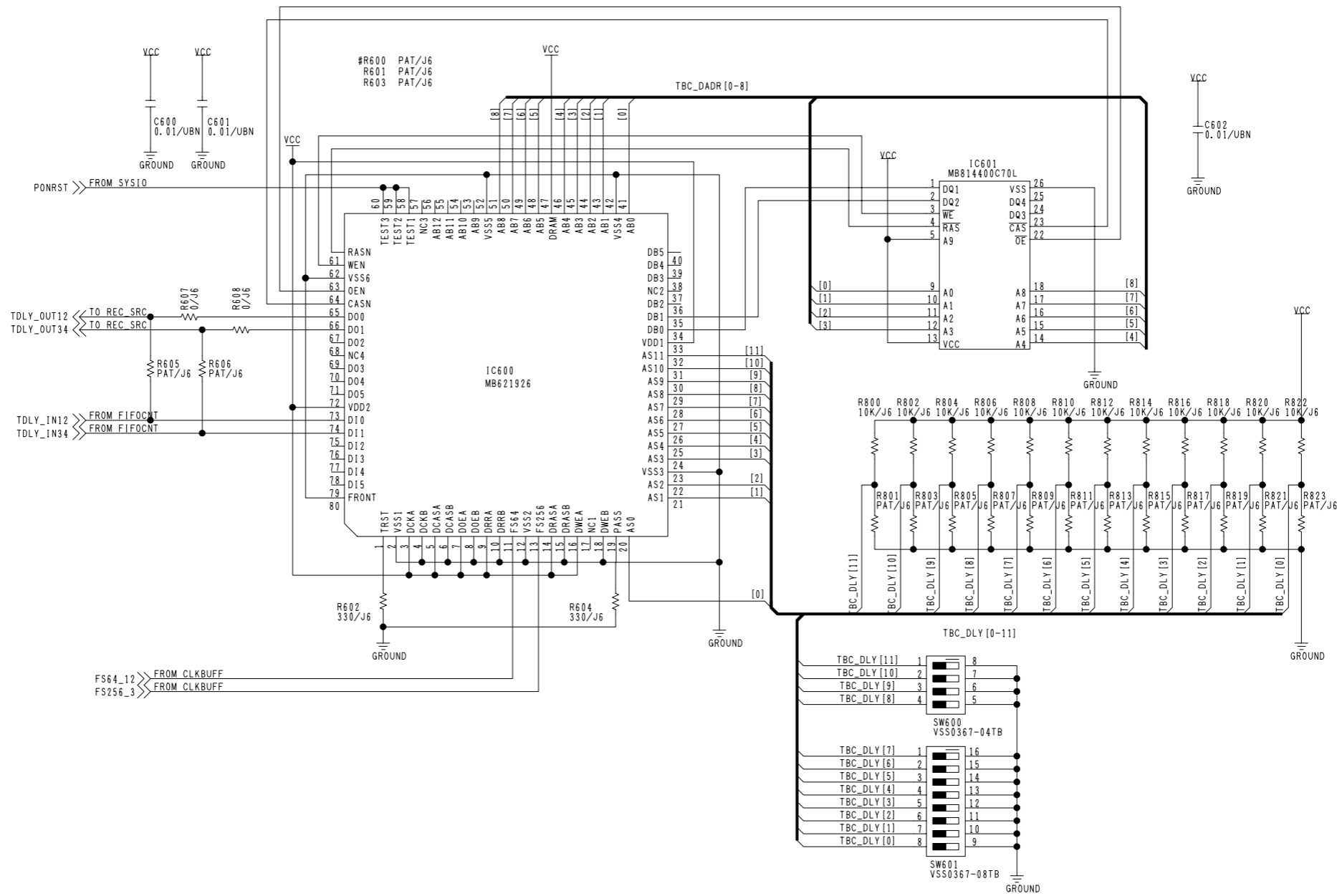
REF: 530-589

COMPONENT NAME	APROC_DODLY	18/23
CIRCUIT BOARD NO	VEP84300A	MODEL NO
		AJ-D950,PD950
		SCM213



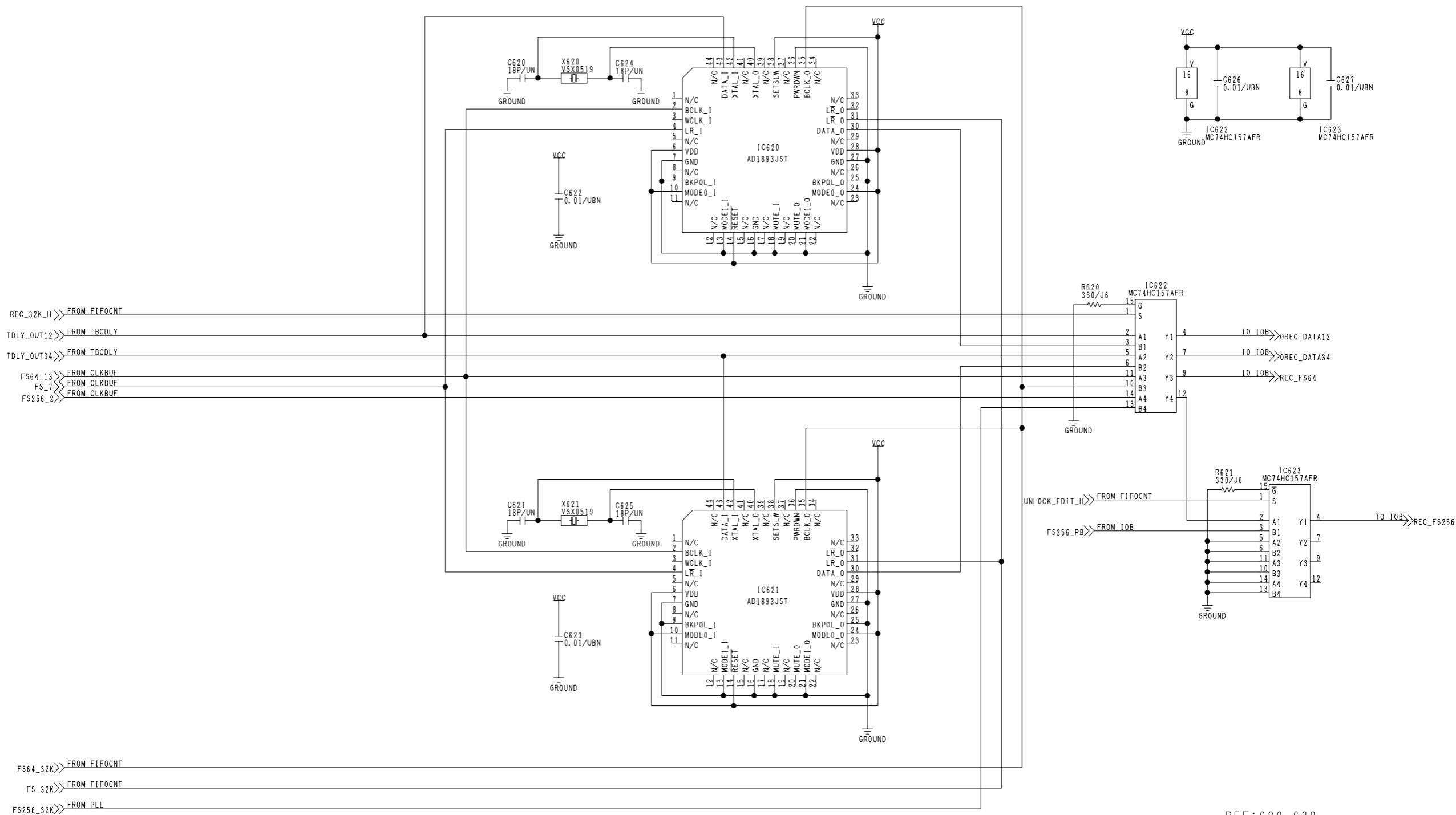
REF:590-600

COMPONENT NAME	APROC_SDRQ	19/23
CIRCUIT BOARD NO	VEP84300A	MODEL NO
		AJ-D950,PD950
		SCM214



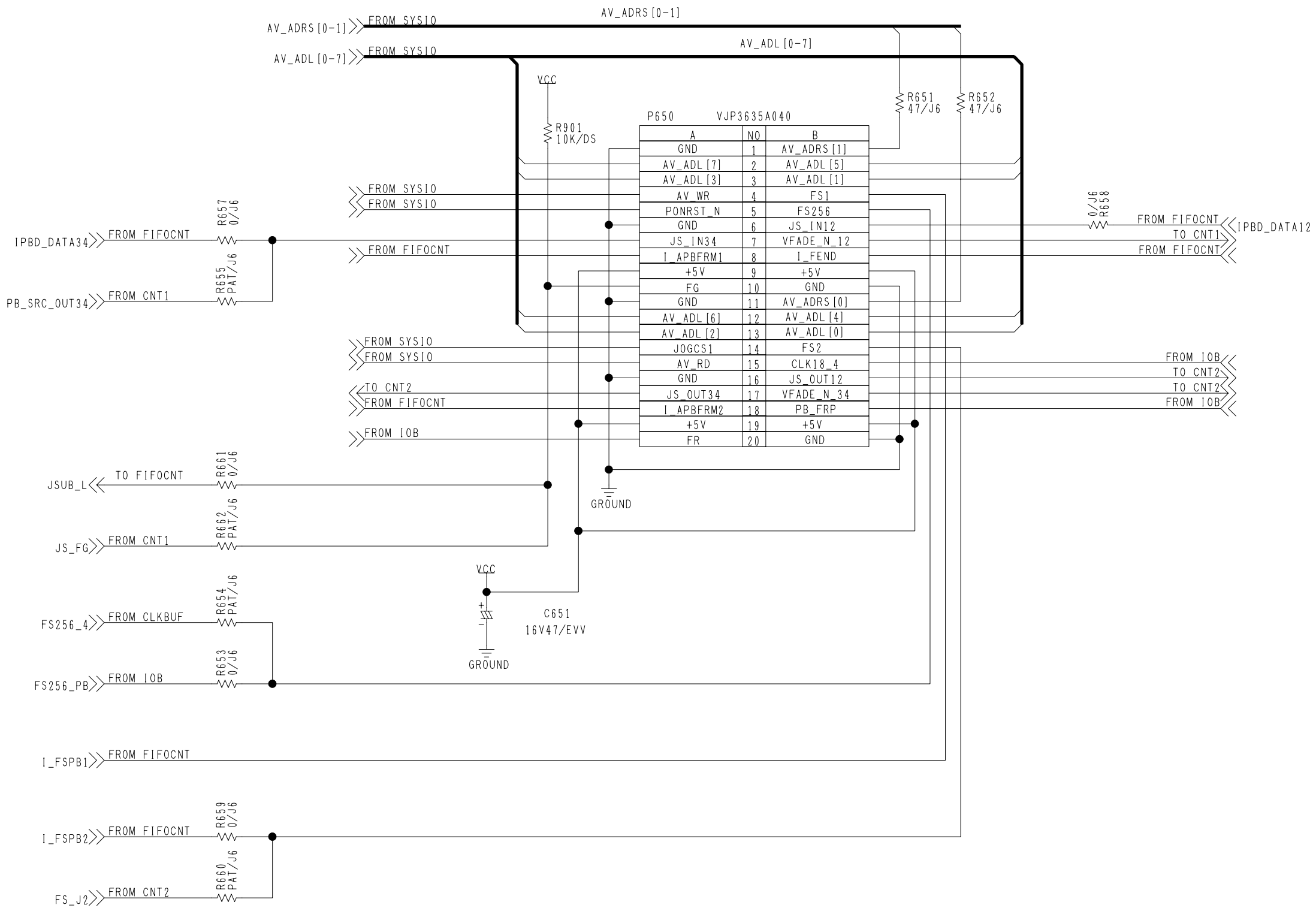
REF: 600-609  
( + R : 800-823)

COMPONENT NAME	APROC_TBCDLY		20/23
CIRCUIT BOARD NO	VEP84300A		MODEL NO
			AJ-D950,PD950
			SCM215



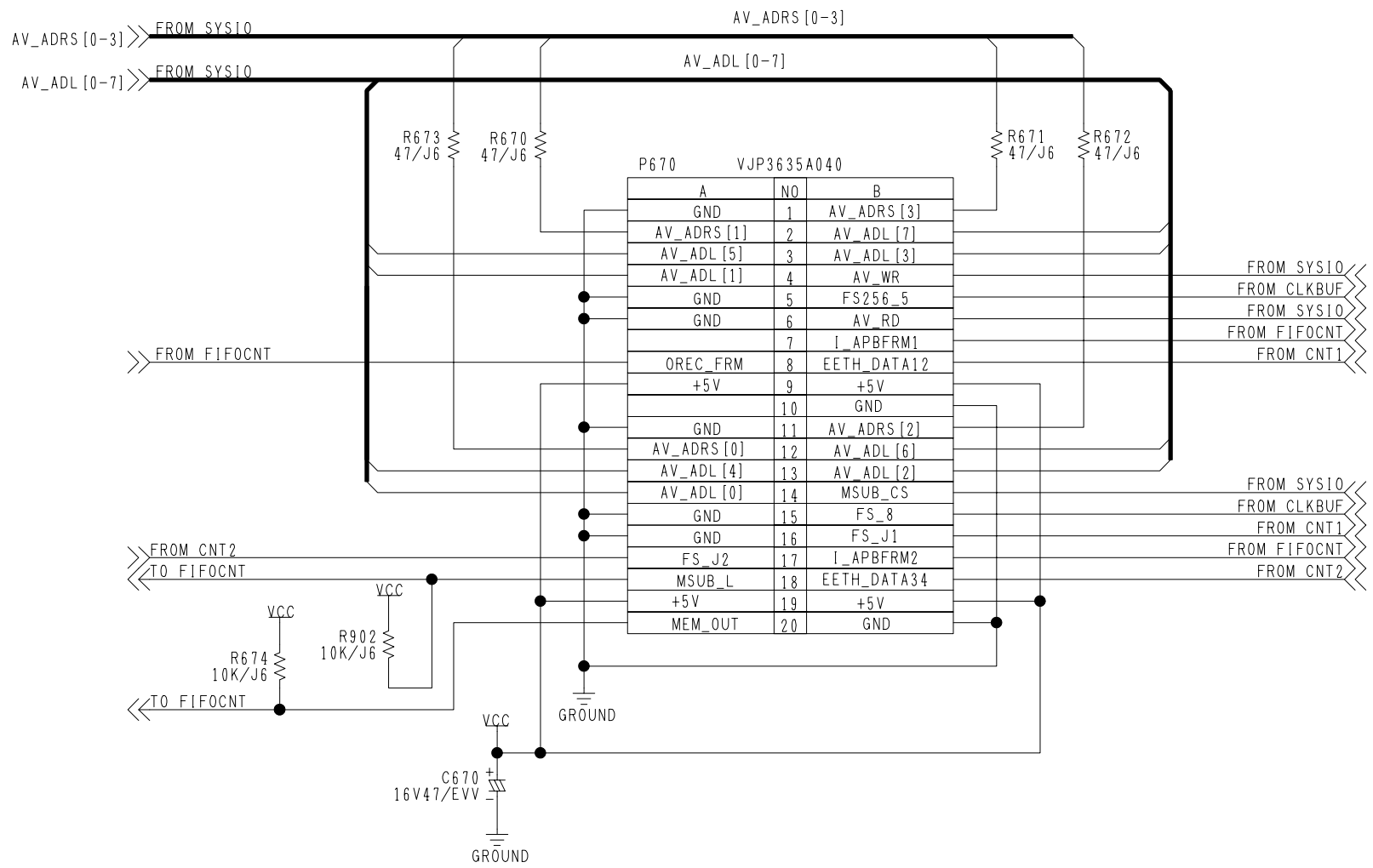
REF: 620-639

COMPONENT NAME	APROC_REC_SRC	21/23
CIRCUIT BOARD NO	VEP84300A	MODEL NO
		AJ-D950,PD950
		SCM216



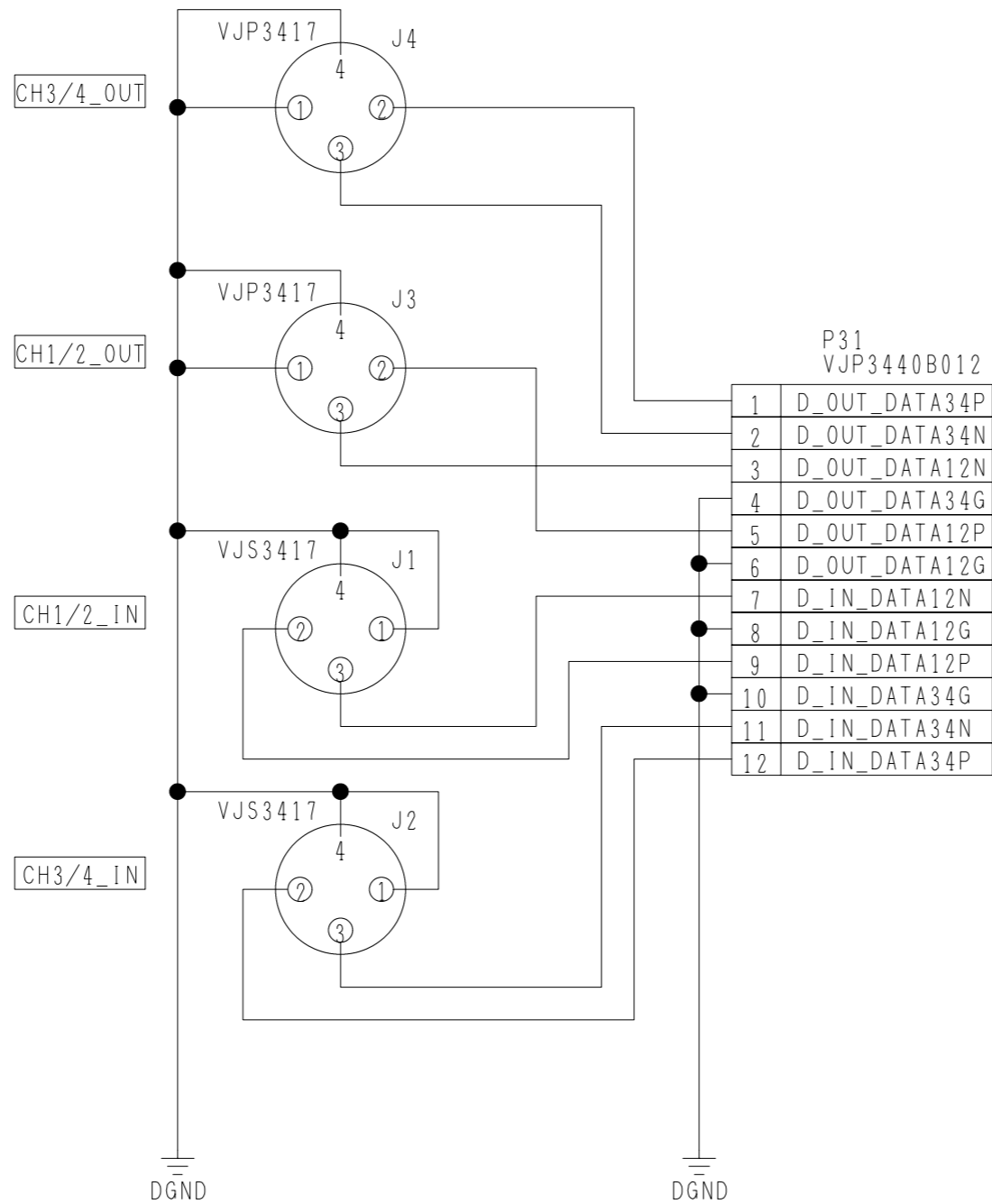
650-669

COMPONENT NAME	APROC_JOGCON	22/23
CIRCUIT BOARD NO	VEP84300A	MODEL NO
		AJ-D950,PD950
		SCM217



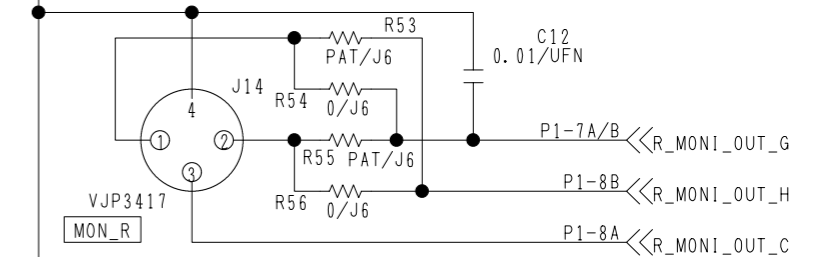
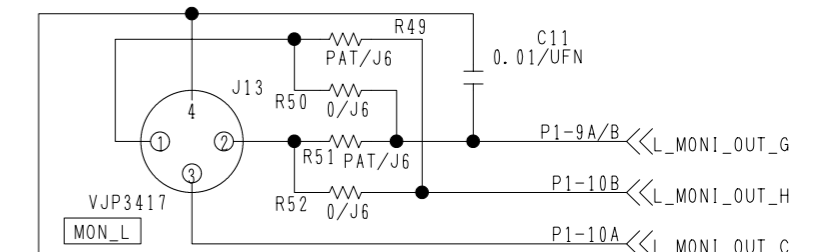
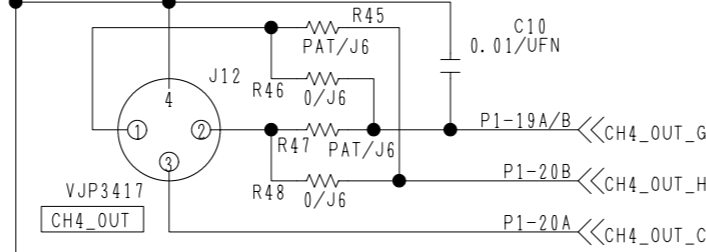
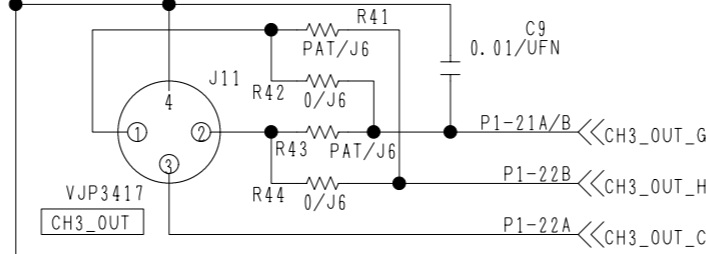
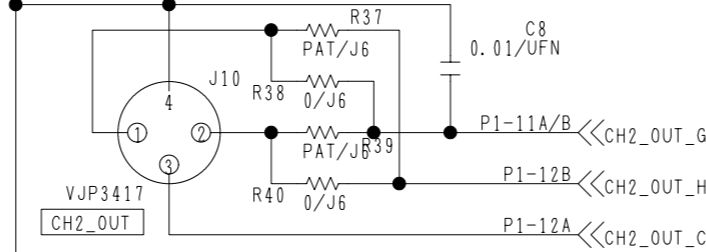
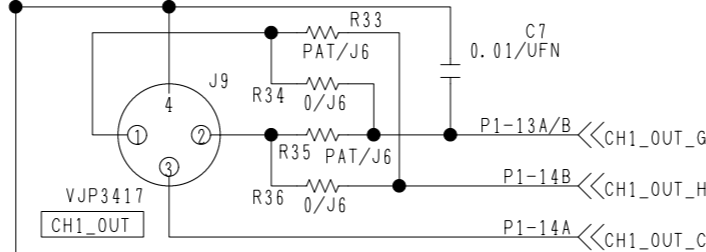
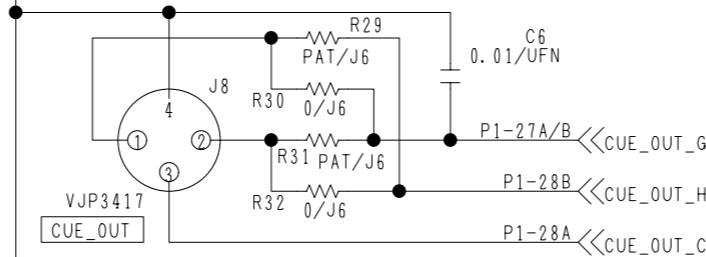
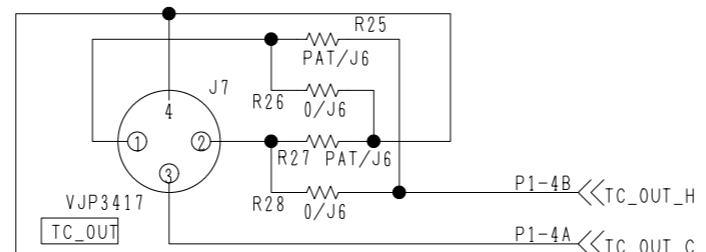
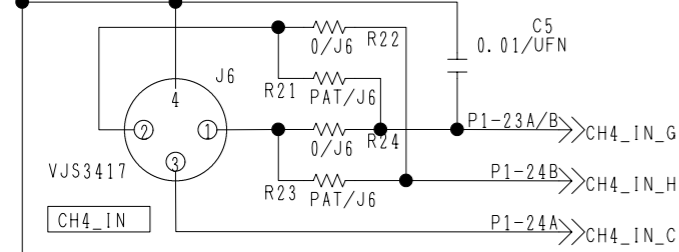
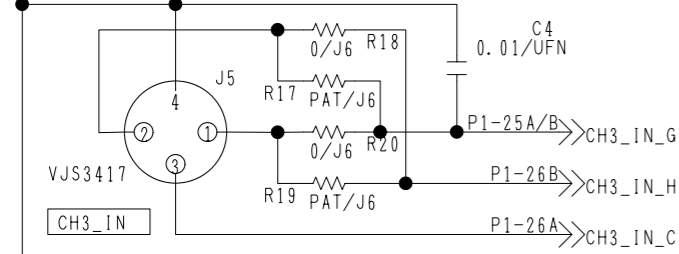
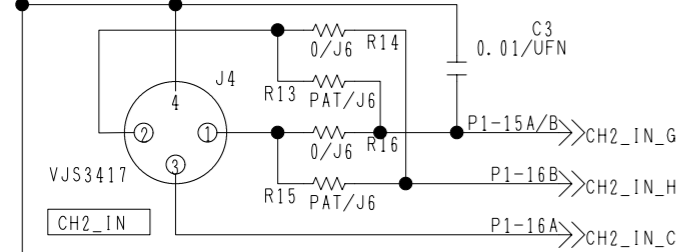
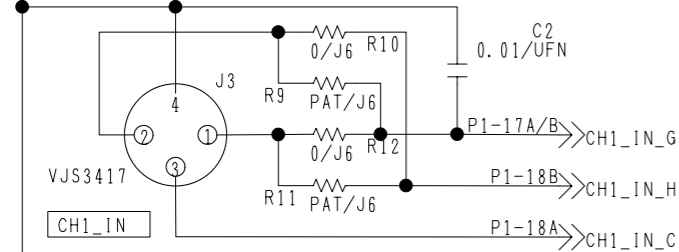
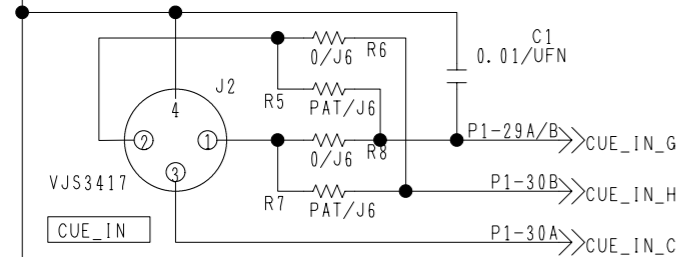
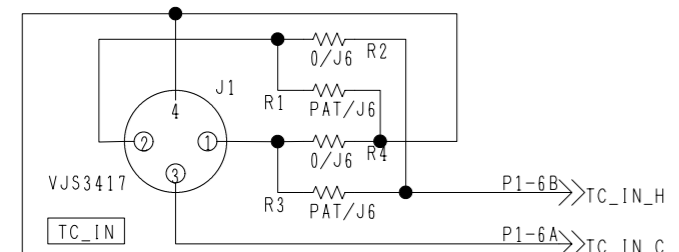
670-699

COMPONENT NAME	APROC_AMEMCON	23/23
CIRCUIT BOARD NO	VEP84300A	MODEL NO
		AJ-D950,PD950
		SCM218



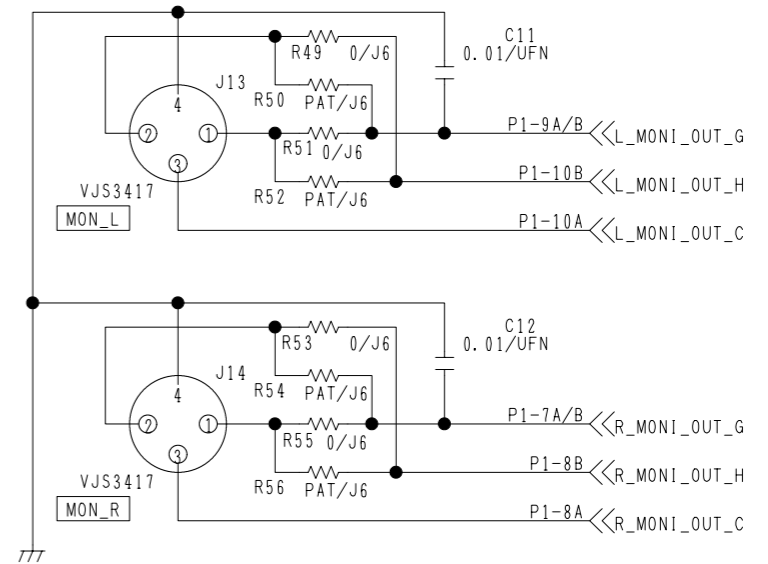
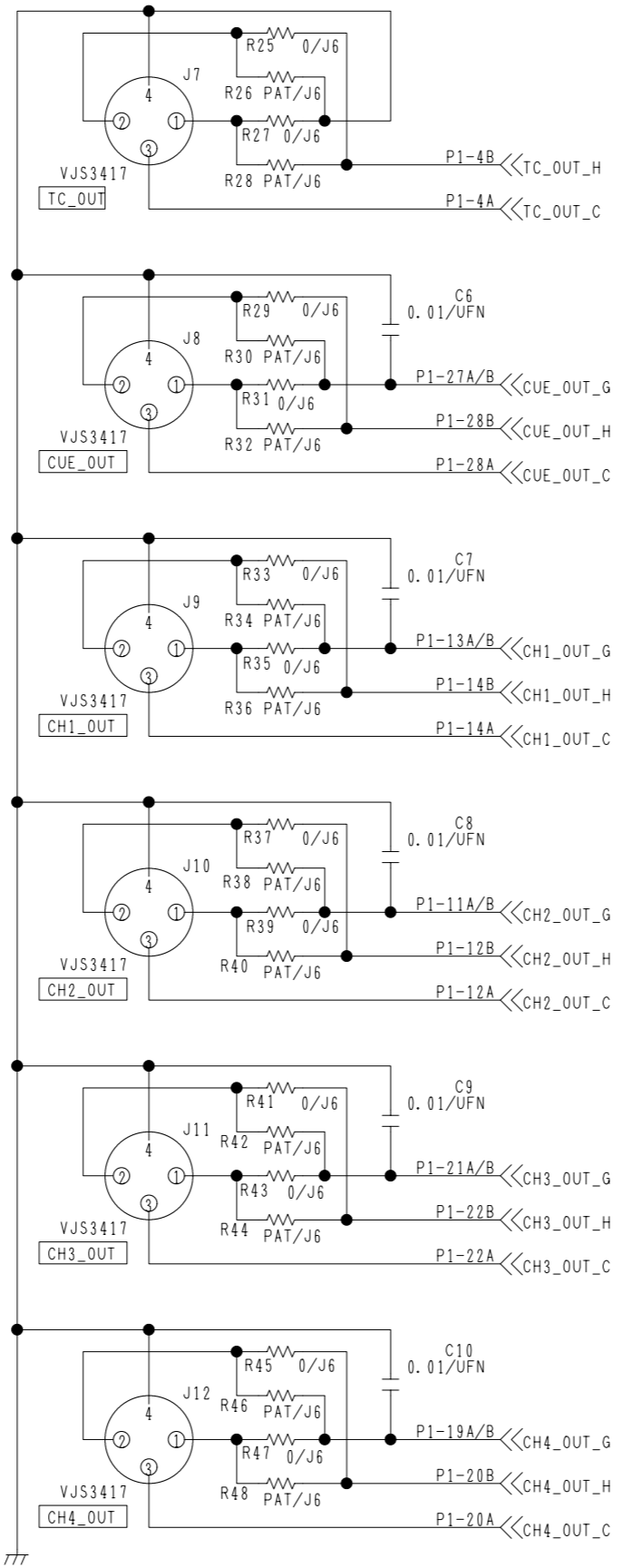
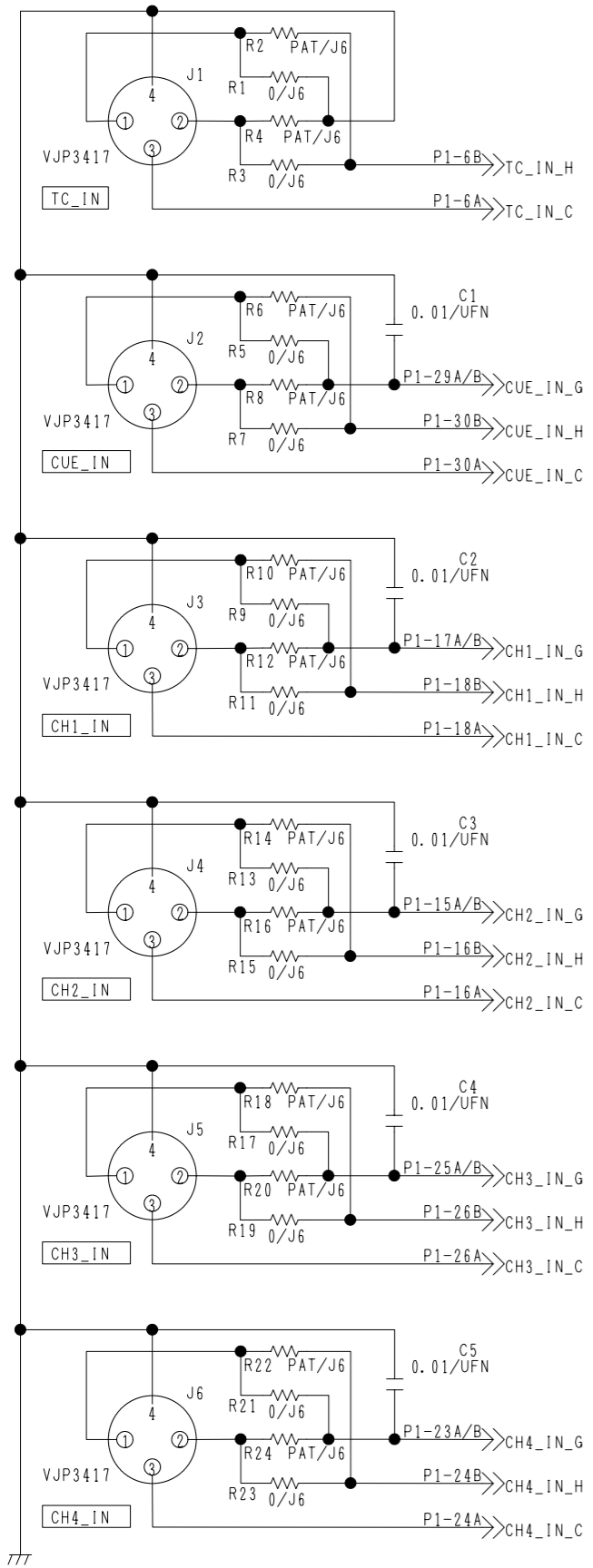
COMPONENT NAME	AES/EBU	MODEL NO	01/01
CIRCUIT BOARD NO	VEP84304A	MODEL NO	AJ-D950,PD950
			SCM289





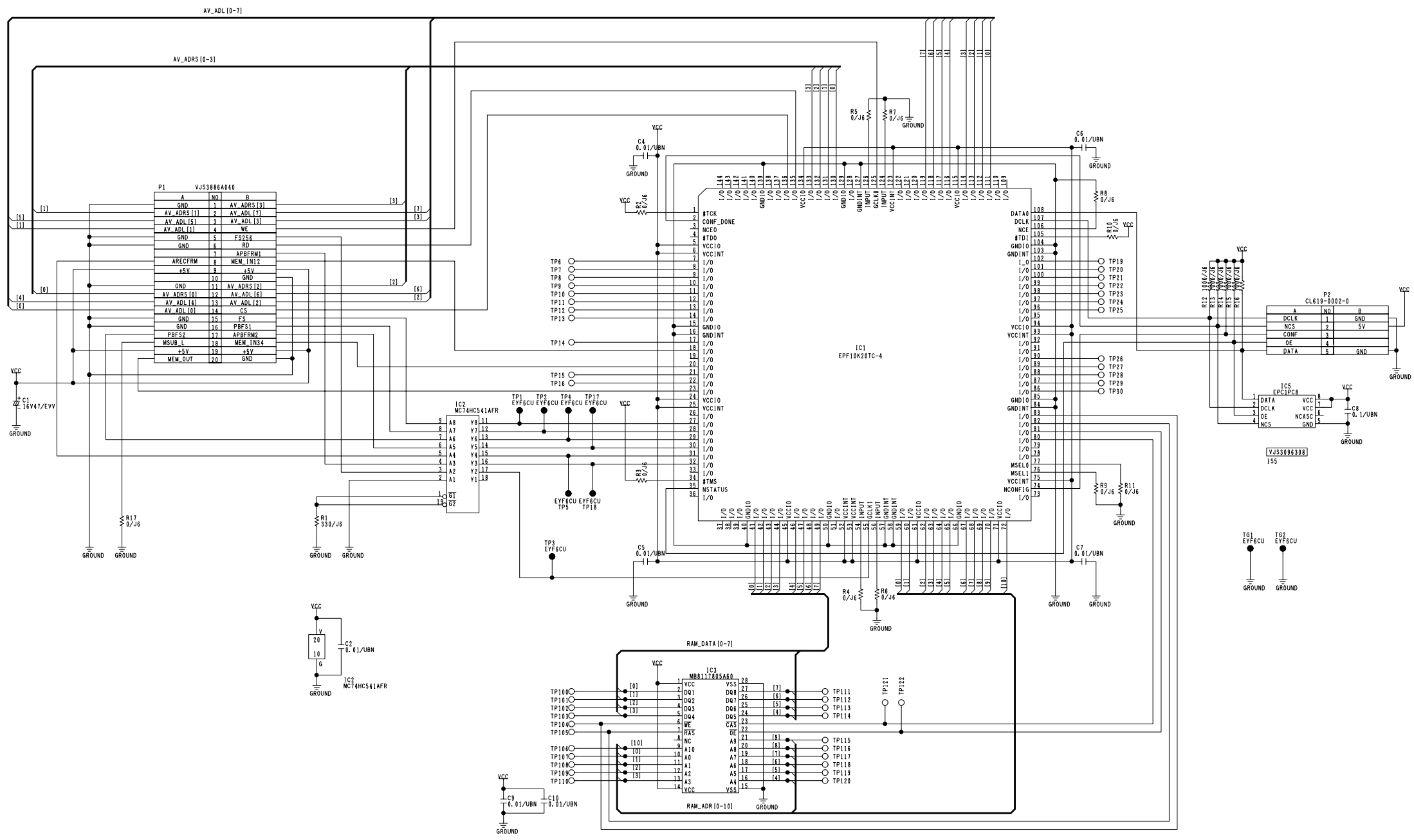
P1		VJP3375A060	
A	NO	B	
+12V	1	+12V	
-12V	2	-12V	
GND	3	GND	
TC OUT C	4	TC OUT H	J7
GND	5	GND	
TC IN C	6	TC IN H	J1
R MONI OUT G	7	R MONI OUT G	J14
R MONI OUT C	8	R MONI OUT H	J14
L MONI OUT G	9	L MONI OUT G	J13
L MONI OUT C	10	L MONI OUT H	J13
CH2 OUT G	11	CH2 OUT G	J10
CH2 OUT C	12	CH2 OUT H	J10
CH1 OUT G	13	CH1 OUT G	J9
CH1 OUT C	14	CH1 OUT H	J9
CH2 IN G	15	CH2 IN G	J4
CH2 IN C	16	CH2 IN H	J4
CH1 IN G	17	CH1 IN G	J3
CH1 IN C	18	CH1 IN H	J3
CH4 OUT G	19	CH4 OUT G	J12
CH4 OUT C	20	CH4 OUT H	J12
CH3 OUT G	21	CH3 OUT G	J11
CH3 OUT C	22	CH3 OUT H	J11
CH4 IN G	23	CH4 IN G	J6
CH4 IN C	24	CH4 IN H	J6
CH3 IN G	25	CH3 IN G	J5
CH3 IN C	26	CH3 IN H	J5
CUE OUT G	27	CUE OUT G	J8
CUE OUT C	28	CUE OUT H	J8
CUE IN G	29	CUE IN G	J2
CUE IN C	30	CUE IN H	J2

COMPONENT NAME	A JACK (OVER_SEA)	01/01
CIRCUIT BOARD NO	VEP84303B	MODEL NO
		AJ-D950,PD950
SCM287		



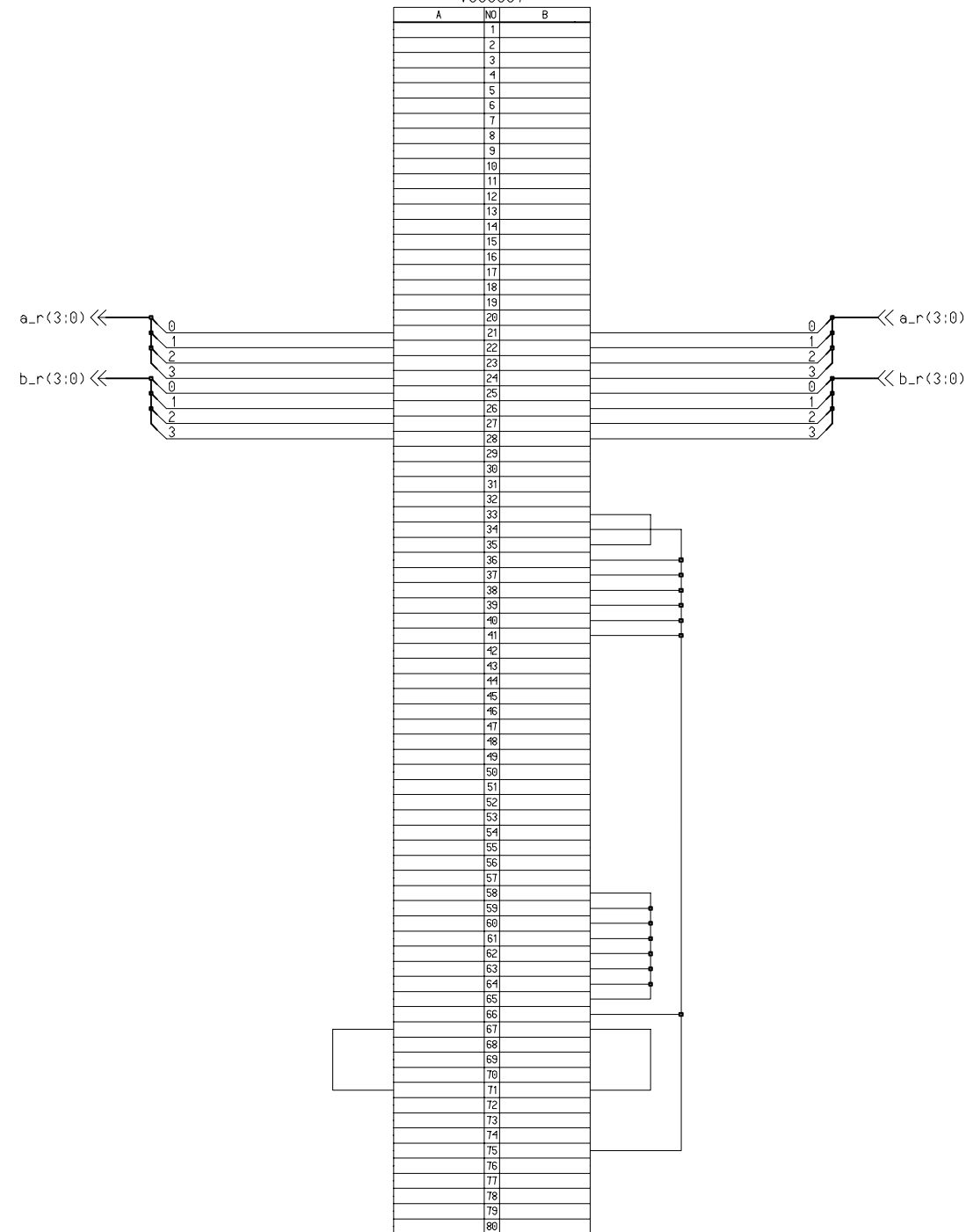
P1 VJP3375A060

A	NO	B
+12V	1	+12V
-12V	2	-12V
GND	3	GND
TC_OUT C	4	TC_OUT H
GND	5	GND
TC_IN C	6	TC_IN H
R_MONI_OUT G	7	R_MONI_OUT G
R_MONI_OUT C	8	R_MONI_OUT H
L_MONI_OUT G	9	L_MONI_OUT G
L_MONI_OUT C	10	L_MONI_OUT H
CH2_OUT G	11	CH2_OUT G
CH2_OUT C	12	CH2_OUT H
CH1_OUT G	13	CH1_OUT G
CH1_OUT C	14	CH1_OUT H
CH2_IN G	15	CH2_IN G
CH2_IN C	16	CH2_IN H
CH1_IN G	17	CH1_IN G
CH1_IN C	18	CH1_IN H
CH4_OUT G	19	CH4_OUT G
CH4_OUT C	20	CH4_OUT H
CH3_OUT G	21	CH3_OUT G
CH3_OUT C	22	CH3_OUT H
CH4_IN G	23	CH4_IN G
CH4_IN C	24	CH4_IN H
CH3_IN G	25	CH3_IN G
CH3_IN C	26	CH3_IN H
CUE_OUT G	27	CUE_OUT G
CUE_OUT C	28	CUE_OUT H
CUE_IN G	29	CUE_IN G
CUE_IN C	30	CUE_IN H



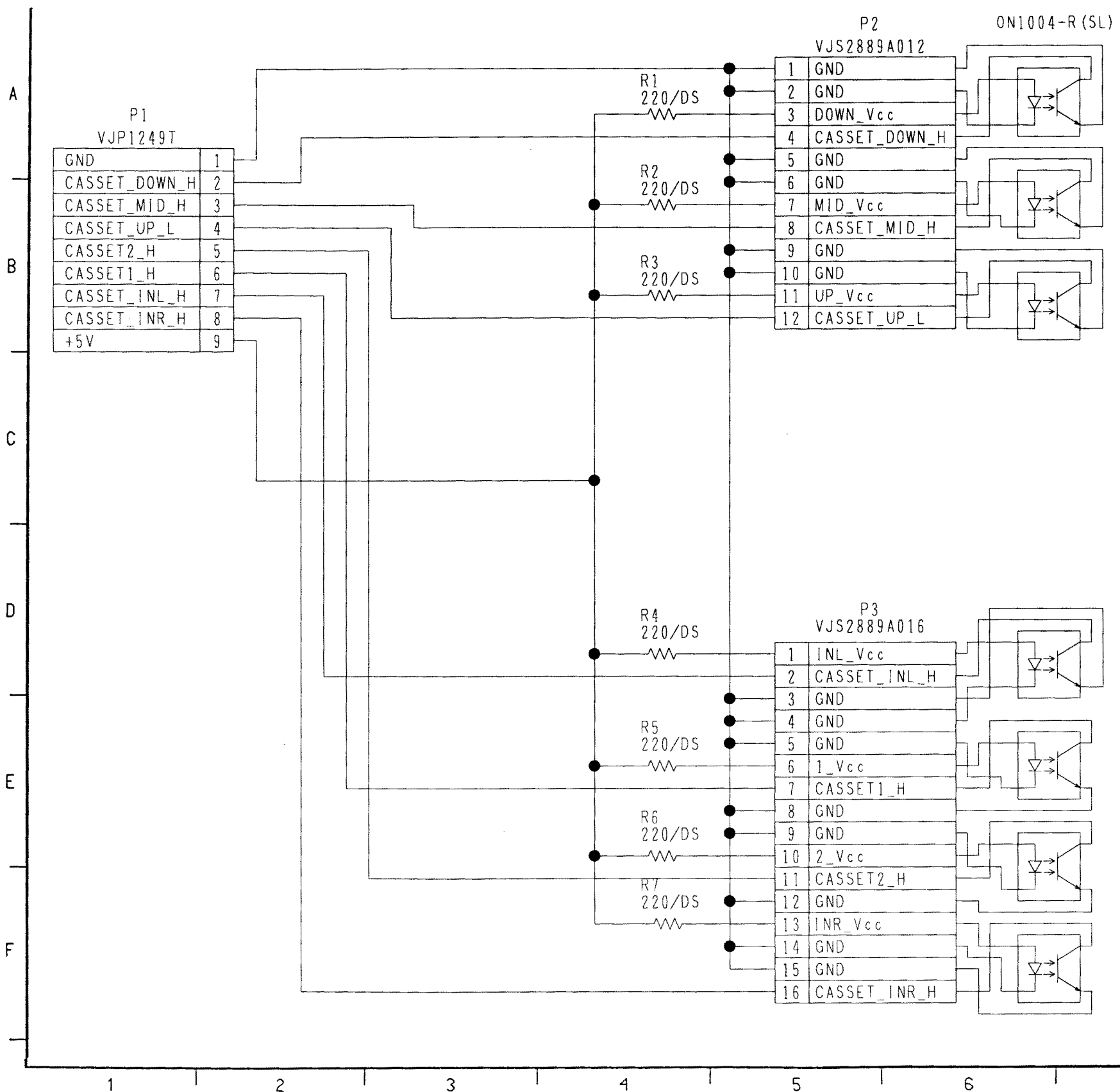
COMPONENT NAME	AMEM_SUB	01/01
CIRCUIT BOARD NO	VEP84314A	MODEL NO
		AJ-D950,PD950
		SCM222

P20  
VJS3657

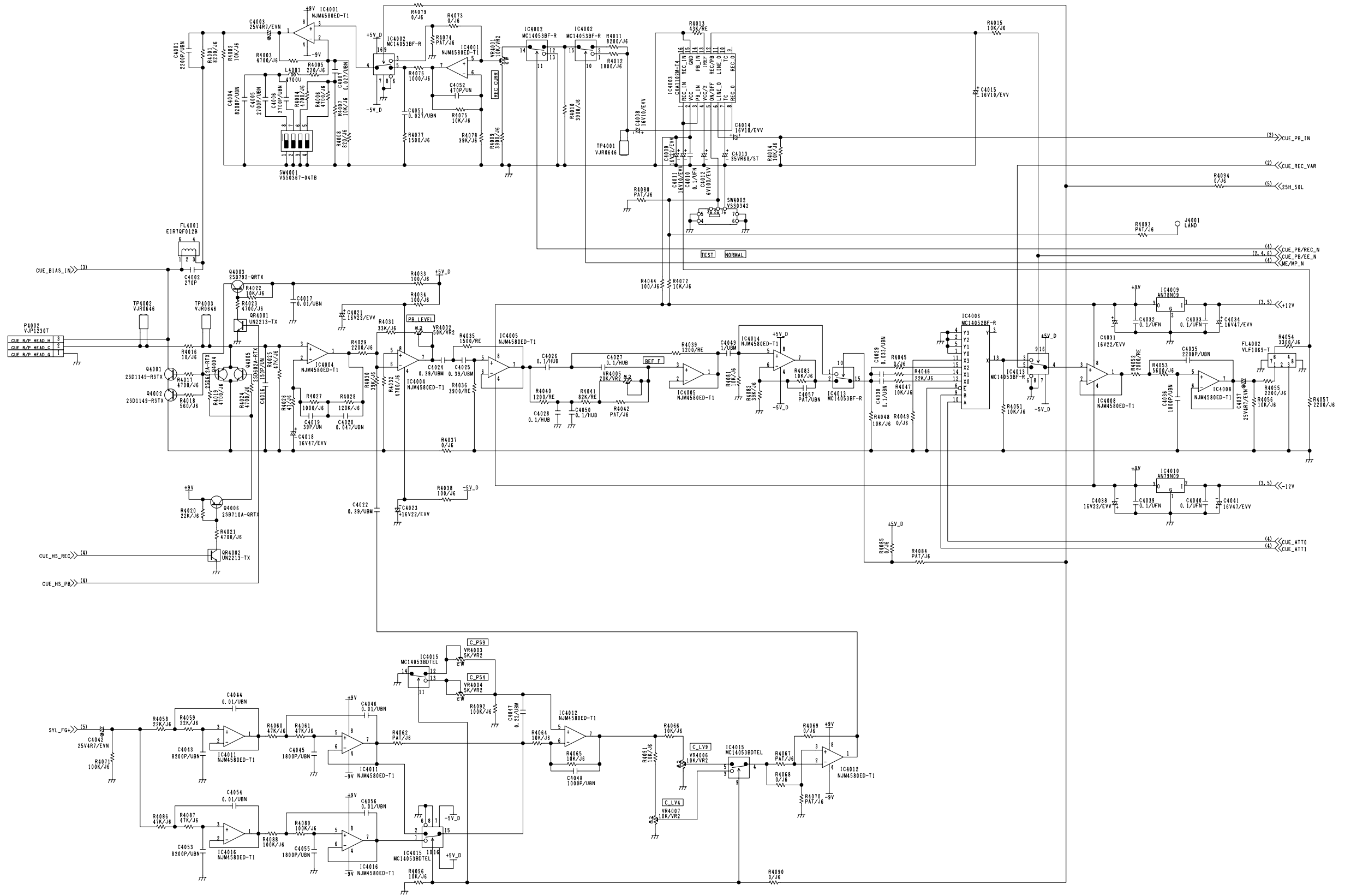


Ref.No. 3000 series  
\*PAT=PATTERN ONLY

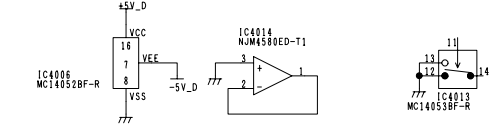
COMPONENT NAME	BLK SUB	01/01
CIRCUIT BOARD NO	MODEL NO	
VEP83431A	AJ-D950,PD950	
	SCM140	



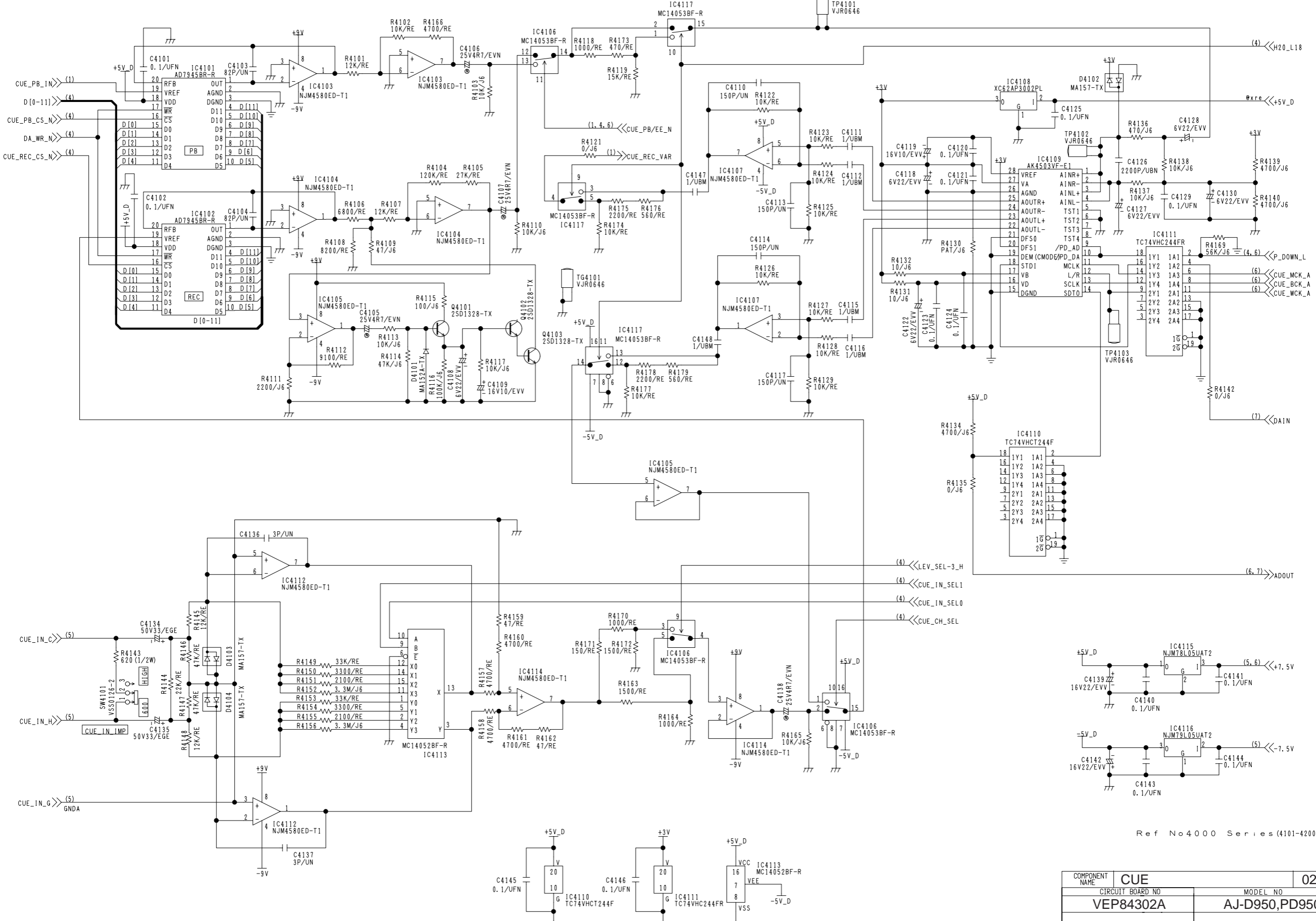
COMPONENT NAME	CARRIGE	01/01
CIRCUIT BOARD NO	MODEL NO	
VEP80856A	AJ-D950,PD950	
	SCM286	



Ref No 4000 Series (4001-4100)

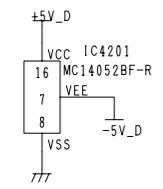
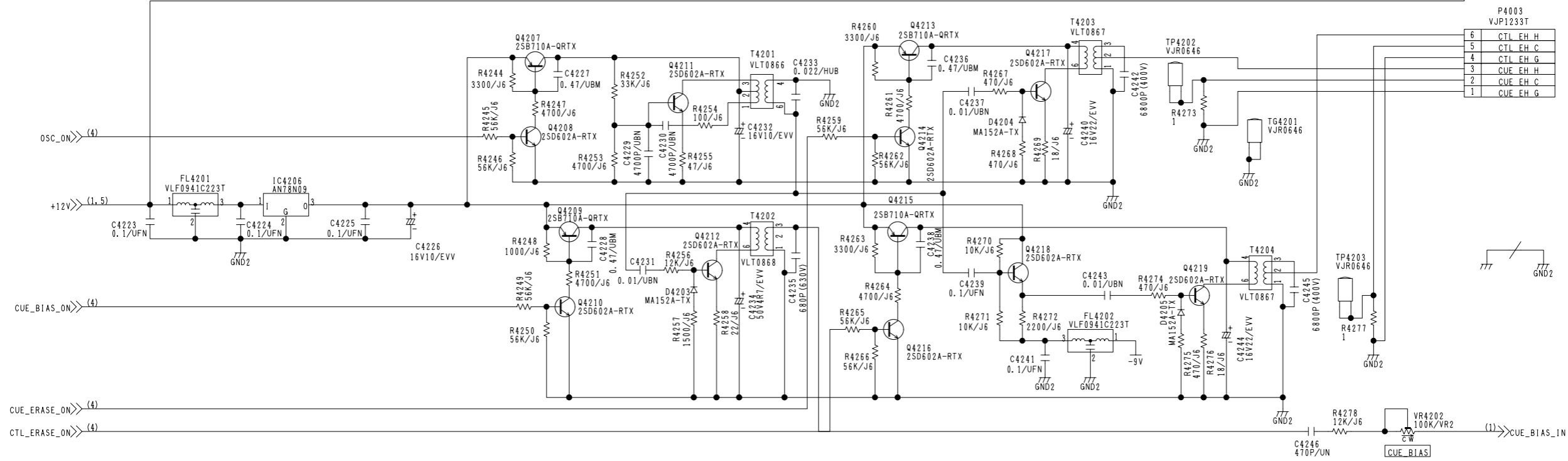
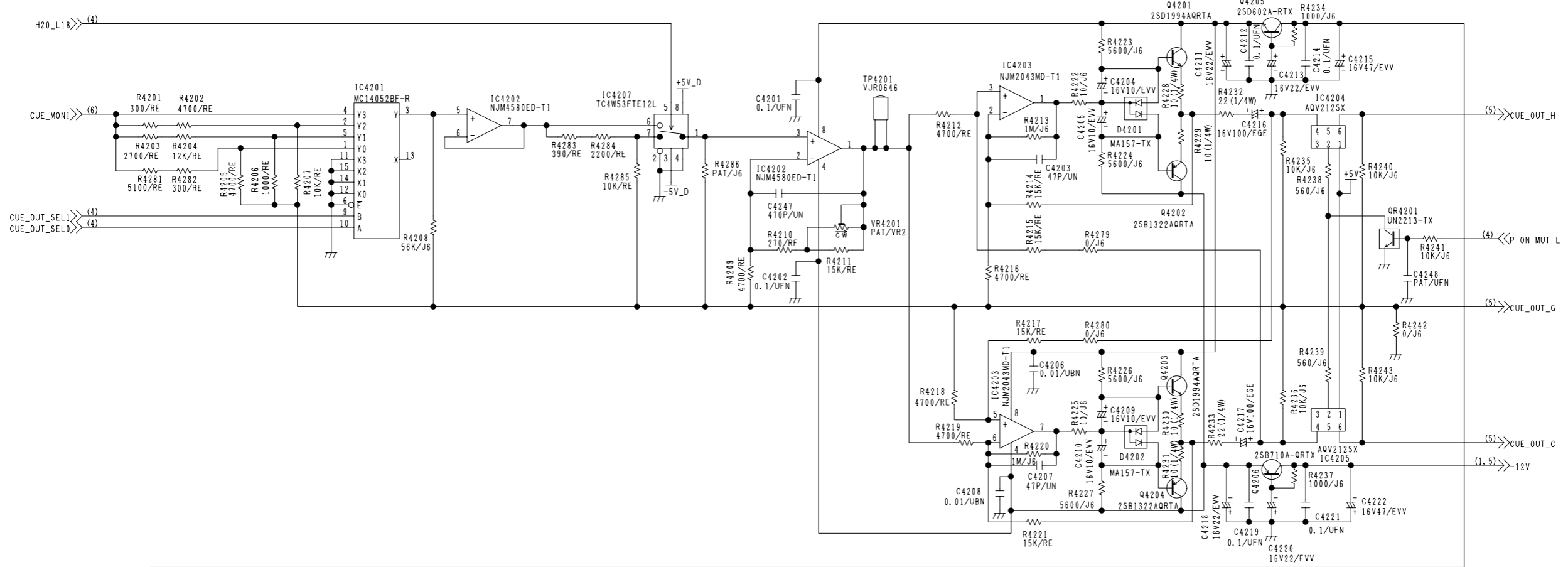


COMPONENT NAME	CUE	01/07
CIRCUIT BOARD NO	VEP84302A	MODEL NO
		AJ-D950,PD950
		SCM241



Ref No 4000 Series (4101-4200)

COMPONENT NAME	CUE	02/07
CIRCUIT BOARD NO	VEP84302A	MODEL NO
		AJ-D950,PD950
		SCM242

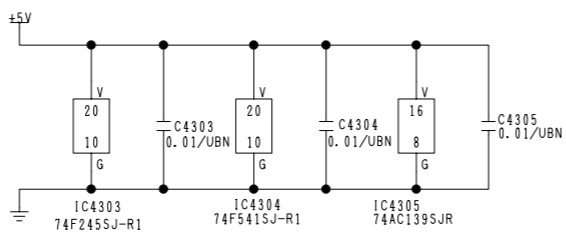
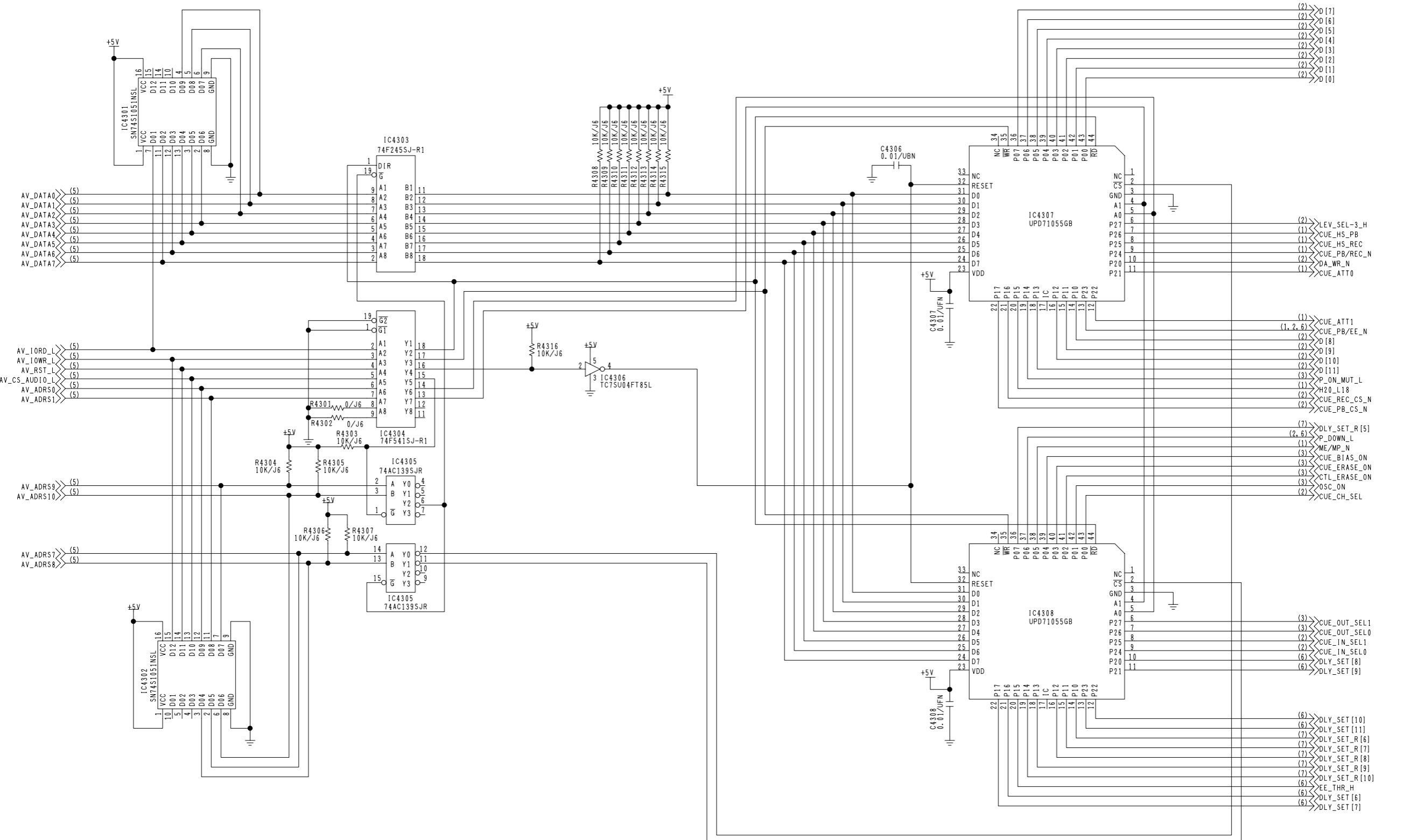


6	CTL_EH_H
5	CTL_EH_C
4	CTL_EH_G
3	CUE_EH_H
2	CUE_EH_C
1	CUE_EH_G

Ref No4000 Series (4201-4300)

COMPONENT NAME	CUE	03/07
CIRCUIT BOARD NO	VEP84302A	MODEL NO
		AJ-D950,PD950
		SCM243

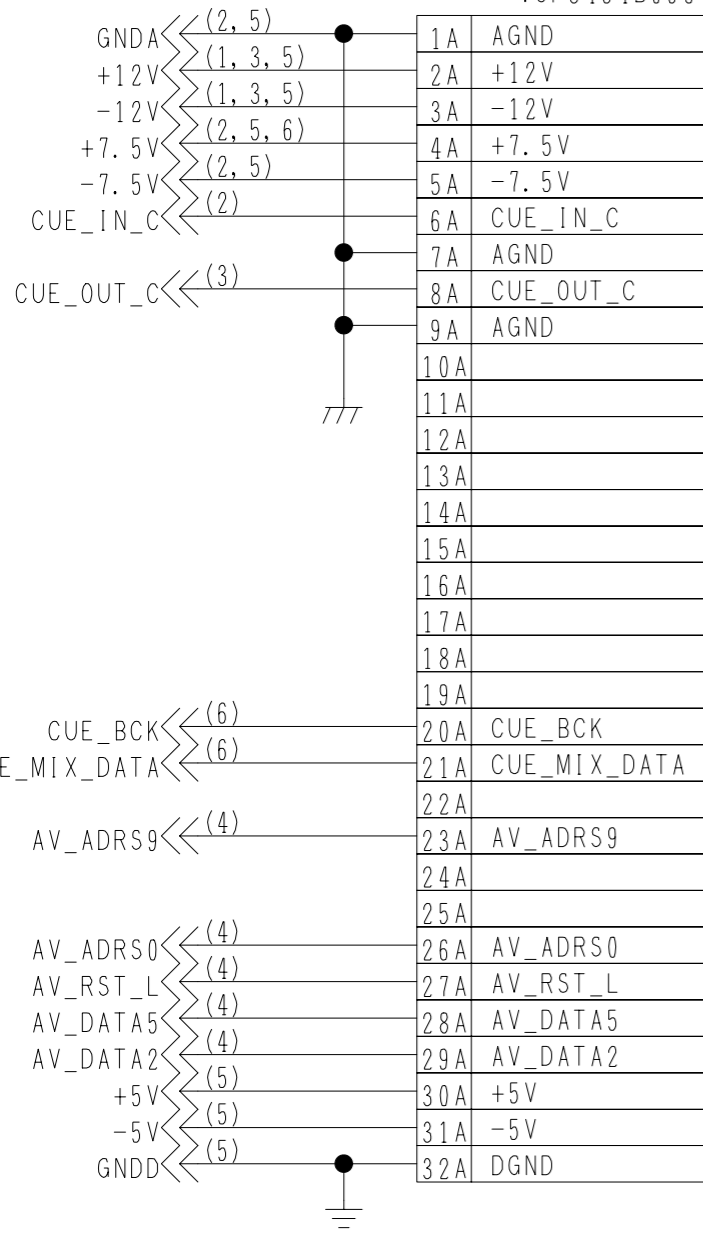




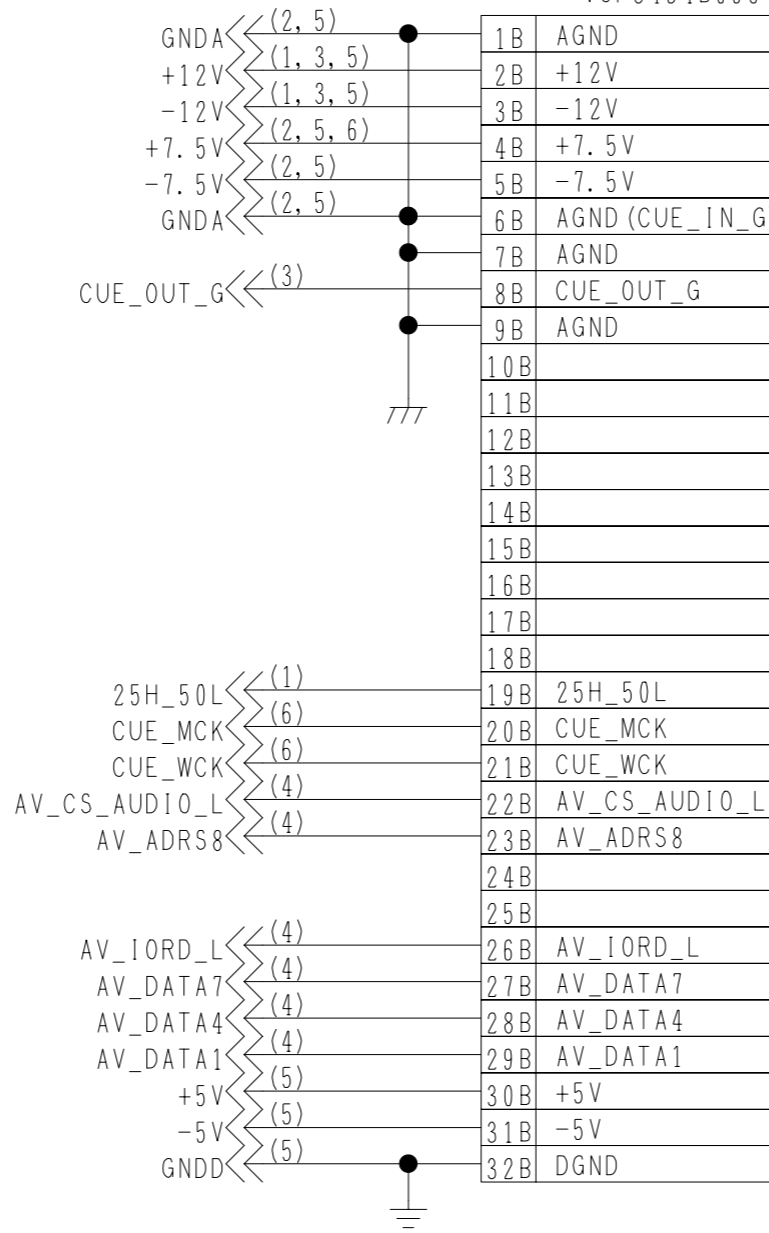
Ref No4000 Series (4301-4400)

COMPONENT NAME	CUE	04/07
CIRCUIT BOARD NO	VEP84302A	MODEL NO
		AJ-D950,PD950
SCM244		

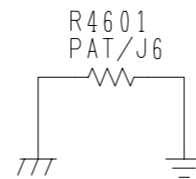
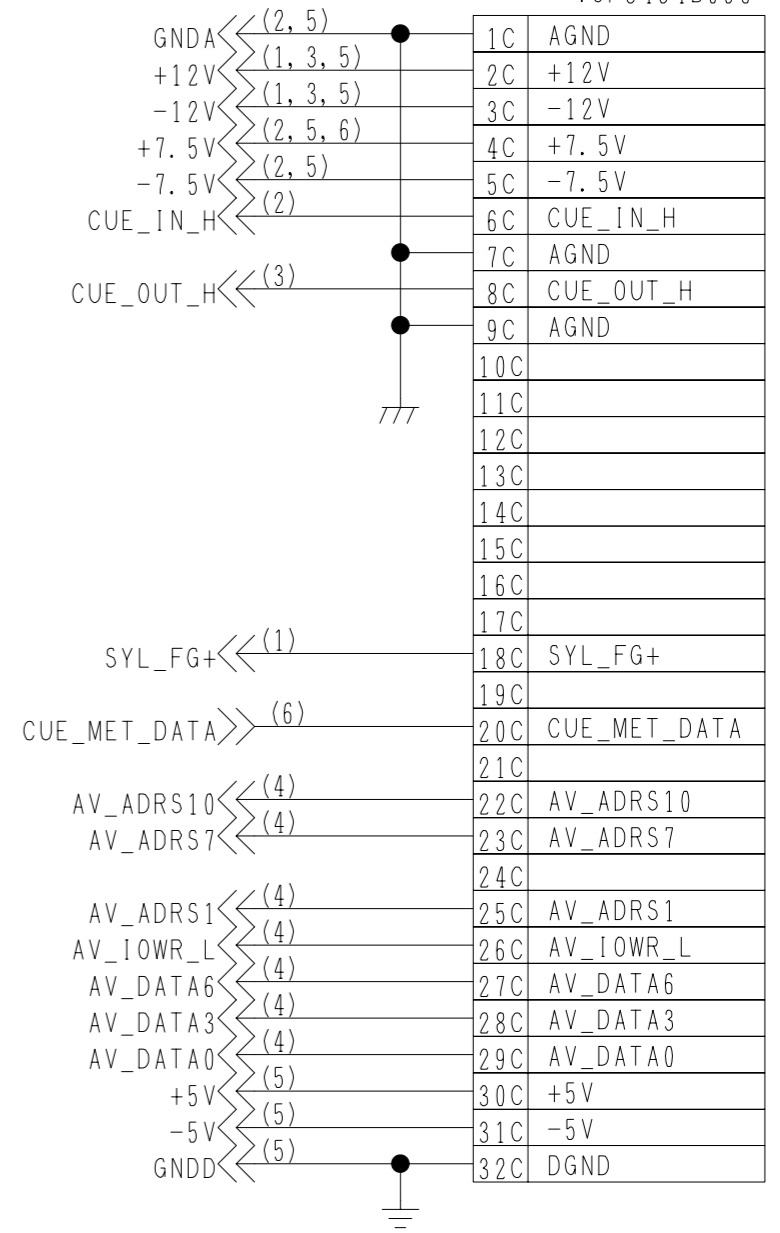
P4001  
VJP3454B096



P4001  
VJP3454B096

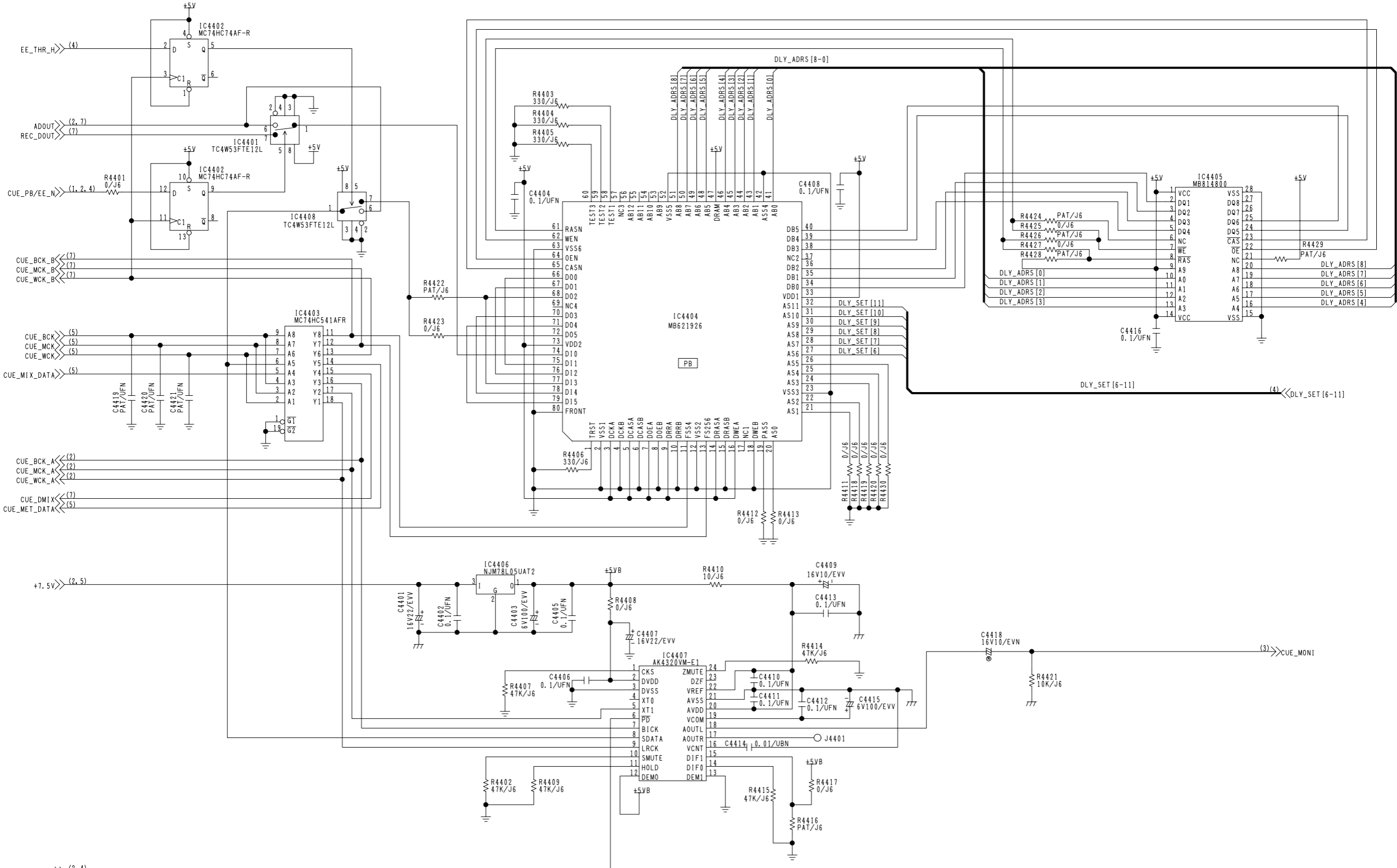


P4001  
VJP3454B096

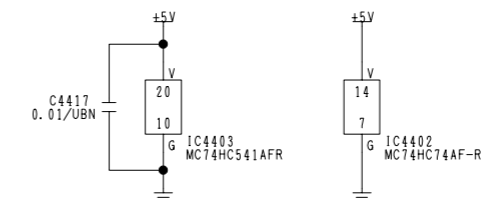


Ref No 4000 Series

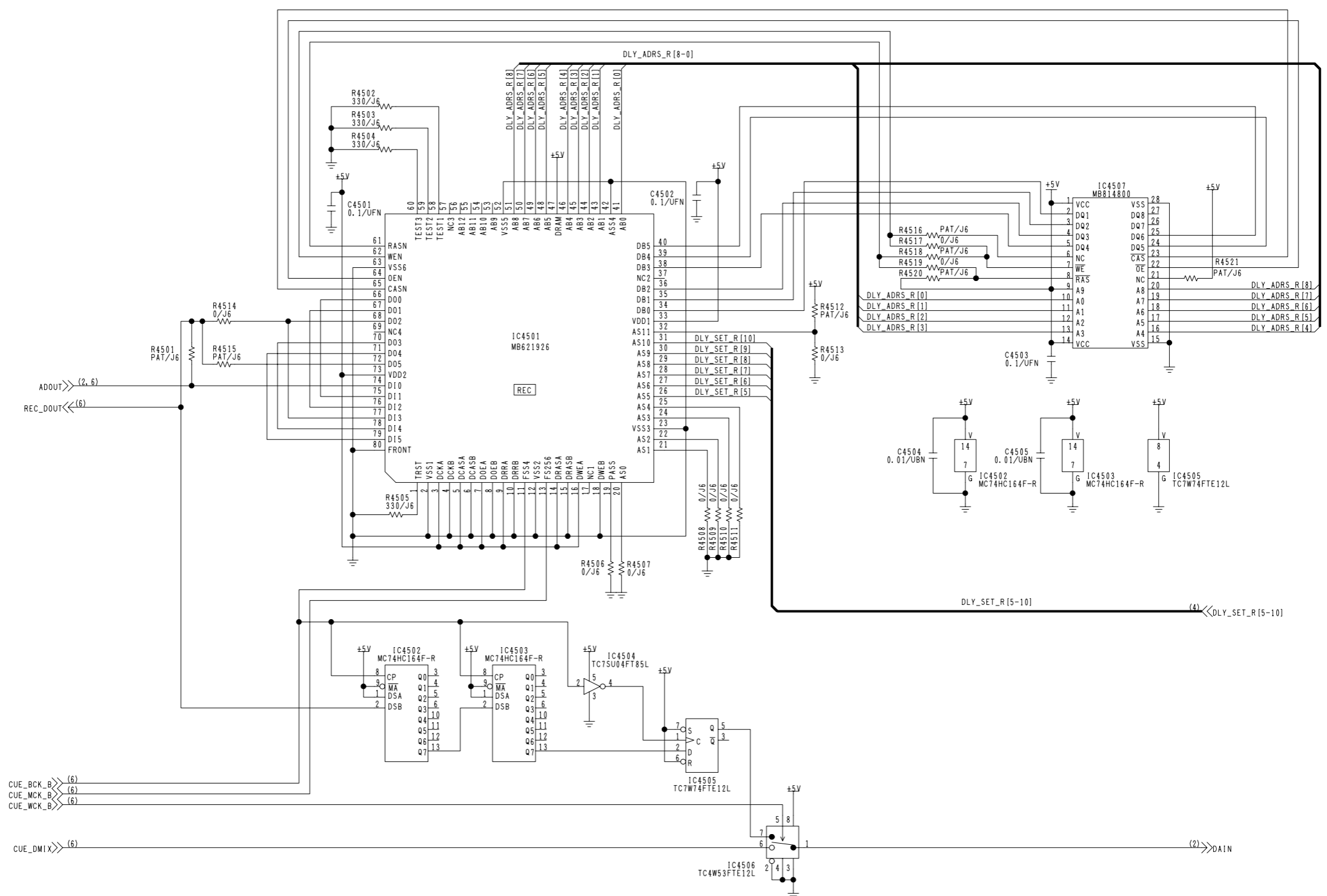
COMPONENT NAME	CUE	05/07
CIRCUIT BOARD NO	VEP84302A	MODEL NO
		AJ-D950,PD950
		SCM245



Ref No 4000 Series (4401-4500)



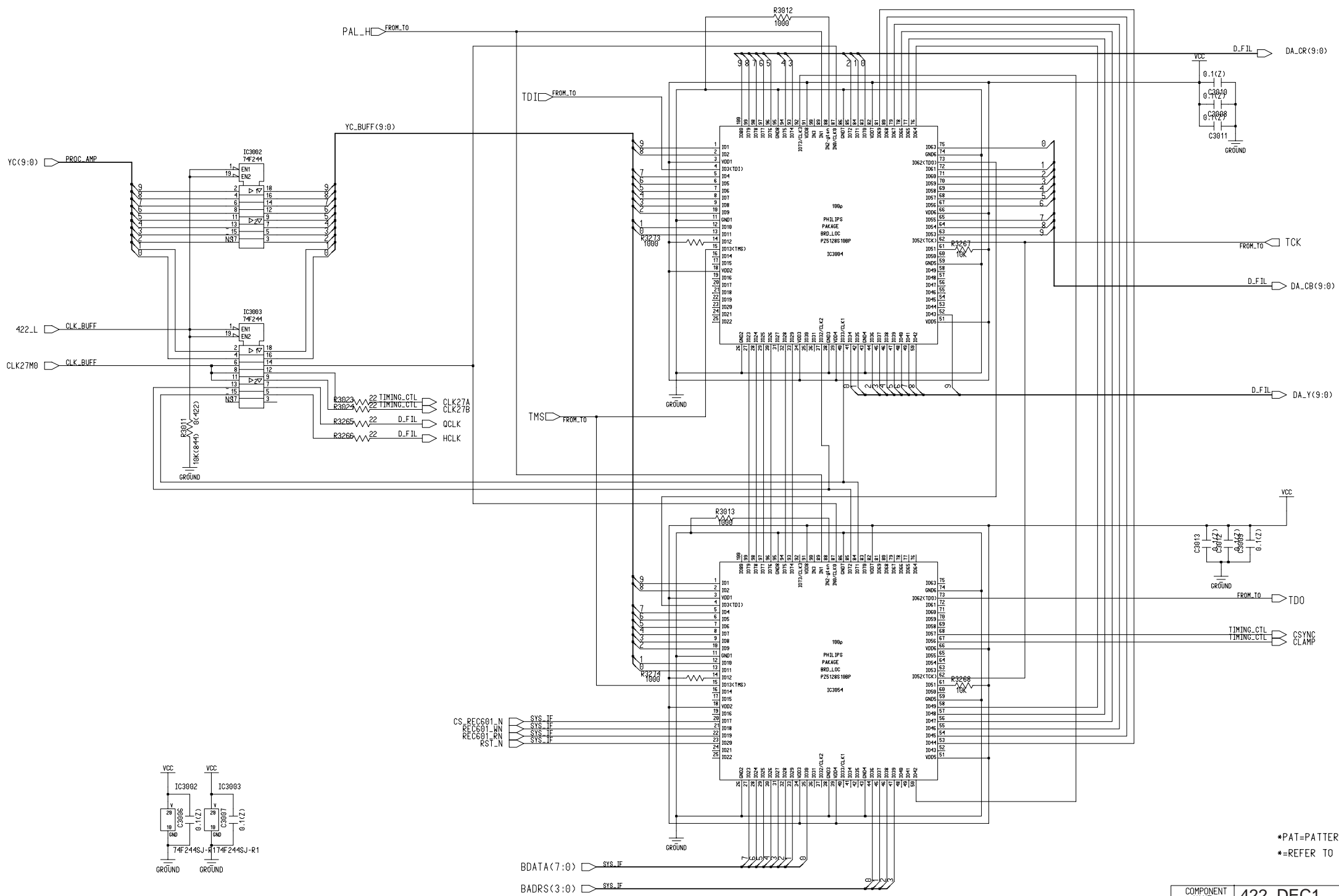
COMPONENT NAME	CUE	06/07
CIRCUIT BOARD NO	VEP84302A	MODEL NO
		AJ-D950,PD950
SCM246		



Ref No 4000 Series (4501-4600)

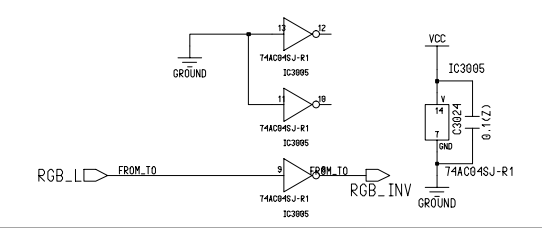
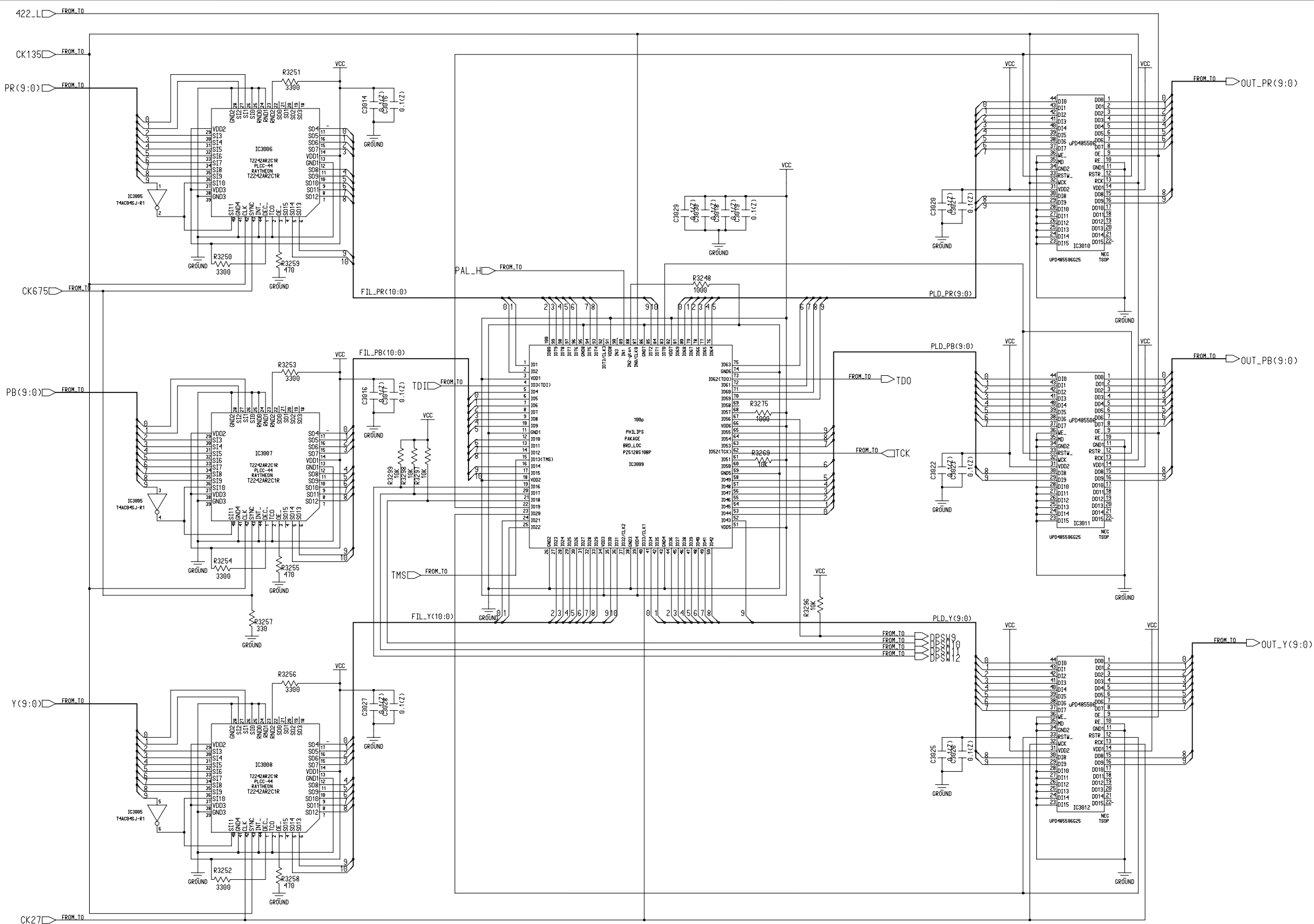
COMPONENT NAME	CUE	07/07
CIRCUIT BOARD NO	VEP84302A	MODEL NO
		AJ-D950,PD950
		SCM247





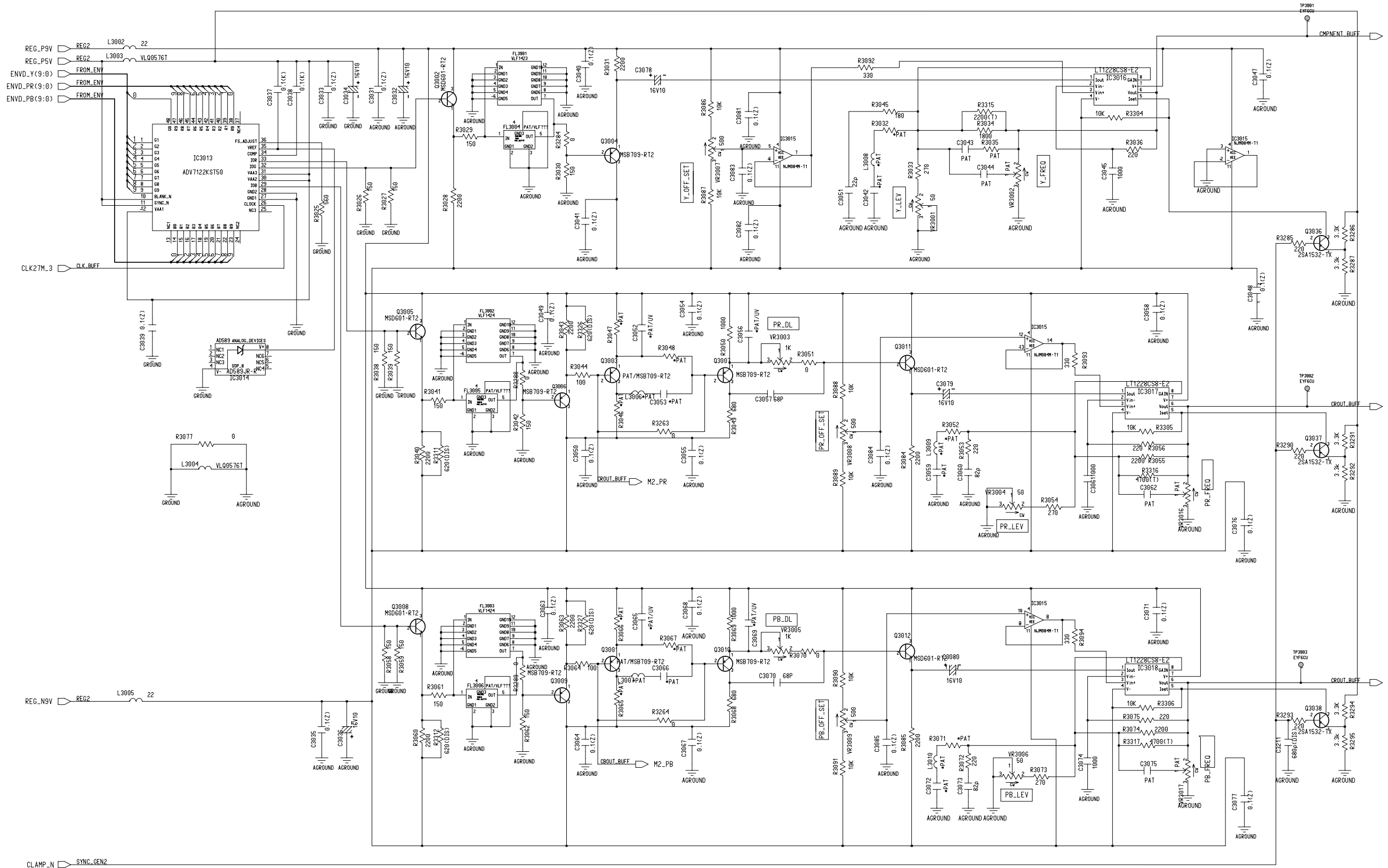
\*PAT=PATTERN ONLY  
 \*=REFER TO THE COMPARISON CHART

COMPONENT NAME	422_DEC1	02/11
CIRCUIT BOARD NO	MODEL NO	
VEP83385A	AJ-D950P,PD950P,YA950, YA951E	
VEP83385B	AJ-YA952	
SCM186		



\*PAT=PATTERN ONLY  
 \*REFER TO THE COMPARISON CHART

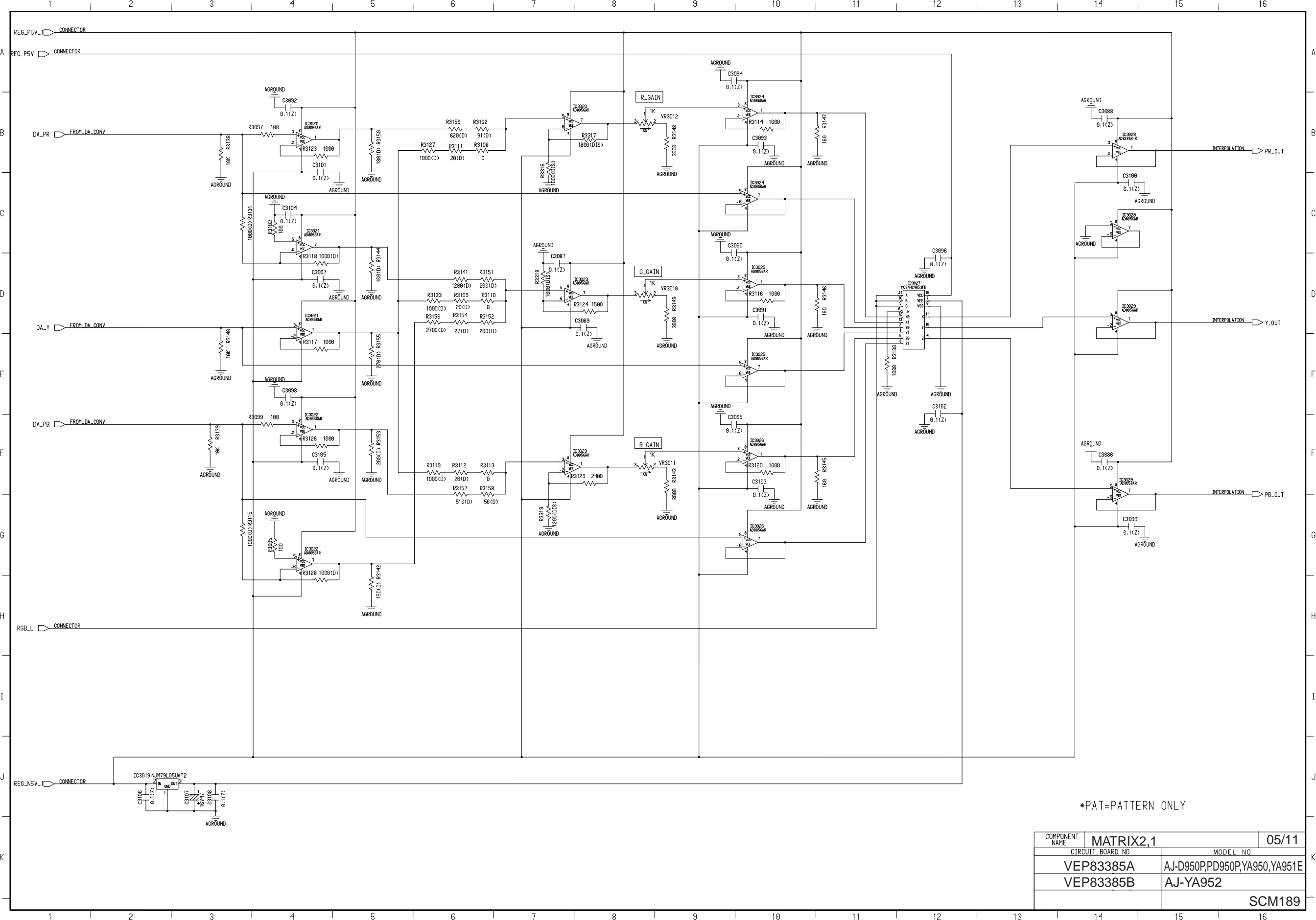
COMPONENT NAME	D_FIL2,1	03/11
CIRCUIT BOARD NO	MODEL NO	
VEP83385A	AJ-D950P,PD950P,YA950, YA951E	
VEP83385B	AJ-YA952	
SCM187		



\*PAT=PATTERN ONLY  
 \*=REFER TO THE COMPARISON CHART

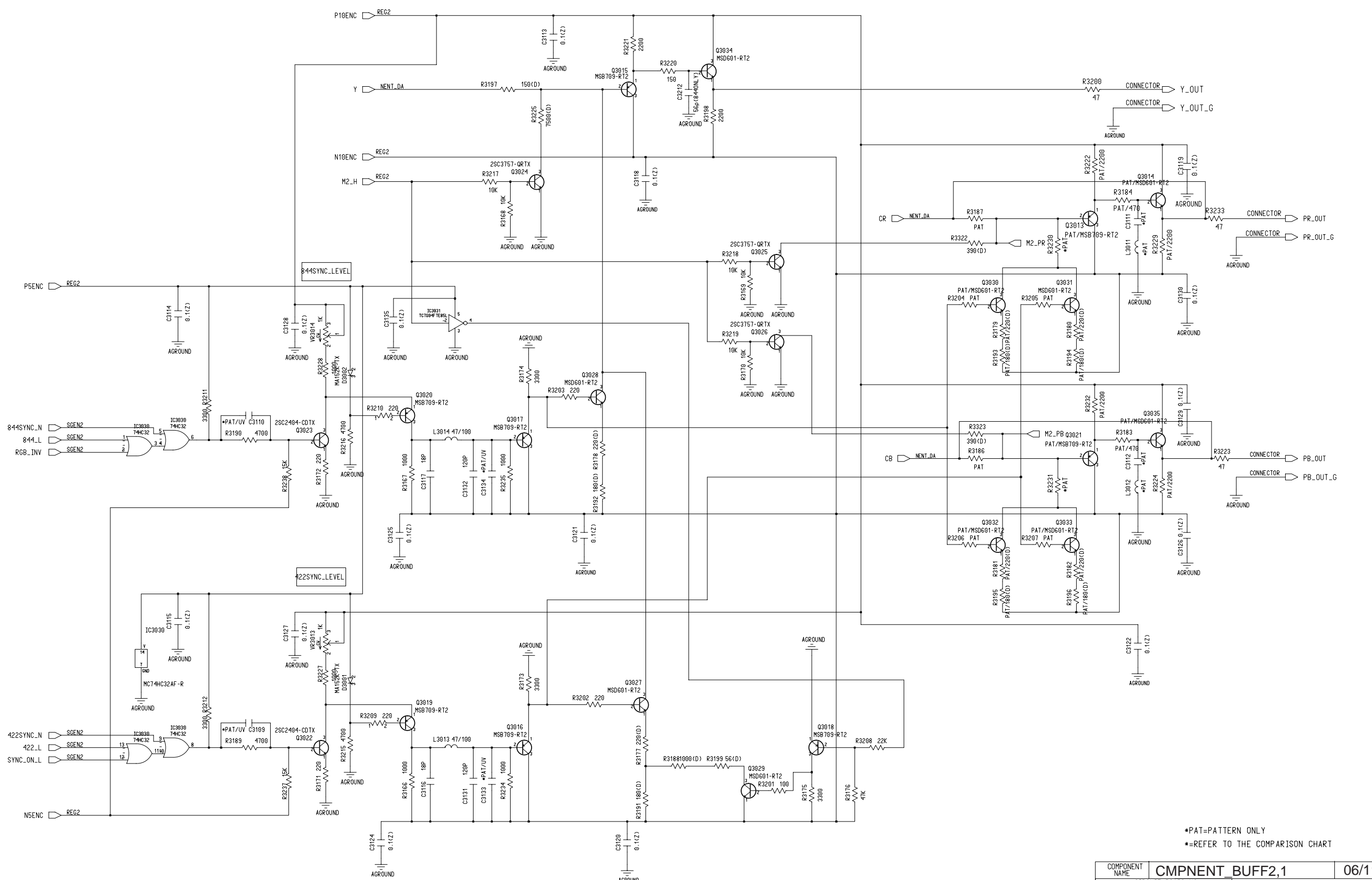
COMPONENT NAME	DA_CONV2,1	04/11
CIRCUIT BOARD NO	MODEL NO	
VEP83385A	AJ-D950P,PD950P,YA950, YA951E	
VEP83385B	AJ-YA952	
SCM188		





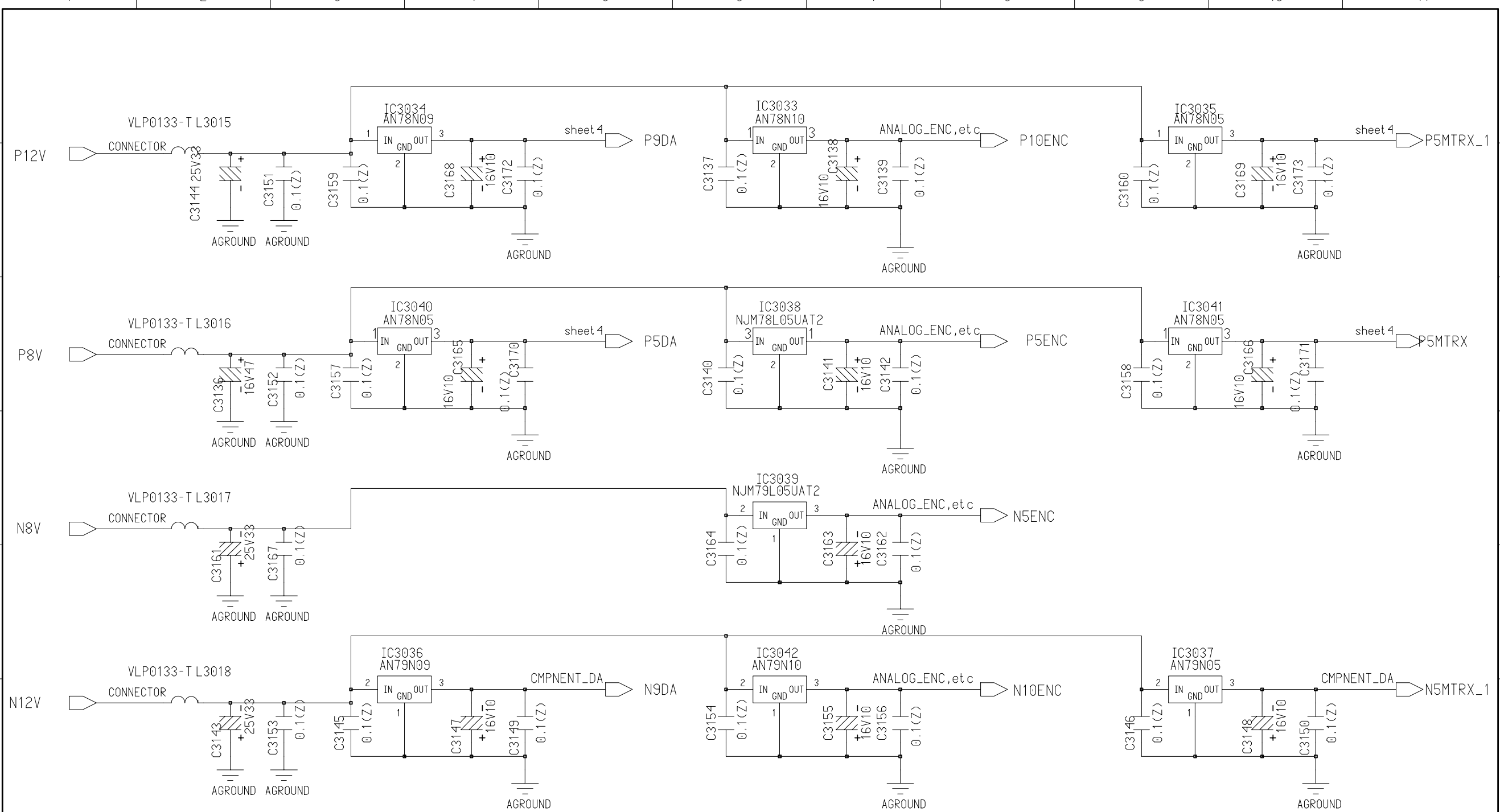
\*PAT=PATTERN ONLY

COMPONENT NAME	MATRIX2,1	05/11
CIRCUIT BOARD NO	MODEL NO	
VEP83385A	AJ-D950P,PD950P,YA950,YA951E	
VEP83385B	AJ-YA952	
	SCM189	



\*PAT=PATTERN ONLY  
 \*=REFER TO THE COMPARISON CHART

COMPONENT NAME	CMPNENT_BUFF2,1	06/11
CIRCUIT BOARD NO	MODEL NO	
VEP83385A	AJ-D950P,PD950P,YA950, YA951E	
VEP83385B	AJ-YA952	
SCM190		

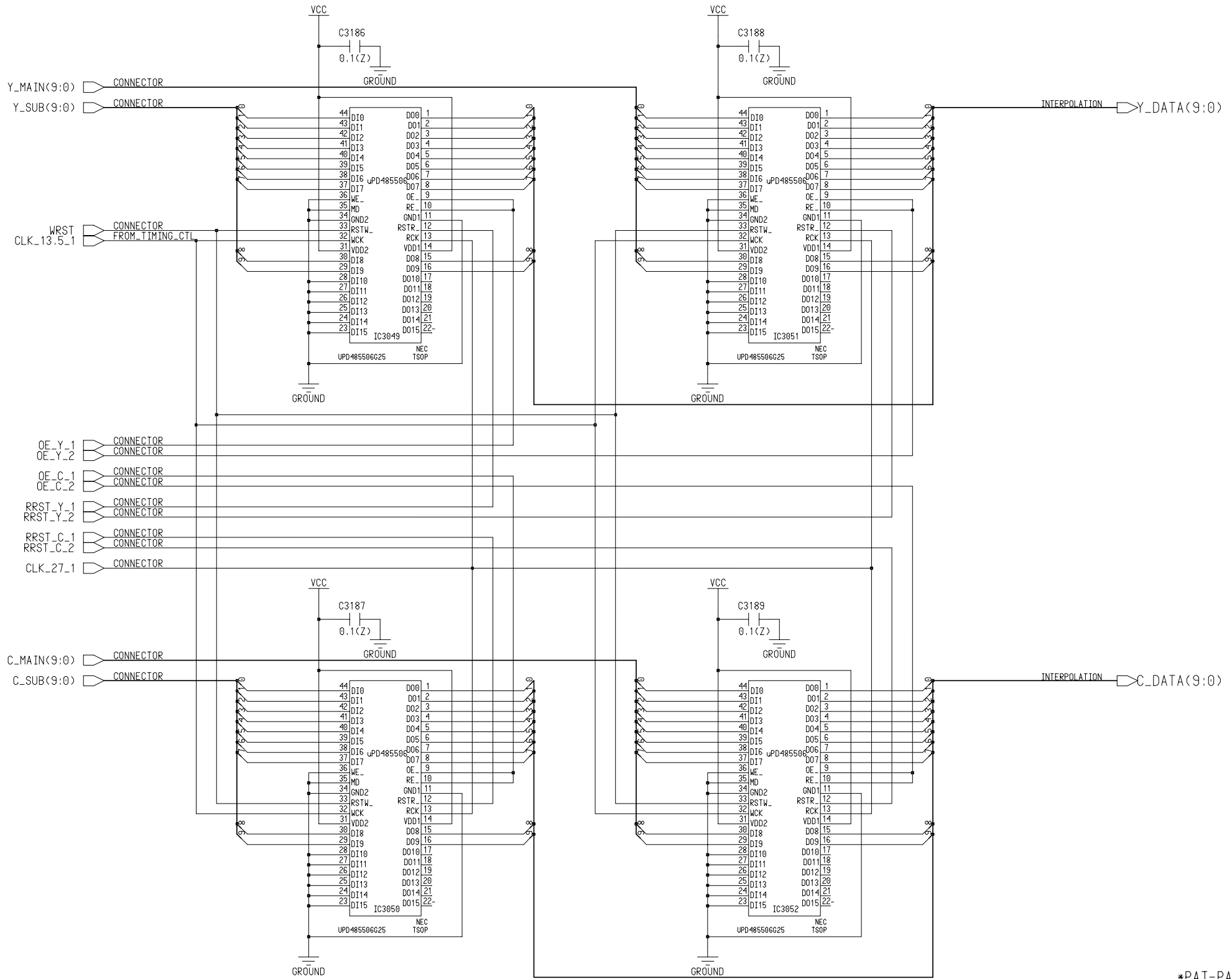


\*=REFER TO THE COMPARISON CHART

COMPONENT NAME	REG3_2,1	07/11
CIRCUIT BOARD NO	MODEL NO	
VEP83385A	AJ-D950P,PD950P,YA950,YA951E	
VEP83385B	AJ-YA952	
		SCM191

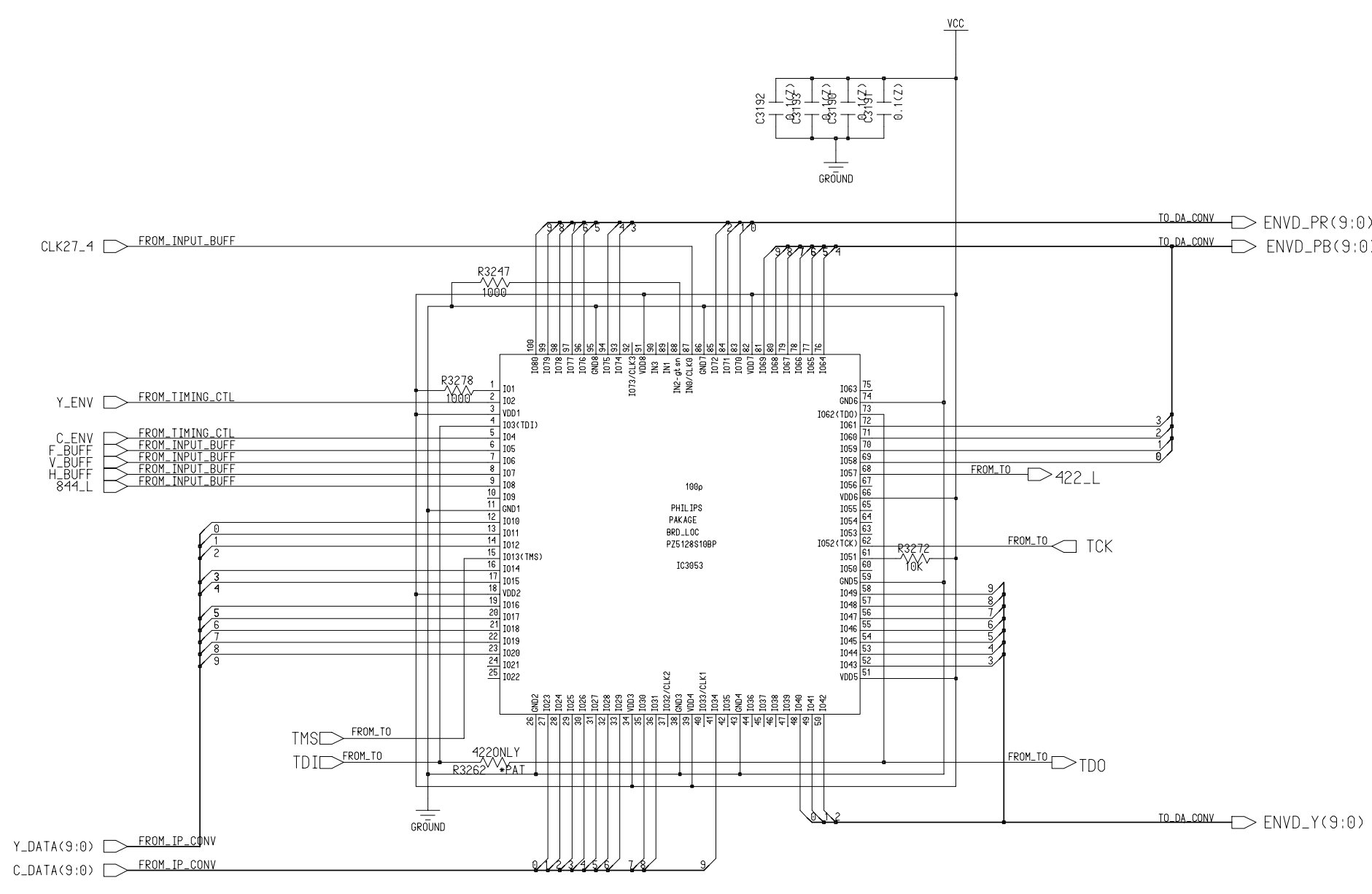






\*PAT=PATTERN ONLY

COMPONENT NAME	IP_CONV2,1	10/11
CIRCUIT BOARD NO	MODEL NO	
VEP83385A	AJ-D950P,PD950P,YA950,YA951E	
VEP83385B	AJ-YA952	
	SCM194	

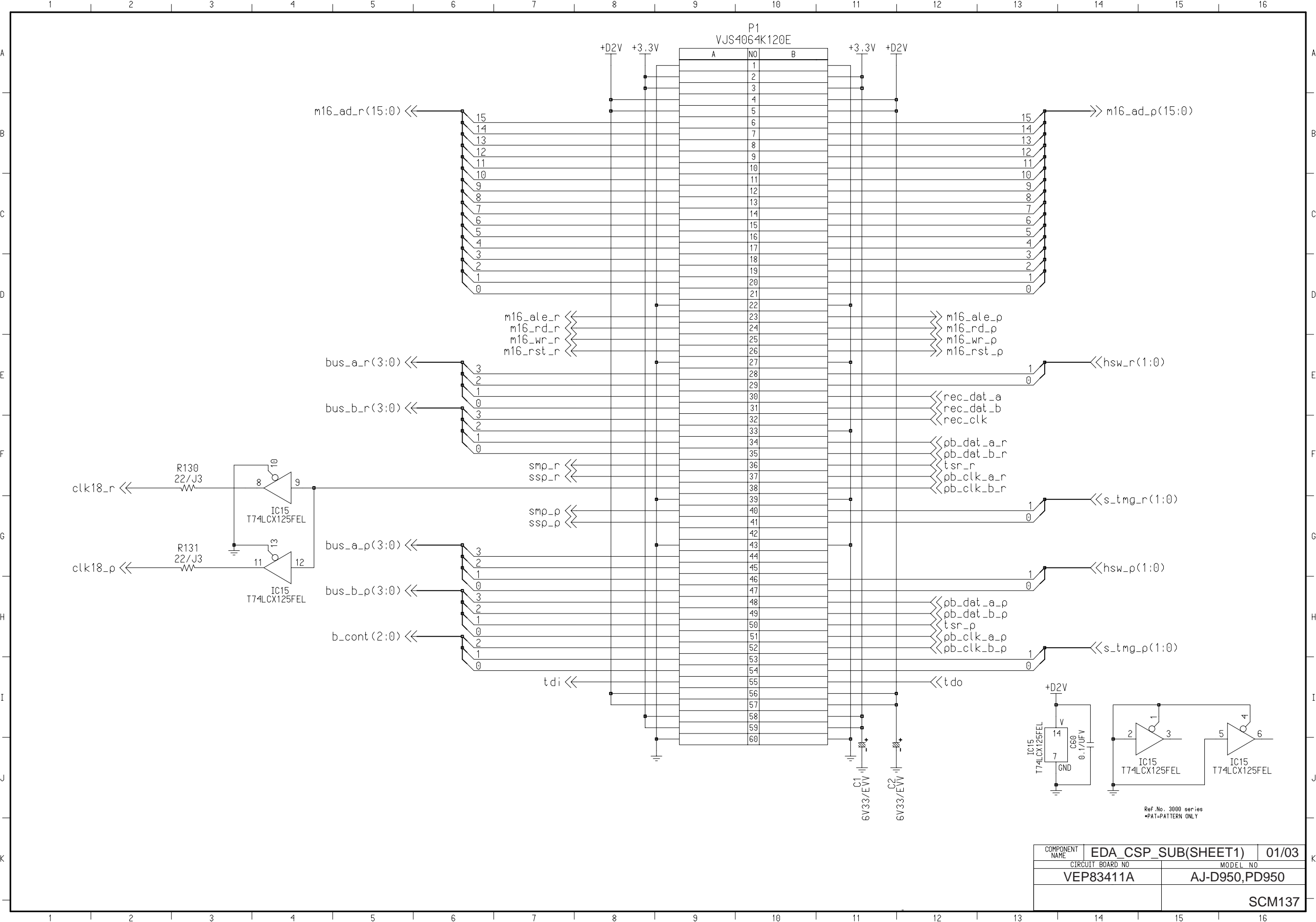


\*PAT=PATTERN ONLY

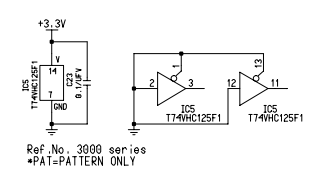
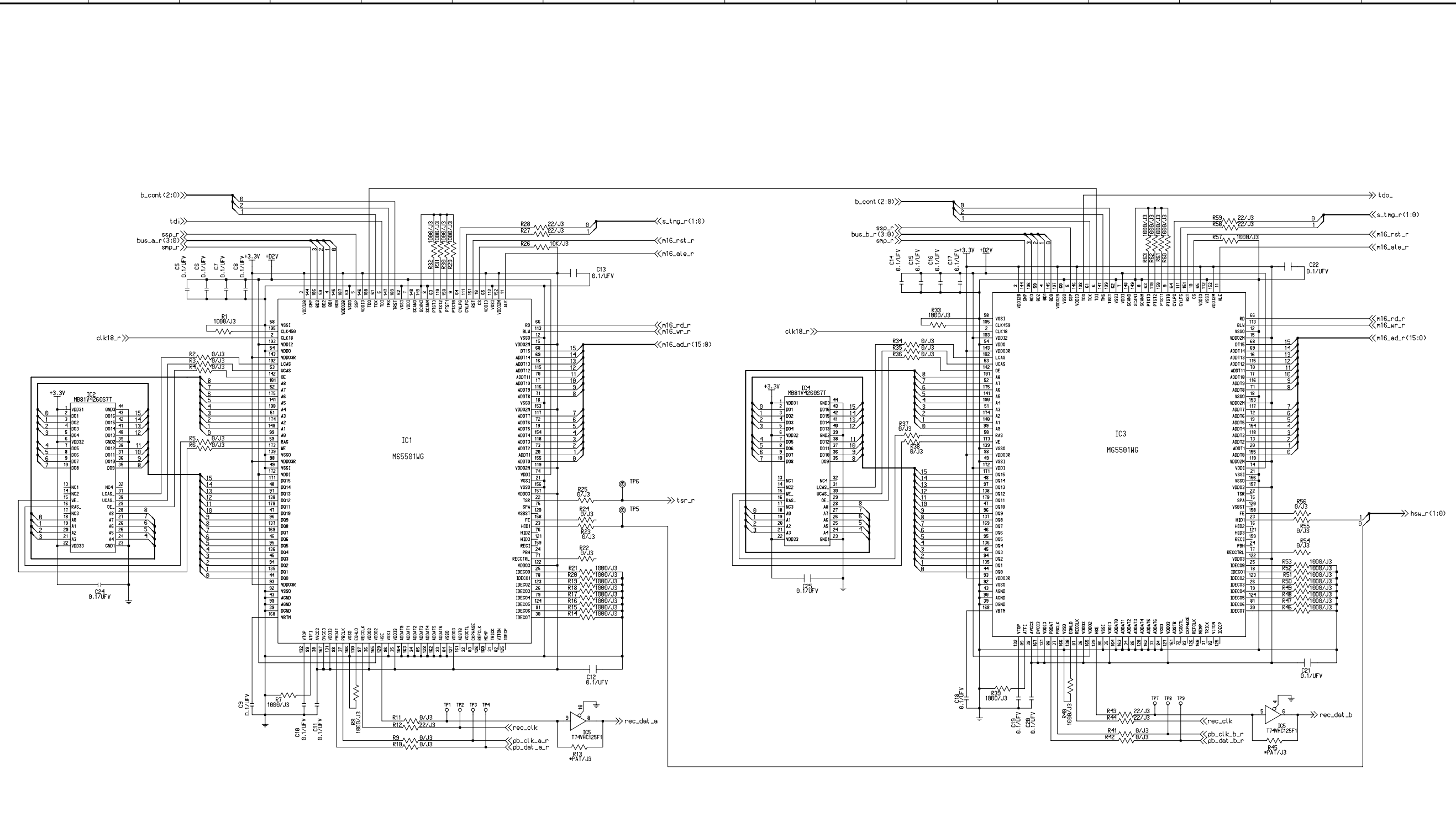
COMPONENT NAME	ENV2,1	11/11
CIRCUIT BOARD NO	MODEL NO	
VEP83385A	AJ-D950P,PD950P,YA950,YA951E	
VEP83385B	AJ-YA952	
	SCM195	





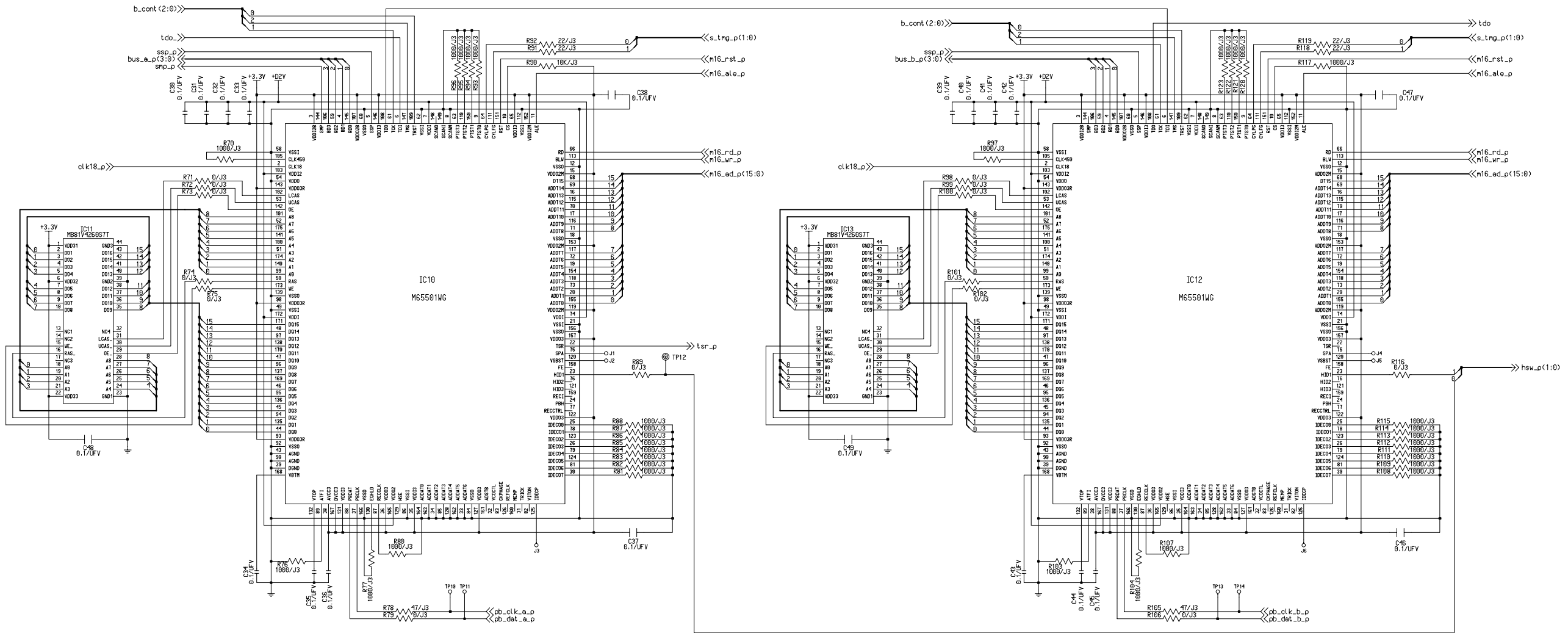


COMPONENT NAME	EDA_CSP_SUB(SHEET1)	01/03
CIRCUIT BOARD NO	MODEL NO	
VEP83411A	AJ-D950,PD950	
SCM137		



Ref.No. 3000 series  
\*PAT= PATTERN ONLY

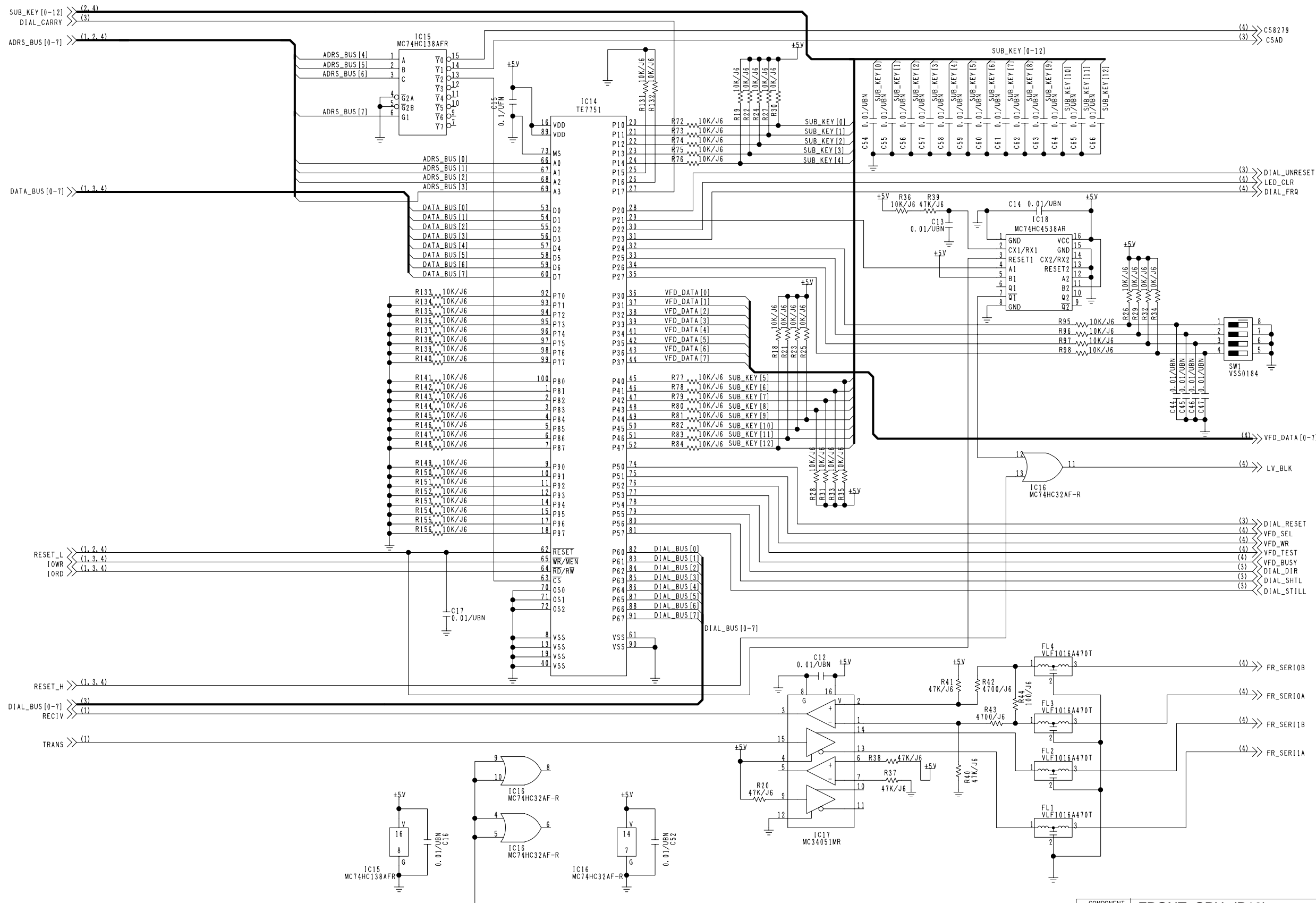
COMPONENT NAME	EDA_CSP_SUB(SHEET2)	02/03
CIRCUIT BOARD NO	VEP83411A	MODEL NO
		AJ-D950,PD950
		SCM138



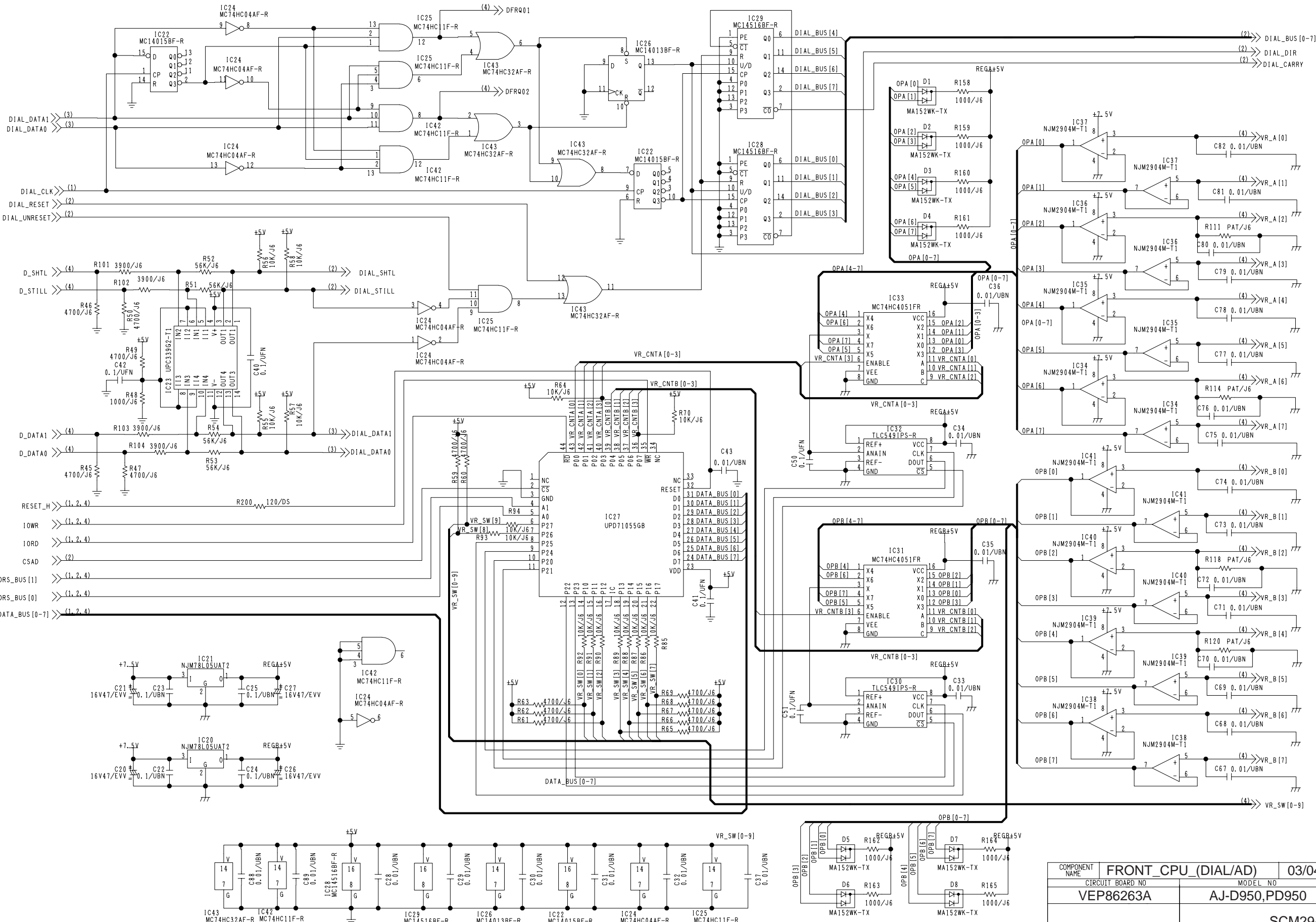
Ref.No. 3000 series  
\*PAT=PATTERN ONLY

COMPONENT NAME	EDA_CSP_SUB(SHEET3)	03/03
CIRCUIT BOARD NO	VEP83411A	MODEL NO AJ-D950,PD950
		SCM139

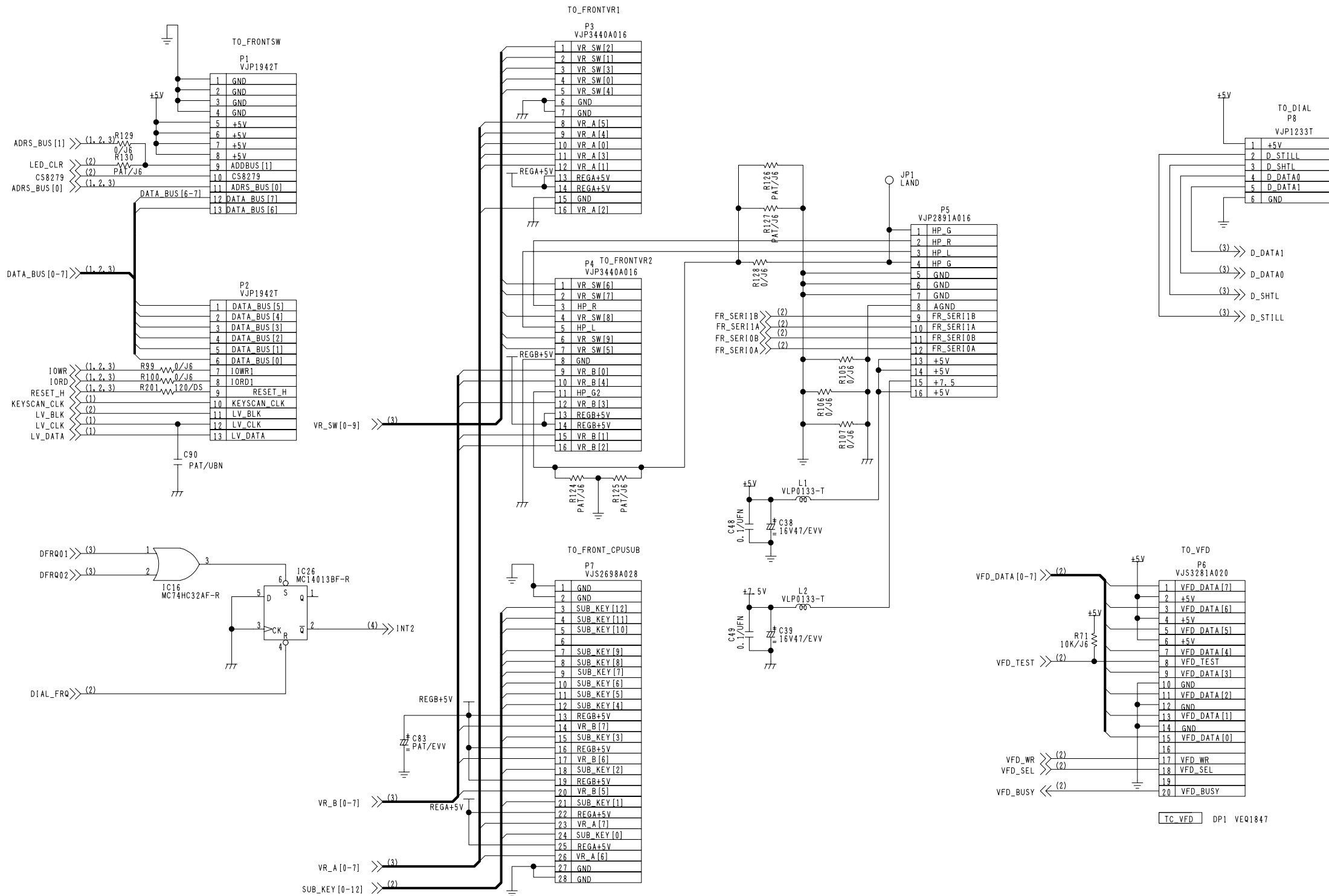




COMPONENT NAME	FRONT_CPU_(P10)	02/04
CIRCUIT BOARD NO	VEP86263A	MODEL NO
		AJ-D950,PD950
SCM293		

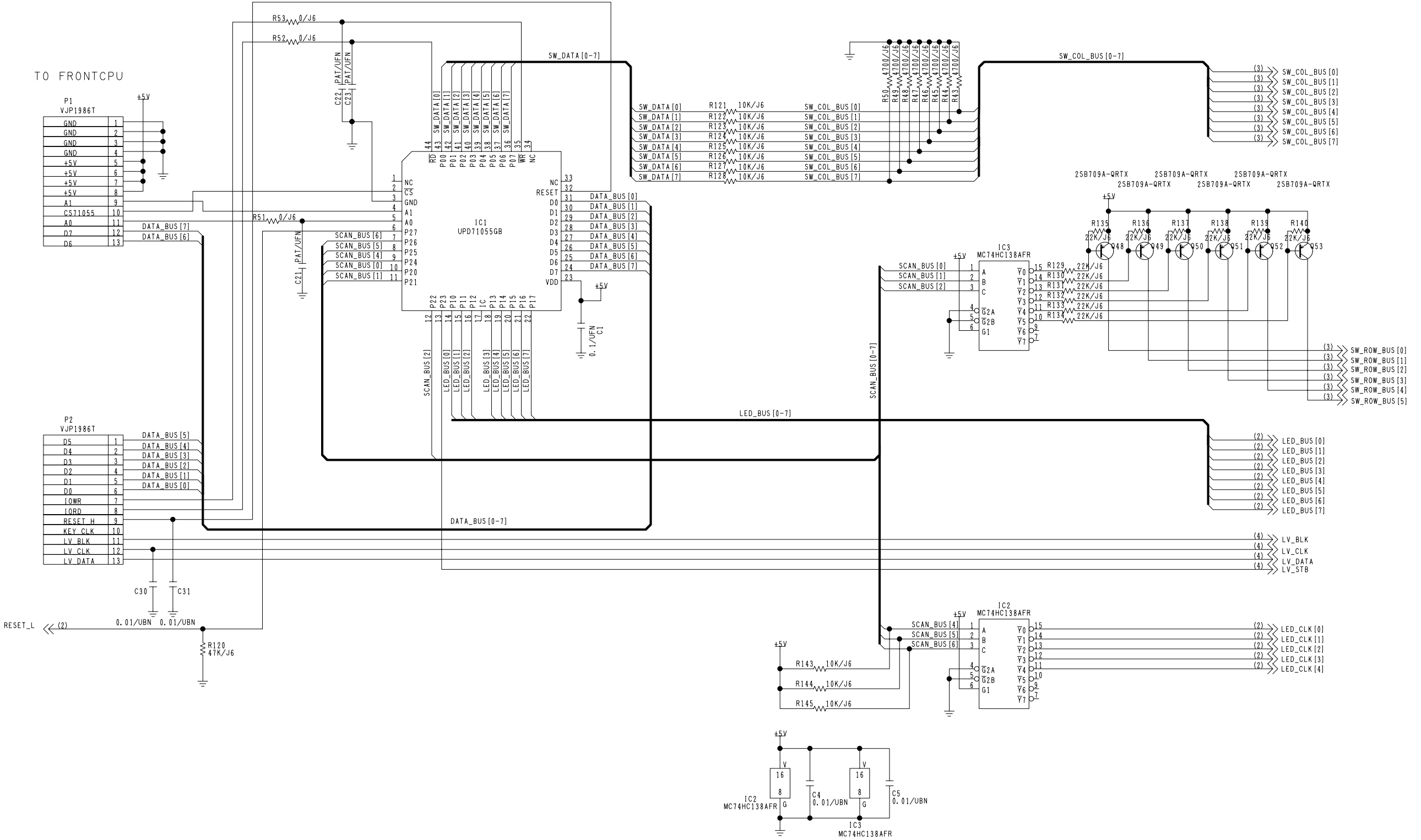


COMPONENT NAME	FRONT_CPU_(DIAL/AD)	03/04
CIRCUIT BOARD NO	VEP86263A	MODEL NO
		AJ-D950,PD950

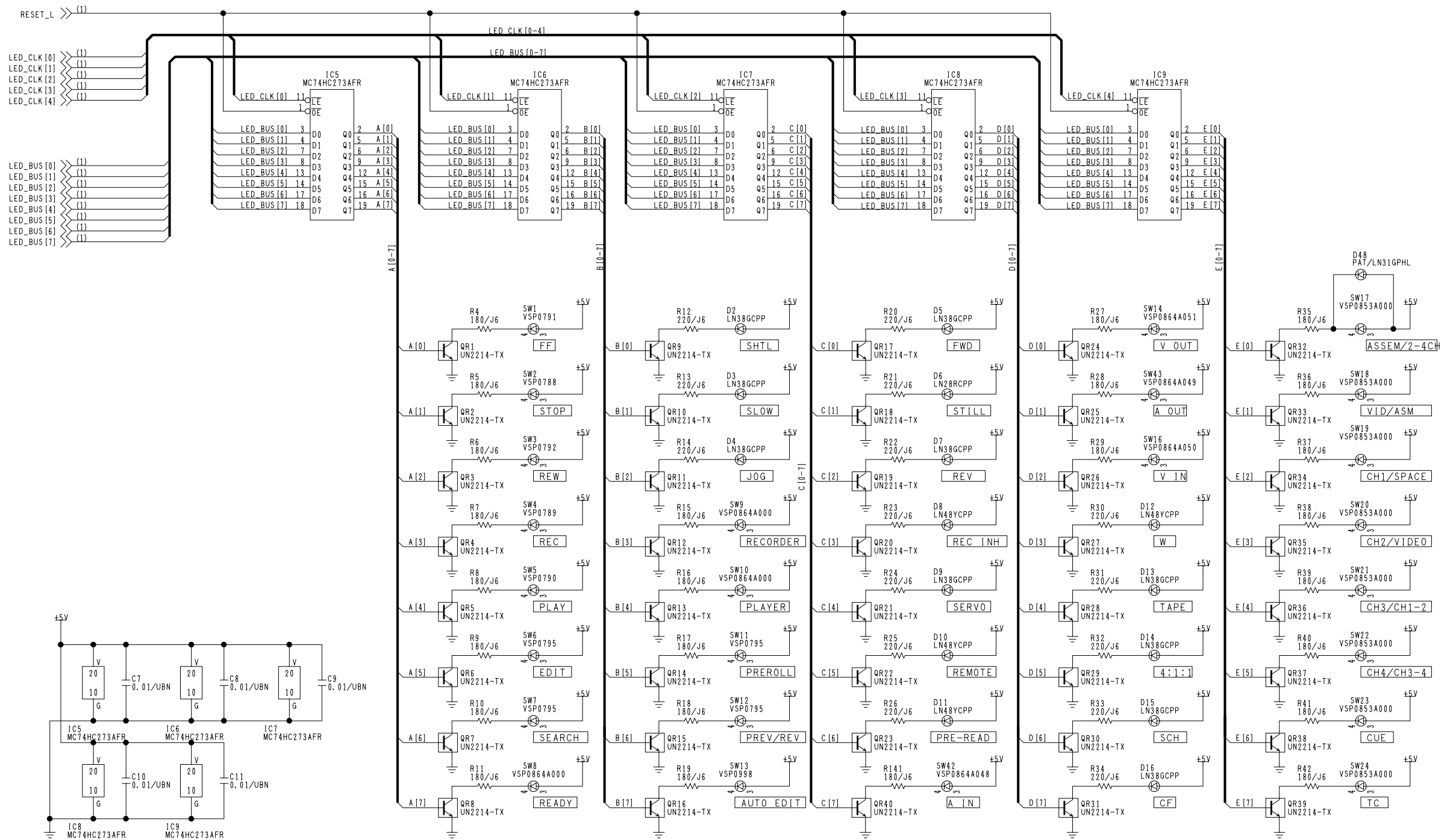




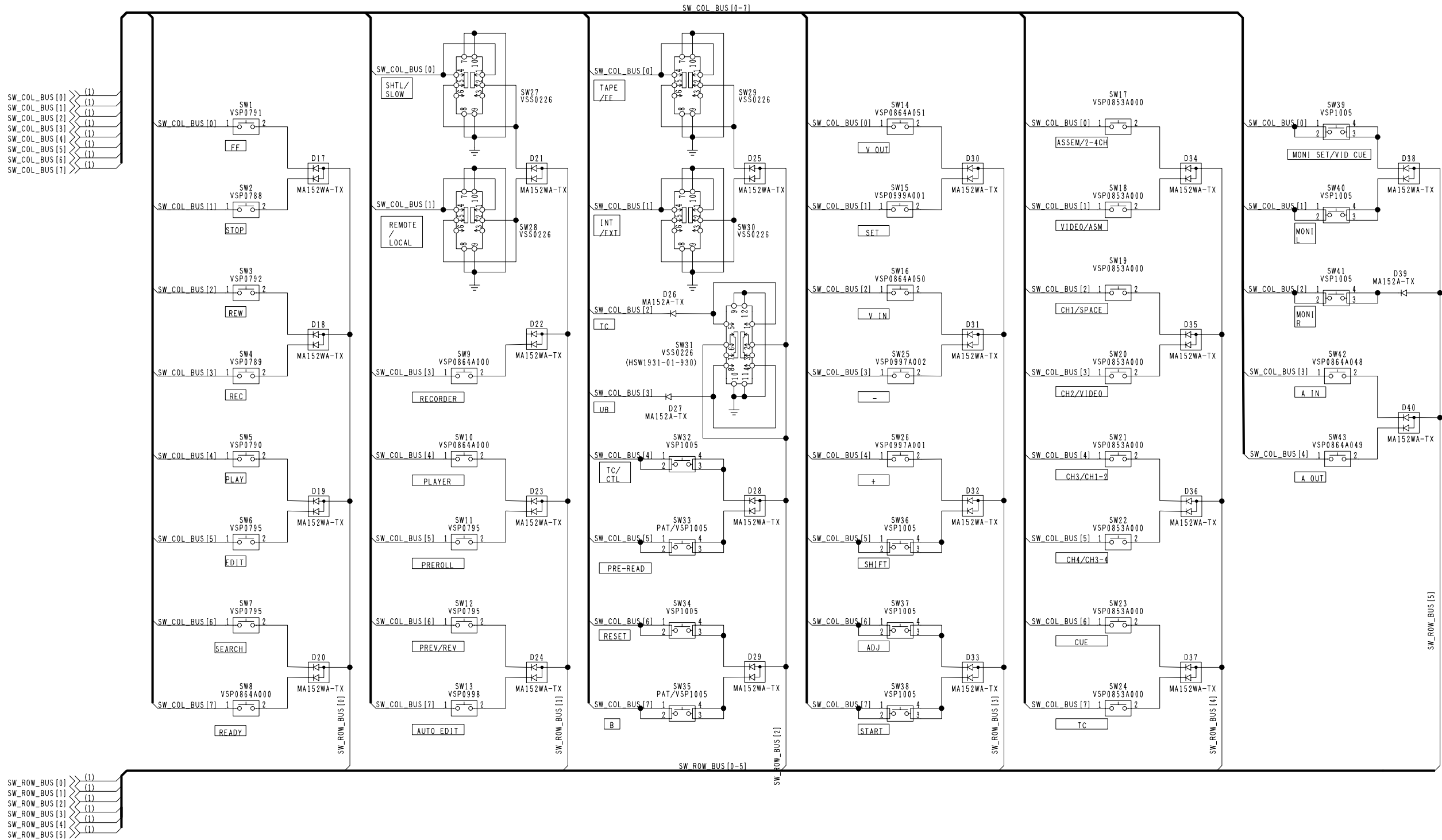




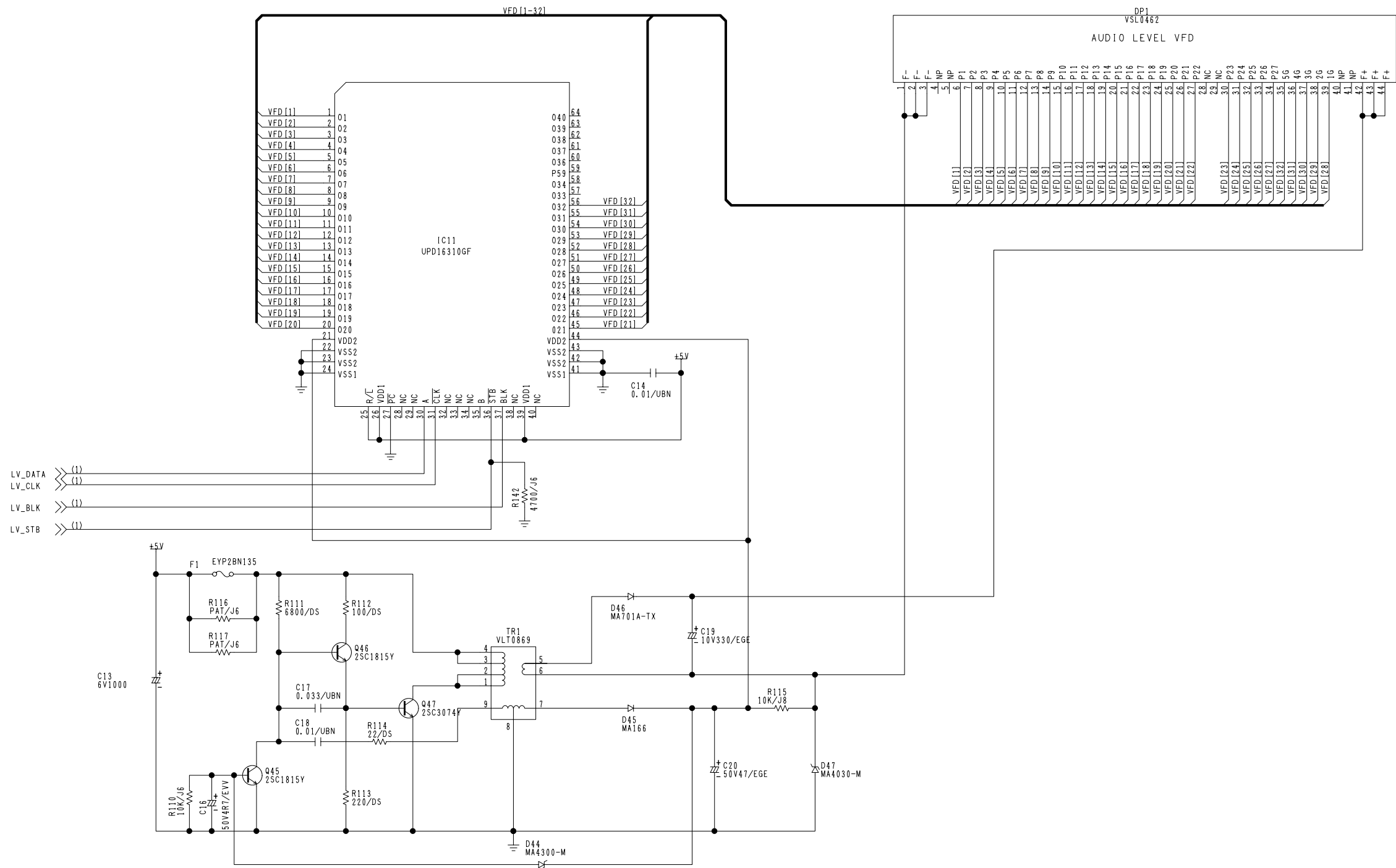
COMPONENT NAME	FRONT_SW_(CONTROL)	01/04
CIRCUIT BOARD NO	VEP80A49	MODEL NO
		AJ-D950,PD950
		SCM297



COMPONENT NAME	FRONT_SW_(LED)	02/04
CIRCUIT BOARD NO	VEP80A49	MODEL NO
		AJ-D950,PD950
		SCM298



COMPONENT NAME	FRONT_SW_(SW)	03/04
CIRCUIT BOARD NO	VEP80A49	MODEL NO
		AJ-D950,PD950
		SCM299

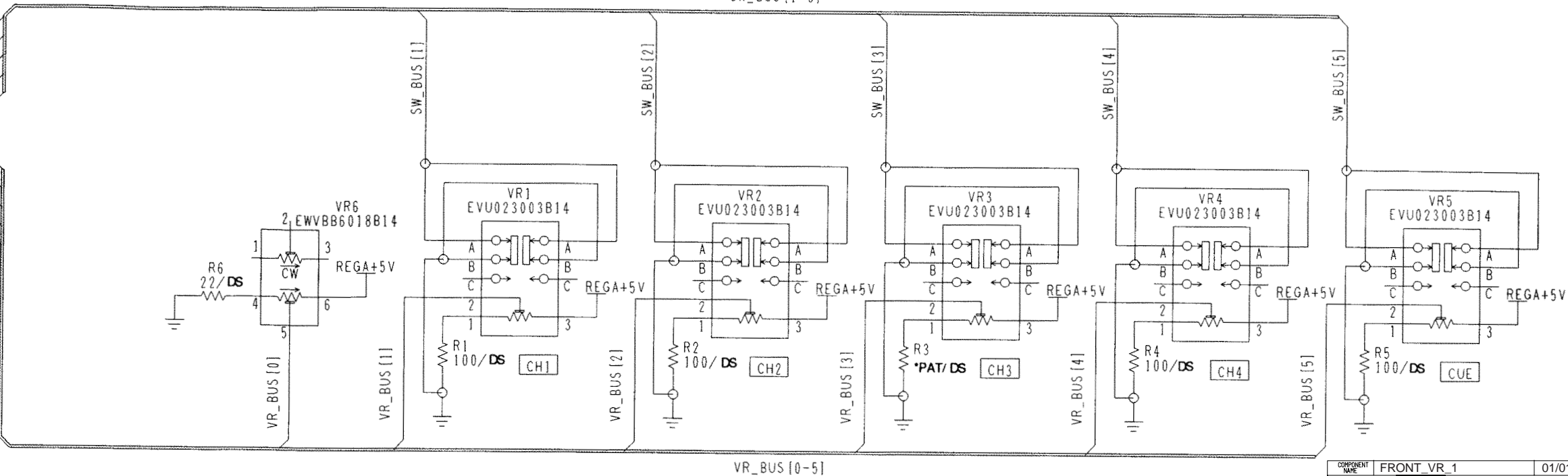


COMPONENT NAME	FRONT_SW_(VFD)	04/04
CIRCUIT BOARD NO	VEP80A49	MODEL NO
		AJ-D950,PD950
		SCM300

TO\_FRONTCPU

P1  
VJP3440A016

CH3_SW	1	SW_BUS [3]
CH2_SW	2	SW_BUS [2]
CH4_SW	3	SW_BUS [4]
CH1_SW	4	SW_BUS [1]
CUE_SW	5	SW_BUS [5]
GND	6	
GND	7	VR_BUS [5]
CUE_VR	8	VR_BUS [4]
CH4_VR	9	VR_BUS [0]
CH3_VR	11	VR_BUS [3]
CH1_VR	12	VR_BUS [1]
REGA+5V	13	REGA+5V
REGA+5V	14	
GND	15	VR_BUS [2]
CH2_VR	16	



COMPONENT NAME	FRONT_VR_1	01/01
CIRCUIT BOARD NO.	VEP80963D	MODEL NO
		AJ-D950,PD950
		SCM301

1 2 3 4 5 6 7 8 9 10

TO\_FRONTCPU

P1  
VJP3440A016

CH2 SW	1	SW_BUS [2]
CH1 SW	2	SW_BUS [3]
HP R	3	SW_BUS [4]
CH4 SW	4	SW_BUS [5]
HP I	5	SW_BUS [1]
CUF SW	6	SW_BUS [1]
CH1 SW	7	VR_BUS [1]
GND	8	VR_BUS [5]
CUF VR	9	VR_BUS [4]
HP G	11	REG±5V
CH4 VR	12	VR_BUS [2]
REG±5V	13	VR_BUS [3]
REG±5V	14	VR_BUS [3]
CH2 VR	15	VR_BUS [3]
CH1 VR	16	VR_BUS [3]

SW\_BUS [2]

SW\_BUS [3]

SW\_BUS [4]

SW\_BUS [5]

SW\_BUS [1]

VR\_BUS [1]

VR\_BUS [5]

VR\_BUS [4]

REG±5V

VR\_BUS [2]

VR\_BUS [3]

FL1 DLF1356  
(ZJSR5101-222TA)

FL2 DLF1356  
(ZJSR5101-222TA)

FL3 DLF1356  
(ZJSR5101-222TA)

J1  
VJJ0378

R6  
PAT/DS

LAND1

SW\_BUS [1]

VR\_BUS [1]

SW\_BUS [2]

VR\_BUS [2]

SW\_BUS [3]

VR\_BUS [3]

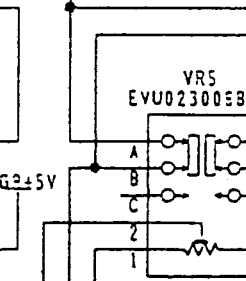
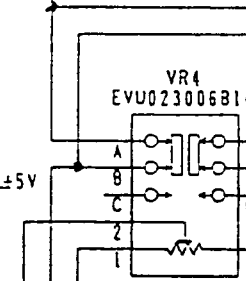
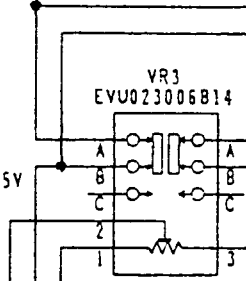
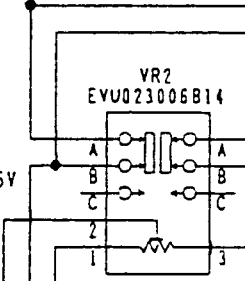
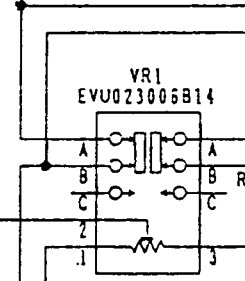
SW\_BUS [4]

VR\_BUS [4]

SW\_BUS [5]

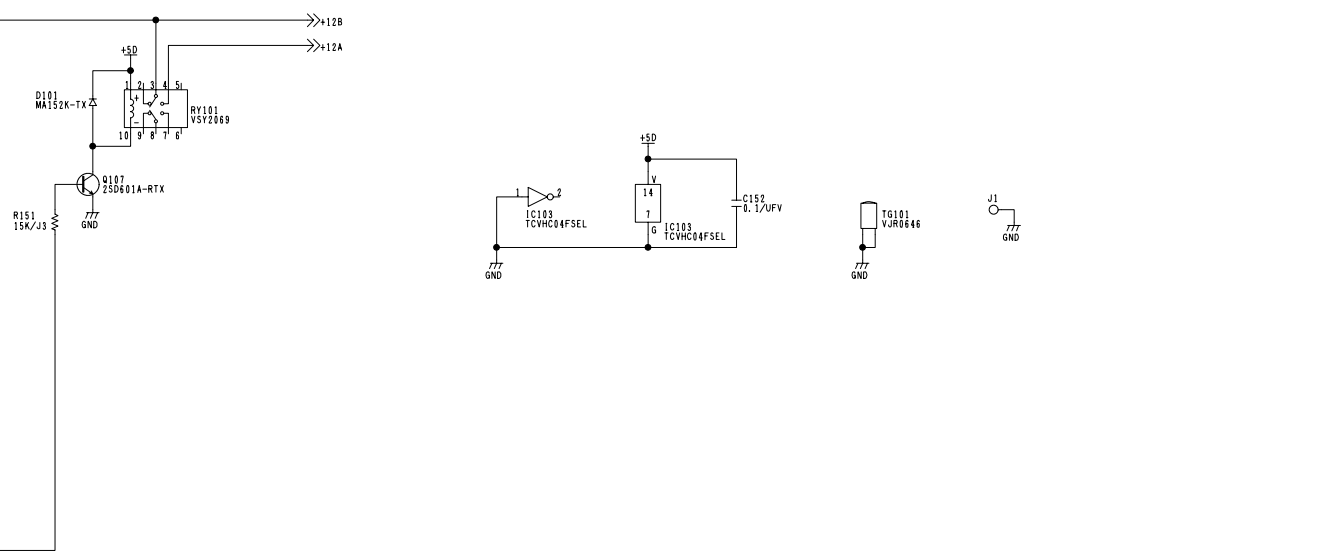
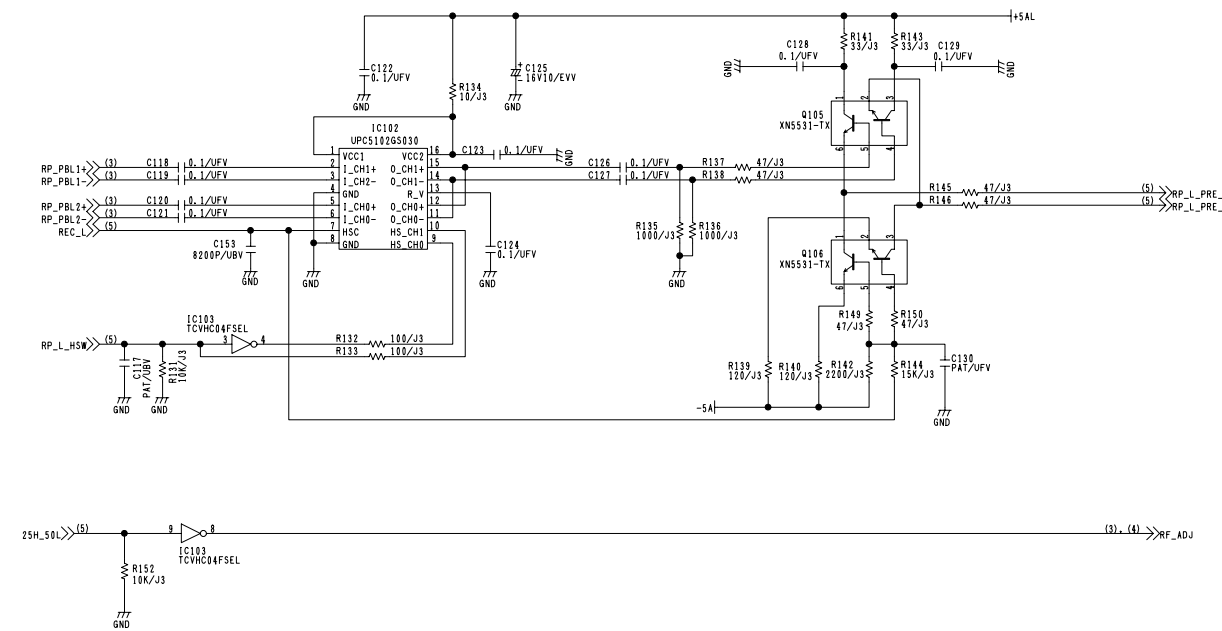
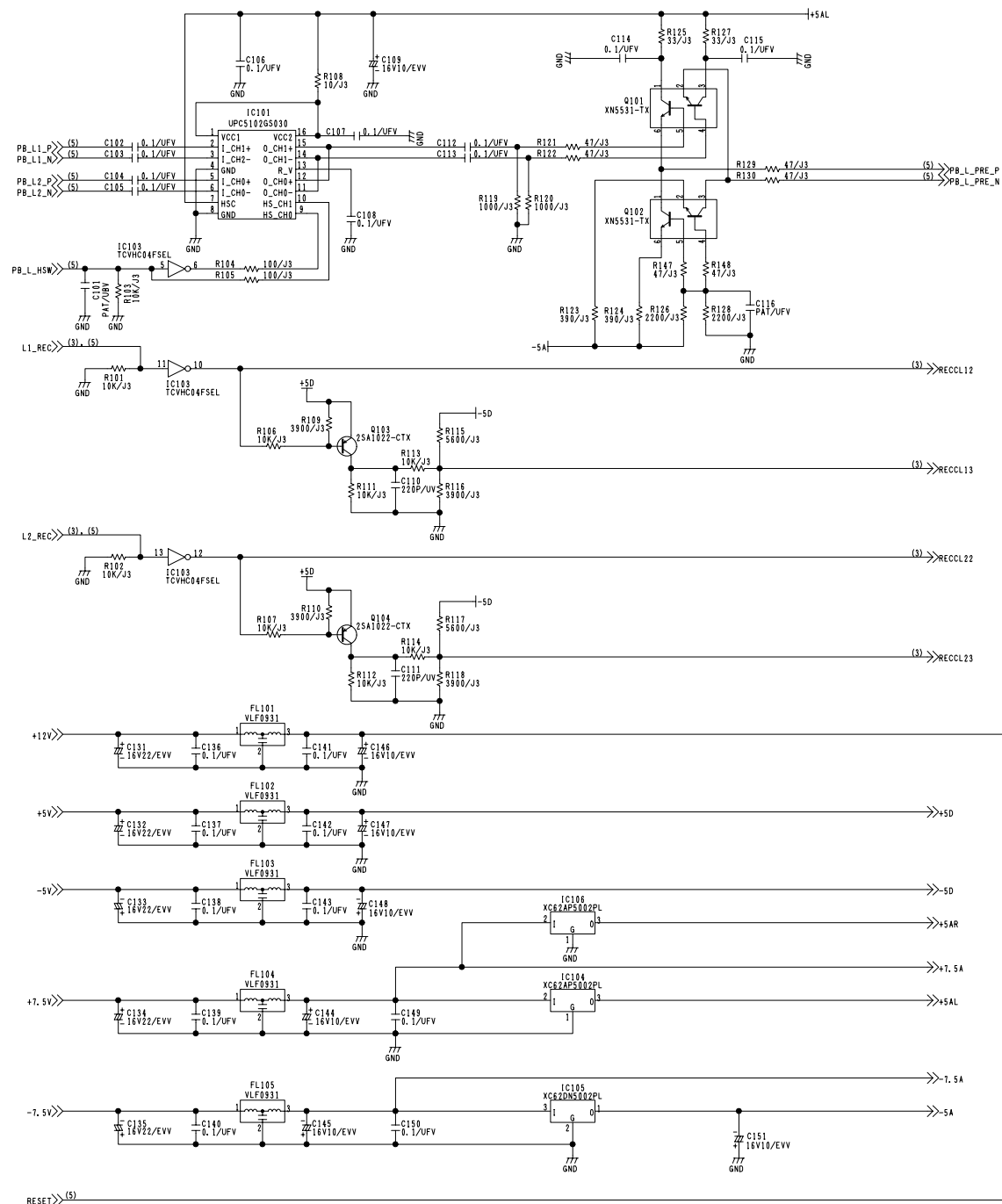
VR\_BUS [5]

VR\_BUS [1-5]

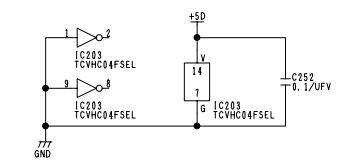
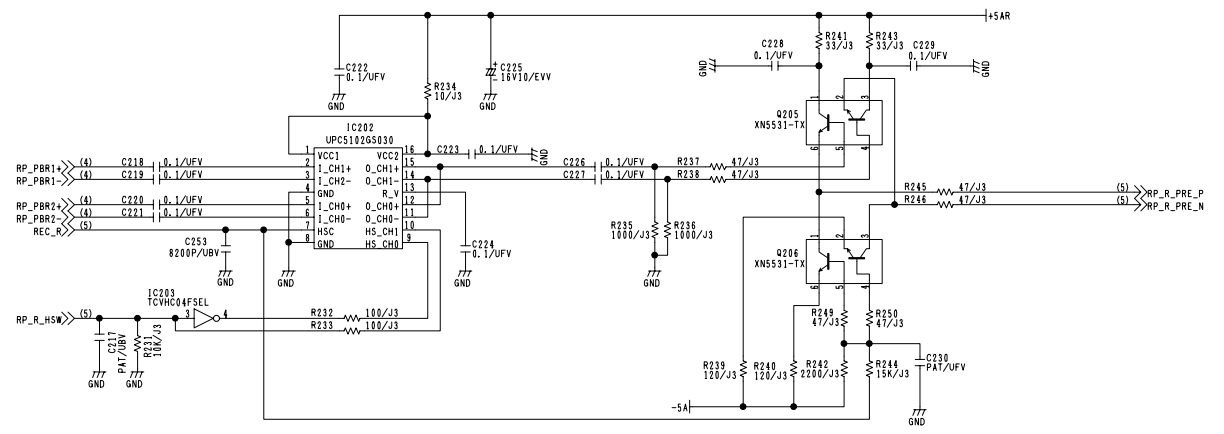
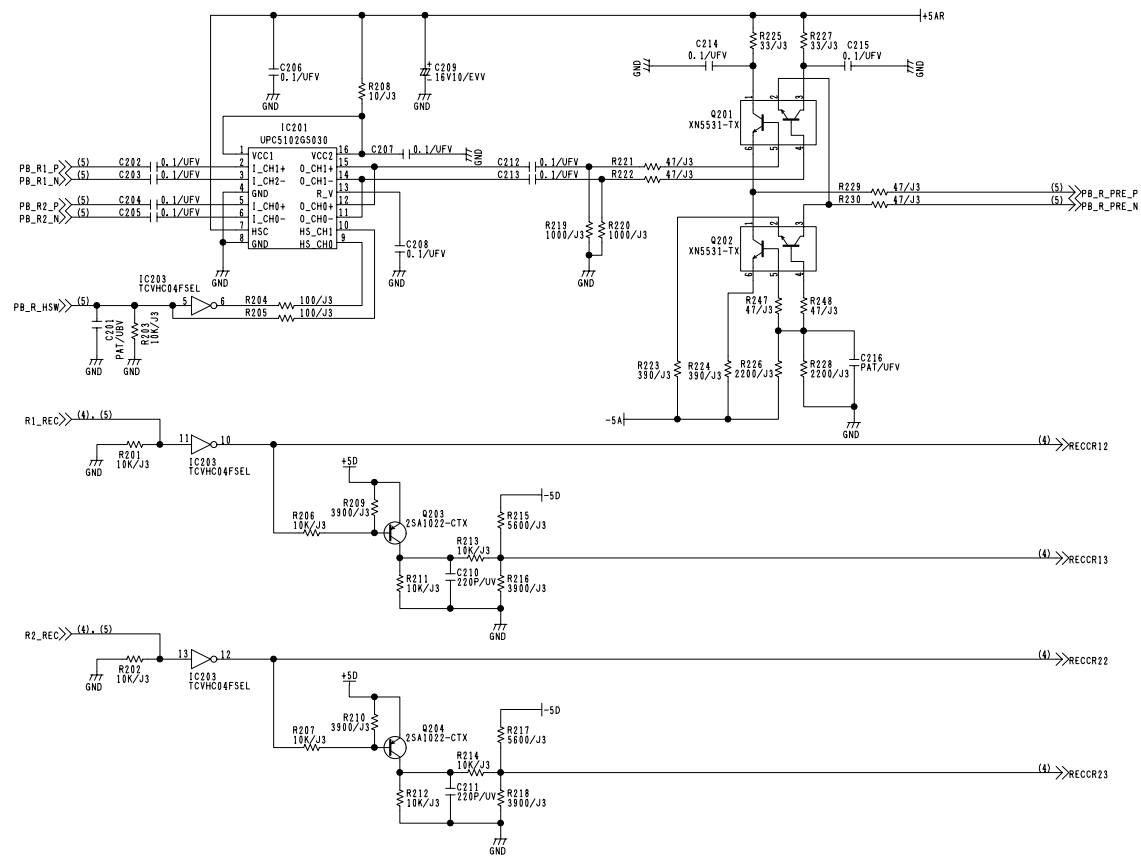


COMPONENT NAME	FRONT_VR_2	01/01
CIRCUIT BOARD NO	VEP80964D	MODEL NO
		AJ-D950,PD950
		SCM302

1 2 3 4 5 6 7 8 9 10 11



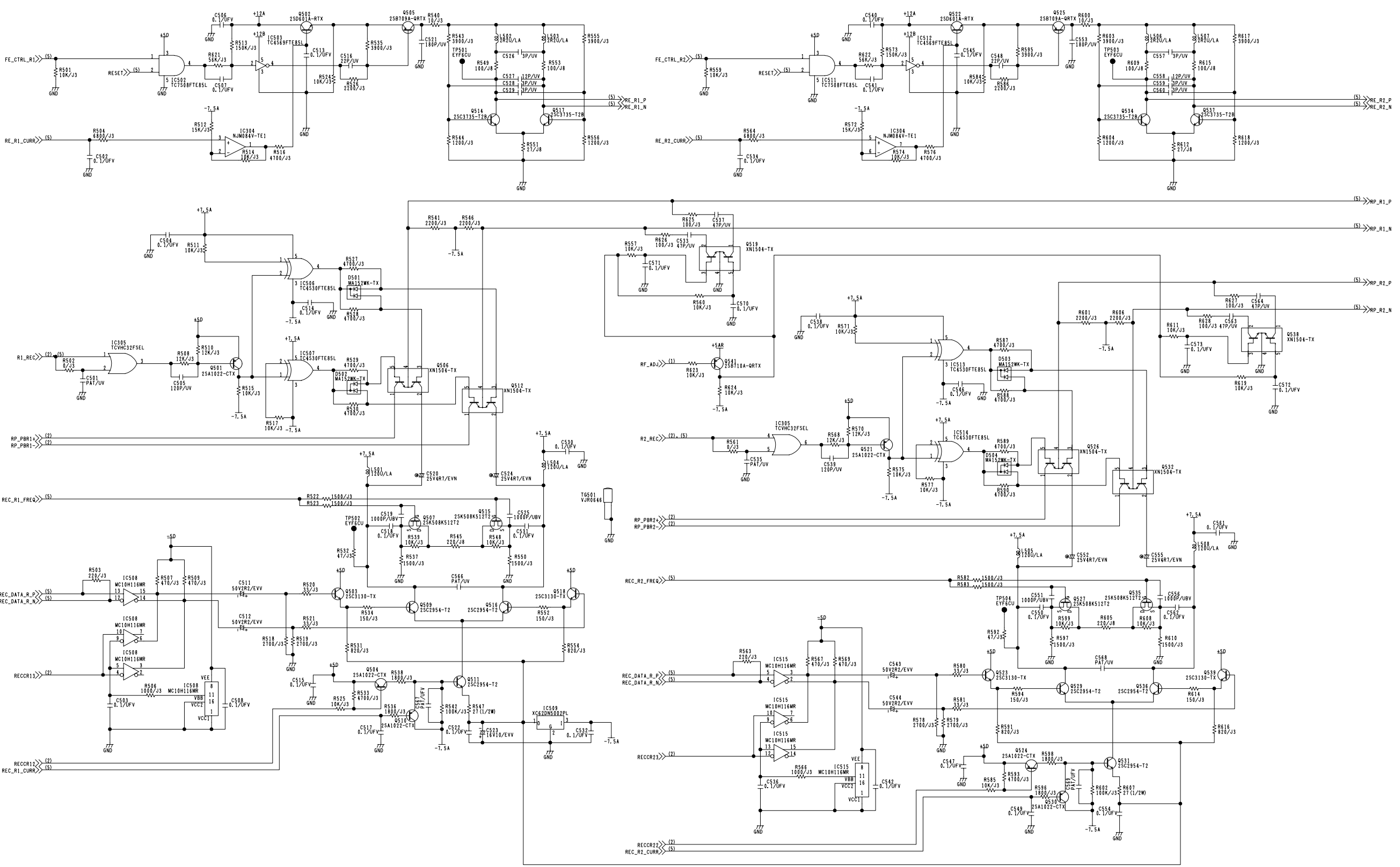
COMPONENT NAME	H_BUFF	01/05
CIRCUIT BOARD NO	VEP85165A	MODEL NO
		AJ-D950,PD950
		SCM269



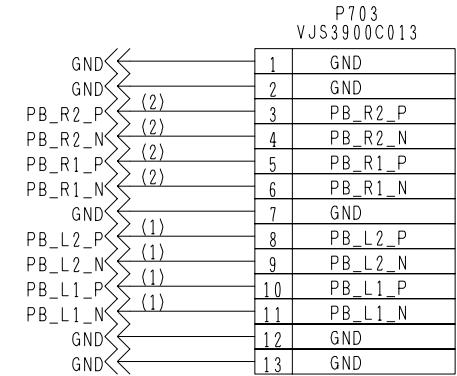
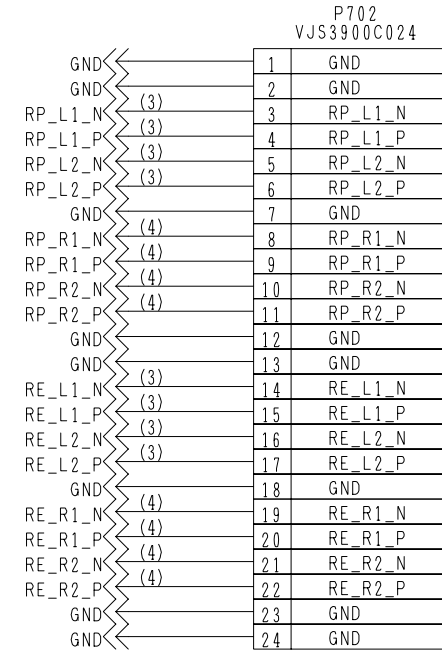
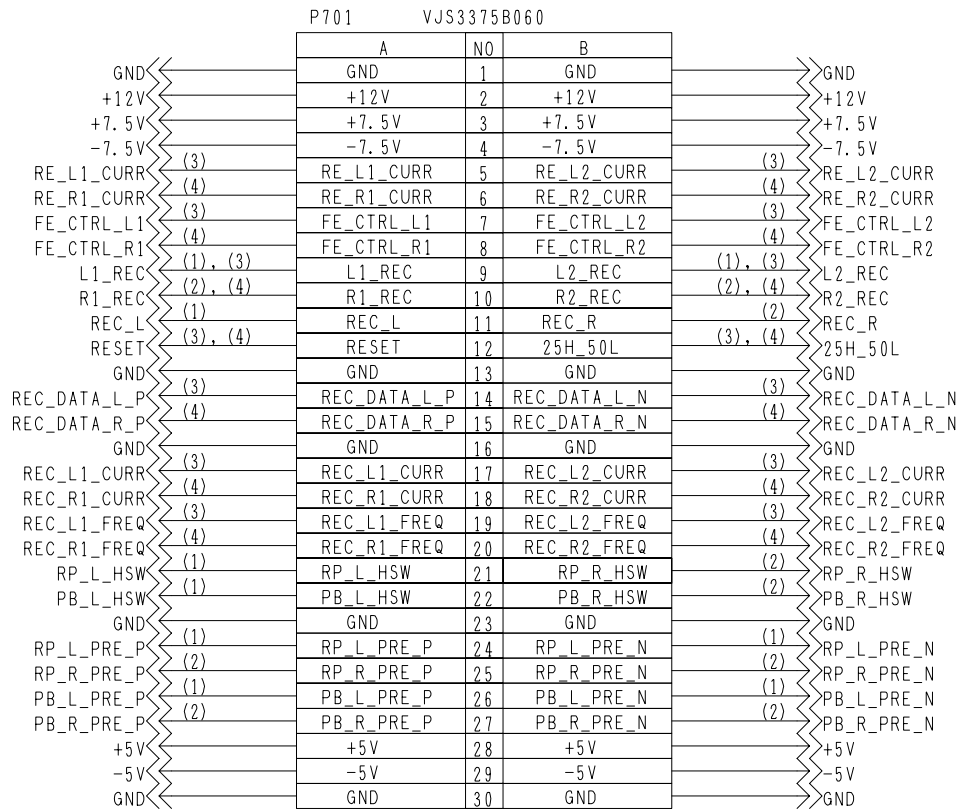
COMPONENT NAME	H_BUFF	02/05
CIRCUIT BOARD NO	VEP85165A	MODEL NO
		AJ-D950,PD950
		SCM270







COMPONENT NAME	H_BUFF	04/05
CIRCUIT BOARD NO	VEP85165A	MODEL NO
		AJ-D950,PD950
		SCM272



COMPONENT NAME	H_BUFF	05/05
CIRCUIT BOARD NO	MODEL NO	
VEP85165A	AJ-D950,PD950	
	SCM273	

## 2. Service Information

### 2-1. How to reset the HOUR METER

DIAG MENU HOURS METER		
*H00 OPERATION	*****H	
H01 DRUM RUN	*****H	---- Accumulated Drum Run
H02 TAPE RUN	*****H	---- Accumulated Tape Run
H03 THREADING	*****T	---- Accumulated Threading
H11 DRUM RUNr	OH	
H12 TAPE RUNr	OH	
H13 THREADINGr	OT	
H30 POWER ON	*****T	
END		

1. Turns power OFF and set the DIP SW 501-1 to ON position on the SYSCON (F2) P.C.B.
2. Turns power ON and press DIAG button and then press SEARCH button. Confirm the HOUR METER information is displayed on the monitor as above figure.
3. Set the cursor to mark "r" position by rotating the jog JOG DIAL then press the RESET button.
4. The message is displayed as below. (The following message is a example when "DRUM RUN r".)

**DRUM RUN r OK?**

**YES<PLAY> NO<STOP>**

When PLAY button is pressed, a reset function is executed.

When STOP button is pressed, a reset function is canceled.

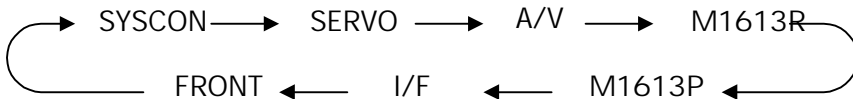
5. Set the DIP SW 501-1 to OFF position on the SYSCON (F2) P.C.B.

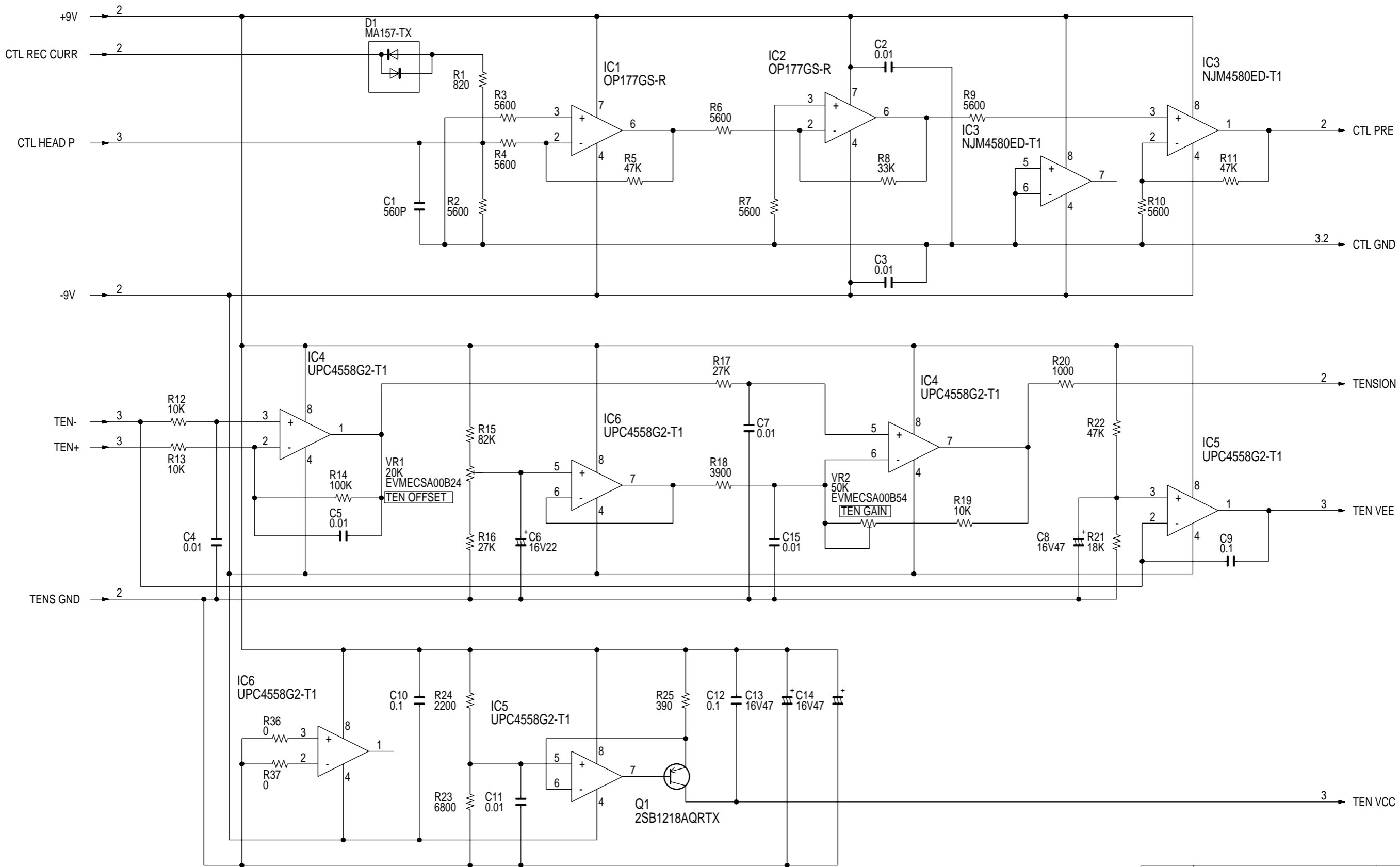
Note

Accumulated Time can not be reset.

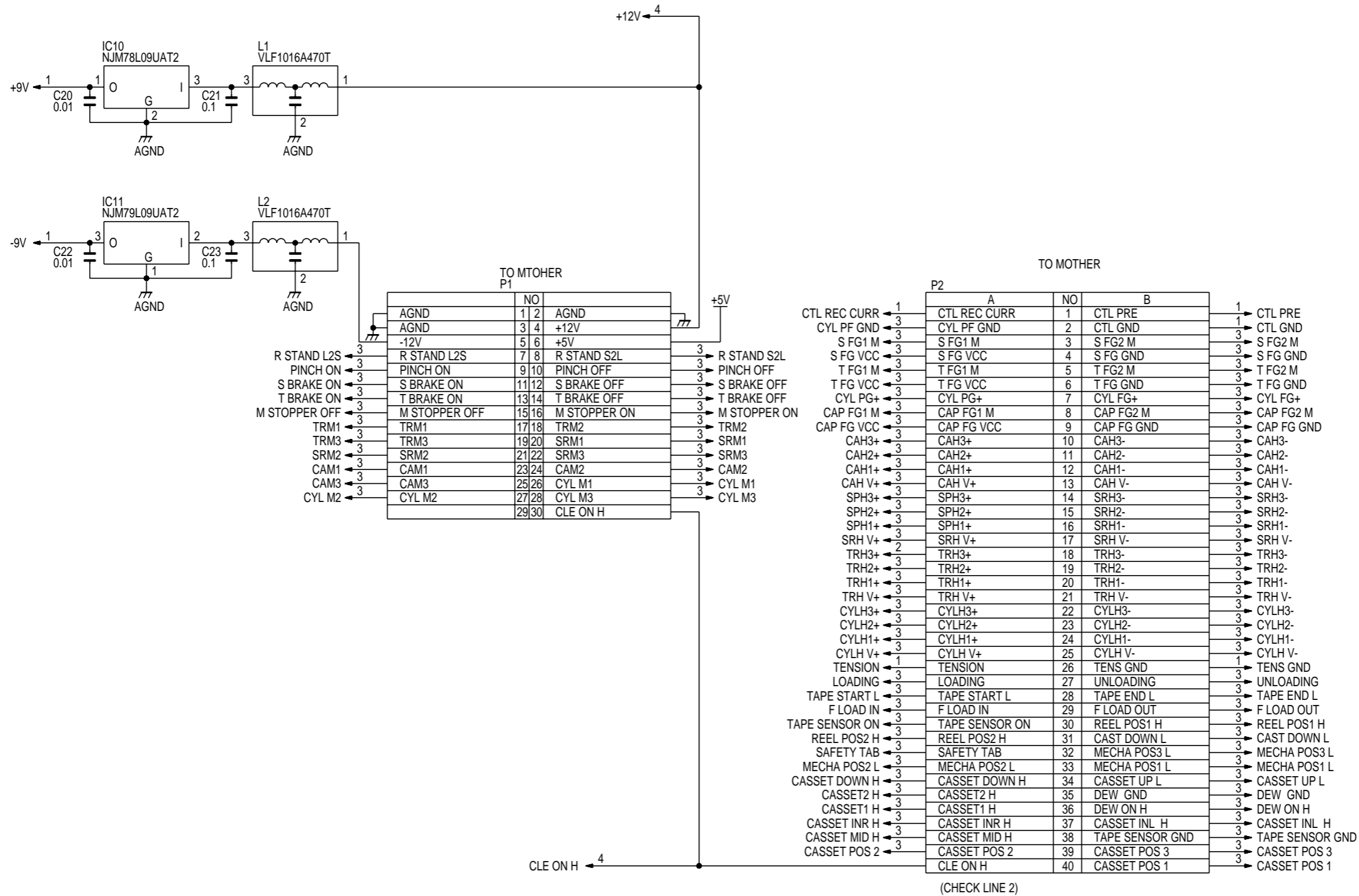
## 2-2. How to confirm the Soft Version

1. Turns power ON.
2. Press the EJECT button.
3. When press the PLAY and STOP button simultaneously, the soft version is displayed on the front panel.
4. By repeating step 3, the display of version is changed as follows.

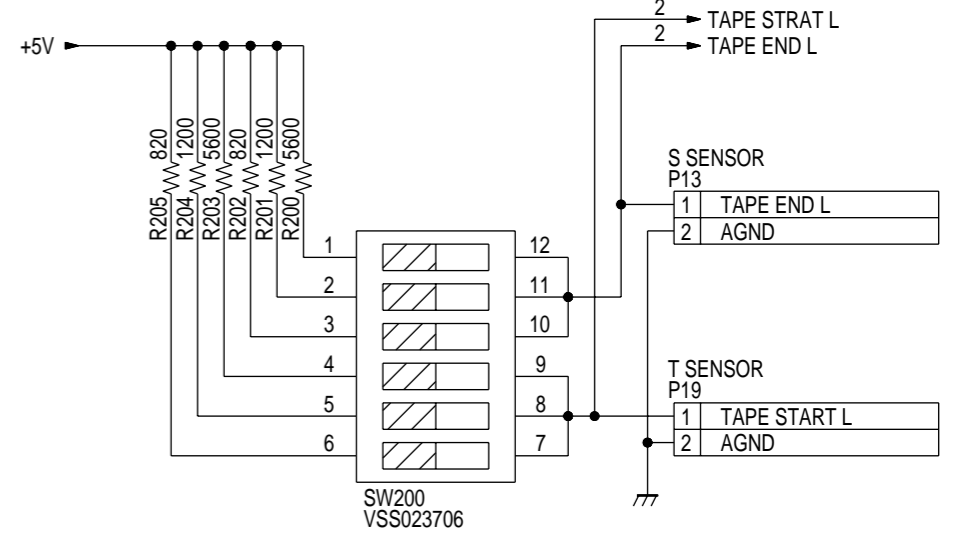
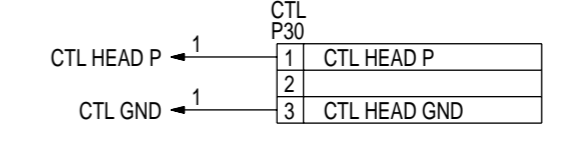
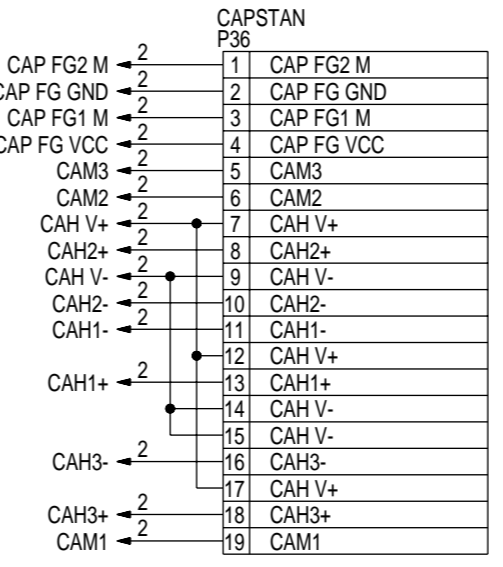
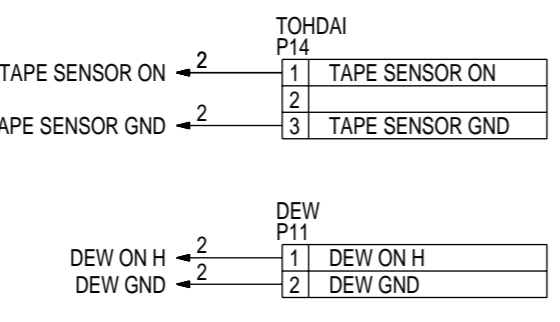
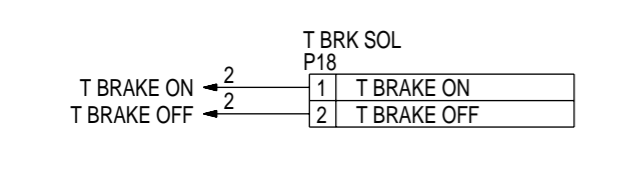
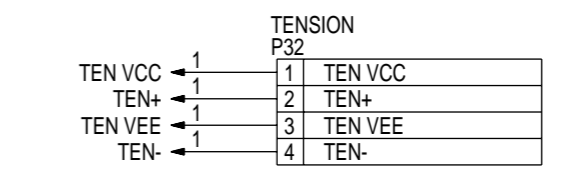
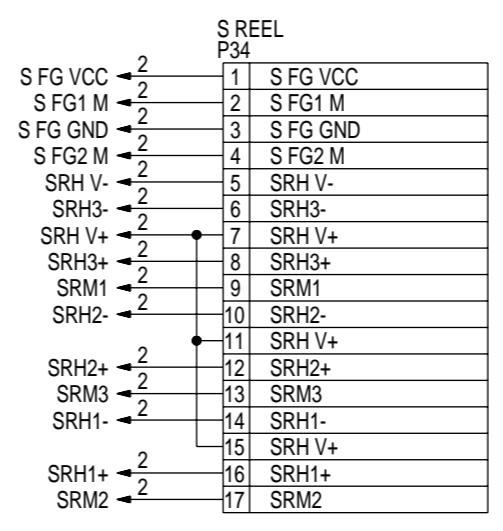
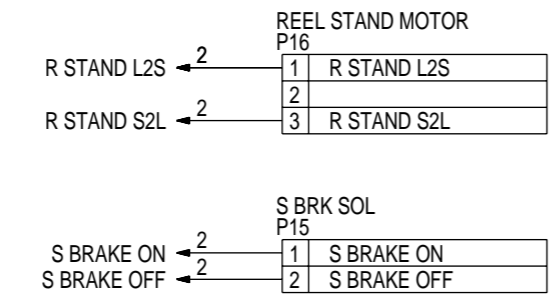
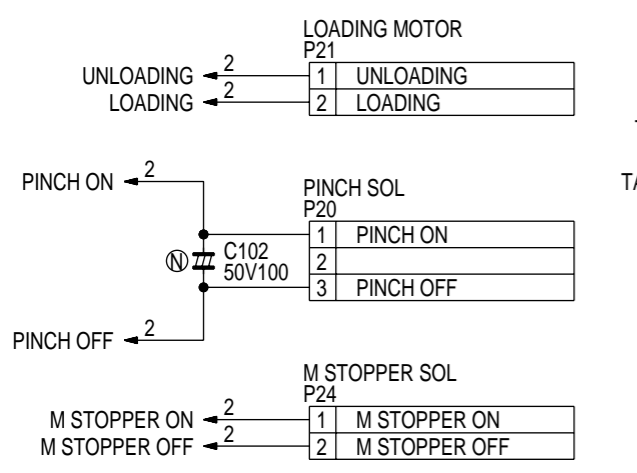
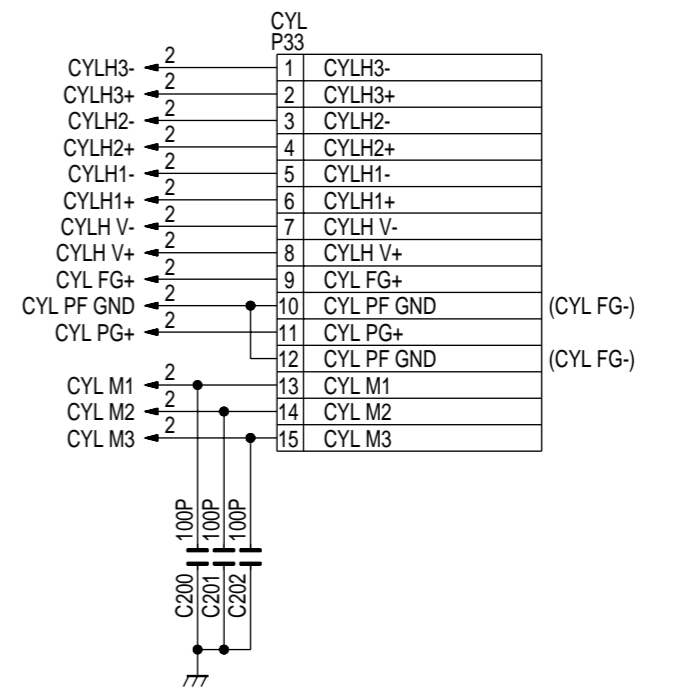
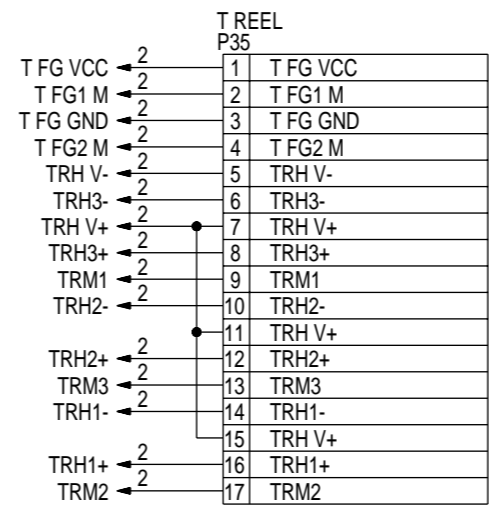
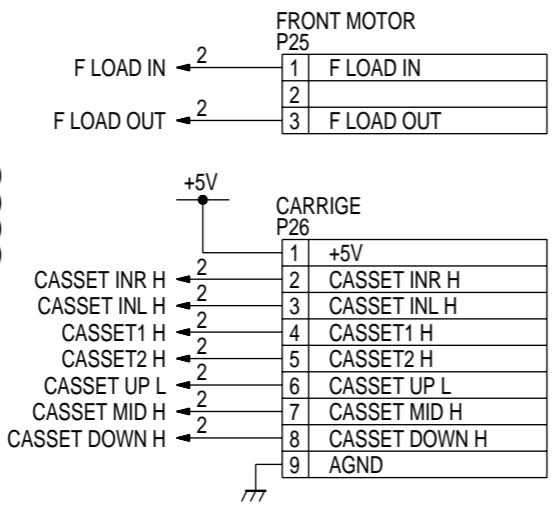
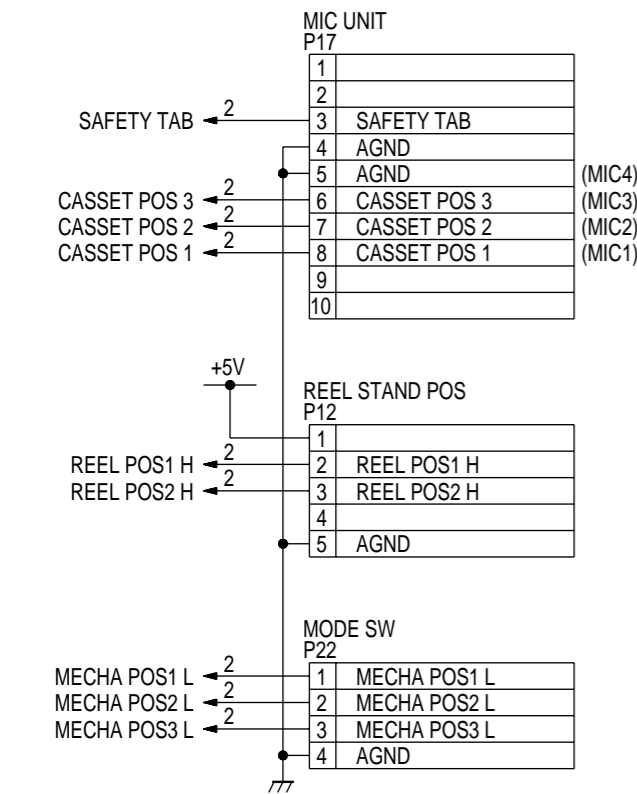




COMPONENT NAME	MECHA IF	MODEL NO	01/04
CIRCUIT BOARD NO	VEP82216A	MODEL NO	AJ-D950,PD950
		SCM282	

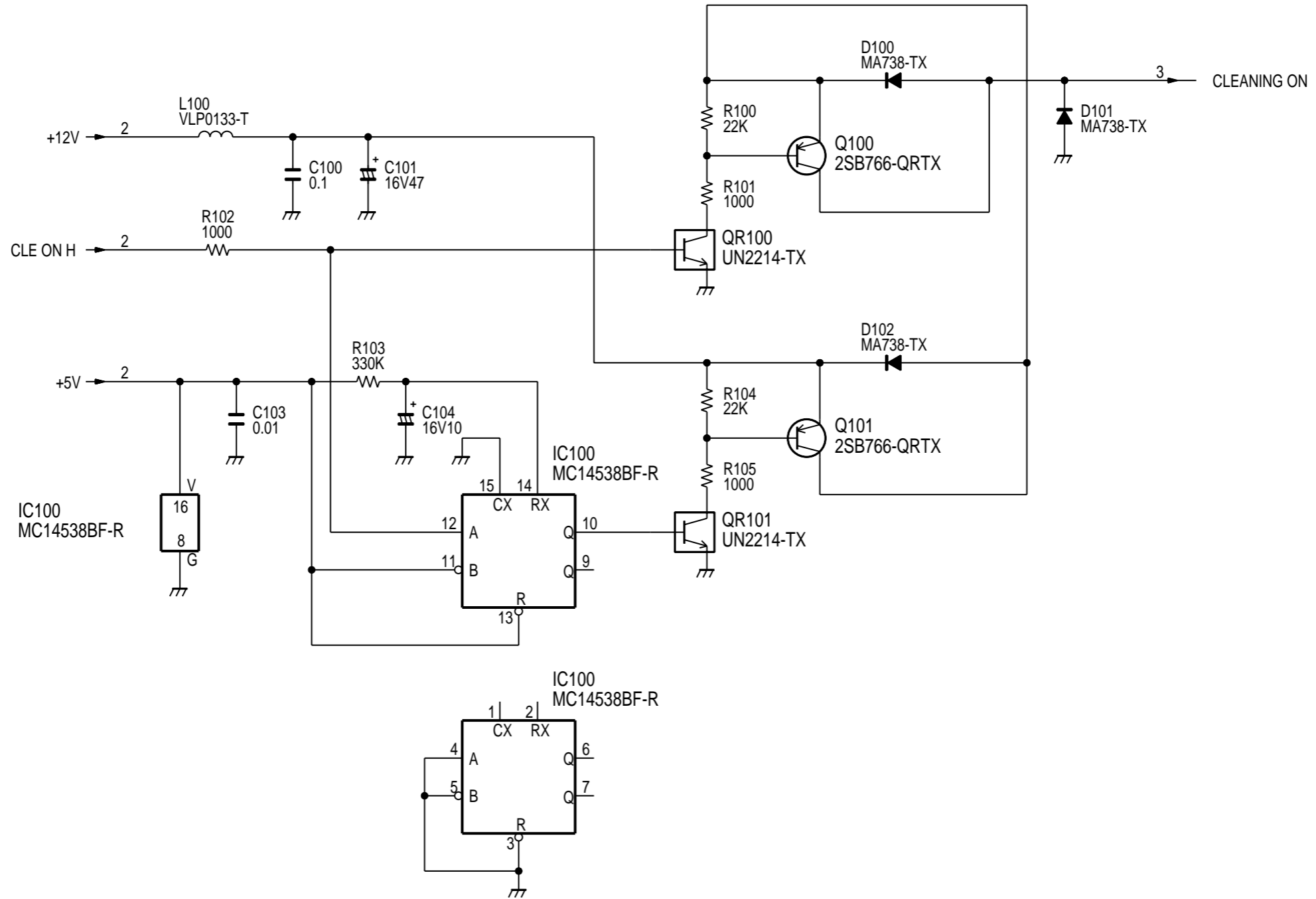


COMPONENT NAME	MECHA IF	02/04
CIRCUIT BOARD NO	MODEL NO	
VEP82216A	AJ-D950,PD950	
SCM283		



COMPONENT NAME	MECHA IF	03/04
CIRCUIT BOARD NO	VEP82216A	MODEL NO
		AJ-D950,PD950
		SCM284

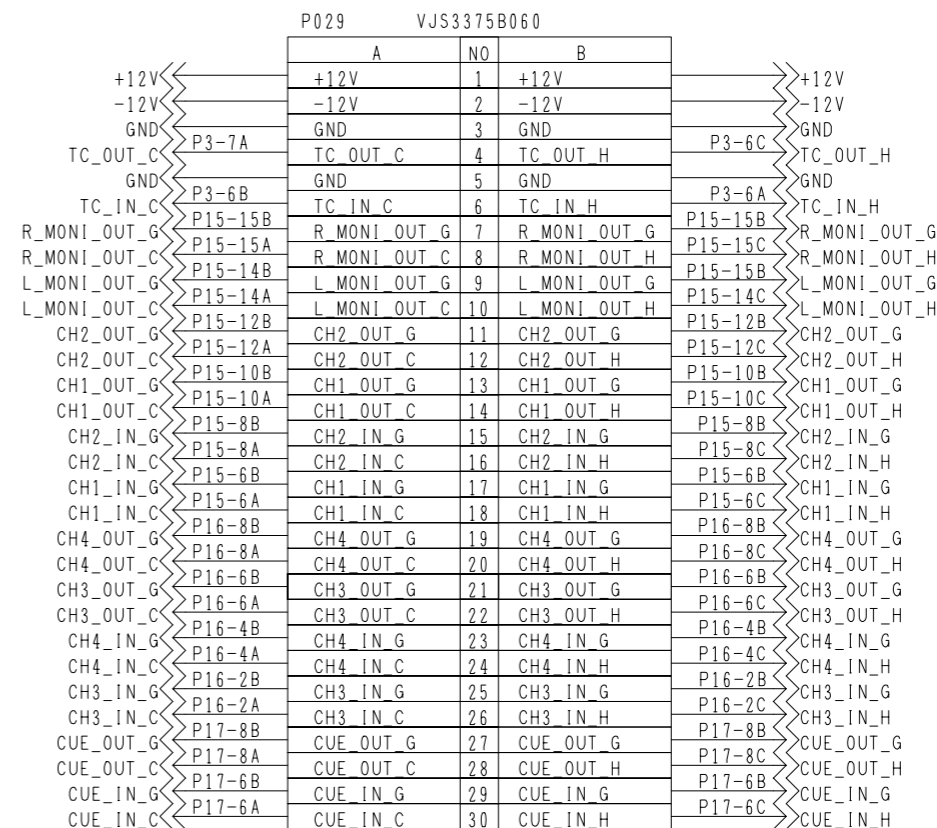
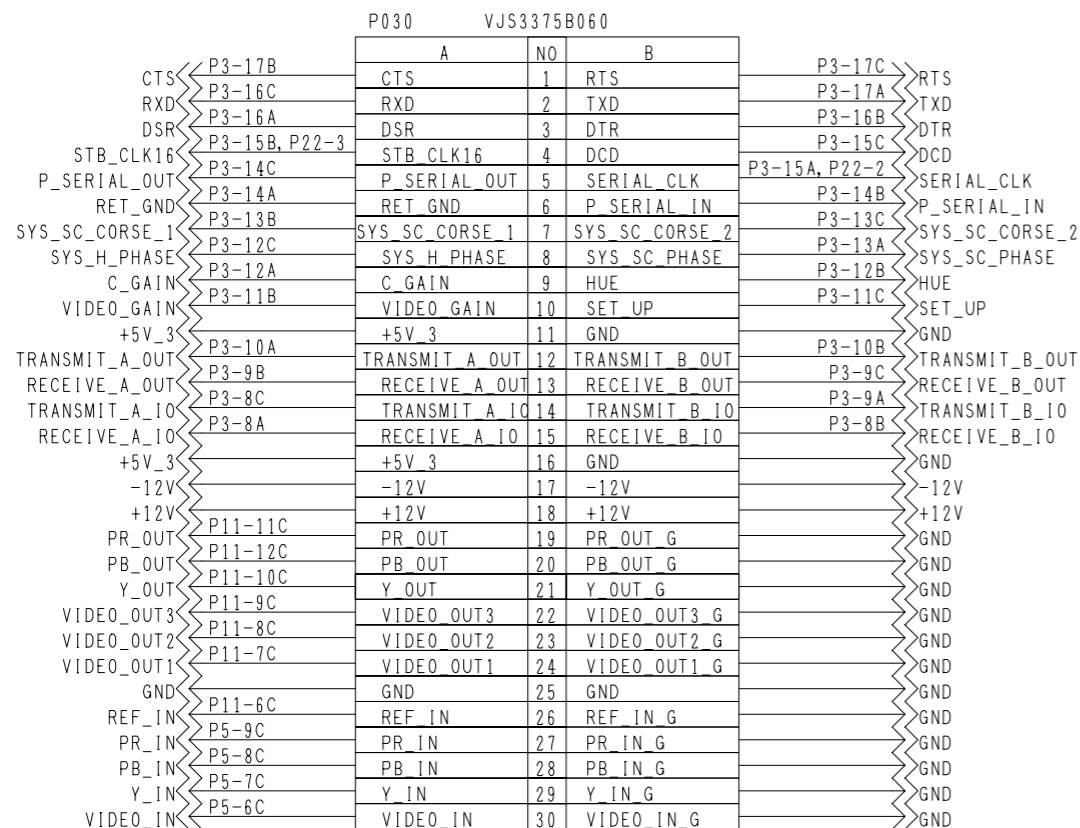




COMPONENT NAME	MECHA IF	04/04
CIRCUIT BOARD NO	MODEL NO	
VEP82216A	AJ-D950,PD950	
	SCM285	

## TO V/S\_JACK

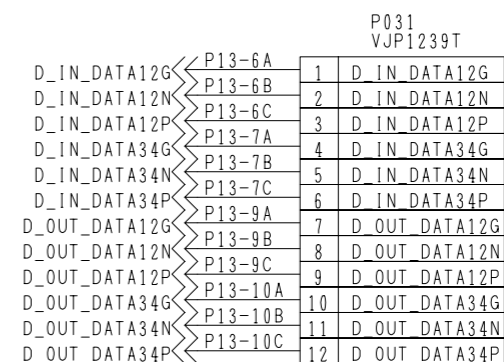
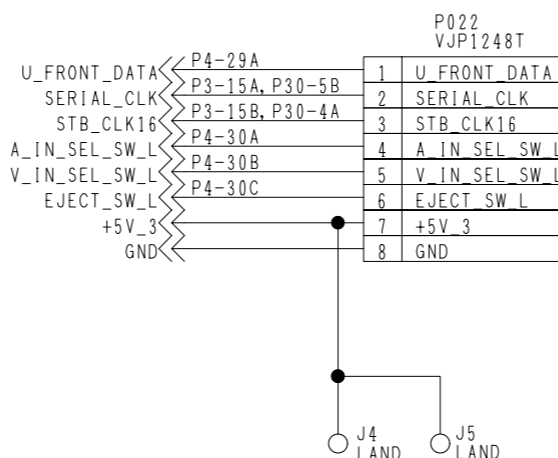
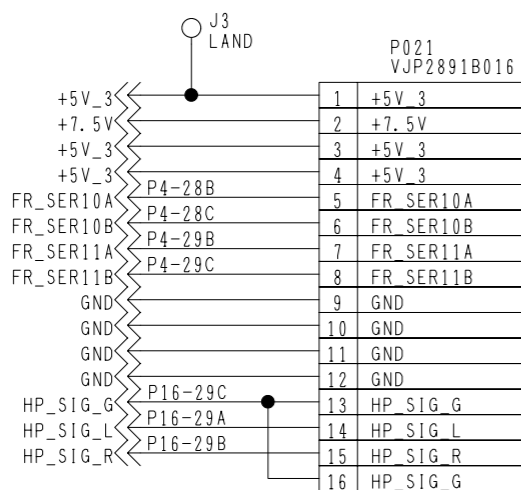
## TO A\_JACK



## TO FRONT

## TO UP\_FRONT

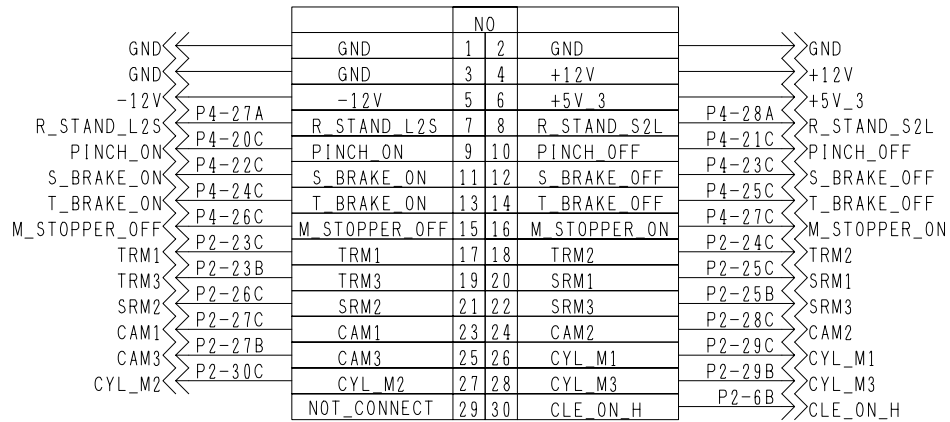
## TO AES/EBU



COMPONENT NAME	<b>P_MOTHER</b>	01/13
CIRCUIT BOARD NO	VEP89129A	MODEL NO
	AJ-D950,PD950	

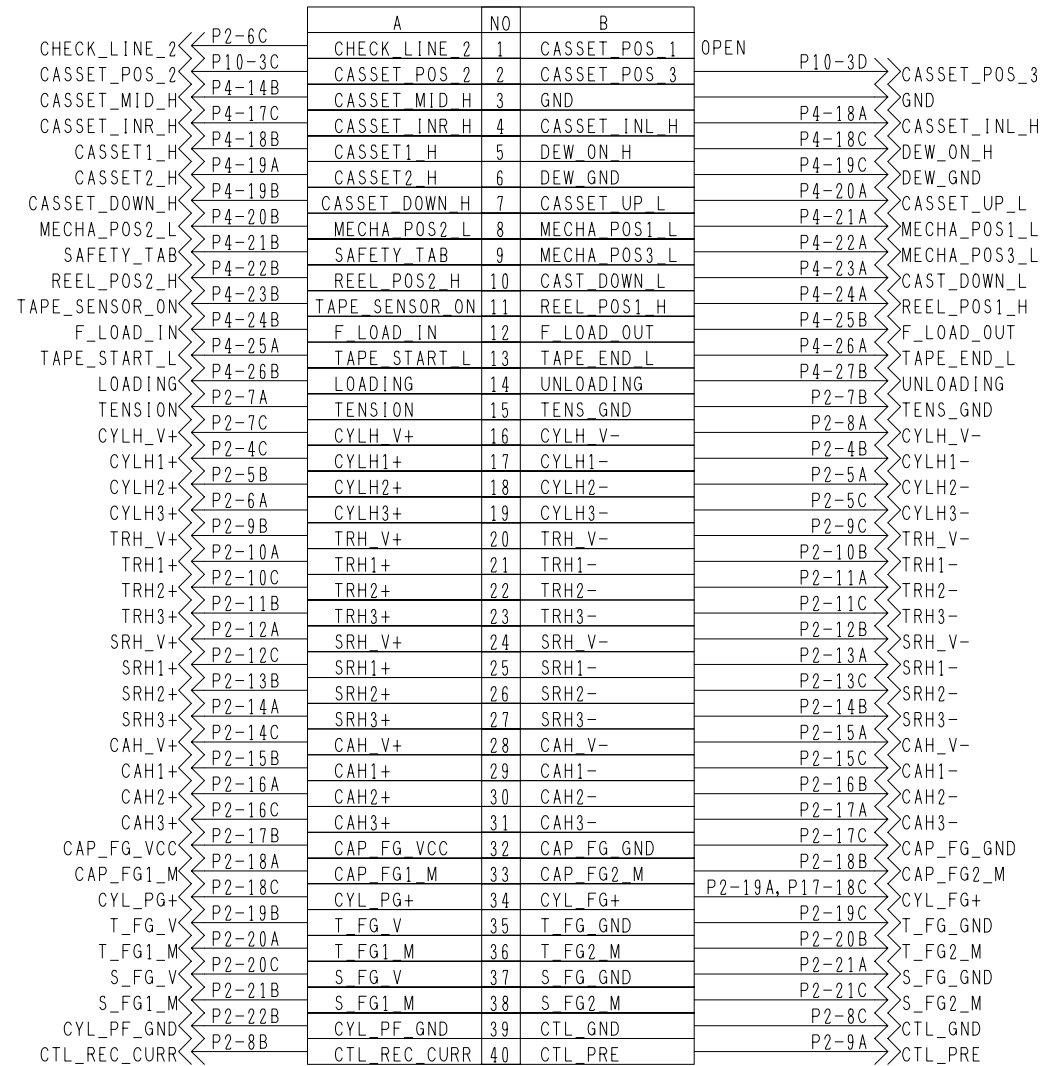
# TO M\_IF

P023  
VJP2891A030



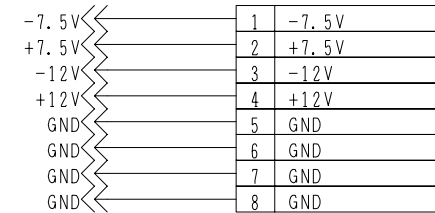
# TO M\_IF

P024  
VJP3418A080



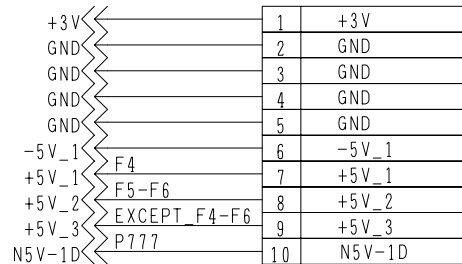
# TO POWER

P027  
VJP2824B008



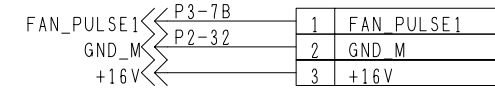
# TO POWER

P026  
VJP2824B010



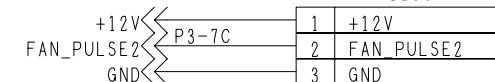
# TO POWER

P025  
VJP2824B003



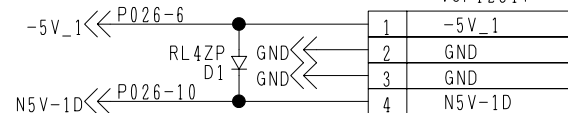
# TO FAN\_MOTOR

P032  
VJP1230T



# TO N5\_ADJ\_PCB

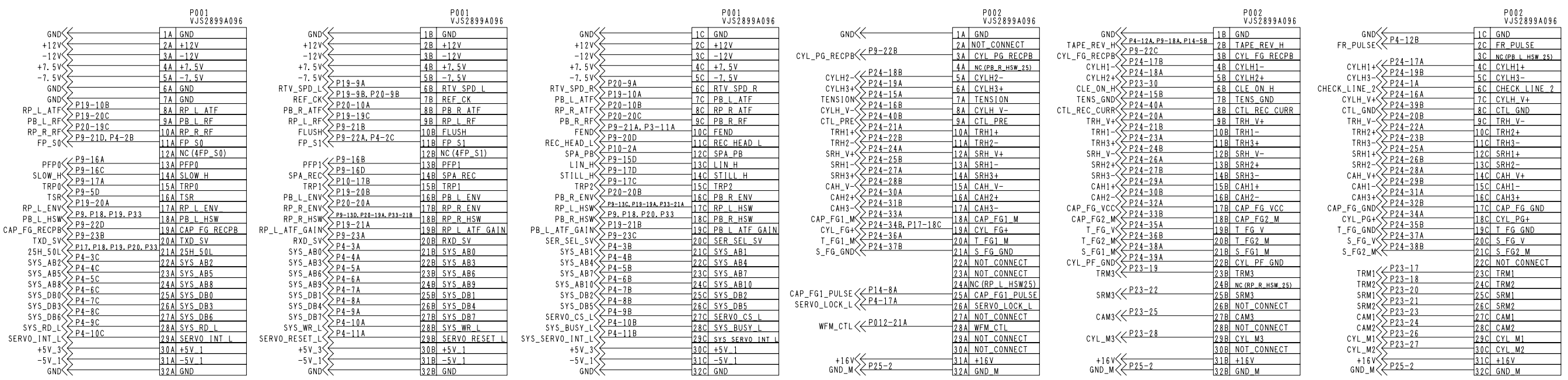
P777  
VJP1231T



COMPONENT NAME	<b>P_MOTHER</b>	<b>02/13</b>
CIRCUIT BOARD NO	VEP89129A	MODEL NO
	AJ-D950,PD950	

SERVO

SERVO



COMPONENT NAME	P_MOTHER	03/13
CIRCUIT BOARD NO	VEP89129A	MODEL NO AJ-D950,PD950

SYSCON

SYSCON

P003  
VJS2899A096

GND	1A	GND
+12V	2A	+12V
-12V	3A	-12V
+7.5V	4A	+7.5V
-7.5V	5A	-7.5V
TC_IN_H	6A	TC IN H
TC_OUT_C	7A	TC OUT C
RECEIVE_A_IO	8A	RECEIVE A IO
TRANSMIT_B_IO	9A	TRANSMIT B IO
TRANSMIT_A_OUT	10A	TRANSMIT A OUT
FEND	11A	FEND
C_GAIN	12A	C GAIN
SYS_SC_PHASE	13A	SYS SC PHASE
RET_GND	14A	RET GND
SERIAL_CLK	15A	SERIAL CLK
DSR	16A	DSR
TXD	17A	TXD
RF_CLK	18A	RF CLK
RF_HALD_R_H	19A	RF HALD R H
DEC_DATA	20A	DEC_DATA
RF_HALD_L_H	21A	RF HALD L H
AV_CS_APROC_L	22A	AV_CS APROC L
AV_ADRS9	23A	AV_ADRS9
AV_ADRS6	24A	AV_ADRS6
AV_ADRS3	25A	AV_ADRS3
AV_ADRS0	26A	AV_ADRS0
AV_RST_L	27A	AV_RST L
AV_DATA5	28A	AV_DATA5
AV_DATA2	29A	AV_DATA2
+5V_3	30A	+5V 1
-5V_1	31A	-5V 1
GND	32A	GND

P003  
VJS2899A096

GND	1B	GND
+12V	2B	+12V
-12V	3B	-12V
+7.5V	4B	+7.5V
-7.5V	5B	-7.5V
TC_IN_C	6B	TC IN C
FAN_PULSE1	7B	FAN PULSE1
RECEIVE_B_IO	8B	RECEIVE B IO
RECEIVE_A_OUT	9B	RECEIVE A OUT
TRANSMIT_B_OUT	10B	TRANSMIT B OUT
VIDEO_GAIN	11B	VIDEO GAIN
HUE	12B	HUE
SYS_SC_CORSE_1	13B	SYS SC CORSE 1
P_SERIAL_IN	14B	P SERIAL IN
STB_CLK16	15B	STB_CLK16
DTR	16B	DTR
CTS	17B	CTS
RF_DATA	18B	RF DATA
WFM_TC	19B	nc(av cs ext l)
AV_CS_VIDEO_L	20B	WFM TC
AV_CS_AUDIO_L	21B	AV_CS VIDEO L
AV_ADRS8	22B	AV_CS AUDIO L
AV_ADRS5	23B	AV_ADRS8
AV_ADRS2	24B	AV_ADRS5
AV_IORD_L	25B	AV_ADRS2
AV_IOWR_L	26B	AV_IORD L
AV_DATA7	27B	AV_DATA7
AV_DATA4	28B	AV_DATA4
AV_DATA1	29B	AV_DATA1
+5V_3	30B	+5V 1
-5V_1	31B	-5V 1
GND	32B	GND

P003  
VJS2899A096

GND	1C	GND
+12V	2C	+12V
-12V	3C	-12V
+7.5V	4C	+7.5V
-7.5V	5C	-7.5V
TC_OUT_H	6C	TC OUT H
FAN_PULSE2	7C	FAN PULSE2
TRANSMIT_A_IO	8C	TRANSMIT A IO
RECEIVE_B_OUT	9C	RECEIVE B OUT
RF_EQLD_L_H	10C	RF_EQLD L H
SET_UP	11C	SET UP
SYS_H_PHASE	12C	SYS H PHASE
SYS_SC_CORSE_2	13C	SYS_SC CORSE 2
P_SERIAL_OUT	14C	P SERIAL OUT
DCD	15C	DCD
RXD	16C	RXD
RTS	17C	RTS
RF_EQLD_R_H	18C	RF_EQLD R H
CL_JP1	19C	CL JP1
LTC_CLK	20C	LTC CLK
AV_CS_REC PB L	21C	AV_CS REC PB L
AV_ADRS10	22C	AV_ADRS10
AV_ADRS7	23C	AV_ADRS7
AV_ADRS4	24C	AV_ADRS4
AV_ADRS1	25C	AV_ADRS1
AV_IOWR_L	26C	AV_IOWR L
AV_DATA6	27C	AV_DATA6
AV_DATA3	28C	AV_DATA3
AV_DATA0	29C	AV_DATA0
+5V_3	30C	+5V 1
-5V_1	31C	-5V 1
GND	32C	GND

P004  
VJS2899A096

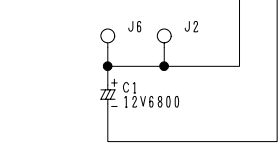
GND	1A	GND
REC_FRP_5V	2A	REC FRP 5V
SYS_AB0	3A	SYS AB0
SYS_AB3	4A	SYS AB3
SYS_AB6	5A	SYS AB6
SYS_AB9	6A	SYS AB9
SYS_DB1	7A	SYS DB1
SYS_DB4	8A	SYS DB4
SYS_DB7	9A	SYS DB7
SYS_WRL	10A	SYS WRL
SERVO_RESET_L	11A	SERVO RESET L
TAPE_REV_H	12A	TAPE REV H
M16_BUSY_L	13A	M16 BUSY L
ENC_DATA	14A	I2DATA
CL_SEL_CLK	15A	CL SEL CLK
OSD_CLK	16A	OSD CLK
SERVO_LOCK_L	17A	SERVO LOCK L
CASSET_INL_H	18A	CASSET INL H
CASSET2_H	19A	CASSET2 H
CASSET_UP_L	20A	CASSET UP L
MECHA_POS1_L	21A	MECHA_POS1 L
MECHA_POS3_L	22A	MECHA_POS3 L
CAST_DOWN_L	23A	CAST DOWN L
REEL_POS1_H	24A	REEL POS1 H
TAPE_START_L	25A	TAPE START L
TAPE_END_L	26A	TAPE END L
R_STAND_L2S	27A	R_STAND L2S
R_STAND_S2L	28A	R_STAND S2L
U_FRONT_DATA	29A	U FRONT DATA
A_IN_SEL_SW_L	30A	A IN SEL SW L
+16V	31A	+16V
GND	32A	GND

P004  
VJS2899A096

GND	1B	GND
FP_S0	2B	FP S0
SYS_AB1	3B	SYS AB1
SYS_AB4	4B	SYS AB4
SYS_AB7	5B	SYS AB7
SYS_AB10	6B	SYS AB10
SYS_DB2	7B	SYS DB2
SYS_DB5	8B	SYS DB5
SERVO_CS_L	9B	SERVO_CS L
SYS_BUSY_L	10B	SYS_BUSY L
SYS_SERVO_INT_L	11B	SYS_SERVO_INT_L
FR_PULSE	12B	FR PULSE
M16_INT_L	13B	M16 INT L
CASSET_MID_H	14B	CASSET MID H
CL_SEL_TX	15B	CL SEL TX
OSD_DATA	16B	OSD DATA
COMP_SYNC_L	17B	COMP SYNC L
CASSET1_H	18B	CASSET1 H
CASSET_DOWN_H	19B	CASSET DOWN H
MECHA_POS2_L	20B	MECHA_POS2 L
SAFETY_TAB	21B	SAFETY TAB
REEL_POS2_H	22B	REEL_POS2_H
TAPE_SENSOR_ON	23B	TAPE_SENSOR_ON
F_LOAD_IN	24B	F_LOAD IN
F_LOAD_OUT	25B	F_LOAD OUT
LOADING	26B	LOADING
UNLOADING	27B	UNLOADING
FR_SER10A	28B	FR_SER10A
FR_SER11A	29B	FR_SER11A
V_IN_SEL_SW_L	30B	V_IN_SEL_SW_L
+16V	31B	+16V
GND	32B	GND

P004  
VJS2899A096

GND	1C	GND
FP_S1	2C	FP S1
SYS_AB2	3C	SYS AB2
SYS_AB5	4C	SYS AB5
SYS_AB8	5C	SYS AB8
SYS_DB0	6C	SYS DB0
SYS_DB3	7C	SYS DB3
SYS_DB6	8C	SYS DB6
SYS_RD_L	9C	SYS_RD_L
SERVO_INT_L	10C	SERVO_INT_L
REC1	11C	REC 1
AV_CS_SDI_L	12C	AV_CS_SDI L
I2CLK	13C	I2CLK
OUT_FRM	14C	OUT FRM
CL_SER_RX	15C	CL_SER_RX
OSD_STB	16C	OSD_STB
CASSET_INR_H	17C	CASSET_INR_H
DEW_ON_H	18C	DEW_ON_H
DEW_GND	19C	DEW_GND
PINCH_ON	20C	PINCH_ON
PINCH_OFF	21C	PINCH_OFF
S_BRAKE_ON	22C	S_BRAKE_ON
S_BRAKE_OFF	23C	S_BRAKE_OFF
T_BRAKE_ON	24C	T_BRAKE_ON
T_BRAKE_OFF	25C	T_BRAKE_OFF
M_STOPPER_OFF	26C	M_STOPPER_OFF
M_STOPPER_ON	27C	M_STOPPER_ON
FR_SER10B	28C	FR_SER10B
FR_SER11B	29C	FR_SER11B
EJECT_SW_L	30C	EJECT_SW_L
+16V	31C	+16V
GND	32C	GND



COMPONENT NAME	P_MOTHER	04/13
CIRCUIT BOARD NO	VEP89129A	MODEL NO
		AJ-D950,PD950

V\_IN

P005 VJS2899A096	
GND	1A GND
+12V	2A +12V
-12V	3A -12V
+7.5V	4A +7.5V
-7.5V	5A -7.5V
GND	6A VIDEO IN G
GND	7A Y IN G
GND	8A PB IN G
GND	9A PR IN G
OPEN	10A NOT CONNECT
OPEN	11A NOT CONNECT
OPEN	12A NOT CONNECT
OPEN	13A YC IN P0
OPEN	14A YC IN N1
OPEN	15A YC IN P3
OPEN	16A YC IN N4
OPEN	17A YC IN P5
OPEN	18A YC IN N7
OPEN	19A YC IN P3
OPEN	20A YC IN 27M_N
OPEN	21A NOT CONNECT
OPEN	22A SIF FRM
AV_ADRS9	23A AV_ADRS9
AV_ADRS6	24A AV_ADRS6
AV_ADRS3	25A AV_ADRS3
AV_ADRS0	26A AV_ADRS0
AV_RST_L	27A AV_RST_L
AV_DATA5	28A AV_DATA5
AV_DATA2	29A AV_DATA2
+5V_1	30A +5V_1
-5V_1	31A -5V_1
GND	32A GND

P005 VJS2899A096	
GND	1B GND
+12V	2B +12V
-12V	3B -12V
+7.5V	4B +7.5V
-7.5V	5B -7.5V
OPEN	6B NOT CONNECT
OPEN	7B NOT CONNECT
OPEN	8B NOT CONNECT
OPEN	9B NOT CONNECT
OPEN	10B NOT CONNECT
OPEN	11B NOT CONNECT
OPEN	12B NOT CONNECT
OPEN	13B YC IN N0
OPEN	14B YC IN P2
OPEN	15B YC IN N3
OPEN	16B YC IN P5
OPEN	17B YC IN N6
OPEN	18B YC IN P8
OPEN	19B YC IN N9
OPEN	20B SIF CSYNC
OPEN	21B NOT CONNECT
AV_CS_VIDEO_L	22B AV_CS_VIDEO_L
AV_ADRS8	23B AV_ADRS8
AV_ADRS5	24B AV_ADRS5
AV_ADRS2	25B AV_ADRS2
AV_IORD_L	26B AV_IORD_L
AV_DATA7	27B AV_DATA7
AV_DATA4	28B AV_DATA4
AV_DATA1	29B AV_DATA1
+5V_1	30B +5V_1
-5V_1	31B -5V_1
GND	32B GND

P005 VJS2899A096	
GND	1C GND
+12V	2C +12V
-12V	3C -12V
+7.5V	4C +7.5V
-7.5V	5C -7.5V
VIDEO_IN	6C VIDEO IN
Y_IN	7C Y IN
PB_IN	8C PB IN
PR_IN	9C PR IN
OPEN	10C NOT CONNECT
OPEN	11C NOT CONNECT
OPEN	12C NOT CONNECT
OPEN	13C YC IN P1
OPEN	14C YC IN N2
OPEN	15C YC IN P4
OPEN	16C YC IN N5
OPEN	17C YC IN P7
OPEN	18C YC IN N8
OPEN	19C YC IN 27M_P
OPEN	20C NOT CONNECT
OPEN	21C NOT CONNECT
AV_ADRS10	22C AV_ADRS10
AV_ADRS7	23C AV_ADRS7
AV_ADRS4	24C AV_ADRS4
AV_ADRS1	25C AV_ADRS1
AV_IOWR_L	26C AV_IOWR_L
AV_DATA6	27C AV_DATA6
AV_DATA3	28C AV_DATA3
AV_DATA0	29C AV_DATA0
+5V_1	30C +5V_1
-5V_1	31C -5V_1
GND	32C GND

P006 VJS2899A096	
GND	1A GND
OPEN	2A NOT CONNECT
OPEN	3A NOT CONNECT
OPEN	4A NOT CONNECT
OPEN	5A NOT CONNECT
OPEN	6A NOT CONNECT
TBC_RCK_P	7A TBC_RCK_P
TBC_RHRST	8A TBC_RHRST
VIN_CF1	9A INCOM_CF1
REC_CDATA7	10A REC_CDATA7
REC_CDATA4	11A REC_CDATA4
REC_CDATA1	12A REC_CDATA1
REC_YDATA6	13A REC_YDATA6
REC_YDATA3	14A REC_YDATA3
REC_YDATA0	15A REC_YDATA0
VIN_HST_N	16A INCOM_HST_N
OPEN	17A NOT CONNECT
OPEN	18A NOT CONNECT
AIN_EE_Y0	19A VBLK_CLK
AIN_EE_Y3	20A VBLK_CLK
AIN_EE_Y6	21A NOT CONNECT
AIN_EE_C1	22A EE_Y0
AIN_EE_C4	23A EE_Y3
AIN_EE_C7	24A EE_Y6
OPEN	25A EE_C1
OPEN	26A EE_C4
OPEN	27A EE_C7
OPEN	28A VBLK_L_SYNC
OPEN	29A NOT CONNECT
+16V	30A VBLK_SL_CLK
GND	31A +16V
GND	32A GND

V\_IN

P006 VJS2899A096	
GND	1B GND
OPEN	2B NOT CONNECT
OPEN	3B NOT CONNECT
OPEN	4B NOT CONNECT
OPEN	5B NOT CONNECT
OPEN	6B NOT CONNECT
TBC_RCK_N	7B TBC_RCK_N
VIN_FRM	8B INCOM_FRM
OPEN	9B NOT CONNECT
REC_CDATA6	10B REC_CDATA6
REC_CDATA3	11B REC_CDATA3
REC_CDATA0	12B REC_CDATA0
REC_YDATA5	13B REC_YDATA5
REC_YDATA2	14B REC_YDATA2
OPEN	15B NOT CONNECT
OPEN	16B EET_CLK_P
OPEN	17B EET_CLK_N
OPEN	18B NOT CONNECT
VBLK_BW1	19B VBLK_BW1
OPEN	20B VBLK_CS
OPEN	21B NOT CONNECT
AIN_EE_Y1	22B EE_Y1
AIN_EE_Y4	23B EE_Y4
AIN_EE_Y7	24B EE_Y7
AIN_EE_C2	25B EE_C2
AIN_EE_C5	26B EE_C5
GND	27B EE_G_Y
OPEN	28B NOT CONNECT
OPEN	29B VBLK_SL_DATA
+16V	30B +16V
GND	31B +16V
GND	32B GND

P006 VJS2899A096	
GND	1C GND
OPEN	2C NOT CONNECT
OPEN	3C NOT CONNECT
OPEN	4C NOT CONNECT
OPEN	5C NOT CONNECT
OPEN	6C NOT CONNECT
TBC_RVRST	7C TBC_RVRST
VIN_CF0	8C INCOM_CF0
OPEN	9C NOT CONNECT
REC_CDATA5	10C REC_CDATA5
REC_CDATA2	11C REC_CDATA2
REC_YDATA7	12C REC_YDATA7
REC_YDATA4	13C REC_YDATA4
REC_YDATA1	14C REC_YDATA1
VBLK_BW2	15C VBLK_BW2
OPEN	16C NOT CONNECT
THRU_HRST	17C EE_HRST
THRU_VRST	18C EE_VRST
OPEN	19C VBLK_SDI
OPEN	20C NOT CONNECT
OPEN	21C NOT CONNECT
DEC_DATA	22C DEC_DATA
AIN_EE_Y2	23C EE_Y2
AIN_EE_Y5	24C EE_Y5
AIN_EE_C0	25C EE_C0
AIN_EE_C3	26C EE_C3
AIN_EE_C6	27C EE_C6
GND	28C EE_G_C
OPEN	29C NOT CONNECT
OPEN	30C NOT CONNECT
+16V	31C +16V
GND	32C GND

COMPONENT NAME	P_MOTHER	05/13
CIRCUIT BOARD NO	VEP89129A	MODEL NO AJ-D950,PD950
SCM005		

F4  
SDI

P007  
VJS3510

GND	1A	GND	
+12V	2A	NC	
-12V	3A	NC	
+7.5V	4A	P7_5V	
-7.5V	5A	N7_5V	
PB_SDATA0	P10-10A, P12-10A	6A	PB_SDATA0
PB_SDATA4	P10-11A, P12-11B	7A	PB_SDATA4
PB_MDATA0	P10-12A, P12-12C	8A	PB_MDATA0
PB_MDATA4	P10-13A, P12-14A	9A	PB_MDATA4
OSD_STB	P4-16C	10A	S_STROBE
THRU_HRST	P10-3A, P6-17C	11A	EE_RHRST
AIN_EE_Y0	P6-22A	12A	A_IN_EE_Y0
AIN_EE_Y4	P6-24B	13A	A_IN_EE_Y4
AIN_EE_C0	P6-25C	14A	A_IN_EE_C0
AIN_EE_C4	P6-26A	15A	A_IN_EE_C4
	16A	NC	
I2CLK	P4-13C, P11-21C	17A	I2CLK
CL_JP1	P3-19C	18A	CL_JP1
SLW_CTL2	P9-19A, P12-29C	19A	SLW_CTL2
SW_FRM	P9-20A, P13-19C	20A	SW_FRM
EE_THRU_L	P10-2C, P12-22C	21A	EE_THRU_L
CHAR_DATA_H	P12-18B	22A	CHAR_DATA_H
	23A	NC	
AV_CS_CSD1_L	P4-12C	24A	AV_CS_CSD1_L
AV_ADR57	P3-23C	25A	AV_ADR57
AV_ADR53	P3-25A	26A	AV_ADR53
AV_CS_VIDEO_L	P3-21B	27A	AV_CS_VIDEO_L
AV_DATA7	P3-27B	28A	AV_DATA7
AV_DATA3	P3-28C	29A	AV_DATA3
+5V_1	30A	VCC	
-5V_1	31A	VEE	
GND	32A	GND	

P007  
VJS3510

GND	1B	GND	
+12V	2B	NC	
-12V	3B	NC	
+7.5V	4B	P7_5V	
-7.5V	5B	N7_5V	
PB_SDATA1	P10-10B, P12-12B	6B	PB_SDATA1
PB_SDATA5	P10-11B, P12-11C	7B	PB_SDATA5
PB_MDATA1	P10-12B, P12-13A	8B	PB_MDATA1
PB_MDATA5	P10-13B, P12-14B	9B	PB_MDATA5
OSD_CLK	P4-16A	10B	S_CLK
THRU_VRST	P10-3B, P6-18C	11B	EE_RVRST
AIN_EE_Y1	P6-23B	12B	A_IN_EE_Y1
AIN_EE_Y5	P6-24C	13B	A_IN_EE_Y5
AIN_EE_C1	P6-25A	14B	A_IN_EE_C1
AIN_EE_C5	P6-27B	15B	A_IN_EE_C5
	16B	NC	
ENC_DATA	P4-14A, P11-22A	17B	I2DATA
DIF_HD	P9-18B, P7-18B	18B	DIF_HD
SLW_CTL1	P9-19B, P12-29B	19B	SLW_CTL1
	20B	SW_CF	
GND	21B	GND	
CHAR_GATE_L	P12-18C	22B	CHAR_GATE_L
	23B	NC	
AV_ADR510	P3-22C	24B	AV_ADR510
AV_ADR56	P3-24A	25B	AV_ADR56
AV_ADR52	P3-25B	26B	AV_ADR52
AV_IORD_L	P3-26B	27B	AV_IORD_L
AV_DATA6	P3-27C	28B	AV_DATA6
AV_DATA2	P3-29A	29B	AV_DATA2
+5V_1	30B	VCC	
-5V_1	31B	VEE	
GND	32B	GND	

P007  
VJS3510

GND	1C	GND	
+12V	2C	NC	
-12V	3C	NC	
+7.5V	4C	P7_5V	
-7.5V	5C	N7_5V	
PB_SDATA2	P10-10C, P12-10C	6C	PB_SDATA2
PB_SDATA6	P10-11C, P12-12A	7C	PB_SDATA6
PB_MDATA2	P10-12C, P12-13B	8C	PB_MDATA2
PB_MDATA6	P10-13C, P12-14C	9C	PB_MDATA6
OSD_DATA	P4-16B	10C	S_DATA
TBC_RHRST	P10-7B	11C	TBC_RHRST
AIN_EE_Y2	P6-23C	12C	A_IN_EE_Y2
AIN_EE_Y6	P6-24A	13C	A_IN_EE_Y6
AIN_EE_C2	P6-26B	14C	A_IN_EE_C2
AIN_EE_C6	P6-27C	15C	A_IN_EE_C6
	16C	NC	
SEAM_MOD5_0	P9-14C, P11-16C	17C	SEAM_MOD50
DIF_FRM	P9-18C	18C	DIF_FRM
SLW_CTL0	P9-19C, P12-29A	19C	SLW_CTL0
DIF_CLK18	P9-20C	20C	CLK18
EECLK27_P	P12-21C	21C	EE_CLK_P
	22C	NC	
	23C	NC	
AV_ADR59	P3-23A	24C	AV_ADR59
AV_ADR55	P3-24B	25C	AV_ADR55
AV_ADR51	P3-25C	26C	AV_ADR51
AV_IOWR_L	P3-26C	27C	AV_IOWR_L
AV_DATA5	P3-28A	28C	AV_DATA5
AV_DATA1	P3-29B	29C	AV_DATA1
+5V_1	30C	VCC	
-5V_1	31C	VEE	
GND	32C	GND	

P007  
VJS3510

GND	1D	GND	
+12V	2D	NC	
-12V	3D	NC	
+7.5V	4D	P7_5V	
-7.5V	5D	N7_5V	
PB_SDATA3	P10-10D, P12-11A	6D	PB_SDATA3
PB_SDATA7	P10-11D, P12-12B	7D	PB_SDATA7
PB_MDATA3	P10-12D, P12-13C	8D	PB_MDATA3
PB_MDATA7	P10-13D, P12-15A	9D	PB_MDATA7
	10D	NC	
TBC_RVRST	P10-7A, P6-7C	11D	TBC_RVRST
AIN_EE_Y3	P6-23A	12D	A_IN_EE_Y3
AIN_EE_Y7	P6-25B	13D	A_IN_EE_Y7
AIN_EE_C3	P6-26C	14D	A_IN_EE_C3
AIN_EE_C7	P6-27A	15D	A_IN_EE_C7
	16D	NC	
SEAM_MOD5_1	P9-14D, P11-16B	17D	SEAM_MOD51
DIF_CF	P9-18D	18D	DIF_CF
SW_HD	P9-19D	19D	SW_HD
	20D	NC	
EECLK27_N	P12-22A	21D	EE_CLK_N
EE_FRM	P11-21B	22D	EE_FRM
	23D	NC	
AV_ADR58	P3-23B	24D	AV_ADR58
AV_ADR54	P3-24C	25D	AV_ADR54
AV_ADR50	P3-26A	26D	AV_ADR50
AV_RST_L	P3-27A	27D	AV_RST_L
AV_DATA4	P3-28B	28D	AV_DATA4
AV_DATA0	P3-29C	29D	AV_DATA0
+5V_1	30D	VCC	
-5V_1	31D	VEE	
GND	32D	GND	

P008  
VJS3510

GND	1A	GND	
SDI_MOUT0	P12-2A	2A	SDI_MOUT0
SDI_MOUT4	P12-3B	3A	SDI_MOUT4
SDI_MOUT8	P12-4C	4A	SDI_MOUT8
SDI_SOUT2	P12-6A	5A	SDI_SOUT2
SDI_SOUT6	P12-7B	6A	SDI_SOUT6
SDI_27MP	P12-9A	7A	SDI_27P
SDI_HD	P12-16A	8A	SDI_HD
INCOM_H	P10-5A, P12-25C	9A	INCOM_H
REC_CDATA7	P6-10A	10A	REC_C_DATA7
REC_CDATA3	P6-11B	11A	REC_C_DATA3
REC_YDATA7	P6-12C	12A	REC_Y_DATA7
REC_YDATA3	P6-14A	13A	REC_Y_DATA3
VIN_HST_N	P6-16A, P14-13A	14A	VIN_HST_N
	15A	NC	
DIF_BUS_P0	P10-16A	16A	DIF_BUS_P0
DIF_BUS_P4	P10-17A	17A	DIF_BUS_P4
DIF_BUS_R0	P10-18A	18A	DIF_BUS_R0
DIF_BUS_R4	P10-19A	19A	DIF_BUS_R4
DIF_SSP_R	P10-20A	20A	DIF_SSP_R
VBLK_SL_CS	P10-21A	21A	VBLK_SL_CS
REC_SDATA0	P10-22A	22A	REC_SDATA0
REC_SDATA4	P10-23A	23A	REC_SDATA4
REC_MDATA0	P10-24A	24A	REC_MDATA0
REC_MDATA4	P10-25A	25A	REC_MDATA4
REC_AUD12	P14-9C	26A	REC_AUD12
S_PB_AUD12_G	P14-11A	27A	S_PB_AUD12_G
DAUDCK_P	P14-12B	28A	DAUDCK_P
SDI_FIFO_RST_0	P10-24B	29A	SDI_FIFO_RST_0
+3V	30A	+3V	
+5V_1	31A	VCC	
GND	32A	GND	

P008  
VJS3510

GND	1B	GND	
SDI_MOUT1	P12-2B	2B	SDI_MOUT1
SDI_MOUT5	P12-3C	3B	SDI_MOUT5
SDI_MOUT9	P12-5A	4B	SDI_MOUT9
SDI_SOUT3	P12-6B	5B	SDI_SOUT3
SDI_SOUT7	P12-7C	6B	SDI_SOUT7
SDI_27N	P12-9B	7B	SDI_27N
SDI_VD	P12-17A	8B	SDI_VD
INCOM_FRM	P10-5B, P12-24C	9B	INCOM_FRM
REC_CDATA6	P6-10B	10B	REC_C_DATA6
REC_CDATA2	P6-11C	11B	REC_C_DATA2
REC_YDATA6	P6-13A	12B	REC_Y_DATA6
REC_YDATA2	P6-14B	13B	REC_Y_DATA2
VIN_FRM	P6-8B	14B	VIN_FRM
VBLK_CLK	P10-15B	15B	VBLK_CLK
DIF_BUS_P1	P10-16B	16B	DIF_BUS_P1
DIF_BUS_P5	P10-17B	17B	DIF_BUS_P5
DIF_BUS_R1	P10-18B	18B	DIF_BUS_R1
DIF_BUS_R5	P10-19B	19B	DIF_BUS_R5
	20B	NC	
	21B	NC	
REC_SDATA1	P10-22B	22B	REC_SDATA1
REC_SDATA5	P10-23B	23B	REC_SDATA5
REC_MDATA1	P10-24B	24B	REC_MDATA1
REC_MDATA5	P10-25B	25B	REC_MDATA5
REC_AUD12_G	P14-10A	26B	REC_AUD12_G
S_PB_AUD12_G	P14-11B	27B	S_PB_AUD12_G
DAUDCK_N	P14-12C	28B	DAUDCK_N
RRST_SDI_P	P10-29B	29B	RRST_SDI_P
+3V	30B	+3V	
+5V_1	31B	VCC	
GND	32B	GND	

P008  
VJS3510

GND	1C	GND	
SDI_MOUT2	P12-2C	2C	SDI_MOUT2
SDI_MOUT6	P12-4A	3C	SDI_MOUT6
SDI_SOUT4	P12-5B	4C	SDI_SOUT4
SDI_SOUT8	P12-6C	5C	SDI_SOUT8
SDI_27N	P12-8A	6C	SDI_SOUT8
SDI_FRM	P12-15C	7C	SDI_FRM
INCOM_CF0	P10-4C, P12-25A	8C	INCOM_CF0
VBLK_SDI	P10-8C	9C	VBLK_SDI
REC_CDATA5	P6-10C	10C	REC_C_DATA5
REC_CDATA1	P6-12A	11C	REC_C_DATA1
REC_YDATA5	P6-13B	12C	REC_Y_DATA5
REC_YDATA1	P6-14C	13C	REC_Y_DATA1
VIN_CF0	P6-8C	14C	VIN_CF0
DIF_SSP_P	P10-15C	15C	DIF_SSP_P
DIF_BUS_P2	P10-16C	16C	DIF_BUS_P2
DIF_BUS_P6	P10-17C	17C	DIF_BUS_P6
DIF_BUS_R2	P10-18C	18C	DIF_BUS_R2
DIF_BUS_R6	P10-19C	19C	DIF_BUS_R6
VBLK_SL_CLK	P10-20C	20C	VBLK_SL_CLK
	21C	NC	
REC_SDATA2	P10-22C	22C	REC_SDATA2
REC_SDATA6	P10-23C	23C	REC_SDATA6
REC_MDATA2	P10-24C	24C	REC_MDATA2
REC_MDATA6	P10-25C	25C	REC_MDATA6
REC_AUD34	P14-10B	26C	REC_AUD34
S_PB_AUD34	P14-11C	27C	S_PB_AUD34
SDI_4FSC_P	P12-23B	28C	SDI_4FSC_P
RRST_SDI_N	P10-29C	29C	RRST_SDI_N
+3V	30C	+3V	
+5V_1	31C	VCC	
GND	32C	GND	

P008  
VJS3510

GND	1D	GND	
SDI_MOUT3	P12-3A	2D	SDI_MOUT3
SDI_MOUT7	P12-4B	3D	SDI_MOUT7
SDI_SOUT1	P12-5C	4D	SDI_SOUT1
SDI_SOUT5	P12-7A	5D	SDI_SOUT5
SDI_SOUT9	P12-8B	6D	SDI_SOUT9
SDI_CF	P12-16B	7D	SDI_CF
INCOM_CF1	P10-4D, P12-25B	8D	INCOM_CF1
VBLK_CS	P10-8D	9D	VBLK_CS
REC_CDATA4	P6-11A	10D	REC_C_DATA4
REC_CDATA0	P6-12B	11D	REC_C_DATA0
REC_YDATA4	P6-13C	12D	REC_Y_DATA4
REC_YDATA0	P6-15A	13D	REC_Y_DATA0
VIN_CF1	P6-9A	14D	VIN_CF1
DIF_SMP_P	P10-15D	15D	DIF_SMP_P
DIF_BUS_P3	P10-16D	16D	DIF_BUS_P3
DIF_BUS_P7	P10-17D	17D	DIF_BUS_P7
DIF_BUS_R3	P10-18D	18D	DIF_BUS_R3
DIF_BUS_R7	P10-19D	19D	DIF_BUS_R7
VBLK_SL_DATA	P10-20D	20D	VBLK_SL_DATA
	21D	NC	
REC_SDATA3	P10-22D	22D	REC_SDATA3
REC_SDATA7	P10-23D	23D	REC_SDATA7
REC_MDATA3	P10-24D	24D	REC_MDATA3
REC_MDATA7	P10-25D	25D	REC_MDATA7
REC_AUD34_G	P14-10C	26D	REC_AUD34_G
S_PB_AUD34_G	P14-12A	27D	S_PB_AUD34_G
SDI_4FSC_N	P12-23C	28D	SDI_4FSC_N
SDI_CLK_3V	P10-29D	29D	SDI_CLK_3V
+3V	30D	+3V	
+5V_1	31D	VCC	
GND	32D	GND	

COMPONENT NAME	P_MOTHER	06/13
CIRCUIT BORAD NO	VEP89129A	MODEL NO
	AJ-D950,PD950	

P009 VJS3510	
GND	1A GND
+12V	2A MOTH+12V
-12V	3A MOTH-12V
+7.5V	4A MOTH+7R5V
VS_DATA	5A VTB_DATA
EE_DATA_L_N	6A L_REC_DATA1
EE_CLK_P	7A REC_CLK0
FE_CTRL_R1	8A R_FE_CTL0
REC_CTRL_R1	9A R_REC_CTL0
EDA_CLK_RP_L_P	10A L_PB_CLK_R0
EDA_CLK_RP_R_P	11A R_PB_CLK_R0
EDA_CLK_PB_L_P	12A L_PB_CLK_P0
EDA_CLK_PB_R_P	13A R_PB_CLK_P0
PB_L_HSW	14A L_HSW_PB
CL_SER_CLK	15A CL_SER_CLK
PFPO	16A PFPO
TRP0	17A TRP0
TAPE_REV_H	18A TAPE_REV_H
SLW_CTL2	19A SLW_CTL_5V2
SW_FRM	20A SW_FRM
FEND	21A FEND
FP_S1	22A FP_S1
RXD_SV	23A RXD_SV
M16_INT_L	24A INT_L
AV_ADDR57	25A AV_ADDR57
AV_ADDR53	26A AV_ADDR53
AV_CS_REC_P_B_L	27A AV_CS_REC_P_B_L
AV_DATA7	28A AV_DATA7
AV_DATA3	29A AV_DATA3
+5V_2	30A MOTH+5V
-5V_1	31A MOTH-5V
GND	32A GND

P009 VJS3510	
GND	1B GND
+12V	2B MOTH+12V
-12V	3B MOTH-12V
+7.5V	4B MOTH+7R5V
VS_CLK	5B VTB_CLK
EE_DATA_L_P	6B L_REC_DATA0
EE_CLK_N	7B REC_CLK1
FE_CTRL_L1	8B R_FE_CTL1
REC_CTRL_R2	9B R_REC_CTL1
EDA_CLK_RP_L_N	10B L_PB_CLK_R1
EDA_CLK_RP_R_N	11B R_PB_CLK_R1
EDA_CLK_PB_L_N	12B L_PB_CLK_P1
EDA_CLK_PB_R_N	13B R_PB_CLK_P1
PB_R_HSW	14B R_HSW_PB
CL_SER_TX	15B CL_SER_TX
PFPI	16B PFPI
TRP1	17B TRP1
DIF_HD	18B DIF_HD
SLW_CTL1	19B SLW_CTL_5V1
REC_LEAP	20B REC_LEAP
FLUSH	21B FLUSH
CYL_PG_REC_P_B	22B CYL_PG
AV_ADDR10	23B AV_ADDR10
AV_ADDR6	24B AV_ADDR6
AV_ADDR2	25B AV_ADDR2
AV_IORD_L	26B AV_IORD_L
AV_DATA6	27B AV_DATA6
AV_DATA2	28B AV_DATA2
+5V_2	29B MOTH+5V
-5V_1	30B MOTH-5V
GND	31B GND
GND	32B GND

P009 VJS3510	
GND	1C GND
+12V	2C MOTH+12V
-12V	3C MOTH-12V
+7.5V	4C MOTH+7R5V
VS_CS_L	5C VTB_LSEL_L
EE_DATA_R_N	6C R_REC_DATA1
FE_CTRL_L2	7C L_FE_CTL0
REC_CTRL_L2	8C L_REC_CTL0
EDA_DATA_RP_L_P	9C L_PB_DATA_R0
EDA_DATA_RP_R_P	10C R_PB_DATA_R0
EDA_DATA_PB_L_P	11C L_PB_DATA_P0
EDA_DATA_PB_R_P	12C R_PB_DATA_P0
RP_L_HSW	13C L_HSW_REC
SEAM_MOD5_0	14C SEAM_MOD50
CL_SER_RX	15C CL_SER_RX
SLOW_H	16C SLOW_H
TRP2	17C TRP2
DIF_FRM	18C DIF_FRM
SLW_CTL0	19C SLW_CTL_5V0
DIF_CLK18	20C DIF_CLK18
REC_FRP_5V	21C REC_FRP_5V
CYL_FG_REC_P_B	22C CYL_FG
SER_SEL_SV	23C SER_SEL_SV
AV_ADDR9	24C AV_ADDR9
AV_ADDR5	25C AV_ADDR5
AV_ADDR1	26C AV_ADDR1
AV_IOWR_L	27C AV_IOWR_L
AV_DATA5	28C AV_DATA5
AV_DATA1	29C AV_DATA1
+5V_2	30C MOTH+5V
-5V_1	31C MOTH-5V
GND	32C GND

P009 VJS3510	
GND	1D GND
+12V	2D MOTH+12V
-12V	3D MOTH-12V
+7.5V	4D MOTH+7R5V
TSR	5D TSR
EE_DATA_R_P	6D R_REC_DATA0
FE_CTRL_L2	7D L_FE_CTL1
REC_CTRL_L2	8D L_REC_CTL1
EDA_DATA_RP_L_N	9D L_PB_DATA_R1
EDA_DATA_RP_R_N	10D R_PB_DATA_R1
EDA_DATA_PB_L_N	11D L_PB_DATA_P1
EDA_DATA_PB_R_N	12D R_PB_DATA_P1
RP_R_HSW	13D R_HSW_REC
SEAM_MOD5_1	14D SEAM_MOD51
LIN_H	15D LIN_H
SPA_REC	16D SPA_REC
STILL_H	17D STILL_H
DIF_CF	18D DIF_CF
SW_HD	19D SW_HD
REC_HEAD_L	20D REC_HEAD_L
FP_S0	21D FP_S0
CAP_FG_REC_P_B	22D CAP_FG
M16_BUSY_L	23D BUSY_L
AV_ADDR8	24D AV_ADDR8
AV_ADDR4	25D AV_ADDR4
AV_ADDR0	26D AV_ADDR0
AV_RST_L	27D AV_RST_L
AV_DATA4	28D AV_DATA4
AV_DATA0	29D AV_DATA0
+5V_2	30D MOTH+5V
-5V_1	31D MOTH-5V
GND	32D GND

P010 VJS3510	
GND	1A GND
SPA_PB	2A SPA_PB
THRU_HRST	3A THRU_HRST
CLK18_P	4A CLK18_ECL0
INCOM_H	5A INCOM_H
REF_HD	6A REF_H
TBC_RVRST	7A TBC_RVRST
FS256_PB_P	8A FS256_PB0
INH_A	9A INH_A
PB_SDATA0	10A SUB_OUT0
PB_SDATA4	11A SUB_OUT4
PB_MDATA0	12A MAIN_OUT0
PB_MDATA4	13A MAIN_OUT4
TXT_STG	14A TXT_S1G
VBK_BW2	15A VBK_BW2
DIF_BUS_P0	16A DIF_BUS_P0
DIF_BUS_P4	17A DIF_BUS_P4
DIF_BUS_R0	18A DIF_BUS_R0
DIF_BUS_R4	19A DIF_BUS_R4
DIF_SSP_R	20A DIF_SSP_R
VBK_SL_CS_YN	21A SL_CS_YN
REC_SDATA0	22A SUB_IN0
REC_SDATA4	23A SUB_IN4
REC_MDATA0	24A MAIN_IN0
REC_MDATA4	25A MAIN_IN4
REC_DATA12	26A REC_DATA12
FS64	27A FS64
PB_DATA12	28A PB_DATA12
AUD_FRP	29A AUD_FRP
+3V	30A MOTH+3R3V
PB_FRM_A2	31A PB_FRM_A2
GND	32A GND

P010 VJS3510	
GND	1B GND
13.5M_CLK	2B BCLK_BUF
THRU_VRST	3B THRU_VRST
CLK18_N	4B CLK18_ECL1
INCOM_FRM	5B INCOM_FRM
REF_CF0	6B REF_FRM
TBC_RHRST	7B TBC_RHRST
FS256_PB_N	8B FS256_PB1
PB_FRM	9B PB_FRM
PB_SDATA1	10B SUB_OUT1
PB_SDATA5	11B SUB_OUT5
PB_MDATA1	12B MAIN_OUT1
PB_MDATA5	13B MAIN_OUT5
TXT_GATE	14B TXT_GATE
VBK_CLK	15B VBK_CLK
DIF_BUS_P1	16B DIF_BUS_P1
DIF_BUS_P5	17B DIF_BUS_P5
DIF_BUS_R1	18B DIF_BUS_R1
DIF_BUS_R5	19B DIF_BUS_R5
AUD_FEND	20B AUD_FEND
V_SYNC_L	21B V_CS_YN
REC_SDATA1	22B SUB_IN1
REC_SDATA5	23B SUB_IN5
REC_MDATA1	24B MAIN_IN1
REC_MDATA5	25B MAIN_IN5
REC_DATA34	26B REC_DATA34
FS_P2	27B FS_P2
PB_DATA34	28B PB_DATA34
RRST_SDI_P	29B RRST_SDI0
+3V	30B MOTH+3R3V
PB_FRM_A2	31B PB_FRM_A2
GND	32B GND

P010 VJS3510	
GND	1C GND
EE_THRU_L	2C EE_THRU_L
CASSET_POS_2	3C CASS_POS_2
INCOM_CF0	4C INCOM_CF0
REF_CF2	5C REF_CF0
TBC_RCK_P	6C TBC_RCLK0
NC	7C NC
VBK_SD1	8C VBK_SD1
CLK27_VOUT_P	9C CLK27_VOUT0
PB_SDATA2	10C SUB_OUT2
PB_SDATA6	11C SUB_OUT6
PB_MDATA2	12C MAIN_OUT2
PB_MDATA6	13C MAIN_OUT6
LPF_SEL1	14C LPF_SEL1
DIF_SSP_P	15C DIF_SSP_P
DIF_BUS_P2	16C DIF_BUS_P2
DIF_BUS_P6	17C DIF_BUS_P6
DIF_BUS_R2	18C DIF_BUS_R2
DIF_BUS_R6	19C DIF_BUS_R6
VBK_SL_CLK	20C SL_CLK
FS256_N	21C FS256_1
REC_SDATA2	22C SUB_IN2
REC_SDATA6	23C SUB_IN6
REC_MDATA2	24C MAIN_IN2
REC_MDATA6	25C MAIN_IN6
FS_REC	26C FS
FS64_PB2	27C FS64_PB_34
PB_FRM_A1	28C PB_FRM_A1
RRST_SDI_N	29C RRST_SDI1
+3V	30C MOTH+3R3V
PB_FRM_A2	31C PB_FRM_A2
GND	32C GND

P010 VJS3510	
GND	1D GND
FRM5	2D FRM5
CASSET_POS_3	3D CASS_POS_3
INCOM_CF1	4D INCOM_CF1
REF_CF2	5D REF_CF1
TBC_RCK_N	6D TBC_RCLK1
NC	7D NC
VBK_CS	8D VBK_CS
CLK27_VOUT_N	9D CLK27_VOUT1
PB_SDATA3	10D SUB_OUT3
PB_SDATA7	11D SUB_OUT7
PB_MDATA3	12D MAIN_OUT3
PB_MDATA7	13D MAIN_OUT7
VBK_BW1	14D VBK_BW1
DIF_SMP_P	15D DIF_SMP_P
DIF_BUS_P3	16D DIF_BUS_P3
DIF_BUS_P7	17D DIF_BUS_P7
DIF_BUS_R3	18D DIF_BUS_R3
DIF_BUS_R7	19D DIF_BUS_R7
VBK_SL_DATA	20D SL_DATA
FS256_P	21D FS256_0
REC_SDATA3	22D SUB_IN3
REC_SDATA7	23D SUB_IN7
REC_MDATA3	24D MAIN_IN3
REC_MDATA7	25D MAIN_IN7
FS64_PB1	26D FS64_PB_12
FS_PB1	27D FS_PB_12
PB_FRM_18	28D PB_FRM_18
SDI_CLK_3V	29D SDI_CLK_3V
+3V	30D MOTH+3R3V
PB_FRM_A2	31D PB_FRM_A2
GND	32D GND

COMPONENT NAME	P_MOTHER	07/13
CIRCUIT BOARD NO	VEP89129A	MODEL NO
	AJ-D950,PD950	



## V\_OUT

P011 VJS2899A096		P011 VJS2899A096	
GND	1A GND	GND	1B GND
+12V	2A +12V	+12V	2B +12V
-12V	3A -12V	-12V	3B -12V
+7.5V	4A +7.5V	+7.5V	4B +7.5V
-7.5V	5A -7.5V	-7.5V	5B -7.5V
GND	6A REF IN G	GND	6B NOT CONNECT
GND	7A VIDEO OUT1 G	GND	7B NOT CONNECT
GND	8A VIDEO OUT2 G	GND	8B NOT CONNECT
GND	9A VIDEO OUT3 G	GND	9B NOT CONNECT
GND	10A Y OUT G	GND	10B NOT CONNECT
GND	11A PR OUT G	GND	11B NOT CONNECT
GND	12A PB OUT G	GND	12B NOT CONNECT
GND	13A NOT CONNECT	GND	13B GND
GND	14A GND	PB_R_WFM_ENV	14B PB R WFM ENV
PB_L_WFM_RF	P19-10C	GND	15B GND
GND	15A PB L WFM RF	SEAM_MOD5_1	P9-14D, P7-17D
GND	16A GND	TXT_GATE	P10-14B
TXT_SIG	P10-14A	GND	17B GND
WFM_TC	P3-20B	GND	18B GND
LTC_CLK	P3-20C	GND	19B NOT CONNECT
GND	17A TXT SIG	GND	20B NOT CONNECT
GND	18A TIME CODE	EE_FRM	P7-22D
GND	19A LTC_CLK_0	AV_CS_VIDEO_L	P3-21B
GND	20A NOT CONNECT	AV_DATA7	P3-27B
GND	21A NOT CONNECT	AV_DATA4	P3-28B
ENC_DATA	P4-14A, P7-17B	AV_DATA1	P3-29B
AV_ADRS9	P3-23A	+5V_2	30B +5V_2
AV_ADRS6	P3-24A	-5V_1	31B -5V_1
AV_ADRS3	P3-25A	GND	32B GND
AV_ADRS0	P3-26A		
AV_RST_L	P3-27A		
AV_DATA5	P3-28A		
AV_DATA2	P3-29A		

## V\_OUT

P011 VJS2899A096		P012 VJS2899A096		P012 VJS2899A096		P012 VJS2899A096	
GND	1C GND	GND	1A GND	GND	1B GND	GND	1C GND
+12V	2C +12V	SDI_MOUT0	P8-2A	SDI_MOUT1	P8-2B	SDI_MOUT2	P8-2C
-12V	3C -12V	SDI_MOUT3	P8-2D	SDI_MOUT4	P8-3A	SDI_MOUT5	P8-3B
+7.5V	4C +7.5V	SDI_MOUT6	P8-3C	SDI_MOUT7	P8-3D	SDI_MOUT8	P8-4A
-7.5V	5C -7.5V	SDI_MOUT9	P8-4B	SDI_MOUT0	P8-4C	SDI_MOUT1	P8-4D
REF_IN	P30-26A	SDI_SOUT2	P8-5A	SDI_SOUT3	P8-5B	SDI_SOUT4	P8-5C
VIDEO_OUT1	P30-24A	SDI_SOUT5	P8-5D	SDI_SOUT6	P8-6A	SDI_SOUT7	P8-6B
VIDEO_OUT2	P30-23A	SDI_SOUT8	P8-6C	SDI_SOUT9	P8-6D	GND	8C GND
VIDEO_OUT3	P30-22A	SDI_27MP	P8-7A	SDI_27MN	P8-7B	GND	9C GND
Y_OUT	P30-21A	PB_SDATA0	P10-10A, P7-6A	PB_SDATA1	P10-10B, P7-6B	PB_SDATA2	P10-10C, P7-6C
PR_OUT	P30-19A	PB_SDATA3	P10-10D, P7-6D	PB_SDATA4	P10-11A, P7-7A	PB_SDATA5	P10-11B, P7-7B
PB_OUT	P30-20A	PB_SDATA6	P10-11C, P7-7C	PB_SDATA7	P10-11D, P7-7D	PB_MDATA0	P10-12A, P7-8A
PB_R_WFM_RF	P20-10C	PB_MDATA1	P10-12B, P7-8B	PB_MDATA2	P10-12C, P7-8C	PB_MDATA3	P10-12D, P7-8D
GND	14C GND	PB_MDATA4	P10-13A, P7-9A	PB_MDATA5	P10-13C, P7-9B	PB_MDATA6	P10-13C, P7-9C
PB_L_WFM_ENV	P19-11A	PB_MDATA7	P10-13D, P7-9D	GND	15B GND	SDI_FRM	P8-7C
SEAM_MOD5_0	P9-14C, P7-17C	SDI_HD	P8-8A	SDI_CF	P8-7D	GND	16C GND
LPF_SEL1	P10-14C	SDI_VD	P8-8B	REF_FRAME	P14-13B	REF_HST_N	P14-13C
GND	18C NOT CONNECT	GND	18A GND	CHAR_DATA_H	P7-22A	CHAR_GATE_L	P7-22B
GND	19C NOT CONNECT	OUT_FRM	P4-14C	V_SYNC_L	P10-21B	COMP_SYNC_L	P4-17B
GND	20C NOT CONNECT	WFM_CTL	P2-28A	GND	20B GND	EECLK27_P	P7-21C
12CLK	P4-13C, P7-17A	EECLK27_N	P7-21D	GND	21B GND	EE_THRU_L	P10-2C, P7-21A
AV_ADRS10	P3-22C	GND	22A EECLK27 N	GND	22B GND	SDI_4FSC_N	P8-28D
AV_ADRS7	P3-23C	AV_ADRS10	P3-22C	SDI_4FSC_P	P8-28C	INCOM_FRM	P8-9B, P10-5B
AV_ADRS4	P3-24C	AV_ADRS7	P3-23C	INCOM_RST_0	P8-28A	INCOM_H	P8-9A, P10-5A
AV_ADRS1	P3-25C	AV_ADRS4	P3-24C	INCOM_CF1	P8-8D, P10-4D	PB_FRM	P10-9B
AV_IOWR_L	P3-26C	AV_IOWR_L	P3-26C	OPEN	25B DET 420H	REF_CF2	P10-5D
AV_DATA6	P3-27C	AV_DATA6	P3-27C	REF_CF1	P10-5C	REF_CF2	P10-5D
AV_DATA3	P3-28C	AV_DATA3	P3-28C	CLK27_VOUT_P	P10-9C	CLK27_VOUT_N	P10-9D
AV_DATA0	P3-29C	AV_DATA0	P3-29C	SLW_CTL1	P9-19B, P7-19B	SLW_CTL2	P9-19A, P7-19A
+5V_2	30C +5V_2	+5V_2	30A +5V_2	+3V	30B +3V	+3V	30C +3V
-5V_1	31C -5V_1	-5V_1	31A -5V_1	GND	31B NOT CONNECT	GND	31C NOT CONNECT
GND	32C GND	GND	32A GND	GND	32B GND	GND	32C GND

COMPONENT NAME	P_MOTHER	08/13
CIRCUIT BOARD NO	VEP89129A	MODEL NO
	AJ-D950,PD950	

A\_PROC

P013 VJS2899A096	
GND	1A GND
+12V	2A +12V
-12V	3A -12V
+7.5V	4A +7.5V
-7.5V	5A -7.5V
D_IN_DATA12G	6A D_IN_DATA12G
D_IN_DATA34G	7A D_IN_DATA34G
	8A NOT CONNECT
D_OUT_DATA12G	9A D_OUT_DATA12G
D_OUT_DATA34G	10A D_OUT_DATA34G
	11A NOT CONNECT
	12A NOT CONNECT
	13A NOT CONNECT
	14A NOT CONNECT
	15A NOT CONNECT
ADSD34	16A ADSD34
	17A NOT CONNECT
BCK1	18A BCK1
MCK1	19A MCK1
CUE_BCK	20A CUE_BCK
CUE_MIX_DATA	21A CUE_MIX_DATA
PB_FRM_18	22A PB_FRM_18
AV_ADRS9	23A AV_ADRS9
AV_ADRS6	24A AV_ADRS6
AV_ADRS3	25A AV_ADRS3
AV_ADRS0	26A AV_ADRS0
AV_RST_L	27A AV_RST_L
AV_DATA5	28A AV_DATA5
AV_DATA2	29A AV_DATA2
+5V_3	30A +5V_2
-5V_1	31A -5V_1
GND	32A GND

P013 VJS2899A096	
GND	1B GND
+12V	2B +12V
-12V	3B -12V
+7.5V	4B +7.5V
-7.5V	5B -7.5V
D_IN_DATA12N	6B D_IN_DATA12N
D_IN_DATA34N	7B D_IN_DATA34N
	8B NOT CONNECT
D_OUT_DATA12N	9B D_OUT_DATA12N
D_OUT_DATA34N	10B D_OUT_DATA34N
	11B NOT CONNECT
	12B NOT CONNECT
	13B NOT CONNECT
	14B NOT CONNECT
	15B NOT CONNECT
	16B NOT CONNECT
REC_LEAP	17B REC_LEAP
DASD12	18B DASD12
WCK1	19B WCK1
CUE_MCK	20B CUE_MCK
CUE_WCK	21B CUE_WCK
AV_CS_APROC_L	22B AV_CS_APROC_L
AV_ADRS8	23B AV_ADRS8
AV_ADRS5	24B AV_ADRS5
AV_ADRS2	25B AV_ADRS2
AV_IORD_L	26B AV_IORD_L
AV_DATA7	27B AV_DATA7
AV_DATA4	28B AV_DATA4
AV_DATA1	29B AV_DATA1
+5V_3	30B +5V_2
-5V_1	31B -5V_1
GND	32B GND

P013 VJS2899A096	
GND	1C GND
+12V	2C +12V
-12V	3C -12V
+7.5V	4C +7.5V
-7.5V	5C -7.5V
D_IN_DATA12P	6C D_IN_DATA12P
D_IN_DATA34P	7C D_IN_DATA34P
	8C NOT CONNECT
D_OUT_DATA12P	9C D_OUT_DATA12P
D_OUT_DATA34P	10C D_OUT_DATA34P
	11C NOT CONNECT
	12C NOT CONNECT
	13C NOT CONNECT
	14C NOT CONNECT
	15C NOT CONNECT
DASD34	16C DASD34
ADSD12	17C ADSD12
DASDLR	18C DASDLR
SW_FRM	19C SW_FRM
CUE_MET_DATA	20C CUE_MET_DATA
	21C NOT CONNECT
AV_ADRS10	22C AV_ADRS10
AV_ADRS7	23C AV_ADRS7
AV_ADRS4	24C AV_ADRS4
AV_ADRS1	25C AV_ADRS1
AV_IOWR_L	26C AV_IOWR_L
AV_DATA6	27C AV_DATA6
AV_DATA3	28C AV_DATA3
AV_DATA0	29C AV_DATA0
+5V_3	30C +5V_2
-5V_1	31C -5V_1
GND	32C GND

A\_PROC

P014 VJS2899A096	
GND	1A GND
	2A NOT CONNECT
	3A NOT CONNECT
	4A NOT CONNECT
	5A NOT CONNECT
CLK18_P	6A CLK18 P
	7A NOT CONNECT
CAP_FG1_PULSE	8A NOT CONNECT
	9A NOT CONNECT
REC_AUD12_G	10A REC_AUD12_G
S_PB_AUD12	11A S_PB_AUD12
S_PB_AUD34_G	12A S_PB_AUD34_G
VIN_HST_N	13A VIN_HST_N
	14A NOT CONNECT
	15A NOT CONNECT
FS256_N	16A FS256 N
FS64_PB1	17A FS64 PB1
AUD_FRP	18A REC_FRM
PB_DATA12	19A PB_DATA12
FRM5	20A FRM5
FS64_PB2	21A FS64 PB2
	22A NOT CONNECT
	23A NOT CONNECT
	24A NOT CONNECT
	25A NOT CONNECT
	26A NOT CONNECT
	27A NOT CONNECT
	28A NOT CONNECT
	29A NOT CONNECT
	30A NOT CONNECT
+16V	31A +16V
GND	32A GND

P014 VJS2899A096	
GND	1B GND
	2B NOT CONNECT
	3B CAP_FG1_P
	4B NOT CONNECT
TAPE_REV_H	5B TAPE_REV_H
CLK18_N	6B CLK18 N
	7B NOT CONNECT
	8B NOT CONNECT
	9B NOT CONNECT
REC_AUD34	10B REC_AUD34
S_PB_AUD12_G	11B S_PB_AUD12_G
DAUDCK_P	12B DAUDCK_P
REF_FRAME	13B REF_FRAME
	14B NOT CONNECT
REC_DATA12	15B REC_DATA12
FS256_P	16B FS256 P
	17B NOT CONNECT
	18B INH_A
INH_A	19B PB_DATA34
PB_DATA34	20B AUD_FEND
AUD_FEND	21B PB_FRM_A2
PB_FRM_A2	22B NOT CONNECT
	23B NOT CONNECT
	24B NOT CONNECT
	25B NOT CONNECT
	26B NOT CONNECT
	27B NOT CONNECT
	28B NOT CONNECT
	29B NOT CONNECT
	30B NOT CONNECT
+16V	31B +16V
GND	32B GND

P014 VJS2899A096	
GND	1C GND
	2C NOT CONNECT
	3C NOT CONNECT
	4C NOT CONNECT
	5C NOT CONNECT
	6C NOT CONNECT
	7C NOT CONNECT
	8C NOT CONNECT
REC_AUD12	9C REC_AUD12
REC_AUD34_G	10C REC_AUD34_G
S_PB_AUD34	11C S_PB_AUD34
DAUDCK_N	12C DAUDCK_N
REF_HST_N	13C REF_HST_N
	14C NOT CONNECT
REC_DATA34	15C REC_DATA34
FS_REC	16C FS_REC
FS64	17C FS64
FS_PB1	18C FS_PB1
PB_FRM_A1	19C PB_FRM_A1
FS_PB2	20C FS_PB2
	21C NOT CONNECT
	22C NOT CONNECT
FS256_PB_P	23C FS256_PB_P
FS256_PB_N	24C FS256_PB_N
	25C NOT CONNECT
	26C NOT CONNECT
	27C NOT CONNECT
	28C NOT CONNECT
	29C NOT CONNECT
	30C NOT CONNECT
+16V	31C +16V
GND	32C GND

COMPONENT NAME	P_MOTHER	09/13
CIRCUIT BOARD NO	VEP89129A	MODEL NO
		AJ-D950,PD950

ADDA

ADDA

P015  
VJS2899A096

GND	1A	GND
+12V	2A	+12V
-12V	3A	-12V
+7.5V	4A	+7.5V
-7.5V	5A	-7.5V
CH1_IN_C	6A	CH1 IN C
GND	7A	GND
CH2_IN_C	8A	CH2 IN C
GND	9A	GND
CH1_OUT_C	10A	CH1 OUT C
GND	11A	GND
CH2_OUT_C	12A	CH2 OUT C
GND	13A	GND
L_MONI_OUT_C	14A	L MONI OUT C
R_MONI_OUT_C	15A	R MONI OUT C
GND	16A	GND
ADSD34	17A	ADSD34
BCK1	18A	BCK1
MCK1	19A	MCK1
	20A	NOT CONNECT
	21A	NOT CONNECT
P_ON_MUTE_L	22A	P_ON MUTE L
AV_ADRS9	23A	AV ADRS9
AV_ADRS6	24A	AV ADRS6
AV_ADRS3	25A	AV ADRS3
AV_ADRS0	26A	AV ADRS0
AV_RST_L	27A	AV RST L
AV_DATA5	28A	AV DATA5
AV_DATA2	29A	AV DATA2
+5V_3	30A	+5V_2
-5V_1	31A	-5V_1
GND	32A	GND

P015  
VJS2899A096

GND	1B	GND
+12V	2B	+12V
-12V	3B	-12V
+7.5V	4B	+7.5V
-7.5V	5B	-7.5V
CH1_IN_G	6B	CH1 IN G
GND	7B	GND
CH2_IN_G	8B	CH2 IN G
GND	9B	GND
CH1_OUT_G	10B	CH1 OUT G
GND	11B	GND
CH2_OUT_G	12B	CH2 OUT G
GND	13B	GND
L_MONI_OUT_G	14B	L MONI OUT G
R_MONI_OUT_G	15B	R MONI OUT G
GND	16B	GND
DASD34	17B	DASD34
DASD12	18B	DASD12
WCK1	19B	WCK1
	20B	NOT CONNECT
	21B	NOT CONNECT
AV_CS_AUDIO_L	22B	AV CS AUDIO L
AV_ADRS8	23B	AV ADRS8
AV_ADRS5	24B	AV ADRS5
AV_ADRS2	25B	AV ADRS2
AV_IORD_L	26B	AV IORD L
AV_DATA7	27B	AV DATA7
AV_DATA4	28B	AV DATA4
AV_DATA1	29B	AV DATA1
+5V_3	30B	+5V_2
-5V_1	31B	-5V_1
GND	32B	GND

P015  
VJS2899A096

GND	1C	GND
+12V	2C	+12V
-12V	3C	-12V
+7.5V	4C	+7.5V
-7.5V	5C	-7.5V
CH1_IN_H	6C	CH1 IN H
GND	7C	GND
CH2_IN_H	8C	CH2 IN H
GND	9C	GND
CH1_OUT_H	10C	CH1 OUT H
GND	11C	GND
CH2_OUT_H	12C	CH2 OUT H
GND	13C	GND
L_MONI_OUT_H	14C	L MONI OUT H
R_MONI_OUT_H	15C	R MONI OUT H
GND	16C	GND
ADSD12	17C	ADSD12
DASDLR	18C	DASDLR
	19C	NOT CONNECT
	20C	NOT CONNECT
	21C	NOT CONNECT
AV_ADRS10	22C	AV ADRS10
AV_ADRS7	23C	AV ADRS7
AV_ADRS4	24C	AV ADRS4
AV_ADRS1	25C	AV ADRS1
AV_IOWR_L	26C	AV IOWR L
AV_DATA6	27C	AV DATA6
AV_DATA3	28C	AV DATA3
AV_DATA0	29C	AV DATA0
+5V_3	30C	+5V_2
-5V_1	31C	-5V_1
GND	32C	GND

P016  
VJS2899A096

GND	1A	GND
CH3_IN_C	2A	CH3 IN C
GND	3A	GND
CH4_IN_C	4A	CH4 IN C
GND	5A	GND
CH3_OUT_C	6A	CH3 OUT C
GND	7A	GND
CH4_OUT_C	8A	CH4 OUT C
GND	9A	GND
	10A	NOT CONNECT
	11A	NOT CONNECT
	12A	NOT CONNECT
	13A	NOT CONNECT
	14A	NOT CONNECT
	15A	NOT CONNECT
	16A	NOT CONNECT
	17A	NOT CONNECT
	18A	NOT CONNECT
	19A	NOT CONNECT
	20A	NOT CONNECT
	21A	NOT CONNECT
	22A	NOT CONNECT
	23A	NOT CONNECT
	24A	NOT CONNECT
	25A	NOT CONNECT
	26A	NOT CONNECT
	27A	NOT CONNECT
	28A	NOT CONNECT
HP_SIG_L	29A	HP SIG L
	30A	NOT CONNECT
+16V	31A	+16V
GND	32A	GND

P016  
VJS2899A096

GND	1B	GND
CH3_IN_G	2B	CH3 IN G
GND	3B	GND
CH4_IN_G	4B	CH4 IN G
GND	5B	GND
CH3_OUT_G	6B	CH3 OUT G
GND	7B	GND
CH4_OUT_G	8B	CH4 OUT G
GND	9B	GND
	10B	NOT CONNECT
	11B	NOT CONNECT
	12B	NOT CONNECT
	13B	NOT CONNECT
	14B	NOT CONNECT
	15B	NOT CONNECT
	16B	NOT CONNECT
	17B	NOT CONNECT
	18B	NOT CONNECT
	19B	NOT CONNECT
	20B	NOT CONNECT
	21B	NOT CONNECT
	22B	NOT CONNECT
	23B	NOT CONNECT
	24B	NOT CONNECT
	25B	NOT CONNECT
	26B	NOT CONNECT
	27B	NOT CONNECT
	28B	NOT CONNECT
HP_SIG_R	29B	HP SIG R
	30B	NOT CONNECT
+16V	31B	+16V
GND	32B	GND

P016  
VJS2899A096

GND	1C	GND
CH3_IN_H	2C	CH3 IN H
GND	3C	GND
CH4_IN_H	4C	CH4 IN H
GND	5C	GND
CH3_OUT_H	6C	CH3 OUT H
GND	7C	GND
CH4_OUT_H	8C	CH4 OUT H
GND	9C	GND
	10C	NOT CONNECT
	11C	NOT CONNECT
	12C	NOT CONNECT
	13C	NOT CONNECT
	14C	NOT CONNECT
	15C	NOT CONNECT
	16C	NOT CONNECT
	17C	NOT CONNECT
	18C	NOT CONNECT
	19C	NOT CONNECT
	20C	NOT CONNECT
	21C	NOT CONNECT
	22C	NOT CONNECT
	23C	NOT CONNECT
	24C	NOT CONNECT
	25C	NOT CONNECT
	26C	NOT CONNECT
	27C	NOT CONNECT
	28C	NOT CONNECT
HP_SIG_G	29C	HP SIG G
	30C	NOT CONNECT
+16V	31C	+16V
GND	32C	GND

COMPONENT NAME	P_MOTHER	10/13
CIRCUIT BOARD NO	VEP89129A	MODEL NO AJ-D950,PD950

# CUE (H1)

# XCAN (H2)

P017 VJS2899A096	
GND	1A GND
+12V	2A +12V
-12V	3A -12V
+7.5V	4A +7.5V
-7.5V	5A -7.5V
CUE_IN_C	6A CUE IN C
GND	7A GND
CUE_OUT_C	8A CUE OUT C
GND	9A GND
GND	10A NOT CONNECT
GND	11A NOT CONNECT
GND	12A NOT CONNECT
GND	13A NOT CONNECT
GND	14A NOT CONNECT
GND	15A NOT CONNECT
GND	16A NOT CONNECT
GND	17A NOT CONNECT
GND	18A NOT CONNECT
GND	19A NOT CONNECT
CUE_BCK	20A CUE BCK
CUE_MIX_DATA	21A CUE MIX DATA
P_ON_MUTE_L	22A P_ON MUTE L
AV_ADRS9	23A AV_ADRS9
AV_ADRS6	24A AV_ADRS6
AV_ADRS3	25A AV_ADRS3
AV_ADRS0	26A AV_ADRS0
AV_RST_L	27A AV_RST_L
AV_DATA5	28A AV_DATA5
AV_DATA2	29A AV_DATA2
+5V_3	30A +5V 3
-5V_1	31A -5V 1
GND	32A GND

P017 VJS2899A096	
GND	1B GND
+12V	2B +12V
-12V	3B -12V
+7.5V	4B +7.5V
-7.5V	5B -7.5V
CUE_IN_G	6B CUE IN G
GND	7B GND
CUE_OUT_G	8B CUE OUT G
GND	9B GND
GND	10B NOT CONNECT
GND	11B NOT CONNECT
GND	12B NOT CONNECT
GND	13B NOT CONNECT
GND	14B NOT CONNECT
GND	15B NOT CONNECT
GND	16B NOT CONNECT
GND	17B NOT CONNECT
GND	18B NOT CONNECT
25H_50L	19B 25H 50L
CUE_MCK	20B CUE MCK
CUE_WCK	21B CUE WCK
AV_CS_AUDIO_L	22B AV_CS_AUDIO L
AV_ADRS8	23B AV_ADRS8
AV_ADRS5	24B AV_ADRS5
AV_ADRS2	25B AV_ADRS2
AV_IORD_L	26B AV_IORD L
AV_DATA7	27B AV_DATA7
AV_DATA4	28B AV_DATA4
AV_DATA1	29B AV_DATA1
+5V_3	30B +5V 3
-5V_1	31B -5V 1
GND	32B GND

P017 VJS2899A096	
GND	1C GND
+12V	2C +12V
-12V	3C -12V
+7.5V	4C +7.5V
-7.5V	5C -7.5V
CUE_IN_H	6C CUE IN H
GND	7C GND
CUE_OUT_H	8C CUE OUT H
GND	9C GND
GND	10C NOT CONNECT
GND	11C NOT CONNECT
GND	12C NOT CONNECT
GND	13C NOT CONNECT
GND	14C NOT CONNECT
GND	15C NOT CONNECT
GND	16C NOT CONNECT
GND	17C NOT CONNECT
CYL_FG+	18C CYL_FG+
GND	19C NOT CONNECT
CUE_MET_DATA	20C CUE MET DATA
GND	21C NOT CONNECT
AV_ADRS10	22C AV_ADRS10
AV_ADRS7	23C AV_ADRS7
AV_ADRS4	24C AV_ADRS4
AV_ADRS1	25C AV_ADRS1
AV_IOWR_L	26C AV_IOWR L
AV_DATA6	27C AV_DATA6
AV_DATA3	28C AV_DATA3
AV_DATA0	29C AV_DATA0
+5V_3	30C +5V 3
-5V_1	31C -5V 1
GND	32C GND

P018 VJS2899A096	
GND	1A GND
+12V	2A +12V
-12V	3A -12V
+7.5V	4A +7.5V
-7.5V	5A -7.5V
PB_L_PWM	6A PB L PWM
PB_R_PWM	7A PB R PWM
GND	8A GND
REC_I	9A REC I
RESET	10A RESET
25H_50L	11A 25H 50L
L1_REC	12A L1 REC
R1_REC	13A R1 REC
REC_FRP_5V	14A REC FRP 5V
VS_DATA	15A VS DATA
VS_CLK	16A VS CLK
VS_CS_L	17A VS CS L
13.5M_CLK	18A 13.5M_CLK
19A	19A PB MODE H
GND	20A GND
REC_DATA_R_P	21A REC DATA R P
EE_DATA_L_N	22A EE DATA L N
EE_CLK_P	23A EE CLK P
GND	24A GND
EDA_DATA_RP_L_N	25A EDA_DATA RP L N
EDA_DATA_RP_R_P	26A EDA_DATA RP R P
EDA_CLK_RP_R_N	27A EDA_CLK RP R N
EDA_CLK_PB_L_P	28A EDA_CLK PB L P
EDA_DATA_PB_R_N	29A EDA_DATA PB R N
+5V_3	30A +5V 3
-5V_1	31A -5V 1
GND	32A GND

P018 VJS2899A096	
GND	1B GND
+12V	2B +12V
-12V	3B -12V
+7.5V	4B +7.5V
-7.5V	5B -7.5V
PB_EYE_L_P	6B PB EYE L P
PB_EYE_R_P	7B PB EYE R P
GND	8B GND
REC_CTRL_L1	9B REC_CTRL L1
REC_CTRL_R1	10B REC_CTRL R1
PB_L_ENV_COMP	11B PB_L_ENV_COMP
L2_REC	12B L2_REC
R2_REC	13B R2_REC
PB_L_HSW	14B PB_L_HSW
PB_L_DATA	15B PB_L_DATA
PB_R_DATA	16B PB_R_DATA
RP_L_DATA	17B RP_L_DATA
RP_R_DATA	18B RP_R_DATA
GND	19B GND
REC_DATA_L_P	20B REC_DATA L P
REC_DATA_R_N	21B REC_DATA R N
EE_DATA_R_P	22B EE_DATA R P
EE_CLK_N	23B EE_CLK N
GND	24B GND
EDA_CLK_RP_L_P	25B EDA_CLK RP L P
EDA_DATA_RP_R_N	26B EDA_DATA RP R N
EDA_DATA_PB_L_P	27B EDA_DATA PB L P
EDA_CLK_PB_L_N	28B EDA_CLK PB L N
EDA_DATA_PB_R_P	29B EDA_DATA PB R P
+5V_3	30B +5V 3
-5V_1	31B -5V 1
GND	32B GND

P018 VJS2899A096	
GND	1C GND
+12V	2C +12V
-12V	3C -12V
+7.5V	4C +7.5V
-7.5V	5C -7.5V
PB_EYE_L_N	6C PB EYE L N
PB_EYE_R_N	7C PB EYE R N
GND	8C GND
REC_CTRL_L2	9C REC_CTRL L2
REC_CTRL_R2	10C REC_CTRL R2
PB_R_ENV_COMP	11C PB_R_ENV_COMP
REC_L	12C REC L
REC_R	13C REC R
PB_R_HSW	14C PB_R_HSW
PB_L_CLK	15C PB_L_CLK
PB_R_CLK	16C PB_R_CLK
RP_L_CLK	17C RP_L_CLK
RP_R_CLK	18C RP_R_CLK
GND	19C GND
REC_DATA_L_N	20C REC_DATA L N
EE_DATA_L_P	21C EE_DATA L P
EE_DATA_R_N	22C EE_DATA R N
GND	23C GND
EDA_DATA_RP_L_P	24C EDA_DATA RP L P
EDA_CLK_RP_L_N	25C EDA_CLK RP L N
EDA_CLK_RP_R_P	26C EDA_CLK RP R P
EDA_DATA_PB_L_N	27C EDA_DATA PB L N
EDA_DATA_PB_R_P	28C EDA_DATA PB R P
EDA_CLK_PB_R_N	29C EDA_CLK PB R N
+5V_3	30C +5V 3
-5V_1	31C -5V 1
GND	32C GND

COMPONENT NAME	P_MOTHER	11/13
CIRCUIT BOARD NO	VEP89129A	MODEL NO AJ-D950,PD950

### RFEQ\_L (H3)

P019 VJS2899A096		P019 VJS2899A096	
GND	1A GND	GND	1B GND
+12V	2A +12V	+12V	2B +12V
-12V	3A -12V	-12V	3B -12V
+7.5V	4A +7.5V	+7.5V	4B +7.5V
-7.5V	5A -7.5V	-7.5V	5B -7.5V
GND	6A GND	GND	6B GND
PB_EYE_L_P	P18-6B 7A PB EYE L P	PB_EYE_L_P	P18-6C 7B PB EYE L N
GND	8A GND	GND	8B GND
RTV_SPD_L	P1-6B 9A RTV SPD L	REF_CHK	P1-7B, P20-9B 9B REF CK
PB_L_ATF	P1-7C 10A PB L ATF	RP_L_ATF	P1-8A 10B RP L ATF
PB_L_WFM_ENV	P11-15C 11A PB L WFM ENV	L2_REC	P18-12B, P33-9B 11B NOT CONNECT
L1_REC	P18-12A, P33-9A 12A L1 REC	RP_L_DATA	P18-17B 12B RP L DATA
RP_L_CLK	P18-17C 13A RP L CLK	PB_L_DATA	P18-15B 14B PB L DATA
PB_L_CLK	P18-15C 14A PB L CLK	GND	15B GND
GND	15A GND	REC_L1_CURR	P33-17A 16B REC L1 CURR
RE_L1_CURR	P33-5A 16A RE L1 CURR	REC_L2_CURR	P33-17B 17B REC L2 CURR
RE_L2_CURR	P33-5B 17A RE L2 CURR	GND	18B GND
GND	18A GND	PB_L_HSW	P1-18A, P9, P18, P33 19B PB L HSW
RP_L_HSW	P1-17C, P9-13C, P33-21A 19A RP L HSW	PB_L_ENV	P1-16B 20B PB L ENV
RP_L_ENV	P1-17A 20A RP L ENV	PB_L_ATF_GAIN	P1-19C 21B PB L ATF GAIN
RP_L_ATF_GAIN	P1-19B 21A RP L ATF GAIN	GND	22B GND
GND	22A GND	RF_DATA	P3-18B, P20-23B 23B RF DATA
RF_CLK	P3-18A, P20-23A 23A RF CLK	GND	24B GND
RF_HALD_L_H	P3-21A 24A RF HALD L H	PB_L_PRE_P	P33-26A 25B PB L PRE P
GND	25A GND	GND	26B GND
GND	26A GND	RP_L_PRE_P	P33-24A 27B RP L PRE P
GND	27A GND	GND	28B GND
GND	28A GND	GND	29B NOT CONNECT
+5V_3	30A +5V_3	+5V_3	30B +5V_3
-5V_1	31A -5V_1	-5V_1	31B -5V_1
GND	32A GND	GND	32B GND

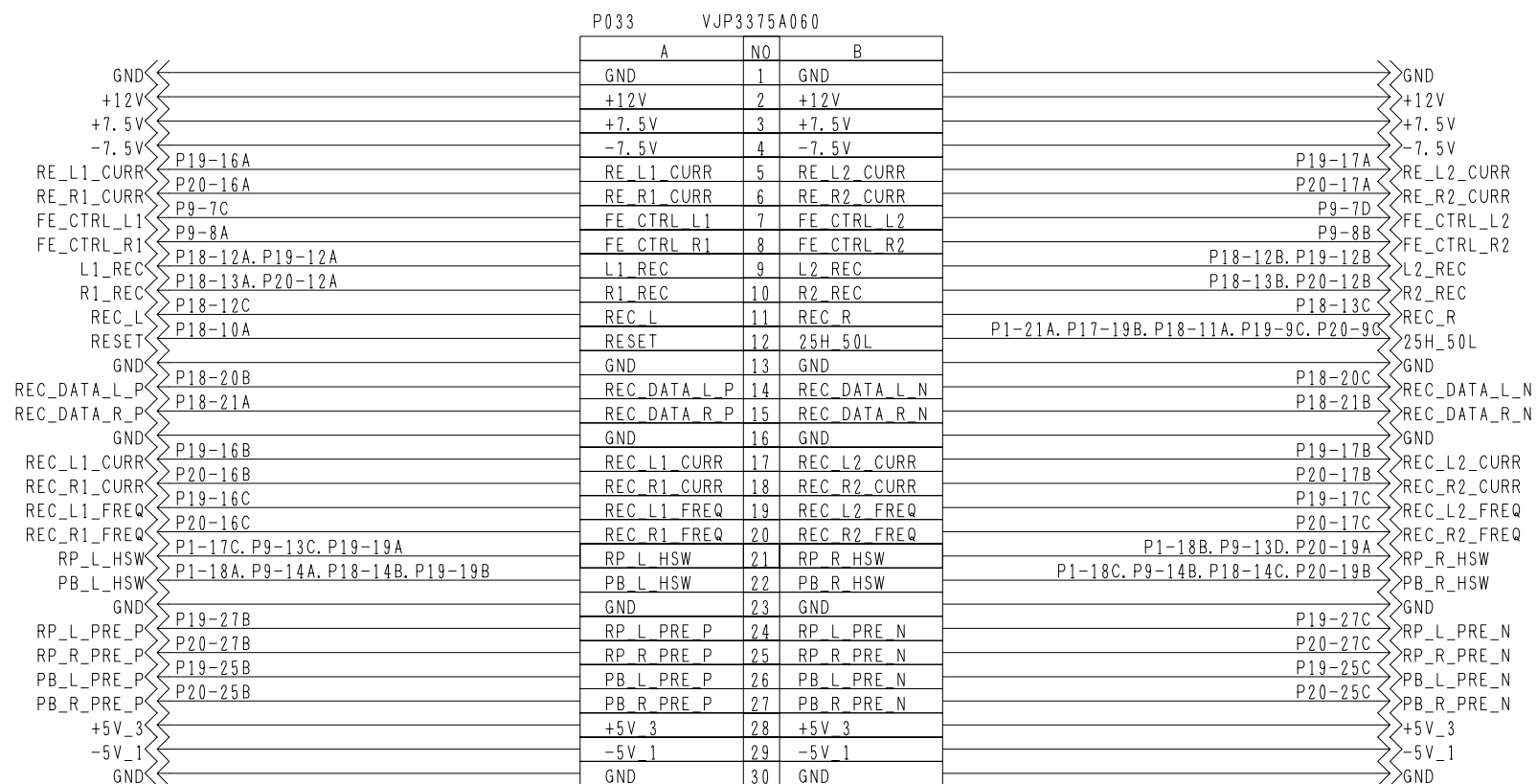
P019 VJS2899A096		P019 VJS2899A096	
GND	1C GND	GND	1C GND
+12V	2C +12V	+12V	2C +12V
-12V	3C -12V	-12V	3C -12V
+7.5V	4C +7.5V	+7.5V	4C +7.5V
-7.5V	5C -7.5V	-7.5V	5C -7.5V
GND	6C GND	GND	6C GND
GND	7C NC	GND	7C NC
GND	8C GND	GND	8C GND
25H_50L	P1-21A, ... 9C 25H 50L	25H_50L	P11-15A 10C PB L WFM RF
PB_L_WFM_RF	P11-15A 10C PB L WFM RF	PB_L_PWM	P18-6A 11C NOT CONNECT
PB_L_PWM	P18-6A 11C NOT CONNECT	PB_L_ENV_COMP	P18-11B 12C PB L ENV COMP
GND	12C GND	GND	13C GND
REC_L1_FREQ	P33-19A 13C REC L1 CURR	REC_L1_FREQ	P33-19A 15C GND
REC_L2_FREQ	P33-19B 14C REC L2 CURR	REC_L2_FREQ	P33-19B 16C REC L1 CURR
GND	15C GND	GND	17C REC L2 CURR
RP_L_RF	P1-9B 18C GND	RP_L_RF	P1-9A 19C RP L RF
PB_L_RF	P1-9A 19C RP L RF	GND	20C PB L RF
GND	20C GND	GND	21C GND
RF_EQLD_L_H	P3-10C 21C GND	RF_EQLD_L_H	P3-10C 22C GND
GND	22C GND	GND	23C RF EQLD L H
PB_L_PRE_N	P33-26B 24C GND	PB_L_PRE_N	P33-26B 25C PB L PRE N
GND	25C GND	GND	26C GND
RP_L_PRE_N	P33-24B 27C RP L PRE N	RP_L_PRE_N	P33-24B 28A GND
GND	28A GND	GND	29C NOT CONNECT
+5V_3	30A +5V_3	+5V_3	30B +5V_3
-5V_1	31A -5V_1	-5V_1	31C -5V_1
GND	32C GND	GND	32C GND

### RFEQ\_R (H4)

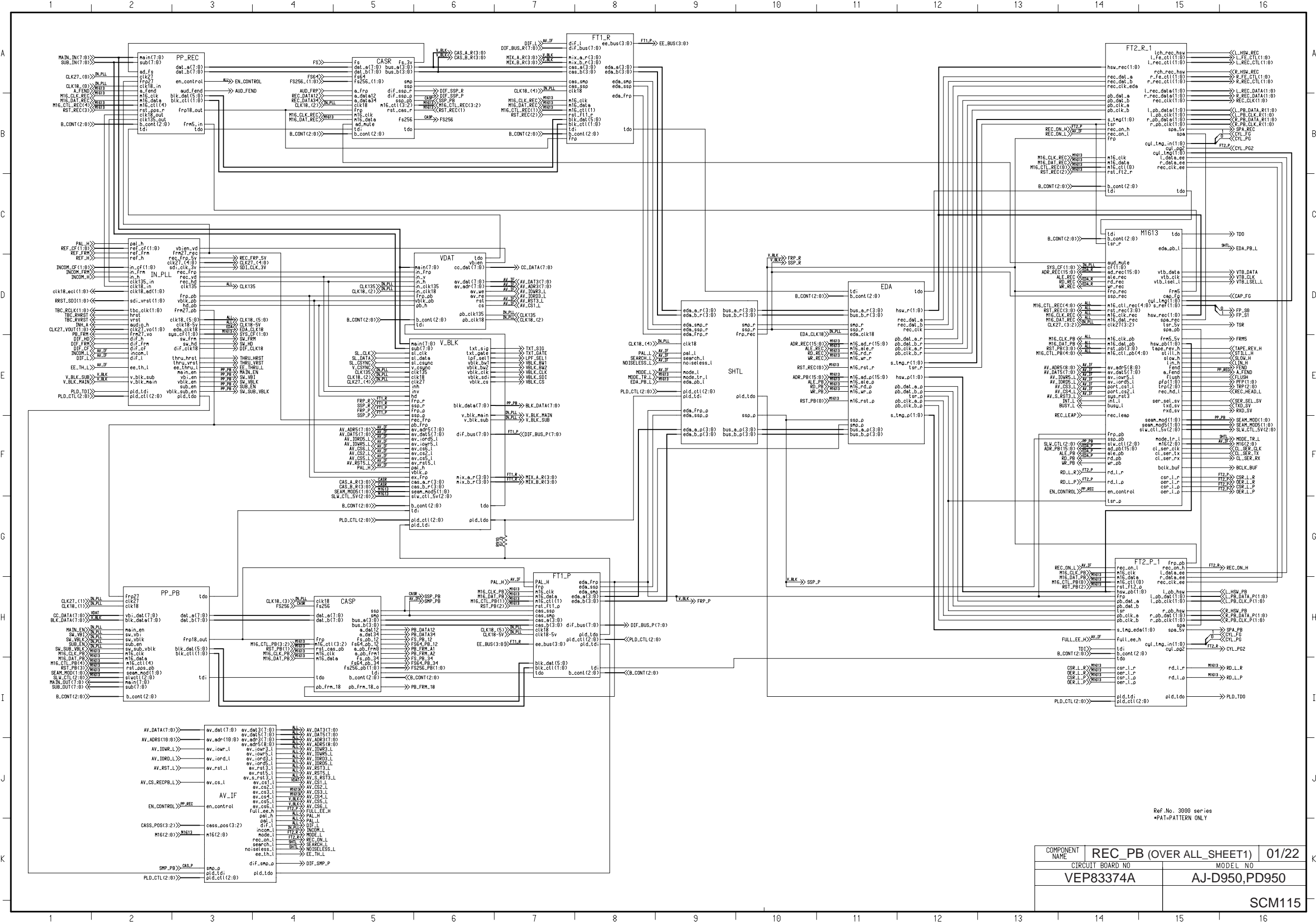
P020 VJS2899A096		P020 VJS2899A096		P020 VJS2899A096		P020 VJS2899A096	
GND	1A GND	GND	1B GND	GND	1C GND	GND	1C GND
+12V	2A +12V	+12V	2B +12V	+12V	2C +12V	+12V	2C +12V
-12V	3A -12V	-12V	3B -12V	-12V	3C -12V	-12V	3C -12V
+7.5V	4A +7.5V	+7.5V	4B +7.5V	+7.5V	4C +7.5V	+7.5V	4C +7.5V
-7.5V	5A -7.5V	-7.5V	5B -7.5V	-7.5V	5C -7.5V	-7.5V	5C -7.5V
GND	6A GND	GND	6B GND	GND	6C GND	GND	6C GND
PB_EYE_R_P	P18-7B 7A PB EYE R P	PB_EYE_R_N	P18-7C 7B PB EYE R N	GND	8C GND	GND	7C NOT CONNECT
GND	8A GND	GND	8B GND	GND	9C 25H 50L	GND	8C GND
RTV_SPD_R	P1-6C 9A RTV SPD R	REF_CHK	P1-7B, P19-9B 9B REF CK	25H_50L	P11-13C 9C 25H 50L	25H_50L	P1-21A, ... 9C 25H 50L
PB_R_ATF	P1-8B 10A PB R ATF	RP_R_ATF	P1-8C 10B RP R ATF	PB_R_WFM_RF	P11-13C 10C PB R WFM RF	PB_R_WFM_RF	P11-13C 10C PB R WFM RF
PB_R_WFM_ENV	P11-14B 11A PB R WFM ENV	L2_REC	P18-13B, P33-10B 11B NOT CONNECT	GND	11C NOT CONNECT	GND	11C NOT CONNECT
R1_REC	P18-13A, P33-10A 12A R1 REC	RP_R_DATA	P18-18B 12B R2 REC	PB_R_PWM	P18-7A 12C PB R PWM	PB_R_PWM	P18-7A 12C PB R PWM
RP_R_CLK	P18-18C 13A RP R CLK	PB_R_DATA	P18-16C 13B RP R DATA	PB_R_ENV_COMP	P18-11C 13C PB R ENV COMP	PB_R_ENV_COMP	P18-11C 13C PB R ENV COMP
PB_R_CLK	P18-16C 14A PB R CLK	GND	14B GND	GND	14C NOT CONNECT	GND	14C NOT CONNECT
GND	15A GND	REC_R1_CURR	P33-18A 15B REC R1 CURR	REC_R1_CURR	P33-18A 16B REC R1 CURR	REC_R1_CURR	P33-20A 16C REC R1 CURR
RE_R1_CURR	P33-6A 16A RE R1 CURR	REC_R2_CURR	P33-18B 17B REC R2 CURR	REC_R2_CURR	P33-18B 17B REC R2 CURR	REC_R2_CURR	P33-20B 17C REC R2 CURR
RE_R2_CURR	P33-6B 17A RE R2 CURR	GND	18B GND	GND	18B GND	GND	18C GND
GND	18A GND	PB_R_HSW	P1-18C, P9, P18, P33 19B PB R HSW	PB_R_HSW	P1-18C, P9, P18, P33 19B PB R HSW	PB_R_HSW	P1-10A 19C RP R RF
RP_R_HSW	P1-18B, P9-13B, P33-21B 19A RP R HSW	PB_R_ENV	P1-16C 20B PB R ENV	PB_R_ENV	P1-16C 20B PB R ENV	PB_R_ENV	P1-9C 20C PB R RF
RP_R_ENV	P1-17B 20A RP R ENV	GND	21B NOT CONNECT	GND	21B NOT CONNECT	GND	21C GND
GND	21A NOT CONNECT	GND	22B GND	GND	22B GND	GND	22C GND
RF_CLK	P3-18A, P19-23A 23A RF CLK	RF_DATA	P3-18B, P19-23B 23B RF DATA	RF_DATA	P3-18B, P19-23B 23B RF DATA	RF_DATA	P3-18C 23C RF EQLD R H
RF_HALD_R_H	P3-19A 24A RF HALD R H	GND	24B GND	GND	24B GND	GND	24C GND
GND	25A GND	PB_R_PRE_F	P33-27A 25B PB R PRE P	PB_R_PRE_F	P33-27A 25B PB R PRE P	PB_R_PRE_N	P33-27B 25C PB R PRE N
GND	26A GND	GND	26B GND	GND	26B GND	GND	26C GND
GND	27A GND	RP_R_PRE_F	P33-25A 27B RP R PRE P	RP_R_PRE_F	P33-25A 27B RP R PRE P	RP_R_PRE_N	P33-25B 27C RP R PRE N
GND	28A GND	GND	28B GND	GND	28B GND	GND	28C GND
GND	29A NOT CONNECT	GND	29B NOT CONNECT	GND	29B NOT CONNECT	GND	29C NOT CONNECT
+5V_3	30A +5V_3	+5V_3	30B +5V_3	+5V_3	30B +5V_3	+5V_3	30C +5V_3
-5V_1	31A -5V_1	-5V_1	31B -5V_1	-5V_1	31B -5V_1	-5V_1	31C -5V_1
GND	32A GND	GND	32B GND	GND	32B GND	GND	32C GND

COMPONENT NAME	P_MOTHER	12/13
CIRCUIT BOARD NO	VEP89129A	MODEL NO AJ-D950, PD950
SCM012		

# H. BUFFER



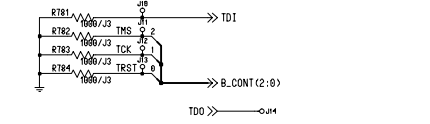
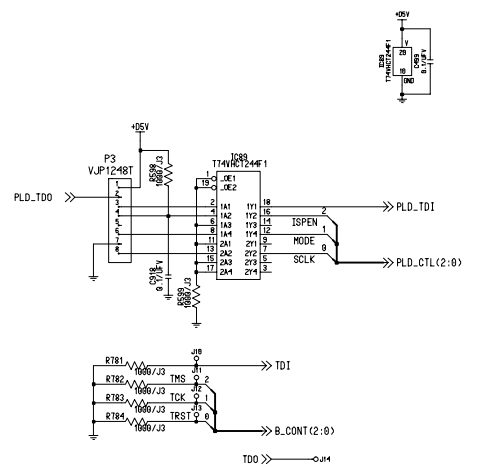
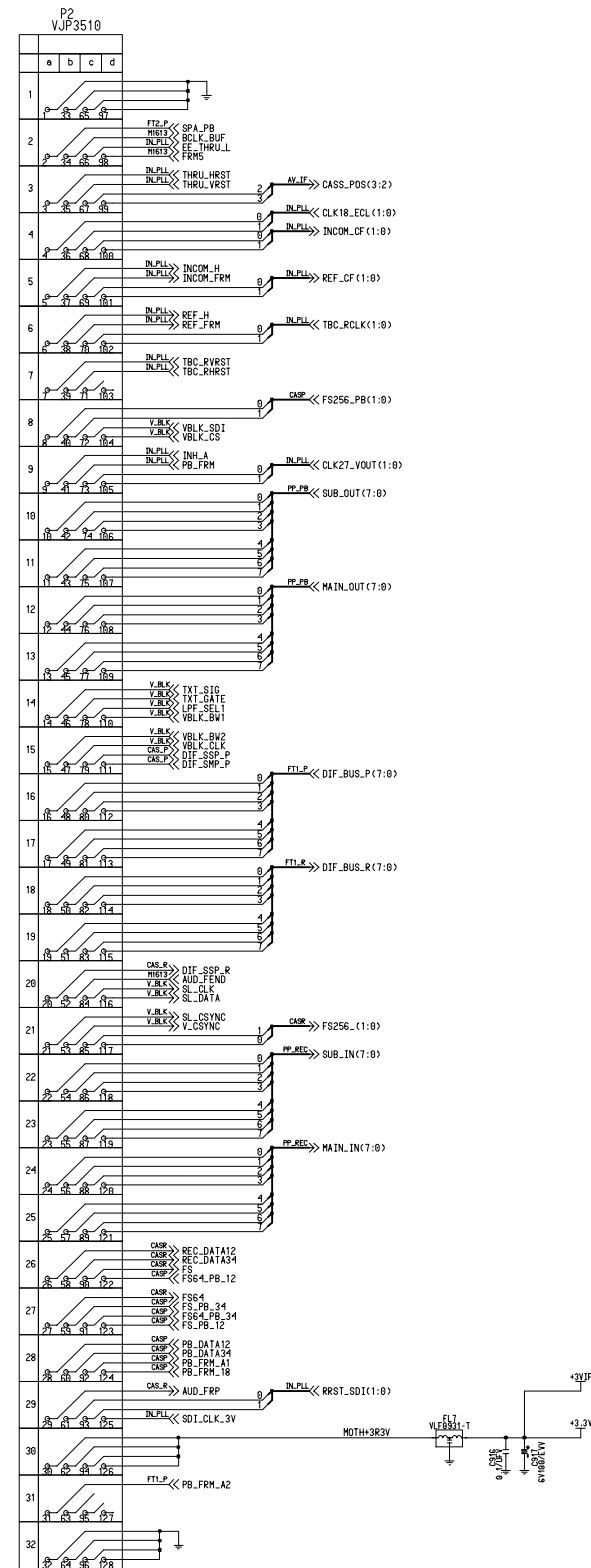
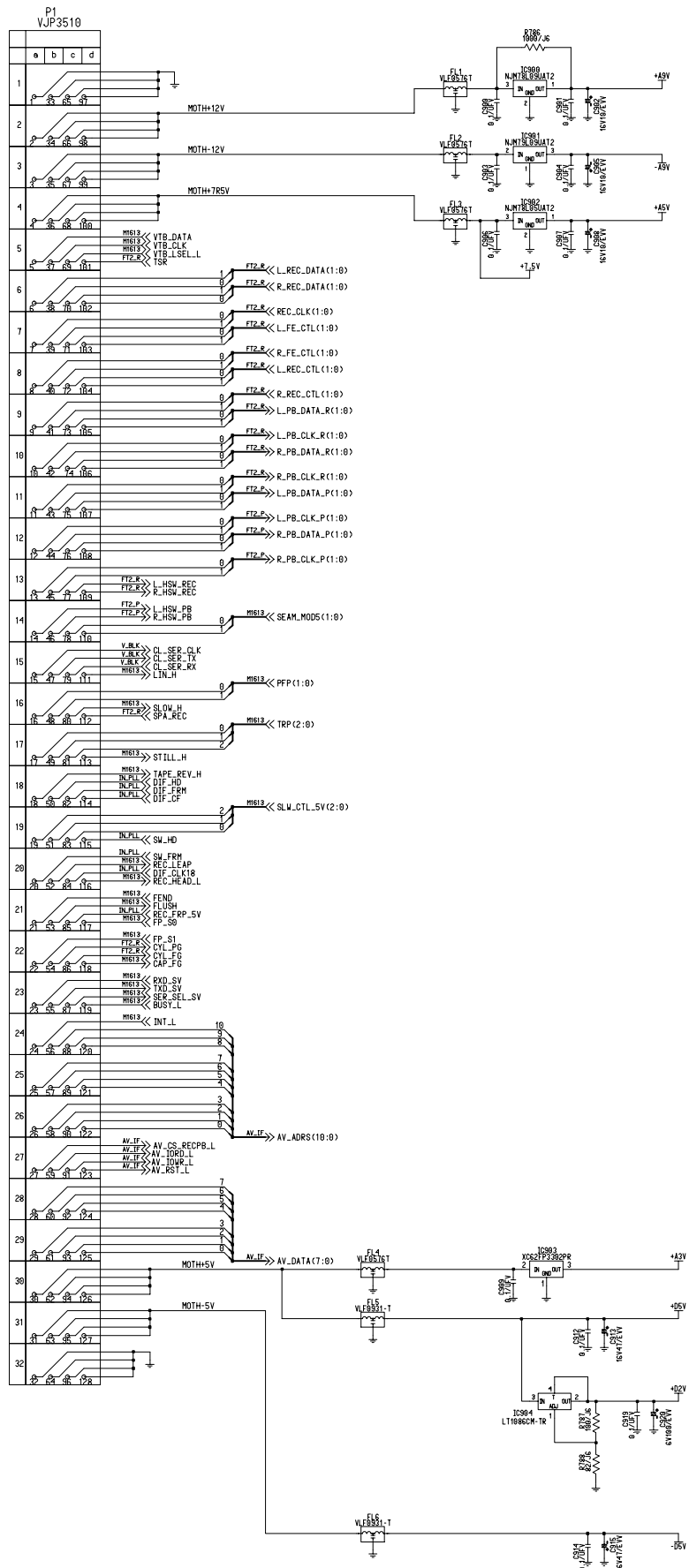
COMPONENT NAME	P_MOTHER	13/13
CIRCUIT BOARD NO	VEP89129A	MODEL NO
		AJ-D950,PD950



Ref. No. 3000 series  
\*PAT=PATTERN ONLY

COMPONENT NAME	REC_PB (OVER ALL SHEET1)	01/22
CIRCUIT BOARD NO	VEP83374A	MODEL NO
		AJ-D950, PD950

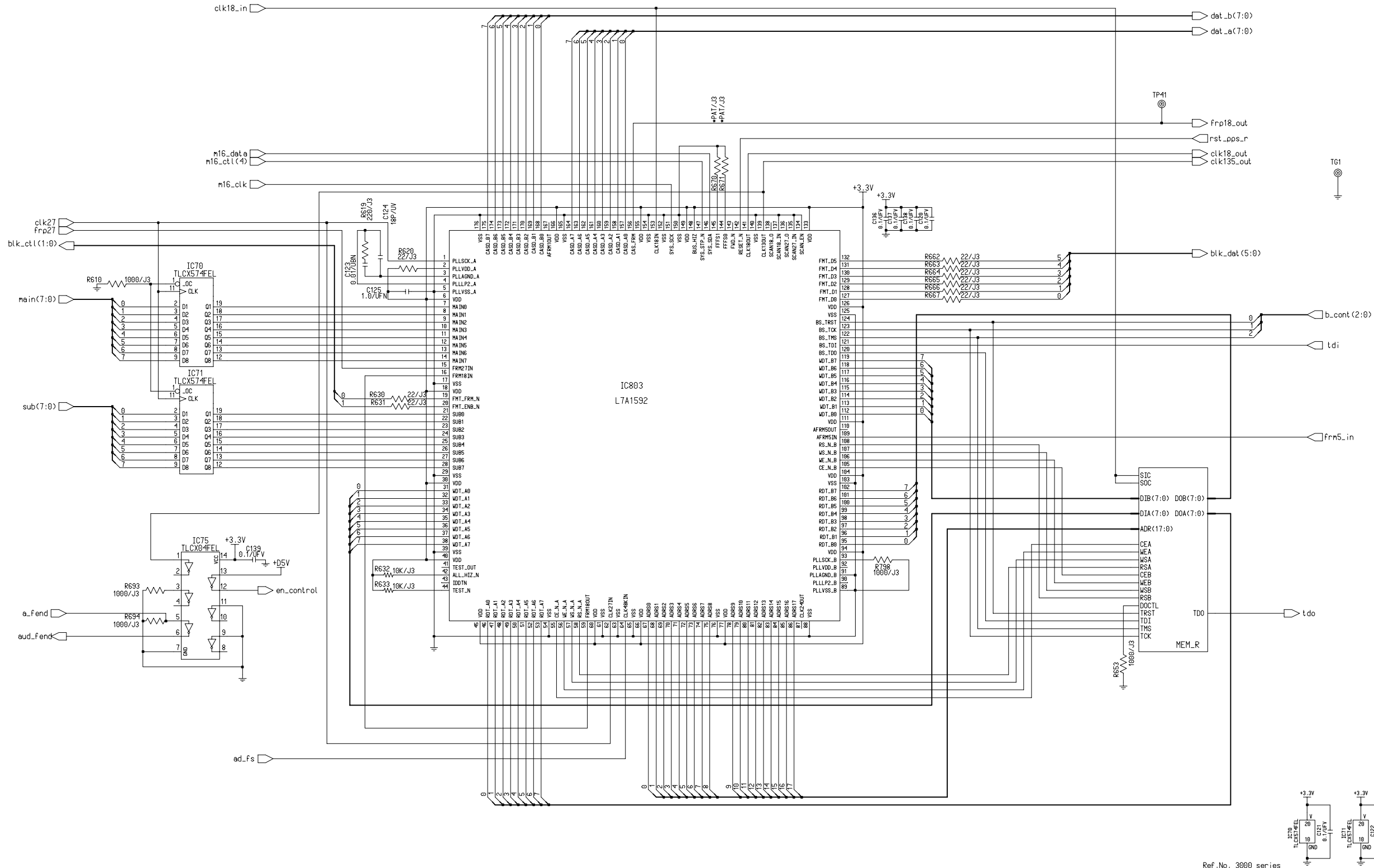
SCM115



Ref.No. 3000 series  
\*PAT=PATTERN ONLY

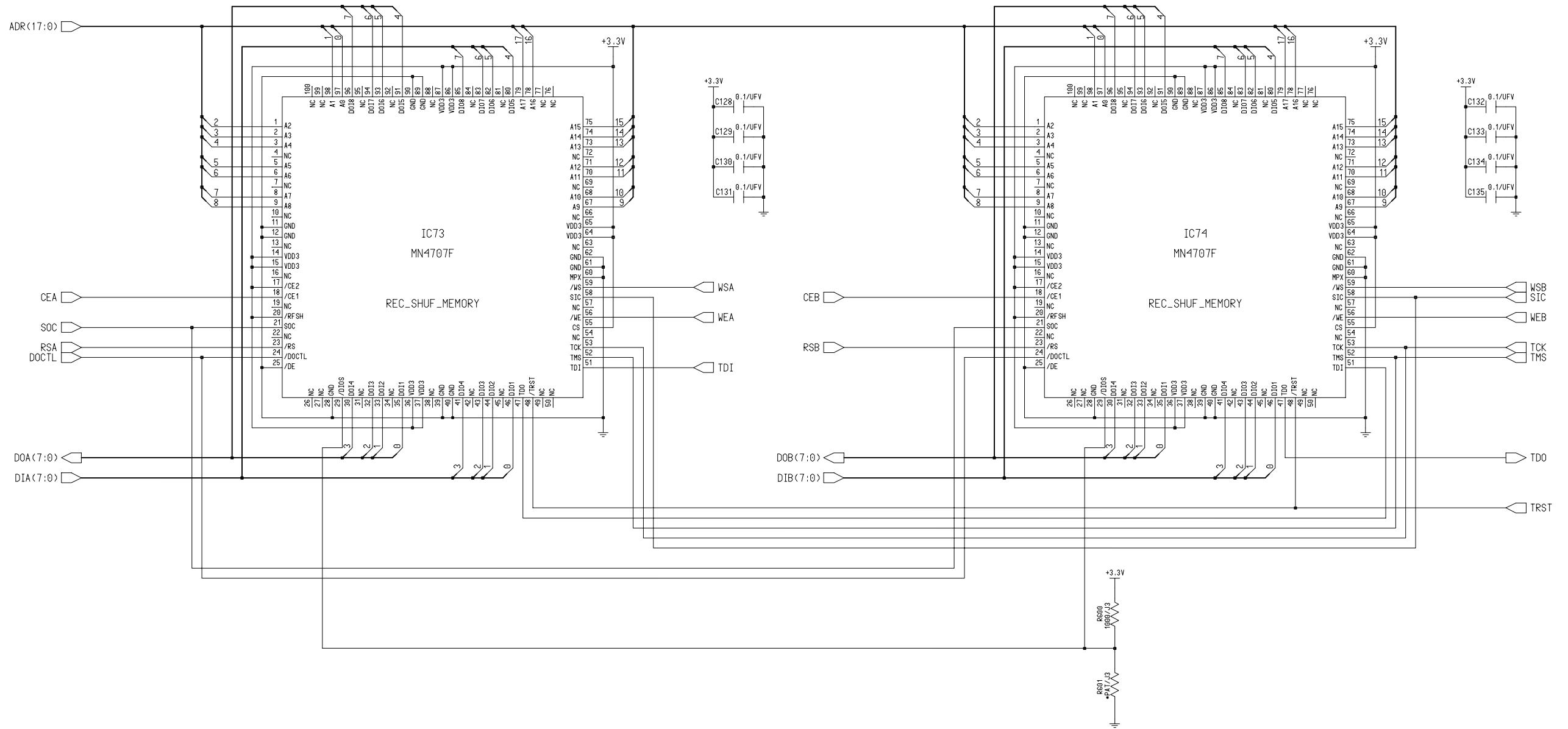
COMPONENT NAME	REC_PB (OVER ALL SHEET2)	02/22
CIRCUIT BOARD NO	MODEL NO	
VEP83374A	AJ-D950,PD950	
SCM116		





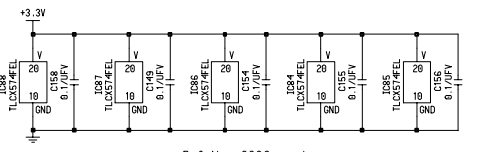
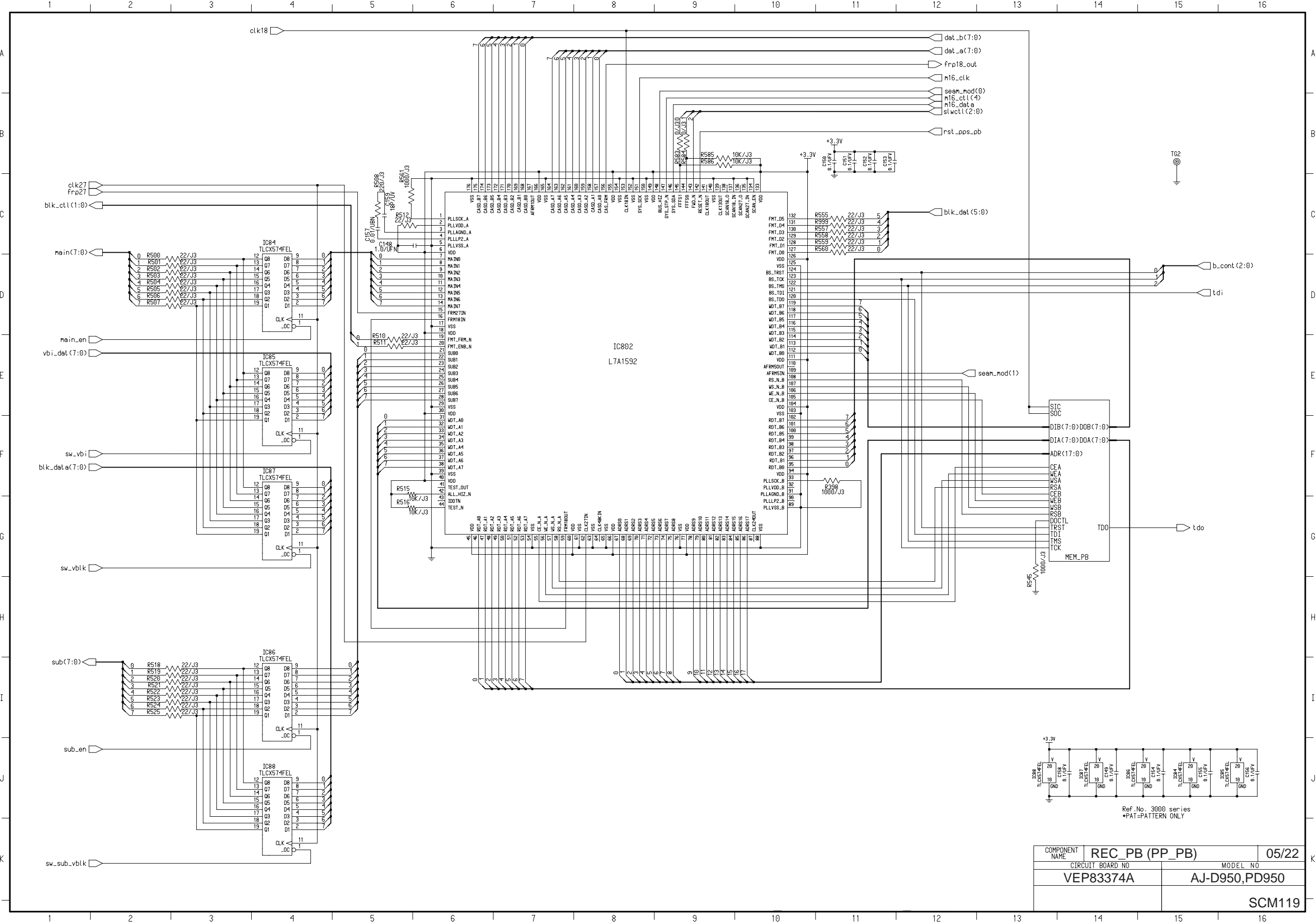
Ref.No. 3000 series  
\*PAT= PATTERN ONLY

COMPONENT NAME	REC_PB (PP_REC)	03/22
CIRCUIT BOARD NO	VEP83374A	MODEL NO
		AJ-D950,PD950
SCM117		



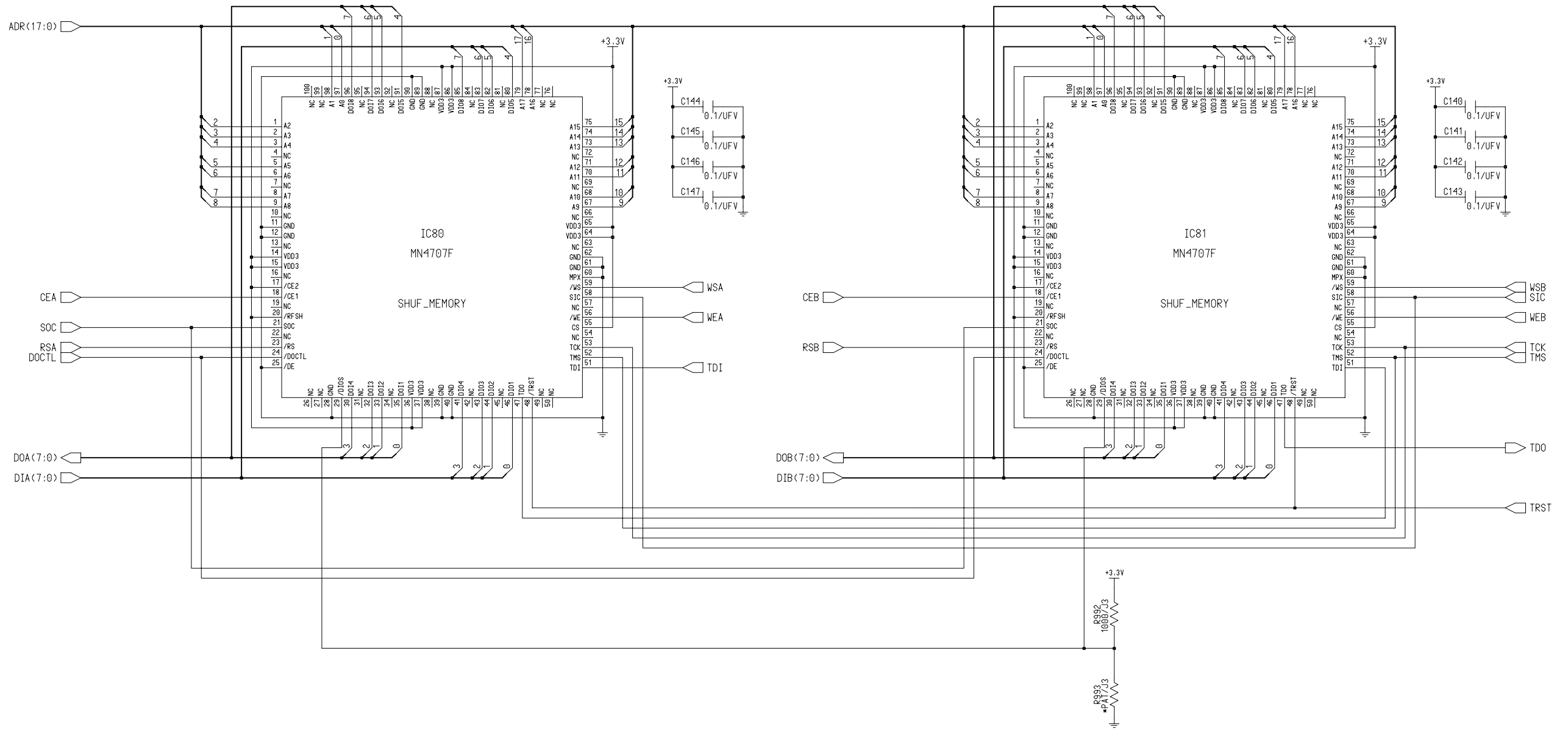
Ref.No. 3000 series  
\*PAT=PATTERN ONLY

COMPONENT NAME	REC_PB (MEM_R)	04/22
CIRCUIT BOARD NO	MODEL NO	
VEP83374A	AJ-D950,PD950	
SCM118		



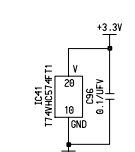
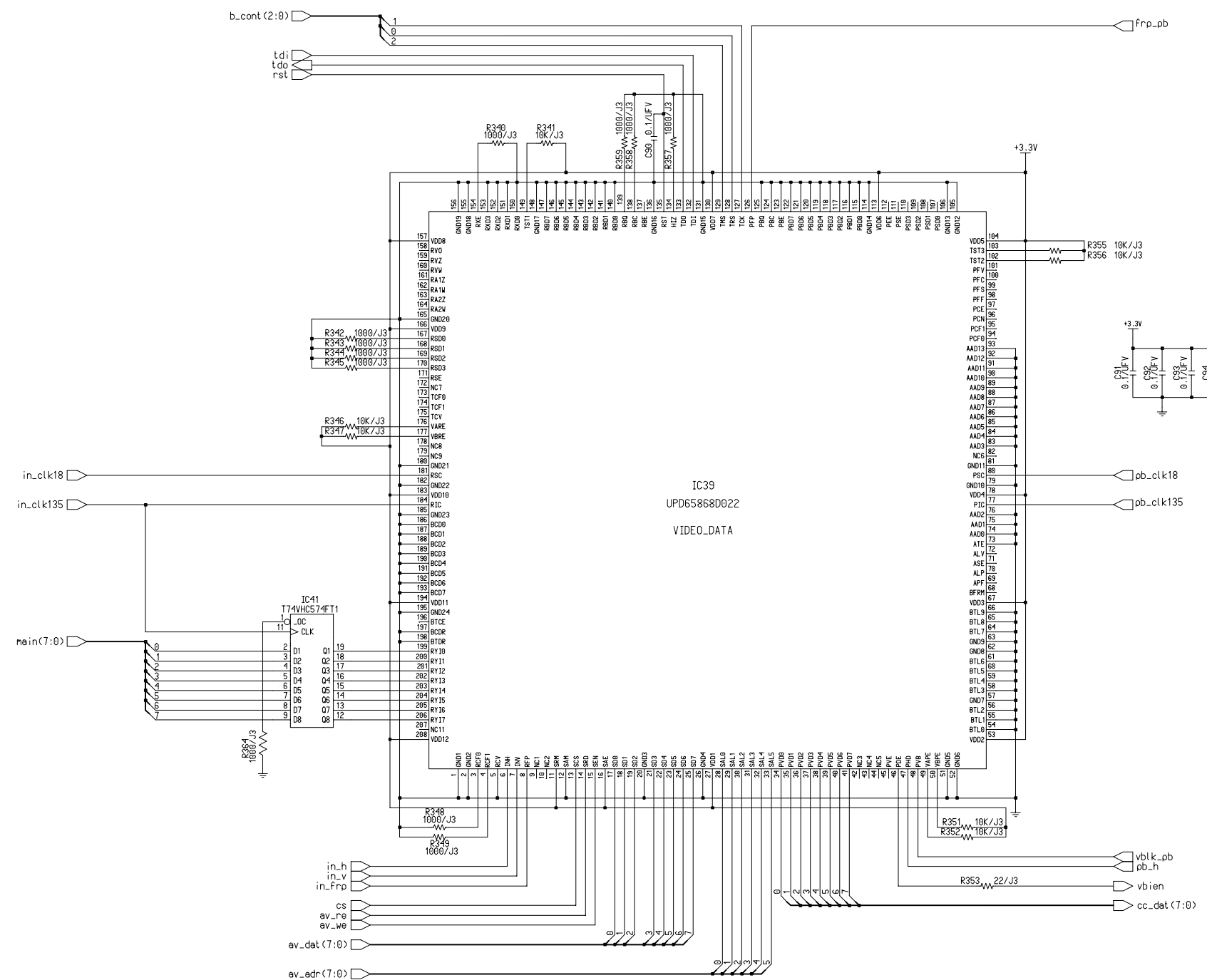
Ref.No. 3000 series  
 \*PAT= PATTERN ONLY

COMPONENT NAME	REC_PB (PP_PB)	05/22
CIRCUIT BOARD NO	VEP83374A	MODEL NO AJ-D950,PD950
		SCM119



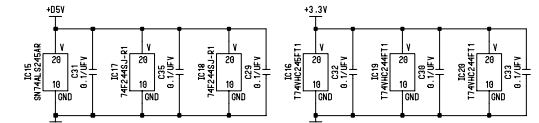
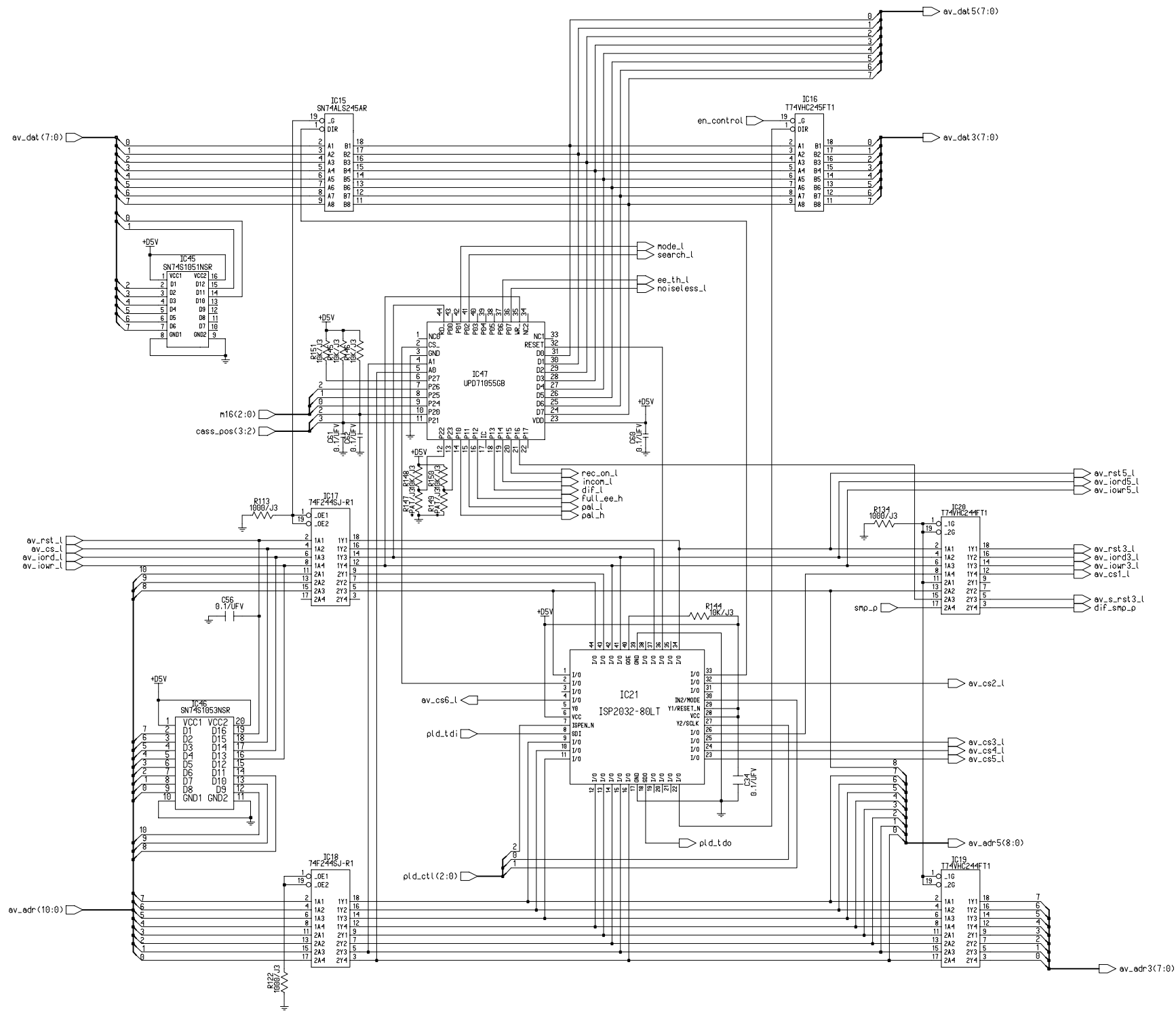
Ref.No. 3000 series  
\*PAT=PATTERN ONLY

COMPONENT NAME	REC_PB (MEM_PB)	06/22
CIRCUIT BOARD NO	MODEL NO	
VEP83374A	AJ-D950,PD950	
SCM120		



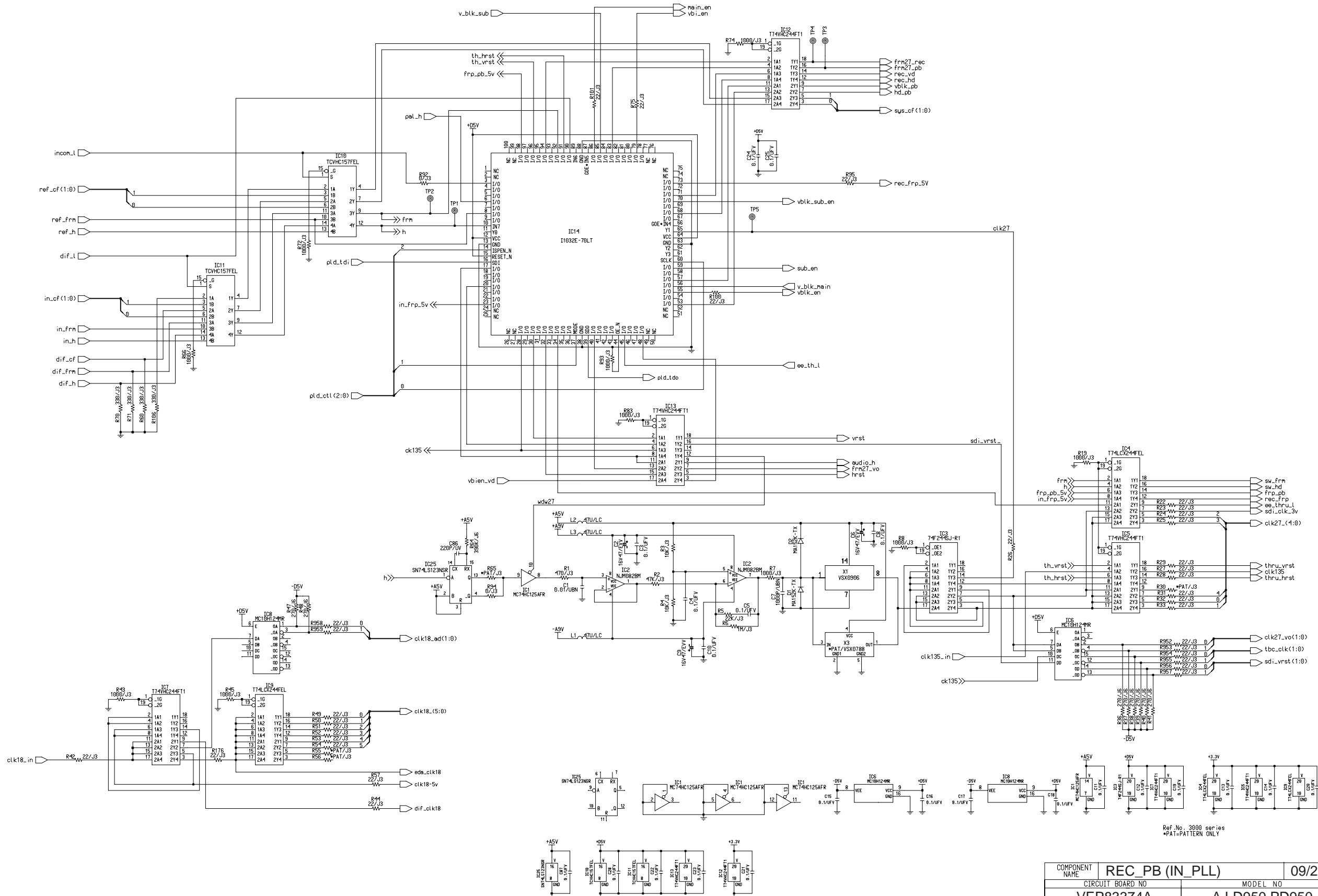
Ref.No. 3000 series  
\*PAT=PATTERN ONLY

COMPONENT NAME	REC_PB (VDAT)	07/22
CIRCUIT BOARD NO	MODEL NO	
VEP83374A	AJ-D950,PD950	
SCM121		



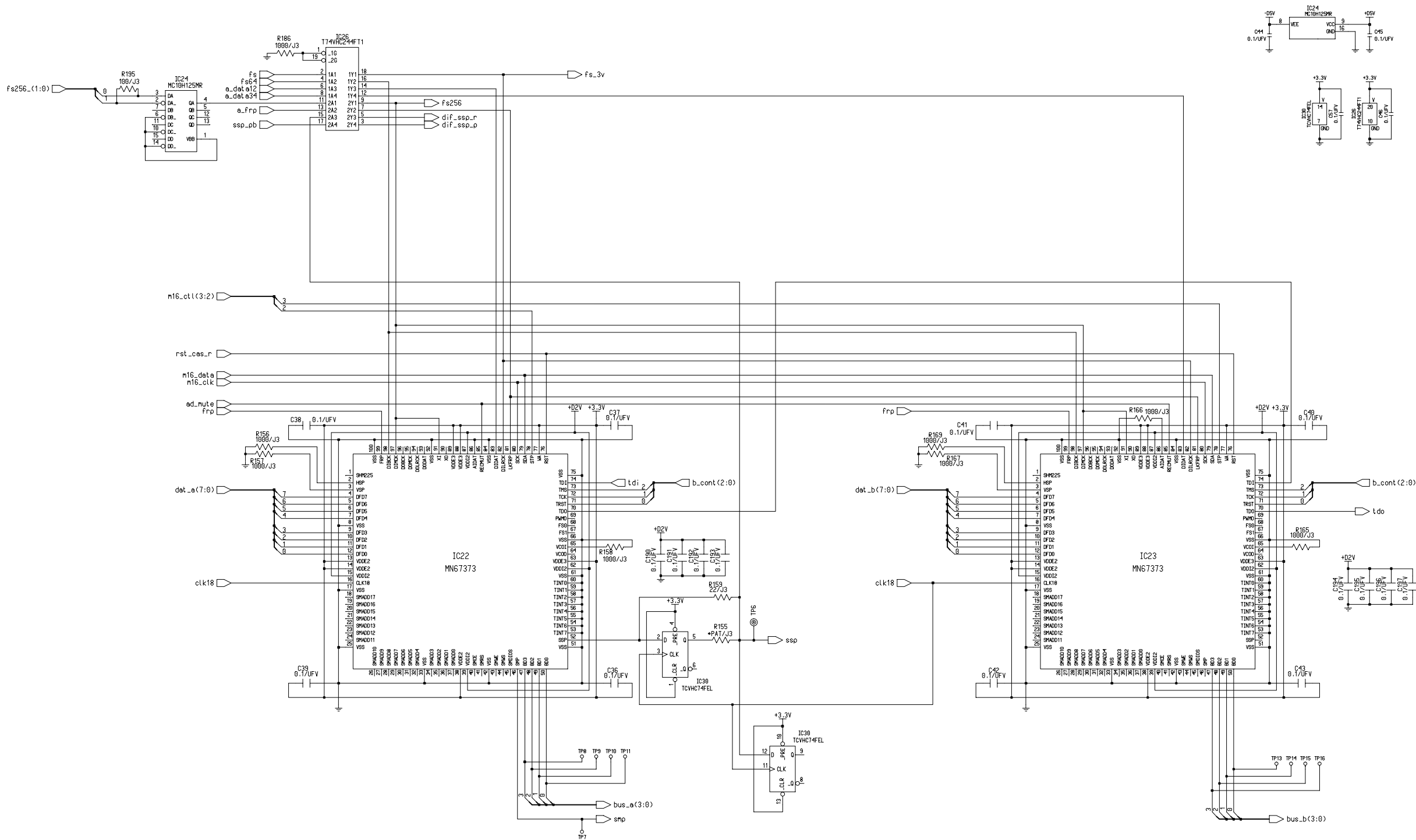
Ref.No. 3000 series  
\*PAT=PATTERN ONLY

COMPONENT NAME	REC_PB (AV_IF)	08/22
CIRCUIT BOARD NO	VEP83374A	MODEL NO
		AJ-D950,PD950
SCM122		



Ref. No. 3000 series  
\*PAT=PATTERN ONLY

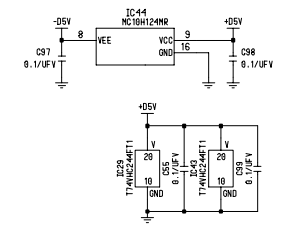
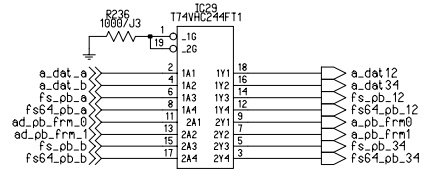
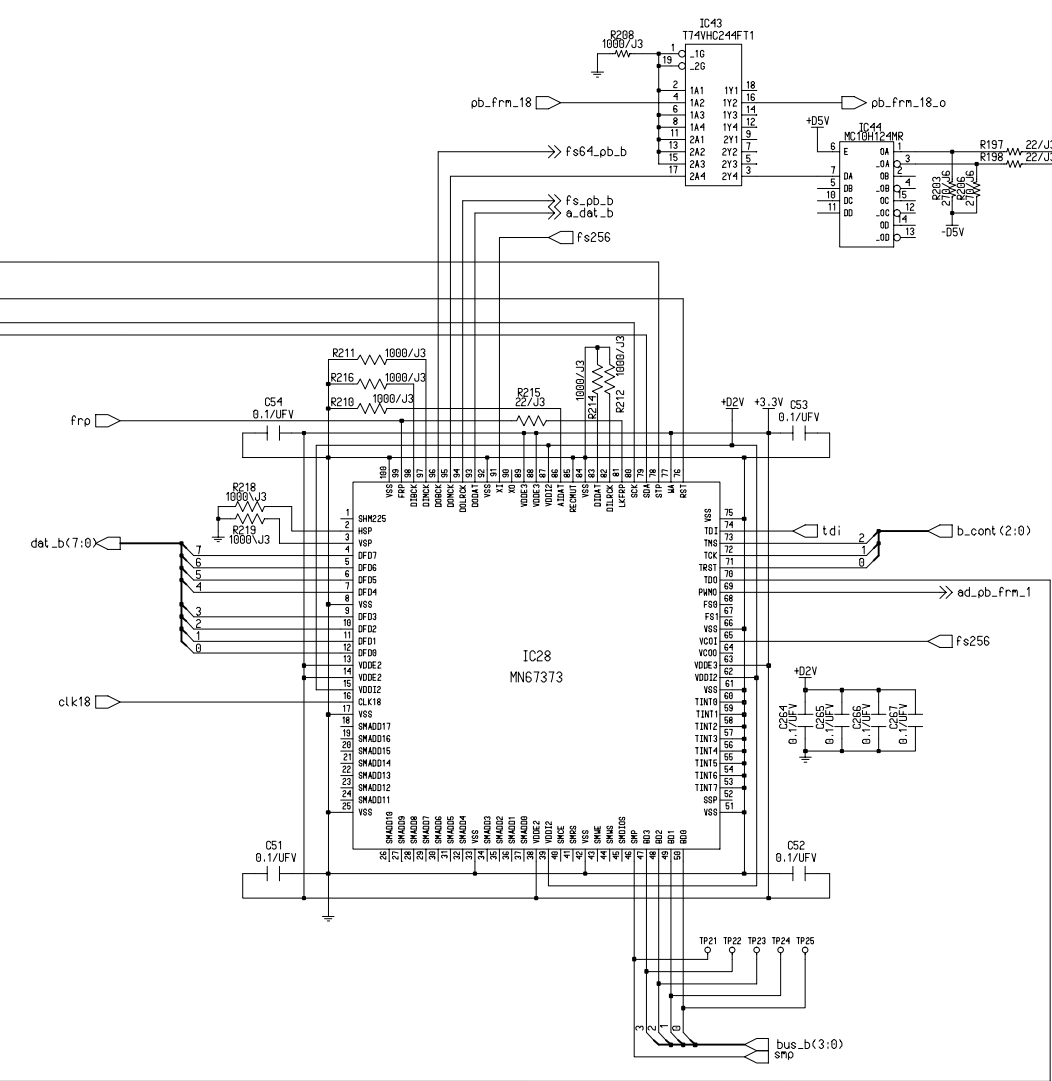
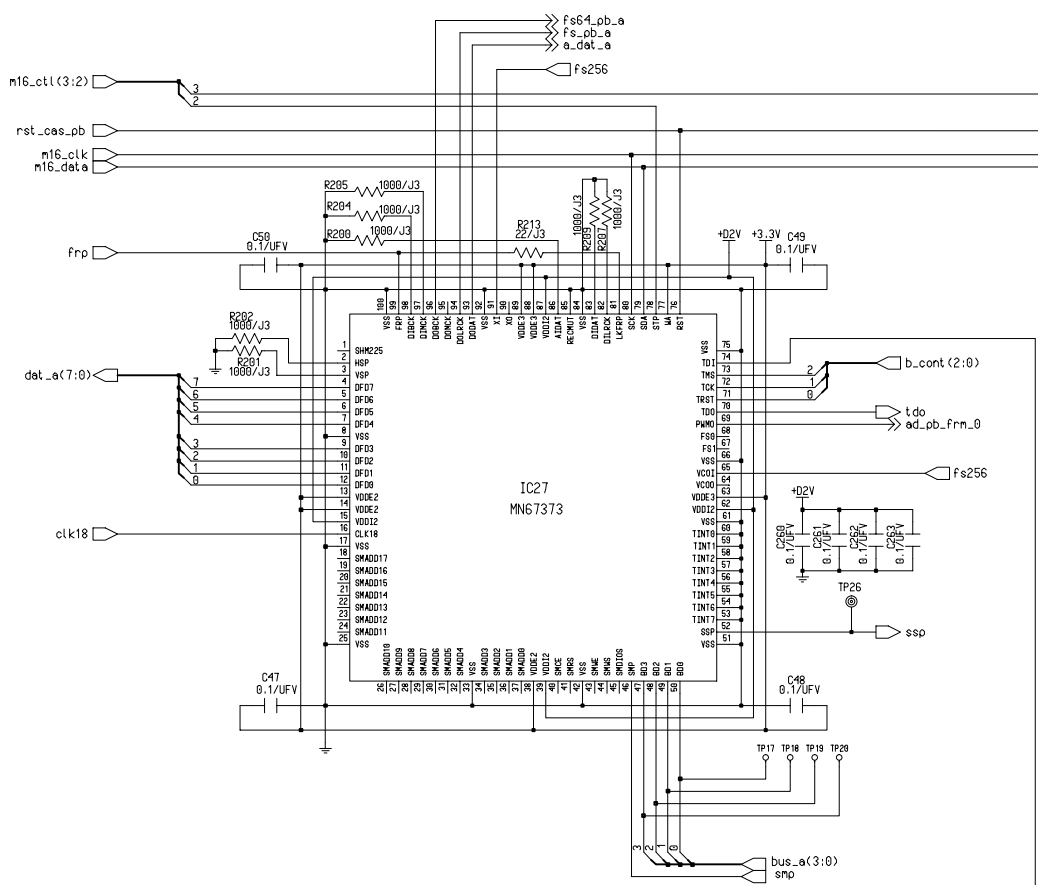
COMPONENT NAME	REC_PB (IN_PLL)	09/22
CIRCUIT BOARD NO	MODEL NO	
VEP83374A	AJ-D950,PD950	
SCM123		



Ref.No. 3000 series  
\*PAT=PATTERN ONLY

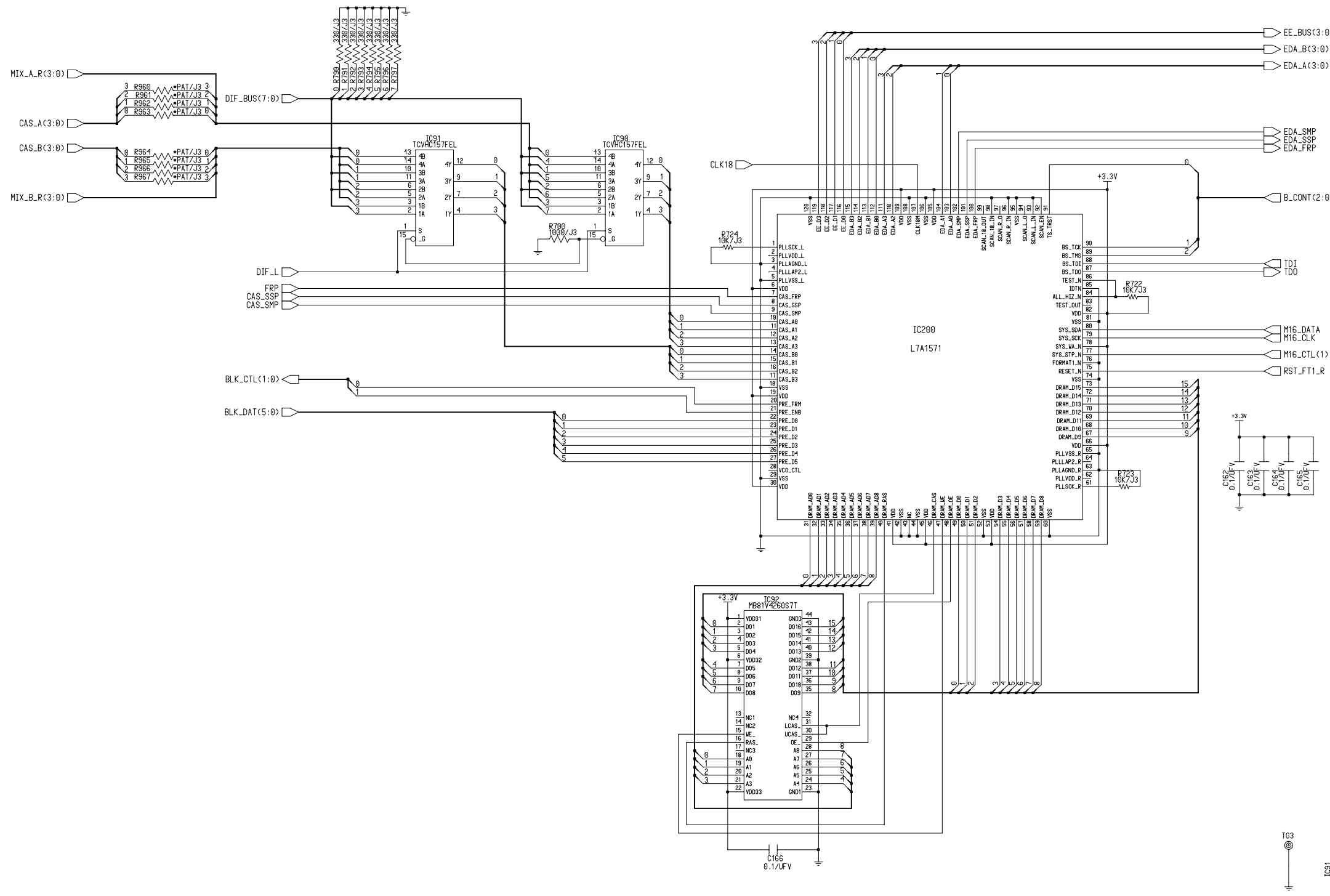
COMPONENT NAME	REC_PB (CASR)	10/22
CIRCUIT BOARD NO	VEP83374A	MODEL NO
		AJ-D950,PD950
		SCM124





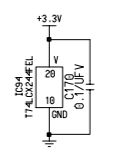
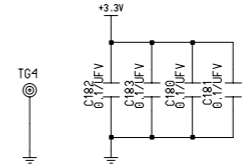
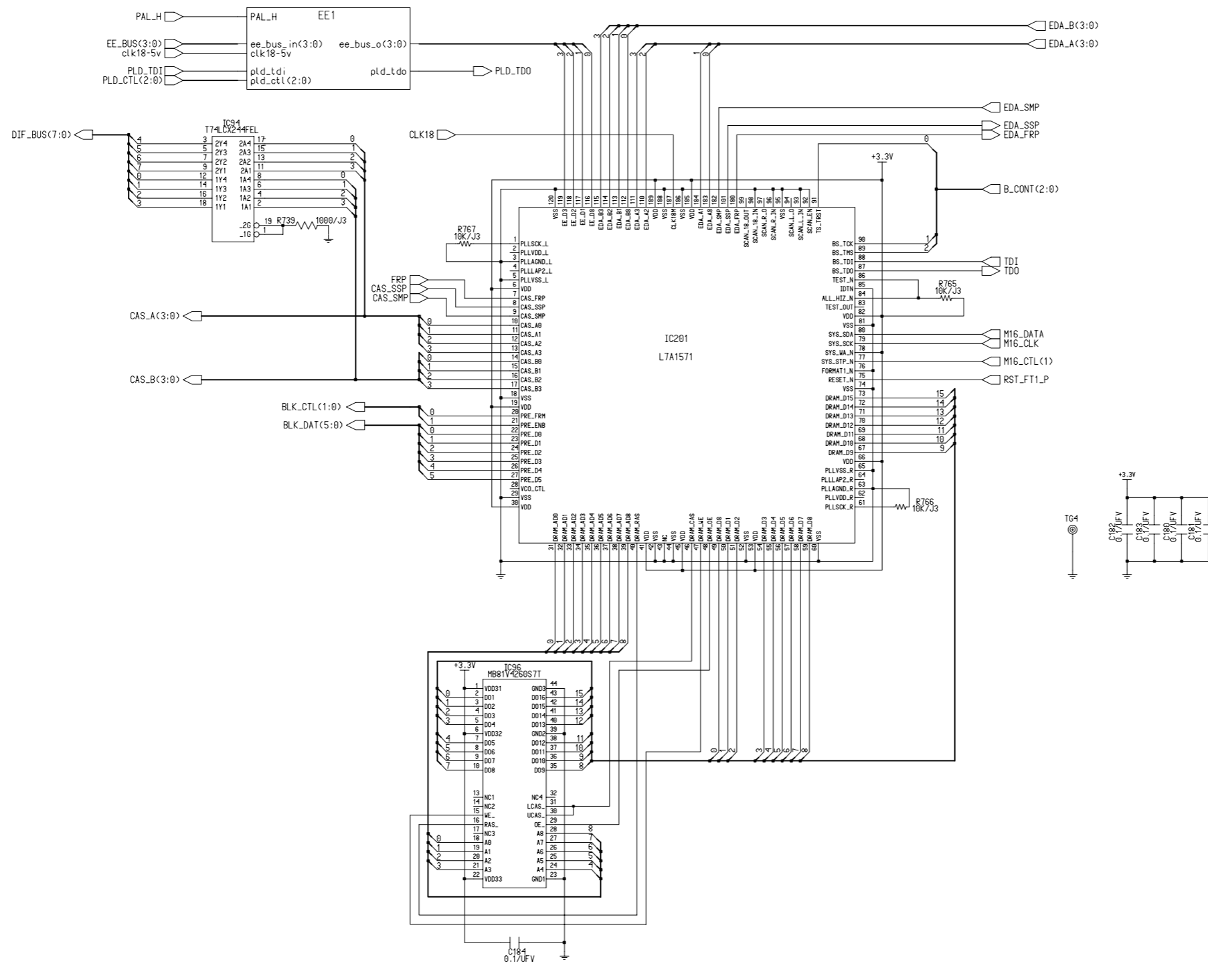
Ref.No. 3900 series  
\*PAT=PATTERN ONLY

COMPONENT NAME	REC_PB (CASP)	11/22
CIRCUIT BOARD NO	VEP83374A	MODEL NO
		AJ-D950,PD950
		SCM125



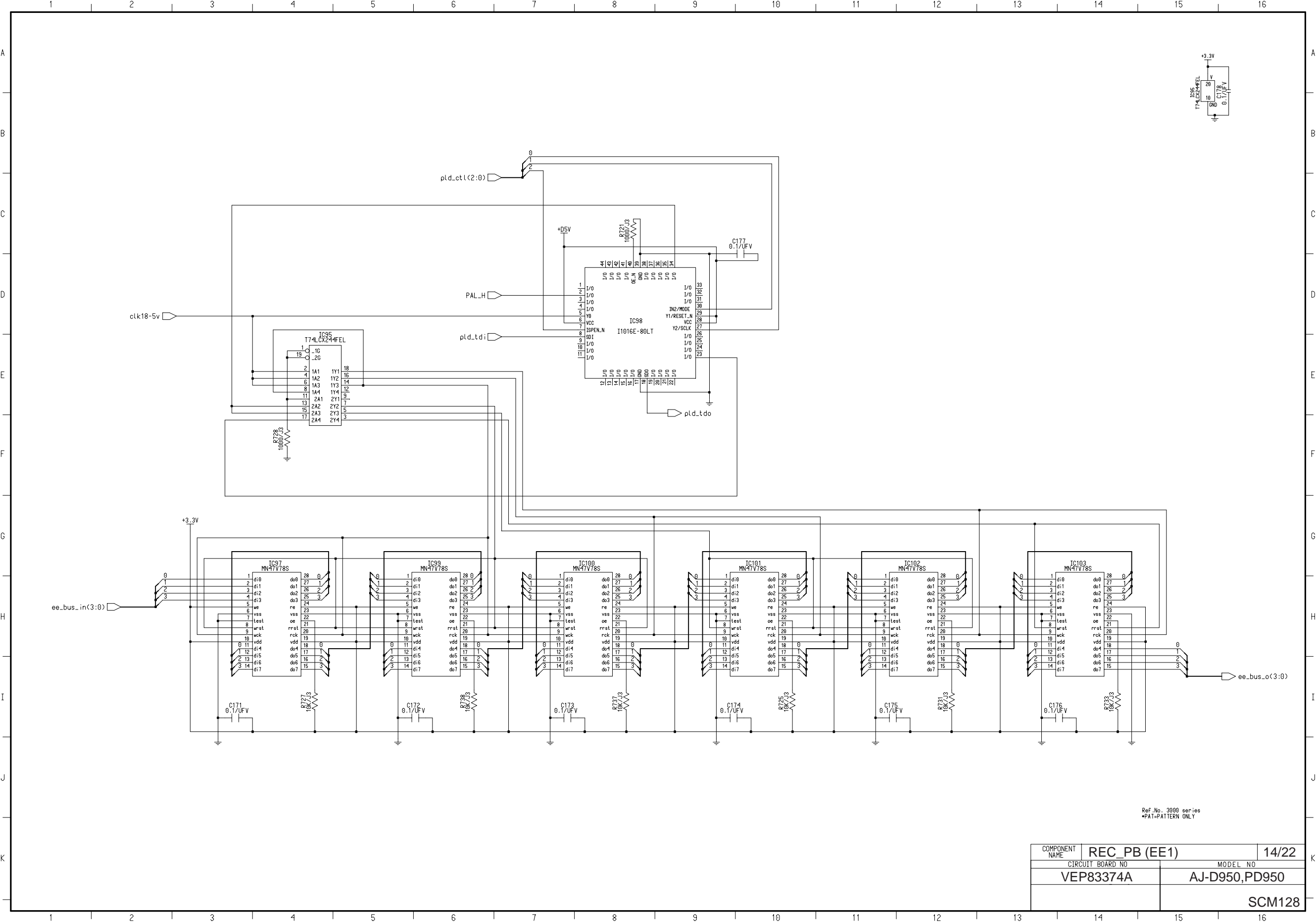
Ref.No. 3000 series  
\*PAT=PATTERN ONLY

COMPONENT NAME	REC_PB (FT1_R)	12/22
CIRCUIT BOARD NO	VEP83374A	MODEL NO
		AJ-D950,PD950
		SCM126



Ref.No. 3000 series  
\*PAT=PATTERN ONLY

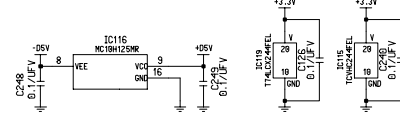
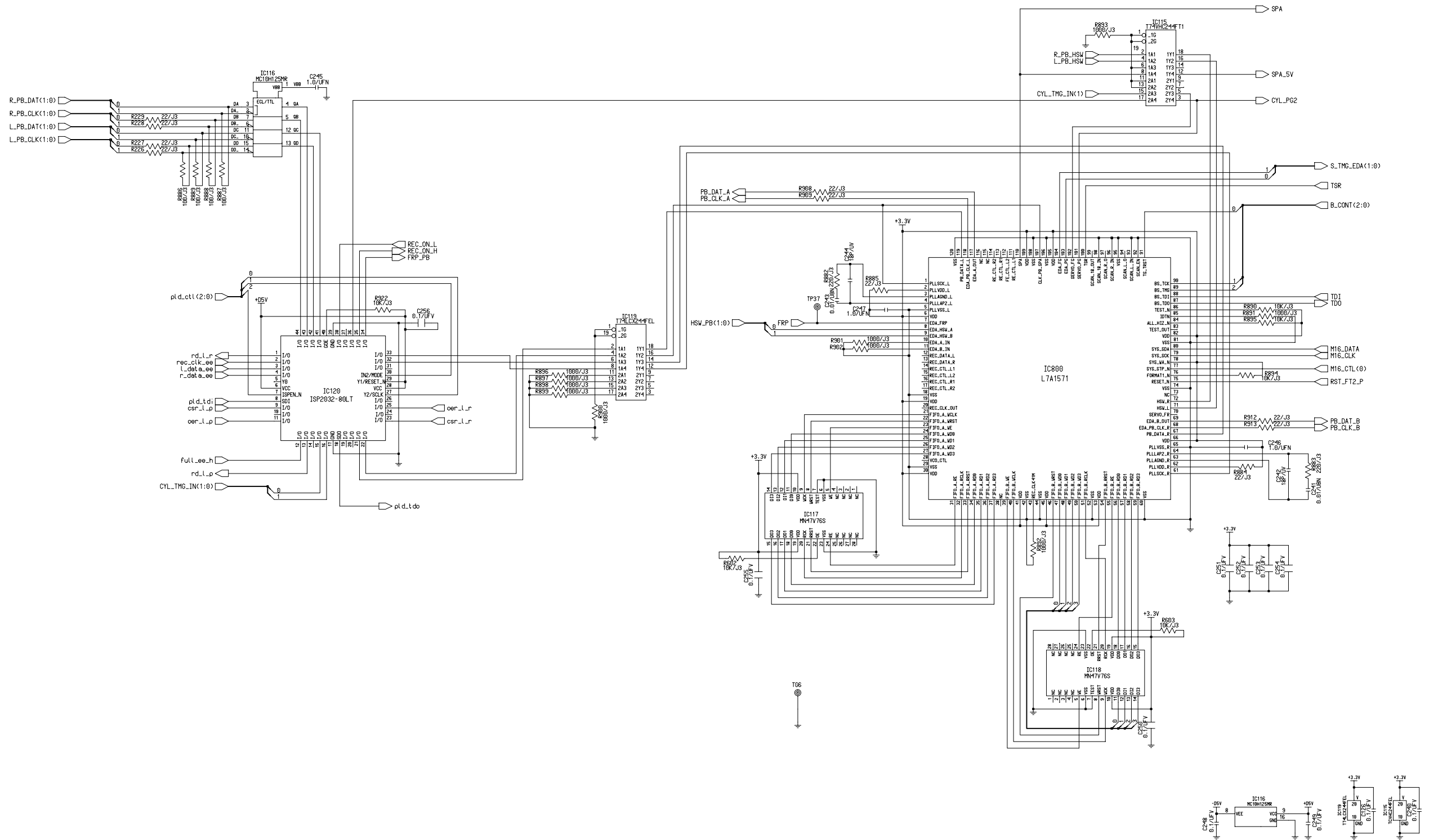
COMPONENT NAME	REC_PB (FT1_P)	13/22
CIRCUIT BOARD NO	VEP83374A	MODEL NO
		AJ-D950,PD950
		SCM127



Ref. No. 3000 series  
\*PAT=PATTERN ONLY

COMPONENT NAME	REC_PB (EE1)	14/22
CIRCUIT BOARD NO		MODEL NO
VEP83374A		AJ-D950,PD950
SCM128		

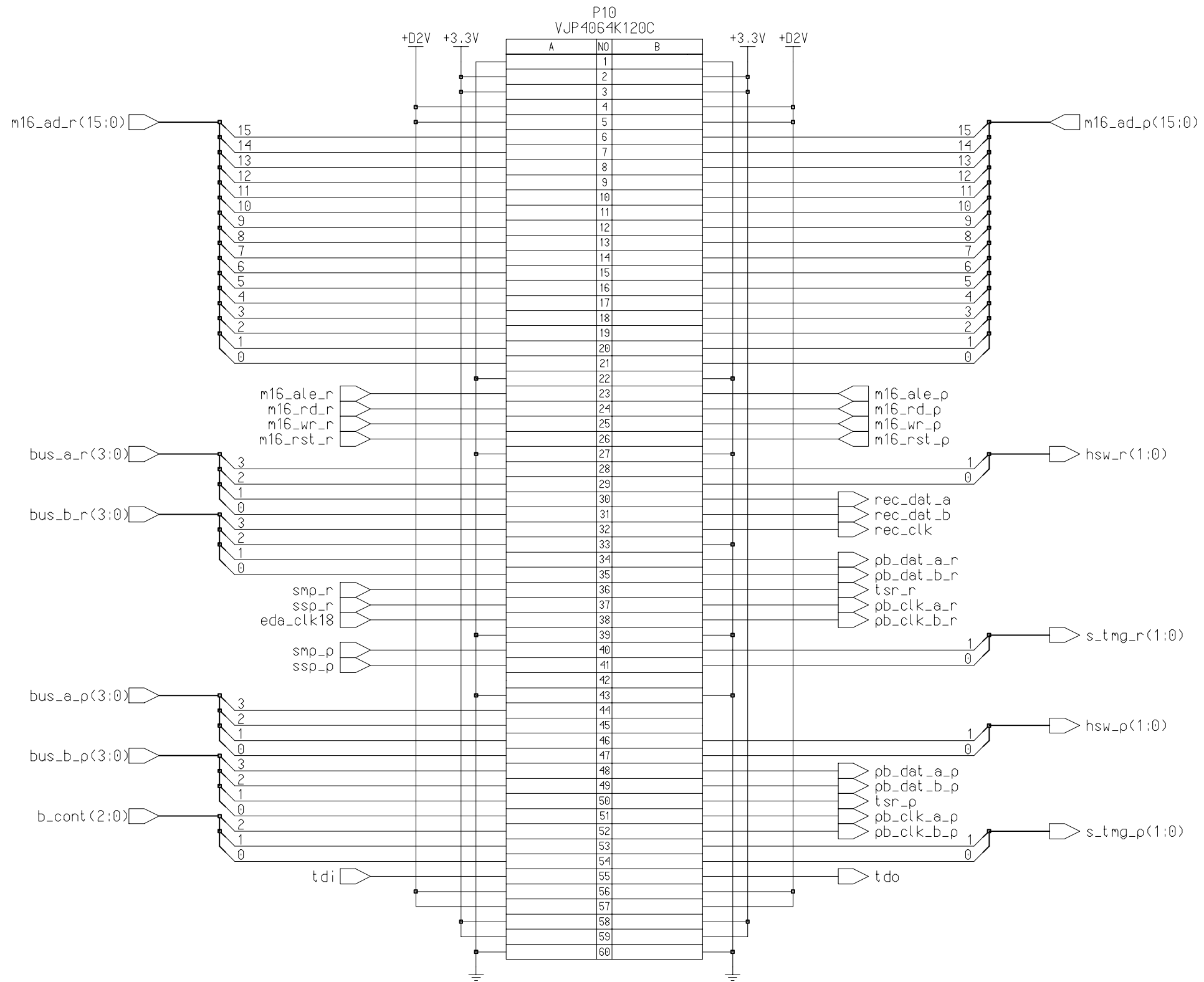




Ref. No. 3090 series  
\*PAT= PATTERN ONLY

COMPONENT NAME	REC_PB (FT2_P)	16/22
CIRCUIT BOARD NO	VEP83374A	MODEL NO
		AJ-D950,PD950
		SCM130

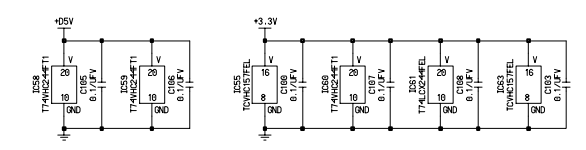
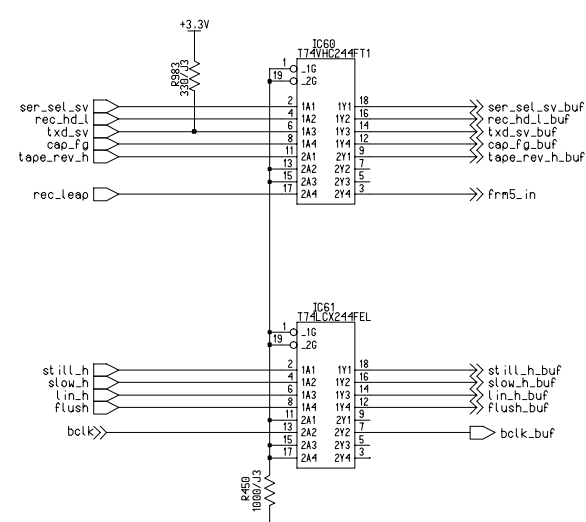
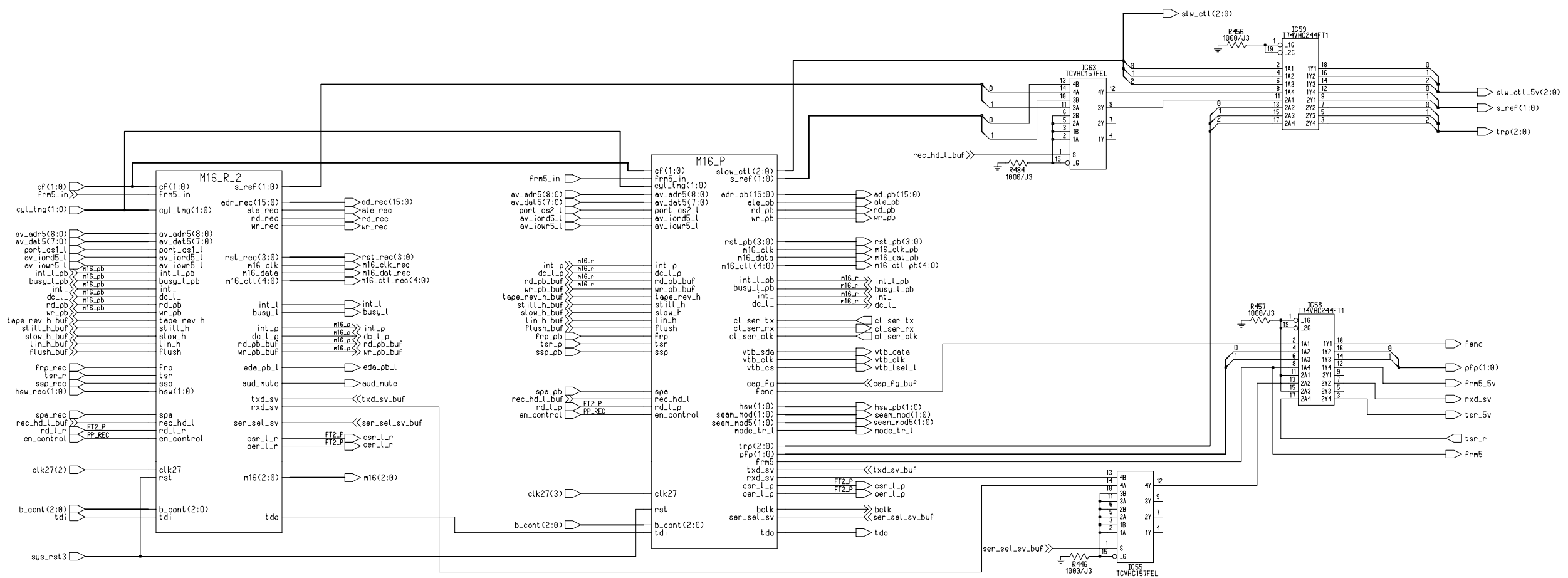




Ref.No. 3000 series  
\*PAT=PATTERN ONLY

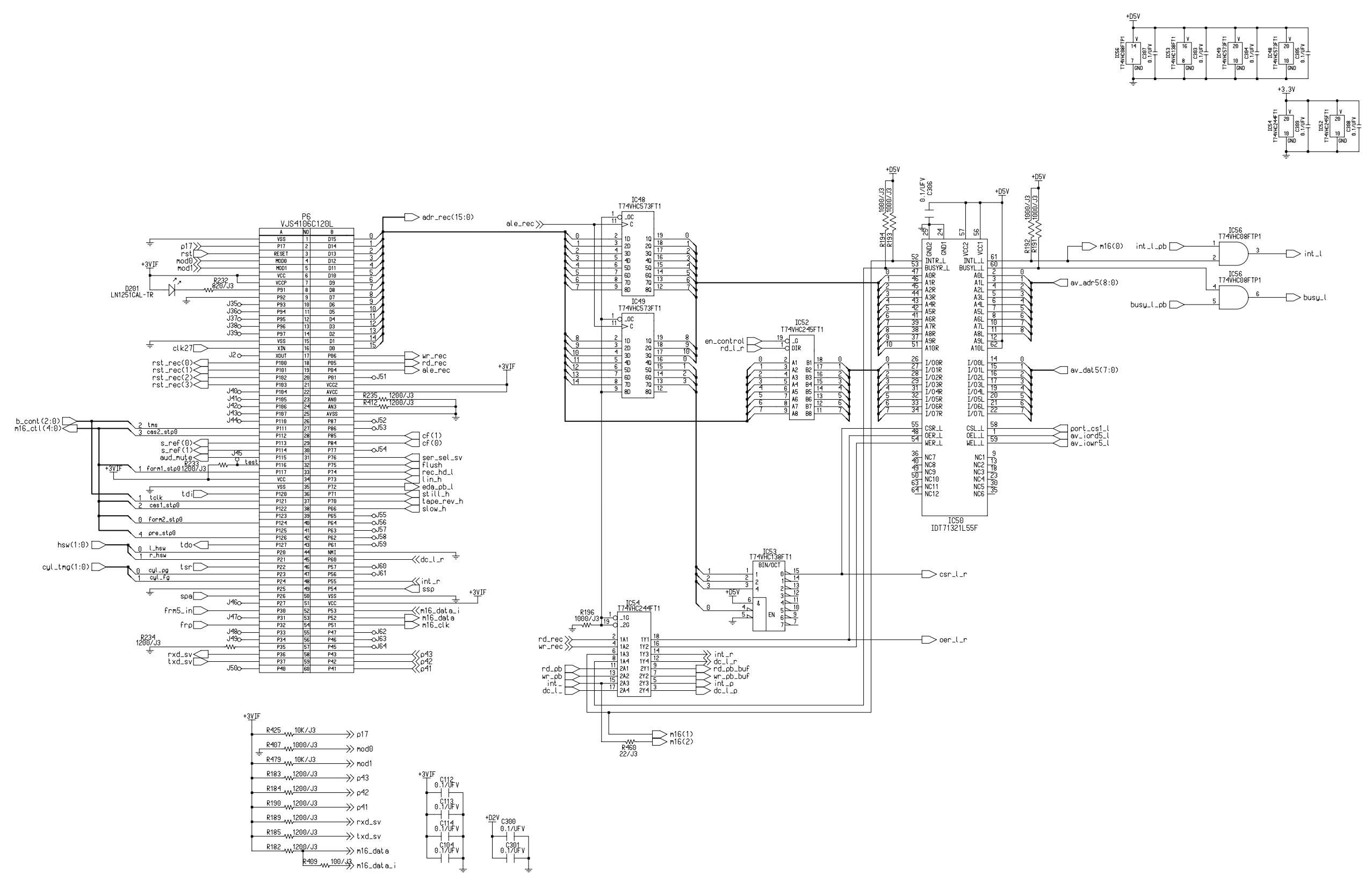
COMPONENT NAME	REC_PB (EDA)	18/22
CIRCUIT BOARD NO	MODEL NO	
VEP83374A	AJ-D950,PD950	
SCM132		



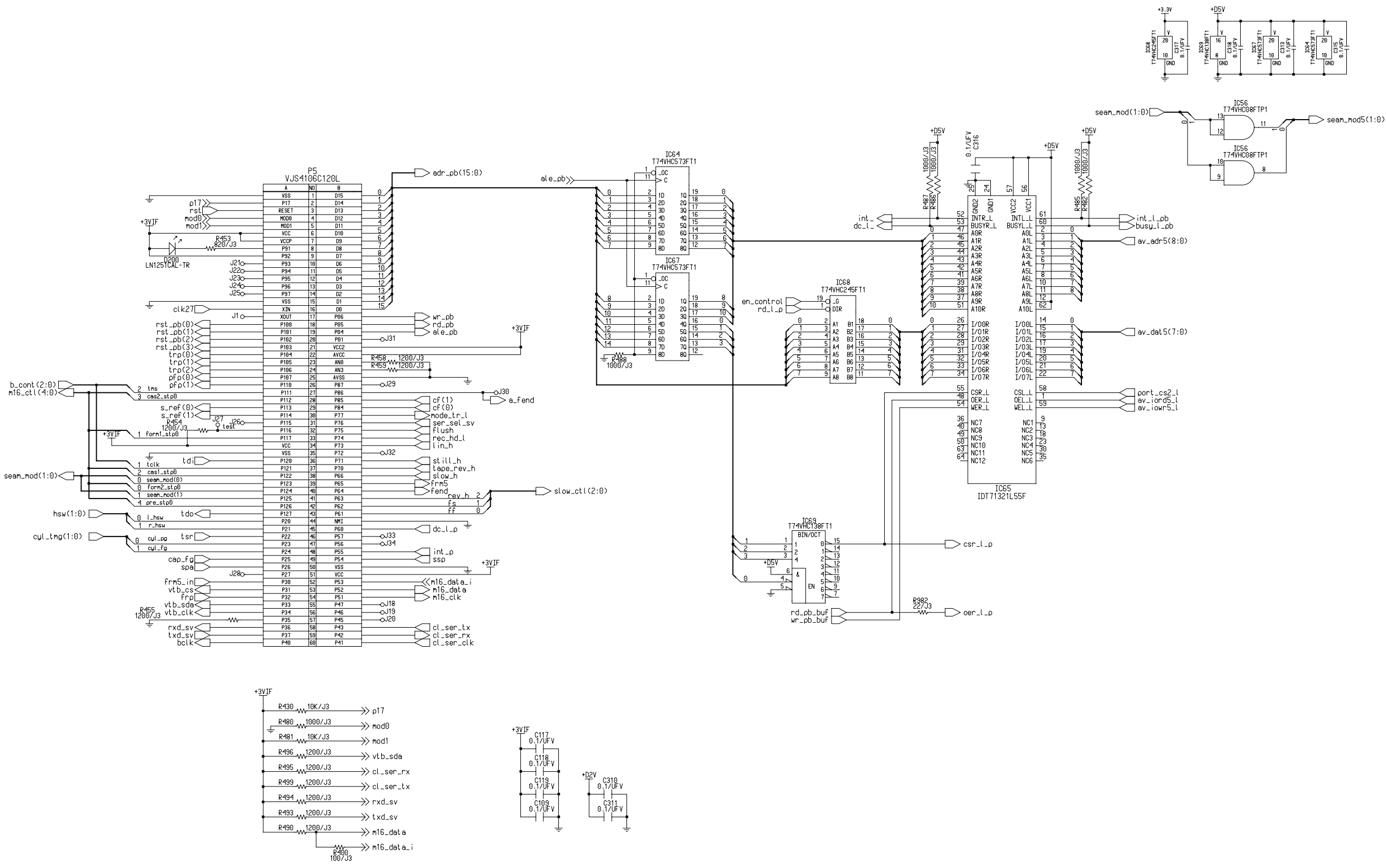


Ref.No. 3000 series  
\*PAT=PATTERN ONLY

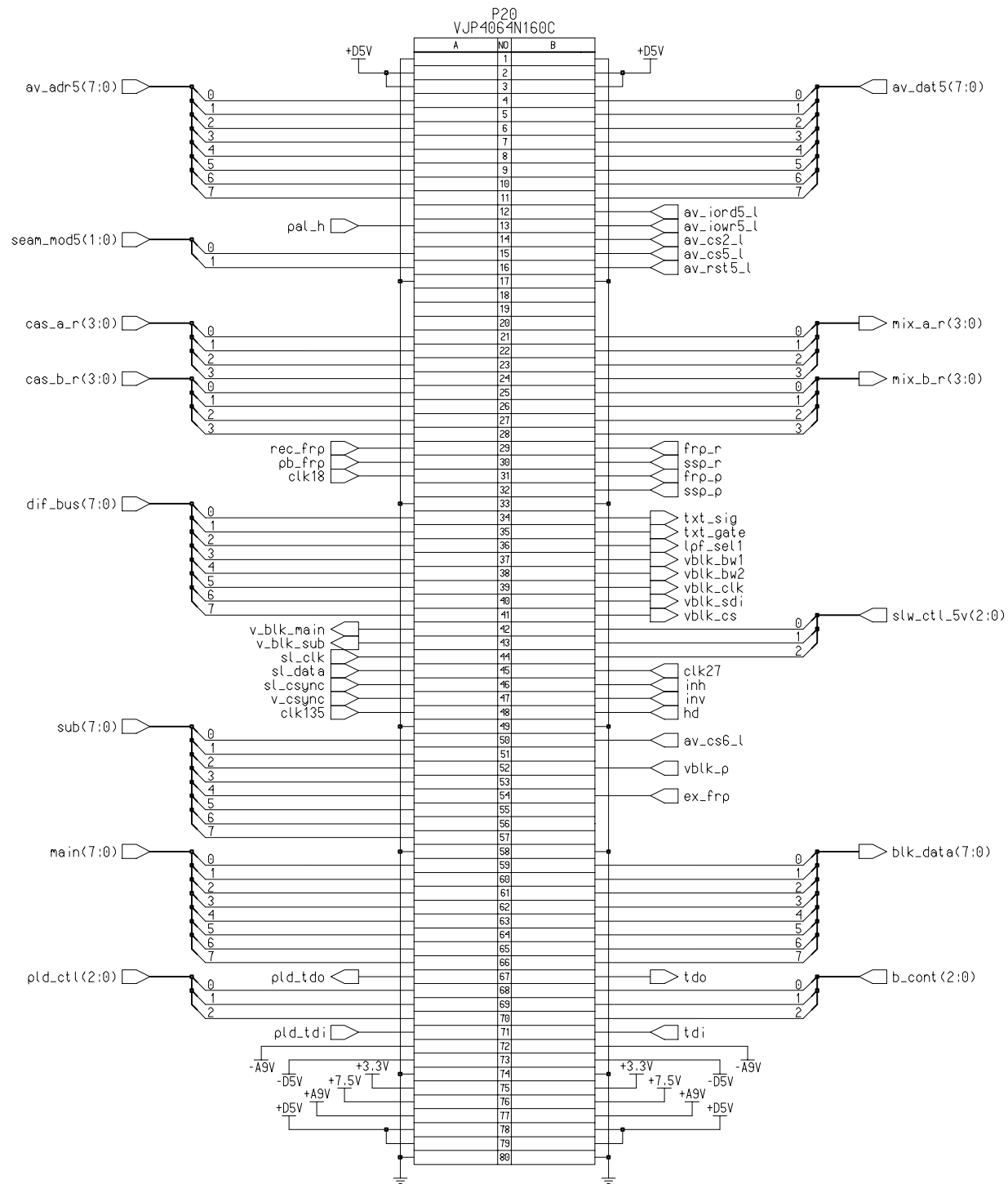
COMPONENT NAME	REC_PB (M1613)	19/22
CIRCUIT BOARD NO	VEP83374A	MODEL NO
		AJ-D950,PD950
SCM133		



COMPONENT NAME	REC_PB (M16_R)	20/22
CIRCUIT BOARD NO	VEP83374A	MODEL NO
		AJ-D950,PD950
		SCM134

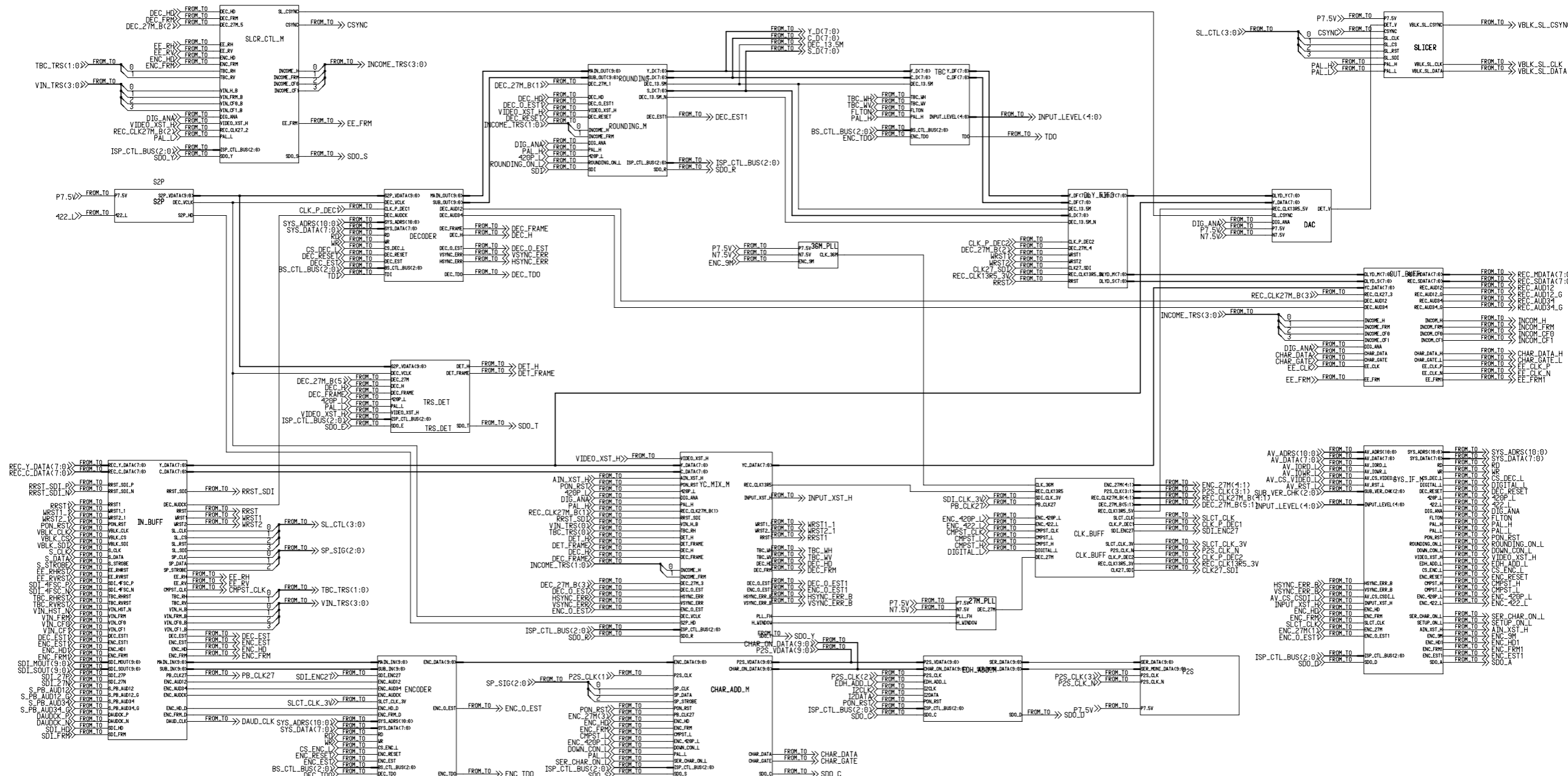


COMPONENT NAME	REC_PB (M16_P)	21/22
CIRCUIT BOARD NO	VEP83374A	MODEL NO
		AJ-D950,PD950
		SCM135

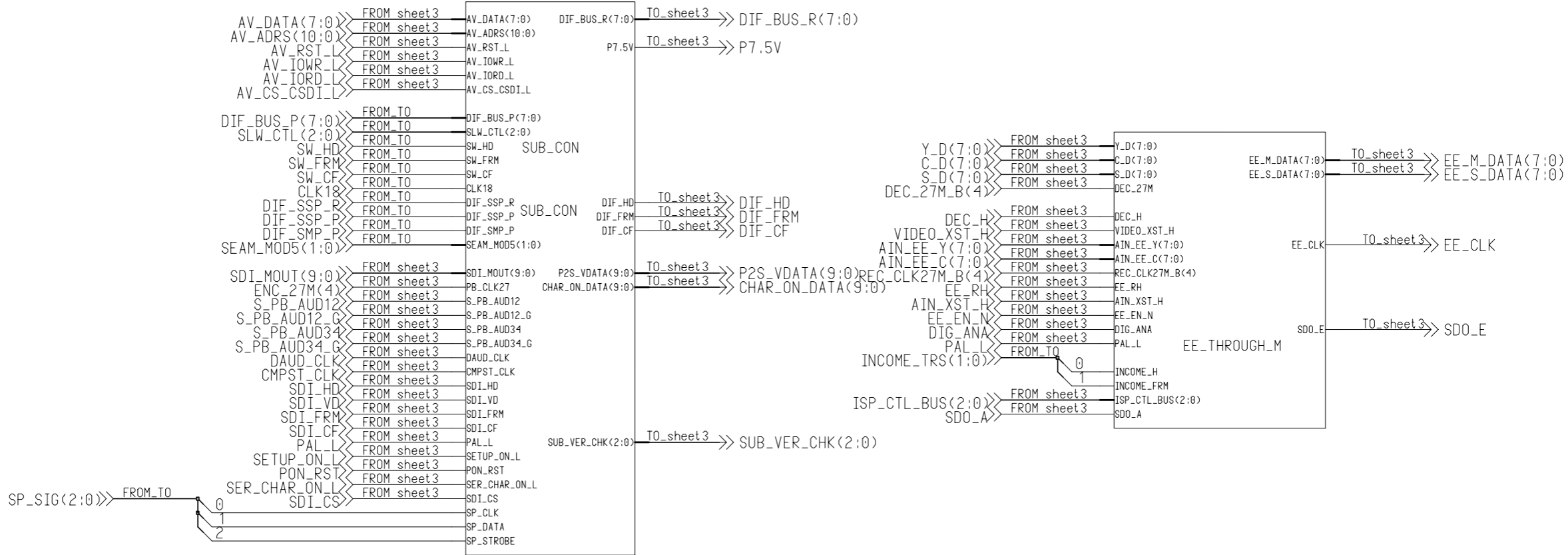


\*PAT=PATTERN ONLY

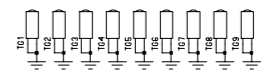
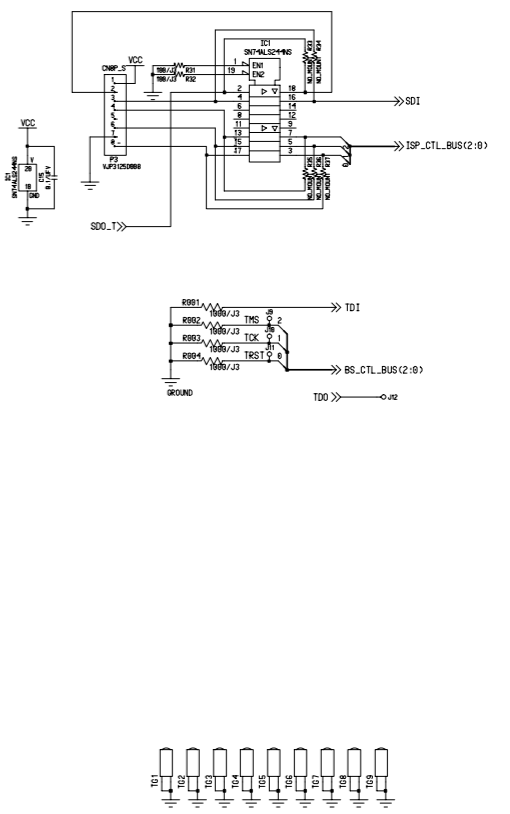
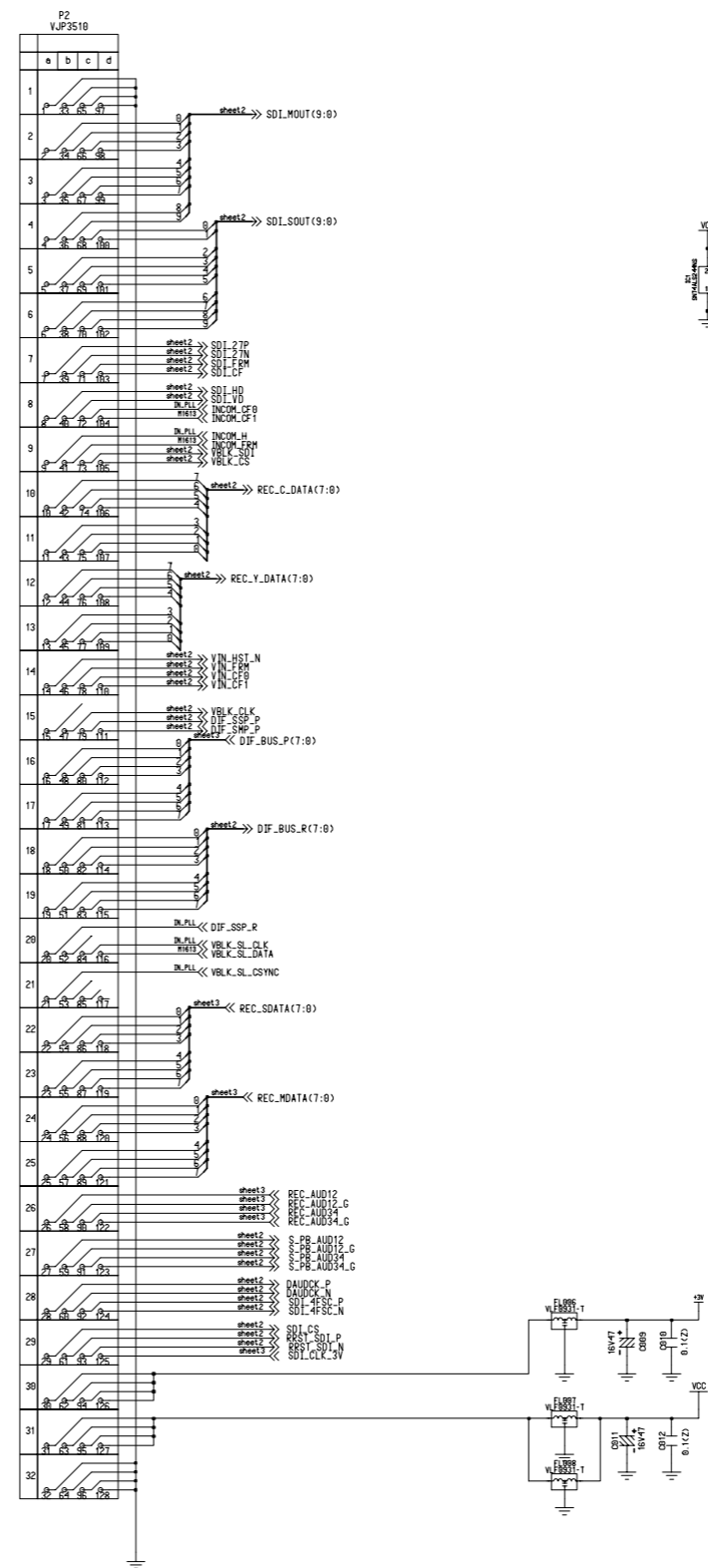
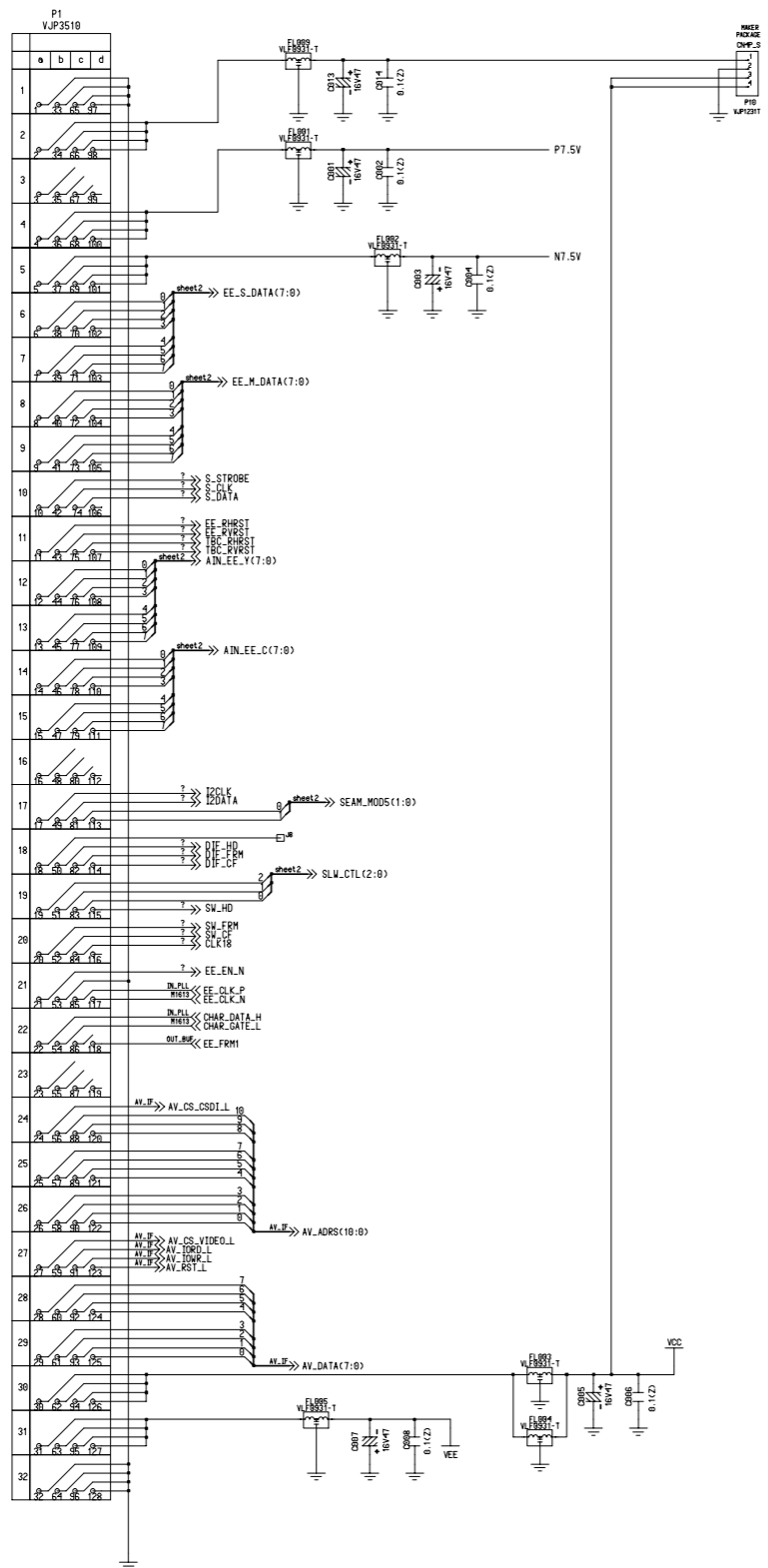
COMPONENT NAME	REC_PB (V_BLK)	22/22
CIRCUIT BOARD NO	MODEL NO	
VEP83374A	AJ-D950,PD950	
SCM136		



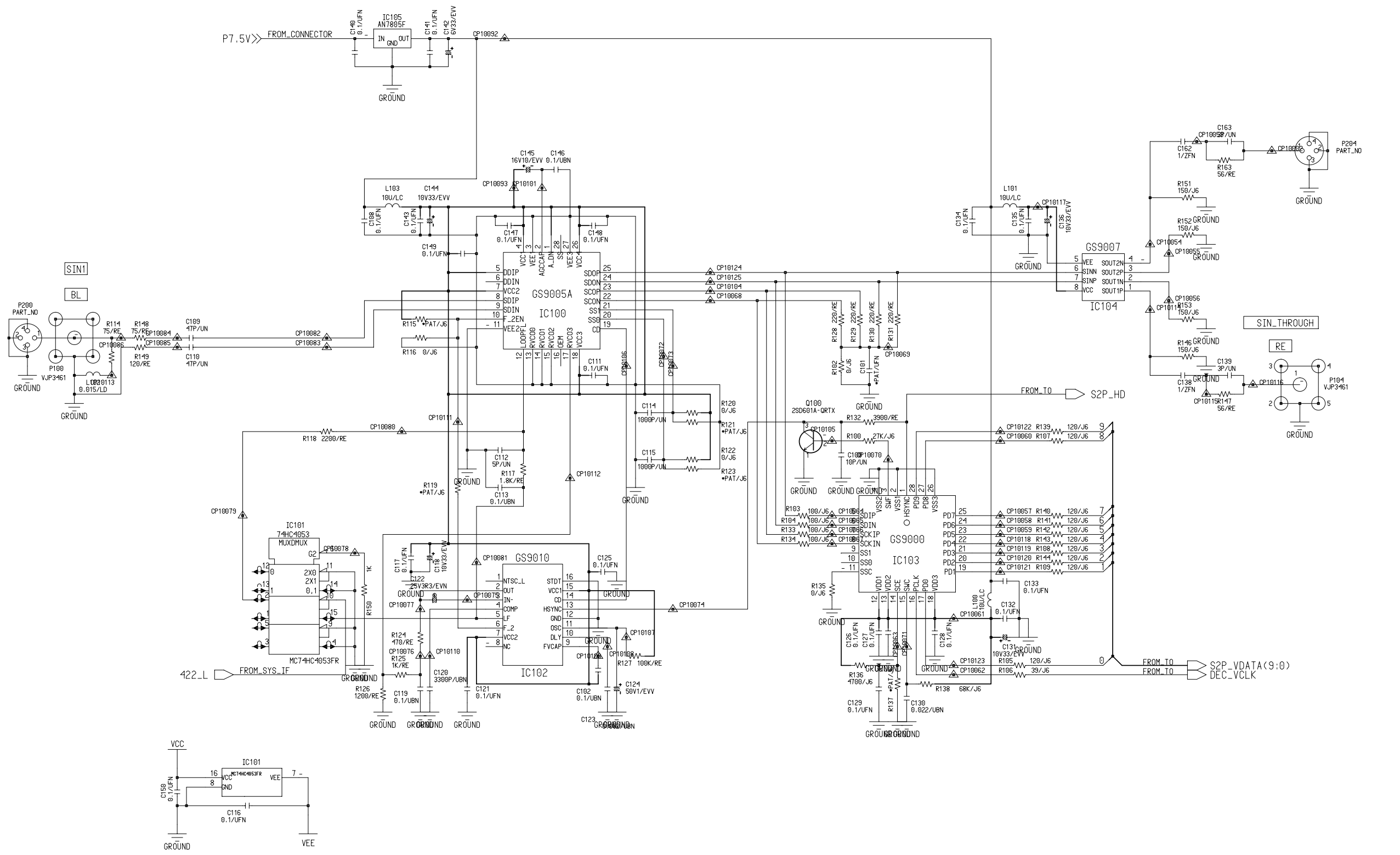
COMPONENT NAME	P sdi (SHEET1)	01/25
CIRCUIT BOARD NO	VEP83376A	MODEL NO
		AJ-D950,PD950
		SCM090



COMPONENT NAME	P sdi (SHEET2)	02/25
CIRCUIT BOARD NO	VEP83376A	MODEL NO
		AJ-D950,PD950
		SCM091

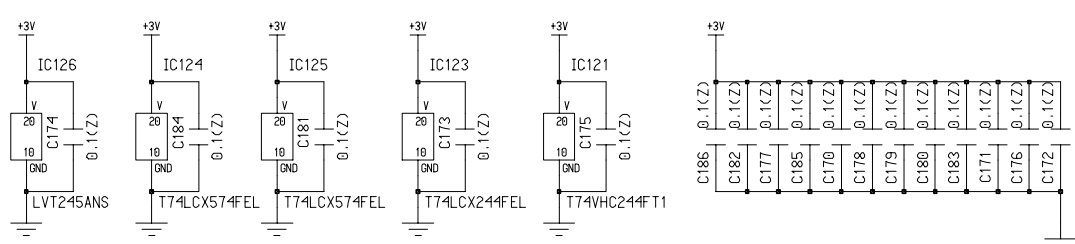
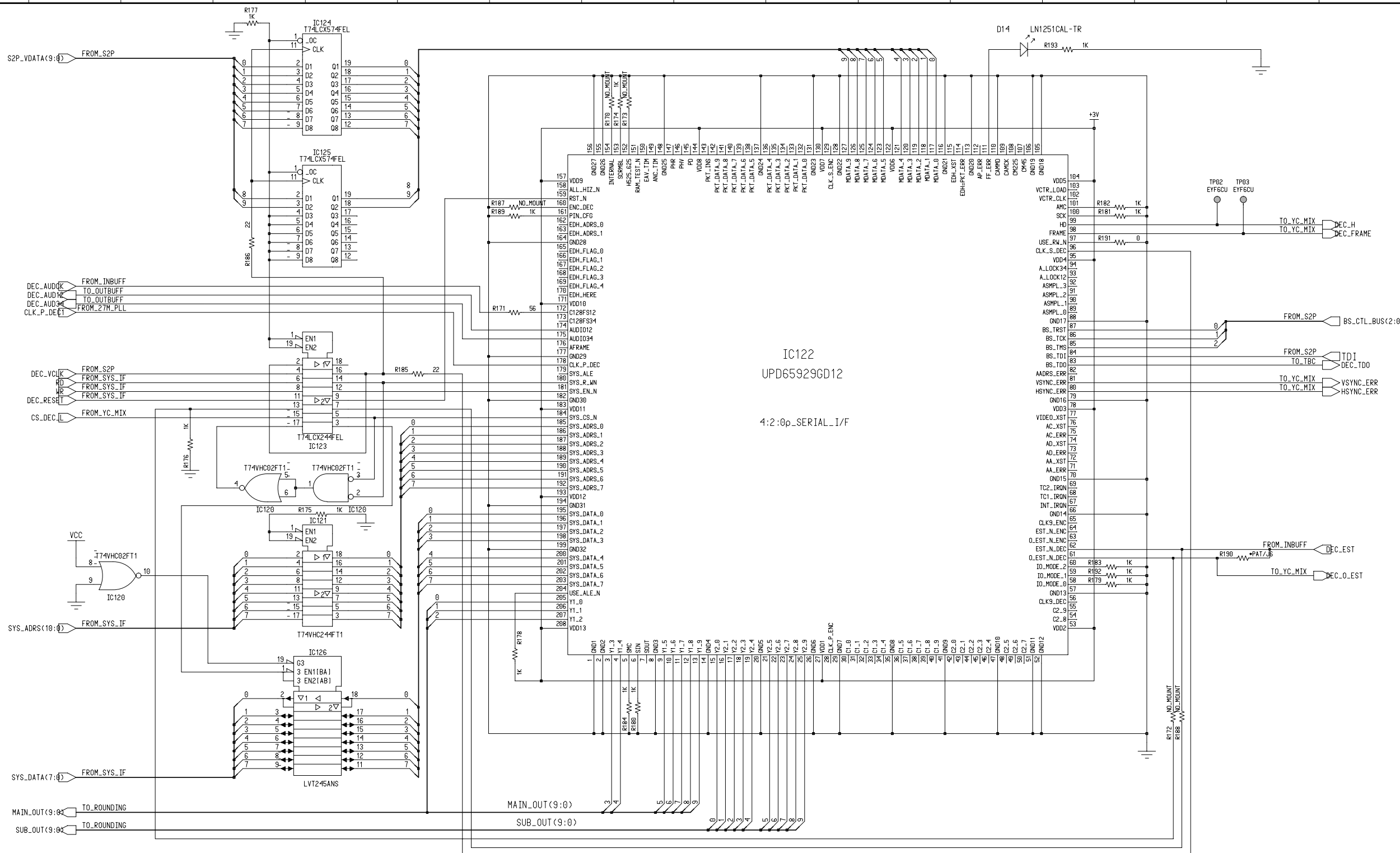


COMPONENT NAME	P sdi (SHEET3)	03/25
CIRCUIT BOARD NO	VEP83376A	MODEL NO
		AJ-D950,PD950
		SCM092

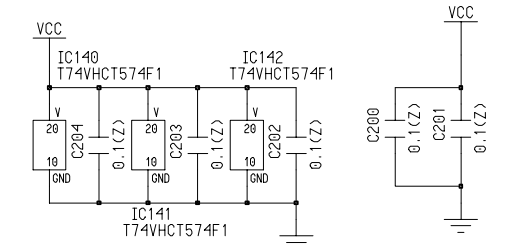
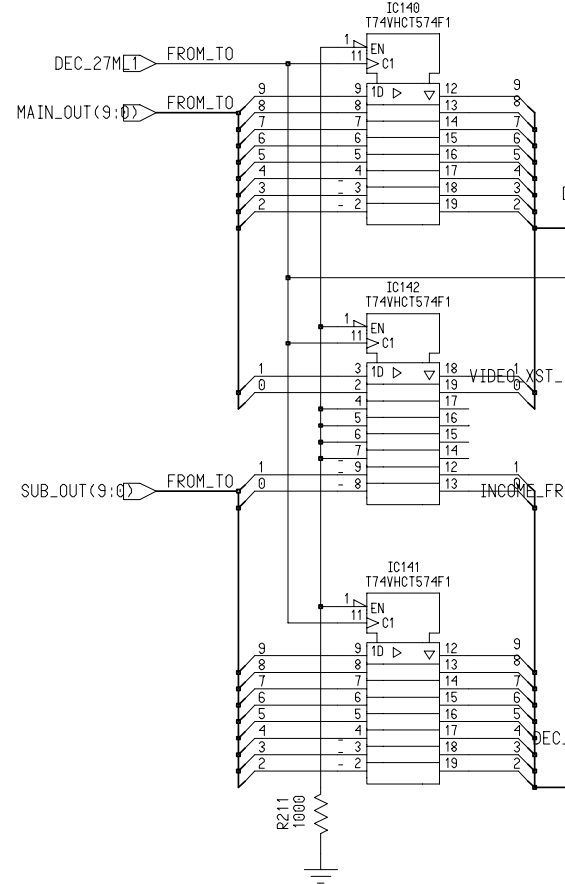
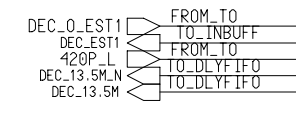
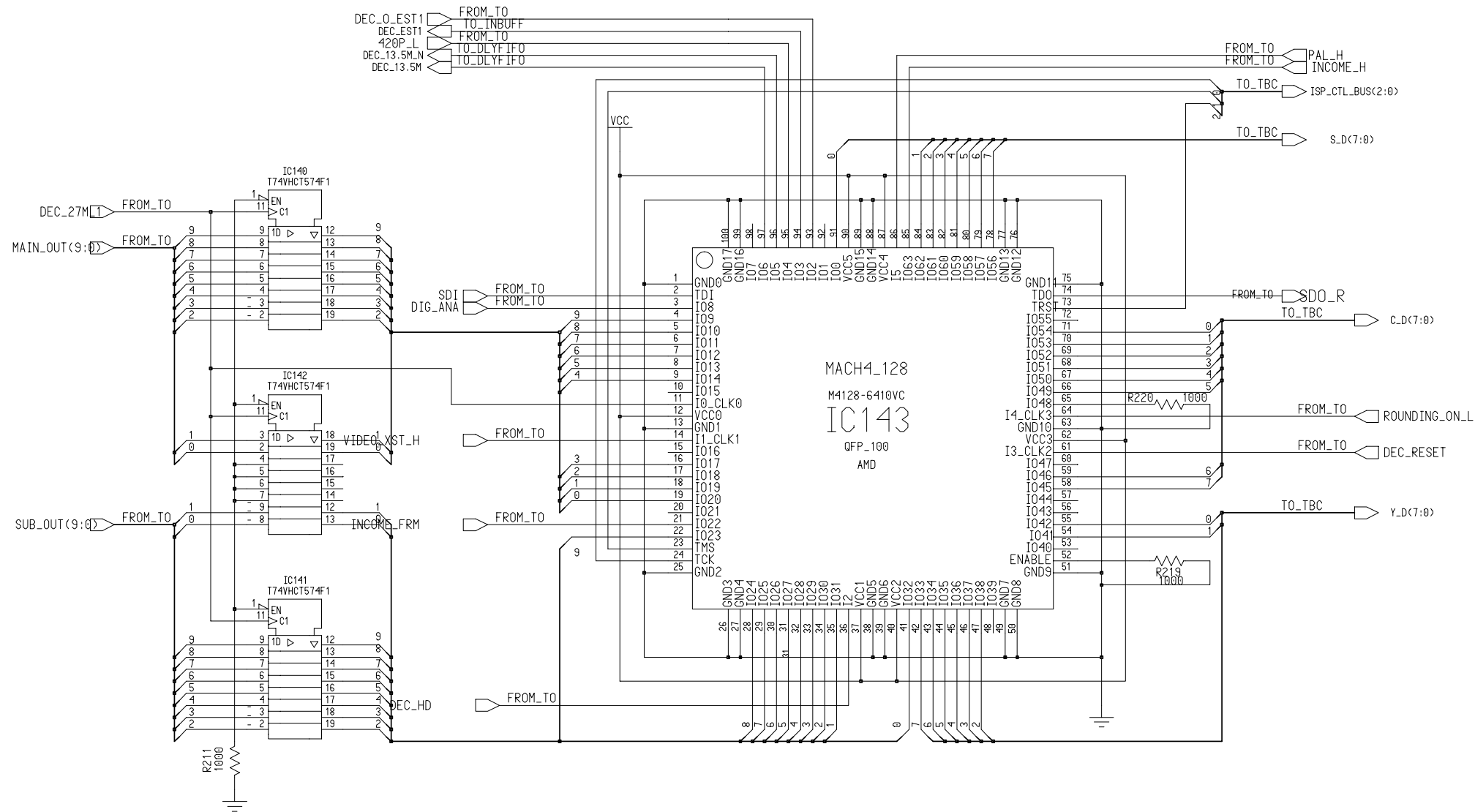


COMPONENT NAME	P sdi (S2P)	04/25
CIRCUIT BOARD NO	VEP83376A	MODEL NO
		AJ-D950,PD950
		SCM093



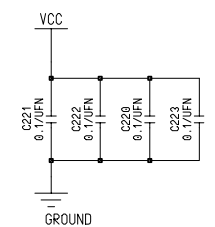
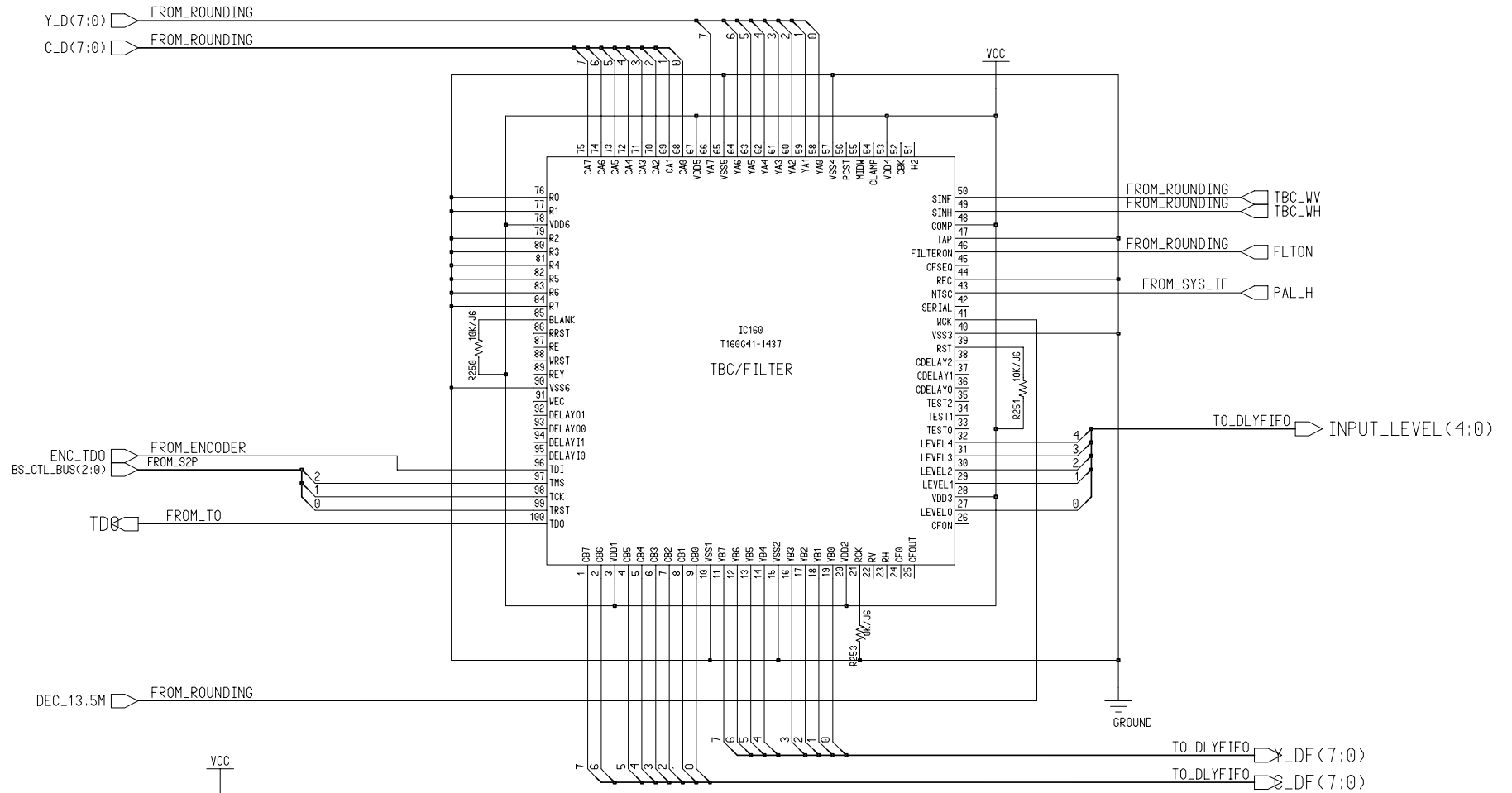


COMPONENT NAME	P sdi (DECODER)	05/25
CIRCUIT BOARD NO	MODEL NO	
VEP83376A	AJ-D950,PD950	
SCM094		



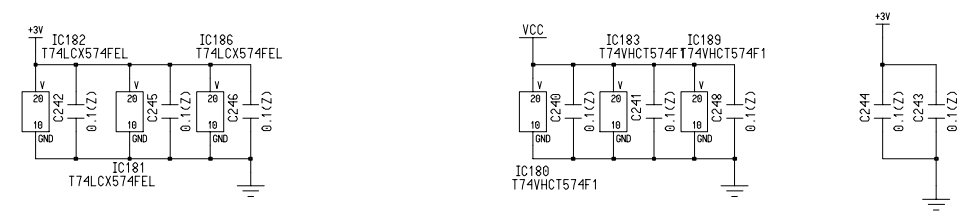
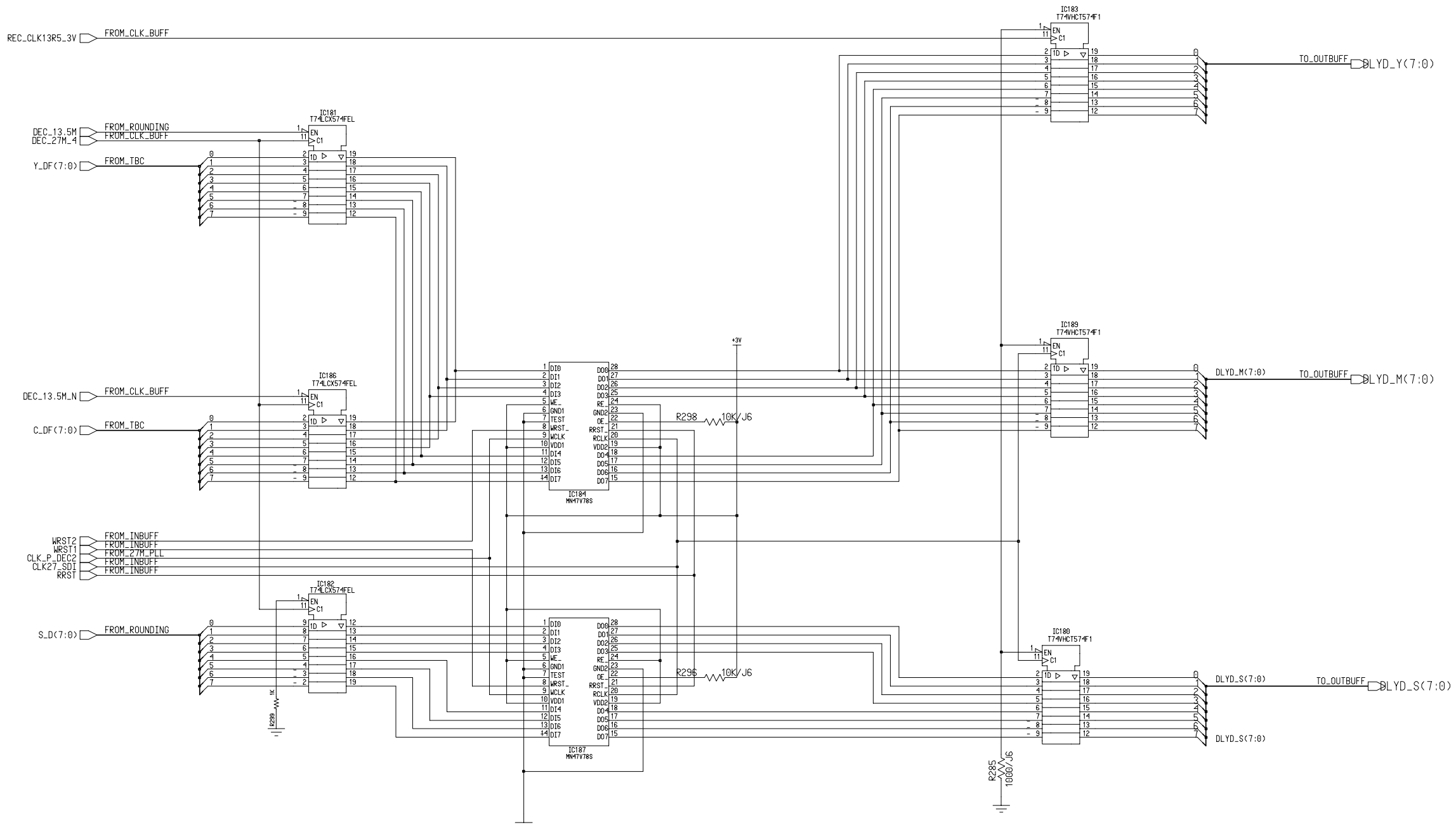
\*PAT=PATTERN ONLY

COMPONENT NAME	P sdi (ROUNDING)	06/25
CIRCUIT BOARD NO	VEP83376A	MODEL NO
		AJ-D950,PD950
		SCM095

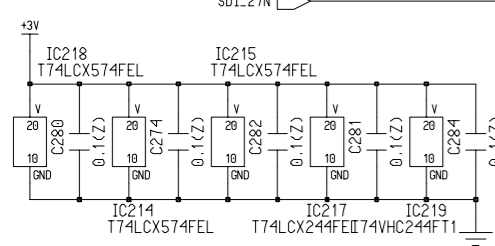
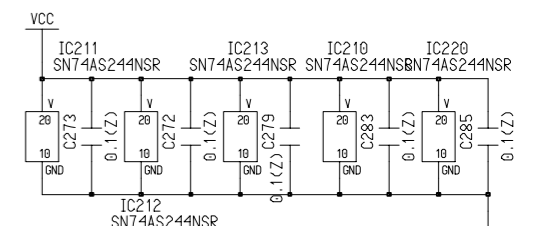
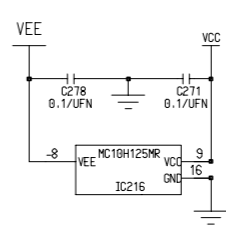
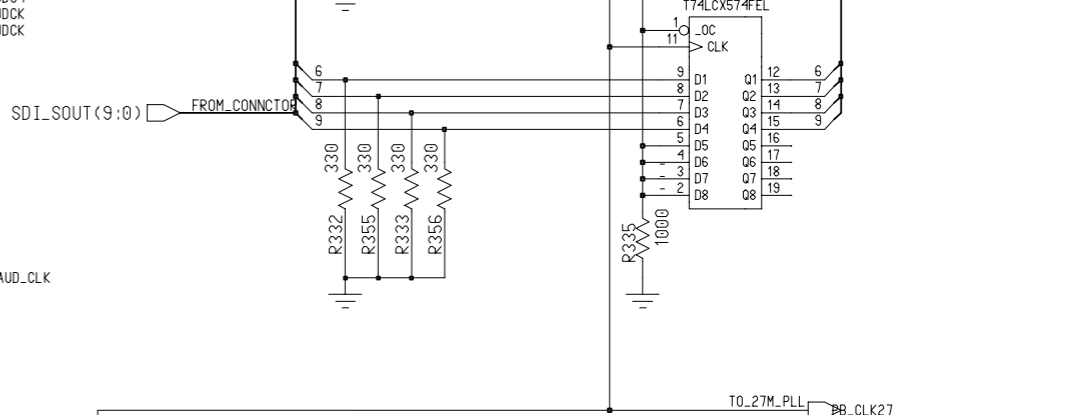
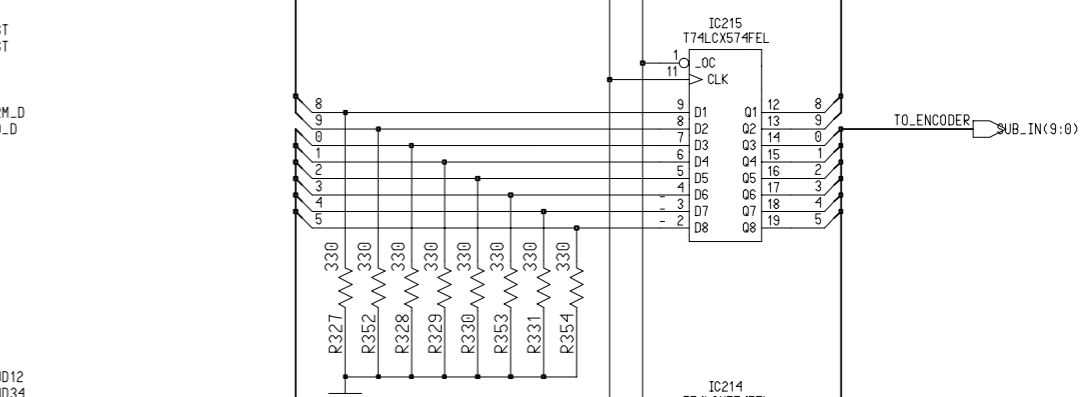
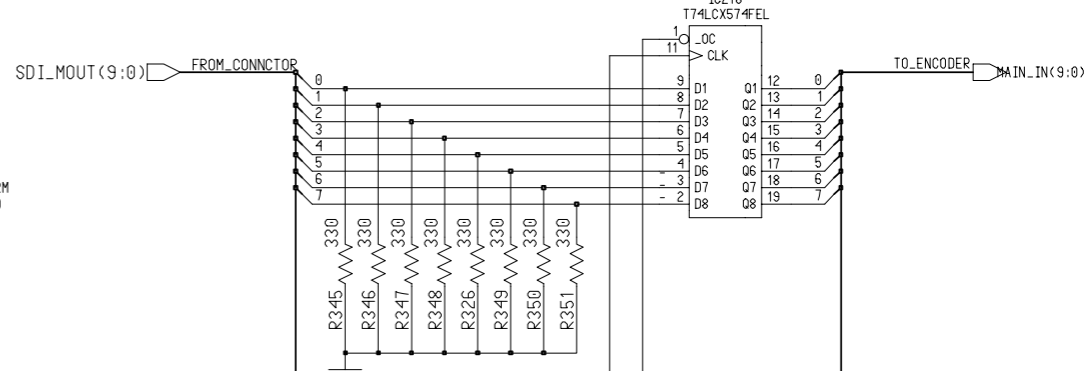
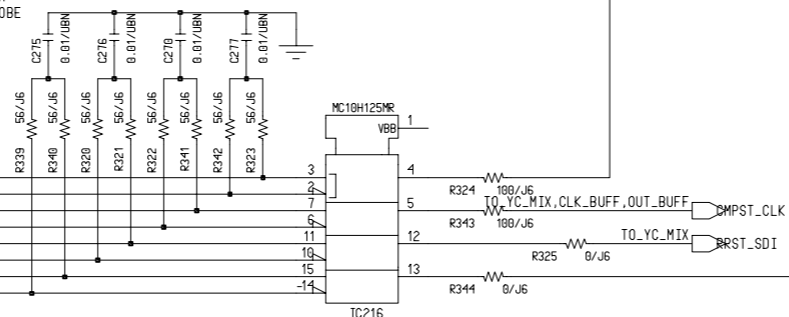
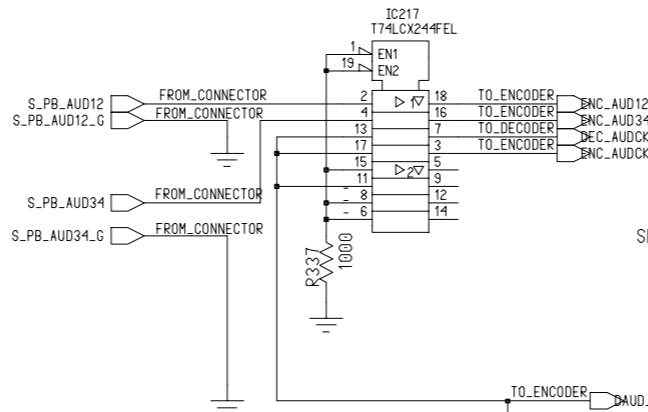
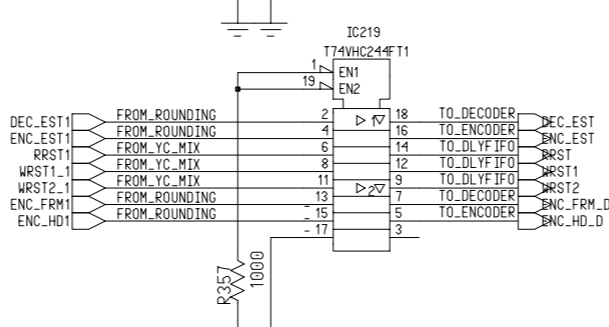
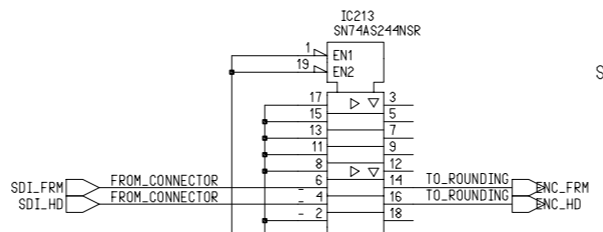
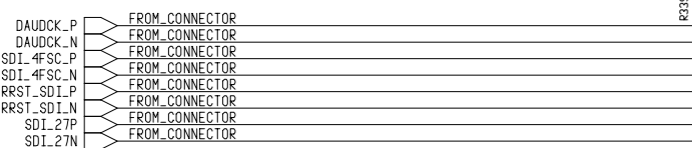
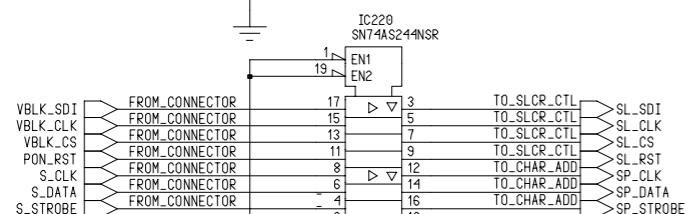
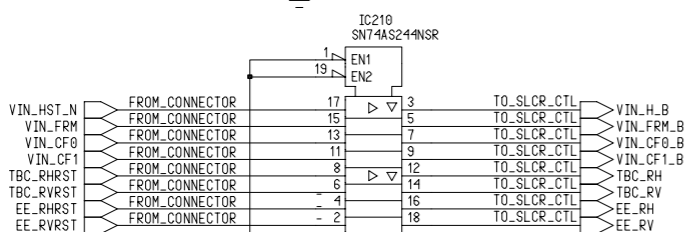
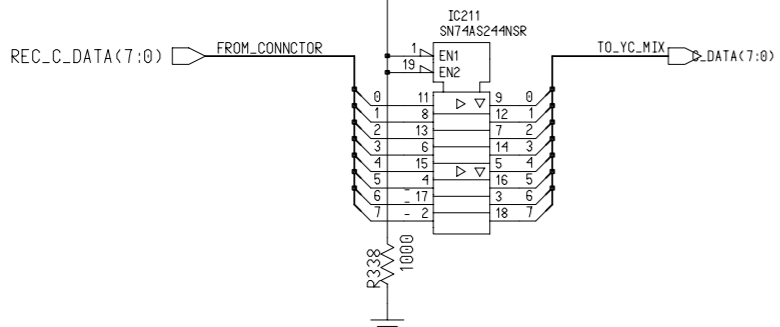
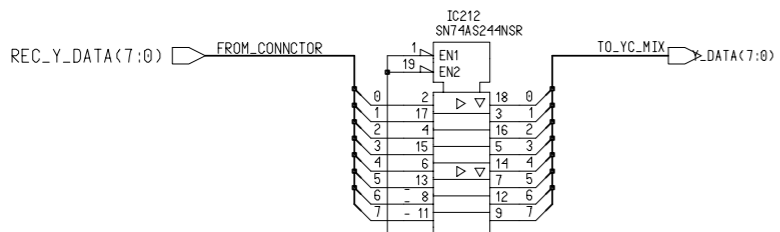


\*PAT=PATTERN ONLY

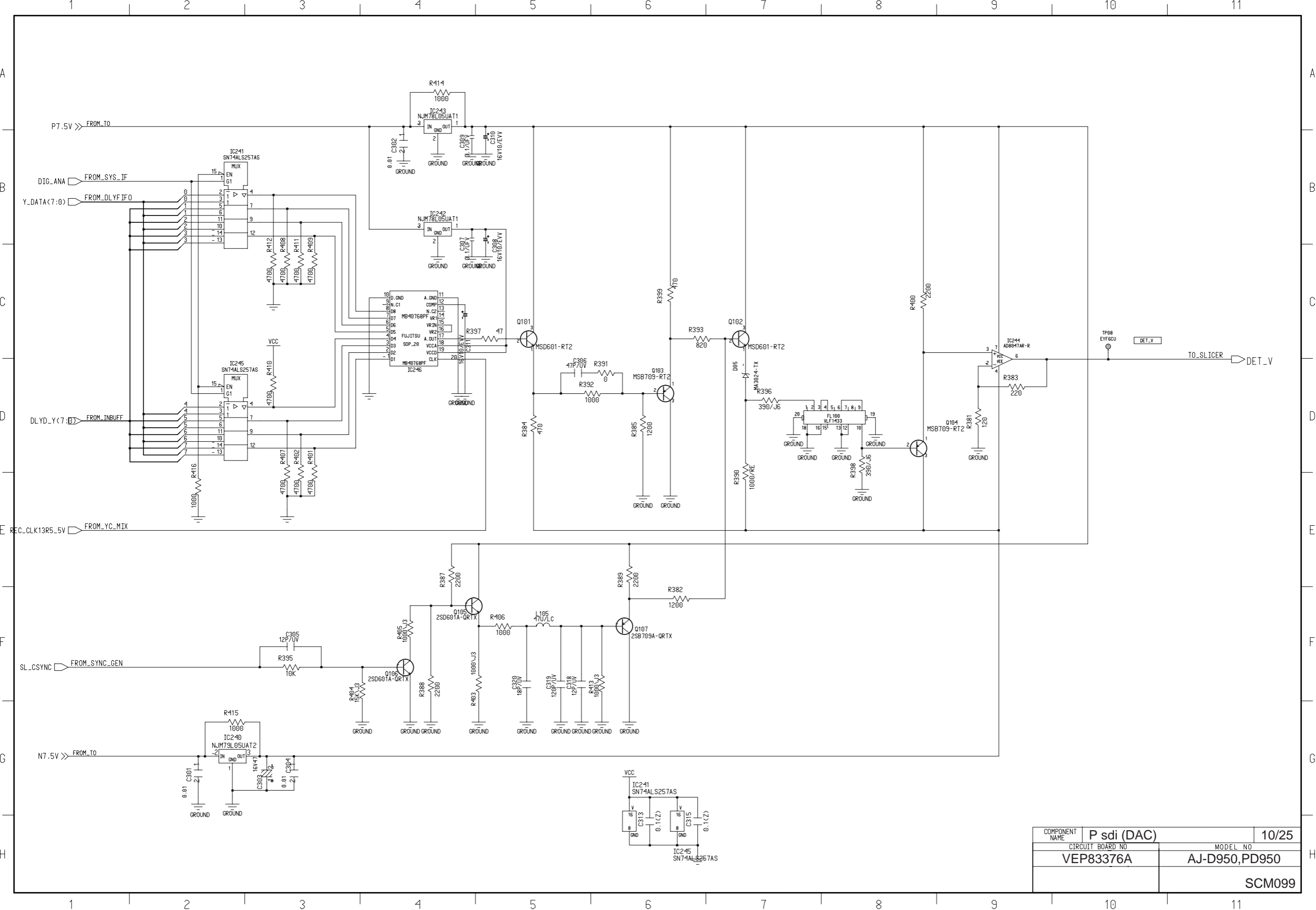
COMPONENT NAME	P sdi (TBC)	07/25
CIRCUIT BOARD NO	MODEL NO	
VEP83376A	AJ-D950,PD950	
	SCM096	



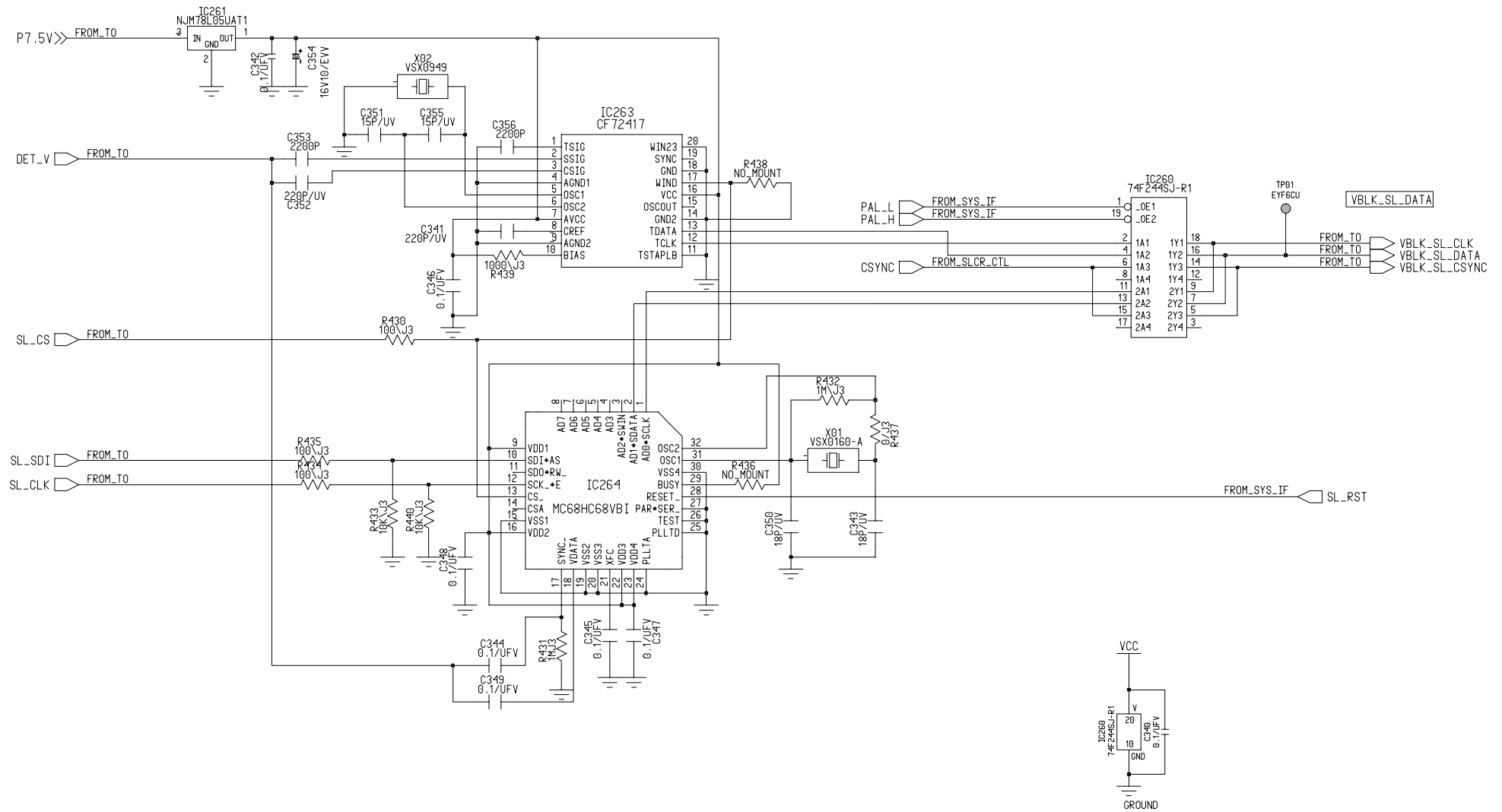
COMPONENT NAME	P sdi (DLYFIFO)	08/25
CIRCUIT BOARD NO	VEP83376A	MODEL NO
		AJ-D950,PD950
		SCM097



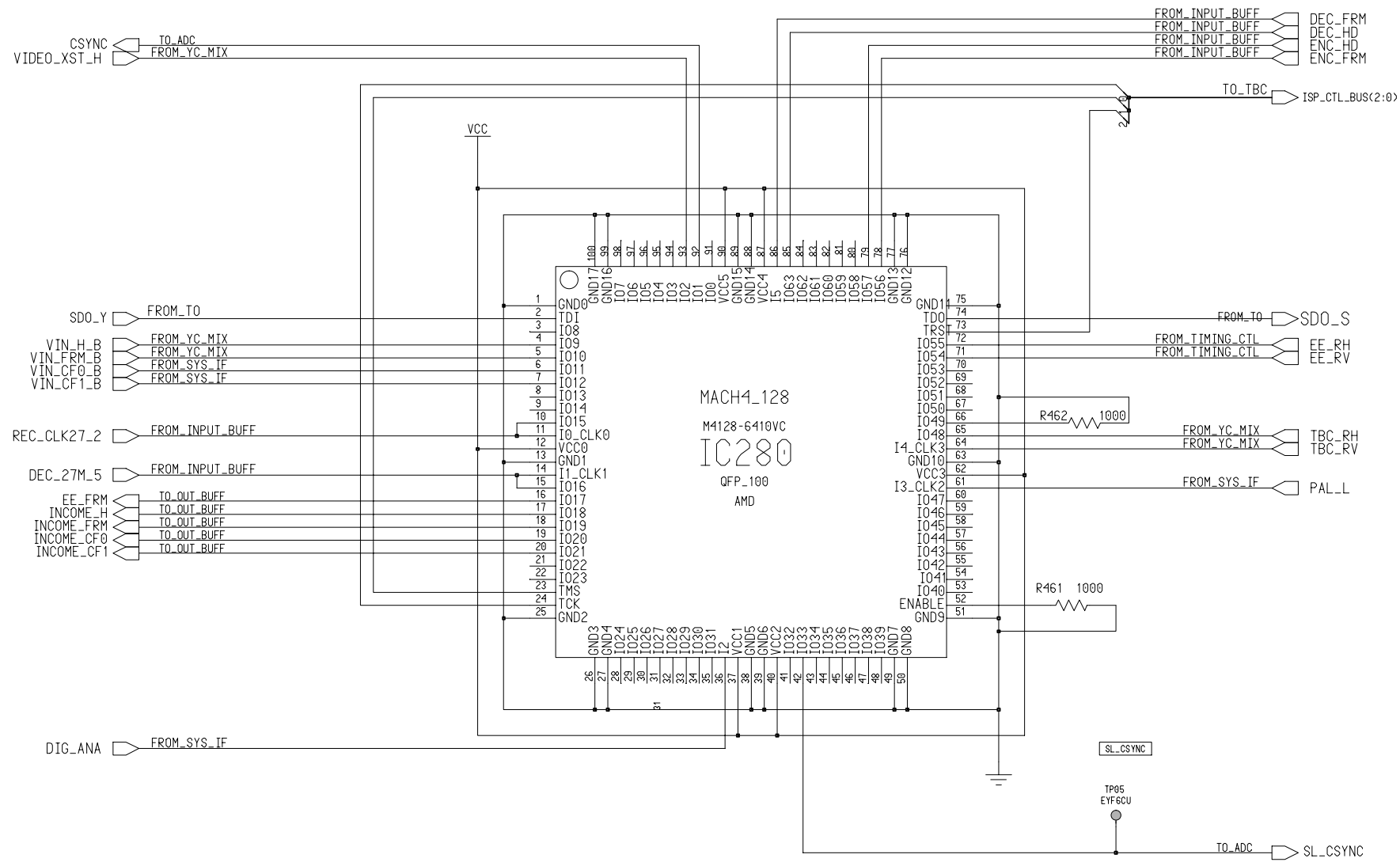
COMPONENT NAME	P sdi (IN_BUFF)	09/25
CIRCUIT BOARD NO	VEP83376A	MODEL NO
		AJ-D950,PD950
		SCM098



COMPONENT NAME	P sdi (DAC)	10/25
CIRCUIT BOARD NO	VEP83376A	MODEL NO
		AJ-D950,PD950
		SCM099



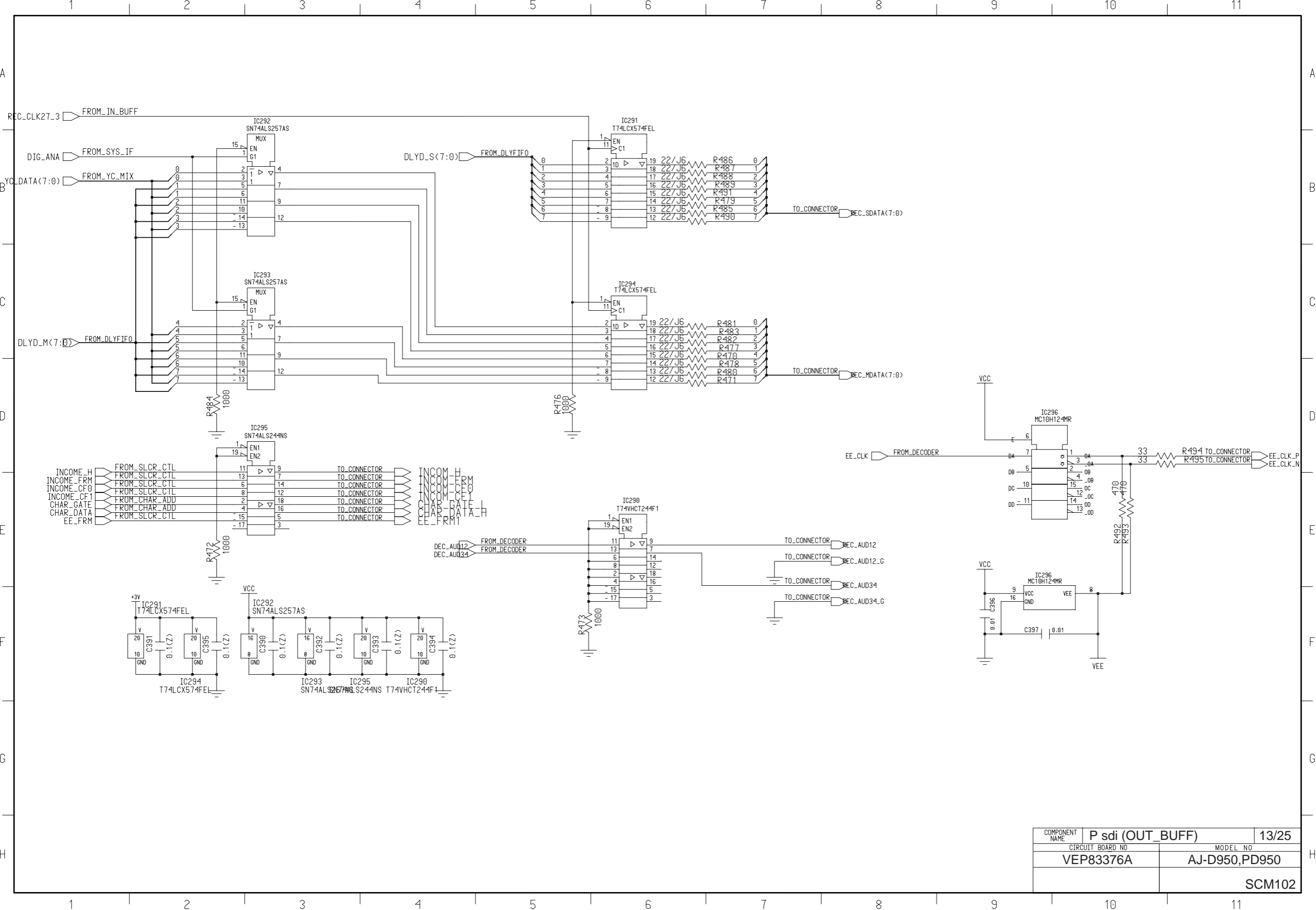
COMPONENT NAME	P sdi (SLICER)	11/25
CIRCUIT BOARD NO	VEP83376A	MODEL NO
		AJ-D950,PD950
		SCM100



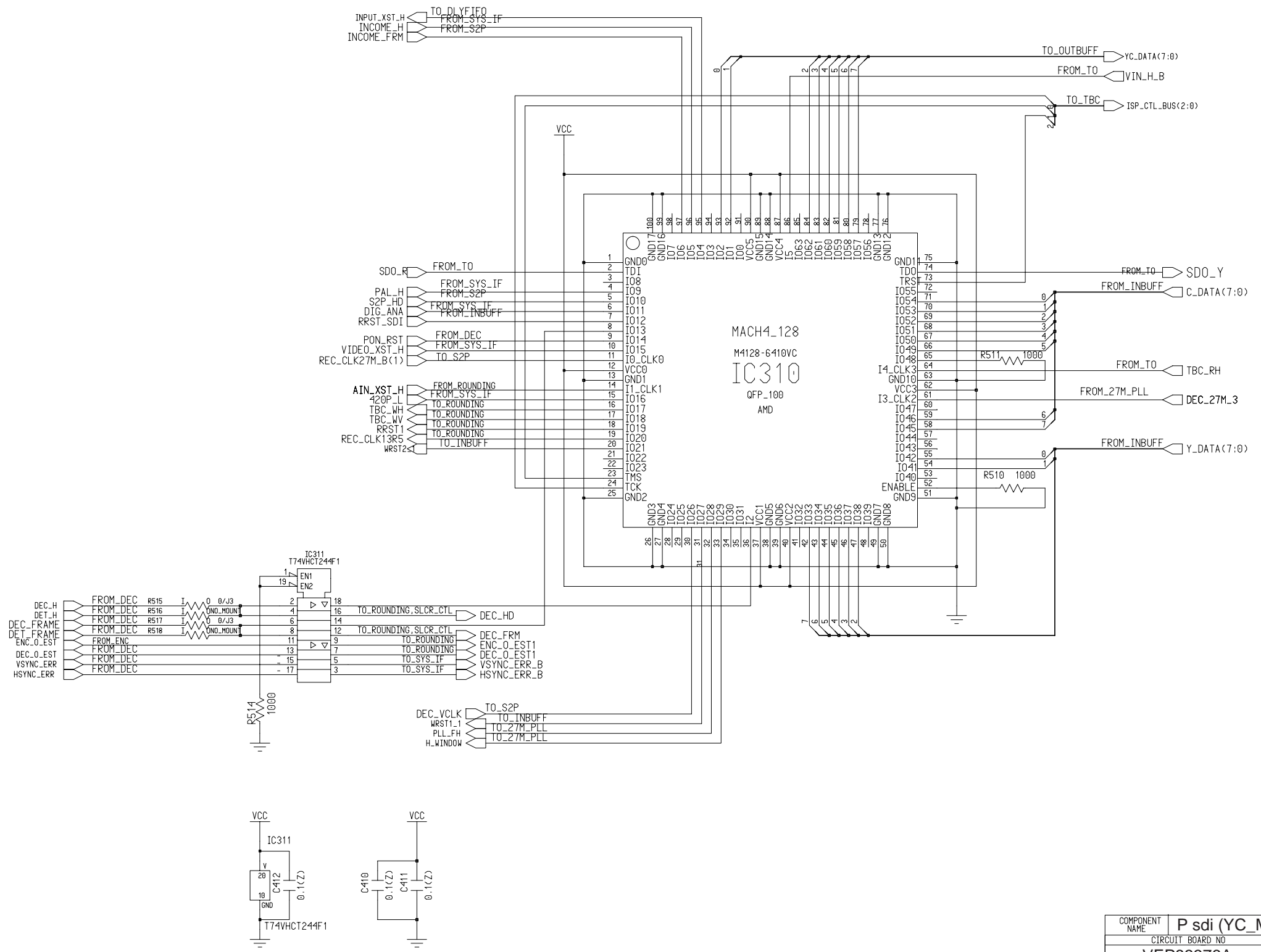
\*PAT=PATTERN ONLY

COMPONENT NAME	P sdi (SLCR_CTL)	MODEL NO	12/25
CIRCUIT BOARD NO		MODEL NO	
VEP83376A		AJ-D950,PD950	
SCM101			

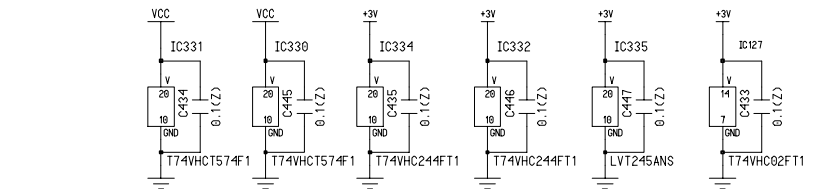
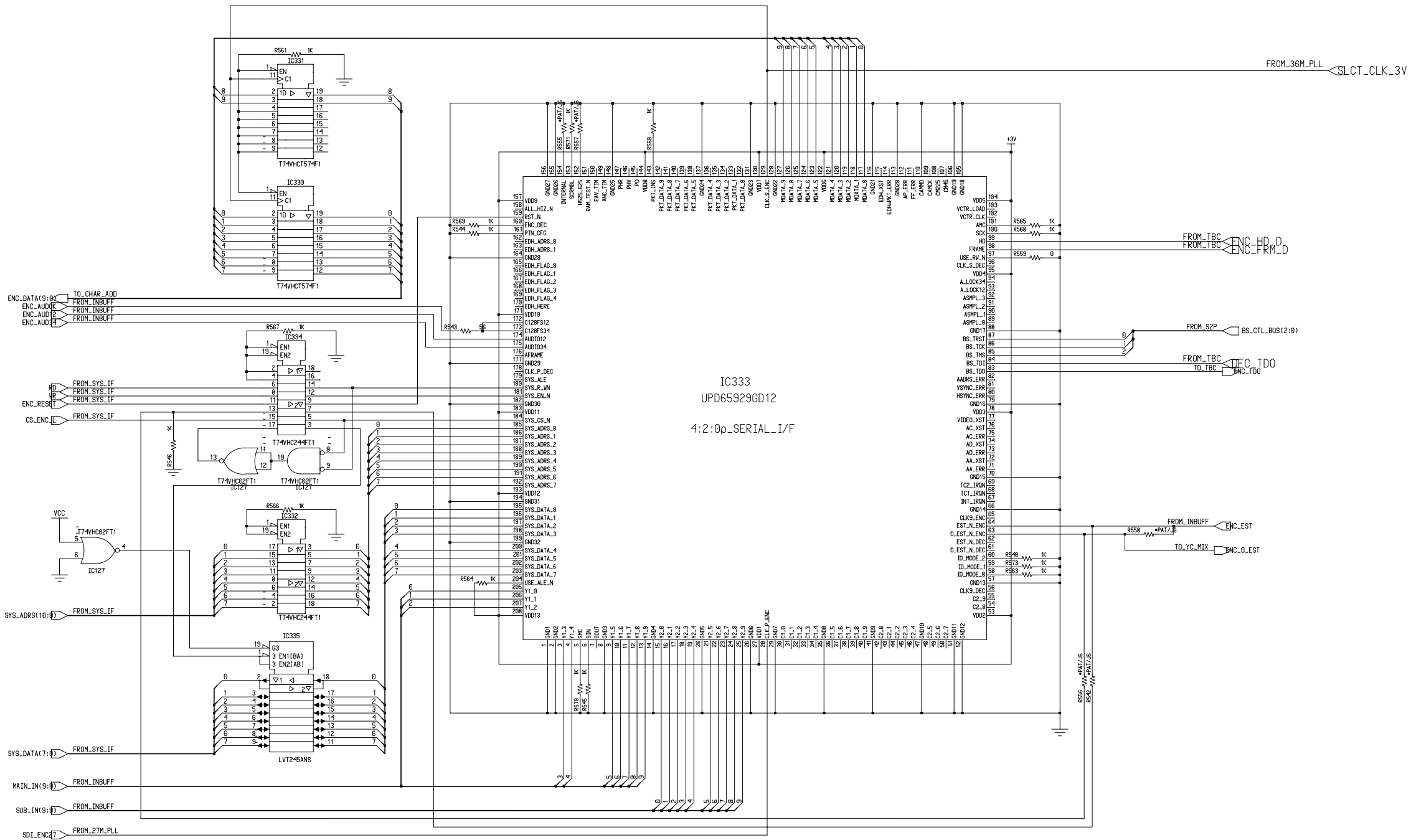




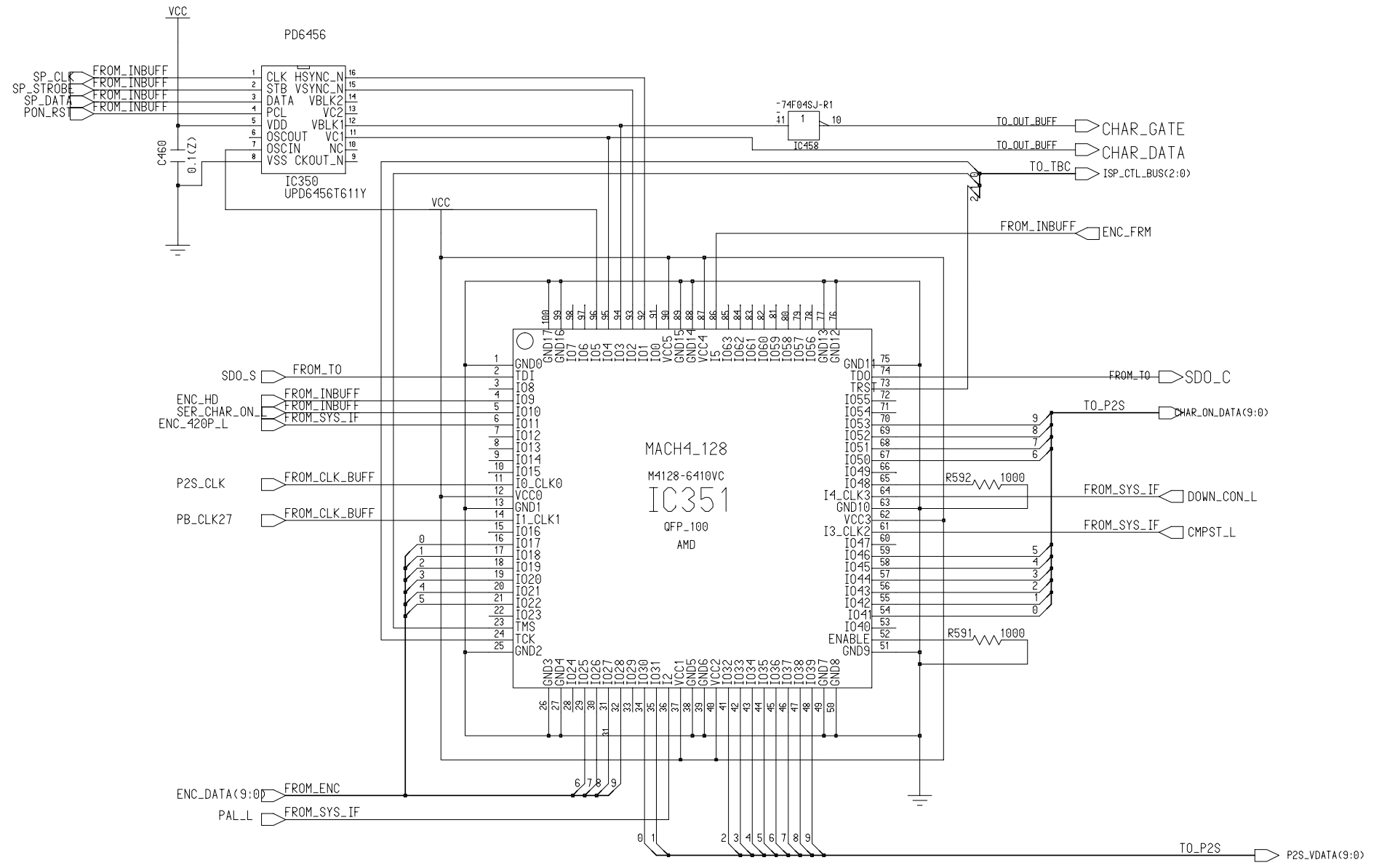
COMPONENT NAME	P sdi (OUT_BUFF)	13/25
CIRCUIT BOARD NO	VEP83376A	MODEL NO
		AJ-D950,PD950
SCM102		



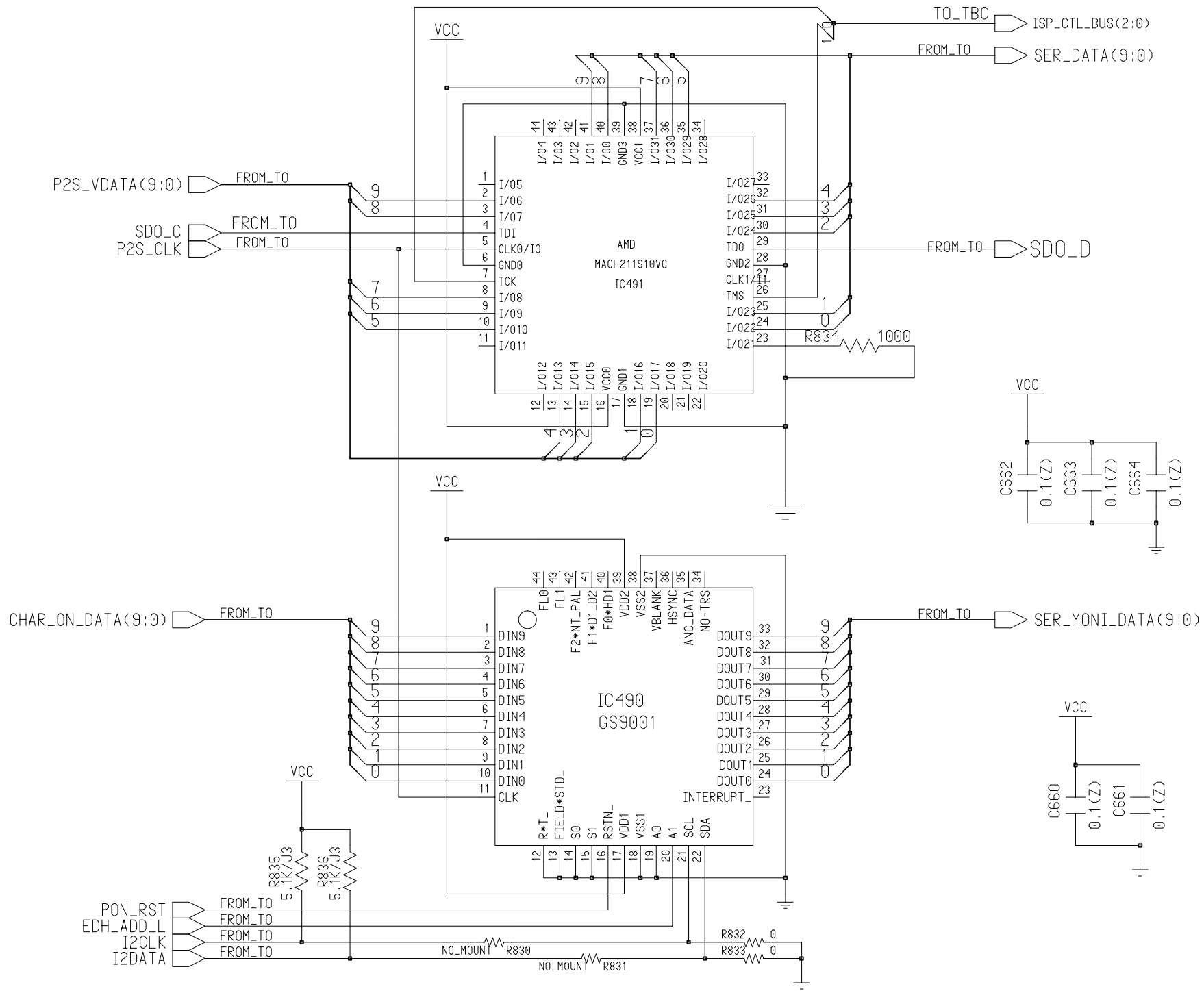
COMPONENT NAME	P sdi (YC_MIX)	14/25
CIRCUIT BOARD NO	MODEL NO	
VEP83376A	AJ-D950,PD950	
SCM103		



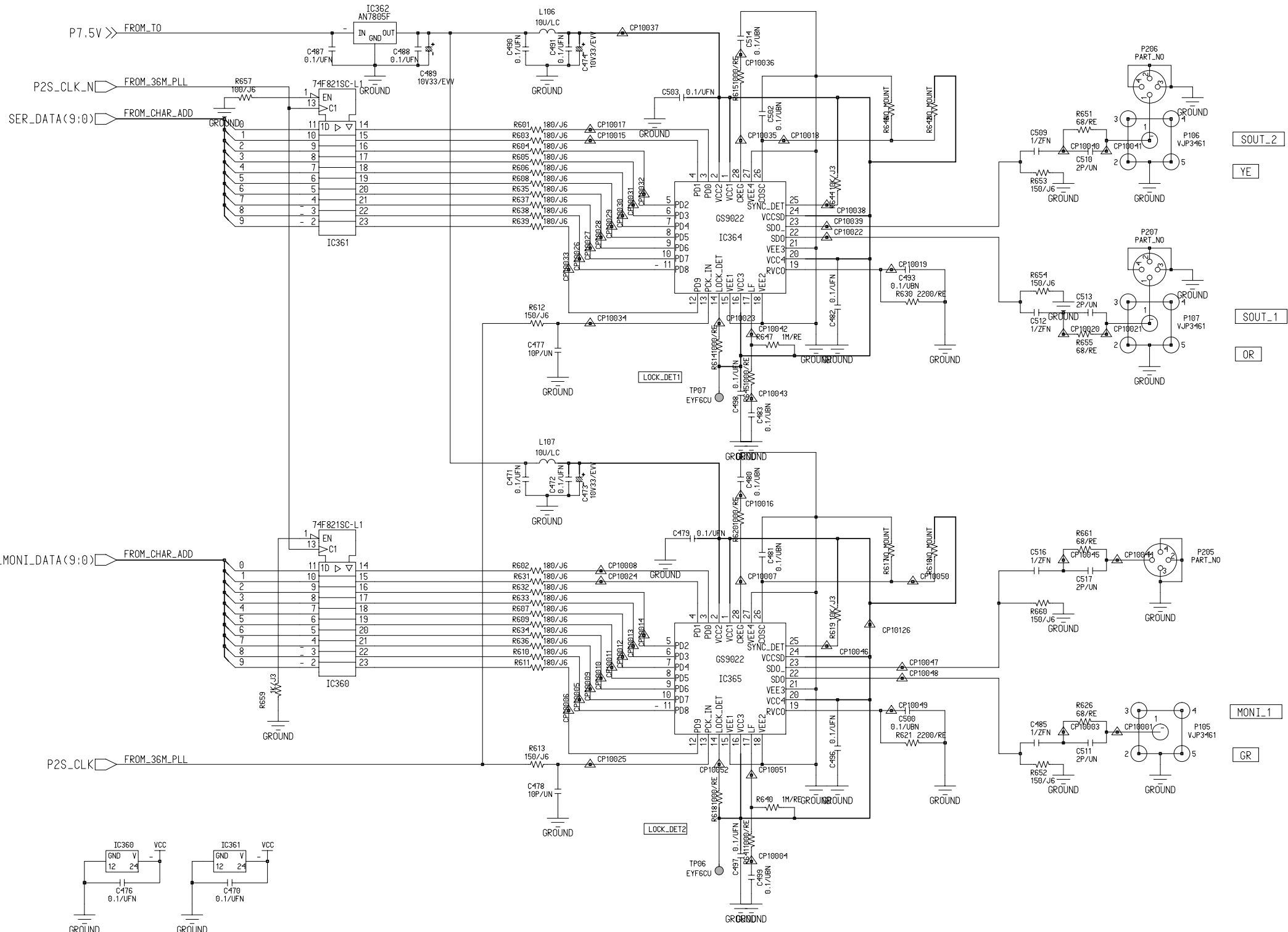
COMPONENT NAME	P sdi (ENCODER)	15/25
CIRCUIT BOARD NO	VEP83376A	MODEL NO
		AJ-D950,PD950
SCM104		



COMPONENT NAME	P sdi (CHAR_ADD)	16/25
CIRCUIT BOARD NO	VEP83376A	MODEL NO
		AJ-D950,PD950
		SCM105

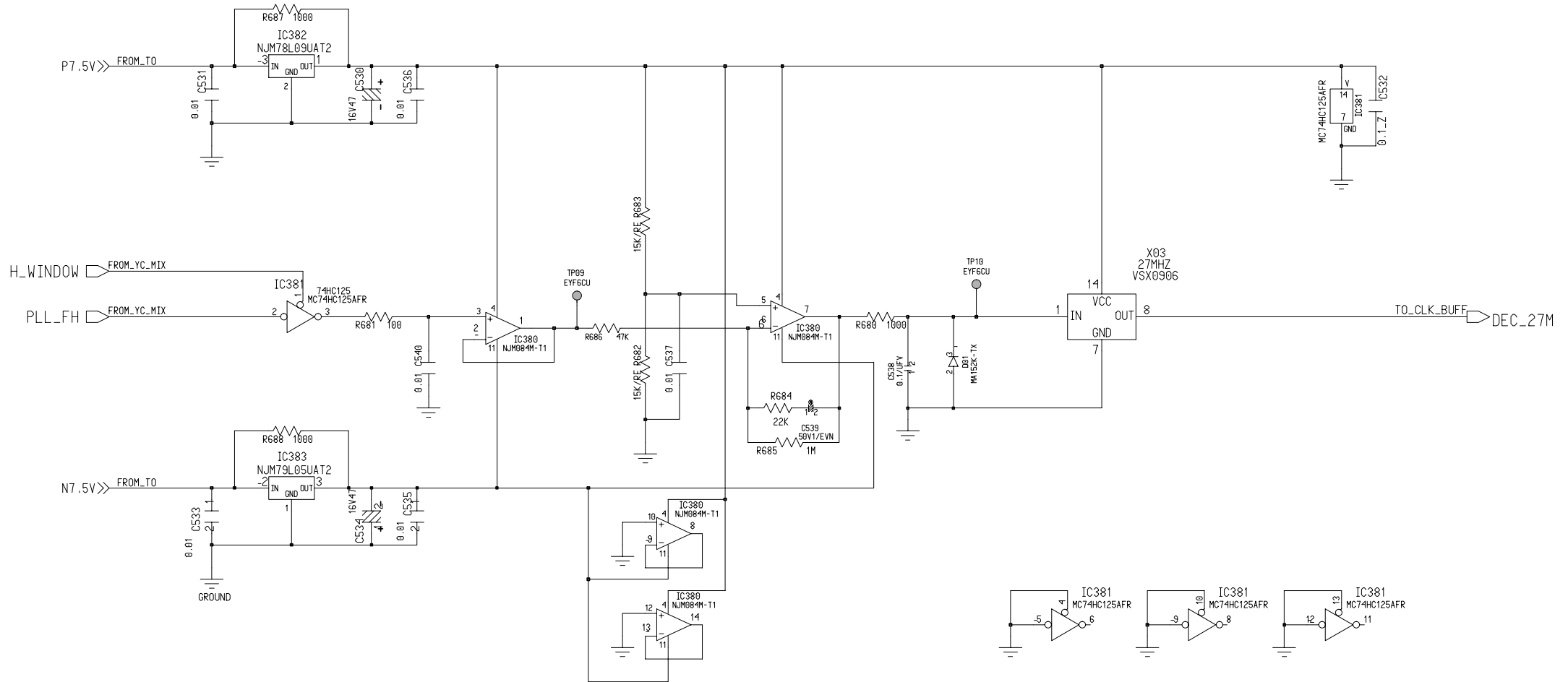


COMPONENT NAME	P sdi (EDH_ADD)	17/25
CIRCUIT BOARD NO	VEP83376A	MODEL NO
		AJ-D950,PD950
SCM106		

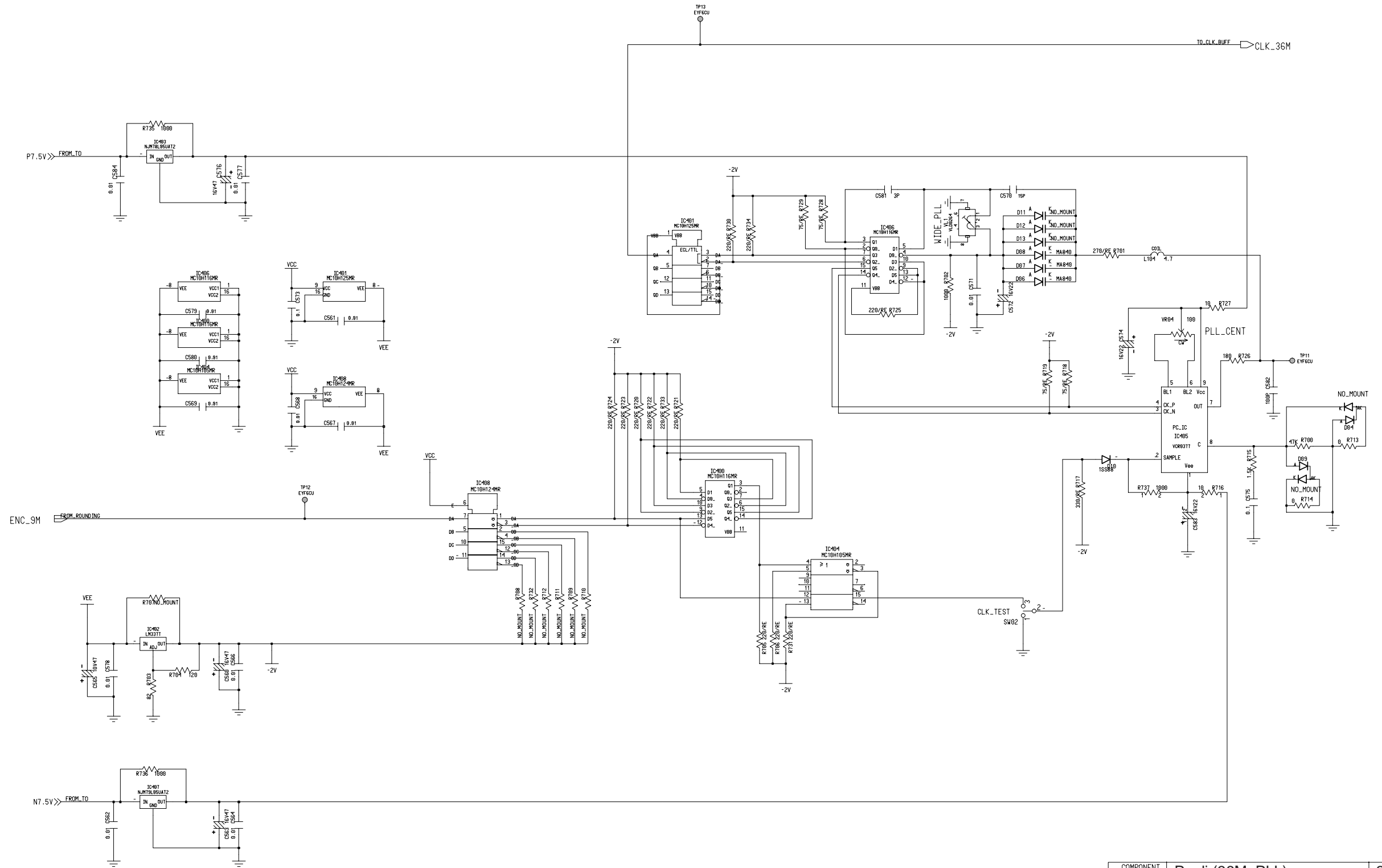


LAST NO.	NOT USED NUMBER
C	
D	
FL	
IC	
L	
Q	
QR	
R	
J	
TP	

COMPONENT NAME	P sdi (P2S)	18/25
CIRCUIT BOARD NO	VEP83376A	MODEL NO
		AJ-D950,PD950
		SCM107

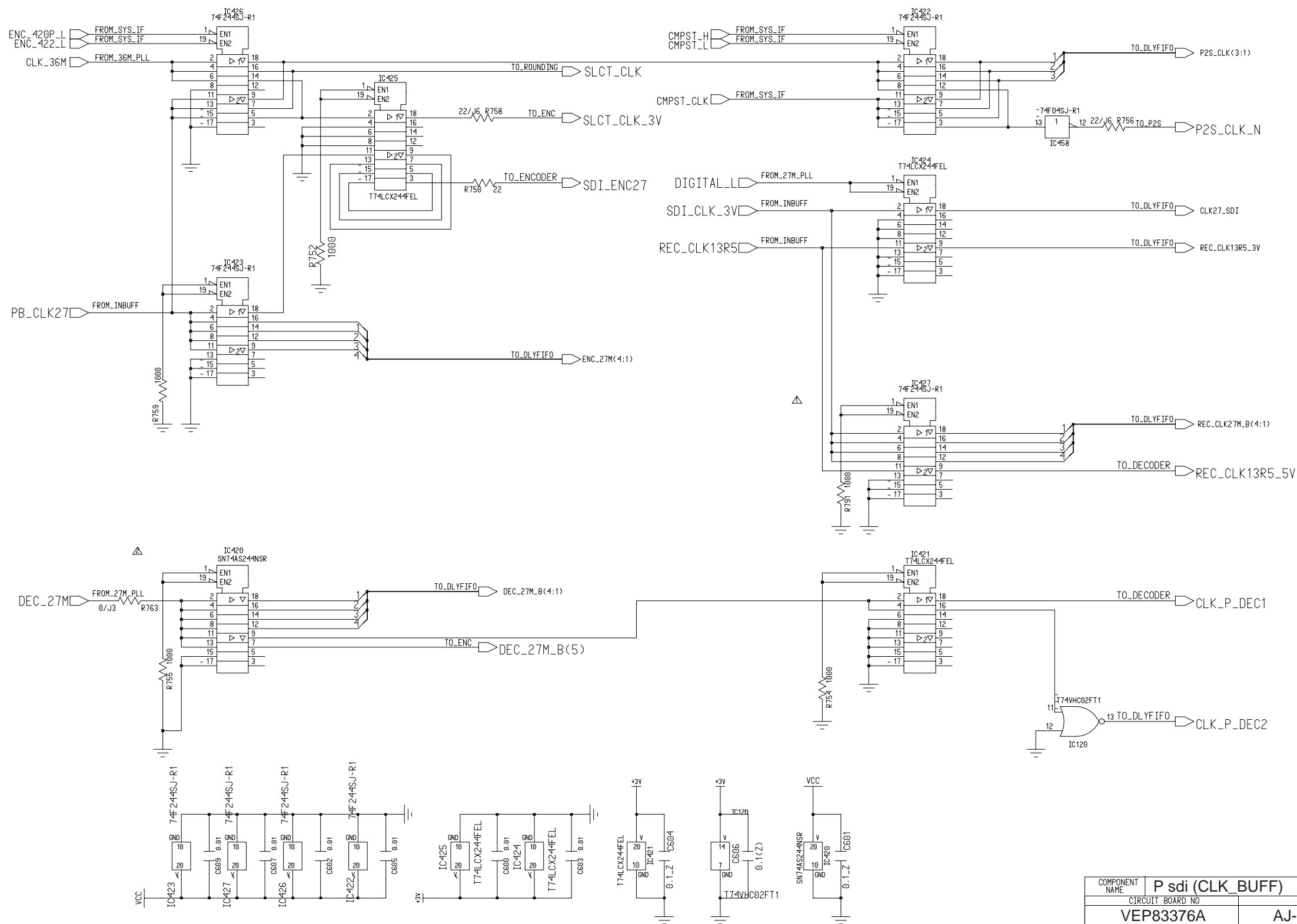


COMPONENT NAME	P sdi (27M_PLL)	19/25
CIRCUIT BOARD NO	MODEL NO	
VEP83376A	AJ-D950,PD950	
		SCM108

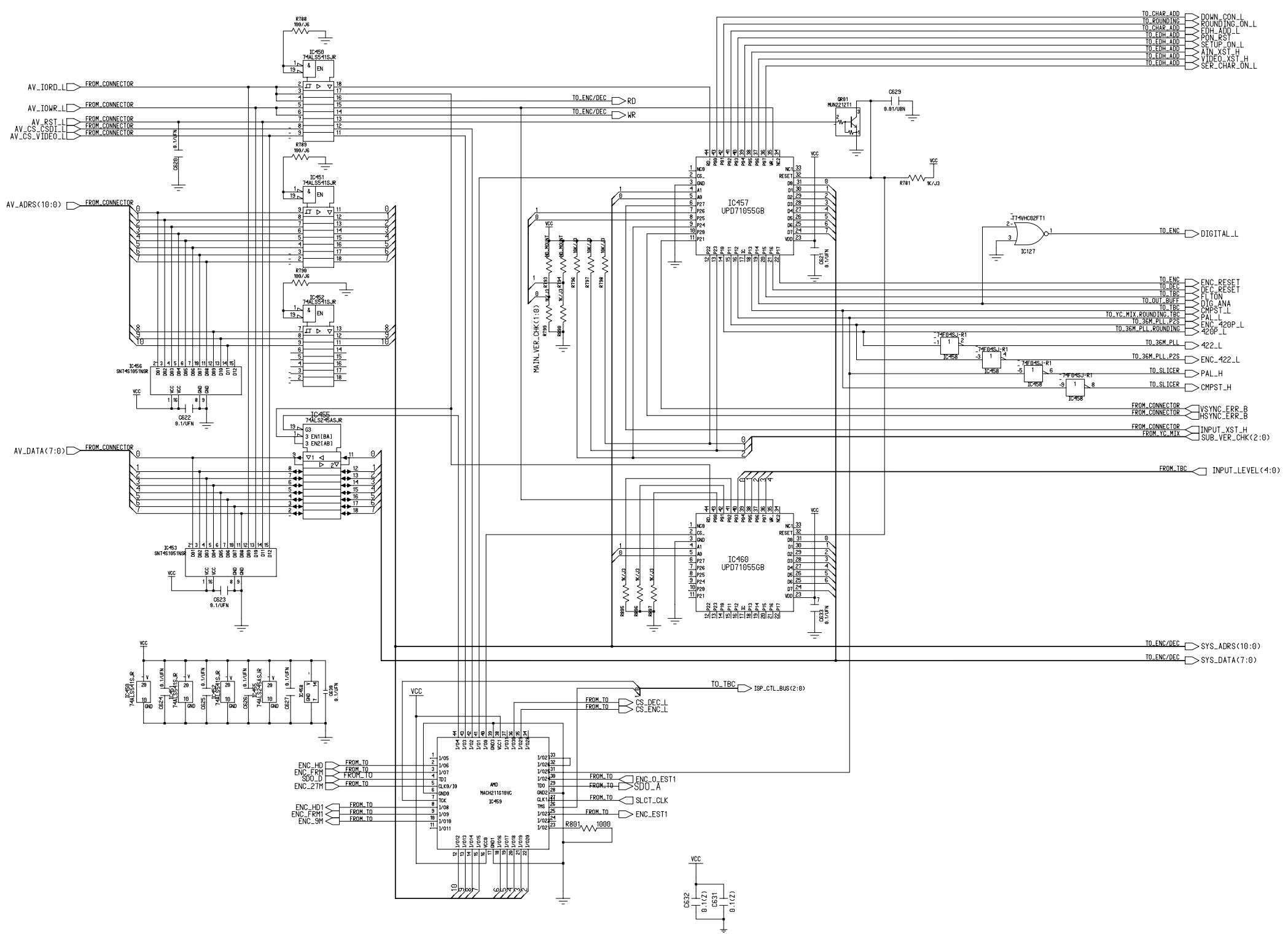


COMPONENT NAME	P sdi (36M_PLL)	20/25
CIRCUIT BOARD NO	VEP83376A	MODEL NO
		AJ-D950,PD950
		SCM109

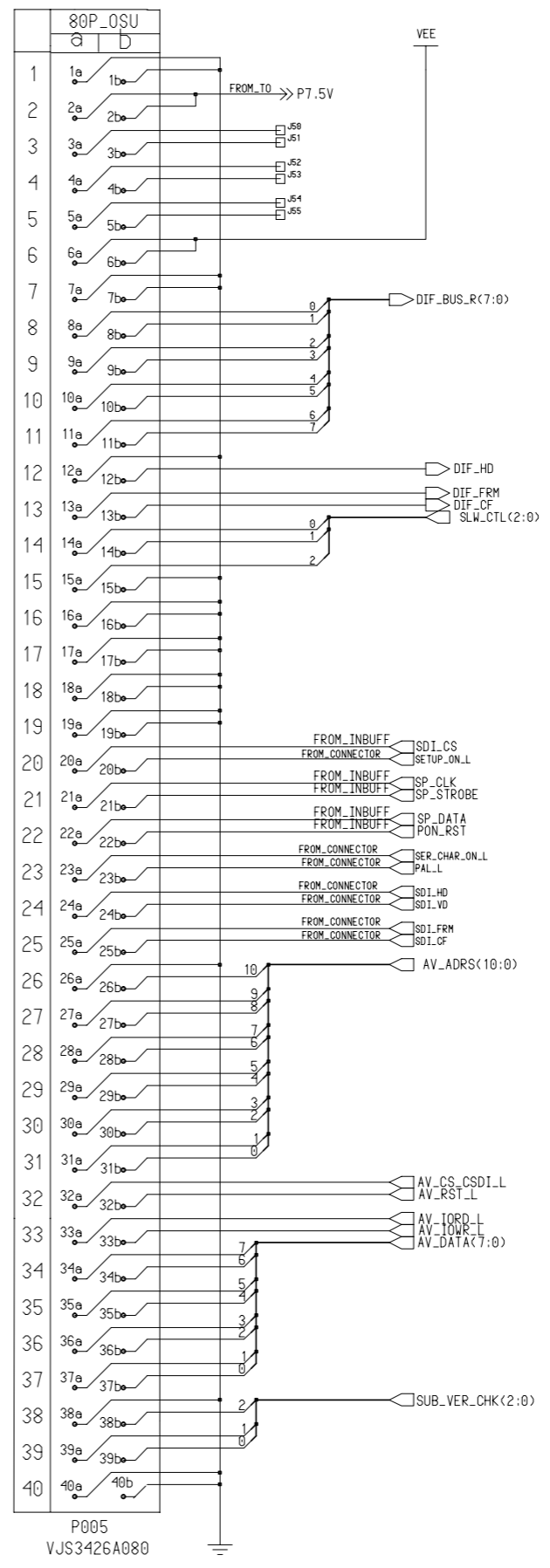
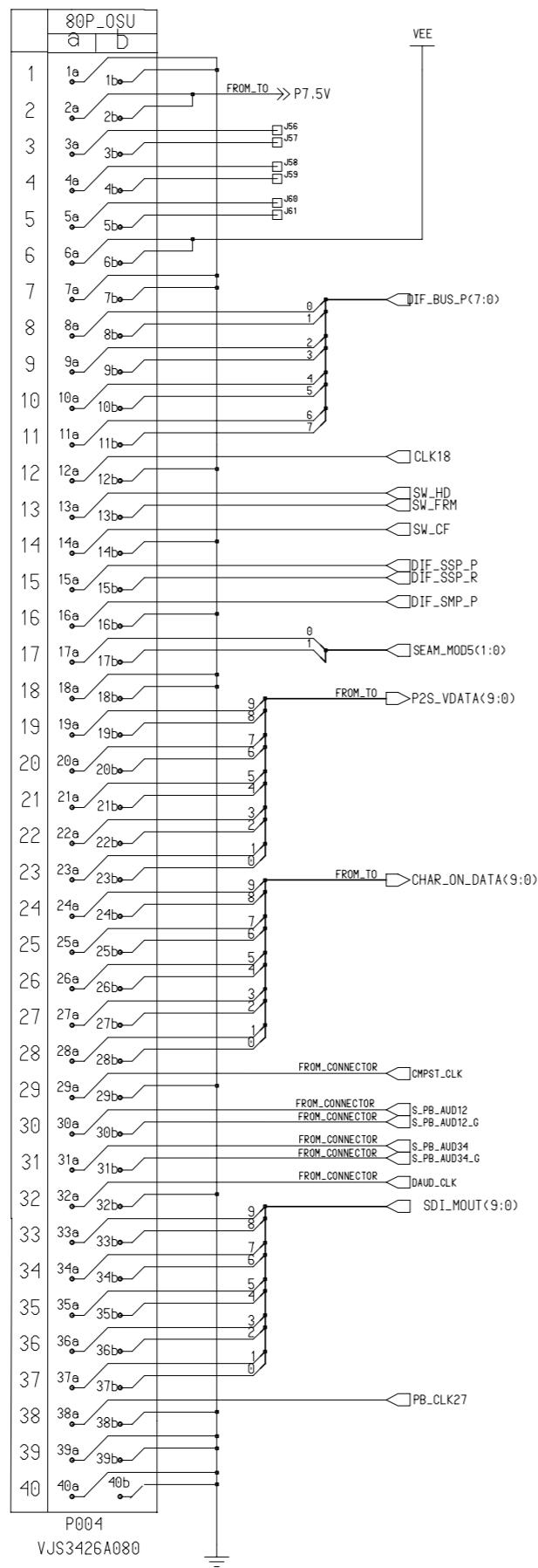




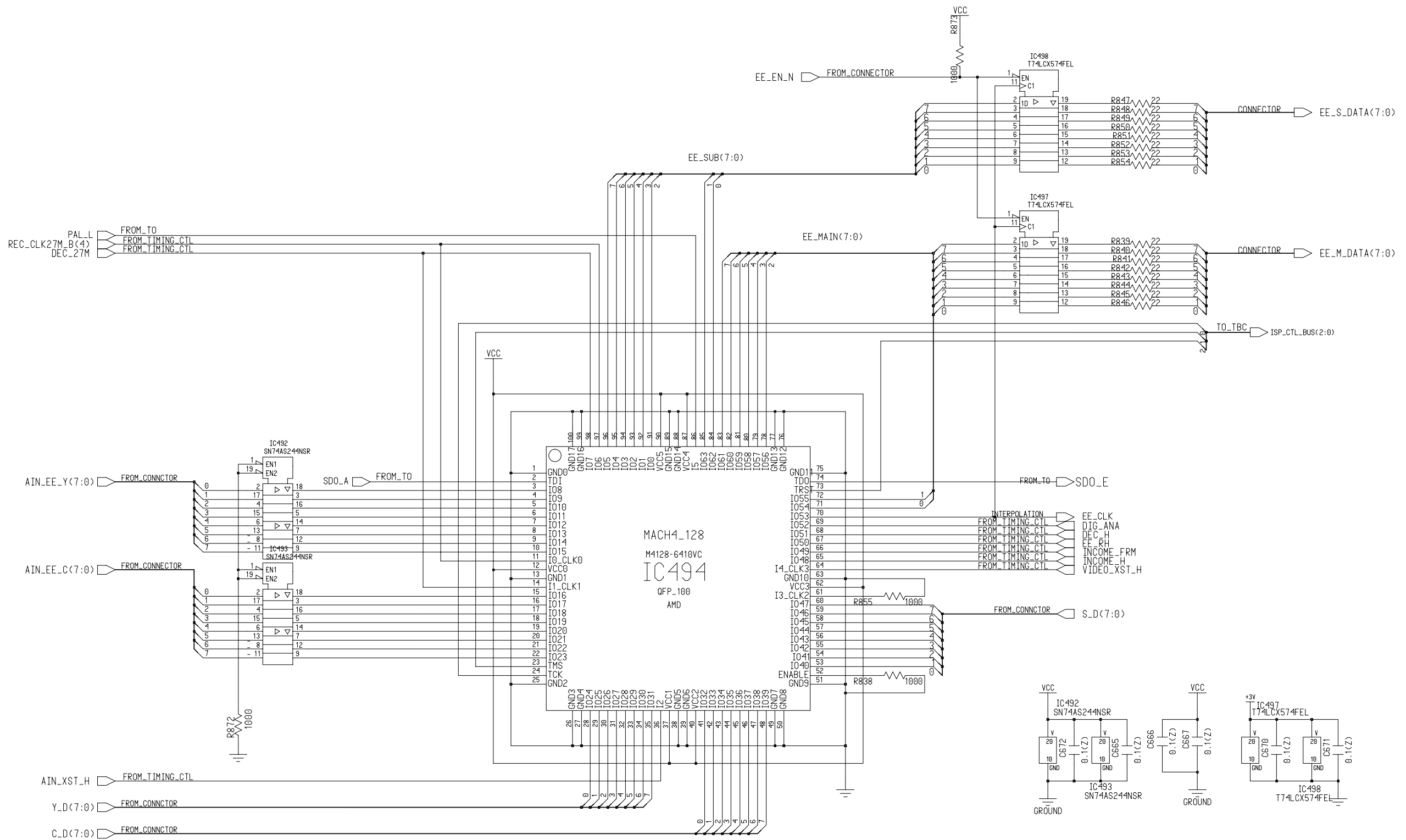
COMPONENT NAME	P sdi (CLK_BUFF)	21/25
CIRCUIT BOARD NO	VEP83376A	MODEL NO
		AJ-D950,PD950
		SCM110



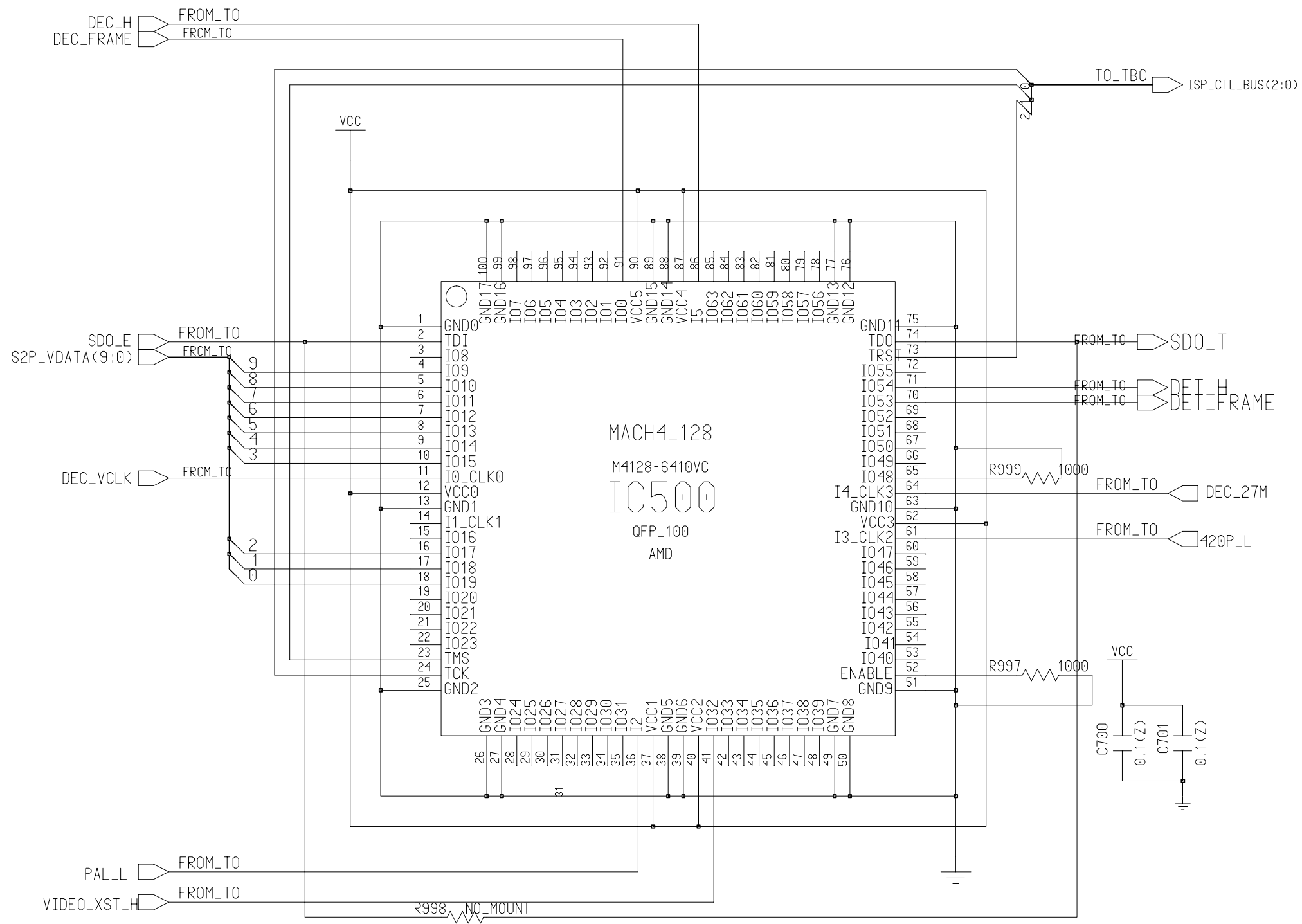
COMPONENT NAME	P sdi (SYS_IF)	22/25
CIRCUIT BOARD NO	VEP83376A	MODEL NO
		AJ-D950,PD950
		SCM111



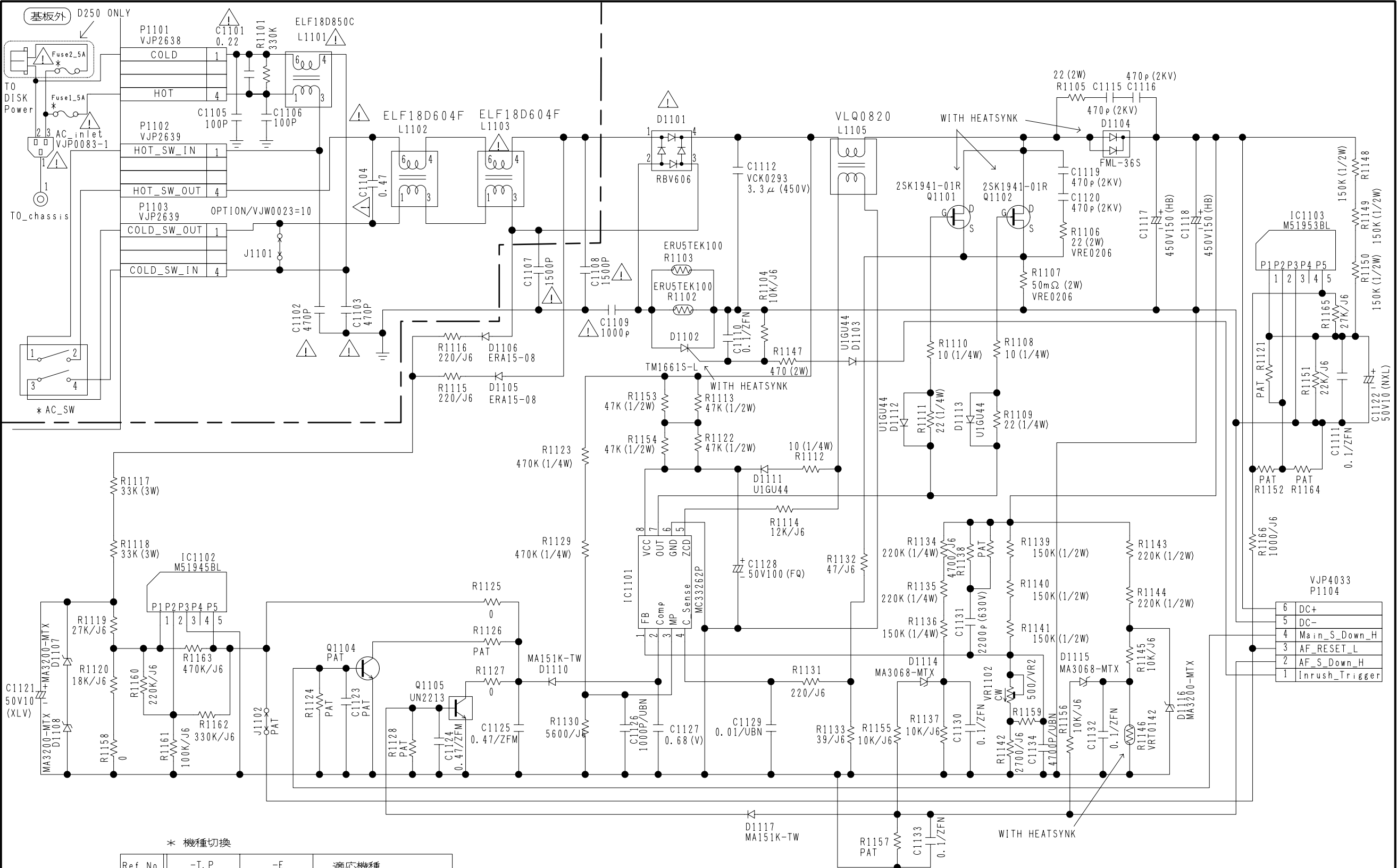
COMPONENT NAME	P sdi (SUB_CON)	23/25
CIRCUIT BOARD NO	VEP83376A	MODEL NO AJ-D950,PD950
		SCM112



COMPONENT NAME	P sdi (EE_THROUGH)	24/25
CIRCUIT BOARD NO	VEP83376A	MODEL NO
		AJ-D950,PD950
		SCM113



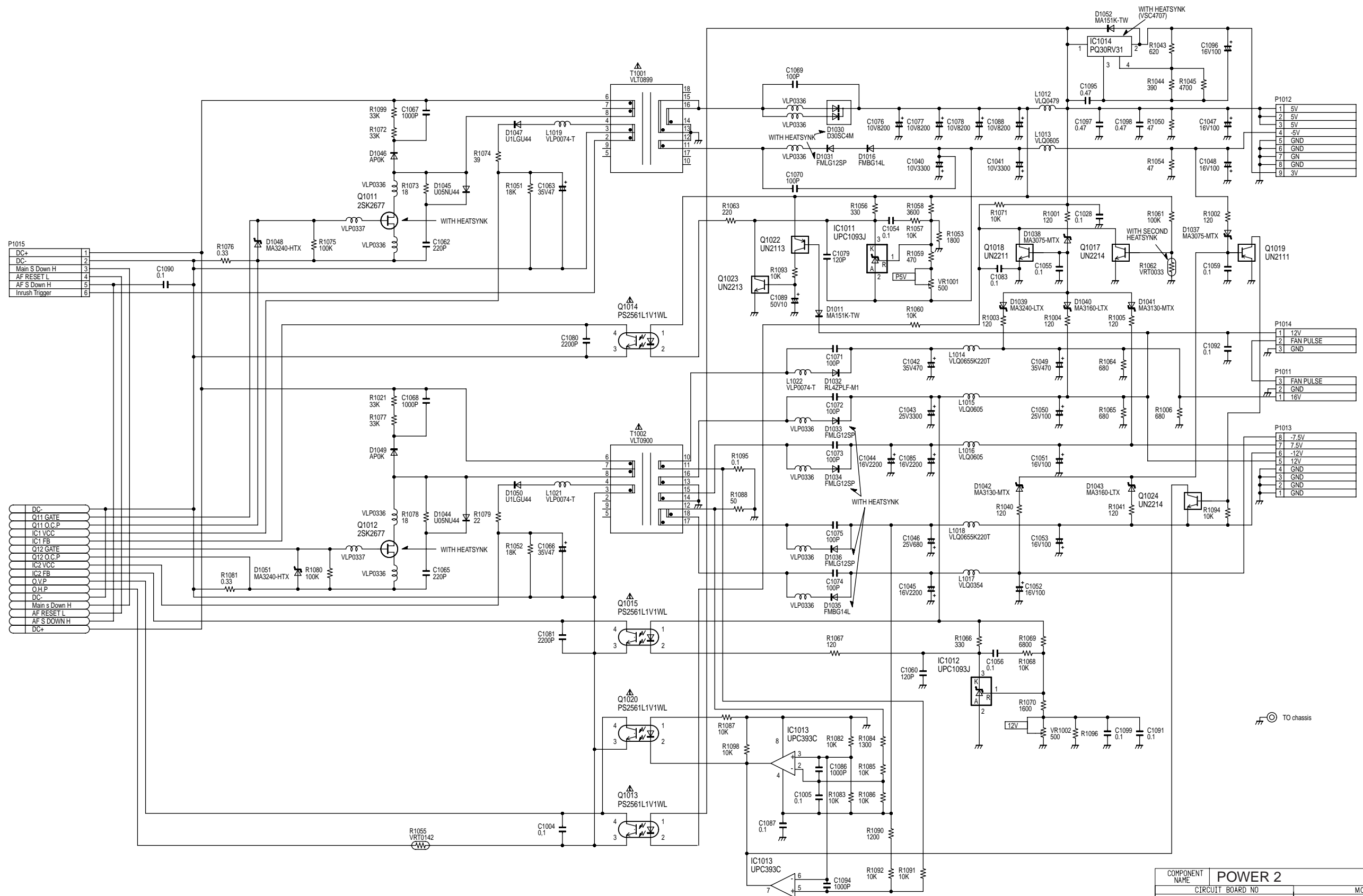
COMPONENT NAME	P sdi (TRS_DET)	25/25
CIRCUIT BOARD NO	VEP83376A	MODEL NO
		AJ-D950,PD950
		SCM114



\* 機種切換

Ref. No.	-T, P	-E	適応機種
Fuse1	XBA1C50NB5	XBA2C50TH15	B75, D240, D216シリーズ
Fuse2	XBA1C50NB5	XBA2C50TH15	D250シリーズ

Pin No.	Signal Name
6	DC+
5	DC-
4	Main_S_Down_H
3	AF_RESET_L
2	AF_S_Down_H
1	Inrush_Trigger



P1015	
DC+	1
DC-	2
Main S Down H	3
AF RESET L	4
AF S Down H	5
Inrush Trigger	6

DC-	
Q11 GATE	
IC11 O.C.P	
IC1 VCC	
IC1 FB	
Q12 GATE	
IC2 O.C.P	
IC2 VCC	
IC2 FB	
Q.V.P	
Q.H.P	
DC-	
Main s Down H	
AF RESET L	
AF S DOWN H	
DC+	

P1012	
1	5V
2	5V
3	5V
4	-5V
5	GND
6	GND
7	GN
8	GND
9	3V

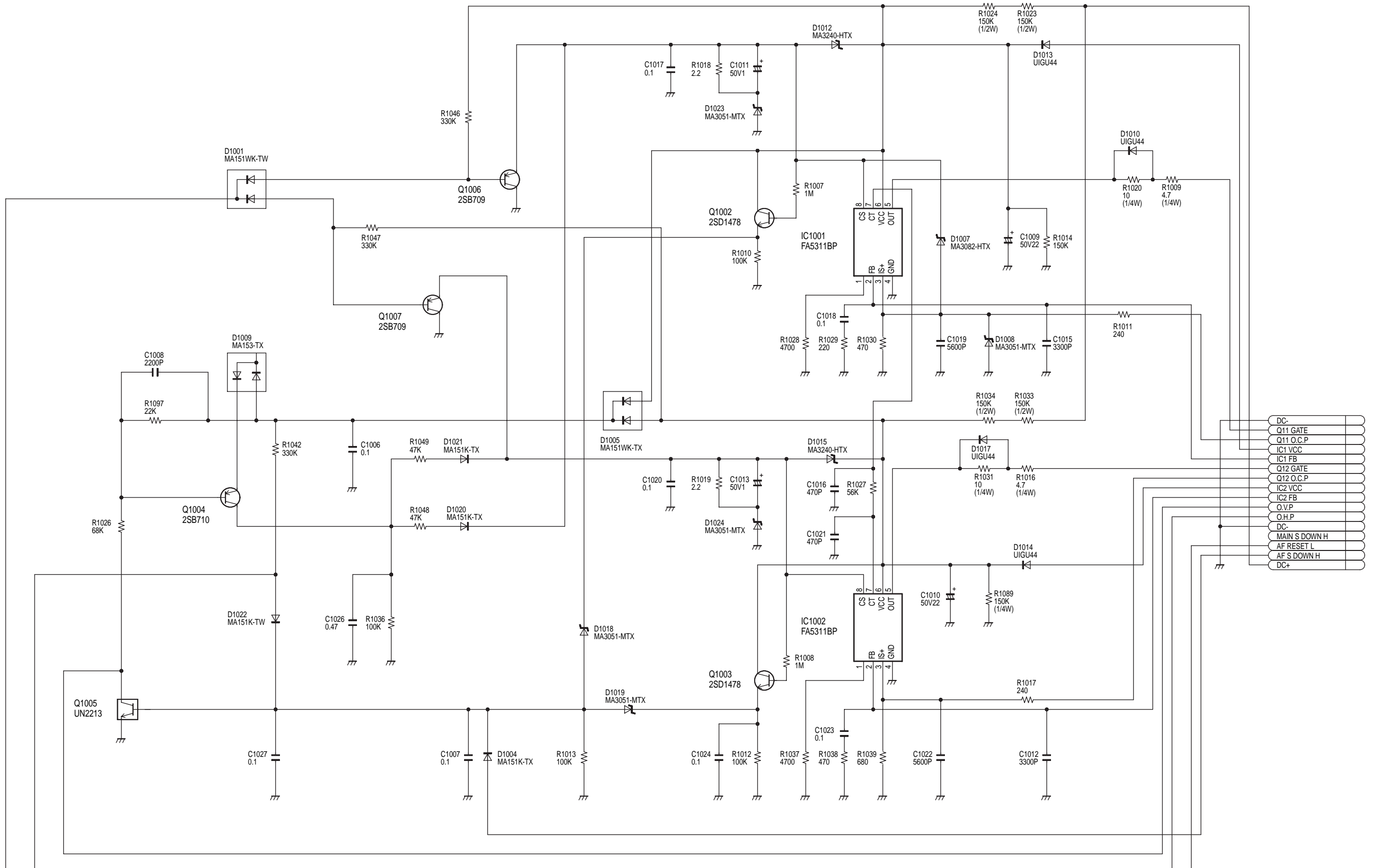
P1014	
1	12V
2	FAN PULSE
3	GND

P1011	
3	FAN PULSE
2	GND
1	16V

P1013	
8	-7.5V
7	7.5V
6	-12V
5	12V
4	GND
3	GND
2	GND
1	GND

TO chassis

COMPONENT NAME	POWER 2	01/02
CIRCUIT BOARD NO	VEP81184A	MODEL NO
		AJ-D950,PD950
		SCM279



- DC-
- Q11 GATE
- Q11 O.C.P
- IC1 VCC
- Q12 GATE
- Q12 O.C.P
- IC2 VCC
- IC2 FB
- O.V.P
- O.H.P
- DC-
- MAIN S DOWN H
- AF RESET L
- AF S DOWN H
- DC+

COMPONENT NAME	POWER 2	02/02
CIRCUIT BOARD NO	VEP81184A	MODEL NO
		AJ-D950,PD950
		SCM280



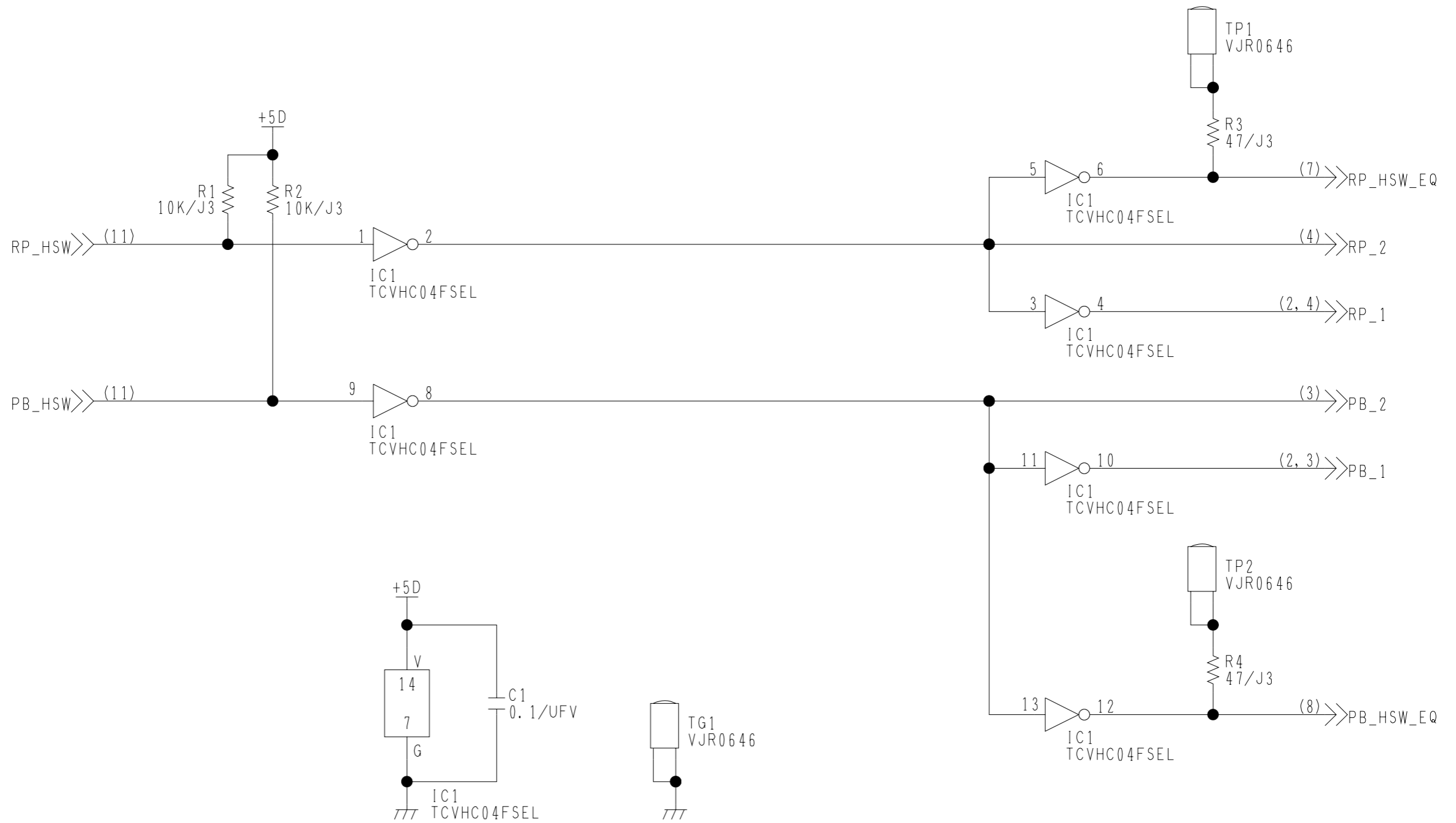
P1301

DC+	6
DC-	5
MAIN S DOWN H	4
AF RESET L	3
AF S DOWN H	2
INRUSH TRIGGER	1

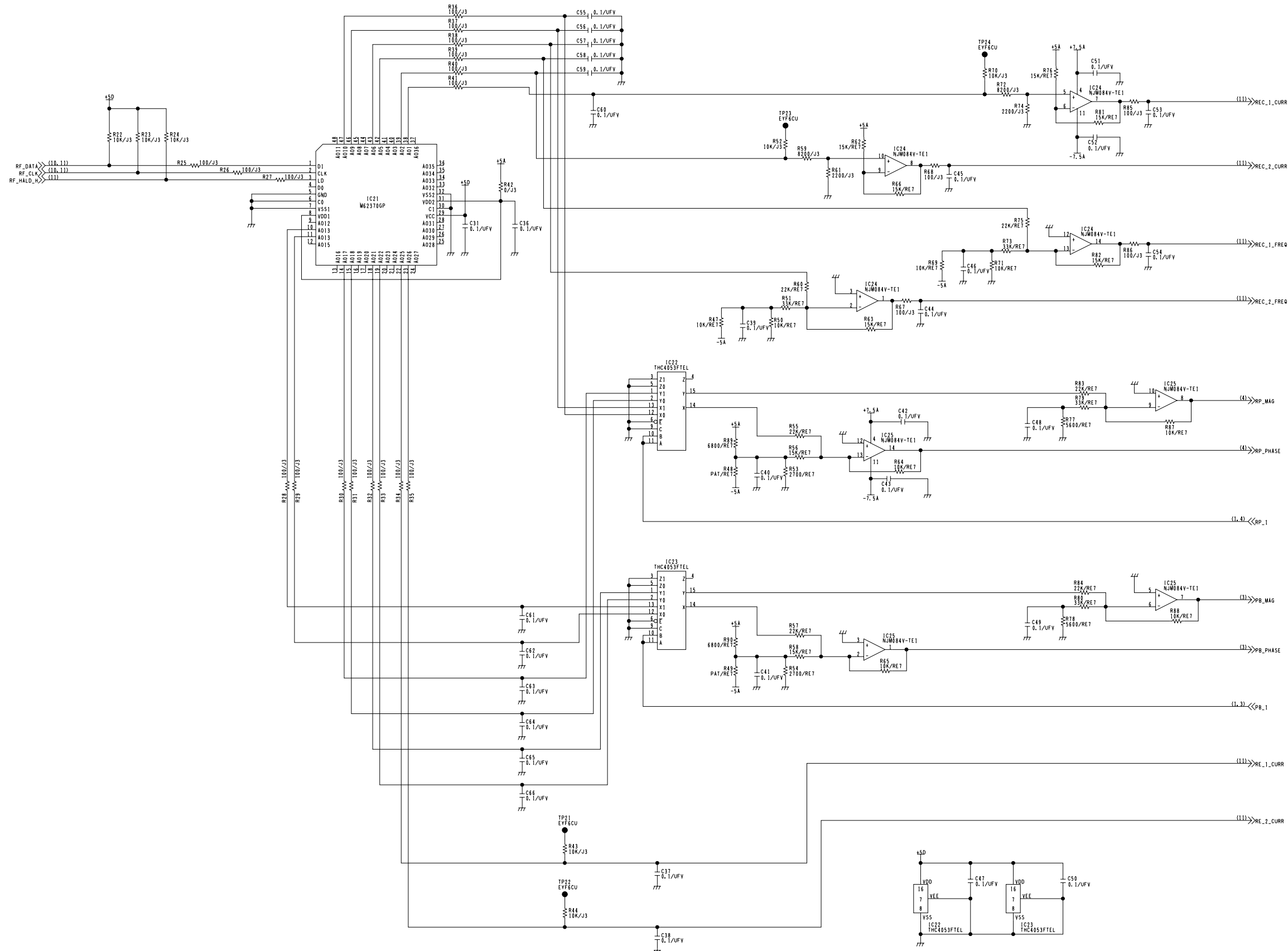
P1302

1	DC+
2	DC-
3	MAIN S DOWN H
4	AF RESET L
5	AF S DOWN H
6	INRUSH TRIGGER

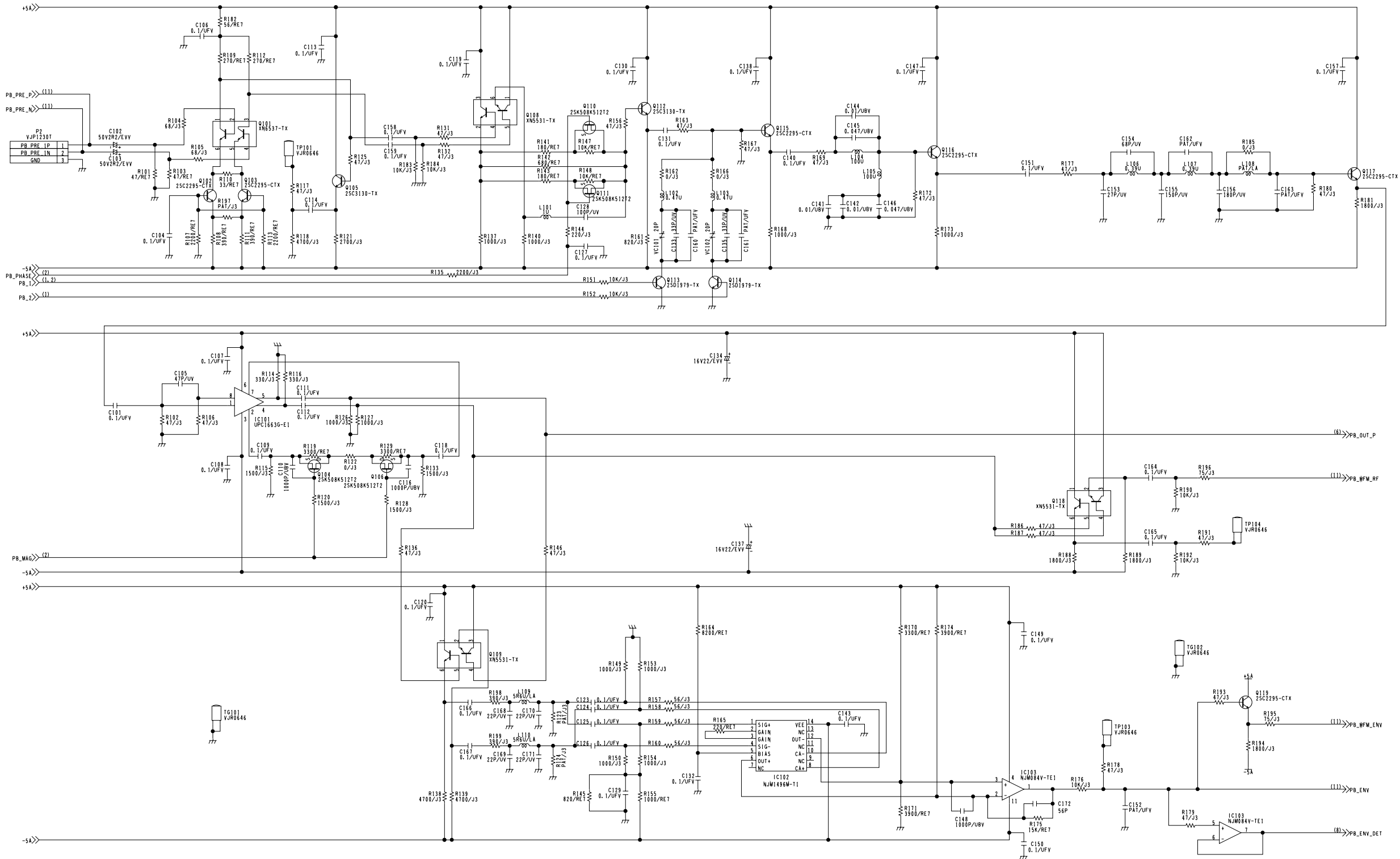
COMPONENT NAME	POWER CONNECT	01/01
CIRCUIT BOARD NO	MODEL NO	
VEP80A58A	AJ-D950,PD950	
		SCM281



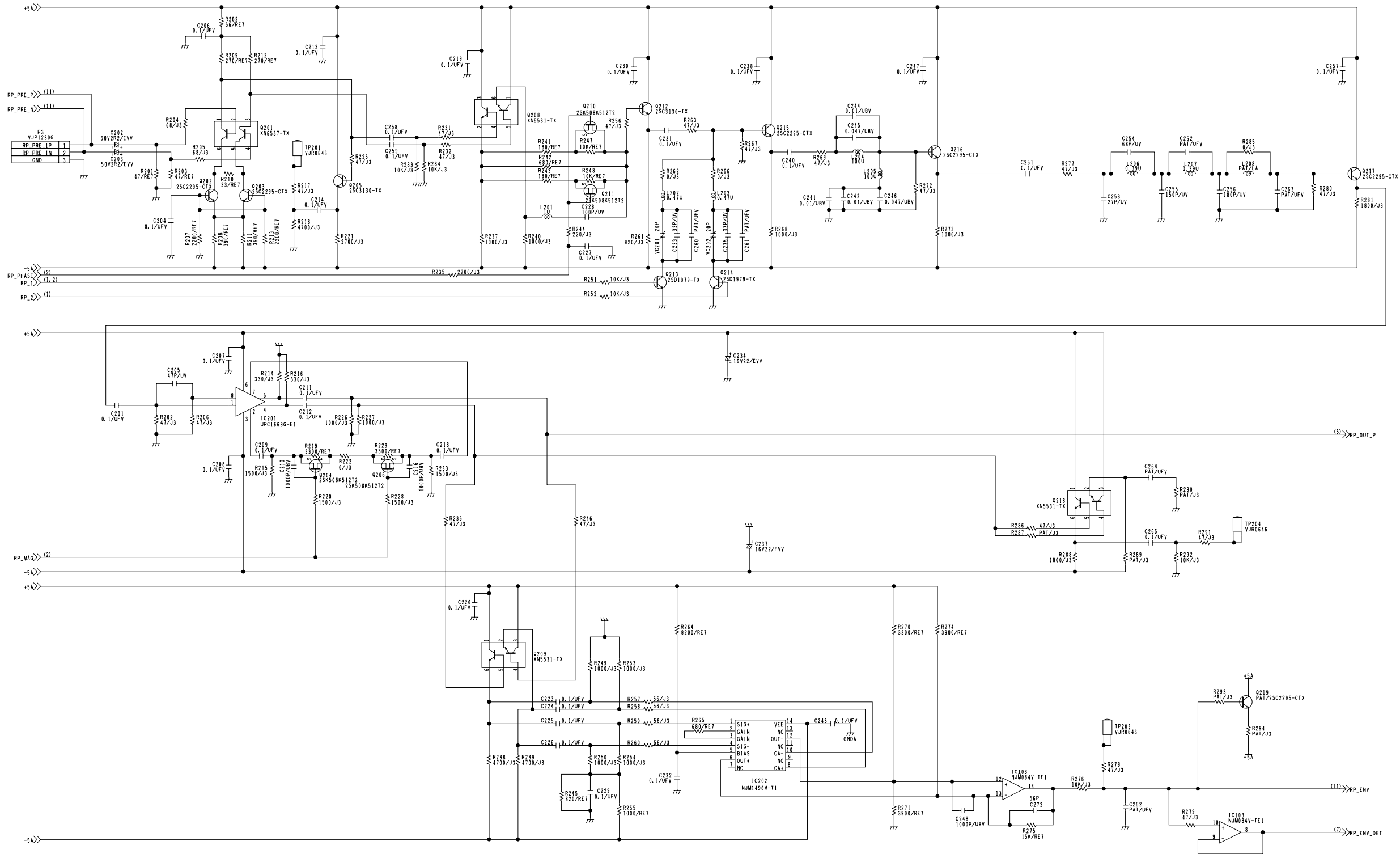
COMPONENT NAME	RFEQ (H3, H4)	01/11
CIRCUIT BOARD NO	VEP85163A	MODEL NO
		AJ-D950,PD950
		SCM257



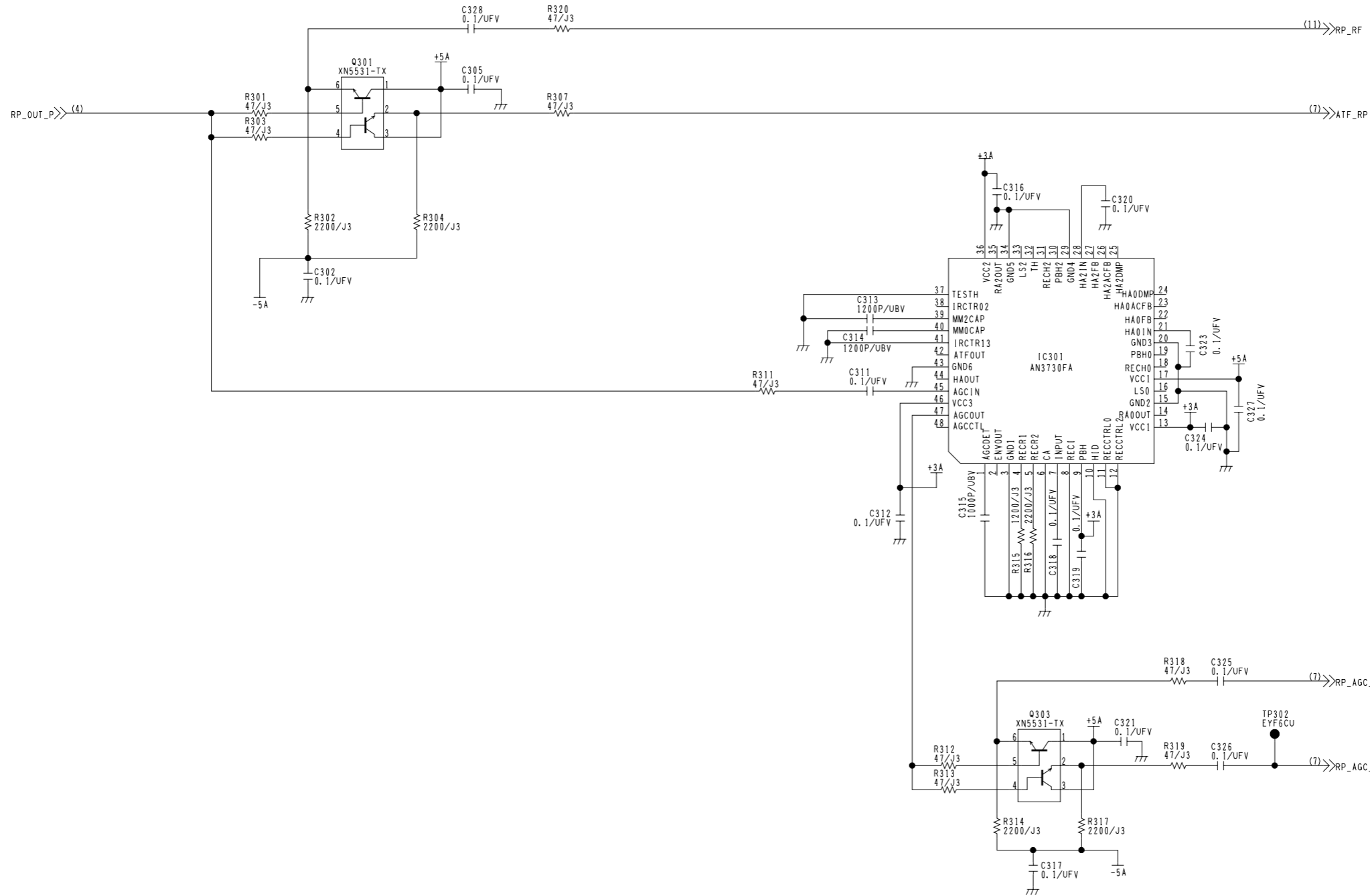
COMPONENT NAME	RFEQ (H3, H4)	02/11
CIRCUIT BOARD NO	VEP85163A	MODEL NO
		AJ-D950,PD950
		SCM258



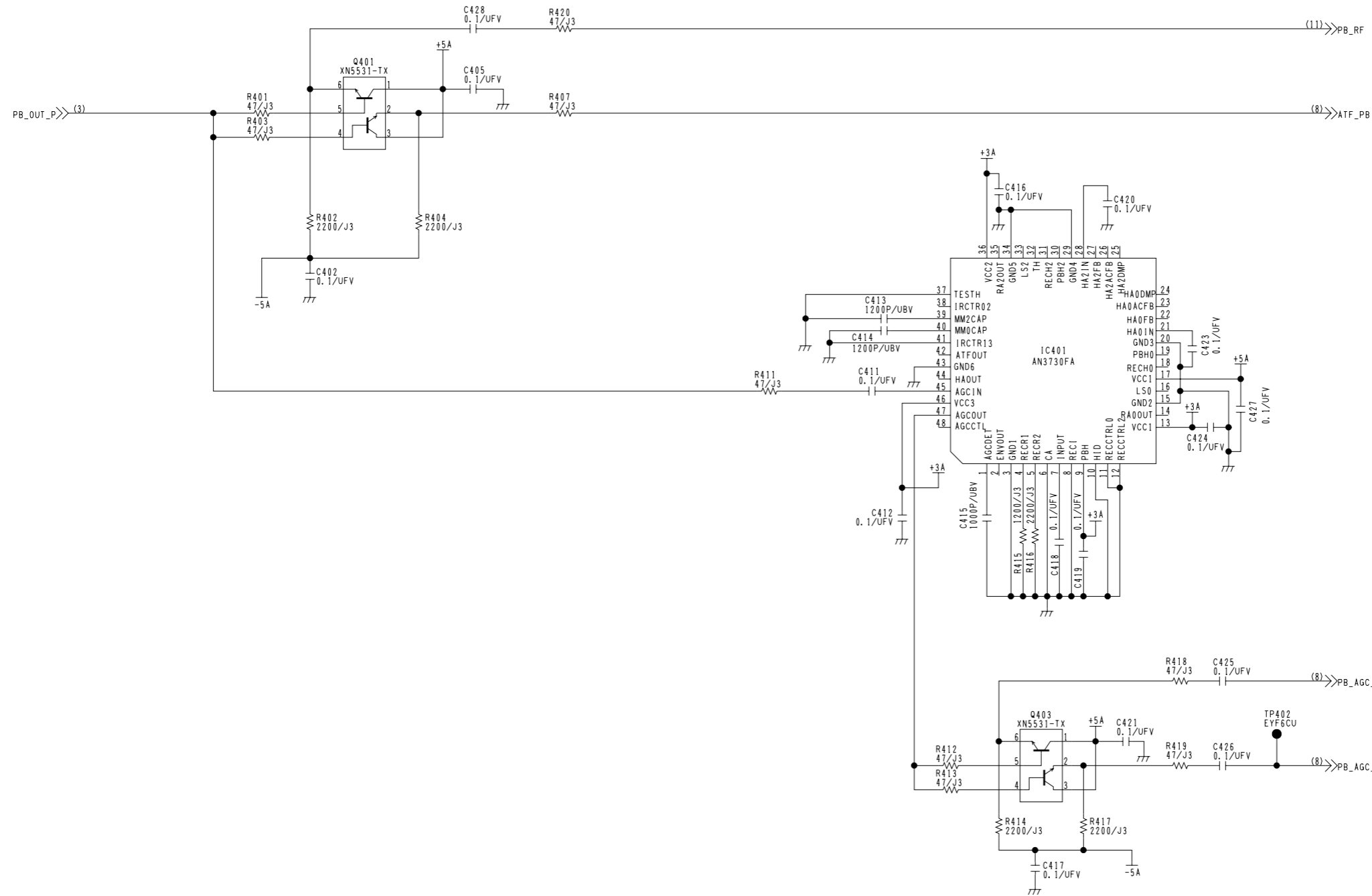
COMPONENT NAME	RFEQ (H3, H4)	03/11
CIRCUIT BOARD NO	VEP85163A	MODEL NO
		AJ-D950,PD950
		SCM259



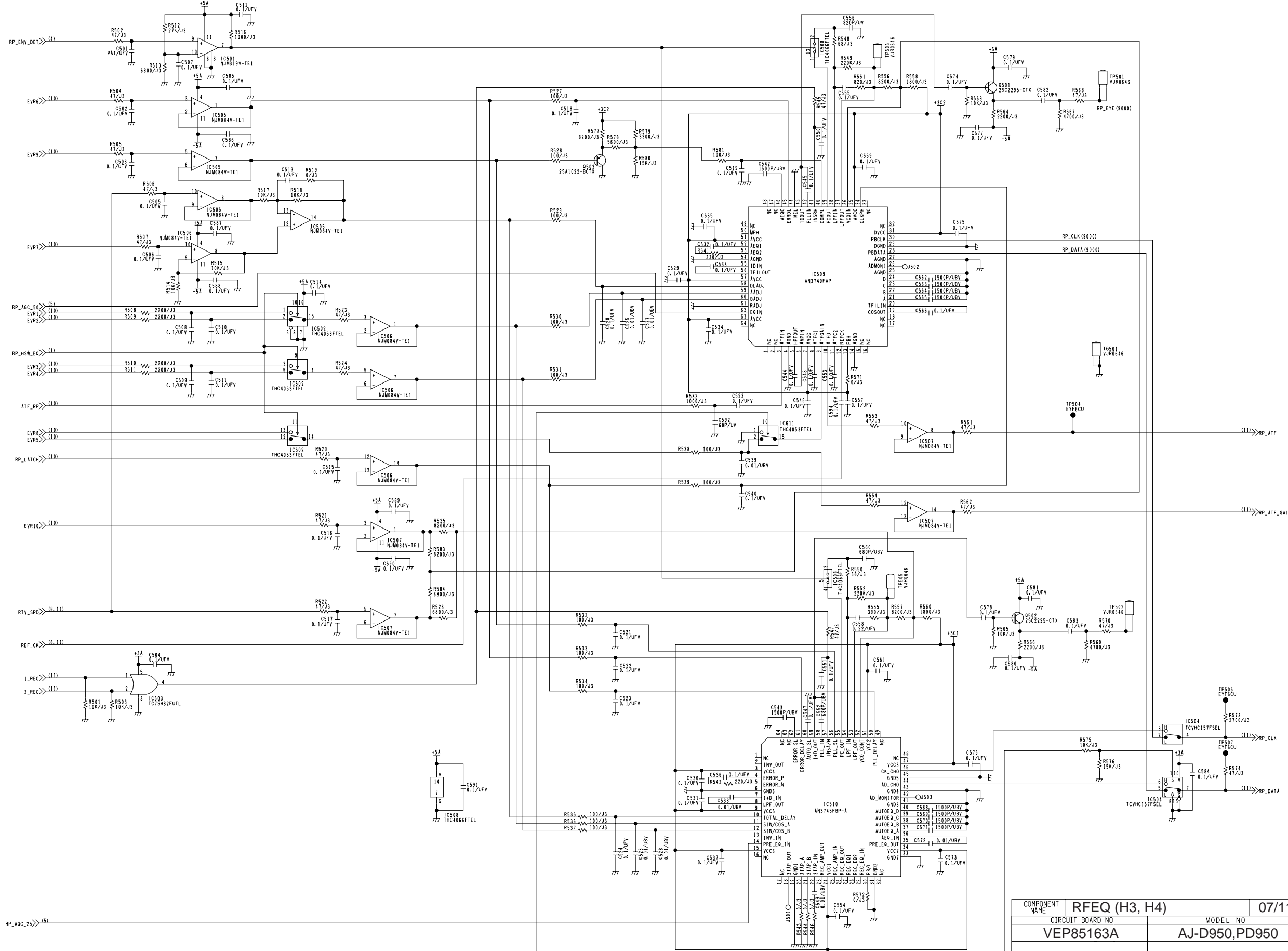
COMPONENT NAME	RFEQ (H3, H4)	04/11
CIRCUIT BOARD NO	VEP85163A	MODEL NO
		AJ-D950,PD950
		SCM260



COMPONENT NAME	RFEQ (H3, H4)	05/11
CIRCUIT BOARD NO	VEP85163A	MODEL NO
		AJ-D950,PD950
		SCM261

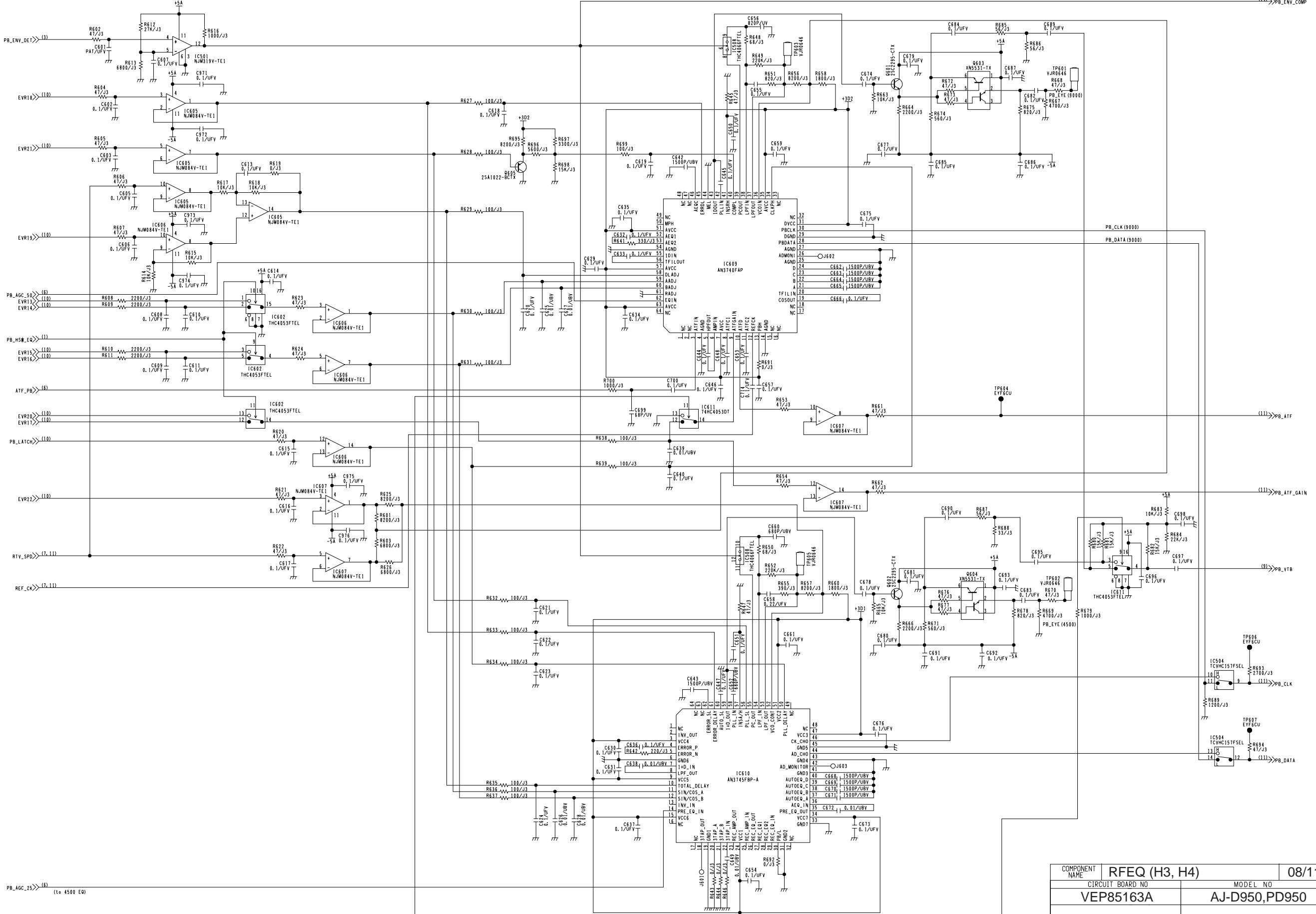


COMPONENT NAME	RFEQ (H3, H4)	06/11
CIRCUIT BOARD NO	VEP85163A	MODEL NO
		AJ-D950,PD950
		SCM262



COMPONENT NAME	RFEQ (H3, H4)	07/11
CIRCUIT BOARD NO	VEP85163A	MODEL NO
		AJ-D950,PD950
		SCM263





PB\_ENV\_DET >>> (3)

EVRI8 >>> (10)

EVRI2 >>> (10)

EVRI9 >>> (10)

PB\_AGC\_50 >>> (6)

EVRI13 >>> (10)

EVRI14 >>> (10)

PB\_HSW\_EQ >>> (1)

EVRI5 >>> (10)

EVRI6 >>> (10)

ATF\_PB >>> (6)

EVRI20 >>> (10)

EVRI1 >>> (10)

PB\_LATCH >>> (10)

EVRI22 >>> (10)

RTV\_SPD >>> (7, 11)

REF\_CK >>> (7, 11)

PB\_AGC\_25 >>> (6)

(to 4500 EQ)

25H\_50L >>> (7, 10, 11)

PB\_CLK (9000)

PB\_DATA (9000)

>>> PB\_ATF

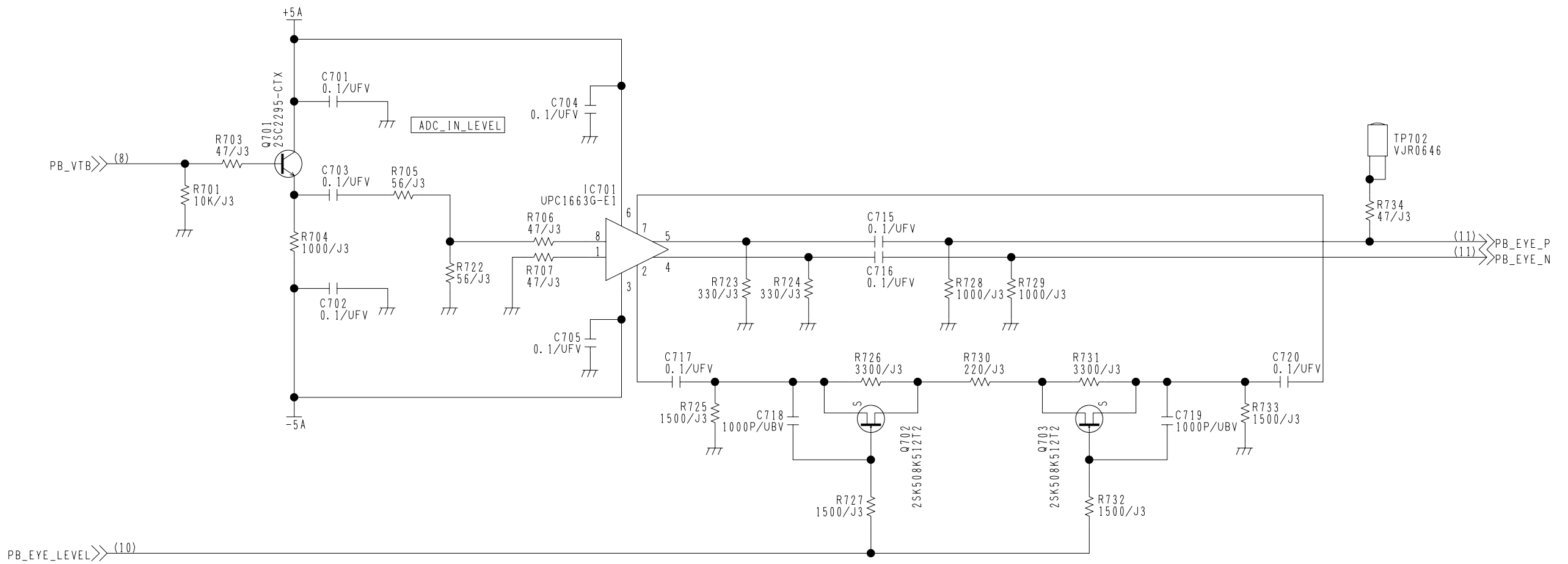
>>> PB\_ATF\_GAIN

>>> PB\_VTB

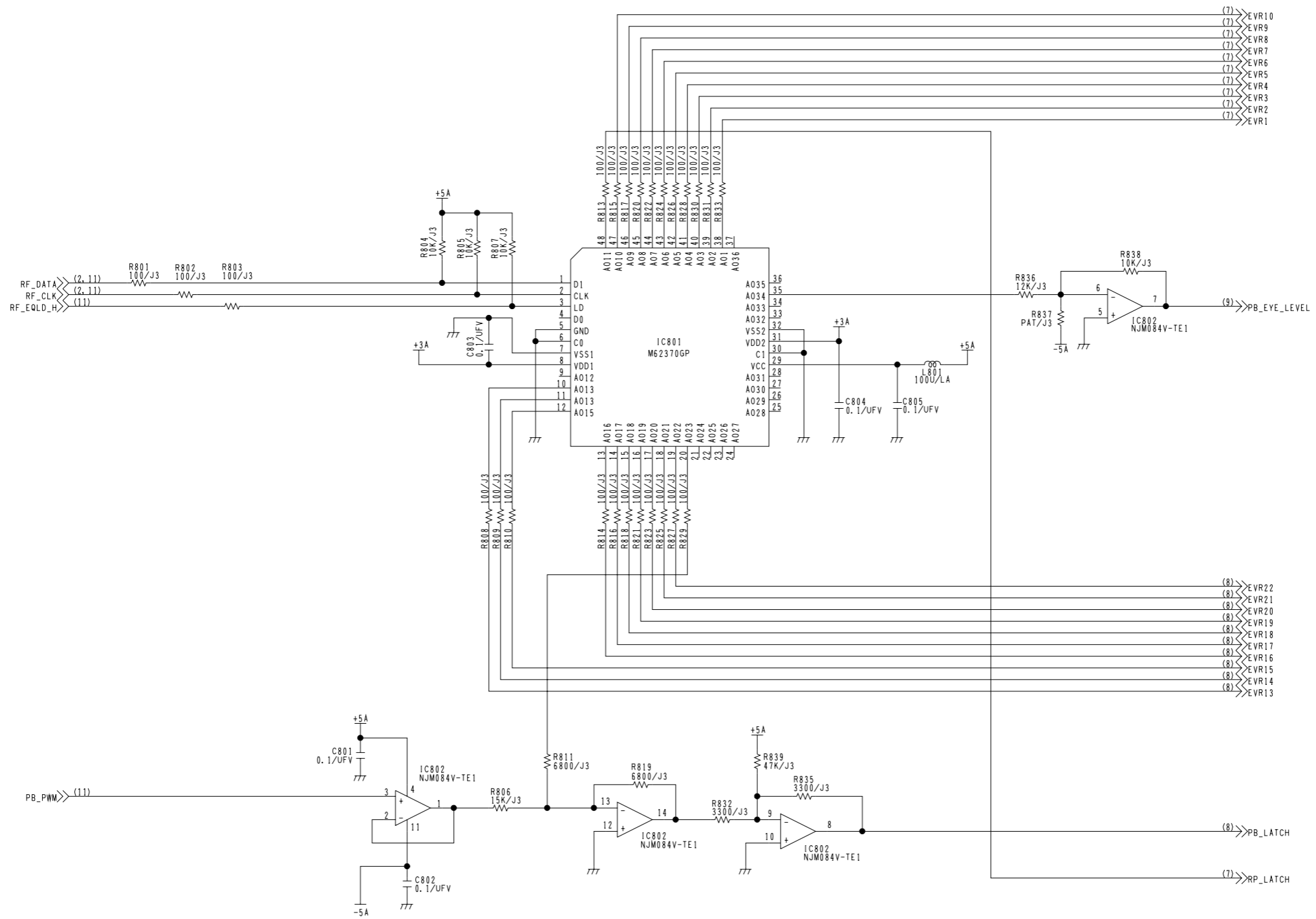
>>> PB\_CLK

>>> PB\_DATA

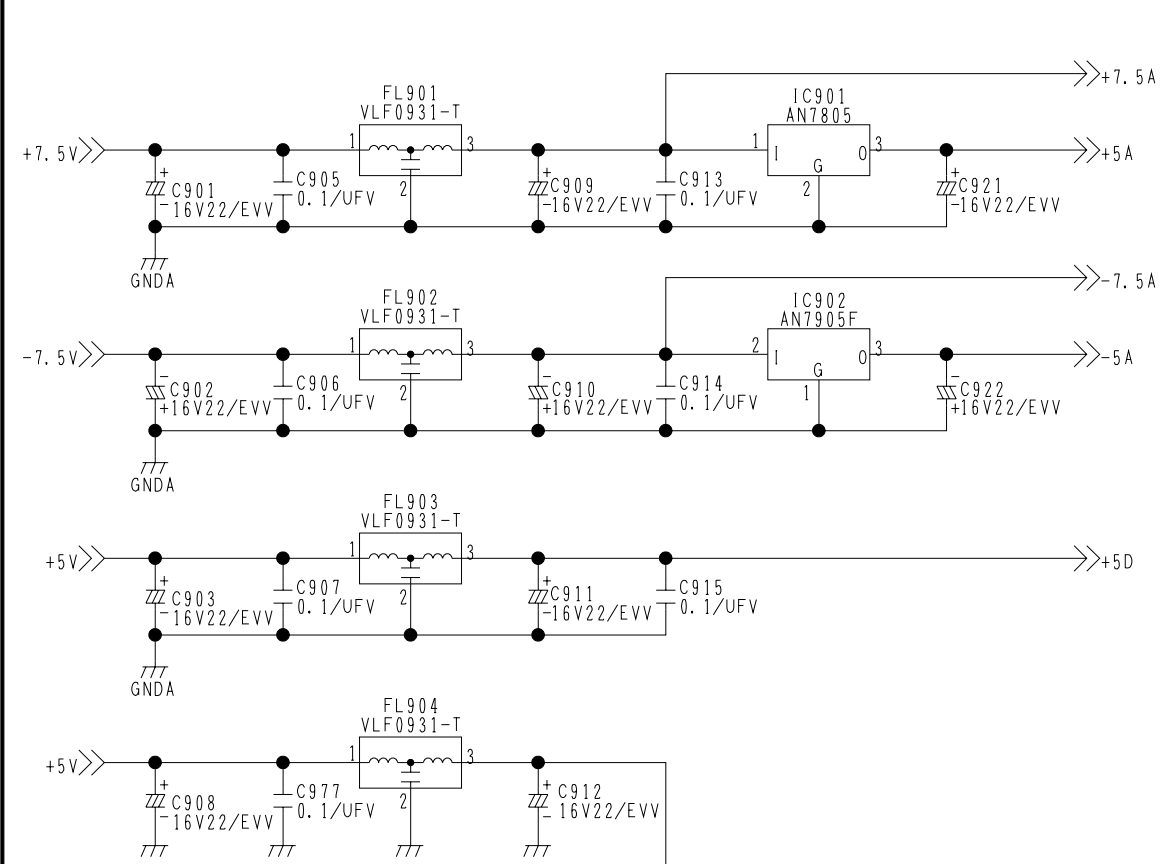
COMPONENT NAME	RFEQ (H3, H4)	08/11
CIRCUIT BOARD NO	VEP85163A	MODEL NO
		AJ-D950,PD950
SCM264		



COMPONENT NAME	RFEQ (H3, H4)	09/11
CIRCUIT BOARD NO	VEP85163A	MODEL NO
		AJ-D950,PD950
		SCM265



COMPONENT NAME	RFEQ (H3, H4)	MODEL NO	10/11
CIRCUIT BOARD NO	VEP85163A	MODEL NO	AJ-D950,PD950
			SCM266



P1  
VJP3454B096

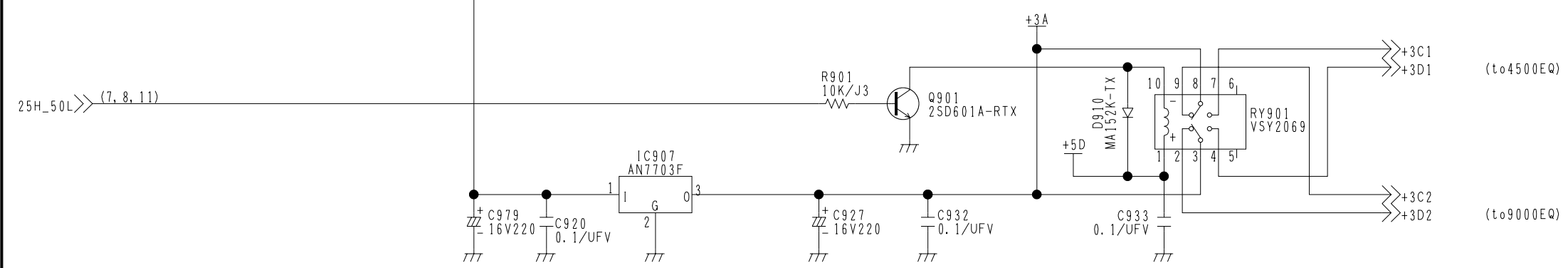
GND4	1A	GND4
	2A	
	3A	
+7.5V	4A	+7.5V
-7.5V	5A	-7.5V
GND4	6A	GND4
PB_EYE_P (9)	7A	PB_EYE_P
GND4	8A	GND4
RTV_SPD (7, 8)	9A	RTV_SPD
PB_ATF (8)	10A	PB_ATF
PB_WFM_ENV (3)	11A	PB_WFM_ENV
1_REC (7)	12A	1_REC
RP_CLK (8)	13A	RP_CLK
PB_CLK (7)	14A	PB_CLK
GND4	15A	GND4
RE_1_CURR (2)	16A	RE_1_CURR
RE_2_CURR (2)	17A	RE_2_CURR
GND4	18A	GND4
RP_HSW (1)	19A	RP_HSW
RP_ENV (4)	20A	RP_ENV
RP_ATF_GAIN (7)	21A	RP_ATF_GAIN
GND4	22A	GND4
RF_CLK (2, 10)	23A	RF_CLK
RF_HALD_H (2)	24A	RF_HALD_H
GND4	25A	GND4
GND4	26A	GND4
GND4	27A	GND4
GND4	28A	GND4
	29A	
+5V	30A	+5V
-5V	31A	-5V
GND4	32A	GND4

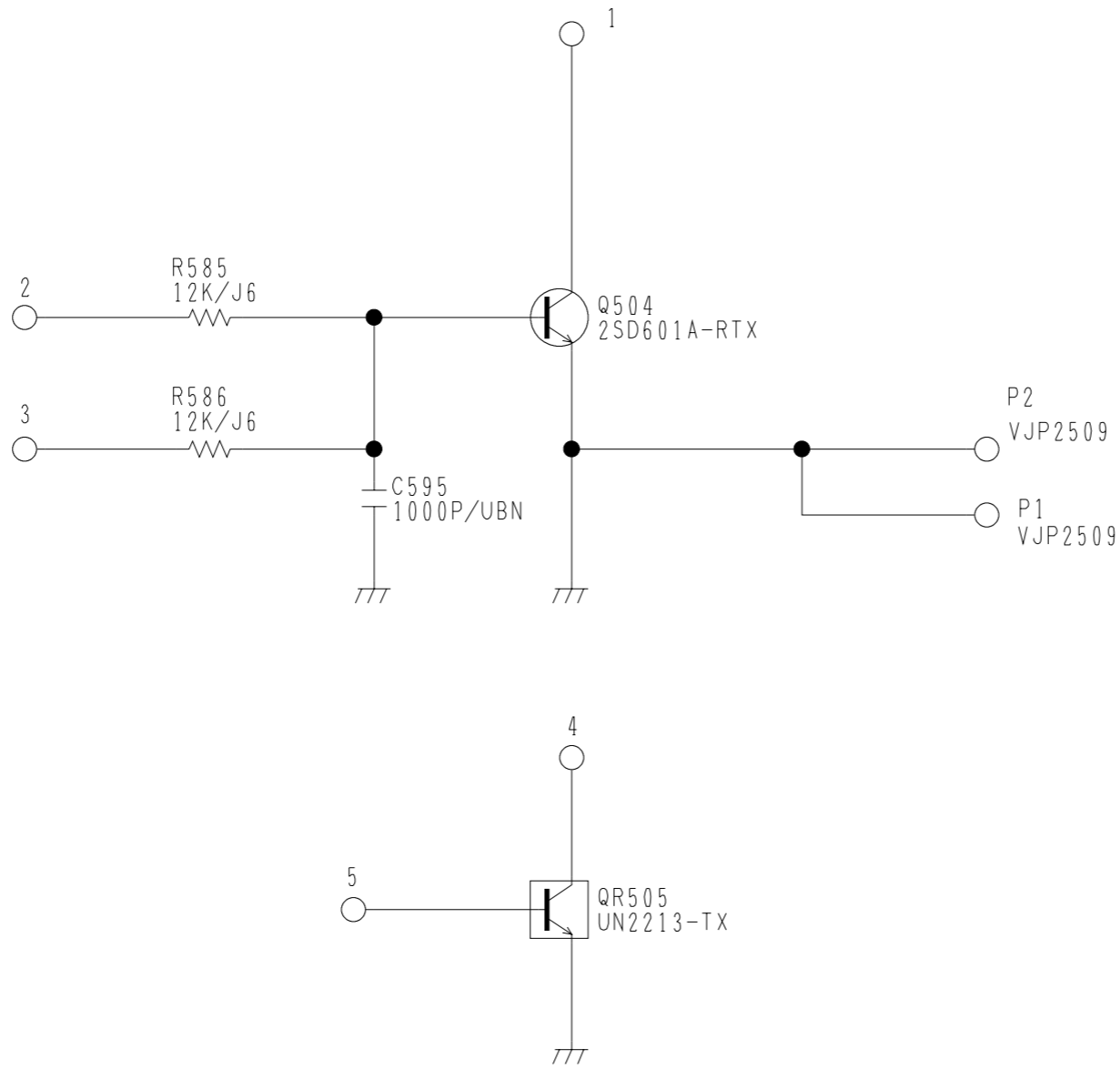
P1  
VJP3454B096

GND4	1B	GND4
	2B	
	3B	
+7.5V	4B	+7.5V
-7.5V	5B	-7.5V
GND4	6B	GND4
PB_EYE_N (9)	7B	PB_EYE_N
GND4	8B	GND4
REF_CHK (7, 8)	9B	REF_CHK
RP_ATF (7)	10B	RP_ATF
	11B	
2_REC (7)	12B	2_REC
RP_DATA (7)	13B	RP_DATA
PB_DATA (8)	14B	PB_DATA
GND4	15B	GND4
REC_1_CURR (2)	16B	REC_1_CURR
REC_2_CURR (2)	17B	REC_2_CURR
GND4	18B	GND4
PB_HSW (1)	19B	PB_HSW
PB_ENV (3)	20B	PB_ENV
PB_ATF_GAIN (8)	21B	PB_ATF_GAIN
GND4	22B	GND4
RF_DATA (2, 10)	23B	RF_DATA
GND4	24B	GND4
PB_PRE_P (3)	25B	PB_PRE_P
GND4	26B	GND4
RP_PRE_P (4)	27B	RP_PRE_P
GND4	28B	GND4
	29B	
+5V	30B	+5V
-5V	31B	-5V
GND4	32B	GND4

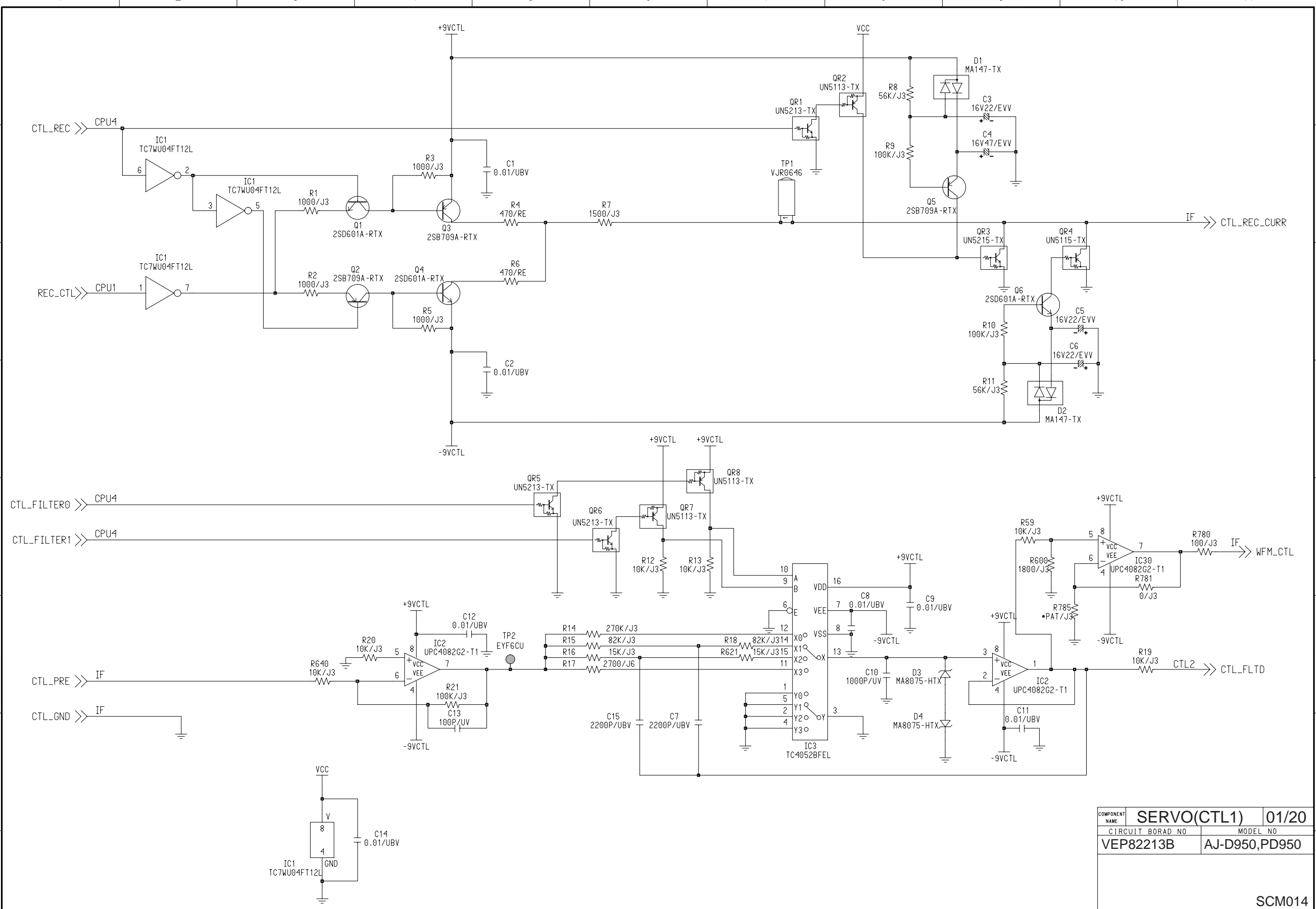
P1  
VJP3454B096

GND4	1C	GND4
	2C	
	3C	
+7.5V	4C	+7.5V
-7.5V	5C	-7.5V
GND4	6C	GND4
	7C	
GND4	8C	GND4
25H_50L (7, 8, 11)	9C	25H_50L
PB_WFM_RF (3)	10C	PB_WFM_RF
	11C	
PB_PWM (10)	12C	PB_PWM
PB_ENV_COMP (8)	13C	PB_ENV_COMP
	14C	
GND4	15C	GND4
REC_1_FREQ (2)	16C	REC_1_FREQ
REC_2_FREQ (2)	17C	REC_2_FREQ
GND4	18C	GND4
RP_RF (5)	19C	RP_RF
PB_RF (6)	20C	PB_RF
GND4	21C	GND4
GND4	22C	GND4
RF_EQLD_H (10)	23C	RF_EQLD_H
GND4	24C	GND4
PB_PRE_N (3)	25C	PB_PRE_N
GND4	26C	GND4
RP_PRE_N (4)	27C	RP_PRE_N
GND4	28C	GND4
	29C	
+5V	30C	+5V
-5V	31C	-5V
GND4	32C	GND4

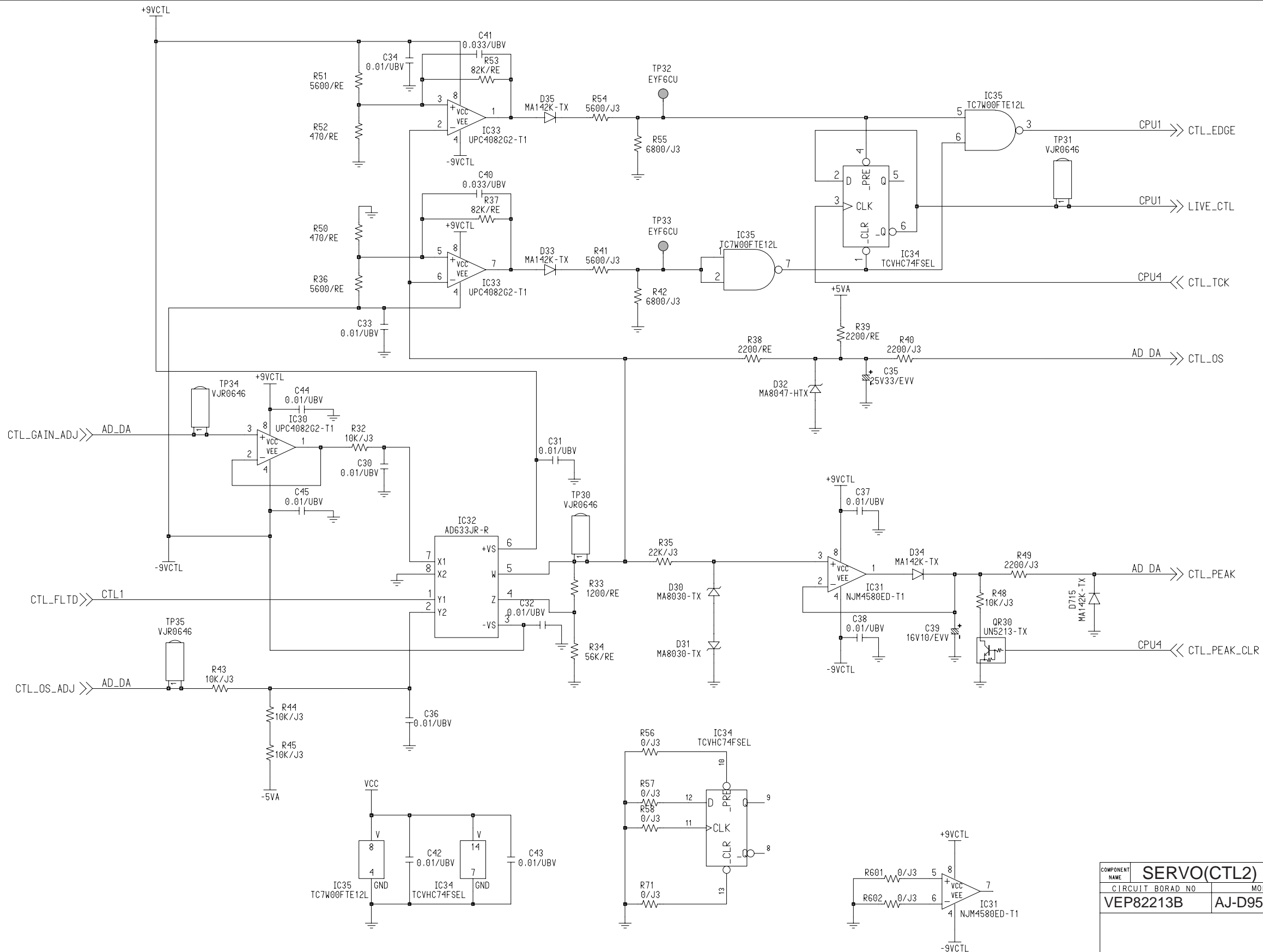




COMPONENT NAME	B75,B76,RF_EQ	01/01
CIRCUIT BOARD NO	VEP85173A	MODEL NO
		AJ-D950,PD950
		SCM268



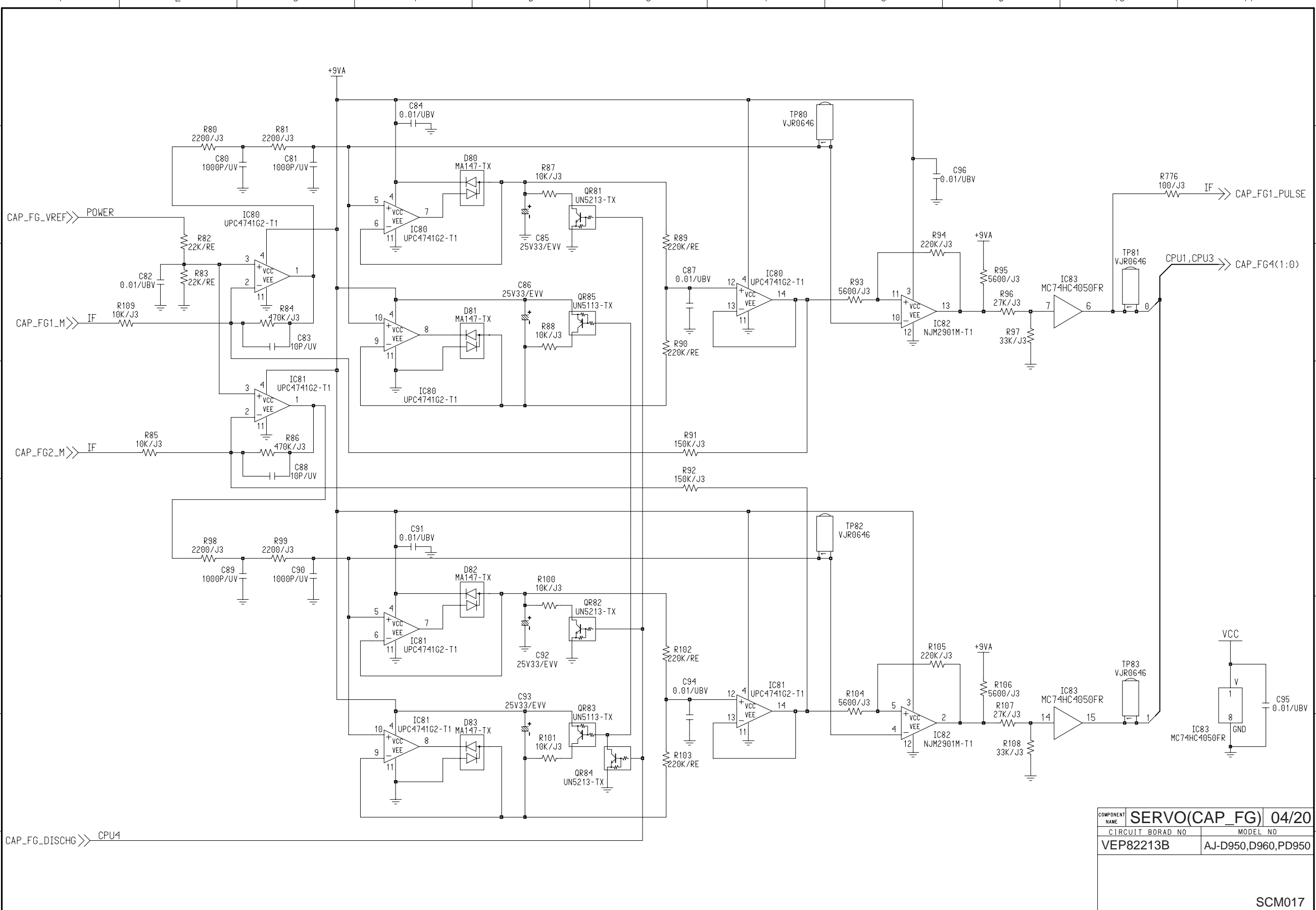
COMPONENT NAME	SERVO(CTL1)	01/20
CIRCUIT BORAD NO	VEP82213B	MODEL NO AJ-D950,PD950



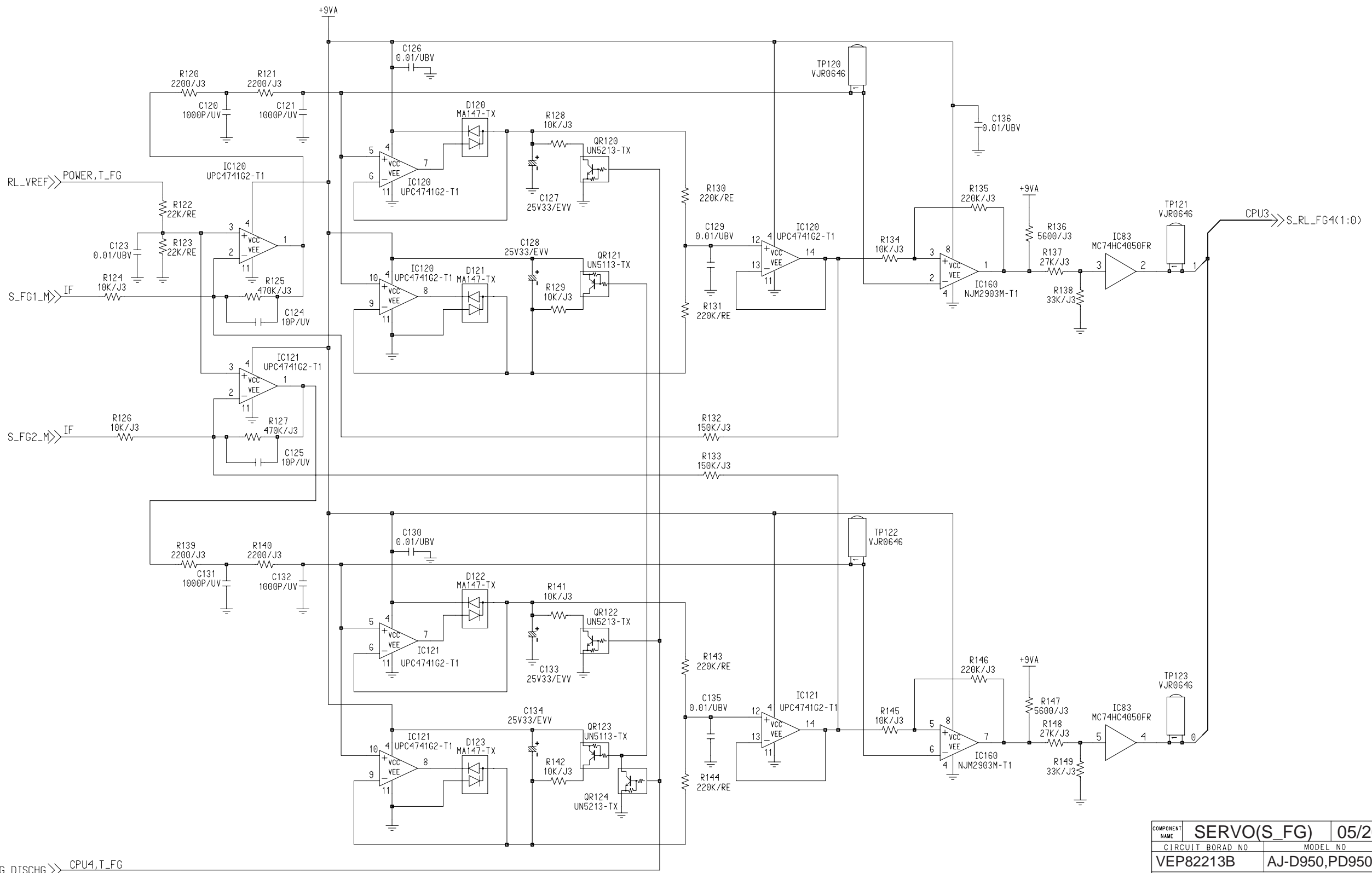
COMPONENT NAME	SERVO(CTL2)	02/20
CIRCUIT BORAD NO	VEP82213B	MODEL NO
		AJ-D950,PD950



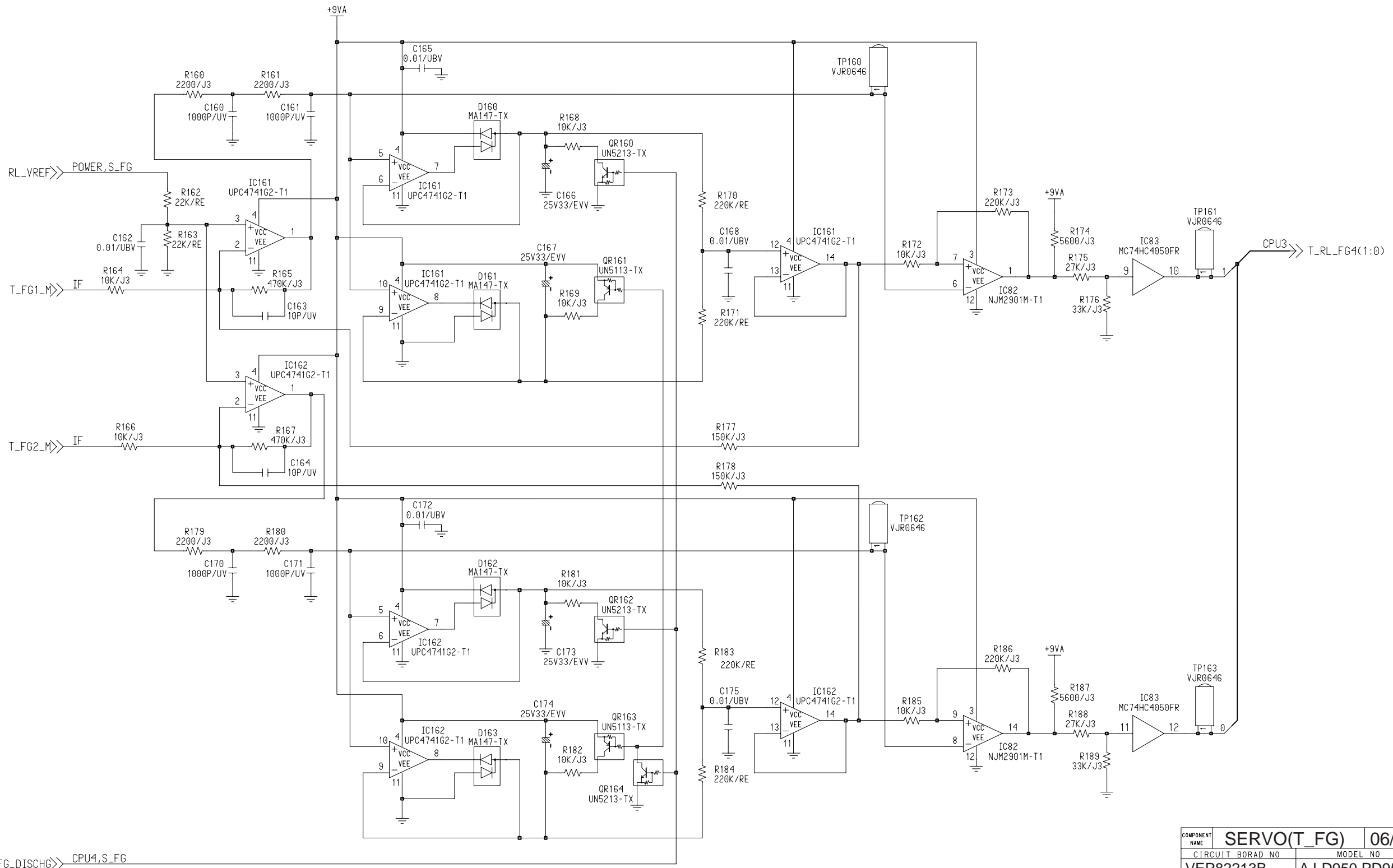




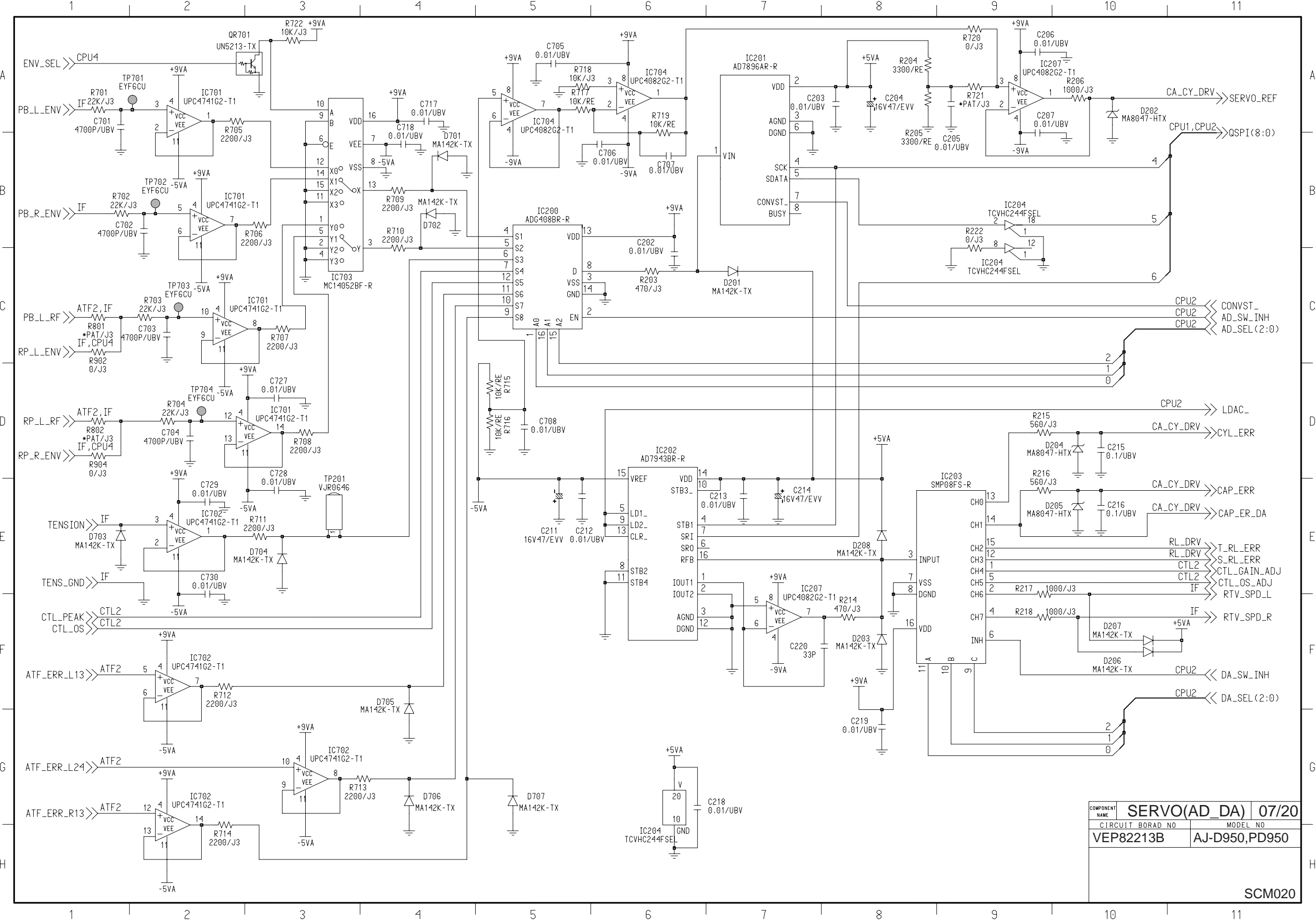
COMPONENT NAME	<b>SERVO(CAP_FG) 04/20</b>	
CIRCUIT BOARD NO	MODEL NO	
<b>VEP82213B</b>	<b>AJ-D950,D960,PD950</b>	
<b>SCM017</b>		



COMPONENT NAME	SERVO(S_FG)	05/20
CIRCUIT BOARD NO	VEP82213B	MODEL NO
		AJ-D950,PD950

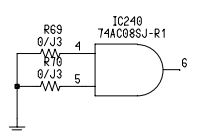
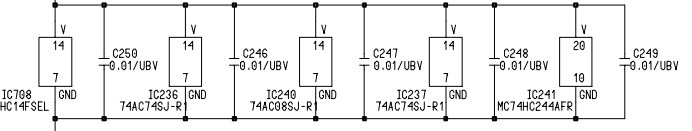
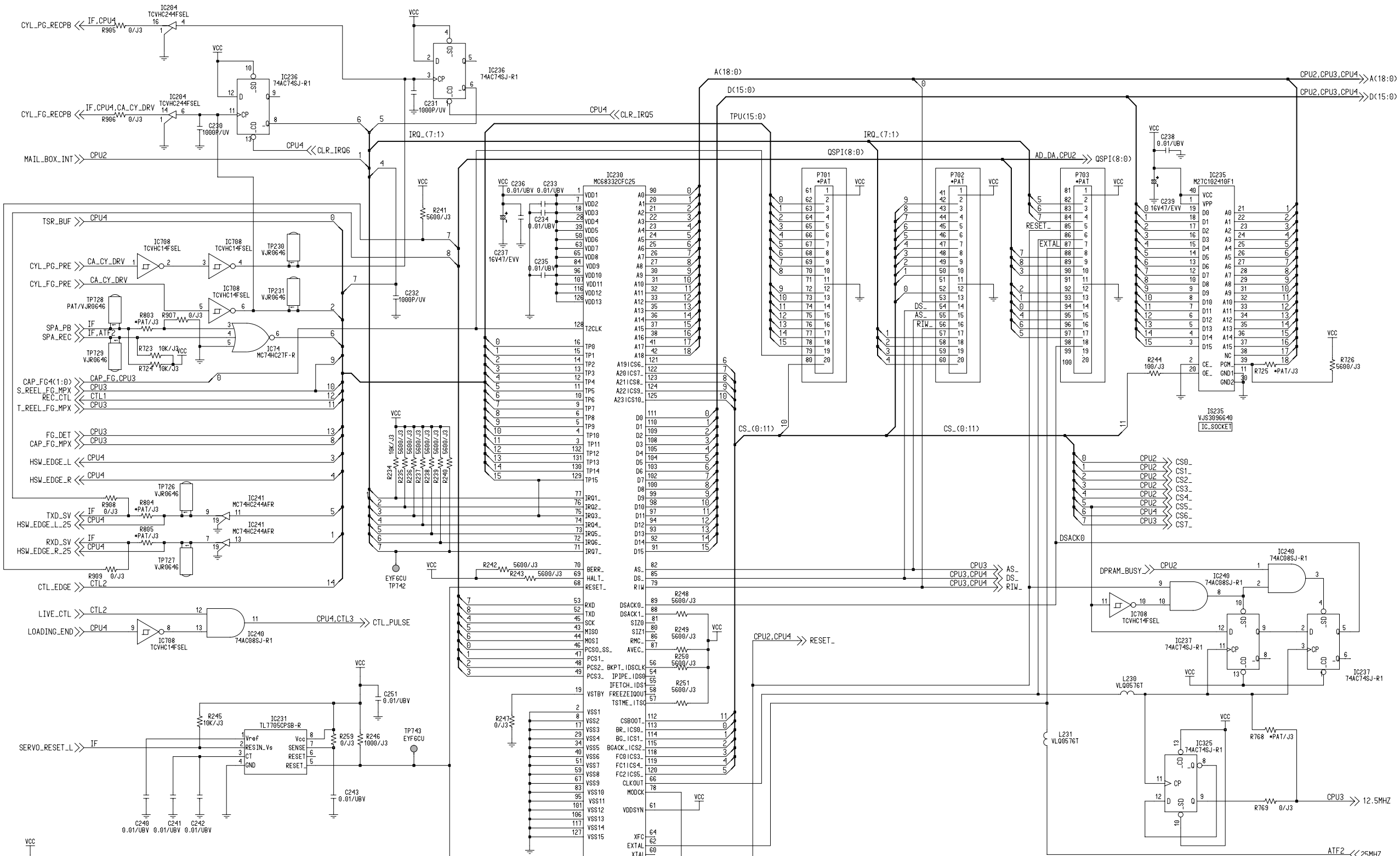


COMPONENT NAME	SERVO(T_FG)	06/20
CIRCUIT BOARD NO	VEP82213B	MODEL NO
		AJ-D950,PD950

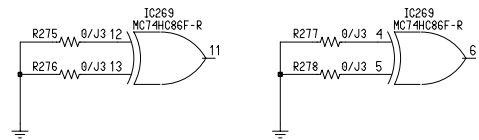
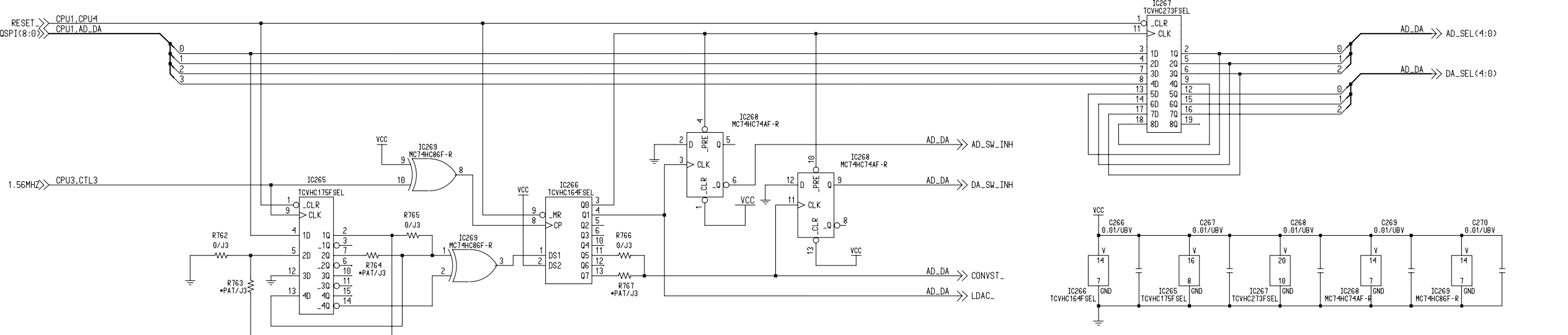
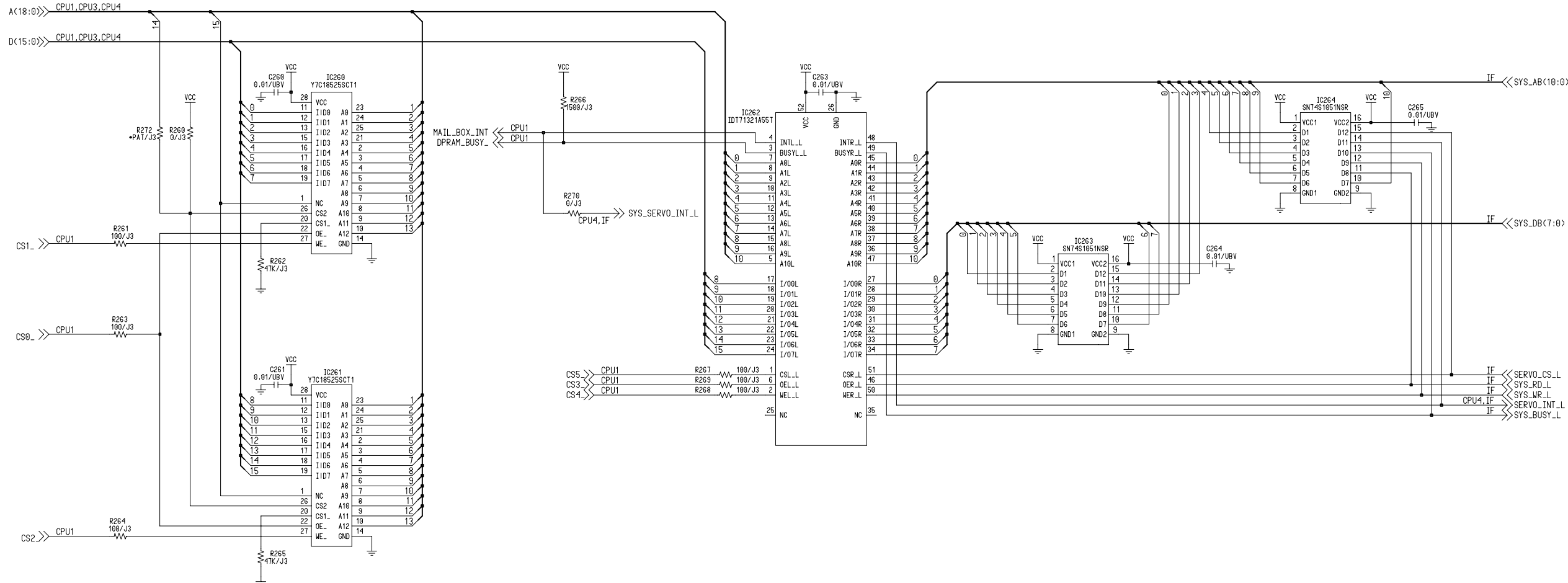


COMPONENT NAME	SERVO(AD_DA) 07/20	
CIRCUIT BORAD NO	MODEL NO	
VEP82213B	AJ-D950,PD950	

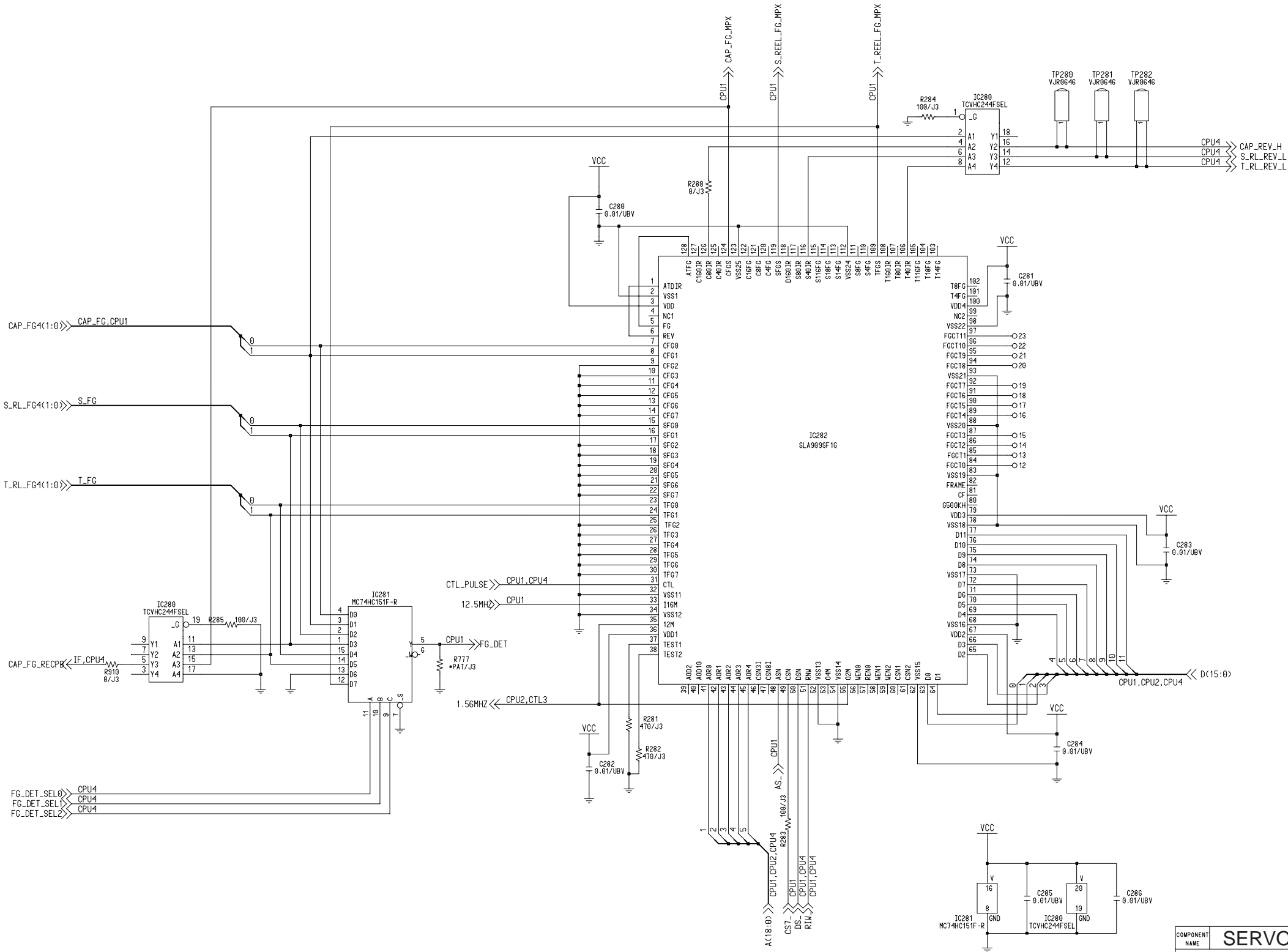
SCM020



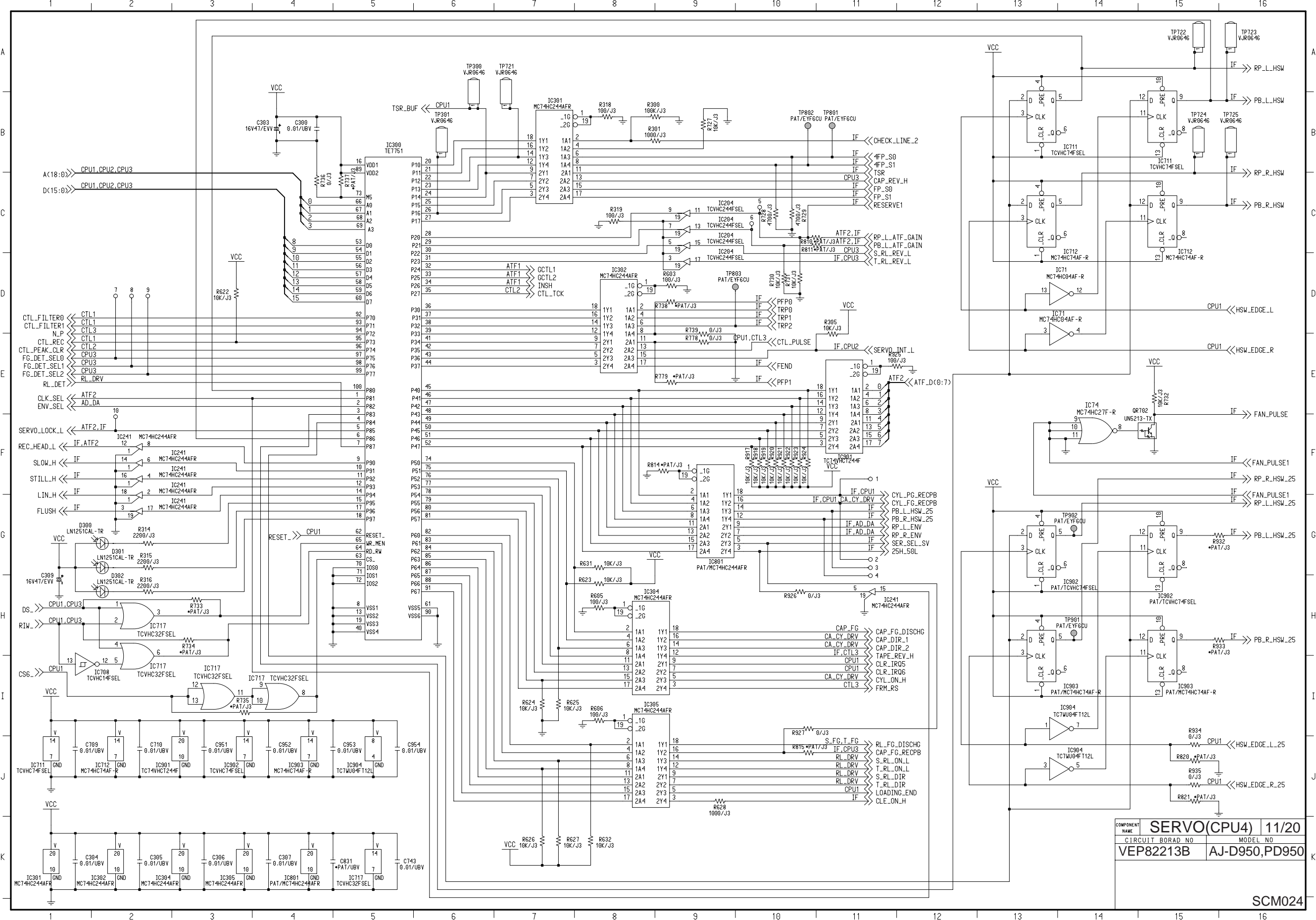
COMPONENT NAME	SERVO(CPU1)	08/20
CIRCUIT BOARD NO	MODEL NO	
VEP82213B	AJ-D950,PD950	



COMPONENT NAME	SERVO(CPU2)	09/20
CIRCUIT BOARD NO	MODEL NO	
VEP82213B	AJ-D950,PD950	

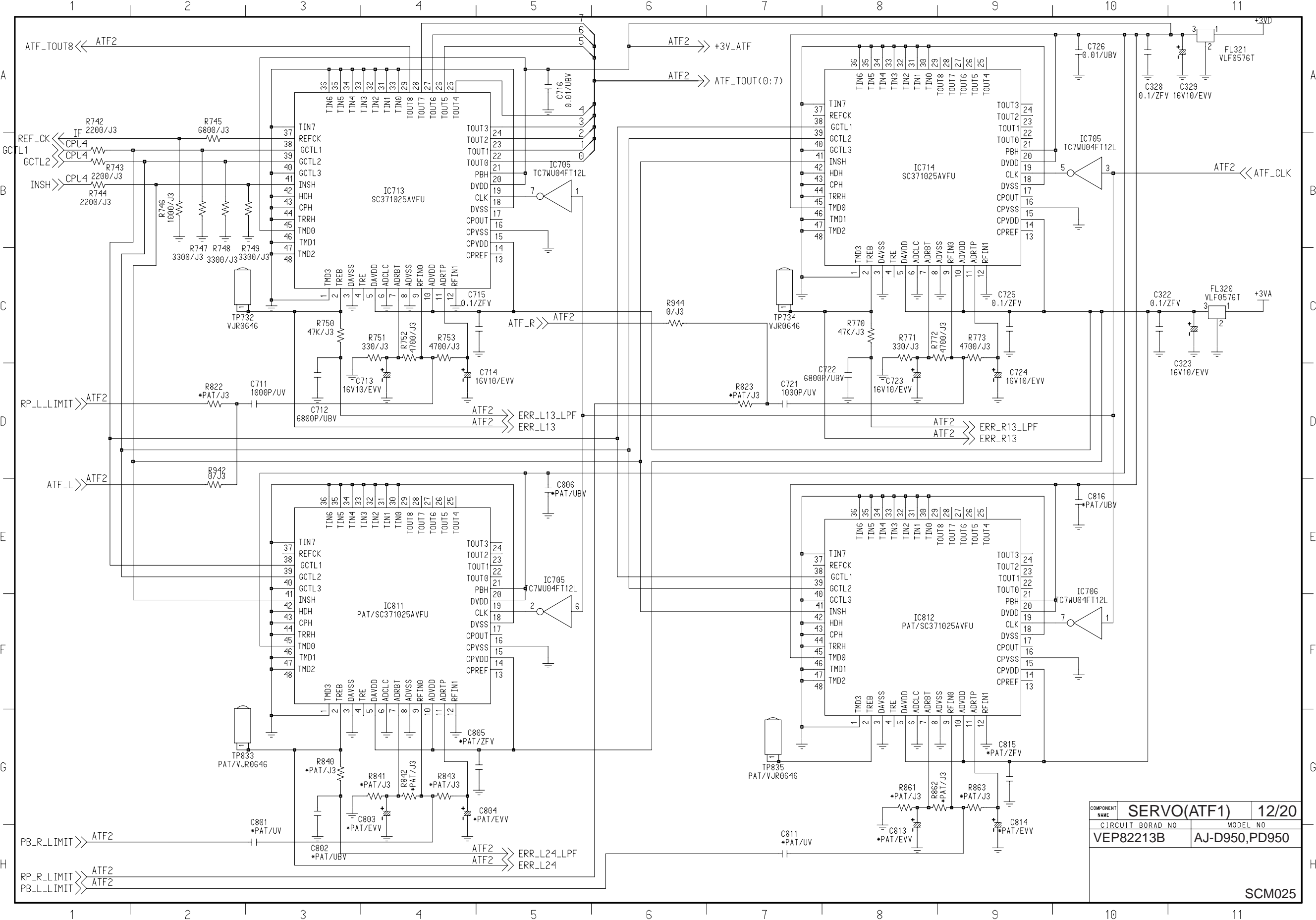


COMPONENT NAME	SERVO(CPU3)	10/20
CIRCUIT BOARD NO	MODEL NO	
VEP82213B	AJ-D950,PD950	



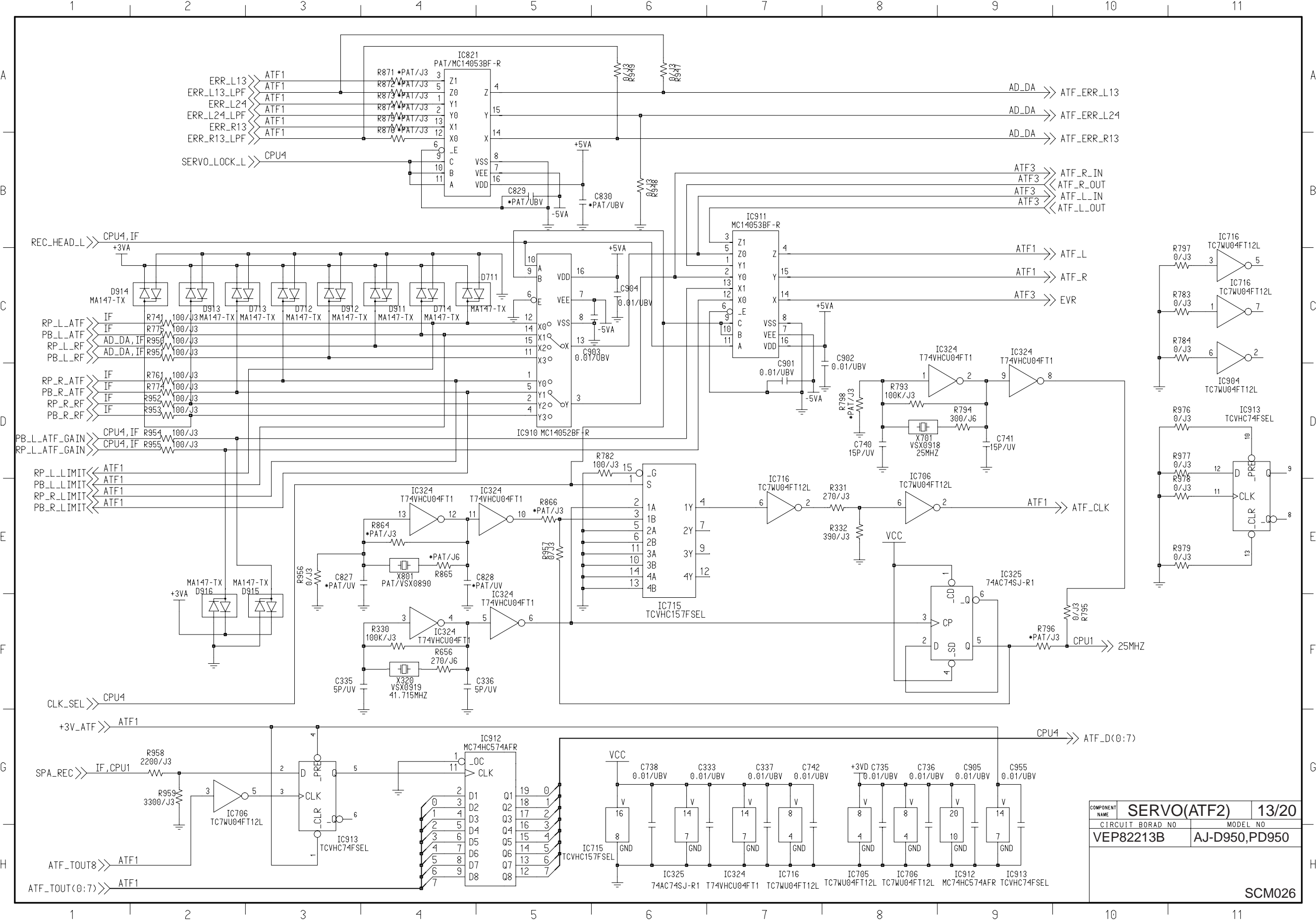
COMPONENT NAME	SERVO(CPU4) 11/20	
CIRCUIT BOARD NO	VEP82213B	MODEL NO
	AJ-D950,PD950	



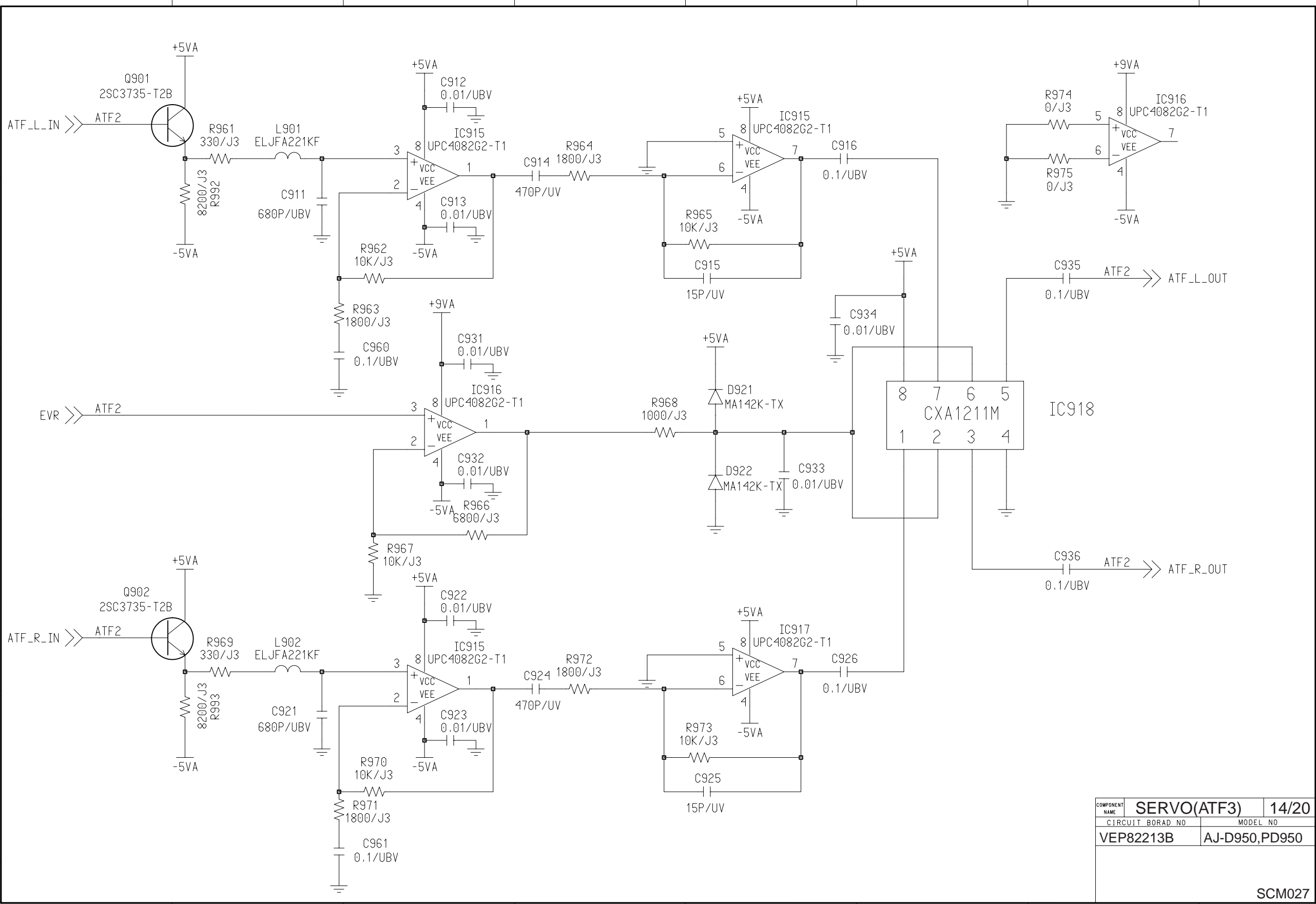


COMPONENT NAME	SERVO(ATF1)	12/20
CIRCUIT BOARD NO	VEP82213B	MODEL NO
		AJ-D950,PD950

SCM025

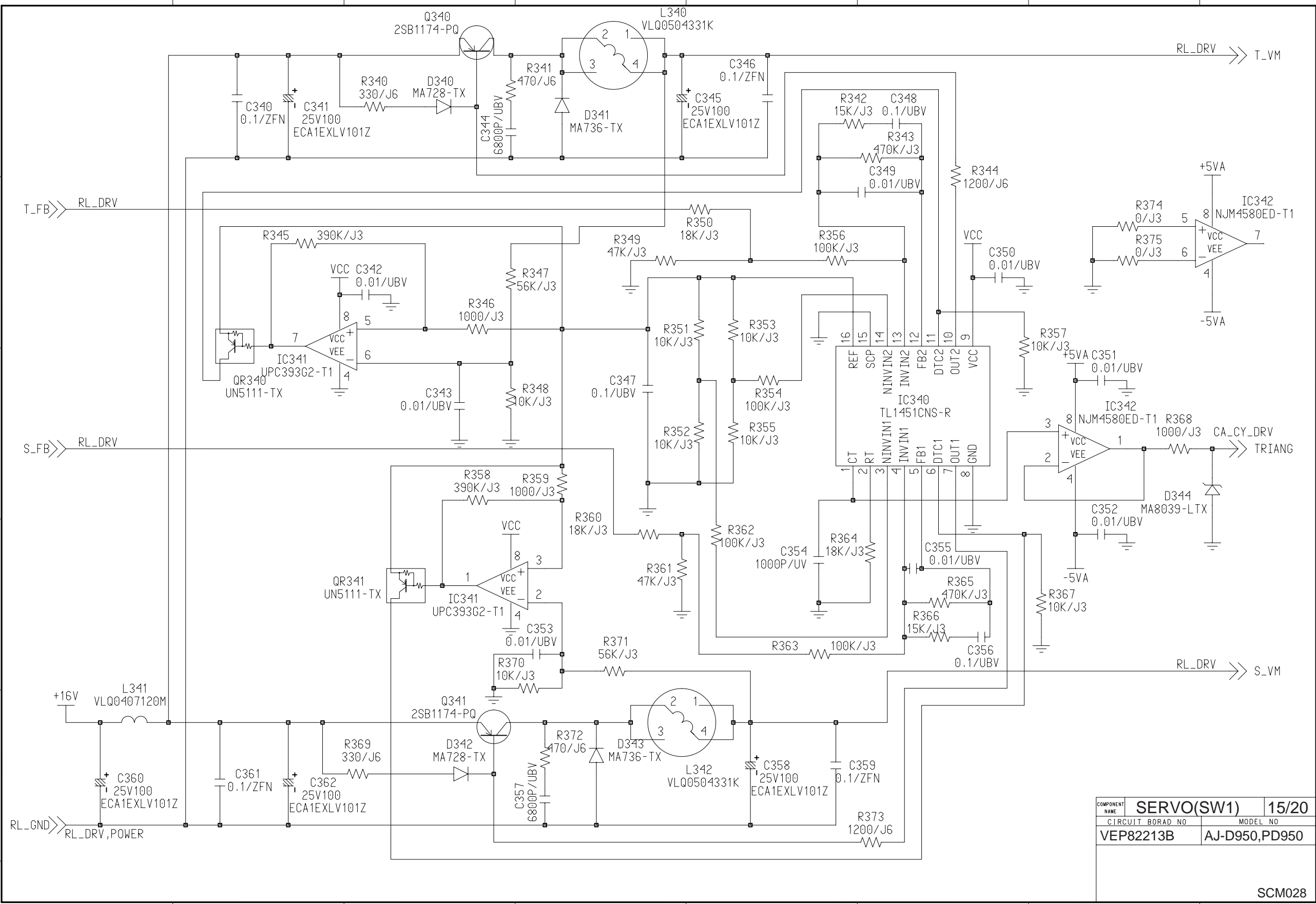


COMPONENT NAME	SERVO(ATF2)	13/20
CIRCUIT BOARD NO	VEP82213B	MODEL NO
		AJ-D950,PD950

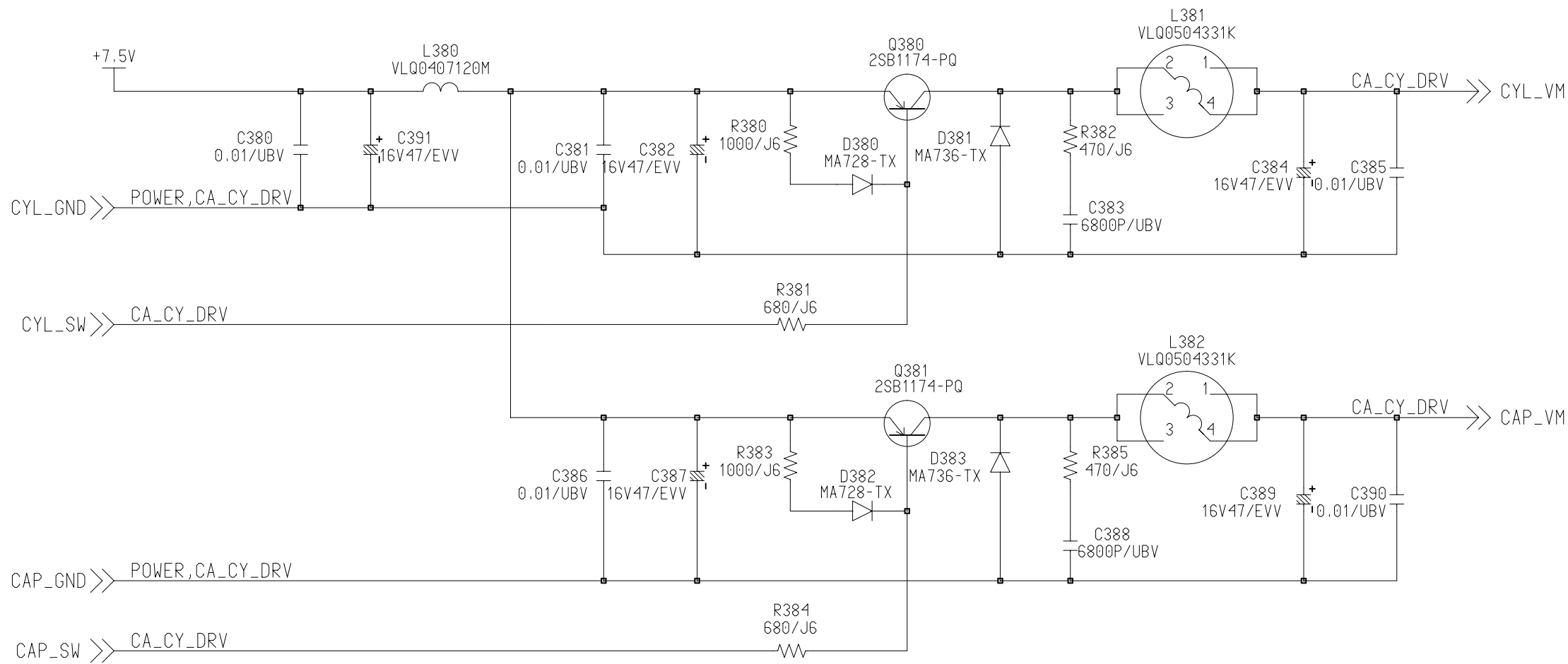


COMPONENT NAME	SERVO(ATF3)	14/20
CIRCUIT BORAD NO	MODEL NO	
VEP82213B	AJ-D950,PD950	

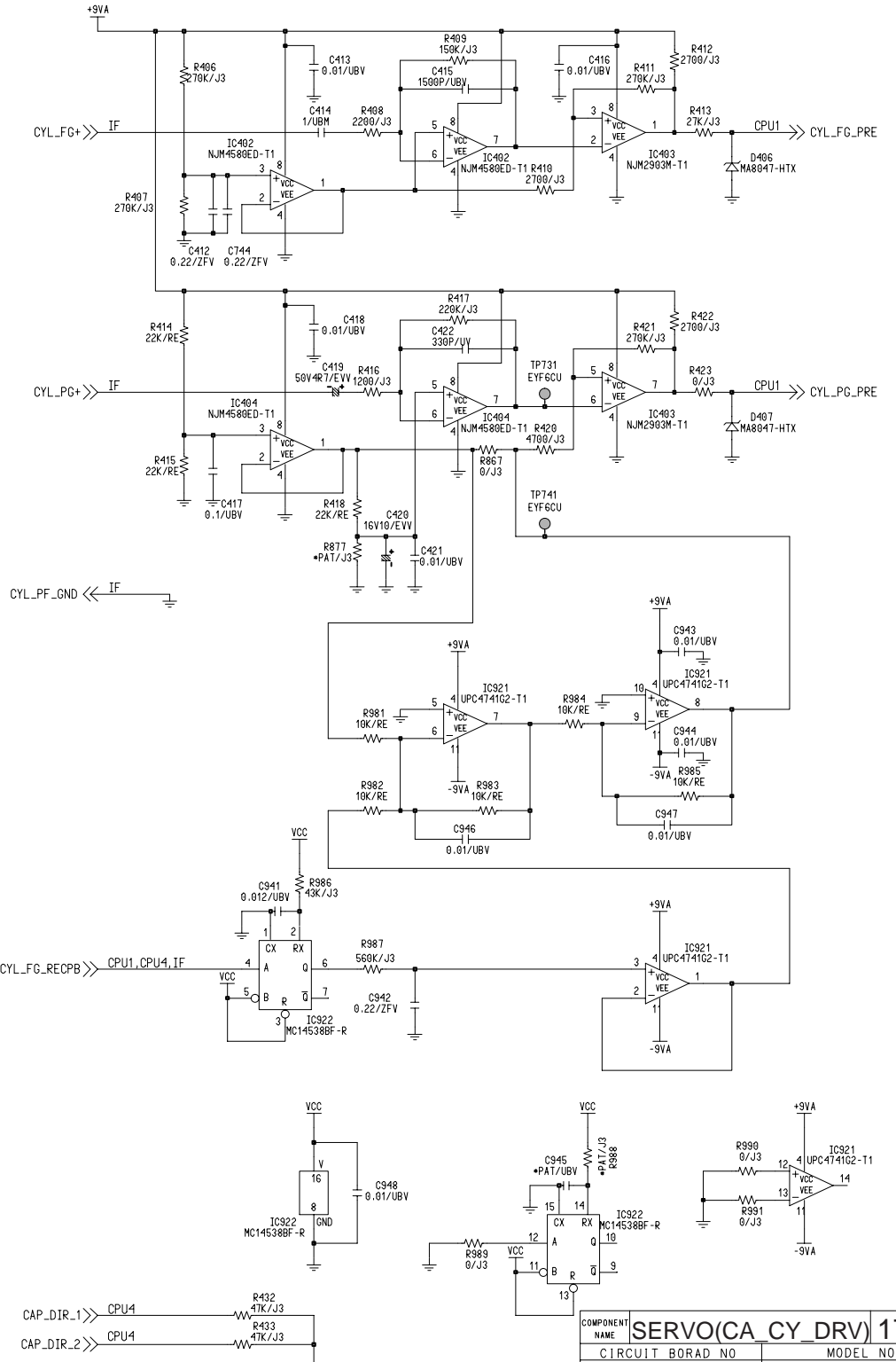
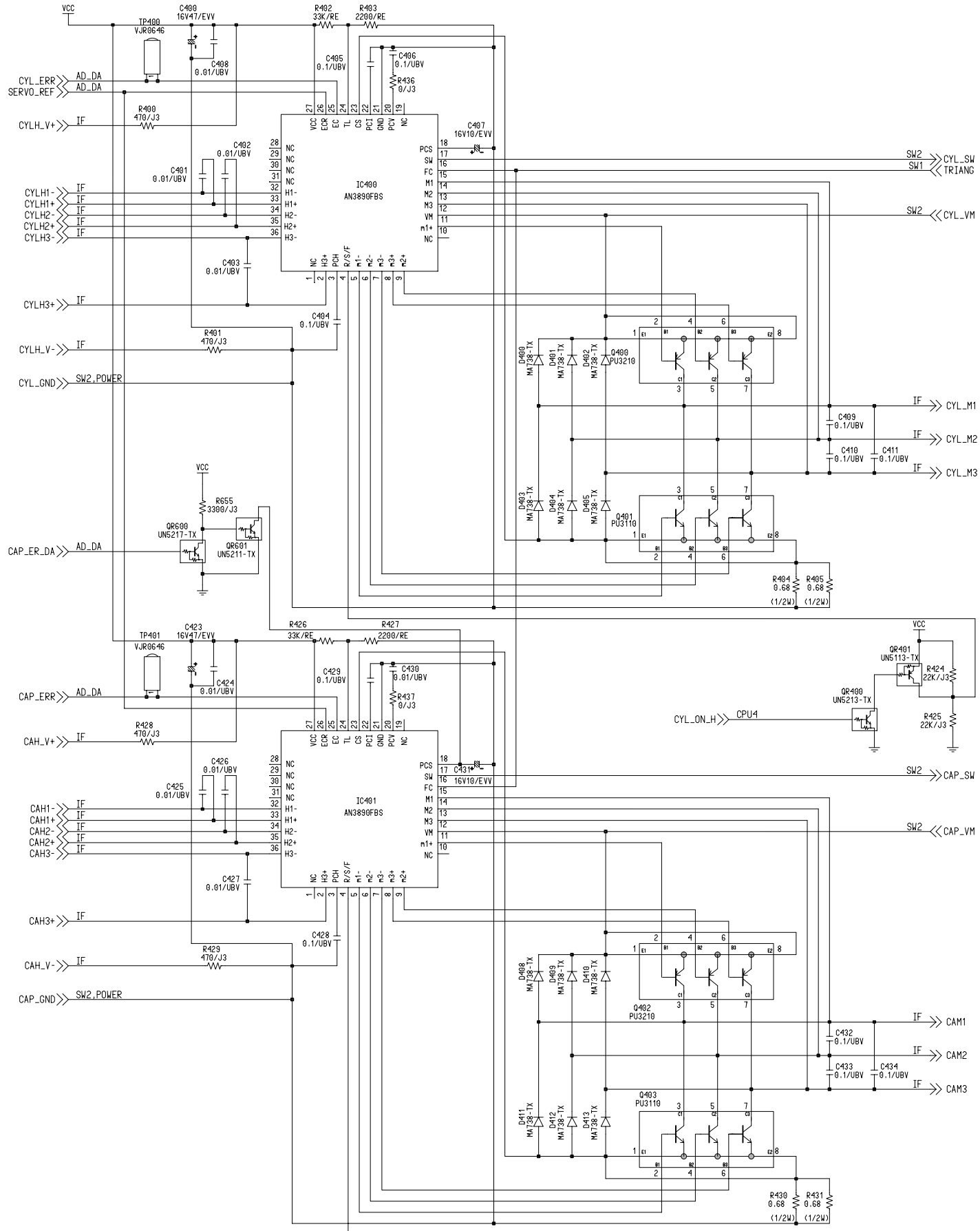
SCM027



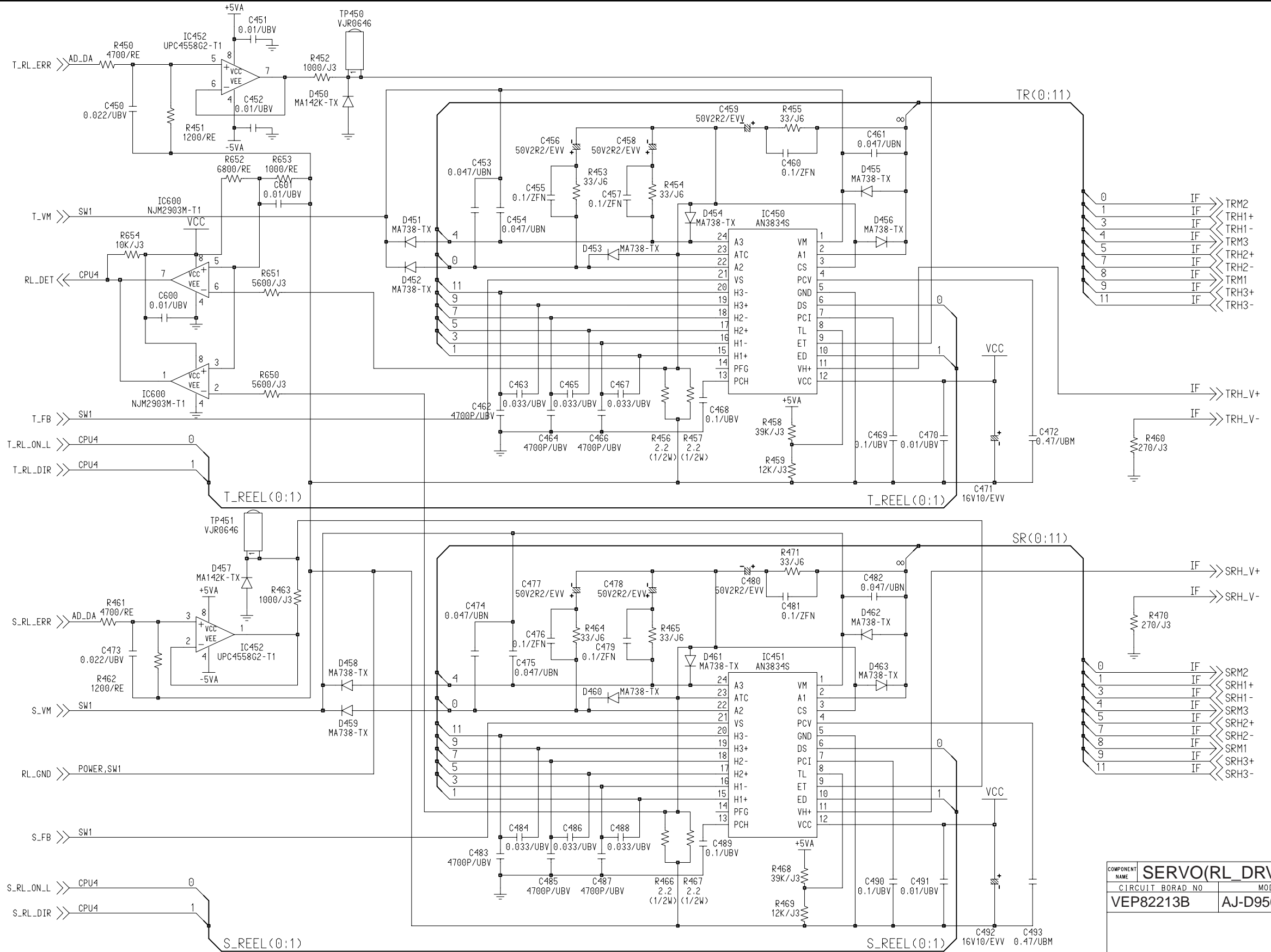
COMPONENT NAME	SERVO(SW1)	15/20
CIRCUIT BOARD NO	MODEL NO	
VEP82213B	AJ-D950,PD950	



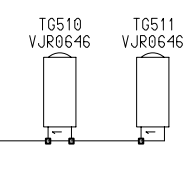
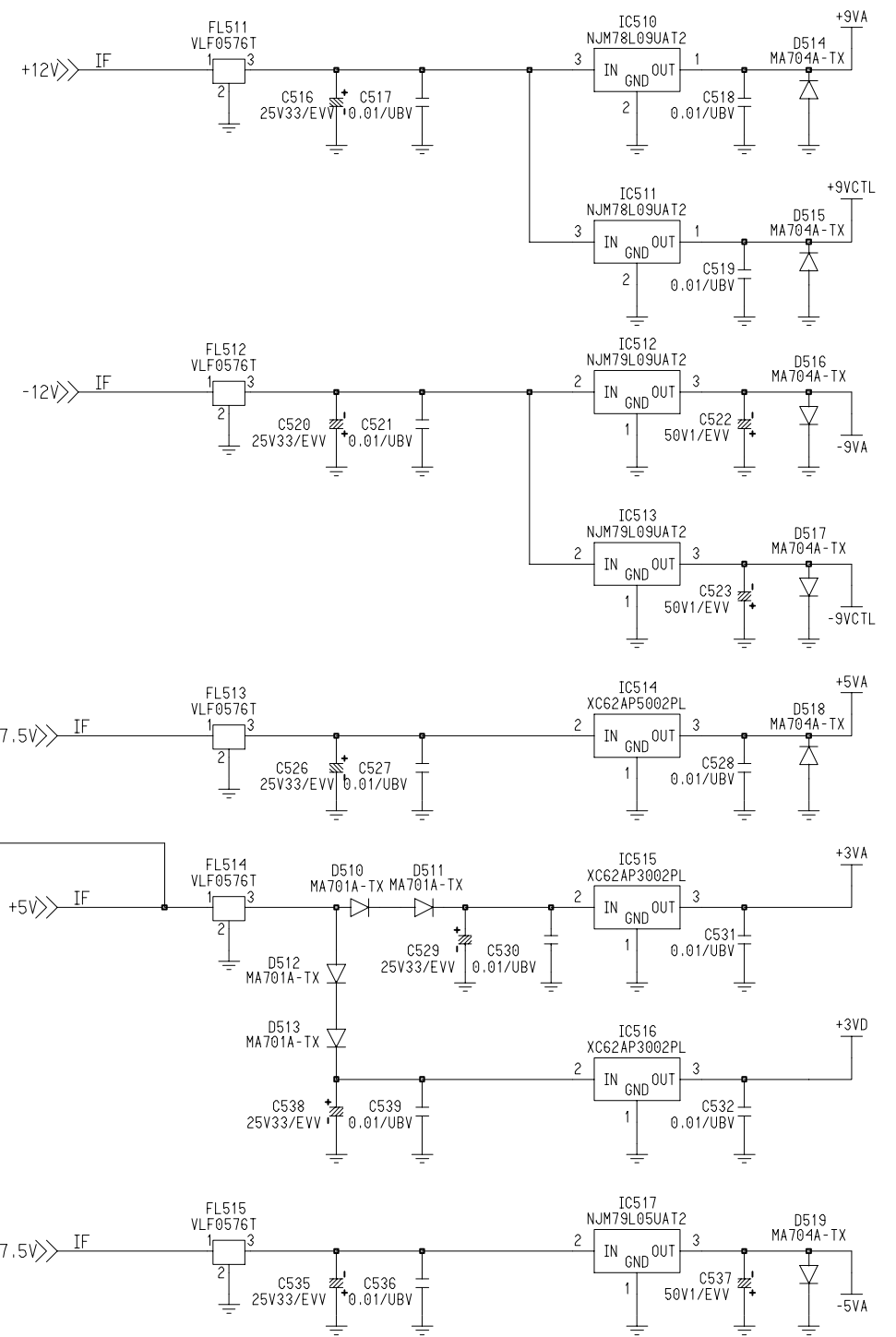
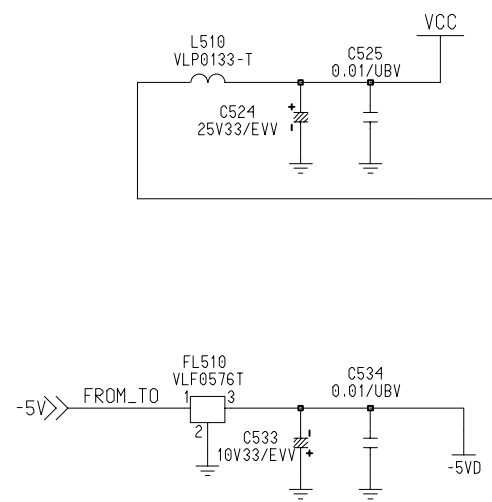
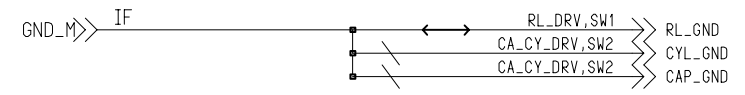
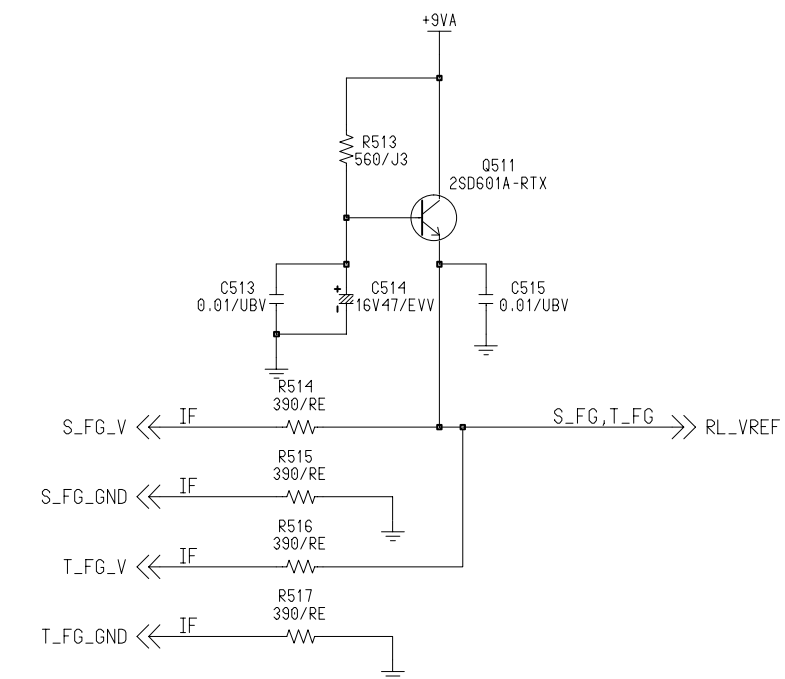
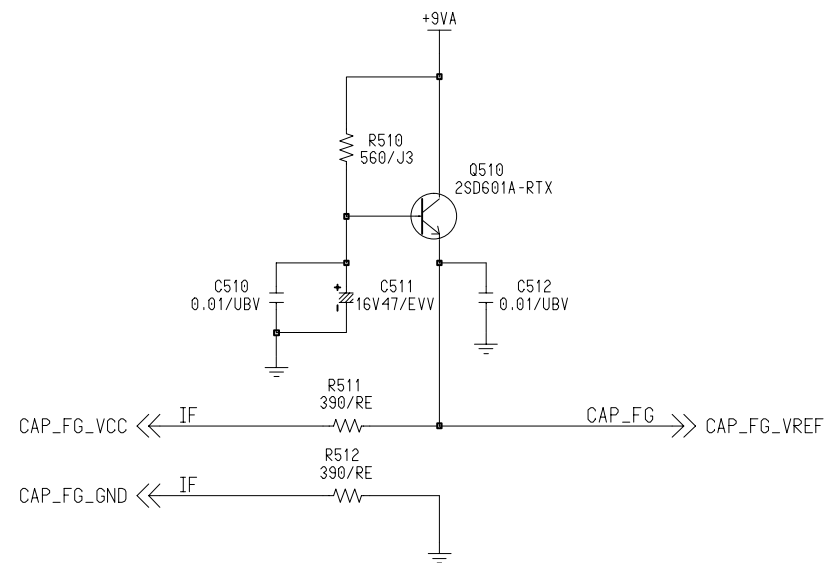
COMPONENT NAME	SERVO(SW2)	16/20
CIRCUIT BOARD NO	MODEL NO	
VEP82213B	AJ-D950,PD950	
SCM029		



COMPONENT NAME	SERVO(CA_CY_DRV) 17/20
CIRCUIT BOARD NO	MODEL NO
VEP82213B	AJ-D950,PD950

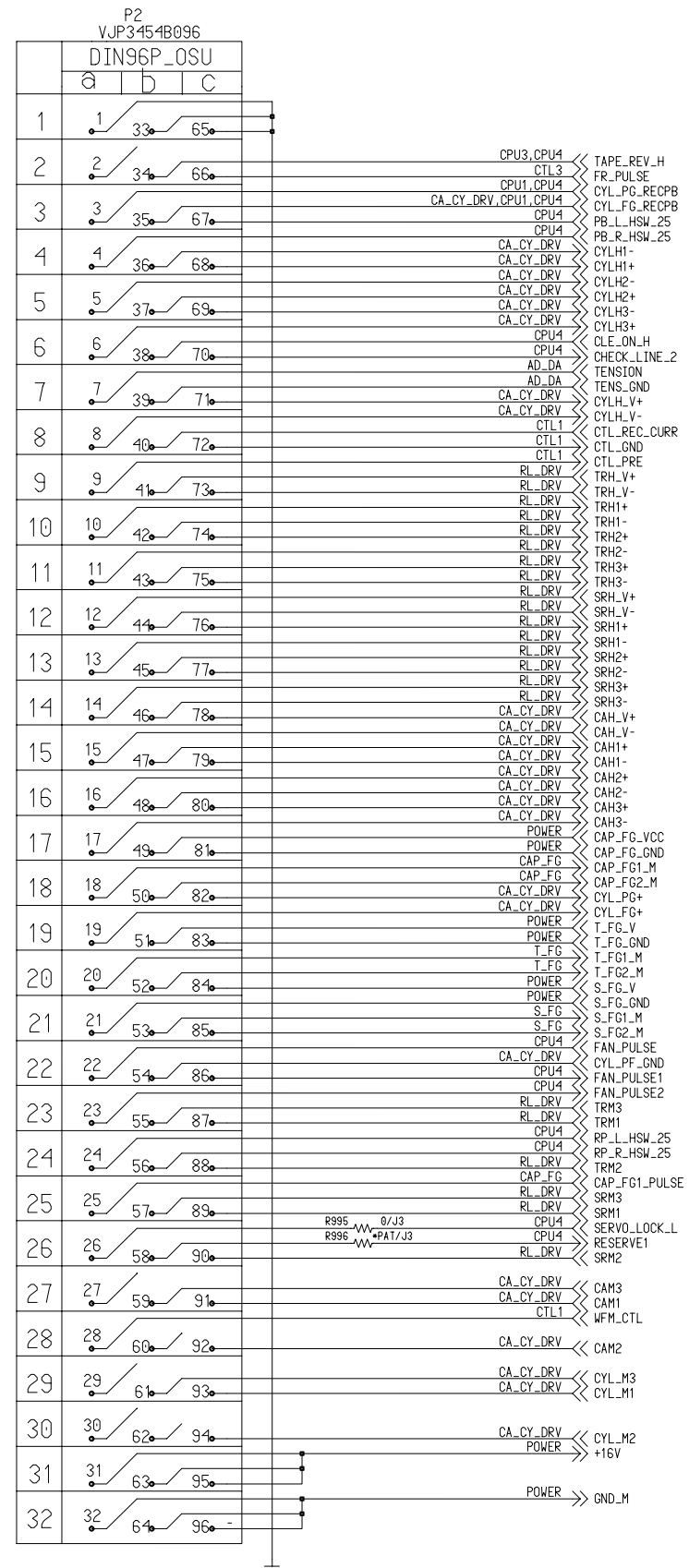
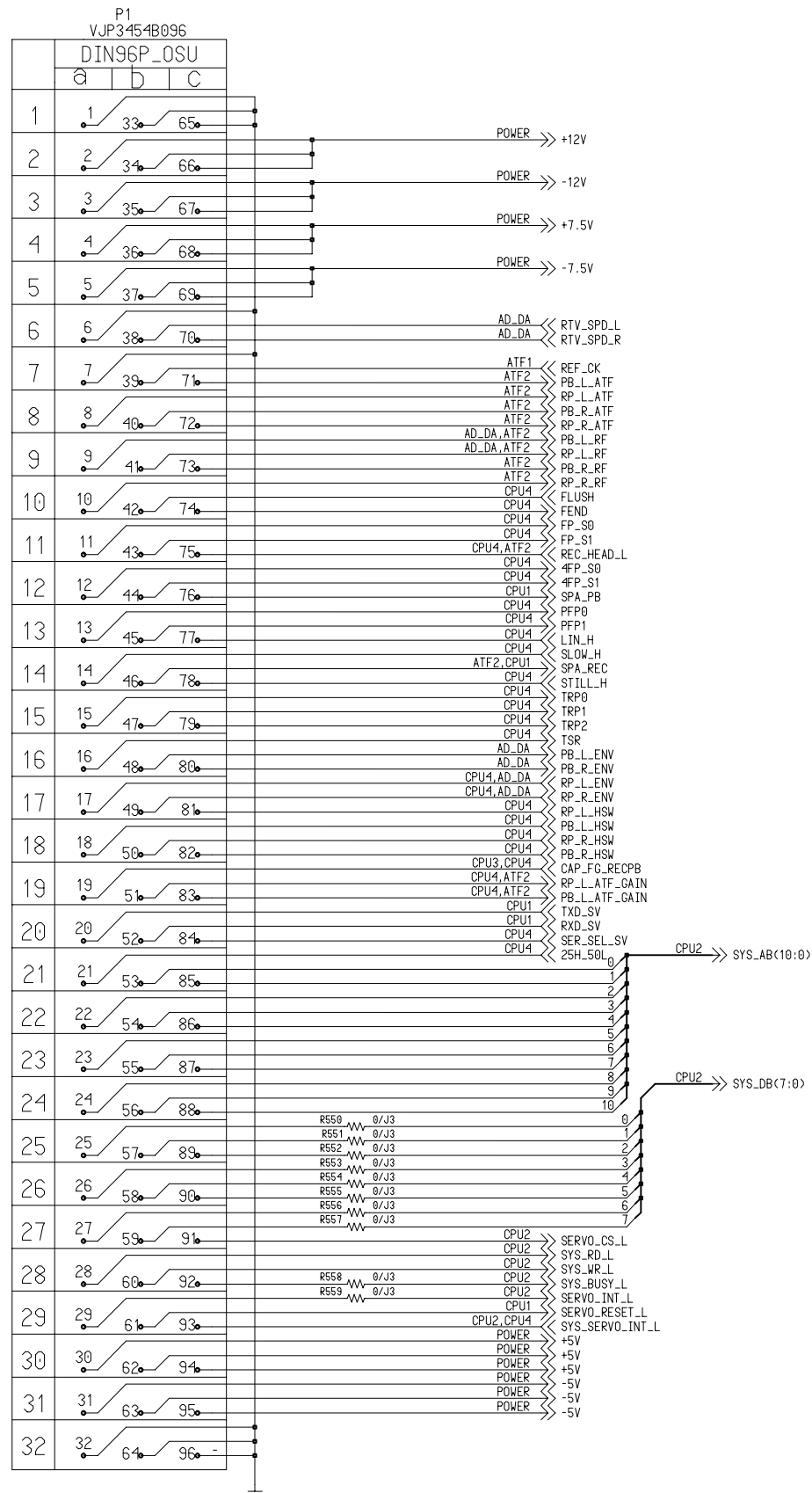


COMPONENT NAME	SERVO(RL_DRV)	18/20
CIRCUIT BOARD NO	VEP82213B	MODEL NO
		AJ-D950,PD950

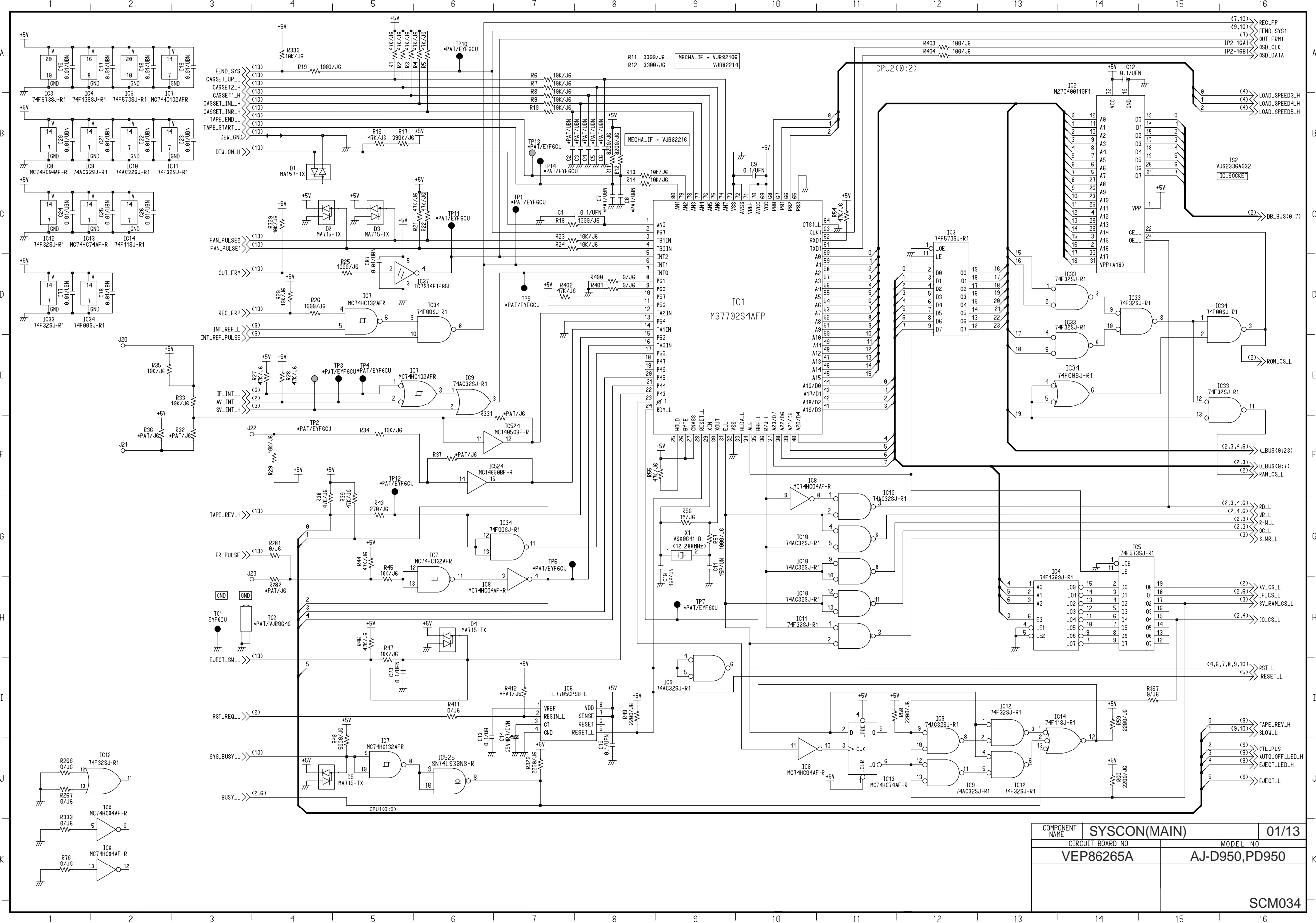


COMPONENT NAME	SERVO(POWER) 19/20	
CIRCUIT BORAD NO	MODEL NO	
VEP82213B	AJ-D950,PD950	



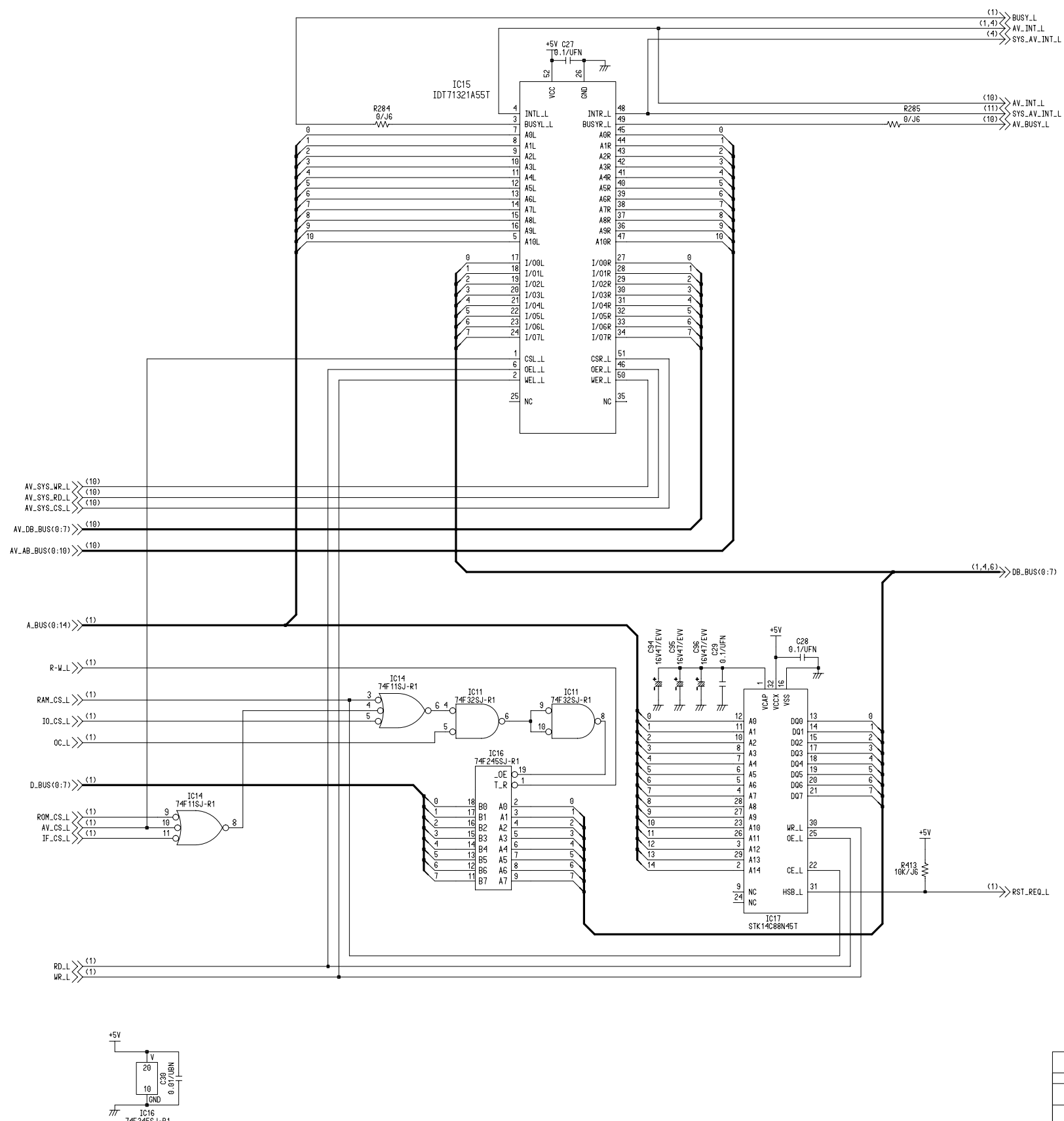


COMPONENT NAME	SERVO(IF)	20/20
CIRCUIT BOARD NO	MODEL NO	
VEP82213B	AJ-D950, PD950	

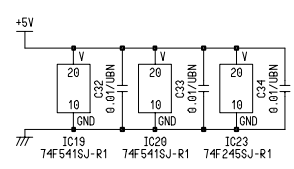
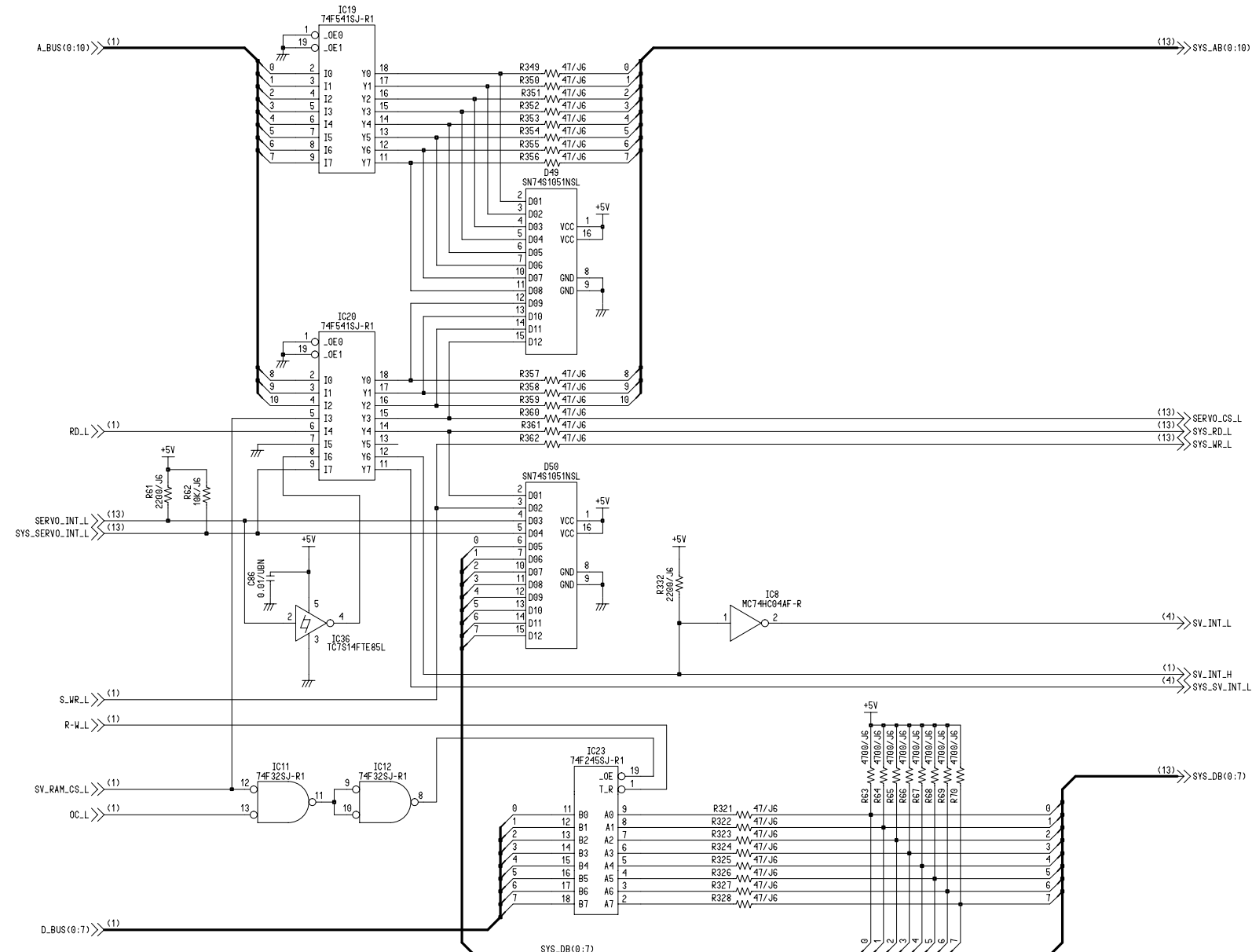


COMPONENT NAME	SYSCON(MAIN)	01/13
CIRCUIT BOARD NO	VEP86265A	MODEL NO
		AJ-D950,PD950

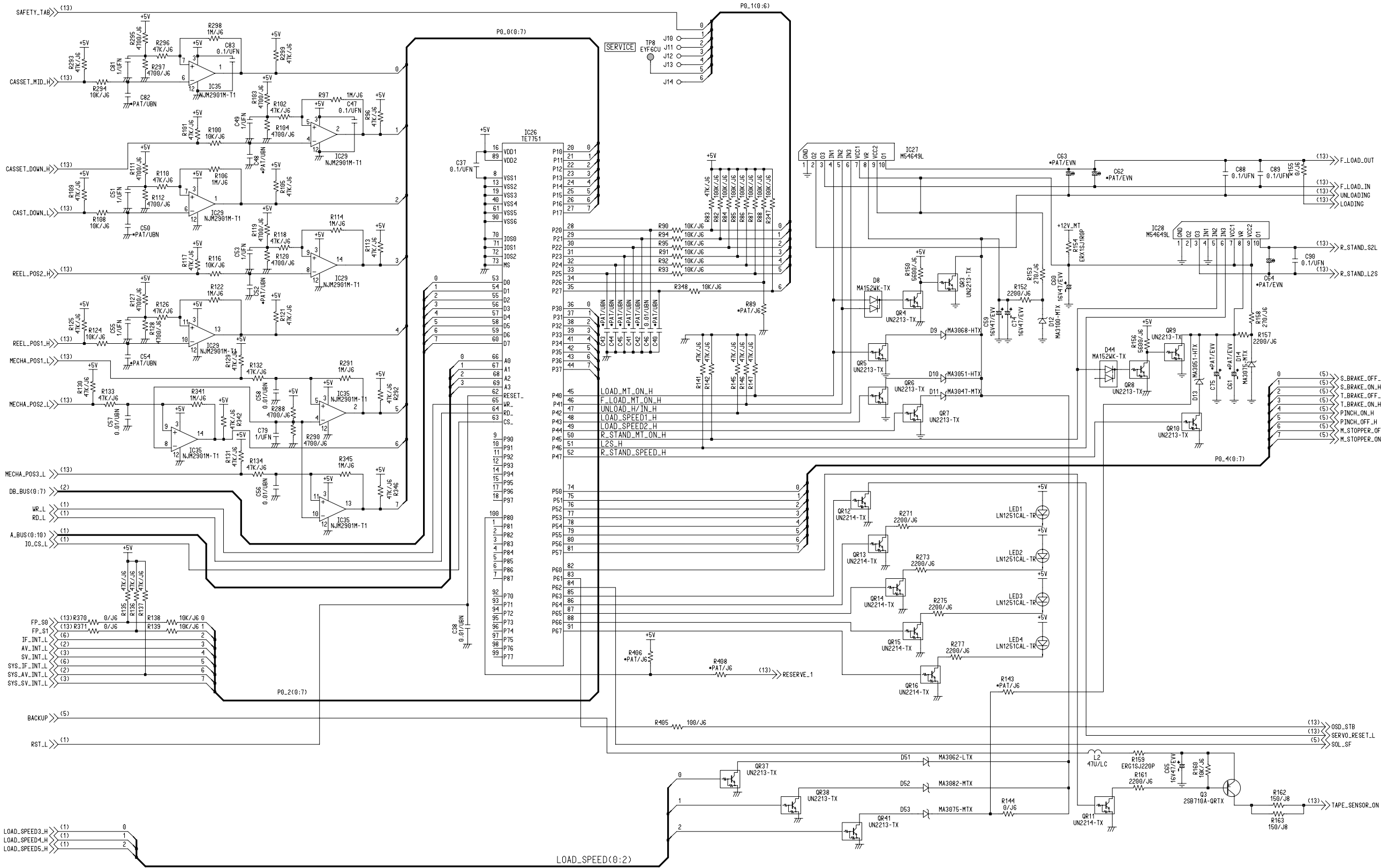
SCM034



COMPONENT NAME	SYSCON(MAIN)	02/13
CIRCUIT BOARD NO	VEP86265A	MODEL NO
		AJ-D950,PD950
		SCM035

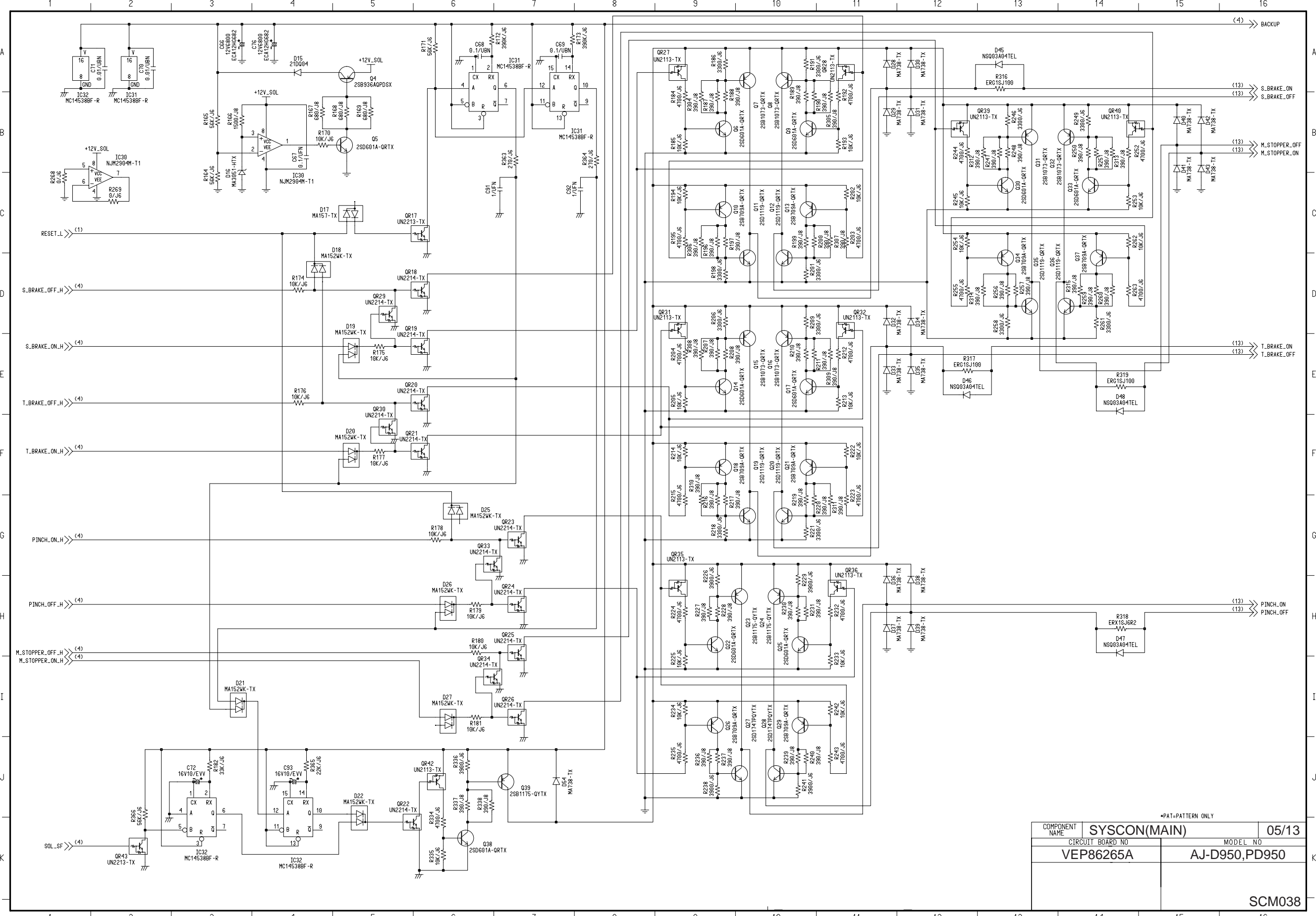


COMPONENT NAME	SYSCON(MAIN)	03/13
CIRCUIT BOARD NO	VEP86265A	MODEL NO
		AJ-D950,PD950
		SCM036



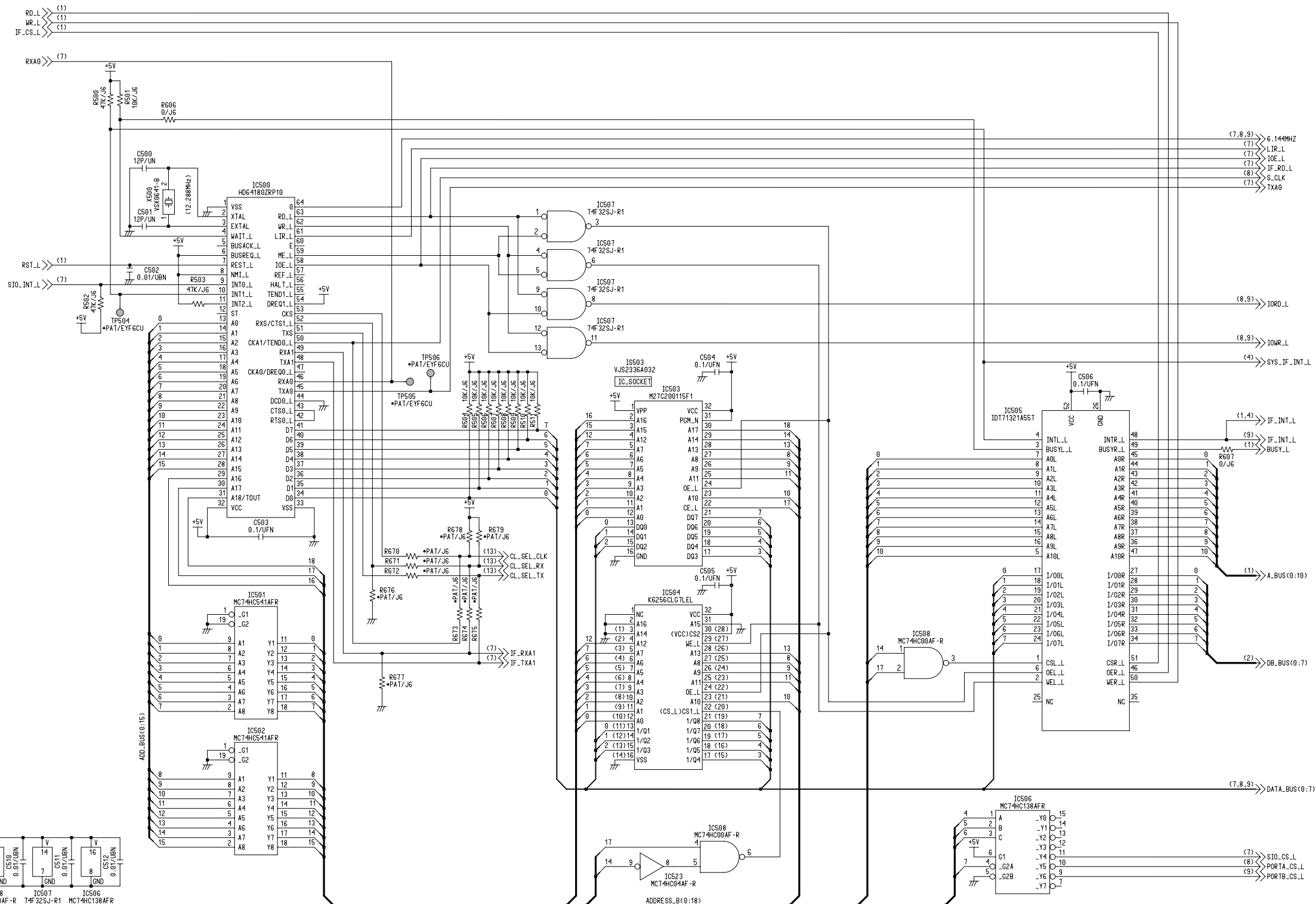
COMPONENT NAME	<b>SYCON(MAIN)</b>	04/13
CIRCUIT BOARD NO	<b>VEP86265A</b>	MODEL NO
		<b>AJ-D950,PD950</b>

SCM037



\*PAT=PATTERN ONLY

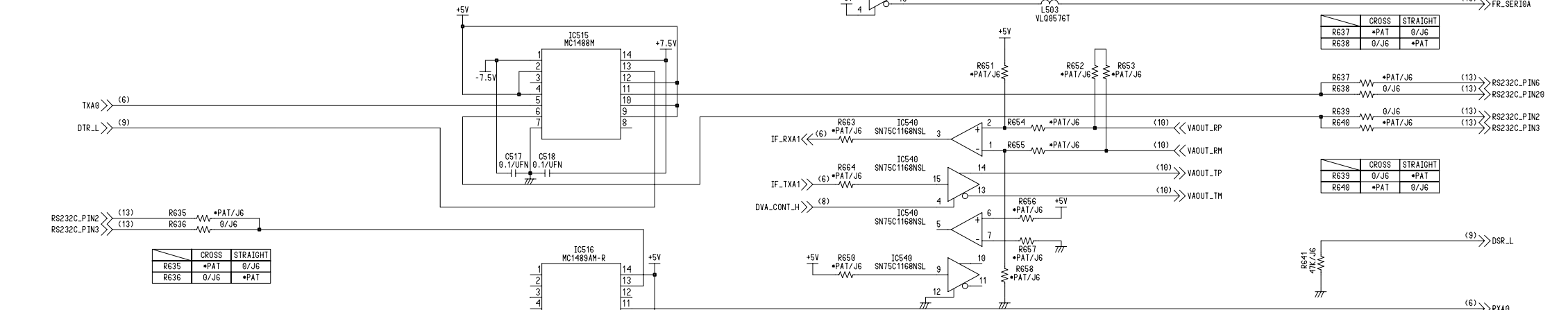
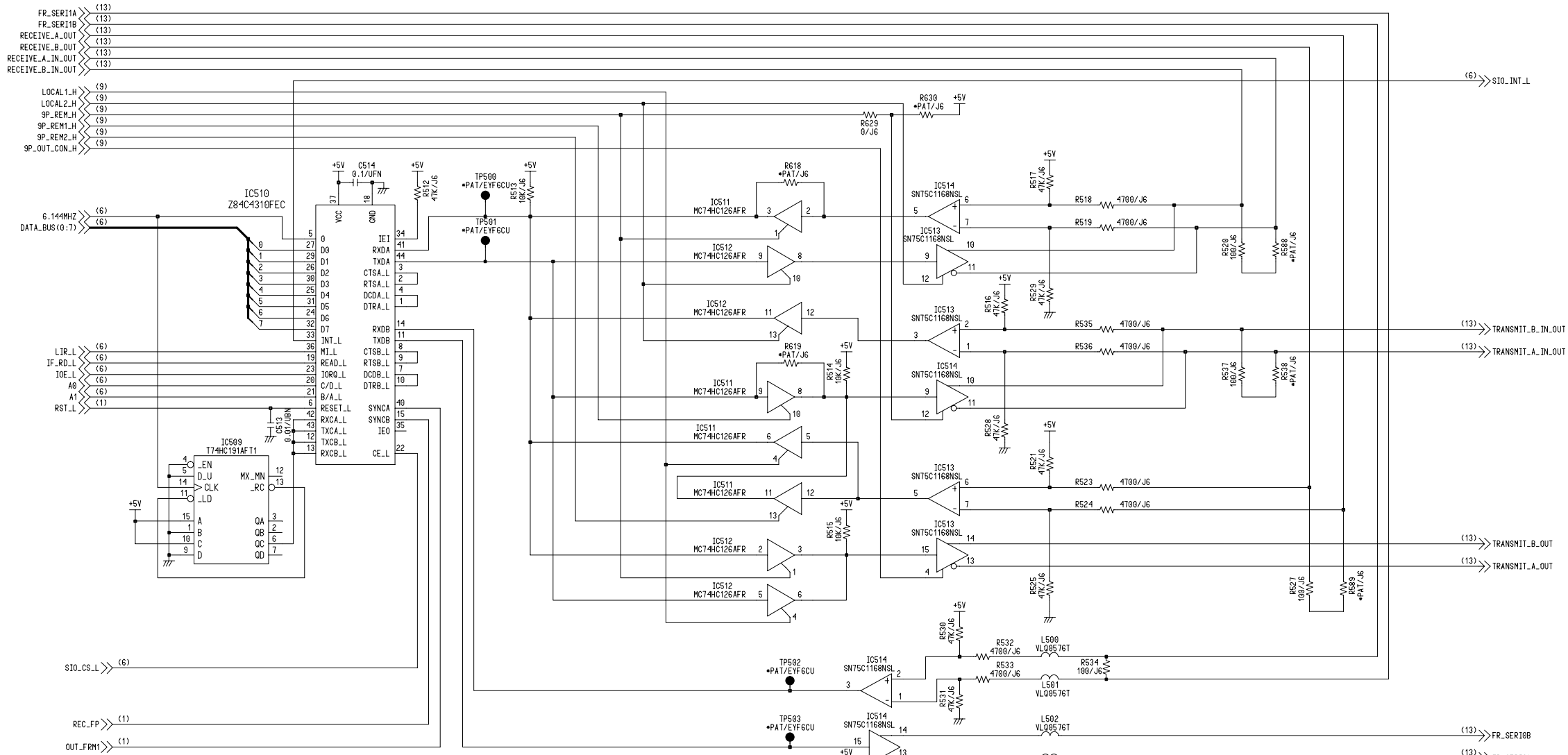
COMPONENT NAME	SYSCON(MAIN)	05/13
CIRCUIT BOARD NO	VEP86265A	MODEL NO
		AJ-D950,PD950



Ref No.500 Series.

COMPONENT NAME	SYSCON(I/F)	06/13
CIRCUIT BOARD NO	VEP86265A	MODEL NO
		AJ-D950,PD950

SCM039



	CROSS	STRAIGHT
R635	*PAT	0/J6
R636	0/J6	*PAT

	CROSS	STRAIGHT
R637	*PAT	0/J6
R638	0/J6	*PAT

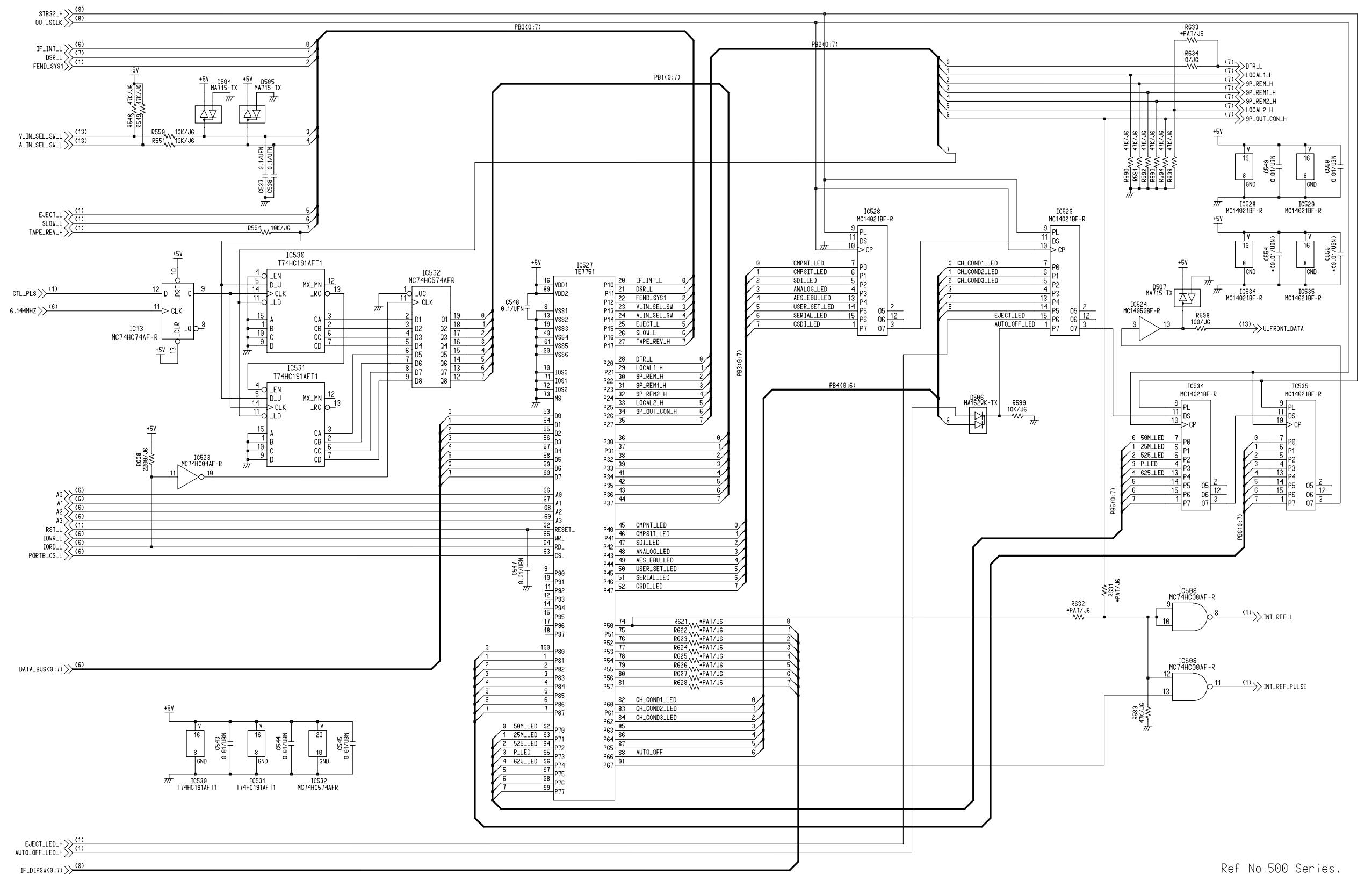
	CROSS	STRAIGHT
R639	0/J6	*PAT
R640	*PAT	0/J6

\*PAT=PATTERN ONLY  
Ref No.500 Series.

COMPONENT NAME	SYSCON(I/F)		07/13
CIRCUIT BOARD NO	VEP86265A		MODEL NO AJ-D950,PD950
			SCM040

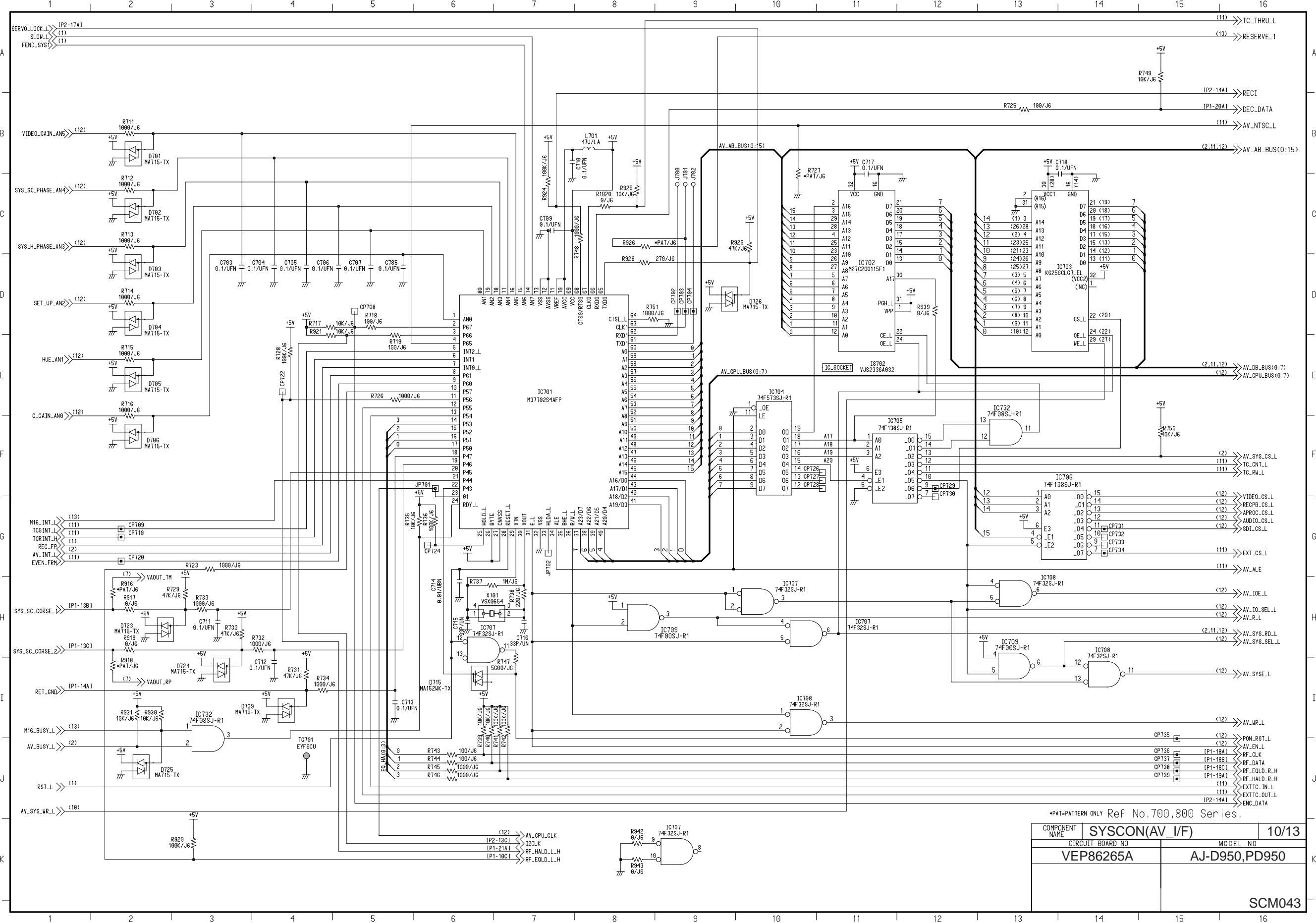






Ref No.500 Series.

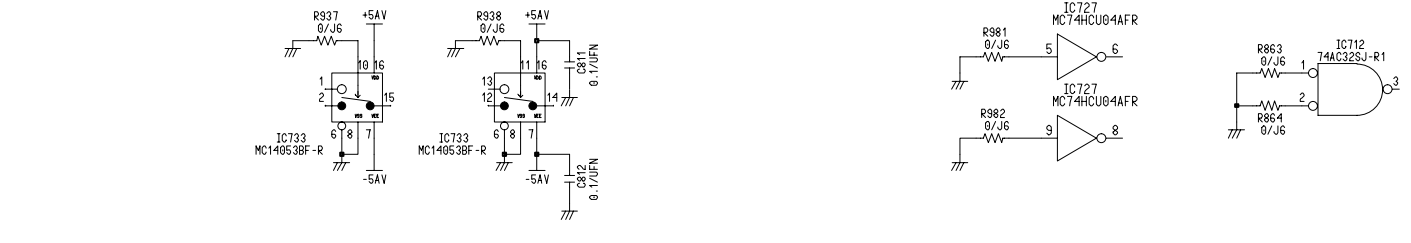
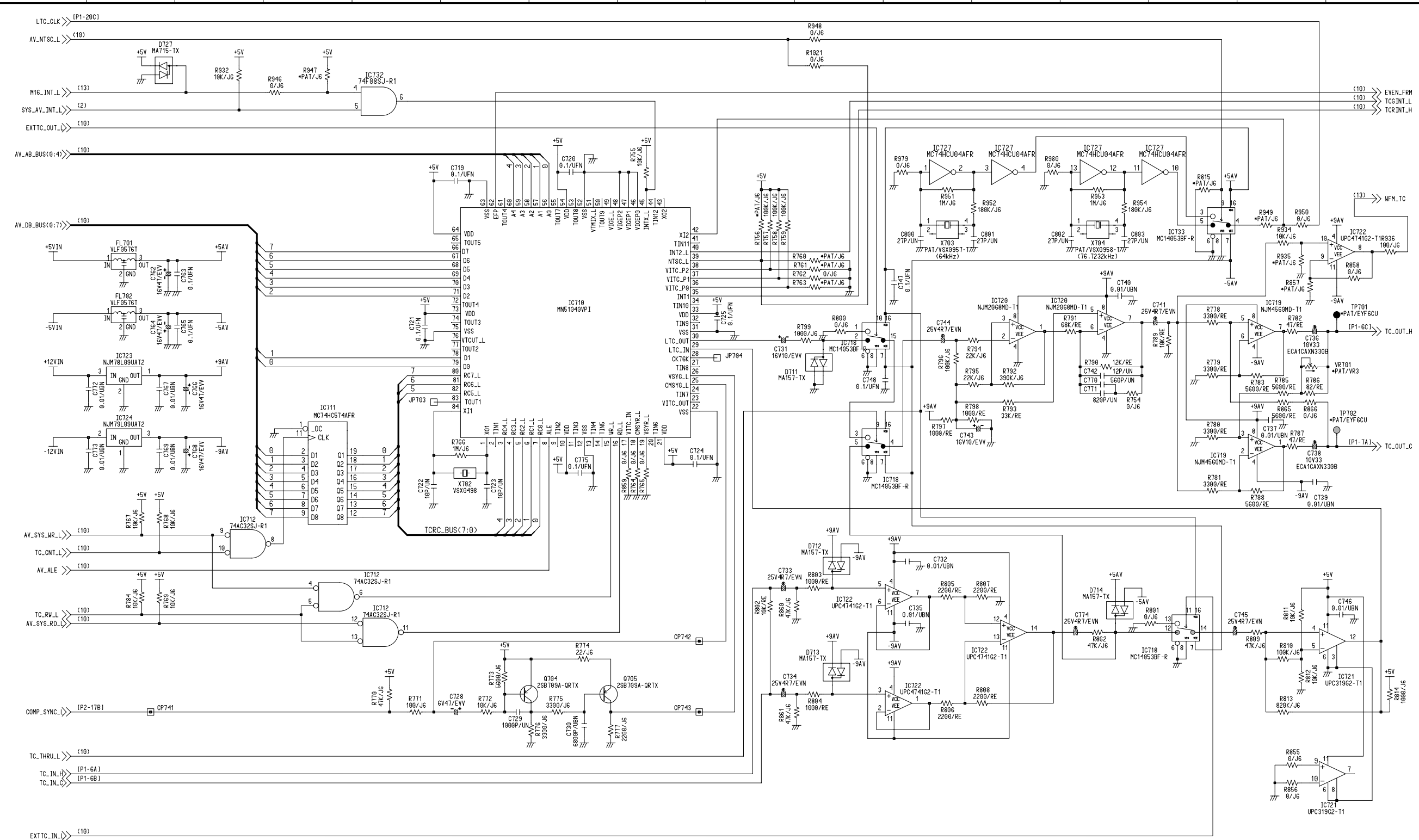
COMPONENT NAME	SYSCON(I/F)	09/13
CIRCUIT BOARD NO	VEP86265A	MODEL NO
		AJ-D950,PD950



\*PAT= PATTERN ONLY Ref No. 700,800 Series.

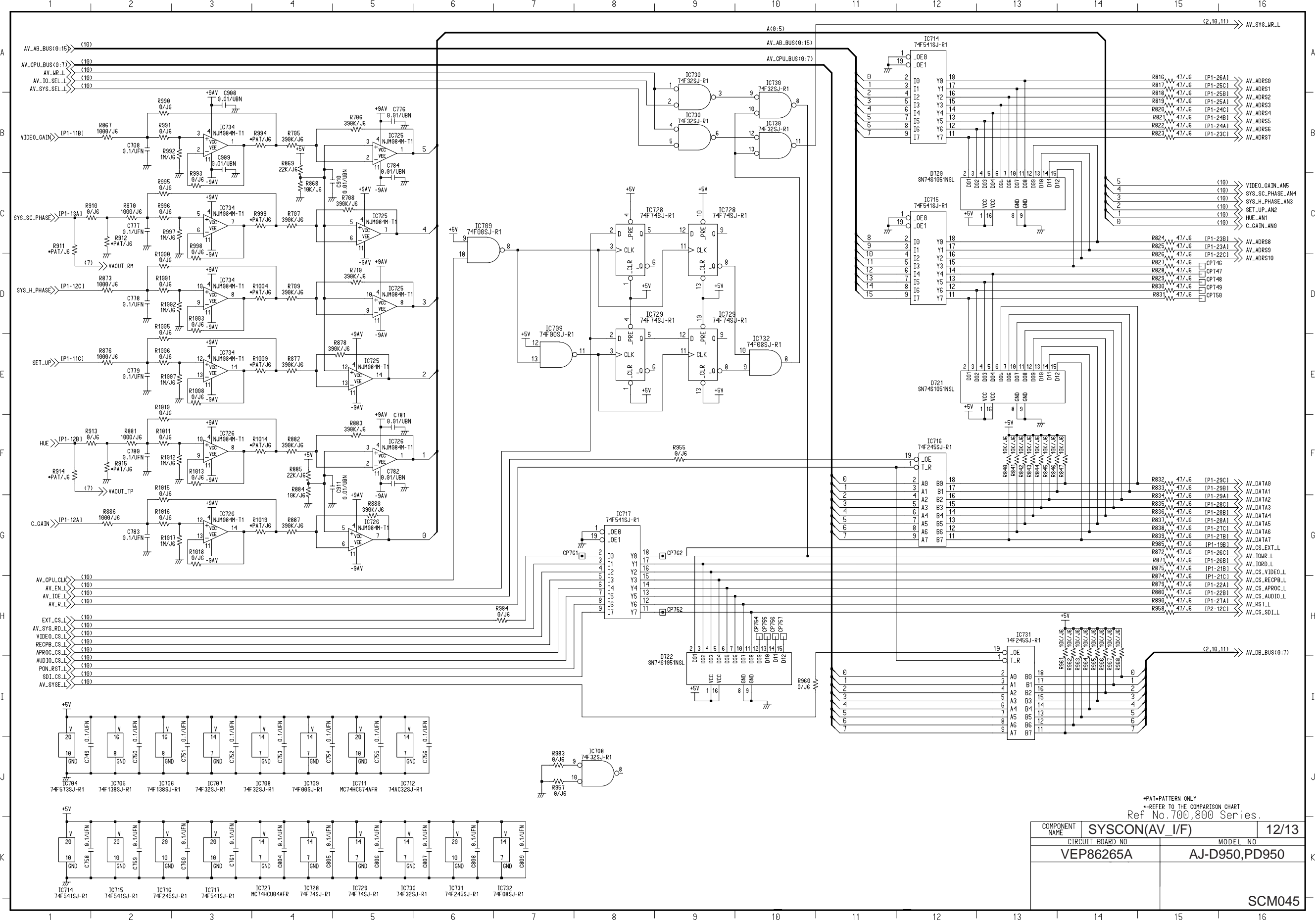
COMPONENT NAME	SYSCON(AV_I/F)		10/13
CIRCUIT BOARD NO	VEP86265A		MODEL NO
			AJ-D950,PD950

SCM043



•REFER TO THE COMPARISON CHART  
Ref No.700,800Series.

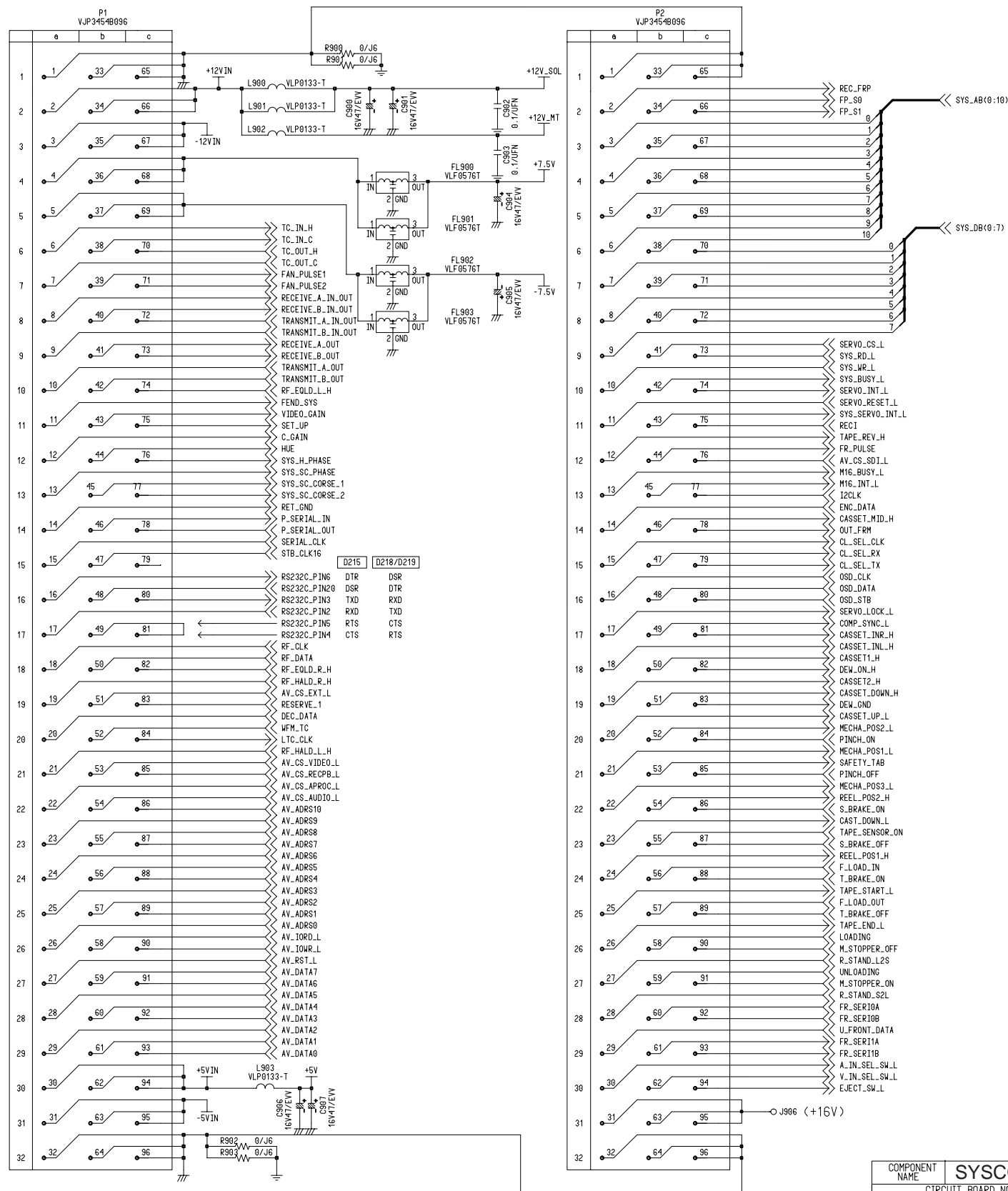
COMPONENT NAME	SYSCON(AV_I/F)	11/13
CIRCUIT BOARD NO	VEP86265A	MODEL NO
		AJ-D950,PD950



\*PAT=PATTERN ONLY  
 \*\*REFER TO THE COMPARISON CHART  
 Ref No.700,800 Series.

COMPONENT NAME	SYSCON(AV_I/F)	12/13
CIRCUIT BOARD NO	VEP86265A	MODEL NO
		AJ-D950,PD950

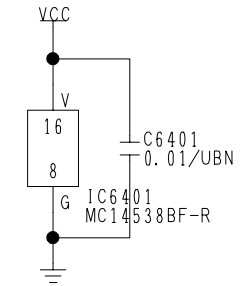
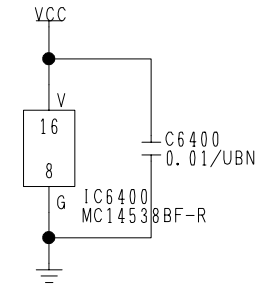
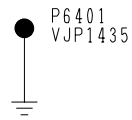
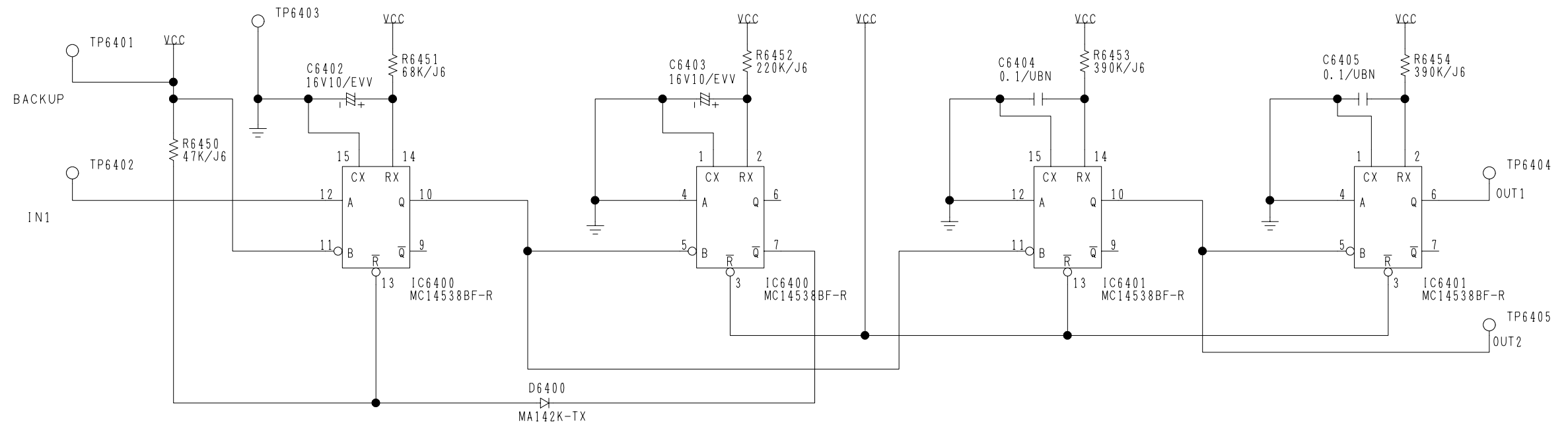
SCM045



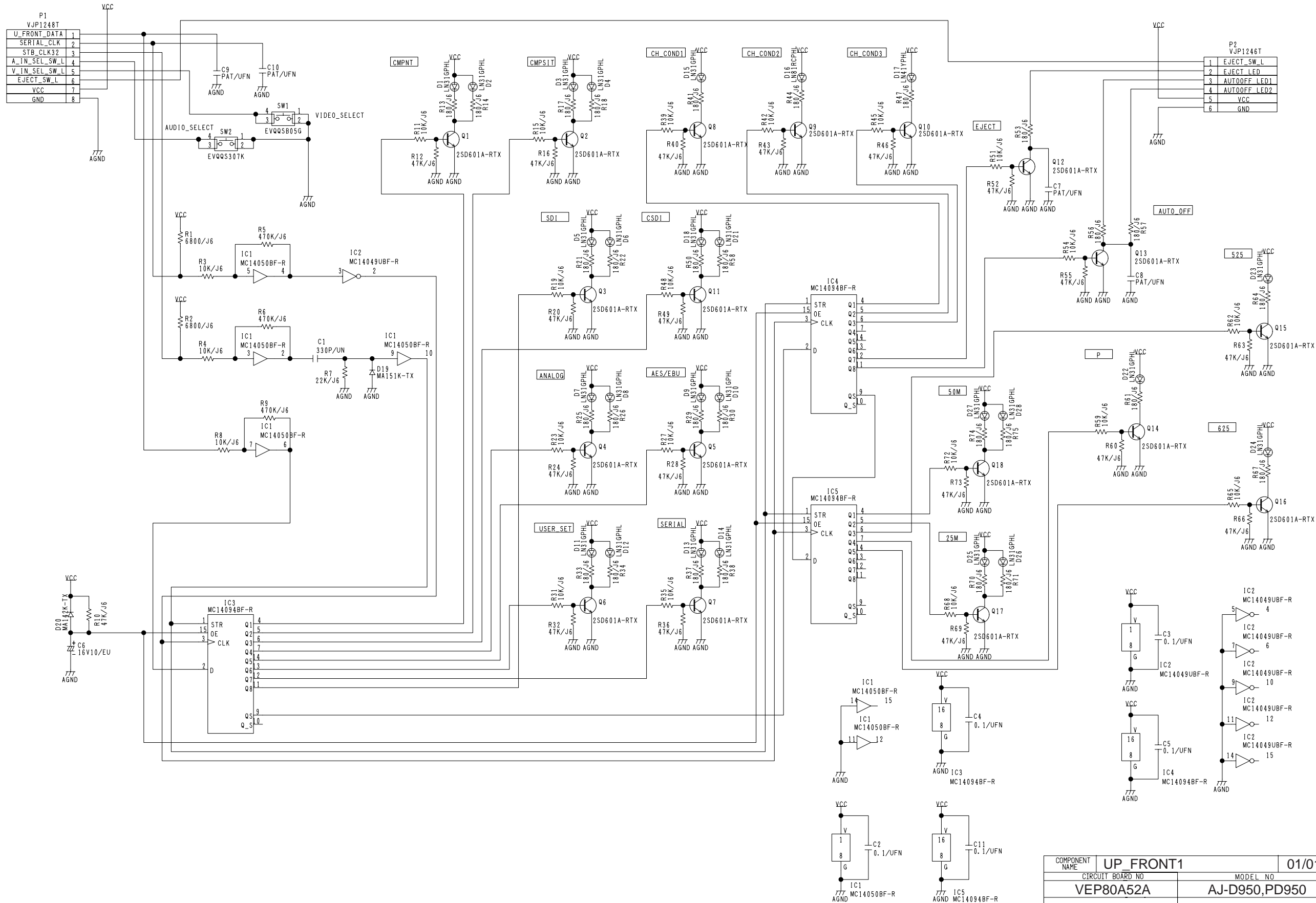
Ref No.900 Series.

COMPONENT NAME	<b>SYSCON</b>	13/13
CIRCUIT BOARD NO	<b>VEP86265A</b>	MODEL NO
		<b>AJ-D950,PD950</b>

SCM046



COMPONENT NAME	SYSCON_SUB	01/01
CIRCUIT BOARD NO	VEP86277A	MODEL NO
		AJ-D950,PD950
		SCM047



P1 VJP1248T

U_FRONT_DATA	1
SERIAL_CLK	2
STB_CLK32	3
A_IN_SEL_SW_L	4
V_IN_SEL_SW_L	5
EJECT_SW_L	6
VCC	7
GND	8

P2 VJP1246T

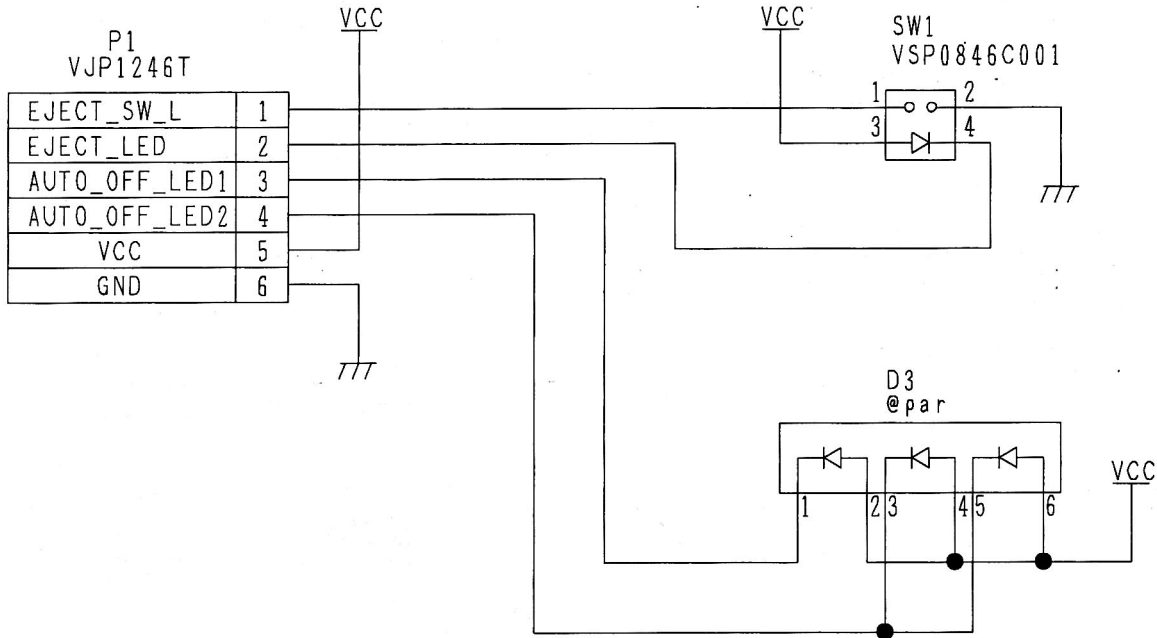
EJECT_SW_L	1
EJECT_LED	2
AUTOOFF_LED1	3
AUTOOFF_LED2	4
VCC	5
GND	6

COMPONENT NAME	UP_FRONT1	01/01
CIRCUIT BOARD NO	VEP80A52A	MODEL NO
		AJ-D950,PD950
SCM290		



D

E



P1 VJP1246T	
EJECT_SW_L	1
EJECT_LED	2
AUTO_OFF_LED1	3
AUTO_OFF_LED2	4
VCC	5
GND	6

SW1 VSP0846C001	
1	2
3	4

D3 @par					
1	2	3	4	5	6

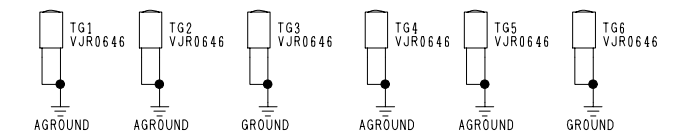
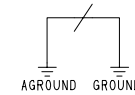
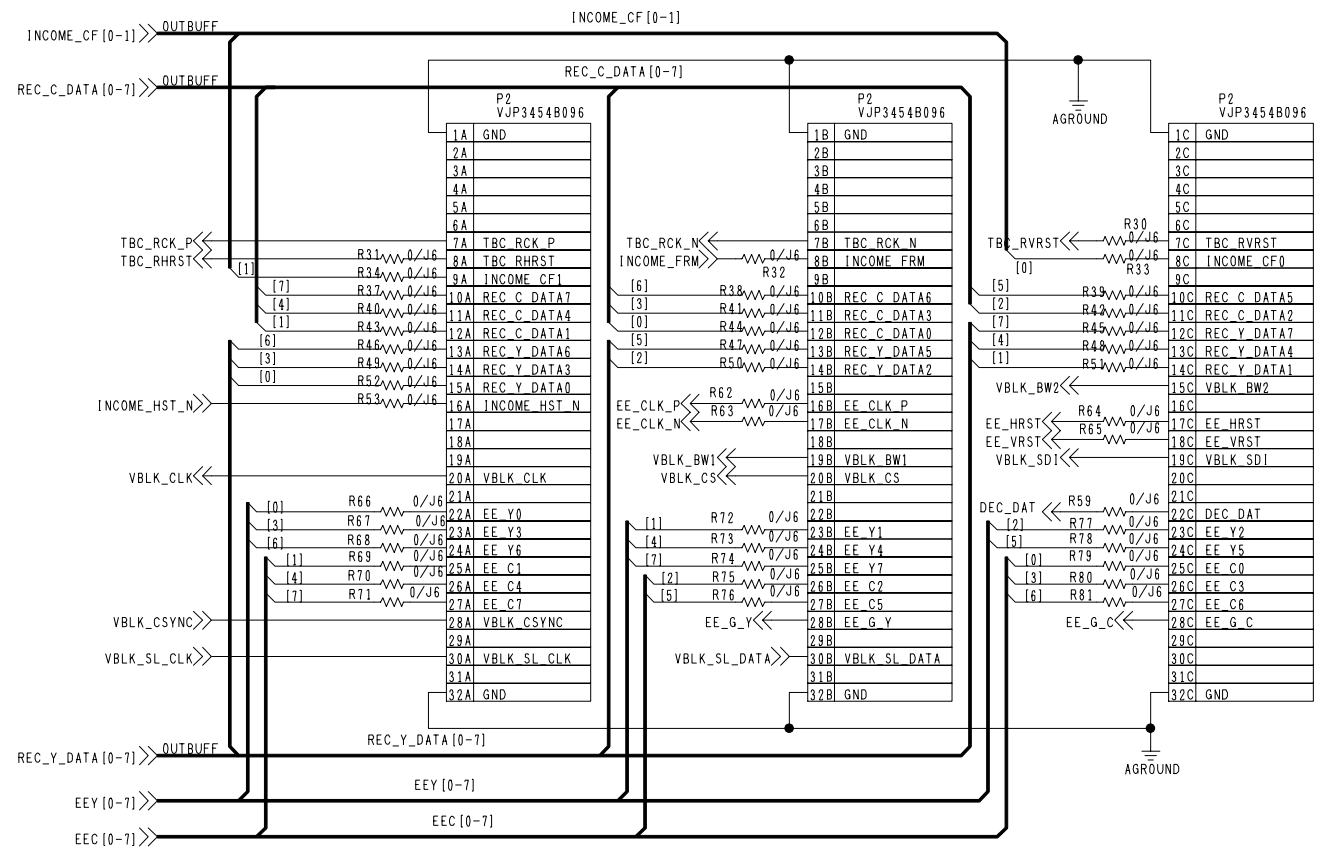
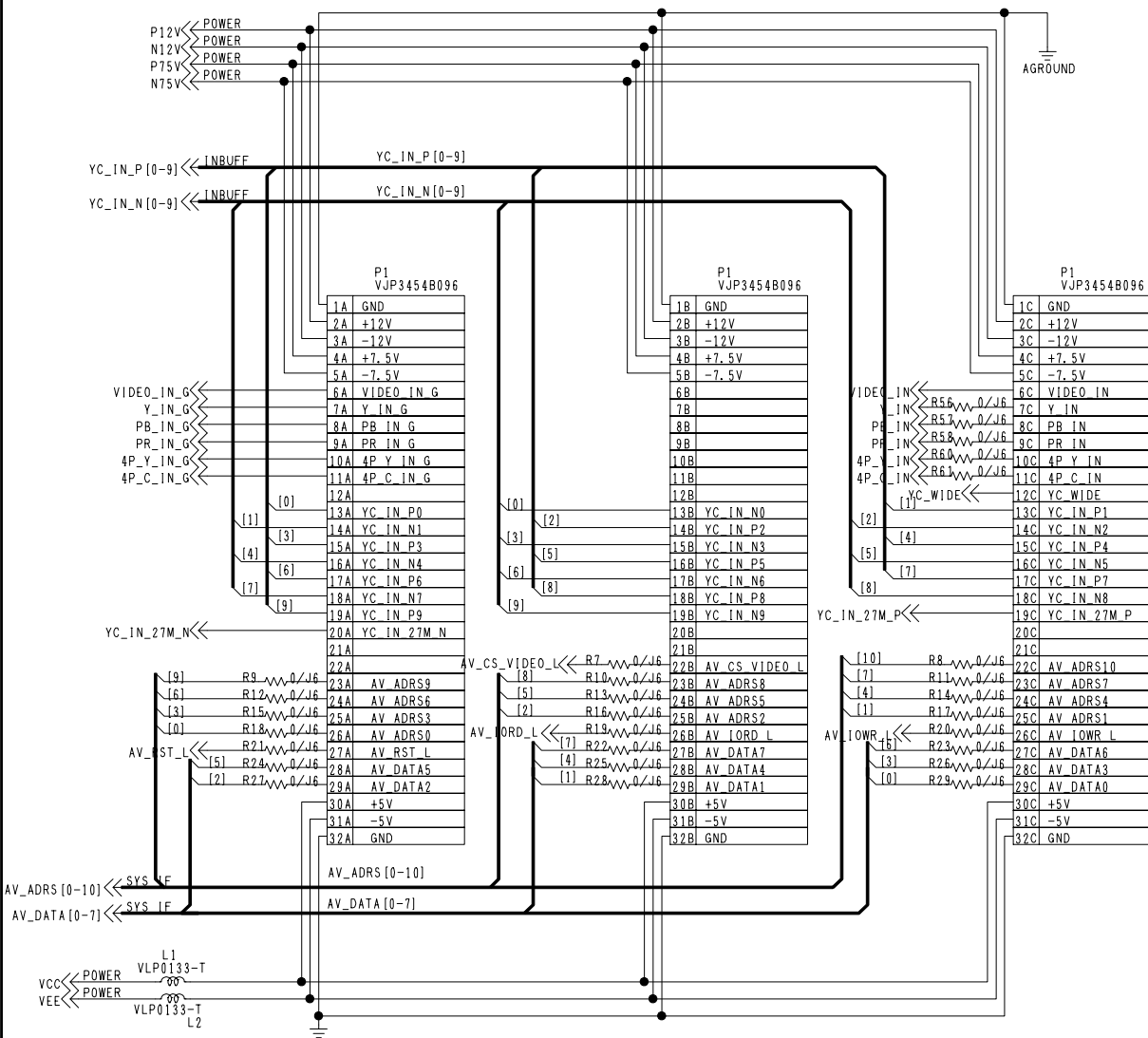
COMPONENT NAME	UP_FRONT2	01/01
CIRCUIT BOARD NO	MODEL NO	
VEP80852A	AJ-D950,PD950	
	SCM291	

1

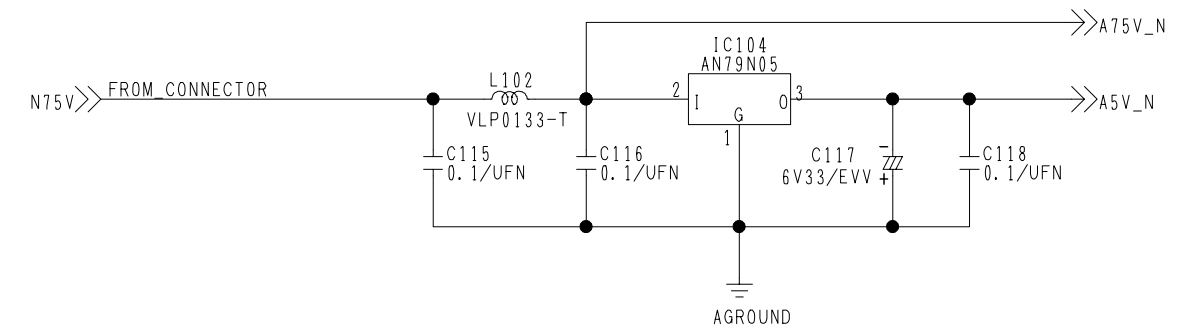
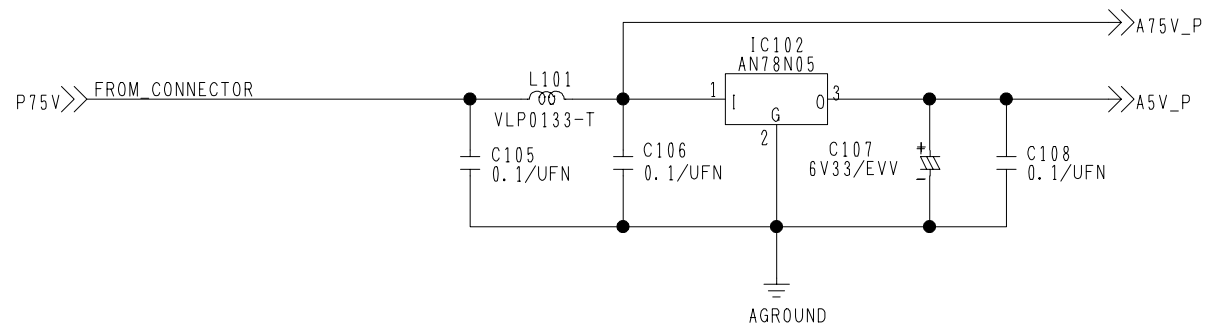
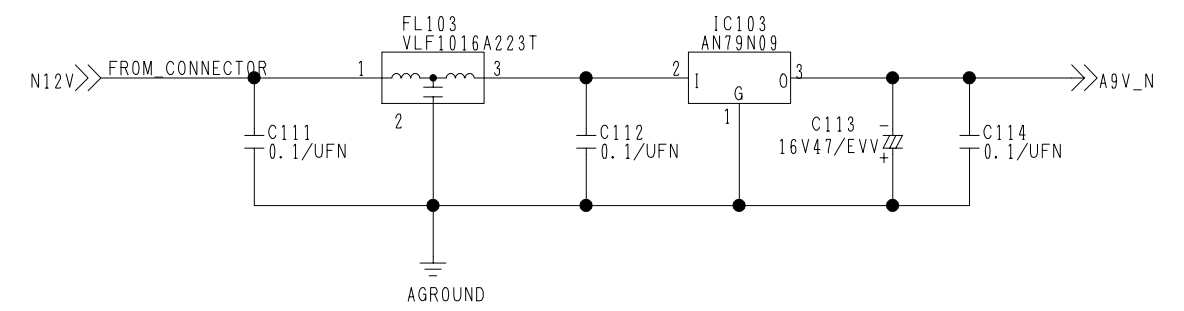
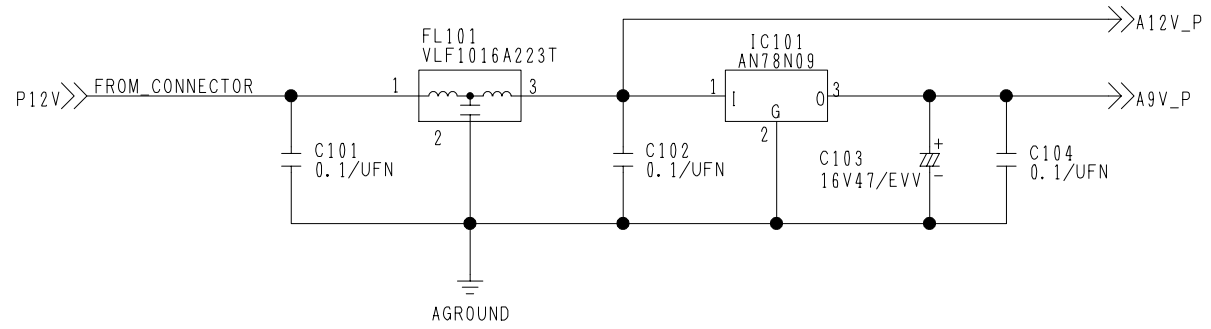
2

3

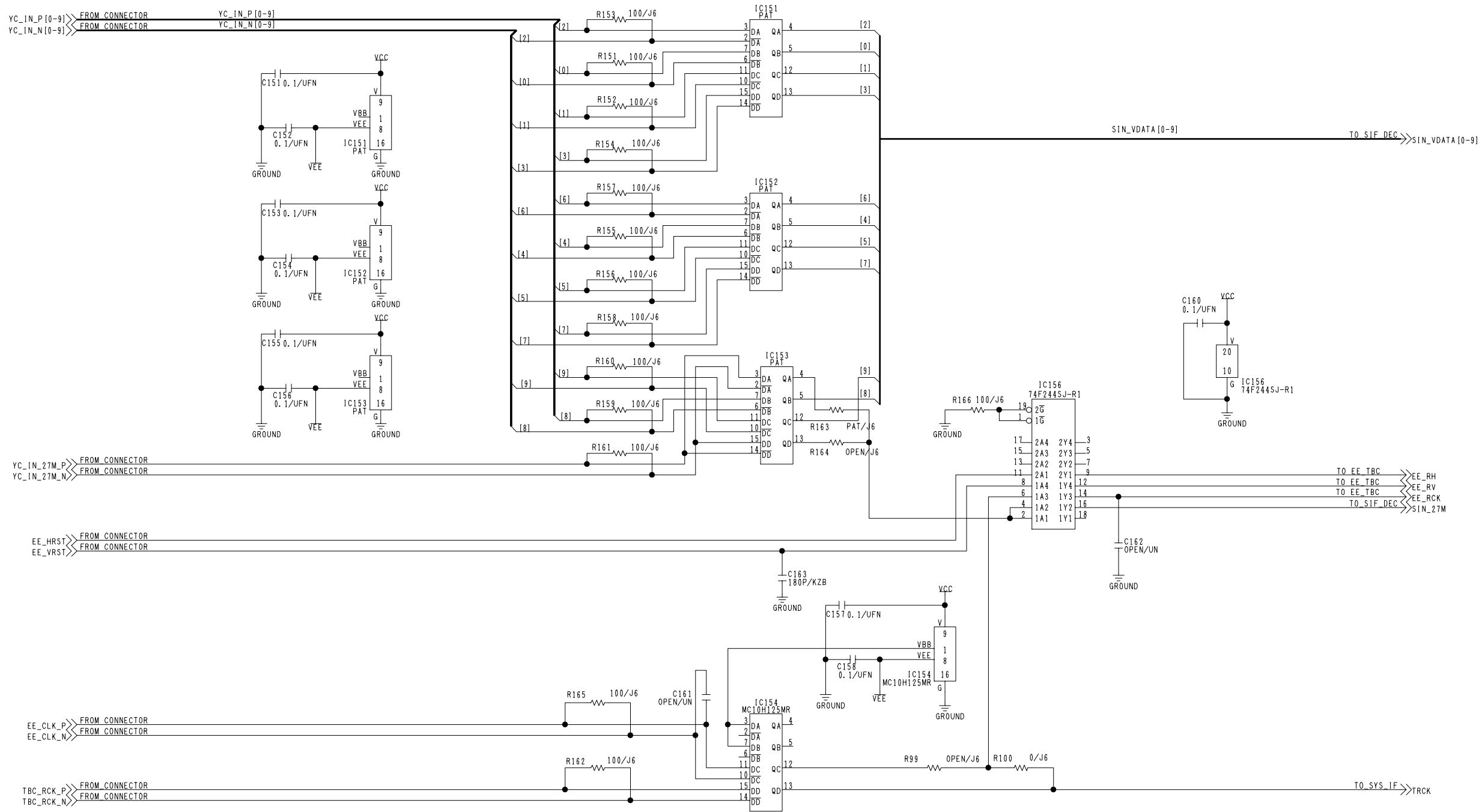
4



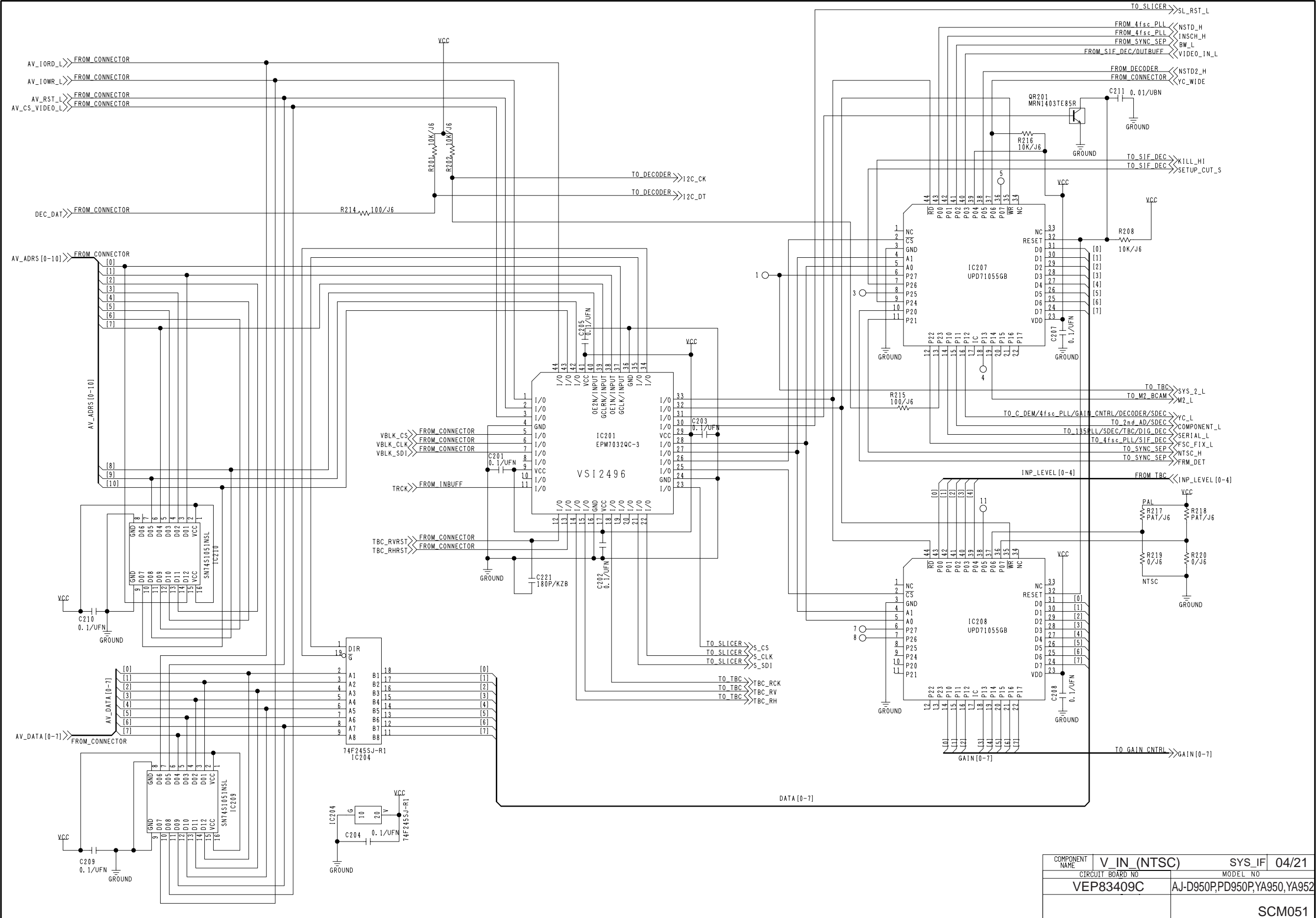
COMPONENT NAME	V_IN (NTSC)	CONNECTOR	01/21
CIRCUIT BOARD NO	MODEL NO		
VEP83409C	AJ-D950P,PD950P,YA950,YA952		
SCM048			



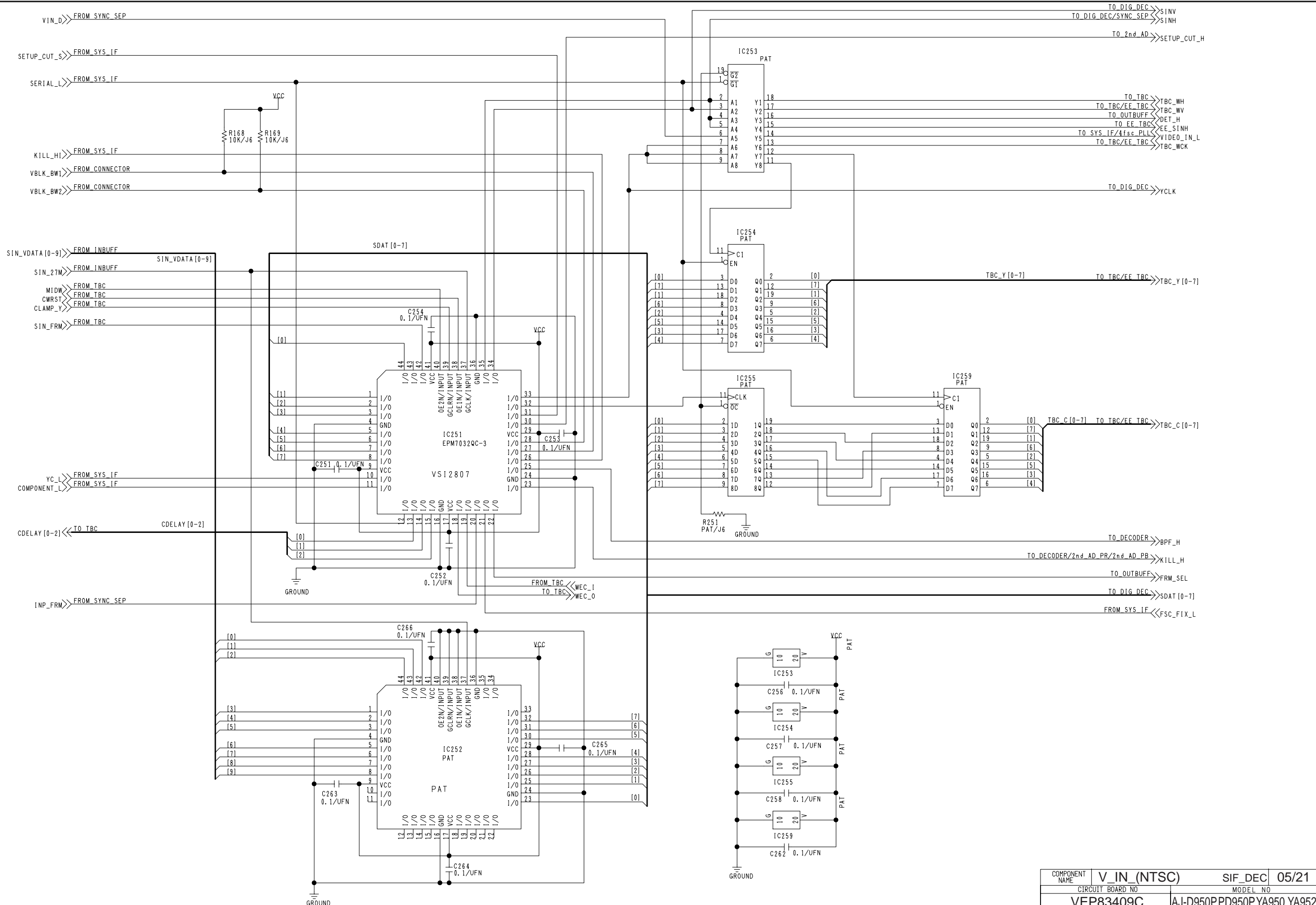
COMPONENT NAME	V_IN_(NTSC)	POWER	02/21
CIRCUIT BOARD NO	MODEL NO		
VEP83409C	AJ-D950P,PD950P,YA950,YA952		
			SCM049



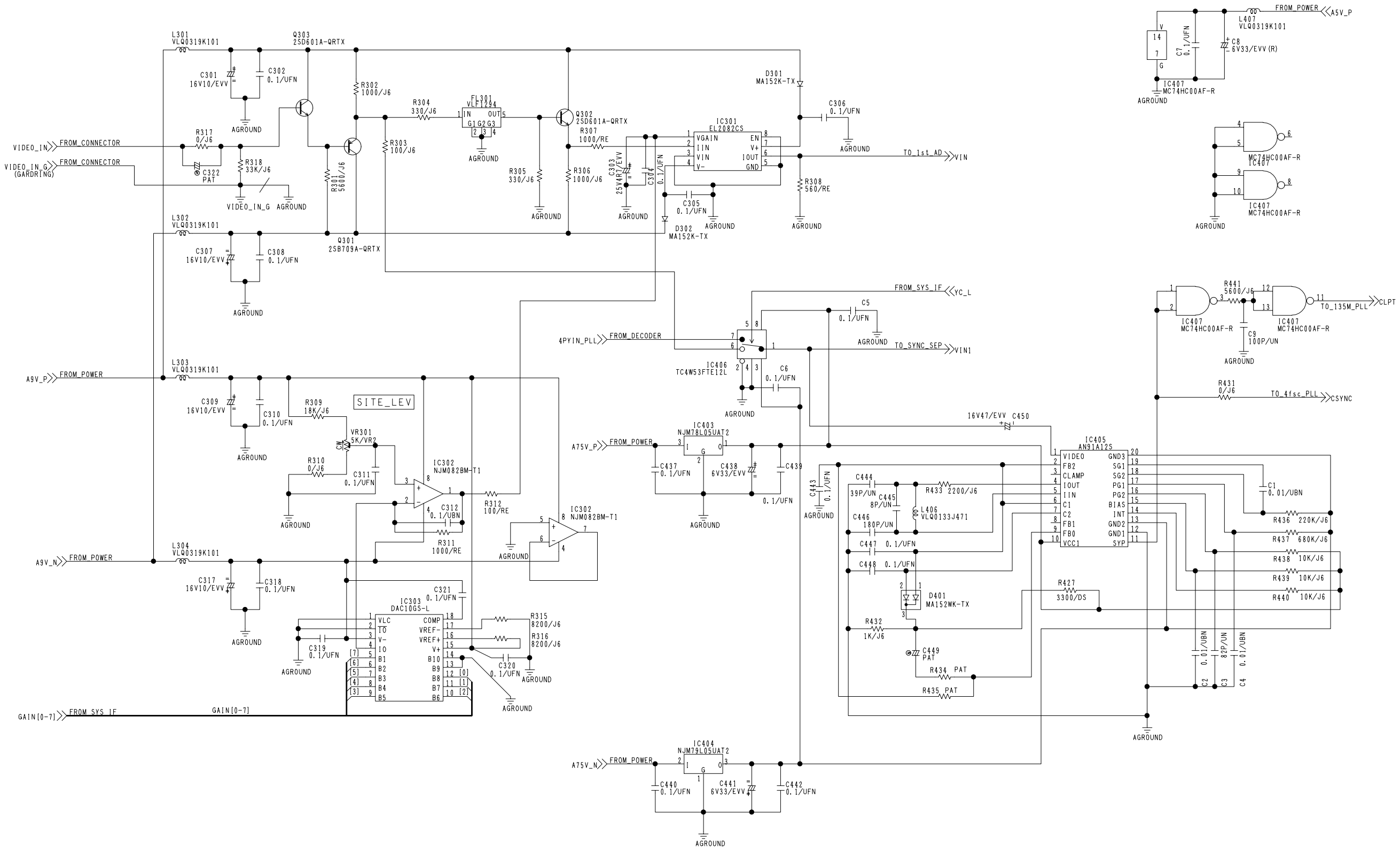
COMPONENT NAME	V_IN_NTSC	INBUFF	03/21
CIRCUIT BOARD NO	VEP83409C	MODEL NO	AJ-D950P,PD950P,YA950,YA952
		SCM050	



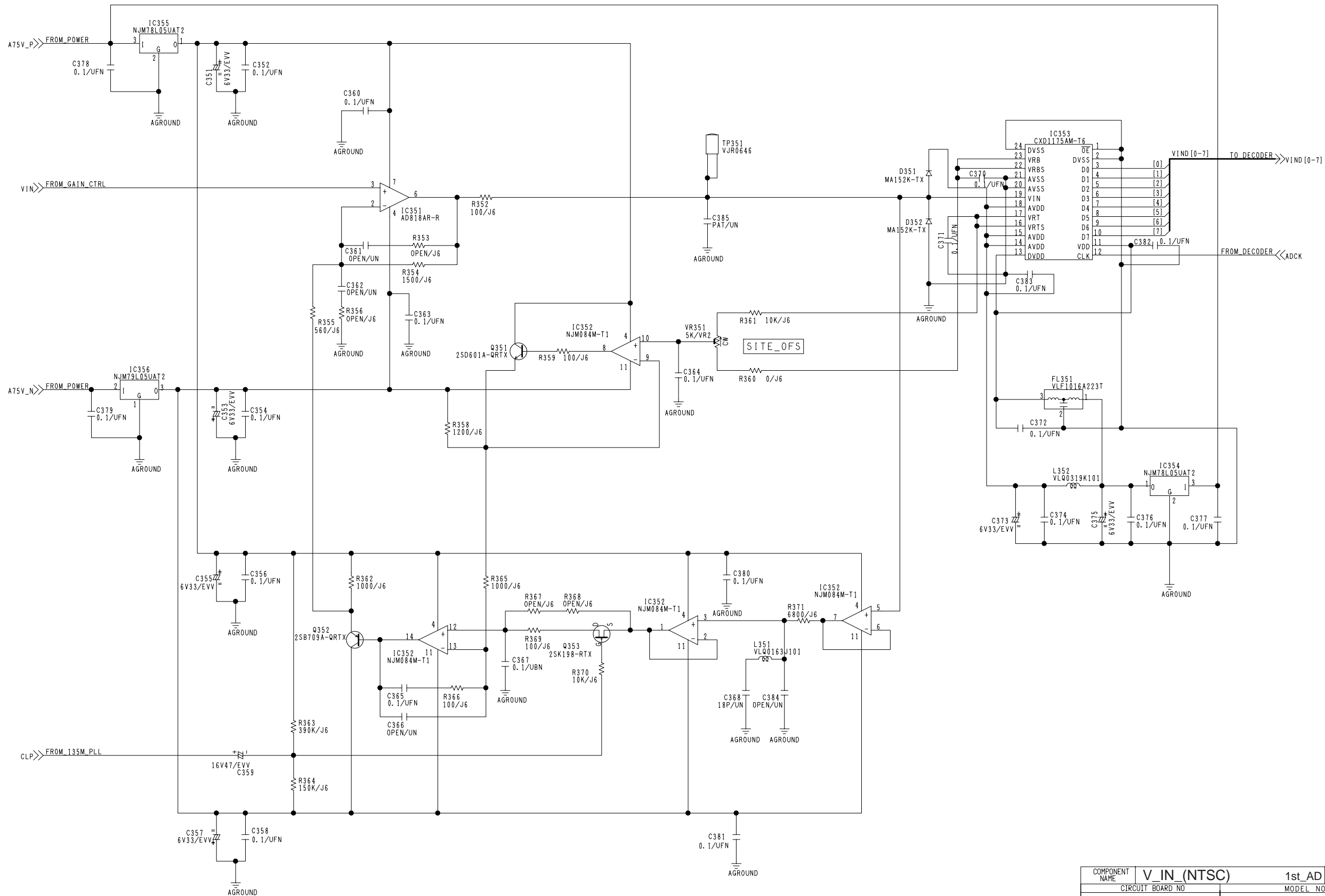
COMPONENT NAME	V_IN (NTSC)	SYS_IF	04/21
CIRCUIT BOARD NO	MODEL NO		
VEP83409C	AJ-D950P,PD950P,YA950,YA952		
SCM051			



COMPONENT NAME	V_IN_(NTSC)	SIF_DEC	05/21
CIRCUIT BOARD NO	VEP83409C	MODEL NO	AJ-D950P,PD950P,YA950,YA952
		SCM052	

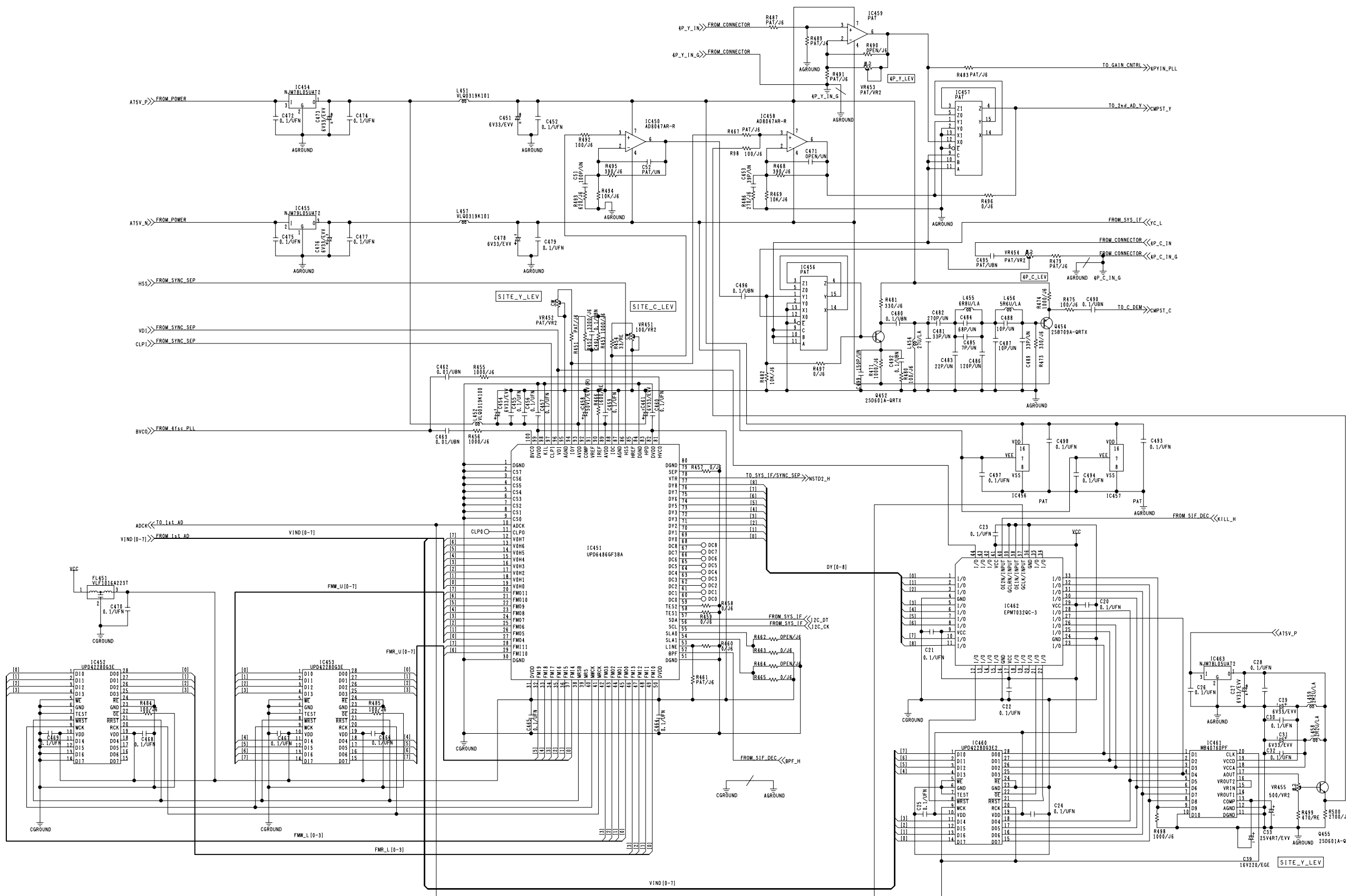


COMPONENT NAME	V_IN (NTSC)	GAIN_CNTRL	06/21
CIRCUIT BOARD NO	MODEL NO		
VEP83409C	AJ-D950P,PD950P,YA950, YA952		
SCM053			

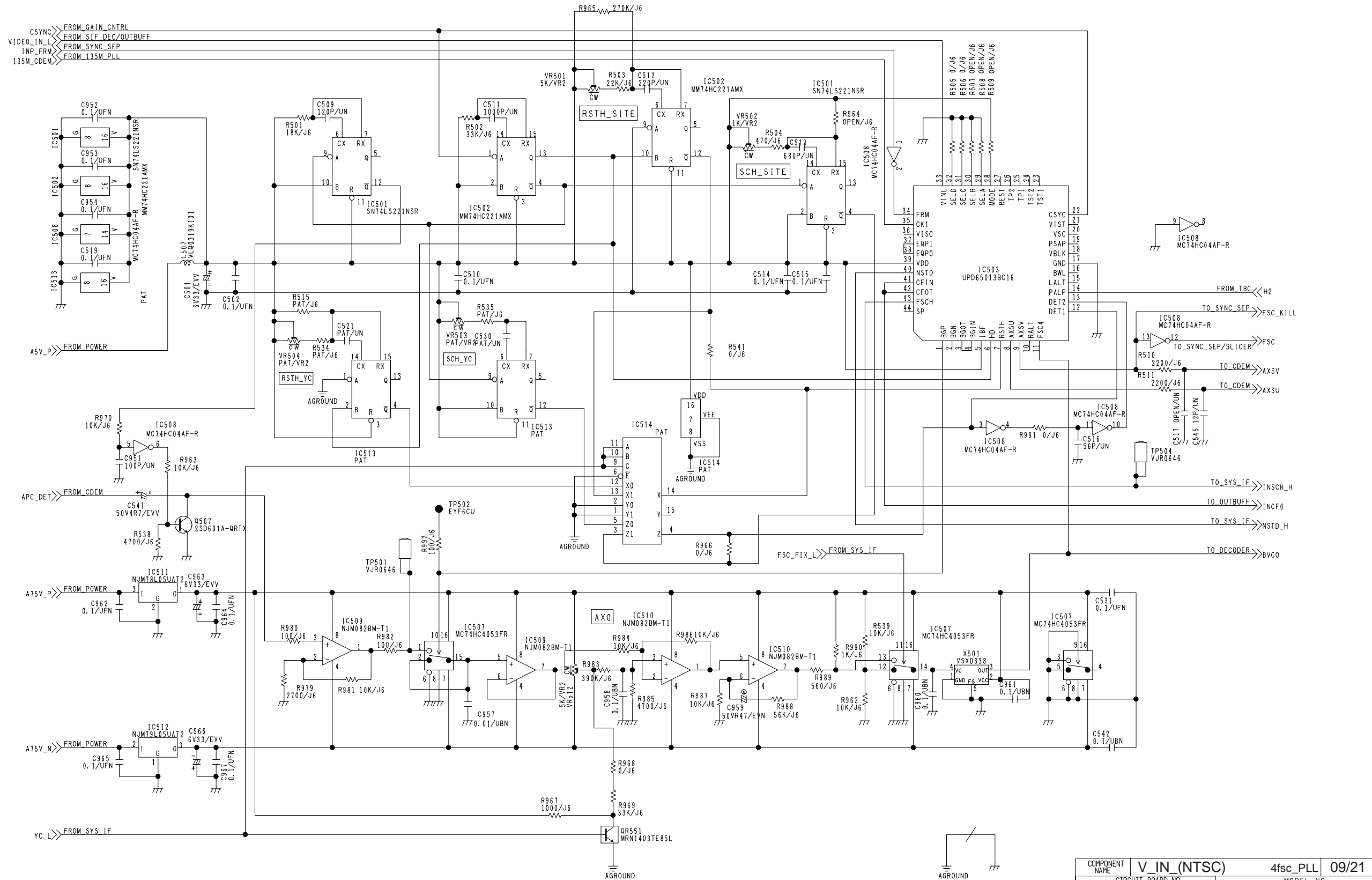


COMPONENT NAME	V_IN_NTSC	1st_AD	07/21
CIRCUIT BOARD NO	VEP83409C	MODEL_NO	AJ-D950P,PD950P,YA950,YA952
		SCM054	

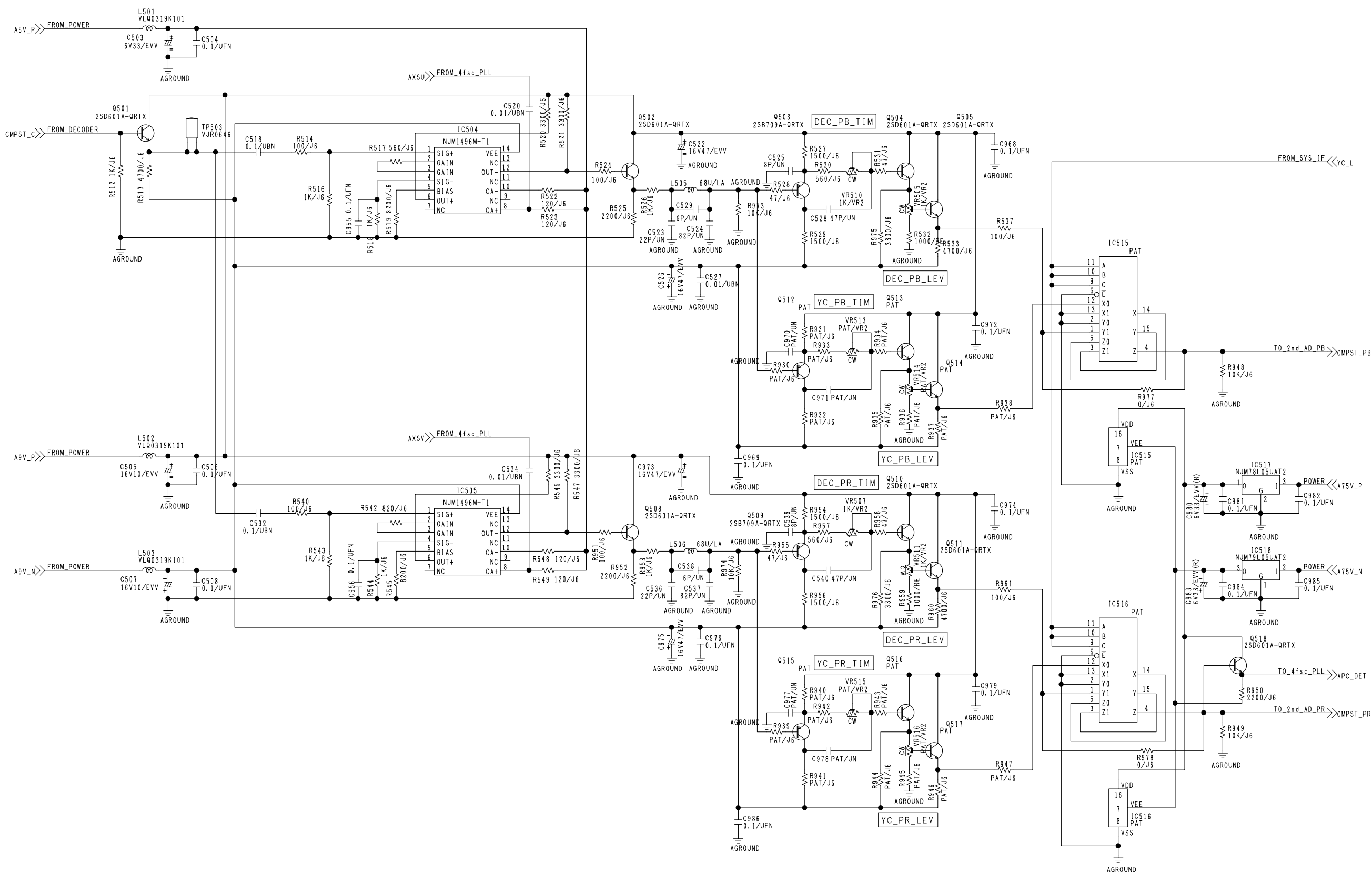




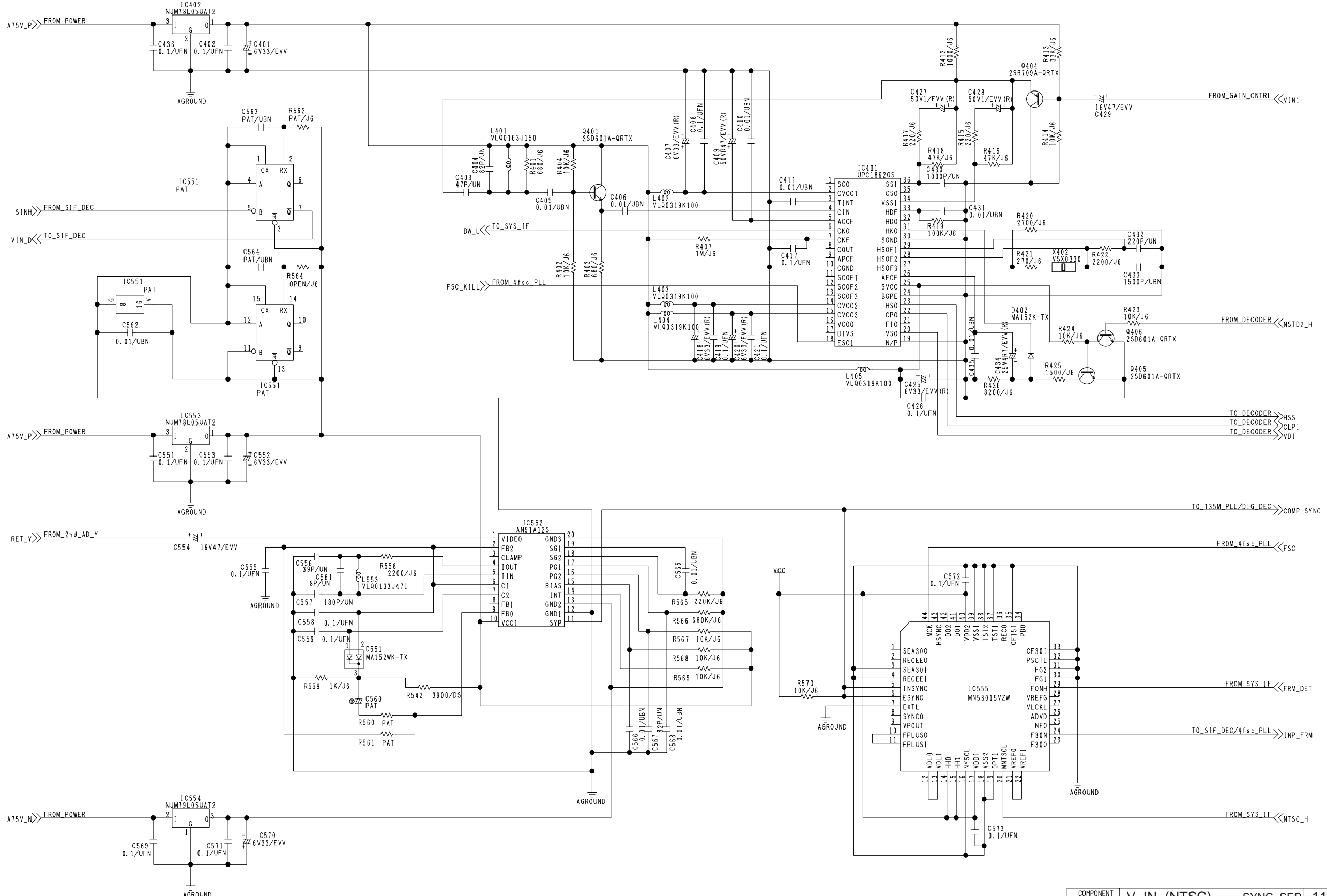
COMPONENT NAME	V_IN_NTSC	DECODER	08/21
CIRCUIT BOARD NO	VEP83409C	MODEL NO	AJ-D950P,PD950P,YA950,YA952
SCM055			



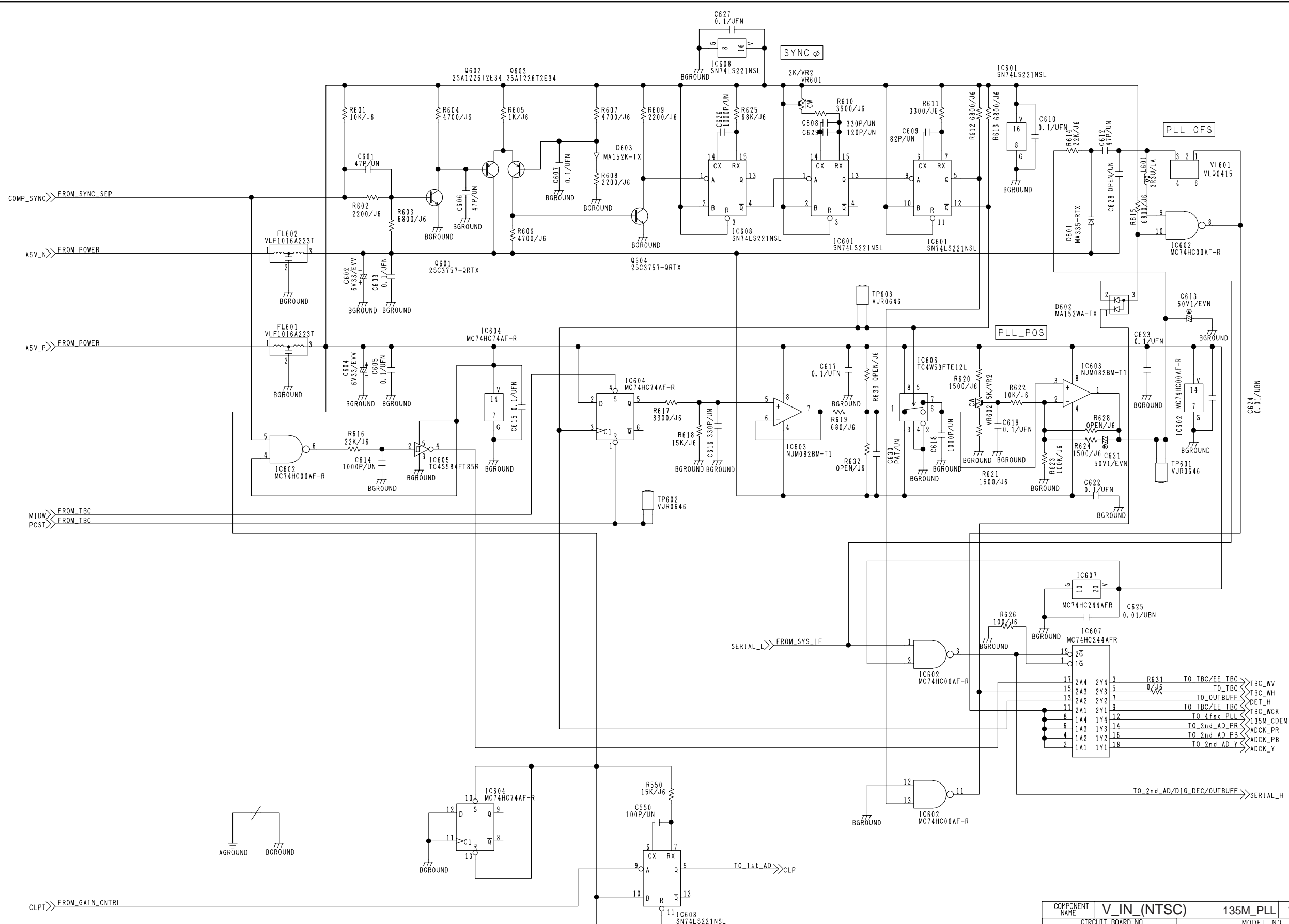
COMPONENT NAME	V_IN (NTSC)	4fsc_PLL	09/21
CIRCUIT BOARD NO			MODEL NO
VEP83409C		AJ-D950P,PD950P,YA950,YA952	
			SCM056



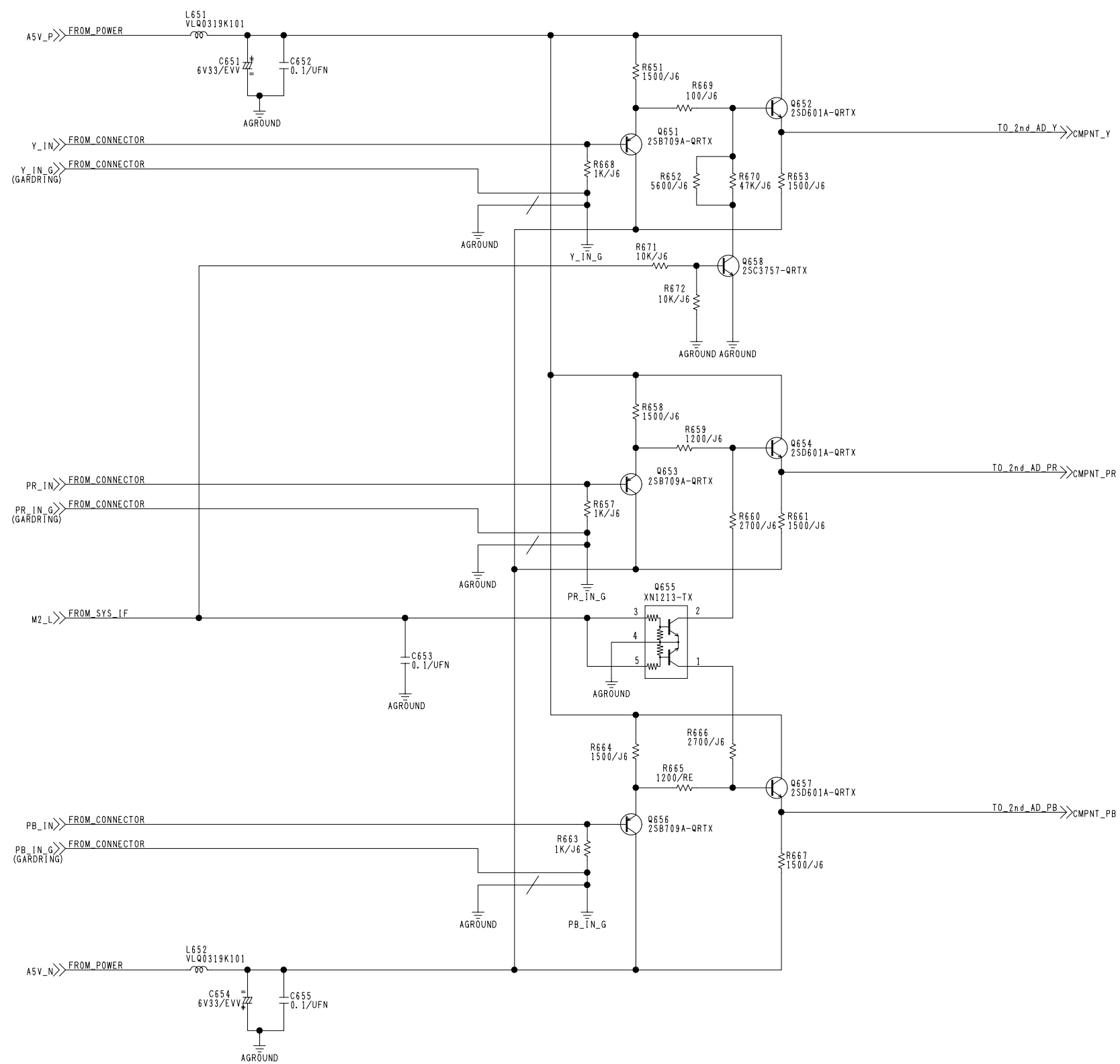
COMPONENT NAME	V_IN_(NTSC)	C_DEM	10/21
CIRCUIT BOARD NO	VEP83409C	MODEL NO	AJ-D950P,PD950P,YA950, YA952
SCM057			



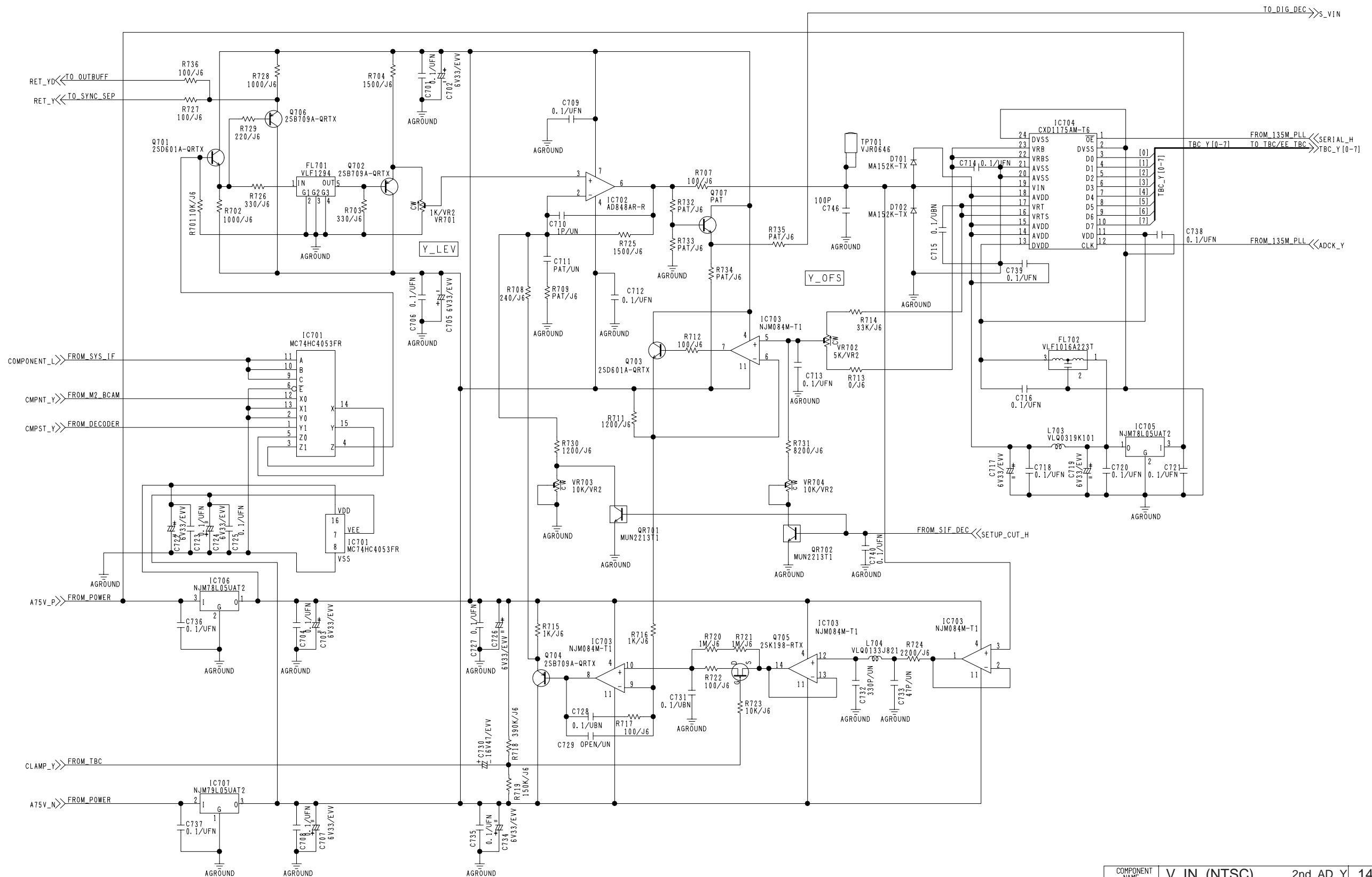
COMPONENT NAME	V_IN_(NTSC)	SYNC_SEP	11/21
CIRCUIT BOARD NO	VEP83409C	MODEL NO	AJ-D950P,PD950P,YA950,YA952
SCM058			



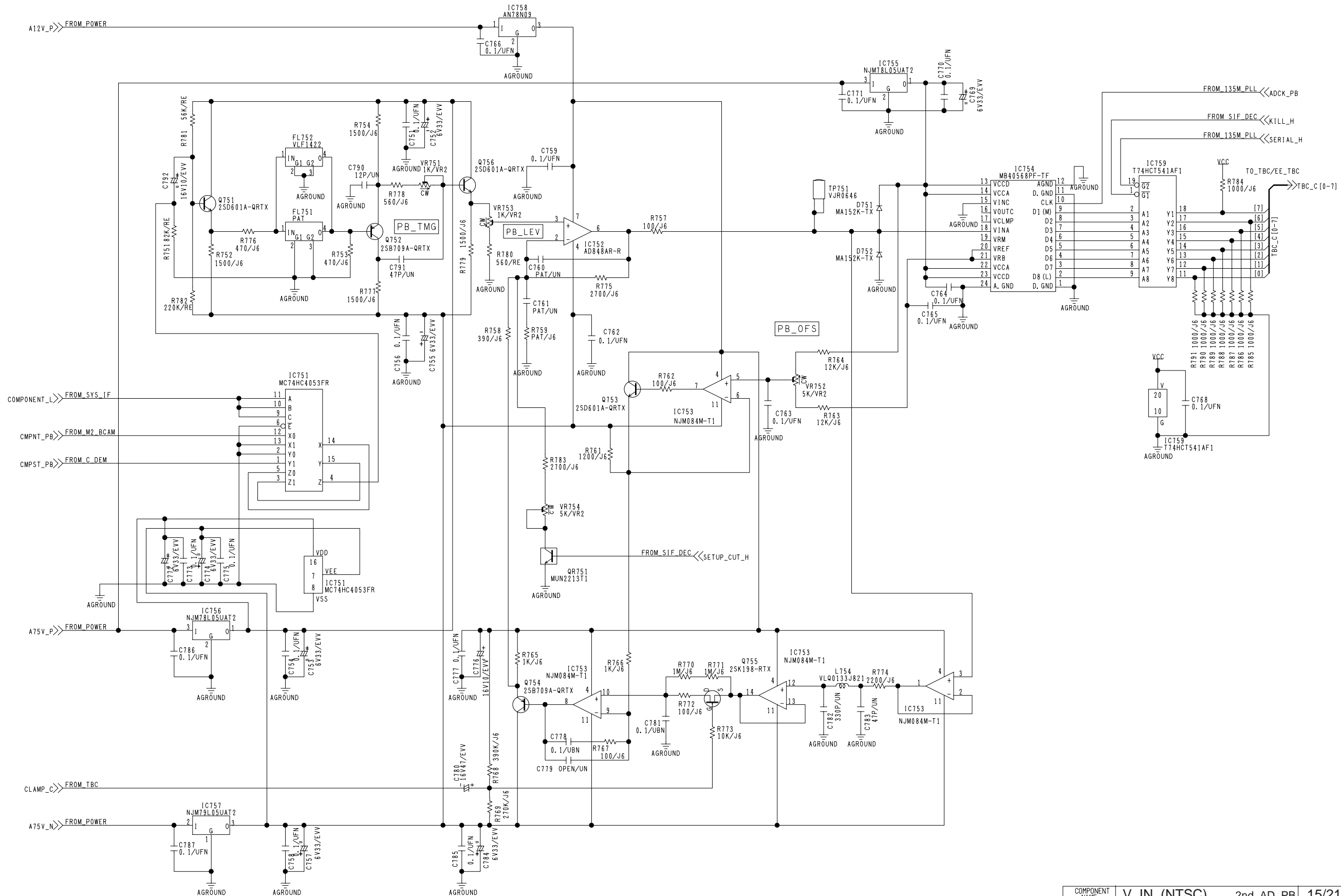
COMPONENT NAME	V_IN_(NTSC)	135M_PLL	12/21
CIRCUIT BOARD NO	MODEL NO		
VEP83409C	AJ-D950P,PD950P,YA950,YA952		
SCM059			



COMPONENT NAME	V_IN_(NTSC)M2_BCAM_SELECT	13/21
CIRCUIT BOARD NO	VEP83409C	MODEL_NO
		AJ-D950P,PD950P,YA950,YA952
		SCM060

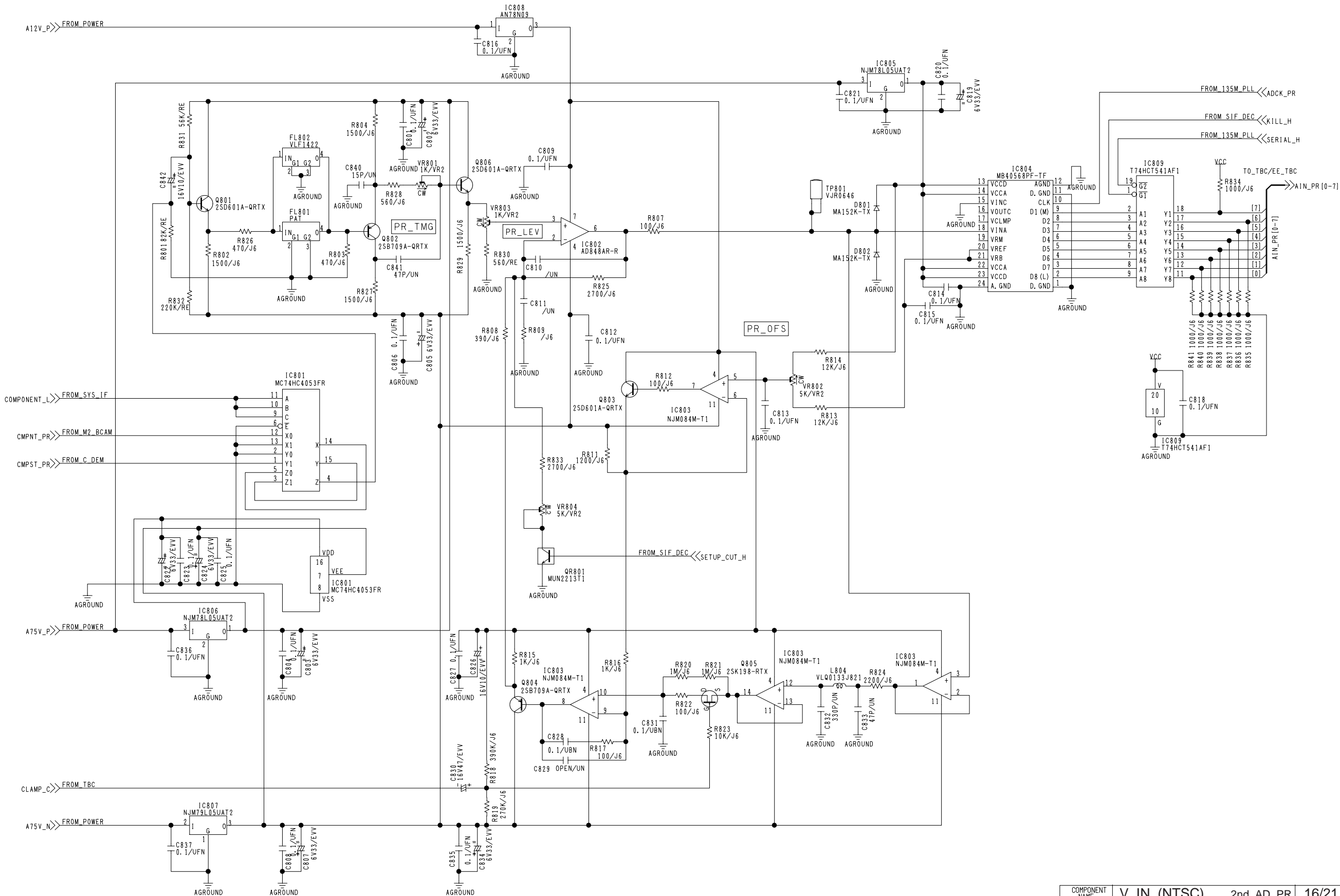


COMPONENT NAME	V_IN (NTSC)	2nd_AD_Y	14/21
CIRCUIT BOARD NO	VEP83409C	MODEL NO	AJ-D950P,PD950P,YA950,YA952
SCM061			

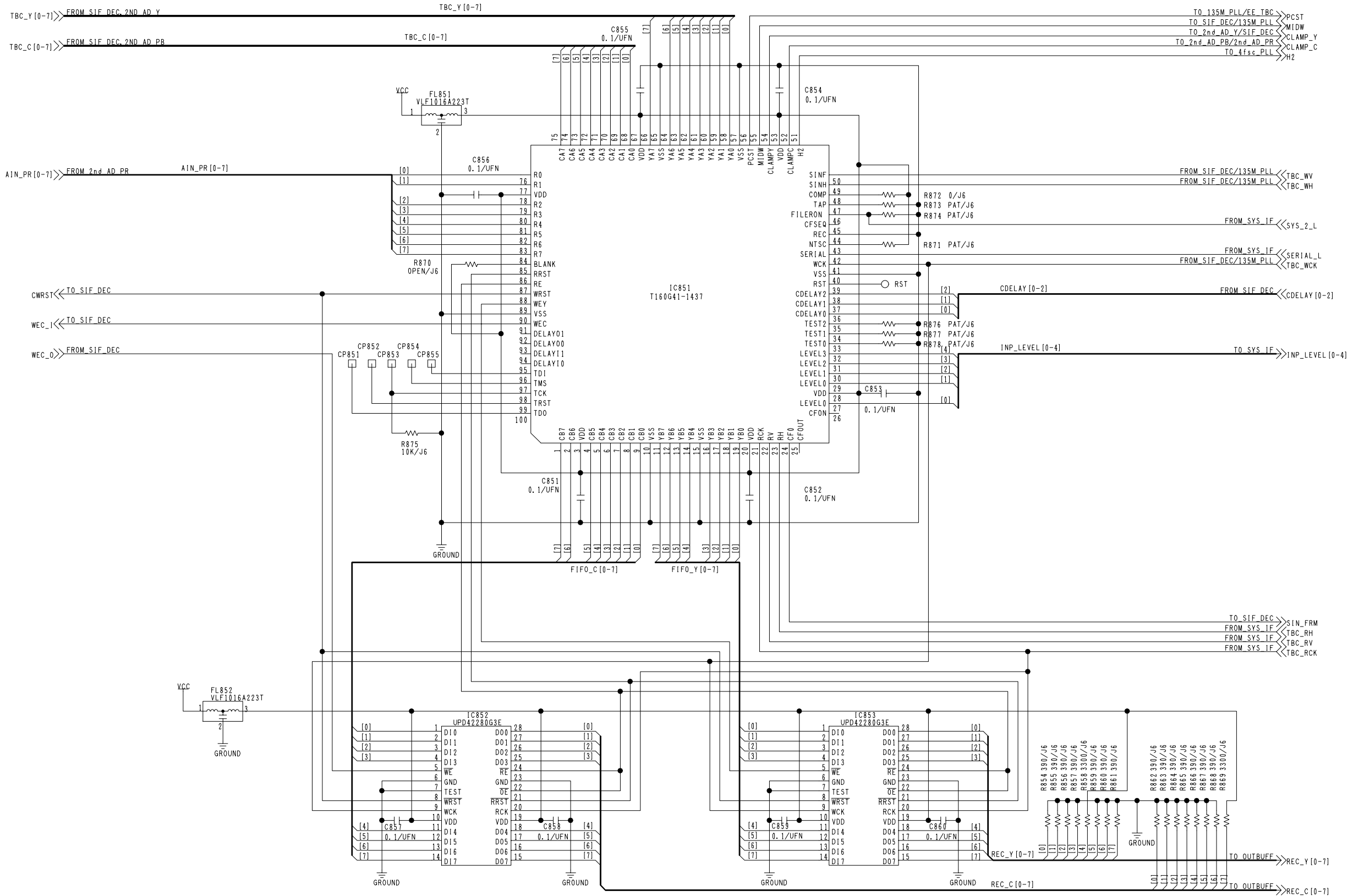


COMPONENT NAME	V_IN_(NTSC)	2nd_AD_PB	15/21
CIRCUIT BOARD NO	VEP83409C		MODEL NO
	AJ-D950P,PD950P,YA950,YA952		
	SCM062		

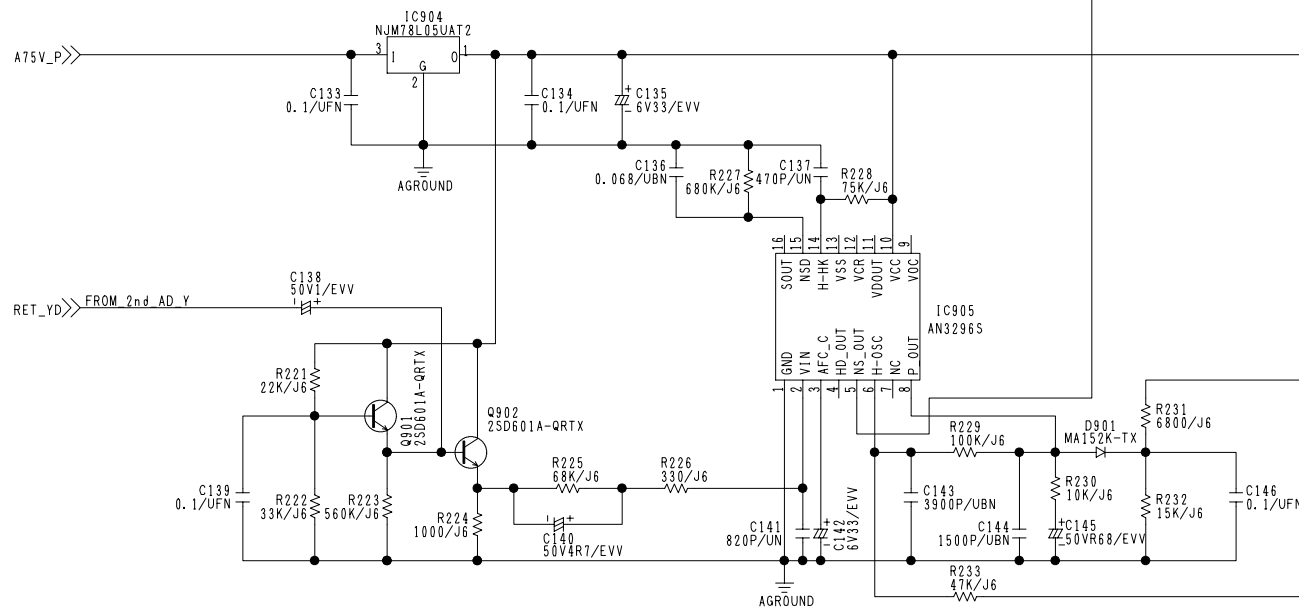
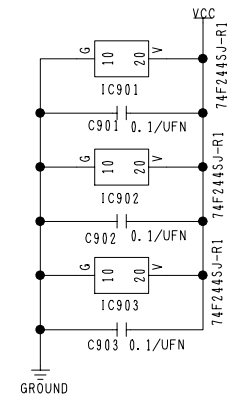
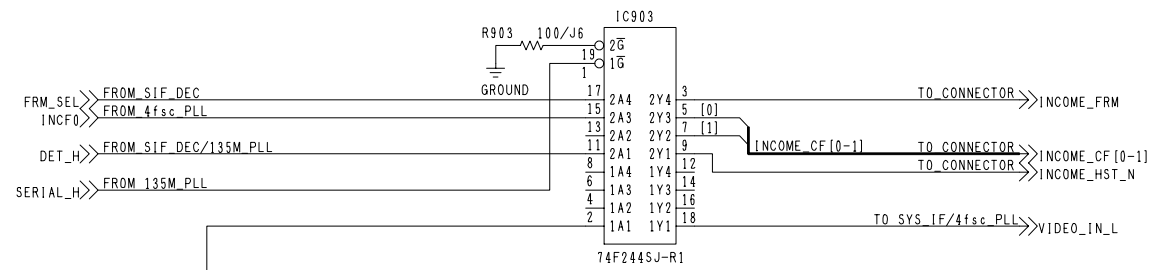
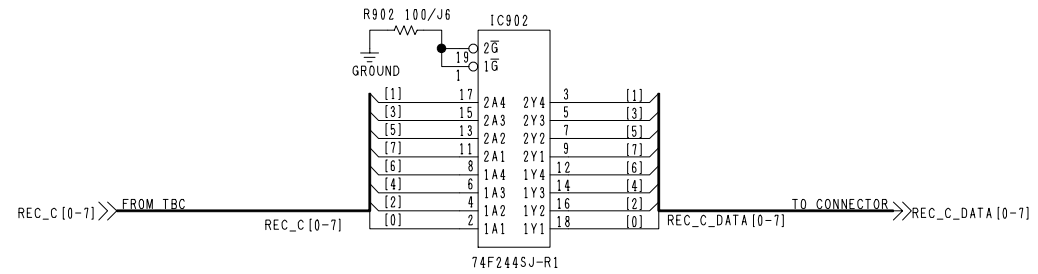
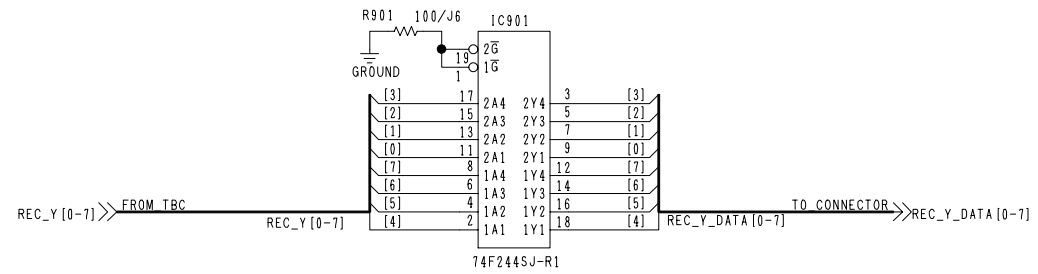




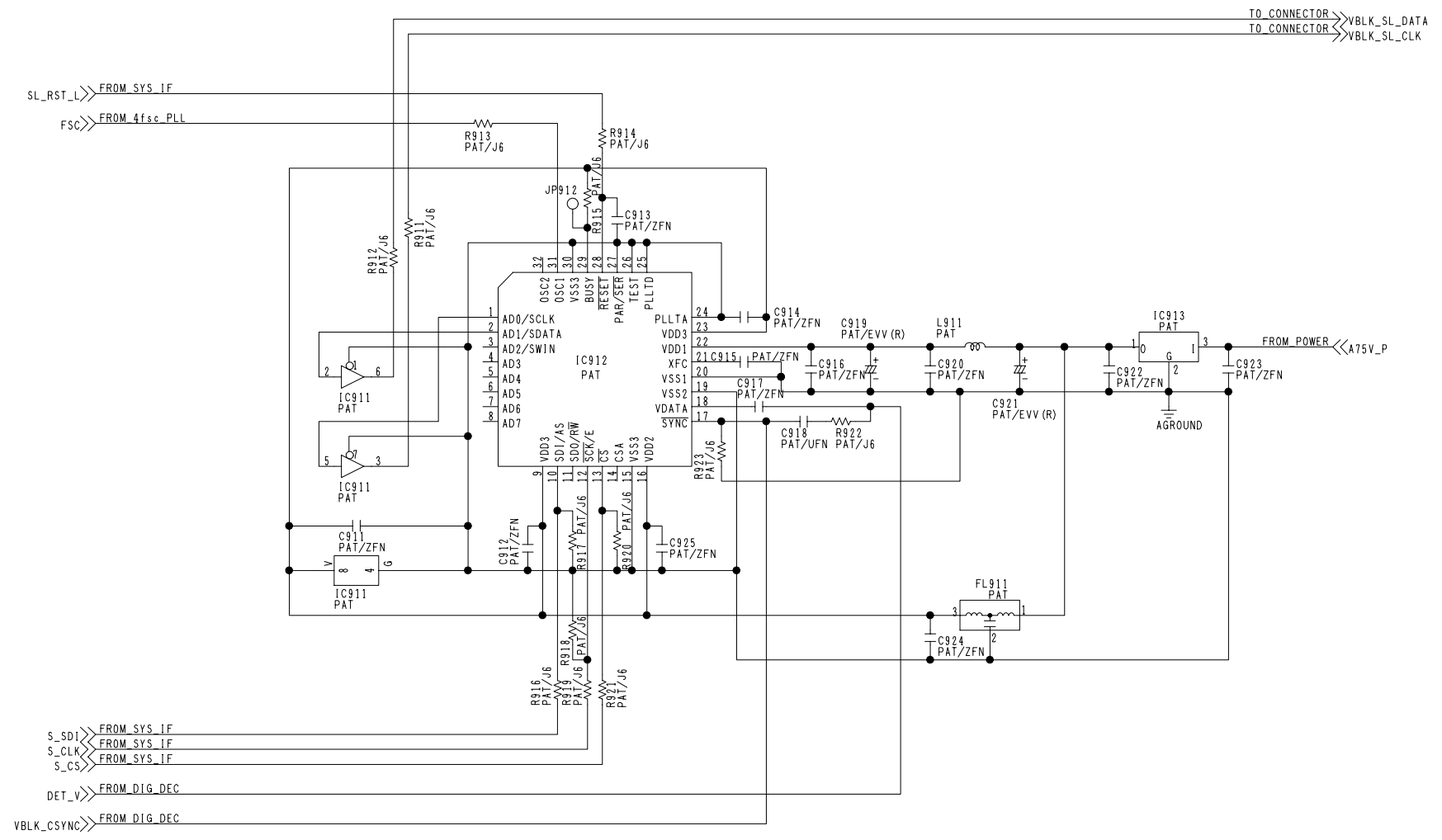
COMPONENT NAME	V_IN (NTSC)	2nd_AD_PR	16/21
CIRCUIT BOARD NO	MODEL NO		
VEP83409C	AJ-D950P,PD950P,YA950,YA952		
SCM063			



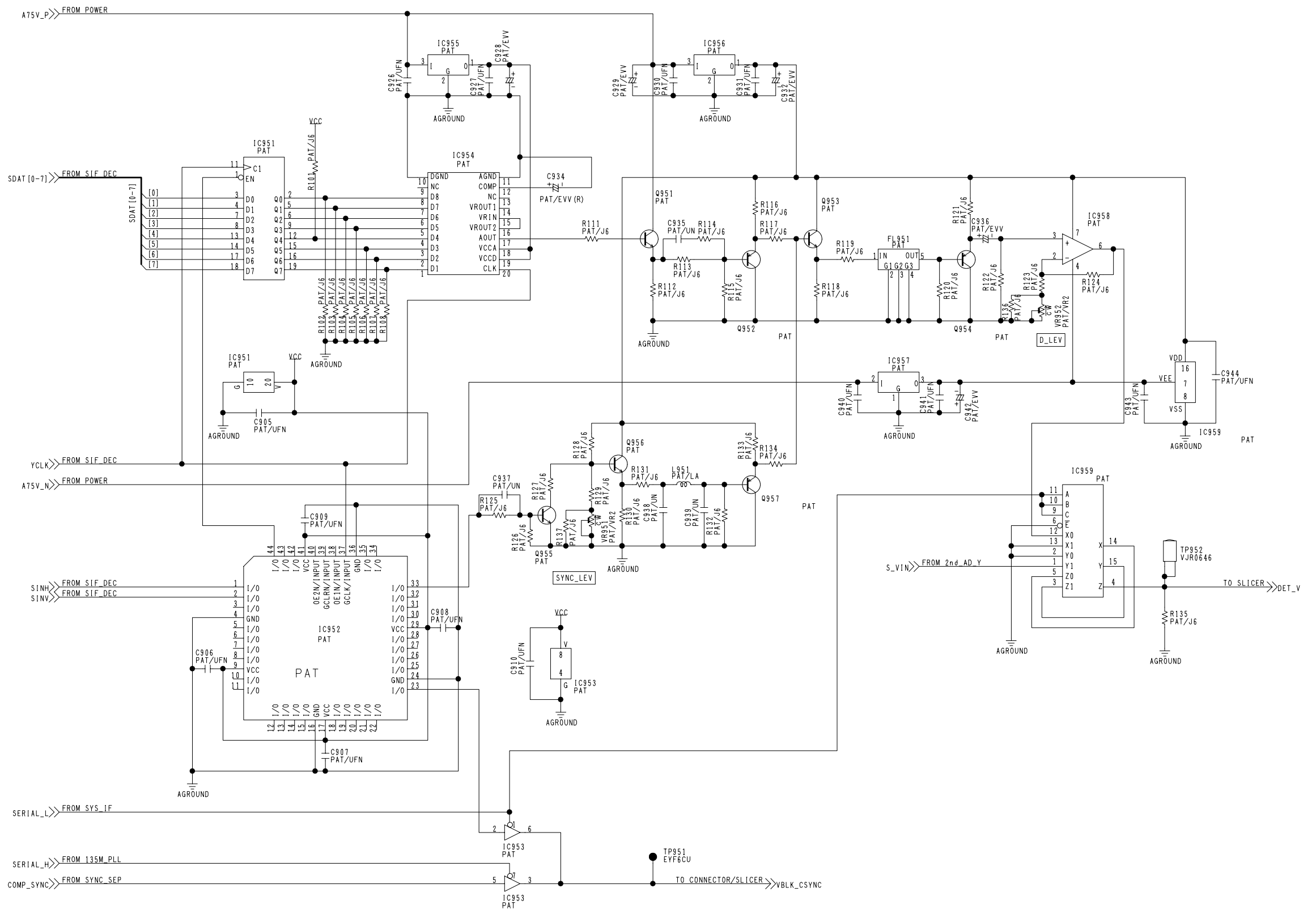
COMPONENT NAME	V_IN_(NTSC)	TBC	17/21
CIRCUIT BOARD NO	VEP83409C	MODEL NO	AJ-D950P,PD950P,YA950,YA952
		SCM064	



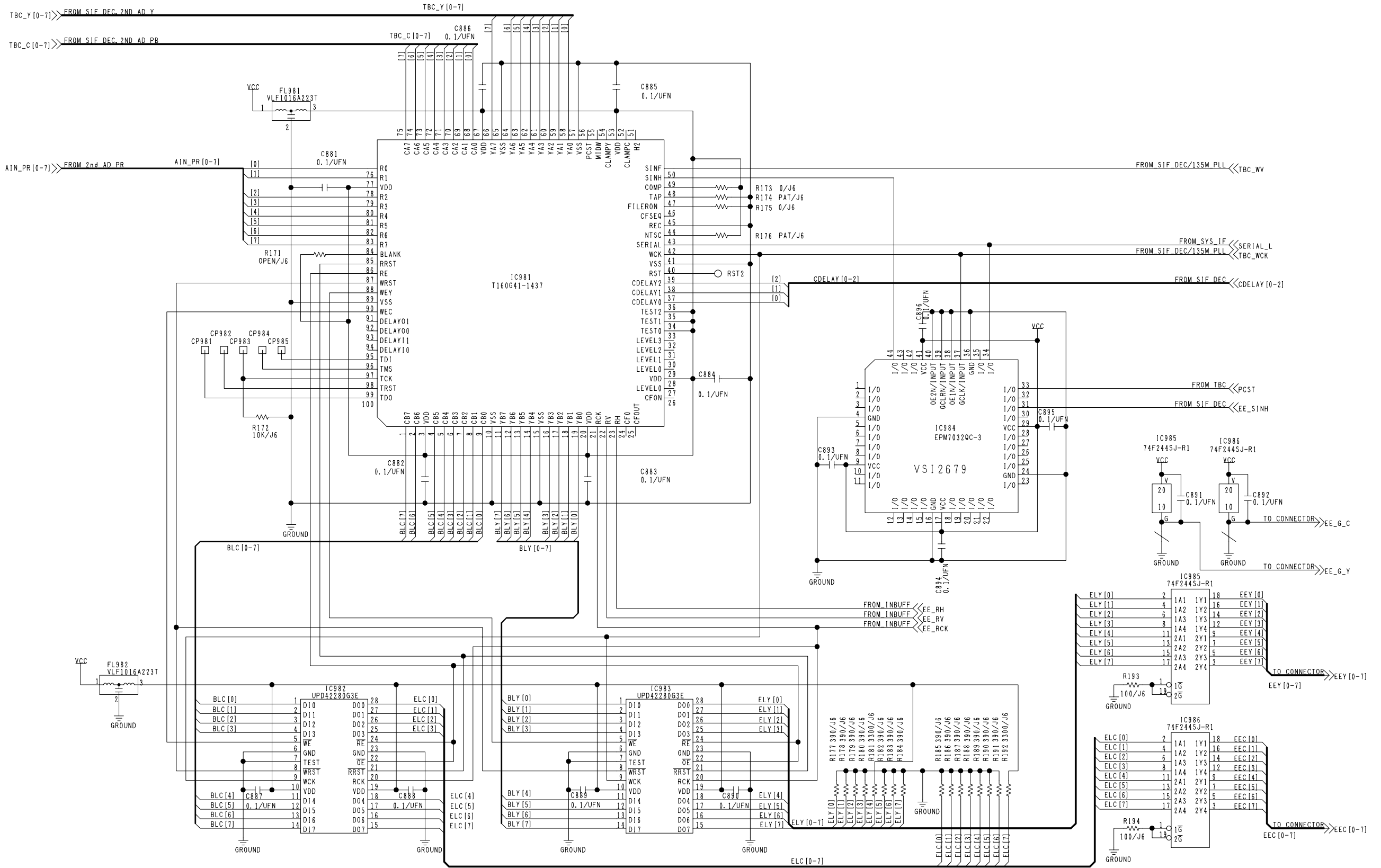
COMPONENT NAME	V_IN (NTSC)	OUTBUFF	18/21
CIRCUIT BOARD NO	VEP83409C	MODEL NO	AJ-D950P,PD950P,YA950,YA952
			SCM065



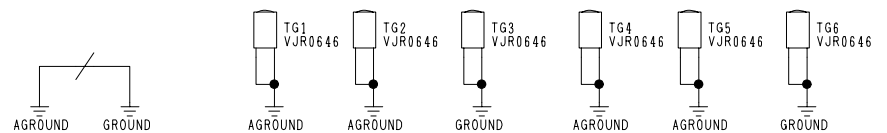
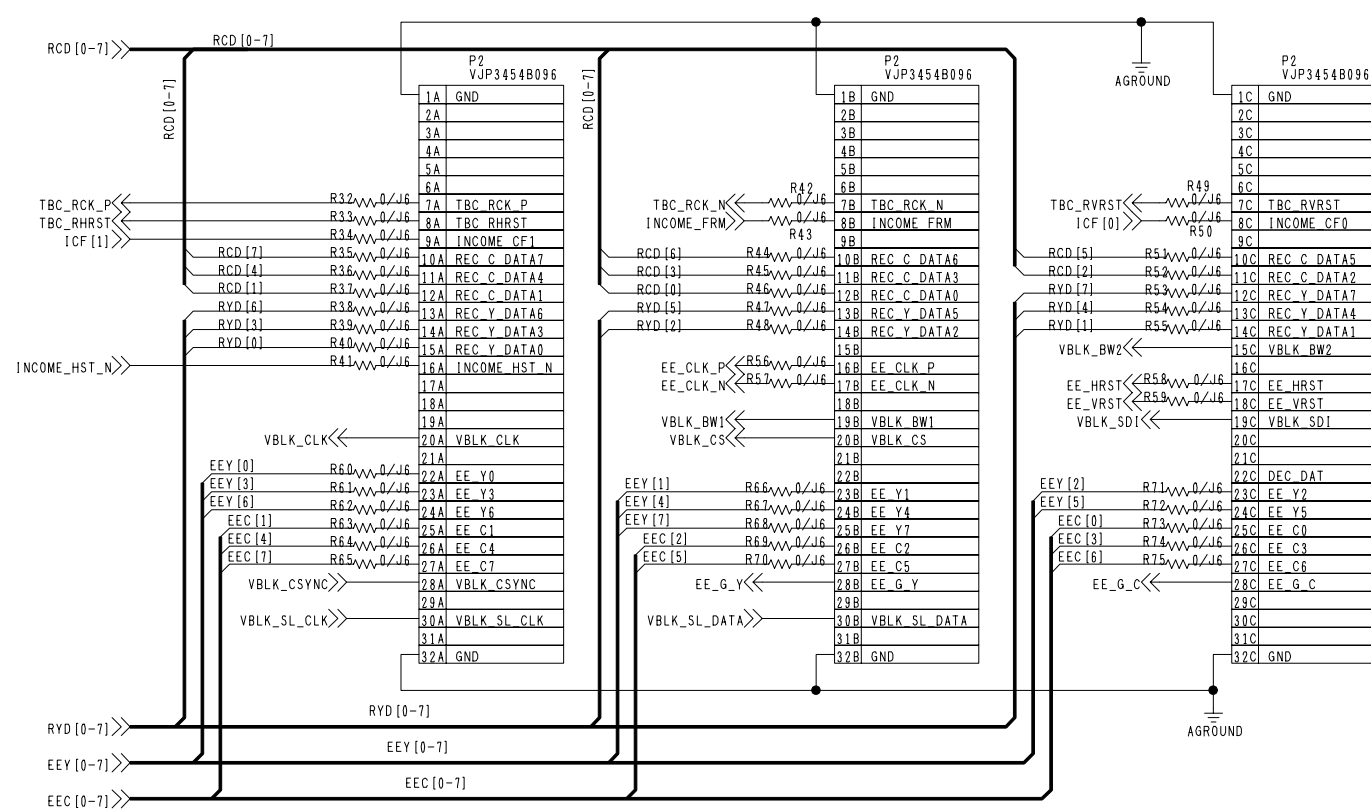
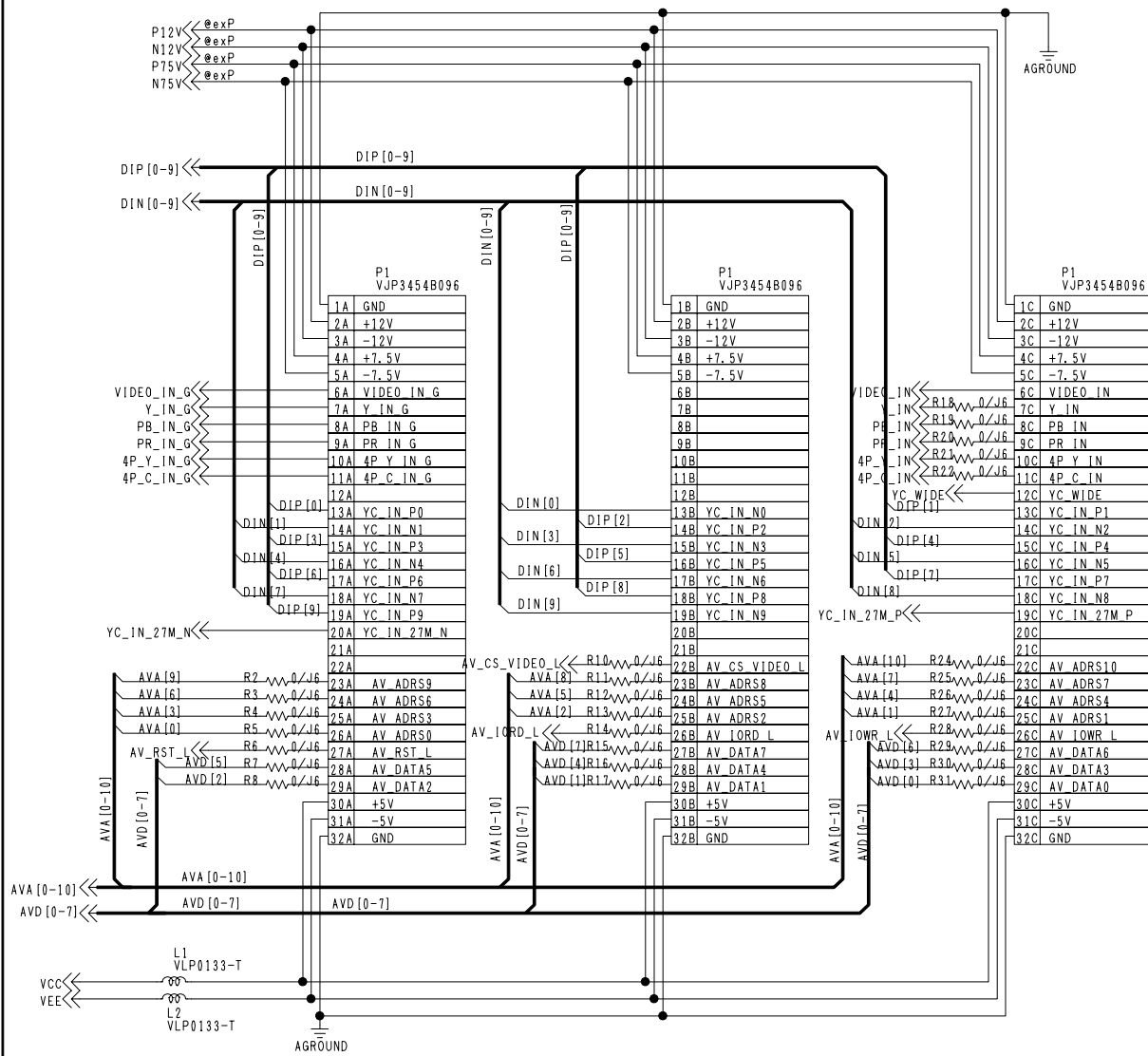
COMPONENT NAME	V_IN (NTSC)	SLICER	19/21
CIRCUIT BOARD NO	VEP83409C	MODEL NO	AJ-D950P,PD950P,YA950,YA952
			SCM066



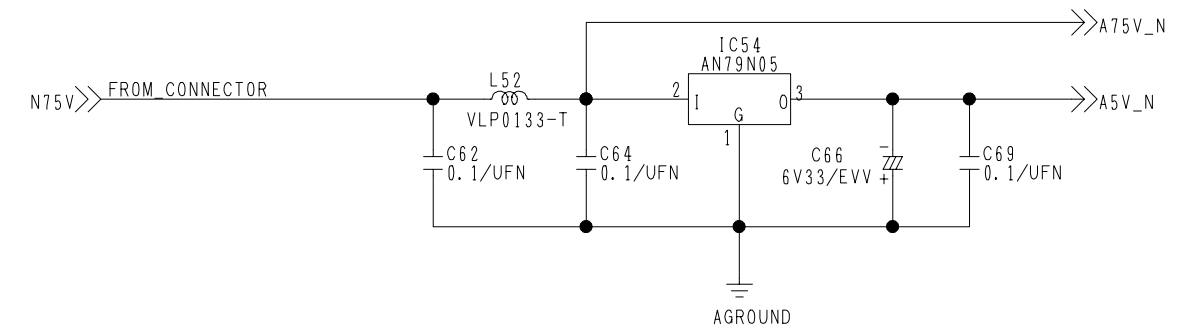
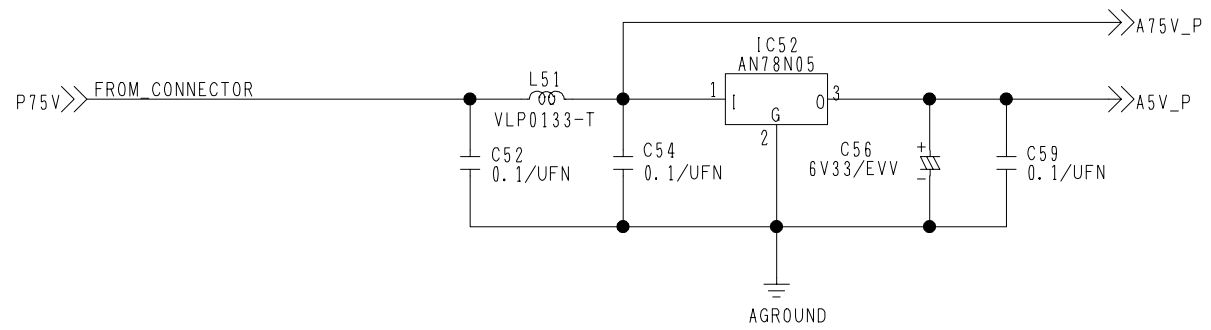
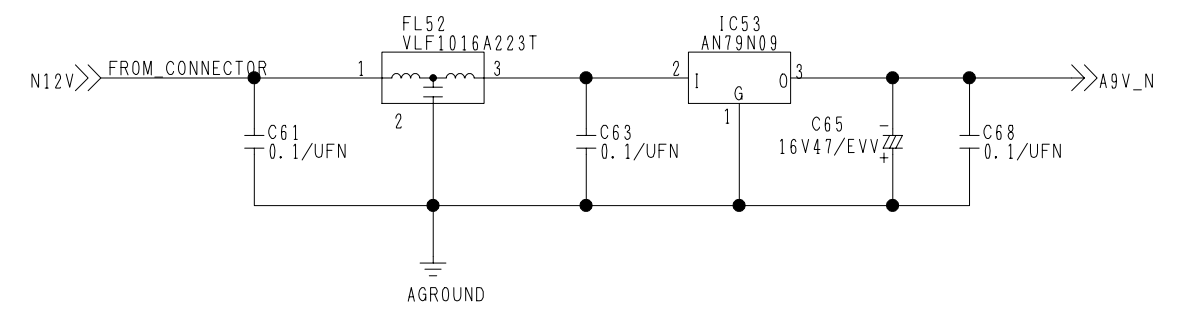
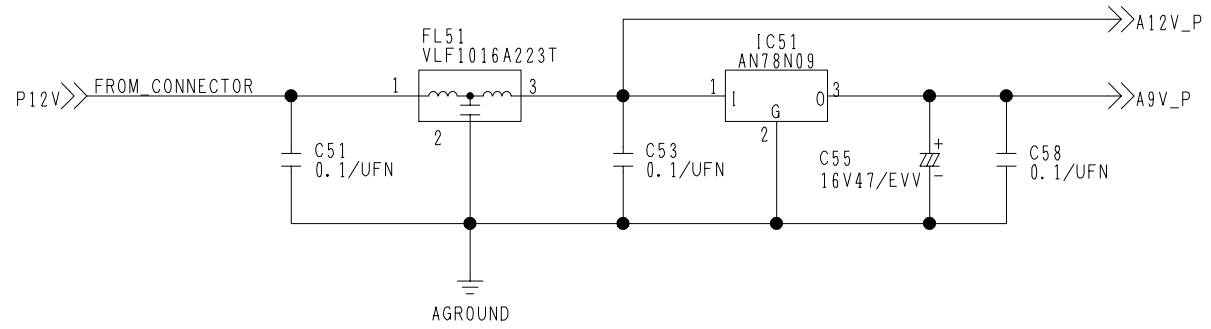
COMPONENT NAME	V_IN_NTSC	DIG_DEC	20/21
CIRCUIT BOARD NO	MODEL NO		
VEP83409C	AJ-D950P,PD950P,YA950,YA952		
SCM067			



COMPONENT NAME	V_IN (NTSC)	EE-TBC	21/21
CIRCUIT BOARD NO	VEP83409C	MODEL NO	AJ-D950P,PD950P,YA950, YA952
SCM068			

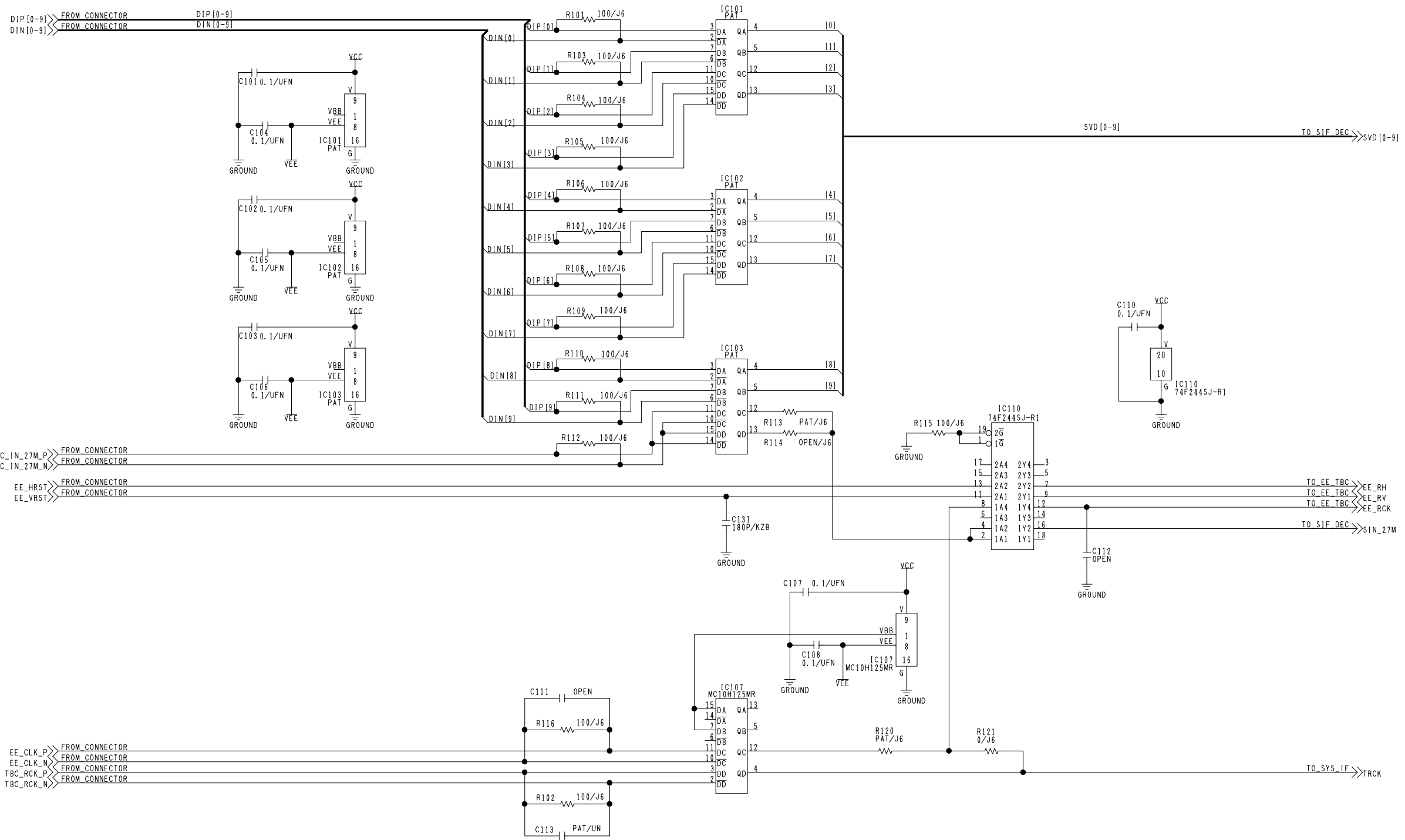


COMPONENT NAME	V_IN (PAL)	CONNECTOR	01/21
CIRCUIT BOARD NO	VEP83408B	MODEL NO	AJ-YA951E
SCM069			

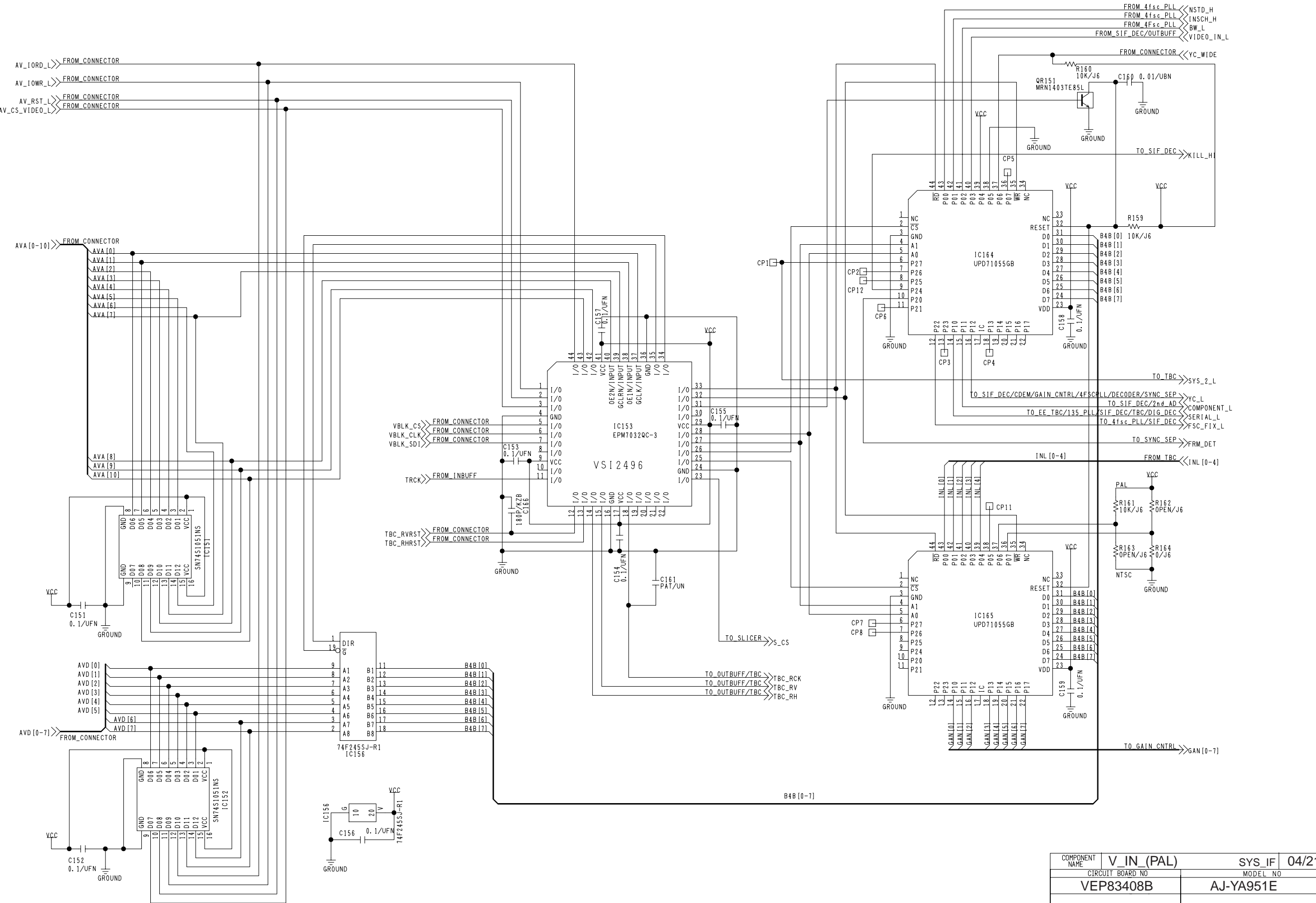


COMPONENT NAME	V_IN (PAL)	POWER	02/21
CIRCUIT BOARD NO	MODEL NO		
VEP83408B	AJ-YA951E		
	SCM070		

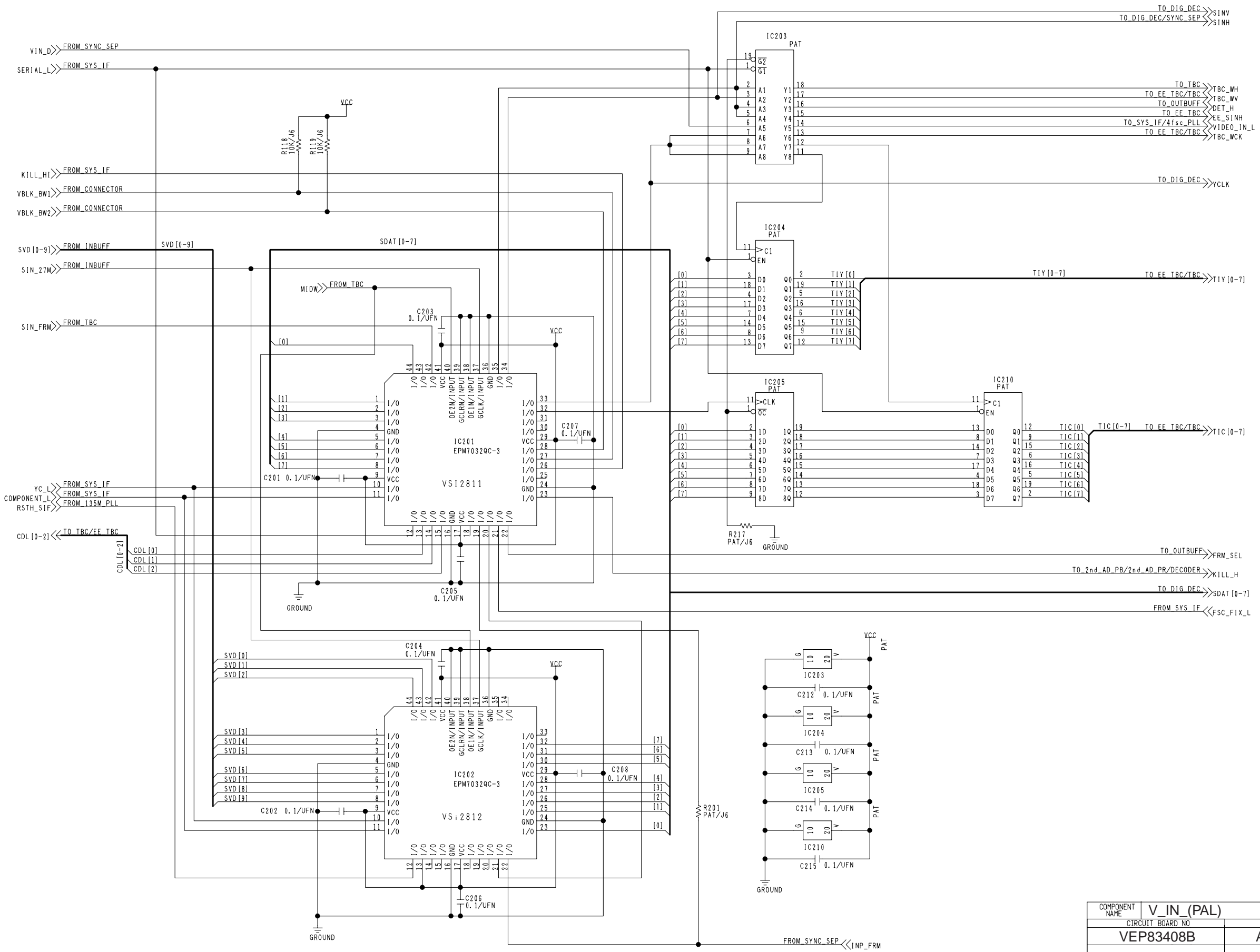




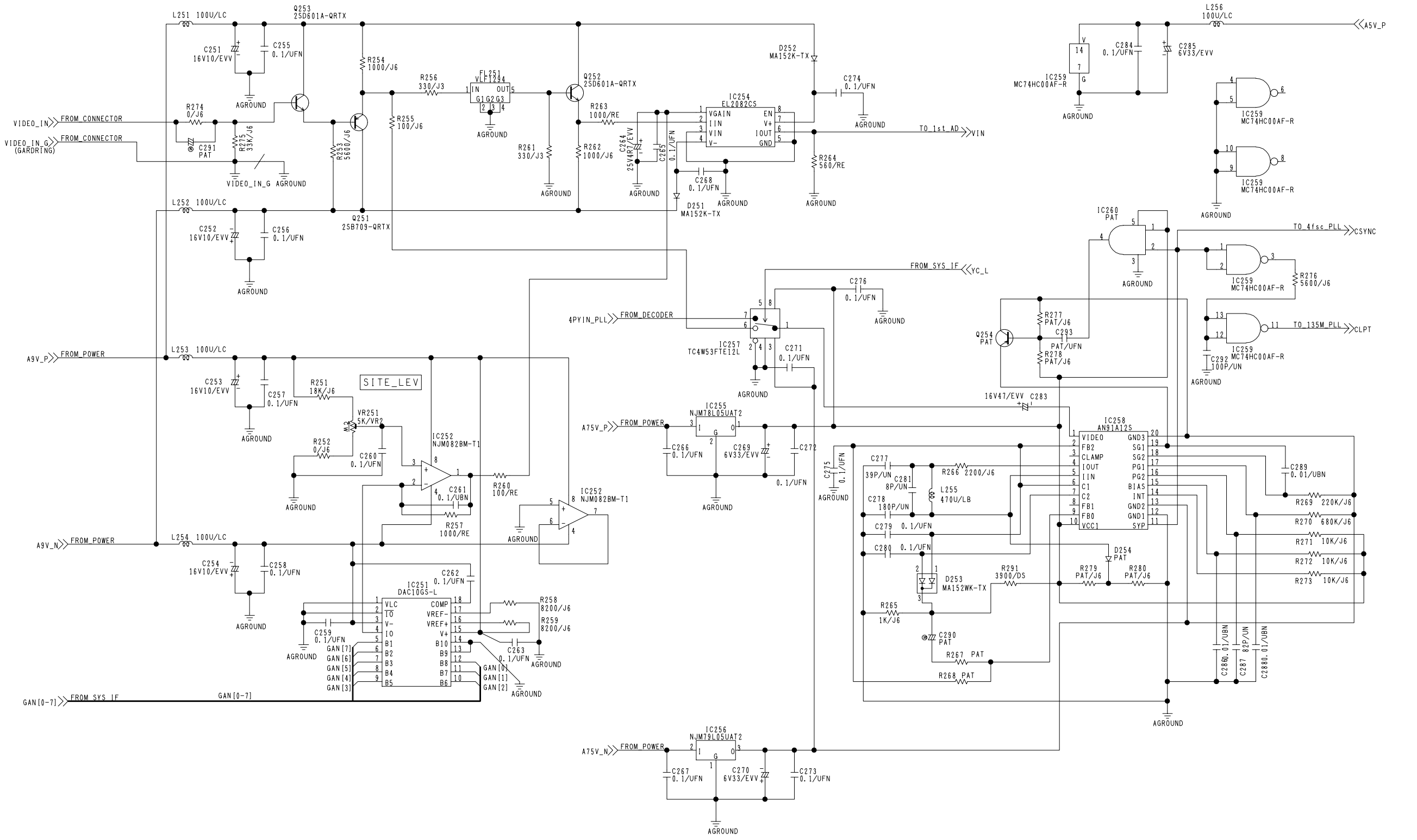
COMPONENT NAME	V_IN_(PAL)	INBUFF	03/21
CIRCUIT BOARD NO	VEP83408B	MODEL NO	AJ-YA951E
		SCM071	



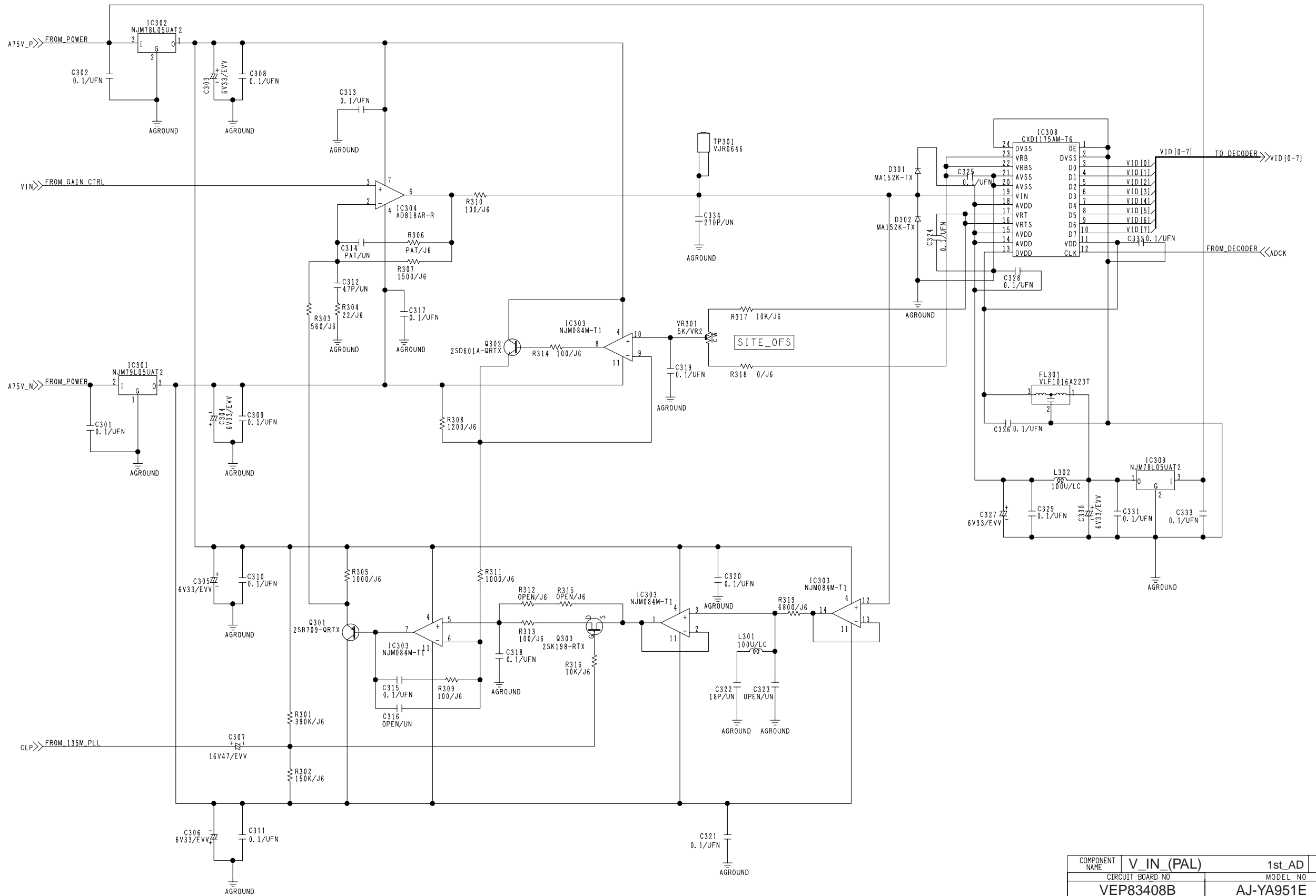
COMPONENT NAME	V_IN (PAL)	SYS_IF	04/21
CIRCUIT BOARD NO	VEP83408B	MODEL NO	AJ-YA951E
		SCM072	



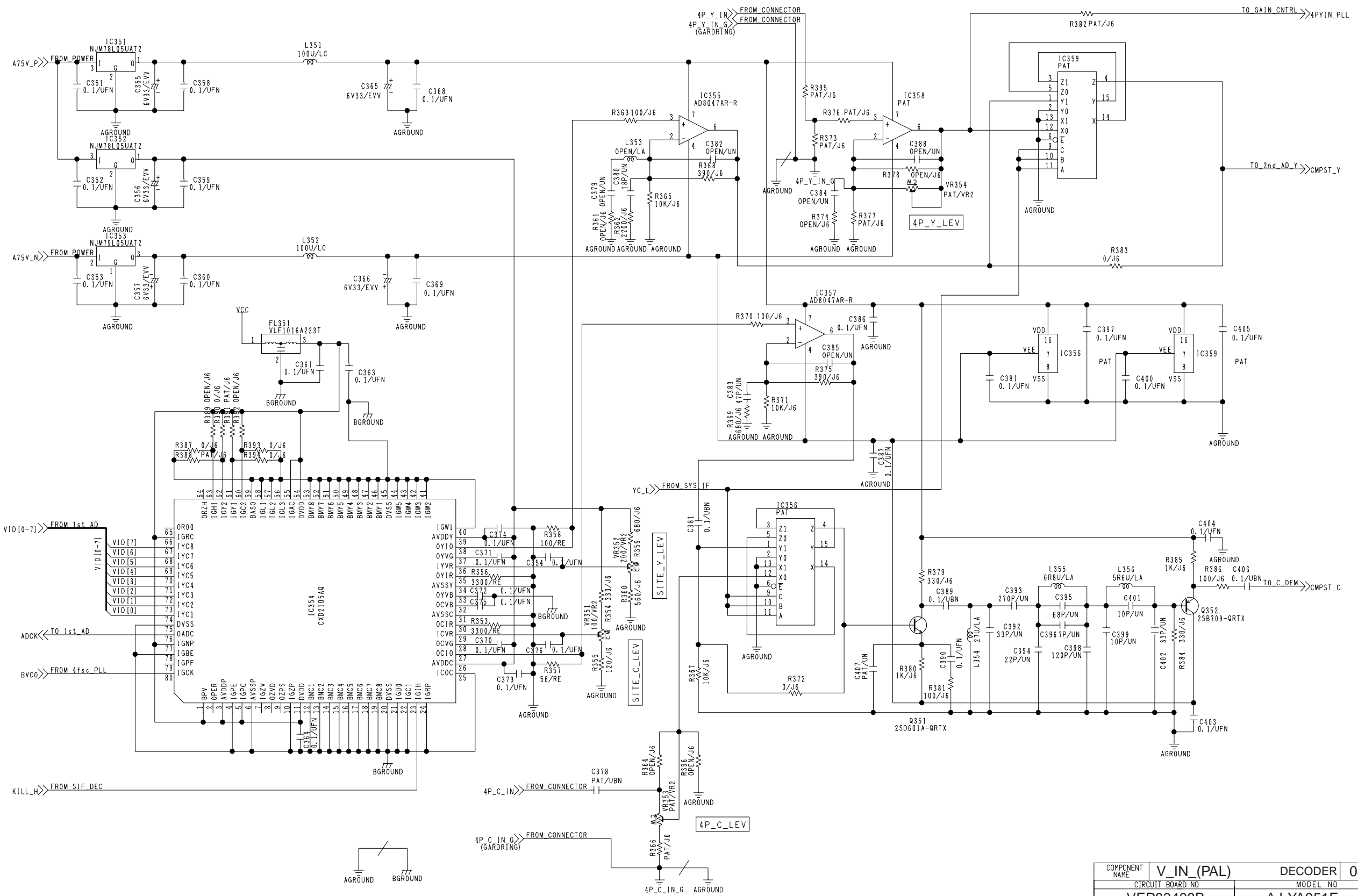
COMPONENT NAME	V_IN_(PAL)	SIF_DEC	05/21
CIRCUIT BOARD NO	VEP83408B	MODEL NO	AJ-YA951E
		SCM073	



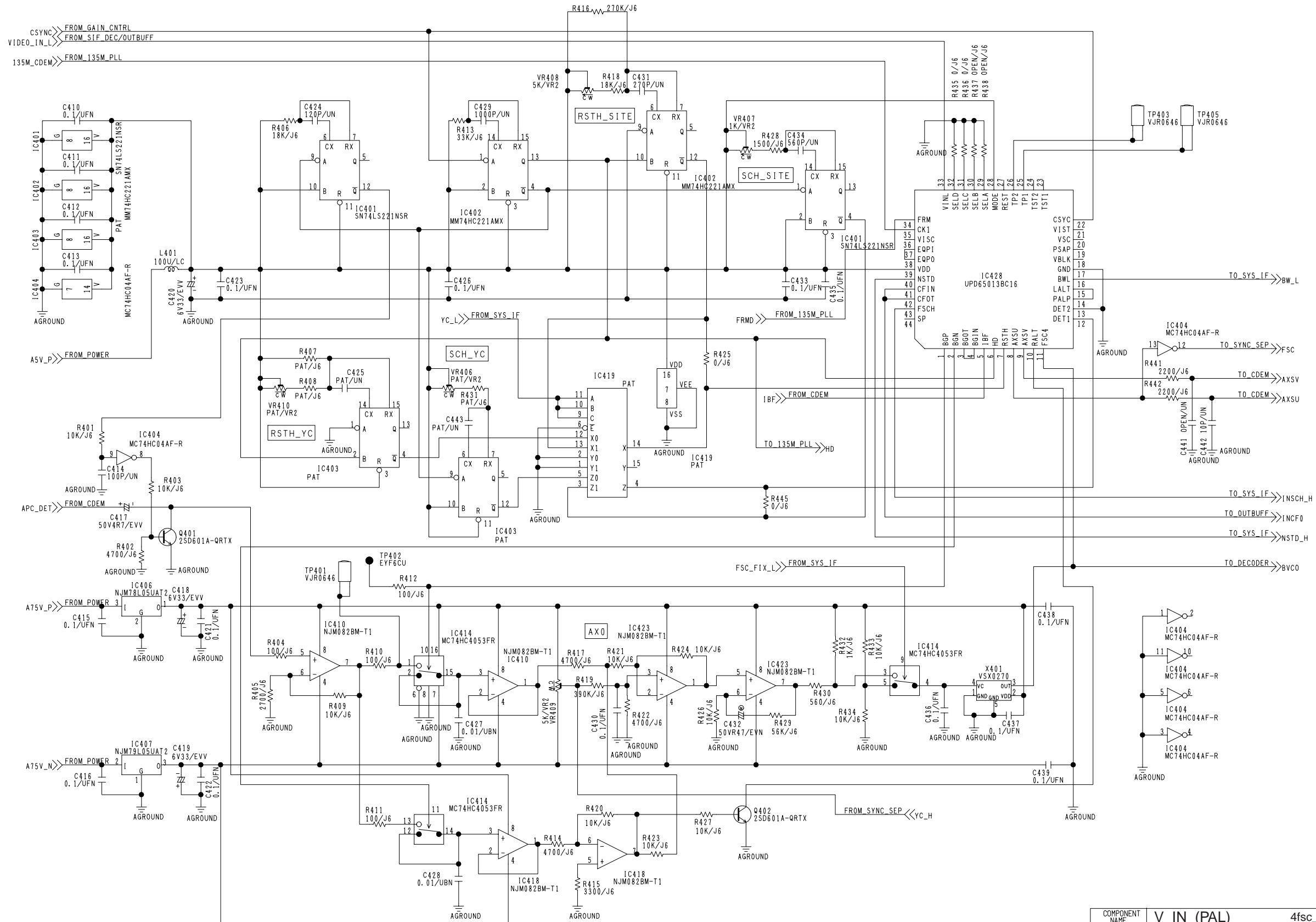
COMPONENT NAME	V_IN_(PAL)	GAIN_CNTRL	06/21
CIRCUIT BOARD NO	VEP83408B	MODEL NO	AJ-YA951E
			SCM074



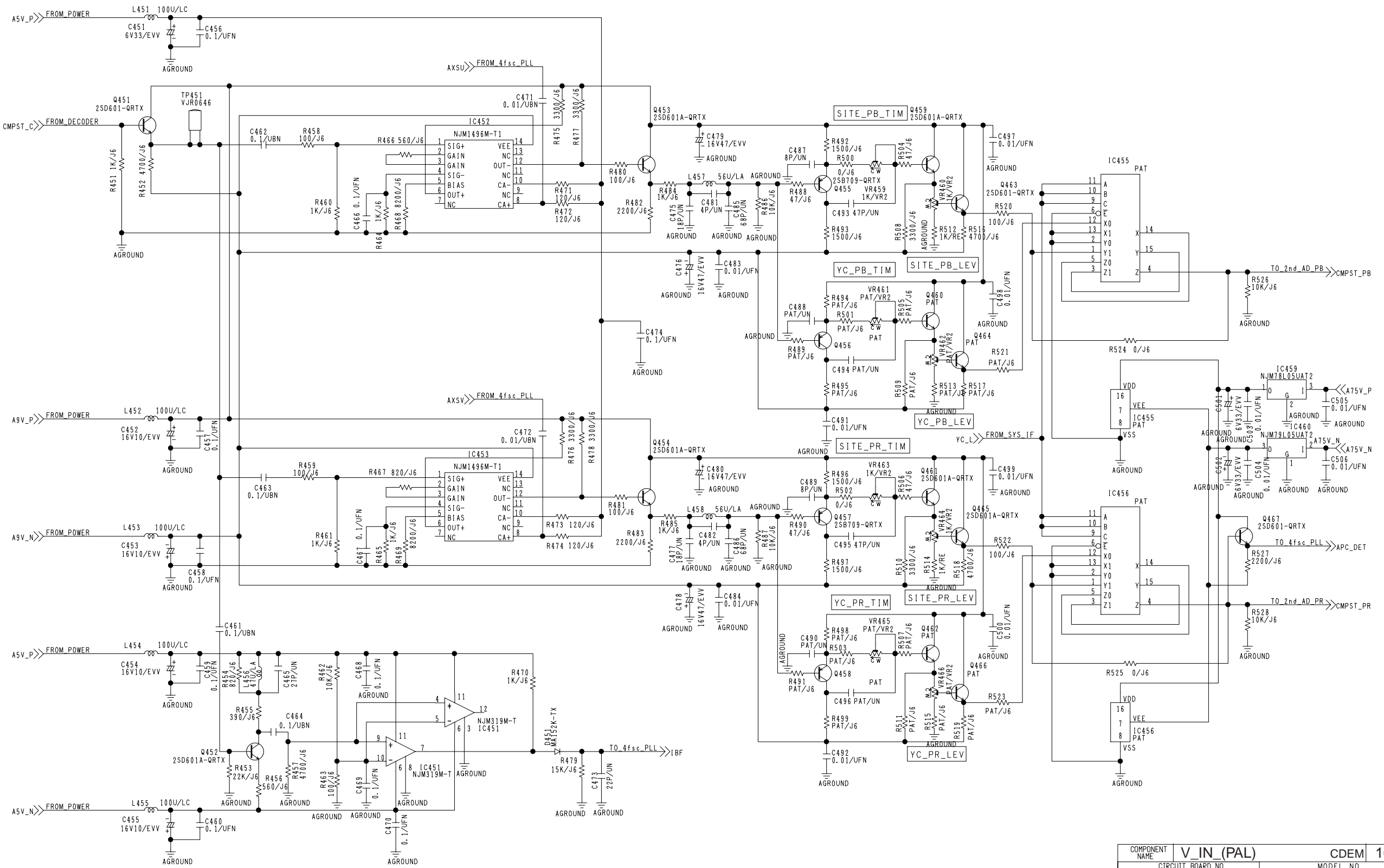
COMPONENT NAME	V_IN_(PAL)	1st_AD	07/21
CIRCUIT BOARD NO	VEP83408B	MODEL NO	AJ-YA951E
		SCM075	



COMPONENT NAME	V_IN (PAL)	DECOR	08/21
CIRCUIT BOARD NO	VEP83408B	MODEL NO	AJ-YA951E
		SCM076	

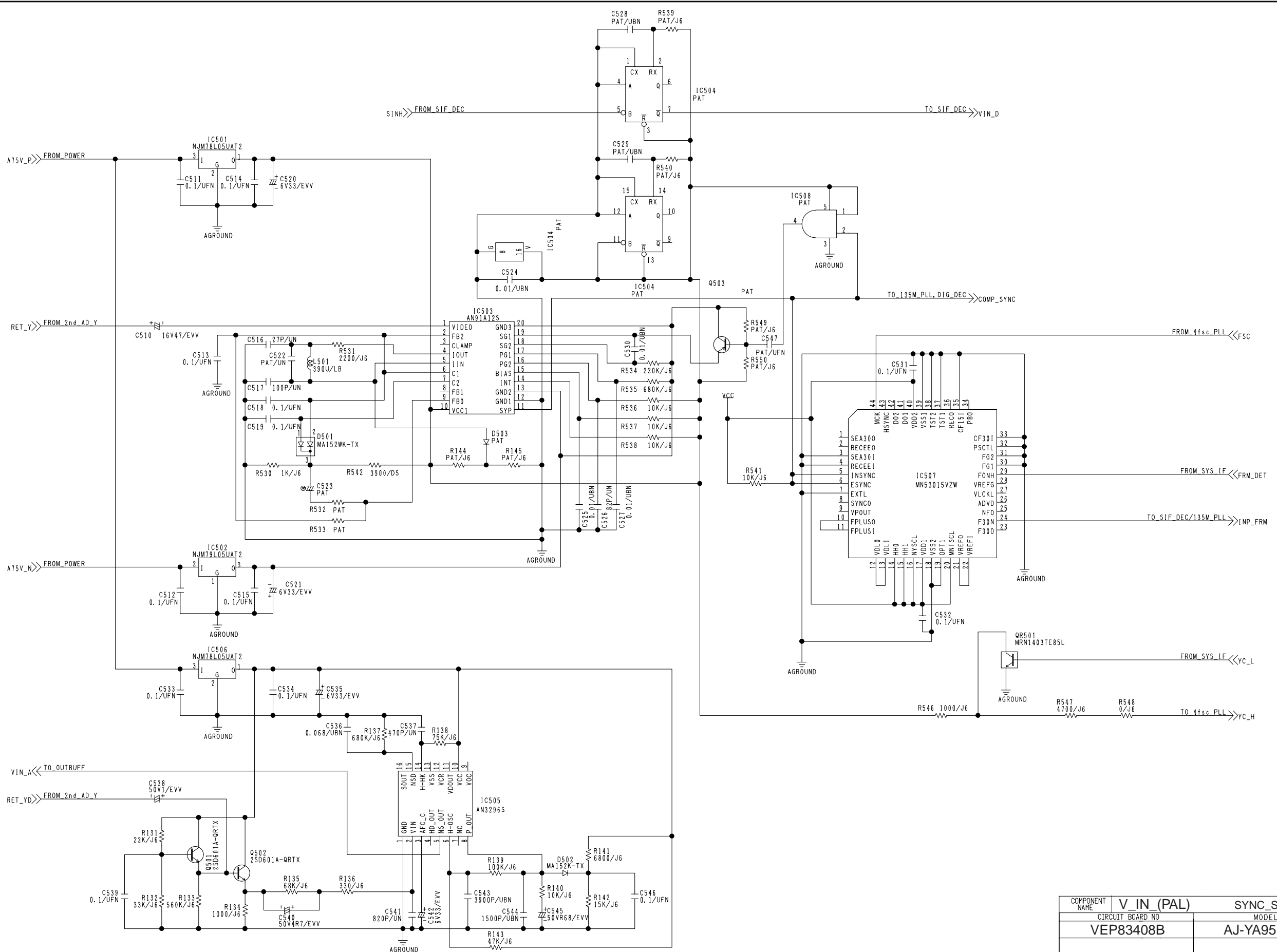


COMPONENT NAME	V_IN (PAL)	4fsc_PLL	09/21
CIRCUIT BOARD NO	MODEL NO		
VEP83408B	AJ-YA951E		
SCM077			

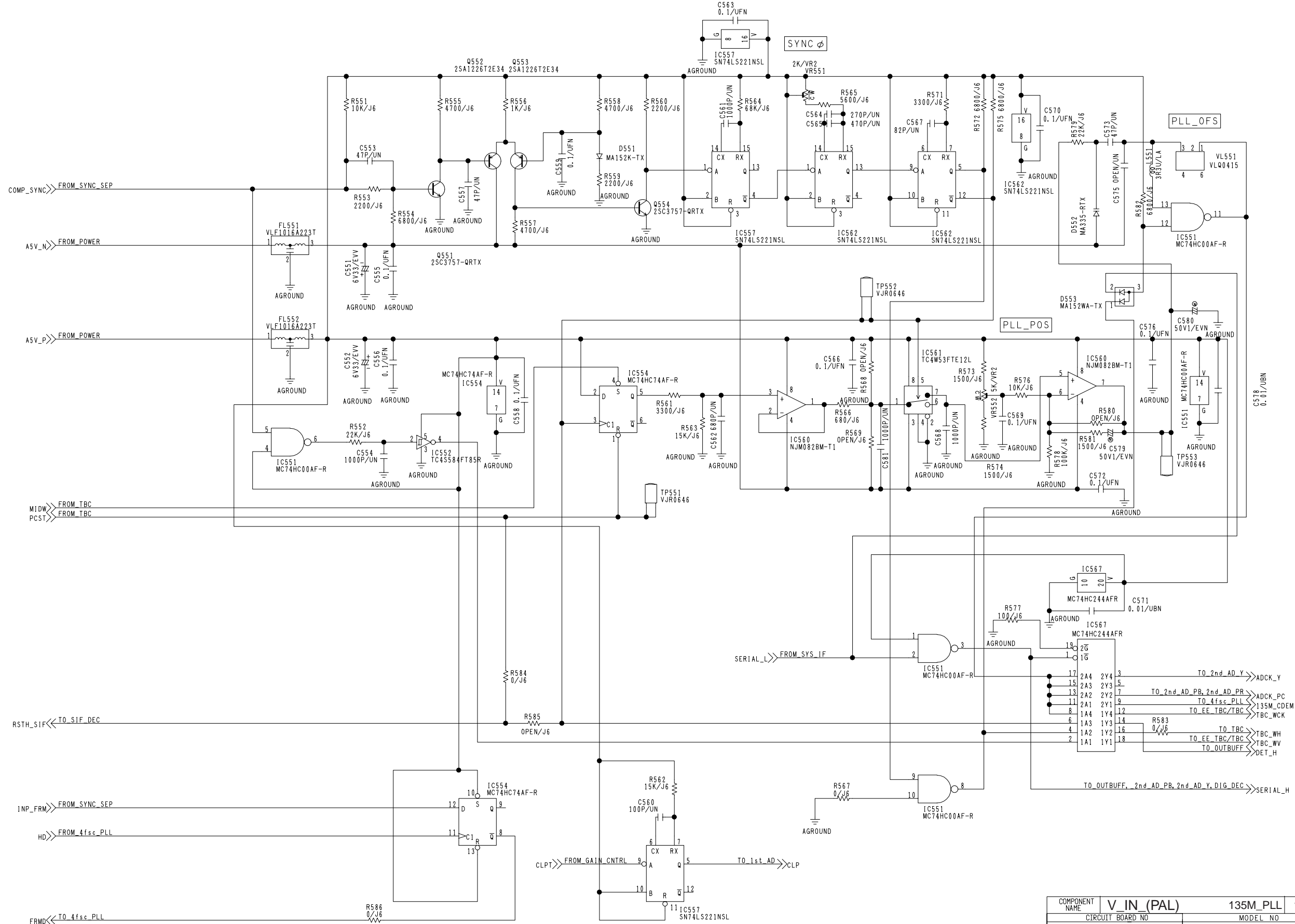


COMPONENT NAME	V_IN (PAL)	CDEM	10/21
CIRCUIT BOARD NO		MODEL NO	
VEP83408B		AJ-YA951E	
			SCM078

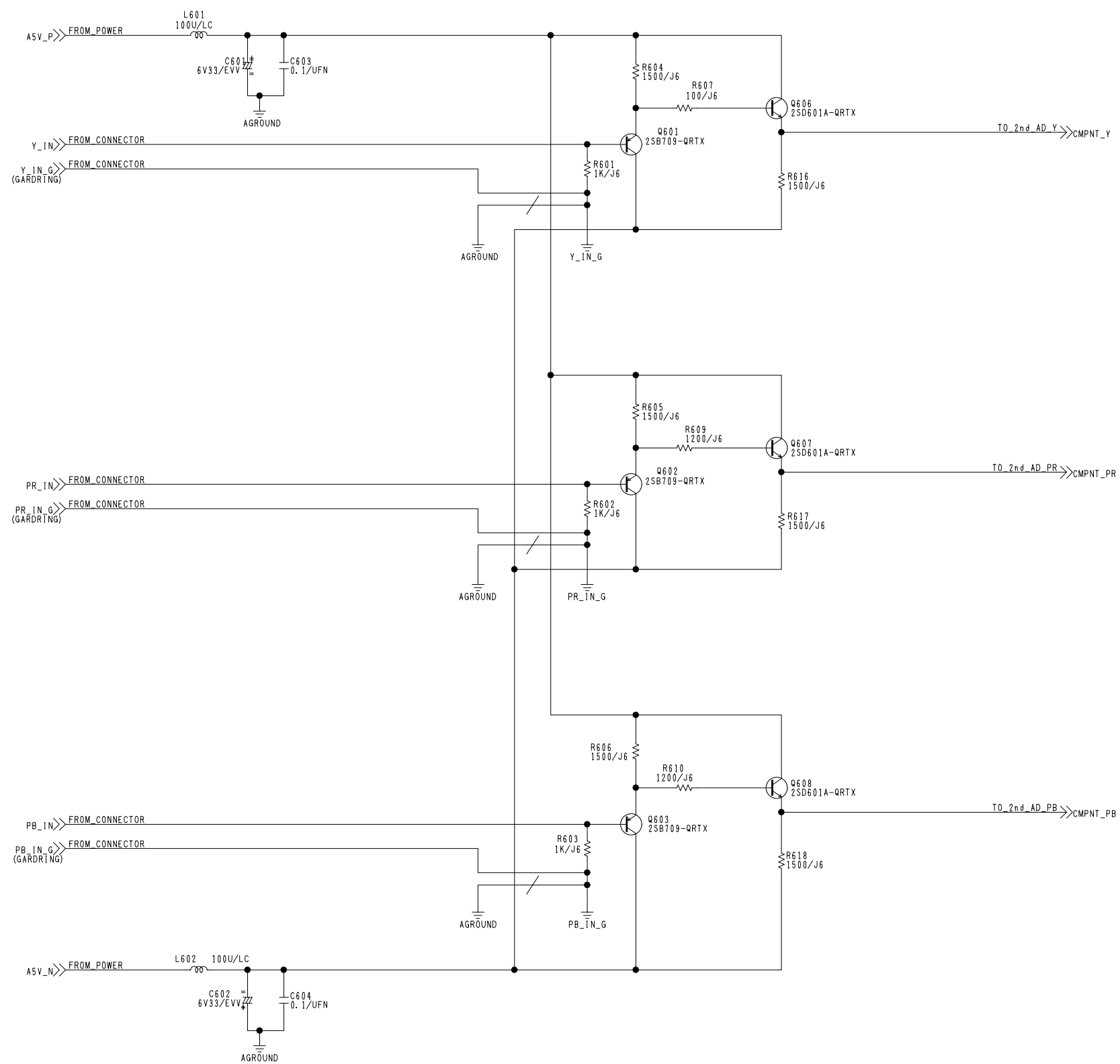




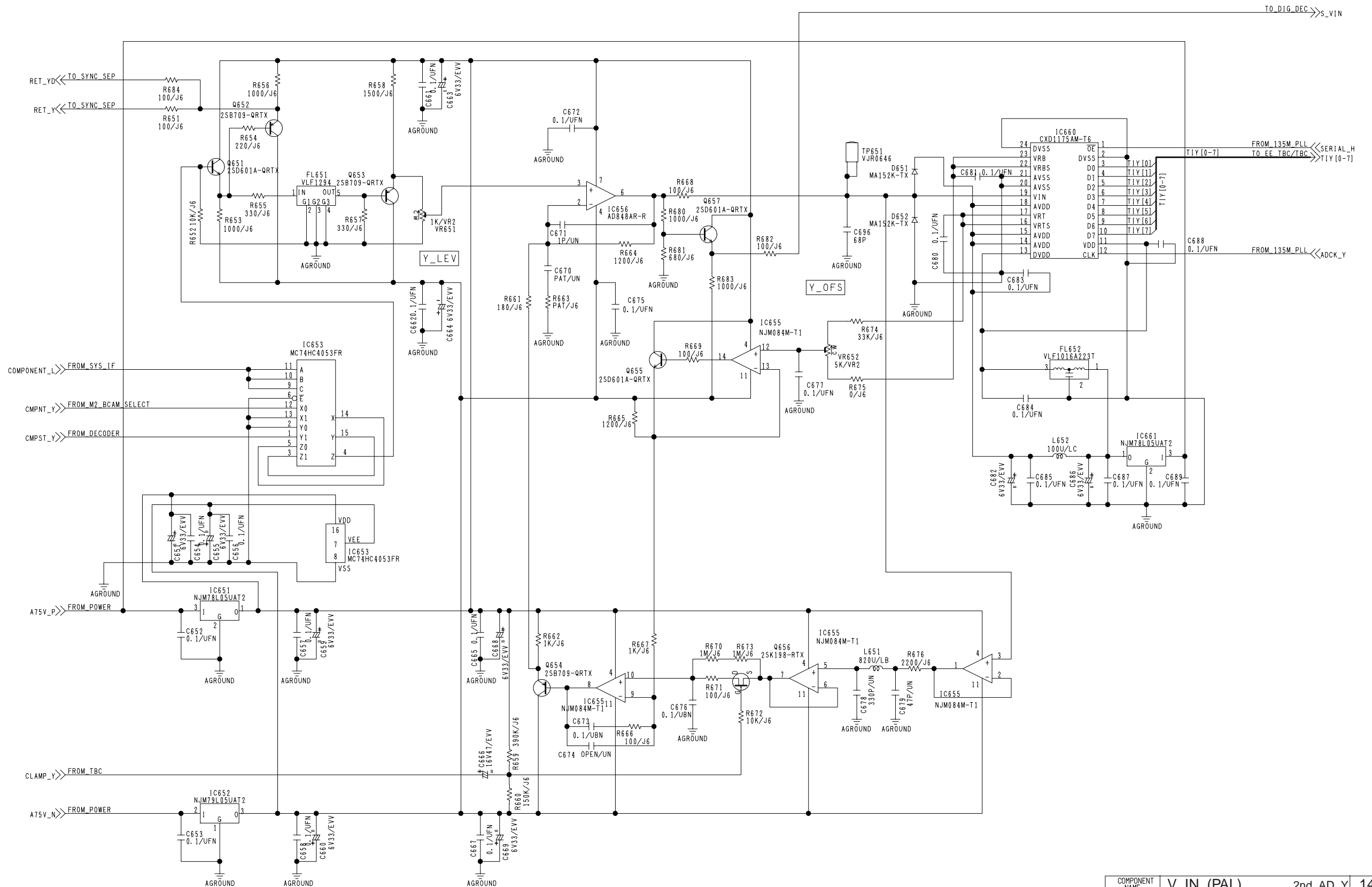
COMPONENT NAME	V_IN (PAL)	SYNC_SEP	11/21
CIRCUIT BOARD NO	VEP83408B	MODEL NO	AJ-YA951E
		SCM079	



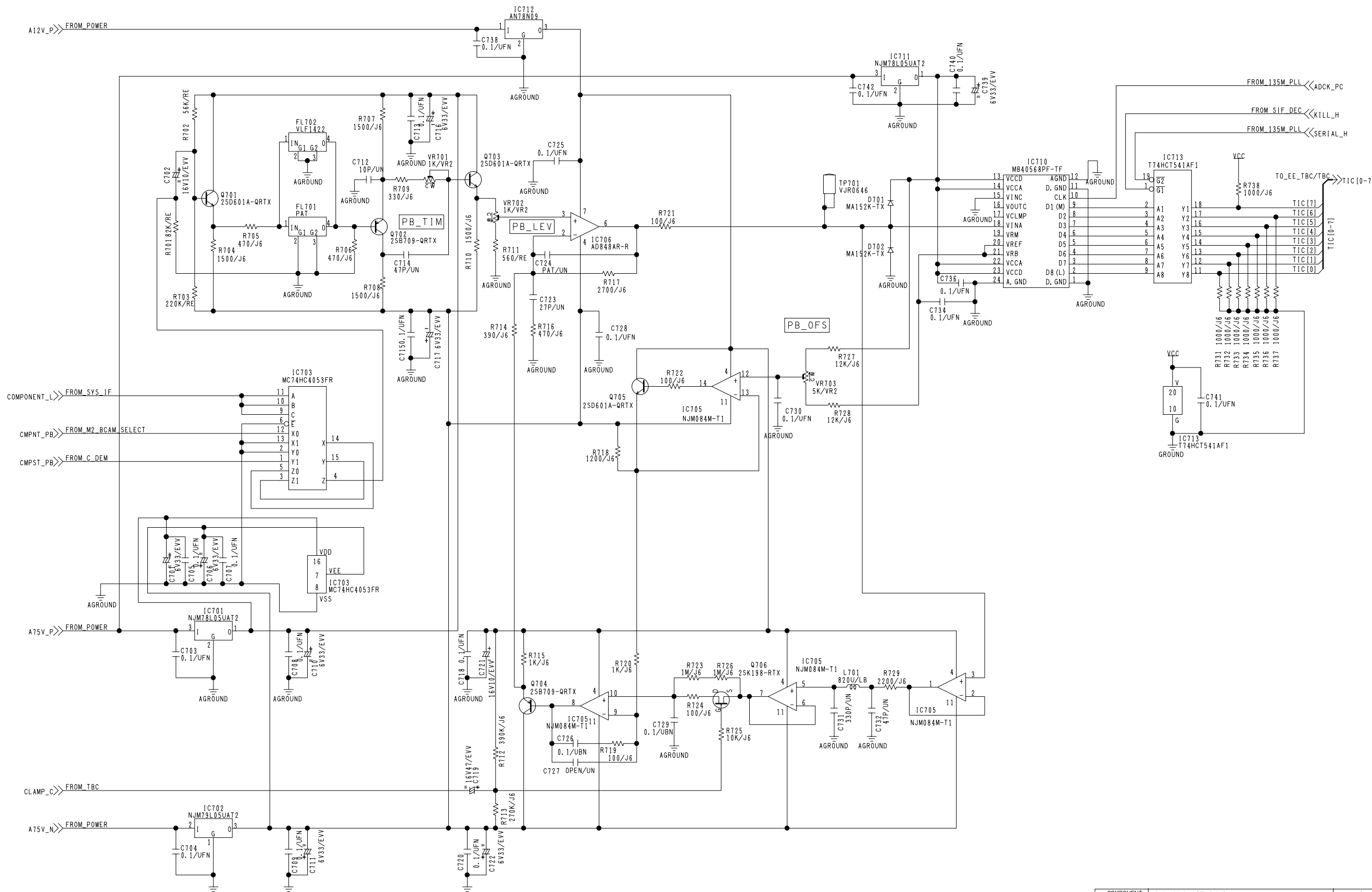
COMPONENT NAME	V_IN_(PAL)	135M_PLL	12/21
CIRCUIT BOARD NO	VEP83408B	MODEL NO	AJ-YA951E
SCM080			



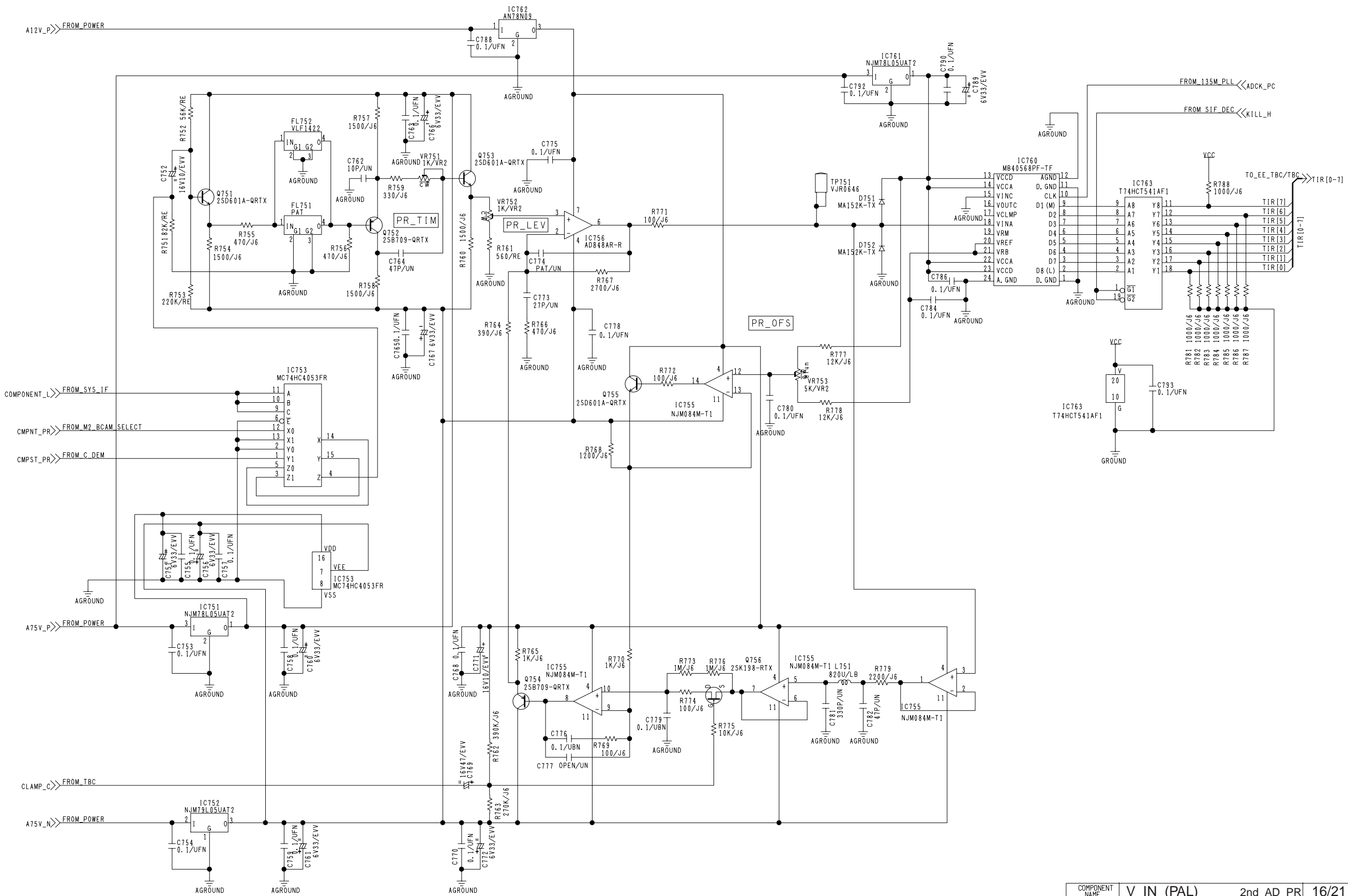
COMPONENT NAME	V_IN (PAL)	M2_BCAM_SELECT	13/21
CIRCUIT BOARD NO	VEP83408B	MODEL NO	AJ-YA951E
			SCM081



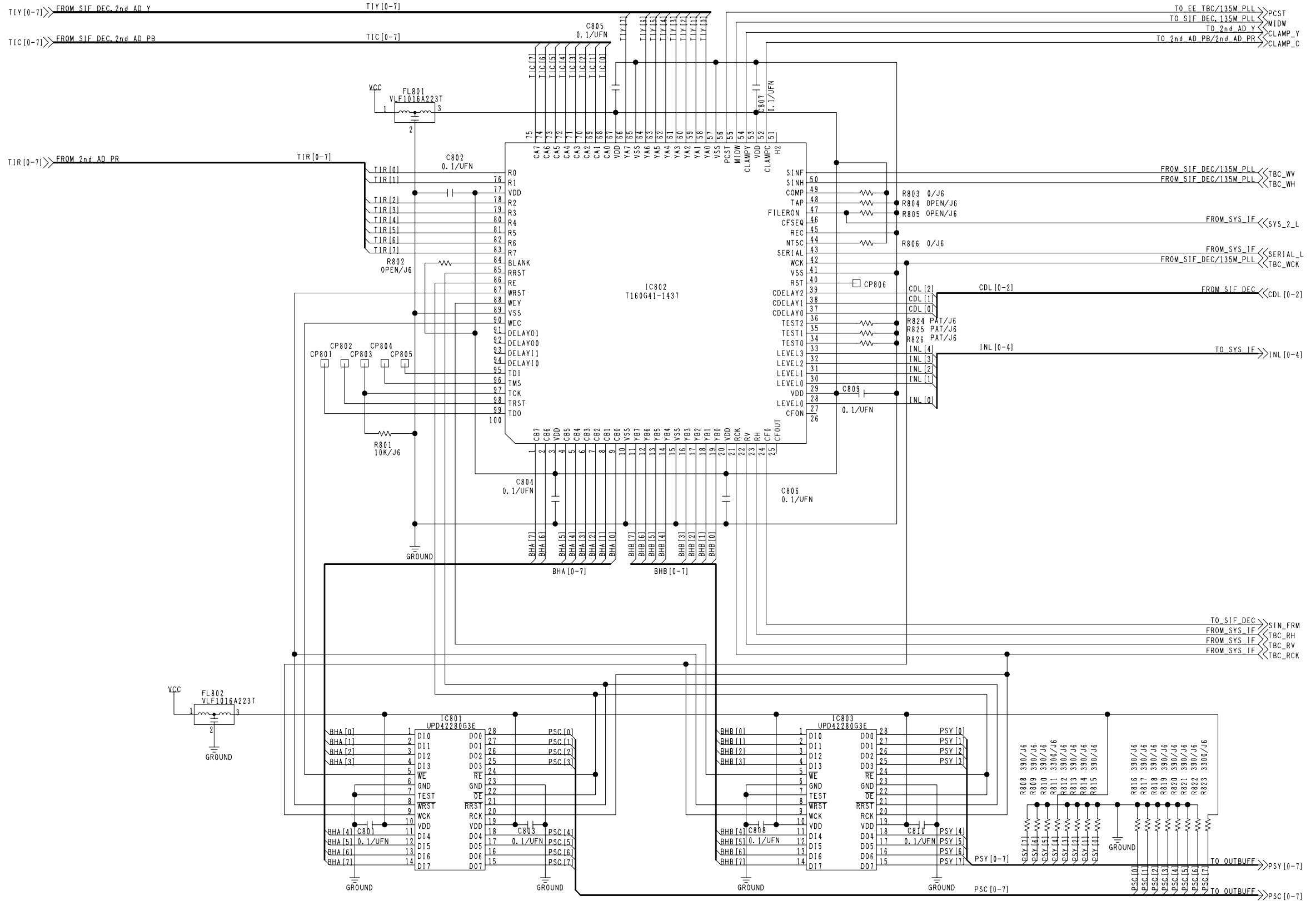
COMPONENT NAME	V_IN (PAL)	2nd_AD_Y	14/21
CIRCUIT BOARD NO	VEP83408B	MODEL NO	AJ-YA951E
SCM082			



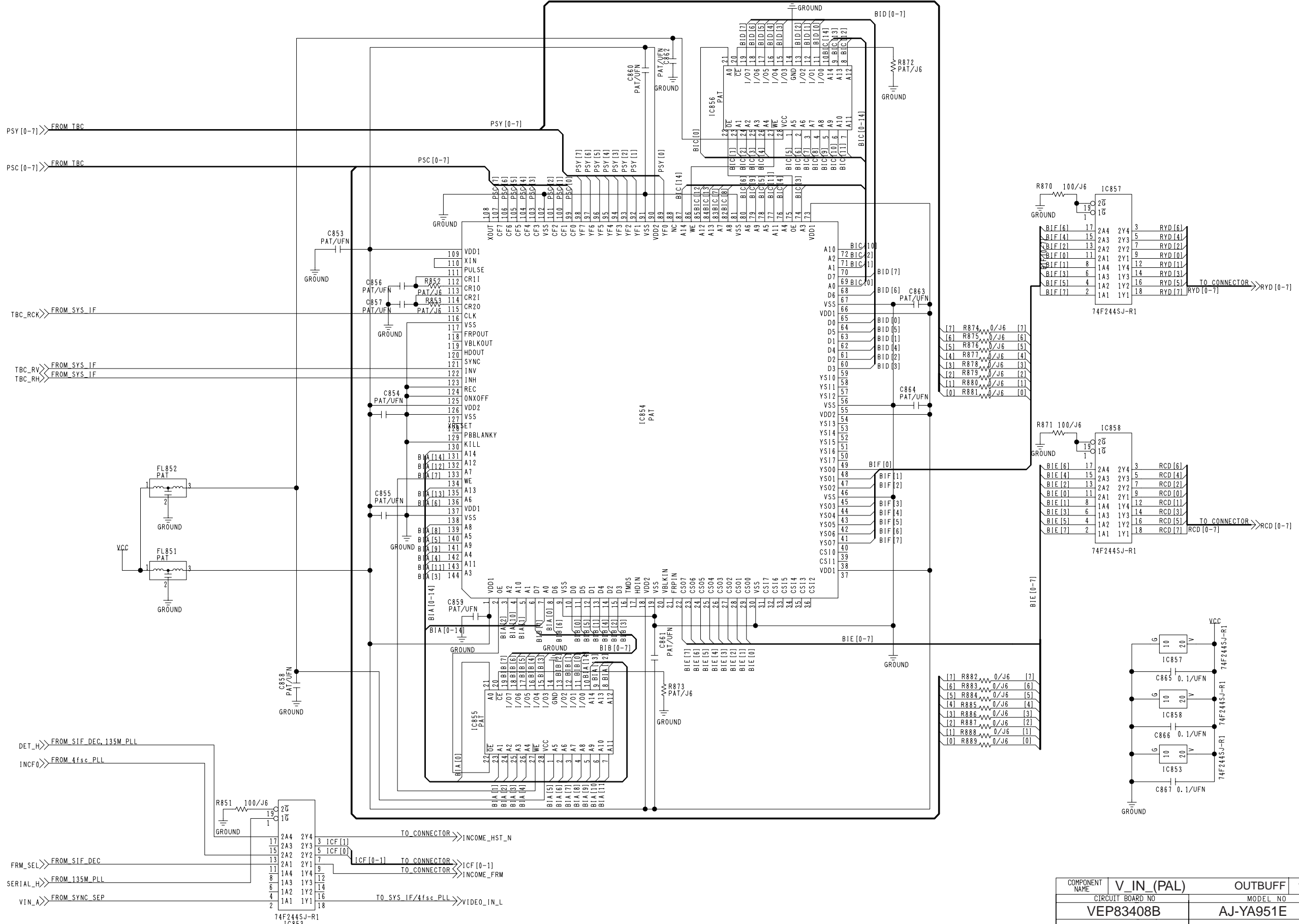
COMPONENT NAME	V_IN_(PAL)	2nd_AD_PB	15/21
CIRCUIT BOARD NO	VEP83408B	MODEL NO	AJ-YA951E
SCM083			



COMPONENT NAME	V_IN (PAL)	2nd_AD_PR	16/21
CIRCUIT BOARD NO	VEP83408B	MODEL NO	AJ-YA951E
SCM084			

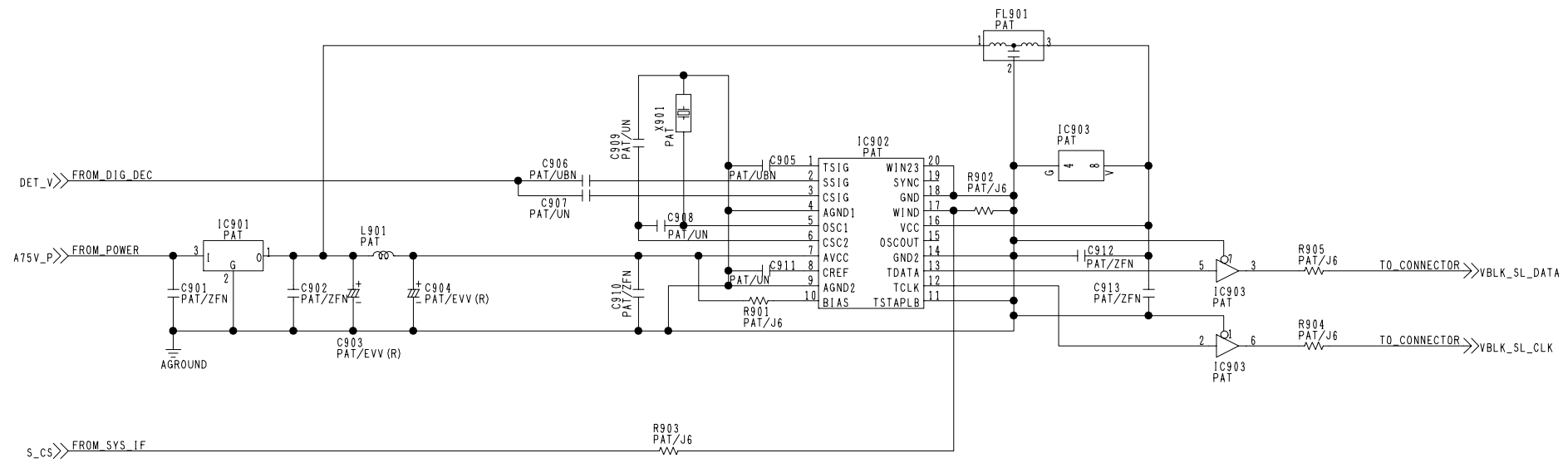


COMPONENT NAME	V_IN (PAL)	TBC	17/21
CIRCUIT BOARD NO	VEP83408B	MODEL NO	AJ-YA951E
SCM085			

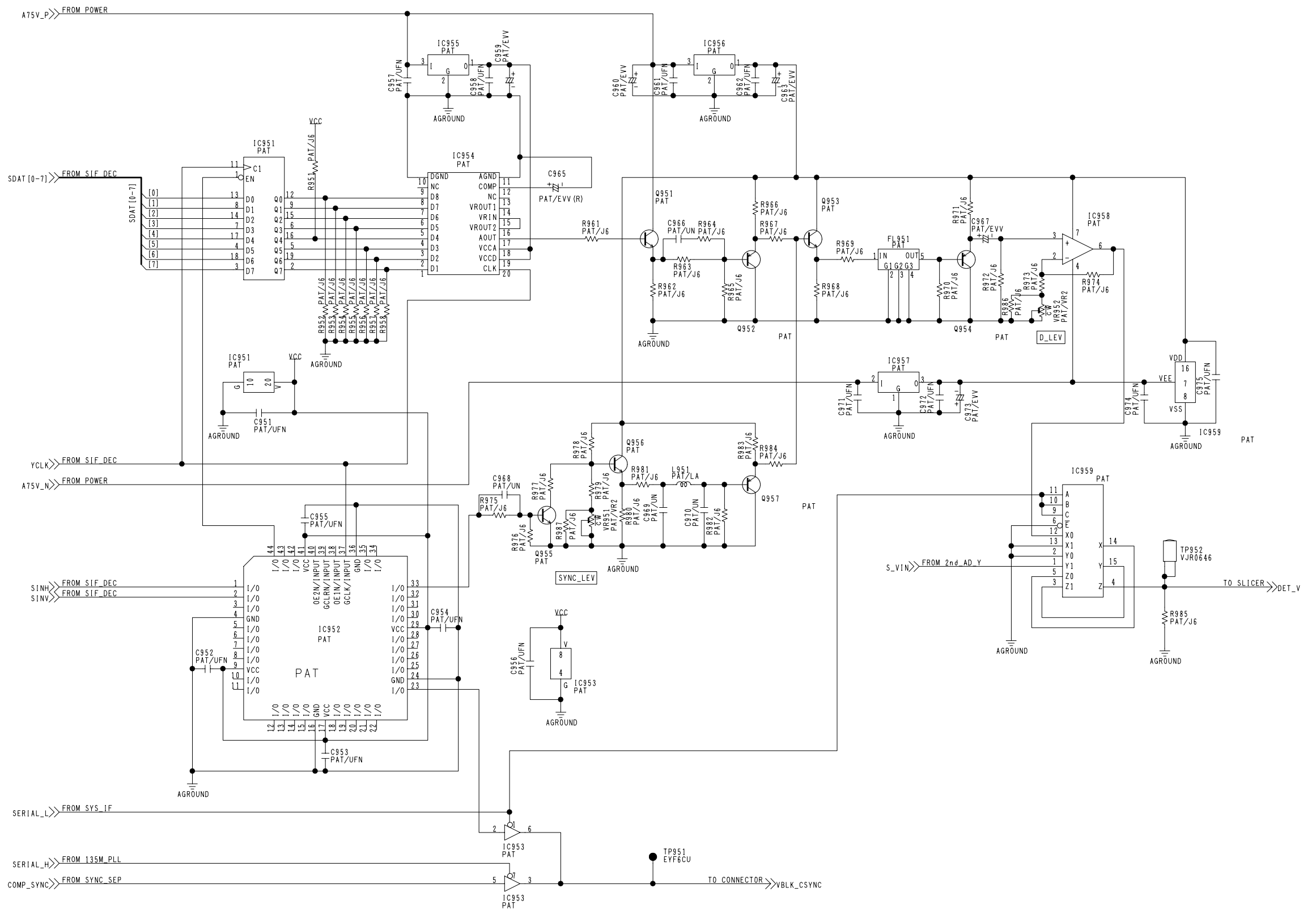


COMPONENT NAME	V_IN (PAL)	OUTBUFF	18/21
CIRCUIT BOARD NO		MODEL NO	
VEP83408B		AJ-YA951E	
SCM086			

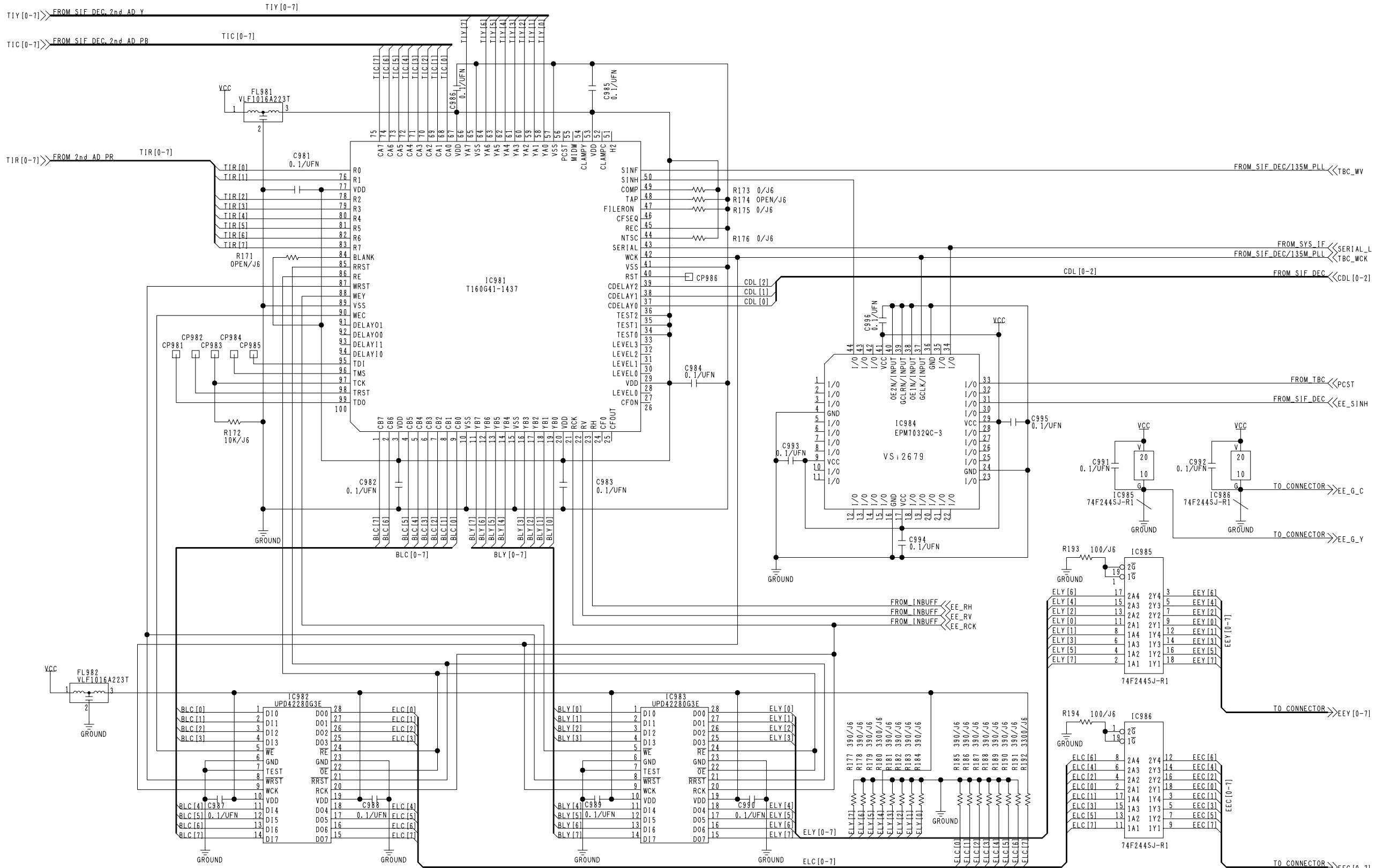




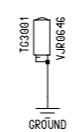
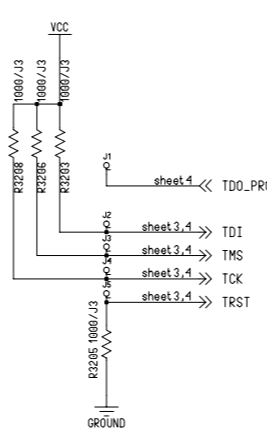
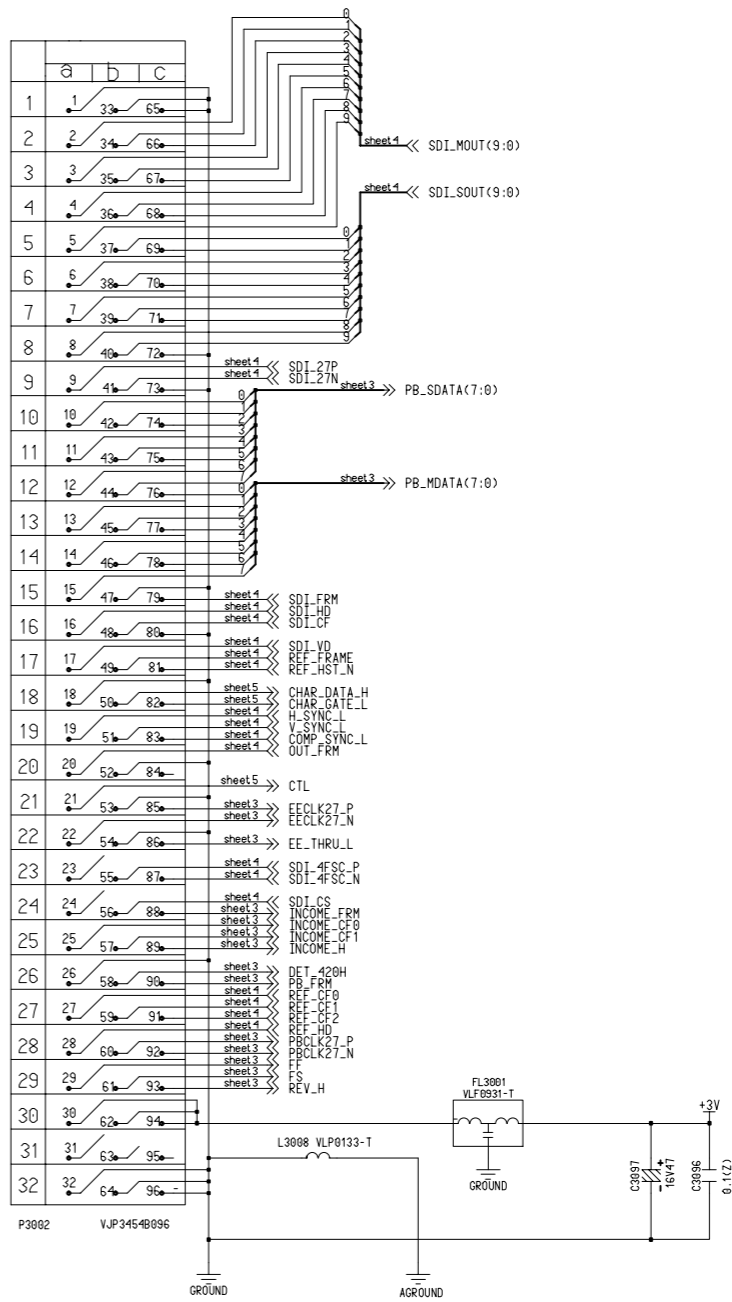
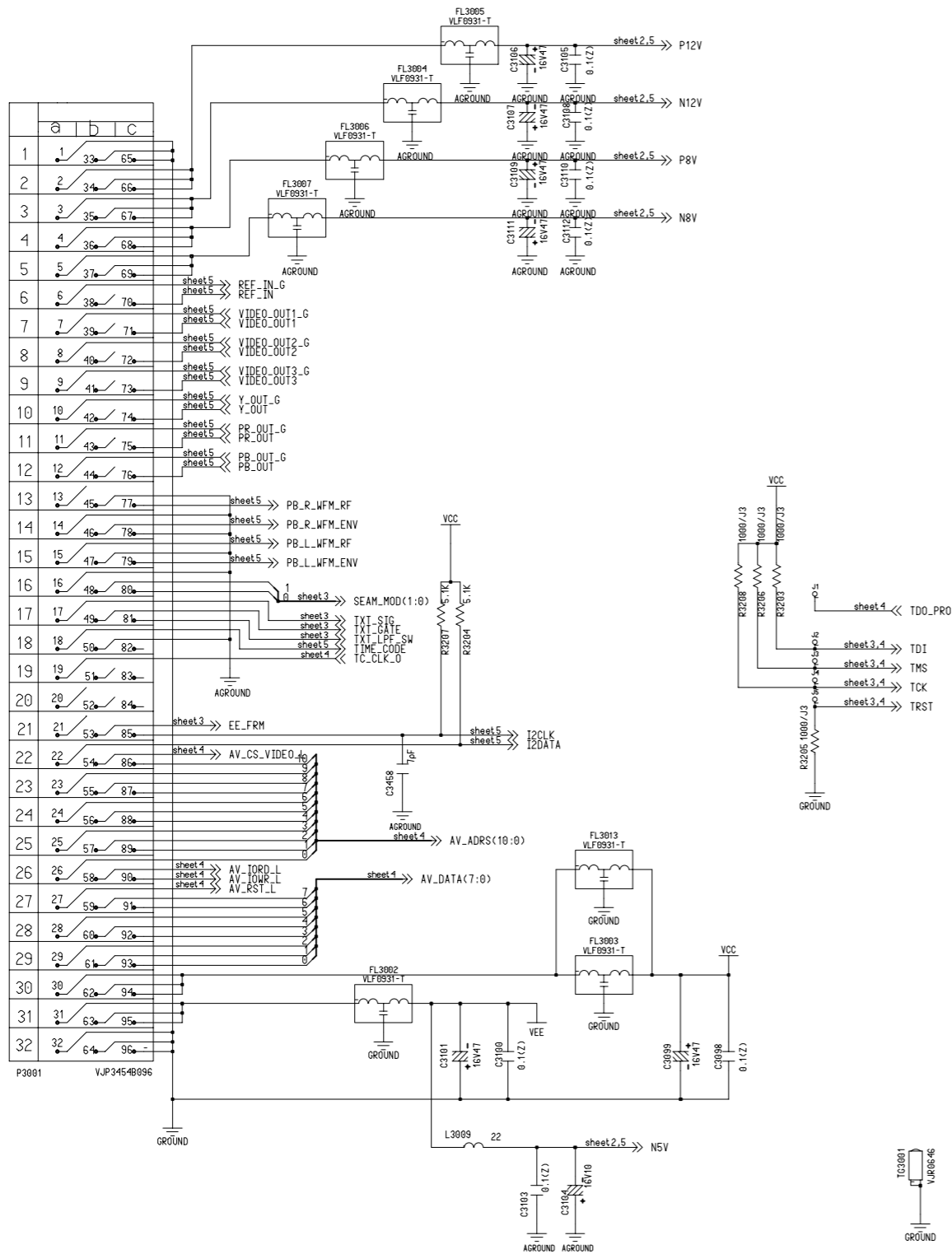
COMPONENT NAME	V_IN_(PAL)	SLICER	19/21
CIRCUIT BOARD NO	VEP83408B	MODEL NO	AJ-YA951E
			SCM087



COMPONENT NAME	V_IN_PAL	DIG DEC	20/21
CIRCUIT BOARD NO	VEP83408B	MODEL NO	AJ-YA951E
		SCM088	

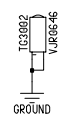
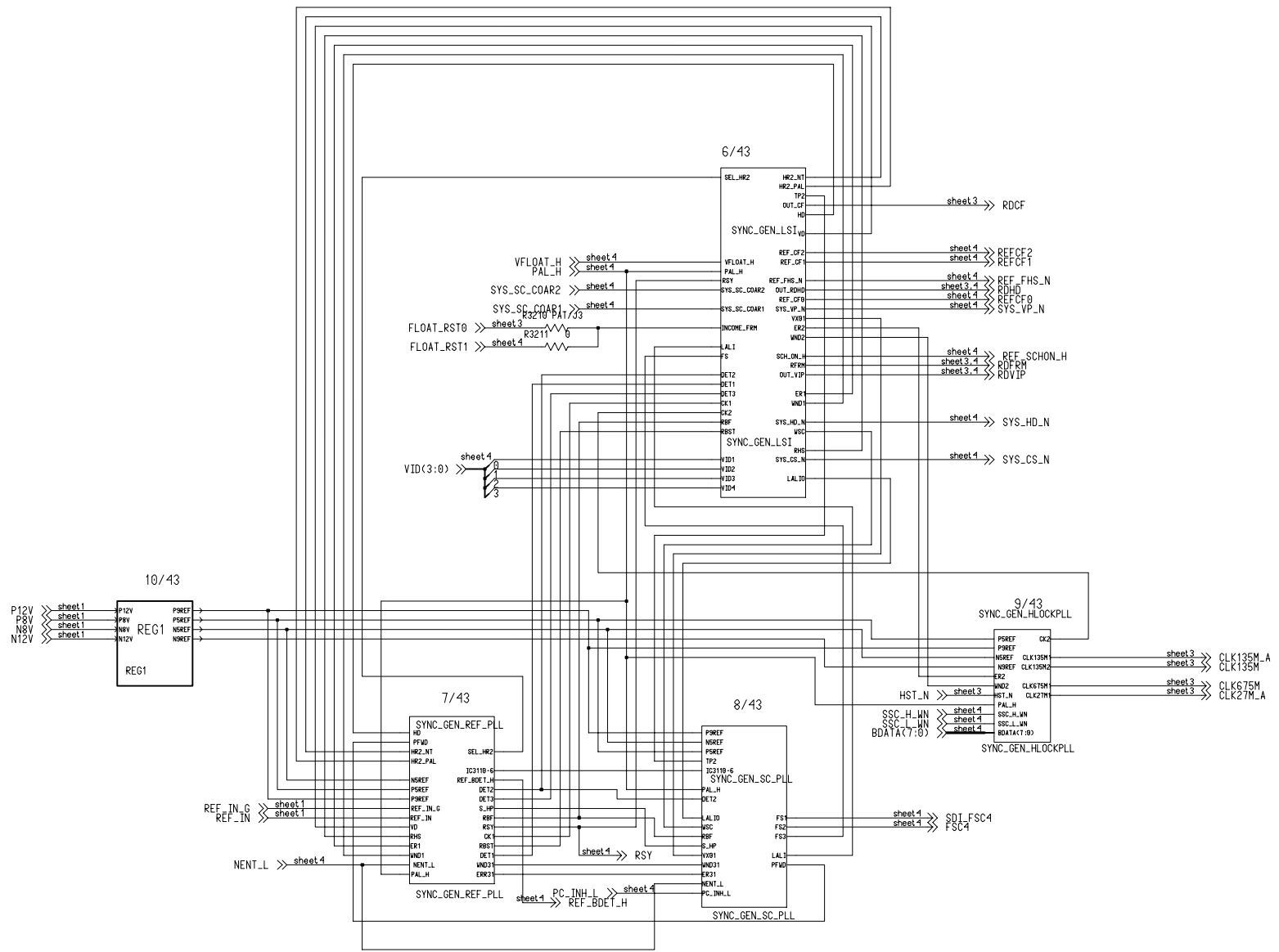


COMPONENT NAME	V_IN (PAL)	EE_TBC	21/21
CIRCUIT BOARD NO		MODEL NO	
VEP83408B		AJ-YA951E	
SCM089			



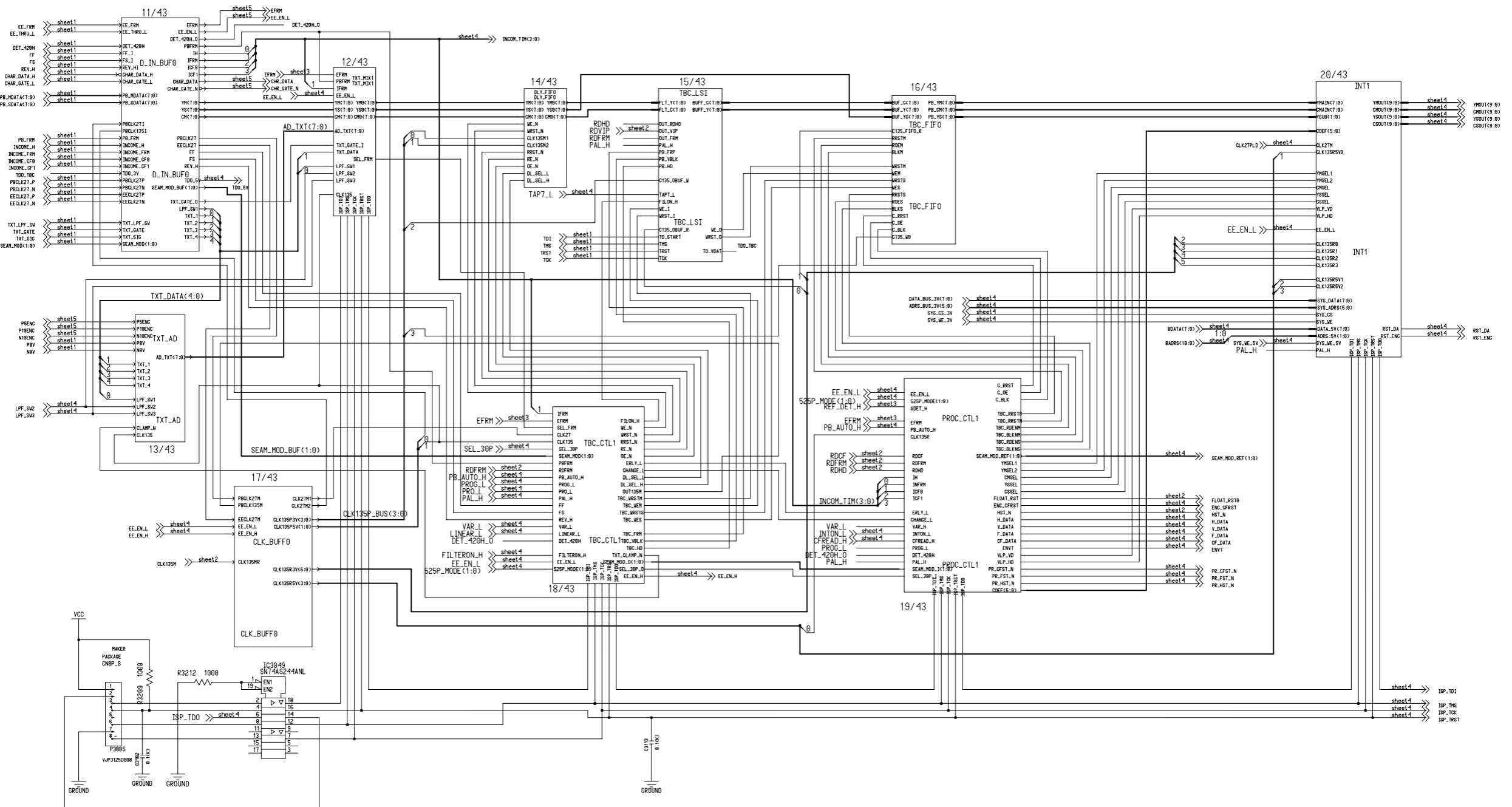
\*PAT=PATTERN ONLY  
 \*\*REFER TO THE COMPARISON CHART

COMPONENT NAME	V_OUT(SHEET1)	01/43
CIRCUIT BOARD NO	VEP83375B	MODEL NO
		AJ-D950,PD950
		SCM142



\*PAT-PATTERN ONLY  
\*\*REFER TO THE COMPARISON CHART

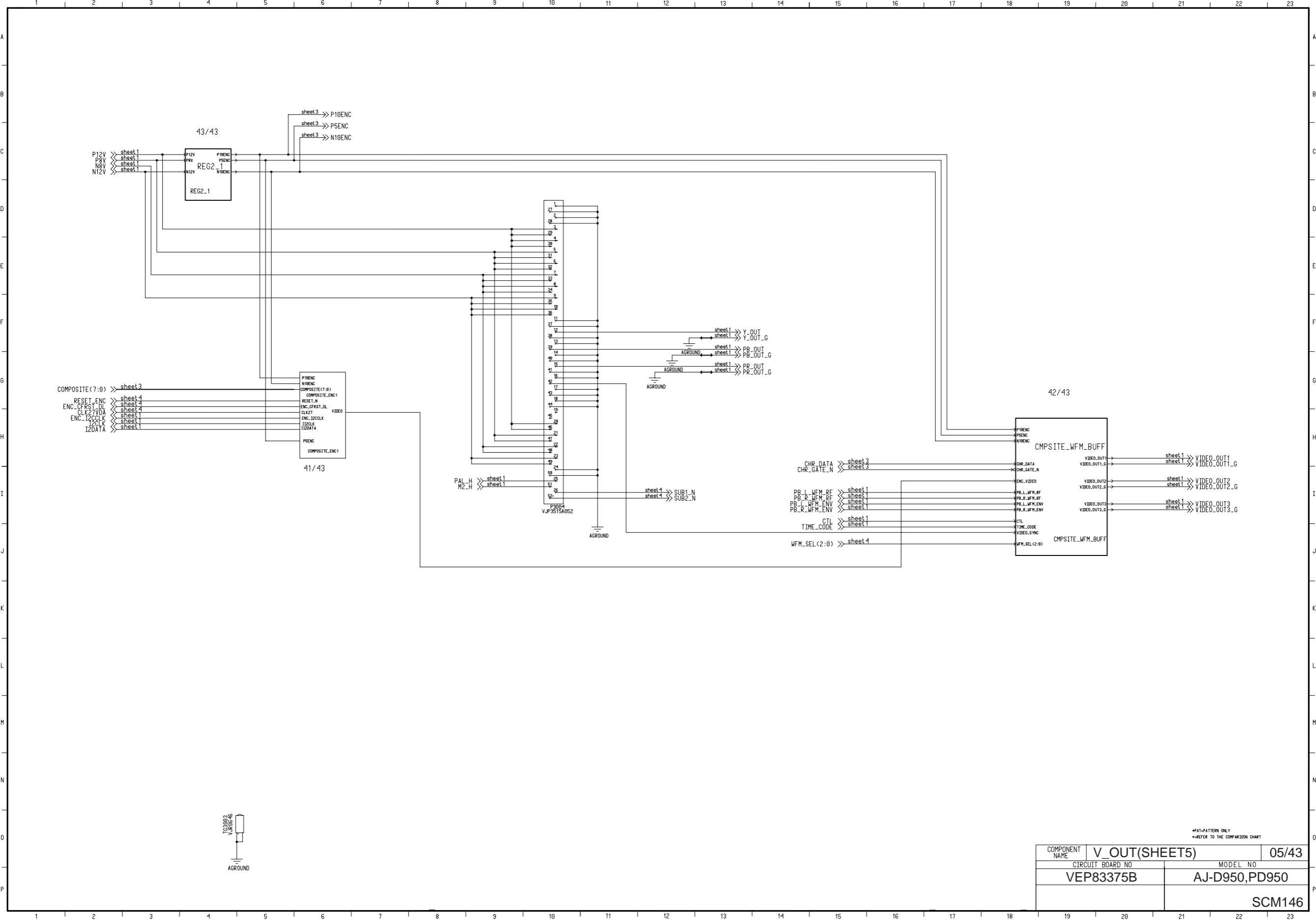
COMPONENT NAME	V_OUT(SHEET2)	02/43
CIRCUIT BOARD NO	VEP83375B	MODEL NO AJ-D950,PD950
		SCM143



\*PAT=PATTERN ONLY  
 \*REFER TO THE COMPARISON CHART

COMPONENT NAME	V_OUT(SHEET3)	03/43
CIRCUIT BOARD NO	VEP83375B	MODEL NO
		AJ-D950,PD950
		SCM144

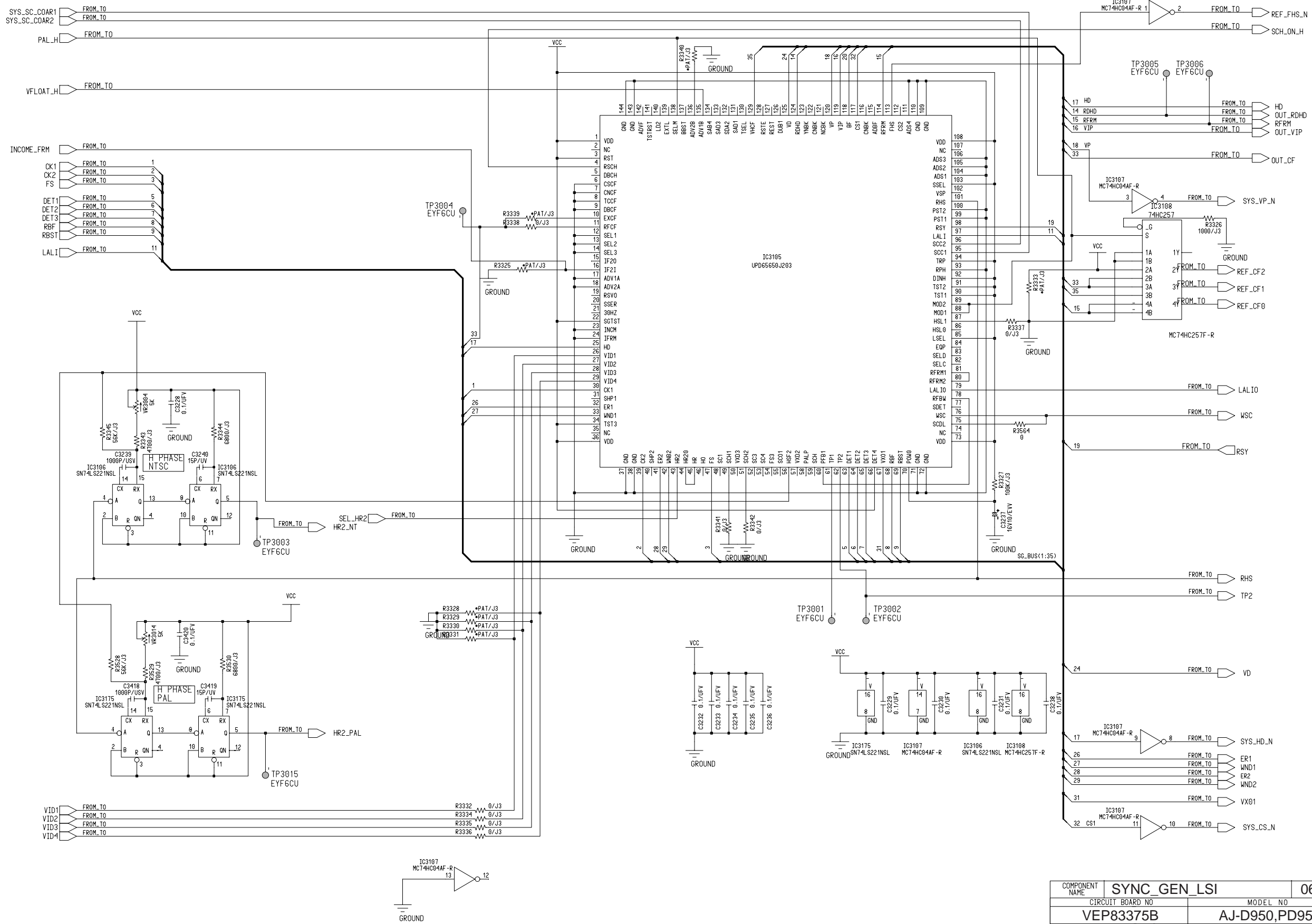




\*PAT-PATTERN ONLY  
 \*\*REFER TO THE COMPARISON CHART

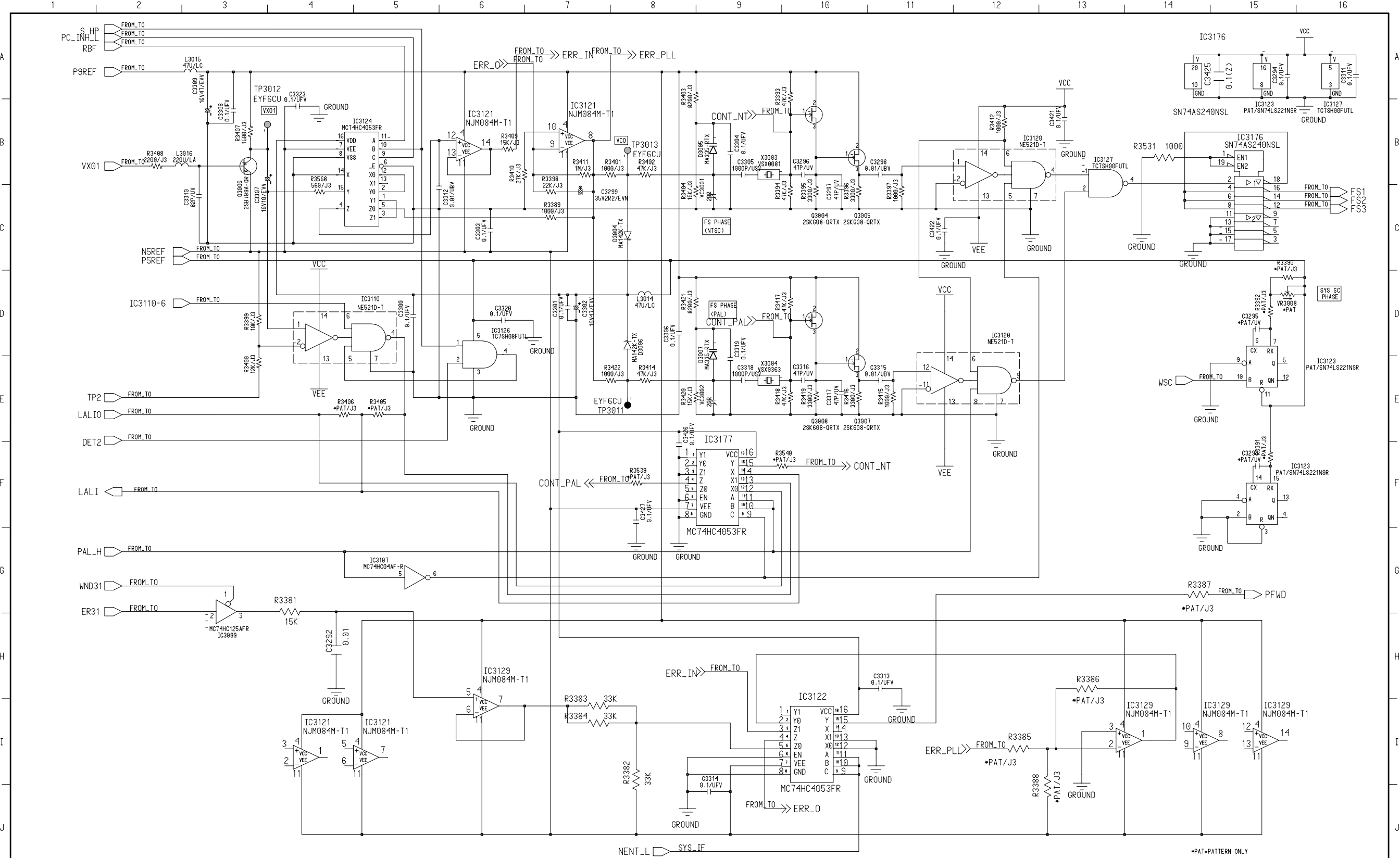
COMPONENT NAME	V_OUT(SHEET5)	05/43
CIRCUIT BOARD NO	VEP83375B	MODEL NO
		AJ-D950,PD950
		SCM146



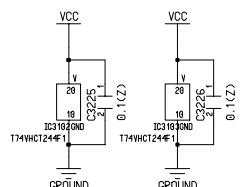
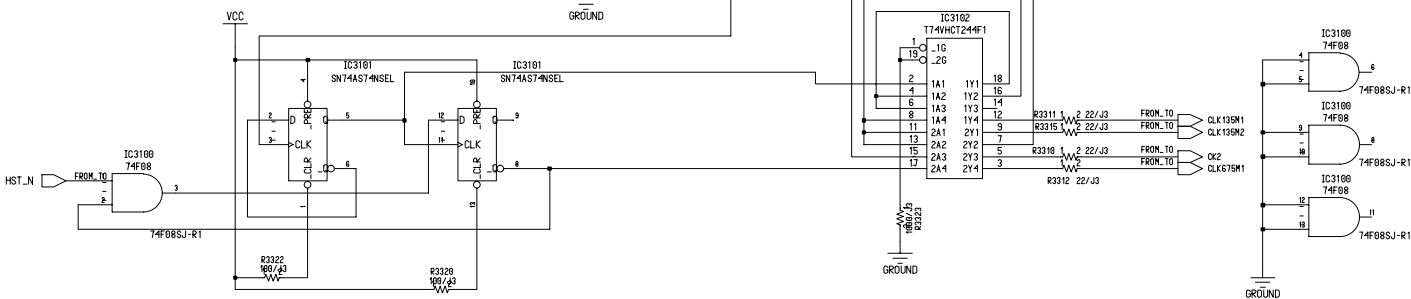
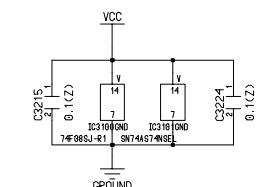
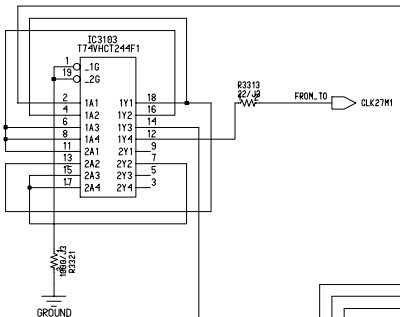
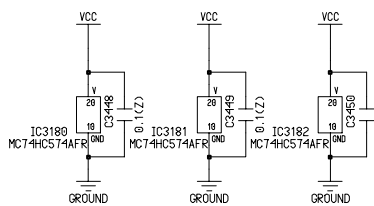
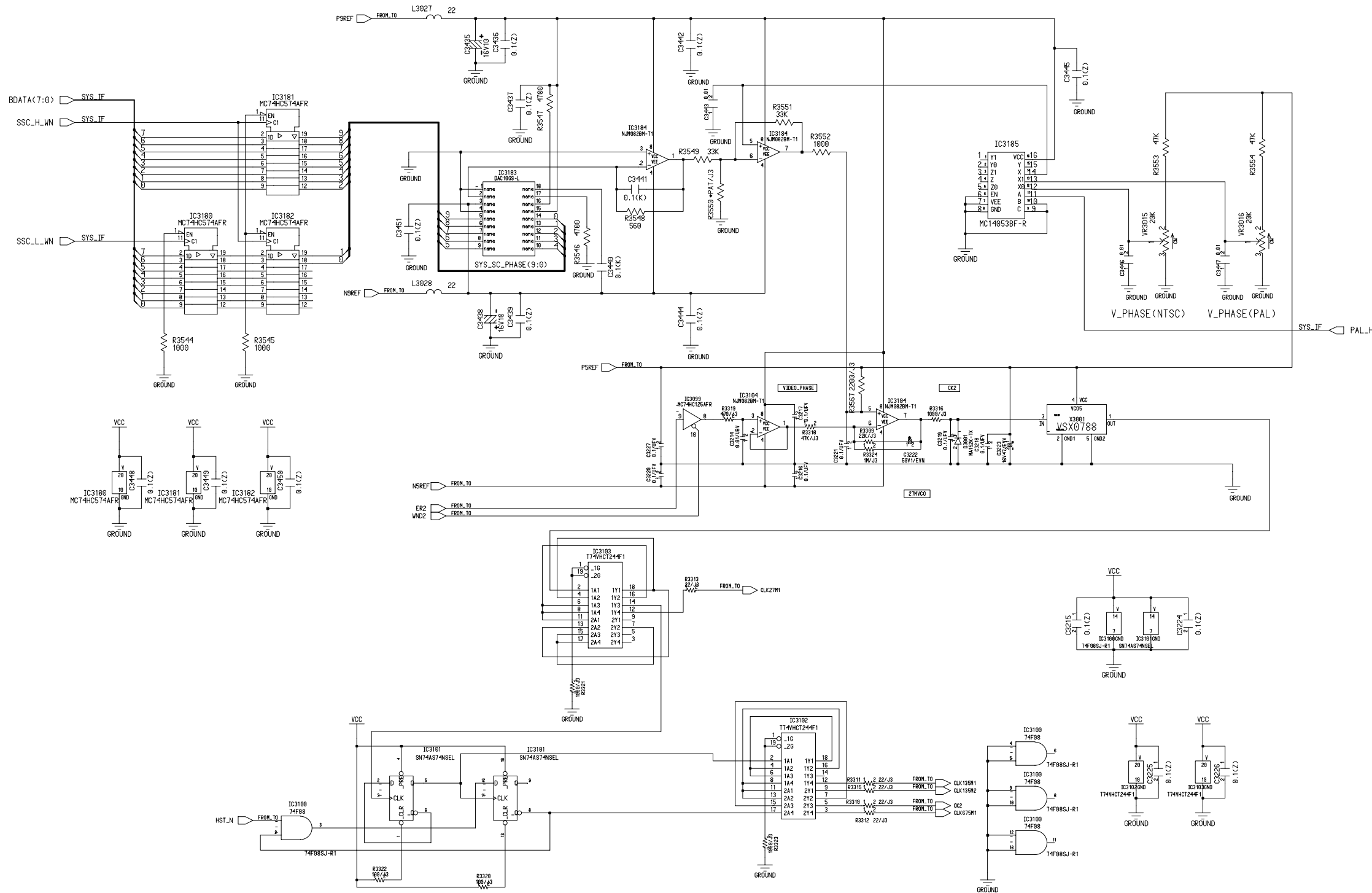


COMPONENT NAME	SYNC_GEN_LSI	06/43
CIRCUIT BOARD NO	VEP83375B	MODEL NO
		AJ-D950,PD950
		SCM147



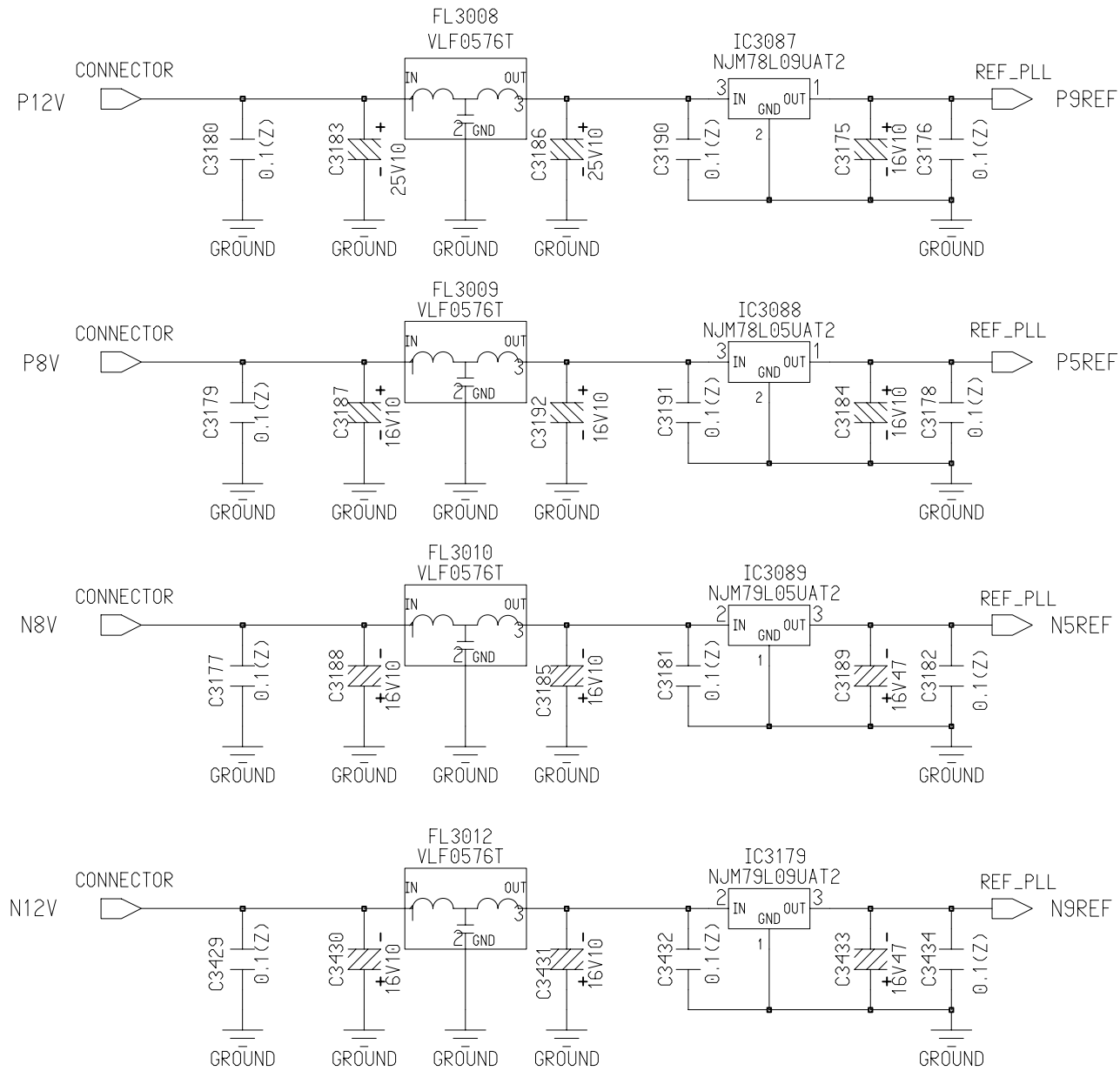


COMPONENT NAME	SYNC_GEN_SC_PLL	08/43
CIRCUIT BOARD NO	VEP83375B	MODEL_NO
		AJ-D950,PD950
		SCM149



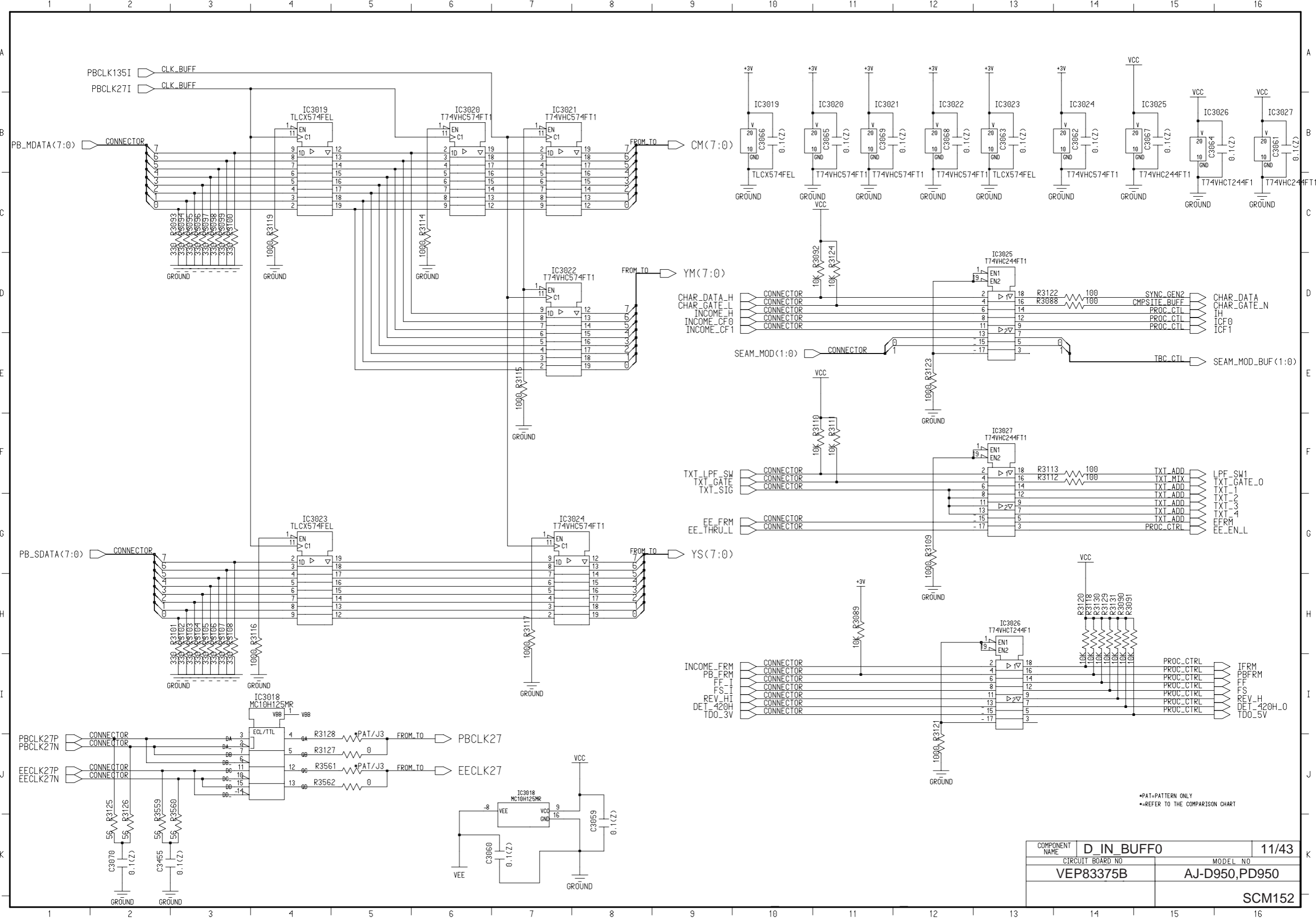
\*PAT-PATTERN ONLY

COMPONENT NAME	SYNV_GEN_HLOCKPLL	09/43
CIRCUIT BOARD NO	VEP83375B	MODEL NO
		AJ-D950,PD950
SCM150		



\*\*REFER TO THE COMPARISON CHART

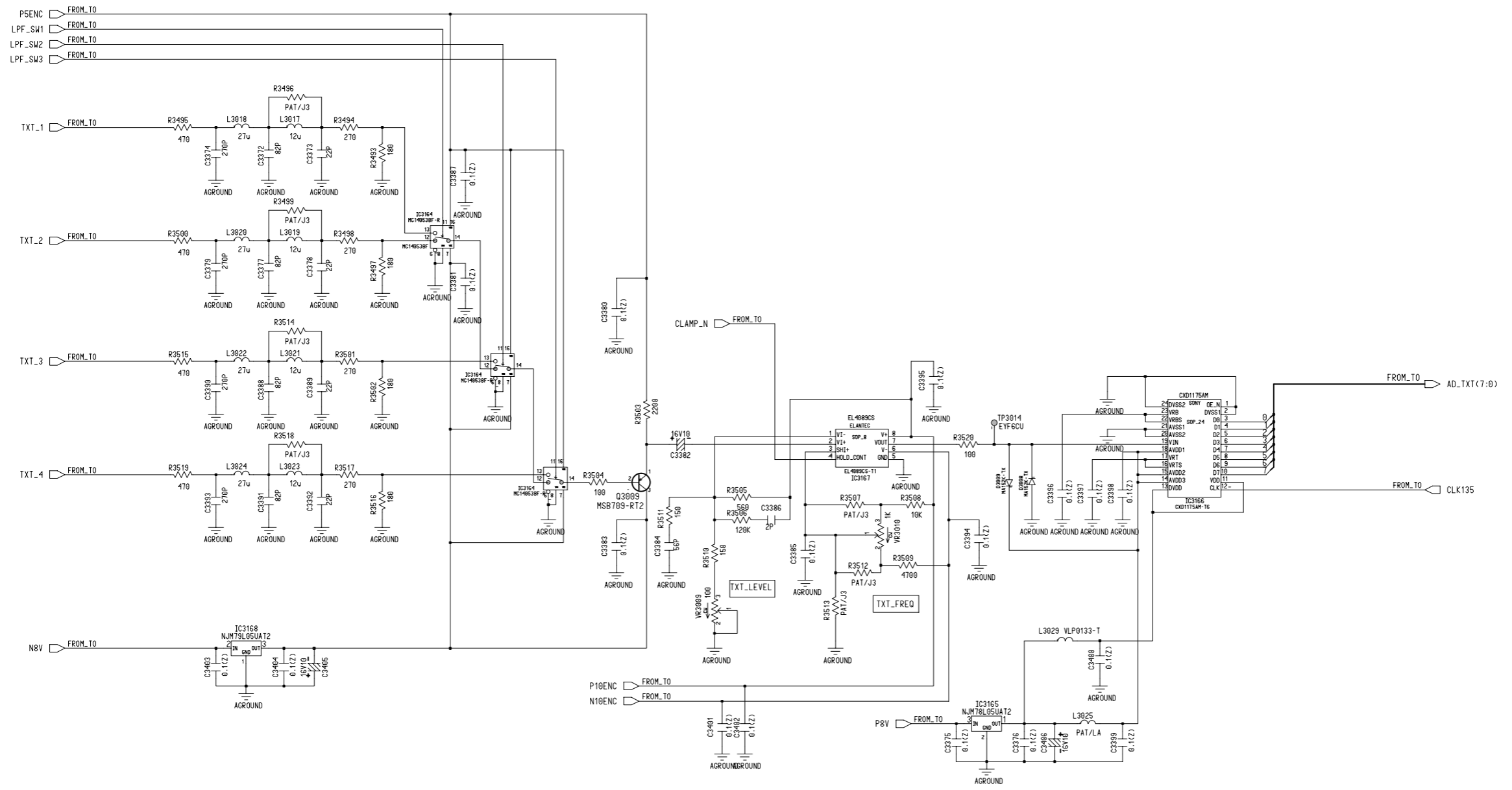
COMPONENT NAME	REG1	10/43
CIRCUIT BOARD NO	VEP83375B	MODEL NO
		AJ-D950,PD950
		SCM151



COMPONENT NAME	D_IN_BUFFER0	11/43
CIRCUIT BOARD NO	VEP83375B	MODEL NO
		AJ-D950,PD950
SCM152		

\*PAT=PATTERN ONLY  
 \*\*REFER TO THE COMPARISON CHART





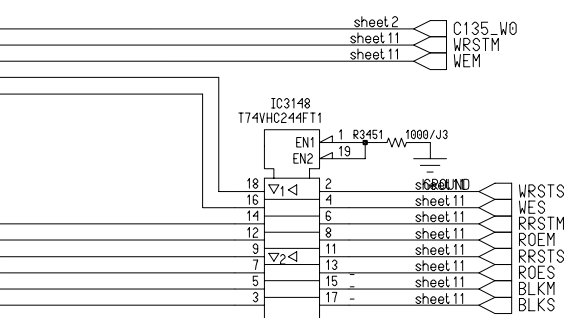
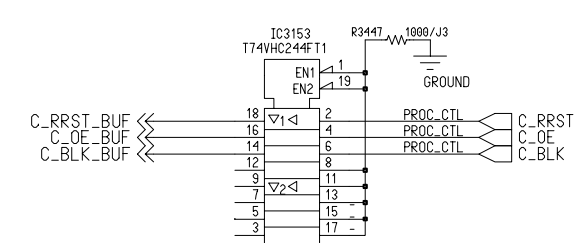
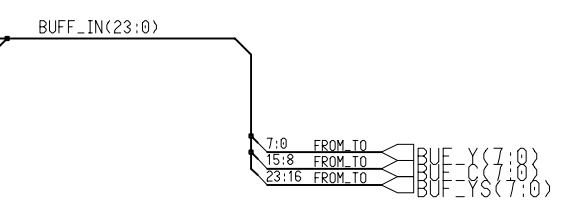
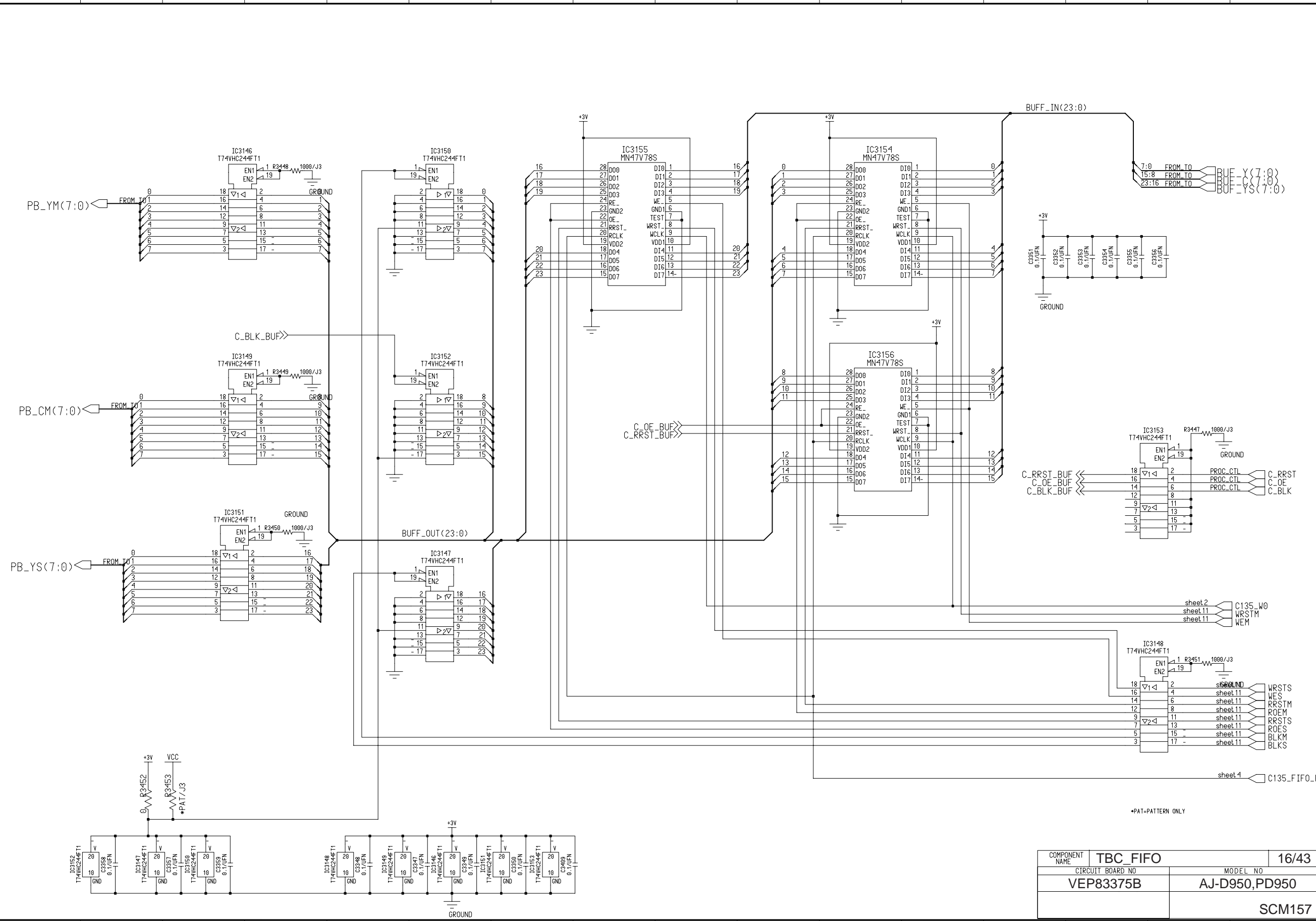
\*PAT=PATTERN ONLY  
 \*\*REFER TO THE COMPARISON CHART

COMPONENT NAME	TX_AD	13/43
CIRCUIT BOARD NO	VEP83375B	MODEL NO
		AJ-D950,PD950
		SCM154



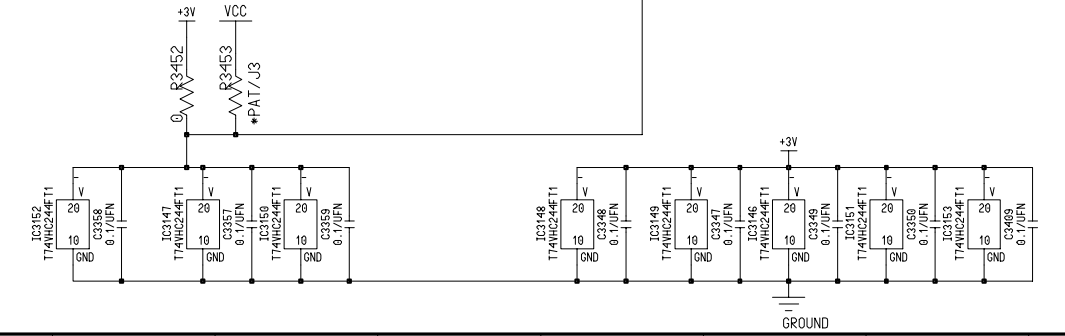


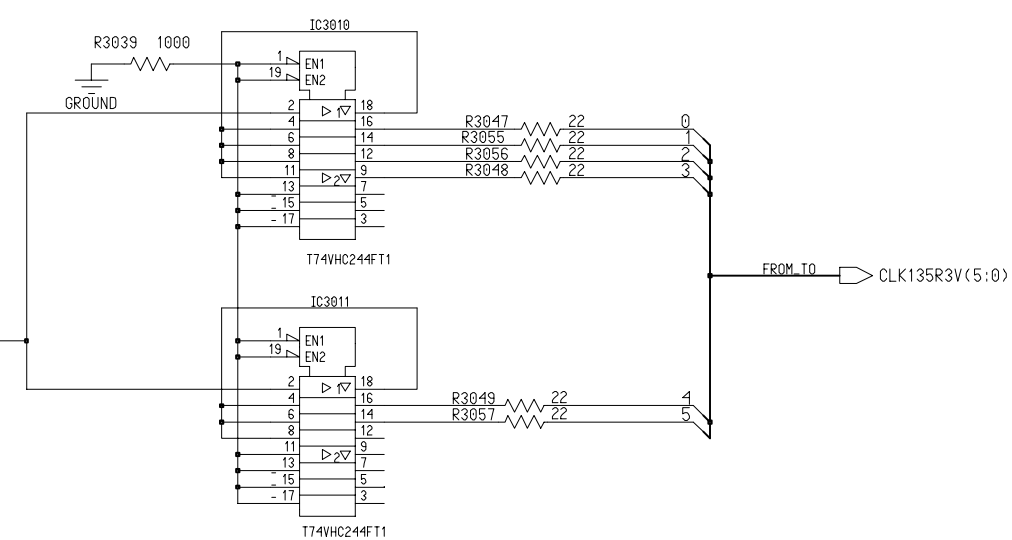
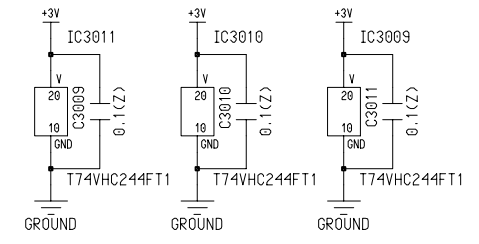
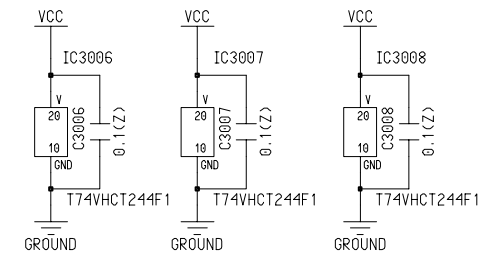
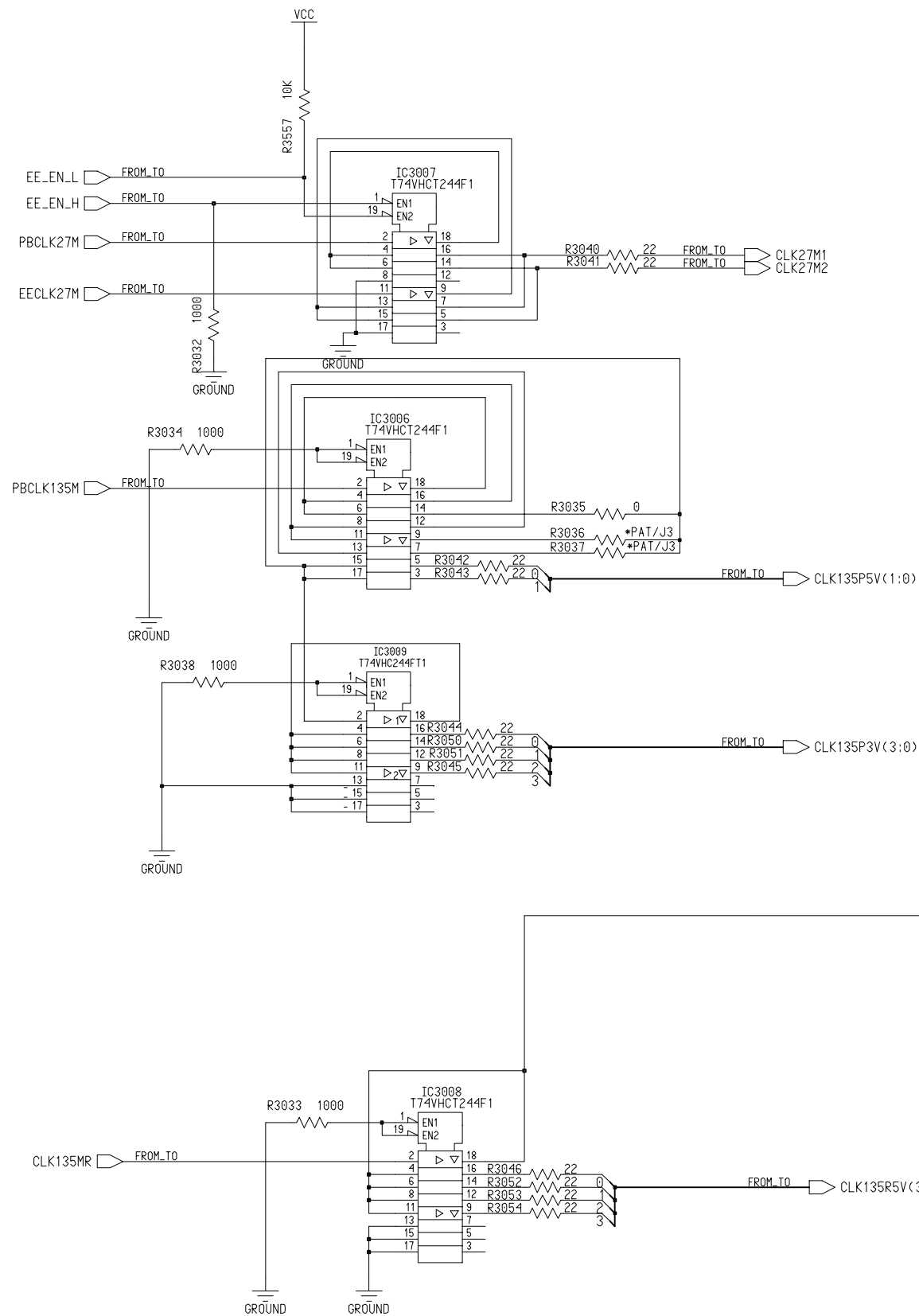




\*PAT=PATTERN ONLY

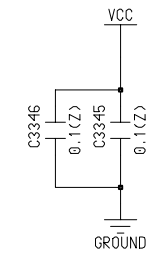
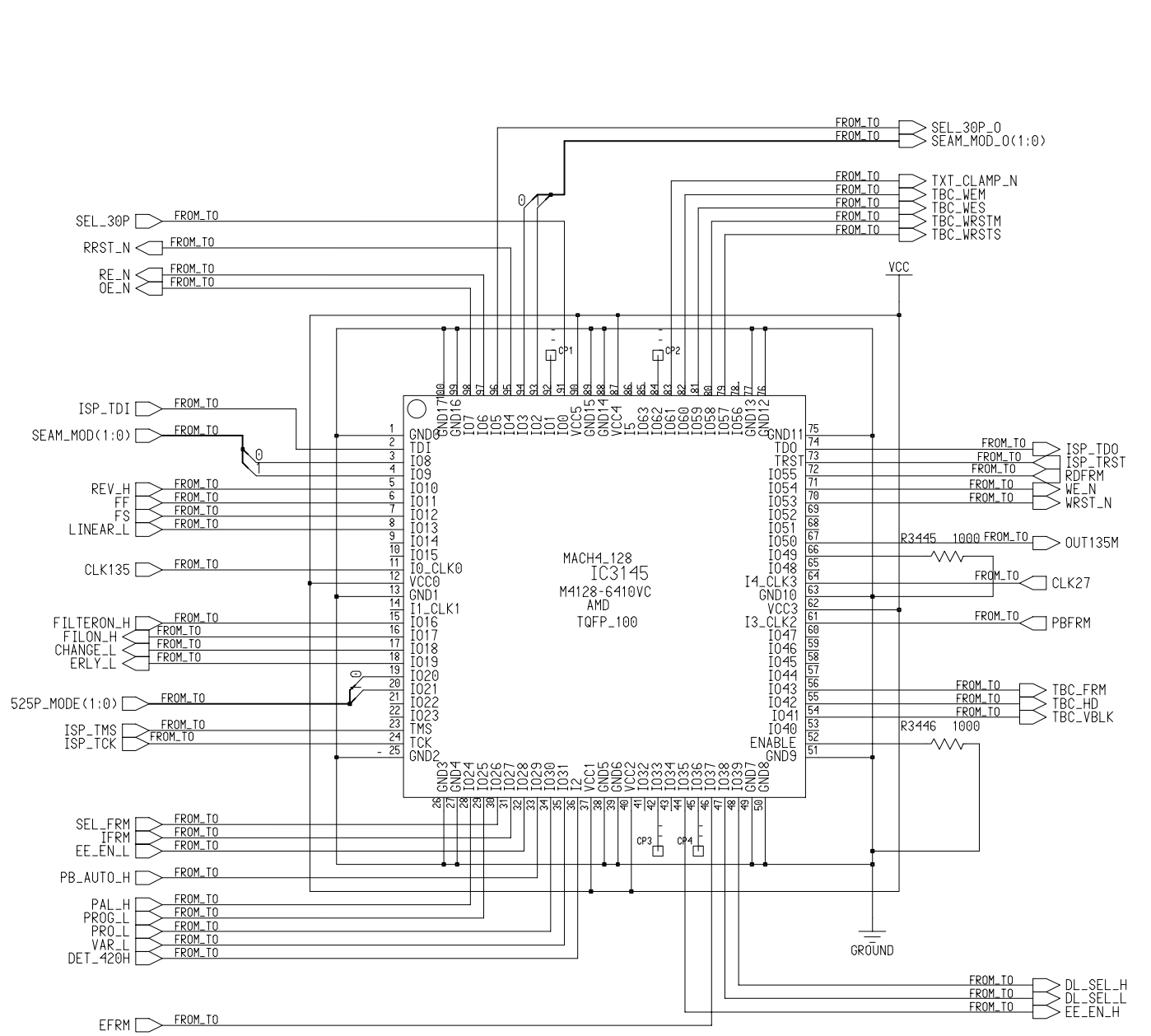
COMPONENT NAME	TBC_FIFO	16/43
CIRCUIT BOARD NO	VEP83375B	MODEL NO
		AJ-D950,PD950
		SCM157





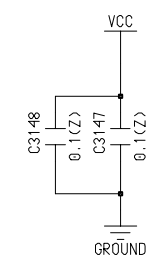
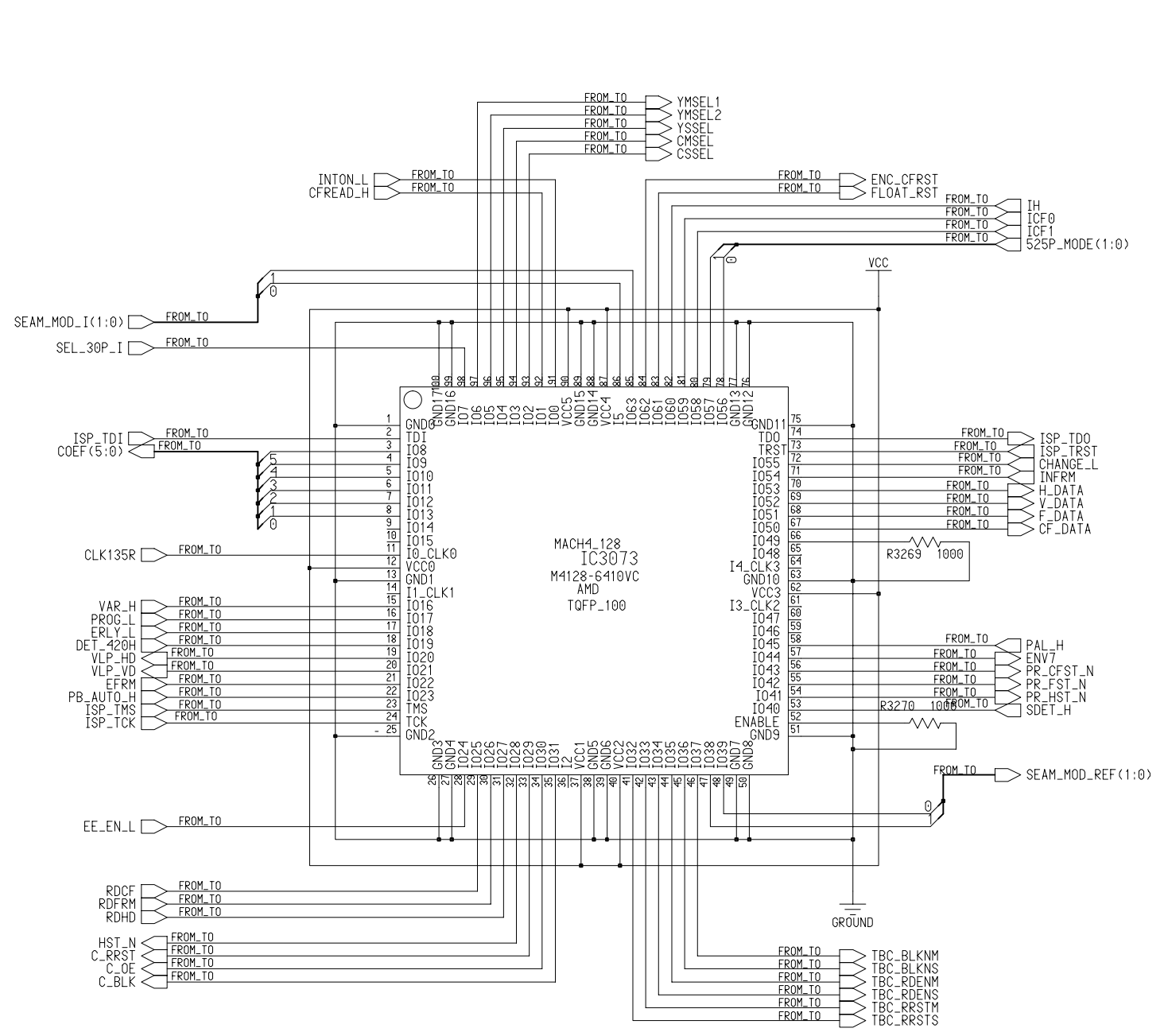
\*PAT=PATTERN ONLY  
 \*\*REFER TO THE COMPARISON CHART

COMPONENT NAME	CLK_BUFF0	17/43
CIRCUIT BOARD NO	VEP83375B	MODEL NO
		AJ-D950,PD950
		SCM158



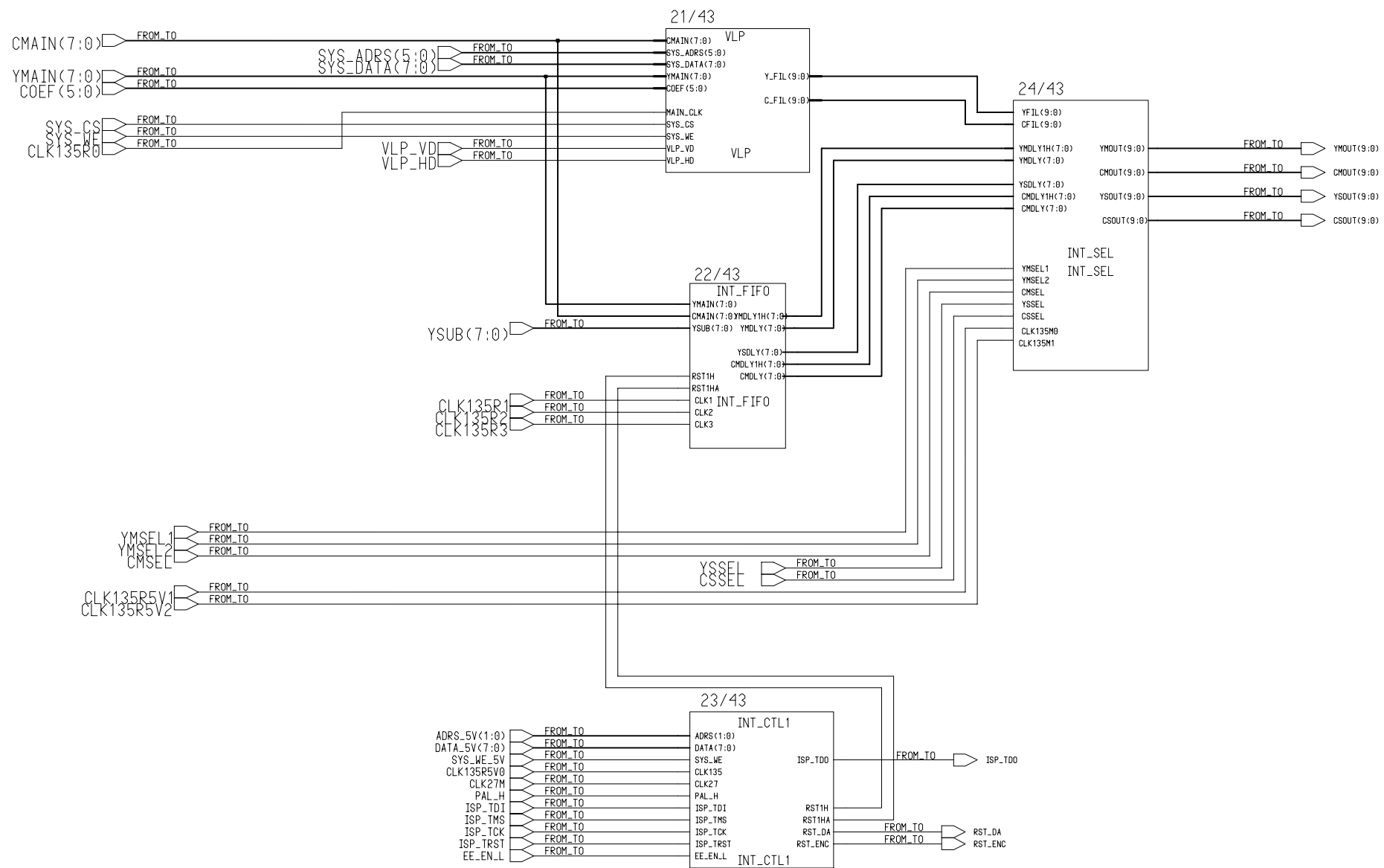
\*PAT=PATTERN ONLY

COMPONENT NAME	TBC_CTL1	18/43
CIRCUIT BOARD NO	VEP83375B	MODEL NO
		AJ-D950,PD950
		SCM159



\*PAT=PATTERN ONLY

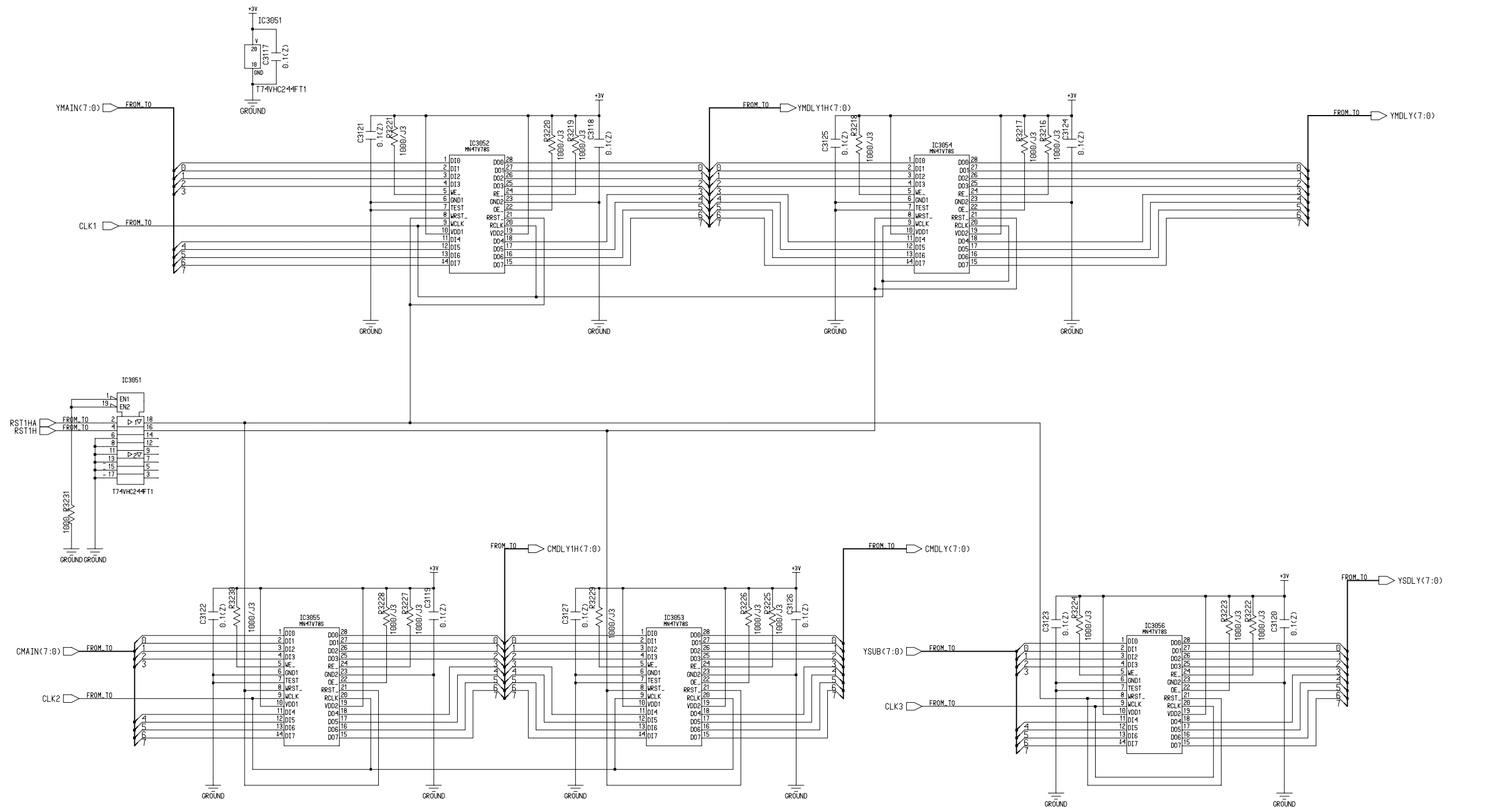
COMPONENT NAME	PROC_CTL1	19/43
CIRCUIT BOARD NO	VEP83375B	MODEL NO
		AJ-D950,PD950
		SCM160



COMPONENT NAME	INT1	MODEL NO	20/43
CIRCUIT BOARD NO	VEP83375B	MODEL NO	AJ-D950,PD950
			SCM161

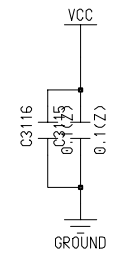
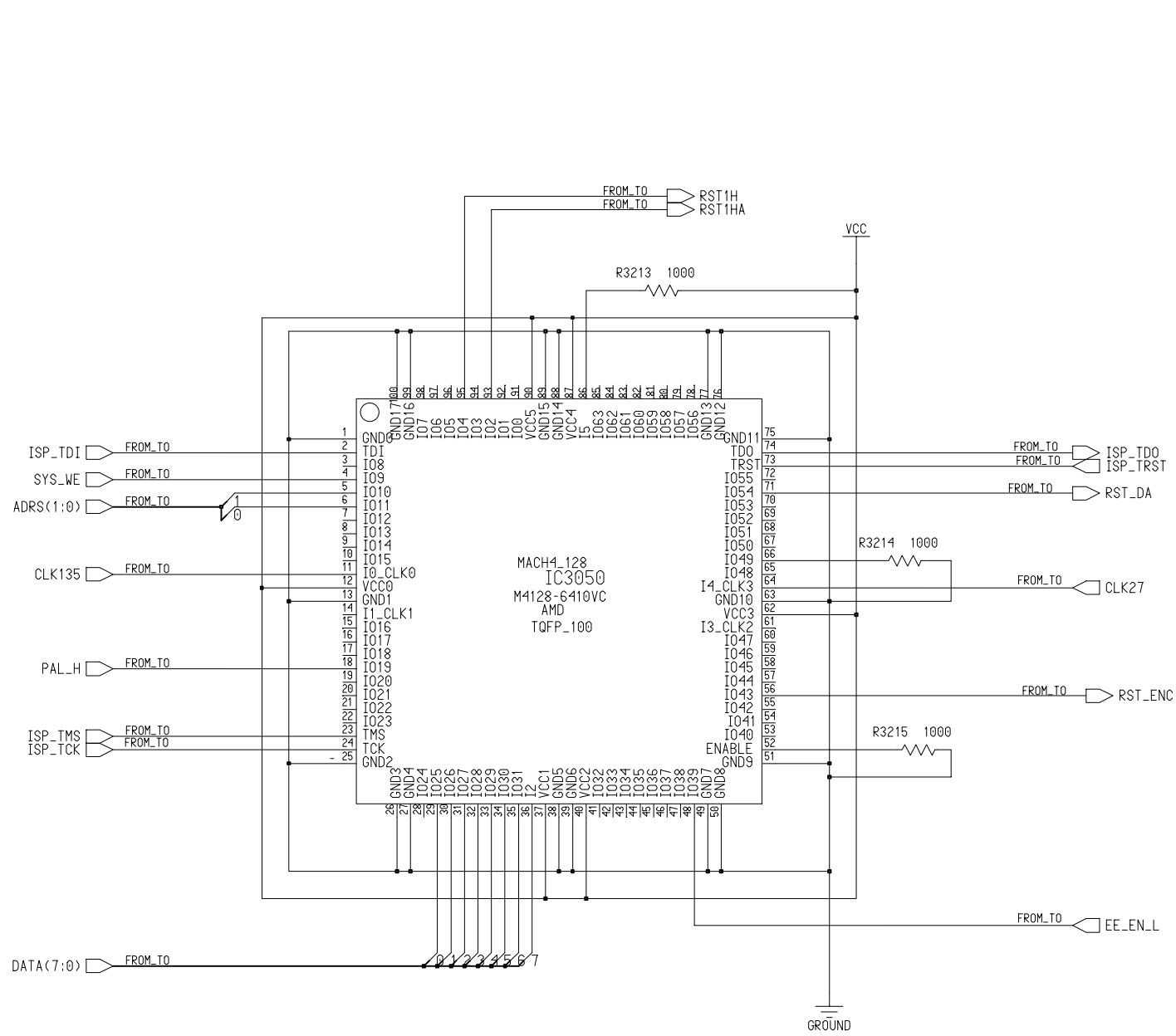






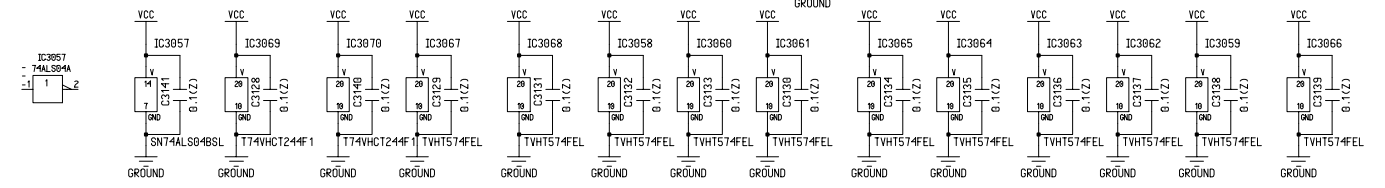
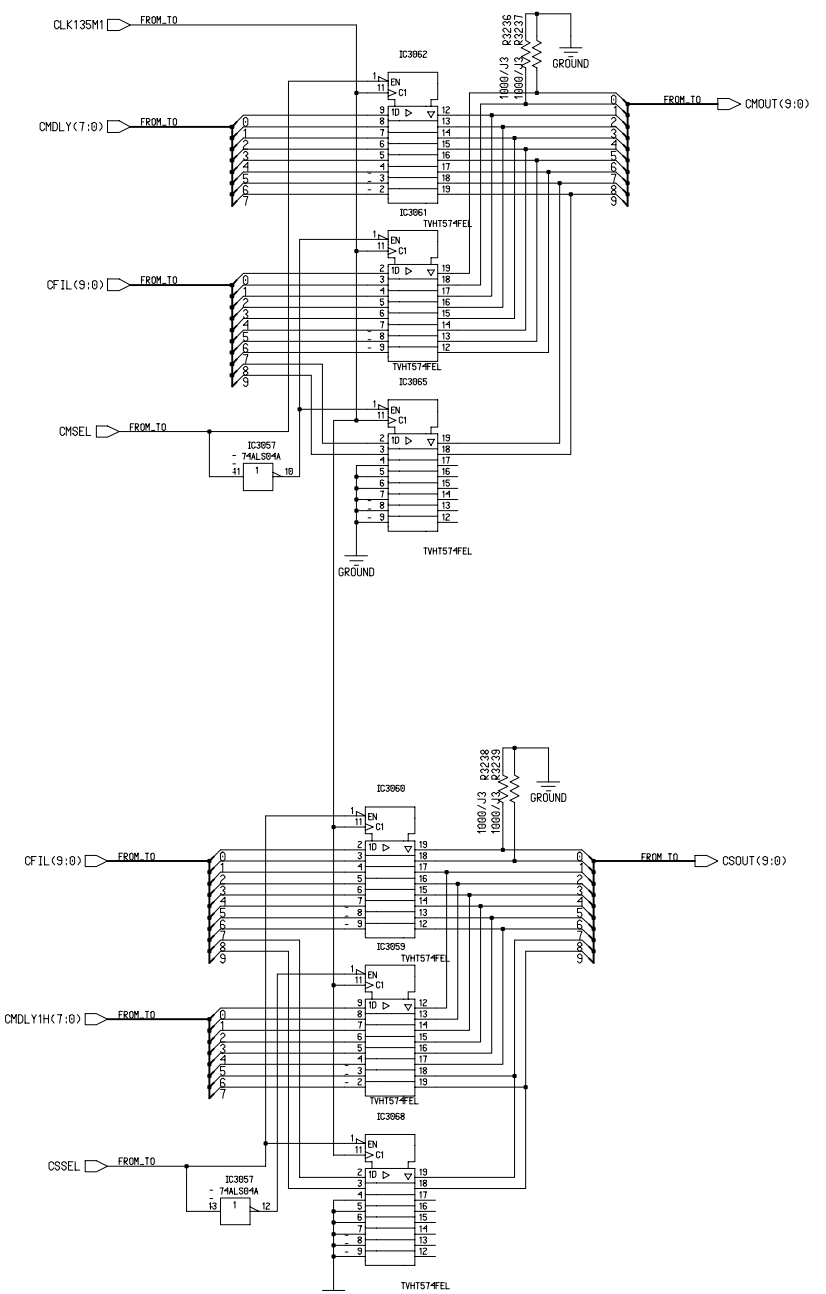
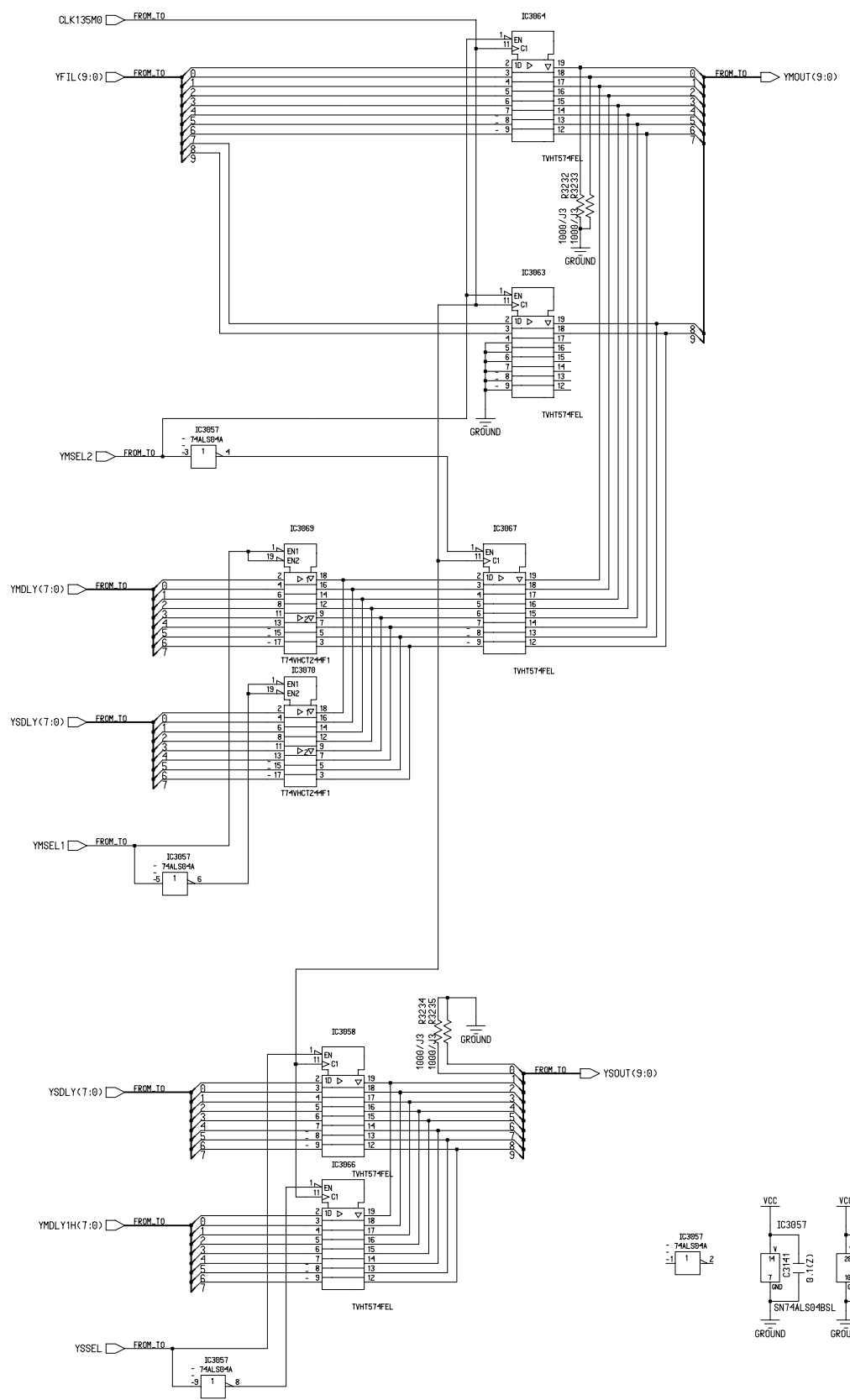
\*PAT=PATTERN ONLY  
 \*REFER TO THE COMPARISON CHART

COMPONENT NAME	INT_FIFO	22/43
CIRCUIT BOARD NO	VEP83375B	MODEL NO
		AJ-D950,PD950
		SCM163



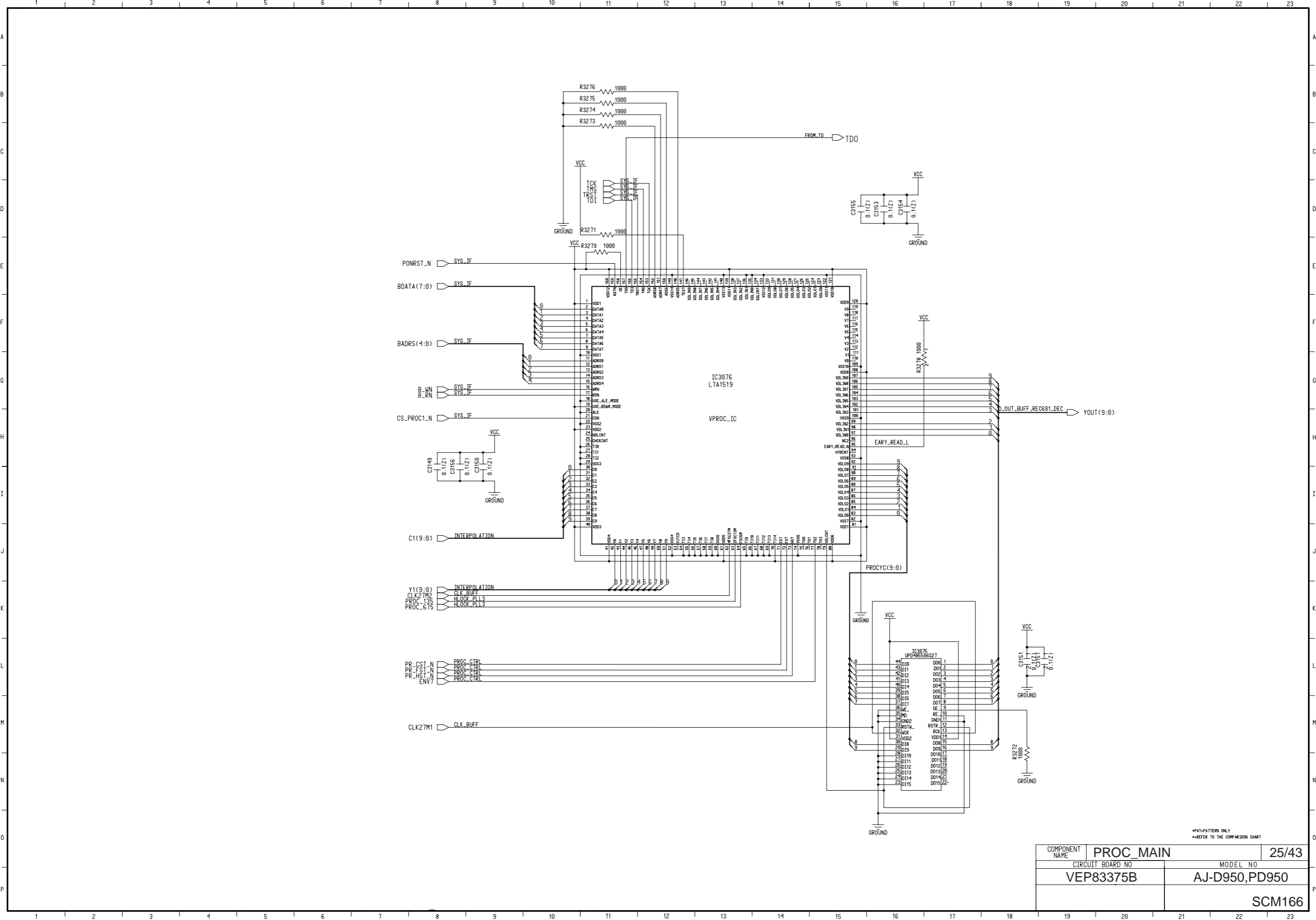
\*PAT=PATTERN ONLY

COMPONENT NAME	INT_CTL1	23/43
CIRCUIT BOARD NO	VEP83375B	MODEL NO
		AJ-D950,PD950
		SCM164



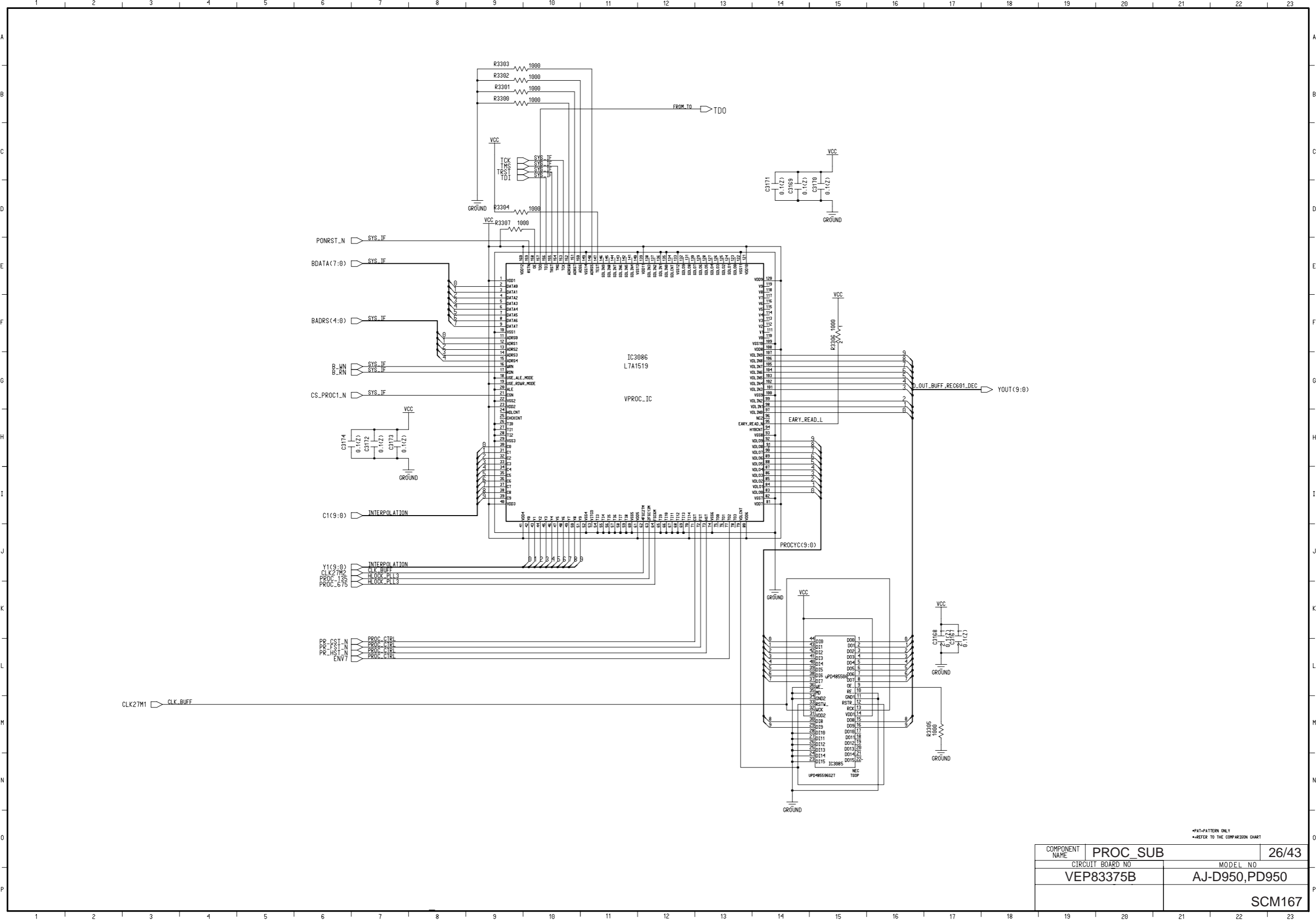
\*PAT= PATTERN ONLY  
 =REFER TO THE COMPARISON CHART

COMPONENT NAME	INT_SEL	24/43
CIRCUIT BOARD NO	VEP83375B	MODEL NO
		AJ-D950,PD950
		SCM165



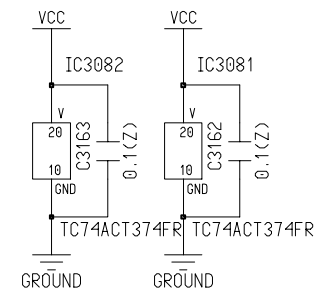
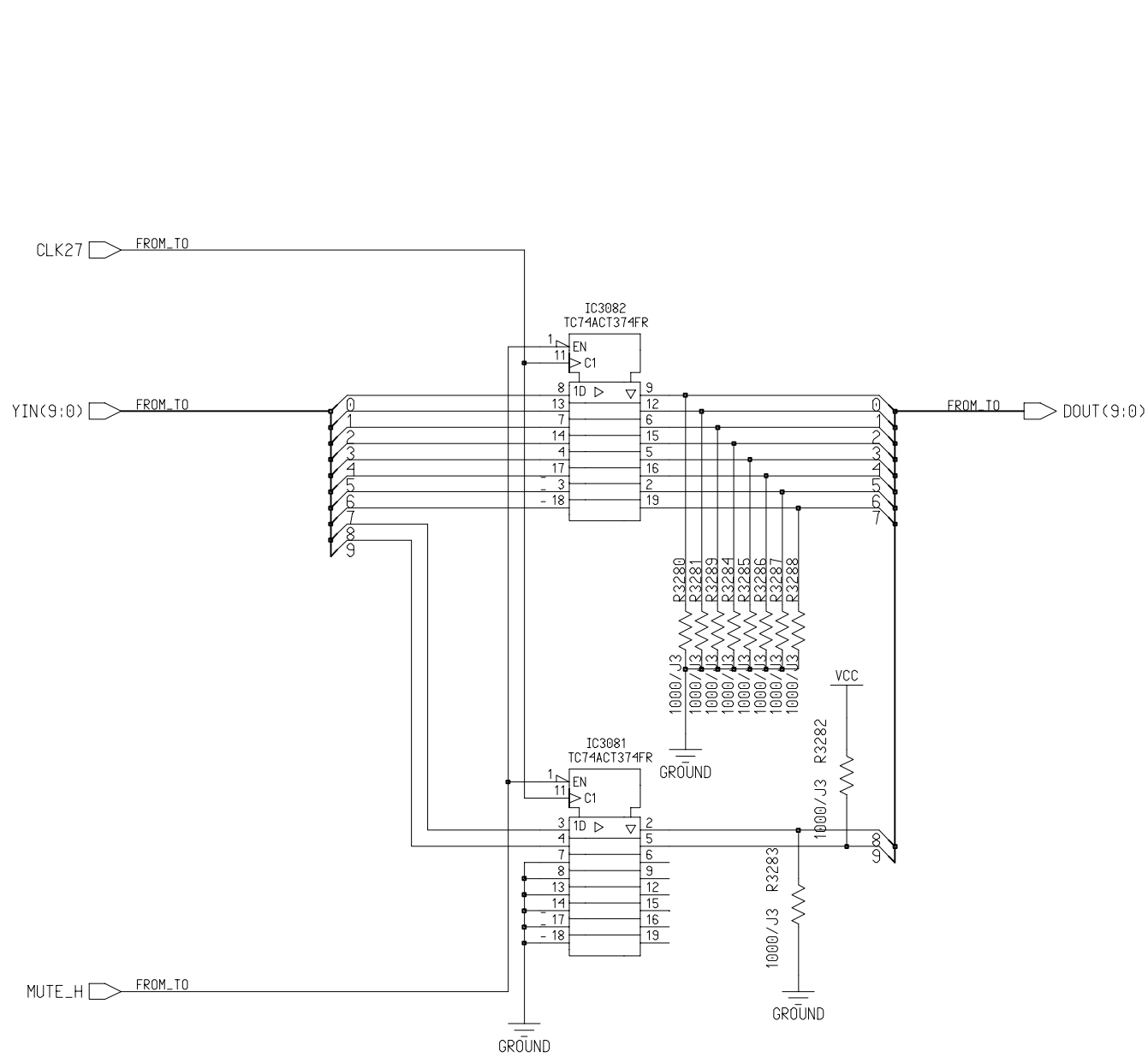
\*PAT-PATTERN ONLY  
 \*\*REFER TO THE COMPARISON CHART

COMPONENT NAME	PROC_MAIN	25/43
CIRCUIT BOARD NO	VEP83375B	MODEL NO
		AJ-D950,PD950
		SCM166



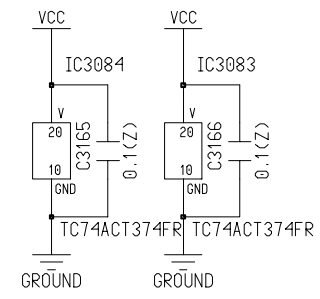
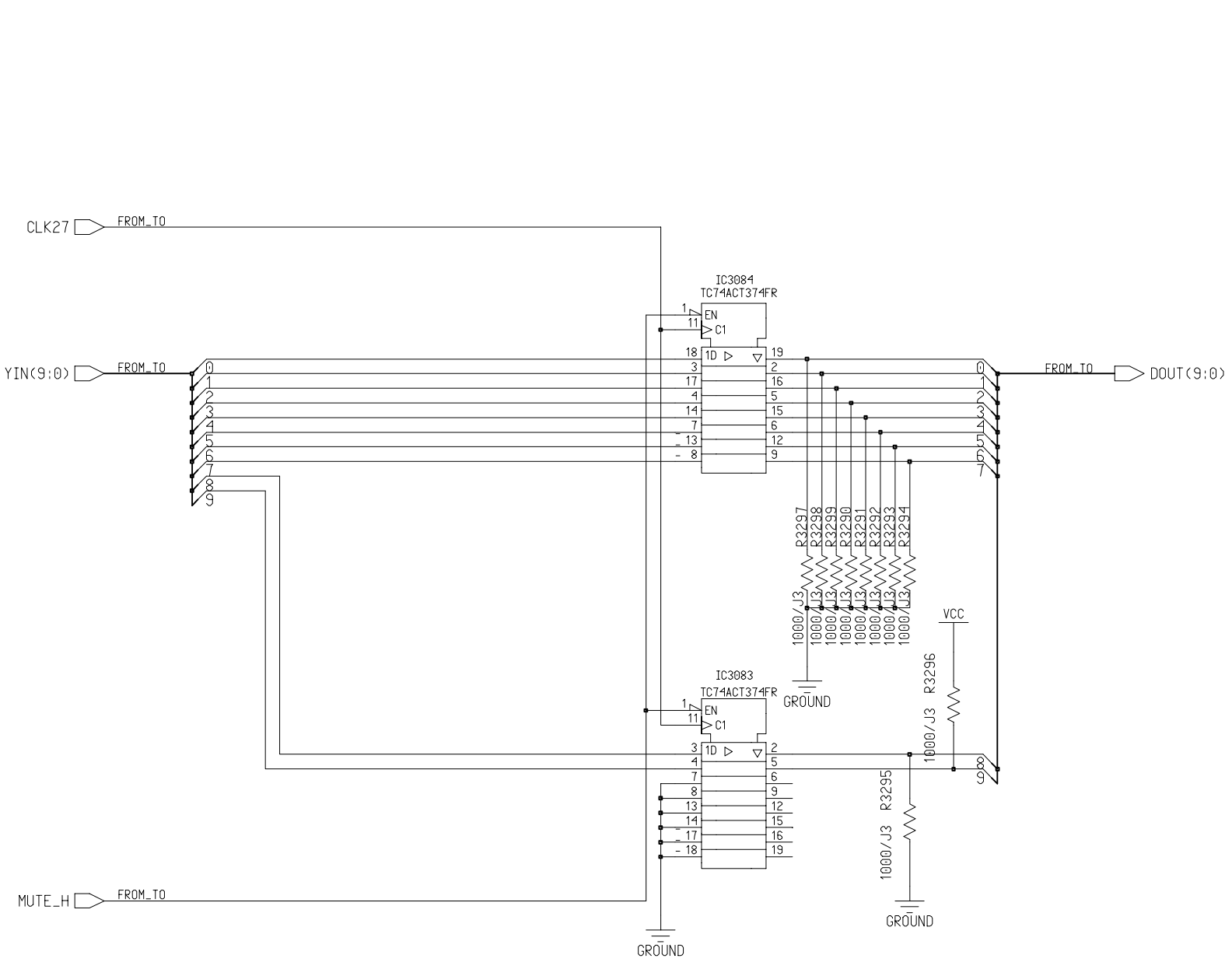
\*PAT-PATTERN ONLY  
 \*\*REFER TO THE COMPARISON CHART

COMPONENT NAME	PROC_SUB	26/43
CIRCUIT BOARD NO	VEP83375B	MODEL NO AJ-D950,PD950
		SCM167



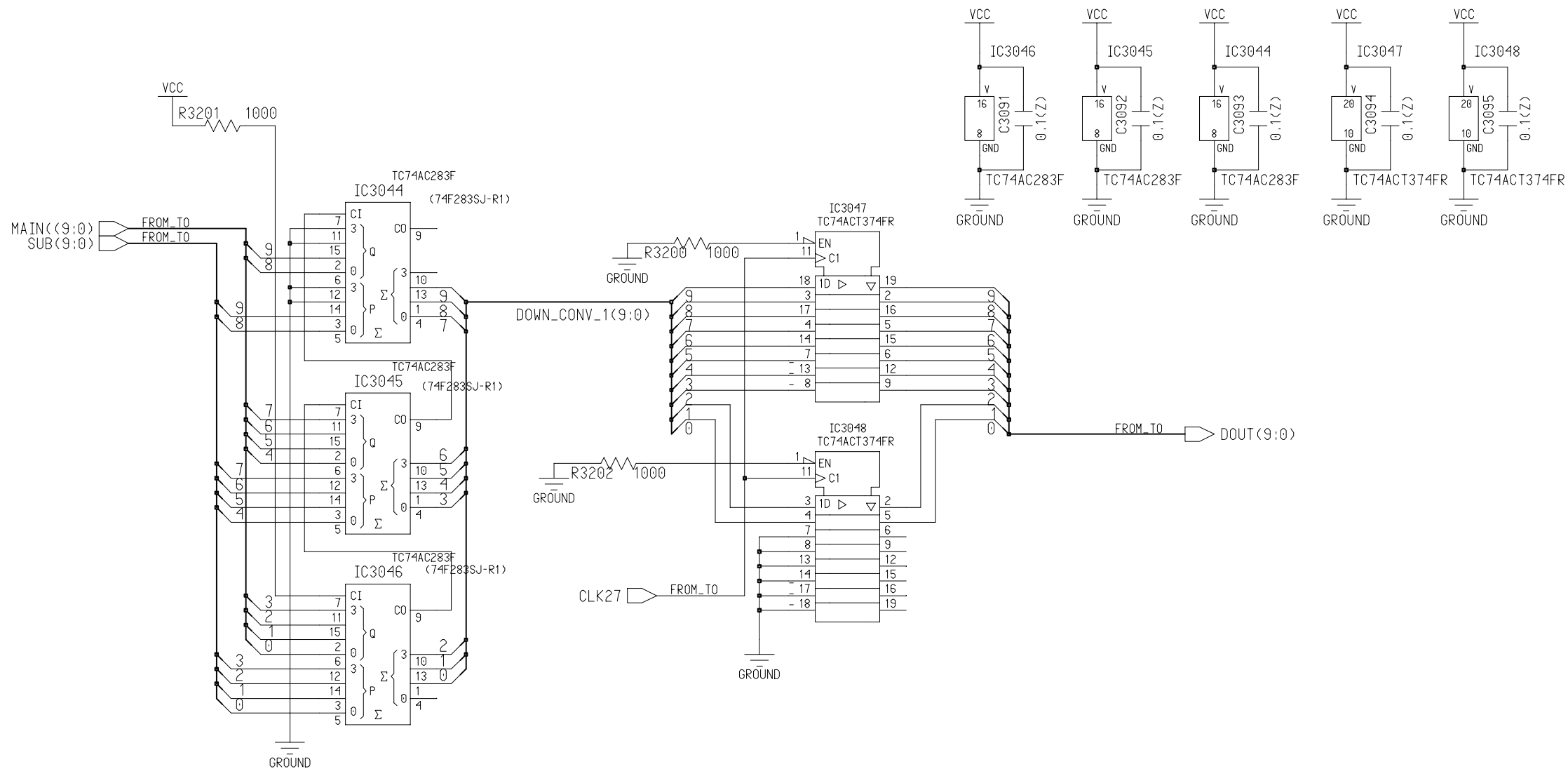
\*PAT=PATTERN ONLY  
 \*REFER TO THE COMPARISON CHART

COMPONENT NAME	PROC_SEL	27/43
CIRCUIT BOARD NO	MODEL NO	
VEP83375B	AJ-D950,PD950	
	SCM168	



\*PAT=PATTERN ONLY  
 \*REFER TO THE COMPARISON CHART

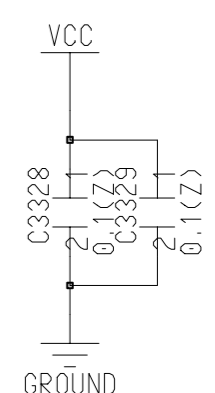
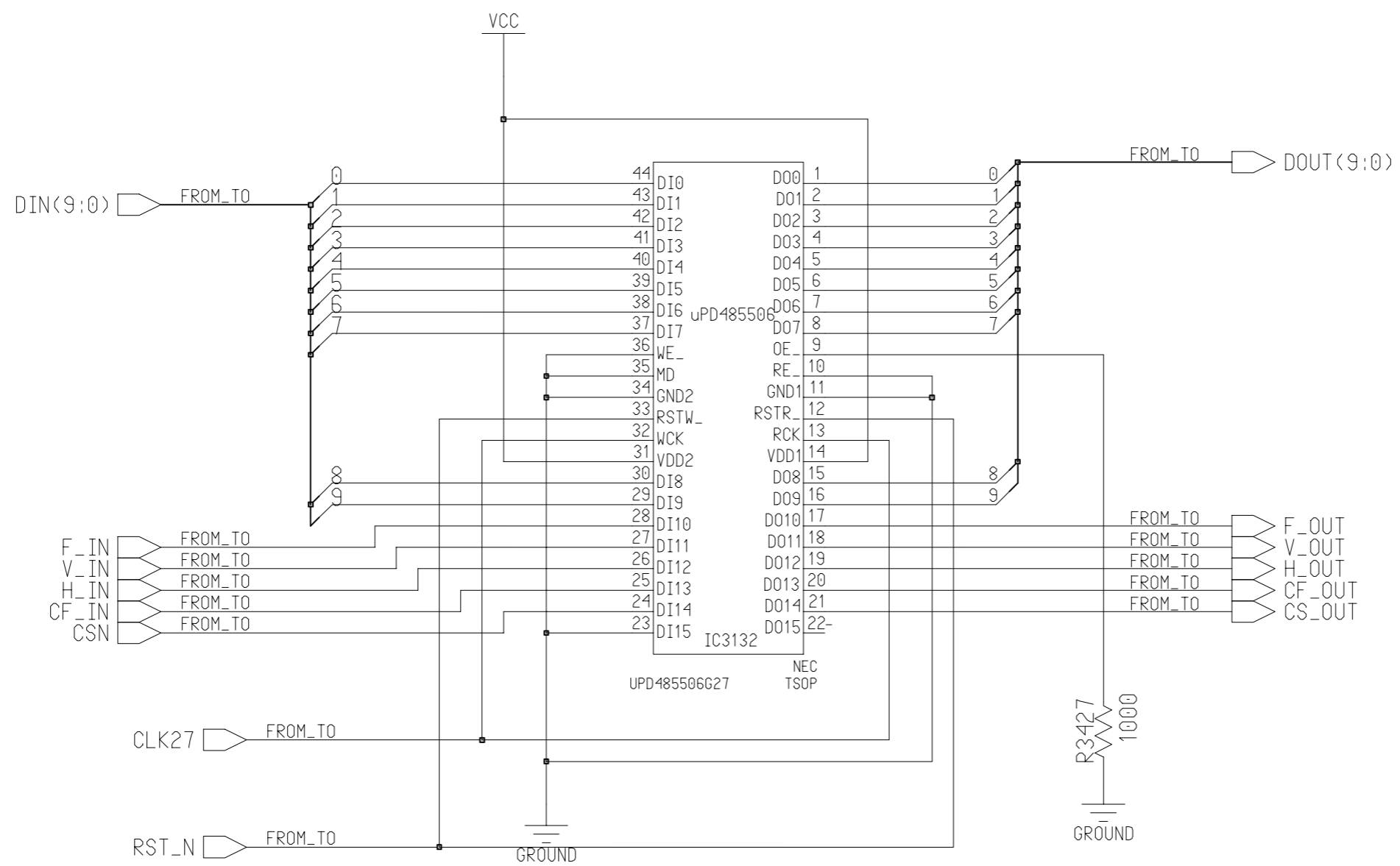
COMPONENT NAME	PROC_SEL1	28/43
CIRCUIT BOARD NO	MODEL NO	
VEP83375B	AJ-D950,PD950	
SCM169		



\*PAT=PATTERN ONLY  
 \*\*REFER TO THE COMPARISON CHART

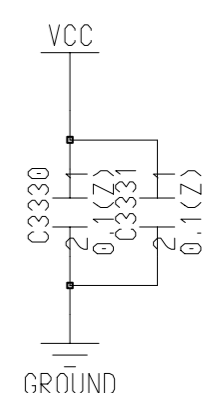
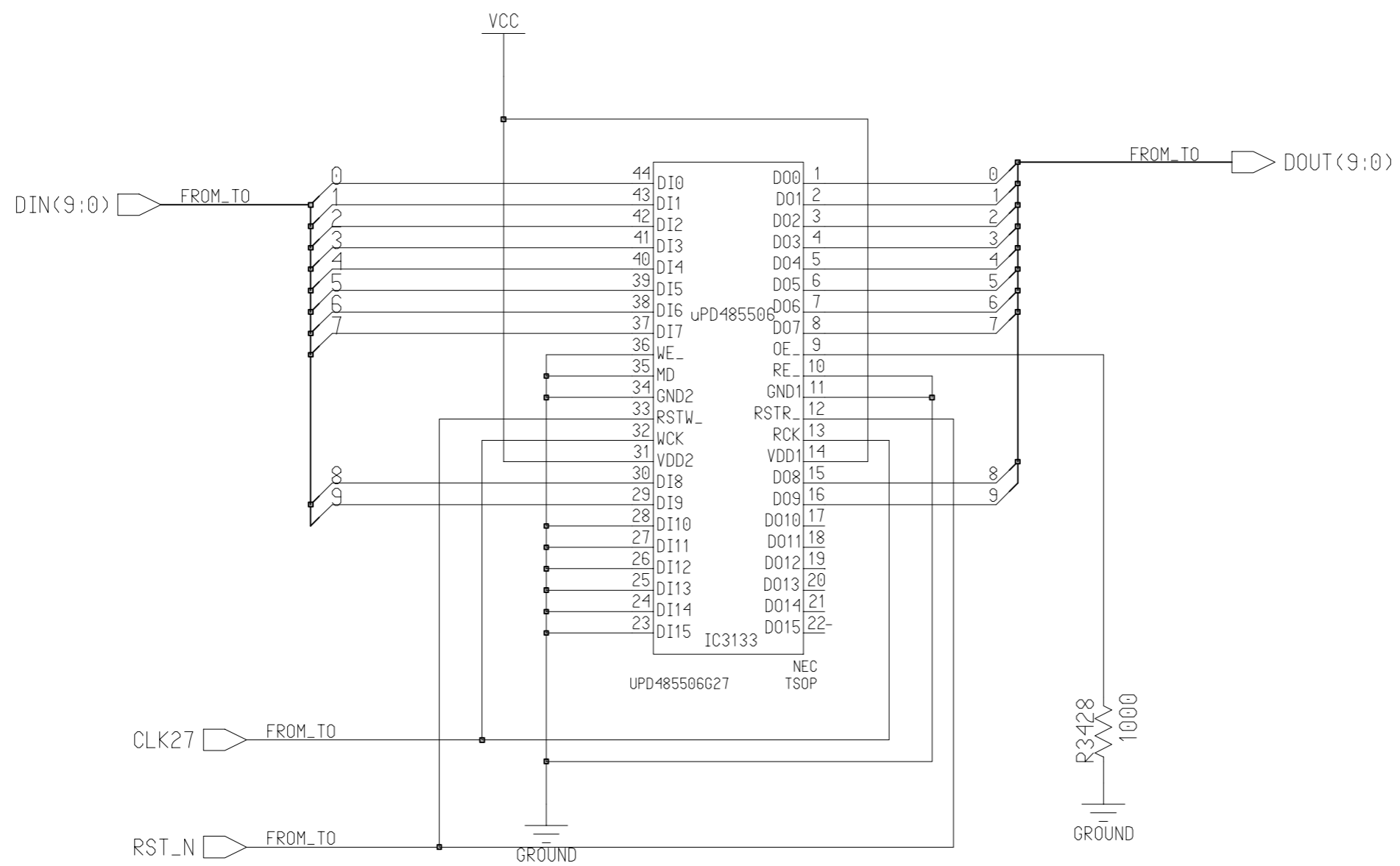
COMPONENT NAME	DOWN_CON	29/43
CIRCUIT BOARD NO	VEP83375B	MODEL NO
		AJ-D950,PD950
		SCM170





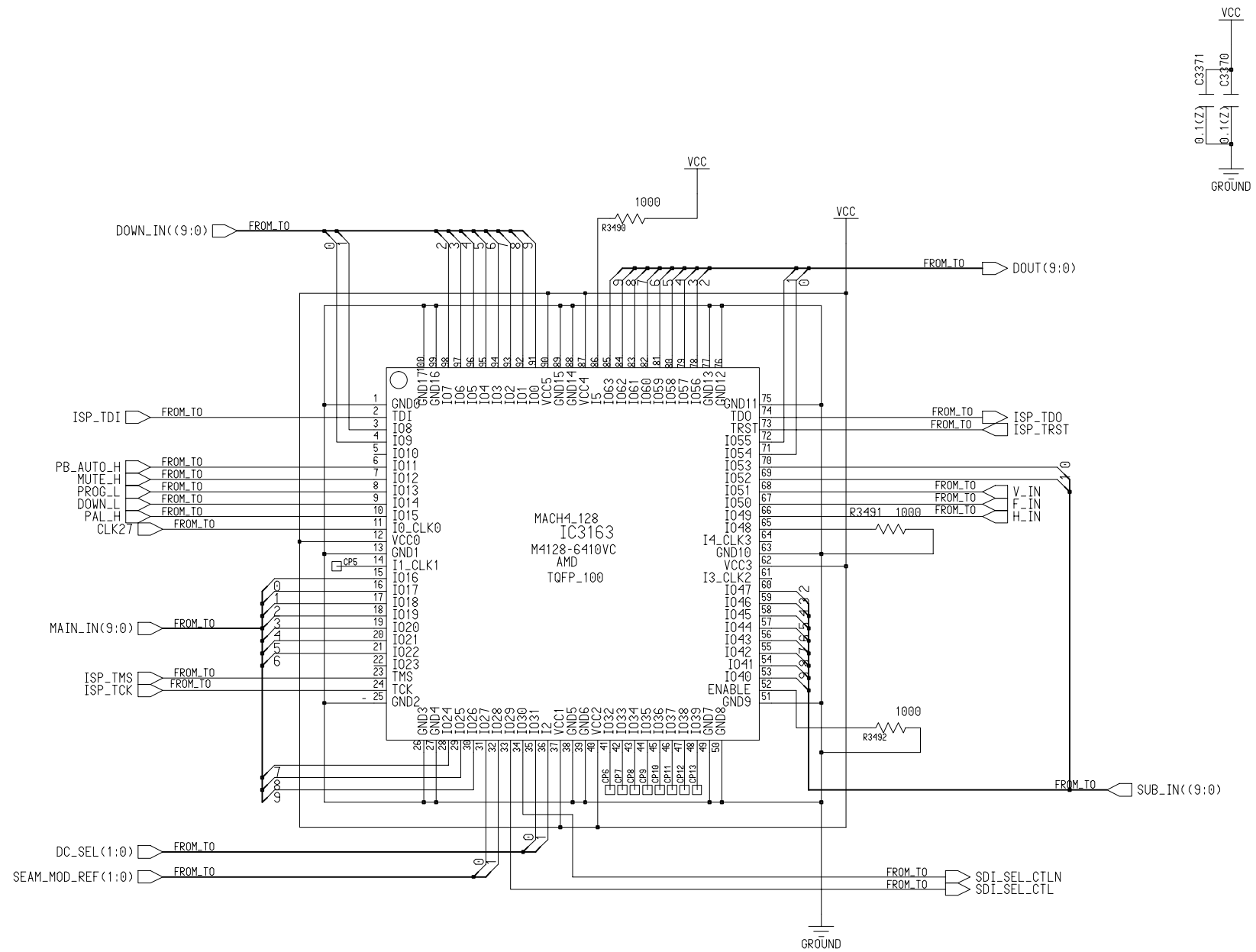
\*PAT-PATTERN ONLY  
\*REFER TO THE COMPARISON CHART

COMPONENT NAME	SYS_H_MAIN	30/43
CIRCUIT BOARD NO	VEP83375B	MODEL NO
		AJ-D950,PD950
		SCM171



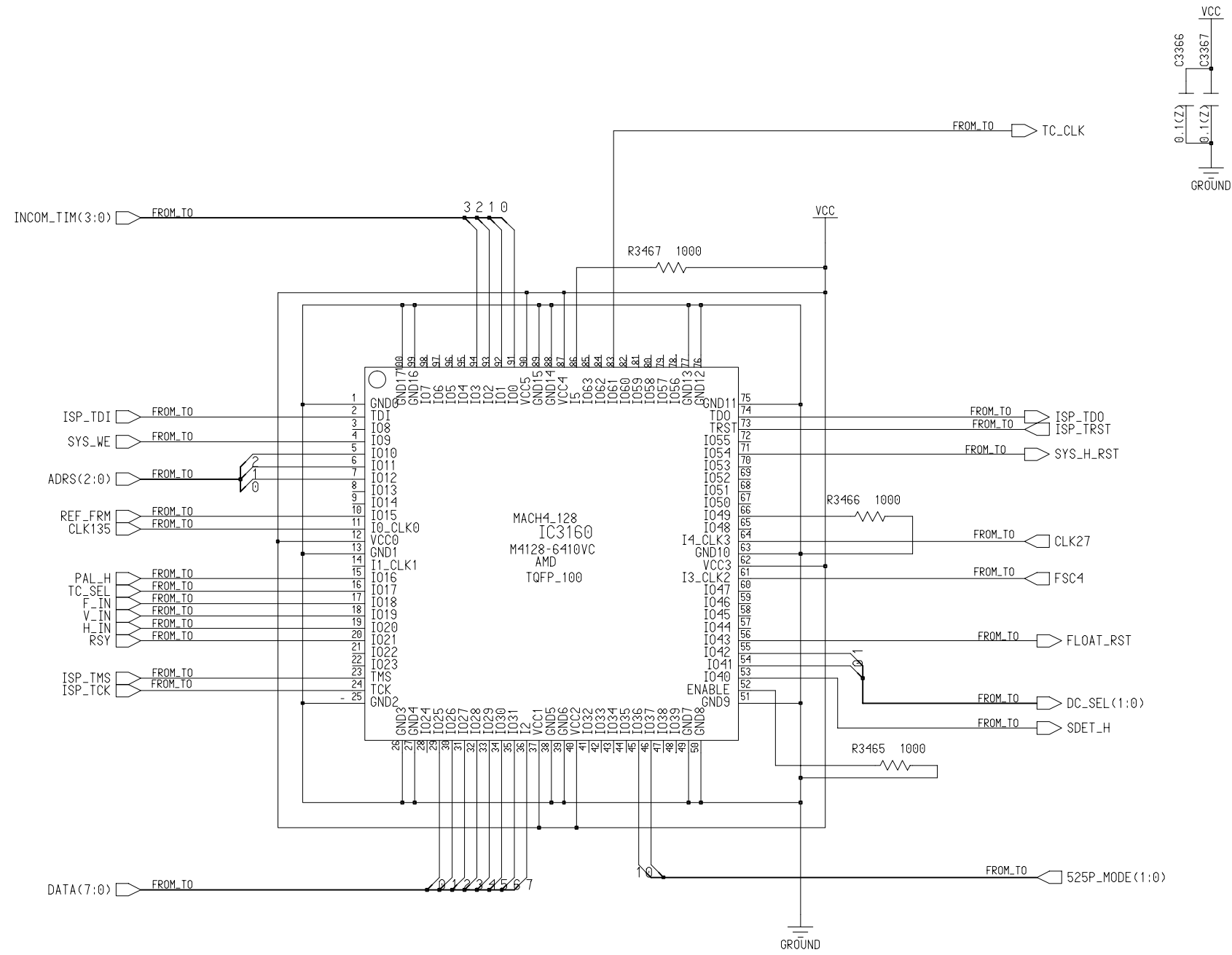
\*PAT-PATTERN ONLY  
\*REFER TO THE COMPARISON CHART

COMPONENT NAME	SYS_H_SUB	31/43
CIRCUIT BOARD NO	VEP83375B	MODEL NO
		AJ-D950,PD950
		SCM172



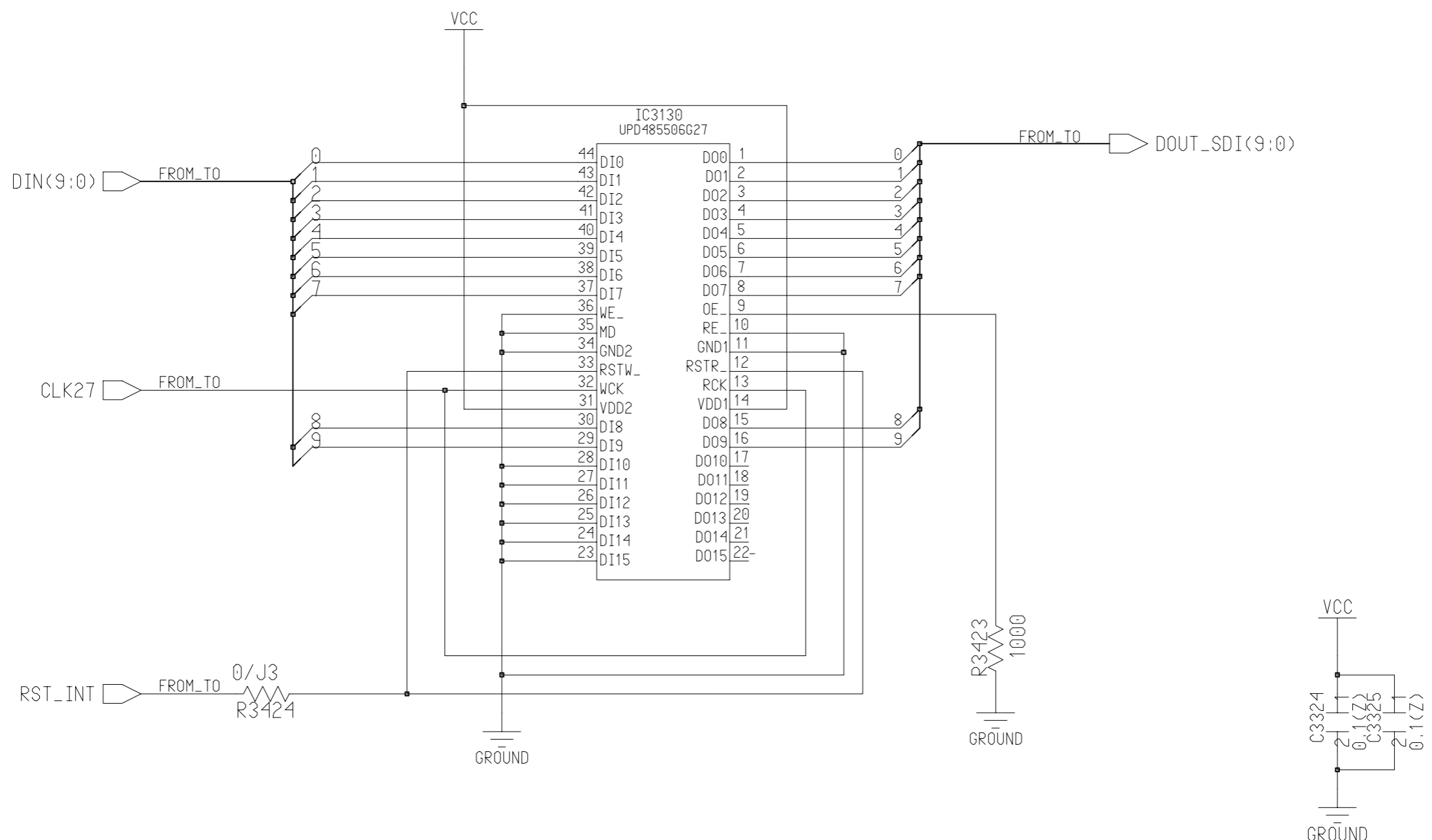
\*PAT=PATTERN ONLY

COMPONENT NAME	TRS_ADD1	32/43
CIRCUIT BOARD NO	MODEL NO	
VEP83375B	AJ-D950,PD950	
SCM173		



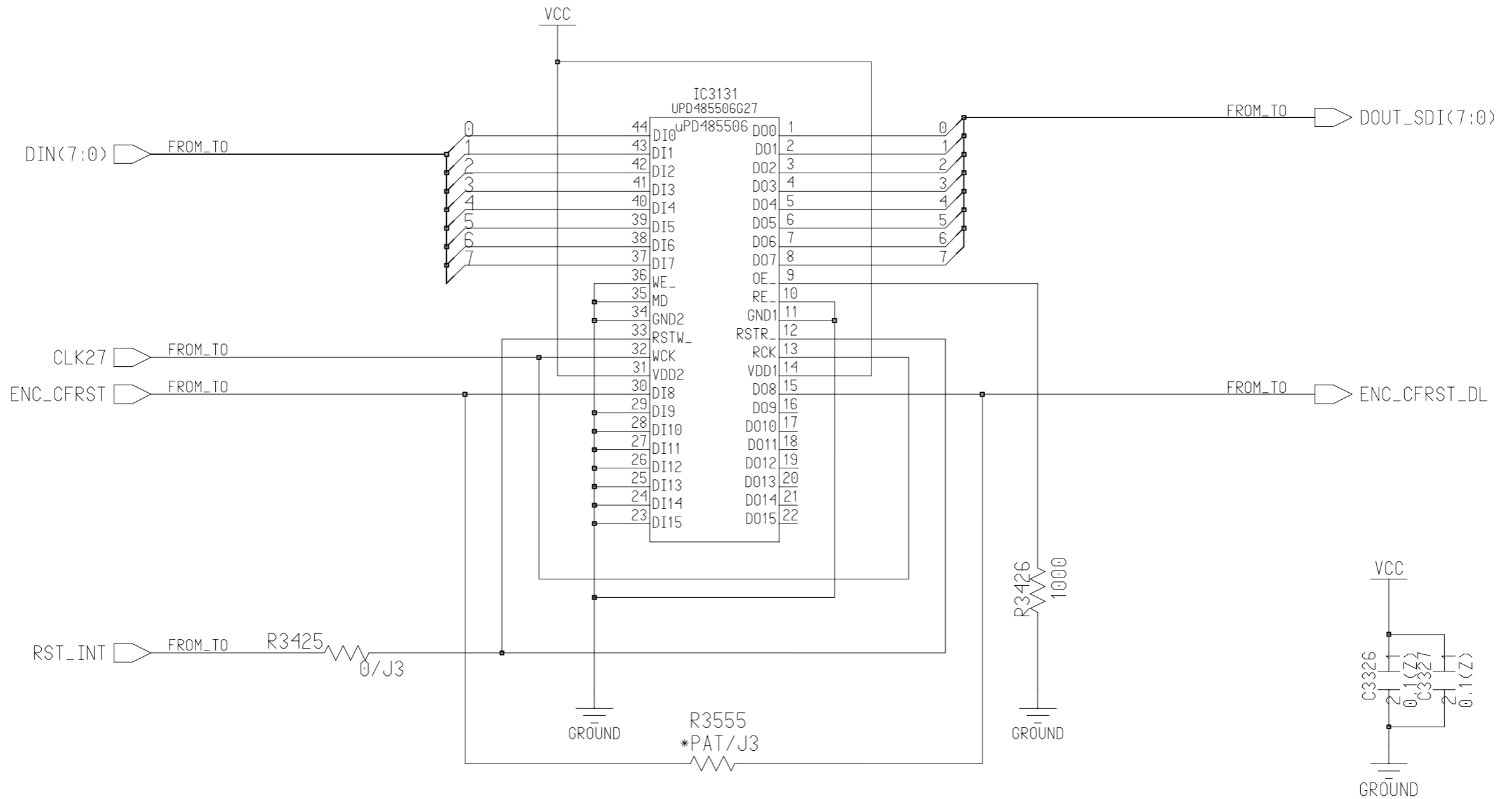
\*PAT=PATTERN ONLY

COMPONENT NAME	TCCLK2	33/43
CIRCUIT BOARD NO	VEP83375B	MODEL NO
		AJ-D950,PD950
		SCM174



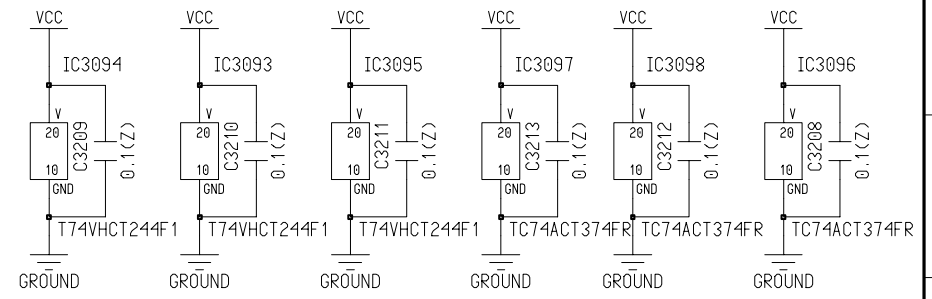
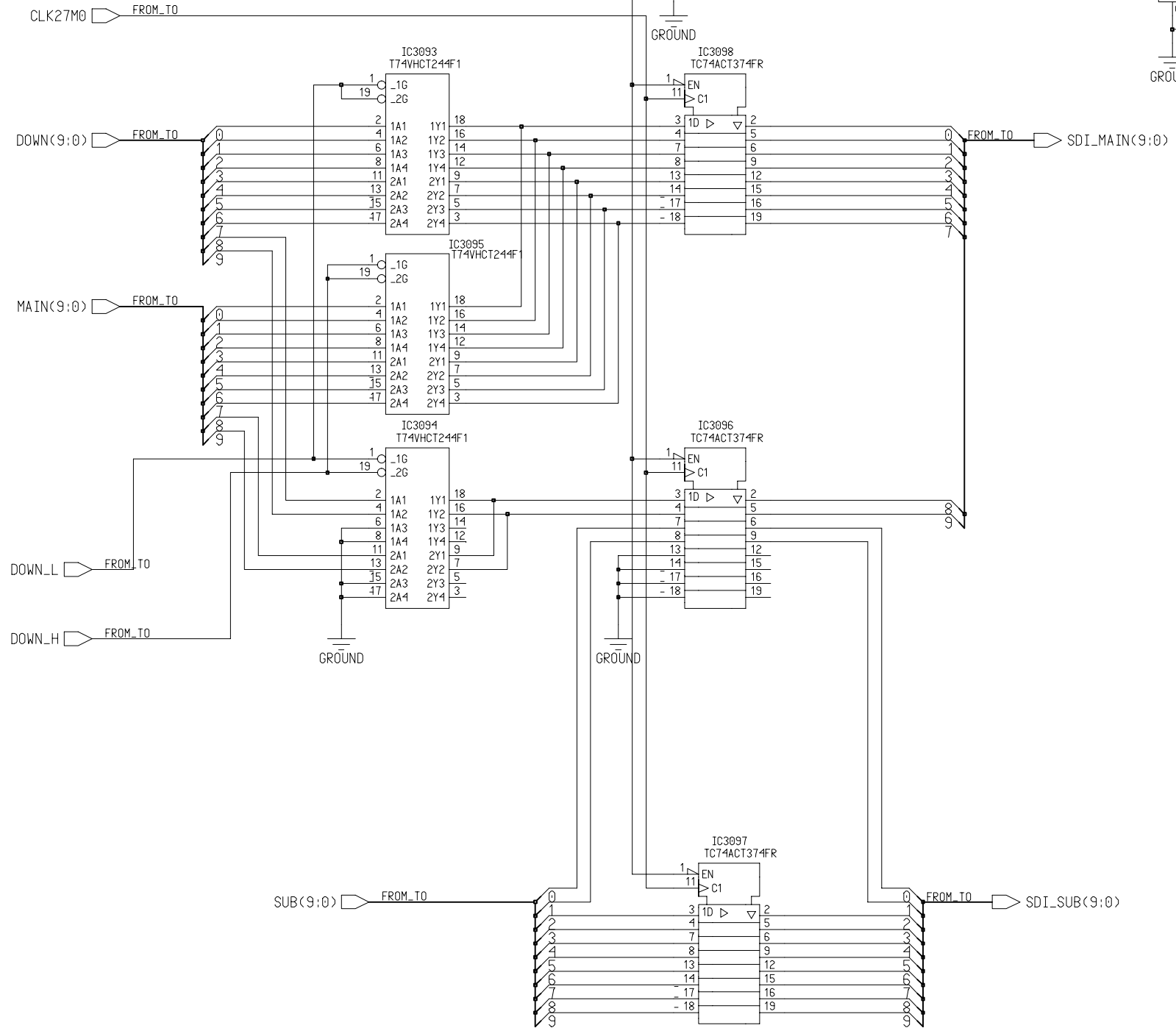
\*PAT-PATTERN ONLY  
 \*\*REFER TO THE COMPARISON CHART

COMPONENT NAME	SYS_H_DA	MODEL NO	34/43
CIRCUIT BOARD NO	VEP83375B	MODEL NO	AJ-D950,PD950
		SCM175	



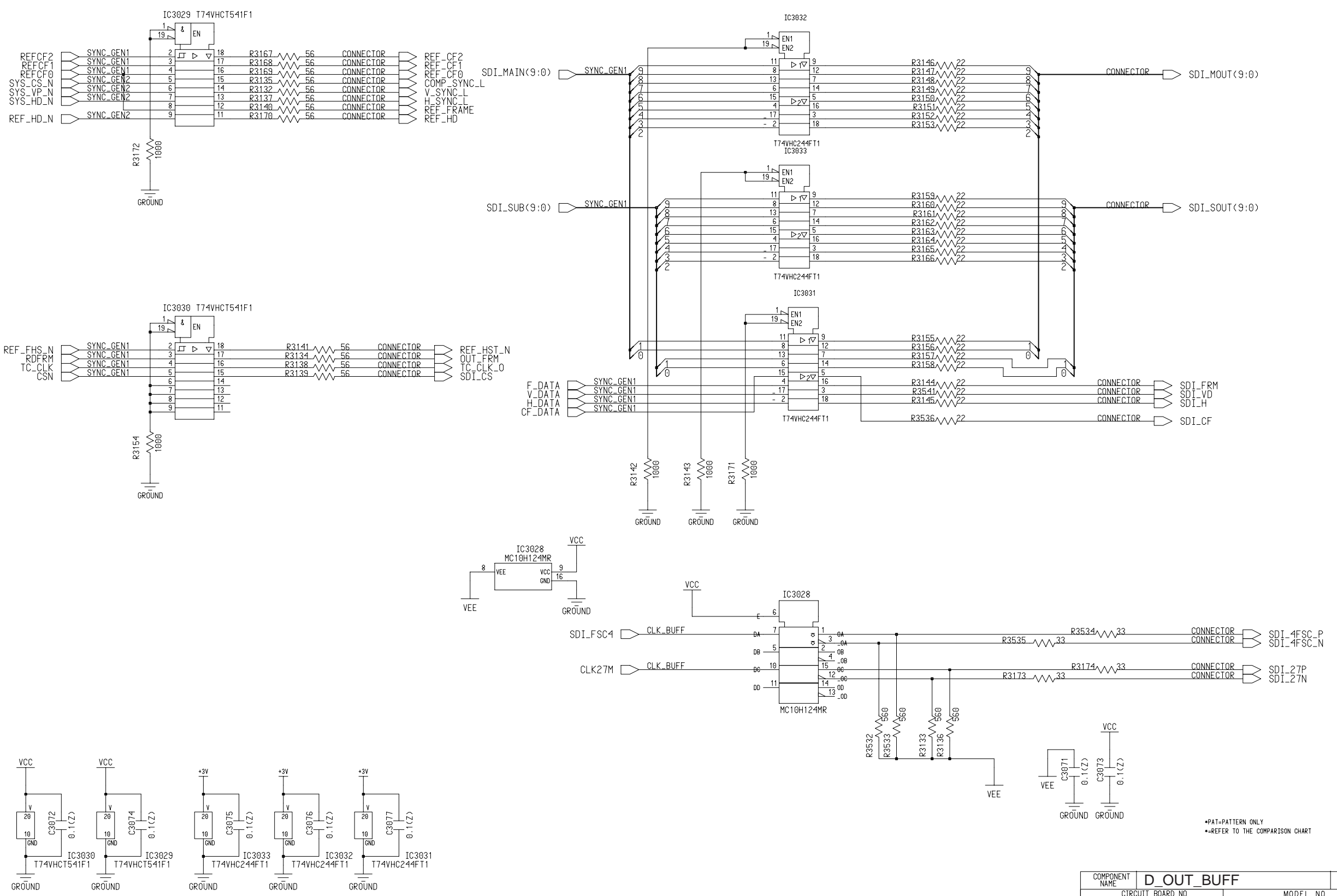
\*PAT=PATTERN ONLY  
 \*\*REFER TO THE COMPARISON CHART

COMPONENT NAME	SYS_H_ENC	35/43
CIRCUIT BOARD NO	VEP83375B	MODEL NO
		AJ-D950,PD950
		SCM176



\*PAT=PATTERN ONLY  
 \*REFER TO THE COMPARISON CHART

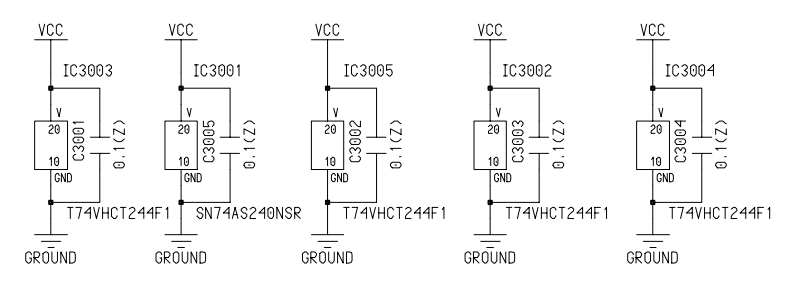
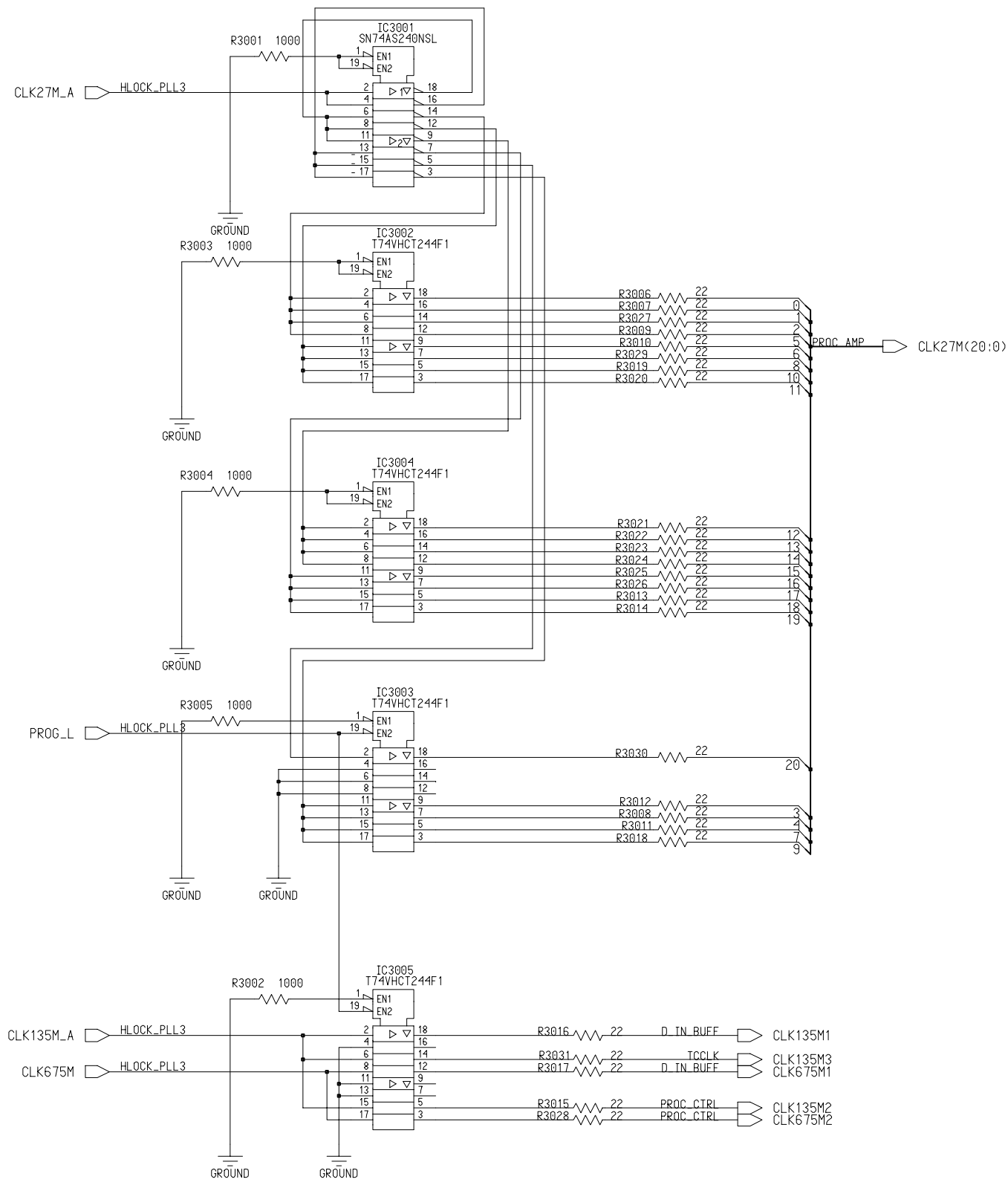
COMPONENT NAME	SDI_SEL	36/43
CIRCUIT BOARD NO	VEP83375B	MODEL NO
		AJ-D950,PD950
		SCM177



\*PAT=PATTERN ONLY  
 \*\*REFER TO THE COMPARISON CHART

COMPONENT NAME	D_OUT_BUFF	37/43
CIRCUIT BOARD NO	VEP83375B	MODEL NO
		AJ-D950,PD950
		SCM178

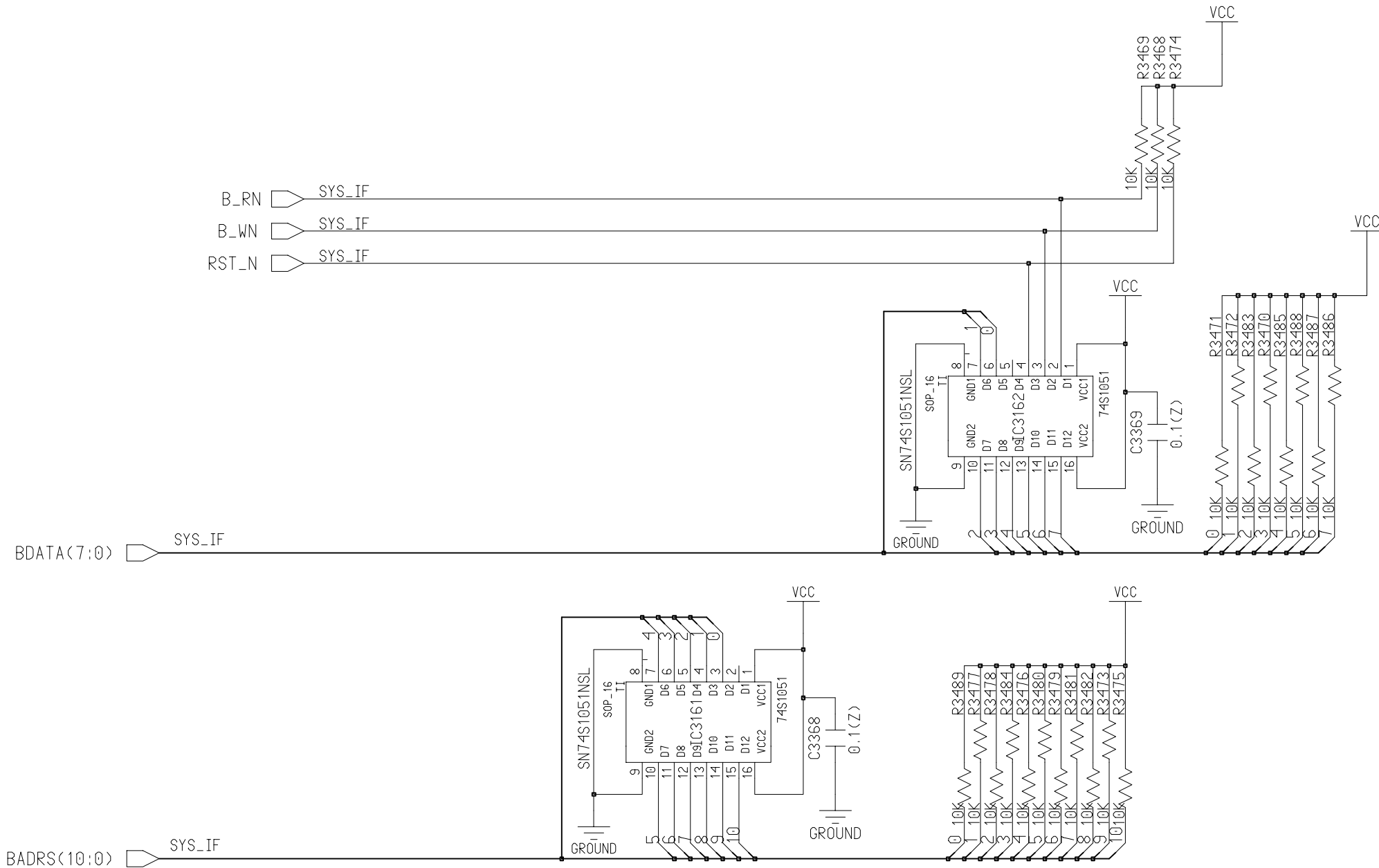




\*PAT=PATTERN ONLY  
 -=REFER TO THE COMPARISON CHART

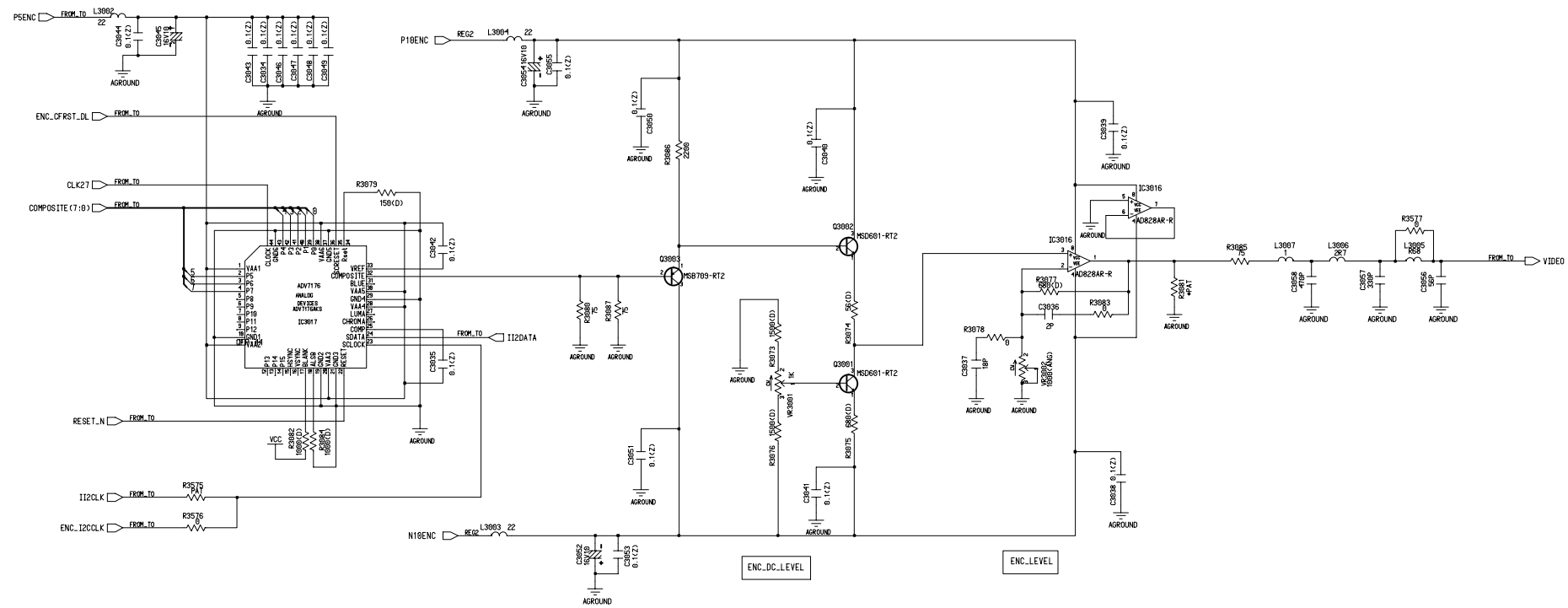
COMPONENT NAME	CLK_BUFF	38/43
CIRCUIT BOARD NO	MODEL NO	
VEP83375B	AJ-D950,PD950	
	SCM179	





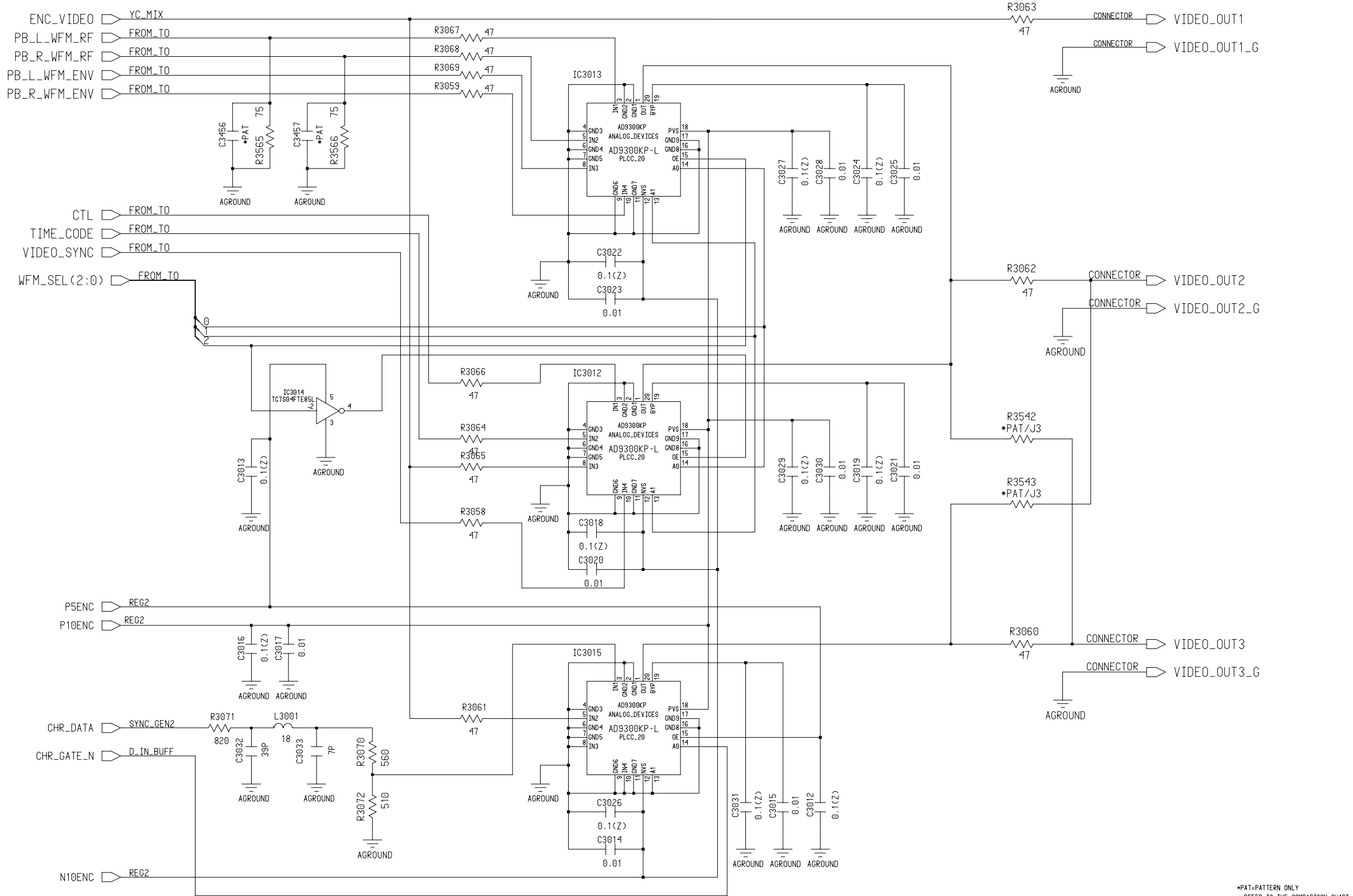
\*\*REFER TO THE COMPARISON CHART

COMPONENT NAME	TERMINATOR	40/43
CIRCUIT BOARD NO	VEP83375B	MODEL NO
		AJ-D950,PD950
		SCM181



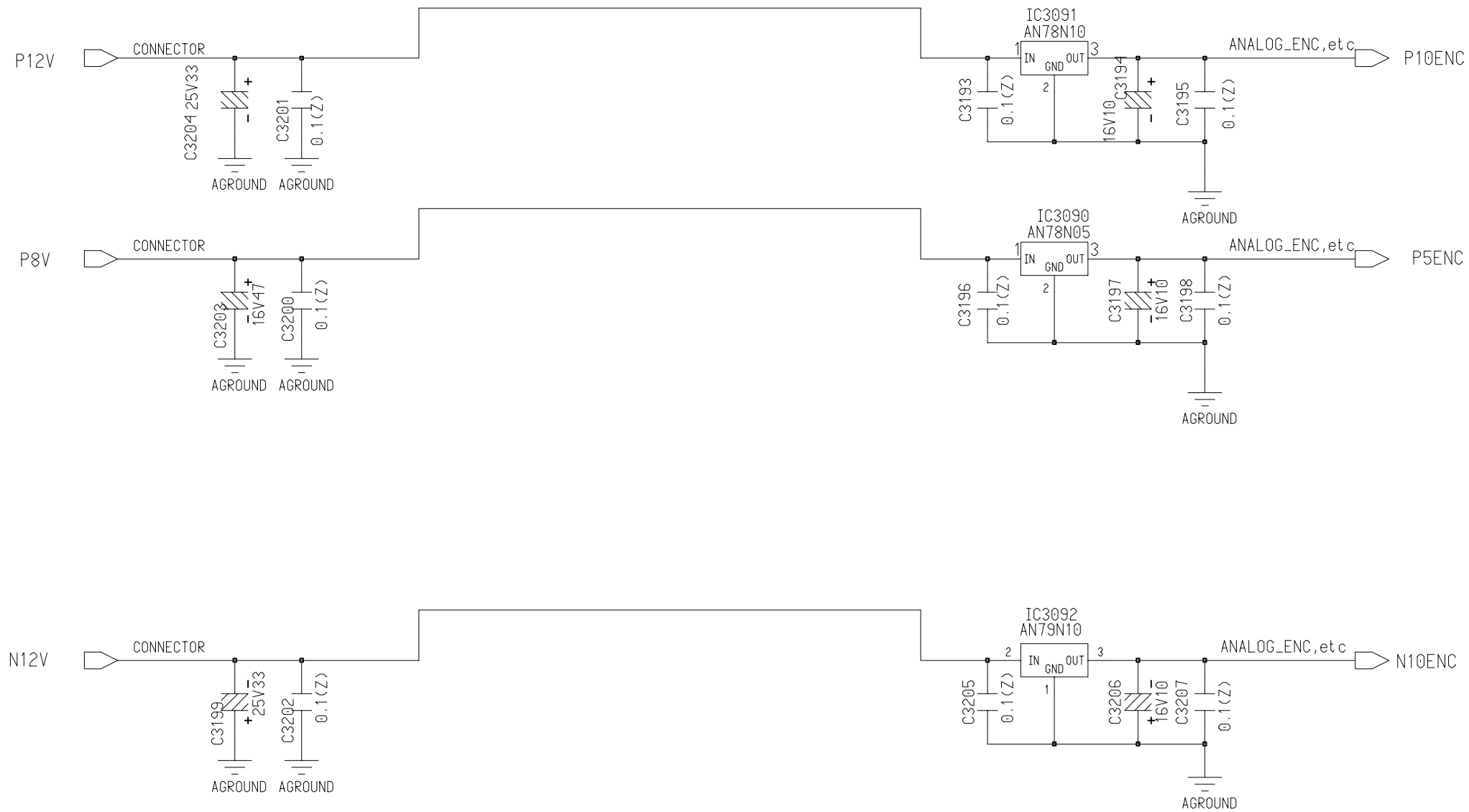
\*PAT=PATTERN ONLY

COMPONENT NAME	CMPOSITE_ENC1	41/43
CIRCUIT BOARD NO	VEP83375B	MODEL NO
		AJ-D950,PD950
		SCM182



\*PAT=PATTERN ONLY  
 \*REFER TO THE COMPARISON CHART

COMPONENT NAME	CMPOSITE_WFM_BUFF	42/43
CIRCUIT BOARD NO	MODEL NO	
VEP83375B	AJ-D950,PD950	
SCM183		



\*\*REFER TO THE COMPARISON CHART

COMPONENT NAME	REG2_1	43/43
CIRCUIT BOARD NO	VEP83375B	MODEL NO
		AJ-D950,PD950
		SCM184

A

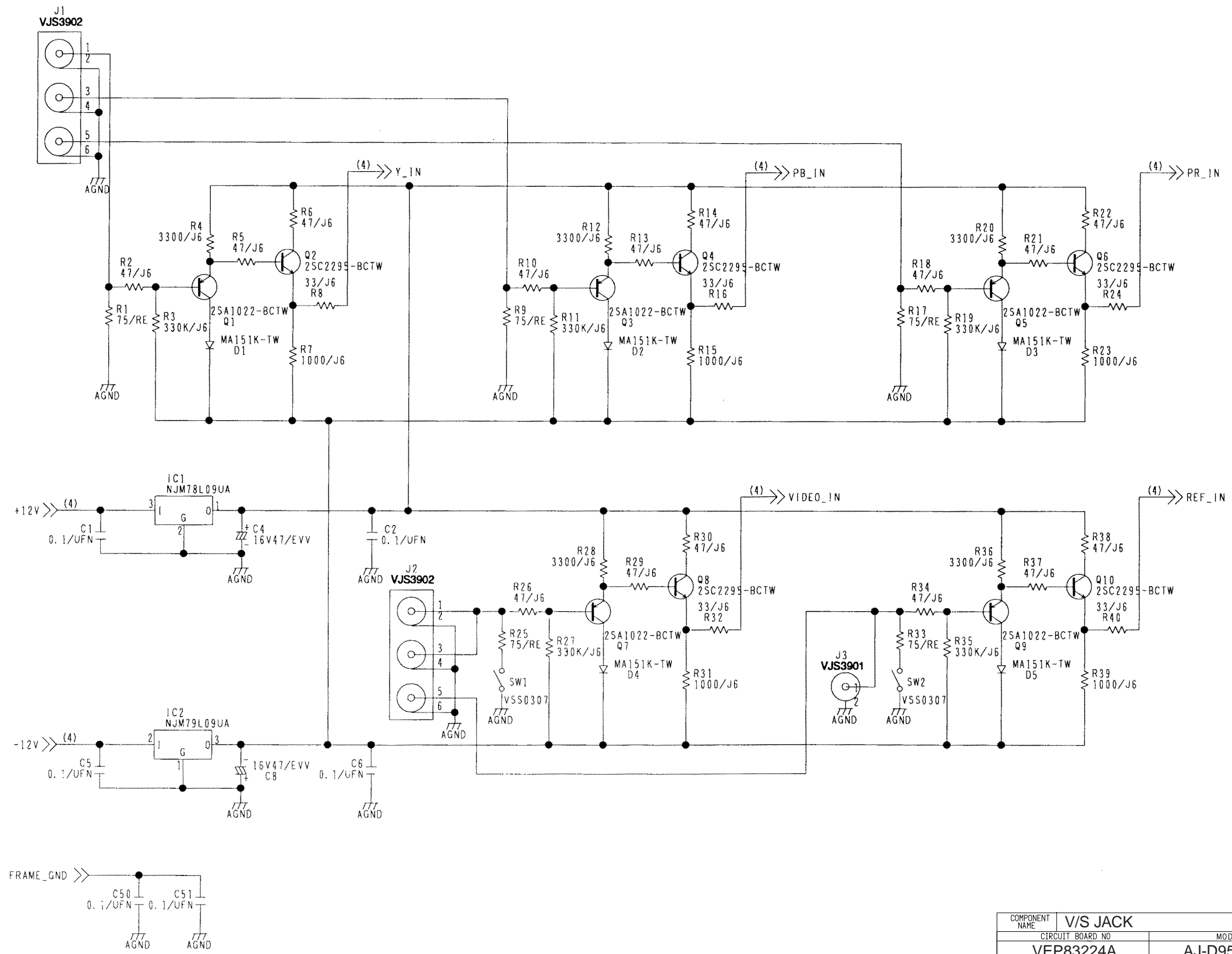
B

C

D

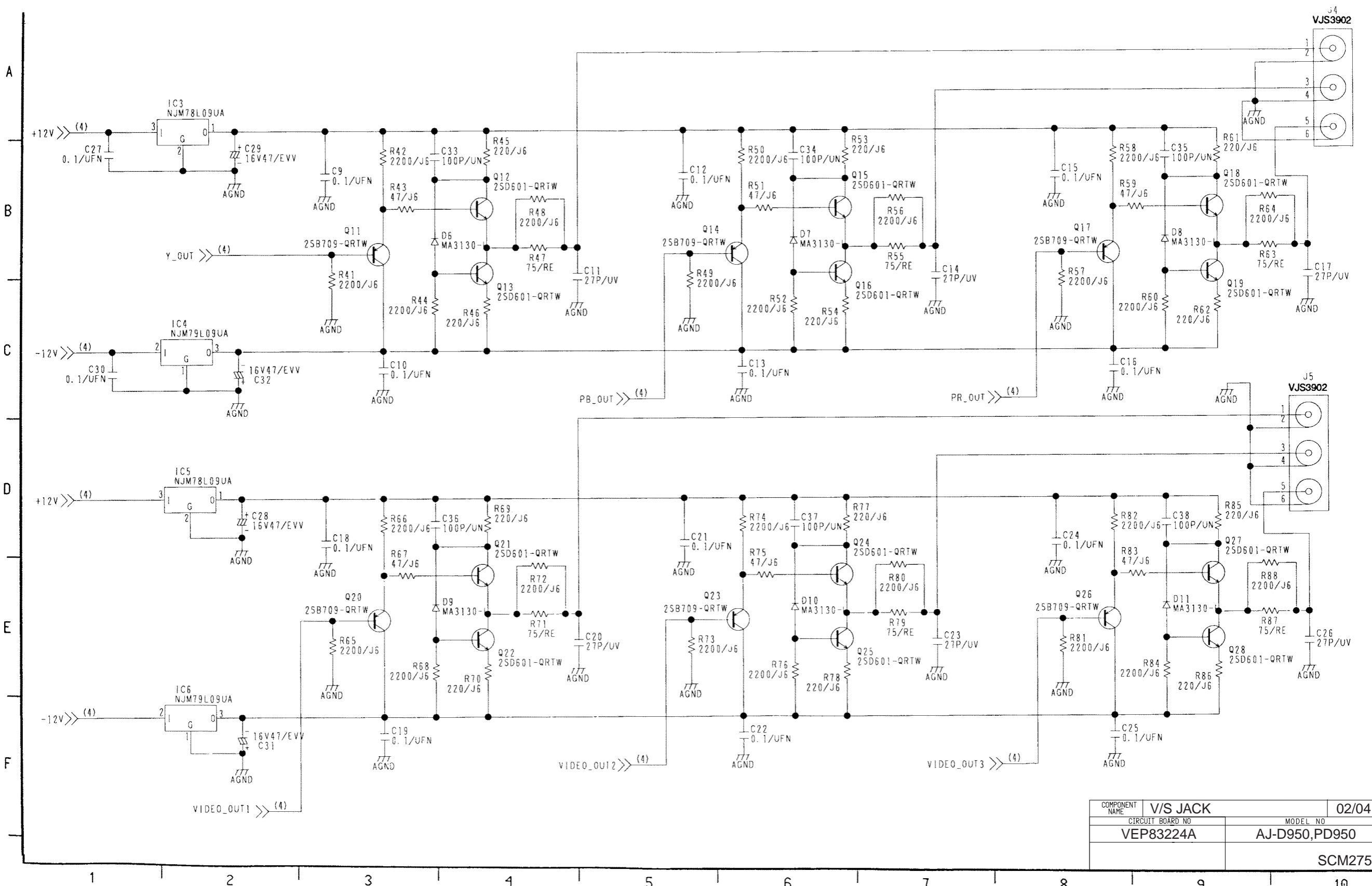
E

F



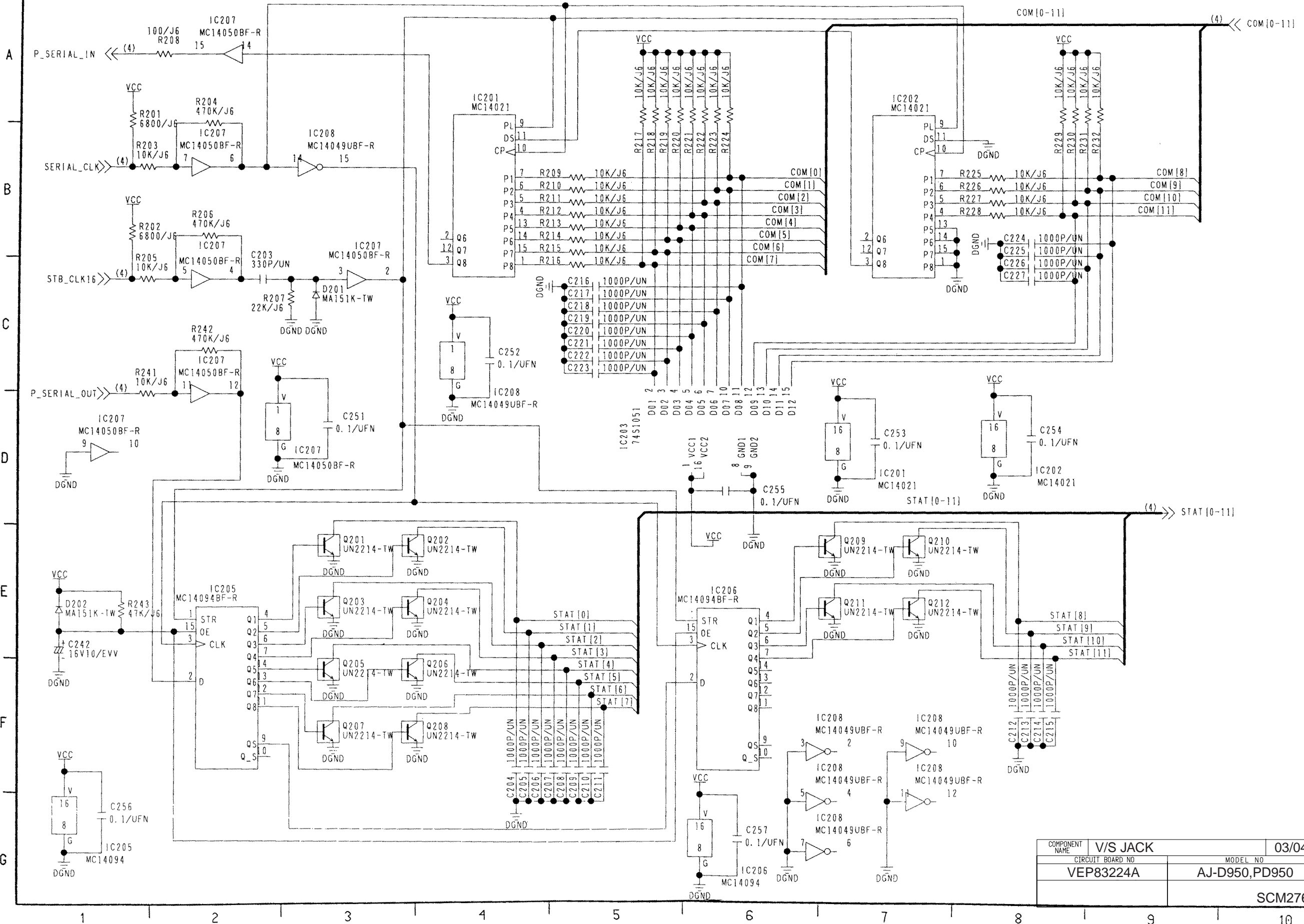
1                      2                      3                      4                      5                      6                      7                      8                      9

COMPONENT NAME	V/S JACK	01/04
CIRCUIT BOARD NO	VEP83224A	MODEL NO
		AJ-D950,PD950
		SCM274



COMPONENT NAME	V/S JACK	02/04
CIRCUIT BOARD NO	VEP83224A	MODEL NO
		AJ-D950,PD950
		SCM275





COMPONENT NAME	V/S JACK	03/04
CIRCUIT BOARD NO	VEP83224A	MODEL NO
		AJ-D950,PD950
		SCM276

TO V/S\_JACK

REMOTE IN/OUT

ENCODER REMOTE

A  
B  
C  
D  
E  
F  
G

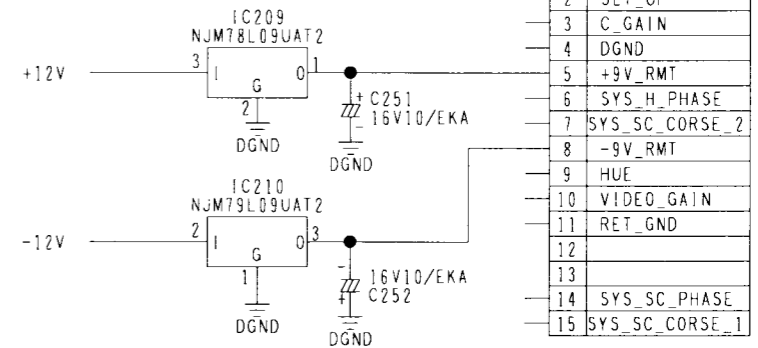
P1 VJP3375A060	
NO.	NO.
CTS	1 2 RTS
RXD	3 4 TXD
DSR	5 6 DTR
STB_CLK16	7 8 DCD
P_SERIAL_OUT	9 10 SERIAL_CLK
RET_GND	11 12 P_SERIAL_IN
SYS_SC_CORSE_1	13 14 SYS_SC_CORSE_2
SYS_H_PHASE	15 16 SYS_SC_PHASE
C_GAIN	17 18 HUE
VIDEO_GAIN	19 20 SET_UP
+5V	21 22 DGND
TRANSMIT_A_OUT	23 24 TRANSMIT_B_OUT
RECEIVE_A_OUT	25 26 RECEIVE_B_OUT
TRANSMIT_A_IN	27 28 TRANSMIT_B_IN
RECEIVE_A_IN	29 30 RECEIVE_B_IN
+5V	31 32 DGND
-12V	33 34 -12V
+12V	35 36 +12V
PR_OUT	37 38 AGND (PR_OUT_G)
PB_OUT	39 40 AGND (PB_OUT_G)
Y_OUT	41 42 AGND (Y_OUT_G)
VIDEO_OUT3	43 44 AGND (VIDEO_OUT3_G)
VIDEO_OUT2	45 46 AGND (VIDEO_OUT2_G)
VIDEO_OUT1	47 48 AGND (VIDEO_OUT1_G)
AGND	49 50 AGND
REF_IN	51 52 AGND (REF_IN_G)
PR_IN	53 54 AGND (PR_IN_G)
PB_IN	55 56 AGND (PB_IN_G)
Y_IN	57 58 AGND (Y_IN_G)
VIDEO_IN	59 60 AGND (VIDEO_IN_G)

J14 VJP3414A009

1	DGND
2	TRANSMIT_A_IN
3	RECEIVE_B_IN
4	DGND
5	
6	DGND
7	TRANSMIT_B_IN
8	RECEIVE_A_IN
9	DGND

REMOTE OUT  
J15 VJP3414A009

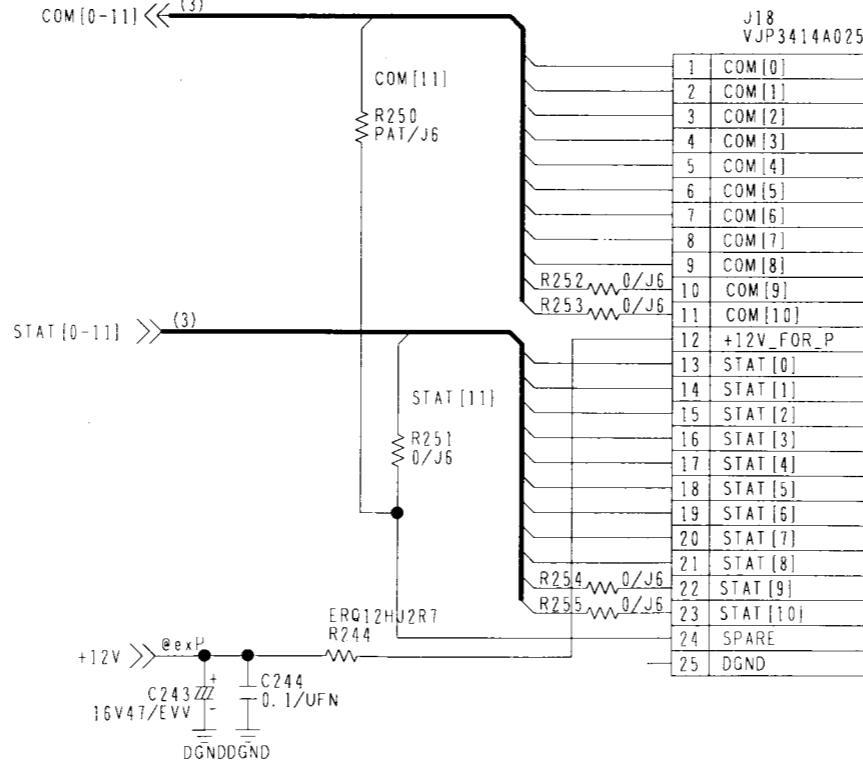
1	DGND
2	RECEIVE_A_OUT
3	TRANSMIT_B_OUT
4	DGND
5	
6	DGND
7	RECEIVE_B_OUT
8	TRANSMIT_A_OUT
9	DGND



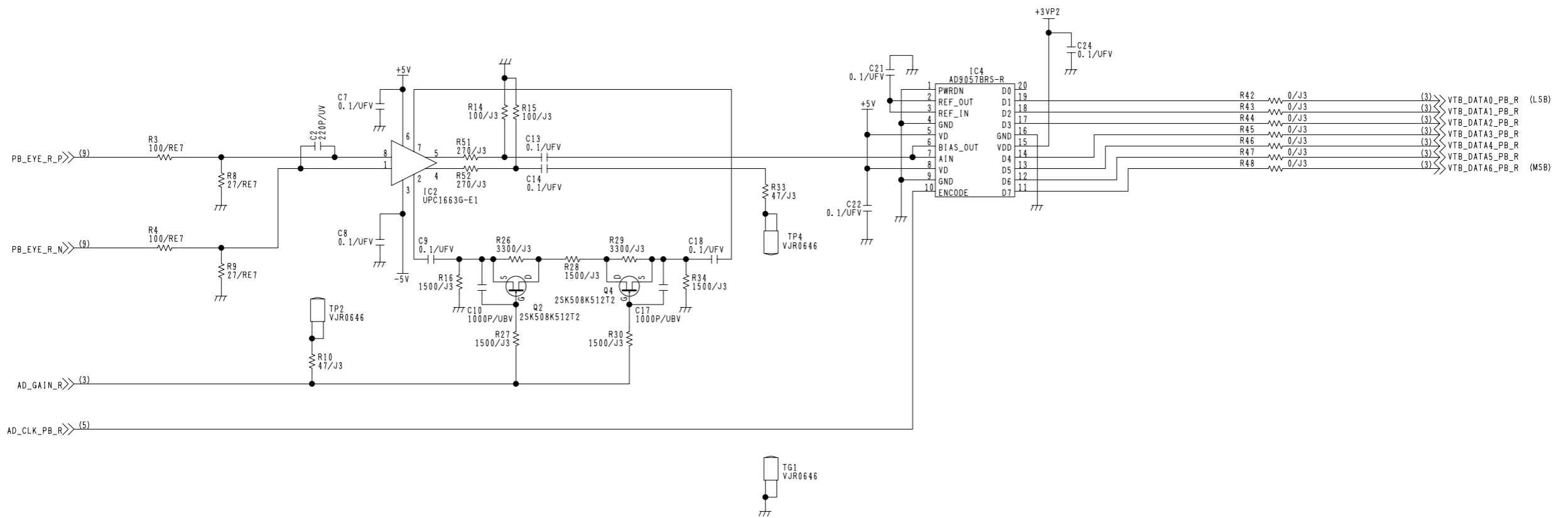
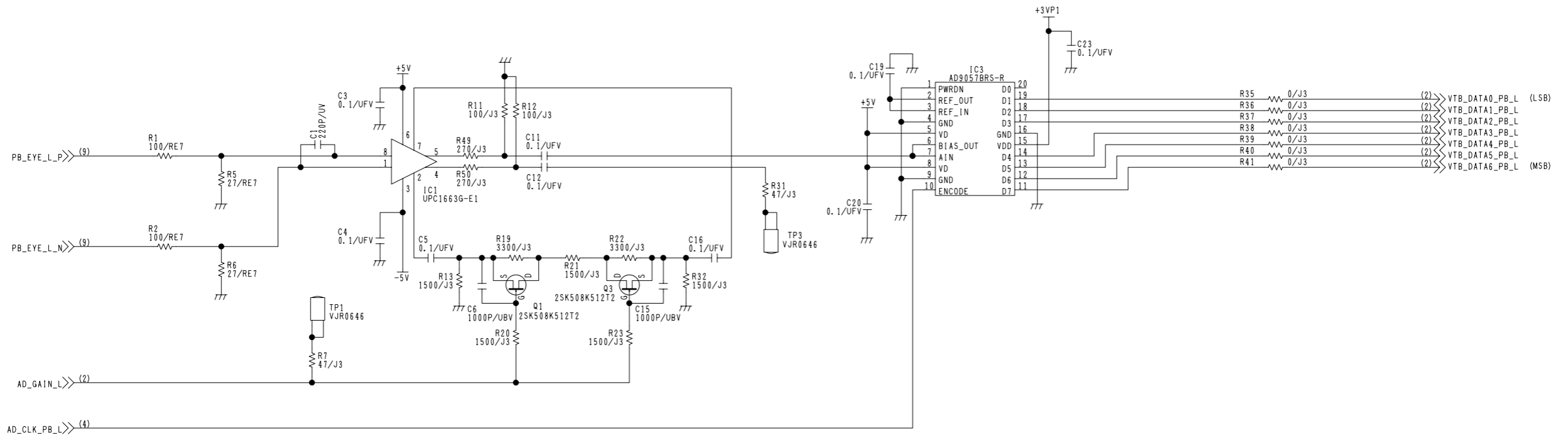
RS-232C  
J17 VJP3414A025

1	DGND
2	TXD
3	RXD
4	RTS
5	CTS
6	DSR
7	DGND
8	DCD
9	
10	
11	
12	
13	
14	
15	
16	
17	
18	
19	
20	DTR
21	
22	
23	
24	
25	

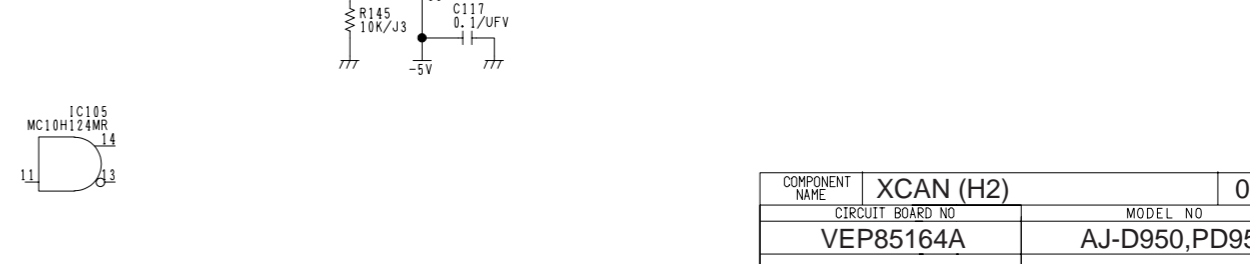
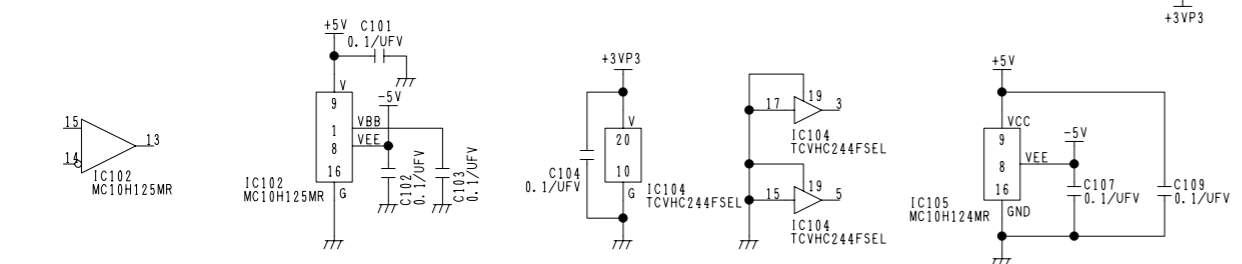
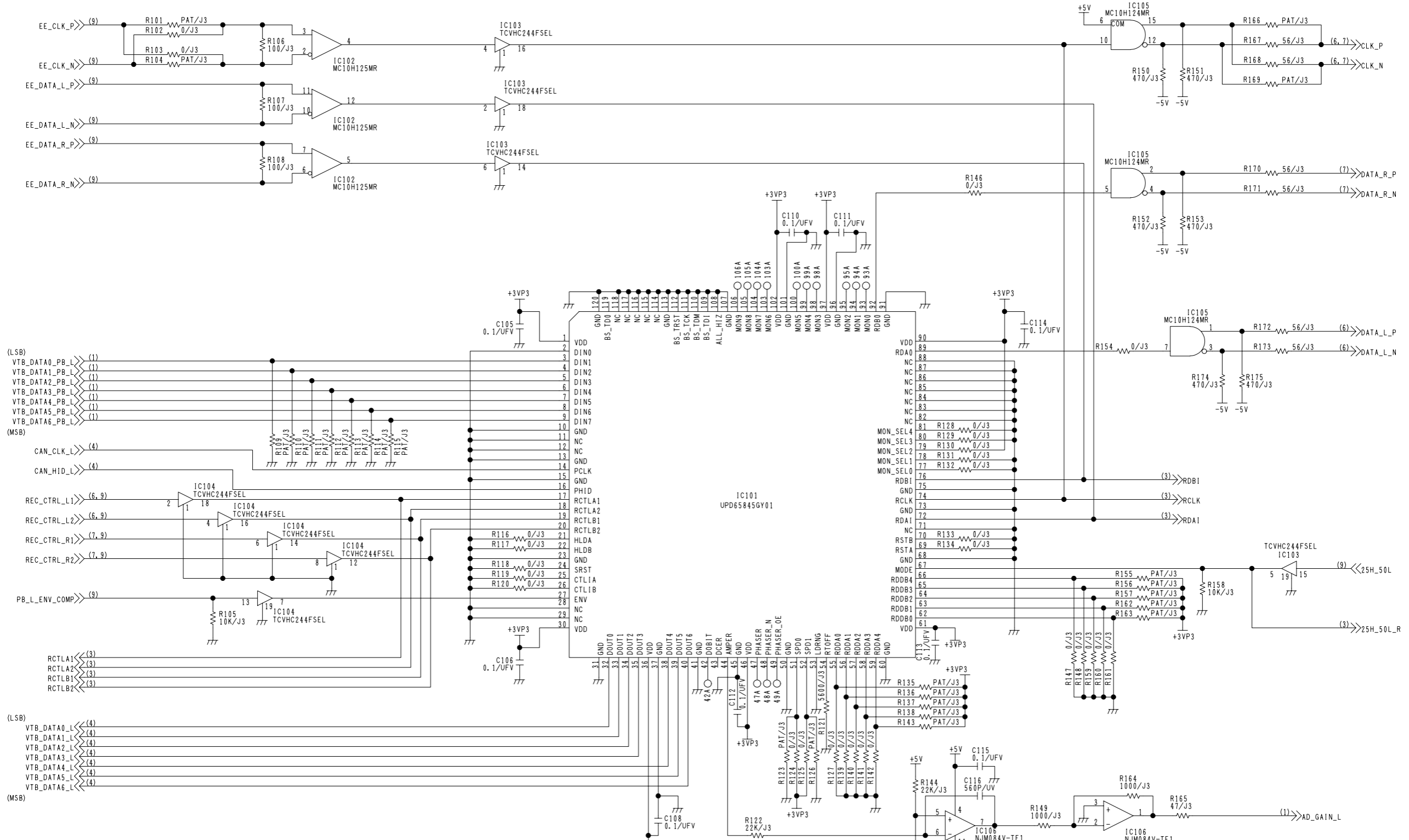
PARALLEL



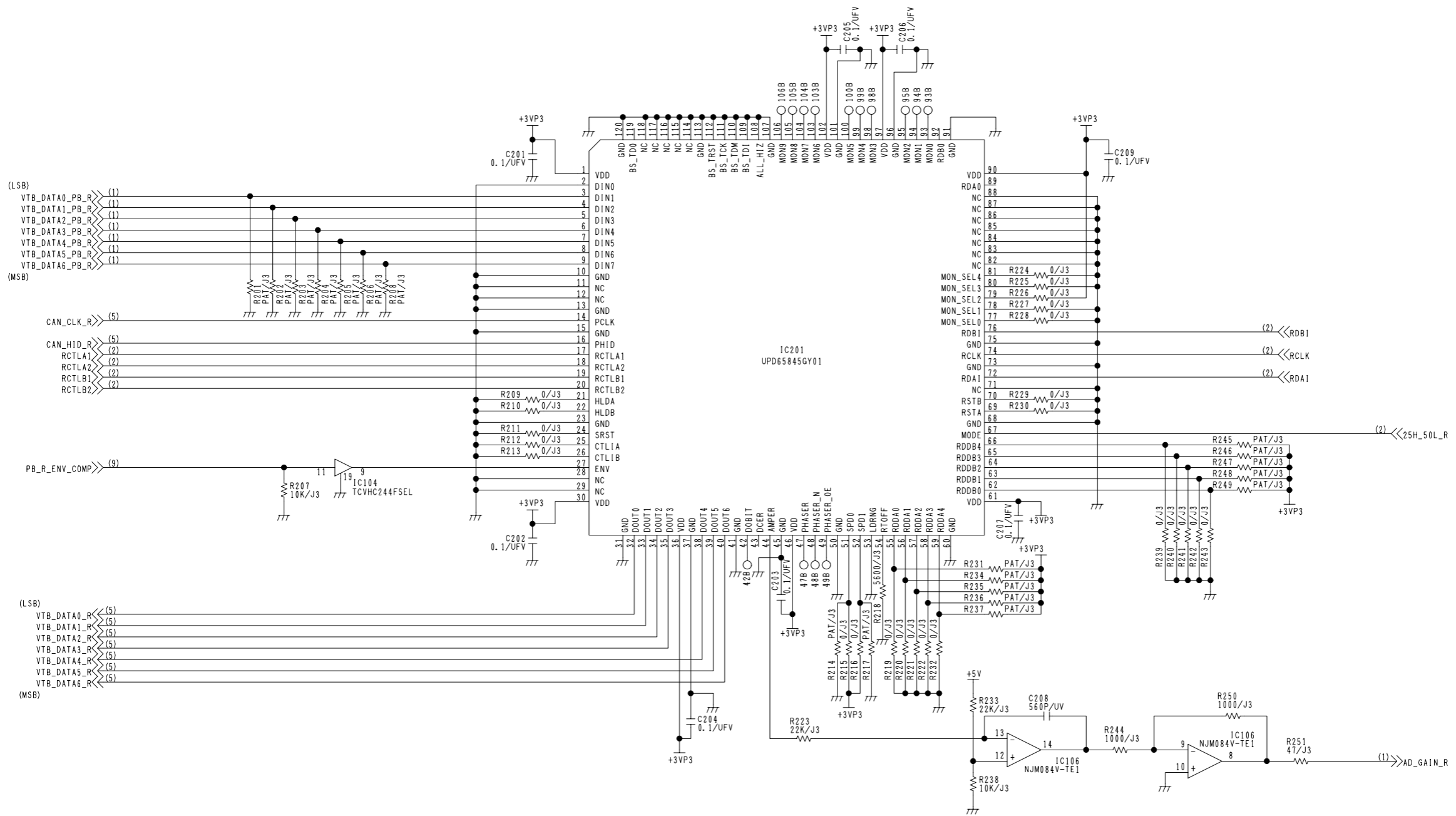
COMPONENT NAME	V/S JACK	MODEL NO	04/04
CIRCUIT BOARD NO		VEP83224A	
MODEL NO		AJ-D950,PD950	
SCM277			



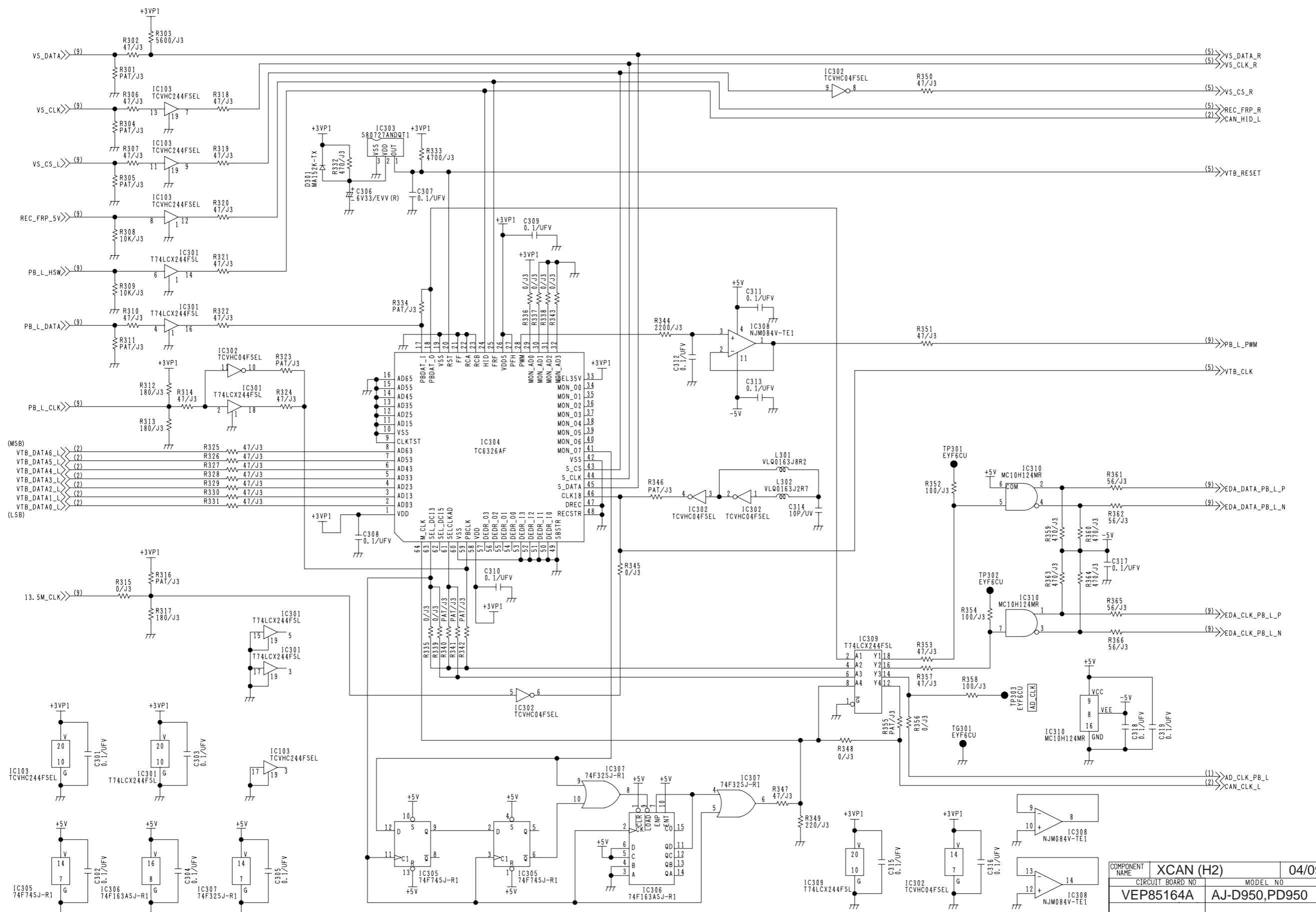
COMPONENT NAME	XCAN (H2)	01/09
CIRCUIT BOARD NO	VEP85164A	MODEL NO
		AJ-D950,PD950
		SCM248



COMPONENT NAME	XCAN (H2)	02/09
CIRCUIT BOARD NO	VEP85164A	MODEL NO
		AJ-D950,PD950
SCM249		

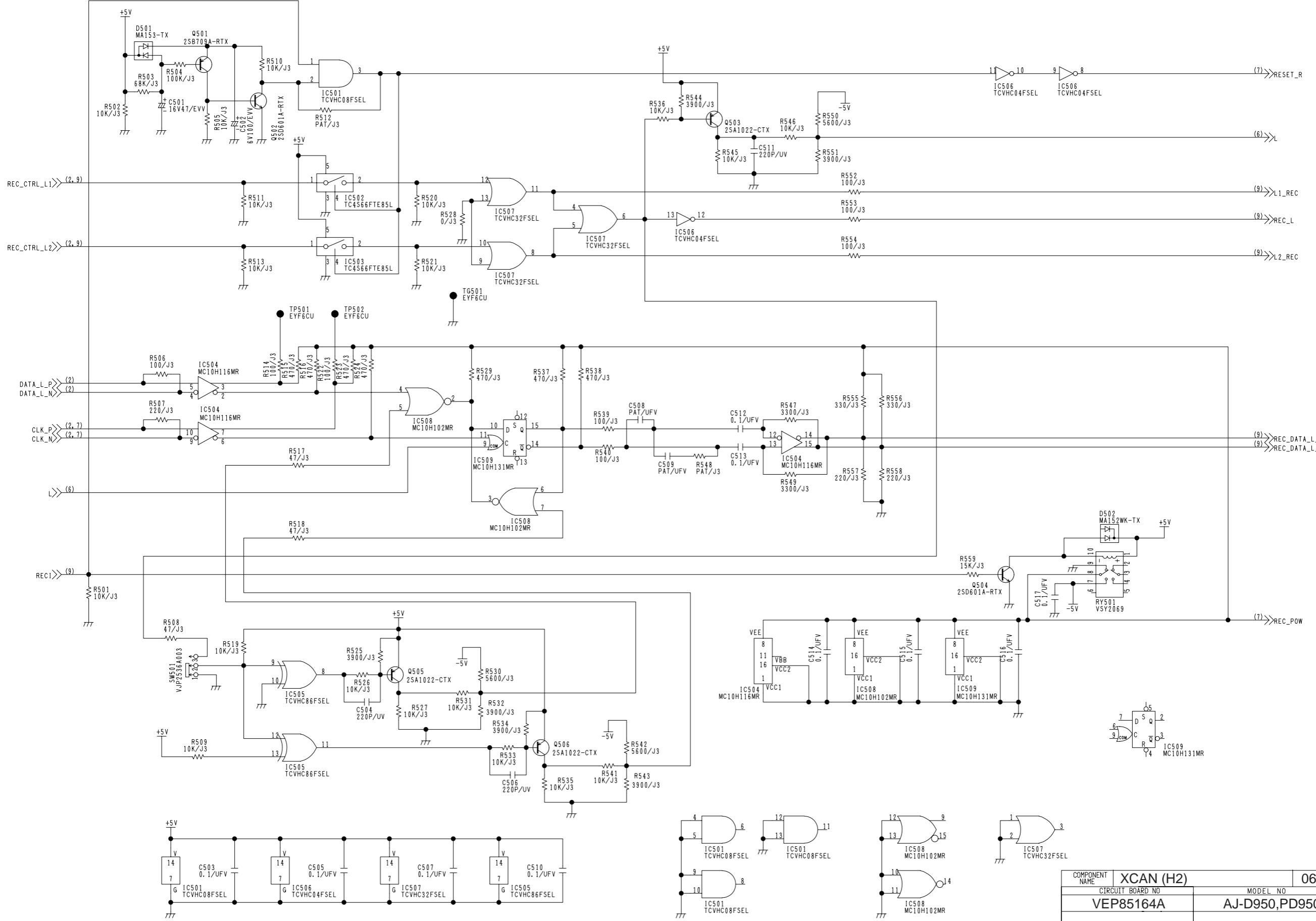


COMPONENT NAME	XCAN (H2)	03/09
CIRCUIT BOARD NO	VEP85164A	MODEL NO
		AJ-D950,PD950
		SCM250



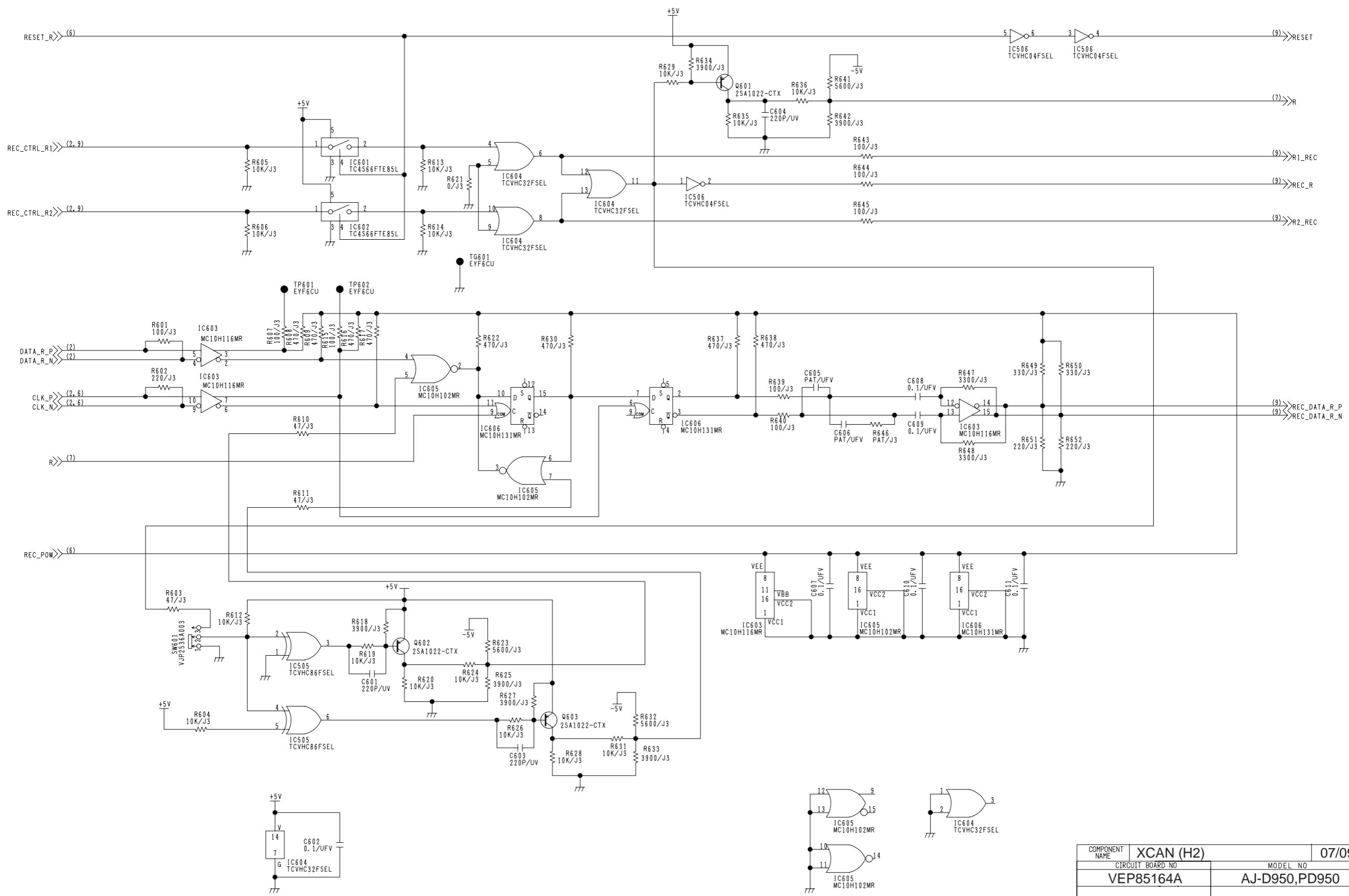
COMPONENT NAME		XCAN (H2)		04/09	
CIRCUIT BOARD NO		MODEL NO			
VEP85164A		AJ-D950,PD950			
SCM251					



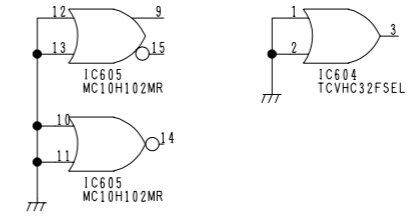


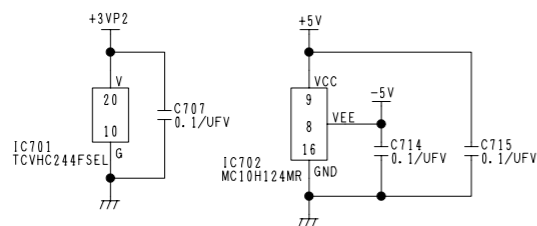
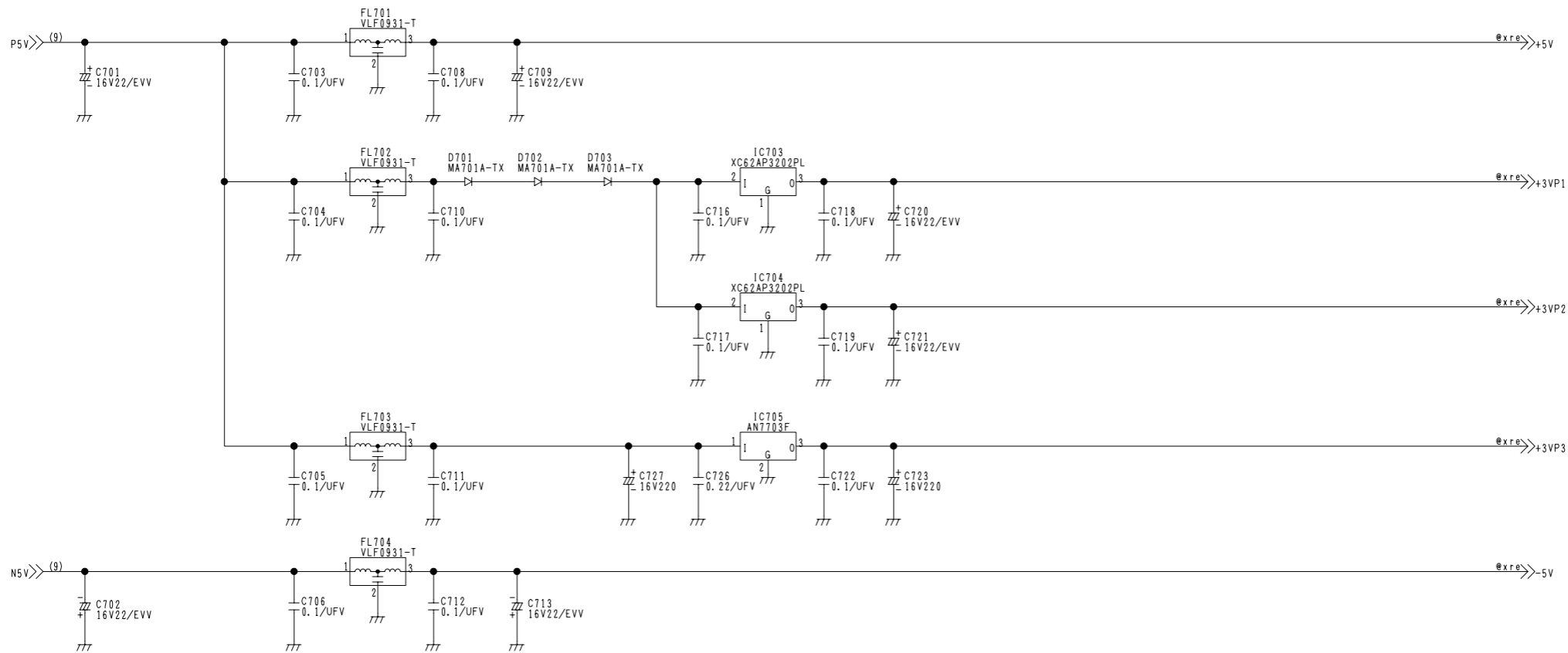
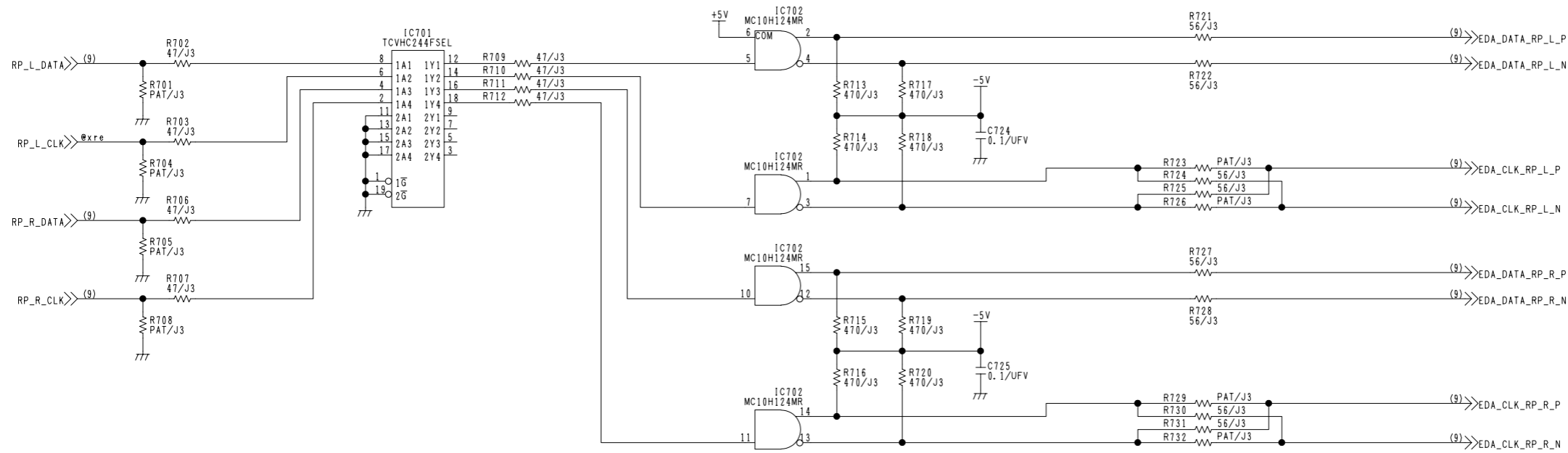
COMPONENT NAME	XCAN (H2)	06/09
CIRCUIT BOARD NO	VEP85164A	MODEL NO
		AJ-D950,PD950
		SCM253



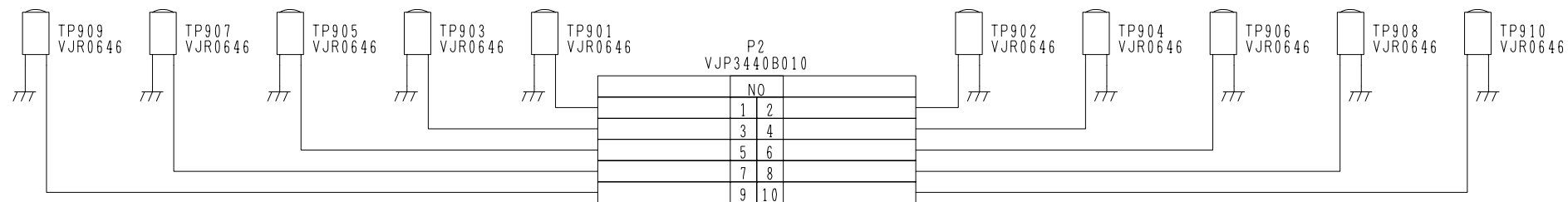
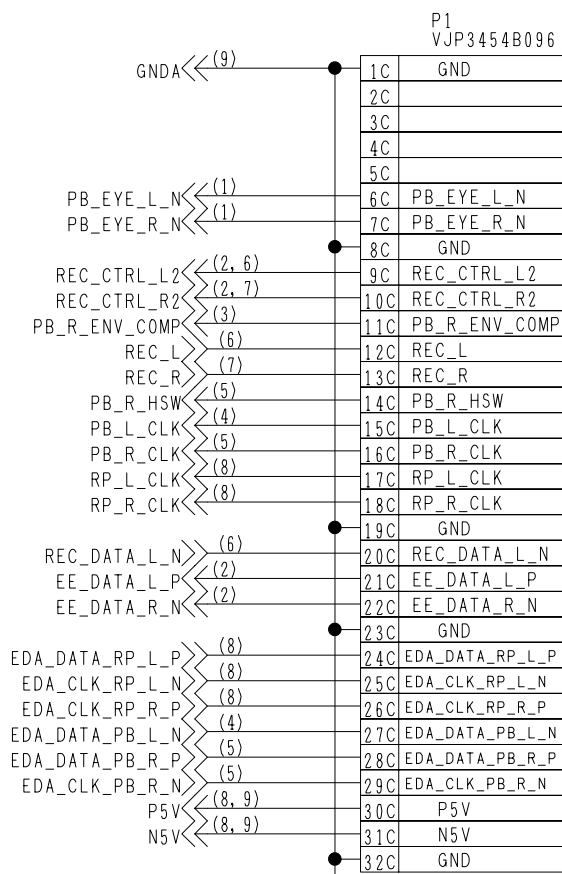
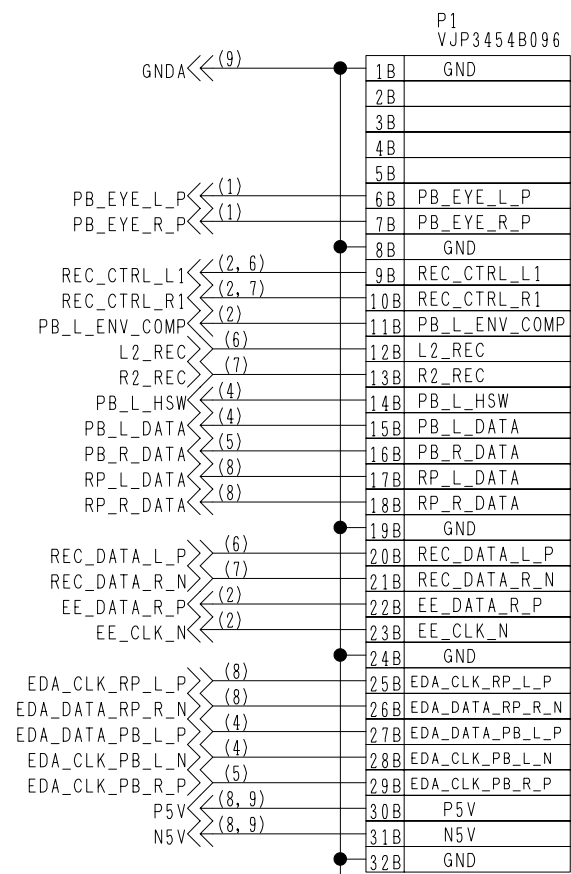
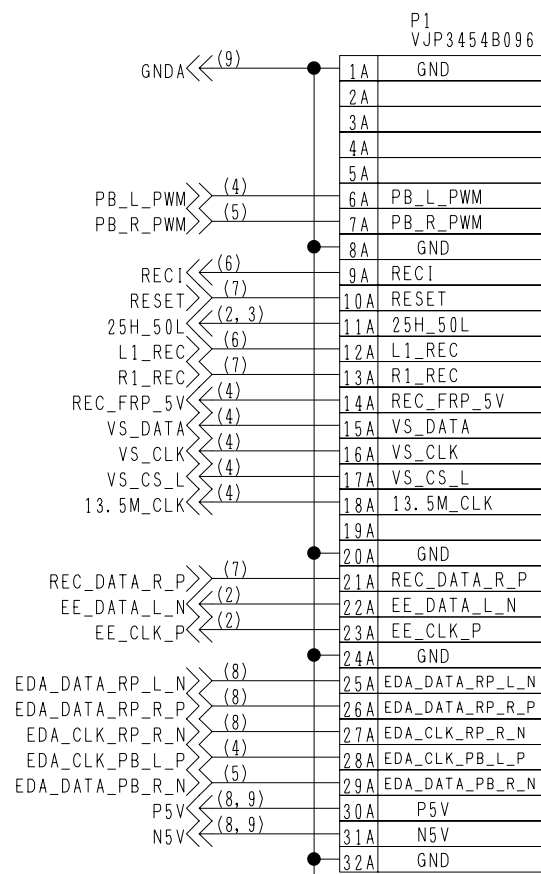


COMPONENT NAME	XCAN (H2)	07/09
CIRCUIT BOARD NO	VEP85164A	MODEL NO
		AJ-D950,PD950
		SCM254





COMPONENT NAME	XCAN (H2)	08/09
CIRCUIT BOARD NO	VEP85164A	MODEL NO
		AJ-D950,PD950
		SCM255

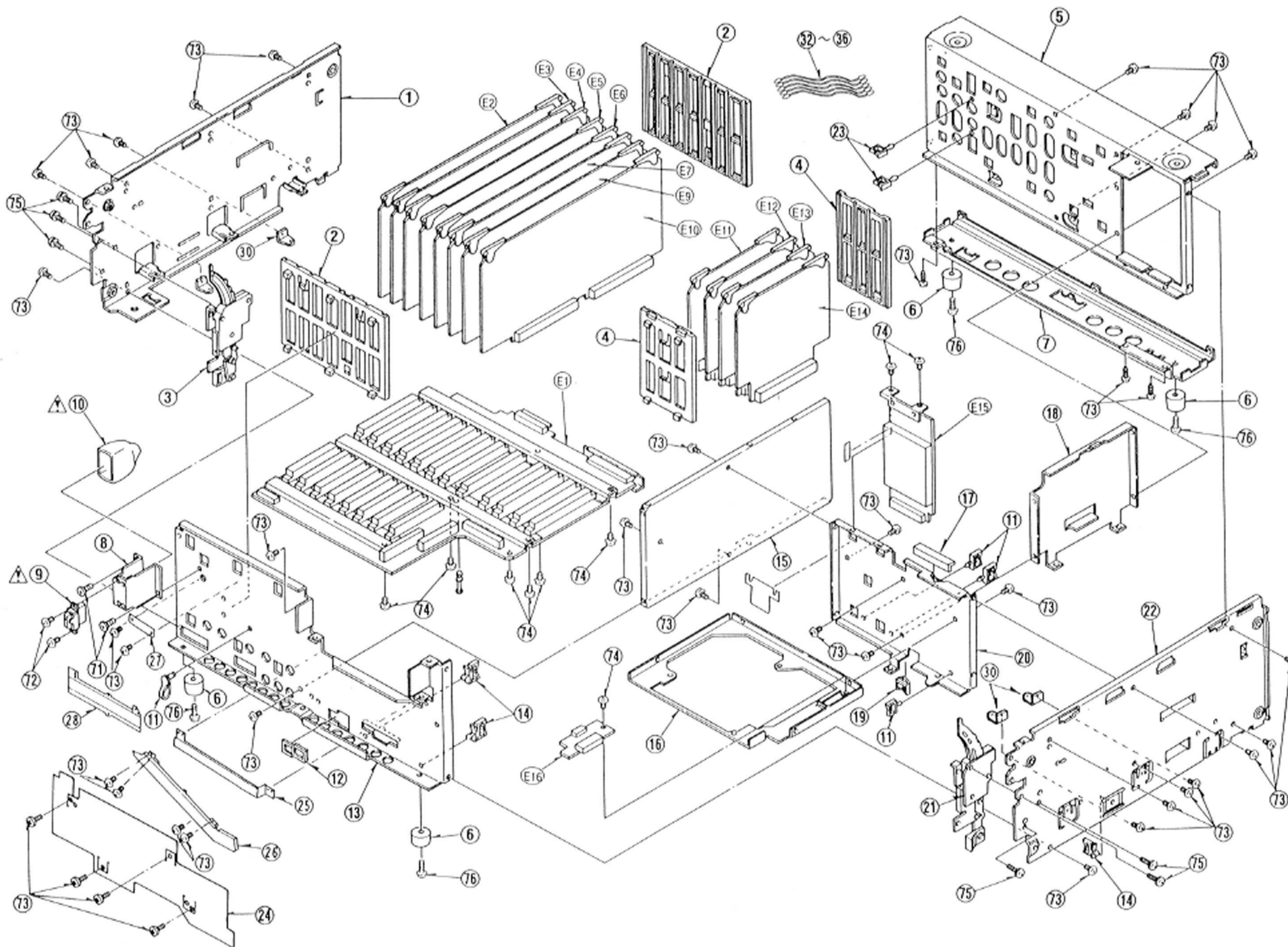


# CASSETTE COMPARTMENT ASSEMBLY

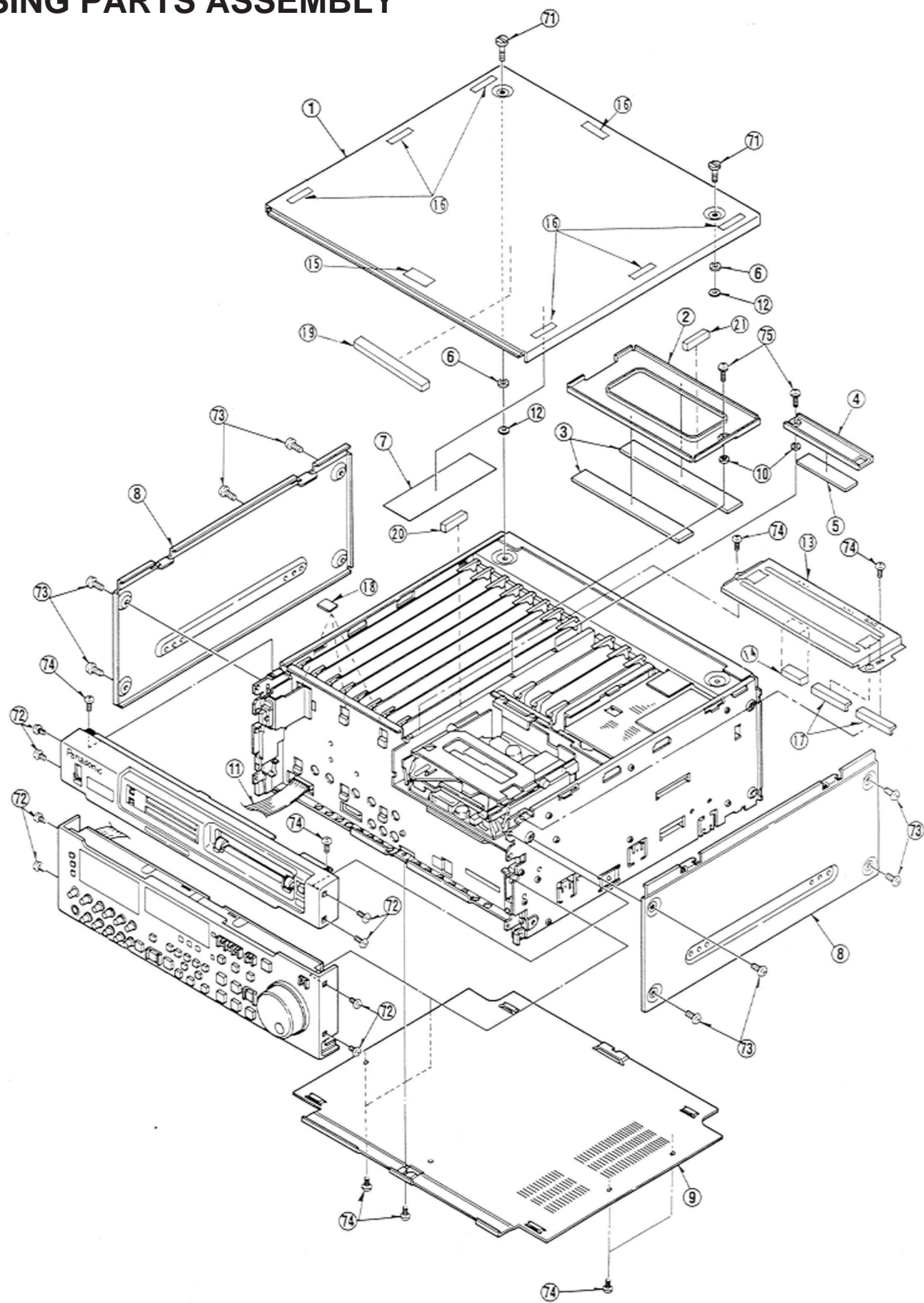


# CHASSIS FRAME ASSEMBLY

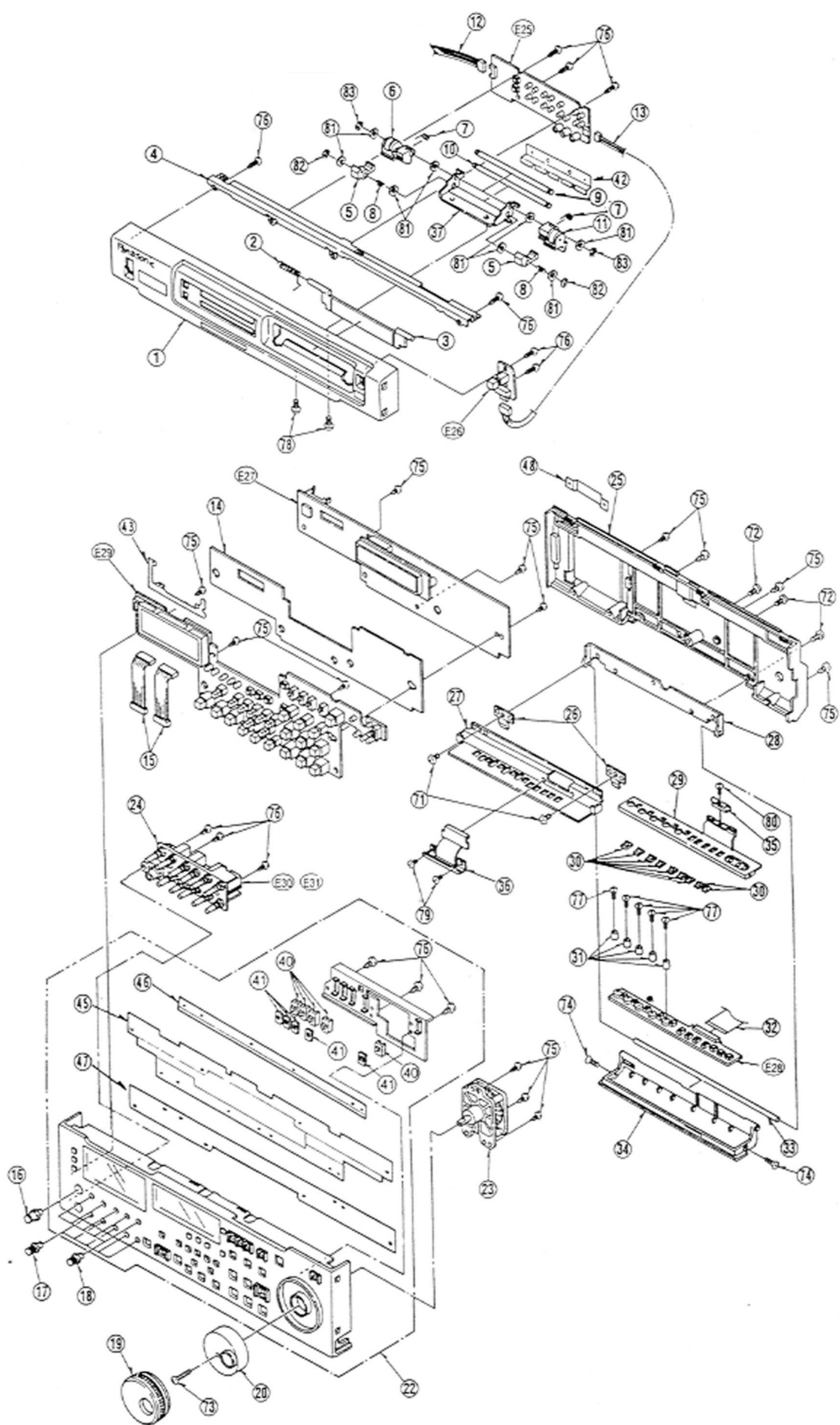
Components identified with the mark  $\triangle$  have the special characteristics for safety. When replacing any of these components, use only the same type.



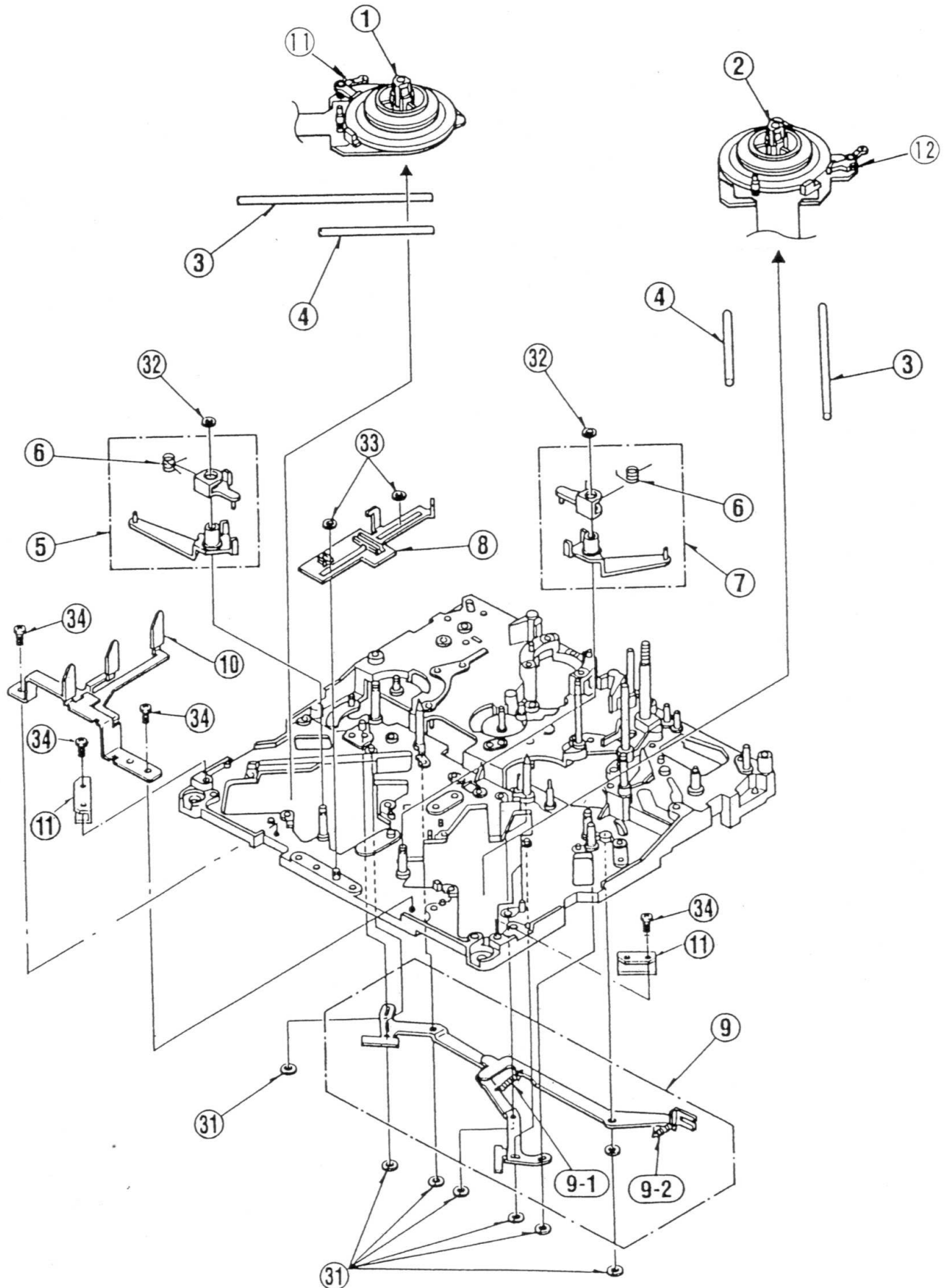
# CASING PARTS ASSEMBLY




# FRONT PANEL ASSEMBLY



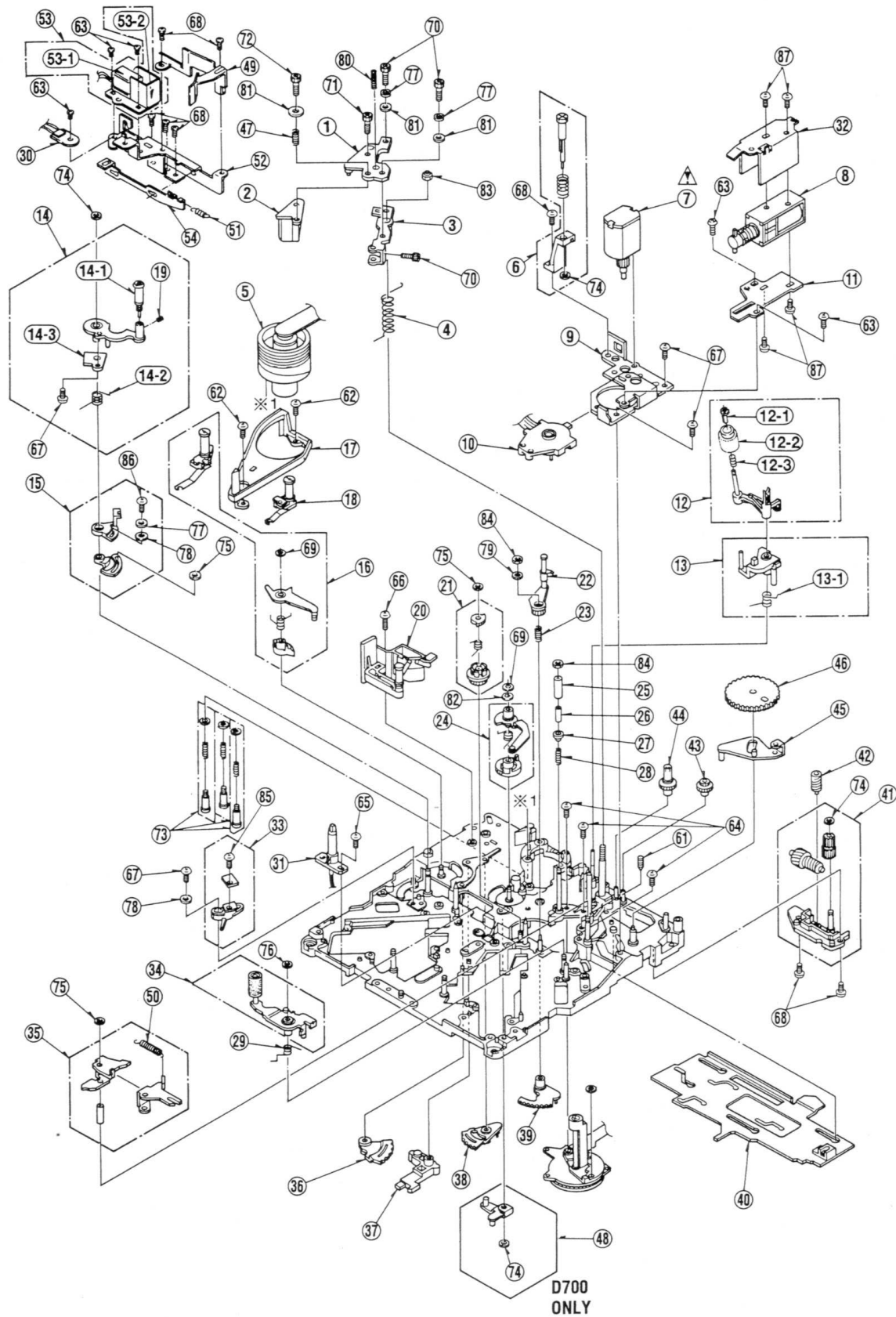
# MECHANICAL CHASSIS ASSEMBLY(1)






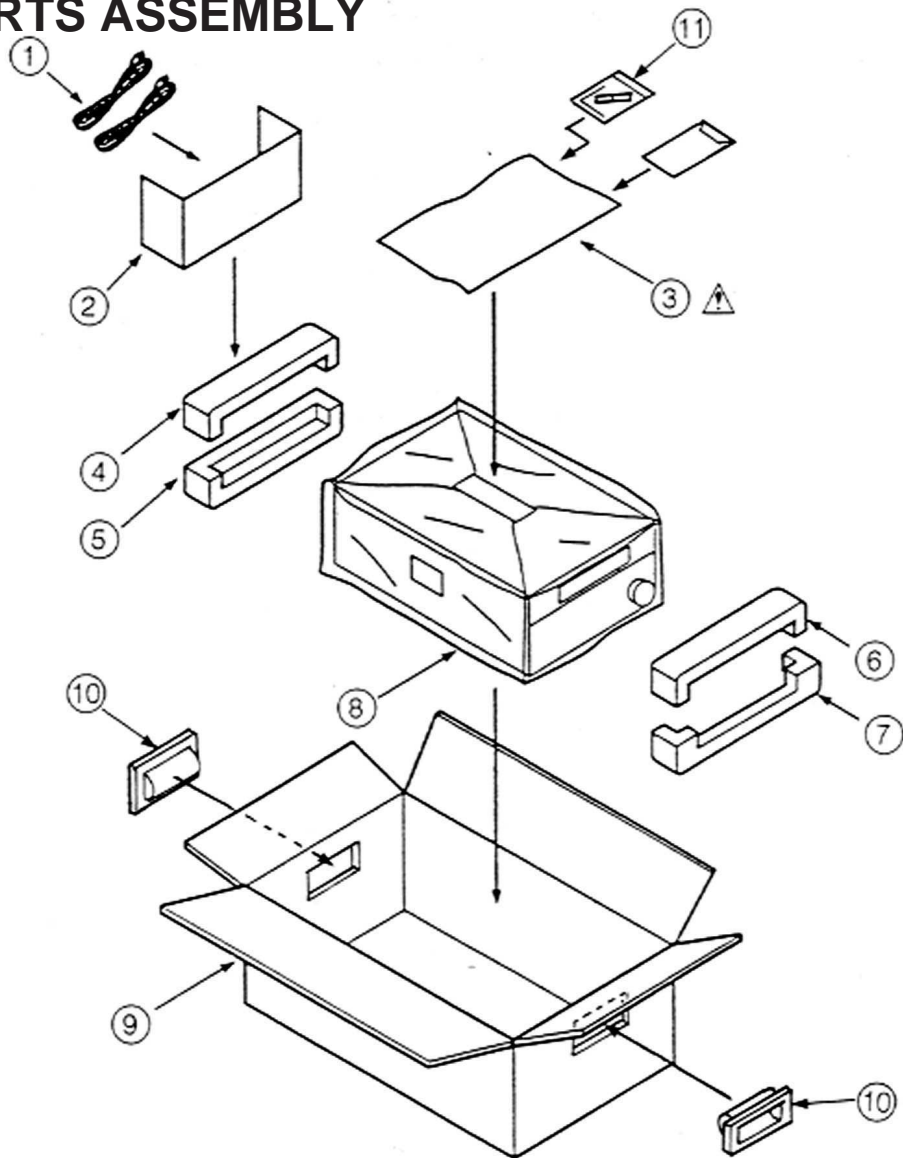
Components identified with the mark  have the special characteristics for safety. When replacing any of these components, use only the same type.


# MECHANICAL CHASSIS ASSEMBLY(2)



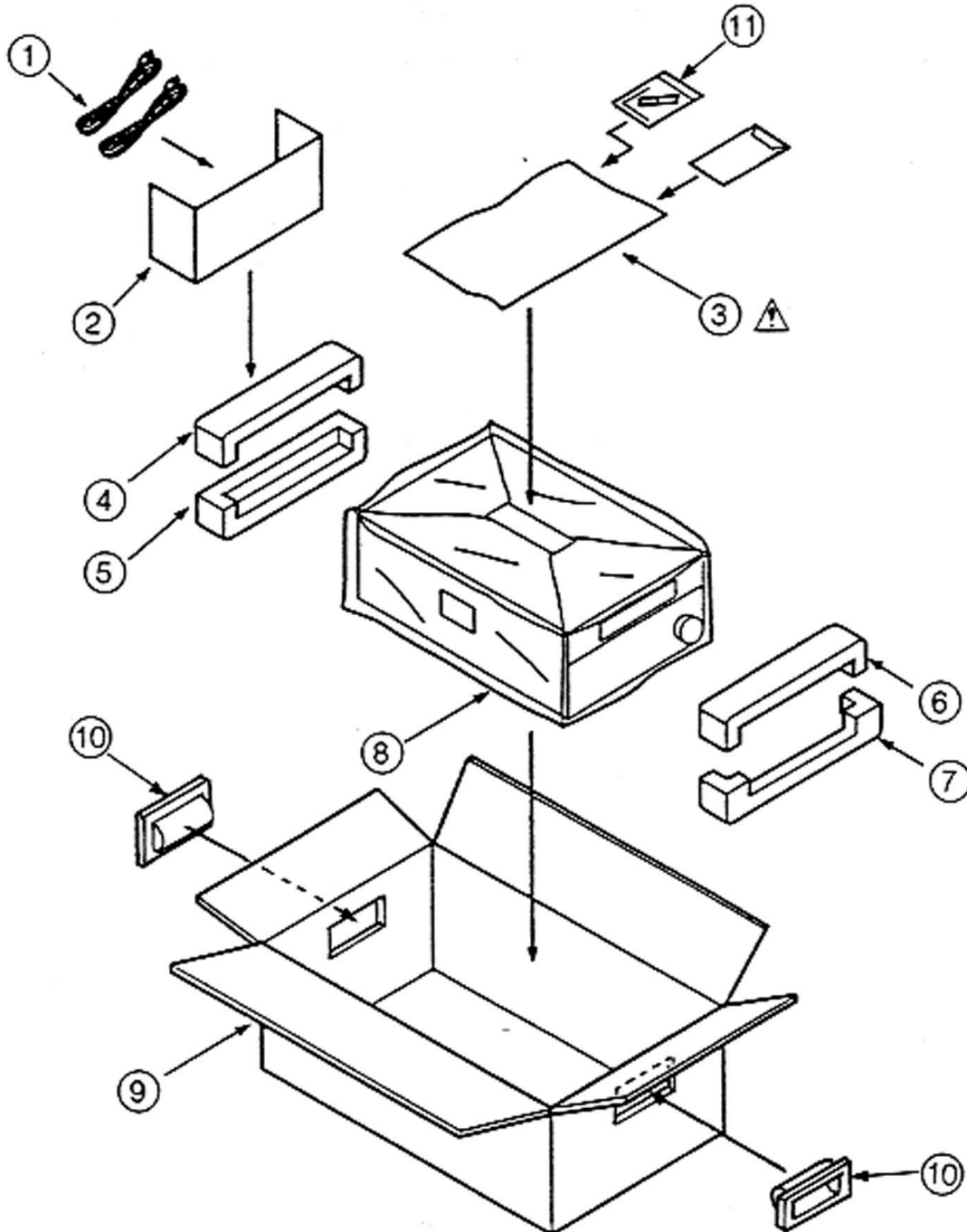
Components identified with the mark  have the special characteristics for safety.  
When replacing any of these components, use only the same type.


## PACKING PARTS ASSEMBLY



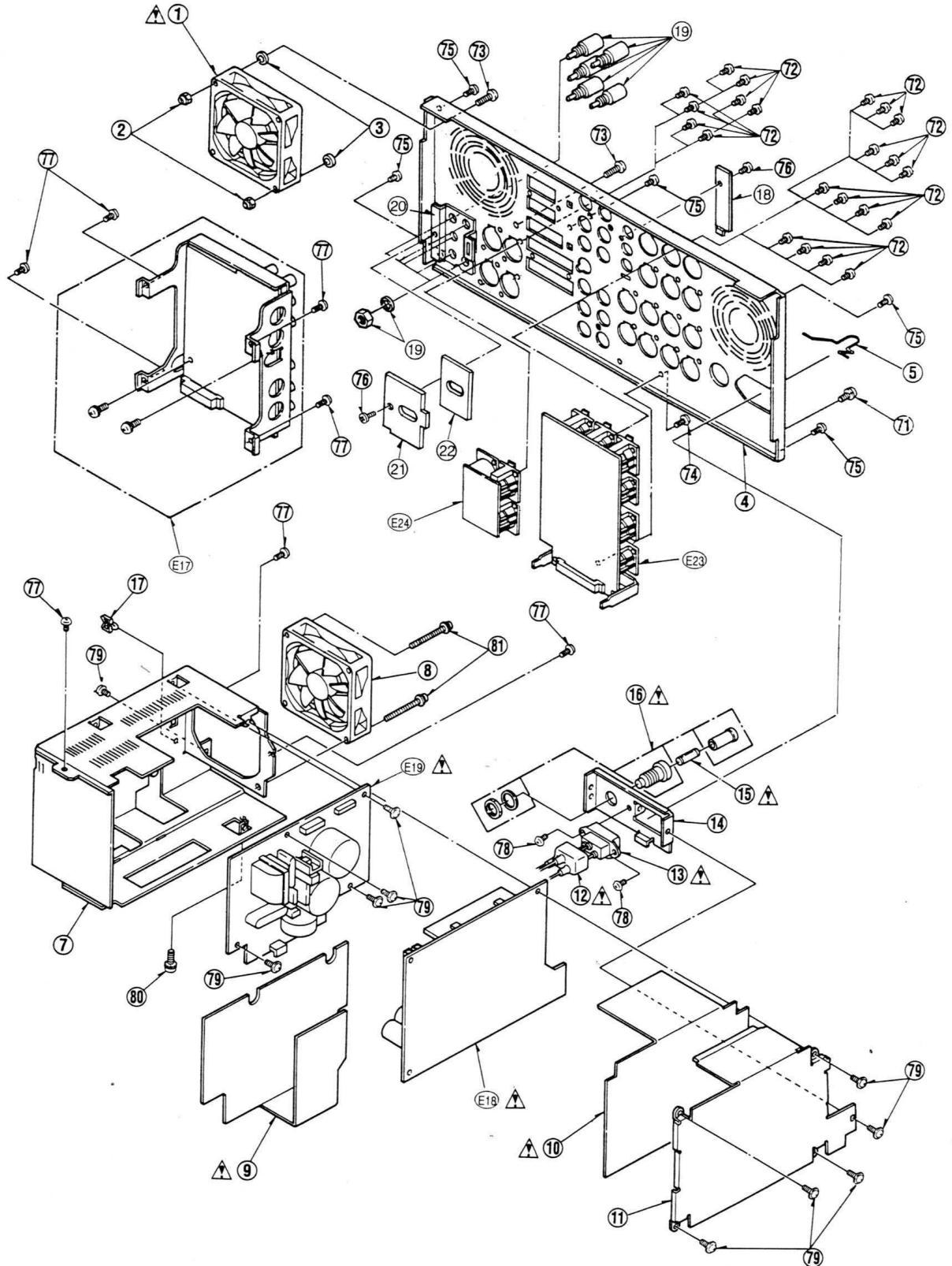
Components identified with the mark  have the special characteristics for safety. When replacing any of these components, use only the same type.

## PACKING PARTS ASSEMBLY

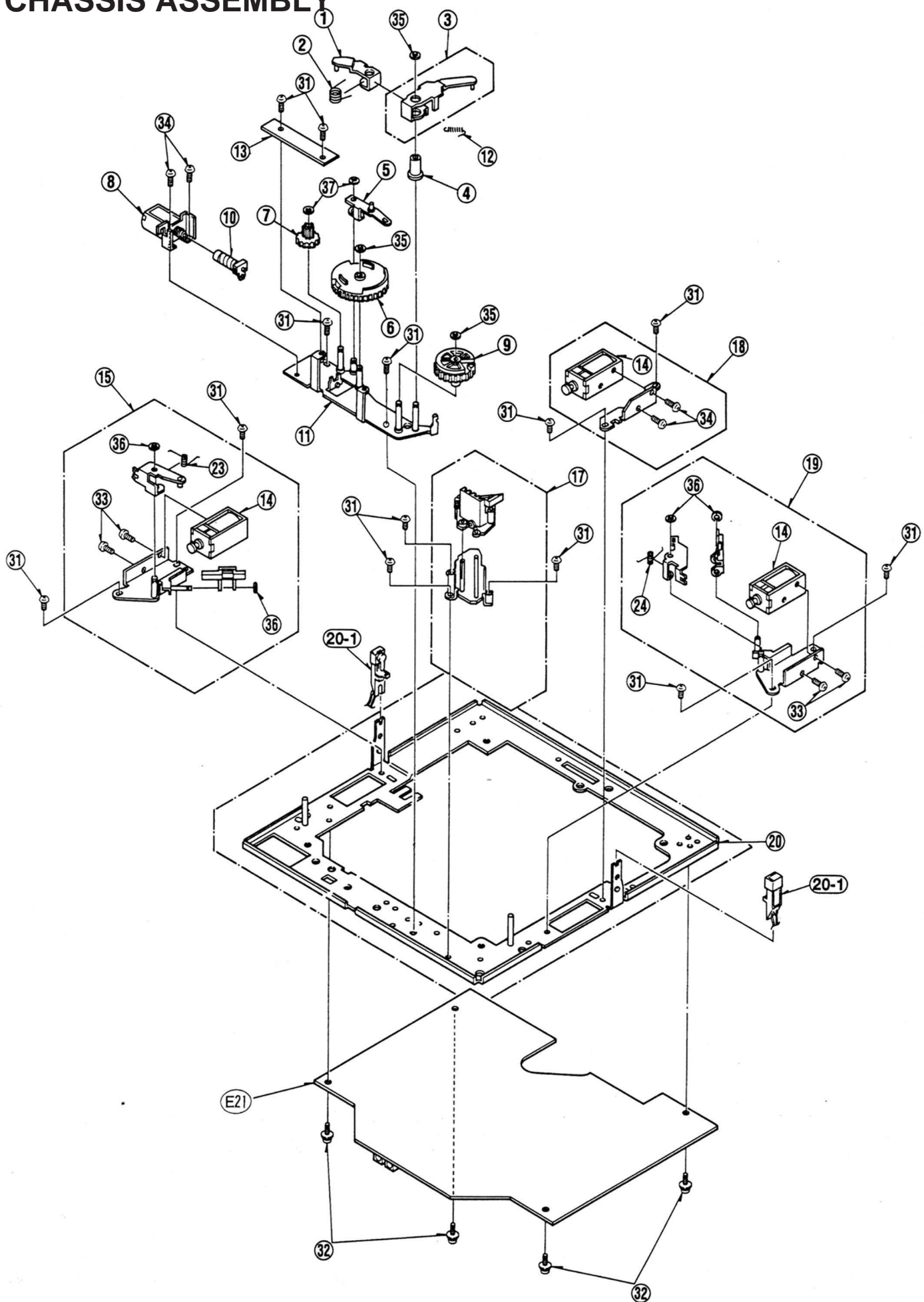


Components identified with the mark  have the special characteristics for safety. When replacing any of these components, use only the same type.

# REAR PANEL ASSEMBLY



# SUB CHASSIS ASSEMBLY



# SAFETY PRECAUTIONS

## GENERAL GUIDELINES

1. When servicing, observe the original lead dress. If a short circuit is found, replace all parts which have been overheated or damaged by the short circuit.
2. After servicing, see to it that all the protective devices such as insulation barriers, insulation papers shields are properly installed.
3. After servicing, make the following leakage current checks to prevent the customer from being exposed to shock hazards.

## LEAKAGE CURRENT COLD CHECK

1. Unplug the AC cord and connect a jumper between the two prongs on the plug.
2. Measure the resistance value, with an ohmmeter, between the jumpered AC plug and each exposed metallic cabinet part on the equipment such as screwheads, connectors, control shafts, etc. When the exposed metallic part has a return path to the chassis, the reading should be between  $1M\Omega$  and  $5.2M\Omega$ .

When the exposed metal does not have a return path to the chassis, the reading must be  $\infty$ .

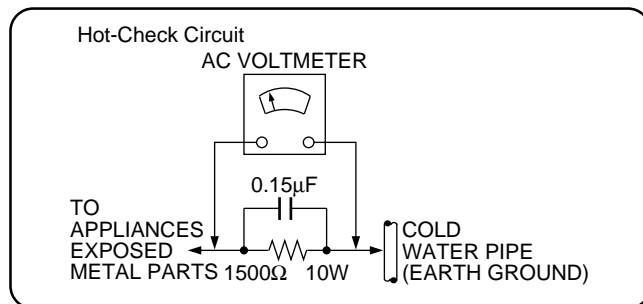


Figure 1

## LEAKAGE CURRENT HOT CHECK (See Figure 1.)

1. Plug the AC cord directly into the AC outlet.  
Do not use an isolation transformer for this check.
2. Connect a  $1.5k\Omega$ , 10 W resistor, in parallel with a  $0.15\mu\text{F}$  capacitor, between each exposed metallic part on the set and a good earth ground such as a water pipe, as shown in Figure 1.
3. Use an AC voltmeter, with 1000 ohms/volt or more sensitivity, to measure the potential across the resistor.
4. Check each exposed metallic part, and measure the voltage at each point.
5. Reverse the AC plug in the AC outlet and repeat each of the above measurements.
6. The potential at any point should not exceed 0.75 volts RMS. A leakage current tester (Simpson Model 229 equivalent) may be used to make the hot checks, leakage current must not exceed 1/2 milliamp. In case a measurement is outside of the limits specified, there is a possibility of a shock hazard, and the equipment should be repaired and rechecked before it is returned to the customer.

## ELECTROSTATICALLY SENSITIVE (ES) DEVICES

Some semiconductor (solid state) devices can be damaged easily by static electricity. Such components commonly are called Electrostatically Sensitive (ES) Devices. Examples of typical ES devices are integrated circuits and some field-effect transistors and semiconductor "chip" components. The following techniques should be used to help reduce the incidence of component damage caused by static electricity.

1. Immediately before handling any semiconductor component or semiconductor-equipped assembly, drain off any electrostatic charge on your body by touching a known earth ground.  
Alternatively, obtain and wear a commercially available discharging wrist strap device, which should be removed for potential shock reasons prior to applying power to the unit under test.
2. After removing an electrical assembly equipped with ES devices, place the assembly on a conductive surface such as aluminum foil, to prevent electrostatic charge buildup or exposure of the assembly.
3. Use only a grounded-tip soldering iron to solder or unsolder ES devices.
4. Use only an anti-static solder removal device classified as "anti-static" can generate electrical charges sufficient to damage ES devices.
5. Do not use freon-propelled chemicals. These can generate electrical charges sufficient to damage ES devices.
6. Do not remove a replacement ES device from its protective package until immediately before you are ready to install it. (most replacement ES devices are packaged with leads electrically shorted together by conductive foam, aluminum foil or comparable conductive material).
7. Immediately before removing the protective material from the leads of a replacement ES device, touch the protective material to the chassis or circuit assembly into which the device will be installed.  
**CAUTION:** Be sure no power is applied to the chassis or circuit, and observe all other safety precautions.
8. Minimize bodily motions when handling unpackaged replacement ES devices. (Otherwise harmless motion such as the brushing together of your clothes fabric or the lifting of your foot from a carpeted floor can generate static electricity sufficient to damage an ES device).

## X-RADIATION

### WARNING

1. The potential source of X-Radiation in EVF sets is the High Voltage section and the picture tube.
2. When using a picture tube test jig for service, ensure that jig is capable of handling 10kV without causing X-Radiation.

**NOTE:** It is important to use an accurate periodically calibrated high voltage meter.

3. Measure the High Voltage. The meter (electric type) reading should indicate  $2.5kV, \pm 0.15kV$ . If the meter indication is out of tolerance, immediate service and correction is required to prevent the possibility of premature component failure. To prevent an X-Radiation possibility, it is essential to use the specified picture tube.

# Panasonic

ENGLISH

Analog Video Interface Kit

AJ-YA950

AJ-YA951E

AJ-YA952

**Installation**

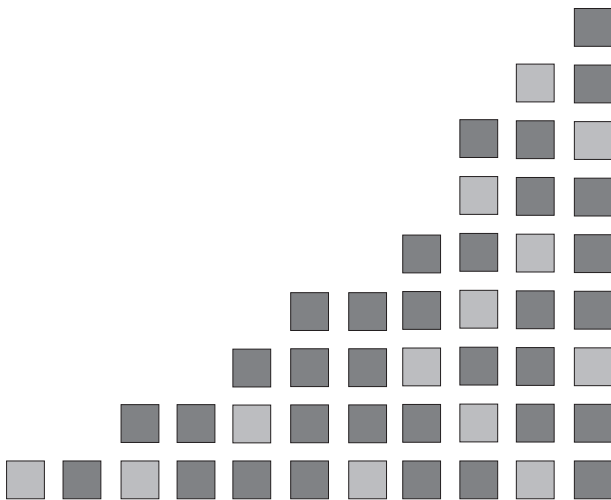
DEUTSCH

FRANÇAIS

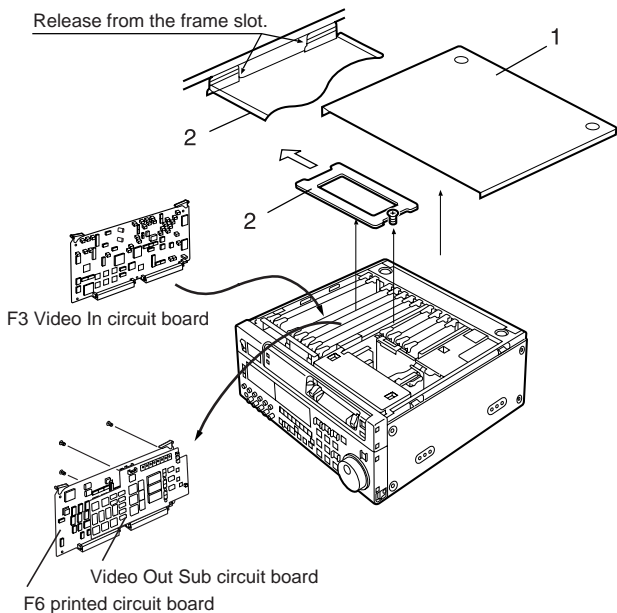
ITALIANO

ESPAÑOL

日本語



# Installation



**CAUTION:**

TO REDUCE THE RISK OF FIRE OR SHOCK HAZARD, REFER INSTALLATION OF THE INTERFACE KIT TO QUALIFIED SERVICE PERSONNEL.

 is the safety information.



- 1 Make sure the VTR power is turned OFF.
- 2 Remove the part 1 from main unit of the VTR by loosening the 2 screws.
- 3 Remove the part 2 by loosening the screw.
- 4 Insert the supplied Video In circuit board into the part marked with F3.
- 5 Pull out the printed circuit board marked with F6.
- 6 After inserting the supplied Video Out Sub circuit board into the connector of F6 circuit board, secure it with the 3 screws.
- 7 Return the F6 circuit board with Video Out Sub circuit board back to the original position, then fix it to main unit by tightening the screws of parts 2 and 1 in order.

## Specifications

Analog component input:	BNCI 3 (Y, P <sub>B</sub> , P <sub>R</sub> )
Y:	1.0 Vp-p, 75 Ω
P <sub>B</sub> /P <sub>R</sub> : AJ-YA950/952;	0.525/0.757 Vp-p selectable, 75 Ω
AJ-YA951E;	0.7 Vp-p, 75 Ω
Analog composite input:	BNCI 2, loop-through, 75 Ω ON/OFF selectable
Analog component output:	BNCI 3 (Y, P <sub>B</sub> , P <sub>R</sub> )
Y:	1.0 Vp-p, 75 Ω
P <sub>B</sub> /P <sub>R</sub> : AJ-YA950/952;	0.525/0.757 Vp-p selectable, 75 Ω
AJ-YA951E;	0.7 Vp-p, 75 Ω

## Circuit boards contained in the package

Circuit boards (2 pcs)	Weight	Dimensions
Video In circuit board (F3)	265 g	285(W)   148(H)   25(D) mm
Video Out Sub circuit board	125 g	235(W)   116(H)   20(D) mm