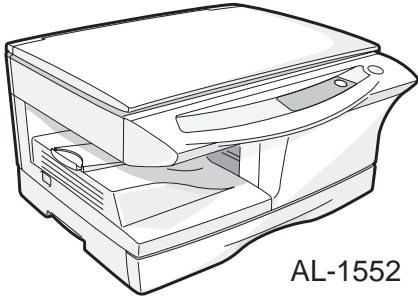


SHARP SERVICE MANUAL

CODE : 00ZAL1553/A1E

DIGITAL MULTIFUNCTIONAL SYSTEM



AL-1552

AL-1552 MODEL AL-1553

CONTENTS

The AL-1552/AL-1553 Service Manual describes only changed from AL-1217/AL-1457 Service Manual.

For the common contents, please refer to the AL-1217/AL-1457 Service Manual (Code: 00ZAL1457/A1E)

The AL-1552/AL-1553 is a developed from the AL-1217/AL-1457, and provided with the duplex function.

For the duplex section, refer to the AL-1555 Service Manual and Parts Guide.

	Model	Reference Model
1	AL-1552	AL-1217
2	AL-1553	AL-1457
3	Duplex	AL-1555

[1] GENERAL 1 - 1

[2] SPECIFICATIONS 2 - 1

• Parts Guide

Parts marked with "△" are important for maintaining the safety of the set. Be sure to replace these parts with specified ones for maintaining the safety and performance of the set.

[1] GENERAL

1. MAJOR FUNCTIONS

Configurations

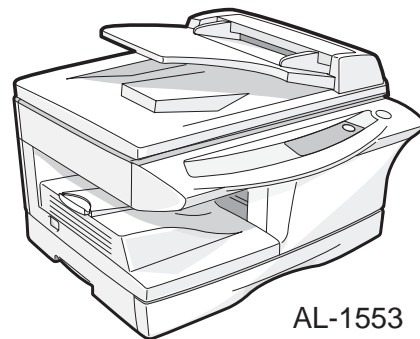
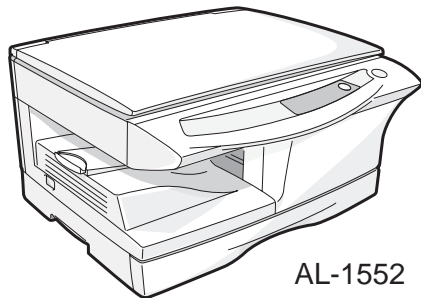
Item Model	CPM	SB/MB	2 Tray	SPF	R-SPF	Color Scanner	GDI printer	PCL printer	SOPM	Duplex	Memory	FAX
AL-1552	15CPM	SB	×	×	×	○	○	×	○	○	16M	×
AL-1553	15CPM	MB	×	○	×	○	○	×	○	○	16M	×

Descriptions of items

CPM:	Copy speed (Copies Per Minute)
SB/MB:	SB = Manual feed single bypass, MB = Manual feed multi bypass
2 tray:	Second cassette unit.
SPF:	Original feed unit
R-SPF:	Duplex original feed unit
Color scanner:	Color scanner function
GDI printer:	GDI printer function with USB.
PCL printer:	PCL printer function with USB.
SOPM:	Scan Once Print Many function (Many copies are made by one scan.)
Duplex:	Auto duplex copy function
Memory:	Standard page memory
FAX:	FAX function.

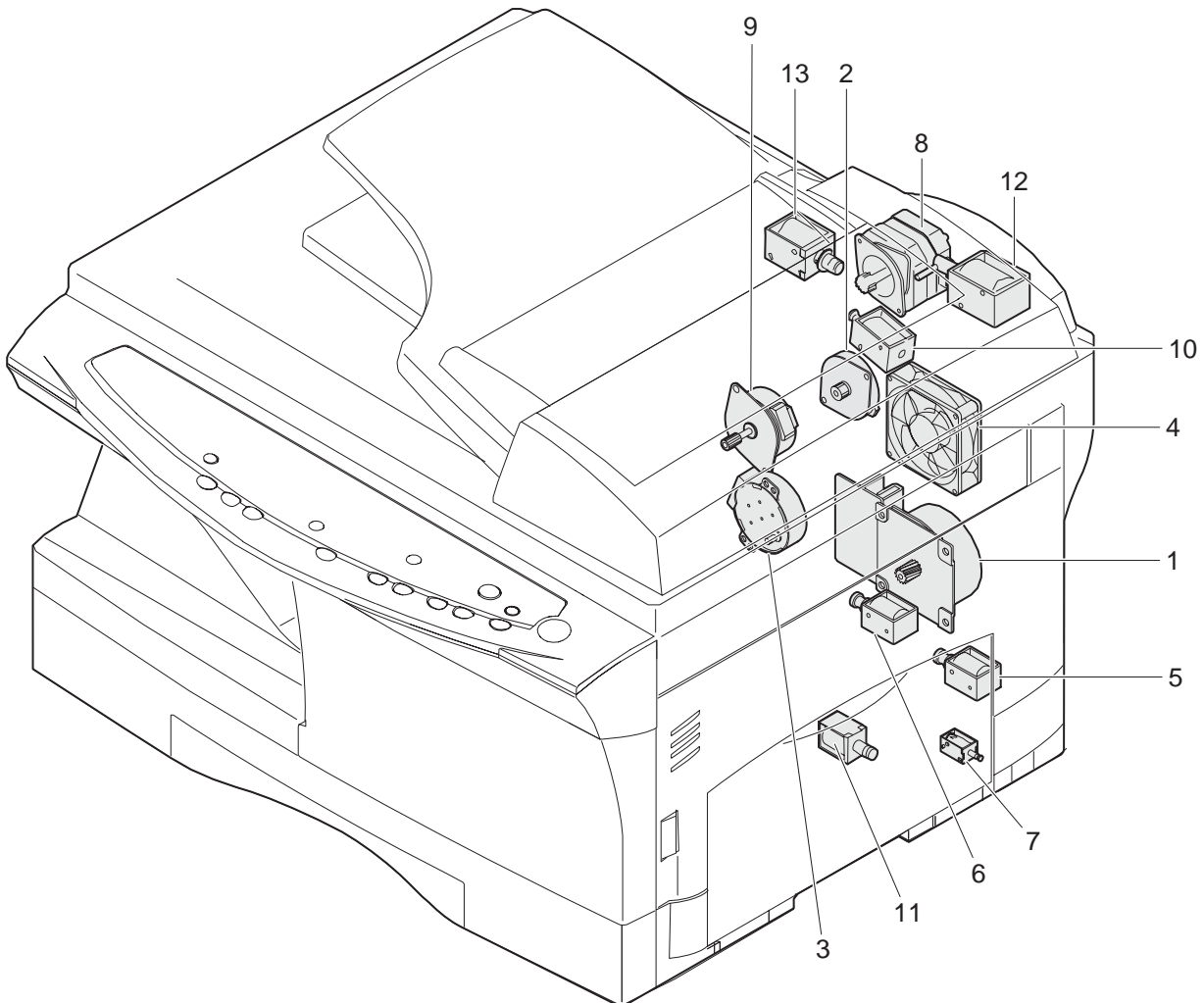
Descriptions of items

- : Standard provision
- ×



[2] DUPLEX-RELATED ITEMS

1. Motors and solenoids



No.	Part name	Control signal	Function/Operation
1	Main motor	MM	Drives the copier.
2	Scanner motor	MRMT	Drives the optical mirror base (scanner unit).
3	Toner motor	TM	Supplies toner.
4	Cooling fan motor	VFM	Cools the optical section.
5	Resist roller solenoid	RRS	Resist roller rotation control solenoid
6	Paper feed solenoid	CPFS1	Cassette Paper feed solenoid 1
7	Multi paper feed solenoid	MPFS	Multi manual pages feed solenoid
8	SPF motor	SPFM	Drives the single pass feeder
9	Duplex motor	DMT	Devices the duplex paper transport section
10	Original feed solenoid	SPUS	Original feed solenoid
11	Paper feed solenoid	CPFS2	Cassette Paper feed solenoid 2
12	SPF resist roller solenoid	SRRS	Original resist roller solenoid
13	SPF paper feed solenoid	SPFS	Original paper feed solenoid

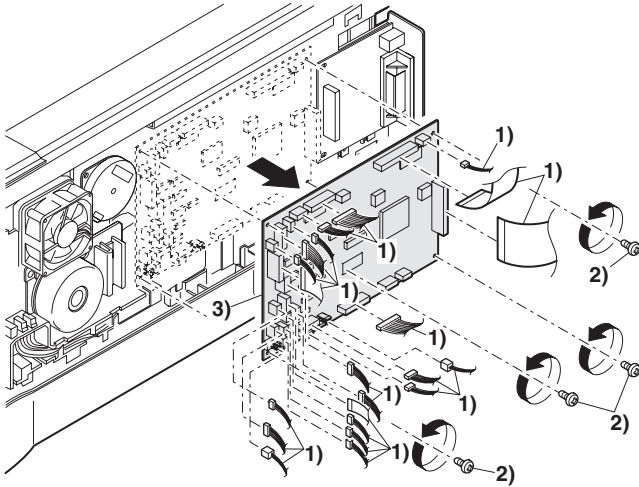
2. Duplex motor section (Duplex model only)

A. Remove the rear cabinet.

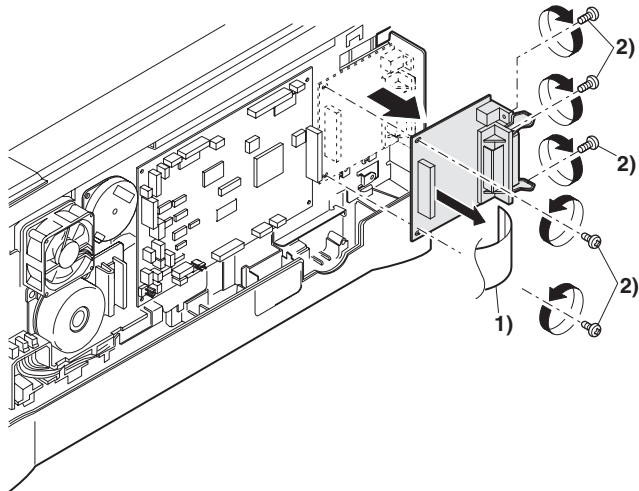
- 1) Remove four screws.
- 2) Remove the rear cabinet.

B. Remove the main PWB.

- 1) Disconnect each connector.
- 2) Remove four screws, and remove the MCU PWB.

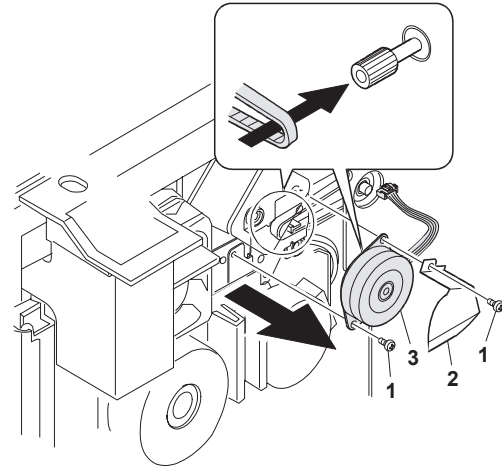


- 3) Disconnect the connector.
- 4) Remove five screws, and remove the I/F PWB.



C. Remove the Duplex motor.

- 1) Remove two screws.
- 2) Remove the Duplex motor cover.
- 3) Remove the Duplex motor.

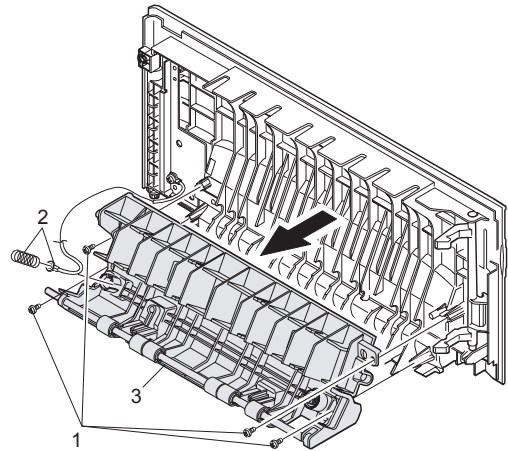


Note: When reassembling, be sure to engage the Duplex motor gear with the belt on the main body side.

3. Reverse roller section (Duplex model only)

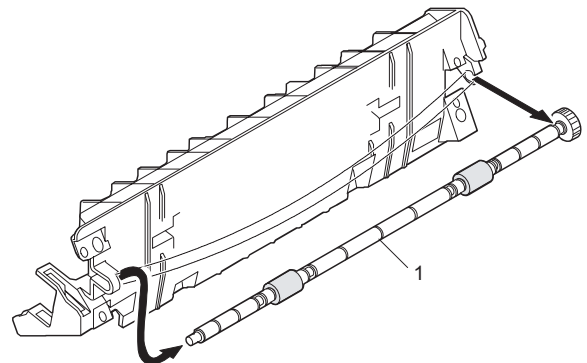
A. Remove the reverse unit.

- 1) Remove four screws.
- 2) Remove the spring, and the earth wire.
- 3) Remove the reverse unit.



B. Remove the reverse roller.

- 1) Bend the reverse roller and remove it.



4. Duplex adjustment

A. Adjusting the paper reverse position in memory for duplex copying

This step adjusts the front surface printing (odd-number pages of a document set) in the S-D mode copying and the leading edge position of an image on even-number pages in the D-S mode.

That is, it covers the adjustment of the second surface printing mode (image loss at the front edge of an image) in which image data is once stored in memory.

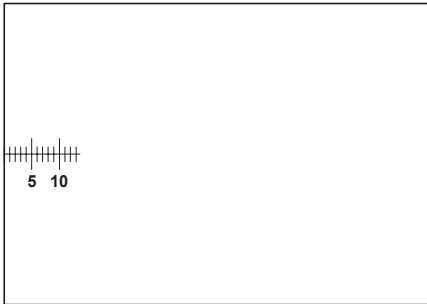
The image data is read, starting from its front end in the document delivery direction (Reference direction of document setting in the OC mode) and stored in memory.

This stored image data is printed starting at the printing start position, in the order of last-stored data to the first-stored data.

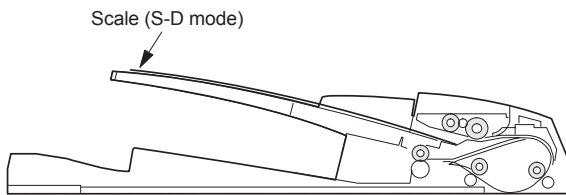
In other words, the front edge image loss of the image can be adjusted by changing the document read end position.

(Adjustment procedure)

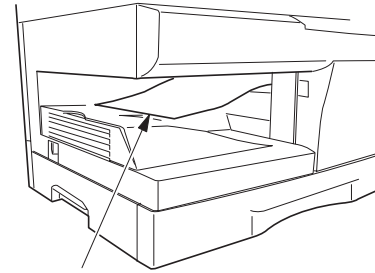
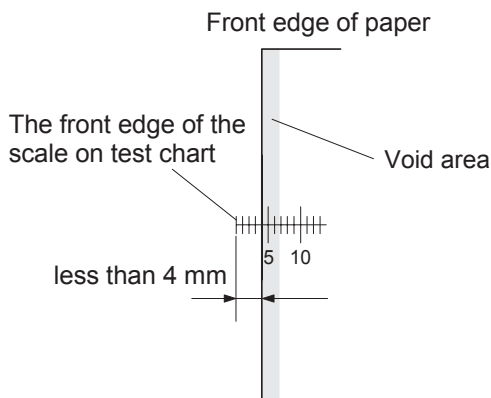
- 1) Preparing test chart (Draw a scale at the rear end of one side of a sheet of A4 white paper or letter paper).



- 2) Set the test chart so that the scale is positioned as shown below, in the S-D mode.



- 3) Execute simulation 50-18 to make a copy and check the front edge image loss at the area where the scale is printed. Adjust the setting so that the front edge image loss is less than 4.0 mm in the Duplex mode. An increase of 1 in setting represents an increase of 0.1 mm in image loss.



2nd printing surface where scale is printed (lower side)

B. Adjusting trailing edge void in duplex copy mode

This is the adjustment of the first surface printing mode (rear end void) in duplex copying.

In a duplex copying operation, the paper is delivered starting from the rear end of the first printing surface. It is therefore necessary to make a void area at the rear end on the first printing surface to prevent paper jam at the fusing part.

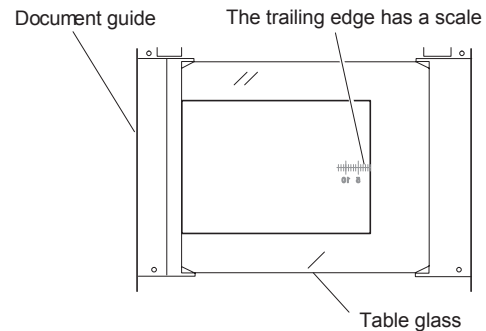
Adjustment modes:

- 1) Paper trailing edge void quantity 50-19 (TEXT)
This adjustment is made when the cassette paper size is recognized. The trailing edge void quantity can be adjusted by changing the trailing edge image laser OFF timing.

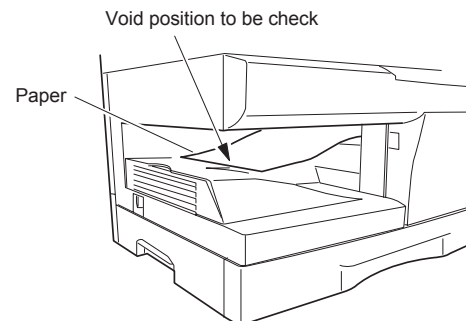
(Adjustment procedure)

(1) Paper trailing edge void quantity

- 1) Preparing test chart (Draw a scale at the rear end of one side of a sheet of A/4 white paper or letter paper)
- 2) Set the test chart on the document glass as shown below.



- 3) Using the user simulation [18], set the paper size of the first cassette.
 - Letter paper : 4
 - A4 paper : 3
- 4) Execute simulation 50-19 to turn on the TEXT lamp and make the printing mode in OC-D mode. Make a copy of the test chart to check the void area of the scale on the image.



The trailing edge void on the first printing surface is shown above.

Adjust the setting so that the void area is 4 - 5 mm. An increase in 1 of setting represents 0.1 mm in void area.

5. List of simulations

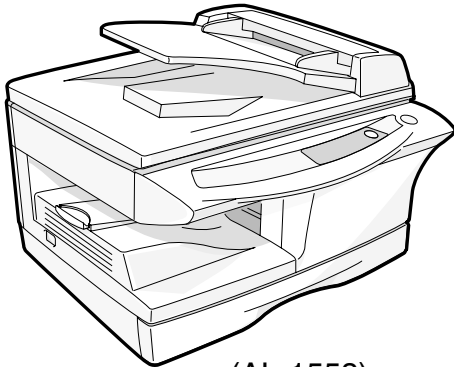
Sim No.	Kind of main code	Sub code	Operation
01	Optical system	01 06	Mirror scan operation Aging of mirror scanning
02	SPF Individual load operation	02 03 04	SPF sensor status display Motor ON Paper feed solenoid ON
05	Lamp ON check	01 02 03	Operation panel display check Fusing lamp, cooling fan operation check Copy lamp ON
06	Machine individual load operation	01 02	Paper feed solenoid ON Resist solenoid ON
07	Aging	01 06	Warm-up display and aging with jam Intermittent aging
08	High voltage output check	01 02 03 06	Developing bias Main charger (Grid high) Grid voltage (Low) Transfer charger
10	Other	None	Toner motor aging
14	Trouble reset	None	Cancel of troubles other than U2
16	U2 trouble reset	None	Cancel of U2 trouble
22	Counter display	04 05 08 12 14 17 18 19 21 22	JAM total counter display Total counter display SPF counter display Drum counter display P-ROM version display Copy counter display Printer counter display Scanner mode counter display Scanner counter display SPF JAM counter display
24	Special counter clear	01 04 07 08 09 13 14 15	JAM total counter clear SPF counter clear Drum counter clear Copy counter clear Printer counter clear Scanner counter clear SPF JAM total counter clear Scanner mode counter clear
25	Main motor ON	01 10	Main motor operation check (Cooling fan motor rotation check) Polygon motor ON

Sim No.	Kind of main code	Sub code	Operation
26	Various setup	01	Manual feed setup
		02	(R) SPF setup
		03	Second cassette setup
		04	Machine duplex setup
		06	Destination setup
		07	Machine conditions check
		20	Rear edge void setup
		30	CE mark support control ON/OFF
		38	Cancel of stop at drum life over
		39	Memory capacity check
		40	Polygon motor OFF time setup Time required for turning OFF after completion of printing)
		42	Transfer ON timing control setup
		43	Side void setup
	44	SPF document rear edge read setup	
	62	Energy-save mode copy lamp setup	
	63	Fan control select setup	
30	Sensor operation check (Standard provision)	01	Paper sensor status display
43	Fusing temperature setup	01 04 05 09	Fusing temperature setup (Normal copy) Fusing temperature setup 2 Fusing temperature setup in duplex copy Setup of fusing control of postcard size paper
46	Exposure adjustment	01 02 18 19 20 29 31 32	Copy density adjustment (300dpi) Copy density adjustment (600dpi) Image contrast adjustment (300dpi) γ table setup or AE operation mode setup SPF exposure correction Image contrast adjustment (600dpi) Image sharpness adjustment Copier color reproduction setup
48	Magnification ratio correction	01	Front/rear (main scanning) direction and scan (sub scanning) direction magnification ratio adjustment
49		01	Flash ROM program writing mode
50	Lead edge adjustment	01 10 18 19	Lead edge image position Center offset adjustment Memory reverse position adjustment in duplex copy Duplex copy rear edge void adjustment
51	Timing adjustment	02	Resist quantity adjustment
53		08	SPF scan position automatic adjustment
61	Laser system operation	03	Polygon motor check (HSYNC output check)
63	Shading	01	Shading check
64	Self print	01	Self print

6. Contents of simulations

Input method: Clear key → Exposure Select key → Clear key → Exposure Select key

Main code	Sub code	Content						
50	18	<p>Memory reverse position adjustment in duplex copy</p> <p>When this simulation is executed, the current setup value of correction is displayed. Enter the correction value with the 10-key and press the PRINT switch, and the entered value will be saved. (Correction value 1 ~ 99, correction zero = 0, or 50) When the correction value is set to 0, the correction value is written as 50.</p> <p>Front surface printing in the S-D mode and printing on even pages in the D-S mode are reverse memory copy operations from the document rear edge section.</p> <p>When, therefore, the output image print position adjustment is required, adjust as follows:</p> <p>In the reverse memory copy operation, if the document scan direction is in the direction of the arrow in the figure, the scan rear edge section of the image is printed first.</p> <p>When, therefore, the print lead edge is shifted, set the reference chart so that the reference position is in the rear edge section, and use this simulation to adjust so that the print image lead edge comes to the lead edge.</p> <p>Since printing is performed by processing the scanned image from the scan end position to the scan lead edge, the print lead edge position adjustment is performed by changing the end data position stored in memory with the simulation setup value.</p>						
	19	<p>Duplex copy rear edge void adjustment</p> <p>Used to adjust the rear edge void quantity in duplex copy.</p> <p>(Operating procedure)</p> <p>When this simulation is executed, the current setup value is displayed in two digits. (Center value: 50 However, setup 50 = setup 0) When the correction value is set to 0, the correction value is written as 50. Press the copy mode select key to select your desired copy mode, and the display will change. Enter the adjustment value with the 10-key and press the PRINT switch, and the setup value will be saved and a copy will be made. (The paper information is cleared for every copying.) Press the clear key to save the setup value and exit from the simulation mode. (Increasing the setup value by 1 increases the void quantity by about 0.1mm.)</p> <table border="1"> <thead> <tr> <th>Adjustment mode</th> <th>Lamp ON</th> </tr> </thead> <tbody> <tr> <td>Paper rear edge void quantity</td> <td>TEXT lamp</td> </tr> <tr> <td>Print start position (Duplex back)</td> <td>PHOTO lamp</td> </tr> </tbody> </table>	Adjustment mode	Lamp ON	Paper rear edge void quantity	TEXT lamp	Print start position (Duplex back)	PHOTO lamp
Adjustment mode	Lamp ON							
Paper rear edge void quantity	TEXT lamp							
Print start position (Duplex back)	PHOTO lamp							



(AL-1553)

DIGITAL MULTIFUNCTIONAL SYSTEM

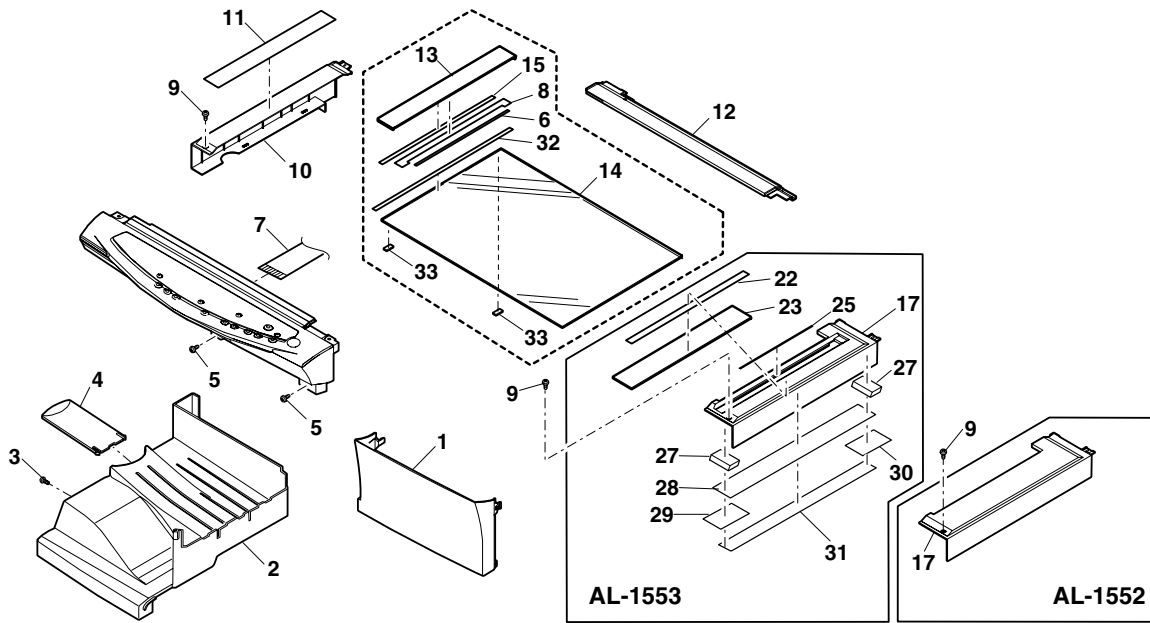
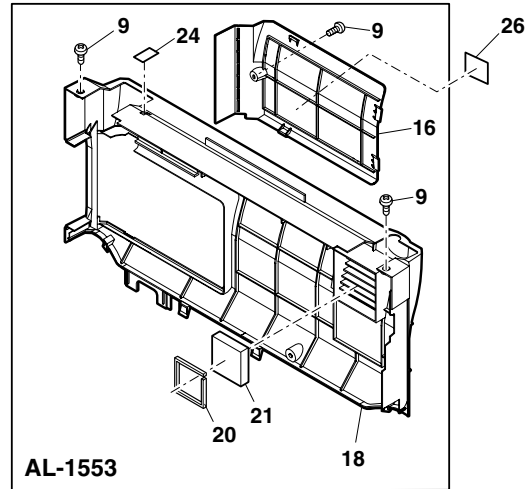
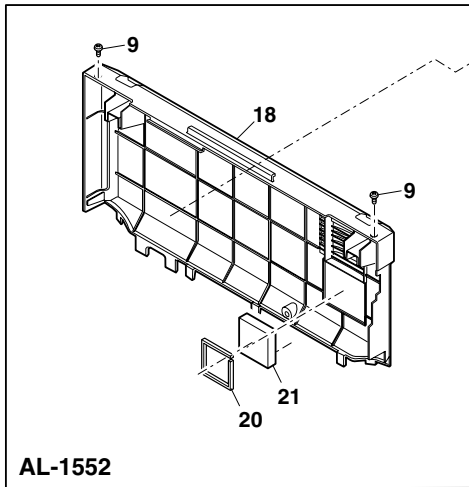
AL-1552
MODEL AL-1553

(For Europe)

CONTENTS

- | | | | |
|----|--|----|---|
| 1 | Exteriors | 19 | Multi manual paper feeding unit (AL-1553) |
| 2 | Original cover unit(AL-1552) | 20 | Socket holder unit |
| 3 | SPF exteriors (AL-1553) | 21 | TC case unit |
| 4 | SPF transport unit (AL-1553) | 22 | 250 sheets tray |
| 5 | SPF pick up unit (AL-1553) | 23 | Harness |
| 6 | Operation panel | 24 | Packing material & accessories |
| 7 | Side door unit | 25 | Operation PWB |
| 8 | Optical frame | 26 | MCU PWB |
| 9 | LSU unit | 27 | IF PWB |
| 10 | Delivery paper guide unit | 28 | DC power supply PWB |
| 11 | Middle frame | ■ | Index |
| 12 | Base plate unit 1 | | |
| 13 | Base plate unit 2 | | |
| 14 | Fusing unit | | |
| 15 | Drive unit | | |
| 16 | Single manual paper feeding cover unit (AL-1552) | | |
| 17 | Multi manual paper feeding cover unit (AL-1553) | | |
| 18 | Single manual paper feeding unit (AL-1552) | | |

1 Exteriors

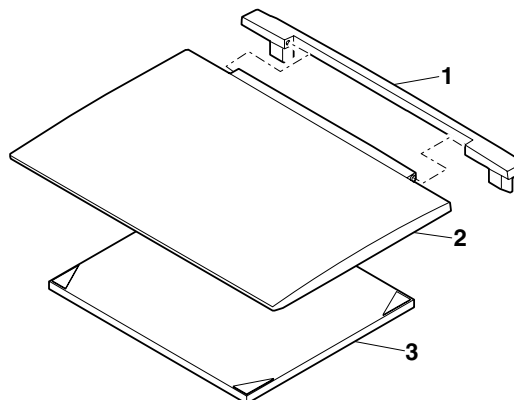


PRP02507

2 Original cover unit(AL-1552)

NO.	PARTS CODE	PRICE RANK	NEW MARK	PART RANK	DESCRIPTION
1	GCOVH0003Q SJZ	AL		D	OC cover S
2	GCOVH0004Q SJ1	AX		D	OC cover M
3	PCUSS0024Q SZZ	AV		D	OC mat
	(Unit)				
901	CCOVH0004R S54	BF		E	OC cover unit

2 Original cover unit(AL-1552)

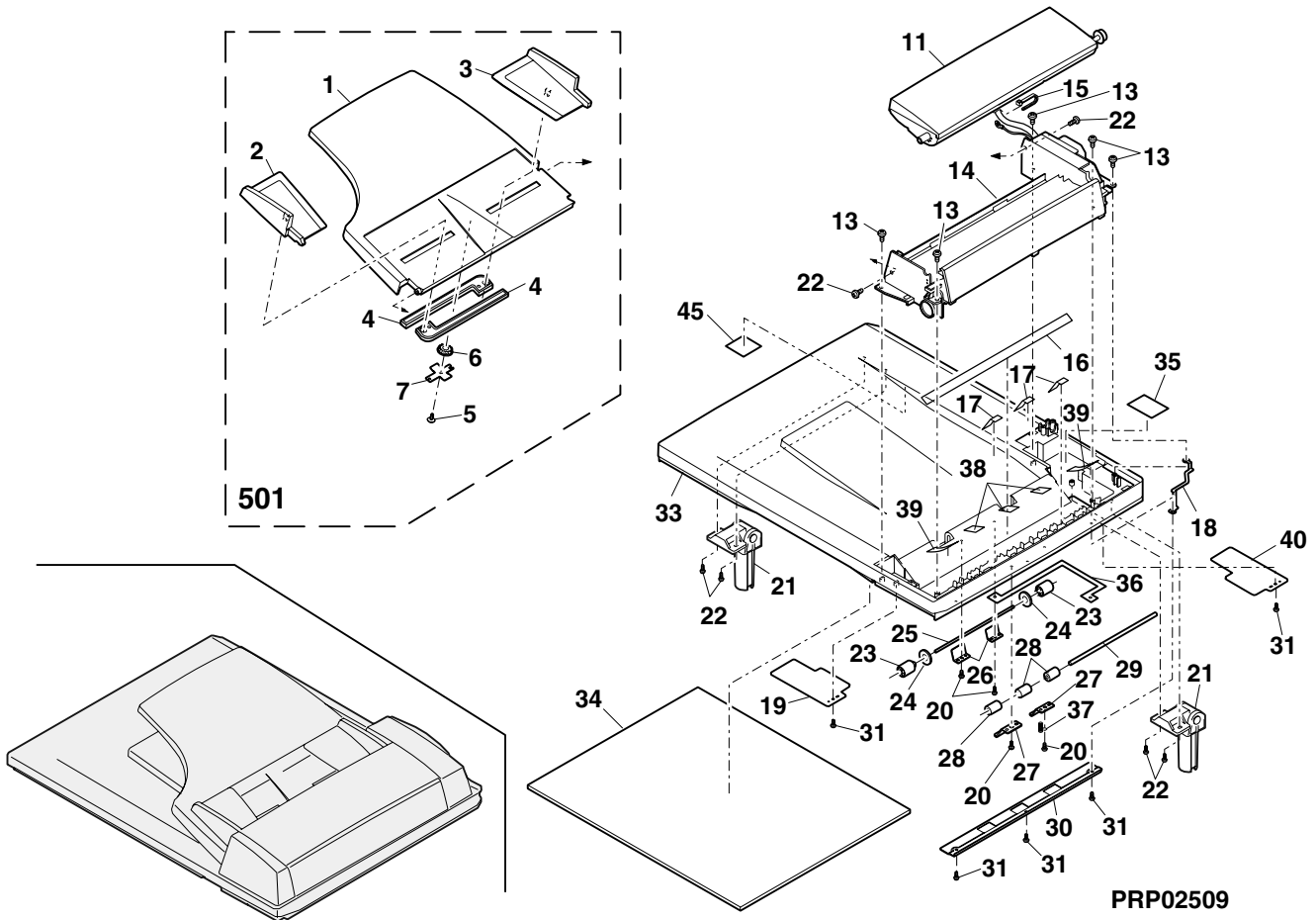


PRP02508

3 SPF exteriors (AL-1553)

NO.	PARTS CODE	PRICE RANK	NEW MARK	PART RANK	DESCRIPTION
1	LSOU-0035QSZZ	AR		D	Original tray
2	LPLTP0011QJSJ2	AH		C	Control plate F
3	LPLTP0012QJSJ2	AH		C	Control plate R
4	NGERR0377FCZZ	AD		C	Manual feeding rack gear
5	XEPS730P08X00	AA	N	C	Screw(3x8X)
6	NGERH0193FCZZ	AB		C	Manual feeding gear
7	MSPRP0059QSZZ	AD		C	Control plate spring
11	CFRM-0011RS58	BF		E	SPF pick-up unit
13	XEBS740P10000	AA	N	C	Screw(4x10)
14	CFRM-0013RS59	BM		E	SPF transport unit
15	LBNDJ0013FCZ1	AE		C	Wire band
16	PSHEZ0384QSZZ	AD		C	Base tray sheet
17	PSHEP0063QSZZ	AC		C	Transport sheet
18	MSPRP0113QSZZ	AD		C	Earth spring
19	PSHEZ0379QSZZ	AD		C	OC sheet
20	XEBS730P08000	AC		C	Screw(3x8)
21	MHNG-0017QSZZ	AQ		C	SPF hinge
22	XEBS740P14000	AB	N	C	Screw(4x14)
23	NROLP0011QJSZ	AD		C	Delivery roller
24	PSPO-0001QSZZ	AB		C	Cushion
25	NSFTZ0010QSZZ	AE		C	Delivery shaft
26	MSPRT0061QSZZ	AC		C	Delivery spring
27	MSPRP0060QSZZ	AD		C	Transport spring
28	NROLP0010QJSZ	AD		C	Transport roller
29	NSFTZ0009QSZZ	AE		C	Transport shaft
30	LPLTM0096QSZZ	AF		C	Base tray reinforce plate
31	LX-BZ0016QSZZ	AC		C	Screw(3x8)
33	LSOU-0005QJSJ4	BA		D	Base tray
34	PCUSS0025QSZZ	AQ		D	OC mat
35	PSHEZ0102QSZZ	AD		C	Motor pressure sheet
36	PSHEZ0112QSZZ	AE		C	Delivery earth sheet SPF
37	MSPRC0149QSZZ	AC		C	PS earth spring SPF
38	PSHEZ0386QSZZ	AB		D	Rear side sheet A
39	PSHEZ0387QSZZ	AB		D	Rear side sheet B
40	PSHEZ0388QSZZ	AD		C	OC mat sheet 2
45	PSHEZ0383QSZZ	AC		C	Book detect sheet
501	CSOU-0035RS51	AZ		E	SPF original tray unit

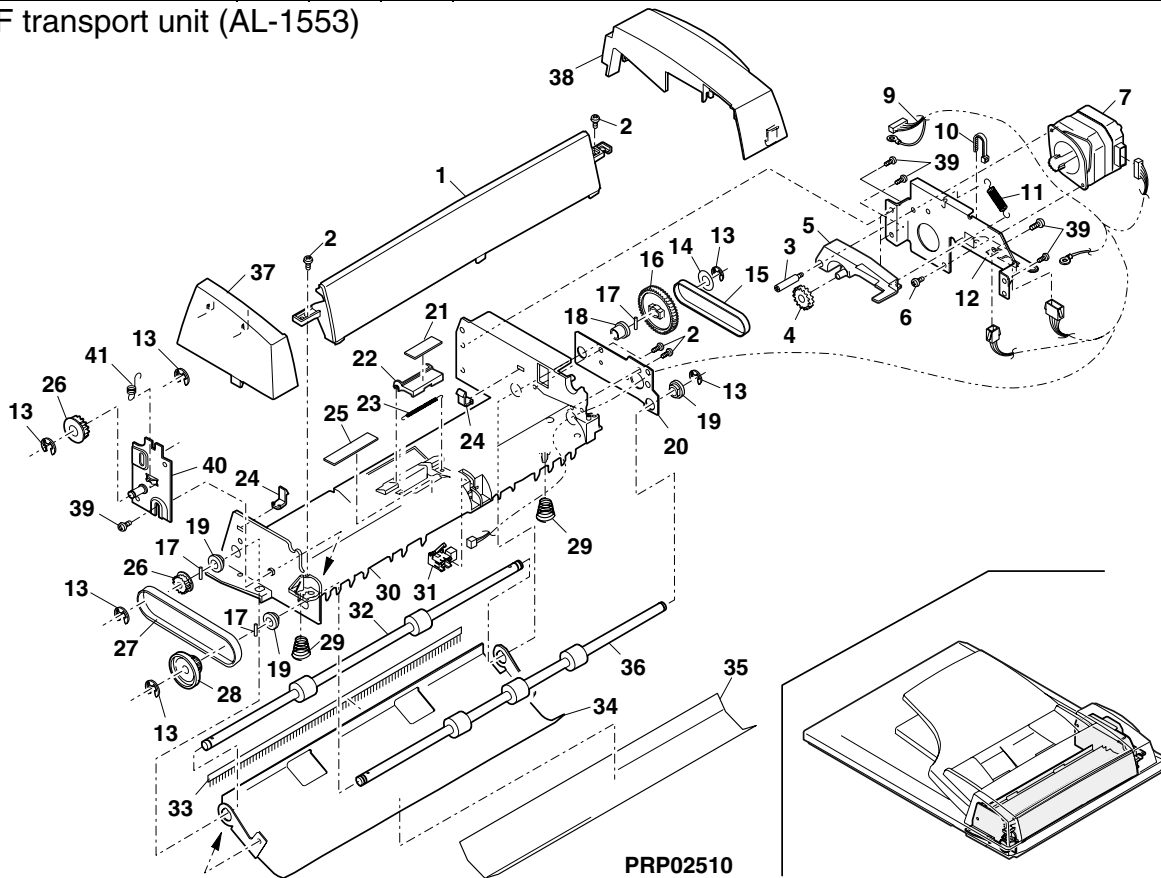
3 SPF exteriors (AL-1553)



4 SPF transport unit (AL-1553)

NO.	PARTS CODE	PRICE RANK	NEW MARK	PART RANK	DESCRIPTION
1	PGiDM0042QSJZ	AL		C	U-turn paper guide
2	XEBS730P12000	AC		C	Screw(3x12)
3	LX-BZ0012QSZZ	AC		C	Screw
4	NGERH0972FCZZ	AB		C	Gear(27T)
5	MARMP0001QSZZ	AF		C	Drive arm
6	XBPS730P05K00	AA	N	C	Screw(3x5K)
7	RMOTP0013QSZZ	BB		B	SPF motor
9	DHAI-0290QSZ1	AN		C	SPF interface harness
10	LBNDJ0013FCZ1	AE		C	Wire band
11	MSPRT0064QSZ1	AC		C	Drive arm spring
12	LFRM-0013QSZZ	AG		D	Drive frame
13	XRESP50-06000	AA		C	E-ring(E5)
14	PSHEP3029FCZZ	AA		C	Flange sheet DUP2
15	NBLTT0046QSZZ	AE		B	Belt(83MXL4.8)
16	NGERH0047QSZZ	AF		C	Gear(48T/15T)
17	LPiNS0019QSZZ	AA		C	Spring pin(φ2.5-9)
18	NBRGC0017QSZZ	AC		C	Bearing
19	NBRGM0501FCZZ	AB		C	Metal D
20	LFRM-0012QSZZ	AD		D	Frame R
21	PSHEZ0445QSZZ	AC		C	Separation sheet
22	LPLTP0013QSZ1	AC		C	Plate
23	MSPRC0062QSZZ	AC		C	Pressure spring
24	MSPRP0065QSZZ	AD		C	Open and shut lock spring
25	PSHEZ2174FCZZ	AB		C	Paper feeding sheet
26	NPLYZ0146FCZZ	AB		C	22MXL pulley
27	NBLTT0003QSZ1	AF		B	Belt(B75MXL4.8)
28	JKNBZ0004QSZZ	AD		C	JAM release knob
29	MSPRC0063QSZZ	AB		C	Delivery paper guide spring
30	PGiDM0024QSZ3	AN		C	Transport paper guide
31	RDTCT0004QSZZ	AL		B	Inlet detect sensor
32	NROLM0023QSZ1	AP		C	Delivery roller
33	PBRSR0003QSZ2	AG		B	Discharger brush
34	PGiDH0029QSZ1	AL		C	Delivery paper guide
35	PSHEP0044QSZZ	AF		C	White sheet
36	NROLM0022QSZ1	AL		C	PS roller
37	PCOVP0037QSJZ	AH		D	Front cover
38	PCOVP0038QSJ1	AL		D	Rear cover
39	XEBS730P10000	AC		C	Screw(3x10)
40	CPLTM0298QS01	AF		C	SPF tension plate
41	MSPRT0294QSZZ	AC		C	SPF tension spring
	(Unit)				
901	CFRM-0013RS59	BM		E	SPF transport unit

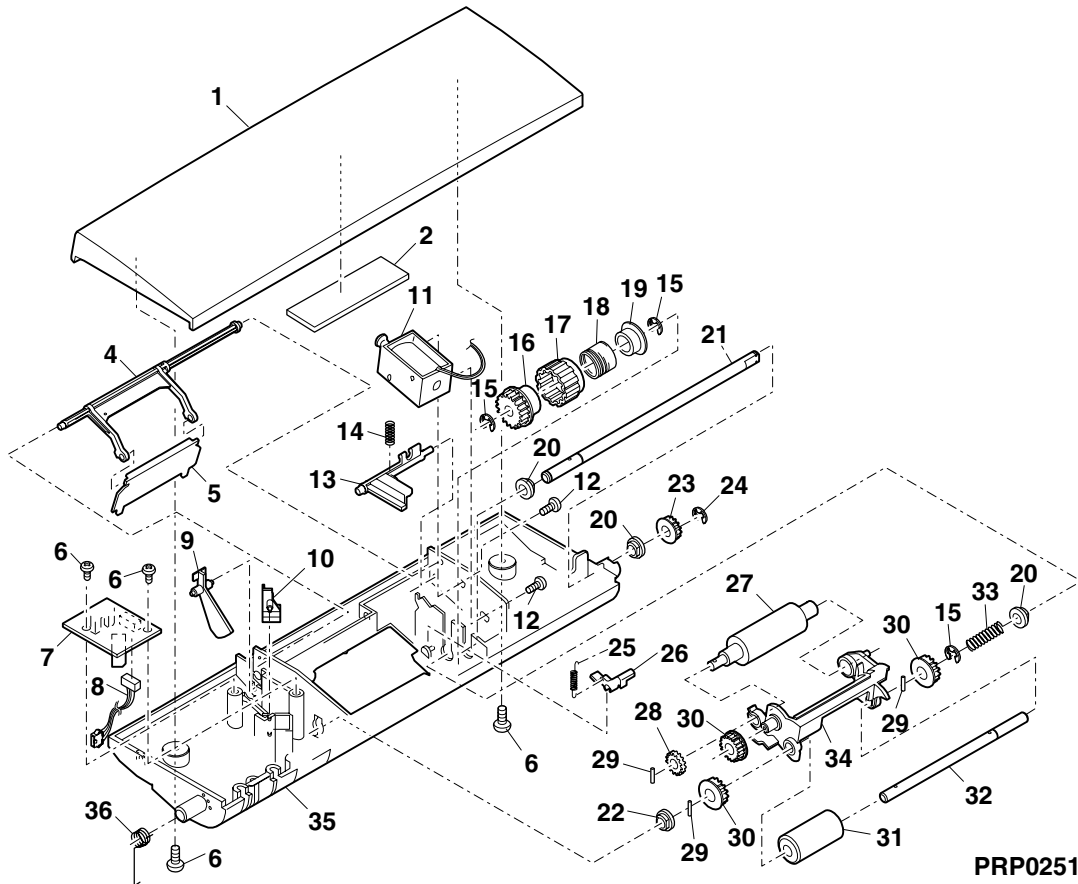
4 SPF transport unit (AL-1553)



5 SPF pick up unit (AL-1553)

NO.	PARTS CODE	PRICE RANK	NEW MARK	PART RANK	DESCRIPTION
1	GCAB-0008QSZ	AM		D	Open and shut cabinet
2	PSPO-0002QSZ	AC		C	Stopper cushion
4	MARMP0003QSZ	AD		C	Stopper arm
5	LSTPP0001QSZ	AD		C	Paper stopper R
6	XEBS730P08000	AC		C	Screw(3x8)
7	CPWBF0155QSE1	AM		E	SPF sensor PWB
8	DHAI-0293QSZ	AE		C	Sensor harness
9	MLEVP0009QSZ	AD		C	Set detect lever ACT
10	MLEVP0010QSZ	AE		C	Open and shut detect lever ACT
11	RPLU-0004QSZ	AQ		B	PU solenoid
12	XBPS730P06KS0	AB	N	C	Screw(3x6KS)
13	MARMP0002QSZ	AD		C	Solenoid arm
14	MSPRT0067QSZ	AB		C	Solenoid arm spring
15	XRESP40-06000	AA		C	E-ring(E4)
16	NGERH0073QSZ	AE		C	Clutch gear(20T)
17	PPIPP0008QSZ	AD		C	Clutch sleeve
18	MSPRC1316FCZ1	AE		C	MF clutch spring B
19	LBOSZ1851FCZZ	AC		C	STK clutch boss
20	LBSHZ0303FCZZ	AC		C	M bushing C
21	NSFTZ0012QSZ	AG		C	Clutch shaft
22	LBSHZ0006QSZ	AC		C	M Bushing 2
23	NPLYZ0010QSZ	AE		C	20MXL pulley
24	XRESP30-06000	AA		C	E-ring(E3)
25	MSPRT0066QSZ	AC		C	Clutch pawl spring
26	PTME-0019QSZ	AD		C	Clutch pawl
27	NRÖLP0024QSZ	AH		C	Pick-up roller
28	NGERH0990FCZZ	AB		C	Gear(16T)
29	XPSSP20-07000	AA		C	Spring pin(φ2-7)
30	NGERH0992FCZZ	AB		C	Gear(20T)
31	NRÖLR0922FCZ2	AR		C	Manual feeding roller
32	NSFTZ0011QSZ	AF		C	PF shaft
33	MSPRC0115QSZ	AB		C	Paper feeding spring
34	MARMP0004QSZ	AF		C	Pick-up arm
35	LFRM-0011QSZ	AL		D	Paper feeding frame
36	MSPRD0114QSZ	AD		C	PF frame spring
	(Unit)				
901	CFRM-0011RS58	BF		E	SPF pick-up unit

5 SPF pick up unit (AL-1553)

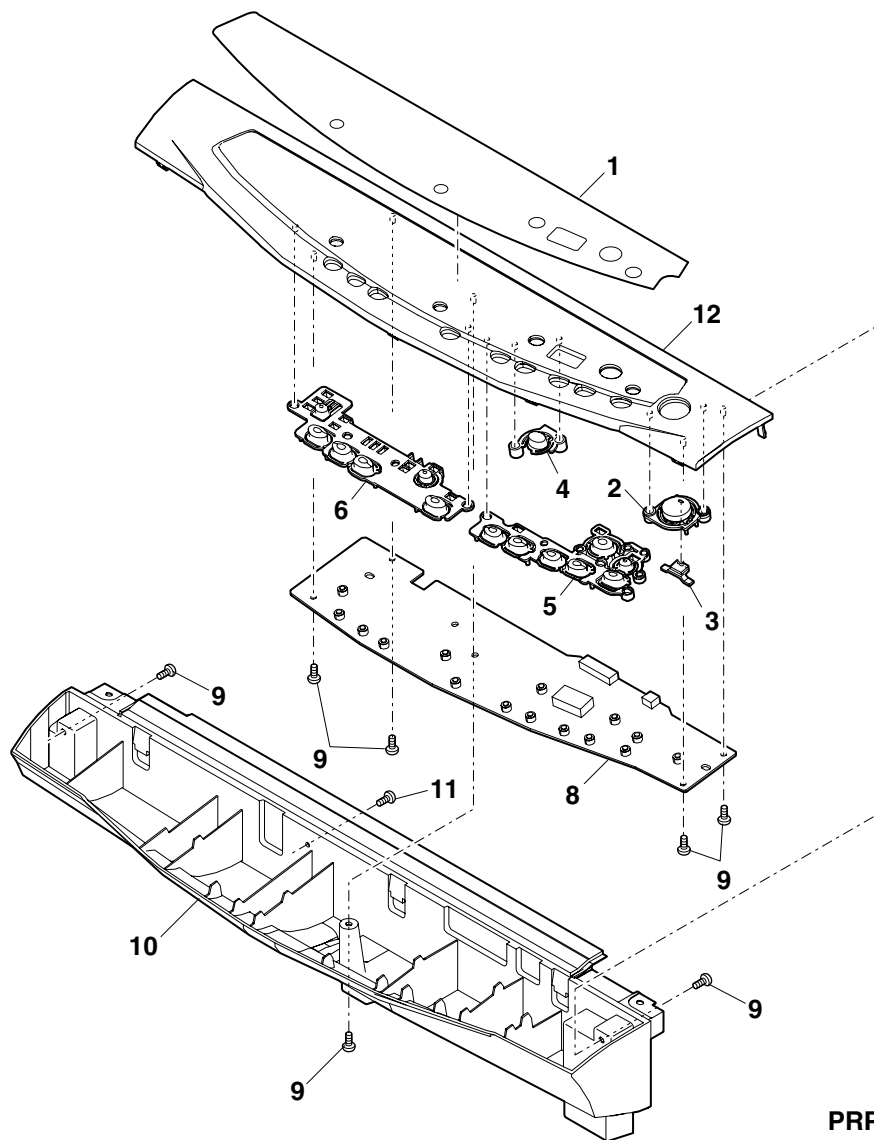


PRP02511

6 Operation panel

NO.	PARTS CODE	PRICE RANK	NEW MARK	PART RANK	DESCRIPTION
1	CPNLH0023QS0U	AR	N	D	Panel (AL-1552)
	CPNLH0023QS0V	AR	N	D	Panel (AL-1553)
2	CBTN-0019QS02	AF		E	Copy key
3	JBTN-0020QSZZ	AC		C	Copy key light
4	JBTN-0005QSZZ	AC		C	% Key
5	CBTN-0050QS01	AE		E	Operation key R
6	JBTN-0049QSZZ	AF		C	Operation key L
8	CPWBF0113QSG3	BB	N	E	Operation PWB
9	XEBS730P08000	AC		C	Screw(3×8)
10	GCAB-0063QSZZ	AT		D	Operation cabinet
11	XEBS730P10000	AC		C	Screw(3×10)
12	GCAB-0064QSZZ	AN		D	Operation panel

6 Operation panel

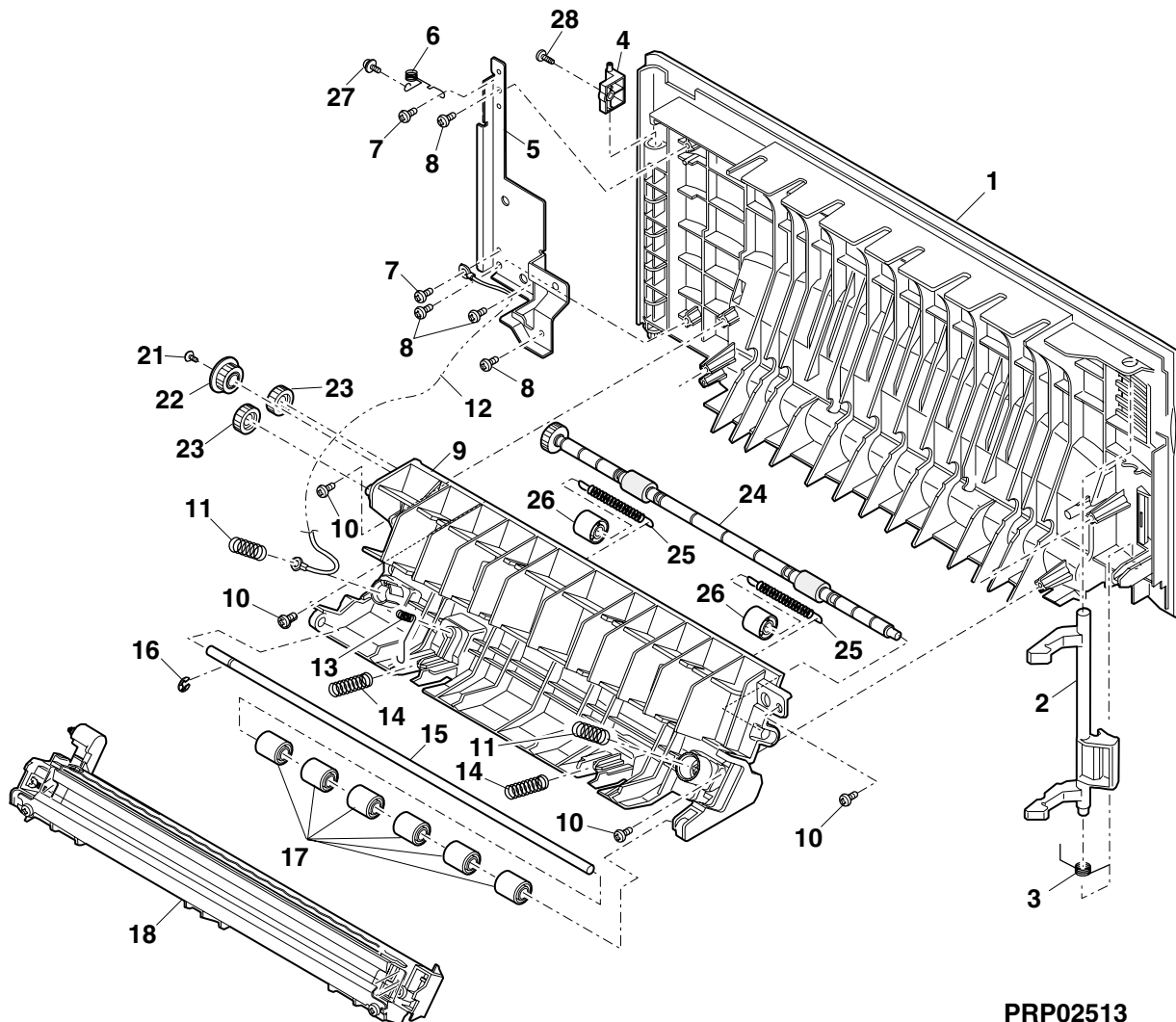


PRP02512

7 Side door unit

NO.	PARTS CODE	PRICE RANK	NEW MARK	PART RANK	DESCRIPTION
1	GCAB-0007Q SJ 2	AU		D	Side door
2	PTME-0004Q SZ Z	AG		C	Lock pawl
3	MSPRT0029Q SZ Z	AC		C	Lock pawl spring
4	PG i DM0008Q SZ Z	AD		C	Hinge guide
5	LPLTM0132Q SZ Z	AH		C	Earth plate
6	MSPRD0076Q SZ Z 1	AD		C	Earth spring
7	XHBS730P06000	AC		C	Screw(3x6)
8	XEBS730P06000	AA	N	C	Screw(3x6)
9	LFRM-0003Q SJ 3	AN		D	Side door inner frame
10	XEBS730P10000	AC		C	Screw(3x10)
11	MSPRC0032Q SZ Z	AB		C	Transcription pressure spring
12	DHA i -0291Q SZ Z	AC		C	TCFB harness
13	MSPRC0031Q SZ Z	AB		C	PS earth spring
14	MSPRC0030Q SZ Z	AC		C	PS pressure spring
15	NSFTZ0006Q SZ Z	AG		C	PS shaft
16	XRESP30-06000	AA		C	E-ring(E3)
17	NROLP1122FCZZ	AF		C	PS upper roller
18	CHLDZ0010RS52	AU		E	Transfer holder unit
21	XEPS730P08X00	AA	N	C	Screw(3x8X)
22	NGERH0048Q SZ Z	AE		C	DUP drive gear
23	NGERH0051Q SZ Z	AE		C	DUP drive gear A
24	NROLP0025Q SZ Z	AM		C	DUP drive roller
25	MSPRC0050Q SZ Z	AB		C	DUP pressupe spring
26	NROLP1122FCZZ	AF		C	PS upper roller
27	XBPS730P04KS0	AB	N	C	Screw(3x4KS)
28	XBBS740P08000	AA	N	C	Screw(4x8)

7 Side door unit

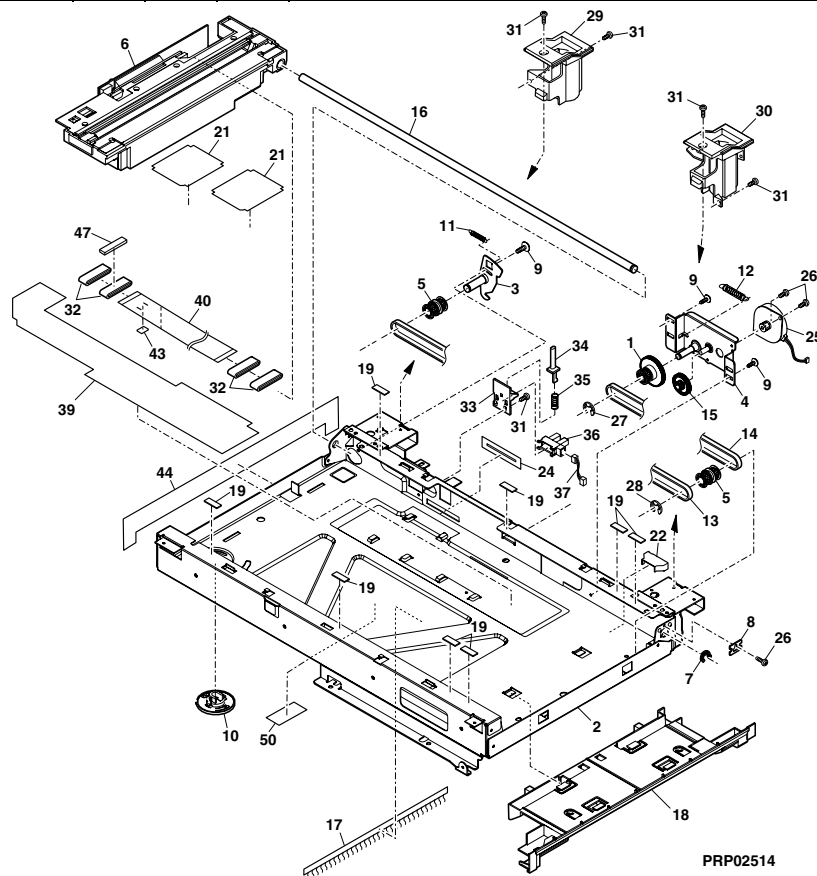


PRP02513

8 Optical frame

NO.	PARTS CODE	PRICE RANK	NEW MARK	PART RANK	DESCRIPTION
1	CGERH0162QS01	AN		C	Pulley gear
2	CPLTM0288QS01	BC		C	Scanner plate
3	CPLTM0291QS01	AG		C	Tension plate
4	CPLTM0294QS01	AK		C	Motor fixing plate
5	CPLYZ0028QS01	AM		C	Idle pulley
6	DUNT-0404QSZZ	BU		C	Carriage unit
7	LHL DZ0093QSZZ	AC		C	Rod holder
8	LSTPF0013QSZZ	AC		C	Rod stopper
9	LX-BZ0033QSZZ	AB		C	Screw(3x6)
10	MLOKZ0004QSZ1	AD		C	Carriage lock
11	MSPRT0283QSZZ	AC		C	Tension spring
12	MSPRT0284QSZZ	AC		C	Motor spring
13	NBLTT0030QSZ1	AH		B	Belt(473MXL)
14	NBLTT0031QSZ1	AF		B	Belt(190MXL)
15	NGERH0161QSZZ	AL		C	Idle gear
16	NSFTZ0063QSZZ	AK		C	Slide shaft
17	PBR SR0002QSZ1	AH		B	Discharger brush (AL-1552)
18	PBR SR0002QSZ2	AG		B	Discharger brush (AL-1553)
19	PG i DM0099QSZ1	AH		C	Paper guide
20	PGUMS0004QSZZ	AA		C	Table glass cushion
21	PSHEZ0367QSZ1	AD		C	Cable fixing sheet
22	P DUC-0005QSZZ	AD		C	Fan duct JAG
23	PSHEZ0377QSZZ	AC		C	Edge protect sheet
24	RMOTS0038QSZZ	BL		B	Scanner motor
25	XHBS730P06000	AC		C	Screw(3x6)
26	XRESP50-06000	AA		C	E-ring(E5)
27	XRESP70-08000	AA		C	E-ring(E7)
28	PG i DM0019QSJZ	AH		C	SPF hinge guide L (AL-1553)
29	PG i DM0020QSJ1	AH		C	SPF hinge guide R (AL-1553)
30	XHBS730P08000	AB		C	Screw(3x8)
31	R CORF0018QSZZ	AR		C	FFC core
32	LPLTP0131QSZZ	AD		C	Book sensor attachment plate (AL-1553)
33	MLEVP0047QSE1	AD		C	Book sensor actuator (AL-1553)
34	MSPRC0153QSZZ	AB		C	Book sensor spring (AL-1553)
35	VHPGP1A71A1-1	AG		B	Photo transistor(GP1A71A1) (AL-1553)
36	DHA i-0303QSZZ	AD		C	Harness (AL-1553)
37	PSHEZ0389QSZ1	AK		C	Scanner sheet
38	DHA i-0268QSZZ	AG		C	CCD-MCU harness
39	PTPE-0045QSZZ	AA		C	CCD harness double-sided tape
40	PSHEZ0403QSZZ	AG		C	Noise sheet
41	PMLT-0068QSZZ	AC		C	Core holder cushion
42	PSHEZ0349QSZZ	AC		C	Insulated sheet C

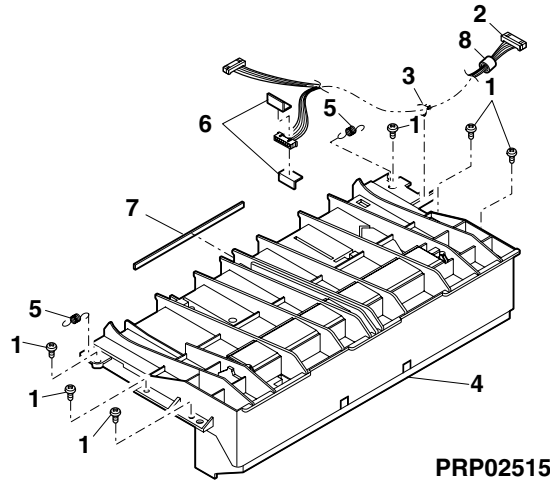
8 Optical frame



9 LSU unit

NO.	PARTS CODE	PRICE RANK	NEW MARK	PART RANK	DESCRIPTION
1	XEB S730P12000	AC		C	Screw(3×12)
2	DHAI-0282QSZZ	AG		C	LSU harness
3	LBNDJ0013FCZ1	AE		C	Wire band
4	DUNTK0013QS13	BS		E	LSU unit(A4600D)
5	MSPRT0019QSZ1	AB		C	Delivery paper guide spring
6	PSHEZ0350QSZZ	AB		C	LSU protect sheet A
7	PSHEZ0351QSZZ	AB		C	LSU protect sheet B
8	RCORF0021QSZZ	AK		C	Core

9 LSU unit

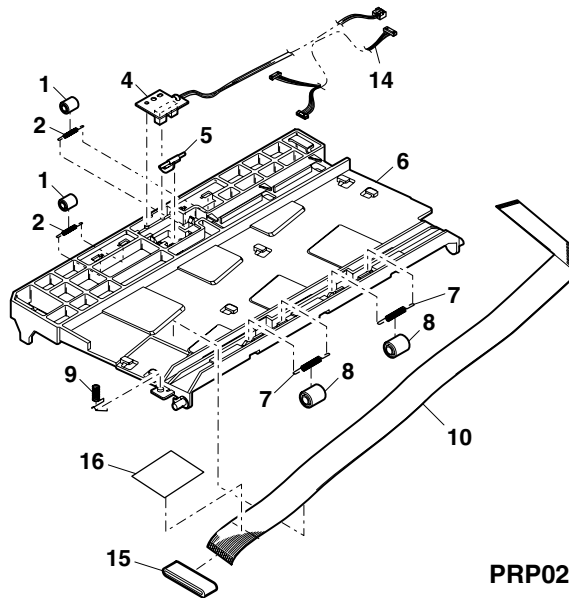


PRP02515

10 Delivery paper guide unit

NO.	PARTS CODE	PRICE RANK	NEW MARK	PART RANK	DESCRIPTION
1	NROLP0046QSZZ	AC		C	Delivery roller upper
2	MSPRT0020QSZ1	AB		C	Delivery roller spring
4	CPWBF0147QSE6	AL		E	POD sensor PWB
5	MLEVP0005QSZ2	AC		C	Delivery actuator
6	PGIDM0006QSZ3	AM		C	Delivery paper guide
7	MSPRC0021QSZZ	AB		C	Delivery transport roller spring
8	NROLP1122FCZZ	AF		C	PS upper roller
9	MSPRD0281QSZZ	AD		C	Delivery earth spring
10	DHAI-0285QSZZ	AK		C	OP-MCU harness
14	DHAI-0282QSZZ	AG		C	LSU harness
15	RCORF0018QSZZ	AR		C	FFC core
16	PSHEZ0402QSZZ	AG		C	Panel core sheet

10 Delivery paper guide unit



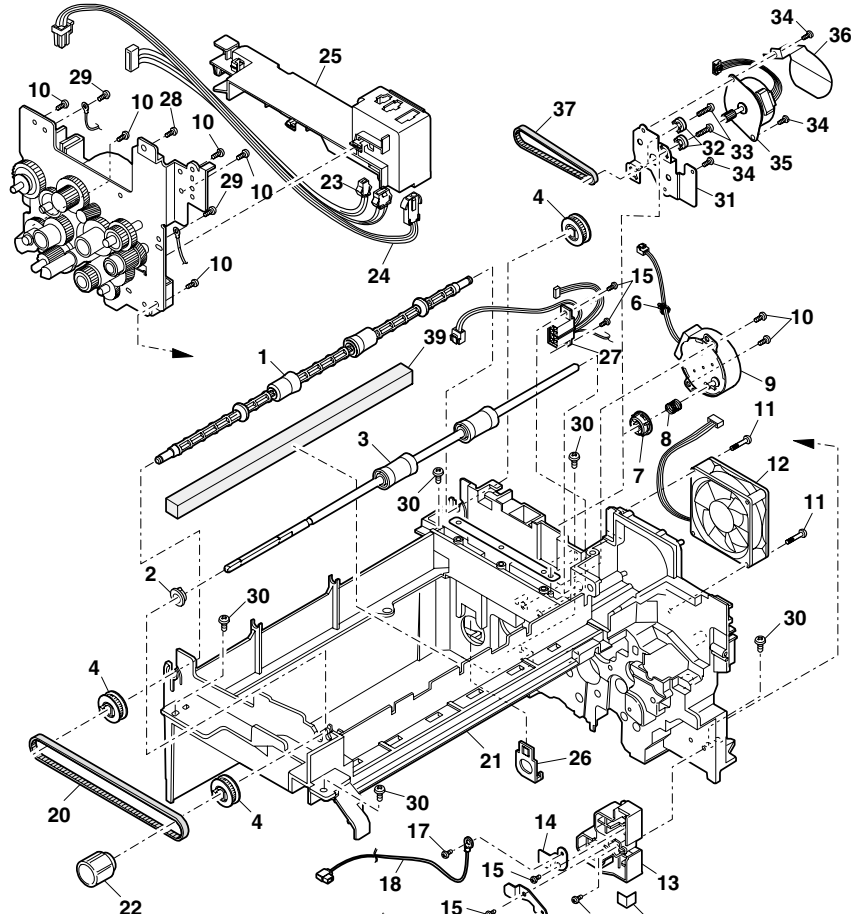
PRP02516

11 Middle frame

NO.	PARTS CODE	PRICE RANK	NEW MARK	PART RANK	DESCRIPTION
1	NR0LP0007QSZ1	AQ		C	Delivery roller lower
2	NBRGC0579FCZZ	AE		C	Roller bearing
3	NR0LP0012QSZ2	AL		C	Delivery transport roller lower
4	NPLYZ0001QSZZ	AE		C	Pulley(22T)
6	LBNDJ0043FCZZ	AA		C	Snap band(SG-130)
7	NCPL-0002QSZZ	AC		C	Hopper coupling S
8	MSPRC0330QSZZ	AC		C	Hopper spring
9	RMOTD0009QSZZ	AU		B	Toner motor
10	XEBS730P10000	AC		C	Screw(3x10)
11	XEBS730P30000	AC	N	C	Screw(3x30)
12	NFANP0005QSZZ	AU		B	Fan
13	LHLDZ0018QSZZ	AE		C	TC high voltage holder
14	QSLP-0006QSZZ	AE		C	BC HV electrode plate
15	XEBS730P06000	AA	N	C	Screw(M3x6)
16	QSLP-0005QSZZ	AE		C	TC HV electrode plate
17	XBPSC30P06K00	AA		C	Screw(3x6K)
18	DHAi-0267QSZZ	AG		C	BC harness
19	DHAi-0292QSZZ	AF		C	TC harness
20	NBLTT0039QSZZ	AE		B	Belt 308
21	LFRM-0002QSZ1	AV		D	Middle frame
22	JKNBZ0001QSZZ	AE		C	Roller rotation knob
23	DHAi-0287QSZZ	AF		C	PPD2 interface harness
24	DHAi-0276QSZZ	AL		C	HL harness 1
25	PGiDM0009QSZZ	AG		C	Harness guide
26	LPiNS0007QSZZ	AC		C	DV guide pin
27	DHAi-0271QSZZ	AP		C	DSV harness
28	LX-BZ3006SC0S	AA		C	Screw(3x6)
29	XBBS730P08000	AA	N	C	Screw(3x8)
30	XEBS740P12000	AA	N	C	Screw(4x12)
31	LPLTM0133QSZ1	AE		C	DUP motor sink
32	PSPA Z0017QSZZ	AK		C	DUP spacer
33	XEBS730P10000	AC		C	Screw(3x10)
34	XHBS730P06000	AC		C	Screw(3x6)
35	RMOTS0048QSZZ	BD		B	DUP transport motor
36	PSHEZ0156QSZ1	AE		C	Harness protection sheet
37	NBLTT0040QSZZ	AE		B	Belt
38	PSHEZ0155QSZ1	AD		C	Sheet
39	PMLT-0067QSZZ	AC		C	Cushion

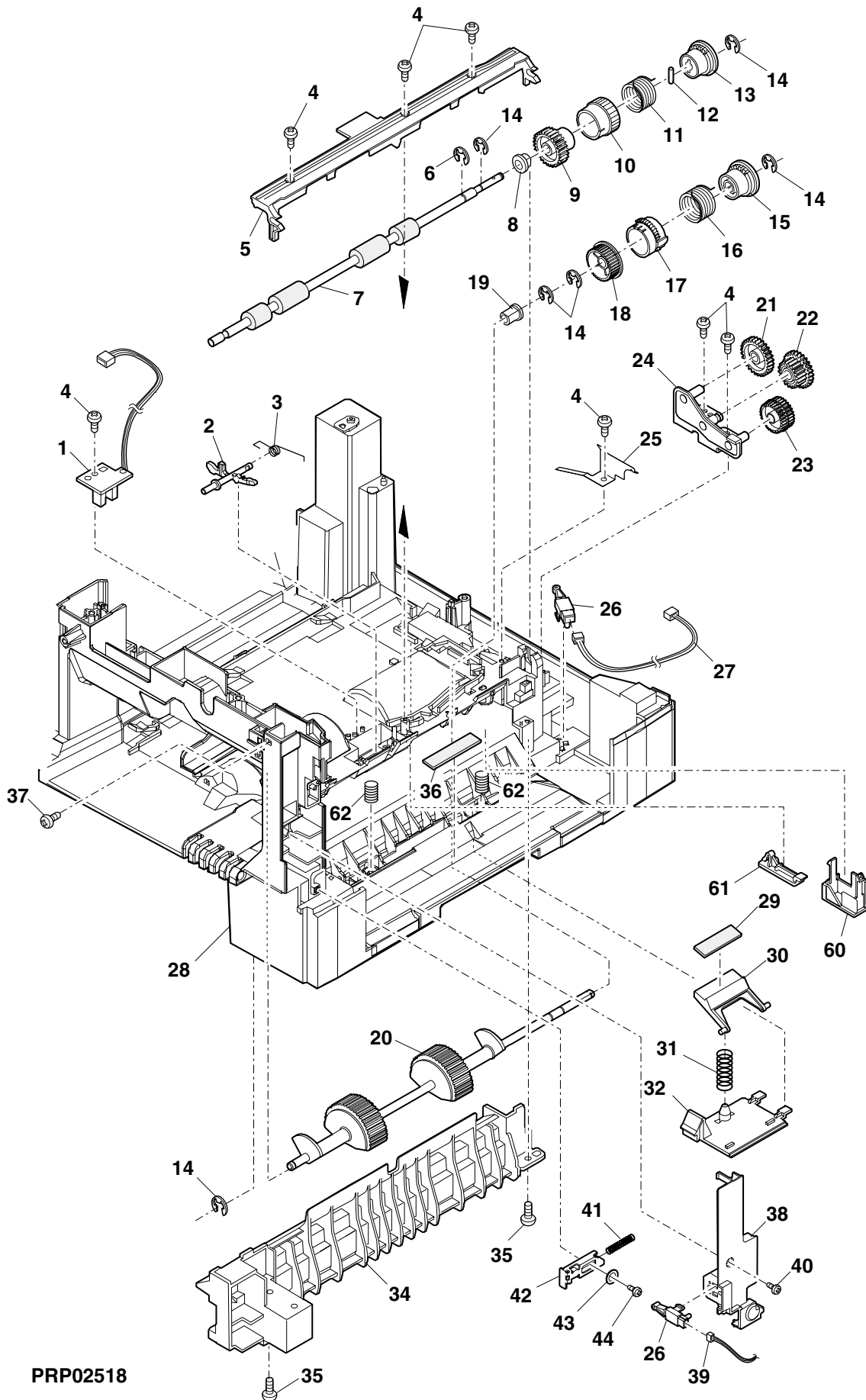
(200V Series)

11 Middle frame



PRP02517

12 Base plate unit 1

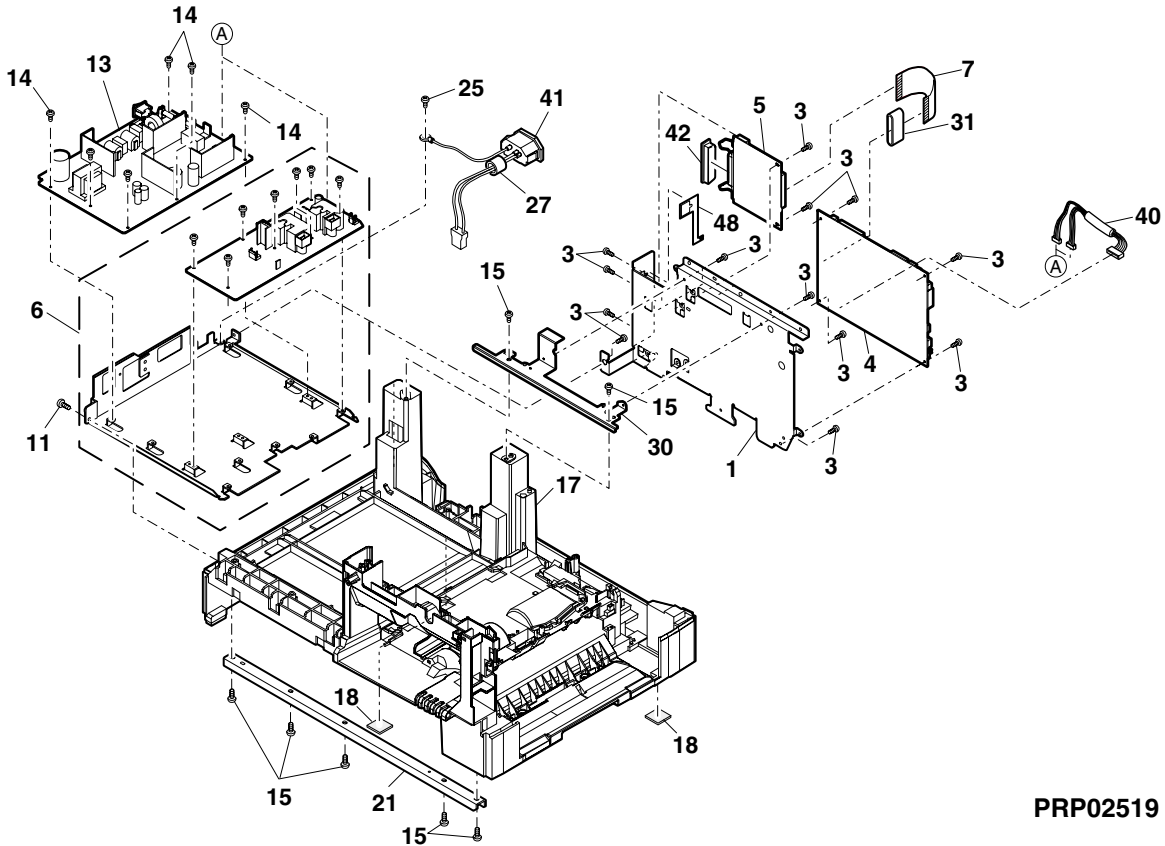


PRP02518

13 Base plate unit 2

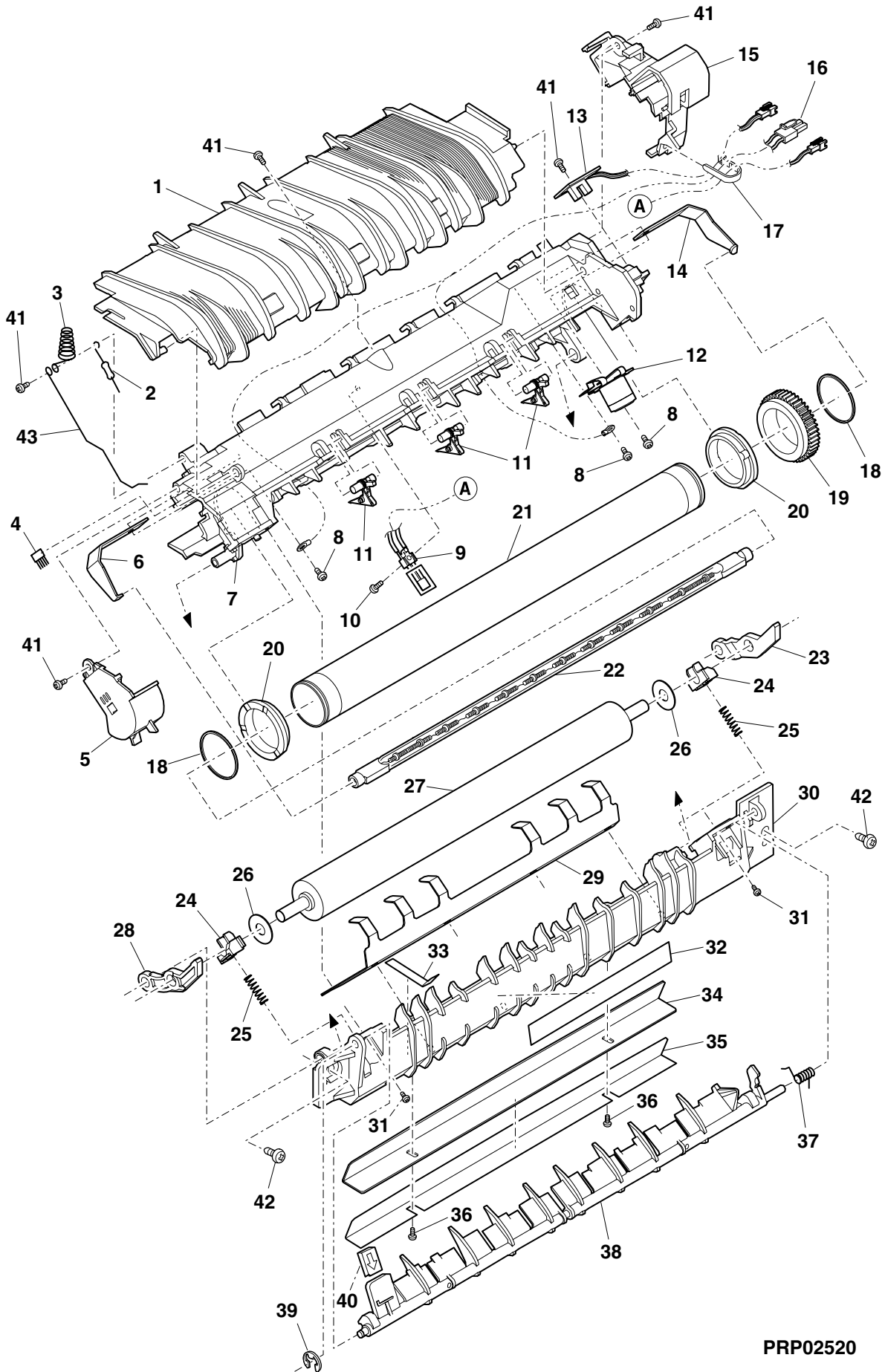
NO.	PARTS CODE	PRICE RANK	NEW MARK	PART RANK	DESCRIPTION
1	LHLDZ0092QSZZ	AP		C	PWB holder JAG
3	XHBS730P06000	AC		C	Screw(3×6)
4	CPWBX0121QS4K	CD	N	E	MCU PWB (AL-1552)
	CPWBX0121QS4J	CD	N	E	MCU PWB (AL-1553)
5	CPWBF0114QSF1	BA	N	E	IF PWB
6	RDENC0007QSZZ	BG		E	High voltage PWB
7	DHAi-0283QSZ1	AG		C	MCU-I/F harness
11	XEBS730P10000	AC		C	Screw(3×10)
13	RDENC0006QS15	BN		E	DC power supply PWB (200V Series)
14	XBBS730P06000	AC		C	Screw(3×6)
15	XEBS740P12000	AA	N	C	Screw(4×12)
17	GDAi-0001QSJ1	BE		D	Base plate
18	GLEGG0064FCZZ	AC		C	Rubber foot
21	LPLTM0020QSZZ	AL		C	Base plate reinforce plate F
25	XBPSN40P06K00	AA		C	Screw(4×6K)
27	RCORF0021QSZZ	AK		C	Core
30	LFRM-0062QSZZ	AG		D	Connector frame
31	RCORF1028LCZZ	AP		C	Ferrite core
40	DHAi-0294QSZZ	AK		C	Center frame harness
41	DHAi-0305QSZ1	AL		C	Inlet interface harness
42	PCAPH1001ACZZ	AE		D	Protection cover
48	PSHEZ0405QSZZ	AE		C	Connector ground sheet

13 Base plate unit 2



PRP02519

14 Fusing unit

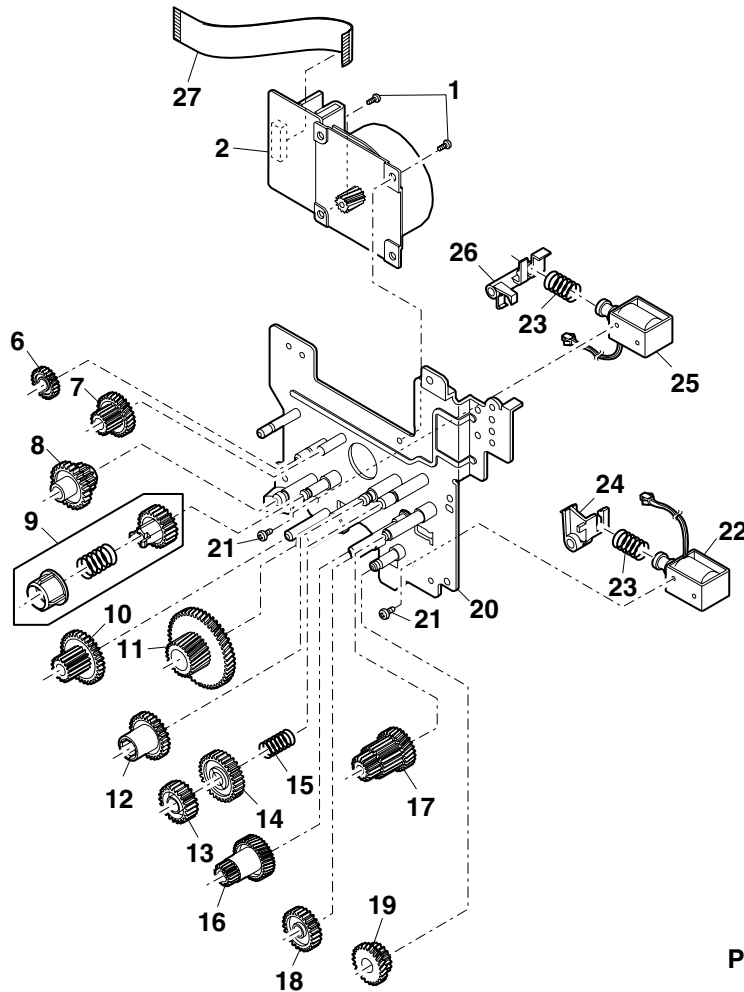


PRP02520

15 Drive unit

NO.	PARTS CODE	PRICE RANK	NEW MARK	PART RANK	DESCRIPTION
1	XBBS740P06000	AA	N	C	Screw(4x6)
2	RMOTP0036QSZZ	BD		B	Main motor
6	NGERH0010QSZZ	AD		C	Gear(28T)
7	NGERH0009QSZZ	AD		C	Gear(46/16T)
8	NGERH0014QSZZ	AD		C	Gear(30/15T)
9	CGERH0011RS51	AE		E	MG gear unit
10	NGERH0015QSZZ	AD		C	Gear(37/15T)
11	NGERH0007QSZZ	AH		C	Gear(68/26T)
12	NGERH0016QSZZ	AD		C	Coupling gear(34T)
13	NGERH0019QSZZ	AD		C	Ratchet gear(21T)
14	NGERH0018QSZZ	AC		C	Ratchet gear(28T)
15	MSPRC0023QSZ1	AC		C	Ratchet spring
16	NGERH0008QSZZ	AL		C	Gear(55/19T)
17	NGERH0017QSZZ	AD		C	Gear(33/20/15T)
18	NGERH0012QSZZ	AE		C	Gear(20T)
19	NGERH0013QSZZ	AG		C	Gear(31/17T)
20	CPLTM0042QS02	AY		C	Main drive plate
21	XBBS730P04000	AA	N	C	Screw(3x4)
22	RPLU-0035QSZZ	AL		B	Solenoid
23	MSPRC1318FCZ1	AA		C	Spring B
24	PTME-0002QSZZ	AD		C	PS roller pawl
25	RPLU-0002QSZZ	AN		B	Solenoid
26	PTME-0003QSZ1	AD		C	Roller pawl
27	DHAi-0296QSZZ	AK		C	Main motor harness
	(Unit)				
901	CPLTM0042RS56	BM		E	Drive unit[Except No.27]

15 Drive unit

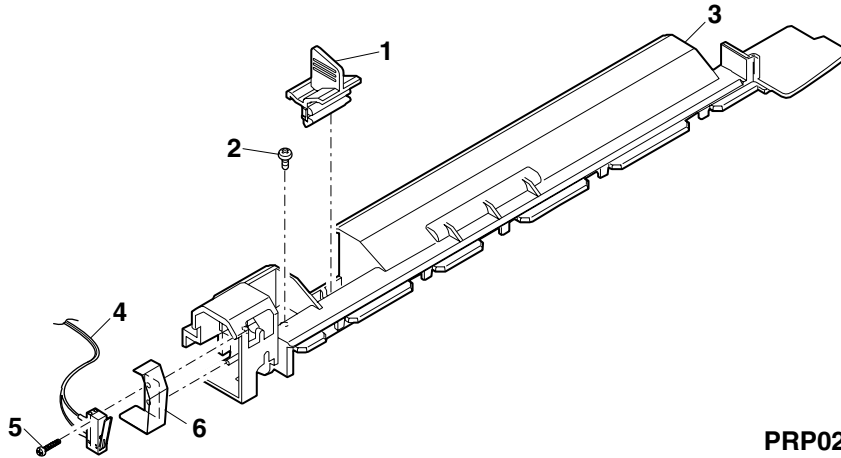


PRP02521

16 Single manual paper feeding cover unit (AL-1552)

NO.	PARTS CODE	PRICE RANK	NEW MARK	PART RANK	DESCRIPTION
1	CCL EZ 0 0 0 5 RS 5 1	AQ		A	Charger cleaner unit
2	XEBS 7 3 0 P 0 8 0 0 0	AC		C	Screw(3×8)
3	PCOVP 0 0 1 2 QS J 1	AH		D	Single upper cover
4	CSW-M 0 0 1 6 RS 5 1	AG		B	Side door detect switch unit
5	XEPS 7 2 0 P 1 0 0 0 0	AA	N	C	Screw(2×10)
6	MSPRP 0 1 1 0 QS Z 1	AD		C	Door switch spring

16 Single manual paper feeding cover unit (AL-1552)

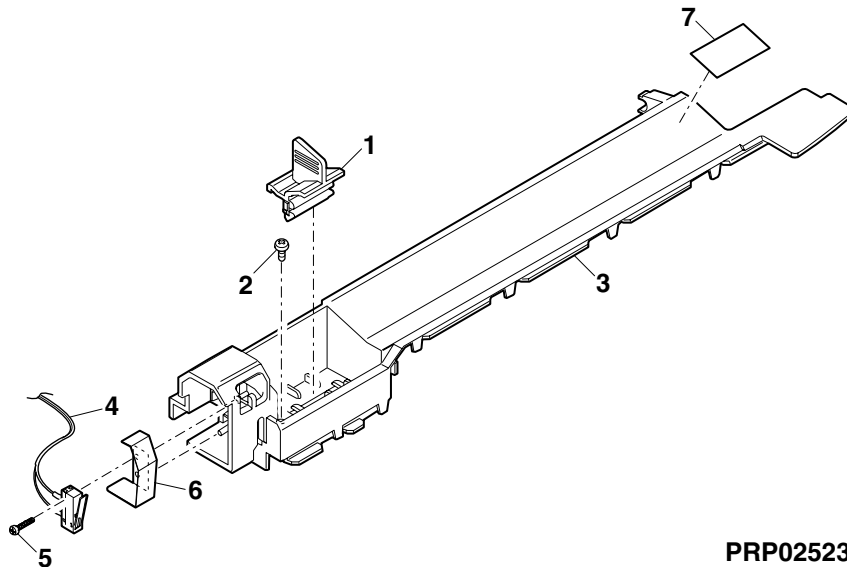


PRP02522

17 Multi manual paper feeding cover unit (AL-1553)

NO.	PARTS CODE	PRICE RANK	NEW MARK	PART RANK	DESCRIPTION
1	CCL EZ 0 0 0 5 RS 5 1	AQ		A	Charger cleaner unit
2	XEBS 7 3 0 P 0 8 0 0 0	AC		C	Screw(3×8)
3	PCOVP 0 0 2 3 QS J 1	AH		D	Multi upper cover
4	CSW-M 0 0 1 6 RS 5 1	AG		B	Side door detect switch unit
5	XEPS 7 2 0 P 1 0 0 0 0	AA	N	C	Screw(2×10)
6	MSPRP 0 1 1 0 QS Z 1	AD		C	Door switch spring
7	PSHEZ 0 0 7 5 QS Z Z	AC		C	MB upper guide sheet

17 Multi manual paper feeding cover unit (AL-1553)

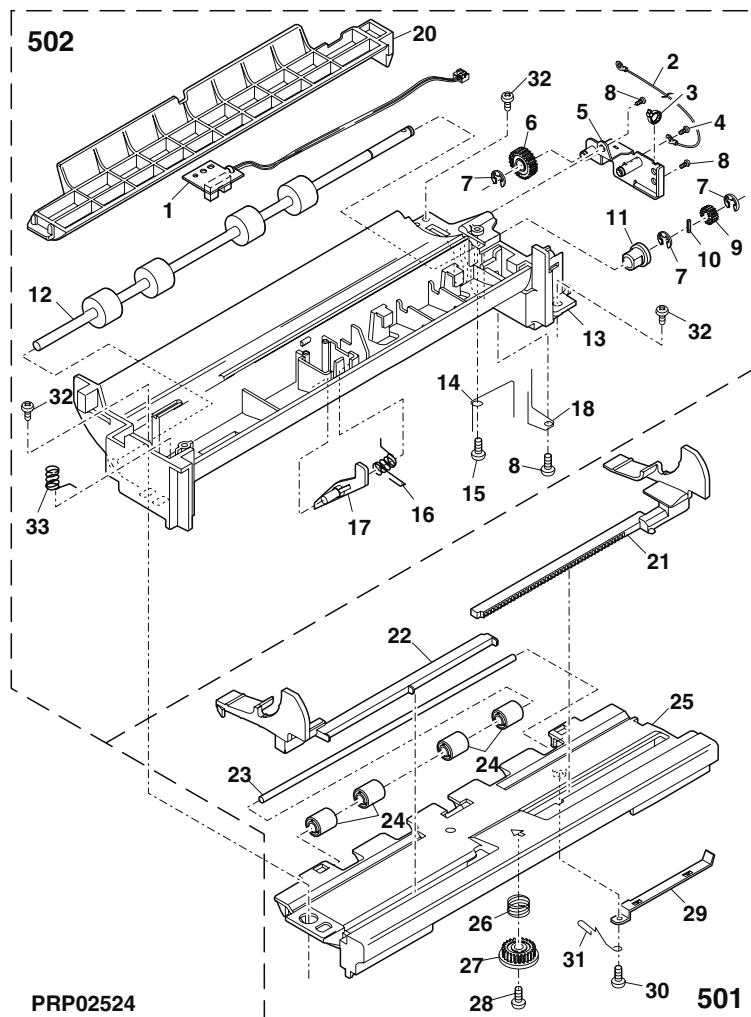


PRP02523

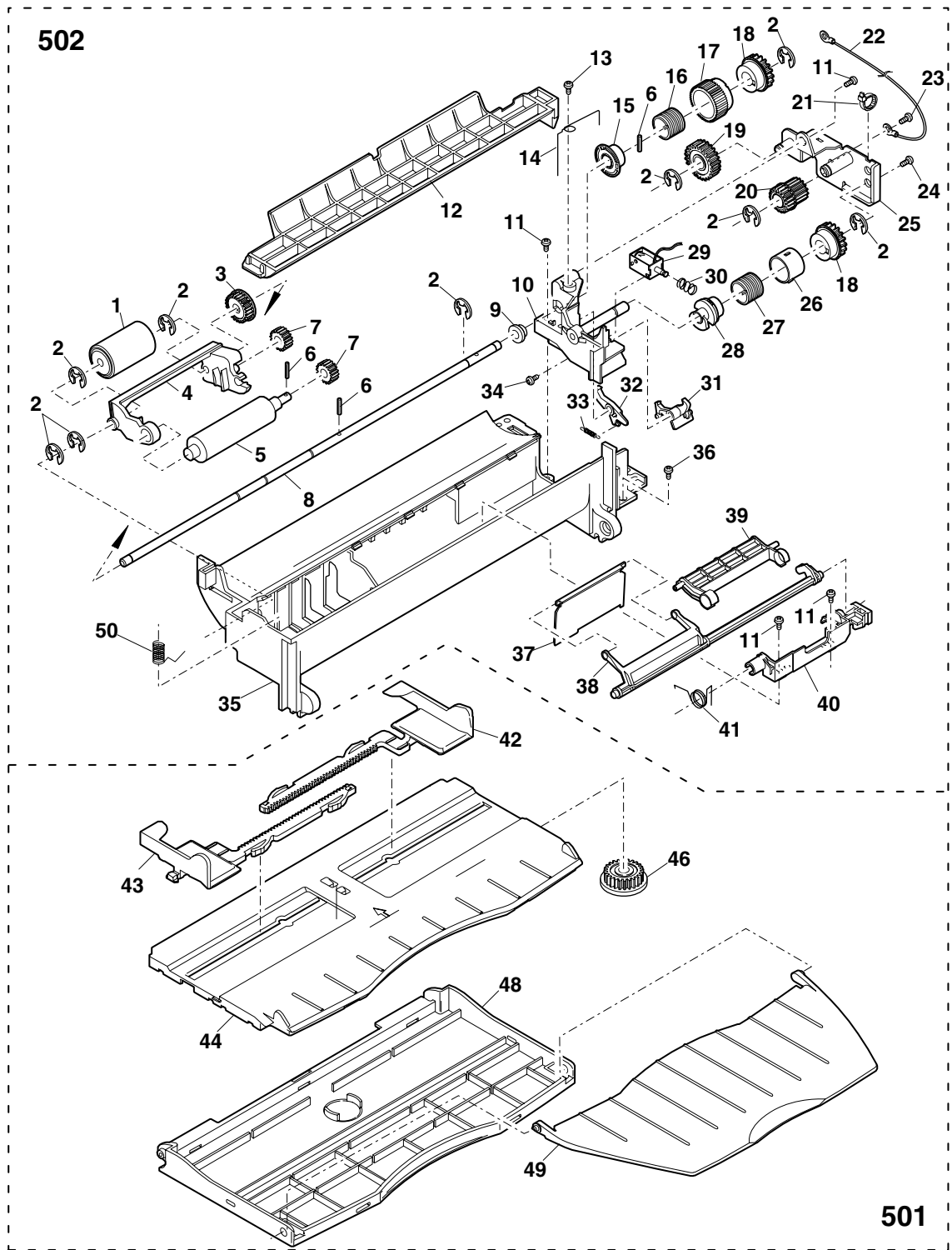
18 Single manual paper feeding unit (AL-1552)

NO.	PARTS CODE	PRICE RANK	NEW MARK	PART RANK	DESCRIPTION
1	CPWBF0116RS54	AP		E	MFD sensor PWB
2	DHAI-0295QSZZ	AC		C	Manual feeding earth harness
3	LBNDJ0013FCZ1	AE		C	Wire band
4	XHBS730P06000	AC		C	Screw(3x6)
5	CPLTM0023QS02	AF		C	SB plate 1
6	NGERH0972FCZZ	AB		C	Gear(27T)
7	XRESP40-06000	AA		C	E-ring(E4)
8	XEBS730P08000	AC		C	Screw(3x8)
9	NGERH0990FCZZ	AB		C	Gear(16T)
10	XPSSJ20-07000	AA		C	Spring pin(φ2-7)
11	NBRGP0562FCZZ	AD		C	Bearing
12	NRÖLR0016QSZZ	AT		C	MF transport roller
13	LFRM-0006QSJZ	AN		D	Single manual feed frame
14	MSPRC0039QSZ1	AC		C	Earth spring
15	XBPS730P06KS0	AB	N	C	Screw(3x6KS)
16	MSPRC0038QSZ1	AC		C	Actuator spring
17	MLEVP0007QSZZ	AD		C	Actuator
18	MSPRC0080QSZZ	AB		C	SB transport earth spring
20	PGiDM0014QSJ1	AF		C	DUP upper guide
21	PGiDM0013QSJZ	AF		C	SB side guide R
22	PGiDM0012QSJZ	AF		C	SB side guide F
23	NSFTZ0007QSZZ	AG		C	Roller shaft
24	NRÖLP1122FCZZ	AF		C	PS upper roller
25	LFRM-0007QSJZ	AL		D	Single manual feed lower frame
26	MSPRC0036QSZ1	AB		C	MF spring
27	NGERH0021QSZZ	AD		C	Manual feeding gear
28	XEPS730P06X00	AA	N	C	Screw(3x6X)
29	MSPRP0079QSZZ	AD		C	SB earth plate spring
30	XEBS730P06000	AA	N	C	Screw(3x6)
31	MSPRD0108QSZZ	AC		C	SB lower earth spring
32	XEBS740P12000	AA	N	C	Screw(4x12)
33	MSPRC0109QSZZ	AC		C	Spring
501	CFRM-0007RS54	AX		E	SB manual feeding lower frame unit
502	CFRM-0006RS53	BB		E	Single manual paper feeding unit

18 Single manual paper feeding unit (AL-1552)



19 Multi manual paper feeding unit (AL-1553)

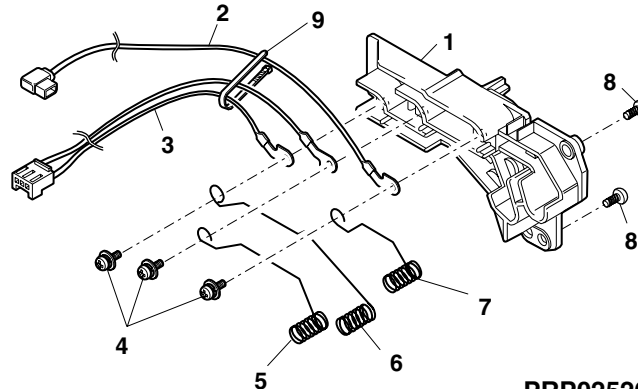


PRP02525

20 Socket holder unit

NO.	PARTS CODE	PRICE RANK	NEW MARK	PART RANK	DESCRIPTION
1	LHLDZ0009QSAZ	AF		C	HV interface holder
2	CHAI-0298RS51	AL		C	MC harness unit
3	CHAI-0273RS51	AN		C	GB-MCFB harness unit
4	XBPSC30P06ES0	AA		C	Screw(3×6ES)
5	MSPRC0017QSZ1	AC		C	HV terminal spring
6	MSPRC0018QSZ1	AC		C	HV terminal spring
7	MSPRC0016QSZ1	AC		C	HV terminal spring
8	XEBS730P08000	AC		C	Screw(3×8)
9	LBNDJ0013FCZ1	AE		C	Wire band

20 Socket holder unit

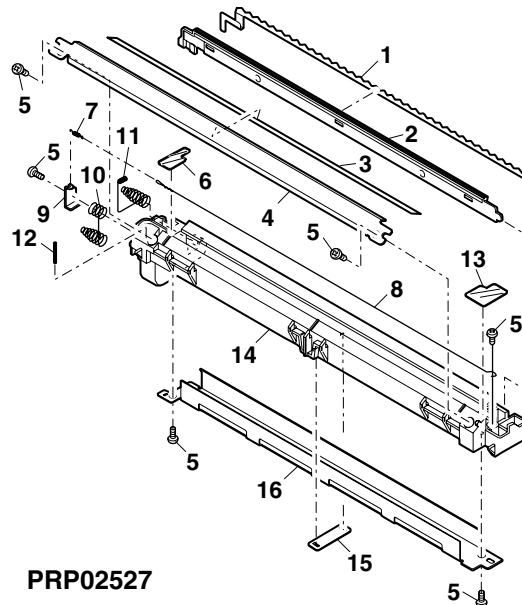


PRP02526

21 TC case unit

NO.	PARTS CODE	PRICE RANK	NEW MARK	PART RANK	DESCRIPTION
1	PSHEZ0018QSZZ	AF		C	Discharge plate sheet
2	PGIDM0011QSZZ	AE		C	Separator guide
3	PSHEP0019QSZ1	AC		C	TC sheet
4	PGIDH0025QSZ1	AG		C	TC front guide
5	XEBS730P06000	AA	N	C	Screw(M3×6)
6	PSHEP0021QSZZ	AA		C	TC cover sheet R
7	MSPRT0513FCZ1	AA		C	MC tension spring
8	DWIR-0466CSZZ	BE		B	Charger wire
9	QSLP-0007QSZZ	AC		C	TC electrode plate
10	MSPRC0027QSZZ	AC		C	TC electrode spring
11	MSPRC0028QSZZ	AC		C	BC electrode spring
12	MSPRC0051QSZ1	AA		C	Front guide earth spring
13	PSHEP0020QSZZ	AB		C	TC cover sheet F
14	LHLDZ0010QSZ1	AL		C	TC holder
15	LFIX-0004QSZZ	AC		C	Holder fixing plate
16	PCASZ0002QSZZ	AL		D	TC case
	(Unit)				
901	CHLDZ0010RS52	AU		E	Transfer holder unit

21 TC case unit

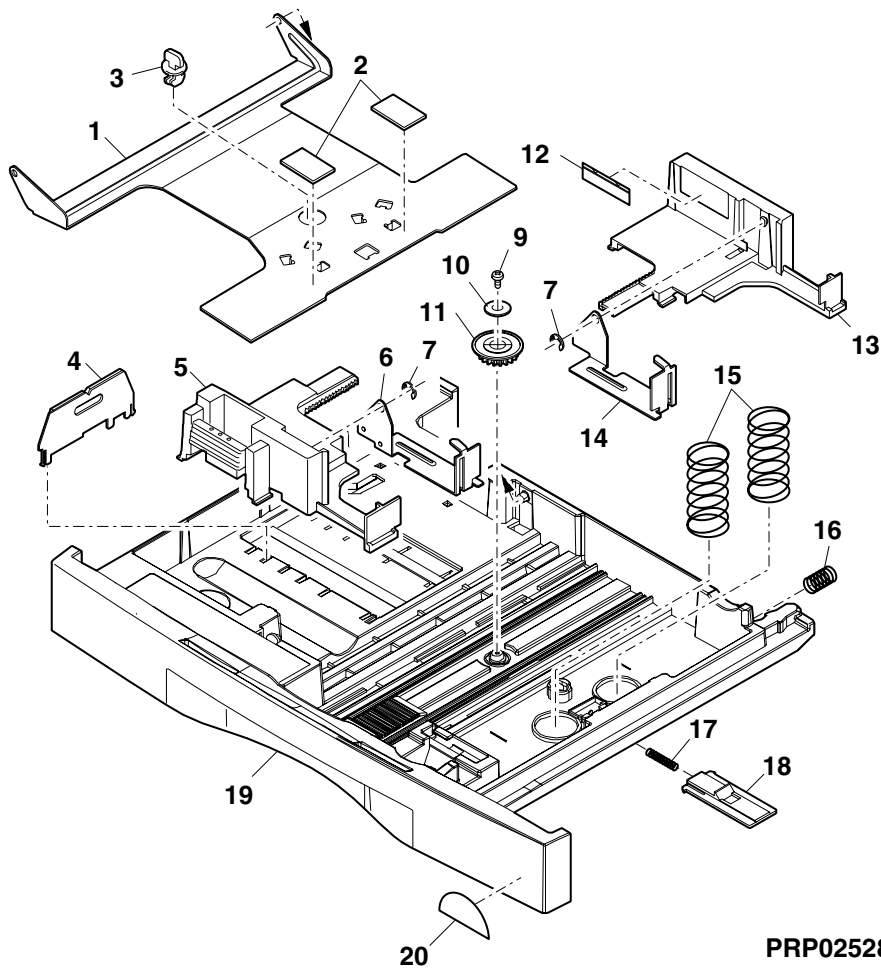


PRP02527

22 250 sheets tray

NO.	PARTS CODE	PRICE RANK	NEW MARK	PART RANK	DESCRIPTION
1	LPLTM5106FCZZ	AR		C	Turning plate 250
2	PSHEZ4142FCZZ	AC		C	Rotation plate sheet
3	LHLDW1226FCZZ	AB		C	Turn fastener
4	LPLTM2642FCG2	AD		C	Tray rear plate
5	LPLTP5107FCZ1	AG		C	250 tray side plate F
6	PTME-0255FCZZ	AG		C	250 tray pawl F
7	XRESP40-06000	AA		C	E-ring(E4)
9	XEBS730P08000	AC		C	Screw(3×8)
10	LX-WZ2028SCZZ	AA		C	Washer(φ12)
11	NGERH0193FCZZ	AB		C	Manual feeding gear
12	TLABZ3568GHZZ	*	N	D	Indication label
13	LPLTP5108FCZ1	AG		C	250 tray side plate R
14	PTME-0256FCZZ	AG		C	250 tray pawl R
15	MSPRC0108QSZZ	AC		C	250 tray spring
16	MSPRC1873FCZ1	AB		C	Tray spring
17	MSPRC1145FCZZ	AA		C	Stopper spring
18	LSTPP0161FCZ1	AB		C	Rotation plate stopper
19	GCASP0001QSJ2	AZ		D	250 tray case
20	TLABZ4047FCZZ	AC		D	Energy star label
	(Unit)				
901	CCASP0001RS55	BF		E	250 tray unit(Except No.20)

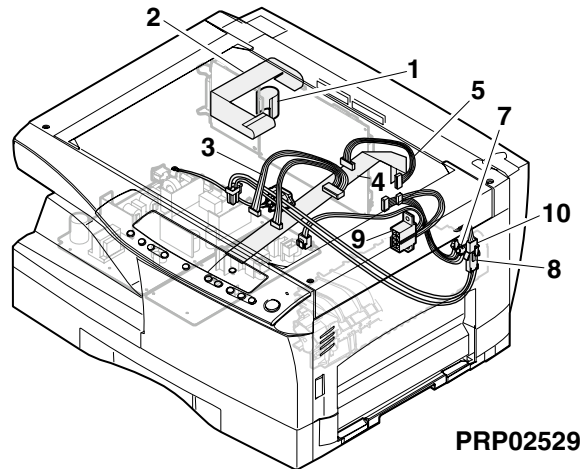
22 250 sheets tray



23 Harness

NO.	PARTS CODE	PRICE RANK	NEW MARK	PART RANK	DESCRIPTION
1	DHA i - 0 2 8 3 Q S Z 1	AG		C	MCU-I/F harness
2	DHA i - 0 2 6 8 Q S Z 3	AG		C	CCD-MCU harness
3	DHA i - 0 2 9 4 Q S Z Z	AK		C	Center frame harness
4	DHA i - 0 2 8 5 Q S Z Z	AK		C	OP-MCU harness
5	DHA i - 0 2 9 6 Q S Z Z	AK		C	Main motor harness
7	DHA i - 0 2 8 7 Q S Z Z	AF		C	PPD2 interface harness
8	DHA i - 0 2 7 6 Q S Z Z	AL		C	HL harness 1 (200V Series)
9	DHA i - 0 2 7 1 Q S Z Z	AP		C	DSV harness
10	DHA i - 0 2 8 0 Q S Z 1	AH		C	HL harness 2 (200V Series)

23 Harness

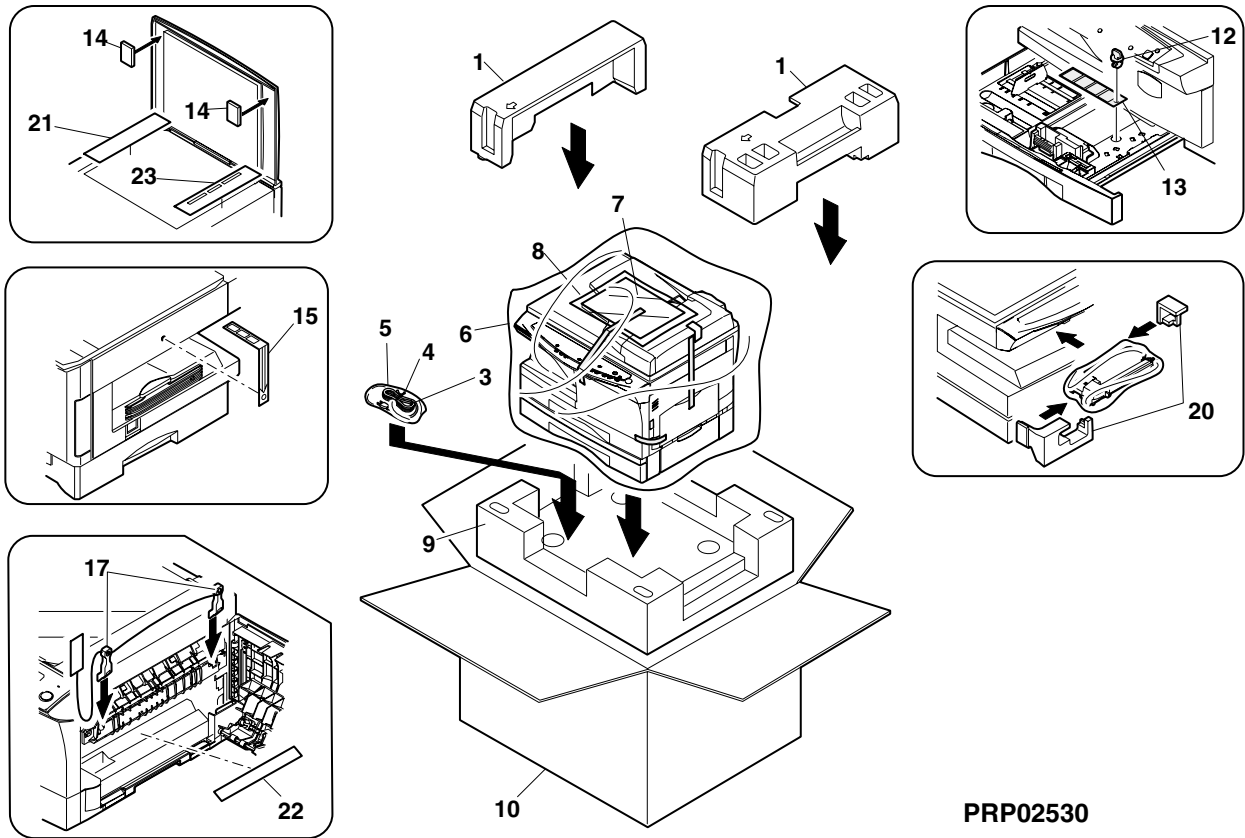


24 Packing material & accessories



NO.	PARTS CODE	PRICE RANK	NEW MARK	PART RANK	DESCRIPTION
1	SPAKA0408QSZZ	AN		D	Top packing OC (AL-1552)
	SPAKA0409QSZZ	AR		D	Top packing SPF (AL-1553)
3	QACCBR623QCPZ	AU		B	AC cord (U.kingdom)
	QACCE7623QCPZ	*	N	B	AC cord (Switzerland)
	QACCV6621JHPZ	*	N	B	AC cord (Other countries)
4	UBNDA0001FCZZ	AA		C	AC cable band
5	SSAKA5003CCZZ	AA		D	Vinyl bag(140x260mm)
6	SSAKZ0002QSZZ	AF		D	Body vinyl bag
7	T i n S E 1 4 0 9 T S Z Z	*	N	D	Operation manual [ENGLISH]
	T i n S F 1 4 1 0 T S Z Z	*	N	D	Operation manual [FRENCH]
	T i n S G 1 4 0 8 T S Z Z	*	N	D	Operation manual [GERMAN]
	T i n S H 1 4 1 1 T S Z Z	*	N	D	Operation manual [DUTCH]
	T i n S i 1 4 1 3 T S Z Z	*	N	D	Operation manual [ITALIAN]
	T i n S W 1 4 1 2 T S Z Z	*	N	D	Operation manual [SWEDISH]
8	SSAKA2347QCZZ	AB		D	Vinyl bag(240x300mm)
9	SPAKA0405QSZZ	AN		D	Bottom packing (AL-1552)
	SPAKA0406QSZZ	AS		D	Bottom packing (AL-1553)
10	SPAKC0402TS41	*	N	D	Packing case (AL-1552)
	SPAKC0403TS26	*	N	D	Packing case (AL-1553)
12	LHLDW1226FCZZ	AB		C	Turn fastener
13	TTAG-0002QSZZ	AB		D	Tray rotation tag
14	SPAKA0051RSZZ	AC		D	OC packing (AL-1552)
	SPAKA0064RSZ1	AC		D	OC packing (AL-1553)
15	TTAG-0006QSZ1	AD		D	Scanner fixing tag JAG
17	CLEVP0016QS02	AF		C	Pressure block lever
20	SPAKA0411QSZZ	AE		D	Accessories Add A
21	SPAKA5116FCZZ	AB		D	SPF protect sheet (AL-1553)
22	TCAUH0007TSZZ	*	N	D	Laser caution label
23	SPAKA0432QSZZ	AC		D	SPF protect sheet JAG (AL-1553)
101	CDSKA0019TS46	*	N	D	CD-ROM

24 Packing material & accessories



PRP02530

25 Operation PWB

NO.	PARTS CODE	PRICE RANK	NEW MARK	PART RANK	DESCRIPTION
1	QCNCM0861FCZZ	AB		C	Connector(3pin) [CN302]
2	QCNCW1132LC1H	AD		C	Connector(18pin) [CN301]
3	QSW-P0001ESZZ	AC		B	Tact switch(SKQNB010) [MAGK,ZDWK,CLK,ZUPK,PSW]
	QSW-P0001ESZZ	AC		B	Tact switch(SKQNB010) [10UPK,1UPK,EXUPK,EXDWK]
	QSW-P0001ESZZ	AC		B	Tact switch(SKQNB010) [EXMODK,CRSK,OLK,SCNK]
	QSW-P0001ESZZ	AC		B	Tact switch(SKQNB010) (AL-1457)[BPK,DUPK]
4	VCCCY1HH201J	AA		C	Capacitor(50WV 200pF) [C317,C319,C326,C327]
5	VCEAJU1CW476M	AB		C	Capacitor(16WV 47μF) [C301]
6	VCKYCY1CB104K	AB		C	Capacitor(16WV 0.1μF) [C311,C323]
7	VCKYCY1HB102K	AA		C	Capacitor(50WV 1000pF) [C302-310,312-316]
8	VCKYCY1HB223K	AC		C	Capacitor(50WV 0.022μF) [C318,325]
9	VHD1SS133+-1	AA		B	Diode(1SS133) [D301-310]
10	VHILC7935//1	AN		B	IC(LC7935) [IC303]
11	VH174HC151M-1	AD		B	IC(74HC151M) [IC301,IC302]
12	VHP1LHEE-002A	AC		B	LED(Red)(1LHEE-002A) [SJAL,TPL,DPL,JPL,MPL]
13	VHP1LHLE-002A	AC		B	LED(Green)(LTL-1LHLE-002A) [PE,ME,RPL,AE,ZPL,ONLL]
	VHP1LHLE-002A	AC		B	LED(Green)(LTL-1LHLE-002A) [EXD,EXN,EXL,CS1L,SCNL]
	VHP1LHLE-002A	AC		B	LED(Green)(LTL-1LHLE-002A) [BPL,3RE,2RE,1RE,NOR]
	VHP1LHLE-002A	AC		B	LED(Green)(LTL-1LHLE-002A) [1ENR,2ENR,PML,SPFL,CS2L]
	VHP1LHLE-002A	AC		B	LED(Green)(LTL-1LHLE-002A) [DAA1,DAA2,DU21,DU22]
14	VHP3650AG2J-1	AL		B	LED(7SEGMENT)(LTC-3650AG-02J) [LEDM]
15	VRS-CY1JD101J	AA		C	Resistor(1/16W 100Ω ±5%) [R302,308,309,310,312]
	VRS-CY1JD101J	AA		C	Resistor(1/16W 100Ω ±5%) [R313,314,318,319,321]
	VRS-CY1JD101J	AA		C	Resistor(1/16W 100Ω ±5%) [R322,324,327,336]
16	VRS-CY1JD102J	AA		C	Resistor(1/16W 1.0KΩ ±5%) [R317,335,338]
	VRS-CY1JD102J	AA		C	Resistor(1/16W 1.0KΩ ±5%) [R340,352,357,360]
17	VRS-CY1JD121J	AA		C	Resistor(1/16W 120Ω ±5%) [R328-334,341-349,361]
18	VRS-CY1JD151J	AA		C	Resistor(1/16W 150Ω ±5%) [R350,351,358]
19	VRS-CY1JD152J	AA		C	Resistor(1/16W 1.5KΩ ±5%) [R304,359]
20	VRS-CY1JD471J	AA		C	Resistor(1/16W 470Ω ±5%) [R353,354]
21	VRS-CY1JD472J	AA		C	Resistor(1/16W 4.7KΩ ±5%) [R301,303,305,306,307]

25 Operation PWB

NO.	PARTS CODE	PRICE RANK	NEW MARK	PART RANK	DESCRIPTION
21	VRS-CY1JD472J	AA		C	Resistor(1/16W 4.7KΩ ±5%) [R311,315,316,320,323]
	VRS-CY1JD472J	AA		C	Resistor(1/16W 4.7KΩ ±5%) [R325,326,337,355]
	VRS-CY1JD511J	AA		C	Resistor(1/16W 510Ω ±5%) [R356,362]
22	RH-TX0003ESZZ	AC		B	Digital transistor(KRA225S) [Q301,302,303]
	(Unit)				
901	CPWBF0113QSG3	BB	N	E	Operation PWB

26 MCU PWB

NO.	PARTS CODE	PRICE RANK	NEW MARK	PART RANK	DESCRIPTION
1	QCNCM0923FC14	AE		C	Connector(14pin) [CN115]
2	QCNCM0923FC24	AF		C	Connector(24pin) [CN101,CN122]
3	QCNCM7014SC0C	AA		C	Connector(3pin) [CN109]
4	QCNCW0948FCZ5	AC		C	Connector(5pin) [CN114]
5	VHi74HC151M-1	AD		B	IC(74HC151M) [IC114,IC115,IC117]
6	VHiTD62064AF/	AM		B	IC(TD62064AF) [IC123,IC126]
7	RMP TW4102QCJJ	AB		B	Block resistor(1.0KΩ×4) [BR160,BR161,BR162,BR163]
8	RMP TW4103QCJJ	AB		B	Block resistor(10KΩ×4) [BR101,BR102,BR103,BR104,BR105]
	RMP TW4103QCJJ	AB		B	Block resistor(10KΩ×4) [BR106,BR107,BR108,BR109,BR110]
	RMP TW4103QCJJ	AB		B	Block resistor(10KΩ×4) [BR111,BR112,BR114,BR115,BR117]
	RMP TW4103QCJJ	AB		B	Block resistor(10KΩ×4) [BR133,BR135,BR137,BR139,BR145]
	RMP TW4103QCJJ	AB		B	Block resistor(10KΩ×4) [BR146,BR148,BR150,BR152,BR153]
	RMP TW4103QCJJ	AB		B	Block resistor(10KΩ×4) [BR154,BR155,BR159]
9	VRS-CZ1JD100J	AA		C	Resistor(1/16W 10Ω ±5%) [R144,R145,R149,R267]
10	VRS-CZ1JD102J	AA		C	Resistor(1/16W 1.0KΩ ±5%) [R157,R181,R185,R195,R207]
	VRS-CZ1JD102J	AA		C	Resistor(1/16W 1.0KΩ ±5%) [R214,R216,R235,R236,R237]
	VRS-CZ1JD102J	AA		C	Resistor(1/16W 1.0KΩ ±5%) [R244,R187,R188,R282,R291]
11	VRS-CZ1JD152J	AA		C	Resistor(1/16W 1.5KΩ ±5%) [R150,R151,R152,R153,R160]
	VRS-CZ1JD152J	AA		C	Resistor(1/16W 1.5KΩ ±5%) [R162,R163,R164,R165,R167]
	VRS-CZ1JD152J	AA		C	Resistor(1/16W 1.5KΩ ±5%) [R168,R179,R180]
12	VRS-CZ1JD203J	AA		C	Resistor(1/16W 20KΩ ±5%) [R215,R217]
13	VCCCCZ1HH330J	AA		C	Capacitor(50WV 33pF) [C186,C188,C194,C302]
14	VCKYCZ1CF104Z	AB		C	Capacitor(16WV 0.1μF) [C101,C107,C108,C110,C111]
	VCKYCZ1CF104Z	AB		C	Capacitor(16WV 0.1μF) [C112,C113,C114,C115,C124]
	VCKYCZ1CF104Z	AB		C	Capacitor(16WV 0.1μF) [C128,C129,C130,C131,C132]
	VCKYCZ1CF104Z	AB		C	Capacitor(16WV 0.1μF) [C133,C134,C135,C136,C137]
	VCKYCZ1CF104Z	AB		C	Capacitor(16WV 0.1μF) [C138,C140,C141,C142,C143]
	VCKYCZ1CF104Z	AB		C	Capacitor(16WV 0.1μF) [C144,C145,C146,C147,C148]
	VCKYCZ1CF104Z	AB		C	Capacitor(16WV 0.1μF) [C149,C150,C151,C152,C153]
	VCKYCZ1CF104Z	AB		C	Capacitor(16WV 0.1μF) [C154,C155,C156,C157,C158]
	VCKYCZ1CF104Z	AB		C	Capacitor(16WV 0.1μF) [C159,C160,C161,C162,C164]
	VCKYCZ1CF104Z	AB		C	Capacitor(16WV 0.1μF) [C168,C170,C173,C176,C177]
	VCKYCZ1CF104Z	AB		C	Capacitor(16WV 0.1μF) [C178,C179,C180,C181,C182]
	VCKYCZ1CF104Z	AB		C	Capacitor(16WV 0.1μF) [C183,C184,C185,C187,C189]
	VCKYCZ1CF104Z	AB		C	Capacitor(16WV 0.1μF) [C193,C195,C196,C198,C199]
	VCKYCZ1CF104Z	AB		C	Capacitor(16WV 0.1μF) [C205,C207,C220,C260,C283]
	VCKYCZ1CF104Z	AB		C	Capacitor(16WV 0.1μF) [C285,C288,C289,C308,C323,C328]
	15	VCKYCZ1HB102K	AA		C
VCKYCZ1HB102K		AA		C	Capacitor(50WV 1000pF) [C266,C278,C279,C280,C281]
VCKYCZ1HB102K		AA		C	Capacitor(50WV 1000pF) [C290,C291,C292,C293,C294]
VCKYCZ1HB102K		AA		C	Capacitor(50WV 1000pF) [C295,C296,C297,C298,C303]
VCKYCZ1HB102K		AA		C	Capacitor(50WV 1000pF) [C304,C305,C306,C307,C309]
VCKYCZ1HB102K		AA		C	Capacitor(50WV 1000pF) [C310,C311,C312]
16	VHDKDS121+-1	AC		B	Diode(KDS121) [D116,D117,D118,D125,D126]
	VHDKDS121+-1	AC		B	Diode(KDS121) [D130,D131,D132,D136]
17	VHDKDS120+-1	AC		B	Diode(KDS120) [D121,D122,D123,D128,D129]
	VHDKDS120+-1	AC		B	Diode(KDS120) [D133,D134,D135,D137]
18	VHDKDS226+-1	AC		B	Diode(KDS226) [D102,D103,D119,D138,D140,D143]
19	VHDDSS133/-1	AA		B	Diode(1SS133) [D104,D120,D124,D127]
20	VHEMTZJ22B/-1	AA		B	Zener diode(MTZJ22B) [D109]
21	RH-DX0001ESZZ	AC		B	Diode(11EQS06-TA1B2) [D139]
22	VHV iCPN38/-1	AF		B	IC protector(ICPN38) [CP101,CP102,CP103]
23	TLABZ4201FCZZ	AC		D	Version label [For IC111]
24	VHi28F4BVEB85	AX		B	IC(28F4BVEB85) [IC111]
26	VHiH8S2321+-1	AX		B	CPU(HD6412321VF25) [IC103]
27	VHiHG73C1191C	BH		B	IC(HG73C1191C) [IC106]
28	RCRSP0016QSSZZ	AD		B	Crystal(19.6608MHz) [X101]
29	RCRUB0016QSSZZ	AN		B	Crystal(13.9867MHz) [X103]
30	RCRUB0013QSSZ1	AN		B	Crystal(24.000MHz) [X102]
31	QCNCM0923FC18	AF		C	Connector(18pin) [CN119]
32	QCNCM1005MCZZ	AB		C	Connector(2pin) [CN124]
33	QCNCM0079QSSZZ	AC		C	Connector(2pin) [CN116]
34	QCNCM2401SC0C	AB		C	Connector(3pin) [CN111]
35	QCNCM2401SC0D	AC		C	Connector(4pin) [CN106,CN103]
36	QCNCM2401SC0E	AC		C	Connector(5pin) [CN123]
37	QCNCM7014SC0C	AA		C	Connector(3pin) [CN113,CN110]

26 MCU PWB

NO.	PARTS CODE	PRICE RANK	NEW MARK	PART RANK	DESCRIPTION
38	QCNCM7014SC0D	AB		C	Connector(4pin) [CN112]
39	QCNCM7014SC0E	AB		C	Connector(5pin) [CN120]
40	QCNCM7014SC0F	AB		C	Connector(6pin) [CN125]
41	QCNCP0341QCZZ	AC		C	Connector(3pin) [CN117]
42	QCNCP0340QCZZ	AC		C	Connector(3pin) [CN108]
43	QCNCW1124LC0H	AC		C	Connector(8pin) [CN107]
44	QCNCW1124LC1H	AD		C	Connector(18pin) [CN102]
45	QCNCW0078QSZZ	AF		C	Connector(35Pin) [CN104]
46	QCNCW0024QSZZ	AF		C	Connector(32pin) [CN105]
47	QSOCZ0002QSZZ	AD		C	IC socket(8pin) [For IC102]
48	RH-iX7001XCZZ	AQ		B	SRAM(IS63LV1024L) [IC112]
49	RH-iX0001QSZZ	BD		B	IC(MT48LC8M16ATG) [IC110]
50	RH-iX0005ESZZ	AE		B	IC(IX0005ES) [IC131]
51	VHINC7ST08M-1	AD		B	IC(NC7ST08M) [IC107]
52	VHikIA358F+-1	AE		B	IC(KIA358F) [IC122]
53	VHiEES02L400P	AG		B	IC(EES02L400P) [IC102]
54	VHiM51957BFP1	AH		B	IC(M51957BFP1) [IC104]
55	VHikIA393F+-1	AE		B	IC(KIA393F) [IC120]
56	VHiMTD1361F-1	AR		B	IC(MTD1361F) [IC128]
57	VHiL6219DS+-1	AN		B	IC(L6219DS) [IC127]
58	VHiBA6920FP-1	AL		B	IC(BA6920FP) [IC129]
59	VHiD65503F+-1	AG		B	IC(D65503F) [IC124,IC125]
60	VHiD65001AF-1	AG		B	IC(D65001AF) [IC119,IC121]
61	VHiP2010ASR-1	AN		B	IC(P2010ASR) [IC101]
62	VHiLCX244WM-1	AG		B	IC(74LCX244WM) [IC118,IC113]
63	VHiVHCT244M-1	AG		B	IC(VHCT244M) [IC116]
64	VHiKA7805AP-1	AE		B	IC(KIA7805AP1) [IC130]
65	RMP TW4100QCJJ	AA		B	Block resistor(10Ω×4) [BR156,BR157,BR158]
66	RMP TW4330QCJJ	AB		B	Block resistor(33Ω×4 1/32W ±5%) [BR116,BR118,BR119,BR120,BR121]
	RMP TW4330QCJJ	AB		B	Block resistor(33Ω×4 1/32W ±5%) [BR122,BR123,BR124,BR125,BR126]
	RMP TW4330QCJJ	AB		B	Block resistor(33Ω×4 1/32W ±5%) [BR127,BR128,BR129,BR130,BR134]
	RMP TW4330QCJJ	AB		B	Block resistor(33Ω×4 1/32W ±5%) [BR136,BR138,BR140,BR141,BR131]
	RMP TW4330QCJJ	AB		B	Block resistor(33Ω×4 1/32W ±5%) [BR132,BR142,BR143,BR144,BR147,BR149,BR151]
67	VRD-HT2EY151J	AA		C	Resistor(1/4W 150Ω ±5%) [R251]
68	VRD-HT2EY391J	AA		C	Resistor(1/4W 390Ω ±5%) [R245,R246,R247,R253]
69	VRD-HT2EY472J	AA		C	Resistor(1/4W 4.7KΩ ±5%) [R166]
70	VRN-VT3ATR68J	AC		C	Resistor(1W 0.68Ω ±5%) [R178,R177]
71	VRS-HT3DA102J	AA		C	Resistor(2W 1.0KΩ ±5%) [R220]
72	VRS-HT3DA1R0J	AB		C	Resistor(2W 1.0Ω ±5%) [R206,R197]
73	VRS-HT3DAR22J	AA		C	Resistor(2W 0.22Ω ±5%) [R219]
74	VRS-HT3DA101J	AA		C	Resistor(2W 100Ω ±5%) [R225]
75	VRS-CZ1JD000J	AA		C	Resistor(1/16W 0Ω ±5%) [R102,R105,R106,R287]
76	VRS-CZ1JD220J	AA		C	Resistor(1/16W 22Ω ±5%) [R107]
77	VRS-CZ1JD101J	AA		C	Resistor(1/16W 100Ω ±5%) [R120,R170,R202,R278]
78	VRS-CZ1JD102F	AA		C	Resistor(1/16W 1KΩ ±1%) [R154]
79	VRS-CZ1JD103F	AA		C	Resistor(1/16W 10KΩ ±1%) [R117,R158,R173]
	VRS-CZ1JD103J	AA		C	Resistor(1/16W 10KΩ ±5%) [R108,R111,R112,R115,R122]
	VRS-CZ1JD103J	AA		C	Resistor(1/16W 10KΩ ±5%) [R123,R124,R125,R126,R127]
	VRS-CZ1JD103J	AA		C	Resistor(1/16W 10KΩ ±5%) [R128,R137,R140,R141,R146]
	VRS-CZ1JD103J	AA		C	Resistor(1/16W 10KΩ ±5%) [R147,R148,R172,R189,R208]
	VRS-CZ1JD103J	AA		C	Resistor(1/16W 10KΩ ±5%) [R209,R210,R212,R213,R221]
	VRS-CZ1JD103J	AA		C	Resistor(1/16W 10KΩ ±5%) [R222,R224,R228,R233,R234]
	VRS-CZ1JD103J	AA		C	Resistor(1/16W 10KΩ ±5%) [R238,R242,R248,R250]
80	VRS-CZ1JD103J	AA		C	Resistor(1/16W 10KΩ ±5%) [R266,R263,R269,R271,R283]
	VRS-CZ1JD103J	AA		C	Resistor(1/16W 10KΩ ±5%) [R284,R290,R286]
	VRS-CZ1JD393J	AA		C	Resistor(1/16W 39KΩ ±5%) [R211,R223,R226,R227]
	VRS-CZ1JD105F	AA		C	Resistor(1/16W 1.0MΩ ±1%) [R155]
	VRS-CZ1JD122J	AA		C	Resistor(1/16W 1.2KΩ ±5%) [R201]
	VRS-CZ1JD202J	AA		C	Resistor(1/16W 2.0KΩ ±5%) [R184]
	VRS-CZ1JD242J	AA		C	Resistor(1/16W 2.4KΩ ±5%) [R198,R203]
	VRS-CZ1JD301J	AA		C	Resistor(1/16W 300Ω ±5%) [R169,R199]
87	VRS-CZ1JD332J	AA		C	Resistor(1/16W 3.3KΩ ±5%) [R232]
88	VRS-CZ1JD473J	AA		C	Resistor(1/16W 47KΩ ±5%) [R161,R204,R205]
89	VRS-CZ1JD621J	AA		C	Resistor(1/16W 620Ω ±5%) [R200]
90	VRS-CZ1JD751J	AA		C	Resistor(1/16W 750Ω ±5%) [R196]
91	VRS-CZ1JD752J	AA		C	Resistor(1/16W 7.5KΩ ±5%) [R191,R194,R229,R230,R231]
92	VRS-CZ1JD752F	AA		C	Resistor(1/16W 7.5KΩ ±1%) [R156]
93	VRS-CZ1JD122F	AA		C	Resistor(1/16W 1.2KΩ ±1%) [R171]
94	VRS-CZ1JD113F	AA		C	Resistor(1/16W 11KΩ ±1%) [R114]
95	VRS-CZ1JD472J	AA		C	Resistor(1/16W 4.7KΩ ±5%) [R281]
96	VRS-CZ1JD153J	AA		C	Resistor(1/16W 15KΩ ±5%) [R240,R275]
97	VRS-CZ1JD241J	AA		C	Resistor(1/16W 240Ω ±5%) [R174,R175,R176]
98	VRS-CZ1JD272J	AA		C	Resistor(1/16W 2.7KΩ ±5%) [R218]
99	VRS-CZ1JD432F	AA		C	Resistor(1/16W 4.3KΩ ±1%) [R159]
100	VRS-CZ1JD330J	AA		C	Resistor(1/16W 33Ω ±5%) [R119,R254,R255,R256,R257]
	VRS-CZ1JD330J	AA		C	Resistor(1/16W 33Ω ±5%) [R258,R259,R260,R261,R262]
	VRS-CZ1JD330J	AA		C	Resistor(1/16W 33Ω ±5%) [R276,R277,R285,R121]
101	VRS-CZ1JD303J	AA		C	Resistor(1/16W 30KΩ ±5%) [R182,R183]
102	VRS-CZ1JD562J	AA		C	Resistor(1/16W 5.6KΩ ±5%) [R239]
103	VRS-CZ1JD511J	AA		C	Resistor(1/16W 510Ω ±5%) [R186]

26 MCU PWB

NO.	PARTS CODE	PRICE RANK	NEW MARK	PART RANK	DESCRIPTION
104	VRS-CZ1JD563J	AA		C	Resistor(1/16W 56KΩ ±5%) [R241]
105	VCCCCZ1HH101J	AA		C	Capacitor(50WV 100pF) [C104,C105,C190,C191,C192]
106	VCCCCZ1HH470J	AA		C	Capacitor(50WV 47pF) [C126,C315,C316,C317,C318]
	VCCCCZ1HH470J	AA		C	Capacitor(50WV 47pF) [C319,C320,C321,C166,C341]
107	VCCCCY1HH470J	AA		C	Capacitor(50WV 47pF) [C336]
108	VCKYCZ1HB222K	AA		C	Capacitor(50WV 2200pF) [C211,C214,C218,C222]
109	VCKYCZ1CB223K	AB		C	Capacitor(16WV 0.022μF) [C125,C163,C169,C197,C200]
110	VCCCCZ1HH120J	AA		C	Capacitor(50WV 12pF) [C106,C165,C167]
111	VCCCCZ1HH220J	AA		C	Capacitor(50WV 22pF) [C102,C103]
112	VCKYCZ1HB821K	AC		C	Capacitor(50WV 820pF) [C201,C202,C203,C204]
113	VCKYCY1HB104K	AA		C	Capacitor(50WV 0.10μF) [C277,C313,C314,C339,C209]
	VCKYCY1HB104K	AA		C	Capacitor(50WV 0.10μF) [C210,C213,C334,C335,C301]
114	VCEAGA1CW106M	AA		C	Capacitor(16WV 10μF) [C109]
115	VCEAGA1CW226M	AB		C	Capacitor(16WV 22μF) [C174,C286,C287,C322]
116	VCEAGA1CW476M	AB		C	Capacitor(16WV 47μF) [C139,C217,C219]
117	VCEAGA1CW105M	AA		C	Capacitor(16WV 1.0μF) [C206]
118	VCEAGA1EW476M	AA		C	Capacitor(25WV 47μF) [C284]
119	VCEAGA1VW106M	AA		C	Capacitor(35WV 10μF) [C212]
120	VCEAGA1VW476M	AB		C	Capacitor(35WV 47μF) [C208,C276,C282,C299,C300]
121	VSKTA1505S+-1	AC		B	Transistor(KTA1505S) [Q101]
122	VSKRA119S++-1	AB		B	Transistor(KRA119S) [Q102]
123	VSKRC106S+-1	AB		B	Transistor(KRC106S) [Q103,Q106,Q107,Q110]
124	Rf i L Z 0 0 0 4 Q S Z Z	AM		C	Filter(ZJSR5101-223) [L101,L113,L123,L124,L125]
	Rf i L Z 0 0 0 4 Q S Z Z	AM		C	Filter(ZJSR5101-223) [L126,L127]
125	Rf i L N 0 0 4 3 F C Z Z	AC		C	Filter(ZJSR5101-102) [L103,L110]
126	RH-DZ0016FCZZ	AB		B	Diode(MA700) [D101]
127	VSKTA1281++-1	AD		B	Transistor(KTA1281) [Q108]
128	VSKTC3198++-1	AB		B	Transistor(KTC3198+) [Q109]
129	Rc i L Z 0 0 1 5 Q S Z Z	AD		C	Coil(700mA/220μH) [L129]
	(Unit)				
901	CPWBX0121QS4K	CD	N	E	MCU PWB (AL-1552)
	CPWBX0121QS4J	CD	N	E	MCU PWB (AL-1553)

27 IF PWB

NO.	PARTS CODE	PRICE RANK	NEW MARK	PART RANK	DESCRIPTION
1	DHAi-0310QSZZ	AB		C	IF GND harness
2	QCNCW0078QSZZ	AF		C	Connector(35Pin)(35FE-BT-VK-N) [CN403]
3	QSOCN0002ESZZ	AH		C	Connector(36Pin)(RBE42-36K1153) [CN401]
4	QSOCN0005ESZZ	AE		C	Connector(UBR23-4K2200) [CN402]
5	Rf i L N 0 0 1 0 Q S Z Z	AB		C	Coil(BLM18BB121SN1D) [L405]
6	RH-DX0001ESZZ	AC		B	Diode(11EQS06-TA1B2) [D401]
7	VCCCCY1HH101J	AA		C	Capacitor(50WV 100pF/1608Type/CH) [C404-415,417-419]
	VCCCCY1HH101J	AA		C	Capacitor(50WV 100pF/1608Type/CH) [C422,426]
8	VCCCCY1HH331J	AB		C	Capacitor(50WV 330pF) [C416]
9	VCEAGU1CW476M	AB		C	Capacitor(16WV 47μF) [C401,402]
10	VCKYCY1CF104Z	AA		C	Capacitor(16WV 0.1μF) [C403,420,421,423]
	VCKYCY1CF104Z	AA		C	Capacitor(16WV 0.1μF) [C424,425,427]
11	VHEUDZS6.2B-1	AC		B	Zener diode(UDZS6.2B) [D402]
12	VH i 7 4 L V X 1 6 1 2 8	AP		B	IC(74LVX16128) [IC403]
13	RH-iX0005ESZZ	AE		B	IC(IX0005ES) [IC402]
14	VH i U S B 1 1 A M X - 1	AH		B	IC(USB1T11AMX) [IC401]
15	VRS-CY1JD000J	AA		C	Resistor(1/16W 0Ω ±5%) [L403,404]
16	VRS-CY1JD103J	AA		C	Resistor(1/16W 10KΩ ±5%) [R424-429]
17	VRS-CY1JD152J	AA		C	Resistor(1/16W 1.5KΩ ±5%) [R423]
18	VRS-CY1JD220J	AA		C	Resistor(1/16W 22Ω ±5%) [R405-419,421,422]
19	VRS-CY1JD240J	AA		C	Resistor(1/16W 24Ω ±5%) [R402,403,430]
20	VRS-CY1JD332J	AA		C	Resistor(1/16W 3.3KΩ ±5%) [R420]
	(Unit)				
901	CPWBF0114QSF1	BA	N	E	IF PWB

28 DC power supply PWB

NO.	PARTS CODE	PRICE RANK	NEW MARK	PART RANK	DESCRIPTION
1	0AV1690000106	AD		C	Ceramic capacitor(DE1007-486E222M-KH 2200PF KH) [C20,C021]
2	0AV1610000115	AC		C	Ceramic capacitor(DE52-0-979C222K5000 2200PF 500V) [C101]
3	0AV1690000088	AC		C	Ceramic capacitor(TRPE132R104K50 0.1μF 50V) [C4,C019,C114,C012]
4	0AV1560000002	AD		C	Film capacitor(RE104-C 0.1μF 250V) [C5,C006]
5	0AV1690000111	AD		C	Ceramic capacitor(DE1210-2E222M-KX 2200PF KX) [C1,C003,C007]
6	0AV1480000093	AK		C	Film capacitor(ECQU2A824MLC 0.82μF 250V) [C24]
7	0AV1480000094	AL		C	Film capacitor(ECQU2A105MLC 1μF 250V) [C2]
8	0AV1480000083	AC		C	Film capacitor(ECQB1H102JF4 1000pF 50V) [C8,C023]

28 DC power supply PWB

NO.	PARTS CODE	PRICE RANK	NEW MARK	PART RANK	DESCRIPTION	
9	0AV1480000079	AC		C	Film capacitor(ECQB1H103JF4 0.01μF 50V)	[C9,0014]
10	0AV1390000183	AQ		C	Al-electrolytic capacitor(LLS2G101MHLV 100μF 400V)	[C10]
11	0AV1610000091	AC		C	Ceramic capacitor(DE0905-979R102K1K 1000PF 1KV)	[C11]
12	0AV1390000184	AC		C	Al-electrolytic capacitor(UPJ1H2R2MDH 2.2μF 50V)	[C106]
13	0AV1390000107	AC		C	Al-electrolytic capacitor(UPJ1HR47MDH 0.47μF 50V)	[C13]
14	0AV1610000108	AD		C	Ceramic capacitor(DE1307-486R222K1K 2200PF 1KV)	[C15]
15	0AV1390000108	AC		C	Al-electrolytic capacitor(UPJ1V220MDH 22μF 35V)	[C17,C018,C111]
	0AV1390000108	AC		C	Al-electrolytic capacitor(UPJ1V220MDH 22μF 35V)	[C107,C108,C109]
16	0AV1390000177	AC		C	Al-electrolytic capacitor(UPJ1E221MPH 220μF 25V)	[C102]
17	0AV1390000181	AE		C	Al-electrolytic capacitor(UHD1A102MPR 1000μF 10V)	[C103,C104]
18	0AV1390000138	AF		C	Al-electrolytic capacitor(UPJ1H471MHH 470μF 50V)	[C105,C116]
19	0AV1390000182	AG		C	Al-electrolytic capacitor(UHD1V102MHR 1000μF 35V)	[C110]
20	0AV1390000179	AC		C	Al-electrolytic capacitor(UPJ1H100MDH 10μF 50V)	[C112]
21	0AV1610000109	AC		C	Ceramic capacitor(DE0705-979R471K1K 470PF 1KV)	[C113]
22	0AV1390000180	AC		C	Al-electrolytic capacitor(UPJ1H3R3MDH 3.3μF 50V)	[C115]
23	0AV1610000114	AD		C	Ceramic capacitor(DE0605-979SL680J2K 68PF 2KV)	[C16]
24	0AV3050086000	AB		B	Diode(1SS270 0.15A 70V)	[D1,D014,D106,D108]
	0AV3050086000	AB		B	Diode(1SS270 0.15A 70V)	[D111,D113,D115,D118]
25	0AV3060027000	AH		B	Diode(D3SB60 4A 600V)	[D2]
26	0AV3060043000	AC		B	Rectifier(RLIN4005-E 1A 600V)	[D3,D004,D012,D015]
27	0AV3070058000	AC		B	Zener diode(RD5.6ES 0.4W)	[D5,D110,D116]
28	0AV3050036000	AF		B	Diode(RG1C 0.7A 1000V)	[D6]
29	0AV3050019000	AF		B	Diode(ERA9102 0.5A 200V)	[D7,D008,D010]
30	0AV3070085000	AC		B	Zener diode(RD33ES 0.4W)	[D9]
31	0AV3070056000	AD		B	Zener diode(RD20ES 0.4W)	[D11]
32	0AV3050097000	AG		B	Diode(SF10LC20U 10A 200V)	[D101]
33	0AV3050099000	AD		B	Diode(D1NL20U 1A 200V)	[D102]
34	0AV3050098000	AG		B	Diode(SF5SC4 5A 40V)	[D103]
35	0AV3070061000	AC		B	Zener diode(RD4.7ES 0.4W)	[D104]
36	0AV3070057000	AC		B	Zener diode(RD30ES 0.4W)	[D107,D013]
37	0AV3070074000	AC		B	Zener diode(RD13ES 0.4W)	[D109]
38	0AV3070081000	AC		B	Zener diode(RD3.9ES 0.4W)	[D112,D117]
39	0AV3042605000	AN		B	FET(2SK2605 5A 800V)	[Q1]
40	0AV3001015090	AD		B	Transistor(2SA1015 -0.15A -50V)	[Q2]
41	0AV3020143999	AD		B	Transistor(DTC143ESA 0.1A 50V)	[Q101,Q108,Q110]
42	0AV3040494000	AP		B	FET(2SJ494 20A 60V)	[Q102]
43	0AV3021815090	AC		B	Transistor(2SC1815 0.15A 50V)	[Q104,Q106,Q107]
	0AV3021815090	AC		B	Transistor(2SC1815 0.15A 50V)	[Q109,Q113]
44	0AV3001020000	AE		B	Transistor(2SA1020 -2A -50V)	[Q105]
45	0AV3001014399	AD		B	Transistor(DTA143ESA -0.1A -50V)	[Q112]
46	0AV2012743030	AA		C	Fixed carbon film resistor(RDF50S270KΩJ 270KΩ 1/2W)	[R1]
47	0AV2041013020	AC		B	Fusing resistor(RF25S100ΩJ 100Ω 1/4W)	[R2]
48	0AV2011213030	AB		C	Fixed carbon film resistor(RDF50S120ΩJ 120Ω 1/2W)	[R3]
49	0AV2041213030	AC		B	Fusing resistor(RF50S120ΩJ 120Ω 1/2W)	[R4]
50	0AV2011043030	AA		C	Fixed carbon film resistor(RDF50S100KΩJ 100KΩ 1/2W)	[R5,R006]
51	0AV2012243010	AA		C	Fixed carbon film resistor(RDF16S220KΩJ 220KΩ 1/6W)	[R7,R008]
52	0AV2012233010	AA		C	Fixed carbon film resistor(RDF16S22KΩJ 22KΩ 1/6W)	[R121,R133,R135]
53	0AV2013333010	AA		C	Fixed carbon film resistor(RDF16S33KΩJ 33KΩ 1/6W)	[R10,R014]
54	0AV2011003020	AA		C	Fixed carbon film resistor(RDF25S10ΩJ 10Ω 1/4W)	[R11]
55	0AV2091083042	AC		C	Special power resistor(SPR1B0.1ΩJ 0.1Ω 1W)	[R12]
56	0AV2044703010	AB		B	Fusing resistor(RF16S47ΩJ 47Ω 1/6W)	[R13]
57	0AV2011033010	AA		C	Fixed carbon film resistor(RDF16S10KΩJ 10KΩ 1/6W)	[R15,R019,R023]
	0AV2011033010	AA		C	Fixed carbon film resistor(RDF16S10KΩJ 10KΩ 1/6W)	[R104,R122,R134]
58	0AV2016833010	AA		C	Fixed carbon film resistor(RDF16S68KΩJ 68KΩ 1/6W)	[R16]
59	0AV2011013010	AA		C	Fixed carbon film resistor(RDF16S100ΩJ 100Ω 1/6W)	[R17]
60	0AV2021043062	AD		C	Metal oxide film resistor(RSS3FB100KΩJ 100KΩ 3W)	[R18]
61	0AV2016803030	AA		C	Fixed carbon film resistor(RDF50S68ΩJ 68Ω 1/2W)	[R20]
62	0AV2015633010	AA		C	Fixed carbon film resistor(RDF16S56KΩJ 56KΩ 1/6W)	[R21]
63	0AV2011023010	AA		C	Fixed carbon film resistor(RDF16S1KΩJ 1KΩ 1/6W)	[R22,R113]
64	0AV2012243020	AA		C	Fixed carbon film resistor(RDF25S220KΩJ 220KΩ 1/4W)	[R24,R025]
65	0AV2011033030	AB		C	Fixed carbon film resistor(RDF50S10KΩJ 10KΩ 1/2W)	[R101]
66	0AV2012733010	AA		C	Fixed carbon film resistor(RDF16S27KΩJ 27KΩ 1/6W)	[R9]
67	0AV2014723010	AA		C	Fixed carbon film resistor(RDF16S4.7KΩJ 4.7KΩ 1/6W)	[R106,R114,R115,R116]
	0AV2014723010	AA		C	Fixed carbon film resistor(RDF16S4.7KΩJ 4.7KΩ 1/6W)	[R123,R124,R136,R137]
68	0AV2011533010	AA		C	Fixed carbon film resistor(RDF16S15KΩJ 15KΩ 1/6W)	[R107]
69	0AV2990007000	AC		C	Metal film resistor(SN14K2C2.2KΩD 2.2KΩ 1/6W)	[R109,R111]
70	0AV2014713010	AA		C	Fixed carbon film resistor(RDF16S470ΩJ 470Ω 1/6W)	[R103,R105,R110,R112]
71	0AV2990082000	AC		C	Metal film resistor(SN14K2C12KΩD 12KΩ 1/6W)	[R119]
72	0AV2990083000	AC		C	Metal film resistor(SN14K2C3.44KΩD 3.44KΩ 1/6W)	[R120]
73	0AV2021023052	AC		C	Metal oxide film resistor(RSS2FB1KΩJ 1KΩ 2W)	[R130]
74	0AV2014733010	AA		C	Flame proof fixed carbon film resistor(RDF16S47KΩJ 47KΩ 1/6W)	[R131,R026]
75	0AV2012203010	AA		C	Flame proof fixed carbon film resistor(RDF16S22ΩJ 22Ω 1/6W)	[R132]
76	0AV2013933030	AC		C	Flame proof fixed carbon film resistor(RDF50S390ΩJ 390KΩ 1/2W)	[R27]
77	0AV4070062000	AF		C	Inductor(LF-4Z-E822)	[L1,L002]
78	0AV4120002000	AC		C	Inductor(B-01-A)	[L3,L101,L102,L103,L004]
79	0AV4080013000	AP		C	Inductor(SK-12M-74YR(080))	[L5,L007]
80	0AV4120013000	AC		C	Inductor(T3140P3206536HW)	[L104]
81	0AV4070065000	AQ		C	Inductor(DRB25-16196A)	[L6]
82	0AV4000135411	BD		B	Transformer(N-T01-354-D11)	[T1]
83	0AV3160034000	AQ		B	Triac(TM1661PL(L)LF113)	[TR1]

28 DC power supply PWB

NO.	PARTS CODE	PRICE RANK	NEW MARK	PART RANK	DESCRIPTION
84	0AV5140022000	AF		B	Power thermistor(M10010T3C) [TH1]
85	0AV5190009000	AL		B	Varistor(ENC471D-14A) [X1]
86	0AV3180000004	AL		B	Phototriac coupler(S21ME3Y) [PC1]
87	0AV3082561300	AF		B	Photo coupler(PS2561) [PC2,PC003]
88	0AV3090076000	AF		B	IC(MM1431ATT) [IC1,IC102]
89	0AV3090077000	AN		B	IC(FA3647P) [IC2]
90	0AV3090078000	AN		B	IC(PQ20RX11) [IC101]
91	0AV3090071000	AN		B	IC(PQ3RD23) [IC103]
92	0AV5030123000	AD		B	Connector(B02B-VT) [CN1]
93	0AV5030130000	AF		B	Connector(B04P-XL-R) [CN2]
94	0AV5030125000	AG		B	Connector(B16B-PHDSS-B) [CN101]
95	0AV5080010000	AQ		B	Relay(FTR-H1AA024V) [RL1]
96	0AV5190024000	AK		B	Arrestor(RA-102M-C6-Y) [Z1,Z002]
97	0AV5040012000	AM		B	Switch(SDDJE30501 10A 250V) [S1]
98	0AV5060085000	AF		A	Fuse(215RB-10AA-SB 10A/250V) [F1,F003]
99	0AV5060083000	AF		A	Fuse(215SB-3R15AA-SB 3.15A/250V) [F2]
100	0AV5050005000	AA		C	Fuse holder(PFC5000-0203)
101	0AV5130008000	AC		C	Terminal(TP00370-41)
102	0AV7100003000	AE		C	Insulation sheet(M-30AD-D-3)
103	0AV6114125811	AF		C	Heatsink(LM41258)
104	0AV8117730414	AB		C	Screw(NACPEW-B3x8ZF B3x8)
105	0AV8117730514	AB		C	Screw(NACPEW-B3x10ZF B3x10)
106	0AV7414141411	AD		C	Label(LV41414)
107	0AV5110012000	AB		C	Jumper wire(RJ-SKA-06 6mm) [RJ701,RJ718,RJ724]
108	0AV5110001000	AA		C	Jumper wire(RJ-SCA-06 10mm) [RJ709,RJ710,RJ712]
	0AV5110001000	AA		C	Jumper wire(RJ-SCA-06 10mm) [RJ715,RJ719,RJ721]
	0AV5110001000	AA		C	Jumper wire(RJ-SCA-06 10mm) [RJ724,RJ725,RJ741]
	0AV5110001000	AA		C	Jumper wire(RJ-SCA-06 10mm) [RJ724,RJ725,RJ741]
109	0AV5110006000	AA		C	Jumper wire(RJ-SDA-06 12.5mm) [RJ708,RJ714,RJ717]
	0AV5110006000	AA		C	Jumper wire(RJ-SDA-06 12.5mm) [RJ718,RJ723,RJ726]
	0AV5110006000	AA		C	Jumper wire(RJ-SDA-06 12.5mm) [RJ737,RJ739,RJ741]
110	0AV5110002000	AA		C	Jumper wire(RJ-SEA-06 15mm) [RJ701,RJ704,RJ705,RJ711]
	0AV5110002000	AA		C	Jumper wire(RJ-SEA-06 15mm) [RJ727,RJ728,RJ729,RJ730]
	0AV5110002000	AA		C	Jumper wire(RJ-SEA-06 15mm) [RJ731,RJ732,RJ733,RJ736]
	0AV5110002000	AA		C	Jumper wire(RJ-SEA-06 15mm) [RJ738,RJ740]
111	0AV5110011000	AB		C	Jumper wire(RJ-SFA-06 17.5mm) [RJ735]
112	0AV5110004000	AA		C	Jumper wire(RJ-SGA-06 20mm) [RJ703,RJ706,RJ707]
	0AV5110004000	AA		C	Jumper wire(RJ-SGA-06 20mm) [RJ716,RJ734]
	(Unit)				
901	RDENC0006QS15	BN		E	DC power supply PWB (200V Series)

■ Index

PARTS CODE	NO.	PRICE RANK	NEW MARK	PART RANK	
【C】					
CBTN-0019QS02	6- 2	AF		E	
CBTN-0050QS01	6- 5	AE		E	
CCAB-0003QS22	1- 1	AS		D	
CCASP0001RS55	22-901	BF		E	
CCLEZ0005RS51	16- 1	AQ		A	
"/	17- 1	AQ		A	
CCOVH0004RS54	2-901	BF		E	
CDSKA0019TS46	24-101	*	N	D	
CFIX-0021QS11	1- 13	AH		D	
CFRM-0006RS53	18-502	BB		E	
CFRM-0007RS54	18-501	AX		E	
CFRM-0010RS54	19-502	BG		E	
CFRM-0011RS58	3- 11	BF		E	
"/	5-901	BF		E	
CFRM-0013RS59	3- 14	BM		E	
"/	4-901	BM		E	
CGERH0011RS51	15- 9	AE		E	
CGERH0162QS01	8- 1	AN		C	
CHAI-0273RS51	20- 3	AN		C	
CHAI-0298RS51	20- 2	AL		C	
CHLDZ0010RS52	21-901	AU		E	
"/	7- 18	AU		E	
CLEVP0016QS02	24- 17	AF		C	
CPLTM0023QS02	18- 5	AF		C	
CPLTM0023QS03	19- 25	AG		C	
CPLTM0024QS01	12- 24	AG		C	
CPLTM0042QS02	15- 20	AY		C	
CPLTM0042RS56	15-901	BM		E	
CPLTM0288QS01	8- 2	BC		C	
CPLTM0291QS01	8- 3	AG		C	
CPLTM0294QS01	8- 4	AK		C	
CPLTM0298QS01	4- 40	AF		C	
CPLYZ0028QS01	8- 5	AM		C	
CPNLH0023QS0U	6- 1	AR	N	D	
CPNLH0023QS0V	6- 1	AR	N	D	
CPWBF0113QSG3	25-901	BB	N	E	
"/	6- 8	BB	N	E	
CPWBF0114QSF1	13- 5	BA	N	E	
"/	27-901	BA	N	E	
CPWBF0116RS54	18- 1	AP		E	
CPWBF0147QSE6	10- 4	AL		E	
CPWBF0147QSE7	12- 1	AL		E	
CPWBF0147QSE8	14- 13	AL		E	
CPWBF0155QSE1	5- 7	AM		E	
CPWBX0121QS4J	13- 4	CD	N	E	
"/	26-901	CD	N	E	
CPWBX0121QS4K	13- 4	CD	N	E	
"/	26-901	CD	N	E	
CSFTZ0068RS72	12- 20	AX		C	
CSOU-0002RS56	19-501	AX		E	
CSOU-0035RS51	3-501	AZ		E	
CSW-M0016RS51	16- 4	AG		B	
"/	17- 4	AG		B	
CTHM-0019DS52	14- 12	AT		E	
CTME-0229FC04	14- 11	AG		C	
【D】					
DHAI-0267QSZZ	11- 18	AG		C	
DHAI-0268QSZZ	23- 2	AG		C	
"/	8- 40	AG		C	
DHAI-0269QSZZ	12- 27	AD		C	
DHAI-0270QSZZ	12- 39	AD		C	
DHAI-0271QSZZ	11- 27	AP		C	
"/	23- 9	AP		C	
DHAI-0276QSZZ	11- 24	AL		C	
"/	23- 8	AL		C	
DHAI-0280QSZZ	14- 16	AH		C	
"/	23- 10	AH		C	
DHAI-0282QSZZ	10- 14	AG		C	
"/	9- 2	AG		C	
DHAI-0283QSZZ	13- 7	AG		C	
"/	23- 1	AG		C	
DHAI-0285QSZZ	10- 10	AK		C	
"/	1- 7	AK		C	
"/	23- 4	AK		C	
DHAI-0287QSZZ	11- 23	AF		C	
"/	23- 7	AF		C	
DHAI-0290QSZZ	4- 9	AN		C	
DHAI-0291QSZZ	7- 12	AC		C	

PARTS CODE	NO.	PRICE RANK	NEW MARK	PART RANK	
DHAI-0292QSZZ	11- 19	AF		C	
DHAI-0293QSZZ	5- 8	AE		C	
DHAI-0294QSZZ	13- 40	AK		C	
"/	23- 3	AK		C	
DHAI-0295QSZZ	18- 2	AC		C	
"/	19- 22	AC		C	
DHAI-0296QSZZ	15- 27	AK		C	
"/	23- 5	AK		C	
DHAI-0303QSZZ	8- 37	AD		C	
DHAI-0305QSZZ	13- 41	AL		C	
DHAI-0310QSZZ	27- 1	AB		C	
DUNT-0404QSZZ	8- 6	BU		C	
DUNTK0013QS13	9- 4	BS		E	
DUNTW0285RS11	14-901	BS		E	
DWIR-0466CSZZ	21- 8	BE		B	
【G】					
GCAB-0004QSJ1	1- 18	AX		D	
GCAB-0007QSJ2	7- 1	AU		D	
GCAB-0008QSJZ	5- 1	AM		D	
GCAB-0026QSJ2	1- 18	AZ		D	
GCAB-0061QSZ1	1- 10	AK		D	
GCAB-0062QSZ2	1- 17	AN		D	
GCAB-0062QSZ3	1- 17	AL		D	
GCAB-0063QSZZ	6- 10	AT		D	
GCAB-0064QSZZ	6- 12	AN		D	
GCASP0001QSJ2	22- 19	AZ		D	
GCOV-0045QSZ6	1- 12	AK	N	D	
GCOV-0045QSZ7	1- 12	AK	N	D	
GCOVH0003QSJZ	2- 1	AL		D	
GCOVH0004QSJ1	2- 2	AX		D	
GDAI-0001QSJ1	12- 28	BE		D	
"/	13- 17	BE		D	
GLEGG0064FCZZ	13- 18	AC		C	
【J】					
JBTN-0005QSZZ	6- 4	AC		C	
JBTN-0020QSZZ	6- 3	AC		C	
JBTN-0049QSZZ	6- 6	AF		C	
JKNBZ0001QSZZ	11- 22	AE		C	
JKNBZ0004QSZZ	4- 28	AD		C	
【L】					
LBNDJ0013FCZ1	18- 3	AE		C	
"/	19- 21	AE		C	
"/	20- 9	AE		C	
"/	3- 15	AE		C	
"/	4- 10	AE		C	
"/	9- 3	AE		C	
LBNDJ0037FCZ1	14- 17	AA		C	
LBNDJ0043FCZZ	11- 6	AA		C	
LBOSZ0118QSZZ	19- 18	AE		C	
LBOSZ1031FCZZ	12- 15	AC		C	
LBOSZ1509FCZ1	19- 28	AD		C	
LBOSZ1851FCZZ	12- 13	AC		C	
"/	19- 15	AC		C	
"/	5- 19	AC		C	
LBRC-0055FCZZ	19- 10	AK		C	
LBSHZ0006QSZZ	5- 22	AC		C	
LBSHZ0303FCZZ	19- 9	AC		C	
"/	5- 20	AC		C	
LFIX-0004QSZZ	21- 15	AC		C	
LFRM-0002QSZZ	11- 21	AV		D	
LFRM-0003QSJ3	7- 9	AN		D	
LFRM-0004QSZZ	14- 7	AR		D	
LFRM-0005QSZZ	14- 30	AM		D	
LFRM-0006QSJZ	18- 13	AN		D	
LFRM-0007QSJ2	18- 25	AL		D	
LFRM-0010QSJZ	19- 35	AN		D	
LFRM-0011QSJ2	5- 35	AL		D	
LFRM-0012QSZZ	4- 20	AD		D	
LFRM-0013QSZZ	4- 12	AG		D	
LFRM-0062QSZZ	13- 30	AG		D	
LHLDWI226FCZZ	22- 3	AB		C	
"/	24- 12	AB		C	
LHLDZ0009QSAZ	20- 1	AF		C	
LHLDZ0010QSZZ	21- 14	AL		C	
LHLDZ0017QSZZ	12- 30	AD		C	
LHLDZ0018QSZZ	11- 13	AE		C	
LHLDZ0092QSZZ	13- 1	AP		C	
LHLDZ0093QSZZ	8- 7	AC		C	
LPI NS0007QSZZ	11- 26	AC		C	
LPI NS0019QSZZ	4- 17	AA		C	
LPLTM0016QSZZ	12- 42	AE		C	

PARTS CODE	NO.	PRICE RANK	NEW MARK	PART RANK
LPLTM0020QSZZ	13- 21	AL		C
LPLTM0022QSZZ	14- 29	AG		C
LPLTM0046QSZZ	12- 25	AE		C
LPLTM0096QSZZ	3- 30	AF		C
LPLTM0132QSZZ	7- 5	AH		C
LPLTM0133QSZZ	11- 31	AE		C
LPLTM2642FCG2	22- 4	AD		C
LPLTM5106FCZZ	22- 1	AR		C
LPLTP0009QSZZ	14- 38	AS		C
LPLTP0011QSJ2	3- 2	AH		C
LPLTP0012QSJ2	3- 3	AH		C
LPLTP0013QSZ1	4- 22	AC		C
LPLTP0131QSZZ	8- 33	AD		C
LPLTP5107FCZ1	22- 5	AG		C
LPLTP5108FCZ1	22- 13	AG		C
LRALP0001QSJ2	12- 34	AM		C
LSOU-0001QSJZ	1- 2	AY		D
LSOU-0002QSJ1	19- 48	AL		D
LSOU-0003QSJ1	19- 49	AH		D
LSOU-0005QSJ4	3- 33	BA		D
LSOU-0008QSJZ	1- 4	AH		D
LSOU-0035QSZZ	3- 1	AR		D
LSTPF0013QSZZ	8- 8	AC		C
LSTPP0001QSZ1	5- 5	AD		C
LSTPP0116FCZZ	14- 18	AA		C
LSTPP0161FCZ1	22- 18	AB		C
LSTPP0300FCZZ	19- 37	AB		C
LX-BZ0010QSZZ	14- 8	AB		C
LX-BZ0011QSZZ	14- 42	AB		C
LX-BZ0012QSZZ	4- 3	AC		C
LX-BZ0016QSZZ	3- 31	AC		C
LX-BZ0033QSZZ	8- 9	AB		C
LX-BZ0735FCZZ	14- 36	AA		C
LX-BZ3006SC0S	11- 28	AA		C
LX-WZ0023FCZZ	12- 43	AA		C
LX-WZ0313FCZZ	14- 26	AA		C
LX-WZ2028SCZZ	22- 10	AA		C
[M]				
MARMP0001QSZZ	4- 5	AF		C
MARMP0002QSZZ	5- 13	AD		C
MARMP0003QSZ1	5- 4	AD		C
MARMP0004QSZZ	5- 34	AF		C
MARMP0173FCZ1	19- 4	AC		C
MARMP0204FCZ1	19- 39	AF		C
MARMP0205FCZZ	19- 38	AF		C
MHNG-0002QSZ1	19- 40	AC		C
MHNG-0017QSZZ	3- 21	AQ		C
MLEVP0005QSZZ	10- 5	AC		C
MLEVP0006QSZZ	12- 2	AD		C
MLEVP0007QSZZ	18- 17	AD		C
MLEVP0009QSZZ	5- 9	AD		C
MLEVP0010QSZZ	5- 10	AE		C
MLEVP0014QSZZ	14- 28	AF		C
MLEVP0015QSZZ	14- 23	AF		C
MLEVP0047QSE1	8- 34	AD		C
MLOKZ0004QSZ1	8- 10	AD		C
MSPRC0016QSZ1	20- 7	AC		C
MSPRC0017QSZ1	20- 5	AC		C
MSPRC0018QSZ1	20- 6	AC		C
MSPRC0021QSZZ	10- 7	AB		C
MSPRC0023QSZ1	15- 15	AC		C
MSPRC0026QSZ1	12- 3	AB		C
MSPRC0027QSZZ	21- 10	AC		C
MSPRC0028QSZZ	21- 11	AC		C
MSPRC0030QSZZ	7- 14	AC		C
MSPRC0031QSZZ	7- 13	AB		C
MSPRC0032QSZZ	7- 11	AB		C
MSPRC0036QSZ1	18- 26	AB		C
MSPRC0037QSZZ	12- 62	AB		C
MSPRC0038QSZ1	18- 16	AC		C
MSPRC0039QSZ1	18- 14	AC		C
MSPRC0047QSZZ	12- 31	AA		C
MSPRC0048QSZZ	19- 41	AB		C
MSPRC0049QSZZ	19- 14	AC		C
MSPRC0050QSZZ	7- 25	AB		C
MSPRC0051QSZ1	21- 12	AA		C
MSPRC0055QSZZ	14- 25	AC		C
MSPRC0062QSZZ	4- 23	AC		C
MSPRC0063QSZZ	4- 29	AB		C
MSPRC0077QSZ1	12- 41	AB		C
MSPRC0080QSZZ	18- 18	AB		C

PARTS CODE	NO.	PRICE RANK	NEW MARK	PART RANK
MSPRC0108QSZZ	22- 15	AC		C
MSPRC0109QSZZ	18- 33	AC		C
"	19- 50	AC		C
MSPRC0115QSZZ	5- 33	AB		C
MSPRC0149QSZZ	3- 37	AC		C
MSPRC0153QSZZ	8- 35	AB		C
MSPRC0161QSZZ	12- 16	AF		C
MSPRC0330QSZZ	11- 8	AC		C
MSPRC1145FCZZ	22- 17	AA		C
MSPRC1315FCZ1	19- 16	AD		C
MSPRC1316FCZ1	12- 11	AE		C
"	19- 27	AE		C
"	5- 18	AE		C
MSPRC1318FCZ1	15- 23	AA		C
"	19- 30	AA		C
MSPRC1873FCZ1	22- 16	AB		C
MSPRC2175FCZZ	19- 33	AA		C
MSPRD0076QSZ1	7- 6	AD		C
MSPRD0108QSZZ	18- 31	AC		C
MSPRD0114QSZ1	5- 36	AD		C
MSPRD0281QSZZ	10- 9	AD		C
MSPRD0335QSZZ	14- 3	AD		C
MSPRD0336QSZZ	14- 43	AD		C
MSPRP0033QSZZ	14- 6	AD		C
MSPRP0034QSZZ	14- 14	AE		C
MSPRP0059QSZZ	3- 7	AD		C
MSPRP0060QSZZ	3- 27	AD		C
MSPRP0065QSZZ	4- 24	AD		C
MSPRP0079QSZZ	18- 29	AD		C
MSPRP0110QSZ1	16- 6	AD		C
"	17- 6	AD		C
MSPRP0113QSZ1	3- 18	AD		C
MSPRT0019QSZ1	9- 5	AB		C
MSPRT0020QSZ1	10- 2	AB		C
MSPRT0029QSZZ	7- 3	AC		C
MSPRT0054QSZ1	14- 37	AB		C
MSPRT0061QSZZ	3- 26	AC		C
MSPRT0064QSZ1	4- 11	AC		C
MSPRT0066QSZ1	5- 25	AC		C
MSPRT0067QSZ1	5- 14	AB		C
MSPRT0283QSZZ	8- 11	AC		C
MSPRT0284QSZZ	8- 12	AC		C
MSPRT0294QSZZ	4- 41	AC		C
MSPRT0513FCZ1	21- 7	AA		C
[N]				
NBLTT0003QSZ1	4- 27	AF		B
NBLTT0030QSZ1	8- 13	AH		B
NBLTT0031QSZ1	8- 14	AF		B
NBLTT0039QSZZ	11- 20	AE		B
NBLTT0040QSZZ	11- 37	AE		B
NBLTT0046QSZZ	4- 15	AE		B
NBRGC0017QSZZ	4- 18	AC		C
NBRGC0100FCZ1	12- 8	AC		C
NBRGC0579FCZZ	11- 2	AE		C
NBRGM0501FCZZ	4- 19	AB		C
NBRGP0260FCZ1	14- 24	AD		C
NBRGP0562FCZZ	12- 19	AD		C
"	18- 11	AD		C
NBRGP0567FCZZ	14- 20	AG		C
NCPL-0002QSZZ	11- 7	AC		C
NFANP0005QSZZ	11- 12	AU		B
NGERH0007QSZZ	15- 11	AH		C
NGERH0008QSZZ	15- 16	AL		C
NGERH0009QSZZ	15- 7	AD		C
NGERH0010QSZZ	15- 6	AD		C
NGERH0012QSZZ	15- 18	AE		C
NGERH0013QSZZ	15- 19	AG		C
NGERH0014QSZZ	15- 8	AD		C
NGERH0015QSZZ	15- 10	AD		C
NGERH0016QSZZ	15- 12	AD		C
NGERH0017QSZZ	15- 17	AD		C
NGERH0018QSZZ	15- 14	AC		C
NGERH0019QSZZ	15- 13	AD		C
NGERH0020QSZZ	12- 9	AG		C
NGERH0021QSZZ	18- 27	AD		C
"	19- 46	AD		C
NGERH0022QSZZ	12- 21	AC		C
NGERH0025QSZZ	12- 23	AD		C
NGERH0026QSZZ	12- 22	AD		C
NGERH0047QSZZ	4- 16	AF		C
NGERH0048QSZZ	7- 22	AE		C

PARTS CODE	NO.	PRICE RANK	NEW MARK	PART RANK
NGERH0051QSZZ	7- 23	AE		C
NGERH0073QSZZ	5- 16	AE		C
NGERH0161QSZZ	8- 15	AL		C
NGERH0193FCZZ	22- 11	AB		C
"	3- 6	AB		C
NGERH0540FCZ3	14- 19	AD		C
NGERH0972FCZZ	18- 6	AB		C
"	19- 19	AB		C
"	4- 4	AB		C
NGERH0990FCZZ	18- 9	AB		C
"	19- 7	AB		C
"	5- 28	AB		C
NGERH0991FCZZ	19- 20	AC		C
NGERH0992FCZZ	19- 3	AB		C
"	5- 30	AB		C
NGERH1132FCZZ	12- 18	AH		C
NGERR0377FCZZ	3- 4	AD		C
NPLYZ0001QSZZ	11- 4	AE		C
NPLYZ0010QSZZ	5- 23	AE		C
NPLYZ0146FCZZ	4- 26	AB		C
NRÖL i 0014QSZ3	14- 21	BA		C
NRÖLM0022QSZ1	4- 36	AL		C
NRÖLM0023QSZ1	4- 32	AP		C
NRÖLP0007QSZ1	11- 1	AQ		C
NRÖLP0010QSZZ	3- 28	AD		C
NRÖLP0011QSZZ	3- 23	AD		C
NRÖLP0012QSZZ	11- 3	AL		C
NRÖLP0024QSZ1	5- 27	AH		C
NRÖLP0025QSZZ	7- 24	AM		C
NRÖLP0046QSZZ	10- 1	AC		C
NRÖLP1122FCZZ	10- 8	AF		C
"	18- 24	AF		C
"	7- 17	AF		C
"	7- 26	AF		C
NRÖLR0013QSZZ	12- 7	AQ		C
NRÖLR0016QSZZ	18- 12	AT		C
NRÖLR0028QSZZ	14- 27	AZ		C
NRÖLR0105QSZZ	19- 5	AR		C
NRÖLR0922FCZ2	19- 1	AR		C
"	5- 31	AR		C
NSFTZ0006QSZZ	7- 15	AG		C
NSFTZ0007QSZZ	18- 23	AG		C
NSFTZ0009QSZZ	3- 29	AE		C
NSFTZ0010QSZZ	3- 25	AE		C
NSFTZ0011QSZZ	5- 32	AF		C
NSFTZ0012QSZZ	5- 21	AG		C
NSFTZ0063QSZZ	8- 16	AK		C
NSFTZ2311FCZZ	19- 8	AU		C
[P]				
PBRSR0002QSZ1	8- 17	AH		B
PBRSR0002QSZ2	8- 17	AG		B
PBRSR0003QSZ2	4- 33	AG		B
PBRSR0004QSZ1	14- 4	AD		B
PCAPH1001ACZZ	13- 42	AE		D
PCASZ0002QSZZ	21- 16	AL		D
PCÖVP0007QSJZ	12- 38	AE		D
PCÖVP0008QSZZ	12- 60	AE		D
PCÖVP0009QSZZ	12- 61	AE		D
PCÖVP0010QSZ1	14- 5	AF		D
PCÖVP0011QSZ1	14- 15	AG		D
PCÖVP0012QSJ1	16- 3	AH		D
PCÖVP0013QSZZ	12- 32	AD		D
PCÖVP0019QSJ2	19- 44	AL		D
PCÖVP0023QSJ1	17- 3	AH		D
PCÖVP0037QSJZ	4- 37	AH		D
PCÖVP0038QSJ1	4- 38	AL		D
PCÖVP0040QSJZ	1- 16	AL		D
PCUSS0024QSZZ	2- 3	AV		D
PCUSS0025QSZ1	3- 34	AQ		D
PDUC-0005QSZ2	8- 22	AD		C
PFi LZ0002QSZZ	1- 21	AL		B
PGi DH0025QSZ1	21- 4	AG		C
PGi DH0026QSZZ	14- 34	AE		C
PGi DH0029QSZ1	4- 34	AL		C
PGi DM0006QSZ3	10- 6	AM		C
PGi DM0008QSZZ	7- 4	AD		C
PGi DM0009QSZZ	11- 25	AG		C
PGi DM0010QSZ1	12- 5	AG		C
PGi DM0011QSZZ	21- 2	AE		C
PGi DM0012QSJZ	18- 22	AF		C
PGi DM0013QSJZ	18- 21	AF		C

PARTS CODE	NO.	PRICE RANK	NEW MARK	PART RANK
PGi DM0014QSJ1	18- 20	AF		C
"	19- 12	AF		C
PGi DM0017QSJZ	19- 43	AF		C
PGi DM0018QSJZ	19- 42	AF		C
PGi DM0019QSJZ	8- 29	AH		C
PGi DM0020QSJ1	8- 30	AH		C
PGi DM0023QSZ2	14- 1	AN	N	C
PGi DM0024QSZ3	4- 30	AN		C
PGi DM0042QSJZ	4- 1	AL		C
PGi DM0099QSZ1	8- 18	AH		C
PGLSP0007QSZZ	1- 14	AV		B
PGLSP0008QSZZ	1- 23	AH		B
PGSK-0034QSZZ	1- 33	AE		C
PGUMS0004QSZZ	8- 19	AA		C
PMLT-0024QSZZ	1- 20	AC		C
PMLT-0067QSZZ	11- 39	AC		C
PMLT-0068QSZZ	8- 47	AC		C
PMLT-0069QSZZ	1- 27	AA		C
PPi PP0003QSZZ	12- 17	AD		C
PPi PP0008QSZZ	5- 17	AD		C
PPi PP0009QSZZ	19- 26	AD		C
PPi PP0109FCZ1	12- 10	AC		C
"	19- 17	AC		C
PSHEP0019QSZ1	21- 3	AC		C
PSHEP0020QSZZ	21- 13	AB		C
PSHEP0021QSZZ	21- 6	AA		C
PSHEP0023QSZZ	14- 35	AF		C
PSHEP0044QSZZ	4- 35	AF		C
PSHEP0047QSZZ	14- 40	AC		C
PSHEP0063QSZZ	3- 17	AC		C
PSHEP3029FCZZ	4- 14	AA		C
PSHEZ0018QSZZ	21- 1	AF		C
PSHEZ0045QSZ2	14- 33	AC		C
PSHEZ0075QSZZ	17- 7	AC		C
PSHEZ0102QSZZ	3- 35	AD		C
PSHEZ0112QSZZ	3- 36	AE		C
PSHEZ0155QSZ1	11- 38	AD		C
PSHEZ0156QSZ1	11- 36	AE		C
PSHEZ0181QSJZ	1- 24	AC		C
PSHEZ0349QSZZ	8- 50	AC		C
PSHEZ0350QSZZ	9- 6	AB		C
PSHEZ0351QSZZ	9- 7	AB		C
PSHEZ0367QSZ1	8- 21	AD		C
PSHEZ0369QSZZ	1- 8	AE		C
PSHEZ0377QSZZ	8- 24	AC		C
PSHEZ0379QSZZ	3- 19	AD		C
PSHEZ0383QSZZ	3- 45	AC		C
PSHEZ0384QSZZ	3- 16	AD		C
PSHEZ0386QSZZ	3- 38	AB		D
PSHEZ0387QSZZ	3- 39	AB		D
PSHEZ0388QSZZ	3- 40	AD		C
PSHEZ0389QSZ1	8- 39	AK		C
PSHEZ0402QSZZ	10- 16	AG		C
PSHEZ0403QSZZ	8- 44	AG		C
PSHEZ0404QSZZ	1- 28	AF		C
PSHEZ0405QSZZ	13- 48	AE		C
PSHEZ0445QSZZ	4- 21	AC		C
PSHEZ2026FCZ1	12- 29	AB		C
PSHEZ2174FCZZ	12- 36	AB		C
"	4- 25	AB		C
PSHEZ4142FCZZ	22- 2	AC		C
PSPAZ0017QSZZ	11- 32	AK		C
PSPO-0001QSZZ	3- 24	AB		C
PSPO-0002QSZZ	5- 2	AC		C
PTME-0002QSZZ	15- 24	AD		C
PTME-0003QSZ1	15- 26	AD		C
PTME-0004QSZZ	7- 2	AG		C
PTME-0019QSZZ	5- 26	AD		C
PTME-0178FCZ1	19- 32	AC		C
PTME-0179FCZZ	19- 31	AC		C
PTME-0255FCZZ	22- 6	AG		C
PTME-0256FCZZ	22- 14	AG		C
PTPE-0010QSZZ	1- 25	AC		C
PTPE-0041QSZZ	1- 6	AB		C
PTPE-0044QSZZ	1- 22	AC		C
PTPE-0045QSZZ	8- 43	AA		C
PTPE-0047QSZZ	1- 29	AC		C
PTPE-0048QSZZ	1- 30	AA		C
PTPE-0049QSZZ	1- 31	AC		C
PTPE-0059QSZZ	1- 15	AC		C
PTPE-0060QSZZ	1- 32	AC		C

PARTS CODE	NO.	PRICE RANK	NEW MARK	PART RANK
[Q]				
QACCBR623QCPZ	24- 3	AU		B
QACCE7623QCPZ	24- 3	*	N	B
QACCV6621JHPZ	24- 3	*	N	B
QCNCM0079QSZZ	26- 33	AC		C
QCNCM0861FCZZ	25- 1	AB		C
QCNCM0923FC14	26- 1	AE		C
QCNCM0923FC18	26- 31	AF		C
QCNCM0923FC24	26- 2	AF		C
QCNCM1005MCZZ	26- 32	AB		C
QCNCM2401SC0C	26- 34	AB		C
QCNCM2401SC0D	26- 35	AC		C
QCNCM2401SC0E	26- 36	AC		C
QCNCM7014SC0C	26- 3	AA		C
QCNCM7014SC0D	26- 37	AA		C
QCNCM7014SC0E	26- 38	AB		C
QCNCM7014SC0F	26- 39	AB		C
QCNCM7014SC0G	26- 40	AB		C
QCNCM7014SC0H	26- 42	AC		C
QCNCM7014SC0I	26- 41	AC		C
QCNCM7014SC0J	26- 46	AF		C
QCNCM7014SC0K	26- 45	AF		C
QCNCW0948FCZ5	27- 2	AF		C
QCNCW1124LC0H	26- 4	AC		C
QCNCW1124LC0I	26- 43	AC		C
QCNCW1124LC0J	26- 44	AD		C
QCNCW1132LC1H	25- 2	AD		C
QSLP-0005QSZZ	11- 16	AE		C
QSLP-0006QSZZ	11- 14	AE		C
QSLP-0007QSZZ	21- 9	AC		C
QSOCN0002ESZZ	27- 3	AH		C
QSOCN0005ESZZ	27- 4	AE		C
QSOCZ0002QSZZ	26- 47	AD		C
QSW-B0017QSZZ	12- 26	AF		B
QSW-P0001ESZZ	25- 3	AC		B
[R]				
RCiLZ0015QSZZ	26-129	AD		C
RCORF0018QSZZ	10- 15	AR		C
RCORF0021QSZZ	8- 32	AR		C
RCORF0021QSZZ	13- 27	AK		C
RCORF1028LCZZ	9- 8	AK		C
RCORF1028LCZZ	13- 31	AP		C
RCRSP0016QSZZ	26- 28	AD		B
RCRUB0013QSZ1	26- 30	AN		B
RCRUB0016QSZZ	26- 29	AN		B
RDENC0006QS15	13- 13	BN		E
RDENC0007QSZZ	28-901	BN		E
RDENC0007QSZZ	13- 6	BG		E
RDTCT0004QSZZ	4- 31	AL		B
RDTCT0128FCZZ	14- 9	AR		B
RFiLN0010QSZZ	27- 5	AB		C
RFiLN0043FCZZ	26-125	AC		C
RFiLZ0004QSZZ	26-124	AM		C
RH-DX0001ESZZ	26- 21	AC		B
RH-DZ0016FCZZ	27- 6	AC		B
RH-DZ0016FCZZ	26-126	AB		B
RH-iX0001QSZZ	26- 49	BD		B
RH-iX0005ESZZ	26- 50	AE		B
RH-iX0005ESZZ	27- 13	AE		B
RH-iX7001XCZZ	26- 48	AQ		B
RH-TX0003ESZZ	25- 23	AC		B
RLMPU0011QSZZ	14- 22	BA		B
RMOTD0009QSZZ	11- 9	AU		B
RMOTP0013QSZZ	4- 7	BB		B
RMOTP0036QSZZ	15- 2	BD		B
RMOTS0038QSZZ	8- 25	BL		B
RMOTS0048QSZZ	11- 35	BD		B
RMPTW4100QCJJ	26- 65	AA		B
RMPTW4102QCJJ	26- 7	AB		B
RMPTW4103QCJJ	26- 8	AB		B
RMPTW4330QCJJ	26- 66	AB		B
RPLU-0002QSZZ	15- 25	AN		B
RPLU-0003QSZZ	19- 29	AN		B
RPLU-0004QSZ1	5- 11	AQ		B
RPLU-0035QSZZ	15- 22	AL		B
[S]				
SPAKA0051RSZZ	24- 14	AC		D
SPAKA0064RSZ1	24- 14	AC		D
SPAKA0405QSZZ	24- 9	AN		D
SPAKA0406QSZZ	24- 9	AS		D
SPAKA0408QSZZ	24- 1	AN		D

PARTS CODE	NO.	PRICE RANK	NEW MARK	PART RANK
SPAKA0409QSZZ	24- 1	AR		D
SPAKA0411QSZZ	24- 20	AE		D
SPAKA0432QSZZ	24- 23	AC		D
SPAKA5116FCZZ	24- 21	AB		D
SPAKC0402TS41	24- 10	*	N	D
SPAKC0403TS26	24- 10	*	N	D
SSAKA2347QCZZ	24- 8	AB		D
SSAKA5003CCZZ	24- 5	AA		D
SSAKZ0002QSZZ	24- 6	AF		D
[T]				
TCAUH0007TSZZ	24- 22	*	N	D
TCAUH0017QSZ1	14- 32	AC		D
TiNSE1409TSZZ	24- 7	*	N	D
TiNSF1410TSZZ	24- 7	*	N	D
TiNSG1408TSZZ	24- 7	*	N	D
TiNSH1411TSZZ	24- 7	*	N	D
TiNSI1413TSZZ	24- 7	*	N	D
TiNSW1412TSZZ	24- 7	*	N	D
TLABH0387TSZZ	1- 11	*	N	D
TLABZ0531TSZZ	1- 26	*	N	D
TLABZ3568GHZZ	22- 12	*	N	D
TLABZ4047FCZZ	22- 20	AC		D
TLABZ4201FCZZ	26- 23	AC		D
TTAG-0002QSZZ	24- 13	AB		D
TTAG-0006QSZ1	24- 15	AD		D
[U]				
UBNDA0001FCZZ	24- 4	AA		C
[V]				
VCCCY1HH101J	27- 7	AA		C
VCCCY1HH201J	25- 4	AA		C
VCCCY1HH331J	27- 8	AB		C
VCCCY1HH470J	26-107	AA		C
VCCCY1HH101J	26-105	AA		C
VCCCY1HH120J	26-110	AA		C
VCCCY1HH220J	26-111	AA		C
VCCCY1HH330J	26- 13	AA		C
VCCCY1HH470J	26-106	AA		C
VCEAGA1CW105M	26-117	AA		C
VCEAGA1CW106M	26-114	AA		C
VCEAGA1CW226M	26-115	AB		C
VCEAGA1CW476M	26-116	AB		C
VCEAGA1EW476M	26-118	AA		C
VCEAGA1VW106M	26-119	AA		C
VCEAGA1VW476M	26-120	AB		C
VCEAGU1CW476M	27- 9	AB		C
VCEAJU1CW476M	25- 5	AB		C
VCKYCY1CB104K	25- 6	AB		C
VCKYCY1CF104Z	27- 10	AA		C
VCKYCY1HB102K	25- 7	AA		C
VCKYCY1HB104K	26-113	AA		C
VCKYCY1HB223K	25- 8	AC		C
VCKYCY1CB223K	26-109	AB		C
VCKYCY1CF104Z	26- 14	AB		C
VCKYCY1HB102K	26- 15	AA		C
VCKYCY1HB222K	26-108	AA		C
VCKYCY1HB821K	26-112	AC		C
VHD1SS133+-1	25- 9	AA		B
VHDDSS133//--1	26- 19	AA		B
VHDKDS120+-1	26- 17	AC		B
VHDKDS121+-1	26- 16	AC		B
VHDKDS226+-1	26- 18	AC		B
VHEMTZJ22B/--1	26- 20	AA		B
VHEUDZS6.2B-1	27- 11	AC		B
VHi28F4BVEB85	26- 24	AX		B
VHi74HC151M-1	25- 11	AD		B
VHi74LVX16128	26- 5	AD		B
VHi74LVX16128	27- 12	AP		B
VHiBA6920FP-1	26- 58	AL		B
VHiD65001AF-1	26- 60	AG		B
VHiD65503F+-1	26- 59	AG		B
VHiEES02L400P	26- 53	AG		B
VHiH8S2321+-1	26- 26	AX		B
VHiHG73C1191C	26- 27	BH		B
VHiKA7805AP-1	26- 64	AE		B
VHiKIA358F+-1	26- 52	AE		B
VHiKIA393F+-1	26- 55	AE		B
VHiL6219DS+-1	26- 57	AN		B
VHiLC7935//--1	25- 10	AN		B
VHiLCX244WM-1	26- 62	AG		B
VHiM51957BFP1	26- 54	AH		B
VHiMTD1361F-1	26- 56	AR		B

PARTS CODE	NO.	PRICE RANK	NEW MARK	PART RANK
VHiNC7ST08M-1	26- 51	AD		B
VHiP2010ASR-1	26- 61	AN		B
VHiTD62064AF/	26- 6	AM		B
VHiUSB11AMX-1	27- 14	AH		B
VHiVHCT244M-1	26- 63	AG		B
VHP1LHEE-002A	25- 12	AC		B
VHP1LHLE-002A	25- 13	AC		B
VHP3650AG2J-1	25- 14	AL		B
VHPGP1A71A1-1	8- 36	AG		B
VHViCPN38//--1	26- 22	AF		B
VRD-HT2EY151J	26- 67	AA		C
VRD-HT2EY391J	26- 68	AA		C
VRD-HT2EY472J	26- 69	AA		C
VRH-ST2HB157K	14- 2	AD		C
VRN-VT3ATR68J	26- 70	AC		C
VRS-CY1JD000J	27- 15	AA		C
VRS-CY1JD101J	25- 15	AA		C
VRS-CY1JD102J	25- 16	AA		C
VRS-CY1JD103J	27- 16	AA		C
VRS-CY1JD121J	25- 17	AA		C
VRS-CY1JD151J	25- 18	AA		C
VRS-CY1JD152J	25- 19	AA		C
/"	27- 17	AA		C
VRS-CY1JD220J	27- 18	AA		C
VRS-CY1JD240J	27- 19	AA		C
VRS-CY1JD332J	27- 20	AA		C
VRS-CY1JD471J	25- 20	AA		C
VRS-CY1JD472J	25- 21	AA		C
VRS-CY1JD511J	25- 22	AA		C
VRS-CZ1JD000J	26- 75	AA		C
VRS-CZ1JD100J	26- 9	AA		C
VRS-CZ1JD101J	26- 77	AA		C
VRS-CZ1JD102F	26- 78	AA		C
VRS-CZ1JD102J	26- 10	AA		C
VRS-CZ1JD103F	26- 79	AA		C
VRS-CZ1JD103J	26- 80	AA		C
VRS-CZ1JD105F	26- 82	AA		C
VRS-CZ1JD113F	26- 94	AA		C
VRS-CZ1JD122F	26- 93	AA		C
VRS-CZ1JD122J	26- 83	AA		C
VRS-CZ1JD152J	26- 11	AA		C
VRS-CZ1JD153J	26- 96	AA		C
VRS-CZ1JD202J	26- 84	AA		C
VRS-CZ1JD203J	26- 12	AA		C
VRS-CZ1JD220J	26- 76	AA		C
VRS-CZ1JD241J	26- 97	AA		C
VRS-CZ1JD242J	26- 85	AA		C
VRS-CZ1JD272J	26- 98	AA		C
VRS-CZ1JD301J	26- 86	AA		C
VRS-CZ1JD303J	26- 101	AA		C
VRS-CZ1JD330J	26- 100	AA		C
VRS-CZ1JD332J	26- 87	AA		C
VRS-CZ1JD393J	26- 81	AA		C
VRS-CZ1JD432F	26- 99	AA		C
VRS-CZ1JD472J	26- 95	AA		C
VRS-CZ1JD473J	26- 88	AA		C
VRS-CZ1JD511J	26- 103	AA		C
VRS-CZ1JD562J	26- 102	AA		C
VRS-CZ1JD563J	26- 104	AA		C
VRS-CZ1JD621J	26- 89	AA		C
VRS-CZ1JD751J	26- 90	AA		C
VRS-CZ1JD752F	26- 92	AA		C
VRS-CZ1JD752J	26- 91	AA		C
VRS-HT3DA101J	26- 74	AA		C
VRS-HT3DA102J	26- 71	AA		C
VRS-HT3DA1R0J	26- 72	AB		C
VRS-HT3DAR22J	26- 73	AA		C
VSKRA119S++-1	26- 122	AB		B
VSKRC106S++-1	26- 123	AB		B
VSKTA1281++-1	26- 127	AD		B
VSKTA1505S+-1	26- 121	AC		B
VSKTC3198++-1	26- 128	AB		B
[X]				
XBBS730P04000	15- 21	AA	N	C
XBBS730P06000	13- 14	AC		C
XBBS730P08000	11- 29	AA	N	C
/"	1- 9	AA	N	C
/"	19- 34	AA	N	C
XBBS740P06000	15- 1	AA	N	C
XBBS740P08000	7- 28	AA	N	C
XBPS730P04KS0	7- 27	AB	N	C

PARTS CODE	NO.	PRICE RANK	NEW MARK	PART RANK
XBPS730P05K00	4- 6	AA	N	C
XBPS730P06KS0	18- 15	AB	N	C
/"	19- 24	AB	N	C
/"	5- 12	AB	N	C
XBPS730P08KS0	12- 37	AB	N	C
XBPS730P10KS0	14- 10	AB	N	C
XBPSC30P06ES0	20- 4	AA		C
XBPSC30P06K00	11- 17	AA		C
XBPSN40P06K00	13- 25	AA		C
XEBS730P06000	11- 15	AA	N	C
/"	18- 30	AA	N	C
/"	19- 13	AA	N	C
/"	21- 5	AA	N	C
/"	7- 8	AA	N	C
XEBS730P08000	1- 3	AC		C
/"	14- 41	AC		C
/"	16- 2	AC		C
/"	17- 2	AC		C
/"	18- 8	AC		C
/"	19- 11	AC		C
/"	20- 8	AC		C
/"	22- 9	AC		C
/"	3- 20	AC		C
/"	5- 6	AC		C
/"	6- 9	AC		C
XEBS730P10000	11- 10	AC		C
/"	11- 33	AC		C
/"	12- 4	AC		C
/"	12- 44	AC		C
/"	13- 11	AC		C
/"	4- 39	AC		C
/"	6- 11	AC		C
/"	7- 10	AC		C
XEBS730P12000	12- 40	AC		C
/"	14- 31	AC		C
/"	4- 2	AC		C
/"	9- 1	AC		C
XEBS730P30000	11- 11	AC	N	C
XEBS740P10000	3- 13	AA	N	C
XEBS740P12000	11- 30	AA	N	C
/"	12- 35	AA	N	C
/"	13- 15	AA	N	C
/"	1- 5	AA	N	C
/"	18- 32	AA	N	C
/"	19- 36	AA	N	C
XEBS740P14000	3- 22	AB	N	C
XEPS720P10000	16- 5	AA	N	C
/"	17- 5	AA	N	C
XEPS730P06X00	18- 28	AA	N	C
XEPS730P08X00	3- 5	AA	N	C
/"	7- 21	AA	N	C
XHBS730P06000	11- 34	AC		C
/"	13- 3	AC		C
/"	18- 4	AC		C
/"	19- 23	AC		C
/"	7- 7	AC		C
/"	8- 26	AC		C
XHBS730P08000	8- 31	AB		C
XPSSJ20-07000	12- 12	AA		C
/"	18- 10	AA		C
/"	19- 6	AA		C
XPSSP20-07000	5- 29	AA		C
XRESP30-04000	14- 39	AA		C
XRESP30-06000	5- 24	AA		C
/"	7- 16	AA		C
XRESP40-06000	12- 14	AA		C
/"	18- 7	AA		C
/"	19- 2	AA		C
/"	22- 7	AA		C
/"	5- 15	AA		C
XRESP50-06000	12- 6	AA		C
/"	4- 13	AA		C
/"	8- 27	AA		C
XRESP70-08000	8- 28	AA		C
[0]				
0AV1390000107	28- 13	AC		C
0AV1390000108	28- 15	AC		C
0AV1390000138	28- 18	AF		C
0AV1390000177	28- 16	AC		C
0AV1390000179	28- 20	AC		C
0AV1390000180	28- 22	AC		C

SHARP

COPYRIGHT © 2004 BY SHARP CORPORATION

All rights reserved.

Printed in Japan.

No part of this publication may be reproduced,
stored in a retrieval system, or transmitted.

In any form or by any means,
electronic, mechanical, photocopying, recording, or otherwise,
without prior written permission of the publisher.

SHARP CORPORATION
Digital Document Systems Group
Quality Enhancement Center
Yamatokoriyama, Nara 639-1186, Japan
2004 December Printed in Japan ⓘ