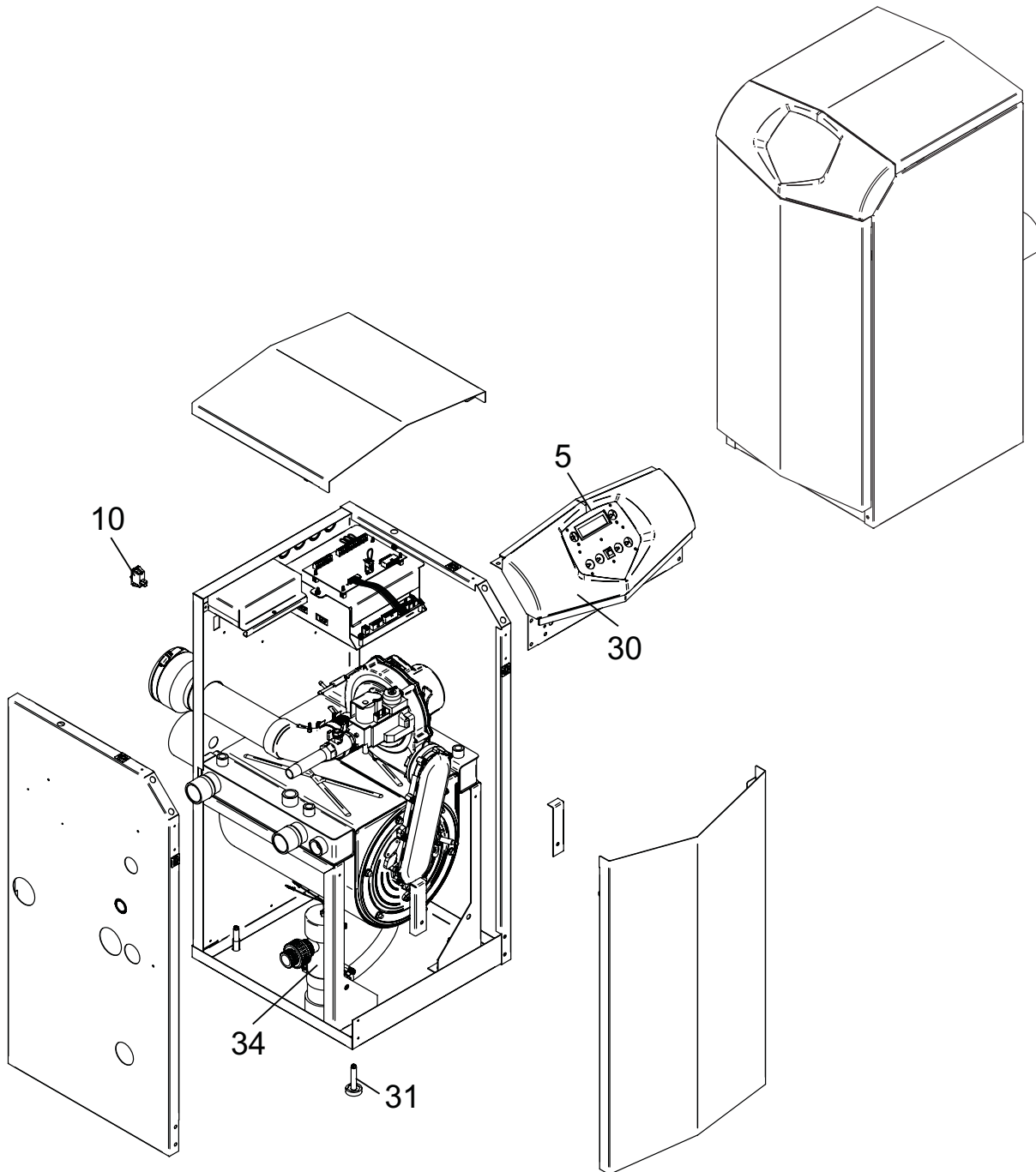




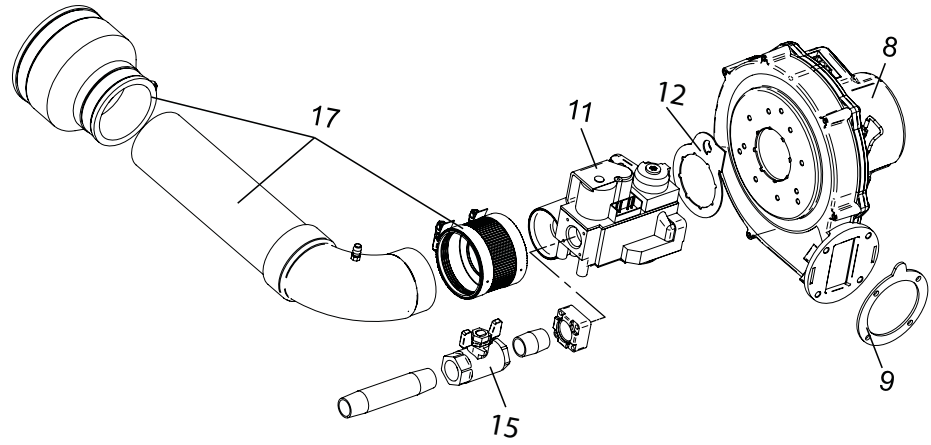
Replacement Parts List

PARTS & SERVICE DEPARTMENT
Nashville, Tennessee
615-889-8900 / Fax: 615-547-1000
www.Lochinvar.com

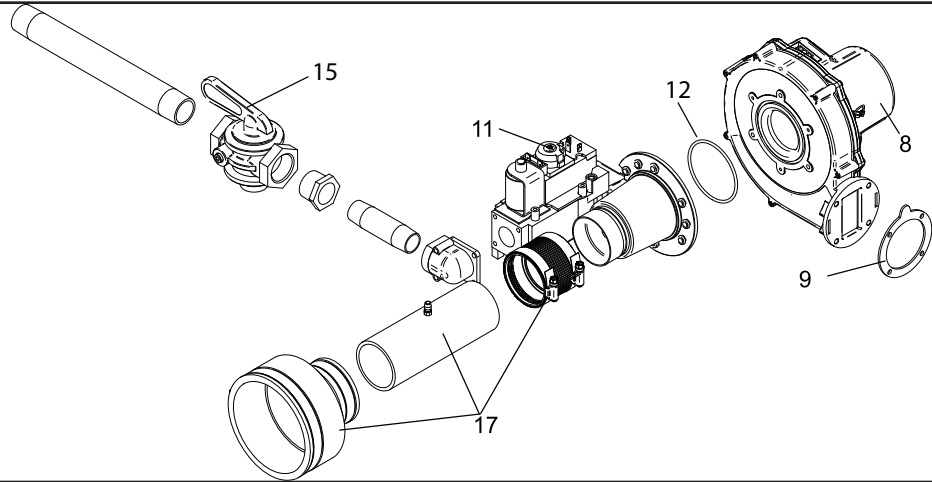
Armor Condensing Water Heater AW 150 thru 800



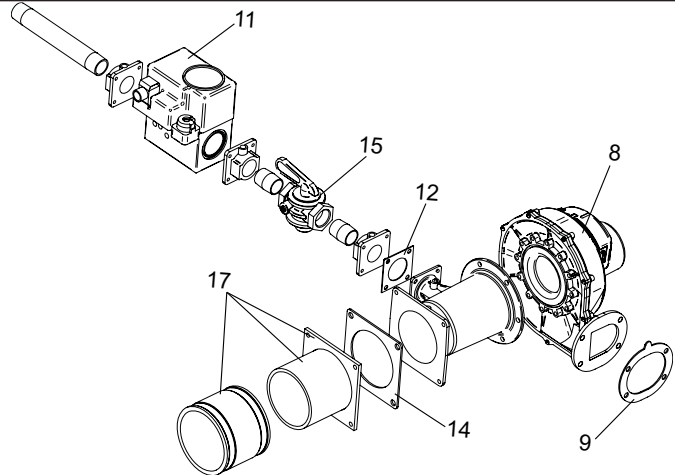
GAS TRAIN 150-285



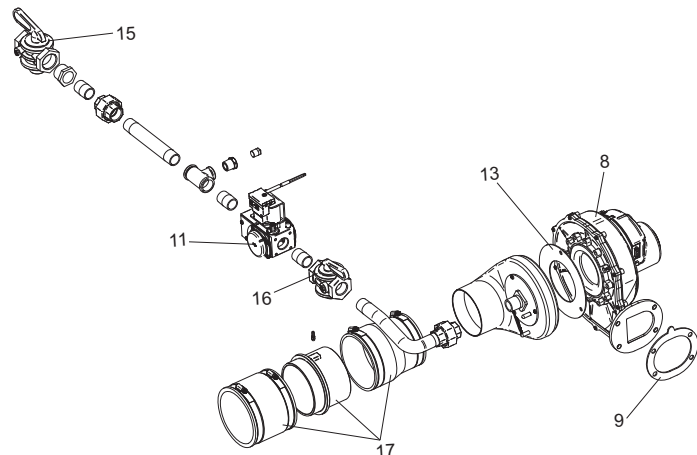
GAS TRAIN 399



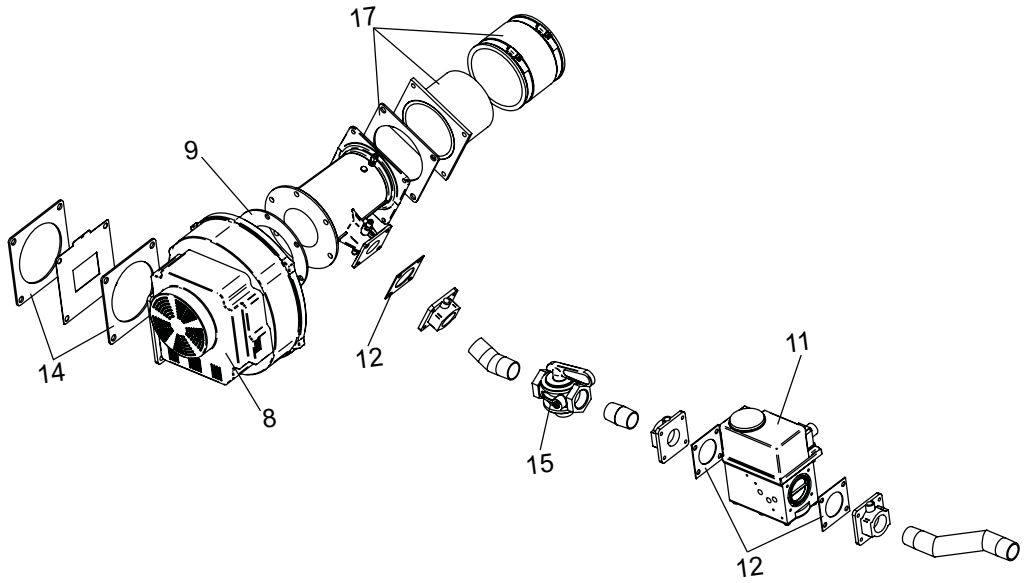
**GAS TRAIN 500
Before H07H10046461**



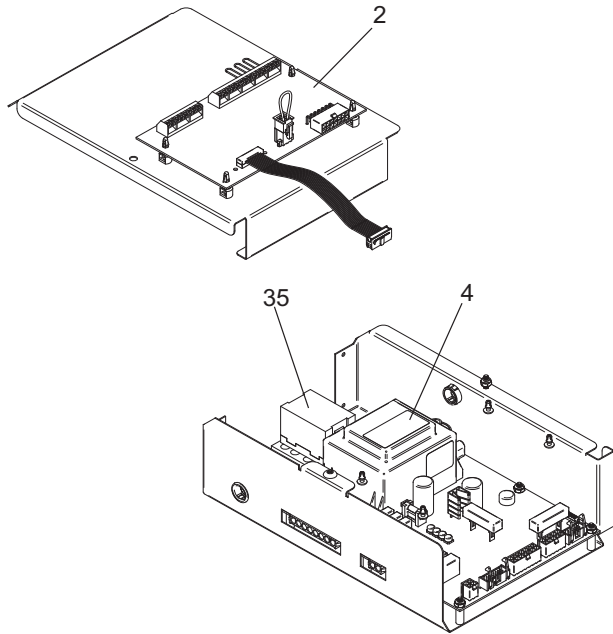
**GAS TRAIN 500
After H07H10046464**



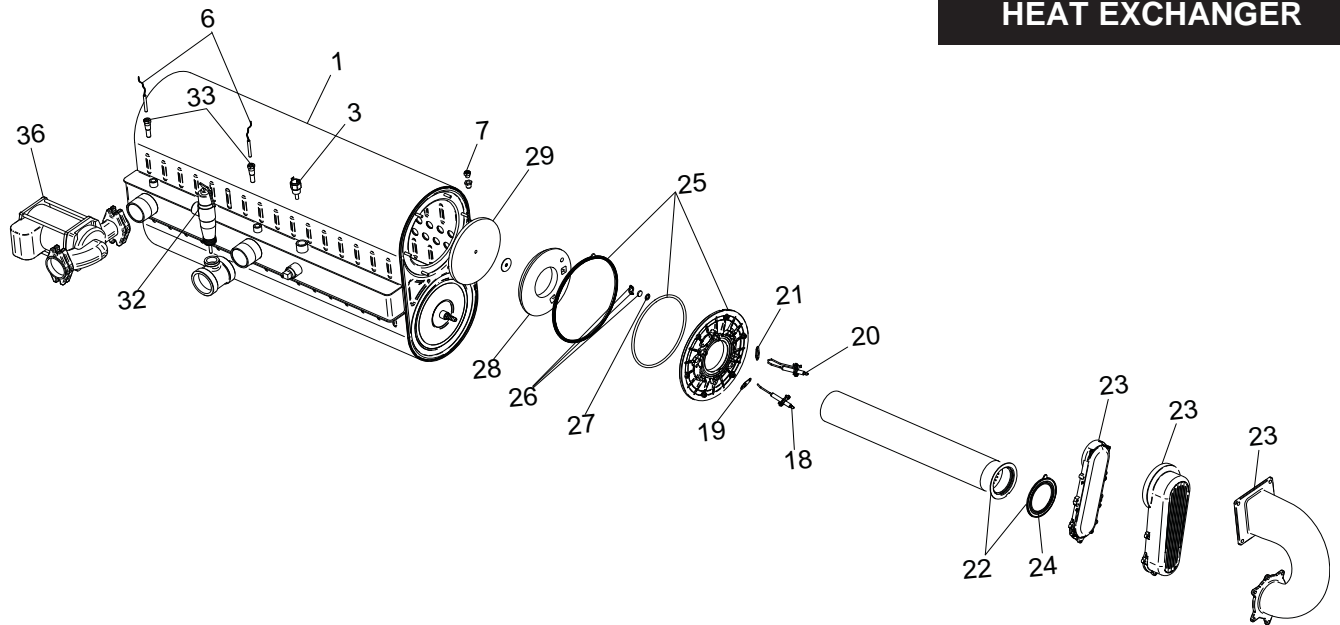
GAS TRAIN 600-800



CONTROL PANEL



HEAT EXCHANGER



| ITEM NO. | PART NO. | DESCRIPTION | MODEL |
|--------------------------------|----------|--|----------------|
| HEAT EXCHANGER ASSEMBLY | | | |
| 1 | HEX3954 | HEAT EXCHANGER | AWN150 |
| 1 | HEX3955 | HEAT EXCHANGER | AWN199 |
| 1 | HEX3956 | HEAT EXCHANGER | AWN285 |
| 1 | HEX3957 | HEAT EXCHANGER | AWN399 |
| 1 | HEX3958 | HEAT EXCHANGER | AWN500 |
| 1 | HEX30004 | HEAT EXCHANGER | AWN600 |
| 1 | HEX30005 | HEAT EXCHANGER | AWN700 |
| 1 | HEX30006 | HEAT EXCHANGER | AWN800 |
| CONTROLS | | | |
| 2 | RLY2120 | LOW VOLTAGE CONNECTION BOARD | All |
| 3 | HLC2510 | HIGH LIMIT | All |
| 4 | RLY30012 | INTEGRATED CONTROL | AWN150-285 |
| 4 | RLY30014 | INTEGRATED CONTROL | AWN399 |
| 4 | RLY30016 | INTEGRATED CONTROL | AWN500 |
| 4 | RLY30035 | INTEGRATED CONTROL | AWN600 - 800 |
| 4 | RLY30023 | HIGH ALTITUDE INTEGRATED CONTROL | AWN150-285 |
| 4 | RLY30024 | HIGH ALTITUDE INTEGRATED CONTROL | AWN399 |
| 4 | RLY30025 | HIGH ALTITUDE INTEGRATED CONTROL | AWN500 |
| 4 | RLY30036 | HIGH ALTITUDE INTEGRATED CONTROL | AWN600 - 800 |
| 5 | RLY2210 | USER INTERFACE CONTROL | All |
| 6 | TST2032 | WATER TEMP SENSOR | All |
| 7 | RLV30000 | AIR VENT VALVE | All |
| 8 | FAN3031 | FAN ASSEMBLY | AWN150 |
| 8 | FAN3032 | FAN ASSEMBLY | AWN199 |
| 8 | FAN3033 | FAN ASSEMBLY | AWN285 |
| 8 | FAN3035 | FAN ASSEMBLY | AWN399 |
| 8 | FAN3034 | FAN ASSEMBLY (BEFORE H07H10046461) | AWN500 |
| 8 | FAN3037 | FAN ASSEMBLY (AFTER H07H10046464) | AWN500 |
| 8 | FAN30001 | FAN ASSEMBLY | AWN600-800 |
| 9 | GKT2456 | GASKET/ BLOWER | AWN199 |
| 9 | GKT2436 | GASKET/ BLOWER | AWN150-285-399 |
| 9 | GKT2438 | GASKET/ BLOWER | AWN500 |
| 10 | SWT2006 | ON/OFF SWITCH | All |
| GAS VALVES | | | |
| 11 | VAL3201 | GAS VALVE ASSEMBLY NAT | AWN150 |
| 11 | VAL3202 | GAS VALVE ASSEMBLY NAT | AWN199 |
| 11 | VAL3203 | GAS VALVE ASSEMBLY NAT | AWN285 |
| 11 | VAL3204 | GAS VALVE ASSEMBLY NAT | AWN399 |
| 11 | VAL3206 | GAS VALVE ASSEMBLY NAT (BEFORE H07H10046461) | AWN500 |
| 11 | VAL3207 | GAS VALVE ASSEMBLY NAT (AFTER H07H10046464) | AWN500 |
| 11 | VAL3212 | GAS VALVE ASSEMBLY NAT | AWN600 |
| 11 | VAL30006 | GAS VALVE ASSEMBLY NAT | AWN700 |
| 11 | VAL3213 | GAS VALVE ASSEMBLY NAT | AWN800 |
| 11 | VAL30011 | GAS VALVE ASSEMBLY LP (AFTER H07H10046464) | AWL500 |
| 11 | VAL30012 | GAS VALVE ASSEMBLY LP | AWL600 |
| 11 | VAL30013 | GAS VALVE ASSEMBLY LP | AWL700 |
| 11 | VAL30014 | GAS VALVE ASSEMBLY LP | AWL800 |
| 12 | GKT2443 | GAS VALVE GASKET | AWN150-285 |
| 12 | GKT2444 | GAS VALVE GASKET | AWN399 |
| 12 | GKT2050 | GAS VALVE GASKET | AWN500-800 |
| 13 | GKT2080 | AIR SHROUD GASKET | AWN500 |
| 14 | GKT2034 | AIR INTAKE GASKET | AWN500-800 |
| 15 | VAL2206 | GAS CUT OFF VALVE | AWN150-199 |

PLEASE HAVE MODEL AND SERIAL NUMBER AVAILABLE WHEN ORDERING PARTS

| ITEM NO. | PART NO. | DESCRIPTION | MODEL |
|--------------------------------------|----------|--|---------------------|
| GAS VALVES (CONTINUED) | | | |
| 15 | VAL2421 | GAS CUT OFF VALVE | AWN285 |
| 15 | GAC2029 | GAS CUT OFF VALVE 1X1 (BEFORE H07H10046461 FOR AWN500) | AWN399-800 |
| 16 | GAC2028 | GAS CUT OFF VALVE 3/4 X 3/4 (AFTER H07H10046464) | AWN500 |
| 17 | MSC3182 | AIR INLET KIT | AWN150 |
| 17 | MSC3183 | AIR INLET KIT | AWN199 |
| 17 | MSC3184 | AIR INLET KIT | AWN285 |
| 17 | MSC3185 | AIR INLET KIT | AWN399 |
| 17 | MSC3186 | AIR INLET KIT (BEFORE H07H10046461 FOR AWN500) | AWN500-800 |
| 17 | MSC3187 | AIR INLET KIT (AFTER H07H10046464) | AWN500 |
| PILOT & BURNER ASSEMBLIES | | | |
| 18 | PLT3022 | FLAME SENSOR WITH GASKET | AWN150-500 |
| 18 | PLT3023 | FLAME SENSOR WITH GASKET | AWN600-800 |
| 19 | GKT2450 | FLAME SENSOR GASKET | All |
| 20 | PLT3021 | IGNITER WITH GASKET | AWN150-500 |
| 20 | PLT30000 | IGNITER WITH GASKET | AWN600-800 |
| 21 | GKT2449 | IGNITER GASKET | All |
| 22 | BNR3426 | BURNER W/GASKET | AWN150 |
| 22 | BNR3427 | BURNER W/GASKET | AWN199 |
| 22 | BNR3428 | BURNER W/GASKET | AWN285 |
| 22 | BNR3429 | BURNER W/GASKET | AWN399-500 |
| 22 | BNR3432 | BURNER W/ GASKET | AWN600 |
| 22 | BNR3433 | BURNER W/ GASKET | AWN700 |
| 22 | BNR3434 | BURNER W/ GASKET | AWN800 |
| 23 | WTR3082 | GAS/AIR ARM ASSEMBLY W/ GASKET | AWN150 |
| 23 | WTR3078 | GAS/AIR ARM ASSEMBLY W/ GASKET | AWN199-399 |
| 23 | WTR3079 | GAS/AIR ARM ASSEMBLY W/ GASKET | AWN500 |
| 23 | WTR3085 | GAS/AIR ARM ASSEMBLY W/GASKET | AWN600-800 |
| 24 | GKT2451 | BURNER GASKET | AWN150-500 |
| 24 | GKT2062 | BURNER GASKET | AWN600-800 |
| 25 | WTR3080 | HEAT EXCHANGER ACCESS DOOR KIT | AWN150-500 |
| 25 | WTR3086 | HEAT EXCHANGER ACCESS DOOR KIT | AWN600-800 |
| MISCELLANEOUS | | | |
| 26 | MSC3180 | SIGHT GLASS | ALL |
| 27 | GKT2453 | SIGHT GLASS GASKET | ALL |
| 28 | FIB2168 | INSULATION, BURNER PLATE DOOR | AWN150-500 |
| 28 | FIB2146 | INSULATION, BURNER PLATE DOOR | AWN600-800 |
| 29 | FIB2167 | INSULATION BAFFLE, DIVIDER PLATE | ALL |
| 30 | MSC2990 | DISPLAY BEZEL | ALL |
| 31 | BLT2104 | LEVELING LEG | ALL |
| 32 | RLV2016 | T & P RELIEF 3/4 X 150# (BEGINNING G09H20013638) | AWN150-199 |
| 32 | RLV2006 | T & P RELIEF 3/4 X 150# (PRIOR TO G09H20013638) | AWN150-199 |
| 32 | RLV2006 | T & P RELIEF 3/4 X 150# | AWN285-399 |
| 32 | RLV2017 | T & P RELIEF 3/4 X 150# | AWN500-800 |
| 33 | TST2044 | 1/4" BULBWELL | ALL |
| - | TST2306 | 3/8" BULBWELL | ALL |
| - | FUS2000 | 1.25 AMP | ALL |
| - | FUS2001 | 3.15 AMP | ALL |
| - | FUS2002 | 5 AMP | ALL |
| - | WTR2210 | FLOW SWITCH | AWN150-199, 399-800 |
| - | WTR2211 | FLOW SWITCH | AWN285 |
| 34 | MSC2971 | CONDENSATE TRAP | AWN150-199 |
| 34 | MSC20063 | CONDENSATE TRAP | AWN285-800 |
| 35 | RLY20038 | RELAY, 1.5 HP PUMP | ALL |

PLEASE HAVE MODEL AND SERIAL NUMBER AVAILABLE WHEN ORDERING PARTS

| ITEM NO. | PART NO. | DESCRIPTION | MODEL |
|--|----------|---|------------|
| MISCELLANEOUS (CONTINUED) | | | |
| - | SWT2011 | BLOCKED DRAIN SWITCH | ALL |
| - | GTP2901 | GAUGE TRIOMETER, 75# PSI | AWN500-800 |
| - | TST3403 | FLUE TEMP SENSOR KIT | ALL |
| - | KIT3086 | AMRHL | ALL |
| - | KIT3085 | ALARM BELL | ALL |
| - | KIT3087 | NEUTRALIZER KIT | AWN150-500 |
| - | KIT3046 | NEUTRALIZER KIT | AWN600-800 |
| - | PRS20001 | PRESSURE SWITCH | AWN150/285 |
| - | PRS20002 | PRESSURE SWITCH | AWN199/399 |
| - | PRS2052 | PRESSURE SWITCH | AWN500 |
| - | PRS2054 | PRESSURE SWITCH | AWN600-800 |
| - | LPK3946 | LP CONVERSION KIT | AWN150 |
| - | LPK3947 | LP CONVERSION KIT | AWN199 |
| - | LPK3948 | LP CONVERSION KIT | AWN285 |
| - | LPK3949 | LP CONVERSION KIT | AWN399 |
| - | LPK3950 | LP CONVERSION KIT (AFTER H07H10046464 FOR AWN500) | AWN500-800 |
| - | KIT30063 | HEAT EXCHANGER CLEANING KIT | AWN150-399 |
| - | KIT30064 | HEAT EXCHANGER CLEANING KIT | AWN500-800 |
| PUMPS | | | |
| 36 | PUM3010 | PUMP | AWN150-199 |
| 36 | PUM3011 | PUMP | AWN285 |
| 36 | PUM3012 | PUMP | AWN399 |
| 36 | PUM30003 | PUMP | AWN500-600 |
| 36 | PUM30004 | PUMP | AWN700-800 |
| PLEASE HAVE MODEL AND SERIAL NUMBER AVAILABLE WHEN ORDERING PARTS | | | |

NOTES
