

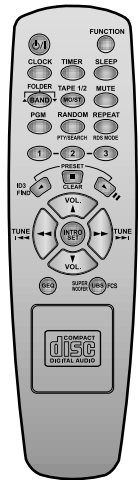
Service Manual

Mini Component System

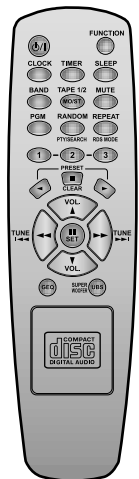
Model: **AXG-327[K]/328(K)**
AXW-327[K]/328(K)



AXG-327[K]/328(K)

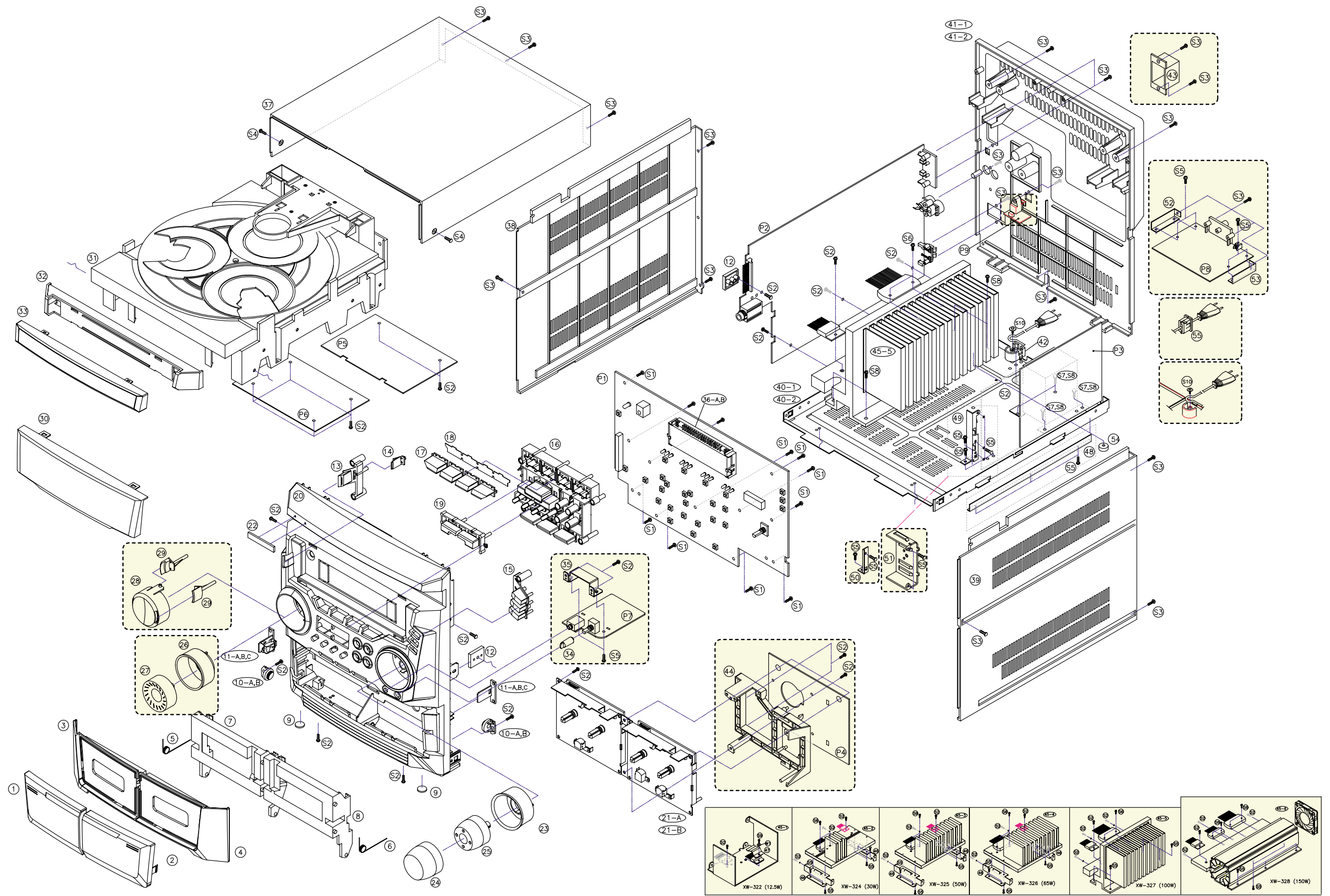


AXW-327[K]/328(K)



DAEWOO

Exploded View and Mechanical Parts List



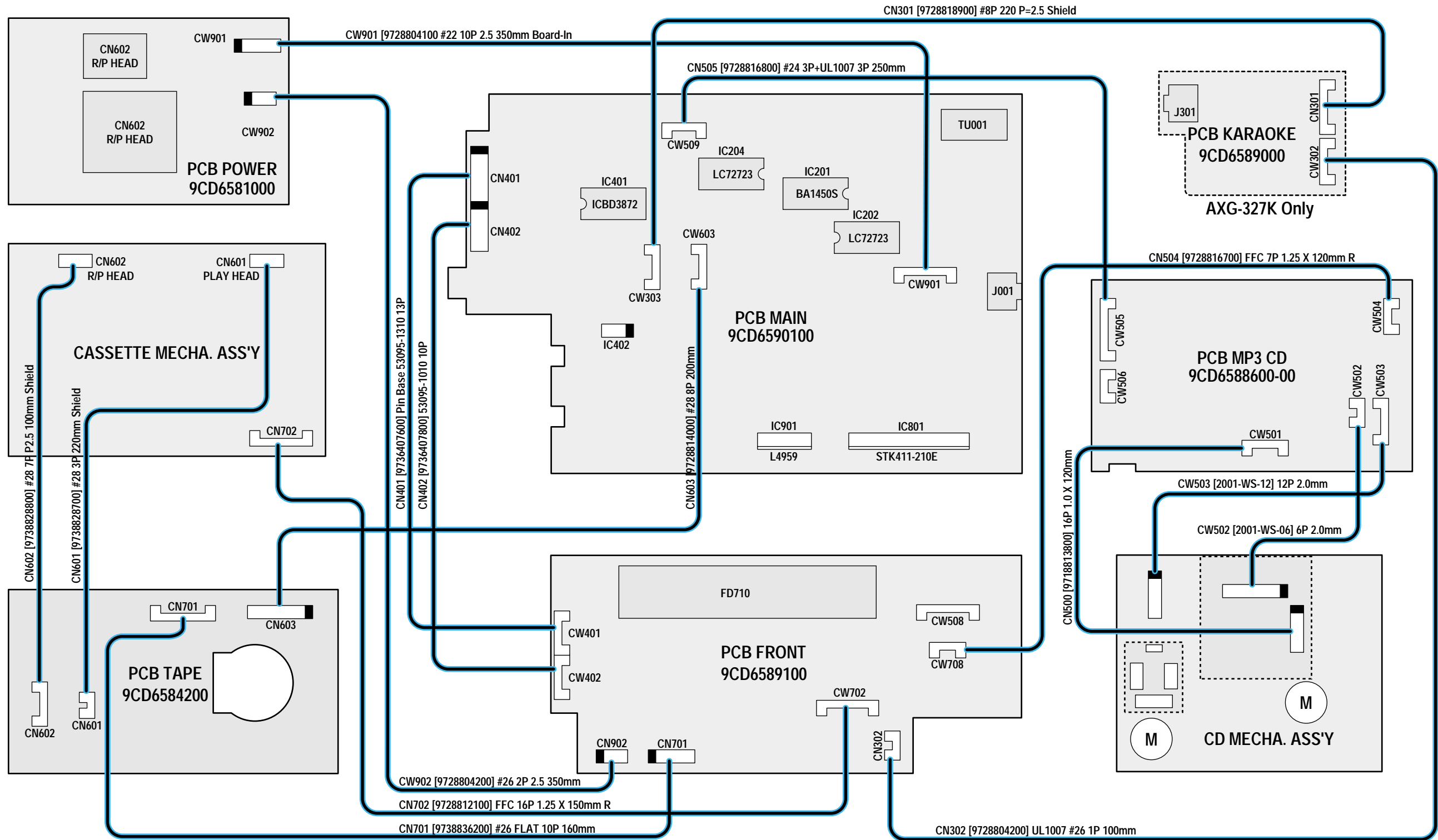
Exploded View and Mechanical Parts List

No.	Part Name	Part Code	Description	Qty	Remark
1	WINDOW DOOR A	9CD16197A0	ACRYL	1	
2	WINDOW DOOR B	9CD16197B0	ACRYL	1	
3	DOOR COVER A	9CD18136A0	MIPS	1	
4	DOOR COVER B	9CD18136B0	MIPS	1	
5	SRING DOOR EJECT L	9CD30080L0	STS 0.9	1	
6	SRING DOOR EJECT R	9CD30080R0	STS 0.9	1	
7	DOOR FRAME A	9CD18113A0	MIPS	1	
8	DOOR FRAME B	9CD18113B0	MIPS	1	
9	CUSHION FOOT	9CD4207700	URETHAN	2	
10-A	DAMPER GEAR B	9CD2603200	ACETAL	2	
10-B	DAMPER BASE B	9CD2603300	ABS	2	
11-A	LOCKER BASE	9CDOB01900	ABS	2	
11-B	LOCKER CAM	9CDOB02000	ABS	2	
11-C	LOCKER SPRING	9CDOB01600	STS	2	
12	BRKT SIDE	9CD2412900	ABS	2	
13	KNOB POWER	9CD1348700	MIPS	1	
14	LENS LED	9CD1619900	ACRYL	1	
15	KNOB CD	9CD1348710	MIPS	1	
16	KNOB CONTROL	9CD1348400	MIPS	1	
17	KNOB FUNCTION	9CD1348600	ACRYL	1	
18	PLATE FILTER	9CD0912800	T0.15	1	option
19	KNOB SET	9CD1348500	MIPS	1	
20	PANEL FRONT	9CD0311100	MIPS	1	
21-A	CASSETTE DECK LOGIC	9CD6010000		1	322
21-B	CASSETTE DECK LOGIC	9CD6010100		1	324/325/327/328
22	BADGE DAEWOO	9CD1500900	ABS	1	
23	DECO VOLUME	9CD3104200	ABS	1	
24	KNOB CAP	9CD1349300	MIPS	1	
25	KNOB VOLUME	9CD1348200	MIPS	1	
26	RING REFLECTOR	9CD3104210	ACRYL	1	
27	KNOB JOG	9CD1348210	MIPS	1	327/328
28	KNOB TUNE	9CD1349400	MIPS	1	322/324/325/326
29	LENS DECO	9CD1620000	ACRYL	2	
30	WINDOW FLT	9CD1619500	ACRYL	1	
31	CD DECK MECHA	9CD6009300		1	
32	DOOR CD	9CD1813700	MIPS	1	
33	WINDOW CD DOOR	9CD1619600	ACRYL	1	
34	KNOB MIC	9CD133200 0	MIPS	1	AMI-810
35	BRACKET MIC PCB	9CD2415500	SECC 1.0T	1	
36-A	GUIDE FLT	9CD2506500	ABS	1	322/324/325/326
36-B	GUIDE FLT	9CD2506300	ABS	1	327/328
37	COVER TOP	9CD0411400	MIPS	1	
38	COVER SIDE L	9CD04115L0	MIPS	1	
39	COVER SIDE R	9CD04115R0	MIPS	1	
40-1	CHASSIS BOTTOM	9CD0607500	ABS	1	322

No.	Part Name	Part Code	Description	Qty	Remark				
40-2	CHASSIS BOTTOM	9CD0607100	SECC 1.0T	1	324/325/326/327/328				
41-1	COVER BACK	9CD0409800	MIPS	1	322/324/325/326				
41-2	COVER BACK	9CD0414800	SECC 1.0T	1	327/328				
42	HOLDER AC CORD	9CD2303300	ABS	1	324/325/326/327/328				
43	COVER ANT	9CD0410400	ABS	1					
44	HOLDER PCB	9CD2304800	MIPS	1	327/328				
45-1	HEAT SINK 10	9CD4404500	AL	1	322				
45-2	HEAT SINK N30	9CD4406200	AL	1	324				
45-3	HEAT SINK N50	9CD4405800	AL	1	325				
45-4	HEAT SINK N65	9CD4408200	AL	1	326				
45-5	HEAT SINK N100	9CD4406100	AL	1	327				
45-6	HEAT SINK N150A	9CD4407900	AL	1	328				
46	BRACKET HEAT TR	9CD2414600	SECC 1.0T	2	324/325/326				
47	BRACKET HEAT TR	9CD2414600	SUS 0.5T	1	322				
48	FRAME BOTTOM	9CD0607800	SECC 1.0T	1	327/328				
49	BRKT PCB C	9CD2414500	SECC 1.0T	1	327/328				
50	BRKT PCB A	9CD2413100	SECC 1.0T	1	327DP				
51	HEAT SINK PW	9CD4404200	AL	1	327/328				
52	BRACKET TUNER PCB L	9CD24159L0	SECC 1.0T	1	327/328				
53	BRACKET TUNER PCB R	9CD24159R0	SECC 1.0T	1	327/328				
54	FOOT RUBBER	9CD0801000	RUBBER	2	327/328				
55	STOPPER AC CORD	9CD5700500	66NYLON	1	327/328				
No.	SCREW TYPE	Part Code	Description	Qty					
				322	324	325	326	327	328
S1	SCREW TAPTTITE	7173261011	TT2 BIN 2.6 X 10 MFZN	14	14	14	14	14	14
S2	SCREW TAPTTITE	7173301011	TT2 BIN 3.0X10 MFZN	16	15	15	15	15	15
S3	SCREW TAPTTITE	7173301212	TT2 BIN 3.0X12 BK	21	21	21	21	21	23
S4	SCREW TAPTTITE	7173301612	TT2 BIN 3.0X16 BK	2	2	2	2	2	2
S5	SCREW TAPTTITE	7173300411	TT2 BIN 3.0X6 MFZN	5	8	8	8	12	13
S6	SCREW TAPTTITE	7173301411	TT2 BIN 3.0X14 MFZN	*	4	4	4	4	8
S7	SCREW TAPTTITE	7173400611	TT2 BIN 4.0X6 MFZN	*	4	4	4	4	4
S8	SCREW TAPTTITE	7173401011	TT2 BIN 4.0X10 MFZN	4	*	*	*	4	*
S9	WASHER SCREW	9CD3102401	TT2 BIN 3.0X8 + D12	1	*	*	*	*	*
S10	WASHER SCREW	9CD3102400	TT2 BIN 3.0X10 + D14	1	1	1	1	*	*
W1	WASHER PLAIN			1	*	*	*	*	*
No.	Part Name	Qty	Remark						
P2	PCB MAIN	1							
P3	PCB POWER	1							
P4	PCB TAPE	1	327/328						
P5	PCB CD	1							
P6	PCB MP3	1	option						
P7	PCB MIC	1							
P8	PCB TUNER	1	328						
P9	PCB JACK	1	option						

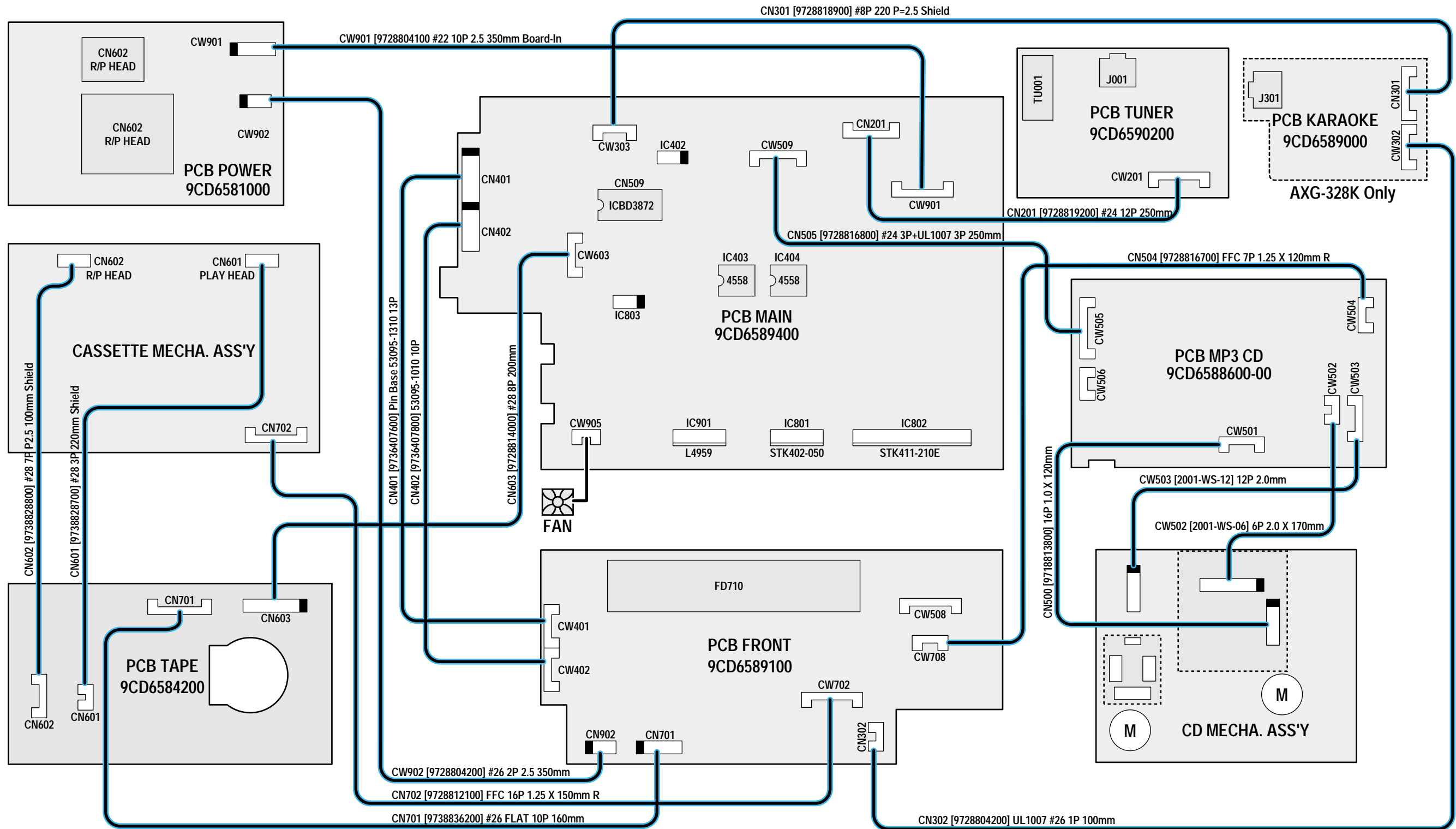
Wiring Diagram

● AXG-327(K) Only



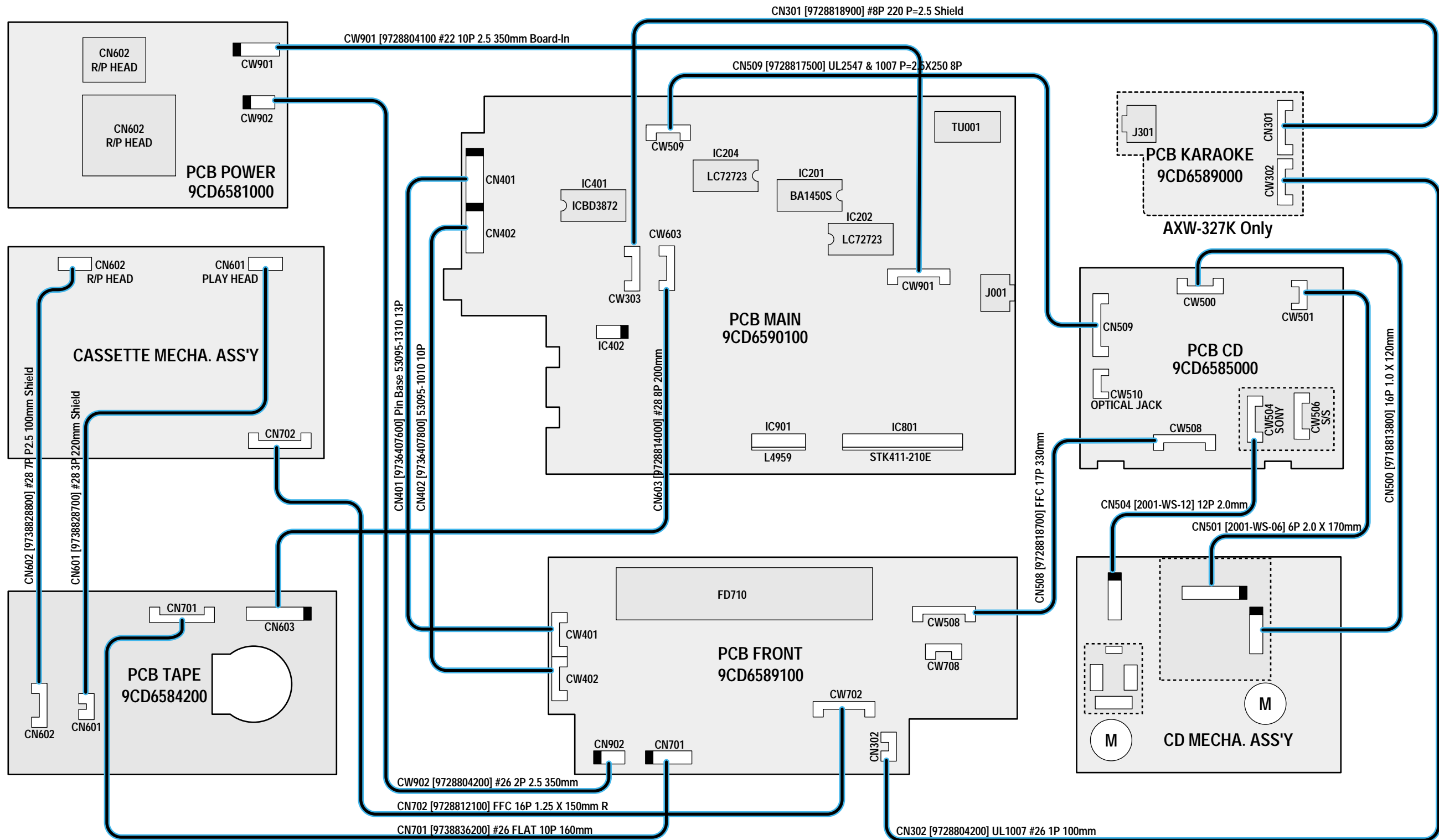
Wiring Diagram

● AXG-328(K) Only



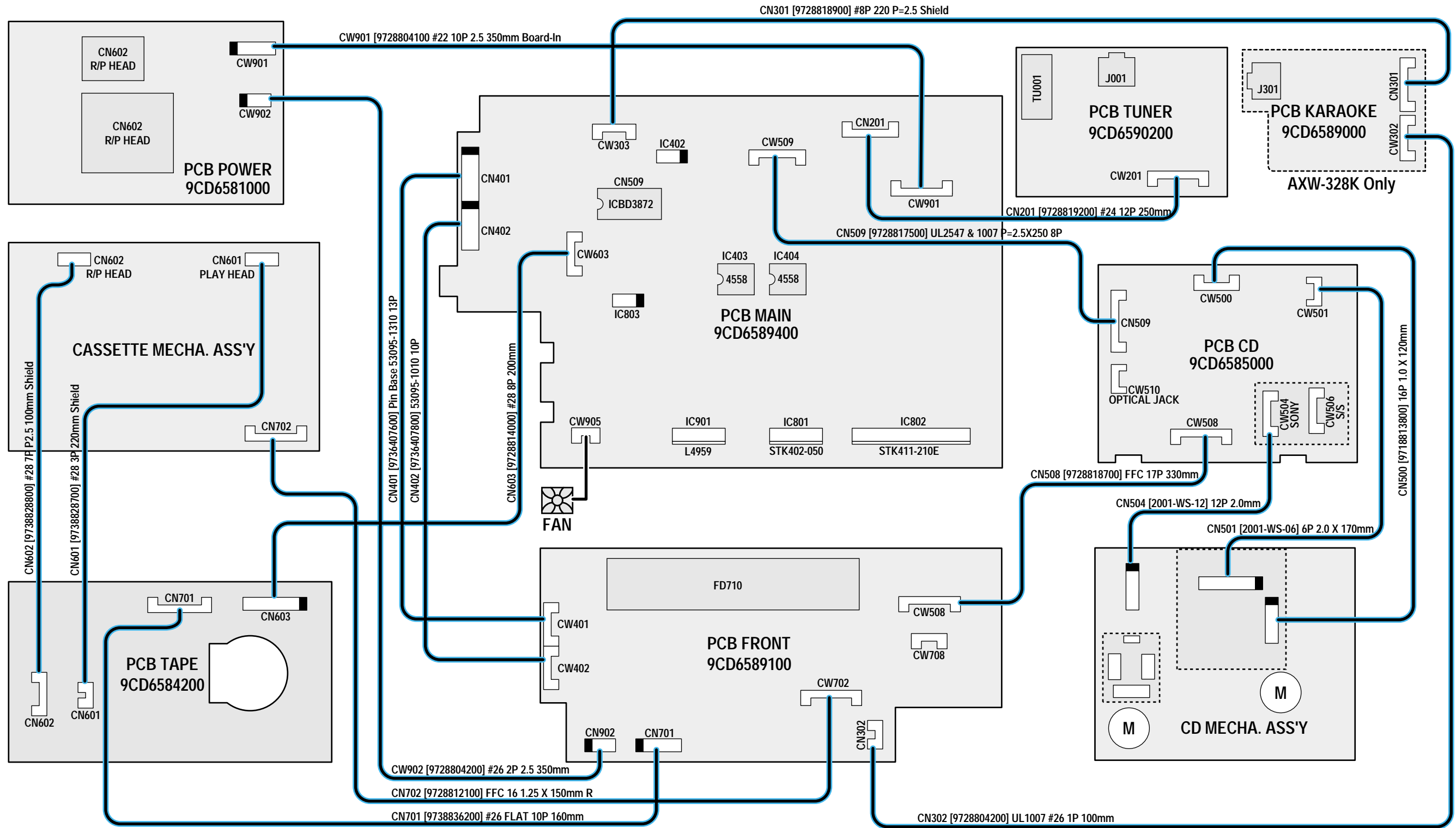
Wiring Diagram

● AXW-327(K) Only



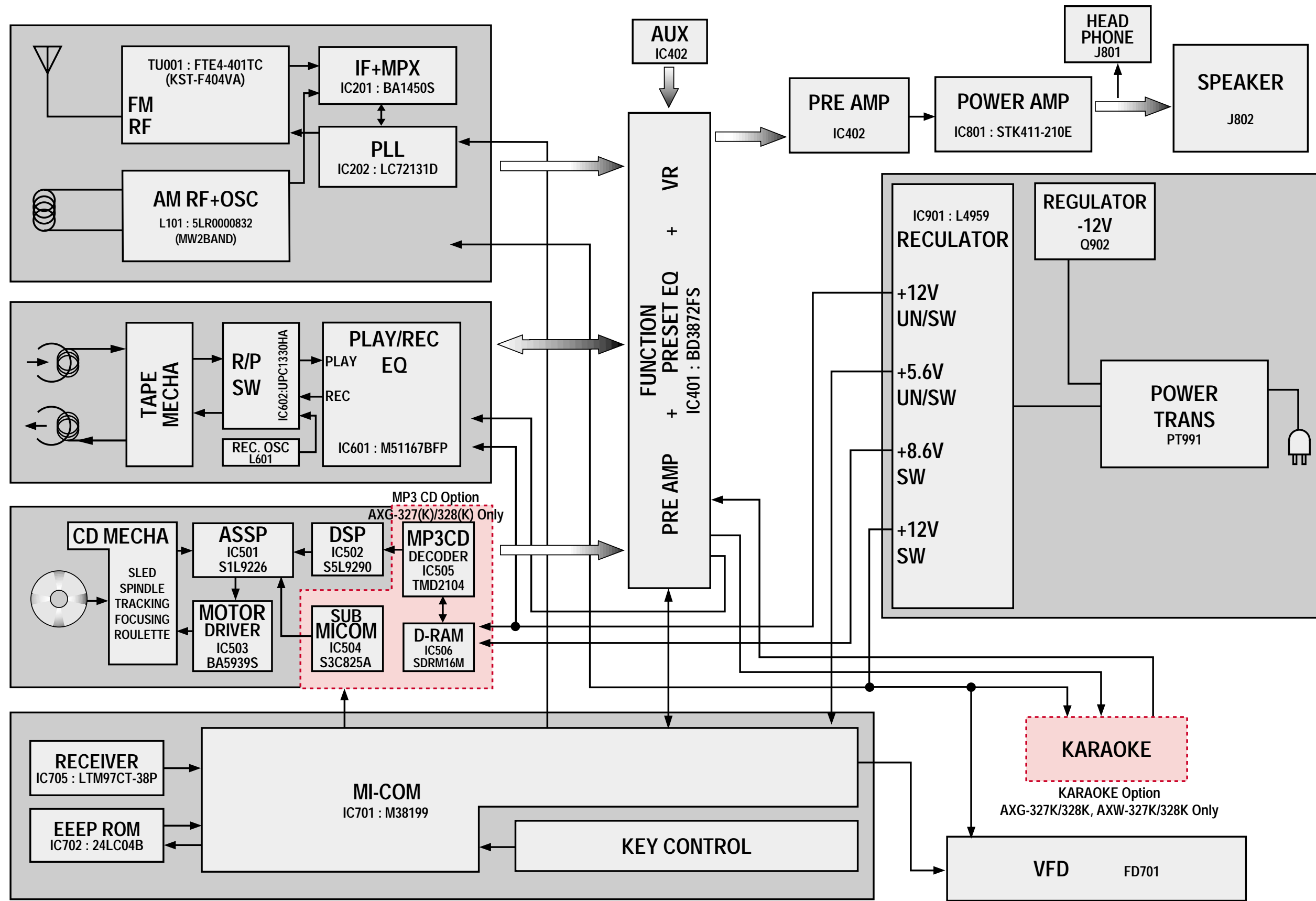
Wiring Diagram

● AXW-328(K) Only



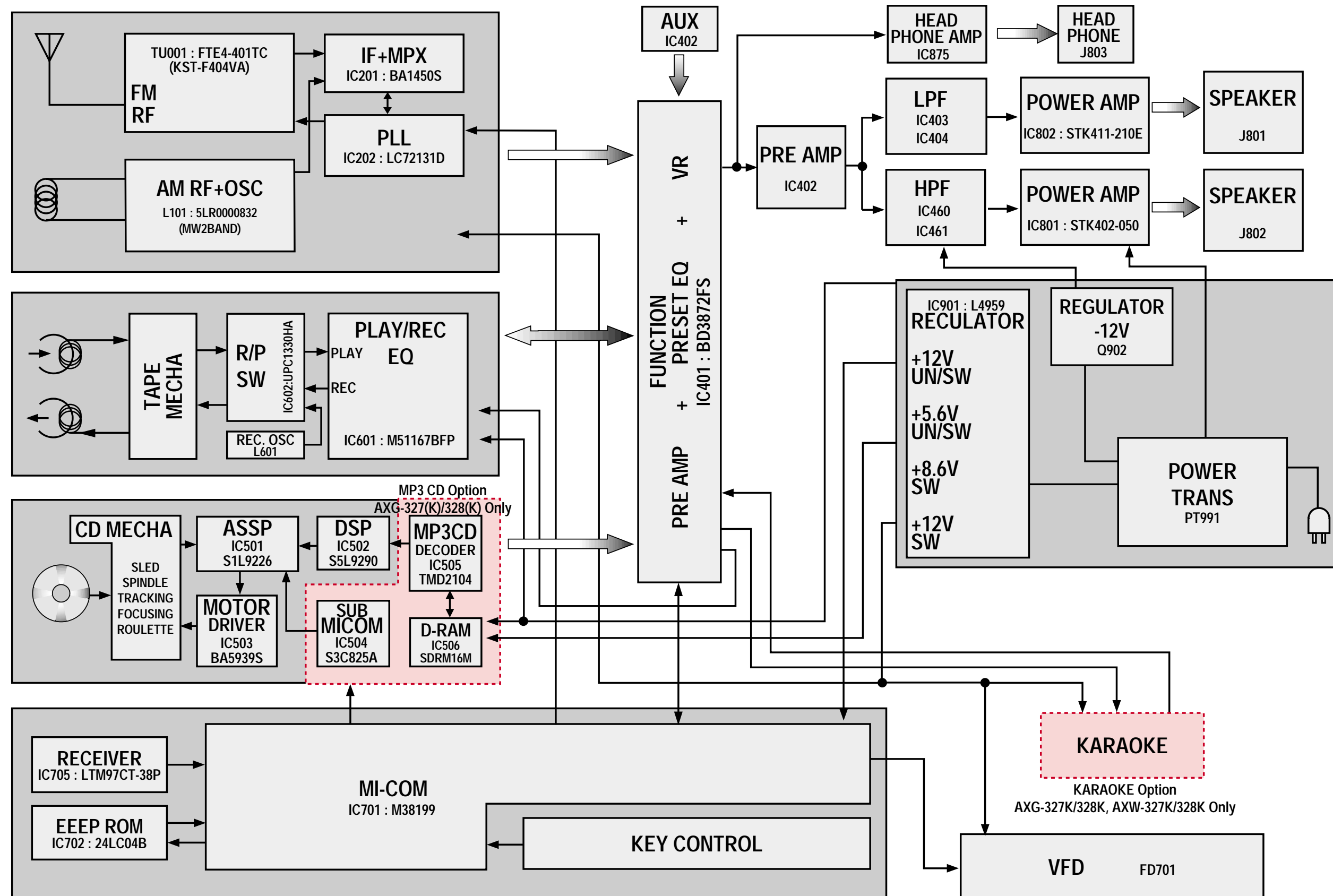
Block Diagram

● AXG-327(K)/AXW-327(K) Only



Block Diagram


● AXG-328(K)/AXW-328(K) Only

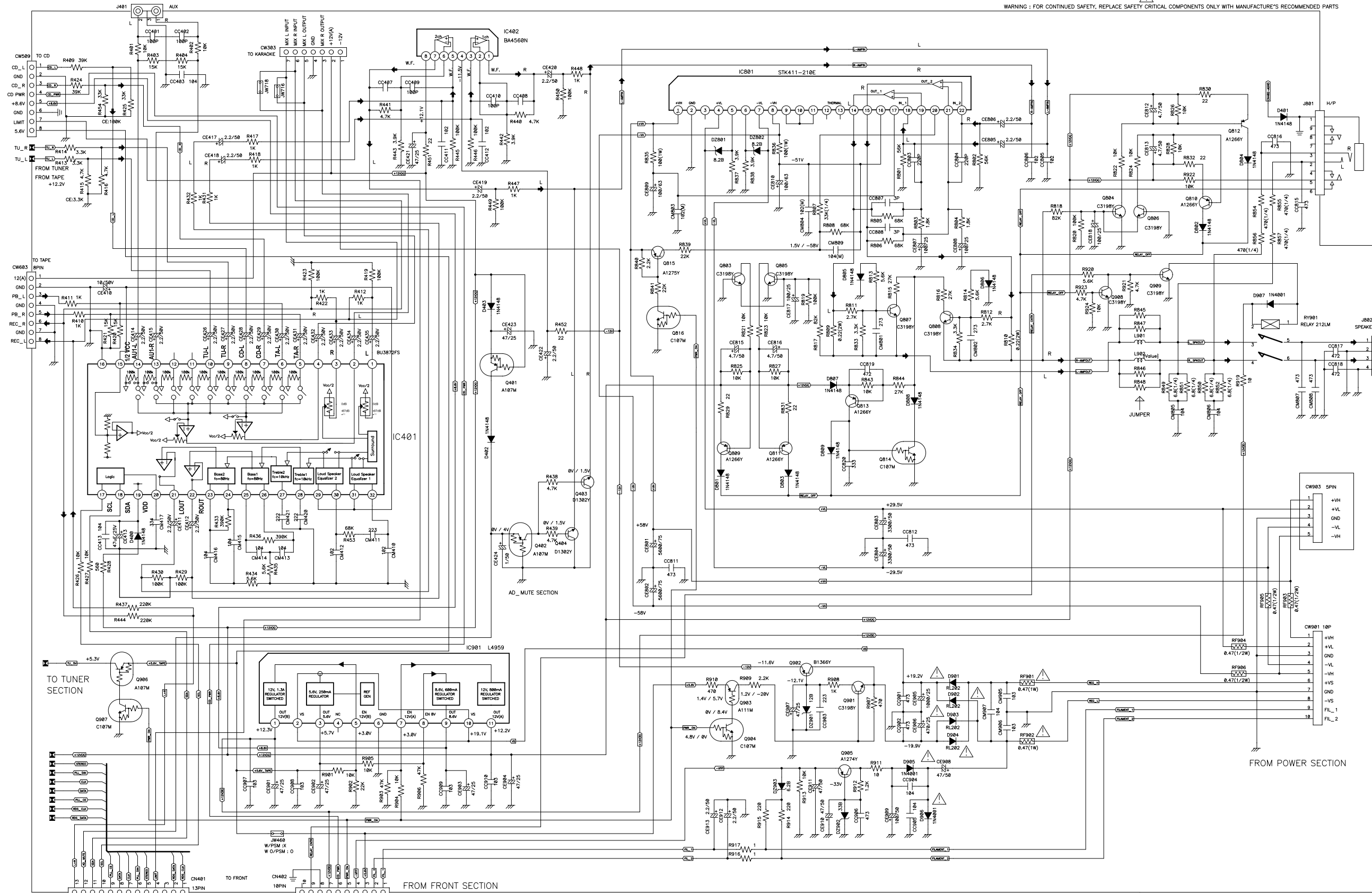


Schematic Diagram

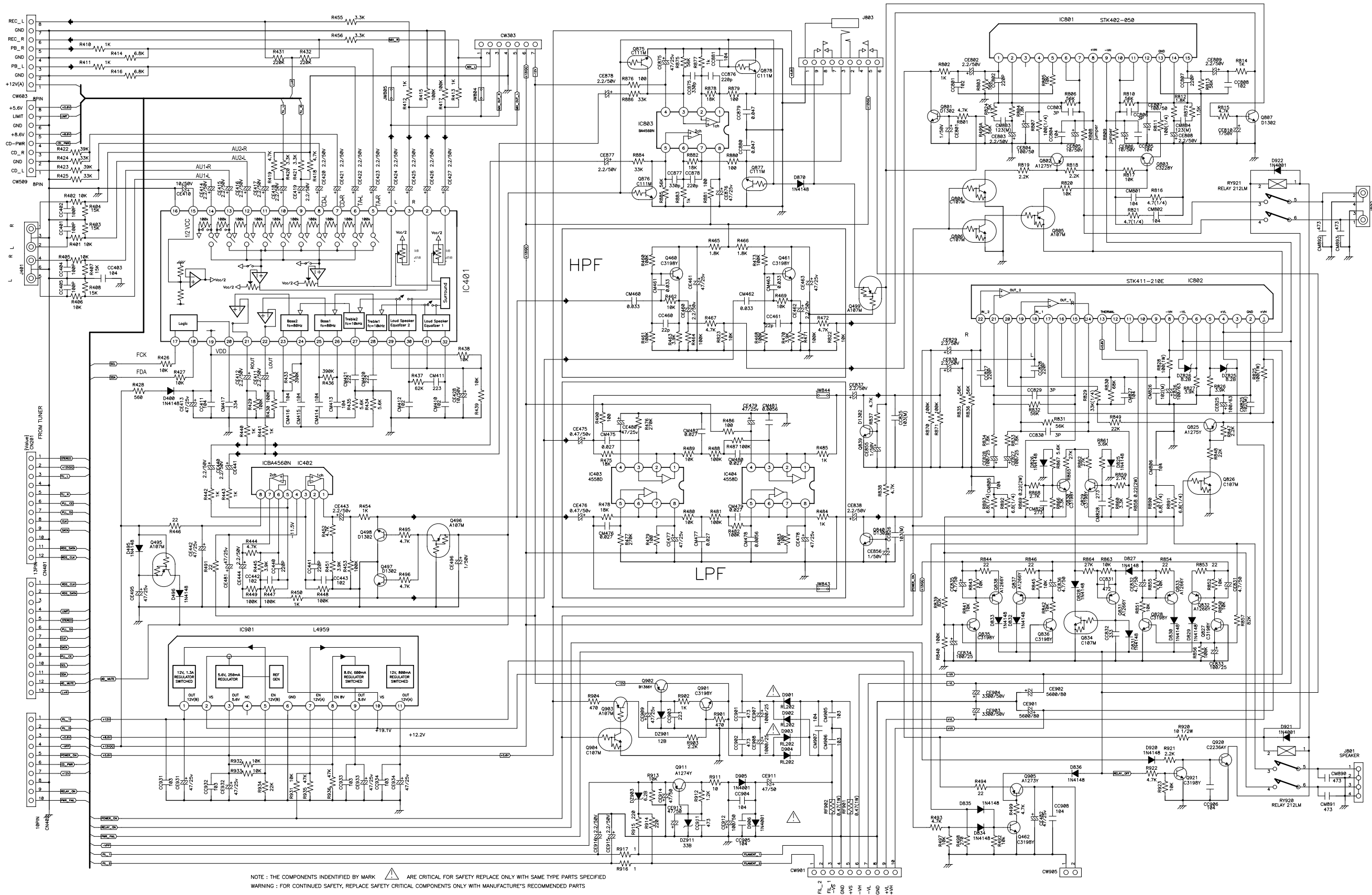
MODEL XG-328

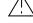
● MAIN [AXG-327(K)/AXW-327(K) Only]

BEFORE RETURNING THE RECEIVER TO CUSTOMER, APPROPRIATE LEAKAGE CURRENT OR RESISTANCE SHOULD BE CONDUCTED TO DETERMINE THAT EXPOSED PARTS ARE PROPERLY INSULATED FROM THE SUPPLY CIRCUIT
NOTE : THE COMPONENTS IDENTIFIED BY MARK  ARE CRITICAL FOR SAFETY REPLACE ONLY WITH SAME TYPE PARTS SPECIFIED
WARNING : FOR CONTINUED SAFETY, REPLACE SAFETY CRITICAL COMPONENTS ONLY WITH MANUFACTURE'S RECOMMENDED PARTS

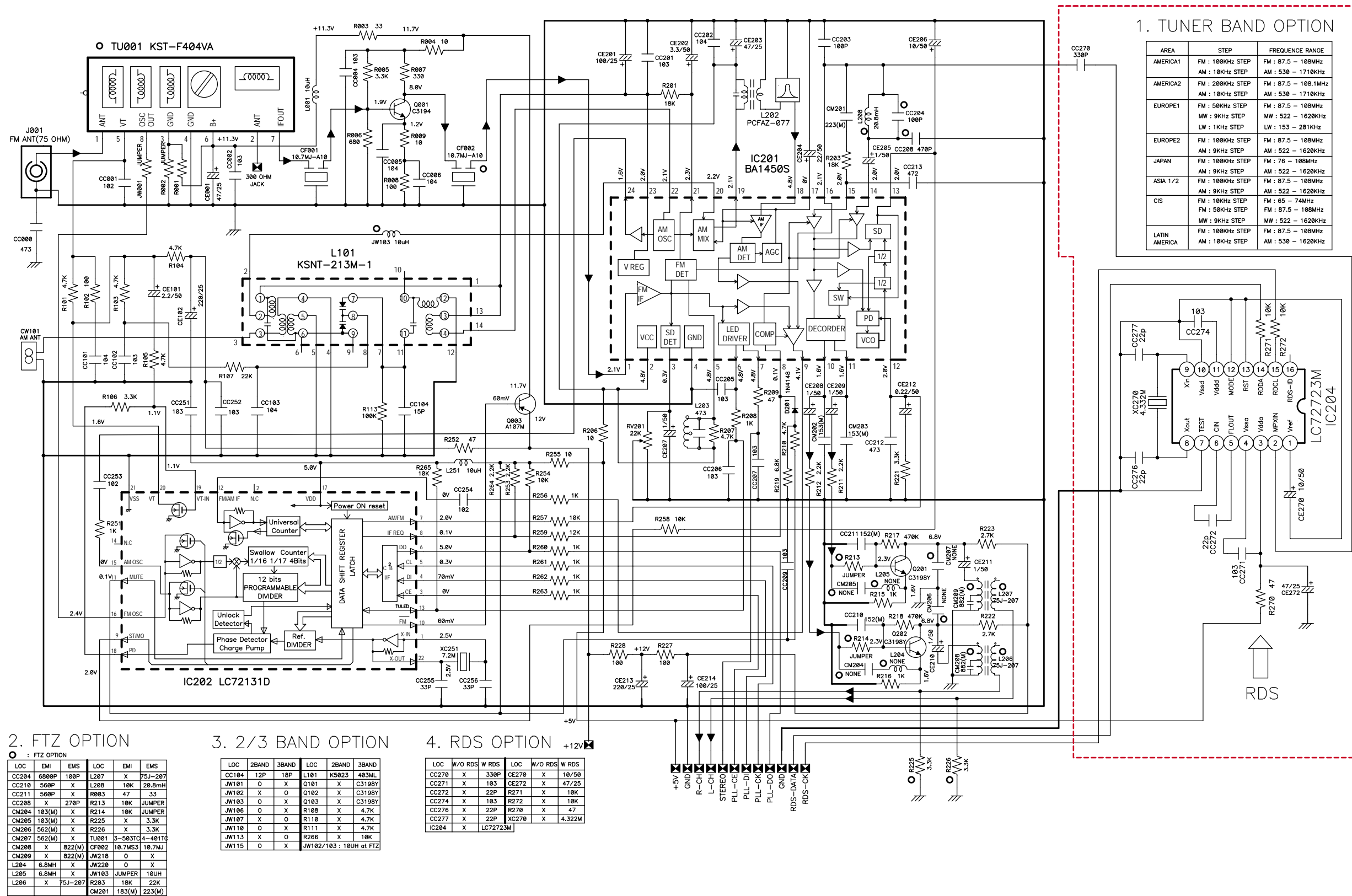


● MAIN [AXG-328(K)/AXW-328(K) Only]



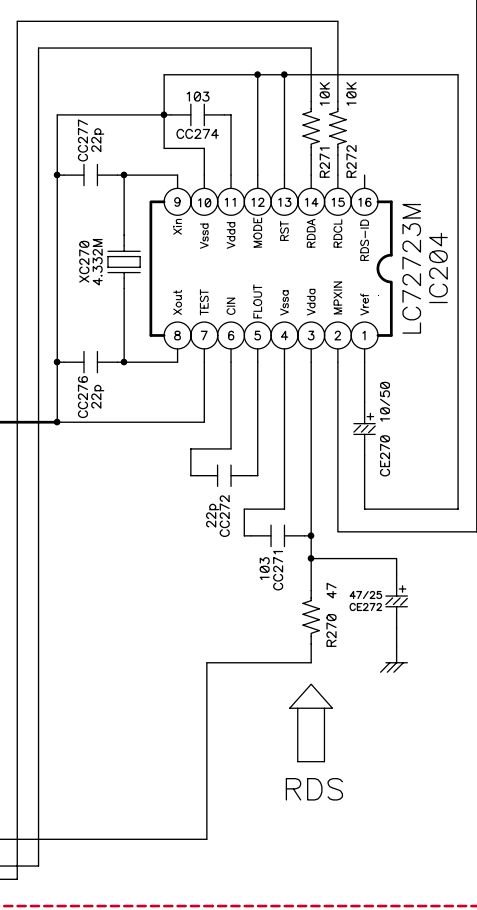
NOTE : THE COMPONENTS IDENTIFIED BY MARK  ARE CRITICAL FOR SAFETY REPLACE ONLY WITH SAME TYPE PARTS SPECIFIED
WARNING : FOR CONTINUED SAFETY, REPLACE SAFETY CRITICAL COMPONENTS ONLY WITH MANUFACTURER'S RECOMMENDED PARTS

TUNER [AXG-327(K)/AXW-327(K) Only]



1. TUNER BAND OPTION

AREA	STEP	FREQUENCY RANGE
AMERICA1	FM : 100KHz STEP	FM : 87.5 - 108MHz
	AM : 10KHz STEP	AM : 530 - 1710KHz
AMERICA2	FM : 200KHz STEP	FM : 87.5 - 108.1MHz
	AM : 10KHz STEP	AM : 530 - 1710KHz
EUROPE1	FM : 50KHz STEP	FM : 87.5 - 108MHz
	MW : 9KHz STEP	MW : 522 - 1620KHz
	LW : 1KHz STEP	LW : 153 - 281KHz
EUROPE2	FM : 100KHz STEP	FM : 87.5 - 108MHz
	AM : 9KHz STEP	AM : 522 - 1620KHz
JAPAN	FM : 100KHz STEP	FM : 76 - 108MHz
	AM : 9KHz STEP	AM : 522 - 1620KHz
ASIA 1/2	FM : 100KHz STEP	FM : 87.5 - 108MHz
	AM : 9KHz STEP	AM : 522 - 1620KHz
CIS	FM : 10KHz STEP	FM : 65 - 74MHz
	FM : 50KHz STEP	FM : 87.5 - 108MHz
	MW : 9KHz STEP	MW : 522 - 1620KHz
LATIN AMERICA	FM : 100KHz STEP	FM : 87.5 - 108MHz
	AM : 10KHz STEP	AM : 530 - 1620KHz



2. FTZ OPTION

LOC	EMI	EMS	LOC	EMI	EMS
CC204	680P	100P	L207	X	75J-207
CC210	560P	X	L206	10K	20.8mH
CC211	560P	X	R003	47	33
CC208	X	270P	R213	10K	JUMPER
CM204	103(M)	X	R214	10K	JUMPER
CM205	103(M)	X	R225	X	3.3K
CM206	562(M)	X	R226	X	3.3K
CM207	562(M)	X	TU001	3-503TC4-401TG	
CM208	X	822(M)	CF002	10.7mS3	10.7mJ
CM209	X	822(M)	JW218	O	X
L204	6.8mH	X	JW220	O	X
L205	6.8mH	X	JW103	JUMPER	10uH
L206	X	75J-207	R203	18K	22K
			CM201	183(M)	223(M)

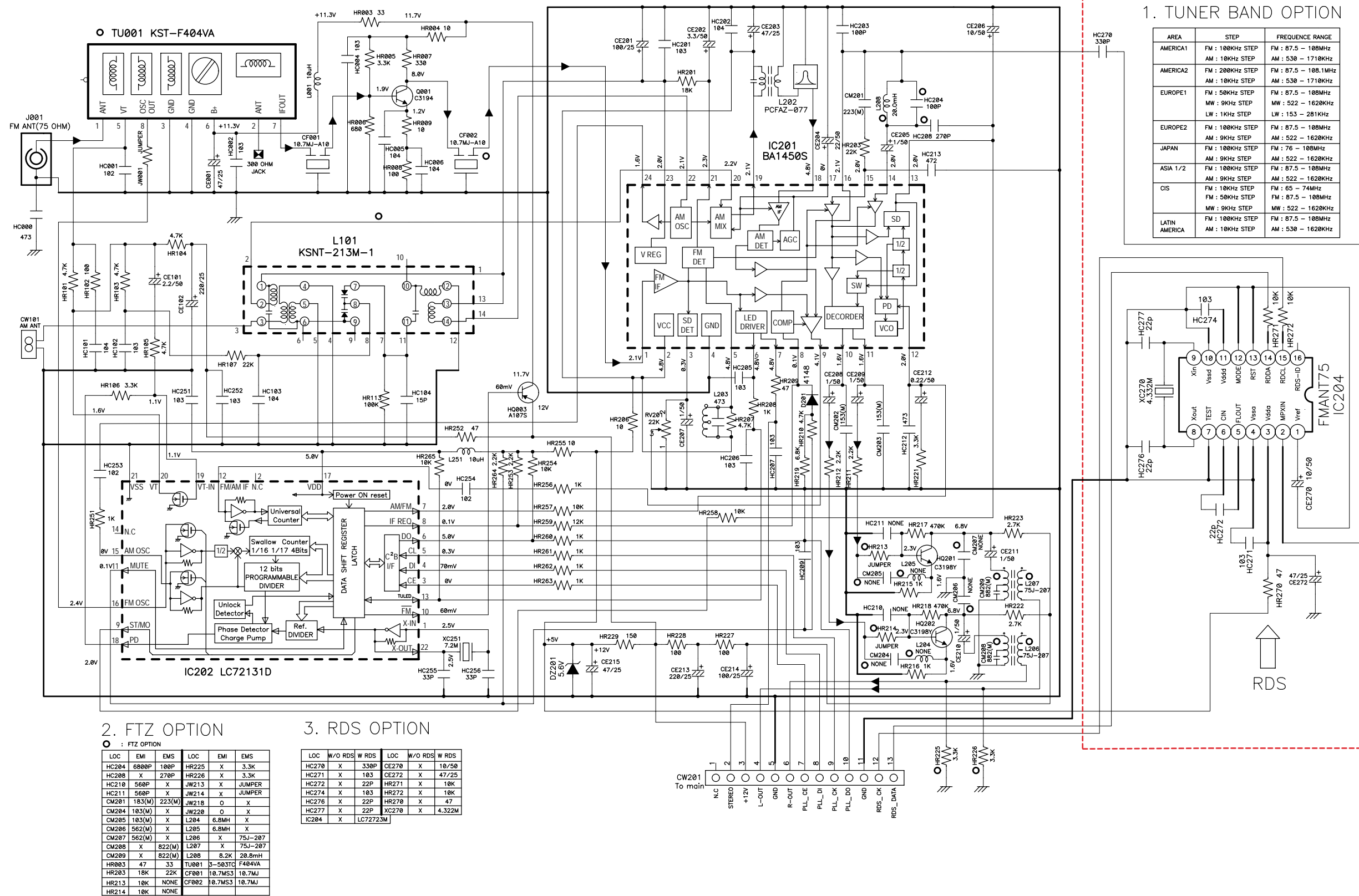
3. 2/3 BAND OPTION

LOC	2BAND	3BAND	LOC	2BAND	3BAND
CC104	12P	18P	L101	K5023	403ML
JW101	O	X	Q101	X	C3198Y
JW102	X	O	Q102	X	C3198Y
JW103	O	X	Q103	X	C3198Y
JW106	O	X	R108	X	4.7K
JW107	X	O	R110	X	4.7K
JW110	O	X	R111	X	4.7K
JW113	X	O	R266	X	10K
JW115	O	X	JW102/103	10uH	at FTZ

4. RDS OPTION

LOC	W/O RDS	W RDS	LOC	W/O RDS	W RDS
CC270	X	330P	CE270	X	10/50
CC271	X	103	CE272	X	47/25
CC272	X	22P	R271	X	10K
CC274	X	103	R272	X	10K
CC276	X	22P	R270	X	47
CC277	X	22P	XC270	X	4.322M
IC204	X	LC72723M			

● TUNER [AXG-328(K)/AXW-328(K) Only]



1. TUNER BAND OPTION

AREA	STEP	FREQUENCY RANGE
AMERICA1	FM : 100KHz STEP	FM : 87.5 - 108MHz
	AM : 10KHz STEP	AM : 530 - 1710KHz
AMERICA2	FM : 200KHz STEP	FM : 87.5 - 108.1MHz
	AM : 10KHz STEP	AM : 530 - 1710KHz
EUROPE1	FM : 50KHz STEP	FM : 87.5 - 108MHz
	MW : 9KHz STEP	MW : 522 - 1620KHz
	LW : 1KHz STEP	LW : 153 - 281KHz
EUROPE2	FM : 100KHz STEP	FM : 87.5 - 108MHz
	AM : 9KHz STEP	AM : 522 - 1620KHz
JAPAN	FM : 100KHz STEP	FM : 76 - 108MHz
	AM : 9KHz STEP	AM : 522 - 1620KHz
ASIA 1/2	FM : 100KHz STEP	FM : 87.5 - 108MHz
	AM : 9KHz STEP	AM : 522 - 1620KHz
CIS	FM : 10KHz STEP	FM : 65 - 74MHz
	FM : 50KHz STEP	FM : 87.5 - 108MHz
	MW : 9KHz STEP	MW : 522 - 1620KHz
LATN AMERICA	FM : 100KHz STEP	FM : 87.5 - 108MHz
	AM : 10KHz STEP	AM : 530 - 1620KHz

2. FTZ OPTION

○ : FTZ OPTION

LOC	EMI	EMS	LOC	EMI	EMS
HC284	680P	100P	HR225	X	3.3K
HC208	X	270P	HR226	X	3.3K
HC210	560P	X	JW213	X	JUMPER
HC211	560P	X	JW214	X	JUMPER
CM201	183(M)	223(M)	JW218	O	X
CM204	103(M)	X	JW220	O	X
CM205	103(M)	X	L204	6.8MH	X
CM206	562(M)	X	L205	6.8MH	X
CM207	562(M)	X	L206	X	75J-207
CM208	X	822(M)	L207	X	75J-207
CM209	X	822(M)	L208	8.2K	28.8mH
HR003	47	33	TU001	5-503IC	F404VA
HR203	18K	22K	CF001	10.7MS3	10.7MJ
HR213	18K	NONE	CF002	10.7MS3	10.7MJ
HR214	18K	NONE			

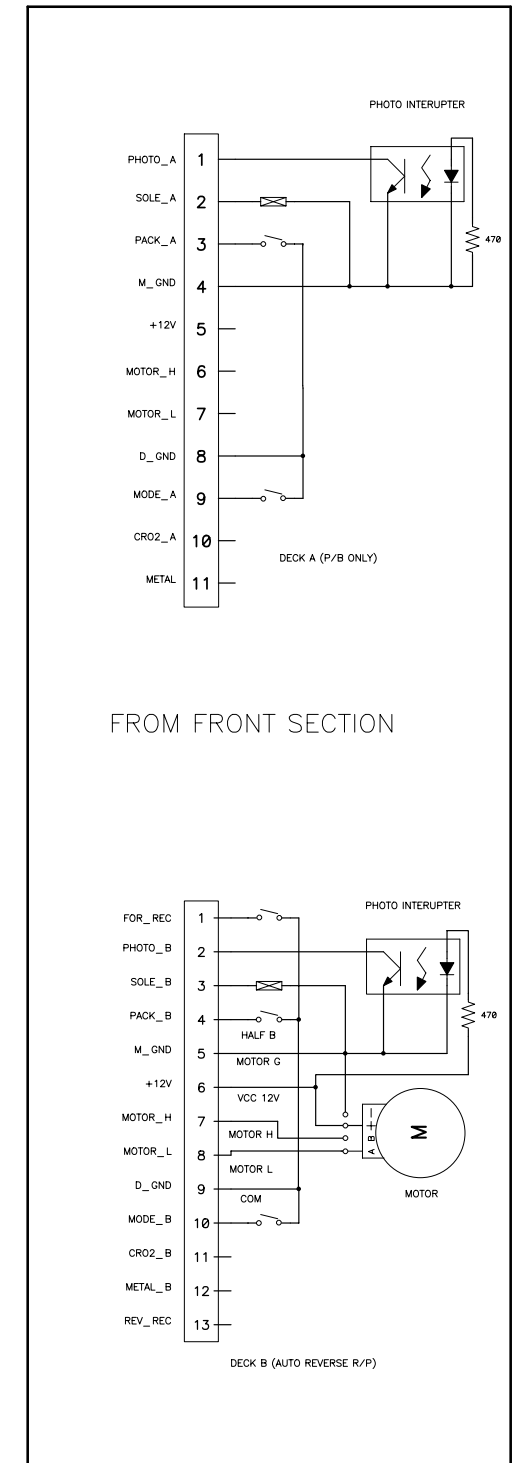
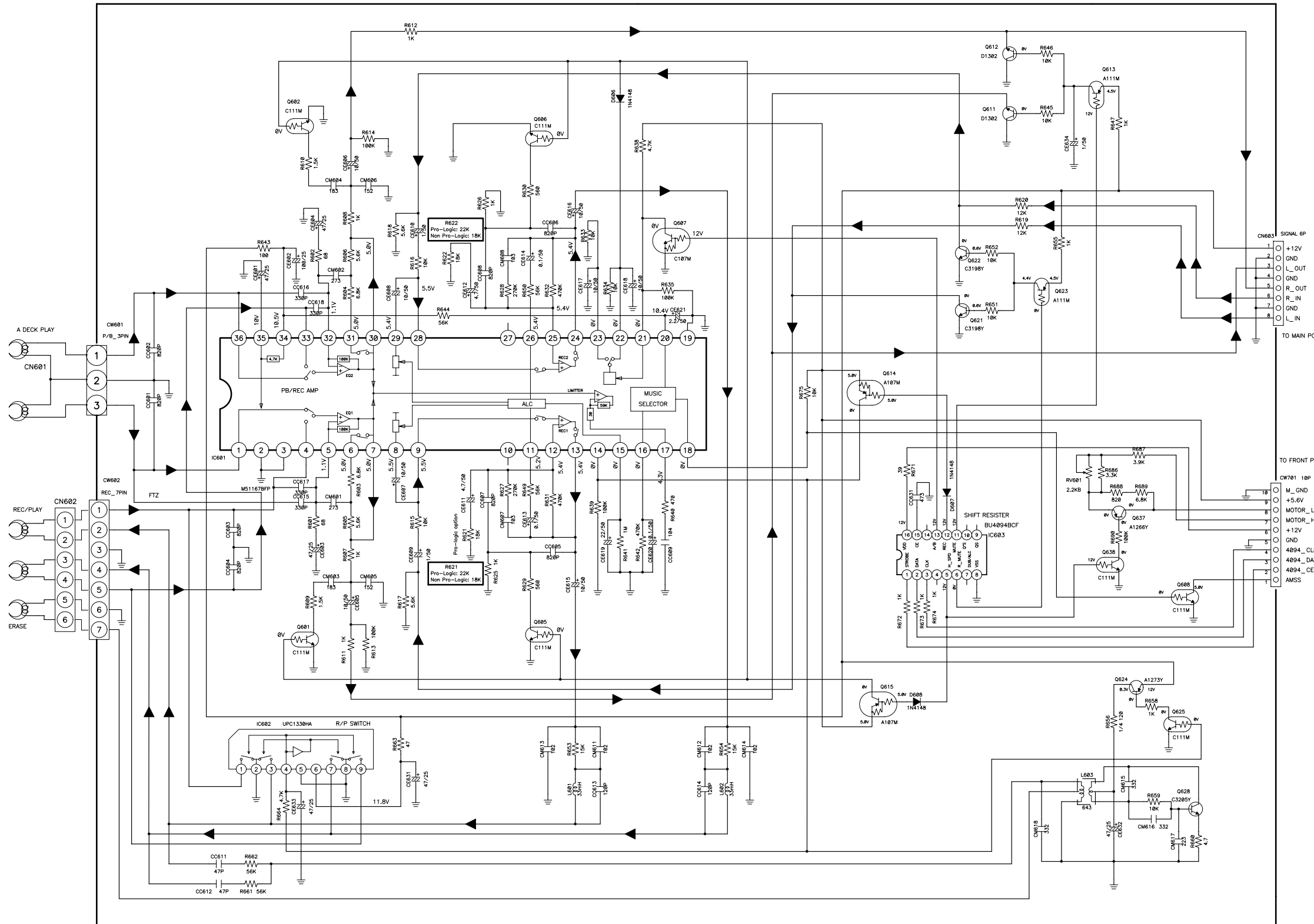
3. RDS OPTION

LOC	W/O RDS	W RDS	LOC	W/O RDS	W RDS
HC270	X	330P	CE270	X	10/50
HC271	X	103	CE272	X	47/25
HC272	X	22P	HR271	X	10K
HC274	X	103	HR272	X	10K
HC276	X	22P	HR270	X	47
HC277	X	22P	XC270	X	4.322M
IC204	X	LC72723M			

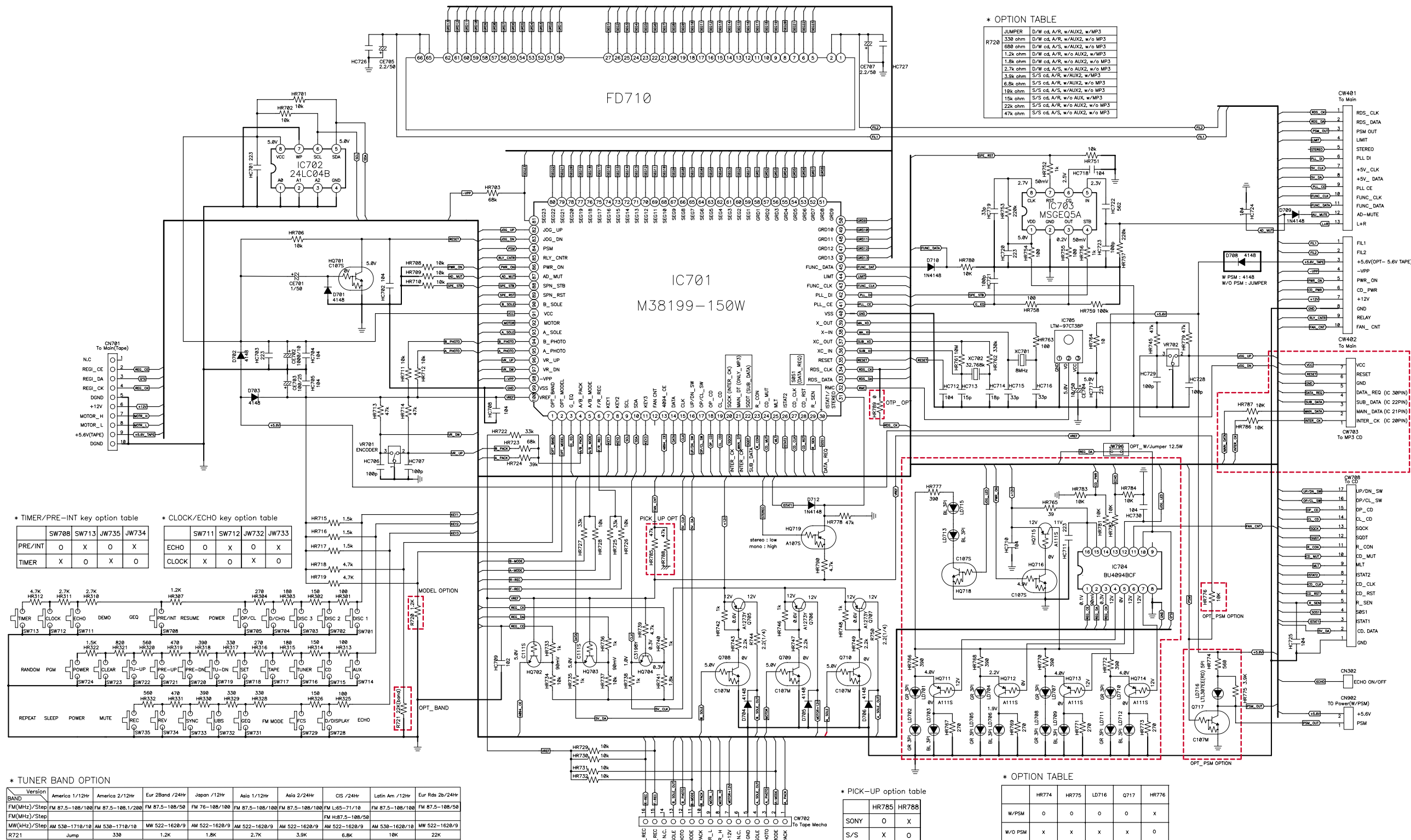
Schematic Diagram

MODEL XG-328

● TAPE



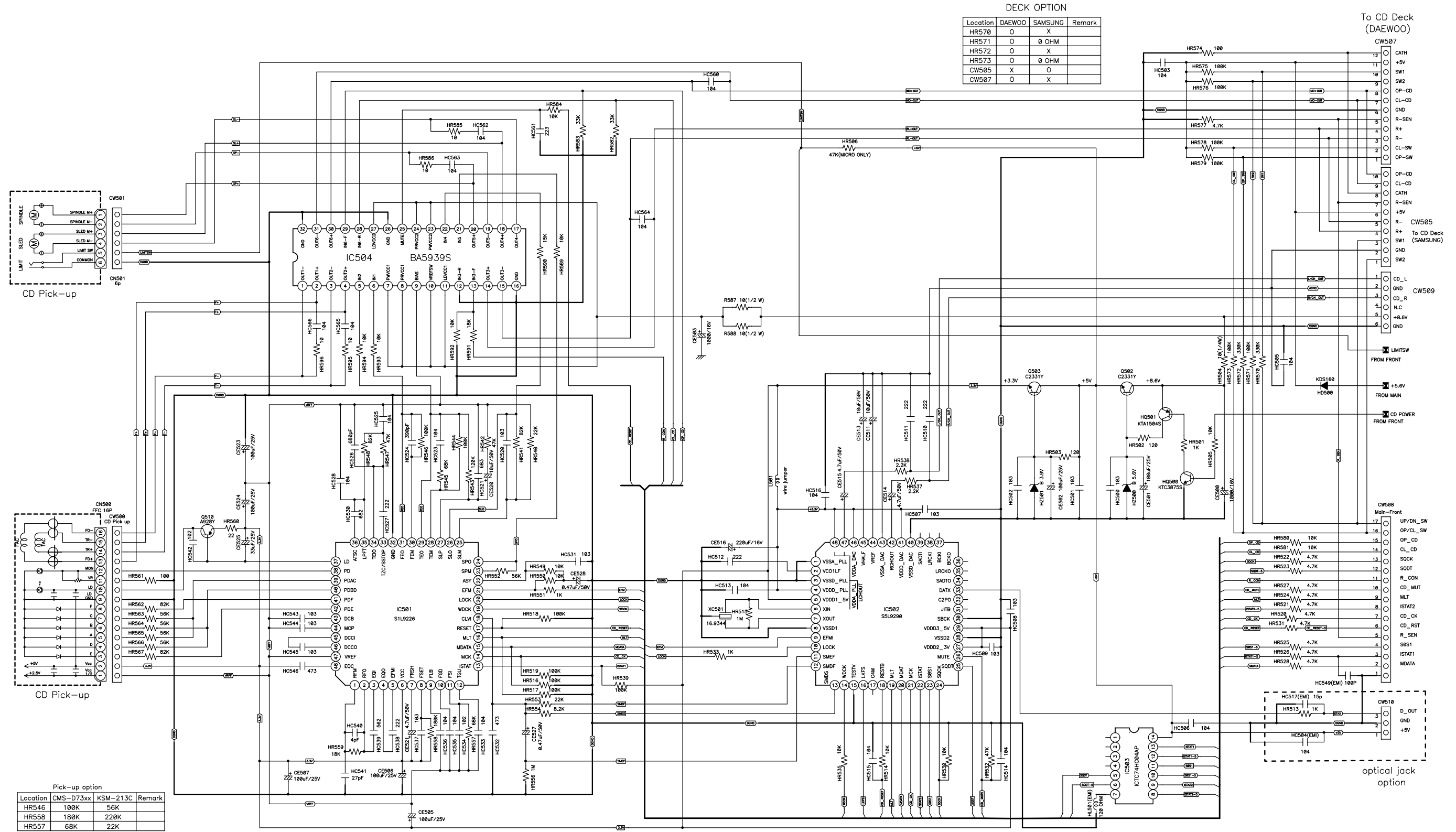
FRONT



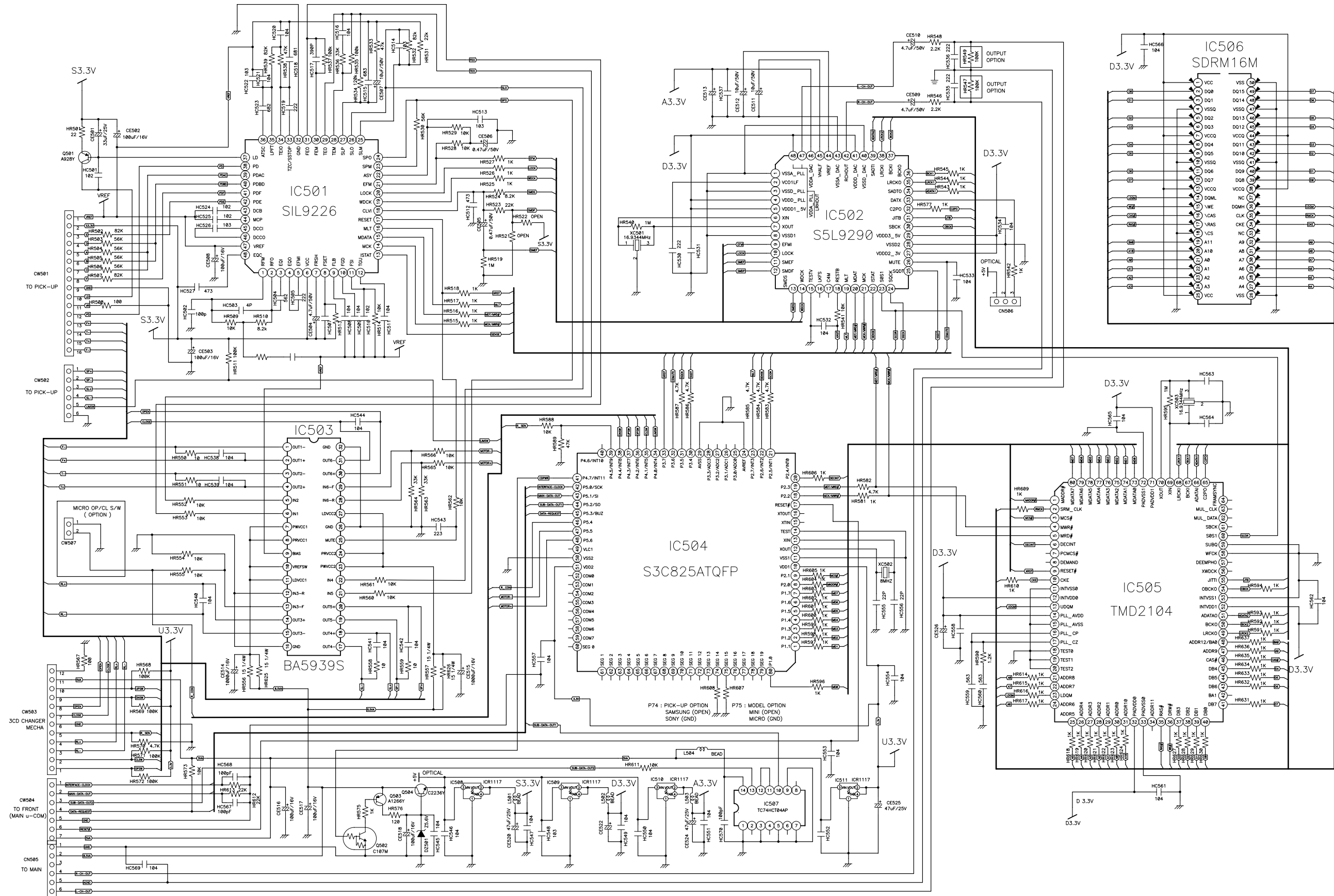
Schematic Diagram

MODEL XG-328

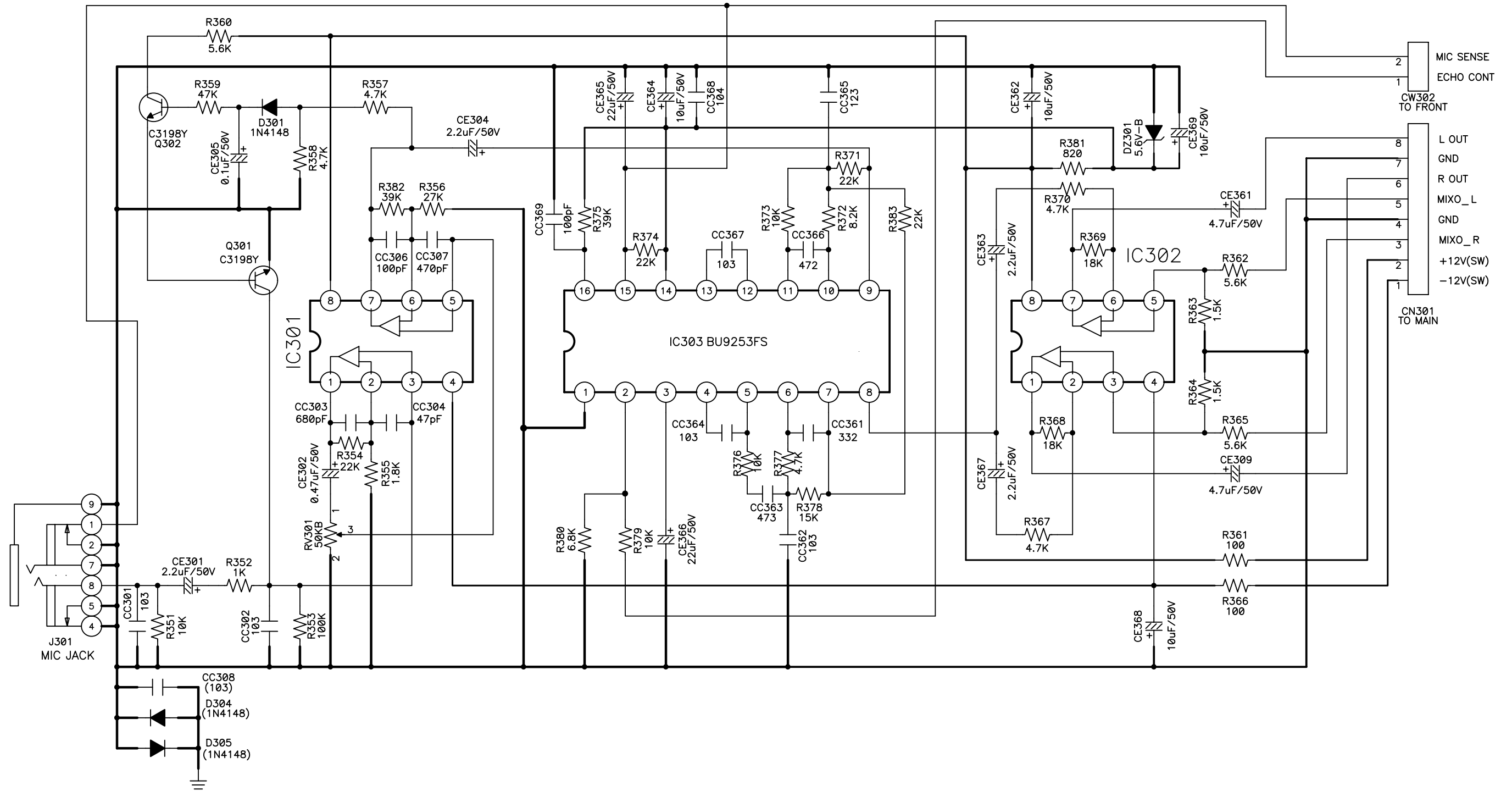
● CD [AXW-327(K)/328(K) Only]



● MP3 CD [AXG-327(K)/328(K) Only]



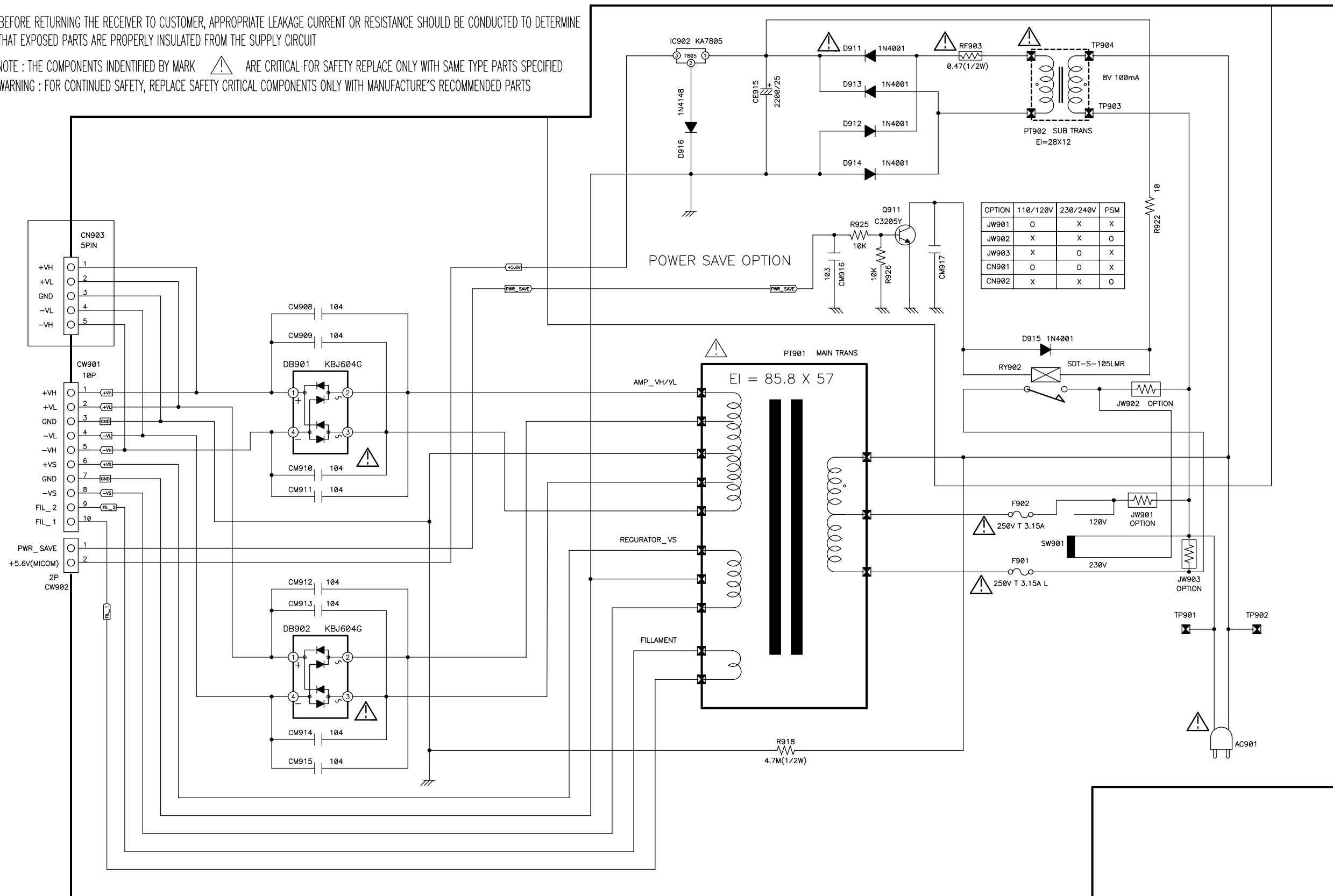
● KARAOKE [AXG-327K/328K/AXW-327K/328K Only]



● POWER

BEFORE RETURNING THE RECEIVER TO CUSTOMER, APPROPRIATE LEAKAGE CURRENT OR RESISTANCE SHOULD BE CONDUCTED TO DETERMINE THAT EXPOSED PARTS ARE PROPERLY INSULATED FROM THE SUPPLY CIRCUIT

NOTE : THE COMPONENTS IDENTIFIED BY MARK  ARE CRITICAL FOR SAFETY REPLACE ONLY WITH SAME TYPE PARTS SPECIFIED
 WARNING : FOR CONTINUED SAFETY, REPLACE SAFETY CRITICAL COMPONENTS ONLY WITH MANUFACTURE'S RECOMMENDED PARTS



Electrical Parts List

Loc.	Part Code	Part Name	Description	Option
D401	DZN4148---	DIODE	IN4148 AUTO 52MM	
D402	DZN4148---	DIODE	IN4148 AUTO 52MM	
D403	DZN4148---	DIODE	IN4148 AUTO 52MM	
D801	DZN4148---	DIODE	IN4148 AUTO 52MM	
D802	DZN4148---	DIODE	IN4148 AUTO 52MM	
D803	DZN4148---	DIODE	IN4148 AUTO 52MM	
D804	DZN4148---	DIODE	IN4148 AUTO 52MM	
D805	DZN4148---	DIODE	IN4148 AUTO 52MM	
D806	DZN4148---	DIODE	IN4148 AUTO 52MM	
D807	DZN4148---	DIODE	IN4148 AUTO 52MM	
D808	DZN4148---	DIODE	IN4148 AUTO 52MM	
D809	DZN4148---	DIODE	IN4148 AUTO 52MM	
D901	DRL202----	DIODE	RL202	
D902	DRL202----	DIODE	RL202	
D903	DRL202----	DIODE	RL202	
D904	DRL202----	DIODE	RL202	
D905	DIN4001---	DIODE	IN4001	
D906	DIN4001---	DIODE	IN4001	
D907	DIN4001---	DIODE	IN4001	
DZ801	DZT28R2B--	DIODE ZENER	MTZ-8-2B 52MM TAPPING	
DZ802	DZT28R2B--	DIODE ZENER	MTZ-8-2B 52MM TAPPING	
DZ901	DZT12B---	DIODE ZENER	MTZ-12B 52MM TAPPING	
DZ902	DZT233B---	DIODE ZENER	MTZ-33B 52MM TAPPING	
DZ903	DZT26R2B--	DIODE ZENER	MTZ-6-2B 52MM TAPPING	
IC201	1BA1450S--	IC	BA1450S	
IC202	1LC72131D-	IC PLL	LC72131D	
IC204	1LC72723M-	IC	LC72723M	RDS
IC401	1BD3872FS-	IC	ICBD3872FS	
IC402	1BA4560N--	IC	BA4560N(H/P AMP)	
IC801	1STK411210	IC POWER	STK 411-210E	
IC901	1L4959----	IC	L4959	
J001	9736321900	JACK ANT	PAT-645	
J401	9CD6313700	JACK RCA	S-436P	
J801	9766319501	JACK HEADPHONE	HJ1-064-05B GOLD	
J802	9736320500	JACK SPEAKER	CJ-9007-040	
JW001	W581GY6095	WIRE JUMPER	AWG22 1/0.65 SN 6 AUTO	
JW101	W581GY6095	WIRE JUMPER	AWG22 1/0.65 SN 6 AUTO	
JW103	W581GY1005	WIRE JUMPER	AWG22 1/0.65 SN 10 AUTO	EMI
	5CP2100K02	COIL PEAKING	10UH K (AXIAL 3.5MM)	EMS
JW104	W581GY6095	WIRE JUMPER	AWG22 1/0.65 SN 6 AUTO	
JW105	W581GY1005	WIRE JUMPER	AWG22 1/0.65 SN 10 AUTO	
JW106	W581GY6095	WIRE JUMPER	AWG22 1/0.65 SN 6 AUTO	
JW108	W581GY7595	WIRE JUMPER	AWG22 1/0.65 SN 7.5 AUTO	
JW109	W581GY7595	WIRE JUMPER	AWG22 1/0.65 SN 7.5 AUTO	
JW110	W581GY6095	WIRE JUMPER	AWG22 1/0.65 SN 6 AUTO	
JW111	W581GY1505	WIRE JUMPER	AWG22 1/0.65 GY 15 AUTO	
JW112	W581GY6095	WIRE JUMPER	AWG22 1/0.65 SN 6 AUTO	
JW114	W581GY6095	WIRE JUMPER	AWG22 1/0.65 SN 6 AUTO	
JW115	W581GY6095	WIRE JUMPER	AWG22 1/0.65 SN 6 AUTO	
JW116	W581GY6095	WIRE JUMPER	AWG22 1/0.65 SN 6 AUTO	
JW117	W581GY6095	WIRE JUMPER	AWG22 1/0.65 SN 6 AUTO	
JW201	W581GY7595	WIRE JUMPER	AWG22 1/0.65 SN 7.5 AUTO	
JW202	W581GY1005	WIRE JUMPER	AWG22 1/0.65 SN 10 AUTO	
JW203	W581GY6095	WIRE JUMPER	AWG22 1/0.65 SN 6 AUTO	
JW204	W581GY6095	WIRE JUMPER	AWG22 1/0.65 SN 6 AUTO	
JW205	W581GY1505	WIRE JUMPER	AWG22 1/0.65 GY 15 AUTO	
JW206	W581GY6095	WIRE JUMPER	AWG22 1/0.65 SN 6 AUTO	
JW207	W581GY1505	WIRE JUMPER	AWG22 1/0.65 GY 15 AUTO	
JW208	W581GY6095	WIRE JUMPER	AWG22 1/0.65 SN 6 AUTO	
JW209	W581GY6095	WIRE JUMPER	AWG22 1/0.65 SN 6 AUTO	
JW210	W581GY6095	WIRE JUMPER	AWG22 1/0.65 SN 6 AUTO	
JW211	W581GY6095	WIRE JUMPER	AWG22 1/0.65 SN 6 AUTO	
JW212	W581GY6095	WIRE JUMPER	AWG22 1/0.65 SN 6 AUTO	
JW213	W581GY1005	WIRE JUMPER	AWG22 1/0.65 SN 10 AUTO	
JW214	W581GY6095	WIRE JUMPER	AWG22 1/0.65 SN 6 AUTO	
JW215	W581GY12J5	WIRE JUMPER	AWG22 1/0.65 SN 12.5 AUTO	
JW216	W581GY12J5	WIRE JUMPER	AWG22 1/0.65 SN 12.5 AUTO	
JW217	W581GY6095	WIRE JUMPER	AWG22 1/0.65 SN 6 AUTO	
JW218	W581GY1005	WIRE JUMPER	AWG22 1/0.65 SN 10 AUTO	EMI
JW219	W581GY6095	WIRE JUMPER	AWG22 1/0.65 SN 6 AUTO	
JW220	W581GY1005	WIRE JUMPER	AWG22 1/0.65 SN 10 AUTO	EMI
JW221	W581GY7595	WIRE JUMPER	AWG22 1/0.65 SN 7.5 AUTO	
JW222	W581GY1005	WIRE JUMPER	AWG22 1/0.65 SN 10 AUTO	
JW223	W581GY1005	WIRE JUMPER	AWG22 1/0.65 SN 10 AUTO	
JW224	W581GY1005	WIRE JUMPER	AWG22 1/0.65 SN 10 AUTO	
JW225	W581GY6095	WIRE JUMPER	AWG22 1/0.65 SN 6 AUTO	
JW226	W581GY1505	WIRE JUMPER	AWG22 1/0.65 GY 15 AUTO	
JW227	W581GY6095	WIRE JUMPER	AWG22 1/0.65 SN 6 AUTO	
JW228	W581GY6095	WIRE JUMPER	AWG22 1/0.65 SN 6 AUTO	
JW229	W581GY1005	WIRE JUMPER	AWG22 1/0.65 SN 10 AUTO	
JW230	W581GY1005	WIRE JUMPER	AWG22 1/0.65 SN 10 AUTO	
JW231	W581GY1505	WIRE JUMPER	AWG22 1/0.65 GY 15 AUTO	
JW232	W581GY6095	WIRE JUMPER	AWG22 1/0.65 SN 6 AUTO	
JW401	W581GY7595	WIRE JUMPER	AWG22 1/0.65 SN 7.5 AUTO	
JW402	W581GY1005	WIRE JUMPER	AWG22 1/0.65 SN 10 AUTO	
JW403	W581GY1005	WIRE JUMPER	AWG22 1/0.65 SN 10 AUTO	
JW404	W581GY1005	WIRE JUMPER	AWG22 1/0.65 SN 10 AUTO	
JW405	W581GY1005	WIRE JUMPER	AWG22 1/0.65 SN 10 AUTO	
JW406	W581GY7595	WIRE JUMPER	AWG22 1/0.65 SN 7.5 AUTO	
JW407	W581GY1005	WIRE JUMPER	AWG22 1/0.65 SN 10 AUTO	
JW410	W581GY7595	WIRE JUMPER	AWG22 1/0.65 SN 7.5 AUTO	
JW411	W581GY7595	WIRE JUMPER	AWG22 1/0.65 SN 7.5 AUTO	
JW412	W581GY7595	WIRE JUMPER	AWG22 1/0.65 SN 7.5 AUTO	

Loc.	Part Code	Part Name	Description	Option
JW413	W581GY7595	WIRE JUMPER	AWG22 1/0.65 SN 7.5 AUTO	
JW414	W581GY17J5	WIRE JUMPER	AWG22 1/0.65 SN 17.5 AUTO	
JW415	W581GY7595	WIRE JUMPER	AWG22 1/0.65 SN 7.5 AUTO	
JW416	W581GY6095	WIRE JUMPER	AWG22 1/0.65 SN 6 AUTO	without KARAOKE
JW417	W581GY6095	WIRE JUMPER	AWG22 1/0.65 SN 6 AUTO	without KARAOKE
JW418	W581GY12J5	WIRE JUMPER	AWG22 1/0.65 SN 12.5 AUTO	
JW419	W581GY12J5	WIRE JUMPER	AWG22 1/0.65 SN 12.5 AUTO	
JW421	W581GY1505	WIRE JUMPER	AWG22 1/0.65 GY 15 AUTO	
JW422	W581GY17J5	WIRE JUMPER	AWG22 1/0.65 SN 17.5 AUTO	
JW423	W581GY17J5	WIRE JUMPER	AWG22 1/0.65 SN 17.5 AUTO	
JW424	W581GY17J5	WIRE JUMPER	AWG22 1/0.65 SN 17.5 AUTO	
JW425	W581GY17J5	WIRE JUMPER	AWG22 1/0.65 SN 17.5 AUTO	
JW426	W581GY17J5	WIRE JUMPER	AWG22 1/0.65 SN 17.5 AUTO	
JW427	W581GY1005	WIRE JUMPER	AWG22 1/0.65 SN 10 AUTO	
JW428	W581GY17J5	WIRE JUMPER	AWG22 1/0.65 SN 17.5 AUTO	
JW429	W581GY12J5	WIRE JUMPER	AWG22 1/0.65 SN 12.5 AUTO	
JW430	W581GY12J5	WIRE JUMPER	AWG22 1/0.65 SN 12.5 AUTO	
JW431	W581GY1005	WIRE JUMPER	AWG22 1/0.65 SN 10 AUTO	
JW432	W581GY1005	WIRE JUMPER	AWG22 1/0.65 SN 10 AUTO	
JW433	W581GY1005	WIRE JUMPER	AWG22 1/0.65 SN 10 AUTO	
JW434	W581GY17J5	WIRE JUMPER	AWG22 1/0.65 SN 17.5 AUTO	
JW435	W581GY1505	WIRE JUMPER	AWG22 1/0.65 GY 15 AUTO	
JW436	W581GY6095	WIRE JUMPER	AWG22 1/0.65 SN 6 AUTO	
JW437	W581GY6095	WIRE JUMPER	AWG22 1/0.65 SN 6 AUTO	
JW438	W581GY6095	WIRE JUMPER	AWG22 1/0.65 SN 6 AUTO	
JW439	W581GY7595	WIRE JUMPER	AWG22 1/0.65 SN 7.5 AUTO	
JW440	W581GY17J5	WIRE JUMPER	AWG22 1/0.65 SN 17.5 AUTO	
JW441	W581GY6095	WIRE JUMPER	AWG22 1/0.65 SN 6 AUTO	
JW442	W581GY6095	WIRE JUMPER	AWG22 1/0.65 SN 6 AUTO	
JW443	W581GY6095	WIRE JUMPER	AWG22 1/0.65 SN 6 AUTO	
JW444	W581GY6095	WIRE JUMPER	AWG22 1/0.65 SN 6 AUTO	
JW445	W581GY1005	WIRE JUMPER	AWG22 1/0.65 SN 10 AUTO	
JW447	W581GY7595	WIRE JUMPER	AWG22 1/0.65 SN 7.5 AUTO	
JW448	W581GY7595	WIRE JUMPER	AWG22 1/0.65 SN 7.5 AUTO	
JW449	W581GY6095	WIRE JUMPER	AWG22 1/0.65 SN 6 AUTO	
JW450	W581GY6095	WIRE JUMPER	AWG22 1/0.65 SN 6 AUTO	
JW451	W581GY17J5	WIRE JUMPER	AWG22 1/0.65 SN 17.5 AUTO	
JW452	W581GY12J5	WIRE JUMPER	AWG22 1/0.65 SN 12.5 AUTO	
JW453	W581GY12J5	WIRE JUMPER	AWG22 1/0.65 SN 12.5 AUTO	
JW454	W581GY7595	WIRE JUMPER	AWG22 1/0.65 SN 7.5 AUTO	
JW455	W581GY1505	WIRE JUMPER	AWG22 1/0.65 GY 15 AUTO	
JW456	W581GY7595	WIRE JUMPER	AWG22 1/0.65 SN 7.5 AUTO	
JW457	W581GY7595	WIRE JUMPER	AWG22 1/0.65 SN 7.5 AUTO	
JW458	W581GY1005	WIRE JUMPER	AWG22 1/0.65 SN 10 AUTO	
JW459	W581GY1005	WIRE JUMPER	AWG22 1/0.65 SN 10 AUTO	
JW460	W581GY6095	WIRE JUMPER	AWG22 1/0.65 SN 6 AUTO	without PSM
JW801	W581GY6095	WIRE JUMPER	AWG22 1/0.65 SN 6 AUTO	
JW802	W581GY7595	WIRE JUMPER	AWG22 1/0.65 SN 7.5 AUTO	
JW803	W581GY1005	WIRE JUMPER	AWG22 1/0.65 SN 10 AUTO	
JW804	W581GY1005	WIRE JUMPER	AWG22 1/0.65 SN 10 AUTO	
JW805	W581GY1005	WIRE JUMPER	AWG22 1/0.65 SN 10 AUTO	
JW806	W581GY1505	WIRE JUMPER	AWG22 1/0.65 GY 15 AUTO	
JW807	W581GY7595	WIRE JUMPER	AWG22 1/0.65 SN 7.5 AUTO	
JW808	W581GY1505	WIRE JUMPER	AWG22 1/0.65 GY 15 AUTO	
JW809	W581GY7595	WIRE JUMPER	AWG22 1/0.65 SN 7.5 AUTO	
JW810	W581GY12J5	WIRE JUMPER	AWG22 1/0.65 SN 12.5 AUTO	
JW811	W581GY12J5	WIRE JUMPER	AWG22 1/0.65 SN 12.5 AUTO	
JW812	W581GY12J5	WIRE JUMPER	AWG22 1/0.65 SN 12.5 AUTO	
JW813	W581GY12J5	WIRE JUMPER	AWG22 1/0.65 SN 12.5 AUTO	
JW814	W581GY12J5	WIRE JUMPER	AWG22 1/0.65 SN 12.5 AUTO	
JW815	W581GY12J5	WIRE JUMPER	AWG22 1/0.65 SN 12.5 AUTO	
JW816	W581GY12J5	WIRE JUMPER	AWG22 1/0.65 SN 12.5 AUTO	
JW817	W581GY6095	WIRE JUMPER	AWG22 1/0.65 SN 6 AUTO	
JW818	W581GY1005	WIRE JUMPER	AWG22 1/0.65 SN 10 AUTO	
JW819	W581GY1505	WIRE JUMPER	AWG22 1/0.65 GY 15 AUTO	
JW820	W581GY7595	WIRE JUMPER	AWG22 1/0.65 SN 7.5 AUTO	
JW821	W581GY7595	WIRE JUMPER	AWG22 1/0.65 SN 7.5 AUTO	
JW822	W581GY7595	WIRE JUMPER	AWG22 1/0.65 SN 7.5 AUTO	
JW823	W581GY6095	WIRE JUMPER	AWG22 1/0.65 SN 6 AUTO	
JW824	W581GY6095	WIRE JUMPER	AWG22 1/0.65 SN 6 AUTO	
JW825	W581GY7595	WIRE JUMPER	AWG22 1/0.65 SN 7.5 AUTO	
JW826	W581GY7595	WIRE JUMPER	AWG22 1/0.65 SN 7.5 AUTO	
JW827	W581GY7595	WIRE JUMPER	AWG22 1/0.65 SN 7.5 AUTO	
JW828	W581GY7595	WIRE JUMPER	AWG22 1/0.65 SN 7.5 AUTO	
JW829	W581GY1505	WIRE JUMPER	AWG22 1/0.65 GY 15 AUTO	
JW831	W581GY1505	WIRE JUMPER	AWG22 1/0.65 GY 15 AUTO	
JW832	W581GY7595	WIRE JUMPER	AWG22 1/0.65 SN 7.5 AUTO	
JW833	W581GY7595	WIRE JUMPER	AWG22 1/0.65 SN 7.5 AUTO	
JW834	W581GY6095	WIRE JUMPER	AWG22 1/0.65 SN 6 AUTO	
JW835	W581GY12J5	WIRE JUMPER	AWG22 1/0.65 SN 12.5 AUTO	
JW836	W581GY12J5	WIRE JUMPER	AWG22 1/0.65 SN 12.5 AUTO	
JW837	W581GY1005	WIRE JUMPER	AWG22 1/0.65 SN 10 AUTO	
JW839	W581GY7595	WIRE JUMPER	AWG22 1/0.65 SN 7.5 AUTO	
JW840	W581GY6095	WIRE JUMPER	AWG22 1/0.65 SN 6 AUTO	
JW841	W581GY1005	WIRE JUMPER	AWG22 1/0.65 SN 10 AUTO	
JW842	W581GY12J5	WIRE JUMPER	AWG22 1/0.65 SN 12.5 AUTO	
JW843	W581GY12J5	WIRE JUMPER	AWG22 1/0.65 SN 12.5 AUTO	
JW844	W581GY7595	WIRE JUMPER	AWG22 1/0.65 SN 7.5 AUTO	
JW845	W581GY12J5	WIRE JUMPER	AWG22 1/0.65 SN 12.5 AUTO	
JW846	W581GY12J5	WIRE JUMPER	AWG22 1/0.65 SN 12.5 AUTO	
JW847	W581GY6095	WIRE JUMPER	AWG22 1/0.65 SN 6 AUTO	
JW902	W581GY1505	WIRE JUMPER	AWG22 1/0.65 GY 15 AUTO	
JW903	W581GY1505	WIRE JUMPER	AWG22 1/0.65 GY 15 AUTO	

Electrical Parts List

Loc.	Part Code	Part Name	Description	Option
JW905	W581GY1505	WIRE JUMPER	AWG22 1/0.65 GY 15 AUTO	
JW906	W581GY1505	WIRE JUMPER	AWG22 1/0.65 GY 15 AUTO	
JW907	W581GY7595	WIRE JUMPER	AWG22 1/0.65 SN 7.5 AUTO	
JW908	W581GY7595	WIRE JUMPER	AWG22 1/0.65 SN 7.5 AUTO	
JW909	W581GY12J5	WIRE JUMPER	AWG22 1/0.65 SN 12.5 AUTO	
JW910	W581GY1505	WIRE JUMPER	AWG22 1/0.65 GY 15 AUTO	
JW911	W581GY1005	WIRE JUMPER	AWG22 1/0.65 SN 10 AUTO	
JW912	W581GY6095	WIRE JUMPER	AWG22 1/0.65 SN 6 AUTO	
JW913	W581GY6095	WIRE JUMPER	AWG22 1/0.65 SN 6 AUTO	
JW914	W581GY6095	WIRE JUMPER	AWG22 1/0.65 SN 6 AUTO	
JW915	W581GY17J5	WIRE JUMPER	AWG22 1/0.65 SN 17.5 AUTO	
JW916	W581GY1505	WIRE JUMPER	AWG22 1/0.65 GY 15 AUTO	
JW917	W581GY1505	WIRE JUMPER	AWG22 1/0.65 GY 15 AUTO	
JW919	W581GY1005	WIRE JUMPER	AWG22 1/0.65 SN 10 AUTO	
JW920	W581GY1005	WIRE JUMPER	AWG22 1/0.65 SN 10 AUTO	
JW921	W581GY1505	WIRE JUMPER	AWG22 1/0.65 GY 15 AUTO	
JW922	W581GY12J5	WIRE JUMPER	AWG22 1/0.65 SN 12.5 AUTO	
JW923	W581GY7595	WIRE JUMPER	AWG22 1/0.65 SN 7.5 AUTO	
JW924	W581GY12J5	WIRE JUMPER	AWG22 1/0.65 SN 12.5 AUTO	
JW925	W581GY7595	WIRE JUMPER	AWG22 1/0.65 SN 7.5 AUTO	
JW926	W581GY12J5	WIRE JUMPER	AWG22 1/0.65 SN 12.5 AUTO	
JW927	W581GY12J5	WIRE JUMPER	AWG22 1/0.65 SN 12.5 AUTO	
JW928	W581GY12J5	WIRE JUMPER	AWG22 1/0.65 SN 12.5 AUTO	
JW929	W581GY12J5	WIRE JUMPER	AWG22 1/0.65 SN 12.5 AUTO	
JW930	W581GY7595	WIRE JUMPER	AWG22 1/0.65 SN 7.5 AUTO	
JW931	W581GY1005	WIRE JUMPER	AWG22 1/0.65 SN 10 AUTO	
JW932	W581GY12J5	WIRE JUMPER	AWG22 1/0.65 SN 12.5 AUTO	
JW933	W581GY1005	WIRE JUMPER	AWG22 1/0.65 SN 10 AUTO	
L001	5CPZ100K02	COIL PEAKING	10UH K (AXIAL 3.5MM)	
L101	5LR0000835	AM RF UNIT	KSMT-213M-1	
L202	5PPCFZ077	FILTER	PCFAZ077	
L203	5107FBK473	COIL DESCRIMINATOR	7X7 BLK KSZ-73S	
L204	5LC682K822	COIL CHOKE	6.8MH	EMI
L205	5LC682K822	COIL CHOKE	6.8MH	EMI
L206	5P75J207-	COIL	75J-207	EMS
L207	5P75J207-	COIL	75J-207	EMS
L208	RD-AZ103J-	R CARBON FILM	1/6 10K OHM J	EMI
	5LC213K828	COIL	20.8MH	EMS
L251	5CPZ100K02	COIL PEAKING	10UH K (AXIAL 3.5MM)	
L901	W581GY1005	WIRE JUMPER	AWG22 1/0.65 SN 10 AUTO	
L902	W581GY1005	WIRE JUMPER	AWG22 1/0.65 SN 10 AUTO	
Q001	TZTC3194Y-	TR	KTC3194Y (KTC1923Y) AUTO	
Q003	TZRA107M-	TR	KRA107M (KSR2006) AUTO	
Q201	TZTC3198Y-	TR	KTC3198Y (2SC5343) AUTO	
Q202	TZTC3198Y-	TR	KTC3198Y (2SC5343) AUTO	
Q401	TZRA107M-	TR	KRA107M (KSR2006) AUTO	
Q402	TZRA107M-	TR	KRA107M (KSR2006) AUTO	
Q403	TZTD1302Y-	TR	KTD1302Y AUTO	
Q404	TZTD1302Y-	TR	KTD1302Y AUTO	
Q803	TZTC3198Y-	TR	KTC3198Y (2SC5343) AUTO	
Q804	TZTC3198Y-	TR	KTC3198Y (2SC5343) AUTO	
Q805	TZTC3198Y-	TR	KTC3198Y (2SC5343) AUTO	
Q806	TZTC3198Y-	TR	KTC3198Y (2SC5343) AUTO	
Q807	TZTC3198Y-	TR	KTC3198Y (2SC5343) AUTO	
Q808	TZTC3198Y-	TR	KTC3198Y (2SC5343) AUTO	
Q809	TZSA1980Y-	TR	2SA1980Y (KTA1266Y) AUTO	
Q810	TZSA1980Y-	TR	2SA1980Y (KTA1266Y) AUTO	
Q811	TZSA1980Y-	TR	2SA1980Y (KTA1266Y) AUTO	
Q812	TZSA1980Y-	TR	2SA1980Y (KTA1266Y) AUTO	
Q813	TZSA1980Y-	TR	2SA1980Y (KTA1266Y) AUTO	
Q814	TZRC107M-	TR	KRC107M (DTC114YS) (KSR1006)	
Q815	TZTA1275Y-	TR	KTA1275Y (AUTO)	
Q816	TZRC107M-	TR	KRC107M (DTC114YS) (KSR1006)	
Q901	TZTC3198Y-	TR	KTC3198Y (2SC5343) AUTO	
Q902	TZTA1046Y-	TR	KTA1046Y (KTA1366Y) AUTO	
Q903	TZRA111M-	TR	KRA111M (KSR2010) AUTO	
Q904	TZRC107M-	TR	KRC107M (DTC114YS) (KSR1006)	
Q905	TZTA1274Y-	TR	KTA1274Y-	
Q906	TZRA107M-	TR	KRA107M (KSR2006) AUTO	
Q907	TZRC107M-	TR	KRC107M (DTC114YS) (KSR1006)	
Q908	TZTC3198Y-	TR	KTC3198Y (2SC5343) AUTO	
Q909	TZTC3198Y-	TR	KTC3198Y (2SC5343) AUTO	
R002	W581GY6095	WIRE JUMPER	AWG22 1/0.65 SN 6 AUTO	
R003	RD-AZ470J-	R CARBON FILM	1/6 4.7K OHM J	EMI
	RD-AZ330J-	R CARBON FILM	1/6 3.3K OHM J	EMS
R004	RD-AZ100J-	R CARBON FILM	1/6 10 OHM J	
R005	RD-AZ332J-	R CARBON FILM	1/6 3.3K OHM J	
R006	RD-AZ681J-	R CARBON FILM	1/6 680 OHM J	
R007	RD-AZ331J-	R CARBON FILM	1/6 330 OHM J	
R008	RD-AZ101J-	R CARBON FILM	1/6 100 OHM J	
R009	RD-AZ100J-	R CARBON FILM	1/6 10 OHM J	
R101	RD-AZ472J-	R CARBON FILM	1/6 4.7K OHM J	
R102	RD-AZ101J-	R CARBON FILM	1/6 100 OHM J	
R103	RD-AZ472J-	R CARBON FILM	1/6 4.7K OHM J	
R104	RD-AZ472J-	R CARBON FILM	1/6 4.7K OHM J	
R105	RD-AZ472J-	R CARBON FILM	1/6 4.7K OHM J	
R106	RD-AZ332J-	R CARBON FILM	1/6 3.3K OHM J	
R107	RD-AZ223J-	R CARBON FILM	1/6 22K OHM J	
R113	RD-AZ104J-	R CARBON FILM	1/6 100K OHM J	
R201	RD-AZ183J-	R CARBON FILM	1/6 18K OHM J	
	RD-AZ183J-	R CARBON FILM	1/6 18K OHM J	EMI
R203	RD-AZ223J-	R CARBON FILM	1/6 22K OHM J	EMS
R206	RD-AZ100J-	R CARBON FILM	1/6 10 OHM J	

Loc.	Part Code	Part Name	Description	Option
R207	RD-AZ472J-	R CARBON FILM	1/6 4.7K OHM J	
R208	RD-AZ102J-	R CARBON FILM	1/6 1K OHM J	
R209	RD-AZ470J-	R CARBON FILM	1/6 47 OHM J	
R210	RD-AZ472J-	R CARBON FILM	1/6 4.7K OHM J	
R211	RD-AZ222J-	R CARBON FILM	1/6 2.2K OHM J	
R212	RD-AZ222J-	R CARBON FILM	1/6 2.2K OHM J	
R213	RD-AZ103J-	R CARBON FILM	1/6 10K OHM J	EMI
R214	RD-AZ103J-	R CARBON FILM	1/6 10K OHM J	EMI
R215	RD-AZ102J-	R CARBON FILM	1/6 1K OHM J	
R216	RD-AZ102J-	R CARBON FILM	1/6 1K OHM J	
R217	RD-AZ474J-	R CARBON FILM	1/6 470K OHM J	
R218	RD-AZ474J-	R CARBON FILM	1/6 470K OHM J	
R219	RD-AZ682J-	R CARBON FILM	1/6 6.8K OHM J	
R221	RD-AZ332J-	R CARBON FILM	1/6 3.3K OHM J	
R222	RD-AZ272J-	R CARBON FILM	1/6 2.7K OHM J	
R223	RD-AZ272J-	R CARBON FILM	1/6 2.7K OHM J	
R225	RD-AZ332J-	R CARBON FILM	1/6 3.3K OHM J	EMS
R226	RD-AZ332J-	R CARBON FILM	1/6 3.3K OHM J	EMS
R227	RD-AZ101J-	R CARBON FILM	1/6 100 OHM J	
R228	RD-AZ101J-	R CARBON FILM	1/6 100 OHM J	
R251	RD-AZ102J-	R CARBON FILM	1/6 1K OHM J	
R252	RD-AZ470J-	R CARBON FILM	1/6 47 OHM J	
R253	RD-AZ222J-	R CARBON FILM	1/6 2.2K OHM J	
R254	RD-AZ103J-	R CARBON FILM	1/6 10K OHM J	
R255	RD-AZ100J-	R CARBON FILM	1/6 10 OHM J	
R256	RD-AZ102J-	R CARBON FILM	1/6 1K OHM J	
R257	RD-AZ103J-	R CARBON FILM	1/6 10K OHM J	
R258	RD-AZ103J-	R CARBON FILM	1/6 10K OHM J	
R259	RD-AZ123J-	R CARBON FILM	1/6 12K OHM J	
R260	RD-AZ102J-	R CARBON FILM	1/6 1K OHM J	
R261	RD-AZ102J-	R CARBON FILM	1/6 1K OHM J	
R262	RD-AZ102J-	R CARBON FILM	1/6 1K OHM J	
R263	RD-AZ102J-	R CARBON FILM	1/6 1K OHM J	
R264	RD-AZ222J-	R CARBON FILM	1/6 2.2K OHM J	
R265	RD-AZ103J-	R CARBON FILM	1/6 10K OHM J	
R270	RD-AZ470J-	R CARBON FILM	1/6 47 OHM J	RDS
R271	RD-AZ103J-	R CARBON FILM	1/6 10K OHM J	RDS
R272	RD-AZ103J-	R CARBON FILM	1/6 10K OHM J	RDS
R401	RD-AZ103J-	R CARBON FILM	1/6 10K OHM J	
R402	RD-AZ103J-	R CARBON FILM	1/6 10K OHM J	
R403	RD-AZ153J-	R CARBON FILM	1/6 15K OHM J	
R404	RD-AZ153J-	R CARBON FILM	1/6 15K OHM J	
R409	RD-AZ393J-	R CARBON FILM	1/6 39K OHM J	
R410	RD-AZ102J-	R CARBON FILM	1/6 1K OHM J	
R411	RD-AZ102J-	R CARBON FILM	1/6 1K OHM J	
R412	RD-AZ102J-	R CARBON FILM	1/6 1K OHM J	
R413	RD-AZ332J-	R CARBON FILM	1/6 3.3K OHM J	
R414	RD-AZ332J-	R CARBON FILM	1/6 3.3K OHM J	
R415	RD-AZ332J-	R CARBON FILM	1/6 3.3K OHM J	
R416	RD-AZ332J-	R CARBON FILM	1/6 3.3K OHM J	
R417	RD-AZ102J-	R CARBON FILM	1/6 1K OHM J	
R418	RD-AZ102J-	R CARBON FILM	1/6 1K OHM J	
R419	RD-AZ104J-	R CARBON FILM	1/6 100K OHM J	
R420	RD-AZ153J-	R CARBON FILM	1/6 15K OHM J	
R421	RD-AZ153J-	R CARBON FILM	1/6 15K OHM J	
R422	RD-AZ102J-	R CARBON FILM	1/6 1K OHM J	
R423	RD-AZ104J-	R CARBON FILM	1/6 100K OHM J	
R424	RD-AZ393J-	R CARBON FILM	1/6 39K OHM J	
R425	RD-AZ104J-	R CARBON FILM	1/6 100K OHM J	
R426	RD-AZ103J-	R CARBON FILM	1/6 10K OHM J	
R427	RD-AZ103J-	R CARBON FILM	1/6 10K OHM J	
R428	RD-AZ561J-	R CARBON FILM	1/6 560 OHM J	
R429	RD-AZ104J-	R CARBON FILM	1/6 100K OHM J	
R430	RD-AZ104J-	R CARBON FILM	1/6 100K OHM J	
R431	RD-AZ102J-	R CARBON FILM	1/6 1K OHM J	
R432	RD-AZ102J-	R CARBON FILM	1/6 1K OHM J	
R433	RD-AZ394J-	R CARBON FILM	1/6 390K OHM J	
R434	RD-AZ562J-	R CARBON FILM	1/6 5.6K OHM J	
R435	RD-AZ562J-	R CARBON FILM	1/6 5.6K OHM J	
R436	RD-AZ394J-	R CARBON FILM	1/6 390K OHM J	
R437	RD-AZ224J-	R CARBON FILM	1/6 220K OHM J	
R438	RD-AZ472J-	R CARBON FILM	1/6 4.7K OHM J	
R439	RD-AZ472J-	R CARBON FILM	1/6 4.7K OHM J	
R440	RD-AZ682J-	R CARBON FILM	1/6 6.8K OHM J	
R441	RD-AZ682J-	R CARBON FILM	1/6 6.8K OHM J	
R442	RD-AZ392J-	R CARBON FILM	1/6 3.9K OHM J	
R443	RD-AZ392J-	R CARBON FILM	1/6 3.9K OHM J	
R444	RD-AZ224J-	R CARBON FILM	1/6 220K OHM J	
R445	RD-AZ104J-	R CARBON FILM	1/6 100K OHM J	
R446	RD-AZ104J-	R CARBON FILM	1/6 100K OHM J	
R447	RD-AZ102J-	R CARBON FILM	1/6 1K OHM J	
R448	RD-AZ102J-	R CARBON FILM	1/6 1K OHM J	
R449	RD-AZ104J-	R CARBON FILM	1/6 100K OHM J	
R450	RD-AZ104J-	R CARBON FILM	1/6 100K OHM J	
R451	RD-AZ220J-	R CARBON FILM	1/6 22 OHM J	
R452	RD-AZ220J-	R CARBON FILM	1/6 22 OHM J	
R453	RD-AZ683J-	R CARBON FILM	1/6 68K OHM J	
R454	RD-AZ104J-	R CARBON FILM	1/6 100K OHM J	
R801	RD-AZ563J-	R CARBON FILM	1/6 56K OHM J	
R802	RD-AZ563J-	R CARBON FILM	1/6 56K OHM J	
R803	RD-AZ182J-	R CARBON FILM	1/6 1.8K OHM J	
R804	RD-AZ182J-	R CARBON FILM	1/6 1.8K OHM J	
R805	RD-AZ683J-	R CARBON FILM	1/6 68K OHM J	

Electrical Parts List

Loc.	Part Code	Part Name	Description	Option
R806	RD-AZ683J	R CARBON FILM	1/6 68K OHM J	
R807	RD-AZ333J	R CARBON FILM	1/4 33K OHM J	
R808	RD-4Z683J	R CARBON FILM	1/4 68K OHM J	
R809	RX02L228J	R CEMENT	2W 0.22 OHM J	
R810	RX02L228J	R CEMENT	2W 0.22 OHM J	
R811	RD-AZ272J	R CARBON FILM	1/6 2.7K OHM J	
R812	RD-AZ272J	R CARBON FILM	1/6 2.7K OHM J	
R813	RD-AZ562J	R CARBON FILM	1/6 5.6K OHM J	
R814	RD-AZ562J	R CARBON FILM	1/6 5.6K OHM J	
R815	RD-AZ273J	R CARBON FILM	1/6 27K OHM J	
R816	RD-AZ273J	R CARBON FILM	1/6 27K OHM J	
R817	RD-AZ823J	R CARBON FILM	1/6 82K OHM J	
R818	RD-AZ823J	R CARBON FILM	1/6 82K OHM J	
R819	RD-AZ104J	R CARBON FILM	1/6 100K OHM J	
R820	RD-AZ104J	R CARBON FILM	1/6 100K OHM J	
R821	RD-AZ103J	R CARBON FILM	1/6 10K OHM J	
R822	RD-AZ103J	R CARBON FILM	1/6 10K OHM J	
R823	RD-AZ103J	R CARBON FILM	1/6 10K OHM J	
R824	RD-AZ103J	R CARBON FILM	1/6 10K OHM J	
R825	RD-AZ103J	R CARBON FILM	1/6 10K OHM J	
R826	RD-AZ103J	R CARBON FILM	1/6 10K OHM J	
R827	RD-AZ103J	R CARBON FILM	1/6 10K OHM J	
R828	RD-AZ103J	R CARBON FILM	1/6 10K OHM J	
R829	RD-AZ220J	R CARBON FILM	1/6 22 OHM J	
R830	RD-AZ220J	R CARBON FILM	1/6 22 OHM J	
R831	RD-AZ220J	R CARBON FILM	1/6 22 OHM J	
R832	RD-AZ220J	R CARBON FILM	1/6 22 OHM J	
R833	RD-AZ332J	R CARBON FILM	1/6 3.3K OHM J	
R834	RD-AZ332J	R CARBON FILM	1/6 3.3K OHM J	
R835	RD01Y101J	R METAL FILM	1W 100 OHM J	
R836	RD01Y101J	R METAL FILM	1W 100 OHM J	
R837	RD-AZ392J	R CARBON FILM	1/6 3.9K OHM J	
R838	RD-AZ392J	R CARBON FILM	1/6 3.9K OHM J	
R839	RD-AZ223J	R CARBON FILM	1/6 22K OHM J	
R840	RD-AZ222J	R CARBON FILM	1/6 2.2K OHM J	
R841	RD-AZ223J	R CARBON FILM	1/6 22K OHM J	
R843	RD-AZ103J	R CARBON FILM	1/6 10K OHM J	
R844	RD-AZ273J	R CARBON FILM	1/6 27K OHM J	
R845	W581GY1005	WIRE JUMPER	AWG22 1/0.65 SN 10 AUTO	
R846	W581GY1005	WIRE JUMPER	AWG22 1/0.65 SN 10 AUTO	
R847	W581GY1005	WIRE JUMPER	AWG22 1/0.65 SN 10 AUTO	
R848	W581GY1005	WIRE JUMPER	AWG22 1/0.65 SN 10 AUTO	
R849	RD-4Z689J	R CARBON FILM	1/4 6.8 OHM J	
R850	RD-4Z689J	R CARBON FILM	1/4 6.8 OHM J	
R851	RD-4Z689J	R CARBON FILM	1/4 6.8 OHM J	
R852	RD-4Z689J	R CARBON FILM	1/4 6.8 OHM J	
R854	RD-4Z471J	R CARBON FILM	1/4 470 OHM J	
R855	RD-4Z471J	R CARBON FILM	1/4 470 OHM J	
R856	RD-4Z471J	R CARBON FILM	1/4 470 OHM J	
R857	RD-4Z471J	R CARBON FILM	1/4 470 OHM J	
R901	RD-AZ103J	R CARBON FILM	1/6 10K OHM J	
R902	RD-AZ223J	R CARBON FILM	1/6 22K OHM J	
R903	RD-AZ473J	R CARBON FILM	1/6 47K OHM J	
R904	RD-AZ103J	R CARBON FILM	1/6 10K OHM J	
R905	RD-AZ103J	R CARBON FILM	1/6 10K OHM J	
R906	RD-AZ473J	R CARBON FILM	1/6 47K OHM J	
R907	RD-AZ471J	R CARBON FILM	1/6 470 OHM J	
R908	RD-AZ102J	R CARBON FILM	1/6 1K OHM J	
R909	RD-AZ222J	R CARBON FILM	1/6 2.2K OHM J	
R910	RD-AZ471J	R CARBON FILM	1/6 470 OHM J	
R911	RD-AZ100J	R CARBON FILM	1/6 10 OHM J	
R912	RD-AZ122J	R CARBON FILM	1/6 1.2K OHM J	
R913	RD-AZ103J	R CARBON FILM	1/6 10K OHM J	
R914	RD-AZ221J	R CARBON FILM	1/6 220 OHM J	
R915	RD-AZ221J	R CARBON FILM	1/6 220 OHM J	
R916	RD-AZ109J	R CARBON FILM	1/6 1 OHM J	
R917	RD-AZ109J	R CARBON FILM	1/6 1 OHM J	
R919	RD-AZ100J	R CARBON FILM	1/6 10 OHM J	
R920	RD-AZ562J	R CARBON FILM	1/6 5.6K OHM J	
R921	RD-AZ472J	R CARBON FILM	1/6 4.7K OHM J	
R922	RD-AZ103J	R CARBON FILM	1/6 10K OHM J	
R923	RD-AZ472J	R CARBON FILM	1/6 4.7K OHM J	
R924	RD-AZ103J	R CARBON FILM	1/6 10K OHM J	
R925	RD-AZ103J	R CARBON FILM	1/6 10K OHM J	
R926	RD-AZ103J	R CARBON FILM	1/6 10K OHM J	
RF901	RF01F4780J-32	R FUSIBLE	1W 0.47 OHM J (32X)	
RF902	RF01F4780J-32	R FUSIBLE	1W 0.47 OHM J (32X)	
RV201	RV6417223	R SEMI FIXED	VM6CK-PV(1S) B 22K OHM	
RY901	55C0201103	SW RELAY	HR-CR323 2C-1P DC12V	
TU001	9737613201	TUNER PACK	KST-F401VA-3	EMI
	9737613501	TUNER PACK	KST-F404VA	EMS
XC251	5XA7R2000D	X-TAL	7.2M	
XC270	5XA4R332M	X-TAL	4.332M	RDS

MAIN PCB ASSY [9CDC066000] : AXG-328(K)/AXW-328(K) Only				
Loc.	Part Code	Part Name	Description	Option
B801	9CD6589400	PCB MAIN	247X197	
CC401	CCZB1H101K	C CERA	HIKB 50V 100PF K (AXIAL)	AUX2
CC402	CCZB1H101K	C CERA	HIKB 50V 100PF K (AXIAL)	AUX2
CC404	CCZB1H101K	C CERA	HIKB 50V 100PF K (AXIAL)	
CC405	CCZB1H101K	C CERA	HIKB 50V 100PF K (AXIAL)	
CC411	CCZF1H104Z	C CERA	HIKF 50V 0.1MF Z (AXIAL)	
CC440	CCZB1H221K	C CERA	HIKB 50V 220PF K (AXIAL)	

Loc.	Part Code	Part Name	Description	Option
CC441	CCZB1H221K	C CERA	HIKB 50V 220PF K (AXIAL)	
CC442	CCZB1H102K	C CERA	HIKB 50V 1000PF K (AXIAL)	
CC443	CCZB1H102K	C CERA	HIKB 50V 1000PF K (AXIAL)	
CC460	CZSL1H220J	C CERA	SL 50V 22PF J (AXIAL)	
CC461	CZSL1H220J	C CERA	SL 50V 22PF J (AXIAL)	
CC801	CCZB1H102K	C CERA	HIKB 50V 1000PF K (AXIAL)	
CC803	CZCH1H309K	C CERA	CH 50V 3.3PF K (AXIAL)	
CC804	CCZF1H104Z	C CERA	HIKF 50V 0.1MF Z (AXIAL)	
CC805	CCZF1H104Z	C CERA	HIKF 50V 0.1MF Z (AXIAL)	
CC806	CZCH1H309K	C CERA	CH 50V 3.3PF K (AXIAL)	
CC808	CCZB1H102K	C CERA	HIKB 50V 1000PF K (AXIAL)	
CC825	CMXM2A103J	C MYLAR	100V 0.01MF J	
CC826	CMXM2A103J	C MYLAR	100V 0.01MF J	
CC827	CCZB1H221K	C CERA	HIKB 50V 220PF K (AXIAL)	
CC828	CCZB1H221K	C CERA	HIKB 50V 220PF K (AXIAL)	
CC829	CZCH1H309K	C CERA	CH 50V 3.3PF K (AXIAL)	
CC830	CZCH1H309K	C CERA	CH 50V 3.3PF K (AXIAL)	
CC831	CCZB1H472K	C CERA	HIKB 50V 4700PF K (AXIAL)	
CC832	CCZF1H333Z	C CERA	HIKF 50V 0.033MF Z (AXIAL)	
CC875	CCZB1H331K	C CERA	HIKB 50V 330PF K (AXIAL)	
CC876	CCZB1H221K	C CERA	HIKB 50V 220PF K (AXIAL)	
CC877	CCZB1H331K	C CERA	HIKB 50V 330PF K (AXIAL)	
CC878	CCZB1H221K	C CERA	HIKB 50V 220PF K (AXIAL)	
CC879	CCZF1H473Z	C CERA	HIKF 50V 0.047MF Z (AXIAL)	
CC880	CCZF1H473Z	C CERA	HIKF 50V 0.047MF Z (AXIAL)	
CC881	CCZF1H104Z	C CERA	HIKF 50V 0.1MF Z (AXIAL)	
CC901	CCZF1H473Z	C CERA	HIKF 50V 0.047MF Z (AXIAL)	
CC902	CCZF1H473Z	C CERA	HIKF 50V 0.047MF Z (AXIAL)	
CC903	CCZF1E223Z	C CERA	HIKF 25V 0.022MF Z (AXIAL)	
CC904	CCZF1H104Z	C CERA	HIKF 50V 0.1MF Z (AXIAL)	
CC905	CCZF1H104Z	C CERA	HIKF 50V 0.1MF Z (AXIAL)	
CC906	CCZF1H104Z	C CERA	HIKF 50V 0.1MF Z (AXIAL)	
CC908	CCZF1H104Z	C CERA	HIKF 50V 0.1MF Z (AXIAL)	
CC911	CCZF1H473Z	C CERA	HIKF 50V 0.047MF Z (AXIAL)	
CC931	CCZF1E103Z	C CERA	HIKF 25V 0.01MF Z (AXIAL)	
CC932	CCZF1E103Z	C CERA	HIKF 25V 0.01MF Z (AXIAL)	
CC933	CCZF1E103Z	C CERA	HIKF 25V 0.01MF Z (AXIAL)	
CC934	CCZF1E103Z	C CERA	HIKF 25V 0.01MF Z (AXIAL)	
CE410	CEXF1H100V	C ELECTRO	50V RSS 10MF (5X11) TP	
CE411	CEXF1H229V	C ELECTRO	50V RSS 2.2MF (5X11) TP	
CE412	CEXF1H229V	C ELECTRO	50V RSS 2.2MF (5X11) TP	
CE413	CEXF1E470V	C ELECTRO	25V RSS 47MF (5X11) TP	
CE414	CEXF1H229V	C ELECTRO	50V RSS 2.2MF (5X11) TP	
CE415	CEXF1H229V	C ELECTRO	50V RSS 2.2MF (5X11) TP	
CE416	CEXF1H229V	C ELECTRO	50V RSS 2.2MF (5X11) TP	
CE417	CEXF1H229V	C ELECTRO	50V RSS 2.2MF (5X11) TP	
CE418	CEXF1H229V	C ELECTRO	50V RSS 2.2MF (5X11) TP	
CE419	CEXF1H229V	C ELECTRO	50V RSS 2.2MF (5X11) TP	
CE420	CEXF1H229V	C ELECTRO	50V RSS 2.2MF (5X11) TP	
CE421	CEXF1H229V	C ELECTRO	50V RSS 2.2MF (5X11) TP	
CE422	CEXF1H229V	C ELECTRO	50V RSS 2.2MF (5X11) TP	
CE423	CEXF1H229V	C ELECTRO	50V RSS 2.2MF (5X11) TP	
CE424	CEXF1H229V	C ELECTRO	50V RSS 2.2MF (5X11) TP	
CE425	CEXF1H229V	C ELECTRO	50V RSS 2.2MF (5X11) TP	
CE426	CEXF1H229V	C ELECTRO	50V RSS 2.2MF (5X11) TP	
CE427	CEXF1H229V	C ELECTRO	50V RSS 2.2MF (5X11) TP	
CE428	CEXF1H100V	C ELECTRO	50V RSS 10MF (5X11) TP	
CE440	CEXF1H229V	C ELECTRO	50V RSS 2.2MF (5X11) TP	
CE441	CEXF1H229V	C ELECTRO	50V RSS 2.2MF (5X11) TP	
CE442	CEXF1E470V	C ELECTRO	25V RSS 47MF (5X11) TP	
CE443	CEXF1H229V	C ELECTRO	50V RSS 2.2MF (5X11) TP	
CE444	CEXF1H229V	C ELECTRO	50V RSS 2.2MF (5X11) TP	
CE460	CEXF1H229V	C ELECTRO	50V RSS 2.2MF (5X11) TP	
CE461	CEXF1E470V	C ELECTRO	25V RSS 47MF (5X11) TP	
CE462	CEXF1H229V	C ELECTRO	50V RSS 2.2MF (5X11) TP	
CE463	CEXF1E470V	C ELECTRO	25V RSS 47MF (5X11) TP	
CE475	CEXF1H478V	C ELECTRO	50V RSS 0.47MF (5X11) TP	
CE476	CEXF1H478V	C ELECTRO	50V RSS 0.47MF (5X11) TP	
CE477	CEXF1E470V	C ELECTRO	25V RSS 47MF (5X11) TP	
CE478	CEXF1E470V	C ELECTRO	25V RSS 47MF (5X11) TP	
CE479	CEXF1E470V	C ELECTRO	25V RSS 47MF (5X11) TP	
CE480	CEXF1E470V	C ELECTRO	25V RSS 47MF (5X11) TP	
CE481	CEXF1E470V	C ELECTRO	25V RSS 47MF (5X11) TP	
CE482	CEXF1E470V	C ELECTRO	25V RSS 47MF (5X11) TP	
CE495	CEXF1E470V	C ELECTRO	25V RSS 47MF (5X11) TP	
CE496	CEXF1H109V	C ELECTRO	50V RSS 1MF (5X11) TP	
CE801	CEXF1H109V	C ELECTRO	50V RSS 1MF (5X11) TP	
CE802	CEXF1H229V	C ELECTRO	50V RSS 2.2MF (5X11) TP	
CE803	CEXF1H229V	C ELECTRO	50V RSS 2.2MF (5X11) TP	
CE804	CEXF1H101V	C ELECTRO	50V RSS 100MF (8X11.5) TP	
CE805	CEXF1H100V	C ELECTRO	50V RSS 10MF (5X11) TP	
CE806	CEXF1H100V	C ELECTRO	50V RSS 10MF (5X11) TP	
CE807	CEXF1H101V	C ELECTRO	50V RSS 100MF (8X11.5) TP	
CE808	CEXF1H229V	C ELECTRO	50V RSS 2.2MF (5X11) TP	
CE809	CEXF1H229V	C ELECTRO	50V RSS 2.2MF (5X11) TP	
CE810	CEXF1H109V	C ELECTRO	50V RSS 1MF (5X11) TP	
CE825	CEXF1J101V	C ELECTRO	63V RSS 100MF (6.3X11) TP	
CE826	CEXF1J101V	C ELECTRO	63V RSS 100MF (6.3X11) TP	
CE827	CEXF1E101V	C ELECTRO	25V RSS 100MF (6.3X11) TP	
CE828	CEXF1E101V	C ELECTRO	25V RSS 100MF (6.3X11) TP	
CE829	CEXF1H229V	C ELECTRO	50V RSS 2.2MF (5X11) TP	
CE830	CEXF1H229V	C ELECTRO	50V RSS 2.2MF (5X11) TP	
CE831	CEXF1H479V	C ELECTRO	50V RSS 4.7MF (5X11) TP	

Electrical Parts List

Loc.	Part Code	Part Name	Description	Option
CE832	CEXF1H479V	C ELECTRO	50V RSS 4.7MF (5X11) TP	
CE833	CEXF1E101V	C ELECTRO	25V RSS 100MF (6.3X11) TP	
CE834	CEXF1E101V	C ELECTRO	25V RSS 100MF (6.3X11) TP	
CE835	CEXF1H479V	C ELECTRO	50V RSS 4.7MF (5X11) TP	
CE836	CEXF1H479V	C ELECTRO	50V RSS 4.7MF (5X11) TP	
CE837	CEXF1H229V	C ELECTRO	50V RSS 2.2MF (5X11) TP	
CE838	CEXF1H229V	C ELECTRO	50V RSS 2.2MF (5X11) TP	
CE855	CEXF1H109V	C ELECTRO	50V RSS 1MF (5X11) TP	
CE856	CEXF1H109V	C ELECTRO	50V RSS 1MF (5X11) TP	
CE875	CEXF1E470V	C ELECTRO	25V RSS 47MF (5X11) TP	
CE876	CEXF1E470V	C ELECTRO	25V RSS 47MF (5X11) TP	
CE877	CEXF1H229V	C ELECTRO	50V RSS 2.2MF (5X11) TP	
CE878	CEXF1H229V	C ELECTRO	50V RSS 2.2MF (5X11) TP	
CE901	CEXF1K562V	C ELECTRO	RSS 80V 5600MF (5600/75V)	
CE902	CEXF1K562V	C ELECTRO	RSS 80V 5600MF (5600/75V)	
CE903	CEXF1H332V	C ELECTRO	RSS 50V 3300MF 26'41	
CE904	CEXF1H332V	C ELECTRO	RSS 50V 3300MF 26'41	
CE907	CEXF1E102V	C ELECTRO	25V RSS 1000MF (13X20) TP	
CE908	CEXF1E102V	C ELECTRO	25V RSS 1000MF (13X20) TP	
CE909	CEXF1E470V	C ELECTRO	25V RSS 47MF (5X11) TP	
CE911	CEXF1H470V	C ELECTRO	50V RSS 47MF (6.3X11) TP	
CE912	CEXF1H101V	C ELECTRO	50V RSS 100MF (8X11.5) TP	
CE913	CEXF1H470V	C ELECTRO	50V RSS 47MF (6.3X11) TP	
CE914	CEXF1H470V	C ELECTRO	50V RSS 47MF (6.3X11) TP	
CE915	CEXF1H229V	C ELECTRO	50V RSS 2.2MF (5X11) TP	
CE916	CEXF1H229V	C ELECTRO	50V RSS 2.2MF (5X11) TP	
CE931	CEXF1E470V	C ELECTRO	25V RSS 47MF (5X11) TP	
CE932	CEXF1E470V	C ELECTRO	25V RSS 47MF (5X11) TP	
CE933	CEXF1E470V	C ELECTRO	25V RSS 47MF (5X11) TP	
CE934	CEXF1E470V	C ELECTRO	25V RSS 47MF (5X11) TP	
CM410	CMXM2A102J	C MYLAR	100V 1000PF J	
CM411	CMXM2A223J	C MYLAR	100V 0.022MF J	
CM412	CMXM2A102J	C MYLAR	100V 1000PF J	
CM413	CMXM2A104J	C MYLAR	100V 0.1MF J	
CM414	CMXM2A104J	C MYLAR	100V 0.1MF J	
CM415	CMXM2A104J	C MYLAR	100V 0.1MF J	
CM416	CMXM2A104J	C MYLAR	100V 0.1MF J	
CM417	CMXM2A334J	C MYLAR	100V 0.33MF J	
CM420	CMXM2A222J	C MYLAR	100V 2200PF J	
CM421	CMXM2A222J	C MYLAR	100V 2200PF J	
CM460	CMXM2A333J	C MYLAR	100V 0.033MF J	
CM461	CMXM2A333J	C MYLAR	100V 0.033MF J	
CM462	CMXM2A333J	C MYLAR	100V 0.033MF J	
CM463	CMXM2A333J	C MYLAR	100V 0.033MF J	
CM475	CMXM2A273J	C MYLAR	100V 0.027MF J	
CM476	CMXM2A273J	C MYLAR	100V 0.027MF J	
CM477	CMXM2A273J	C MYLAR	100V 0.027MF J	
CM478	CMXM2A562J	C MYLAR	100V 5600PF J	
CM479	CMXM2A273J	C MYLAR	100V 0.027MF J	
CM480	CMXM2A273J	C MYLAR	100V 0.027MF J	
CM481	CMXM2A562J	C MYLAR	100V 5600PF J	
CM482	CMXM2A273J	C MYLAR	100V 0.027MF J	
CM801B	CMXM2A104J	C MYLAR	100V 0.1MF J	
CM802B	CMXM2A104J	C MYLAR	100V 0.1MF J	
CM805	CMXM2A104J	C MYLAR	100V 0.1MF J	
CM806	CMXM2A104J	C MYLAR	100V 0.1MF J	
CM825	CMXM2A102J	C MYLAR	100V 1000PF J	
CM826	CMXM2A102J	C MYLAR	100V 1000PF J	
CM827	CMXM2A104J	C MYLAR	100V 0.1MF J	
CM828	CMXM2A273J	C MYLAR	100V 0.027MF J	
CM829	CMXM2A273J	C MYLAR	100V 0.027MF J	
CM905	CMXM2A103J	C MYLAR	100V 0.01MF J	
CM906	CMXM2A103J	C MYLAR	100V 0.01MF J	
CM907	CMXM2A104J	C MYLAR	100V 0.1MF J	
CM201	9728819200	C MYLAR	UL1007 #24 12P 250MM	
CM401	9736407600	C MYLAR	53095-1310 13PIN BASE	
CM402	9736407800	C MYLAR	53095-1010 10PIN BASE	
CW905	2503-WS-02	WAFER	2P 2.5MM	
CW303	2503-WS-05	WAFER	2503-WS-07 7P 2.5MM	KARAOKE
CW509	2503-WS-06	WAFER	6P 2.5MM	MP3
CW509	2503-WS-08	WAFER	8P 2.5MM	without MP3
CW603	2503-WS-08	WAFER	8P 2.5MM	
CW901	9728804100	CONN AS	#22 10P P2.5 350 BOARD-IN	
D400	DZN4148---	DIODE	IN4148 AUTO 52MM	
D495	DZN4148---	DIODE	IN4148 AUTO 52MM	
D496	DZN4148---	DIODE	IN4148 AUTO 52MM	
D825	DZN4148---	DIODE	IN4148 AUTO 52MM	
D826	DZN4148---	DIODE	IN4148 AUTO 52MM	
D827	DZN4148---	DIODE	IN4148 AUTO 52MM	
D828	DZN4148---	DIODE	IN4148 AUTO 52MM	
D829	DZN4148---	DIODE	IN4148 AUTO 52MM	
D830	DZN4148---	DIODE	IN4148 AUTO 52MM	
D831	DZN4148---	DIODE	IN4148 AUTO 52MM	
D832	DZN4148---	DIODE	IN4148 AUTO 52MM	
D833	DZN4148---	DIODE	IN4148 AUTO 52MM	
D834	DZN4148---	DIODE	IN4148 AUTO 52MM	
D835	DZN4148---	DIODE	IN4148 AUTO 52MM	
D836	DZN4148---	DIODE	IN4148 AUTO 52MM	
D870	DZN4148---	DIODE	IN4148 AUTO 52MM	
D901	DRL202----	DIODE	RL202	
D902	DRL202----	DIODE	RL202	
D903	DRL202----	DIODE	RL202	
D904	DRL202----	DIODE	RL202	

Loc.	Part Code	Part Name	Description	Option
JW874	W581GY12J5	WIRE JUMPER	AWG22 1/0.65 SN 12.5 AUTO	
JW875	W581GY12J5	WIRE JUMPER	AWG22 1/0.65 SN 12.5 AUTO	
JW876	W581GY1505	WIRE JUMPER	AWG22 1/0.65 GY 15 AUTO	
JW877	W581GY1505	WIRE JUMPER	AWG22 1/0.65 GY 15 AUTO	
JW880	W581GY1005	WIRE JUMPER	AWG22 1/0.65 SN 10 AUTO	
JW881	W581GY12J5	WIRE JUMPER	AWG22 1/0.65 SN 12.5 AUTO	
JW882	W581GY12J5	WIRE JUMPER	AWG22 1/0.65 SN 12.5 AUTO	
JW883	W581GY1005	WIRE JUMPER	AWG22 1/0.65 SN 10 AUTO	
JW884	W581GY1005	WIRE JUMPER	AWG22 1/0.65 SN 10 AUTO	
JW885	W581GY7595	WIRE JUMPER	AWG22 1/0.65 SN 7.5 AUTO	
JW886	W581GY7595	WIRE JUMPER	AWG22 1/0.65 SN 7.5 AUTO	
JW887	W581GY1505	WIRE JUMPER	AWG22 1/0.65 GY 15 AUTO	
JW888	W581GY17J5	WIRE JUMPER	AWG22 1/0.65 SN 17.5 AUTO	
JW889	W581GY12J5	WIRE JUMPER	AWG22 1/0.65 SN 12.5 AUTO	
JW890	W581GY7595	WIRE JUMPER	AWG22 1/0.65 SN 7.5 AUTO	
JW891	W581GY12J5	WIRE JUMPER	AWG22 1/0.65 SN 12.5 AUTO	
JW892	W581GY1005	WIRE JUMPER	AWG22 1/0.65 SN 10 AUTO	
JW893	W581GY1505	WIRE JUMPER	AWG22 1/0.65 GY 15 AUTO	
JW894	W581GY12J5	WIRE JUMPER	AWG22 1/0.65 SN 12.5 AUTO	
JW895	W581GY17J5	WIRE JUMPER	AWG22 1/0.65 SN 17.5 AUTO	
JW896	W581GY17J5	WIRE JUMPER	AWG22 1/0.65 SN 17.5 AUTO	
JW897	W581GY1505	WIRE JUMPER	AWG22 1/0.65 GY 15 AUTO	
JW898	W581GY7595	WIRE JUMPER	AWG22 1/0.65 SN 7.5 AUTO	
JW899	W581GY17J5	WIRE JUMPER	AWG22 1/0.65 SN 17.5 AUTO	
JW900	W581GY17J5	WIRE JUMPER	AWG22 1/0.65 SN 17.5 AUTO	
JW901	W581GY6095	WIRE JUMPER	AWG22 1/0.65 SN 6 AUTO	
JW902	W581GY1005	WIRE JUMPER	AWG22 1/0.65 SN 10 AUTO	
JW903	W581GY1505	WIRE JUMPER	AWG22 1/0.65 GY 15 AUTO	
JW904	W581GY1005	WIRE JUMPER	AWG22 1/0.65 SN 10 AUTO	
JW905	W581GY6095	WIRE JUMPER	AWG22 1/0.65 SN 6 AUTO	
JW906	W581GY6095	WIRE JUMPER	AWG22 1/0.65 SN 6 AUTO	
JW907	W581GY1505	WIRE JUMPER	AWG22 1/0.65 GY 15 AUTO	
JW908	W581GY1505	WIRE JUMPER	AWG22 1/0.65 GY 15 AUTO	
JW909	W581GY12J5	WIRE JUMPER	AWG22 1/0.65 SN 12.5 AUTO	
JW910	W581GY17J5	WIRE JUMPER	AWG22 1/0.65 SN 17.5 AUTO	
JW911	W581GY1505	WIRE JUMPER	AWG22 1/0.65 GY 15 AUTO	
JW912	W581GY7595	WIRE JUMPER	AWG22 1/0.65 SN 7.5 AUTO	
JW913	W581GY1005	WIRE JUMPER	AWG22 1/0.65 SN 10 AUTO	
JW914	W581GY1005	WIRE JUMPER	AWG22 1/0.65 SN 10 AUTO	
JW915	W581GY1005	WIRE JUMPER	AWG22 1/0.65 SN 10 AUTO	
JW916	W581GY6095	WIRE JUMPER	AWG22 1/0.65 SN 6 AUTO	
JW917	W581GY7595	WIRE JUMPER	AWG22 1/0.65 SN 7.5 AUTO	
JW918	W581GY7595	WIRE JUMPER	AWG22 1/0.65 SN 7.5 AUTO	
JW919	W581GY7595	WIRE JUMPER	AWG22 1/0.65 SN 7.5 AUTO	
JW920	W581GY12J5	WIRE JUMPER	AWG22 1/0.65 SN 12.5 AUTO	
JW921	W581GY1505	WIRE JUMPER	AWG22 1/0.65 GY 15 AUTO	
JW922	W581GY1005	WIRE JUMPER	AWG22 1/0.65 SN 10 AUTO	
JW923	W581GY17J5	WIRE JUMPER	AWG22 1/0.65 SN 17.5 AUTO	
JW924	W581GY1505	WIRE JUMPER	AWG22 1/0.65 GY 15 AUTO	
JW925	W581GY1505	WIRE JUMPER	AWG22 1/0.65 GY 15 AUTO	
JW926	W581GY7595	WIRE JUMPER	AWG22 1/0.65 SN 7.5 AUTO	
JW927	W581GY1505	WIRE JUMPER	AWG22 1/0.65 GY 15 AUTO	
JW928	W581GY7595	WIRE JUMPER	AWG22 1/0.65 SN 7.5 AUTO	
JW929	W581GY12J5	WIRE JUMPER	AWG22 1/0.65 SN 12.5 AUTO	
JW930	W581GY6095	WIRE JUMPER	AWG22 1/0.65 SN 6 AUTO	
JW931	W581GY6095	WIRE JUMPER	AWG22 1/0.65 SN 6 AUTO	
JW932	W581GY1005	WIRE JUMPER	AWG22 1/0.65 SN 10 AUTO	
JW933	W581GY6095	WIRE JUMPER	AWG22 1/0.65 SN 6 AUTO	
Q460	TZTC3198Y-	TR	KTC3198Y (2SC5343) AUTO	
Q461	TZTC3198Y-	TR	KTC3198Y (2SC5343) AUTO	
Q462	TZTC3198Y-	TR	KTC3198Y (2SC5343) AUTO	
Q495	TZRA107M-	TR	KRA107M (KSR2006) AUTO	
Q499	TZRA107M-	TR	KRA107M (KSR2006) AUTO	
Q801	TZTD1302Y-	TR	KTD1302Y AUTO	
Q807	TZTD1302Y-	TR	KTD1302Y AUTO	
Q827	TZTC3198Y-	TR	KTC3198Y (2SC5343) AUTO	
Q828	TZTC3198Y-	TR	KTC3198Y (2SC5343) AUTO	
Q829	TZTC3198Y-	TR	KTC3198Y (2SC5343) AUTO	
Q830	TZTC3198Y-	TR	KTC3198Y (2SC5343) AUTO	
Q831	TZSA1980Y-	TR	2SA1980Y (KTA1266Y) AUTO	
Q832	TZSA1980Y-	TR	2SA1980Y (KTA1266Y) AUTO	
Q833	TZSA1980Y-	TR	2SA1980Y (KTA1266Y) AUTO	
Q834	TZRC107M-	TR	KRC107M (DTC114YS) (KSR1006)	
Q835	TZTC3198Y-	TR	KTC3198Y (2SC5343) AUTO	
Q836	TZTC3198Y-	TR	KTC3198Y (2SC5343) AUTO	
Q837	TZSA1980Y-	TR	2SA1980Y (KTA1266Y) AUTO	
Q838	TZSA1980Y-	TR	2SA1980Y (KTA1266Y) AUTO	
Q839	TZTD1302Y-	TR	KTD1302Y AUTO	
Q840	TZTD1302Y-	TR	KTD1302Y AUTO	
Q875	TZRC111M-	TR	KRC111M (DTC114TS) (KSR1010)	
Q876	TZRC111M-	TR	KRC111M (DTC114TS) (KSR1010)	
Q877	TZRC111M-	TR	KRC111M (DTC114TS) (KSR1010)	
Q878	TZRC111M-	TR	KRC111M (DTC114TS) (KSR1010)	
Q901	TZTC3198Y-	TR	KTC3198Y (2SC5343) AUTO	
Q902	TZTA1046Y-	TR	KTA1046Y (KTA1366Y) AUTO	
Q903	TZRA107M-	TR	KRA107M (KSR2006) AUTO	
Q904	TZRC107M-	TR	KRC107M (DTC114YS) (KSR1006)	
Q905	TZTA1273Y-	TR	KTA1273Y (A966Y) (KSA928A-Y)	
Q911	TZTA1274Y-	TR	KTA1274Y-	
Q920	TZTC3205Y-	TR	KTC3205Y (KTC2236Y) AUTO	
Q921	TZTC3198Y-	TR	KTC3198Y (2SC5343) AUTO	
R401	RD-AZ103J-	R CARBON FILM	1/6 10K OHM J	AUX2
R402	RD-AZ103J-	R CARBON FILM	1/6 10K OHM J	AUX2

Electrical Parts List

Loc.	Part Code	Part Name	Description	Option
JW874	W581GY12J5	WIRE JUMPER	AWG22 1/0.65 SN 12.5 AUTO	
JW875	W581GY12J5	WIRE JUMPER	AWG22 1/0.65 SN 12.5 AUTO	
JW876	W581GY1505	WIRE JUMPER	AWG22 1/0.65 GY 15 AUTO	
JW877	W581GY1505	WIRE JUMPER	AWG22 1/0.65 GY 15 AUTO	
JW880	W581GY1005	WIRE JUMPER	AWG22 1/0.65 SN 10 AUTO	
JW881	W581GY12J5	WIRE JUMPER	AWG22 1/0.65 SN 12.5 AUTO	
JW882	W581GY12J5	WIRE JUMPER	AWG22 1/0.65 SN 12.5 AUTO	
JW883	W581GY1005	WIRE JUMPER	AWG22 1/0.65 SN 10 AUTO	
JW884	W581GY1005	WIRE JUMPER	AWG22 1/0.65 SN 10 AUTO	
JW885	W581GY7595	WIRE JUMPER	AWG22 1/0.65 SN 7.5 AUTO	
JW886	W581GY7595	WIRE JUMPER	AWG22 1/0.65 SN 7.5 AUTO	
JW887	W581GY1505	WIRE JUMPER	AWG22 1/0.65 GY 15 AUTO	
JW888	W581GY17J5	WIRE JUMPER	AWG22 1/0.65 SN 17.5 AUTO	
JW889	W581GY12J5	WIRE JUMPER	AWG22 1/0.65 SN 12.5 AUTO	
JW890	W581GY7595	WIRE JUMPER	AWG22 1/0.65 SN 7.5 AUTO	
JW891	W581GY12J5	WIRE JUMPER	AWG22 1/0.65 SN 12.5 AUTO	
JW892	W581GY1005	WIRE JUMPER	AWG22 1/0.65 SN 10 AUTO	
JW893	W581GY1505	WIRE JUMPER	AWG22 1/0.65 GY 15 AUTO	
JW894	W581GY12J5	WIRE JUMPER	AWG22 1/0.65 SN 12.5 AUTO	
JW895	W581GY17J5	WIRE JUMPER	AWG22 1/0.65 SN 17.5 AUTO	
JW896	W581GY17J5	WIRE JUMPER	AWG22 1/0.65 SN 17.5 AUTO	
JW897	W581GY1505	WIRE JUMPER	AWG22 1/0.65 GY 15 AUTO	
JW898	W581GY7595	WIRE JUMPER	AWG22 1/0.65 SN 7.5 AUTO	
JW899	W581GY17J5	WIRE JUMPER	AWG22 1/0.65 SN 17.5 AUTO	
JW900	W581GY17J5	WIRE JUMPER	AWG22 1/0.65 SN 17.5 AUTO	
JW901	W581GY6095	WIRE JUMPER	AWG22 1/0.65 SN 6 AUTO	
JW902	W581GY1005	WIRE JUMPER	AWG22 1/0.65 SN 10 AUTO	
JW903	W581GY1505	WIRE JUMPER	AWG22 1/0.65 GY 15 AUTO	
JW904	W581GY1005	WIRE JUMPER	AWG22 1/0.65 SN 10 AUTO	
JW905	W581GY6095	WIRE JUMPER	AWG22 1/0.65 SN 6 AUTO	
JW906	W581GY6095	WIRE JUMPER	AWG22 1/0.65 SN 6 AUTO	
JW907	W581GY1505	WIRE JUMPER	AWG22 1/0.65 GY 15 AUTO	
JW908	W581GY1505	WIRE JUMPER	AWG22 1/0.65 GY 15 AUTO	
JW909	W581GY12J5	WIRE JUMPER	AWG22 1/0.65 SN 12.5 AUTO	
JW910	W581GY17J5	WIRE JUMPER	AWG22 1/0.65 SN 17.5 AUTO	
JW911	W581GY1505	WIRE JUMPER	AWG22 1/0.65 GY 15 AUTO	
JW912	W581GY7595	WIRE JUMPER	AWG22 1/0.65 SN 7.5 AUTO	
JW913	W581GY1005	WIRE JUMPER	AWG22 1/0.65 SN 10 AUTO	
JW914	W581GY1005	WIRE JUMPER	AWG22 1/0.65 SN 10 AUTO	
JW915	W581GY1005	WIRE JUMPER	AWG22 1/0.65 SN 10 AUTO	
JW916	W581GY6095	WIRE JUMPER	AWG22 1/0.65 SN 6 AUTO	
JW917	W581GY7595	WIRE JUMPER	AWG22 1/0.65 SN 7.5 AUTO	
JW918	W581GY7595	WIRE JUMPER	AWG22 1/0.65 SN 7.5 AUTO	
JW919	W581GY7595	WIRE JUMPER	AWG22 1/0.65 SN 7.5 AUTO	
JW920	W581GY12J5	WIRE JUMPER	AWG22 1/0.65 SN 12.5 AUTO	
JW921	W581GY1505	WIRE JUMPER	AWG22 1/0.65 GY 15 AUTO	
JW922	W581GY1005	WIRE JUMPER	AWG22 1/0.65 SN 10 AUTO	
JW923	W581GY17J5	WIRE JUMPER	AWG22 1/0.65 SN 17.5 AUTO	
JW924	W581GY1505	WIRE JUMPER	AWG22 1/0.65 GY 15 AUTO	
JW925	W581GY1505	WIRE JUMPER	AWG22 1/0.65 GY 15 AUTO	
JW926	W581GY7595	WIRE JUMPER	AWG22 1/0.65 SN 7.5 AUTO	
JW927	W581GY1505	WIRE JUMPER	AWG22 1/0.65 GY 15 AUTO	
JW928	W581GY7595	WIRE JUMPER	AWG22 1/0.65 SN 7.5 AUTO	
JW929	W581GY12J5	WIRE JUMPER	AWG22 1/0.65 SN 12.5 AUTO	
JW930	W581GY6095	WIRE JUMPER	AWG22 1/0.65 SN 6 AUTO	
JW931	W581GY6095	WIRE JUMPER	AWG22 1/0.65 SN 6 AUTO	
JW932	W581GY1005	WIRE JUMPER	AWG22 1/0.65 SN 10 AUTO	
JW933	W581GY6095	WIRE JUMPER	AWG22 1/0.65 SN 6 AUTO	
Q460	TZTC3198Y-	TR	KTC3198Y (2SC5343) AUTO	
Q461	TZTC3198Y-	TR	KTC3198Y (2SC5343) AUTO	
Q462	TZTC3198Y-	TR	KTC3198Y (2SC5343) AUTO	
Q495	TZRA107M-	TR	KRA107M (KSR2006) AUTO	
Q499	TZRA107M-	TR	KRA107M (KSR2006) AUTO	
Q801	TZTD1302Y-	TR	KTD1302Y AUTO	
Q807	TZTD1302Y-	TR	KTD1302Y AUTO	
Q827	TZTC3198Y-	TR	KTC3198Y (2SC5343) AUTO	
Q828	TZTC3198Y-	TR	KTC3198Y (2SC5343) AUTO	
Q829	TZTC3198Y-	TR	KTC3198Y (2SC5343) AUTO	
Q830	TZTC3198Y-	TR	KTC3198Y (2SC5343) AUTO	
Q831	TZSA1980Y-	TR	2SA1980Y (KTA1266Y) AUTO	
Q832	TZSA1980Y-	TR	2SA1980Y (KTA1266Y) AUTO	
Q833	TZSA1980Y-	TR	2SA1980Y (KTA1266Y) AUTO	
Q834	TZRC107M-	TR	KRC107M (DTC114YS) (KSR1006)	
Q835	TZTC3198Y-	TR	KTC3198Y (2SC5343) AUTO	
Q836	TZTC3198Y-	TR	KTC3198Y (2SC5343) AUTO	
Q837	TZSA1980Y-	TR	2SA1980Y (KTA1266Y) AUTO	
Q838	TZSA1980Y-	TR	2SA1980Y (KTA1266Y) AUTO	
Q839	TZTD1302Y-	TR	KTD1302Y AUTO	
Q840	TZTD1302Y-	TR	KTD1302Y AUTO	
Q875	TZRC111M-	TR	KRC111M (DTC114TS) (KSR1010)	
Q876	TZRC111M-	TR	KRC111M (DTC114TS) (KSR1010)	
Q877	TZRC111M-	TR	KRC111M (DTC114TS) (KSR1010)	
Q878	TZRC111M-	TR	KRC111M (DTC114TS) (KSR1010)	
Q901	TZTC3198Y-	TR	KTC3198Y (2SC5343) AUTO	
Q902	TZTA1046Y-	TR	KTA1046Y (KTA1366Y) AUTO	
Q903	TZRA107M-	TR	KRA107M (KSR2006) AUTO	
Q904	TZRC107M-	TR	KRC107M (DTC114YS) (KSR1006)	
Q905	TZTA1273Y-	TR	KTA1273Y (A966Y) (KSA928A-Y)	
Q911	TZTA1274Y-	TR	KTA1274Y-	
Q920	TZTC3205Y-	TR	KTC3205Y (KTC2236Y) AUTO	
Q921	TZTC3198Y-	TR	KTC3198Y (2SC5343) AUTO	
R401	RD-AZ103J-	R CARBON FILM	1/6 10K OHM J	AUX2
R402	RD-AZ103J-	R CARBON FILM	1/6 10K OHM J	AUX2

Loc.	Part Code	Part Name	Description	Option
R403	RD-AZ153J-	R CARBON FILM	1/6 15K OHM J	AUX2
R404	RD-AZ153J-	R CARBON FILM	1/6 15K OHM J	AUX2
R405	RD-AZ103J-	R CARBON FILM	1/6 10K OHM J	
R406	RD-AZ103J-	R CARBON FILM	1/6 10K OHM J	
R407	RD-AZ153J-	R CARBON FILM	1/6 15K OHM J	
R408	RD-AZ153J-	R CARBON FILM	1/6 15K OHM J	
R410	RD-AZ102J-	R CARBON FILM	1/6 1K OHM J	
R411	RD-AZ102J-	R CARBON FILM	1/6 1K OHM J	
R412	RD-AZ102J-	R CARBON FILM	1/6 1K OHM J	
R413	RD-AZ102J-	R CARBON FILM	1/6 1K OHM J	
R414	RD-AZ682J-	R CARBON FILM	1/6 6.8K OHM J	
R415	RD-AZ104J-	R CARBON FILM	1/6 100K OHM J	
R416	RD-AZ682J-	R CARBON FILM	1/6 6.8K OHM J	
R417	RD-AZ104J-	R CARBON FILM	1/6 100K OHM J	
R418	RD-AZ332J-	R CARBON FILM	1/6 3.3K OHM J	
R419	RD-AZ332J-	R CARBON FILM	1/6 3.3K OHM J	
R420	RD-AZ332J-	R CARBON FILM	1/6 3.3K OHM J	
R421	RD-AZ332J-	R CARBON FILM	1/6 3.3K OHM J	
R422	RD-AZ393J-	R CARBON FILM	1/6 3.9K OHM J	
R423	RD-AZ393J-	R CARBON FILM	1/6 3.9K OHM J	
R424	RD-AZ104J-	R CARBON FILM	1/6 100K OHM J	
R425	RD-AZ104J-	R CARBON FILM	1/6 100K OHM J	
R426	RD-AZ103J-	R CARBON FILM	1/6 10K OHM J	
R427	RD-AZ103J-	R CARBON FILM	1/6 10K OHM J	
R428	RD-AZ561J-	R CARBON FILM	1/6 560 OHM J	
R429	RD-AZ104J-	R CARBON FILM	1/6 100K OHM J	
R430	RD-AZ104J-	R CARBON FILM	1/6 100K OHM J	
R431	RD-AZ224J-	R CARBON FILM	1/6 220K OHM J	
R432	RD-AZ224J-	R CARBON FILM	1/6 220K OHM J	
R433	RD-AZ394J-	R CARBON FILM	1/6 3.9K OHM J	
R434	RD-AZ562J-	R CARBON FILM	1/6 5.6K OHM J	
R435	RD-AZ562J-	R CARBON FILM	1/6 5.6K OHM J	
R436	RD-AZ394J-	R CARBON FILM	1/6 3.9K OHM J	
R437	RD-AZ683J-	R CARBON FILM	1/6 6.8K OHM J	
R438	RD-AZ103J-	R CARBON FILM	1/6 10K OHM J	
R439	RD-AZ103J-	R CARBON FILM	1/6 10K OHM J	
R440	RD-AZ102J-	R CARBON FILM	1/6 1K OHM J	
R441	RD-AZ102J-	R CARBON FILM	1/6 1K OHM J	
R442	RD-AZ102J-	R CARBON FILM	1/6 1K OHM J	
R443	RD-AZ102J-	R CARBON FILM	1/6 1K OHM J	
R444	RD-AZ682J-	R CARBON FILM	1/6 6.8K OHM J	
R445	RD-AZ392J-	R CARBON FILM	1/6 3.9K OHM J	
R446	RD-AZ220J-	R CARBON FILM	1/6 22 OHM J	
R447	RD-AZ104J-	R CARBON FILM	1/6 100K OHM J	
R448	RD-AZ104J-	R CARBON FILM	1/6 100K OHM J	
R449	RD-AZ104J-	R CARBON FILM	1/6 100K OHM J	
R450	RD-AZ102J-	R CARBON FILM	1/6 1K OHM J	
R451	RD-AZ392J-	R CARBON FILM	1/6 3.9K OHM J	
R452	RD-AZ682J-	R CARBON FILM	1/6 6.8K OHM J	
R453	RD-AZ104J-	R CARBON FILM	1/6 100K OHM J	
R454	RD-AZ102J-	R CARBON FILM	1/6 1K OHM J	
R455	RD-AZ332J-	R CARBON FILM	1/6 3.3K OHM J	
R456	RD-AZ332J-	R CARBON FILM	1/6 3.3K OHM J	
R460	RD-AZ104J-	R CARBON FILM	1/6 100K OHM J	
R461	RD-AZ104J-	R CARBON FILM	1/6 100K OHM J	
R462	RD-AZ103J-	R CARBON FILM	1/6 10K OHM J	
R463	RD-AZ392J-	R CARBON FILM	1/6 3.9K OHM J	
R464	RD-AZ104J-	R CARBON FILM	1/6 100K OHM J	
R465	RD-AZ182J-	R CARBON FILM	1/6 1.8K OHM J	
R466	RD-AZ182J-	R CARBON FILM	1/6 1.8K OHM J	
R467	RD-AZ472J-	R CARBON FILM	1/6 4.7K OHM J	
R468	RD-AZ104J-	R CARBON FILM	1/6 100K OHM J	
R469	RD-AZ103J-	R CARBON FILM	1/6 10K OHM J	
R470	RD-AZ392J-	R CARBON FILM	1/6 3.9K OHM J	
R471	RD-AZ104J-	R CARBON FILM	1/6 100K OHM J	
R472	RD-AZ472J-	R CARBON FILM	1/6 4.7K OHM J	
R473	RD-AZ104J-	R CARBON FILM	1/6 100K OHM J	
R475	RD-AZ183J-	R CARBON FILM	1/6 1.8K OHM J	
R476	RD-AZ274J-	R CARBON FILM	1/6 270K OHM J	
R477	RD-AZ274J-	R CARBON FILM	1/6 270K OHM J	
R478	RD-AZ183J-	R CARBON FILM	1/6 1.8K OHM J	
R479	RD-AZ101J-	R CARBON FILM	1/6 100 OHM J	
R480	RD-AZ103J-	R CARBON FILM	1/6 10K OHM J	
R481	RD-AZ104J-	R CARBON FILM	1/6 100K OHM J	
R482	RD-AZ104J-	R CARBON FILM	1/6 100K OHM J	
R483	RD-AZ101J-	R CARBON FILM	1/6 100 OHM J	
R484	RD-AZ102J-	R CARBON FILM	1/6 1K OHM J	
R485	RD-AZ102J-	R CARBON FILM	1/6 1K OHM J	
R486	RD-AZ101J-	R CARBON FILM	1/6 100 OHM J	
R487	RD-AZ104J-	R CARBON FILM	1/6 100K OHM J	
R488	RD-AZ104J-	R CARBON FILM	1/6 100K OHM J	
R489	RD-AZ103J-	R CARBON FILM	1/6 10K OHM J	
R490	RD-AZ101J-	R CARBON FILM	1/6 100 OHM J	
R491	RD-AZ220J-	R CARBON FILM	1/6 22 OHM J	
R492	RD-AZ103J-	R CARBON FILM	1/6 10K OHM J	
R493	RD-AZ472J-	R CARBON FILM	1/6 4.7K OHM J	
R494	RD-AZ220J-	R CARBON FILM	1/6 22 OHM J	
R495	RD-AZ472J-	R CARBON FILM	1/6 4.7K OHM J	
R496	RD-AZ472J-	R CARBON FILM	1/6 4.7K OHM J	
R497	RD-AZ103J-	R CARBON FILM	1/6 10K OHM J	
R498	RD-AZ271J-	R CARBON FILM	1/6 270 OHM J	
R499	RD-AZ472J-	R CARBON FILM	1/6 4.7K OHM J	
R499A	RD-AZ563J-	R CARBON FILM	1/6 56K OHM J	

Electrical Parts List

Loc.	Part Code	Part Name	Description	Option
R801	RD-AZ472J-	R CARBON FILM	1/6 4.7K OHM J	
R802	RD-AZ102J-	R CARBON FILM	1/6 1K OHM J	
R803	RD-AZ563J-	R CARBON FILM	1/6 56K OHM J	
R804	RD-AZ182J-	R CARBON FILM	1/6 1.8K OHM J	
R805	RD-AZ103J-	R CARBON FILM	1/6 10K OHM J	
R806	RD-AZ563J-	R CARBON FILM	1/6 56K OHM J	
R807	RD-AZ101J-	R CARBON FILM	1/4 100 OHM J	
R808	W581GY1005	WIRE JUMPER	AWG22 1/0.65 SN 10 AUTO	
R809	W581GY1005	WIRE JUMPER	AWG22 1/0.65 SN 10 AUTO	
R810	RD-AZ563J-	R CARBON FILM	1/6 56K OHM J	
R811	RD-AZ101J-	R CARBON FILM	1/4 100 OHM J	
R812	RD-AZ182J-	R CARBON FILM	1/6 1.8K OHM J	
R813	RD-AZ563J-	R CARBON FILM	1/6 56K OHM J	
R814	RD-AZ102J-	R CARBON FILM	1/6 1K OHM J	
R815	RD-AZ472J-	R CARBON FILM	1/6 4.7K OHM J	
R816B	RD-AZ479J-	R CARBON FILM	1/4 4.7 OHM J	
R821B	RD-AZ479J-	R CARBON FILM	1/4 4.7 OHM J	
R822	RD-AZ103J-	R CARBON FILM	1/6 10K OHM J	
R823	RD-AZ103J-	R CARBON FILM	1/6 10K OHM J	
R825	RD0Y101J-	R METAL FILM	1W 100 OHM J	
R826	RD-AZ392J-	R CARBON FILM	1/6 3.9K OHM J	
R827	RD-AZ392J-	R CARBON FILM	1/6 3.9K OHM J	
R828	RD0Y101J-	R METAL FILM	1W 100 OHM J	
R829	RD-AZ333J-	R CARBON FILM	1/4 33K OHM J	
R830	RD-AZ683J-	R CARBON FILM	1/6 68K OHM J	
R831	RD-AZ563J-	R CARBON FILM	1/6 56K OHM J	
R832	RD-AZ563J-	R CARBON FILM	1/6 56K OHM J	
R833	RD-AZ182J-	R CARBON FILM	1/6 1.8K OHM J	
R834	RD-AZ182J-	R CARBON FILM	1/6 1.8K OHM J	
R835	RD-AZ563J-	R CARBON FILM	1/6 56K OHM J	
R836	RD-AZ563J-	R CARBON FILM	1/6 56K OHM J	
R837	RD-AZ472J-	R CARBON FILM	1/6 4.7K OHM J	
R838	RD-AZ472J-	R CARBON FILM	1/6 4.7K OHM J	
R839	RD-AZ823J-	R CARBON FILM	1/6 82K OHM J	
R840	RD-AZ104J-	R CARBON FILM	1/6 100K OHM J	
R841	RD-AZ103J-	R CARBON FILM	1/6 10K OHM J	
R842	RD-AZ103J-	R CARBON FILM	1/6 10K OHM J	
R843	RD-AZ103J-	R CARBON FILM	1/6 10K OHM J	
R844	RD-AZ220J-	R CARBON FILM	1/6 22 OHM J	
R845	RD-AZ103J-	R CARBON FILM	1/6 10K OHM J	
R846	RD-AZ220J-	R CARBON FILM	1/6 22 OHM J	
R849	RD-AZ223J-	R CARBON FILM	1/6 22K OHM J	
R850	RD-AZ103J-	R CARBON FILM	1/6 10K OHM J	
R851	RD-AZ103J-	R CARBON FILM	1/6 10K OHM J	
R852	RD-AZ103J-	R CARBON FILM	1/6 10K OHM J	
R853	RD-AZ220J-	R CARBON FILM	1/6 22 OHM J	
R854	RD-AZ220J-	R CARBON FILM	1/6 22 OHM J	
R855	RD-AZ103J-	R CARBON FILM	1/6 10K OHM J	
R856	RD-AZ104J-	R CARBON FILM	1/6 100K OHM J	
R857	RD-AZ823J-	R CARBON FILM	1/6 82K OHM J	
R858	RX02L228J-	R CEMENT	2W 0.22 OHM J	
R859	RD-AZ272J-	R CARBON FILM	1/6 2.7K OHM J	
R860	RD-AZ332J-	R CARBON FILM	1/6 3.3K OHM J	
R861	RD-AZ562J-	R CARBON FILM	1/6 5.6K OHM J	
R862	RD-AZ273J-	R CARBON FILM	1/6 2.7K OHM J	
R863	RD-AZ103J-	R CARBON FILM	1/6 10K OHM J	
R864	RD-AZ273J-	R CARBON FILM	1/6 2.7K OHM J	
R865	RD-AZ273J-	R CARBON FILM	1/6 2.7K OHM J	
R866	RD-AZ332J-	R CARBON FILM	1/6 3.3K OHM J	
R867	RD-AZ562J-	R CARBON FILM	1/6 5.6K OHM J	
R868	RD-AZ272J-	R CARBON FILM	1/6 2.7K OHM J	
R869	RX02L228J-	R CEMENT	2W 0.22 OHM J	
R870	RD-AZ104J-	R CARBON FILM	1/6 100K OHM J	
R871	RD-AZ104J-	R CARBON FILM	1/6 100K OHM J	
R875	RD-AZ563J-	R CARBON FILM	1/6 56K OHM J	
R876	RD-AZ101J-	R CARBON FILM	1/6 100 OHM J	
R877	RD-AZ102J-	R CARBON FILM	1/6 1K OHM J	
R878	RD-AZ183J-	R CARBON FILM	1/6 18K OHM J	
R879	RD-AZ101J-	R CARBON FILM	1/6 100 OHM J	
R880	RD-AZ101J-	R CARBON FILM	1/6 100 OHM J	
R881	RD-AZ101J-	R CARBON FILM	1/6 100 OHM J	
R882	RD-AZ183J-	R CARBON FILM	1/6 18K OHM J	
R883	RD-AZ102J-	R CARBON FILM	1/6 1K OHM J	
R884	RD-AZ333J-	R CARBON FILM	1/6 33K OHM J	
R885	RD-AZ563J-	R CARBON FILM	1/6 56K OHM J	
R886	RD-AZ333J-	R CARBON FILM	1/6 33K OHM J	
R890	RD-4Z689J-	R CARBON FILM	1/4 6.8 OHM J	
R891	RD-4Z689J-	R CARBON FILM	1/4 6.8 OHM J	
R892	RD-4Z689J-	R CARBON FILM	1/4 6.8 OHM J	
R893	RD-4Z689J-	R CARBON FILM	1/4 6.8 OHM J	
R901	RD-AZ471J-	R CARBON FILM	1/6 470 OHM J	
R902	RD-AZ102J-	R CARBON FILM	1/6 1K OHM J	
R903	RD-AZ222J-	R CARBON FILM	1/6 2.2K OHM J	
R904	RD-AZ471J-	R CARBON FILM	1/6 470 OHM J	
R911	RD-AZ100J-	R CARBON FILM	1/6 10 OHM J	
R912	RD-AZ122J-	R CARBON FILM	1/6 1.2K OHM J	
R913	RD-AZ103J-	R CARBON FILM	1/6 10K OHM J	
R914	RD-AZ221J-	R CARBON FILM	1/6 220 OHM J	
R915	RD-AZ221J-	R CARBON FILM	1/6 220 OHM J	
R916	RD-AZ109J-	R CARBON FILM	1/6 1 OHM J	
R917	RD-AZ109J-	R CARBON FILM	1/6 1 OHM J	
R920	RD-2Z100J-	R CARBON FILM	1/2 10 OHM J	
R921	RD-AZ222J-	R CARBON FILM	1/6 2.2K OHM J	

Loc.	Part Code	Part Name	Description	Option
R922	RD-AZ472J-	R CARBON FILM	1/6 4.7K OHM J	
R923	RD-AZ103J-	R CARBON FILM	1/6 10K OHM J	
R931	RD-AZ103J-	R CARBON FILM	1/6 10K OHM J	
R932	RD-AZ103J-	R CARBON FILM	1/6 10K OHM J	
R933	RD-AZ103J-	R CARBON FILM	1/6 10K OHM J	
R934	RD-AZ223J-	R CARBON FILM	1/6 22K OHM J	
R935	RD-AZ473J-	R CARBON FILM	1/6 47K OHM J	
R936	RD-AZ473J-	R CARBON FILM	1/6 47K OHM J	
RF901	RF01F4780J-32	R FUSIBLE	1W 0.47 OHM J (32X)	
RF902	RF01F4780J-32	R FUSIBLE	1W 0.47 OHM J (32X)	
RY920	5SC0201103	SW RELAY	HR-CR323 2C-1P DC12V	
RY921	5SC0201103	SW RELAY	HR-CR323 2C-1P DC12V	
10	9738101500	DC FAN	SP601012M	

TUNER PCB ASSY [9CDC066400] : AXG-328(K)/AXW-328(K) Only				
Loc.	Part Code	Part Name	Description	Option
B001	9CD6590200	PCB TUNER	122X163	
CE001	CEXF1E470V	C ELECTRO	25V RSS 47MF (5X11) TP	
CE101	CEXF1H229V	C ELECTRO	50V RSS 2.2MF (5X11) TP	
CE102	CEXF1E221V	C ELECTRO	25V RSS 220MF (8X12) TP	
CE201	CEXF1E101V	C ELECTRO	25V RSS 100MF (6.3X11) TP	
CE202	CEXF1H339V	C ELECTRO	50V RSS 3.3MF (5X11) TP	
CE203	CEXF1E470V	C ELECTRO	25V RSS 47MF (5X11) TP	
CE204	CEXF1H220V	C ELECTRO	50V RSS 22MF (5X11) TP	
CE205	CEXF1H109V	C ELECTRO	50V RSS 1MF (5X11) TP	
CE206	CEXF1H100V	C ELECTRO	50V RSS 10MF (5X11) TP	
CE207	CEXF1H109V	C ELECTRO	50V RSS 1MF (5X11) TP	
CE208	CEXF1H109V	C ELECTRO	50V RSS 1MF (5X11) TP	
CE209	CEXF1H109V	C ELECTRO	50V RSS 1MF (5X11) TP	
CE210	CEXF1H109V	C ELECTRO	50V RSS 1MF (5X11) TP	
CE211	CEXF1H109V	C ELECTRO	50V RSS 1MF (5X11) TP	
CE212	CEXF1H228V	C ELECTRO	50V RSS 0.22MF (5X11) TP	
CE213	CEXF1E221V	C ELECTRO	25V RSS 220MF (8X12) TP	
CE214	CEXF1E101V	C ELECTRO	25V RSS 100MF (6.3X11) TP	
CE215	CEXF1E470V	C ELECTRO	25V RSS 47MF (5X11) TP	
CE270	CEXF1H100V	C ELECTRO	50V RSS 10MF (5X11) TP	RDS
CE272	CEXF1E470V	C ELECTRO	25V RSS 47MF (5X11) TP	RDS
CF001	5PLT107MJA	FILTER CERA	LT10.7MJA10	EMS
	5PLT107MS3	FILTER CERA	LT10.7MS3	EMI
CF002	5PLT107MJA	FILTER CERA	LT10.7MJA10	EMS
	5PLT107MS3	FILTER CERA	LT10.7MS3	EMI
CM201	CMXM2A223J	C MYLAR	100V 0.022MF J	EMS
	CMXM1H183J	C MYLAR	50V 1800PF J	EMI
CM202	CMXM2A103J	C MYLAR	100V 0.01MF J	
CM203	CMXM2A103J	C MYLAR	100V 0.01MF J	
CM204	CMXM2A103J	C MYLAR	100V 0.01MF J	EMI
CM205	CMXM2A103J	C MYLAR	100V 0.01MF J	EMI
CM206	CMXM2A562J	C MYLAR	100V 5600PF J	EMI
CM207	CMXM2A562J	C MYLAR	100V 5600PF J	EMI
CM208	CMXM2A822J	C MYLAR	100V 8200PF J	EMI
CM209	CMXM2A822J	C MYLAR	100V 8200PF J	EMS
CW101	2503-WR-02	WAFER	2P 25B-XH-A	
CW201	2001-WS-12	WAFER	12P 2.0MM	
D201	DZNA148--	DIODE	IN4148 AUTO 52MM	
DZ201	DZTZR56B--	DIODE ZENER	MTZ-5.6B 52MM TAPPING	
HC000	HCBK473KBA	C CHIP CERA	50V X7R 0.47MF K 1608	
HC001	HCBK102KBA	C CHIP CERA	50V X7R 1000PF K 1608	
HC002	HCBK103KBA	C CHIP CERA	50V X7R 0.01MF K 1608	
HC004	HCBK103KBA	C CHIP CERA	50V X7R 0.01MF K 1608	
HC005	HCBK104KBA	C CHIP CERA	50V X7R 0.1MF K 1608	
HC006	HCBK104KBA	C CHIP CERA	50V X7R 0.1MF K 1608	
HC101	HCBK104KBA	C CHIP CERA	50V X7R 0.1MF K 1608	
HC102	HCBK103KBA	C CHIP CERA	50V X7R 0.01MF K 1608	
HC103	HCBK104KBA	C CHIP CERA	50V X7R 0.1MF K 1608	
HC104	HCOK150JBA	C CHIP CERA	50V CH 15PF J 1608	
HC201	HCBK103KBA	C CHIP CERA	50V X7R 0.01MF K 1608	
HC202	HCBK104KBA	C CHIP CERA	50V X7R 0.1MF K 1608	
HC203	HCOK101JBA	C CHIP CERA	50V CH 100PF J 1608	
HC204	HCOK101JBA	C CHIP CERA	50V CH 100PF J 1608	EMS
	HCBK682KBA	C CHIP CERA	50V X7R 6800PF J 1608	EMI
HC206	HCBK103KBA	C CHIP CERA	50V X7R 0.01MF K 1608	
HC207	HCBK103KBA	C CHIP CERA	50V X7R 0.01MF K 1608	
HC208	HCOK471JBA	C CHIP CERA	50V CH 470PF J 1608	EMS
HC209	HCBK103KBA	C CHIP CERA	50V X7R 0.01MF K 1608	
HC210	HCOK561JBA	C CHIP CERA	50V CH 560PF K 1608	EMI
HC211	HCOK561JBA	C CHIP CERA	50V CH 560PF K 1608	EMI
HC212	HCBK473KBA	C CHIP CERA	50V X7R 0.47MF K 1608	
HC213	HCBK472KBA	C CHIP CERA	50V X7R 4700PF K 1608	
HC251	HCBK103KBA	C CHIP CERA	50V X7R 0.01MF K 1608	
HC252	HCBK103KBA	C CHIP CERA	50V X7R 0.01MF K 1608	
HC253	HCBK102KBA	C CHIP CERA	50V X7R 1000PF K 1608	
HC254	HCBK102KBA	C CHIP CERA	50V X7R 1000PF K 1608	
HC255	HCOK330JBA	C CHIP CERA	50V CH 33PF J 1608	
HC256	HCOK330JBA	C CHIP CERA	50V CH 33PF J 1608	
HC270	HCOK331JBA	C CHIP CERA	50V CH 330PF J 1608	RDS
HC271	HCBK103KBA	C CHIP CERA	50V X7R 0.01MF K 1608	RDS
HC272	HCOK220JBA	C CHIP CERA	50V CH 22PF J 1608	RDS
HC274	HCBK103KBA	C CHIP CERA	50V X7R 0.01MF K 1608	RDS
HC276	HCOK220JBA	C CHIP CERA	50V CH 22PF J 1608	RDS
HC277	HCOK220JBA	C CHIP CERA	50V CH 22PF J 1608	RDS
HQ003	TZRA107S--	TR CHIP	KRA107S	
HQ201	TZTC3875S-	TR CHIP	KTC3875Y	
HQ202	TZTC3875S-	TR CHIP	KTC3875Y	

Electrical Parts List

Loc.	Part Code	Part Name	Description	Option
HC521	HCBK104KBA	C CHIP CERA	50V X7R 0.1MF K 1608	
HC522	HCBK103KBA	C CHIP CERA	50V X7R 0.01MF K 1608	
HC523	HCBK682KBA	C CHIP CERA	50V X7R 6800PF K 1608	
HC524	HCBK102KBA	C CHIP CERA	50V X7R 1000PF K 1608	
HC525	HCBK102KBA	C CHIP CERA	50V X7R 1000PF K 1608	
HC526	HCBK103KBA	C CHIP CERA	50V X7R 0.01MF K 1608	
HC527	HCBK473KBA	C CHIP CERA	50V X7R 0.047MF K 1608	
HC530	HCBK222KBA	C CHIP CERA	50V X7R 2200PF K 1608	
HC532	HCBK104KBA	C CHIP CERA	50V X7R 0.1MF K 1608	
HC533	HCBK104KBA	C CHIP CERA	50V X7R 0.1MF K 1608	
HC534	HCBK104KBA	C CHIP CERA	50V X7R 0.1MF K 1608	
HC535	HCBK222KBA	C CHIP CERA	50V X7R 2200PF K 1608	
HC536	HCBK222KBA	C CHIP CERA	50V X7R 2200PF K 1608	
HC538	HCBK104KBA	C CHIP CERA	50V X7R 0.1MF K 1608	
HC539	HCBK104KBA	C CHIP CERA	50V X7R 0.1MF K 1608	
HC540	HCBK104KBA	C CHIP CERA	50V X7R 0.1MF K 1608	
HC541	HCBK104KBA	C CHIP CERA	50V X7R 0.1MF K 1608	
HC542	HCBK104KBA	C CHIP CERA	50V X7R 0.1MF K 1608	
HC543	HCBK223KBA	C CHIP CERA	50V X7R 0.022MF K 1608	
HC544	HCBK104KBA	C CHIP CERA	50V X7R 0.1MF K 1608	
HC545	HCBK104KBA	C CHIP CERA	50V X7R 0.1MF K 1608	
HC546	HCBK104KBA	C CHIP CERA	50V X7R 0.1MF K 1608	
HC547	HCBK103KBA	C CHIP CERA	50V X7R 0.01MF K 1608	
HC548	HCBK104KBA	C CHIP CERA	50V X7R 0.1MF K 1608	
HC549	HCBK104KBA	C CHIP CERA	50V X7R 0.1MF K 1608	
HC550	HCBK104KBA	C CHIP CERA	50V X7R 0.1MF K 1608	
HC551	HCBK104KBA	C CHIP CERA	50V X7R 0.1MF K 1608	
HC553	HCBK104KBA	C CHIP CERA	50V X7R 0.1MF K 1608	
HC554	HCBK104KBA	C CHIP CERA	50V X7R 0.1MF K 1608	
HC555	HCOK220JBA	C CHIP CERA	50V CH 22PF J 1608	
HC556	HCOK220JBA	C CHIP CERA	50V CH 22PF J 1608	
HC557	HCBK104KBA	C CHIP CERA	50V X7R 0.1MF K 1608	
HC559	HCBK563KBA	C CHIP CERA	50V X7R 0.056MF K 1608	
HC560	HCBK563KBA	C CHIP CERA	50V X7R 0.056MF K 1608	
HC561	HCBK104KBA	C CHIP CERA	50V X7R 0.1MF K 1608	
HC562	HCBK104KBA	C CHIP CERA	50V X7R 0.1MF K 1608	
HC565	HCBK104KBA	C CHIP CERA	50V X7R 0.1MF K 1608	
HC566	HCBK104KBA	C CHIP CERA	50V X7R 0.1MF K 1608	
HC567	HCOK101JBA	C CHIP CERA	50V CH 100PF J 1608	
HC568	HCOK101JBA	C CHIP CERA	50V CH 100PF J 1608	
HC569	HCBK104KBA	C CHIP CERA	50V X7R 0.1MF K 1608	
HC570	HCOK101JBA	C CHIP CERA	50V CH 100PF J 1608	
HC571	HCOK150JBA	C CHIP CERA	50V CH 15PF J 1608	AXG/AXW-327(K) OPTICAL/OUT EMI
HR501	HRFT220JBA	R CHIP	1/10W 22 OHM J 1608	
HR502	HRFT823JBA	R CHIP	1/10 82K OHM J 1608	
HR503	HRFT563JBA	R CHIP	1/10 56K OHM J 1608	
HR504	HRFT563JBA	R CHIP	1/10 56K OHM J 1608	
HR505	HRFT563JBA	R CHIP	1/10 56K OHM J 1608	
HR506	HRFT563JBA	R CHIP	1/10 56K OHM J 1608	
HR507	HRFT823JBA	R CHIP	1/10 82K OHM J 1608	
HR508	HRFT101JBA	R CHIP	1/10 100 OHM J 1608	
HR509	HRFT103JBA	R CHIP	1/10 10K OHM J 1608	
HR510	HRFT822JBA	R CHIP	1/10 8.2K OHM J 1608	
HR511	HRFT104JBA	R CHIP	1/10 100K OHM J 1608	
HR514	HRFT103JBA	R CHIP	1/10 10K OHM J 1608	
HR515	HRFT102JBA	R CHIP	1/10 1K OHM J 1608	
HR516	HRFT102JBA	R CHIP	1/10 1K OHM J 1608	
HR517	HRFT102JBA	R CHIP	1/10 1K OHM J 1608	
HR518	HRFT102JBA	R CHIP	1/10 1K OHM J 1608	
HR519	HRFT105JBA	R CHIP	1/10 1M OHM J 1608	
HR523	HRFT223JBA	R CHIP	1/10 22K OHM J 1608	
HR524	HRFT822JBA	R CHIP	1/10 8.2K OHM J 1608	
HR525	HRFT102JBA	R CHIP	1/10 1K OHM J 1608	
HR526	HRFT102JBA	R CHIP	1/10 1K OHM J 1608	
HR527	HRFT102JBA	R CHIP	1/10 1K OHM J 1608	
HR528	HRFT103JBA	R CHIP	1/10 10K OHM J 1608	
HR529	HRFT103JBA	R CHIP	1/10 10K OHM J 1608	
HR530	HRFT563JBA	R CHIP	1/10 56K OHM J 1608	
HR531	HRFT223JBA	R CHIP	1/10 22K OHM J 1608	
HR532	HRFT823JBA	R CHIP	1/10 82K OHM J 1608	
HR533	HRFT473JBA	R CHIP	1/10 47K OHM J 1608	
HR534	HRFT124JBA	R CHIP	1/10 120K OHM J 1608	
HR535	HRFT104JBA	R CHIP	1/10 100K OHM J 1608	
HR536	HRFT333JBA	R CHIP	1/10 33K OHM J 1608	
HR537	HRFT104JBA	R CHIP	1/10 100K OHM J 1608	
HR538	HRFT473JBA	R CHIP	1/10 47K OHM J 1608	
HR539	HRFT823JBA	R CHIP	1/10 82K OHM J 1608	
HR540	HRFT105JBA	R CHIP	1/10 1M OHM J 1608	
HR541	HRFT103JBA	R CHIP	1/10 10K OHM J 1608	
HR542	HRFT102JBA	R CHIP	1/10 1K OHM J 1608	
HR543	HRFT102JBA	R CHIP	1/10 1K OHM J 1608	
HR544	HRFT102JBA	R CHIP	1/10 1K OHM J 1608	
HR545	HRFT102JBA	R CHIP	1/10 1K OHM J 1608	
HR546	HRFT222JBA	R CHIP	1/10 2.2K OHM J 1608	
HR548	HRFT222JBA	R CHIP	1/10 2.2K OHM J 1608	
HR550	HRFT100JBA	R CHIP	1/10 10 OHM J 1608	
HR551	HRFT100JBA	R CHIP	1/10 10 OHM J 1608	
HR552	HRFT103JBA	R CHIP	1/10 10K OHM J 1608	
HR553	HRFT103JBA	R CHIP	1/10 10K OHM J 1608	
HR554	HRFT103JBA	R CHIP	1/10 10K OHM J 1608	
HR555	HRFT103JBA	R CHIP	1/10 10K OHM J 1608	
HR556	HRF4150JEA	R CHIP	1/4 15 OHM J 3216	

Loc.	Part Code	Part Name	Description	Option
HR557	HRF4150JEA	R CHIP	1/4 15 OHM J 3216	
HR558	HRFT100JBA	R CHIP	1/10 10 OHM J 1608	
HR559	HRFT100JBA	R CHIP	1/10 10 OHM J 1608	
HR560	HRFT103JBA	R CHIP	1/10 10K OHM J 1608	
HR561	HRFT103JBA	R CHIP	1/10 10K OHM J 1608	
HR562	HRFT103JBA	R CHIP	1/10 10K OHM J 1608	
HR563	HRFT333JBA	R CHIP	1/10 33K OHM J 1608	
HR564	HRFT333JBA	R CHIP	1/10 33K OHM J 1608	
HR565	HRFT103JBA	R CHIP	1/10 10K OHM J 1608	
HR566	HRFT103JBA	R CHIP	1/10 10K OHM J 1608	
HR567	HRFT101JBA	R CHIP	1/10 100 OHM J 1608	
HR568	HRFT104JBA	R CHIP	1/10 100K OHM J 1608	
HR569	HRFT104JBA	R CHIP	1/10 100K OHM J 1608	
HR570	HRFT472JBA	R CHIP	1/10 4.7K OHM J 1608	
HR571	HRFT104JBA	R CHIP	1/10 100K OHM J 1608	
HR572	HRFT104JBA	R CHIP	1/10 100K OHM J 1608	
HR573	HRFT103JBA	R CHIP	1/10 10K OHM J 1608	
HR575	HRFT102JBA	R CHIP	1/10 1K OHM J 1608	
HR576	HRFT121JBA	R CHIP	1/10 120 OHM J 1608	
HR577	HRFT102JBA	R CHIP	1/10 1K OHM J 1608	
HR581	HRFT102JBA	R CHIP	1/10 1K OHM J 1608	
HR582	HRFT472JBA	R CHIP	1/10 4.7K OHM J 1608	
HR583	HRFT472JBA	R CHIP	1/10 4.7K OHM J 1608	
HR584	HRFT472JBA	R CHIP	1/10 4.7K OHM J 1608	
HR585	HRFT472JBA	R CHIP	1/10 4.7K OHM J 1608	
HR586	HRFT472JBA	R CHIP	1/10 4.7K OHM J 1608	
HR587	HRFT472JBA	R CHIP	1/10 4.7K OHM J 1608	
HR588	HRFT103JBA	R CHIP	1/10 10K OHM J 1608	
HR589	HRFT473JBA	R CHIP	1/10 47K OHM J 1608	
HR590	HRFT122JBA	R CHIP	1/10 1.2K OHM J 1608	
HR591	HRFT102JBA	R CHIP	1/10 1K OHM J 1608	
HR592	HRFT102JBA	R CHIP	1/10 1K OHM J 1608	
HR593	HRFT102JBA	R CHIP	1/10 1K OHM J 1608	
HR594	HRFT102JBA	R CHIP	1/10 1K OHM J 1608	
HR595	HRFT105JBA	R CHIP	1/10 1M OHM J 1608	
HR596	HRFT102JBA	R CHIP	1/10 1K OHM J 1608	
HR597	HRFT102JBA	R CHIP	1/10 1K OHM J 1608	
HR598	HRFT102JBA	R CHIP	1/10 1K OHM J 1608	
HR599	HRFT102JBA	R CHIP	1/10 1K OHM J 1608	
HR600	HRFT102JBA	R CHIP	1/10 1K OHM J 1608	
HR601	HRFT102JBA	R CHIP	1/10 1K OHM J 1608	
HR602	HRFT102JBA	R CHIP	1/10 1K OHM J 1608	
HR603	HRFT102JBA	R CHIP	1/10 1K OHM J 1608	
HR604	HRFT102JBA	R CHIP	1/10 1K OHM J 1608	
HR605	HRFT102JBA	R CHIP	1/10 1K OHM J 1608	
HR606	HRFT102JBA	R CHIP	1/10 1K OHM J 1608	
HR609	HRFT102JBA	R CHIP	1/10 1K OHM J 1608	
HR610	HRFT102JBA	R CHIP	1/10 1K OHM J 1608	
HR611	HRFT103JBA	R CHIP	1/10 10K OHM J 1608	
HR612	HRFT223JBA	R CHIP	1/10 22K OHM J 1608	
HR613	HRFT223JBA	R CHIP	1/10 22K OHM J 1608	
HR614	HRFT102JBA	R CHIP	1/10 1K OHM J 1608	
HR615	HRFT102JBA	R CHIP	1/10 1K OHM J 1608	
HR616	HRFT102JBA	R CHIP	1/10 1K OHM J 1608	
HR617	HRFT102JBA	R CHIP	1/10 1K OHM J 1608	
HR618	HRFT102JBA	R CHIP	1/10 1K OHM J 1608	
HR619	HRFT102JBA	R CHIP	1/10 1K OHM J 1608	
HR620	HRFT102JBA	R CHIP	1/10 1K OHM J 1608	
HR621	HRFT102JBA	R CHIP	1/10 1K OHM J 1608	
HR622	HRFT102JBA	R CHIP	1/10 1K OHM J 1608	
HR623	HRFT102JBA	R CHIP	1/10 1K OHM J 1608	
HR624	HRFT102JBA	R CHIP	1/10 1K OHM J 1608	
HR625	HRF4150JEA	R CHIP	1/4 15 OHM J 3216	
HR626	HRF4150JEA	R CHIP	1/4 15 OHM J 3216	
HR627	HRFT102JBA	R CHIP	1/10 1K OHM J 1608	
HR628	HRFT102JBA	R CHIP	1/10 1K OHM J 1608	
HR629	HRFT102JBA	R CHIP	1/10 1K OHM J 1608	
HR630	HRFT102JBA	R CHIP	1/10 1K OHM J 1608	
HR631	HRFT102JBA	R CHIP	1/10 1K OHM J 1608	
HR632	HRFT102JBA	R CHIP	1/10 1K OHM J 1608	
HR633	HRFT102JBA	R CHIP	1/10 1K OHM J 1608	
HR634	HRFT102JBA	R CHIP	1/10 1K OHM J 1608	
HR635	HRFT102JBA	R CHIP	1/10 1K OHM J 1608	
HR636	HRFT102JBA	R CHIP	1/10 1K OHM J 1608	
HR637	HRFT102JBA	R CHIP	1/10 1K OHM J 1608	
IC501	1S19226-	IC SSP	S19226	
IC502	1S5L9290-	IC DSP	S5L9290	
IC503	1BA5939S-	IC MOTOR DRIVE	BA5939S	
IC504	1S3C825-1	IC	S3C825-1	
IC505	1TMD2104-	IC	TMD2104	
IC506	1HY57V1616	IC SDRAM	HY57V1616	
IC507	1TC74HCT04AF	IC	TC74HCT04AF	
IC508	1LD117S33	IC REGULATOR	LD117AS33TR 3.3V (TO-223)	
IC509	1LD117S33	IC REGULATOR	LD117AS33TR 3.3V (TO-223)	
IC510	1LD117S33	IC REGULATOR	LD117AS33TR 3.3V (TO-223)	
IC511	1LD117S33	IC REGULATOR	LD117AS33TR 3.3V (TO-223)	
L501	HLC104J01A	COIL CHIP	BEAD 120 OHM 100MHZ 2012	
L502	HLC104J01A	COIL CHIP	BEAD 120 OHM 100MHZ 2012	
L503	HLC104J01A	COIL CHIP	BEAD 120 OHM 100MHZ 2012	
L504	HLC104J01A	COIL CHIP	BEAD 120 OHM 100MHZ 2012	
O501	TZTA1273Y	TR	KTA1273Y (A966Y) (KSA928A-Y)	
O502	TZRC107M-	TR	KRC107M (DTC114YS) (KSR1006)	
O503	TZSA1980Y-	TR	2SA1980Y (KTA1266Y) AUTO	

Electrical Parts List

FRONT PCB ASSY [9CDC066100] : AXG-327(K)/AXW-327(K) Only				
Loc.	Part Code	Part Name	Description	Option
10	9CD2506300	GUIDE FLT	ABS B.K 10.7G	
B701	9CD6589100	PCB FRONT	247X139X1.6T	
CE701	CEXF1H109V	C ELECTRO	50V RSS 1MF (5X11) TP	
CE702	CEXF1A102V	C ELECTRO	10V RSS 1000MF (8X12.5)	
CE703	CEXF1E101V	C ELECTRO	25V RSS 100MF (6.3X11) TP	
CE704	CEXF1H100V	C ELECTRO	50V RSS 10MF (5X11) TP	
CE705	CEXF1H229V	C ELECTRO	50V RSS 2.2MF (5X11) TP	
CE707	CEXF1H229V	C ELECTRO	50V RSS 2.2MF (5X11) TP	
CN701	9739835900	CONN AS	UL2468 200MM P2.0 10P	
CN702	9728812100	CONN AS	FFC 16P P1.25X150MM R	
CN902	9728804200	CONN AS	#26 2P P2.0 350 BOARD-IN	PSM
CW401	9736407700	PIN WAFER	52084-1310 13P BOTTOM	
CW402	9736407900	PIN WAFER	52084-1010 10P BOTTOM	
CW702	9CD6261600	WAFER	52492-1620 BOTTOM	
CW708	9CD6259900	WAFER	52492-0720	MP3
CW508	9CD6261700	WAFER	52492-1720 BOTTOM ENTRY	without MP3
D701	DZN4148---	DIODE	IN4148 AUTO 52MM	
D702	DZN4148---	DIODE	IN4148 AUTO 52MM	
D703	DZN4148---	DIODE	IN4148 AUTO 52MM	
D704	DZN4148---	DIODE	IN4148 AUTO 52MM	
D705	DZN4148---	DIODE	IN4148 AUTO 52MM	
D706	DZN4148---	DIODE	IN4148 AUTO 52MM	
D708	DZN4148---	DIODE	IN4148 AUTO 52MM	PSM
D709	W581GY1005	WIRE JUMPER	AWG22 1/0.65 SN 10 AUTO	without PSM
D710	DZN4148---	DIODE	IN4148 AUTO 52MM	
D712	DZN4148---	DIODE	IN4148 AUTO 52MM	
FD710	DNAC13MM27	VFD	HNAC13MM27	
HC701	HCBK223KBA	C CHIP CERA	50V X7R 0.022MF K 1608	
HC702	HCBK104KBA	C CHIP CERA	50V X7R 0.1MF K 1608	
HC703	HCBK223KBA	C CHIP CERA	50V X7R 0.022MF K 1608	
HC704	HCBK104KBA	C CHIP CERA	50V X7R 0.1MF K 1608	
HC705	HCBK104KBA	C CHIP CERA	50V X7R 0.1MF K 1608	
HC706	HCOQ101JBA	C CHIP CERA	50V CH 100PF J 1608	
HC707	HCOQ101JBA	C CHIP CERA	50V CH 100PF J 1608	
HC708	HCBK104KBA	C CHIP CERA	50V X7R 0.1MF K 1608	
HC709	HCBK102KBA	C CHIP CERA	50V X7R 1000PF K 1608	
HC710	HCBK104KBA	C CHIP CERA	50V X7R 0.1MF K 1608	
HC711	HCBK223KBA	C CHIP CERA	50V X7R 0.022MF K 1608	
HC712	HCBK104KBA	C CHIP CERA	50V X7R 0.1MF K 1608	
HC713	HCOQ150JBA	C CHIP CERA	50V CH 15PF J 1608	
HC714	HCOQ180JBA	C CHIP CERA	50V CH 18PF J 1608	
HC715	HCOQ330JBA	C CHIP CERA	50V CH 33PF J 1608	
HC716	HCOQ330JBA	C CHIP CERA	50V CH 33PF J 1608	
HC717	HCBK223KBA	C CHIP CERA	50V X7R 0.022MF K 1608	
HC718	HCBK104KBA	C CHIP CERA	50V X7R 0.1MF K 1608	
HC719	HCOQ330JBA	C CHIP CERA	50V CH 33PF J 1608	
HC720	HCBK223KBA	C CHIP CERA	50V X7R 0.022MF K 1608	
HC721	HCOQ101JBA	C CHIP CERA	50V CH 100PF J 1608	
HC722	HCBK562KBA	C CHIP CERA	50V X7R 5600PF K 1608	
HC723	HCOQ101JBA	C CHIP CERA	50V CH 100PF J 1608	
HC724	HCBK104KBA	C CHIP CERA	50V X7R 0.1MF K 1608	
HC725	HCBK104KBA	C CHIP CERA	50V X7R 0.1MF K 1608	
HC728	HCOQ101JBA	C CHIP CERA	50V CH 100PF J 1608	
HC729	HCOQ101JBA	C CHIP CERA	50V CH 100PF J 1608	
HC730	HCBK104KBA	C CHIP CERA	50V X7R 0.1MF K 1608	
HO701	TZRC107S--	TR CHIP	KRC107S	
HO702	TZRC111S--	TR CHIP	KRC111S	
HO703	TZRC111S--	TR CHIP	KRC111S	
HO704	TZTC3875S-	TR CHIP	KTC3875Y	
HO711	TZRA111S--	TR CHIP	KRA111S	
HO712	TZRA111S--	TR CHIP	KRA111S	
HO713	TZRA111S--	TR CHIP	KRA111S	
HO714	TZRA111S--	TR CHIP	KRA111S	
HO715	TZRA111S--	TR CHIP	KRA111S	
HO716	TZRC107S--	TR CHIP	KRC107S	
HO718	TZRC107S--	TR CHIP	KRC107S	
HO719	TZRA107S--	TR CHIP	KRA107S	
HR301	HRFT101JBA	R CHIP	1/10 100 OHM J 1608	
HR302	HRFT151JBA	R CHIP	1/10 150 OHM J 1608	
HR303	HRFT181JBA	R CHIP	1/10 180 OHM J 1608	
HR304	HRFT271JBA	R CHIP	1/10 270 OHM J 1608	
HR307	HRFT122JBA	R CHIP	1/10 1.2K OHM J 1608	
HR310	HRFT272JBA	R CHIP	1/10 2.7K OHM J 1608	
HR311	HRFT272JBA	R CHIP	1/10 2.7K OHM J 1608	
HR312	HRFT472JBA	R CHIP	1/10 4.7K OHM J 1608	
HR313	HRFT101JBA	R CHIP	1/10 100 OHM J 1608	
HR314	HRFT151JBA	R CHIP	1/10 150 OHM J 1608	
HR315	HRFT181JBA	R CHIP	1/10 180 OHM J 1608	
HR316	HRFT271JBA	R CHIP	1/10 270 OHM J 1608	
HR317	HRFT331JBA	R CHIP	1/10 330 OHM J 1608	
HR318	HRFT391JBA	R CHIP	1/10 390 OHM J 1608	
HR319	HRFT471JBA	R CHIP	1/10 470 OHM J 1608	
HR320	HRFT561JBA	R CHIP	1/10 560 OHM J 1608	
HR321	HRFT821JBA	R CHIP	1/10 820 OHM J 1608	
HR322	HRFT152JBA	R CHIP	1/10 1.5K OHM J 1608	
HR325	HRFT101JBA	R CHIP	1/10 100 OHM J 1608	
HR326	HRFT151JBA	R CHIP	1/10 150 OHM J 1608	
HR328	HRFT331JBA	R CHIP	1/10 330 OHM J 1608	
HR329	HRFT331JBA	R CHIP	1/10 330 OHM J 1608	
HR330	HRFT391JBA	R CHIP	1/10 390 OHM J 1608	
HR331	HRFT471JBA	R CHIP	1/10 470 OHM J 1608	

Loc.	Part Code	Part Name	Description	Option
HR332	HRFT561JBA	R CHIP	1/10 560 OHM J 1608	
HR333	HRFT821JBA	R CHIP	1/10 820 OHM J 1608	MUTE
HR701	HRFT103JBA	R CHIP	1/10 10K OHM J 1608	
HR702	HRFT103JBA	R CHIP	1/10 10K OHM J 1608	
HR703	HRFT683JBA	R CHIP	1/10 68K OHM J 1608	
HR706	HRFT103JBA	R CHIP	1/10 10K OHM J 1608	
HR708	HRFT103JBA	R CHIP	1/10 10K OHM J 1608	
HR709	HRFT103JBA	R CHIP	1/10 10K OHM J 1608	
HR710	HRFT103JBA	R CHIP	1/10 10K OHM J 1608	
HR711	HRFT103JBA	R CHIP	1/10 10K OHM J 1608	
HR712	HRFT103JBA	R CHIP	1/10 10K OHM J 1608	
HR713	HRFT473JBA	R CHIP	1/10 47K OHM J 1608	
HR714	HRFT473JBA	R CHIP	1/10 47K OHM J 1608	
HR715	HRFT152JBA	R CHIP	1/10 1.5K OHM J 1608	
HR716	HRFT152JBA	R CHIP	1/10 1.5K OHM J 1608	
HR717	HRFT152JBA	R CHIP	1/10 1.5K OHM J 1608	
HR718	HRFT472JBA	R CHIP	1/10 4.7K OHM J 1608	
HR719	HRFT472JBA	R CHIP	1/10 4.7K OHM J 1608	
HR722	HRFT333JBA	R CHIP	1/10 33K OHM J 1608	
HR723	HRFT683JBA	R CHIP	1/10 68K OHM J 1608	
HR724	HRFT393JBA	R CHIP	1/10 39K OHM J 1608	
HR725	HRFT333JBA	R CHIP	1/10 33K OHM J 1608	
HR726	HRFT103JBA	R CHIP	1/10 10K OHM J 1608	
HR727	HRFT333JBA	R CHIP	1/10 33K OHM J 1608	
HR728	HRFT103JBA	R CHIP	1/10 1K OHM J 1608	
HR729	HRFT103JBA	R CHIP	1/10 10K OHM J 1608	
HR730	HRFT103JBA	R CHIP	1/10 10K OHM J 1608	
HR731	HRFT103JBA	R CHIP	1/10 10K OHM J 1608	
HR732	HRFT103JBA	R CHIP	1/10 10K OHM J 1608	
HR733	HRFT102JBA	R CHIP	1/10 1K OHM J 1608	
HR734	HRFT103JBA	R CHIP	1/10 10K OHM J 1608	
HR735	HRFT102JBA	R CHIP	1/10 1K OHM J 1608	
HR736	HRFT102JBA	R CHIP	1/10 1K OHM J 1608	
HR737	HRFT103JBA	R CHIP	1/10 10K OHM J 1608	
HR738	HRFT102JBA	R CHIP	1/10 1K OHM J 1608	
HR739	HRFT472JBA	R CHIP	1/10 4.7K OHM J 1608	
HR740	HRFT102JBA	R CHIP	1/10 1K OHM J 1608	
HR741	HRFT182JBA	R CHIP	1/10 1.8K OHM J 1608	
HR742	HRFT102JBA	R CHIP	1/10 1K OHM J 1608	
HR743	HRFT222JBA	R CHIP	1/10 2.2K OHM J 1608	
HR745	HRFT473JBA	R CHIP	1/10 47K OHM J 1608	
HR746	HRFT102JBA	R CHIP	1/10 1K OHM J 1608	
HR747	HRFT222JBA	R CHIP	1/10 2.2K OHM J 1608	
HR748	HRFT102JBA	R CHIP	1/10 1K OHM J 1608	
HR749	HRFT222JBA	R CHIP	1/10 2.2K OHM J 1608	
HR751	HRFT103JBA	R CHIP	1/10 10K OHM J 1608	
HR752	HRFT102JBA	R CHIP	1/10 1K OHM J 1608	
HR753	HRFT224JBA	R CHIP	1/10 220K OHM J 1608	
HR754	HRFT101JBA	R CHIP	1/10 100 OHM J 1608	
HR755	HRFT101JBA	R CHIP	1/10 100 OHM J 1608	
HR756	HRFT102JBA	R CHIP	1/10 1K OHM J 1608	
HR757	HRFT224JBA	R CHIP	1/10 220K OHM J 1608	
HR758	HRFT101JBA	R CHIP	1/10 100 OHM J 1608	
HR759	HRFT104JBA	R CHIP	1/10 100K OHM J 1608	
HR761	HRFT106JBA	R CHIP	1/10 10M OHM J 1608	
HR762	HRFT334JBA	R CHIP	1/10 330K OHM J 1608	
HR763	HRFT101JBA	R CHIP	1/10 100 OHM J 1608	
HR764	HRFT100JBA	R CHIP	1/10 10 OHM J 1608	
HR765	HRFT390JBA	R CHIP	1/10 39 OHM J 1608	
HR766	HRFT391JBA	R CHIP	1/10 390 OHM J 1608	
HR767	HRFT271JBA	R CHIP	1/10 270 OHM J 1608	
HR768	HRFT391JBA	R CHIP	1/10 390 OHM J 1608	
HR769	HRFT271JBA	R CHIP	1/10 270 OHM J 1608	
HR770	HRFT391JBA	R CHIP	1/10 390 OHM J 1608	
HR771	HRFT271JBA	R CHIP	1/10 270 OHM J 1608	
HR772	HRFT391JBA	R CHIP	1/10 390 OHM J 1608	
HR773	HRFT271JBA	R CHIP	1/10 270 OHM J 1608	
HR774	HRFT561JBA	R CHIP	1/10 560 OHM J 1608	PSM
HR775	HRFT392JBA	R CHIP	1/10 3.9K OHM J 1608	PSM
HR776	HRFT103JBA	R CHIP	1/10 10K OHM J 1608	without PSM
HR777	HRFT391JBA	R CHIP	1/10 390 OHM J 1608	
HR778	HRFT473JBA	R CHIP	1/10 47K OHM J 1608	
HR779	HRFT473JBA	R CHIP	1/10 47K OHM J 1608	
HR780	HRFT103JBA	R CHIP	1/10 10K OHM J 1608	
HR781	HRFT103JBA	R CHIP	1/10 10K OHM J 1608	
HR783	HRFT103JBA	R CHIP	1/10 10K OHM J 1608	
HR785	HRFT473JBA	R CHIP	1/10 47K OHM J 1608	SONY P/U
HR786	HRFT103JBA	R CHIP	1/10 10K OHM J 1608	
HR787	HRFT103JBA	R CHIP	1/10 10K OHM J 1608	
HR788	HRFT473JBA	R CHIP	1/10 47K OHM J 1608	S/S P/U
HR789	HRFT562JBA	R CHIP	1/10 5.6K OHM J 1608	
HR790	HRFT472JBA	R CHIP	1/10 4.7K OHM J 1608	
IC701	1M38199328	IC MICOM	M38199MF-293FP	
IC702	1M24C04---	IC MEMORY	M24C04-BN6	
IC703	1MSGEQ5A--	IC	MSGEQ5A	
IC704	1F4094BM1T	IC	HCF4094M013TR	
IC705	1HK381B-DW	IC PRE AMP	HK381BT-DW	
JW300	W581GY1505	WIRE JUMPER	AWG22 1/0.65 GY 15 AUTO	
JW301	W581GY1005	WIRE JUMPER	AWG22 1/0.65 SN 10 AUTO	
JW302	W581GY1005	WIRE JUMPER	AWG22 1/0.65 SN 10 AUTO	
JW303	W581GY6095	WIRE JUMPER	AWG22 1/0.65 SN 6 AUTO	
JW304	W581GY7595	WIRE JUMPER	AWG22 1/0.65 SN 7.5 AUTO	
JW305	W581GY7595	WIRE JUMPER	AWG22 1/0.65 SN 7.5 AUTO	

Electrical Parts List

Loc.	Part Code	Part Name	Description	Option
JW306	W581GY1005	WIRE JUMPER	AWG22 1/0.65 SN 10 AUTO	
JW307	W581GY1005	WIRE JUMPER	AWG22 1/0.65 SN 10 AUTO	
JW308	W581GY6095	WIRE JUMPER	AWG22 1/0.65 SN 6 AUTO	FCS
JW309	W581GY6095	WIRE JUMPER	AWG22 1/0.65 SN 6 AUTO	MUTE
JW310	W581GY6095	WIRE JUMPER	AWG22 1/0.65 SN 6 AUTO	
JW311	W581GY7595	WIRE JUMPER	AWG22 1/0.65 SN 7.5 AUTO	
JW312	W581GY1005	WIRE JUMPER	AWG22 1/0.65 SN 10 AUTO	
JW702	W581GY1005	WIRE JUMPER	AWG22 1/0.65 SN 10 AUTO	
JW703	W581GY1505	WIRE JUMPER	AWG22 1/0.65 GY 15 AUTO	
JW704	W581GY1005	WIRE JUMPER	AWG22 1/0.65 SN 10 AUTO	
JW705	W581GY6095	WIRE JUMPER	AWG22 1/0.65 SN 6 AUTO	
JW706	W581GY12J5	WIRE JUMPER	AWG22 1/0.65 SN 12.5 AUTO	
JW707	W581GY1505	WIRE JUMPER	AWG22 1/0.65 GY 15 AUTO	
JW708	W581GY1505	WIRE JUMPER	AWG22 1/0.65 GY 15 AUTO	
JW709	W581GY12J5	WIRE JUMPER	AWG22 1/0.65 SN 12.5 AUTO	
JW710	W581GY7595	WIRE JUMPER	AWG22 1/0.65 SN 7.5 AUTO	MP3
JW711	W581GY7595	WIRE JUMPER	AWG22 1/0.65 SN 7.5 AUTO	MP3
JW712	W581GY7595	WIRE JUMPER	AWG22 1/0.65 SN 7.5 AUTO	MP3
JW713	W581GY1005	WIRE JUMPER	AWG22 1/0.65 SN 10 AUTO	MP3
JW714	W581GY6095	WIRE JUMPER	AWG22 1/0.65 SN 6 AUTO	without MP3
JW715	W581GY7595	WIRE JUMPER	AWG22 1/0.65 SN 7.5 AUTO	without MP3
JW716	W581GY1005	WIRE JUMPER	AWG22 1/0.65 SN 10 AUTO	
JW717	W581GY1005	WIRE JUMPER	AWG22 1/0.65 SN 10 AUTO	
JW718	W581GY1005	WIRE JUMPER	AWG22 1/0.65 SN 10 AUTO	
JW719	W581GY6095	WIRE JUMPER	AWG22 1/0.65 SN 6 AUTO	
JW720	W581GY6095	WIRE JUMPER	AWG22 1/0.65 SN 6 AUTO	
JW721	W581GY1005	WIRE JUMPER	AWG22 1/0.65 SN 10 AUTO	
JW722	W581GY6095	WIRE JUMPER	AWG22 1/0.65 SN 6 AUTO	
JW723	W581GY6095	WIRE JUMPER	AWG22 1/0.65 SN 6 AUTO	
JW724	W581GY1005	WIRE JUMPER	AWG22 1/0.65 SN 10 AUTO	
JW725	W581GY1005	WIRE JUMPER	AWG22 1/0.65 SN 10 AUTO	
JW726	W581GY1005	WIRE JUMPER	AWG22 1/0.65 SN 10 AUTO	
JW727	W581GY1005	WIRE JUMPER	AWG22 1/0.65 SN 10 AUTO	
JW728	W581GY6095	WIRE JUMPER	AWG22 1/0.65 SN 6 AUTO	
JW729	W581GY1505	WIRE JUMPER	AWG22 1/0.65 GY 15 AUTO	
JW730	W581GY6095	WIRE JUMPER	AWG22 1/0.65 SN 6 AUTO	
JW731	W581GY6095	WIRE JUMPER	AWG22 1/0.65 SN 6 AUTO	
JW732	W581GY6095	WIRE JUMPER	AWG22 1/0.65 SN 6 AUTO	ECHO
JW733	W581GY6095	WIRE JUMPER	AWG22 1/0.65 SN 6 AUTO	CLOCK
JW734	W581GY6095	WIRE JUMPER	AWG22 1/0.65 SN 6 AUTO	TIMER
JW735	W581GY6095	WIRE JUMPER	AWG22 1/0.65 SN 6 AUTO	PRESET/INTRO
JW736	W581GY7595	WIRE JUMPER	AWG22 1/0.65 SN 7.5 AUTO	
JW737	W581GY6095	WIRE JUMPER	AWG22 1/0.65 SN 6 AUTO	
JW738	W581GY6095	WIRE JUMPER	AWG22 1/0.65 SN 6 AUTO	
JW739	W581GY6095	WIRE JUMPER	AWG22 1/0.65 SN 6 AUTO	
JW740	W581GY6095	WIRE JUMPER	AWG22 1/0.65 SN 6 AUTO	
JW741	W581GY6095	WIRE JUMPER	AWG22 1/0.65 SN 6 AUTO	
JW742	W581GY7595	WIRE JUMPER	AWG22 1/0.65 SN 7.5 AUTO	
JW743	W581GY6095	WIRE JUMPER	AWG22 1/0.65 SN 6 AUTO	
JW744	W581GY6095	WIRE JUMPER	AWG22 1/0.65 SN 6 AUTO	
JW745	W581GY1005	WIRE JUMPER	AWG22 1/0.65 SN 10 AUTO	
JW746	W581GY1005	WIRE JUMPER	AWG22 1/0.65 SN 10 AUTO	
JW747	W581GY1005	WIRE JUMPER	AWG22 1/0.65 SN 10 AUTO	
JW748	W581GY6095	WIRE JUMPER	AWG22 1/0.65 SN 6 AUTO	
JW749	W581GY1505	WIRE JUMPER	AWG22 1/0.65 GY 15 AUTO	
JW750	W581GY12J5	WIRE JUMPER	AWG22 1/0.65 SN 12.5 AUTO	
JW751	W581GY7595	WIRE JUMPER	AWG22 1/0.65 SN 7.5 AUTO	
JW752	W581GY1005	WIRE JUMPER	AWG22 1/0.65 SN 10 AUTO	
JW753	W581GY1005	WIRE JUMPER	AWG22 1/0.65 SN 10 AUTO	
JW754	W581GY7595	WIRE JUMPER	AWG22 1/0.65 SN 7.5 AUTO	
JW755	W581GY7595	WIRE JUMPER	AWG22 1/0.65 SN 7.5 AUTO	
JW756	W581GY17J5	WIRE JUMPER	AWG22 1/0.65 SN 17.5 AUTO	
JW757	W581GY17J5	WIRE JUMPER	AWG22 1/0.65 SN 17.5 AUTO	
JW758	W581GY17J5	WIRE JUMPER	AWG22 1/0.65 SN 17.5 AUTO	
JW759	W581GY12J5	WIRE JUMPER	AWG22 1/0.65 SN 12.5 AUTO	
JW760	W581GY12J5	WIRE JUMPER	AWG22 1/0.65 SN 12.5 AUTO	
JW761	W581GY12J5	WIRE JUMPER	AWG22 1/0.65 SN 12.5 AUTO	
JW762	W581GY7595	WIRE JUMPER	AWG22 1/0.65 SN 7.5 AUTO	
JW763	W581GY6095	WIRE JUMPER	AWG22 1/0.65 SN 6 AUTO	
JW764	W581GY1005	WIRE JUMPER	AWG22 1/0.65 SN 10 AUTO	
JW765	W581GY7595	WIRE JUMPER	AWG22 1/0.65 SN 7.5 AUTO	
JW766	W581GY7595	WIRE JUMPER	AWG22 1/0.65 SN 7.5 AUTO	
JW767	W581GY7595	WIRE JUMPER	AWG22 1/0.65 SN 7.5 AUTO	
JW768	W581GY12J5	WIRE JUMPER	AWG22 1/0.65 SN 12.5 AUTO	
JW769	W581GY7595	WIRE JUMPER	AWG22 1/0.65 SN 7.5 AUTO	
JW770	W581GY6095	WIRE JUMPER	AWG22 1/0.65 SN 6 AUTO	
JW771	W581GY1005	WIRE JUMPER	AWG22 1/0.65 SN 10 AUTO	
JW772	W581GY12J5	WIRE JUMPER	AWG22 1/0.65 SN 12.5 AUTO	
JW773	W581GY6095	WIRE JUMPER	AWG22 1/0.65 SN 6 AUTO	
JW774	W581GY7595	WIRE JUMPER	AWG22 1/0.65 SN 7.5 AUTO	
JW775	W581GY7595	WIRE JUMPER	AWG22 1/0.65 SN 7.5 AUTO	
JW776	W581GY7595	WIRE JUMPER	AWG22 1/0.65 SN 7.5 AUTO	
JW777	W581GY7595	WIRE JUMPER	AWG22 1/0.65 SN 7.5 AUTO	
JW778	W581GY1505	WIRE JUMPER	AWG22 1/0.65 GY 15 AUTO	
JW779	W581GY1505	WIRE JUMPER	AWG22 1/0.65 GY 15 AUTO	
JW780	W581GY1005	WIRE JUMPER	AWG22 1/0.65 SN 10 AUTO	
JW781	W581GY1005	WIRE JUMPER	AWG22 1/0.65 SN 10 AUTO	
JW782	W581GY12J5	WIRE JUMPER	AWG22 1/0.65 SN 12.5 AUTO	
JW783	W581GY1005	WIRE JUMPER	AWG22 1/0.65 SN 10 AUTO	
JW784	W581GY7595	WIRE JUMPER	AWG22 1/0.65 SN 7.5 AUTO	
JW785	W581GY1005	WIRE JUMPER	AWG22 1/0.65 SN 10 AUTO	
JW786	W581GY1005	WIRE JUMPER	AWG22 1/0.65 SN 10 AUTO	
JW787	W581GY6095	WIRE JUMPER	AWG22 1/0.65 SN 6 AUTO	

Loc.	Part Code	Part Name	Description	Option
JW788	W581GY12J5	WIRE JUMPER	AWG22 1/0.65 SN 12.5 AUTO	
JW789	W581GY6095	WIRE JUMPER	AWG22 1/0.65 SN 6 AUTO	
JW790	W581GY1005	WIRE JUMPER	AWG22 1/0.65 SN 10 AUTO	
JW791	W581GY6095	WIRE JUMPER	AWG22 1/0.65 SN 6 AUTO	
JW792	W581GY12J5	WIRE JUMPER	AWG22 1/0.65 SN 12.5 AUTO	
JW793	W581GY6095	WIRE JUMPER	AWG22 1/0.65 SN 6 AUTO	
JW794	W581GY12J5	WIRE JUMPER	AWG22 1/0.65 SN 12.5 AUTO	
JW795	W581GY6095	WIRE JUMPER	AWG22 1/0.65 SN 6 AUTO	
JW797	W581GY1005	WIRE JUMPER	AWG22 1/0.65 SN 10 AUTO	
JW798	W581GY1005	WIRE JUMPER	AWG22 1/0.65 SN 10 AUTO	
JW799	W581GY6095	WIRE JUMPER	AWG22 1/0.65 SN 6 AUTO	
LD701	DSL332MC3F	LED	SLR332MC3F (GREEN)PI3	
LD702	DSL332MC3F	LED	SLR332MC3F (GREEN)PI3	
LD703	DSL332VC3F	LED	SLR332VC3F (RED)PI3	RED
	DLBH4155--	LED	LBH4155(BL) 4PI OVAL	BLUE
LD704	DSL332MC3F	LED	SLR332MC3F (GREEN)PI3	
LD705	DSL332MC3F	LED	SLR332MC3F (GREEN)PI3	
LD706	DSL332VC3F	LED	SLR332VC3F (RED)PI3	RED
	DLBH4155--	LED	LBH4155(BL) 4PI OVAL	BLUE
LD707	DSL332MC3F	LED	SLR332MC3F (GREEN)PI3	
LD708	DSL332MC3F	LED	SLR332MC3F (GREEN)PI3	
	DSL332VC3F	LED	SLR332VC3F (RED)PI3	RED
LD709	DLBH4155--	LED	LBH4155(BL) 4PI OVAL	BLUE
LD710	DSL332MC3F	LED	SLR332MC3F (GREEN)PI3	
LD711	DSL332MC3F	LED	SLR332MC3F (GREEN)PI3	
LD712	DSL332VC3F	LED	SLR332VC3F (RED)PI3	RED
	DLBH4155--	LED	LBH4155(BL) 4PI OVAL	BLUE
LD713	DLBH4155--	LED	LBH4155(BL) 4PI OVAL	
LD715	DLBH4155--	LED	LBH4155(BL) 4PI OVAL	
LD716	DSL56VC3F	LED	SLR56VC3F (RED)PI5	PSM
Q705	TZTA1273Y-	TR	KTA1273Y (A966Y) (KSA928A-Y)	
Q706	TZTA1273Y-	TR	KTA1273Y (A966Y) (KSA928A-Y)	
Q707	TZTA1273Y-	TR	KTA1273Y (A966Y) (KSA928A-Y)	
Q708	TZRC107M--	TR	KRC107M (DTC114YS) (KSR1006)	
Q709	TZRC107M--	TR	KRC107M (DTC114YS) (KSR1006)	
Q710	TZRC107M--	TR	KRC107M (DTC114YS) (KSR1006)	
Q717	TZRC107M--	TR	KRC107M (DTC114YS) (KSR1006)	PSM
	RD-AZ122J-	R CARBON FILM	1/6 1.2K OHM J : Model Option	D/W, A/R, MP3
	W581GY1005	WIRE JUMPER	AWG22 1/0.65 SN 10 AUTO	D/W, A/R, AUX2, MP3
	RD-AZ301J-	R CARBON FILM	300 OHM	D/W, A/R, AUX2
	RD-AZ681J-	R CARBON FILM	680 OHM	D/W, A/R, AUX2
	RD-AZ182J-	R CARBON FILM	1.8K OHM	D/W, A/R
	RD-AZ272J-	R CARBON FILM	2.7K OHM	D/W, A/S
	RD-AZ392J-	R CARBON FILM	3.9K OHM	S/S, A/R, AUX2, MP3
	RD-AZ682J-	R CARBON FILM	6.8K OHM	S/S, A/R, AUX2
	RD-AZ103J-	R CARBON FILM	10K OHM	S/S, A/S, AUX2
	RD-AZ153J-	R CARBON FILM	15K OHM	S/S, A/R
	RD-AZ223J-	R CARBON FILM	22K OHM	S/S, A/R
	RD-AZ473J-	R CARBON FILM	47K OHM	S/S, A/S
	RD-AZ223J-	R CARBON FILM	1/6 22K OHM J : Tuner Band Option	E2-2 with RDS
	W581GY1005	WIRE JUMPER	AWG22 1/0.65 SN 10 AUTO	AM1
	RD-AZ301J-	R CARBON FILM	300 OHM	AM2
	RD-AZ122J-	R CARBON FILM	1.2K OHM	E/2B
	RD-AZ182J-	R CARBON FILM	1.8K OHM	JAPAN
	RD-AZ272J-	R CARBON FILM	2.7K OHM	ASIA1/12
	RD-AZ392J-	R CARBON FILM	3.9K OHM	ASIA2/24
	RD-AZ682J-	R CARBON FILM	6.8K OHM	C/S
	RD-AZ103J-	R CARBON FILM	10K OHM	S/AM
R744	RD-4Z229J-	R CARBON FILM	1/4 2.2 OHM J	
R750	RD-4Z229J-	R CARBON FILM	1/4 2.2 OHM J	
SW701	5S50101001	SW TACT	KPT-1105A 1C-1P	
SW702	5S50101001	SW TACT	KPT-1105A 1C-1P	
SW703	5S50101001	SW TACT	KPT-1105A 1C-1P	
SW704	5S50101001	SW TACT	KPT-1105A 1C-1P	
SW705	5S50101001	SW TACT	KPT-1105A 1C-1P	
SW708	5S50101001	SW TACT	KPT-1105A 1C-1P	
SW712	5S50101001	SW TACT	KPT-1105A 1C-1P	
SW714	5S50101001	SW TACT	KPT-1105A 1C-1P	
SW715	5S50101001	SW TACT	KPT-1105A 1C-1P	
SW716	5S50101001	SW TACT	KPT-1105A 1C-1P	
SW717	5S50101001	SW TACT	KPT-1105A 1C-1P	
SW718	5S50101001	SW TACT	KPT-1105A 1C-1P	
SW719	5S50101001	SW TACT	KPT-1105A 1C-1P	
SW720	5S50101001	SW TACT	KPT-1105A 1C-1P	
SW721	5S50101001	SW TACT	KPT-1105A 1C-1P	
SW722	5S50101001	SW TACT	KPT-1105A 1C-1P	
SW723	5S50101001	SW TACT	KPT-1105A 1C-1P	
SW724	5S50101001	SW TACT	KPT-1105A 1C-1P	
SW728	5S50101001	SW TACT	KPT-1105A 1C-1P	
SW729	5S50101001	SW TACT	KPT-1105A 1C-1P	
SW731	5S50101001	SW TACT	KPT-1105A 1C-1P	
SW732	5S50101001	SW TACT	KPT-1105A 1C-1P	
SW733	5S50101001	SW TACT	KPT-1105A 1C-1P	
SW734	5S50101001	SW TACT	KPT-1105A 1C-1P	
SW735	5S50101001	SW TACT	KPT-1105A 1C-1P	
VR701	5SH122403-	SW ENCODER	EC12E24204A9	
VR702	5SH122403-	SW ENCODER	EC12E24204A9	
XC701	SPOZTA80MT	RESONATOR CERA	8 MHz RESONATOR (2PIN)	
XC702	5XA32R768C	X-TAL	C38T 32.768KHz 20PPM	

Electrical Parts List

POWER PCB ASS'Y [9CDC066600] : AXG-327(K)/328(K), AXW-327(K)/328(K) CE Only				
Loc.	Part Code	Part Name	Description	Option
AC901	9736900200	CORD AC	KKP419C.KLCE-2F.0.75SQUIRE	
B901	9CD6581005	PCB POWER	247X197	
CM908	CMXM2A104J	C MYLAR	100V 0.1MF J	
CM909	CMXM2A104J	C MYLAR	100V 0.1MF J	
CM910	CMXM2A104J	C MYLAR	100V 0.1MF J	
CM911	CMXM2A104J	C MYLAR	100V 0.1MF J	
CM912	CMXM2A104J	C MYLAR	100V 0.1MF J	
CM913	CMXM2A104J	C MYLAR	100V 0.1MF J	
CM914	CMXM2A104J	C MYLAR	100V 0.1MF J	
CM915	CMXM2A104J	C MYLAR	100V 0.1MF J	
CW901	2503-WS-10	WAFER	10P 2.5MM	
DB901	DKBJ604G--	DIODE	KBJ604G	
DB902	DKBJ604G--	DIODE	KBJ604G	
F901	5FSGB3122L	FUSE GLASS TUBE	VDE TL 3.15A MF51 250V	
FC901	9734600700	CLIP FUSE	FC-5N	
FC902	9734600700	CLIP FUSE	FC-5N	
JW905	W581GY1005	WIRE JUMPER	AWG22 1/0.65 SN 10 AUTO	
JW907	W581GY12J5	WIRE JUMPER	AWG22 1/0.65 SN 12.5 AUTO	
JW908	W581GY1505	WIRE JUMPER	AWG22 1/0.65 GY 15 AUTO	
JW909	W581GY1005	WIRE JUMPER	AWG22 1/0.65 SN 10 AUTO	
JW910	W581GY1505	WIRE JUMPER	AWG22 1/0.65 GY 15 AUTO	
JW911	W581GY1505	WIRE JUMPER	AWG22 1/0.65 GY 15 AUTO	
JW912	W581GY7595	WIRE JUMPER	AWG22 1/0.65 SN 7.5 AUTO	
JW913	W581GY1005	WIRE JUMPER	AWG22 1/0.65 SN 10 AUTO	
JW914	W581GY6095	WIRE JUMPER	AWG22 1/0.65 SN 6 AUTO	
PT901	5TP8074904	TRANS POWER	EI-85.8X57 230V 50HZ	AXG/AWG-327(K)
	5TP8086900	TRANS POWER	EI-85.8X57 230V 50HZ	AXG/AWG-328(K)
R918	RN-2Y475J-	R METAL FILM	1/2 4.7M OHM J	
TP903	9716404000	PIN WRAPPING	MFZN1.1X1.1 PANASERT	
TP904	9716404000	PIN WRAPPING	MFZN1.1X1.1 PANASERT	
10	9CD4404200	HEAT SINK P	AL T2.0	
20	7173301011	SCREW TAPPTITE	TT2 BIN 3X10 MFZN	

POWER PCB ASS'Y [9CDC066201] : AXG-327(K)/328(K), AXW-327(K)/328(K) with PSM,FTZ Only				
Loc.	Part Code	Part Name	Description	Option
AC901	9736900200	CORD AC	KKP419C.KLCE-2F.0.75SQUIRE	
BD901	9768602000	TOROIDAL CORE	25X15X12H	
B001	9CD6581005	PCB POWER	247X197	
CE915	CEXF1E222V	C ELECTRO	25V RSS 2200MF (16X25)	PSM
CM908	CMXM2A104J	C MYLAR	100V 0.1MF J	
CM909	CMXM2A104J	C MYLAR	100V 0.1MF J	
CM910	CMXM2A104J	C MYLAR	100V 0.1MF J	
CM911	CMXM2A104J	C MYLAR	100V 0.1MF J	
CM912	CMXM2A104J	C MYLAR	100V 0.1MF J	
CM913	CMXM2A104J	C MYLAR	100V 0.1MF J	
CM914	CMXM2A104J	C MYLAR	100V 0.1MF J	
CM915	CMXM2A104J	C MYLAR	100V 0.1MF J	
CM916	CMXM2A103J	C MYLAR	100V 0.01MF J	PSM
CM917	CMXM2A104J	C MYLAR	100V 0.1MF J	
CW901	2503-WS-10	WAFER	10P 2.5MM	
CW902	2001-WS-0	WAFER	2001-WS-02 2P 2.0MM	PSM
D911	DIN4001---	DIODE	IN4001	PSM
D912	DIN4001---	DIODE	IN4001	PSM
D913	DIN4001---	DIODE	IN4001	PSM
D914	DIN4001---	DIODE	IN4001	PSM
D915	DIN4001---	DIODE	IN4001	PSM
D916	DZN4148---	DIODE	IN4148 AUTO 52MM	PSM
DB901	DKBJ604G--	DIODE	KBJ604G	
DB902	DKBJ604G--	DIODE	KBJ604G	
F901	5FSGB3122L	FUSE GLASS TUBE	VDE TL 3.15A MF51 250V	
FC901	9734600700	CLIP FUSE	FC-5N	
FC902	9734600700	CLIP FUSE	FC-5N	
IC902	1KIA7805AP	IC REGULATOR	KIA7805AP	PSM
JW906	W581GY17J5	WIRE JUMPER	AWG22 1/0.65 SN 17.5 AUTO	
JW907	W581GY12J5	WIRE JUMPER	AWG22 1/0.65 SN 12.5 AUTO	
JW908	W581GY1505	WIRE JUMPER	AWG22 1/0.65 GY 15 AUTO	
JW909	W581GY1005	WIRE JUMPER	AWG22 1/0.65 SN 10 AUTO	
JW910	W581GY1505	WIRE JUMPER	AWG22 1/0.65 GY 15 AUTO	
JW911	W581GY1505	WIRE JUMPER	AWG22 1/0.65 GY 15 AUTO	
JW912	W581GY7595	WIRE JUMPER	AWG22 1/0.65 SN 7.5 AUTO	
JW913	W581GY1005	WIRE JUMPER	AWG22 1/0.65 SN 10 AUTO	
JW914	W581GY6095	WIRE JUMPER	AWG22 1/0.65 SN 6 AUTO	
PT901	5TP8086900	TRANS POWER	EI-85.8X57 230V 50HZ	AXG/AWG-328(K)
	5TP8074904	TRANS POWER	EI-85.8X57 230V 50HZ	AXG/AWG-327(K)
PT902	5TP8028829	TRANS POWER	EI-28X12 230V 50HZ	
O911	TZTC3205Y-	TR	KTC3205Y (KTC2236Y) AUTO	PSM
R918	RN-2Y475J-	R METAL FILM	1/2 4.7M OHM J	
R922	RD-AZ100J-	R CARBON FILM	1/6 10 OHM J	PSM
R925	RD-AZ103J-	R CARBON FILM	1/6 10K OHM J	PSM
R926	RD-AZ103J-	R CARBON FILM	1/6 10K OHM J	PSM
RF903	RF-2F478J-	R FUSIBLE	1/2 0.47 OHM J	PSM
RY902	55C2001A01	SW RELAY	SDT-S-105LMR	PSM
TP903	9716404000	PIN WRAPPING	MFZN1.1X1.1 PANASERT	
TP904	9716404000	PIN WRAPPING	MFZN1.1X1.1 PANASERT	
10	9CD4404200	HEAT SINK P	AL T2.0	
20	7173301011	SCREW TAPPTITE	TT2 BIN 3X10 MFZN	