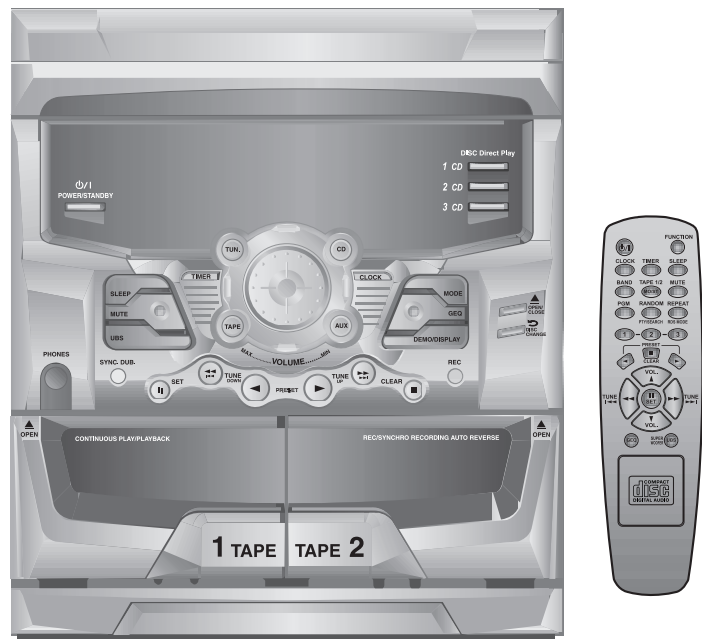


Service Manual

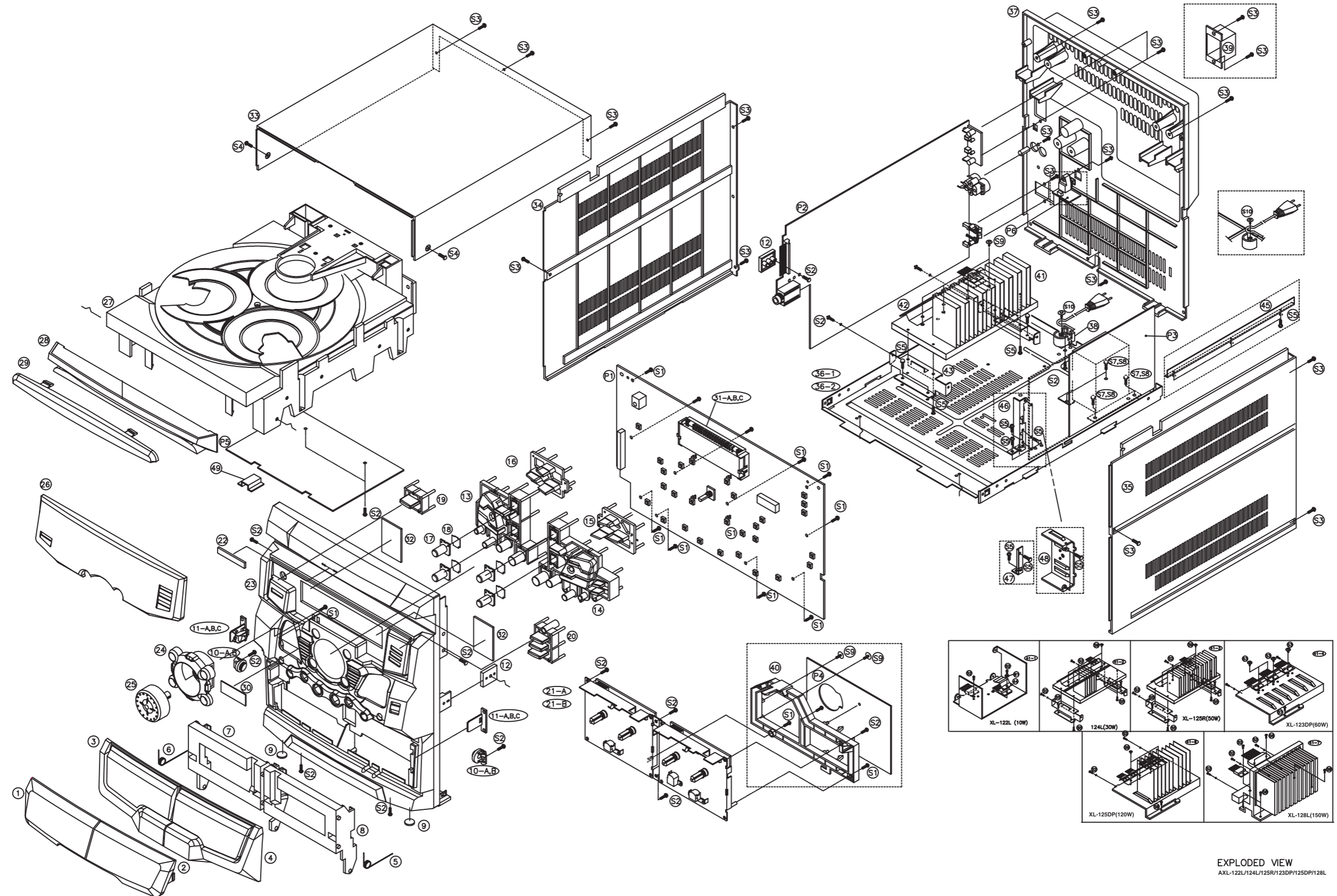
Mini Component System

Model: **AXL-122W(XW-122)**
AXL-125W(XW-125)



Exploded View and Mechanical Parts List

Model : AXL-122W(XW-122) / AXL-125W(XW-125)



EXPLODED VIEW
AXL-122L/124L/125R/123DP/125DP/128L

Exploded View and Mechanical Parts List

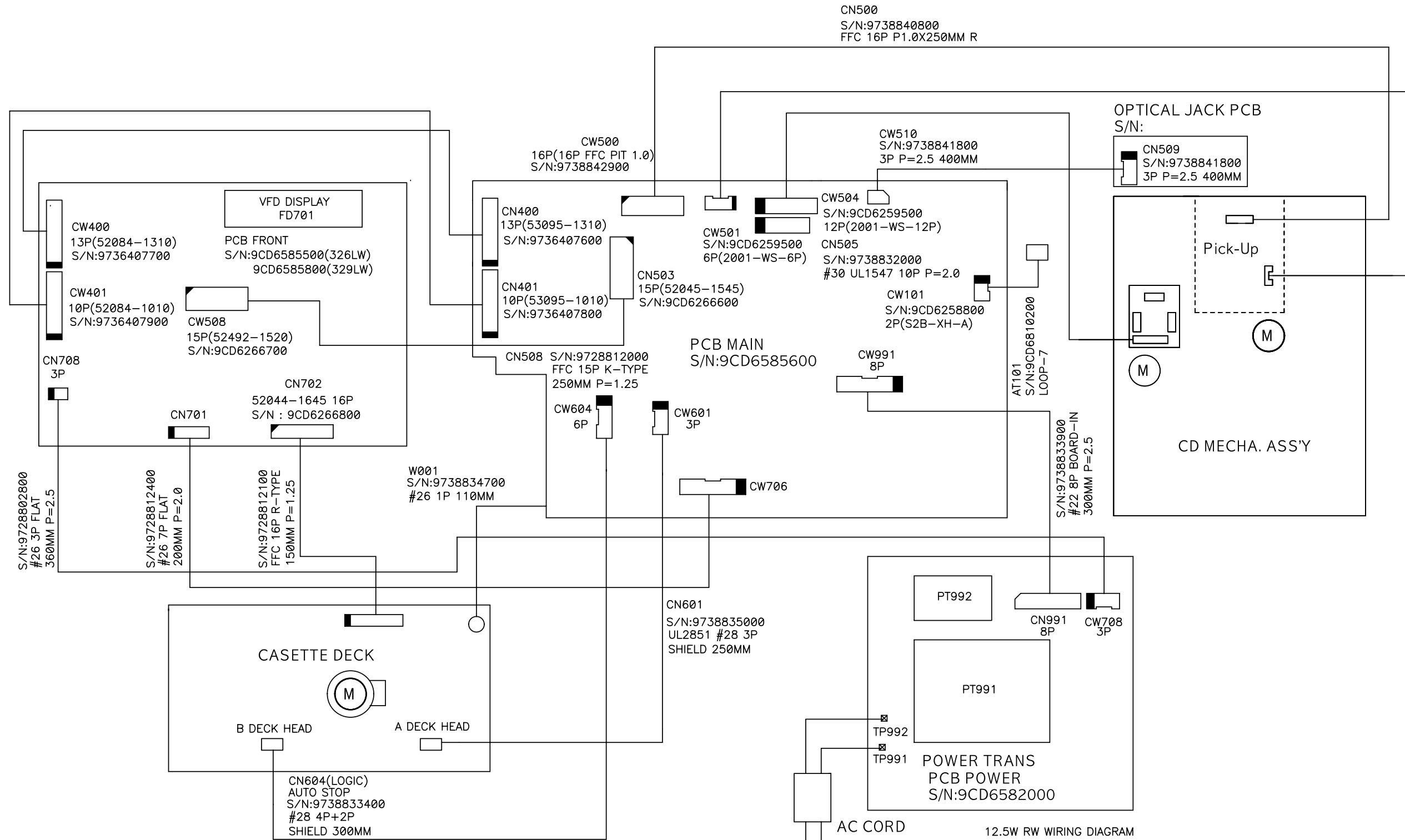
Model : AXL-122W(XW-122) / AXL-125W(XW-125)

NO	PARTS NAME	CODE NO.	DESCRIPTIONS	Q'TY	REMARKS
1	WINDOW DOOR A	9CD16177A0	MIPS	1	
2	WINDOW DOOR B	9CD16177B0	MIPS	1	
3	DOOR COVER A	9CD18123A0	MIPS	1	
4	DOOR COVER B	9CD18123B0	MIPS	1	
5	SRING DOOR EJECT R	9CD30080R0	STS 0.9	1	
6	SRING DOOR EJECT L	9CD30080L0	STS 0.9	1	
7	DOOR FRAME A	9CD18113A0	MIPS	1	
8	DOOR FRAME B	9CD18113B0	MIPS	1	
9	CUSHION FOOT	9CD4207700	URETHAN	2	
10-A	DAMPER GEAR B	9CD2603200	ACETAL	2	
10-B	DAMPER BASE B	9CD2603300	ABS	2	
11-A	LOCKER BASE	9CDOB01900	ABS	2	
11-B	LOCKER CAM	9CDOB02000	ABS	2	
11-C	LOCKER SPRING	9CDOB01600	STS	2	
12	BRKT SIDE	9CD2412900	ABS	2	
13	KNOB CD A	9CD1342200	ABS	1	
14	KNOB CD B	9CD1342300	ABS	1	
15	DECO EQ L	9CD10034L0	ACRYL	1	
16	DECO EQ R	9CD10034R0	ACRYL	1	
17	KNOB FUNCTION	9CD1342400	ACRYL	4	
18	PLATE FUNCTION	9CD0911900	PC	4	
19	KNOB POWER	9CD1342600	ABS	1	
20	KNOB DISC	9CD1342500	ABS	1	
21-A	CASSETTE DECK LOGIC	9CD6007800	ADR-243AMW	1	124L/125L/128L/123DP
21-B	CASSETTE DECK LOGIC	9CD6007700	ADR-243DSW	1	122L
22	BADGE DAEWOO	9CD1500900	ABS	1	
23	PANEL FRONT	9CD0308600	MIPS	1	
24	DECO VOL	9CD1003300	ABS	1	
25	KNOB VOL	9CD1342700	ABS	1	
26	WINDOW FLT	9CD1617800	ACRYL	1	
27	CD DECK MECHA	9CD6006900		1	
28	DOOR CD	9CD1812400	MIPS	1	
29	WIN DOOR CD	9CD1617600	ACRYL	1	
30	PLATE LED	9CD0911700	PVC T=0.5	1	OPTION
31-A	GUIDE FLT	9CD2506500	ABS	1	122L/124L/125L/123DP
31-B	GUIDE FLT	9CD2506300	ABS	1	125S/128L/125DP
31-C	GUIDE FLT	9CD2506700	ABS	1	128
32	PLATE FLT	9CD0909800	PVC T=1.0	2	
33	COVER TOP	9CD0411400	MIPS		

NO	PARTS NAME	CODE NO.	DESCRIPTIONS	Q'TY	REMARKS
34	COVER SIDE L	9CD04115L0	MIPS	1	
35	COVER SIDE R	9CD04115R0	MIPS	1	
36-2	CHASSIS BOTTOM	9CD0607100	SECC 1.0T	1	124L/125L/123DP
37	COVER BACK		MIPS	1	OPTION
38	HOLDER AC CORD	9CD2303300	ABS	1	124L/125L/128L/123DP
39	COVER ANT	9CD0410400	ABS	1	
41-3	HEAT SINK N50	9CD4405900	AL	1	125L
42	BRACKET HEAT TR	9CD2414400	SUS 0.3T	1	
43	BRACKET HEAT TR	9CD2414600	SECC 1.0T	1	
44	BRACKET HEAT TR	9CD2413900	SUS 0.5T	1	
49	HEAT SINK	9CD4402800	BSP 0.5T	1	
S1	SCREW TAPTTITE	7173261011	TT2 BIN 2.6 X 10 MFZN	13	Ref : AMI-128R
S2	SCREW TAPTTITE	7173301011	TT2 BIN 3.0X10 MFZN	18	
S3	SCREW TAPTTITE	7173301212	TT2 BIN 3.0X12 BK	18	
S4	SCREW TAPTTITE	7173301612	TT2 BIN 3.0X16 BK	2	
S5	SCREW TAPTTITE	7173300611	TT2 BIN 3.0X6 MFZN	7	
S6	SCREW TAPTTITE	7173301411	TT2 BIN 3.0X14 MFZN	2	
S7	SCREW TAPTTITE	7173400611	TT2 BIN 4.0X6 MFZN	4	
S8	SCREW TAPTTITE	7173401011	TT2 BIN 4.0X10 MFZN	4	
S9	WASHER SCREW	9CD3102401	TT2 BIN 3.0X8 + D12	4	
S9	WASHER SCREW	9CD3102400	TT2 BIN 3.0X10 + D14	3	
W1	WASHER PLAIN			1	
P1	FRONT PCB			1	OPTION
P2	MAIN PCB			1	
P3	POWER PCB			1	
P5	PCB CD			1	
P5	PCB JACK			1	

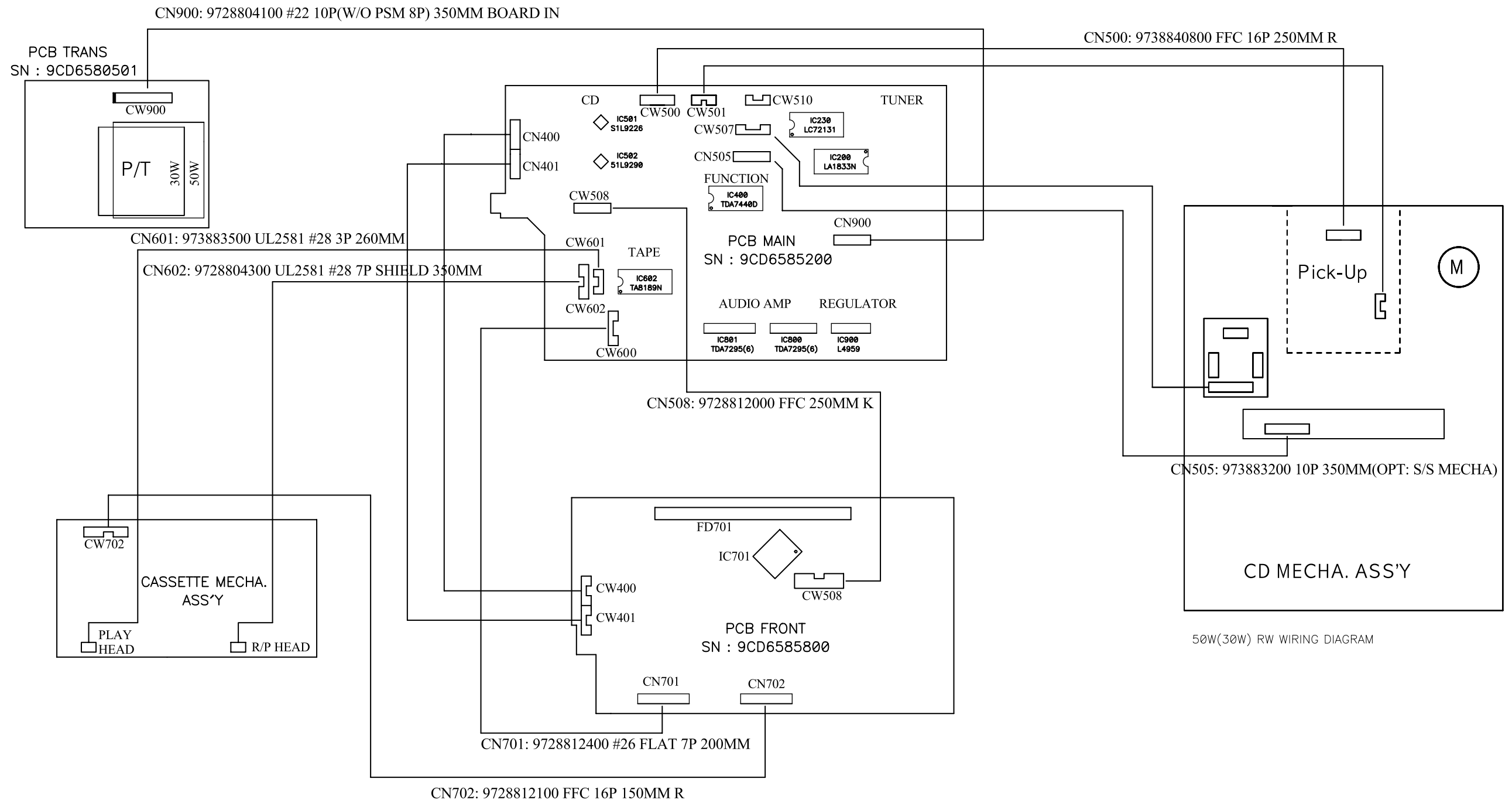
Wiring Diagram

Model : AXL-122W(XW-122)



Wiring Diagram

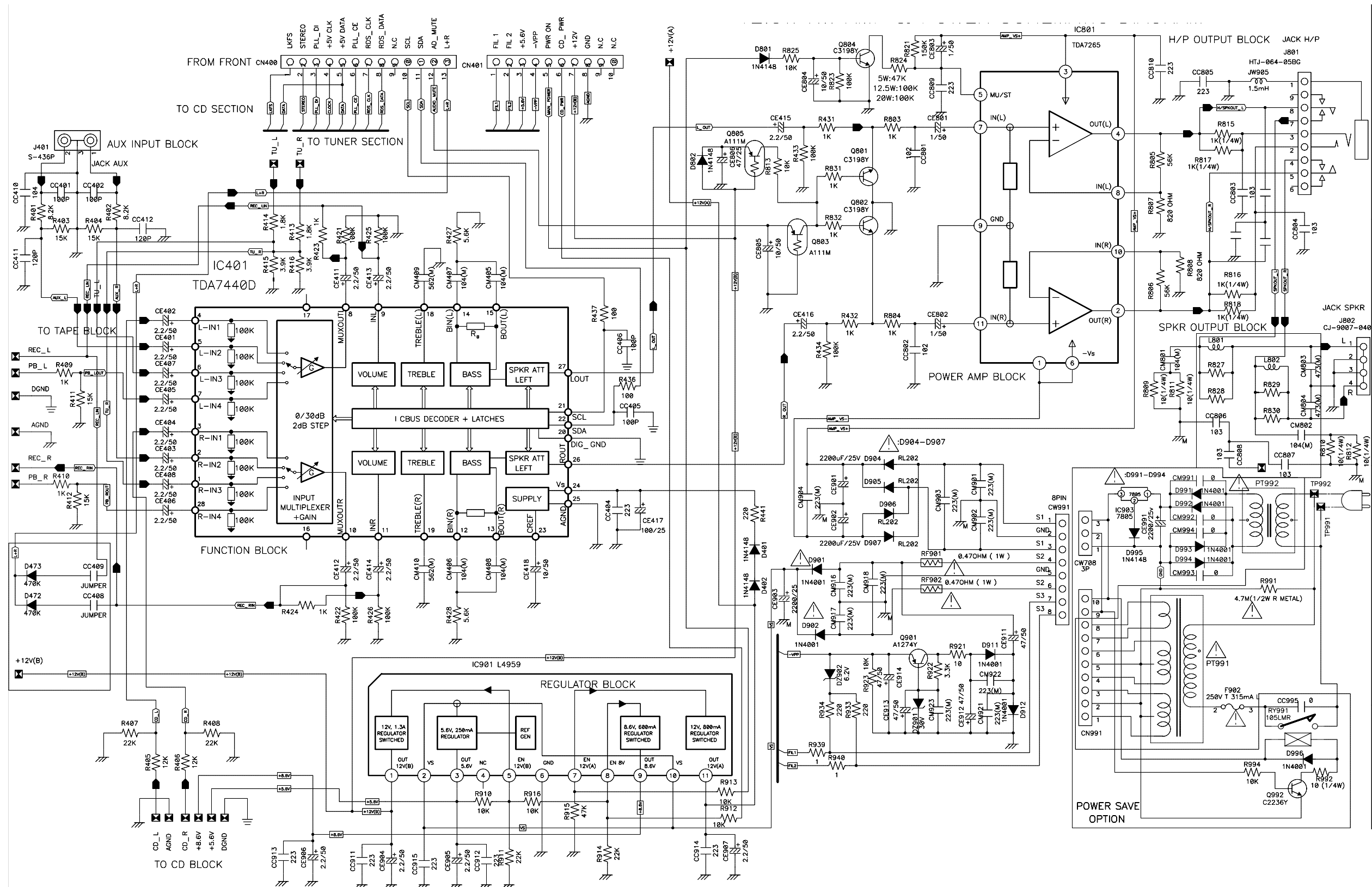
Model : AXL-125W(XW-125)



50W(30W) RW WIRING DIAGRAM

Schematic Diagram

Model : AXL-122W(XW-122)
Ass'y Name : AMP / POWER

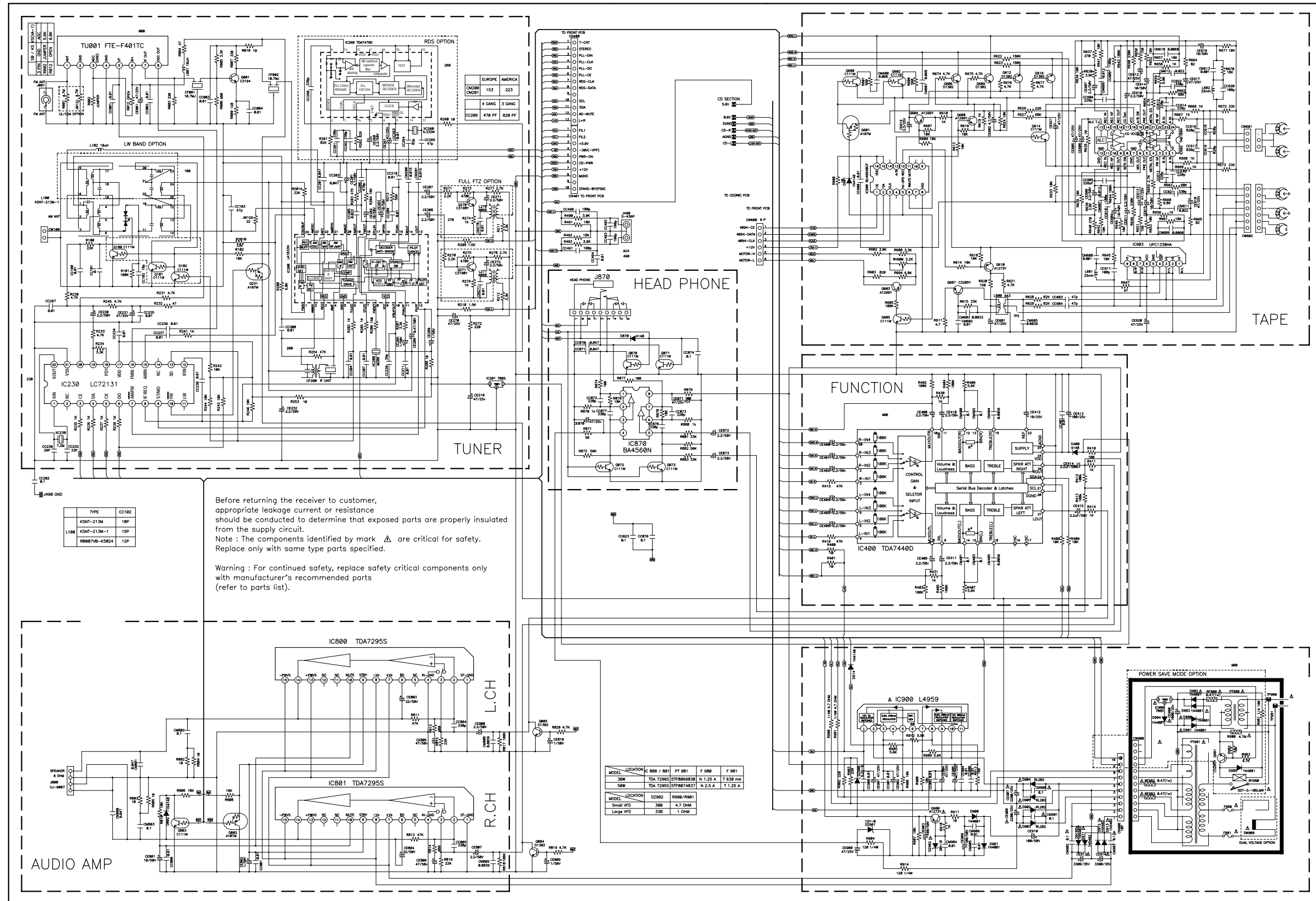


BEFORE RETURNING THE RECEIVER TO CUSTOMER, APPROPRIATE LEAKAGE CURRENT OR RESISTANCE SHOULD BE CONDUCTED TO DETERMINE THAT EXPOSED PARTS ARE PROPERLY INSULATED FROM THE SUPPLY CIRCUIT
NOTE : THE COMPONENTS IDENTIFIED BY MARK ARE CRITICAL FOR SAFETY REPLACE ONLY WITH SAME TYPE PARTS SPECIFIED
WARNING : FOR CONTINUED SAFETY, REPLACE SAFETY CRITICAL COMPONENTS ONLY WITH MANUFACTURE'S RECOMMENDED PARTS

Schematic Diagram

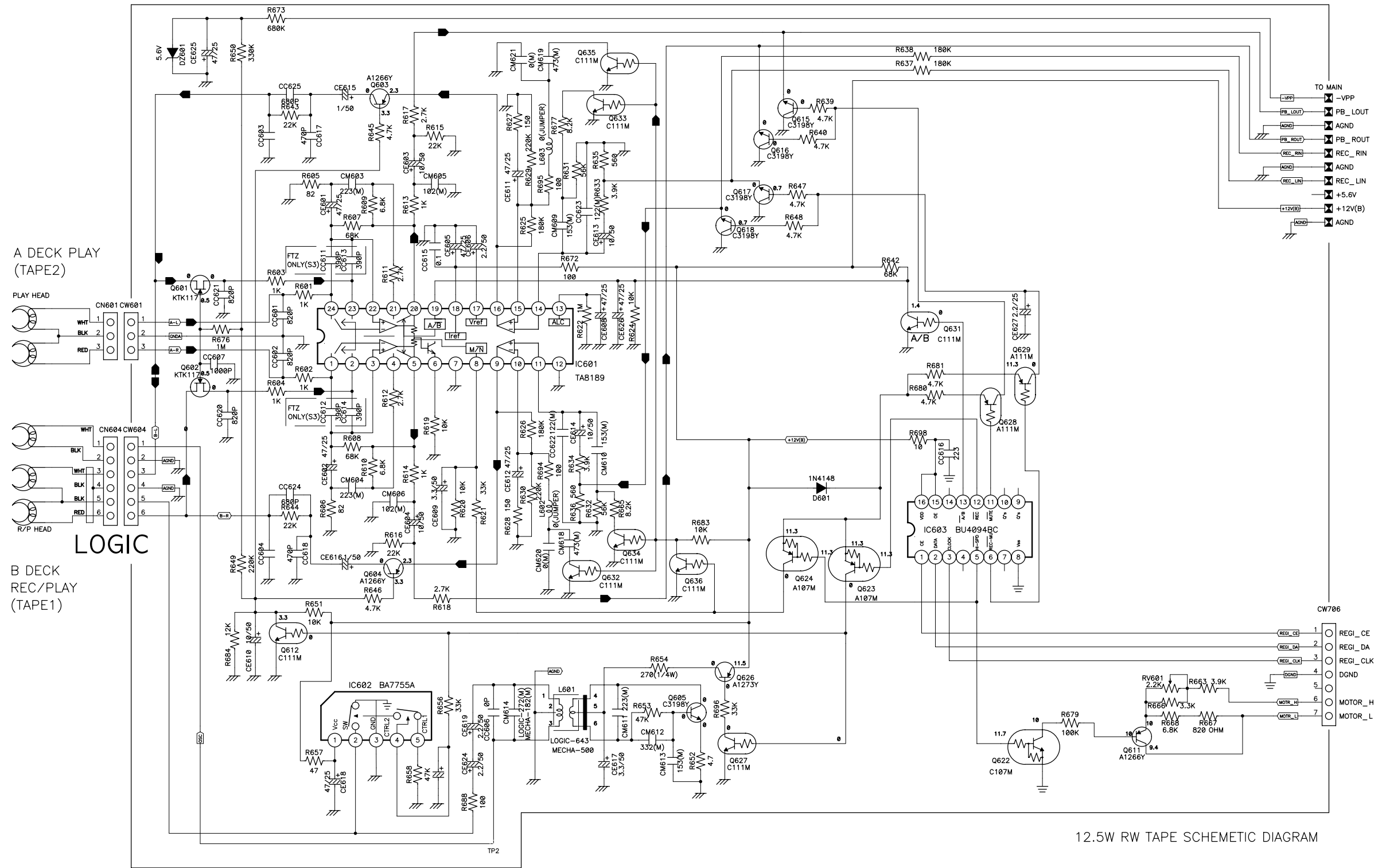
Model : AXL-125W(XW-125)

Ass'y Name : TUNER / TAPE / AMP / POWER



Schematic Diagram

Model : AXL-122W(XW-122)
Ass'y Name : TAPE



12.5W RW TAPE SCHEMATIC DIAGRAM

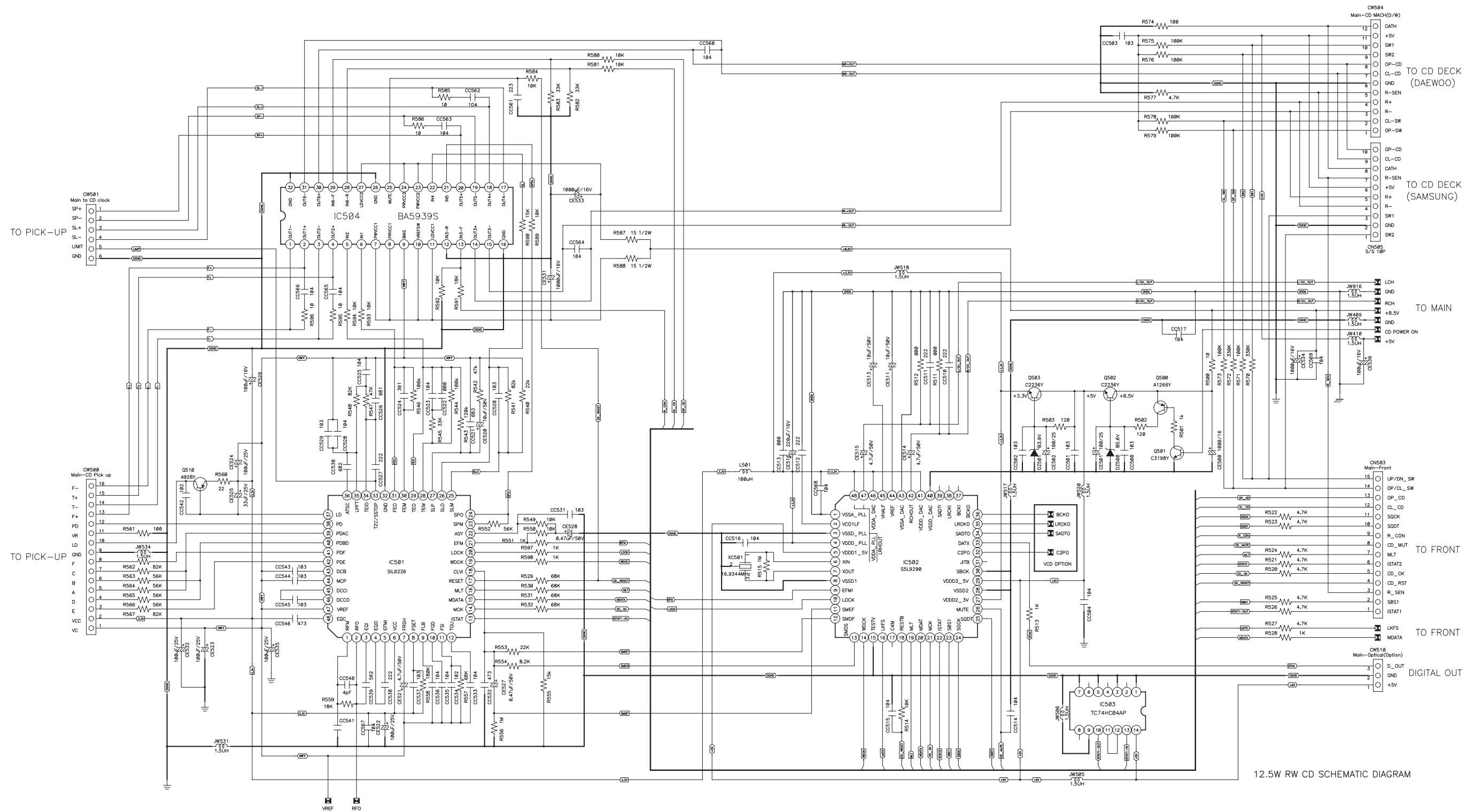
Name	Pin No	1	2	3	4	5
IC602	Voltage(V)	11	0	GND	0	8

Name	Pin No	1	2	3	4	5	6	7	8	9	10	11	12	13	14	15	16
IC603	Voltage(V)	0	12	0.4	NC	11.7	0	NC	GND	NC	NC	11.9	11.9	0	NC	11.9	11.9

Name	Pin No	1	2	3	4	5	6	7	8	9	10	11	12
IC601	Voltage(V)	0	0	1.2	1.3	1.3	1.2	GND	0	2.3	1.2	0	GND
	Pin No	13	14	15	16	17	18	19	20	21	22	23	24
	Voltage(V)	0.9	0	1.2	2.3	1.4	1.0	1.4	1.3	1.3	1.2	0	0

Schematic Diagram

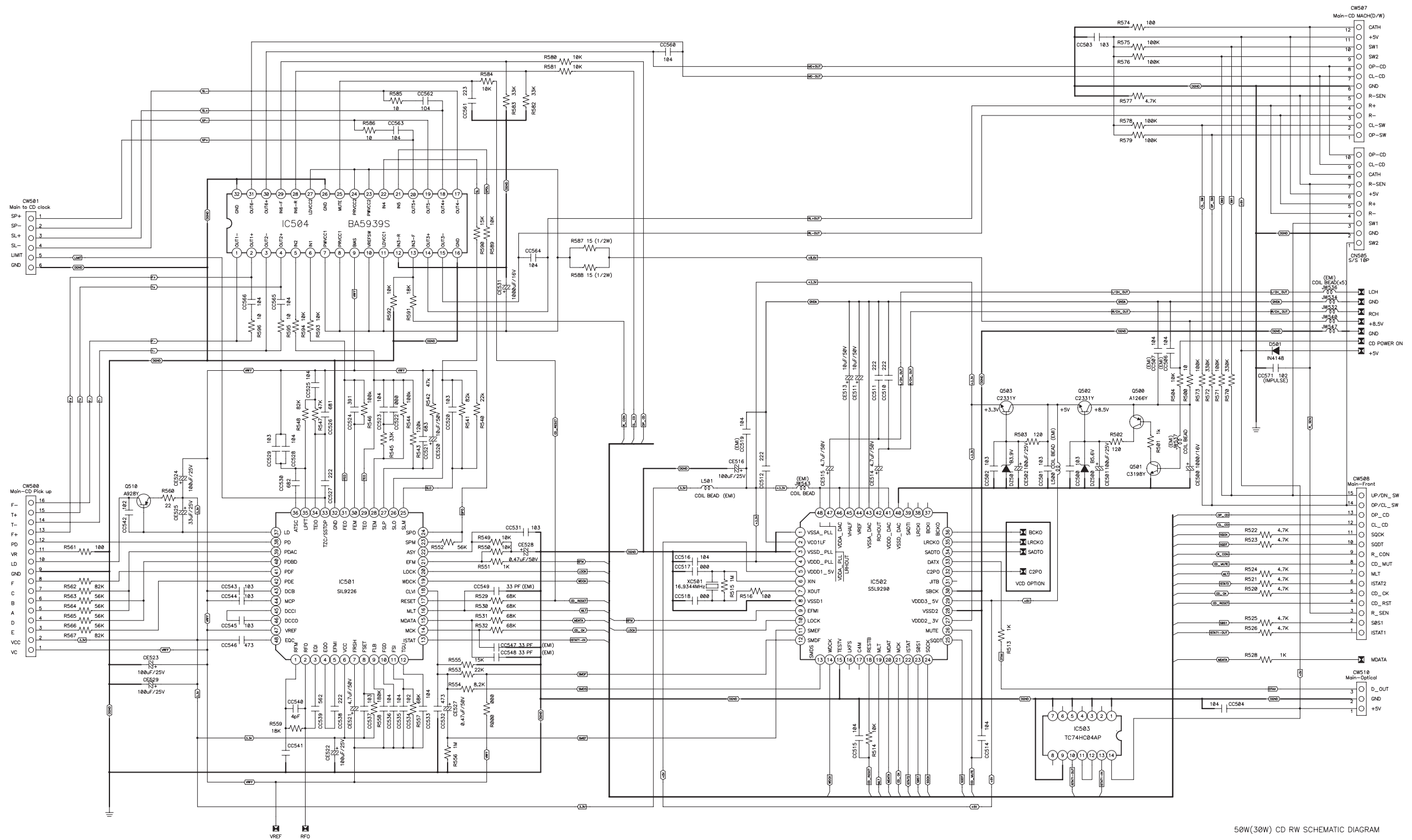
Model : AXL-122W(XW-122)
Ass'y Name : CD



12.5W RW CD SCHEMATIC DIAGRAM

Schematic Diagram

Model : AXL-125W(XW-125)
 Ass'y Name : CD



50W(30W) CD RW SCHEMATIC DIAGRAM

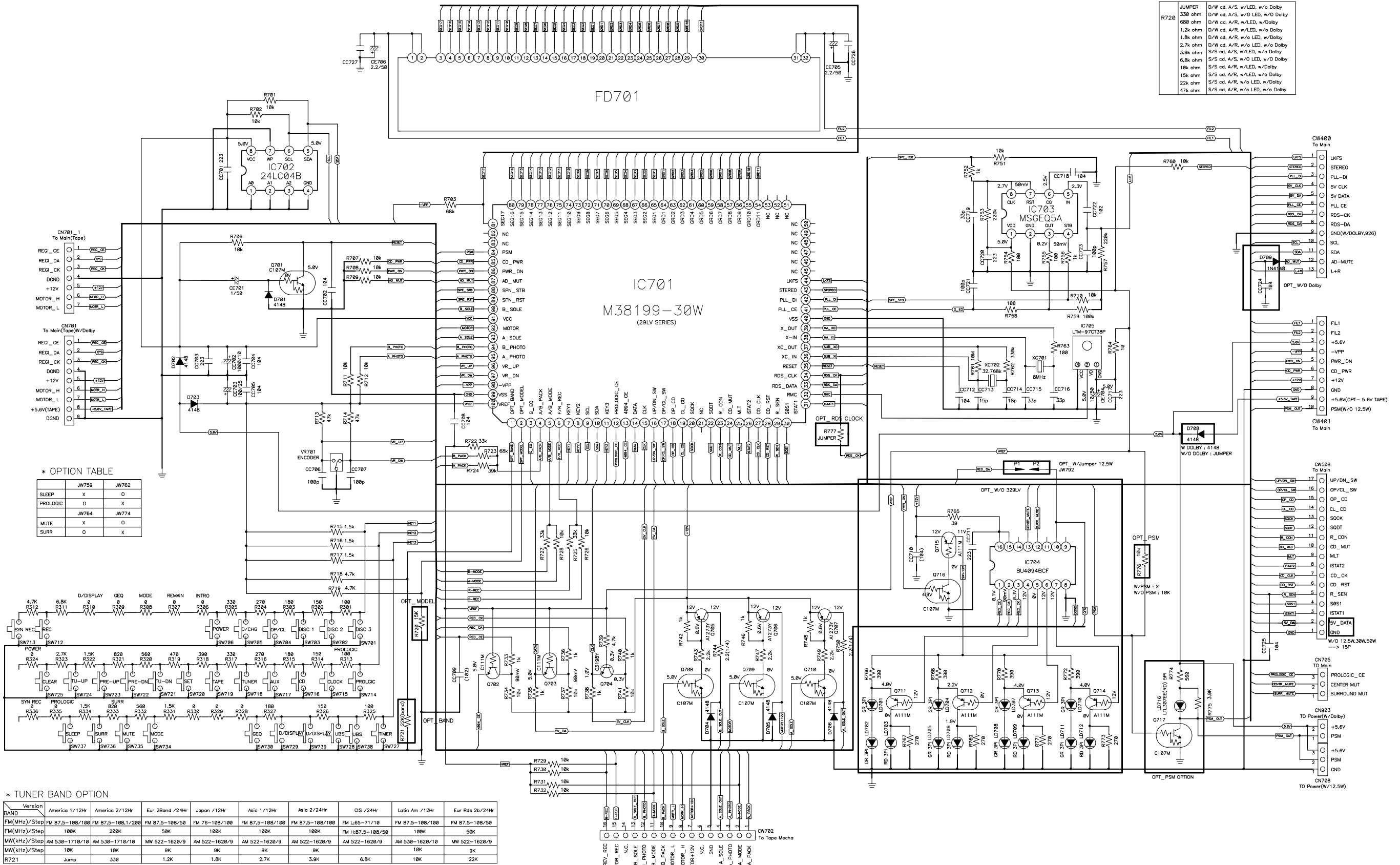
Schematic Diagram

Model : AXL-122W(XW-122) / AXL-125W(XW-125)

Ass'y Name : FRONT

* OPTION TABLE

JUMPER	D/W	cd.	A/S.	w/LED.	w/o Dolby	
R720	338 ohm	D/W	cd. <td>A/S.</td> <td>w/o LED.</td> <td>w/o Dolby</td>	A/S.	w/o LED.	w/o Dolby
	688 ohm	D/W	cd. <td>A/R.</td> <td>w/LED.</td> <td>w/Dolby</td>	A/R.	w/LED.	w/Dolby
	1.2k ohm	D/W	cd. <td>A/R.</td> <td>w/o LED.</td> <td>w/o Dolby</td>	A/R.	w/o LED.	w/o Dolby
	1.8k ohm	D/W	cd. <td>A/R.</td> <td>w/o LED.</td> <td>w/Dolby</td>	A/R.	w/o LED.	w/Dolby
	2.7k ohm	D/W	cd. <td>A/R.</td> <td>w/LED.</td> <td>w/o Dolby</td>	A/R.	w/LED.	w/o Dolby
	3.9k ohm	S/S	cd. <td>A/S.</td> <td>w/LED.</td> <td>w/o Dolby</td>	A/S.	w/LED.	w/o Dolby
	6.8k ohm	S/S	cd. <td>A/R.</td> <td>w/o LED.</td> <td>w/Dolby</td>	A/R.	w/o LED.	w/Dolby
	10k ohm	S/S	cd. <td>A/R.</td> <td>w/LED.</td> <td>w/Dolby</td>	A/R.	w/LED.	w/Dolby
	15k ohm	S/S	cd. <td>A/R.</td> <td>w/LED.</td> <td>w/o Dolby</td>	A/R.	w/LED.	w/o Dolby
	22k ohm	S/S	cd. <td>A/R.</td> <td>w/o LED.</td> <td>w/o Dolby</td>	A/R.	w/o LED.	w/o Dolby
	47k ohm	S/S	cd. <td>A/R.</td> <td>w/o LED.</td> <td>w/o Dolby</td>	A/R.	w/o LED.	w/o Dolby



* TUNER BAND OPTION

Version	America 1/12hr	America 2/12hr	Eur 2Bband /24hr	Japan /12hr	Asia 1/12hr	Asia 2/24hr	OS /24hr	Latin Am /12hr	Eur Rds 2b/24hr
BAND	FM 87.5-108/100	FM 87.5-108/1200	FM 87.5-108/50	FM 76-108/100	FM 87.5-108/100	FM 87.5-108/100	FM 87.5-108/100	FM 87.5-108/100	FM 87.5-108/50
FM(MHz)/Step	100k	200k	50k	100k	100k	100k	FM H:87.5-108/50	100k	50k
MW(kHz)/Step	AM 538-1710/18	AM 538-1710/18	MW 522-1628/9	AM 522-1628/9	AM 522-1628/9	AM 522-1628/9	AM 522-1628/9	AM 538-1628/18	MW 522-1628/9
MW(kHz)/Step	10k	10k	9k	9k	9k	9k	9k	10k	9k
R721	Jump	338	1.2k	1.8k	2.7k	3.9k	6.8k	10k	22k

Electrical Parts List

Model : AXL-122W(XW-122)

NO	LOCATION	PART-NAME	PART-CODE	PART-DESC	REMARK	NO	LOCATION	PART-NAME	PART-CODE	PART-DESC	REMARK
1	11000	PCB FRONT AS	9CDC061700			87	R724	R CARBON FILM	RD-AZ393J	1/6 39K OHM J	
1	B001	PCB FRONT	9CD6587700	247X139X1.6T		88	R725	R CARBON FILM	RD-AZ333J	1/6 33K OHM J	
2	CC701	C CERA	CCXF1H223Z	50V F 0.022MF Z (TAPPING)		89	R726	R CARBON FILM	RD-AZ103J	1/6 10K OHM J	
3	CC702	C CERA	CCXF1H104Z	50V F 0.1MF Z		90	R727	R CARBON FILM	RD-AZ333J	1/6 33K OHM J	
4	CC703	C CERA	CCXF1H223Z	50V F 0.022MF Z (TAPPING)		91	R728-732	R CARBON FILM	RD-AZ103J	1/6 10K OHM J	
5	CC704-705	C CERA	CCXF1H104Z	50V F 0.1MF Z		92	R733	R CARBON FILM	RD-AZ102J	1/6 1K OHM J	
6	CC706-707	C CERA	CZCH1H101J	CH 50V 100PF J AXL 52MM		93	R734	R CARBON FILM	RD-AZ103J	1/6 10K OHM J	
7	CC708	C CERA	CCXF1H104Z	50V F 0.1MF Z		94	R735-736	R CARBON FILM	RD-AZ102J	1/6 1K OHM J	
8	CC709	C CERA	CCZB1H102K	50V B 1000PF K (AXIAL)		95	R737	R CARBON FILM	RD-AZ103J	1/6 10K OHM J	
9	CC710	C CERA	CCXF1H104Z	50V F 0.1MF Z		96	R738	R CARBON FILM	RD-AZ102J	1/6 1K OHM J	
10	CC711	C CERA	CCXF1H223Z	50V F 0.022MF Z (TAPPING)		97	R739	R CARBON FILM	RD-AZ472J	1/6 4.7K OHM J	
11	CC712	C CERA	CCXF1H104Z	50V F 0.1MF Z		98	R740	R CARBON FILM	RD-AZ102J	1/6 1K OHM J	
12	CC713	C CERA	CZCH1H150J	50V CH 15PF J (AXIAL)		99	R741	R CARBON FILM	RD-AZ103J	1/6 10K OHM J	
13	CC714	C CERA	CZCH1H180J	50V CH 18PF J (AXIAL)		100	R742	R CARBON FILM	RD-AZ102J	1/6 1K OHM J	
14	CC715-716	C CERA	CZCH1H330J	CH 50V 33PF J AXIAL 52MM		101	R743	R CARBON FILM	RD-AZ222J	1/6 2.2K OHM J	
15	CC717	C CERA	CCXF1H223Z	50V F 0.022MF Z (TAPPING)		102	R744	R CARBON FILM	RD-AZ229J	1/4 2.2 OHM J	
16	CC718	C CERA	CCXF1H104Z	50V F 0.1MF Z		103	R746	R CARBON FILM	RD-AZ102J	1/6 1K OHM J	
17	CC719	C CERA	CZCH1H330J	CH 50V 33PF J AXIAL 52MM		104	R747	R CARBON FILM	RD-AZ222J	1/6 2.2K OHM J	
18	CC720	C CERA	CCXF1H223Z	50V F 0.022MF Z (TAPPING)		105	R748	R CARBON FILM	RD-AZ102J	1/6 1K OHM J	
19	CC721	C CERA	CZCH1H101J	CH 50V 100PF J AXL 52MM		106	R749	R CARBON FILM	RD-AZ222J	1/6 2.2K OHM J	
20	CC722	C CERA	CCZB1H102K	50V B 1000PF K (AXIAL)		107	R750	R CARBON FILM	RD-AZ229J	1/4 2.2 OHM J	
21	CC723	C CERA	CZCH1H101J	CH 50V 100PF J AXL 52MM		108	R751	R CARBON FILM	RD-AZ103J	1/6 10K OHM J	
22	CC724-725	C CERA	CCXF1H104Z	50V F 0.1MF Z		109	R752	R CARBON FILM	RD-AZ102J	1/6 1K OHM J	
23	CE701	C ELECTRO	CEXF1H109V	50V RSS 1MF (5X11) TP		110	R753	R CARBON FILM	RD-AZ224J	1/6 220K OHM J	
24	CE702	C ELECTRO	CEYF1A102V	10V 1000MF RSS 10X16		111	R754-755	R CARBON FILM	RD-AZ101J	1/6 100 OHM J	
25	CE703	C ELECTRO	CEXF1E101V	25V RSS 100MF (6.3X11) TP		112	R756	R CARBON FILM	RD-AZ102J	1/6 1K OHM J	
26	CE704	C ELECTRO	CEXF1H100V	50V RSS 10MF (5X11) TP		113	R757	R CARBON FILM	RD-AZ224J	1/6 220K OHM J	
27	CE705-706	C ELECTRO	CEXF1H229V	50V RSS 2.2MF (5X11) TP		114	R758	R CARBON FILM	RD-AZ101J	1/6 100 OHM J	
28	CN508	CONN AS	9728812000	FFC 15P P1.25X250MM K		115	R759	R CARBON FILM	RD-AZ104J	1/6 100K OHM J	
29	CN701	CONN AS	9728812400	#26 FLAT 200MM 7P		116	R760	R CARBON FILM	RD-AZ103J	1/6 10K OHM J	
30	CN702	CONN AS	9728812100	FFC 16P P1.25X150MM R		117	R761	R CARBON FILM	RD-AZ106J	1/6 10K OHM J	
31	CN708	CONN AS	9728802800	#26 3P FLAT 360MM P=2.5		118	R762	R CARBON FILM	RD-AZ334J	1/6 330K OHM J	
32	CW400	CONN WAFER	9736407700	52084-1310 13P BOTTOM		119	R763	R CARBON FILM	RD-AZ101J	1/6 100 OHM J	
33	CW401	CONN WAFER	9736407900	52084-1010 10P BOTTOM		120	R764	R CARBON FILM	RD-AZ100J	1/6 10 OHM J	
34	CW508	CONN WAFER	9CD6266700	52492-1520 BOTTOM ENTRY		121	R765	R CARBON FILM	RD-AZ390J	1/6 39 OHM J	
35	CW702	CONN WAFER	9CD6261600	52492-1620 BOTTOM		122	R774	R CARBON FILM	RD-AZ561J	1/6 560 OHM J	
36	D701-706	DIODE	DZN4148---	1N4148 AUTO 52MM		123	R775	R CARBON FILM	RD-AZ392J	1/6 3.9K OHM J	
37	D708	WIRE JUMPER	W581GY7595	AWG22 1/0.65 SN 7.5 AUTO		124	R777	WIRE JUMPER	W581GY6095	AWG22 1/0.65 SN 6 AUTO	
38	D709	DIODE	DZN4148---	1N4148 AUTO 52MM		125	SW701-706	SW TACT	5S50101001	KPT-1105A 1C-1P	
39	FD701	VFD	DHNA11MS26	HNA-11MS26		126	SW712-713	SW TACT	5S50101001	KPT-1105A 1C-1P	
40	IC701	IC	1M38199RWS	U-COM M38199RW 326LW		127	SW715-725	SW TACT	5S50101001	KPT-1105A 1C-1P	
41	IC702	IC	1M24C04---	M24C04-BN6		128	SW727-730	SW TACT	5S50101001	KPT-1105A 1C-1P	
42	IC703	IC	1MSGEQ5A-	MSGEQ5A		129	SW734-735	SW TACT	5S50101001	KPT-1105A 1C-1P	
43	IC705	IC	1HEG838---	HEG838		130	SW737-739	SW TACT	5S50101001	KPT-1105A 1C-1P	
44	LD716	LED	DLTL307EE-	LTL-307EE(RED)PI5		131	VR701	SW ENCODER	5SH162401-	EC16B24204 24P W/DETENT	
45	Q701	TR	TKRC107M-	KRC 107-M (TAPPING)		132	XC701	RESONATOR	5PCSAM8TZ	CSALABM00T55-80 (8.00MTZ)	
46	Q702-703	TR	TKRC111M-	KRC111M (KSR1010)		133	XC702	X-TAL	5XA32R768-	DT-38 32.768KHZ 20PPM	
47	Q704	TRANSISTOR	TZTC3198Y-	KTC3198Y-(1815Y) (AUTO)		1	10000	PCB MAIN AS	9CDC059600	AMI-326LW	
48	Q705-707	TR	TZTA1273Y-	KTA1273Y(966Y)		2	B001	PCB MAIN	9CD6585600	330X197X1.6T	
49	Q708-710	TR	TKRC107M-	KRC 107-M (TAPPING)		3	CC001	C CERA	CCZB1E102K	25V B 1000PF K (AXIAL)	
50	Q715	TR	TKRA111M-	KRA 111-M (TAPPING)		4	CC002	C CERA	CCXF1H103Z	50V F 0.01MF Z (TAPPING)	
51	Q716-717	TR	TKRC107M-	KRC 107-M (TAPPING)		5	CC004	C CERA	CCXF1H103Z	50V F 0.01MF Z (TAPPING)	
52	R301	R CARBON FILM	RD-AZ101J	1/6 100 OHM J		6	CC006	C CERA	CCXF1H103Z	50V F 0.01MF Z (TAPPING)	
53	R302	R CARBON FILM	RD-AZ151J	1/6 150 OHM J		7	CC102	C CERA	CCXF1H103Z	50V F 0.01MF Z (TAPPING)	
54	R303	R CARBON FILM	RD-AZ181J	1/6 180 OHM J		8	CC103	C CERA	CCXF1H104Z	50V F 0.1MF Z	
55	R304	R CARBON FILM	RD-AZ271J	1/6 270 OHM J		9	CC104	C CERA	CZCH1H150J	50V CH 15PF J (AXIAL)	
56	R305	R CARBON FILM	RD-AZ331J	1/6 330 OHM J		10	CC105	C CERA	CZCH1E820J	CH 25V 82PF J AXIAL 52MM	
57	R311	R CARBON FILM	RD-AZ682J	1/6 6.8K OHM J		11	CC201-202	C CERA	CCXF1H473Z	50V F 0.047MF Z (TAPPING)	
58	R312	R CARBON FILM	RD-AZ472J	1/6 4.7K OHM J		12	CC203	C CERA	CCZB1E561K	25V B 560PF K (AXIAL)	
59	R313	R CARBON FILM	RD-AZ101J	1/6 100 OHM J		13	CC205	C CERA	CCZB1E472K	25V B 4700PF K (AXIAL)	
60	R314	R CARBON FILM	RD-AZ151J	1/6 150 OHM J		14	CC206	C CERA	CCXF1H473Z	50V F 0.047MF Z (TAPPING)	
61	R315	R CARBON FILM	RD-AZ181J	1/6 180 OHM J		15	CC207	C CERA	CCXF1H104Z	50V F 0.1MF Z	
62	R316	R CARBON FILM	RD-AZ271J	1/6 270 OHM J		16	CC209	C CERA	CCXF1H473Z	50V F 0.047MF Z (TAPPING)	
63	R317	R CARBON FILM	RD-AZ331J	1/6 330 OHM J		17	CC210-213	C CERA	CCXF1H103Z	50V F 0.01MF Z (TAPPING)	
64	R318	R CARBON FILM	RD-AZ391J	1/6 390 OHM J		18	CC216-217	C CERA	CCZB1E682K	25V B 6800PF K (AXIAL)	
65	R319	R CARBON FILM	RD-AZ471J	1/6 470 OHM J		19	CC251	C CERA	CCXF1H104Z	50V F 0.1MF Z	
66	R320	R CARBON FILM	RD-AZ561J	1/6 560 OHM J		20	CC252	C CERA	CCXF1H103Z	50V F 0.01MF Z (TAPPING)	
67	R321	R CARBON FILM	RD-AZ821J	1/6 820 OHM J		21	CC253-254	C CERA	CCZB1E102K	25V B 1000PF K (AXIAL)	
68	R322	R CARBON FILM	RD-AZ152J	1/6 1.5K OHM J		22	CC255	C CERA	CZCH1E360J	CH 25V 36PF J AXIAL 52MM	
69	R323	R CARBON FILM	RD-AZ272J	1/6 2.7K OHM J		23	CC256	C CERA	CZCH1E330J	CH 25V 33PF J AXIAL 52MM	
70	R325	R CARBON FILM	RD-AZ101J	1/6 100 OHM J		24	CC257	C CERA	CCXF1H103Z	50V F 0.01MF Z (TAPPING)	
71	R326	R CARBON FILM	RD-AZ151J	1/6 150 OHM J		25	CC258	C CERA	CCZB1E102K	25V B 1000PF K (AXIAL)	
72	R327	R CARBON FILM	RD-AZ181J	1/6 180 OHM J		26	CC260	C CERA	CCXF1H103Z	50V F 0.01MF Z (TAPPING)	
73	R331	R CARBON FILM	RD-AZ152J	1/6 1.5K OHM J		27	CC261	C CERA	CXCH1H331K	50V B 330PF K (TAPPING)	
74	R332	R CARBON FILM	RD-AZ561J	1/6 560 OHM J		28	CC262	C CERA	CXCH1H470J	50V CH 47PF J (TAPPING)	
75	R333	R CARBON FILM	RD-AZ281J	1/6 820 OHM J		29	CC263	C CERA	CXCH1H820J	50V CH 82PF J (TAPPING)	
76	R334	R CARBON FILM	RD-AZ152J	1/6 1.5K OHM J		30	CC290	C CERA	CCXF1H104Z	50V F 0.1MF Z	
77	R701-702	R CARBON FILM	RD-AZ103J	1/6 10K OHM J		31	CC401-402	C CERA	CXCH1H101J	50V CH 100PF J (TAPPING)	
78	R703	R CARBON FILM	RD-AZ683J	1/6 68K OHM J		32	CC404	C CERA	CCXF1H223Z	50V F 0.022MF Z (TAPPING)	
79	R706-712	R CARBON FILM	RD-AZ103J	1/6 10K OHM J		33	CC405-406	C CERA	CXCH1H101J	50V CH 100PF J (TAPPING)	
80	R713-714	R CARBON FILM	RD-AZ473J	1/6 47K OHM J		34	CC408	WIRE JUMPER	W581GY5095	AWG22 1/0.65 SN 5 AUTO	
81	R715-717	R CARBON FILM	RD-AZ152J	1/6 1.5K OHM J		35	CC409	WIRE JUMPER	W581GY5095	AWG22 1/0.65 SN 5 AUTO	
82	R718-719	R CARBON FILM	RD-AZ472J	1/6 4.7K OHM J		36	CC410	C CERA	CCXF1H104Z	50V F 0.1MF Z	
83	R720	R CARBON FILM	RD-AZ331J	1/6 330 OHM J		37	CC411-412	C CERA	CXCH1H121K	50V B 120PF K (TAPPING)	
84	R721	R CARBON FILM	RD-AZ223J	1/6 22K OHM J		38	CC500-503	C CERA	CCXF1H103Z	50V F 0.01MF Z (TAPPING)	
85	R722	R CARBON FILM	RD-AZ333J	1/6 33K OHM J		39	CC504	C CERA	CCXF1H104Z	50V F 0.1MF Z	
86	R723	R CARBON FILM	RD-AZ683J	1/6 68K OHM J		40	CC510-512	C CERA	CXCH1H222K	50V B 2200PF K (TAPPING)	

Electrical Parts List

Model : AXL-122W(XW-122)

NO	LOCATION	PART-NAME	PART-CODE	PART-DESC	REMARK	NO	LOCATION	PART-NAME	PART-CODE	PART-DESC	REMARK
41	CC514-517	C CERA	CCXF1H104Z	50V F 0.1MF Z		128	CE619	C ELECTRO	CEXF1H229V	50V RSS 2.2MF (5X11) TP	
42	CC520	C CERA	CCXF1H103Z	50V F 0.01MF Z (TAPPING)		129	CE623	C ELECTRO	CEXF1E470V	25V RSS 47MF (5X11) TP	
43	CC521	C CERA	CCXF1H683Z	50V F 0.068MF Z		130	CE624	C ELECTRO	CEXF1H229V	50V RSS 2.2MF (5X11) TP	
44	CC523	C CERA	CCXF1H104Z	50V F 0.1MF Z		131	CE625	C ELECTRO	CEXF1E330V	25V RSS 33MF (5X11) TP	
45	CC524	C CERA	CCXB1H391K	50V B 390PF K (TAPPING)		132	CE626	C ELECTRO	CEXF1E470V	25V RSS 47MF (5X11) TP	
46	CC525	C CERA	CCXF1H104Z	50V F 0.1MF Z		133	CE801-803	C ELECTRO	CEXF1H109V	50V RSS 1MF (5X11) TP	
47	CC526	C CERA	CCXB1H681K	50V B 680PF K (TAPPING)		134	CE804-805	C ELECTRO	CEXF1H100V	50V RSS 10MF (5X11) TP	
48	CC527	C CERA	CCXB1H222K	50V B 2200PF K (TAPPING)		135	CE806	C ELECTRO	CEXF1E470V	25V RSS 47MF (5X11) TP	
49	CC528	C CERA	CCXF1H104Z	50V F 0.1MF Z		136	CE901-903	C ELECTRO	CEXF1E222V	25V RSS 2200MF (16X25) TP	
50	CC529	C CERA	CCXF1H103Z	50V F 0.01MF Z (TAPPING)		137	CE904-907	C ELECTRO	CEXF1H229V	50V RSS 2.2MF (5X11) TP	
51	CC530	C CERA	CCXB1H682K	50V B 6800PF K (TAPPING)		138	CE911-914	C ELECTRO	CEXF1H470V	50V RSS 47MF (6.3X11) TP	
52	CC531	C CERA	CCXF1H103Z	50V F 0.01MF Z (TAPPING)		139	CF001-002	FILTER CERA	5PE107MJA-	SFE 10.7MHZ RED	
53	CC532	C CERA	CCXF1H473Z	50V F 0.047MF Z (TAPPING)		140	CF201	FILTER	5PPCAF2077	PCFAZ077	
54	CC533	C CERA	CCXF1H104Z	50V F 0.1MF Z		141	CM201-202	C MYLAR	CMXM1H183J	50V 0.018MF J	
55	CC534	C CERA	CCXB1H102K	50V B 1000PF K (TAPPING)		142	CM405-408	C MYLAR	CMXM1H104J	50V 0.1MF J	
56	CC535-536	C CERA	CCXF1H104Z	50V F 0.1MF Z		143	CM409-410	C MYLAR	CMXM1H562J	50V 5600 PF J	
57	CC537	C CERA	CCXF1H103Z	50V F 0.01MF Z (TAPPING)		144	CM603-604	C MYLAR	CMXM1H223J	50V 0.022MF J	
58	CC538	C CERA	CCXB1H222K	50V B 2200PF K (TAPPING)		145	CM605-606	C MYLAR	CMXM1H102J	50V 0.001MF J (TP)	
59	CC539	C CERA	CCXB1H562K	50V B 5600PF K (TAPPING)		146	CM609-610	C MYLAR	CMXM1H153J	50V 0.015MF J (TP)	
60	CC540	C CERA	CXCH1H409D	50V CH 4PF D (TAPPING)		147	CM611	C MYLAR	CMXM1H223J	50V 0.022MF J	
61	CC542	C CERA	CCXB1H102K	50V B 1000PF K (TAPPING)		148	CM612	C MYLAR	CMXM1H332J	50V 3300 PF J	
62	CC543-545	C CERA	CCXF1H103Z	50V F 0.01MF Z (TAPPING)		149	CM613	C MYLAR	CMXM1H153J	50V 0.015MF J (TP)	
63	CC546	C CERA	CCXF1H473Z	50V F 0.047MF Z (TAPPING)		150	CM614	C MYLAR	CMXM1H272J	50V 2700PF J	
64	CC560	C CERA	CCXF1H104Z	50V F 0.1MF Z		151	CM618-619	C MYLAR	CMXM1H473J	50V 0.047MF J	
65	CC561	C CERA	CCXF1H223Z	50V F 0.022MF Z (TAPPING)		152	CM801-802	C MYLAR	CMXM1H104J	50V 0.1MF J	
66	CC562-569	C CERA	CCXF1H104Z	50V F 0.1MF Z		153	CM803-804	C MYLAR	CMXM1H473J	50V 0.047MF J	
67	CC601-602	C CERA	CCXB1H821K	50V B 820PF K (TAPPING)		154	CM901-904	C MYLAR	CMXM1H223J	50V 0.022MF J	
68	CC607	C CERA	CCXB1H102K	50V B 1000PF K (TAPPING)		155	CM916-918	C MYLAR	CMXM1H223J	50V 0.022MF J	
69	CC611-614	C CERA	CCXB1H391K	50V B 390PF K (TAPPING)		156	CM921-923	C MYLAR	CMXM1H223J	50V 0.022MF J	
70	CC615	C CERA	CCXF1H104Z	50V F 0.1MF Z		157	CN400	CONN PIN	9736407600	PIN BASE 53095-1310 13P	
71	CC616	C CERA	CCXF1H223Z	50V F 0.022MF Z (TAPPING)		158	CN401	CONN PIN	9736407800	53095-1010 10PIN ANGLE	
72	CC617-618	C CERA	CCXB1H471K	50V B 470PF K (TAPPING)		159	CN500	CONN AS	9738840800	FFC 16P P1.0X250MM R	
73	CC620-621	C CERA	CCXB1H821K	50V B 820PF K (TAPPING)		160	CN503	CONN WAFER	9CD6264100	52045-1545 TOP ENTRY	
74	CC622-623	C MYLAR	CMXM1H122J	50V 0.0012MF J		161	CN508	CONN AS	9728812300	FFC 21P P125X150MM K	
75	CC624-625	C CERA	CCXB1H681K	50V B 680PF K (TAPPING)		162	CN601	CONN AS	9738835000	UL 2851 #28X2C0 3P 260MM	
76	CC801-802	C CERA	CCXB1H102K	50V B 1000PF K (TAPPING)		163	CN604	CONN AS	9738833400	#28 4P+2P SHIELD 300MM	
77	CC803-804	C CERA	CCXF1H103Z	50V F 0.01MF Z (TAPPING)		164	CN605	CONN AS	9738834700	UL 1007 #26 1P 110MM	
78	CC805	C CERA	CCXF1H223Z	50V F 0.022MF Z (TAPPING)		165	CN702	CONN AS	9728812100	FFC 16P P1.25X150MM R	
79	CC806-808	C CERA	CCXF1H103Z	50V F 0.01MF Z (TAPPING)		166	CW101	CONN WAFER	9CD6258800	2P 52B-XH-A	
80	CC809-810	C CERA	CCXF1H223Z	50V F 0.022MF Z (TAPPING)		167	CW500	CONN WAFER	9738842900	16P FFC PIT1.0	
81	CC911-915	C CERA	CCXF1H223Z	50V F 0.022MF Z (TAPPING)		168	CW501	CONN WAFER	9CD6259500	2001-WS-6P	
82	CE001	C ELECTRO	CEXF1E470V	25V RSS 47MF (5X11) TP		169	CW504	CONN WAFER	9CD6259400	2001-WS-12P	
83	CE101	C ELECTRO	CEXF1H229V	50V RSS 2.2MF (5X11) TP		170	CW510	CONN AS	9738841800	#26 400MM 3P 2.5P	
84	CE102	C ELECTRO	CEXF1E221V	25V RSS 220MF (8X11.5) TP		171	CW601	CONN AS	9738835000	UL 2851 #28X2C0 3P 260MM	
85	CE201	C ELECTRO	CEXF1H479V	50V RSS 4.7MF (5X11) TP		172	CW604	CONN AS	9738833400	#28 4P+2P SHIELD 300MM	
86	CE202	C ELECTRO	CEXF1H100V	50V RSS 10MF (5X11) TP		173	CW605	CONN AS	9738834700	UL 1007 #26 1P 110MM	
87	CE203	C ELECTRO	CEXF1H479V	50V RSS 4.7MF (5X11) TP		174	CW706	CONN AS	9728812400	#26 FLAT 200MM 7P	
88	CE204	C ELECTRO	CEXF1E330V	25V RSS 33MF (5X11) TP		175	CW991	CONN AS	9738833900	#22 8P BOARD-IN 350MM	
89	CE206	C ELECTRO	CEXF1H109V	50V RSS 1MF (5X11) TP		176	D201	DIODE	D2N4148---	1N4148 AUTO 52MM	
90	CE207	C ELECTRO	CEXF1H478V	50V RSS 0.47MF (5X11) TP		177	D401-402	DIODE	D2N4148---	1N4148 AUTO 52MM	
91	CE208-210	C ELECTRO	CEXF1H109V	50V RSS 1MF (5X11) TP		178	D472-473	R CARBON FILM	RD-AZ474J-	1/6 470K OHM J	
92	CE211	C ELECTRO	CEXF1H339V	50V RSS 3.3MF (5X11) TP		179	D601	DIODE	D2N4148---	1N4148 AUTO 52MM	
93	CE214-215	C ELECTRO	CEXF1E470V	25V RSS 47MF (5X11) TP		180	D801-802	DIODE	D2N4148---	1N4148 AUTO 52MM	
94	CE216	C ELECTRO	CEXF1H339V	50V RSS 3.3MF (5X11) TP		181	D901-902	DIODE	D1N4001---	1N4001	
95	CE401-408	C ELECTRO	CEXF1H229V	50V RSS 2.2MF (5X11) TP		182	D904-907	DIODE	DRL202---	RL202	
96	CE411-416	C ELECTRO	CEXF1H229V	50V RSS 2.2MF (5X11) TP		183	D911-912	DIODE	D1N4001---	1N4001	
97	CE417	C ELECTRO	CEXF1E221V	25V RSS 220MF (8X11.5) TP		184	DZ500	DIODE ZENER	DZT25R6B--	UZ-5.6B	
98	CE418	C ELECTRO	CEXF1H100V	50V RSS 10MF (5X11) TP		185	DZ501	DIODE ZENER	DZT23R9B--	MTZ3.9B	
99	CE500	C ELECTRO	CEXF1C102V	16V RSS 1000MF (10X20) TP		186	DZ601	DIODE ZENER	DZT25R6B--	UZ-5.6B	
100	CE501-502	C ELECTRO	CEXF1E101V	25V RSS 100MF (6.3X11) TP		187	DZ901	DIODE ZENER	DZT230B---	MTZ30B	
101	CE511	C ELECTRO	CEXF1H100V	50V RSS 10MF (5X11) TP		188	DZ902	DIODE ZENER	DZT26R2B--	MTZ6.2B	
102	CE513	C ELECTRO	CEXF1H100V	50V RSS 10MF (5X11) TP		189	IC201	IC	1LA1833N-	LA1833N	
103	CE514-515	C ELECTRO	CEXF1H479V	50V RSS 4.7MF (5X11) TP		190	IC202	IC	1LC72131D-	LC72131D	
104	CE516	C ELECTRO	CEXF1C221V	16V RSS 220MF (8X11.5) TP		191	IC205	IC REGULATOR	1KA78L05AZ	KA78L05AZ	
105	CE520	C ELECTRO	CEXF1H100V	50V RSS 10MF (5X11) TP		192	IC206	IC	1TDA7479--	TDA7479	
106	CE521	C ELECTRO	CEXF1H479V	50V RSS 4.7MF (5X11) TP		193	IC401	IC	1TDA7440D-	TDA7440D	
107	CE522-524	C ELECTRO	CEXF1E101V	25V RSS 100MF (6.3X11) TP		194	IC501	IC SSP	1S1L9226--	S1L9226	
108	CE525	C ELECTRO	CEXF1E330V	25V RSS 33MF (5X11) TP		195	IC502	IC DSP	1S5L9290--	S5L9290	
109	CE526	C ELECTRO	CEXF1C101V	16V RSS 100MF (6.3X11) TP		196	IC503	IC	174HCT04AF	TC74HCT04AF	
110	CE527-528	C ELECTRO	CEXF1H478V	50V RSS 0.47MF (5X11) TP		197	IC504	IC MOTOR DRIVE	1BA5939S-	BA5939S	
111	CE531	C ELECTRO	CEXF1C102V	16V RSS 1000MF (10X20) TP		198	IC601	IC	1TA8189N-	TA8189N	
112	CE532	C ELECTRO	CEXF1C101V	16V RSS 100MF (6.3X11) TP		199	IC602	IC SWITCHING	1BA7755A--	BA7755A (HEAD SW)	
113	CE533-534	C ELECTRO	CEYF1C102V	16V RSS 1000MF (10X20)		200	IC603	IC	1BU4094BCF	BU4094BCF(SOP16)	
114	CE535-536	C ELECTRO	CEXF1C101V	16V RSS 100MF (6.3X11) TP		201	IC801	IC	1TDA7265--	TDA7265	
115	CE537	C ELECTRO	CEXF1H100V	50V RSS 10MF (5X11) TP		202	IC901	IC	1L4959---	L4959	
116	CE601-602	C ELECTRO	CEXF1E470V	25V RSS 47MF (5X11) TP		203	J001	JACK ANT	9736321900	PAT645	
117	CE603-604	C ELECTRO	CEXF1H100V	50V RSS 10MF (5X11) TP		204	J401	JACK RCA	9CD6313700	S-436P	
118	CE605	C ELECTRO	CEXF1E470V	25V RSS 47MF (5X11) TP		205	J801	JACK HEADPHONE	9766319501	HTJ-064-05B GOLD	
119	CE606	C ELECTRO	CEXF1H229V	50V RSS 2.2MF (5X11) TP		206	J802	JACK SPEAKER	9736320500	JCT-9007-040	
120	CE608	C ELECTRO	CEXF1E470V	25V RSS 47MF (5X11) TP		207	JW404	COIL BEAD	5LX159P829	1.5UH MIN	
121	CE609	C ELECTRO	CEXF1H339V	50V RSS 3.3MF (5X11) TP		208	JW409-410	COIL BEAD	5LX159P829	1.5UH MIN	
122	CE610	C ELECTRO	CEXF1H100V	50V RSS 10MF (5X11) TP		209	JW411	DIODE	D2N4148---	1N4148 AUTO 52MM	
123	CE611-612	C ELECTRO	CEXF1E470V	25V RSS 47MF (5X11) TP		210	JW505-506	COIL BEAD	5LX159P829	1.5UH MIN	
124	CE613-614	C ELECTRO	CEXF1H100V	50V RSS 10MF (5X11) TP		211	JW517-518	COIL BEAD	5LX159P829	1.5UH MIN	
125	CE615-616	C ELECTRO	CEXF1H109V	50V RSS 1MF (5X11) TP		212	JW520	COIL BEAD	5LX159P829	1.5UH MIN	
126	CE617	C ELECTRO	CEXF1H339V	50V RSS 3.3MF (5X11) TP		213	JW531	COIL BEAD	5LX159P829	1.5UH MIN	
127	CE618	C ELECTRO	CEXF1E470V	25V RSS 47MF (5X11) TP		214	JW534	COIL BEAD	5LX159P829	1.5UH MIN	

Electrical Parts List

Model : AXL-122W(XW-122)

NO	LOCATION	PART-NAME	PART-CODE	PART-DESC	REMARK	NO	LOCATION	PART-NAME	PART-CODE	PART-DESC	REMARK
215	JW905	COIL BEAD	5LX159P829	1.5UH MIN		302	R432	R CARBON FILM	RD-AZ102J	1/6 1K OHM J	
216	JW916	COIL BEAD	5LX159P829	1.5UH MIN		303	R433-434	R CARBON FILM	RD-AZ104J	1/6 100K OHM J	
217	L001	COIL PEAKING	5CPZ100K02	10UH K (AXIAL 3.5MM)		304	R436-437	R CARBON FILM	RD-AZ101J	1/6 100 OHM J	
218	L101	AM RF UNIT	5LR0000835	KSNT-213M-1		305	R441	R CARBON FILM	RD-AZ221J	1/6 220 OHM J	
219	L201-202	COIL	5P076068-	6068MPX		306	R500	R CARBON FILM	RD-AZ100J	1/6 10 OHM J	
220	L251	COIL PEAKING	5CPZ100K02	10UH K (AXIAL 3.5MM)		307	R501	R CARBON FILM	RD-AZ100J	1/6 10 OHM J	
221	L601	COIL BIAS OSC	5L0503K643	SM-10F 5.04MH		308	R502-503	R CARBON FILM	RD-AZ121J	1/6 120 OHM J	
222	L602	WIRE JUMPER	W581GY5095	AWG22 1/0.65 SN 5 AUTO		309	R513	R CARBON FILM	RD-AZ102J	1/6 1K OHM J	
223	L603	WIRE JUMPER	W581GY5095	AWG22 1/0.65 SN 5 AUTO		310	R514	R CARBON FILM	RD-AZ103J	1/6 10K OHM J	
224	Q001	TR	TZTC3194Y-	KTC3194Y		311	R515	R CARBON FILM	RD-AZ105J	1/6 1M OHM J	
225	Q003	TR	TZRA107M--	KRA107M (KSR2006)		312	R520-527	R CARBON FILM	RD-AZ472J	1/6 4.7K OHM J	
226	Q500	TR	TZTA1266Y-	KTA1266Y-(AUTO)(1015Y)		313	R528	R CARBON FILM	RD-AZ102J	1/6 1K OHM J	
227	Q501	TRANSISTOR	TZTC3198Y-	KTC3198Y-(1815Y) (AUTO)		314	R529-532	R CARBON FILM	RD-AZ2683J	1/6 68K OHM J	
228	Q502-503	TR	TZTC2236Y-	KTC2236Y-(AUTO)		315	R540	R CARBON FILM	RD-AZ223J	1/6 22K OHM J	
229	Q510	TR	TZSA928AY-	KSA928A-Y(AUTO)		316	R541	R CARBON FILM	RD-AZ2823J	1/6 82K OHM J	
230	Q601-602	FET	TKTK117Y--	TKTK117(Y)		317	R542	R CARBON FILM	RD-AZ473J	1/6 4.7K OHM J	
231	Q603-604	TR	TZTA1266Y-	KTA1266Y-(AUTO)(1015Y)		318	R543	R CARBON FILM	RD-AZ124J	1/6 120K OHM J	
232	Q605	TRANSISTOR	TZTC3198Y-	KTC3198Y-(1815Y) (AUTO)		319	R544	R CARBON FILM	RD-AZ104J	1/6 100K OHM J	
233	Q611	TR	TZTA1266Y-	KTA1266Y-(AUTO)(1015Y)		320	R545	R CARBON FILM	RD-AZ333J	1/6 33K OHM J	
234	Q612	TR	TZRC111M--	KRC111M		321	R546	R CARBON FILM	RD-AZ104J	1/6 100K OHM J	
235	Q615-618	TRANSISTOR	TZTC3198Y-	KTC3198Y-(1815Y) (AUTO)		322	R547	R CARBON FILM	RD-AZ473J	1/6 4.7K OHM J	
236	Q622	TR	TZRC107M--	KRC107M(AUTO)		323	R548	R CARBON FILM	RD-AZ2823J	1/6 82K OHM J	
237	Q623-624	TR	TZRA107M--	KRA107M (KSR2006)		324	R549-550	R CARBON FILM	RD-AZ103J	1/6 10K OHM J	
238	Q626	TR	TZTA1273Y-	KTA1273Y(966Y)		325	R551	R CARBON FILM	RD-AZ102J	1/6 1K OHM J	
239	Q627	TR	TZRC111M--	KRC111M		326	R552	R CARBON FILM	RD-AZ563J	1/6 56K OHM J	
240	Q628-629	TR	TZRA111M--	KRA111M		327	R553	R CARBON FILM	RD-AZ223J	1/6 22K OHM J	
241	Q631-636	TR	TZRC111M--	KRC111M		328	R554	R CARBON FILM	RD-AZ282J	1/6 8.2K OHM J	
242	Q801-802	TRANSISTOR	TZTC3198Y-	KTC3198Y-(1815Y) (AUTO)		329	R555	R CARBON FILM	RD-AZ153J	1/6 15K OHM J	
243	Q803	TR	TZRA111M--	KRA111M		330	R556	R CARBON FILM	RD-AZ105J	1/6 1M OHM J	
244	Q804	TRANSISTOR	TZTC3198Y-	KTC3198Y-(1815Y) (AUTO)		331	R557	R CARBON FILM	RD-AZ2683J	1/6 68K OHM J	
245	Q805	TR	TZRA111M--	KRA111M		332	R558	R CARBON FILM	RD-AZ184J	1/6 180K OHM J	
246	Q901	TR	TZTA1274Y-	KTA1274Y-		333	R559	R CARBON FILM	RD-AZ183J	1/6 18K OHM J	
247	R002	WIRE JUMPER	W581GY6095	AWG22 1/0.65 SN 6 AUTO		334	R560	R CARBON FILM	RD-AZ220J	1/6 22 OHM J	
248	R003	R CARBON FILM	RD-AZ470J	1/6 47 OHM J		335	R561	R CARBON FILM	RD-AZ101J	1/6 100 OHM J	
249	R004	R CARBON FILM	RD-AZ100J	1/6 10 OHM J		336	R562	R CARBON FILM	RD-AZ2823J	1/6 82K OHM J	
250	R005	R CARBON FILM	RD-AZ332J	1/6 3.3K OHM J		337	R563-566	R CARBON FILM	RD-AZ563J	1/6 56K OHM J	
251	R006	R CARBON FILM	RD-AZ2681J	1/6 680 OHM J		338	R567	R CARBON FILM	RD-AZ2823J	1/6 82K OHM J	
252	R007	R CARBON FILM	RD-AZ331J	1/6 330 OHM J		339	R570	R CARBON FILM	RD-AZ334J	1/6 330K OHM J	
253	R008	R CARBON FILM	RD-AZ101J	1/6 100 OHM J		340	R571	R CARBON FILM	RD-AZ104J	1/6 100K OHM J	
254	R101	R CARBON FILM	RD-AZ472J	1/6 4.7K OHM J		341	R572	R CARBON FILM	RD-AZ334J	1/6 330K OHM J	
255	R103-105	R CARBON FILM	RD-AZ472J	1/6 4.7K OHM J		342	R573	R CARBON FILM	RD-AZ104J	1/6 100K OHM J	
256	R106	R CARBON FILM	RD-AZ332J	1/6 3.3K OHM J		343	R574	R CARBON FILM	RD-AZ101J	1/6 100 OHM J	
257	R107	R CARBON FILM	RD-AZ223J	1/6 22K OHM J		344	R575-576	R CARBON FILM	RD-AZ104J	1/6 100K OHM J	
258	R109	R CARBON FILM	RD-AZ104J	1/6 100K OHM J		345	R577	R CARBON FILM	RD-AZ472J	1/6 4.7K OHM J	
259	R201	R CARBON FILM	RD-AZ682J	1/6 6.8K OHM J		346	R578-579	R CARBON FILM	RD-AZ104J	1/6 100K OHM J	
260	R202	R CARBON FILM	RD-AZ273J	1/6 27K OHM J		347	R580-581	R CARBON FILM	RD-AZ103J	1/6 10K OHM J	
261	R203	R CARBON FILM	RD-AZ2822J	1/6 8.2K OHM J		348	R582	R CARBON FILM	RD-AZ333J	1/6 33K OHM J	
262	R204A	R CARBON FILM	RD-AZ333J	1/6 33K OHM J		349	R583	R CARBON FILM	RD-AZ333J	1/6 33K OHM J	
263	R204B	R CARBON FILM	RD-AZ183J	1/6 18K OHM J		350	R584	R CARBON FILM	RD-AZ103J	1/6 10K OHM J	
264	R205-206	R CARBON FILM	RD-AZ102J	1/6 1K OHM J		351	R585-586	R CARBON FILM	RD-AZ100J	1/6 10 OHM J	
265	R207	R CARBON FILM	RD-AZ121J	1/6 120 OHM J		352	R587-588	R CARBON FILM	RD-2Y150J	1/2 15 OHM J	
266	R208	R CARBON FILM	RD-AZ332J	1/6 3.3K OHM J		353	R589	R CARBON FILM	RD-AZ103J	1/6 10K OHM J	
267	R209	R CARBON FILM	RD-AZ472J	1/6 4.7K OHM J		354	R590	R CARBON FILM	RD-AZ153J	1/6 15K OHM J	
268	R210	R CARBON FILM	RD-AZ682J	1/6 6.8K OHM J		355	R591	R CARBON FILM	RD-AZ183J	1/6 18K OHM J	
269	R211	R CARBON FILM	RD-AZ100J	1/6 10 OHM J		356	R592-594	R CARBON FILM	RD-AZ103J	1/6 10K OHM J	
270	R212-213	R CARBON FILM	RD-AZ182J	1/6 1.8K OHM J		357	R595-596	R CARBON FILM	RD-AZ100J	1/6 10 OHM J	
271	R214-215	R CARBON FILM	RD-AZ332J	1/6 3.3K OHM J		358	R597-598	R CARBON FILM	RD-AZ102J	1/6 1K OHM J	
272	R216	R CARBON FILM	RD-AZ473J	1/6 4.7K OHM J		359	R601-604	R CARBON FILM	RD-AZ102J	1/6 1K OHM J	
273	R217	WIRE JUMPER	W581GY6095	AWG22 1/0.65 SN 6 AUTO		360	R605-606	R CARBON FILM	RD-AZ280J	1/6 82 OHM J	
274	R218	WIRE JUMPER	W581GY6095	AWG22 1/0.65 SN 6 AUTO		361	R607-608	R CARBON FILM	RD-AZ683J	1/6 68K OHM J	
275	R221	R CARBON FILM	RD-AZ563J	1/6 56K OHM J		362	R609-610	R CARBON FILM	RD-AZ682J	1/6 6.8K OHM J	
276	R251	R CARBON FILM	RD-AZ102J	1/6 1K OHM J		363	R611-612	R CARBON FILM	RD-AZ272J	1/6 2.7K OHM J	
277	R252	R CARBON FILM	RD-AZ470J	1/6 47 OHM J		364	R613-614	R CARBON FILM	RD-AZ102J	1/6 1K OHM J	
278	R253	R CARBON FILM	RD-AZ222J	1/6 2.2K OHM J		365	R615-616	R CARBON FILM	RD-AZ223J	1/6 22K OHM J	
279	R254	R CARBON FILM	RD-AZ103J	1/6 10K OHM J		366	R617-618	R CARBON FILM	RD-AZ272J	1/6 2.7K OHM J	
280	R255	R CARBON FILM	RD-AZ100J	1/6 10 OHM J		367	R619-620	R CARBON FILM	RD-AZ103J	1/6 10K OHM J	
281	R256	R CARBON FILM	RD-AZ102J	1/6 1K OHM J		368	R621	R CARBON FILM	RD-AZ333J	1/6 33K OHM J	
282	R257-258	R CARBON FILM	RD-AZ103J	1/6 10K OHM J		369	R622	R CARBON FILM	RD-AZ105J	1/6 1M OHM J	
283	R259	R CARBON FILM	RD-AZ123J	1/6 12K OHM J		370	R624	R CARBON FILM	RD-AZ103J	1/6 10K OHM J	
284	R260-263	R CARBON FILM	RD-AZ102J	1/6 1K OHM J		371	R625-626	R CARBON FILM	RD-AZ184J	1/6 180K OHM J	
285	R264-265	R CARBON FILM	RD-AZ222J	1/6 2.2K OHM J		372	R627-628	R CARBON FILM	RD-AZ151J	1/6 150 OHM J	
286	R270	R CARBON FILM	RD-AZ470J	1/6 47 OHM J		373	R629-630	R CARBON FILM	RD-AZ224J	1/6 220K OHM J	
287	R271-272	R CARBON FILM	RD-AZ103J	1/6 10K OHM J		374	R631-632	R CARBON FILM	RD-AZ563J	1/6 56K OHM J	
288	R290	R CARBON FILM	RD-AZ105J	1/6 1M OHM J		375	R633-634	R CARBON FILM	RD-AZ392J	1/6 3.9K OHM J	
289	R401-402	R CARBON FILM	RD-AZ282J	1/6 8.2K OHM J		376	R635-636	R CARBON FILM	RD-AZ561J	1/6 560 OHM J	
290	R403-404	R CARBON FILM	RD-AZ153J	1/6 15K OHM J		377	R637-638	R CARBON FILM	RD-AZ184J	1/6 180K OHM J	
291	R405-406	R CARBON FILM	RD-AZ123J	1/6 12K OHM J		378	R639-640	R CARBON FILM	RD-AZ472J	1/6 4.7K OHM J	
292	R407-408	R CARBON FILM	RD-AZ223J	1/6 22K OHM J		379	R642	R CARBON FILM	RD-AZ683J	1/6 68K OHM J	
293	R409-410	R CARBON FILM	RD-AZ102J	1/6 1K OHM J		380	R643-644	R CARBON FILM	RD-AZ223J	1/6 22K OHM J	
294	R411-412	R CARBON FILM	RD-AZ153J	1/6 15K OHM J		381	R645-648	R CARBON FILM	RD-AZ472J	1/6 4.7K OHM J	
295	R413-414	R CARBON FILM	RD-AZ182J	1/6 1.8K OHM J		382	R649	R CARBON FILM	RD-AZ224J	1/6 220K OHM J	
296	R415-416	R CARBON FILM	RD-AZ392J	1/6 3.9K OHM J		383	R650	R CARBON FILM	RD-AZ334J	1/6 330K OHM J	
297	R421-422	R CARBON FILM	RD-AZ104J	1/6 100K OHM J		384	R651	R CARBON FILM	RD-AZ103J	1/6 10K OHM J	
298	R423-424	R CARBON FILM	RD-AZ102J	1/6 1K OHM J		385	R652	R CARBON FILM	RD-AZ479J	1/6 4.7 OHM J	
299	R425-426	R CARBON FILM	RD-AZ104J	1/6 100K OHM J		386	R653	R CARBON FILM	RD-AZ473J	1/6 4.7K OHM J	
300	R427-428	R CARBON FILM	RD-AZ562J	1/6 5.6K OHM J		387	R654	R CARBON FILM	RD-AZ271J	1/6 270 OHM J	
301	R431	R CARBON FILM	RD-AZ102J	1/6 1K OHM J		388	R656	R CARBON FILM	RD-AZ333J	1/6 33K OHM J	

Electrical Parts List

Model : AXL-122W(XW-122)

NO	LOCATION	PART-NAME	PART-CODE	PART-DESC	REMARK
389	R657	R CARBON FILM	RD-AZ470J	1/6 47 OHM J	
390	R658	R CARBON FILM	RD-AZ473J	1/6 47K OHM J	
391	R663	R CARBON FILM	RD-AZ392J	1/6 3.9K OHM J	
392	R665	R CARBON FILM	RD-AZ822J	1/6 8.2K OHM J	
393	R666	R CARBON FILM	RD-AZ332J	1/6 3.3K OHM J	
394	R667	R CARBON FILM	RD-AZ821J	1/6 820 OHM J	
395	R668	R CARBON FILM	RD-AZ682J	1/6 6.8K OHM J	
396	R672	R CARBON FILM	RD-AZ101J	1/6 100 OHM J	
397	R673	R CARBON FILM	RD-AZ684J	1/6 680K OHM J	
398	R676	R CARBON FILM	RD-AZ105J	1/6 1M OHM J	
399	R677	R CARBON FILM	RD-AZ822J	1/6 8.2K OHM J	
400	R679	R CARBON FILM	RD-AZ104J	1/6 100K OHM J	
401	R680-681	R CARBON FILM	RD-AZ472J	1/6 4.7K OHM J	
402	R683	R CARBON FILM	RD-AZ103J	1/6 10K OHM J	
403	R684	R CARBON FILM	RD-AZ123J	1/6 12K OHM J	
404	R688	R CARBON FILM	RD-AZ101J	1/6 100 OHM J	
405	R694-695	R CARBON FILM	RD-AZ101J	1/6 100 OHM J	
406	R696	R CARBON FILM	RD-AZ333J	1/6 33K OHM J	
407	R698	R CARBON FILM	RD-AZ100J	1/6 10 OHM J	
408	R803-804	R CARBON FILM	RD-AZ102J	1/6 1K OHM J	
409	R805-806	R CARBON FILM	RD-AZ563J	1/6 56K OHM J	
410	R807-808	R CARBON FILM	RD-AZ821J	1/6 820 OHM J	
411	R809-812	R CARBON FILM	RD-AZ100J	1/4 10 OHM J	
412	R813	R CARBON FILM	RD-AZ103J	1/6 10K OHM J	
413	R815-818	R CARBON FILM	RD-AZ102J	1/4 1K OHM J	
414	R821	R CARBON FILM	RD-AZ154J	1/6 150K OHM J	
415	R823-824	R CARBON FILM	RD-AZ104J	1/6 100K OHM J	
416	R825	R CARBON FILM	RD-AZ103J	1/6 10K OHM J	
417	R827	WIRE JUMPER	W581GY1005	AWG22 1/0.65 SN 10 AUTO	
418	R828	WIRE JUMPER	W581GY1005	AWG22 1/0.65 SN 10 AUTO	
419	R829	WIRE JUMPER	W581GY1005	AWG22 1/0.65 SN 10 AUTO	
420	R830	WIRE JUMPER	W581GY1005	AWG22 1/0.65 SN 10 AUTO	
421	R831-832	R CARBON FILM	RD-AZ102J	1/6 1K OHM J	
422	R910	R CARBON FILM	RD-AZ103J	1/6 10K OHM J	
423	R911	R CARBON FILM	RD-AZ223J	1/6 22K OHM J	
424	R912-913	R CARBON FILM	RD-AZ103J	1/6 10K OHM J	
425	R914	R CARBON FILM	RD-AZ223J	1/6 22K OHM J	
426	R915	R CARBON FILM	RD-AZ473J	1/6 47K OHM J	
427	R916	R CARBON FILM	RD-AZ103J	1/6 10K OHM J	
428	R921	R CARBON FILM	RD-AZ100J	1/6 10 OHM J	
429	R922	R CARBON FILM	RD-AZ332J	1/6 3.3K OHM J	
430	R923	R CARBON FILM	RD-AZ103J	1/6 10K OHM J	
431	R933-934	R CARBON FILM	RD-AZ221J	1/6 220 OHM J	
432	R939-940	R CARBON FILM	RD-AZ109J	1/6 1 OHM J	
433	RF901-902	R FUSIBLE	RF01F4780J	0.47OHM 1W	
434	RV601	R SEMI FIXED	RV1417222	1/10 2.2K OHM B V6EK-PV1S	
435	TU001	TUNER PACK	9737613500	FTE4-401TC	
436	W600	CONN AS	9738834700	UL 1007 #26 1P 110MM	
437	W601	CONN AS	9738834700	UL 1007 #26 1P 110MM	
438	XC201	C DISCRIMINATOR	5P107MG86C	CDA10.7MG86N-C	
439	XC202	X-TAL	5XA4R332M-	4.332M	
440	XC251	X-TAL	5XA7R20000	7.2M	
441	XC501	RESONATOR CERA	5PCST16R93	CSTLS16M9X55-B0	
1	13000	PCB OPTICAL JACK AS	9CDC050700	AMI-710R0F(OM MECHA)	
2	B001	PCB OPTICAL	9CD6577800	29X21X1.6T	
3	BD501	CORE BEAD	9768602000	H.B-T15X25X13ON	
4	CC561	C CERA	CCXF1H104Z	50V F 0.1MF Z	
5	CN510	CONN AS	9738841800	#26 400MM 3P 2.5P	
6	IC507	IC	1T0TX178-	T0TX178	
7	L502	WIRE JUMPER	W581GY6095	AWG22 1/0.65 SN 6 AUTO	
1	12000	PCB PT AS	9CDC055611	AMI-326LW	
2	B991	PCB PT	9CD6582000	98X123	
3	CD991	CORD AC	9736900200	KKP419C,KLCE-2F,0.75SQUIRE	
4	CE991	C ELECTRO	CEXF1E222V	25V RSS 2200MF (16X25) TP	
5	CN991	CONN AS	9738833900	#22 8P BOARD-IN 350MM	
6	CW708	CONN AS	9728802800	#26 3P FLAT 360MM P=2.5	
7	D991-994	DIODE	DZN4001A--	1N4001A AUTO	
8	D995	DIODE	DZN4148---	1N4148 AUTO 52MM	
9	D996	DIODE	DZN4001A--	1N4001A AUTO	
10	F902	FUSE GLASS TUBE	5FSGB4012L	SEMKO TL 400MA 250V MF51	
11	FC903-904	CLIP FUSE	9734600700	FC-5N	
12	IC991	IC	1MC7805--	MC 7805 (KA7805)	
13	PT991	TRANS POWER	5TP8066762	EI=66X30	
14	PT992	TRANS POWER	5TP8028829	EI=28X12 230V 50HZ	
15	Q992	TR	TZTC2236Y-	KTC2236-Y(AUTO)	
16	R991	R METAL FILM	RN-2Y475J-	1/2 4.7M OHM J	
17	R992	R CARBON FILM	RD-AZ100J-	1/4 10 OHM J	
18	R994	R CARBON FILM	RD-AZ103J-	1/6 10K OHM J	
19	RY991	SW RELAY	5SC2001A01	SDT-S-105LMR	
20	TP991-992	PIN WRAPPING	9713550400	1.0X2.5X15	

Electrical Parts List

Model : AXL-125W(XW-125)

NO	LOCATION	PART-NAME	PART-CODE	PART-DESC	REMARK	NO	LOCATION	PART-NAME	PART-CODE	PART-DESC	REMARK
1	11000	PCB FRONT AS	9CDC061500			88	R706-712	R CARBON FILM	RD-AZ103J-	1/6 10K OHM J	
2	B001	PCB FRONT	9CD6587700	247X139X1.6T		89	R713-714	R CARBON FILM	RD-AZ473J-	1/6 47K OHM J	
3	CC701	C CERA	CCXF1H223Z	50V F 0.022MF Z (TAPPING)		90	R715-717	R CARBON FILM	RD-AZ152J-	1/6 1.5K OHM J	
4	CC702	C CERA	CXCF1H104Z	50V F 0.1MF Z		91	R718-719	R CARBON FILM	RD-AZ472J-	1/6 4.7K OHM J	
5	CC703	C CERA	CXCF1H223Z	50V F 0.022MF Z (TAPPING)		92	R720	R CARBON FILM	RD-AZ122J-	1/6 1.2K OHM J	
6	CC704-705	C CERA	CXCF1H104Z	50V F 0.1MF Z		93	R721	R CARBON FILM	RD-AZ223J-	1/6 22K OHM J	
7	CC706-707	C CERA	CZCH1H101J	CH 50V 100PF J AXL 52MM		94	R722	R CARBON FILM	RD-AZ333J-	1/6 33K OHM J	
8	CC708	C CERA	CXCF1H104Z	50V F 0.1MF Z		95	R723	R CARBON FILM	RD-AZ683J-	1/6 68K OHM J	
9	CC709	C CERA	CCZB1H102K	50V B 1000PF K (AXIAL)		96	R724	R CARBON FILM	RD-AZ393J-	1/6 39K OHM J	
10	CC710	C CERA	CXCF1H104Z	50V F 0.1MF Z		97	R725	R CARBON FILM	RD-AZ333J-	1/6 33K OHM J	
11	CC711	C CERA	CCXF1H223Z	50V F 0.022MF Z (TAPPING)		98	R726	R CARBON FILM	RD-AZ103J-	1/6 10K OHM J	
12	CC712	C CERA	CXCF1H104Z	50V F 0.1MF Z		99	R727	R CARBON FILM	RD-AZ333J-	1/6 33K OHM J	
13	CC713	C CERA	CZCH1H150J	50V CH 15PF J (AXIAL)		100	R728-732	R CARBON FILM	RD-AZ103J-	1/6 10K OHM J	
14	CC714	C CERA	CZCH1H180J	50V CH 18PF J (AXIAL)		101	R733	R CARBON FILM	RD-AZ102J-	1/6 1K OHM J	
15	CC715-716	C CERA	CZCH1H330J	CH 50V 33PF J AXIAL 52MM		102	R734	R CARBON FILM	RD-AZ103J-	1/6 10K OHM J	
16	CC717	C CERA	CCXF1H223Z	50V F 0.022MF Z (TAPPING)		103	R735-736	R CARBON FILM	RD-AZ102J-	1/6 1K OHM J	
17	CC718	C CERA	CXCF1H104Z	50V F 0.1MF Z		104	R737	R CARBON FILM	RD-AZ103J-	1/6 10K OHM J	
18	CC719	C CERA	CZCH1H330J	CH 50V 33PF J AXIAL 52MM		105	R738	R CARBON FILM	RD-AZ102J-	1/6 1K OHM J	
19	CC720	C CERA	CCXF1H223Z	50V F 0.022MF Z (TAPPING)		106	R739	R CARBON FILM	RD-AZ472J-	1/6 4.7K OHM J	
20	CC721	C CERA	CZCH1H101J	CH 50V 100PF J AXL 52MM		107	R740	R CARBON FILM	RD-AZ103J-	1/6 1K OHM J	
21	CC722	C CERA	CCZB1H102K	50V B 1000PF K (AXIAL)		108	R741	R CARBON FILM	RD-AZ103J-	1/6 10K OHM J	
22	CC723	C CERA	CZCH1H101J	CH 50V 100PF J AXL 52MM		109	R742	R CARBON FILM	RD-AZ102J-	1/6 1K OHM J	
23	CC724-725	C CERA	CXCF1H104Z	50V F 0.1MF Z		110	R743	R CARBON FILM	RD-AZ222J-	1/6 2.2K OHM J	
24	CE701	C ELECTRO	CEXF1H109V	50V RSS 1MF (5X11) TP		111	R744	R CARBON FILM	RD-AZ222J-	1/4 2.2 OHM J	
25	CE702	C ELECTRO	CEYF1A102V	10V 1000MF RSS 10X16		112	R746	R CARBON FILM	RD-AZ102J-	1/6 1K OHM J	
26	CE703	C ELECTRO	CEXF1E101V	25V RSS 100MF (6.3X11) TP		113	R747	R CARBON FILM	RD-AZ222J-	1/6 2.2K OHM J	
27	CE704	C ELECTRO	CEXF1H100V	50V RSS 10MF (5X11) TP		114	R748	R CARBON FILM	RD-AZ102J-	1/6 1K OHM J	
28	CE705-706	C ELECTRO	CEXF1H229V	50V RSS 2.2MF (5X11) TP		115	R749	R CARBON FILM	RD-AZ222J-	1/6 2.2K OHM J	
29	CN508	CONN AS	9728812000	FFC 15P P1.25X250MM K		116	R750	R CARBON FILM	RD-AZ229J-	1/4 2.2 OHM J	
30	CN701	CONN AS	9728812400	#26 FLAT 200MM 7P		117	R751	R CARBON FILM	RD-AZ103J-	1/6 10K OHM J	
31	CN702	CONN AS	9728812100	FFC 16P P1.25X150MM R		118	R752	R CARBON FILM	RD-AZ102J-	1/6 1K OHM J	
32	CW400	CONN WAFER	9736407700	52084-1310 13P BOTTOM		119	R753	R CARBON FILM	RD-AZ224J-	1/6 220K OHM J	
33	CW401	CONN WAFER	9736407900	52084-1010 10P BOTTOM		120	R754-755	R CARBON FILM	RD-AZ101J-	1/6 100 OHM J	
34	CW508	CONN WAFER	9CD6266700	52492-1520 BOTTOM ENTRY		121	R756	R CARBON FILM	RD-AZ102J-	1/6 1K OHM J	
35	CW702	CONN WAFER	9CD6261600	52492-1620 BOTTOM		122	R757	R CARBON FILM	RD-AZ224J-	1/6 220K OHM J	
36	D701-706	DIODE	DZN4148--	1N4148 AUTO 52MM		123	R758	R CARBON FILM	RD-AZ101J-	1/6 100 OHM J	
37	D708	WIRE JUMPER	W581GY7595	AWG22 1/0.65 SN 7.5 AUTO		124	R759	R CARBON FILM	RD-AZ104J-	1/6 100K OHM J	
38	D709	DIODE	DZN4148--	1N4148 AUTO 52MM		125	R760	R CARBON FILM	RD-AZ103J-	1/6 10K OHM J	
39	FD701	VFD	DHNA11MS26	HNA-11MS26		126	R761	R CARBON FILM	RD-AZ106J-	1/6 10M OHM J	
40	IC701	IC	1M38199RWS	U-COM M38199RW 326LW		127	R762	R CARBON FILM	RD-AZ334J-	1/6 330K OHM J	
41	IC702	IC MEMORY	124LC04B--	24LC04B		128	R763	R CARBON FILM	RD-AZ101J-	1/6 100 OHM J	
42	IC703	IC	1MSGEQ5A--	MSGEQ5A		129	R764	R CARBON FILM	RD-AZ100J-	1/6 10 OHM J	
43	IC704	IC	1BU4094BCF	BU4094BCF(SOP16)		130	R765	R CARBON FILM	RD-AZ390J-	1/6 39 OHM J	
44	IC705	IC PRE AMP	1TM97CT38P	LTM97CT-38P		131	R766	R CARBON FILM	RD-AZ391J-	1/6 390 OHM J	
45	LD701-702	LED	DLTL16KGE-	LTL-16KGE(GREEN)P13.1		132	R767	R CARBON FILM	RD-AZ271J-	1/6 270 OHM J	
46	LD703	LED	DLTL16KEE-	LTL-16KEE(RED)P13.1		133	R768	R CARBON FILM	RD-AZ391J-	1/6 390 OHM J	
47	LD704-705	LED	DLTL16KGE-	LTL-16KGE(GREEN)P13.1		134	R769	R CARBON FILM	RD-AZ271J-	1/6 270 OHM J	
48	LD706	LED	DLTL16KEE-	LTL-16KEE(RED)P13.1		135	R770	R CARBON FILM	RD-AZ391J-	1/6 390 OHM J	
49	LD707-708	LED	DLTL16KGE-	LTL-16KGE(GREEN)P13.1		136	R771	R CARBON FILM	RD-AZ271J-	1/6 270 OHM J	
50	LD709	LED	DLTL16KEE-	LTL-16KEE(RED)P13.1		137	R772	R CARBON FILM	RD-AZ391J-	1/6 390 OHM J	
51	LD710-711	LED	DLTL16KGE-	LTL-16KGE(GREEN)P13.1		138	R773	R CARBON FILM	RD-AZ271J-	1/6 270 OHM J	
52	LD712	LED	DLTL16KEE-	LTL-16KEE(RED)P13.1		139	R774	R CARBON FILM	RD-AZ561J-	1/6 560 OHM J	
53	LD716	LED	DLTL307EE-	LTL-307EE(RED)P15		140	R775	R CARBON FILM	RD-AZ392J-	1/6 3.9K OHM J	
54	Q701	TR	TKRC107M--	KRC 107-M (TAPPING)		141	R777	WIRE JUMPER	W581GY6095	AWG22 1/0.65 SN 6 AUTO	
55	Q702-703	TR	TKRC111M--	KRC111M (KSR1010)		142	SW701-706	SW TACT	5550101001	KPT-1105A 1C-1P	
56	Q704	TRANSISTOR	TZTC3198Y-	KTC3198Y-(1815Y) (AUTO)		143	SW712-713	SW TACT	5550101001	KPT-1105A 1C-1P	
57	Q705-707	TR	TZTA1273Y-	KTA1273Y(966Y)		144	SW715-725	SW TACT	5550101001	KPT-1105A 1C-1P	
58	Q708-710	TR	TKRC107M--	KRC 107-M (TAPPING)		145	SW727-730	SW TACT	5550101001	KPT-1105A 1C-1P	
59	Q711-715	TR	TKRA111M--	KRA 111-M (TAPPING)		146	SW734-735	SW TACT	5550101001	KPT-1105A 1C-1P	
60	Q716-717	TR	TKRC107M--	KRC 107-M (TAPPING)		147	SW737-739	SW TACT	5550101001	KPT-1105A 1C-1P	
61	R301	R CARBON FILM	RD-AZ101J-	1/6 100 OHM J		148	VR701	SW ENCORDER	5SH162401-	EC16B24204 24P W/DETENT	
62	R302	R CARBON FILM	RD-AZ151J-	1/6 150 OHM J		149	XC701	RESONATOR	5PCSABMTZ-	CSALABM00755-B0 (8.00MTZ)	
63	R303	R CARBON FILM	RD-AZ181J-	1/6 180 OHM J		150	XC702	X-TAL	5XA32R768-	DT-38 32.768KHZ 20PPM	
64	R304	R CARBON FILM	RD-AZ271J-	1/6 270 OHM J		1	10000	PCB MAIN AS	9CD6585200	AMI-829RW	
65	R305	R CARBON FILM	RD-AZ331J-	1/6 330 OHM J		2	B1000	PCB MAIN	9CD6585200	330X197X1.6T	
66	R311	R CARBON FILM	RD-AZ682J-	1/6 6.8K OHM J		3	CC001-004	C CERA	CCXF1H103Z	50V F 0.01MF Z (TAPPING)	
67	R312	R CARBON FILM	RD-AZ472J-	1/6 4.7K OHM J		4	CC100	C CERA	CCXF1H103Z	50V F 0.01MF Z (TAPPING)	
68	R313	R CARBON FILM	RD-AZ101J-	1/6 100 OHM J		5	CC101	C CERA	CCXF1H104Z	50V F 0.1MF Z	
69	R314	R CARBON FILM	RD-AZ151J-	1/6 150 OHM J		6	CC102	C CERA	CXCH1H150J	50V CH 15PF J (TAPPING)	
70	R315	R CARBON FILM	RD-AZ181J-	1/6 180 OHM J		7	CC103	C CERA	CXCH1H470J	50V CH 47PF J (TAPPING)	
71	R316	R CARBON FILM	RD-AZ271J-	1/6 270 OHM J		8	CC200	C CERA	CCXF1H103Z	50V F 0.01MF Z (TAPPING)	
72	R317	R CARBON FILM	RD-AZ331J-	1/6 330 OHM J		9	CC201	C CERA	CCXF1H473Z	50V F 0.047MF Z (TAPPING)	
73	R318	R CARBON FILM	RD-AZ391J-	1/6 390 OHM J		10	CC202	C CERA	CCXF1H104Z	50V F 0.1MF Z	
74	R319	R CARBON FILM	RD-AZ471J-	1/6 470 OHM J		11	CC203	C CERA	CCXF1H473Z	50V F 0.047MF Z (TAPPING)	
75	R320	R CARBON FILM	RD-AZ561J-	1/6 560 OHM J		12	CC204	C CERA	CCXF1H103Z	50V F 0.01MF Z (TAPPING)	
76	R321	R CARBON FILM	RD-AZ821J-	1/6 820 OHM J		13	CC205	C CERA	CCXF1H223Z	50V F 0.022MF Z (TAPPING)	
77	R322	R CARBON FILM	RD-AZ152J-	1/6 1.5K OHM J		14	CC206	C CERA	CCXB1H471K	50V B 470PF K (TAPPING)	
78	R323	R CARBON FILM	RD-AZ272J-	1/6 2.7K OHM J		15	CC207	C CERA	CCXF1H103Z	50V F 0.01MF Z (TAPPING)	
79	R325	R CARBON FILM	RD-AZ101J-	1/6 100 OHM J		16	CC209-211	C CERA	CCXF1H103Z	50V F 0.01MF Z (TAPPING)	
80	R326	R CARBON FILM	RD-AZ151J-	1/6 150 OHM J		17	CC230	C CERA	CXCH1H390J	50V CH 39PF J (TAPPING)	
81	R327	R CARBON FILM	RD-AZ181J-	1/6 180 OHM J		18	CC232	C CERA	CXCH1H330J	50V CH 33PF J (TAPPING)	
82	R331	R CARBON FILM	RD-AZ152J-	1/6 1.5K OHM J		19	CC234-238	C CERA	CCXF1H103Z	50V F 0.01MF Z (TAPPING)	
83	R332	R CARBON FILM	RD-AZ561J-	1/6 560 OHM J		20	CC239	C CERA	CXCH1H390J	50V CH 39PF J (TAPPING)	
84	R333	R CARBON FILM	RD-AZ821J-	1/6 820 OHM J		21	CC260-262	C CERA	CCXB1H331K	50V B 330PF K (TAPPING)	
85	R334	R CARBON FILM	RD-AZ152J-	1/6 1.5K OHM J		22	CC263	C CERA	CCXF1H103Z	50V F 0.01MF Z (TAPPING)	
86	R701-702	R CARBON FILM	RD-AZ103J-	1/6 10K OHM J		23	CC264	C CERA	CXCH1H820J	50V CH 82PF J (TAPPING)	
87	R703	R CARBON FILM	RD-AZ683J-	1/6 68K OHM J		24	CC265	C CERA	CXCH1H470J	50V CH 47PF J (TAPPING)	

Electrical Parts List

Model : AXL-125W(XW-125)

NO	LOCATION	PART-NAME	PART-CODE	PART-DESC	REMARK	NO	LOCATION	PART-NAME	PART-CODE	PART-DESC	REMARK
25	CC267	C CERA	CCXF1H103Z	50V F 0.01MF Z (TAPPING)		112	CE529	C ELECTRO	CEXF1E101V	25V RSS 100MF (6.3X11) TP	
26	CC401	C CERA	CCXF1H103Z	50V F 0.01MF Z (TAPPING)		113	CE531	C ELECTRO	CEXF1C102V	16V RSS 1000MF (10X20) TP	
27	CC490-493	C CERA	CXCH1H101J	50V CH 100PF J (TAPPING)		114	CE532	C ELECTRO	CEXF1H100V	50V RSS 10MF (5X11) TP	
28	CC494	C CERA	CCXF1H103Z	50V F 0.01MF Z (TAPPING)		115	CE601	C ELECTRO	CEXF1E470V	25V RSS 47MF (5X11) TP	
29	CC500-503	C CERA	CCXF1H103Z	50V F 0.01MF Z (TAPPING)		116	CE602	C ELECTRO	CEXF1H479V	50V RSS 4.7MF (5X11) TP	
30	CC504	C CERA	CCXF1H104Z	50V F 0.1MF Z		117	CE605-606	C ELECTRO	CEXF1E470V	25V RSS 47MF (5X11) TP	
31	CC506-507	C CERA	CCXF1H104Z	50V F 0.1MF Z		118	CE607-608	C ELECTRO	CEXF1H229V	50V RSS 2.2MF (5X11) TP	
32	CC510-512	C CERA	CCXB1H222K	50V B 2200PF K (TAPPING)		119	CE609	C ELECTRO	CEXF1H100V	50V RSS 10MF (5X11) TP	
33	CC514-516	C CERA	CCXF1H104Z	50V F 0.1MF Z		120	CE610-611	C ELECTRO	CEXF1H229V	50V RSS 2.2MF (5X11) TP	
34	CC519	C CERA	CCXF1H104Z	50V F 0.1MF Z		121	CE612-613	C ELECTRO	CEXF1E470V	25V RSS 47MF (5X11) TP	
35	CC520	C CERA	CCXF1H103Z	50V F 0.01MF Z (TAPPING)		122	CE614-615	C ELECTRO	CEXF1H100V	50V RSS 10MF (5X11) TP	
36	CC521	C CERA	CCXF1H683Z	50V F 0.068MF Z		123	CE616	C ELECTRO	CEXF1E339V	25V RSS 3.3MF	
37	CC523	C CERA	CCXF1H104Z	50V F 0.1MF Z		124	CE617-618	C ELECTRO	CEXF1E470V	25V RSS 47MF (5X11) TP	
38	CC524	C CERA	CCXB1H391K	50V B 390PF K (TAPPING)		125	CE619	C ELECTRO	CEXF1H100V	50V RSS 10MF (5X11) TP	
39	CC525	C CERA	CCXF1H104Z	50V F 0.1MF Z		126	CE620-621	C ELECTRO	CEXF1E470V	25V RSS 47MF (5X11) TP	
40	CC526	C CERA	CCXB1H681K	50V B 680PF K (TAPPING)		127	CE801	C ELECTRO	CEXF1H100V	50V RSS 10MF (5X11) TP	
41	CC527	C CERA	CCXB1H222K	50V B 2200PF K (TAPPING)		128	CE802	C ELECTRO	CEXF1H109V	50V RSS 1MF (5X11) TP	
42	CC528	C CERA	CCXF1H104Z	50V F 0.1MF Z		129	CE803-804	C ELECTRO	CEXF1H220V	50V RSS 2.2MF (5X11) TP	
43	CC529	C CERA	CCXF1H103Z	50V F 0.01MF Z (TAPPING)		130	CE805-806	C ELECTRO	CEXF1H470V	50V RSS 47MF (6.3X11) TP	
44	CC530	C CERA	CCXB1H682K	50V B 6800PF K (TAPPING)		131	CE807-808	C ELECTRO	CEXF1H229V	50V RSS 2.2MF (5X11) TP	
45	CC531	C CERA	CCXF1H103Z	50V F 0.01MF Z (TAPPING)		132	CE809-810	C ELECTRO	CEXF1H109V	50V RSS 1MF (5X11) TP	
46	CC532	C CERA	CCXF1H473Z	50V F 0.047MF Z (TAPPING)		133	CE870-871	C ELECTRO	CEXF1E470V	25V RSS 47MF (5X11) TP	
47	CC533	C CERA	CCXF1H104Z	50V F 0.1MF Z		134	CE872-873	C ELECTRO	CEXF1H229V	50V RSS 2.2MF (5X11) TP	
48	CC534	C CERA	CCXB1H102K	50V B 1000PF K (TAPPING)		135	CE900-902	C ELECTRO	CEXF1E470V	25V RSS 47MF (5X11) TP	
49	CC535-536	C CERA	CCXF1H104Z	50V F 0.1MF Z		136	CE903	C ELECTRO	CEXF1H101V	50V RSS 100MF (8X11.5) TP	
50	CC537	C CERA	CCXF1H103Z	50V F 0.01MF Z (TAPPING)		137	CE904-905	C ELECTRO	CEXF1E470V	25V RSS 47MF (5X11) TP	
51	CC538	C CERA	CCXB1H222K	50V B 2200PF K (TAPPING)		138	CE906	C ELECTRO	CEXF1H101V	50V RSS 100MF (8X11.5) TP	
52	CC539	C CERA	CCXB1H562K	50V B 5600PF K (TAPPING)		139	CE907-908	C ELECTRO	CEYF1V222V	35V RSS 2200MF (16X31.5)	
53	CC540	C CERA	CXCH1H409D	50V CH 4PF D (TAPPING)		140	CE910	C ELECTRO	CEXF1H101V	50V RSS 100MF (8X11.5) TP	
54	CC542	C CERA	CCXB1H102K	50V B 1000PF K (TAPPING)		141	CE913-914	C ELECTRO	CEYF1H332V	50V RSS 330MF	
55	CC543-545	C CERA	CCXF1H103Z	50V F 0.01MF Z (TAPPING)		142	CF001-002	FILTER CERA	5PE107MAJ-	SFE 10.7MHZ RED	
56	CC546	C CERA	CCXF1H473Z	50V F 0.047MF Z (TAPPING)		143	CF200	FILTER	5PPCFAZ077	PCFAZ077	
57	CC547-549	C CERA	CXCH1H330J	50V CH 33PF J (TAPPING)		144	CM200-201	C MYLAR	CMXM1H153J	50V 0.015MF J (TP)	
58	CC560	C CERA	CCXF1H104Z	50V F 0.1MF Z		145	CM270-271	C MYLAR	CMXM1H103J	50V 0.01MF J (TP)	
59	CC561	C CERA	CCXF1H223Z	50V F 0.022MF Z (TAPPING)		146	CM400-403	C MYLAR	CMXM1H104J	50V 0.1MF J	
60	CC562-566	C CERA	CCXF1H104Z	50V F 0.1MF Z		147	CM404-405	C MYLAR	CMXM1H562J	50V 5600 PF J	
61	CC571	C CERA	CCXB1H102K	50V B 1000PF K (TAPPING)		148	CM600-601	C MYLAR	CMXM1H683J	50V 0.068 MF J	
62	CC600	C CERA	CCXF1H103Z	50V F 0.01MF Z (TAPPING)		149	CM602	C MYLAR	CMXM1H103J	50V 0.01MF J (TP)	
63	CC603-604	C CERA	CXCH1H470J	50V CH 47PF J (TAPPING)		150	CM603	C MYLAR	CMXM1H332J	50V 3300 PF J	
64	CC605-606	C CERA	CCXB1H221K	50V B 220PF K (TAPPING)		151	CM605	C MYLAR	CMXM1H392J	50V 0.0039MF J	
65	CC609-611	C CERA	CXCH1H101J	50V CH 100PF J (TAPPING)		152	CM606-607	C MYLAR	CMXM1H123J	50V 0.012 MF J	
66	CC612-615	C CERA	CCXB1H221K	50V B 220PF K (TAPPING)		153	CM608	C MYLAR	CMXM1H102J	50V 0.001MF J (TP)	
67	CC616-619	C CERA	CCXB1H821K	50V B 820PF K (TAPPING)		154	CM609-610	C MYLAR	CMXM1H682J	50V 0.0068MF J	
68	CC620	C CERA	CXCH1H101J	50V CH 100PF J (TAPPING)		155	CM611-612	C MYLAR	CMXM1H223J	50V 0.022MF J	
69	CC621-622	C CERA	CCXB1H331K	50V B 330PF K (TAPPING)		156	CM613	C MYLAR	CMXM1H102J	50V 0.001MF J (TP)	
70	CC623	C CERA	CCXF1H104Z	50V F 0.1MF Z		157	CM800-801	C MYLAR	CMXM1H473J	50V 0.047MF J	
71	CC800-801	C CERA	CCXF1H103Z	50V F 0.01MF Z (TAPPING)		158	CM802-803	C MYLAR	CMXM1H104J	50V 0.1MF J	
72	CC804-805	C CERA	CCXB1H331K	50V B 330PF K (TAPPING)		159	CM808-809	C MYLAR	CMXM1H392J	50V 0.0039MF J	
73	CC870-871	C CERA	CCXF1H473Z	50V F 0.047MF Z (TAPPING)		160	CM900-903	C MYLAR	CMXM1H104J	50V 0.1MF J	
74	CC872-873	C CERA	CCXB1H221K	50V B 220PF K (TAPPING)		161	CM904-906	C MYLAR	CMXM1H103J	50V 0.01MF J (TP)	
75	CC874-876	C CERA	CCXF1H104Z	50V F 0.1MF Z		162	CN400	CONN PIN	9738407800	PIN BASE 53095-1310 13P	
76	CC877-878	C CERA	CCXB1H331K	50V B 330PF K (TAPPING)		163	CN401	CONN PIN	9736407800	53095-1010 10PIN ANGLE	
77	CC900-902	C CERA	CCXF1H103Z	50V F 0.01MF Z (TAPPING)		164	CN500	CONN AS	9738840800	FFC 16P P1.0X250MM R	
78	CC904	C CERA	CCXF1H103Z	50V F 0.01MF Z (TAPPING)		165	CN508	CONN AS	9728812000	FFC 15P P1.25X250MM K	
79	CC906	C CERA	CCXF1H103Z	50V F 0.01MF Z (TAPPING)		166	CN601	CONN AS	9738835000	UL 2851 #28X2C0 3P 260MM	
80	CE001	C ELECTRO	CEXF1E470V	25V RSS 47MF (5X11) TP		167	CN602	CONN AS	9728804300	#26 7P SHIELD 350MM	
81	CE201	C ELECTRO	CEXF1H479V	50V RSS 4.7MF (5X11) TP		168	CW100	CONN WAFER	9CD6258800	2P S2B-XHA	
82	CE202-203	C ELECTRO	CEXF1H100V	50V RSS 10MF (5X11) TP		169	CW500	CONN WAFER	9738842900	16P FFC PIT1.0	
83	CE205	C ELECTRO	CEXF1H109V	50V RSS 1MF (5X11) TP		170	CW501	CONN WAFER	9CD6259500	2001-WS-6P	
84	CE206	C ELECTRO	CEXF1H478V	50V RSS 0.47MF (5X11) TP		171	CW507	CONN WAFER	9CD6259400	2001-WS-12P	
85	CE207-208	C ELECTRO	CEXF1H229V	50V RSS 2.2MF (5X11) TP		172	CW508	CONN WAFER	9CD6264100	52045-1545 TOP ENTRY	
86	CE209	C ELECTRO	CEXF1H109V	50V RSS 1MF (5X11) TP		173	CW510	CONN AS	9738841800	#26 400MM 3P 2.5P	
87	CE210	C ELECTRO	CEXF1E470V	25V RSS 47MF (5X11) TP		174	CW600	CONN AS	9728812400	#26 FLAT 200MM 7P	
88	CE230	C ELECTRO	CEXF1H229V	50V RSS 2.2MF (5X11) TP		175	CW601	CONN AS	9738835000	UL 2851 #28X2C0 3P 260MM	
89	CE231	C ELECTRO	CEXF1E470V	25V RSS 47MF (5X11) TP		176	CW602	CONN AS	9728804300	#26 7P SHIELD 350MM	
90	CE232	C ELECTRO	CEXF1H229V	50V RSS 2.2MF (5X11) TP		177	CW900	CONN WAFER	9728804100	#22 10P P2.5 350 BOARD-IN	
91	CE260	C ELECTRO	CEXF1H229V	50V RSS 2.2MF (5X11) TP		178	D400	DIODE	DZN4148---	1N4148 AUTO 52MM	
92	CE261	C ELECTRO	CEXF1E470V	25V RSS 47MF (5X11) TP		179	D501	DIODE	DZN4148---	1N4148 AUTO 52MM	
93	CE270	C ELECTRO	CEXF1E470V	25V RSS 47MF (5X11) TP		180	D601	DIODE	DZN4148---	1N4148 AUTO 52MM	
94	CE271-272	C ELECTRO	CEXF1H229V	50V RSS 2.2MF (5X11) TP		181	D802	DIODE	DZN4148---	1N4148 AUTO 52MM	
95	CE400-402	C ELECTRO	CEXF1H229V	50V RSS 2.2MF (5X11) TP		182	D870	DIODE	DZN4148---	1N4148 AUTO 52MM	
96	CE404-406	C ELECTRO	CEXF1H229V	50V RSS 2.2MF (5X11) TP		183	D900-901	DIODE	D1N4001---	1N4001	
97	CE408-411	C ELECTRO	CEXF1H229V	50V RSS 2.2MF (5X11) TP		184	D902-905	DIODE	DRL202---	RL202	
98	CE412	C ELECTRO	CEXF1E100V	25V RSS 10MF (5X11) TP		185	D910-913	DIODE	D1N5402---	1N5402	
99	CE413	C ELECTRO	CEXF1E101V	25V RSS 100MF (6.3X11) TP		186	D914	DIODE	DZN4148---	1N4148 AUTO 52MM	
100	CE414-415	C ELECTRO	CEXF1H229V	50V RSS 2.2MF (5X11) TP		187	DZ500	DIODE ZENER	DZTZ5R6B---	UZ-5.6B	
101	CE500	C ELECTRO	CEYF1C102V	16V RSS 1000MF (10X20)		188	DZ501	DIODE ZENER	DZTZ3R9B---	MTZ3.9B	
102	CE501-502	C ELECTRO	CEXF1E101V	25V RSS 100MF (6.3X11) TP		189	DZ900	DIODE ZENER	DZTZ6R2B---	MTZ6.2B	
103	CE511	C ELECTRO	CEXF1H100V	50V RSS 10MF (5X11) TP		190	DZ901	DIODE ZENER	DZTZ12B---	MTZ 12V 26MM TAPPING	
104	CE513	C ELECTRO	CEXF1H100V	50V RSS 10MF (5X11) TP		191	DZ902	DIODE ZENER	DZTZ33B---	MTZ-33B	
105	CE514-515	C ELECTRO	CEXF1H479V	50V RSS 4.7MF (5X11) TP		192	IC200	IC	1LA1833N---	LA1833N	
106	CE516	C ELECTRO	CEXF1E101V	25V RSS 100MF (6.3X11) TP		193	IC201	IC	1MC78L05---	MC78L05AC	
107	CE520	C ELECTRO	CEXF1H100V	50V RSS 10MF (5X11) TP		194	IC230	IC PLL	1LC72131---	LC72131	
108	CE521	C ELECTRO	CEXF1H479V	50V RSS 4.7MF (5X11) TP		195	IC260	IC	1TDA479D---	TDA479D	
109	CE522-524	C ELECTRO	CEXF1E101V	25V RSS 100MF (6.3X11) TP		196	IC400	IC	1TDA4740D---	TDA4740D	
110	CE525	C ELECTRO	CEXF1E330V	25V RSS 33MF (5X11) TP		197	IC501	IC SSP	1S1L9226---	S1L9226	
111	CE527-528	C ELECTRO	CEXF1H478V	50V RSS 0.47MF (5X11) TP		198	IC502	IC DSP	1SSL9290---	SSL9290	

Electrical Parts List

Model : AXL-125W(XW-125)

NO	LOCATION	PART-NAME	PART-CODE	PART-DESC	REMARK	NO	LOCATION	PART-NAME	PART-CODE	PART-DESC	REMARK
199	IC503	IC	174HCT04AF	TC74HCT04AF		286	R261-262	R CARBON FILM	RD-AZ823J-	1/6 82K OHM J	
200	IC504	IC MOTOR DRIVE	1BA5939S--	BA5939S		287	R270-271	R CARBON FILM	RD-AZ222J-	1/6 2.2K OHM J	
201	IC600	IC	1BU4094BCF	BU4094BCF(SOP16)		288	R272	R CARBON FILM	RD-AZ221J-	1/6 220 OHM J	
202	IC602	IC	1TA8189N--	TA8189N		289	R273	R CARBON FILM	RD-AZ474J-	1/6 470K OHM J	
203	IC603	IC	1UPC1330HA	UPC1330HA		290	R274	R CARBON FILM	RD-AZ102J-	1/6 1K OHM J	
204	IC800-801	IC	1TDA7295--	TDA7295		291	R275	R CARBON FILM	RD-AZ474J-	1/6 470K OHM J	
205	IC870	IC	1BA4560N--	BA4560N(H/P AMP)		292	R276	R CARBON FILM	RD-AZ102J-	1/6 1K OHM J	
206	IC900	IC	1L4959----	L4959		293	R277-278	R CARBON FILM	RD-AZ272J-	1/6 2.7K OHM J	
207	J001	JACK ANT	9736321900	PAT645		294	R400-401	R CARBON FILM	RD-AZ105J-	1/6 1M OHM J	
208	J490	JACK RCA	9CD6313700	S-436P		295	R402-405	R CARBON FILM	RD-AZ104J-	1/6 100K OHM J	
209	J800	JACK SPEAKER	9736320500	CJ-9007-040		296	R406-407	R CARBON FILM	RD-AZ562J-	1/6 5.6K OHM J	
210	J870	JACK HEADPHONE	9766319501	HTJ-064-05B GOLD		297	R408-409	R CARBON FILM	RD-AZ103J-	1/6 10K OHM J	
211	JW129	R CARBON FILM	RD-AZ220J-	1/6 22 OHM J		298	R410	R CARBON FILM	RD-AZ101J-	1/6 100 OHM J	
212	JW532	COIL BEAD	5LX159P829	1.5UH MIN		299	R411	R CARBON FILM	RD-AZ102J-	1/6 1K OHM J	
213	JW534	COIL BEAD	5LX159P829	1.5UH MIN		300	R412-413	R CARBON FILM	RD-AZ104J-	1/6 100K OHM J	
214	JW536-537	COIL BEAD	5LX159P829	1.5UH MIN		301	R414	R CARBON FILM	RD-AZ102J-	1/6 1K OHM J	
215	JW540	COIL BEAD	5LX159P829	1.5UH MIN		302	R415-416	R CARBON FILM	RD-AZ473J-	1/6 47K OHM J	
216	JW547	COIL BEAD	5LX159P829	1.5UH MIN		303	R430-431	R CARBON FILM	RD-AZ102J-	1/6 1K OHM J	
217	L001	COIL PEAKING	5CPZ100K02	10UH K (AXIAL 3.5MM)		304	R490	R CARBON FILM	RD-AZ392J-	1/6 3.9K OHM J	
218	L100	AM RF UNIT	5LR0000835	KSNT-213M-1		305	R491-492	R CARBON FILM	RD-AZ183J-	1/6 18K OHM J	
219	L102	COIL PEAKING	5CPZ100K02	10UH K (AXIAL 3.5MM)		306	R493	R CARBON FILM	RD-AZ392J-	1/6 3.9K OHM J	
220	L270-271	COIL	5P076068--	6068MPX		307	R500	R CARBON FILM	RD-AZ100J-	1/6 10 OHM J	
221	L500-501	COIL BEAD	5LX159P829	1.5UH MIN		308	R501	R CARBON FILM	RD-AZ102J-	1/6 1K OHM J	
222	L600	COIL BIAS OSC	5L0503K643	SM-10F 5.04MH		309	R502-503	R CARBON FILM	RD-AZ121J-	1/6 120 OHM J	
223	L601-602	COIL CHOKE	5LC333K804	33MH K		310	R504	R CARBON FILM	RD-AZ103J-	1/6 10K OHM J	
224	Q001	TR	TZTC3194Y-	KTC3194Y		311	R513	R CARBON FILM	RD-AZ102J-	1/6 1K OHM J	
225	Q231	TR	TZRA107M--	KRA107M (KSR2006)		312	R514	R CARBON FILM	RD-AZ103J-	1/6 10K OHM J	
226	Q270-271	TRANSISTOR	TZTC3198Y-	KTC3198Y-(1815Y) (AUTO)		313	R515	R CARBON FILM	RD-AZ105J-	1/6 1M OHM J	
227	Q500	TR	TZTA1266Y-	KTA1266Y-(AUTO)(1015Y)		314	R516	R CARBON FILM	RD-AZ101J-	1/6 100 OHM J	
228	Q501	TRANSISTOR	TZTC3198Y-	KTC3198Y-(1815Y) (AUTO)		315	R520-526	R CARBON FILM	RD-AZ472J-	1/6 4.7K OHM J	
229	Q502-503	TR	TKSC2331Y-	KSC2331Y		316	R528	R CARBON FILM	RD-AZ102J-	1/6 1K OHM J	
230	Q510	TR	TKSA928AY-	KSA928A-Y		317	R529-532	R CARBON FILM	RD-AZ683J-	1/6 68K OHM J	
231	Q600	TR	TKRC111M--	KRC111M (KSR1010)		318	R540	R CARBON FILM	RD-AZ223J-	1/6 22K OHM J	
232	Q601	TR	TZRA107M--	KRA107M (KSR2006)		319	R541	R CARBON FILM	RD-AZ823J-	1/6 82K OHM J	
233	Q602	TR	TKRC111M--	KRC111M (KSR1010)		320	R542	R CARBON FILM	RD-AZ473J-	1/6 47K OHM J	
234	Q603-604	TR	TZTA1266Y-	KTA1266Y-(AUTO)(1015Y)		321	R543	R CARBON FILM	RD-AZ124J-	1/6 120K OHM J	
235	Q605	TR	TKRC111M--	KRC111M (KSR1010)		322	R544	R CARBON FILM	RD-AZ104J-	1/6 100K OHM J	
236	Q606	TR	TZTD1302--	KTD1302		323	R545	R CARBON FILM	RD-AZ333J-	1/6 33K OHM J	
237	Q607	TR	TZTC3205Y-	KTC3205Y (2236Y)		324	R546	R CARBON FILM	RD-AZ104J-	1/6 100K OHM J	
238	Q608	TR	TZTA1266Y-	KTA1266Y-(AUTO)(1015Y)		325	R547	R CARBON FILM	RD-AZ473J-	1/6 47K OHM J	
239	Q609	TR	TZTD1302--	KTD1302		326	R548	R CARBON FILM	RD-AZ823J-	1/6 82K OHM J	
240	Q610	TR	TZTA1273Y-	KTA1273Y(966Y)		327	R549-550	R CARBON FILM	RD-AZ103J-	1/6 10K OHM J	
241	Q612	TR	TZTD1302--	KTD1302		328	R551	R CARBON FILM	RD-AZ102J-	1/6 1K OHM J	
242	Q614	TR	TKRC111M--	KRC111M (KSR1010)		329	R552	R CARBON FILM	RD-AZ563J-	1/6 56K OHM J	
243	Q616	TR	TZTD1302--	KTD1302		330	R553	R CARBON FILM	RD-AZ223J-	1/6 22K OHM J	
244	Q802	TR	TZRA107M--	KRA107M (KSR2006)		331	R554	R CARBON FILM	RD-AZ822J-	1/6 8.2K OHM J	
245	Q803	TR	TKRC111M--	KRC111M (KSR1010)		332	R555	R CARBON FILM	RD-AZ153J-	1/6 15K OHM J	
246	Q804-805	TR	TZTD1302--	KTD1302		333	R556	R CARBON FILM	RD-AZ105J-	1/6 1M OHM J	
247	Q870-873	TR	TKRC111M--	KRC111M (KSR1010)		334	R557	R CARBON FILM	RD-AZ683J-	1/6 68K OHM J	
248	Q900	TR	TZTA1273Y-	KTA1273Y(966Y)		335	R558	R CARBON FILM	RD-AZ184J-	1/6 180K OHM J	
249	R002	WIRE JUMPER	W581G6095	AWG22 1/0.65 SN 6 AUTO		336	R559	R CARBON FILM	RD-AZ183J-	1/6 18K OHM J	
250	R003	R CARBON FILM	RD-A2331J-	1/6 330 OHM J		337	R560	R CARBON FILM	RD-AZ220J-	1/6 22 OHM J	
251	R004	R CARBON FILM	RD-AZ470J-	1/6 47 OHM J		338	R561	R CARBON FILM	RD-AZ101J-	1/6 100 OHM J	
252	R005	R CARBON FILM	RD-AZ332J-	1/6 3.3K OHM J		339	R562	R CARBON FILM	RD-AZ823J-	1/6 82K OHM J	
253	R006	R CARBON FILM	RD-AZ681J-	1/6 680 OHM J		340	R563-566	R CARBON FILM	RD-AZ563J-	1/6 56K OHM J	
254	R007	R CARBON FILM	RD-AZ231J-	1/6 330 OHM J		341	R567	R CARBON FILM	RD-AZ823J-	1/6 82K OHM J	
255	R009	R CARBON FILM	RD-AZ121J-	1/6 120 OHM J		342	R570	R CARBON FILM	RD-AZ334J-	1/6 330K OHM J	
256	R010	R CARBON FILM	RD-AZ100J-	1/6 10 OHM J		343	R571	R CARBON FILM	RD-AZ104J-	1/6 100K OHM J	
257	R100	R CARBON FILM	RD-AZ223J-	1/6 22K OHM J		344	R572	R CARBON FILM	RD-AZ334J-	1/6 330K OHM J	
258	R101	R CARBON FILM	RD-AZ104J-	1/6 100K OHM J		345	R573	R CARBON FILM	RD-AZ104J-	1/6 100K OHM J	
259	R102	R CARBON FILM	RD-AZ103J-	1/6 10K OHM J		346	R574	R CARBON FILM	RD-AZ101J-	1/6 100 OHM J	
260	R200	R CARBON FILM	RD-AZ682J-	1/6 6.8K OHM J		347	R575-576	R CARBON FILM	RD-AZ104J-	1/6 100K OHM J	
261	R201A	R CARBON FILM	RD-AZ333J-	1/6 33K OHM J		348	R577	R CARBON FILM	RD-AZ472J-	1/6 4.7K OHM J	
262	R201B	R CARBON FILM	RD-AZ333J-	1/6 33K OHM J		349	R578-579	R CARBON FILM	RD-AZ104J-	1/6 100K OHM J	
263	R202	R CARBON FILM	RD-AZ102J-	1/6 1K OHM J		350	R580-581	R CARBON FILM	RD-AZ103J-	1/6 10K OHM J	
264	R203	R CARBON FILM	RD-AZ473J-	1/6 47K OHM J		351	R582-583	R CARBON FILM	RD-AZ333J-	1/6 33K OHM J	
265	R204	R CARBON FILM	RD-AZ183J-	1/6 18K OHM J		352	R584	R CARBON FILM	RD-AZ103J-	1/6 10K OHM J	
266	R205	R CARBON FILM	RD-AZ102J-	1/6 1K OHM J		353	R585-586	R CARBON FILM	RD-AZ100J-	1/6 10 OHM J	
267	R206	R CARBON FILM	RD-AZ151J-	1/6 150 OHM J		354	R587-588	R CARBON FILM	RD-2Z150J-	1/2 15 OHM J	
268	R207	R CARBON FILM	RD-AZ332J-	1/6 3.3K OHM J		355	R589	R CARBON FILM	RD-AZ103J-	1/6 10K OHM J	
269	R208	R CARBON FILM	RD-AZ100J-	1/6 10 OHM J		356	R590	R CARBON FILM	RD-AZ153J-	1/6 15K OHM J	
270	R209-210	R CARBON FILM	RD-AZ152J-	1/6 1.5K OHM J		357	R591	R CARBON FILM	RD-AZ183J-	1/6 18K OHM J	
271	R211-212	R CARBON FILM	RD-AZ332J-	1/6 3.3K OHM J		358	R592-594	R CARBON FILM	RD-AZ103J-	1/6 10K OHM J	
272	R213	R CARBON FILM	RD-AZ563J-	1/6 56K OHM J		359	R595-596	R CARBON FILM	RD-AZ100J-	1/6 10 OHM J	
273	R230-231	R CARBON FILM	RD-AZ472J-	1/6 4.7K OHM J		360	R600	R CARBON FILM	RD-AZ100J-	1/6 10 OHM J	
274	R232	R CARBON FILM	RD-AZ470J-	1/6 47 OHM J		361	R601	R CARBON FILM	RD-AZ561J-	1/6 560 OHM J	
275	R233	R CARBON FILM	RD-AZ472J-	1/6 4.7K OHM J		362	R602	R CARBON FILM	RD-AZ392J-	1/6 3.9K OHM J	
276	R234	R CARBON FILM	RD-AZ332J-	1/6 3.3K OHM J		363	R603	R CARBON FILM	RD-AZ821J-	1/6 820 OHM J	
277	R235-237	R CARBON FILM	RD-AZ102J-	1/6 1K OHM J		364	R604	R CARBON FILM	RD-AZ682J-	1/6 6.8K OHM J	
278	R239	R CARBON FILM	RD-AZ102J-	1/6 1K OHM J		365	R605	R CARBON FILM	RD-AZ104J-	1/6 100K OHM J	
279	R241	R CARBON FILM	RD-AZ102J-	1/6 1K OHM J		366	R606	R CARBON FILM	RD-AZ561J-	1/6 560 OHM J	
280	R242-244	R CARBON FILM	RD-AZ103J-	1/6 10K OHM J		367	R607	R CARBON FILM	RD-AZ103J-	1/6 10K OHM J	
281	R245	R CARBON FILM	RD-AZ472J-	1/6 4.7K OHM J		368	R608	R CARBON FILM	RD-AZ332J-	1/6 3.3K OHM J	
282	R246	R CARBON FILM	RD-AZ103J-	1/6 10K OHM J		369	R609	R CARBON FILM	RD-AZ103J-	1/6 10K OHM J	
283	R253	R CARBON FILM	RD-AZ100J-	1/6 10 OHM J		370	R610	R CARBON FILM	RD-AZ102J-	1/6 1K OHM J	
284	R254	R CARBON FILM	RD-AZ473J-	1/6 47K OHM J		371	R611	R CARBON FILM	RD-AZ479J-	1/6 4.7 OHM J	
285	R260	R CARBON FILM	RD-AZ100J-	1/6 10 OHM J		372	R613-614	R CARBON FILM	RD-AZ103J-	1/6 10K OHM J	

Electrical Parts List

Model : AXL-125W(XW-125)

NO	LOCATION	PART-NAME	PART-CODE	PART-DESC	REMARK	NO	LOCATION	PART-NAME	PART-CODE	PART-DESC	REMARK
373	R615	R CARBON FILM	RD-AZ333J-	1/6 33K OHM J		6	D980-985	DIODE	D1N4001---	1N4001	
374	R616	R CARBON FILM	RD-AZ103J-	1/6 10K OHM J		7	F981	FUSE GLASS TUBE	5F5GB1222L	SEMKO TL 1.25A 250V MF51	
375	R618	R CARBON FILM	RD-AZ103J-	1/6 10K OHM J		8	FC982-983	CLIP FUSE	9734600700	FC-5N	
376	R619	R CARBON FILM	RD-AZ102J-	1/6 1K OHM J		9	IC980	IC	1MC78L05-	MC78L05AC	
377	R620	R CARBON FILM	RD-AZ151J-	1/6 150 OHM J		10	PT980	TRANS POWER	5TP8028829	EI=28X12 230V 50HZ	
378	R621	R CARBON FILM	RD-AZ472J-	1/6 4.7K OHM J		11	PT981	TRANS POWER	5TP8074837	EI=74X42 230V 50HZ	
379	R622-623	R CARBON FILM	RD-AZ184J-	1/6 180K OHM J		12	Q981	TR	TZTC3205Y-	KTC3205Y (2236Y)	
380	R624	R CARBON FILM	RD-AZ103J-	1/6 10K OHM J		13	R980	R METAL FILM	RN-2Y475J-	1/2 4.7M OHM J	
381	R626	R CARBON FILM	RD-AZ221J-	1/6 220 OHM J		14	R981	R CARBON FILM	RD-4Z101J-	1/4 100 OHM J	
382	R627	R CARBON FILM	RD-AZ683J-	1/6 68K OHM J		15	R982	R CARBON FILM	RD-AZ103J-	1/6 10K OHM J	
383	R628-629	R CARBON FILM	RD-AZ823J-	1/6 82K OHM J		16	R983	R CARBON FILM	RD-AZ472J-	1/6 4.7K OHM J	
384	R633-635	R CARBON FILM	RD-AZ103J-	1/6 10K OHM J		17	RF980	R FUSIBLE	RF01F4780J	0.47OHM 1W	
385	R636	R CARBON FILM	RD-AZ105J-	1/6 1M OHM J		18	RF982-983	R FUSIBLE	RF01F4780J	0.47OHM 1W	
386	R637	R CARBON FILM	RD-AZ271J-	1/6 270 OHM J		19	RY980	SW RELAY	55C2001A01	SDT-S-105LMR	
387	R638-639	R CARBON FILM	RD-AZ392J-	1/6 3.9K OHM J		20	TP980-981	PIN WRAPPING	9713550400	1.0X2.5X15	
388	R640	R CARBON FILM	RD-AZ271J-	1/6 270 OHM J							
389	R641-642	R CARBON FILM	RD-AZ103J-	1/6 10K OHM J							
390	R643-644	R CARBON FILM	RD-AZ184J-	1/6 180K OHM J							
391	R645	R CARBON FILM	RD-AZ183J-	1/6 18K OHM J							
392	R646	R CARBON FILM	RD-AZ103J-	1/6 10K OHM J							
393	R647	R CARBON FILM	RD-AZ470J-	1/6 47 OHM J							
394	R648-649	R CARBON FILM	RD-AZ334J-	1/6 330K OHM J							
395	R650-651	R CARBON FILM	RD-AZ151J-	1/6 150 OHM J							
396	R652-653	R CARBON FILM	RD-AZ103J-	1/6 10K OHM J							
397	R654-655	R CARBON FILM	RD-AZ272J-	1/6 2.7K OHM J							
398	R656	R CARBON FILM	RD-AZ102J-	1/6 1K OHM J							
399	R657	R CARBON FILM	RD-AZ103J-	1/6 10K OHM J							
400	R658	R CARBON FILM	RD-AZ102J-	1/6 1K OHM J							
401	R659-660	R CARBON FILM	RD-AZ682J-	1/6 6.8K OHM J							
402	R661	R CARBON FILM	RD-AZ103J-	1/6 10K OHM J							
403	R662-663	R CARBON FILM	RD-AZ683J-	1/6 68K OHM J							
404	R664-665	R CARBON FILM	RD-AZ820J-	1/6 82 OHM J							
405	R666-669	R CARBON FILM	RD-AZ102J-	1/6 1K OHM J							
406	R670	R CARBON FILM	RD-AZ183J-	1/6 18K OHM J							
407	R671	R CARBON FILM	RD-AZ103J-	1/6 10K OHM J							
408	R672-673	R CARBON FILM	RD-AZ333J-	1/6 33K OHM J							
409	R674-677	R CARBON FILM	RD-AZ472J-	1/6 4.7K OHM J							
410	R802-805	R CARBON FILM	RD-AZ100J-	1/6 10 OHM J							
411	R806	R CARBON FILM	RD-AZ103J-	1/6 10K OHM J							
412	R808	R CARBON FILM	RD-AZ103J-	1/6 10K OHM J							
413	R810	R CARBON FILM	RD-AZ103J-	1/6 10K OHM J							
414	R811-812	R CARBON FILM	RD-AZ473J-	1/6 47K OHM J							
415	R813-814	R CARBON FILM	RD-AZ681J-	1/6 680 OHM J							
416	R815-816	R CARBON FILM	RD-AZ223J-	1/6 22K OHM J							
417	R817-818	R CARBON FILM	RD-AZ104J-	1/6 100K OHM J							
418	R819-820	R CARBON FILM	RD-AZ472J-	1/6 4.7K OHM J							
419	R870	R CARBON FILM	RD-AZ102J-	1/6 1K OHM J							
420	R871	R CARBON FILM	RD-AZ560J-	1/6 56 OHM J							
421	R872	R CARBON FILM	RD-AZ563J-	1/6 56K OHM J							
422	R874	R CARBON FILM	RD-AZ101J-	1/6 100 OHM J							
423	R876	R CARBON FILM	RD-AZ183J-	1/6 18K OHM J							
424	R877	R CARBON FILM	RD-AZ101J-	1/6 100 OHM J							
425	R878	R CARBON FILM	RD-AZ183J-	1/6 18K OHM J							
426	R879	R CARBON FILM	RD-AZ101J-	1/6 100 OHM J							
427	R880	R CARBON FILM	RD-AZ102J-	1/6 1K OHM J							
428	R881	R CARBON FILM	RD-AZ333J-	1/6 33K OHM J							
429	R882	R CARBON FILM	RD-AZ563J-	1/6 56K OHM J							
430	R883	R CARBON FILM	RD-AZ333J-	1/6 33K OHM J							
431	R900-901	R CARBON FILM	RD-4Z479J-	1/4 4.7 OHM J							
432	R902-903	R CARBON FILM	RD-AZ221J-	1/6 220 OHM J							
433	R904	R CARBON FILM	RD-4Z121J-	1/4 120 OHM J							
434	R905	R CARBON FILM	RD-AZ562J-	1/6 5.6K OHM J							
435	R906-908	R CARBON FILM	RD-AZ103J-	1/6 10K OHM J							
436	R909	R CARBON FILM	RD-AZ562J-	1/6 5.6K OHM J							
437	R910	R CARBON FILM	RD-AZ102J-	1/6 1K OHM J							
438	R911	R CARBON FILM	RD-AZ100J-	1/6 10 OHM J							
439	R912	R CARBON FILM	RD-AZ562J-	1/6 5.6K OHM J							
440	R913	R CARBON FILM	RD-AZ103J-	1/6 10K OHM J							
441	RV600	R SEMI FIXED	RV1417222-	1/10 2.2K OHM B V6EK-PV1S							
442	TU001	TUNER PACK	9737613500	FTE4-401TC							
443	W501	WIRE LEAD	WP-4BK8007	AWG26 7/0.16 BK 10-80-10							
444	XC200	C DISCRIMINATOR	5P107MG86C	CDA10.7MG86N-C							
445	XC230	X-TAL	5XA7R20000	7.2M							
446	XC260	X-TAL	5XA4R332M-	4.332M							
447	XC501	RESONATOR CERA	5PCST16R93	CSTLS16M9X55-B0							
1	13000	PCB OPTICAL JACK AS	9CDC050700	AMI-710R0F(OM MECHA)							
2	B001	PCB OPTICAL	9CD6577800	29X21X1.6T							
3	BD501	CORE BEAD	9788602000	H.B-T15X25X13ON							
4	CC561	C CERA	CCXF1H104Z	50V F 0.1MF Z							
5	CN510	CONN AS	9738841800	#26 400MM 3P 2.5P							
6	IC507	IC	1TOTX178--	TOTX178							
7	L502	WIRE JUMPER	W581GY6095	AWG22 1/0.65 SN 6 AUTO							
1	12000	PCB P/T AS	9CDC060000	AMI-829RW							
2	B9000	PCB P/T	9CD6580501	108X123X1.6T							
3	CD900	CORD AC	9736900200	KKP419C,KLCE-2F.0.75SQURE							
4	CE980	C ELECTRO	CEYF1E102V	25V RSS 1000MF (13X20)							
5	CN900	CONN WAFER	9728804100	#22 10P P2.5 350 BOARD-IN							