

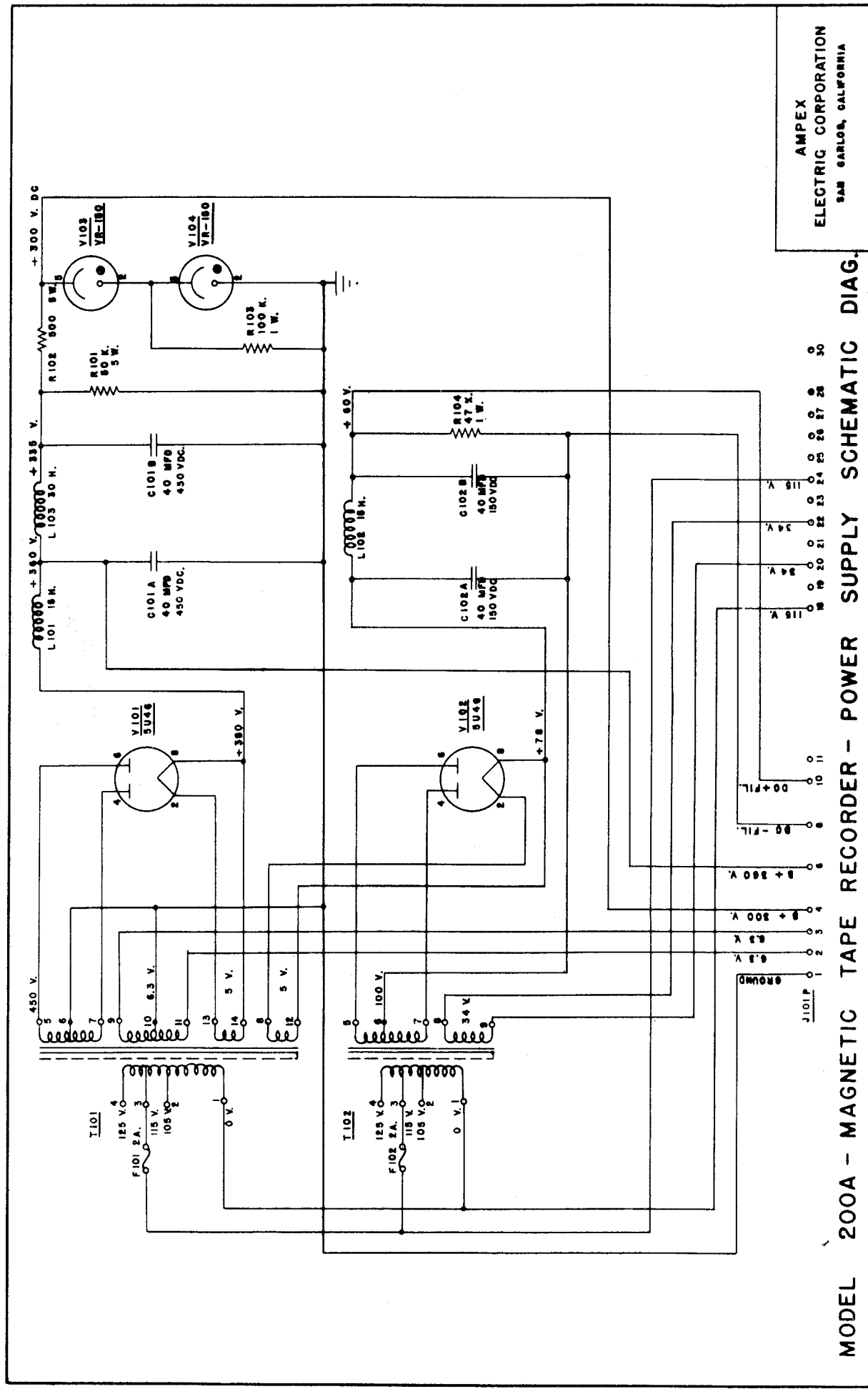
ALTEC SERVICE CORPORATION  
AMPEX TAPE RECORDERS  
MANUAL FOR SERVICING

---

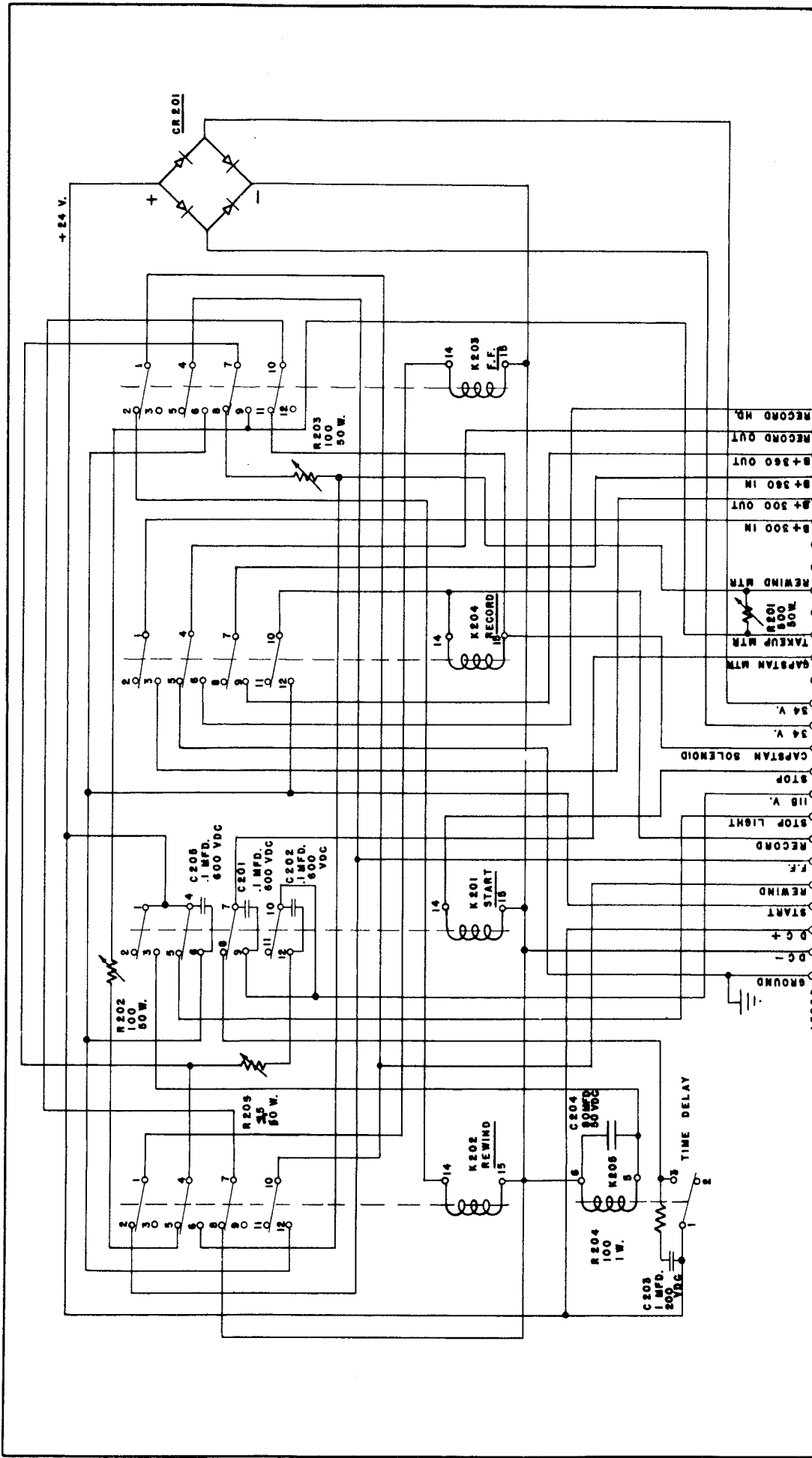
Section I-2

DRAWINGS ON MODEL 200 RECORDER

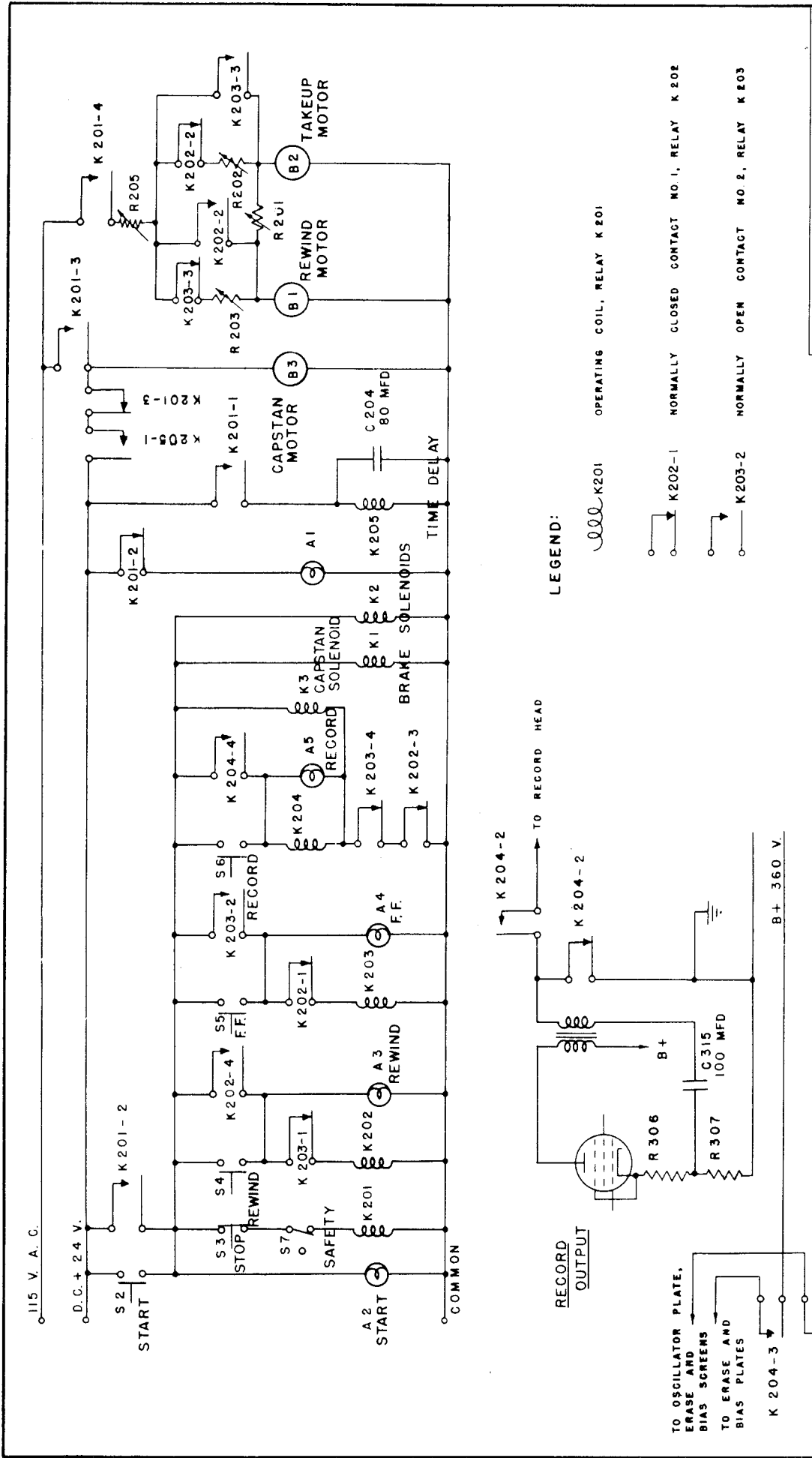
AMPEX  
 ELECTRIC CORPORATION  
 SAN CARLOS, CALIFORNIA



MODEL 200A - MAGNETIC TAPE RECORDER - POWER SUPPLY SCHEMATIC DIAG.



MODEL 200A - MAGNETIC TAPE RECORDER-RELAY CHASSIS SCHEMATIC DIAG.



LEGEND:

OPERATING COIL, RELAY K 201

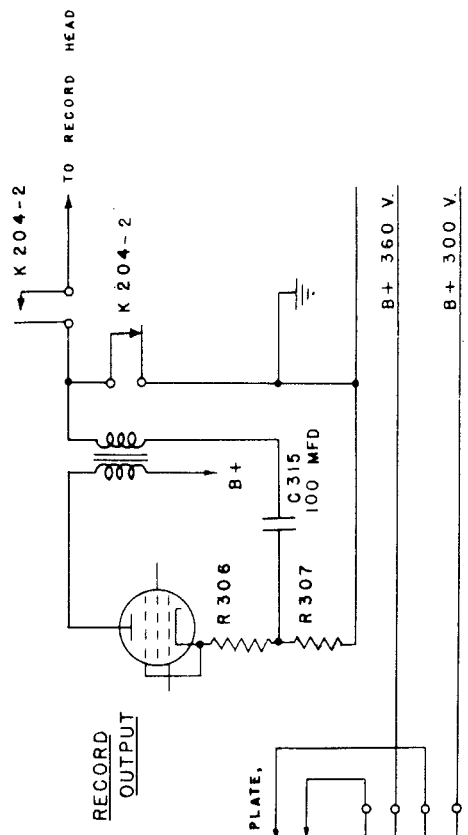
K202-1

K203-2

NORMALLY CLOSED CONTACT NO. 1, RELAY K 202

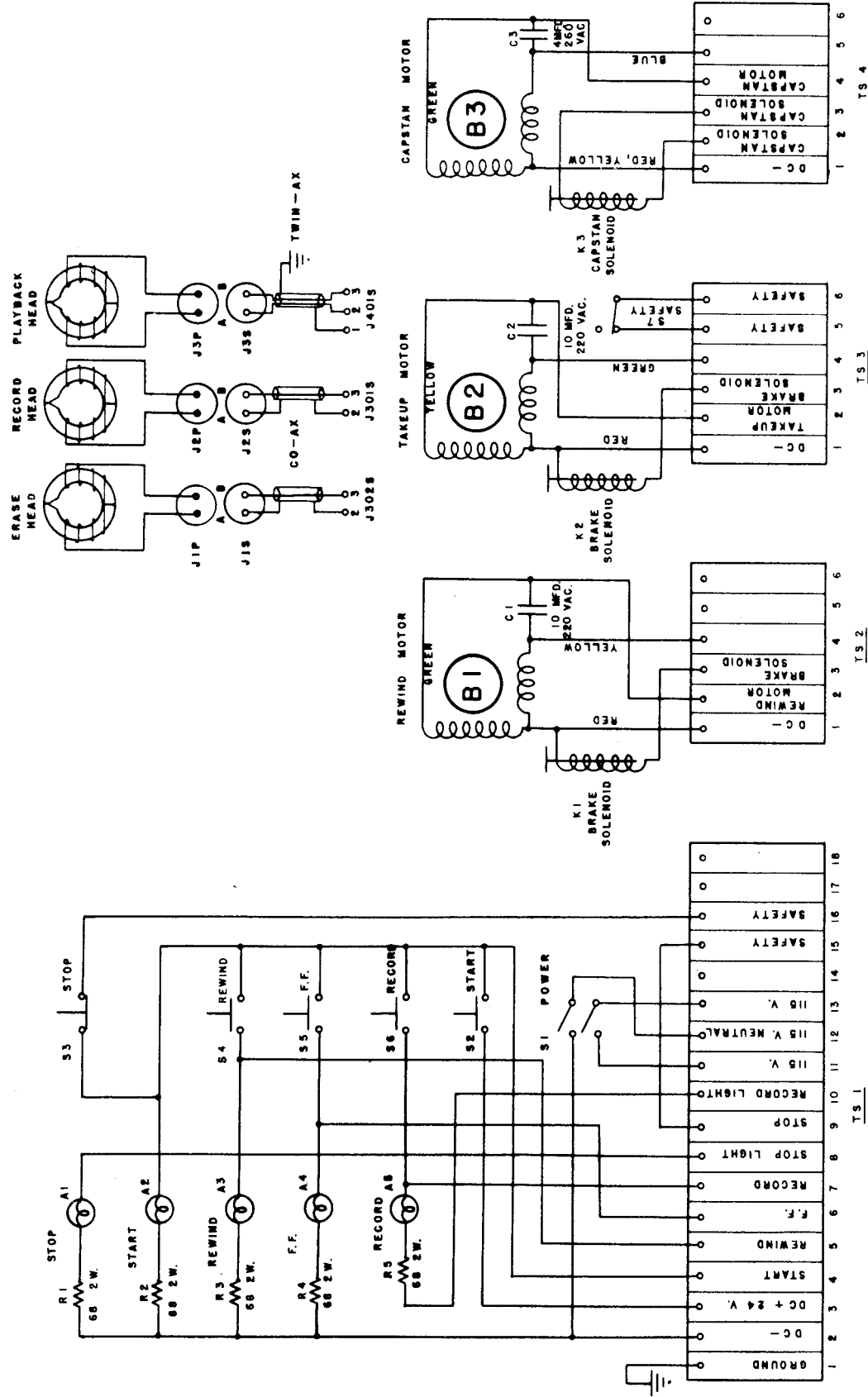
NORMALLY OPEN CONTACT NO. 2, RELAY K 203

TO OSCILLATOR PLATE,  
ERASE AND  
BIAS SCREENS  
TO ERASE AND  
BIAS PLATES  
K 204-3  
K 204-1



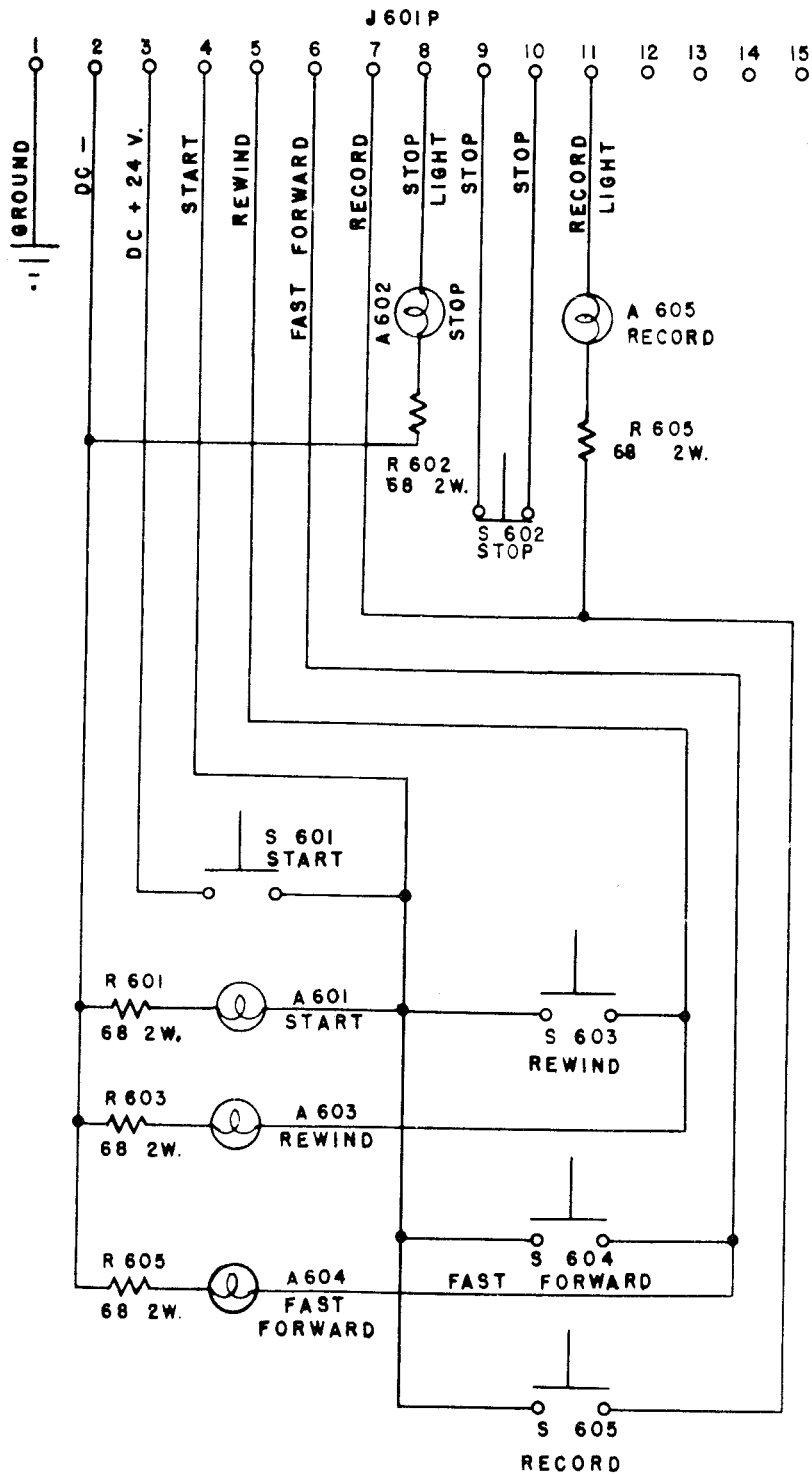
**AMPEX**  
ELECTRIC CORPORATION  
SAN CARLOS, CALIFORNIA

MODEL 200A - MAGNETIC TAPE RECORDER - SCHEMATIC CONTROL DIAG.

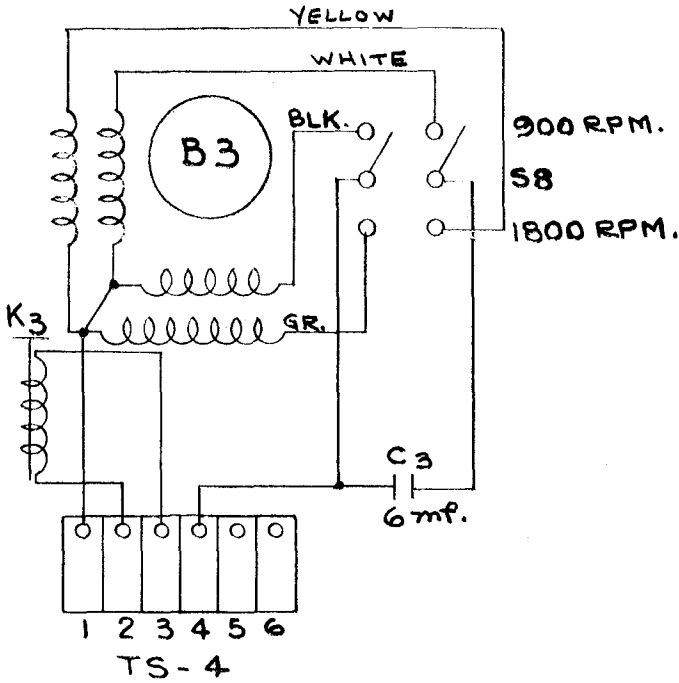


AMPEX  
ELECTRIC CORPORATION  
SAN CARLOS, CALIFORNIA

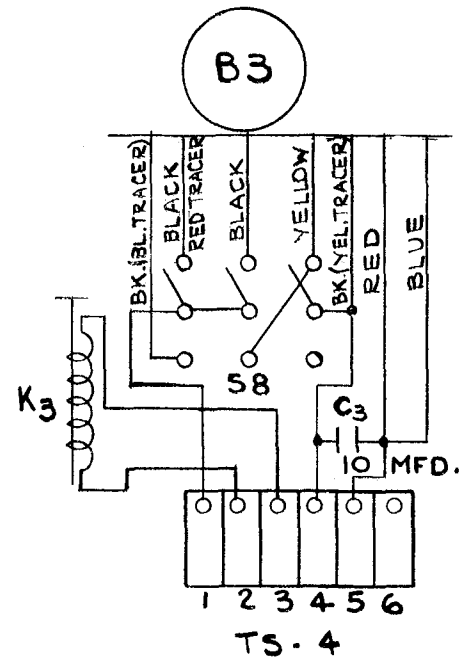
MODEL 200A - MAGNETIC TAPE RECORDER - TOP PLATE SCHEMATIC DIAG.



MODEL 200A  
MAGNETIC TAPE RECORDER  
REMOTE CONTROL PANEL



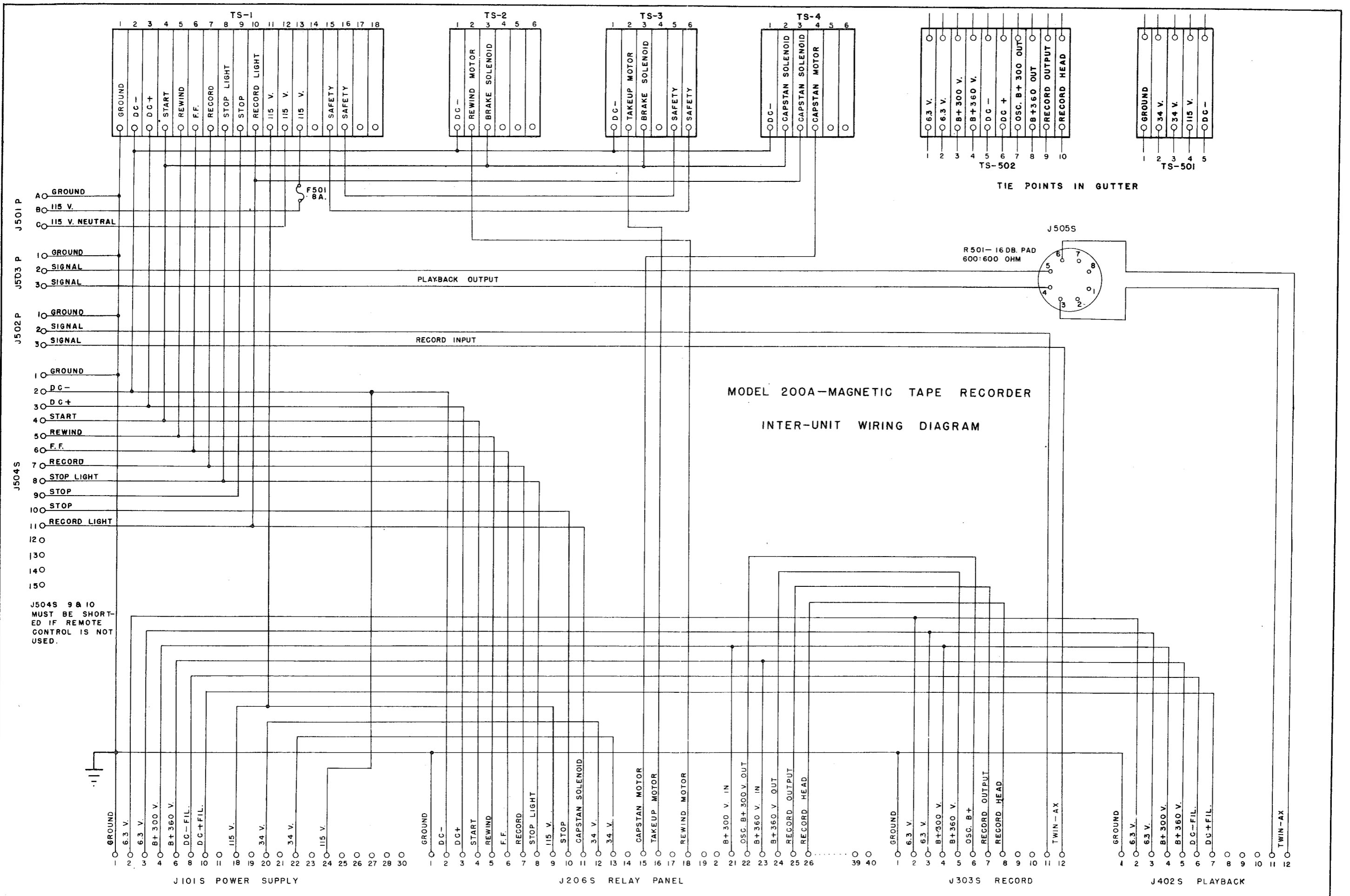
DUAL SPEED MOTOR  
ELECTRICAL INDICATOR TYPE



DUAL SPEED MOTOR  
BODINE TYPE

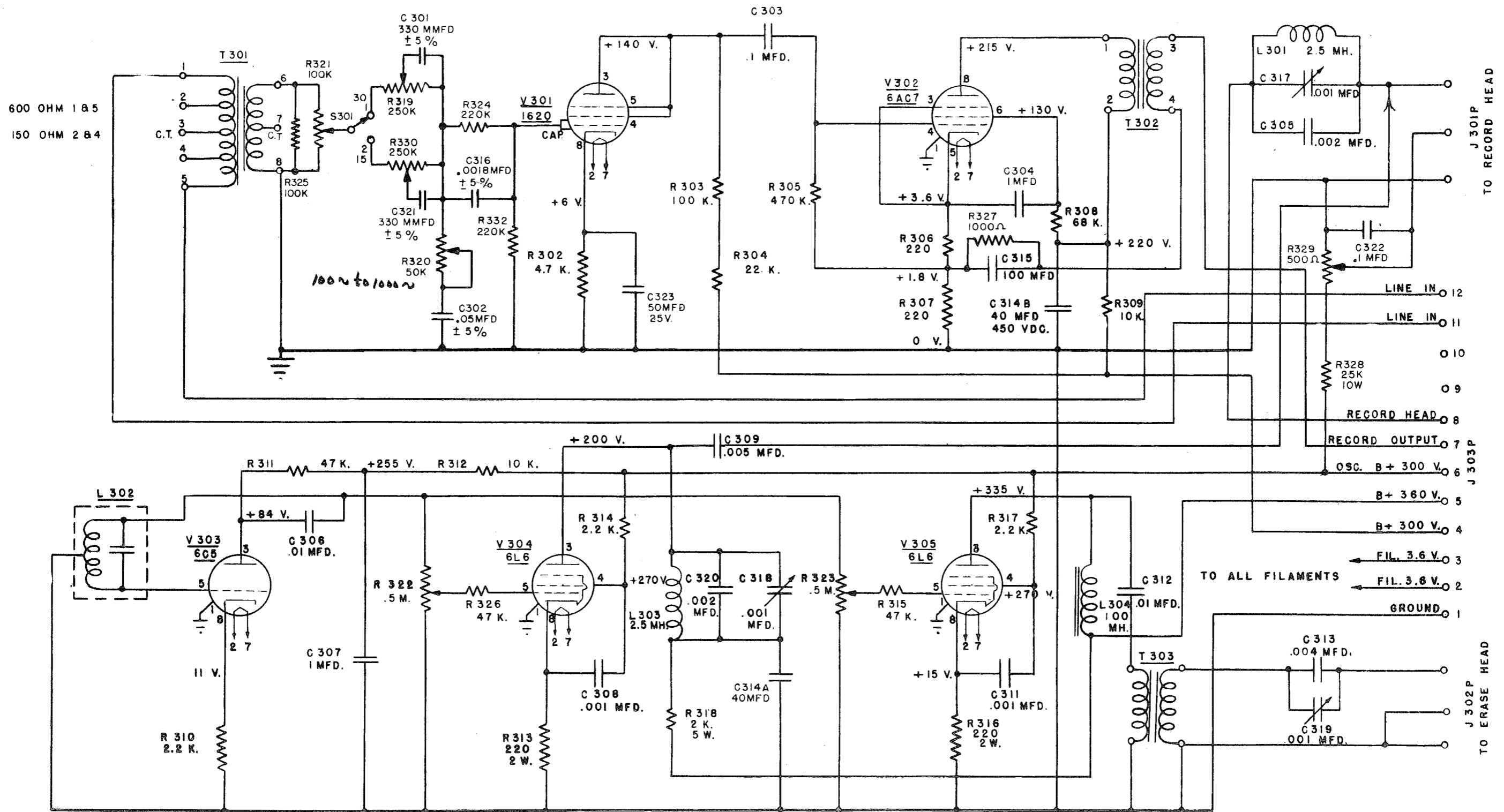
ASSOC. DWG'S.

APP'D	DRAWN BY	DATE	<b>SCHEMATIC</b>	
			<b>DUAL SPEED DRIVE MOTORS</b>	
ISSUE	APP'D	DATE	<b>AMPEX MODEL 200 RECORDER</b>	
			<b>ALTEC SERVICE CORPORATION NEW YORK</b>	





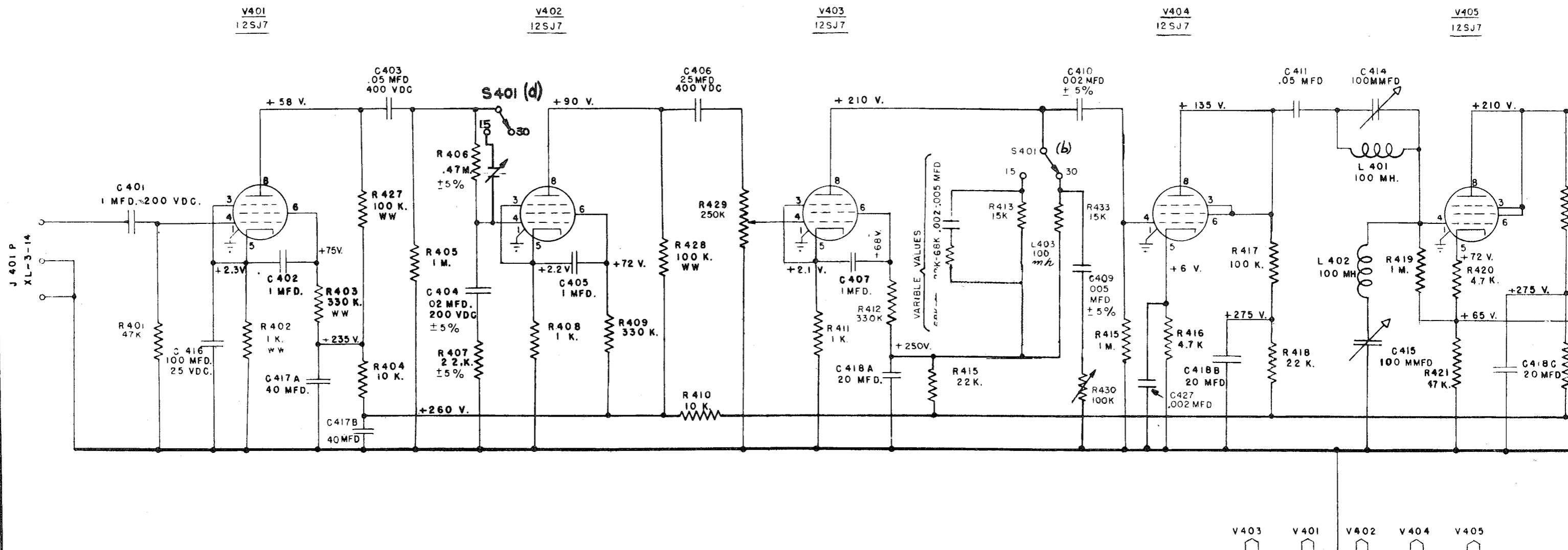
# RECORD AMPLIFIER



**NOTE ~**  
 THIS DWG. SHOWS CHANGES  
 IS HOOKUP ON 200 RECORDER  
 AMPLIF. WHEN 2 TAPE SPEEDS  
 ARE USED.

**ERASE AND BIAS AMPLIFIER**  
**MODEL 200A-MAGNETIC TAPE RECORDER**  
**RECORD AND OSCILLATOR CIRCUITS**

AMPEX  
 ELECTRIC CORPORATION  
 SAN CARLOS, CALIFORNIA

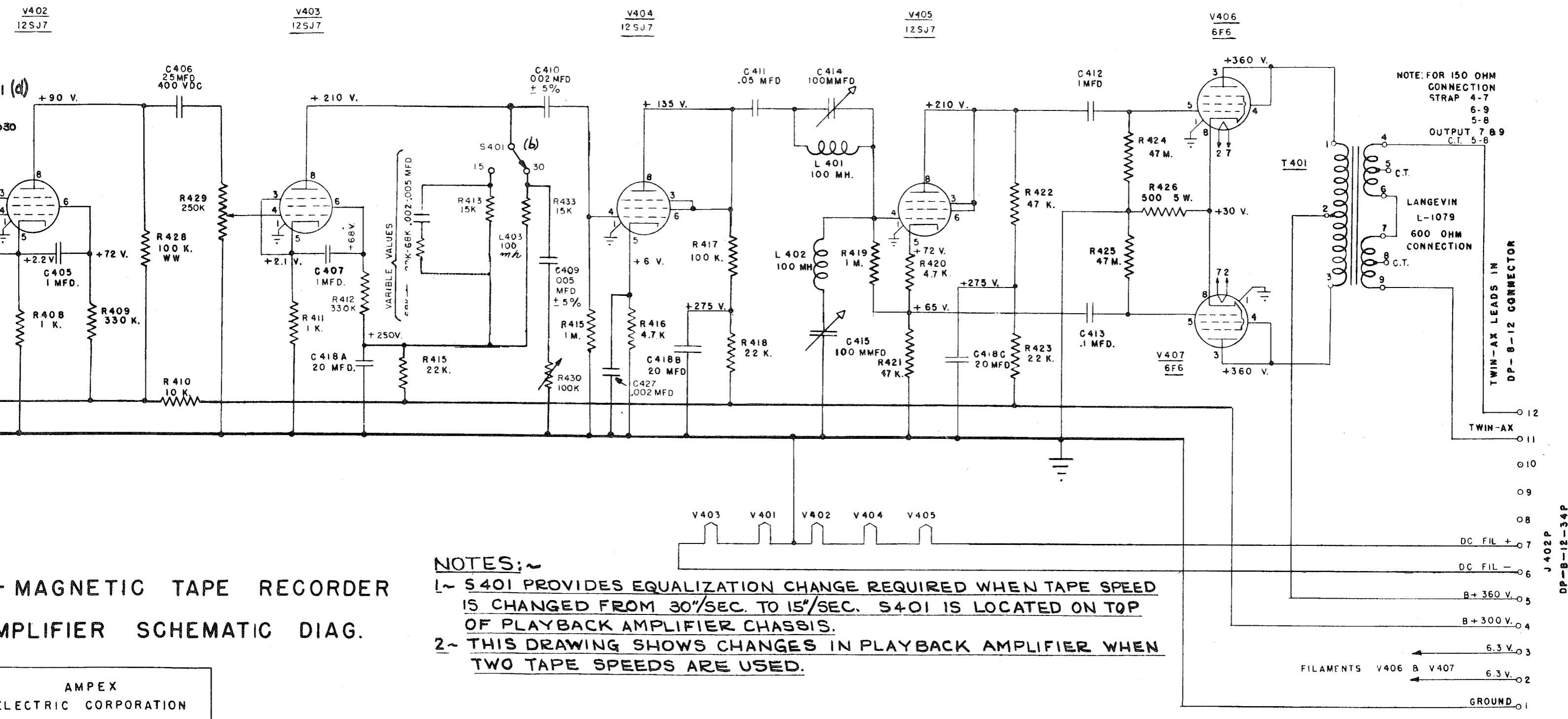


MODEL 200A-MAGNETIC TAPE RECORDER  
PLAYBACK AMPLIFIER SCHEMATIC DIAG.

AMPEX  
ELECTRIC CORPORATION  
SAN CARLOS, CALIFORNIA

NOTES:~

- 1~ S 401 PROVIDES EQUALIZATION CHANGE REQUIRED WHEN IS CHANGED FROM 30"/SEC. TO 15"/SEC. S 401 IS LOCATED ON PLAYBACK AMPLIFIER CHASSIS.
- 2~ THIS DRAWING SHOWS CHANGES IN PLAYBACK AMPLIFIER WHEN TWO TAPE SPEEDS ARE USED.



**NOTES:**

1- S401 PROVIDES EQUALIZATION CHANGE REQUIRED WHEN TAPE SPEED IS CHANGED FROM 30"/SEC. TO 15"/SEC. S401 IS LOCATED ON TOP OF PLAYBACK AMPLIFIER CHASSIS.

2- THIS DRAWING SHOWS CHANGES IN PLAYBACK AMPLIFIER WHEN TWO TAPE SPEEDS ARE USED.

**MAGNETIC TAPE RECORDER AMPLIFIER SCHEMATIC DIAG.**

AMPEX  
ELECTRIC CORPORATION  
SAN CARLOS, CALIFORNIA

NOTE: FOR 150 OHM CONNECTION STRAP 4-7 6-9 5-8 OUTPUT 7 & 9 C.T. 5-8

LANGEVIN L-1079 600 OHM CONNECTION

TWIN-AX LEADS IN DP-8-12 CONNECTOR

DC FIL + 7  
DC FIL - 6  
B+ 360 V. 5  
B+ 300 V. 4  
6.3 V. 3  
6.3 V. 2  
GROUND 1

J 402 P  
DP-8-12-34P