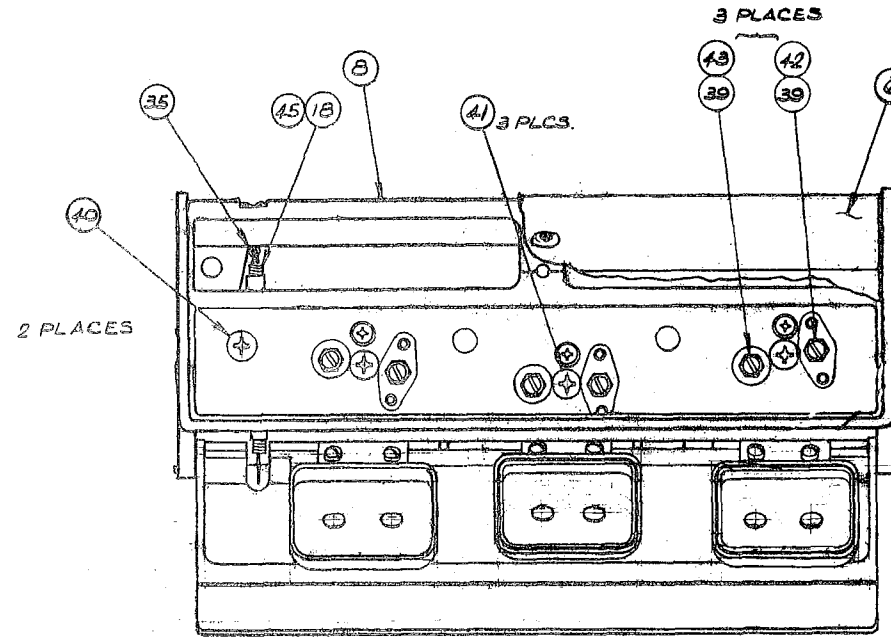
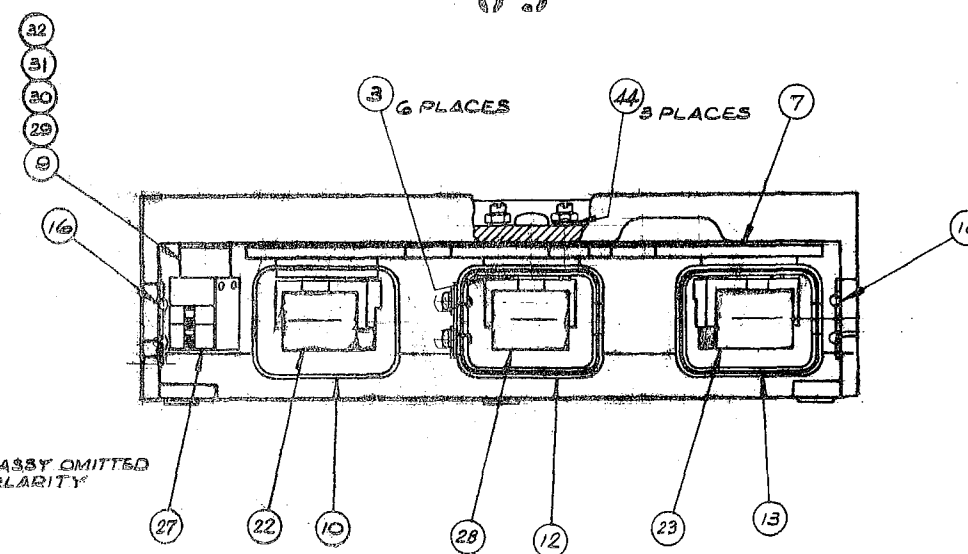
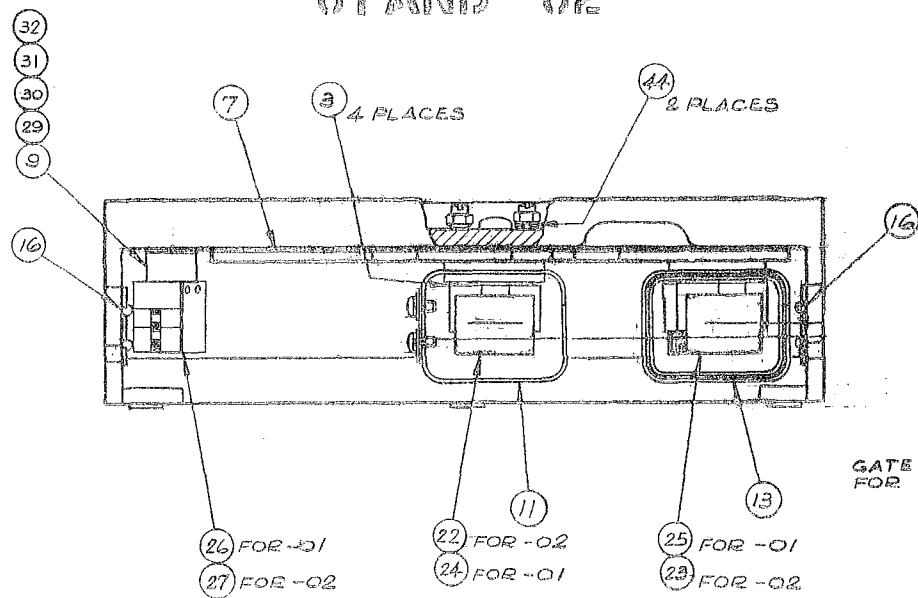


-01 AND -02



-03



GATE ASSY OMITTED FOR CLARITY

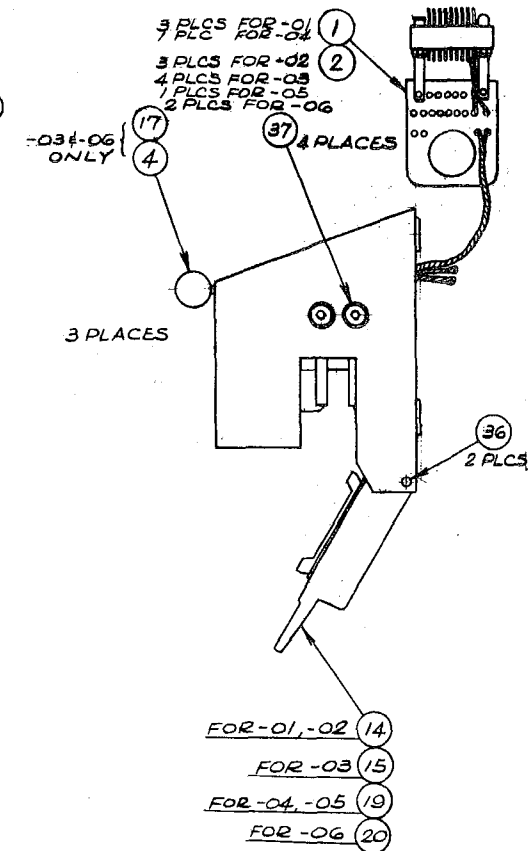


TABLE I		
PART NO.	DESCRIPTION	MODEL
4020272-01	FULL TRACK	AG 440
4020272-02	TWO TRACK	AG 440
4020272-03	TWO-FOUR TRACK	AG 440
4020272-04	FULL TRACK	AG 445
4020272-05	TWO TRACK	AG 445
4020272-06	TWO-FOUR TRACK	AG 445

Fig. 6-1. Head Assembly, Record/Reproduce, 1/4-inch Tape

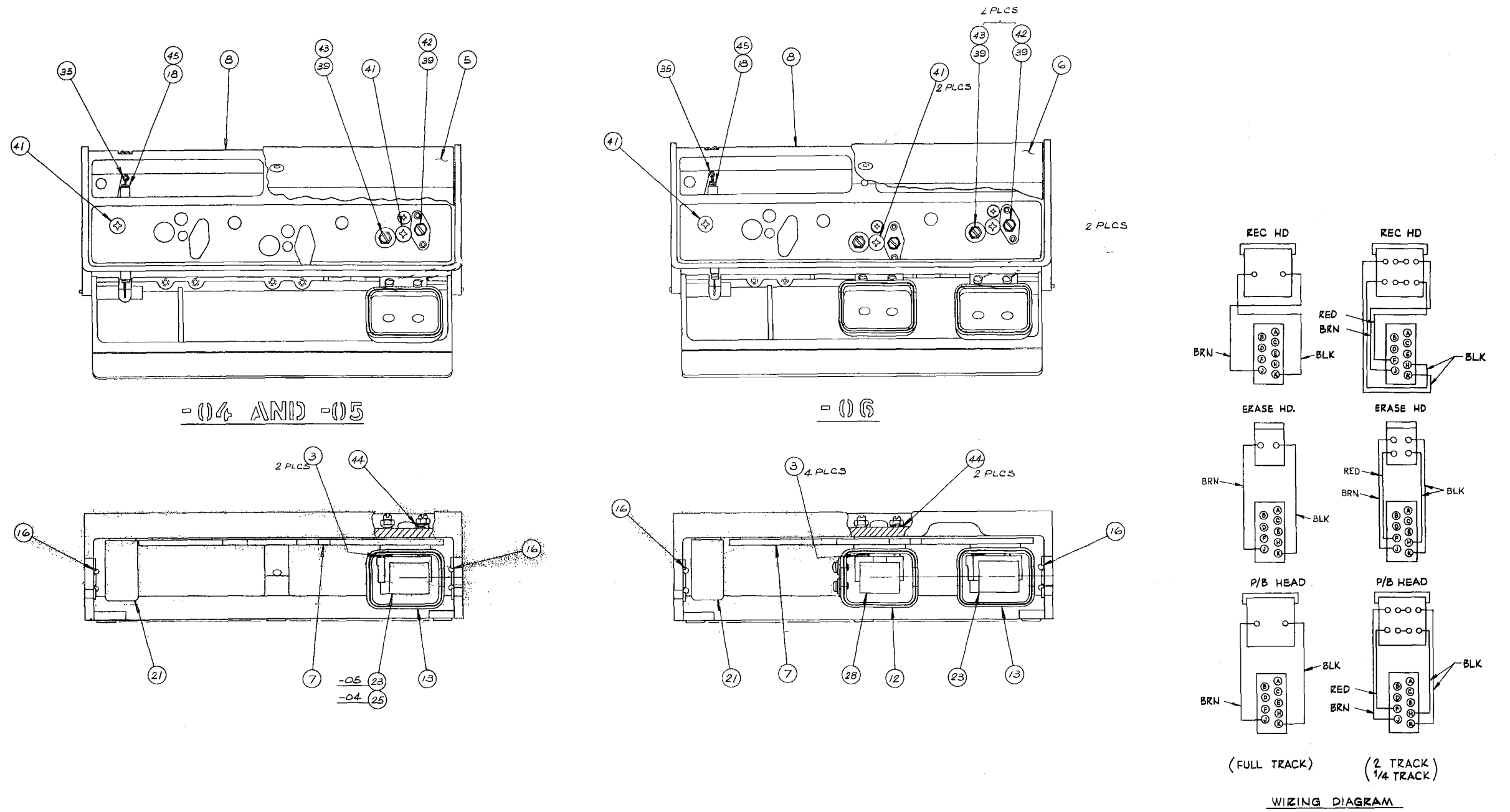


Fig. 6-2. Head Assembly, Reproduce-only, 1/4-inch Tape

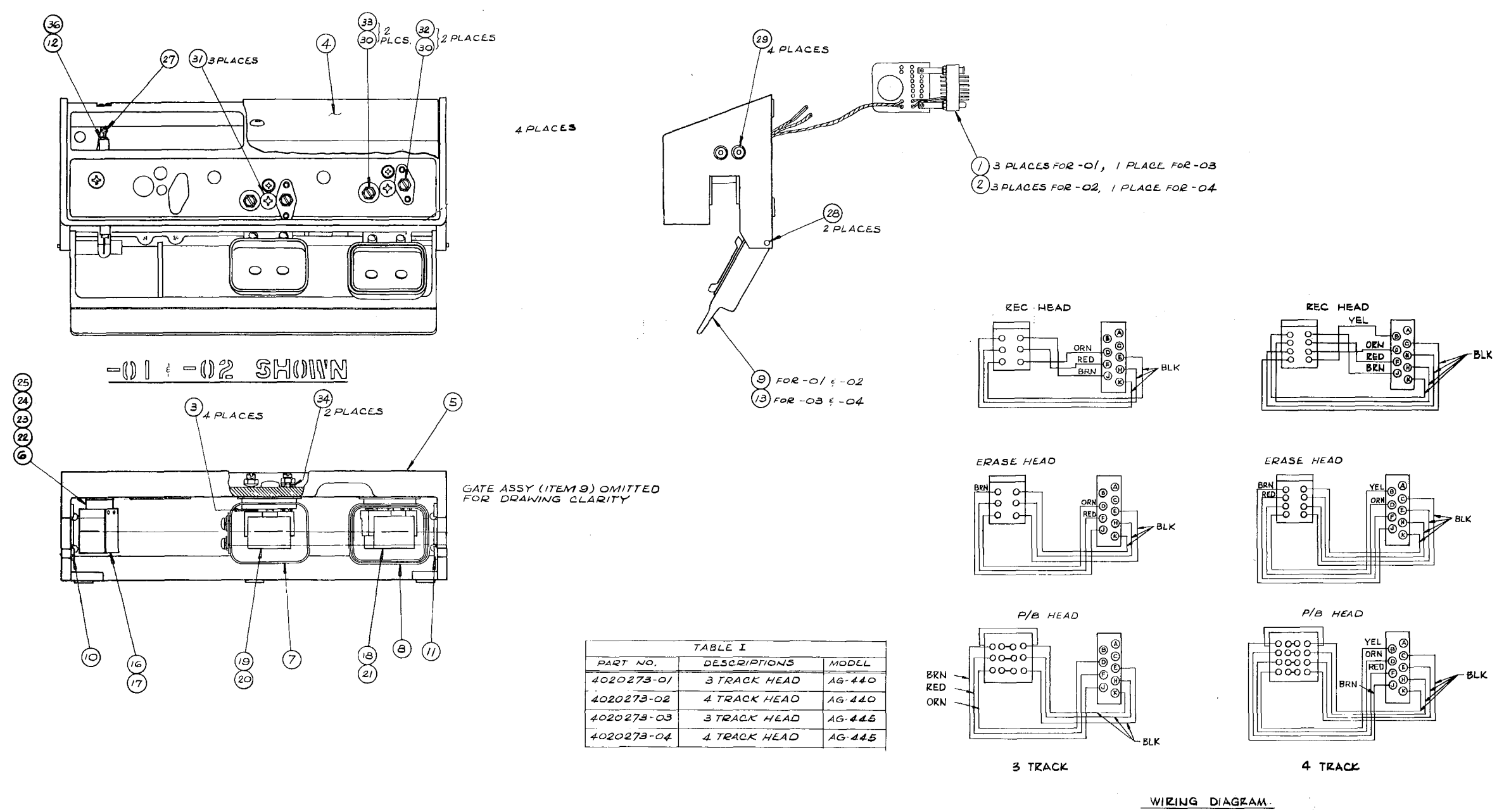
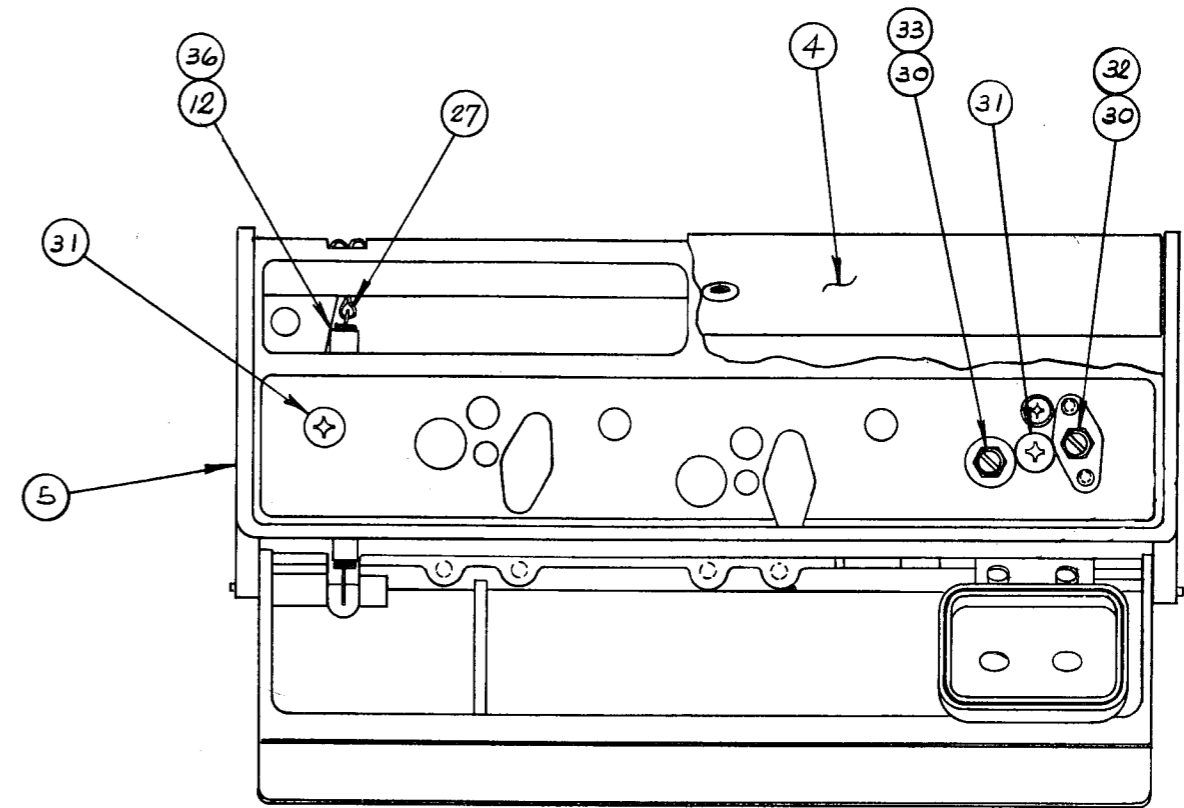


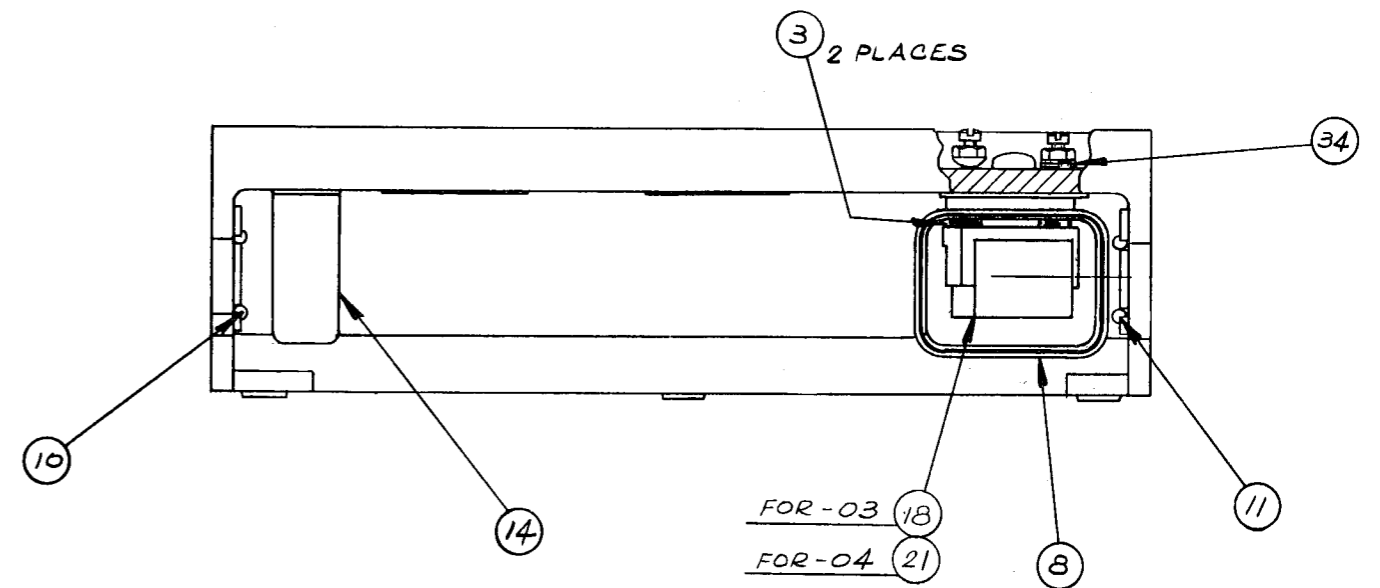
TABLE I

PART NO.	DESCRIPTIONS	MODEL
4020273-01	3 TRACK HEAD	AG-440
4020273-02	4 TRACK HEAD	AG-440
4020273-03	3 TRACK HEAD	AG-445
4020273-04	4 TRACK HEAD	AG-445

Fig. 6-3. Head Assembly, Record/Reproduce, 1/2-inch Tape



-03 & -04 SHOWN

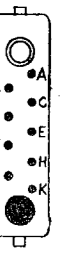
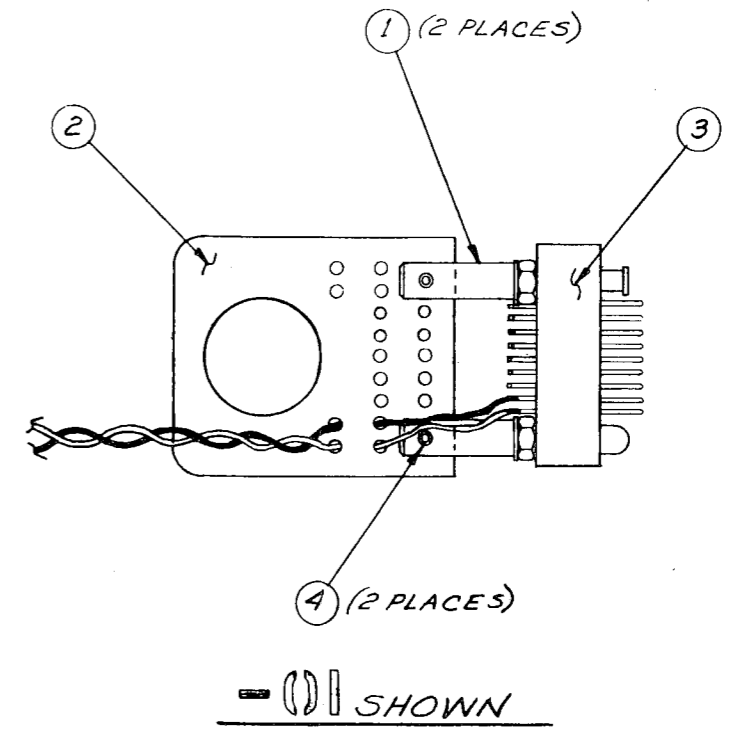


GATE ASSY (ITEM 13) OMITTED FOR DWG. CLARITY.

HEAD CONNECTOR ASSEMBLY  
 CATALOG NO. 4050446  
 (See Fig. 6-5)

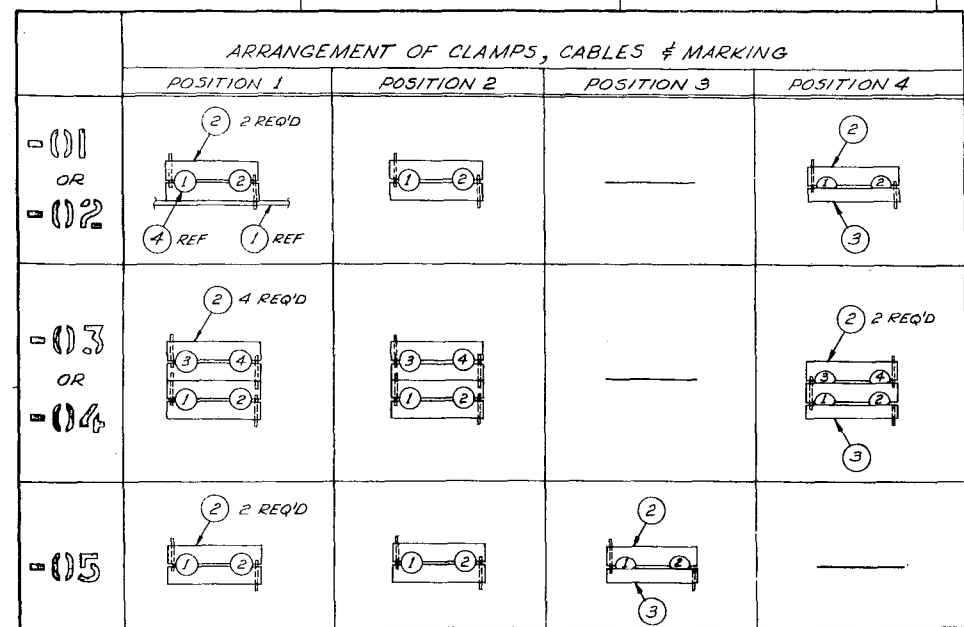
ITEM	-01	-02	-03	-04	DESCRIPTION	Ampex Part No.
		X			Head Connector, assembly, 1 track head	4050446-01
		X			Head Connector, assembly, 2 track head	4050446-02
			X		Head Connector, assembly, 3 track head	4050446-03
				X	Head Connector, assembly, 4 track head	4050446-04
1	2	2	2	2	Standoff, head connector	4220243-01
2	1	1	1	1	Handle, head connector	4350031-01
3	1	1	1	1	Connector, male, rect., 9 pin	143-300
4	2	2	2	2	Rollpin, .062 dia. x .187 lg.	406-272

See Fig. 6-3 for wire color coding



ASSY NO.	TERMINAL LETTER									
	A	B	C	D	E	F	H	J	K	
4050446-01	-	-	-	-	-	-	-	BRN	BLK	
4050446-02	-	-	-	-	-	RED	BLK	BRN	BLK	
4050446-03	-	-	-	ORN	BLK	RED	BLK	BRN	BLK	
4050446-04	-	YEL	BLK	ORN	BLK	RED	BLK	BRN	BLK	

Fig.6-5. Head Connector Assembly



CONN A			
ITEM NO.	MARKER NO.	WIRE COLOR	PIN LETTER
④ (ERASE)	1	WHT	J
		BLK	K
	2	WHT	F
		BLK	H
	3	WHT	D
		BLK	E
	4	WHT	B
		BLK	C

CONN D			
ITEM NO.	MARKER NO.	WIRE COLOR	PIN LETTER
⑥ (REP)	1	RED	J
		BLK	K
	2	RED	F
		BLK	H
	3	RED	D
		BLK	E
	4	RED	B
		BLK	C

CONN B			
ITEM NO.	MARKER NO.	WIRE COLOR	PIN LETTER
⑤ (REC)	1	WHT	J
		BLK	K
	2	WHT	F
		BLK	H
	3	WHT	D
		BLK	E
	4	WHT	B
		BLK	C

**-05 ONLY**  
FOR HOOKUP TO  
CONNECTORS C & D,  
SEE SCHEMATIC

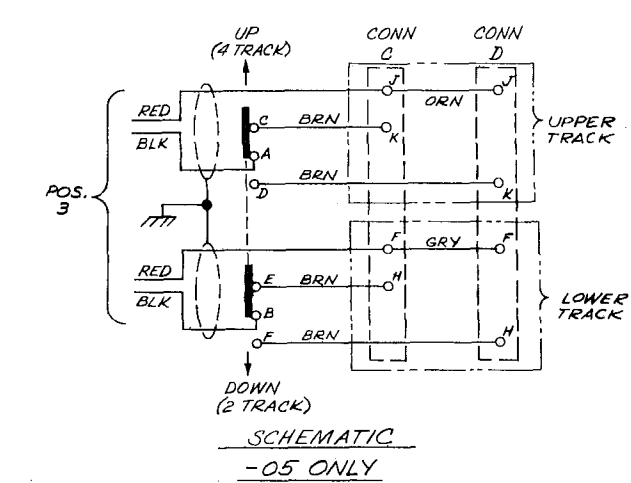
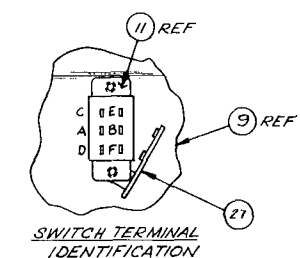
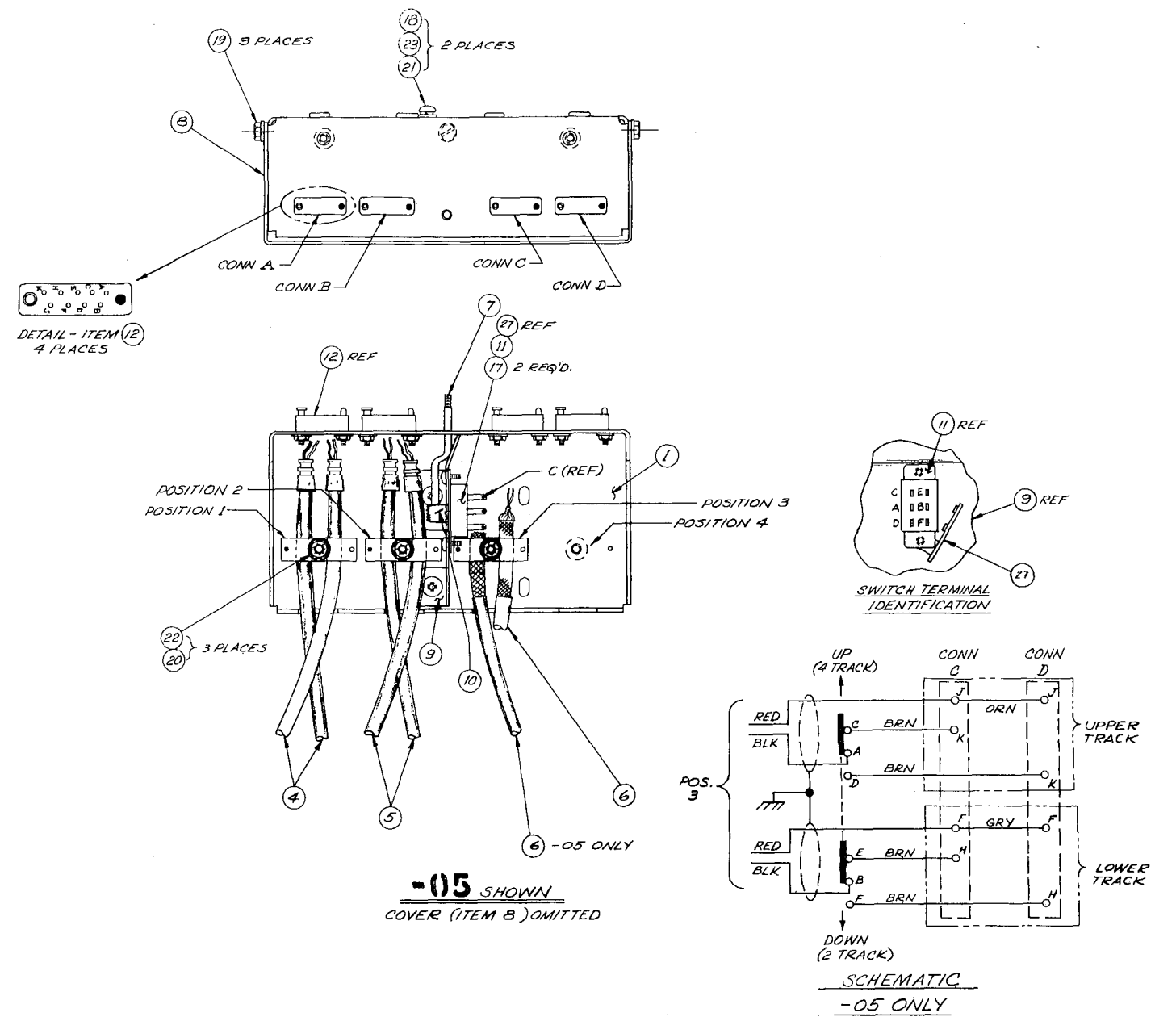
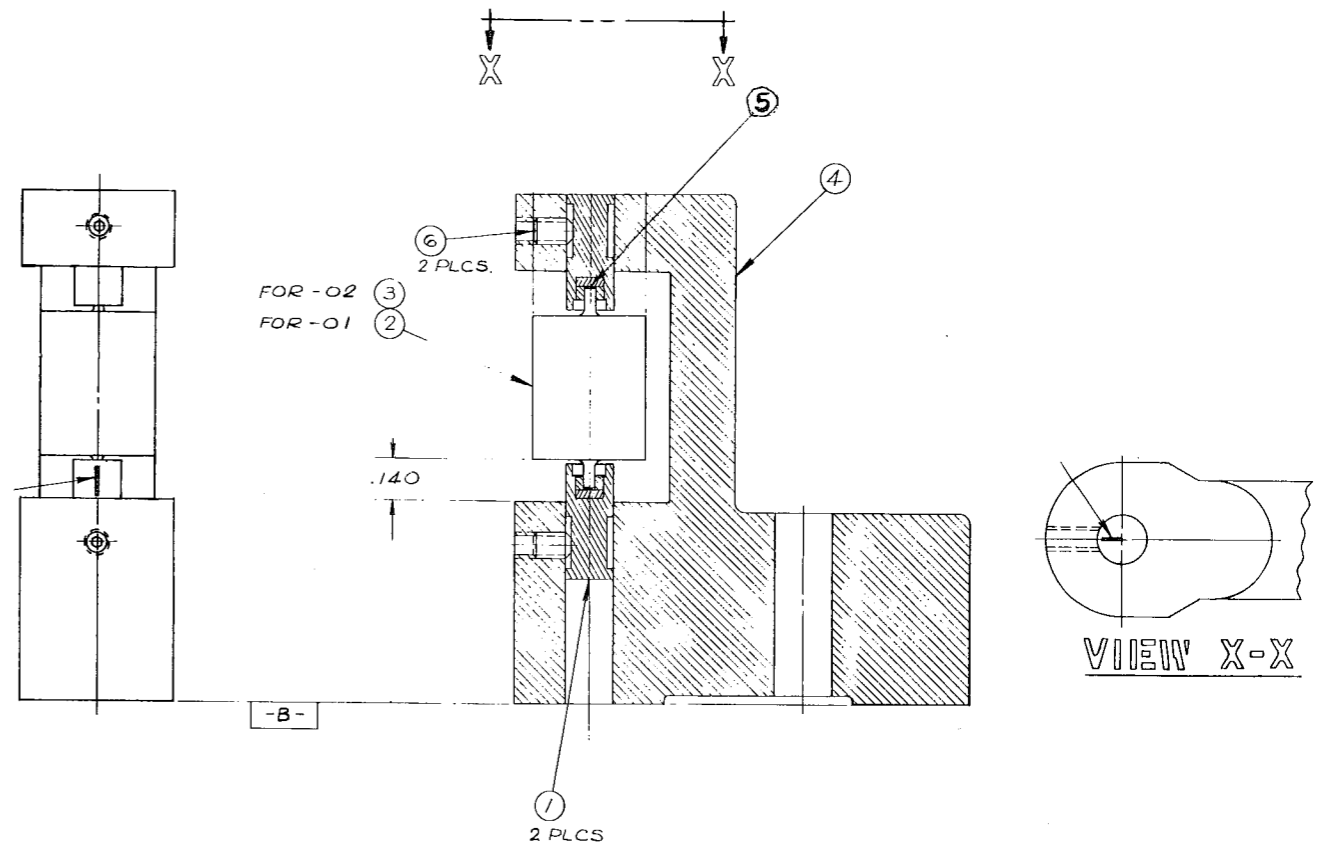


Fig. 6-6 . Head Cable Box Assembly

SCRAPE FLUTTER IDLER ASSEMBLY  
 CATALOG NO. 4040955  
 (See Fig. 6-7)

ITEM	-01	-02	DESCRIPTION	Ampex Part No.
	X		Scrape Flutter Idler, assembly, furnished as standard equipment (3/8-inch roller)	4040955-01
		X	Scrape Flutter Idler, assembly, optional accessory (15/32-inch roller)	4040955-02
<p><u>No parts of the scrape flutter idlers are replaceable.</u></p>				
<p>Note          Optional scrape flutter idler kit Catalog No. 4010069</p>				



MARK IN LINE WITH SET SCREW AS SHOWN

Fig.6-7. Scrape Flutter Idler Assembly

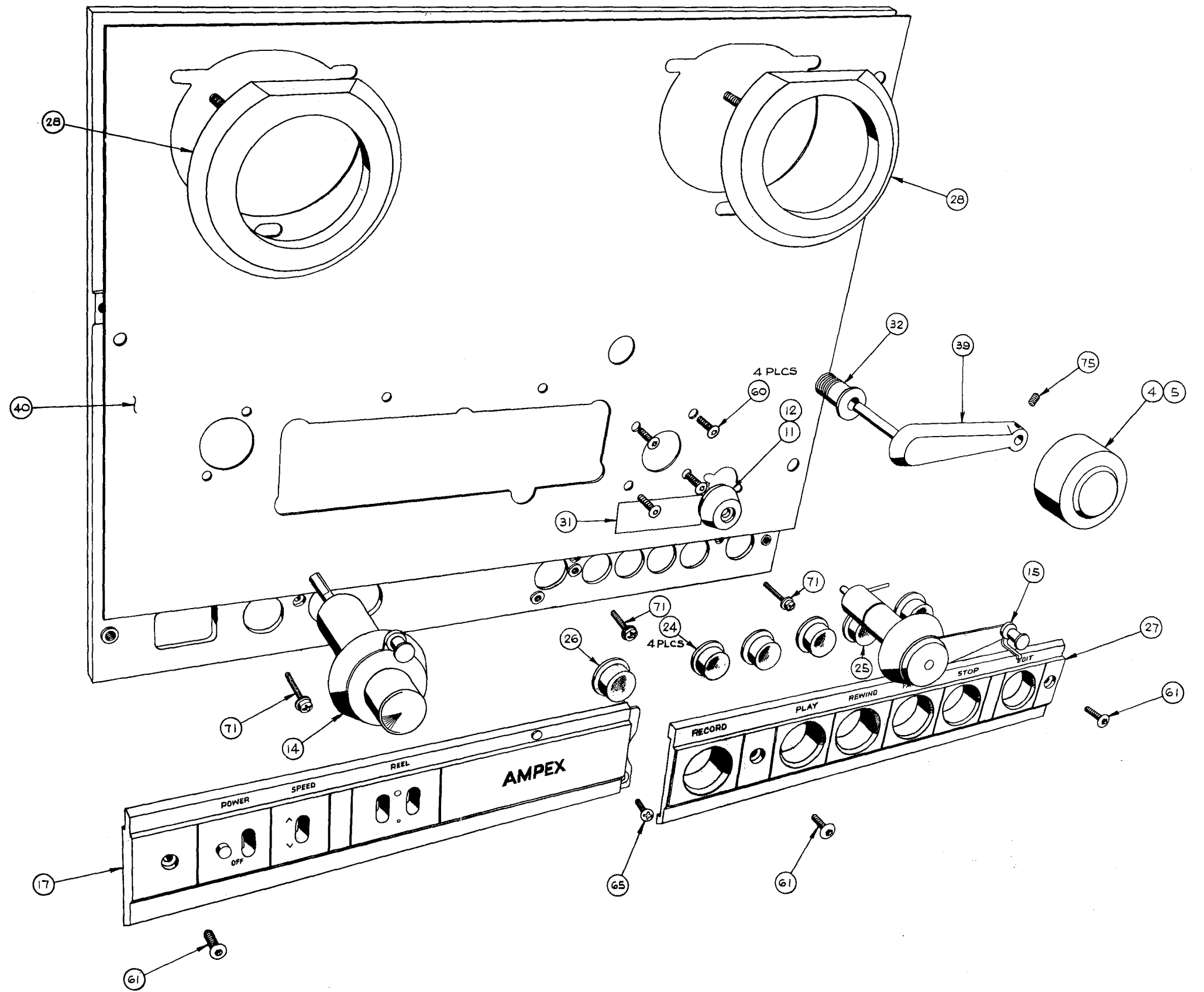
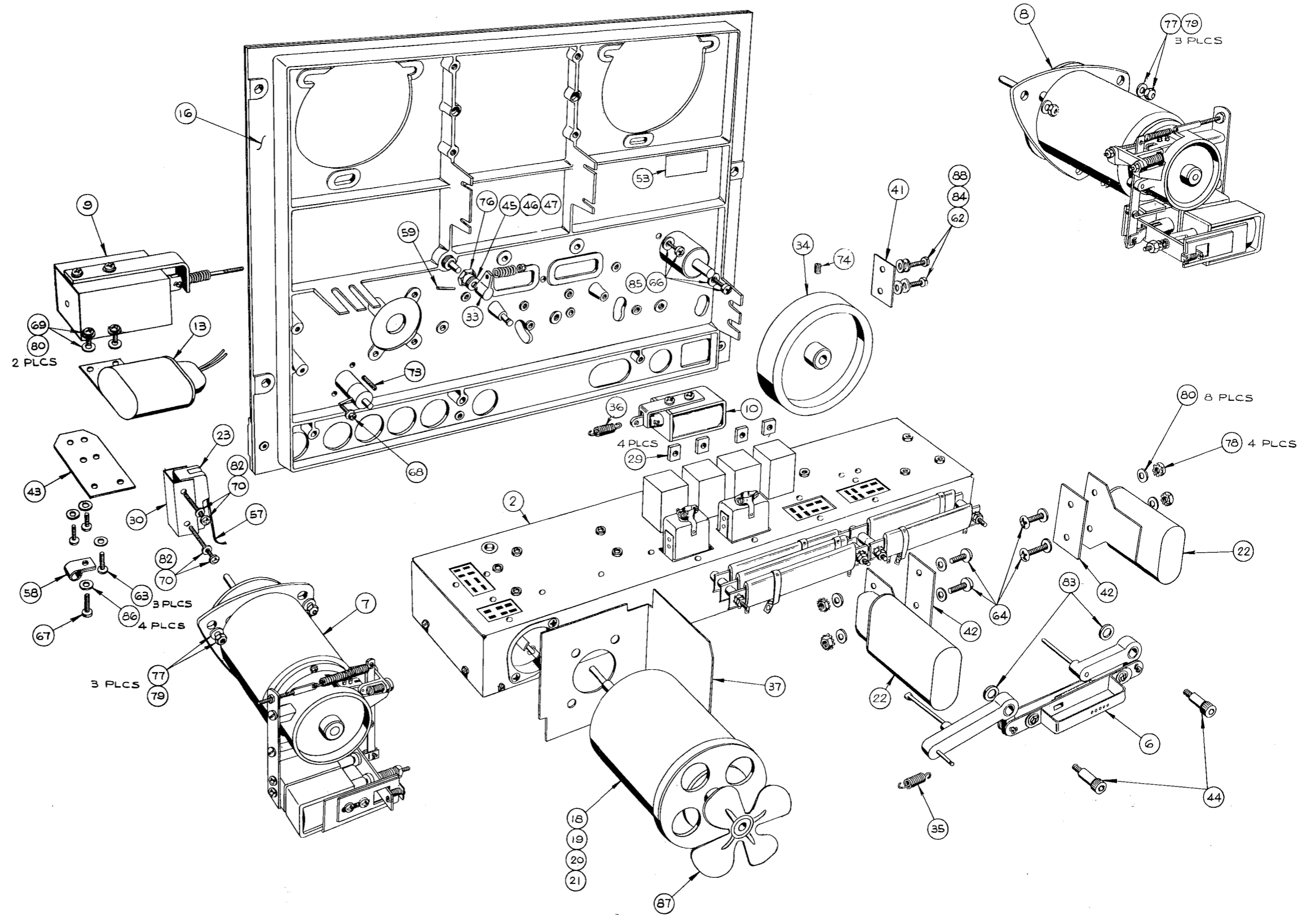


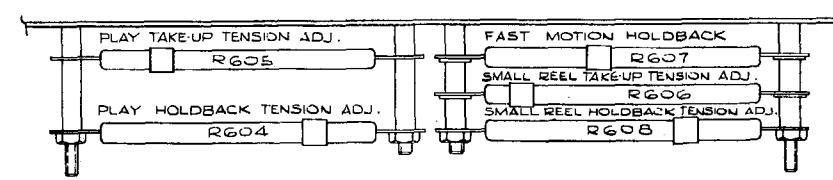
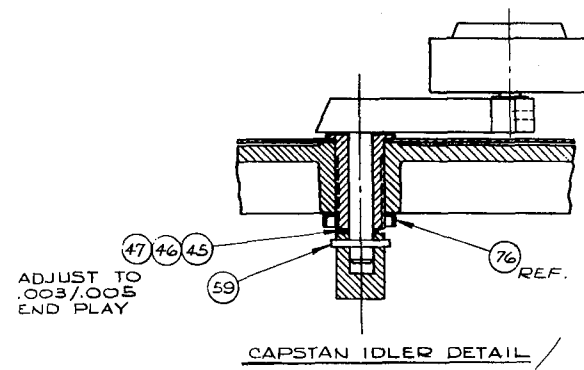
Fig. 6-8. Tape Transport Assembly, Front





PARTS LIST ON FIG. 6-8.

Fig. 6-9, Tape Transport Assembly, Rear



TAKE-UP & SUPPLY TENSION ADJUSTMENTS

CONTROL BOX KNIFE DISCONNECT  
CONNECTION INFORMATION

HARNES WIRE COLOR	PART DESCRIPTION	TERM. COLOR
BRN	K609 SOLENOID, TAPE LIFTER	BLK
WHT/VIO	K609 SOLENOID, TAPE LIFTER	BLK
BLU	K610 SOLENOID, CAPSTAN	BLK
WHT/YEL	K610 SOLENOID, CAPSTAN	BLK
YEL	C601 CAPACITOR, CAPSTAN MOTOR	BRN
WHT/VIO	C601 CAPACITOR, CAPSTAN MOTOR	BRN
WHT/RED/2	S603 SWITCH, SAFETY	WHT/RED
VIO	S603 SWITCH, SAFETY	VIO

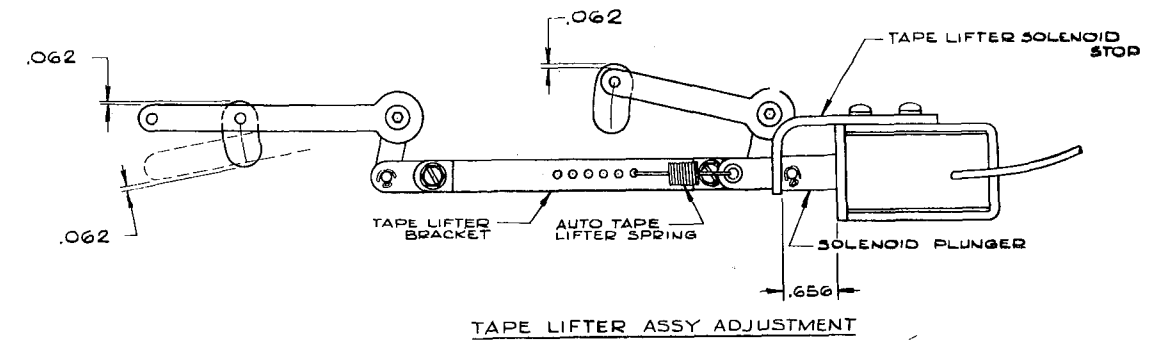
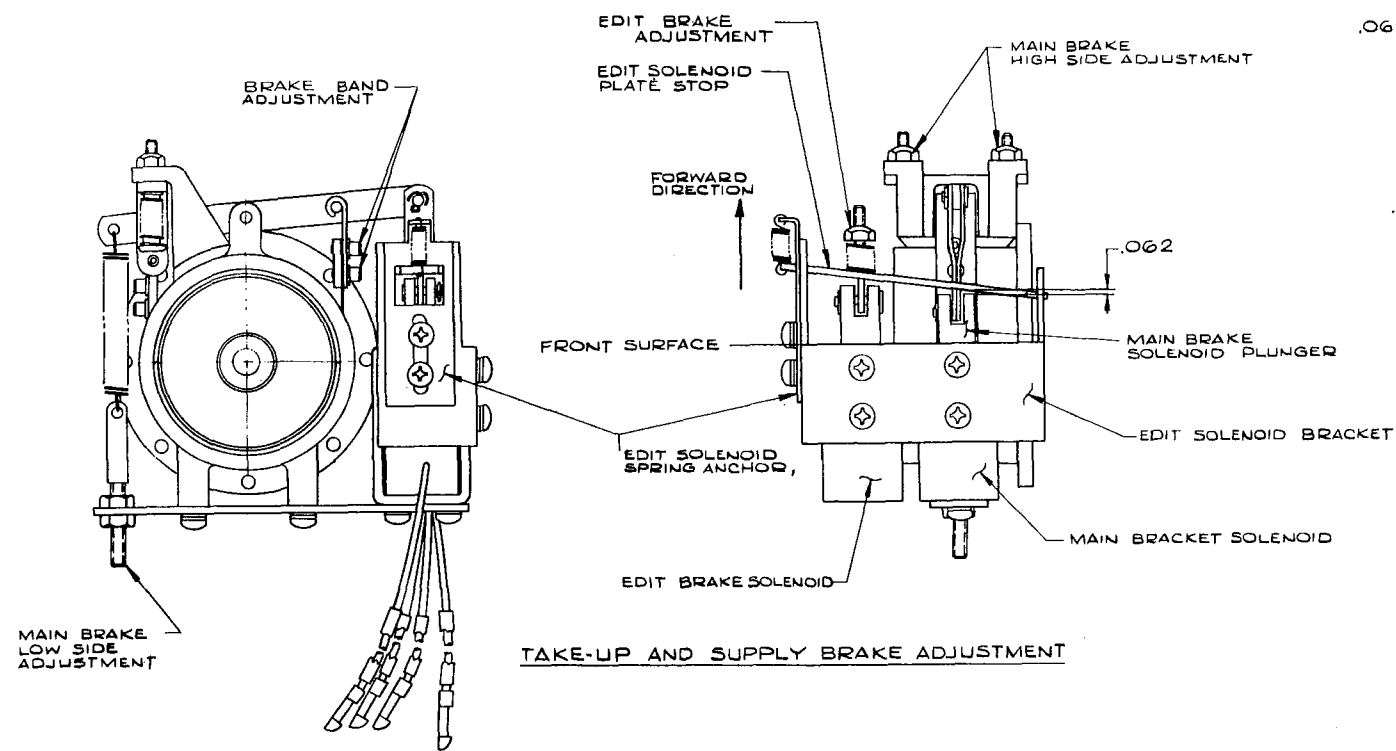
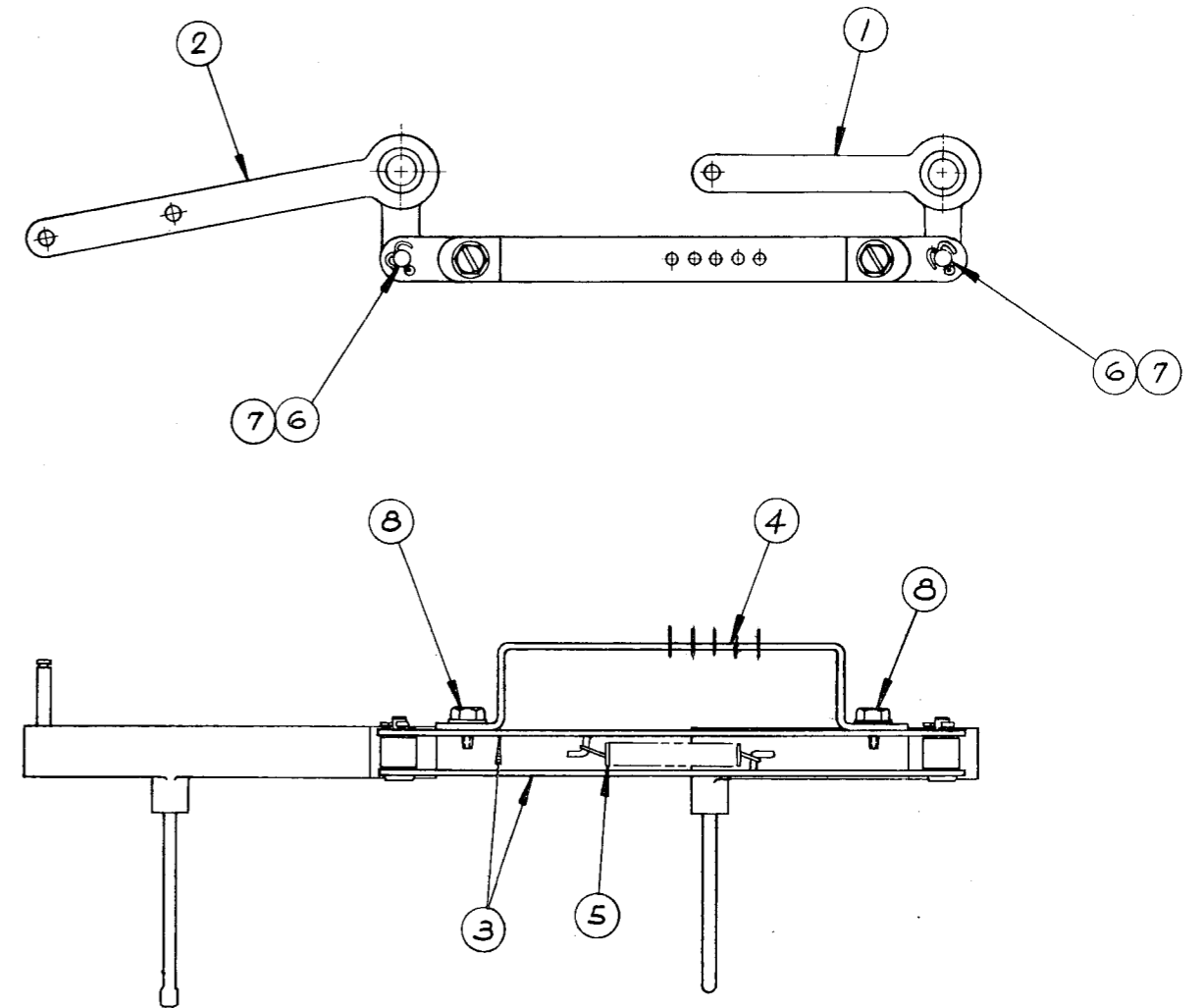


Fig. 6-10. Tape Transport Adjustments

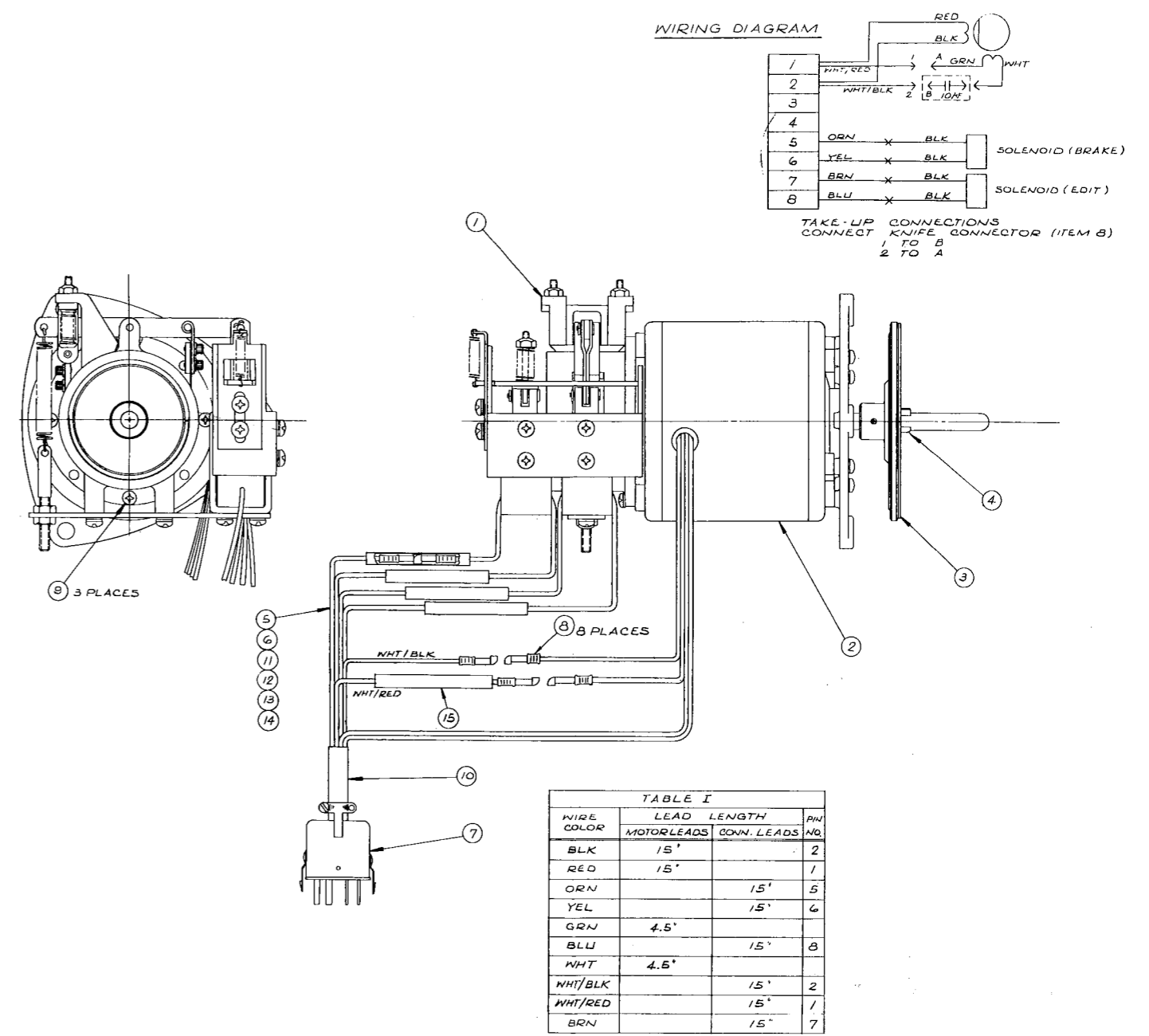
TAPE LIFTER ASSEMBLY  
 CATALOG NO. 4030259  
 (See Fig. 6-11)

ITEM -01	DESCRIPTION	Ampex Part No.
	Tape lifter, assembly	4030259-01
1	1 Tape Lifter, left hand	4040965-01
2	1 Tape Lifter, right hand	4040966-01
3	2 Link	4230244-01
4	1 Bracket	4260384-01
5	1 Spring	4270254-01
6	2 Pin, Clevis, 1/8-inch dia.	400-004
	Items of standard hardware not listed	



TAKEUP ASSEMBLY  
 CATALOG NO. 4030265  
 (See Fig. 6-12)

ITEM -01		DESCRIPTION	Ampex Part No.
	X	Takeup, assembly	4030265-01
1	1	Brake, assembly (see Fig. 6-12)	4030264-01
2	2	Motor, assembly	4040969-01
3	1	Pad, turntable	4130163-01
4	1	Drive Plate	4320128-10
7	1	Connector, plug, 8 pins, male	145-013
8	8	Solderless Connector	171-008
		Items of standard hardware, wire, etc., not listed	



REWIND ASSEMBLY  
 CATALOG NO. 4030266  
 (See Fig. 6-13)

ITEM-01		DESCRIPTION	Ampex Part No.
	X	Rewind, assembly	
1	1	Brake, assembly (see Fig. 6-12)	4030266-01
2	1	Motor, assembly	4030264-02
3	1	Pad, turntable	4040969-01
4	1	Drive Plate	4180163-01
7	1	Connector, plug, 8 pins, male	4230128-10
8	8	Solderless connectors	145-013 171-008
		Items of standard hardware, wire, etc., not listed.	

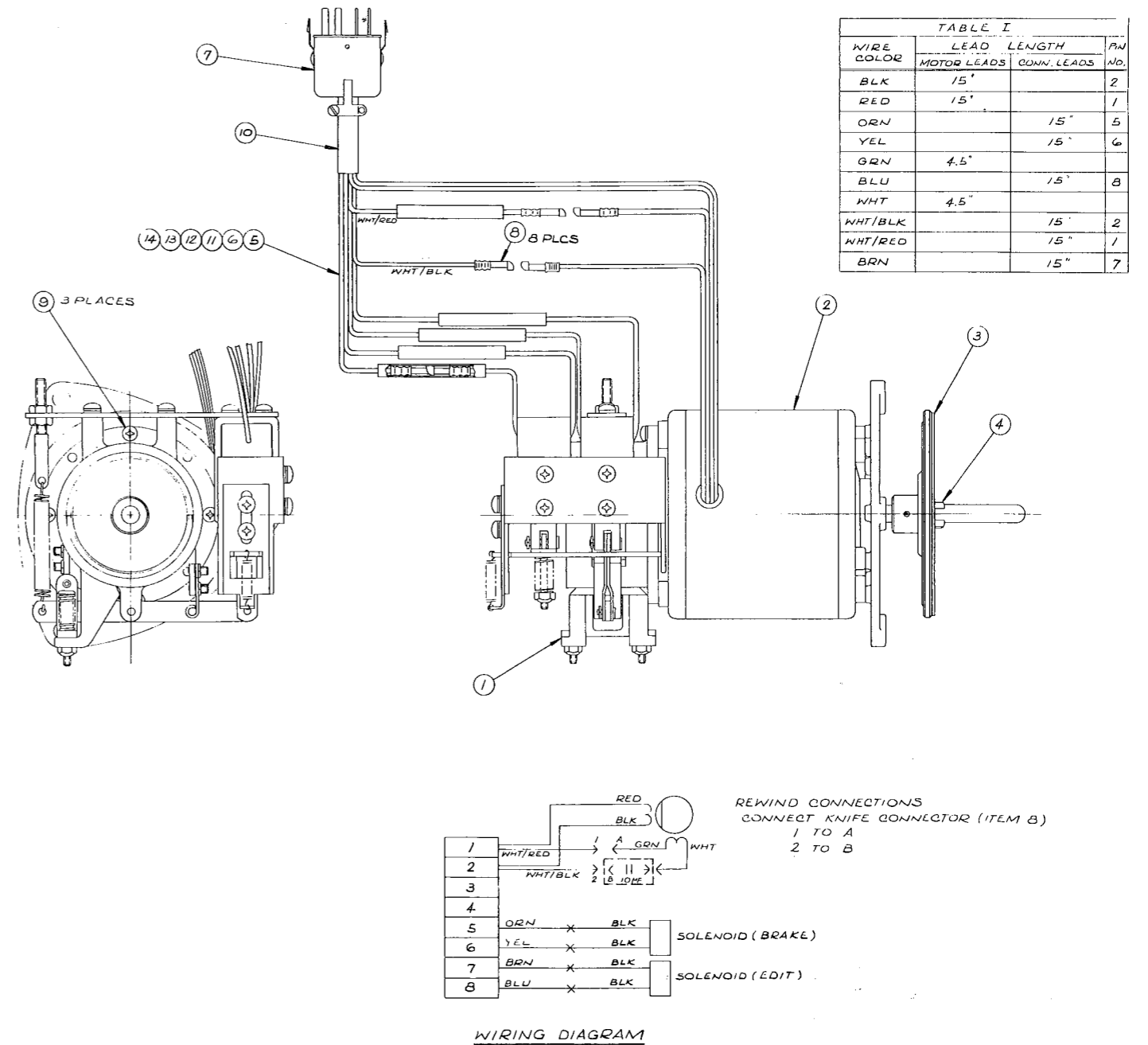
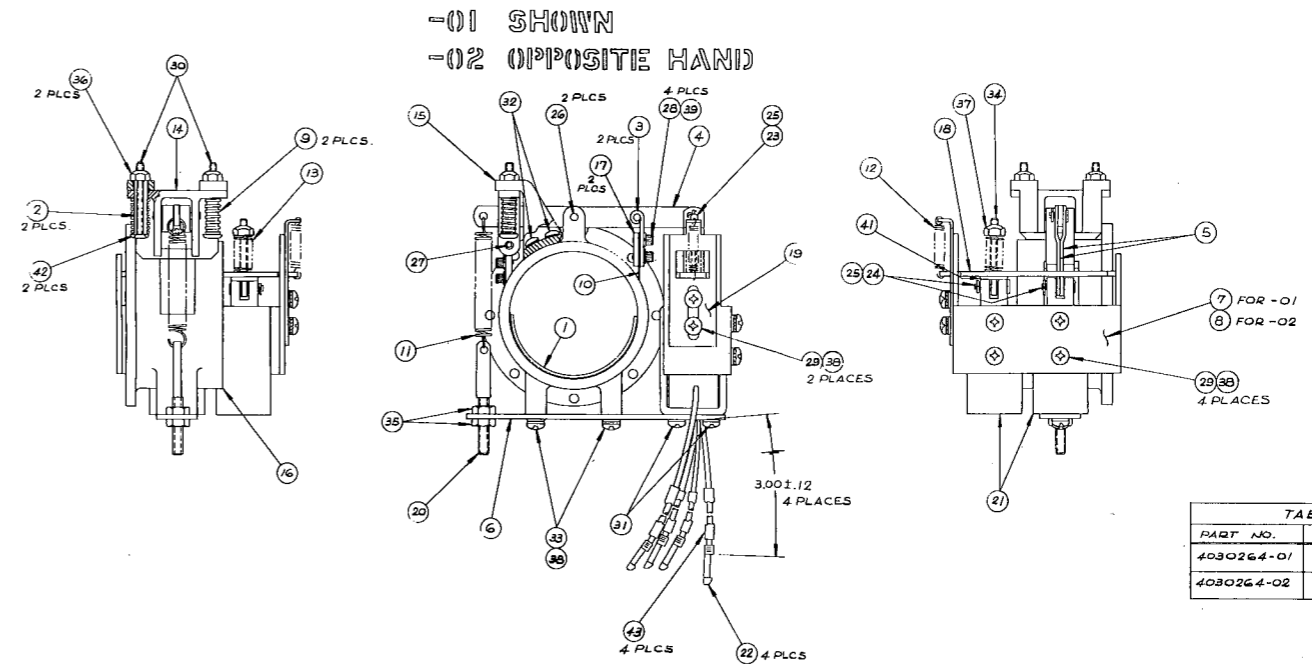


Fig. 6-13. Rewind Assembly

BRAKE ASSEMBLY  
 CATALOG NO. 4030264  
 (See Fig. 6-14)

ITEM	-01	-02	DESCRIPTION	Ampex Part No.
		X	Brake, assembly, takeup	4030264-01
		X	Brake, assembly, rewind	4030264-02
1	1	1	Band, assembly	4040414-10
2	2	2	Spacer	4220141-10
3	2	2	Link, brake band	4230161-10
4	1	1	Lever, brake	4230162-10
5	2	2	Link, solenoid	4230163-10
6	1	1	Bracket, solenoid	4260183-10
7	1	1	Bracket, edit solenoid	4260386-03
8	1	1	Bracket, edit solenoid	4260386-04
9	2	2	Spring, compression	4270163-10
10	1	1	Spring, leaf	4270164-10
11	1	1	Spring, brake	4270178-10
12	1	1	Spring, edit brake return	4270251-01
13	1	1	Spring, compression	352-085
14	1	1	Cross Head, brake	4330109-10
15	1	1	Anchor, brake	4330110-10
16	1	1	Housing, brake	4330112-10
17	2	2	Clamp, band link	4330113-10
19	1	1	Anchor, spring, edit solenoid	4330260-01
20	1	1	Bolt, spade	4400496-60
21	2	2	Solenoid, brake	4590067-10
22	4	4	Solderless Connectors	171-008

Items of standard hardware not listed.



REEL IDLER ASSEMBLY  
 CATALOG NO. 4040970  
 (See Fig. 6-15)

ITEM	-02	DESCRIPTION	Ampex Part No.
X		Reel Idler, assembly	4040970-02
1	1	Pulley, assembly	4040408-80
2	1	Bushing (see note below)	4200121-10
4	1	Tape Guide	4210311-01
5	1	Arm, reel idler (see note below)	4230245-01
6	1	Spring, tension, arm	4270160-20
7	1	Housing, reel idler	4290272-10
8	1	Mount, reel idler (see note below)	4290273-10
9	1	Screw, tape guide mounting	4400593-01
11	1	Washer, .003 thick	4440282-01
12	a/r	Washer, .025 thick	4440282-02
15	1	Spring, compression	352-084
17	2	Bearing, ball	421-116
18	3	Retaining ring, internal	430-027

NOTE  
 Items 2, 5, and 8, not replaceable separately.  
 Contact Ampex Technical Support, Professional Audio,  
 for information if replacement is required.

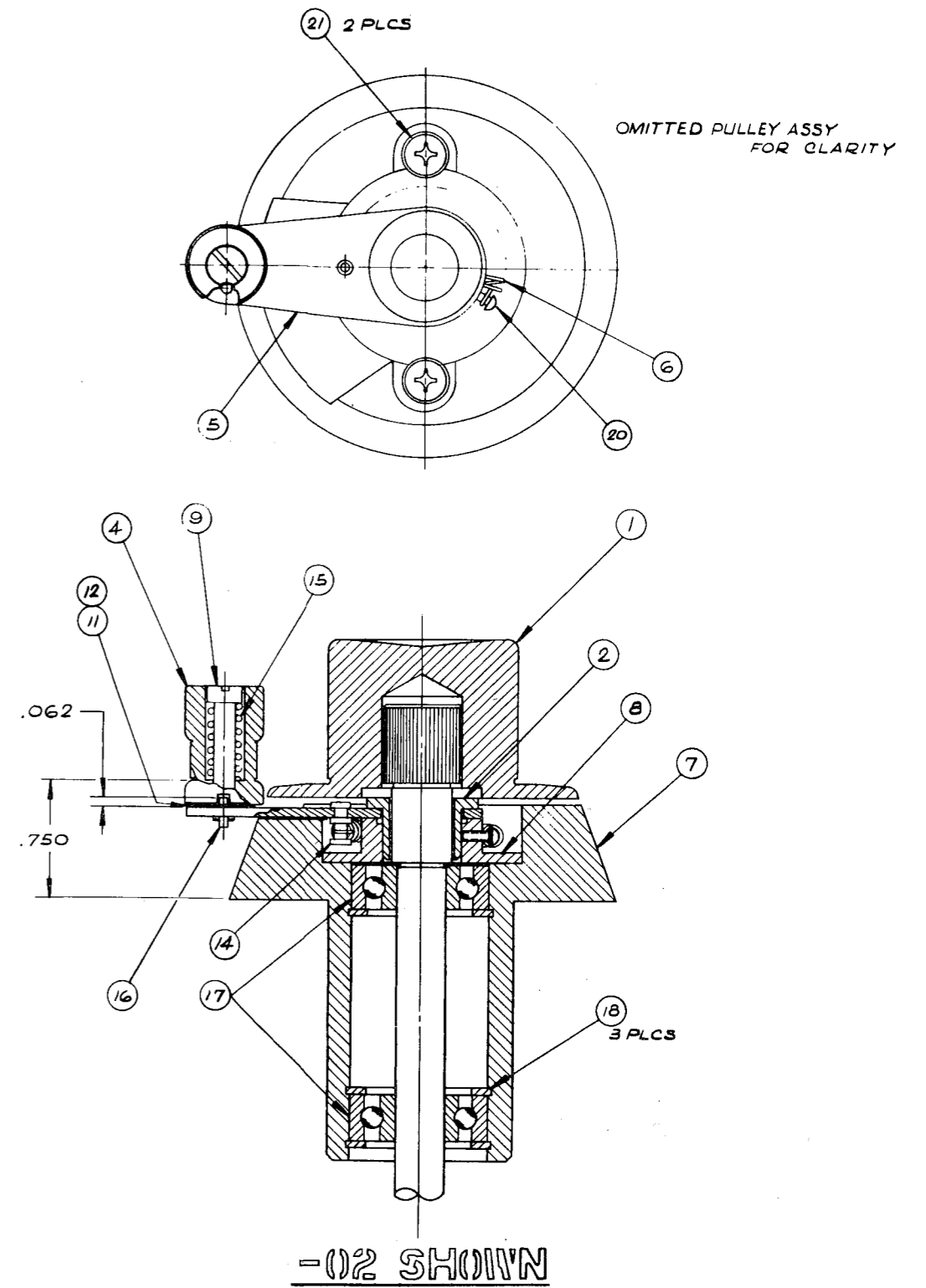
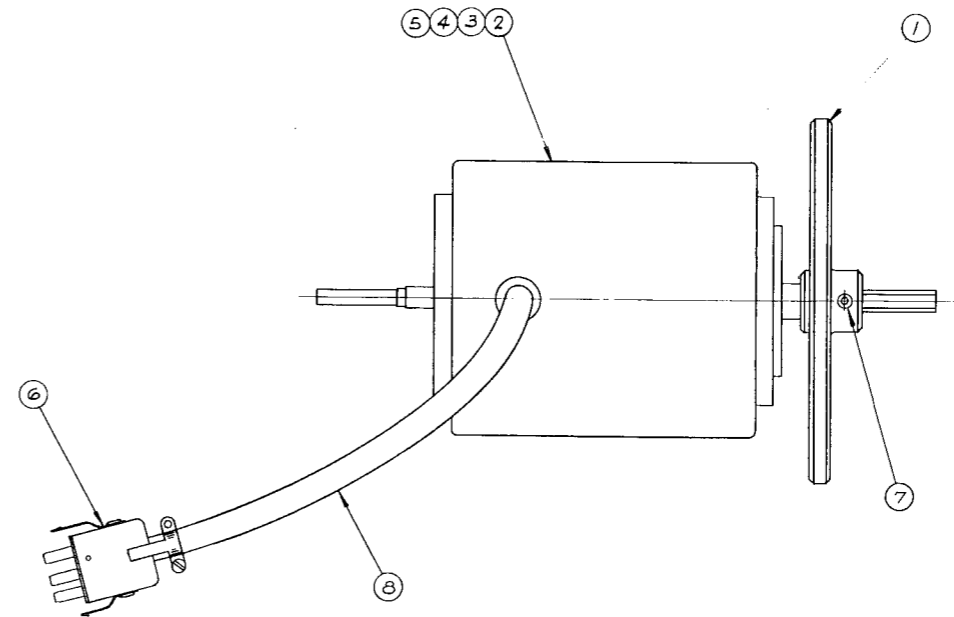


Fig. 6-15. Reel Idler Assembly

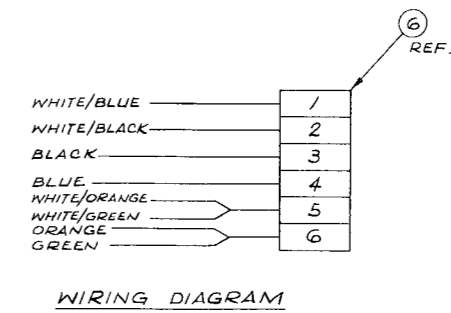
DRIVE MOTOR ASSEMBLY  
 CATALOG NO. 4040993  
 (See Fig. 6-16)

ITEM	-01	-02	-03	-04	DESCRIPTION	Ampex Part No.
	X				Drive Motor, assembly, 7 1/2 and 15 ips, 60 Hz	4040993-01
		X			Drive Motor, assembly, 3 3/4 and 7 1/2 ips, 60 Hz	4040993-02
			X		Drive Motor, assembly, 7 1/2 and 15 ips, 50 Hz	4040993-03
				X	Drive Motor, assembly, 3 3/4 and 7 1/2 ips, 50 Hz	4040993-04
1	1	1			Flywheel	4250113-10
2	1				Motor, drive	4590120-01
3		1			Motor, drive	4590120-02
4			1		Motor, drive	4590121-01
5				1	Motor, drive	4590121-02
6	1	1	1	1	Connector, plug, 6 pins, male	145-012
7	1	1	1	1	Screw, set, hex socket, cup point, 10-32 x 1/4	477-336
9			1	1	Flywheel	4250114-10

NOTE  
 Capstan hard chrome plated (drive motor)



PART NO.	SPEED	CYCLE
4040993-01	7.5 - 15 IPS	60
4040993-02	3.75 - 7.5 IPS	60
4040993-03	7.5 - 15 IPS	50
4040993-04	3.75 - 7.5 IPS	50





CONTROL BOX  
 CATALOG NO. 4020083  
 (See Figs. 6-17 and 6-18)

(Alpha-Numerical listing of electronic parts with Fig. 6-20)

ITEM -01	DESCRIPTION	Ampex Part No.
X	Control Box	4020083-01
3	1 Dummy Plug, remote control (P605P)	4050444-01
4	1 Dummy Plug, motor drive amplifier (P604P)	4050138-10
5	1 Insulator, wraparound, transformer	4170108-01
6	1 Bracket, transistor mounting	4260399-01
7	1 Cover, assembly, control box	4041015-01
8	1 Transformer, power, (T601)	4580198-01
9	1 Shield, power transformer	4600149-01
10	2 Shield, power transformer	4600150-01
11	2 Switch, pushbutton (S608, S611)	4620064-01
12	1 Lamp Holder, pilot light	4610083-01
13	1 Switch, speed, 3 P. D. T., toggle (S602)	4620053-01
14	2 Switch, pushbutton, normally open (S604, S605)	4620144-10
15	1 Switch, pushbutton, normally closed (S606)	4620144-20
16	1 Switch, pushbutton, normally open (S609)	4620144-30
18	1 Switch, power (S601)	4620199-01
19	2 Switch, reel (S607, S610)	4620200-01
21	4 Diode, silicon (CR608, CR609, CR612, CR614)	013-599
22	11 Diode, silicon (CR601 thru CR607, CR610, CR611, CR613, CR615)	013-678
23	1 Transistor, silicon, (Q601)	014-611
24	1 Transistor, germanium, 40022 (Q602)	014-728
25	4 Relay, 4PDT (K601, K602, K603, K604)	020-144
26	4 Capacitor, ceramic; .02 mfd, 500 vdcw (C602, C603, C604, C605)	030-001
27	1 Capacitor, electrolytic; 500 mfd, 50 vdcw (C609)	031-134
28	2 Capacitor, ceramic disc; .005 mfd, 1400 vdcw (C606, C607)	030-465
29	2 Capacitor, paper; .047 mfd, 400 vdcw (C608, C613)	035-985
30	1 Resistor, fixed, comp.; 10 ohms, 10%, 1/2w (R601)	041-032
31	2 Resistor, fixed, comp.; 1,200 ohms, ±10%, 1w (R602, R603)	041-147
32	1 Resistor, adjustable, wirewound; 750 ohms, 55w (R607)	059-013
33	2 Resistor, adjustable, wirewound; 150 ohms, 55w (R604, R605)	059-014
34	2 Resistor, adjustable, wirewound; 100 ohms, 55w (R606, R608)	059-015
35	1 Lamp, 120V, .025 amp (DS601)	060-323
36	2 Fuse, 3 amp, slo-blo (F601, F602)	070-002
37	2 Fuseholder, short body	085-001
38	1 Capacitor, electrolytic; 150 mfd, 180 vdcw (C614)	031-624
39	1 Resistor, wirewound; 20 ohms, 20w (R609)	059-056
40	1 Resistor, fixed, comp.; 47,000 ohms, 1w (R611)	041-166
41	1 Connector, power; 3 contacts, male (J601S)	147-079
42	4 Socket, relay	150-119
43	1 Washer, mica, transistor mounting	014-703
46	2 Washer, shoulder, nylon	503-089
49	2 Clamp, capacitor	301-011
50	1 Clamp, cable, plastic, 7/16 ID	302-006
51	1 Clamp, cable, plastic, 3/8 ID	302-036
71	2 Spacer, plain	280-026
76	2 Resistor, fixed, comp.; 180 ohms, 1/2w (R610, R615)	041-257
77	3 Capacitor, paper; 0.1 mfd, 400 vdcw (C610, C611, C612)	035-999
78	3 Resistor, fixed, comp.; 100 ohms, 1/2w (R612, R613, R614)	041-038
79	4 Spring, relay hold down	020-492
4	Connector, receptacle, 8 sockets, female (J603S, J604S, J606S, J607S)	146-003
1	Connector, receptacle, 6 sockets, female (J602S)	146-004
1	Connector, receptacle, 12 sockets, female (J605S)	146-009

Items of standard hardware, wire, etc., not listed.

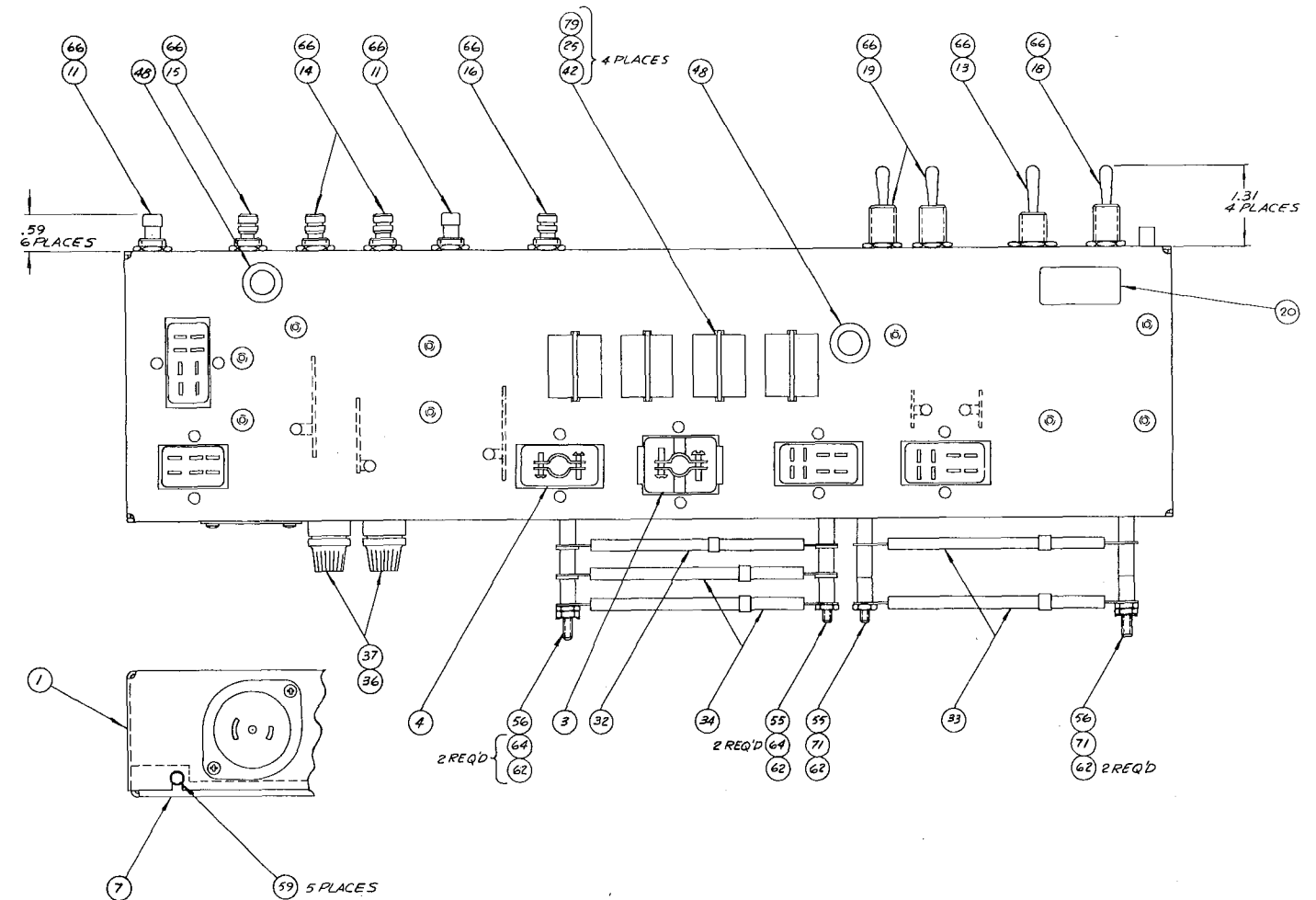
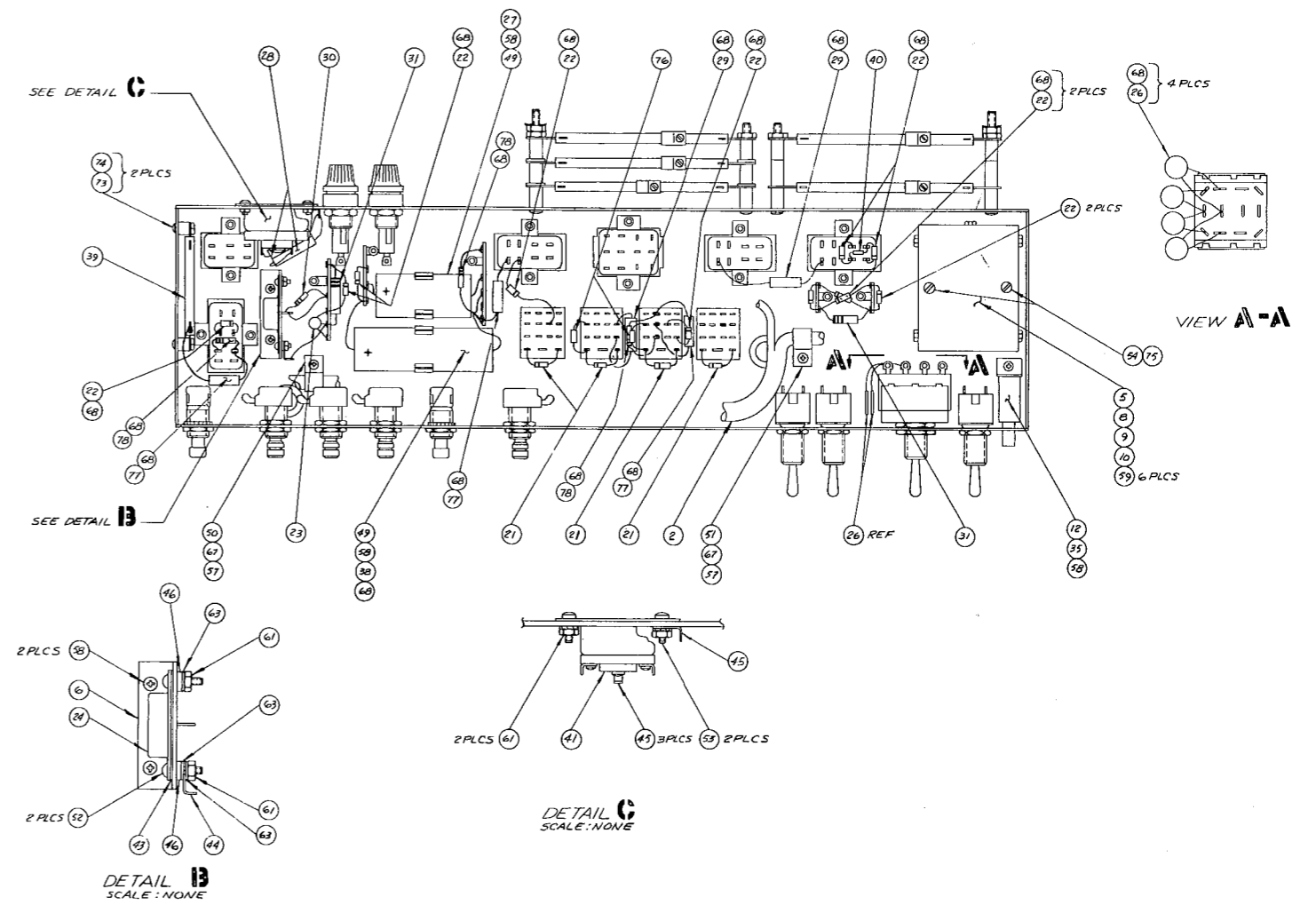


Fig. 6-17. Control Box Assembly, Top



PARTS LIST ON FIG. 6-17.

Fig. 6-18. Control Box Assembly, Inner

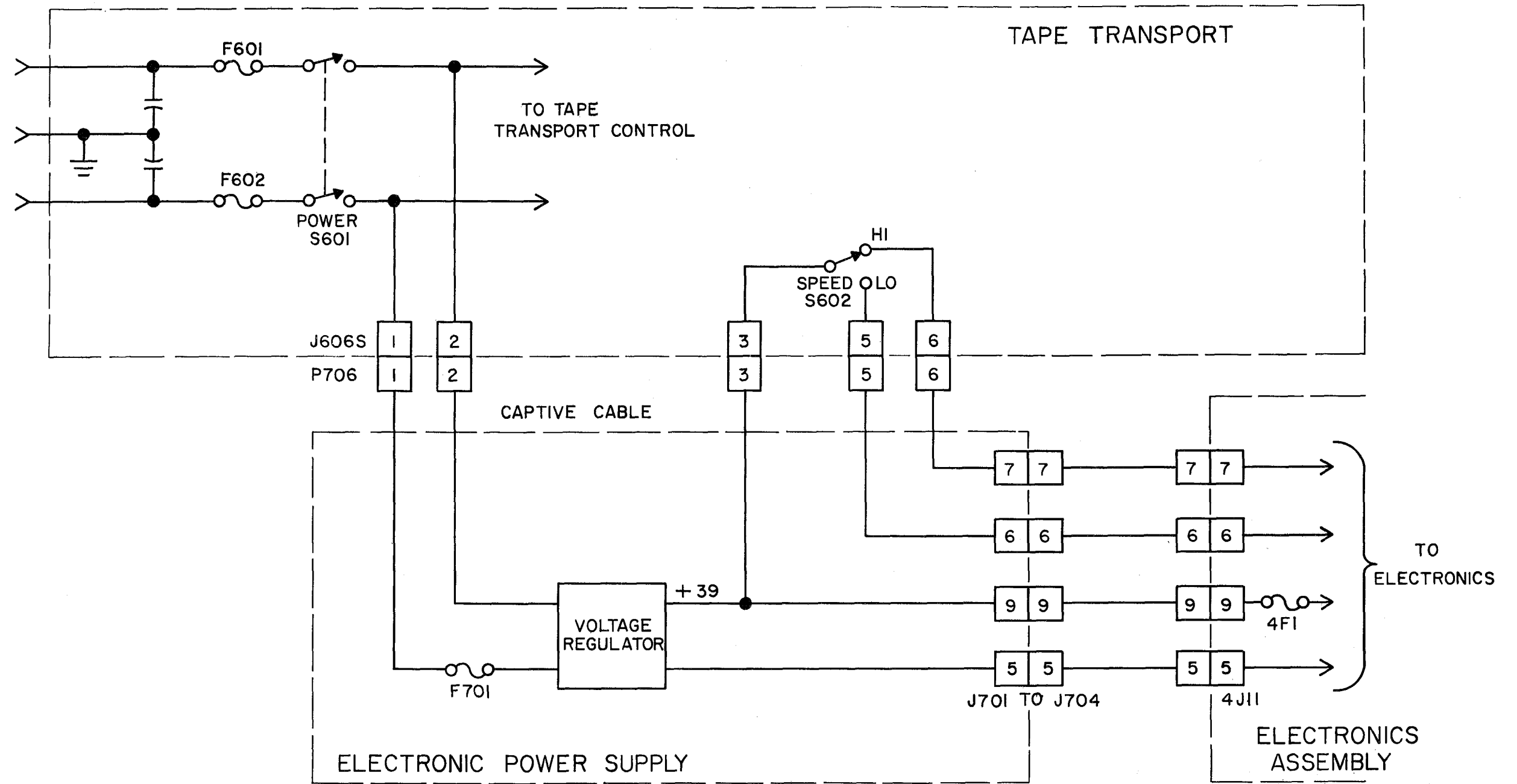
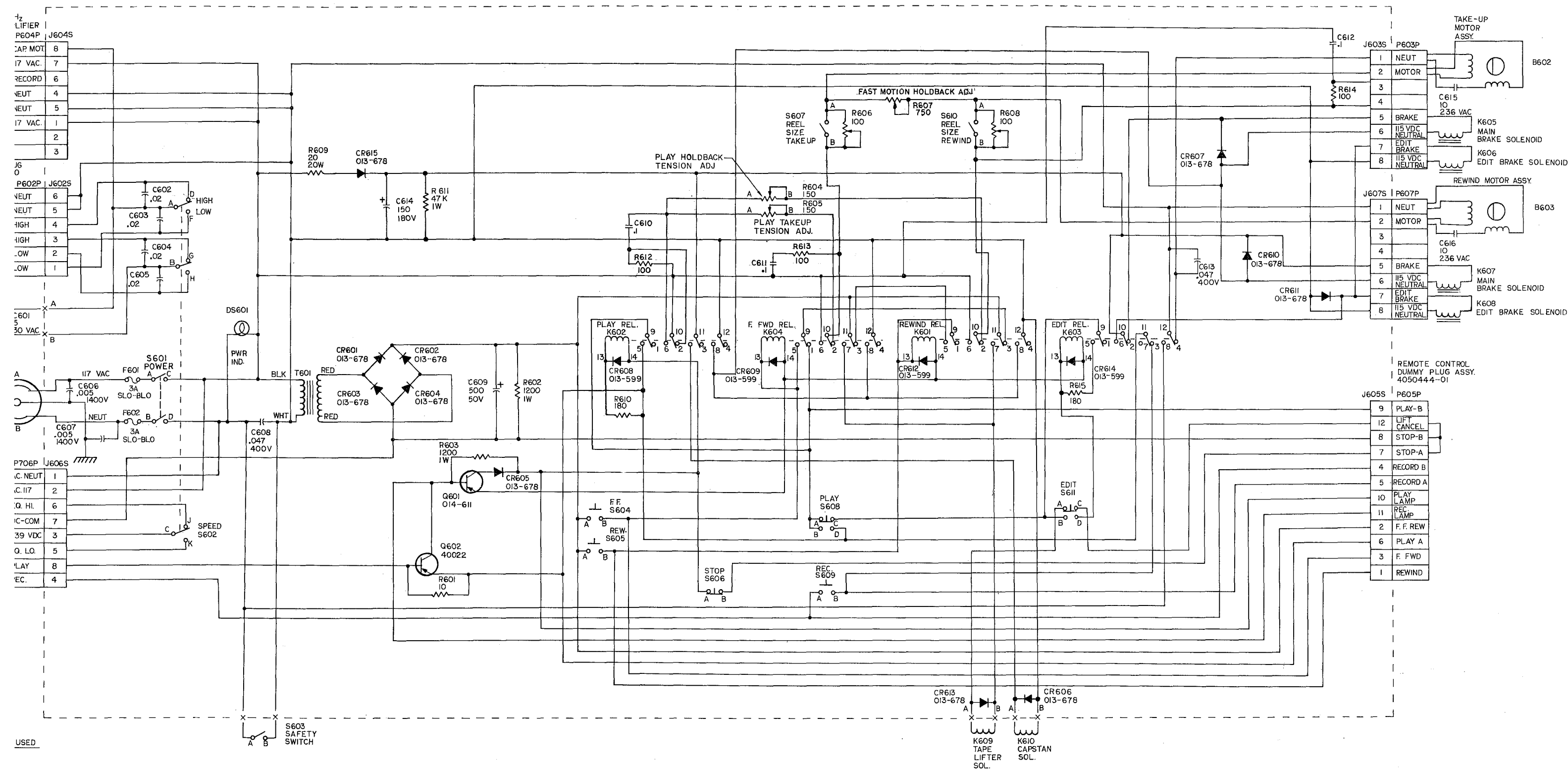
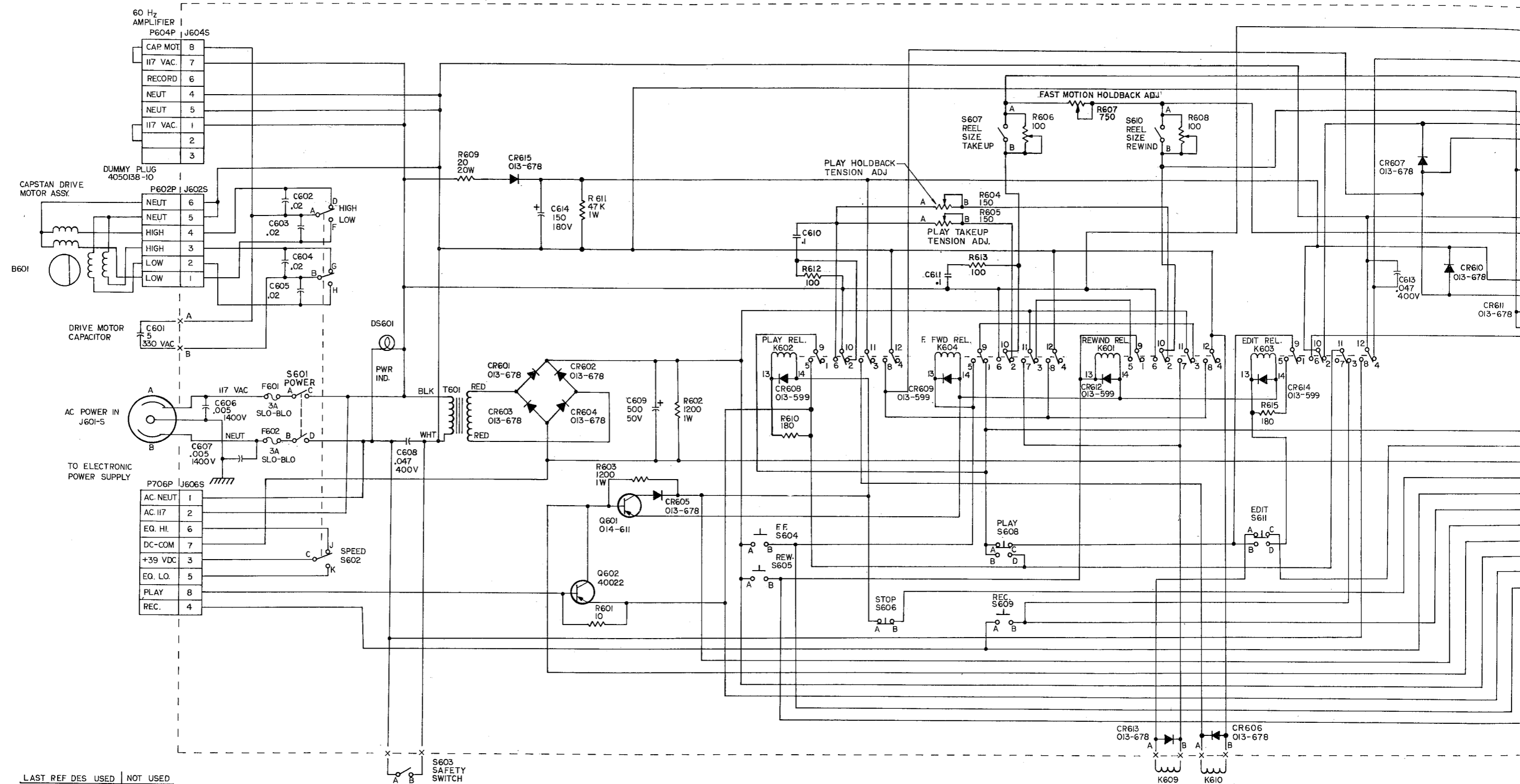


Fig. 6-19. Fusing Diagram



NOTES: UNLESS OTHERWISE SPECIFIED.  
 1. ALL RESISTOR VALUES ARE IN OHMS, 1/2 W, 10%.  
 2. ALL CAPACITOR VALUES ARE IN MICROFARADS.

Fig. 6-20. Tape Transport Schematic

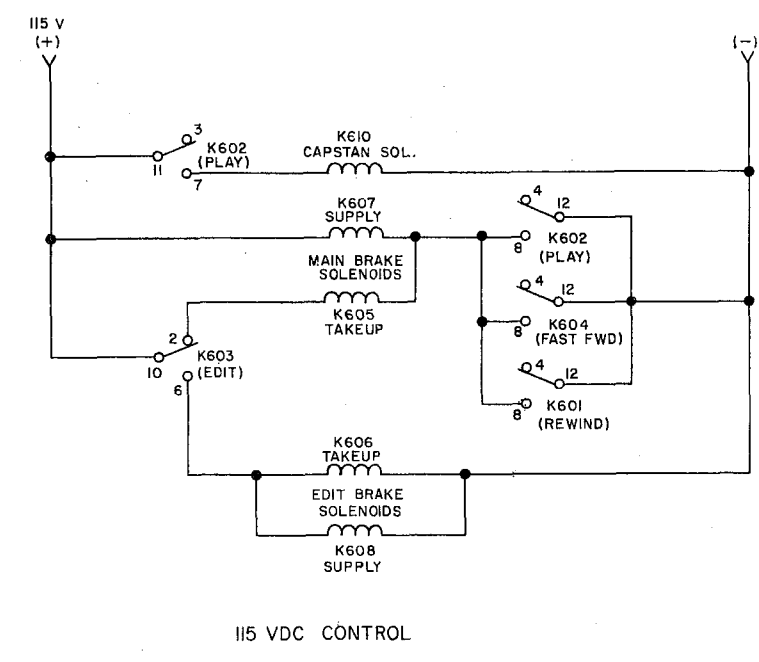
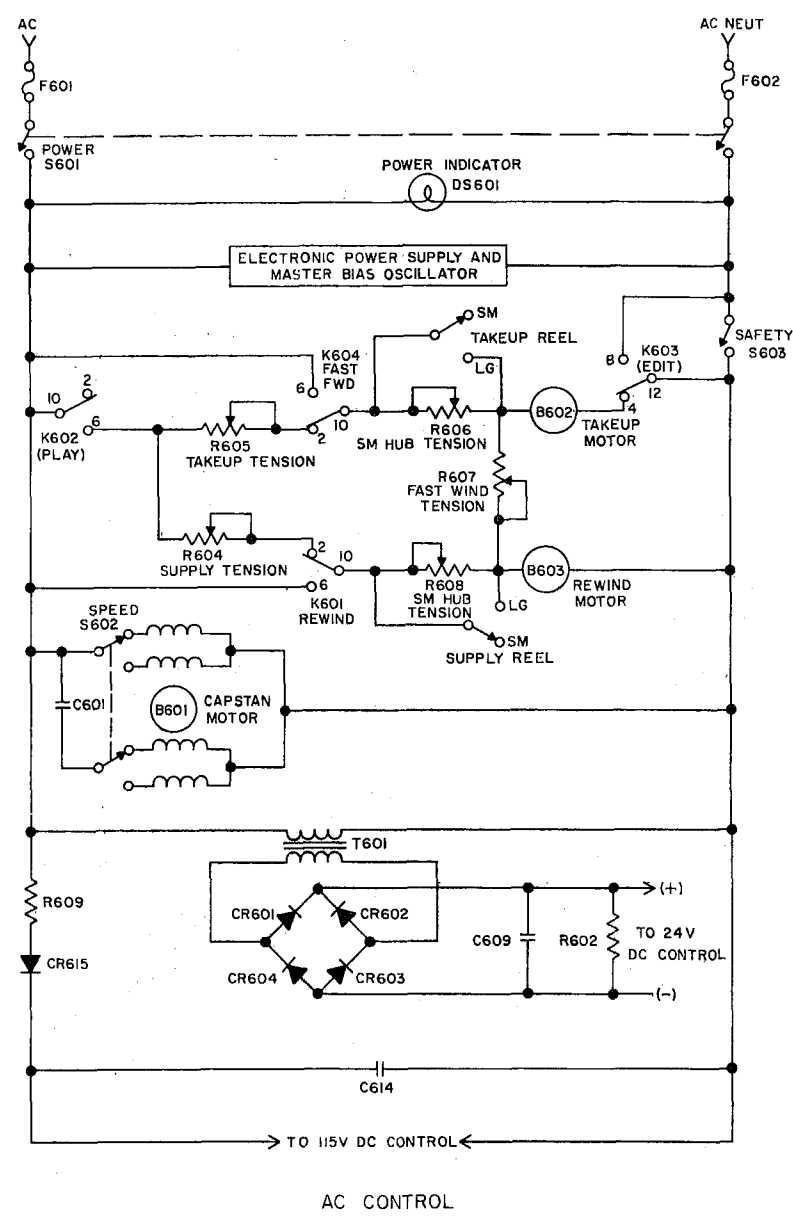


LAST REF DES USED	NOT USED
R615	
C614	
Q602	
F602	
CR615	
T601	
DS601	
J607S	
P607P	
K610	
S611	
B603	
	P601P

NOTES: UNLESS OTHERWISE SPECIFIED.

1. ALL RESISTOR VALUES ARE IN OHMS, 1/2 W, 10%.
2. ALL CAPACITOR VALUES ARE IN MICROFARADS.

Fig.



- RELAYS**
- K601 REWIND
  - K602 PLAY
  - K603 EDIT
  - K604 FAST FWD
  - K1 RECORD (ELECTRONICS)

- SOLENOIDS**
- K605 MAIN BRAKE, TAKEUP
  - K606 EDIT BRAKE, TAKEUP
  - K607 MAIN BRAKE, SUPPLY
  - K608 EDIT BRAKE, SUPPLY
  - K609 TAPE LIFTER
  - K610 CAPSTAN

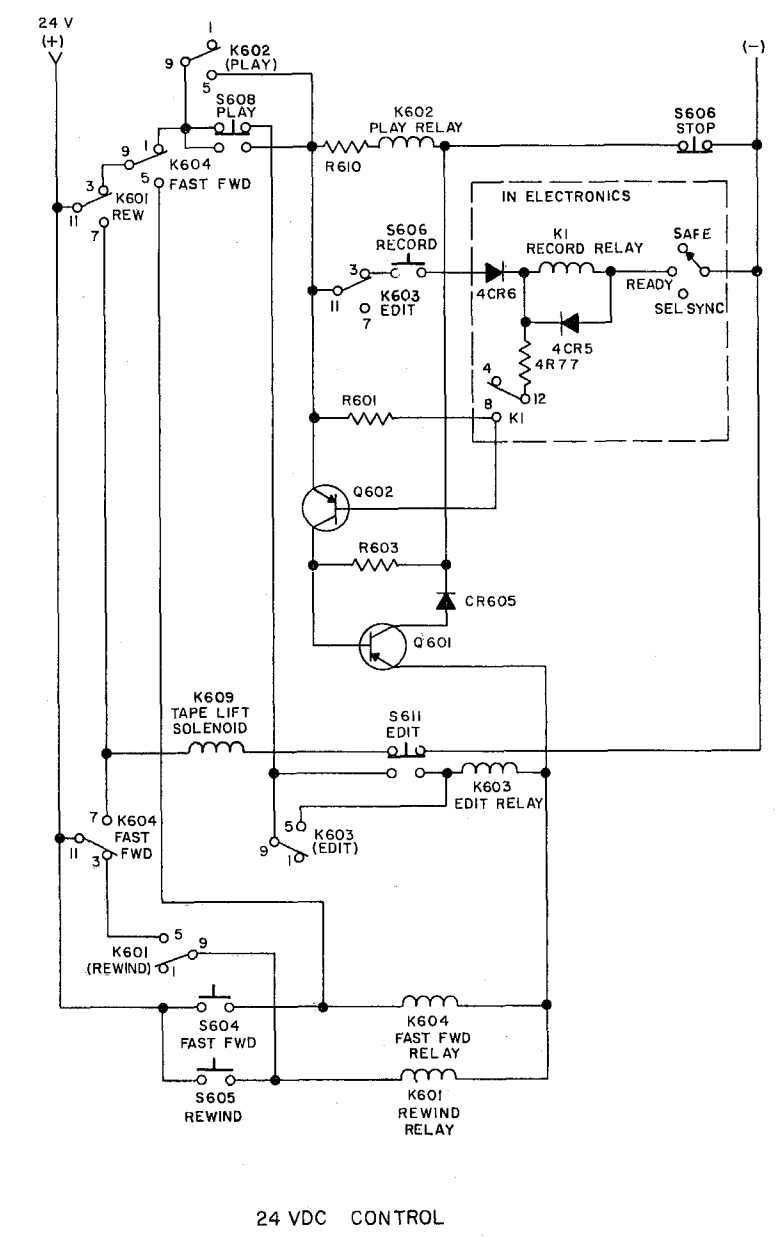
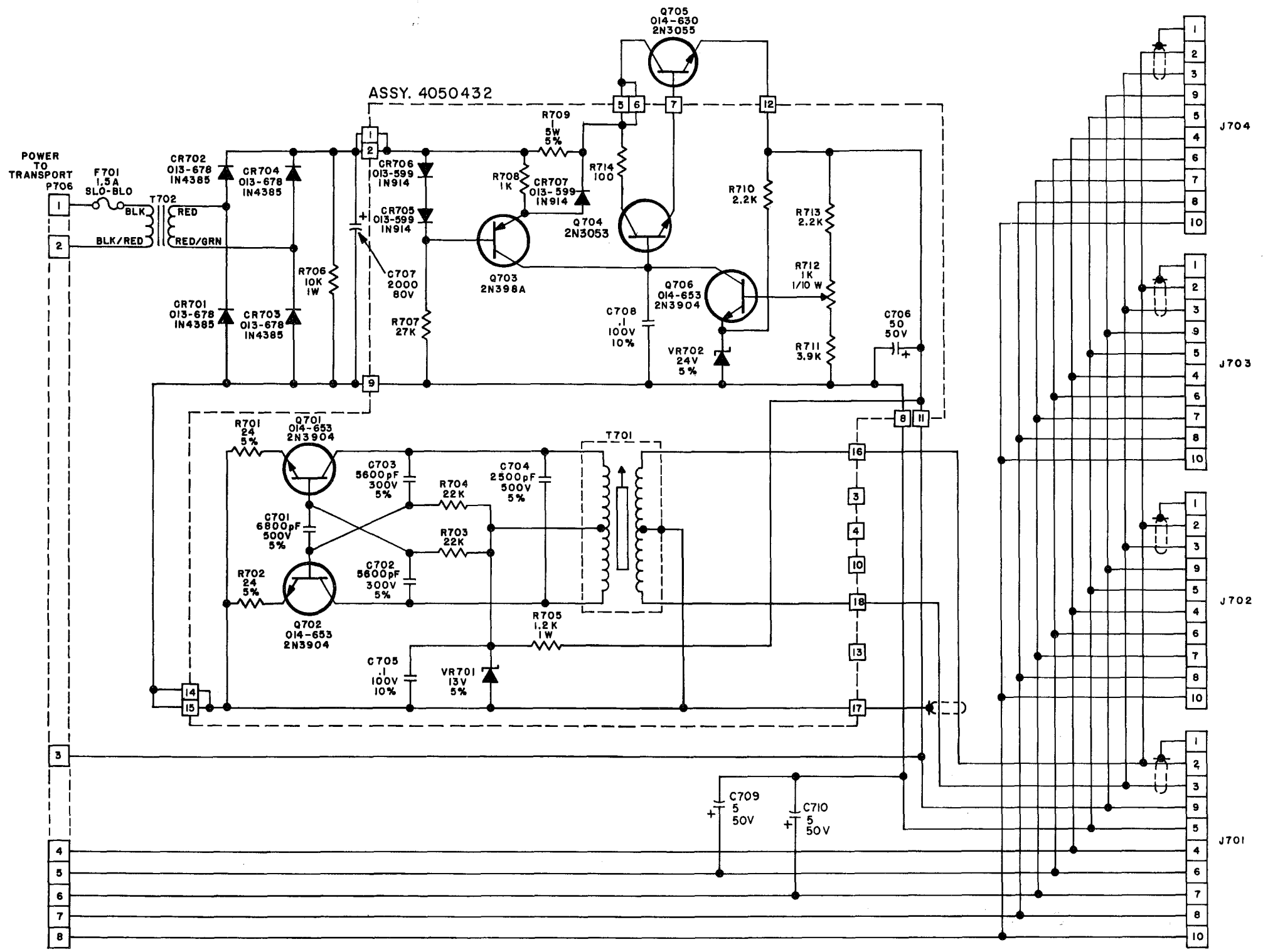


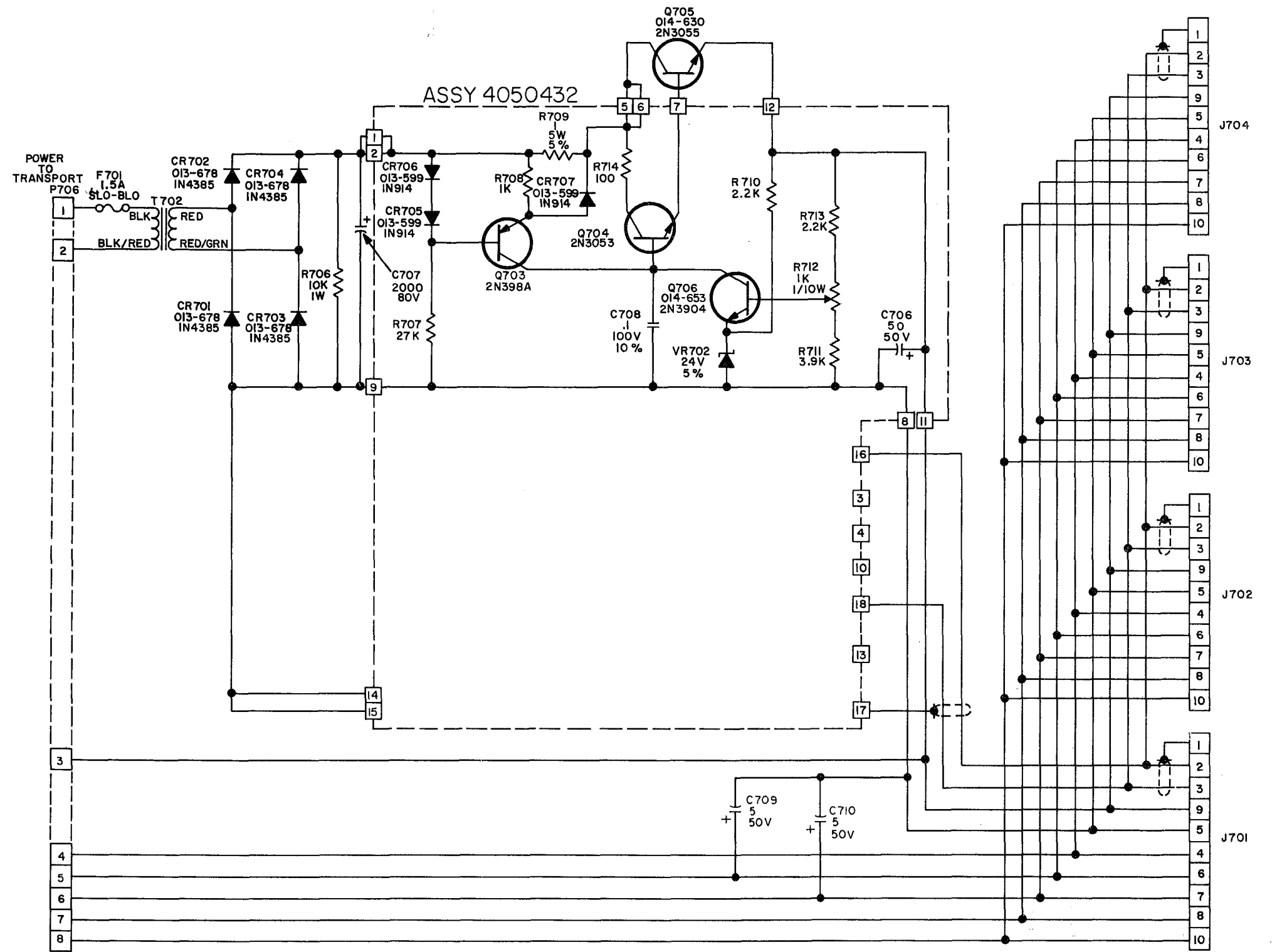
Fig. 6-21. Tape Transport Schematic, Simplified



NOTES:  
 UNLESS OTHERWISE SPECIFIED  
 1. ALL CAPACITOR VALUES ARE IN MICROFARADS, RATINGS AS INDICATED.  
 2. ALL RESISTORS VALUES ARE IN OHMS, 1/2 WATT, 10%.

LAST REF. DES. USED	REF. DES. NOT USED
C710	
CR707	
Q706	
VR702	
T702	
R714	

Fig. 6-22. Power Supply Schematic, Record/Reproduce

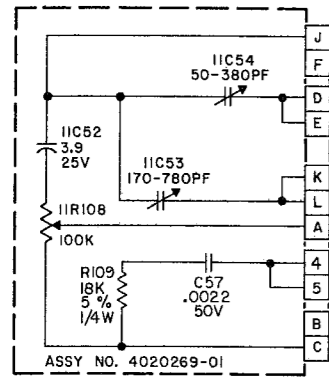


NOTES:  
 1. UNLESS OTHERWISE SPECIFIED  
 ALL CAPACITOR VALUES ARE IN MICROFARADS, RATINGS AS INDICATED.  
 ALL RESISTOR VALUES ARE IN OHMS, 1/2WATT, 10%

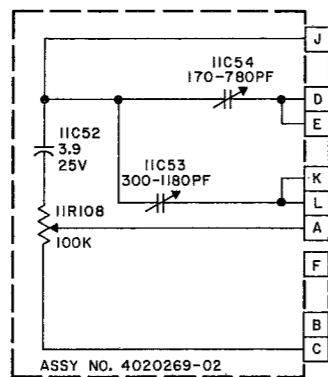
LAST REF. DES. USED	REF. DES. NOT USED
C710	C701 TO C705
CR707	Q701,702
Q706	VR701
VR702	T701
T702	R701 TO R705
R714	

Fig. 6-23. Power Supply Schematic, Reproduce-only

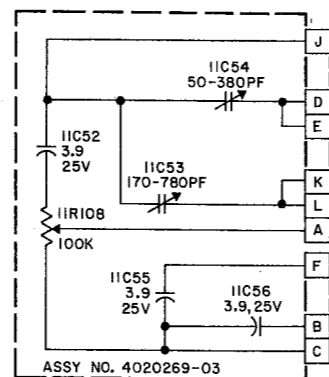




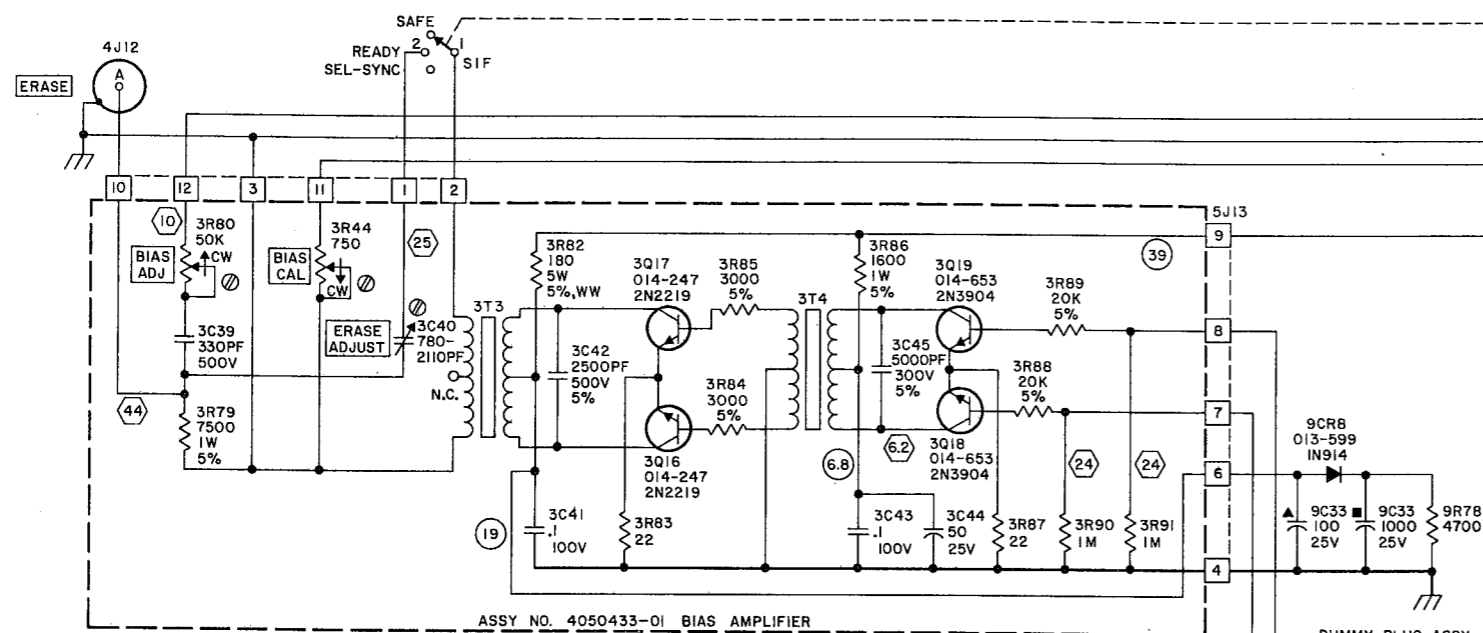
7-1/2-15 IPS NAB  
RECORD EQUALIZER



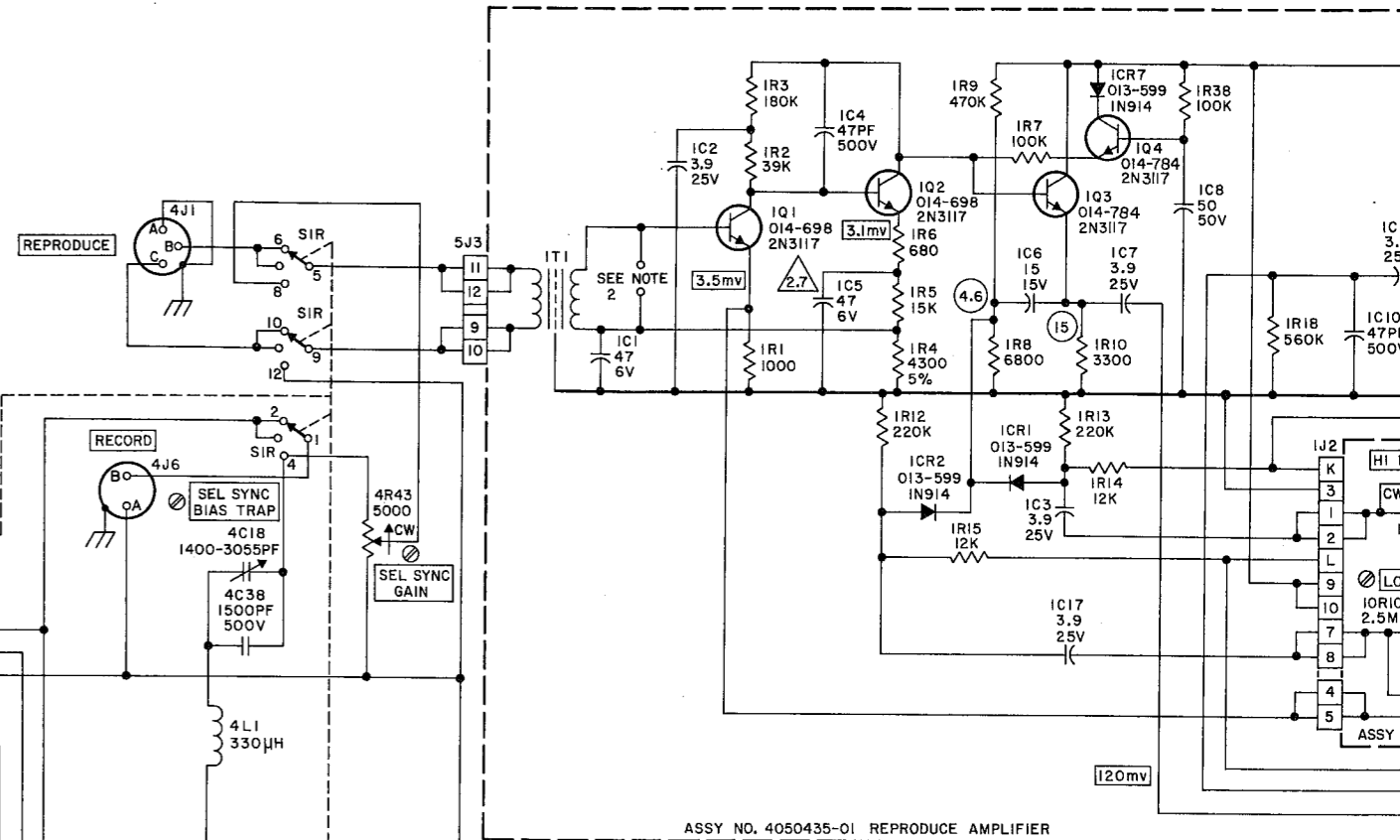
3-3/4-7-1/2 IPS NAB  
RECORD EQUALIZER



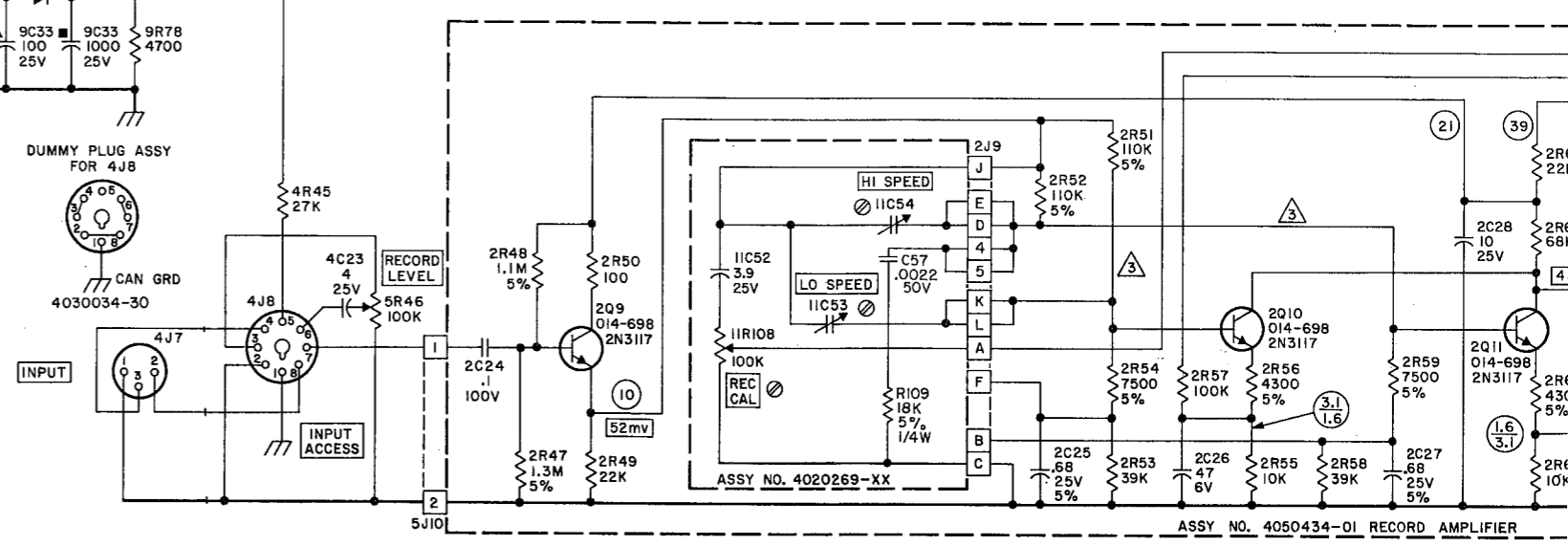
7-1/2-15 IPS CCIR  
RECORD EQUALIZER



ASSY NO. 4050433-01 BIAS AMPLIFIER



ASSY NO. 4050435-01 REPRODUCE AMPLIFIER



ASSY NO. 4050434-01 RECORD AMPLIFIER

NOTES

1. UNLESS OTHERWISE NOTED  
ALL RESISTORS ARE 1/2W, 10%  
ALL CAPACITOR VALUES ARE IN MFD AT INDICATED VOLTAGE
2. PROVISION IS MADE TO PAD HEAD OUTPUT AT HIGH FREQUENCIES
3. CAPACITOR SYMBOLS WITH CURVED PLATE INDICATES POLARITY SENSITIVE PART
4. REPRODUCE EQUALIZER 4020270-01 CAN BE ADJUSTED TO NAB AND/OR CCIR
5. SHIELD DESIGNATIONS OMITTED TO PRESERVE DRAWING CLARITY
6. ○ INDICATES VOLTS DC MEASURED WITH A 20,000 Ω/V METER  
△ INDICATES VOLTS DC MEASURED WITH A HIGH IMPEDANCE VTVM  
□ INDICATES VOLTS RMS MEASURED WITH A HIGH IMPEDANCE VTVM AT OPERATING LEVEL OF 1000Hz  
◇ INDICATES VOLTS RMS MEASURED WITH A HIGH IMPEDANCE VTVM AT BIAS FREQUENCY

REFERENCE DESIGNATOR CODE

1. REPRODUCE BOARD
2. RECORD BOARD
3. ERASE BOARD
4. BACK PANEL
5. FRONT PANEL
6. TRANSPORT
7. POWER SUPPLY
8. RIGHT PANEL (FROM FRONT)
9. LEFT PANEL (FROM FRONT)
10. REPRODUCE EQUALIZER
11. RECORD EQUALIZER

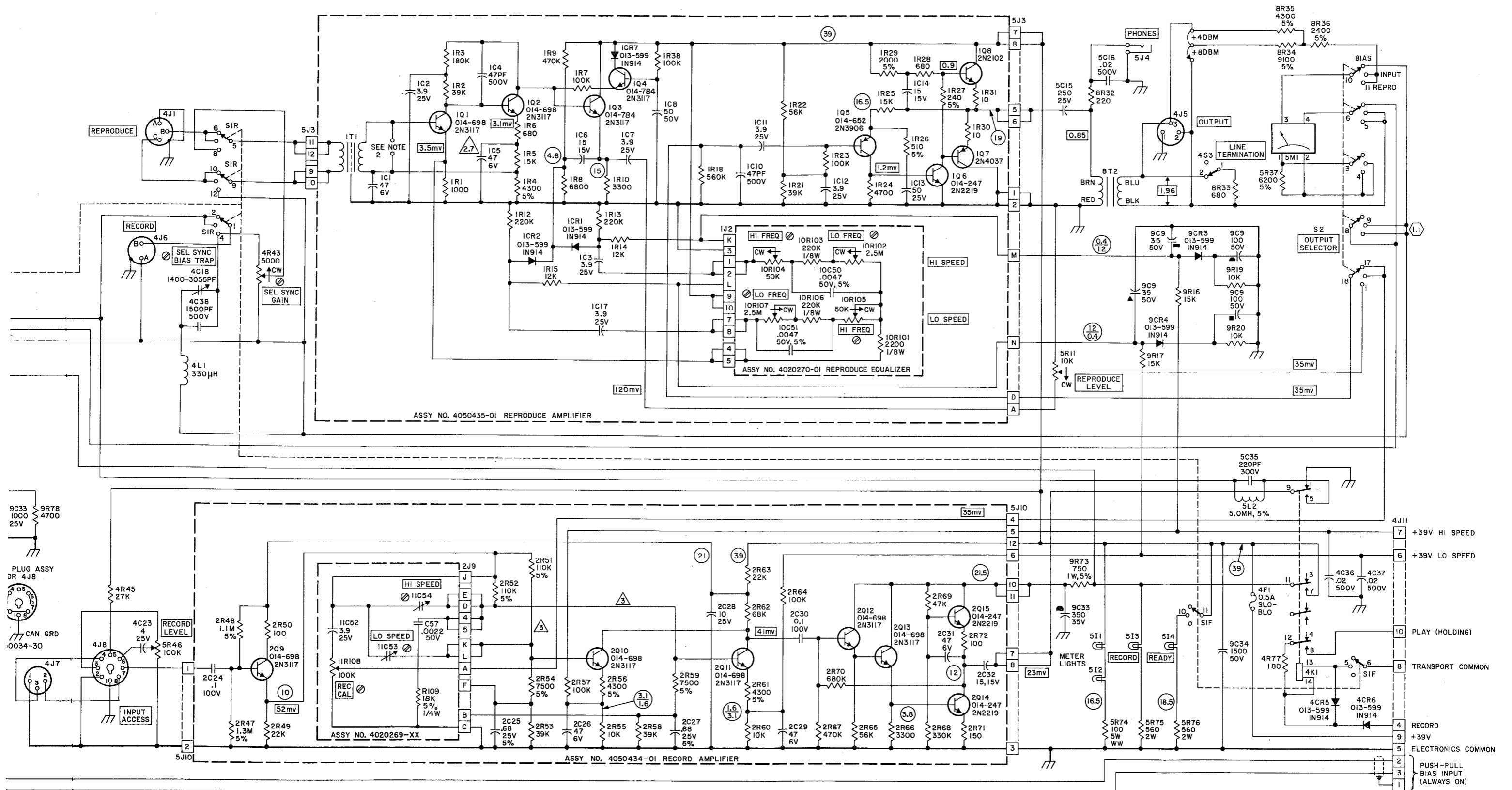
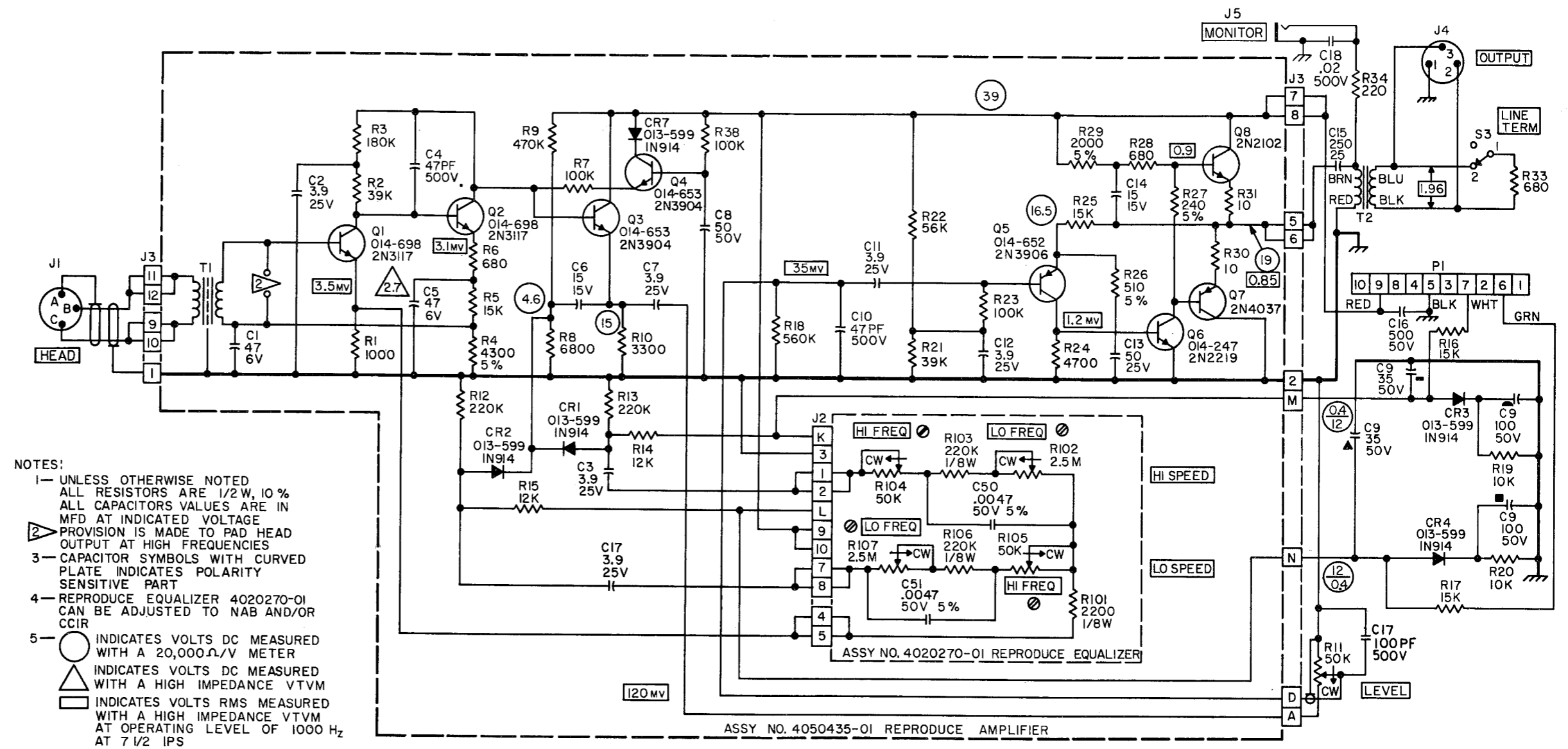
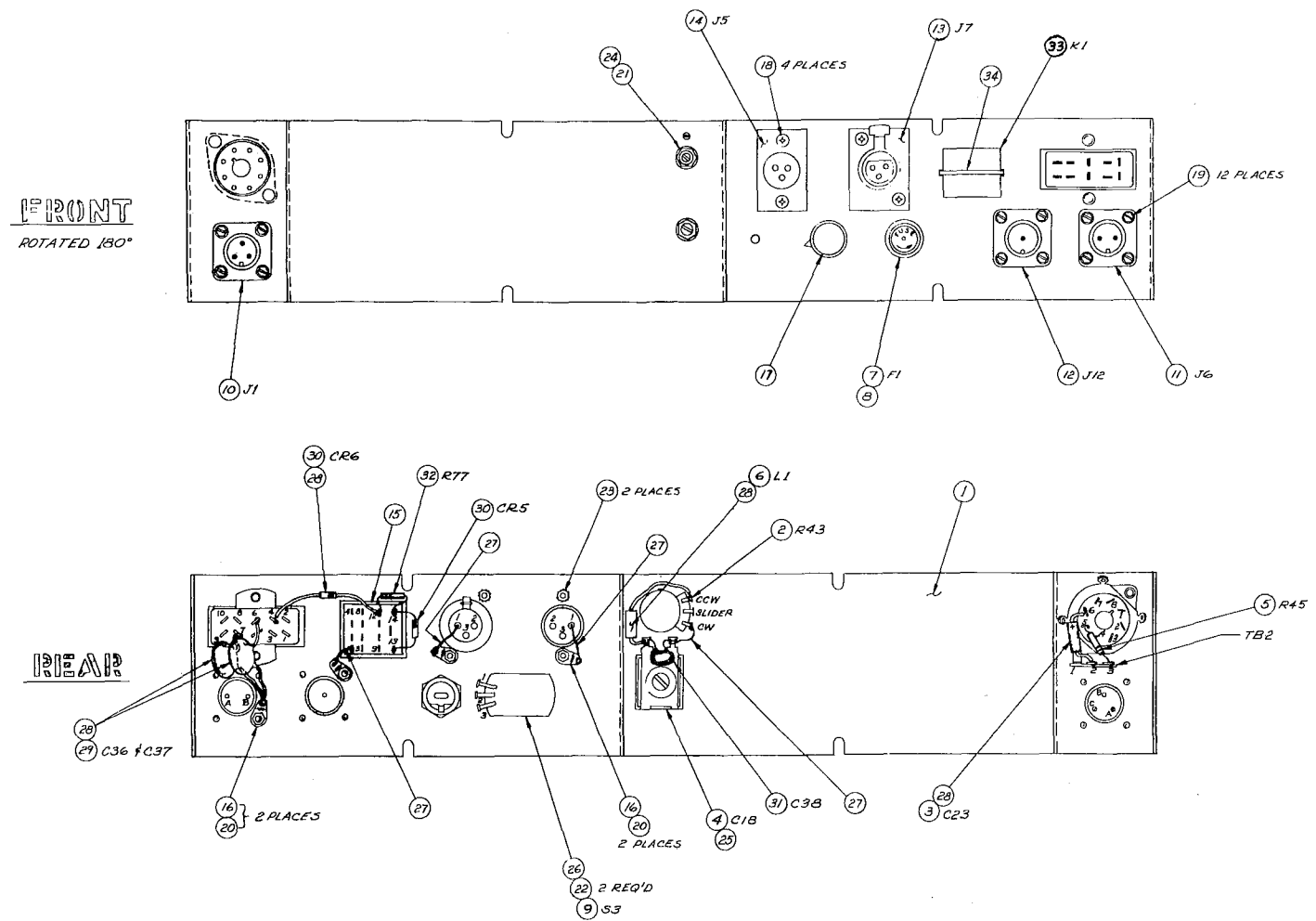


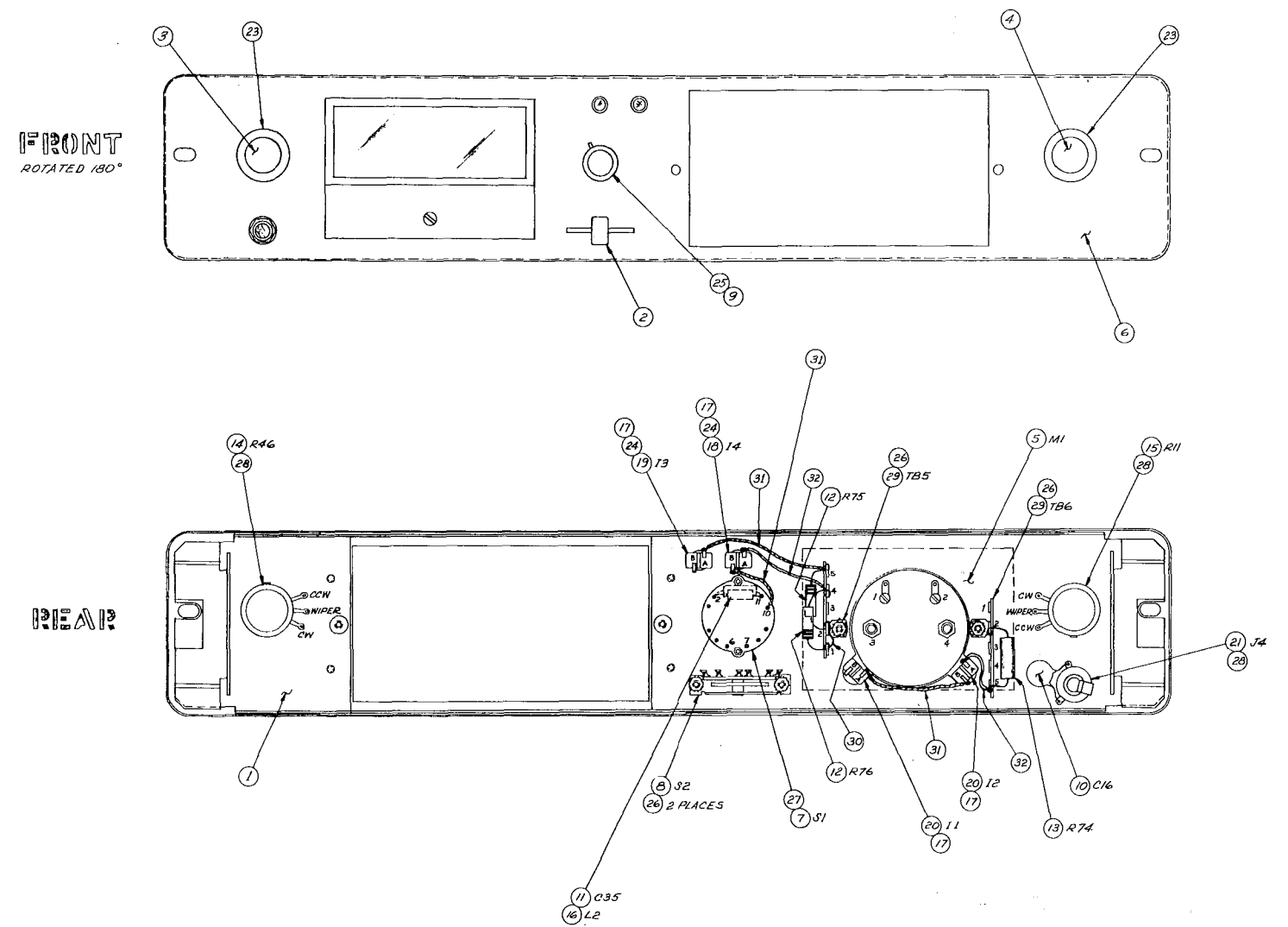
Fig. 6-24. Electronics Schematic, Record/Reproduce.



LAST REF DES USED	REF DES NOT USED
R34	CR5,6
R107	
C18	
C51	
J5	
CR7	
T2	
Q8	
PI	

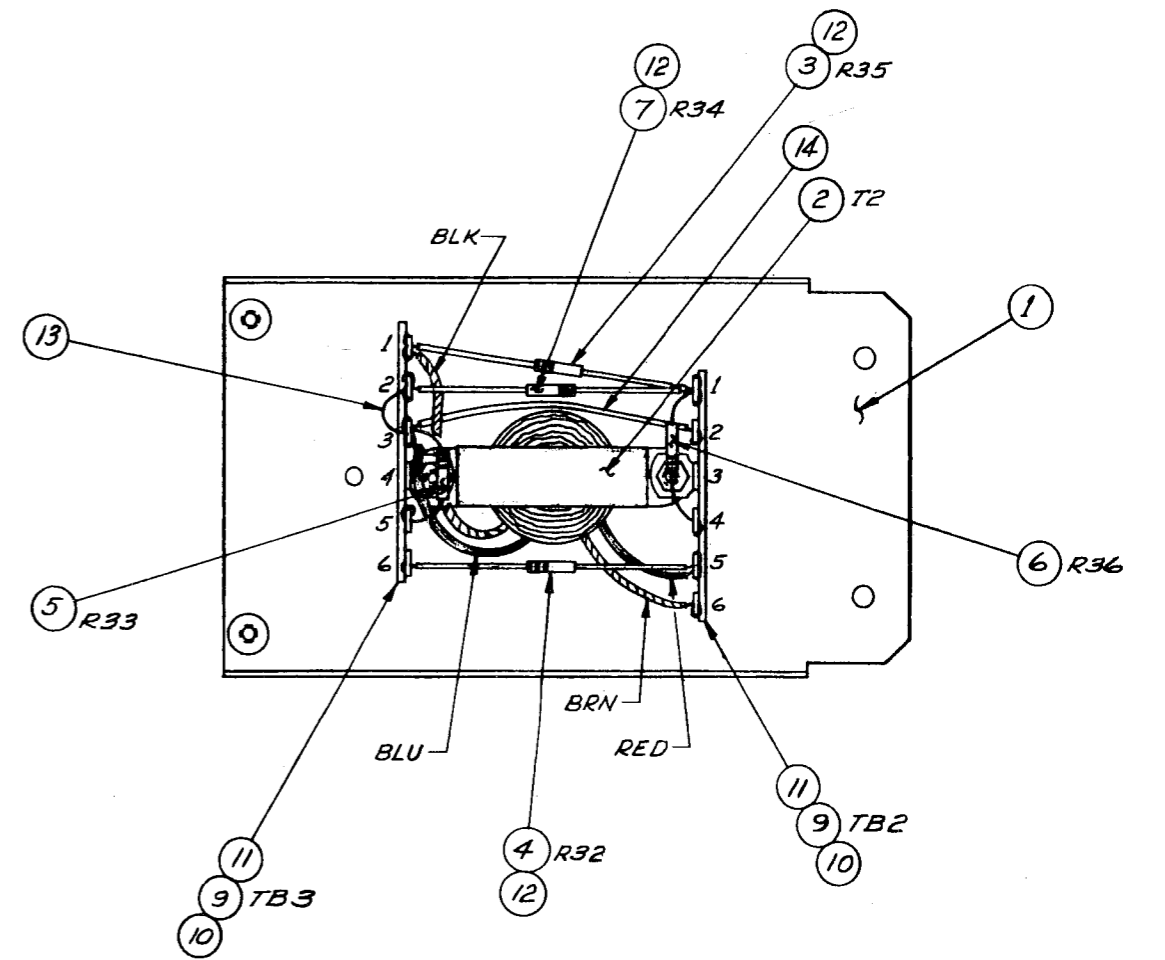
Fig. 6-25. Electronics Schematic, Reproduce-only

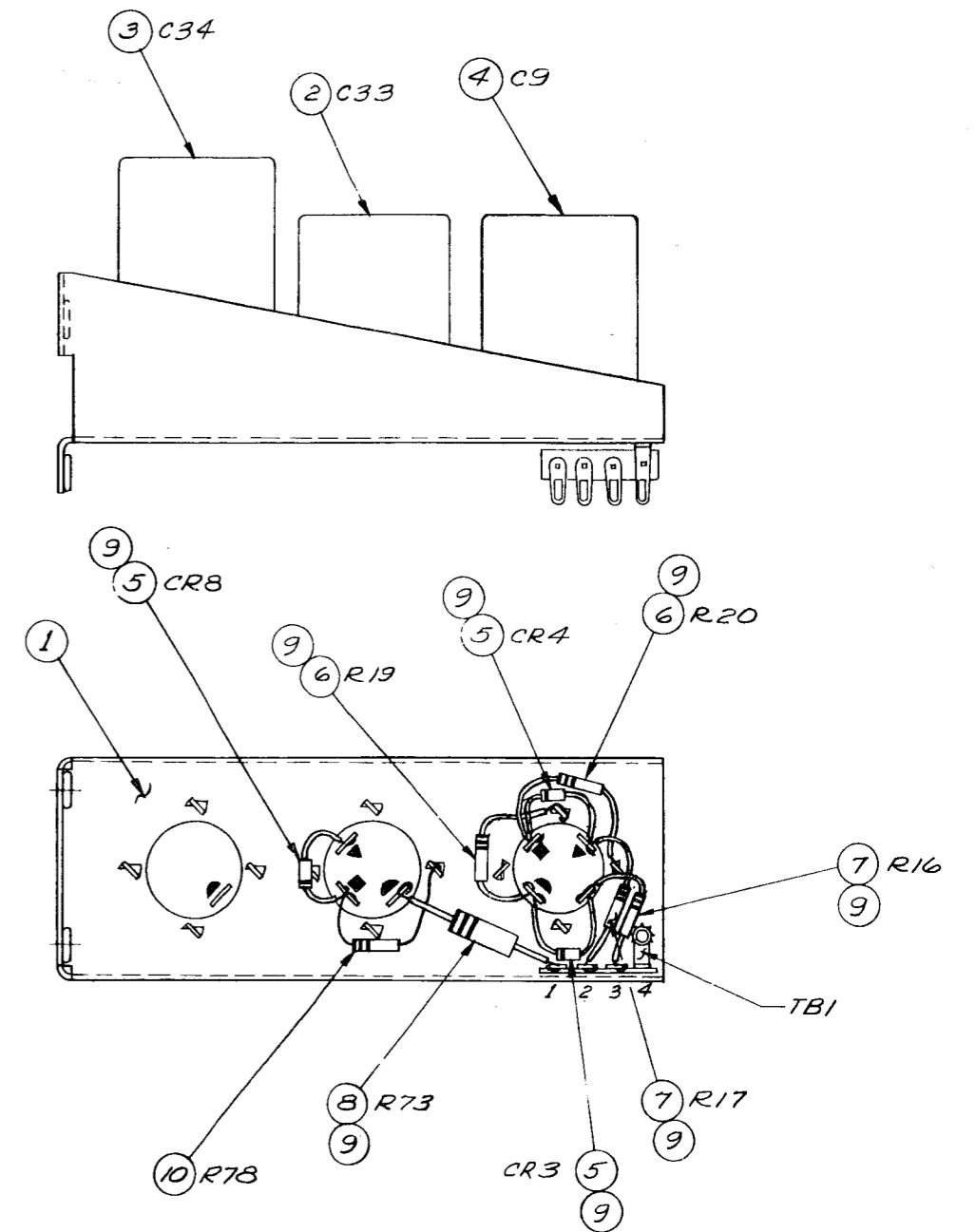




PARTS LIST WITH FIG. 6-24.

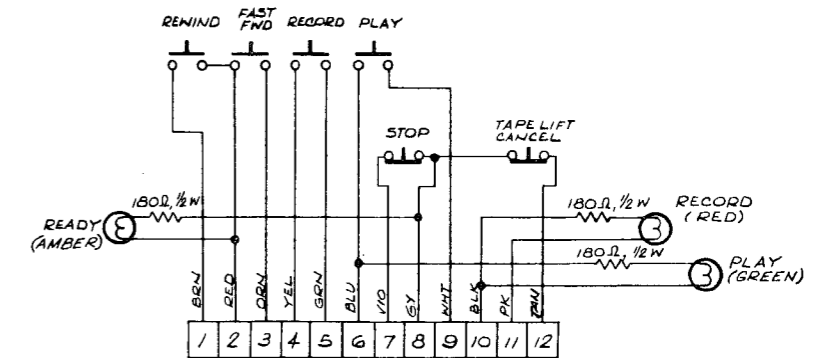
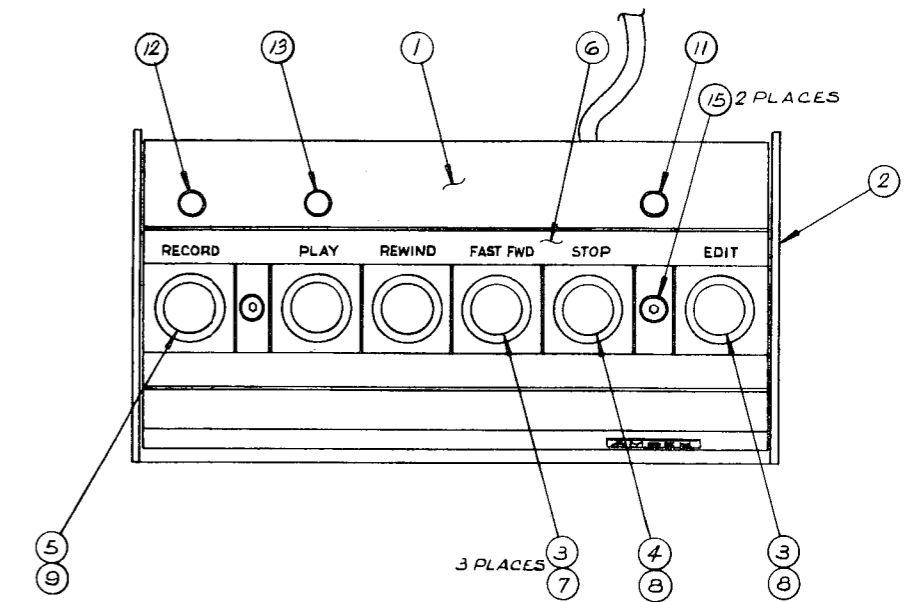
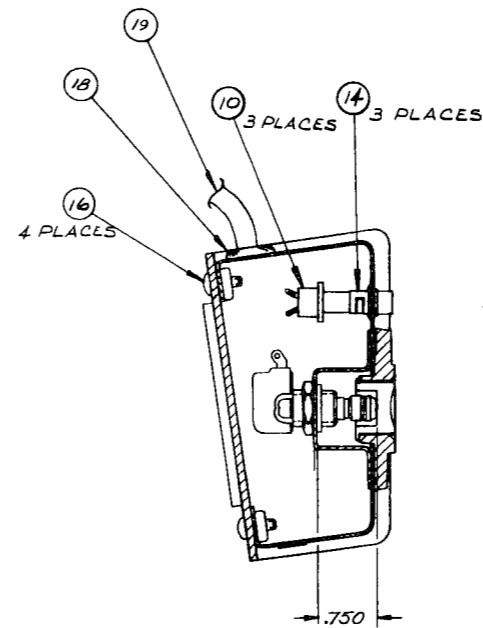
Fig. 6-27. Front Panel, Electronics





OPTIONAL ACCESSORY  
 REMOTE CONTROL ASSEMBLY  
 CATALOG NO. 4010080  
 (see Fig. 6-30)

Item	Qty	DESCRIPTION	Ampex Part No.
1	1	Panel, assembly	4040997-01
2	1	Base, assembly	4040999-01
3	4	Pushbutton, white (fast forward, rewind, play, edit)	4100183-01
4	1	Pushbutton, yellow (stop)	4100183-02
5	1	Pushbutton, red (record)	4100183-03
6	1	Escutcheon	4110274-01
7	3	Switch, pushbutton (fast forward, rewind, play)	4620144-10
8	2	Switch, pushbutton (stop, edit)	4620144-20
9	1	Switch, pushbutton (record)	4620144-30
10	3	Socket, light	132-098
11	1	Light, indicator, amber	132-099
12	1	Light, indicator, red	132-100
13	1	Light, indicator, green	060-338
14	3	Clip, lamp holder	435-069
17	3	Resistor, fixed, comp; 180 ohms, ±10%, 1/2w; RC20GF181K	041-257
18	1	Strain Relief	264-011
19	1	Cable, assembly, remote control (captive)	4050086-01
	1	Connector, plug, 12 pins, male	145-019
	25'	Cable, 12 conductor	617-090

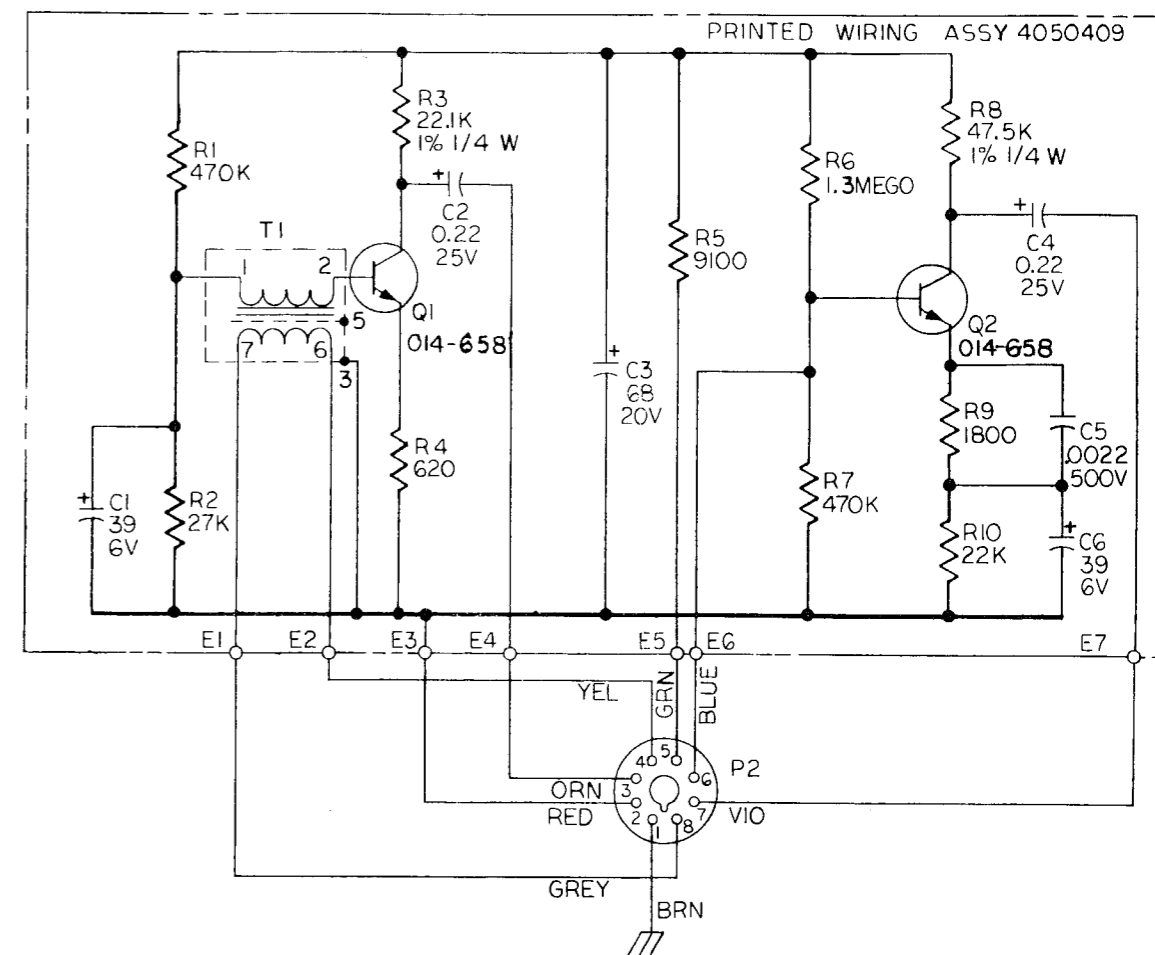


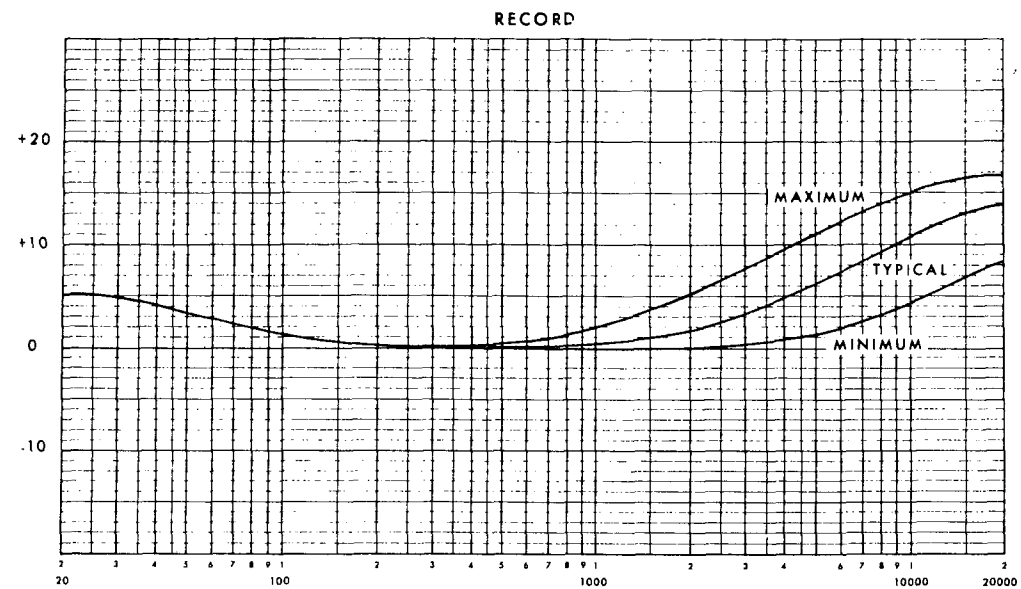
SCHEMATIC DIAGRAM



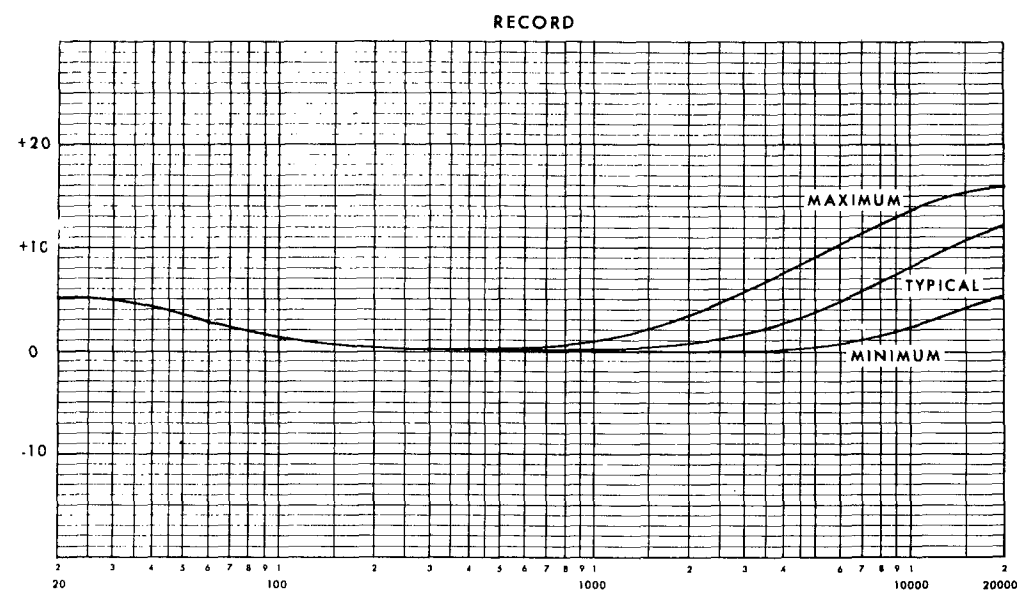
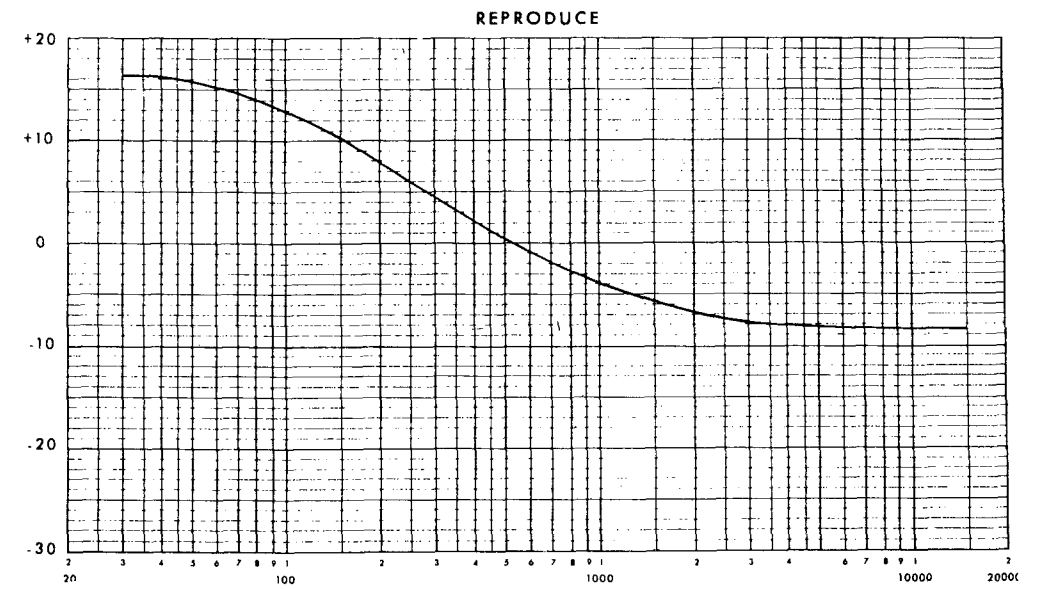
OPTIONAL ACCESSORY  
MICROPHONE PREAMPLIFIER  
CATALOG NO. 4010066  
(see Fig. 6-31)

Ref.	Qty	DESCRIPTION	Ampex Part No.
	1	Printed Circuit Board, assembly	4050409-01
C1	2	Capacitor, tantalum; 39 mfd, ±20%, 6 vdcw	037-452
C2	2	Capacitor, tantalum; 0.22 mfd, ±20%, 25 vdcw	037-450
C3	1	Capacitor, tantalum; 68 mfd, ±20%, 20 vdcw	037-451
C4	-	Same as C2	
C5	1	Capacitor, ceramic disc; .0022 mfd, ±10%, 500 vdcw	030-102
C6	-	Same as C1	
Q1	2	Transistor, silicon; low noise, low level	014-658
Q2	-	Same as Q1	
R1	2	Resistor, fixed, comp; 470,000 ohms, ±5%, 1/2w; RC20GF474J	041-029
R2	1	Resistor, fixed, comp; 27,000 ohms, ±5%, 1/2w; RC20GF273J	041-015
R3	1	Resistor, metal film; 22,100 ohms, ±1%, 1/4w	057-208
R4	1	Resistor, fixed, comp; 620 ohms, ±5%, 1/2w; RC20GF621J	041-006
R5	1	Resistor, fixed, comp; 9,100 ohms, ±5%, 1/2w; RC20GF912J	041-373
R6	1	Resistor, fixed, comp; 1.3 meg ohms, ±5%, 1/2w; RC20GF135J	041-377
R7	-	Same as R1	
R8	1	Resistor, metal film; 47,500 ohms, ±1%, 1/4w	042-482
R9	1	Resistor, fixed, comp; 1,800 ohms, ±5%, 1/2w; RC20GF182J	041-009
R10	1	Resistor, fixed, comp; 22,000 ohms, ±5%, 1/2w; RC20GF223J	041-016
T1	1	Transformer, microphone	4580197-01
	2	Sockets, transistors	150-103
	1	Can, plug-in	4290201-10

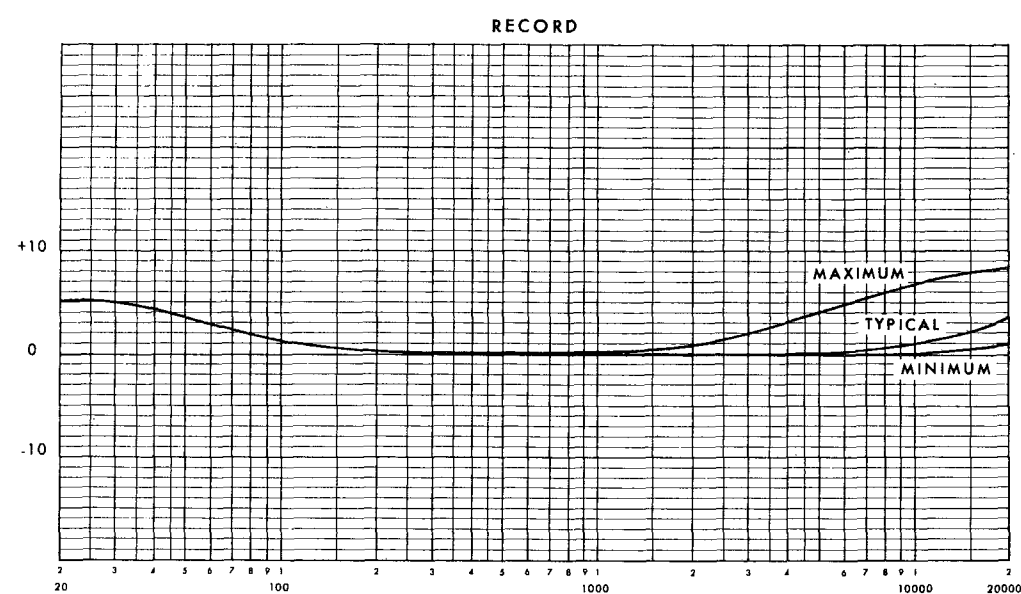
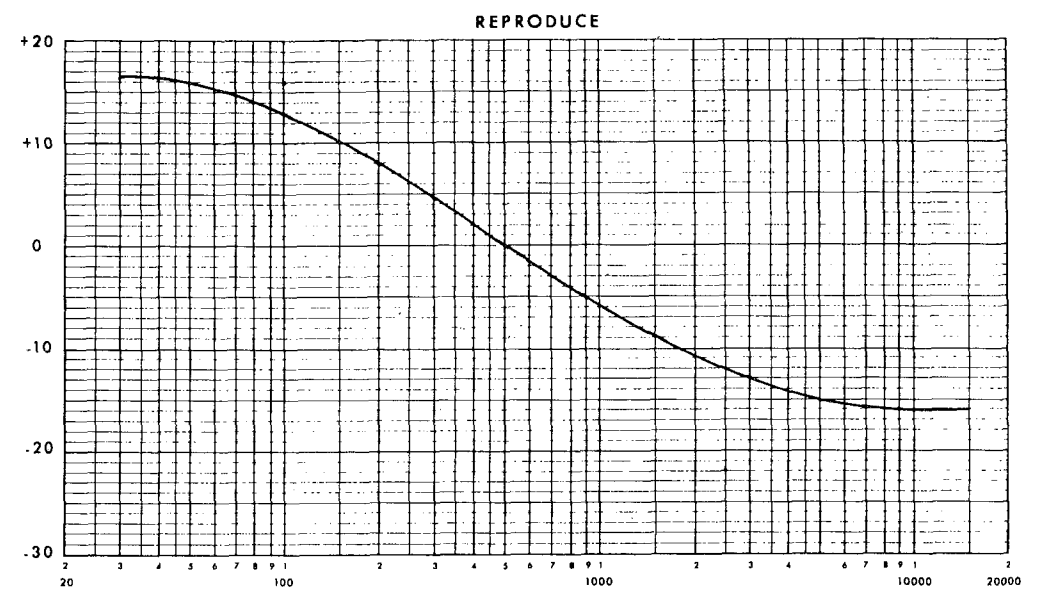




3 3/4 ips (120 usec)



7 1/2 ips NAB



15 ips NAB

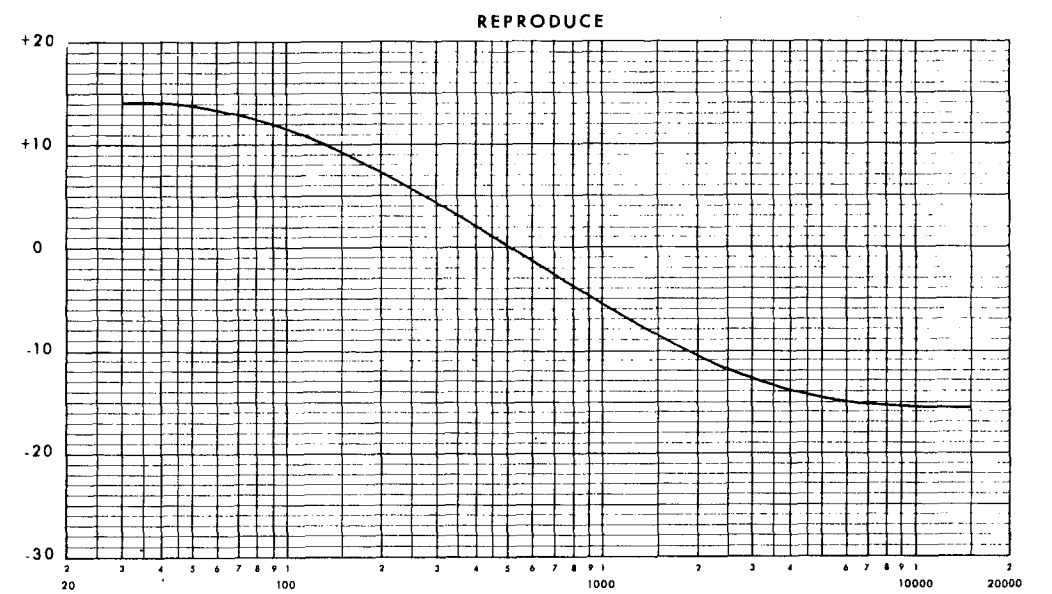
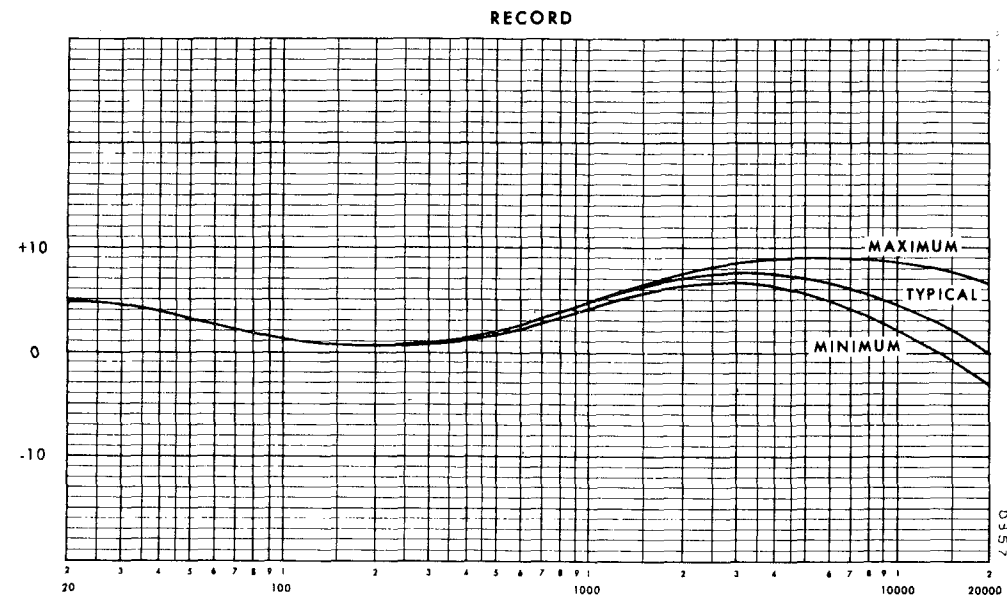
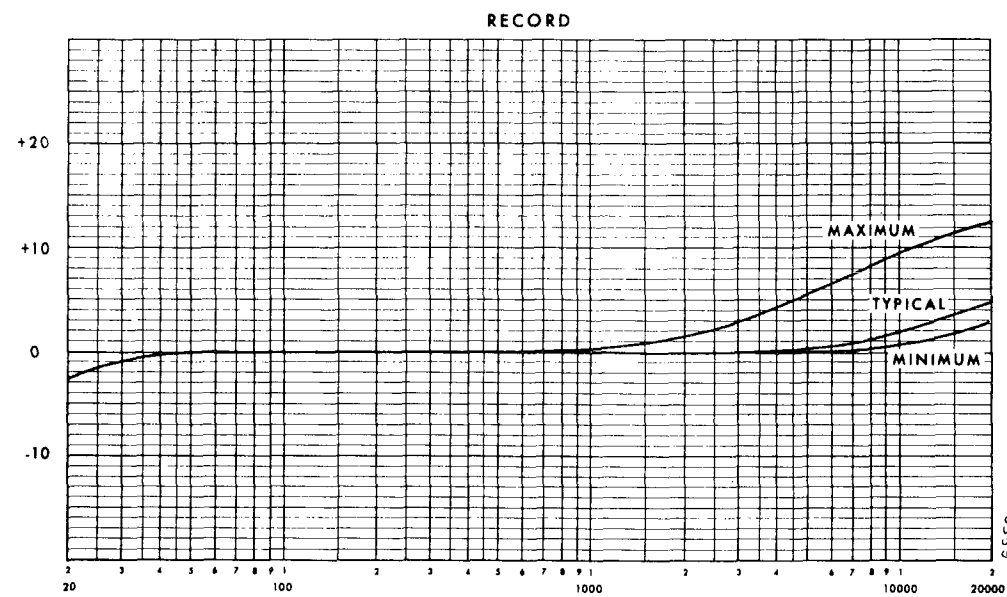
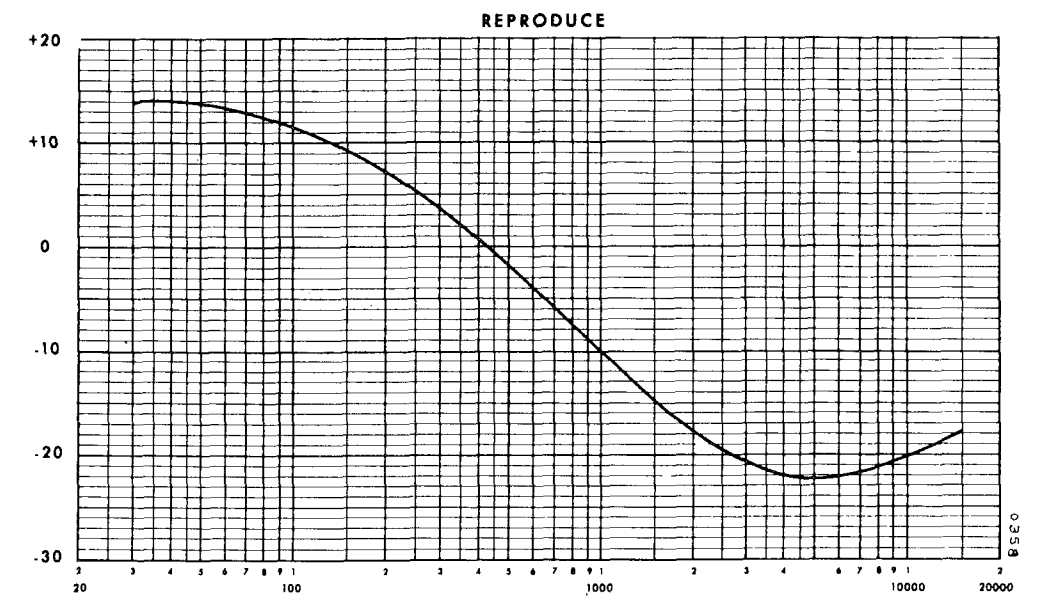


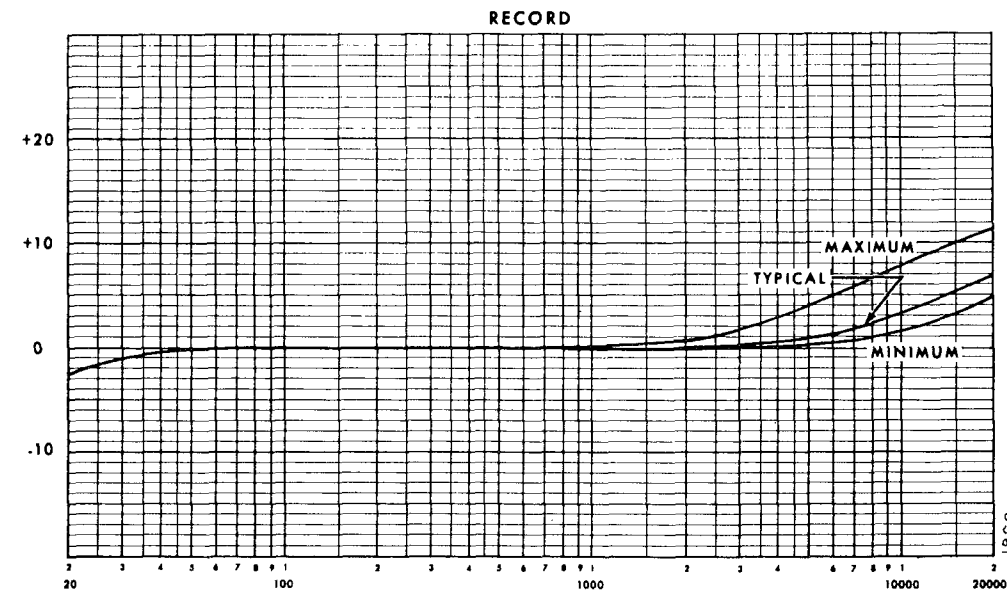
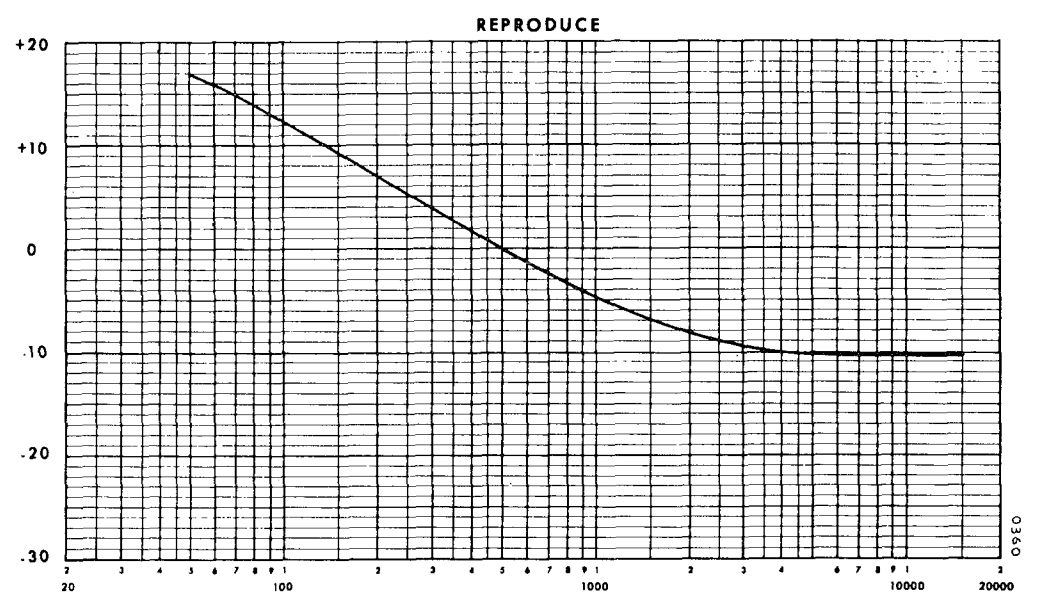
Fig. 6-32. Response Curves, Sheet 1



15 ips AME



7 1/2 ips CCIR



15 ips CCIR

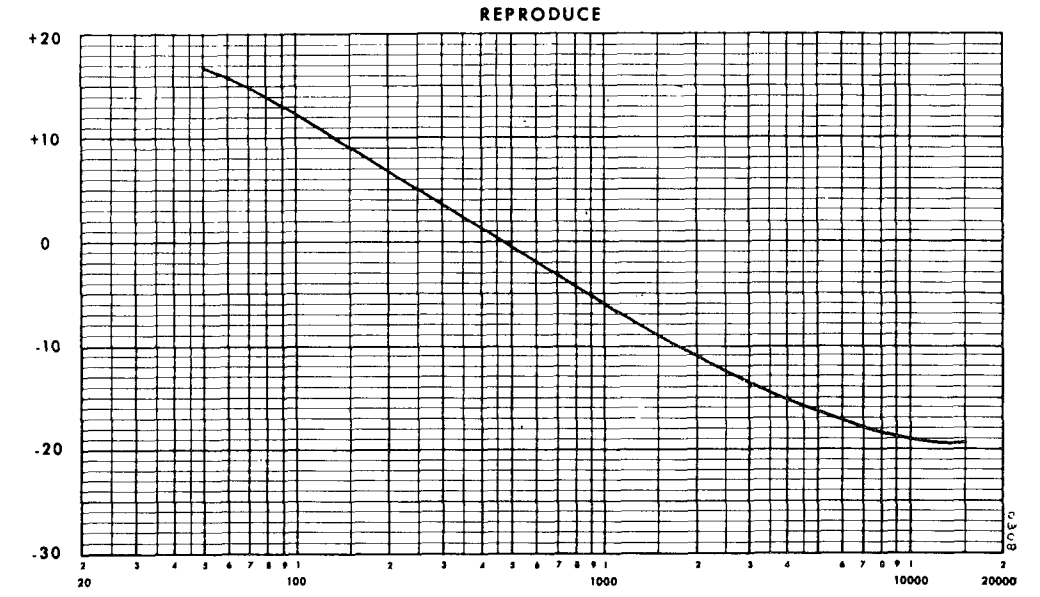
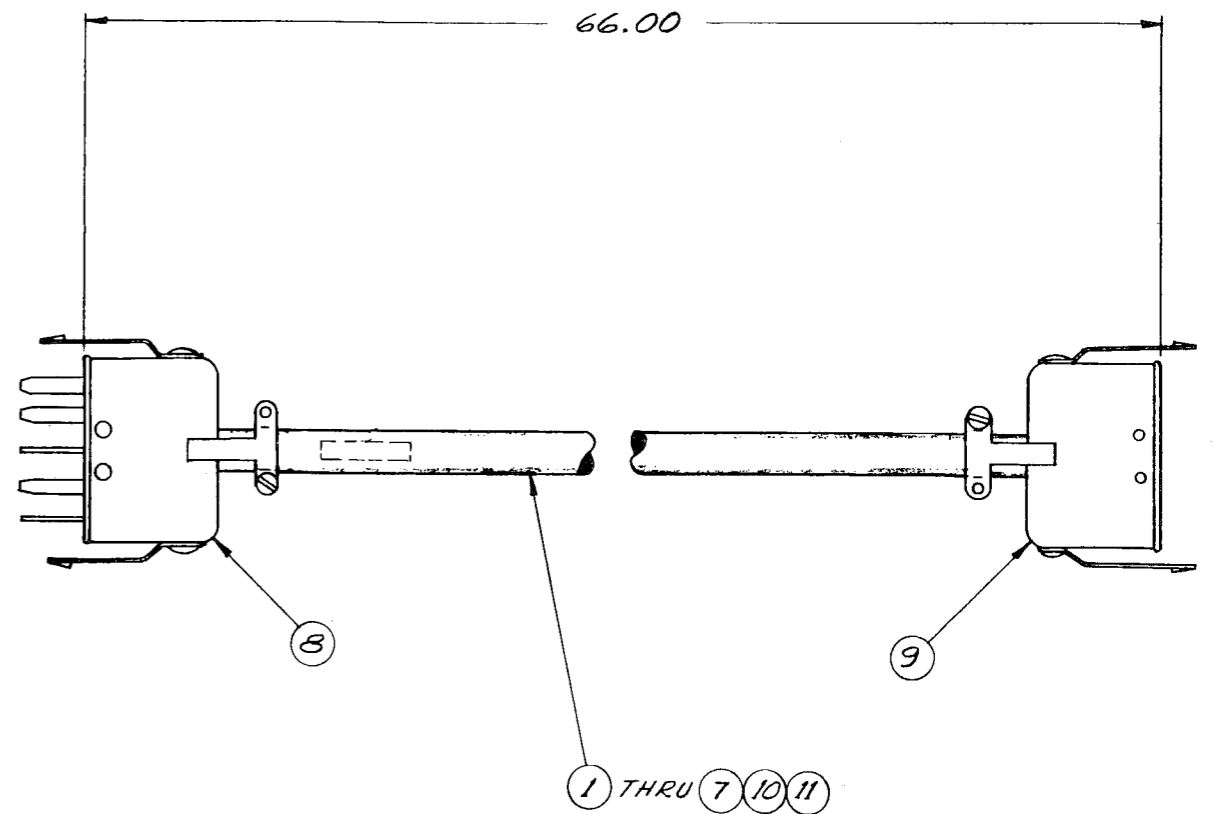


Fig. 6-33. Response Curves, Sheet 2



1		1
2		2
3	YEL	3
4		4
5	GRN	5
6	BLU	6
7	VIO	7
8	GRY	8
9	WHT	9
10	BLK	10

*SCHEMATIC DIAGRAM*

PART NO.	L
4050416-01	120"

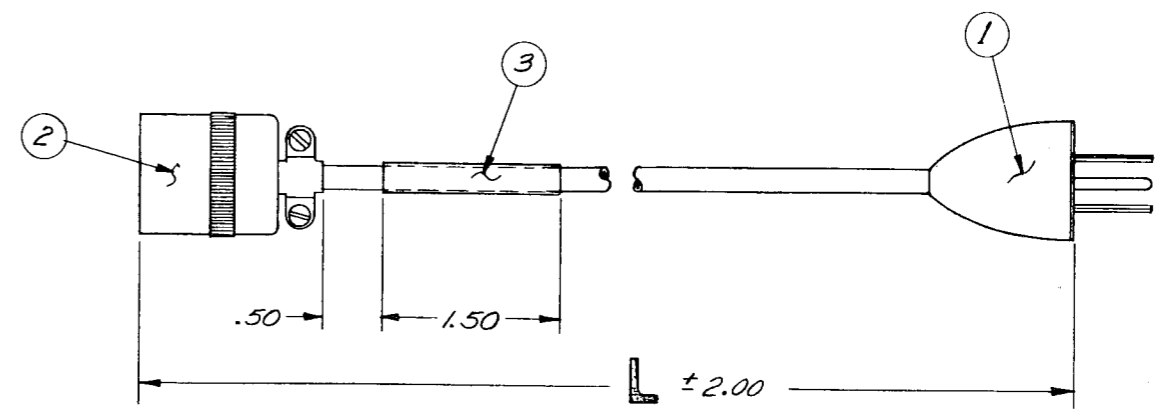
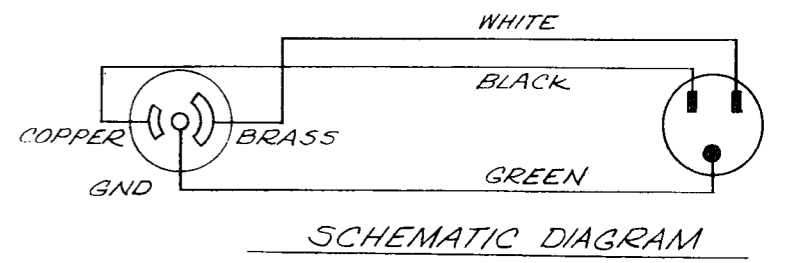


Fig. 6-35. Cable, Power