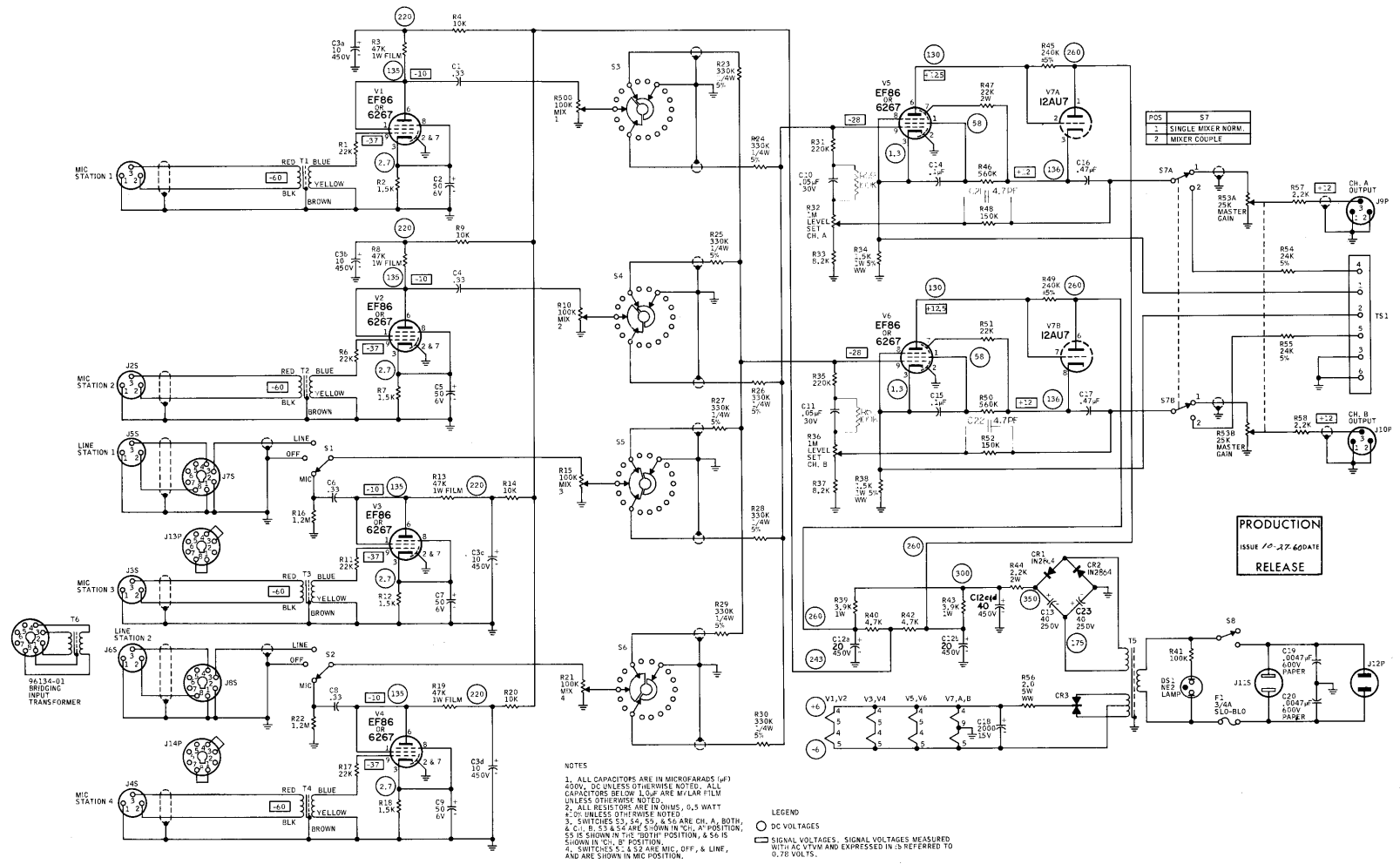


# SCHEMATIC DIAGRAM



**NOTES**

1. ALL CAPACITORS ARE IN MICROFARADS (μF) 250V, DC UNLESS OTHERWISE NOTED. ALL CAPACITORS BELOW 1.0μF ARE M/LAR FILM UNLESS OTHERWISE NOTED.
2. ALL RESISTORS ARE IN OHMS, 0.5 WATT
3. UNLESS OTHERWISE NOTED
4. SWITCHES S1, S4, S5, & S6 ARE CH. A, BOTH 2, C, & S2 ARE S-DOWN IN "1", "A" POSITION, S5 IS SHOWN IN "1" POSITION, & S6 IS SHOWN IN "1", "B" POSITION
5. SWITCHES S1 & S2 ARE MIC, OFF, & LINE, AND ARE SHOWN IN MIC POSITION.

**LEGEND**

○ DC VOLTAGES

□ SIGNAL VOLTAGES. SIGNAL VOLTAGES MEASURED WITH AC VTVM AND EXPRESSED IN -dB REFERRED TO 0.70 VOLTS.