

ASSEMBLY INSTRUCTION

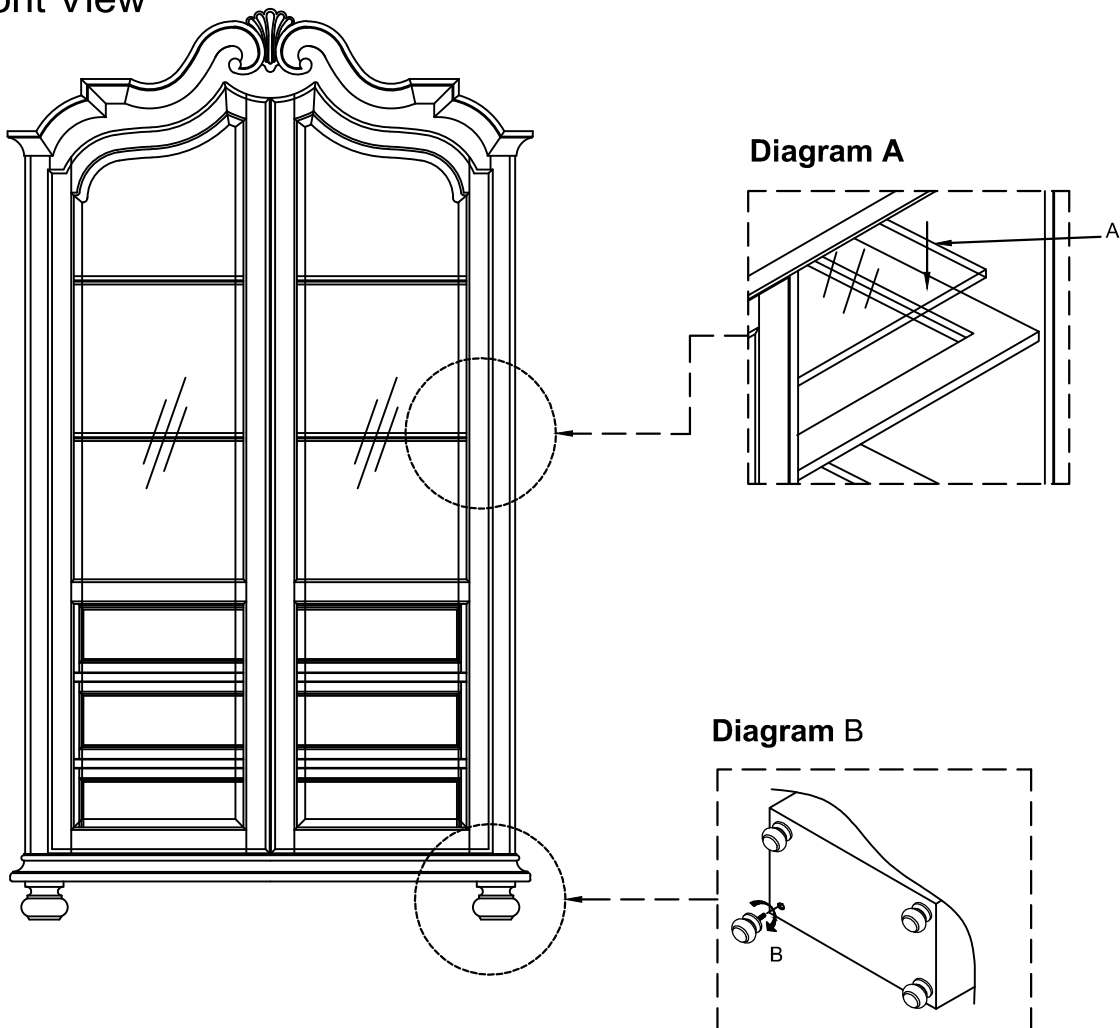
有效版本: 01
编码: ZP
FEART76-HB241W-P1
展示柜



制作: 刘陶
审核:
批准:
日期:

176241-2617/2608 DISPLAY CABINET

Thank you for purchasing this quality product. Be sure to check all packing material carefully for small parts, which may have come loose inside the carton during shipment. Identify and count all parts and compare with the Parts List below.

Front View



NO.		Parts List	Q'ty
A		Glass Shelf	2
B		Bun Foot	4
C		Tip kit	1

NOTE: The tip kit must be used to reduce chance of tipping

It is suggested that two people work together for this assembly process.

Cleaning instructions: clean the surface with furniture polish and a soft cloth.