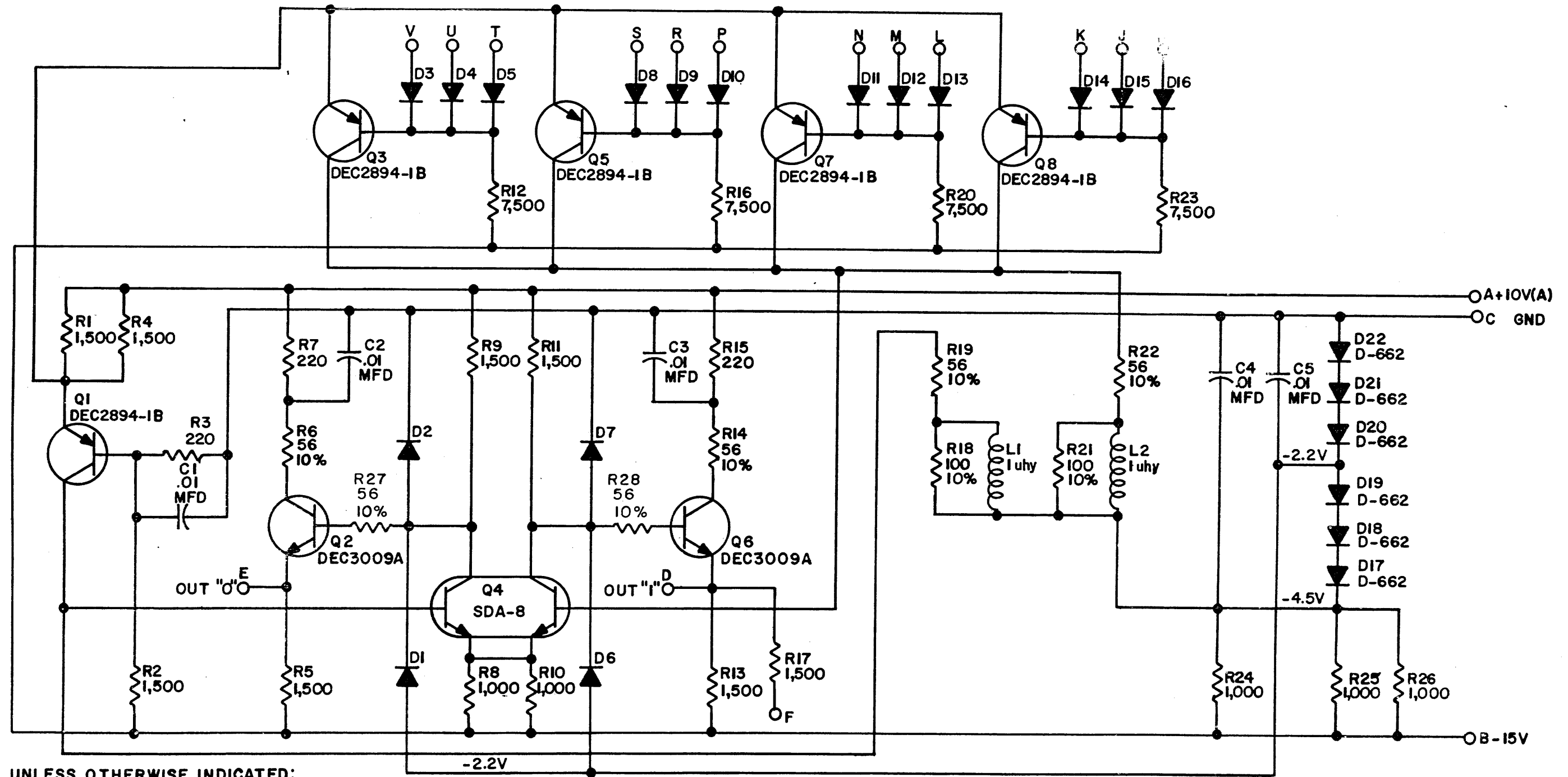
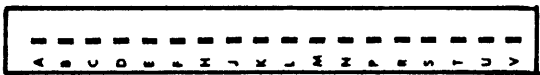


THIS SCHEMATIC IS FURNISHED ONLY FOR TEST AND MAINTENANCE PURPOSES. THE CIRCUITS ARE PROPRIETARY IN NATURE AND SHOULD BE TREATED ACCORDINGLY. COPYRIGHT 1964 BY DIGITAL EQUIPMENT CORPORATION



UNLESS OTHERWISE INDICATED:
 RESISTORS ARE 1/4 W, 5%
 DIODES ARE D664

PARTS LIST A-PL-B130-0-0



REVISIONS	CHK	CHG NO.	REV.
			A
			B
			6486
			6775

DRN. H.W. PORTER	DATE 11-19-64
CHK'D N. PERRYMAN	DATE 12-3-64
ENG. R. DOANE	DATE 12-3-64
PROD.	DATE

TRANSISTOR & DIODE CONVERSION CHART			
DEC	EIA	DEC	EIA
DEC2894-1B	NONE		
SDA-8	NONE		
DEC3009A	2N3009		
D662	1N645		
D664	1N36C6		

digital
 EQUIPMENT CORPORATION
 MAYNARD, MASSACHUSETTS

TITLE 3 BIT PARITY CIRCUIT B130			
SIZE B	CODE CS	NUMBER B130-0-1	REV. B
PRINTED CIRCUIT REV.			B