
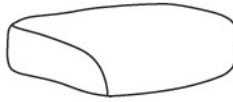

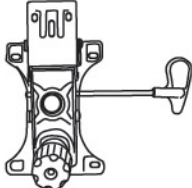
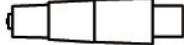


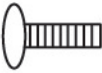
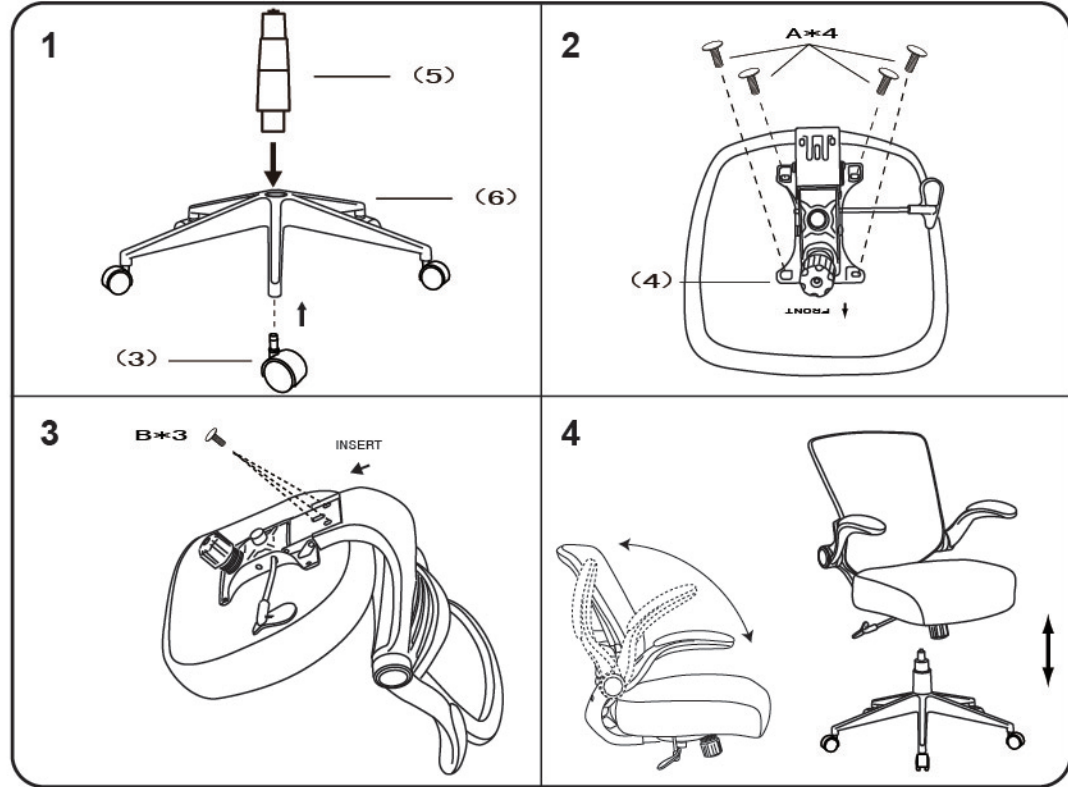


**IMPORTANT NOTICE:
HARDWARE PACKAGE IS ATTACHED
ON THE BOTTOM OF SEAT CUSHION.**

MODEL: B6356

(1)X1	(2)X1	(3)X5
 BACK & ARM	 SEAT	 CASTERS
(4)X1	(5)X1	(6)X1
 MECHANISM	 GAS LIFT	 BASE
<p>(A)*4  M8*22 MECHANISM SCREW</p> <p>(B)*3  M8*36 L-BAR SCREW</p>		



Insert and loosely tighten all screws. When assembly is completed, fully tighten all screws before using. This chair is only intended for sitting. Any other use will void the warranty.

