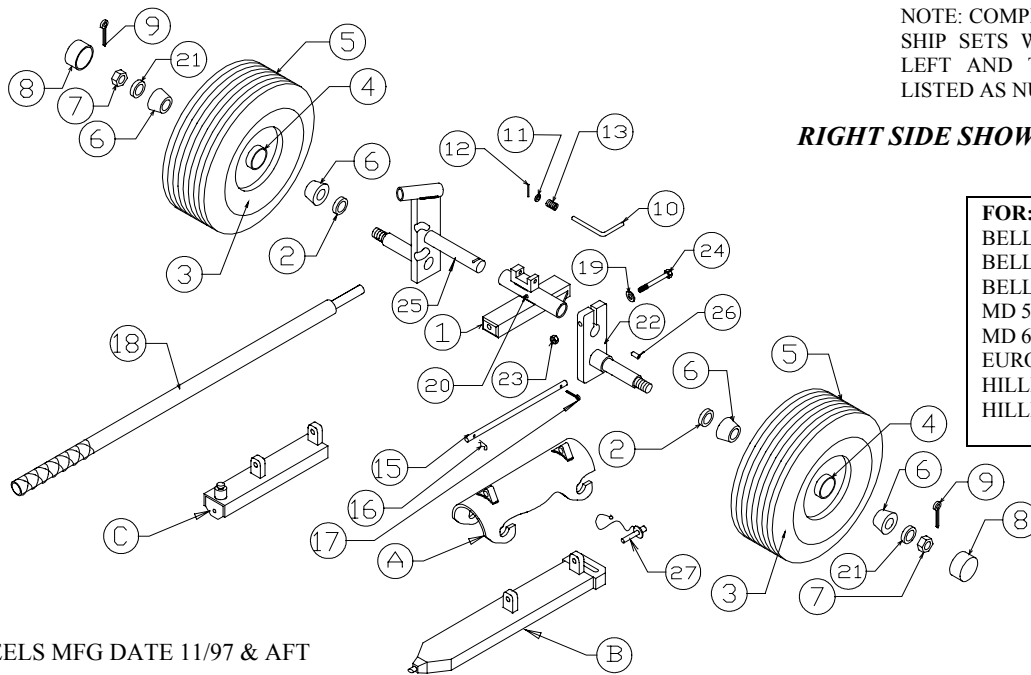


NOTE: COMPLETE ASSEMBLIES ARE SOLD IN SHIP SETS WHICH CONSIST OF BOTH THE LEFT AND THE RIGHT SIDE, PARTS ARE LISTED AS NUMBER REQUIRED PER SIDE.



RIGHT SIDE SHOWN

FOR:	USE P/N
BELL 206L	(BDW-206LR)
BELL 47	(BDW-4712)
BELL OH58	(BDW-500M)
MD 500-OH6	(BDW-500M)
MD 600	(BDW-600M)
EURO AS-350	(BDW-AT)
HILLER 12	(BDW-4712)
HILLER FH 1100	(BDW-FH1100)

WHEELS MFG DATE 11/97 & AFT

Shipping Info:
1 box 30x15x19 (4.9 ft³)
1 box 2x2x50 (.12 ft³)
Total: Weight 69 lbs (5.02 ft³)

ITEM NO	PART NUMBER	DESCRIPTION	NO REQ.
A	W-C4712-00	CARRIER, BELL 47; HILLER 12	2
A	W-CAT-00	CARRIER, EUROCOPTER AS350	2
A	W-CBR-00	CARRIER BOEING ROTORCRAFT 600	2
A	W-C1100-00	CARRIER, HILLER FH-1100	2
B	W-CLR-00	CARRIER, BELL 206L SERIES	2
C	W-C500-00	CARRIER, BELL OH-58; MD 500	2
	W-U-140-1; W-U-140-2	COMPLETE ASM MINUS CARRIER (LEFT; RIGHT)	1
1	W-U-133-1; W-U-133-2	CENTER SECTION	1
2	VB12192	SEAL - SPINDLE 1.25 DIAMETER	2
3	W-5.30/4.50 X 6 TB	OPT. TUBE	2
4	W-5.30/4.50 X 6 TW	WHEEL	2
5	W-5.30/4.50 X 6 TR	6 PLY TIRE TUBELESS	2
3A	W-4.10/3.50 X 6TB	OPT. TUBE (BDW-500M)	2
4A	W-4.10/3.50 X 6TW	WHEEL ASM. (BDW-500M S.N. 524 & AFT)	2
5A	W-4.10/3.50 X 6TR	6 PLY TIRE TUBELESS (BDW-500M)	2
6	L44643	WHEEL BEARING	4
7	NUT SLOTTED 3/4-16	SLOTTED NUT	2
8	HC-1	HUB CAP	2
9	PIN COTTER 1/8 X 1 1/2	COTTER PIN	1
10	W-U-101	L-PIN	1
11	AN960-516	WASHER	2
12	PIN ROLL 3/32 X 5/8	ROLL PIN	1
13	S-264	SPRING	1
15	W-U-132	PIN PICK UP	2
16	HPC-102	COWEL PIN	2
17	PIN ROLL 1/8 X 3/4	ROLL PIN	2
18	W-U-110	HANDLE	1
19	WASHER SAE 5/16	WASHER	1
20	ZERK 1/4-28	ZERK	1
21	WASHER SAE 3/4	WASHER	2
22	W-U-117	INNER ARM	1
23	NUT LOCK 5/16-24	LOCK NUT	1
24	BOLT 5/16-24 X 2 1/2	BOLT	1
25	W-U-118	LEFT OUTER ARM	1
25	W-U-119	RIGHT OUTER ARM	1
26	PIN ROLL 1/4 X 3/4	ROLL PIN	1
27	CL8BLPB1.50C	BALL LOCK PIN FOR "LR" ASM	
NS	W-LPK	L-PIN KIT CONTAINS ITEMS 10, 11, 12, 13	
NS	W-LPRK	REPAIR KIT (W-LPK + U-100 HOLDER)	
NS	WK-4712-15	BUSHING KIT FOR 4712 ASM	