

BUSH HOG®

LAND MAINTENANCE REPAIR PARTS MANUAL

**MODEL: RDTH SERIES
RDTH 60, RDTH 72, RDTH 84**

SECTION: 54



BUSH HOG®

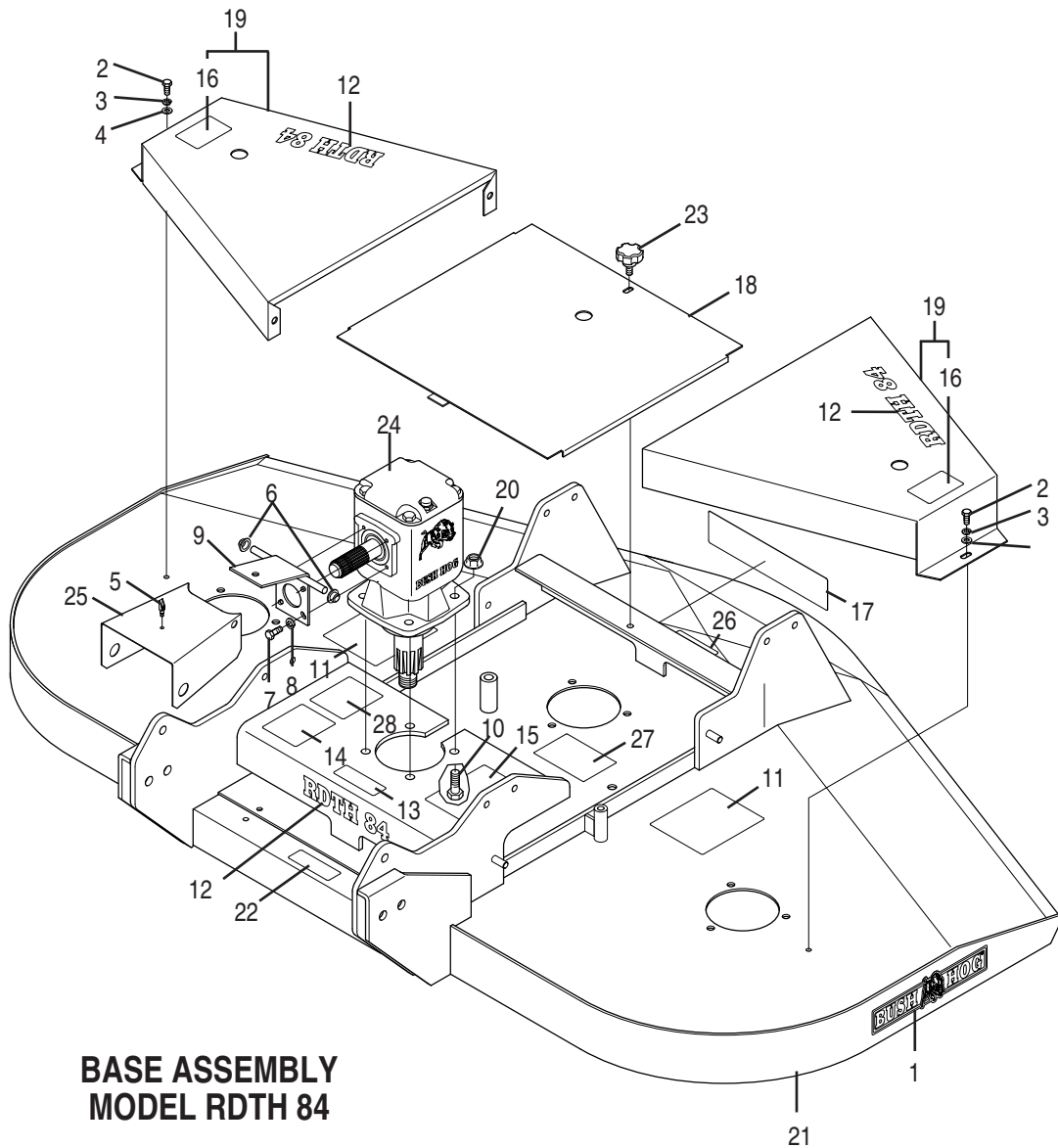
2501 Griffin Ave. • Selma, AL 36703
(334) 872-6261 • (334) 874-2700
Parts Ordering 1-800-304-2836
Fax 1-800-572-1784
www.bushhog.com



RDTH 60, RDTH 72, RDTH 84

ALPHABETICAL INDEX

CONTENTS	PAGE
Base Frame RDTH 60 & RDTH72	54-1-2, 54-1-3
Base Frame RDTH 84	54-1-1
Belts, Drive RDTH 60 & RDTH 72	54-2-1
Belts, Drive RDTH 84	54-2-3
Caster Arm RDTH 60 & RDTH 72	54-5-3
Caster Arm RDTH 84	54-5-4
Decals RDTH 60 & RDTH 72	54-1-1
Decals RDTH 84	54-1-2
Driveshaft Assemblies	54-4-1– 54-4-4
Gearbox Assemblies	54-3-1, 54-3-2
Mast & Support RDTH 60 & RDTH 72	54-5-1
Mast & Support RDTH 84	54-5-2
Pulleys, Drive & Idlers RDTH 60 & 72	54-2-1
Pulleys, Drive & Idlers RDTH 84	54-2-2
Roller, Front RDTH 60 & RDTH 72	54-5-5
Roller, Front RDTH 84	54-5-6
Shields, Safety RDTH 60 & RDTH 72	54-1-1 through 54-1-3
Shields, Safety RDTH 84	54-1-4, 54-1-5
Spindle Assembly RDTH 60 & RDTH 72	54-2-2
Spindle Assembly RDTH 84	54-2-4
Wheel & Fork Assembly RDTH 60 & RDTH 72	54-5-3
Wheel & Fork Assembly RDTH 84	54-5-4

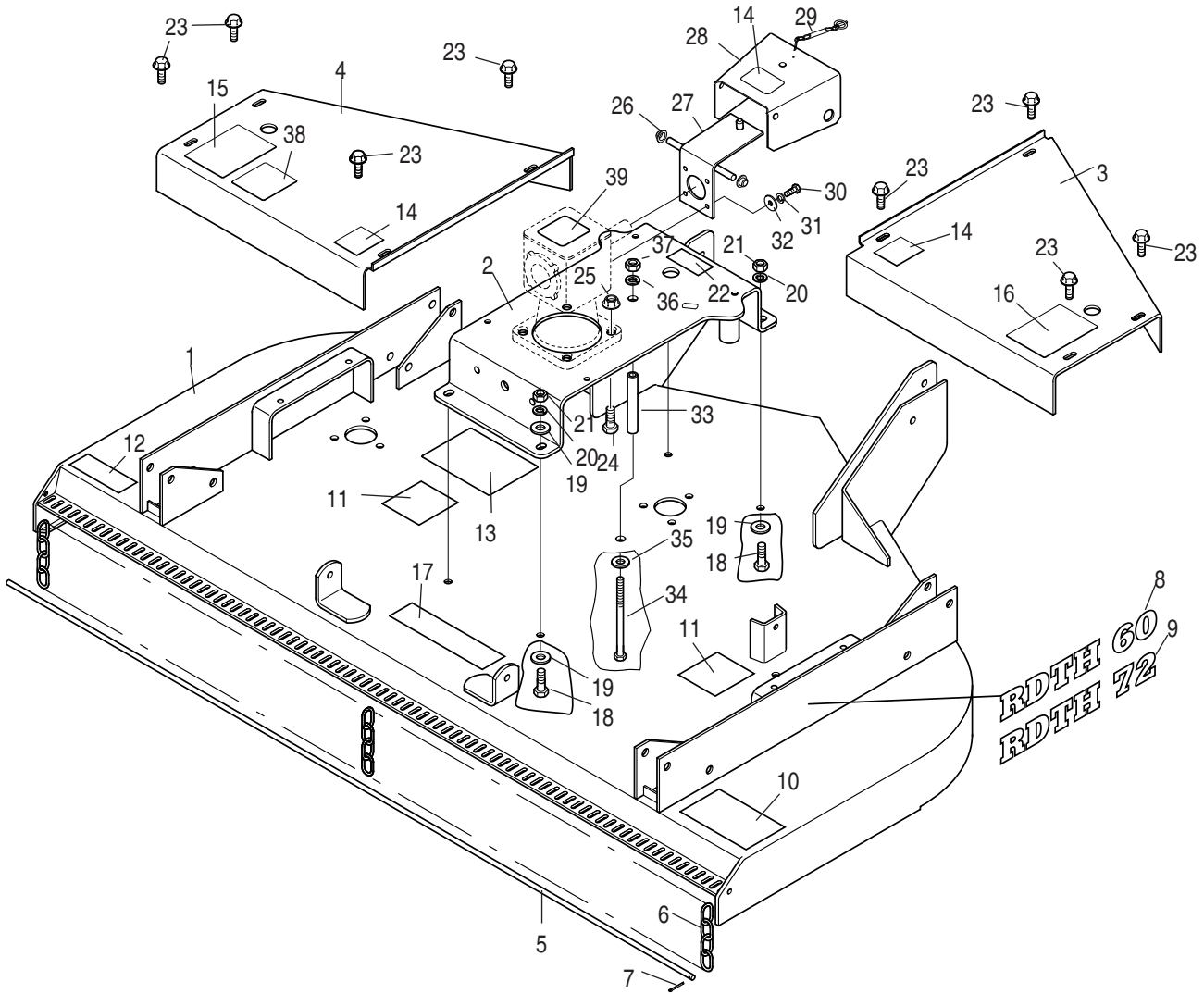


**BASE ASSEMBLY
MODEL RDTH 84**

REF. NO.	PART NO.	QTY.	DESCRIPTION
1	50055113	2	Bush Hog Decal
2	—	2	Capscrew 3/8" x 3/4"
3	—	2	Lockwasher 3/8"
4	—	2	Flatwasher 3/8"
5	98284	1	Swell Latch
6	50014067	2	Cap
7	44215	4	Capscrew M8 x 1.25 x 15
8	—	4	Lockwasher 5/16"
9	50031934	1	Base Weldment, Gearbox Shield
10	—	4	Capscrew 5/8" x 1-3/4"
11	50012616	2	Danger Decal
12	50028356	3	Model Decal
13	50042281	1	Caution Decal, 540 RPM
14	50042284	1	Warning Decal
15	50042283	1	Warning Decal
16	50012615	2	Warning Decal
17	50055121	1	Bush Hog Decal
18	50031768	1	Shield Weldment

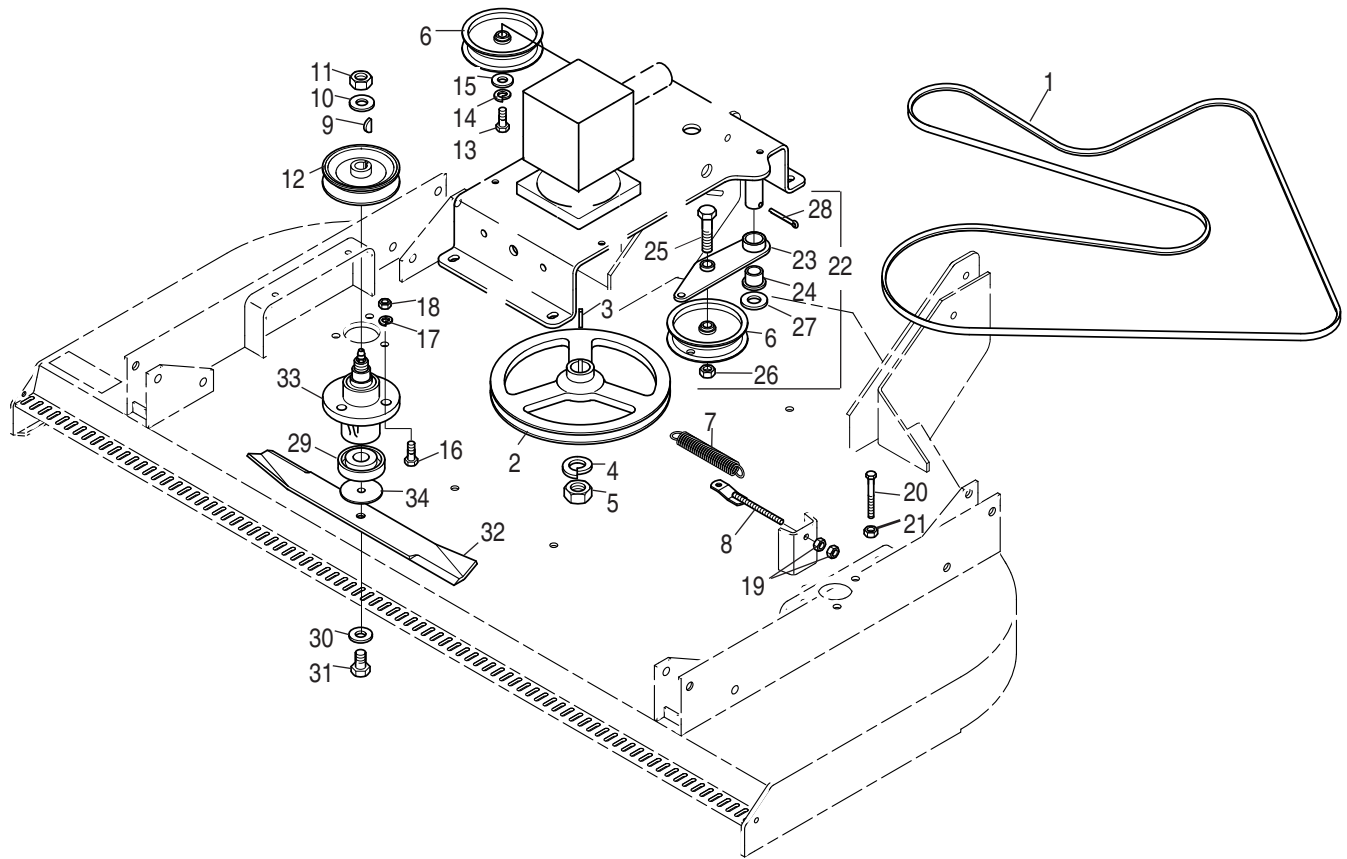
REF. NO.	PART NO.	QTY.	DESCRIPTION
19	50056744	2	Belt Shield w/ Decal, Blue
	50056745	2	Belt Shield w/ Decal, Green
	50056746	2	Belt Shield w/ Decal, Orange
	50056747	2	Belt Shield w/ Decal, Red
20	20414	4	Flanged Locknut 5/8"
21	50056740	1	Deck w/ Decals, Blue
	50056741	1	Deck w/ Decals, Green
	50056742	1	Deck w/ Decals, Orange
	50056743	1	Deck w/ Decals, Red
22	83056	1	Warning Decal
23	95736	1	Knob
24	71335	1	Gearbox Assy.
25	98251	1	Input Shield
26	50042282	1	Danger Decal
27	50038320	1	Decal, Belt Installation
28	50042285	1	Warning Decal

BASE ASSEMBLY MODELS RDTH 60 & RDTH 72



BASE ASSEMBLY MODELS RDTH 60 & RDTH 72

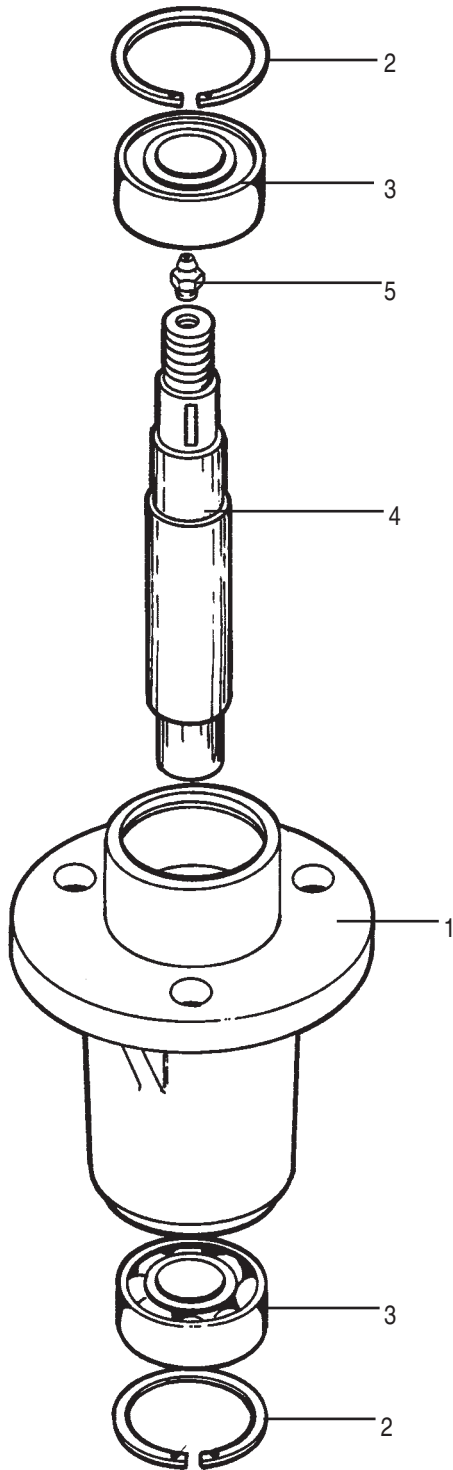
REF. NO.	PART NO. RDTH 60	PART NO. RDTH 72	QTY.	DESCRIPTION
1	50056724	50056732	1	Deck w/ Decals, Blue
	50056725	50056733	1	Deck w/ Decals, Green
	50056726	50056734	1	Deck w/ Decals, Orange
	50056727	50056735	1	Deck w/ Decals, Red
2	50056728	50056736	1	Gearbox Mount w/ Decals, Blue
	50056729	50056737	1	Gearbox Mount w/ Decals, Green
	50056730	50056738	1	Gearbox Mount w/ Decals, Orange
	50056731	50056739	1	Gearbox Mount w/ Decals, Red
3	50055171	50055191	1	R.H. Shield w/ Decals, Blue
	50055172	50055192	1	R.H. Shield w/ Decals, Green
	50055173	50055193	1	R.H. Shield w/ Decals, Orange
	50055174	50055194	1	R.H. Shield w/ Decals, Red
4	50055175	50055195	1	L.H. Shield w/ Decals, Blue
	50055176	50055196	1	L.H. Shield w/ Decals, Green
	50055177	50055197	1	L.H. Shield w/ Decals, Orange
	50055178	50055198	1	L.H. Shield w/ Decals, Red
5	94227	—	1	Chain Rod 60" Deck
	—	94228	1	Chain Rod 72" Deck
6	94226	—	71	Chain 60" Deck
	—	94226	84	Chain 72" Deck
7	—	—	1	Cotter Pin 3/32" x 1"
8	96101	—	1	Model Decal RDTH60
9	—	96102	1	Model Decal RDTH72
10	50042282	50042282	1	Danger Decal
11	50012616	50012616	2	Danger Decal
12	83056	83056	1	Warning Decal
13	88655	88655	1	Belt Installation Decal
14	50012615	50012615	3	Warning Decal
15	50042284	50042284	1	Warning Decal
16	50042283	50042283	1	Warning Decal
17	50055113	50055113	1	Bush Hog Decal
18	—	—	4	Capscrew 1/2" x 1-1/2" Gr. 5
19	—	—	4	Flatwasher 1/2"
20	—	—	4	Lockwasher 1/2"
21	—	—	4	Hex Nut 1/2"
22	50042281	50042281	1	Decal, 540 RPM
23	86873	86873	8	Capscrew, Flanged 3/8" x 3/4"
24	15165	15165	4	Capscrew 5/8" x 1-3/4" Gr. 5
25	20414	20414	4	Locknut, Flanged 5/8"
26	50014067	50014067	2	Cap, Friction
27	94305	94305	1	Shield Mount
28	94306	94306	1	Shield
29	6050096	6050096	1	Pin & Chain Assy.
30	44215	44215	4	Capscrew M8 x 1.25 x 15mm
31	44311	44311	4	Lockwasher M8
32	44216	44216	4	Flatwasher M8
33	—	97613	1	Spacer (RDTH 72 Only)
34	20680	20680	1	Capscrew 3/8" x 5-1/2" Gr.5
35	—	—	1	Flatwasher 3/8"
36	—	—	1	Lockwasher 3/8"
37	—	—	1	Hex Nut 3/8"
38	50042285	50042285	1	Warning Decal
39	50057096	50057096	1	Warranty Decal, 5 Yr.



PULLEYS AND BELTS
For RDTH 60 & RDTH 72

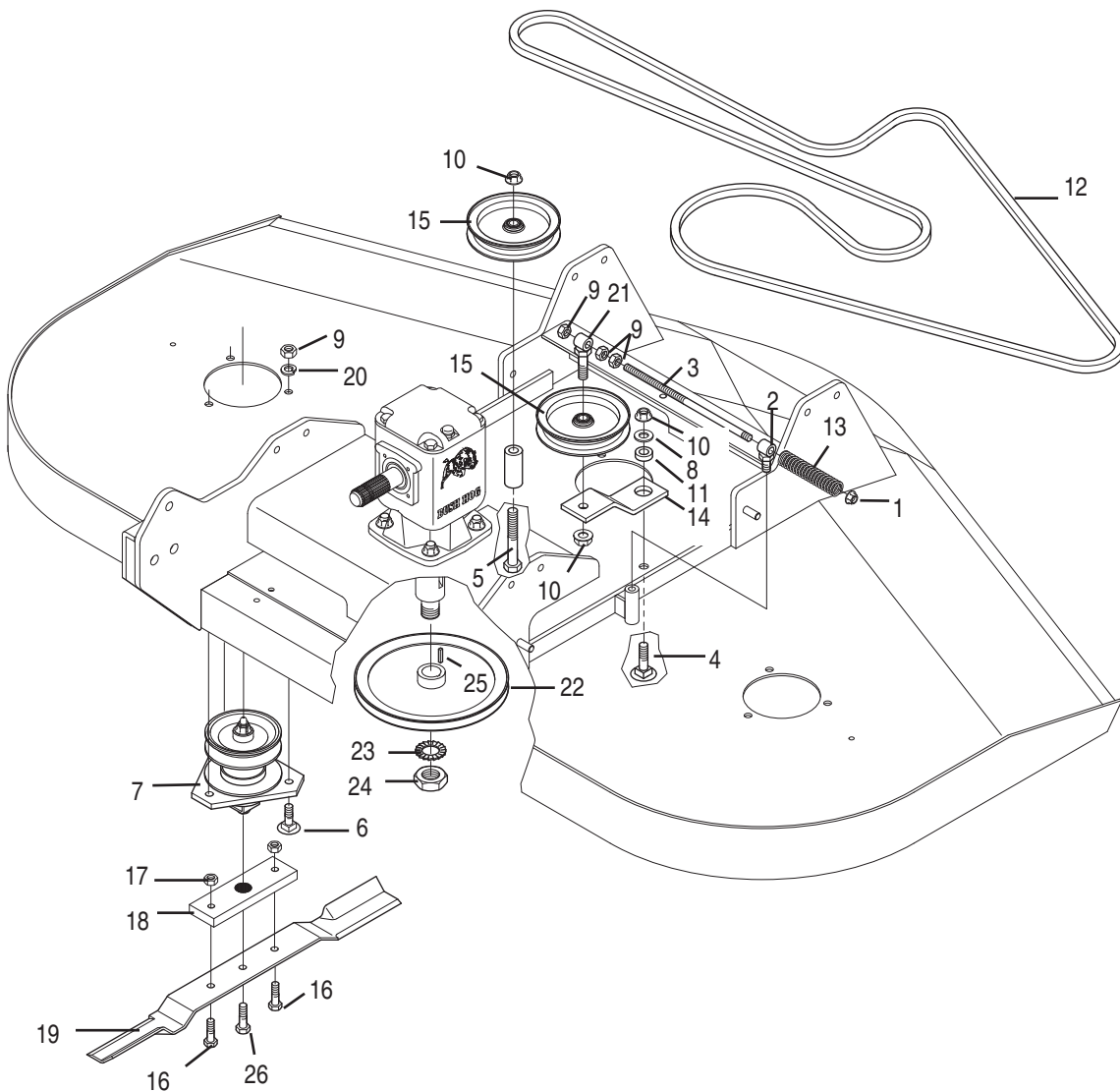
REF. NO.	PART NO.	QTY.	DESCRIPTION
1	88667	1	Drive Belt for 5' Deck
	88843	1	Drive Belt for 6' Deck
2	88666	1	Drive Sheave for 5' Deck
	88741	1	Drive Sheave for 6' Deck
3	70228	1	Key 6 x 6 x 30mm
4	70286	1	Spring Washer
5	70287	1	Hex Nut M30 x 2
6	88663	2	Idler Pulley
7	50008038	1	Tension Spring
8	88669	1	Rod Weldment
9	88753	3	Woodruff Key #606
10	—	3	Flatwasher 5/8" SAE
11	20414	3	Locknut 5/8" Flanged
12	88756	3	Sheave 5-1/2"
13	—	1	Capscrew 5/8" x 2" Gr. 5
14	—	1	Lockwasher 5/8"
15	6050133	1	Special Washer
16	—	9	Capscrew 1/2" x 1-1/2" Gr. 5
17	—	9	Lockwasher 1/2"

REF. NO.	PART NO.	QTY.	DESCRIPTION
18	—	9	Hex Nut 1/2"
19	—	2	Hex Nut 3/8"
20	—	1	Capscrew 1/2" x 2-1/4" Gr. 5 (5' Only)
21	15519	1	Jam Nut 1/2"
22	88671	1	Idler Arm Assembly
23	88703	1	Idler Arm Weldment
24	88691	1	Bushing
25	—	1	Capscrew 5/8" x 3" Gr. 5
26	15598	1	Locknut 5/8"
27	20376	1	Flatwasher 1"
28	—	1	Cotter Pin 3/16" x 1-1/2"
29	88754	1	Blade Washer
30	44040	3	Safety Washer
31	44506	3	Blade Bolt 1/2" x 1-3/4" UNF Gr. 8
32	82324	3	Blade for 5' Deck, 21"
	50029159	3	Mulching Blade, 21"
	82325	3	Blade for 6' Deck, 25"
	50029160	3	Mulching Blade, 25"
33	50051388	3	Spindle Assembly
34	97658	A/R	Blade Spacer



**50051388 SPINDLE ASSEMBLY
FOR RDTH 60 & RDTH 72**

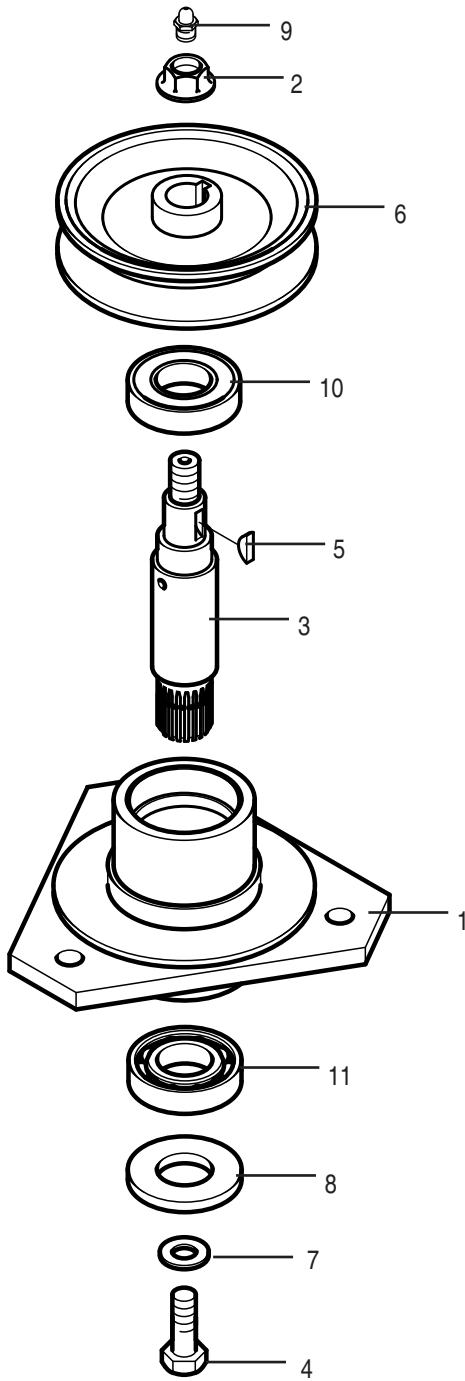
REF. NO.	PART NO.	QTY.	DESCRIPTION
1	88751	1	Spindle Housing
2	97685	2	Retaining Ring
3	88749	2	Bearing 25mm
4	50051387	1	Shaft
5	449	1	Grease Fitting



PULLEYS AND BELTS
For Model RDTH 84

REF. NO.	PART NO.	QTY.	DESCRIPTION
1	19518	1	Flanged Locknut 1/2"
2	95818	1	Pivot Weldment
3	50035330	1	Rod, threaded
4	44226	1	Carriage Bolt 5/8" x 2"
5	—	1	Capscrew 5/8" x 4-1/2"
6	05161614	9	Carriage Bolt 1/2" x 1-1/2"
7	50040718	3	Spindle Assembly
8	—	1	Flatwasher 5/8"
9	—	12	Hex Nut 1/2"
10	20414	2	Flanged Locknut 5/8"
11	50031996	1	Idler Arm Bushing
12	50031528	1	Belt
13	95827	1	Spring
14	50032236	1	Idler Arm

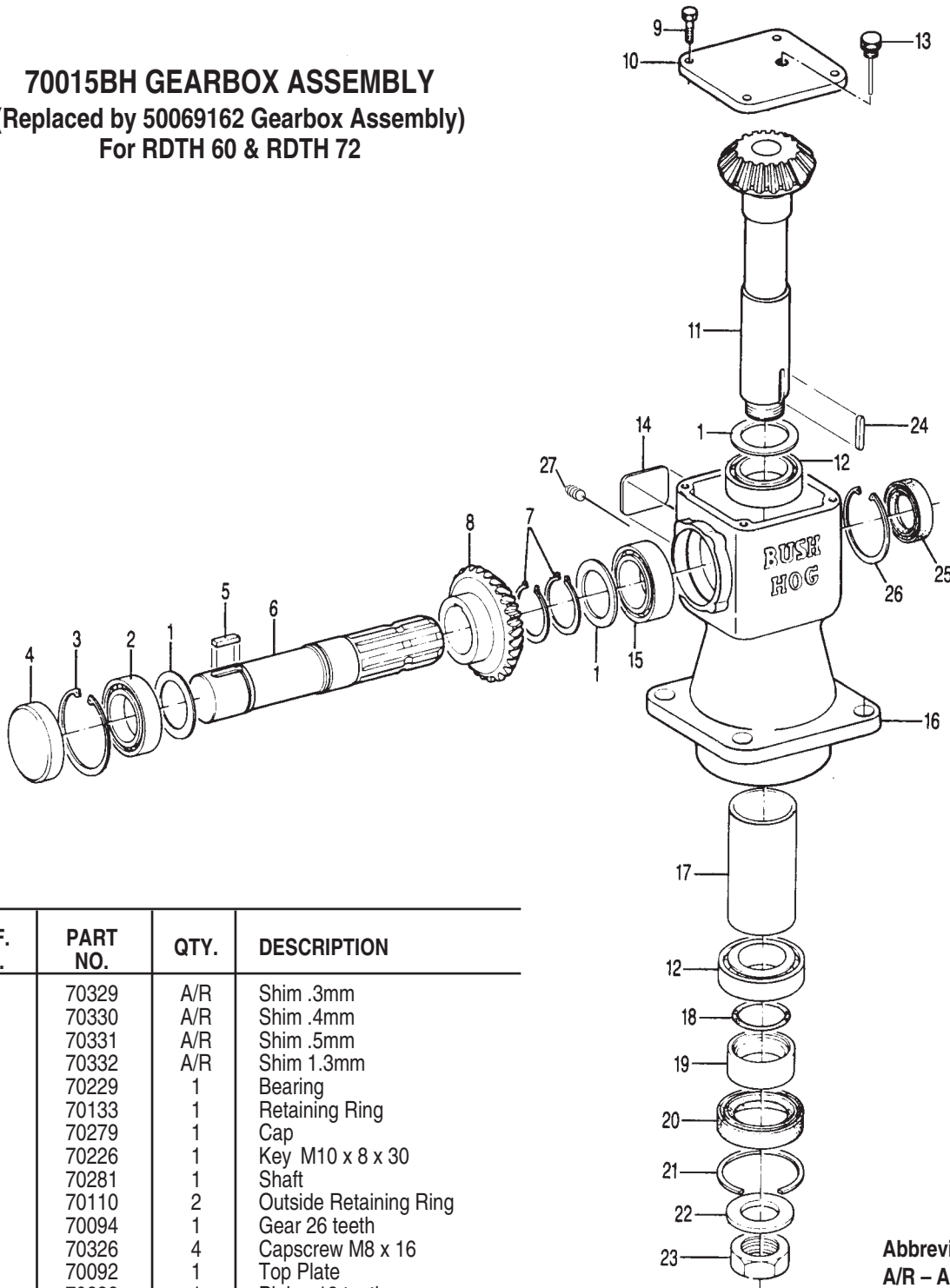
REF. NO.	PART NO.	QTY.	DESCRIPTION
15	50031997	2	Idler
16	—	6	Capscrew 1/2" x 1-3/4"
17	20964	6	Locknut 1/2" NF
18	50031815	3	Blade Bar
19	50033779	3	Blade, 29"
	50042934	3	Blade, Low Lift
20	—	9	Lockwasher 1/2"
21	50031938	1	Pivot Weldment
22	50031998	1	Sheave, 11.125"
23	70286	1	Ext. Tooth Washer
24	70287	1	Hex Nut M30
25	70288	1	Parallel Key 6 x 6 x 30
26	44506	1	Capscrew 1/2" x 1-3/4" Gr.8 UNF



50040718 SPINDLE ASSMBLY
For RDTH84

REF. NO.	PART NO.	QTY.	DESCRIPTION
1	50031813	1	Spindle Housing
2	20414	1	Flanged Locknut 5/8"
3	50051389	1	Shaft
4	44506	1	Capscrew 1/2" x 1-3/4" UNF G8
5	88753	1	Woodruff Key #606
6	88756	1	Sheave 5.5"
7	44040	1	Safety Washer
8	50031811	1	Bearing Washer
9	449	1	Grease Fitting
10	50032181	1	Bearing 6206 Z
11	50032182	1	Bearing 6206 RS

70015BH GEARBOX ASSEMBLY
 (Replaced by 50069162 Gearbox Assembly)
 For RDTH 60 & RDTH 72



REF. NO.	PART NO.	QTY.	DESCRIPTION
1	70329	A/R	Shim .3mm
	70330	A/R	Shim .4mm
	70331	A/R	Shim .5mm
	70332	A/R	Shim 1.3mm
2	70229	1	Bearing
3	70133	1	Retaining Ring
4	70279	1	Cap
5	70226	1	Key M10 x 8 x 30
6	70281	1	Shaft
7	70110	2	Outside Retaining Ring
8	70094	1	Gear 26 teeth
9	70326	4	Capscrew M8 x 16
10	70092	1	Top Plate
11	70282	1	Pinion 12 teeth
12	70082	2	Bearing
13	70393	1	Vent Plug
14	N/A	1	Serial No. Plate
15	70129	1	Bearing
16	70283	1	Housing
17	70284	1	Spacer Ring
18	70081	1	Gasket
19	70285	1	Bushing
20	70080	1	Seal
21	70079	1	Shoulder Ring

Abbreviations:
 A/R – As Required
 N/A – Not Available

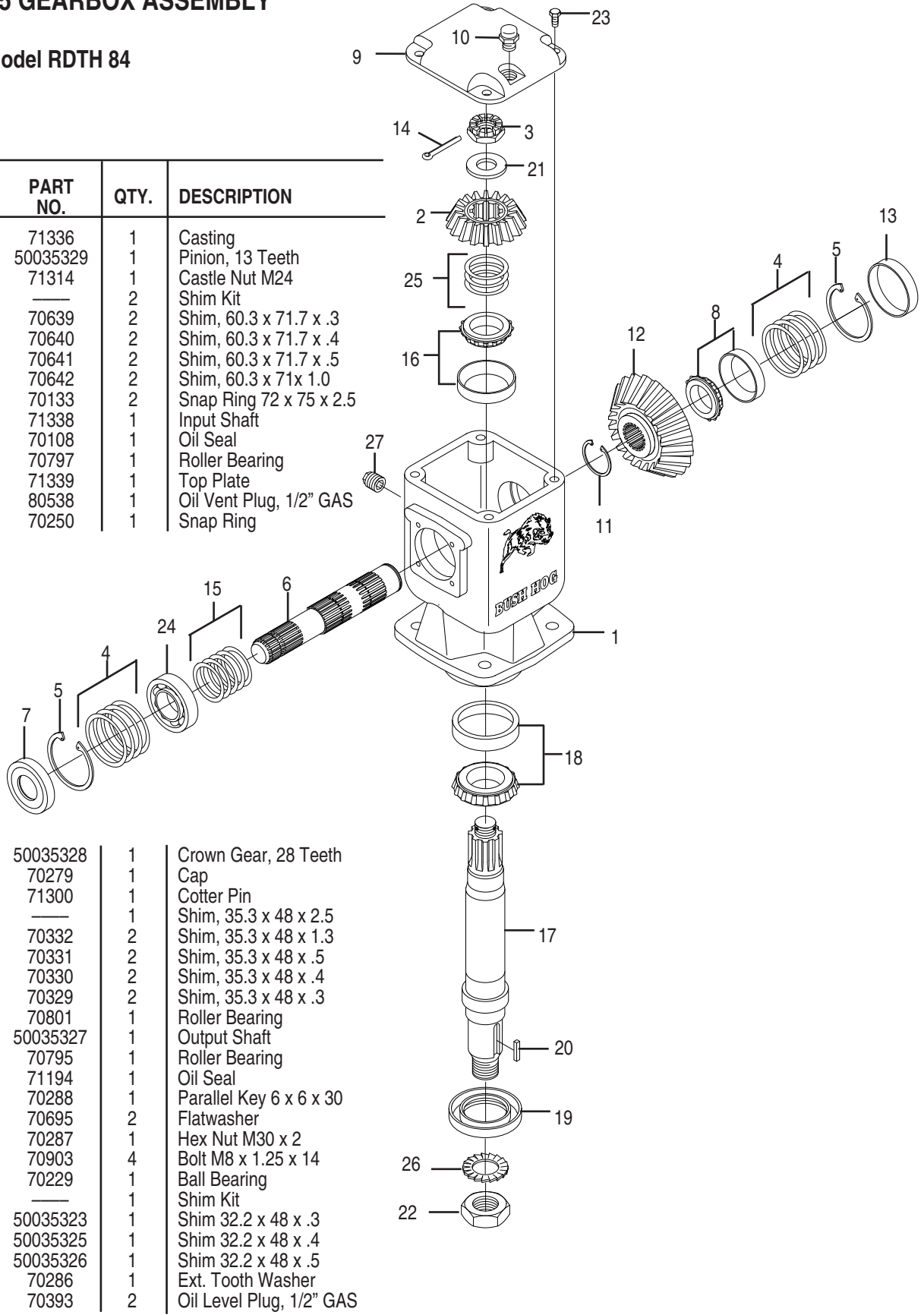
REF. NO.	PART NO.	QTY.	DESCRIPTION
22	70286	1	Spring Washer
23	70287	1	Hex Nut
24	70288	1	Key 6 x 6 x 30 mm
25	70290	1	Seal
26	70291	1	Retaining Ring
*27	70181	1	Plug 3/8"

**Silicone Sealer may be used in place of gasket*

71335 GEARBOX ASSEMBLY

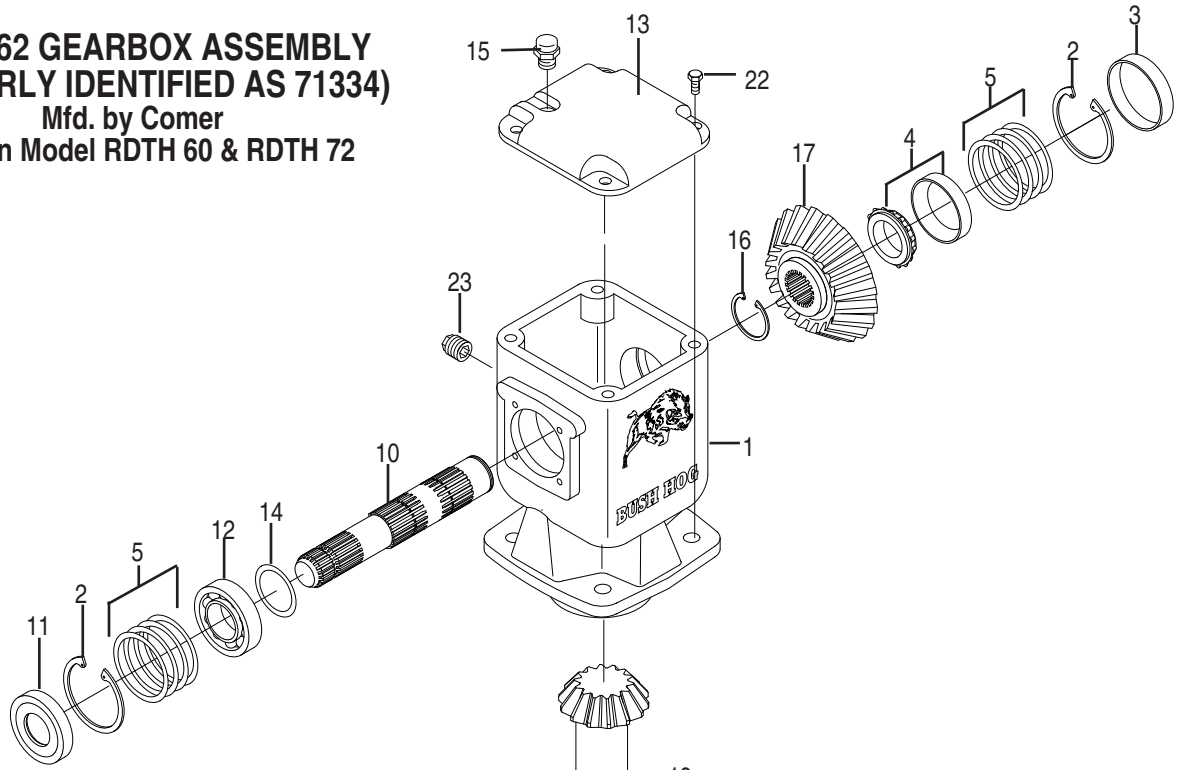
For Model RDTH 84

REF. NO.	PART NO.	QTY.	DESCRIPTION
1	71336	1	Casting
2	50035329	1	Pinion, 13 Teeth
3	71314	1	Castle Nut M24
4	—	2	Shim Kit
	70639	2	Shim, 60.3 x 71.7 x .3
	70640	2	Shim, 60.3 x 71.7 x .4
	70641	2	Shim, 60.3 x 71.7 x .5
	70642	2	Shim, 60.3 x 71 x 1.0
5	70133	2	Snap Ring 72 x 75 x 2.5
6	71338	1	Input Shaft
7	70108	1	Oil Seal
8	70797	1	Roller Bearing
9	71339	1	Top Plate
10	80538	1	Oil Vent Plug, 1/2" GAS
11	70250	1	Snap Ring

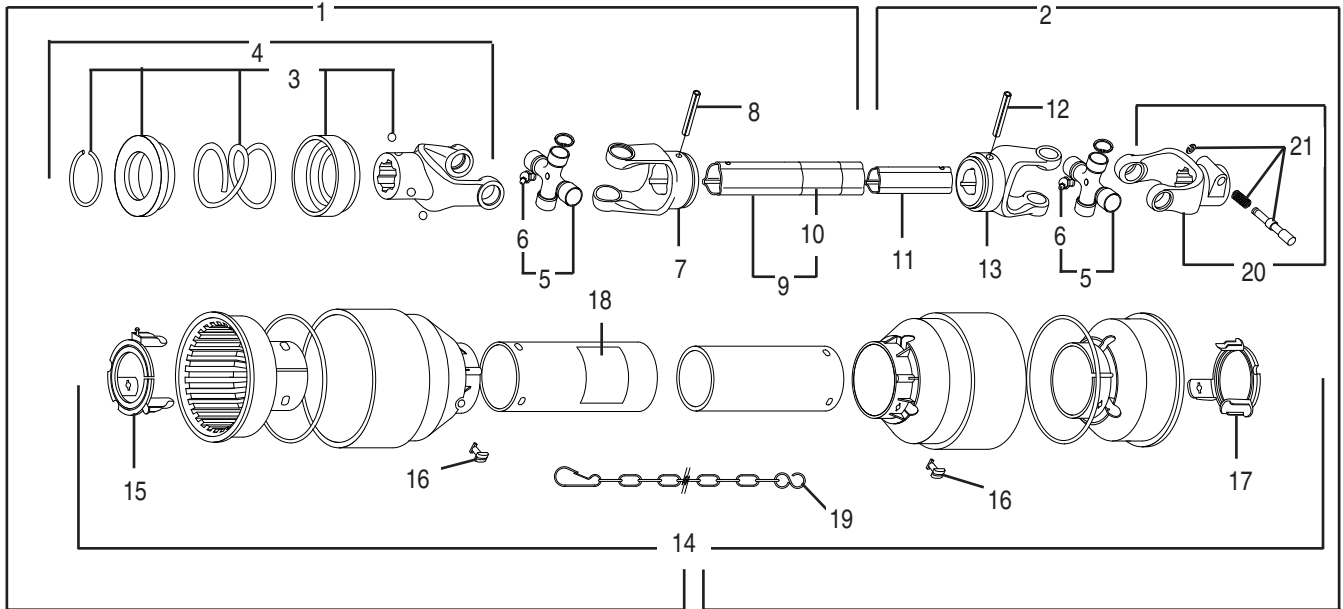


12	50035328	1	Crown Gear, 28 Teeth
13	70279	1	Cap
14	71300	1	Cotter Pin
15	—	1	Shim, 35.3 x 48 x 2.5
	70332	2	Shim, 35.3 x 48 x 1.3
	70331	2	Shim, 35.3 x 48 x .5
	70330	2	Shim, 35.3 x 48 x .4
	70329	2	Shim, 35.3 x 48 x .3
16	70801	1	Roller Bearing
17	50035327	1	Output Shaft
18	70795	1	Roller Bearing
19	71194	1	Oil Seal
20	70288	1	Parallel Key 6 x 6 x 30
21	70695	2	Flatwasher
22	70287	1	Hex Nut M30 x 2
23	70903	4	Bolt M8 x 1.25 x 14
24	70229	1	Ball Bearing
25	—	1	Shim Kit
	50035323	1	Shim 32.2 x 48 x .3
	50035325	1	Shim 32.2 x 48 x .4
	50035326	1	Shim 32.2 x 48 x .5
26	70286	1	Ext. Tooth Washer
27	70393	2	Oil Level Plug, 1/2" GAS

**50069162 GEARBOX ASSEMBLY
(FORMERLY IDENTIFIED AS 71334)
Mfd. by Comer
Used on Model RDTH 60 & RDTH 72**



REF. NO.	PART NO.	QTY.	DESCRIPTION
1	50069164	1	Casting
2	70133	2	Snap Ring 72 x 75 x 2.5
3	70279	1	Oil Cap
4	70797	1	Ball Bearing 30207
5	70639	2	Shim 60.3 x 71.7 x .03
	70640	2	Shim 60.3 x 71.7 x .04
	70641	2	Shim 60.3 x 71.7 x .05
	70642	2	Shim 60.3 x 71.7 x 1.0
6	70348	1	Shim 45.3 x 65.3 x .03
	70349	1	Shim 45.3 x 65.3 x .04
	70350	1	Shim 45.3 x 65.3 x .05
	70351	1	Shim 45.3 x 65.3 x 1.0
7	70796	2	Roller Bearing 30209
8	70905	1	Nut M45
9	70848	1	Dust Lip 40 x 90 x 8
10	50042822	1	Input Shaft 1-3/8" Z6
11	70134	1	Oil Seal 35 x 72 x 12
12	71453	1	Ball Bearing 6207
13	50042823	1	Cover
14	F7502811	1	Shim 35.3 x 48 x 2.5
15	80538	1	1/2" GAS Solid Plug
16	70250	1	Snap Ring 40 x 37.5 x 2.5
17	50042824	1	Crown Z30
18	70288	1	Parallel Key 6 x 6 x 30
19	50042826	1	Pinion Z12
20	70286	1	Ext. Tooth Washer 31 x 48
21	70287	1	Hex Nut M30
22	70278	4	Bolt M8 x 1.25 x 20
23	70292	1	3/8" GAS Solid Plug



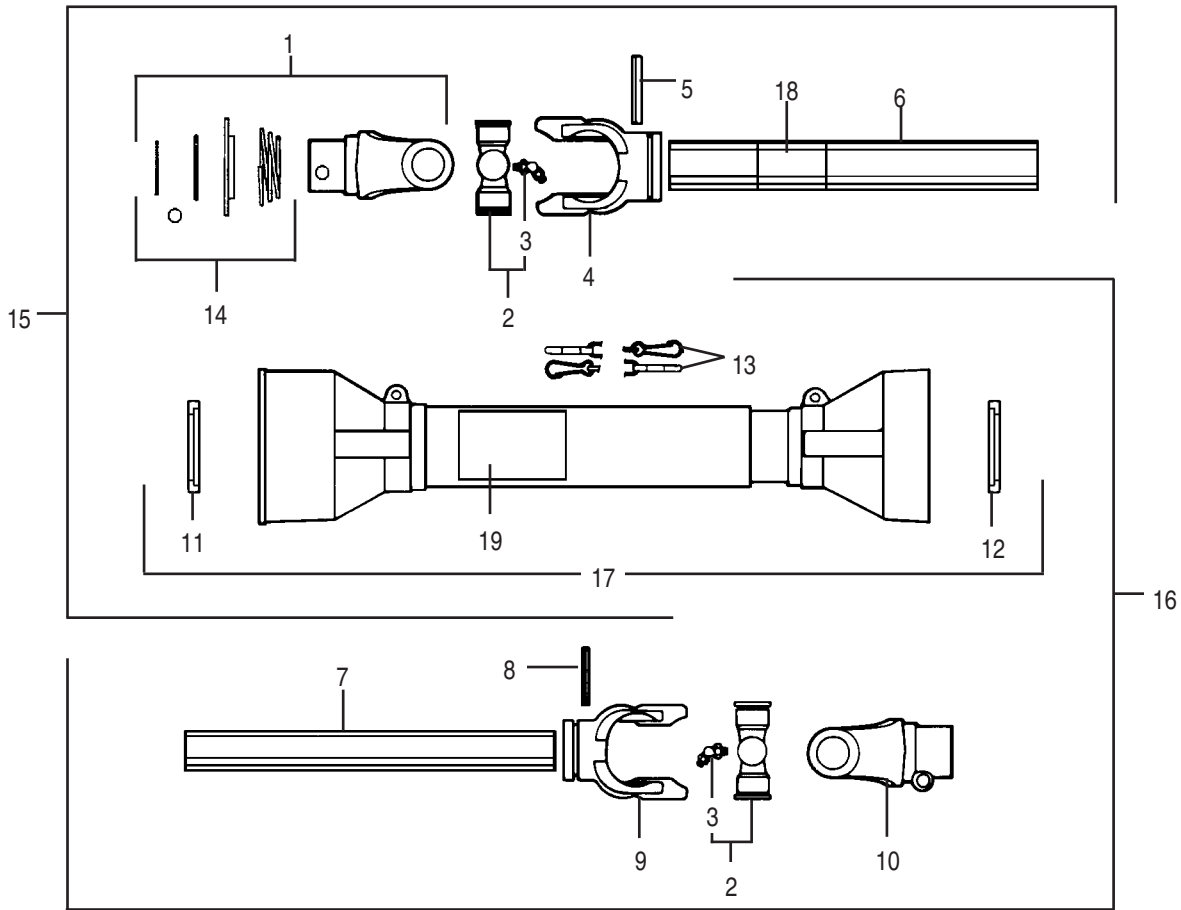
7672 DRIVESHAFT ASSEMBLY
540 RPM 1-3/8" – 6 Spline Yoke
Mfr: Comer/EG
Models: RDTH60 & RDTH72
Replaced by 50053120 Driveshaft

REF. NO.	PART NO.	QTY.	DESCRIPTION
1	76808	1	Outer Half w/Shield
2	76096	1	Inner Half w/Shield
3	50017480	1	Ball Collar Kit 1-3/8"
4	76711	1	Complete Collar Yoke
5	64694	2	Cross Bearing Kit
6	63956	2	Grease Fitting
7	78571	1	Outer Yoke
8	78577	1	Roll Pin for Outer Yoke
9	82800	1	Outer Tube
10	78786	1	Danger Decal
11	82801	1	Inner Tube
12	78578	1	Roll Pin for Inner Yoke
13	78570	1	Inner Yoke
14	76146	1	Shield Assy.
15	76192	1	Outer Bearing
16	87992	6	Shield Bolt
17	76191	1	Inner Bearing
18	78608	1	Danger Decal
19	64814	2	Safety Chain
20	76126	1	Push Pin Yoke
21	76062	1	Push Pin Set

76062 Push Pin Set

Note: Some early driveshafts were shipped with push pins on the tractor yoke end. Order 76062 push pin set to replace pin. Order 76711 for complete yoke replacement.

Note: Extended length of this driveshaft is 56-1/2"



(OBSOLETE)

50034246 DRIVESHAFT ASSEMBLY

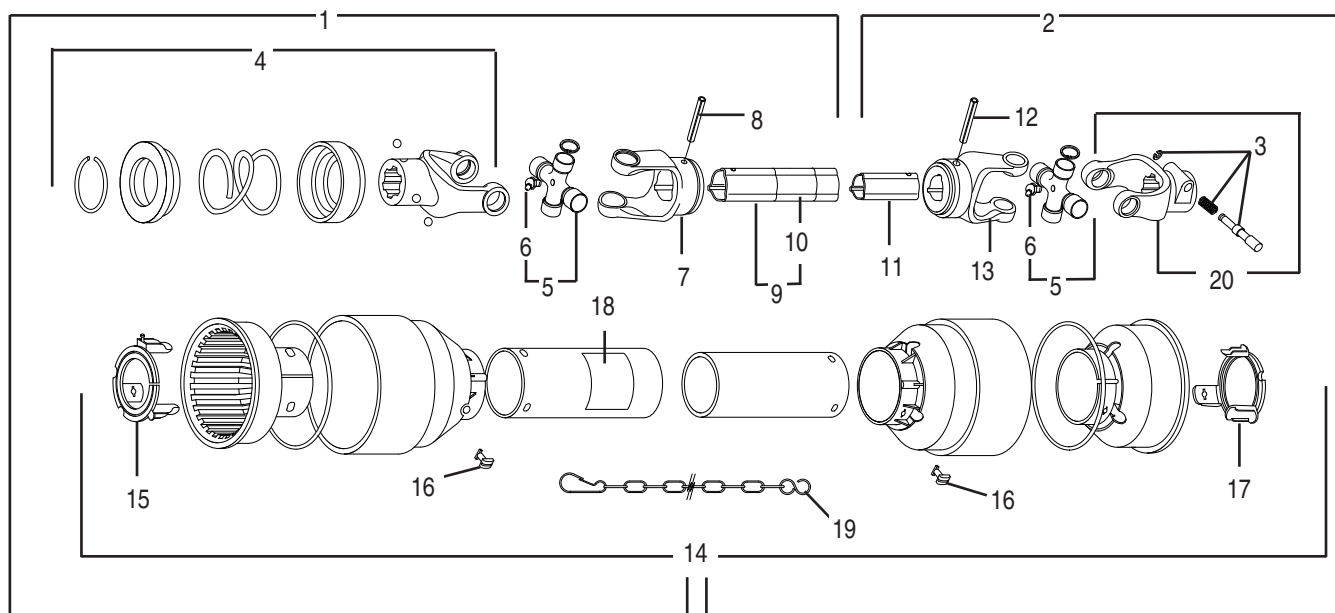
540 RPM, 1-3/8" – 6 spline, ASAE Size 3

Mfr: Binacchi

Models: RDTH60, RDTH72, RDTH84

Replaced by 50063616 Driveshaft Assembly

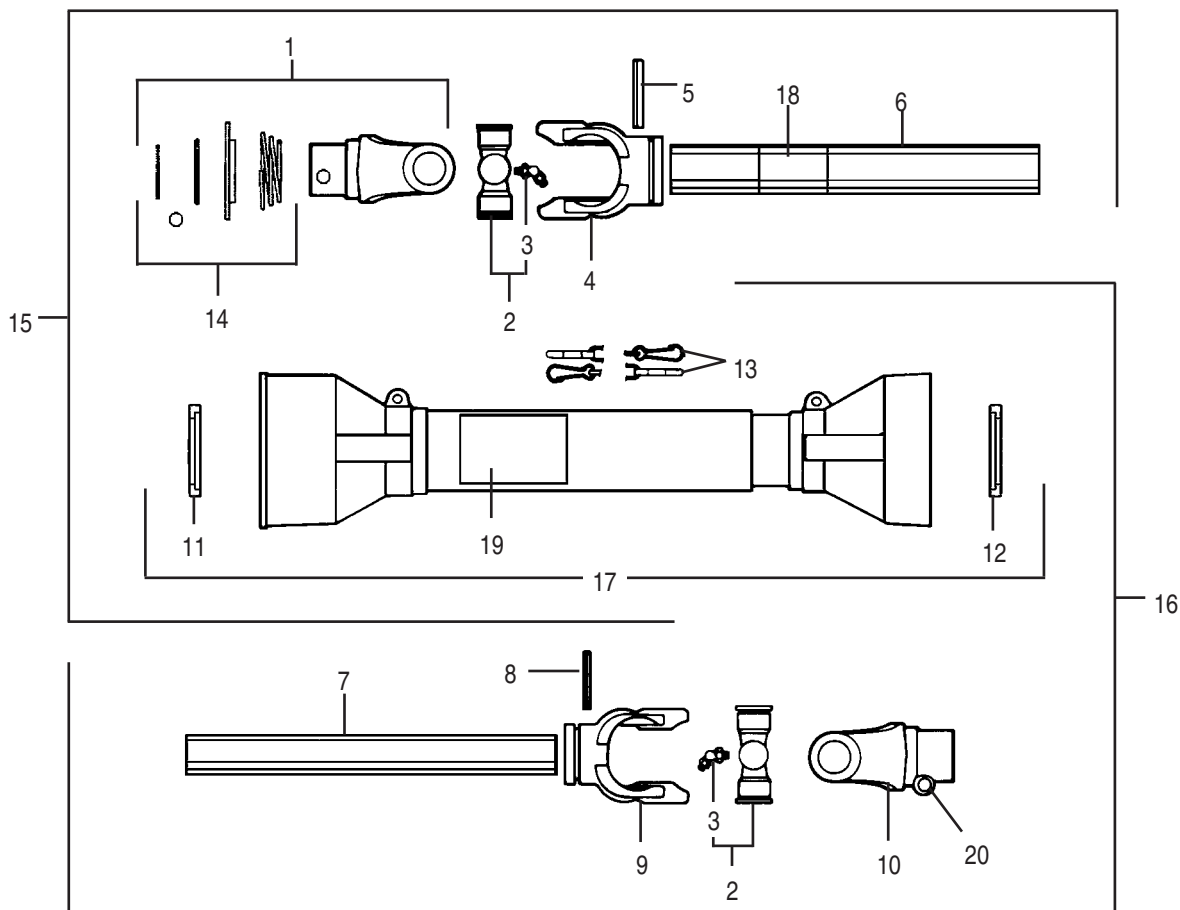
REF. NO.	PART NO.	QTY.	DESCRIPTION
1	50035260	1	Complete Collar Yoke
2	64694	2	Cross Journal Set
3	63956	2	Grease Nipple
4	78571	1	Outer Tube Yoke
5	78577	1	Flexible Pin
6	82800	1	Outer Tube
7	82801	1	Inner Tube
8	78578	1	Flexible Pin
9	78570	1	Inner Tube Yoke
10	64692	1	Outer Yoke
11	90008	1	Outer Bearing
12	50042832	1	Inner Bearing
13	64814	2	Chain
14	50035261	1	Ball Collar Kit
15	50035268	1	Half Shaft, Outer
16	50035295	1	Half Shaft, Inner
17	90012	1	Safety Guard
18	78786	1	Danger Decal
19	78608	1	Danger Decal



76978 DRIVESHAFT ASSEMBLY
540 RPM 1-3/8" – 6 Spline Yoke
Mfr: Comer/EG
Model: RDTH84

REF. NO.	PART NO.	QTY.	DESCRIPTION
1	76986	1	Outer Half w/Shield
2	76987	1	Inner Half w/Shield
3	76062	1	Push Pin Set
4	76711	1	Complete Collar Yoke
5	64694	2	Cross Bearing Kit
6	63956	2	Grease Fitting
7	78571	1	Outer Yoke
8	78577	1	Roll Pin for Outer Yoke
9	76983	1	Outer Tube
10	78786	1	Danger Decal
11	76984	1	Inner Tube
12	78578	1	Roll Pin for Inner Yoke
13	78570	1	Inner Yoke
14	76985	1	Shield Assy.
15	76192	1	Outer Bearing
16	87992	6	Shield Bolt
17	76191	1	Inner Bearing
18	78608	1	Danger Decal
19	64814	2	Safety Chain
20	76126	1	Push Pin Yoke

Note: Extended length of this driveshaft is 50-1/2"



(OBSOLETE)

50042430 DRIVESHAFT ASSEMBLY

540 RPM, 1-3/8" – 6 spline, ASAE Size 3

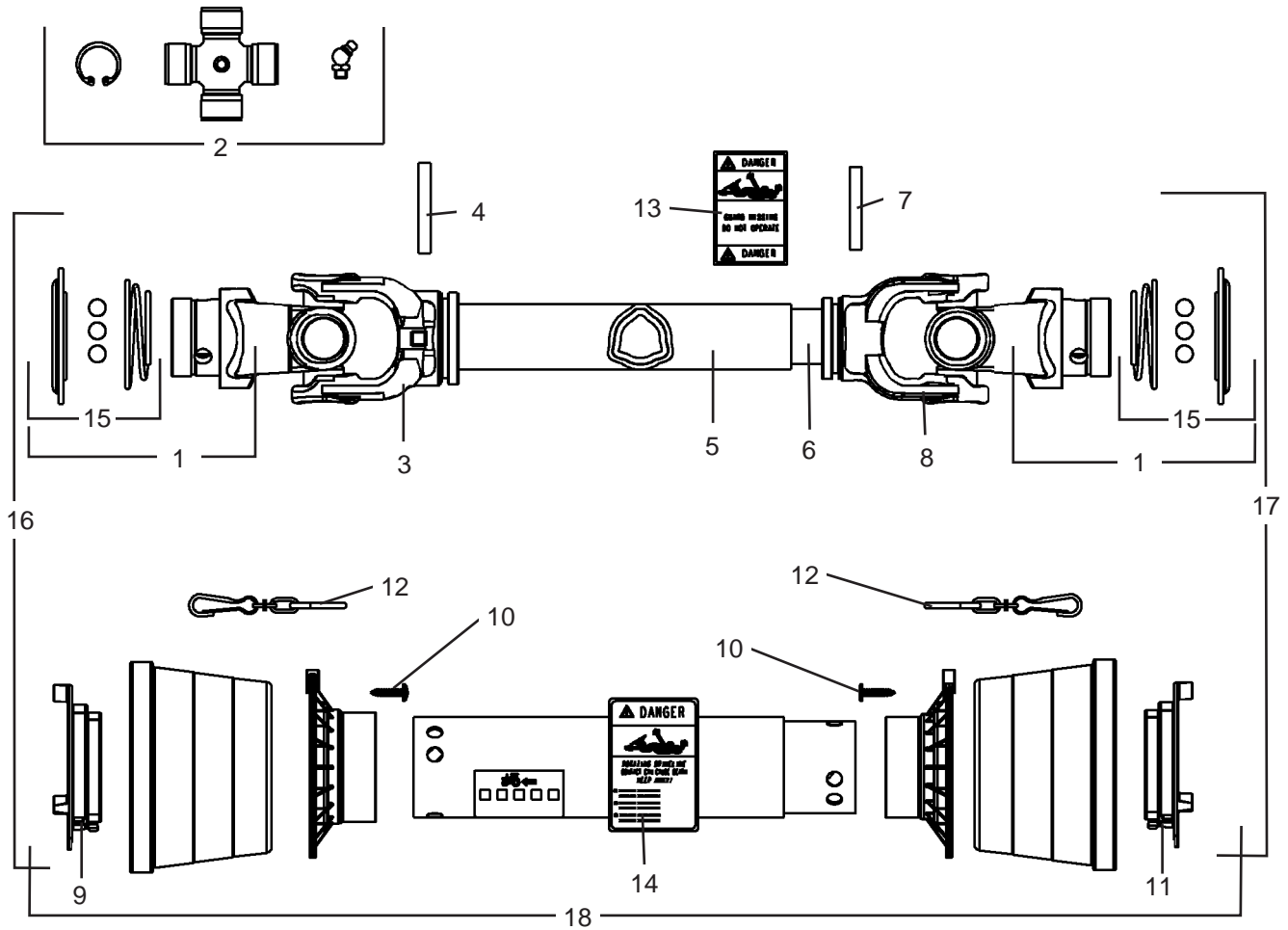
Mfr: Binacchi

Replaced By 50063620

Model: RDTH84

REF. NO.	PART NO.	QTY.	DESCRIPTION
1	50042827	1	Complete Collar Yoke
2	64694	2	Cross Journal Set
3	63956	2	Grease Nipple
4	78571	1	Outer Tube Yoke
5	78577	1	Flexible Pin
6	50042829	1	Outer Tube
7	50042830	1	Inner Tube
8	78578	1	Flexible Pin
9	78570	1	Inner Tube Yoke
10	64692	1	Outer Yoke
11	50042831	1	Outer Bearing
12	50042832	1	Inner Bearing
13	64814	2	Chain
14	50042833	1	Ball Collar Kit
15	50035268	1	Half Shaft, Outer
16	50035295	1	Half Shaft, Inner
17	90012	1	Safety Guard
18	78786	1	Danger Decal
19	78608	1	Danger Decal
20	63945	1	Complete Push Button

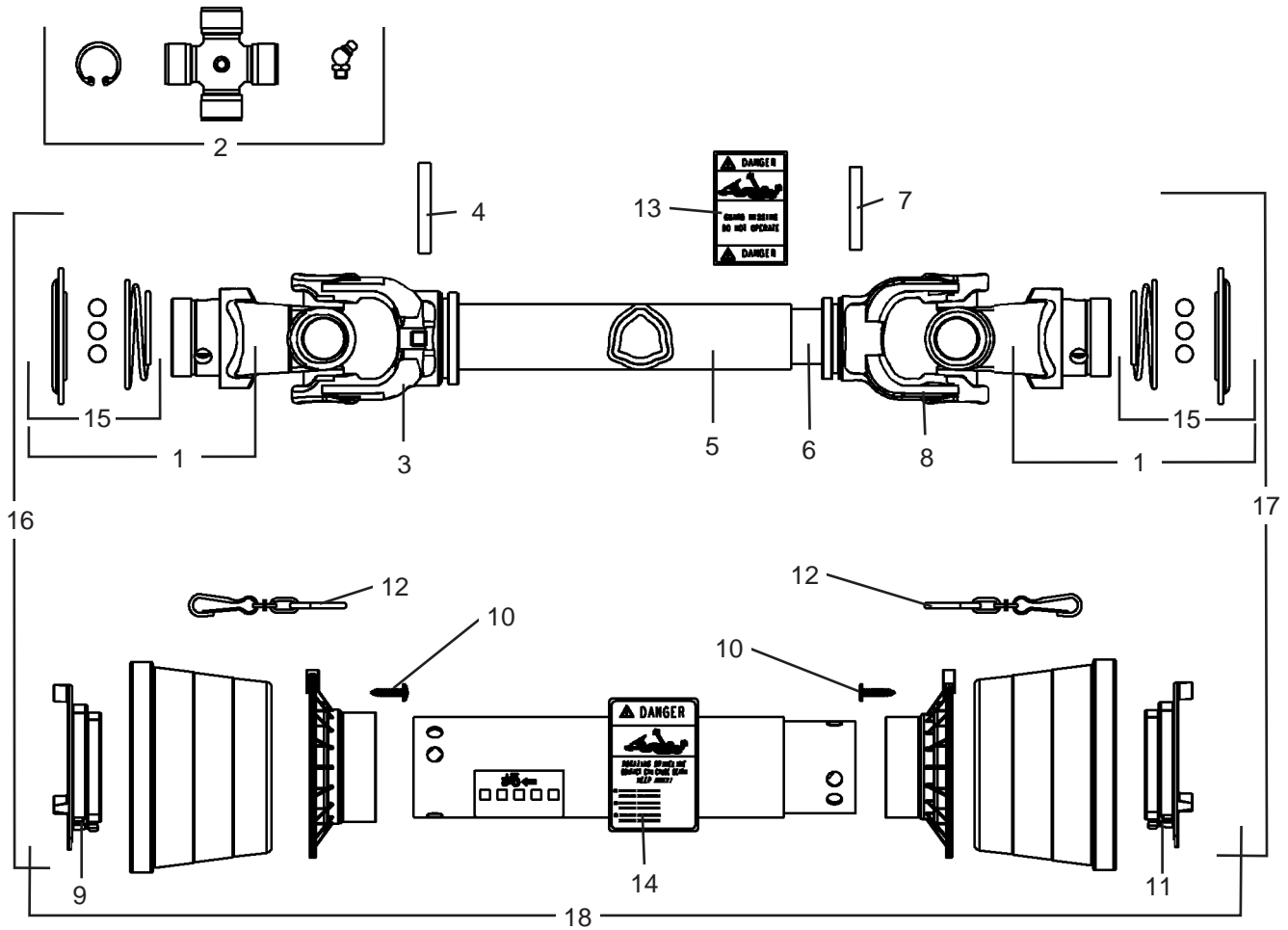
50063616 DRIVE SHAFT ASSEMBLY
 (Replaces the 50034246 Driveshaft Assy.)
 MODELS: RDTH 60, RDTH72
 ASAE Size 3
 540 RPM, 1-3/8" - Spline Tractor
 Mfd. by Bondioli & Pavesi



REF. NO.	PART NO.	QTY.	DESCRIPTION
1	50064902	2	Ball Collar Yoke Assy.
2	64964	2	Cross Bearing Kit
3	78571	1	Yoke Outer Tube
4	78577	1	Roll Pin for Outer Tube
5	50064906	1	Outer Tube
6	50064907	1	Inner Tube
7	78578	1	Roll Pin Inner Tube
8	78570	1	Yoke for Inner Tube
9	50064911	1	Outer Shield Bearing

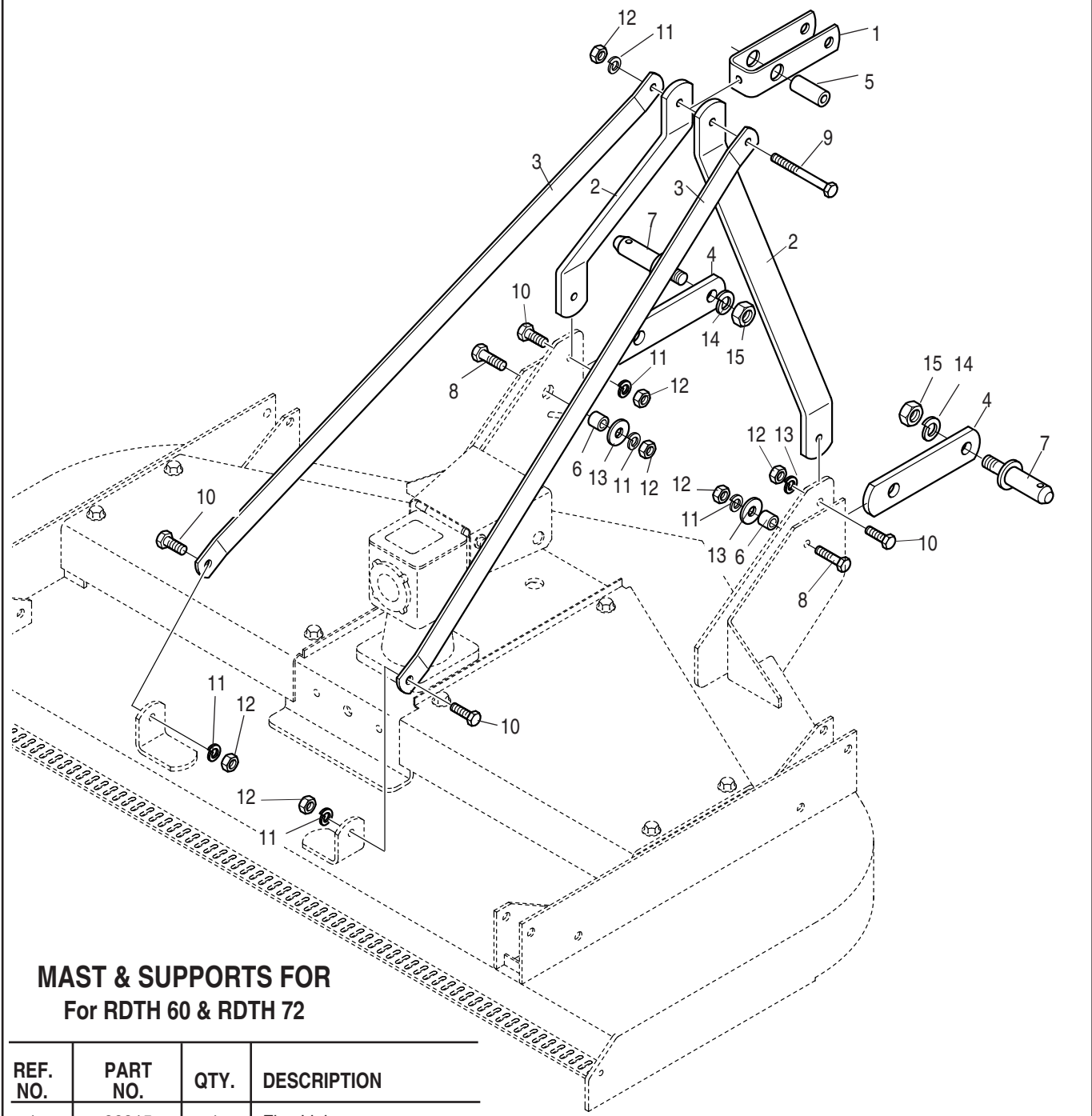
REF. NO.	PART NO.	QTY.	DESCRIPTION
10	71404	6	Self Tapping Screw
11	50064912	1	Inner Shield Bearing
12	50064890	2	Shield Chain
13	78786	1	Danger Decal, Outer Tube
14	78608	1	Danger Decal, Inner Tube
15	50064645	2	Ball Collar Kit
16	50064914	1	Outer Half Assy.
17	50064940	1	Inner Half Assy.
18	50064916	1	Complete Shield Kit

50063620 DRIVE SHAFT ASSEMBLY
 (Replaces the 50034246 Driveshaft Assy.)
MODEL: RDTH 84
ASAE Size 3
540 RPM, 1-3/8" - Spline Tractor
Mfd. by Bondioli & Pavesi



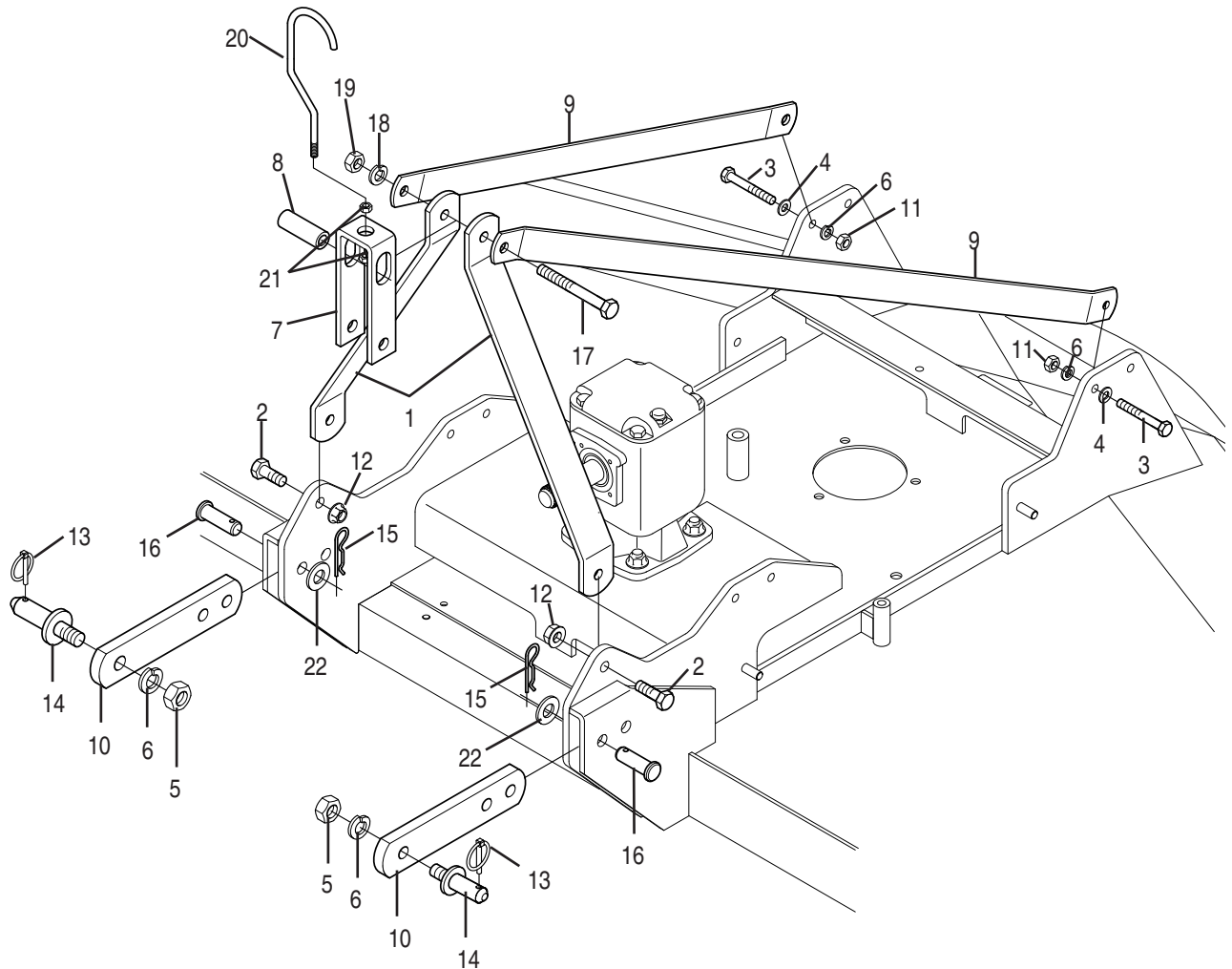
REF. NO.	PART NO.	QTY.	DESCRIPTION
1	50064902	2	Ball Collar Yoke Assy.
2	64964	2	Cross Bearing Kit
3	78571	1	Yoke Outer Tube
4	78577	1	Roll Pin for Outer Tube
5	50064776	1	Outer Tube
6	50064777	1	Inner Tube
7	78578	1	Roll Pin Inner Tube
8	78570	1	Yoke for Inner Tube
9	50064911	1	Outer Shield Bearing

REF. NO.	PART NO.	QTY.	DESCRIPTION
10	71404	6	Self Tapping Screw
11	50064912	1	Inner Shield Bearing
12	50064890	2	Shield Chain
13	78786	1	Danger Decal, Outer Tube
14	78608	1	Danger Decal, Inner Tube
15	50064645	2	Ball Collar Kit
16	50064778	1	Outer Half Assy.
17	50064779	1	Inner Half Assy.
18	50064950	1	Complete Shield Kit



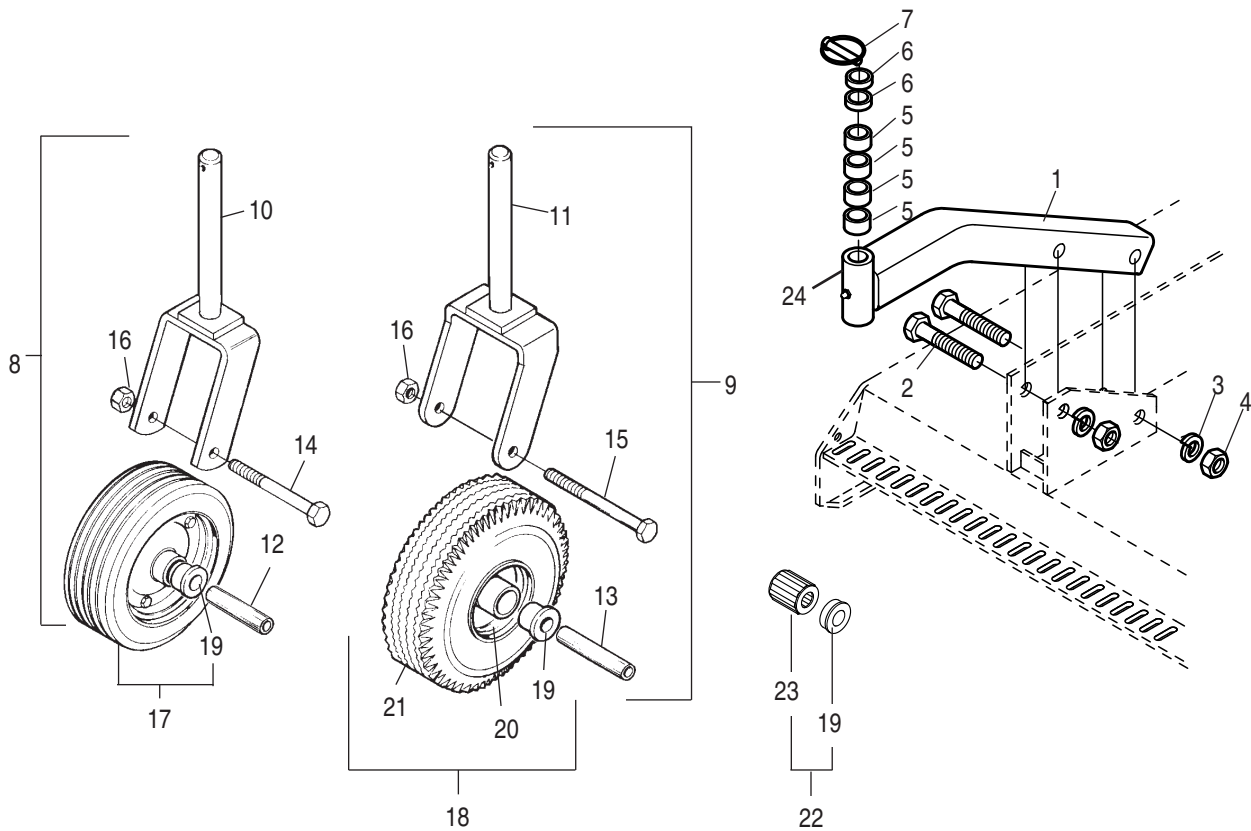
MAST & SUPPORTS FOR
For RDTH 60 & RDTH 72

REF. NO.	PART NO.	QTY.	DESCRIPTION
1	82815	1	Flex Link
2	88678	2	Mast Half
3	94934	2	Mast Support 60"
	95953	2	Mast Support 72"
4	88686	2	Lift Arm
5	82817	1	Pivot Tube
6	88687	2	Lift Arm Spacer
7	63765	2	Lift Pin Cat. 1
8	—	2	Capscrew 1/2" x 2" Gr. 5
9	—	1	Capscrew 1/2" x 5" Gr. 5
10	—	4	Capscrew 1/2" x 1-1/2" Gr. 5
11	—	7	Lockwasher 1/2"
12	—	7	Hex Nut 1/2"
13	—	2	Flatwasher 1/2"
14	—	2	Lockwasher 7/8"
15	44061	2	Hex Nut 7/8" NF



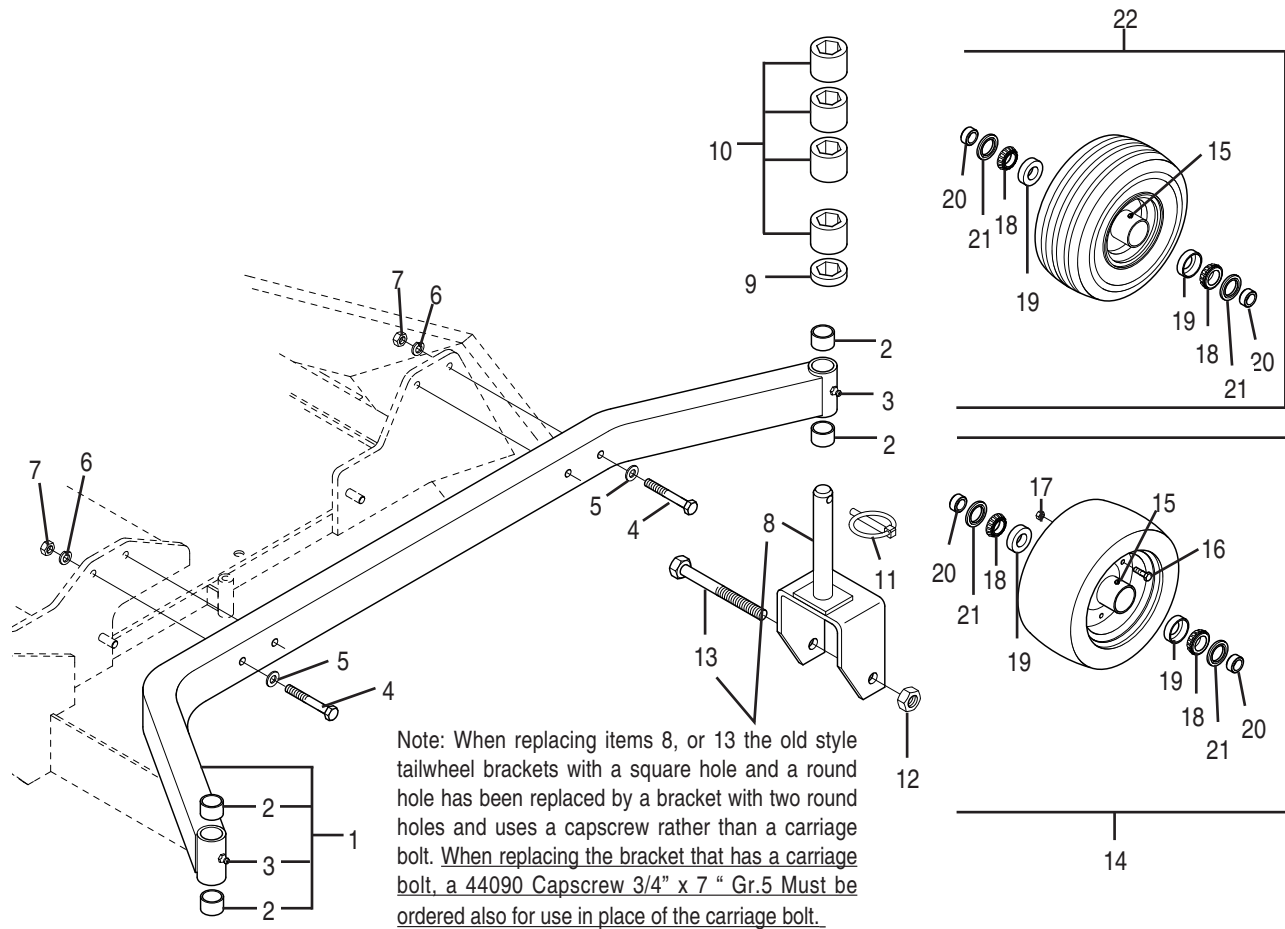
MAST & SUPPORTS
For Model RDTH 84

REF. NO.	PART NO.	QTY.	DESCRIPTION
1	50031576	2	Mast
2	—	2	Capscrew 5/8" x 1-3/4"
3	—	2	Capscrew 1/2" x 3-1/2"
4	—	2	Flatwasher 1/2"
5	44061	2	Hex Nut 7/8" NF
6	—	4	Lockwasher 1/2"
7	64114	1	Flex Link Cat. 1
8	64113	1	Pivot Tube
9	50031581	2	Mast Support
10	50028325	2	Lift Arm
11	—	2	Hex Nut 1/2"
12	20414	2	Flanged Locknut 5/8"
13	20558	2	Lynch Pin
14	63765	2	Lift Pin Cat. 1
15	20166	2	Cotter Pin 1/8" x 1-1/4"
16	50032155	2	Clevis Pin
17	—	1	Capscrew 5/8" x 5-1/2"
18	—	1	Lockwasher 5/8"
19	—	1	Hex Nut 5/8"
20	50038241	1	Driveline Hanger
21	20363	2	Locknut 3/8"
22	—	2	Flatwasher 3/4" SAE



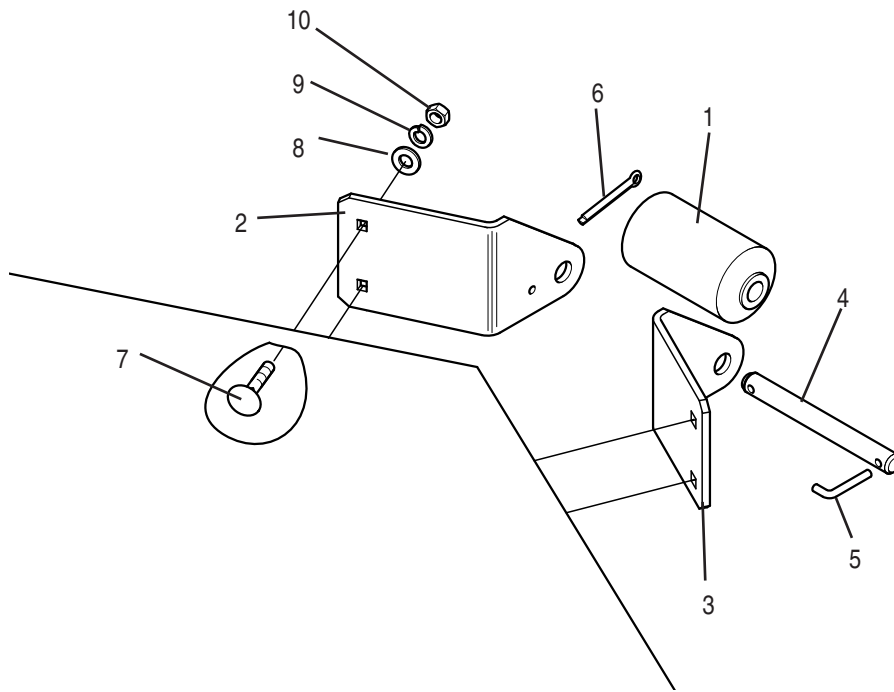
**CASTER ARM & WHEELS
FOR RDTH 60 & RDTH 72**

REF. NO.	PART NO.	QTY.	DESCRIPTION
1	94933	4	Caster Arm Weldment
2	—	8	Capscrew 5/8" x 3-1/2" Gr. 5
3	—	8	Lockwasher 5/8"
4	—	8	Hex Nut 5/8"
5	84613	16	Spacer 1"
6	84612	8	Spacer 1/2"
7	20312	4	Lynch Pin
8	88683	4	Solid Tire & Fork Assy.
9	88956	4	Pneumatic Tire & Fork Assy.
10	88695	1	Fork for Solid Tire
11	88973	1	Fork for Pneumatic Tire
12	62574	1	Sleeve (Solid Tire)
13	88970	1	Sleeve (Pneumatic Tire)
14	44030	1	Capscrew 1/2" x 5" (Solid Tire)
15	20776	1	Capscrew 1/2" x 6" (Pneumatic Tire)
16	15554	1	Locknut 1/2"
17	87750	1	Solid Tire Assy.
18	88957	1	Pneumatic Tire Assy.
19	85398	2	Bushing
20	88971	1	Rim w/Bushing
21	88969	1	Pneumatic Tire 410/350/4
22	91096	1	Roller Bearing Kit (Optional, replacement for 4 wheels)
23	90810	1	Roller Bearing
24	449	1	Grease Fitting



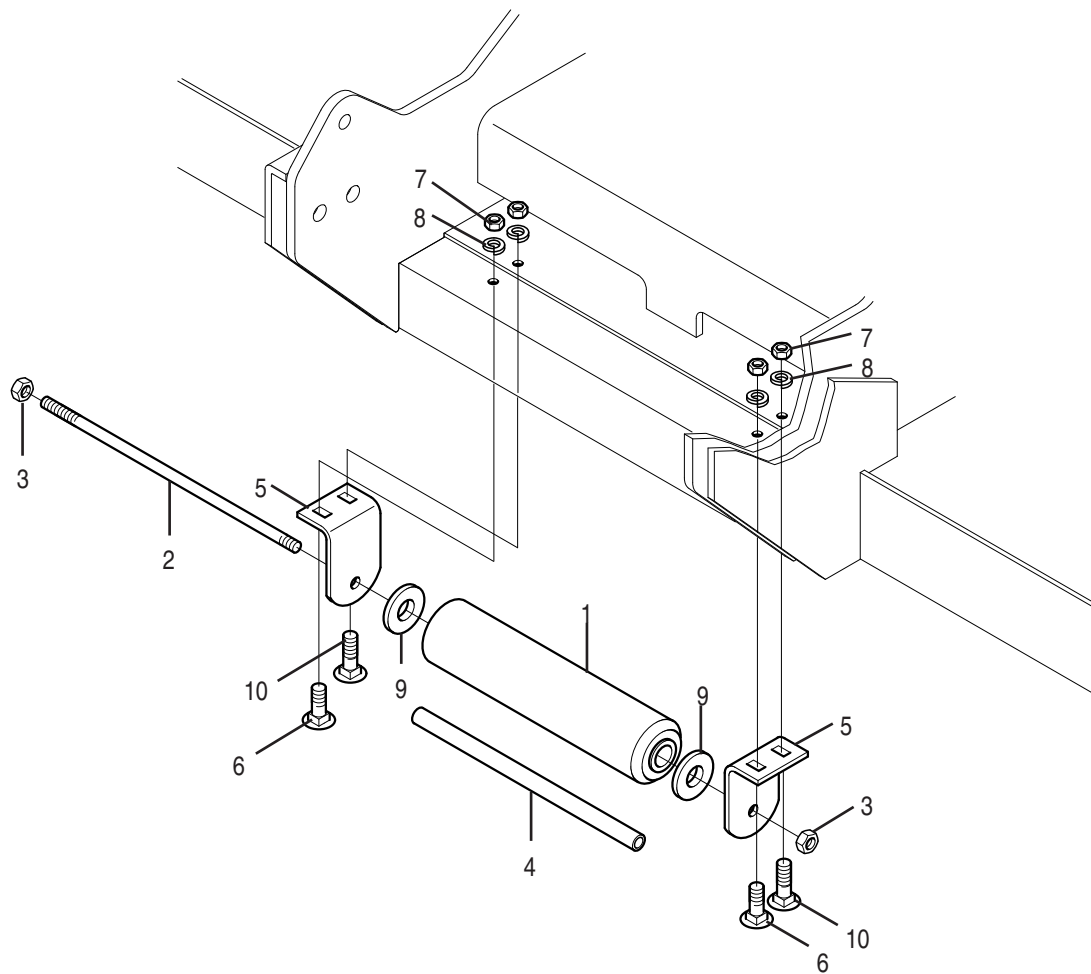
CASTER ARM & WHEELS For Model RDTH 84

REF. NO.	PART NO.	QTY.	DESCRIPTION
1	50031587	2	Caster Arm Assembly
2	50021066	8	Bronze Bushing
3	449	4	Grease Fitting
4	—	8	Capscrew 5/8" x 3-1/2"
5	—	8	Flatwasher 5/8"
6	—	8	Lockwasher 5/8"
7	—	8	Hex Nut 5/8"
8	50031881	4	Caster Fork Weldment
9	99291	4	Spacer, 1/2"
10	99290	16	Spacer, 1"
11	50017304	4	Lynch Pin
12	20638	4	Locknut 3/4"
13	44090	4	Capscrew 3/4" x 7" Gr.5
14	50031954	4	Tire & Hub Assembly, Solid Tire
15	50053794	4	Grease Fitting
16	—	20	Capscrew 5/16" x 1"
17	—	20	Locknut 5/16"
18	50073	8	Bearing Cone
19	14-6-198	8	Bearing Cup
20	50031285	8	Spacer
21	50031458	8	Seal
22	50031284	4	Tire & Hub Assembly, Pneumatic Tire



FRONT ROLLER ASSEMBLY
For RDTH 60 & RDTH 72

REF. NO.	PART NO.	QTY.	DESCRIPTION
1	79057	1	Front Roller
2	90865	1	Left Roller Mount
3	90864	1	Right Roller Mount
4	83055	1	Roller Shaft
5	83054	1	Retainer
6	19443	1	Roll Pin 3/13" x 2"
7	5161212	4	Carriage Bolt 3/8" x 1 1/4" Gr.5
8	—	4	Flatwasher 3/8"
9	—	4	Lockwasher 3/8"
10	—	4	Hex Nut 3/8"



FRONT ROLLER ASSEMBLY
For Model RDTH 84

REF. NO.	PART NO.	QTY.	DESCRIPTION
1	95415	1	Roller Assembly
2	50021173	1	Stud
3	15554	3	Locknut 1/2"
4	50021172	1	Sleeve
5	50028237	2	Roller Bracket
6	44109	2	Carriage Bolt 3/8" x 1" Gr.5
7	—	4	Hex Nut 3/8"
8	—	8	Lockwasher 3/8"
9	15921	2	Flatwasher 3/4"
10	19418	2	Carriage Bolt 3/8" x 1-1/4"



BUSH HOG[®]

2501 Griffin Ave. • Selma, AL 36703
(334) 872-6261 • (334) 874-2700
Parts Ordering 1-800-304-2836
Fax 1-800-572-1784
www.bushhog.com