

BUSH HOG®

LAND MAINTENANCE REPAIR PARTS MANUAL

MODEL: ESTATE ZERO TURN

ES1744-1
S/N 12-01000 & ABOVE
S/N 3-00001 & ABOVE

ES2044B1
S/N 12-00001 & ABOVE
S/N 3-00001 & ABOVE

ES2052B1
S/N 12-01000 & ABOVE
S/N 3-00001 & ABOVE

ES2052H1
S/N 12-00001 & ABOVE
S/N 3-00001 & ABOVE

ES2052K1
S/N 12-00001 & ABOVE
S/N 3-00001 & ABOVE

SECTION: 74A



BUSH HOG®

2501 Griffin Ave. • Selma, AL 36703
(334) 872 6261 • (334) 874 2700
Parts Ordering 1 800 304 2836
Fax 1 800 572 1784
www.bushhog.com

**A® MEMBER OF THE
ALAMO GROUP**
ALWAYS ON THE CUTTING EDGE®

ESTATE ZERO TURN MOWERS

ES1744-1

S/N 12-01000 & Above
S/N 3-00001 & Above

ES2044B1

S/N 12-00001 & Above
S/N 3-00001 & Above

ES2052B1

S/N 12-01000 & Above
S/N 3-00001 & Above

ES2052H1

S/N 12-00001 & Above
S/N 3-00001 & Above

ES2052K1

S/N 12-00001 & Above
S/N 3-00001 & Above

TABLE OF CONTENTS

MOWER DECK & RELATED PARTS

Blade Spindle Assy74A-1-1
 44" Deck Assembly (Belts, Blades, Idlers, Rollers, Tensioners)74A-1-2 & 74A-1-3
 52" Deck Assembly (Belts, Blades, Idlers, Rollers, Tensioners)74A-1-4 & 74A-1-5
 Cutting Height Adjustment & PullAttachment74A-1-6 & 74A-1-7
 Mulching Kit74A-1-8

FRAME & SEATING

Frame & Related Parts74A-2-1
 Seat, Standard74A-2-2
 Seat, With Armrest74A-2-3
 Seat, Full Suspension74A-2-4

SUSPENSION, STEERING, & PARKING BRAKE CONTROLS

Front Caster Wheels & Related Parts74A-3-1
 Rear Drive Wheels & Related Parts74A-3-1
 Steering Controls / Linkages74A-3-2
 Parking Brake Controls74A-3-3

POWER SUPPLY - ENGINES, TRANSMISSIONS & BELTS

Transaxle, Mounts & Related Parts74A-4-1
 Engines & Service Parts74A-4-2
 Clutch, Drive Belts, Pulleys, Oil Drain74A-4-3, 74A-4-4
 Charged IZT74A-4-5 – 74A-4-8

FUEL, ELECTRICAL & CONTROL PANEL

Fuel Supply & Related Parts74A-5-1
 Control Panel & Related Parts74A-5-2
 Electrical - Briggs & Stratton Engines74A-5-3
 Electrical - Honda Engines74A-5-4
 Electrical - Kohler Engines74A-5-5
 Working Light Kit7A-5-6

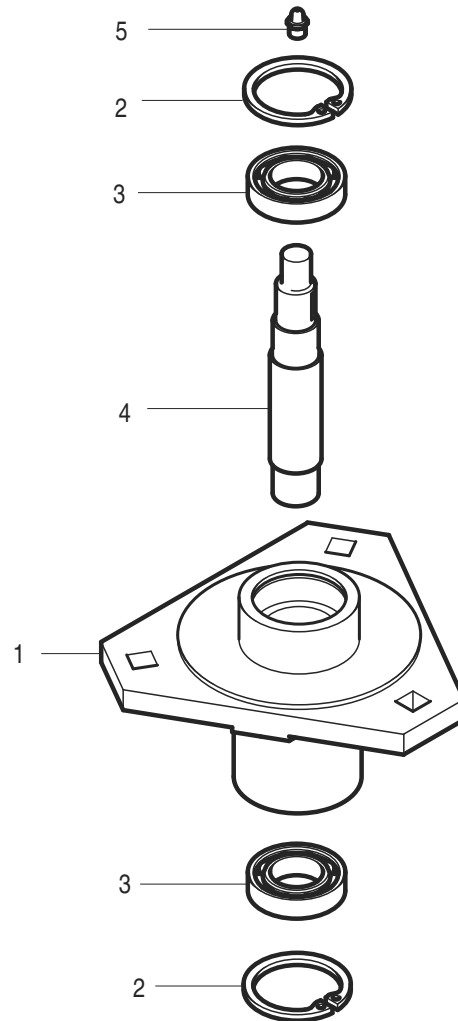
DECALS

Decal Kit74A-6-1

GRASS CATCHER

Frame and Bags74A-7-1
 Top Assembly74A-7-2 & 74A-7-3
 PTO Arm Assembly74A-7-4
 Impeller Assembly74A-7-5
 Boot & Hoses74A-7-6
 Belts74A-7-7
 Front Weight74A-7-8

99685 SPINDLE ASSEMBLY
FOR ES1744-1, ES2044B1, ES2052B1, ES2052H1 & ES2052K1



REF. NO	PART NO	QTY.	DESCRIPTION
1	97598	1	Spindle Housing
2	97685	2	Retaining Ring
3	88749	2	Bearing, 25mm
4	50051387	1	Shaft
5	449	1	Grease Fitting

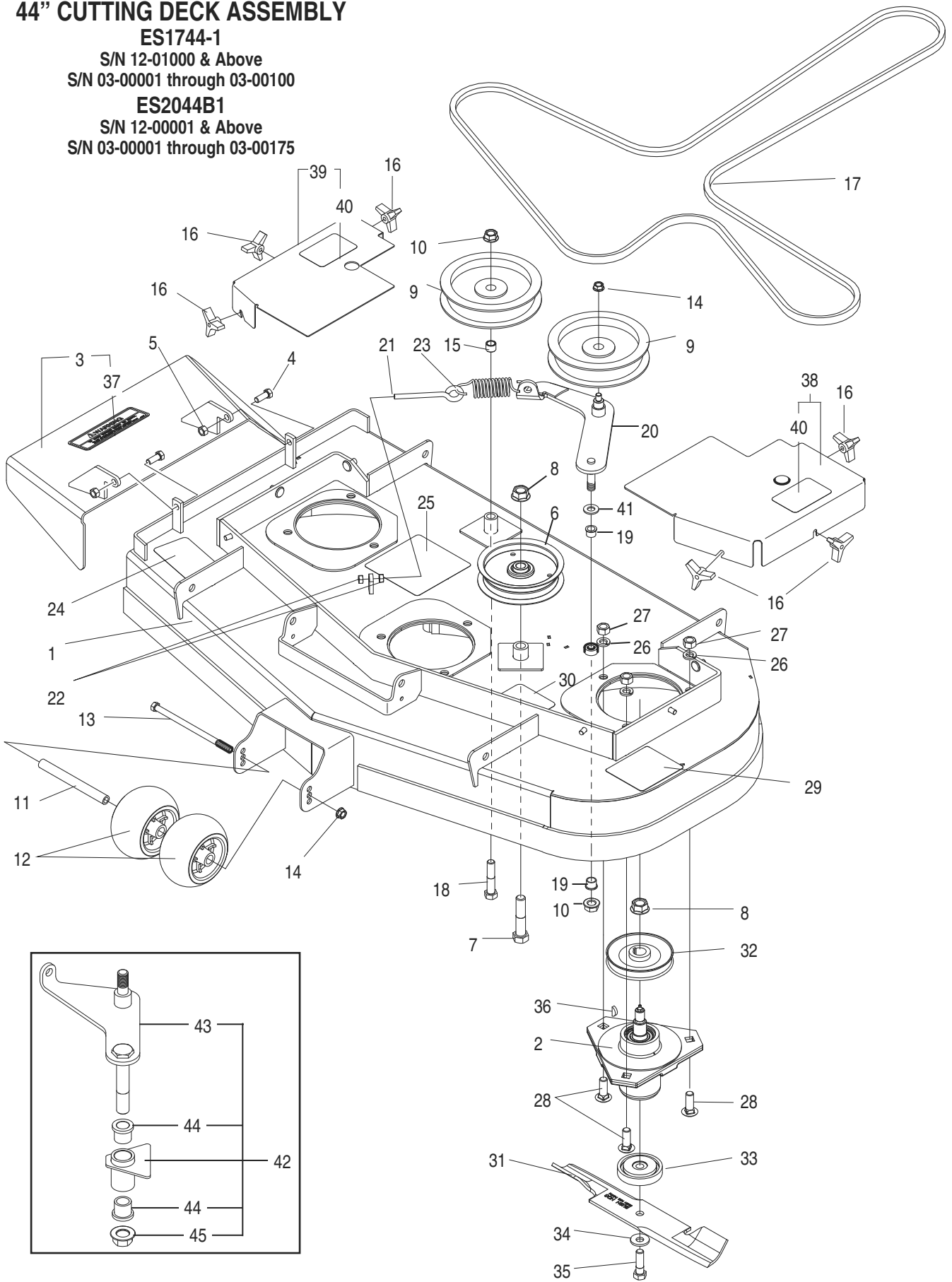
44" CUTTING DECK ASSEMBLY

ES1744-1

S/N 12-01000 & Above
S/N 03-00001 through 03-00100

ES2044B1

S/N 12-00001 & Above
S/N 03-00001 through 03-00175



44" CUTTING DECK ASSEMBLY**ES1744-1**

S/N 12-01000 & Above

S/N 03-00001 through 03-00100

ES2044B1

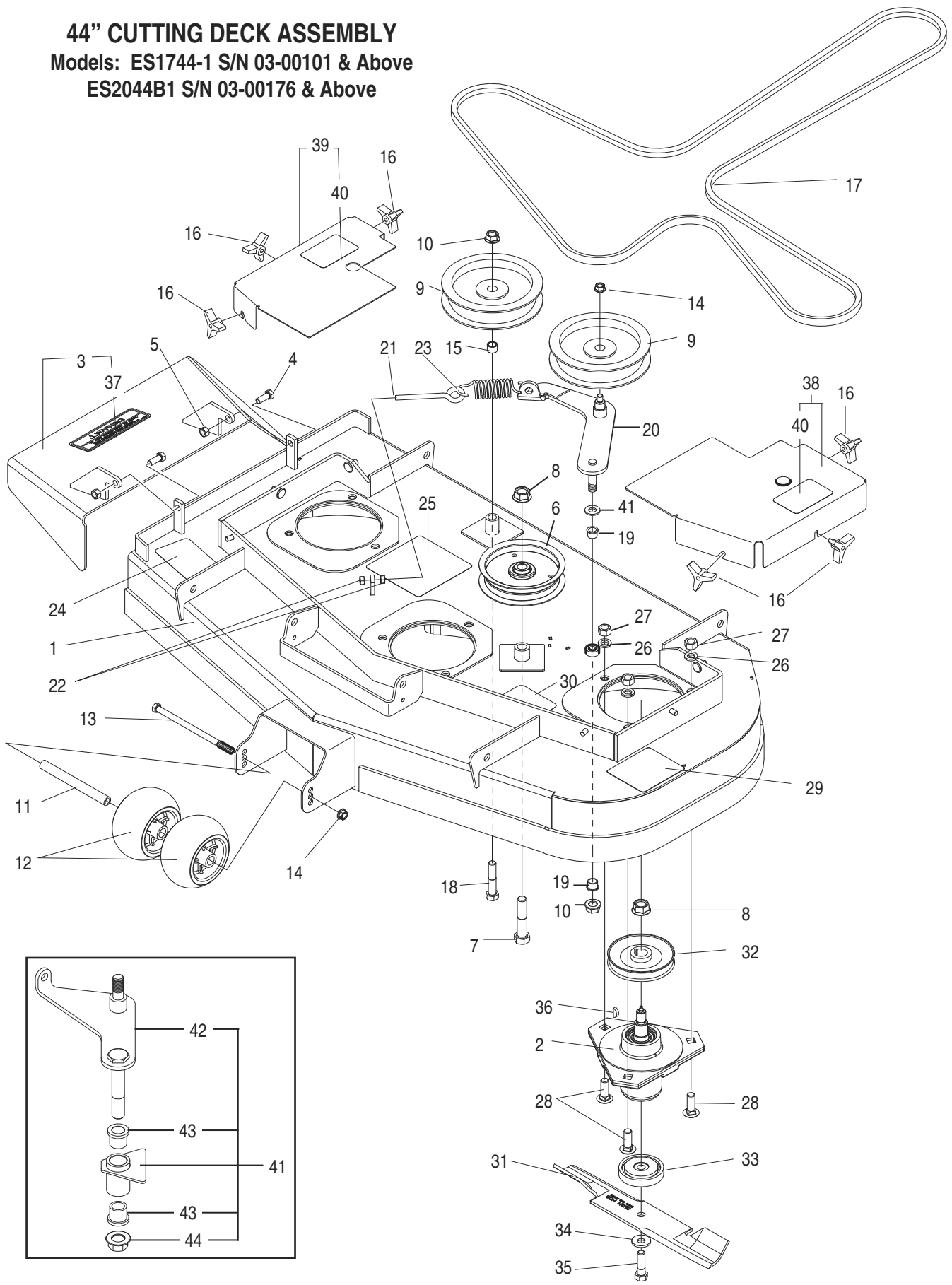
S/N 12-00001 & Above

S/N 03-00001 through 03-00175

REF. NO.	PART NO.	QTY.	DESCRIPTION
1	—	1	Deck Frame w/ Safety Decals
2	99685	3	Spindle Assembly
3	50043408	1	Discharge Shield w/ Safety Decal
4	—	2	Capscrew 3/8" x 1" Gr.5
5	9131200	2	Locknut 3/8"
6	88663	1	Idler
7	—	1	Capscrew 5/8" x 3" Gr.5
8	20414	4	Locknut 5/8", Flanged
9	50040768	2	Idler, Flat
10	44998	2	Locknut 1/2", Flanged
11	50029093	1	Bushing
12	50025511	2	Roller, Anti Scalp
13	20270	1	Capscrew 3/8" x 7" Gr.5
14	15583	2	Locknut 3/8", Flanged
15	50040871	1	Spacer
16	99047	6	Knob
17	97315	1	Belt for 44" Deck
18	19065	1	Capscrew 1/2" x 2-1/2" Gr.5
19	50055031	2	Flange Bushing 3/4" x 5/8" x 1/2"
20	50047698	1	Idler Weldment
21	50047716	1	Spring Retaining Rod
22	—	2	Hex Nut 5/16"
23	97300	1	Extension Spring
24	50043280	1	Danger Decal
25	50029499	1	Decal, Belt Installation
26	—	9	Lockwasher 1/2"
27	—	9	Hex Nut 1/2"
28	5161614	9	Carriage Bolt 1/2" x 1-1/2" Gr.5
29	50028246	1	Non Skid Surface
30	50043277	1	Decal, Danger
31	50040772	3	Blade 15" CW Up-Lift (Standard)
	50044450	3	Blade, Mulching 15" (Optional)
32	50045560	3	Sheave 4.75"
33	50042757	1	Spacer, Blade
34	44040	1	Safety Washer, Heavy Duty
35	44506	1	Capscrew 1/2" x 1-3/4" Gr.8 NF
36	88753	3	Woodruff Key 606
37	83056	1	Warning Decal
38	50047721	1	Belt Shield, L.H. w/ Decal
39	50044489	1	Belt Shield, R.H. w/Decal
40	50012615	1	Warning Decal
41	—	1	Flatwasher 1/2"
42	50066906	1	Idler Arm Repair Kit
43	50062851	1	Idler Arm
44	50055032	2	Bushing, Flanged
45	45189BH	1	Locknut 5/8" UNF - Flanged

44" CUTTING DECK ASSEMBLY

Models: ES1744-1 S/N 03-00101 & Above
ES2044B1 S/N 03-00176 & Above



44" CUTTING DECK ASSEMBLY
Models: ES1744-1 S/N 03-00101 & Above
ES2044B1 S/N 03-00176 & Above

REF. NO.	PART NO.	QTY.	DESCRIPTION
1	50051259	1	Deck Frame w/ Safety Decals
2	99685	3	Spindle Assembly
3	50043408	1	Discharge Shield w/ Safety Decal
4	—	2	Capscrew 3/8" x 1" Gr.5
5	9131200	2	Locknut 3/8"
6	88663	1	Idler
7	—	1	Capscrew 5/8" x 3" Gr.5
8	20414	4	Locknut 5/8", Flanged
9	50040768	2	Idler, Flat
10	44998	2	Locknut 1/2", Flanged
11	50029093	1	Bushing
12	50025511	2	Roller, Anti Scalp
13	20270	1	Capscrew 3/8" x 7" Gr.5
14	15583	2	Locknut 3/8", Flanged
15	50040871	1	Spacer
16	99047	6	Knob
17	97315	1	Belt for 44" Deck
18	19065	1	Capscrew 1/2" x 2-1/2" Gr.5
19	50055031	2	Flange Bushing 3/4" x 5/8" x 1/2"
20	50047698	1	Idler Weldment
21	50047716	1	Spring Retaining Rod
22	—	2	Hex Nut 5/16"
23	97300	1	Extension Spring
24	50043280	1	Danger Decal
25	50029499	1	Decal, Belt Installation
26	—	9	Lockwasher 1/2"
27	—	9	Hex Nut 1/2"
28	5161614	9	Carriage Bolt 1/2" x 1-1/2" Gr.5
29	50028246	1	Non Skid Surface
30	50043277	1	Decal, Danger
31	50040772	3	Blade 15" CW Up-Lift (Standard)
	50044450	3	Blade, Mulching 15" (Optional)
32	50045560	3	Sheave 4.75"
33	50051246	1	Spacer, Blade
34	44040	1	Safety Washer, Heavy Duty
35	44506	1	Capscrew 1/2" x 1-3/4" Gr.8 NF
36	88753	3	Woodruff Key 606
37	83056	1	Warning Decal
38	50047721	1	Belt Shield, L.H. w/ Decal
39	50044489	1	Belt Shield, R.H. w/Decal
40	50012615	1	Warning Decal
41	50066906	1	Idler Arm Repair Kit
42	50062851	1	Idler Arm
43	50055032	2	Bushing, Flanged
44	45189BH	1	Locknut 5/8" UNF - Flanged

52" CUTTING DECK ASSEMBLY

ES2052B1

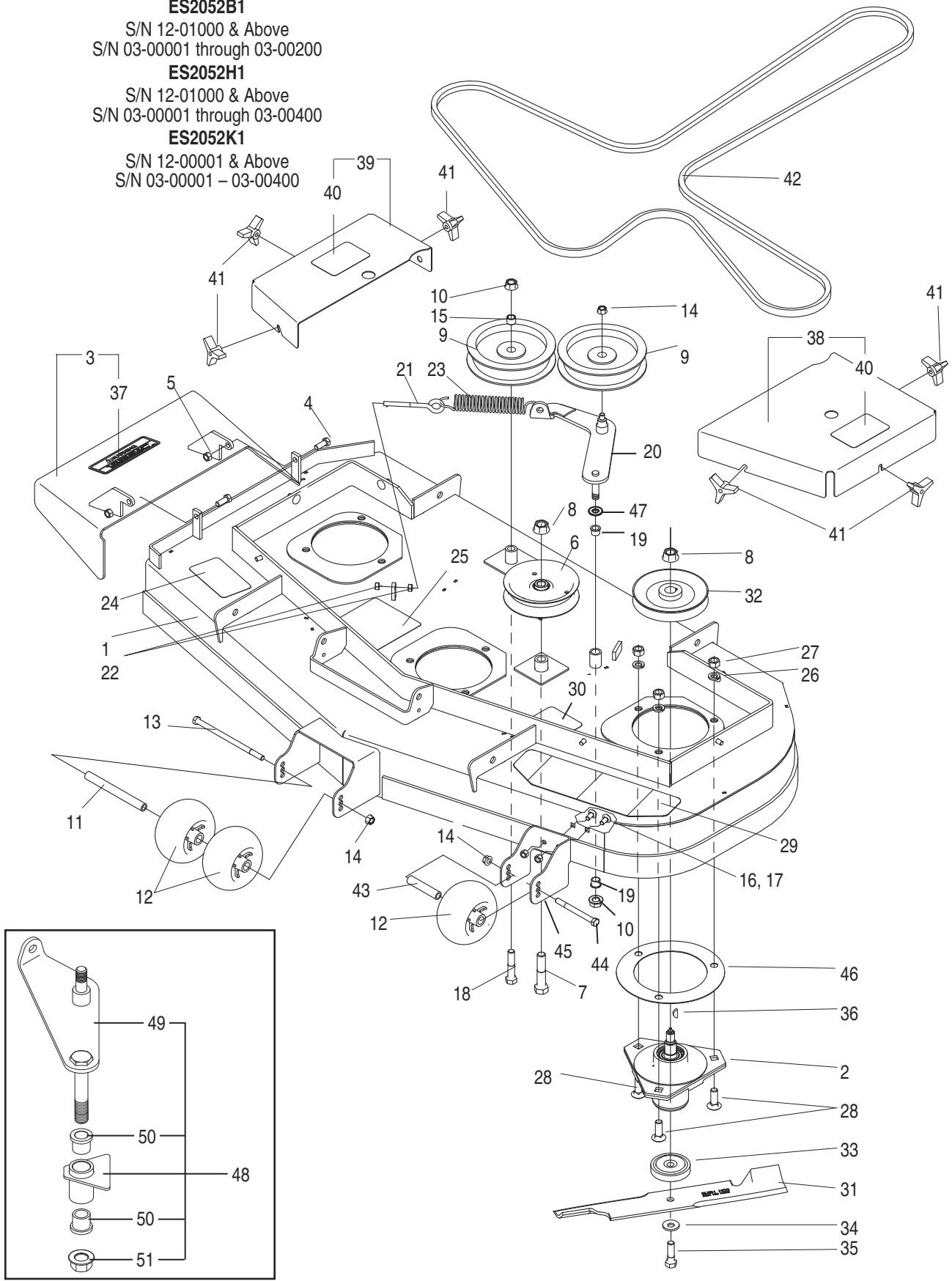
S/N 12-01000 & Above
S/N 03-00001 through 03-00200

ES2052H1

S/N 12-01000 & Above
S/N 03-00001 through 03-00400

ES2052K1

S/N 12-00001 & Above
S/N 03-00001 - 03-00400



52" CUTTING DECK ASSEMBLY**ES2052B1**

S/N 12-01000 & Above
S/N 03-00001 through 03-00200

ES2052H1

S/N 12-01000 & Above
S/N 03-00001 through 03-00400

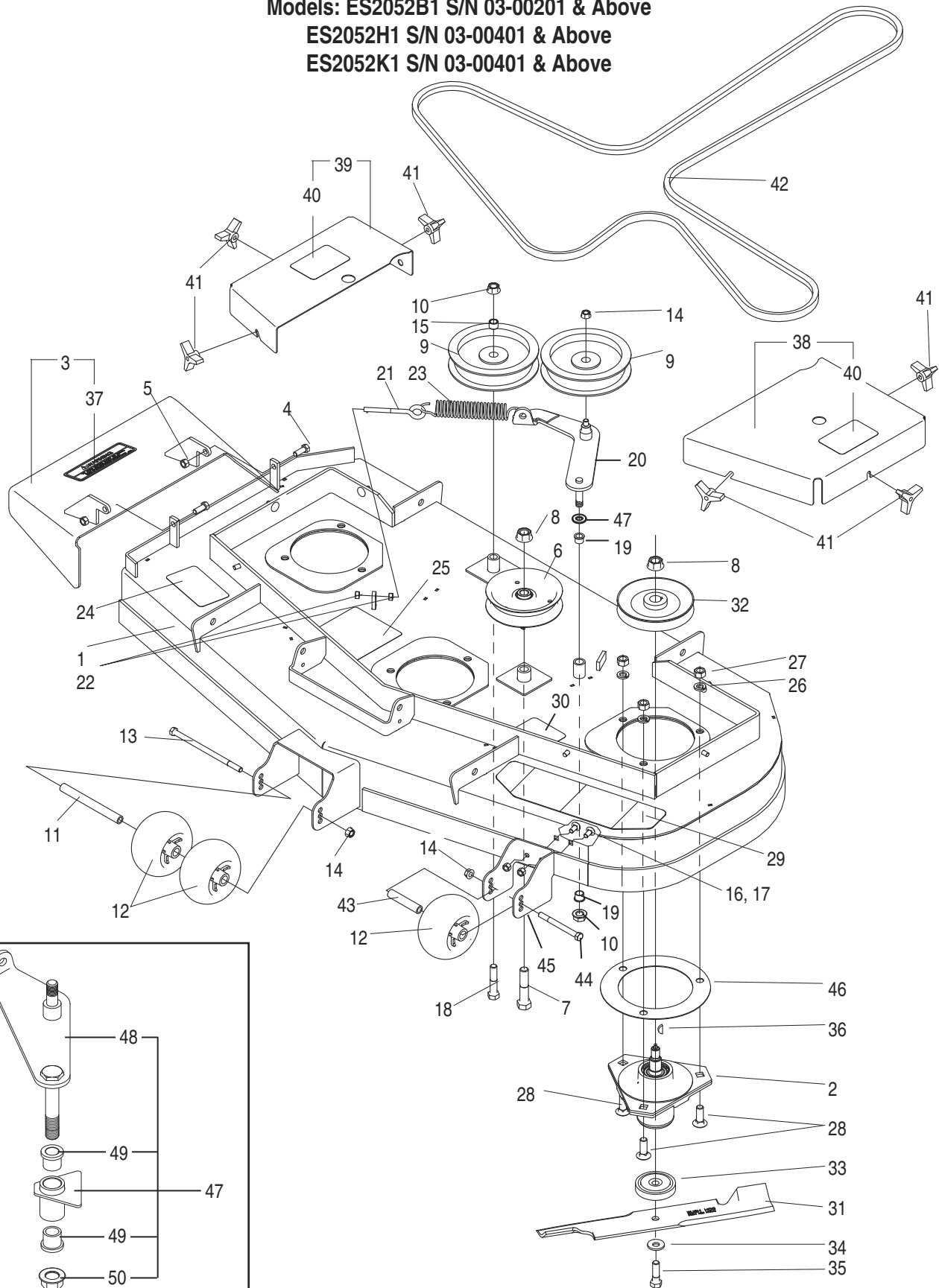
ES2052K1

S/N 12-00001 & Above
S/N 03-00001 – 03-00400

REF. NO.	PART NO.	QTY.	DESCRIPTION
1	—	1	Deck Frame w/ Safety Decals
2	99685	3	Spindle Assembly
3	50043402	1	Discharge Shield w/ Safety Decal
4	—	2	Capscrew 3/8" x 1" Gr.5
5	9131200	2	Locknut 3/8"
6	88663	1	Idler
7	—	1	Capscrew 5/8" x 3" Gr.5
8	20414	4	Locknut 5/8", Flanged
9	50040768	2	Idler, Flat
10	44998	2	Locknut 1/2", Flanged- Centerlock
11	50029093	1	Bushing
12	50025511	2	Roller, Anti Scalp
13	20270	1	Capscrew 3/8" x 7" Gr.5
14	15583	2	Locknut 3/8", Flanged
15	50040871	1	Spacer
16	44794	2	Carriage Bolt 5/16" x 3/4"
17	15602	2	Locknut 5/16" NC
18	19065	1	Capscrew 1/2" x 2-1/2" Gr.5
19	50040334	2	Flange Bushing 3/4" x 5/8" x 1/2"
20	50047698	1	Idler Weldment
21	50047926	1	Eye Bolt
22	—	2	Hex Nut 5/16"
23	90391	1	Extension Spring
24	50043280	1	Danger Decal
25	50029499	1	Decal, Belt Installation
26	—	9	Lockwasher 1/2"
27	—	9	Hex Nut 1/2"
28	5161614	9	Carriage Bolt 1/2" x 1-1/2" Gr.5
29	50029106	1	Non Skid Surface
30	50043277	1	Decal, Danger
31	50040773	3	Blade 18" CW Up-Lift (Standard)
	50044451	3	Blade, Mulching (Optional)
32	88756	3	Sheave 5.50"
33	50042757	1	Spacer, Blade
34	44040	1	Safety Washer, Heavy Duty
35	44506	1	Capscrew 1/2" x 1-3/4" Gr.8 NF
36	88753	3	Woodruff Key 606
37	83056	1	Warning Decal
38	50043242	1	Belt Shield, L.H. w/ Decal
39	50043241	1	Belt Shield, R,H. w/Decal
40	50012615	1	Warning Decal
41	99047	6	Knob
42	94900	1	Belt for 52" Deck
43	50027488	1	Bushing
44	—	1	Capscrew 3/8" x 4" Gr.5
45	50042756	1	Bracket, L.H.Gauge Wheel
46	50043354	3	Spacer, Spindle
47	—	1	Flatwasher 1/2"
48	50066907	1	Idler Arm Repair Kit 52" Deck
49	50062858	1	Idler Arm Weldment
50	50055032	2	Bushing, Flanged
51	45189BH	1	Locknut5/8" UNF - Flanged

52" CUTTING DECK ASSEMBLY

Models: ES2052B1 S/N 03-00201 & Above
ES2052H1 S/N 03-00401 & Above
ES2052K1 S/N 03-00401 & Above

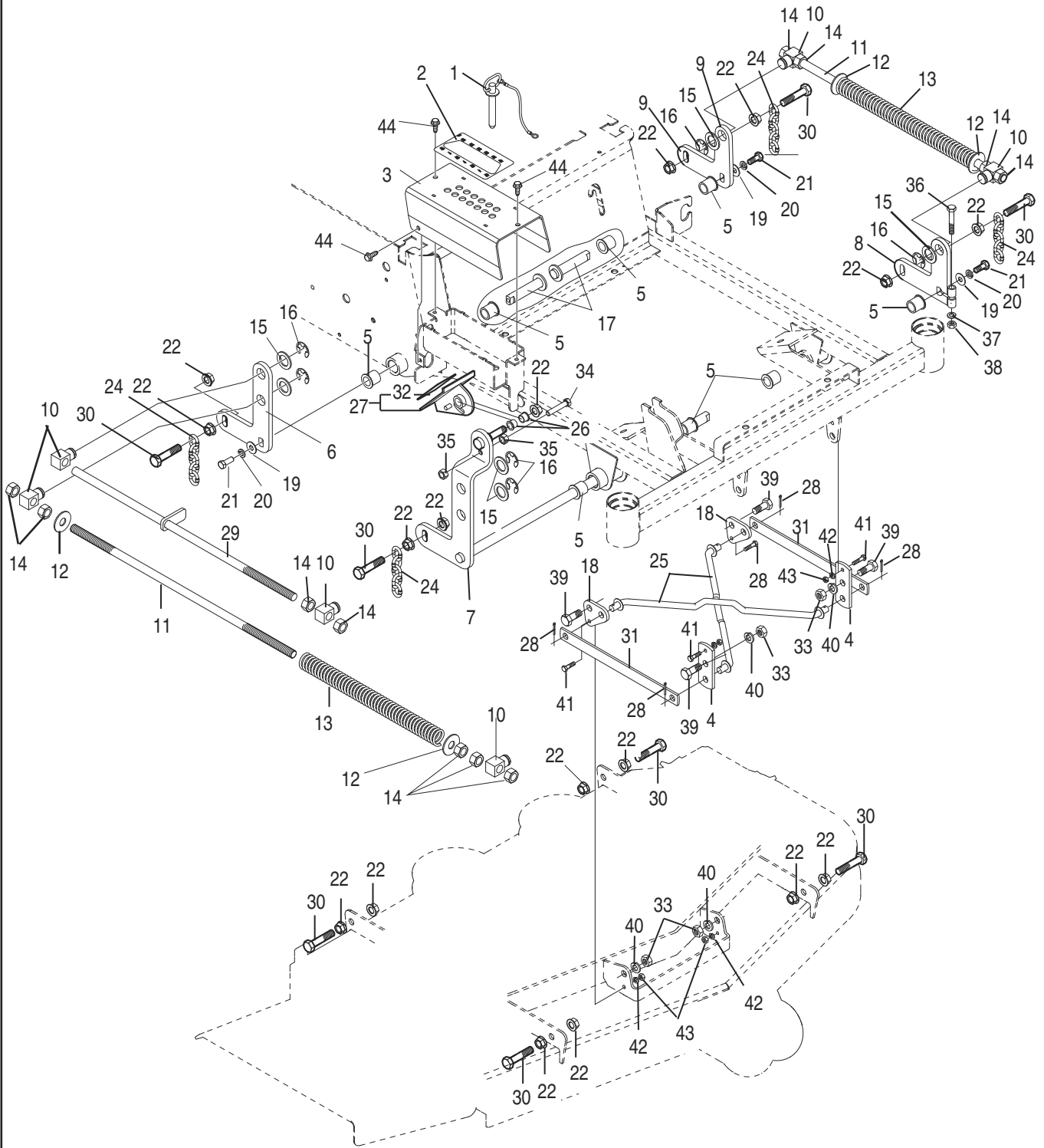


52" CUTTING DECK ASSEMBLY

**Models: ES2052B1 S/N 03-00201 & Above
ES2052H1 S/N 03-00401 & Above
ES2052K1 S/N 03-00401 & Above**

REF. NO.	PART NO.	QTY.	DESCRIPTION
1	50051258	1	Deck Frame w/ Safety Decals
2	99685	3	Spindle Assembly
3	50043402	1	Discharge Shield w/ Safety Decal
4	—	2	Capscrew 3/8" x 1" Gr.5
5	9131200	2	Locknut 3/8"
6	88663	1	Idler
7	—	1	Capscrew 5/8" x 3" Gr.5
8	20414	4	Locknut 5/8", Flanged
9	50040768	2	Idler, Flat
10	44998	2	Locknut 1/2", Flanged- Centerlock
11	50029093	1	Bushing
12	50025511	2	Roller, Anti Scalp
13	20270	1	Capscrew 3/8" x 7" Gr.5
14	15583	2	Locknut 3/8", Flanged
15	50040871	1	Spacer
16	44794	2	Carriage Bolt 5/16" x 3/4"
17	15602	2	Locknut 5/16" NC
18	19065	1	Capscrew 1/2" x 2-1/2" Gr.5
19	50040334	2	Flange Bushing 3/4" x 5/8" x 1/2"
20	50047698	1	Idler Weldment
21	50047926	1	Eye Bolt
22	—	2	Hex Nut 5/16"
23	90391	1	Extension Spring
24	50043280	1	Danger Decal
25	50029499	1	Decal, Belt Installation
26	—	9	Lockwasher 1/2"
27	—	9	Hex Nut 1/2"
28	5161614	9	Carriage Bolt 1/2" x 1-1/2" Gr.5
29	50029106	1	Non Skid Surface
30	50043277	1	Decal, Danger
31	50040773	3	Blade 18" CW Up-Lift (Standard)
	50044451	3	Blade, Mulching (Optional)
32	88756	3	Sheave 5.50"
33	50051246	1	Spacer, Blade
34	44040	1	Safety Washer, Heavy Duty
35	44506	1	Capscrew 1/2" x 1-3/4" Gr.8 NF
36	88753	3	Woodruff Key 606
37	83056	1	Warning Decal
38	50043242	1	Belt Shield, L.H. w/ Decal
39	50043241	1	Belt Shield, R.H. w/Decal
40	50012615	1	Warning Decal
41	99047	6	Knob
42	94900	1	Belt for 52" Deck
43	50027488	1	Bushing
44	—	1	Capscrew 3/8" x 4" Gr.5
45	50042756	1	Bracket, L.H.Gauge Wheel
46	50043354	3	Spacer, Spindle
47	50066907	1	Idler Arm Repair Kit 52" Deck
48	50062858	1	Idler Arm Weldment
49	50055032	2	Bushing, Flanged
50	45189BH	1	Locknut5/8" UNF - Flanged

CUTTING DECK, PULL AND HEIGHT ADJUSTMENT FOR ES1744-1, ES2044B1, ES2052B1, ES2052H1 & ES2052K1



**CUTTING DECK, PULL AND HEIGHT ADJUSTMENT
FOR ES1744-1, ES2044B1, ES2052B1, ES2052H1 & ES2052K1**

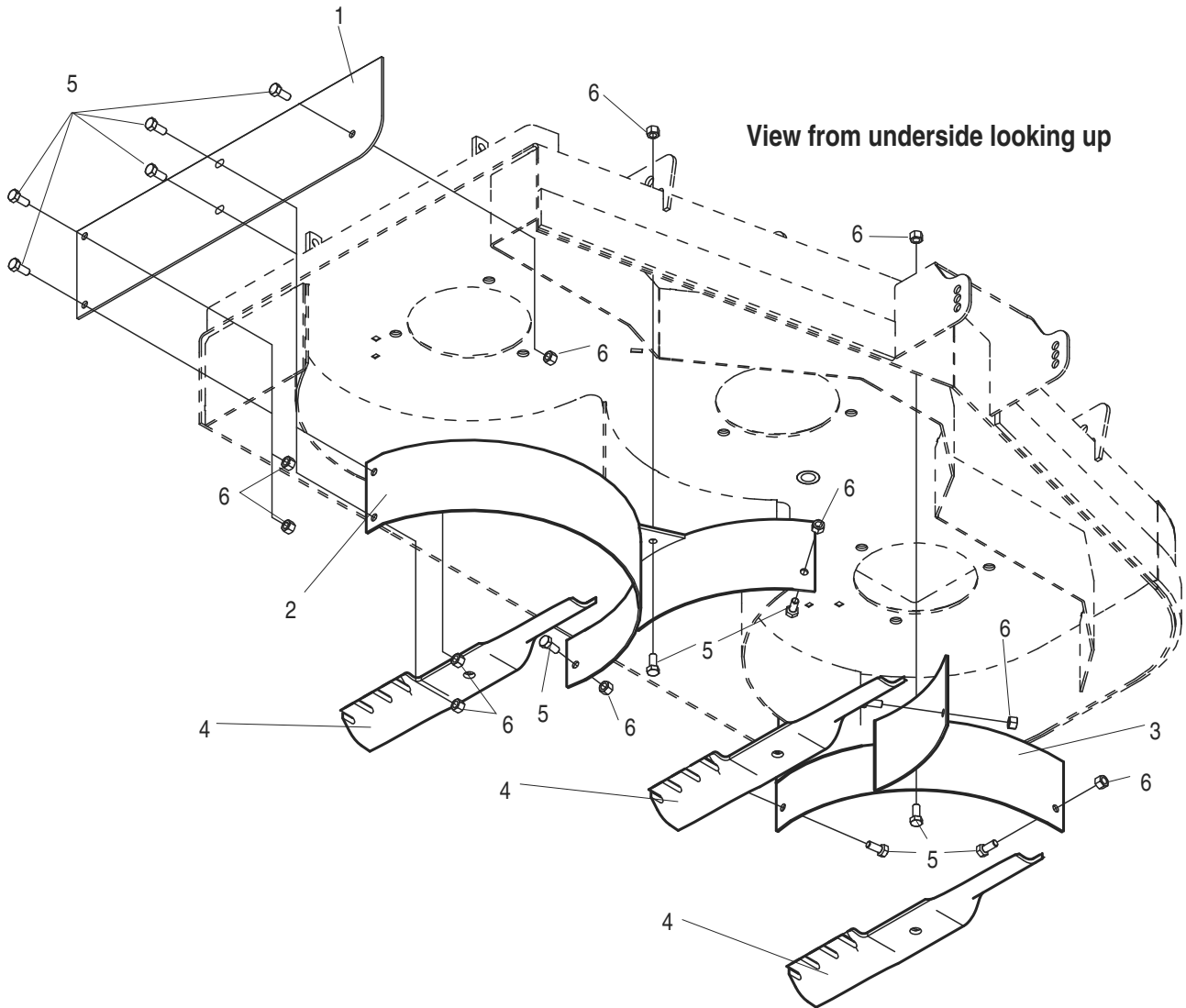
REF. NO.	PART NO.	QTY.	DESCRIPTION
1	50047473	1	Pin, Height Adjustment
2	50043244	1	Decal, Height Adjustment
3	50042669	1	Bracket, Height Adjustment
4	50047678	1	Lug, Front Drawbar
5	50040329	8	Bushing
6	50047671	1	Rear Deck Lift Weldment, R.H.
7	50047670	1	Front Deck Lift Weldment, R.H.
8	50047668	1	Front Deck Lift Weldment, L.H.
9	50047673	1	Rear Deck Lift Weldment, L.H.
10	50027554	6	Rod Mounting Boss
11	50047631	2	Rod, Deck Lift Assy.
12	—	4	Flatwasher 5/8" ZP
13	50043341	2	Spring, Deck Lift Assist (For 44" Deck)
	50027491	2	Spring, Deck Lift Assist (For 52" Deck)
14	—	12	Hex Nut 5/8" CP Gr.5
15	—	6	Flatwasher 7/8" SAE
16	50027534	6	E-Ring
17	50040315	2	Deck Lift Weldment, Rear
18	50047679	2	Lug, Rear Drawbar
19	—	2	Flatwasher 3/8" ZP
20	—	2	Lockwasher 3/8" CP
21	—	2	Capscrew 3/8" x 1" Gr.5 ZP
22	50048805	17	Lock Nut, Flanged 1/2", Spirallock
24	50042660	4	Deck Lift Chain 5 Links
25	50047686	2	Rod Weldment, Drawbar
26	50040334	2	Bushing, Flanged 3/4" x 5/8" x 1/2"
27	50047689	1	Foot Pedal Assembly
28	15568	4	Cotter Pin 5/32" x 1-1/4"
29	50047661	1	Height Adjustment Stop Weldment
30	—	8	Capscrew 1/2" x 2" Gr.5 ZP
31	50047696	2	Side Link
32	50045795	1	Non-Skid Surface
33	15554	4	Locknut 1/2"
34	44483	1	Capscrew 5/16" 2-1/4" Gr.8
35	44516	2	Jam Nut 5/16"
36	—	1	Capscrew 3/8" x 2-1/4"
37	—	1	Lockwasher 3/8"
38	20363	1	Lock Nut 3/8"
39	—	4	Capscrew 1/2" x 1-1/4"
40	—	4	Lockwasher 1/2"
41	—	4	Capscrew 1/4" x 1"
42	—	4	Lockwasher 1/4"
43	15608	4	Locknut 1/4"
44	50043225	5	Capscrew 5/16" x 3/4" Washer Head

50043260 MULCHING KIT, 44" DECK

ES1744-1 S/N 12-01000 & Above, S/N 03-00001 through 03-00100
 ES2044B1 S/N 12-00001 & Above, S/N 03-00001 through 03-00175

50043261 MULCHING KIT, 52" DECK

ES2052B1 S/N 12-01000 & Above, S/N 03-00001 through 03-00200
 ES2052H1 S/N 12-00001 & Above, S/N 03-00001 through 03-00400
 ES2052K1 S/N 12-00001 & Above, S/N 03-00001 through 03-00400



REF. NO.	PART NO.	QTY.	DESCRIPTION
1	50044500	1	Block Off Plate for 44" Deck
	50044487	1	Block Off Plate for 52" Deck
2	50044442	1	R.H. Mulching Baffle for 44" Deck
	50044432	1	R.H. Mulching Baffle for 52" Deck
3	50044443	1	L.H. Mulching Baffle for 44" Deck
	50044433	1	L.H. Mulching Baffle for 52" Deck
4	50044450	3	Blade CW-15" Gator for 44" Deck
	50044451	3	Blade CW-18" Gator for 52" Deck
5	1141006	12	Capscrew 5/16" x 3/4" ZP
6	15602	12	Locknut 5/16" CP

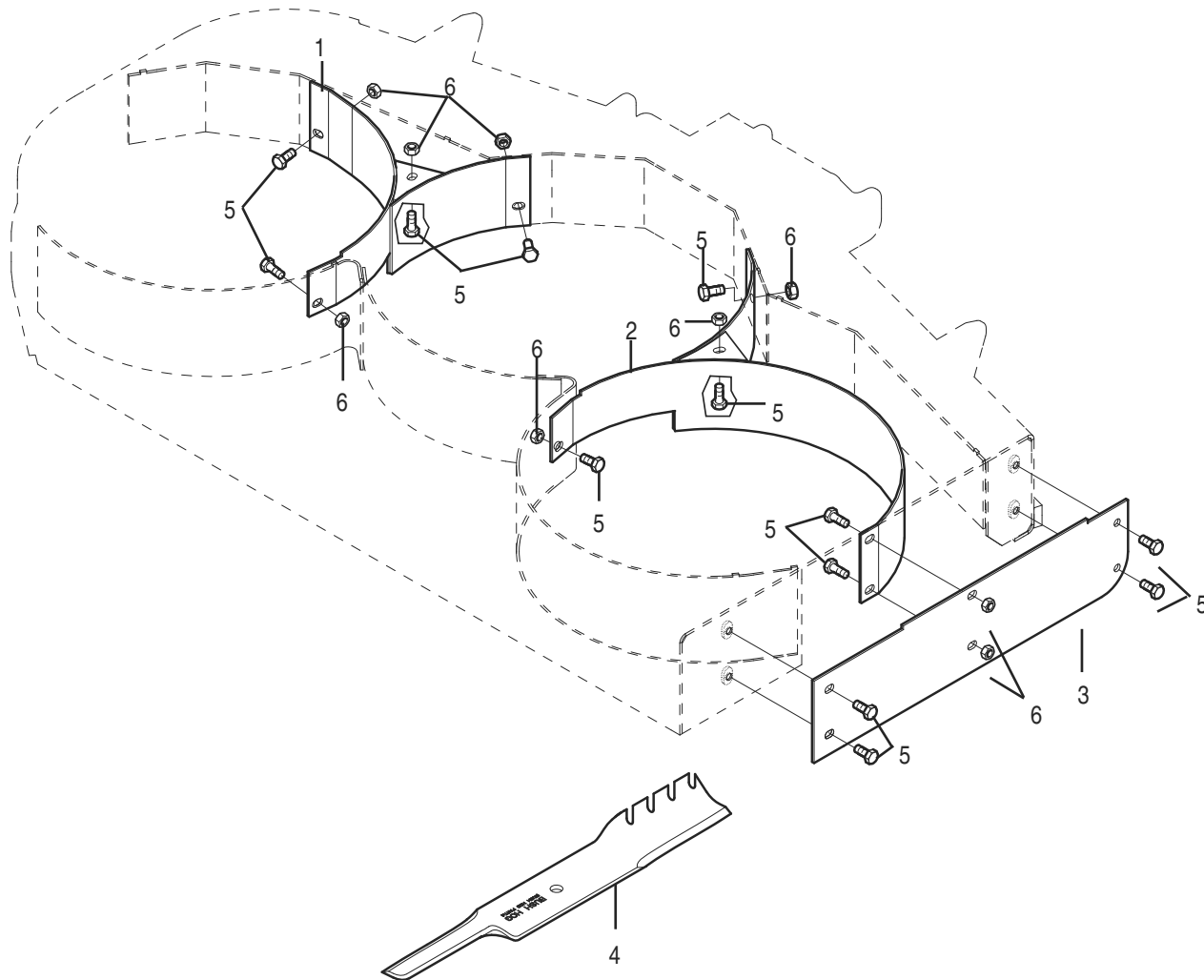
Note: This kit also includes mounting instructions and templates for locating mounting holes.

50051256 MULCHING KIT, 44" DECK

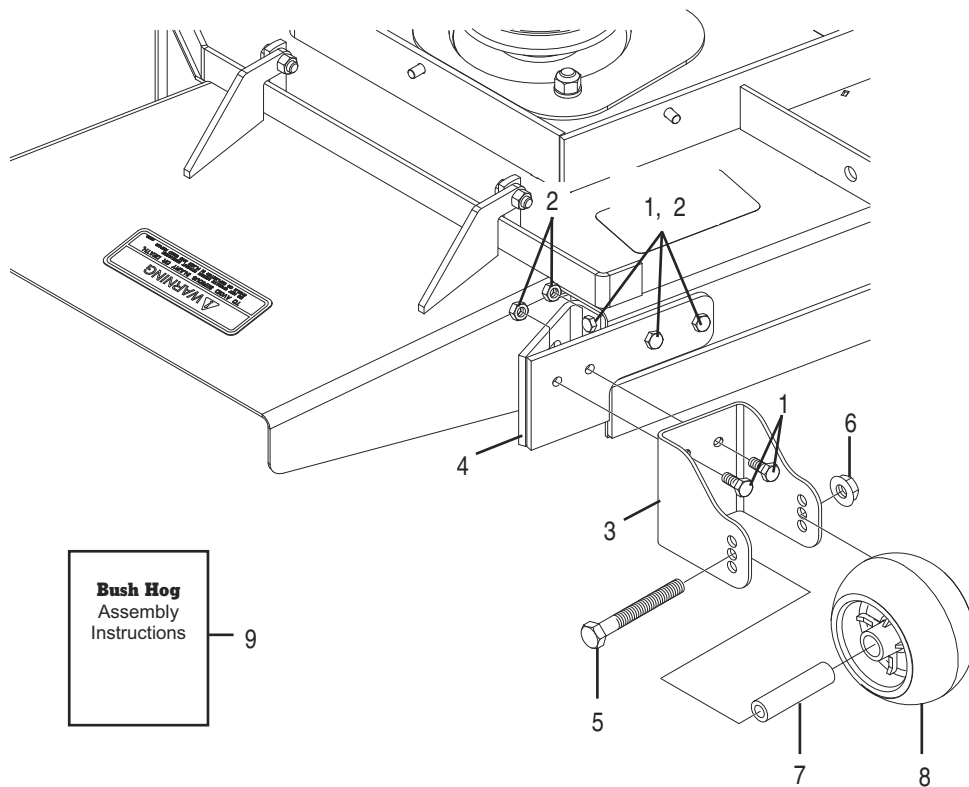
Models: ES1744-1 S/N 03-00101 & Above
 ES2044B1 S/N 03-00176 & Above

50051257 MULCHING KIT, 52" DECK

Models: ES2052B1 S/N 03-00201 & Above
 ES2052H1 S/N 03-00401 & Above
 ES2052K1 S/N 03-00401 & Above



REF. NO.	PART NO.	QTY.	DESCRIPTION
1	50049828	1	L.H. Mulching Kit Weldment, 44" Deck
	50049836	1	L.H. Mulching Kit Weldment, 52" Deck
2	50049827	1	R.H. Mulching Kit Weldment, 44" Deck
	50049835	1	R.H. Mulching Kit Weldment, 52" Deck
3	50049851	1	Block Off Plate, 44" Deck
	50049849	1	Block Off Plate, 52" Deck
4	50044450	3	Blade, 15" CW Gator (44" Deck)
	50044451	3	Blade, 18" Gator (52" Deck)
5	—	13	Capscrew 5/16" x 3/4"
6	45108	8	Locknut 5/16"

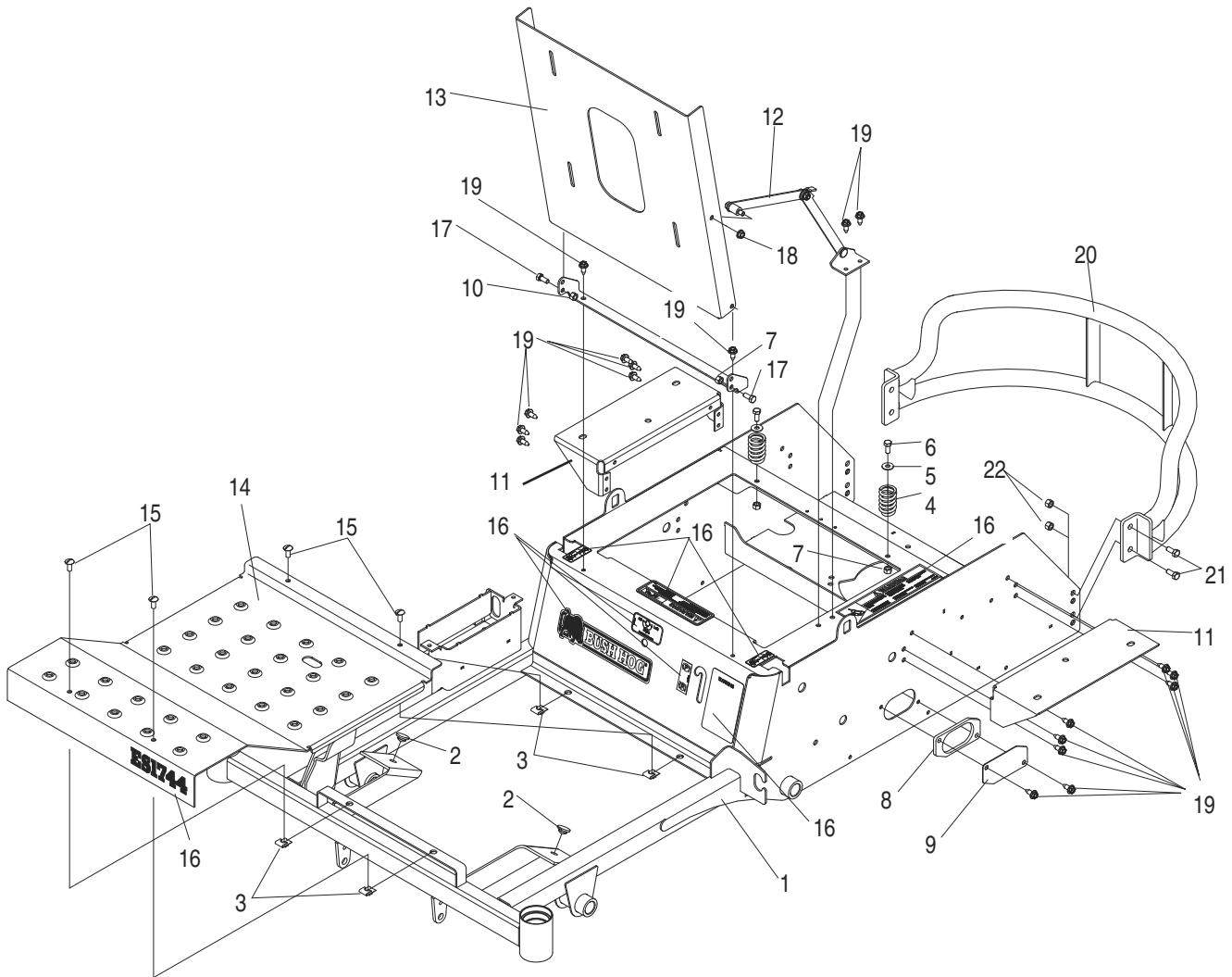


RIGHT HAND GAGE WHEEL (52" DECK)

Models: ES2052B1, ES2052H1, ES2052K1

REF. NO.	PART NO.	QTY.	DESCRIPTION
1	—	6	Capscrew 5/16" x 3/4"
2	15602	6	Lock Nut 5/16"
3	50050054	1	Gage Wheel Bracket, R.H.
4	50050057	1	Mount Bracket Weldment, R.H.
5	—	1	Capscrew 3/8" x 4"
6	15583	1	Lock Nut 3/8" Gr. G Flg. Nr.w.
7	50027488	1	Bushing
8	50025511	1	Roller, Anti-Scalp
9	50050058	1	Instruction Sheet

FRAME AND RELATED PARTS

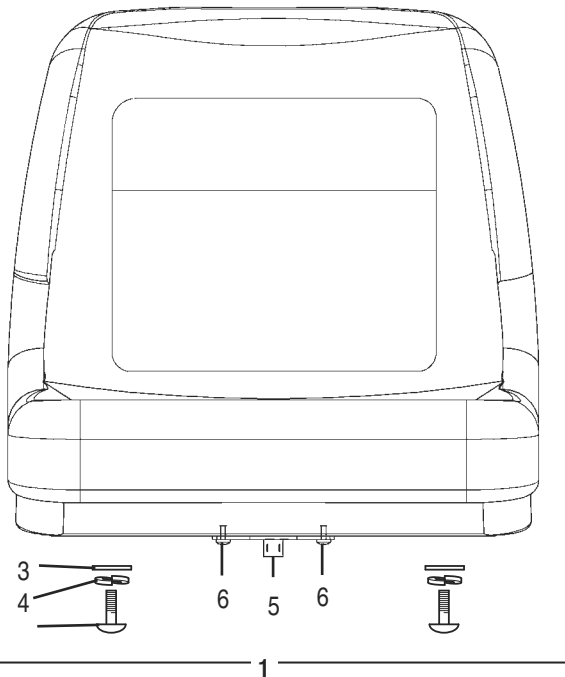


FOR ES1744-1, ES2044B1, ES2052B1, ES2052H1 & ES2052K1

REF. NO.	PART NO.	QTY.	DESCRIPTION	REF. NO.	PART NO.	QTY.	DESCRIPTION
1	50047704	1	Frame Assy. w/Decals	12	50043386	1	Hinge Retainer Assembly
2	50027622	2	Grommet	13	50040895	1	Seat Platform
3	50043221	4	"J"-Nut Retainer 5/16"-18	14	50046623	1	Foot Platform
4	98558	2	Seat Spring	15	44462	4	Truss Hd. Mach. Screw 5/16" x 5/8"
5	—	2	Flatwasher 5/16"	*16	50043311	1	Decal Kit
6	—	2	Capscrew 5/16" x 3/4" Gr.5	17	—	2	Capscrew 5/16" x 3/4"
7	15602	6	Locknut 5/16"	18	44521	1	Locknut 5/16", Flanged
8	50043401	1	Spacer, Fan Cover	19	50043225	A/R	Capscrew 5/16"-18 x 3/4" Self Tap.
9	50043400	1	Plate, Fan Cover	20	50042758	1	Bumper, Rear
10	50040881	1	Pivot, Seat	21	—	4	Capscrew 3/8" x 3/4" Gr.5
11	50040913	2	Mount, Fuel Tank	22	20363	4	Locknut 3/8"

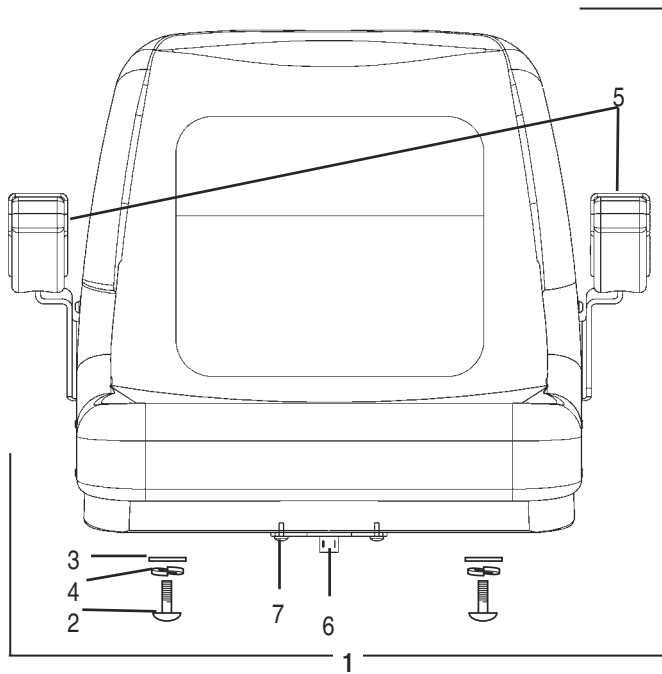
* 50043311 is a complete set of decals for one machine. Refer to decal kit for individual decals.

A/R = As Required



STANDARD SEAT
 For ES1744-1, ES2044B1,
 ES2052B1, ES2052H1 & ES2052K1

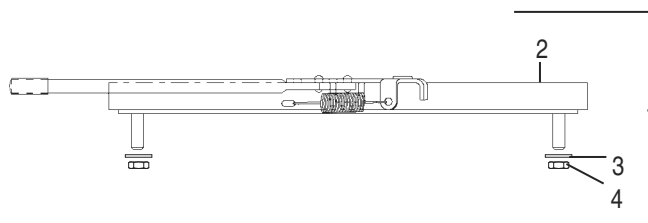
REF. NO.	PART NO.	QTY.	DESCRIPTION
1	50043267	1	Complete Seat Assembly
2	—	4	Capscrew 5/16"x3/4" Gr.5
3	—	4	Flatwasher 5/16"
4	—	4	Lockwasher 5/16"
5	50030088	1	Delta Switch
6	—	2	Hi-Lo Screw, Phl. Pan Hd. #14-14 x 1/2"



STANDARD SEAT W / ARM RESTS
 Mfd. by Milsco
 FOR ES1744-1, ES2044B1, ES2052B1,
 ES2052H1 & ES2052K1

REF. NO.	PART NO.	QTY.	DESCRIPTION
1	50043268	1	Complete Seat Assembly
2	—	4	Capscrew 5/16" x 3/4" Gr.5
3	—	4	Flatwasher 5/16"
4	—	4	Lockwasher 5/16"
5	50043270	1	Armrest Kit (1 Set)
6	50030088	1	Delta Switch
7	—	2	Hi-Lo Screw, Phl. Pan Hd., #14-14 x 1/2"

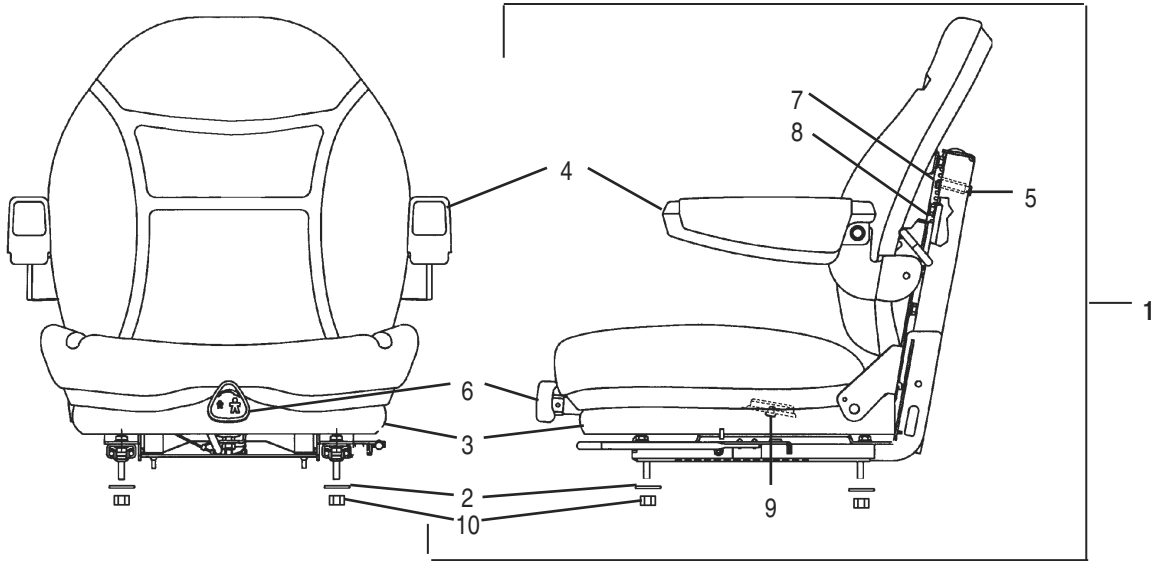
SEAT SLIDE ASSEMBLY
 FOR STANDARD SEAT & STANDARD SEAT W/ ARM RESTS



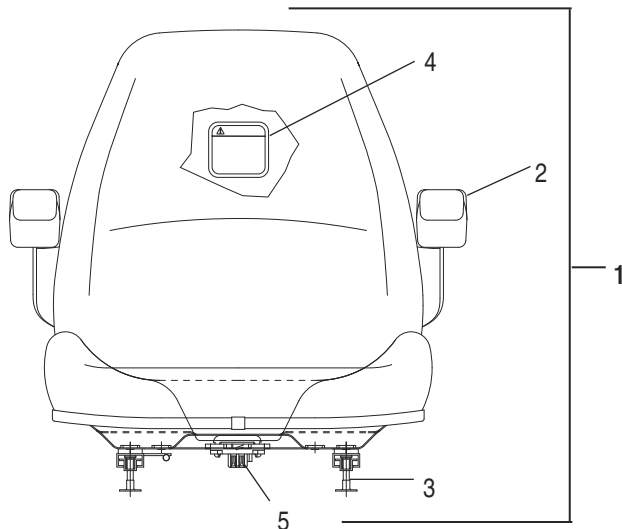
REF. NO.	PART NO.	QTY.	DESCRIPTION
1	50043264	1	Complete Slide Assembly
2	50043338	1	Seat Slide Kit
3	—	4	Flatwasher 5/16"
4	44544	4	Lock Nut 5/16" CP NF

FULL SUSPENSION SEAT ASSEMBLY

Manufactured by Milsco
FOR ES1744-1, ES2044B1, ES2052B1, ES2052H1 & ES2052K1



REF. NO.	PART NO.	QTY.	DESCRIPTION	REF. NO.	PART NO.	QTY.	DESCRIPTION
1	50043269	1	Complete Seat Assembly	6	50030085	1	Knob Kit
2	—	4	Flatwasher 5/16"	—	—	1	Adjuster Knob
3	50030082	1	Boot Kit	—	—	1	Shaft
—	—	1	Boot	—	—	2	Spring Pin
—	—	1	Wire Form, Upper	—	—	1	Spring Hanger Weldment
—	—	2	Wire Form, Lower	—	—	2	Push Nut
4	50030083	1	Armrest Pad Kit	—	—	1	Plain Washer
—	—	1	Pad	7	50030086	1	Spring Cable Kit
—	—	1	Capscrew 3/8" x 1/2"	—	—	2	Spring
—	—	1	Capscrew M10 x 45	—	—	1	Cable Assembly
—	—	1	Hex Nut M10	—	—	2	Push Nut
—	—	1	Lockwasher	8	50030087	1	Damper Kit
—	—	2	Spacer	—	—	1	Damper
5	50030084	1	Roller-Bumper Kit	—	—	2	Locknut
—	—	4	Roller	—	—	1	Plain Washer
—	—	2	Bumper	—	—	1	Spacer
—	—	2	Push Nut	9	50030088	1	Delta Switch
—	—	2	Upper Spacer	10	44251	4	Locknut 5/16" Flanged

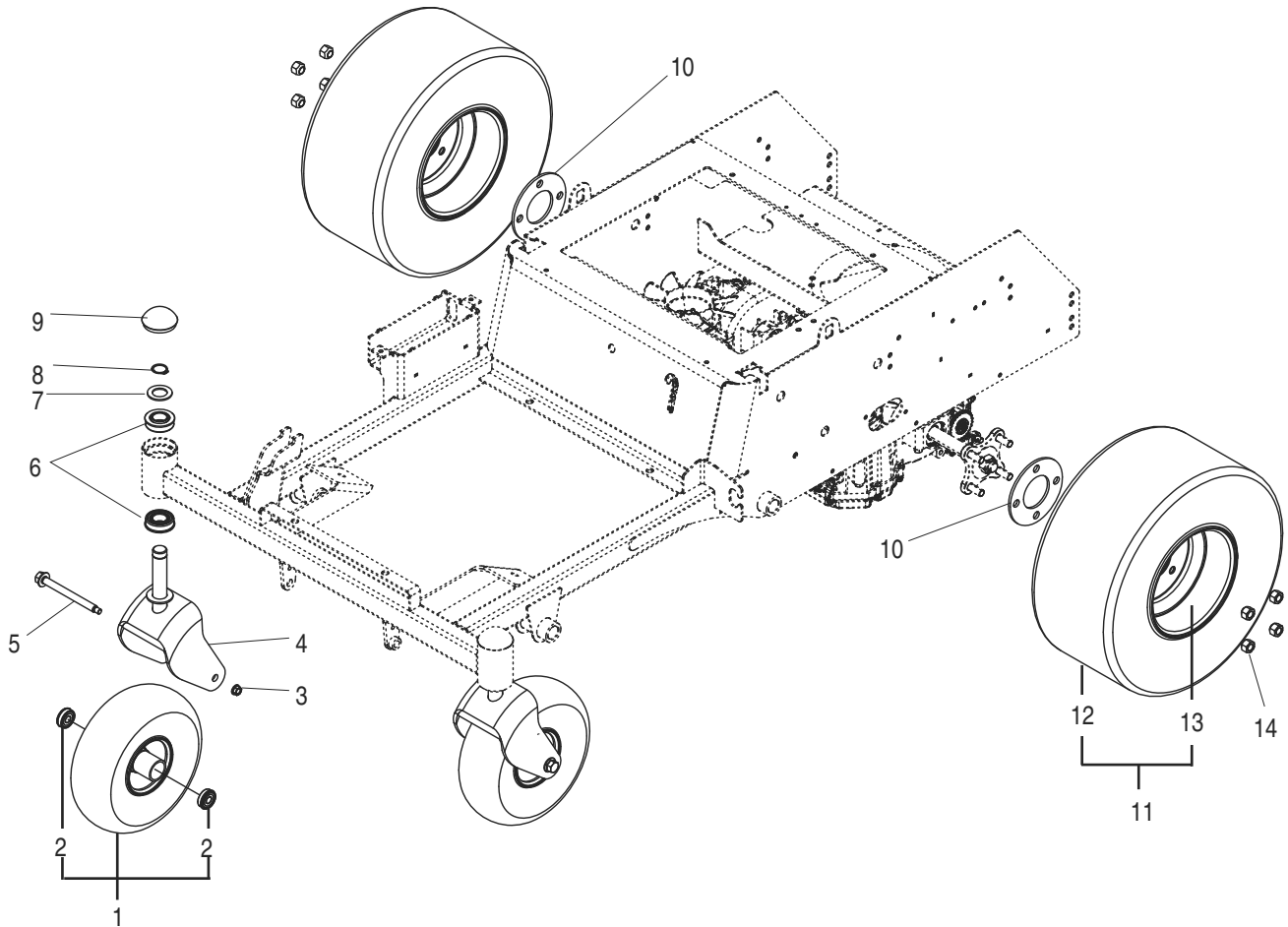


SEAT ASSEMBLY WITH ARM RESTS & SLIDE

Manufactured by Michigan
FOR ES1744-1, ES2044B1,
ES2052B1, ES2052H1 & ES2052K1

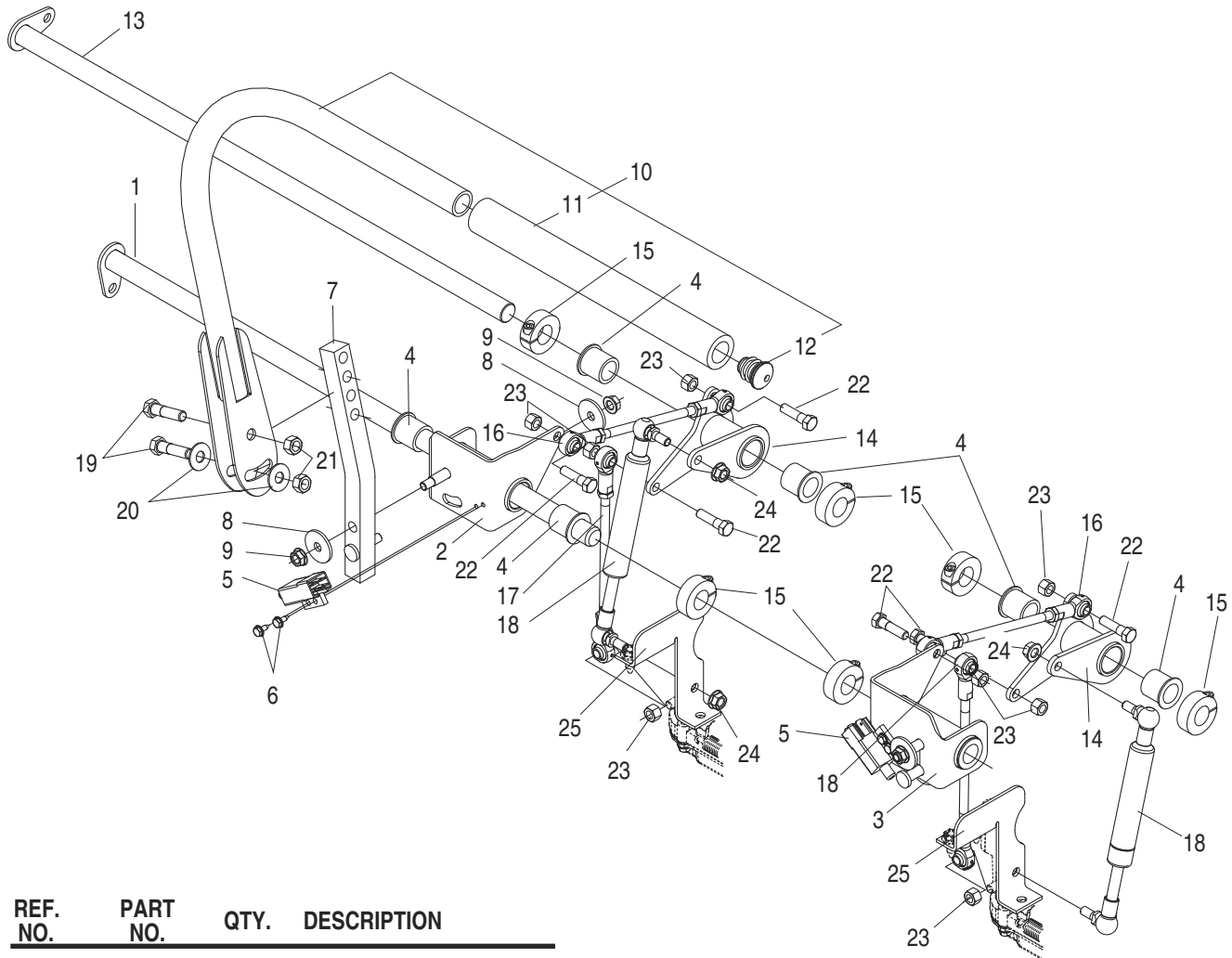
REF. NO.	PART NO.	QTY.	DESCRIPTION
1	50027860	1	Complete Seat Assembly
2	50029620	1	Arm Rest Kit
3	50029619	1	Adjuster Kit
4	94131	1	Decal
5	99067	1	Seat Switch

FRONT CASTER WHEELS AND DRIVE WHEELS FOR ES1744-1, ES2044B1, ES2052B1, ES2052H1 & ES2052K1



REF. NO.	PART NO.	QTY.	DESCRIPTION
1	50046553	2	Wheel and Tire 11 x 4-5 w/ Bearings
2	50040864	4	Bearing
3	9161600	2	Locknut 1/2" Gr.C
4	50047643	2	Caster Fork Weldment
5	19031	2	Capscrew 1/2" x 5-3/4"
6	50040352	4	Bearing, Sealed Flanged
7	20376	2	Flatwasher 1" SAE
8	44041	2	Retaining Ring
9	50027240	2	Grease Cap
10	50043328	2	Spacer (Used with 44" Deck Only)
11	50040262	2	Tire & Wheel Assy for ES1744-1 & ES2044B1 (18" x 8.5")
	50040724	2	Tire & Wheel Assy for ES2052B1, ES2052H1, ES2052K1 (18" x 9.5")
12	50040841	1	Tire 18 x 8.5 for ES1744-1 & ES2044B1
	50040842	1	Tire 18 x 9.5 for ES2052B1, ES2052H1, ES2052K1
13	50040843	1	Wheel for 18 x 8.5 Tire for ES1744-1 & ES2044B1
	50040844	1	Wheel for 18 x 9.5 Tire for ES2052B1, ES2052H1, ES2052K1
14	15515	8	Lug Nuts

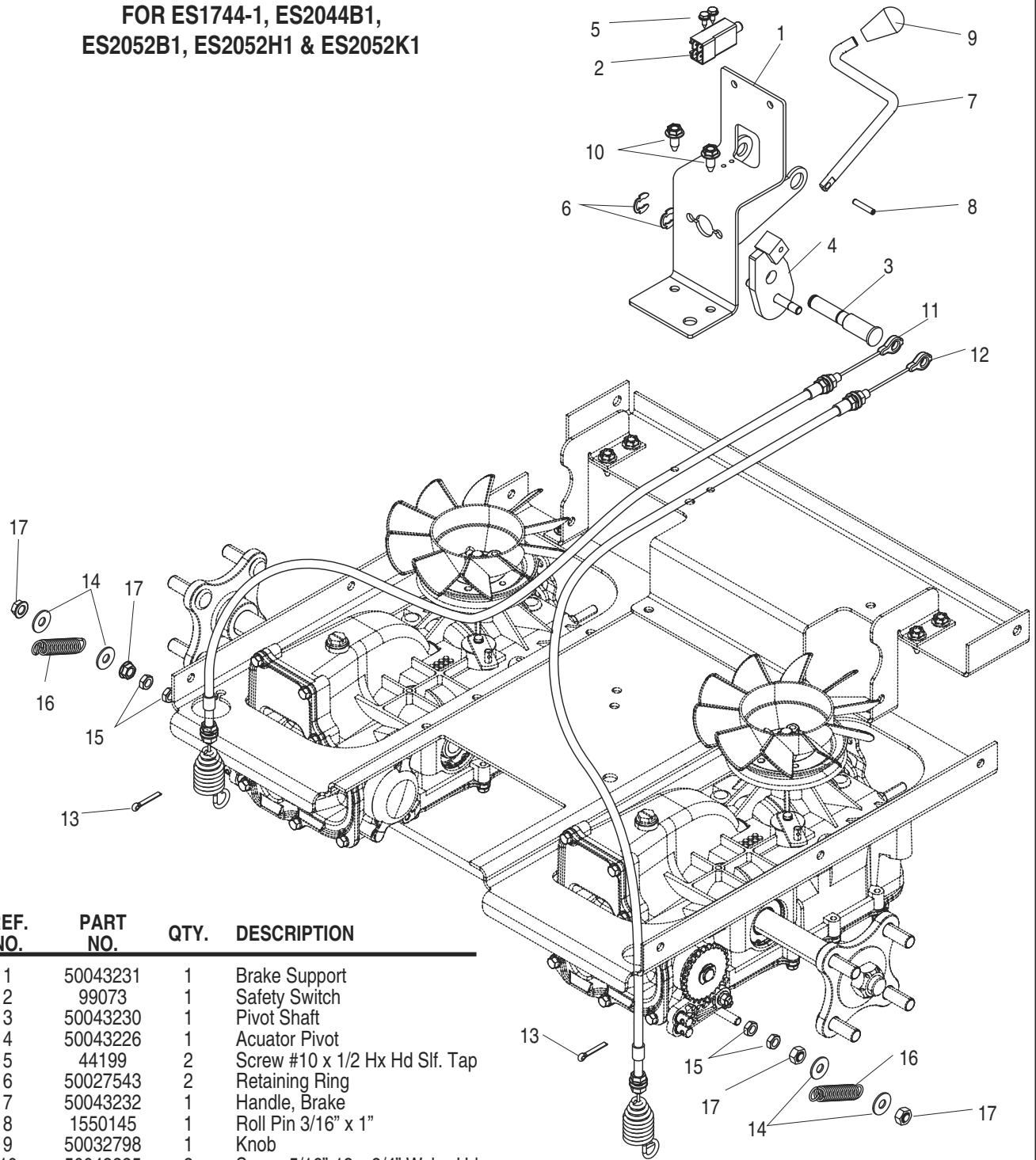
STEERING CONTROLS FOR ES1744-1, ES2044B1, ES2052B1, ES2052H1 & ES2052K1



REF. NO.	PART NO.	QTY.	DESCRIPTION
1	50046564	1	Control Rod Weldment
2	50043368	1	Control Bracket R.H.
3	50043369	1	Control Bracket L.H.
4	50040329	8	Flange Bushing
5	99073	2	Safety Switch
6	44199	4	Screw #10 x 1/2" Self Tap.
7	50043370	1	Lever R.H. (Shown)
	50043380	1	Lever L.H.
8	—	4	Flatwasher 5/16"
9	44521	4	Locknut 5/16" Flanged
10	50042727	2	Control Handle
11	98538	2	Grip
12	98539	2	Plug, Handle
13	50043320	1	Rod, Pivot - Rear
14	50043359	2	Lever, Transfer
15	50040358	6	Collar
16	50043364	2	Control Linkage Assy.
	50032790	1	Rod End 5/16"NF R.H. Thds.
	50032793	1	Rod End 5/16"NF L.H. Thds.
	44890	1	Jamnut 5/16"NF R.H. Thds.
	44891	1	Jamnut 5/16"NF L. H. Thds.

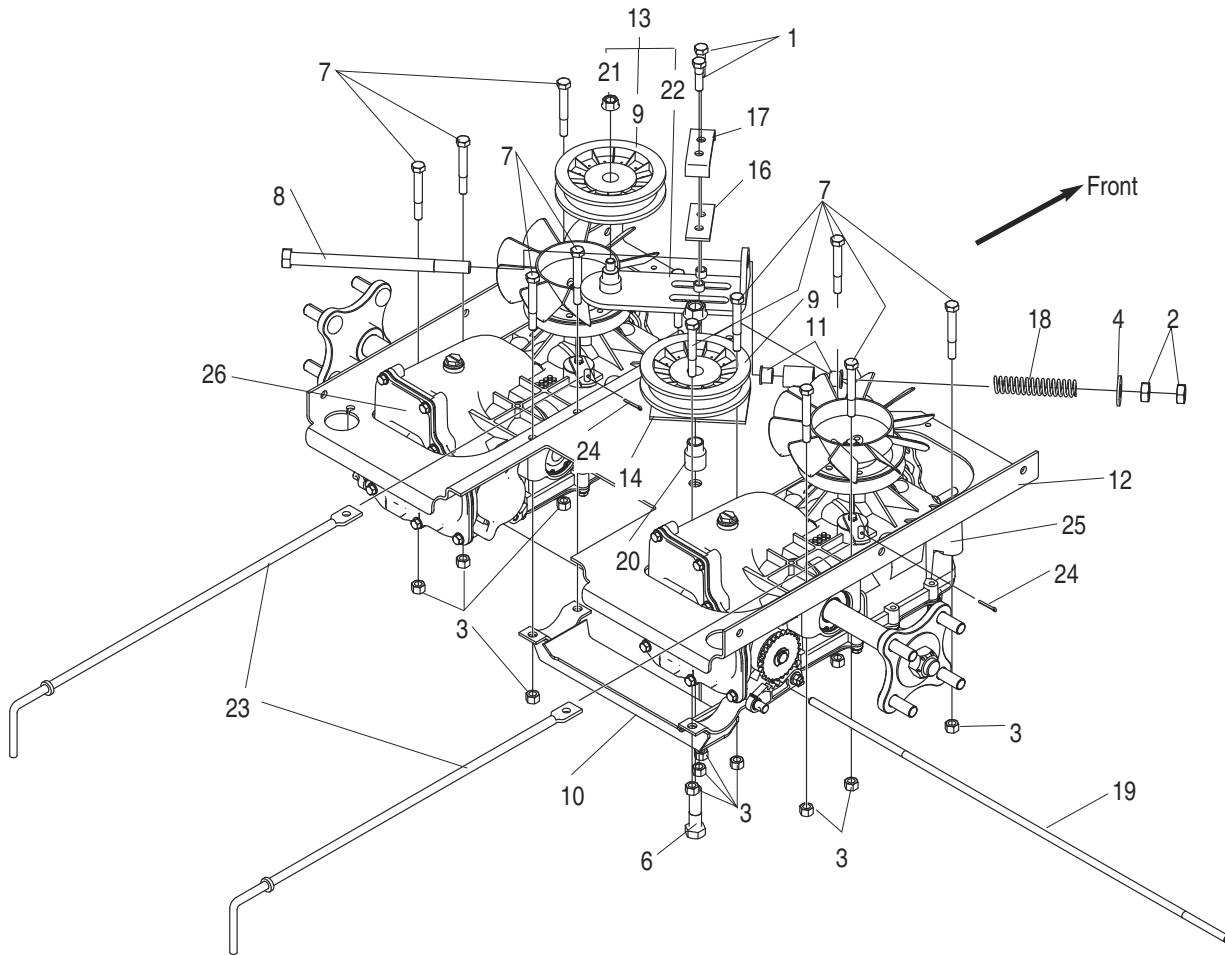
REF. NO.	PART NO.	QTY.	DESCRIPTION
17	50043363	2	Linkage IZT
	50032790	1	Rod End 5/16"NF R.H. Thds.
	50032793	1	Rod End 5/16"NF L.H. Thds.
	44890	1	Jamnut 5/16"NF R.H. Thds.
	44891	1	Jamnut 5/16"NF L. H. Thds.
18	50027495	2	Damper Assembly
19	20881	4	Capscrew 3/8" x 1-1/2" Gr.5
20	—	4	Flatwasher 3/8"
21	20363	4	Locknut 3/8"
22	—	6	Capscrew 5/16" x 1-1/4" Gr.5
23	15602	8	Locknut 5/16"
24	44185	4	Locknut M8 x 1.25 Flanged
25	50043340	2	Damper Mount

PARKING BRAKE CONTROLS
FOR ES1744-1, ES2044B1,
ES2052B1, ES2052H1 & ES2052K1



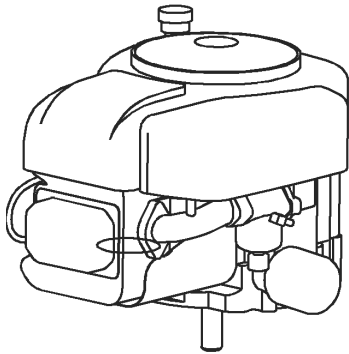
REF. NO.	PART NO.	QTY.	DESCRIPTION
1	50043231	1	Brake Support
2	99073	1	Safety Switch
3	50043230	1	Pivot Shaft
4	50043226	1	Acuator Pivot
5	44199	2	Screw #10 x 1/2 Hx Hd Slf. Tap
6	50027543	2	Retaining Ring
7	50043232	1	Handle, Brake
8	1550145	1	Roll Pin 3/16" x 1"
9	50032798	1	Knob
10	50043225	2	Screw 5/16"-18 x 3/4" Wshr. Hd.
11	50043255	1	Cable, Brake L.H. (Short)
12	50043254	1	Cable, Brake R.H. (Long)
13	21020510	2	Cotter Pin 5/32" x 1"
14	—	4	Flatwasher 5/16"
15	44516	4	Jamnut 5/16"
16	50043348	2	Spring, Cog Return
17	9161000	4	Locknut 5/16"

TRANSAXLES , MOUNTS AND RELATED PARTS FOR ES1744-1, ES2044B1, ES2052B1, ES2052H1 & ES2052K1



REF. NO.	PART NO.	QTY.	DESCRIPTION	REF. NO.	PART NO.	QTY.	DESCRIPTION
1	—	2	Capscrew 5/16" x 1-1/4" Gr.5	14	50040912	1	Wear Plate
2	—	2	Jamnut 1/2"	15	50042697	2	Bushing, Tensioner
3	15602	14	Locknut 5/16"	16	50042698	1	Tensioner, Wear plate
4	15916	1	Flatwasher 1/2"	17	50042699	1	Retainer, Tensioner
5	19518	1	Locknut, Flanged	18	50042700	1	Spring, Compression
6	—	1	Capscrew 1/2" x 2" Gr.5	19	50043347	1	Torsion Rod
7	—	12	Capscrew 5/16" x 2-1/2" Gr.5	20	50043367	1	Spacer
8	20519	1	Capscrew 1/2" x 7" Gr.5	21	15583	1	Locknut 3/8" Flanged
9	50040290	2	Flat Idler	22	50040909	1	Bracket Weldment
10	50040292	1	Cross Brace Weldment	23	50040823	2	Release Rod
11	50040334	2	Bushing, Flanged 3/4" x 5/8" x 1/2"	24	15468	2	Cotter Pin 3/32" x 1/2"
12	50040883	1	Transaxle Mount Weld.	25	50044483	1	Transaxle R.H. Assy
13	50040910	1	Tensioner Assy.	26	50044484	1	Transaxle L.H. Assy.

**ENGINES AND SERVICE PARTS
FOR ES1744-1, ES2044B1, ES2052B1, ES2052H1 & ES2052K1**

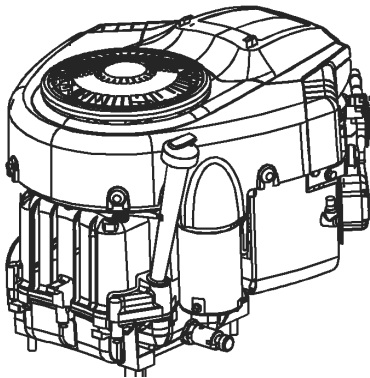


**17 HP BRIGGS & STRATTON ENGINE
FOR ES1744 MODELS**

**Model No. 17 INTEK
Part No. 31F770126E1**

BUSH HOG SERVICE PARTS
NOTE: For complete engine replacement or major engine repair contact your nearest Briggs & Stratton Engine Dealer.

DESCRIPTION	BUSH HOG PART NUMBER
Air Filter	50043294
Pre Cleaner	50043295
Fuel Filter	50043297
Oil Filter	50043296
Spark Plug	50043298



**20 HP BRIGGS & STRATTON ENGINE
FOR ES2044B1 & ES2052B1 MODELS**

**Model No. 20 INTEK
Part No. 4065770125E1**

**Replaced by Model 20
Extended Life Series
Part No. 44H7770114E1**

BUSH HOG SERVICE PARTS
NOTE: For complete engine replacement or major engine repair contact your nearest Briggs & Stratton Engine Dealer.

DESCRIPTION	BUSH HOG PART NUMBER
Air Filter	50043299
Pre Cleaner	50043300
Fuel Filter	50043297
Oil Filter	50043296
Spark Plug	50043301



**20 HP KOHLER ENGINE
FOR
ES2052K MODELS**

**Model No. CV20S
Part No. PA-65602**

BUSH HOG SERVICE PARTS
NOTE: For complete engine replacement or major engine repair contact your nearest Kohler Engine Dealer.

DESCRIPTION	BUSH HOG PART NUMBER
Air Filter	50040638
Pre Cleaner	50041245
Fuel Filter	50040643
Oil Filter	50040642
Spark Plug	50040645



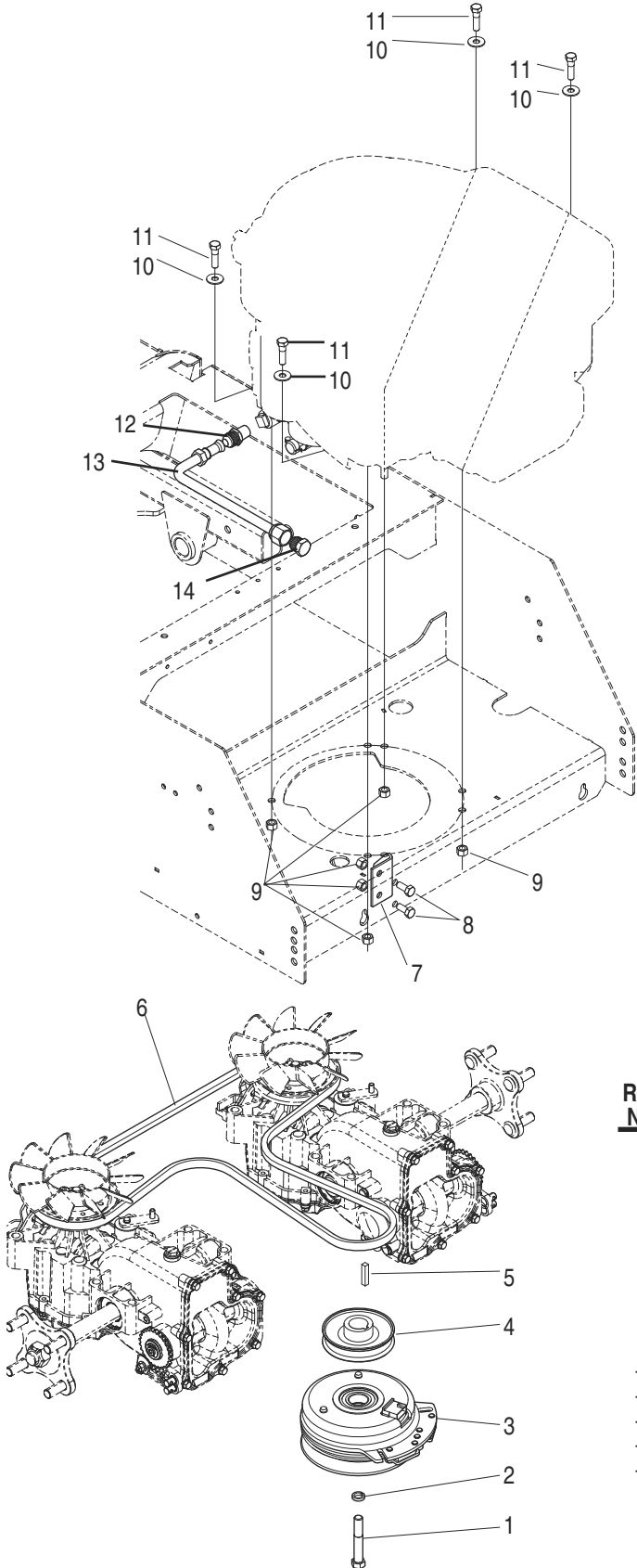
**20 HP HONDA ENGINE
FOR
ES2052H MODELS**

**Model No. GXV620K1QYF
Part No. 62600**

BUSH HOG SERVICE PARTS
NOTE: For complete engine replacement or major engine repair contact your nearest Honda Engine Dealer.

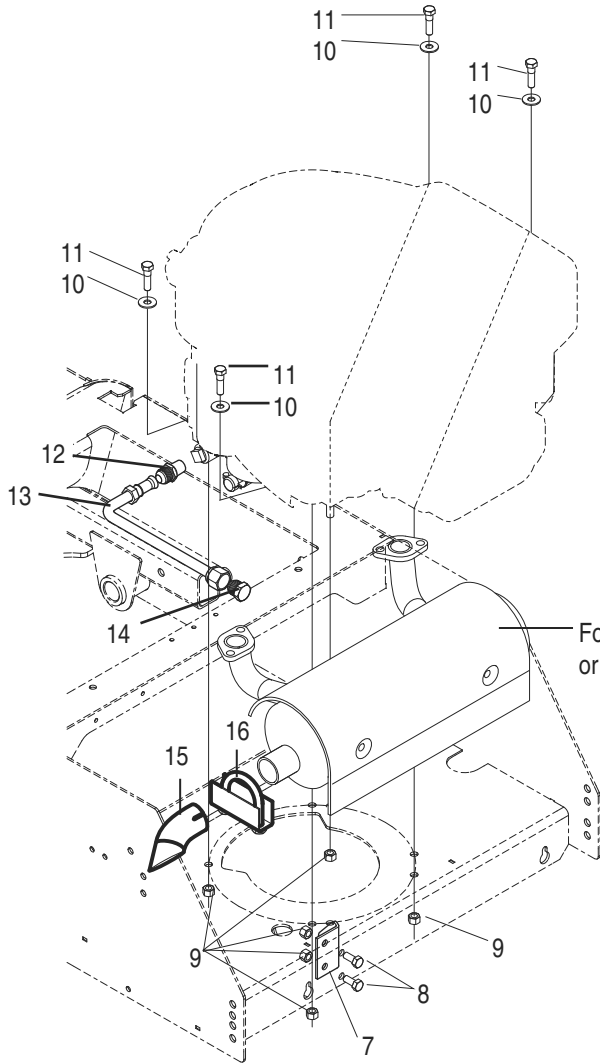
DESCRIPTION	BUSH HOG PART NUMBER
Air Filter	50043302
Pre Cleaner	50043303
Fuel Filter	50043305
Oil Filter	50043304
Spark Plug	50043306

CLUTCH, DRIVE BELT & PULLEY, & OIL DRAIN FOR ES1744-1

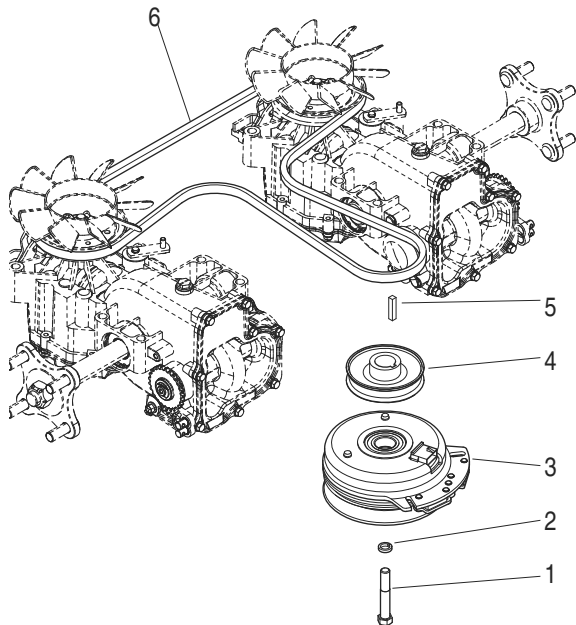


REF. NO.	PART NO.	QTY.	DESCRIPTION
1	50037071	1	Locking Bolt 7/16" x 2-3/4"
2	50034847	1	Lockwasher 7/16" High Collar
3	50040824	1	Clutch Assembly
4	50040263	1	Sheave
5	19459	1	Key .25" x .25" x 1.25"
6	50045945	1	Belt, Hydraulic Pump
7	50043382	1	Stop, Clutch
8	—	2	Cap screw 5/16" x 3/4"
9	15602	6	Locknut 5/16"
10	—	4	Flatwasher 5/16"
11	—	4	Engine Bolt 5/16" x 1-1/4" Gr.5
12	97343	1	Connector, Male
13	50029002	1	Tube, Drain
14	97342	1	Plug, Drain

CLUTCH, DRIVE BELT & PULLEY, & OIL DRAIN FOR ES2044B1, ES2052B1, & ES2052K1

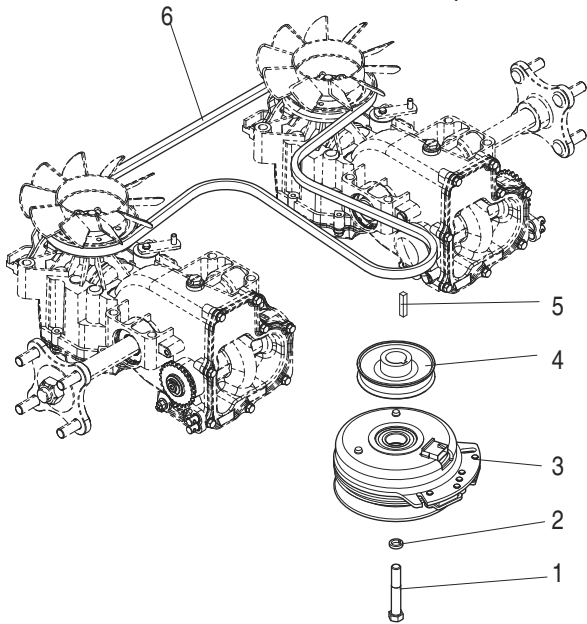
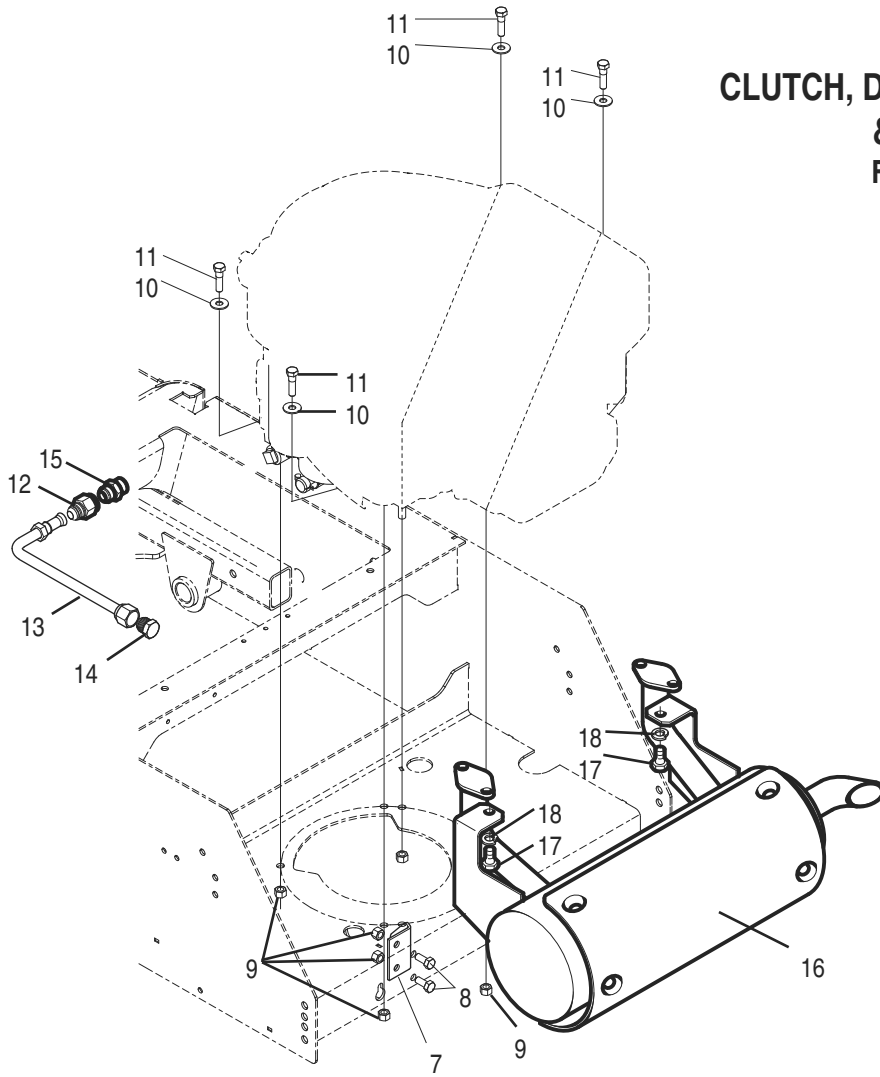


For muffler see an authorized Briggs & Stratton or Kawasaki dealer



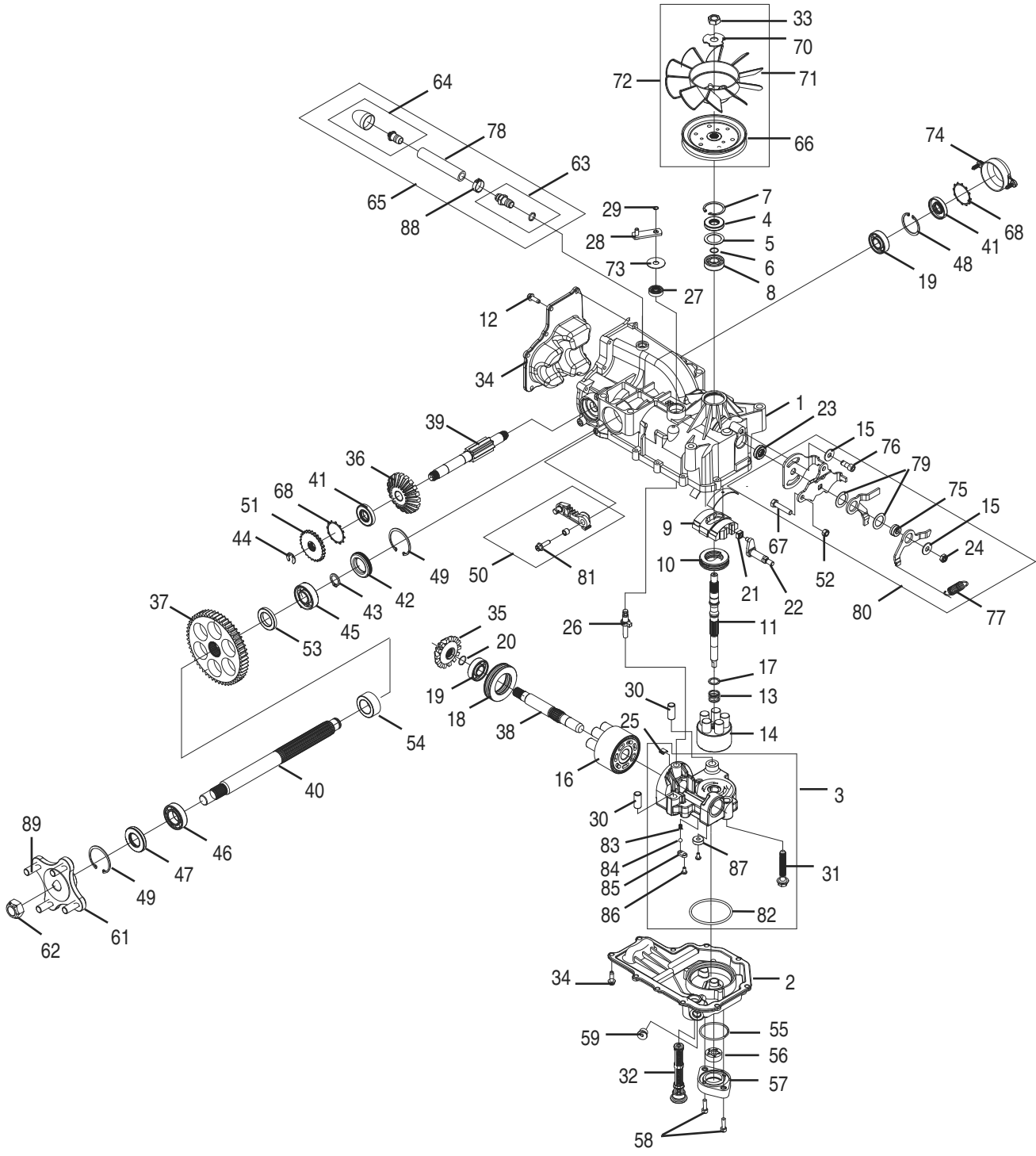
REF. NO.	PART NO.	QTY.	DESCRIPTION
1	50037071	1	Locking Bolt 7/16" x 2-3/4"
2	50034847	1	Lockwasher 7/16" High Collar
3	50040824	1	Clutch Assembly
4	50040263	1	Sheave
5	19459	1	Key .25" x .25" x 1.25"
6	50045945	1	Belt, Hydraulic Pump
7	50043382	1	Stop, Clutch
8	—	2	Capscrew 5/16" x3/4"
9	15602	6	Locknut 5/16"
10	—	4	Flatwasher 5/16"
11	—	4	Engine Bolt 5/16" x 1-1/4" Gr.5
12	97343	1	Connector, Male
13	50029002	1	Tube, Drain
14	97342	1	Plug, Drain
15	50030659	1	Deflector, Exhaust
16	50021049	1	Clamp

CLUTCH, DRIVE BELT & PULLEY, & OIL DRAIN FOR ES2052H1



REF. NO.	PART NO.	QTY.	DESCRIPTION
1	50037071	1	Locking Bolt 7/16" x 2-3/4"
2	50034847	1	Lockwasher 7/16" High Collar
3	50040824	1	Clutch Assembly
4	50040263	1	Sheave
5	19459	1	Key .25" x .25" x 1.25"
6	50045945	1	Belt, Hydraulic Pump
7	50043382	1	Stop, Clutch
8	—	2	Capscrew 5/16" x3/4"
9	15602	6	Locknut 5/16"
10	—	4	Flatwasher 5/16"
11	—	4	Engine Bolt 5/16" x 1-1/4" Gr.5
12	50045947	1	Hydraulic Adaptor 37° Flare Internal / 37° Flare
13	50029002	1	Tube, Drain
14	97342	1	Plug, Drain
15	25H51634	1	Straight Adaptor
16	50043253	1	Muffler w/ Shield
17	44315	2	Capscrew M8 x 20 G8.8
18	—	2	Lockwasher M8

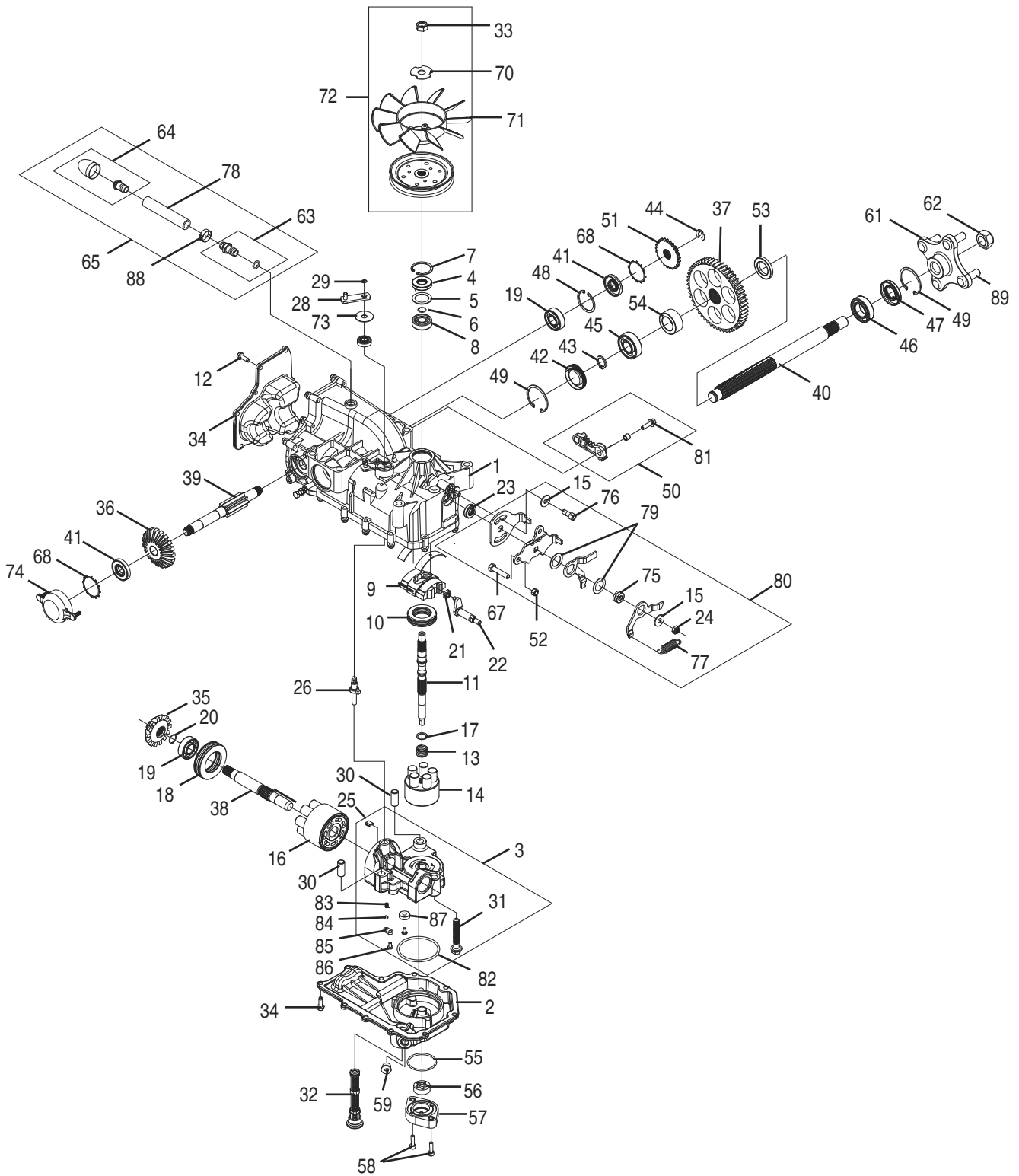
5004483 CHARGED IZT ASSEMBLY, RIGHT HAND FOR ES1744-1, ES2044B1, ES2052B1, ES2052H1 & ES2052K1



**5004483 CHARGED IZT ASSEMBLY, RIGHT HAND
FOR ES1744-1, ES2044B1, ES2052B1, ES2052H1 & ES2052K1**

REF. NO.	PART NO.	QTY.	DESCRIPTION	REF. NO.	PART NO.	QTY.	DESCRIPTION
1	50045864	1	Kit, Main Housing	45	50044527	1	Bearing, Ball 20 x 47 x 14 (6204)
2	50045856	1	Lower Housing	46	50044526	1	Bearing, Ball 25 x 47 x 12 (6005)
3	50045866	1	Kit, Center Section	47	—	1	Seal
4	—	1	Lip Seal	48	—	1	Retaining Ring
5	50045876	1	Spacer	49	—	2	Retaining Ring, Axle
6	50045874	1	Wire Retaining Ring	50	50045868	1	Assembly, Brake Arm, L.H.
7	—	1	Retaining Ring	51	50045843	1	Disc Brake
8	50045877	1	Ball Bearing	52	50044512	1	Hex Nut 5/16"
9	50045878	1	Variable Swashplate	53	50045858	1	Washer, Axle 1.04 x 1.65 x .22
10	50044523	1	Thrust Bearing	54	50045859	1	Washer, Axle 1.04 x 1.65 x .70
11	50045853	1	Input Shaft	55	—	1	O-Ring
12	50045842	18	Screw 1/4" x .75	56	50044521	1	Assembly, Gerotor
13	50045873	1	Spring, Block	57	50044519	1	Cover, Gerotor
14	50045862	1	Cylinder Block Assembly, 10cc	58	50044517	2	Capscrew M6 x 20
15	50044513	2	Washer	59	50045881	1	Plug
16	50045860	1	Cylinder Block Assembly, 21cc	60	50045847	1	Sealant
17	50045875	1	Washer, Block Thrust	61	50045861	1	Hub, Assembly
18	50044524	1	Thrust Bearing	62	50045846	1	Hex Nut 3/4"
19	50044522	2	Ball Bearing	63	—	1	Kit, Fitting O-Ring Assembly
20	50045872	1	Wire Retaining Ring	64	—	1	Cap Vent Assembly
21	50045871	1	Slot Guide	65	50045867	1	Kit, Breather
22	50045845	1	Trunion Arm	66	50045849	1	Pulley, 4.5"
23	—	1	Lip Seal	67	—	1	Bolt, 5/16" x 1.5"
24	50044518	1	Lock Nut 5/16"	68	—	2	Ring, Retaining
25	50045865	1	Kit, Bypass Plate	69	50045863	1	Kit, Seal
26	50045879	1	Bypass Actuator	70	50045851	1	Washer, Slotted
27	—	1	Lip Seal	71	—	1	Fan, 7", 10 Blade
28	50044520	1	Bypass Arm	72	50045882	1	Kit, Fan-Pulley
29	—	1	Retaining Ring	73	50045855	1	Washer
30	50044515	2	Pin	74	50045854	1	Cap, Brake
31	50044516	3	Screw	75	—	1	Spacer
32	50045857	1	Filter Assembly	76	—	1	Screw 5/16" x .75"
33	50048849	1	Lock Nut 1/2"	77	50045883	1	Spring, Extension
34	50045880	1	Cover, Back	78	—	1	Hose .5 x 4.00
35	50044528	1	Bevel Gear, 14T	79	—	2	Washer, Nylon
36	50044529	1	Bevel Gear, 19T	80	50045870	1	Rtn. Kit
37	50045840	1	Spur Gear, 53T	81	50045852	1	Capscrew 1/4" - 28
38	50045844	1	Motor Shaft	82	50044850	1	O-Ring .139 x 2.984
39	50045850	1	Brake Shaft	83	50048851	1	Spring, Helical
40	50045841	1	Shaft, Axle 1.00 x 11.04 (Key)	84	50048852	1	Ball, 1/4"
41	—	2	Seal, Lip 17 x 40 x 7	85	50048853	1	Plate, Relief
42	—	1	Seal Plug	86	50048854	2	Bolt, Self-Tapping
43	—	1	Retaining Ring, Axle	87	50048855	1	Magnet, Ring
44	50045848	1	Retaining Ring	88	50044525	1	Clamp, Pinch
				89	50048828	4	Wheel Bolt 1/2"-13 x 1/2" Rib Neck

5004484 CHARGED IZT ASSEMBLY, LEFT HAND FOR ES1744-1, ES2044B1, ES2052B1, ES2052H1 & ES2052K1



**50044484 CHARGED IZT, LEFT HAND ASSEMBLY
FOR ES1744-1, ES2044B1, ES2052B1, ES2052H1 & ES2052K1**

REF. NO.	PART NO.	QTY.	DESCRIPTION	REF. NO.	PART NO.	QTY.	DESCRIPTION
1	50045864	1	Kit, Main Housing	45	50044527	1	Bearing, Ball 20 x 47 x 14 (6204)
2	50045856	1	Lower Housing	46	50044526	1	Bearing, Ball 25 x 47 x 12 (6005)
3	50045866	1	Kit, Center Section	47	—	1	Seal
4	—	1	Lip Seal	48	—	1	Retaining Ring
5	50045876	1	Spacer	49	—	2	Retaining Ring, Axle
6	50045874	1	Wire Retaining Ring	50	50045869	1	Assembly, Brake Arm, R.H.
7	—	1	Retaining Ring	51	50045843	1	Disc Brake
8	50045877	1	Ball Bearing	52	50044512	1	Hex Nut 5/16"
9	50045878	1	Variable Swashplate	53	50045858	1	Washer, Axle 1.04 x 1.65 x .22
10	50044523	1	Thrust Bearing	54	50045859	1	Washer, Axle 1.04 x 1.65 x .70
11	50045853	1	Input Shaft	55	—	1	O-Ring
12	50045842	18	Screw 1/4" x .75	56	50044521	1	Assembly, Gerotor
13	50045873	1	Spring, Block	57	50044519	1	Cover, Gerotor
14	50045862	1	Cylinder Block Assembly, 10cc	58	50044517	2	Capscrew M6 x 20
15	50044513	2	Washer	59	50045881	1	Plug
16	50045860	1	Cylinder Block Assembly, 21cc	60	50045847	1	Sealant
17	50045875	1	Washer, Block Thrust	61	50045861	1	Hub, Assembly
18	50044524	1	Thrust Bearing	62	50045846	1	Hex Nut 3/4"
19	50044522	2	Ball Bearing	63	—	1	Kit, Fitting O-Ring Assembly
20	50045872	1	Wire Retaining Ring	64	—	1	Cap Vent Assembly
21	50045871	1	Slot Guide	65	50045867	1	Kit, Breather
22	50045845	1	Trunion Arm	66	50045849	1	Pulley, 4.5"
23	—	1	Lip Seal	67	—	1	Bolt, 5/16" x 1.5"
24	50044518	1	Lock Nut 5/16"	68	—	2	Ring, Retaining
25	50045865	1	Kit, Bypass Plate	69	50045863	1	Kit, Seal
26	50045879	1	Bypass Actuator	70	50045851	1	Washer, Slotted
27	—	1	Lip Seal	71	—	1	Fan, 7", 10 Blade
28	50044520	1	Bypass Arm	72	50045882	1	Kit, Fan-Pulley
29	—	1	Retaining Ring	73	50045855	1	Washer
30	50044515	2	Pin	74	50045854	1	Cap, Brake
31	50044516	3	Screw	75	—	1	Spacer
32	50045857	1	Filter Assembly	76	—	1	Screw 5/16" x .75"
33	50048849	1	Lock Nut 1/2"	77	50045883	1	Spring, Extension
34	50045880	1	Cover, Back	78	—	1	Hose .5 x 4.00
35	50044528	1	Bevel Gear, 14T	79	—	2	Washer, Nylon
36	50044529	1	Bevel Gear, 19T	80	50045870	1	Rtn. Kit
37	50045840	1	Spur Gear, 53T	81	50045852	1	Capscrew 1/4" - 28
38	50045844	1	Motor Shaft	82	50044850	1	O-Ring .139 x 2.984
39	50045850	1	Brake Shaft	83	50048851	1	Spring, Helical
40	50045841	1	Shaft, Axle 1.00 x 11.04 (Key)	84	50048852	1	Ball, 1/4"
41	—	2	Seal, Lip 17 x 40 x 7	85	50048853	1	Plate, Relief
42	—	1	Seal Plug	86	50048854	2	Bolt, Self-Tapping
43	—	1	Retaining Ring, Axle	87	50048855	1	Magnet, Ring
44	50045848	1	Retaining Ring	88	50044525	1	Clamp, Pinch
				89	50048828	4	Wheel Bolt 1/2"-13 x 1/2" Rib Neck

FUEL SUPPLY AND RELATED PARTS FOR ES1744-1, ES2044B1, ES2052B1, ES2052H1 & ES2052K1

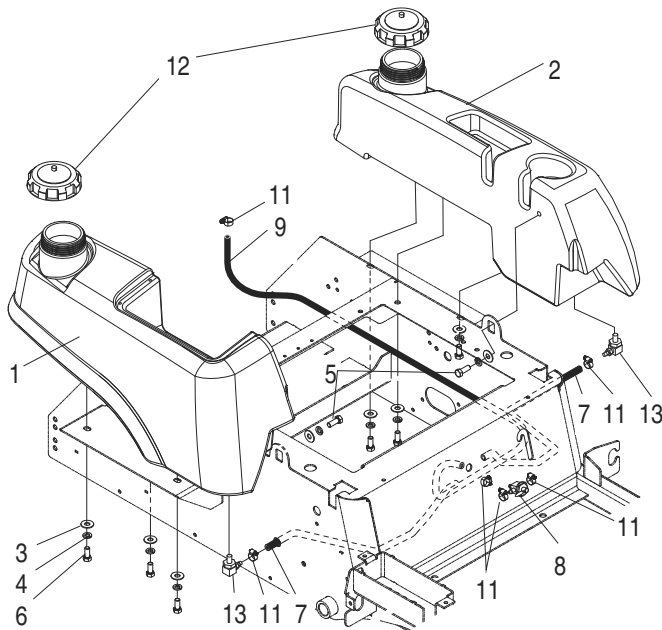


Diagram for ES1744-1, ES2044B1, ES2052B1 models with Briggs and Stratton engines and ES2052K1 with Kohler engine.

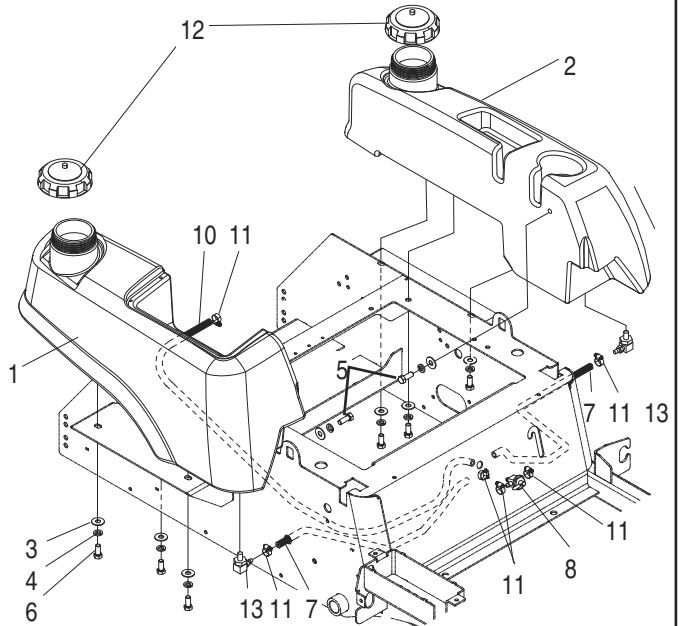


Diagram for ES2052H1 model with Honda engines.

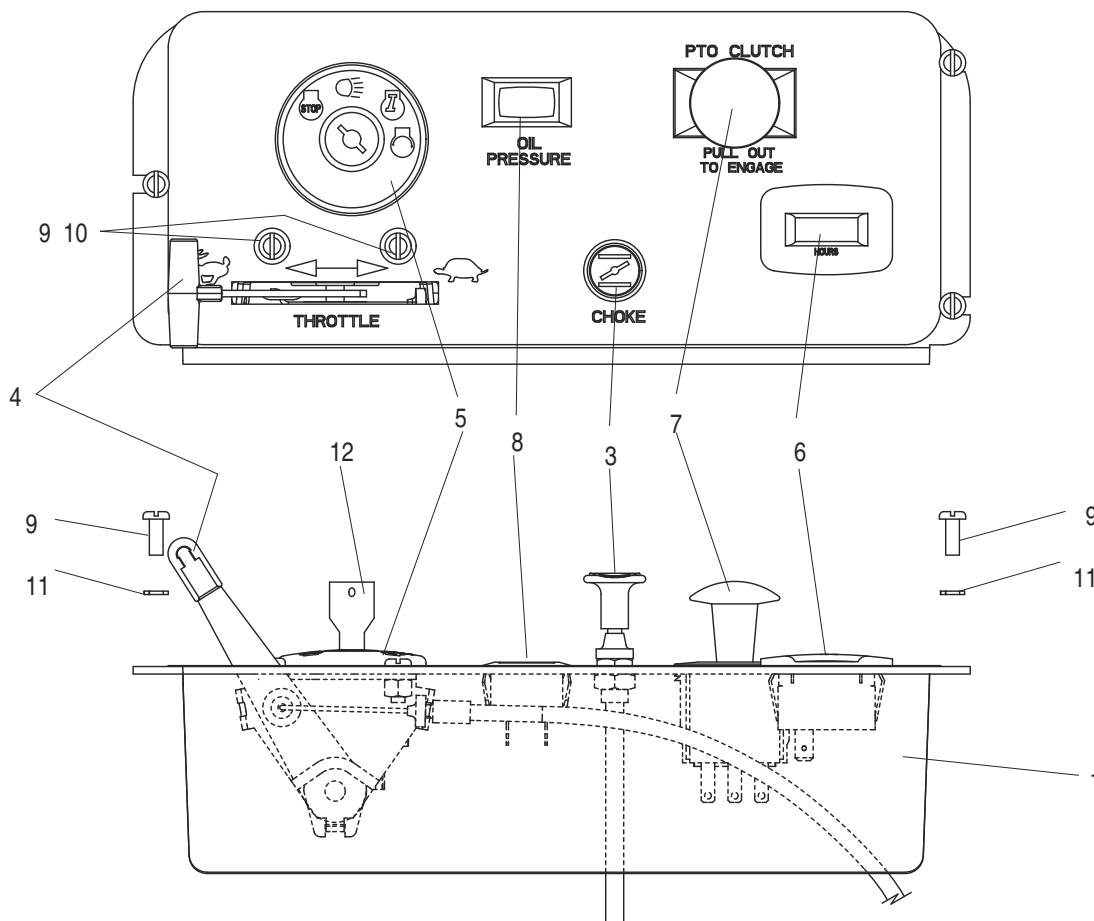
REF. NO.	PART NO.	QTY.	DESCRIPTION
1	50042733	1	Fuel Tank w/Fitting R.H.
2	50042734	1	Fuel Tank w/Fitting L.H.
3	—	8	Flatwasher 3/8"
4	—	8	Lockwasher 3/8"
5	—	2	Capscrew 3/8" x 1" Gr.5
6	—	6	Capscrew 3/8" x 7/8" Gr.5
7	50029410	2	Fuel Line to Tank
8	50028138	1	Valve, 3 Way Shut Off
9	50043332	1	Fuel Line for B&S and Kohler Engines
10	50043333	1	Fuel Line for Honda Engine
11	50017949	6	Hose Clamp
12	50016402	2	Gas Filler Cap
13	50031142	2	90° Fitting w/Filter

CONTROL PANEL AND RELATED PARTS

50043355 CONTROL PANEL FOR ES1744-1

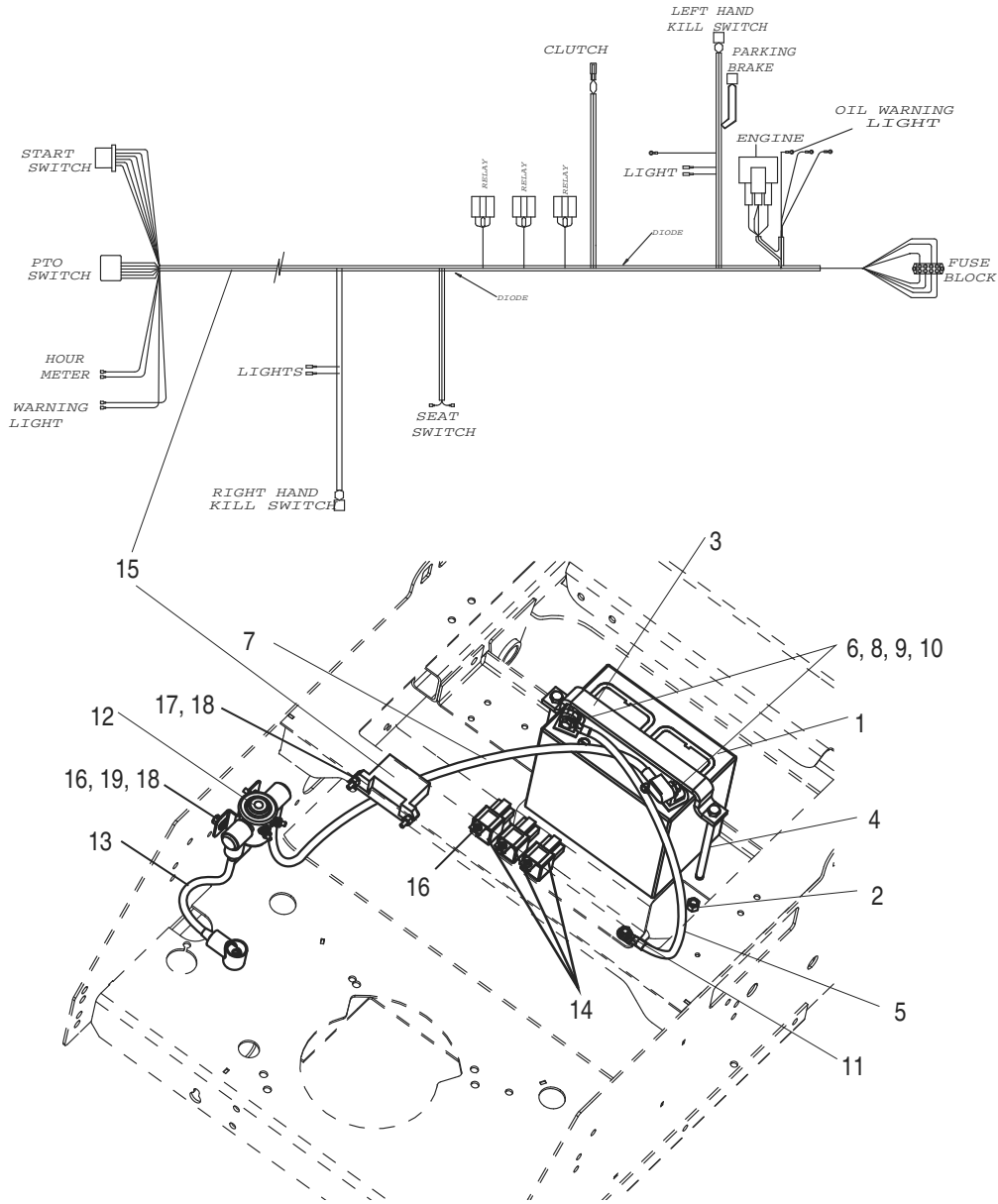
50043357 CONTROL PANEL FOR ES2052K1, ES2052B1, ES2044B1

50043358 CONTROL PANEL FOR ES2052H1



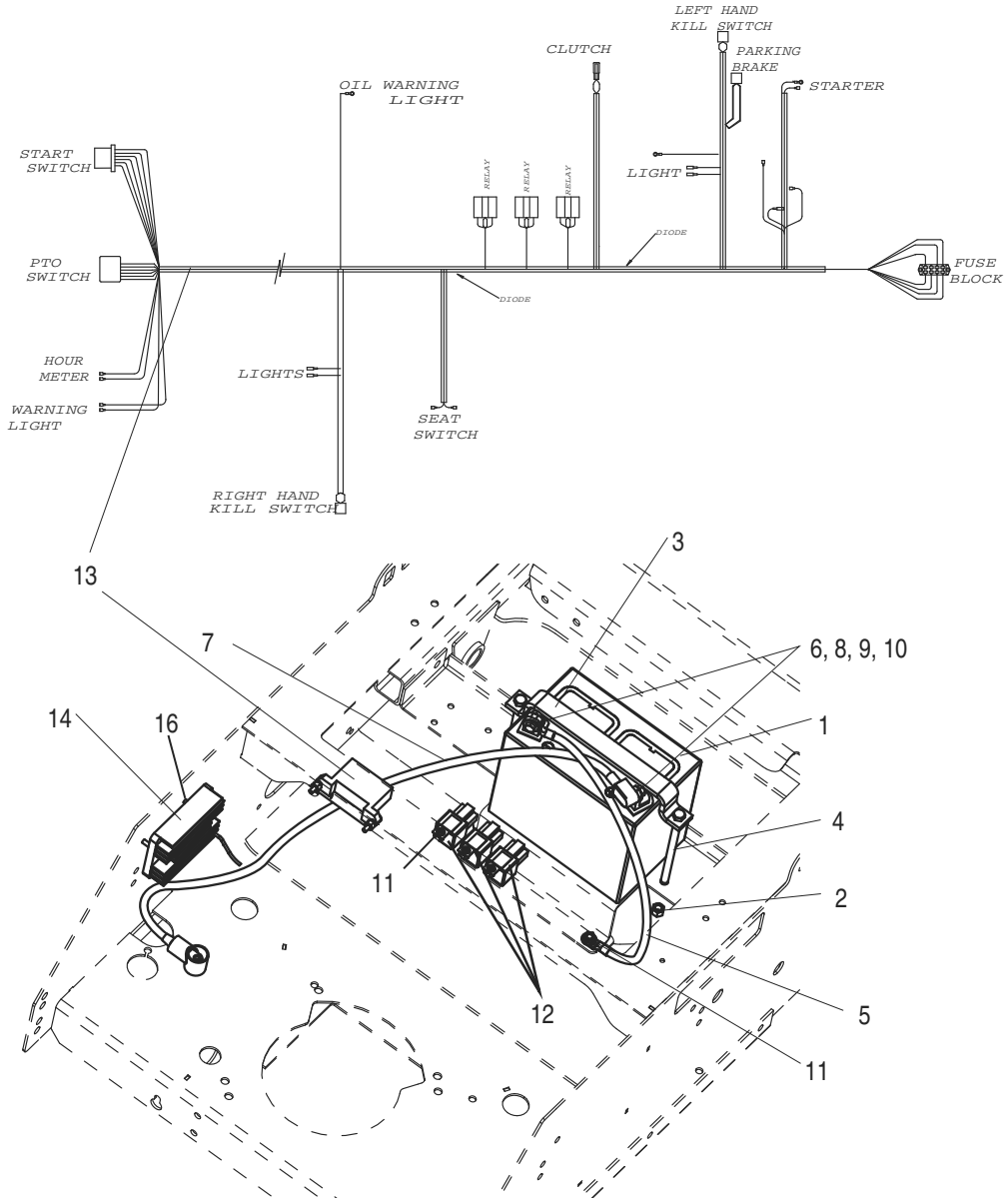
REF. NO.	PART NO.	QTY.	DESCRIPTION
1	50040877	1	Control Panel
2	50043243	1	Decal, Control Panel
3	50043324	1	Choke Assy. for ES1744-1 Models
	50043322	1	Choke Assy. for ES2044B1, ES2052B1 & ES2052K1 Models
	50043394	1	Choke Assy. for ES 2052H1 Models
4	50043327	1	Throttle Control Assy. ES1744-1 Models
	50043326	1	Throttle Control Assy. ES2044B1, ES2052B1 & ES2052K1 Models
	50043395	1	Throttle Control Assy. ES2052H Models
5	50040774	1	Ignition Switch
6	50040775	1	Hourmeter
7	50018299	1	PTO Switch
8	50029016	1	Warning Light
9	—	5	Mach. Screw #10 x 1/2"
10	—	2	Locknut #10
11	—	3	Lockwasher #10
12	99070	1	Key

BATTERY / ELECTRICAL AND RELATED PARTS FOR ES1744-1, ES2044B1, ES2052B1 MODELS WITH BRIGGS & STRATTON ENGINES



REF. NO.	PART NO.	QTY.	DESCRIPTION	REF. NO.	PART NO.	QTY.	DESCRIPTION
1	97423	1	Battery, 12 V	12	99064	1	Solenoid
2	15602	2	Locknut 5/16"	13	50043252	1	Starter Cable
3	50043247	1	Hold Down, Battery	14	98415	3	Relay
4	44368	2	Capscrew 5/16" x 6" Gr.5	15	50043224	1	Wiring Harness (B&S)
5	50043250	1	Ground Cable	16	4140604	5	Slt. Pan Hd. Mach. Screw #10 x 1/2"
6	—	4	Flatwasher 1/4"	17	44633	2	Slt. Pan Hd. Mach. Screw #10 x 1"
7	50043251	1	Battery Cable	18	44520	5	Lock Nut #10
8	—	2	Capscrew 1/4" x 3/4" Gr.5	19	17020600	2	Flatwasher #10
9	—	2	Lockwasher 1/4"				
10	—	2	Hex Nut 1/4"				
11	50043225	1	Capscrew 5/16" x 1-3/4				

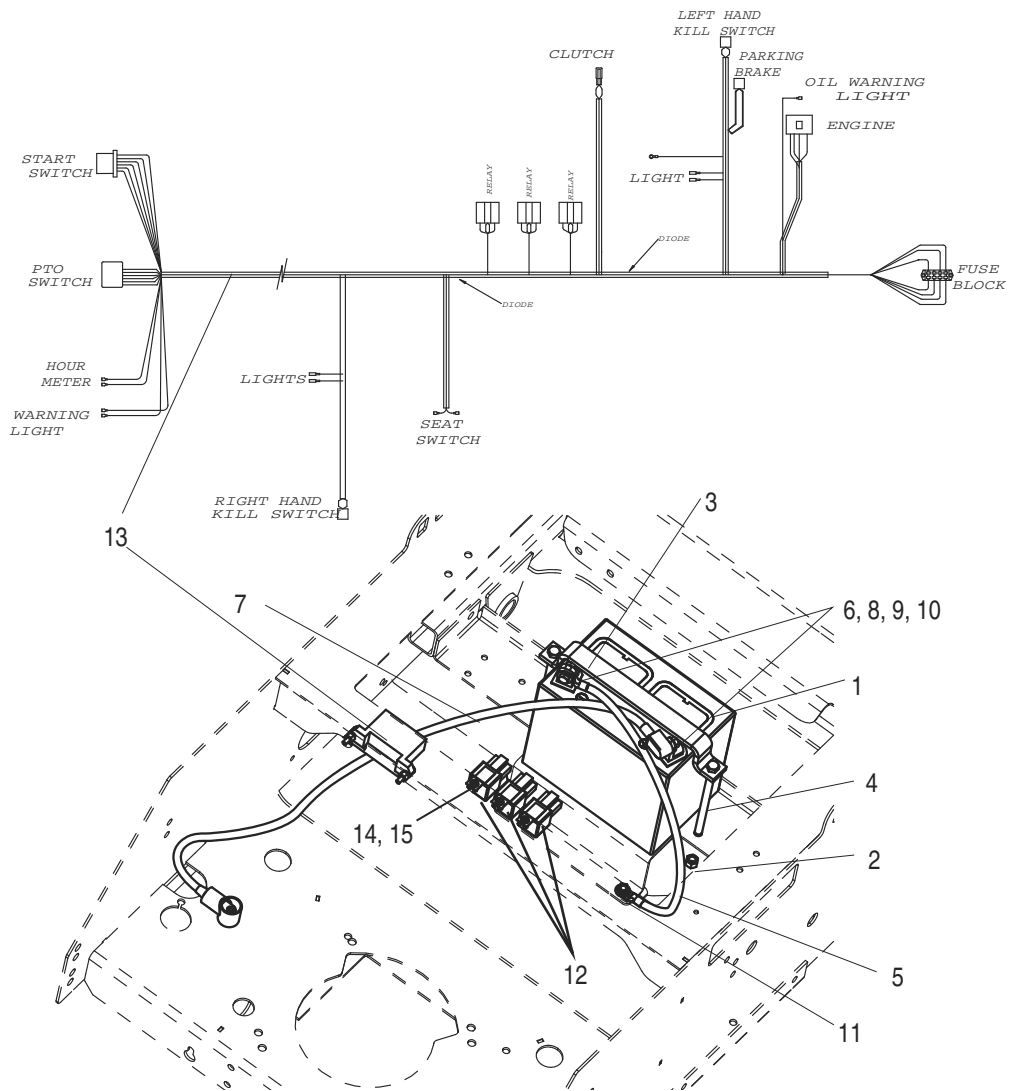
BATTERY / ELECTRICAL AND RELATED PARTS FOR ES2052H1 MODEL WITH HONDA ENGINE



REF. NO.	PART NO.	QTY.	DESCRIPTION
1	97423	1	Battery, 12 V
2	15602	2	Locknut 5/16"
3	50043247	1	Hold Down, Battery
4	44368	2	Capscrew 5/16" x 6" Gr.5
5	50043250	1	Ground Cable
6	—	4	Flatwasher 1/4"
7	50043251	1	Battery Cable
8	—	2	Capscrew 1/4" x 3/4" Gr.5
9	—	2	Lockwasher 1/4"
10	—	2	Hex Nut 1/4"

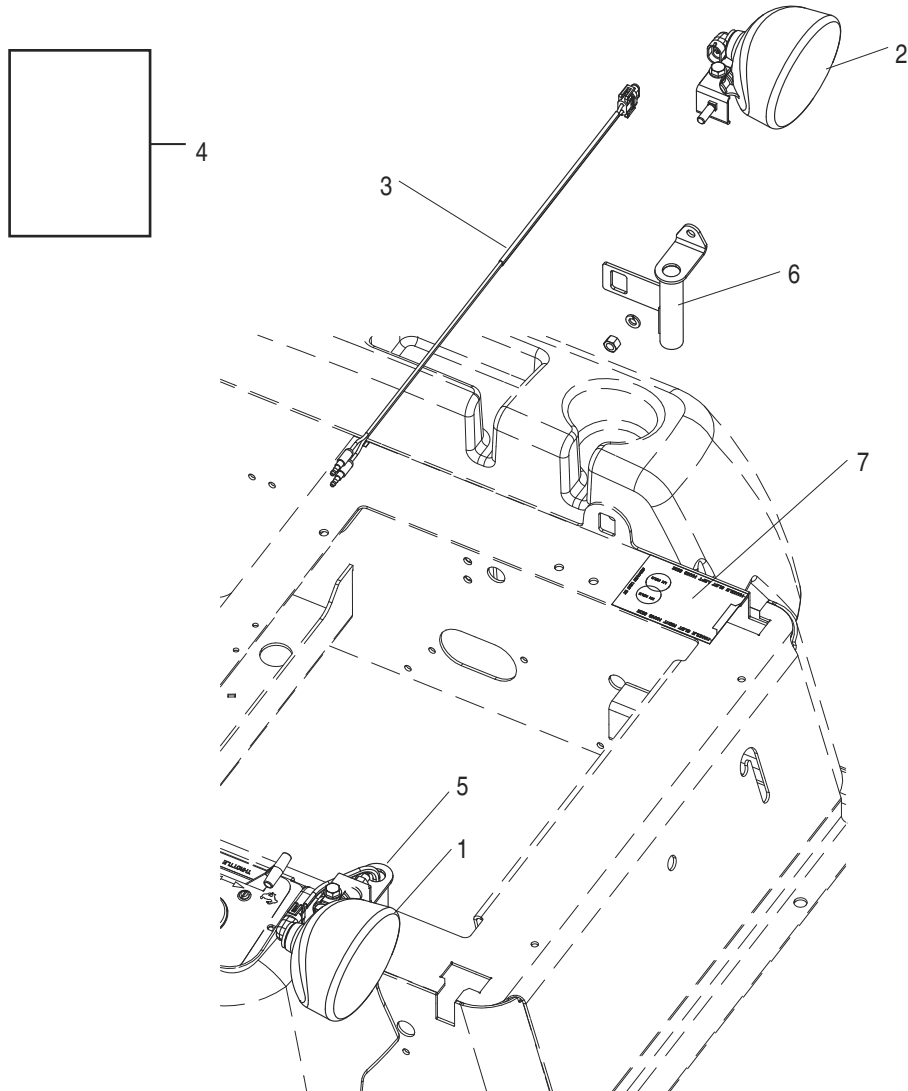
REF. NO.	PART NO.	QTY.	DESCRIPTION
11	50043225	1	Capscrew 5/16" x 1-3/4
12	98415	3	Relay
13	50043222	1	Wiring Harness (Honda)
14	(Rectifier - See your nearest Honda Engine Dealer)		
15	4140604	3	St. Pan Hd. Mach. Screw #10 x 1/2"
16	44633	2	St. Pan Hd. Mach. Screw #10 x 1"

BATTERY / ELECTRICAL AND RELATED PARTS FOR ES2052K1 MODEL WITH KOHLER ENGINE



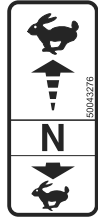
REF. NO.	PART NO.	QTY.	DESCRIPTION
1	97423	1	Battery, 12 V
2	15602	2	Locknut 5/16"
3	50043247	1	Hold Down, Battery
4	44368	2	Capscrew 5/16" x 6" Gr.5
5	50043250	1	Ground Cable
6	—	4	Flatwasher 1/4"
7	50043251	1	Battery Cable
8	—	2	Capscrew 1/4" x 3/4" Gr.5
9	—	2	Lockwasher 1/4"
10	—	2	Hex Nut 1/4"
11	50043225	1	Capscrew 5/16" x 1-3/4
12	98415	3	Relay
13	50043223	1	Wiring Harness (Kohler)
14	4140604	3	Slit. Pan Hd. Mach. Screw #10 x 1/2"
15	44520	3	Lock Nut #10

50043262 WORKING LIGHT KIT FOR ES1744-1, ES2044B1, ES2052B1, ES2052H1 & ES2052K1

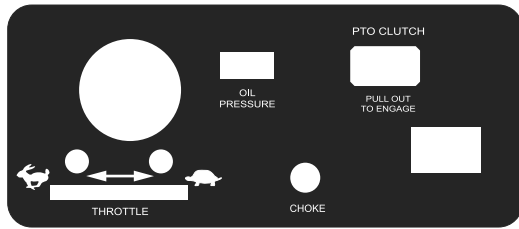


REF. NO.	PART NO.	QTY.	DESCRIPTION
1	50044461	1	Oval Working Lamp Assy. R.H.
2	50044462	1	Oval Working Lamp Assy. L.H.
3	50044466	2	Cord, Jumper
4	50044473	1	Instruction Sheet
5	50044463	1	Lamp Mount Weldment R.H.
6	50044464	1	Lamp Mount Weldment L.H.
7	50044467	1	Template

50047708 DECAL KIT FOR ES1744-1, ES2044B1, ES2052B1, ES2052H1 & ES2052K1



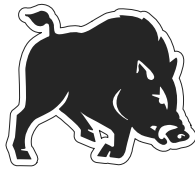
50043276
Speed Control
Decal
2 Req'd.



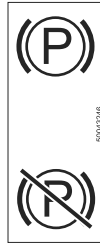
50043243
Control Panel Decal



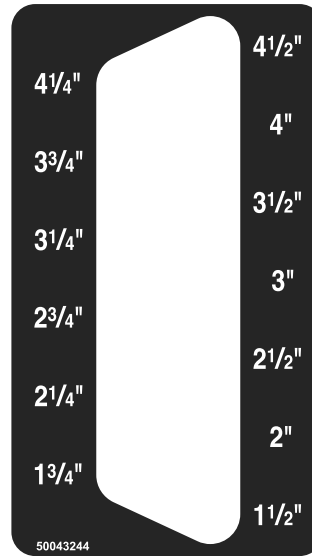
50029421
Fuel Valve Decal



50058250
Medallion Decal



50043246
Parking Brake Decal



50043244
Height Control Decal

ES1744

50043283
Model Decal

ES2044

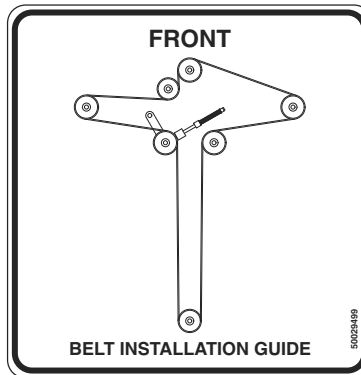
50047630
Model Decal

ES 2052

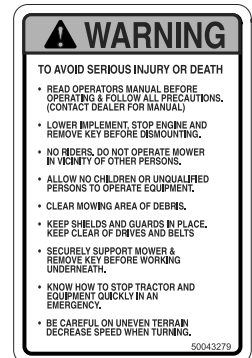
50043286
Model Decal



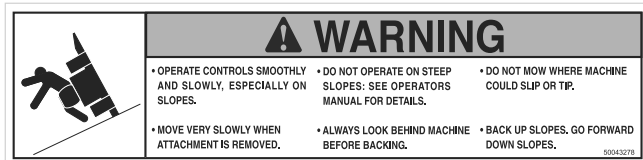
50058089
Front Panel Decal



50029499
Belt Installation Decal



50043279
Warning Decal



50043278
Warning Decal



94132
Warning Decal



50043280
Danger Decal



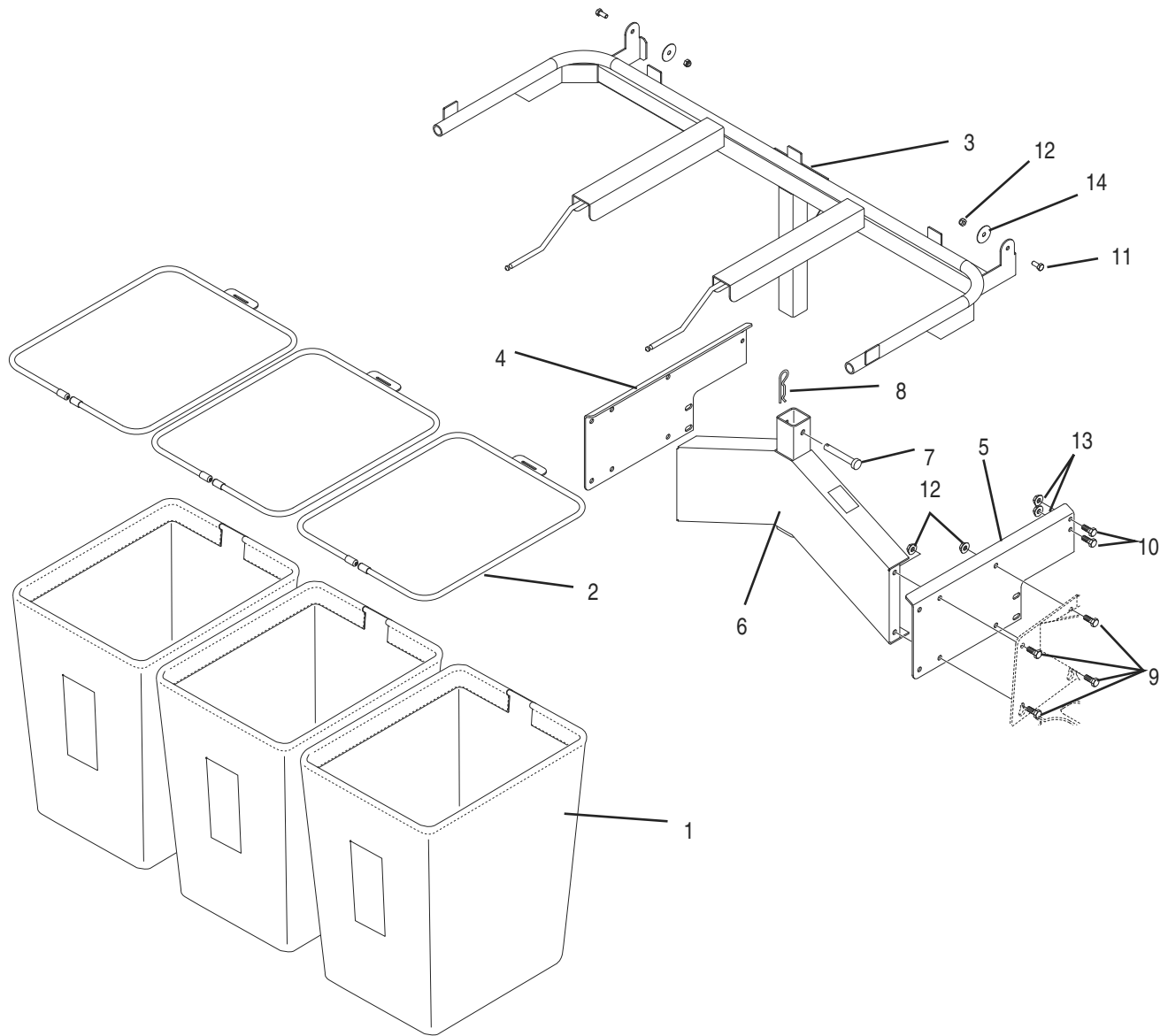
50043277
Danger Decal



83056
Warning Decal



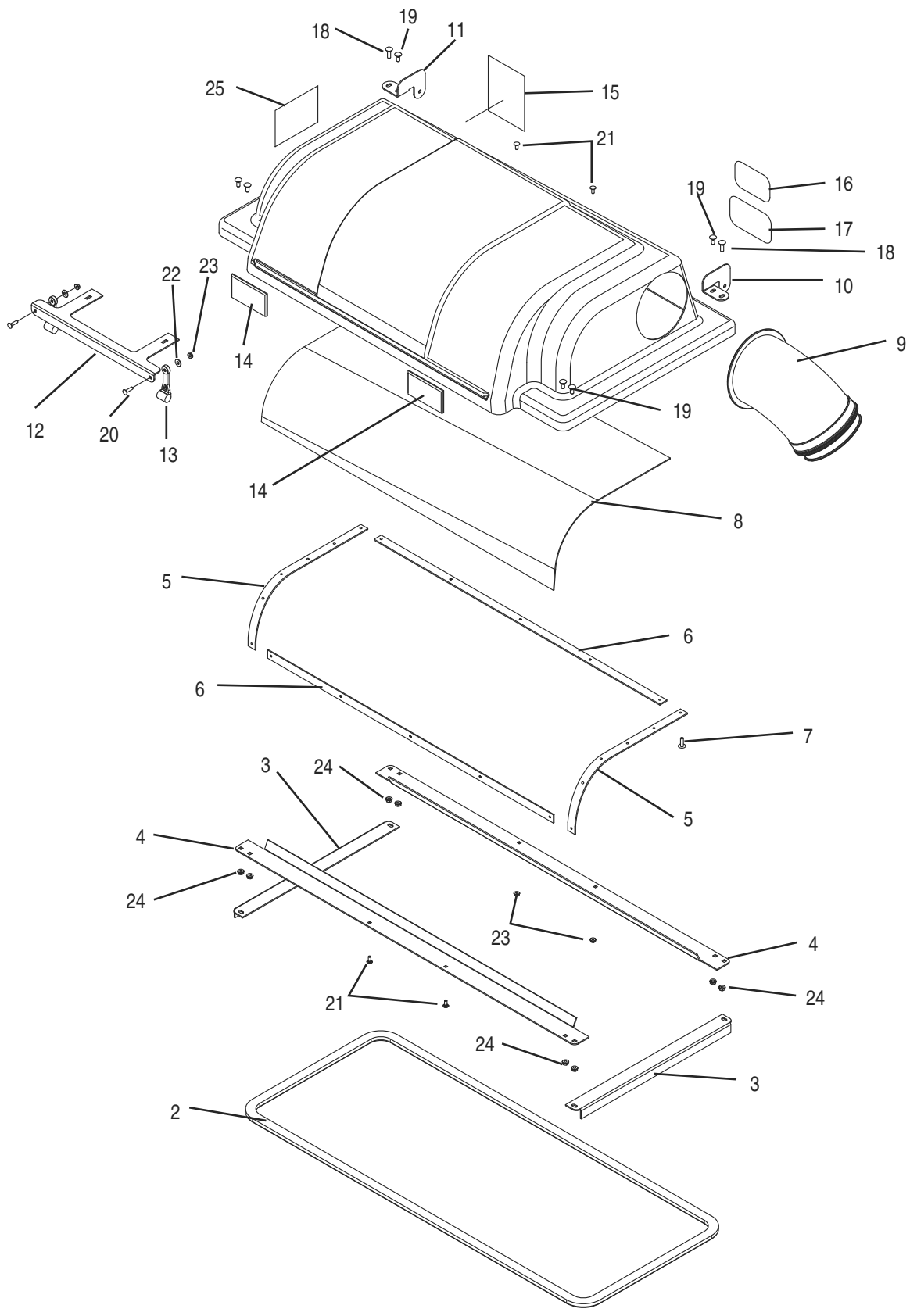
50012615
Warning Decal



**FRAME AND BAGS
GC-310
GRASS CATCHER**

REF. NO.	PART NO.	QTY.	DESCRIPTION
1	50052890	3	Collection Bag 3.3 Cu.Ft.
2	50052885	3	Bag Ring Weldment
3	50052917	1	Top Frame Weldment
4	50052896	1	L.H. Lower Frame Mount
5	50052897	1	R.H. Lower Frame Mount
6	50052886	1	Lower Frame Weldment
7	50025501	1	Clevis Pin
8	50005860	1	Cotter Pin
9	_____	8	Capscrew 5/16" x 1" Gr.5
10	_____	4	Capscrew 3/8" x 1" Gr.5
11	_____	2	Capscrew 5/16" x 3/4" Gr.5
12	_____	10	Locknut, 5/16" Nylock
13	_____	4	Locknut, 3/8" Serrated Flange
14	50052888	2	Fender Washer 5/16"

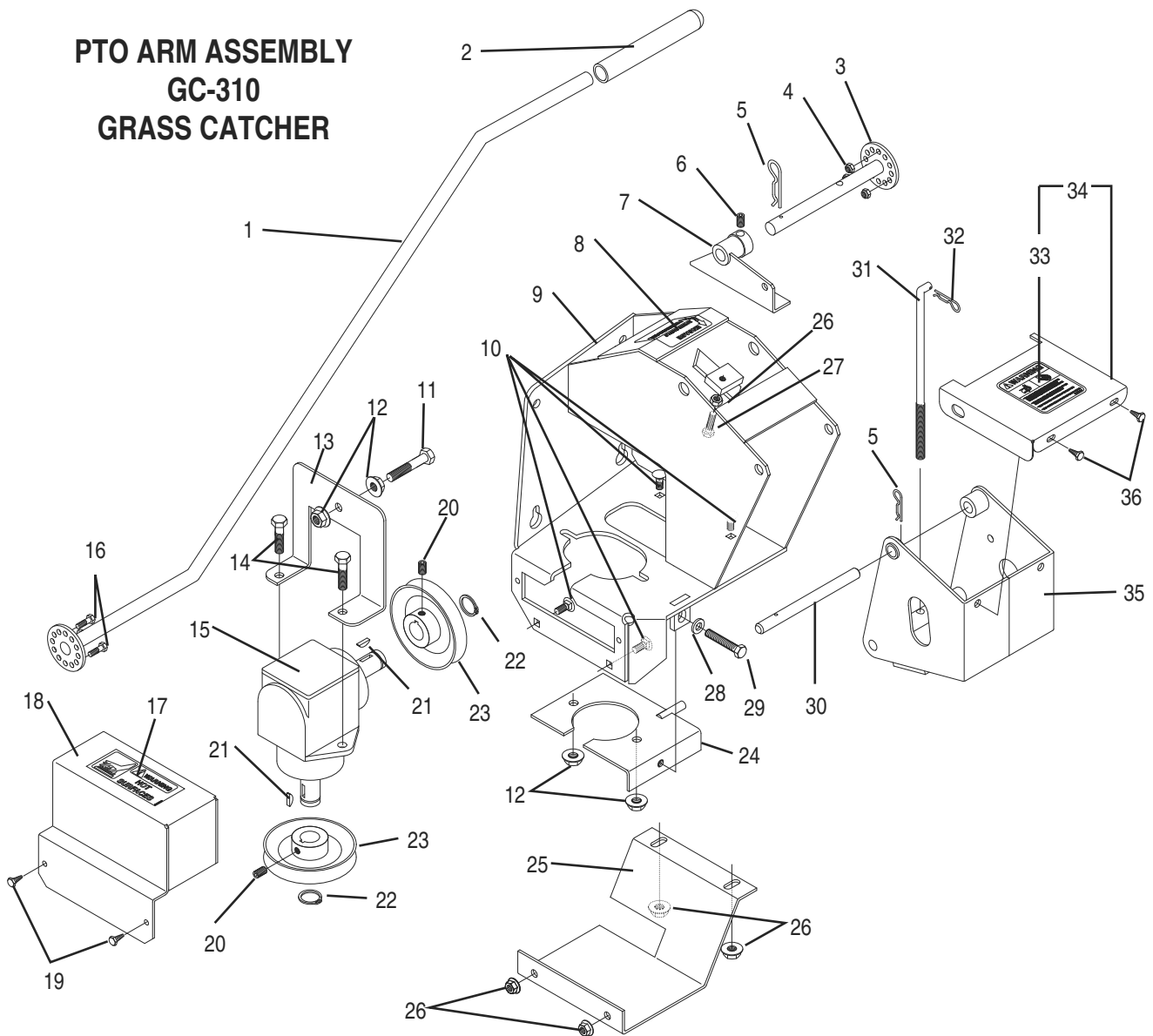
TOP ASSEMBLY GC-310 GRASS CATCHER



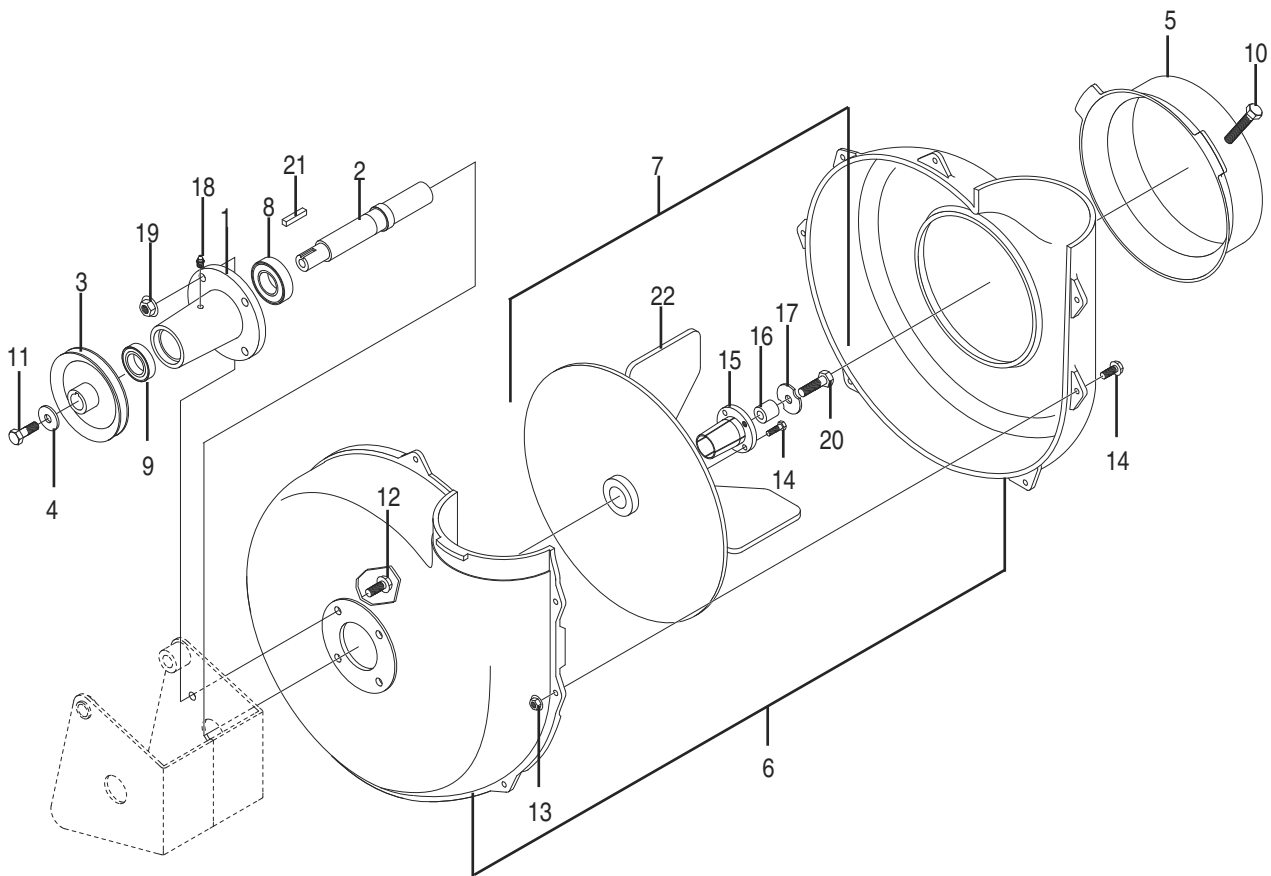
TOP ASSEMBLY GC-310 GRASS CATCHER

REF. NO.	PART NO.	QTY.	DESCRIPTION
1	50053233	1	Top Assembly w/ Decals
2	50052878	1	Seal, Bag Ring
3	50052881	2	Brace, Side
4	50052880	2	Brace, Front & Rear
5	50052899	2	Short Mount Strip
6	50052898	2	Long Mount Strip
7	50052891	3	Rivet
	50052891	11	Rivet 5mm
	50052891	2	Rivet 3/16" (.25" to .50")
8	50052879	1	Screen
9	50031182	1	Inlet
10	50052884	1	Pivot Bracket R.H.
11	50052883	1	Pivot Bracket L.H.
12	50052882	1	Latch Mount
13	50052877	2	Draw Latch
14	50031213	2	Red Reflector
15	50031301	1	Warning Decal
16	50031302	1	Warning Decal
17	50031305	1	Tube Wear Decal
18	44319	2	Carriage Bolt 5/16" x 1"
19	05161006	6	Carriage Bolt 5/16" x 3/4"
20	44422	2	Carriage Bolt 1/4" x 1"
21	05160806	4	Carriage Bolt 1/4" x 3/4"
22	50052891	2	Flatwasher 1/4"
23	44626	6	Locknut, 1/4" Flanged
24	50005770	8	Locknut, 5/16" Serrated Flange
25	50052861	1	Made in America Decal

**PTO ARM ASSEMBLY
GC-310
GRASS CATCHER**

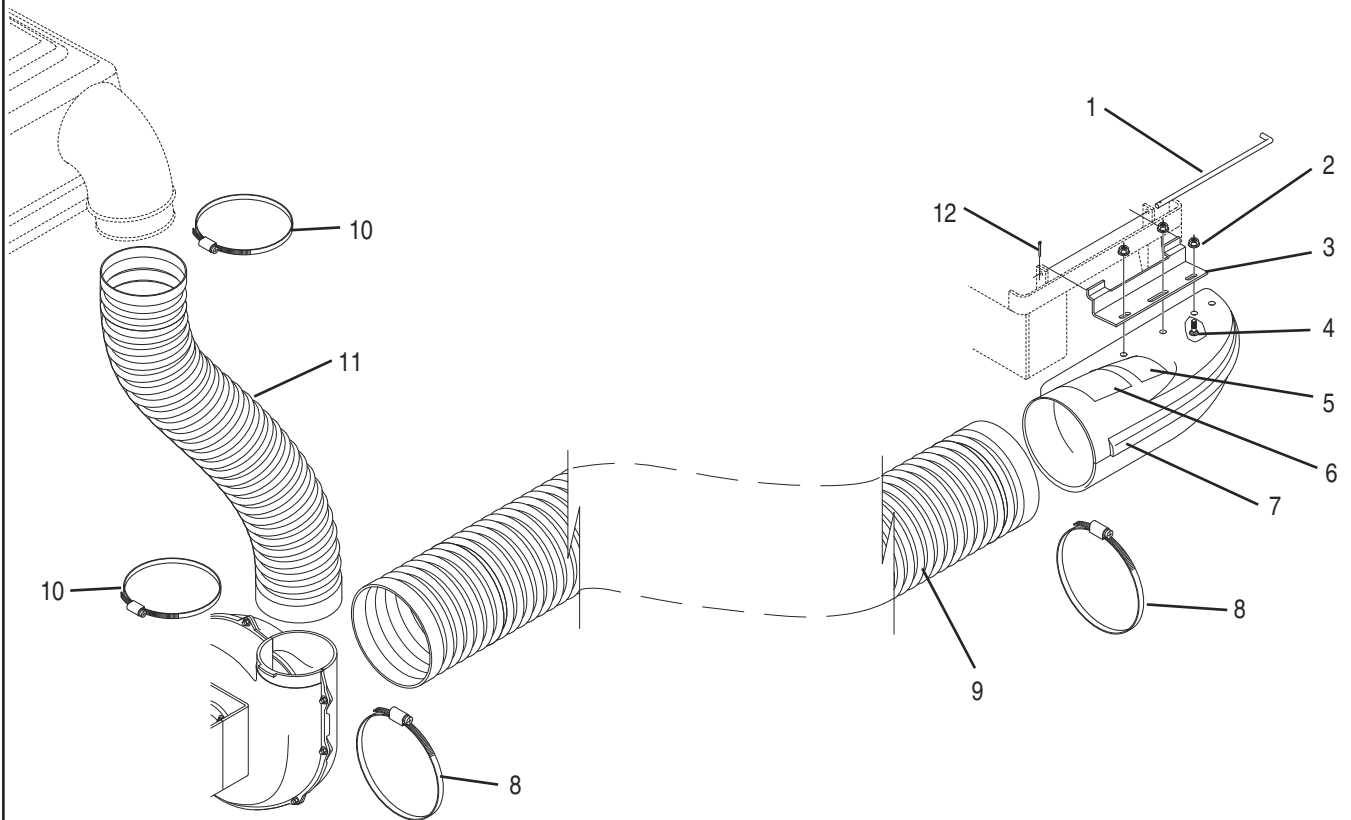


REF. NO.	PART NO.	QTY.	DESCRIPTION	REF. NO.	PART NO.	QTY.	DESCRIPTION
1	50052912	1	Handle Weldment	19	—————	2	Selftapping Screw 1/4" x 1/2"
2	50031501	1	Grip	20	19541002	2	Setscrew 5/16" x 1/4"
3	50052866	1	Handle Mount	21	20593	2	Woodruff Key 3/16" x 3/4"
4	44566	3	Locknut, 1/4" Nylock	22	50052872	2	Snap Ring Ext. 7/8"
5	50005861	2	Cotter Pin .12" x 2-3/8"	23	50052871	2	Gearbox Pulley
6	50052909	1	Set Screw 3/8" - 16 Specia	24	50052873	1	Belt Tension Bracket
7	50052867	1	Cam Bracket weldment	25	50052864	1	Skid Plate
8	50052860	1	Engage / Disengage Decal	26	50005770	1	Locknut, 5/16" Flanged
9	50052868	1	PTO Arm Weld. w / Decal	27	50031500	1	Capscrew 5/16" x 2" All-Thread
10	5161006	4	Cariage Bolt 5/16" x 3/4" Gr.5	28	—————	1	Flatwasher 3/8"
11	—————	1	Caprscrew 3/8" x 2-1/2" Gr.5	29	50038100	1	Capscrew 3/8" x 2" All-Thread
12	44621	4	Locknut, 3/8" Flanged	30	50031196	1	Blower Pivot Rod
13	50052869	1	Belt Guard Bracket	31	50037686	1	Belt Tension Rod
14	—————	2	Capscrew 3/8" x 1-1/2" Gr.5	32	0950013	1	Pin 3/32" x 1-5/8"
15	50052870	1	Gear Box Assembly	33	50031304	1	Warning Decal
16	—————	3	Capscrew 1/4" x 3/4" Gr.5	34	50052865	1	Belt Guard w / Decal
17	50052129	1	Hot Surface Decal	35	50037694	1	Blower Mount Bracket
18	50052914	1	Gearbox Guard w / Decal	36	44374	2	Selftapping Screw 1/4" x 3/4"



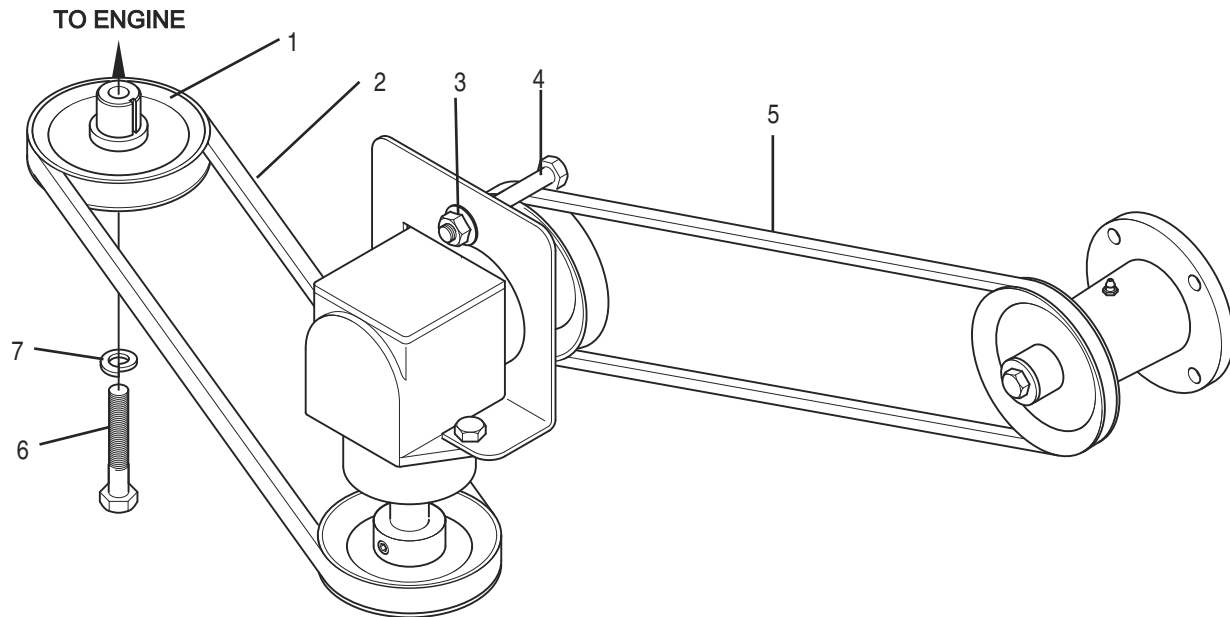
IMPELLER ASSEMBLY GC 310 GRASS CATCHER

REF. NO.	PART NO.	QTY.	DESCRIPTION
1	50031204	1	PTO Housing
2	50031192	1	PTO Shaft
3	50031193	1	"A" Pulley, Blower
4	50031198	2	PTO Housing Washer
5	50031493	1	Blower Cone, 8"
6	50031495	1	Blower Housing
7	50038197	1	Impeller Blade Assembly (14-17, 20, 22)
8	50031497	1	Bearing
9	50031498	3	Bearing
10	50031500	3	Bolt 5/16" - 18 x 2" All Thread
11	—	1	Capscrew 3/8" x 1"
12	—	4	Capscrew 3/8" x 1-1/2"
13	15584	7	Locknut 1/4" Narrow Flanged
14	—	11	Capscrew 1/4" x 1"
15	50031510	1	Taper Lock Hub
16	50031511	1	Bushing
17	50031512	1	Washer, Double Indent
18	449	1	Grease Fitting
19	44621	4	Hex Nut 3/8" Serrated Flanged
20	20126	1	Capscrew 3/8" x 1"
21	50038198	1	Key 3/16" x 3/4"
22	—	1	Impeller Blade



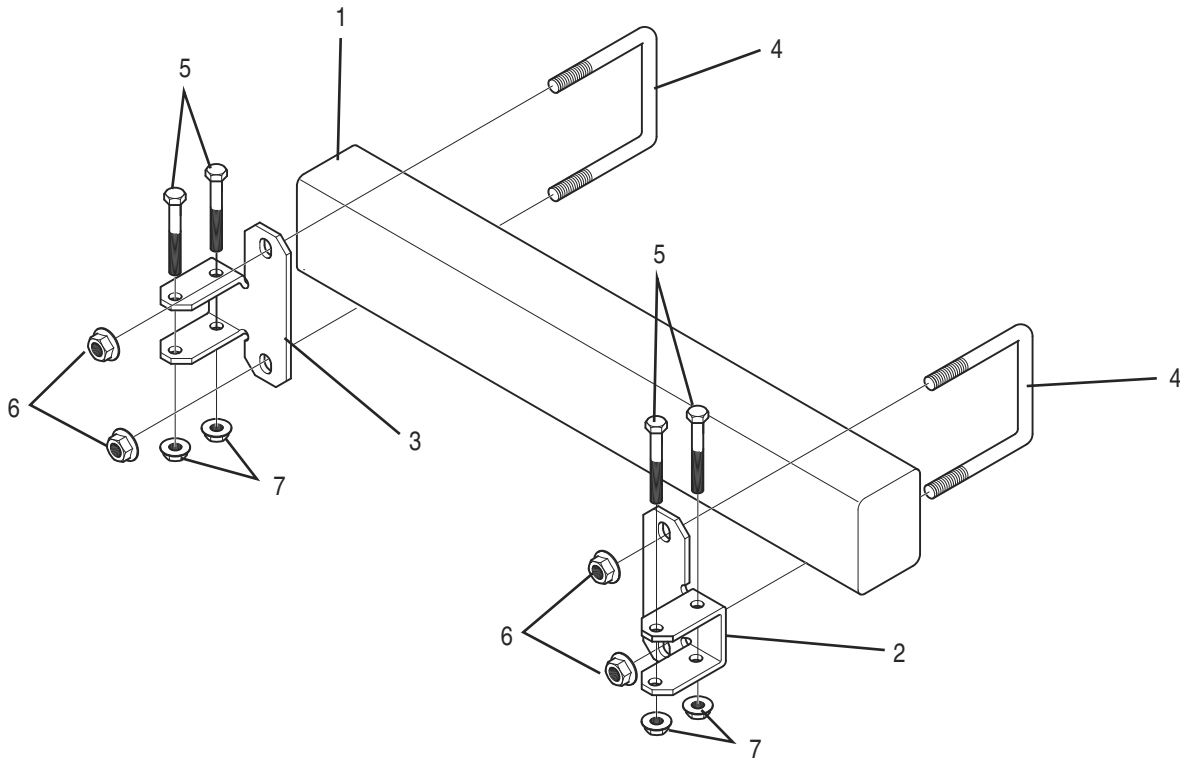
**BOOT & HOSE ASSEMBLY
GC 310 GRASS CATCHER**

REF. NO.	PART NO.	QTY.	DESCRIPTION
1	50052124	1	Boot Rod
2	44621	3	Locknut, 3/8" Flanged
3	50052123	1	Boot Mount Plate
4	44109	3	Carriage Bolt 3/8" x 1" Gr.5
5	50052916	1	Caution Decal
6	50052915	1	Danger Decal
7	50038401	1	Boot w/ Decals
8	50031203	2	Hose Clamp 7" - 8"
9	50052875	1	Lower Hose 8" x 31"
10	50031494	2	Hose Clamp 6"
11	50052876	1	Upper Hose 6" x 24"
12	0950013	1	Cotter Pin 3/32" x 1-7/8"



BELTS
GC 310 GRASS CATCHER

REF. NO.	PART NO.	QTY.	DESCRIPTION
1	50052911	1	Engine Pulley
2	50052887	1	Belt, Engine to Gearbox
3	44621	2	Locknut, 3/8" Flanged
4	44641	1	Capscrew 3/8" x 2-1/2"
5	50052874	1	Belt, Gearbox to Impeller
6	50038093	1	Clutch Locking Bolt (Special)
7	15819	1	Lockwasher 7/16"



**FRONT WEIGHT ASSEMBLY
GC 310 GRASS CATCHER**

REF. NO.	PART NO.	QTY.	DESCRIPTION
1	50052125	1	Weight Bar
2	50052127	1	Weight Bracket R.H.
3	50052126	1	Weight Bracket L.H.
4	50052913	2	U-Bolt 1/2" x 4-1/16" L x 4-5/16" W
5	_____	4	Capscrew 3/8" x 3" Gr.5
6	44615	4	Locknut, 1/2" Flanged
7	44621	4	Locknut, 3/8" Flanged



BUSH HOG®

2501 Griffin Avenue • Selma, AL 36703
(334) 874-2700
www.bushhog.com