

# Bush Hog® TOUGH Product Guide



**The Only Products Built Bush Hog® TOUGH**

**Bush Hog TOUGH Features and specifications for every Bush Hog product.**



**BUSH HOG®**  
Performance You Can Count On™

## **THE BUSH HOG® REPUTATION**

Bush Hog® products and service deliver superior performance the first day on the job and for years to come.

### **Bush Hog is the original.**

**Bush Hog is the most productive and reliable rotary cutter line. The long-lasting productivity of Bush Hog rotary cutters is the inspiration for every Bush Hog product. Long-lasting productivity – performance customers can count on – is the clear customer benefit of buying Bush Hog. Bush Hog products mow more than 30,000,000 acres a year. Many Bush Hog products in use today are more than 30 years old.**

# Bush Hog® Products

## Turf and Lawn Finishing Mowers

EFM Series Economy Side Discharge Finishing Mower	3
FTH Series Flat Deck Side Discharge Finishing Mowers	4
ATH Series Air Tunnel Side Discharge Finishing Mowers	5
RFM Series Rear Discharge Finishing Mower	6
RDTH Series Rear Discharge Finishing Mowers	7
RDTH84 Rear Discharge Finishing Mower	8
Tri-Deck Finishing Mowers	9

## Rotary Cutters

GT Gasoline Powered Rotary Cutters	10
RZ60R Razorback Rotary Cutter	11
RZ160 Razorback Rotary Cutter	12
Squealer Rotary Cutters	13
SQ84T Twin Spindle Rotary Cutter	14
280 Series Rotary Cutters	15
290 Series Rotary Cutters	16
320 Series Rotary Cutters	17
406 Series Rotary Cutter	18
SM60 Side Mount Rotary Cutter	19
2010 Series Rotary Cutter	20
2012 Series Rotary Cutter	21
278 Series Rotary Cutter	22
3008 & 3008 SH Series Rotary Cutters	23
3209 Series Rotary Cutter	24
3210 Series Rotary Cutter	25
3414 Series Rotary Cutter	26
4215 Series Rotary Cutter	27

## Flex Wing Rotary Cutters

2610L Single Wing Rotary Cutter	28
2710L Single Wing Rotary Cutter	29
3710 Single Wing Rotary Cutter	30
2212 Flex Wing Rotary Cutter	31
2515 Series Flex Wing Rotary Cutter	32
2615L Series Flex Wing Rotary Cutter	33
2715L Series Flex Wing Rotary Cutter	34
3715 Series Flex Wing Rotary Cutter	35
2720 Series Flex Wing Rotary Cutter	36

## Zero Turn Mowers

Home Series Zero Turn Mowers	37
Estate Series Zero Turn Mowers	38
Commercial Series Zero Turn Mowers	39
Professional Series Zero Turn Mowers	40

## Tillers

Subcompact Rotary Tillers	41
RTS Series Rotary Tillers	42
RTN Series Rotary Tillers	43
RTNR Series Reverse Till Rotary Tillers	44
RTH Series Rotary Tillers	45

## Rear Mounted Blades

Subcompact Rear Mounted Blades	46
35 & 50 Series Rear Mounted Blades	47
70 & 90 Series Rear Mounted Blades	48
121 & 176 Series Rear Mounted Blades	49

## Rakes

Subcompact Landscape Rakes	50
Landscape Rakes	51

## Box Blades

Subcompact Box Blades	52
SBX Series Box Blades	53
MBX Series Box Blades	54
RBX Series Retractable Shank Box Blades	55
Roll Over Box Blades	56

## Pluggers

Pluggers	57
MPG Series Pluggers	58

## Pulverizers

	59
--	----

## Post Hole Diggers

Subcompact Post Hole Digger	60
Post Hole Diggers	61

## Backhoes

665H Backhoe	62
BH750 Backhoe	62
BH850 Backhoe	63
BH950 Backhoe	63

## Bush Hog Loader Selection Chart

	64
--	----

## Mid-Mount Loaders

1045 Quick Attach Mid-Mount Loader	65
2045 Quick Attach Mid-Mount Loader	66
3045 Quick Attach Mid-Mount Loader	67
3545 Quick Attach Mid-Mount Loader	68
4045 Quick Attach Mid-Mount Loader	69
5045 Quick Attach Mid-Mount Loader	70
6045 Quick Attach Mid-Mount Loader	71

## Front-Push Loaders

### 6 Series

1846QT Quick Attach Front-Push Loader	72
2246QT Quick Attach Front-Push Loader	73
2346QT Quick Attach Front-Push Loader	74
2426QT Quick Attach Front-Push Loader	75
2446QT Quick Attach Front-Push Loader	76
2846QT Quick Attach Front-Push Loader	77
3226QT Quick Attach Front-Push Loader	

### 7 Series

1847QT Quick Attach Front-Push Loader	78
2247QT Quick Attach Front-Push Loader	79
2347QT Quick Attach Front-Push Loader	80
2427QT Quick Attach Front-Push Loader	81
2447QT Quick Attach Front-Push Loader	82
2847QT Quick Attach Front-Push Loader	83
3227QT Quick Attach Front-Push Loader	84
	85

## Trail Series Utility Vehicles

Trail Hunter Utility Vehicles	86
Trail Hand Utility Vehicles	87

## 4430 4x4 Utility Vehicle

	88
--	----

# Bush Hog® Notes

# Bush Hog® TOUGH Economy Side Discharge Finishing Mower

## BUSH HOG® TOUGH FEATURES

- TOUGH Cat 3 EZ Lube Drivelines
- TOUGH Greaseable Spindles
- TOUGH 5 Year Gearbox Limited Warranty
- TOUGH Kevlar Reinforced Belt
- TOUGH Powder Coat Paint



MODEL	EFM480
Cutting Width	48 inches
Cutting Height (1/2 inch increments)	1 1/2 to 4 1/2 inches
Tractor HP Range	14 - 22 PTO
Type Hitch	Category I
Size Blades	1/4 x 2 1/4 x 17 inches
Number of Blades	3
Blade Tip Speed	14,800 FPM
Blade Overlap	1 1/2 inches
Blade Uplift	Parallel
Driveline Size	ASAE Cat. 3
Front Roller Size (optional)	3 x 5 inches
Discharge	Right Side
Deck Plate	11 gauge
Tire Size (semi pneumatic tire)	3 1/4 x 10 1/4 inches
Belt	"B" Size Kevlar
Gearbox	35 HP
Tractor PTO Speed	540 RPM
Belt Adjustment	Spring Loaded Idler
Approximate Weight	420 lbs
Options	Front Roller
Warranty	1 year limited warranty with a 5 year gearbox limited warranty

### FEATURES

- Wide discharge • Floating top link • High blade tip speeds • Available in major tractor colors

# Bush Hog® TOUGH

## Flat Deck Side Discharge Finishing Mowers

### BUSH HOG® TOUGH FEATURES

TOUGH Fabricated 7 Gauge Deck

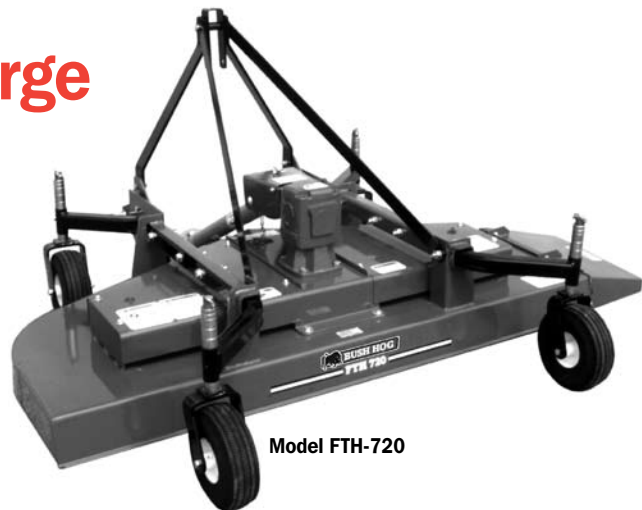
TOUGH Cat 3 Drivelines

TOUGH Commercial Grade  
Greaseable Spindles

TOUGH 5 Year Gearbox Limited Warranty

TOUGH Kevlar Reinforced Belt

TOUGH Powder Coat Paint



Model FTH-720

MODELS	FTH-600	FTH-720
Cutting Width	60 inches	72 inches
Cutting Height (1/2 inch increments)	1 to 6 inches	1 to 6 inches
Tractor HP Range	15 - 35 PTO	20 - 40 PTO
Type Hitch	Category I	Category I
Size Blades	1/4 x 21/2 x 21 inches	1/4 x 21/2 x 25 inches
Number of Blades	3	3
Blade Tip Speed	18,231 FPM	18,272 FPM
Blade Overlap	1 1/2 inches	1 1/2 inches
Blade Uplift	Parallel	Parallel
Driveline Size	ASAE Category 3	ASAE Category 3
Front Roller Size (optional)	3 x 5 inches	3 x 5 inches
Discharge	Right Side	Right Side
Deck Plate	7 gauge	7 gauge
Tire Size (solid tire or pneumatic tire)	31/4 x 10 1/4 inches	31/4 x 10 1/4 inches
Belt	"B" Size Kevlar	"B" Size Kevlar
Gearbox	45 HP	45 HP
Tractor PTO Speed	540 RPM	540 RPM
Belt Adjustment	Spring Loaded Idler	Spring Loaded Idler
Approximate Weight	560 lbs	588 lbs
Options	Front Roller Roller Bearing Kit	Front Roller Roller Bearing Kit
Warranty	1 year limited warranty with a 5 year gearbox limited warranty	

### FEATURES

- Wide discharge • Floating top link • High blade tip speeds • Easy lift tabs for quick lubrication of spindles
- Available in major tractor colors

# Bush Hog® TOUGH Air Tunnel Side Discharge Finishing Mowers

## BUSH HOG® TOUGH FEATURES

**TOUGH Fabricated 7 Gauge Deck**

**TOUGH Commercial Grade Greaseable Spindles**

**TOUGH Cat 3 Drivelines**

**TOUGH 5 Year Gearbox Limited Warranty**

**TOUGH Kevlar Reinforced Belt**

**TOUGH Powder Coat Paint**



Model ATH900

MODELS	ATH600	ATH720	ATH900
Cutting Width	60 inches	72 inches	90 inches
Cutting Height (1/2 inch increments)	1 to 6 inches	1 to 6 inches	1 to 6 inches
Tractor HP Range	15 - 35 PTO	20 - 40 PTO	35 - 55 PTO
Type Hitch	Category I	Category I	Category I
Size Blades	1/4 x 21/2 x 21 inches	1/4 x 21/2 x 25 inches	1/4 x 3 x 31 1/2 inches
Number of Blades	3	3	3
Blade Tip Speed	18,231 FPM	18,272 FPM	15,621 FPM
Blade Overlap	1 1/2 inches	1 1/2 inches	2 1/4 inches
Blade Uplift	Parallel	Parallel	Parallel
Driveline Size	ASAE Category 3	ASAE Category 3	ASAE Category 3
Front Roller Size (optional)	3 x 5 inches	3 x 5 inches	3 x 5 inches (2)
Discharge	Right Side	Right Side	Right Side
Deck Plate	7 gauge	7 gauge	7 gauge
Tire Size	3 1/4 x 10 1/4 inches (solid tire)	3 1/4 x 10 1/4 inches (solid or pneumatic tire)	13 x 5 inches (solid or pneumatic tire)
Belt	"B" Size Kevlar	"B" Size Kevlar	"C" Size Kevlar
Gearbox	45 HP	45 HP	55 HP
Tractor PTO Speed	540 RPM	540 RPM	540 RPM
Belt Adjustment	Spring Loaded Idler	Spring Loaded Idler	Spring Loaded Idler
Approximate Weight	570 lbs	610 lbs	1164 lbs
Options	Front Roller Roller Bearing Kit	Front Roller Roller Bearing Kit	Front Roller Roller Bearing Kit

### Warranty

1 year limited warranty with a 5 year gearbox limited warranty

### FEATURES

Floating top link • High blade tip speeds • Available in major tractor colors

# Bush Hog® TOUGH

## Economy Rear Discharge Finishing Mower

### Bush Hog® TOUGH Features

**TOUGH Fabricated 10 Gauge Steel Deck**

**TOUGH Greaseable Spindles**

**TOUGH Cat 3 EZ Lube Drivelines**

**TOUGH Bush Hog Gearbox With 5 Year Limited Warranty**

**TOUGH Kevlar Reinforced Belt**

**TOUGH Powder Coat Paint**



MODEL	RFM-60
Cutting Width	60 inches
Cutting Height (1/2 inch increments )	1 1/2 to 5 inches
Tractor HP Range	15 - 35 PTO
Type Hitch	Category I
Size Blade	1/4 x 2.5 x 21 inches
Number of Blades	3
Blade Tip Speed	18,500 FPM
Blade Overlap	1 1/2 inches
Blade Uplift	Parallel
Driveline Size	ASAE Category 3
Front Roller Size (optional)	3 x 5 inches
Discharge	Rear
Deck Plate	10 gauge
Tire Size (solid tire or pneumatic tire)	3 1/4 x 10 1/4 inches
Belt	"B" size Kevlar
Gearbox	35 HP
Tractor PTO Speed	540 RPM
Belt Adjustment	Spring loaded idler
Approximate Weight	542 lbs
Options	Front roller (3 x 5 inches), wheel roller bearing kit
Warranty	1 year limited warranty with a 5 year gearbox limited warranty

### FEATURES

- Wide discharge • Floating top link • High blade tip speeds
- Available in major tractor colors



# Bush Hog® TOUGH

## Rear Discharge Finishing Mowers

### BUSH HOG® TOUGH FEATURES

**TOUGH Fabricated 7 Gauge Deck**

**TOUGH Cat 3 Drivelines**

**TOUGH Commercial Grade Greaseable Spindles**

**TOUGH 5 Year Gearbox Limited Warranty**

**TOUGH Kevlar Reinforced Belt**

**TOUGH Powder Coat Paint**



Model RDTH72

MODELS	RDTH60	RDTH72
Cutting Width	60 inches	72 inches
Cutting Height (1/2 inch increments)	1 1/2 to 6 1/2 inches	1 1/2 to 6 1/2 inches
Tractor HP Range	15 - 35 PTO	20 - 40 PTO
Type Hitch	Category I	Category I
Size Blade	1/4 x 2.5 x 21 inches	1/4 x 2.5 x 25 inches
Number of Blades	3	3
Blade Tip Speed	18,231 FPM	18,272 FPM
Blade Overlap	1 1/2 inches	1 1/2 inches
Blade Uplift	Parallel	Parallel
Driveline Size	ASAE Category 3	ASAE Category 3
Front Roller Size (optional)	3 x 5 inches	3 x 5 inches
Discharge	Rear	Rear
Deck Plate	7 gauge	7 gauge
Tire Size (solid tire & pneumatic)	3 1/4 x 10 1/4 inches	3 1/4 x 10 1/4 inches
Belt	"B" size Kevlar	"B" size Kevlar
Gearbox	45 HP	45 HP
Tractor PTO Speed	540 RPM	540 RPM
Belt Adjustment	Spring Loaded Idler	Spring Loaded Idler
Approximate Weight	536 lbs	588 lbs
Options	Front Roller Kit, Wheel Roller Bearing Kit	Front Roller Kit, Wheel Roller Bearing Kit
Warranty	1 year limited warranty with a 5 year gearbox limited warranty	

### FEATURES

- Wide discharge • Floating top link • High blade tip speeds • Available in major tractor colors

# Bush Hog® TOUGH

## Rear Discharge Finishing Mower

### BUSH HOG® TOUGH FEATURES

- TOUGH Fabricated 7 Gauge Deck
- TOUGH Commercial Grade Spindles
- TOUGH 5 Year Gearbox Limited Warranty
- TOUGH Kevlar Reinforced Belt
- TOUGH Powder Coat Paint



MODEL	RDTH84
Cutting Width	84 inches
Cutting Height (1/2 inch increments)	1 1/2 to 5 1/2 inches
Tractor HP Range	30 - 55 PTO
Type Hitch	Category I
Size Blade	5/16 x 2.5 x 29 inches
Number of Blades	3
Blade Tip Speed	18,266 FPM
Blade Overlap	1 1/2 inches
Blade Uplift	Parallel
Driveline Size	ASAE Category 3
Front Roller Size (optional)	3 x 13 inches
Discharge	Rear
Deck Plate	7 gauge
Tire Size (solid tire or pneumatic tire)	4 x 10 inches
Belt	"B" size Kevlar
Gearbox	55 HP
Tractor PTO Speed	540 RPM
Belt Adjustment	Spring Loaded Idler
Approximate Weight	874 lbs
Options	Front Roller Kit
Warranty	1 year limited warranty with a 5 year gearbox limited warranty

### FEATURES

- Wide discharge • Floating top link • High blade tip speeds • Available in major tractor colors

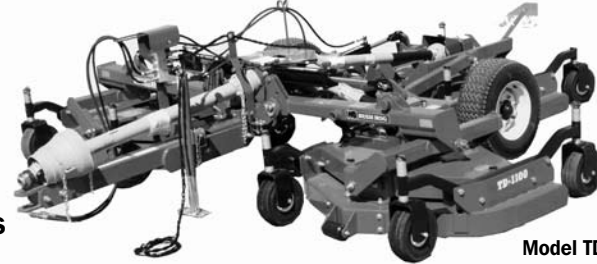
# Bush Hog® TOUGH Tri-Deck Flex Finishing Mowers

## BUSH HOG® TOUGH FEATURES

- TOUGH Fabricated 7 Gauge Decks
- TOUGH Commercial Grade Spindles
- TOUGH 5 Year Gearbox Limited Warranty
- TOUGH Kevlar Reinforced Belts
- TOUGH 4x4 Inch Boxed Wing Section Lift Arms
- TOUGH Powder Coat Paint



Model TD-1500



Model TD-1100

MODELS	TD-1100	TD-1500	TD-1700
Cutting Width	11 ft	15 ft	17 ft
Cutting Height	3/4 to 4 1/4 inches	1 1/2 to 4 1/2 inches	1 1/2 to 4 1/2 inches
Transport Width	6 ft 6 inches	8 ft	8 ft
Transport Height	6 ft 3 inches	8 ft	9 ft
Transport Length	12 ft	14 ft	14 ft
Minimum Tractor HP*	30 PTO	40 PTO	40 PTO
Type Hitch	Pull Type, Clevis Hitch, Three-Position Adjustment		
Gearbox	45 HP center wings/80 HP transfer box for all 3 models		
Tractor PTO Speed	540 RPM	540 RPM	540 RPM
Driveline Size	Category 4 80° CV (Main) - Category 3 (Decks)		
Wing Section Lift Arms	4 x 4 inch Boxed Section	4 x 4 inch Boxed Section	4 x 4 inch Boxed Section
Wing Flex	30° Up & 10° Down	30° Up & 10° Down	30° Up & 10° Down
Wing Deck Flex	10° Side to Side, 10° Front to Rear - Independent of the Wing Frame		
Tire Size	23 x 9.5 (2)	23 x 8.5 (2)	23 x 8.5 (2)
Deck Widths	(3) 4 ft	(1) 6 ft and (2) 5 ft	(3) 6 ft
Deck Plate	7 gauge	7 gauge	7 gauge
Blade Tip Speed	18,468 FPM	18,271 FPM (18,231 Wings)	18,271 FPM
Gauge Wheels	10 x 4 inches	13 x 5 inches	13 x 5 inches
Belt	(1) per Deck "B" size Kevlar	(1) per Deck "B" size Kevlar	(1) per Deck "B" size Kevlar
Belt Adjustment	Spring Loaded Idler	Spring Loaded Idler	Spring Loaded Idler
Deck Overlap	6 inches	6 inches	6 inches
Blade Overlap	1 1/2 inches	1 1/2 inches	1 1/2 inches
Front Roller Size (Standard)	3 x 5 inches	3 x 5 inches	3 x 5 inches
Approximate Weight	2450 lbs	2752 lbs	2855 lbs
Options (TD-1100 only)	Underside roller kit for each deck, double acting hydraulic cylinder conversion kit		

### Warranty

1 year limited warranty with a 5 year gearbox limited warranty

### FEATURES

- Rear discharge
- High blade tip speeds

\*Minimum horsepower will be subject to change due to mowing conditions

# Bush Hog® TOUGH Gasoline Powered GT Rotary Cutters

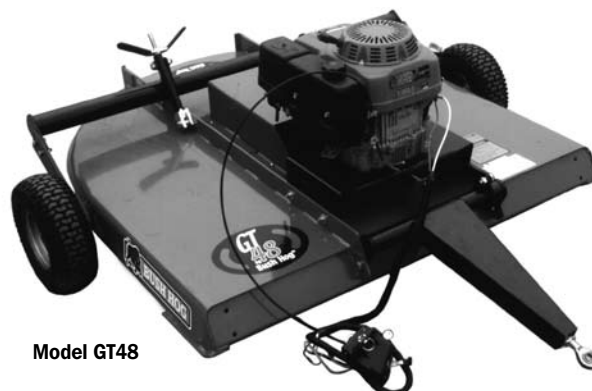
## BUSH HOG® TOUGH FEATURES

TOUGH Fabricated Deck Construction

TOUGH Centrifugal Clutch

TOUGH Kevlar Reinforced Belt

TOUGH Powder Coat Paint



Model GT48

MODELS	GT42	GT48
Cutting Width	3 ft 6 inches	4 ft
Cutting Capacity	Up to 1/2 inch diameter	Up to 3/4 inch diameter
Cutting Height	1 to 5 inches	1 to 6 inches
Transport Width	54 inches	64 inches
Engines	10.5 HP Briggs & Stratton® optional electric start; 11 HP Honda electric start	13 HP Honda electric start
Type Hitch	Swivel Ball and Pin	Swivel Ball and Pin
Deck Thickness	12 gauge	11 gauge
Blades	(1) 5/16 x 3 x 42 inches	(2) 3/8 x 3 x 13 inches
Blade Tip Speed	16,300 FPM	16,450 FPM
Tire Size	12 x 3 inches 5 Rib Solid or 13 x 5 x 6 Inch Pneumatic	13 x 5 inches Solid or 13 x 5 x 6 Inch Pneumatic
Drive Belt	V-Belt, Kevlar Construction	V-Belt, Kevlar Construction
Slip Protection	Centrifugal Clutch	Centrifugal Clutch
Approximate Weight	285 lbs	425 lbs
Options	Antiscalp Rollers (two for front and one for rear) Electric Start Package for 10.5 HP Engine Bumper Kit, Offset Hitch (14 inches) for 48 inch Model only Spark Arrestor Kit*	
Warranty	1 year limited warranty; Engine limited warranty administered by manufacturer	

\* Spark arrestors are mandatory in the State of California

# Bush Hog® TOUGH Razorback Rotary Cutter

## BUSH HOG® TOUGH FEATURES

- TOUGH Greaseable Tailwheel
- TOUGH Three Point Mounted Tailwheel
- TOUGH Blade Pan
- TOUGH Fabricated Deck
- TOUGH Bush Hog® Gearbox
- TOUGH Powder Coat Paint



**RZ60R**

MODELS	
Cutting Width	5 ft
Cutting Capacity	Up to 1 inch Diameter
Cutting Height	2 to 10 inches
Dimensions (width x length)	5 ft 3 inches x 8 ft
Type Hitch	3 Point Lift, Category I Standard and Quick Hitch
Deck Thickness	11 gauge
Side Bands	6 <sup>3</sup> / <sub>8</sub> inches x 11 gauge
Driveshaft	ASAE Category 3
Gearbox	40 HP
Tractor PTO Speed	540 RPM
Driveline Protection	1/2 inch Shear Pin
Bladeholder(s)	Oval Type
Blades	3/8 x 3 inches
Blade Tip Speed	12,468 FPM (540 RPM)
Tires	Solid Rubber 3 x 16 inches
Tractor HP Range	25 - 35 PTO
Front and Rear Deflectors	Standard (front belting, rear bands)
Approximate Weight	450 lbs
Warranty	1 year limited warranty
FEATURES	
	Available in major tractor colors

# Bush Hog® TOUGH Razorback Rotary Cutter

## BUSH HOG® TOUGH FEATURES

TOUGH Three Point Mounted Tailwheel

TOUGH Blade Pan

TOUGH Fabricated Reinforced Deck

TOUGH Powder Coat Paint



MODELS	RZ160
Cutting Width	5 ft
Cutting Capacity	Up to 1 inch Diameter
Cutting Height	2 to 10 inches
Dimensions (width x length)	5 ft 3 inches x 8 ft
Type Hitch	3 Point Lift, Category I Standard and Quick Hitch
Deck Thickness	11 gauge
Side Bands	6 <sup>3</sup> / <sub>8</sub> inches x 11 gauge
Driveshaft	ASAE Category 3
Gearbox	40 HP
Tractor PTO Speed	540 RPM
Driveline Protection	1/2 inch Shear Pin
Bladeholder(s)	Oval Type
Blades	3/8 x 3 inches
Blade Tip Speed	12,468 FPM (540 RPM)
Tires	Laminated
Tractor HP Range	25 - 35 PTO
Front and Rear Deflectors	Standard chain shielding
Approximate Weight	450 lbs
Warranty	1 year limited warranty
FEATURES	Available in major tractor colors

# Bush Hog® TOUGH SQUEALER® Series Rotary Cutters

## BUSH HOG® TOUGH FEATURES

TOUGH EZ Clean Sloped Decks

TOUGH Sidebands With Welded Skids

TOUGH EZ Lube Drivelines

TOUGH Bush Hog® Gearboxes

TOUGH Quick Detach Gearbox Shields

TOUGH Full Length Replaceable Skids

TOUGH Powder Coat Paint



Model SQ160

MODELS	SQ142	SQ148	SQ160	SQ172	SQ184
<b>Cutting Width</b>	3 ft 6 inches	4 ft	5 ft	6 ft	7 ft
<b>Cutting Capacity</b>	1 inch dia.	1 inch dia.	2 inch dia.	2 inch dia.	2 inch dia.
<b>Cutting Height</b>	2 to 12 inches	2 to 12 inches	2 to 12 inches	2 to 12 inches	2 to 12 inches
<b>Dimensions</b> (width x length)	3 ft 7 inches x 6 ft 7 inches	4 ft 3 inches x 7 ft 1 inch	5 ft 5 inches x 8 ft 1 inch	6 ft 5 inches x 9 ft 2 inches	7 ft 5 inches x 10 ft 6 inches
<b>Type Hitch</b>	Cat I Standard and Quick Hitch	Cat I Standard and Quick Hitch	Cat I Standard and Quick Hitch	Cat I Standard and Quick Hitch	Cat I or II Standard and Quick Hitch
<b>Deck Thickness</b>	11 gauge	11 gauge	11 gauge	10 gauge	10 gauge
<b>Sidebands</b>	9 <sup>3</sup> / <sub>4</sub> inches x 11 gauge	10 inches x 11 gauge	9 <sup>3</sup> / <sub>4</sub> inches x 11 gauge	9 <sup>3</sup> / <sub>4</sub> inches x 10 gauge	10 <sup>1</sup> / <sub>4</sub> inches x 10 gauge
<b>Driveshaft</b>	ASAE Cat 3	ASAE Cat 3	ASAE Cat 3	ASAE Cat 3	ASAE Cat 4
<b>Gearbox</b>	45 HP	45 HP	65 HP	65 HP	90 HP
<b>Tractor PTO Speed</b>	540 RPM	540 RPM	540 RPM	540 RPM	540 RPM
<b>Driveline Protection</b>	1/2 x 3 inches Grade 2 shearbolt	1/2 x 3 inches Grade 2 shearbolt	8 x 45 mm Metric Gr. 8.8 shearbolt Slip Clutch/Optional	10 x 55 mm Metric Gr. 8.8 shearbolt Slip Clutch/Optional	Slip Clutch Standard
<b>Blade Holder(s)</b>	Straight	Oval type	Oval type	Oval type	Oval type
<b>Blades</b>	3/8 x 3 inch uplift	3/8 x 3 inch uplift	1/2 x 4 inch uplift	1/2 x 4 inch uplift	1/2 x 4 inch uplift
<b>Blade Tip Speed</b>	11,400 FPM	13,029 FPM	14,335 FPM	14,963 FPM	14,963 FPM
<b>Tires</b>	Laminated or Solid Rubber	Laminated or Solid Rubber	Laminated or Solid Rubber	Laminated or Solid Rubber	Laminated
<b>Tractor HP Range</b>	10 - 25 PTO	15 - 30 PTO	25 - 40 PTO	30 - 45 PTO	50 - 70 PTO
<b>Front and Rear Deflectors</b>	Standard (Front Belting/Rear Band), All 5 Models				
<b>Approximate Weight</b>	397 lbs	455 lbs	636 lbs	764 lbs	1024 lbs
<b>Warranty</b>	1 year limited warranty with a 5 year gearbox limited warranty				
<b>Options</b>	Oval Blade Pan, Chain Shielding	Chain Shielding	Chain Shielding	Chain Shielding	Chain Shielding

## FEATURES

Floating Frame Hitch • High blade tip speeds • Available in major tractor colors

# Bush Hog® TOUGH

## SQ84T SQUEALER® With Twin Gearboxes And 9 Inch Offset

### BUSH HOG® TOUGH FEATURES

TOUGH Fabricated Deck

TOUGH Floating A Frame Hitch

TOUGH Formed Strongbacks

TOUGH Powder Coat Paint



MODEL	SQ84T
Cutting Width	7 ft
Cutting Capacity	1 1/2 inch diameter
Cutting Height	2 to 12 inches
Dimensions (width x length)	7 ft 3 inches x 6 ft 3 inches
Type Hitch	Category I Hitch 9 inch offset
Deck Thickness	11 gauge
Sidebands	7 3/8 inches x 11 gauge
Driveshaft	ASAE Cat 3
Gearbox	60 HP (main) 45 HP (outboard)
Tractor PTO Speed	540 RPM
Driveline Protection	Slip Clutch
Blade Holder(s)	Oval type
Blades	1/2 x 4 inch uplift
Blade Tip Speed	11,500 FPM
Tires	Laminated or Solid Rubber
Tractor HP Range	35 - 50 PTO
Front and Rear Deflectors	Standard (Front Belting/Rear Band)
Approximate Weight	720 lbs
Warranty	1 year limited warranty with a 5 year gearbox limited warranty
FEATURES	<ul style="list-style-type: none"> <li>Floating A Frame Hitch</li> <li>High blade tip speeds</li> </ul>



# Bush Hog® TOUGH 280 Series Rotary Cutters

## BUSH HOG® TOUGH FEATURES

TOUGH 10 Gauge Fabricated Decks

TOUGH 7 Gauge Strongbacks

TOUGH Full Length Replaceable Skids

TOUGH 5 Year Gearbox  
Limited Warranty

TOUGH Powder Coat Paint

TOUGH 1/4 Inch Sidebands



MODELS	285	286	287
Cutting Width	5 ft	6 ft	7 ft
Cutting Capacity	2 1/2 inch Diameter	2 1/2 inch Diameter	2 1/2 inch Diameter
Cutting Height	1 1/2 to 10 1/2 inches	1 1/2 to 10 1/2 inches	1 1/2 to 10 1/2 inches
Dimensions (width x length)	65 x 102 inches	77 x 114 inches	89 x 126 inches
Type Hitch	3 Pt. Category I, Cat. II pins optional	3 Pt. Category I, Cat. II pins optional	3 Pt. Category I & II or Cat I & II QH
Deck Thickness	10 gauge	10 gauge	10 gauge
Sidebands	1/4 x 8 inches	1/4 x 8 inches	1/4 x 8 inches
Driveshaft	ASAE Category 4	ASAE Category 4	ASAE Category 4
Gearbox	110 HP	110 HP	110 HP
Tractor PTO Speed	540 RPM	540 RPM	540 RPM
Driveline Protection	Slip Clutch Standard	Slip Clutch Standard	Slip Clutch Standard
Blade Holder(s)	Round	Round	Round
Blades	1/2 x 4 inch uplift	1/2 x 4 inch uplift	1/2 x 4 inch uplift
Blade Tip Speed	15,551 FPM	14,877 FPM	14,514 FPM
Tires	Laminated	Laminated	Laminated, dual or single
Minimum Tractor HP	30 PTO	40 PTO	50 PTO
Front and Rear Deflectors	Standard Equipment - Front Belting and Rear Bands, optional chain shielding, all 3 models		
Approximate Weight	785 lbs	942 lbs	1127 lbs
Warranty	1 year limited warranty with a 5 year gearbox limited warranty		
Options	Chain Shielding Category II hitch pins	Chain Shielding Category II hitch pins	Chain Shielding

## FEATURES

Available in major tractor colors

**Note:** You have a choice of single or dual tailwheels on Model 287 for semi-mount and quick hitch, as well as a choice of a ratchet assembly or hydraulic cylinder.

# Bush Hog® TOUGH

## 290 Series Rotary Cutters

### BUSH HOG® TOUGH FEATURES

TOUGH EZ Clean Sloped 10 Gauge Decks

TOUGH 1/4 Inch Sidebands

TOUGH Replaceable Full Length Skids

TOUGH 130 HP Bush Hog Gearbox

TOUGH 5 Year Gearbox  
Limited Warranty

TOUGH Powder Coat Paint



Model 297

MODELS	295	296	297
Cutting Width	5 ft	6 ft	7 ft
Cutting Capacity	3 inch diameter	3 inch diameter	3 inch diameter
Cutting Height	11/2 to 10 1/2 inches	11/2 to 10 1/2 inches	11/2 to 10 1/2 inches
Dimensions (transport width x length)	5 ft 6 inches x 8 ft 8 inches	6 ft 6 inches x 9 ft 8 inches	7 ft 6 inches x 10 ft 8 inches, 10 ft 1 inch (single wheels), (double wheels)
Type Hitch	3 Point Cat. I, Cat. II Standard & QH	3 Point Cat. I, Cat. II Standard & QH	3 Point Cat. I, Cat. II Standard & and QH
Deck Thickness	10 gauge	10 gauge	10 gauge
Sidebands	1/4 x 13 inches	1/4 x 13 inches	1/4 x 13 inches
Driveshaft	ASAE Category 4	ASAE Category 4	ASAE Category 4
Gearbox	130 HP	130 HP	130 HP
Tractor PTO Speed	540 RPM	540 RPM	540/1000 RPM
Driveline Protection	Slip Clutch Standard	Slip Clutch Standard	Slip Clutch Standard
Blade Holder(s)	Round	Round	Round
Blades	1/2 x 4 inch uplift	1/2 x 4 inch uplift	1/2 x 4 inch uplift
Blade Tip Speed	15,551 FPM	15,268 FPM	15,268 FPM/540 RPM 15,047 FPM/1000 RPM
Tires	Single Laminated	Single Laminated	Single or Dual Laminated
Minimum Tractor HP	35 PTO	45 PTO	55 PTO
Front and Rear Deflectors	Front belting and rear bands standard, all 3 models		
Approximate Weight	906 lbs	1095 lbs	1328 lbs, 1420 lbs
Warranty	1 year limited warranty with a 5 year gearbox limited warranty		
Options	Front and rear chains	Front and rear chains	Front and rear chains

### FEATURES

Available in major tractor colors

# Bush Hog® TOUGH 320 Series Rotary Cutters

## BUSH HOG® TOUGH FEATURES

TOUGH Fabricated 7 Gauge Decks

TOUGH 7 Gauge Strongbacks

TOUGH 1/4 Inch Sidebands

TOUGH Replaceable Skids

TOUGH Heavy Duty A Frame  
And Tail Wheel Bracket

TOUGH 190 HP Bush Hog  
Gearbox

TOUGH 5 Year Gearbox Limited Warranty

TOUGH Powder Coat Paint



Model 327



Model 325



Model 326

MODELS	325	326	327
Cutting Width	5 ft	6 ft	7 ft
Cutting Capacity	3 1/2 inch diameter	3 1/2 inch diameter	3 1/2 inch diameter
Cutting Height	2 - 12 inches	2 - 12 inches	2 - 12 inches
Dimensions (width x length)	66 x 107 1/2 inches	78 x 118 1/2 inches	90 x 131 inches (Lift), 90 x 182 inches (Pull)
Type Hitch	HD 3 Point Category Cat. I & II standard and Quick Hitch	HD 3 Point Category Cat. I & II standard and Quick Hitch	HD 3 Point Category Cat. II & III standard Pull Model also available
Deck Thickness	7 gauge	7 gauge	7 gauge
Sidebands	1/4 x 12 1/2 inches	1/4 x 12 1/2 inches	1/4 x 12 1/2 inches
Driveshaft	ASAE Cat 5	ASAE Cat 5	ASAE Cat 5
Gearbox	Heavy duty (190 HP)	Heavy duty (190 HP)	Heavy duty (190 HP)
Tractor PTO Speed	540 RPM	540 RPM	540 RPM
Driveline Protection	Slip Clutch Standard	Slip Clutch Standard	Slip Clutch Standard
Blade Holder(s)	Round	Round	Round
Blades	1/2 x 4 inch, heat treated	1/2 x 4 inch, heat treated	1/2 x 4 inch, heat treated
Blade Tip Speed	13,572 FPM	13,996 FPM	11,875 FPM
Tires	Laminated	Laminated	Laminated, dual - Lift Large laminated, dual - Pull
Minimum Tractor HP	50 PTO	60 PTO	70 PTO
Front and Rear Deflectors	Front and rear deflectors standard, chains optional, all 3 models		
Approximate Weight	1185 lbs	1400 lbs	1950 lbs Lift, 2150 lbs Pull
Warranty	1 year limited warranty with a 5 year gearbox limited warranty		
Options	Front & Rear chains	Front & Rear Chains	Front & Rear chains, Manual or hyd. adj. for pull & lift models

## FEATURES

- Floating A Frame

# Bush Hog® TOUGH 406 Series Rotary Cutter

## BUSH HOG® TOUGH FEATURES

**TOUGH** Fabricated 1/4 Inch Thick Deck

**TOUGH** 1/4 Inch Sidebands

**TOUGH** 3 Inch x 1 1/2 Inch x 1/4 Inch Channel Strongbacks

**TOUGH** Heavy Duty A Frame and Tail Wheel Bracket

**TOUGH** Extra Heavy Duty Blade Pan

**TOUGH** Extra Heavy Duty Bush Hog Blades

**TOUGH** Powder Coat Paint



MODEL	406
Cutting Width	6 ft
Cutting Capacity	Up to 4 inch Diameter
Cutting Height	2 to 12 inches
Dimensions (width x length)	93 1/2 x 138 inches (Pull Model with Wheels Outside)
Type Hitch	3 Point Lift Cat. II, III & Quick Hitch or Pull with standard safety tow chain
Deck Thickness	1/4 inch
Sidebands	1/4 x 8 inches
Driveshaft	ASAE Category 5
Gearbox	540 RPM, Extra Heavy Duty 125 HP
Tractor PTO Speed	540 RPM
Driveline Protection	Regular duty slip clutch standard or heavy duty slip clutch available
Blade Holder(s)	Round
Blades	5/8 x 5 inches, Extra heavy duty
Blade Tip Speed	10,179 FPM
Tires	Laminated, Caster Wheel
Minimum Tractor HP	60 PTO (Lift) & 50 PTO (Pull)
Front and Rear Deflectors	Front Chains Standard, Rear Chains Optional
Approximate Weight	1524 lbs (Lift Model with Single Tailwheel)
Warranty	1 year limited warranty with a 1 year gearbox limited warranty
Options	Rear Chains, Category I Hitch Pin Bundle
FEATURES	<ul style="list-style-type: none"> <li>Floating top link</li> </ul>

# Bush Hog® TOUGH Side Mount Rotary Cutter

## BUSH HOG® TOUGH FEATURES

TOUGH 10 Gauge Deck And Sidebands

TOUGH Anti-Cavitation Protection

TOUGH Cast Iron Pump

TOUGH Round Bladeholder

TOUGH Hydraulic Relief Valves Provide  
Overload Protection

TOUGH Powder Coat Paint



MODEL	SM60
Cutting Width	5 ft
Cutting Capacity	1 inch
Dimensions (transport width x length)	10 ft 5 inches x 5 ft
Minimum Tractor Weight	6000 lbs
Minimum Tractor Lift Capacity	3200 lbs (at 24 inches behind lift pins)
Type Hitch	Category II Standard, Cat. II & III Quick Hitch
Deck Thickness	10 gauge
Tractor PTO Speed	540/1000 RPM
Blade Holder	Round
Type Blades	1/2 x 3 inches, Double Edge
Blade Tip Speed	17,300 FPM at 540 RPM
Blade RPM	1100
Blade Rotation	Clockwise, but Reversible
Cutter Head Movement	90° Up to 85° Down
Driveline	ASAE Category 4, 540 or 1000 RPM
Hydraulic Pump Mounting	Machine Only, PTO Driven
Hydraulic Oil Capacity	35 Gallons, Factory Filled
Hydraulic Capacity	24 GPM
Overload Protection	Hydraulic Relief Valve
Counterweight	275 lbs Standard
Max. Extension of Cutterhead	145 inches from Tractor Centerline
Extension Arm Travel	31 1/4 inches
Approximate Weight	1675 lbs
Deflectors	Standard Equipment
Options	Side Gauge Wheel with Laminated or Solid Tire, Tailwheel Assembly for Mainframe with Laminated Tire, Valve Stand, Chain Shielding
Warranty	1 year limited warranty

# Bush Hog® TOUGH

## 2010 Series Rotary Cutter

### BUSH HOG® TOUGH FEATURES

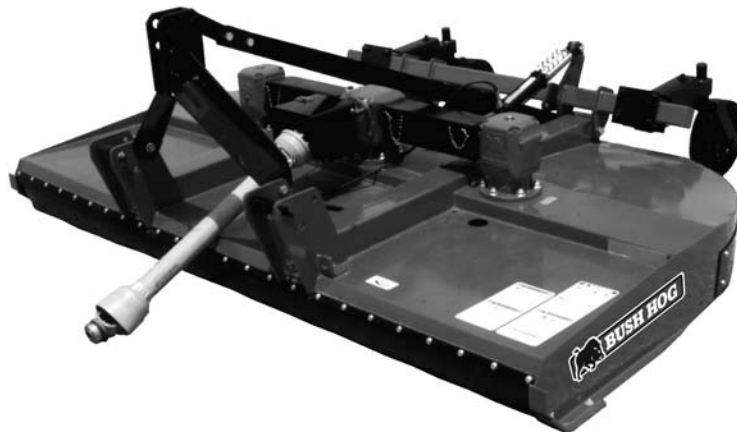
**TOUGH 5 Year Gearbox Limited Warranty**

**TOUGH 7 Gauge Sidebands**

**TOUGH Replaceable Wide Skids**

**TOUGH Cushioned Axle Arms**

**TOUGH Powder Coat Paint**



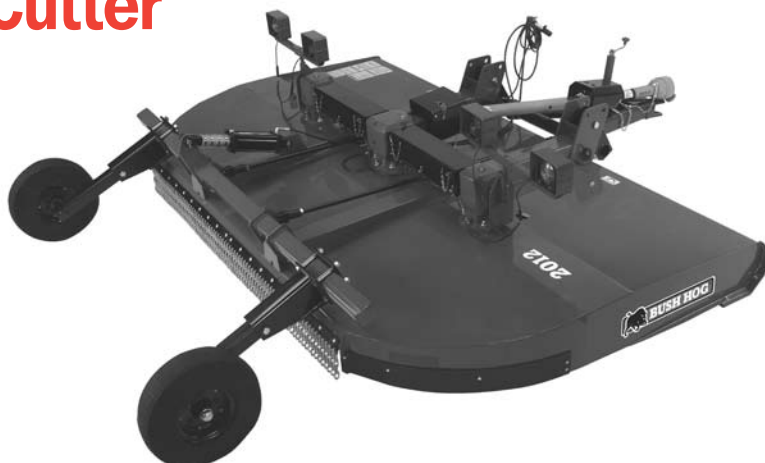
MODEL	2010
Cutting Width	9 ft 9 inches
Cutting Capacity	2 inches
Dimensions (width x length)	10 ft 3 inches x 9 ft 4 inches (Lift), 10 ft 3 inches x 13 ft (Pull)
Type Hitch	3 Point Cat. II & III Standard & Quick Hitch, Center Pull Self Leveling or Semi-Mount Cat. II & III
Cutting Height	2 to 12 inches
Deck Thickness	11 gauge
Side Bands	7 gauge x 10 inches
Minimum Tractor HP	40 PTO (Pull), 60 PTO (Lift)
Driveline	ASAE Category 4
Cross Shaft	Rubber Element
Gearbox HP	120 Main and 90 Outboard
Tractor PTO Speed	540/1000 RPM
Driveline Protection	4 Plate PTO Slip Clutch
Height Adjustment	Choice of Manual Height Bundle or Hydraulic Cylinder
Blade Holder(s)	Round Pans
Blades	1/2 x 4 inches - Corner Uplift
Blade Tip Speed	15,778 FPM/540 RPM; 15,708 FPM/1000 RPM
Tires	Laminated Tire on Lift and Semi-Mount Models, Laminated Tire or 15 inch Automotive Wheel on Pull Models, Used Aircraft Tires on Pull Type Only
Axles	Adjustable Axle Arms for Row Spacing, Choice of Single or Dual Axles on Pull Models
Deflectors	Standard Front Belting and Rear Bands (Chains Optional)
Safety Tow Chain	Standard for Pull Models
Approximate Weight	1922 lbs (Lift), 2177 lbs (Pull), 1929 lbs (Semi-Mount)
Options	Single Row Chain Deflectors for Front and Rear
Warranty	1 year limited warranty with a 5 year gearbox limited warranty

### FEATURES

- Rear Sloped Deck • High blade tip speeds • Deep sidebands • Quick detach gearbox shields

# Bush Hog® TOUGH 2012 Series Rotary Cutter

**BUSH HOG® TOUGH FEATURES**  
**TOUGH 10 Gauge Deck Construction**  
**TOUGH 5 Year Gearbox Limited Warranty**  
**TOUGH 7 Gauge Sidebands**  
**TOUGH Replaceable Wide Skids**  
**TOUGH Cushioned Axle Arms**  
**TOUGH Powder Coat Paint**



MODEL	2012
<b>Cutting Width</b>	11 ft 9 inches
<b>Dimensions</b> (width x length)	12 ft 2 inches x 10 ft (Lift), 12 ft 2 inches x 13 ft 4 inches (Pull)
<b>Type Hitch</b>	3 Point Cat. II & III Standard & Quick Hitch, Center Pull Self Leveling or Semi-Mount, Cat. II & III
<b>Cutting Capacity</b>	2 inches
<b>Cutting Height</b>	2 to 12 inches
<b>Deck Thickness</b>	10 gauge
<b>Side Bands</b>	7 gauge /10 inches deep
<b>Minimum Tractor HP</b>	60 PTO (Pull), 70 PTO (Lift)
<b>Driveline</b>	ASAE Category 4
<b>Cross Shaft</b>	Rubber Element
<b>Gearbox HP</b>	120 Main and 90 Outboard
<b>Tractor PTO Speed</b>	540/1000 RPM
<b>Driveline Protection</b>	4 Plate PTO Slip Clutch
<b>Height Adjustment</b>	Choice of Manual Height Bundle or Hydraulic Cylinder
<b>Blade Holder(s)</b>	Round Pans
<b>Blades</b>	1/2 x 4 inches - Corner Uplift
<b>Blade Tip Speed</b>	15,490 FPM/540 RPM; 15,422 FPM/1000 RPM
<b>Tires</b>	Laminated Tire on Lift and Semi-Mount Models, Laminated Tire or 15 inch Automotive Wheel on Pull Models, Used Aircraft Tire on Pull Type Only
<b>Axles</b>	Adjustable Axle Arms for Row Spacing, Choice of Single or Dual Axles on Pull Models
<b>Deflectors</b>	Front Belting and Rear Bands (Chains Optional)
<b>Safety Tow Chain</b>	Standard for Pull Models
<b>Approximate Weight</b>	2184 lbs (Lift), 2267 lbs (Pull), 2079 lbs (Semi-Mount)
<b>Options</b>	Single Row Chain Deflector Front and Rear
<b>Warranty</b>	1 year limited warranty with a 5 year gearbox limited warranty

## FEATURES

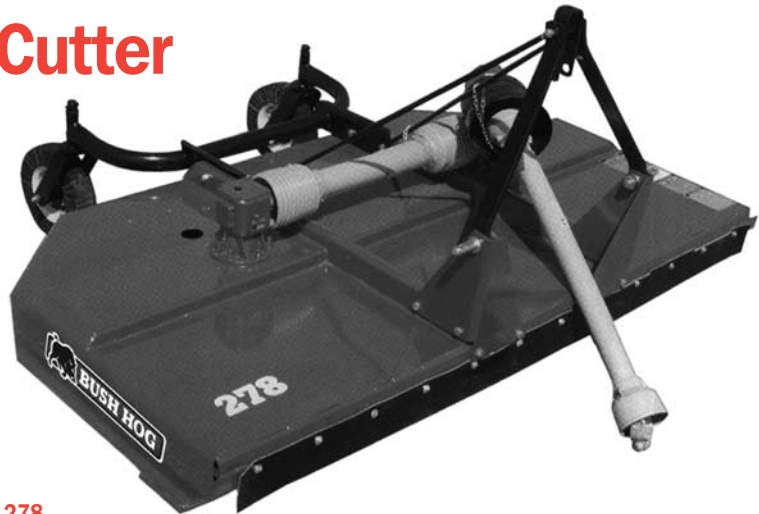
- Sloped Deck • High blade tip speeds • Deep sidebands • Quick detach gearbox shields

# Bush Hog® TOUGH 278 Series Rotary Cutter

LIMITED AVAILABILITY

## BUSH HOG® TOUGH FEATURES

- TOUGH 9 Gauge Deck
- TOUGH 9 Gauge Sidebands
- TOUGH Rigid Strongback
- TOUGH Standard Dual Wheel
- TOUGH Round Bladeholders
- TOUGH Powder Coat Paint

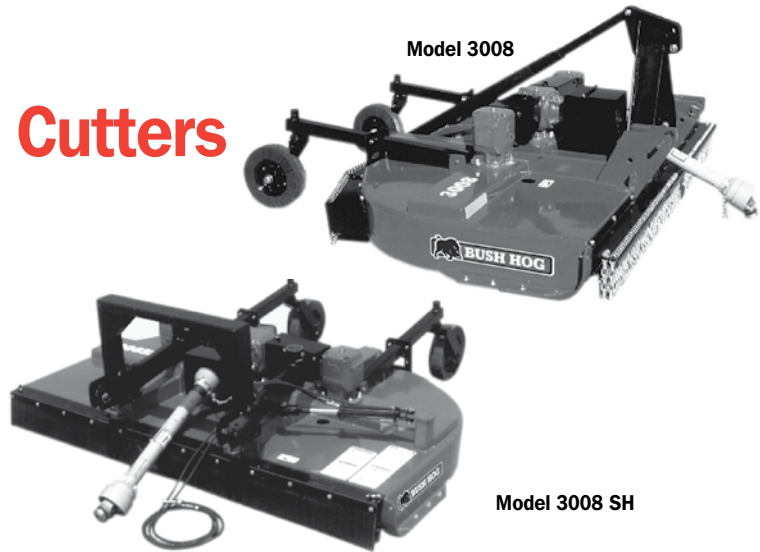


MODEL	278
Cutting Width	8 ft
Cutting Capacity	Up to 2 inch Diameter
Offset	78 <sup>1</sup> / <sub>2</sub> inches
Dimensions (width x length)	8 ft 5 inches x 7 ft 3 inches
Transport Width	101 inches
Type Hitch	3 Point Category II, Category II Quick Hitch or Pull
Cutting Height	2 <sup>1</sup> / <sub>2</sub> to 10 inches (Lift), 2 <sup>1</sup> / <sub>2</sub> to 12 inches (Pull)
Deck Thickness	9 gauge
Sidebands	9 gauge x 7 <sup>3</sup> / <sub>8</sub> inches
Minimum Tractor HP	40 PTO (Pull), 55 PTO (Lift)
Driveline	ASAE Category 4
Cross Shaft	Rubber element
Gearbox HP	Main - 70, Outboard - 50
Tractor PTO Speed	540 RPM
Driveline Protection	Slip clutch, 4 Plate PTO Slip Clutch Available
Height Adjustment	Manual
Blade Holder(s)	Round
Blades	1/2 x 4 inches, Uplift
Blade Tip Speed	16,856 FPM
Tires	Dual laminated standard
Axles	Dual tailwheels
Deflectors	Front Belting and Rear Bands standard, Chains optional
Safety Tow Chain	Standard on pull model
Approximate Weight	1100 lbs (Lift), 1300 lbs (Pull)
Options	Highway Chains, Hydraulic Adjustment or Ratchet for Pull Models, Jackstand, Dual Tailwheels
Warranty	1 year limited warranty



# Bush Hog® TOUGH 3008 Series Rotary Cutters

- BUSH HOG® TOUGH FEATURES**
- TOUGH 10 Gauge Deck Construction**
- TOUGH 7 Gauge Strongbacks**
- TOUGH 1/4 Inch Sidebands**
- TOUGH Replaceable Wide Skids**
- TOUGH 5 Year Gearbox Limited Warranty**
- TOUGH Powder Coat Paint**



MODELS	3008	3008 SH
<b>Cutting Width</b>	8 ft 2 inches	8 ft 2 inches
<b>Cutting Capacity</b>	2 inch diameter	2 inch diameter
<b>Dimensions</b> (width x length)	8 ft 10 inches x 7 ft 11 inches	8 ft 10 inches x 7 ft 11 inches
<b>Transport Width</b>	8 ft 5 inches	8 ft 5 inches
<b>Type Hitch</b>	3 Point Cat. I & II standard and quick hitch Cat. I & II semi-mount, center pull	Cat. I & II semi-mount offset, center to 13 inches offset
<b>Cutting Height</b>	2 inches to 13 inches	2 inches to 15 inches
<b>Deck Thickness</b>	10 gauge	10 gauge
<b>Side Bands</b>	1/4 x 10 inches	1/4 x 10 inches
<b>Minimum Tractor HP</b>	50 PTO (Lift), 40 PTO (Pull)	40 PTO (Semi-mount)
<b>Driveline</b>	ASAE Cat. 4	ASAE Cat. 4
<b>Cross Shaft</b>	Fiber Disc	Fiber Disc
<b>Gearbox HP</b>	(3) 120 (center), 90 (outboard)	(3) 120 (center), 90 (outboard)
<b>Tractor PTO Speed</b>	540 RPM	540 RPM
<b>Driveline Protection</b>	4 Plate PTO Slip Clutch	4 Plate PTO Slip Clutch
<b>Height Adjustment</b>	Heavy duty axle - manual or hydraulic	Heavy duty axle - manual or hydraulic
<b>Blade Holder(s)</b>	Round	Round
<b>Blades</b>	1/2 inch x 4 inch (uplift)	1/2 inch x 4 inch (uplift)
<b>Blade Tip Speed</b>	16,345 FPM (540 RPM)	16,345 FPM (540 RPM)
<b>Blade Overlap</b>	3 inches	3 inches
<b>Tires</b>	Laminated, pneumatic, airplane	Laminated
<b>Axles</b>	Selection: Rigid Twin Beam Axle Bundle or Heavy Duty Axle Bundle with Shock Absorber on lift or semi-mount	
<b>Deflectors</b>	Standard front belting and rear bands (chains optional)	Standard front belting and rear bands (chains optional)
<b>Safety Tow Chain</b>	Standard on pull model	N/A
<b>Approximate Weight</b>	1683 lbs (Lift), 2118 lbs (Pull)	1845 lbs (Semi-mount)

### Warranty

1 year limited warranty with a 5 year gearbox limited warranty

### FEATURES

- Standard slip clutch • High blade tip speeds • Deep sidebands • Quick detach gearbox shields

# Bush Hog® TOUGH 3209 Series Rotary Cutter

## BUSH HOG® TOUGH FEATURES

**TOUGH 10 Gauge Deck Construction**

**TOUGH 7 Gauge Strongbacks**

**TOUGH 1/4 Inch Sidebands**

**TOUGH Rubber Cushioned Axle Arms**

**TOUGH 5 Year Gearbox Limited Warranty**

**TOUGH Powder Coat Paint**



**3209**

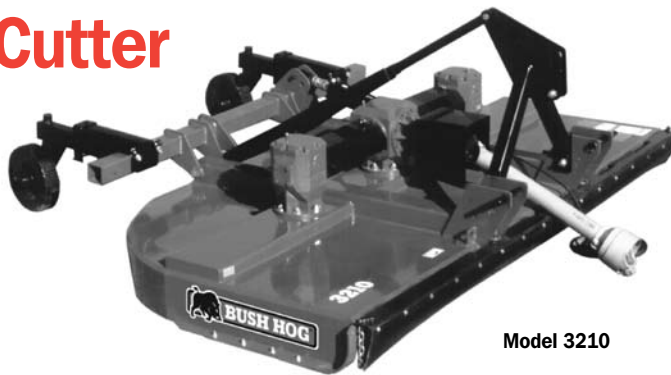
MODELS	
Cutting Width	9 ft
Cutting Capacity	2 1/2 inch diameter
Offset Beyond Tractor Center Line	N/A
<b>Dimensions</b> (width x length)	9 ft 7 inches x 9 ft 9 inches (Lift)
<b>Transport Width</b>	9 ft 5 inches
<b>Type Hitch</b>	3-Pt. Category II & III Standard and Quick Hitch, Cat. II & III Semi-Mount and Center Pull (self leveling)
<b>Cutting Height</b>	2 to 13 inches
<b>Deck Thickness</b>	10 gauge
<b>Side Bands</b>	1/4 x 10 inches
<b>Minimum Tractor HP</b>	50 PTO (Lift), 40 PTO (Pull / Semi)
<b>Driveline</b>	ASAE Cat. 5 (540 RPM - Lift, Pull and Semi-Mount), ASAE Cat. 4
<b>Cross Shaft</b>	ASAE Cat. 4 Rubber Element
<b>Gearbox HP</b>	(3) 205 Center, 190 Outboards
<b>Tractor PTO Speed</b>	540 RPM
<b>Driveline Protection</b>	4 Plate PTO Slip Clutch
<b>Height Adjustment</b>	Manual or Hydraulic
<b>Blade Holder(s)</b>	Round
<b>Blades</b>	1/2 x 4 inches - Uplift
<b>Blade Tip Speed</b>	15,176 FPM
<b>Tires</b>	Laminated, Pneumatic, Aircraft
<b>Axles</b>	Choice of Single or Dual Axles for Pull Models
<b>Deflectors</b>	Front Belting, Rear Band, Optional Chains
<b>Safety Tow Chain</b>	Standard for Pull Models
<b>Approximate Weight</b> (Pull with Single Axle)	2594 lbs
<b>Options</b>	Chain Shielding, Third Tailwheel for Lift or Semi-Mount Models
<b>Warranty</b>	1 year limited warranty with a 5 year gearbox limited warranty

## FEATURES

- High blade tip speeds • Deep sidebands

# Bush Hog® TOUGH 3210 Series Rotary Cutter

**BUSH HOG® TOUGH FEATURES**  
**TOUGH 10 Gauge Deck Construction**  
**TOUGH 7 Gauge Strongbacks**  
**TOUGH 1/4 Inch Sidebands**  
**TOUGH Rubber Cushioned Axle Arms**  
**TOUGH 5 Year Gearbox Limited Warranty**  
**TOUGH Powder Coat Paint**



Model 3210

MODELS	3210	3210 Offset
Cutting Width	10 1/2 ft	10 1/2 ft
Cutting Capacity	2 1/2 inch diameter	2 1/2 inch diameter
Offset Beyond Tractor Center Line (Offset Models Only)	N/A	7 ft 10 inches
Dimensions (width x length)	11 ft 1 inch x 9 ft 10 inches (Lift)	11 ft 1 inch x 13 ft 5 inches (Pull)
Transport Width	10 ft 11 inches	10 ft 11 inches
Type Hitch	3 Point Category II & III Standard and Quick Hitch, Cat. II & III Semi-Mount and Center Pull (self leveling)	3 Point Category II & III Semi-Mount and Pull Type (self leveling)
Cutting Height	2 to 13 inches	2 to 13 inches
Deck Thickness	10 gauge	10 gauge
Side Bands	1/4 x 10 inches	1/4 x 10 inches
Minimum Tractor HP	60 PTO (Lift), 50 PTO (Pull)	55 PTO (Semi-Mount), 50 PTO (Pull)
Driveline	ASAE Cat. 5 (540 RPM - Lift, Pull and Semi-Mount), ASAE Cat. 4 (1000 RPM Pull)	ASAE Cat. 5 (540 RPM - Pull and Semi-Mount)
Cross Shaft	ASAE Cat. 5 Rubber Element	ASAE Cat. 5 Rubber Element
Gearbox HP	(3) 205 Center, 190 Outboard	(2) 205 Main, 190 Outboard
Tractor PTO Speed	540/1000 RPM	540 RPM
Driveline Protection	4 Plate PTO Slip Clutch	4 Plate PTO Slip Clutch
Height Adjustment	Manual or hydraulic	Manual or hydraulic
Blade Holder(s)	Round	Round
Blades	1/2 x 4 inches - Uplift	1/2 x 4 inches - Uplift
Blade Tip Speed	16,881 FPM/540 RPM; 17,400/1000 RPM	16,881 FPM/540 RPM; 17,400/1000 RPM
Tires	Laminated, Pneumatic, Aircraft	Laminated, Pneumatic, Aircraft
Axles	Rubber Cushioned, Choice of Single or Dual Axles for Pull Models	
Deflectors	Front Belting, Rear Band, Optional Chains	Front Belting, Rear Band, Optional Chains
Safety Tow Chain	Standard for Pull Models	Standard for Pull Models
Approximate Weight (Pull with Single Axle)	2741 lbs	2624 lbs
Options	Chain Shielding, Third Tailwheel for Lift or Semi-Mount Models	
Warranty	1 year limited warranty with a 5 year gearbox limited warranty	

## FEATURES

- High blade tip speeds • Deep sidebands

# Bush Hog® TOUGH

## 3414 Series Rotary Cutter

**BUSH HOG® TOUGH FEATURES**  
**TOUGH 10 Gauge Deck Construction**  
**TOUGH 7 Gauge Strongbacks**  
**TOUGH 1/4 Inch Sidebands**  
**TOUGH Rubber Cushioned Axle Arms**  
**TOUGH Round Blade Pan Or Straight Bar**  
**TOUGH 5 Year Gearbox Limited Warranty**  
**TOUGH Powder Coat Paint**



### 3414

MODELS	
Cutting Width	14 ft
Cutting Capacity	2 1/2 inch diameter
Dimensions (width x length)	14 ft 7 inches x 9 ft 1 inch (Lift), 14 ft 7 inches x 13 ft 5 inches (Pull)
Transport Width	14 ft 8 inches
Type Hitch	3 Point Cat. II & III Standard & Quick Hitch, Cat. II & III (Semi-Mount) and Center Pull Self Leveling
Cutting Height	2 to 13 inches
Deck Thickness	10 gauge
Side Bands	1/4 x 10 inches
Minimum Tractor HP	90 PTO (Lift), 75 PTO (Pull)
Driveline	ASAE Cat. 5 (For 540 RPM Lift, Pull and Semi-Mount), ASAE Cat. 4 (For 1000 RPM Pull Models)
Cross Shafts	ASAE Cat. 5 Rubber Element or Optional Cat. 4 Shear Pin/Rubber Element
Gearbox HP	(3) 205 - Center, 190 - Outboard
Tractor PTO Speed	540/1000 RPM
Driveline Protection	4 Plate PTO Slip Clutch
Height Adjustment	Choice of Manual Height Bundle or Hydraulic
Blade Holder(s)	Straight or Round
Blades	1/2 x 4 inches - Uplift
Blade Tip Speed	15,242 FPM
Tires	Laminated, Pneumatic, Aircraft
Spring Cushioned Axles	Rubber Cushioned, Choice of Single or Dual on Pull and Semi-Mount Models
Deflectors	Front Belting and Rear Band, Optional Chains
Safety Tow Chain	Standard for Pull Models
Approximate Weight (Pull with Single Axle)	3383 lbs
Highway Lighting	Standard
Options	Chain Shielding, Shredder Attachment, Third tailwheel for Lift or Semi-Mount Models
Warranty	1 year limited warranty with a 5 year gearbox limited warranty

# Bush Hog® TOUGH

## 4215 Series Rotary Cutter

### BUSH HOG® TOUGH FEATURES

**TOUGH 10 Gauge Deck Construction**

**TOUGH 7 Gauge Steel Strongbacks**

**TOUGH 1/4 Inch Sidebands**

**TOUGH Spring Shock Absorbers On Each Axle Arm**

**TOUGH Heavy Duty Axles**

**TOUGH Powder Coat Paint**



MODEL	4215
Cutting Width	15 ft
Cutting Capacity	2 inch Diameter
Dimensions (width x length)	15 ft 7 inches x 12 ft 2 inches
Transport Width	15 ft 7 inches
Type Hitch	3 Point Cat. II & III Standard & Quick Hitch
Cutting Height	2 to 16 inches
Deck Thickness	10 gauge
Side Bands	1/4 x 10 inches
Minimum Tractor HP	125 PTO
Driveline	ASAE Cat. 5, for 1000 PTO speed tractors only
Cross Shaft	Slipclutch
Gearbox HP	(3) 160 - Center, 110 - Outboard
Tractor PTO Speed	1000 RPM
Driveline Protection	(3) 2 Plate Slip Clutch
Height Adjustment	Choice of Manual Height Bundle or Hydraulic
Blade Holders	Round or Straight
Blades	1/2 x 4 inches - Uplift
Blade Tip Speed	17,280 FPM (Center), 15,708 FPM (Outboard)
Tires	Laminated
Axles	Single Tires Only
Deflectors	Front Belting and Rear Band
Approximate Weight (Pull with Single Axle)	3911 lbs
Highway Lighting	Standard
Options	Single Tailwheel for Lift, Grass Baffle Kit, Shredding Kit 30/38/40 inch Rows
Warranty	1 year limited warranty with a 1 year gearbox limited warranty

# Bush Hog® TOUGH

## 2610L Single Wing Flex Series Rotary Cutter

Recommended Tractor HP Minimum 60 PTO

### BUSH HOG® TOUGH FEATURES

- TOUGH 10 Gauge Deck Construction
- TOUGH 7 Gauge Strongbacks
- TOUGH 1/4 Inch Sidebands
- TOUGH Heavy Duty Wheel Hubs And Axle Spindles
- TOUGH Independent Spring Cushion At Each Axle Arm
- TOUGH Heavy Duty Axle Turn Buckles
- TOUGH Greaseable Axle Pivot Points
- TOUGH Driveline Safety Retaining Rings
- TOUGH 5 Year Gearbox Limited Warranty
- TOUGH Powder Coat Paint



MODEL	2610L
Cutting Width	10 ft 6 inches
Cutting Capacity	2 1/2 inch diameter
Cutting Height	2 to 14 inches
Overall Width x Length (from clevis to wheel hub at transport height)	11 ft 8 inches x 14 ft 10 inches
Transport Width (from weight box to wing skid)	8 ft
Tractor PTO	540 RPM/1000 RPM
Minimum Tractor HP	60 PTO
Deck Thickness	10 gauge
Side Bands	1/4 x 10 1/2 inches
Gearbox HP	235/Transfer, 190/Center & Wing
PTO Driveline	Input: Constant Velocity or Cardan/jackshaft - Cat.5 (540 RPM) Cat. 4 or 5 (1000 RPM)
Wing Driveline	ASAE Cat. 4
Slip Clutches	(2) 2 Friction Plates
Blade Tip Speed	16,289 FPM/540 RPM; 16,000 FPM/1000 RPM
Blades	1/2 x 4 inches – Uplift with 6 inch Overlap
Type Hitch	Self Leveling with Perma Level Hitch®, or 2 inch Ball Hitch or Swivel Clevis Hitch
Wing Flex	87° Up to 22° Down
Tires	Laminated, Pneumatic or Aircraft
Axles	Greaseable pivot points
Wheel Shock Protection	Independent Springs/Each Axle
Deflectors	Standard Front Belting and Rear Bands, Optional Chains Front and Rear
Options	Chain Shielding, Tandem Walking Axle, Deck Rings
Warranty	1 year limited warranty with a 5 year gearbox limited warranty

- FEATURES**
- Perma Level Hitch • Cylinder style anti wrap device around lower gearbox housing
  - High blade tip speeds • Deep sidebands • Heavy duty wheel hubs • Quick detach gearbox shields

**BUSH HOG EXCLUSIVE:** Driveline safety retaining rings

# Bush Hog® TOUGH

## 2710L Single Wing Flex Series Rotary Cutter Recommended Tractor HP Minimum 60 PTO

### BUSH HOG® TOUGH FEATURES

**TOUGH EZ Clean Deck 11 Gauge Top & 10 Gauge Bottom**

**TOUGH 7 Gauge Strongbacks**

**TOUGH 1/4 Inch Sidebands**

**TOUGH Independent Spring Cushion At Each Axle Arm**

**TOUGH Heavy Duty Axle Turn Buckles**

**TOUGH Greaseable Axle Pivot Points**

**TOUGH Heavy Duty Wheel Hubs And Axle Spindles**

**TOUGH Driveline Safety Retaining Rings**

**TOUGH 6 Year Gearbox Limited Warranty**

**TOUGH Powder Coat Paint**



MODEL	2710L
Cutting Width	10 ft 6 inches
Cutting Capacity	3 1/2 inch diameter
Cutting Height	2 to 14 inches
Overall Width x Length (from clevis to wheel hub at transport height)	11 ft 8 inches x 14 ft 6 inches
Transport Width (from weight box to wing skid)	8 ft
Tractor PTO	540 RPM/1000 RPM
Minimum Tractor HP	60 PTO
Deck Thickness	11 gauge top/10 bottom
Side Bands	1/4 x 12 1/2 inches
Gearbox HP	235/Transfer, 205/Center & Wing
PTO Driveline	Input: Constant Velocity or Cardan/jackshaft - Cat. 5 (540 RPM) Cat. 4 or 5 (1000 RPM)
Wing Driveline	ASAE Cat. 4
Slip Clutches	(2) 2 Friction Plates
Blade Tip Speed	16,000 FPM/540 RPM; 15,912 FPM/1000 RPM
Blades	1/2 x 4 inches – Uplift with 6 inch Overlap
Type Hitch	Self Leveling with Perma Level Hitch®, or 2 inch Ball Hitch or Swivel Clevis Hitch
Wing Flex	87° Up to 22° Down
Tires	Laminated, Pneumatic or Aircraft
Axles	Greaseable with bushings
Wheel Shock Protection	Independent Springs/Each Axle
Deflectors	Standard Front Belting and Rear Band, Optional Chains Front and Rear
Options	Chain Shielding, Tandem Walking Axle, Deck Rings
Grass Baffles	Standard

### Warranty

1 year limited warranty with a 6 year gearbox limited warranty

### FEATURES

- Perma Level Hitch • Cylinder style anti wrap device around lower gearbox housing
- High blade tip speeds • Deep sidebands • Heavy duty wheel hubs • Quick detach gearbox shields

Driveline safety retaining rings

**BUSH HOG EXCLUSIVE:**

SPECIFICATIONS SUBJECT TO CHANGE WITHOUT NOTICE

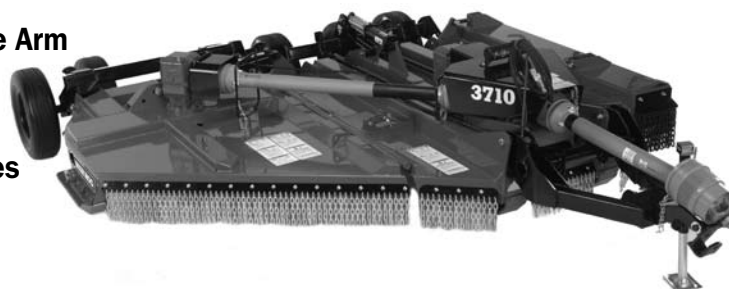
# Bush Hog® TOUGH

## 3710 Single Wing Flex Series Rotary Cutter

Recommended Tractor HP Minimum 80 PTO

### BUSH HOG® TOUGH FEATURES

- TOUGH 7 Gauge Deck Construction
- TOUGH 7 Gauge Strongbacks
- TOUGH 1/4 Inch Sidebands
- TOUGH Independent Spring Cushion At Each Axle Arm
- TOUGH Heavy Duty Axle Turn Buckles
- TOUGH Greaseable Axle Pivot Points
- TOUGH Heavy Duty Wheel Hubs And Axle Spindles
- TOUGH Driveline Safety Retaining Rings
- TOUGH 5 Year Gearbox Limited Warranty
- TOUGH Powder Coat Paint



MODEL	3710
Cutting Width	10 ft 6 inches
Cutting Capacity	3 1/2 inch diameter
Cutting Height	2 to 14 inches
Overall Width x Length (from clevis to wheel hub at transport height)	11 ft 8 inches x 14 ft 6 inches
Transport Width (from weight box to wing skid)	8 ft
Tractor PTO	540 RPM/1000 RPM
Minimum Tractor HP	80 PTO
Deck Thickness	7 gauge
Side Bands	1/4 x 10 1/2 inches
Gearbox HP	235/Transfer, 190/Center & Wing
PTO Driveline	Input: Constant Velocity or Cardan/jackshaft - Cat. 5 (540 RPM) Cat. 4 or 5 (1000 RPM)
Wing Driveline	ASAE Cat. 5
Slip Clutches	(2) 4 Friction Plates
Blade Tip Speed	16,289 FPM/540 RPM; 16,000 FPM/1000 RPM
Blades	1/2 x 4 inches – Uplift with 6 inch Overlap
Type Hitch	Self Leveling with Perma Level Hitch® or 2 5/16 inch Ball Hitch or Swivel Clevis Hitch
Wing Flex	87° Up to 22° Down
Tires	Laminated, Pneumatic or Aircraft
Axles	Greaseable with bushings
Wheel Shock Protection	Independent Springs/Each Axle
Deflectors	Standard Front Belting and Rear Band, Optional Chains Front and Rear
Options	Chain Shielding, Tandem Walking Axle, Deck Rings
Warranty	1 year limited warranty with a 5 year gearbox limited warranty • Perma Level Hitch • Cylinder style anti wrap device around lower gearbox housing • High blade tip speeds • Deep sidebands • Heavy duty wheel hubs • Quick detach gearbox shields
FEATURES	

**BUSH HOG EXCLUSIVE:**

Driveline safety retaining rings



# Bush Hog® TOUGH

## 2212 Flex Wing Rotary Cutter

Recommended Tractor HP 50 to 75 PTO

AVAILABLE IN MAY 2008

### BUSH HOG® TOUGH FEATURES

- TOUGH Heavy Duty Axle Turn Buckles
- TOUGH Greaseable Axle Pivot Points With Spring Steel Bushings For Extended Wear
- TOUGH Dual Spring Shock Absorption
- TOUGH Driveline Retaining Ring



MODEL	
Cutting Width	12 ft
Cutting Capacity	1 1/2 inch diameter
Cutting Height	2 to 14 inches
Overall Width and Length (from Clevis to Wheel Hub at Transport Height)	12 ft 8 inches x 13 ft 3 inch
Transport Width (from wing skid to wing skid)	5 ft 8 inches
Tractor PTO	540 RPM
Minimum Tractor HP	50 PTO
Deck Thickness	10 gauge
Side Bands	7 gauge x 12 inches
Gearbox HP	160 -Transfer, 75 - Center, 75 - Wings
PTO Driveline	ASAE Cat. 4 (540 RPM)
Wing Driveline	ASAE Cat. 3
Slip Clutches	(3) Multiple Plate Clutches
Blade Tip Speed	15,604 FPM
Blades	1/2 x 4 inch Uplift with 6 inch Overlap
Type Hitch	Self Leveling with Swivel Clevis
Wing Flex (Operating)	87° Up to 22° Down
Tires	Choice of Laminated Tire, Used Aircraft Tire, or Pneumatic 15 inch Wheel
Axles	Greaseable pivot points with bushings
Wheel Shock Protection	Springs on Center Section
Deflectors	Banding and Belting; Chains Optional
Options	Chain Shielding, Valve & Stand Kit
Warranty	1 year limited warranty with a 5 year gearbox limited warranty

**BUSH HOG EXCLUSIVE:** Driveline safety retaining rings

# Bush Hog® TOUGH

## 2515 Flex Wing Rotary Cutter

Recommended Tractor HP Minimum 50 To Maximum 120 PTO

### BUSH HOG® TOUGH FEATURES

- TOUGH EZ Clean Sloped 10 Gauge Deck
- TOUGH 7 Gauge Strongbacks
- TOUGH 1/4 Inch Sidebands
- TOUGH Greaseable Axle Pivot Points With Bushings
- TOUGH Heavy Duty Axle With Heavy Duty Turn Buckles
- TOUGH Driveline Safety Retaining Rings
- TOUGH 5 Year Gearbox Limited Warranty
- TOUGH Powder Coat Paint



MODEL	2515
Cutting Width	15 ft
Cutting Capacity	2 inch Diameter
Cutting Height	2 to 14 inches
Overall Width and Length (from Clevis to Wheel Hub at Transport Height)	15 ft 6 inches x 14 ft 1 inch
Transport Width (from wing skid to wing skid)	7 ft 2 inches
Tractor PTO	540 RPM/1000 RPM
Minimum Tractor HP	50 PTO
Deck Thickness	10 gauge
Side Bands	1/4 x 9 inches
Gearbox HP	Transfer - 160, Center - 110, Wings - 110
PTO Driveline	ASAE Cat. 5 (540 RPM), ASAE Cat. 4 (1000 RPM)
Wing Driveline	ASAE Cat. 4
Slip Clutches	(3) 2 Friction Plate Clutches
Blade Tip Speed	15,268 FPM
Blades	1/2 x 4 inch Uplift with 6 inch Overlap
Type Hitch	Self Leveling with Swivel Clevis
Wing Flex (Operating)	87° Up to 22° Down
Tires	Choice of Laminated Tire, Used Aircraft Tire, Foam-filled Used Aircraft Tire, or Pneumatic 15 inch Wheel
Axles	Greaseable pivot points with bushings
Wheel Shock Protection	Independent springs on the deck
Deflectors	Front and Rear Belting or Chains, See Model
Options	Chain Shielding, Valve & Stand Kit
Warranty	1 year limited warranty with a 5 year gearbox limited warranty

**FEATURES** • Quick detach gearbox shields

**BUSH HOG EXCLUSIVE:** Driveline safety retaining rings

# Bush Hog® TOUGH

## 2615L Flex Wing Rotary Cutter

Recommended Tractor HP Minimum 60 PTO

### BUSH HOG® TOUGH FEATURES

TOUGH 10 Gauge Deck Construction

TOUGH 7 Gauge Strongbacks

TOUGH 1/4 Inch Sidebands

TOUGH Heavy Duty Wheel Hubs And Axle Spindles

TOUGH Independent Spring Cushion At Each Axle Arm

TOUGH Heavy Duty Axle Turn Buckles

TOUGH Greaseable Axle Pivot Points

TOUGH Driveline Safety Retaining Rings

TOUGH 5 Year Gearbox Limited Warranty

TOUGH Powder Coat Paint



MODEL	2615L
Cutting Width	15 ft
Cutting Capacity	2 1/2 inch Diameter
Cutting Height	2 to 14 inches
Overall Width x Length (from Clevis to Wheel Hub at Transport Height)	15 ft 8 inches x 14 ft 10 inches
Transport Width (outside wing skid to outside wing skid)	8 ft 11 inches
Tractor PTO	540 RPM/1000 RPM
Minimum Tractor HP	60 PTO
Deck Thickness	10 gauge
Side Bands	1/4 x 10 1/2 inches
Gearbox HP	235 - Transfer, 190 - Center, 190 - Wings
PTO Driveline	Input: Constant Velocity or Cardan/jackshaft - Cat. 5 (540 RPM) Cat. 4 or 5 (1000 RPM)
Wing Driveline	ASAE Cat. 4
Slip Clutches	(3) 2 - Friction Plates
Blade Tip Speed	16,289 FPM/540 RPM; 16,000 FPM/1000 RPM
Blades	1/2 x 4 inch Uplift with 6 inch Overlap
Type Hitch	Self Leveling with Perma-Level Hitch® or 2 Inch Ball Hitch or Swivel Clevis Hitch
Wing Flex (operating)	87° Up to 22° Down
Tires	Laminated Tire, Used Aircraft Tire, Foam Filled Used Aircraft Tire, Pneumatic 15 inch wheel (tire not included)
Axles	Single or Dual Wing Axles, Dual or Walking Tandem on Center
Wheel Shock Protection	Independent Springs on Each Axle
Deflectors	Standard Front Belting and Rear Band, Optional Front and Rear Chains
Options	Chain Shielding, Valve & Stand Kit, Deck Rings
Warranty	1 year limited warranty with a 5 year gearbox limited warranty

- FEATURES**
- Perma Level Hitch • Cylinder style anti wrap device around lower gearbox housing
  - High blade tip speeds • Deep sidebands • Heavy duty wheel hubs • Quick detach gearbox shields
- BUSH HOG EXCLUSIVE:** Driveline safety retaining rings

# Bush Hog® TOUGH

## 2715L Flex Wing Rotary Cutter

Recommended Tractor HP Minimum 60 PTO

### BUSH HOG® TOUGH FEATURES

TOUGH EZ Clean Deck 11 Gauge Top & 10 Gauge Bottom

TOUGH 7 Gauge Strongbacks

TOUGH 1/4 Inch Sidebands

TOUGH Independent Spring Cushion At Each Axle Arm

TOUGH Heavy Duty Axle Turn Buckles

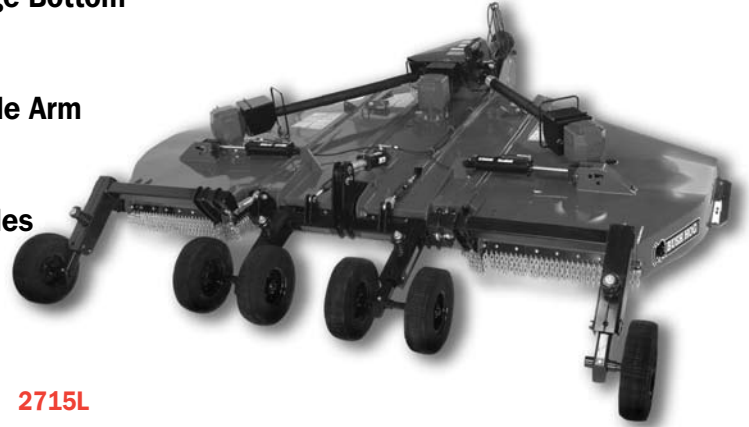
TOUGH Greaseable Axle Pivot Points

TOUGH Heavy Duty Wheel Hubs And Axle Spindles

TOUGH Driveline Safety Retaining Rings

TOUGH 6 Year Gearbox Limited Warranty

TOUGH Powder Coat Paint



MODEL	2715L
Cutting Width	15 ft
Cutting Capacity	3 1/2 inch diameter
Cutting Height	2 to 14 inches
Overall Width x Length (from Clevis to Wheel Hub at Transport Height)	15 ft 6 inches x 14 ft 6 inches
Transport Width (outside wing skid to outside wing skid)	8 ft 2 inches
Tractor PTO	540/1000 RPM
Minimum Tractor HP	60 PTO
Deck Thickness	Top Deck - 11 gauge, Bottom Deck - 10 gauge
Side Bands	1/4 x 12 1/2 inch
Gearbox HP	235 - Transfer, 205 - Center, 205 - Wings
PTO Drivelines	Input: Constant Velocity or Cardan/jackshaft - Cat. 5 at 540 RPM Cat. 4 or 5 (1000 RPM)
Wing Drivelines	ASAE Cat. 4
Slip Clutches	(3) Slip clutches, 2 - Friction Plates Each
Blade Tip Speed	16,000 FPM /540 RPM; 15,912 FPM /1000 RPM
Blades	1/2 x 4 inch uplift with 6 inch overlap
Type Hitch	Self-Leveling with Perma-Level® Hitch, or available with 2 inch Ball Hitch or Swivel Clevis Hitch
Wing Flex	87° up to 22° down
Tires	Laminated Tire, Used Aircraft Tire, Foam Filled Used Aircraft Tire, Pneumatic 15 inch Wheel (tire not included), 15 inch x 6 inch wheel for 9.5L x 15 inch tire, modified laminated tire with 10 bolts
Axles	Choice of Dual or Walking Tandem on Center Section, Choice of Single or Dual Wing Axles
Wheel Shock Protection	Independent springs on each axle
Deflectors	Standard Front Belting, Optional front and rear chains
Options	Chain Shielding, Valve & Stand Kit, Deck Rings
Warranty	1 year limited warranty with a 6 year gearbox limited warranty

### FEATURES

- EZ clean double deck
- Perma Level Hitch
- Grass baffles
- Cylinder style anti wrap device around lower gearbox housing
- High blade tip speeds
- Deep sidebands
- Heavy duty wheel hubs
- Quick detach gearbox shields
- Greaseable Bushings on Axle Pivots
- Greaseable Axle Arm Pivots

### BUSH HOG EXCLUSIVE:

Driveline safety retaining rings

# Bush Hog® TOUGH

## 3715 Flex Wing Rotary Cutter

Recommended Tractor HP Minimum 80 PTO

### BUSH HOG® TOUGH FEATURES

- TOUGH 7 Gauge Deck Construction
- TOUGH 7 Gauge Strongbacks
- TOUGH 1/4 Inch Sidebands
- TOUGH Independent Spring Cushion At Each Axle Arm
- TOUGH Heavy Duty Axle Turn Buckles
- TOUGH Greaseable Axle Pivot Points
- TOUGH Heavy Duty Wheel Hubs And Axle Spindles
- TOUGH Driveline Safety Retaining Rings
- TOUGH 5 Year Gearbox Limited Warranty
- TOUGH Powder Coat Paint



MODEL	3715
Cutting Width	15 ft
Cutting Capacity	3 1/2 inch Diameter
Cutting Height	2 to 14 inches
Overall Width x Length (from clevis to wheel hub at transport height)	15 ft 6 inches x 14 ft 6 inches
Transport Width (outside wing skid to outside wing skid)	8 ft 11 inches
Tractor PTO	540 RPM/1000 RPM
Minimum Tractor HP	80 PTO
Deck Thickness	7 gauge
Side Bands	1/4 x 10 1/2 inches
Gearbox HP	235 - Transfer, 190 - Center, 190 - Wings
PTO Drivelines	Input: Constant Velocity or Cardan/jackshaft - Cat. 5 (540 RPM), Cat. 4 or 5 (1000 RPM)
Wing Drivelines	ASAE Cat. 5
Slip Clutches	(3) 4 - Friction Plates
Blade Tip Speed	16,289 FPM/540 RPM; 16,000 FPM/1000 RPM
Blades	1/2 x 4 inch Uplift with 6 inch Overlap
Type Hitch	Self Leveling with Perma-Level® Hitch or available with 2 5/16 inch ball hitch or Swivel Clevis hitch
Wing Flex	87° Up to 22° Down
Tires	Laminated Tire, Used Aircraft Tire, Foam Filled Used Aircraft Tire, Pneumatic 15 inch Wheel (tire not included), 15 inch x 6 inch Wheel for 9.5L x 15 inch Tire, Modified Laminated Tire with 10 Bolts
Axles	Dual or Tandem Walking Axles for Center Section; Single Axle, Dual Axle or Tandem Walking Axle for Wings
Wheel Shock Protection	Independent Spring Absorption on Each Axle
Deflectors	Standard Front Belting/Rear Band
Options	Tandem Walking Axles, Manual Wing Lift, Chain Shielding Front and Rear, Valve & Stand Kit, Grass Baffles, Deck Rings
Warranty	1 year limited warranty with a 5 year gearbox limited warranty

- FEATURES**
- Perma Level Hitch • Cylinder style anti wrap device around lower gearbox housing
  - High blade tip speeds • Deep Sidebands • Heavy duty wheel hubs • Quick detach gearbox shields
- BUSH HOG EXCLUSIVE:** Driveline safety retaining rings

# Bush Hog® TOUGH

## 2720 Flex Wing Rotary Cutter

Recommended Tractor HP Minimum 90 PTO

### BUSH HOG® TOUGH FEATURES

- TOUGH 10 Gauge Steel Deck
- TOUGH 7 Gauge Strongbacks
- TOUGH 1/4 Inch Sidebands
- TOUGH Heavy Duty Wheel Hubs And Axle Spindles
- TOUGH Independent Spring Cushion On Each Axle Arm
- TOUGH Heavy Duty Axle With Turnbuckles
- TOUGH Greaseable Axle Pivot Points
- TOUGH Driveline Safety Retaining Rings
- TOUGH 5 Year Gearbox Limited Warranty
- TOUGH Powder Coat Paint



MODEL	2720
Cutting Width	20 ft
Cutting Capacity	2 1/2 inch Diameter
Cutting Height	2 to 14 inches
Overall Width x Length (from clevis to wheel hub at transport height)	21 ft x 15 ft 11 inches
Transport Width (outside wing skid to outside wing skid)	11 ft
Tractor PTO	540 RPM/1000 RPM
Minimum Tractor HP	90 PTO
Deck Thickness	10 gauge
Side Bands	1/4 x 10 1/2 inches
Gearbox HP	235 - Transfer, 190 - Center, 190 - Wings
PTO Drivelines	Input: Constant Velocity or Cardan/jackshaft - Cat. 5 (540 RPM), Cat. 4 or 5 (1000 RPM)
Wing Drivelines	ASAE Cat. 5
Slip Clutches	(3) 4 - Friction Plates
Blade Tip Speed	16,328 FPM/540 RPM; 16,000 FPM/1000 RPM
Blades	1/2 x 4 inch Uplift with 6 inch Overlap
Type Hitch	Self Leveling with Perma-Level® Hitch, or Available with 2 5/16 inch Ball Hitch
Wing Flex	87° Up to 22° Down
Tires	Laminated Tire, Used Aircraft Tire, Foam Filled Used Aircraft Tire, Pneumatic 15 inch Wheel (tire not included), 15 inch x 6 inch Wheel for 9.5L x 15 inch Tire, Modified Laminated Tire with 10 Bolts
Axles	Dual or Tandem Walking Axles for Center Section; Single Axle, Dual Axle or Tandem Walking Axle for Wings
Wheel Shock Protection	Independent Spring Shock Absorption on Each Axle Arm
Deflectors	Standard Front Belting, Rear Metal Band
Options	Chain Shielding, Valve Stand Kit, Grass Baffle Kit, Deck Rings, Straight Blade Bar, Shredder Kit
Warranty	1 year limited warranty with a 5 year gearbox limited warranty

**FEATURES** • Perma-Level® Hitch • High blade tip speeds • Deep sidebands • Heavy duty wheel hubs • Quick detach gearbox shields

**BUSH HOG EXCLUSIVE:** Driveline safety retaining rings

# Bush Hog® TOUGH

## Home Series Zero Turn Mowers

### BUSH HOG® TOUGH FEATURES

**TOUGH Warner® MagStop™ Electromagnetic Clutch**  
Rated At 105 ft lbs

**TOUGH Single Kevlar™ Cord Belt**

**TOUGH Fully Floating Deck With 4 1/2 Inch Deep Sides**

**TOUGH Long Wearing Fusion™ Hi-Lift Blades**

**TOUGH Briggs & Stratton® Intek® OHV**  
**and Kohler® Courage® OHV Engines**

**TOUGH 3 Year Limited Warranty**



#### MODELS

	Engines	36 inch	42 inch
<b>HS1736</b>	17.5 HP Briggs & Stratton® Intek™ OHV 502cc	X	
<b>HS1836</b>	18.0 HP Briggs & Stratton® Intek™ 656cc V-Twin	X	
<b>HS1742</b>	17.5 HP Briggs & Stratton® Intek™ OHV 502cc		X
<b>HS1842</b>	18.0 HP Briggs & Stratton® Intek™ 656cc V-Twin		X
<b>HS2042</b>	20 HP Kohler® Courage™ OHV 725cc V-Twin		X

#### VEHICLE

<b>Drive System</b>	Dual Hydrostats, Hydro-Gear® EZT's with large 7 inch cooling fans
<b>Brakes</b>	Hydrostats provide dynamic braking, parking brake
<b>Steering/Motor Control</b>	Dampened twin levers, adjustable fore and aft and vertically
<b>Front Caster Tires</b>	11 x 4.0 - 5 tubeless, turf type
<b>Drive Tires</b>	18 x 8.5 - 8 tubeless turf type
<b>Speed</b>	Infinitely variable; 0-7 MPH forward
<b>PTO Engagement</b>	Mag Stop™ Electromagnetic clutch rated at 105 ft lbs
<b>Fuel Capacity</b>	8.0 gallons; twin fuel tanks
<b>Features/Gauges</b>	Key start, PTO switch, throttle, choke, low engine oil pressure warning, molded-in cup holder, and large vented fuel caps
<b>Safety</b>	Operator presence controls (OPC)
<b>Seat</b>	High-back, foam padded seat with flip-up arm rests and seat slides
<b>Controls</b>	Key Ignition, Throttle, Choke, PTO Switch, Park Break Lever

#### DECKS

<b>Style</b>	2 spindle, 11 gauge reinforced steel, fully floating, 4 1/2 inch deep side discharge
<b>Deck Lift</b>	Foot-assisted, height adjustment from the seat
<b>Blades</b>	.204 inch thick, heat-treated steel, Hi Lift Fusion™ blades
<b>Cutting Height Range</b>	1 1/2 to 4 1/2 inches, adjustable in 1/4 inch increments
<b>Blade Tip Speed</b>	36 inch Deck: 17,400 FPM      42 inch Deck: 18,300 FPM

**Accessories** Grass mulching kits, working lights, tachometer/hourmeter, sunshade, 2 post ROPS with seatbelt and grass collection system

Residential use only - Three year limited warranty (third year parts only) See dealer for complete details.  
Engine warranty administered through engine manufacturer

# Bush Hog® TOUGH

## Estate Series Zero Turn Mowers

### BUSH HOG® TOUGH FEATURES

- TOUGH Cast Iron Spindles Greased From The Top
- TOUGH 10 Gauge Welded Steel Deck With Reinforced Lip
- TOUGH Long Lasting Electric Clutches
- TOUGH Rugged Hydro-Gear® ZT2800 Transaxles
- TOUGH Powder Coat Paint



MODEL	Engines	44 inch	52 inch
ES1744	17.5 HP Briggs & Stratton® Intek™ OHV 502cc	X	
ES2344	23 HP Briggs & Stratton® ELS 725cc V-Twin	X	
ES2044	20 HP Kohler® Courage™ OHV 725cc V-Twin	X	
ES2352	23 HP Briggs & Stratton® ELS OHV 725cc V-Twin		X
ES2052	20 HP Kohler® Courage™ OHV 725cc V-Twin		X
ES2052	20 HP Honda GXV620 OHV 614cc V-Twin		X
ES2352	23 HP Kohler® Courage Pro™ OHV 725cc V-Twin		X

VEHICLE	
Drive System	Dual hydrostats, Hydro-Gear® ZT 2800™'s with large 7 inch cooling fans
Brakes	Hydro provides dynamic braking, parking brake
Electrical System	12 volt, Rated at 230 CCA, Electric Start
Steering/Motor Control	Dampened twin levers, adjustable fore and aft and vertically
Front Caster Tires	11 x 4.0-5 tubeless turf type
Drive Tires	22 x 7.50-12 on 44 inch decks      22 x 9.50-12 on 52 inch decks
Speed	Infinitely variable; 0-8 MPH forward
PTO Engagement	Mag Stop™ Electromagnetic clutch rated at 125 ft lbs
Fuel Capacity	8.0 gallons; twin fuel tanks
Seat Options	High-back, foam padded seat with flip-up arm rests and seat slides; High-back, full suspension seat with flip-up arm rests and seat slides
Features/Gauges	Key start, PTO switch, throttle, choke, low engine oil pressure warning, tachometer/hour meter, molded-in beverage holder, molded in storage tray and large vented fuel caps
Safety	Operator presence controls (OPC)
Controls	Key Ignition, Throttle, Choke, PTO Switch, Park Brake Lever

DECKS	
Style	10 gauge, reinforced steel with reinforced lip, fully floating, 5 inch deep side discharge
Deck lift	Quick Foot™ height adjustment from the seat
Blades	.204 inch thick, heat-treated high alloy steel, Hi Lift <sup>SM</sup>
Cutting Height Range	1 1/2 to 4 1/2 inches, adjustable in 1/4 inch increments
Blade Tip Speed	44 inch Deck: 17,500 FPM      52 inch Deck: 17,500 FPM

ACCESSORIES	
WARRANTY	Grass Mulching Kits, Work Light Kit, Roll-over Protection Structure (ROPS) with seatbelt, Canopy, Trailer Hitch Kit, Max Vac Grass Collection System, Right hand anti-scalp roller on 52 inch deck, Bar tires Residential Use - Three (3) year limited warranty (third year parts only). Commercial Use - One (1) year or 400 hours use (whichever comes first) limited warranty. See dealer for complete details. Engine warranty administered through engine manufacturer. 1 year limited warranty on commercial use not available from all engine manufacturers. (ES2352)



# Bush Hog® TOUGH Commercial Series Zero Turn Mowers



## BUSH HOG® TOUGH FEATURES

**TOUGH Commercial Grade Spindles Greased From The Top**

**TOUGH 7 Gauge Or 10 Gauge Welded Steel Decks**

**TOUGH Rolled Front Edge Deck With 3/8 Inch Bar For Extra Protection**

**TOUGH Fully Floating Deck**

**TOUGH Durable Anti-Scalp Rollers**

**TOUGH Long Lasting Electric Clutches**

### MODELS

	Engines and Decks	Width x Length (deflector down)	Dry Weight* (*lbs. with standard seat)
<b>CZ2149</b>	21 HP Kawasaki®/49 inch deck	61 x 82	1,230
<b>CZ2349</b>	23 HP Kohler® Command™ Pro/49 inch deck	61 x 82	1,230
<b>CZ2355</b>	23 HP Kohler® Command™ Pro/55 inch deck	67 x 82	1,270
<b>CZ2555</b>	25 HP Kawasaki® FH72IV/55 inch deck	67 x 82	1,270
<b>CZ2561</b>	25 HP Kawasaki® FH72IV/61 inch deck	73 x 85	1,295
<b>CZ2561</b>	25 HP Kohler® Command™ Pro/61 inch deck	73 x 85	1,295

### VEHICLE

<b>Drive System</b>	Dual Hydro-Gear® variable displacement pumps and high efficiency Hydro-Gear® motors. 1.0 gallon reservoir. Cooling fans with each pump.		
<b>Brakes</b>	Hydro provides dynamic braking; disc-type parking brake		
<b>Electrical System</b>	12 volt, Rated at 230 CCA; electric start		
<b>Steering/Motor Control</b>	Dampened twin levers, adjustable fore and aft and vertically		
<b>Front Caster Tires</b>	13 x 5.0-6 4 ply tubeless on 49 inch and 55 inch decks	13 x 6.5-6 4 ply tubeless on 61 inch decks	
<b>Drive Tires</b>	23 x 8.5-12 4 ply on 49 inch decks	24 x 9.5-12 4 ply on 55 inch decks	24 x 12-12 4 ply on 61 inch decks
<b>Speed</b>	Infinitely variable; 0-10 MPH forward		
<b>PTO Engagement</b>	Mag Stop™ Electromagnetic clutch rated at 175 ft lbs		
<b>Fuel Capacity</b>	12.5 gallons; twin fuel tanks		
<b>Seat Options</b>	High-back, foam padded seat with flip-up arm rests and seat slides High-back full suspension seat with flip-up arm rests and seat slides		
<b>Features/Gauges</b>	Tachometer/hour meter, low engine oil pressure warning light, low engine oil pressure audible alert, high engine temperature warning light and audible alert for Kohler® models, molded-in beverage holder, molded-in storage, large vented fuel caps and fuel tank Sitalines		
<b>Safety</b>	Operator presence controls (OPC), Certified fold-down ROPS with seatbelt		
<b>Controls</b>	Key ignition, throttle, choke, PTO switch, park brake lever		

### DECKS

<b>Style</b>	7 gauge steel on 55 inch and 61 inch, 10 gauge steel on 49 inch, fully floating, 5 1/2 inch deep side discharge		
<b>Deck lift</b>	Quick Foot™ height adjustment from the seat		
<b>Blades</b>	1/4 inch thick, heat-treated high alloy steel, High Lift <sup>SM</sup>		
<b>Cutting Height Range</b>	1 1/2 to 5 inches, adjustable in 1/4 inch increments		
<b>Blade Tip Speed</b>	18,500 FPM		

**Accessories** Grass Mulching Kits, Striping Roller, Canopy, Working Lights, Trailer Hitch Kit, Max Vac Grass Collection System and Bar tires.

### WARRANTY

3 year limited warranty (third year parts only) includes drive train, electromagnetic clutch, deck and cutter spindles. See dealer for complete details. Engine warranty administered through engine manufacturer.

# Bush Hog® TOUGH Professional Series Zero Turn Mowers

## BUSH HOG® TOUGH FEATURES

**TOUGH Commercial Grade Spindles Greased From The Top**

**TOUGH Pivoting Front Axle**

**TOUGH 7 Gauge Welded Steel Decks**

**TOUGH Rolled Front Edge Deck With 3/8 Inch Bar For Extra Protection**

**TOUGH Hydro-Gear® Pumps And Motors**

**TOUGH Reliable Professional Engines**

**TOUGH 200 lb Warner® Magstop® Clutch**

**TOUGH Powder Coat Paint**



MODEL	Engines and Decks	Width x Length (deflector down)	Dry Weight (lbs)
PZ2555	25 HP HP Kohler® Command™ Pro/55 inch deck	67 x 82	1300
PZ2555	25 HP Kawasaki® FH72IV/55 inch deck	67 x 82	1300
PZ2561	25 HP Kawasaki® FH72IV/61 inch deck	73 x 86	1400
PZ2755	27 HP Kohler® Command™ Pro/55 inch deck	67 x 82	1300
PZ2861	28 HP Kohler® Command™ Pro EFI/61 inch deck	73 x 86	1410
PZ2873	28 HP Kohler® Command™ Pro EFI/73 inch deck	85 x 88	1550
PZ3061	30 HP Kohler® Command™ Pro/61 inch deck	73 x 86	1400
PZ3073	30 HP Kohler® Command™ Pro/73 inch deck	85 x 88	1550

VEHICLE	
<b>Drive System</b>	Dual Hydro-Gear® variable displacement pumps and high efficiency Hydro-Gear® motors. 1.0 gallon reservoir. Cooling fans with each pump.
<b>Front Axle</b>	Pivoting, or can be locked in fixed position
<b>Brakes</b>	Hydro provides dynamic braking; disc-type parking brake
<b>Electrical System</b>	12 volt; electric start
<b>Steering/Motor Control</b>	Dampened twin levers, adjustable fore and aft and vertically
<b>Front Caster Tires</b>	13 x 6.50-6 4 ply tubeless
<b>Drive Tires</b>	24 x 9.50-12 TurfTrac® 4 ply on 55 inch Decks    24 x 12.0-12 TurfTrac® 4 ply on 61 inch and 73 inch
<b>Speed</b>	Infinitely variable; 0-14 MPH forward
<b>PTO Engagement</b>	Mag Stop™ Electromagnetic clutch rated at 200 ft lbs
<b>Fuel Capacity</b>	12.5 gallons; twin fuel tanks on 55 inch decks    15.5 gallons; twin fuel tanks on 61 inch and 73 inch decks
<b>Seat</b>	Deluxe high-back vinyl covered full suspension seat, equipped with arm rests and operator weight adjustment, lumbar adjustment and fore and aft adjustment
<b>Features/Gauges</b>	Tachometer/hour meter, low engine oil pressure warning light, low engine oil pressure audible alert, high engine temperature warning light and audible alert for Kohler® models, molded-in beverage holder, molded-in storage tray, large vented fuel caps and fuel tank Sitalines
<b>Safety</b>	Operator presence controls (OPC), Certified fold-down ROPS with seatbelt
<b>Controls</b>	Key ignition, throttle, choke, PTO switch, park brake lever

DECKS	
<b>Style</b>	7 gauge steel, fully floating, 5 1/2 inch deep side discharge
<b>Deck lift</b>	Quick Foot™ height adjustment from the seat
<b>Blades</b>	1/4 inch thick, heat-treated high alloy steel, High Lift <sup>SM</sup>
<b>Cutting Height Range</b>	1 1/2 to 5 inches, adjustable in 1/4 inch increments
<b>Blade Tip Speed</b>	18,500 FPM

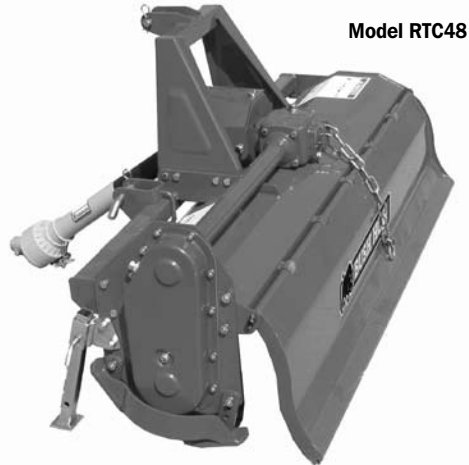
<b>Accessories</b>	Max Vac Grass Collection System, Grass Mulching Kits, Striping Roller, Canopy, Working Lights, Trailer Hitch Kit, Power Deck Lift and Bar Tires
--------------------	---

WARRANTY	
	3 year limited warranty (third year parts only) includes drive train, electromagnetic clutch, deck and cutter spindles. See dealer for complete details. Engine warranty administered through engine manufacturer.

# Bush Hog® TOUGH

## Subcompact Tillers

### For Tractors Up to 24 HP



#### BUSH HOG® TOUGH FEATURES

- TOUGH Heavy Duty Gearbox
- TOUGH Slip Clutch Is Standard
- TOUGH Adjustable Skid Shoes
- TOUGH Formed Tailgate
- TOUGH Double Strap Hitch

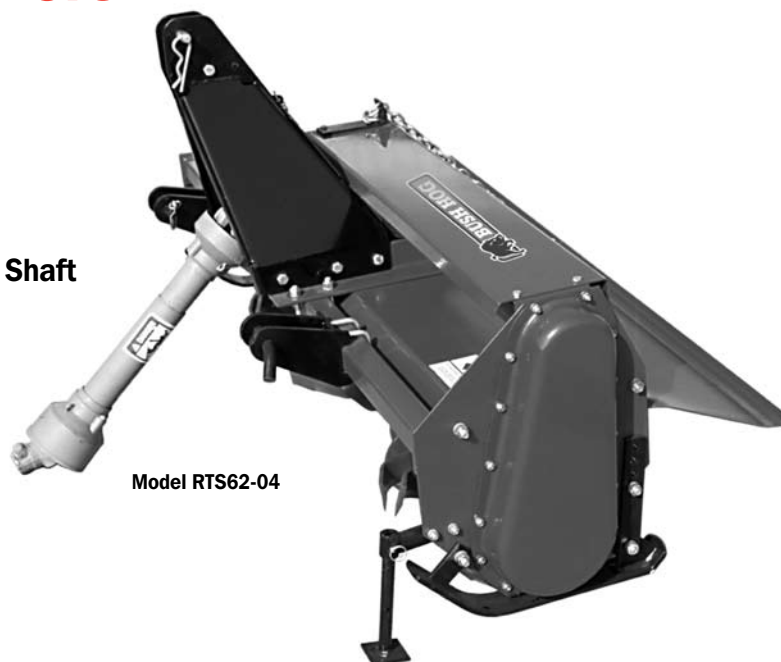
MODEL	RTC40	RTC48
Total Width	43 inches	53 inches
Tilling Width	39 inches	48 inches
Number of Blades	16	20
Minimum Tractor HP	15 PTO	15 PTO
Type Hitch	ASAE Cat. I / QH	ASAE Cat. I / QH
Offset	4 inches Offset to the Right	Center Mount
Number of Flanges	4	5
Rotor Speed	253 RPM/540 PTO	253 RPM/540 PTO
Type of Blades	C-type	C-type
Power to Rotor Transmission	Chain Drive (#60)	Chain Drive (#60)
Depth of Cut	6 inches	6 inches
Driveline	Slip Clutch Standard	Slip Clutch Standard
Approximate Weight	308 lbs	335 lbs
Warranty	1 year limited warranty	
FEATURES	• Available in major tractor colors	

# Bush Hog® TOUGH

## RTS Series Rotary Tillers

### BUSH HOG® TOUGH FEATURES

- TOUGH #80 Chain Drive
- TOUGH Heavy Duty Gearbox
- TOUGH High Carbon, Long Life Steel Blades
- TOUGH Triple Sealed Ball Bearings On Rotor Shaft
- TOUGH Heavy Duty Adjustable Skid Shoes
- TOUGH Heavy Duty A Frame Construction
- TOUGH Double Strap Hitch
- TOUGH Powder Coat Paint

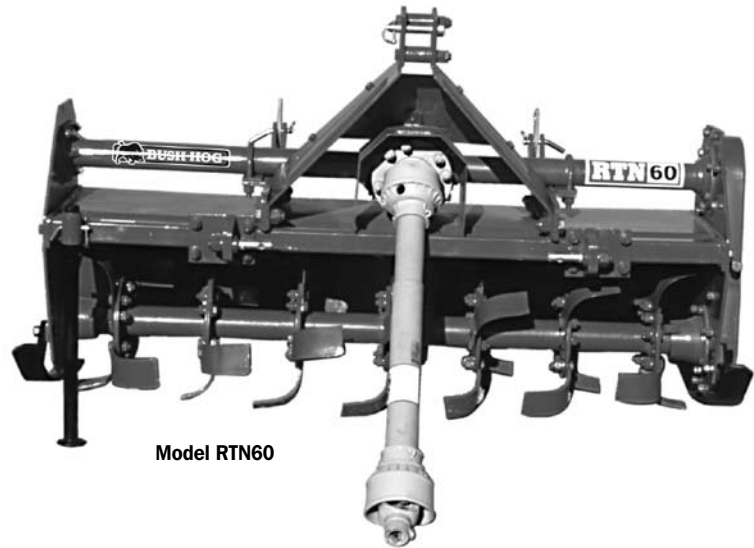


MODELS	RTS40-04	RTS50-04	RTS62-04	RTS74-02
Tilling Width	38 inches	50 inches	62 inches	74 inches
Number Blades	24	32	40	48
Tractor HP Range	15 - 24 PTO	20 - 30 PTO	30 - 40 PTO	35 - 50 PTO
Type Hitch	Category I, 3 Point	Category I, 3 Point	Category I, 3 Point	Category I, 3 Point
Offset	6 inches	12 inches	12 inches	18 1/4 inches
Number of Flanges	6	8	10	12
Rotor Speed	246 RPM/540 PTO	246 RPM/540 PTO	246 RPM/540 PTO	246 RPM/540 PTO
Type of Blades	L Type	L Type	L Type	L Type
Power to Rotor Transmission	Chain Drive (#80)	Chain Drive (#80)	Chain Drive (#80)	Chain Drive (#80)
Depth of Cut	7 inches Max. (All 4 Models have 4 position skids)			
Driveline	Shear Bolt Standard, Slip Clutch Optional			
Approximate Weight	366 lbs	418 lbs	470 lbs	532 lbs
Warranty	1 year limited warranty			
FEATURES	Available in major tractor colors			

# Bush Hog® TOUGH RTN Series Rotary Tillers

## BUSH HOG® TOUGH FEATURES

- TOUGH #100 Chain Drive
- TOUGH Heavy Duty Gearbox
- TOUGH High Carbon, Long Life Steel Blades
- TOUGH Solid Rotors
- TOUGH Anti-Wrap Device To Protect Seals
- TOUGH Slip Clutch Is Standard
- TOUGH Adjustable Skids
- TOUGH Powder Coat Paint



Model RTN60

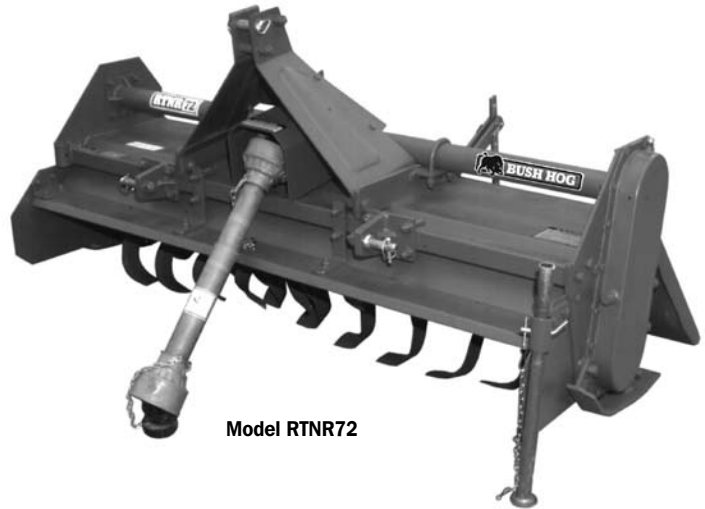
MODELS	RTN60	RTN72	RTN80
Tilling Width	60 inches	72 inches	80 inches
Number of Blades	28	36	40
Tractor HP Range	30 - 40 PTO	40 - 50 PTO	50 - 70 PTO
Type Hitch	Cat. I & II, 3 Point	Cat. I & II, 3 Point	Cat. I & II, 3 Point
Offset	6 inches	6 inches	6 inches
Number of Flanges	7	9	10
Rotor Speed	238 RPM/540 PTO	238 RPM/540 PTO	238 RPM/540 PTO
Type of Blades	C Type	C Type	C Type
Power to Rotor Transmission	Chain Drive (#100) Single Speed		
Depth of Cut	Adjustable - 7 inches, 5 Position Skid		
Driveline	Slip Clutch Standard	Slip Clutch Standard	Slip Clutch Standard
Approximate Weight	664 lbs	726 lbs	777 lbs
Warranty	1 year limited warranty		

# Bush Hog® TOUGH

## RTNR Series Reverse Till Rotary Tillers

### BUSH HOG® TOUGH FEATURES

- TOUGH #100 Chain Drive
- TOUGH Heavy Duty Gearboxes
- TOUGH Replaceable Skids
- TOUGH High Carbon, Long Life Steel Blades
- TOUGH Solid Rotors
- TOUGH Anti-Wrap Device To Protect Seals
- TOUGH Slip Clutch Is Standard
- TOUGH Powder Coat Paint



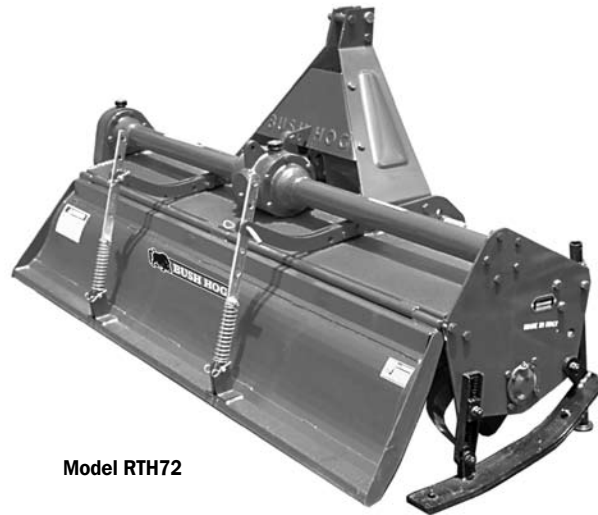
Model RTNR72

MODELS	RTNR60	RTNR72	RTNR80
Tilling Width	60 inches	72 inches	80 inches
Number of Blades	28	36	40
Tractor HP Range	40 - 55 PTO	50 - 65 PTO	60 - 70 PTO
Type Hitch	Cat. I & II, 3 Point	Cat. I & II, 3 Point	Cat. I & II, 3 Point
Offset	6 inches	6 inches	6 inches
Number of Flanges	7	9	10
Rotor Speed	238 RPM/540 PTO	238 RPM/540 PTO	238 RPM/540 PTO
Type of Blades	C Type	C Type	C Type
Power to Rotor Transmission	Chain Drive (#100) Single Speed		
Depth of Cut	Adjustable - 7 inches, 5 Position Lock Skid Shoe		
Driveline	Slip Clutch Standard	Slip Clutch Standard	Slip Clutch Standard
Approximate Weight	714 lbs	797 lbs	860 lbs
Warranty	1 year limited warranty		

# Bush Hog® TOUGH RTH Series Rotary Tillers

## BUSH HOG® TOUGH FEATURES

- TOUGH Heavy Duty Gearboxes
- TOUGH Direct Gear Drive
- TOUGH Replaceable Skids
- TOUGH Anti-Wrap Device To Protect Seals
- TOUGH Slip Clutch Is Standard
- TOUGH High Carbon, Long Life Steel Blades
- TOUGH Solid Steel Rotors
- TOUGH Powder Coat Paint



Model RTH72

MODELS	RTH60-03	RTH72-03	RTH80-03	RTH88
Tilling Width	60 inches	72 inches	80 inches	88 inches
Number of Blades	28	36	40	44
Tractor HP Range	40 - 55 PTO	45 - 55 PTO	55 - 65 PTO	65 - 80 PTO
Type Hitch	Cat. I & II, 3 Point	Cat. I & II, 3 Point	Cat. I & II, 3 Point	Cat. I & II, 3 Point
Offset	12 inch Fixed	None	None	None
Number of Flanges	7	9	10	11
Rotor Speed	213 RPM/540 PTO	213 RPM/540 PTO	213 RPM/540 PTO	213 RPM/540 PTO
Type of Blades	C Type	C Type	C Type	C Type
Power to Rotor Transmission	Gear Drive Single Speed			
Depth of Cut	Adjustable - 7 inches, Position Lock Skid Shoe			
Driveline	Slip Clutch Standard	Slip Clutch Standard	Slip Clutch Standard	Slip Clutch Standard
Approximate Weight	810 lbs	884 lbs	924 lbs	964 lbs
Warranty	1 year limited warranty			

# Bush Hog® TOUGH

## Subcompact Rear Blades

### For Tractors Up To 24 HP



Model CRB60

#### BUSH HOG® TOUGH FEATURES

**TOUGH** A Frame Construction

**TOUGH** 1/4 Inch Moldboard

**TOUGH** Welded On Cutting Edge

**TOUGH** Powder Coat Paint

MODELS	CRB48	CRB60	CRB72
Moldboard Widths	48 inches	60 inches	72 inches
Approximate Weight	136 lbs	150 lbs	164 lbs
Maximum Tractor HP	24 PTO	24 PTO	24 PTO
Type Hitch	ASAE Cat. I/QH	ASAE Cat. I/QH	ASAE Cat. I/QH
Moldboard Height and Thickness	12 inches x 1/4 inches	12 inches x 1/4 inches	12 inches x 1/4 inches
Moldboard Cutting Edge	3/8 x 3 inches	3/8 x 3 inches	3/8 x 3 inches
King Pin Diameter	1 1/4 inches	1 1/4 inches	1 1/4 inches
Angle Adjustment	15° & 30° Forward & Reverse	15° & 30° Forward & Reverse	15° & 30° Forward & Reverse
Warranty	1 year limited warranty		
FEATURES	Available in major tractor colors		



# Bush Hog® TOUGH

## 35 & 50 Rear Mounted Blades

### BUSH HOG® TOUGH FEATURES

TOUGH Tubular Construction

TOUGH A Frame Construction

TOUGH Double Strap Hitch (50 Series)

TOUGH Reversible Cutting Edge

TOUGH Powder Coat Paint



50 Series Blade



35 Series Blade

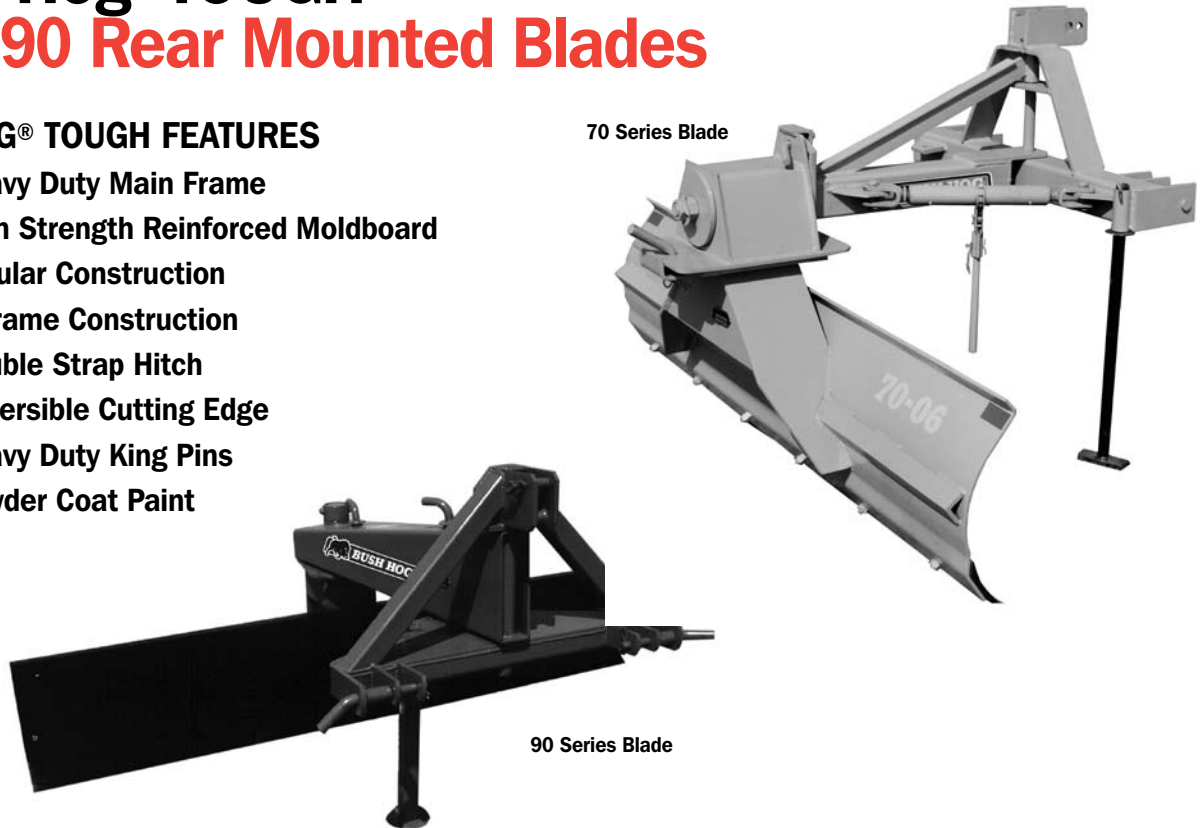
MODELS	35	50
<b>Moldboard Widths</b>	4, 5, 6 and 7 ft	6 and 7 ft
<b>Approximate Weight</b>	250 lbs (4 ft), 280 lbs (5 ft), 290 lbs (6 ft), 325 lbs (7 ft)	390 lbs (6 ft), 455 lbs (7 ft)
<b>Maximum Tractor HP</b>	35 PTO (2WD); 30 PTO (4WD)	50 PTO (2WD); 40 PTO (4WD)
<b>Type Hitch</b>	3 Point Category I & Quick Hitch	3 Point Category I & Quick Hitch
<b>Moldboard Height and Thickness</b>	14.5 inches x 1/4 inches	16 inches x 5/16 inches
<b>Moldboard Cutting Edge</b>	1/2 x 6 inches, Reversible	1/2 x 6 inches, Reversible
<b>King Pin Diameter</b>	1 1/4 inches (Grade 8)	1 1/4 inches (Grade 8)
<b>Tilt Adjustment</b>	15° Up or Down	15° Up or Down
<b>Offset Adjustment</b>	12 inches Left or Right	23 inches Left or Right
<b>Angle Adjustment</b>	5 Forward Positions up to 30°, 3 Reverse Positions up to 15°	
<b>Blade Parking Stand</b>	Standard	Standard
<b>Warranty</b>	1 year limited warranty	
<b>FEATURES</b>	<ul style="list-style-type: none"> <li>• Available in major tractor colors</li> </ul>	

# Bush Hog® TOUGH

## 70 & 90 Rear Mounted Blades

### BUSH HOG® TOUGH FEATURES

- TOUGH Heavy Duty Main Frame
- TOUGH High Strength Reinforced Moldboard
- TOUGH Tubular Construction
- TOUGH A Frame Construction
- TOUGH Double Strap Hitch
- TOUGH Reversible Cutting Edge
- TOUGH Heavy Duty King Pins
- TOUGH Powder Coat Paint



MODELS	70	90
Moldboard Widths	6, 7 & 8 ft	8 ft
Approximate Weight	510 lbs (6 ft), 538 lbs (7 ft) 572 lbs (8 ft)	740 lbs
Maximum Tractor HP	70 PTO (2WD) 55 PTO (4WD)	90 PTO (2WD) 70 PTO (4WD)
Type Hitch	3 Point Cat. I & II & Quick Hitch	3 Point Cat. I, II or Cat. II Quick Hitch
Moldboard Height and Thickness	18 inches x 5/16 inches	16 inches x 3/8 inches
Moldboard Cutting Edge	1/2 x 6 inches, Reversible	1/2 x 6 inches, Reversible
King Pin Diameter	1 1/4 inches (Grade 8 Bolt)	3 inches
Tilt Adjustment	5 Positions Up to 30°	15° Left or Right
Offset Adjustment	18 inches Left or Right	30 inches Left or Right
Angle Adjustment	5 Forward Positions Up to 45° 5 Reverse Positions Up to 30°	15°, 30°, 45° Left or Right in Forward Position, 20° Left or Right in Rev. Position
Blade Parking Stand	Standard	Standard
Options	Ratchet (Offset) Hyd. Cylinder Kit (Offset)	Skid Shoes, End Plates
Warranty	1 year limited warranty	

### FEATURES

Standard Parking Stand, 70 Series Available in major tractor colors, 90 Series Available in Red Only

# Bush Hog® TOUGH

## 121 & 176 Rear Mounted Blades

### BUSH HOG® TOUGH FEATURES

TOUGH Heavy Duty Reinforced Moldboard

TOUGH Reinforced High Strength Hitch

TOUGH Heavy Duty King Pin

TOUGH Heavy Duty Mainframe

TOUGH Double Strap Hitch

TOUGH Powder Coat Paint



176 Series Blade



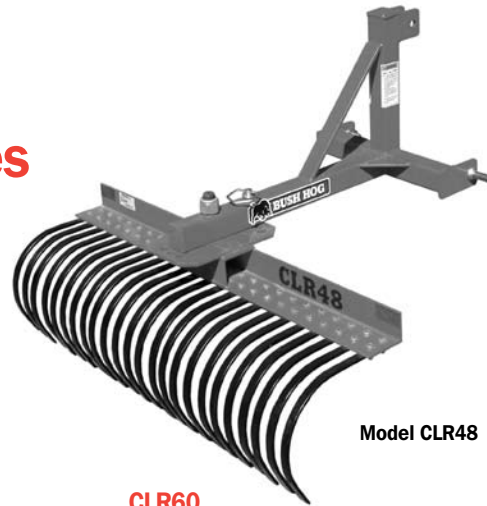
121 Series Blade

MODELS	121	176
Moldboard Widths	8 and 9 ft	9 and 10 ft
Approximate Weight	885 lbs (8 ft), 910 lbs (9 ft)	1381 lbs (9 ft), 1408 lbs (10 ft)
Maximum Tractor HP	120 PTO (2WD); 95 PTO (4WD)	175 PTO (2WD); 140 PTO (4WD)
Type Hitch	3 Point Category II or III or Quick Hitch	3 Point Category II or III or Quick Hitch
Moldboard Height and Thickness	20 inches x 1/4 inches	20 inches x 3/8 inches
Moldboard Cutting Edge	1/2 x 6 inches, Reversible	1/2 x 6 inches, Reversible
King Pin Diameter	4 inches	5 inches
Tilt Adjustment	15° Up and Down	15° Up and Down
Offset Adjustment	35 inches left or right	35 inches left or right
Angle Adjustment	45° left or right	45° left or right
Blade Parking Stand	Standard	Standard
Options	End Plates, Manual or Hydraulic Gauge Wheel, Cushion Valve Kit, Skid Shoes on 121	
Warranty	1 year limited warranty	

# Bush Hog® TOUGH

## Subcompact Landscape Rakes

For Tractors Up To 24 HP



Model CLR48

### BUSH HOG® TOUGH FEATURES

**TOUGH Tubular Construction**

**TOUGH Twin Bolt Tine Attachment**

**TOUGH Powder Coat Paint**

MODELS	CLR48	CLR60
Working Width	48 inches	60 inches
Type Hitch	ASAE Cat. I / QH	ASAE Cat. I / QH
Maximum Tractor HP	24 PTO	24 PTO
Approximate Weight	126 lbs	143 lbs
Rake Pivot	18° and 36°	18° and 36°
Pivot King Pin	1 1/4 inches	1 1/4 inches
Tine Spacings	1 inch	1 inch
Tine Size	1 inch	1 inch
Warranty	1 year limited warranty	
FEATURES	Available in major tractor colors	

# Bush Hog® TOUGH Landscape Rakes

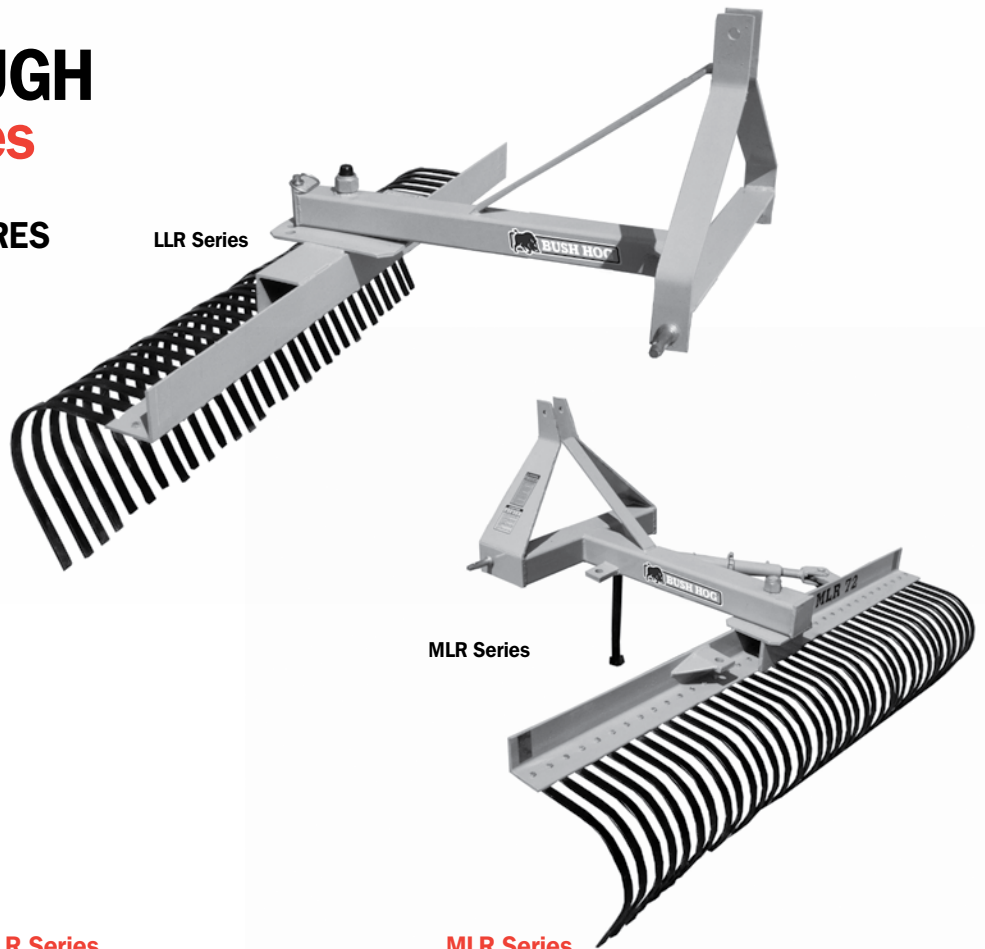
## BUSH HOG® TOUGH FEATURES

TOUGH Tubular Welded Frame

TOUGH Twin Bolt Attachment

TOUGH A Frame Construction

TOUGH Powder Coat Paint



MODELS	LLR Series	MLR Series
Working Widths	60, 72 and 84 inches	72, 84 and 96 inches
Type Hitch	Category I & Quick Hitch	Category I & Quick Hitch
Maximum Tractor HP	35 PTO	50 PTO
Approximate Weight	205, 225, 245 (lbs)	325, 345, 365 (lbs)
Rake Pivot	5 Forward Positions, Up To 30°; 3 Reverse Positions, Up to 15°	
Pivot King Pin	1 1/4 inches	1 1/4 inches
Tine Spacings	1 inch	1 inch
Tine Size	5/16 x 1 inches	5/16 x 1 inches
Rake Height	15 inches	15 inches
Options	Gauge Wheel Kit	Gauge Wheel Kit
Warranty	1 year limited warranty	

**FEATURES** 72 inch wide LLR comes in choice of major tractor colors, 60 and 84 inch come in Caterpillar Yellow only; MLR Series in Caterpillar Yellow only

# Bush Hog® TOUGH

## Subcompact Box Blades

For Tractors Up To 24 HP



Model CBX48

MODELS	CBX48	CBX60
Working Width	48 inches	60 inches
Box Depth	12 inches	12 inches
Side End Plate Thickness	3/16 inches	3/16 inches
Scarifier Size	5/8 inches x 2 1/2 inches	5/8 inches x 2 1/2 inches
Number of Scarifier Teeth	4 teeth	5 teeth
Type Hitch	ASAE Cat. I/QH	ASAE Cat. I/QH
Cutting Edge	Reversible	Reversible
Number of Cutting Edges	2 Blades, Bolt on Reversible Cutting Edge	2 Blades, Bolt on Reversible Cutting Edge
Maximum Tractor HP	24 PTO	24 PTO
Approximate Weight	248 lbs	258 lbs
Warranty	1 year limited warranty	
FEATURES	Available in major tractor colors	

# Bush Hog® TOUGH SBX Series Box Blades

## BUSH HOG® TOUGH FEATURES

**TOUGH Heavy Duty A Frame With Category I Quick Hitch**

**TOUGH Heat Treated Scarifier Teeth**

**TOUGH Heavy Duty Double Strap Hitch**

**TOUGH Reversible, Replaceable Cutting Edges**

**TOUGH Heavy Duty End Plates**

**TOUGH Powder Coat Paint**



Model SBX72

MODELS	SBX48	SBX60	SBX65	SBX72	SBX78	SBX84
<b>Working Width</b>	48 inches	60 inches	65 inches	72 inches	78 inches	84 inches
<b>Box Depth</b>	21 1/2 inches	21 1/2 inches	21 1/2 inches	21 1/2 inches	21 1/2 inches	21 1/2 inches
<b>End Plate Thickness</b>	3/8 inches	3/8 inches	3/8 inches	3/8 inches	3/8 inches	3/8 inches
<b>Scarifier Size</b>	3/4 x 2 1/2 inches	3/4 x 2 1/2 inches	3/4 x 2 1/2 inches	3/4 x 2 1/2 inches	3/4 x 2 1/2 inches	3/4 x 2 1/2 inches
<b>Number of Scarifier Teeth</b>	4	5	5	6	6	6
<b>Type Hitch</b>	Cat. I & Quick Hitch	Cat. I & Quick Hitch	Cat. I & Quick Hitch	Cat. I & Quick Hitch	Cat. I & Quick Hitch	Cat. I & Quick Hitch
<b>Cutting Edges (Reversible)</b>	1/2 x 6 inches	1/2 x 6 inches	1/2 x 6 inches	1/2 x 6 inches	1/2 x 6 inches	1/2 x 6 inches
<b>Number of Cutting Edges</b>	2	2	2	2	2	2
<b>Maximum HP (2WD)</b>	50 PTO	50 PTO	50 PTO	50 PTO	50 PTO	50 PTO
<b>Maximum HP (4WD)</b>	35 PTO	35 PTO	35 PTO	35 PTO	35 PTO	35 PTO
<b>Approximate Weight</b>	430 lbs	490 lbs	510 lbs	550 lbs	580 lbs	610 lbs

**Warranty** 1 year limited warranty

## FEATURES

Available in major tractor colors (Yellow only for SBX78)

# Bush Hog® TOUGH MBX Series Box Blades

## BUSH HOG® TOUGH FEATURES

**TOUGH Heavy Duty A Frame With Category I & II Quick Hitch**

**TOUGH Heat Treated Scarifier Teeth**

**TOUGH Heavy Duty Triple Lug Hitch**

**TOUGH Heat Treated Reversible Cutting Edges**

**TOUGH Floating Tailgate**

**TOUGH Heavy Duty End Plates**

**TOUGH Powder Coat Paint**



MBX72

MODELS	MBX60	MBX72	MBX84	MBX96
<b>Working Width</b>	60 inches	72 inches	84 inches	96 inches
<b>Box Depth</b>	21 1/2 inches	21 1/2 inches	21 1/2 inches	21 1/2 inches
<b>End Plate Thickness</b>	3/8 inches	3/8 inches	3/8 inches	3/8 inches
<b>Scarifier Size</b>	3/4 x 2 1/2 inches	3/4 x 2 1/2 inches	3/4 x 2 1/2 inches	3/4 x 2 1/2 inches
<b>Number of Scarifier Teeth</b>	5	6	6	6
<b>Type Hitch</b>	Cat. I, II & Quick Hitch	Cat. I, II & Quick Hitch	Cat. I, II & Quick Hitch	Cat. I, II & Quick Hitch
<b>Cutting Edge (Reversible)</b>	1/2 x 6 inches	1/2 x 6 inches	1/2 x 6 inches	1/2 x 6 inches
<b>Number of Cutting Edges</b>	2	2	2	2
<b>Maximum HP (2WD)</b>	65 PTO	65 PTO	65 PTO	65 PTO
<b>Maximum HP (4WD)</b>	55 PTO	55 PTO	55 PTO	55 PTO
<b>Approximate Weight</b>	580 lbs	640 lbs	710 lbs	790 lbs
<b>Warranty</b>	1 year limited warranty			
<b>FEATURES</b>	72 available in major tractor colors, 60, 84 & 96 in Caterpillar Yellow Only, Floating Tailgate			



# Bush Hog® TOUGH RBX Series Retractable Shank Box Blades

## BUSH HOG® TOUGH FEATURES

TOUGH Heavy Duty A Frame

TOUGH Heat Treated Scarifier Teeth

TOUGH Heavy Duty Double Strap Hitch

TOUGH Heat Treated Reversible Cutting Edges

TOUGH Formed Swinging Steel Tailgate

TOUGH Heavy Duty End Plates

TOUGH Powder Coat Paint



MODELS	RBX720	RBX780	RBX840
Working Width	72 inches	78 inches	84 inches
Box Depth	29 1/2 inches	29 1/2 inches	29 1/2 inches
End Plate Thickness	3/8 inches	3/8 inches	3/8 inches
Scarifier Size	3/4 x 2 1/2 inches	3/4 x 2 1/2 inches	3/4 x 2 1/2 inches
Number Scarifier Teeth	6	6	6
Type Hitch	Category I	Category I	Category I
Cutting Edge (Reversible)	1/2 x 6 inch Heat Treated		
Number of Cutting Edges	2	2	2
Maximum HP (2WD)	65 PTO	65 PTO	65 PTO
Maximum HP (4WD)	55 PTO	55 PTO	55 PTO
Approximate Weight	829 lbs	890 lbs	944 lbs
Warranty	1 year limited warranty		

## FEATURES

Replaceable Points & Shanks, Scarifier Shanks Retractable (Manual Only), Available in Caterpillar Yellow Only

# Bush Hog® TOUGH

## Roll Over Box Blades

### BUSH HOG® TOUGH FEATURES

**TOUGH Heavy Duty A Frame**

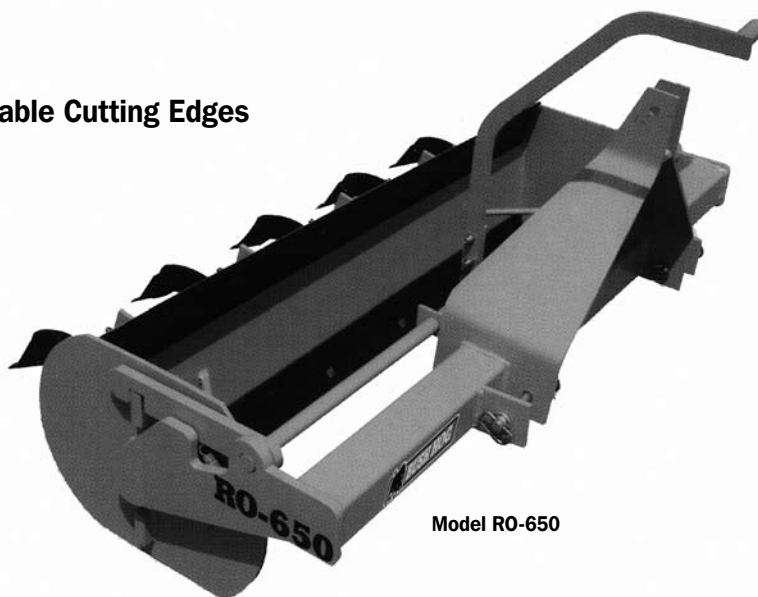
**TOUGH Heat Treated Reversible And Replaceable Cutting Edges**

**TOUGH Double Strap Hitch**

**TOUGH Heat Treated Scarifier Teeth**

**TOUGH Heavy Duty End Plates**

**TOUGH Powder Coat Paint**



Model RO-650

MODELS	RO-600	RO-650	RO-720
Working Width	60 inches	65 inches	72 inches
Box Depth	18 1/2 inches	18 1/2 inches	18 1/2 inches
End Plate Thickness	3/8 inches	3/8 inches	3/8 inches
Scarifier Size	3/4 x 2 1/2 inches	3/4 x 2 1/2 inches	3/4 x 2 1/2 inches
Number of Scarifiers	5	5	6
Type Hitch	Cat. I Quick Hitch	Cat. I Quick Hitch	Cat. I Quick Hitch
Cutting Edge (Reversible)	1/2 x 6 inch Heat Treated		
Number of Cutting Edges	2	2	2
Maximum HP (2WD)	60 PTO	60 PTO	60 PTO
Maximum HP (4WD)	45 PTO	45 PTO	45 PTO
Approximate Weight	630 lbs	680 lbs	710 lbs
Warranty	1 year limited warranty		
FEATURES	Available in Caterpillar Yellow Only		

# Bush Hog® TOUGH Pluggers (Core Type Aerator)

## BUSH HOG® TOUGH FEATURES

**TOUGH Heavy Duty A Frame**

**TOUGH Large 1 1/4 Inch Diameter Shaft**

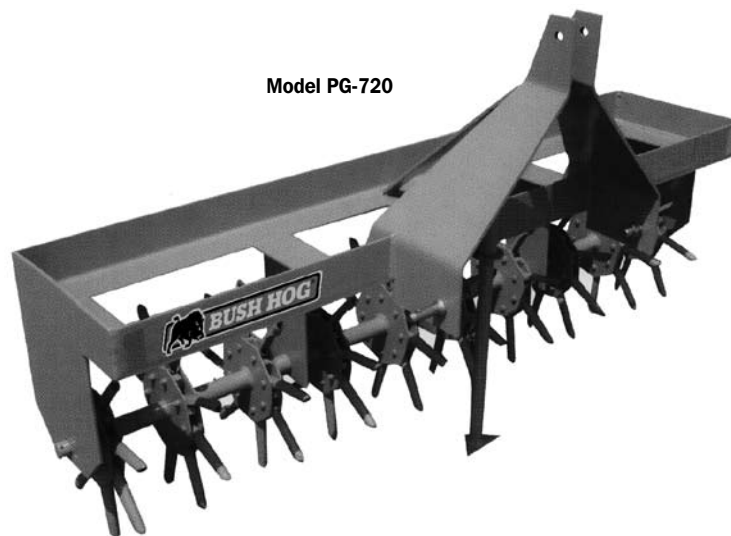
**TOUGH Greaseable Sleeves**

**TOUGH 3/4 Inch Hardened Spoons With Closed Design**

**TOUGH Steel Weight Rack**

**TOUGH Paired Hubs Turn Independently**

**TOUGH Powder Coat Paint**



<b>MODELS</b>	<b>PG-600</b>	<b>PG-720</b>
<b>Working Width</b>	60 inches	72 inches
<b>Hubs</b>	8	10
<b>Spoons</b>	64	80
<b>Type Hitch</b>	Category Standard I & Quick Hitch	Category Standard I & Quick Hitch
<b>Approximate Weight</b>	350 lbs	390 lbs
<b>Maximum Tractor HP</b>	60 PTO	60 PTO
<b>Options</b>	Slicing knife (four per hub)	
<b>Warranty</b>	1 year limited warranty	
<b>FEATURES</b>	Available in Caterpillar Yellow Only	

# Bush Hog® TOUGH MPG Series Pluggers (Core Type Aerator)

## BUSH HOG® TOUGH FEATURES

**TOUGH Heavy Duty A Frame**

**TOUGH Large 1 1/4 Inch  
Diameter Shaft**

**TOUGH 3/4 Inch Hard Spoons  
With Closed Design**

**TOUGH Heavy Duty Steel Weight Rack**

**TOUGH Greaseable Sleeves**

**TOUGH Paired Hubs Turn Independently**

**TOUGH Heavy Duty End Plates**

**TOUGH Powder Coat Paint**



Model MPG-720

MODELS	MPG-600	MPG-720
Working Width	60 inches	72 inches
Hubs	10	12
Spoons	80	96
Type Hitch	Category I & Quick Hitch	Category I & Quick Hitch
Approximate Weight	460 lbs	500 lbs
Maximum Tractor HP	60 PTO	60 PTO
Options	Slicing knife (four per hub)	
Warranty	1 year limited warranty	
FEATURES	Available in Caterpillar Yellow only	

# Bush Hog® TOUGH Pulverizers

## BUSH HOG® TOUGH FEATURES

TOUGH Heavy Duty A Frame

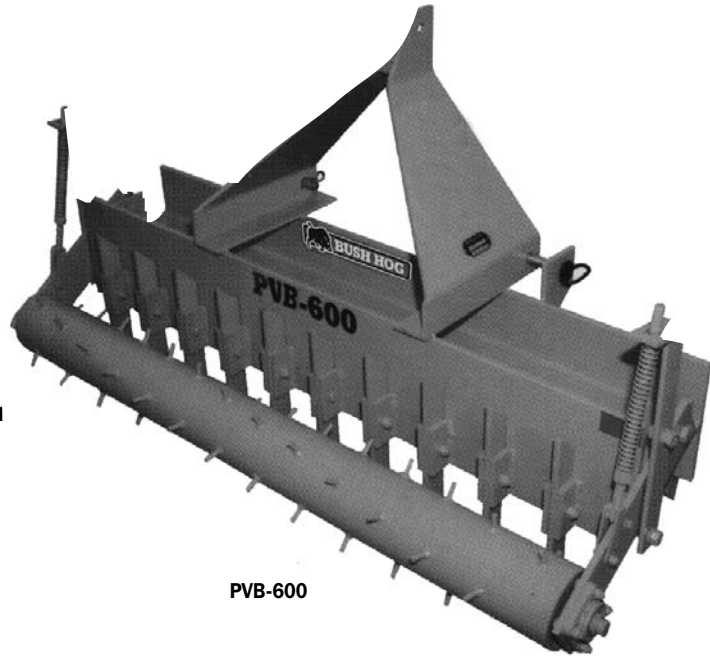
TOUGH Heavy Duty Double Strap Hitch

TOUGH Hinged Rear Roller

TOUGH Independent Spring Suspension

TOUGH 1 Inch Bearing On Roller

TOUGH Powder Coat Paint



PVB-600

MODELS	WORKING WIDTH	APPROXIMATE WEIGHT
<b>SINGLE ROLLER MODELS</b>		
PVB-600	60 inches	530 lbs
PVB-660	66 inches	560 lbs
PVB-720	72 inches	590 lbs
PVB-840	84 inches	650 lbs
PVS-600	60 inches	530 lbs
PVS-660	66 inches	560 lbs
PVS-720	72 inches	590 lbs
PVS-840	84 inches	650 lbs
<b>DOUBLE ROLLER MODELS</b>		
PVB-602	60 inches	640 lbs
PVB-662	66 inches	680 lbs
PVB-722	72 inches	720 lbs
PVB-842	84 inches	790 lbs
PVS-602	60 inches	640 lbs
PVS-662	66 inches	680 lbs
PVS-722	72 inches	720 lbs
PVS-842	84 inches	790 lbs
Maximum Tractor HP	60 PTO (all models)	
Type Hitch	Category I (all models)	
Warranty	1 year limited warranty	

**FEATURES** Single or Double Rear Roller, Bar (reversible) or Spike Shanks, 1 1/4 Inch Spikes on Rollers

# Bush Hog® TOUGH

## Subcompact Post Hole Digger

For Tractors Up To 24 HP

### BUSH HOG® TOUGH FEATURES

TOUGH Tubular Construction

TOUGH 3 Year Gearbox Limited Warranty

TOUGH Boom And Yoke Construction

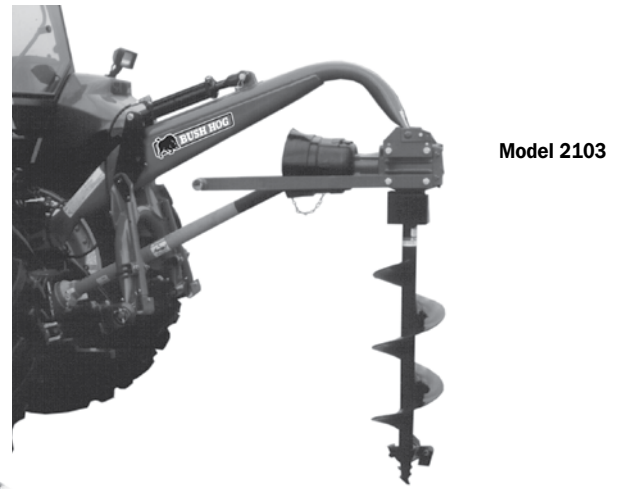


MODEL	PHDC
Approximate Weight	125 lbs
Maximum Tractor HP	24 PTO
Tractor PTO	540 RPM
Driveline Size	ASAE Cat. I
Maximum Digging Depth	32 inches
Type Hitch	ASAE Cat. I
Auger Diameters	4 inches, 6 inches, 9 inches (semi-double flight)
Yoke	3 inch tubing
Boom	3 inch tubing
Component Protection	Shear Pin
Warranty	1 year limited warranty, 3 year gearbox limited warranty
FEATURES	Available in major tractor colors

# Bush Hog® TOUGH Post Hole Diggers

## BUSH HOG® TOUGH FEATURES

- TOUGH Bush Hog Gearbox
- TOUGH Boom And Yoke Construction
- TOUGH Replaceable Bear Claw Auger Points (9 Inch And Larger Augers)
- TOUGH Replaceable Cutting Teeth
- TOUGH 5 Year Gearbox Limited Warranty
- TOUGH Powder Coat Paint



Model 2103



Model 2101  
With Stand



Model 2102  
With Stand

MODEL	2101	2102	2103
<b>Application</b>	Utility	Agricultural	Industrial
<b>Tractor PTO</b>	540 RPM	540 RPM	540 RPM
<b>Max. Digging Depth</b>	48 inches	48 inches	48 inches
<b>Type Hitch</b>	Category I	Category I & II	Category I & II
<b>Component Protection</b>	Shear pin	Shear bolt	Slip clutch
<b>Output Shaft</b>	2 inch diameter	2 inch diameter	2 inch diameter
<b>Driveshaft Size</b>	ASAE Category I	ASAE Category 3	ASAE Category 4
<b>Yoke</b>	27/8 inch tubing	27/8 inch tubing	27/8 inch tubing
<b>Boom</b>	31/2 inch tubing	31/2 inch tubing/reinforced ribs	31/2 inch tubing/reinforced plates
<b>Auger Selections</b> w/steel tip, single flighting	6 inches	6 inches	6 inches
<b>Auger Selections</b> w/bear claw point, single flighting	9 inches	9, 12 inches	9, 12 inches
<b>Auger Selections</b> w/bear claw point, double flighting	9 inches	9, 12, 15, 18, 24 inches	9, 12, 15, 18, 24 inches
<b>Options</b>	Leveling handle, parking stand, display stand, 8 and 12 inch extension kits, special paint		
<b>Hyd. Down Force Pressure Kit</b> (adds 550 lbs of down pressure)	N/A	Optional	Optional
<b>Warranty</b>	1 year limited warranty, 5 year Gearbox Limited Warranty		

## FEATURES

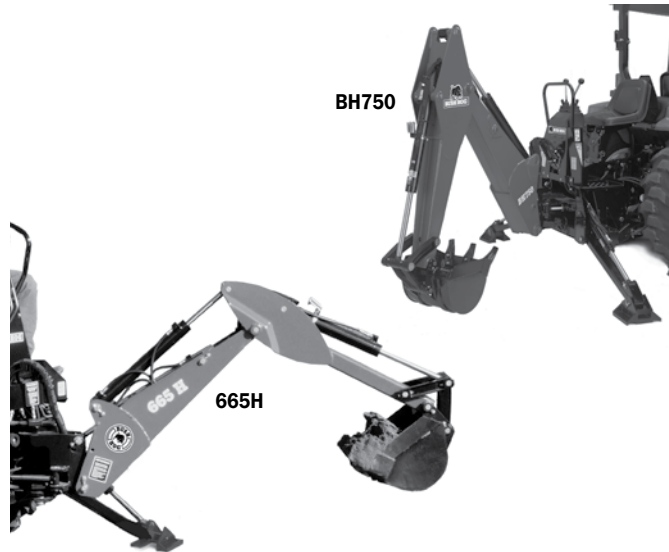
Available in Bush Hog Red Only

Note: All augers are 48 inches long

# Bush Hog® TOUGH Backhoes

## BUSH HOG® TOUGH FEATURES

- TOUGH High Quality Cylinders
- TOUGH Box Construction Of Dipperstick
- TOUGH Heavy Duty Booms
- TOUGH Robotic Welds With Consistent Penetration
- TOUGH Reinforced Buckets
- TOUGH 2 1/2 Inch Welded Cutting Edges
- TOUGH Powder Coat Paint



MODELS	665H	BH750
Tractor HP Range	15 - 35 PTO	25 - 50 PTO
Maximum Digging Depth	7 ft 0 inches	8 ft 0 inches
Digging Depth (two foot flat bottom)	6 ft 6 inches	7 ft 6 inches
Swing Arc	180°	180°
Loading Height (bucket at 60°)	5 ft 0 inches	5 ft 4 inches
Reach From Center Line of Swing Pivot	8 ft 6 inches	10 ft 0 inches
Transport Height (maximum)	4 ft 11 inches	6 ft 7 inches
Bucket Rotation	180°	180°
Loading Reach (bucket at 60°)	3 ft 2 inches	3 ft 9 inches
Transport Overhang	3 ft 5 inches	3 ft 9 inches
Undercut	2 ft 4 inches	2 ft 9 inches
Stabilizer Spread (down position)	6 ft 6 inches	7 ft 2 inches
Stabilizer Spread (up position)	3 ft 11 inches	3 ft 7 inches
Bucket Cylinder Digging Force	2450 lbs	3380 lbs
Dipperstick Cylinder Digging Force	1250 lbs	2240 lbs
Craning Force (boom lift ability)	346 lbs	675 lbs
Angle of departure (subframe mounted)	18°	18°
Shipping Weight (less bucket)	654 lbs	1085 lbs
Hydraulic Volume Requirements	4 to 5 GPM	8 GPM
Hydraulic Pressure Requirements	2250 PSI	2400 PSI
Reinforced Buckets (regular duty & commercial grade buckets)	Yes	Yes
Buckets	9 to 24 inches both regular and heavy duty	9 to 24 inches both regular and commercial grade 36 inch regular duty only
Removable Bucket Teeth (regular duty & commercial grade buckets)	Replaceable Tooth Tips regular duty buckets (removeable on heavy duty)	Yes
Options	PTO Pump/Reservoir Kit Power Beyond Kit	PTO Pump/Reservoir Kit Power Beyond Kit, Closed Center Hydraulic Kit, Street Pad Kit, Flow Divider Kit

### Warranty

1 year limited warranty

### FEATURES

Available in major tractor colors



# Bush Hog® TOUGH Backhoes

## BUSH HOG® TOUGH FEATURES

- TOUGH High Quality Cylinders
- TOUGH Box Construction Of Dipperstick
- TOUGH Heavy Duty Booms
- TOUGH Robotic Welds With Consistent Penetration
- TOUGH Reinforced Buckets
- TOUGH 2 1/2 Inch Welded Cutting Edges
- TOUGH Powder Coat Paint



MODELS	BH850	BH950
Tractor HP Range	35 - 100 PTO	55 - 100 PTO
Maximum Digging Depth	9 ft 0 inches	10 ft 0 inches
Digging Depth (two foot flat bottom)	8 ft 6 inches	9 ft 6 inches
Swing Arc	180°	180°
Loading Height (bucket at 60°)	6 ft 8 inches	7 ft 6 inches
Reach From Center Line of Swing Pivot	11 ft 1 inch	12 ft 4 inches
Transport Height (maximum)	6 ft 11 inches	8 ft 0 inches
Bucket Rotation	180°	180°
Loading Reach (bucket at 60°)	4 ft 1 inch	4 ft 7 inches
Transport Overhang	4 ft 5 inches	4 ft 9 inches
Undercut	3 ft 0 inches	3 ft 0 inches
Stabilizer Spread (down position)	8 ft 9 inches	8 ft 9 inches
Stabilizer Spread (up position)	4 ft 7 inches	4 ft 7 inches
Bucket Cylinder Digging Force	4023 lbs	4668 lbs
Bucket Cylinder Digging Force (in "power dig" position)	4319 lbs	4853 lbs
Dipperstick Cylinder Digging Force	2445 lbs	3261 lbs
Craning Force (boom lift ability)	800 lbs	1000 lbs
Angle of departure (subframe mounted)	18°	18°
Shipping Weight (less bucket)	1445 lbs	1610 lbs
Hydraulic Volume Requirements	8 GPM	8 GPM
Hydraulic Pressure Requirements	2400 PSI	2400 PSI
Reinforced Buckets (regular duty & commercial grade buckets)	Yes	Yes
Buckets	12 to 24 inch Buckets Both Regular Duty and Commercial Grade, 36 inch Regular Duty Only	
Replaceable Bucket Tooth Tips (regular duty & commercial grade buckets)	Yes	Yes
Options	PTO Pump/Reservoir Kit, Power Beyond Kit, Closed Center Hydraulic Kit, Street Pad Kit, Flow Divider Kit	
Warranty	1 year limited warranty	
FEATURES	Available in major tractor colors	

## Mid-Mount Loaders Pages 65-67

Model	1045	2045	3045
Tractor PTO HP Range	15-25	20-40	30-50
2WD/FWA	2WD/FWA	2WD/FWA	2WD/FWA
Attachment Type	Pin-On	Skid-Steer	Skid-Steer
Application	Designed for two and four-wheel drive tractors. Mid-mount design allows easy installation and removal. This highly versatile compact loader is built for jobs like planting shrubs and handling mulch or decorative rocks.	An economical solution when the 3045 is larger than the job requires. This loader is great for ground maintenance and landscape chores.	This compact mid-mount loader is built to fit a tractor with a 30-50 PTO HP range. It is capable of handling a variety of jobs, including lifting, loading, scraping, and digging.

## Mid-Mount Loaders Pages 68-71

Model	3545	4045	5045	6045
Tractor PTO HP Range	40-60	40-70	60-90	70-110
2WD/FWA	2WD/FWA	2WD/FWA	2WD/FWA	2WD/FWA
Attachment Type	Skid-Steer	Skid-Steer	Skid-Steer	Skid-Steer
Application	Impressive mid-mount loader designed for easy mounting and removal. This loader can handle tasks like loading trucks, digging, or backfilling work.	Built for moving silage, hauling big bales, cleaning feedlots and barns, and many other tough, repetitious jobs.	The 5045's quick attach system is compatible with skid steer attachments, and has optional commercial grade skid steer buckets available in 60, 72, 80, 84 and 96 inch widths. It handles transporting materials like brick, pipe or metal bars.	Handles many challenging tasks that range from uploading materials into trucks, laying pipe, clearing rubble and digging. There are many available options, including pallet forks, bale spears, several bucket options and several others that add to its capabilities.

## Front-Push Loaders Pages 72-81

Model	1846QT/1847QT	2246QT/2247QT	2346QT/2347QT
Tractor PTO HP Range	12-25	15-35	25-50
2WD/FWA	2WD/FWA	2WD/FWA	2WD/FWA
Attachment Type	Pin-On	Pin-On	Bush Hog Quick Attach (2346QT) Skid-Steer (2347QT)
Application	Designed for use on lower horsepower tractors but provide features often found only on larger loaders... features that make work fast and easy. All bucket and attachment functions are easily operated by a single lever hydraulic control valve. An optional power beyond kit allows these loaders to be connected directly to the tractor's hydraulic system. These loaders are the best choices in economical loaders used for light duty lifting chores.	Compact loaders at affordable prices. These versatile loaders are packed with features to assist in a variety of chores. These loaders are the choice of nurseries, building contractors, and small farmers... because they're real workhorses for any material handling chore. These loaders feature a low profile mounting design to allow the operator greater visibility and good loader-to-tractor fit.	The largest of the front-push compact loaders and are the best choice for a wide variety of job requirements... from cleanup chores around the farm, to snow removal and landscaping duties. The horsepower range of tractors that these loaders mount assure a well-matched tractor-to-loader combination. And these loaders feature a low profile design to provide excellent operator visibility.

## Front-Push Loaders Pages 75-85

Model	2426QT/2427QT	2446QT/2447QT	2846QT/2847QT	3226QT /3227QT
Tractor PTO HP Range	35-75	35-75	60-90	70-120
2WD/FWA	2WD	2WD/FWA	2WD/FWA	2WD
Attachment Type	Bush Hog Quick Attach (2426QT) Skid-Steer (2427QT)	Bush Hog Quick Attach (2446QT) Skid-Steer (2447QT)	Bush Hog Quick Attach (2846QT) Skid-Steer (2847QT)	Bush Hog Quick Attach (3226QT) Skid-Steer (3227QT)
Application	Mid-sized front-push loaders with features that make any loading task easy. They're ideal for handling silage, moving snow, or for light duty industrial work. Simple to attach and use, easy to maintain and highly dependable, these loaders are the best choice for a wide variety of jobs.	Two ideal choices for a wide range of tractors and a wide range of jobs. Excellent choices for handling manure or grain, cleaning feedlots, snow removal and lifting large round hay bales.	Two choices for all types of lifting chores around the farm, such as moving large round hay bales, lifting grain and fertilizer or cleaning feedlots and corrals. The heavy duty design assures all the strength and dependability you'll need.	From cleaning brush with a grapple fork attachment to moving silage with the heavy duty bucket, these loaders are dependable, versatile, and built for years of trouble-free performance. With their low profile design and excellent operator visibility, these loaders are the ideal front end loaders to attach to a wide variety of two-wheel drive tractors.

# Bush Hog® TOUGH

## 1045 Quick Attach Mid-Mount Loader

### Pin-On Attachments

#### BUSH HOG® TOUGH FEATURES

- TOUGH Boxed Boom Design
- TOUGH Large Diameter Cross Tubes
- TOUGH Robotic Welds
- TOUGH High Strength Chrome Plated Cylinder Rods
- TOUGH Steel Tube Hydraulic Lines
- TOUGH Pivot Pins With Recessed Grease Zerks
- TOUGH Bush Hog Made Buckets
- TOUGH Powder Coat Paint



MODEL	Specifications Based on 1997 ASAE STANDARDS	1045
Tractor PTO HP Range		15 - 25
2WD/FWA		2WD/FWA
Maximum Lift Height - Measured at Pivot Pin		86 inches
Maximum Lift Height - Under Level Bucket		81 inches
Maximum Dump Angle		45°
Digging Depth		5 inches
Lift Capacity to Maximum Height At Pivot Pin		825 lbs
Lift Capacity to Maximum Height - 19.5 inches Forward of Pivot Pin		570 lbs
Lift Capacity to 59 inch Height - At Pivot Pin		940 lbs
Lift Capacity to 59 inch Height - 19.5 inches Forward of Pivot Pin		710 lbs
Breakout Force - At Pivot Pin		1335 lbs
Breakout Force - 19.5 inches - Forward of Pivot Pin		965 lbs
Rollback Force at Maximum Height - 19.5 inches Forward of Pivot Pin		1935 lbs
Rollback Force at 59 inch Height - 19.5 inches Forward of Pivot Pin		2300 lbs
Rollback Force at Ground Level - 19.5 inches Forward of Pivot Pin		1700 lbs
Raising Time (Ground Level to Full Height)		3.5 seconds
Lowering Time (Full Height to Ground Level)		2.5 seconds
Bucket Dumping Time (Full Rollback to Full Dump)		4.0 seconds
Bucket Rollback Time (Full Dump to Full Rollback)		3.0 seconds
Hydraulics	Two 1.75 inch Bore, 16.25 inch Stroke Double Acting Bucket Cylinders and Two 1.75 inch Bore, 13.31 inch Stroke Double Acting Lift Cylinders	
Specifications Based on Tractor System of	1875 PSI hyd. Pressure & 6 GPM pump capacity	
Pin-On Buckets Only	Available in 42, 48 and 60 inch widths	
Options	Grill Guards	
Warranty	1 year limited warranty	
FEATURES	Available in major tractor colors	

# Bush Hog® TOUGH

## 2045 Quick Attach Mid-Mount Loader

### Skid Steer Quick Attach System



#### BUSH HOG® TOUGH FEATURES

- TOUGH Boxed Boom Design
- TOUGH Large Diameter Cross Tubes
- TOUGH Robotic Welds
- TOUGH High Strength Chrome Plated Cylinder Rods
- TOUGH Steel Tube Hydraulic Lines
- TOUGH Pivot Pins With Recessed Grease Zerks
- TOUGH Bush Hog Made Buckets
- TOUGH Powder Coat Paint

MODEL	Specifications Based on 1997 ASAE STANDARDS	2045
Tractor PTO HP Range		20 - 40
2WD/FWA		2WD/FWA
Maximum Lift Height - Measured at Pivot Pin		103 inches
Maximum Lift Height - Under Level Bucket		96 inches
Maximum Dump Angle		40°
Digging Depth		5 inches
Lift Capacity to Maximum Height - At Pivot Pin		1530 lbs
Lift Capacity to Maximum Height - 31.5 inches - Forward of Pivot Pin		880 lbs
Lift Capacity to 59 inch Height - At Pivot Pin		1730 lbs
Lift Capacity to 59 inch Height - 31.5 inches - Forward of Pivot Pin		1195 lbs
Breakout Force - At Pivot Pin		2370 lbs
Breakout Force - 31.5 inches - Forward of Pivot Pin		1530 lbs
Rollback Force at Maximum Height - 31.5 inches - Forward of Pivot Pin		1625 lbs
Rollback Force at 59 inch Height - 31.5 inches - Forward of Pivot Pin		2020 lbs
Rollback Force at Ground Level - 31.5 inches - Forward of Pivot Pin		1680 lbs
Raising Time (Ground Level to Full Height)		3.8 seconds
Lowering Time (Full Height to Ground Level)		2.3 seconds
Bucket Dumping Time (Full Rollback to Full Dump)		3.3 seconds
Bucket Rollback Time (Full Dump to Full Rollback)		2.0 seconds
Hydraulics	Two 2.0 inch Bore, 19.69 inch Stroke Double Acting Bucket Cylinders and Two 2.0 inch Bore, 19.25 inch Stroke Double Acting Lift Cylinders	
Specifications Based on Tractor System of	2000 PSI hyd. Pressure & 10 GPM pump capacity	
Skid Steer Buckets	Available in 60, 66, and 72 inch widths	
Options	Forklift attachment (48 inch tines), Grill Guards	
Warranty	1 year limited warranty	
FEATURES	"Universal" skid steer quick attach system compatible with skid steer style attachments, Available in major tractor colors	

# Bush Hog® TOUGH

## 3045 Quick Attach Mid-Mount Loader

### Skid Steer Quick Attach System

#### BUSH HOG® TOUGH FEATURES

- TOUGH Boxed Boom Design
- TOUGH Large Diameter Cross Tubes
- TOUGH Robotic Welds
- TOUGH High Strength Chrome Plated Cylinder Rods
- TOUGH Steel Tube Hydraulic Lines
- TOUGH Pivot Pins With Recessed Grease Zerks
- TOUGH Bush Hog Made Buckets
- TOUGH Powder Coat Paint



MODEL	Specifications Based on 1997 ASAE STANDARDS	3045
Tractor PTO HP Range		30 - 50
2WD/FWA		2WD/FWA
Maximum Lift Height - Measured at Pivot Pin		110 inches
Maximum Lift Height - Under Level Bucket		100 inches
Maximum Dump Angle		45°
Digging Depth		5 inches
Lift Capacity to Maximum Height - At Pivot Pin		2350 lbs
Lift Capacity to Maximum Height - 31.5 inches Forward of Pivot Pin		1500 lbs
Lift Capacity to 59 inch Height - At Pivot Pin		2700 lbs
Lift Capacity to 59 inch Height - 31.5 inches Forward of Pivot Pin		1850 lbs
Breakout Force - At Pivot Pin		4000 lbs
Breakout Force - 31.5 inches - Forward of Pivot Pin		2900 lbs
Rollback Force at Maximum Height - 31.5 inches Forward of Pivot Pin		2300 lbs
Rollback Force at 59 inch Height - 31.5 inches Forward of Pivot Pin		3400 lbs
Rollback Force at Ground Level - 31.5 inches Forward of Pivot Pin		2800 lbs
Raising Time (Ground Level to Full Height)		5 seconds
Lowering Time (Full Height to Ground Level)		3 seconds
Bucket Dumping Time (Full Rollback to Full Dump)		4 seconds
Bucket Rollback Time (Full Dump to Full Rollback)		2.5 seconds
Hydraulics	Two 2.0 inch Bore, 22.81 inch Stroke Double Acting Bucket Cylinders and Two 2.25 inch Bore, 19.38 inch Stroke Double Acting Lift Cylinders	
Specifications Based on Tractor System of	2500 PSI hyd. Pressure & 10 GPM pump capacity	
Regular Duty Skid Steer Buckets	Available in 66, 72 and 80 inch widths	
Commercial Grade Skid Steer Buckets	Available in 60 and 72 inch widths	
Options	Forklift Attachment (48 inch tines), Round Bale Spear, Dual-Probe Bale Spear, Bucket Tine Teeth, Bolt-On Digging Teeth, Side Cutting Edges, Spill Guard Attachment, and Grill Guards	
Warranty	1 year limited warranty	
FEATURES	"Universal" skid steer quick attach system compatible with skid steer style attachments Available in major tractor colors	

# Bush Hog® TOUGH

## 3545 Quick Attach Mid-Mount Loader

### Skid Steer Quick Attach System



#### BUSH HOG® TOUGH FEATURES

- TOUGH Boxed Boom Design
- TOUGH Large Diameter Cross Tubes
- TOUGH Robotic Welds
- TOUGH High Strength Chrome Plated Cylinder Rods
- TOUGH Steel Tube Hydraulic Lines
- TOUGH Pivot Pins With Recessed Grease Zerks
- TOUGH Bush Hog Made Buckets
- TOUGH Powder Coat Paint

MODEL	Specifications Based on 1997 ASAE STANDARDS	3545
<b>Tractor PTO HP Range</b>		40 - 60
<b>2WD/FWA</b>		2WD/FWA
<b>Maximum Lift Height</b> - Measured at Pivot Pin		120 inches
<b>Maximum Lift Height</b> - Under Level Bucket		110 inches
<b>Maximum Dump Angle</b>		45°
<b>Digging Depth</b>		3.5 inches
<b>Lift Capacity</b> to Maximum Height - At Pivot Pin		3000 lbs
<b>Lift Capacity</b> to Maximum Height - 31.5 inches Forward of Pivot Pin		1950 lbs
<b>Lift Capacity</b> to 59 inch Height - At Pivot Pin		3900 lbs
<b>Lift Capacity</b> to 59 inch Height - 31.5 inches Forward of Pivot Pin		2500 lbs
<b>Breakout Force</b> - At Pivot Pin		4300 lbs
<b>Breakout Force</b> - 31.5 inches - Forward of Pivot Pin		2750 lbs
<b>Rollback Force</b> at Maximum Height - 31.5 inches Forward of Pivot Pin		3550 lbs
<b>Rollback Force</b> at 59 inch Height - 31.5 inches Forward of Pivot Pin		4050 lbs
<b>Rollback Force</b> at Ground Level - 31.5 inches Forward of Pivot Pin		3550 lbs
<b>Raising Time</b> (Ground Level to Full Height)		5 seconds
<b>Lowering Time</b> (Full Height to Ground Level)		4 seconds
<b>Bucket Dumping Time</b> (Full Rollback to Full Dump)		5 seconds
<b>Bucket Rollback Time</b> (Full Dump to Full Rollback)		3 seconds
<b>Hydraulics</b>	Two 2.25 inch Bore, 23.13 inch Stroke Double Acting Bucket Cylinders and Two 2.5 inch Bore, 18.25 inch Stroke Double Acting Lift Cylinders	
<b>Specifications Based on Tractor System of</b>	2850 PSI hyd. pressure & 11 GPM pump capacity	
<b>Regular Duty Skid Steer Buckets</b>	Available in 72, 80 and 84 inch widths	
<b>Commercial Grade Skid Steer Buckets</b>	Available in 60, 72 and 84 inch widths	
<b>Options</b>	Forklift Attachment (48 inch tines), Round Bale Spear, Dual-Probe Bale Spear, Grapple Fork, Bucket Tine Teeth, Bolt-On Digging Teeth, Side Cutting Edges, Spill Guard Attachment, Hydraulic Self-Leveling, and Grill Guards	
<b>Warranty</b>	1 year limited warranty	
<b>FEATURES</b>	"Universal" skid steer quick attach system compatible with skid steer style attachments, Available in major tractor colors	

# Bush Hog® TOUGH

## 4045 Quick Attach Mid-Mount Loader

### Skid Steer Quick Attach System

#### BUSH HOG® TOUGH FEATURES

- TOUGH Boxed Boom Design
- TOUGH Large Diameter Cross Tubes
- TOUGH Robotic Welds
- TOUGH High Strength Chrome Plated Cylinder Rods
- TOUGH Steel Tube Hydraulic Lines
- TOUGH Pivot Pins With Recessed Grease Zerks
- TOUGH Bush Hog Made Bucket
- TOUGH Powder Coat Paint



MODEL	Specifications Based on 1997 ASAE STANDARDS	4045
Tractor PTO HP Range		40 - 70
2WD/FWA		2WD/FWA
Maximum Lift Height - Measured at Pivot Pin		126 inches
Maximum Lift Height - Under Level Bucket		116 inches
Maximum Dump Angle		45°
Digging Depth		3.5 inches
Lift Capacity to Maximum Height - At Pivot Pin		3500 lbs
Lift Capacity to Maximum Height - 31.5 inches Forward of Pivot Pin		2200 lbs
Lift Capacity to 59 inch Height - At Pivot Pin		4100 lbs
Lift Capacity to 59 inch Height - 31.5 inches Forward of Pivot Pin		2950 lbs
Breakout Force - At Pivot Pin		5000 lbs
Breakout Force - 31.5 inches - Forward of Pivot Pin		3500 lbs
Rollback Force at Maximum Height - 31.5 inches Forward of Pivot Pin		5100 lbs
Rollback Force at 59 inch Height - 31.5 inches Forward of Pivot Pin		5300 lbs
Rollback Force at Ground Level - 31.5 inches Forward of Pivot Pin		3600 lbs
Raising Time (Ground Level to Full Height)		5 seconds
Lowering Time (Full Height to Ground Level)		3 seconds
Bucket Dumping Time (Full Rollback to Full Dump)		5 seconds
Bucket Rollback Time (Full Dump to Full Rollback)		3 seconds
Hydraulics	Two 2.5 inch Bore, 23.38 inch Stroke Double Acting Bucket Cylinders and Two 2.75 inch Bore, 18.25 inch Stroke Double Acting Lift Cylinders	
Specifications Based on Tractor System of	2850 PSI hyd. pressure & 11 GPM pump capacity	
Regular Duty Skid Steer Buckets	Available in 72, 80 and 84 inch widths	
Commercial Grade Skid Steer Buckets	Available in 60, 72 and 84 inch widths	
Options	Forklift Attachment (48 inch tines), Round Bale Spear, Dual-Probe Bale Spear, Grapple Fork, Bucket Tine Teeth, Bolt-On Digging Teeth, Side Cutting Edges, Spill Guard Attachment, Hydraulic Self-Leveling, and Grill Guards	
Warranty	1 year limited warranty	
FEATURES	"Universal" skid steer quick attach system compatible with skid steer syle attachments, Available in major tractor colors	

# Bush Hog® TOUGH

## 5045 Quick Attach Mid-Mount Loader

### Skid Steer Quick Attach System



#### BUSH HOG® TOUGH FEATURES

- TOUGH** Boxed Boom Design
- TOUGH** Large Diameter Cross Tubes
- TOUGH** Robotic Welds
- TOUGH** High Strength Chrome Plated Cylinder Rods
- TOUGH** Steel Tube Hydraulic Lines
- TOUGH** Bush Hog Made Buckets
- TOUGH** Powder Coat Paint

MODEL	Specifications Based on 1997 ASAE STANDARDS	5045
Tractor PTO HP Range		60 - 90
2WD/FWA		2WD/FWA
Maximum Lift Height - Measured at Pivot Pin		133 inches
Maximum Lift Height - Under Level Bucket		123 inches
Maximum Dump Angle		45°
Digging Depth		7 inches
Lift Capacity to Maximum Height - At Pivot Pin		4000 lbs
Lift Capacity to Maximum Height - 31.5 inches Forward of Pivot Pin		2560 lbs
Lift Capacity to 59 inch Height - At Pivot Pin		5000 lbs
Lift Capacity to 59 inch Height - 31.5 inches Forward of Pivot Pin		3500 lbs
Breakout Force - At Pivot Pin		6000 lbs
Breakout Force - 31.5 inches - Forward of Pivot Pin		4280 lbs
Rollback Force at Maximum Height - 31.5 inches Forward of Pivot Pin		4800 lbs
Rollback Force at 59 inch Height - 31.5 inches Forward of Pivot Pin		5600 lbs
Rollback Force at Ground Level - 31.5 inches Forward of Pivot Pin		3750 lbs
Raising Time (Ground Level to Full Height)		5 seconds
Lowering Time (Full Height to Ground Level)		3 seconds
Bucket Dumping Time (Full Rollback to Full Dump)		5 seconds
Bucket Rollback Time (Full Dump to Full Rollback)		3 seconds
Hydraulics	Two 2.5 inch Bore, 23.69 inch Stroke Double Acting Bucket Cylinders and Two 3.0 inch Bore, 18.94 inch Stroke Double Acting Lift Cylinders	
Specifications Based on Tractor System of	2850 PSI hyd. pressure & 16 GPM pump capacity	
Regular Duty Skid Steer Buckets	Available in 72, 80, 84 and 96 inch widths	
Commercial Grade Skid Steer Buckets	Available in 60, 72, 84 and 96 inch widths	
Options	Forklift Attachment (48 inch tines), Round Bale Spear, Dual Probe Bale Spear, Grapple Fork, Bucket Tine Teeth, Bolt On Digging Teeth, Side Cutting Edges, Spill Guard Attachment, Hydraulic Self Leveling, and Grill Guards	
Warranty	1 year limited warranty	
FEATURES	"Universal" skid steer quick attach system compatible with skid steer style attachments, Available in major tractor colors	



# Bush Hog® TOUGH

## 6045 Quick Attach Mid-Mount Loader

### Skid Steer Quick Attach System



#### BUSH HOG® TOUGH FEATURES

- TOUGH** Boxed Boom Design
- TOUGH** Large Diameter Cross Tubes
- TOUGH** Robotic Welds
- TOUGH** High Strength Chrome Plated Cylinder Rods
- TOUGH** Steel Tube Hydraulic Lines
- TOUGH** Bush Hog Made Buckets
- TOUGH** Powder Coat Paint

MODEL	Specifications Based on 1997 ASAE STANDARDS	6045
<b>Tractor PTO HP Range</b>		70 - 110
<b>2WD/FWA</b>		2WD/FWA
<b>Maximum Lift Height</b> - Measured at Pivot Pin		153 inches
<b>Maximum Lift Height</b> - Under Level Bucket		144 inches
<b>Maximum Dump Angle</b>		42°
<b>Digging Depth</b>		6 inches
<b>Lift Capacity</b> to Maximum Height - At Pivot Pin		4950 lbs
<b>Lift Capacity</b> to Maximum Height - 31.5 inches Forward of Pivot Pin		3075 lbs
<b>Lift Capacity</b> to 59 inch Height - At Pivot Pin		6500 lbs
<b>Lift Capacity</b> to 59 inch Height - 31.5 inches Forward of Pivot Pin		4325 lbs
<b>Breakout Force</b> - At Pivot Pin		8450 lbs
<b>Breakout Force</b> - 31.5 inches - Forward of Pivot Pin		5400 lbs
<b>Rollback Force</b> at Maximum Height - 31.5 inches Forward of Pivot Pin		5820 lbs
<b>Rollback Force</b> at 59 inch Height - 31.5 inches Forward of Pivot Pin		6180 lbs
<b>Rollback Force</b> at Ground Level - 31.5 inches Forward of Pivot Pin		3840 lbs
<b>Raising Time</b> (Ground Level to Full Height)		9 seconds
<b>Lowering Time</b> (Full Height to Ground Level)		6 seconds
<b>Bucket Dumping Time</b> (Full Rollback to Full Dump)		6 seconds
<b>Bucket Rollback Time</b> (Full Dump to Full Rollback)		4 seconds
<b>Hydraulics</b>	Two 2.75 inch Bore, 23.44 inch Stroke Double Acting Bucket Cylinders and Two 3.0 inch Bore, 25.75 inch Stroke Double Acting Lift Cylinders	
<b>Specifications Based on Tractor System of</b>	2850 PSI hyd. pressure & 29 GPM pump capacity	
<b>Regular Duty Skid Steer Buckets</b>	Available in 72, 80, 84 and 96 inch widths	
<b>Commercial Grade Skid Steer Buckets</b>	Available in 60, 72, 84 and 96 inch widths	
<b>Options</b>	Forklift Attachment (48 inch tines), Round Bale Spear, Dual-Probe Bale Spear, Grapple Fork, Bucket Tine Teeth, Bolt-On Digging Teeth, Side Cutting Edges, Spill Guard Attachment, Hydraulic Self-Leveling, and Grill Guards	
<b>Warranty</b>	1 year limited warranty	
<b>FEATURES</b>	"Universal" skid steer quick attach system compatible with skid steer style attachments, Available in major tractor colors	

SPECIFICATIONS SUBJECT TO CHANGE WITHOUT NOTICE

# Bush Hog® TOUGH

## 1846QT Quick Attach Front-Push Loader

### Pin-On Attachments

#### BUSH HOG® TOUGH FEATURES

- TOUGH Boxed Boom Design
- TOUGH Large Diameter Cross Tubes
- TOUGH Robotic Welds
- TOUGH High Strength Chrome Plated Cylinder Rods
- TOUGH Bush Hog Made Buckets
- TOUGH Powder Coat Paint



MODEL	Specifications Based on 1997 ASAE STANDARDS	1846QT
<b>Tractor PTO HP Range</b>		12 - 25
<b>2WD/FWA</b>		2WD/FWA
<b>Maximum Lift Height</b> - Measured at Pivot Pin		76 inches
<b>Maximum Lift Height</b> - Under Level Bucket		71 inches
<b>Maximum Dump Angle</b>		50°
<b>Digging Depth</b>		2.5 inches
<b>Lift Capacity</b> to Maximum Height - At Pivot Pin		725 lbs
<b>Lift Capacity</b> to Maximum Height - 19.5 inches Forward of Pivot Pin		515 lbs
<b>Lift Capacity</b> to 59 inch Height - At Pivot Pin		800 lbs
<b>Lift Capacity</b> to 59 inch Height - 19.5 inches Forward of Pivot Pin		595 lbs
<b>Breakout Force</b> - At Pivot Pin		1340 lbs
<b>Breakout Force</b> - 19.5 inches - Forward of Pivot Pin		960 lbs
<b>Rollback Force</b> at Maximum Height - 19.5 inches Forward of Pivot Pin		1155 lbs
<b>Rollback Force</b> at 59 inch Height - 19.5 inches Forward of Pivot Pin		1330 lbs
<b>Rollback Force</b> at Ground Level - 19.5 inches Forward of Pivot Pin		1055 lbs
<b>Raising Time</b> (Ground Level to Full Height)		3.5 seconds
<b>Lowering Time</b> (Full Height to Ground Level)		2 seconds
<b>Bucket Dumping Time</b> (Full Rollback to Full Dump)		3.5 seconds
<b>Bucket Rollback Time</b> (Full Dump to Full Rollback)		2 seconds
<b>Hydraulics</b>	Two 1.5 inch Bore, 15.0 inch Stroke Double Acting Bucket Cylinders and Two 1.5 inch Bore, 15.0 inch Stroke Double Acting Lift Cylinders	
<b>Specifications Based on Tractor System of</b>	1875 PSI hyd. Pressure & 4 GPM pump capacity	
<b>Pin-On Buckets</b>	Available in 42, 48 and 60 inch widths	
<b>Options</b>	Forklift Attachment (36 inch tines), Bucket Level Indicator, and Grill Guards	
<b>Warranty</b>	1 year limited warranty	
<b>FEATURES</b>	Available in major tractor colors	

# Bush Hog® TOUGH

## 2246QT Quick Attach Front-Push Loader

### Pin-On Attachments

#### BUSH HOG® TOUGH FEATURES

- TOUGH Boxed Boom Design
- TOUGH Large Diameter Cross Tubes
- TOUGH Robotic Welds
- TOUGH High Strength Chrome Plated Cylinder Rods
- TOUGH Bush Hog Made Buckets
- TOUGH Powder Coat Paint



MODEL	Specifications Based on 1997 ASAE STANDARDS	2246QT
<b>Tractor PTO HP Range</b>		15 - 35
<b>2WD/FWA</b>		2WD/FWA
<b>Maximum Lift Height</b> - Measured at Pivot Pin		97 inches
<b>Maximum Lift Height</b> - Under Level Bucket		90 inches
<b>Maximum Dump Angle</b>		50°
<b>Digging Depth</b>		4 inches
<b>Lift Capacity</b> to Maximum Height - At Pivot Pin		1150 lbs
<b>Lift Capacity</b> to Maximum Height - 19.5 inches Forward of Pivot Pin		875 lbs
<b>Lift Capacity</b> to 59 inch Height - At Pivot Pin		1365 lbs
<b>Lift Capacity</b> to 59 inch Height - 19.5 inches Forward of Pivot Pin		1085 lbs
<b>Breakout Force</b> - At Pivot Pin		1995 lbs
<b>Breakout Force</b> - 19.5 inches - Forward of Pivot Pin		1525 lbs
<b>Rollback Force</b> at Maximum Height - 19.5 inches Forward of Pivot Pin		2040 lbs
<b>Rollback Force</b> at 59 inch Height - 19.5 inches Forward of Pivot Pin		2410 lbs
<b>Rollback Force</b> at Ground Level - 19.5 inches Forward of Pivot Pin		1820 lbs
<b>Raising Time</b> (Ground Level to Full Height)		4 seconds
<b>Lowering Time</b> (Full Height to Ground Level)		2 seconds
<b>Bucket Dumping Time</b> (Full Rollback to Full Dump)		4 seconds
<b>Bucket Rollback Time</b> (Full Dump to Full Rollback)		2 seconds
<b>Hydraulics</b>	Two 1.77 inch Bore, 19.25 inch Stroke Double Acting Bucket Cylinders and Two 1.77 inch Bore, 19.25 inch Stroke Double Acting Lift Cylinders	
<b>Specifications Based on Tractor System of</b>	2000 PSI hyd. Pressure & 6 GPM pump capacity	
<b>Pin-On Buckets</b>	Available in 48, 60 and 72 inch widths	
<b>Options</b>	Forklift Attachment (36 inch tines), Bucket Level Indicator, and Grill Guards	
<b>Warranty</b>	1 year limited warranty	
<b>FEATURES</b>	Available in major tractor colors	

# Bush Hog® TOUGH

## 2346QT Quick Attach Front-Push Loader

### Bush Hog Quick Attach System



#### BUSH HOG® TOUGH FEATURES

- TOUGH Boxed Boom Design
- TOUGH Large Diameter Cross Tubes
- TOUGH Robotic Welds
- TOUGH High Strength Chrome Plated Cylinder Rods
- TOUGH Bush Hog Made Buckets
- TOUGH Powder Coat Paint

MODEL	Specifications Based on 1997 ASAE STANDARDS	2346QT
<b>Tractor PTO HP Range</b>		25 - 50
<b>2WD/FWA</b>		2WD/FWA
<b>Maximum Lift Height</b> - Measured at Pivot Pin		107 inches
<b>Maximum Lift Height</b> - Under Level Bucket		101 inches
<b>Maximum Dump Angle</b>		50°
<b>Digging Depth</b>		3 inches
<b>Lift Capacity</b> to Maximum Height - At Pivot Pin		1970 lbs
<b>Lift Capacity</b> to Maximum Height - 31.5 inches Forward of Pivot Pin		1270 lbs
<b>Lift Capacity</b> to 59 inch Height - At Pivot Pin		2200 lbs
<b>Lift Capacity</b> to 59 inch Height - 31.5 inches Forward of Pivot Pin		1570 lbs
<b>Breakout Force</b> - At Pivot Pin		2985 lbs
<b>Breakout Force</b> - 31.5 inches - Forward of Pivot Pin		2005 lbs
<b>Rollback Force</b> at Maximum Height - 31.5 inches Forward of Pivot Pin		2640 lbs
<b>Rollback Force</b> at 59 inch Height - 31.5 inches Forward of Pivot Pin		3220 lbs
<b>Rollback Force</b> at Ground Level - 31.5 inches Forward of Pivot Pin		2145 lbs
<b>Raising Time</b> (Ground Level to Full Height)		4 seconds
<b>Lowering Time</b> (Full Height to Ground Level)		2 seconds
<b>Bucket Dumping Time</b> (Full Rollback to Full Dump)		4 seconds
<b>Bucket Rollback Time</b> (Full Dump to Full Rollback)		2 seconds
<b>Hydraulics</b>	Two 2.0 inch Bore, 22.50 inch Stroke Double Acting Bucket Cylinders and Two 2.0 inch Bore, 23.38 inch Stroke Double Acting Lift Cylinders	
<b>Specifications Based on Tractor System of</b>	2450 PSI hyd. Pressure & 9 GPM pump capacity	
<b>Bush Hog Quick Attach Buckets</b>	Available in 48, 60, 72 and 80 inch widths	
<b>Options</b>	Forklift Attachment (36 inch tines), Round Bale Spear, Bucket Tine Teeth, Grill Guards, and Skid Steer Quick Attach Conversion Kit	
<b>Warranty</b>	1 year limited warranty	
<b>FEATURES</b>	Available in major tractor colors	

# Bush Hog® TOUGH

## 2426QT Quick Attach Front-Push Loader

### Bush Hog Quick Attach System

**BUSH HOG® TOUGH FEATURES**  
**TOUGH Boxed Boom Design**  
**TOUGH Large Diameter Cross Tubes**  
**TOUGH Robotic Welds**  
**TOUGH High Strength Chrome Plated Cylinder Rods**  
**TOUGH Powder Coat Paint**



MODEL	Specifications Based on 1997 ASAE STANDARDS	2426QT
<b>Tractor PTO HP Range</b>		35 - 75
<b>2WD/FWA</b>		2WD only
<b>Maximum Lift Height</b> - Measured at Pivot Pin		117 inches
<b>Maximum Lift Height</b> - Under Level Bucket		108 inches
<b>Maximum Dump Angle</b>		50°
<b>Digging Depth</b>		4.5 inches
<b>Lift Capacity</b> to Maximum Height - At Pivot Pin		2990 lbs
<b>Lift Capacity</b> to Maximum Height - 31.5 inches Forward of Pivot Pin		1920 lbs
<b>Lift Capacity</b> to 59 inch Height - At Pivot Pin		4130 lbs
<b>Lift Capacity</b> to 59 inch Height - 31.5 inches Forward of Pivot Pin		3020 lbs
<b>Breakout Force</b> - At Pivot Pin		4985 lbs
<b>Breakout Force</b> - 31.5 inches - Forward of Pivot Pin		3500 lbs
<b>Rollback Force</b> at Maximum Height - 31.5 inches Forward of Pivot Pin		2400 lbs
<b>Rollback Force</b> at 59 inch Height - 31.5 inches Forward of Pivot Pin		3340 lbs
<b>Rollback Force</b> at Ground Level - 31.5 inches Forward of Pivot Pin		2710 lbs
<b>Raising Time</b> (Ground Level to Full Height)		6 seconds
<b>Lowering Time</b> (Full Height to Ground Level)		3 seconds
<b>Bucket Dumping Time</b> (Full Rollback to Full Dump)		3.5 seconds
<b>Bucket Rollback Time</b> (Full Dump to Full Rollback)		2 seconds
<b>Hydraulics</b>	Two 2.0 inch Bore, 23.19 inch Stroke Double Acting Bucket Cylinders and Two 2.25 inch Bore, 29.62 inch Stroke Double Acting Lift Cylinders	
<b>Specifications Based on Tractor System of</b>	2450 PSI hyd. Pressure & 11 GPM pump capacity	
<b>Bush Hog Quick Attach Buckets</b>	Available in 60, 72 and 80 inch widths	
<b>Bush Hog Quick Attach Heavy Duty Buckets</b>	Available in 60, 72 and 84 inch widths	
<b>Options</b>	Forklift Attachment (42 inch tines), Round Bale Spear, Grapple Fork, Bucket Tine Teeth, Bolt-On Digging Teeth, Side Cutting Edges, Spill Guard Attachment, Hydraulic Self-Leveling, Grill Guards, and Skid Steer Quick Attach Conversion Kit	
<b>Warranty</b>	1 year limited warranty	
<b>FEATURES</b>	Available in major tractor colors	

# Bush Hog® TOUGH

## 2446QT Quick Attach Front-Push Loader

Bush Hog Quick Attach System



### BUSH HOG® TOUGH FEATURES

- TOUGH Boxed Boom Design
- TOUGH Large Diameter Cross Tubes
- TOUGH Robotic Welds
- TOUGH High Strength Chrome Plated Cylinder Rods
- TOUGH Bush Hog Made Buckets
- TOUGH Powder Coat Paint

MODEL	Specifications Based on 1997 ASAE STANDARDS	2446QT
Tractor PTO HP Range		35 - 75
2WD/FWA		2WD/FWA
Maximum Lift Height - Measured at Pivot Pin		117 inches
Maximum Lift Height - Under Level Bucket		108 inches
Maximum Dump Angle		50°
Digging Depth		4.5 inches
Lift Capacity to Maximum Height - At Pivot Pin		2870 lbs
Lift Capacity to Maximum Height - 31.5 inches Forward of Pivot Pin		1985 lbs
Lift Capacity to 59 inch Height - At Pivot Pin		3220 lbs
Lift Capacity to 59 inch Height - 31.5 inches Forward of Pivot Pin		2390 lbs
Breakout Force - At Pivot Pin		3955 lbs
Breakout Force - 31.5 inches - Forward of Pivot Pin		2940 lbs
Rollback Force at Maximum Height - 31.5 inches Forward of Pivot Pin		3155 lbs
Rollback Force at 59 inch Height - 31.5 inches Forward of Pivot Pin		3880 lbs
Rollback Force at Ground Level - 31.5 inches Forward of Pivot Pin		3015 lbs
Raising Time (Ground Level to Full Height)		4 seconds
Lowering Time (Full Height to Ground Level)		3 seconds
Bucket Dumping Time (Full Rollback to Full Dump)		4 seconds
Bucket Rollback Time (Full Dump to Full Rollback)		2.5 seconds
Hydraulics	Two 2.25 inch Bore, 22.81 inch Stroke Double Acting Bucket Cylinders and Two 2.25 inch Bore, 23.19 inch Stroke Double Acting Lift Cylinders	
Specifications Based on Tractor System of	2450 PSI hyd. Pressure & 11 GPM pump capacity	
Bush Hog Quick Attach Buckets	Available in 60, 72 and 80 inch widths	
Bush Hog Quick Attach Heavy Duty Buckets	Available in 60, 72 and 84 inch widths	
Options	Forklift Attachment (42 inch tines), Round Bale Spear, Grapple Fork, Bucket Tine Teeth, Bolt-On Digging Teeth, Side Cutting Edges, Spill Guard Attachment, Hydraulic Self-Leveling, Grill Guards, and Skid Steer Quick Attach Conversion Kit	
Warranty	1 year limited warranty	
FEATURES	Available in major tractor colors	

# Bush Hog® TOUGH

## 2846QT Quick Attach Front-Push Loader

### Bush Hog Quick Attach System

#### BUSH HOG® TOUGH FEATURES

- TOUGH Boxed Boom Design
- TOUGH Large Diameter Cross Tubes
- TOUGH Robotic Welds
- TOUGH High Strength Chrome Plated Cylinder Rods
- TOUGH Bush Hog Made Buckets
- TOUGH Powder Coat Paint



MODEL	Specifications Based on 1997 ASAE STANDARDS	2846QT
<b>Tractor PTO HP Range</b>		60 - 90
<b>2WD/FWA</b>		2WD/FWA
<b>Maximum Lift Height</b> - Measured at Pivot Pin		137 inches
<b>Maximum Lift Height</b> - Under Level Bucket		128 inches
<b>Maximum Dump Angle</b>		50°
<b>Digging Depth</b>		5.5 inches
<b>Lift Capacity</b> to Maximum Height - At Pivot Pin		3560 lbs
<b>Lift Capacity</b> to Maximum Height - 31.5 inches Forward of Pivot Pin		2475 lbs
<b>Lift Capacity</b> to 59 inch Height - At Pivot Pin		4090 lbs
<b>Lift Capacity</b> to 59 inch Height - 31.5 inches Forward of Pivot Pin		3105 lbs
<b>Breakout Force</b> - At Pivot Pin		5030 lbs
<b>Breakout Force</b> - 31.5 inches - Forward of Pivot Pin		3630 lbs
<b>Rollback Force</b> at Maximum Height - 31.5 inches Forward of Pivot Pin		4420 lbs
<b>Rollback Force</b> at 59 inch Height - 31.5 inches Forward of Pivot Pin		5505 lbs
<b>Rollback Force</b> at Ground Level - 31.5 inches Forward of Pivot Pin		4020 lbs
<b>Raising Time</b> (Ground Level to Full Height)		7 seconds
<b>Lowering Time</b> (Full Height to Ground Level)		4 seconds
<b>Bucket Dumping Time</b> (Full Rollback to Full Dump)		5 seconds
<b>Bucket Rollback Time</b> (Full Dump to Full Rollback)		3.5 seconds
<b>Hydraulics</b>	Two 2.25 inch Bore, 23.25 inch Stroke Double Acting Bucket Cylinders and Two 2.5 inch Bore, 29.38 inch Stroke Double Acting Lift Cylinders	
<b>Specifications Based on Tractor System of</b>	2450 PSI hyd. pressure & 11 GPM pump capacity	
<b>Bush Hog Quick Attach Buckets</b>	Available in 60, 72 and 80 inch widths	
<b>Bush Hog Quick Attach Heavy Duty Buckets</b>	Available in 60, 72 and 84 inch widths	
<b>Options</b>	Forklift Attachment (42 inch tines), Round Bale Spear, Grapple Fork, Bucket Tine Teeth, Bolt-On Digging Teeth, Side Cutting Edges, Spill Guard Attachment, Hydraulic Self-Leveling, Grill Guards, and Skid Steer Quick Attach Conversion Kit	
<b>Warranty</b>	1 year limited warranty	
<b>FEATURES</b>	Available in major tractor colors	

# Bush Hog® TOUGH

## 3226QT Quick Attach Front-Push Loader

### Bush Hog Quick Attach System

#### BUSH HOG® TOUGH FEATURES

- TOUGH Boxed Boom Design
- TOUGH Large Diameter Cross Tubes
- TOUGH Robotic Welds
- TOUGH High Strength Chrome Plated Cylinder Rods
- TOUGH Bush Hog Made Buckets
- TOUGH Powder Coat Paint



MODEL	Specifications Based on 1997 ASAE STANDARDS	3226QT
Tractor PTO HP Range		70 - 120
2WD/FWA		2WD only
Maximum Lift Height - Measured at Pivot Pin		143 inches
Maximum Lift Height - Under Level Bucket		134 inches
Maximum Dump Angle		50°
Digging Depth		4.5 inches
Lift Capacity to Maximum Height - At Pivot Pin		4110 lbs
Lift Capacity to Maximum Height - 31.5 inches Forward of Pivot Pin		2800 lbs
Lift Capacity to 59 inch Height - At Pivot Pin		4410 lbs
Lift Capacity to 59 inch Height - 31.5 inches Forward of Pivot Pin		3360 lbs
Breakout Force - At Pivot Pin		5160 lbs
Breakout Force - 31.5 inches - Forward of Pivot Pin		3730 lbs
Rollback Force at Maximum Height - 31.5 inches Forward of Pivot Pin		4940 lbs
Rollback Force at 59 inch Height - 31.5 inches Forward of Pivot Pin		6865 lbs
Rollback Force at Ground Level - 31.5 inches Forward of Pivot Pin		5305 lbs
Raising Time (Ground Level to Full Height)		5 seconds
Lowering Time (Full Height to Ground Level)		3 seconds
Bucket Dumping Time (Full Rollback to Full Dump)		5 seconds
Bucket Rollback Time (Full Dump to Full Rollback)		3 seconds
Hydraulics	Two 2.5 inch Bore, 28.75 inch Stroke Double Acting Bucket Cylinders and Two 2.5 inch Bore, 31.5 inch Stroke Double Acting Lift Cylinders	
Specifications Based on Tractor System of	2450 PSI hyd. pressure & 16 GPM pump capacity	
Bush Hog Quick Attach Buckets	Available in 60, 72 and 84 inch widths	
Bush Hog Quick Attach Heavy Duty Bucket	Available in 84 inch widths	
Options	Forklift (48 inch tines) Attachment, Round Bale Spear, Grapple Fork, Bucket Tine Teeth, Bolt-On Digging Teeth, Side Cutting Edges, Spill Guard Attachment, Hydraulic Self-Leveling, Grill Guards, and Skid Steer Quick Attach Conversion Kit	

Warranty	1 year limited warranty
	Available in major tractor colors



# Bush Hog® TOUGH

## 1847QT Quick Attach Front-Push Loader

### Pin-On Attachments

#### BUSH HOG® TOUGH FEATURES

- TOUGH Boxed Boom Design
- TOUGH Large Diameter Cross Tubes
- TOUGH Robotic Welds
- TOUGH High Strength Chrome Plated Cylinder Rods
- TOUGH Bush Hog Made Buckets
- TOUGH Powder Coat Paint



MODEL	Specifications Based on 1997 ASAE STANDARDS	1847QT
<b>Tractor PTO HP Range</b>		12 - 25
<b>2WD/FWA</b>		2WD/FWA
<b>Maximum Lift Height</b> - Measured at Pivot Pin		76 inches
<b>Maximum Lift Height</b> - Under Level Bucket		71 inches
<b>Maximum Dump Angle</b>		50°
<b>Digging Depth</b>		2.5 inches
<b>Lift Capacity</b> to Maximum Height - At Pivot Pin		725 lbs
<b>Lift Capacity</b> to Maximum Height - 19.5 inches Forward of Pivot Pin		515 lbs
<b>Lift Capacity</b> to 59 inch Height - At Pivot Pin		800 lbs
<b>Lift Capacity</b> to 59 inch Height - 19.5 inches Forward of Pivot Pin		595 lbs
<b>Breakout Force</b> - At Pivot Pin		1340 lbs
<b>Breakout Force</b> - 19.5 inches - Forward of Pivot Pin		960 lbs
<b>Rollback Force</b> at Maximum Height - 19.5 inches Forward of Pivot Pin		1155 lbs
<b>Rollback Force</b> at 59 inch Height - 19.5 inches Forward of Pivot Pin		1330 lbs
<b>Rollback Force</b> at Ground Level - 19.5 inches Forward of Pivot Pin		1055 lbs
<b>Raising Time</b> (Ground Level to Full Height)		3.5 seconds
<b>Lowering Time</b> (Full Height to Ground Level)		2 seconds
<b>Bucket Dumping Time</b> (Full Rollback to Full Dump)		3.5 seconds
<b>Bucket Rollback Time</b> (Full Dump to Full Rollback)		2 seconds
<b>Hydraulics</b>	Two 1.5 inch Bore, 15.0 inch Stroke Double Acting Bucket Cylinders and Two 1.5 inch Bore, 15.0 inch Stroke Double Acting Lift Cylinders	
<b>Specifications Based on Tractor System of</b>	1875 PSI hyd. Pressure & 4 GPM pump capacity	
<b>Pin-On Buckets</b>	Available in 42, 48 and 60 inch widths	
<b>Options</b>	Forklift Attachment (36 inch tines), Bucket Level Indicator, and Grill Guards	
<b>Warranty</b>	1 year limited warranty	
<b>FEATURES</b>	Available in major tractor colors	

# Bush Hog® TOUGH

## 2247QT Quick Attach Front-Push Loader

### Pin-On Attachments

#### BUSH HOG® TOUGH FEATURES

- TOUGH Boxed Boom Design
- TOUGH Large Diameter Cross Tubes
- TOUGH Robotic Welds
- TOUGH High Strength Chrome Plated Cylinder Rods
- TOUGH Bush Hog Made Buckets
- TOUGH Powder Coat Paint



MODEL	Specifications Based on 1997 ASAE STANDARDS	2247QT
<b>Tractor PTO HP Range</b>		15 - 35
<b>2WD/FWA</b>		2WD/FWA
<b>Maximum Lift Height</b> - Measured at Pivot Pin		97 inches
<b>Maximum Lift Height</b> - Under Level Bucket		90 inches
<b>Maximum Dump Angle</b>		50°
<b>Digging Depth</b>		4 inches
<b>Lift Capacity</b> to Maximum Height - At Pivot Pin		1150 lbs
<b>Lift Capacity</b> to Maximum Height - 19.5 inches Forward of Pivot Pin		875 lbs
<b>Lift Capacity</b> to 59 inch Height - At Pivot Pin		1365 lbs
<b>Lift Capacity</b> to 59 inch Height - 19.5 inches Forward of Pivot Pin		1085 lbs
<b>Breakout Force</b> - At Pivot Pin		1995 lbs
<b>Breakout Force</b> - 19.5 inches - Forward of Pivot Pin		1525 lbs
<b>Rollback Force</b> at Maximum Height - 19.5 inches Forward of Pivot Pin		2040 lbs
<b>Rollback Force</b> at 59 inch Height - 19.5 inches Forward of Pivot Pin		2410 lbs
<b>Rollback Force</b> at Ground Level - 19.5 inches Forward of Pivot Pin		1820 lbs
<b>Raising Time</b> (Ground Level to Full Height)		4 seconds
<b>Lowering Time</b> (Full Height to Ground Level)		2 seconds
<b>Bucket Dumping Time</b> (Full Rollback to Full Dump)		4 seconds
<b>Bucket Rollback Time</b> (Full Dump to Full Rollback)		2 seconds
<b>Hydraulics</b>	Two 1.77 inch Bore, 19.25 inch Stroke Double Acting Bucket Cylinders and Two 1.77 inch Bore, 19.25 inch Stroke Double Acting Lift Cylinders	
<b>Specifications Based on Tractor System of</b>	2000 PSI hyd. Pressure & 6 GPM pump capacity	
<b>Pin-On Buckets</b>	Available in 48, 60 and 72 inch widths	
<b>Options</b>	Forklift Attachment (36 inch tines), Bucket Level Indicator, and Grill Guards	
<b>Warranty</b>	1 year limited warranty	
<b>FEATURES</b>	Available in major tractor colors	

# Bush Hog® TOUGH

## 2347QT Quick Attach Front-Push Loader

### Skid Steer Quick Attach System

#### BUSH HOG® TOUGH FEATURES

- TOUGH Boxed Boom Design
- TOUGH Large Diameter Cross Tubes
- TOUGH Robotic Welds
- TOUGH High Strength Chrome Plated Cylinder Rods
- TOUGH Bush Hog Made Buckets
- TOUGH Powder Coat Paint



MODEL	Specifications Based on 1997 ASAE STANDARDS	2347QT
<b>Tractor PTO HP Range</b>		25 - 50
<b>2WD/FWA</b>		2WD/FWA
<b>Maximum Lift Height</b> - Measured at Pivot Pin		107 inches
<b>Maximum Lift Height</b> - Under Level Bucket		101 inches
<b>Maximum Dump Angle</b>		50°
<b>Digging Depth</b>		3 inches
<b>Lift Capacity</b> to Maximum Height - At Pivot Pin		1970 lbs
<b>Lift Capacity</b> to Maximum Height - 31.5 inches Forward of Pivot Pin		1270 lbs
<b>Lift Capacity</b> to 59 inch Height - At Pivot Pin		2200 lbs
<b>Lift Capacity</b> to 59 inch Height - 31.5 inches Forward of Pivot Pin		1570 lbs
<b>Breakout Force</b> - At Pivot Pin		2985 lbs
<b>Breakout Force</b> - 31.5 inches - Forward of Pivot Pin		2005 lbs
<b>Rollback Force</b> at Maximum Height - 31.5 inches Forward of Pivot Pin		2640 lbs
<b>Rollback Force</b> at 59 inch Height - 31.5 inches Forward of Pivot Pin		3220 lbs
<b>Rollback Force</b> at Ground Level - 31.5 inches Forward of Pivot Pin		2145 lbs
<b>Raising Time</b> (Ground Level to Full Height)		4 seconds
<b>Lowering Time</b> (Full Height to Ground Level)		2 seconds
<b>Bucket Dumping Time</b> (Full Rollback to Full Dump)		4 seconds
<b>Bucket Rollback Time</b> (Full Dump to Full Rollback)		2 seconds
<b>Hydraulics</b>	Two 2.0 inch Bore, 22.50 inch Stroke Double Acting Bucket Cylinders and Two 2.0 inch Bore, 23.38 inch Stroke Double Acting Lift Cylinders	
<b>Specifications Based on Tractor System of</b>	2450 PSI hyd. Pressure & 9 GPM pump capacity	
<b>Bush Hog Quick Attach Buckets</b>	Available in 48, 60, 72 and 80 inch widths	
<b>Options</b>	Forklift Attachment (36 inch tines), Round Bale Spear, Bucket Tine Teeth, and Grill Guards	
<b>Warranty</b>	1 year limited warranty	
<b>FEATURES</b>	Available in major tractor colors	

# Bush Hog® TOUGH

## 2427QT Quick Attach Front-Push Loader

### Skid Steer Quick Attach System

- BUSH HOG® TOUGH FEATURES**
- TOUGH Boxed Boom Design
  - TOUGH Large Diameter Cross Tubes
  - TOUGH Robotic Welds
  - TOUGH High Strength Chrome Plated Cylinder Rods
  - TOUGH Powder Coat Paint



MODEL	Specifications Based on 1997 ASAE STANDARDS	2427QT
Tractor PTO HP Range		35 - 75
2WD/FWA		2WD only
Maximum Lift Height - Measured at Pivot Pin		117 inches
Maximum Lift Height - Under Level Bucket		108 inches
Maximum Dump Angle		50°
Digging Depth		4.5 inches
Lift Capacity to Maximum Height - At Pivot Pin		2990 lbs
Lift Capacity to Maximum Height - 31.5 inches Forward of Pivot Pin		1920 lbs
Lift Capacity to 59 inch Height - At Pivot Pin		4130 lbs
Lift Capacity to 59 inch Height - 31.5 inches Forward of Pivot Pin		3020 lbs
Breakout Force - At Pivot Pin		4985 lbs
Breakout Force - 31.5 inches - Forward of Pivot Pin		3500 lbs
Rollback Force at Maximum Height - 31.5 inches Forward of Pivot Pin		2400 lbs
Rollback Force at 59 inch Height - 31.5 inches Forward of Pivot Pin		3340 lbs
Rollback Force at Ground Level - 31.5 inches Forward of Pivot Pin		2710 lbs
Raising Time (Ground Level to Full Height)		6 seconds
Lowering Time (Full Height to Ground Level)		3 seconds
Bucket Dumping Time (Full Rollback to Full Dump)		3.5 seconds
Bucket Rollback Time (Full Dump to Full Rollback)		2 seconds
Hydraulics	Two 2.0 inch Bore, 23.19 inch Stroke Double Acting Bucket Cylinders and Two 2.25 inch Bore, 29.62 inch Stroke Double Acting Lift Cylinders	
Specifications Based on Tractor System of	2450 PSI hyd. Pressure & 11 GPM pump capacity	
Bush Hog Quick Attach Buckets	Available in 60, 72 and 80 inch widths	
Bush Hog Quick Attach Heavy Duty Buckets	Available in 60, 72 and 84 inch widths	
Options	Forklift Attachment (42 inch tines), Round Bale Spear, Grapple Fork, Bucket Tine Teeth, Bolt-On Digging Teeth, Side Cutting Edges, Spill Guard Attachment, Hydraulic Self-Leveling, and Grill Guards	
Warranty	1 year limited warranty	
FEATURES	Available in major tractor colors	

# Bush Hog® TOUGH

## 2447QT Quick Attach Front-Push Loader

### Skid Steer Quick Attach System

#### BUSH HOG® TOUGH FEATURES

- TOUGH Boxed Boom Design
- TOUGH Large Diameter Cross Tubes
- TOUGH Robotic Welds
- TOUGH High Strength Chrome Plated Cylinder Rods
- TOUGH Bush Hog Made Buckets
- TOUGH Powder Coat Paint



MODEL	Specifications Based on 1997 ASAE STANDARDS	2447QT
Tractor PTO HP Range		35 - 75
2WD/FWA		2WD/FWA
Maximum Lift Height - Measured at Pivot Pin		117 inches
Maximum Lift Height - Under Level Bucket		108 inches
Maximum Dump Angle		50°
Digging Depth		4.5 inches
Lift Capacity to Maximum Height - At Pivot Pin		2870 lbs
Lift Capacity to Maximum Height - 31.5 inches Forward of Pivot Pin		1985 lbs
Lift Capacity to 59 inch Height - At Pivot Pin		3220 lbs
Lift Capacity to 59 inch Height - 31.5 inches Forward of Pivot Pin		2390 lbs
Breakout Force - At Pivot Pin		3955 lbs
Breakout Force - 31.5 inches - Forward of Pivot Pin		2940 lbs
Rollback Force at Maximum Height - 31.5 inches Forward of Pivot Pin		3155 lbs
Rollback Force at 59 inch Height - 31.5 inches Forward of Pivot Pin		3880 lbs
Rollback Force at Ground Level - 31.5 inches Forward of Pivot Pin		3015 lbs
Raising Time (Ground Level to Full Height)		4 seconds
Lowering Time (Full Height to Ground Level)		3 seconds
Bucket Dumping Time (Full Rollback to Full Dump)		4 seconds
Bucket Rollback Time (Full Dump to Full Rollback)		2.5 seconds
Hydraulics	Two 2.25 inch Bore, 22.81 inch Stroke Double Acting Bucket Cylinders and Two 2.25 inch Bore, 23.19 inch Stroke Double Acting Lift Cylinders	
Specifications Based on Tractor System of	2450 PSI hyd. Pressure & 11 GPM pump capacity	
Bush Hog Quick Attach Buckets	Available in 60, 72 and 80 inch widths	
Bush Hog Quick Attach Heavy Duty Buckets	Available in 60, 72 and 84 inch widths	
Options	Forklift Attachment (42 inch tines), Round Bale Spear, Grapple Fork, Bucket Tine Teeth, Bolt-On Digging Teeth, Side Cutting Edges, Spill Guard Attachment, Hydraulic Self-Leveling, and Grill Guards	
Warranty	1 year limited warranty	
FEATURES	Available in major tractor colors	

# Bush Hog® TOUGH

## 2847QT Quick Attach Front-Push Loader

### Skid Steer Quick Attach System

#### BUSH HOG® TOUGH FEATURES

- TOUGH Boxed Boom Design
- TOUGH Large Diameter Cross Tubes
- TOUGH Robotic Welds
- TOUGH High Strength Chrome Plated Cylinder Rods
- TOUGH Bush Hog Made Buckets
- TOUGH Powder Coat Paint



MODEL	Specifications Based on 1997 ASAE STANDARDS	2847QT
Tractor PTO HP Range		60 - 90
2WD/FWA		2WD/FWA
Maximum Lift Height - Measured at Pivot Pin		137 inches
Maximum Lift Height - Under Level Bucket		128 inches
Maximum Dump Angle		50°
Digging Depth		5.5 inches
Lift Capacity to Maximum Height - At Pivot Pin		3560 lbs
Lift Capacity to Maximum Height - 31.5 inches Forward of Pivot Pin		2475 lbs
Lift Capacity to 59 inch Height - At Pivot Pin		4090 lbs
Lift Capacity to 59 inch Height - 31.5 inches Forward of Pivot Pin		3105 lbs
Breakout Force - At Pivot Pin		5030 lbs
Breakout Force - 31.5 inches - Forward of Pivot Pin		3630 lbs
Rollback Force at Maximum Height - 31.5 inches Forward of Pivot Pin		4420 lbs
Rollback Force at 59 inch Height - 31.5 inches Forward of Pivot Pin		5505 lbs
Rollback Force at Ground Level - 31.5 inches Forward of Pivot Pin		4020 lbs
Raising Time (Ground Level to Full Height)		7 seconds
Lowering Time (Full Height to Ground Level)		4 seconds
Bucket Dumping Time (Full Rollback to Full Dump)		5 seconds
Bucket Rollback Time (Full Dump to Full Rollback)		3.5 seconds
Hydraulics	Two 2.25 inch Bore, 23.25 inch Stroke Double Acting Bucket Cylinders and Two 2.5 inch Bore, 29.38 inch Stroke Double Acting Lift Cylinders	
Specifications Based on Tractor System of	2450 PSI hyd. pressure & 11 GPM pump capacity	
Bush Hog Quick Attach Buckets	Available in 60, 72 and 80 inch widths	
Bush Hog Quick Attach Heavy Duty Buckets	Available in 60, 72 and 84 inch widths	
Options	Forklift Attachment (42 inch tines), Round Bale Spear, Grapple Fork, Bucket Tine Teeth, Bolt-On Digging Teeth, Side Cutting Edges, Spill Guard Attachment, Hydraulic Self-Leveling, and Grill Guards	
Warranty	1 year limited warranty	
FEATURES	Available in major tractor colors	

# Bush Hog® TOUGH

## 3227QT Quick Attach Front-Push Loader

### Skid Steer Quick Attach System

#### BUSH HOG® TOUGH FEATURES

- TOUGH Boxed Boom Design
- TOUGH Large Diameter Cross Tubes
- TOUGH Robotic Welds
- TOUGH High Strength Chrome Plated Cylinder Rods
- TOUGH Bush Hog Made Buckets
- TOUGH Powder Coat Paint



MODEL	Specifications Based on 1997 ASAE STANDARDS	3227QT
Tractor PTO HP Range		70 - 120
2WD/FWA		2WD only
Maximum Lift Height - Measured at Pivot Pin		143 inches
Maximum Lift Height - Under Level Bucket		134 inches
Maximum Dump Angle		50°
Digging Depth		4.5 inches
Lift Capacity to Maximum Height - At Pivot Pin		4110 lbs
Lift Capacity to Maximum Height - 31.5 inches Forward of Pivot Pin		2800 lbs
Lift Capacity to 59 inch Height - At Pivot Pin		4410 lbs
Lift Capacity to 59 inch Height - 31.5 inches Forward of Pivot Pin		3360 lbs
Breakout Force - At Pivot Pin		5160 lbs
Breakout Force - 31.5 inches - Forward of Pivot Pin		3730 lbs
Rollback Force at Maximum Height - 31.5 inches Forward of Pivot Pin		4940 lbs
Rollback Force at 59 inch Height - 31.5 inches Forward of Pivot Pin		6865 lbs
Rollback Force at Ground Level - 31.5 inches Forward of Pivot Pin		5305 lbs
Raising Time (Ground Level to Full Height)		5 seconds
Lowering Time (Full Height to Ground Level)		3 seconds
Bucket Dumping Time (Full Rollback to Full Dump)		5 seconds
Bucket Rollback Time (Full Dump to Full Rollback)		3 seconds
Hydraulics	Two 2.5 inch Bore, 28.75 inch Stroke Double Acting Bucket Cylinders and Two 2.5 inch Bore, 31.5 inch Stroke Double Acting Lift Cylinders	
Specifications Based on Tractor System of	2450 PSI hyd. pressure & 16 GPM pump capacity	
Bush Hog Quick Attach Buckets	Available in 60, 72 and 84 inch widths	
Bush Hog Quick Attach Heavy Duty Bucket	Available in 84 inch widths	
Options	Forklift (48 inch tines) Attachment, Round Bale Spear, Grapple Fork, Bucket Tine Teeth, Bolt-On Digging Teeth, Side Cutting Edges, Spill Guard Attachment, Hydraulic Self-Leveling, and Grill Guards	
Warranty	1 year limited warranty	
FEATURES	Available in major tractor colors	

# Bush Hog® TOUGH

## Trail Hunter Off-Road Utility Vehicles

### BUSH HOG® TOUGH FEATURES

**TOUGH Sealed And Pressurized CVT Protection System On TH440**

**TOUGH Double CV Joints At Each Wheel**

**TOUGH Four Wheel Hydraulic Disc Brakes**

**TOUGH On Demand Four Wheel Drive On TH440**

**TOUGH 5 Bolt Wheels**



MODELS	TH420	TH440
<b>ENGINE</b>	4 cycle, OHV V-twin, air cooled gas	
<b>Make/HP (displacement)</b>	Briggs & Stratton® 16 HP (480 CC)	Honda® 20 hp (614 CC)
<b>Lubrication</b>	Full Pressure with automotive style spin-on canister	
<b>Air Cleaner</b>	Remote, 2 stage cyclone-type with replaceable dual elements	
<b>Electrical System</b>	12 volt DC with 20 amp alternator	
<b>Battery</b>	530 CCA rating@32 degrees F	
<b>CHASSIS</b>		
<b>Suspension, Front</b>	MacPherson strut, Single A-arm, coil-over-shock	
<b>Suspension, Rear</b>	Independent trailing arm, coil-over-shock	
<b>Wheel travel, Front/Rear</b>	5.7 inches/4.4 inches	
<b>Steering</b>	Rack and Pinion	
<b>Turning Radius</b>	13 ft	
<b>Front Tires</b>	AT 23 x 8.0 - 12 NHS	
<b>Rear Tires</b>	AT 23 x 10.0 - 12 NHS	
<b>Brakes</b>	4 wheel hydraulic disc brakes; self-adjusting with tandem master cylinder	
<b>Park Brake</b>	Rear mechanical disc	
<b>Ground Clearance</b>	9 inches	
<b>DRIVE TRAIN</b>		
<b>Transmission</b>	Continuously Variable Transmission (CVT)	
<b>CVT Protection</b>	Shielded (TH420 only)	Fully enclosed pressurized with filtered air intake
<b>Final Drive</b>	Bush Hog® Dual-Range transaxle with High, Low, Neutral and Reverse	
<b>Differential Lock</b>	Truck-style automatic positive locking differential; featuring Detroit Gearless Locker™	
<b>Ground Speed</b>	0 - 25 MPH	
<b>2WD/4WD</b>	2WD	True On-Demand 4 wheel drive; switch engaged
<b>DIMENSIONS</b>		
<b>Dry Weight</b>	1270 lbs	1320 lbs
<b>Wheel Base</b>	72 inches	
<b>Track Width-Front</b>	48 inches	
<b>Track Width-Back</b>	52 inches	
<b>Overall Dimensions (LxWxH)</b>	110 x 49 x 75 inches	
<b>Vehicle Load Capacity</b>	1150 lbs	
<b>Cargo Box Load Capacity</b>	750 lbs	
<b>Cargo Box Dimensions (LxWxH)</b>	38.5 x 46.5 x 13.4 inches	
<b>Towing Capacity</b>	1500 lbs	
<b>Fuel Capacity</b>	7 gallons	
<b>Seating Capacity (Bench-type)</b>	2	2
<b>Lights</b>	Dual 37 watt halogen headlights, tail lights and brake lights	
<b>Colors</b>	Classic Bush Hog® Red, Deep Forest Green and Mossy Oak Obsession® camouflage, see accessories brochure	
<b>Options</b>	See Accessories Brochure	
<b>Warranty</b>	1 year limited warranty. See dealer for complete details. 2 year engine limited warranty administered through engine manufacturers.	

**BUSH HOG EXCLUSIVE:**

Patented Sealed and Pressurized CVT Protection System on model TH440



# Bush Hog® TOUGH

## Trail Hand Off-Road Utility Vehicles



### BUSH HOG® TOUGH FEATURES

**TOUGH Sealed And Pressurized CVT Protection System**

**TOUGH Double CV Joints At Each Wheel**

**TOUGH Four Wheel Hydraulic Disc Brakes**

**TOUGH On Demand Four Wheel Drive On TH4400**

**TOUGH 5 Bolt Wheels**

MODELS	TH4200	TH4400
<b>ENGINE</b>	4 cycle, OHV V-twin, air-cooled gas	
<b>Make/HP (displacement)</b>	Honda® 24 HP (670 CC)	Honda® 24 HP (670 CC)
<b>Lubrication</b>	Full Pressure with automotive style spin-on canister	
<b>Air Cleaner</b>	Remote, 2 stage cyclone-type with replaceable dual elements	
<b>Electrical System</b>	12 volt DC with 20 amp alternator	
<b>Battery</b>	530 CCA rating@32 degrees F	
<b>CHASSIS</b>		
<b>Suspension, Front</b>	MacPherson strut, Single A-arm, coil-over-shock	
<b>Suspension, Rear</b>	Independent trailing arm, coil-over-shock	
<b>Wheel travel, Front/Rear</b>	5.7 inches/6.0 inches	
<b>Steering</b>	Rack and Pinion	
<b>Turning Radius</b>	13 ft	
<b>Front Tires</b>	AT 25 x 10.0 - 12 NHS	
<b>Rear Tires</b>	AT 25 x 11.0 - 12 NHS	
<b>Brakes</b>	4 wheel hydraulic disc brakes; self-adjusting with tandem master cylinder	
<b>Park Brake</b>	Rear mechanical disc	
<b>Ground Clearance</b>	10 inches	
<b>DRIVE TRAIN</b>		
<b>Transmission</b>	Continuously Variable Transmission (CVT)	
<b>CVT Protection</b>	Fully enclosed pressurized with filtered air intake	
<b>Final Drive</b>	Bush Hog® Dual-Range transaxle with High, Low, Neutral and Reverse	
<b>Differential Lock</b>	Truck-style automatic positive locking differential; featuring Detroit Gearless Locker™	
<b>Ground Speed</b>	0 - 25 mph	
<b>2WD/4WD</b>	2WD	True On-Demand 4 wheel drive on TH4400; switch engaged
<b>DIMENSIONS</b>		
<b>Dry Weight</b>	1450 lbs	1500 lbs
<b>Wheel Base</b>	76 inches	
<b>Track Width-Front</b>	57 inches	
<b>Track Width-Back</b>	58.5 inches	
<b>Overall Dimensions (LxWxH)</b>	119 x 60 x 78 inches	
<b>Vehicle Load Capacity</b>	1500 lbs	
<b>Cargo Box Load Capacity</b>	1000 lbs	
<b>Cargo Box Dimensions (LxWxH)</b>	44 x 56.5 x 13.4 inches	
<b>Flatbed Dimensions (LxW)</b>	47.5 x 56.5	
<b>Towing Capacity</b>	1500 lbs	
<b>Fuel Capacity</b>	7 gallons	
<b>Seating Capacity (Bench-type)</b>	3	3
<b>Lights</b>	Dual 37 watt halogen headlights, tail lights and brake lights	
<b>Colors</b>	Classic Bush Hog® Red, Deep Forest Green and Mossy Oak Obsession® camouflage	
<b>Options</b>	See Accessories Brochure	
<b>Warranty</b>	1 year limited warranty. See dealer for complete details. 2 year engine limited warranty administered through engine manufacturers.	

**BUSH HOG EXCLUSIVE:**

Patented Sealed and Pressurized CVT Protection System

# Bush Hog® TOUGH 4430 4x4 Utility Vehicle

## BUSH HOG® TOUGH FEATURES

**TOUGH Three-year Drive Train Limited Warranty**

**TOUGH Sealed And Pressurized CVT Protection System**

**TOUGH Double CV Joints At Each Wheel**

**TOUGH Four Wheel Hydraulic Disc Brakes**

**TOUGH Brush Guards Come In Three Styles**



### MODELS

### 4430

<b>ENGINE</b>	4 cycle, OHV V-twin, air-cooled gas
<b>Make/HP</b> (displacement)	Honda® 24 HP (670 CC)
<b>Lubrication</b>	Full Pressure with automotive style spin-on canister
<b>Air Cleaner</b>	Remote, 2 stage cyclone-type with replaceable dual elements
<b>Electrical System</b>	12 volt DC with 20 amp alternator
<b>Battery</b>	530 CCA rating @ 32 degrees F
<b>CHASSIS</b>	
<b>Suspension, Front</b>	MacPherson strut
<b>Suspension, Rear</b>	Independent trailing arm, coil-over-shock
<b>Wheel travel, Front/Rear</b>	5 inches/4.75 inches
<b>Steering</b>	Rack and Pinion
<b>Turning Radius</b>	13 ft
<b>Front Tires</b>	AT 25 x 10.0 - 12 NHS
<b>Rear Tires</b>	AT 25 x 11.0 - 12 NHS
<b>Brakes</b>	4 wheel hydraulic disc brakes with tandem master cylinder
<b>Park Brake</b>	Rear mechanical disc
<b>Ground Clearance</b>	9 inches
<b>Clearance Under Foot Platform</b>	13 1/2 inches
<b>DRIVE TRAIN</b>	
<b>Transmission</b>	Continuously Variable Transmission (CVT)
<b>CVT Protection</b>	Fully enclosed pressurized with filtered air intake
<b>Final Drive</b>	Bush Hog® Dual-Range transaxle with High, Low, Neutral and Reverse
<b>Differential Lock</b>	Automatic locking differential; featuring Detroit Gearless Locker™
<b>Ground Speed</b>	0 - 25 mph
<b>2WD/4WD</b>	True On-Demand 4 wheel drive
<b>DIMENSIONS</b>	
<b>Dry Weight</b>	1500 lbs
<b>Wheel Base</b>	76 inches
<b>Track Width-Front</b>	57 inches
<b>Track Width-Back</b>	58.5 inches
<b>Overall Dimensions (LxWxH)</b>	119 x 60 x 78 inches (with standard grill guard)
<b>Vehicle Load Capacity</b>	1500 lbs
<b>Cargo Box Load Capacity</b>	1000 lbs
<b>Cargo Box Dimensions (LxWxH)</b>	40 x 49 x 11 inches (inside)
<b>Flatbed Dimensions (LxW)</b>	47.5 x 56.5
<b>Towing Capacity</b>	1500 lbs
<b>Fuel Capacity</b>	7 gallons
<b>Seating Capacity</b> (Bench-type)	3
<b>Lights</b>	Dual 37 watt halogen headlights, tail lights and brake lights
<b>Colors</b>	Classic Bush Hog® Red, Deep Forest Green and Mossy Oak Obsession® camouflage
<b>Instruments</b>	Hour meter, electric fuel gauge and 12V outlet
<b>Options</b>	See Accessories Brochure
<b>Warranty</b>	1 year limited warranty, 3 year limited drive train warranty. See dealer for complete details

## COLORS TO MATCH YOUR TRACTOR

**Many Bush Hog products can be factory painted to match most tractors**

Backhoes

Loaders

Squealers

Finishing Mowers

290

280

Razor Backs

Landscape Equipment

RTS Series Rotary Tillers

RTN Series Rotary Tillers



[www.bushhog.com](http://www.bushhog.com)

The screenshot shows the main Bush Hog website homepage. At the top left is the Bush Hog logo with the tagline "Performance You Can Count On™". A search bar is located at the top right. Below the logo is a navigation menu with links for HOME, BUSH HOG TOUGH, PRODUCT INDEX, SAFETY, FINANCING, MANUALS, PARTS, CONTACT US, and DEALER SUPPORT. The main content area features a large image of a utility vehicle with the text "When you buy Bush Hog, you get great performance now and for years to come." To the right of this image are three promotional boxes: "NEW See the Z715 Find out more" with a small image of a tractor, "Send us Your Great Performance Find out more" with a small image of a tractor, and "\$0 Down on Zero Turns Find out more" with a small image of a tractor. At the bottom, there is a section titled "Products For Your Work And Lifestyle" with four sub-categories: Agriculture, Country Lifestyle, Commercial Turf, and Outdoor Life, each with a small image representing that category.

[www.bushhogdealer.com](http://www.bushhogdealer.com)

The screenshot shows the Bush Hog Dealer website. At the top left is the Bush Hog logo with the tagline "Performance You Can Count On™". A navigation menu at the top right includes links for Home and Log Out. Below the logo is a navigation menu with links for PARTS, ACCOUNT INFO, NEW PRODUCTS, BULLETINS, DOWNLOADS, MARKETING SALES, and HELP FOR US. The main content area features a large image of a tractor with a mower deck and the text "This is your web site. It's dedicated to helping you build your business by delivering performance your customers can count on - today and for years to come." To the right of this image are three promotional boxes: "NEW ZTM Find out more" with a small image of a tractor, "NEW Ads & Co-op Materials Find out more" with a small image of a document, and "UTV & ZTM Financing Program Find out more" with a small image of a document. Below the main image are two smaller images: one of a tractor with a loader bucket and another of a tractor with a mower deck.



**BUSH HOG®**  
Performance You Can Count On™

334-874-2700  
P.O. Box 1039 Selma, AL 36702 - 1039