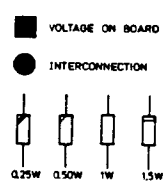
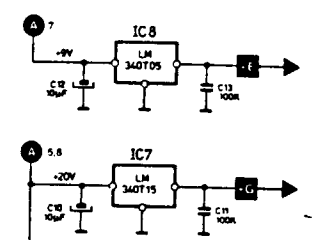
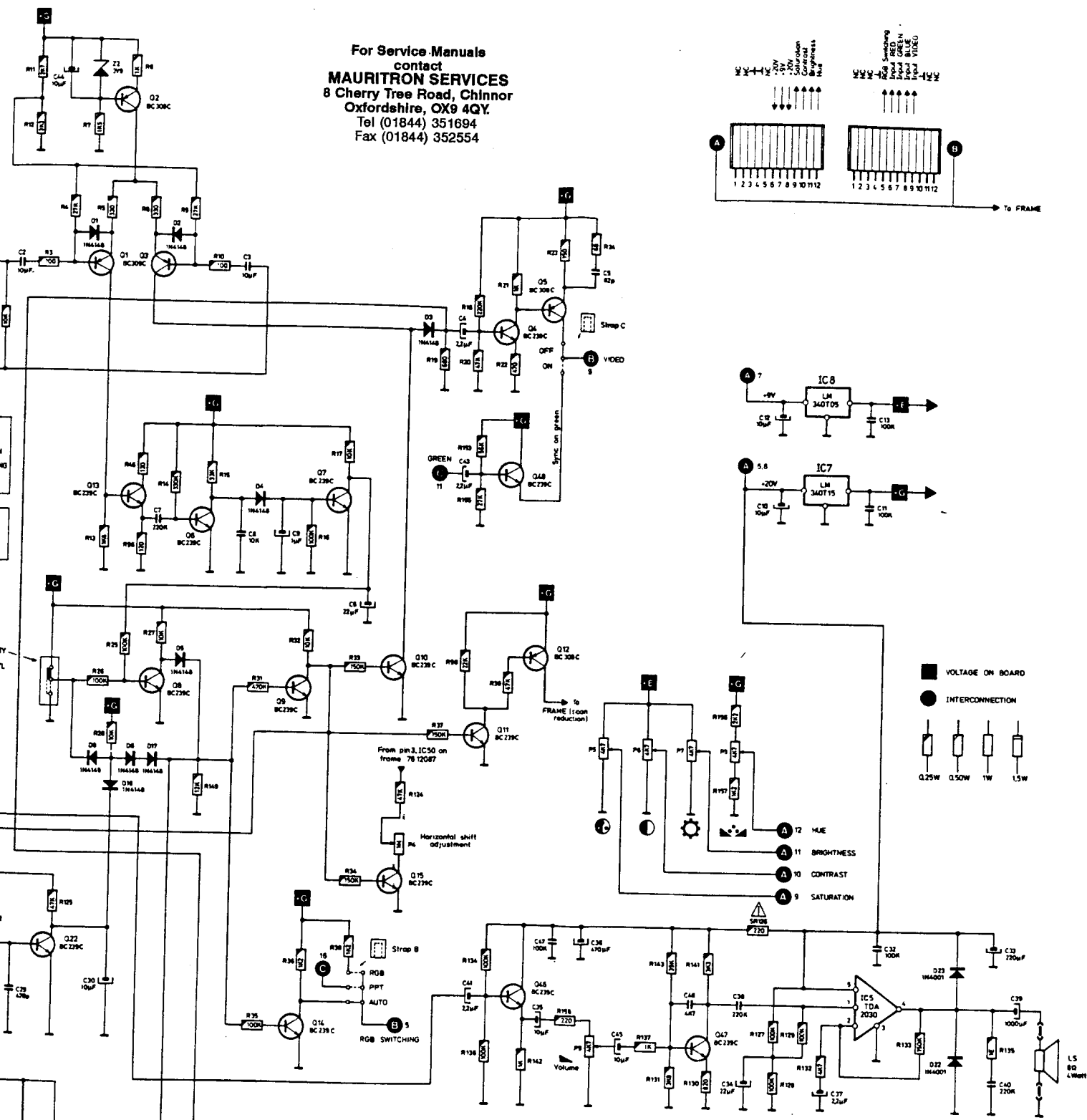
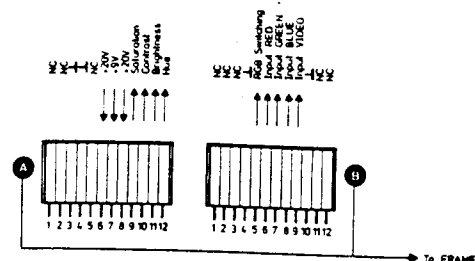


- D9**
- 1 INPUT RED
  - 2 INPUT GREEN
  - 3 INPUT BLUE
  - 4.5 I
  - 6 COMPOSITE SYNC
  - 7 HIGHLIGHTS
  - 8 HORIZONTAL SYNC
  - 9 VERTICAL SYNC

- PERTEL**
- 2/6 AUDIO INPUT
  - 7 INPUT BLUE
  - 11 INPUT GREEN
  - 15 INPUT RED
  - 16 RGB SWITCHING
  - 20 VIDEO INPUT
  - 4/5/9/13 I
  - 17 I VIDEO
- D8**
- 1 AUDIO INPUT
  - 2 VIDEO INPUT
  - 3 I VIDEO

For Service Manuals  
contact  
**MAURITRON SERVICES**  
8 Cherry Tree Road, Chinnor  
Oxfordshire, OX9 4QY.  
Tel (01844) 351694  
Fax (01844) 352554

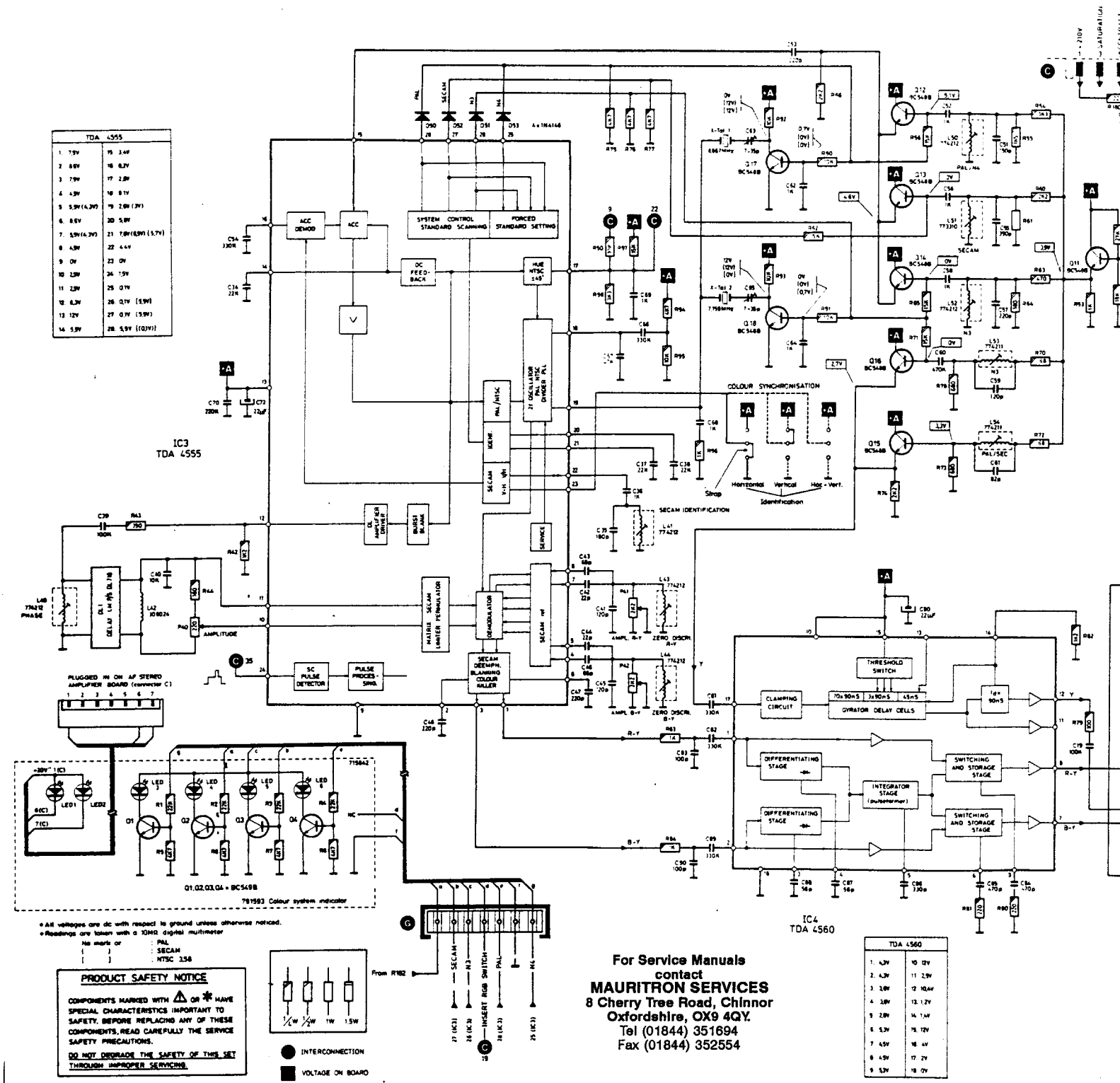
For Service Manuals  
 contact  
**MAURITRON SERVICES**  
 8 Cherry Tree Road, Chinnor  
 Oxfordshire, OX9 4QY.  
 Tel (01844) 351694  
 Fax (01844) 352554



- A 7 -9V
- A 5.8 -20V
- A 12 HUE
- A 11 BRIGHTNESS
- A 10 CONTRAST
- A 9 SATURATION

- DCD PAD 2240 PAL.
- DCD PAD 2740 PAL.
- DCD-2240 PSM.
- DCD-2240 PAL.
- DCD-2240 PSN4.
- DCD-2240 PAL AC.
- DCD-2240 PAL S.D.
- DCD-2240 PAL PSM.
- DCD-2240 QUAD.
- DCD-2240 SD.
- DCD-2440 PSN4.
- DCD-2440 PAL.
- DCD-2440 QUAD PSM.
- DCD-2440.
- DCD-2640 AC PAL.
- DCD-2640 PAL PSM.
- DCD-2640 PAL.
- DCD-2640 PSN4.
- DCD-2640 PAL AC.
- DCD-2640 PAL SIE.
- DCD-2640 PAL CVS.
- DCD-2640 PAL AC WT.
- DCD-2640 QUAD.
- DCD-2640 QUAD SIE.
- DCD-2640.
- DCD-2740 DATA.
- DCD-2740 D DATA.
- DCD-2740 PAL.
- DCD-2740 PSN4.
- DCD-2740 PAL AC.
- DCD-2740 PAL S.D.
- DCD-2740 QUAD DATA.
- DCD-2740 QUAD.
- DCD-2740 QUAD DATA.
- DCD-2740.
- DCD-2840 PSN4.
- DCD-2840 PAL.
- DCD-2840 QUAD PSM.
- DCD-2840.
- PAD-1640 QUAD SR.
- PAT DCD 2740 QUAD.
- PCD PAT 16H40 QUAD.
- PCD-1640 HRLZ QUAD.
- PCD-1640 LP.
- PCD-1640 LZ.
- PCD-1640 QUAD HR.
- PCD-1640 QUAD SR.
- PCD-1640 RGB LP.
- PCD-1640 S.
- PCD-1640.

TDA 4555	
1 7.9V	15 3.4V
2 8.8V	16 8.2V
3 7.9V	17 2.8V
4 4.9V	18 8.1V
5 5.9V(4.3V)	19 2.6V(3V)
6 8.8V	20 5.8V
7 5.9V(4.3V)	21 7.6V(6.0V)(5.7V)
8 0V	22 4.6V
9 0V	23 0V
10 2.3V	24 1.5V
11 2.3V	25 0.7V
12 8.2V	26 0.7V(5.9V)
13 1.2V	27 0.7V(5.9V)
14 5.9V	28 5.9V(10.7V)



IC3  
TDA 4555

IC4  
TDA 4560

**PRODUCT SAFETY NOTICE**

COMPONENTS MARKED WITH OR HAVE SPECIAL CHARACTERISTICS IMPORTANT TO SAFETY. BEFORE REPLACING ANY OF THESE COMPONENTS, READ CAREFULLY THE SERVICE SAFETY PRECAUTIONS.

DO NOT DEGRADE THE SAFETY OF THIS SET THROUGH IMPROPER SERVICING.

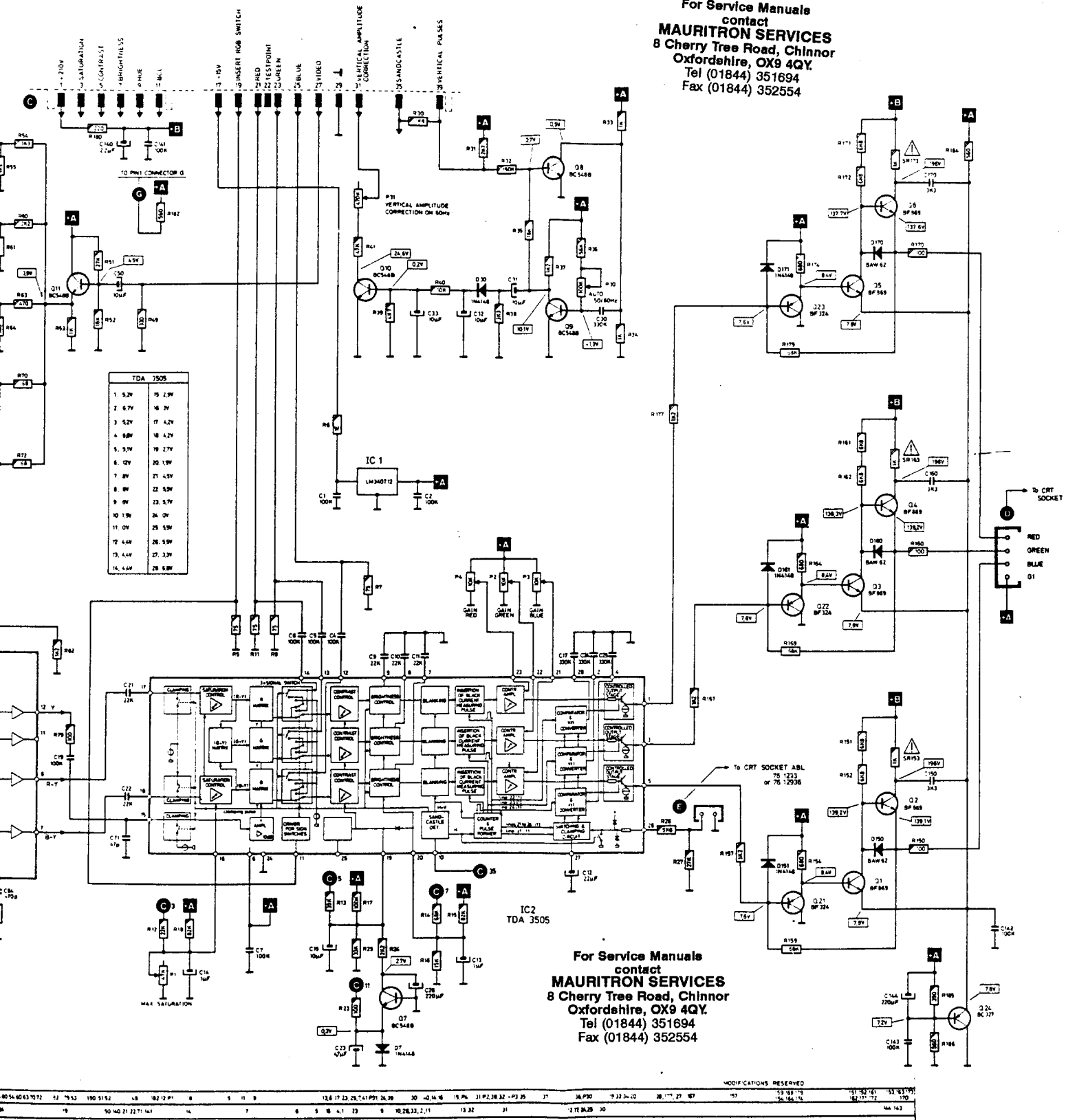
For Service Manuals  
contact  
**MAURITRON SERVICES**  
8 Cherry Tree Road, Chinnor  
Oxfordshire, OX9 4QY.  
Tel (01844) 351694  
Fax (01844) 352554

TDA 4560	
1 4.3V	10 0.2V
2 4.3V	11 0.4V
3 3.0V	12 10.4V
4 3.0V	13 1.2V
5 2.8V	14 1.4V
6 5.3V	15 1.9V
7 4.5V	16 4V
8 4.5V	17 2V
9 5.3V	18 0V

43	44 PAD	42	17650 36	77 97 PA1	PA2 PA3 PA4 PA5 PA6 PA7	92 93	94 97 90 91	96	98 99 91	110 111	55 51 64 80 54 62 61 72	112	113 114	115 116
C	78	48	78.3A.77	48	44.44.46.47	PA14 PA15 PA16 PA17 PA18	61 65	62 64 66 63	67	80 86	82 84 80 80	81	82 83 84	85
D														

DCD PAD 2240 PAL.  
DCD PAD 2740 PAL.  
DCD-2240 PSM.  
DCD-2240 PSM.  
DCD-2240 PSN4.  
DCD-2240 PAL AC.  
DCD-2240 PAL PSN4.  
DCD-2240 PAL PSN4.  
DCD-2240 QUAD.  
DCD-2240 SD.  
DCD-2240 PSN4.  
DCD-2240 PAL.  
DCD-2240 PAL.  
DCD-2240 PAL PSM.  
DCD-2640 PAL PSM.  
DCD-2640 PAL.  
DCD-2640 PSN4.  
DCD-2640 PAL SIE.  
DCD-2640 PAL SIE.  
DCD-2640 PAL AC WT.  
DCD-2640 QUAD.  
DCD-2640 QUAD SIE.  
DCD-2740 DATA.  
DCD-2740 D DATA.  
DCD-2740 PAL.  
DCD-2740 PSN4.  
DCD-2740 PAL AC.  
DCD-2740 PAL AC.  
DCD-2740 QUAD DATA.  
DCD-2740 QUAD DATA.  
DCD-2740.

For Service Manuals  
 contact  
**MAURITRON SERVICES**  
 8 Cherry Tree Road, Chinnor  
 Oxfordshire, OX9 4QY.  
 Tel (01844) 351694  
 Fax (01844) 352554



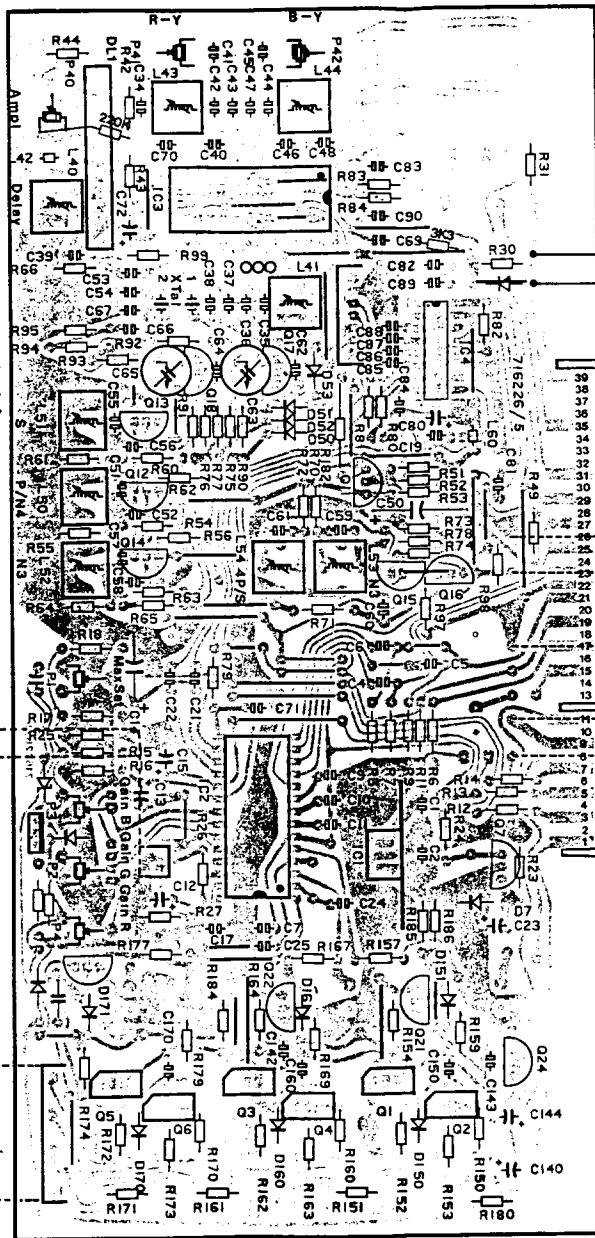
TDA 3505	
1	5.2V
2	6.7V
3	5.2V
4	5.0V
5	5.7V
6	12V
7	8V
8	8V
9	9V
10	15V
11	0V
12	4.4V
13	4.4V
14	4.4V
15	2.9V
16	3V
17	4.2V
18	4.2V
19	2.7V
20	1.9V
21	4.5V
22	5.9V
23	5.7V
24	0V
25	5.9V
26	5.9V
27	3.7V
28	6.8V

For Service Manuals  
 contact  
**MAURITRON SERVICES**  
 8 Cherry Tree Road, Chinnor  
 Oxfordshire, OX9 4QY.  
 Tel (01844) 351694  
 Fax (01844) 352554

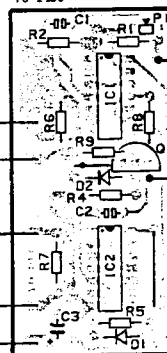
- DCD-2640.
- DCD-2740 DATA.
- DCD-2740 D DATA.
- DCD-2740 PAL.
- DCD-2740 PSN4.
- DCD-2740 PAL AC.
- DCD-2740 PAL S.D.
- DCD-2740 QUAD DATA.
- DCD-2740 QUAD.
- DCD-2740 DATA.
- DCD-2740.
- DCD-2840 PSN4.
- DCD-2840 PAL.
- DCD-2840 QUAD PSM.
- DCD-2840.
- PAL PCD 2740.
- PAL PCD 2740 QUAD.
- PCD PAT 1640 QUAD.
- PCD-1640 HRLZ QUAD.
- PCD-1640 L.P.
- PCD-1640 L.Z.
- PCD-1640 L.H.R.
- PCD-1640 QUAD.
- PCD-1640 RGB L.P.
- PCD-1640 S.
- PCD-1640.

# BARCO

- DCD PAD 2240 PAL.
- DCD PAD 2740 PAL.
- DCD-2240 PSM.
- DCD-2240 PAL.
- DCD-2240 PSN4.
- DCD-2240 PAL AC.
- DCD-2240 PAL S.D.
- DCD-2240 PAL PSM.
- DCD-2240 QUAD.
- DCD-2240 SD.
- DCD-2440 PAL.
- DCD-2440 PSN4.
- DCD-2440 PAL AC.
- DCD-2440 PAL S.D.
- DCD-2440 PAL PSM.
- DCD-2440 PAL.
- DCD-2640 AC PAL.
- DCD-2640 PAL PSM.
- DCD-2640 PAL.
- DCD-2640 PSN4.
- DCD-2640 PAL AC.
- DCD-2640 PAL SIE.
- DCD-2640 PAL CVS.
- DCD-2640 PAL AC WT.
- DCD-2640 QUAD.
- DCD-2640 QUAD SIE.
- DCD-2640.
- DCD-2740 DATA.
- DCD-2740 PAL.
- DCD-2740 PSN4.
- DCD-2740 PAL AC.
- DCD-2740 PAL S.D.
- DCD-2740 QUAD DATA.
- DCD-2740 QUAD.
- DCD-2740 QUAD DATA.
- DCD-2740.
- DCD-2840 PSN4.
- DCD-2840 PAL.
- DCD-2840 QUAD PSM.
- DCD-2840.
- PAD-1640 QUAD SR.
- PAT DCD 2740 QUAD.
- PCD PAT 1640 QUAD.
- PCD-1640 HRLZ QUAD.
- PCD-1640 LP.
- PCD-1640 LZ.
- PCD-1640 QUAD HR.
- PCD-1640 QUAD SR.
- PCD-1640 RGB LP.
- PCD-1640 S.
- PCD-1640.



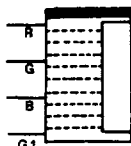
VERT PULSE SHORTER  
76 1436



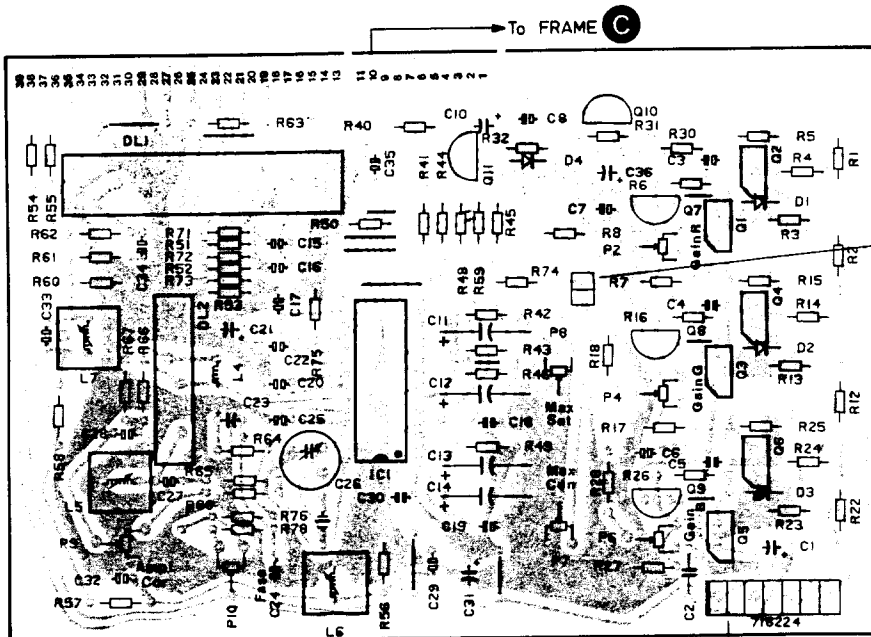
FROM CURRENT SENSOR  
on CRT BOARD 76 1293



TO CURRENT SENSOR ON  
CRT BOARD 76 1293



For Service Manuals  
contact  
**MAURITRON SERVICES**  
8 Cherry Tree Road, Chinnor  
Oxfordshire, OX9 4QY.  
Tel (01844) 351694  
Fax (01844) 352554

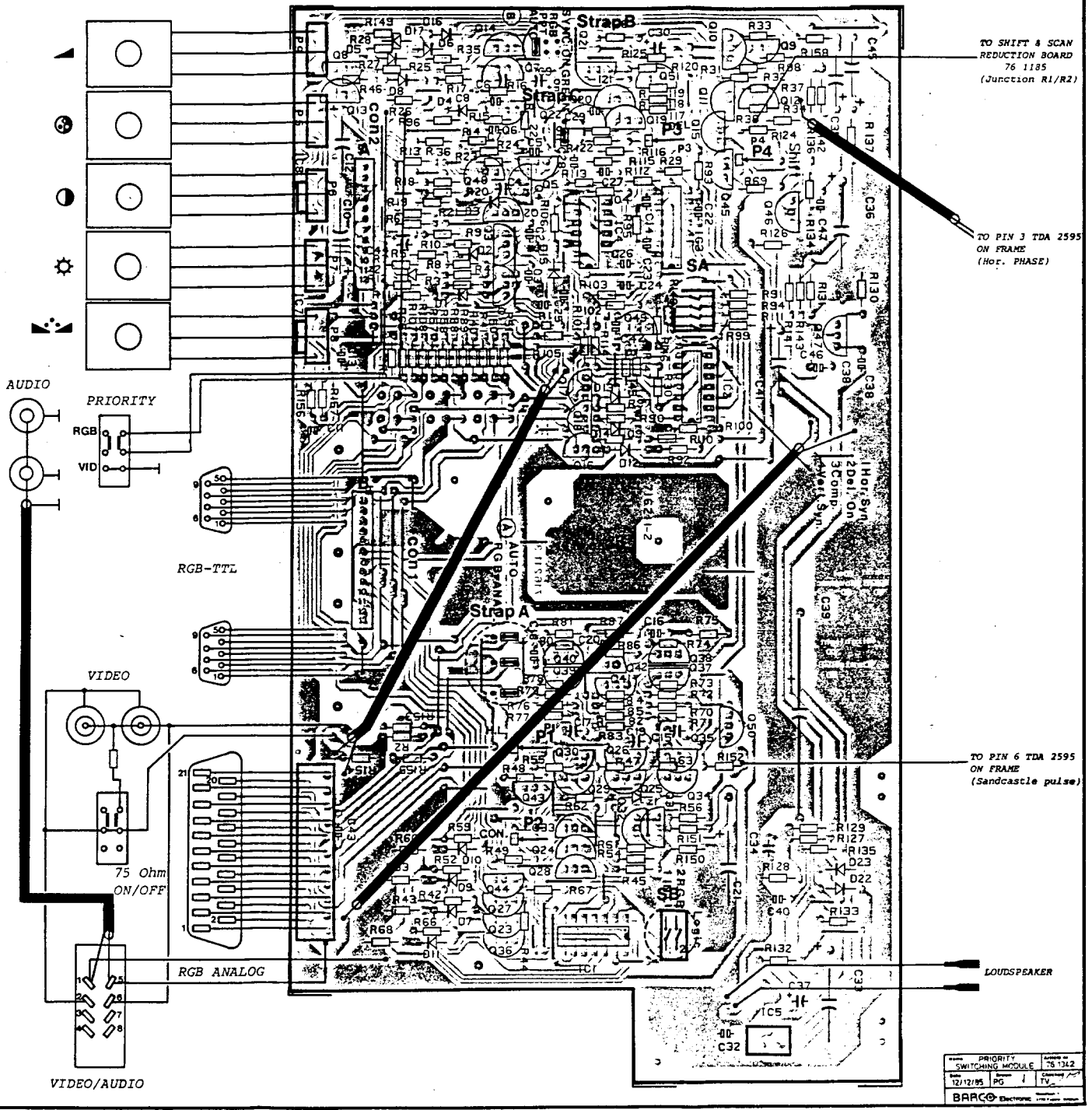


To FRAME C

To I SENCE ABL  
761293 E

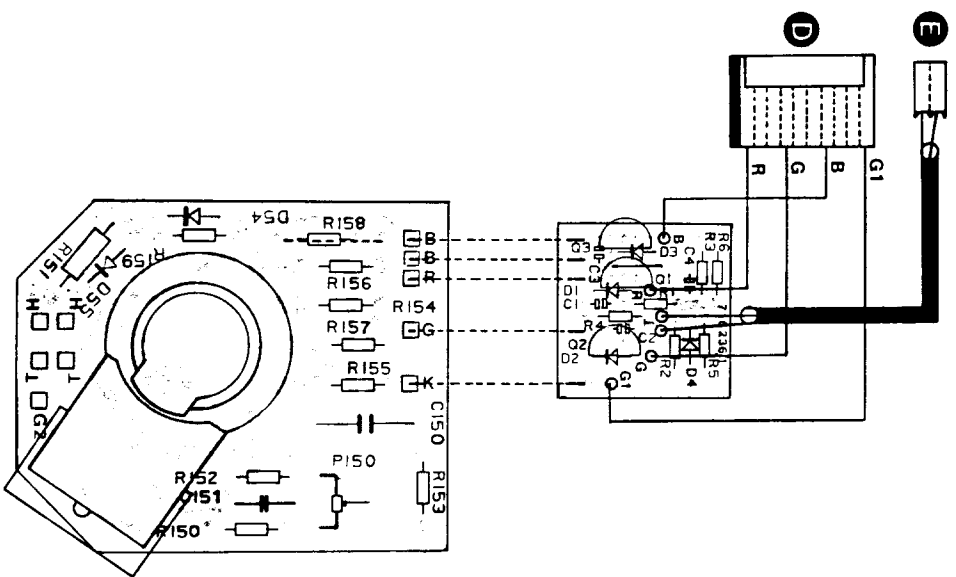
To I SENCE ABL 76 1293 D

For Service Manuals  
contact  
**MAURITRON SERVICES**  
8 Cherry Tree Road, Chinnor  
Oxfordshire, OX9 4QY.  
Tel (01844) 351694  
Fax (01844) 352554



PRIORITY SWITCHING MODULE		Approved by
12/12/85	PG 4	75 1322
BARCO Electronics		Checked by

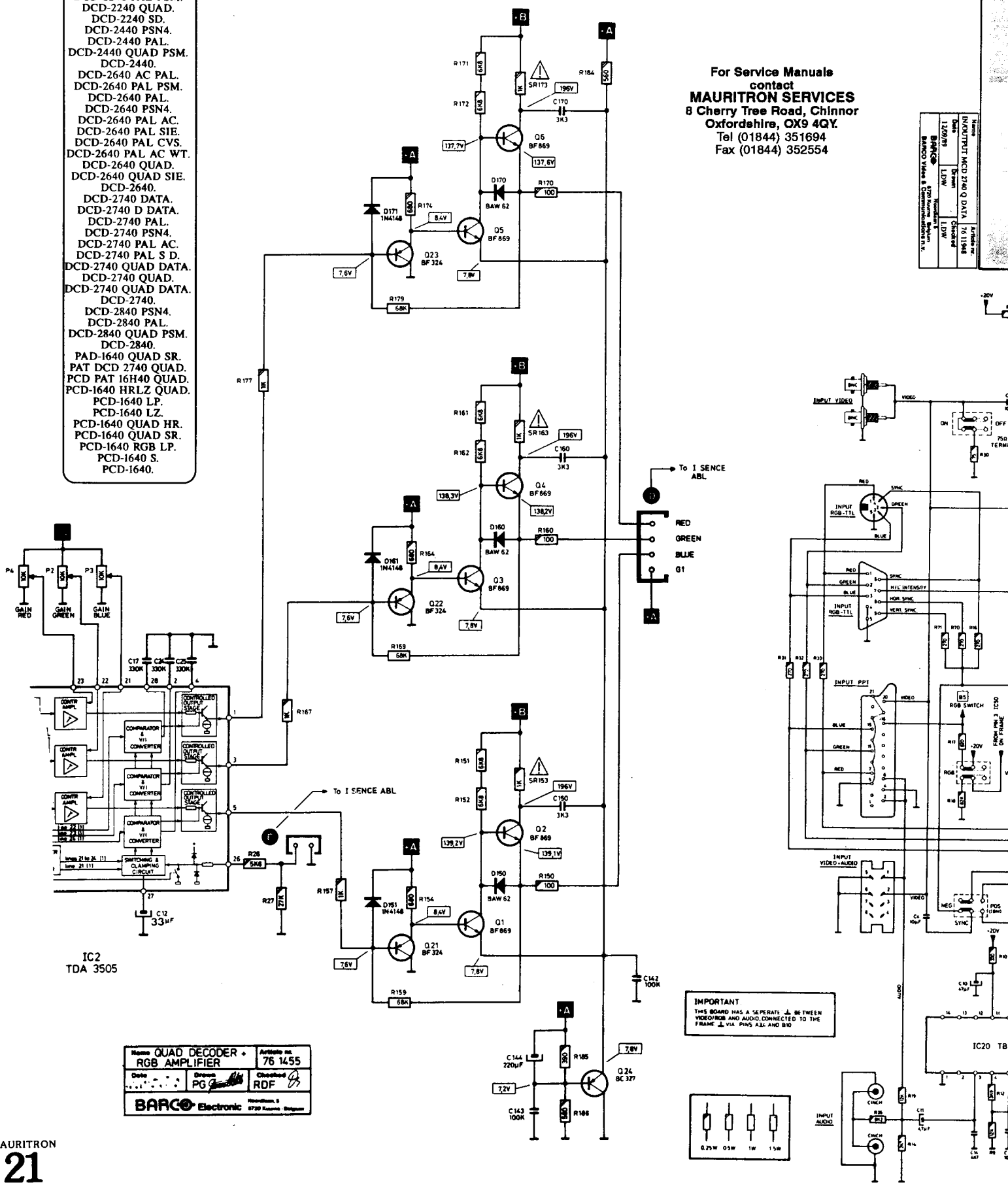
For Service Manuals contact  
**MAURITRON SERVICES**  
 8 Cherry Tree Road, Chinnor  
 Oxfordshire, OX9 4QY.  
 Tel (01844) 351694  
 Fax (01844) 352554



- DCD PAD 2240 PAL.
- DCD PAD 2740 PAL.
- DCD-2240 PSM.
- DCD-2240 PAL.
- DCD-2240 PSN4.
- DCD-2240 PAL AC.
- DCD-2240 PAL S D.
- DCD-2240 PAL PSM.
- DCD-2240 QUAD.
- DCD-2240 SD.
- DCD-2240 PSN4.
- DCD-2440 PAL.
- DCD-2440 QUAD PSM.
- DCD-2440.
- DCD-2640 AC PAL.
- DCD-2640 PAL PSM.
- DCD-2640 PAL.
- DCD-2640 PSN4.
- DCD-2640 PAL AC.
- DCD-2640 PAL SIE.
- DCD-2640 PAL CVS.
- DCD-2640 PAL AC WT.
- DCD-2640 QUAD.
- DCD-2640 QUAD SIE.
- DCD-2640.
- DCD-2740 DATA.
- DCD-2740 D DATA.
- DCD-2740 PAL.
- DCD-2740 PSN4.
- DCD-2740 PAL AC.
- DCD-2740 PAL S D.
- DCD-2740 QUAD DATA.
- DCD-2740 QUAD.
- DCD-2740 QUAD DATA.
- DCD-2740.
- DCD-2840 PSN4.
- DCD-2840 PAL.
- DCD-2840 QUAD PSM.
- DCD-2840.
- PAD-1640 QUAD SR.
- PAT DCD 2740 QUAD.
- PCD PAT 16H40 QUAD.
- PCD-1640 HRLZ QUAD.
- PCD-1640 LP.
- PCD-1640 LZ.
- PCD-1640 QUAD HR.
- PCD-1640 QUAD SR.
- PCD-1640 RGB LP.
- PCD-1640 S.
- PCD-1640.

For Service Manuals  
contact  
**MAURITRON SERVICES**  
8 Cherry Tree Road, Chinnor  
Oxfordshire, OX9 4QY.  
Tel (01844) 351694  
Fax (01844) 352554

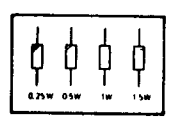
Name	BARCO
Date	12/09/89
Drawn	LDW
Checked	LDW
Approved	LDW
Project	BARCO VHS & Commodore 1.1



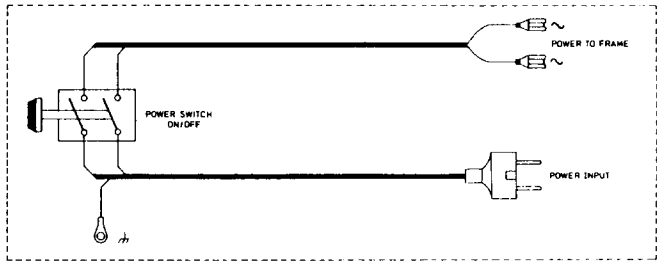
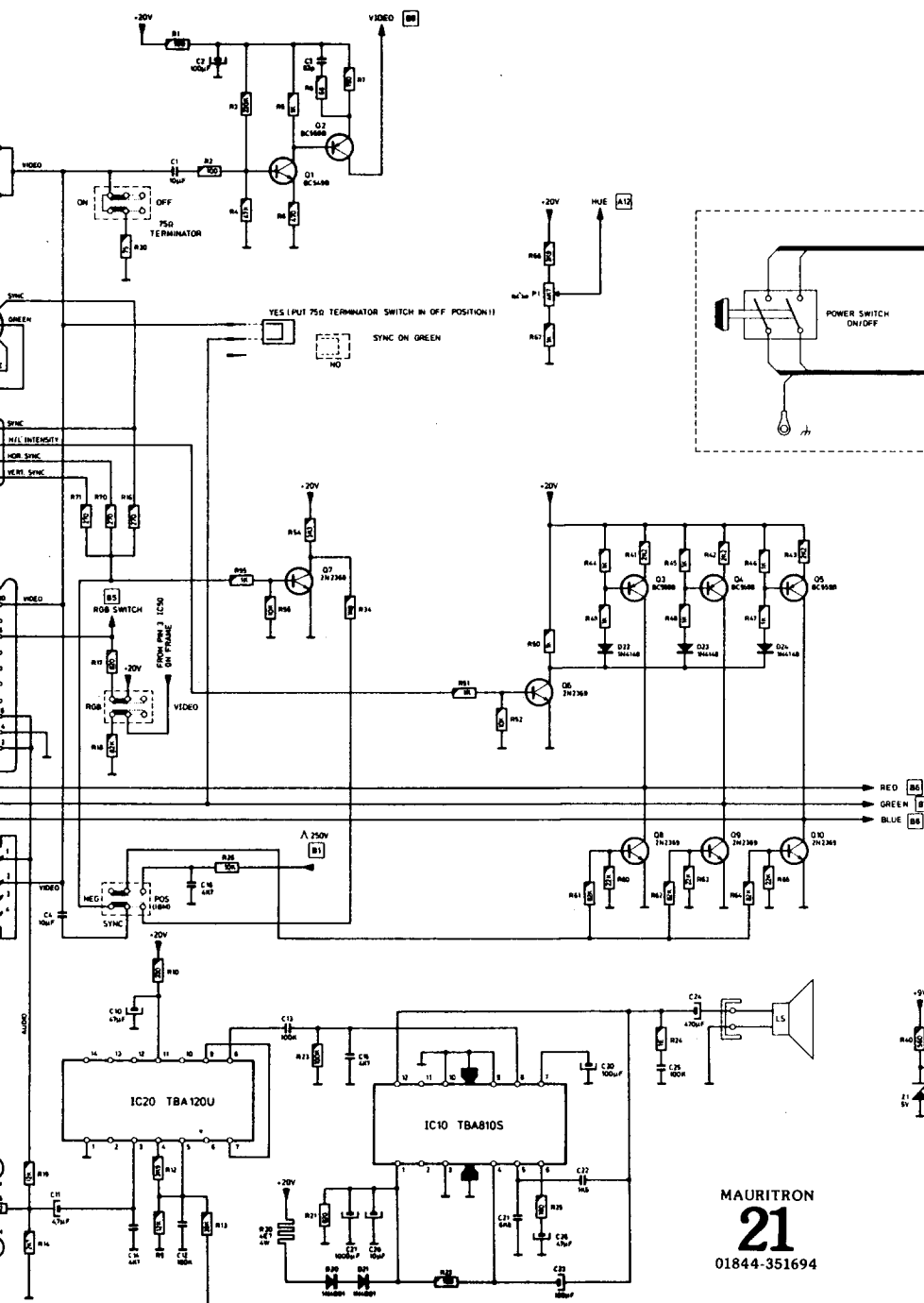
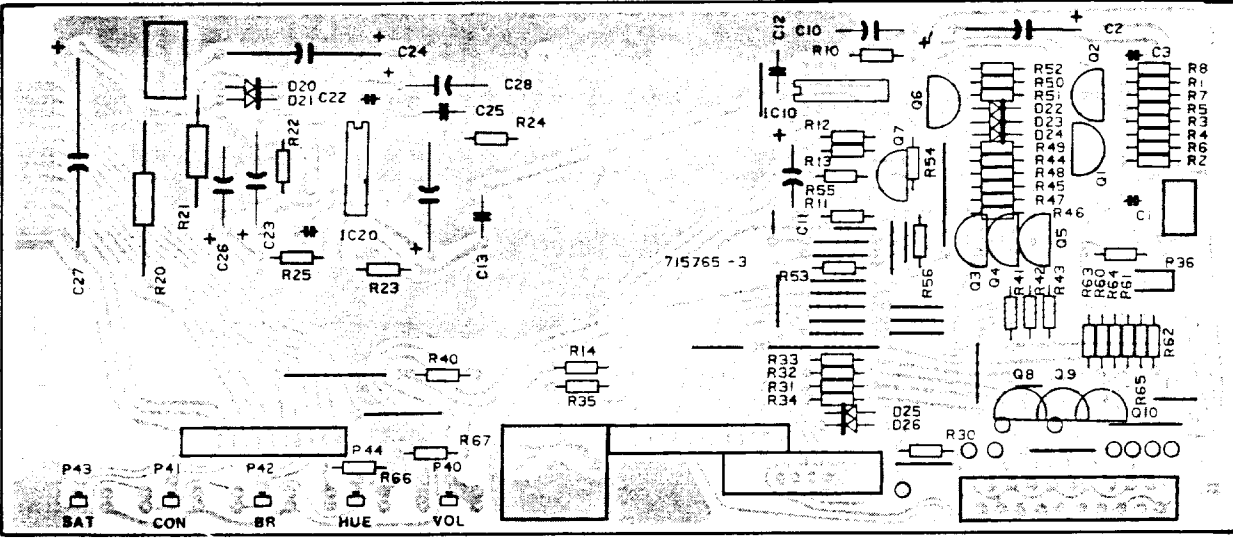
IC2  
TDA 3505

Name	QUAD DECODER + RGB AMPLIFIER	Article no.	76 1455
Date	PG	Checked	RDF

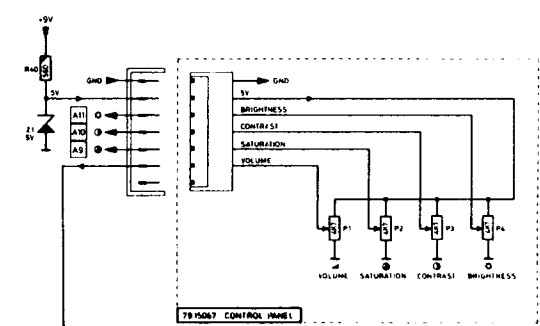
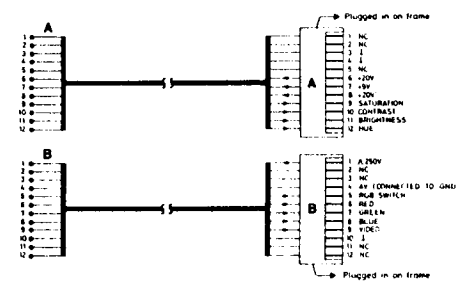
**IMPORTANT**  
THIS BOARD HAS A SEPARATE J BETWEEN VIDEO/RGB AND AUDIO, CONNECTED TO THE FRAME J VIA PINS 8, 9, 10 AND 11



**BRAND**  
 12/09/89  
 DRAWN  
 L.D.W.  
 CHECKED  
 L.D.W.  
 DATE  
 12/09/89  
 NAME  
 INPUT/OUTPUT PCB 2140 Q DATA  
 PART NO  
 76 1134  
 MANUFACTURED BY  
 ARCO  
 VIKAS & COMMUNICATIONS PVT. LTD.



For Service Manuals  
 contact  
**MAURITRON SERVICES**  
 8 Cherry Tree Road, Chinnor  
 Oxfordshire, OX9 4QY.  
 Tel (01844) 351694  
 Fax (01844) 352554

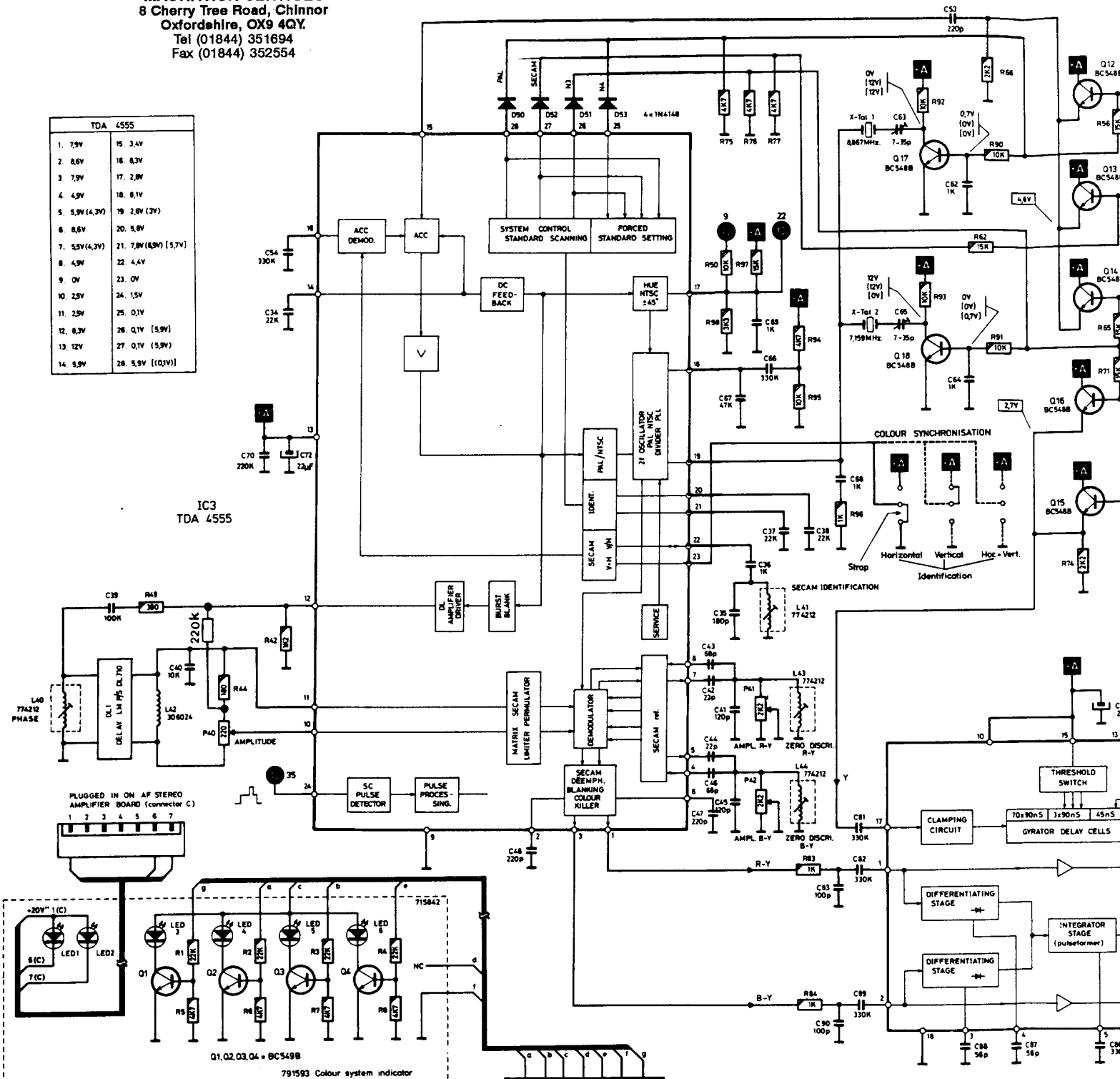


**MAURITRON**  
**21**  
 01844-351694



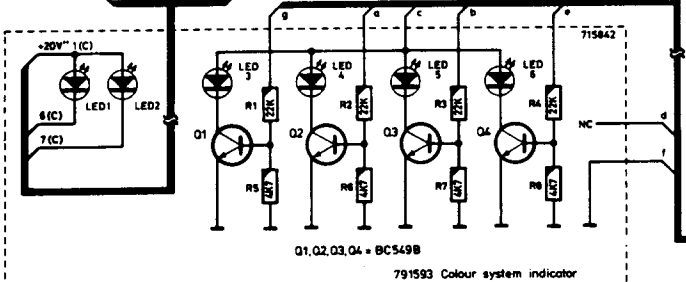
For Service Manuals  
 contact  
**MAURITRON SERVICES**  
 8 Cherry Tree Road, Chinnor  
 Oxfordshire, OX9 4QY.  
 Tel (01844) 351694  
 Fax (01844) 352554

TDA 4555	
1. 7.9V	15. 3.4V
2. 8.6V	16. 8.3V
3. 7.9V	17. 2.8V
4. 4.3V	18. 8.1V
5. 5.9V (4.3V)	19. 2.6V (2V)
6. 8.6V	20. 5.8V
7. 5.5V (4.3V)	21. 7.8V (6.9V) [5.7V]
8. 4.3V	22. 4.4V
9. 0V	23. 0V
10. 2.5V	24. 1.5V
11. 2.5V	25. 0.1V
12. 8.3V	26. 0.1V [5.9V]
13. 12V	27. 0.1V [5.9V]
14. 5.9V	28. 5.9V [10.1V]



IC3  
TDA 4555

IC4  
TDA 4560



Q1, Q2, Q3, Q4 = BC549B

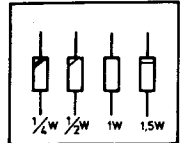
\* All voltages are dc with respect to ground unless otherwise noticed.  
 \* Readings are taken with a 10MΩ digital multimeter

No mark or { } : PAL  
 { } : SECAM  
 { } : NTSC 3.58

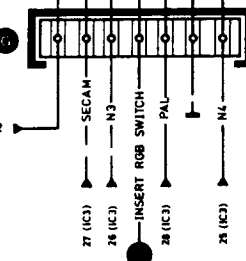
**PRODUCT SAFETY NOTICE**

COMPONENTS MARKED WITH OR \* HAVE SPECIAL CHARACTERISTICS IMPORTANT TO SAFETY. BEFORE REPLACING ANY OF THESE COMPONENTS, READ CAREFULLY THE SERVICE SAFETY PRECAUTIONS.

**DO NOT DEGRADE THE SAFETY OF THIS SET THROUGH IMPROPER SERVICING.**

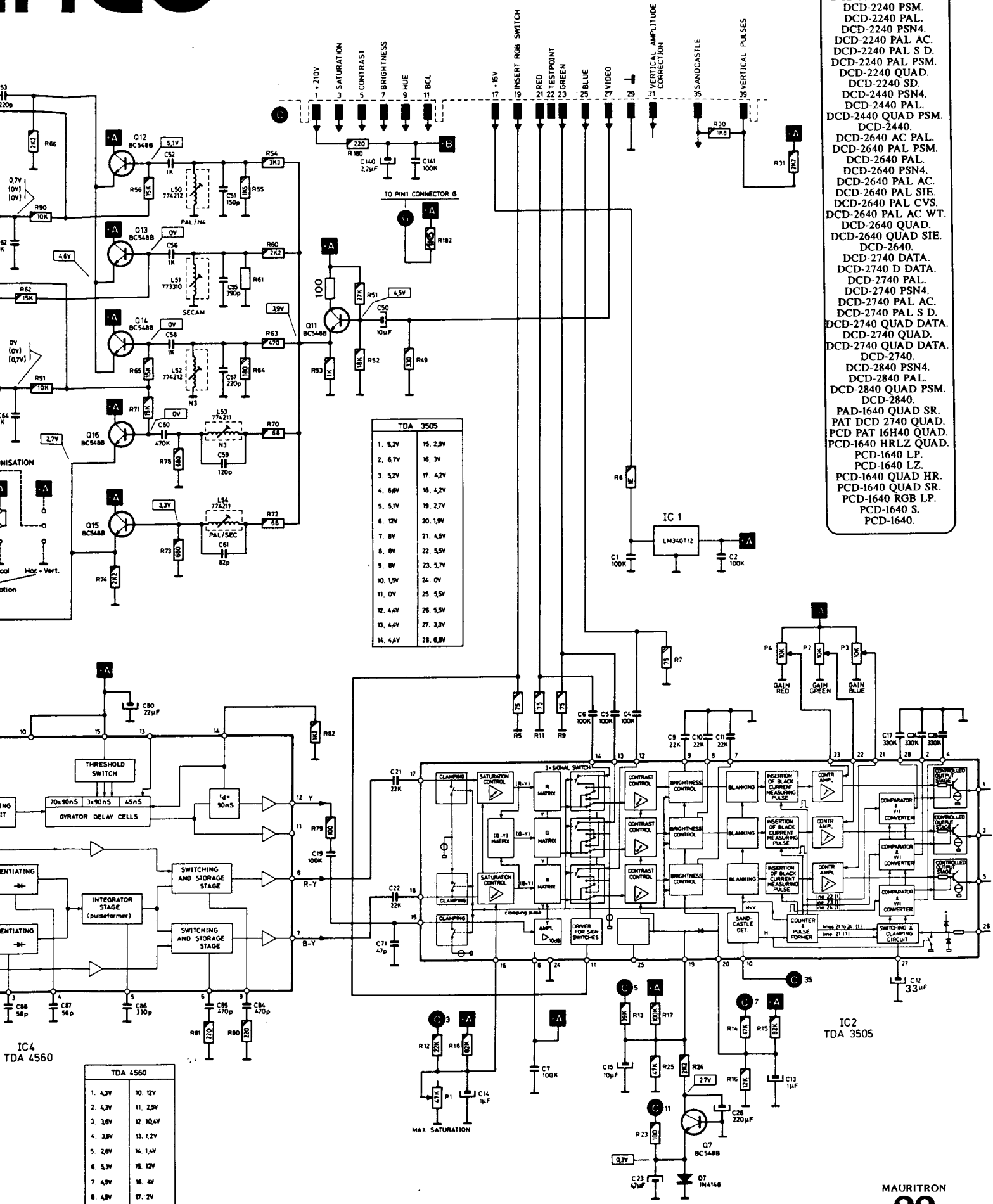


● INTERCONNECTION  
 ■ VOLTAGE ON BOARD



For Service Manuals  
 contact  
**MAURITRON SERVICES**  
 8 Cherry Tree Road, Chinnor  
 Oxfordshire, OX9 4QY.  
 Tel (01844) 351694  
 Fax (01844) 352554

TDA 4560	
1. 4.3V	10. 12.0V
2. 4.3V	11. 2.2V
3. 3.6V	12. 10.0V
4. 3.6V	13. 1.1V
5. 2.8V	14. 1.1V
6. 5.2V	15. 12.0V
7. 4.9V	16. 4.0V
8. 4.9V	17. 2.2V
9. 5.2V	18. 0.0V



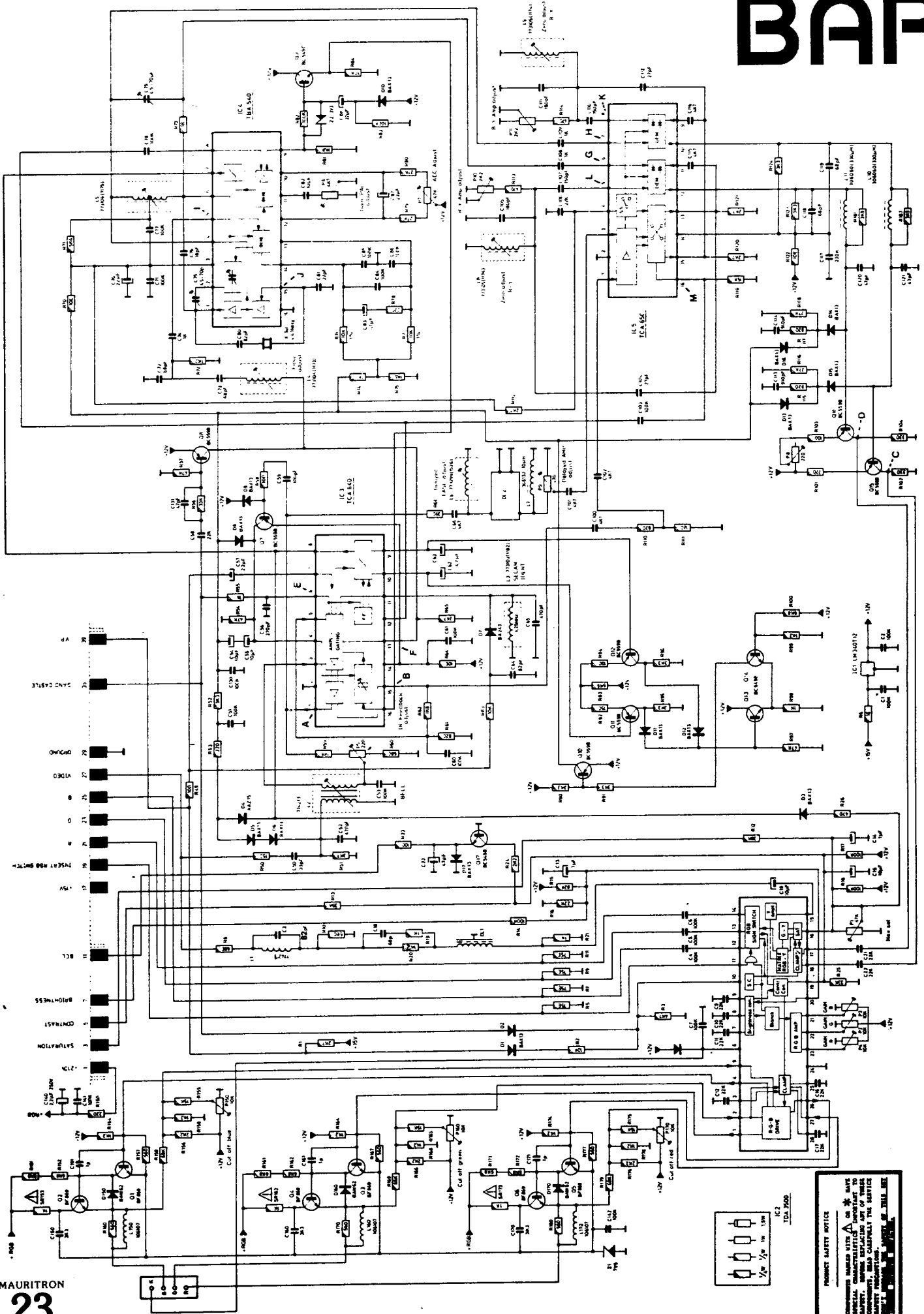
- DCD PAD 2240 PAL.
- DCD PAD 2740 PAL.
- DCD-2240 PAL.
- DCD-2240 PSN4.
- DCD-2240 PAL AC.
- DCD-2240 PAL S D.
- DCD-2240 PAL PSM.
- DCD-2240 QUAD.
- DCD-2240 SD.
- DCD-2440 PSN4.
- DCD-2440 PAL.
- DCD-2440 QUAD PSM.
- DCD-2440.
- DCD-2640 AC PAL.
- DCD-2640 PAL PSM.
- DCD-2640 PAL.
- DCD-2640 PSN4.
- DCD-2640 PAL AC.
- DCD-2640 PAL SIE.
- DCD-2640 PAL CVS.
- DCD-2640 PAL AC WT.
- DCD-2640 QUAD.
- DCD-2640 QUAD SIE.
- DCD-2640.
- DCD-2740 DATA.
- DCD-2740 D DATA.
- DCD-2740 PAL.
- DCD-2740 PSN4.
- DCD-2740 PAL AC.
- DCD-2740 PAL S D.
- DCD-2740 QUAD DATA.
- DCD-2740 QUAD.
- DCD-2740 QUAD DATA.
- DCD-2740.
- DCD-2840 PSN4.
- DCD-2840 PAL.
- DCD-2840 QUAD PSM.
- DCD-2840.
- PAD-1640 QUAD SR.
- PAT DCD 2740 QUAD.
- PCD PAT 16H40 QUAD.
- PCD-1640 HRLZ QUAD.
- PCD-1640 LP.
- PCD-1640 LZ.
- PCD-1640 QUAD HR.
- PCD-1640 QUAD SR.
- PCD-1640 RGB LP.
- PCD-1640 S.
- PCD-1640.

**TDA 3505**

1. 5.2V	18. 2.9V
2. 6.7V	19. 3V
3. 5.2V	17. 4.2V
4. 6.8V	18. 4.2V
5. 5.1V	19. 2.7V
6. 12V	20. 1.9V
7. 8V	21. 4.5V
8. 8V	22. 5.5V
9. 8V	23. 5.7V
10. 1.5V	24. 0V
11. 0V	25. 5.5V
12. 4.4V	26. 5.5V
13. 4.4V	27. 3.3V
14. 4.4V	28. 6.8V

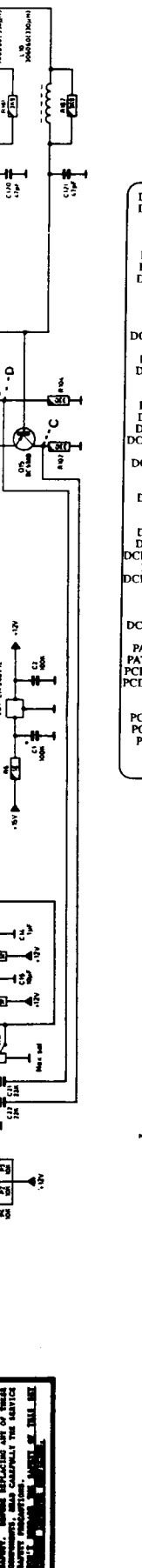
**TDA 4560**

1. 4.3V	10. 12V
2. 4.3V	11. 2.5V
3. 3.6V	12. 10.4V
4. 3.6V	13. 1.2V
5. 2.8V	14. 1.4V
6. 5.3V	15. 12V
7. 4.5V	16. 4V
8. 4.5V	17. 2V
9. 5.3V	18. 0V



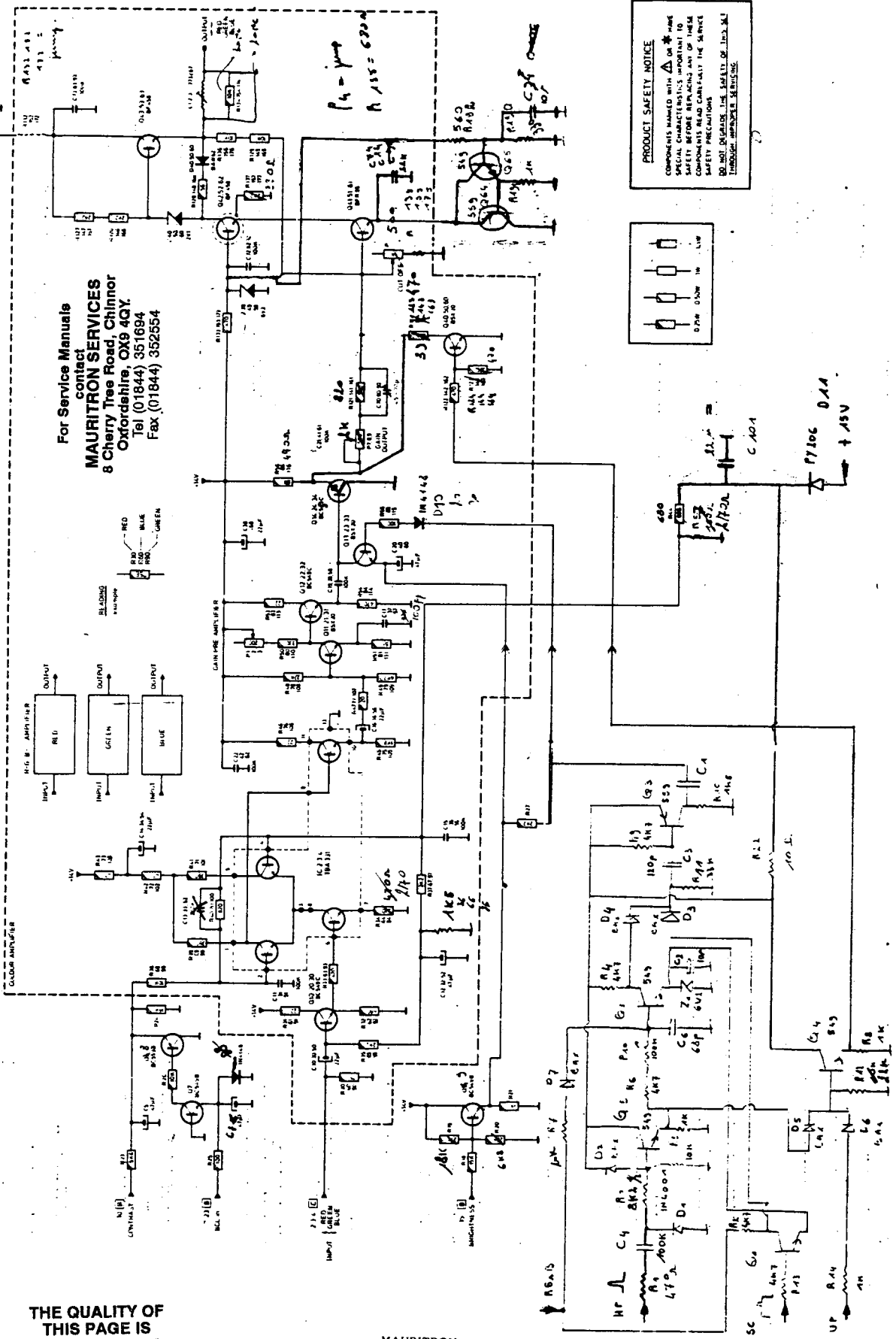
- DCD PA
- DCD PA
- DCD-
- DCD-
- DCD-2
- DCD-22
- DCD-22
- DCD-22
- DCD-2
- DCD
- DCD
- DCD-244
- DCD-244
- DC
- DCD-26
- DCD-26
- DCD-
- DCD-
- DCD-26
- DCD-26
- DCD-26
- DCD-264
- DCD-264
- DC
- DCD-2
- DCD-27
- DCD-
- DCD-2
- DCD-27
- DCD-27
- DCD-2740
- DCD-2740
- DCD-
- DCD-2
- DCD-
- DCD-2840
- DCI
- PAD-164
- PAT DCD
- PCD PAT
- PCD-1640
- PCD-
- PCD-
- PCD-1640
- PCD-1640
- PCD-164
- PCD-
- PCD-

**PRODUCT SAFETY NOTICE**  
COMPONENTS MARKED WITH A OR HAVE SAFETY CRITICAL FUNCTIONS. REPAIRS OR REPLACEMENTS MUST BE PERFORMED BY QUALIFIED PERSONNEL. ALWAYS USE THE ORIGINAL MANUFACTURER'S PARTS AND FOLLOW THE MANUFACTURER'S REPAIR AND SAFETY INSTRUCTIONS. ALWAYS WEAR YOUR SAFETY GEAR.

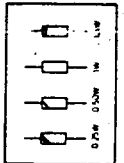


- DCD PAD 2240 PAL.
- DCD PAD 2740 PAL.
- DCD-2240 PSM.
- DCD-2240 PAL.
- DCD-2240 PSN4.
- DCD-2240 PAL AC.
- DCD-2240 PAL S D.
- DCD-2240 PAL PSM.
- DCD-2240 QUAD.
- DCD-2240 SD.
- DCD-2440 PSN4.
- DCD-2440 PAL.
- DCD-2440 QUAD PSM.
- DCD-2440.
- DCD-2640 AC PAL.
- DCD-2640 PAL PSM.
- DCD-2640 PAL.
- DCD-2640 PSN4.
- DCD-2640 PAL AC.
- DCD-2640 PAL SIE.
- DCD-2640 PAL CVS.
- DCD-2640 PAL AC WT.
- DCD-2640 QUAD.
- DCD-2640 QUAD SIE.
- DCD-2640.
- DCD-2740 DATA.
- DCD-2740 D DATA.
- DCD-2740 PAL.
- DCD-2740 PSN4.
- DCD-2740 PAL AC.
- DCD-2740 PAL S D.
- DCD-2740 QUAD DATA.
- DCD-2740 QUAD.
- DCD-2740 QUAD DATA.
- DCD-2740.
- DCD-2840 PSN4.
- DCD-2840 PAL.
- DCD-2840 QUAD PSM.
- DCD-2840.
- PAD-1640 QUAD SR.
- PAT DCD 2740 QUAD.
- PCD PAT 1640 QUAD.
- PCD-1640 HRLZ QUAD.
- PCD-1640 LP.
- PCD-1640 LZ.
- PCD-1640 QUAD HR.
- PCD-1640 QUAD SR.
- PCD-1640 RGB LP.
- PCD-1640 S.
- PCD-1640.

For Service Manuals  
 contact  
**MAURITRON SERVICES**  
 8 Cherry Tree Road, Chinnor  
 Oxfordshire, OX9 4QY.  
 Tel (01844) 351694  
 Fax (01844) 352554



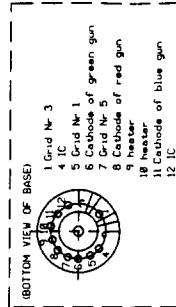
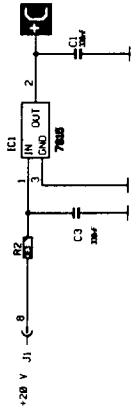
**PRODUCT SAFETY NOTICE**  
 COMPONENTS MARKED WITH  $\Delta$  OR  $\star$  HAVE SPECIAL CHARACTERISTICS IMPORTANT TO SAFETY BEFORE REPAIRING ANY OF THESE COMPONENTS READ CAREFULLY THE SERVICE SAFETY PRECAUTIONS DO NOT DEGRADE THE SAFETY OF THIS SET THROUGH UNDESIRABLE SERVICE.



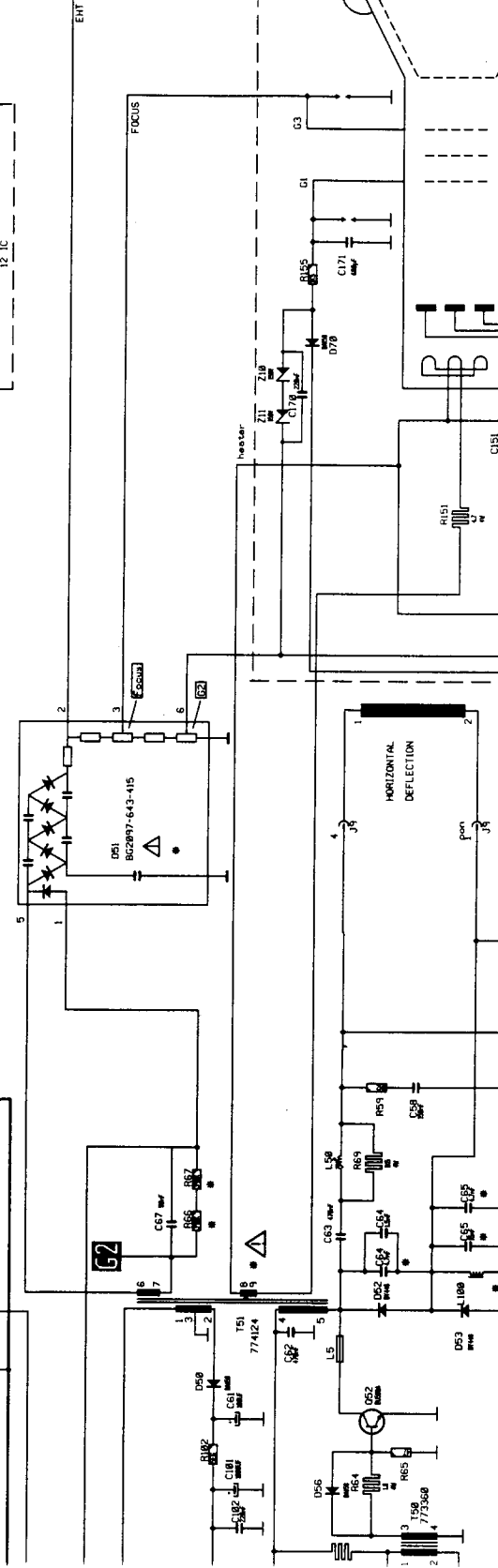
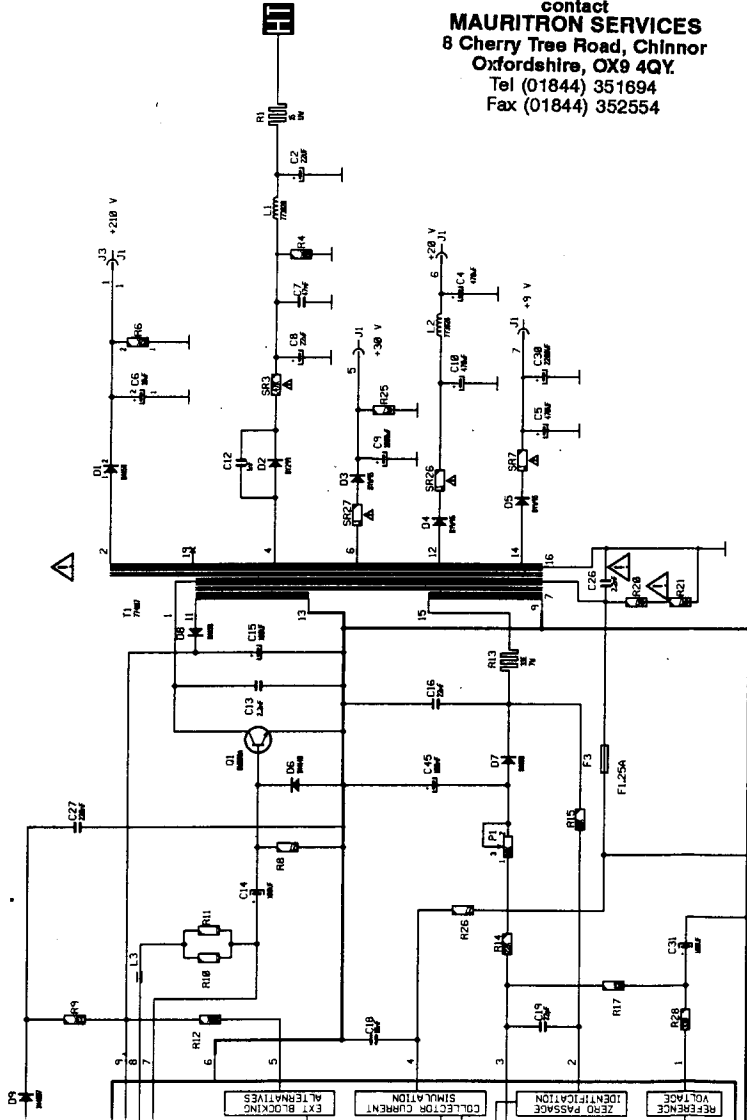
THE QUALITY OF  
 THIS PAGE IS  
 THE BEST THAT  
 IS AVAILABLE

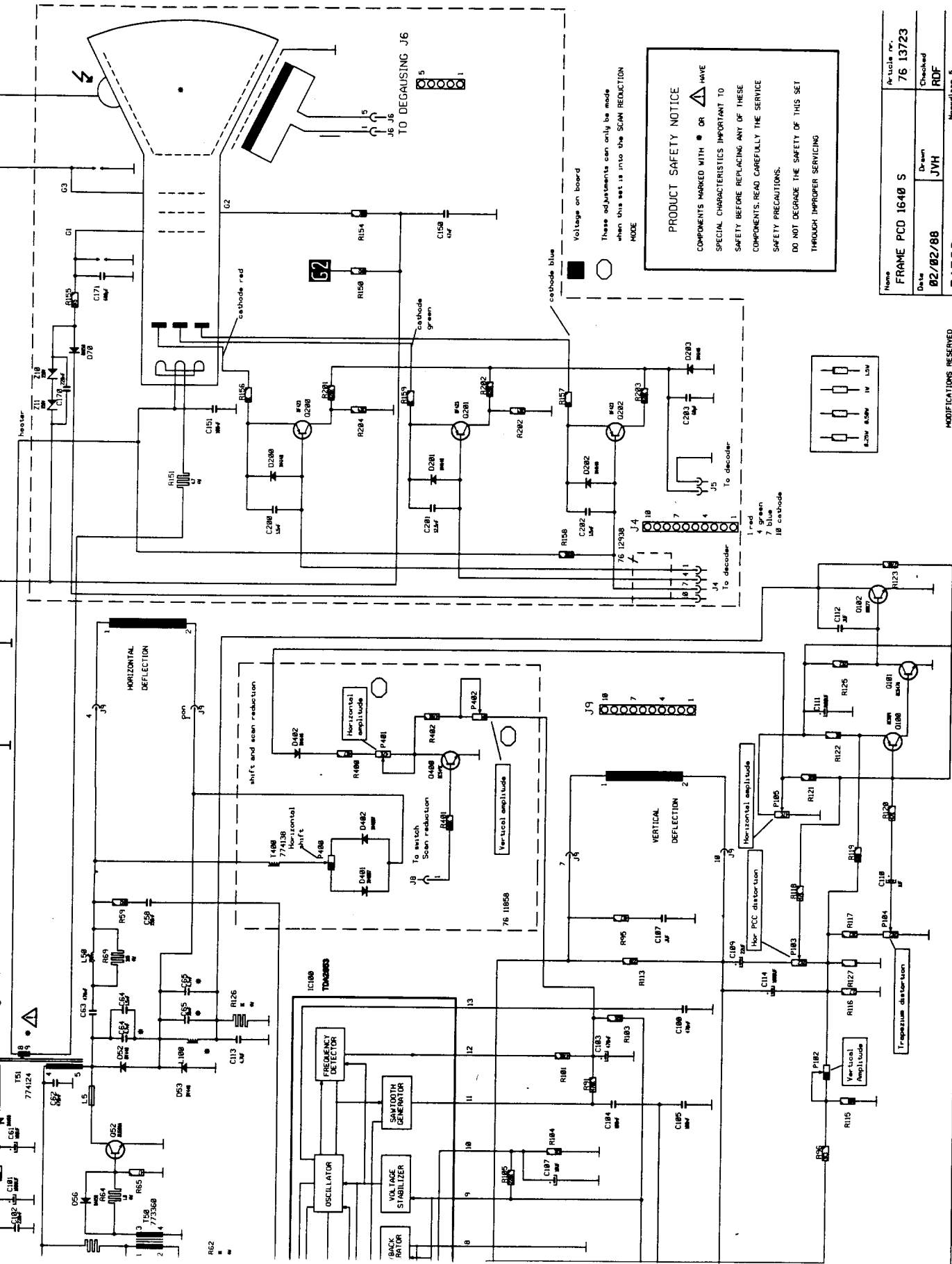
- DCD PAD 2240 PAL.
- DCD PAD 2740 PAL.
- DCD-2240 PSM.
- DCD-2240 PAL.
- DCD-2240 PSN4.
- DCD-2240 PAL AC.
- DCD-2240 PAL S D.
- DCD-2240 PAL PSM.
- DCD-2240 QUAD.
- DCD-2240 SD.
- DCD-2440 PSN4.
- DCD-2440 PAL.
- DCD-2440 QUAD PSM.
- DCD-2440.
- DCD-2640 AC PAL.
- DCD-2640 PAL PSM.
- DCD-2640 PAL.
- DCD-2640 PSN4.
- DCD-2640 PAL AC.
- DCD-2640 PAL SIE.
- DCD-2640 PAL CVS.
- DCD-2640 PAL AC WT.
- DCD-2640 QUAD.
- DCD-2640 QUAD SIE.
- DCD-2640.
- DCD-2740 DATA.
- DCD-2740 D DATA.
- DCD-2740 PAL.
- DCD-2740 PSN4.
- DCD-2740 PAL AC.
- DCD-2740 PAL S D.
- DCD-2740 QUAD DATA.
- DCD-2740 QUAD.
- DCD-2740 QUAD DATA.
- DCD-2740.
- DCD-2840 PSN4.
- DCD-2840 PAL.
- DCD-2840 QUAD PSM.
- DCD-2840.
- PAD-1640 QUAD SR.
- PAT DCD 2740 QUAD.
- PCD PAT 16H40 QUAD.
- PCD-1640 HRLZ QUAD.
- PCD-1640 LP.
- PCD-1640 LZ.
- PCD-1640 QUAD HR.
- PCD-1640 QUAD SR.
- PCD-1640 RGB LP.
- PCD-1640 S.
- PCD-1640.

For Service Manuals  
contact  
**MAURITRON SERVICES**  
8 Cherry Tree Road, Chinnor  
Oxfordshire, OX9 4QY.  
Tel (01844) 351694  
Fax (01844) 352554



For Service Manuals  
contact  
**MAURITRON SERVICES**  
8 Cherry Tree Road, Chinnor  
Oxfordshire, OX9 4QY.  
Tel (01844) 351694  
Fax (01844) 352554





**PRODUCT SAFETY NOTICE**  
 COMPONENTS MARKED WITH ● OR ▲ HAVE SPECIAL CHARACTERISTICS IMPORTANT TO SAFETY. BEFORE REPLACING ANY OF THESE COMPONENTS, READ CAREFULLY THE SERVICE SAFETY PRECAUTIONS. DO NOT DEGRADE THE SAFETY OF THIS SET THROUGH IMPROPER SERVICING.

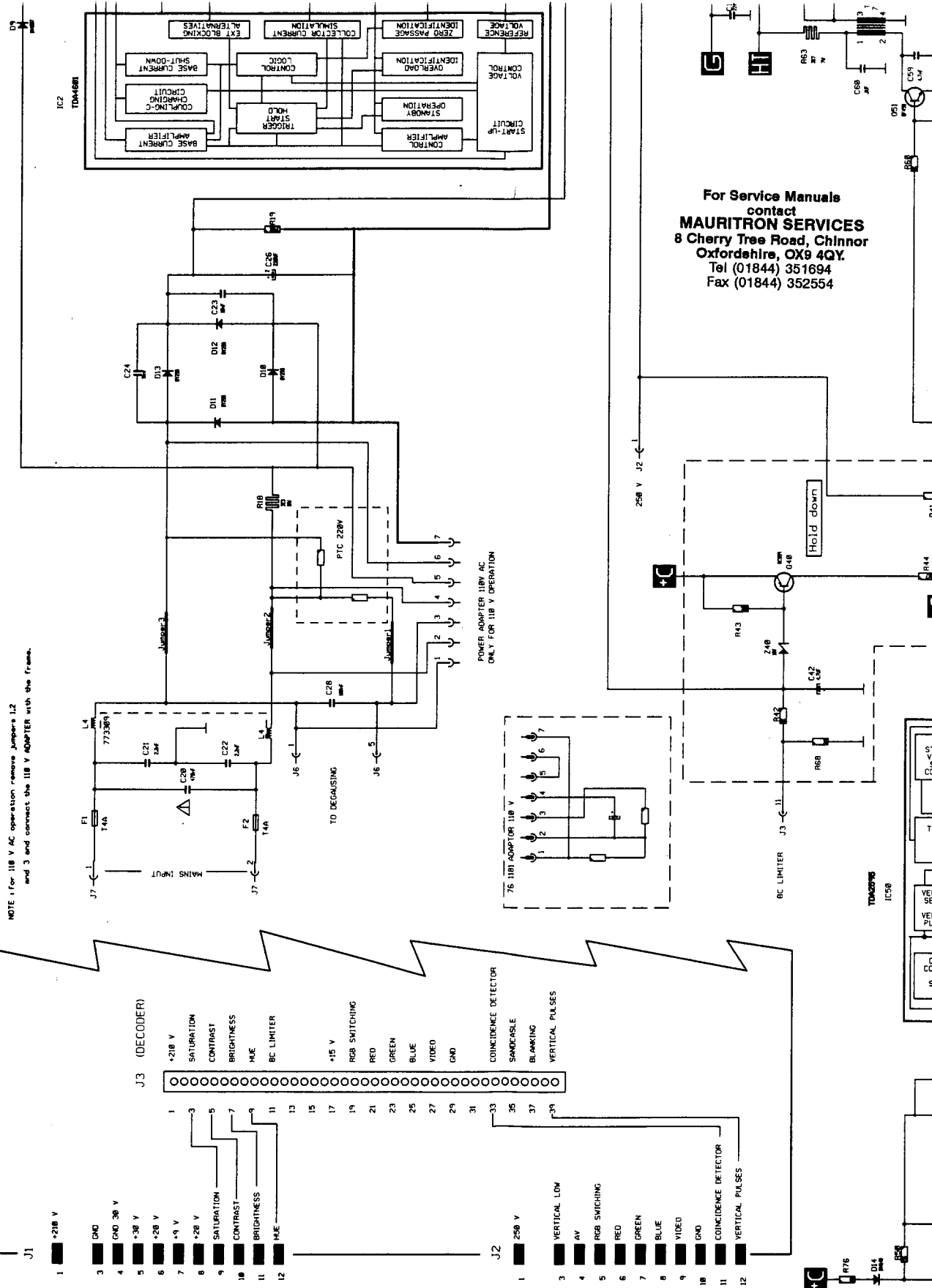
These adjustments can only be made when this set is into the SCAN REDUCTION MODE

Name	Article no.
FRAME PCD 1640 S	76 13723
Date	Drawn
82/82/88	JVH
Checked	ROF
BARCO ELECTRONIC NV	
Noordlaan 5	
B-8728 KURNE BELGIUM	

MODIFICATIONS RESERVED

- DCD PAD 2240 PAL.
- DCD PAD 2740 PAL.
- DCD-2240 PSM.
- DCD-2240 PAL.
- DCD-2240 PSN4.
- DCD-2240 PAL AC.
- DCD-2240 PAL S D.
- DCD-2240 PAL PSM.
- DCD-2240 QUAD.
- DCD-2240 SD.
- DCD-2440 PAL.
- DCD-2440 PSN4.
- DCD-2440 PAL.
- DCD-2440 QUAD PSM.
- DCD-2440.
- DCD-2640 AC PAL.
- DCD-2640 PAL PSM.
- DCD-2640 PAL.
- DCD-2640 PSN4.
- DCD-2640 PAL AC.
- DCD-2640 PAL SIE.
- DCD-2640 PAL CVS.
- DCD-2640 PAL AC WT.
- DCD-2640 QUAD.
- DCD-2640 QUAD SIE.
- DCD-2640.
- DCD-2740 DATA.
- DCD-2740 D DATA.
- DCD-2740 PAL.
- DCD-2740 PSN4.
- DCD-2740 PAL AC.
- DCD-2740 PAL S D.
- DCD-2740 QUAD DATA.
- DCD-2740 QUAD.
- DCD-2740 QUAD DATA.
- DCD-2740.
- DCD-2840 PSN4.
- DCD-2840 PAL.
- DCD-2840 QUAD PSM.
- DCD-2840.
- PAD-1640 QUAD SR.
- PAT DCD 2740 QUAD.
- PCD PAT 1640 QUAD.
- PCD-1640 HRLZ QUAD.
- PCD-1640 LP.
- PCD-1640 LZ.
- PCD-1640 QUAD HR.
- PCD-1640 QUAD SR.
- PCD-1640 RGB LP.
- PCD-1640 S.
- PCD-1640.

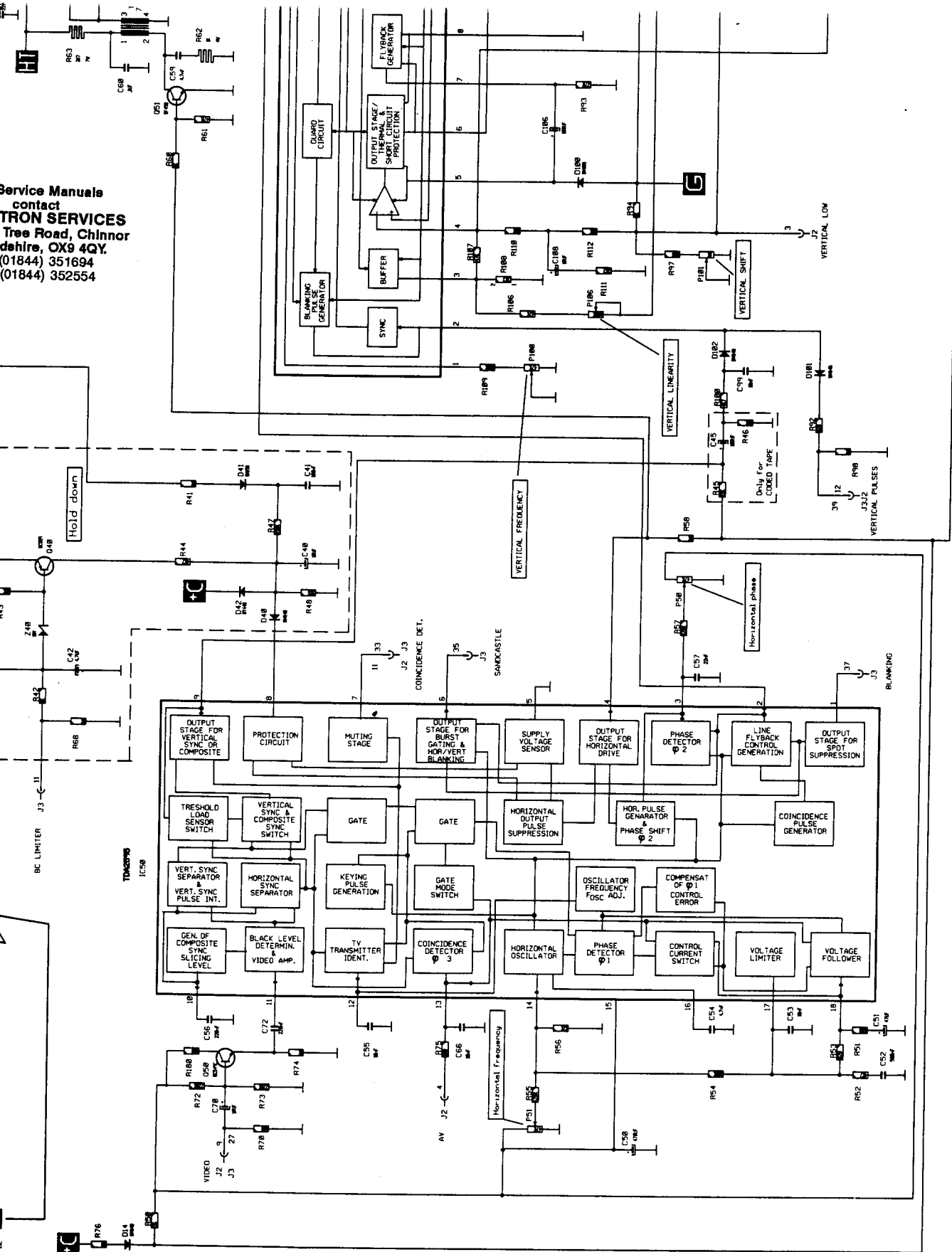
For Service Manuals  
contact  
**MAURITRON SERVICES**  
8 Cherry Tree Road, Chinnor  
Oxfordshire, OX9 4QY.  
Tel (01844) 351694  
Fax (01844) 352554



NOTE: For 118 V AC operation remove jumper J2 and connect the 118 V ADAPTER with the frame.

For Service Manuals  
contact  
**MAURITRON SERVICES**  
8 Cherry Tree Road, Chinnor  
Oxfordshire, OX9 4QY.  
Tel (01844) 351694  
Fax (01844) 352554

Service Manuals  
 contact  
**TRON SERVICES**  
 Tree Road, Chinnor  
 Oxfordshire, OX9 4QY.  
 (01844) 351694  
 (01844) 352554

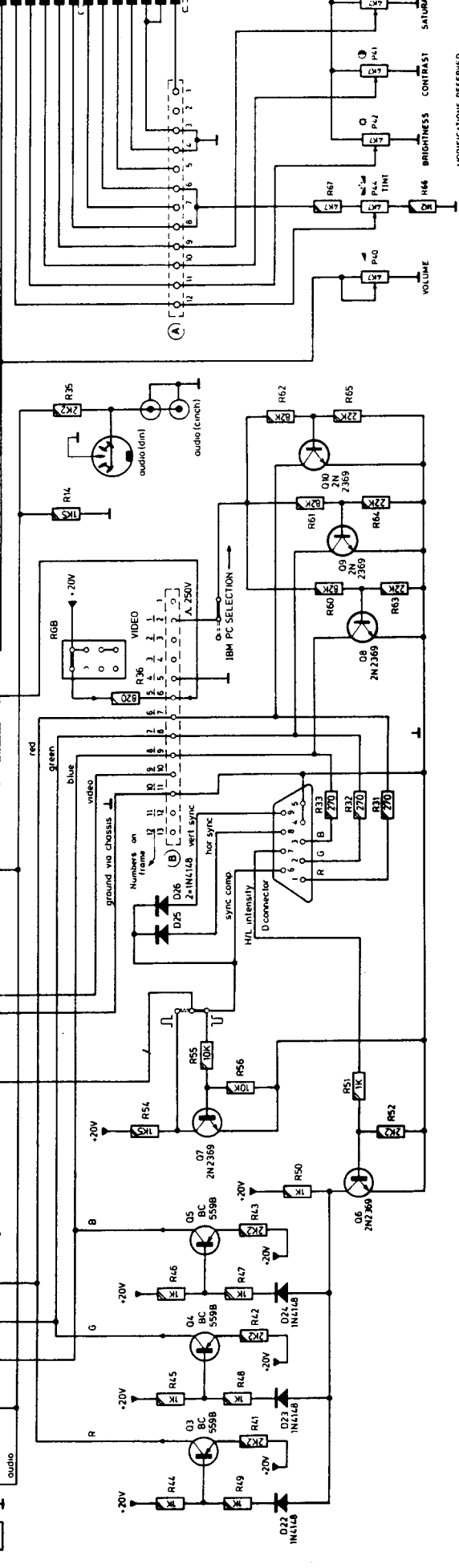
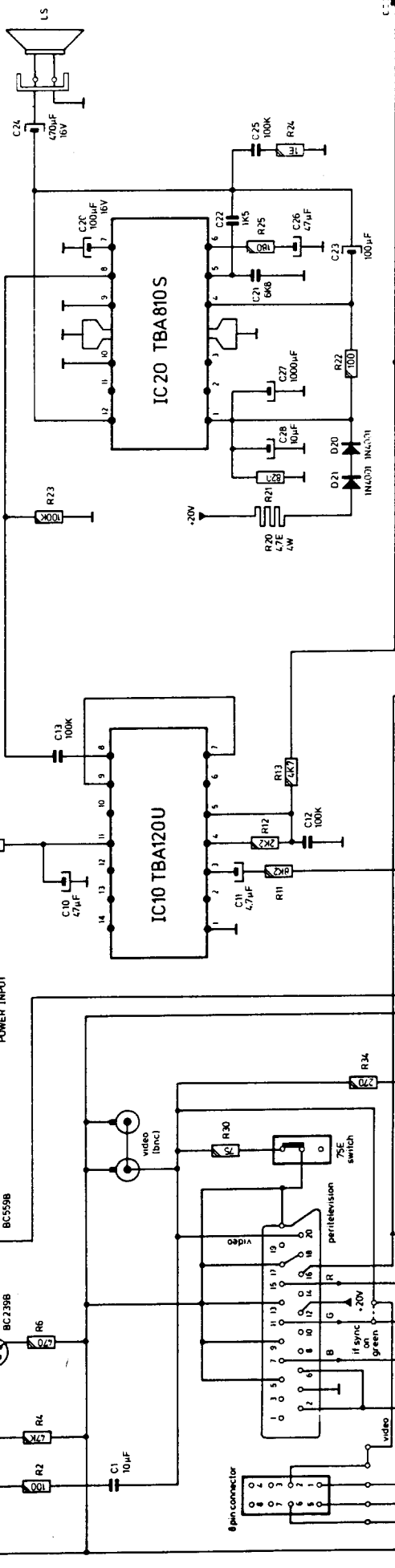
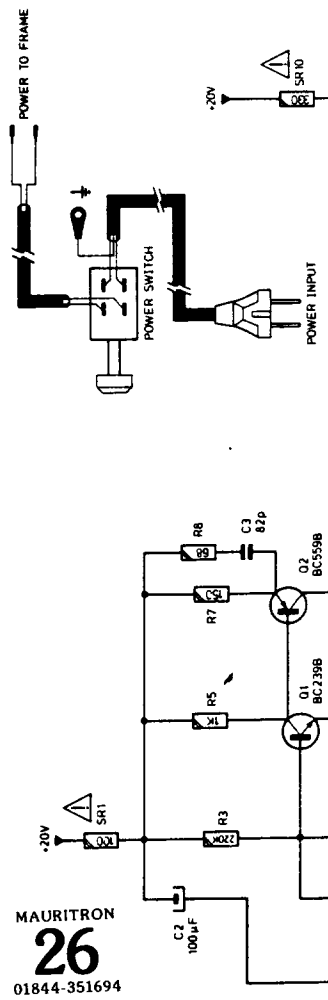


THE QUALITY OF  
 THIS PAGE IS  
 THE BEST THAT  
 IS AVAILABLE



MODIFICATIONS RESERVED

- DCD PAD 2240 PAL.
- DCD PAD 2740 PAL.
- DCD-2240 PSM.
- DCD-2240 PAL.
- DCD-2240 PSN4.
- DCD-2240 PAL AC.
- DCD-2240 PAL S D.
- DCD-2240 PAL PSM.
- DCD-2240 QUAD.
- DCD-2240 SD.
- DCD-2440 PSN4.
- DCD-2440 PAL.
- DCD-2440 QUAD PSM.
- DCD-2440.
- DCD-2640 AC PAL.
- DCD-2640 PAL PSM.
- DCD-2640 PAL.
- DCD-2640 PSN4.
- DCD-2640 PAL AC.
- DCD-2640 PAL SIE.
- DCD-2640 PAL CVS.
- DCD-2640 PAL AC WT.
- DCD-2640 QUAD.
- DCD-2640 QUAD SIE.
- DCD-2640.
- DCD-2740 DATA.
- DCD-2740 D DATA.
- DCD-2740 PAL.
- DCD-2740 PSN4.
- DCD-2740 PAL AC.
- DCD-2740 PAL S D.
- DCD-2740 QUAD DATA.
- DCD-2740 QUAD.
- DCD-2740 QUAD DATA.
- DCD-2740.
- DCD-2840 PSN4.
- DCD-2840 PAL.
- DCD-2840 QUAD PSM.
- DCD-2840.
- PAD-1640 QUAD SR.
- PAT DCD 2740 QUAD.
- PCD PAT 16H40 QUAD.
- PCD-1640 HRLZ QUAD.
- PCD-1640 LP.
- PCD-1640 LZ.
- PCD-1640 QUAD HR.
- PCD-1640 QUAD SR.
- PCD-1640 RGB LP.
- PCD-1640 S.
- PCD-1640.



SATURATION

BRIGHTNESS

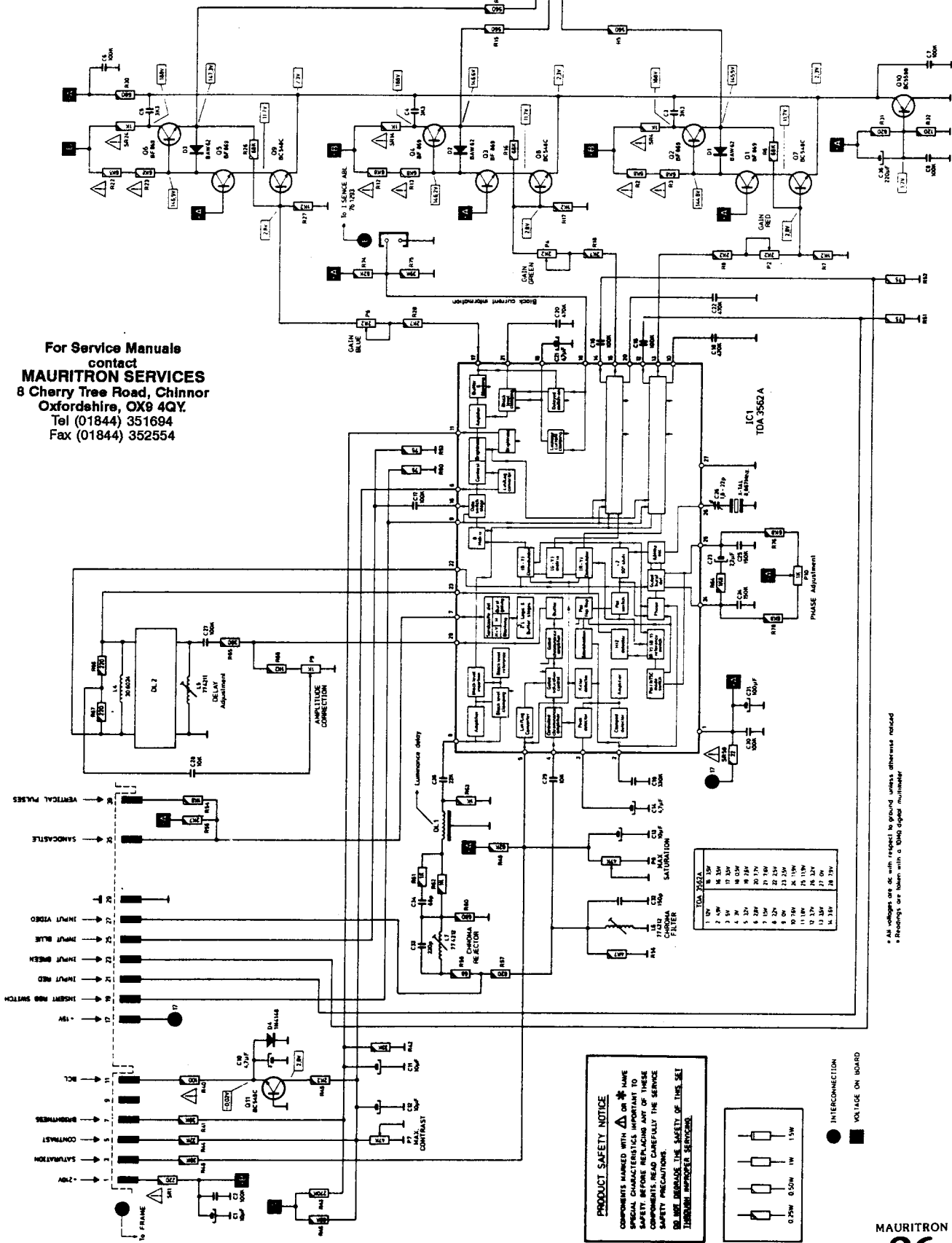
CONTRAST

VOLUME

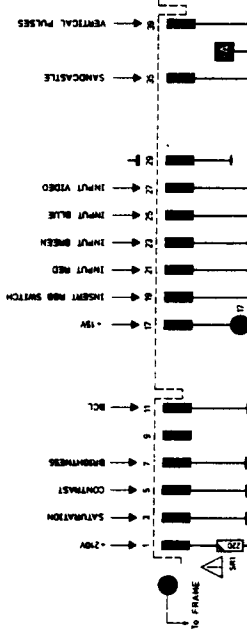
MODIFICATIONS RESERVED

For Service Manuals  
contact  
**MAURITRON SERVICES**  
8 Cherry Tree Road, Chinnor  
Oxfordshire, OX9 4QY.  
Tel (01844) 351694  
Fax (01844) 352554

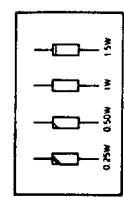
MODIFICATIONS RESERVED



For Service Manuals  
contact  
**MAURITRON SERVICES**  
8 Cherry Tree Road, Chinnor  
Oxfordshire, OX9 4QY.  
Tel (01844) 351694  
Fax (01844) 352554



**PRODUCT SAFETY NOTICE**  
COMPONENTS MARKED WITH OR \* HAVE SPECIAL CHARACTERISTICS IMPORTANT TO SAFETY. BEFORE REPLACING ANY OF THESE COMPONENTS, READ CAREFULLY THE SERVICE SAFETY PRECAUTIONS.  
**DO NOT REPLACE THE SAFETY OF THIS SET THROUGH IMPROPER REPAIRS.**



● INTERCONNECTION  
■ VOLTAGE ON BOARD

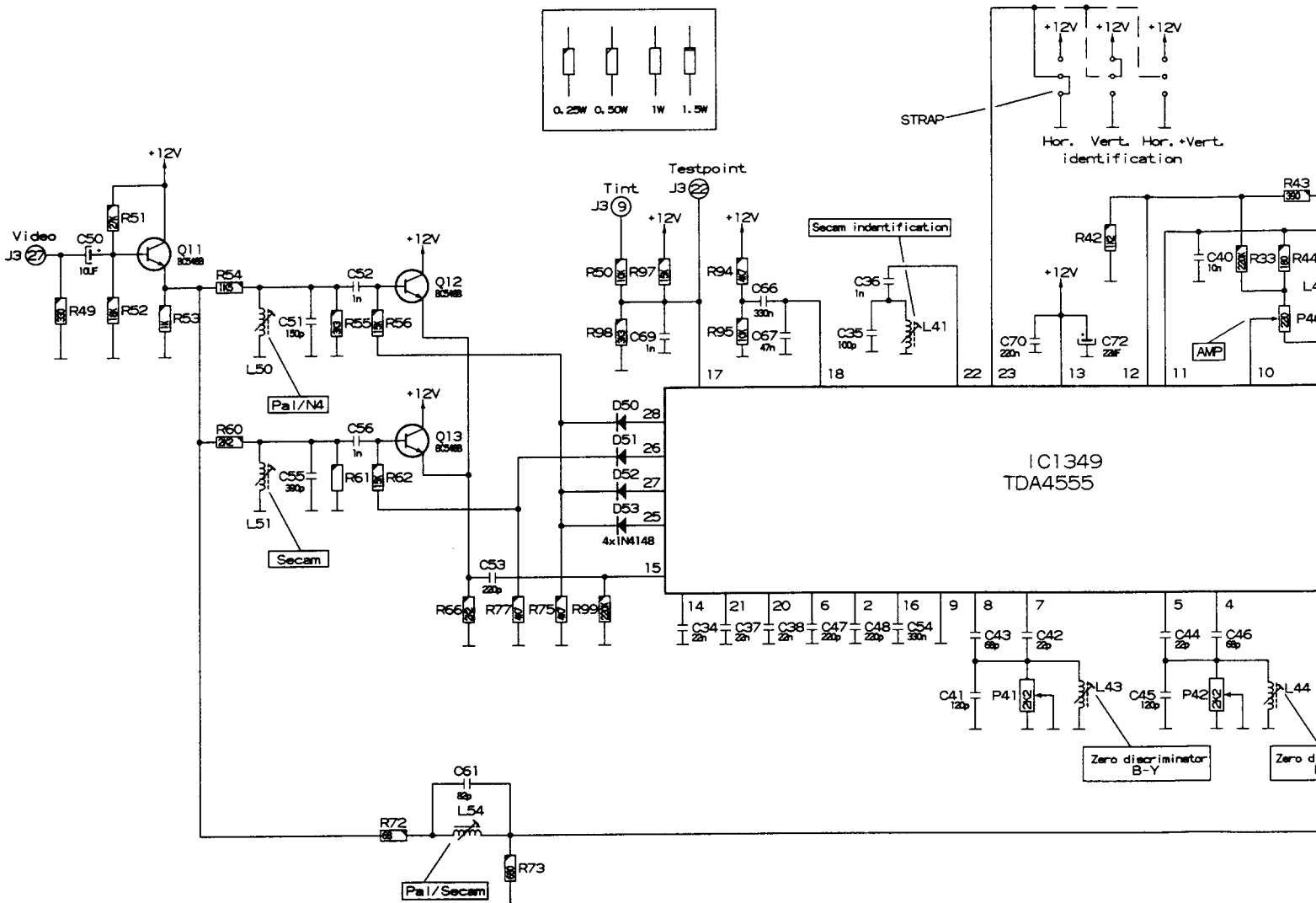
1	2	3	4	5	6	7	8	9	10	11	12	13	14	15	16	17	18	19	20	21	22	23	24	25	26	27	28	29	30	31	32
1.5K	10K	10K	10K	10K	10K	10K	10K	10K	10K	10K	10K	10K	10K	10K	10K	10K	10K	10K	10K	10K	10K	10K	10K	10K	10K	10K	10K	10K	10K	10K	

\* All voltages are dc with respect to ground unless otherwise noticed  
• Readings are taken with a 1000 digital multimeter

For Service Manuals  
contact  
**MAURITRON SERVICES**  
8 Cherry Tree Road, Chinnor  
Oxfordshire, OX9 4QY.  
Tel (01844) 351694  
Fax (01844) 352554

### PRODUCT SAFETY NOTICE

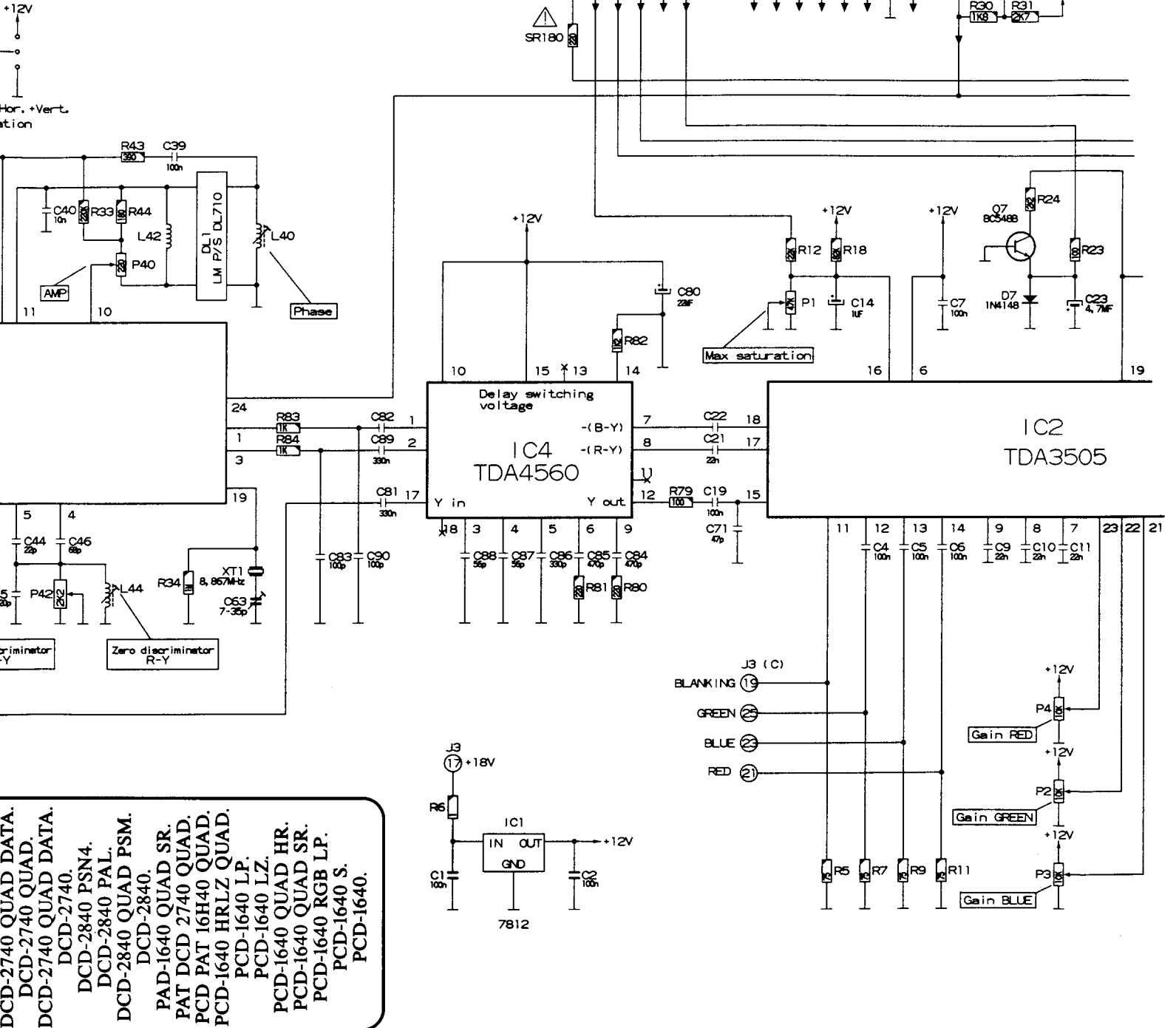
COMPONENTS MARKED WITH \* OR  $\triangle$  HAVE SPECIAL CHARACTERISTICS IMPORTANT TO SAFETY BEFORE REPLACING ANY OF THESE COMPONENTS. READ CAREFULLY THE SERVICE SAFETY PRECAUTIONS. DO NOT DEGRADE THE SAFETY OF THIS SET THROUGH IMPROPER SERVICING



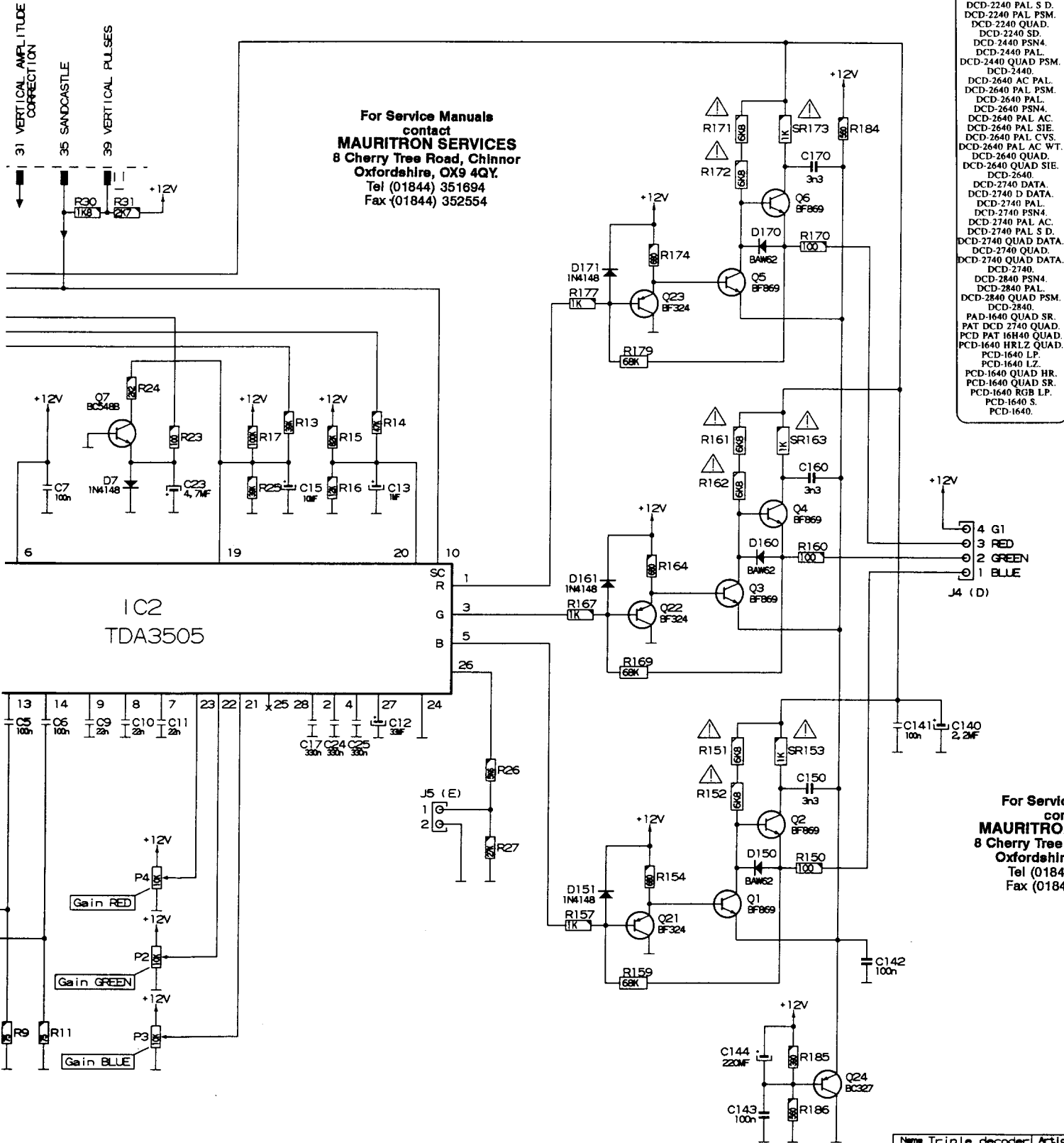
For Service Manuals  
contact  
**MAURITRON SERVICES**  
8 Cherry Tree Road, Chinnor  
Oxfordshire, OX9 4QY.  
Tel (01844) 351694  
Fax (01844) 352554

- DCD PAD 2240 PAL.
- DCD PAD 2740 PAL.
- DCD-2240 PSM.
- DCD-2240 PAL.
- DCD-2240 PSN4.
- DCD-2240 PAL AC.
- DCD-2240 PAL S D.
- DCD-2240 PAL PSM.
- DCD-2240 QUAD.
- DCD-2240 SD.
- DCD-2440 PSN4.
- DCD-2440 PAL.
- DCD-2440 PAL PSM.
- DCD-2440 PAL.
- DCD-2640 AC PAL.
- DCD-2640 PAL PSM.
- DCD-2640 PAL.
- DCD-2640 PSN4.
- DCD-2640 PAL AC.
- DCD-2640 PAL SIE.
- DCD-2640 PAL CVS.
- DCD-2640 PAL AC WT.
- DCD-2640 QUAD.
- DCD-2640 QUAD SIE.
- DCD-2640.
- DCD-2740 DATA.
- DCD-2740 D DATA.
- DCD-2740 PAL.
- DCD-2740 PSN4.
- DCD-2740 PAL AC.
- DCD-2740 PAL S D.
- DCD-2740 QUAD DATA.
- DCD-2740 QUAD.
- DCD-2740 QUAD DATA.
- DCD-2740.
- DCD-2840 PSN4.
- DCD-2840 PAL.
- DCD-2840 QUAD PSM.
- DCD-2840.

For Service Manuals contact  
**MAURITRON SERVICES**  
 8 Cherry Tree Road, Chinnor  
 Oxfordshire, OX9 4QY.  
 Tel (01844) 351694  
 Fax: (01844) 352554



- DCD-2740 QUAD DATA.
- DCD-2740 QUAD.
- DCD-2740 QUAD DATA.
- DCD-2740.
- DCD-2840 PSN4.
- DCD-2840 PAL.
- DCD-2840 QUAD PSM.
- DCD-2840.
- PAD-1640 QUAD SR.
- PAT DCD 2740 QUAD.
- PCD PAT 16H40 QUAD.
- PCD-1640 HRLZ QUAD.
- PCD-1640 LP.
- PCD-1640 LZ.
- PCD-1640 QUAD HR.
- PCD-1640 QUAD SR.
- PCD-1640 RGB LP.
- PCD-1640 S.
- PCD-1640.



For Service Manuals  
contact  
**MAURITRON SERVICES**  
8 Cherry Tree Road, Chinnor  
Oxfordshire, OX9 4QY.  
Tel (01844) 351694  
Fax (01844) 352554

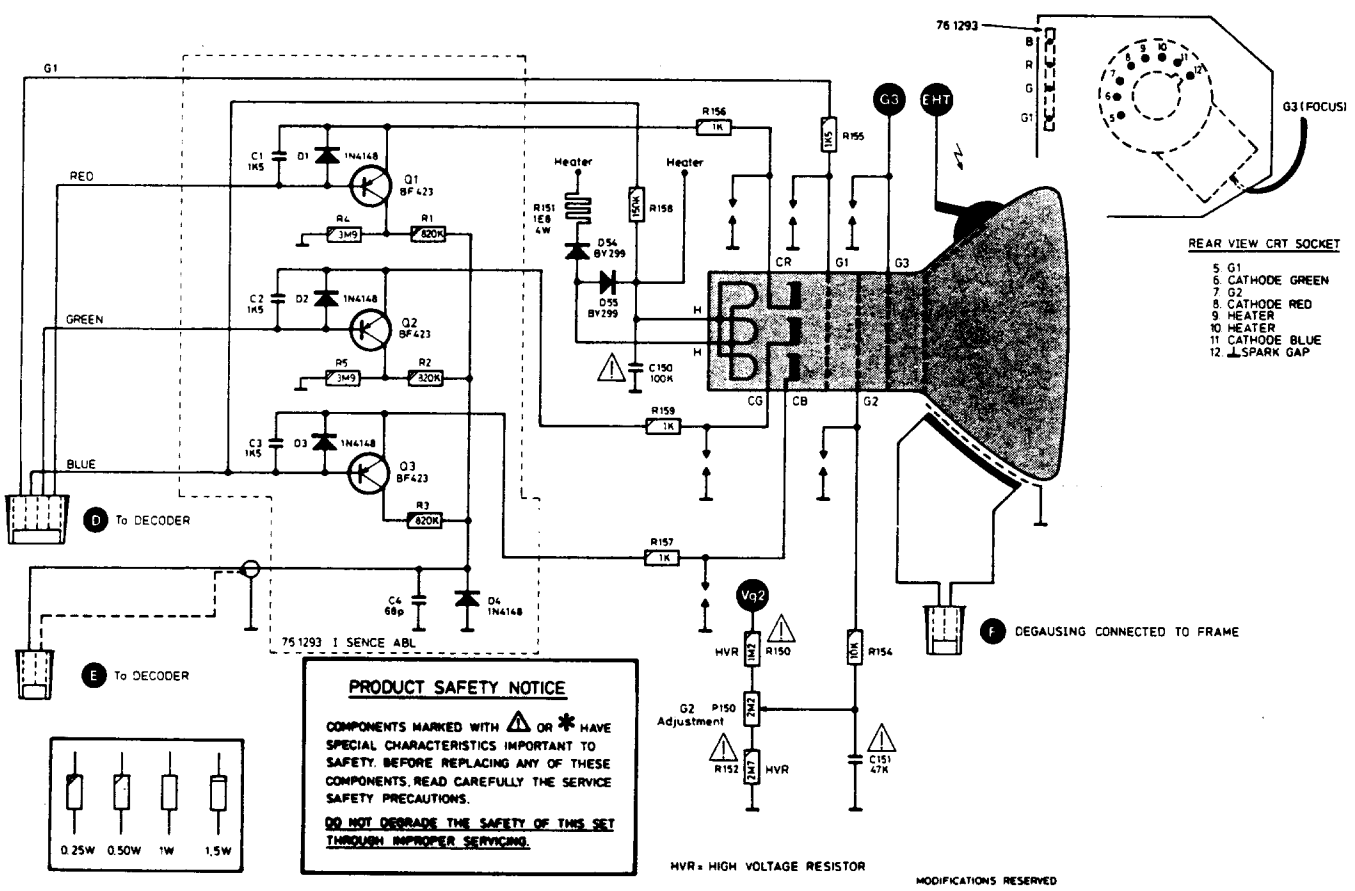
- DCD PAD 2240 PAL.
- DCD PAD 2740 PAL.
- DCD-2240 PSM.
- DCD-2240 PAL.
- DCD-2240 PSN4.
- DCD-2240 PAL AC.
- DCD-2240 PAL S D.
- DCD-2240 PAL PSM.
- DCD-2240 QUAD.
- DCD-2240 S.D.
- DCD-2440 PSN4.
- DCD-2440 PAL.
- DCD-2440 QUAD PSM.
- DCD-2440.
- DCD-2640 AC PAL.
- DCD-2640 PAL PSM.
- DCD-2640 PAL.
- DCD-2640 PSN4.
- DCD-2640 PAL AC.
- DCD-2640 PAL SIE.
- DCD-2640 PAL CVS.
- DCD-2640 PAL AC WT.
- DCD-2640 QUAD.
- DCD-2640 QUAD SIE.
- DCD-2640.
- DCD-2740 DATA.
- DCD-2740 D DATA.
- DCD-2740 PAL.
- DCD-2740 PSN4.
- DCD-2740 PAL AC.
- DCD-2740 PAL S D.
- DCD-2740 QUAD DATA.
- DCD-2740 QUAD.
- DCD-2740 QUAD DATA.
- DCD-2740.
- DCD-2840 PSN4.
- DCD-2840 PAL.
- DCD-2840 QUAD PSM.
- DCD-2840.
- PAD-1640 QUAD SR.
- PAT DCD 2740 QUAD.
- PCD PAT 1640 QUAD.
- PCD-1640 HRLZ QUAD.
- PCD-1640 LP.
- PCD-1640 LZ.
- PCD-1640 QUAD HR.
- PCD-1640 QUAD SR.
- PCD-1640 RGB LP.
- PCD-1640 S.
- PCD-1640.

For Service Manual  
contact  
**MAURITRON SERVICES**  
8 Cherry Tree Road, Chinnor  
Oxfordshire, OX9 4QY.  
Tel (01844) 351694  
Fax (01844) 352554

Name	Triple decoder + RGB amplifier	Article n°	76 1454
Date	10/03/89	Drawn	PG
		Checked	RDF

Modifications reserved

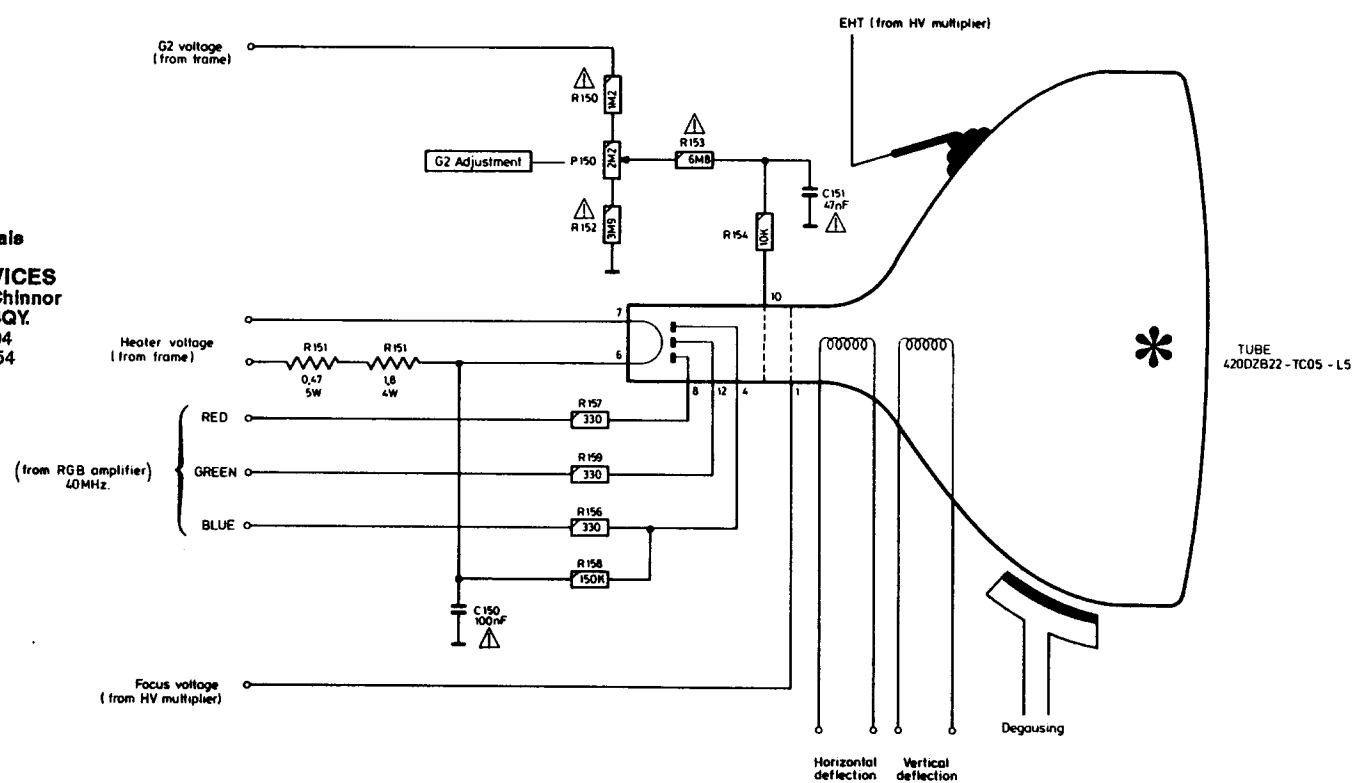
- DCD PAD 2240 PAL.
- DCD PAD 2740 PAL.
- DCD-2240 PSM.
- DCD-2240 PAL.
- DCD-2240 PSN4.
- DCD-2240 PAL AC.
- DCD-2240 PAL S.D.
- DCD-2240 PAL PSM.
- DCD-2240 QUAD.
- DCD-2240 SD.
- DCD-2440 PSN4.
- DCD-2440 PAL.
- DCD-2440 QUAD PSM.
- DCD-2440.
- DCD-2640 AC PAL.
- DCD-2640 PAL PSM.
- DCD-2640 PAL.
- DCD-2640 PSN4.
- DCD-2640 PAL AC.
- DCD-2640 PAL SIE.
- DCD-2640 PAL CVS.
- DCD-2640 PAL AC WT.
- DCD-2640 QUAD SIE.
- DCD-2640.
- DCD-2740 DATA.
- DCD-2740 D DATA.
- DCD-2740 PAL.
- DCD-2740 PSN4.
- DCD-2740 PAL AC.
- DCD-2740 PAL S.D.
- DCD-2740 QUAD DATA.
- DCD-2740 QUAD.
- DCD-2740 QUAD DATA.
- DCD-2740.
- DCD-2840 PSN4.
- DCD-2840 PAL.
- DCD-2840 QUAD PSM.
- DCD-2840.
- PAD-1640 QUAD SR.
- PAT DCD 2740 QUAD.
- PCD PAT 16H40 QUAD.
- PCD-1640 HRLZ QUAD.
- PCD-1640 LP.
- PCD-1640 LZ.
- PCD-1640 QUAD HR.
- PCD-1640 QUAD SR.
- PCD-1640 RGB LP.
- PCD-1640 S.
- PCD-1640.



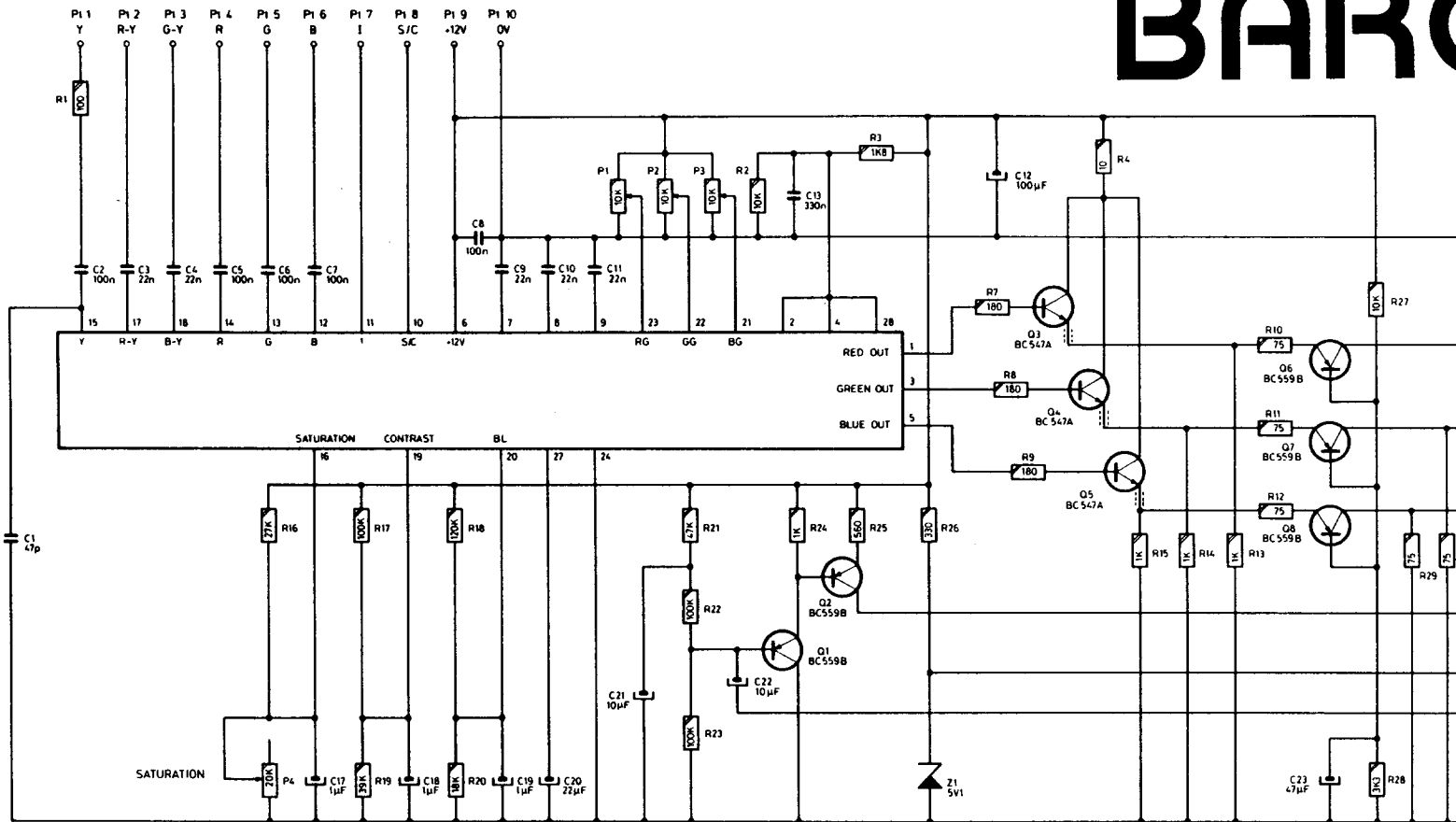
- 4 G1
- 3 RED
- 2 GREEN
- 1 BLUE

C140  
2.2M

For Service Manuals  
contact  
**MAURITRON SERVICES**  
8 Cherry Tree Road, Chinnor  
Oxfordshire, OX9 4QY.  
Tel (01844) 351694  
Fax (01844) 352554

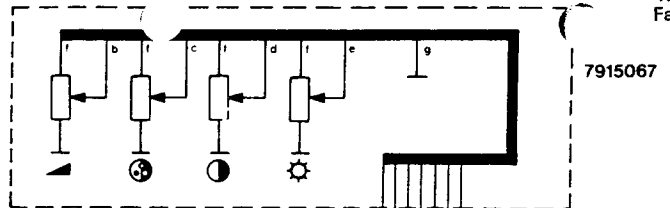
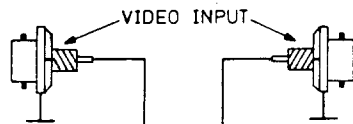


ple decoder	Article nr
amplifier	76 1454
Drawn	Checked
9 PG	RDF

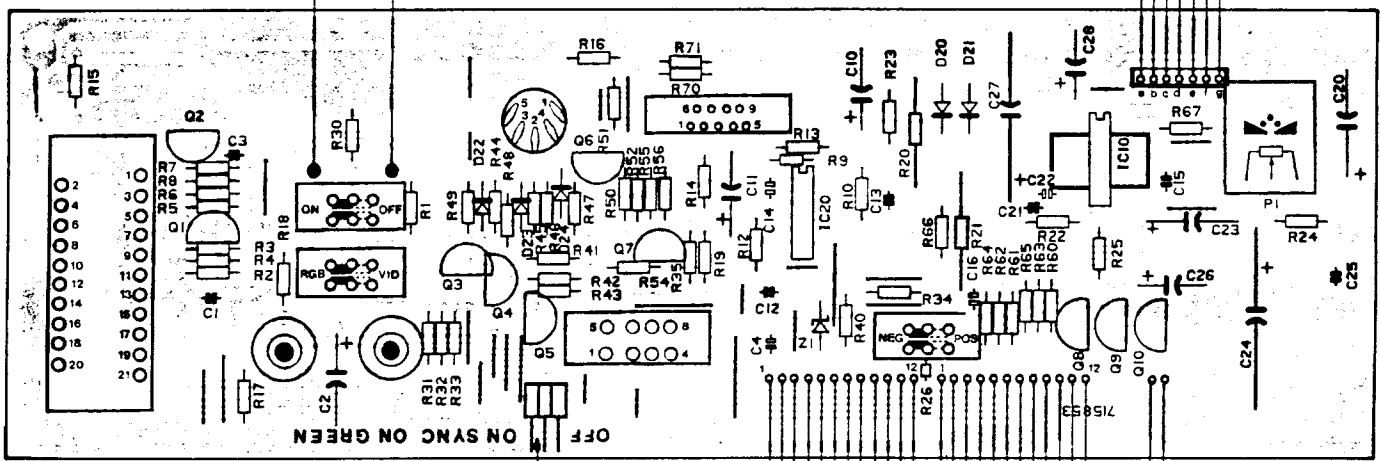


NOTES : Y, R-Y and B-Y come direct from the TDA1560/5  
 I, S/C, R, G, B all connect to signal of edge connector  
 Power and ground are taken from near the 12 regulator

For Ser  
 MAURITR  
 8 Cherry Tr  
 Oxfords  
 Tel (01  
 Fax (01

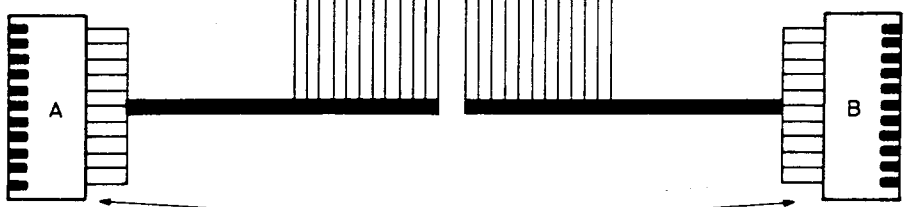


7915067

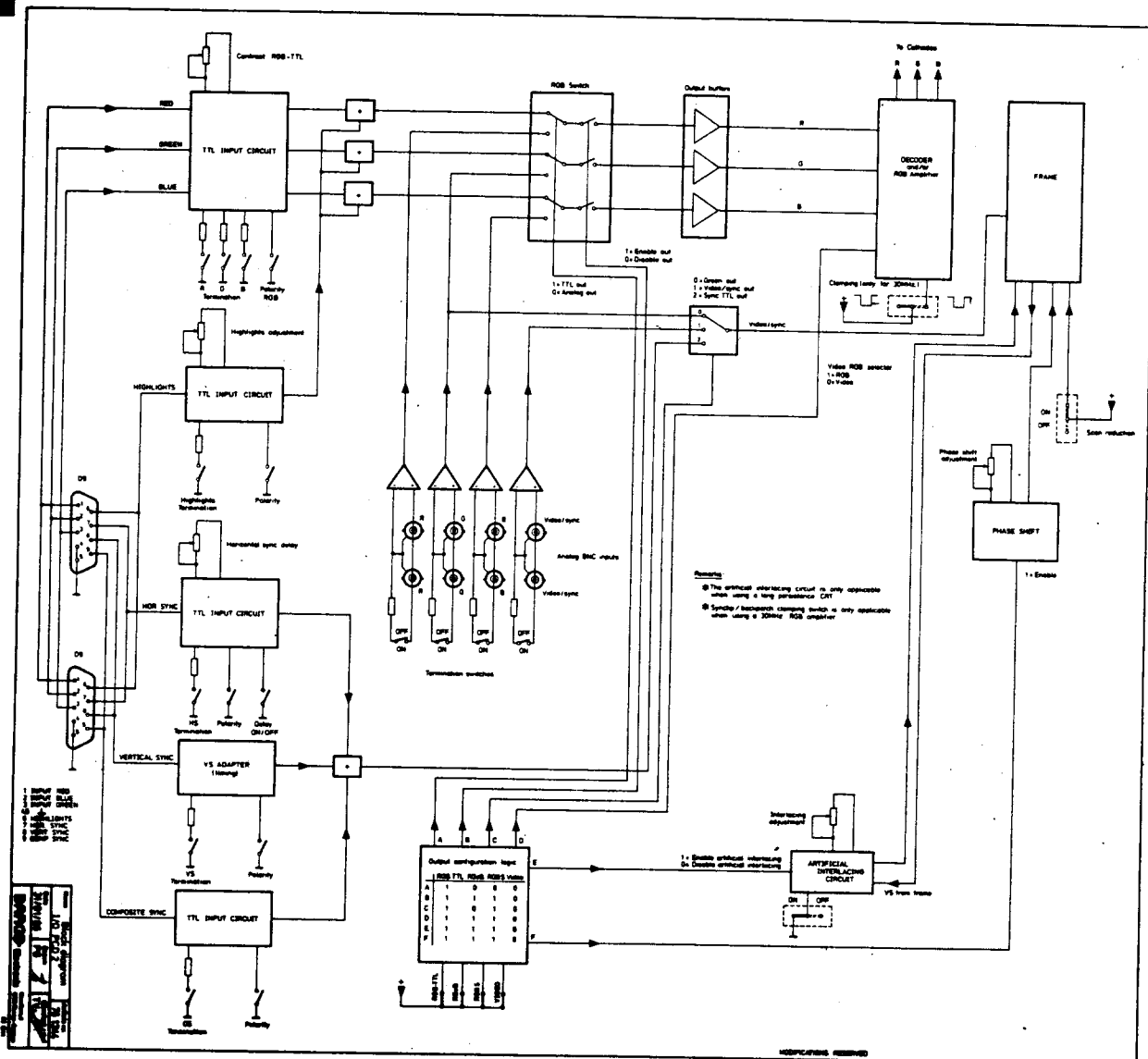
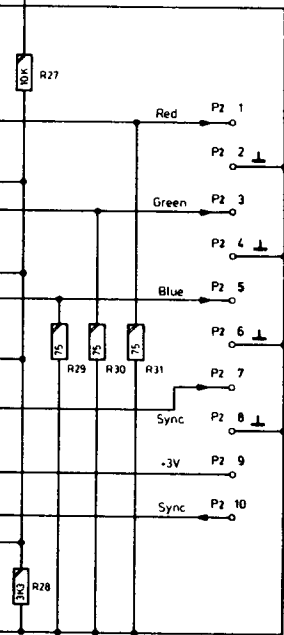


761340 INPUT/OUTPUT PCD 1640

MAURITRON  
**29**  
 01844-351694

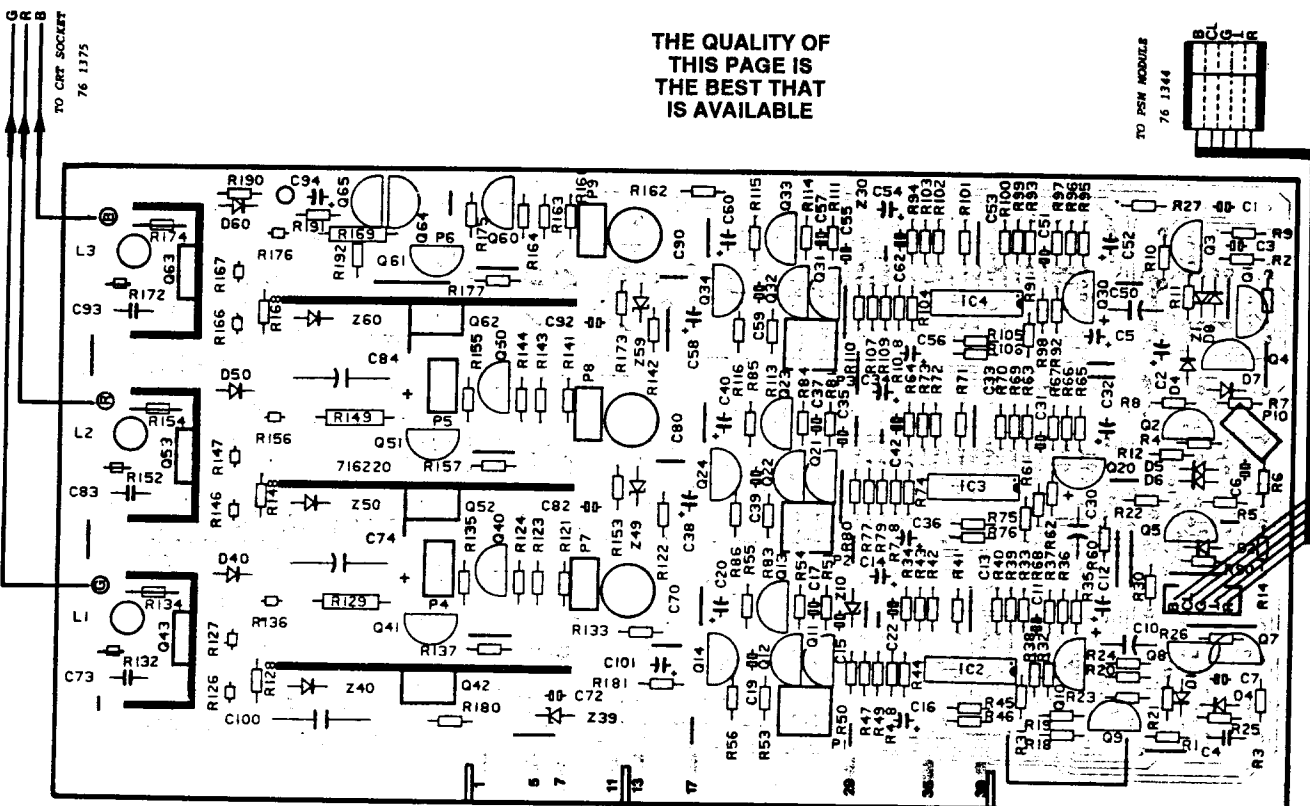


PLUGGED IN ON FRAME



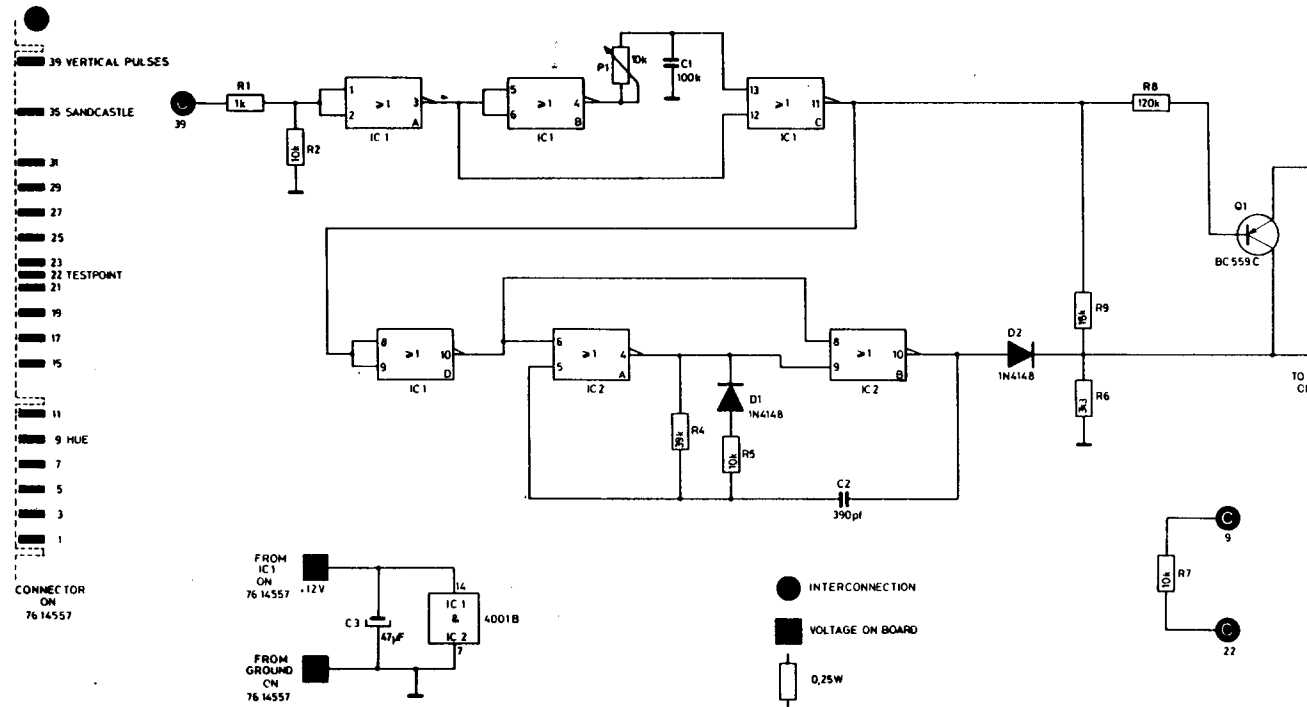
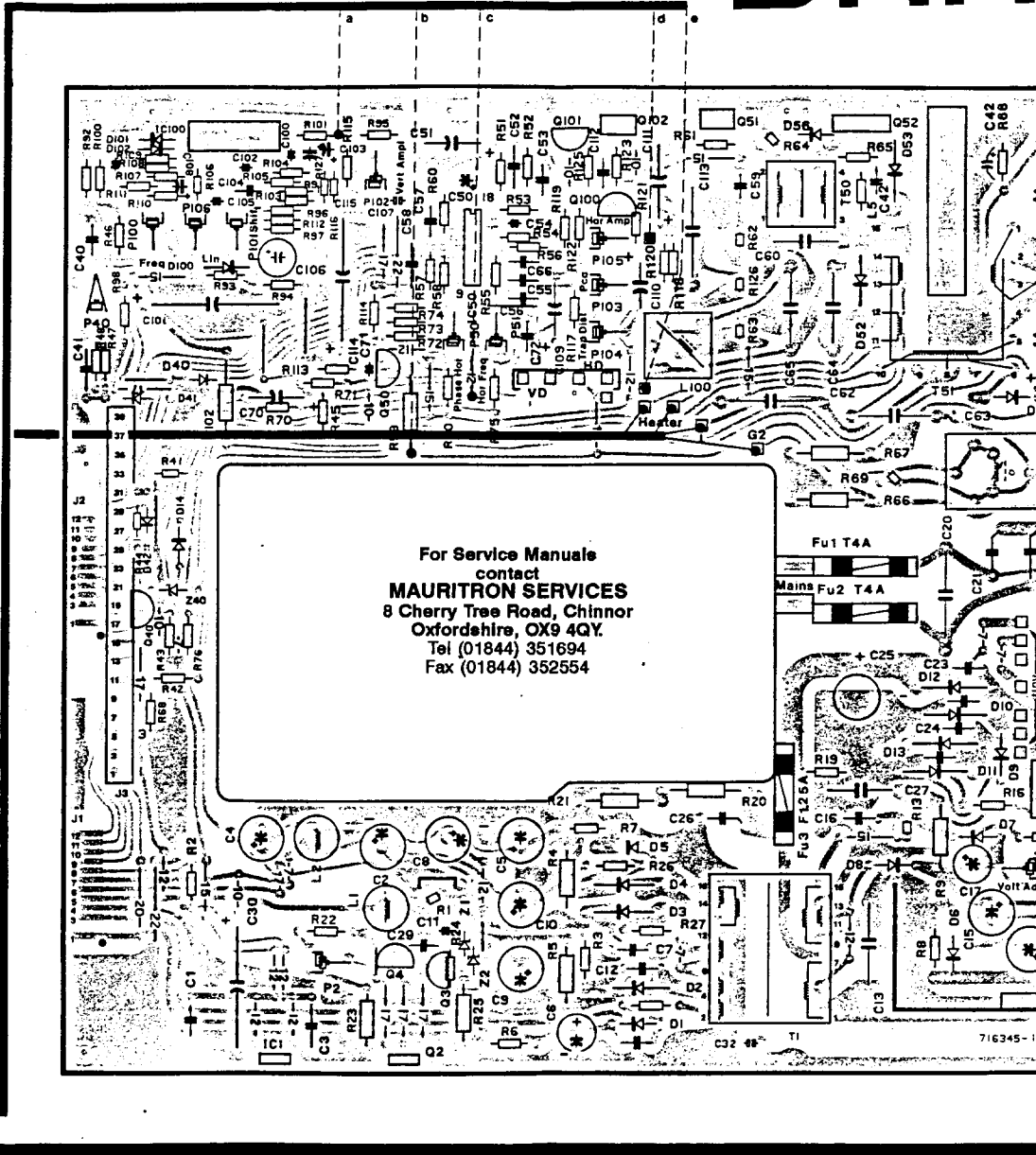
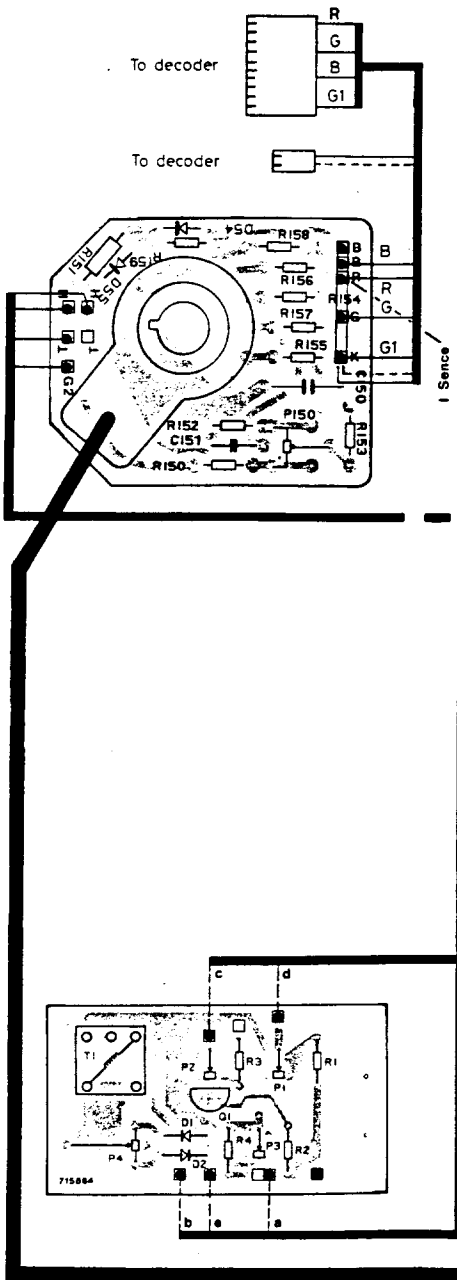
For Service Manuals contact  
**MAURITRON SERVICES**  
 8 Cherry Tree Road, Chinnor  
 Oxfordshire, OX9 4QY.  
 Tel (01844) 351694  
 Fax (01844) 352554

15067



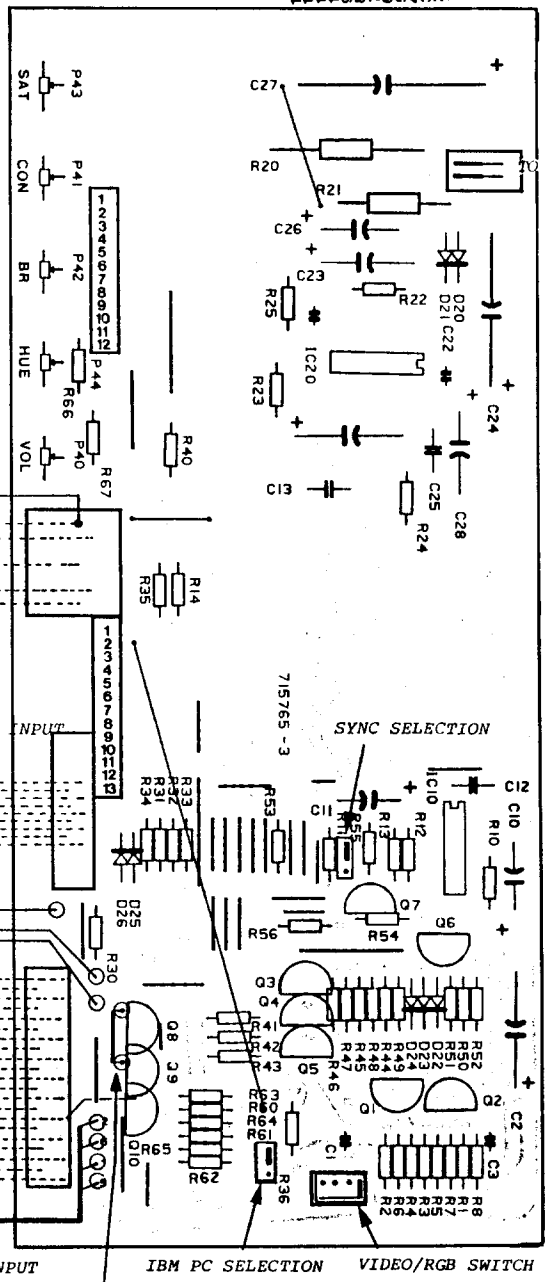
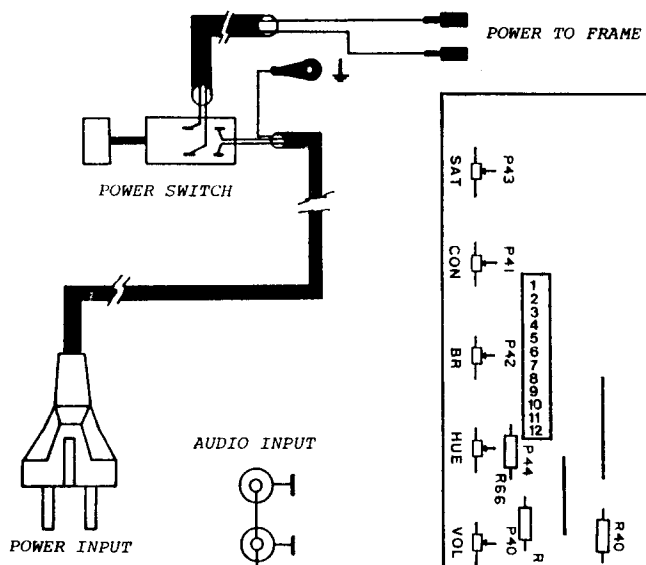
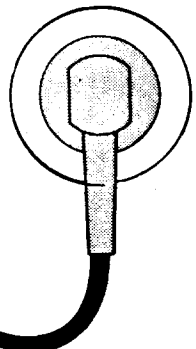
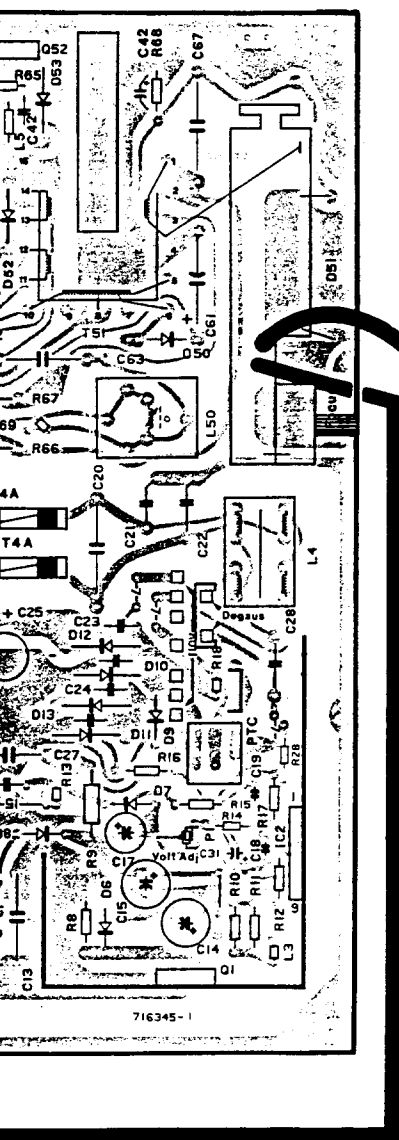
THE QUALITY OF  
 THIS PAGE IS  
 THE BEST THAT  
 IS AVAILABLE



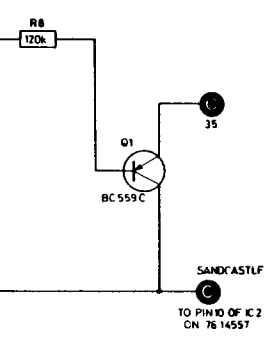


- DCD PAD 2240 PAL
- DCD PAD 2740 PAL
- DCD-2240 PSM
- DCD-2240 PAL
- DCD-2240 PSN4
- DCD-2240 PAL AC
- DCD-2240 PAL S D
- DCD-2240 PAL PSM
- DCD-2240 QUAD
- DCD-2240 SD
- DCD-2440 PSN4
- DCD-2440 PAL
- DCD-2440 QUAD PSM
- DCD-2440
- DCD-2640 AC PAL
- DCD-2640 PAL PSM
- DCD-2640 PAL
- DCD-2640 PSN4
- DCD-2640 PAL AC
- DCD-2640 PAL SIE
- DCD-2640 PAL CVS
- DCD-2640 PAL AC WT
- DCD-2640 QUAD
- DCD-2640 QUAD SIE
- DCD-2640
- DCD-2740 DATA
- DCD-2740 D DATA
- DCD-2740 PAL
- DCD-2740 PSN4
- DCD-2740 PAL AC
- DCD-2740 PAL S D
- DCD-2740 QUAD DATA
- DCD-2740 QUAD
- DCD-2740 QUAD DATA
- DCD-2740
- DCD-2840 PSN4
- DCD-2840 PAL
- DCD-2840 QUAD PSM
- DCD-2840
- PAD-1640 QUAD SR
- PAT DCD 2740 QUAD
- PCD PAT 1640 QUAD
- PCD-1640 HRLZ QUAD
- PCD-1640 LP
- PCD-1640 LZ
- PCD-1640 QUAD HR
- PCD-1640 QUAD SR
- PCD-1640 RGB LP
- PCD-1640 S
- PCD-1640

For Service Manuals contact  
**MAURITRON SERVICES**  
 8 Cherry Tree Road, Chinnor  
 Oxfordshire, OX9 4QY  
 Tel (01844) 351694  
 Fax (01844) 352554



For Service Manuals contact  
**MAURITRON SERVICES**  
 8 Cherry Tree Road, Chinnor  
 Oxfordshire, OX9 4QY  
 Tel (01844) 351694  
 Fax (01844) 352554



MAURITRON  
**30**  
 01844-351694

JUMPER IF SYNC ON GREEN