

Bell System (BSTL) BS-LX



Terminals

- I Call
- R Speech Out (Mic)
- O Common
- T Speech In (Speaker)
- Z Lock
- V + 12VDC
- L Door Contact

IMPORTANT NOTE :

1) Before replacing the handset make note of the wires to each terminal on the existing unit (an easy way is to cut each core off leaving a piece of the insulation in place with colour visible) twist unused cores together (so you know they are not used, do not short them out).

2) Some older systems will have cable with one coloured core and a solid white core in this case mark each core with a marker or tape.

3) Some systems may have loop on wiring, you will have 2 cables into your handset (make sure any joins remain, as these may be serving other flats on the system).

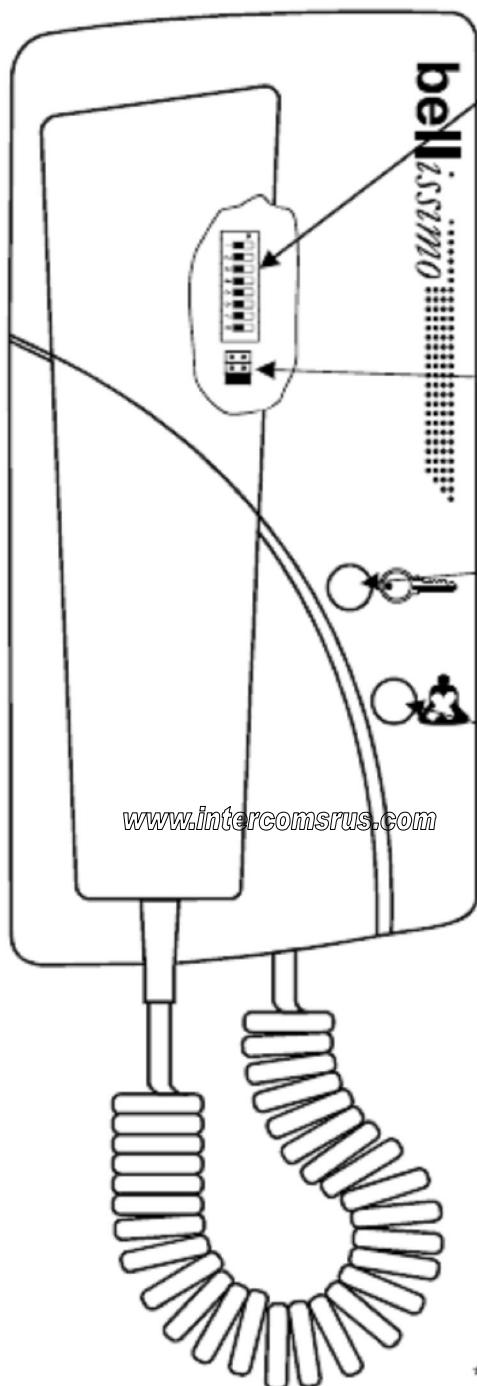
Setting Handset Up

BS-LX 12V DC Audio Phone

DIP Switch Settings

Ring Type(1)		Ringer Mute Times(5,6,7,8)			
[1] Min. Period		[5678] No Mute		[5671] 1 hour	
[0] Short		[T678] 2 mins		[T671] 2 hour	
Door Monitor(2)		[5y78] 5 mins		[5Y71] 4 hour	
[2] N/C		[TY78] 10 mins		[TY71] 5 hour	
[W] N/O		[56U8] 15 mins		[56U1] 6 hour	
Unlock Time(3,4)		[T6U8] 20 mins		[T6U1] 8 hour	
[er] 1S	[E4] 3S	[5YU8] 30 mins		[5YU1] 10 hour	
[3R] 5S	[34] 10S	[TYU8] 45 mins		[TYU1] Toggle	

www.intercomsrus.com



www.intercomsrus.com

Ring Volume (3 Levels)

Unlock button
and Door Status Indicator
(green)

Buzzer Mute button
and Ring Status Indicator
(red)

Compatible with*
500X,500PX,500XT,
500LX,500PLX,500PLXT
Phones

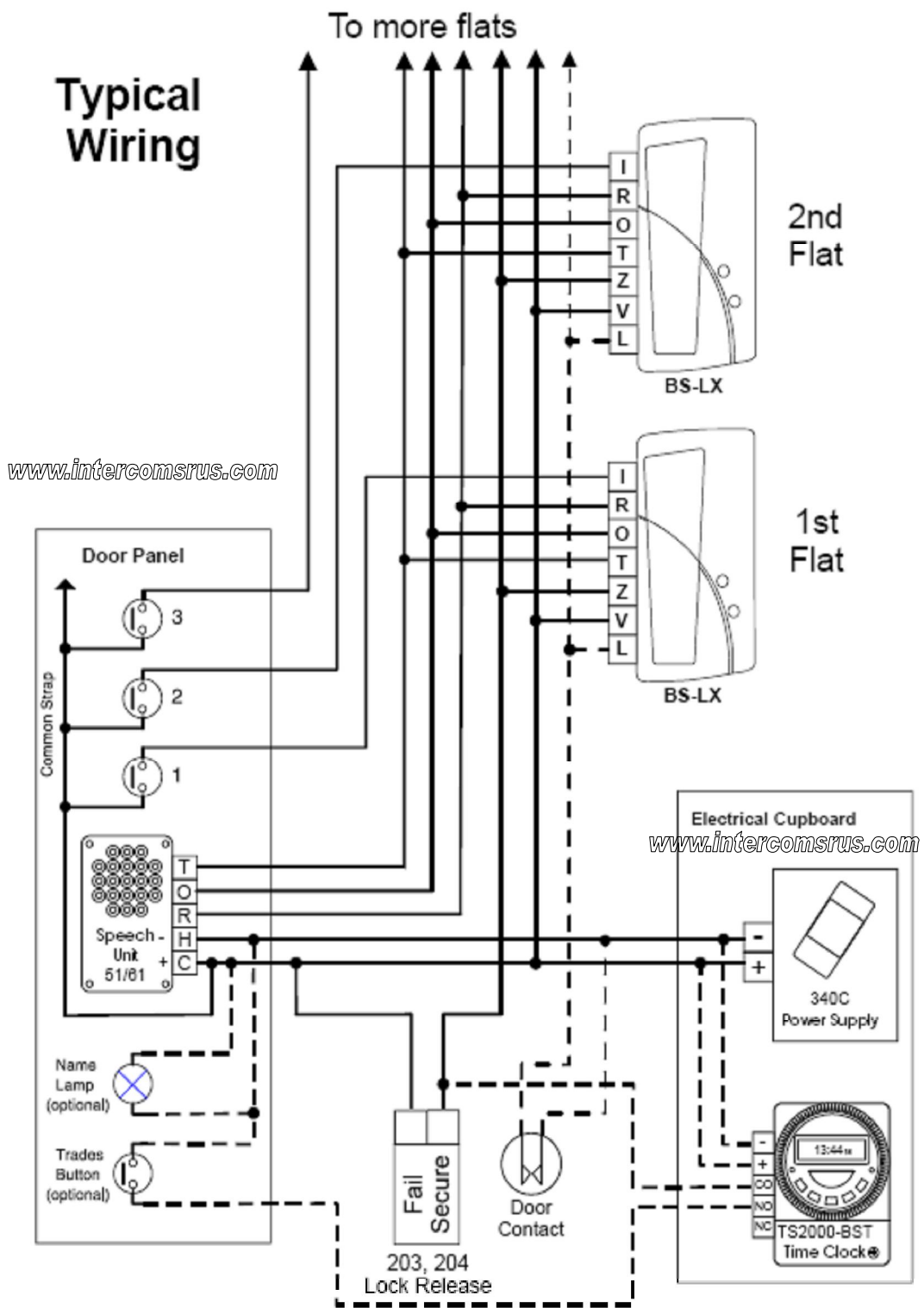
bell
system

*Assumes recommended cable
type and distances.

PD-123 Issue 1

Wiring Diagram

Single Entrance DC Call



Wiring Diagram

2 Entrance DC call with 59S Switcher

