

# ir33 universal

temperature, humidity, pressure...  
control solutions

CAREL



**ir33**



ir33 universal is designed to be the improvement and extension of the ir32 universal range.

The models available are divided into two families: the first with temperature inputs only, and consequently suitable for temperature control in HVAC/R applications and/or generic applications that require the use of a thermostat in the range  $-50$  to  $150$  °C; the second with universal inputs (NTC, NTC-HT, PTC, PT1000, PT100, TC J/K, voltage and current).

In addition, ir33 universal incorporates the main functions (speed-up, cut-off, control on the higher value read by the 2 probes...) of the CAREL FCM range.

ir33 universal is an advanced controller that includes all the features already available in the previous range, adding some new sophisticated functions such as PID autotuning, two independent control loops, management of the clock and the working cycles.

The product features an user interface that is simple to use, in line with the previous version, while at the same time adding symbols on the display and navigation menus, making the interface with the product more user-friendly

The models available are suitable for panel installation (IR33\*) and DIN rail assembly (DN33\*). Switching power supply, 12 to 24 V, 24 V or 115 to 230 V, 2 digital inputs, 2 analogue inputs, IR receiver and buzzer as standard, while some versions feature integrated 0 to 10 Vdc outputs and/or real time clock. See the table at the end for the complete list of codes and the cross-reference with the previous ir32 series.

The following sensors can be connected:  
temperature only models

- NTC Standard, range  $-50$  to  $90$  °C
  - NTC-HT, range  $-40$  to  $150$  °C
  - PTC Standard, range  $-50$  to  $150$  °C
  - PT1000 Standard, range  $-50$  to  $150$  °C
- in addition, for the models with universal inputs
- PT1000 Standard, range  $-199$  to  $800$  °C
  - PT100 Standard, range  $-199$  to  $800$  °C
  - TC J/K Standard, range  $-100$  to  $999$  °C
  - Voltage: 0 to 1V, -0.5 to 1.3V, 0 to 10V, 0 to 5V rat.
  - Current: 0 to 20mA, 4 to 20mA.

The type of probe is selected using a configuration parameter.



### display

the large display, complete with icons, makes it easy to set the parameters



### installation

all models are supplied with plug-in terminals. The units can be programmed on the keypad, via key, remote control & comtool



### power supply

all models are available with 12 to 24 Vac/ 12 to 30 Vdc, 24 Vac/dc or 115 to 230 Vac power supply

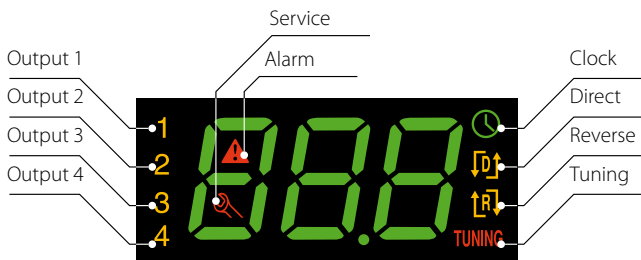
## Parameter configuration

ir33 universal is compatible with the new configuration tool for CAREL parametric controllers, for fast and practical setup of the application..



## Display

ir33 universal is fitted with a display featuring 3 digits with decimal point, minus sign and icons, making it easier to read the values and check the operating status.



## Connections

The use of plug-in terminals simplifies installation and any maintenance operations on the unit. According to the range, only the type of input terminal changes, as illustrated in the photo, while the output and power supply terminals remain unchanged.

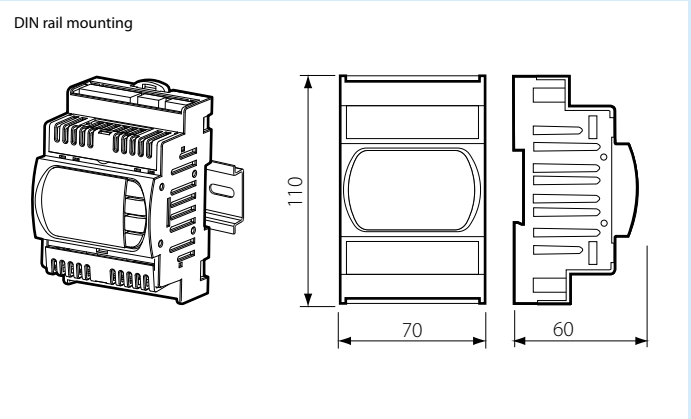
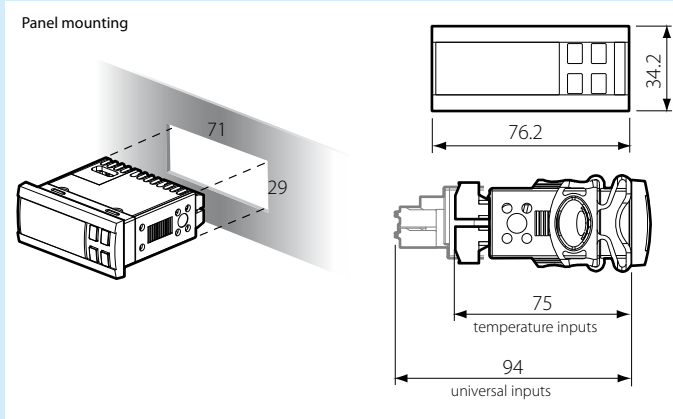


Model with temperature inputs



Model with universal inputs

## Assembly & dimensions (mm)



### range of models

the best solution can be easily identified, thanks to the vast range of models available



### PID with autotuning

as well as classic proportional and proportional + integral control (P, P+I), self-adaptive PID control and 2 independent control loops have been added



### RTC

used to log the alarms and manage the working cycles

# List of product codes with ir32 universal cross-reference

## Panel installation

Model	temperature inputs		universal inputs		Description
	ir33	ir32	ir33	ir32	
1 relay	IR33V7HR20	IR32V0H000	IR33V9HR20	IR32V*H000	2AI, 2DI, 1DO, BUZ, IR, 115-230Vac
	IR33V7HB20		IR33V9HB20		2AI, 2DI, 1DO, BUZ, IR, RTC, 115-230Vac
	IR33V7LR20	IR32V0L000	IR33V9MR20 ■	IR32V*L000	2AI, 2DI, 1DO, BUZ, IR, 12-24Vac 12-30Vdc (■ = 24Vac-dc)
2 relays	IR33W7HR20		IR33W9HR20		2AI, 2DI, 2DO, BUZ, IR, 115-230Vac
	IR33W7HB20		IR33W9HB20		2AI, 2DI, 2DO, BUZ, IR, RTC, 115-230Vac
	IR33W7LR20	IR32W00000	IR33W9MR20 ■	IR32W*0000	2AI, 2DI, 2DO, BUZ, IR, 12-24Vac 12-30Vdc (■ = 24Vac-dc)
4 relays	IR33Z7HR20		IR33Z9HR20		2AI, 2DI, 4DO, BUZ, IR, 115-230Vac
	IR33Z7HB20		IR33Z9HB20		2AI, 2DI, 4DO, BUZ, IR, RTC, 115-230Vac
	IR33Z7LR20	IR32Z00000	IR33Z9MR20 ■	IR32Z*0000	2AI, 2DI, 4DO, BUZ, IR, 12-24Vac 12-30Vdc (■ = 24Vac-dc)
4 SSR	IR33A7HR20		IR33A9HR20		2AI, 2DI, 4SSR, BUZ, IR, 115-230Vac
	IR33A7HB20		IR33A9HB20		2AI, 2DI, 4SSR, BUZ, IR, RTC, 115-230Vac
	IR33A7LR20	IR32A00000 IR32D0L000	IR33A9MR20 ■	IR32A*0000 IR32D*L000	2AI, 2DI, 4SSR, BUZ, IR, 12-24Vac 12-30Vdc (■ = 24Vac-dc)
1 relay +	IR33B7HR20		IR33B9HR20		2AI, 2DI, 1DO+1AO, BUZ, IR, 115-230Vac
	IR33B7HB20		IR33B9HB20		2AI, 2DI, 1DO+1AO, BUZ, IR, RTC, 115-230Vac
1 x 0-10 V	IR33B7LR20	IR32D0L000 +1 CONVO/10A0	IR33B9MR20 ■	IR32D*L000 +1 CONVO/10A0	2AI, 2DI, 1DO+1AO, BUZ, IR, 12-24Vac 12-30Vdc (■ = 24Vac-dc)
2 relays +	IR33E7HR20		IR33E9HR20		2AI, 2DI, 2DO+2AO, BUZ, IR, 115-230Vac
	IR33E7HB20		IR33E9HB20		2AI, 2DI, 2DO+2AO, BUZ, IR, RTC, 115-230Vac
2 x 0-10 V	IR33E7LR20	IR32A00000 +2 CONVO/10A0	IR33E9MR20 ■	IR32A*0000 +2 CONVO/10A0	2AI, 2DI, 2DO+2AO, BUZ, IR, 12-24Vac 12-30Vdc (■ = 24Vac-dc)

\*= 0,1,2,3,4 indicates the types of input in the ir32 range

## DIN rail assembly

Model	temperature inputs		universal inputs		Description
	ir33	ir32	ir33	ir32	
1 relay	DN33V7HR20	IRDRV00000	DN33V9HR20	IRDRV*0000	2AI, 2DI, 1DO, BUZ, IR, 115-230Vac
	DN33V7HB20		DN33V9HB20		2AI, 2DI, 1DO, BUZ, IR, RTC, 115-230Vac
	DN33V7LR20		DN33V9MR20 ■		2AI, 2DI, 1DO, BUZ, IR, 12-24Vac 12-30Vdc (■ = 24Vac-dc)
2 relays	DN33W7HR20	IRDRW00000	DN33W9HR20	IRDRW*0000	2AI, 2DI, 2DO, BUZ, IR, 115-230Vac
	DN33W7HB20		DN33W9HB20		2AI, 2DI, 2DO, BUZ, IR, RTC, 115-230Vac
	DN33W7LR20		DN33W9MR20 ■		2AI, 2DI, 2DO, BUZ, IR, 12-24Vac 12-30Vdc (■ = 24Vac-dc)
4 relays	DN33Z7HR20		DN33Z9HR20		2AI, 2DI, 4DO, BUZ, IR, 115-230Vac
	DN33Z7HB20		DN33Z9HB20		2AI, 2DI, 4DO, BUZ, IR, RTC, 115-230Vac
	DN33Z7LR20	IRDZR00000	DN33Z9MR20 ■	IRDZR*0000	2AI, 2DI, 4DO, BUZ, IR, 12-24Vac 12-30Vdc (■ = 24Vac-dc)
4 SSR	DN33A7HR20		DN33A9HR20		2AI, 2DI, 4SSR, BUZ, IR, 115-230Vac
	DN33A7HB20		DN33A9HB20		2AI, 2DI, 4SSR, BUZ, IR, RTC, 115-230Vac
	DN33A7LR20	IRDRA00000	DN33A9MR20 ■	IRDRA*0000	2AI, 2DI, 4SSR, BUZ, IR, 12-24Vac 12-30Vdc (■ = 24Vac-dc)
1 relay +	DN33B7HR20		DN33B9HR20		2AI, 2DI, 1DO+1AO, BUZ, IR, 115-230Vac
	DN33B7HB20		DN33B9HB20		2AI, 2DI, 1DO+1AO, BUZ, IR, RTC, 115-230Vac
1 x 0-10 V	DN33B7LR20	IRDRA00000 +1 CONVO/10A0	DN33B9MR20 ■	IRDRA*0000 +1 CONVO/10A0	2AI, 2DI, 1DO+1AO, BUZ, IR, 12-24Vac 12-30Vdc (■ = 24Vac-dc)
2 relays +	DN33E7HR20		DN33E9HR20		2AI, 2DI, 2DO+2AO, BUZ, IR, 115-230Vac
	DN33E7HB20		DN33E9HB20		2AI, 2DI, 2DO+2AO, BUZ, IR, RTC, 115-230Vac
2 x 0-10 V	DN33E7LR20	IRDRA00000 +2 CONVO/10A0	DN33E9MR20 ■	IRDRA*0000 +2 CONVO/10A0	2AI, 2DI, 2DO+2AO, BUZ, IR, 12-24Vac 12-30Vdc (■ = 24Vac-dc)

\*= 0,1,2,3,4 indicates the types of input in the ir32 range

## Accessories

	ir33	ir32	Description
	IRTRUES000	IRTRUE0000	Remote control for ir33 universal
	IROPZKEY00		Programming key with battery
	IROPZKEYA0		Programming key with 230 V power supply
	IROPZ48500	IR32SER00E	RS485 serial communication interface
	IROPZ48550		IS485 serial communication interface with automatic RX-TX
	IROPZSER30		RS485 serial interface for DN33

## Headquarters ITALY

### CAREL INDUSTRIES S.r.l.

Via dell'Industria, 11  
35020 Brugine - Padova (Italy)  
Tel. (+39) 0499 716611  
Fax (+39) 0499 716600  
carel@carel.com - www.carel.com

## Sales organization

### CAREL Asia

www.carel.com

### CAREL Australia

www.carel.com.au

### CAREL China

www.carel-china.com

### CAREL South Africa

CAREL Controls S.A. (Pty)  
www.carelcontrols.co.za

### CAREL Deutschland

www.carel.de

### CAREL France

www.carelfrence.fr

### CAREL Controls Iberica S.L.

www.carel.es

### CAREL India

CAREL ACR Systems India (Pvt) Ltd.  
www.carel.in

### CAREL Russia

www.carelrussia.com

### CAREL Sud America

www.carel.com.br

### CAREL U.K.

www.careluke.co.uk

### CAREL U.S.A.

www.carelnusa.com

## Affiliates

### CAREL Korea

www.carel.co.kr

### CAREL Ireland

www.carel.com

### CAREL Czech & Slovakia

CAREL spol. s r.o.  
www.carel-cz.cz

### CAREL Thailand

www.carel.co.th

### CAREL Turkey

CFM Sogutma ve Otomasyon San. Tic. Ltd.  
www.carel.com.tr www.carel.com.tr

© CAREL INDUSTRIES S.r.l. 2009 all rights reserved

CAREL reserves the right to modify or change its products without prior notice.

All trademarks hereby referenced are the property of their respective owners.  
CAREL is a registered trademark of CAREL INDUSTRIES S.r.l. in Italy and/or other countries.