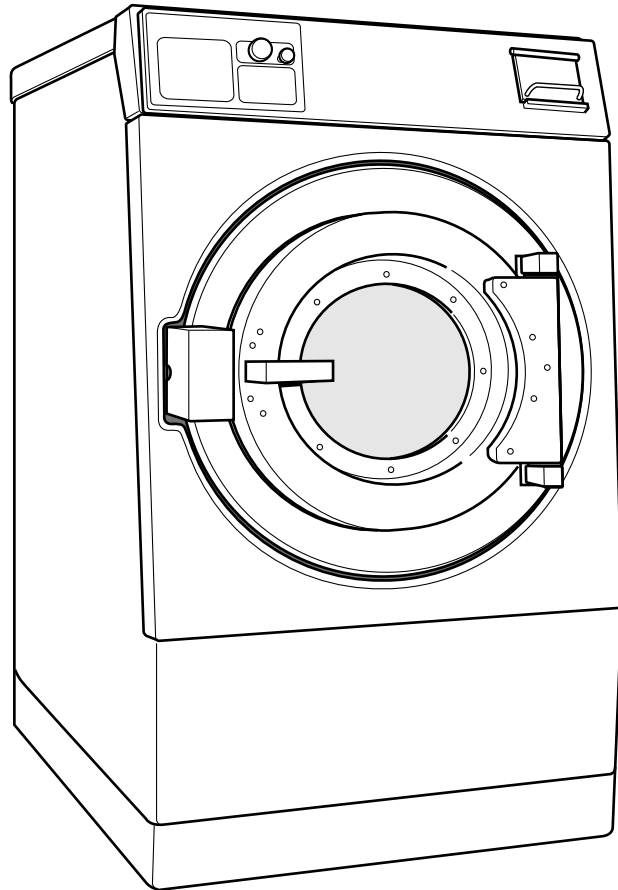


Washer-Extractor

Refer to Page 5 for Model Numbers



PHM1397C_C002923

Table of Contents

| Title | Page |
|---|------|
| Parts Ordering Information..... | 3 |
| Serial Plate Location | 3 |
| Model Identification | 5 |
| Product Overview - PS40 Control | 6 |
| Decals - Models through 8/31/09 (Drawing 1 of 2) | 8 |
| Decals - Models through 8/31/09 (Drawing 2 of 2) | 10 |
| Decals - Models starting 9/1/09 | 12 |
| Bearing Housing Assembly (Drawing 1 of 6) | 14 |
| Bearing Housing Assembly (Drawing 2 of 6) | 16 |
| Bearing Housing Assembly (Drawing 3 of 6) | 18 |
| Bearing Housing Assembly (Drawing 4 of 6) | 20 |
| Bearing Housing Assembly (Drawing 5 of 6) | 22 |
| Bearing Housing Assembly (Drawing 6 of 6) | 24 |
| Cabinet Assembly (Drawing 1 of 4) | 26 |
| Cabinet Assembly (Drawing 2 of 4) | 28 |
| Cabinet Assembly (Drawing 3 of 4) | 30 |
| Cabinet Assembly (Drawing 4 of 4) | 32 |
| Cylinder Assembly (Drawing 1 of 2)..... | 34 |
| Cylinder Assembly (Drawing 2 of 2)..... | 36 |
| Single Cup Dispenser Assembly..... | 38 |
| 5 Cup Dispenser Assembly..... | 40 |
| Door Assembly - Models through 2/9/09..... | 42 |
| Door Assembly - Models starting 2/10/09 | 44 |
| Door Lock..... | 46 |
| Door Lock Assembly with Magnetic Sensor..... | 48 |
| 5 Cup Hot Plumbing Assembly | 50 |
| 1 Cup Hot Plumbing Assembly | 52 |
| 5 Cup Cold Plumbing Assembly (Drawing 1 of 3)..... | 54 |
| 5 Cup Cold Plumbing Assembly (Drawing 2 of 3)..... | 56 |
| 5 Cup Cold Plumbing Assembly (Drawing 3 of 3)..... | 58 |
| Single Cup Cold Plumbing Assembly (Drawing 1 of 3)..... | 60 |
| Single Cup Cold Plumbing Assembly (Drawing 2 of 3)..... | 62 |
| Single Cup Cold Plumbing Assembly (Drawing 3 of 3)..... | 64 |
| Auxiliary Plumbing Assembly with Valve..... | 66 |
| Auxiliary Plumbing Assembly without Valve (Drawing 1 of 2)..... | 68 |
| Auxiliary Plumbing Assembly without Valve (Drawing 2 of 2)..... | 70 |
| Hot and Auxiliary Plumbing Assembly with Valve (Drawing 1 of 2) | 72 |
| Hot and Auxiliary Plumbing Assembly with Valve (Drawing 2 of 2) | 74 |
| Steam Heat Assembly | 76 |
| Shell Assembly (Drawing 1 of 2)..... | 78 |
| Shell Assembly (Drawing 2 of 2)..... | 80 |

© Copyright 2015, Alliance Laundry Systems LLC

All rights reserved. No part of the contents of this book may be reproduced or transmitted in any form or by any means without the expressed written consent of the publisher.

| | |
|--|-----|
| Control Box Assembly..... | 82 |
| Drive Box Assembly (Drawing 1 of 2) | 84 |
| Drive Box Assembly (Drawing 2 of 2) | 86 |
| Electric Heat Drive Box Assembly | 88 |
| PowerFlex Drive and EMI Filter (Drawing 1 of 2)..... | 90 |
| PowerFlex Drive and EMI Filter (Drawing 2 of 2)..... | 92 |
| Main Assembly (Drawing 1 of 10) | 94 |
| Main Assembly (Drawing 2 of 10) | 96 |
| Main Assembly (Drawing 3 of 10) | 98 |
| Main Assembly (Drawing 4 of 10) | 100 |
| Main Assembly (Drawing 5 of 10) | 102 |
| Main Assembly (Drawing 6 of 10) | 104 |
| Main Assembly (Drawing 7 of 10) | 106 |
| Main Assembly (Drawing 8 of 10) | 108 |
| Main Assembly (Drawing 9 of 10) | 110 |
| Main Assembly (Drawing 10 of 10) | 112 |
| Parts Index | 115 |

Parts Ordering Information

If literature or replacement parts are required, contact the source from whom the machine was purchased or contact Alliance Laundry Systems at (920) 748-3950 for the name and address of the nearest authorized parts distributor.

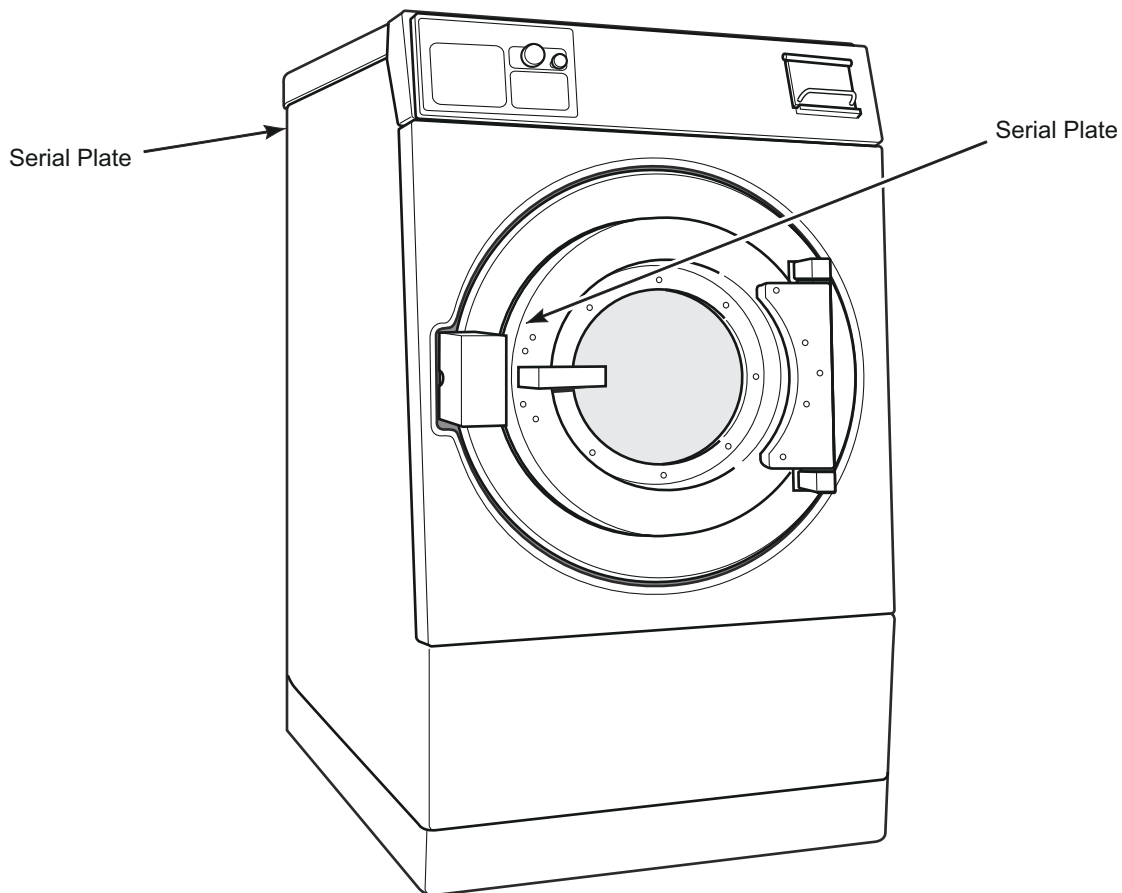
For technical assistance, call either of the numbers listed below:

(920) 748-3121 Ripon, Wisconsin

+32 56 41 20 54 Wevelgem, Belgium

Serial Plate Location

When calling or writing about your product, be sure to mention model and serial numbers. Model and serial numbers are located on serial plate(s) as shown. The serial plate is located inside the door and on the upper rear panel.



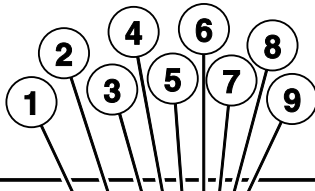
PHM1397CA_C002923

Model Identification


Information in this manual is applicable to these washer-extractor models:

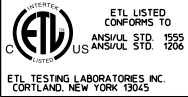
| | | |
|-----------|-----------|-----------|
| CPC125H | IPH125H | JP125PHN1 |
| CPC140H | IPH140H | JP125PHN2 |
| CPC140M | IPH140M | JP140PHN1 |
| CP125PHN1 | IPH570 | JP140PHQ1 |
| CP125PHN2 | IPH640 | JP140PMQ1 |
| CP125PHQ1 | IP125PHN1 | |
| CP125PHQ2 | IP125PHN2 | |
| CP140PHN1 | IP125PHQ1 | |
| CP140PHQ1 | IP125PHQ2 | |
| CP140PMN1 | IP140PHN1 | |
| CP140PMQ1 | IP140PHQ1 | |
| | IP140PMN1 | |
| | IP140PMQ1 | |

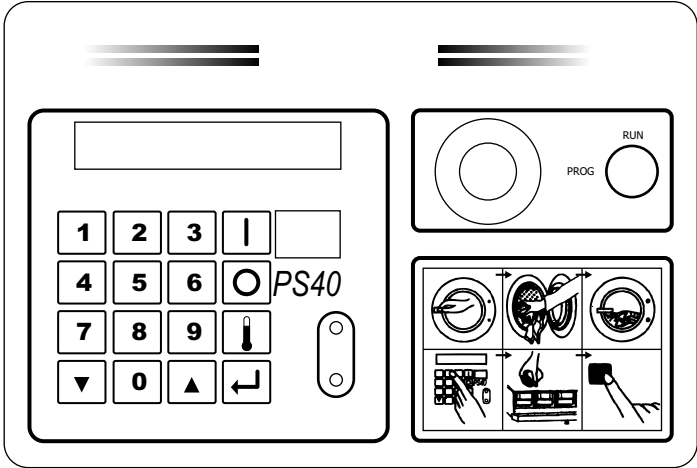
Product Overview - PS40 Control



Model No. *P040PHQ1001U01
 Serial No. 00000000000
 Voltage 208 – 240 Hz 60 Phase 3
 Number of wires : 3 FLA: amps
 Circuit Breaker Size : 3 amps
 Max. Load: 40 LB 18.2 KG
 Schematic:
 Supply Water: 30 - 85 psi, 2 - 5.7 BAR





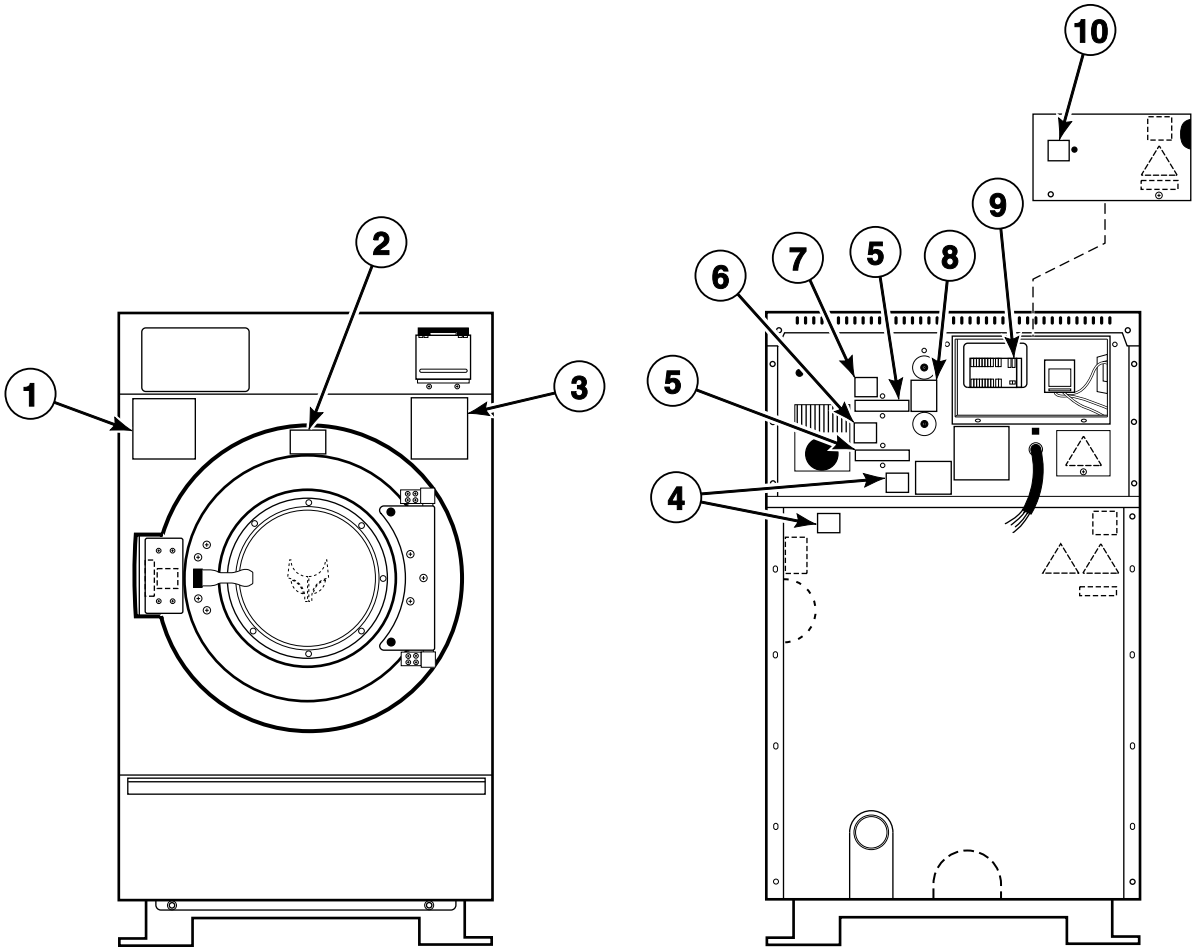


PHM3091P_C002923

Product Overview - PS40 Control

| REF | PART NO. | DESCRIPTION | COMMENTS |
|-----|----------|-------------------|---|
| 1 | | Product Family | CP IP JP |
| 2 | | Capacity (Pounds) | 040 060 080 100 125 140 175 |
| 3 | | Control | P (PS-40 Control) |
| 4 | | Speed | H (High Speed) M (Medium Speed) |
| 5 | | Voltage | N (380-415/440-480/50/60/3) Q (208-220/220-240/50/60/3) X (208-220/220-240/50/60/1/3) |
| 6 | | Design | 1 2 |
| 7 | | Heat | 0 (Prep for Steam) D (Direct) E (Electric) |
| 8 | | Plumbing | 0 (Standard US Thread - 2 valves) A (US Thread - 3 valves) B (Metric Thread - 2 valves) C (Metric Thread - 3 valves) D (US Thread - 2 valves, 3 inlets) E (No valves) |
| 9 | | Supply | 1 (1 Compartment 6 Signals) 2 (1 Compartment 12 Signals) 5 (5 Compartments 6 Signals) 6 (5 Compartments 12 Signals) 7 (No Compartment 6 Signals) 8 (No Compartment 12 Signals) |

Decals - Models through 8/31/09 (Drawing 1 of 2)

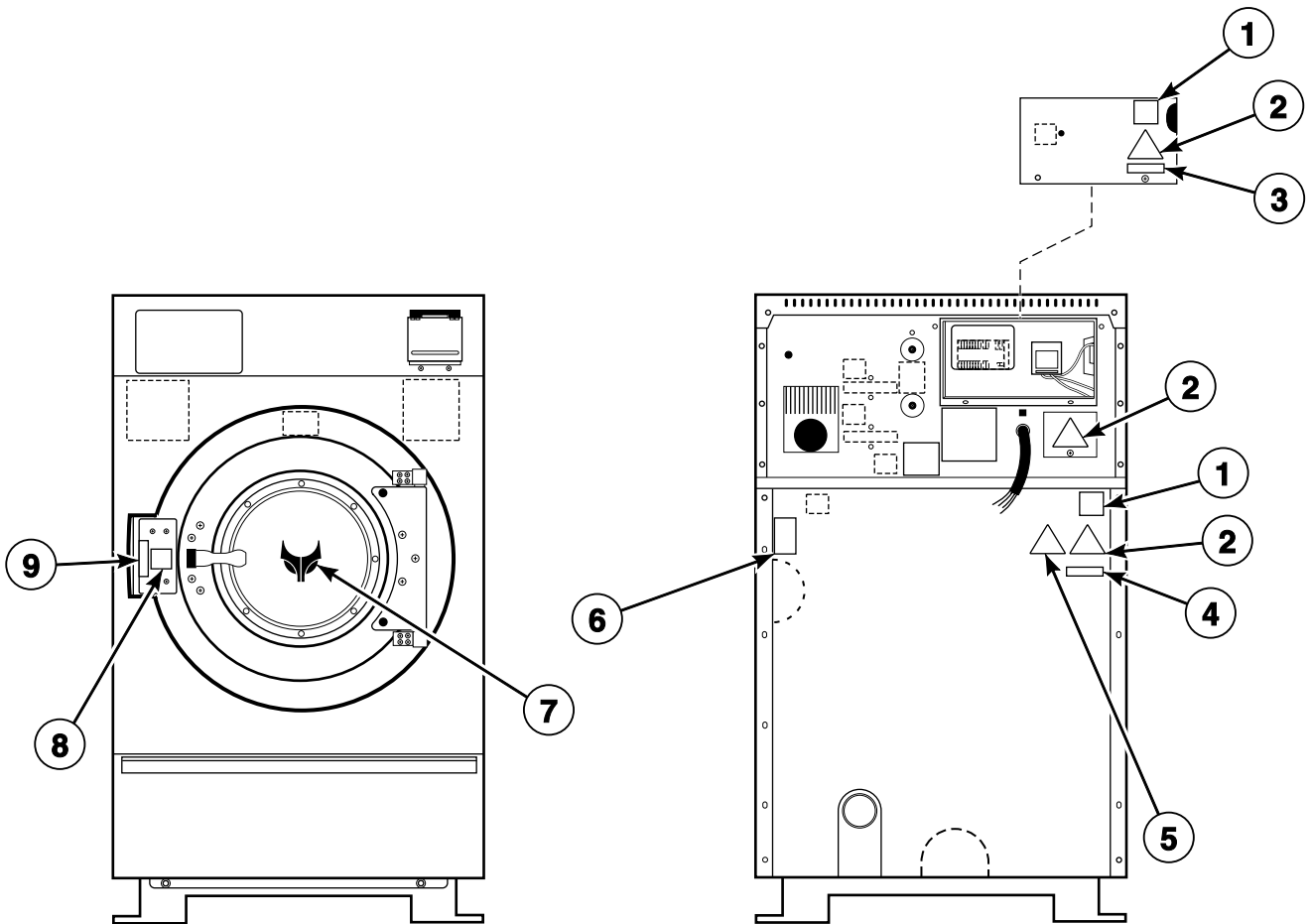


PHM2767P_C002923

Decals - Models through 8/31/09 (Drawing 1 of 2)

| REF | PART NO. | DESCRIPTION | COMMENTS |
|-----|------------|--------------------------------------|--|
| 1 | F200085100 | Spin Warning Decal | Models CP125PHN1, CP125PHQ1, CP140PHN1, CP140PHQ1, CP140PMN1, CP140PMQ1, IP125PHN1, IP125PHQ1, IP140PHN1, IP140PHQ1, IP140PMN1, IP140PMQ1, JP125PHN1, JP140PHN1, JP140PHQ1 and JP140PMQ1 |
| 2 | F200085000 | Hot Surface Warning Decal | Models CP125PHN1, CP125PHQ1, CP140PHN1, CP140PHQ1, CP140PMN1, CP140PMQ1, IP125PHN1, IP125PHQ1, IP140PHN1, IP140PHQ1, IP140PMN1, IP140PMQ1, JP125PHN1, JP140PHN1, JP140PHQ1 and JP140PMQ1 |
| 3 | F200085300 | Hot Water and Chemical Caution Decal | Models CP125PHN1, CP125PHQ1, CP140PHN1, CP140PHQ1, CP140PMN1, CP140PMQ1, IP125PHN1, IP125PHQ1, IP140PHN1, IP140PHQ1, IP140PMN1, IP140PMQ1, JP125PHN1, JP140PHN1, JP140PHQ1 and JP140PMQ1 |
| 4 | F200318200 | Cover Decal | |
| 5 | F230734 | Water Line Caution Decal | Models CP125PHN1, CP125PHQ1, CP140PHN1, CP140PHQ1, CP140PMN1, CP140PMQ1, IP125PHN1, IP125PHQ1, IP140PHN1, IP140PHQ1, IP140PMN1, IP140PMQ1, JP125PHN1, JP140PHN1, JP140PHQ1 and JP140PMQ1 |
| 6 | F231367 | Hot Water Valve Decal | |
| 7 | F231368 | Cold Water Valve Decal | |
| 8 | C000508 | Bearing Lubrication Decal | |
| 9 | C000506 | Supply Signal Decal | Models starting 3/23/04 |
| 10 | F230917-1 | External Supply Connection Decal | Models CP125PHN1, CP125PHQ1, CP140PHN1, CP140PHQ1, CP140PMN1, CP140PMQ1, IP125PHN1, IP125PHQ1, IP140PHN1, IP140PHQ1, IP140PMN1, IP140PMQ1, JP125PHN1, JP140PHN1, JP140PHQ1 and JP140PMQ1 |

Decals - Models through 8/31/09 (Drawing 2 of 2)



PHM2767PA_C002923

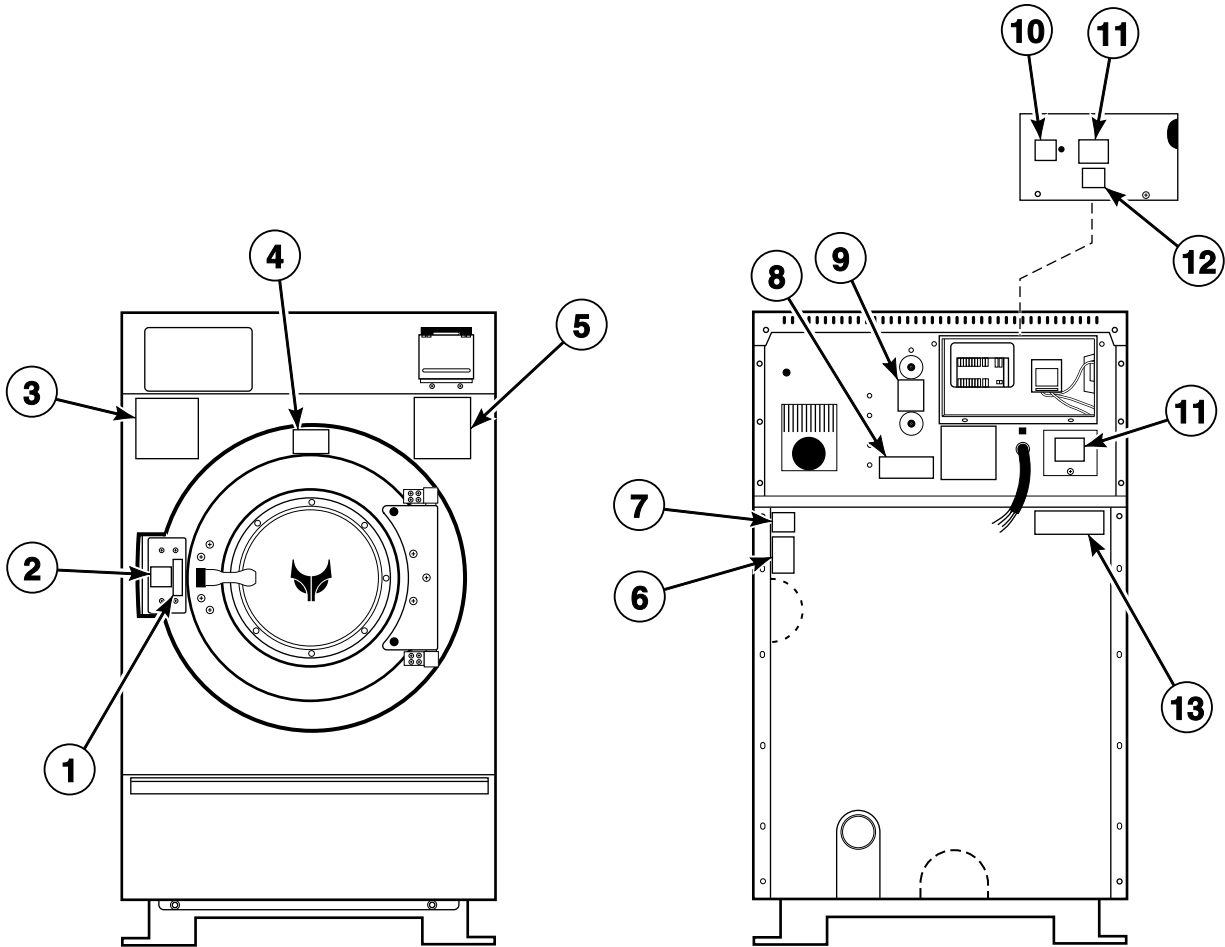
Decals - Models through 8/31/09 (Drawing 2 of 2)

| REF | PART NO. | DESCRIPTION | COMMENTS |
|-----|------------|--------------------------------|--|
| 1 | F200318200 | Cover Decal | |
| 2 | 502511 | Electrical Shock Label | |
| 3 | 505281 | Disconnect Power Warning Label | Models CP125PHN1, CP125PHQ1, CP140PHN1, CP140PHQ1, CP140PMN1, CP140PMQ1, IP125PHN1, IP125PHQ1, IP140PHN1, IP140PHQ1, IP140PMN1, IP140PMQ1, JP125PHN1, JP140PHN1, JP140PHQ1 and JP140PMQ1 |
| 4 | 500049 | Warning Label | Models CP125PHN1, CP125PHQ1, CP140PHN1, CP140PHQ1, CP140PMN1, CP140PMQ1, IP125PHN1, IP125PHQ1, IP140PHN1, IP140PHQ1, IP140PMN1, IP140PMQ1, JP125PHN1, JP140PHN1, JP140PHQ1 and JP140PMQ1 |
| 5 | N/A | Crush Hazard Warning Decal | Models CPC125H, CPC140H, CPC140M, IPH125H, IPH140H, IPH140M, IPH570 and IPH640 |
| | 502506 | Pinched Fingers Label | Models CP125PHN1, CP125PHQ1, CP140PHN1, CP140PHQ1, CP140PMN1, CP140PMQ1, IP125PHN1, IP125PHQ1, IP140PHN1, IP140PHQ1, IP140PMN1, IP140PMQ1, JP125PHN1, JP140PHN1, JP140PHQ1 and JP140PMQ1 |
| 6 | F231380 | Hot Surface Warning Decal | |
| 7 | C001038 | Logo Decal | Models IPH125H, IPH140H, IPH140M, IPH570, IPH640, IP125PHN1, IP125PHQ1, IP140PHN1, IP140PHQ1, IP140PMN1 and IP140PMQ1 |
| 8 | C000694 | Door Release Decal | |
| 9 | F230303 | Push Decal | Models CP125PHN1, CP125PHQ1, CP140PHN1, CP140PHQ1, CP140PMN1, CP140PMQ1, IP125PHN1, IP125PHQ1, IP140PHN1, IP140PHQ1, IP140PMN1, IP140PMQ1, JP125PHN1, JP140PHN1, JP140PHQ1 and JP140PMQ1 |

N/A = Part no longer available

Decals - Models starting 9/1/09

Models CP125PHN1, CP125PHN2, CP125PHQ1, CP125PHQ2, CP140PHN1, CP140PHQ1, CP140PMN1, CP140PMQ1, IP125PHN1, IP125PHN2, IP125PHQ1, IP125PHQ2, IP140PHN1, IP140PHQ1, IP140PMN1, IP140PMQ1, JP125PHN1, JP125PHN2, JP140PHN1, JP140PHQ1 and JP140PMQ1



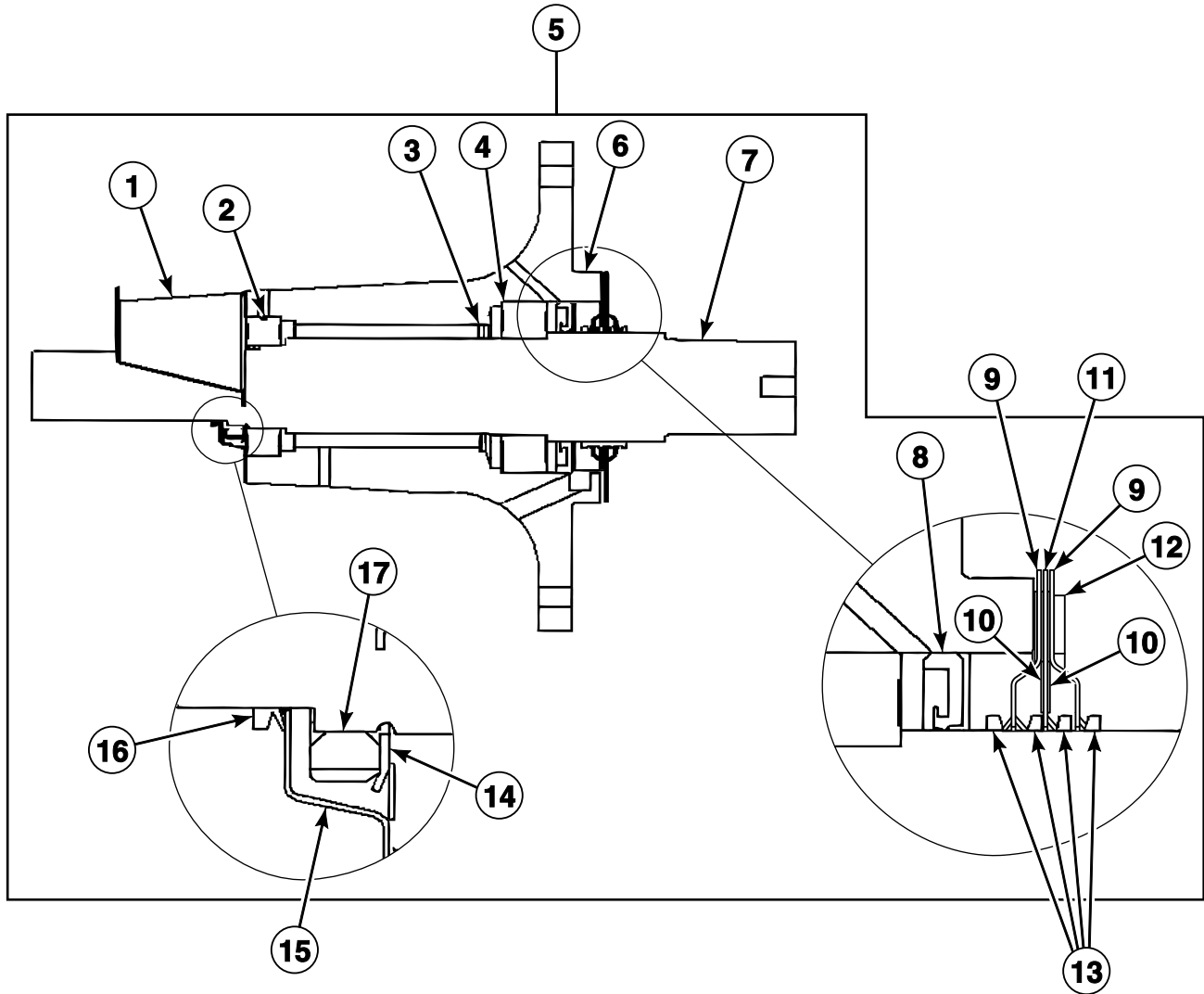
PHM3089P_C002923

Decals - Models starting 9/1/09

| REF | PART NO. | DESCRIPTION | COMMENTS |
|-----|------------|--------------------------------------|-------------------|
| 1 | C000694 | Door Release Decal | |
| 2 | F230303 | Push Decal | |
| 3 | F200085100 | Spin Warning Decal | |
| 4 | F200085000 | Hot Surface Warning Decal | |
| 5 | F200085300 | Hot Water and Chemical Caution Decal | |
| 6 | F8211901 | Hot Surface Warning Plate | Steam models only |
| 7 | F8246401 | Mount on Concrete Warning Label | |
| 8 | F200061000 | Clean Filter Daily Decal | |
| 9 | C000508 | Bearing Lubrication Decal | |
| 10 | F8150201 | External Supply Connection Decal | |
| 11 | F8233501 | Warning Label | |
| 12 | F8115501 | Electric Shock Danger Label | |
| 13 | 44127701 | Warning Label | |

Bearing Housing Assembly (Drawing 1 of 6)

Models CPC140H and IPH140H
Models Through 3/23/04



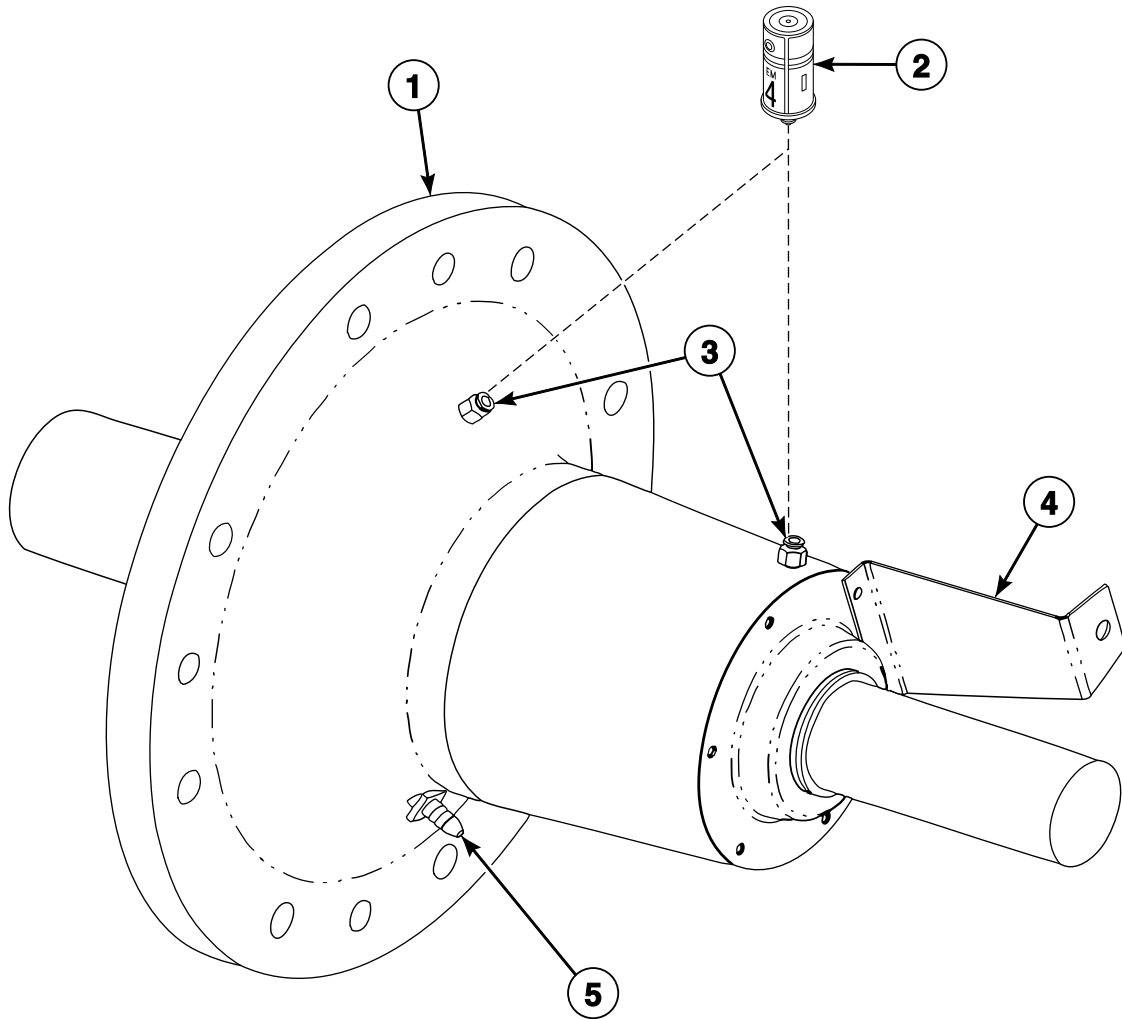
PHM2848P_C002923

Bearing Housing Assembly (Drawing 1 of 6)

| REF | PART NO. | DESCRIPTION | COMMENTS |
|-----------|----------|----------------------------|--|
| | C001020 | Screw | 8 required; Bearing housing to frame |
| | C001021 | Washer | 8 required; Bearing housing to frame |
| | F430929 | Screw | 6 required for rear seal plate to bearing housing; 6 required for front seal plates to bearing housing |
| | C000571 | Washer | 6 required for rear seal plate to bearing housing; 6 required for front seal plates to bearing housing |
| | C002637P | Proximity Switch Assembly | 1 required; Proximity switch on bearing housing |
| | C000552 | Hose | 1 required; 26 inch; Weep hole fitting to drain line fitting |
| | 36801 | Hose Clamp | 1 required; Bearing weep hole "TEE" |
| 1 | C000969 | Proximity Mounting Bracket | |
| 2 | F100155 | Bearing | |
| 3 | C000758 | Grease Shield | 2 required |
| 4 | C000762 | Carb Bearing | |
| 5 | C000673P | Bearing Housing Assembly | |
| 6 | C000672 | Bearing Housing | |
| 7 | C000674 | Cylinder Shaft | |
| 8 | C000761 | Front Bearing Lip Seal | |
| 9 | C000754 | Seal Plate | 2 required |
| 10 | C001706 | Seal Plate Gasket | |
| 11 | C000755 | Seal Plate | |
| 12 | C001914 | Backup Seal Plate | |
| 13 | C000757 | V-Ring Seal | 4 required |
| 14 | C000764 | Washer | |
| 15 | C000756 | Seal Plate | |
| 16 | C000765 | V-Ring Seal | |
| 17 | C000763 | Nut | |

Bearing Housing Assembly (Drawing 2 of 6)

Models CPC140H and IPH140H
Models Starting 3/23/04



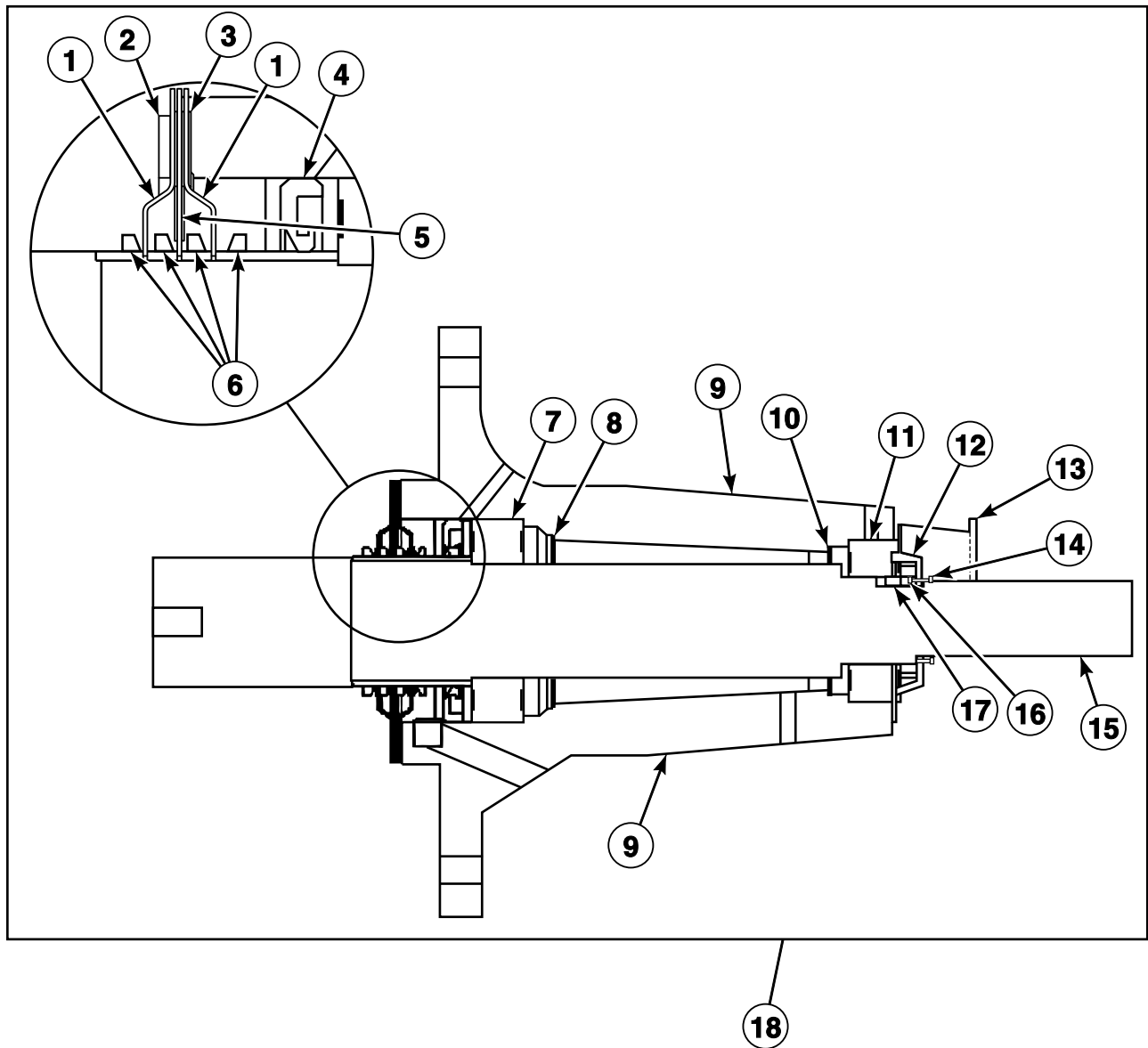
PHM2798P_C002923

Bearing Housing Assembly (Drawing 2 of 6)

| REF | PART NO. | DESCRIPTION | COMMENTS |
|----------|--------------|----------------------------|--|
| | C001020 | Screw | 8 required; Bearing housing to frame |
| | C001021 | Washer | 8 required; Bearing housing to frame |
| | F430929 | Screw | 6 required for rear seal plate to bearing housing; 6 required for front seal plates to bearing housing |
| | C000571 | Washer | 6 required for rear seal plate to bearing housing; 6 required for front seal plates to bearing housing |
| | C002637P | Proximity Switch Assembly | 1 required; Proximity switch on bearing housing |
| | C000552 | Hose | 1 required; 26 inch; Weep hole fitting to drain line fitting |
| | C000628P | Tubing | 2 required; 33 inch; Lube fittings to bearing housing |
| | 1390P | Bearing Housing Puller Kit | Purchase |
| | 1390-1 | Bearing Housing Puller Kit | Rental; Requires C002023 Hardware Kit |
| | C002023 | Hardware Kit | |
| | 36801 | Hose Clamp | 1 required; Bearing weep hole "TEE" |
| 1 | C000673P | Bearing Housing Assembly | Standard seals |
| | C001946 | Bearing Housing Assembly | Viton seals |
| 2 | 212/00022/00 | Lubricator | |
| 3 | J1408004 | Connector | 2 required |
| 4 | C000969 | Proximity Mounting Bracket | |
| 5 | C001649 | Reducing Connector | |

Bearing Housing Assembly (Drawing 3 of 6)

Models CPC140M, IPH140M and IPH640
Models Through 3/23/04



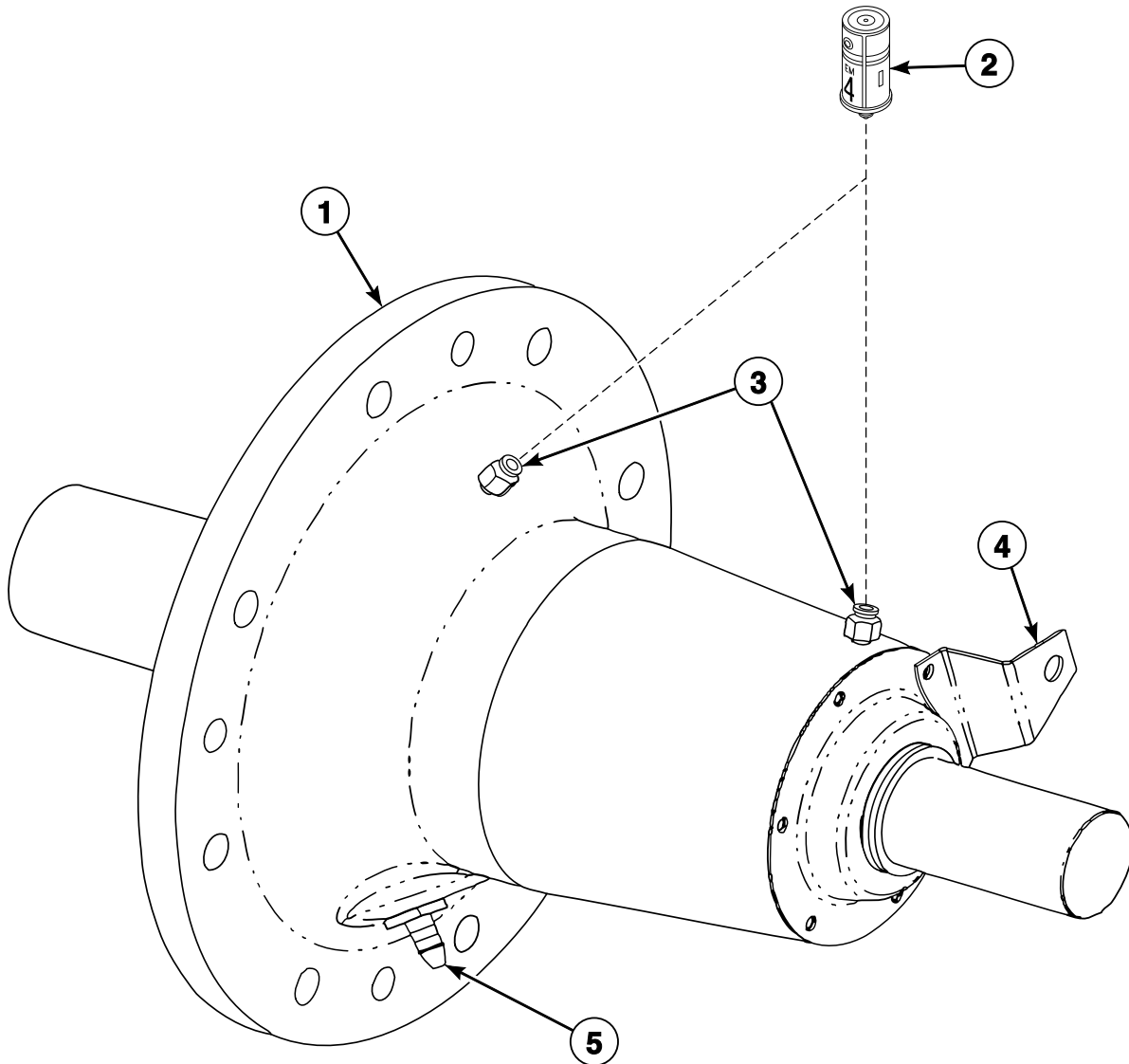
PHM2724P_C002923

Bearing Housing Assembly (Drawing 3 of 6)

| REF | PART NO. | DESCRIPTION | COMMENTS |
|-----------|----------|---------------------------|--|
| | C000554 | Screw | 8 required; Bearing housing to frame |
| | C000555 | Washer | 8 required; Bearing housing to frame |
| | F430929 | Screw | 6 required for rear seal plate to bearing housing; 6 required for front seal plates to bearing housing |
| | C000571 | Washer | 6 required for rear seal plate to bearing housing; 6 required for front seal plates to bearing housing |
| | C002637P | Proximity Switch Assembly | 1 required; Proximity switch on bearing housing |
| | C000552 | Hose | 1 required; 26 inch; Weep hole fitting to drain line fitting |
| | 36801 | Hose Clamp | 1 required; Bearing weep hole "TEE" |
| 1 | C000166 | Seal Plate | 2 required |
| 2 | C001915 | Plate | |
| 3 | C001705 | Gasket | |
| 4 | C000332 | Lip Seal | Front bearing |
| 5 | C000165 | Seal Plate | |
| 6 | C000156 | V-Ring Seal | |
| 7 | C000163 | Carb Bearing | |
| 8 | C000167 | Grease Shield | Front |
| 9 | C000155 | Bearing Housing | |
| 10 | C000171 | Grease Shield | Rear |
| 11 | C000164 | Roller Bearing | |
| 12 | C000158 | Seal Plate | |
| 13 | C000658 | Mounting Bracket | |
| 14 | C000070 | V-Ring Seal | |
| 15 | C000157 | Cylinder Shaft | |
| 16 | C000159 | Nut | |
| 17 | C000161 | Washer | |
| 18 | C000154P | Bearing Housing Assembly | |

Bearing Housing Assembly (Drawing 4 of 6)

Models CPC140M, IPH140M and IPH640
Models starting 3/23/04



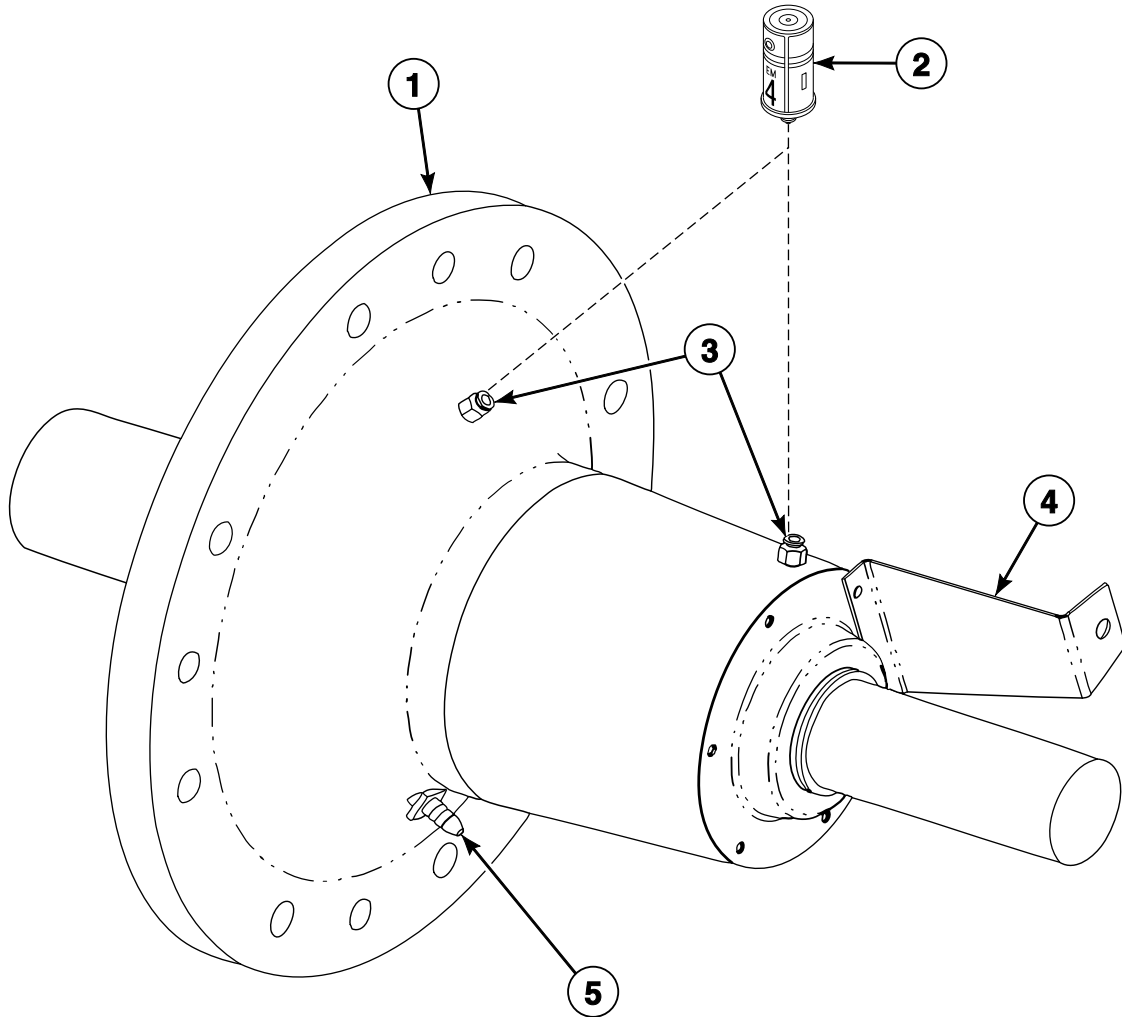
PHM2727P_C002923

Bearing Housing Assembly (Drawing 4 of 6)

| REF | PART NO. | DESCRIPTION | COMMENTS |
|----------|--------------|----------------------------|--|
| | 1390P | Bearing Housing Puller Kit | Purchase |
| | 1390-1 | Bearing Housing Puller Kit | Rental; Requires C002023 Hardware Kit |
| | C002023 | Hardware Kit | |
| | C000554 | Screw | 8 required; Bearing housing to frame |
| | C000555 | Washer | 8 required; Bearing housing to frame |
| | F430929 | Screw | 6 required for rear seal plate to bearing housing; 6 required for front seal plates to bearing housing |
| | C000571 | Washer | 6 required for rear seal plate to bearing housing; 6 required for front seal plates to bearing housing |
| | C002637P | Proximity Switch Assembly | 1 required; Proximity switch on bearing housing |
| | C000552 | Hose | 1 required; 26 inch; Weep hole fitting to drain line fitting |
| | C000628P | Tubing | 2 required; 33 inch; Lube fittings to bearing housing |
| | C003007 | Triple Lip Seal | |
| | 36801 | Hose Clamp | 1 required; Bearing weep hole "TEE" |
| 1 | C000154P | Bearing Housing Assembly | Standard seals |
| | C001946 | Bearing Housing Assembly | Viton seals |
| 2 | 212/00022/00 | Lubricator | |
| 3 | J1408004 | Connector | 2 required |
| 4 | C000658 | Mounting Bracket | |
| 5 | C001649 | Reducing Connector | |

Bearing Housing Assembly (Drawing 5 of 6)

Models CP140PHN1, CP140PHQ1, IP140PHN1, IP140PHQ1, JP140PHN1 and JP140PHQ1



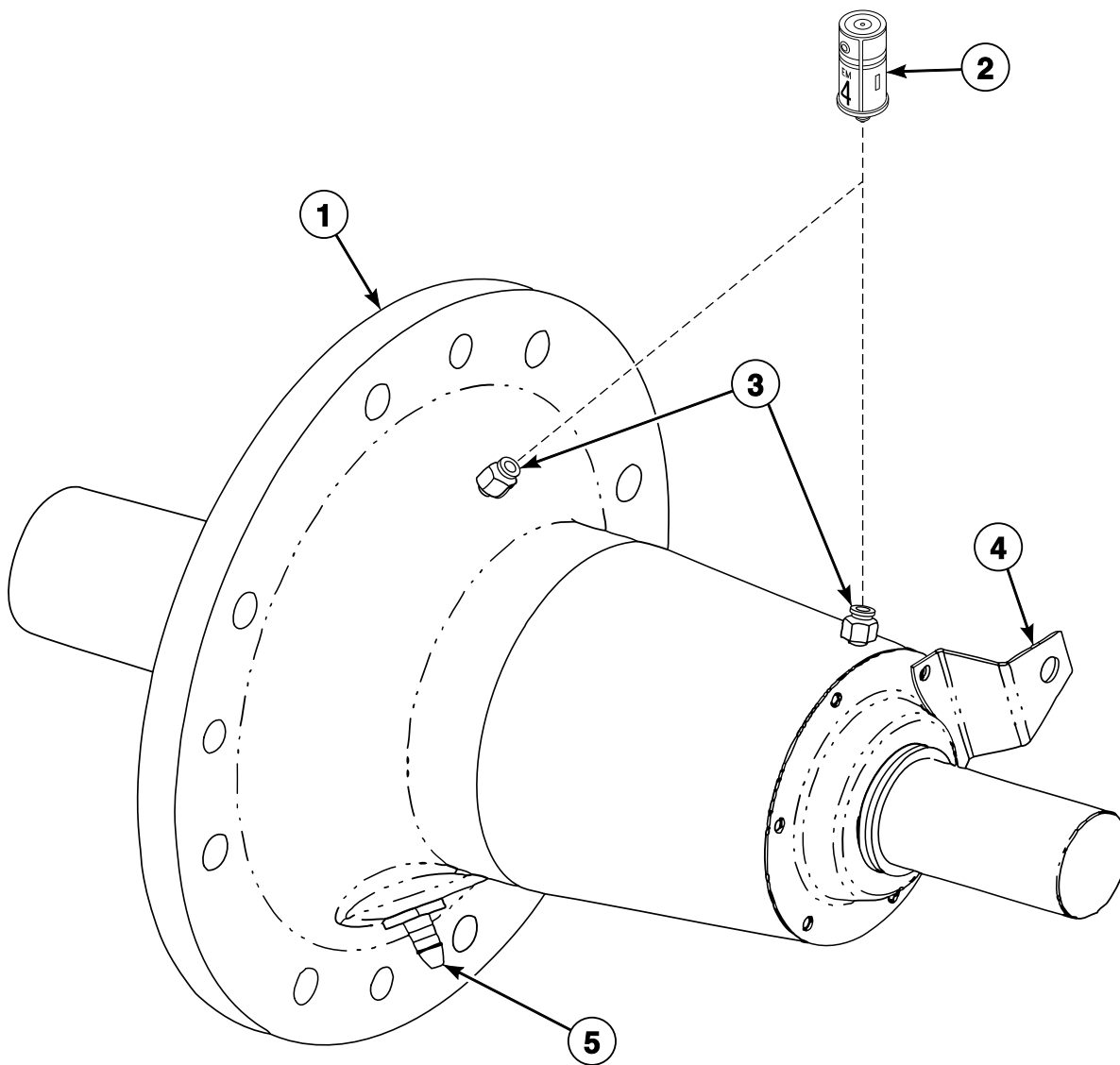
PHM2798P_C002923

Bearing Housing Assembly (Drawing 5 of 6)

| REF | PART NO. | DESCRIPTION | COMMENTS |
|----------|--------------|----------------------------|--|
| | 1390P | Bearing Housing Puller Kit | Purchase |
| | 1390-1 | Bearing Housing Puller Kit | Rental; Requires C002023 Hardware Kit |
| | C002023 | Hardware Kit | |
| | C001020 | Screw | 8 required; Bearing housing to frame |
| | C001021 | Washer | 8 required; Bearing housing to frame |
| | F430929 | Screw | 6 required for rear seal plate to bearing housing; 6 required for front seal plates to bearing housing |
| | C000571 | Washer | 6 required for rear seal plate to bearing housing; 6 required for front seal plates to bearing housing |
| | C002637P | Proximity Switch Assembly | 1 required; Proximity switch on bearing housing |
| | C000552 | Hose | 1 required; 26 inch; Weep hole fitting to drain line fitting |
| | C000628P | Tubing | 2 required; 33 inch; Lube fittings to bearing housing |
| | 36801 | Hose Clamp | 1 required; Bearing weep hole "TEE" |
| 1 | C000673P | Bearing Housing Assembly | Standard seals |
| | C001946 | Bearing Housing Assembly | Viton seals |
| 2 | 212/00022/00 | Lubricator | |
| 3 | J1408004 | Connector | 2 required |
| 4 | C000969 | Proximity Mounting Bracket | |
| 5 | C001649 | Reducing Connector | |

Bearing Housing Assembly (Drawing 6 of 6)

Models CPC125H, CP125PHN1, CP125PHN2, CP125PHQ1, CP125PHQ2, CP140PMN1, CP140PMQ1,
IPH125H, IPH570, IP125PHN1, IP125PHN2, IP125PHQ1, IP125PHQ2, IP140PMN1, IP140PMQ1,
JP125PHN1, JP125PHN2 and JP140PMQ1



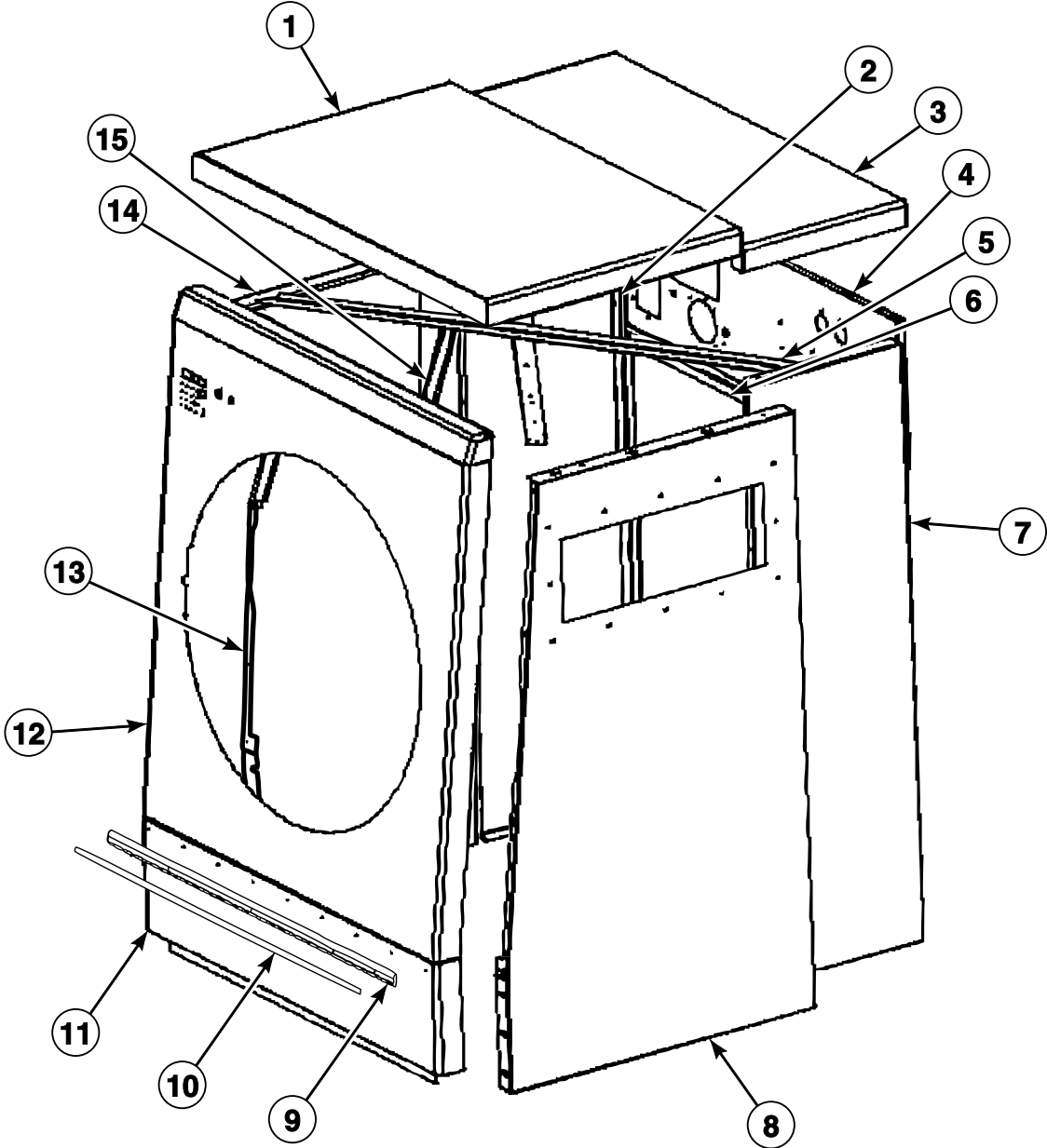
PHM2727P_C002923

Bearing Housing Assembly (Drawing 6 of 6)

| REF | PART NO. | DESCRIPTION | COMMENTS |
|----------|--------------|----------------------------|--|
| | 1390P | Bearing Housing Puller Kit | Purchase |
| | 1390-1 | Bearing Housing Puller Kit | Rental; Requires C002023 Hardware Kit |
| | C002023 | Hardware Kit | |
| | C000554 | Screw | 8 required; Bearing housing to frame |
| | C000555 | Washer | 8 required; Bearing housing to frame |
| | F430929 | Screw | 6 required for rear seal plate to bearing housing; 6 required for front seal plates to bearing housing |
| | C000571 | Washer | 6 required for rear seal plate to bearing housing; 6 required for front seal plates to bearing housing |
| | C002637P | Proximity Switch Assembly | 1 required; Proximity switch on bearing housing |
| | C000552 | Hose | 1 required; 26 inch; Weep hole fitting to drain line fitting |
| | C000628P | Tubing | 2 required; 33 inch; Lube fittings to bearing housing |
| | C003007 | Triple Lip Seal | |
| | 36801 | Hose Clamp | 1 required; Bearing weep hole "TEE" |
| 1 | C000154P | Bearing Housing Assembly | Standard seals |
| | C001946 | Bearing Housing Assembly | Viton seals |
| 2 | 212/00022/00 | Lubricator | |
| 3 | J1408004 | Connector | 2 required |
| 4 | C000658 | Mounting Bracket | |
| 5 | C001649 | Reducing Connector | |

Cabinet Assembly (Drawing 1 of 4)

Models CPC140H, CPC140M, IPH140H, IPH140M and IPH640
Models Through 3/23/04



PHM2850P_C002923

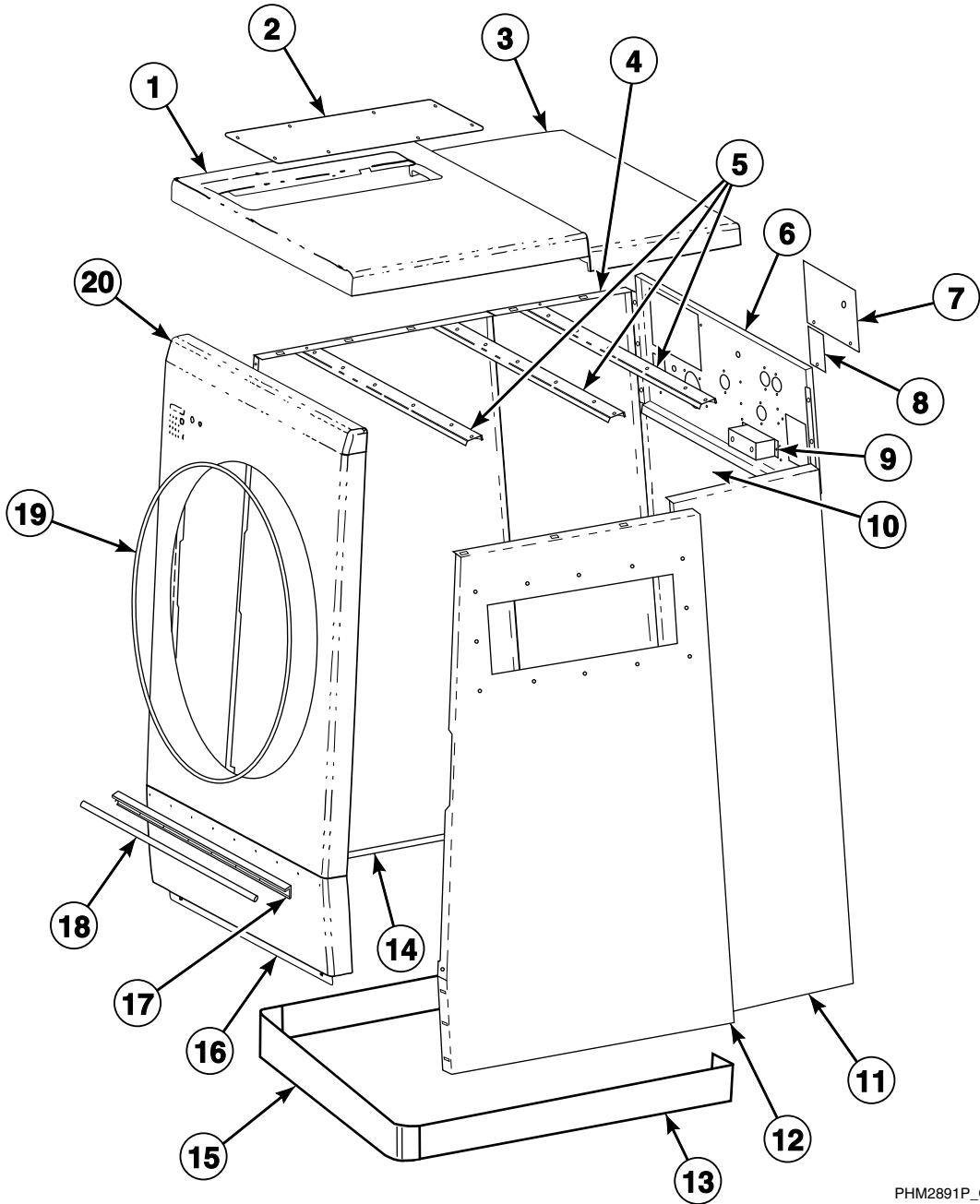
Cabinet Assembly (Drawing 1 of 4)

| REF | PART NO. | DESCRIPTION | COMMENTS |
|-----------|----------|-----------------------------------|---|
| | C000539 | Grease Connector Box | |
| | C000567 | Screw | 2 required for grease box to valve panel; 6 required for valve panel to side panel; 2 required for top panel to valve panel; 12 required for front panel to side panel; 2 required for lower front panel to frame; 6 required for side panel to frame; 4 required for rear cover to side panel; 4 or 5 required for front electrical mounting bracket to side panel |
| | F431024 | Nut | 2 required for grease box to valve panel; 6 required for valve panel to side panel; 4 required for front panel to side panel; 4 or 5 required for front electrical mounting bracket to side panel |
| | N/A | Nut | 2 required for top panel to valve panel; 2 required for lower front panel to frame; 6 required for side panel to frame; 2 required for rear electrical cover to valve panel |
| | C000571 | Washer | 2 required for top panel to valve panel; 2 required for lower front panel to frame; 6 required for side panel to frame; 4 required for rear cover to side panel |
| | C000585 | Washer | 2 required for lower front panel to frame; 6 required for side panel to frame |
| | F430929 | Screw | 2 required for rear electrical cover to valve panel; 1 required for inlet power cover to valve panel |
| | F430910 | Screw | 6 required for rub rails to lower front panel |
| | C000568 | Nut | 6 required for rub rails to lower front panel |
| 1 | C002986 | Front Top Panel Assembly | |
| 2 | C002963 | Side Panel Assembly | |
| 3 | C000817 | Rear Top Panel | |
| 4 | C002983 | Valve Panel Assembly | |
| 5 | C000876 | Top Brace | 2 required |
| 6 | C000818 | Rear Panel | |
| 7 | C002962 | Side Panel Assembly | |
| 8 | C002717 | Side Panel and Stiffener Assembly | |
| 9 | C001014 | Rub Rail | Vinyl |
| 10 | C001015 | Insert Rail | |
| 11 | C000819 | Lower Front Panel | |
| 12 | C002973 | Front Panel Assembly | |
| 13 | C002718 | Side Panel and Stiffener Assembly | |
| 14 | C000875 | Control Box Cover | |
| 15 | C000874 | Control Mounting Bracket | 2 required |

N/A = Part no longer available

Cabinet Assembly (Drawing 2 of 4)

Models CPC140H, CPC140M, IPH140H, IPH140M and IPH640
Models Starting 3/23/04 and Continuing Through 7/1/06



PHM2891P_C002923

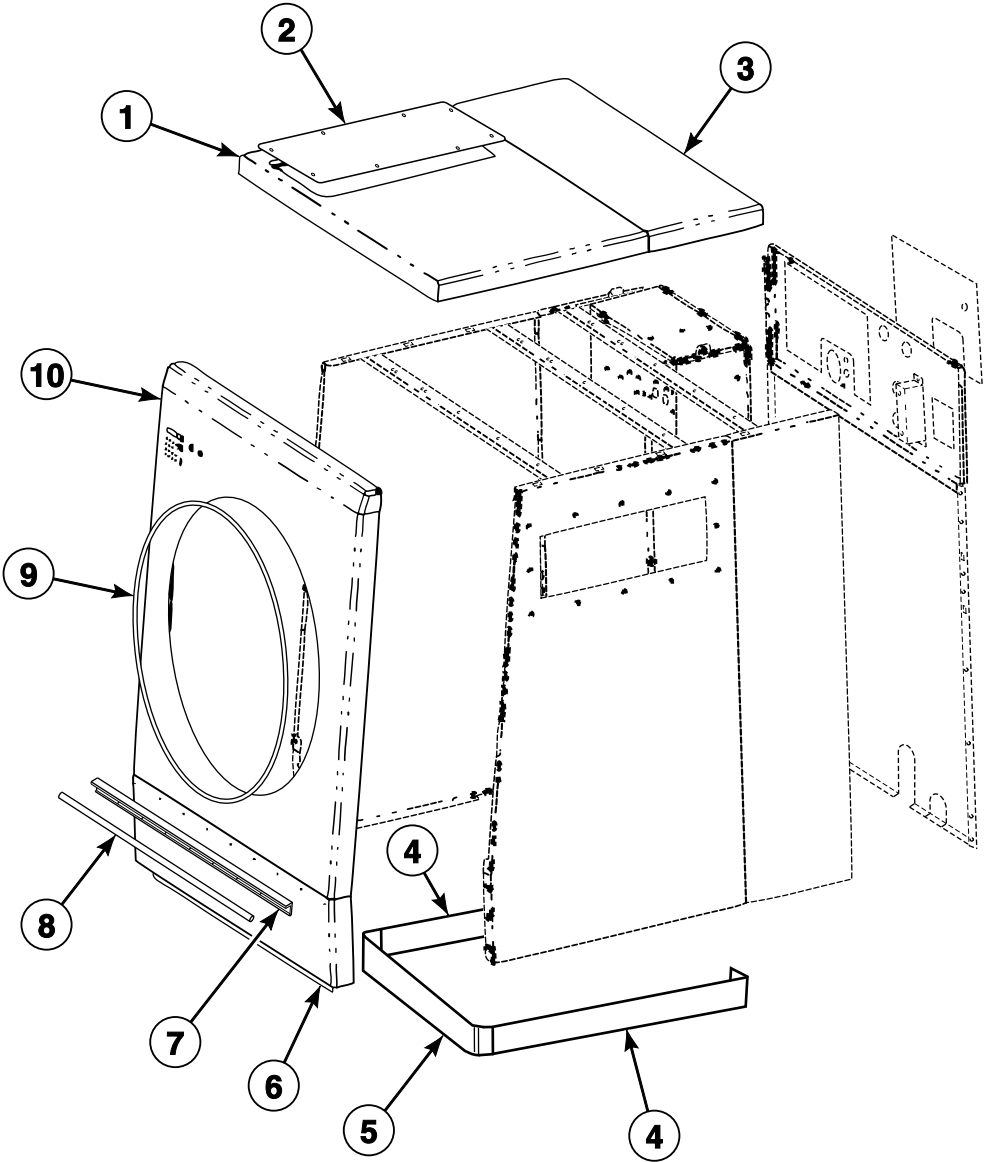
Cabinet Assembly (Drawing 2 of 4)

| REF | PART NO. | DESCRIPTION | COMMENTS |
|-----------|----------|-----------------------------------|---|
| | C000567 | Screw | 6 required for valve panel to side panel; 2 required for top panel to valve panel; 12 required for front panel to side panel; 2 required for lower front panel to frame; 6 required for side panel to frame; 4 required for rear cover to side panel; 4 or 5 required for front electrical mounting bracket to side panel |
| | F431024 | Nut | 6 required for valve panel to side panel; 4 required for front panel to side panel; 4 or 5 required for front electrical mounting bracket to side panel |
| | N/A | Nut | 2 required for top panel to valve panel; 2 required for lower front panel to frame; 6 required for side panel to frame; 2 required for rear electrical cover to valve panel |
| | C000571 | Washer | 2 required for top panel to valve panel; 2 required for lower front panel to frame; 6 required for side panel to frame; 4 required for rear cover to side panel |
| | C000585 | Washer | 2 required for lower front panel to frame; 6 required for side panel to frame |
| | F430929 | Screw | 2 required for rear electrical cover to valve panel; 1 required for inlet power cover to valve panel |
| | F430910 | Screw | 6 required for rub rails to lower front panel |
| | C000568 | Nut | 6 required for rub rails to lower front panel |
| 1 | C002986 | Front Top Panel Assembly | |
| 2 | C002017 | Top Panel Access Cover | |
| 3 | C000817 | Rear Top Panel | |
| 4 | C002963 | Side Panel Assembly | |
| 5 | C002018 | Cabinet Stiffener | 3 required |
| 6 | C000816 | Valve Panel | |
| 7 | C000173 | Rear Electrical Enclosure Cover | |
| 8 | N/A | Inlet Power Cover | |
| 9 | C000539 | Grease Connector Box | |
| 10 | C000818 | Rear Panel | |
| 11 | C002962 | Side Panel Assembly | |
| 12 | C002717 | Side Panel and Stiffener Assembly | |
| 13 | N/A | Side Skirt Panel | 2 required |
| 14 | C002718 | Side Panel and Stiffener Assembly | |
| 15 | C000316 | Front Skirt Panel | |
| 16 | C000819 | Lower Front Panel | |
| 17 | C001014 | Rub Rail | Vinyl |
| 18 | C001015 | Insert Rail | |
| 19 | C000629 | Trim Gasket | |
| 20 | C002973 | Front Panel Assembly | |

N/A = Part no longer available

Cabinet Assembly (Drawing 3 of 4)

Models Starting 7/1/06



PHM2890P_C002923

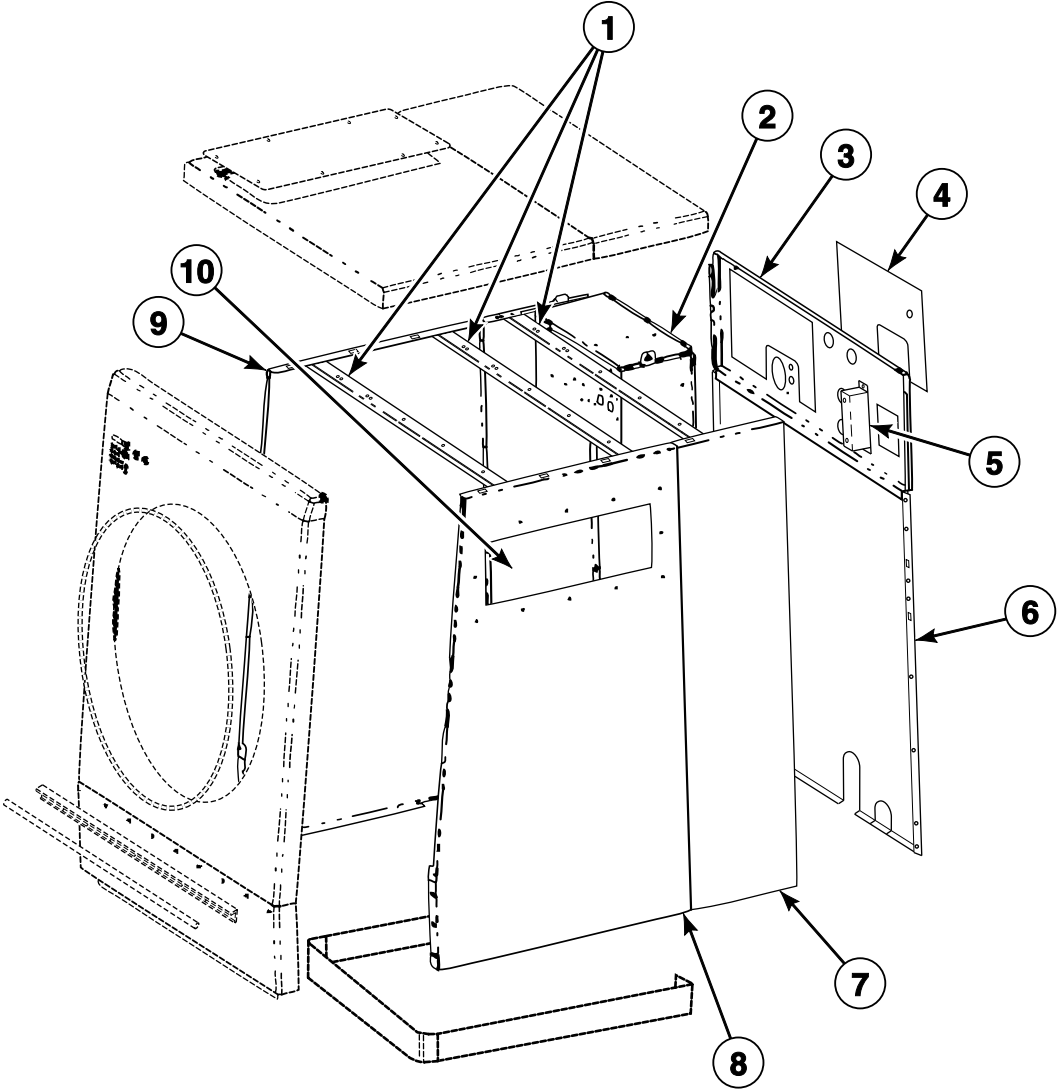
Cabinet Assembly (Drawing 3 of 4)

| REF | PART NO. | DESCRIPTION | COMMENTS |
|-----------|----------|--------------------------|---|
| | C000567 | Screw | 2 required for top panel to valve panel; 12 required for front panel to side panel; 2 required for lower front panel to frame; 4 or 5 required for front electrical mounting bracket to side panel |
| | F431024 | Nut | 4 required for front panel to side panel; 4 or 5 required for front electrical mounting bracket to side panel |
| | N/A | Nut | 2 required for top panel to valve panel; 2 required for lower front panel to frame |
| | C000571 | Washer | 2 required for top panel to valve panel; 2 required for lower front panel to frame |
| | C000585 | Washer | 2 required for lower front panel to frame |
| | F430910 | Screw | 6 required for rub rails to lower front panel |
| | C000568 | Nut | 6 required for rub rails to lower front panel |
| 1 | C002986 | Front Top Panel Assembly | |
| 2 | C002017 | Top Panel Access Cover | |
| 3 | C000817 | Rear Top Panel | Models CPC140H, CPC140M, CP140PHN1, CP140PHQ1, CP140PMN1, CP140PMQ1, IPH140H, IPH140M, IPH640, IP140PHN1, IP140PHQ1, IP140PMN1, IP140PMQ1, JP140PHN1, JP140PHQ1 and JP140PMQ1 |
| | C002298 | Rear Top Panel | Models CPC125H, CP125PHN1, CP125PHN2, CP125PHQ1, CP125PHQ2, IPH125H, IPH570, IP125PHN1, IP125PHN2, IP125PHQ1, IP125PHQ2, JP125PHN1 and JP125PHN2 |
| 4 | N/A | Side Skirt Panel | |
| 5 | C000316 | Front Skirt Panel | |
| 6 | C000819 | Lower Front Panel | Models CPC140H, CPC140M, CP140PHN1, CP140PHQ1, CP140PMN1, CP140PMQ1, IPH140H, IPH140M, IPH640, IP140PHN1, IP140PHQ1, IP140PMN1, IP140PMQ1, JP140PHN1, JP140PHQ1 and JP140PMQ1; Models through 6/30/09 |
| | C002912 | Lower Front Panel | Models CPC125H, CP125PHN1, CP125PHQ1, IPH125H, IPH570, IP125PHN1, IP125PHQ1 and JP125PHN1; Models through 6/30/09 |
| | C003081 | Lower Front Panel | Models starting 7/1/09 |
| 7 | C001014 | Rub Rail | Vinyl |
| 8 | C001015 | Insert Rail | |
| 9 | C000629 | Trim Gasket | |
| 10 | C002972 | Front Panel Assembly | Models CPC125H, CP125PHN1, CP125PHQ1, IPH125H, IPH570, IP125PHN1, IP125PHQ1 and JP125PHN1 |
| | C002973 | Front Panel Assembly | Models CPC140H, CPC140M, CP140PHN1, CP140PHQ1, CP140PMN1, CP140PMQ1, IPH140H, IPH140M, IPH640, IP140PHN1, IP140PHQ1, IP140PMN1, IP140PMQ1, JP140PHN1, JP140PHQ1 and JP140PMQ1 |

N/A = Part no longer available

Cabinet Assembly (Drawing 4 of 4)

Models Starting 7/1/06



PHM2890PA_C002923

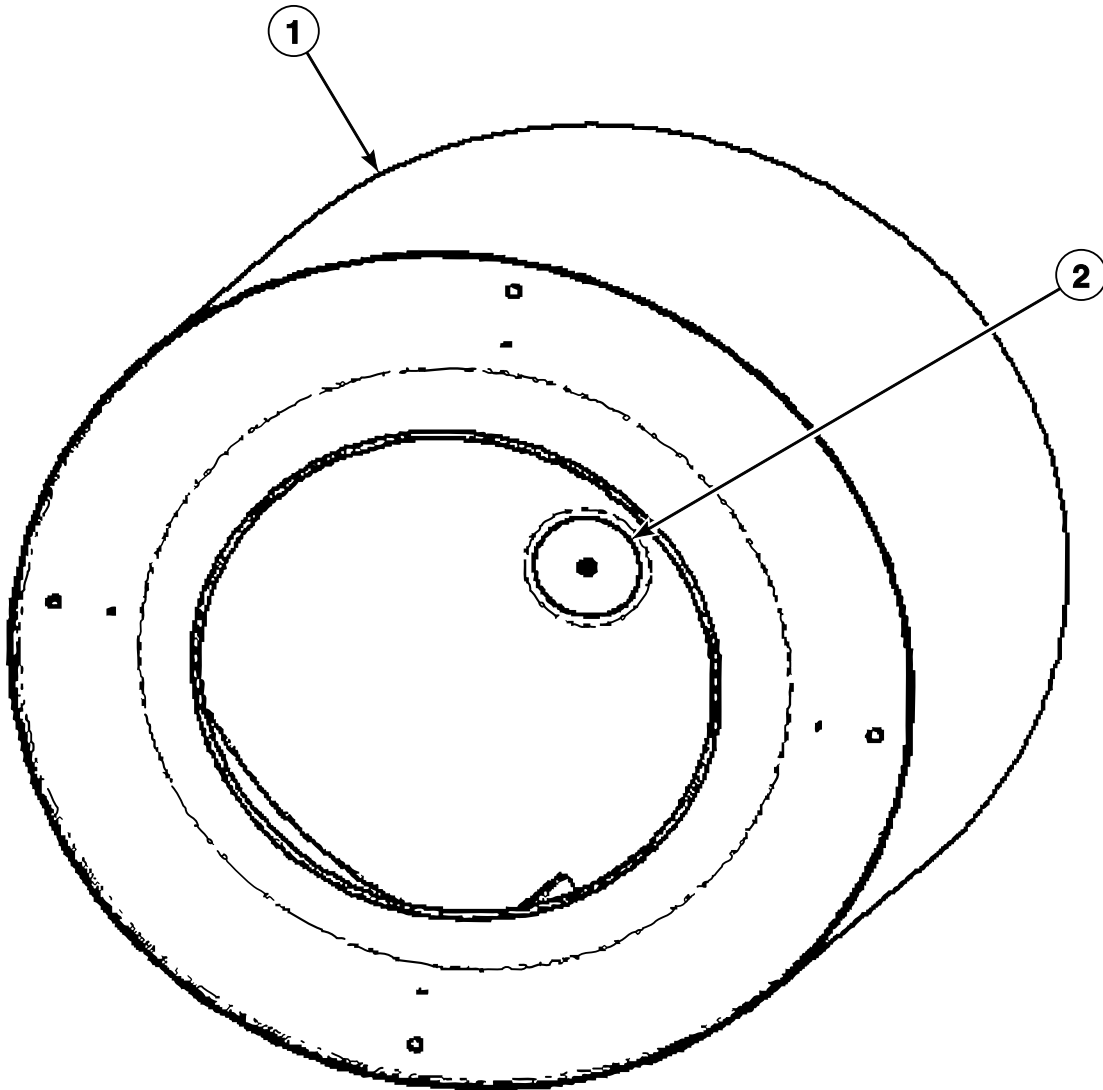
Cabinet Assembly (Drawing 4 of 4)

| REF | PART NO. | DESCRIPTION | COMMENTS |
|-----------|----------|-----------------------------------|--|
| | C000567 | Screw | 6 required for valve panel to side panel; 2 required for top panel to valve panel; 12 required for front panel to side panel; 6 required for side panel to frame; 4 required for rear cover to side panel; 4 or 5 required for front electrical mounting bracket to side panel |
| | F431024 | Nut | 6 required for valve panel to side panel; 4 required for front panel to side panel; 4 or 5 required for front electrical mounting bracket to side panel |
| | N/A | Nut | 2 required for top panel to valve panel; 6 required for side panel to frame; 2 required for rear electrical cover to valve panel |
| | C000571 | Washer | 2 required for top panel to valve panel; 6 required for side panel to frame; 4 required for rear cover to side panel |
| | C000585 | Washer | 6 required for side panel to frame |
| | F430929 | Screw | 2 required for rear electrical cover to valve panel; 1 required for inlet power cover to valve panel |
| 1 | C002018 | Cabinet Stiffener | 3 required |
| 2 | C002524 | Drive Box Assembly | Models CPC125H, CP125PHN1, CP125PHN2, CP125PHQ1, CP125PHQ2, IPH125H, IPH570, IP125PHN1, IP125PHN2, IP125PHQ1, IP125PHQ2, JP125PHN1 and JP125PHN2 |
| 3 | C002983 | Valve Panel Assembly | |
| 4 | C002527 | Drive and Power Enclosure Cover | |
| 5 | C000539 | Grease Connector Box | |
| 6 | C000818 | Rear Panel | |
| 7 | C002960 | Left Rear Side Panel Assembly | Models CPC125H, CP125PHN1, CP125PHN2, CP125PHQ1, CP125PHQ2, IPH125H, IPH570, IP125PHN1, IP125PHN2, IP125PHQ1, IP125PHQ2, JP125PHN1 and JP125PHN2 |
| | C002962 | Side Panel Assembly | Left rear; Models CPC140H, CPC140M, CP140PHN1, CP140PHQ1, CP140PMN1, CP140PMQ1, IPH140H, IPH140M, IPH640, IP140PHN1, IP140PHQ1, IP140PMN1, IP140PMQ1, JP140PHN1, JP140PHQ1 and JP140PMQ1 |
| 8 | C002717 | Side Panel and Stiffener Assembly | |
| 9 | C002718 | Side Panel and Stiffener Assembly | |
| 10 | C002961 | Right Rear Side Panel Assembly | Models CPC125H, CP125PHN1, CP125PHN2, CP125PHQ1, CP125PHQ2, IPH125H, IPH570, IP125PHN1, IP125PHN2, IP125PHQ1, IP125PHQ2, JP125PHN1 and JP125PHN2 |
| | C002963 | Side Panel Assembly | Right rear; Models CPC140H, CPC140M, CP140PHN1, CP140PHQ1, CP140PMN1, CP140PMQ1, IPH140H, IPH140M, IPH640, IP140PHN1, IP140PHQ1, IP140PMN1, IP140PMQ1, JP140PHN1, JP140PHQ1 and JP140PMQ1 |

N/A = Part no longer available

Cylinder Assembly (Drawing 1 of 2)

Models CPC140H, CPC140M, IPH140H, IPH140M and IPH640
Models Through 3/23/04



PHM2882P_C002923

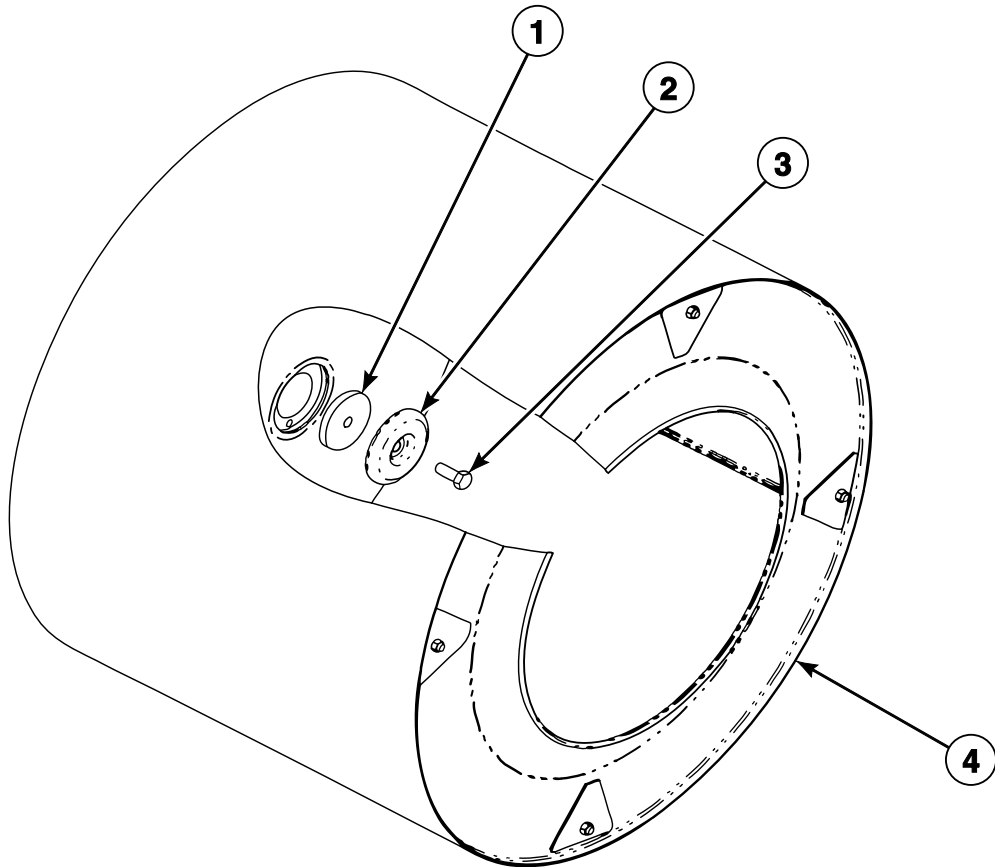
Cylinder Assembly (Drawing 1 of 2)

| REF | PART NO. | DESCRIPTION | COMMENTS |
|-----|----------|-----------------------|------------------------------------|
| 1 | C000785P | Cylinder Assembly Kit | Models CPC140H and IPH140H |
| | C000883P | Cylinder Assembly Kit | Models CPC140M, IPH140M and IPH640 |
| 2 | N/A | Washer | |

N/A = Part no longer available

Cylinder Assembly (Drawing 2 of 2)

Models Starting 3/23/04

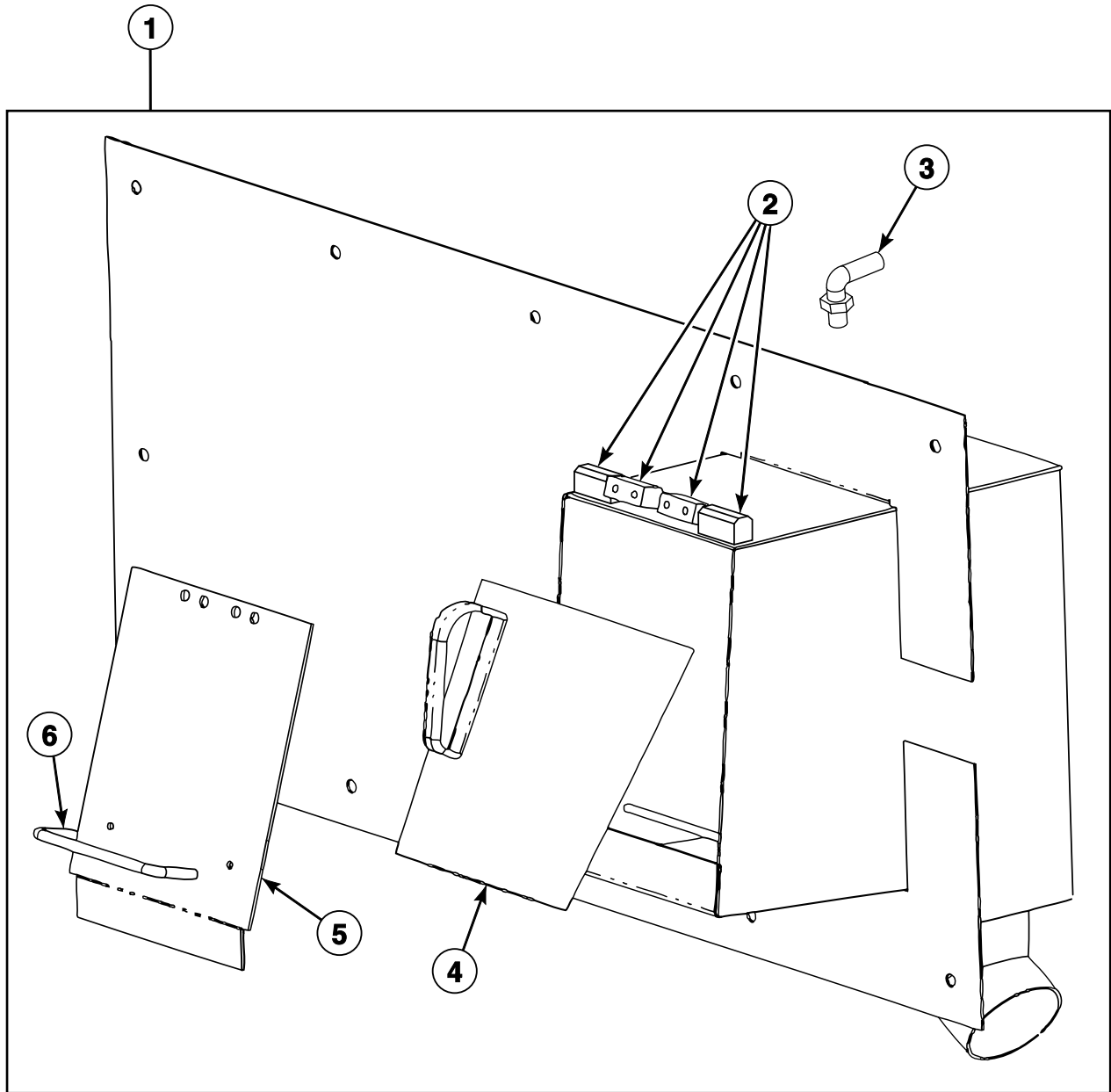


PHM2800P_C002923

Cylinder Assembly (Drawing 2 of 2)

| REF | PART NO. | DESCRIPTION | COMMENTS |
|-----|----------|-----------------------|---|
| 1 | C001239 | Washer | |
| 2 | C001238 | Cylinder Bolt Shroud | |
| 3 | C001093 | Screw | Models CPC140H and IPH140H starting 3/23/04 through 7/1/06; Models CPC125H, CPC140M, CP125PHN1, CP125PHN2, CP125PHQ1, CP125PHQ2, CP140PMN1, CP140PMQ1, IPH125H, IPH140M, IPH570, IPH640, IP125PHN1, IP125PHN2, IP125PHQ1, IP125PHQ2, IP140PMN1, IP140PMQ1, JP125PHN1, JP125PHN2 and JP140PMQ1 |
| | C001294 | Screw | Models CPC140H, CP140PHN1, CP140PHQ1, IPH140H, IP140PHN1, IP140PHQ1, JP140PHN1 and JP140PHQ1 starting 7/1/06 |
| 4 | C002307P | Cylinder Assembly Kit | Models CPC125H, CP125PHN1, CP125PHN2, CP125PHQ1, CP125PHQ2, IPH125H, IPH570, IP125PHN1, IP125PHN2, IP125PHQ1, IP125PHQ2, JP125PHN1 and JP125PHN2 |
| | C000785P | Cylinder Assembly Kit | Models CPC140H, CP140PHN1, CP140PHQ1, IPH140H, IP140PHN1, IP140PHQ1, JP140PHN1 and JP140PHQ1 |
| | C000883P | Cylinder Assembly Kit | Models CPC140M, CP140PMN1, CP140PMQ1, IPH140M, IPH640, IP140PMN1, IP140PMQ1 and JP140PMQ1 |

Single Cup Dispenser Assembly



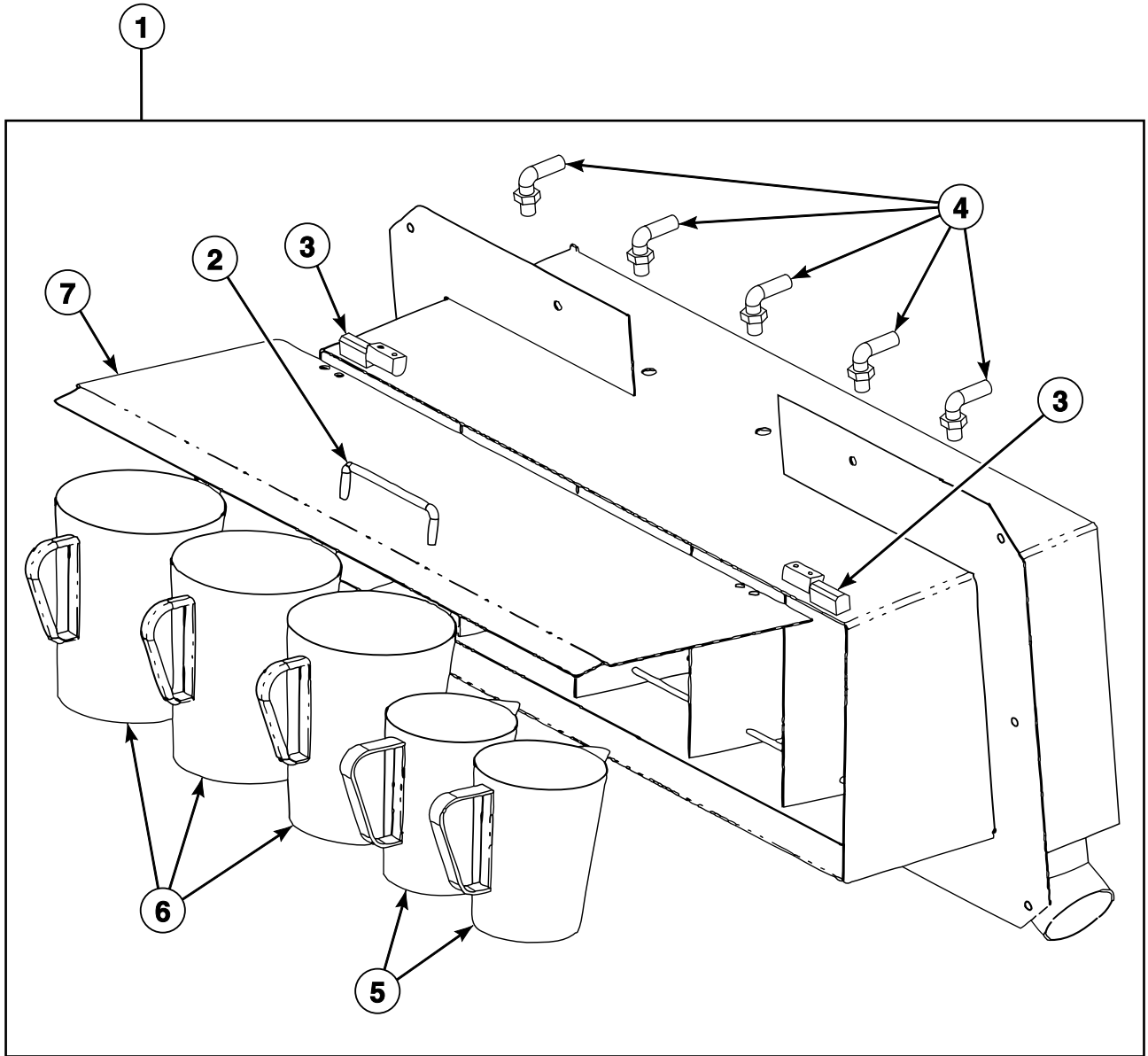
PHM2732P_C002923

Single Cup Dispenser Assembly

| REF | PART NO. | DESCRIPTION | COMMENTS |
|----------|----------|--------------------------------|--|
| | C001148 | Screw | Models starting 3/23/04; 4 required for hinges to cover; 4 required for hinges to control panel |
| | F430920 | Screw | Models CPC140H, CPC140M, CP140PHN1, CP140PHQ1, CP140PMN1, CP140PMQ1, IPH140H, IPH140M, IPH640, IP140PHN1, IP140PHQ1, IP140PMN1, IP140PMQ1, JP140PHQ1 and JP140PMQ1; 4 required for hinges to cover for models through 3/23/04; 4 required for hinges to control panel for models through 3/23/04; 2 required for dispenser cover to handle for models starting 3/23/04 |
| | F430909 | Screw | 2 required for dispenser cover to handle; Models through 3/23/04 |
| | F430925 | Screw | 2 required for dispenser to control panel for all models; 12 required for side dispenser to side panel for 125 and 570 models |
| | N/A | Nut | 2 required for dispenser to control panel |
| | C000552 | Hose | Flush hose for supply dispenser; Models CPC140H, CPC140M, CP140PHN1, CP140PHQ1, CP140PMN1, CP140PMQ1, IPH140H, IPH140M, IPH640, IP140PHN1, IP140PHQ1, IP140PMN1, IP140PMQ1, JP140PHN1, JP140PHQ1 and JP140PMQ1 |
| | C000628P | Tubing | Flush hose for supply dispenser; Models CPC125H, CP125PHN1, CP125PHN2, CP125PHQ1, CP125PHQ2, IPH125H, IPH570, IP125PHN1, IP125PHN2, IP125PHQ1, IP125PHQ2, JP125PHN1 and JP125PHN2 |
| | F200201 | Hose Clamp | 2 required for dispenser hose |
| 1 | C000853 | Single Side Dispenser Assembly | Models through 3/23/04 |
| | C001582 | Single Side Dispenser Assembly | Models starting 3/23/04 |
| 2 | N/A | Hinge | 2 required; 2-part; Models through 3/23/04 |
| | C001787 | Hinge | 2 required; 2-part; Models starting 3/23/04 |
| 3 | C000073 | Supply Dispenser Nozzle | |
| 4 | C000646 | Supply Cup | |
| 5 | C000855 | Single Side Dispenser Door | |
| 6 | C001788 | Dispenser Door Handle | |

N/A = Part no longer available

5 Cup Dispenser Assembly



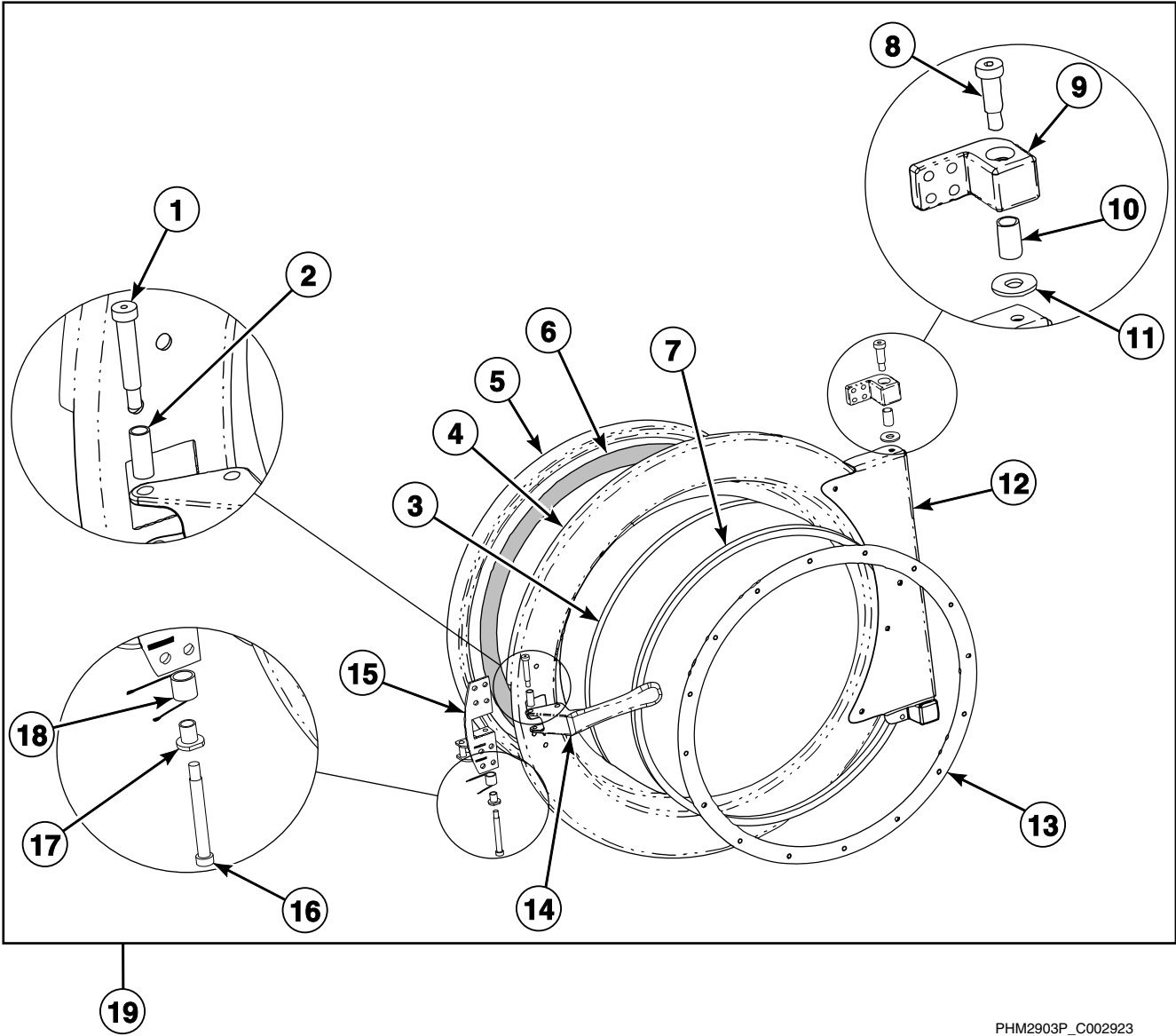
PHM2733P_C002923

5 Cup Dispenser Assembly

| REF | PART NO. | DESCRIPTION | COMMENTS |
|----------|----------|-------------------------|---|
| | C001148 | Screw | Models starting 3/23/04; 4 required for hinges to cover; 4 required for hinges to control panel |
| | F430920 | Screw | Models CPC140H, CPC140M, CP140PHN1, CP140PHQ1, CP140PMN1, CP140PMQ1, IPH140H, IPH140M, IPH640, IP140PHN1, IP140PHQ1, IP140PMN1, IP140PMQ1, JP140PHN1, JP140PHQ1 and JP140PMQ1; 4 required for hinges to cover for models through 3/23/04; 4 required for hinges to control panel for models through 3/23/04; 2 required for dispenser cover to handle for models starting 3/23/04 |
| | F430909 | Screw | 2 required for dispenser cover to handle; Models CPC140H, CPC140M, CP140PHN1, CP140PHQ1, CP140PMN1, CP140PMQ1, IPH140H, IPH140M, IPH640, IP140PHN1, IP140PHQ1, IP140PMN1, IP140PMQ1, JP140PHQ1 and JP140PMQ1 through 3/23/04 |
| | F430925 | Screw | 2 required for dispenser to control panel for all models; 12 required for side dispenser to side panel for 125 and 570 models |
| | N/A | Nut | 2 required for dispenser to control panel |
| | 36801 | Hose Clamp | 7 required for supply dispenser |
| | C001004 | Spring Hose Clamp | 5 required for supply dispenser |
| | F200201 | Hose Clamp | 2 required for dispenser hose |
| | C000552 | Hose | Flush hose; Models CPC140H, CPC140M, CP140PHN1, CP140PHQ1, CP140PMN1, CP140PMQ1, IPH140H, IPH140M, IPH640, IP140PHN1, IP140PHQ1, IP140PMN1, IP140PMQ1, JP140PHN1, JP140PHQ1 and JP140PMQ1 use 22 inches for supply cup 1, 28 inches for supply cup 2, 33 inches for supply cup 3, 38 inches for supply cup 4, 42 inches for supply cup 5; Models CPC125H, CP125PHN1, CP125PHN2, CP125PHQ1, CP125PHQ2, IPH125H, IPH570, IP125PHN1, IP125PHN2, IP125PHQ1, IP125PHQ2, JP125PHN1 and JP125PHN2 use 16 inches for supply cup 1, 20 inches for supply cup 2, 26 inches for supply cup 3, 32 inches for supply cup 4, 35 inches for supply cup 5 |
| 1 | C001583 | Side Dispenser Assembly | Models starting 3/23/04 |
| | C000648 | Side Dispenser Assembly | Models through 3/23/04 |
| 2 | C001788 | Dispenser Door Handle | |
| 3 | C001787 | Hinge | 2 required; 2-part; Models starting 3/24/04 |
| | N/A | Hinge | 2 required; 2-part; Models through 3/24/04 |
| 4 | C000073 | Supply Dispenser Nozzle | 5 required |
| 5 | C000647 | Supply Cup | 2 required |
| 6 | C000646 | Supply Cup | 3 required |
| 7 | C000642 | Side Dispenser Door | |

N/A = Part no longer available

Door Assembly - Models through 2/9/09

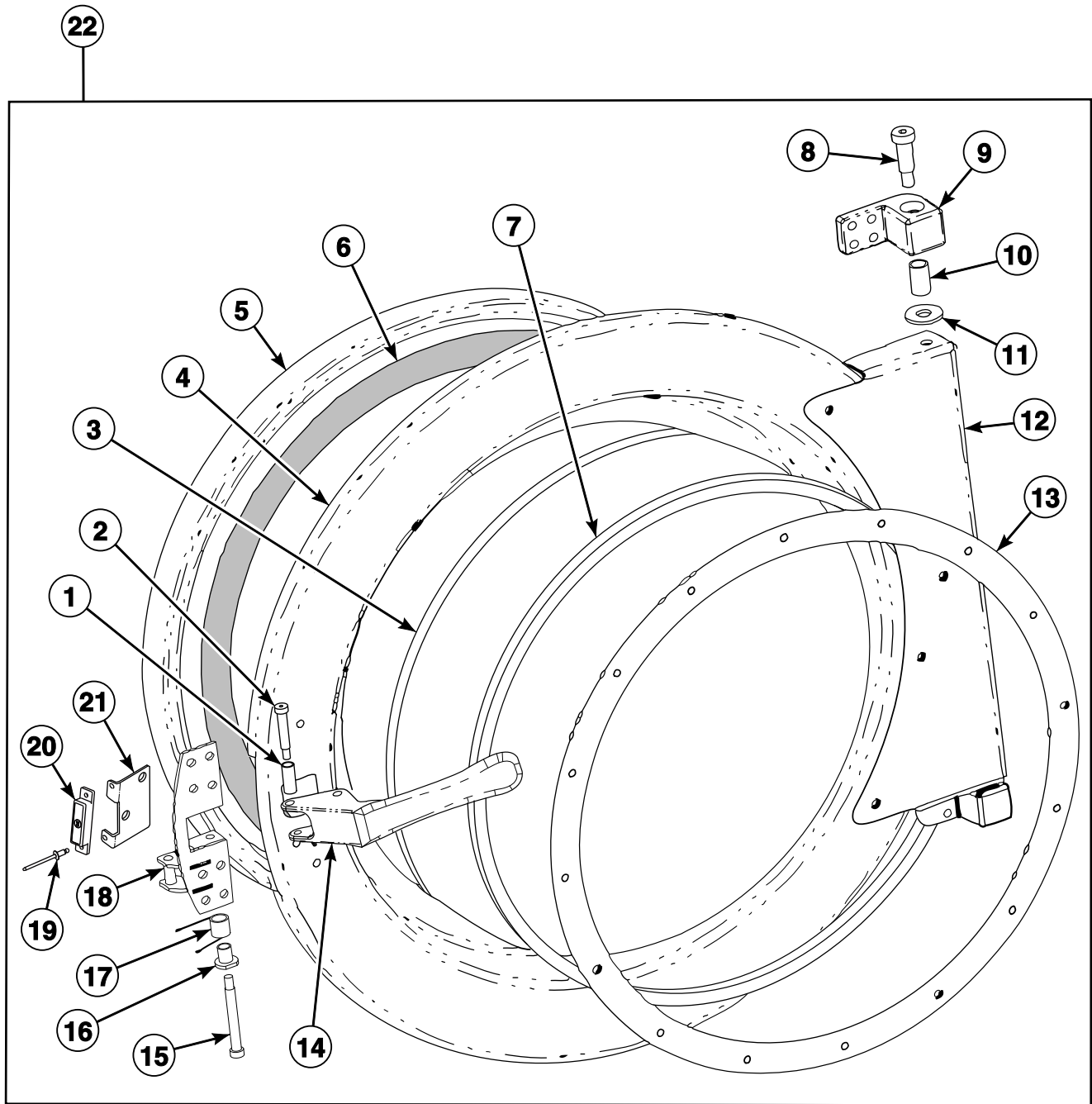


PHM2903P_C002923

Door Assembly - Models through 2/9/09

| REF | PART NO. | DESCRIPTION | COMMENTS |
|-----------|--------------|----------------------------|--|
| | C000559 | Bolt | 8 required for door hinge block to shell front |
| | C000574 | Nut | 8 required for door hinge block to shell front |
| | 803017 | Nut | 2 required for door hinge block to hinge |
| | C000561 | Bolt | 5 required for door hinge to door; 4 required for door handle hinge to door for models through 3/23/04; 3 required for door handle hinge to door for models starting 3/24/04 |
| | C000560 | Nut | 5 required for door hinge to door; 4 required for door handle hinge to door |
| | F8549401 | Nut | 8 required for door glass retainer to door |
| | C000601 | Stud | 8 required for door glass retainer to door |
| | F431024 | Nut | 1 required for door handle to door handle hinge |
| | C001236 | Nut | 1 required for door handle to door handle bushing |
| | C001546 | Door Bumper | 2 required for door; Models starting 3/23/04 |
| | C001032 | Screw | 2 required for door bumper; Models starting 3/23/04 |
| 1 | C000180 | Bolt | |
| 2 | C000181 | Door Handle Bushing | |
| 3 | C000749 | Door Glass | |
| 4 | C000710 | Door | |
| 5 | 253/00162/02 | Door Seal | |
| 6 | F8513501 | Shell Front Gasket Kit | 7 feet required |
| 7 | C000750 | Door Glass Gasket | |
| 8 | F8549301 | Bolt | 2 required |
| 9 | C000175 | Hinge Block | 2 required |
| 10 | C000176 | Door Hinge Bushing | 2 required |
| 11 | C000177 | Washer | 2 required |
| 12 | C000752 | Door Hinge | |
| 13 | C000751MD | Door Glass Retainer | |
| 14 | C000028P | Door Handle | Models through 3/23/04 |
| | C001679P | Door Handle | Models starting 3/24/04 |
| 15 | C000470 | Door Handle Hinge Weldment | |
| 16 | C001785 | Bolt | |
| 17 | C000192 | Door Handle Spring Bushing | |
| 18 | C001786 | Door Handle Torsion Spring | |
| 19 | C000748P | Door Assembly | |

Door Assembly - Models starting 2/10/09



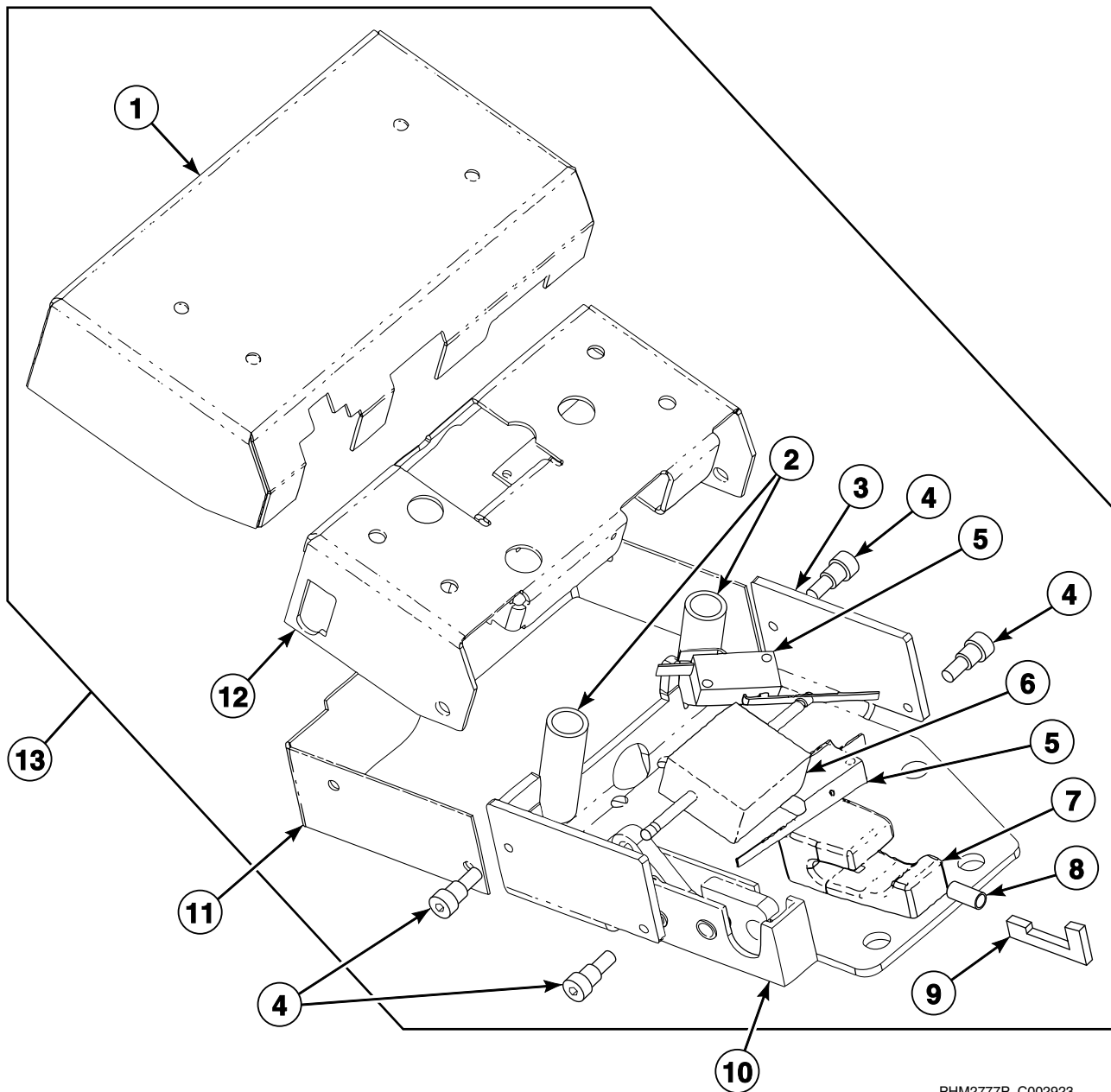
PHM3095P_C002923

Door Assembly - Models starting 2/10/09

| REF | PART NO. | DESCRIPTION | COMMENTS |
|-----------|--------------|------------------------------|---|
| | C000559 | Bolt | 8 required for door hinge block to shell front |
| | C000574 | Nut | 8 required for door hinge block to shell front |
| | 803017 | Nut | 2 required for door hinge block to hinge |
| | C000561 | Bolt | 5 required for door hinge to door; 3 required for door handle hinge to door |
| | C000560 | Nut | 5 required for door hinge to door; 4 required for door handle hinge to door |
| | F8549401 | Nut | 16 required for door glass retainer to door |
| | C000601 | Stud | 16 required for door glass retainer to door |
| | F431024 | Nut | 1 required for door handle to door handle hinge |
| | C001236 | Nut | 1 required for door handle to door handle bushing |
| | C001546 | Door Bumper | 2 required for door |
| | C001032 | Screw | 2 required for door bumper |
| 1 | C000181 | Door Handle Bushing | |
| 2 | C000180 | Bolt | |
| 3 | C000749 | Door Glass | |
| 4 | C000710 | Door | |
| 5 | 253/00162/02 | Door Seal | |
| 6 | F8513501 | Shell Front Gasket Kit | 7 feet required |
| 7 | C000750 | Door Glass Gasket | |
| 8 | F8549301 | Bolt | 2 required |
| 9 | C000175 | Hinge Block | 2 required |
| 10 | C000176 | Door Hinge Bushing | 2 required |
| 11 | C000177 | Washer | 2 required |
| 12 | C000752 | Door Hinge | |
| 13 | C000751MD | Door Glass Retainer | |
| 14 | C001679P | Door Handle | |
| 15 | C001785 | Bolt | |
| 16 | C000192 | Door Handle Spring Bushing | |
| 17 | C001786 | Door Handle Torsion Spring | |
| 18 | C000470 | Door Handle Hinge Weldment | |
| 19 | F431223 | Pop Rivet | |
| 20 | F8390801 | Magnet | |
| 21 | C002994 | Door Magnet Mounting Bracket | |
| 22 | C000748P | Door Assembly | Includes items 1-21 |

Door Lock

Models Through Serial No. 0902007001



PHM2777P_C002923

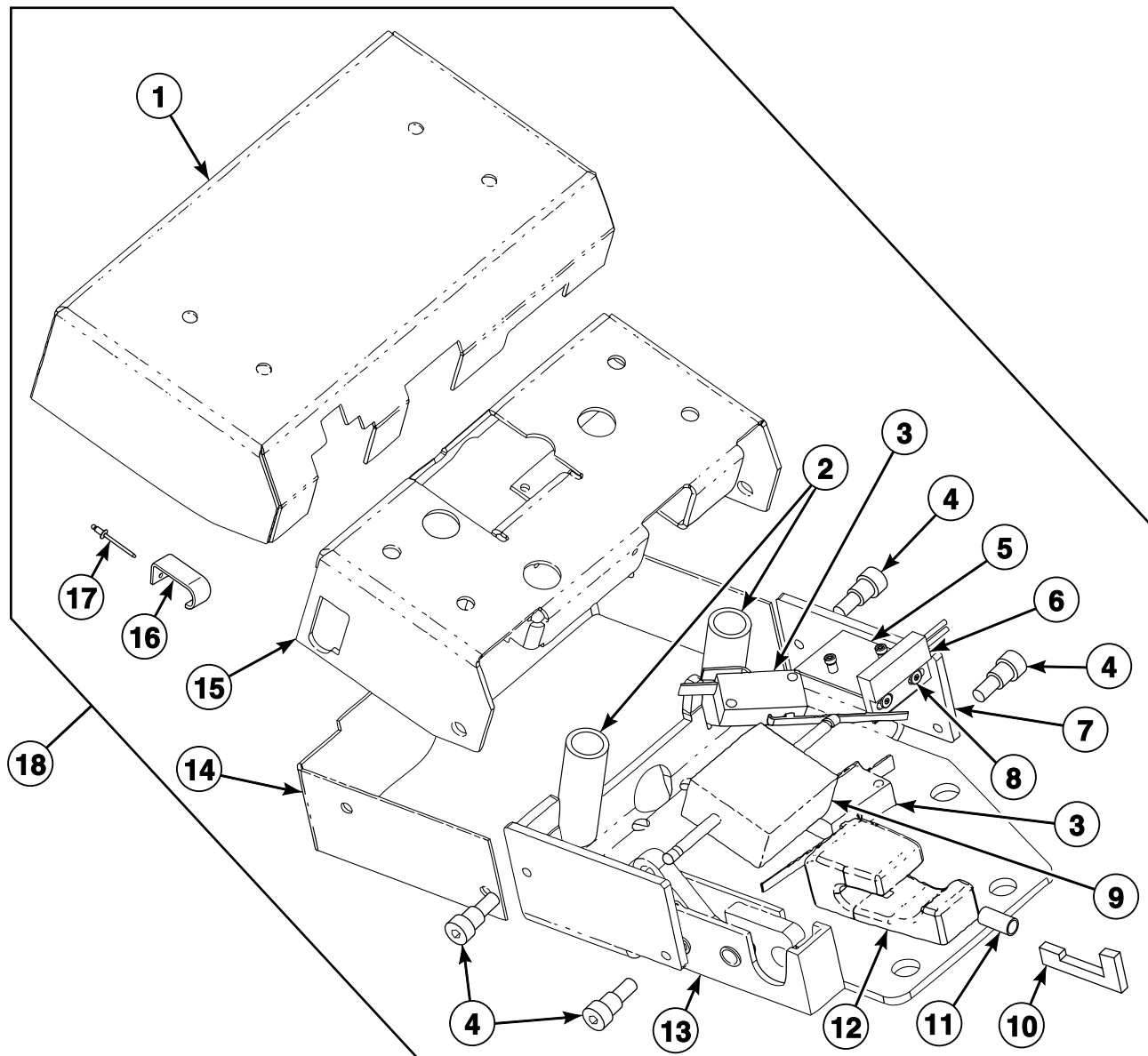
Door Lock

| REF | PART NO. | DESCRIPTION | COMMENTS |
|-----------|----------|----------------------------|---|
| | 81398 | Screw | 4 required for door lock cover to solenoid bracket; Models starting 3/23/04 |
| | C000430 | Bolt | 4 required for door lock cover to door lock plate for models through 3/23/04; 4 required for door solenoid bracket to door lock plate for models starting 3/23/04 |
| | C000614 | Screw | 2 required for door lock switch to door lock plate; 2 required for door lock switch to door lock solenoid bracket |
| | C000578 | Nut | 2 required for door lock switch to door lock plate; 2 required for door lock switch to door lock solenoid bracket |
| | C000561 | Bolt | 4 required for door lock to shell front |
| | C000574 | Nut | 4 required for door lock to shell front |
| | C000567 | Screw | 2 required for door latch to door lock plate |
| | C000571 | Washer | 2 required for door latch to door lock plate; Models starting 3/23/04 |
| | C000572 | Screw | 2 required for door lock solenoid to bracket |
| | C000612 | Screw | 3 required for door lock catch to door lock plate |
| | C000613 | Screw | 2 required for door solenoid bracket to door lock plate; Models through 3/23/04 |
| | C000576 | Nut | 2 required for door solenoid bracket to door lock plate |
| | C000867P | Door Lock Harness | |
| | C003291 | Jump Wire | |
| 1 | C000688 | Door Lock Cover | |
| 2 | C000431 | Spring | 2 required |
| 3 | C000684 | Door Lock Plate | |
| 4 | C000430 | Bolt | 4 required |
| 5 | C000278 | Door Lock Microswitch | |
| 6 | C000184P | Door Lock Solenoid | |
| 7 | C000185 | Door Lock Catch | |
| 8 | C000276 | Door Lock Slide Spring | |
| 9 | C000271 | Door Lock Switch Slide | |
| 10 | N/A | Door Lock Latch | Models through 3/23/04 |
| | C001244 | Door Latch | Models starting 3/23/04 |
| 11 | C000687 | Door Lock Spring Cover | |
| 12 | C003022 | Door Lock Solenoid Bracket | |
| 13 | C001036M | Door Lock Kit | Includes items 1-12; Models through 7/14/11 MUST order C002996M Door Lock Kit |
| | C002996M | Door Lock Kit | |

N/A = Part no longer available

Door Lock Assembly with Magnetic Sensor

Models Starting Serial No. 0902007002



PHM3149P_C002923

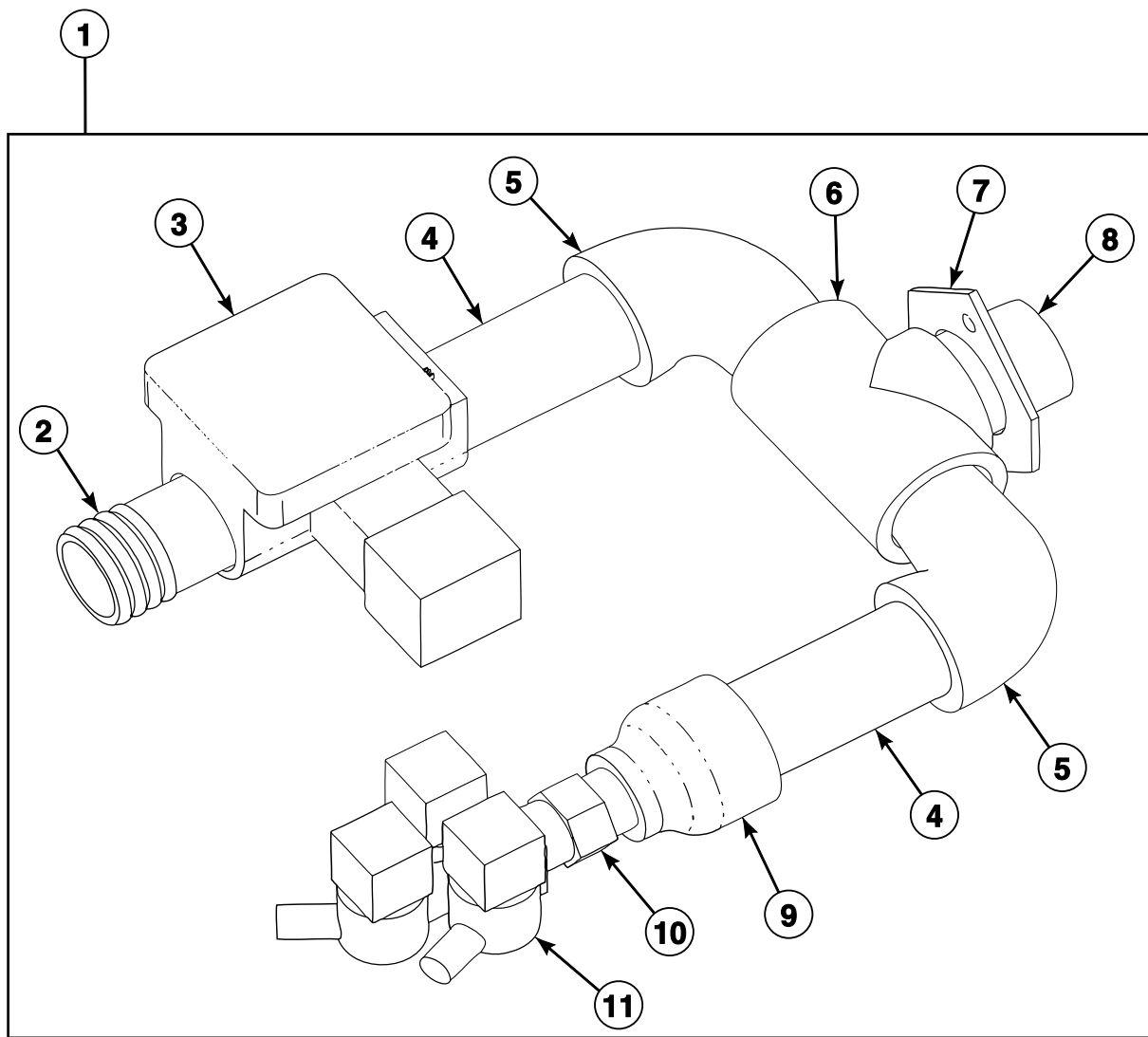
Door Lock Assembly with Magnetic Sensor

| REF | PART NO. | DESCRIPTION | COMMENTS |
|-----------|-----------|------------------------------|---|
| | 81398 | Screw | 4 required for door lock cover to solenoid bracket; Models starting 3/23/04 |
| | C000613 | Screw | 2 required for door solenoid bracket to door lock plate; Models through 3/23/04 |
| | C000614 | Screw | 2 required for door lock switch to door lock plate; 2 required for door lock switch to door lock solenoid bracket |
| | C000578 | Nut | 2 required for door lock switch to door lock plate; 2 required for door lock switch to door lock solenoid bracket |
| | C000561 | Bolt | 4 required for door lock to shell front |
| | C000574 | Nut | 4 required for door lock to shell front |
| | C000567 | Screw | 2 required for door latch to door lock plate |
| | C000571 | Washer | 2 required for door latch to door lock plate; Models starting 3/23/04 |
| | C000572 | Screw | 2 required for door lock solenoid to bracket |
| | C000612 | Screw | 3 required for door lock catch to door lock plate |
| | C000430 | Bolt | 4 required for door solenoid bracket to door lock plate for models starting 3/23/04; 4 required for door lock cover to door lock plate for models through 3/23/04 |
| | C000576 | Nut | 2 required for door lock cover to door lock plate |
| | C000867P | Door Lock Harness | |
| | C003291 | Jump Wire | |
| 1 | C000688 | Door Lock Cover | |
| 2 | C000431 | Spring | |
| 3 | C000278 | Door Lock Microswitch | |
| 4 | C000430 | Bolt | |
| 5 | C002995 | Magnetic Door Switch Bracket | |
| 6 | C003000 | Reed Switch Assembly | |
| 7 | C000684 | Door Lock Plate | |
| 8 | J1111905 | Blind Rivet | |
| 9 | C000184P | Door Lock Solenoid | |
| 10 | C000271 | Door Lock Switch Slide | |
| 11 | C000276 | Door Lock Slide Spring | |
| 12 | C000185 | Door Lock Catch | |
| 13 | N/A | Door Latch | Models through 3/23/04 |
| | C001244 | Door Latch | Models starting 3/23/04 |
| 14 | C000687 | Door Lock Spring Cover | |
| 15 | C003022 | Door Lock Solenoid Bracket | |
| 16 | B12351001 | Door Lock Spring | Models starting 12/13/10 |
| 17 | F431215 | Pop Rivet | Models starting 12/13/10 |
| 18 | C002996M | Door Lock Kit | Includes items 1-17 |

N/A = Part no longer available

5 Cup Hot Plumbing Assembly

Models CPC140H, CPC140M, IPH140H, IPH140M and IPH640
Models Through 7/1/06



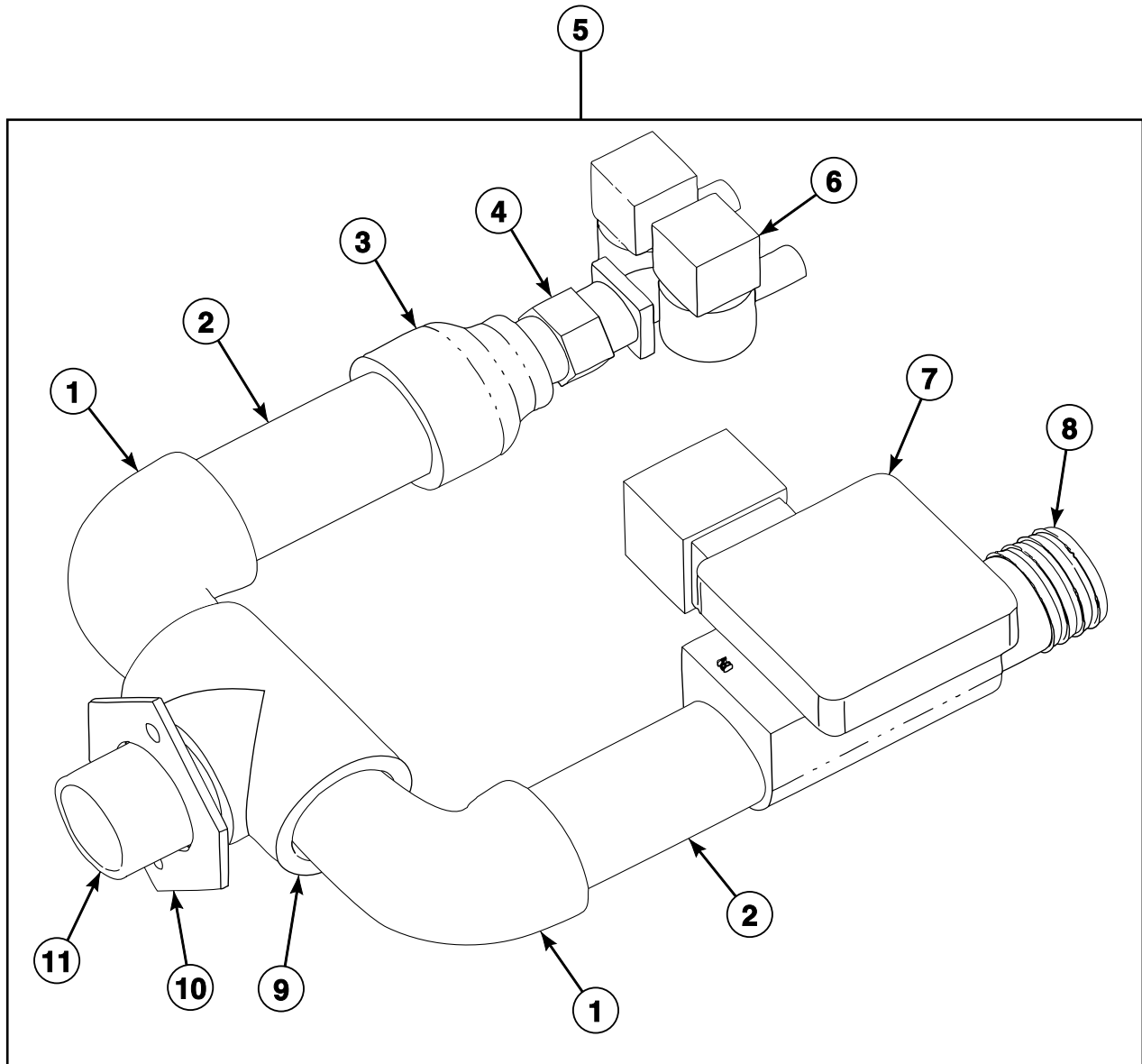
PHM2854P_C002923

5 Cup Hot Plumbing Assembly

| REF | PART NO. | DESCRIPTION | COMMENTS |
|-----------|----------|-------------------------|--|
| | C000567 | Screw | 2 required for hot manifold to valve panel |
| | F431024 | Nut | 2 required for hot manifold to valve panel |
| | C001011 | Hose | 1 required; 43 inch; Hot water valve to vacuum breaker |
| | C002612P | Inlet Valve Harness | |
| 1 | C000897 | Hot Plumbing Assembly | |
| 2 | C000899 | Hose Barb | |
| 3 | C000339P | Water Valve | Parker |
| 4 | C000894 | Nipple | 2 required |
| 5 | C000893 | Street Elbow | 2 required |
| 6 | C000900 | Tee | |
| 7 | C000892 | Mounting Bracket | |
| 8 | C000896 | Nipple | |
| 9 | C000895 | Reducer | |
| 10 | C000424 | Adapter | |
| 11 | C000716P | Valve | |
| | G582P3 | Diaphragm and Guide Kit | |

1 Cup Hot Plumbing Assembly

Models CPC140H, CPC140M, IPH140H, IPH140M and IPH640
Models Starting 3/23/04 and Continuing Through 7/1/06



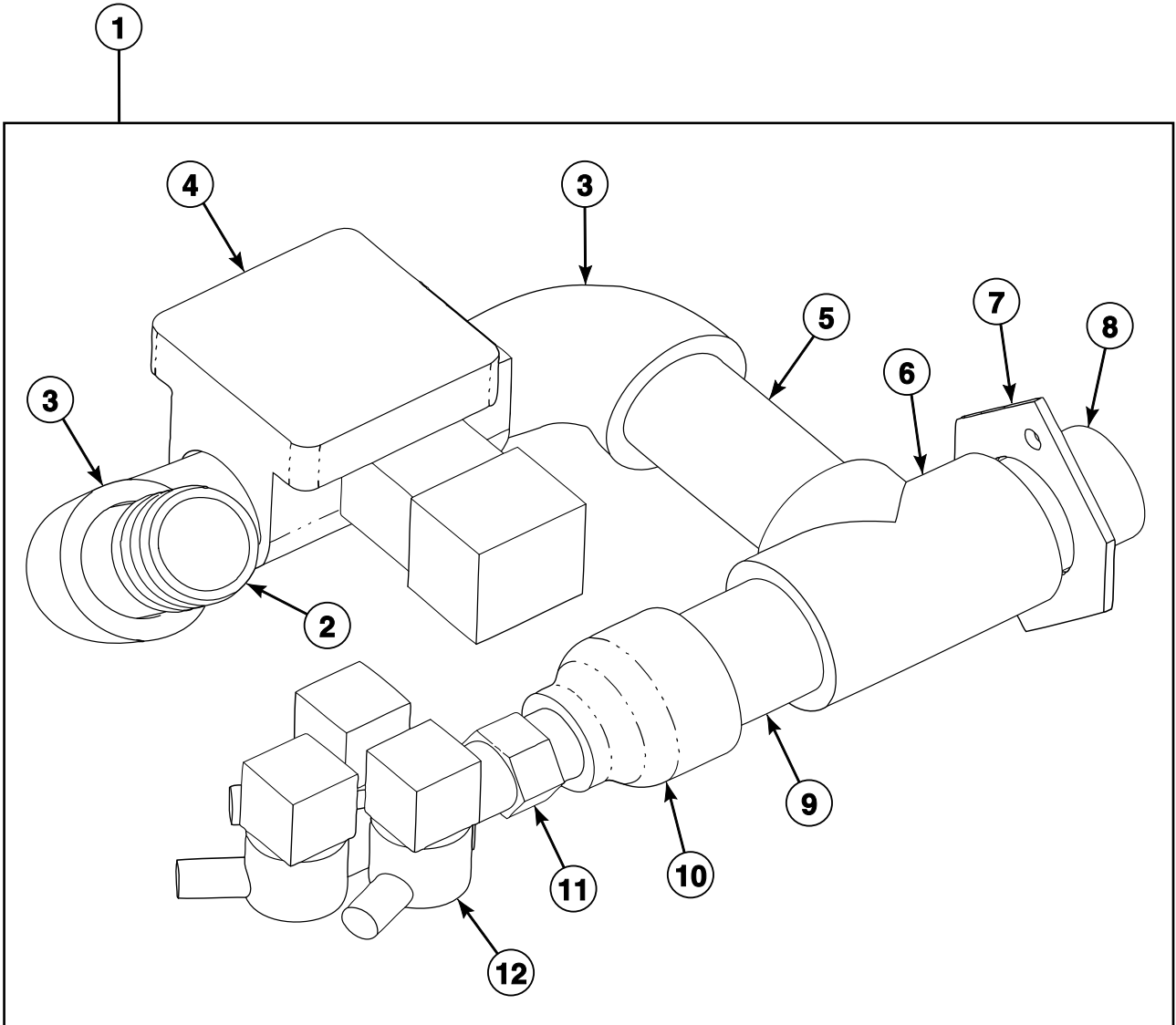
PHM2855P_C002923

1 Cup Hot Plumbing Assembly

| REF | PART NO. | DESCRIPTION | COMMENTS |
|-----|----------|-------------------------|--|
| | C001011 | Hose | 43 inch; Hot water valve to vacuum breaker |
| | C000567 | Screw | 2 required for hot manifold to valve panel |
| | F431024 | Nut | 2 required for hot manifold to valve panel |
| | C002609P | Inlet Valve Harness | |
| 1 | C000893 | Street Elbow | 2 required |
| 2 | C000894 | Nipple | 2 required |
| 3 | C000895 | Reducer | |
| 4 | C000424 | Adapter | |
| 5 | C001665 | Hot Plumbing Assembly | |
| 6 | C000716P | Valve | |
| | G582P3 | Diaphragm and Guide Kit | |
| 7 | C000339P | Water Valve | Parker |
| 8 | C000899 | Hose Barb | |
| 9 | C000900 | Tee | |
| 10 | C000892 | Mounting Bracket | |
| 11 | C000896 | Nipple | |

5 Cup Cold Plumbing Assembly (Drawing 1 of 3)

Models CPC140H, CPC140M, IPH140H, IPH140M and IPH640
Models Through 7/1/06



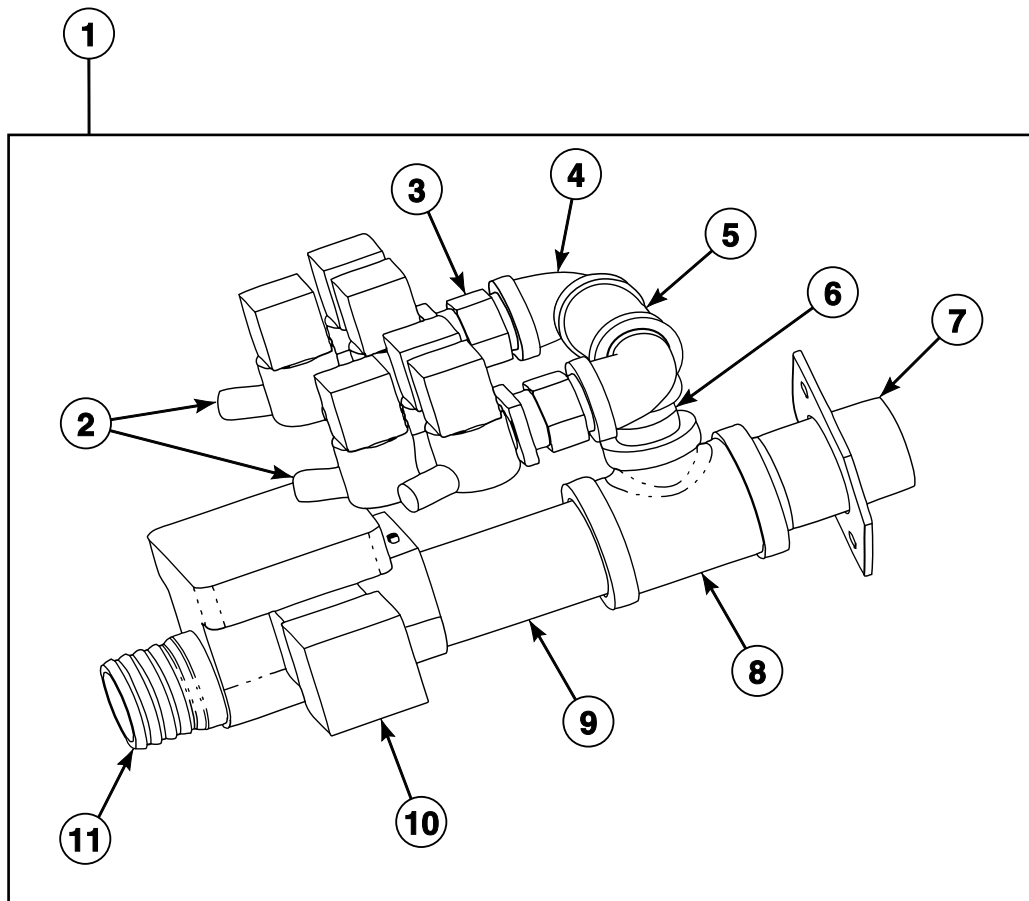
PHM2859P_C002923

5 Cup Cold Plumbing Assembly (Drawing 1 of 3)

| REF | PART NO. | DESCRIPTION | COMMENTS |
|-----------|----------|------------------------------|---|
| | C001011 | Hose | 22 inch; Cold water valve to vacuum breaker |
| | C000567 | Screw | 2 required for cold manifold to valve panel |
| | F431024 | Nut | 2 required for cold manifold to valve panel |
| | C002612P | Inlet Valve Harness | |
| 1 | C000898 | 5 Cup Cold Plumbing Assembly | |
| 2 | C000899 | Hose Barb | |
| 3 | C000893 | Street Elbow | 1 required for models through 3/23/04; 2 required for models starting 3/23/04 |
| 4 | C000339P | Water Valve | Parker |
| | F380992P | Water Valve Repair Kit | 1.25 inches |
| 5 | C000894 | Nipple | |
| 6 | C000900 | Tee | |
| 7 | C000892 | Mounting Bracket | |
| 8 | C000896 | Nipple | |
| 9 | C001005 | Nipple | |
| 10 | C000895 | Reducer | |
| 11 | C000424 | Adapter | |
| 12 | C000436P | Water Valve | |
| | G582P3 | Diaphragm and Guide Kit | |

5 Cup Cold Plumbing Assembly (Drawing 2 of 3)

Models CPC140H, CPC140M, CP140PHN1, CP140PHQ1, CP140PMN1, CP140PMQ1, IPH140H, IPH140M, IPH640, IP140PHN1, IP140PHQ1, IP140PMN1, IP140PMQ1, JP140PHN1, JP140PHQ1 and JP140PMQ1
Models Starting 7/1/06



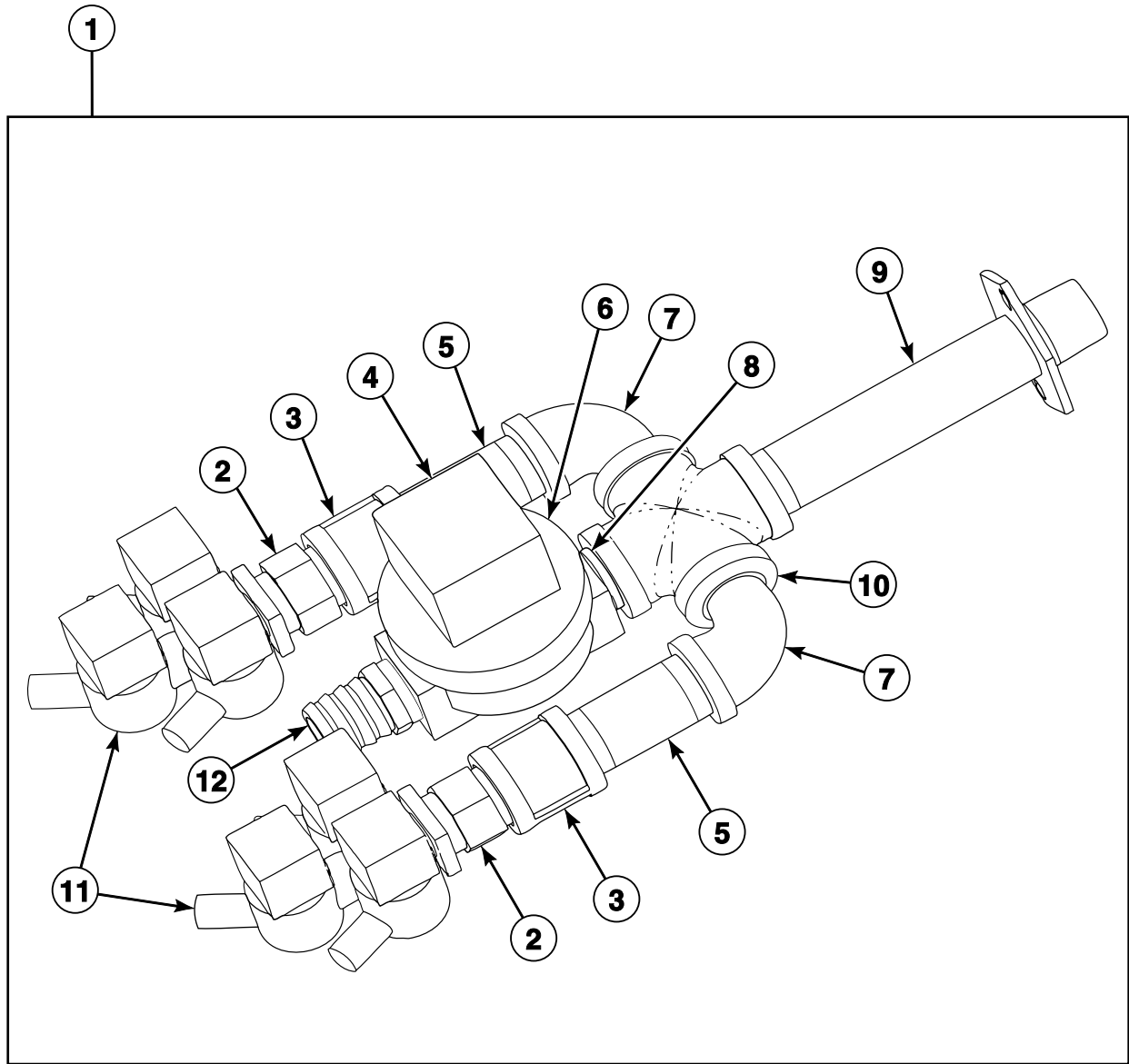
PHM2804P_C002923

5 Cup Cold Plumbing Assembly (Drawing 2 of 3)

| REF | PART NO. | DESCRIPTION | COMMENTS |
|-----------|----------|------------------------------|---|
| | C001011 | Hose | 22 inch; Cold water valve to vacuum breaker |
| | C000567 | Screw | 2 required for cold manifold to valve panel |
| | F431024 | Nut | 2 required for cold manifold to valve panel |
| | C002612P | Inlet Valve Harness | |
| 1 | C002538 | 5 Cup Cold Plumbing Assembly | |
| 2 | C000436P | Water Valve | 2 required |
| | G582P3 | Diaphragm and Guide Kit | |
| 3 | C000424 | Adapter | 2 required |
| 4 | F420502 | Street Elbow | 2 required |
| 5 | F420403 | Tee | |
| 6 | F420107 | Nipple | |
| 7 | C002164 | Mounting Flange Weldment | |
| 8 | C002165 | Reducing Tee | |
| 9 | C000894 | Nipple | |
| 10 | C000339P | Water Valve | Parker |
| | C001676P | Water Valve Rebuild Kit | 1.25 inches |
| 11 | C000899 | Hose Barb | |

5 Cup Cold Plumbing Assembly (Drawing 3 of 3)

Models CPC125H, CP125PHN1, CP125PHN2, CP125PHQ1, CP125PHQ2, IPH125H, IPH570, IP125PHN1, IP125PHN2, IP125PHQ1, IP125PHQ2, JP125PHN1 and JP125PHN2



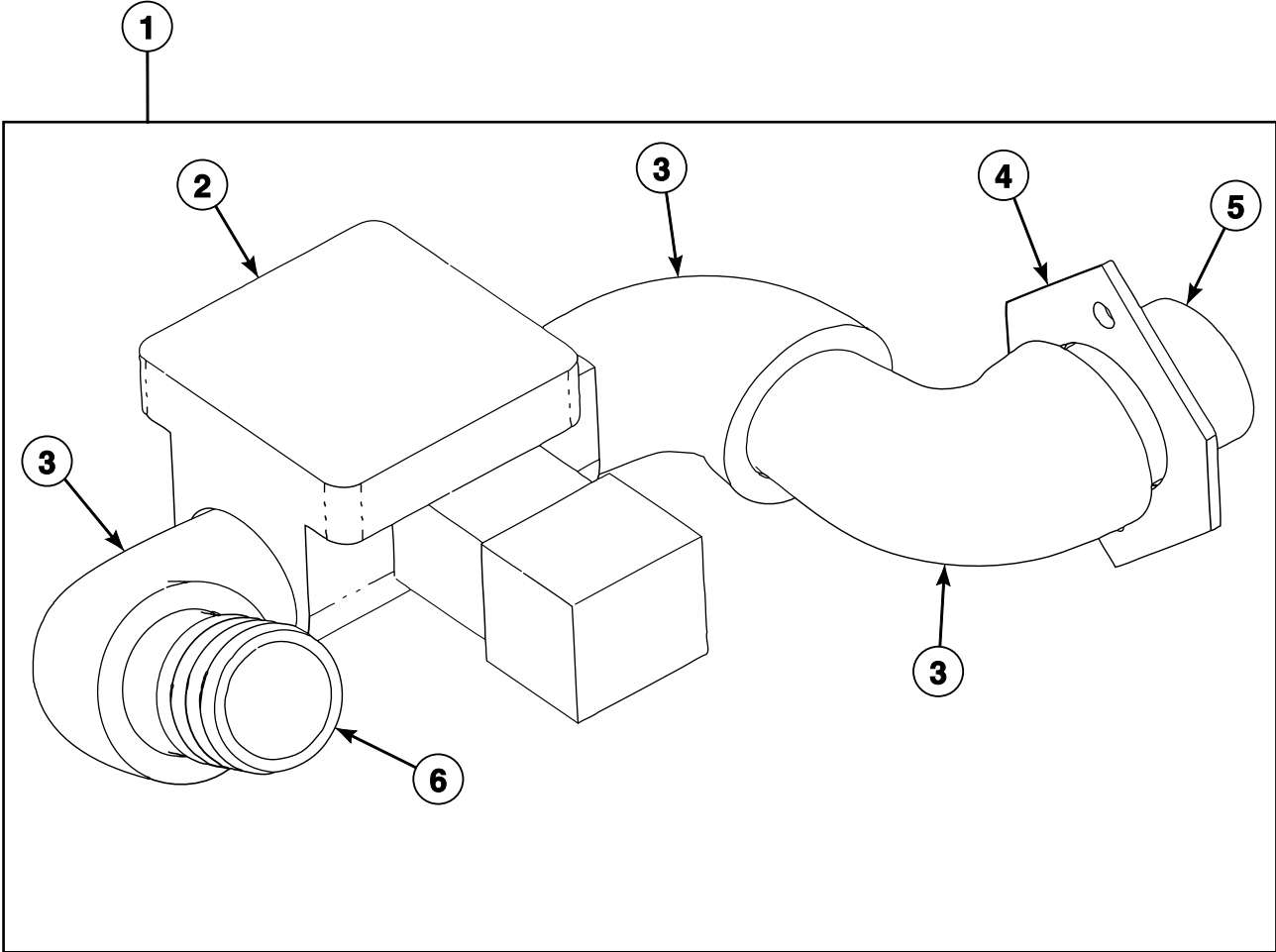
PHM2856P_C002923

5 Cup Cold Plumbing Assembly (Drawing 3 of 3)

| REF | PART NO. | DESCRIPTION | COMMENTS |
|-----------|-----------|----------------------------|---|
| | F200128P | Water Hose | 16 inch; Cold water valve to vacuum breaker |
| | C000567 | Screw | 2 required for cold manifold to valve panel |
| | F431024 | Nut | 2 required for cold manifold to valve panel |
| | C002612P | Inlet Valve Harness | |
| | F8514701 | Coil | Use with F8322909 Valve |
| | F8382301 | DIN Valve Adapter Kit | Use with F8322909 Valve |
| | F8456202P | Valve Transition Kit | Use with F8322909 Valve |
| 1 | C002563 | Cold Plumbing Assembly | |
| 2 | C000424 | Adapter | 2 required |
| 3 | C000420 | Coupling | 2 required |
| 4 | F380986P | DIN Coil | 120 Volt |
| | F380987P | DIN Coil | 240 Volt |
| 5 | C000410 | Drain Bracket | 2 required |
| 6 | F380991P | Water Valve Repair Kit | 3/4 inch; Use with F381700P Valve |
| | F8322909P | Valve | Replaces F381700P Valve; Includes F8514701 Coil |
| 7 | F420502 | Street Elbow | 2 required |
| 8 | F420107 | Nipple | |
| 9 | C001366 | Flange and Nipple Assembly | |
| 10 | C002166 | Cross | |
| 11 | C000436P | Water Valve | 2 required |
| | G582P3 | Diaphragm and Guide Kit | |
| 12 | F421951 | Hose Barb | |

Single Cup Cold Plumbing Assembly (Drawing 1 of 3)

Models CPC140H, CPC140M, IPH140H, IPH140M and IPH640
Models Through 7/1/06



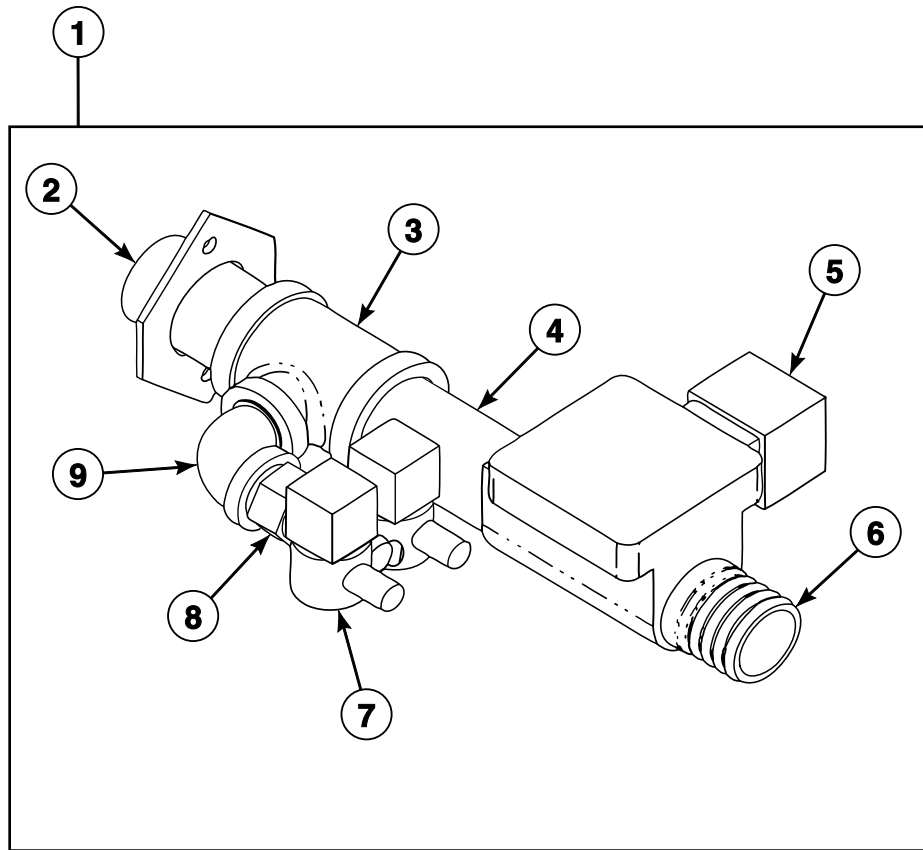
PHM2853P_C002923

Single Cup Cold Plumbing Assembly (Drawing 1 of 3)

| REF | PART NO. | DESCRIPTION | COMMENTS |
|----------|----------|-----------------------------------|---|
| | C001011 | Hose | 22 inch; Cold water valve to vacuum breaker |
| | C000567 | Screw | 2 required for cold manifold to valve panel |
| | F431024 | Nut | 2 required for cold manifold to valve panel |
| | C002609P | Inlet Valve Harness | |
| 1 | C001022 | Single Cup Cold Plumbing Assembly | |
| 2 | C000339P | Water Valve | |
| 3 | C000893 | Street Elbow | 3 required |
| 4 | C000892 | Mounting Bracket | |
| 5 | C000896 | Nipple | |
| 6 | C000899 | Hose Barb | |

Single Cup Cold Plumbing Assembly (Drawing 2 of 3)

Models CPC140H, CPC140M, CP140PHN1, CP140PHQ1, CP140PMN1, CP140PMQ1, IPH140H, IPH140M, IPH640, IP140PHN1, IP140PHQ1, IP140PMN1, IP140PMQ1, JP140PHN1, JP140PHQ1 and JP140PMQ1
Models Starting 7/1/06



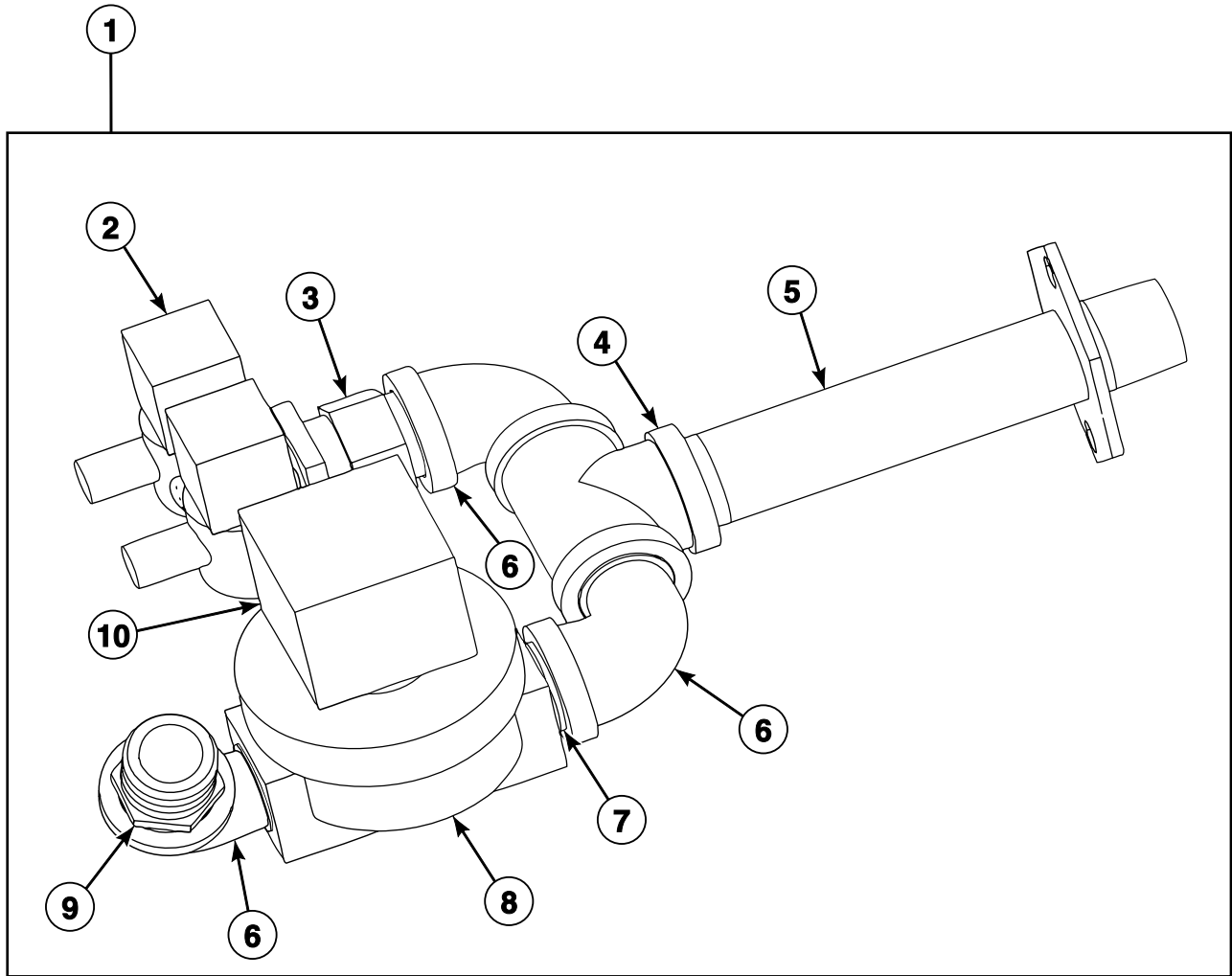
PHM2803P_C002923

Single Cup Cold Plumbing Assembly (Drawing 2 of 3)

| REF | PART NO. | DESCRIPTION | COMMENTS |
|----------|----------|-----------------------------------|---|
| | C001011 | Hose | 22 inch; Cold water valve to vacuum breaker |
| | C000567 | Screw | 2 required for cold manifold to valve panel |
| | F431024 | Nut | 2 required for cold manifold to valve panel |
| | C002609P | Inlet Valve Harness | |
| 1 | C002537 | Single Cup Cold Plumbing Assembly | |
| 2 | C002164 | Mounting Flange Weldment | |
| 3 | C002165 | Reducing Tee | |
| 4 | C000894 | Nipple | |
| 5 | C000339P | Water Valve | Parker |
| 6 | C000899 | Hose Barb | |
| 7 | C000716P | Valve | |
| | G582P3 | Diaphragm and Guide Kit | |
| 8 | C000424 | Adapter | |
| 9 | F420502 | Street Elbow | |

Single Cup Cold Plumbing Assembly (Drawing 3 of 3)

Models CPC125H, CP125PHN1, CP125PHN2, CP125PHQ1, CP125PHQ2, IPH125H, IPH570, IP125PHN1, IP125PHN2, IP125PHQ1, IP125PHQ2, JP125PHN1 and JP125PHN2



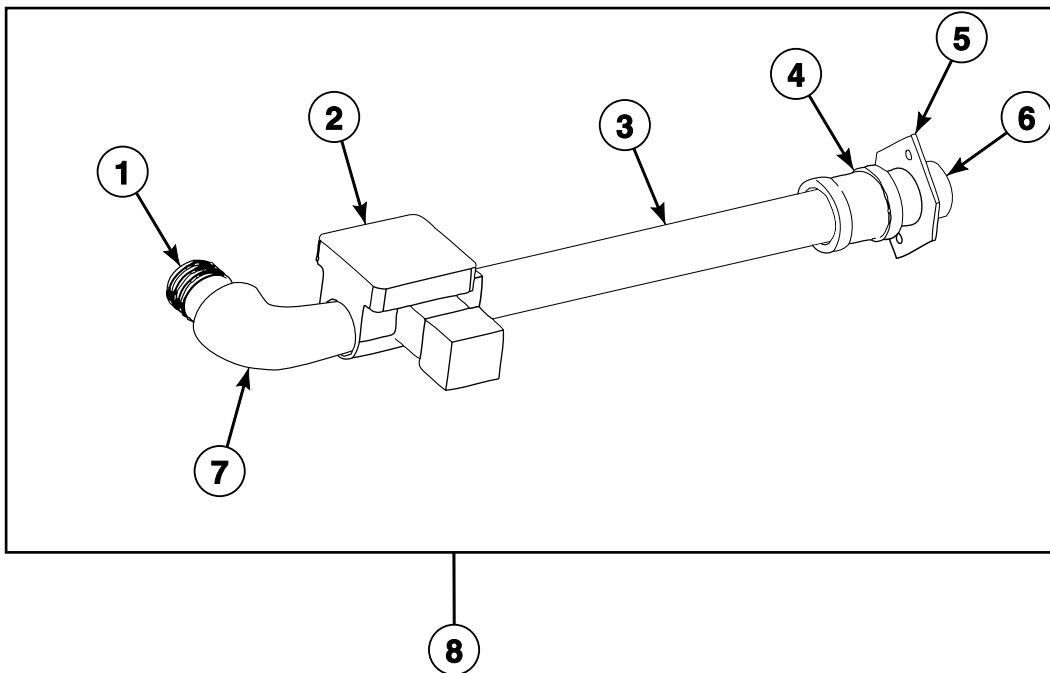
PHM2852P_C002923

Single Cup Cold Plumbing Assembly (Drawing 3 of 3)

| REF | PART NO. | DESCRIPTION | COMMENTS |
|-----------|-----------|----------------------------|---|
| | C000552 | Hose | 14 inch; Cold water valve to vacuum breaker |
| | C000567 | Screw | 2 required for cold manifold to valve panel |
| | F431024 | Nut | 2 required for cold manifold to valve panel |
| | C002609P | Inlet Valve Harness | |
| | F8514701 | Coil | Use with F8322909 Valve |
| | F8382301 | DIN Valve Adapter Kit | Use with F8322909 Valve |
| | F8456202P | Valve Transition Kit | Use with F8322909 Valve |
| 1 | C002564 | Cold Plumbing Assembly | |
| 2 | C000716P | Valve | |
| | G582P3 | Diaphragm and Guide Kit | |
| 3 | C000424 | Adapter | |
| 4 | F420403 | Tee | |
| 5 | C001366 | Flange and Nipple Assembly | |
| 6 | F420502 | Street Elbow | 3 required |
| 7 | F420107 | Nipple | |
| 8 | F8322909P | Valve | Replaces F381700P Valve; Includes F8514701 Coil |
| 9 | F421951 | Hose Barb | |
| 10 | F380986P | DIN Coil | 120 Volt |
| | F380987P | DIN Coil | 240 Volt |

Auxiliary Plumbing Assembly with Valve

Models CPC140H, CPC140M, IPH140H, IPH140M and IPH640
Models Through 7/1/06



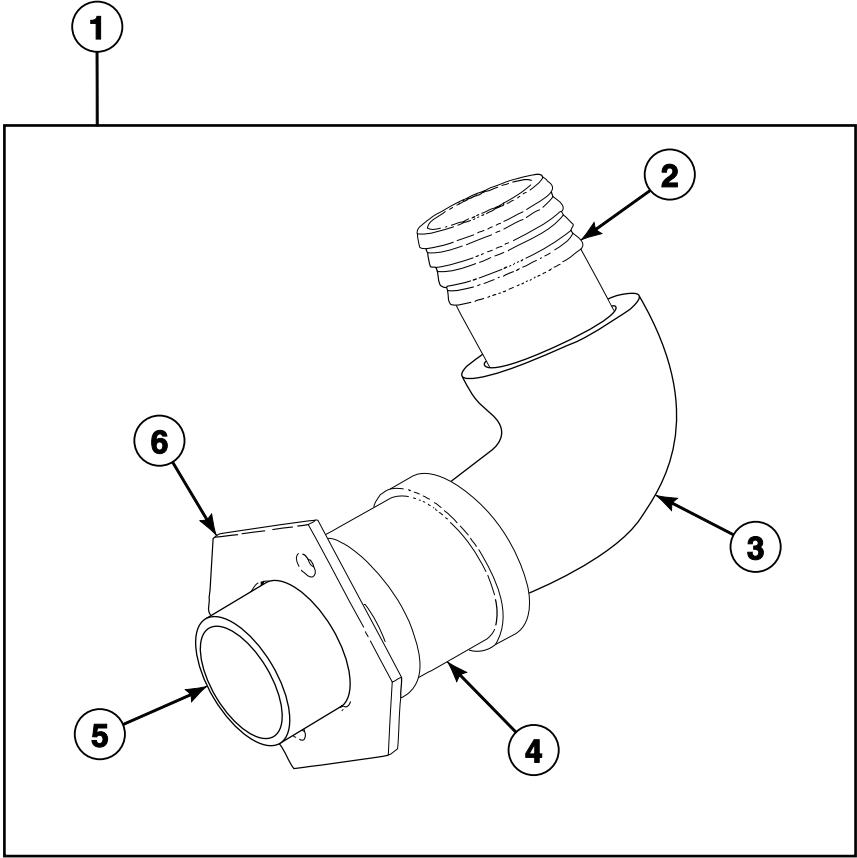
PHM2889P_C002923

Auxiliary Plumbing Assembly with Valve

| REF | PART NO. | DESCRIPTION | COMMENTS |
|-----|----------|-----------------------------|--|
| | C001011 | Hose | 37 inch; Auxiliary water valve to vacuum breaker |
| 1 | C000899 | Hose Barb | |
| 2 | C000339P | Water Valve | |
| 3 | C001144 | Nipple | |
| 4 | C001143 | Coupling | |
| 5 | C000892 | Mounting Bracket | |
| 6 | C000896 | Nipple | |
| 7 | C000893 | Street Elbow | |
| 8 | C001145 | Auxiliary Plumbing Assembly | |

Auxiliary Plumbing Assembly without Valve (Drawing 1 of 2)

Models CPC140H, CPC140M, IPH140H, IPH140M and IPH640
Models Starting 3/23/04 Through 7/1/06



PHM2888P_C002923

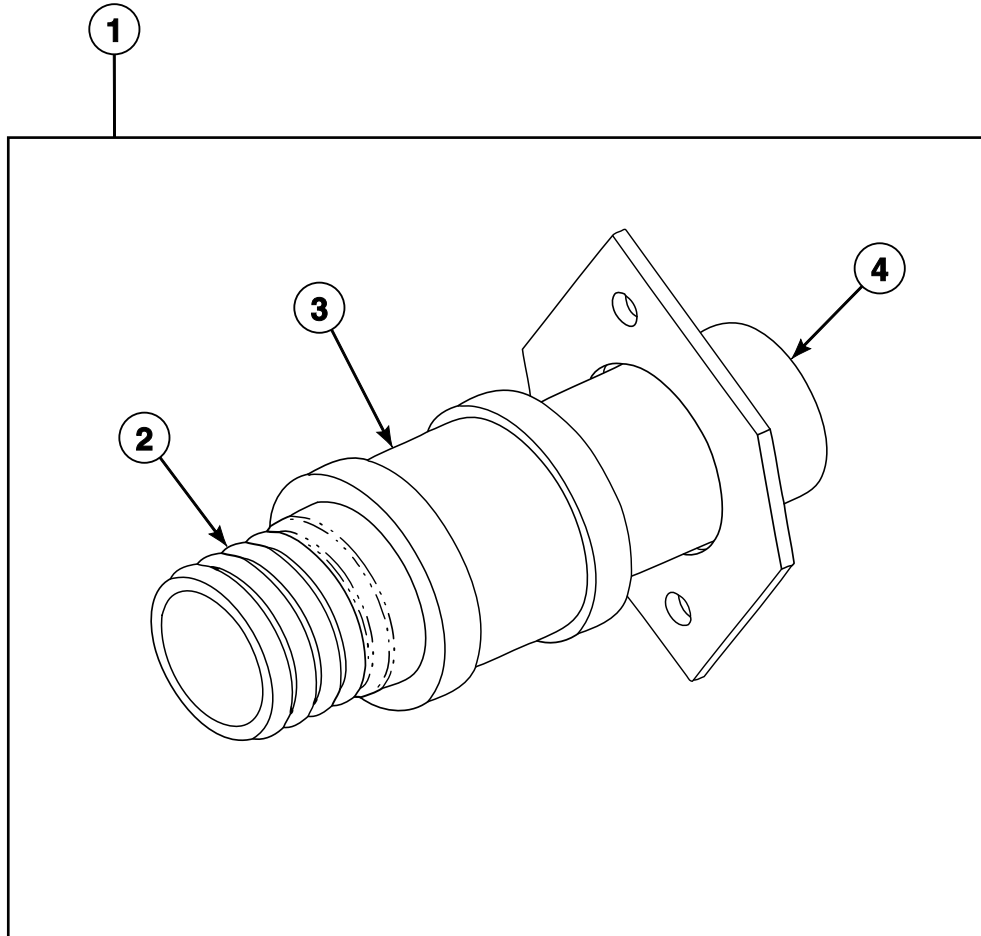
Auxiliary Plumbing Assembly without Valve (Drawing 1 of 2)

| REF | PART NO. | DESCRIPTION | COMMENTS |
|-----|----------|-----------------------------|--|
| | C001011 | Hose | 37 inch; Auxiliary water valve to vacuum breaker |
| 1 | C001273 | Auxiliary Plumbing Assembly | |
| 2 | C000899 | Hose Barb | |
| 3 | C000893 | Street Elbow | |
| 4 | C001143 | Coupling | |
| 5 | C000896 | Nipple | |
| 6 | C000892 | Mounting Bracket | |

Auxiliary Plumbing Assembly without Valve (Drawing 2 of 2)

Models CPC140H, CPC140M, CP140PHN1, CP140PHQ1, CP140PMN1, CP140PMQ1, IPH140H, IPH140M, IPH640, IP140PHN1, IP140PHQ1, IP140PMN1, IP140PMQ1, JP140PHN1, JP140PHQ1 and JP140PMQ1

Models Starting 7/1/06



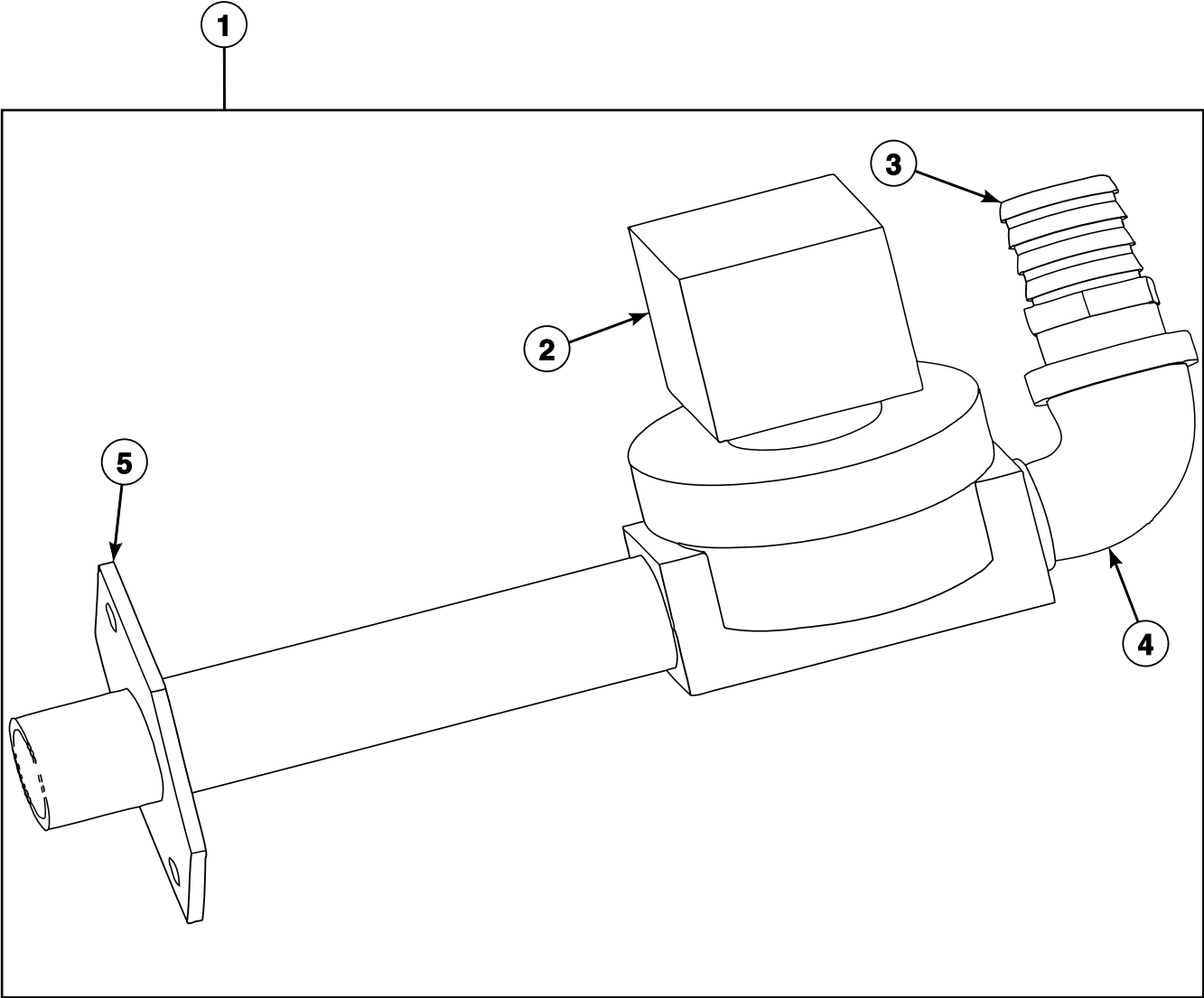
PHM2805P_C002923

Auxiliary Plumbing Assembly without Valve (Drawing 2 of 2)

| REF | PART NO. | DESCRIPTION | COMMENTS |
|-----|----------|-----------------------------|--|
| | C001011 | Hose | 37 inch; Auxiliary water valve to vacuum breaker |
| 1 | C002397 | Auxiliary Plumbing Assembly | |
| 2 | C000899 | Hose Barb | |
| 3 | C001143 | Coupling | |
| 4 | C002164 | Mounting Flange Weldment | |

Hot and Auxiliary Plumbing Assembly with Valve (Drawing 1 of 2)

Models CPC125H, CP125PHN1, CP125PHN2, CP125PHQ1, CP125PHQ2, IPH125H, IPH570, IP125PHN1, IP125PHN2, IP125PHQ1, IP125PHQ2, JP125PHN1 and JP125PHN2



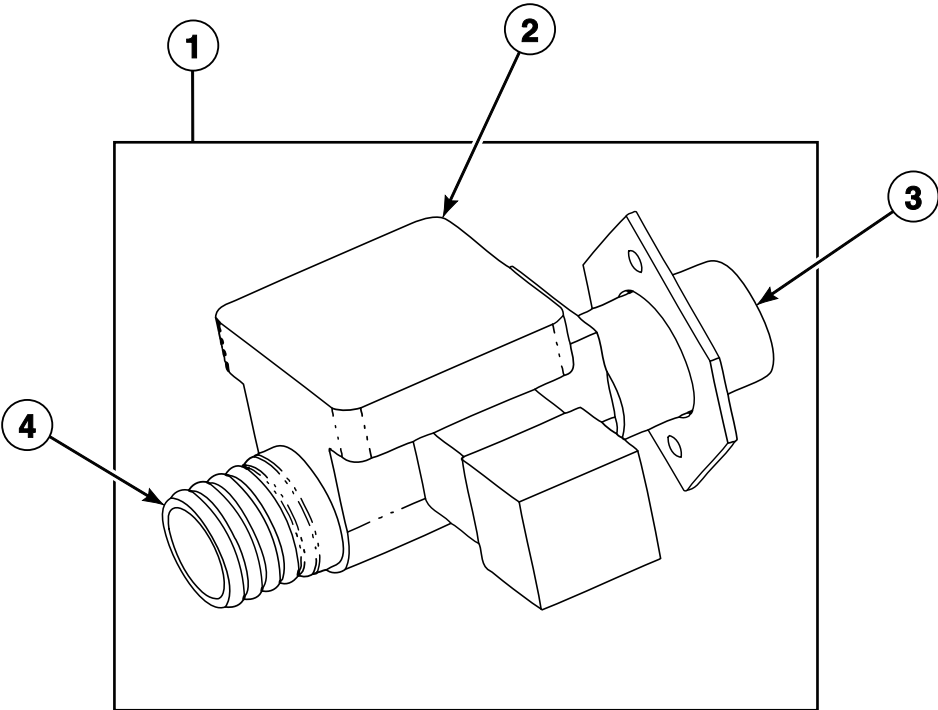
PHM2739P_C002923

Hot and Auxiliary Plumbing Assembly with Valve (Drawing 1 of 2)

| REF | PART NO. | DESCRIPTION | COMMENTS |
|----------|-----------|----------------------------|---|
| | C000552 | Hose | 21 inch; 1 cup; Hot water valve to vacuum breaker |
| | F200128P | Water Hose | 21 inch; 5 cup; Hot water valve to vacuum breaker |
| | C000567 | Screw | 2 required for hot manifold to valve panel |
| | F431024 | Nut | 2 required for hot manifold to valve panel |
| | F8514701 | Coil | Use with F8322909 Valve |
| | F8382301 | DIN Valve Adapter Kit | Use with F8322909 Valve |
| | F8456202P | Valve Transition Kit | Use with F8322909 Valve |
| 1 | C002565 | Hot Plumbing Assembly | |
| 2 | F8322909P | Valve | Replaces F381700P Valve; Includes F8514701 Coil |
| 3 | F421951 | Hose Barb | |
| 4 | F420502 | Street Elbow | |
| 5 | C001366 | Flange and Nipple Assembly | |

Hot and Auxiliary Plumbing Assembly with Valve (Drawing 2 of 2)

Models CPC140H, CPC140M, CP140PHN1, CP140PHQ1, CP140PMN1, CP140PMQ1, IPH140H, IPH140M, IPH640, IP140PHN1, IP140PHQ1, IP140PMN1, IP140PMQ1, JP140PHN1, JP140PHQ1 and JP140PMQ1
Models Starting 7/1/06

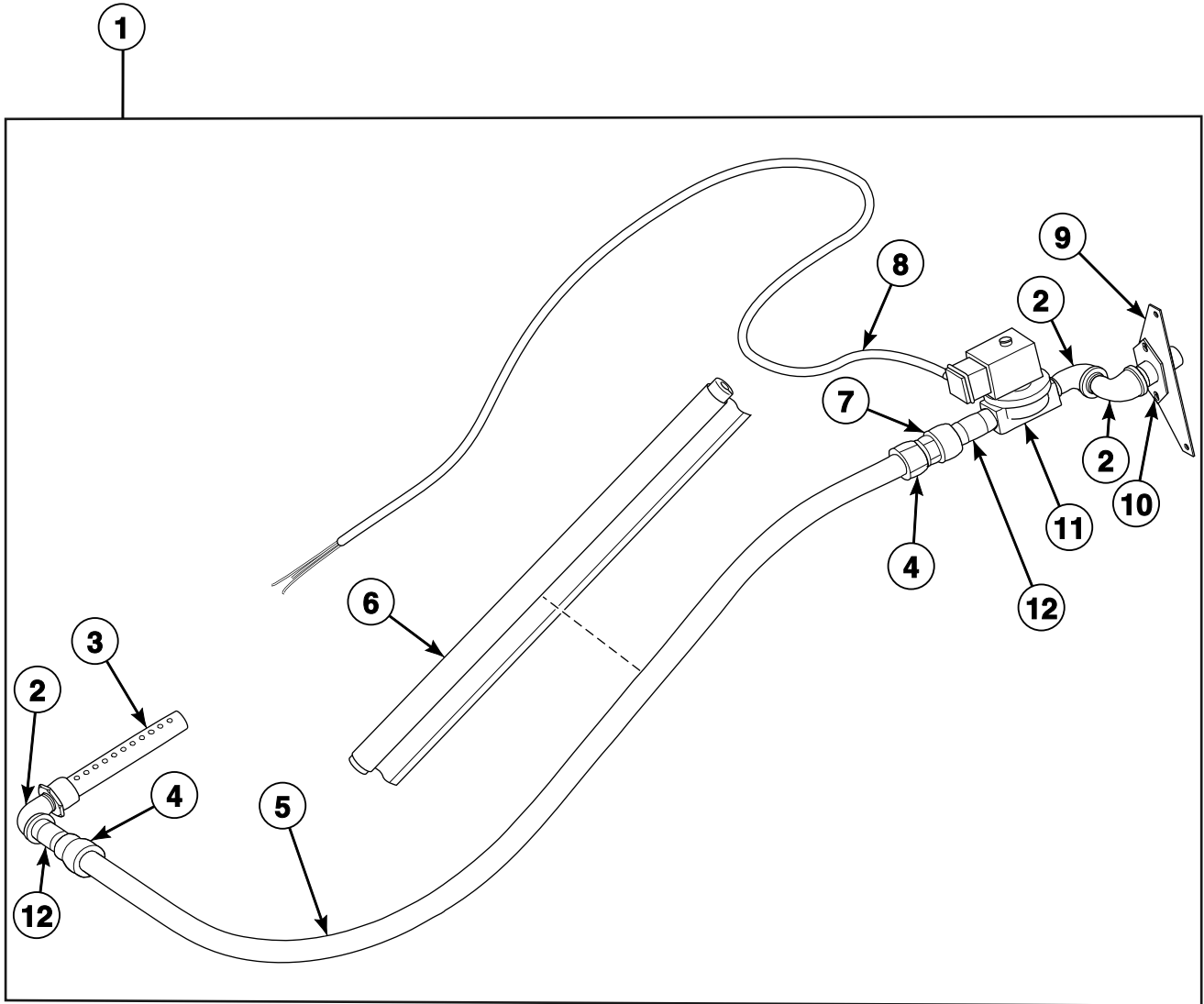


PHM2802P_C002923

Hot and Auxiliary Plumbing Assembly with Valve (Drawing 2 of 2)

| REF | PART NO. | DESCRIPTION | COMMENTS |
|----------|----------|--------------------------|--|
| | C000567 | Screw | 2 required for hot manifold to valve panel |
| | F431024 | Nut | 2 required for hot manifold to valve panel |
| | C001011 | Hose | 43 inch; Hot water valve to vacuum breaker |
| 1 | C002539 | Hot Plumbing Assembly | |
| 2 | C000339P | Water Valve | |
| 3 | C002164 | Mounting Flange Weldment | |
| 4 | C000899 | Hose Barb | |

Steam Heat Assembly



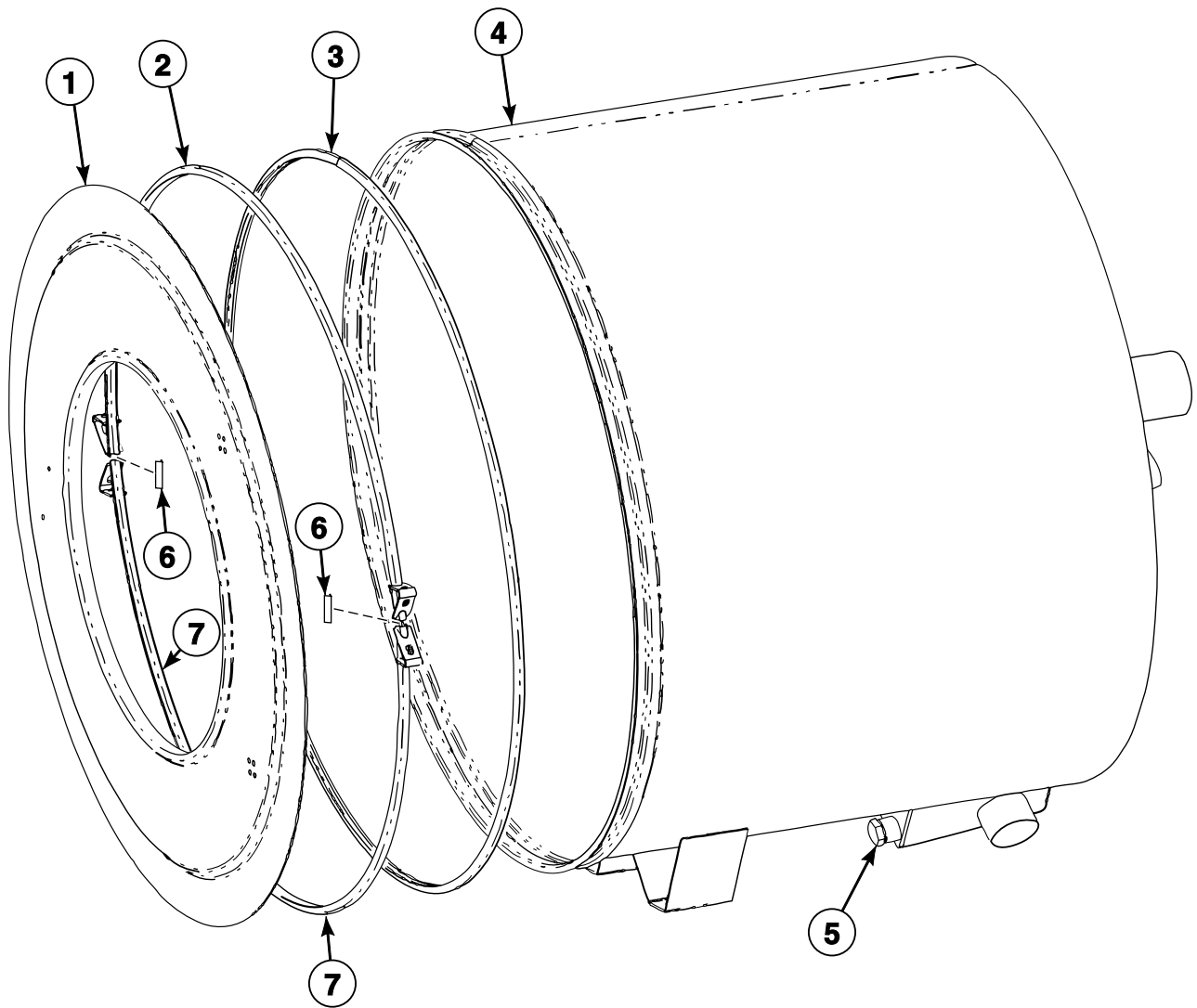
PHM3094P_C002923

Steam Heat Assembly

| REF | PART NO. | DESCRIPTION | COMMENTS |
|-----|-----------|------------------------------|----------|
| 1 | C001000 | Steam Option Assembly | |
| 2 | F421707 | Street Elbow | |
| 3 | F603132 | Steam Injector Tube Assembly | |
| 4 | C000978 | Reducing Coupling | |
| 5 | C000982 | Steam Hose | |
| 6 | C001003 | Steam Hose Insulation | |
| 7 | C001587 | Steam Hose Adapter | |
| 8 | C002748P | Steam Cord Assembly | |
| 9 | C000981 | Steam Valve Mounting Bracket | |
| 10 | C002898 | Steam Inlet Weldment | |
| 11 | F8322904P | Steam Valve | |
| 12 | F421323 | Nipple | |

Shell Assembly (Drawing 1 of 2)

Models CPC140H, CPC140M, CP140PHN1, CP140PHQ1, CP140PMN1, CP140PMQ1, IPH140H, IPH140M, IPH640, IP140PHN1, IP140PHQ1, IP140PMN1, IP140PMQ1, JP140PHN1, JP140PHQ1 and JP140PMQ1



PHM3206P_C002923

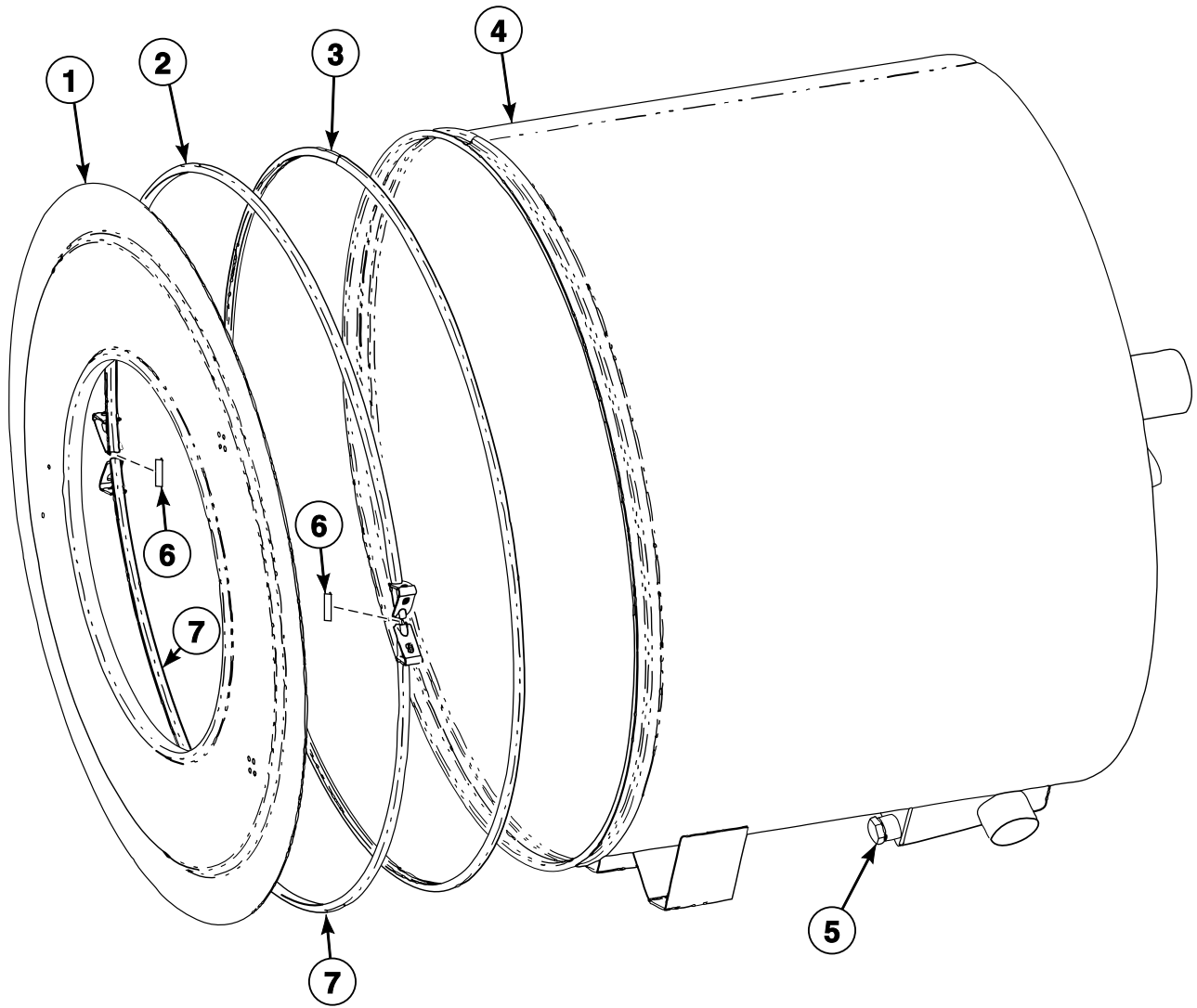
Shell Assembly (Drawing 1 of 2)

| REF | PART NO. | DESCRIPTION | COMMENTS |
|----------|----------|----------------------|--|
| | C001856 | Screw | 2 required; Holds bands together; Models through 3/23/04 |
| | C001907 | Screw | 2 required; Holds bands together; Models starting 3/23/04 |
| | F431024 | Nut | 2 required; Holds bands together; Models through 3/23/04 |
| | C000560 | Nut | 2 required; Holds bands together; Models starting 3/23/04 |
| | C000590 | Washer | As required; Holds bands together; Models through 3/23/04 |
| | J1001270 | Washer | As required; Holds bands together; Models starting 3/23/04 |
| | C000273 | Bolt | 4 required for shell support bracket to frame; 2 required for shell support bracket to shell |
| | C000611 | Nut | 4 required for shell support bracket to frame; 2 required for shell support bracket to shell |
| | C000583 | Washer | 8 required for shell support bracket to frame; 4 required for shell support bracket to shell |
| | C000561 | Bolt | 8 required for shell back to frame; Models through 3/23/04 |
| | C001032 | Screw | 8 required for shell back to frame; Models starting 3/23/04 |
| | C000599 | Vacuum Breaker Hose | Models through 3/23/04, 1 required for brass air trap tube to sensor; Models starting 3/23/04, 1 required for air trap to water level switch |
| | C000654 | Air Trap Tube Elbow | 1 required for shell back plate; Models through 3/23/04 |
| | C000662 | Air Trap Tube | 1 required for air trap tube; Models through 3/23/04 |
| 1 | C002978 | Shell Front Assembly | Models through 12/1/09 |
| | C002943 | Shell Front Assembly | Models starting 12/2/09 |
| 2 | C002730 | Shell Band Weldment | Short |
| 3 | N/A | Shell Front Gasket | Models through 3/23/04 |
| | C001876P | Shell Front Gasket | Models starting 3/23/04 |
| 4 | C000772 | Shell Assembly | |
| 5 | C000781 | Plug | |
| 6 | F601216 | Shell Gasket Shield | |
| 7 | N/A | Shell Front Band | Models through 3/23/04 |
| | C001887 | Shell Band Weldment | Models starting 3/23/04 |

N/A = Part no longer available

Shell Assembly (Drawing 2 of 2)

Models CPC125H, CP125PHN1, CP125PHN2, CP125PHQ1, CP125PHQ2, IPH125H, IPH570, IP125PHN1, IP125PHN2, IP125PHQ1, IP125PHQ2, JP125PHN1 and JP125PHN2



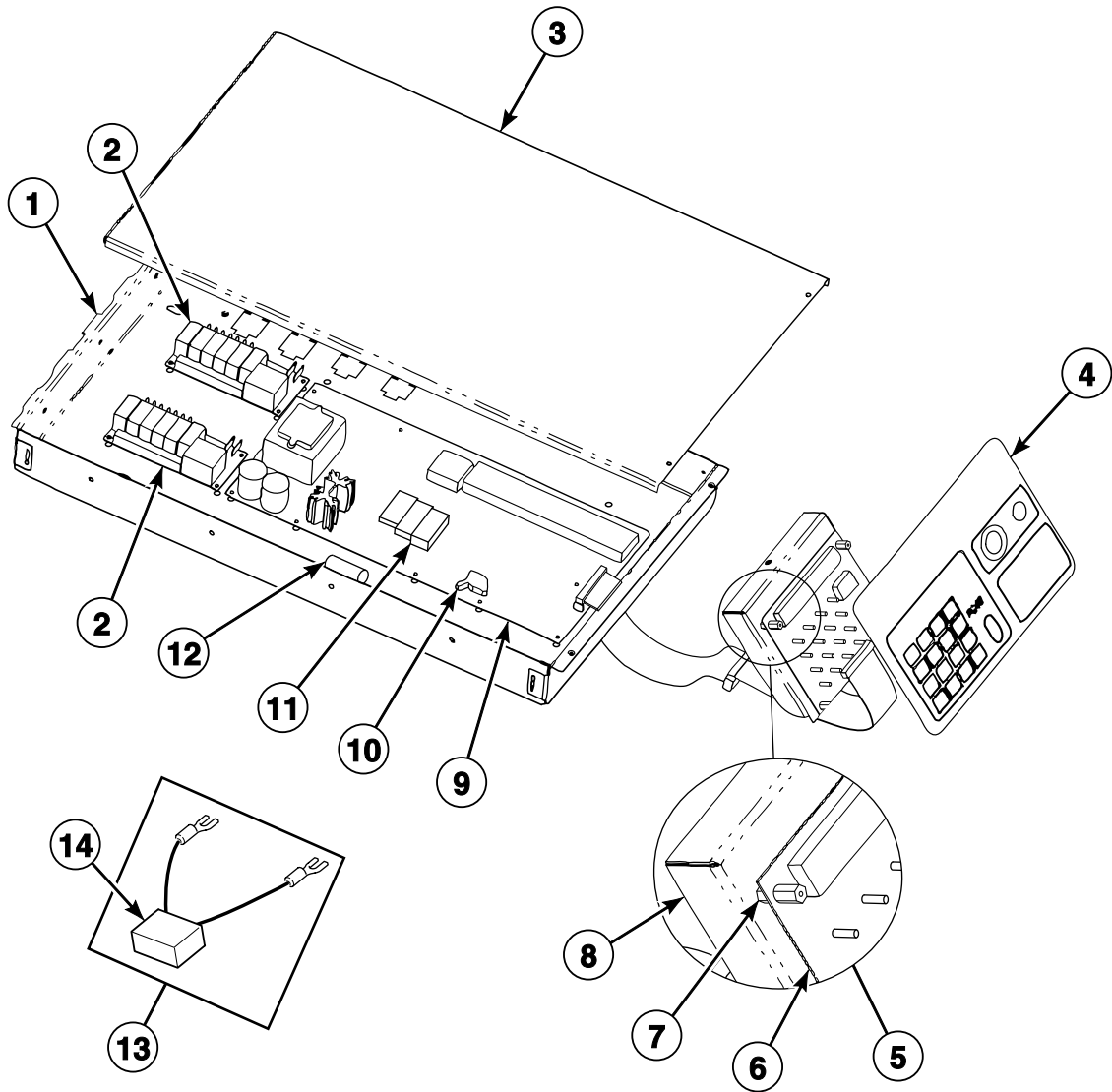
PHM3206P_C002923

Shell Assembly (Drawing 2 of 2)

| REF | PART NO. | DESCRIPTION | COMMENTS |
|----------|----------|----------------------|--|
| | C001856 | Screw | 2 required; Holds bands together |
| | F431024 | Nut | 2 required; Holds bands together |
| | C000590 | Washer | As required; Holds bands together |
| | C000273 | Bolt | 4 required for shell support bracket to frame; 2 required for shell support bracket to shell |
| | C000611 | Nut | 4 required for shell support bracket to frame; 2 required for shell support bracket to shell |
| | C000583 | Washer | 8 required for shell support bracket to frame; 4 required for shell support bracket to shell |
| | C001032 | Screw | 8 required for shell back to frame |
| | C000599 | Vacuum Breaker Hose | 1 required for air trap to water level switch |
| 1 | C002978 | Shell Front Assembly | Models through 12/1/09 |
| | C002943 | Shell Front Assembly | Models starting 12/2/09 |
| 2 | N/A | Shell Front Band | 2 required; Models through 3/23/04 |
| | C001887 | Shell Band Weldment | Models starting 3/23/04 |
| 3 | N/A | Shell Front Gasket | Models through 3/23/04 |
| | C001876P | Shell Front Gasket | Models starting 3/23/04 |
| 4 | C000772 | Shell Assembly | |
| 5 | C000781 | Plug | |
| 6 | F601216 | Shell Gasket Shield | |

N/A = Part no longer available

Control Box Assembly



PHM3104P_C002923

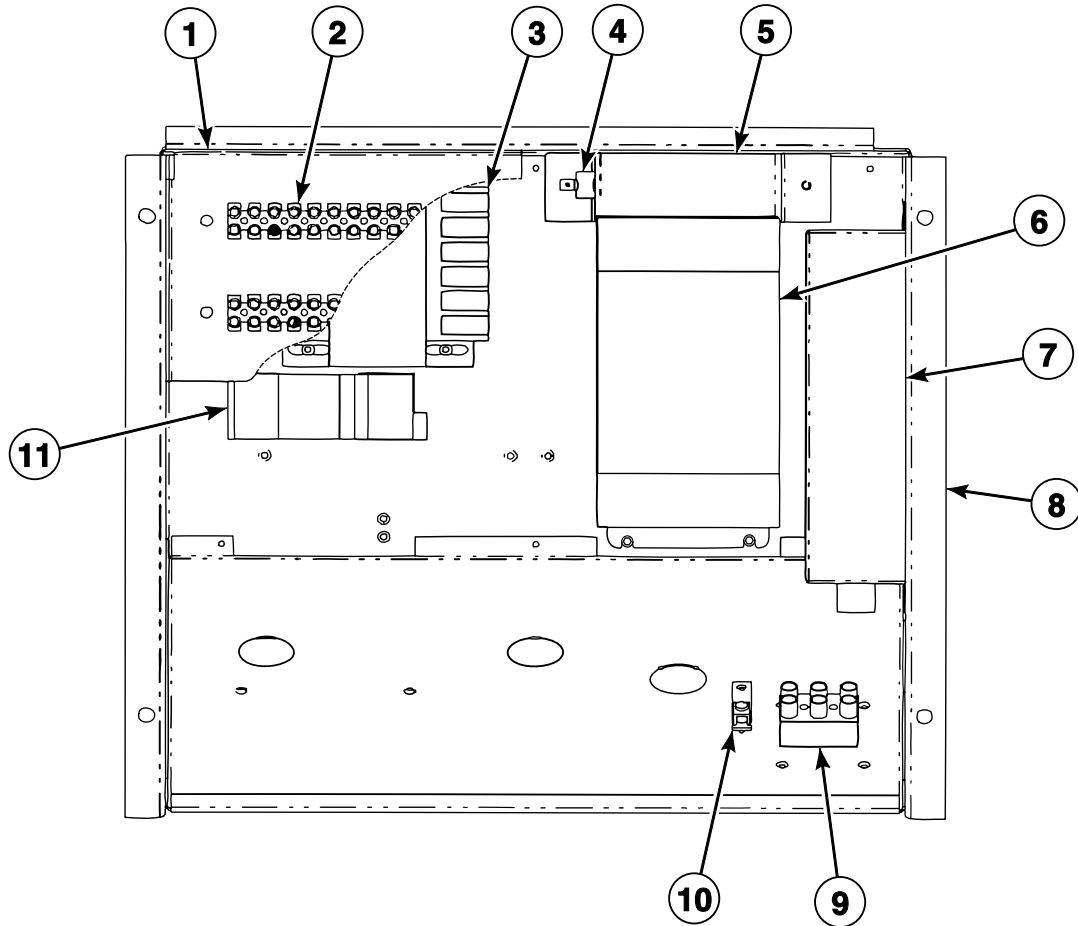
Control Box Assembly

| REF | PART NO. | DESCRIPTION | COMMENTS |
|-----------|--------------|-------------------------------------|--|
| | F431133 | Washer | 4 required; Models starting 3/23/04 |
| | F430910 | Screw | 4 required for keypad to keypad mounting plate |
| | C000567 | Screw | 1 required for keypad mounting plate to control panel; 4 required for electrical box to mounting bracket |
| | F431024 | Nut | 1 required for keypad mounting plate to control panel |
| | C003024P | Keymode Switch Assembly | |
| | F200233700P | Emergency Stop Button Kit | Includes F200233500 E-Stop Pushbutton and F200233401 Contact Block Switch |
| | N/A | Nut | 4 required for electrical box to mounting bracket |
| | C000571 | Washer | 4 required for electrical box to mounting bracket |
| | F430909 | Screw | 2 required for electrical box cover to electrical box; 1 required for ground connection to electrical box for models through 3/23/04; 2 required for ground connection to electrical box for models starting 3/23/04 |
| | 210/00902/00 | Infrared Cable | |
| | C000865 | Control Module Harness | |
| 1 | C000213 | Front Electrical Enclosure | |
| 2 | C000371P | Chemical Supply Controller | 2 required |
| 3 | C000348 | Front Electrical Enclosure Cover | |
| 4 | C001276 | Control Panel Decal | Models IPH125H, IPH140H, IPH140M, IPH570, IPH640, IP125PHN1, IP125PHN2, IP125PHQ1, IP125PHQ2, IP140PHN1, IP140PHQ1, IP140PMN1 and IP140PMQ1 |
| | C001389 | Control Panel Decal | Models CPC125H, CPC140H, CPC140M, CP125PHN1, CP125PHN2, CP125PHQ1, CP125PHQ2, CP140PHN1, CP140PHQ1, CP140PMN1 and CP140PMQ1 |
| | C001069 | Control Panel Decal | Models JP125PHN1, JP125PHN2, JP140PHN1, JP140PHQ1 and JP140PMQ1 |
| 5 | C000432 | Front Electrical Enclosure Assembly | Includes items 6-8, inner mounting bracket and hardware |
| 6 | C000282P | Keypad Controller | |
| 7 | C000376 | Standoff | 8 required |
| 8 | C000375 | Mounting Bracket | |
| 9 | C000281P | Main Board Controller Kit | |
| 10 | C002104P | Water Level Transducer | |
| 11 | 209/00505/04 | Battery | |
| 12 | C002642P | Tilt Switch Assembly | |
| 13 | C002999 | RC Network Assembly | |
| 14 | F330217P | RC Network Filter | |

N/A = Part no longer available

Drive Box Assembly (Drawing 1 of 2)

Models CPC140H, CPC140M, IPH140H, IPH140M and IPH640
Models Through 7/1/06



PHM2745P_C002923

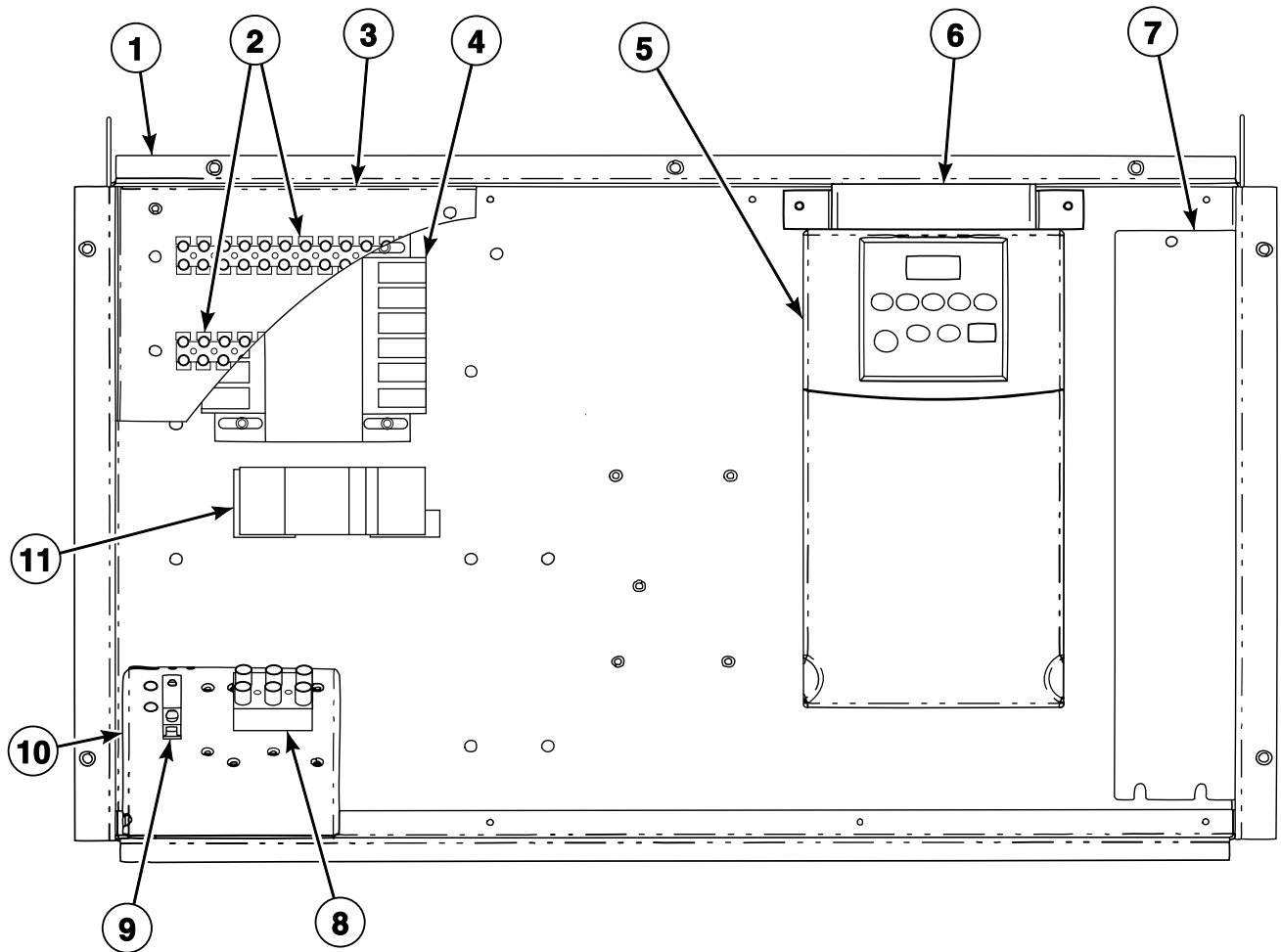
Drive Box Assembly (Drawing 1 of 2)

| REF | PART NO. | DESCRIPTION | COMMENTS |
|-----------|----------|-------------------------|--|
| | C000567 | Screw | 4 required for drive box to valve panel |
| | N/A | Nut | 4 required for drive box to valve panel |
| | C000571 | Washer | 4 required for drive box to valve panel |
| | F430909 | Screw | 2 required for exhaust bracket to box; 4 required for chemical terminal mounting bracket to box; 4 required for AC drive to box; 4 required for EMI filter to box; 4 required for transformer to box; 2 required for ground lug to box |
| | F431133 | Washer | 4 required for AC drive to box; 4 required for EMI filter to box; 4 required for transformer to box |
| | C000575 | Screw | 2 required for input power block to box |
| | F430938 | Screw | 4 required for cooling fan to valve panel; 2 required for chemical signal terminal block to bracket |
| | C000568 | Nut | 4 required for cooling fan to valve panel; 2 required for chemical signal terminal block to bracket |
| | C002779 | Chemical Supply Harness | |
| | C002780 | Chemical Supply Harness | |
| | C002781 | Chemical Supply Harness | |
| | C002570 | Drive Box Harness | |
| 1 | C000373 | Mounting Bracket | |
| 2 | C000370 | Power Block Terminal | 2 required |
| 3 | C000203 | Transformer | |
| 4 | C000318 | Thermostat | |
| 5 | C000324 | Exhaust Bracket | |
| 6 | N/A | Inverter | 200-240 Volt; Models CPC140M, IPH140M and IPH640 order C002884 160-series to PowerFlex 40 Drive Kit; Models CPC140H and IPH140H order C002886 160-series to PowerFlex 40 Drive Kit |
| | N/A | Inverter | 380-480 Volt; Models CPC140M, IPH140M and IPH640 order C002885 160-series to PowerFlex 40 Drive Kit; Models CPC140H and IPH140H order C002887 160-series to PowerFlex 40 Drive Kit |
| 7 | F330284 | EMI Filter | 200-240 Volt; CE models |
| | F330283 | EMI Filter | 380-480 Volt; CE models |
| 8 | C001050 | Drive Box Assembly | |
| 9 | C000290 | Power Block Terminal | |
| 10 | N/A | Ground Lug Terminal | |
| 11 | N/A | Circuit Breaker | Design 1 models; 2 Amp; 200-240 Volt; Order C0978P3 Circuit Breaker Kit |
| | N/A | Circuit Breaker | Design 1 models; 1 Amp; 380-480 Volt; Order C0977P3 Circuit Breaker Kit |
| | C0977P3 | Circuit Breaker Kit | 380-480 Volt; Includes F350217 Circuit Breaker |
| | C0978P3 | Circuit Breaker Kit | 200-240 Volt; Included C003135 Circuit Breaker |
| | F350217 | Circuit Breaker | Design 2 models or models that have been retrofitted with C0977P3 Circuit Breaker Kit; .5 Amp; 380-480 Volt |
| | C003135P | Circuit Breaker | Design 2 models or models that have been retrofitted with C0978P3 Circuit Breaker Kit; 1 Amp; 200-240 Volt |

N/A = Part no longer available

Drive Box Assembly (Drawing 2 of 2)

Models Starting 7/1/06



PHM2831P_C002923

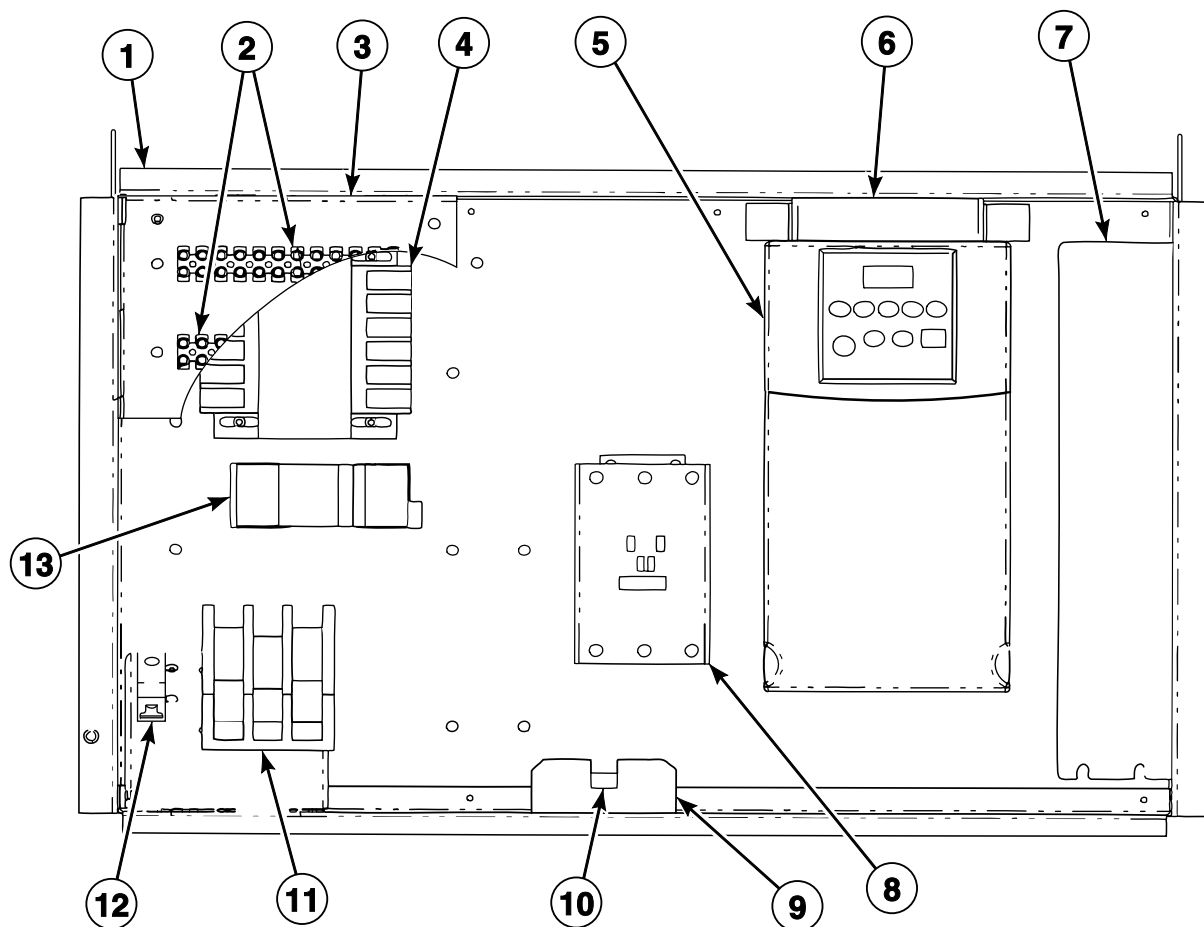
Drive Box Assembly (Drawing 2 of 2)

| REF | PART NO. | DESCRIPTION | COMMENTS |
|-----------|----------|-------------------------|--|
| | C000567 | Screw | 4 required for drive box to valve panel |
| | N/A | Nut | 4 required for drive box to valve panel |
| | C000571 | Washer | 4 required for drive box to valve panel |
| | F430909 | Screw | 2 required for exhaust bracket to box; 3 required for chemical terminal mounting bracket to box; 4 required for AC drive to box; 4 required for EMI filter to box; 4 required for transformer to box; 2 required for ground lug to box |
| | F431133 | Washer | 4 required for AC drive to box |
| | C000575 | Screw | 2 required for input power block to box |
| | F430938 | Screw | 4 required for cooling fan to valve panel; 2 required for chemical signal terminal block to bracket |
| | C000568 | Nut | 4 required for cooling fan to valve panel; 2 required for chemical signal terminal block to bracket |
| | C002779 | Chemical Supply Harness | Control box barrier to supply terminal block |
| | C002780 | Chemical Supply Harness | Chemical supply board to control box barrier |
| | C002781 | Chemical Supply Harness | Main control board to chemical supply board |
| | F140602 | Tie Wrap Mounting Clamp | |
| | C002570 | Drive Box Harness | |
| 1 | C002524 | Drive Box Assembly | |
| 2 | C000370 | Power Block Terminal | 2 required if 12 chemical machine |
| 3 | C000373 | Mounting Bracket | |
| 4 | C000203 | Transformer | |
| 5 | C002892 | PowerFlex 40 Drive | 200-240 Volt; Models CPC140H, CPC140M, CP140PHN1, CP140PHQ1, CP140PMN1, CP140PMQ1, IPH140H, IPH140M, IPH640, IP140PHN1, IP140PHQ1, IP140PMN1, IP140PMQ1, JP140PHN1, JP140PHQ1 and JP140PMQ1 |
| | N/A | Inverter | 200-240 Volt; Models CPC125H, CP125PHN1, CP125PHQ1, IPH125H, IPH570, IP125PHN1, IP125PHQ1 and JP125PHN1; Order C003150 PowerFlex 40 Drive Kit |
| | C002893 | PowerFlex 40 Drive | 380-480 Volt; Models CPC140H, CPC140M, CP140PHN1, CP140PHQ1, CP140PMN1, CP140PMQ1, IPH140H, IPH140M, IPH640, IP140PHN1, IP140PHQ1, IP140PMN1, IP140PMQ1, JP140PHN1, JP140PHQ1 and JP140PMQ1 |
| | N/A | Inverter | 380-480 Volt; Models CPC125H, CP125PHN1, CP125PHQ1, IPH125H, IPH570, IP125PHN1, IP125PHQ1 and JP125PHN1; Order C003152 PowerFlex 40 Drive Kit |
| 6 | C002526 | Exhaust Bracket | |
| 7 | F8054001 | EMI Filter | 200-240 Volt; CE models |
| | F8054002 | EMI Filter | 380-480 Volt; CE models |
| 8 | C000290 | Power Block Terminal | |
| 9 | C001803 | Ground Terminal Lug | |
| 10 | C001132 | Terminal Bracket | |
| 11 | N/A | Circuit Breaker | Design 1 models; 2 Amp; 200-240 Volt; Order C0978P3 Circuit Breaker Kit |
| | N/A | Circuit Breaker | Design 1 models; 1 Amp; 380-480 Volt; Order C0977P3 Circuit Breaker Kit |
| | C0977P3 | Circuit Breaker Kit | 380-480 Volt; Includes F350217 Circuit Breaker |
| | C0978P3 | Circuit Breaker Kit | 200-240 Volt; Included C003135 Circuit Breaker |
| | F350217 | Circuit Breaker | Design 2 models or models that have been retrofitted with C0977P3 Circuit Breaker Kit; .5 Amp; 380-480 Volt |
| | C003135P | Circuit Breaker | Design 2 models or models that have been retrofitted with C0978P3 Circuit Breaker Kit; 1 Amp; 200-240 Volt |

N/A = Part no longer available

Electric Heat Drive Box Assembly

Models CPC140H, CPC140M, IPH140H, IPH140M and IPH640
Models Starting 7/1/06



PHM2843P_C002923

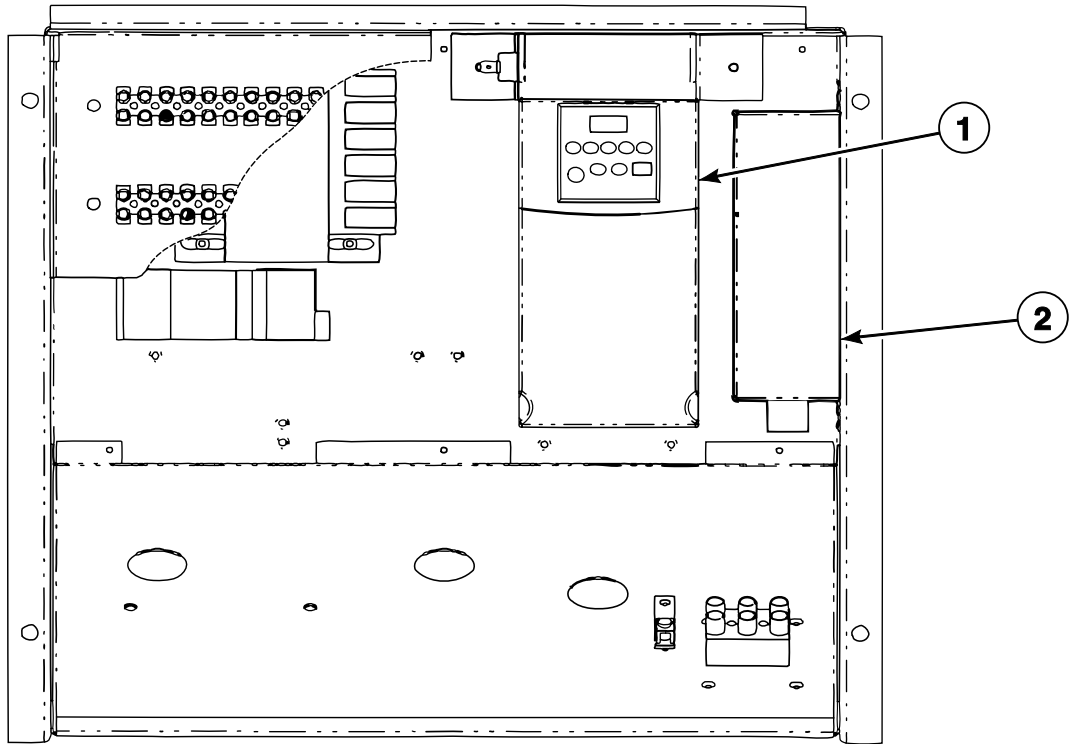
Electric Heat Drive Box Assembly

| REF | PART NO. | DESCRIPTION | COMMENTS |
|-----------|----------|-------------------------|--|
| | C000567 | Screw | 4 required for drive box to valve panel |
| | N/A | Nut | 4 required for drive box to valve panel |
| | C000571 | Washer | 4 required for drive box to valve panel |
| | F430909 | Screw | 2 required for exhaust bracket to box; 3 required for chemical terminal mounting bracket to box; 4 required for AC drive to box; 4 required for EMI filter to box; 4 required for transformer to box; 2 required for ground lug to box |
| | F431133 | Washer | 4 required for AC drive to box |
| | C000575 | Screw | 2 required for input power block to box |
| | F430938 | Screw | 4 required for cooling fan to valve panel; 2 required for chemical signal terminal block to bracket |
| | C000568 | Nut | 4 required for cooling fan to valve panel; 2 required for chemical signal terminal block to bracket |
| | C002779 | Chemical Supply Harness | Use with 12 chemical signal |
| | C002780 | Chemical Supply Harness | Use with 12 chemical signal |
| | C002781 | Chemical Supply Harness | Use with 12 chemical signal |
| | C002570 | Drive Box Harness | |
| | C002830 | Electric Heat Harness | 400 Volt |
| | C002831P | Electric Heat Harness | 200 Volt |
| | C002758 | Electric Heat Harness | 200-240 Volt |
| 1 | C002524 | Drive Box Assembly | |
| 2 | C000370 | Power Block Terminal | 2 required if 12 chemical signal machine |
| 3 | C000373 | Mounting Bracket | |
| 4 | C000203 | Transformer | |
| 5 | C002892 | PowerFlex 40 Drive | 200-240 Volt |
| | C002893 | PowerFlex 40 Drive | 380-480 Volt |
| 6 | C002526 | Exhaust Bracket | |
| 7 | F8054001 | EMI Filter | 200-240 Volt; CE models |
| | F8054002 | EMI Filter | 380-480 Volt; CE models |
| 8 | C002051 | Contactor | 200 Volt |
| | C000309P | Contactor | 400 Volt |
| 9 | C001197 | Fuse Holder | |
| 10 | C002096 | Fuse | 200 Volt |
| | C001195 | Fuse | 400 Volt |
| 11 | M413865 | Terminal Block | |
| 12 | N/A | Ground Lug | |
| 13 | N/A | Circuit Breaker | Design 1 models; 2 Amp; 200-240 Volt; Order C0978P3 Circuit Breaker Kit |
| | N/A | Circuit Breaker | Design 1 models; 1 Amp; 380-480 Volt; Order C0977P3 Circuit Breaker Kit |
| | C0977P3 | Circuit Breaker Kit | 380-480 Volt; Includes F350217 Circuit Breaker |
| | C0978P3 | Circuit Breaker Kit | 200-240 Volt; Included C003135 Circuit Breaker |
| | F350217 | Circuit Breaker | Design 2 models or models that have been retrofitted with C0977P3 Circuit Breaker Kit; .5 Amp; 380-480 Volt |
| | C003135P | Circuit Breaker | Design 2 models or models that have been retrofitted with C0978P3 Circuit Breaker Kit; 1 Amp; 200-240 Volt |

N/A = Part no longer available

PowerFlex Drive and EMI Filter (Drawing 1 of 2)

Models CPC140H, CPC140M, IPH140H, IPH140M and IPH640



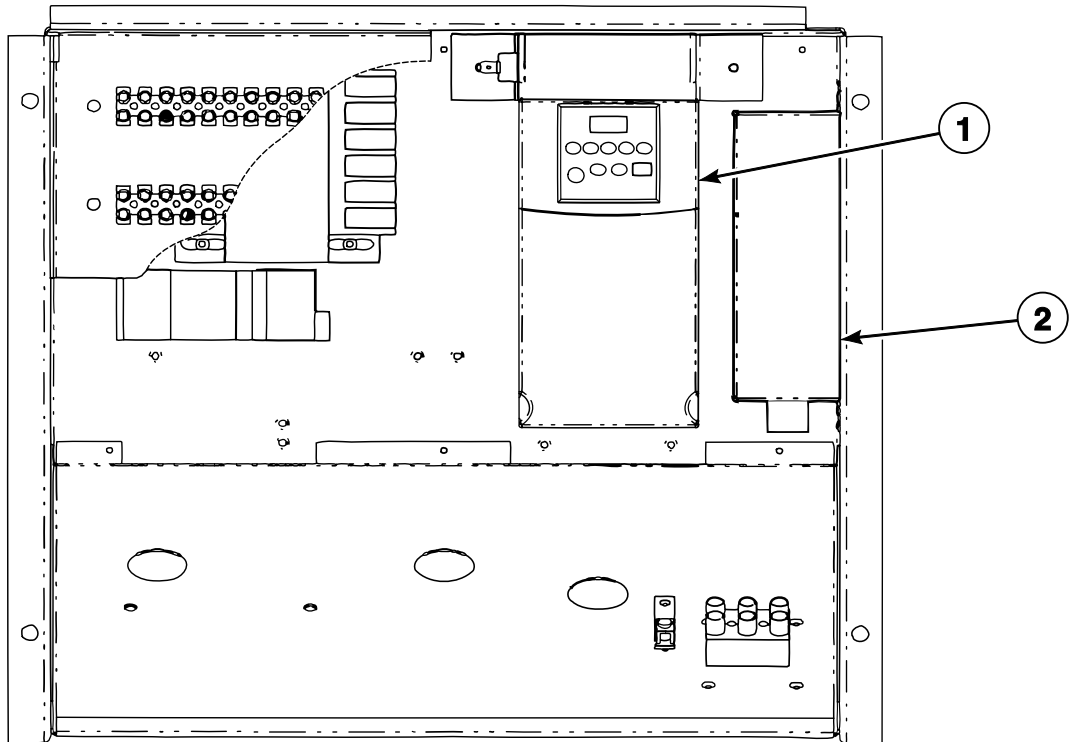
PHM3028P_C002923

PowerFlex Drive and EMI Filter (Drawing 1 of 2)

| REF | PART NO. | DESCRIPTION | COMMENTS |
|----------|----------|--------------------------------------|---|
| | C002884 | 160-Series to PowerFlex 40 Drive Kit | 200-240 Volt; Models CPC140M, IPH140M and IPH640; Includes F8168701 AC Drive, drive box assembly, wire harness, hardware and instructions |
| | C002885 | 160-Series to PowerFlex 40 Drive Kit | 380-480 Volt; Models CPC140M, IPH140M and IPH640; Includes F8168702 AC Drive, drive box assembly, wire harness, hardware and instructions |
| | C002886 | 160-Series to PowerFlex 40 Drive Kit | 200-240 Volt; Models CPC140H and IPH140H; Includes F8168701 AC Drive, drive box assembly, wire harness, hardware and instructions |
| | C002887 | 160-Series to PowerFlex 40 Drive Kit | 380-480 Volt; Models CPC140H and IPH140H; Includes F8168702 AC Drive, drive box assembly, wire harness, hardware and instructions |
| 1 | C002890 | PowerFlex 40 Drive | 200-240 Volt; Models CPC140M, IPH140M and IPH640 that have been retrofitted with C002884 160-series to PowerFlex 40 Drive Kit; Includes F8168701 AC Drive |
| | C002891 | PowerFlex 40 Drive | 380-480 Volt; Models CPC140M, IPH140M and IPH640 that have been retrofitted with C002885 160-series to PowerFlex 40 Drive Kit; Includes F8168702 AC Drive |
| | C002892 | PowerFlex 40 Drive | 200-240 Volt; Models CPC140H and IPH140H that have been retrofitted with C002886 160-series to PowerFlex 40 Drive Kit; Includes F8168701 AC Drive |
| | C002893 | PowerFlex 40 Drive | 380-480 Volt; Models CPC140H and IPH140H that have been retrofitted with C002887 160-series to PowerFlex 40 Drive Kit; Includes F8168702 AC Drive |
| 2 | F8054001 | EMI Filter | 200-240 Volt |
| | F8054002 | EMI Filter | 380-480 Volt |

PowerFlex Drive and EMI Filter (Drawing 2 of 2)

Models CPC125H, CP125PHN1, CP125PHN2, CP125PHQ1, CP125PHQ2, IPH125H, IPH570, IP125PHN1, IP125PHN2, IP125PHQ1, IP125PHQ2, JP125PHN1 and JP125PHN2



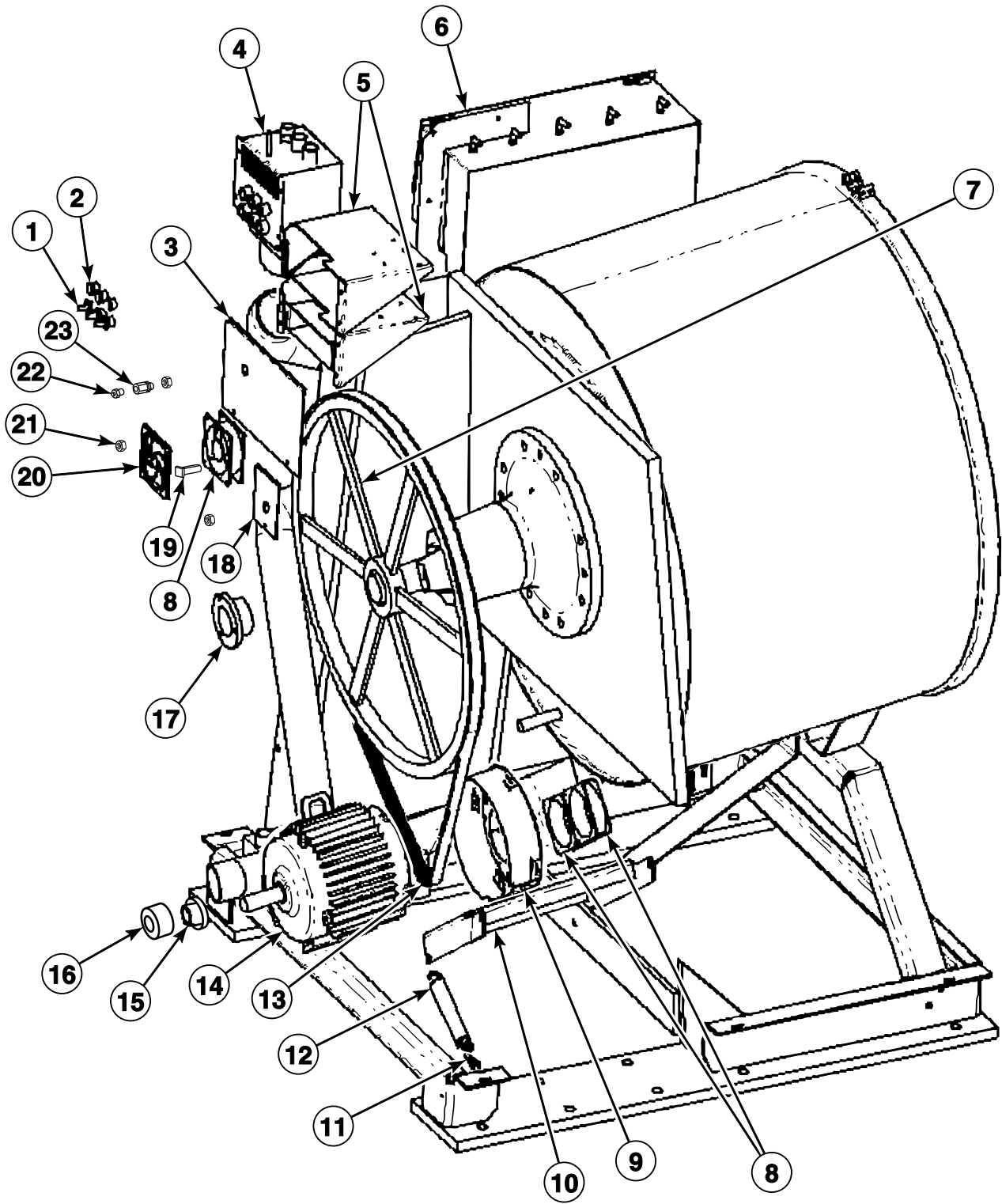
PHM3028P_C002923

PowerFlex Drive and EMI Filter (Drawing 2 of 2)

| REF | PART NO. | DESCRIPTION | COMMENTS |
|----------|----------|------------------------|---|
| | C003150 | PowerFlex 40 Drive Kit | 200-240 Volt; Design 1 and 2; Includes F8168703 AC Drive |
| | C003152 | PowerFlex 40 Drive Kit | 380-480 Volt; Design 1 and 2; Includes F8168704 AC Drive |
| 1 | C003149 | PowerFlex 40 Drive | 200-240 Volt; Design 1 and 2; Models that have been retrofitted with C003150 PowerFlex 40 Drive Kit; Includes F8168703 AC Drive |
| | C003151 | PowerFlex 40 Drive | 380-480 Volt; Design 1 and 2; Models that have been retrofitted with C003152 PowerFlex 40 Drive Kit; Includes F8168704 AC Drive |
| 2 | F8054001 | EMI Filter | 200-240 Volt |
| | F8054002 | EMI Filter | 380-480 Volt |

Main Assembly (Drawing 1 of 10)

Models CPC140H and IPH140H
Models Through 3/23/04



PHM2846P_C002923

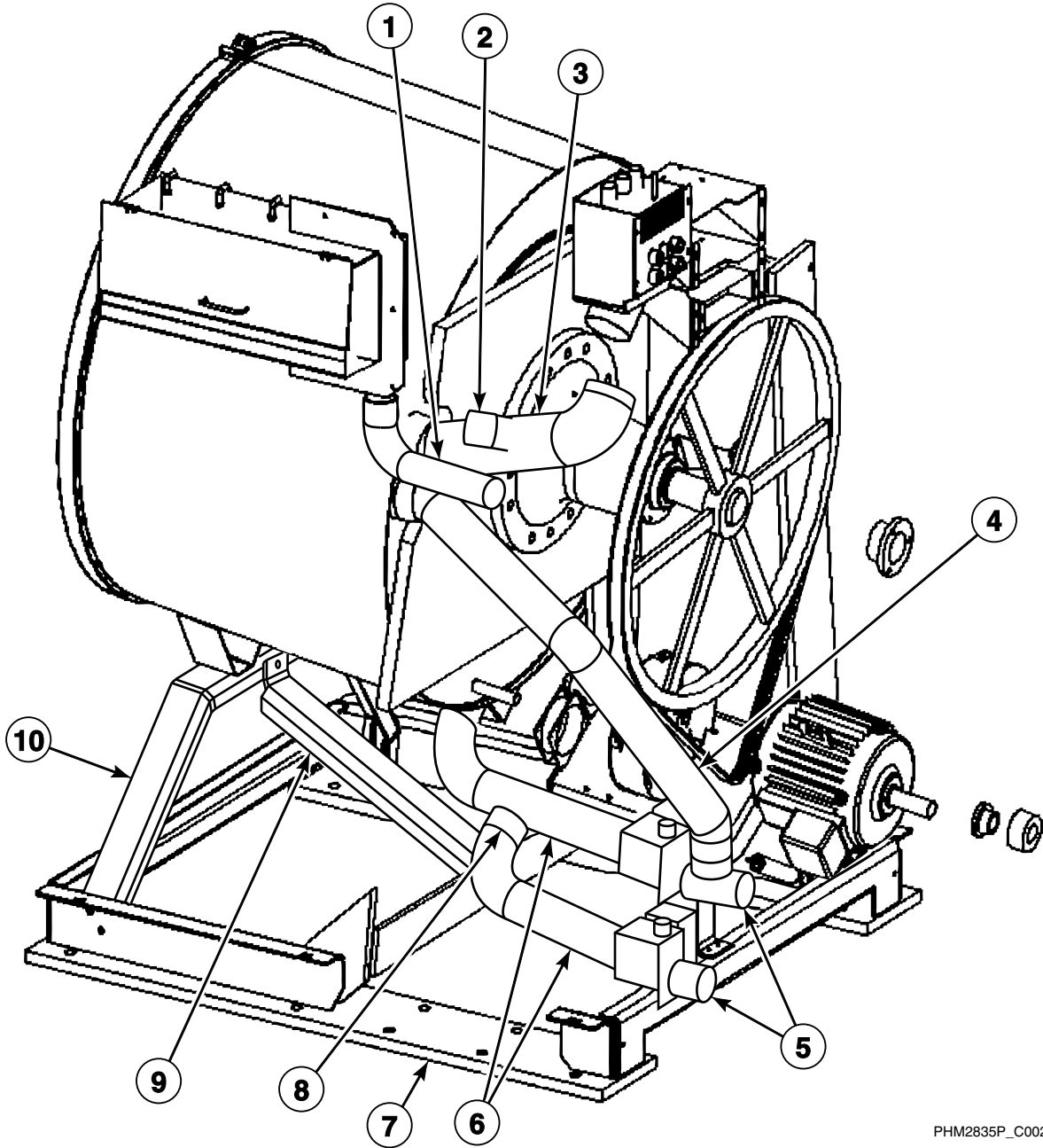
Main Assembly (Drawing 1 of 10)

| REF | PART NO. | DESCRIPTION | COMMENTS |
|-----------|----------|---------------------------------|--|
| | F200222 | Hose Clamp | 4 required for inlet valve to vacuum breaker |
| | 90554 | Hose Clamp | 1 required for air trap |
| | C000552 | Hose | 27 inch; Flush hose for vacuum breaker |
| | F430144 | Screw | 4 required for motor to motor plate |
| | C000556 | Washer | 8 required for motor to motor plate |
| | 803017 | Nut | 4 required for motor to motor plate |
| | F430124 | Screw | 1 required for motor plate to frame |
| | C000612 | Screw | 1 required for motor plate to frame |
| | C000177 | Washer | 1 required for motor plate to frame |
| | C000583 | Washer | 2 required for motor plate to frame |
| | C000567 | Screw | 4 required for vacuum breaker to valve panel |
| | F431024 | Nut | 4 required for vacuum breaker to valve panel |
| | C002424 | Motor Cable | |
| | C003319P | Pulley Alignment Tool | |
| 1 | C000680 | Adapter | 6 required |
| 2 | C000679 | Vacuum Breaker Plug | 6 required |
| 3 | C000173 | Rear Electrical Enclosure Cover | |
| 4 | C000830 | Vacuum Breaker Assembly | |
| 5 | C000891 | Manifold Fill Tray Bracket | 2 required |
| 6 | C000648 | Side Dispenser Assembly | |
| 7 | C000685 | Cylinder Pulley | |
| 8 | C000211 | Fan | 3 required |
| 9 | C001200 | Dual Shroud Assembly | |
| 10 | C000766 | Motor Bracket | |
| 11 | C000995 | Spring Clip | |
| 12 | N/A | Belt Tension Spring | |
| 13 | N/A | Belt | |
| 14 | C000206P | Motor | |
| 15 | C000717 | Motor Bushing | |
| 16 | C000884P | Motor Pulley | |
| 17 | C000841 | Bushing | |
| 18 | N/A | Inlet Power Cover | |
| 19 | C000317 | Circuit Breaker | |
| 20 | C000210 | Fan Filter Guard Assembly | |
| 21 | F140527 | Plug | 3 required |
| 22 | N/A | Grease Fitting | 2 required |
| 23 | N/A | Grease Coupling | 2 required |

N/A = Part no longer available

Main Assembly (Drawing 2 of 10)

Models CPC140H and IPH140H
Models Through 3/23/04



PHM2835P_C002923

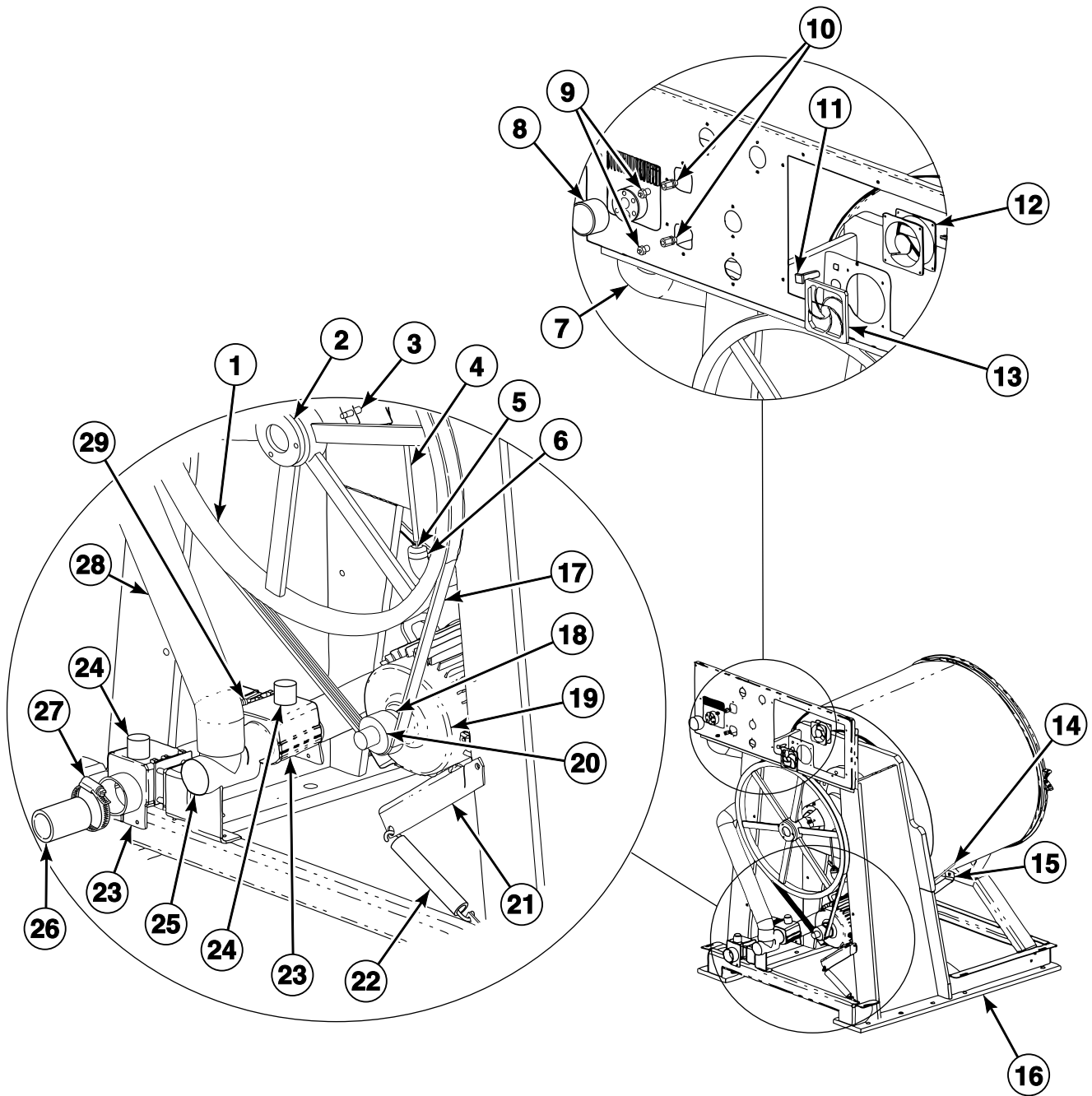
Main Assembly (Drawing 2 of 10)

| REF | PART NO. | DESCRIPTION | COMMENTS |
|-----------|--------------|-----------------------------|--|
| | C002636 | Temperature Probe Assembly | |
| | 225/10004/00 | Thermostat Grommet | |
| | F430935 | Screw | 2 required for drain valve to drain valve mounting bracket |
| | F431024 | Nut | 2 required for drain valve to drain valve mounting bracket |
| | C000585 | Washer | 2 required for drain valve to drain valve mounting bracket |
| | F200213 | Hose Clamp | 4 required for overflow hose |
| | F200201 | Hose Clamp | 4 required for drain hose |
| | C001029 | Hose Clamp | 4 required for fill inlet hose |
| | F200165100 | Drain Hose | No. 56 |
| | C002750 | Drain Harness | |
| | C002618P | Double Fan Harness | |
| 1 | C000379 | Supply Dispenser Hose | |
| 2 | C000972 | Drain Assembly | |
| 3 | C000808 | Water Inlet Hose | |
| 4 | C000807 | Overflow Hose | |
| 5 | C003353 | Drain Valve | 2 required |
| 6 | C000411 | Drain Hose | 2 required |
| 7 | C000759 | Frame Assembly | |
| 8 | N/A | Tee | |
| 9 | C000837 | Shell Support Brace | |
| 10 | C000663 | Lower Shell Support Bracket | |

N/A = Part no longer available

Main Assembly (Drawing 3 of 10)

Models CPC140H, CP140PHN1, CP140PHQ1, IPH140H, IP140PHN1, IP140PHQ1, JP140PHN1 and JP140PHQ1
Models Starting 3/23/04



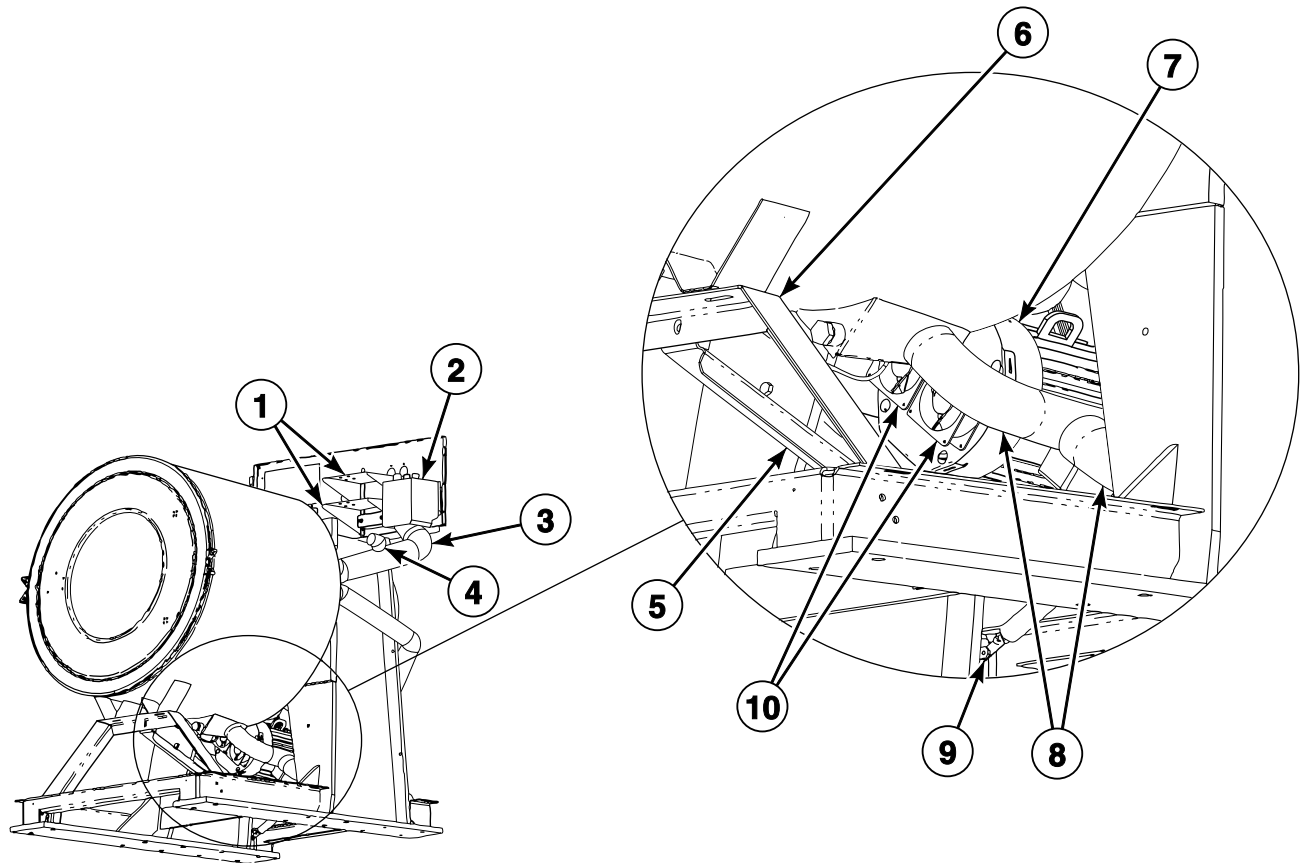
PHM3222P_C002923

Main Assembly (Drawing 3 of 10)

| REF | PART NO. | DESCRIPTION | COMMENTS |
|-----------|--------------|----------------------------|--|
| | F430144 | Screw | 4 required for motor to motor plate |
| | C000556 | Washer | 8 required for motor to motor plate |
| | 803017 | Nut | 4 required for motor to motor plate |
| | JA-51516 | Screw | 1 required for motor plate to frame |
| | C000612 | Screw | 2 required for motor plate to frame |
| | C000177 | Washer | As required for motor plate to frame |
| | C000583 | Washer | 3 required for motor plate to frame |
| | F430935 | Screw | 2 required for drain valve to drain valve mounting bracket |
| | F431024 | Nut | 2 required for drain valve to drain valve mounting bracket |
| | C000585 | Washer | 2 required for drain valve to drain valve mounting bracket |
| | C000571 | Washer | 4 required for drain valve to drain valve mounting bracket |
| | F200213 | Hose Clamp | 4 required for overflow hose |
| | 90554 | Hose Clamp | 1 required for air trap |
| | F200222 | Hose Clamp | 4 required for inlet valve to vacuum breaker |
| | C002750 | Drain Harness | |
| | C002861 | Dual Drain Harness | |
| | C002618P | Double Fan Harness | |
| | C002424 | Motor Cable | |
| | C003295 | Drain T | Models starting 3/6/13; Replaces use of C001649 Reducing Connector |
| | C003319P | Pulley Alignment Tool | |
| 1 | C000685 | Cylinder Pulley | |
| 2 | C000841 | Bushing | |
| 3 | C002637P | Proximity Switch Assembly | |
| 4 | C000599 | Vacuum Breaker Hose | |
| 5 | C000662 | Air Trap Tube | |
| 6 | C000654 | Air Trap Tube Elbow | |
| 7 | C000808 | Water Inlet Hose | |
| 8 | C001772 | Vacuum Breaker Cover | |
| 9 | C000549 | Grease Fitting | 2 required |
| 10 | C001789 | Connector | 2 required |
| 11 | C000317 | Circuit Breaker | |
| 12 | C000211 | Fan | 3 required |
| 13 | C000210 | Fan Filter Guard Assembly | |
| 14 | C002636 | Temperature Probe Assembly | |
| 15 | 225/10004/00 | Thermostat Grommet | |
| 16 | C000759 | Frame Assembly | |
| 17 | C001054P | Belt | |
| 18 | C000717 | Motor Bushing | |
| 19 | C000206P | Motor | |
| 20 | C000884P | Motor Pulley | |
| 21 | C000766 | Motor Bracket | |
| 22 | C001791 | Belt Tension Spring | |
| 23 | C003353 | Drain Valve | 2 required |
| 24 | C001793 | Cap | 2 required |
| 25 | C002070 | Drain Tee Bracket Weldment | |
| 26 | F200165100 | Drain Hose | No. 56 |
| 27 | F200201 | Hose Clamp | No. 56 |
| 28 | C000807 | Overflow Hose | |
| 29 | C001649 | Reducing Connector | |

Main Assembly (Drawing 4 of 10)

Models CPC140H, CP140PHN1, CP140PHQ1, IPH140H, IP140PHN1, IP140PHQ1, JP140PHN1 and JP140PHQ1
Models Starting 3/23/04



PHM2834P_C002923

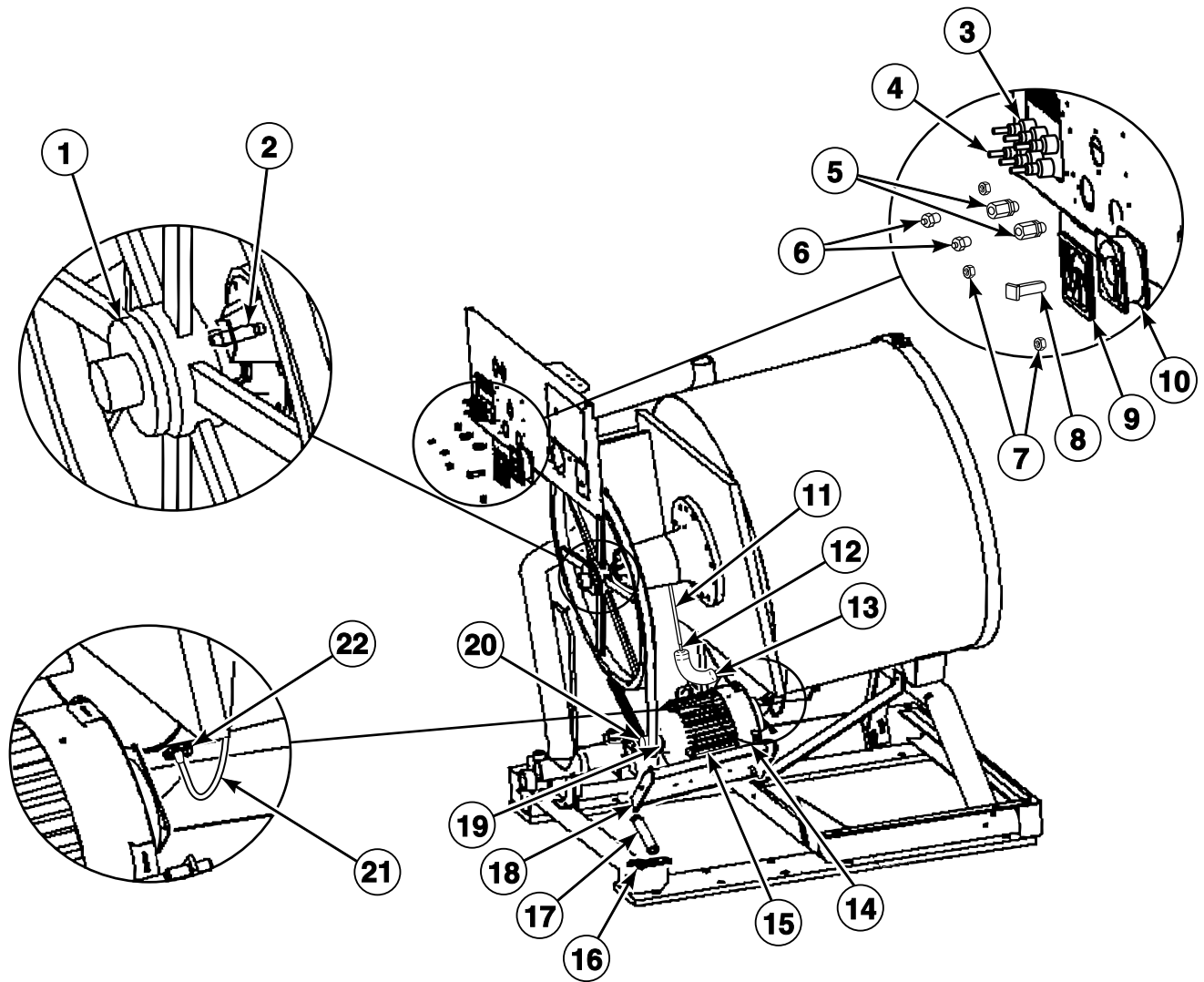
Main Assembly (Drawing 4 of 10)

| REF | PART NO. | DESCRIPTION | COMMENTS |
|-----------|----------|-----------------------------|--|
| | C000567 | Screw | 4 required for vacuum breaker to valve panel |
| | N/A | Nut | 4 required for vacuum breaker to valve panel |
| | F200201 | Hose Clamp | 4 required for drain hose |
| | C001029 | Hose Clamp | 4 required for fill inlet hose |
| | C000552 | Hose | 27 inch; Flush hose for vacuum breaker |
| 1 | C000891 | Manifold Fill Tray Bracket | 2 required; Models through 7/1/06 |
| 2 | C001274 | Vacuum Breaker Assembly | Models through 7/1/06 |
| | C000830 | Vacuum Breaker Assembly | Models starting 7/1/06 |
| 3 | C000808 | Water Inlet Hose | |
| 4 | C000972 | Drain Assembly | |
| 5 | C000837 | Shell Support Brace | |
| 6 | C000663 | Lower Shell Support Bracket | |
| 7 | C001200 | Dual Shroud Assembly | |
| 8 | C000411 | Drain Hose | 2 required |
| 9 | C000995 | Spring Clip | |
| 10 | C000211 | Fan | |

N/A = Part no longer available

Main Assembly (Drawing 5 of 10)

Models CPC140M, IPH140M and IPH640
Models Through 3/23/04



PHM2847P_C002923

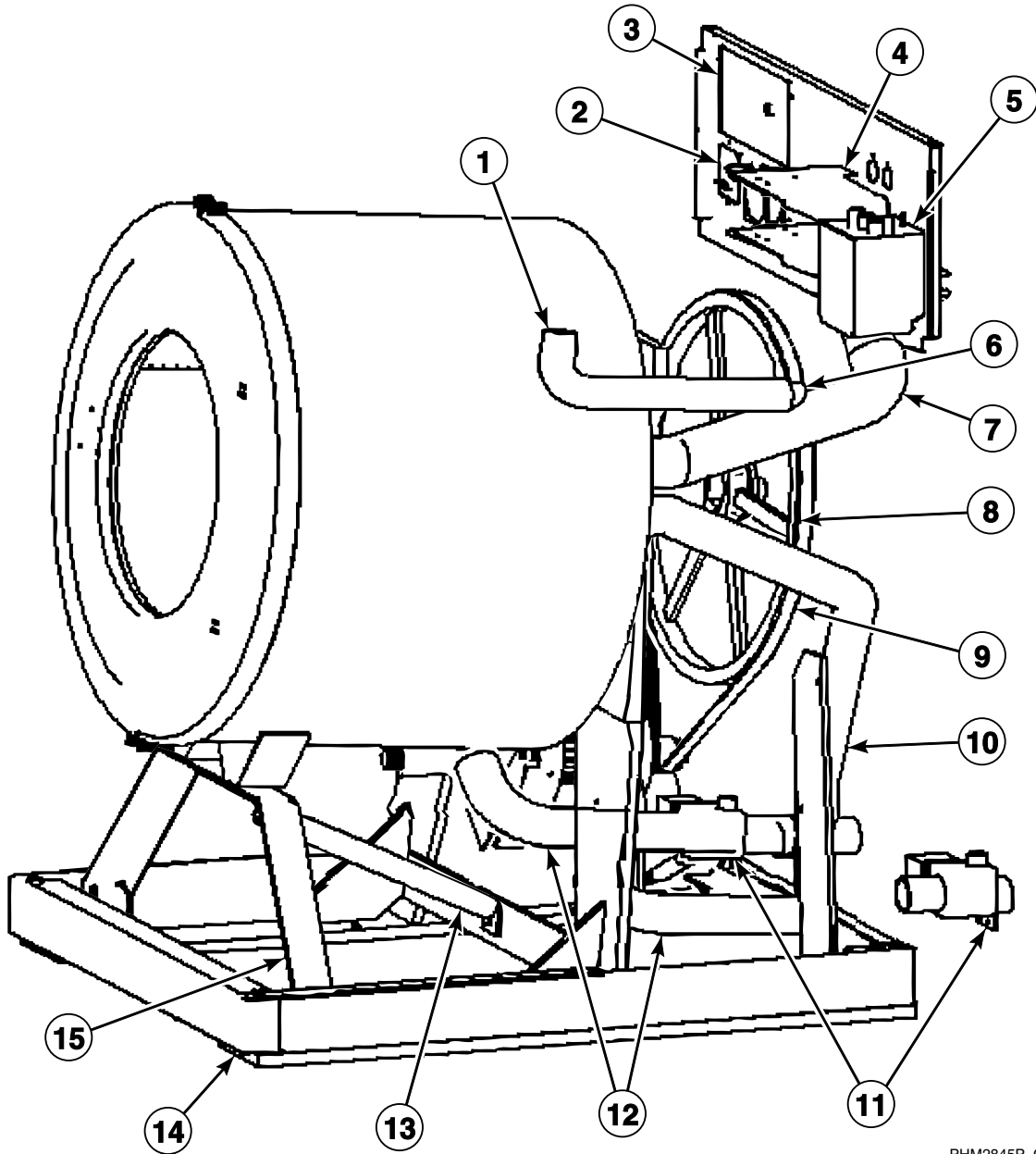
Main Assembly (Drawing 5 of 10)

| REF | PART NO. | DESCRIPTION | COMMENTS |
|-----------|--------------|----------------------------|-------------------------------------|
| | 90554 | Hose Clamp | 1 required for air trap |
| | F430144 | Screw | 4 required for motor to motor plate |
| | C000556 | Washer | 8 required for motor to motor plate |
| | 803017 | Nut | 4 required for motor to motor plate |
| | F430124 | Screw | 1 required for motor plate to frame |
| | C000612 | Screw | 1 required for motor plate to frame |
| | C000177 | Washer | 1 required for motor plate to frame |
| | C000583 | Washer | 2 required for motor plate to frame |
| | C002424 | Motor Cable | |
| 1 | C000223P | Cylinder Bushing | |
| 2 | C002637P | Proximity Switch Assembly | |
| 3 | C000679 | Vacuum Breaker Plug | |
| 4 | C000680 | Adapter | |
| 5 | N/A | Grease Coupling | |
| 6 | N/A | Grease Fitting | |
| 7 | F140527 | Plug | |
| 8 | C000317 | Circuit Breaker | |
| 9 | C000210 | Fan Filter Guard Assembly | |
| 10 | C000211 | Fan | 2 required |
| 11 | C000599 | Vacuum Breaker Hose | |
| 12 | C000662 | Air Trap Tube | |
| 13 | C000654 | Air Trap Tube Elbow | |
| 14 | C001201 | Single Shroud Assembly | |
| 15 | C000206P | Motor | |
| 16 | C000995 | Spring Clip | |
| 17 | N/A | Belt Tension Spring | |
| 18 | C000766 | Motor Bracket | |
| 19 | C000717 | Motor Bushing | |
| 20 | C000884P | Motor Pulley | |
| 21 | C002636 | Temperature Probe Assembly | |
| 22 | 225/10004/00 | Thermostat Grommet | |

N/A = Part no longer available

Main Assembly (Drawing 6 of 10)

Models CPC140M, IPH140M and IPH640
Models Through 3/23/04



PHM2845P_C002923

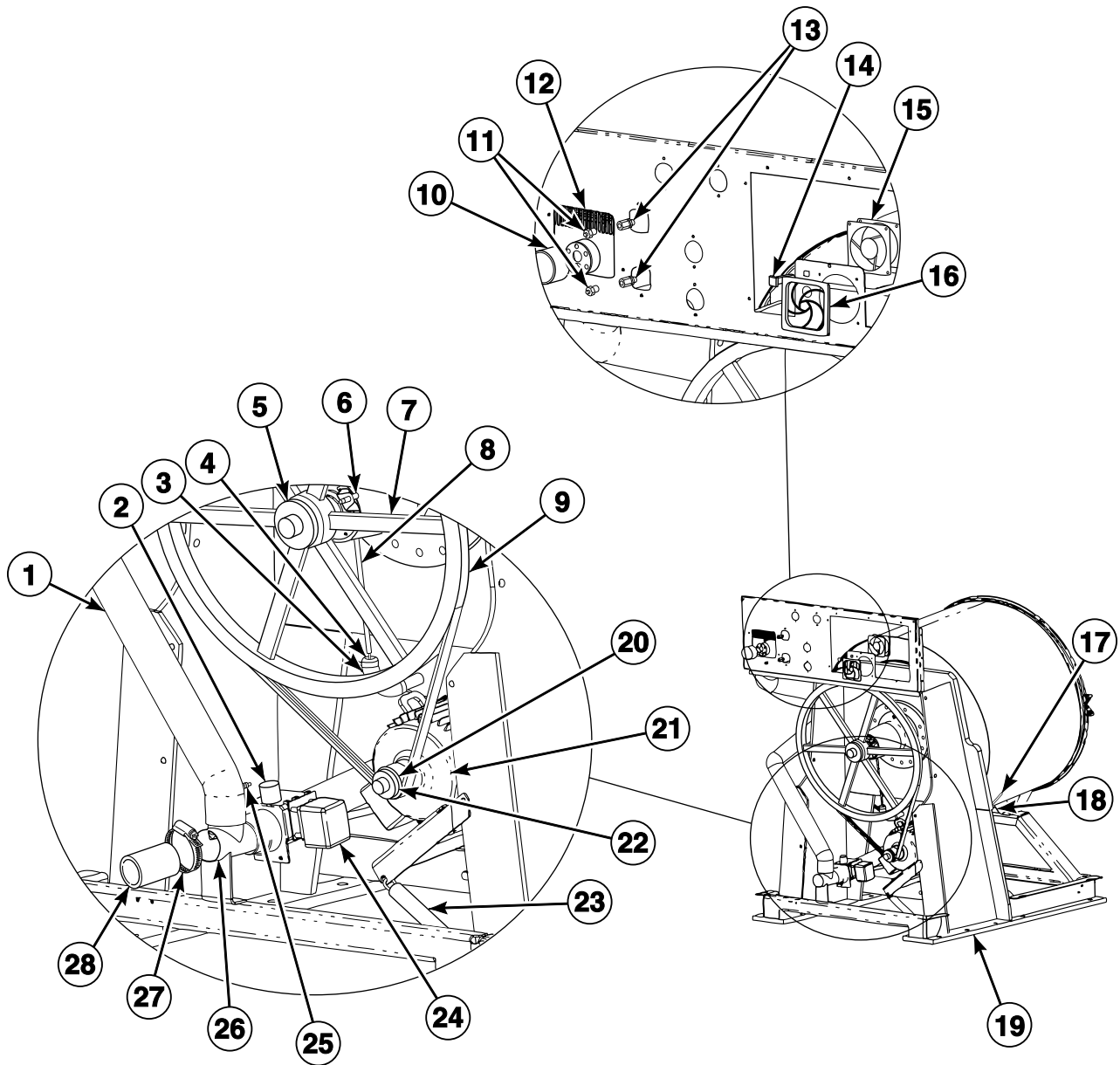
Main Assembly (Drawing 6 of 10)

| REF | PART NO. | DESCRIPTION | COMMENTS |
|-----------|------------|---------------------------------|--|
| | C000567 | Screw | 4 required for vacuum breaker to valve panel |
| | F431024 | Nut | 4 required for vacuum breaker to valve panel; 2 required for drain valve to drain valve mounting bracket |
| | F430935 | Screw | 2 required for drain valve to drain valve mounting bracket |
| | C000585 | Washer | 2 required for drain valve to drain valve mounting bracket |
| | F200222 | Hose Clamp | 4 required for inlet valve to vacuum breaker |
| | F200213 | Hose Clamp | 4 required for overflow hose |
| | F200201 | Hose Clamp | 2 required for drain hose |
| | C001029 | Hose Clamp | 4 required for fill inlet hose |
| | C000552 | Hose | 27 inch; Flush hose for vacuum breaker |
| | F200165100 | Drain Hose | No. 56 |
| | C002750 | Drain Harness | |
| | C002617P | Single Fan Harness | |
| | C003318P | Pulley Alignment Tool | |
| 1 | C000414 | Supply Dispenser Hose | |
| 2 | N/A | Inlet Power Cover | |
| 3 | C000173 | Rear Electrical Enclosure Cover | |
| 4 | C000891 | Manifold Fill Tray Bracket | 2 required |
| 5 | C000830 | Vacuum Breaker Assembly | |
| 6 | C000972 | Drain Assembly | |
| 7 | C000808 | Water Inlet Hose | |
| 8 | C000685 | Cylinder Pulley | |
| 9 | N/A | Belt | |
| 10 | C000807 | Overflow Hose | |
| 11 | C003353 | Drain Valve | 2 required |
| 12 | C000411 | Drain Hose | 2 required |
| 13 | C000837 | Shell Support Brace | |
| 14 | C000879 | Frame Assembly | |
| 15 | C000663 | Lower Shell Support Bracket | |

N/A = Part no longer available

Main Assembly (Drawing 7 of 10)

Models CPC140M, CP140PMN1, CP140PMQ1, IPH140M, IPH640, IP140PMN1, IP140PMQ1 and JP140PMQ1
Models Starting 3/23/04



PHM3223P_C002923

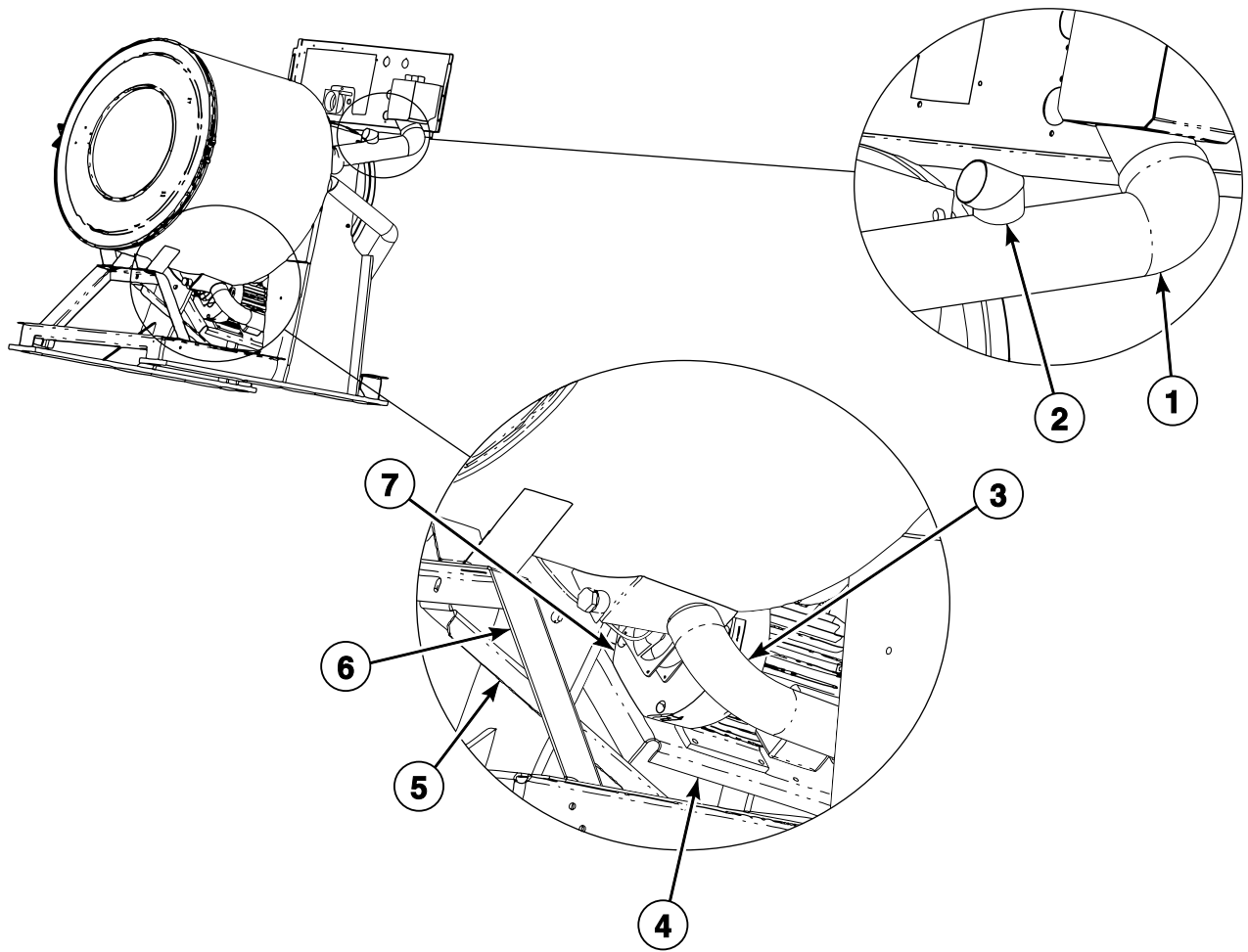
Main Assembly (Drawing 7 of 10)

| REF | PART NO. | DESCRIPTION | COMMENTS |
|-----|--------------|----------------------------|--|
| | F430144 | Screw | 4 required for motor to motor plate |
| | C000556 | Washer | 8 required for motor to motor plate |
| | 803017 | Nut | 4 required for motor to motor plate |
| | JA-51516 | Screw | 1 required for motor plate to frame |
| | C000612 | Screw | 2 required for motor plate to frame |
| | C000177 | Washer | As required for motor plate to frame |
| | C000583 | Washer | 3 required for motor plate to frame |
| | F200213 | Hose Clamp | 4 required for overflow hose |
| | 90554 | Hose Clamp | 1 required for air trap |
| | F200222 | Hose Clamp | 4 required for inlet valve to vacuum breaker |
| | C000567 | Screw | 4 required for vacuum breaker to valve panel |
| | N/A | Nut | 4 required for vacuum breaker to valve panel |
| | F430935 | Screw | 2 required for drain valve to drain valve mounting bracket |
| | F431024 | Nut | 2 required for drain valve to drain valve mounting bracket |
| | C000585 | Washer | 2 required for drain valve to drain valve mounting bracket |
| | C000571 | Washer | 4 required for drain valve to drain valve mounting bracket |
| | C000552 | Hose | 27 inch; Flush hose for vacuum breaker |
| | C002750 | Drain Harness | |
| | C002861 | Dual Drain Harness | |
| | C002617P | Single Fan Harness | |
| | C002424 | Motor Cable | |
| | C003295 | Drain T | Models starting 3/6/13; Replaces use of C001649 Reducing Connector |
| | C003318P | Pulley Alignment Tool | |
| 1 | C000807 | Overflow Hose | |
| 2 | C001793 | Cap | |
| 3 | C000654 | Air Trap Tube Elbow | |
| 4 | C000662 | Air Trap Tube | |
| 5 | C000223P | Cylinder Bushing | |
| 6 | C002637P | Proximity Switch Assembly | |
| 7 | C000685 | Cylinder Pulley | |
| 8 | C000599 | Vacuum Breaker Hose | |
| 9 | C001054P | Belt | |
| 10 | C001772 | Vacuum Breaker Cover | |
| 11 | C000549 | Grease Fitting | 2 required |
| 12 | C000830 | Vacuum Breaker Assembly | |
| 13 | C001789 | Connector | 2 required |
| 14 | C000317 | Circuit Breaker | |
| 15 | C000211 | Fan | 2 required |
| 16 | C000210 | Fan Filter Guard Assembly | |
| 17 | C002636 | Temperature Probe Assembly | |
| 18 | 225/10004/00 | Thermostat Grommet | |
| 19 | C000879 | Frame Assembly | |
| 20 | C000884P | Motor Pulley | |
| 21 | C000206P | Motor | |
| 22 | C000717 | Motor Bushing | |
| 23 | C001791 | Belt Tension Spring | |
| | C000995 | Spring Clip | |
| 24 | C003353 | Drain Valve | |
| 25 | C001649 | Reducing Connector | |
| 26 | C002070 | Drain Tee Bracket Weldment | |
| 27 | F200201 | Hose Clamp | No. 56 |
| 28 | F200165100 | Drain Hose | No. 56 |

N/A = Part no longer available

Main Assembly (Drawing 8 of 10)

Models CPC140M, CP140PMN1, CP140PMQ1, IPH140M, IPH640, IP140PMN1, IP140PMQ1 and JP140PMQ1
Models Starting 3/23/04



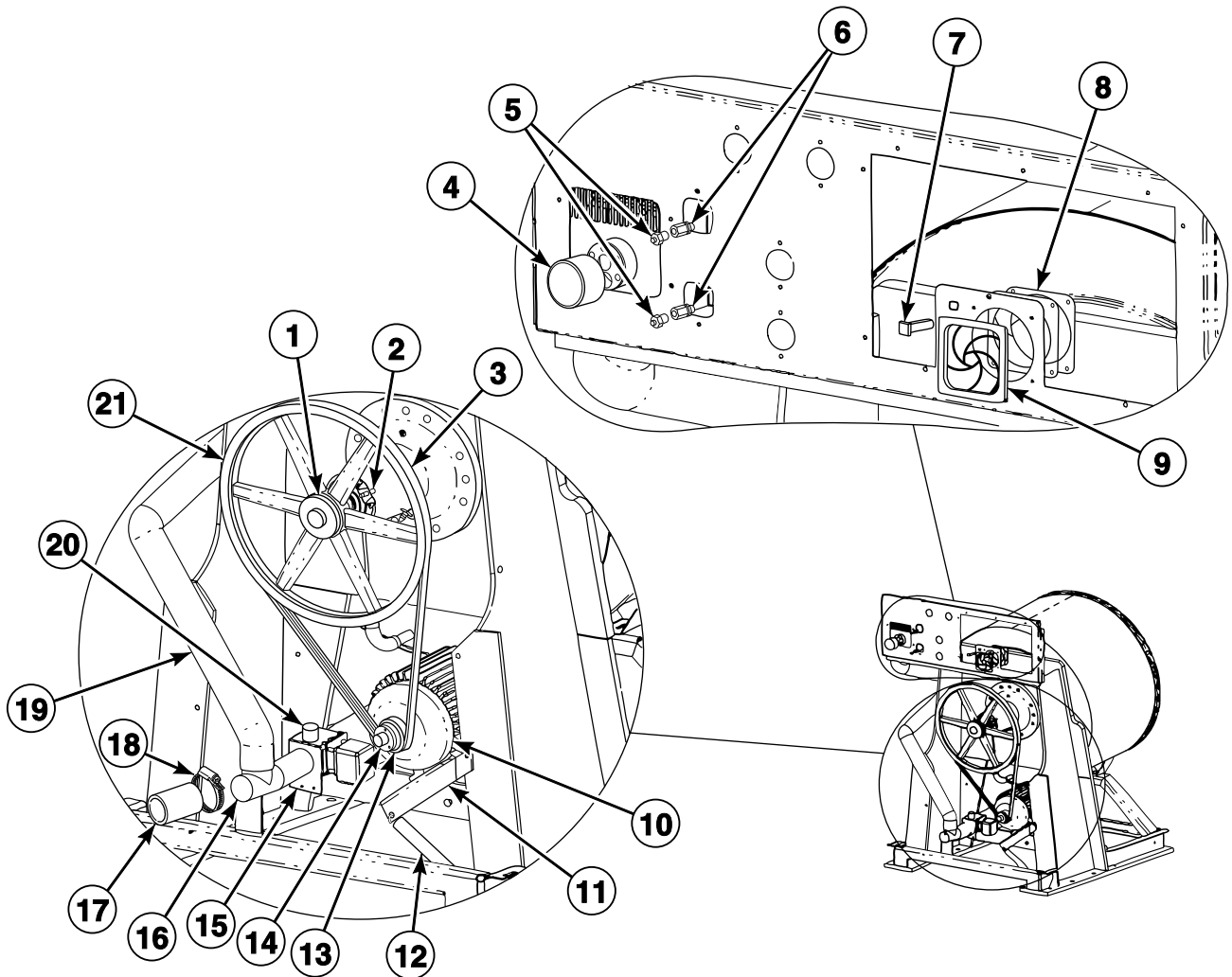
PHM2833P_C002923

Main Assembly (Drawing 8 of 10)

| REF | PART NO. | DESCRIPTION | COMMENTS |
|-----|----------|-----------------------------|--------------------------------|
| | F200201 | Hose Clamp | 4 required for drain hose |
| | C001029 | Hose Clamp | 4 required for fill inlet hose |
| 1 | C000808 | Water Inlet Hose | |
| 2 | C000972 | Drain Assembly | |
| 3 | C000411 | Drain Hose | |
| 4 | C000766 | Motor Bracket | |
| 5 | C000837 | Shell Support Brace | |
| 6 | C000663 | Lower Shell Support Bracket | |
| 7 | C001201 | Single Shroud Assembly | |

Main Assembly (Drawing 9 of 10)

Models CPC125H, CP125PHN1, CP125PHN2, CP125PHQ1, CP125PHQ2, IPH125H, IPH570, IP125PHN1, IP125PHN2, IP125PHQ1, IP125PHQ2, JP125PHN1 and JP125PHN2



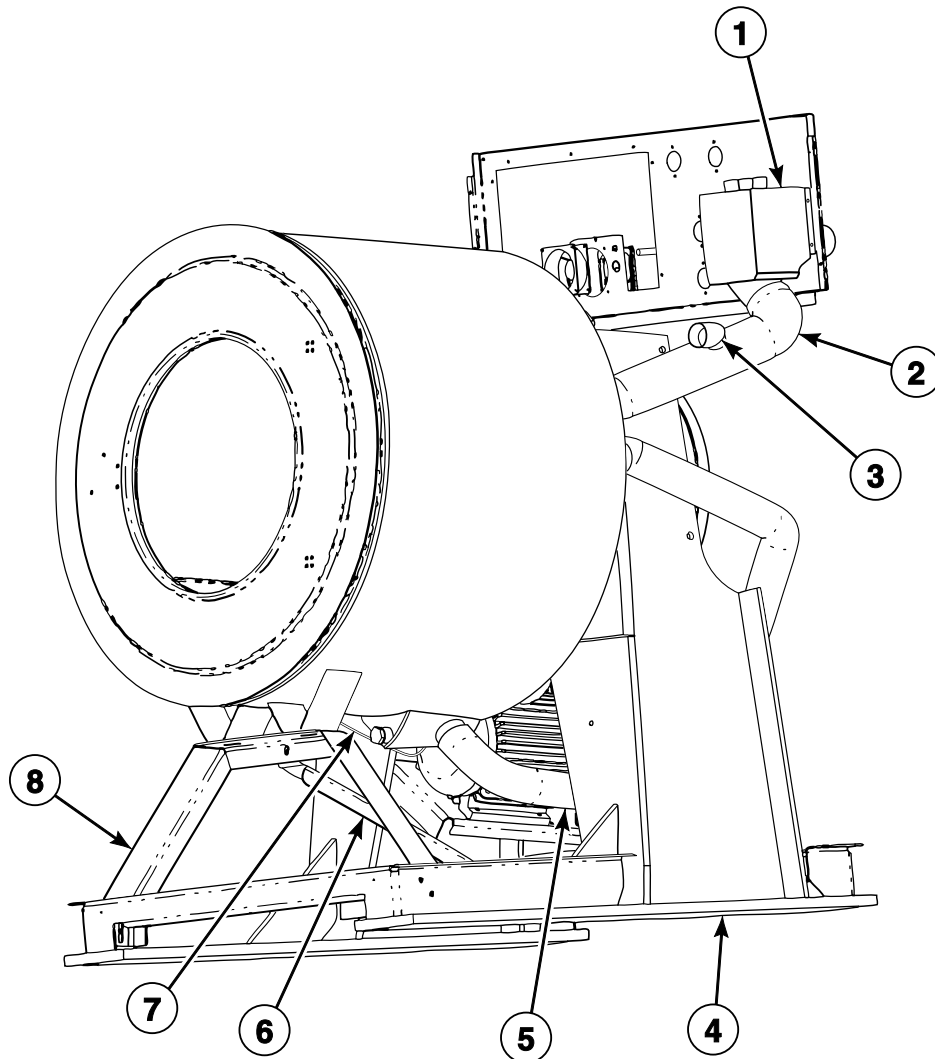
PHM3224P_C002923

Main Assembly (Drawing 9 of 10)

| REF | PART NO. | DESCRIPTION | COMMENTS |
|-----------|------------|----------------------------|--|
| | F200213 | Hose Clamp | 4 required for overflow hose |
| | F430993 | Screw | 4 required for motor to motor plate |
| | C000556 | Washer | 8 required for motor to motor plate |
| | 803017 | Nut | 4 required for motor to motor plate |
| | F430124 | Screw | 1 required for motor plate to frame |
| | C000612 | Screw | 2 required for motor plate to frame |
| | C000177 | Washer | As required for motor plate to frame |
| | C000583 | Washer | 3 required for motor plate to frame |
| | F430935 | Screw | 2 required for drain valve to drain valve mounting bracket |
| | F431024 | Nut | 2 required for drain valve to drain valve mounting bracket |
| | C000585 | Washer | 2 required for drain valve to drain valve mounting bracket |
| | C000571 | Washer | 4 required for drain valve to drain valve mounting bracket |
| | C002424 | Motor Cable | Use with 801792 Fitting; 3 required of F140761 Splice Connector and F140762 Splice Insulator Cap |
| | C003317P | Pulley Alignment Tool | |
| 1 | C000223P | Cylinder Bushing | |
| 2 | C002637P | Proximity Switch Assembly | |
| 3 | C002545 | Belt | |
| 4 | C001772 | Vacuum Breaker Cover | |
| 5 | J1408004 | Connector | 2 required |
| 6 | C001789 | Connector | 2 required |
| 7 | C000317 | Circuit Breaker | |
| 8 | C000211 | Fan | |
| 9 | C000210 | Fan Filter Guard Assembly | |
| 10 | C002199 | Motor | 3 required of F140761 Splice Connector and F140762 Splice Insulator Cap |
| 11 | C000766 | Motor Bracket | |
| 12 | C001791 | Belt Tension Spring | |
| 13 | C000884P | Motor Pulley | |
| 14 | C000717 | Motor Bushing | |
| 15 | C003353 | Drain Valve | |
| 16 | C002070 | Drain Tee Bracket Weldment | |
| 17 | F200165100 | Drain Hose | No. 56 |
| 18 | F200201 | Hose Clamp | No. 56 |
| 19 | C000807 | Overflow Hose | |
| 20 | C001793 | Cap | |
| 21 | C002546 | Cylinder Pulley | |

Main Assembly (Drawing 10 of 10)

Models CPC125H, CP125PHN1, CP125PHN2, CP125PHQ1, CP125PHQ2, IPH125H, IPH570, IP125PHN1, IP125PHN2, IP125PHQ1, IP125PHQ2, JP125PHN1 and JP125PHN2



PHM2840P_C002923

Main Assembly (Drawing 10 of 10)

| REF | PART NO. | DESCRIPTION | COMMENTS |
|----------|--------------|-----------------------------|--|
| | C000567 | Screw | 4 required for vacuum breaker to valve panel |
| | N/A | Nut | 4 required for vacuum breaker to valve panel |
| | F200222 | Hose Clamp | 4 required for inlet valve to vacuum breaker |
| | 90554 | Hose Clamp | 1 required for air trap |
| | C000628P | Tubing | 29 inch; For 1 cup supply dispenser; Flush hose for vacuum breaker |
| | C000552 | Hose | 29 inch; For 5 cup supply dispenser; Flush hose for vacuum breaker |
| | C001029 | Hose Clamp | 4 required for fill inlet hose |
| | F200201 | Hose Clamp | 4 required for drain hose |
| | C000679 | Vacuum Breaker Plug | 6 required; Use with old style vacuum breaker |
| | C000680 | Adapter | 6 required; Use with old style vacuum breaker |
| 1 | C002518 | Vacuum Breaker Assembly | |
| 2 | C000808 | Water Inlet Hose | |
| 3 | C000972 | Drain Assembly | |
| 4 | C002302 | Frame Assembly | |
| 5 | C000411 | Drain Hose | |
| 6 | C002311 | Shell Support Brace | |
| 7 | C002636 | Temperature Probe Assembly | |
| | 225/10004/00 | Thermostat Grommet | |
| 8 | C000663 | Lower Shell Support Bracket | |

N/A = Part no longer available

Parts Index

A

| | |
|-----------------------------|----------------------------|
| Adapter | |
| C000424 | 51, 53, 55, 57, 59, 63, 65 |
| C000680 | 95, 103, 113 |
| Air Trap Tube | |
| C000662 | 79, 99, 103, 107 |
| Air Trap Tube Elbow | |
| C000654 | 79, 99, 103, 107 |
| Auxiliary Plumbing Assembly | |
| C001145 | 67 |
| C001273 | 69 |
| C002397 | 71 |

B

| | |
|----------------------------|--------------------|
| Backup Seal Plate | |
| C001914 | 15 |
| Battery | |
| 209/00505/04 | 83 |
| Bearing | |
| F100155 | 15 |
| Bearing Housing | |
| C000155 | 19 |
| C000672 | 15 |
| Bearing Housing Assembly | |
| C000154P | 19, 21, 25 |
| C000673P | 15, 17, 23 |
| C001946 | 17, 21, 23, 25 |
| Bearing Housing Puller Kit | |
| 1390P | 17, 21, 23, 25 |
| 1390-1 | 17, 21, 23, 25 |
| Bearing Lubrication Decal | |
| C000508 | 9, 13 |
| Belt | |
| C001054P | 99, 107 |
| C002545 | 111 |
| Belt Tension Spring | |
| C001791 | 99, 107, 111 |
| Blind Rivet | |
| J1111905 | 49 |
| Bolt | |
| C000180 | 43, 45 |
| C000273 | 79, 81 |
| C000430 | 47, 49 |
| C000559 | 43, 45 |
| C000561 | 43, 45, 47, 49, 79 |
| C001785 | 43, 45 |
| F8549301 | 43, 45 |
| Bushing | |
| C000841 | 95, 99 |

C

| | |
|-------------------|--------------|
| Cabinet Stiffener | |
| C002018 | 29, 33 |
| Cap | |
| C001793 | 99, 107, 111 |

| | |
|-------------------------------|-----------------------|
| Carb Bearing | |
| C000163 | 19 |
| C000762 | 15 |
| Chemical Supply Controller | |
| C000371P | 83 |
| Chemical Supply Harness | |
| C002779 | 85, 87, 89 |
| C002780 | 85, 87, 89 |
| C002781 | 85, 87, 89 |
| Circuit Breaker | |
| C000317 | 95, 99, 103, 107, 111 |
| C003135P | 85, 87, 89 |
| F350217 | 85, 87, 89 |
| Circuit Breaker Kit | |
| C0977P3 | 85, 87, 89 |
| C0978P3 | 85, 87, 89 |
| Clean Filter Daily Decal | |
| F200061000 | 13 |
| Coil | |
| F8514701 | 59, 65, 73 |
| Cold Plumbing Assembly | |
| C002563 | 59 |
| C002564 | 65 |
| Cold Plumbing Assembly, 5 Cup | |
| C000898 | 55 |
| C002538 | 57 |
| Cold Water Valve Decal | |
| F231368 | 9 |
| Connector | |
| C001789 | 99, 107, 111 |
| J1408004 | 17, 21, 23, 25, 111 |
| Contactora | |
| C000309P | 89 |
| C002051 | 89 |
| Control Box Cover | |
| C000875 | 27 |
| Control Module Harness | |
| C000865 | 83 |
| Control Mounting Bracket | |
| C000874 | 27 |
| Control Panel Decal | |
| C001069 | 83 |
| C001276 | 83 |
| C001389 | 83 |
| Coupling | |
| C000420 | 59 |
| C001143 | 67, 69, 71 |
| Cover Decal | |
| F200318200 | 9, 11 |
| Cross | |
| C002166 | 59 |
| Cylinder Assembly Kit | |
| C000785P | 35, 37 |
| C000883P | 35, 37 |
| C002307P | 37 |
| Cylinder Bolt Shroud | |
| C001238 | 37 |
| Cylinder Bushing | |
| C000223P | 103, 107, 111 |
| Cylinder Pulley | |
| C000685 | 95, 99, 105, 107 |
| C002546 | 111 |

N/A items do not appear in index.

| | |
|----------------|----|
| Cylinder Shaft | |
| C000157 | 19 |
| C000674 | 15 |

D

| | |
|--------------------------------|----------------------------|
| Diaphragm and Guide Kit | |
| G582P3 | 51, 53, 55, 57, 59, 63, 65 |
| DIN Coil | |
| F380986P | 59, 65 |
| F380987P | 59, 65 |
| DIN Valve Adapter Kit | |
| F8382301 | 59, 65, 73 |
| Disconnect Power Warning Label | |
| 505281 | 11 |
| Dispenser Door Handle | |
| C001788 | 39, 41 |
| Door | |
| C000710 | 43, 45 |
| Door Assembly | |
| C000748P | 43, 45 |
| Door Bumper | |
| C001546 | 43, 45 |
| Door Glass | |
| C000749 | 43, 45 |
| Door Glass Gasket | |
| C000750 | 43, 45 |
| Door Glass Retainer | |
| C000751MD | 43, 45 |
| Door Handle | |
| C000028P | 43 |
| C001679P | 43, 45 |
| Door Handle Bushing | |
| C000181 | 43, 45 |
| Door Handle Hinge Weldment | |
| C000470 | 43, 45 |
| Door Handle Spring Bushing | |
| C000192 | 43, 45 |
| Door Handle Torsion Spring | |
| C001786 | 43, 45 |
| Door Hinge | |
| C000752 | 43, 45 |
| Door Hinge Bushing | |
| C000176 | 43, 45 |
| Door Latch | |
| C001244 | 47, 49 |
| Door Lock Catch | |
| C000185 | 47, 49 |
| Door Lock Cover | |
| C000688 | 47, 49 |
| Door Lock Harness | |
| C000867P | 47, 49 |
| Door Lock Kit | |
| C001036M | 47 |
| C002996M | 47, 49 |
| Door Lock Microswitch | |
| C000278 | 47, 49 |
| Door Lock Plate | |
| C000684 | 47, 49 |
| Door Lock Slide Spring | |
| C000276 | 47, 49 |

| | |
|---------------------------------|------------------------|
| Door Lock Solenoid | |
| C000184P | 47, 49 |
| Door Lock Solenoid Bracket | |
| C003022 | 47, 49 |
| Door Lock Spring | |
| B12351001 | 49 |
| Door Lock Spring Cover | |
| C000687 | 47, 49 |
| Door Lock Switch Slide | |
| C000271 | 47, 49 |
| Door Magnet Mounting Bracket | |
| C002994 | 45 |
| Door Release Decal | |
| C000694 | 11, 13 |
| Door Seal | |
| 253/00162/02 | 43, 45 |
| Double Fan Harness | |
| C002618P | 97, 99 |
| Drain Assembly | |
| C000972 | 97, 101, 105, 109, 113 |
| Drain Bracket | |
| C000410 | 59 |
| Drain Harness | |
| C002750 | 97, 99, 105, 107 |
| Drain Hose | |
| C000411 | 97, 101, 105, 109, 113 |
| F200165100 | 97, 99, 105, 107, 111 |
| Drain T | |
| C003295 | 99, 107 |
| Drain Tee Bracket Weldment | |
| C002070 | 99, 107, 111 |
| Drain Valve | |
| C003353 | 97, 99, 105, 107, 111 |
| Drive and Power Enclosure Cover | |
| C002527 | 33 |
| Drive Box Assembly | |
| C001050 | 85 |
| C002524 | 33, 87, 89 |
| Drive Box Harness | |
| C002570 | 85, 87, 89 |
| Dual Drain Harness | |
| C002861 | 99, 107 |
| Dual Shroud Assembly | |
| C001200 | 95, 101 |

E

| | |
|-----------------------------|----------------|
| Electric Heat Harness | |
| C002758 | 89 |
| C002830 | 89 |
| C002831P | 89 |
| Electric Shock Danger Label | |
| F8115501 | 13 |
| Electrical Shock Label | |
| 502511 | 11 |
| Emergency Stop Button Kit | |
| F200233700P | 83 |
| EMI Filter | |
| F330283 | 85 |
| F330284 | 85 |
| F8054001 | 87, 89, 91, 93 |
| F8054002 | 87, 89, 91, 93 |

N/A items do not appear in index.

| | |
|----------------------------------|--------|
| Exhaust Bracket | |
| C000324 | 85 |
| C002526 | 87, 89 |
| External Supply Connection Decal | |
| F230917-1 | 9 |
| F8150201 | 13 |

F

| | |
|-------------------------------------|----------------------------|
| Fan | |
| C000211 | 95, 99, 101, 103, 107, 111 |
| Fan Filter Guard Assembly | |
| C000210 | 95, 99, 103, 107, 111 |
| Flange and Nipple Assembly | |
| C001366 | 59, 65, 73 |
| Frame Assembly | |
| C000759 | 97, 99 |
| C000879 | 105, 107 |
| C002302 | 113 |
| Front Bearing Lip Seal | |
| C000761 | 15 |
| Front Electrical Enclosure | |
| C000213 | 83 |
| Front Electrical Enclosure Assembly | |
| C000432 | 83 |
| Front Electrical Enclosure Cover | |
| C000348 | 83 |
| Front Panel Assembly | |
| C002972 | 31 |
| C002973 | 27, 29, 31 |
| Front Skirt Panel | |
| C000316 | 29, 31 |
| Front Top Panel Assembly | |
| C002986 | 27, 29, 31 |
| Fuse | |
| C001195 | 89 |
| C002096 | 89 |
| Fuse Holder | |
| C001197 | 89 |

G

| | |
|----------------------|------------|
| Gasket | |
| C001705 | 19 |
| Grease Connector Box | |
| C000539 | 27, 29, 33 |
| Grease Fitting | |
| C000549 | 99, 107 |
| Grease Shield | |
| C000167 | 19 |
| C000171 | 19 |
| C000758 | 15 |
| Ground Terminal Lug | |
| C001803 | 87 |

H

| | |
|---------------|----------------|
| Hardware Kit | |
| C002023 | 17, 21, 23, 25 |
| Hinge | |
| C001787 | 39, 41 |

| | |
|--------------------------------------|--|
| Hinge Block | |
| C000175 | 43, 45 |
| Hose | |
| C000552 | 15, 17, 19, 21, 23, 25, 39, 41, 65, 73, 95, 101, 105, 107, 113 |
| C001011 | 51, 53, 55, 57, 61, 63, 67, 69, 71, 75 |
| Hose Barb | |
| C000899 | 51, 53, 55, 57, 61, 63, 67, 69, 71, 75 |
| F421951 | 59, 65, 73 |
| Hose Clamp | |
| C001029 | 97, 101, 105, 109, 113 |
| F200201 | 39, 41, 97, 99, 101, 105, 107, 109, 111, 113 |
| F200213 | 97, 99, 105, 107, 111 |
| F200222 | 95, 99, 105, 107, 113 |
| 36801 | 15, 17, 19, 21, 23, 25, 41 |
| 90554 | 95, 99, 103, 107, 113 |
| Hot Plumbing Assembly | |
| C000897 | 51 |
| C001665 | 53 |
| C002539 | 75 |
| C002565 | 73 |
| Hot Surface Warning Decal | |
| F200085000 | 9, 13 |
| F231380 | 11 |
| Hot Surface Warning Plate | |
| F8211901 | 13 |
| Hot Water and Chemical Caution Decal | |
| F200085300 | 9, 13 |
| Hot Water Valve Decal | |
| F231367 | 9 |

I

| | |
|---------------------|----------------|
| Infrared Cable | |
| 210/00902/00 | 83 |
| Inlet Valve Harness | |
| C002609P | 53, 61, 63, 65 |
| C002612P | 51, 55, 57, 59 |
| Insert Rail | |
| C001015 | 27, 29, 31 |

J

| | |
|---------------|--------|
| Jump Wire | |
| C003291 | 47, 49 |

K

| | |
|-------------------------|----|
| Keymode Switch Assembly | |
| C003024P | 83 |
| Keypad Controller | |
| C000282P | 83 |

L

| | |
|-------------------------------|----|
| Left Rear Side Panel Assembly | |
| C002960 | 33 |
| Lip Seal | |
| C000332 | 19 |

N/A items do not appear in index.

| | |
|-----------------------------|------------------------|
| Logo Decal | |
| C001038 | 11 |
| Lower Front Panel | |
| C000819 | 27, 29, 31 |
| C002912 | 31 |
| C003081 | 31 |
| Lower Shell Support Bracket | |
| C000663 | 97, 101, 105, 109, 113 |
| Lubricator | |
| 212/00022/00 | 17, 21, 23, 25 |

M

| | |
|---------------------------------|------------------------|
| Magnet | |
| F8390801 | 45 |
| Magnetic Door Switch Bracket | |
| C002995 | 49 |
| Main Board Controller Kit | |
| C000281P | 83 |
| Manifold Fill Tray Bracket | |
| C000891 | 95, 101, 105 |
| Motor | |
| C000206P | 95, 99, 103, 107 |
| C002199 | 111 |
| Motor Bracket | |
| C000766 | 95, 99, 103, 109, 111 |
| Motor Bushing | |
| C000717 | 95, 99, 103, 107, 111 |
| Motor Cable | |
| C002424 | 95, 99, 103, 107, 111 |
| Motor Pulley | |
| C000884P | 95, 99, 103, 107, 111 |
| Mount on Concrete Warning Label | |
| F8246401 | 13 |
| Mounting Bracket | |
| C000373 | 85, 87, 89 |
| C000375 | 83 |
| C000658 | 19, 21, 25 |
| C000892 | 51, 53, 55, 61, 67, 69 |
| Mounting Flange Weldment | |
| C002164 | 57, 63, 71, 75 |

N

| | |
|---------------|--|
| Nipple | |
| C000894 | 51, 53, 55, 57, 63 |
| C000896 | 51, 53, 55, 61, 67, 69 |
| C001005 | 55 |
| C001144 | 67 |
| F420107 | 57, 59, 65 |
| F421323 | 77 |
| Nut | |
| C000159 | 19 |
| C000560 | 43, 45, 79 |
| C000568 | 27, 29, 31, 85, 87, 89 |
| C000574 | 43, 45, 47, 49 |
| C000576 | 47, 49 |
| C000578 | 47, 49 |
| C000611 | 79, 81 |
| C000763 | 15 |
| C001236 | 43, 45 |
| F431024 | 27, 29, 31, 33, 43, 45, 51, 53, 55, 57, 59, 61, 63, 65, 73, 75, 79, 81, |

| | |
|----------------|-------------------------------|
| | 83, 95, 97, 99, 105, 107, 111 |
| F8549401 | 43, 45 |
| 803017 | 43, 45, 95, 99, 103, 107, 111 |

O

| | |
|---------------|-----------------------|
| Overflow Hose | |
| C000807 | 97, 99, 105, 107, 111 |

P

| | |
|---------------------------------------|---|
| Pinched Fingers Label | |
| 502506 | 11 |
| Plate | |
| C001915 | 19 |
| Plug | |
| C000781 | 79, 81 |
| F140527 | 95, 103 |
| Pop Rivet | |
| F431215 | 49 |
| F431223 | 45 |
| Power Block Terminal | |
| C000290 | 85, 87 |
| C000370 | 85, 87, 89 |
| PowerFlex 40 Drive | |
| C002890 | 91 |
| C002891 | 91 |
| C002892 | 87, 89, 91 |
| C002893 | 87, 89, 91 |
| C003149 | 93 |
| C003151 | 93 |
| PowerFlex 40 Drive Kit | |
| C003150 | 93 |
| C003152 | 93 |
| PowerFlex 40 Drive Kit, 160-Series to | |
| C002884 | 91 |
| C002885 | 91 |
| C002886 | 91 |
| C002887 | 91 |
| Proximity Mounting Bracket | |
| C000969 | 15, 17, 23 |
| Proximity Switch Assembly | |
| C002637P | 15, 17, 19, 21, 23, 25, 99, 103, 107, 111 |
| Pulley Alignment Tool | |
| C003317P | 111 |
| C003318P | 105, 107 |
| C003319P | 95, 99 |
| Push Decal | |
| F230303 | 11, 13 |

R

| | |
|---------------------------------|-------------|
| RC Network Assembly | |
| C002999 | 83 |
| RC Network Filter | |
| F330217P | 83 |
| Rear Electrical Enclosure Cover | |
| C000173 | 29, 95, 105 |
| Rear Panel | |
| C000818 | 27, 29, 33 |

N/A items do not appear in index.

| | |
|--------------------------------|-------------------------|
| Rear Top Panel | |
| C000817 | 27, 29, 31 |
| C002298 | 31 |
| Reducer | |
| C000895 | 51, 53, 55 |
| Reducing Connector | |
| C001649 | 17, 21, 23, 25, 99, 107 |
| Reducing Coupling | |
| C000978 | 77 |
| Reducing Tee | |
| C002165 | 57, 63 |
| Reed Switch Assembly | |
| C003000 | 49 |
| Right Rear Side Panel Assembly | |
| C002961 | 33 |
| Roller Bearing | |
| C000164 | 19 |
| Rub Rail | |
| C001014 | 27, 29, 31 |

S

| | |
|---------------------|--|
| Screw | |
| C000554 | 19, 21, 25 |
| C000567 | 27, 29, 31, 33, 47, 49, 51, 53, 55, 57, 59, 61, 63, 65, 73, 75, 83, 85, 87, 89, 95, 101, 105, 107, 113 |
| C000572 | 47, 49 |
| C000575 | 85, 87, 89 |
| C000612 | 47, 49, 95, 99, 103, 107, 111 |
| C000613 | 47, 49 |
| C000614 | 47, 49 |
| C001020 | 15, 17, 23 |
| C001032 | 43, 45, 79, 81 |
| C001093 | 37 |
| C001148 | 39, 41 |
| C001294 | 37 |
| C001856 | 79, 81 |
| C001907 | 79 |
| F430124 | 95, 103, 111 |
| F430144 | 95, 99, 103, 107 |
| F430909 | 39, 41, 83, 85, 87, 89 |
| F430910 | 27, 29, 31, 83 |
| F430920 | 39, 41 |
| F430925 | 39, 41 |
| F430929 | 15, 17, 19, 21, 23, 25, 27, 29, 33 |
| F430935 | 97, 99, 105, 107, 111 |
| F430938 | 85, 87, 89 |
| F430993 | 111 |
| JA-51516 | 99, 107 |
| 81398 | 47, 49 |
| Seal Plate | |
| C000158 | 19 |
| C000165 | 19 |
| C000166 | 19 |
| C000754 | 15 |
| C000755 | 15 |
| C000756 | 15 |
| Seal Plate Gasket | |
| C001706 | 15 |
| Shell Assembly | |
| C000772 | 79, 81 |
| Shell Band Weldment | |
| C001887 | 79, 81 |
| C002730 | 79 |

| | |
|-----------------------------------|-------------------|
| Shell Front Assembly | |
| C002943 | 79, 81 |
| C002978 | 79, 81 |
| Shell Front Gasket | |
| C001876P | 79, 81 |
| Shell Front Gasket Kit | |
| F8513501 | 43, 45 |
| Shell Gasket Shield | |
| F601216 | 79, 81 |
| Shell Support Brace | |
| C000837 | 97, 101, 105, 109 |
| C002311 | 113 |
| Side Dispenser Assembly | |
| C000648 | 41, 95 |
| C001583 | 41 |
| Side Dispenser Door | |
| C000642 | 41 |
| Side Panel and Stiffener Assembly | |
| C002717 | 27, 29, 33 |
| C002718 | 27, 29, 33 |
| Side Panel Assembly | |
| C002962 | 27, 29, 33 |
| C002963 | 27, 29, 33 |
| Single Cup Cold Plumbing Assembly | |
| C001022 | 61 |
| C002537 | 63 |
| Single Fan Harness | |
| C002617P | 105, 107 |
| Single Shroud Assembly | |
| C001201 | 103, 109 |
| Single Side Dispenser Assembly | |
| C000853 | 39 |
| C001582 | 39 |
| Single Side Dispenser Door | |
| C000855 | 39 |
| Spin Warning Decal | |
| F200085100 | 9, 13 |
| Spring | |
| C000431 | 47, 49 |
| Spring Clip | |
| C000995 | 95, 101, 103, 107 |
| Spring Hose Clamp | |
| C001004 | 41 |
| Standoff | |
| C000376 | 83 |
| Steam Cord Assembly | |
| C002748P | 77 |
| Steam Hose | |
| C000982 | 77 |
| Steam Hose Adapter | |
| C001587 | 77 |
| Steam Hose Insulation | |
| C001003 | 77 |
| Steam Injector Tube Assembly | |
| F603132 | 77 |
| Steam Inlet Weldment | |
| C002898 | 77 |
| Steam Option Assembly | |
| C001000 | 77 |
| Steam Valve | |
| F8322904P | 77 |
| Steam Valve Mounting Bracket | |
| C000981 | 77 |

N/A items do not appear in index.

| | |
|-------------------------|------------------------|
| Street Elbow | |
| C000893 | 51, 53, 55, 61, 67, 69 |
| F420502 | 57, 59, 63, 65, 73 |
| F421707 | 77 |
| Stud | |
| C000601 | 43, 45 |
| Supply Cup | |
| C000646 | 39, 41 |
| C000647 | 41 |
| Supply Dispenser Hose | |
| C000379 | 97 |
| C000414 | 105 |
| Supply Dispenser Nozzle | |
| C000073 | 39, 41 |
| Supply Signal Decal | |
| C000506 | 9 |

T

| | |
|----------------------------|-------------------------|
| Tee | |
| C000900 | 51, 53, 55 |
| F420403 | 57, 65 |
| Temperature Probe Assembly | |
| C002636 | 97, 99, 103, 107, 113 |
| Terminal Block | |
| M413865 | 89 |
| Terminal Bracket | |
| C001132 | 87 |
| Thermostat | |
| C000318 | 85 |
| Thermostat Grommet | |
| 225/10004/00 | 97, 99, 103, 107, 113 |
| Tie Wrap Mounting Clamp | |
| F140602 | 87 |
| Tilt Switch Assembly | |
| C002642P | 83 |
| Top Brace | |
| C000876 | 27 |
| Top Panel Access Cover | |
| C002017 | 29, 31 |
| Transformer | |
| C000203 | 85, 87, 89 |
| Trim Gasket | |
| C000629 | 29, 31 |
| Triple Lip Seal | |
| C003007 | 21, 25 |
| Tubing | |
| C000628P | 17, 21, 23, 25, 39, 113 |

V

| | |
|-------------------------|----------------------|
| Vacuum Breaker Assembly | |
| C000830 | 95, 101, 105, 107 |
| C001274 | 101 |
| C002518 | 113 |
| Vacuum Breaker Cover | |
| C001772 | 99, 107, 111 |
| Vacuum Breaker Hose | |
| C000599 | 79, 81, 99, 103, 107 |
| Vacuum Breaker Plug | |
| C000679 | 95, 103, 113 |

| | |
|----------------------|----------------|
| Valve | |
| C000716P | 51, 53, 63, 65 |
| F8322909P | 59, 65, 73 |
| Valve Panel | |
| C000816 | 29 |
| Valve Panel Assembly | |
| C002983 | 27, 33 |
| Valve Transition Kit | |
| F8456202P | 59, 65, 73 |
| V-Ring Seal | |
| C000070 | 19 |
| C000156 | 19 |
| C000757 | 15 |
| C000765 | 15 |

W

| | |
|--------------------------|---|
| Warning Label | |
| F8233501 | 13 |
| 44127701 | 13 |
| 500049 | 11 |
| Washer | |
| C000161 | 19 |
| C000177 | 43, 45, 95, 99, 103, 107, 111 |
| C000555 | 19, 21, 25 |
| C000556 | 95, 99, 103, 107, 111 |
| C000571 | 15, 17, 19, 21, 23, 25, 27, 29, 31, 33, 47, 49, 83, 85, 87, 89, 99, 107, 111 |
| C000583 | 79, 81, 95, 99, 103, 107, 111 |
| C000585 | 27, 29, 31, 33, 97, 99, 105, 107, 111 |
| C000590 | 79, 81 |
| C000764 | 15 |
| C001021 | 15, 17, 23 |
| C001239 | 37 |
| F431133 | 83, 85, 87, 89 |
| J1001270 | 79 |
| Water Hose | |
| F200128P | 59, 73 |
| Water Inlet Hose | |
| C000808 | 97, 99, 101, 105, 109, 113 |
| Water Level Transducer | |
| C002104P | 83 |
| Water Line Caution Decal | |
| F230734 | 9 |
| Water Valve | |
| C000339P | 51, 53, 55, 57, 61, 63, 67, 75 |
| C000436P | 55, 57, 59 |
| Water Valve Rebuild Kit | |
| C001676P | 57 |
| Water Valve Repair Kit | |
| F380991P | 59 |
| F380992P | 55 |

N/A items do not appear in index.