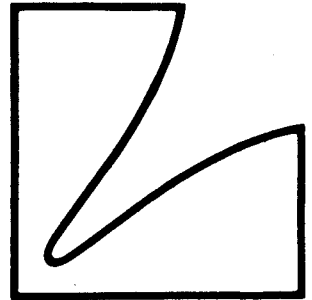


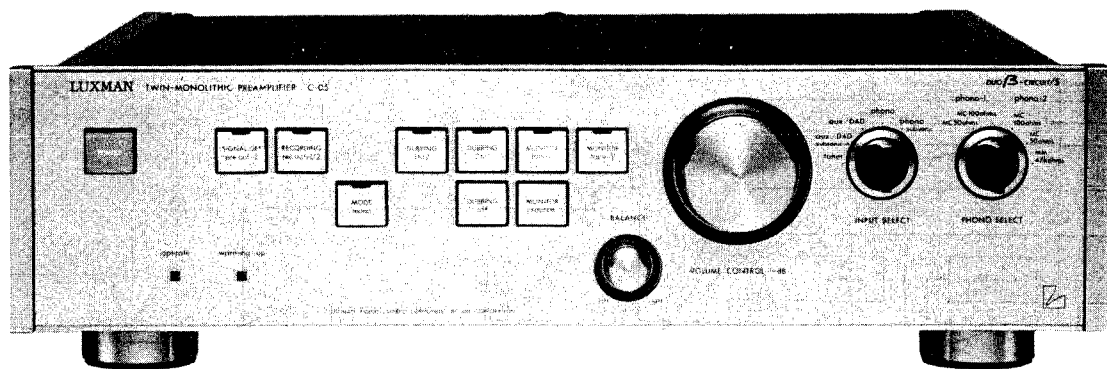
# SERVICE MANUAL



C-05

Ultimate Series Duo-Beta Circuit/  
S Prestige Pre-Amplifier

# C-05

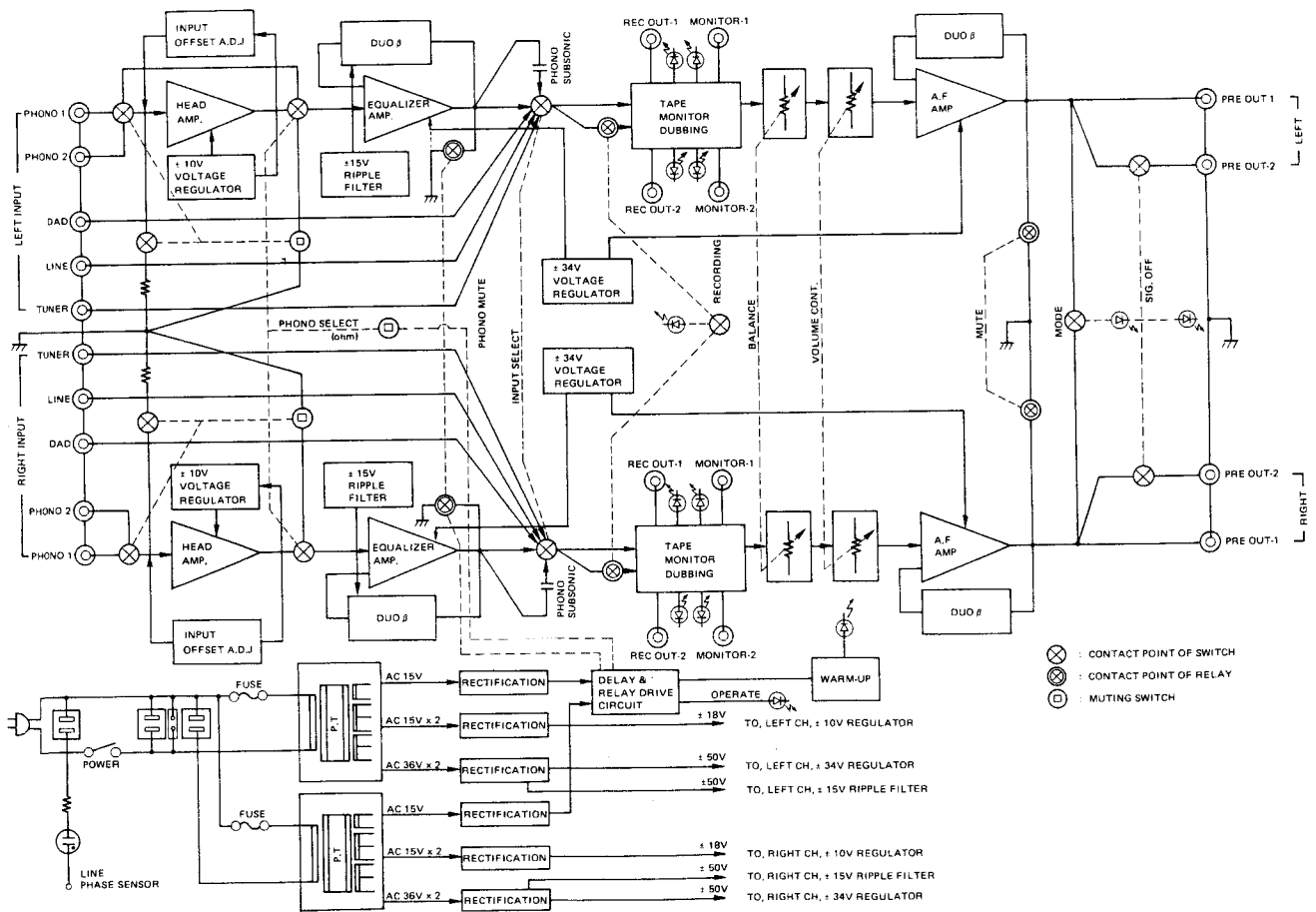


# Contents

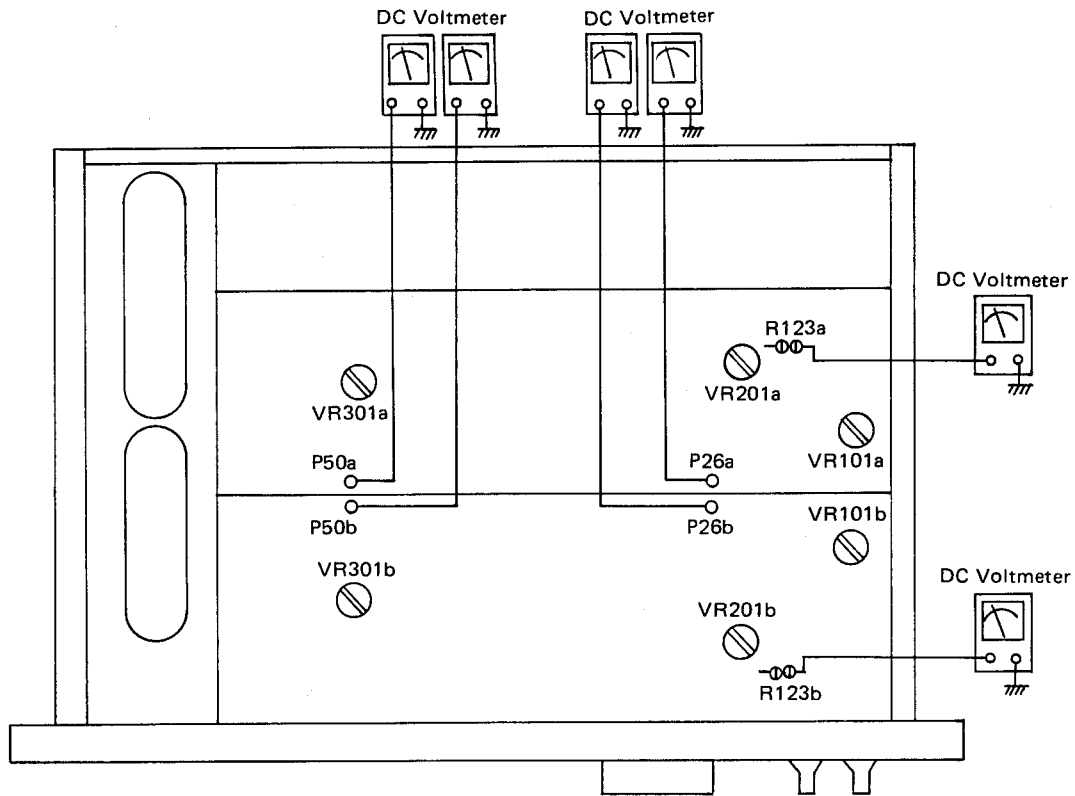
Block Diagram . . . . .	1
Adjustment Locations . . . . .	2
Adjustment Procedures . . . . .	2
調整手順書 . . . . .	2
Exploded View . . . . .	3
Exploded View Parts List . . . . .	4-7
Packing Material Parts List . . . . .	8
P/A PCB PB-1428, PB-1429 . . . . .	9
SW PCB PB-1431 . . . . .	9
LED PCB PB-1430 . . . . .	9
P/B PCB PB-1428, PB-1429 Parts List . . . . .	10-13
SW PCB PB-1431 Parts List . . . . .	13
LED PCB Parts List . . . . .	13
Specifications . . . . .	14
規格 . . . . .	15
Schematic Diagrams . . . . .	16
Destinations Parts List . . . . .	17

C05

## Block Diagram



# Adjustment Locations



## Adjustment Procedures

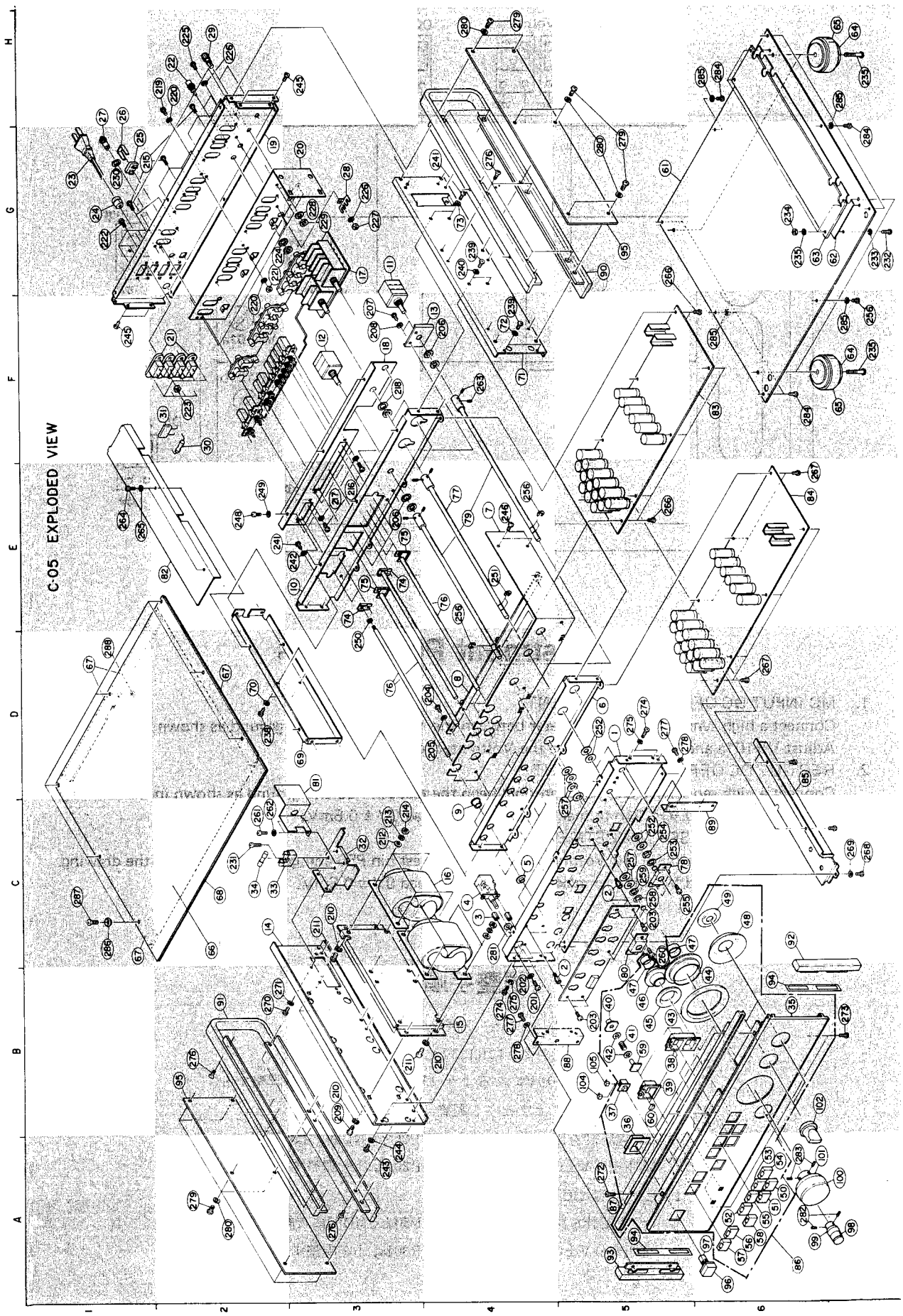
1. MC INPUT DC OFFSET ADJUSTMENT  
Connect a high sensitivity DC Voltmeter between the resistor R123 and ground as shown in the drawing. Adjust VR101a and VR101b to make the Voltmeter read  $0V \pm 50\mu V$ .
2. REC OUT DC OFFSET ADJUSTMENT  
Connect a high sensitivity DC Voltmeter between the test pin P26 and ground as shown in the drawing. Adjust VR201a and VR201b to make the voltmeter read  $0V \pm 0.8mV$ .
3. PRE OUT DC OFFSET ADJUSTMENT  
Connect a high sensitivity DC Voltmeter between the test pin P50 and ground as shown in the drawing. Adjust VR301a and VR301b to make the Voltmeter read  $0V \pm 0.8mV$ .

## 調整手順書

1. MC INPUT DC オフセット調整  
DC電圧計を図のようにR123とGND間に接続する。  
電圧が $0V \pm 50\mu V$ になるようにVR101a, VR101bを調整する。
2. REC OUT DC オフセット調整  
DC電圧計を図の様にテストピンP26とGND間に接続する。  
電圧が $0V \pm 0.8mV$ になる様にVR201a, bを調整する。
3. PRE OUT DC オフセット調整  
DC電圧計を図の様にテストピンP50とGND間に接続する。  
電圧が $0V \pm 0.8mV$ になる様にVR301a, bを調整する。

# Exploded View

C-05



## Exploded View Parts List

Index	Symbol No.	Stock No.	Description	Remarks
D5	1	27D63688F01	Chassis Front 1084	
B5, C5	2	47B64899F23	Shaft US1070	
C4	3	47B64899F21	Shaft US5012	
C4	4	40T57580F05	Switch Power SDAG1P	
C4	5	43A63722F01	Spacer Shaft Guide	
D5	6	27D63690F01	Chassis Channel 1053	
E4	7	26D63695F01	Shield Ears 1407	
D4	8	07C63704F01	Bracket PCB 1413	
C4	9	43A63716F01	Bushing Shaft 0131	
E3	10	27D63689F01	Chassis Channel 1052	
G3	11	18T63686F01	Volume K273A0A05-250KM	
F3	12	18T63687F01	Volume K273A000B-100Kx2	
F4	13	07A63707F01	Bracket Balance 1421	
C2	14	27D63693F01	Chassis Slide L 1062	
B4	15	07B63705F01	Bracket Trans 1414	
C4	16	25T63612F01	Trans Power P2670-SK	SK
		25T66826F01	Trans Power P2682	UZ
		25T63611F01	Trans Power P2631 J	J
G3	17	01V64300F88	Ass'y PCB Switch PB-1431	
F3	18	07C63703F01	Bracket Switch 1412	
G2	19	15D63694F02	Cover Rear 1227-2	SK
		15D63694F03	Cover Rear 1227-3	UZ
		15D63694F01	Cover Rear 1227-1	J
G3	20	26D63696F01	Shield Ears 1408	
F2	21	09T66973F01	Outlet AC 1P	UZ
		09T63787F01	Outlet AC 1P	J
H2	22	09T62632F01	Jack 1P UA-0097 #01	
G1	23	28T43812P04	Plug, Cord	SK
		28T66838F01	Plug, AC Cord	UZ
		28T62216F01	Plug, AC Cord BK0048	J
G1	24	43B41625J02	Support, Cord	SK, UZ
		43B41625J05	Stopper, Cord	J
G1	25	15B58781F01	Housing, Sensor	J
H1	26	29A58768F01	Terminal Sensor	J
H1	27	65T61618F01	Lamp, Neon	J
G3	28	29A63854F01	Terminal Ears	
H2	29	09R61713F02	Terminal GND R60 G	
F2	30	06T00014L46	Resistor (Rd) 2.2M 1/3W	J
F2	31	08T57437F09	Capacitor (Ac) 0.01uF	J
C3	32	07B63706F01	Bracket Fuse 1415	
C2	33	09T51074F01	Fuse Holder	SK
		09T51828F01	Fuse Holder X-N1157	J, UZ
C2	34	65T42077U14	Fuse Semko T 630MA	SK
		65T55050F11	Fuse 2A	J, UZ
B6	35	64D63724F01	Panel Front 1270	
B5	36	13A63743F01	Escutcheon Power	
B5	37	61A61446F01	Crystal, Indicator (1126)	
B5	38	13A63741F01	Escutcheon W 1164	
B5	39	13A63742F01	Escutcheon S 1165	
B5	40	07A63744F01	Frame Knob Holder	
B5	41	41A63752F01	Spring 1051	
B5	42	43A63753F01	Bushing Spring 1058	
B5	43	13A63747F01	Escutcheon (A) 1173	
B6	44	13A63748F01	Escutcheon (B) 1174	
B5	45	13A63745F01	Escutcheon (A) 1171	
B5	46	13A63746F01	Escutcheon (B) 1172	

C-05

C 05

Index	Symbol No.	Stock No.	Description	Remarks
B5, C5	47	43A63751F01	Spacer Knob 1424	
C6	48	13A63749F01	Escutcheon (A) 1175	
C6	49	13A63750F01	Escutcheon (B) 1168	
A6	50	36B63732F02	Knob Push Source	
A6	51	36B63732F03	Knob Push Dubbing	
A6	52	36B63733F01	Knob Push Dubbing	
A6	53	36B63733F02	Knob Push Monitor 1	
A6	54	36B63733F03	Knob Push Monitor 2	
A6	55	36B63733F04	Knob Push Dubbing 2	
A6	56	36B63733F05	Knob Push Dubbing 2	
A6	57	36B63733F06	Knob Push Dubbing 2	
A6	58	36B63733F07	Knob Push Dubbing 2	
B5	59	07A63737F01	Frame Knob Switch 1201	
B5	60	61A63754F01	Crystal Indicator 1125	
G5	61	15C63755F01	Cover Bottom 1126	
G7	62	26A63711F01	Shield Bottom 1142	
G6	63	26A63712F01	Shield Bottom 1150	
F7, H7	64	75A53282F01	Pad, Trannleg	
F7, H7	65	36A63759F01	Cap Trannleg 1033	
C2	66	64B63729F01	Panel Top Cover	
C1, D1	67	14S53018F67	Insulator 1417	
C2	68	14S53018F68	Insulator 1418	
D3	69	27D63691F01	Chassis Channel 1054	
D2	70	43T45472F01	Bushing, YC40B	
F4	71	27D63692F01	Chassis Slide R 1061	
F4	72	43T45472F01	Bushing, YC40B	
G4	73	43T45472F01	Bushing, YC40B	
E3	74	07A63697F01	Bracket Push Switch 1416	
E3	75	07A63698F01	Bracket Push Switch 1417	
D3, E4	76	47A63715F01	Shaft Push 1411	
E4	77	47A63713F01	Shaft Rotary 1409	
C5	78	07A63699F01	Bracket Shaft 1418	
E4	79	47A63714F01	Shaft VR1410	
B5	80	07A63699F01	Bracket Shaft 1418	
D3	81	26A63710F01	Shield Switch 1141	
E2	82	15C63702F01	Cover Trans B 1112	
F6	83	01V64600F06	Ass'y PCB Pre Amp PB-1429	SK
		01V66900F52	Ass'y PCB Pre Amp PB-1429	UZ
		01V64300F89	Ass'y PCB Pre Amp PB-1429	J
E6	84	01V64600F07	Ass'y PCB Pre Amp PB-1428	SK
		01V66900F53	Ass'y PCB Pre Amp PB-1428	UZ
		01V64300F90	Ass'y PCB Pre Amp PB-1428	J
D6	85	15C63701F01	Cover Trans A 1111	
A6	86	01V64300F93	Ass'y Panel Front	
A5	87	64D63725F01	Panel Front Top 1267	
B5	88	07A63708F01	Bracket Panel Side L	
C6	89	07A63709F01	Bracket Panel Side R	
G5	90	64C63726F01	Panel Frame R 1052	
B2	91	64C63727F01	Panel Frame L 1053	
C6	92	64B63730F01	Panel Side R 1050	
A5	93	64B63731F01	Panel Side L 1051	
A5, B6	94	43A63723F01	Spacer Panel Side	
B2, G5	95	64B63728F01	Panel Side Cover	
A6	96	36B63732F01	Knob Push Power	
A6	97	07A63738F01	Frame Knob Power	
A7	98	36A63735F01	Knob Balance 1161	
A6	99	07A63740F01	Frame Knob Balance	
A7	100	36A63736F01	Knob Volume 1162	

Index	Symbol No.	Stock No.	Description	Remarks
A6	101	07A63739F01	Frame Knob VR 1395	
B6	102	36A63734F01	Knob Function 1157	
B5	104	48T60388F01	LED LD101MG	
B5	105	48T60388F03	LED LD-101 YY	
B4	201	03S43997P76	Screw, MCH M3x6	
B4	202	04S40072G20	Washer Tooth Lock M3	
B5, C5	203	03C40014G48	Screw, MCH M3x4 Bind	
D4	204	03S40012G97	Screw, Tapping M3x8 Bind	
D5	205	04S40072G20	Washer Tooth Lock M3	
E3	206	04S40072G22	Washer Tooth Lock M8 Black	
F3	207	03S40012G97	Screw, Tapping M3x8 Bind	
F3	208	04S40072G20	Washer Tooth Lock M3	
B3	209	03S40012G95	Screw, Tapping M4x8 Black	
B3, B4	210	04S40072G15	Washer Tooth Lock	
B3, C3	211	03S52360F25	Screw, MCH M4x10 Bind	
C3	212	04S40070G40	Washer, Flat	
C3	213	04S40071G15	Washer, SP Lock M4	
C3	214	02S40000G47	Nut, Hexagon M4 Black	
G1	215	03S40012G97	Screw, Tapping M3x8 Bind	
E3	216	03S40012G97	Screw, Tapping M3x8 Bind	
E3	217	04S40072G20	Washer Tooth Lock M3	
F3	218	04S40072G13	Washer M9	
H2	219	03S52360F23	Screw, MCH M3x8 Bind	
F2, H2	220	04S40072G20	Washer Tooth Lock M3	
G2	221	02S40000G35	Nut, Hex M3	
G1	222	03S52360F23	Screw, MCH M3x8 Bind	J
F2	223	02S40000G35	Nut, Hex M3	J
G2	224	04S40072G22	Washer Tooth Lock M8 Black	
H2	225	03S52360F23	Screw, MCH M3x8 Bind	
G3, H2	226	04S40072G20	Washer Tooth Lock M3	
G3	227	02S40000G35	Nut, Hex M3	
G3	228	04S40072G06	Washer, Tooth Lock	
G3	229	02S40000G46	Nut M6x0.75	
G1	230	04A63932F01	Washer, Film	
C2	231	03S40012G99	Screw, Tapping M3x10 Bind	
G7	232	03S52360F24	Screw, MCH M3x10 Bind	
G7	233	04S40072G20	Washer Tooth Lock M3	
G6	234	02S40000G35	Nut, Hex M3	
F7, G6	235	03S63857F03	Screw, Tapping M4x25 Bind	
D2	238	03S40012G97	Screw, Tapping M3x8 Bind	
F4, G4	239	03S40012G97	Screw, Tapping M3x8 Bind	
G4	240	04S40072G20	Washer Tooth Lock M3	
E2, G4	241	03S40012G97	Screw, Tapping M3x8 Bind	
E3	242	04S40072G20	Washer Tooth Lock M3	
A3	243	03S40012G97	Screw, Tapping M3x8 Bind	
A3	244	04S40072G20	Washer Tooth Lock M3	
F1, H3	245	03S40012G98	Screw, Tapping M3x8 Flat	
E4	246	03S40012G97	Screw, Tapping M3x8 Bind	
E2	248	03S40012G97	Screw, Tapping M3x8 Bind	
E2	249	04S40072G20	Washer Tooth Lock M3	
D3	250	04S40075G19	Washer 4.1x6.5x0.5	
E4	251	04C42091G15	Washer, C 5.0 Black	
C5, D5	252	04A63717F01	Washer 1414 Mold	
C5	253	04A66418F01	Washer	
C5	254	04A63718F01	Washer, Wave	
C5	255	03S40012G96	Screw, Tapping M3x6 Bind	
E4, F7	256	04C42091G15	Washer, C 5.0 Black	
C5	257	04A63717F01	Washer 1414 Mold	

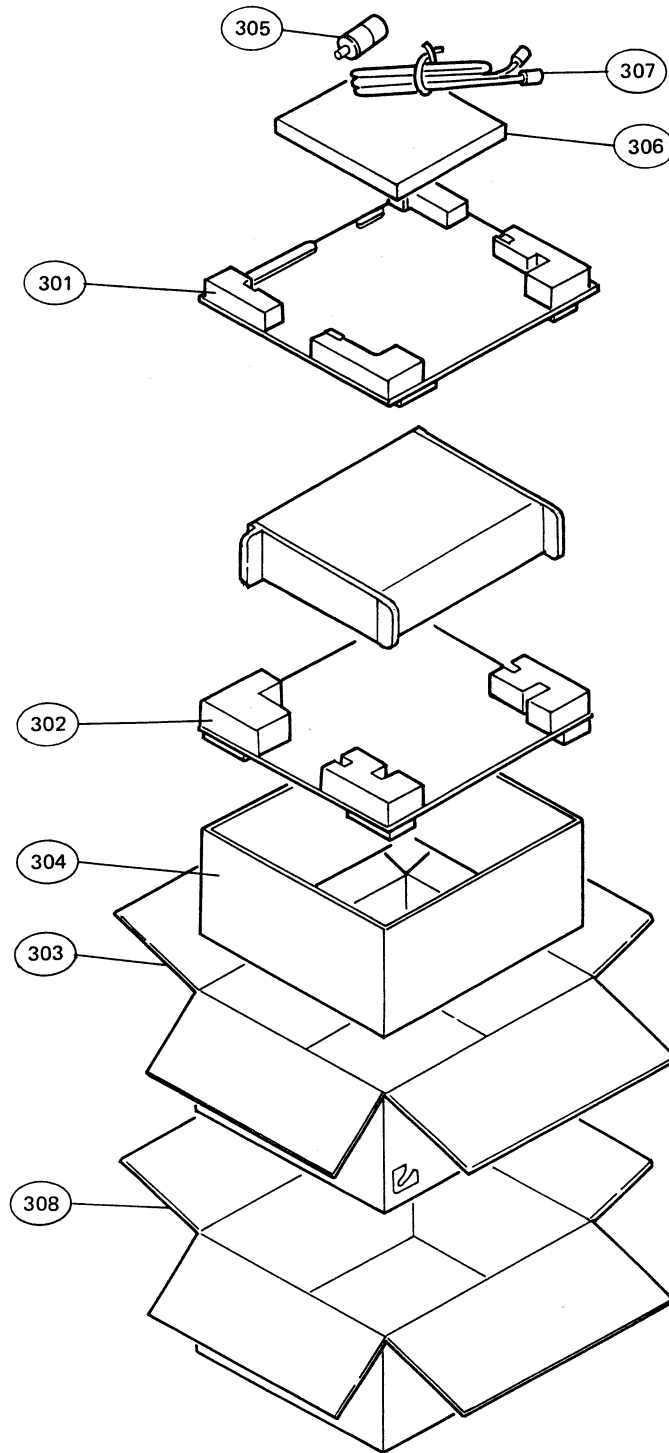
Index	Symbol No.	Stock No.	Description	Remarks
C5	258	04A66418F01	Washer	
C5	259	04A63718F01	Washer, Wave	
C5	260	03S40012G96	Screw, Tapping M3x6 Bind	
C2	261	03S40012G97	Screw, Tapping M3x8 Bind	
C2	262	04S40072G20	Washer Tooth Lock M3	
F4	263	03S40015G02	Screw, Set M3	
E1	264	03S40012G97	Screw, Tapping M3x8 Bind	
E1	265	04S40072G20	Washer Tooth Lock M3	
E5, G5	266	03S40012G97	Screw, Tapping M3x8 Bind	
D6, E6	267	03S40012G97	Screw, Tapping M3x8 Bind	
C7	268	03S40012G97	Screw, Tapping M3x8 Bind	
C7	269	04S40072G20	Washer Tooth Lock M3	
B2	270	03S40012G97	Screw, Tapping M3x8 Bind	
B2	271	04S40072G20	Washer Tooth Lock M3	
A5	272	03S40012G98	Screw, Tapping M3x8 Flat	
B7	273	03S40012G97	Screw, Tapping M3x8 Bind	
B4, D5	274	03S43997P76	Screw, MCH M3x6	
B4, D5	275	04S40071G11	Washer 3.1x5.9x0.7	
A3, B2	276	03S40012G98	Screw, Tapping M3x8 Flat	
B4, D5	277	03S40012G97	Screw, Tapping M3x8 Bind	
B4, D5	278	04S40070G39	Washer 3.2x6x0.5	
A2, G5	279	03S63857F10	Screw, Tapping M4x12 Bind	
A2, G5	280	04S40070G59	Washer 4.1x6.5x0.5	
C4	281	04S40070G40	Washer, Flat	
A6	282	03S40015G02	Screw, Set M3	
A6	283	03S40015G02	Screw, Set M3	
F6, H6	284	03S40012G96	Screw, Tapping M3x6 Bind	
F6, H6	285	04S40072G20	Washer Tooth Lock M3	
C1	286	04A63757F01	Washer, Special 1240	
C1	287	03S63857F02	Screw, Tapping M4x10 Truss	
D1	288	04S40072G21	Washer Tooth Lock M6 Black	

**Remarks**

Resistor: Rd . . . Carbon, Rf . . . Frame Proof, Rm . . . Metal Film  
 Capacitor: El . . . Electrolytic, St . . . Styrol, My . . . Mylar,  
 Pe . . . Polyester, Pp . . . Polypropylene



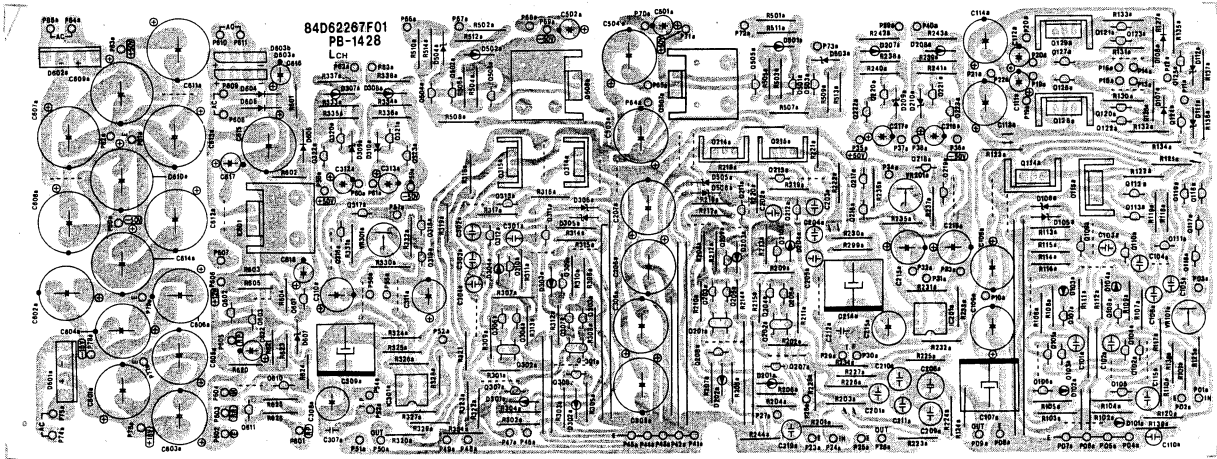
# Packing Material Parts List



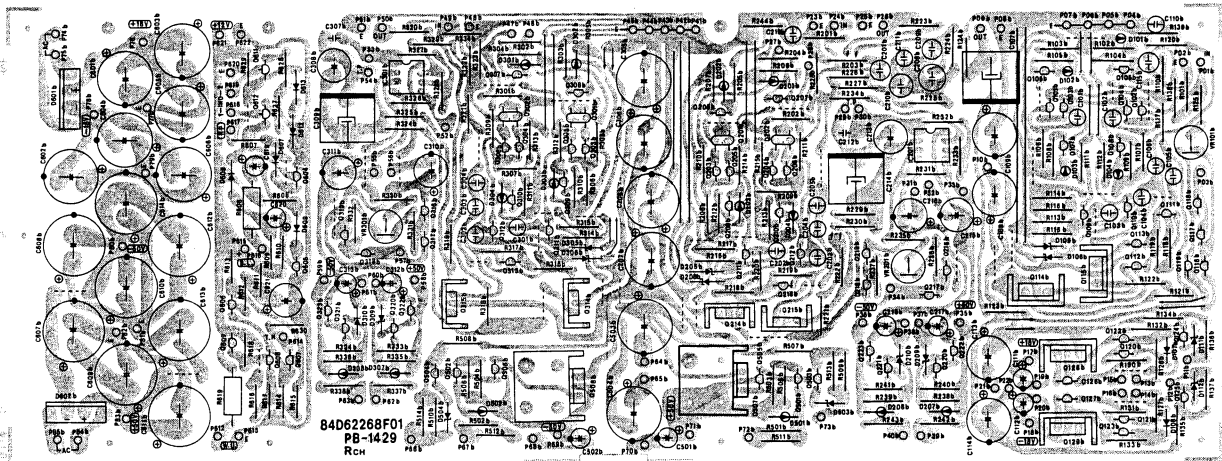
Index	Symbol No.	Stock No.	Description	Remarks
	301	56B63760F01	Tray Packing 1063	
	302	56B63761F01	Tray Packing 1064	
	303	56C58368F35	Carton Packing	
	304	56A63762F01	Tray Packing 1065	
	305	28T51067F01	Plug, Short Phono	
	306	68R64341F01	Owner's Manual	SK UZ J
		68P65432F36	Owner's Manual	
		68R63763F01	Owner's Manual	
		68R63763F01	Owner's Manual	
	307	28T58909F01	Plug, Audio Cable	
	308	56C58368F36	Carton Bluk Packing	

# PCB

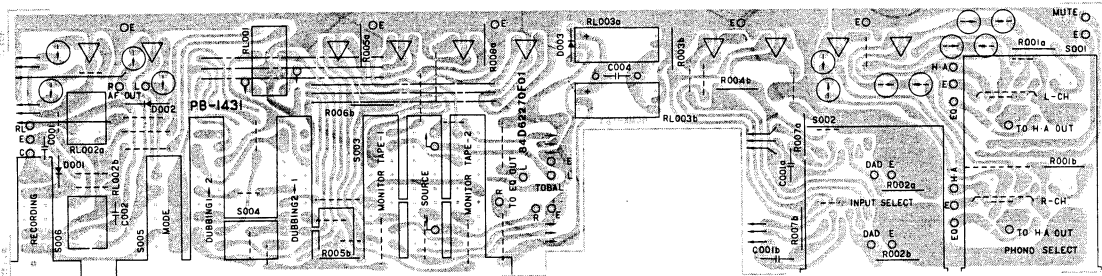
P/A PCB PB-1428



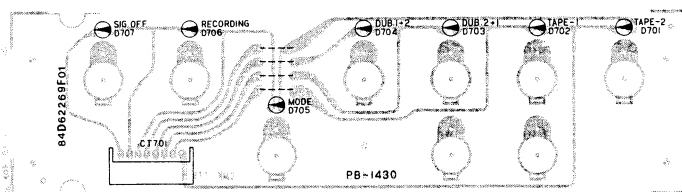
P/A PCB PB-1429



SW PCB PB-1431



LED PCB PB-1430



# PCB Parts List

## P/A PCB PB-1428,PB-1429 Parts List

Symbol No.	Stock No.	Description
(Variable Resistor)		
VR101a,b	18C41732G18	2.2K
VR201a,b	18C41732G10	470
VR301a,b	18C41732G10	470
(IC)		
IC201a,b	51T62647F01	NJM082D
IC301a,b	51T62647F01	NJM082D
IC601	51T60588F01	NJM7812
(Transistor & FET)		
Q101a,b	48T64108F01	2SC2602-F
Q102a,b	48T62643F01	2SA1114F
Q103a,b	48T64108F01	2SC2602-F
Q104a,b	48T62643F01	2SA1114F
Q105a,b	48T52545F01	2SA970 BL
Q106a,b	48T53301F01	2SC2240
Q107a,b	48T52545F01	2SA970 BL
Q108a,b	48T53301F01	2SC2240
Q109a,b	48T52545F01	2SA970 BL
Q110a,b	48T53301F01	2SC2240
Q111a,b	48T53301F01	2SC2240
Q112a,b	48T60752F03	2SC2705 Y
Q113a,b	48T60751F03	2SA1145 Y
Q114a,b	48T53305F02	2SC2238 B,Y
Q115a,b	48T53306F02	2SA968 B,Y
Q116a,b	48T51539F01	2SK117 (Y)
Q117a,b	48T52545F01	2SA970 BL
Q118a,b	48T53301F01	2SC2240
Q119a,b	48T51539F01	2SK117 (Y)
Q120a,b	48T51118F01	2SA1015-Y
Q121a,b	48S43525F02	2SC1815-Y
Q122a,b	48T51118F01	2SA1015-Y
Q123a,b	48S43525F02	2SC1815-Y
Q124a,b	48T53301F01	2SC2240
Q125a,b	48T52545F01	2SA970 BL
Q126a,b	48S43525F02	2SC1815-Y
Q127a,b	48T51118F01	2SA1015-Y
Q128a,b	48T63630F01	2SC1626-Y
Q129a,b	48T63631F01	2SA816-Y
Q201a,b	48T52146F01	2SK146 BL
Q202a,b	48T62649F02	2SJ73-BL
Q203a,b	48T53301F01	2SC2240
Q204a,b	48T52545F01	2SA970 BL
Q205a,b	48T53301F01	2SC2240
Q206a,b	48T52545F01	2SA970 BL
Q207a,b	48T52545F01	2SA970 BL
Q208a,b	48T53301F01	2SC2240-BL
Q209a,b	48T52545F01	2SA970 BL
Q210a,b	48T53301F01	2SC2240-BL
Q211a,b	48T52545F01	2SA970 BL
Q212a,b	48T53301F01	2SC2240-BL
Q213a,b	48T53301F01	2SC2240
Q214a,b	48T63633F01	2SD668-C
Q215a,b	48T63632F01	2SB648-C
Q216a,b	48T51539F01	2SK117 (Y)
Q217a,b	48T52545F01	2SA970 BL
Q218a,b	48T53301F01	2SC2240

Symbol No.	Stock No.	Description
Q219a,b	48T51539F01	2SK117 (Y)
Q220a,b	48T60751F03	2SA1145 Y
Q221a,b	48T60752F03	2SC2705 Y
Q222a,b	48T56658F03	2SC1904 B
Q223a,b	48T56657F03	2SA899 B
Q301a,b	48T60558F01	2SK240 BL
Q302a,b	48T62284F02	2SJ75-BL
Q303a,b	48T53301F01	2SC2240
Q304a,b	48T52545F01	2SA970 BL
Q305a,b	48T53301F01	2SC2240
Q306a,b	48T52545F01	2SA970 BL
Q307a,b	48T60532F03	2SA1144 Y
Q308a,b	48T60531F03	2SC2704 Y
Q309a,b	48T60532F03	2SA1144 Y
Q310a,b	48T60531F03	2SC2704 Y
Q311a,b	48T60532F03	2SA1144 Y
Q312a,b	48T60531F03	2SC2704 Y
Q313a,b	48T53301F01	2SC2240
Q314a,b	48T63633F01	2SD668-C
Q315a,b	48T63632F01	2SB648-C
Q316a,b	48T51539F01	2SK117 (Y)
Q317a,b	48T52545F01	2SA970 BL
Q318a,b	48T53301F01	2SC2240
Q319a,b	48T51539F01	2SK117 (Y)
Q320a,b	48T60751F03	2SA1145 Y
Q321a,b	48T60752F03	2SC2705 Y
Q322a,b	48T56658F03	2SC1904 B
Q323a,b	48T56657F03	2SA899 B
Q501a,b	48T52545F01	2SA970 BL
Q502a,b	48T53301F01	2SC2240
Q503a,b	48T53301F01	2SC2240
Q504a,b	48T52545F01	2SA970 BL
Q505a,b	48T53301F01	2SC2240
Q506a,b	48T52545F01	2SA970 BL
Q507a,b	48T53305F02	2SC2238 B,Y
Q508a,b	48T53306F02	2SA968 B,Y
Q601	48T53301F01	2SC2240
Q602	48T52545F01	2SA970 BL
Q603	48T51120F01	2SC2235
Q604	48T53301F01	2SC2240
Q605	48T53301F01	2SC2240
Q606	48T51539F01	2SK117 (Y)
Q607	48T53301F01	2SC2240
Q608	48T53301F01	2SC2240
Q609	48T52545F01	2SA970 BL
Q610	48T53301F01	2SC2240
Q611	48T63904F01	2SD526
Q612	48T63904F01	2SD526
(Diode & Zener & LED)		
D101a,b	48T62493F01	AA3422K-U
D102a,b	48T62493F01	AA3422K-U
D103a,b	48T62493F01	AA3422K-U
D104a,b	48T62493F01	AA3422K-U
D105a,b	48T62636F12	HZ5C-LL
D106a,b	48T62636F12	HZ5C-LL
D111a,b	48T62636F12	HZ5C-LL
D112a,b	48T62636F12	HZ5C-LL
D201a,b	48T62493F01	AA3422K-U

C-05

Symbol No.	Stock No.	Description	Symbol No.	Stock No.	Description
D202a,b	48T62493F01	AA3422K-U	C211a,b	08T61630F14	(St) 47pF 120V
D203a,b	48T62493F01	AA3422K-U	C212a,b	08S44503P13	(My) 0.01uF
D204a,b	48T62493F01	AA3422K-U	C213a,b	23T61177F06	(E1) 4.7uF 100V
D207a,b	48T62493F01	AA3422K-U	C214a,b	08T00019L10	(Pp) 2.2uF
D208a,b	48T62493F01	AA3422K-U	C215a,b	23T43197F40	(E1) 22uF 16V
D209a,b	48T40059U47	HZ15-2L	C216a,b	23T43197F40	(E1) 22uF 16V
D210a,b	48T40059U47	HZ15-2L	C217a,b	23T43197F66	(E1) 1uF 50V
D301a,b	48T62493F01	AA3422K-U	C218a,b	23T43197F66	(E1) 1uF 50V
D302a,b	48T62493F01	AA3422K-U	C219a,b	08T61630F34	(St) 470pF 120V
D303a,b	48T62493F01	AA3422K-U	C301a,b	08T61630F67	(St) 2uF 120V
D304a,b	48T62493F01	AA3422K-U	C302a,b	08T61630F67	(St) 2uF 120V
D305a,b	48T40059U59	HZ22-2L	C303a,b	08T61630F06	(St) 10pF 120V
D306a,b	48T40059U59	HZ22-2L	C304a,b	08T61630F06	(St) 10pF 120V
D307a,b	48T62493F01	AA3422K-U	C305a,b	23T43197F77	(E1) 470uF 50V
D308a,b	48T62493F01	AA3422K-U	C306a,b	23T43197F77	(E1) 470uF 50V
D309a,b	48T40059U47	HZ15-2L	C307a,b	08S44503P13	(My) 0.01uF
D310a,b	48T40059U47	HZ15-2L	C308a,b	23T61177F06	(E1) 4.7uF 100V BP
D501a,b	48T62493F01	AA3422K-U	C309a,b	08T00019L10	(Pp) 2.2uF
D502a,b	48T62493F01	AA3422K-U	C310a,b	23T43197F40	(E1) 22uF 16V
D503a,b	48T40059U32	HZ11B-2L	C311a,b	23T43197F40	(E1) 22uF 16V
D504a,b	48T40059U32	HZ11B-2L	C312a,b	23T43197F66	(E1) 1uF 50V
D505a,b	48T40059U62	HZ24-2L	C313a,b	23T43197F66	(E1) 1uF 50V
D506a,b	48T40059U62	HZ24-2L	C501a,b	23T43197F90	(E1) 1uF 100V
D601a,b	48T62282F01	UB152	C502a,b	23T43197F90	(E1) 1uF 100V
D602a,b	48T62282F01	UB152	C503a,b	23T43197F77	(E1) 470uF 50V
D603a,b	48T53388F01	S1VB-20	C504a,b	23T43197F77	(E1) 470uF 50V
D604	48S40477U01	1N4003	C601a,b	23T43197F54	(E1) 1000uF 25V
D605	48S40477U01	1N4003	C602a,b	23T43197F54	(E1) 1000uF 25V
D606	48T51117F01	1S1553	C603a,b	23T43197F54	(E1) 1000uF 25V
D607	48T40150U27	HZ5C-3	C604a,b	23T43197F54	(E1) 1000uF 25V
D608	48T51117F01	1S1553	C605a,b	23T43197F54	(E1) 1000uF 25V
D609	48T51117F01	1S1553	C606a,b	23T43197F54	(E1) 1000uF 25V
(Capacitor)			C607a,b	23T43197F88	(E1) 470uF 63V
C101a,b	08T61630F14	(St) 47pF 120V	C608a,b	23T43197F88	(E1) 470uF 63V
C102a,b	08T61630F14	(St) 47pF 120V	C609a,b	23T43197F88	(E1) 470uF 63V
C103a,b	08T61630F06	(St) 10pF 120V	C610a,b	23T43197F88	(E1) 470uF 63V
C104a,b	08T61630F06	(St) 10pF 120V	C611a,b	23T43197F88	(E1) 470uF 63V
C105a,b	08T61630F26	(St) 220pF	C612a,b	23T43197F88	(E1) 470uF 63V
C106a,b	08T61630F26	(St) 220pF	C613a,b	23T43197F88	(E1) 470uF 63V
C107a,b	08T00019L06	(Pp) 1uF	C614a,b	23T43197F88	(E1) 470uF 63V
C108a,b	23T43197F42	(E1) 47uF 16V	C615	23T00029L78	(E1) 1000uF 25V
C109a,b	23T43197F42	(E1) 47uF 16V	C616	23T00029L05	(E1) 2.2uF 50V
C110a,b	08T61630F18	(St) 100pF	C617	23T00029L14	(E1) 10uF 16V
C111a,b	23T43197F66	(E1) 1uF 50V	C618	23T00029L37	(E1) 47uF 16V
C112a,b	23T43197F66	(E1) 1uF 50V	C619	23T00029L17	(E1) 10uF 50V
C113a,b	23T43197F42	(E1) 47uF 16V	C620	23T00029L17	(E1) 10uF 50V
C114a,b	23T43197F42	(E1) 47uF 16V	C621	23T00029L69	(E1) 470uF 16V
C115a,b	08T61630F34	(St) 470pF 120V	C622	23T00029L21	(E1) 22uF 16V
C201a,b	08T61630F18	(St) 100pF	(Resistor)		
C202a,b	08T61630F06	(St) 10pF 120V	R101a,b	06T00013L41	(Rd) 100Ω 1/3W
C203a,b	08T61630F06	(St) 10pF 120V	R102a,b	06T00013L75	(Rd) 2.7K 1/3W
C204a,b	08T61630F11	(St) 27pF 120V	R103a,b	06T00013L75	(Rd) 2.7K 1/3W
C205a,b	08T61630F11	(St) 27pF 120V	R104a,b	06T00032L45	(Rf) 150 1/2W (SK)
C206a,b	23T43197F77	(E1) 470uF 50V	R104a,b	06T00013L45	(Rd) 150 1/3W (J,UZ)
C207a,b	23T43197F77	(E1) 470uF 50V	R105a,b	06T00032L45	(Rf) 150 1/2W (SK)
C208a,b	08T61630F68	(St) 6400pF 120V	R105a,b	06T00013L45	(Rd) 150 1/3W (J,UZ)
C209a,b	08T61630F34	(St) 470pF 120V	R106a,b	06T00013L61	(Rd) 680 1/3W
C210a,b	08T61630F48	(St) 1800pF 120V	R107a,b	06T00013L61	(Rd) 680 1/3W

Symbol No.	Stock No.	Description
R108a,b	06T00032L47	(Rf) 180 1/2W (SK)
R108a,b	06T00013L47	(Rd) 180 1/3W (J, UZ)
R109a,b	06T00032L47	(Rf) 180 1/2W (SK)
R109a,b	06T00013L47	(Rd) 180 1/3W (J, UZ)
R110a,b	06T00014L56	(Rd) 2.0 1/3W
R111a,b	06T00013L75	(Rd) 2.7K 1/3W
R112a,b	06T00013L75	(Rd) 2.7K 1/3W
R115a,b	06T00013L69	(Rd) 1.5K $\Omega$ 1/3W
R116a,b	06T00013L69	(Rd) 1.5K $\Omega$ 1/3W
R117a,b	06T00032L33	(Rf) 47 1/2W (SK)
R117a,b	06T00013L33	(Rd) 47 1/3W (J, UZ)
R118a,b	06T00013L89	(Rd) 10K 1/3W
R119a,b	06T00013L77	(Rd) 3.3K 1/3W
R121a,b	06T00032L17	(Rf) 10 1/2W (SK)
R121a,b	06T00013L17	(Rd) 10 $\Omega$ 1/3W (J, UZ)
R122a,b	06T00032L17	(Rf) 10 1/2W (SK)
R122a,b	06T00013L17	(Rd) 10 $\Omega$ 1/3W (J, UZ)
R123a,b	06T00032L33	(Rf) 47 1/2W (SK)
R123a,b	06T00013L33	(Rd) 47 1/3W (J, UZ)
R124a,b	06T00014L14	(Rd) 100K 1/3W
R125a,b	06T00014L06	(Rd) 47K $\Omega$ 1/3W
R126a,b	06T00014L14	(Rd) 100K $\Omega$ 1/3W
R127a,b	06T00014L14	(Rd) 100K $\Omega$ 1/3W
R130a,b	06T00013L85	(Rd) 6.8K 1/3W
R131a,b	06T00013L85	(Rd) 6.8K 1/3W
R132a,b	06T00032L47	(Rf) 180 1/2W (SK)
R132a,b	06T00013L47	(Rd) 180 1/3W (J, UZ)
R133a,b	06T00032L47	(Rf) 180 1/2W (SK)
R133a,b	06T00013L47	(Rd) 180 1/3W (J, UZ)
R134a,b	06T00013L89	(Rd) 10K 1/3W
R135a,b	06T00013L89	(Rd) 10K 1/3W
R136a,b	06T00013L89	(Rd) 10K 1/3W
R137a,b	06T00013L89	(Rd) 10K 1/3W
R138a,b	06T00013L33	(Rd) 47 1/3W
R139a,b	06T00013L17	(Rd) 10 $\Omega$ 1/3W
R201a,b	06T00014L08	(Rd) 56K 1/3W
R202a,b	06T00032L11	(Rf) 5.6 1/2W (SK)
R202a,b	06T00013L11	(Rd) 5.6 1/3W (J, UZ)
R203a,b	06T00013L43	(Rd) 120 1/3W
R204a,b	06T00013L87	(Rd) 8.2K $\Omega$ 1/3W
R205a,b	06T00013L87	(Rd) 8.2K $\Omega$ 1/3W
R206a,b	06T00032L49	(Rf) 220 1/2W (SK)
R206a,b	06T00013L49	(Rd) 220 $\Omega$ 1/3W (J, UZ)
R207a,b	06T00032L49	(Rf) 220 1/2W (SK)
R207a,b	06T00013L49	(Rd) 220 $\Omega$ 1/3W (J, UZ)
R208a,b	06T00014L16	(Rd) 120K 1/3W
R209a,b	06T00014L16	(Rd) 120K 1/3W
R210a,b	06T00014L10	(Rd) 68K 1/3W
R211a,b	06T00014L10	(Rd) 68K 1/3W
R212a,b	06T00032L49	(Rf) 220 1/2W (SK)
R212a,b	06T00013L49	(Rd) 220 $\Omega$ 1/3W (J, UZ)
R213a,b	06T00032L49	(Rf) 220 1/2W (SK)
R213a,b	06T00013L49	(Rd) 220 $\Omega$ 1/3W (J, UZ)
R214a,b	06T00013L87	(Rd) 8.2K $\Omega$ 1/3W
R215a,b	06T00013L87	(Rd) 8.2K $\Omega$ 1/3W
R216a,b	06T00013L71	(Rd) 1.8K 1/3W
R217a,b	06T00013L71	(Rd) 1.8K 1/3W
R218a,b	06T00013L87	(Rd) 8.2K $\Omega$ 1/3W

Symbol No.	Stock No.	Description
R219a,b	06T00013L83	(Rd) 5.6K 1/3W
R221a,b	06T00032L17	(Rf) 10 1/2W (SK)
R221a,b	06T00013L17	(Rd) 10 $\Omega$ 1/3W (J, UZ)
R222a,b	06T00032L17	(Rf) 10 1/2W (SK)
R222a,b	06T00013L17	(Rd) 10 $\Omega$ 1/3W (J, UZ)
R223a,b	06T00032L41	(Rf) 100 1/2W (SK)
R223a,b	06T00013L41	(Rd) 100 $\Omega$ 1/3W (J, UZ)
R224a,b	06T00014L30	(Rd) 470K 1/3W
R225a,b	06T00014L04	(Rd) 39K 1/3W
R226a,b	06T00013L53	(Rd) 330 $\Omega$ 1/3W
R228a,b	06T00013L63	(Rd) 820 1/3W
R229a,b	06T00014L22	(Rd) 220K 1/3W
R230a,b	06T00014L22	(Rd) 220K 1/3W
R231a,b	06T00014L54	(Rd) 4.7M $\Omega$ 1/3W
R232a,b	06T00013L87	(Rd) 8.2K $\Omega$ 1/3W
R233a,b	06T00013L99	(Rd) 27K $\Omega$ 1/3W
R234a,b	06T00014L06	(Rd) 47K 1/3W
R235a,b	06T00013L79	(Rd) 3.9K $\Omega$ 1/3W
R236a,b	06T00013L81	(Rd) 4.7K 1/3W
R237a,b	06T00013L81	(Rd) 4.7K 1/3W
R238a,b	06T00032L55	(Rf) 390 1/2W (SK)
R238a,b	06T00013L55	(Rd) 390 $\Omega$ 1/3W (J, UZ)
R239a,b	06T00032L55	(Rf) 390 1/2W (SK)
R239a,b	06T00013L55	(Rd) 390 $\Omega$ 1/3W (J, UZ)
R242a,b	06T00013L93	(Rd) 15K 1/3W
R243a,b	06T00013L93	(Rd) 15K 1/3W
R244a,b	06T00013L17	(Rd) 10 $\Omega$ 1/3W
R301a,b	06T00032L41	(Rf) 100 1/2W (SK)
R301a,b	06T00013L41	(Rd) 100 $\Omega$ 1/3W (J, UZ)
R302a,b	06T00013L87	(Rd) 8.2K $\Omega$ 1/3W
R303a,b	06T00013L87	(Rd) 8.2K $\Omega$ 1/3W
R304a,b	06T00032L49	(Rf) 220 1/2W (SK)
R304a,b	06T00013L49	(Rd) 220 $\Omega$ 1/3W (J, UZ)
R305a,b	06T00032L49	(Rf) 220 1/2W (SK)
R305a,b	06T00013L49	(Rd) 220 $\Omega$ 1/3W (J, UZ)
R306a,b	06T00014L16	(Rd) 120K 1/3W
R307a,b	06T00014L16	(Rd) 120K 1/3W
R308a,b	06T00014L08	(Rd) 56K 1/3W
R309a,b	06T00014L08	(Rd) 56K 1/3W
R310a,b	06T00032L49	(Rf) 220 1/2W (SK)
R310a,b	06T00013L49	(Rd) 220 $\Omega$ 1/3W (J, UZ)
R311a,b	06T00032L49	(Rf) 220 1/2W (SK)
R311a,b	06T00013L49	(Rd) 220 $\Omega$ 1/3W (J, UZ)
R312a,b	06T00013L87	(Rd) 8.2K $\Omega$ 1/3W
R313a,b	06T00013L87	(Rd) 8.2K $\Omega$ 1/3W
R314a,b	06T00013L73	(Rd) 2.2K 1/3W
R315a,b	06T00013L73	(Rd) 2.2K 1/3W
R316a,b	06T00013L87	(Rd) 8.2K $\Omega$ 1/3W
R317a,b	06T00013L83	(Rd) 5.6K 1/3W
R318a,b	06T00032L17	(Rf) 10 1/2W (SK)
R318a,b	06T00013L17	(Rd) 10 $\Omega$ 1/3W (J, UZ)
R319a,b	06T00032L17	(Rf) 10 1/2W (SK)
R319a,b	06T00013L17	(Rd) 10 $\Omega$ 1/3W (J, UZ)
R320a,b	06T00032L31	(Rf) 39 1/2W (SK)
R320a,b	06T00013L31	(Rd) 39 $\Omega$ 1/3W (J, UZ)
R321a,b	06T00013L87	(Rd) 8.2K $\Omega$ 1/3W
R322a,b	06T00013L63	(Rd) 820 1/3W
R323a,b	06T00014L16	(Rd) 120K 1/3W

Symbol No.	Stock No.	Description
R324a,b	06T00014L22	(Rd) 220K 1/3W
R325a,b	06T00014L22	(Rd) 220K 1/3W
R326a,b	06T00014L54	(Rd) 4.7M $\Omega$ 1/3W
R327a,b	06T00013L87	(Rd) 8.2K $\Omega$ 1/3W
R328a,b	06T00013L99	(Rd) 27K $\Omega$ 1/3W
R329a,b	06T00014L18	(Rd) 150K 1/3W
R330a,b	06T00014L55	(Rd) 1.0 1/3W
R331a,b	06T00013L81	(Rd) 4.7K 1/3W
R332a,b	06T00013L81	(Rd) 4.7K 1/3W
R333a,b	06T00032L55	(Rf) 390 1/2W (SK)
R333a,b	06T00013L55	(Rd) 390 $\Omega$ 1/3W (J, UZ)
R334a,b	06T00014L42	(Rd) 1.5M 1/3W
R334a,b	06T00032L55	(Rf) 390 1/2W (SK)
R334a,b	06T00013L55	(Rd) 390 $\Omega$ 1/3W (J, UZ)
R337a,b	06T00013L93	(Rd) 15K 1/3W
R338a,b	06T00013L93	(Rd) 15K 1/3W
R501a,b	06T00013L91	(Rd) 12K $\Omega$ 1/3W
R502a,b	06T00013L91	(Rd) 12K $\Omega$ 1/3W
R503a,b	06T00032L53	(Rf) 330 1/2W (SK)
R503a,b	06T00013L53	(Rd) 330 $\Omega$ 1/3W (J, UZ)
R504a,b	06T00032L53	(Rf) 330 1/2W (SK)
R504a,b	06T00013L53	(Rd) 330 $\Omega$ 1/3W (J, UZ)
R505a,b	06T00013L81	(Rd) 4.7K 1/3W
R506a,b	06T00013L81	(Rd) 4.7K 1/3W
R507a,b	06T00013L95	(Rd) 18K 1/3W
R508a,b	06T00013L95	(Rd) 18K 1/3W
R509a,b	06T00013L89	(Rd) 10K 1/3W
R510a,b	06T00013L89	(Rd) 10K 1/3W
R513a,b	06T00014L14	(Rd) 100K $\Omega$ 1/3W
R514a,b	06T00014L14	(Rd) 100K $\Omega$ 1/3W
R601	06T00027L89	(Rd) 10K 1/4W
R602	06T00028L34	(Rd) 680K 1/4W
R603	06T00027L69	(Rd) 1.5K 1/4W
R604	06T00027L89	(Rd) 10K 1/4W
R605	06T00027L91	(Rd) 12K 1/4W
R606	06T00005L57	(Rm) 470 1W
R607	06T00027L91	(Rd) 12K 1/4W
R608	06T00028L06	(Rd) 47K 1/4W
R609	06T00005L57	(Rm) 470 1W
R609	06T00028L06	(Rd) 47K 1/4W
R610	06T00027L65	(Rd) 1K 1/4W
R611	06T00028L48	(Rd) 2.7M 1/4W
R612	06T00028L48	(Rd) 2.7M 1/4W
R613	06T00027L87	(Rd) 8.2K 1/4W
R614	06T00027L89	(Rd) 10K 1/4W
R615	06T00028L18	(Rd) 150K 1/4W
R616	06T00028L02	(Rd) 33K 1/4W
R617	06T00027L99	(Rd) 27K 1/4W
R618	06T00027L97	(Rd) 22K 1/4W
R619	06T00005L57	(Rd) 470 1W
R620	06T00027L89	(Rd) 10K 1/4W
R621	06T00027L71	(Rd) 1.8K 1/4W
R623	06T00028L24	(Rd) 270K 1/4W
R624	06T00027L29	(Rd) 33 1/4W
R625	06T00027L95	(Rd) 18K 1/4W
R626	06T00027L97	(Rd) 22K 1/4W
R627	06T00011L29	(Rd) 33 $\Omega$ 1/4W
R628	06T00011L29	(Rd) 33 $\Omega$ 1/4W

Symbol No.	Stock No.	Description
R629	06T00027L89	(Rd) 10K 1/4W
JP8a,b	06T00013L25	(Rd) 22 $\Omega$ 1/3W

### SW PCB PB-1431 Parts List

Symbol No.	Stock No.	Description
(Plate)		
PH1-5	09T50231F04	Phono T5754-BA
(Relay)		
RL1	80T00048L01	RZ-12W
RL2a,b	80T00047L01	MZ-12W
RL3a,b	80T61676F02	FRL-644
(Switch)		
S1	40T63681F01	Rotary SRJ5105 [PHONO SELECT]
S2	40T63682F01	Rotary SRJ2025 [INPUT SELECT]
S3-5	40T63683F01	Push SUF71
S6	40T63684F01	Push SUF21 [RECORDING]
(Diode)		
D1	48T51117F01	1S1553
D2	48T51117F01	1S1553
D3	48T51117F01	1S1553
(Capacitor)		
C1	08T42629F29	(My) 0.1uF
C1a,b	08T63933F01	(Pe) 0.22uF
C2	08T42629F29	(My) 0.1uF
C4	08T42629F29	(My) 0.1uF
(Resistor)		
R1a,b	06T00013L41	(Rd) 100 $\Omega$ 1/3W
R2a,b	06T00014L54	(Rd) 4.7M $\Omega$ 1/3W
R3a,b	06T00014L54	(Rd) 4.7M $\Omega$ 1/3W
R4a,b	06T00014L54	(Rd) 4.7M $\Omega$ 1/3W
R5a,b	06T00014L54	(Rd) 4.7M $\Omega$ 1/3W
R6a,b	06T00014L54	(Rd) 4.7M $\Omega$ 1/3W
R7a,b	06T00014L38	(Rd) 1M $\Omega$ 1/3W

### LED PCB PB-1430 Parts List

Symbol No.	Stock No.	Description
(LED)		
D701	48T63906F02	EAY3432S G,R [TAPE-2]
D702	48T63906F02	EAY3432S G,R [TAPE-1]
D703	48T63906F02	EAY3432S G,R [DUB2-1]
D704	48T63906F02	EAY3432S G,R [DUB1-2]
D705	48T63906F01	EAY3432S O,Y [MODE]
D706	48T63906F01	EAY3432S O,Y [RECORD]
D707	48T63906F01	EAY3432S O,Y [SIG OFF]

## Specifications

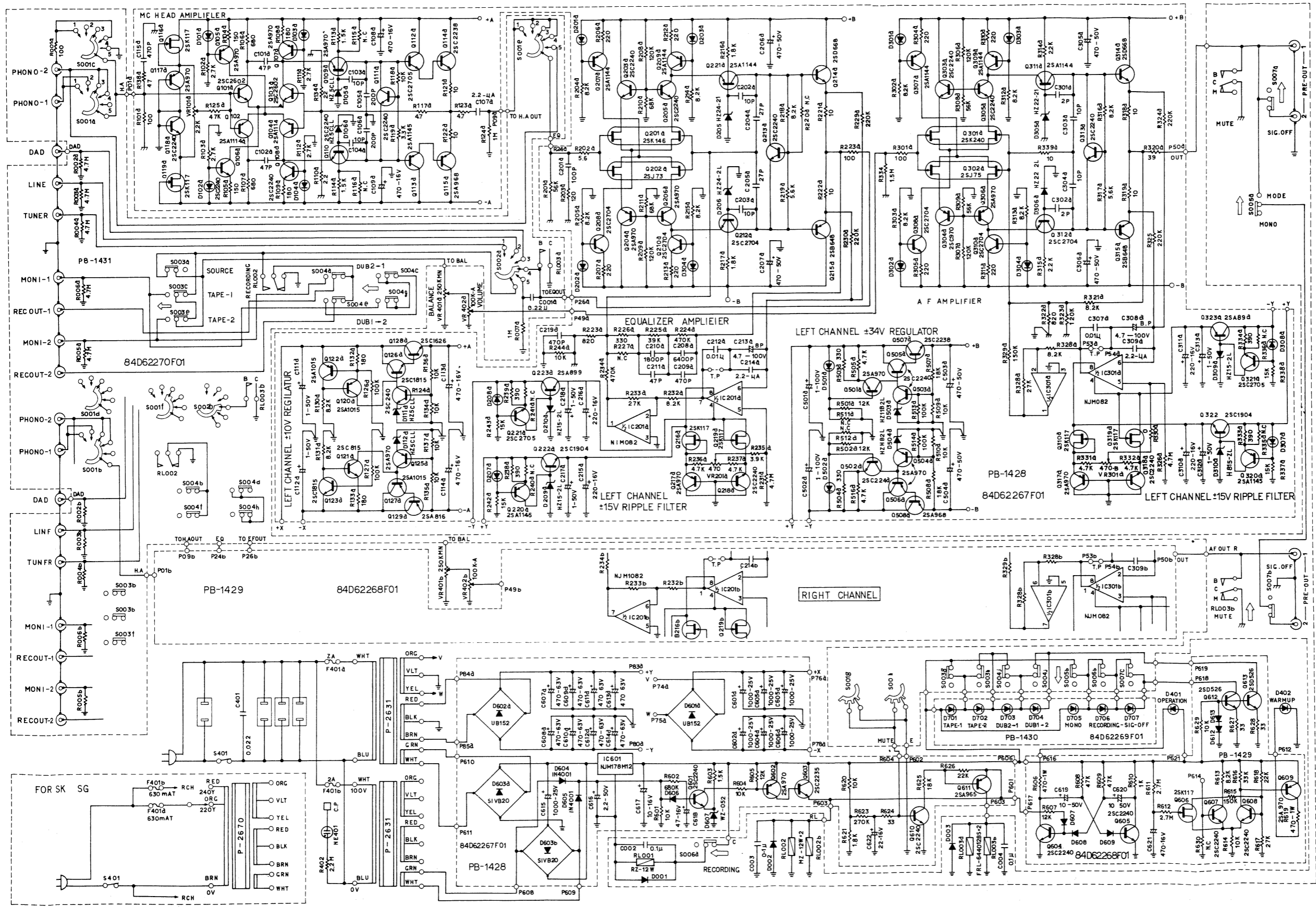
Output Voltage:	pre. out;	rated 1.5V, max. 15V
	rec. out;	rated 140mV, max. 15V
Output Impedance:	pre out;	39 ohms
	rec. out;	100 ohms
Total Harmonic Distortion:	phono-1, -2;	no more than 0.005% (rec. out; 2V, 20-20kHz)
	tuner, line;	no more than 0.005% (pre. out; 2V, 20-20kHz)
	DAD, monitor-1, -2;	no more than 0.005% (pre. out; 2V, 20-20kHz)
Rated IN.:	Phono-1, -2;	no more than 0.002% (rec. out; 140mV, 60Hz:7kHz=4:1)
	tuner, line;	no more than 0.002% (pre. out; 1V, 60Hz:7kHz=4:1)
	DAD, monitor-1, -2	no more than 0.002% (pre. out; 1V, 60Hz:7kHz=4:1)
Frequency Response:	phono-1, -2;	20Hz-20,000Hz (± 0.2 dB)
	tuner, line;	1Hz-50,000Hz (± 0.5 dB)
	DAD, monitor-1, -2	1Hz-50,000Hz (± 0.5 dB)
Input Sensitivity: (pre. out; 1.15V)	phono-1;	0.1mV
	phono-2;	2.0mV
	tuner, line;	150mV
	DAD, monitor-1, -2;	150mV
Input Impedance:	phono-1;	MC high (100 ohms) MC low (50 ohms)
	phono-2;	MM (50k ohms)
	tuner, line;	MC (50 ohms), MC (100 ohms)
	DAD, monitor-1, -2;	60k ohms
Signal-to-Noise Ratio: (IHF-A wid, input short-circuited)	phono-1;	-153 dB/V (input-inverted)
	phono-2;	80 dB
	tuner, line;	100 dB
	DAD, monitor-1, -2;	100 dB
Additional Features:	MM, MC Impedance Selector, Mono Switch (stereo, mono). REC. OUT Switch, Dual Tape Monitoring, Tape Dubbing, etc.	
Power Consumption:	40W	
Dimensions:	460(W) x 135(H) x 442(D) mm (18.4" x 5.4" x 17.6")	
Weight:	Net 11kgs (24.2 lbs.)	

Specifications and appearance design subject to change without notice.

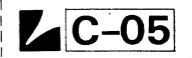
## 規格

出力電圧	pre out ; 定格 1V, 最大12V以上
出力インピーダンス	pre out ; 47Ω
全高調波歪率	phono-1・-2 ; 0.03%以下 (rec.out ; 2V, 1kHz) tuner ; 0.002%以下 (pre out ; 2V, 1kHz) line ; 0.002%以下 (pre out ; 2V, 1kHz) DAD・monitor-1・-2 ; 0.05%以下 (pre out ; 2V, 1kHz)
周波数特性	phono-1・-2 ; 20~20,000Hz (±0.2dB以内) turner ; 1~50,000Hz (±0.5dB以内) line ; 1~50,000Hz (±0.5dB以内) DAD・monitor-1・-2 ; 1~50,000Hz (±0.5dB以内)
入力感度 (出力 1V)	phono ; MM2mV, MC100μV tuner ; 150mV (入力レベルセット付) line ; 150mV DAD・monitor-1・-2 ; 150mV
入力インピーダンス	phono-1 ; 50kΩ・100kΩ phono-2 ; 50kΩ・100kΩ tuner ; 50kΩ line ; 100kΩ DAD・monitor-1・-2 ; 100kΩ
S/N比 (IHF-A補正)	phono-1・-2 ; 90dB以上 tuner・line・DAD ; 110dB以上 monitor-1・-2 ; 110dB以上
付属装置	モニター・スイッチ (tape-1, tape-2) テープダビング・スイッチ (1to2, 2to1) レコーディング・スイッチ フォノファンクション・スイッチ (phono-1, phono-2) シグナル・オフ・スイッチ ライン・フェーズ・センサー
電源電圧	AC100V (50Hz/60Hz)
消費電力	40W (電気用品取締法の規定による)
外形寸法	460(幅)×135(高)×442(奥行)mm
重量	11.0kg

# Schematic Diagram



1. UNLESS OTHERWISE SPECIFIED ALL RESISTOR ARE IN OHM 1/4 WATT. ALL CAPACITOR ARE IN MICRO FARAD.
2. TRANSISTOR AND DIODE MAY BE REPLACED WITH ANY TYPE HAVING COMPARABLE RATINGS.
3. DUE TO CONTINUED IMPROVEMENT LUX RESERVE THE CIRCUIT OR SPECIFICATION.



## Destination's Parts List

Symbol No.	Description	(J) Japan 100V	(SK) Europe 220V	(UZ) USA 120V
16	Trans, Power	25T63611F01	25T63612F01	25T66826F01
19	Cover, Rear	15D63694F01	15D63694F02	15D63694F03
21	Outlet, AC 1P	09T63787F01	None Use	09T66973F01
23	Plug, AC Cord	28T62216F01	28T43812P04	28T66838F01
24	Support, Cord	43B41625J05	43B41625J02	43B41625J02
25	Housing, Sensor	15B58781F01	None Use	None Use
26	Terminal, Sensor	29A58768F01	None Use	None Use
27	Lamp, Neon	65T61618F01	None Use	None Use
30	Resistor, FTR 2.2M	06T00014L46	None Use	None Use
31	Capacitor, DE7150FZ	08T57437F09	None Use	None Use
33	Holder, Fuse	09T51828F01	09T51074F01	09T51828F01
34	Fuse	65T55050F11	65T42077U14	65T55050F11
83	Ass'y, Pre Amp PCB	01V64300F89	01V64600F06	01V66900F52
84	Ass'y, Pre Amp PCB	01V64300F90	01V64600F07	01V66900F53
222	Screw, MCH M3x8	03S52360F23	None Use	None Use
223	Nut, Hexagon	02S40000G35	None Use	None Use
306	Owner's Manual	68R63763F01	68R64341F01	68P65432F36
R104a, b	Resistor, 150	06T00013L45	06T00032L45	06T00013L45
R105a, b	Resistor, 150	06T00013L45	06T00032L45	06T00013L45
R108a, b	Resistor, 180	06T00013L47	06T00032L47	06T00013L47
R109a, b	Resistor, 180	06T00013L47	06T00032L47	06T00093L47
R117a, b	Resistor, 47	06T00013L33	06T00032L33	06T00013L33
R121a, b	Resistor, 10	06T00013L17	06T00032L17	06T00013L17
R122a, b	Resistor, 10	06T00013L17	06T00032L17	06T00013L17
R123a, b	Resistor, 47	06T00013L33	06T00032L33	06T00013L33
R132a, b	Resistor, 180	06T00013L47	06T00032L47	06T00013L47
R133a, b	Resistor, 180	06T00013L47	06T00032L47	06T00013L47
R202a, b	Resistor, 5.6	06T00013L11	06T00032L11	06T00013L11
R206a, b	Resistor, 220	06T00013L49	06T00032L49	06T00013L49
R207a, b	Resistor, 220	06T00013L49	06T00032L49	06T00013L49
R212a, b	Resistor, 220	06T00013L49	06T00032L49	06T00013L49
R213a, b	Resistor, 220	06T00013L49	06T00032L49	06T00013L49
R221a, b	Resistor, 10	06T00013L17	06T00032L17	06T00013L17
R222a, b	Resistor, 10	06T00013L17	06T00032L17	06T00013L17
R223a, b	Resistor, 100	06T00013L41	06T00032L41	06T00013L41
R238a, b	Resistor, 390	06T00013L55	06T00032L55	06T00013L55
R239a, b	Resistor, 390	06T00013L55	06T00032L55	06T00013L55
R301a, b	Resistor, 100	06T00013L41	06T00032L41	06T00013L41
R304a, b	Resistor, 220	06T00013L49	06T00032L49	06T00013L49
R305a, b	Resistor, 220	06T00013L49	06T00032L49	06T00013L49
R310a, b	Resistor, 220	06T00013L49	06T00032L49	06T00013L49
R311a, b	Resistor, 220	06T00013L49	06T00032L49	06T00013L49
R318a, b	Resistor, 10	06T00013L17	06T00032L17	06T00013L17
R319a, b	Resistor, 10	06T00013L17	06T00032L17	06T00013L17
R320a, b	Resistor, 39	06T00013L31	06T00032L31	06T00013L31
R333a, b	Resistor, 390	06T00013L55	06T00032L55	06T00013L55
R334a, b	Resistor, 390	06T00013L55	06T00032L55	06T00013L55
R503a, b	Resistor, 330	06T00013L53	06T00032L53	06T00013L53
R504a, b	Resistor, 330	06T00013L53	06T00032L53	06T00013L53

C-05

C-05



**LUX CORPORATION, JAPAN**

2-3, 1-CHOME, MINAMI-YUKIGAYA, OHTA-KU, TOKYO 145, JAPAN  
 PHONE: 03-726-6211 TELEX: 2466953 LUXMAN J FACX: 03-728-7609