



SHERWOOD INDUSTRIES IS AN ENVIRONMENTALLY RESPONSIBLE COMPANY. THIS MANUAL IS PRINTED ON RECYCLED PAPER.

PLEASE KEEP THESE INSTRUCTIONS FOR FUTURE REFERENCE



# Westport

BY: SHERWOOD INDUSTRIES LTD

## OWNER'S MANUAL

### WHAT TO DO IF YOU SMELL GAS

- Open windows/extinguish any open flame.
- Do not try to light any appliance.
- Do not touch any electrical switch or use any phone in your building.
- Immediately call your gas supplier from a neighbour's phone. Follow the gas supplier's instructions.
- If you cannot reach your gas supplier, call the fire department.



### FOR YOUR SAFETY

Do not store or use gasoline or other flammable vapours and liquids in the vicinity of this or any other appliance.

### WARNING

If the information in this manual is not followed exactly, a fire or explosion may result causing property damage, personal injury or loss of life. Installation and service must be performed by a qualified installer, service agency or the gas supplier.

This appliance may be installed in an after-market permanently located, manufactured (mobile) home, where not prohibited by local codes.

This appliance is only for use with the type of gas indicated on the rating plate. This appliance is not convertible for use with other gases, unless a certified kit is used.



Massachusetts installations (Warning): This product must be installed by a licensed plumber or gas fitter when installed within the Commonwealth of Massachusetts. Other Massachusetts code requirements: Flexible connector must not be longer than 36in, shut-off valve must be a "T" handle gas cock; only direct vent sealed combustion products are approved for bedrooms/bathrooms; fireplace dampers must be removed or welded in the open position prior to the installation of a fireplace insert or gas log.

# SAFETY PRECAUTIONS

## FOR SAFE INSTALLATION AND OPERATION OF YOUR “ENVIRO” HEATER, PLEASE CAREFULLY READ THE FOLLOWING INFORMATION:

- All ENVIRO gas-fired appliances must be installed in accordance with their instructions. Carefully read all the instructions in this manual first. Consult the building authority having jurisdiction to determine the need for a permit prior to commencing the installation.
- **NOTE:** Failure to follow these instructions could cause a malfunction of the fireplace, which could result in death, serious bodily injury, and/or property damage.
- Failure to follow these instructions may also void your fire insurance and/or warranty.

### GENERAL

- Installation and repair should be done by a qualified service person. The appliance should be inspected before the first use and, at least, annually by a qualified service person. More frequent cleaning may be required due to excessive lint from carpeting, bedding material, etc. It is imperative the control compartments, burners and circulating air passageways of the appliance be kept clean.
  - Due to high temperatures, the appliance should be located out of high traffic areas and away from furniture and draperies.
- Children and adults should be alerted to the hazards of high surface temperatures and should stay away to avoid burn or clothing ignition.**
- Young children should be carefully supervised when in the same room as the appliance.
  - Clothing or other flammable materials should not be placed on or near the appliance.

### FOR YOUR SAFETY

- Installation and service must be performed by a qualified installer, service agency or gas supplier.
- This installation must conform to local codes or, in the absence of local codes, to the current CAN/CGA-B149 installation code (Canada) or National Fuel Gas Code ANSI Z223.1.2 (USA)

- To prevent injury, do not allow anyone who is unfamiliar with the stove to operate it.

**• To prevent injury, if the pilot or pilot and burners have gone out on their own, open the glass door and wait 5 minutes to air out before attempting to re-light the stove.**

- Always keep the area around these appliances clear of combustible material, gasoline and other flammable liquids and vapours.
- These appliances should not be used as a drying rack for clothing or for hanging Christmas stockings/decorations.
- Due to the paint curing on the stove, a faint odor and slight smoking will likely be noticed when the stove is first used. Open a window until the smoking stops.

Always connect this gas stove to a vent system and vent to the outside of the building envelope. Never vent to another room or inside the building. Make sure the specified vent pipe is used, properly sized and of adequate height to provide sufficient draft. Inspect the venting system annually for blockage and signs of deterioration.

**WARNING:** Failure to position the parts in accordance with the diagrams in this booklet, or failure to use only parts specifically approved with this appliance, may result in property damage or personal injury.

**WARNING:** Do not operate with the glass front removed, cracked or broken. Replacement of the glass should be done by a licensed or qualified service person.

- Never use solid fuels such as wood, paper, cardboard, coal, or any flammable liquids, etc., in this appliance.
- Do not use this heater if any part has been under water. Immediately call a qualified service technician to inspect the heater and to replace any part of the control or gas control systems that have been under water.
- Do not abuse the glass by striking it or slamming the door shut.

# TABLE OF CONTENTS

---

Safety Precautions.....	2
Table of Contents.....	3
Codes And Approvals.....	4
Specifications.....	5
Dimensions.....	5
Clearances to Combustibles.....	5
Operating Instructions.....	6
Pilot Lighting Instructions.....	6
Pilot Light.....	7
Air Shutter.....	7
Maintenance And Service.....	8
Routine Maintenance.....	8
Cleaning The Glass.....	8
Cleaning The Firebox.....	8
Change Battery in Ignition Module.....	8
Replacing the Glass.....	9
Opening The Door.....	9
Fuel Conversion.....	10
Initial Installation.....	12
Vent Termination Restrictions.....	12
Vent Parts.....	13
Vent Configurations and Restrictor Settings.....	13
Planning Your Installation.....	15
Horizontal Installation.....	16
Corner Installations.....	18
Vertical Installation.....	19
Cathedral Ceiling Installation.....	21
Freestanding Direct Vent Kit With Coupler.....	22
Venting into a Class 'A' Chimney.....	25
Converting Top Vented into Rear Vented.....	26
Installation of Rear Vented Appliance.....	26
Installation of Top Vented; Horizontal Termination.....	27
Installation of Top Vented; Vertical Termination.....	27
Freestanding Draft Hood Adaptor.....	28
Gas Line Connection and Testing.....	31
Electrical Requirements For Gas Valve and Optional Blower.....	32
Secondary Installation.....	33
Installation of Optional Blower.....	33
Installation of Log Set and Embers.....	33
Installation of Panel Set.....	36
Trouble Shooting.....	37
Parts List - Cast.....	38
Parts Diagram - Cast.....	40
Parts List - Components.....	41
Parts Diagram - Components.....	43
Warranty.....	44
Installation Data Sheet.....	45

# CODES AND APPROVALS

**DIRECT VENT ONLY:** This type is identified by the suffix DV. This appliance draws all of its air for combustion from outside the dwelling, through a specially designed vent pipe system.

**TOP VENT DV** Certified for installation from 0-4500 ft (0-1372 m)

**REAR VENT DV** Certified for installation from 0-4500 ft (0-1372 m) with 36" (915 mm) snorkel (refer to 'Converting Top Vented into Rear Vented').

**In the USA:** The appliance may be installed at higher altitudes. Please refer to your American Gas Association guidelines which state: the sea level rated input of Gas Designed Appliances installed at elevations above 2000 (610 m) feet is to be reduced 4% for each 1000 feet (305 m) above sea level. Refer also to local authorities or codes which have jurisdiction in your area regarding the de-rate guidelines.

**In Canada:** When the appliance is installed at elevations above 4500 feet (1372 m), the certified high altitude rating shall be reduced at the rate of 4% for each additional 1000 feet (305 m).

- This appliance has been tested by INTERTEK (**Warnock Hersey**) and found to comply with the established VENTED GAS FIREPLACE HEATER standards in CANADA and the USA as follows:

## VENTED GAS FIREPLACE HEATER (Westport DV; NG/LPG)

TESTED TO: ANSI Z21.88a-2003/CSA 2.33a-2003 VENTED GAS FIREPLACE HEATERS

CAN/CGA 2.17-M91 GAS FIRED APPLIANCES FOR HIGH ALTITUDES

CSA P.4.1-02 TESTING METHOD FOR MEASURING ANNUAL FIREPLACE EFFICIENCY

### This ENVIRO WESTPORT Fireplace:

- Has been certified for use with either natural or propane gases. (See rating label.)
- Is not for use with solid fuels.
- Is approved for bedroom or bed sitting room. (**IN CANADA:** must be installed with a listed wall thermostat. **IN USA:** see current ANSI Z223.1 for installation instructions.)
- Must be installed in accordance with local codes. If none exist, use current installation code CAN/CGA B149 in Canada or ANSI Z223.1/NFPA 54 in the USA.
- Must be properly connected to an approved venting system and not connected to a chimney flue serving a separate solid-fuel burning appliance.

**IMPORTANT NOTICE (Regarding first fire up):** When the unit is turned on for the first time, it should be turned onto high without the fan on for the first 4 hours. This will cure the paint, logs, gasket material and other products used in the manufacturing process. It is advisable to open a window or door, as the unit will start to smoke and can irritate some people. After the unit has gone through the first burn, turn the unit off including the pilot, let the unit get cold then remove the glass door and clean it with a good gas fireplace glass cleaner, available at your local ENVIRO dealer.

NATIONAL  
FIREPLACE  
INSTITUTE



CERTIFIED

[www.nficertified.org](http://www.nficertified.org)

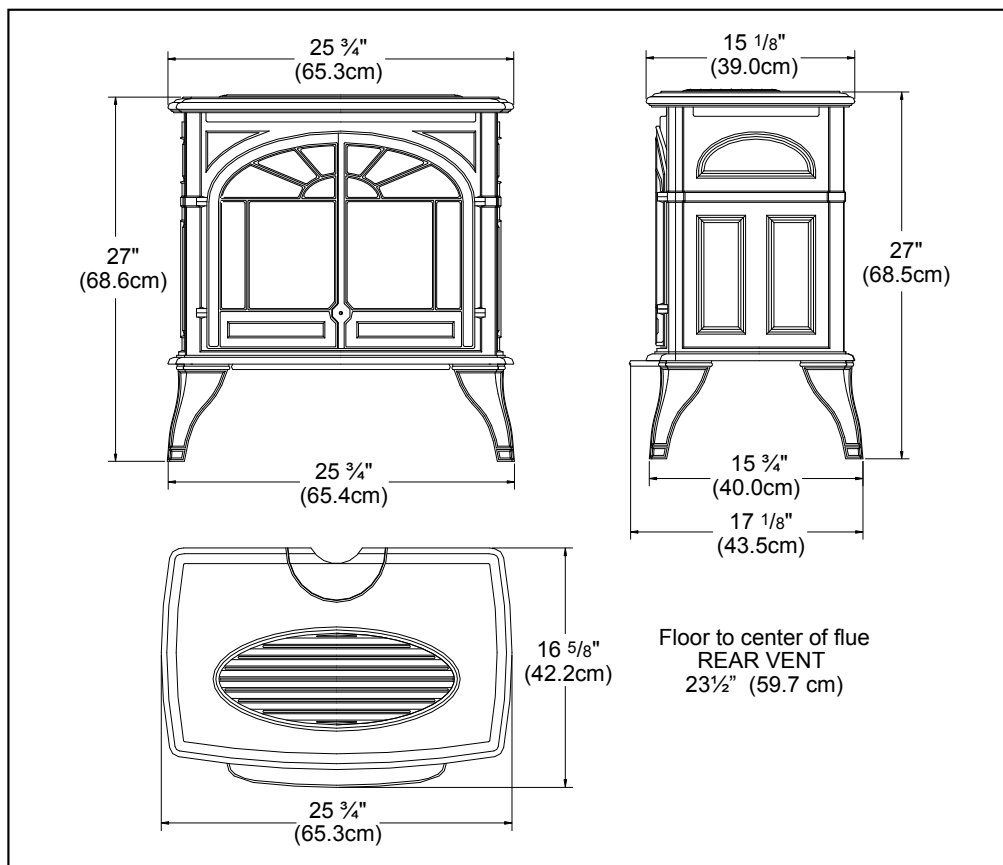
We recommend that our gas hearth products be installed and serviced by professionals who are certified in the U.S. by the National Fireplace Institute® (NFI) as NFI Gas Specialists.

# SPECIFICATIONS

## WARNING:

Operation of this heater when not connected to a properly installed and maintained venting system can result in carbon monoxide (CO) poisoning and possible death.

## DIMENSIONS:



**Figure 1: Westport Exterior Dimensions.**

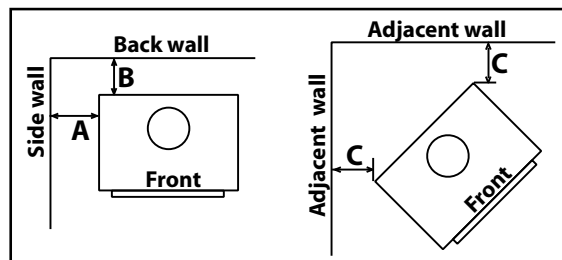
## CLEARANCES TO COMBUSTIBLES:

- A. Sidewall to unit      11 inches (27.9 cm)
- B. Backwall to unit    2.5 inches (6.35 cm)
- C. Corner to unit       2.5 inches (6.35 cm)
- D. Ceiling                60 inches above floor (152.4 cm)
- E. Floor                  (hard wood and linoleum) 0 inches

Note: When installing on a carpeted surfaces a non-combustible hearth pad must be used.

Minimum Alcove Dimensions:

- Width                    48 inches (121.9 cm)
- Height                   60 inches (152.4 cm)
- Depth (max)           24 inches (60.96 cm)



**Figure 2: Clearances to combustibles.**

**CLEARANCES MUST BE SUFFICIENT TO ALLOW ACCESS FOR MAINTENANCE AND SERVICE**

# OPERATING INSTRUCTIONS

## For Your Safety, Read Safety Precautions And Lighting Instructions Before Operating

**WARNING: IF YOU DO NOT FOLLOW THESE INSTRUCTIONS EXACTLY A FIRE OR EXPLOSION MAY RESULT, CAUSING PROPERTY DAMAGE, PERSONAL INJURY OF LOSS OF LIFE.**

### PILOT LIGHTING INSTRUCTIONS:

**CAUTION:** HOT WHILE OPERATING. DO NOT TOUCH. KEEP CHILDREN, CLOTHING, FURNITURE, GASOLINE, OR OTHER FLAMMABLE VAPOURS AWAY.

**FOR YOUR SAFETY:** Do not operate this fireplace with the glass removed, cracked, or broken. Replacement of this glass should be installed with provisions for combustion and by a licensed or qualified person! This appliance needs fresh air for safe operation and must have ventilation air. See installation and operating instructions manual. Keep burner and control compartment clean. **WARNING:** Improper installation, adjustment, alteration, service or maintenance can cause property damage, personal injury, or loss of life. Refer to owner's manual. Installation and service must be performed by a qualified installer, service agency or the gas supplier

**FOR YOUR SAFETY READ BEFORE OPERATING**

**WARNING:** IF YOU DO NOT FOLLOW THESE INSTRUCTIONS EXACTLY, A FIRE OR EXPLOSION MAY RESULT CAUSING PROPERTY DAMAGE, PERSONAL INJURY, OR LOSS OF LIFE.

If you cannot reach your gas supplier, call the fire department.

A) This appliance is equipped with a pilot, which must be lit by hand by following these instructions exactly.


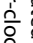
B) BEFORE LIGHTING, smell all around the appliance area for gas and next to the floor because some gas is heavier than air and will settle on the floor.

**WHAT TO DO IF YOU SMELL GAS:**  
Do not try to light any appliances. Do not touch any electrical switch. Do not use any phone in your building. Immediately call your gas supplier from a neighbour's phone. Follow the gas

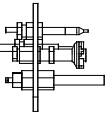
---

**LIGHTING INSTRUCTIONS**


**WARNING:** This gas valve has a lockout device, which will not allow the pilot burner to be relit until the thermocouple has cooled. If the knob does not pop up when released, stop and immediately call your service technician or gas supplier.

1. STOP! Read the safety information above on this label.
2. Turn off all electrical power to this appliance.
3. Turn off the gas control knob clockwise  to the off position.
4. Open door; Wait five (5) minutes to clear out any gas. Close door. If you smell gas, including near the floor, STOP! Follow 'B' in the above safety information. If you do not smell gas go to the next step.
5. Find pilot located to the right behind the side log. Turn the gas control knob counter-clockwise  to 'PILOT'.


Push the gas control in fully and hold.  
Keep knob depressed for about 30 seconds after pilot is lit. Release knob. If pilot goes out repeat steps 4 through 5.

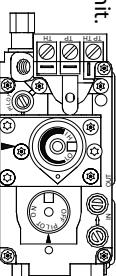


**TO TURN OFF GAS TO APPLIANCE**

1. Flip burner switch to 'OFF'.
2. Turn the gas control knob clockwise  to the 'OFF' position.
3. Turn off all electrical power to the appliance if service is to be performed.

**TO TURN ON GAS TO APPLIANCE**

6. Turn the gas control knob counter-clockwise  to the 'ON' position. Flip the burner switch to 'ON' THEN TURN THE 'HI/LOW' knob to the desired setting.
7. Turn on the electrical power to the unit.



C-10381

Figure 3. Lighting Instruction Label

# OPERATING INSTRUCTIONS

## PILOT LIGHT:

1. Turn off the gas to the fireplace. **If not recently done, remove the glass and let the unit air out for at least five (5) minutes to clear out any gas.** Turn on gas to the heater. Leak test all joints with soapy water. **NEVER USE OPEN FLAME FOR LEAK TESTING.**

2. Start the pilot by pressing the gas control knob and turning it to PILOT. While holding the gas control knob in, press the piezo ignitor several times until the pilot light starts. Hold the gas control knob in for 30 seconds. Check that the pilot has fully engulfed the thermocouple assembly (see Figure 4).

3. Start the main burner by turning the gas control knob to ON and then turn the rocker switch to ON. Check that all burner ports have flame.

4. Leak test all gas joints again.

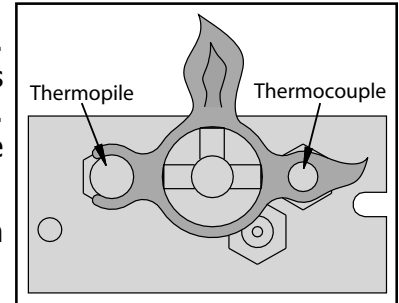


Figure 4. Pilot Flame

## AIR SHUTTER:

The air shutter is controlled with the primary air adjustment rod located behind the gas valve shown in Figure 5.

The air shutter allows the amount of air coming into the fireplace to be adjusted in order to accommodate different climates and venting arrangements. Start the pilot and then the burner. Make sure the pilot flame is burning normally and none of the burner ports are plugged. Let the fireplace burn for roughly fifteen minutes and then examine the flames, compare the flames to Figure 55.

The ideal flame will be blue at the base and light orange above. The flames should be of medium height. If the flames look like this, no venturi adjustment is needed. If the flames are fairly short and mostly blue, the fireplace is getting too much air. Therefore, the air shutter should be closed slightly until the correct flames are achieved. Flames that are very orange, with tall, dark, stringy tips, are not getting enough air. Open the venturi until the flames clean up. If the venturi is opened, or closed all the way, and the correct flames cannot be attained, turn off the gas and contact the dealer.

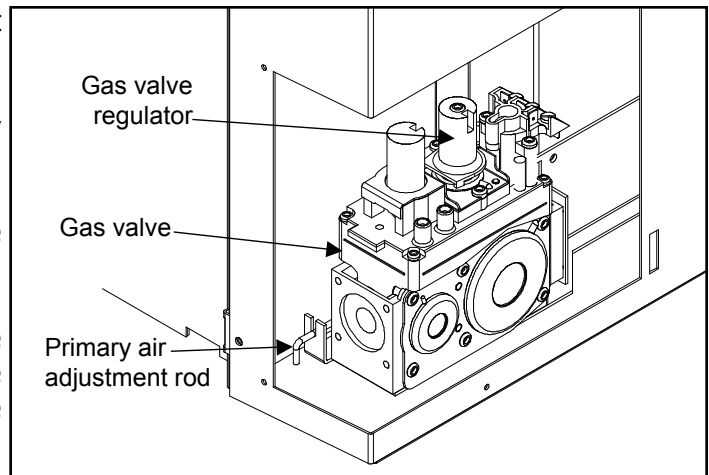


Figure 5: Gas Valve In Place on Unit.

**Warning:** Incorrect venturi adjustment may lead to improper combustion, which is a safety hazard. Contact the dealer if there is any concern about the venturi adjustment.

# MAINTENANCE AND SERVICE

---

## **ROUTINE MAINTENANCE:**

---

At least once a year, run through the following procedures to ensure the system is clean and working properly. Check the burner to see if all the ports are clear and clean. Check the pilot to make sure it is not blocked by anything. The pilot flame should be blue with little or no yellow on the tips.

**Warning:** Clearances must be sufficient to allow access for maintenance and service

**Warning:** Failure to position the parts in accordance with this manual, or failure to use only parts specifically approved with this appliance may result in property damage or personal injury.

The venting system must be periodically examined; it is recommended the examination is done by a qualified agency.

## **CLEANING THE GLASS:**

---

**When the fireplace has cooled**, remove the face of the fireplace along with the glass. See MAINTENANCE AND SERVICE - GLASS DOOR REMOVAL. Check the gasket material on the back of the glass, making sure that it is attached and intact.

During a cold start up, condensation will sometimes form on the glass. This is a normal condition with all fireplaces. However, this condensation can allow dust and lint to cling to the glass surface. Initial paint curing of the appliance can leave a slight film behind the glass, a temporary problem. The glass will need cleaning about two weeks after installation. **Use a mild glass cleaner and a soft cloth; abrasive cleaners will damage the glass and plated surfaces.** Depending on the amount of use, the glass should require cleaning no more than two or three times a season. **Do not clean the glass when it is hot.**

## **CLEANING THE FIREBOX:**

---

Remove the logs carefully, as they are very fragile. Gently remove all the embers and rock wool and place on a paper towel. Vacuum the bottom of the firebox thoroughly. Carefully clean any dust off the logs and remove any lint from the burner and pilot. At this time, inspect the burner pan for cracking or severe warping. If a problem is suspected, contact the dealer. Check the logs for deterioration or large amounts of soot; a small amount on the bottom side of the logs is normal. Replace the logs and embers as in the LOG SET AND EMBER INSTALLATION section. If new/more embers and rock wool are required, contact your nearest ENVIRO dealer.

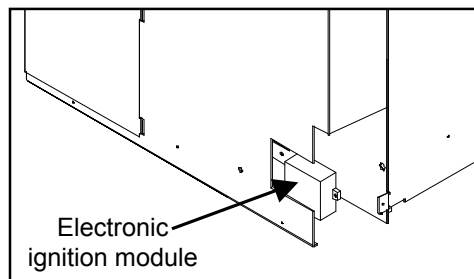
## **CHANGE BATTERY IN IGNITION MODULE:**

---

If the unit does not spark when lighting, the battery in the electronic ignition could need replacing.

Located on the left hand rear corner of the unit is a small rectangular hole. Located here is the electronic ignition module (see Figure 6). Remove the battery cover, located on the left side of the module, and replace the AA battery.

Reinstall the battery cover and check for spark by depressing the pilot knob located on the control panel.



**Figure 6: Electronic Ignition Module Location.**



# MAINTENANCE AND SERVICE

---

## REPLACING THE GLASS:

---

The glass in the fireplace is a high temperature ceramic. If the glass is damaged in any way, a factory replacement is required (see PARTS LIST - COMPONENTS). Wear gloves when handling damaged glass door assembly to prevent personal injury. When the glass door assembly is being transported, it must be wrapped in newsprint and tape and/or a strong plastic bag. Do not operate with the glass front removed, cracked or broken. Removal and replacement of the glass from the door **must** be done by a licensed or qualified service person. **The glass must be purchased from an ENVIRO dealer. No substitute materials are allowed.**

### To Replace:

- Open door, and remove the glass carefully.
- Install the new piece of glass with the large bulb in the gasket tape against the unit. Place the joint in the tape in a bottom corner. Close door.

## OPENING THE DOOR:

---

Turn unit off and wait until the appliance has cooled down. Remove the cast iron top from the unit by lifting straight up. Lift the two door handles located on either side of the door and lift the glass door assembly straight up and out (see Figure 7 and 8). Carefully open the two doors and remove if necessary.

Ensure the door is properly fastened after cleaning before attempting to re-light the appliance.



Figure 7: Handles for Removing Door.

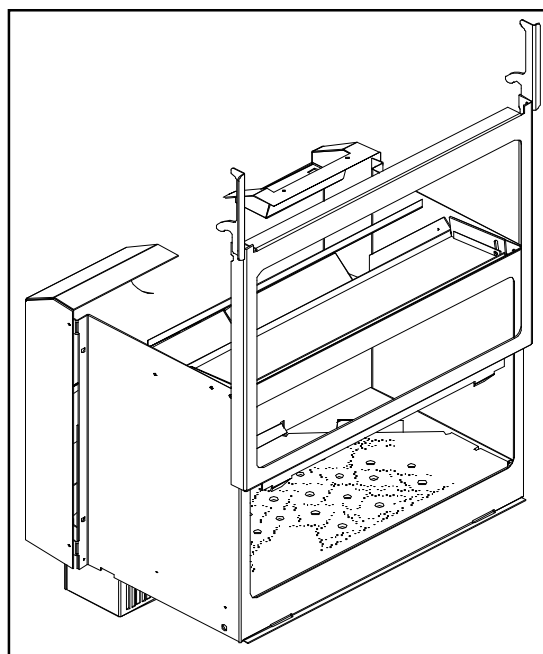


Figure 8: Removing of Door.

# MAINTENANCE AND SERVICE

TO BE INSTALLED BY A QUALIFIED SERVICE AGENCY ONLY

## FUEL CONVERSION:

**Warning:** This conversion kit shall be installed by a qualified service agency in accordance with the manufacturer's instructions and all applicable codes and requirements of the authority having jurisdiction. If the information in these instructions is not followed exactly, a fire, explosion or production of carbon monoxide may result causing property damage, personal injury or loss of life. The qualified service agency is responsible for the proper installation of this kit. The installation is not proper or complete until the operation of the converted appliance is checked as specified in the manufacturer's instructions supplied with the kit.

Please read and follow these instructions. Also, please read the instruction guidelines provided by S.I.T. on how to remove and install the HI/LO regulator.

- Step 1.** Carefully inspect all parts supplied with this conversion kit.
- Step 2.** Shut the gas supply off at the shut-off valve. (CAUTION: The gas supply shall be shut off prior to disconnecting the electrical power, before proceeding with the conversion.)
- Step 3.** Remove the glass as shown in the MAINTENANCE AND SERVICE - OPENING THE DOOR.
- Step 4.** Carefully remove the log set and ember material if they are installed.
- Step 5.** Remove the two (2) screws (located on the outside edges of the burner) that hold the burner to the chassis inside the fire box, see Figure 9. Remove the burner tray from the firebox.
- Step 6.** Change the regulator on the front of the gas valve (follow the instructions provided by S.I.T.).
- Step 7.** To change the pilot, simply pull the pilot hood straight up to access the pilot injector. Using a 5/32 inch Allen key, remove the pilot injector and replace with the proper fuel type needed.

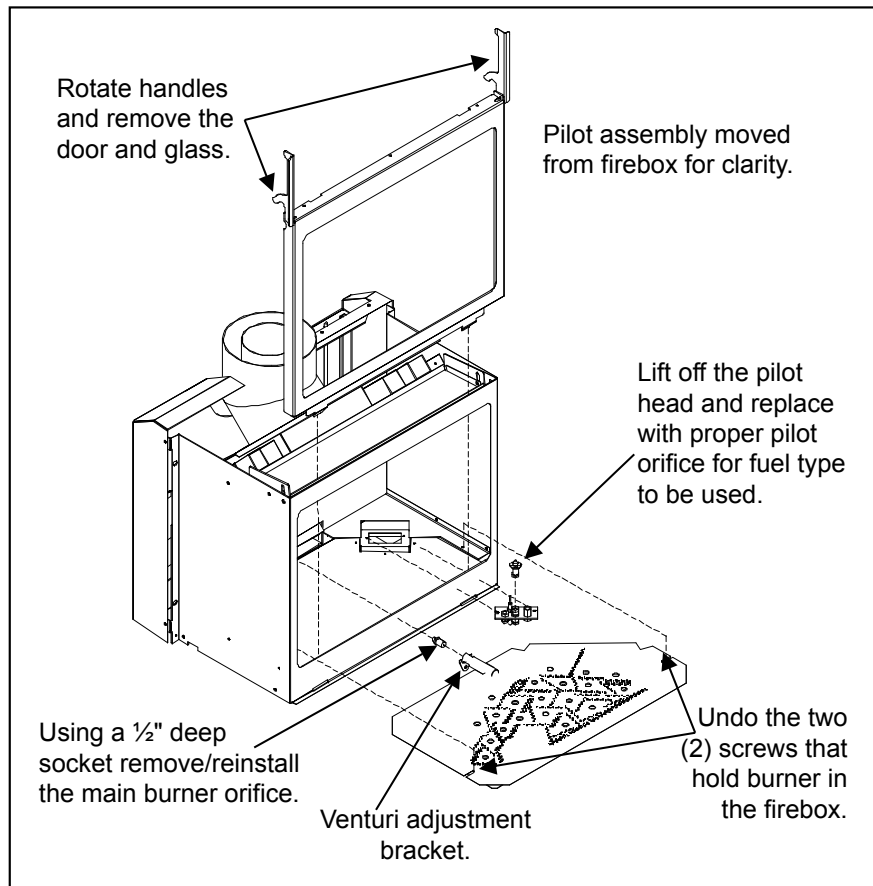


Figure 9: Unit burner shown apart.

# MAINTENANCE AND SERVICE

---

- Step 8.** Install the new pilot injector supplied with this conversion kit. Simply screw the new injector inside the pilot hood and reinstall the hood by placing the hood on the assembly, line up the key way, and snap into place.
- Step 9.** Remove the main burner orifice with a 1/2 inch deep socket.
- Step 10.** Install the new orifice supplied. Be sure to put a bead of pipe-thread sealant or approved Teflon tape on the orifice before installing into the burner assembly.
- Step 11.** Re-install burner tray, log set and door. Pay special attention when installing the burner that the venturi adjustment rod is properly installed into the venturi adjustment piece welded to the burner venturi tube. Also refer to SECONDARY INSTALLATION - INSTALLING LOG SET AND EMBERS.
- Step 12.** Open the shut-off valve at the gas line to the unit.
- Step 13.** Use a small brush to apply a warm soapy water solution to all gas connections (use a half dish soap and half warm water). If a gas leak is present, bubbling will occur. Gas leaks can be repaired by using an approved pipe thread sealant or approved Teflon tape. NEVER USE A NAKED FLAME WHEN TESTING FOR LEAKS.
- Step 14.** Re-light the fireplace to ensure proper operation and proper flame appearance, refer to Figure 55.
- Step 15.** MAKE SURE that the sticker provided by S.I.T. is installed, to signify that the valve has been converted to a different fuel type. Also, make sure that the rating plate has a conversion label to show this unit has been converted to a different fuel type.

A VISUAL CHECK OF THE REGULATOR KNOB IS NECESSARY TO DETERMINE WHETHER OR NOT THE REGULATOR IS THE CORRECT PART. A 50% TURN DOWN REGULATOR WILL HAVE ONLY ONE CORNER ON THE KNOB

Conversion Kit should contain the following:

- (1) 50% turn down HI/LO regulator with three (3) T-20 Torx screws
- (1) Pilot injector

Conversion instructions

Labels to show conversion

**Table 1: Orifice Information.**

	Natural Gas	Propane
Pilot Orifice	.62 mm	.35 mm
Burner Orifice Top	#39 DMS	#53 DMS
Venturi Setting	1/16" min.	3/16" min.

# INITIAL INSTALLATION

## QUALIFIED INSTALLERS ONLY

### VENT TERMINATION RESTRICTIONS:

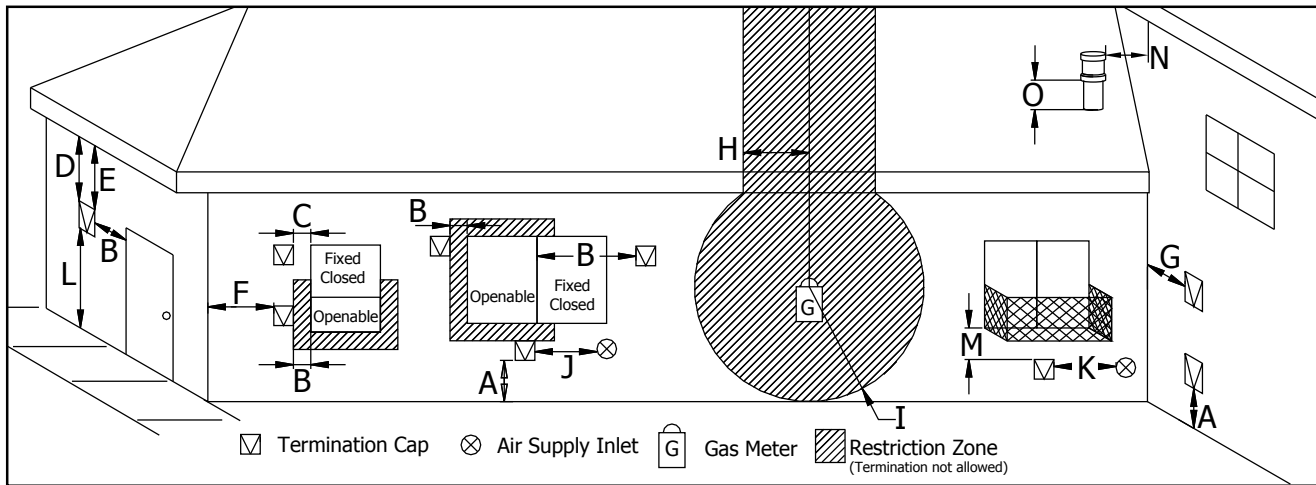


Figure 10. Vent Termination Restrictions, refer to Table 2.

Table 2: Vent termination clearances, refer to Figure 10.

Letter	Canadian Installation <sup>1</sup>	US Installation <sup>2</sup>	Description
A	12 in (30 cm)		Clearance above grade, verandah, porch, deck, or balcony.
B	12 in (30 cm)	9 in (23 cm)	Clearance from window or door that may be opened.
C	12 in (30 cm)*		Clearance from permanently closed window (to prevent condensation).
D	24 in (60 cm)*		Vertical clearance to ventilated soffit located above the terminal, within a horizontal distance of 2 ft (60 cm) from center line of terminal.
E	18 in (45 cm)*		Clearance to unventilated soffit.
F	12 in (30 cm)*		Clearance to outside corner.
G	12 in (30 cm)*		Clearance to inside corner.
H	3 ft (91 cm) within a height of 15 ft (4.5 m) above the meter/regulator assembly	3 ft (91 cm) within a height of 15 ft (4.5 m) above the meter/regulator assembly*	Clearance to each side of center line extended above meter/regulator assembly.
I	3 ft (91 cm)	3 ft (91 cm)*	Radial clearance around service regulator vent outlet.
J	12 in (30 cm)	9 in (23 cm)	Clearance to non-mechanical air supply inlet to building, or the combustion air inlet to any other appliance.
K	6 ft (1.83 m)	3 ft (91 cm) above if within 10 ft (3 m) horizontally	Clearance to mechanical air supply inlet.
L	7 ft (2.13 m) <sup>t</sup>	7 ft (2.13 m) <sup>*t</sup>	Clearance above paved sidewalk or paved driveway located on public property.
M	12 in / 30 cm <sup>+</sup>	12 in / 30 cm <sup>+</sup>	Clearance under verandah, porch, deck, or balcony.
N	12 in (30 cm)*		Clearance horizontally to any surface (such as an exterior wall) for vertical terminations.
O	12 in (30 cm)		Clearance above roof line for vertical terminations.

<sup>1</sup> In accordance with the current CSA B149, Natural Gas and Propane Installation Code.

<sup>2</sup> In accordance with the current ANSI Z223.1 NFPA 54, National Fuel Gas Code.

\* These numbers are only estimates. Clearance in accordance with installation codes and the requirements of the gas supplier.

<sup>t</sup> A vent shall not terminate directly above a side walk or paved driveway that is located between two single family dwellings and it serves both dwellings.

<sup>+</sup> Permitted only if verandah, porch, deck, or balcony is fully open on a minimum of two sides beneath the floor.

**NOTE: Venting terminals shall not be recessed into walls or siding.**

# INITIAL INSTALLATION

## QUALIFIED INSTALLERS ONLY

### VENT PARTS:

**Table 3: Vent Pipe Types with Part Numbers.**

Simpson DuraVent (SD), Selkirk (SEL), and Security Chimneys (SC), must state if galvanized or black wanted, PART NUMBERS:

SD	SEL	SC	Description	SD	SEL	SC	Description
908	4DT-6	SV4L6	6" pipe length	911			11" to 14 5/8" pipe, adjustable
907	4DT-9		9" pipe length		4DT-AJ		4" to 10" pipe, adjustable
906	4DT-12	SV4L12	12" pipe length			SV4LA12	1 1/2" to 12" pipe, adjustable
904	4DT-24	SV4L24	24" pipe length	943	4DT-AF6		Flashing, 0/12 to 6/12 roof pitch
903	4DT-36	SV4L36	36" pipe length	943S	4DT-AF12		Flashing, 7/12 to 12/12 roof pitch
902	4DT-48	SV4L48	48" pipe length			SV4FA	Flashing, 1/12 to 7/12 roof pitch
945	4DT-EL45	SV4EBR45	45° elbow, black			SV4FB	Flashing, 8/12 to 12/12 roof pitch
990	4DT-EL90	SV4EBR90	90° elbow, black	943F		SV4F	Flat flashing
950	4DT-VS	SV4VS	Vinyl siding standoff/sheild	980	4DT-VC	SV4CGV	Vertical termination
942	4DT-WT	SV4RSN	Wall thimble	991	4DT-HVC		High wind vertical termination
941	4DT-CSS	SV4CSB	Cathedral Support Box	984	4DT-HC	SV4CHC	Horizontal square termination
981	4DT-ST36	SV4STC36	36" Snorkel Termination	985	4DT-HHC		High wind horizontal termination
953	4DT-SC	SV4FC	Storm collar	978	4DT-VKC	SV0FAK	Vertical termination kit
963	4DT-FS	SV4BF	Fire stop	970	4DT-HKA	SV0SHK	Horizontal termination kit
988	4DT-WS/B	SV4BM	Wall strap/support/band				SD: Basic Kit, SEL: Kit A, SC: Standard Kit
				971	4DT-HKB	SV0SHK2	Horizontal termination kit SD: Kit A, SEL: Kit B, SC: Kit

This fireplace have been tested and certified for use with SIMPSON DURAVENT TYPE GS PIPE FOR GAS STOVES. SELKIRK DIRECT-TEMP SYSTEM SECURITY CHIMNEY'S "SECURE VENT DIRECT VENT SYSTEM" and SELKIRK "METALBESTOS MDV VENT SYSTEM" kits are available for horizontal venting. When using Simpson DuraVent, it is recommended that, before installation, a bead of RTV High Temperature Silicone should be applied to each outer vent joint, and Mil-Pac to each inner joint. When planning an installation, it will be necessary to select the proper length of vent pipe for the particular requirements.

**A MINIMUM VERTICAL LENGTH OF 24" (61 cm) TO THE FIRST 90° ELBOW IS REQUIRED.** WITH THIS MINIMUM VERTICAL RISE, HORIZONTAL RUNS OF FROM 1 FT (30.5 cm) to 3 FT (91.5 cm) ARE PERMITTED TO REACH THE OUTSIDE VENT TERMINATION.

BEFORE BEGINNING THE INSTALLATION TAKE CARE TO ENSURE AN APPROPRIATE OUTSIDE LOCATION FOR THE VENT TERMINATION CAN BE ACCOMMODATED. **FOLLOW THE VENT LENGTH DIAGRAM PRECISELY.**

**VENTING TERMINALS CANNOT BE RECESSED INTO A WALL OR SIDING.**

**If extra elbows are being used, overall allowable length will be reduced by 3 ft (91.5 cm) per additional elbow.**

### VENT CONFIGURATIONS AND RESTRICTOR SETTINGS:

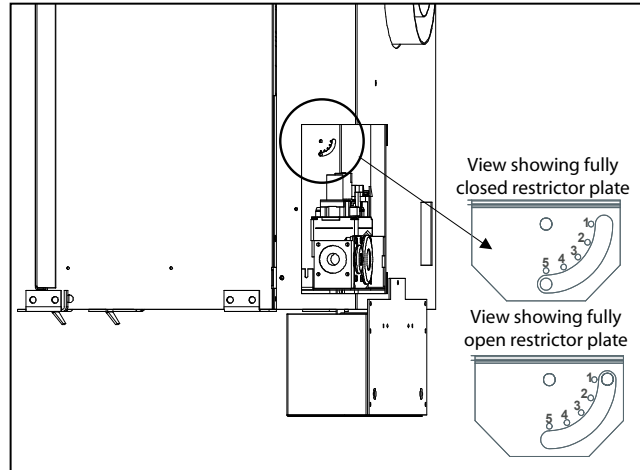
Figures 12 shows the range of venting options, it shows possible vent configurations if the unit is top vented, for vertical and horizontal terminations, any layout that remains within the shaded area is acceptable. Having the fewest number of elbows is ideal, as they tend to disrupt air movement. Using 45° elbows is preferable to using 90° elbows. Also, a shorter vent system will perform better than a longer one.

# INITIAL INSTALLATION

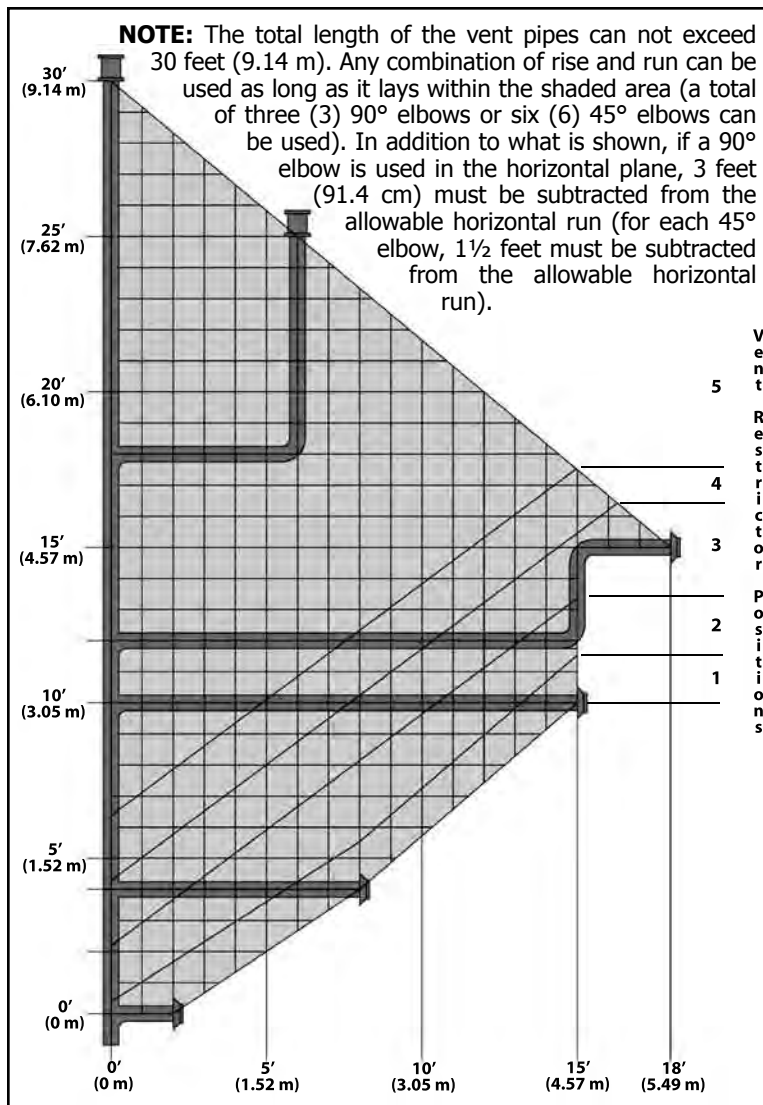
## QUALIFIED INSTALLERS ONLY

The **ENVIRO WESTPORT** has been designed with a built in restrictor plate. The restrictor is designed to enhance flame appearance when installing this unit with vertical chimneys as well as installations with longer horizontal vent applications. It does this by controlling the amount of air moving through the vent pipe.

Figure 12 shows the vent restrictor position required, relative to the length of vent pipe. Longer vertical vent lengths necessitate greater restriction; position 1 is open and position 5 is maximum restriction (refer to Figure 11). To avoid injury, it is best to make this adjustment when the fireplace is cool or use welder's gloves or oven mitts.



**Figure 11: Restrictor plate settings.**



**Figure 12. Possible Vent Configurations for Top Vented; Vertical and Horizontal Terminations.**

To access vent restrictor remove the valve cover plate from the right rear corner of the unit by undoing the two fastening screws.

Loosen the ¼" hex head bolt and adjust to the correct setting.

Slide the hex head bolt to the next setting and re-tighten the bolt to secure in place.

The numbers in this chart represent the actual vent restrictor settings. Although the numbers do not appear on the unit use this as a guide to follow.

Undo the setscrew and adjust the restrictor to the correct setting.

Ensure that the setscrew is re tightened and the unit is checked for proper operation.

Wait for unit to warm up to operating temperature to ensure proper and clean burning unit.

**Note:** 0,0 in Figure 12 represents a 90° bend directly off the outlet of the unit, in all horizontal instances **except** when using Selkirk and having less than a 4 ft (1.22 m) rise and 8 ft (2.44 m) horizontal offset. In this case, a 1 foot (30.5 cm) rise must be added below the 90° bend.

# INITIAL INSTALLATION

## QUALIFIED INSTALLERS ONLY

### PLANNING YOUR INSTALLATION:

When planning your installation, it will be necessary to select the proper length of vent pipe for your particular requirements. It is important to note when passing through a wall, the maximum allowable wall thickness is 10 inches (25.4 cm), 1½ inches (3.8 cm) clearance to combustibles must be maintained. Select the amount of vertical rise desired for "vertical-to-horizontal" type installations. To determine the length of vent pipe required for vertical installations, measure the distance from the appliance flue outlet to the ceiling, the ceiling thickness, the vertical rise through the attic or second story, and allow

for sufficient vent height above the roof line. For two story applications, a fire stop is required at each floor level. If an offset is needed in the attic, additional pipe and elbows will be required. To connect the venting system to the appliance flue outlet, a twist-lock adapter is built into the appliance at the factory. Refer to 'Vent Configuration and Restrictor Settings' for venting parameters.

Your total vent pipe length must be within the shaded area of Figure 12. If a 90° elbow is used in the horizontal plane, 36" (91.4 cm) must be subtracted from the allowable horizontal run.

There are three (3) basic types of Direct Vent System installations. The three (3) types of installations are shown in Figures 13 through 15.

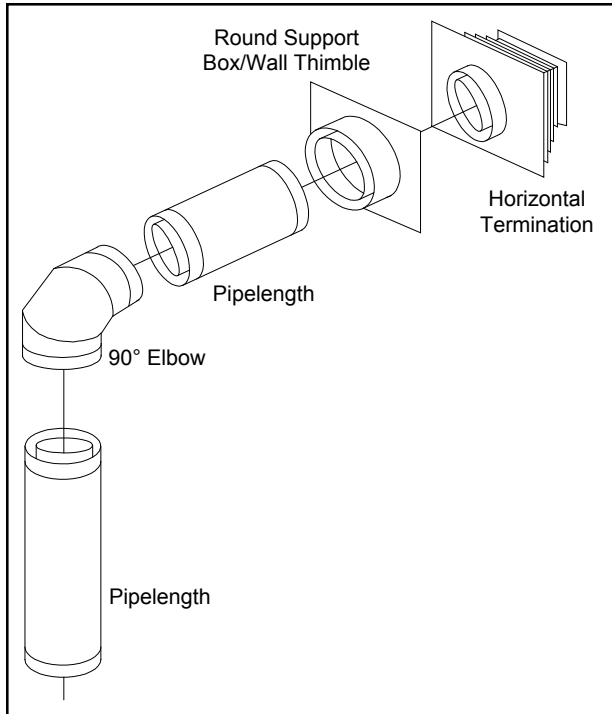


Figure 13: Common Horizontal Installation.

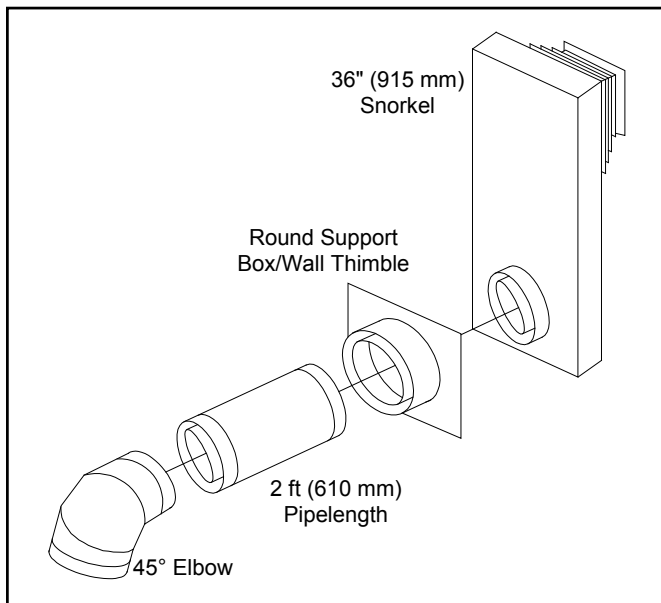


Figure 15: Common Snorkel Installation.

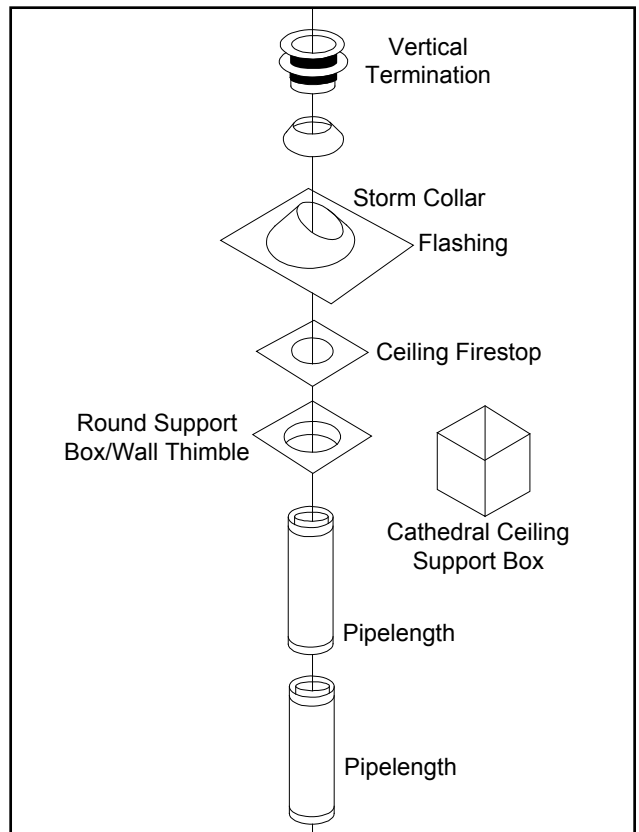


Figure 14: Common Vertical Installation.

# INITIAL INSTALLATION

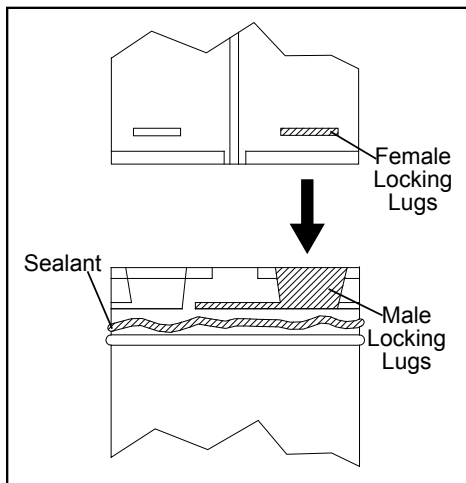
## QUALIFIED INSTALLERS ONLY

### HORIZONTAL INSTALLATION:

**STEP 1.** Set the appliance in the desired location. Check to determine if wall studs or roof rafters are in the way when the venting system is attached. If this is the case, you may want to adjust the location of the appliance.

**STEP 2.** Direct vent pipe and fittings are designed with special twist-lock connections. Assemble the desired combination of black pipe and elbows to the appliance adapter with pipe seams oriented towards the wall or floor, as much out of view as possible.

Place a bead of Mil-Pac on the outer edge of the inner exhaust pipe (non-flared end). Place a bead of high temperature silicone on the male edge of the outer pipe. Push the pipe sections completely together, then twist-lock one section clockwise approximately  $\frac{1}{4}$  turn, until the two sections are fully locked. The female locking lugs will not be visible from the outside, on black pipe. They may be located by examining the inside of the female ends as shown in Figure 16.

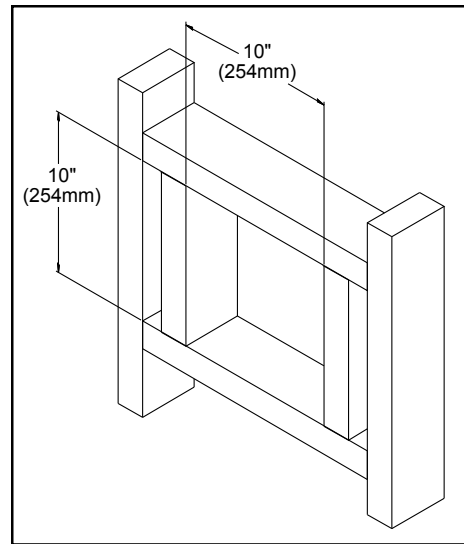


**Figure 16: Twist-Lock Connection**

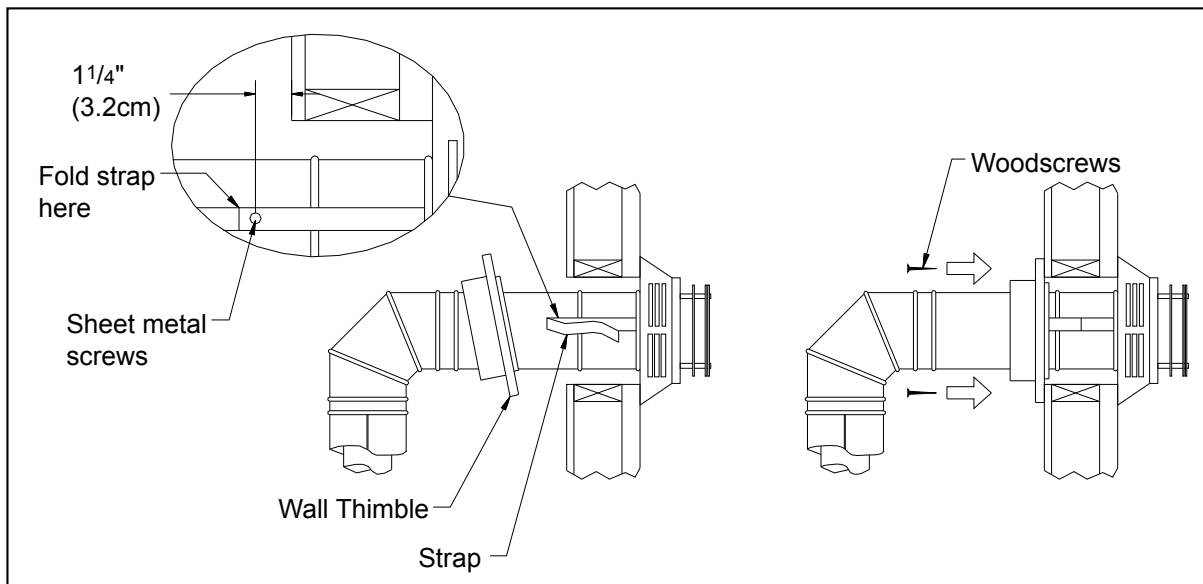
### Notes:

**(1)** Twist-lock procedure: four (4) indentations, located on the female end of the pipes and fittings, are designed to slide straight onto the male ends of adjacent pipes and fittings, by orienting the four pipe indentations so they match and slide into the four entry slots on the male end.

**(2)** Horizontal runs of vent pipe must be supported



**Figure 17: Wall Framing Hole for Horizontal Installation.**



**Figure 18: Installing Decorative Wall Thimble.**



# INITIAL INSTALLATION

## QUALIFIED INSTALLERS ONLY

every 36 inches (915 mm). Wall straps are available for this purpose, also when running horizontal pipe minimum clearances to combustibles must be maintained; **2 inches (51 mm) at top, 1½ inches (38 mm) at sides, 1½ inches (38 mm) at bottom.**

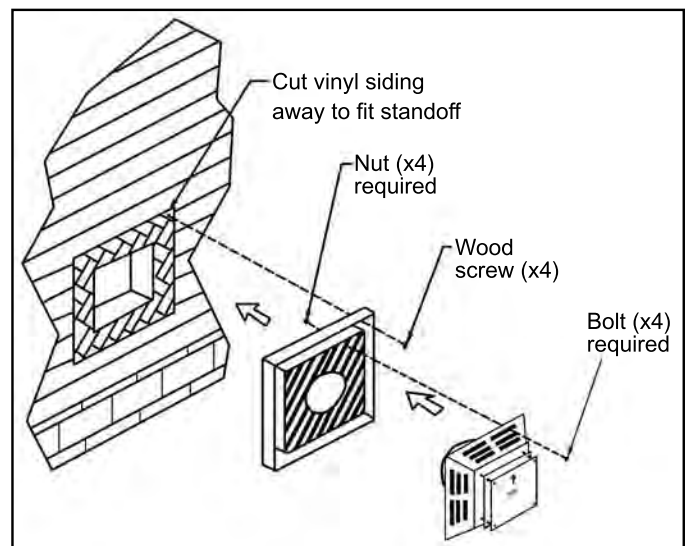
**STEP 3.** With the pipe attached to the stove in the correct location, mark the wall for a 10" (25.4 cm) x 10" (25.4 cm) square hole (refer to Figure 17). The center of the square hole should match the center line of the horizontal pipe. Cut and frame the 10" (25.4 cm) x 10" (25.4 cm) hole in the exterior wall where the vent will be terminated. Refer to Figure 8. If the wall being penetrated is constructed of non-combustible material i.e. masonry or concrete, a 7 inches (17.8 cm) hole is acceptable.

**STEP 4.** Position the horizontal vent termination in the center of the 10" (25.4 cm) x 10" (25.4 cm) hole, and attach to the exterior wall with the four screws provided. Before attaching the vent termination to the exterior wall, run a bead of non-hardening mastic around the edges, so as to make a seal between the termination and the wall. The arrow on the vent termination should be pointing up, insure that the proper clearances to combustible materials are maintained.

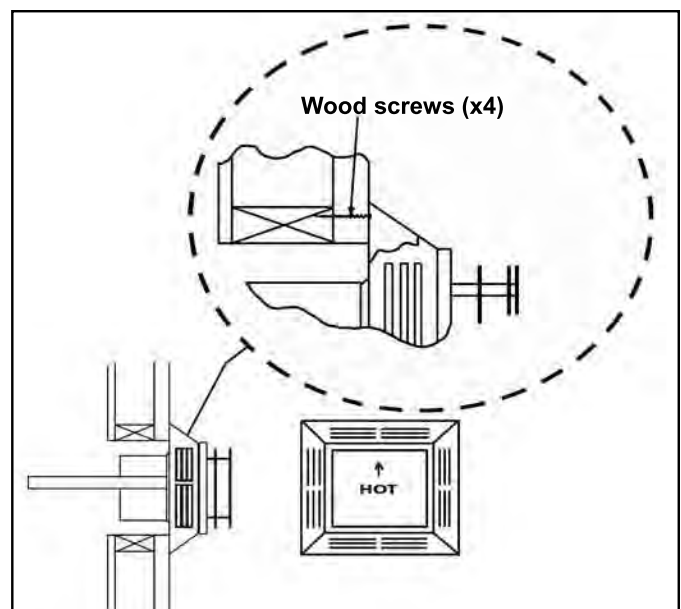
**STEP 5.** Before connecting the horizontal run of the vent pipe to the vent termination, slide the black decorative wall thimble cover over the vent pipe.

**STEP 6.** Slide the appliance and vent assembly towards the wall, carefully inserting the vent pipe into the cap assembly. It is important that the vent pipe extend into the vent cap a sufficient distance with a minimum of 1¼" (3.2 cm) overlap. Secure the connection between the vent cap pipe and the vent cap by attaching the two sheet metal straps extending from the vent cap assembly into the outer wall of the vent pipe. Use the two sheet metal screws provided to connect the straps to the vent pipe. Bend any remaining portion of the sheet metal straps back towards the vent cap, so the decorative wall thimble will conceal it (see left image in Figure 18).

**STEP 7.** Slide the decorative wall thimble up to the wall surface and attach with the screws provided. Apply decorative brass or chrome trim if desired (see right image in Figure 18).



**Figure 19: Installing Vent Cap with Vinyl Siding Stand-Off.**



**Figure 20: Installing Horizontal Vent Termination.**

# INITIAL INSTALLATION

## QUALIFIED INSTALLERS ONLY

### NOTES:

- (1) The four (4) wood screws provided should be replaced with the appropriate fasteners for stucco, brick, concrete, or other types of siding.
- (2) For buildings with vinyl siding, a vinyl siding standoff, should be installed between the vent cap and the exterior wall (see Figure 19). Attach the vinyl siding standoff to the horizontal termination. The vinyl siding standoff prevents excessive heat from possibly melting the vinyl siding material. Note that the horizontal vent termination bolts onto the flat portion of the vinyl siding standoff (shaded area in Figure 20), so that an air space will exist between the wall and the vent termination.

### NOTES:

- (1) The horizontal run of vent pipe must be level and **should have a 1/4 inch rise for every one foot of run towards the termination**. Never allow the vent to run downward. This could cause high temperature and may present the possibility of a fire.
- (2) The location of the horizontal vent termination on the exterior wall must not be easily blocked or obstructed. Refer to INITIAL INSTALLATION - VENT CONFIGURATIONS AND RESTRICTOR SETTINGS.
- (3) When installing a vent pipe in a chase the minimum clearance to combustibles is 2" (51 mm).
- (4) Maintain manufacturer's clearances to combustibles with venting.

### CORNER INSTALLATIONS:

Do not interfere with the structural integrity of the walls.

For installations with a 36" (915 mm) snorkel refer to Figure 21 and 'Initial Installation - Installation of Rear Vented'.

For other corner installations refer to Figure 22 and INITIAL INSTALLATION - VENT CONFIGURATIONS AND RESTRICTOR SETTINGS.

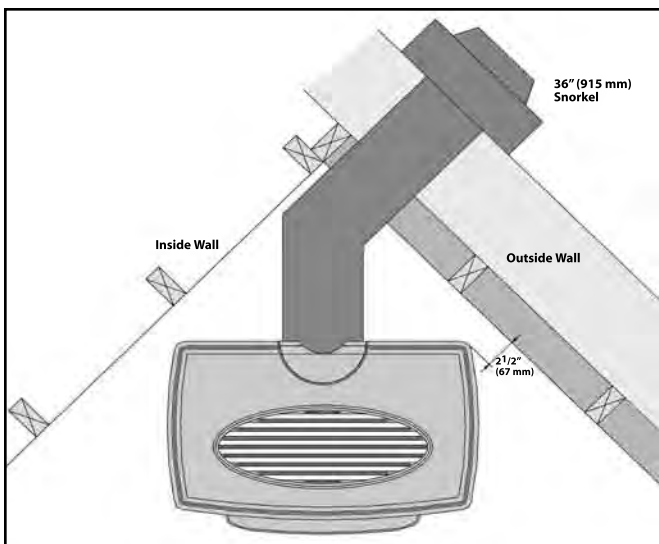


Figure 21: Corner installation rear vented with snorkel.

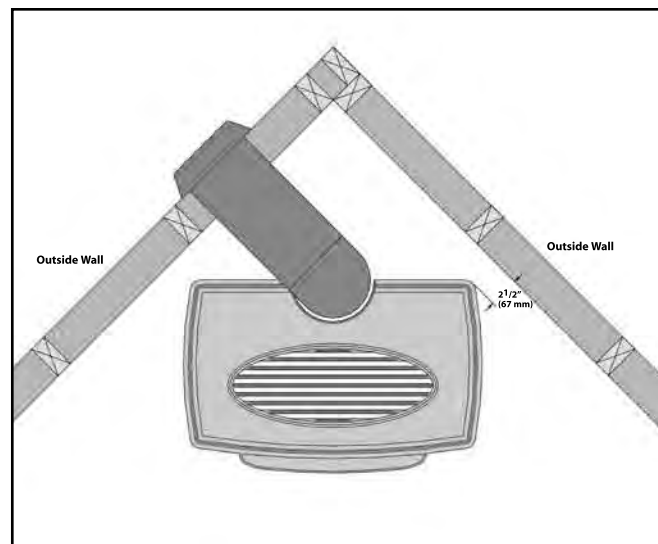


Figure 22: Corner installation top vented.

# INITIAL INSTALLATION

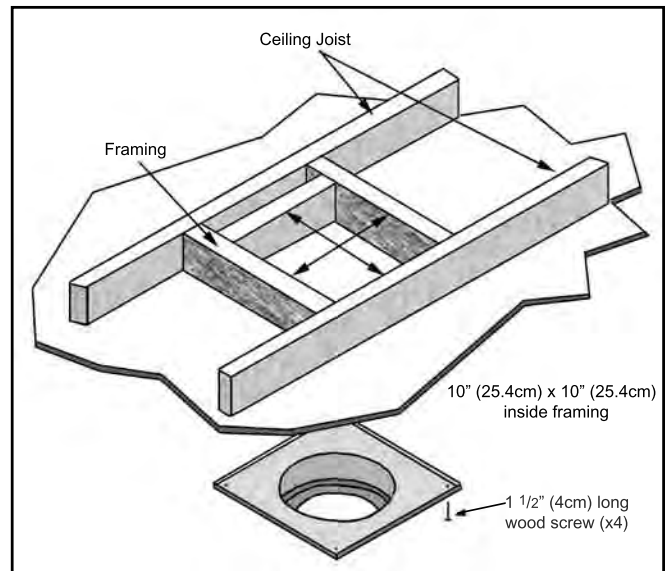
## QUALIFIED INSTALLERS ONLY

### VERTICAL INSTALLATION:

**STEP 1.** Check the instructions for required clearances (air spaces) to combustibles when passing through ceilings, walls, roofs, enclosures, attic rafters, or other nearby combustible surfaces. Do not pack air spaces with insulation.

**STEP 2.** Set the gas appliance in the desired location. Drop a plumb bob down from the ceiling to the position of the appliance flue exit, and mark the location where the vent will penetrate the ceiling. Drill a small hole at this point. Next, drop a plumb bob from the roof to the hole previously drilled in the ceiling, mark the spot where the vent will penetrate the roof. Determine if ceiling joists, roof rafters, or other framing will obstruct the venting system. You may wish to relocate the appliance, or to offset, to avoid cutting load bearing members.

**STEP 3.** To install the Round Support Box/Wall Thimble in a flat ceiling, cut a 10" square hole in the ceiling, centered in the hole drilled in Step 2. Frame the hole as shown in Figure 23.

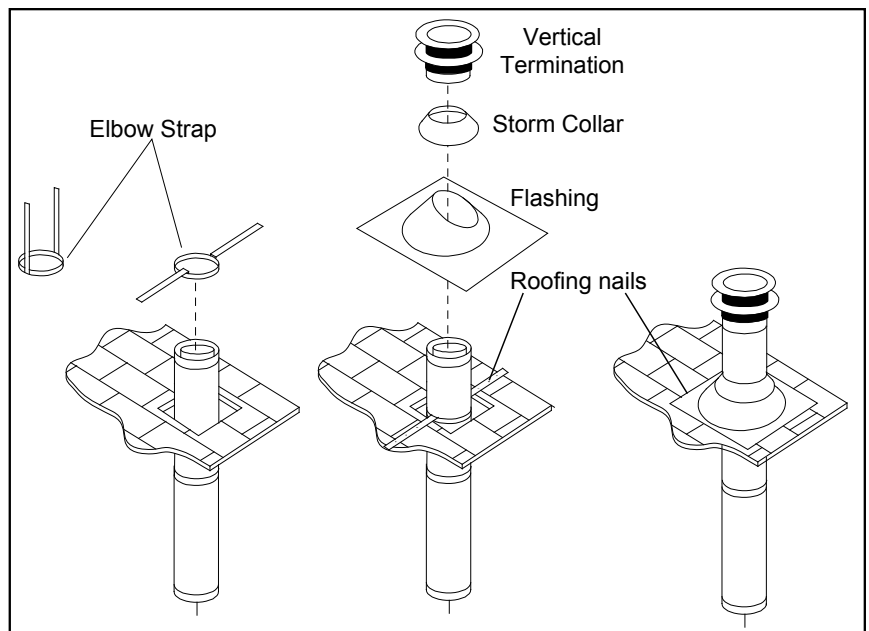


**Figure 23: Wall Framing for Hole for Vertical Installation.**

**STEP 4.** Assemble the desired lengths of black pipe and elbows necessary to reach from the appliance adapter up through the Round Support Box. Insure that all pipe and elbow connections are in their fully twist-locked position.

**STEP 5.** Cut hole in the roof centered on the small hole placed in the ceiling from Step 2. The hole should be of sufficient size to meet minimum requirements for Clearance to Combustibles, as specified. Continue to assemble lengths of pipe and elbows necessary to reach from the ceiling support box up through the roof line. Galvanized pipe and elbows may be utilized in the attic, as well as above the roof line. The galvanized finish is desirable above the roof line, due to the higher corrosion resistance.

**STEP 6.** Once the pipe sections have been joined, and run up through the hole in the roof, slip an elbow strap over the exposed sections, bend the support straps outwards, and push the elbow strap



**Figure 24: Vertical Vent Termination Installation.**

# INITIAL INSTALLATION

## QUALIFIED INSTALLERS ONLY

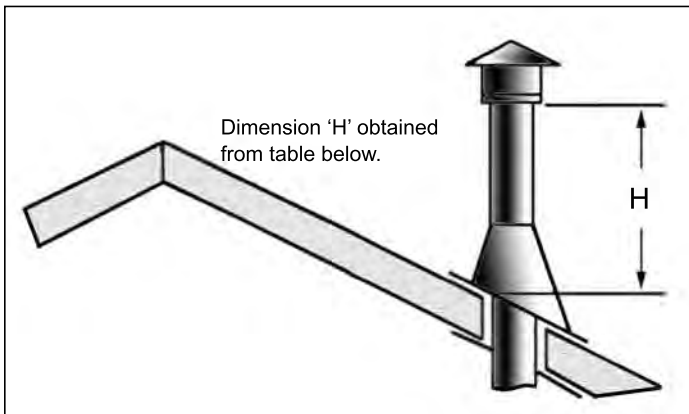
down to the roof level, as shown in Figure 24. Tighten the clamp around the pipe section. Use a level to make sure the pipe is truly vertical. With roofing nails, secure the support straps to the roof. Seal the nails holes heads with non-hardening mastic. Trim the excess length of the support straps that extend out beyond the edge of the flashing.

**STEP 7.** Slip the flashing over the pipe section protruding through the roof. Secure the base of the flashing to the roof with roofing nails. Use a non-hardening sealant between the uphill edge of the flashing and the roof. Insure the roofing material overlaps the top edge of the flashing as shown in Figure 24. Verify that you have at least the minimum clearance to combustibles at the roof line.

**STEP 8.** Continue to add pipe sections until the height of the vent cap meets the minimum code requirements. Refer to Figure 25 and Table 4. Note that for steep roof pitches, the vent height must be increased. In high wind conditions, nearby trees, adjoining roof lines, steep pitched roofs, and other similar factors can result in poor draft, or down drafting. In these cases, increasing the vent height may solve the problem.

**STEP 9.** Slip the storm collar over the pipe, and push it down to the top of the roof flashing as shown in Figure 24. Use the non-hardening sealant around the joint between the pipe and the storm collar.

**STEP 10.** Twist-lock the vent cap.



**Figure 25: Height of Vertical Termination;**  
**Reference Table 4.**

Roof Pitch	Minimum Height	
	Feet	Meters
Flat to 7/8	1	0.3
Over 7/12 to 8/12	1.5	0.46
Over 8/12 to 9/12	2	0.61
Over 9/12 to 10/12	2.5	0.76
Over 10/12 to 11/12	3.25	0.99
Over 11/12 to 12/12	4	1.22
Over 12/12 to 14/12	5	1.52
Over 14/12 to 16/12	6	1.83
Over 16/12 to 18/12	7	2.13
Over 18/12 to 20/12	7.5	2.29
Over 20/12 to 21/12	8	2.44

**Table 4: Minimum 'H' for Figure 25**

### **NOTES:**

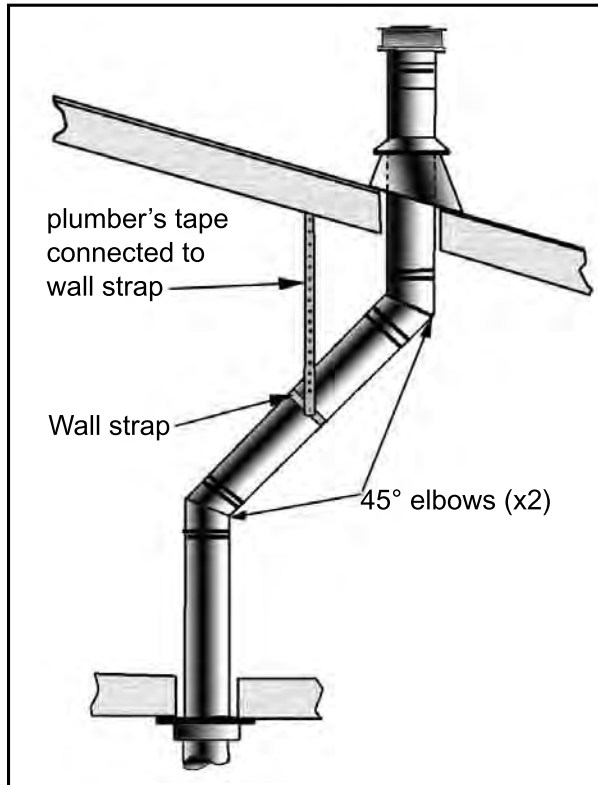
- (1)** If an offset is necessary in the attic to avoid obstructions, it is important to support the vent pipe every 3 feet (91 cm), to avoid excessive stress on the elbows, and possible separation. Wall straps are available for this purpose (see Figure 26).
- (2)** When ever possible, use 45° degree elbows instead of 90° degree elbows. The 45° degree elbow offers less restriction to the flow of flue gases and intake air.

### **NOTES:**

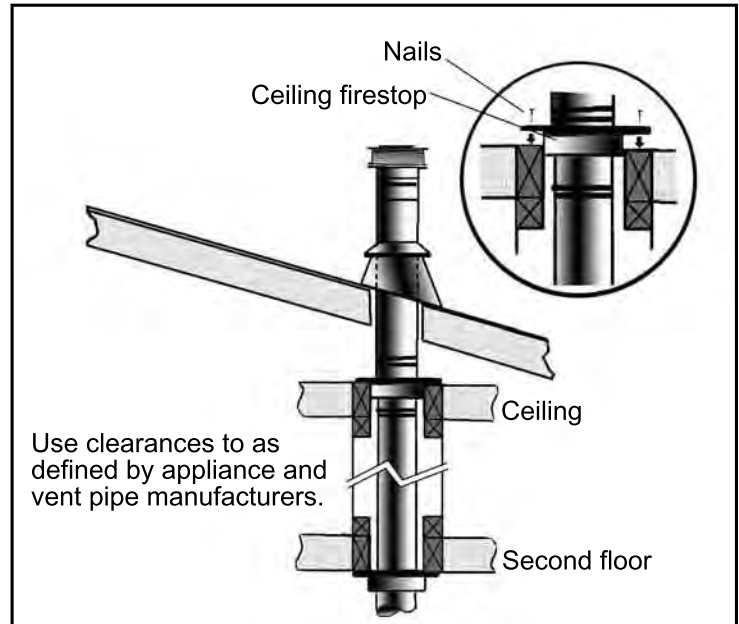
- (1)** For multi story installations. A ceiling firestop is required at the second floor, and any subsequent floors (see Figure 27). The opening should be framed to 10" (25.4 cm) x 10" (25.4 cm) inside dimensions, in the same manner as shown in Figure 23.

# INITIAL INSTALLATION

## QUALIFIED INSTALLERS ONLY



**Figure 26: Use of Wall Straps.**



**Figure 27: Multi-Story Vent Pipe Installation.**

manufactures installation instructions for the minimum allowable clearance between the outside of the vent pipe, and the combustible surfaces of the enclosure. Do not fill any required air spaces with insulation.

- (2) Any occupied areas above the first floor, including closets and storage spaces, which the vertical vent passes through, must be enclosed. The enclosure may be framed and sheet rocked with standard building materials. However consult the appliance

### **CATHEDRAL CEILING INSTALLATION:**

- STEP 1.** Follow installation steps 1 & 2 under INITIAL INSTALLATION - VERTICAL INSTALLATION.
- STEP 2.** Using the plumb bob, mark the centerline of the venting system on the ceiling and drill a small hole through the ceiling and roof at this point. From the roof, locate the drill hole and mark the outline of the "Cathedral Ceiling Support Box".
- STEP 3.** Remove shingles or other roof coverings as necessary to cut the rectangular hole for the "Support Box". Cut the hole  $\frac{1}{8}$ " larger than the "Support Box" outline.
- STEP 4.** Lower the "Support Box" through the hole in the roof until the bottom of the "Support Box" protrudes at least 2 inches (5 cm) below the ceiling. Align the "Support Box" both vertically and horizontally with a level as shown in Figure 28. Temporarily tack the "Support Box" in the place through the inside walls and into the roof sheathing.
- STEP 5.** Using tin snips, cut the "Support Box" from the top corners down to the roof line, and fold the resulting flaps over the roof sheathing (Figure 29). Before nailing it in to the roof, run a bead of non-hardening mastic around the top edges of the "Support Box", to make a seal between the box and the roof. Clean out any combustible material from the inside of the "Support Box".

# INITIAL INSTALLATION

## QUALIFIED INSTALLERS ONLY

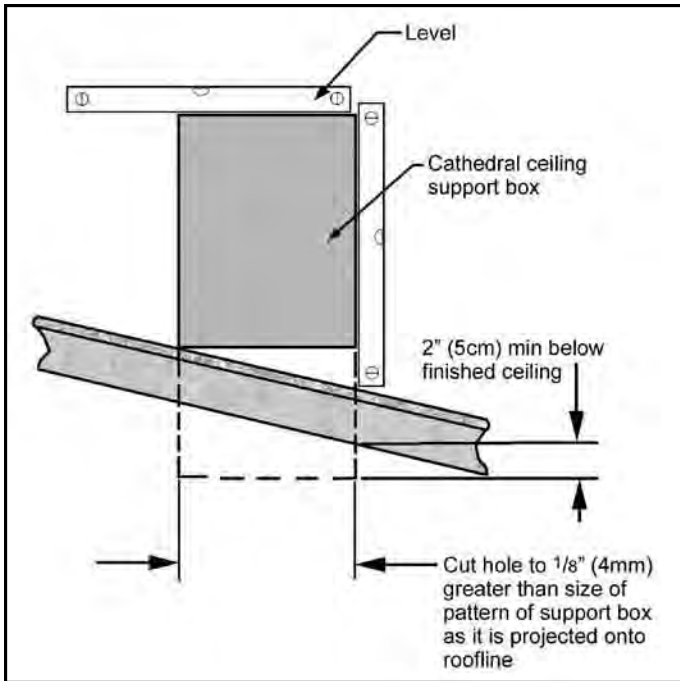


Figure 28: Cathedral Ceiling Support Box Leveling.

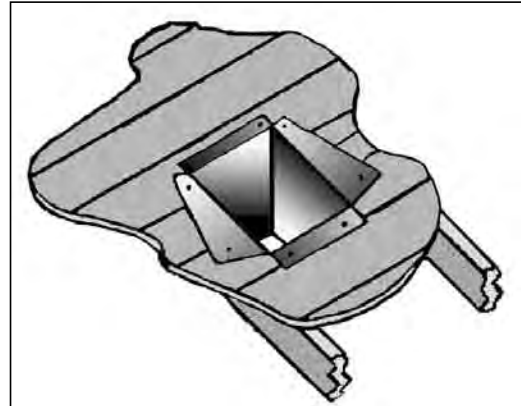


Figure 29: Cathedral Ceiling Support Box Installation.

**STEP 6.** Complete the cathedral ceiling installation by following the same procedures outlined in Steps 4 through 9 for INITIAL INSTALLATION - VERTICAL INSTALLATION.

### FREESTANDING DIRECT VENT KIT WITH COUPLER:

#### KIT COMPONENTS:

Quantity	Description	Quantity	Description
1	Horizontal direct vent termination cap	1	Ø6 <sup>5</sup> / <sub>8</sub> " (17 cm) 90° elbow
2	Flue collar adapters (only one used)	4	Wire spacers
4	T-20 Torx screws	3	Decorative rings
1	Wall thimble	1	4 oz tube RTV silicone
1	Inside finish trim collar	20	9/16" tech screws
8	1½" wood screws	1	Vinyl siding deflector
1	5' (190 cm) length of Ø4" (10 cm) double walled flex pipe	2	24" (61 cm) section of Ø6 <sup>5</sup> / <sub>8</sub> " (17 cm) straight pipe

Please ensure that all components are supplied with this kit. If components are missing or have been damaged, contact your dealer, distributor, or courier company. Do not attempt the installation if components are missing or damaged.

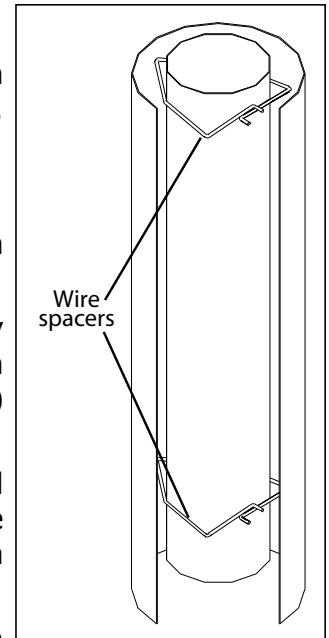
#### INSTALLATION INSTRUCTIONS:

1. Decide on a location for the unit that will meet any or all local code requirements. Refer "Planning Your Installation" and "Clearances to Combustibles".
2. Set the appliance in the desired location. Determine if any wall studs, electrical wiring, or plumbing pipes are in the way of the venting system as it passes through the wall. If obstructions are found in the wall it may be necessary to adjust the location of the appliance.

# INITIAL INSTALLATION

## QUALIFIED INSTALLERS ONLY

3. Set the appliance in the desired location. Temporarily place a 24" (61 cm) section with the non-crimped end on the unit
4. Install the 90° elbow onto the vertical pipe on the stove pointing in the direction that the vent will exit the structure.
5. Project a level line from the center point of the elbow. Using this center point, scribe a 10" (25.4 cm) hole or square on the wall. Cut the hole out on both the interior and exterior wall surface.
6. Frame the hole as shown in Figure 17.
7. Install the wall thimble and secure the thimble to the inner wall surface.
8. With the appliance still in place install the 24" (61 cm) horizontal section on the elbow and let this section of pipe protrude through the exterior surface. Mark the pipe so that when it is cut it will be flush with the exterior wall.
9. Dismantle the outer pipe sections.
10. Install the 4" (10 cm) adaptor into the exhaust outlet on the unit. Apply a bead of high temperature silicone.
11. Stretch the liner out. Attach the flexible liner to the vent termination cap by placing a small bead of high temperature silicone on the vent termination and slide the flex liner onto the vent terminal and secure with three (3) sheet metal screws evenly spaced.
12. Dress the flex liner through the wall thimble and attach the vent terminal to the outside of the house using four (4) wood screws provided. The use of non-hardening mastic should be used around the vent to ensure a watertight seal.
13. Install two (2) wire spacer around the flex pipe. Slide the horizontal section of pipe over the flexible liner. Ensure the wire spacers are positioned at either end of the pipe (refer to Figure 30 and 31).
14. Install the horizontal section of pipe through the wall thimble, ensure that this portion of pipe slides onto the vent termination cap.
15. Slide the inside finished collar over the horizontal section of pipe and secure to wall using the screw provided.



**Figure 30: Cut away of spacers on Flex Pipe.**



**Figure 31: Top view of spacers on Flex Pipe.**

16. Slide the 90° elbow over the flex pipe. **Do not slip the outer sections of pipe together, you will require some movement in these pipe section in order to secure the flex pipe to the flue outlet on the appliance.**
17. Stretch the flex liner to a length long enough to ensure the flex liner can be easily connected to the flue outlet of the appliance.
18. Install the remaining wire spacers over the flexible liner and install the vertical section of pipe. Ensure the wire spacers are positioned at either end of the pipe (refer to Figure 30 and 31).
19. Place a bead of high temperature silicone on the flue pipe and slide the flex liner over the collar, secure the flex liner with three (3) sheet metal screws evenly spaced.

# INITIAL INSTALLATION

## QUALIFIED INSTALLERS ONLY

20. Align all straight sections of pipe, slipping all joints together and installing with three (3) sheet metal screws evenly spaced.
21. Install the brass decorative rings around each joint making sure this decorative ring covers the sheet metal screws that secure each section of pipe together and secure to vent pipe in the slotted tab on the backside of the pipe so that the fastener would not be seen.
22. Secure the horizontal section of pipe to the inside finished collar by installing a screw in the tab on the inside finished collar. This will prevent the pipe from being disconnected at the vent terminal.
23. Light the appliance and ensure proper operation.

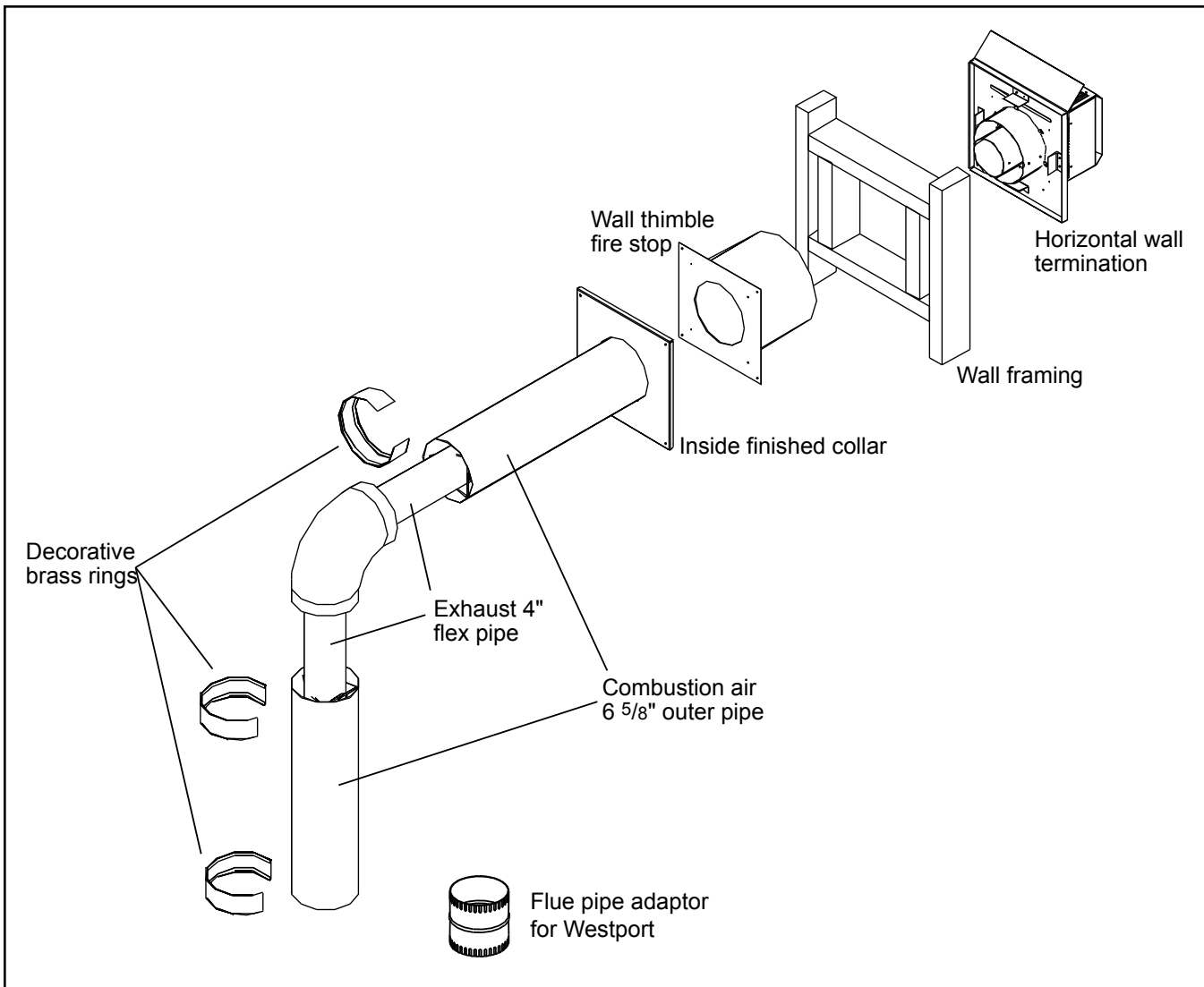


Figure 32: Assembly of Venting Kit.



# INITIAL INSTALLATION

## QUALIFIED INSTALLERS ONLY

### VENTING INTO A CLASS 'A' CHIMNEY:

This model is also certified and tested to vent into CLASS 'A' wood stove chimneys.

Place the freestanding direct vent appliance in the desired location.

Use a conversion kit from Simpson Duravent (931, 932, or 933), or Security Chimney (SV4CCK1, SV4CCK2, or SV4CCK1). Which kit is used will depend on the inner diameter of the CLASS 'A' chimney that this appliance is to be vented into.

Place a bead of high temperature silicone or mil-pac at each connection to ensure a tight seal.

NOTE: An approved 4" (10 cm) diameter flex liner must be used in the application.

NOTE: Use Simpson Dura Vent from the top of the appliance until this vent reaches the CLASS 'A' chimney. Install the retro adapter to the top section of GS direct vent pipe and install the flex liner to the retro adapter.

Fully line the CLASS 'A' chimney with a minimum 4" (10 cm) flex liner to the top of the CLASS 'A' chimney.

Place a bead of high temperature silicone to the Simpson Cap adapter and securely attach the flex liner to the adapter.

Secure the cap adapter to the CLASS 'A' chimney ensuring an airtight seal.

Install the vertical termination cap.

Light the unit and ensure proper operation.

THE USE OF ANY EXISTING CHIMNEY AS AN AIR INTAKE IS NOT COVERED UNDER THE ANSI Z21.88-2002 CSA 2.33a-2002 TEST METHODS AND THE RESULTING ITS/WH PRODUCT CERTIFICATION. THE CODE AUTHORITY HAVING JURISDICTION MUST BE CONSULTED PRIOR TO PROCEEDING WITH THIS INSTALLATION METHOD.

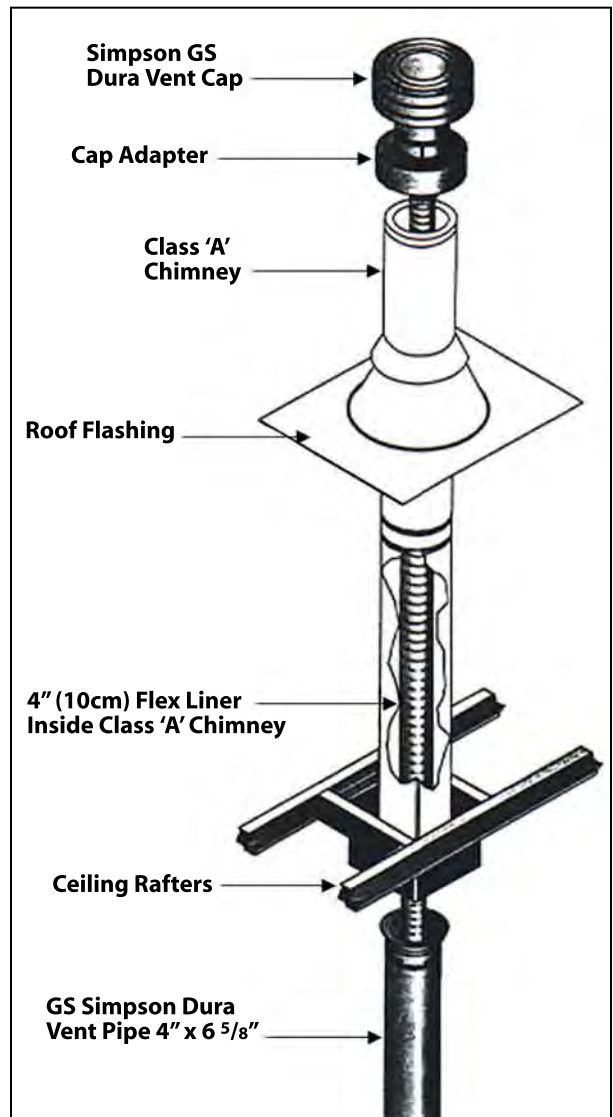


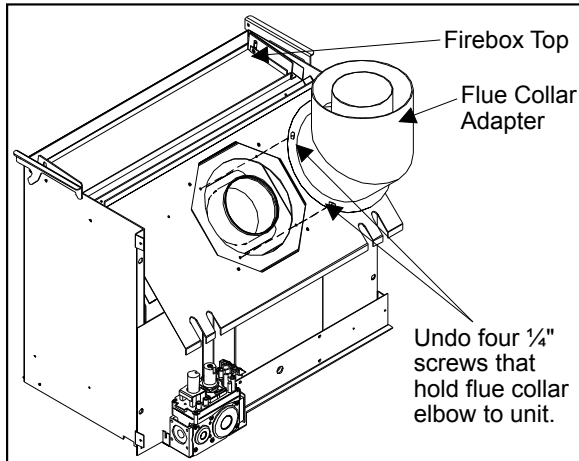
Figure 33: Assembly of Venting into a Class 'A' Chimney.

# INITIAL INSTALLATION

## QUALIFIED INSTALLERS ONLY

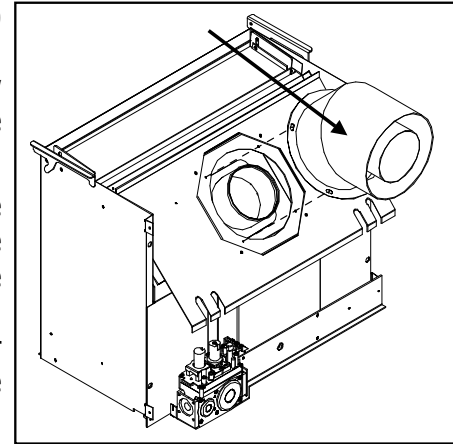
### CONVERTING TOP VENTED INTO REAR VENTED:

This unit has been shipped as a 30,000 Btu/hr top-vented freestanding unit. This unit can be converted to a rear vented unit with a 36" (915 mm) snorkel for some installation applications. To convert this unit to a rear vented model you must remove the flue pipe adapter and turn to the rear vent position. See sections INITIAL INSTALLATION - INSTALLATION OF REAR VENTED APPLIANCE.



**Figure 34: Step 3 of Converting Top Vented into Rear Vented.**

1. Carefully remove the trivet and the stovetop. Place on a soft surface as not to damage the porcelain finishes.
2. Remove the four (4) 1/4" screws that hold the flue collar elbow to the unit body (see Figure 34).
3. Carefully remove the elbow being sure not to damage the gasket that is glued to the flue collar elbow, it seals the flue to the firebox.



**Figure 35: Step 4 of Converting Top Vented into Rear Vented.**

4. Turn the elbow to the rear vent position and re-fasten with the screws removed in step 2 (see Figure 35).

### INSTALLATION OF REAR VENTED APPLIANCE:

Place the unit into position.

Attach a small section of pipe on the unit and mark exterior wall where vent would pass through the wall.

Cut a 10" (25.4 cm) minimum hole in the wall to maintain clearances to combustibles. Frame hole as shown in Figure 17.

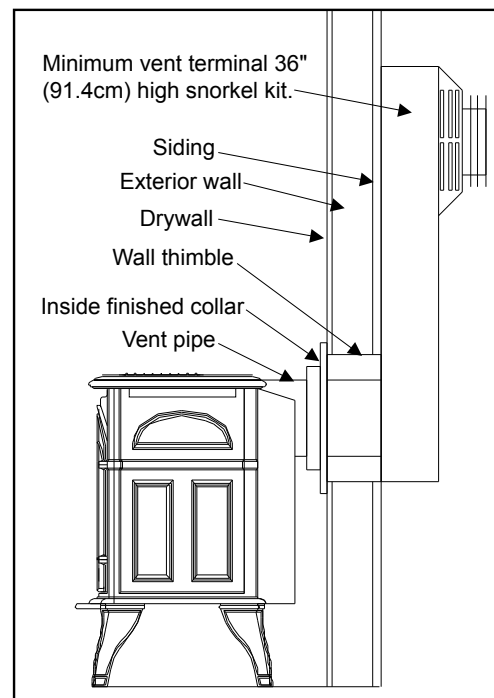
Install a wall thimble.

Install interior finished collar.

Install the vent section through the wall.

**THIS UNIT MUST BE VENTED WITH A 36" (91 cm) SNORKEL KIT IF UNIT IS RATED FOR 30,000 Btu/hr NG and 26,000 Btu/hr LP.**

Seal around the vent terminal to the structure using a non hardening mastic.



**Figure 36: Installation for Rear Vented; 30,000 Btu/hr.**

# INITIAL INSTALLATION

## QUALIFIED INSTALLERS ONLY

### **INSTALLATION OF TOP VENTED; HORIZONTAL TERMINATION:**

This is the most common type of installation style.

Set the unit in place.

Install a minimum 24" (61 cm) vertical chimney.

Install a 90° elbow, and mark the exterior wall where the vent would pass through.

Cut a 10" (25.4 cm) minimum hole in the wall to maintain clearances to combustibles around vent pipe. Frame hole if as shown in Figure 17.

Install wall thimble.

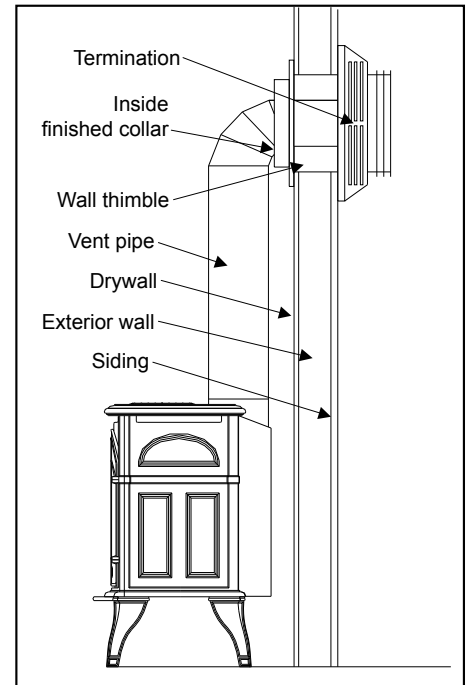
Install interior finished collar

Install the vent section through the wall and then install the vent termination.

Seal around the termination using a non hardening mastic.

### **CORNER INSTALLATION:**

This type of installation can be used in a corner installation. If a 90° elbow is used in the horizontal plane, 36" (91.4 cm) must be subtracted from the allowable horizontal run shown in Figure 12.



**Figure 37: Installation for Top Vented; Horizontal Termination.**

### **INSTALLATION OF TOP VENTED; VERTICAL TERMINATION:**

Place the unit in place.

Drop a plumb bob from the ceiling to the center point of the flue outlet.

Cut a 10" (25.4 cm) hole in the ceiling and the roof. Refer to Figure 23.

Install the ceiling support and insulation guard.

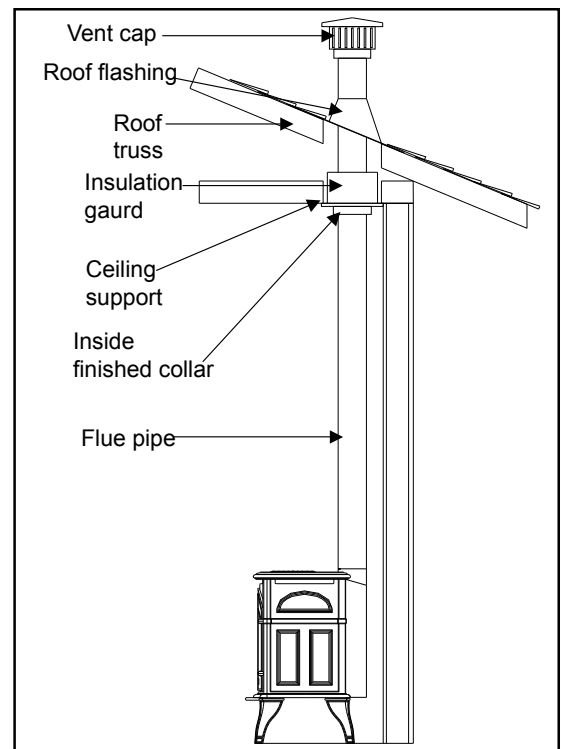
Install the roof flashing. Ensure that the roof flashing is installed under the roofing material so that a watertight seal is created.

Install the flue pipe from the top of the unit through the roof.

Ensure that all flue pipe and unit maintain required clearances to combustibles.

### **CORNER INSTALLATION:**

This type of installation can be used in a corner installation. If a 90° elbow is used in the horizontal plane, 36" (91.4 cm) must be subtracted from the allowable horizontal run shown in Figure 12.



**Figure 38: Installation for Top Vented; Vertical Termination.**

# INITIAL INSTALLATION

## QUALIFIED INSTALLERS ONLY

### FREESTANDING DRAFTHOOD ADAPTOR:

This Draft Hood Adaptor is a complete assembly and is ready to fit onto your Westport in a vertical vent application only. With the Draft Hood Adaptor correctly installed and wired to the gas control valve. Your Direct Vent Fireplace can be vented like a B-Vent Fireplace.

### INSTALLATION:

**WARNING:** This Freestanding Draft Hood Adaptor must be fitted by a qualified service technician.

#### Step 1

Remove the Draft Hood Adaptor from the packaging. Ensure the unit and wire harness are undamaged. If there is damage contact your dealer, distributor, or courier company before starting this installation.

#### Step 2

Install the adaptor so the wires exit to the rear of the fireplace. Slide the Draft Hood Adaptor over the outlet pipe of the fireplace until the bottom of the adaptor collar stops on the top of the outlet. The Draft Hood Adaptor must be safely secured to the vent flanges with either self-tapping screws and/or high temperature sealant.

**WARNING:** During the fitting of the Draft Hood Adaptor, ensure that the wires are not pinched between the adaptor and the collar and/or flue outlet. Ensure that the opening of the Draft Hood Adaptor is not blocked or obstructed.

#### Step 3

Being careful not to run any wiring tight across metal edges; connect them to the valve and "ON/OFF" switch (refer to Figure 39).

#### Step 4

Adjust the restrictor plate to position 2.5 of 5. See the vent restrictor settings in the instruction manual.

#### Step 5

Adjust the embers on the burner so they don't cover the burner ports.

### WIRING DIAGRAM:

The fireplace connections are labelled in Figure 39. When installing the Draft Hood Adaptor onto a fireplace fitted with an optional wall switch or an optional thermostat, remove one wire from the switch to the gas valve and connect the Draft Hood Adaptor harness as shown in Figure 30.

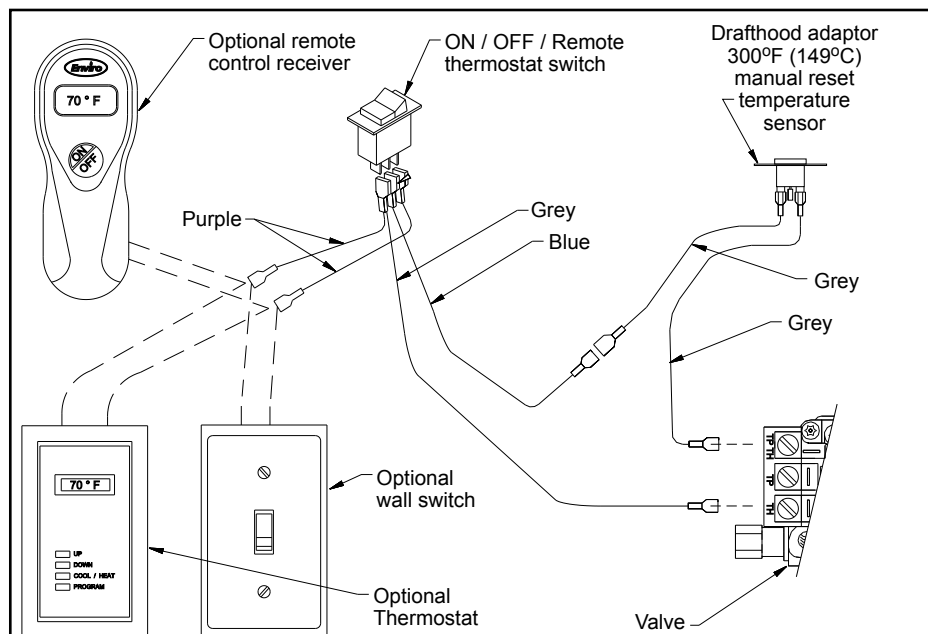


Figure 39: Wiring Diagram for Electrical Connection.

# INITIAL INSTALLATION

## GENERAL VENTING INFORMATION:

### Canadian Installations

The venting system must be installed in accordance with the current CSA B149 installation code and/or local codes having jurisdiction.

### U.S.A. Installations

The venting system must be installed in accordance with the current National Fuel Gas Code, ANSI Z223.1, and/or local codes having jurisdiction.

The minimum clearance to combustibles is 6" (150 mm) when using single wall venting and 1" (25 mm) when using "B-vent" venting.

We strongly recommend installing an approved chimney liner in an existing brick chimney. This will maximize the potential draft of the chimney and lessen the effects of slow chimney start-up.

## VENTING OF A FIREPLACE FITTED WITH THE DRAFTHOOD ADAPTOR:

**Note:** Please refer to the chimney manufacturer's installation instructions prior to commencing the installation.

This unit may be vented to an existing masonry chimney, or where no masonry chimney is available, an approved "B-vent" chimney, or any other approved constructed chimney/vent system (see Figure 40 & 41).

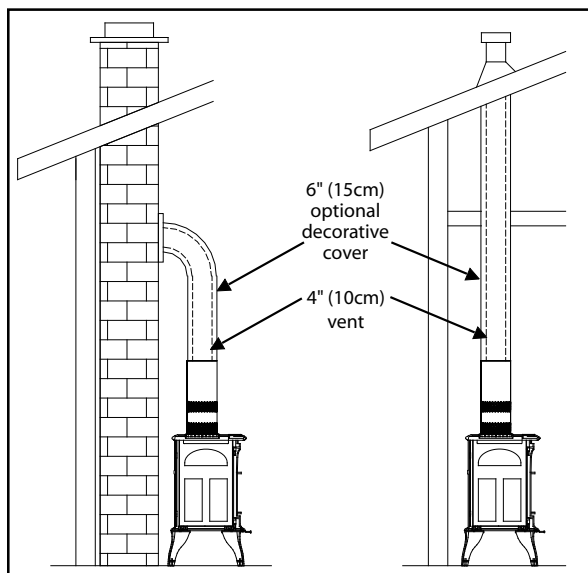


Figure 40: Unit top venting styles.

If 4" (10 cm) "B-vent" is used a minimum of 1" (25 mm) must be maintained between the vent connector and any combustibles.

**CAUTION:** A minimum vent height of 12' (3.6 m) from the floor is required to effectively vent this fireplace.

### SPILLAGE TEST:

A spillage test must be performed prior to leaving the installed fireplace with the customer. Perform this test in the following manner:

1. Close all windows and doors in the room.
2. Start all exhaust fans in the house and the furnace blower.
3. Light the fireplace and set to maximum flame adjustment.

In either case, the fireplace may be connected to the chimney/vent using a 4" (10 cm) single wall vent connector.

When an existing masonry chimney is utilized for the venting, we recommend the vent connector be connected to an approved 4" (10 cm) diameter flue liner running the full height of the chimney. In many jurisdictions this flue liner may be mandatory.

If 4" (10 cm) single wall vent is used, a minimum of 6" (15 cm) must be maintained between the vent connector and any combustibles.

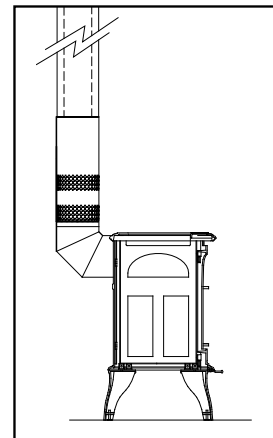


Figure 41: Unit rear venting style.

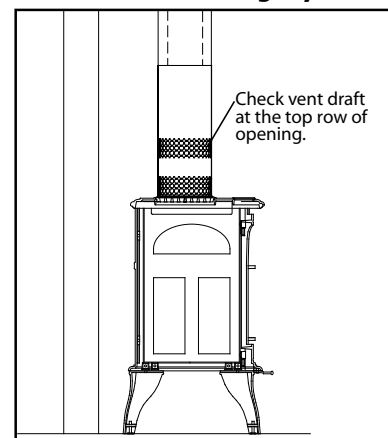


Figure 42: Draft test place.

# INITIAL INSTALLATION

---

4. After a minimum of 10 minutes operation, test the chimney draft with a smoke match at the top row of the pattern to confirm that there is adequate draft or 'pull' at the openings around the body of the Drafhood Adaptor, as shown in Figure 42.

## **AUTOMATIC SAFETY SHUT DOWN:**

If the spill switch is activated and shuts off the main burner the following procedure should be followed.

- Is the pilot flame still on? **If not, the reason for the fireplace shut down is not the spill switch.**
- Turn off the pilot flame and turn off all controls. Let fireplace to cool down.
- Check for blockages or restrictions in the flue and venting components.
- Restart the fireplace and check for vent draft as described earlier.
- Operate the fireplace in a normal manner.
- If the main burner shuts down again after a period of operation, turn off the fireplace and contact your service technician.

## **SPILL SWITCH REPLACEMENT:**

Use the following instructions to replace the Safety Spill Switch.

1. Turn the unit off and allow it to cool.
2. Disconnect the spill switch wires from the valve and on/off/remote rocker switch wire (see Figure 40).
3. Remove the four mounting screws holding the spill switch bracket and remove the bracket (see Figure 43).
4. Remove and replace the spill switch with a 50-885 Spill Switch Assembly using a T-20 torx type driver.
5. Follow the reverse of the previous steps.



**Figure 43: Spill switch installation.**

## **OPTIONAL FINISHING:**

In installations where the flue connector is running from the drafhood into a non-combustible chimney the following optional finishing technique can be used.

**CAUTION: Installations where the flue connector or venting connects to, or passes through, combustible walls or ceilings, the inner vent components must be 'B-vent'. It is not allowable in these applications to use single wall inner vent components.**

For decorative purposes a 6" (15 cm) single wall black stove pipe may be installed over the 4" (10 cm) single wall or 'B-Vent'.

**Note: The use of these components is for aesthetic purposes only and does not effect the fact that the fireplace, when fitted with the Drafhood Adaptor, is a Natural Vent appliance and therefore draws air in through the Drafhood Adaptor intake ports.**

# INITIAL INSTALLATION

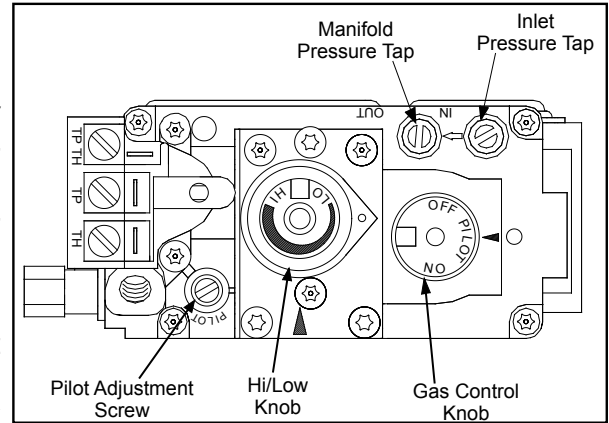
## QUALIFIED INSTALLERS ONLY

### GAS LINE CONNECTION AND TESTING:

**WARNING:** Only persons licensed to work with gas piping may make the necessary gas connections to this appliance.

### GAS LINE CONNECTION

- This stove is equipped with a certified flexible pipe located on the right side of the unit terminating in a  $\frac{3}{8}$ " male NPT fitting. Consult your local authorities codes or the CAN/CGA B 149 (1 or 2) installation code in Canada, or in the USA gas installations follow either local codes or the current edition of the National Fuel Gas Code ANSI Z223.1.
- The efficiency rating of this appliance is a product thermal efficiency rating determined under continuous operating conditions and was determined independently of any installed system.



**Figure 44: Fully Labeled Gas Valve.**

The appliance and its shutoff valves must be disconnected from the gas supply piping system during any pressure testing where the pressure exceeds  $\frac{1}{2}$  PSIG (3.45 KPa) or damage will occur to the valve.

The appliance must be isolated from the gas supply piping system by closing its individual manual shutoff valve during any pressure testing of the gas supply piping system at test pressures equal to or less than  $\frac{1}{2}$  psig (3.45 KPa).

**Always check for gas leaks with a soap and water solution after completing the required pressure test.**

### TO TEST VALVE PRESSURES

The pressure taps are located on the left side of the valve

- Turn set screw 1 turn counter clockwise to loosen,
- Place  $\frac{5}{16}$ " (8 mm) I.D. hose over pressure tap system.
- Check pressures using a manometer.
- When finished, release pressure, remove hose & tighten set screw.

**Table 6: Pressure and BTU Information.**

	<b>Natural Gas</b>	<b>Propane</b>
<b>Main Burner</b>	#39 DMS	#53 DMS
<b>Manifold Pressure</b>	3.8" W.C. / 0.95KPa	11.0" W.C. / 2.7KPa
<b>Min. Manifold Pressure</b>	1.1" W.C. / 0.27KPa	2.7" W.C. / 0.67KPa
<b>Max Supply Pressure</b>	7.0" W.C. / 1.74KPa	13.0" W.C. / 3.28KPa
<b>Min. Supply Pressure</b>	5" W.C. / 1.24KPa	12.0" W.C. / 2.98KPa
<b>Max BTU/hr Input</b>	30,000 BTU/hr (8.80KW)	26,500 BTU/hr (7.76KW)
<b>Min. BTU/hr Input</b>	17,000 BTU/hr (4.98 KW)	14,000 BTU/hr (4.10KW)

**NEVER USE AN OPEN FLAME FOR LEAK TESTING.**

# INITIAL INSTALLATION

## QUALIFIED INSTALLERS ONLY

### ELECTRICAL REQUIREMENTS FOR GAS VALVE AND OPTIONAL BLOWER:

The **ENVIRO** WESTPORT will operate without electrical power. This model has a millivolt gas control, which uses the pilot flame to generate enough electricity to operate the main burners. The appliance when equipped with an optional blower must be electrically connected and grounded in accordance with local codes or in the absence of local codes, with the current CSA C22.1 CANADIAN ELECTRICAL CODE Part 1, SAFETY STANDARDS FOR ELECTRICAL INSTALLATIONS, OR THE NATIONAL ELECTRICAL CODE ANSI / NFPA 70 in the U.S.

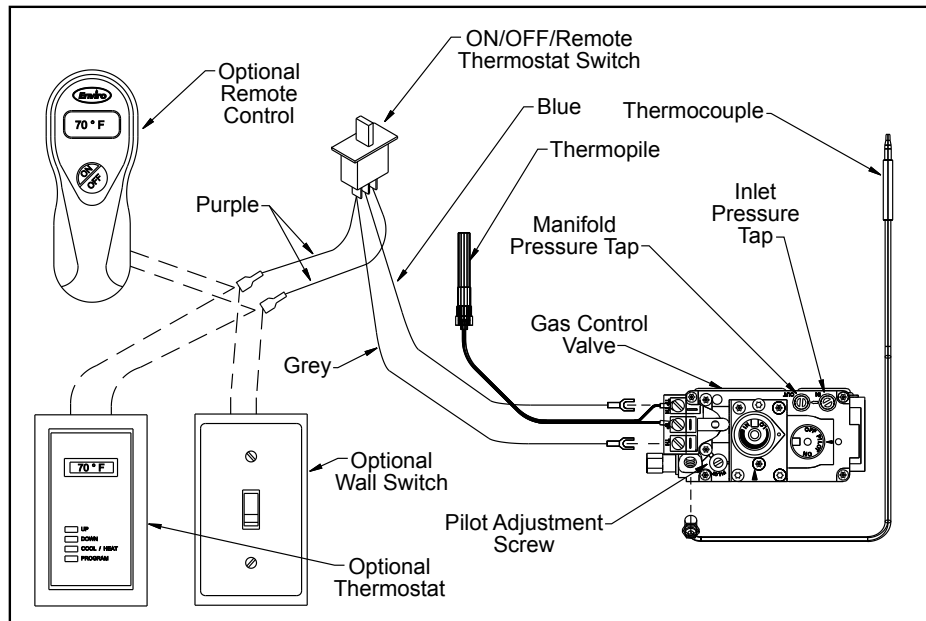


Figure 45: Gas Control Valve and Optional Thermostat Wiring.

Table 5. Recommended Thermostat Wire Size.

Wire Size	Max. Length
14 gauge	100 ft (30.48 m)
16 gauge	60 ft (18.29 m)
18 gauge	40 ft (12.00 m)
20 gauge	25 ft (7.62 m)
22 gauge	18 ft (5.49 m)

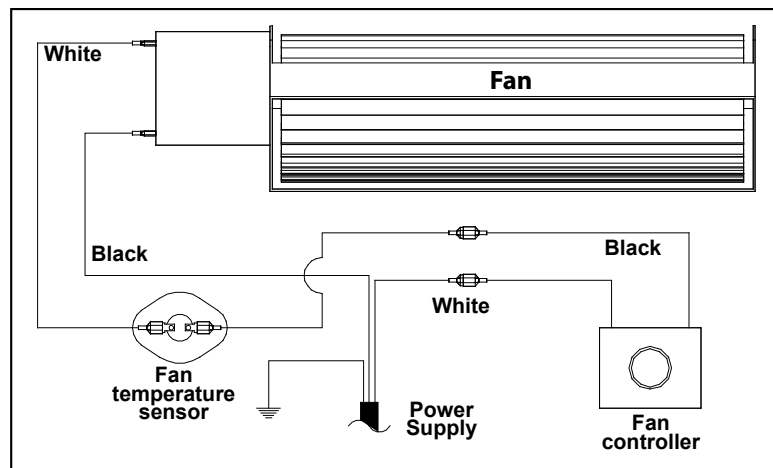


Figure 46. Wiring Diagram For Fan Control.

**CAUTION:** Label all wires prior to disconnection when servicing controls. Wiring errors can cause improper and dangerous operation. Verify proper operation after servicing.

**WARNING:** Electrical grounding instructions. This appliance is equipped with a three-prong (grounding) plug for your protection against shock hazard, and must be plugged directly into a properly grounded three-prong outlet.

**DO NOT** cut or remove the grounding prong from this plug.



# SECONDARY INSTALLATION

## INSTALLATION OF OPTIONAL BLOWER:

1. Remove the pre-assembled blower from the packaging. Inspect the blower for damage. If damage is noticed call your dealer, distributor or courier company and have components replaced.

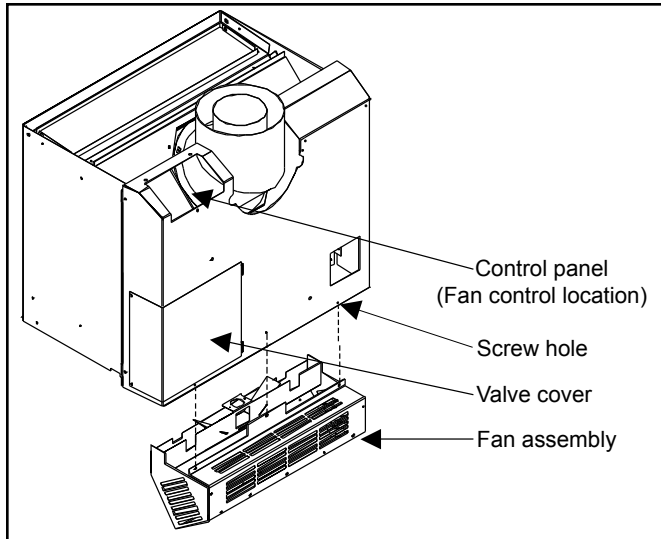


Figure 47: Optional Blower (Fan) Installation.

2. Ensure the temperature sensor will touch the unit when mounted. If it does not touch, adjust the sensor so it does.

2. Place the fan assembly behind the unit and secure with the three screws provided, (as shown in Figure 47).

3. Open the gas valve cover. Carefully cut the decal portion on the control panel and install the fan control switch in this location. See Figure 46 for wiring of optional blower.

4. Plug the fan assembly into the wall outlet and turn the unit on to ensure fan operation.

## INSTALLATION OF LOG SET AND EMBERS:

The placement of the logs is not arbitrary. If they are positioned incorrectly, the flames can be "pinched" and will not burn correctly. The burner come with four (4) locator pins, and the right log has two (2) ledges which make alignment easier. Using the pictures provided, carefully set the logs in place.

**NOTE:** The logs are fragile and should be handled gently.

**CAUTION:** Use only the type of ember material supplied with this appliance. Due to the irregular size of the ember material there may be more than required. The use of other foreign materials on the burners may create dangerous conditions.

If over time, through cleaning and servicing, these embers require replacement, contact the nearest ENVIRO dealer for replacement embers.



Figure 48: Step 1 of Log Placement.

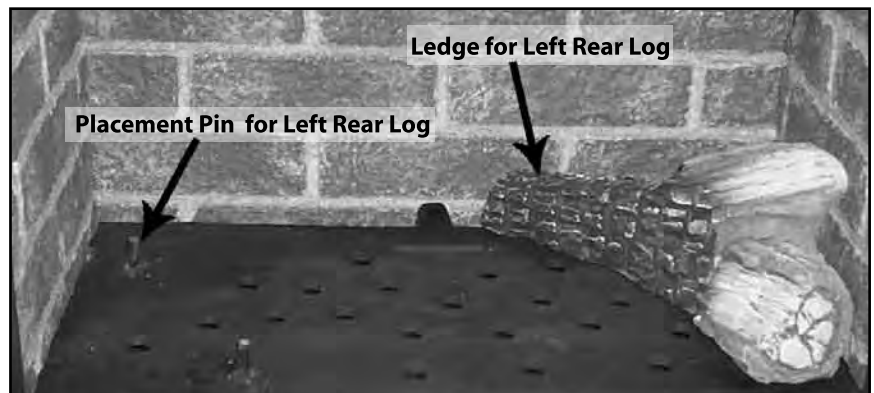


Figure 49: Step 2 of Log Placement.

## SECONDARY INSTALLATION

1. Carefully remove logs from box. Check to ensure there is no damage. It is very important to install all logs in their proper position to insure safe, optimum operating conditions.

2. Place the log set into the firebox. Locate each log by seating it down onto the burner tray support pins. Follow Figures 48 to 54 proper log placement.

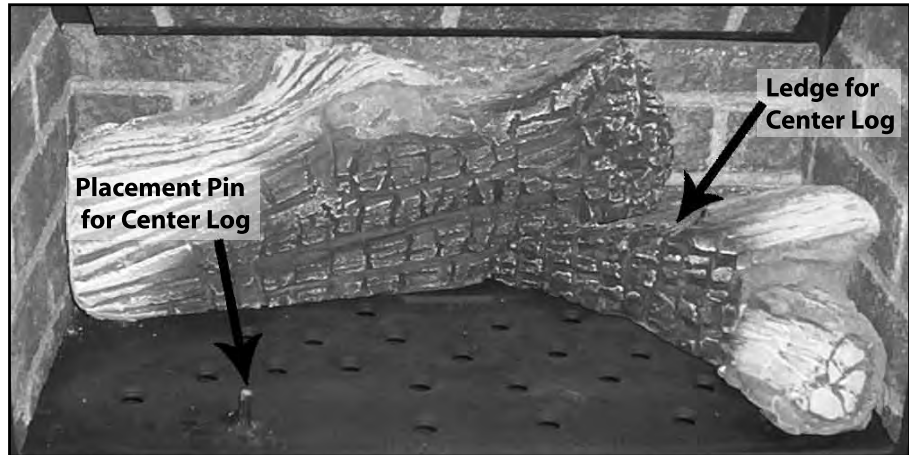


Figure 50: Step 3 of Log Placement.

3. A bag of ceramic fiber embers and rock wool embers is provided gently remove the ember material from the plastic bag. Spread a layer loosely in a random manner across the burner tray. Do not allow any embers to rest against pilot assembly. (See diagram provided for proper ember placement.)

DO NOT pack this ember material as this could create an unsafe condition, leave embers loose.

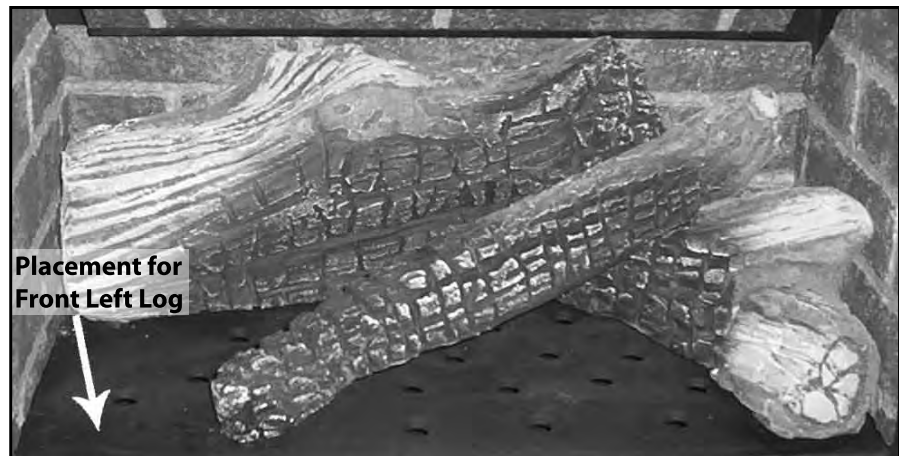


Figure 51: Step 4 of Log Placement.

4. Upon the first light up, watch for ignition to **ALL** burner ports. If a long delay is noted: First, wait for the appliance to cool down.

- Open the front door of the appliance.
- Check to carefully reposition the embers making sure that burner ports are not plugged solid or blocked.



Figure 52: Complete Log Placement.

## SECONDARY INSTALLATION

**Important note:** When the unit is turned on for the first time, It should be turned onto high without the fan on for the first four (4) hours. This will cure the paint, logs, gasket material and the other products used in the manufacturing process. It is advisable to open a window or door, as the unit will start to smoke and can irritate some people. After the unit has gone through the first burn turn the unit off including the pilot, let the unit get cold then remove the glass door and clean it with a good gas fireplace glass cleaner, available at your local ENVIRO dealer.

See MAINTENANCE AND SERVICE on how to remove door to clean glass.



**Figure 53: Log Placement with Rock Wool.**



**Figure 54: Log Placement with Rock Wool & Embers.**



**Figure 55: Appliance Burning.**

**CAUTION: NEVER OPERATE THIS APPLIANCE WITH THE GLASS DOOR REMOVED.**

# SECONDARY INSTALLATION

## INSTALLATION OF PANEL SET:

Do not install when the unit is hot.

The brick panel set is fragile. Handle panels with care and avoid knocking them on the placement pins or any other object.

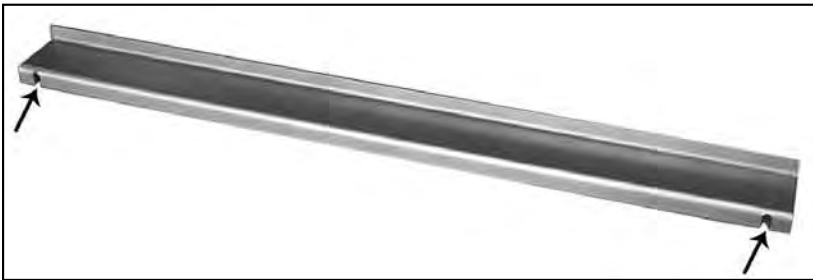


Figure 56: Brick panel bracket, slots shown.

1. Remove the two (2) screws from the rear of the baffle, use a ¼" socket or a flat head screwdriver. Place the provided brick bracket (Figure 56) at the rear of the baffle with the slots over the screw holes (see Figure 57). Insert two (2) of the provided screws into the two (2) holes along the bottom of the baffle.

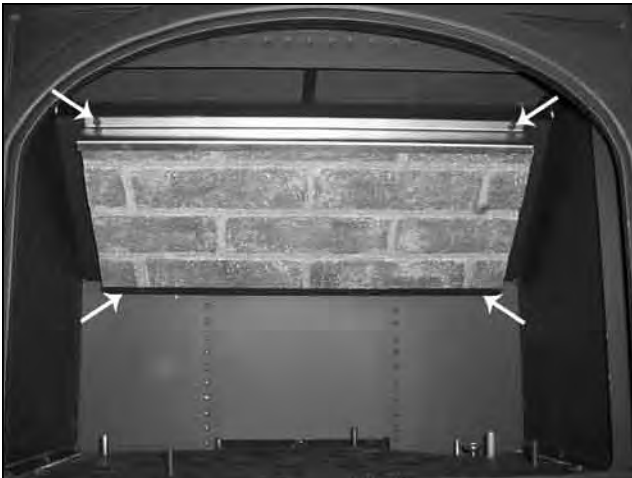


Figure 57: Top brick panel in place, screws shown.



Figure 58: Back brick panel in place.



Figure 59: Side brick panels in place.

2. Remove the two (2) screws from the front of the baffle. Slide the top brick panel into the bottom bracket and place the other brick bracket over the top of the panel and line up the slots on the bracket with the holes at the top of the baffle. Use two (2) of the provided screws to hold the bracket in place. Ensure the top panel is centered before tightening the four (4) screws completely (refer to Figure 57).
3. Slide the bottom brick panel into place under/behind the top panel bracket, the notched side is to rest on the firebox bottom. The panel should rest flush with the back of the firebox (refer to Figure 58).
4. Slide each side brick panel into place along the sides of the firebox. The panels should rest flush with the back panel and the sides of the firebox (refer to Figure 59).

# TROUBLE SHOOTING

<b>Problem</b>	<b>Possible Cause</b>	<b>Solution</b>
Spark will not light the pilot after repeatedly pressing the spark ignitor	Defective piezo ignitor.	<ul style="list-style-type: none"> <li>• Check connections to ignitor.</li> <li>• If ignitor connections are good but no spark, replace ignitor.</li> </ul>
	Broken spark electrode.	<ul style="list-style-type: none"> <li>• Check for broken ceramic insulation.</li> <li>• Replace electrode if broken.</li> </ul>
	Low battery or bad electronic module.	<ul style="list-style-type: none"> <li>• Replace the electronic module.</li> <li>• Replace the battery in module.</li> </ul>
	Misaligned spark electrode.	<ul style="list-style-type: none"> <li>• If spark is not arcing from electrode to pilot - adjust by loosening the screws on the pilot base. Adjust away from burner and retighten.</li> </ul>
Pilot will not remain lit	Problem with thermocouple circuit.	<ul style="list-style-type: none"> <li>• Check for proper connection of the thermocouple to the rear of the valve. If loose, fully tighten lightly.</li> <li>• Check pilot for full flame impingement around thermocouple. If flame is too small, check gas pressure, adjust pilot rate screw, check pilot head for damage or blockage.</li> <li>• Check thermocouple voltage at rear of valve. It must be greater than 7 mV. If low, replace thermocouple.</li> </ul>
	Air in gas line (pilot dies while knob is depressed).	<ul style="list-style-type: none"> <li>• Bleed line.</li> <li>• Check gas line pressure.</li> <li>• Contact dealer.</li> </ul>
Burners will not remain lit	Problem with thermopile circuit.	<ul style="list-style-type: none"> <li>• Check gas line pressure .</li> <li>• Check for flame impingement on thermopile. If low, see "Pilot will not remain lit".</li> <li>• Check thermopile for minimum of 200 mV when burner is switched on.</li> <li>• Check wiring to thermostat for breaks.</li> </ul>
Flame lifting	Leak in vent pipe.	<ul style="list-style-type: none"> <li>• Check for leaks in vent connections.</li> </ul>
	Improper vent configuration.	<ul style="list-style-type: none"> <li>• Check vent configuration with manual.</li> </ul>
	Terminal may be recirculating flue gases.	<ul style="list-style-type: none"> <li>• Check to see if terminal is on correctly.</li> <li>• May need to install high wind termination cap.</li> <li>• Contact dealer.</li> </ul>
	Improperly set vent restrictor plate.	<ul style="list-style-type: none"> <li>• See venting section for proper restrictor setting.</li> </ul>
Glass fogs up	Normal Condition: after the appliance warms up the glass will clear. **Due to additives in gas, glass may get hazy during operation** Clean as needed.	
Blue Flames	Normal during start up: flames will yellow as the fireplace heats up.	
Flames are burning "dirty" or sooting	Flame impingement	<ul style="list-style-type: none"> <li>• Check log positioning.</li> <li>• Check vent restrictor for proper setting.</li> <li>• Increase primary air by opening venturi shutter.</li> <li>• See also "Burners will not remain lit."</li> </ul>

## PARTS LIST - CAST

Reference Number	Part Description	Part Number
1	Top Vent Insert Piece - Painted	EGWP-503
1	Top Vent Insert Piece - Antique White	EGWP-503AW
1	Top Vent Insert Piece - Diamond Black	EGWP-503DB
1	Top Vent Insert Piece - Inferno Red	EGWP-503IR
1	Top Vent Insert Piece - Pearl Grey	EGWP-503PG
1	Top Vent Insert Piece - Wedgewood Blue	EGWP-503WB
1	Top Vent Insert Piece - Westport Green	EGWP-503WG
1	Top Vent Insert Piece - Antique Chestnut	50-870
2	Top Grate - Painted	EGWP-502
2	Top Grate - Antique White	EGWP-502AW
2	Top Grate - Diamond Black	EGWP-502DB
2	Top Grate - Inferno Red	EGWP-502IR
2	Top Grate - Pearl Grey	EGWP-502PG
2	Top Grate - Wedgewood Blue	EGWP-502WB
2	Top Grate - Westport Green	EGWP-502WG
2	Top Grate - Antique Chestnut	50-869
3	Top Only (No Grate Or Vent Insert) - Painted	50-368
3	Top Only (No Grate Or Vent Insert) - Diamond Black	50-369
3	Top Only (No Grate Or Vent Insert) - Antique White	50-370
3	Top Only (No Grate Or Vent Insert) - Inferno Red	50-371
3	Top Only (No Grate Or Vent Insert) - Pearl Grey	50-372
3	Top Only (No Grate Or Vent Insert) - Wedgewood Blue	50-373
3	Top Only (No Grate Or Vent Insert) - Westport Green	50-374
3	Top Only (No Grate Or Vent Insert) - Antique Chestnut	50-906
4	Side Panel (Left) - Painted	EGWP-504
4	Side Panel (Left) - Antique White	EGWP-504AW
4	Side Panel (Left) - Diamond Black	EGWP-504DB
4	Side Panel (Left) - Inferno Red	EGWP-504IR
4	Side Panel (Left) - Pearl Grey	EGWP-504PG
4	Side Panel (Left) - Wedgewood Blue	EGWP-504WB
4	Side Panel (Left) - Westport Green	EGWP-504WG
4	Side Panel (Left) - Antique Chestnut	50-871
5	Side Panel (Right) - Painted	EGWP-505
5	Side Panel (Right) - Antique White	EGWP-505AW
5	Side Panel (Right) - Diamond Black	EGWP-505DB
5	Side Panel (Right) - Inferno Red	EGWP-505IR
5	Side Panel (Right) - Pearl Grey	EGWP-505PG
5	Side Panel (Right) - Wedgewood Blue	EGWP-505WB
5	Side Panel (Right) - Westport Green	EGWP-505WG
5	Side Panel (Right) - Antique Chestnut	50-872

## PARTS LIST - CAST

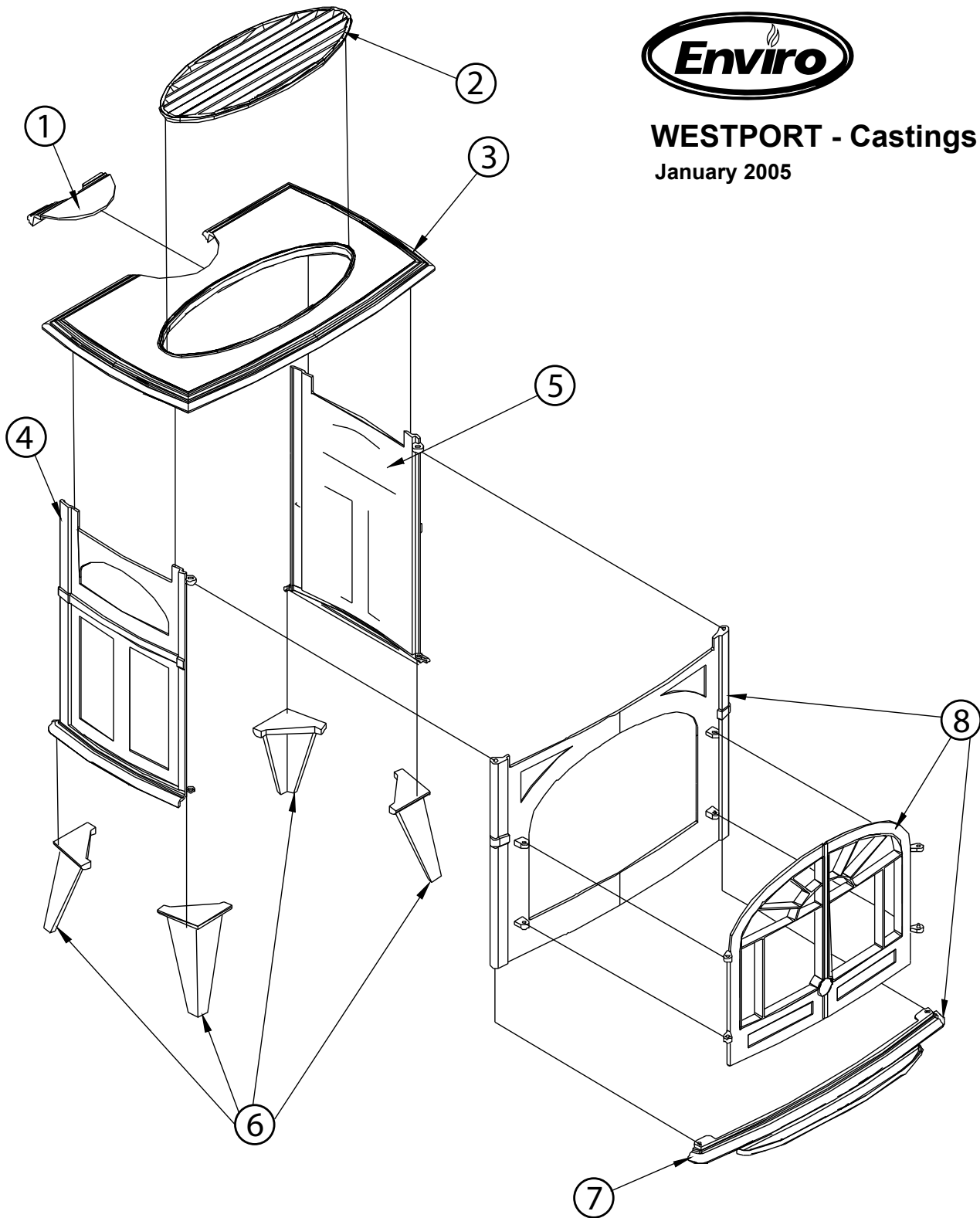
Reference Number	Part Description	Part Number
6	Cast Leg (Each) - Painted	EGWP-508
6	Cast Leg (Each) - Antique White	50-375
6	Cast Leg (Each) - Diamond Black	50-376
6	Cast Leg (Each) - Inferno Red	50-377
6	Cast Leg (Each) - Pearl Grey	50-378
6	Cast Leg (Each) - Wedgewood Blue	50-379
6	Cast Leg (Each) - Westport Green	50-380
6	Cast Leg (Each) - Antique Chestnut	50-875
7	Ash Shelf - Painted	EGWP-507
7	Ash Shelf - Antique White	EGWP-507AW
7	Ash Shelf - Diamond Black	EGWP-507DB
7	Ash Shelf - Inferno Red	EGWP-507IR
7	Ash Shelf - Pearl Grey	EGWP-507PG
7	Ash Shelf - Wedgewood Blue	EGWP-507WB
7	Ash Shelf - Westport Green	EGWP-507WG
7	Ash Shelf - Antique Chestnut	50-874
8	Cast Front Complete (Doors & Ash Shelf) - Painted	EGWP-506
8	Cast Front Complete (Doors & Ash Shelf) - Antique White	EGWP-506AW
8	Cast Front Complete (Doors & Ash Shelf)- Diamond Black	EGWP-506DB
8	Cast Front Complete (Doors & Ash Shelf) - Inferno Red	EGWP-506IR
8	Cast Front Complete (Doors & Ash Shelf) - Pearl Grey	EGWP-506PG
8	Cast Front Complete (Doors & Ash Shelf)- Wedgewood Blue	EGWP-506WB
8	Cast Front Complete (Doors & Ash Shelf)- Westport Green	EGWP-506WG
8	Cast Front Complete (Doors & Ash Shelf) - Antique Chestnut	50-873
	Top Complete (Top, Vent Insert, & Grate) - Painted	EGWP-501
	Top Complete (Top, Vent Insert, & Grate) - Antique White	EGWP-501AW
	Top Complete (Top, Vent Insert, & Grate) - Diamond Black	EGWP-501DB
	Top Complete (Top, Vent Insert, & Grate) - Inferno Red	EGWP-501IR
	Top Complete (Top, Vent Insert, & Grate) - Pearl Grey	EGWP-501PG
	Top Complete (Top, Vent Insert, & Grate) - Wedgewood Blue	EGWP-501WB
	Top Complete (Top, Vent Insert, & Grate) - Westport Green	EGWP-501WG
	Top Complete (Top, Vent Insert, & Grate) - Antique Chestnut	50-868
	Complete Cast Body - Painted	50-562
	Complete Cast Body - Antique White	50-563
	Complete Cast Body - Diamond Black	50-564
	Complete Cast Body - Inferno Red	50-565
	Complete Cast Body - Pearl Grey	50-566
	Complete Cast Body - Wedgewood Blue	50-567
	Complete Cast Body - Westport Green	50-568
	Complete Cast Body - Antique Chestnut	50-876

# PARTS DIAGRAM - CAST



**WESTPORT - Castings**

January 2005





## PARTS LIST - COMPONENTS

---

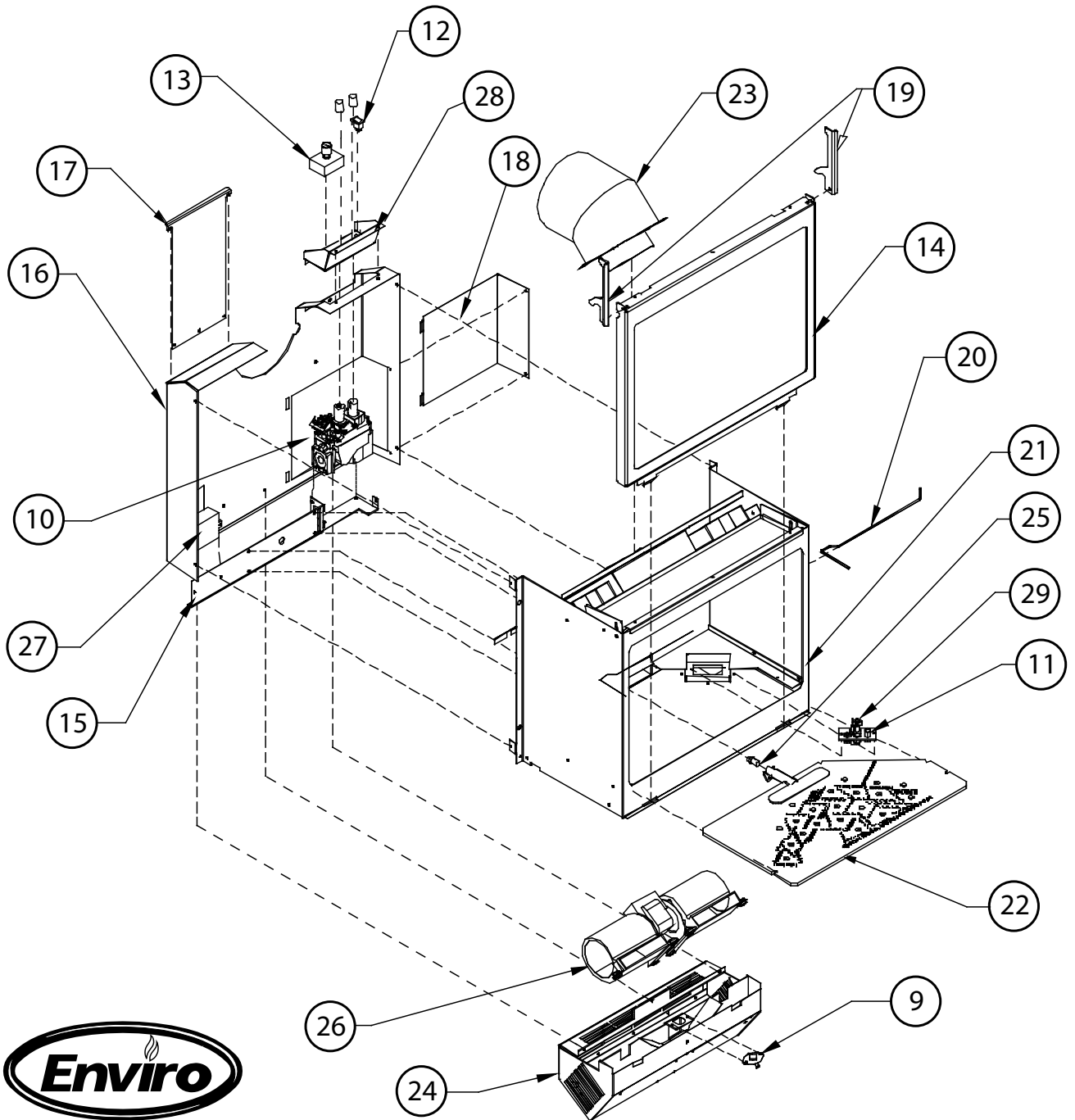
Reference Number	Part Description	Part Number
9	120° Ceramic Fan Temperature Sensor	EC-001
10	S.I.T. Nova Valve NG (50% Turn Down)	EC-006
10	S.I.T. Nova Valve LP (50% Turn Down)	EC-007
11	Thermocouple	EC-009
11	Spark Electrode with Ignitor Cable	EC-011
11	Thermopile	EC-012
11	Pilot Orifice NG Threaded	EC-019
11	Pilot Orifice LP Threaded	EC-020
	Pilot Gasket	EC-021
	S.I.T. Piezo Ignitor	EC-023
12	Burner Switch	EC-026
13	Fan Controller 115 V With Knob	EC-039A
13	Fan Controller Knob	EC-040
	Domestic Power Cord	EC-042
	HEYCO Strain Relief	EC-044
	DV Vent Kit With Coupler	EC-061
14	Relief Door Gasket Only	EGWP-087
14	Window Channel Tape	EGWP-089
14	1 Piece Glass With Tape	EGWP-090
14	Inner Door Only - Painted	EGWP-092
	Burner Control Assembly LP	EGWP-099
	Burner Control Assembly NG	EGWP-100
	Door Hinge Pin - Silver	EGWP-510
	Fireplace Screen	EGWP-513
	Shoulder Bolt, Hardened Bushing & Nut (Set of 2)	EF-124
	Conversion Kit LP to NG (Top & Rear Vent)	30-001
	Conversion Kit NG to LP (Top & Rear Vent)	30-002
	Levelling Bolts	30-013
	Door Knob Clip	30-029
	Door Latch Assembly - Nickel	30-033
15	Valve Mounting Bracket	30-047
16	Rear Shield	30-048

## PARTS LIST - COMPONENTS

---

Reference Number	Part Description	Part Number
17	Rating Plate (Label)	30-049
18	Gas Valve Cover	30-050
	Flue Connection	30-051
19	Inner Door Handles (2 per set)	30-052
20	Venturi Adjustment Rod	30-053
21	Firebox	30-054
22	Burner	30-055
23	45° Elbow & Gasket	50-040
24	Fan Kit 180 C.F.M.	50-173
	Door Knob - Brushed Nickel	50-262
	Electronic Ignition Module Switch	50-329
25	Blank Orifice #73 - All Gas Models	50-343
	Wiring Harness	50-348
	Pressure Relief Door With Gasket, Rod & Brackets	50-366
	Control Panel Decal	50-461
	Inner Door Complete (With Glass & Handles)	50-463
	Embers	50-491
	4" Flex Coupler	50-497
26	Dual Convection Blower 115 V (No Mount)	50-512
	Firebox Baffle	50-533
	Valve Extension Rod With Knob (1 per set)	50-555
27	Electronic Ignition Module	50-589
28	Control Panel	50-690
	Drafthood Adapter	50-841
	Drafthood Adaptor Spill Switch Assembly (with Wiring Harness)	50-885
	Drafthood Adaptor Decorative Brass Ring	50-894
29	3 Flame Pilot Hood	50-925
	Owner's Manual	50-1033
	Brick Panel Set	50-1038
	Log Set With Embers - Complete	50-1041

# PARTS DIAGRAM - COMPONENTS



**WESTPORT - Components**

January 2005

# WARRANTY

---

Sherwood Industries Ltd. offers a Limited Lifetime Warranty on this gas product. This limited lifetime warranty covers the appliance for a period of seven years from the date of installation. This warranty applies only to the original owner in the original location

Covered under the lifetime warranty are, Surround Panels and Chassis and Heat Exchanger. These steel components are covered against manufacturer's defects for 7 years and labor for the first year. (A) The following exclusions apply:- over-firing due to incorrect setup or tampering, damage caused by incorrect installation, usage or abuse. The unit must be properly installed by a qualified technician or installer, and must meet all local and national gas and building code requirements.

We also cover against manufacture defects under our Limited Lifetime warranty for the following components: Gold Plating, Log Set, Burners and Glass

The following exclusions apply:

Porcelain finishes- Damage caused by chipping, scratching, marring, chemicals, fingerprints, abrasive cleaners or discoloration with age.

Glass- use of harsh or abrasive cleaners, striking the glass or surface contaminates. Log set- Damage caused by incorrect handling or misuse.

Burners- damage caused by improper or continuous operation under incorrect conditions.

Sherwood Industries Ltd. offers a 2-year warranty on all the Electrical Components and Gas Components against manufacturing defects. Paint is covered against flaking. This offer includes parts and labor for 1 year and for parts only thereafter.

Your dealer shall make all claims under this warranty in writing. **When filing a warranty claim please complete the following information on an official warranty claim form:**

## **TO THE DEALER**

Name, address and telephone number of purchaser and date of purchase.

Date of installation. Name of installer and dealer. Serial number of the appliance. Nature of complaint, defects or malfunction, description and part # of any parts replaced.

## **TO THE DISTRIBUTOR**

Sign and verify that work and information are correct.

This warranty covers defects in materials and workmanship only if the product has been installed according to the manual's instructions. If the product is damaged or broken as a result of misuse or mishandling the warranty does not apply. The warranty does not cover removal and re-installation costs.

Sherwood Industries Ltd. reserves the right to repair or to replace the defective product. The shipping costs are to be paid by the consumer. All warranties by the manufacture are set forth herein and no claim shall be made against the manufacturer on any oral warranty or representation.

Sherwood Industries Ltd. and its employees or representatives will not assume any damages, either directly or indirectly caused by improper usage, operation, installation, servicing or maintenance of this appliance.

Sherwood Industries Ltd. reserves the right to make changes without notice. Please complete and mail the warranty registration card and have the installer fill in the installation data sheet in the back of the manual for warranty and future reference.

# INSTALLATION DATA SHEET

The following information must be recorded by the installer for warranty purposes and future reference.

NAME OF OWNER: \_\_\_\_\_

ADDRESS: \_\_\_\_\_  
\_\_\_\_\_  
\_\_\_\_\_

PHONE: \_\_\_\_\_

NAME OF DEALER: \_\_\_\_\_

ADDRESS: \_\_\_\_\_  
\_\_\_\_\_  
\_\_\_\_\_

PHONE: \_\_\_\_\_

MODEL: \_\_\_\_\_

SERIAL NUMBER: \_\_\_\_\_

DATE OF PURCHASE: \_\_\_\_\_ (dd/mm/yyyy)

DATE OF INSTALLATION: \_\_\_\_\_ (dd/mm/yyyy)

NATURAL GAS (NAT)       PROPANE(LPG)

INLET GAS PRESSURE: \_\_\_\_\_ in wc

MAIN BURNER ORIFICE: \_\_\_\_\_ # DMS

PILOT ORIFICE # \_\_\_\_\_ OR \_\_\_\_\_ in diam.

INSTALLER'S SIGNATURE: \_\_\_\_\_

NAME OF INSTALLER: \_\_\_\_\_

ADDRESS: \_\_\_\_\_  
\_\_\_\_\_  
\_\_\_\_\_

PHONE: \_\_\_\_\_

MANUFACTURED BY:  
SHERWOOD INDUSTRIES LTD.  
6782 OLDFIELD RD. SAANICHTON, BC, CANADA V8M 2A3  
www.envirofire.biz  
January 3, 2005  
C-10794