



2016

*Audio & Video Entry* **2EASY**

*The installer's choice*  
**www.cdvi.co.uk**

## AUDIO ENTRY

### 2EASY Series

### 1-way audio entry

The 2EASY audio from CDVI offer convenient and high quality audio entry. Connection throughout is 2-wire, non polarised, so installation and maintenance is simple and straightforward.

Robust door stations with stylish handsets - it all adds up to a sophisticated and flexible audio entry system.



CDV17-H2

- Simple, stylish handset
- Inner call intercom (broadcast)
- 2 lock release buttons
- Up to 4 handsets
- Compatible with 2Easy video system
- (187 x 97 x 33mm)



CDV17-HFA

- Simple hands-free audio phone
- Inner call intercom
- Lock control
- 4 ringtones
- Compatible with 2Easy video system
- Up to 4 handsets
- (110 x 85 x 20mm)



CDV17-DS

- Narrow style, rugged door station
- Rugged cast construction
- 2-wire non polarised connection
- 2 lock outputs
- Expandable to 4 entrances
- Door station rainshield included
- Compatible with 2Easy video system
- (135 x 47 x 30mm)

Reference	Description	
CDV17-DSH2	1-way audio kit complete	
CDV17-DS	Additional door station	
CDV17-H2	Additional handset, 2 buttons	
CDV17-HFA	Handsfree audio phone, 3 buttons	
CDV-PC6	Power-bus combination unit	
CDV-DBC4A	Bus splitter for additional handsets or door station	
UKC8471	1 pair, 16AWG cable for 2Easy, 100M reel	

## VIDEO ENTRY

### 2EASY Series

### 1 & 2-way video entry

The 2EASY video entry systems from CDVI offer convenient and high quality video entry. Connection throughout is 2-wire, non polarised, so installation and maintenance is simple and straightforward.

Robust door stations with the latest stylish LCD monitors - it all adds up to a sophisticated and flexible video entry system.



- **Choice of door station:**
  - Standard 1-way (179 x 90 x 23mm)
  - Standard 2-way (179 x 90 x 23mm)
  - Camera with integral keypad (179 x 90 x 28mm)
- **Robust**
- **2 relays CDV91 & 92, 1 relay CDV96KP\* & 96ID\***
- **Expandable to 4 entrance panels**
- **Compatible with 2EASY audio handset**
  - \*2nd relay with CDV-RLC (optional)

- **Optical glass lens for better performance**
- **Sensor LED for night view**
- **Replaceable large nameplate with white background**
- **Metal call button with blue backlight**
- **Tamper resistant fixing screws**
- **304 grade stainless steel**
- **195 x 113 x 2mm (CDV91-SF & CDV92-SF)**
- **220 x 120 x 2mm (CDV96KP-SF)**



Reference	Description	
CDV91	1-button surface stainless steel door panel	
CDV92	2-button surface stainless steel door panel	
CDV91-SF	1-button flush stainless steel door panel	
CDV92-SF	2-button flush stainless steel door panel	
CDV96KP	1-button surface stainless steel door panel with integral keypad	
CDV96KP-SF	1-button flush stainless steel door panel with integral keypad	

**2EASY SERIES**
**1 & 2-way video entry**


CDV24

- **4" digital monitor with handset (190 x 186 x 28mm)**
- **Streamlined design**
- **Touch sensor button operation**
- **Digital, high resolution TFT screen**
- **Multiple languages**
- **Compatible with all CDVI outdoor stations**

- **Slim 7" TFT-digital monitor (225 x 131 x 18mm)**
- **Touch screen technology**
- **2-wire non polarised connection**
- **Call diverting via GSM module (optional)**
- **Built-in picture/video memory by SD card module**
- **SOS SMS to mobile phone via GSM (optional)**
- **Call record management**
- **Compatible with all CDVI door stations**

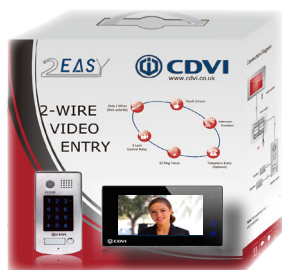


CDV47-W

CDV47-B



CDV-B



**1-way kits are supplied in attractive packaging for ease of use and identification**

Reference	Description	
CDV47-B	7" TFT colour LCD monitor, black	
CDV47-W	7" TFT colour LCD monitor, white	
CDV24	4" TFT colour monitor with handset, white	
CDV-DBC4A	Bus distributor (required for additional monitors or door stations, max 4)	
CDV-RLC	Relay module (for CDV91-KP & CDV91-ID)	
CDV-PC6	Power-bus combination unit	
UKC8471	1 pair, 16AWG cable for 2Easy, 100M reel	
CDV-B	Monitor stand, desk mount, black	
CDV-W	Monitor stand, desk mount, white	

**For a full list of accessories for 2EASY, please see pages 84 & 85**

**1-WAY KITS for convenience**

CDV4791-B	1-way entry kit, black (1 x CDV91, 1 x CDV47-B, 1 x PC6)	
CDV4791-W	1-way entry kit, white (1 x CDV91, 1 x CDV47-W, 1 x PC6)	
CDV4796KP-B	1-way entry kit with keypad, black (1 x CDV96KP, 1 x CDV47-B, 1 x PC6)	
CDV4796KP-W	1-way entry kit with keypad, white (1 x CDV96KP, 1 x CDV47-W, 1 x PC6)	

**2EASY Series**

Up to 128-way video entry

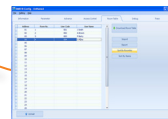


CDV-DDP

- Up to 128-way
- Integral prox reader & keypad
- LCD screen 3.5"
- Touch sensitive icons
- Resident name list on DDP (requires CDV-CONFIG)
- Configurable welcome graphic
- Programming wizard
- Fully featured options
- Advanced debug tools
- 2-wire non polarised
- Up to 4 entrances
- Flush or surface



Optional software (CDV-CONFIG) for simple programming directly to the digital door station via pc/laptop etc



CDV-CONFIG



CDV-MW4ID



CDV-MW8ID

Reference	Description	
CDV-DDP-F	Digital door station, up to 128 apartments/offices, flush	
CDV-DDPRH	Surface housing for digital CDV-DDP door station	
CDV-CONFIG	Software and cables for CDV-DDP/MW panels	
CDV-MW4ID	Traditional 4 button door entrance station, flush	
CDV-MW8ID	Traditional 8 button door entrance station, flush	
CDV-MWRH	Surface housing for 4-button and 8-button door stations	

## VIDEO ENTRY



### 2EASY Series

Up to 128-way video entry



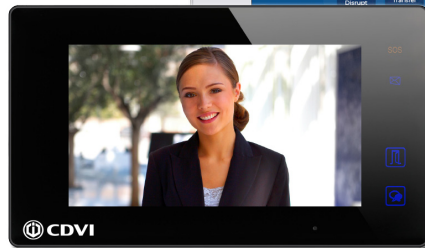
CDV24

- **4" digital monitor with handset** (190 x 186 x 28mm)
- **Streamlined design**
- **Touch sensor button operation**
- **Digital, high resolution TFT screen**
- **Multiple languages**
- **Compatible with all CDVI outdoor stations**

- **Slim 7" TFT-digital monitor** (225 x 131 x 18mm)
- **Touch screen technology**
- **2-wire non polarised connection**
- **Call diverting via GSM module (optional)**
- **Built-in picture/video memory by SD card module**
- **SOS SMS to mobile phone via GSM (optional)**
- **Call record management**
- **Compatible with all CDVI door stations**



CDV47-W



CDV47-B



CDV-PC6



CDV-BUS



CDV-BDU



CDV-ACC



CDV-SCU



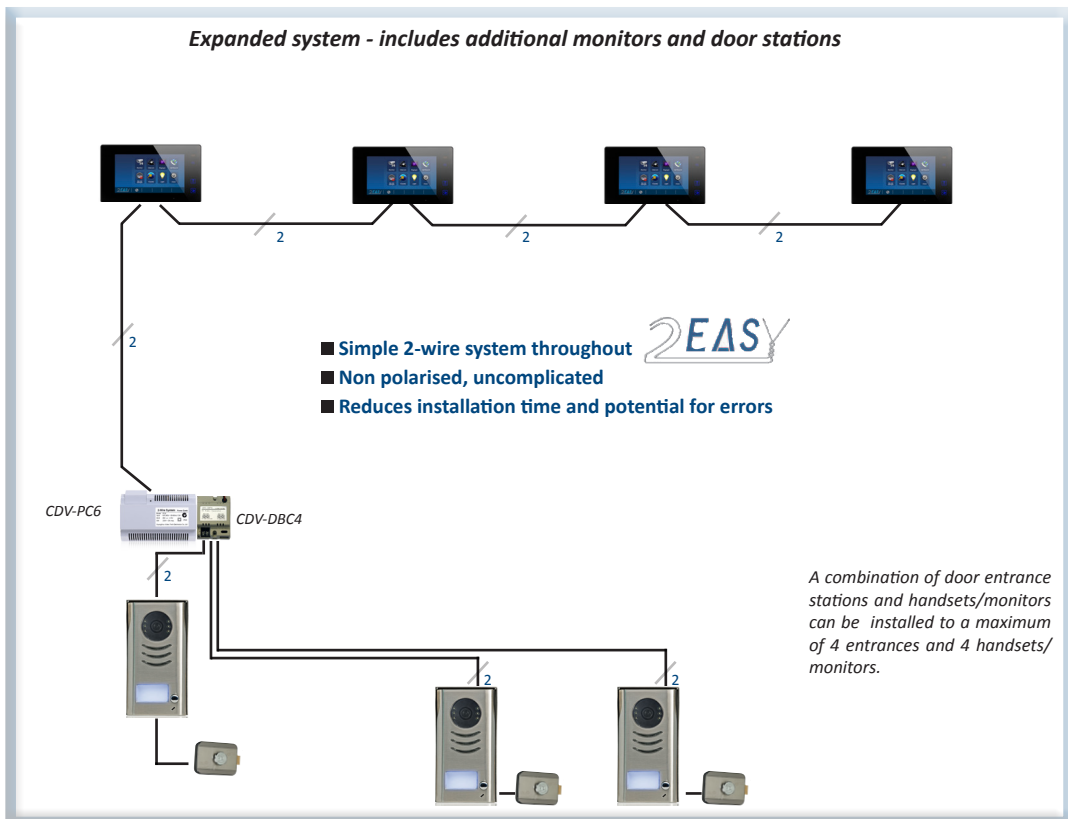
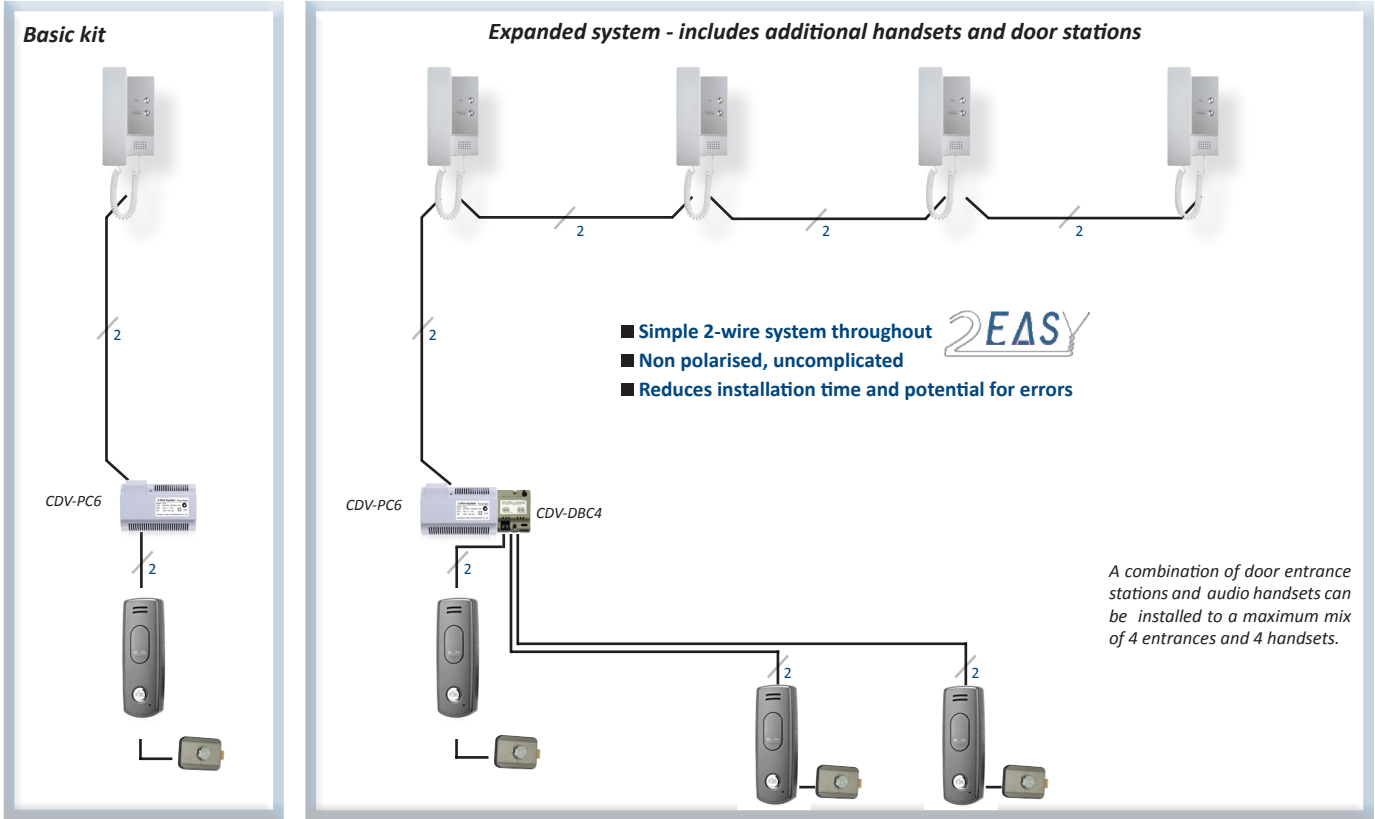
CDV-RLC

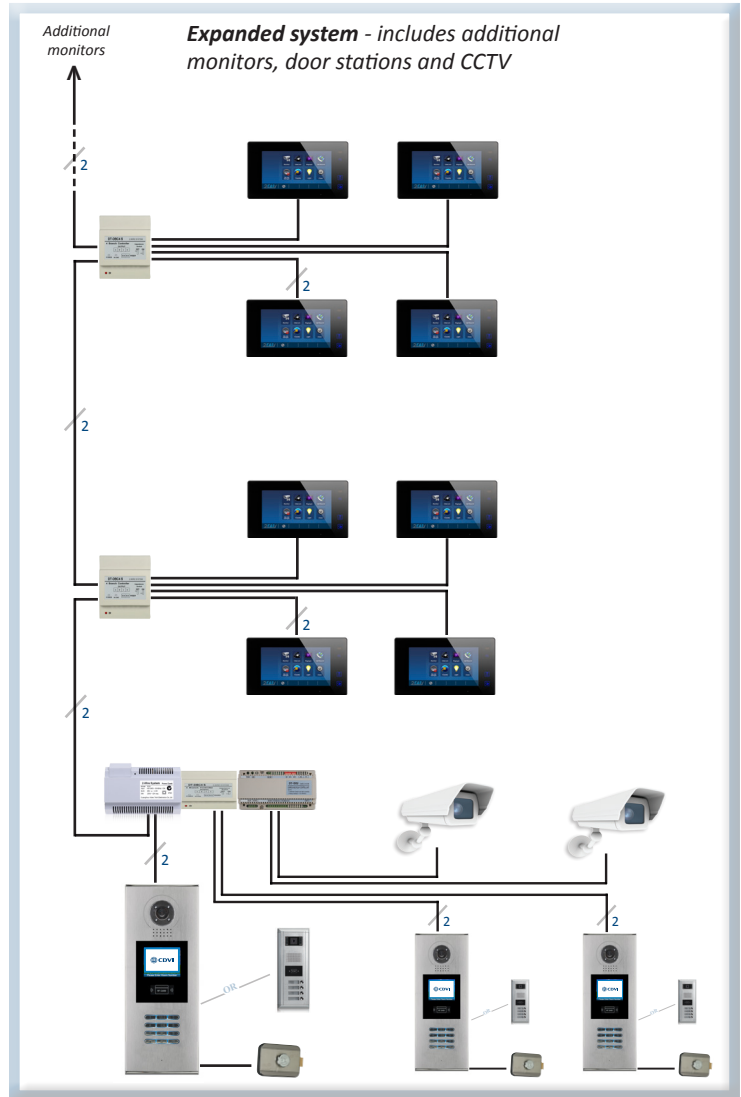
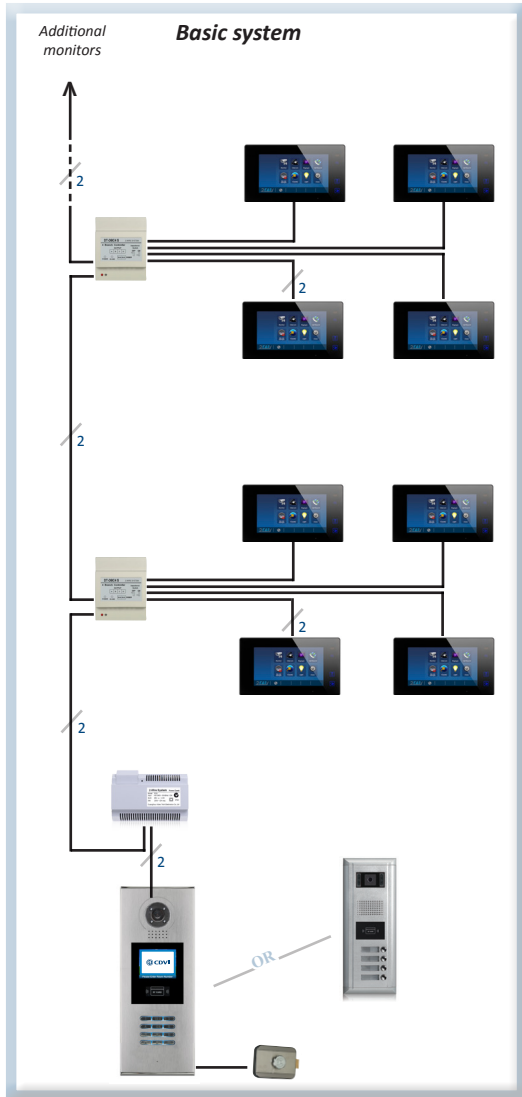


CDV-W

Reference	Description	
CDV47-B	7" TFT colour LCD monitor, black	
CDV47-W	7" TFT colour LCD monitor, white	
CDV24	4" TFT colour monitor with handset, white	
CDV-DBC4A	Bus distributor (required for additional monitors or door stations, max 4)	
CDV-PC6	Power-bus combination unit	
CDV-BDU	Bus amplifier to extend system capacity & cable length	
CDV-SCU	CCTV interface, up to 4 cameras	
CDV-RLC	Relay module for 2nd lock	
CDV-BUS	Remote programmer for the CDV-CONFIG	
CDV-ACC	Wiegand signal converter for CDV-DDP	
CDV-GSM	GSM module for call divert (SIM not included)	
CDV-B	Monitor stand, desk mount, black	
CDV-W	Monitor stand, desk mount, white	
UKC8471	1 pair, 16AWG cable for 2Easy, 100M reel	

# SYSTEM LAYOUT - 1 & 2-WAY VIDEO ENTRY & AUDIO ENTRY

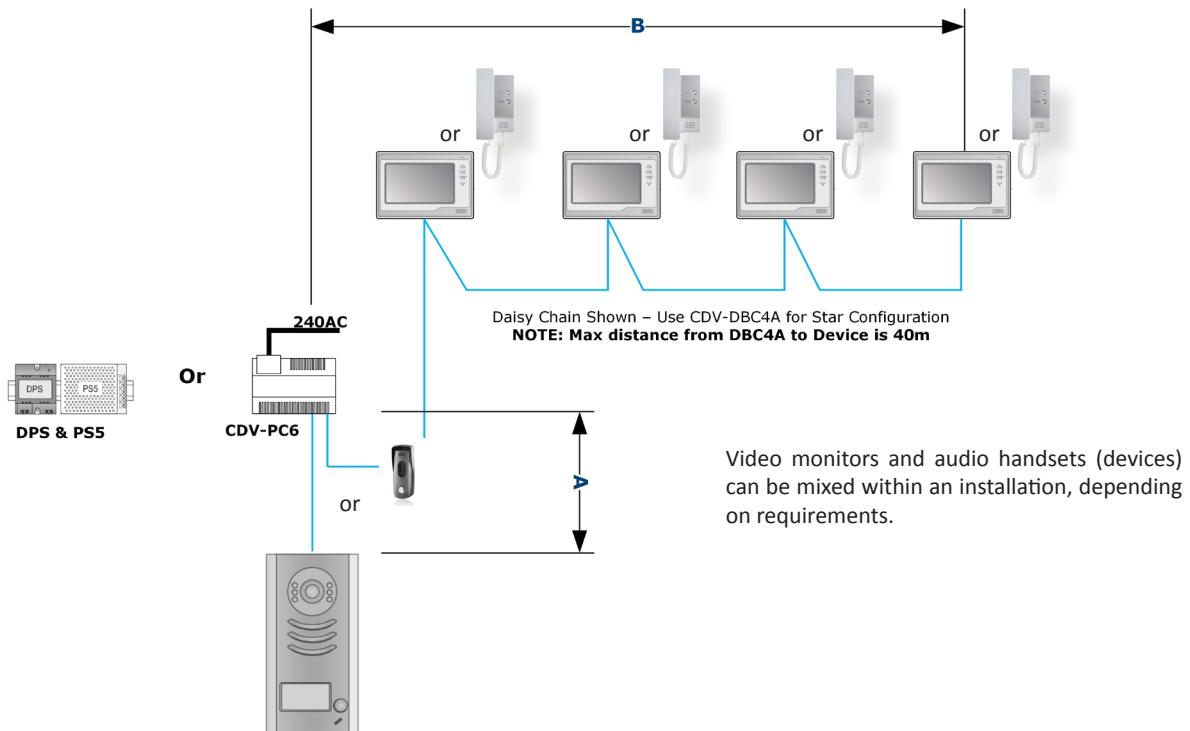





**SYSTEM LAYOUT - MULTIWAY VIDEO ENTRY**

**Important note \*\***

*For optimum clarity of speech and video, it is strongly recommended that this system is installed using a twisted-pair cable (e.g. type UKC8741). In most cases, cable length restrictions should not present a problem, however where longer lengths are required please refer to CDVI technical for advice. Connect all items by following the wiring diagrams supplied with the products.*

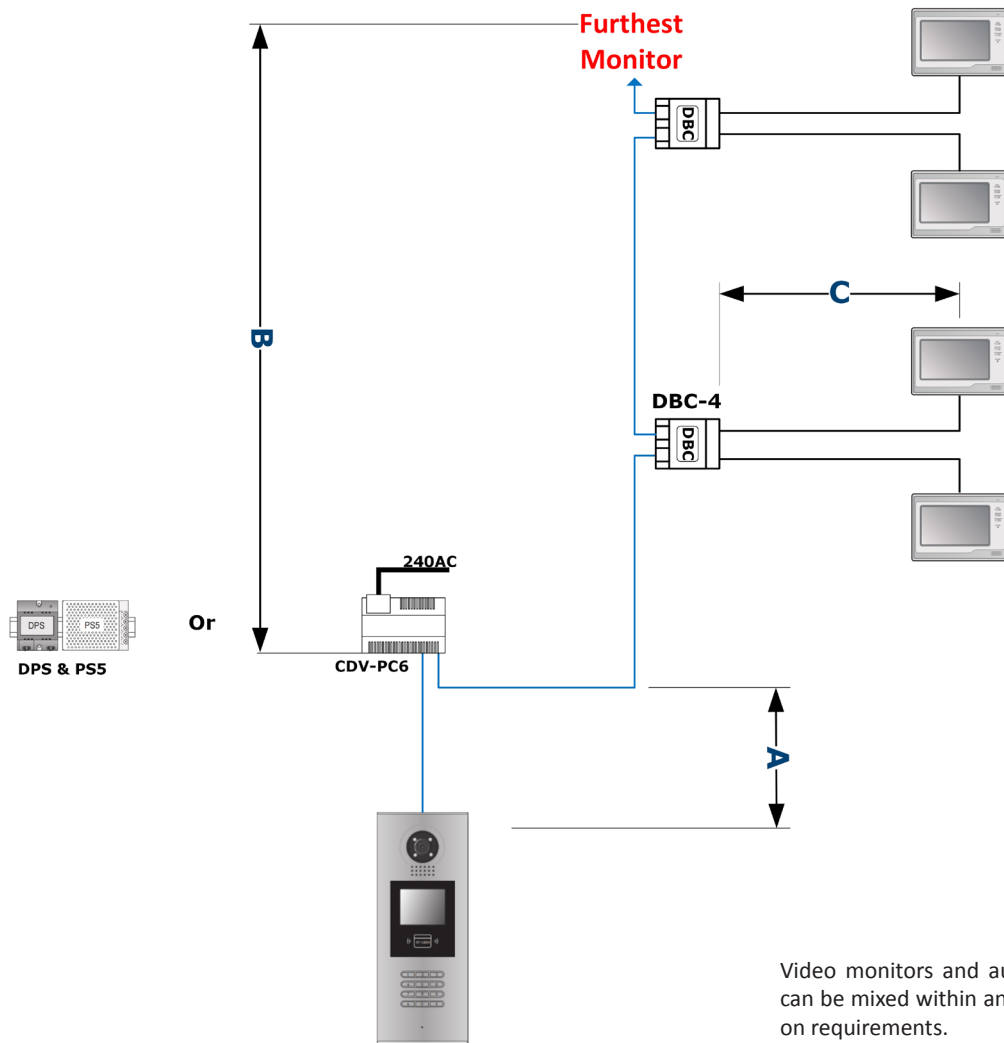


# WIRING DETAIL - 1 & 2-WAY VIDEO ENTRY & AUDIO ENTRY



Cable Type	A Max	B Max <2 Internal Monitors	B Max <8* Internal monitors
Belden 9740 - 1 Twisted Pair 0.79mm <sup>2</sup> 	60m	100	40m
Belden 8471 - 1 Twisted Pair 1.34mm <sup>2</sup> 	80m	120m	60m
CAT5e - 4 Twisted Pairs 0.2mm <sup>2</sup> <b>IMPORTANT: ALL STRIPES AND ALL SOLIDS USED FOR EACH BUS-LINE</b> 	40m	80m	N/A

\*CDVI's UKC8471 is a direct equivalent of the Belden 8471

**WIRING DETAIL - MULTIWAY VIDEO ENTRY**


Video monitors and audio handsets (devices) can be mixed within an installation, depending on requirements.

Cable Type	A Max	A Max	B Max	B Max	C Max	C Max
	<20 IM	>20 IM	<20 IM	>20 IM	<20 IM	>20 IM
Belden 9740 – 1 Twisted Pair 0.79mm <sup>2</sup> (18 AWG)	60m	50m	60m	30m	30m	20m
Belden 8471 – 1 Twisted Pair 1.34mm <sup>2</sup> (16AWG)	80m	70m	80m	50m	40m	30m

\*CDVI's UKC8471 is a direct equivalent of the Belden 8471

**IM = Internal Monitor**



**CDVI LTD**  
[UNITED KINGDOM - IRELAND]

Unit B1, Knaves Beech Business Centre  
Davies Way, Loudwater  
High Wycombe  
Bucks  
HP10 9QR

Phone: 01628 531300  
Fax: 01628 531003  
Email: [support@cdvi.co.uk](mailto:support@cdvi.co.uk)

\*Any specifications within this document (photos, drawings, features and dimensions) may be changed without prior notice.



*The installer's choice*  
**[www.cdvi.co.uk](http://www.cdvi.co.uk)**