

## DESCRIPTION

The Fail-Safe FMS combines maximum security construction features with energy saving technology. This surface mounted luminaire utilizes a one-piece housing, security lensing and tamper-resistant fasteners to maximize impact resistance and prevent unauthorized fixture penetration. Ceiling mount. UL/cUL listed for damp locations. The FMS is ideal for confinement/security applications. Suitable for use in inmate cells, psychiatric wards, secure corridors and general population areas.

<b>Catalog #</b>		<b>Type</b>
<b>Project</b>		
<b>Comments</b>		<b>Date</b>
<b>Prepared by</b>		

## SPECIFICATION FEATURES

### Fasteners

Stainless steel tamper-resistant T20 TORX® screws with center pin reject are standard. Allen-head screws with center pin reject optional.

### Housing

Die-formed, 12-18 ga. CRS body with continuous welded and ground ends to form a one-piece, seamless housing for maximum impact resistance and prevention of unauthorized fixture penetration.

### Finish

High gloss, electrostatically applied, white powder coat finish, average minimum reflectance 92%.

### Hinge

Continuous, stainless steel piano hinge (1/4" diameter knuckle) with welded pin end to prevent removal.

### Door

One-piece, CRS door frame with die-formed edges and tightly closed corners increases rigidity. Ballast Standard Class P, CBM/ETL ballast.

### Light Mask

Black fixture gasket prevents light leaks.

### Lens

Choice of prismatic acrylic, prismatic polycarbonate or prismatic tempered glass on fixture side, clear polycarbonate or clear tempered glass on environmental side. See Lens Options.

### Lamps

By others.

### Lens Retention

Lens secured by thru-studs and vertically adjustable internal CRS hold-downs.

### Ballast

Electronic Class P, CBM/ETL ballast.

### Labels

UL/cUL listed for damp locations. Wet location under covered ceiling optional.



## FMS12

Biaxial

T5

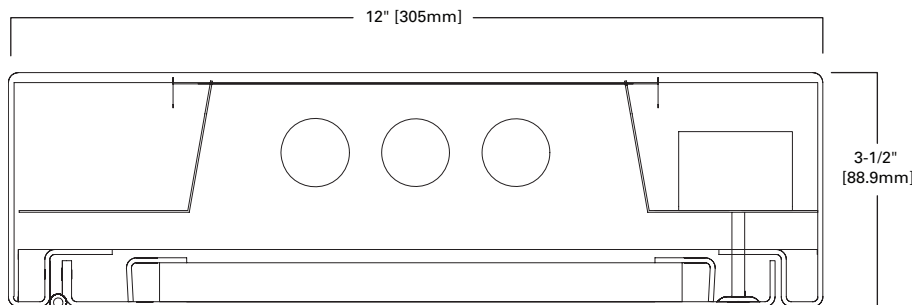
T8

TT

Fluorescent  
Confinement/Correctional

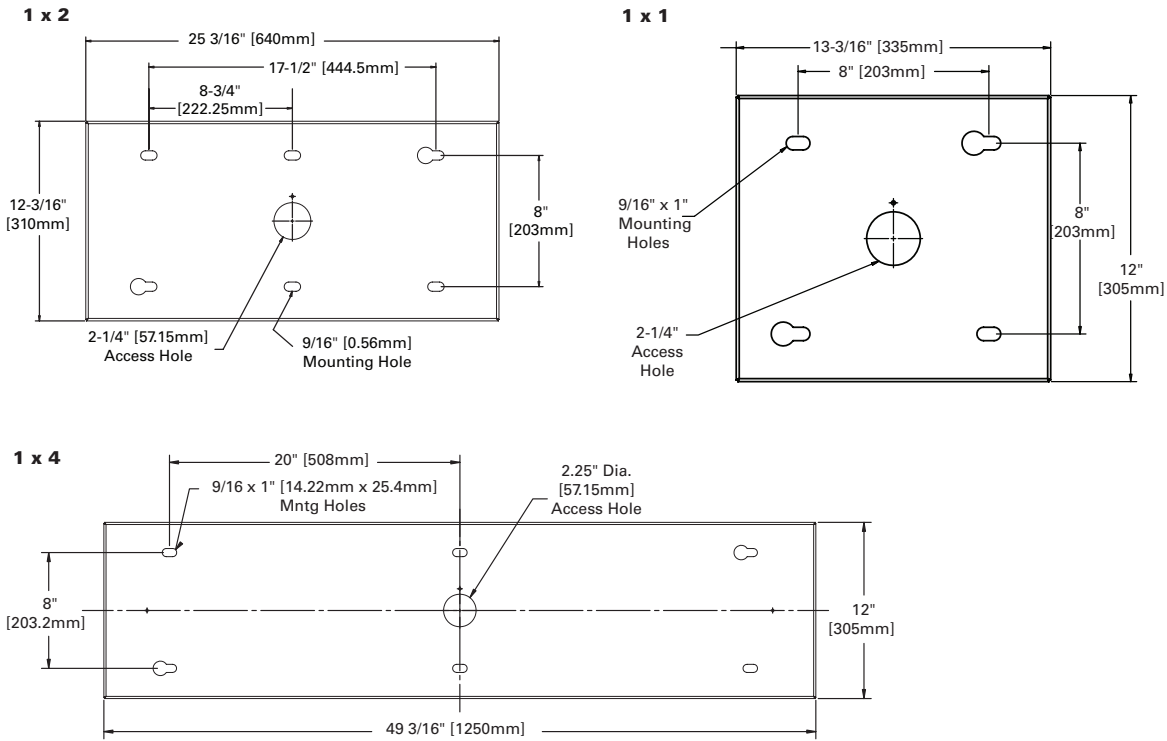
**SURFACE**

## 1 X 2 / 1 X 4 CROSS-SECTION



TORX® is a registered trademark of Camcar Division of Textron Inc.

**MOUNTING DIMENSIONS**



**ORDERING INFORMATION**

SAMPLE NUMBER FMS-X12-332-UNV-82/86-EB82-SSN

Product Family	Steel Gauge	Fixture Width	Lamp Type	Voltage <sup>2</sup>	Lens Type	Ballast	Options	
<b>FMS</b>		<b>12</b>			<b>/</b>			
<b>FMS</b> =Maximum Security Surface Luminaire  <b>S</b> = 12 ga. (Ultimax) <b>X</b> = 14 ga. (Maximum) <b>D</b> = 16 ga. (Medium) <b>N</b> = 18 ga. (Minimum)  12 = 12" Wide		<b>120</b> =120V <b>277</b> =277V <b>UNV</b> =120V - 277V <b>347</b> =347V		<b>Inner Layer (Optional)<sup>5</sup></b> <b>90</b> =0.005 UV Absorbing Overlay  <b>Fixture Side</b> <b>80</b> =0.125 Prismatic Acrylic <b>81</b> =0.156 Prismatic Polycarbonate <b>82</b> =0.187 Prismatic Polycarbonate <b>93</b> =0.156 Prismatic Tempered Glass		<b>Environmental Side<sup>5</sup></b> <b>84</b> =0.125 Clear Polycarbonate <b>85</b> =0.187 Clear Polycarbonate <b>86</b> =0.250 Clear Polycarbonate <b>87</b> =0.375 Clear Polycarbonate <b>94</b> =0.187 Clear Tempered Glass <b>96</b> =0.250 Clear Tempered Glass <b>97</b> =0.375 Clear Tempered Glass <b>98</b> =0.500 Clear Tempered Glass <b>99AR</b> =0.750 Clear Tempered Glass		<b>EL4</b> =EM Pack, T8, Biax <b>EL5</b> =EM Pack, T5, T5HO <b>FNL</b> =Fluorescent Night Light 5, 7, 9W <sup>6</sup> (Lamp by others.) <b>FNL13</b> =Fluorescent Night Light 13W <sup>6</sup> (Lamp by others.) <b>LNL</b> =LED Night Light <b>GLR</b> =Fuse and Holder <b>SPK</b> =Speaker Housing Compartment (extends housing) <b>WL</b> =Wet Label (under covered ceiling) <b>RGT</b> =Removable Gear Tray  <b>On/Off Switches</b> <b>SPS</b> =Security Push Button <sup>4</sup>  <b>Stainless Steel Fixture</b> <b>SSN</b> =Natural Brushed Finish <b>SSP</b> =Polyester Powder Coat Finish  <b>Fasteners</b> <b>SF3</b> =Allen-Head (center pin reject)
<b>1' Nom. Length</b> <b>Compact Fluorescent</b> <b>113</b> =(1) 13W Lamp <b>126</b> =(1) 26W Lamp <b>213</b> =(2) 13W Lamps <b>226</b> =(2) 26W Lamps <b>313</b> =(3) 13W Lamps  <b>2' Nom. Length</b> <b>T5 Fluorescent<sup>3</sup></b> <b>114</b> =(1) 14W Lamp <b>214</b> =(2) 14W Lamps <b>314</b> =(3) 14W Lamps <b>124</b> =(1) 24W Lamps <b>224</b> =(2) 24W Lamps		<b>T8 Fluorescent</b> <b>117</b> =(1) 17W Lamp <b>217</b> =(2) 17W Lamps <b>317</b> =(3) 17W Lamps  <b>Biaxial Fluorescent</b> <b>140BX</b> =(1) 40W Lamp <b>240BX</b> =(2) 40W Lamps  <b>4' Nom. Length</b> <b>T5 Fluorescent</b> <b>128</b> =(1) 28W Lamp <b>228</b> =(2) 28W Lamps <b>328</b> =(3) 28W Lamps <b>154</b> =(1) 54W Lamps <b>254</b> =(2) 54W Lamps  <b>T8 Fluorescent</b> <b>132</b> =(1) 32W Lamp <b>232</b> =(2) 32W Lamps <b>332</b> =(3) 32W Lamps		<b>Electronic Ballasts<sup>1</sup></b> <b>EB81</b> = (1) Ballast for use with T8 Lamp <b>EB82</b> = (2) Ballasts for use with T8 Lamp <b>EBT1</b> = (1) Ballast for use with Compact Lamp <b>EBT2</b> = (2) Ballasts for use with Compact Lamp <b>EBX1</b> = (1) Ballast for use with Biaxial Lamp <b>EBX2</b> = (2) Ballasts for use with Biaxial Lamp <b>EB51</b> = (1) Ballast for use with T5 Lamp <b>EB52</b> = (2) Ballasts for use with T5 Lamp		<b>Accessories (Order separately)</b>  <b>9306</b> =Allen-Head Wrench <b>VRSD</b> =T20 Center Pin Tamper-proof TORX®-Head screwdriver		
<b>Notes:</b> 1 For specific electronic ballast, specify brand and catalog number. 2 Products also available in non-US voltages and 50 Hz for international markets. Consult your Cooper Lighting Representative for availability and ordering information. 3 Maximum (2) T5 or T5HO electronic ballasts. 4 120V only. 5 Refer to Lens Ordering Guide for additional lens choices. 6 Requires specific voltage.								