

Compal confidential

Schematics Document

Calypso 13.3"

Mobile AMD S1G2 CPU with ATI RS780M(NB) & SB700(SB) core logic

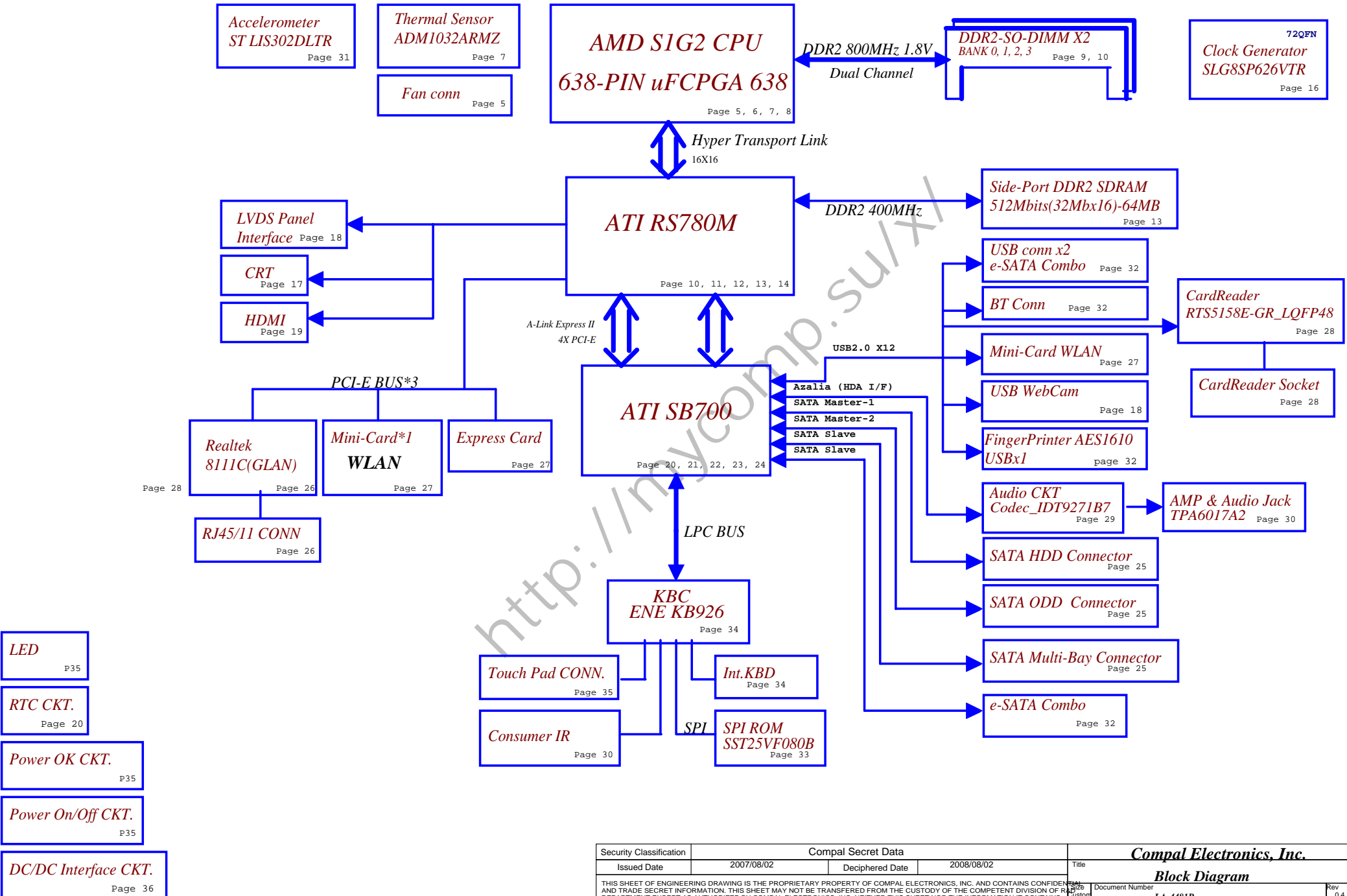
2008-09-04

LA-4481P REV:0.4



| | | | | | |
|--|--------------------|-----------------|------------|----------------------------------|---------------|
| Security Classification | Compal Secret Data | | | Title | |
| Issued Date | 2007/08/02 | Deciphered Date | 2008/08/02 | Cover Sheet | |
| <small>THIS SHEET OF ENGINEERING DRAWING IS THE PROPRIETARY PROPERTY OF COMPAL ELECTRONICS, INC. AND CONTAINS CONFIDENTIAL AND TRADE SECRET INFORMATION. THIS SHEET MAY NOT BE TRANSFERRED FROM THE CUSTODY OF THE COMPETENT DIVISION OF RA... DEPARTMENT EXCEPT AS AUTHORIZED BY COMPAL ELECTRONICS, INC. NEITHER THIS SHEET NOR THE INFORMATION IT CONTAINS MAY BE USED BY OR DISCLOSED TO ANY THIRD PARTY WITHOUT PRIOR WRITTEN CONSENT OF COMPAL ELECTRONICS, INC.</small> | | | | Document Number | Rev |
| | | | | LA-4481P | 0.4 |
| | | | | Date: Monday, September 08, 2008 | Sheet 1 of 46 |

Consumer AMD 13.3" UMA - Sally



| | | | | | |
|---|------------|--------------------|------------|--------------------------|---------|
| Security Classification | | Compal Secret Data | | Title | |
| Issued Date | 2007/08/02 | Deciphered Date | 2008/08/02 | Compal Electronics, Inc. | |
| THIS SHEET OF ENGINEERING DRAWING IS THE PROPRIETARY PROPERTY OF COMPAL ELECTRONICS, INC. AND CONTAINS CONFIDENTIAL AND TRADE SECRET INFORMATION. THIS SHEET MAY NOT BE TRANSFERRED FROM THE CUSTODY OF THE COMPETENT DIVISION OF R&D DEPARTMENT EXCEPT AS AUTHORIZED BY COMPAL ELECTRONICS, INC. NEITHER THIS SHEET NOR THE INFORMATION IT CONTAINS MAY BE USED BY OR DISCLOSED TO ANY THIRD PARTY WITHOUT PRIOR WRITTEN CONSENT OF COMPAL ELECTRONICS, INC. | | | | Document Number | Rev |
| | | | | LA-4481P | 0.4 |
| Date: Monday, September 08, 2008 | | | | Sheet | 2 of 46 |

Block Diagram

Voltage Rails ○ MEANS ON X MEANS OFF

| | | | | |
|--------------------------------|----|--------|-------|---|
| power plane | +B | +5VALW | +1.8V | +5VS +3VS +1.5VS +0.9V +VCCP +CPU_CORE |
| | | +3VALW | | +VGA_CORE +2.5VS +1.8VS +1.2VS +0.9VGA |
| State | | | | |
| s0 | ○ | ○ | ○ | ○ |
| s1 | ○ | ○ | ○ | ○ |
| s3 | ○ | ○ | ○ | X |
| s5 S4/AC | ○ | ○ | X | X |
| s5 S4/ Battery only | ○ | X | X | X |
| s5 S4/AC & Battery don't exist | X | X | X | X |

Symbol Note :



@ : means just reserve , no build
 DEBUG@ : means just reserve for debug.

Layout Notes

UMA@ : means for RS780M.
 Please see VGA@ as no install. No support RX780M.

11/14 update

○ : Question Area Mark.(Wait check)

USB assignment:

- USB-0 Right side
- USB-1 Right side
- USB-2 Left side(with ESATA)
- USB-3 Dock
- USB-4 Camera
- USB-5 WLAN
- USB-6 Bluetooth
- USB-7 Finger Printer
- USB-8 MiniCard(WWAN/TV)
- USB-9 Express card
- USB-10 X
- USB-11 X

PCIe assignment:

- PCIe-1 TV tuner/WWAN/Robeson
- PCIe-2 X
- PCIe-3 WLAN
- PCIe-4 New Card
- PCIe-5 Card reader
- PCIe-6 GLAN (Marvell)

SMBUS Control Table

| | SOURCE | INVERTER | BATT | SERIAL EEPROM | THERMAL SENSOR CPU & ADM1032 | SODIMM I / II | CLK CHIP | MINI_CARD Slot 2 | LCD | HDMI | G-Sensor |
|--------------------------|--------|----------|------|---------------|------------------------------|---------------|----------|------------------|-----|------|----------|
| SMB_EC_CK1 SMB_EC_DA1 | KB926 | X | V | V | X | X | X | X | X | X | X |
| SMB_EC_CK2 SMB_EC_DA2 | KB926 | X | X | X | V | X | X | X | X | X | X |
| I2C_CLK I2C_DATA | RS780M | X | X | X | X | X | X | X | V | X | X |
| DDC_CLK0 DDC_DATA0 | RS780M | X | X | X | X | X | X | X | X | V | X |
| DDC_CLK1 DDC_DATA1 | RS780M | X | X | X | X | X | X | X | X | X | X |
| SCL0 SDA0 | SB700 | X | X | X | X | V | V | X | X | X | X |
| SCL1 SDA1 | SB700 | X | X | X | X | X | X | V | X | X | X |
| SCL2 SDA2 | SB700 | X | X | X | X | X | X | X | X | X | V |
| SCL3 SDA3 | SB700 | X | X | X | X | X | X | X | X | X | X |

I2C / SMBUS ADDRESSING

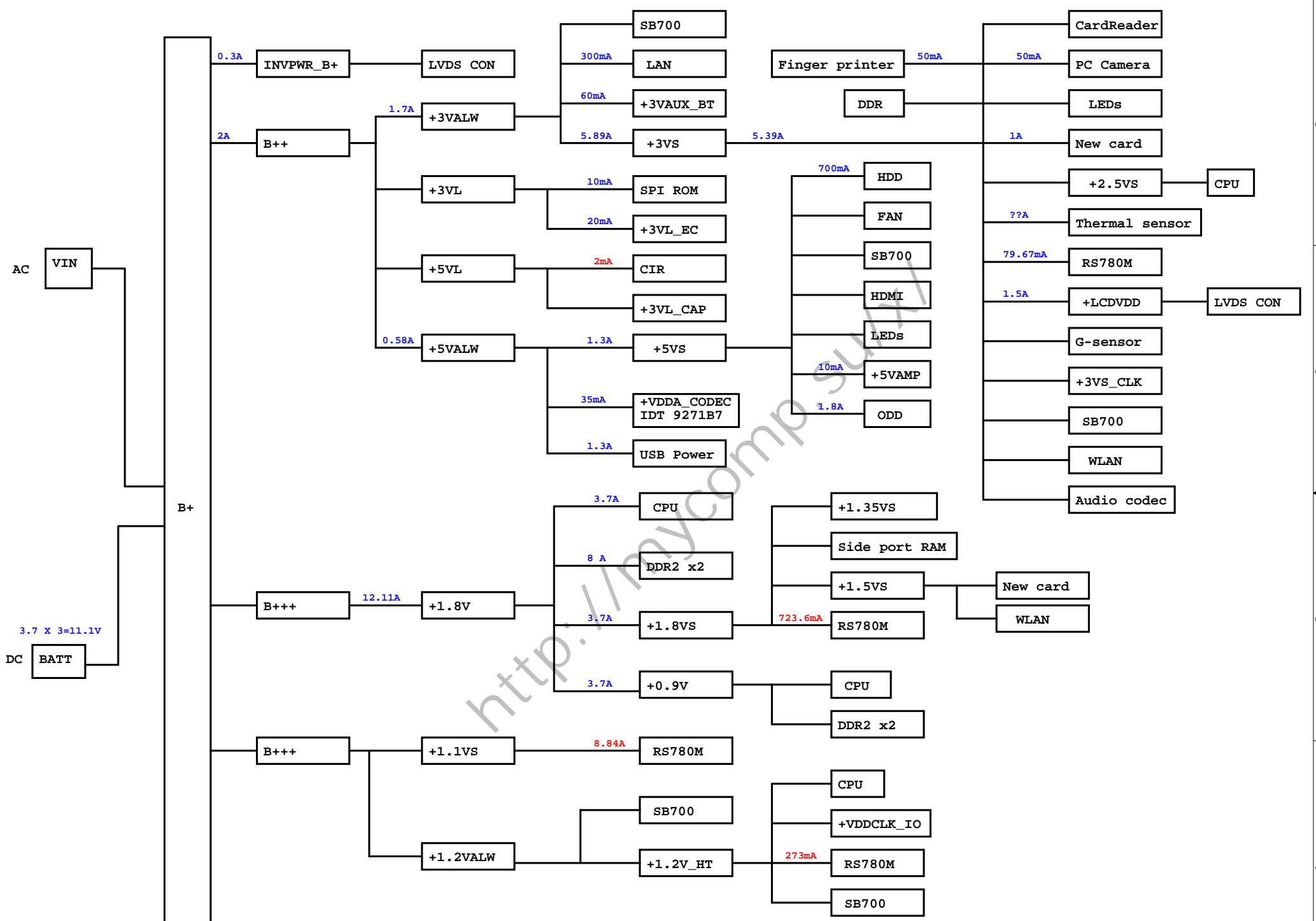
| DEVICE | HEX | ADDRESS |
|------------------------|-----|-----------------|
| DDR SO-DIMM 0 | A0 | 1 0 1 0 0 0 0 0 |
| DDR SO-DIMM 1 | A4 | 1 0 1 0 0 1 0 0 |
| CLOCK GENERATOR (EXT.) | D2 | 1 1 0 1 0 0 1 0 |

EC SM Bus1 address

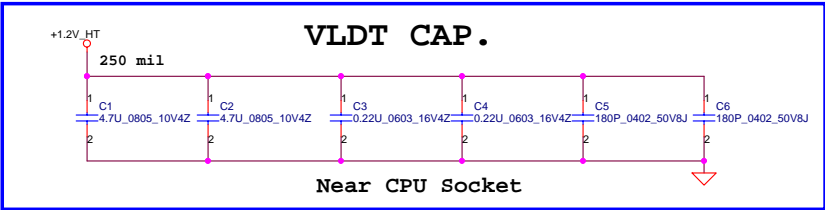
EC SM Bus2 address

| Device | HEX | Address | Device | HEX | Address |
|---------------|-----|-------------|---------------|-----|-------------|
| Smart Battery | 16H | 0001 011X b | CPU | 98H | 1001 100X b |
| 24C16 | A0H | 1010 000X b | ADI1032-2 CPU | 9AH | 1001 101X b |

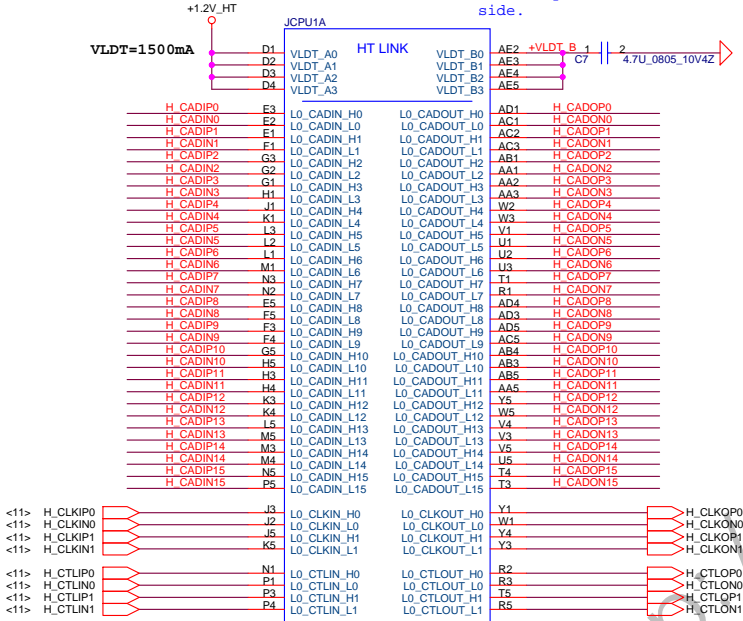
| | | | | | |
|---|--------------------|-----------------|------------|-----------------|---------|
| Security Classification | Compal Secret Data | | | Title | |
| Issued Date | 2007/08/02 | Deciphered Date | 2008/08/02 | Notes List | |
| THIS SHEET OF ENGINEERING DRAWING IS THE PROPRIETARY PROPERTY OF COMPAL ELECTRONICS, INC. AND CONTAINS CONFIDENTIAL AND TRADE SECRET INFORMATION. THIS SHEET MAY NOT BE TRANSFERRED FROM THE CUSTODY OF THE COMPETENT DIVISION OF R&D DEPARTMENT EXCEPT AS AUTHORIZED BY COMPAL ELECTRONICS, INC. NEITHER THIS SHEET NOR THE INFORMATION IT CONTAINS MAY BE USED BY OR DISCLOSED TO ANY THIRD PARTY WITHOUT PRIOR WRITTEN CONSENT OF COMPAL ELECTRONICS, INC. | | | | Document Number | Rev |
| | | | | LA-448IP | 0.4 |
| Date: Monday, September 08, 2008 | | | | Sheet | 3 of 46 |



| | | | | |
|---|--------------------|-----------------|--------------------------|----------------------------------|
| Security Classification | Compal Secret Data | | Compal Electronics, Inc. | |
| Issued Date | 2007/09/26 | Deciphered Date | 2007/09/26 | Title |
| THIS SHEET OF ENGINEERING DRAWING IS THE PROPRIETARY PROPERTY OF COMPAL ELECTRONICS, INC. AND CONTAINS CONFIDENTIAL AND TRADE SECRET INFORMATION. THIS SHEET MAY NOT BE TRANSFERRED FROM THE CUSTODY OF THE COMPETENT DIVISION OF R&D DEPARTMENT EXCEPT AS AUTHORIZED BY COMPAL ELECTRONICS, INC. NEITHER THIS SHEET NOR THE INFORMATION IT CONTAINS MAY BE USED BY OR DISCLOSED TO ANY THIRD PARTY WITHOUT PRIOR WRITTEN CONSENT OF COMPAL ELECTRONICS, INC. | | | | Document Number |
| | | | | LA-481P |
| | | | | Rev |
| | | | | 0.4 |
| | | | | Date: Monday, September 08, 2008 |
| | | | | Sheet 4 of 46 |

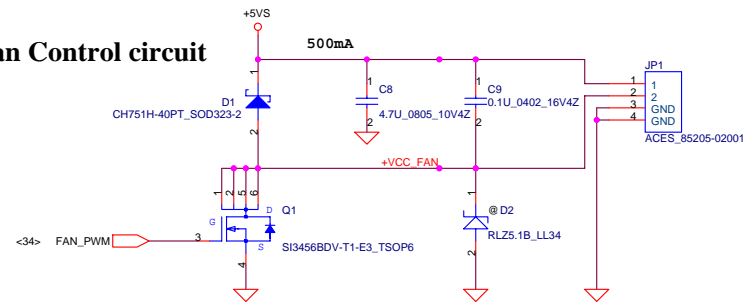


If VLDT is connected only on one side, one 4.7uF cap should be added to the island side.



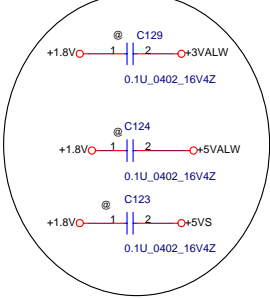
TYCO_4-1903401-4_AMD
CONN@
Athlon 64 S1
Processor Socket

PWM Fan Control circuit

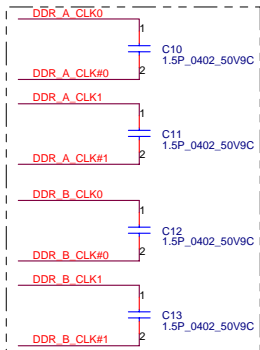


| | | | | | |
|---|--------------------|-----------------|------------|---------------------------------|---------|
| Security Classification | Compal Secret Data | | Title | Compal Electronics, Inc. | |
| Issued Date | 2007/08/02 | Deciphered Date | 2008/08/02 | AMD CPU SIG2 HT I/F | |
| THIS SHEET OF ENGINEERING DRAWING IS THE PROPRIETARY PROPERTY OF COMPAL ELECTRONICS, INC. AND CONTAINS CONFIDENTIAL AND TRADE SECRET INFORMATION. THIS SHEET MAY NOT BE TRANSFERRED FROM THE CUSTODY OF THE COMPETENT DIVISION OF R&D DEPARTMENT EXCEPT AS AUTHORIZED BY COMPAL ELECTRONICS, INC. NEITHER THIS SHEET NOR THE INFORMATION IT CONTAINS MAY BE USED BY OR DISCLOSED TO ANY THIRD PARTY WITHOUT PRIOR WRITTEN CONSENT OF COMPAL ELECTRONICS, INC. | | | | Document Number | Rev |
| | | | | LA-4481P | 0.4 |
| Date: Monday, September 08, 2008 | | | | Sheet | 5 of 46 |

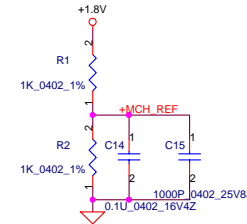
0801 add Cap for EMI request



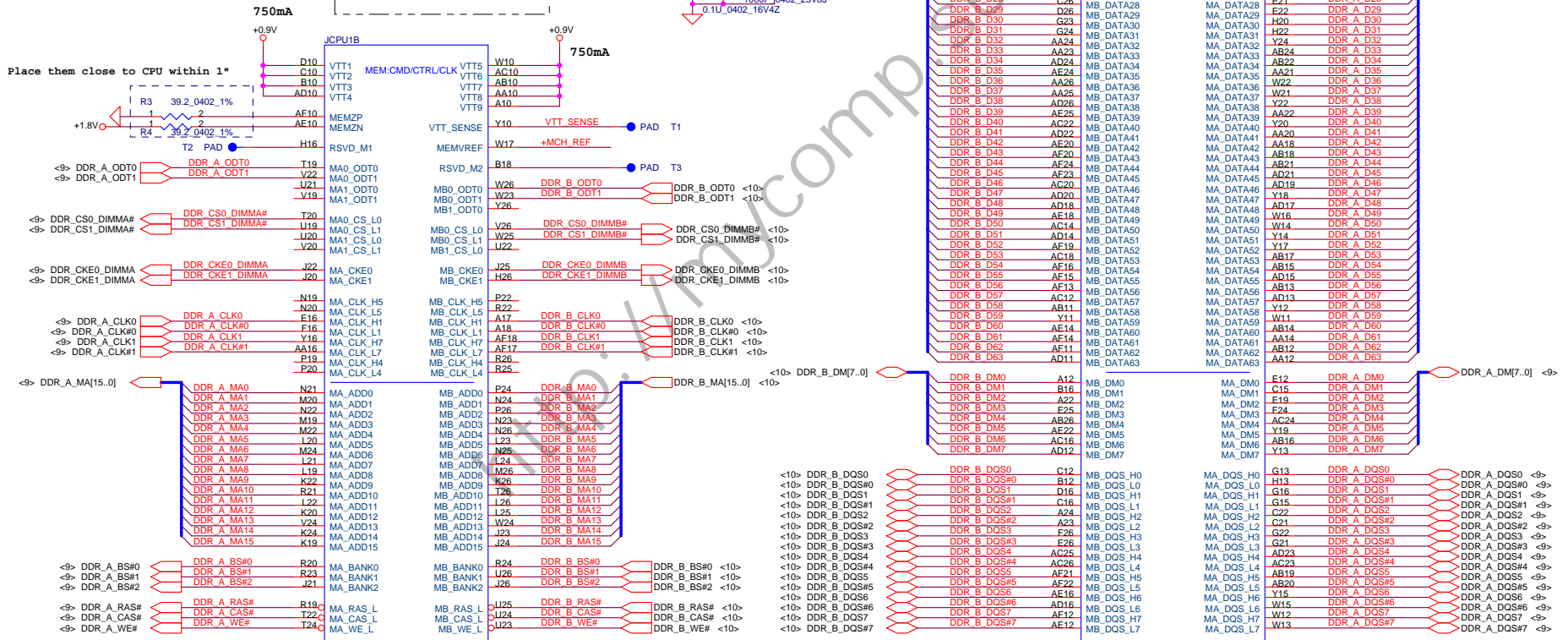
PLACE CLOSE TO PROCESSOR
WITHIN 1.5 INCH



<10> DDR_B_D[63..0]



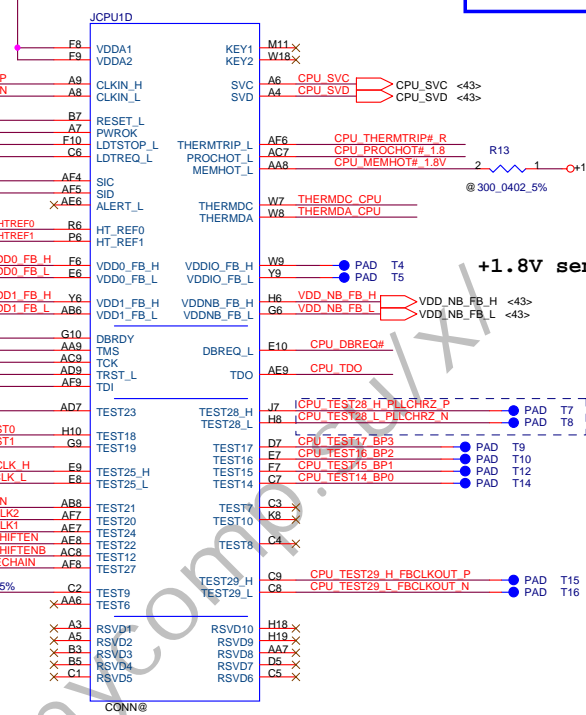
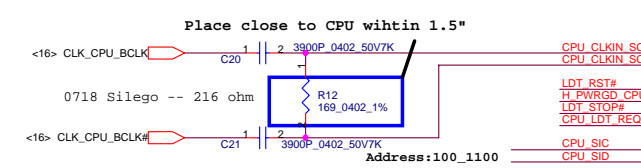
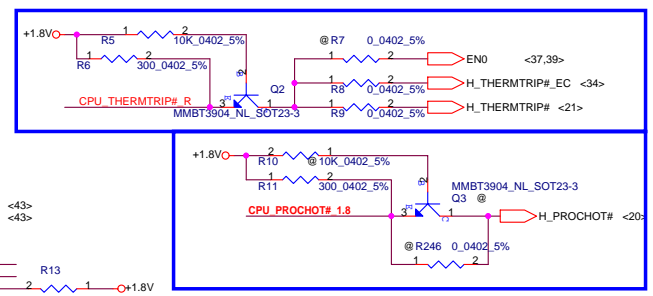
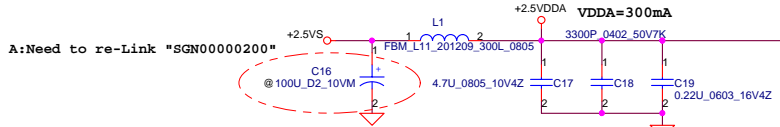
Processor DDR2 Memory Interface



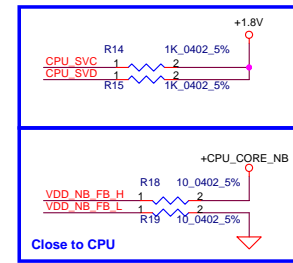
TYCO_4-1903401-4_AMD
Athlon 64 G1 Processor
Socket

Athlon 64 S1 TYCO_4-1903401-4_AMD
Processor Socket

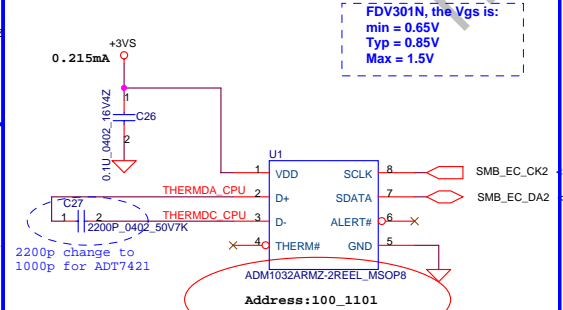
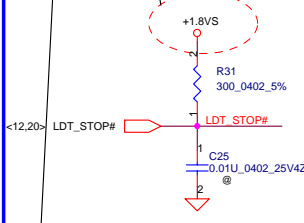
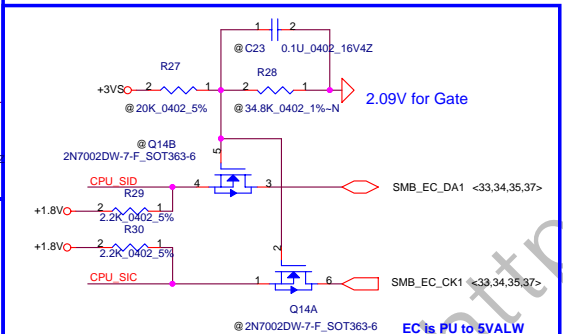
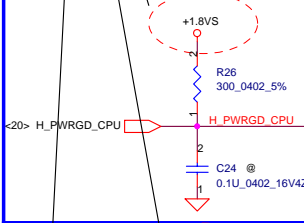
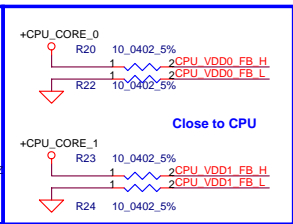
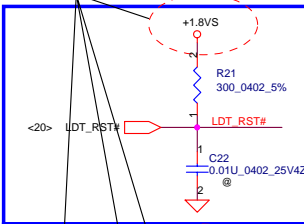
| Security Classification | Compal Secret Data | | Title | |
|--|----------------------------|-----------------|------------|------------------------|
| Issued Date | 2007/08/02 | Deciphered Date | 2008/08/02 | AMD CPU SIG2 DDRII I/F |
| <p>THIS SHEET OF ENGINEERING DRAWING IS THE PROPRIETARY PROPERTY OF COMPAL ELECTRONICS, INC. AND CONTAINS CONFIDENTIAL AND TRADE SECRET INFORMATION. THIS SHEET MAY NOT BE TRANSFERRED FROM THE CUSTODY OF THE COMPETENT DIVISION OF R&D DEPARTMENT EXCEPT AS AUTHORIZED BY COMPAL ELECTRONICS, INC. NEITHER THIS SHEET NOR THE INFORMATION IT CONTAINS MAY BE USED BY OR DISCLOSED TO ANY THIRD PARTY WITHOUT PRIOR WRITTEN CONSENT OF COMPAL ELECTRONICS, INC.</p> | | | | |
| Rev | 4 | Document Number | LA-4481P | Rev 0.4 |
| Date: | Monday, September 08, 2008 | Sheet | 6 | of 46 |



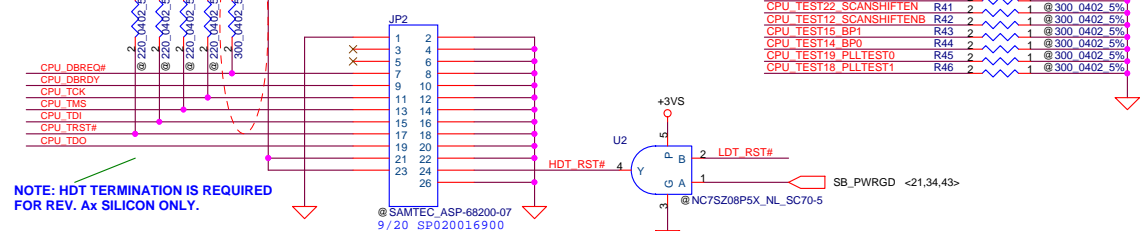
+1.8V sense no support



0605 change power rail to solve +3vs leakage



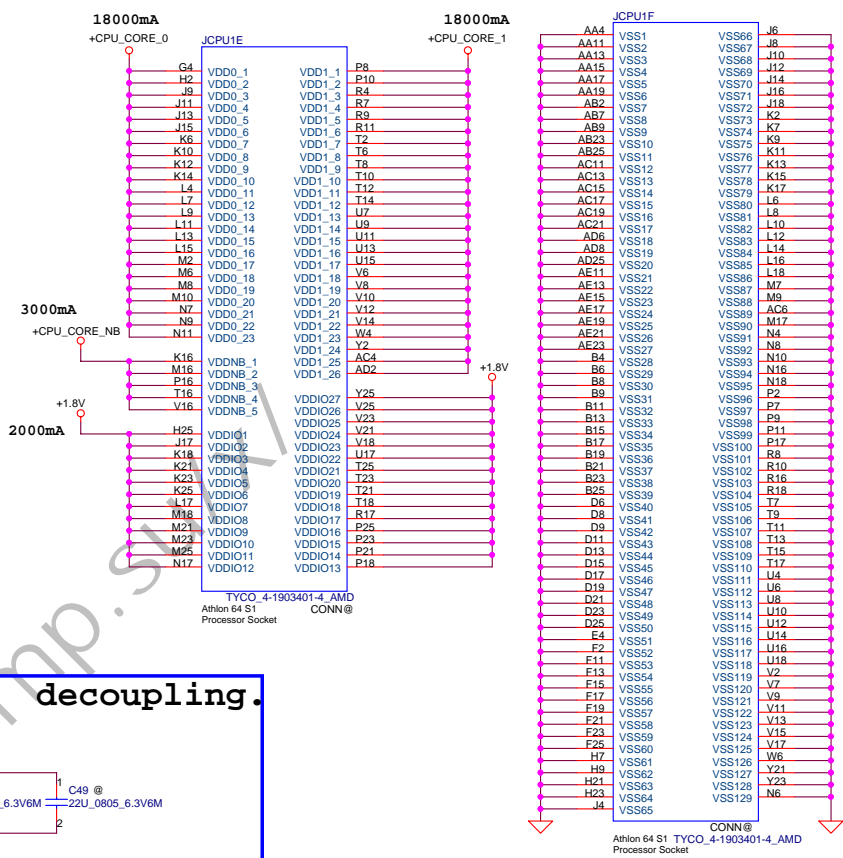
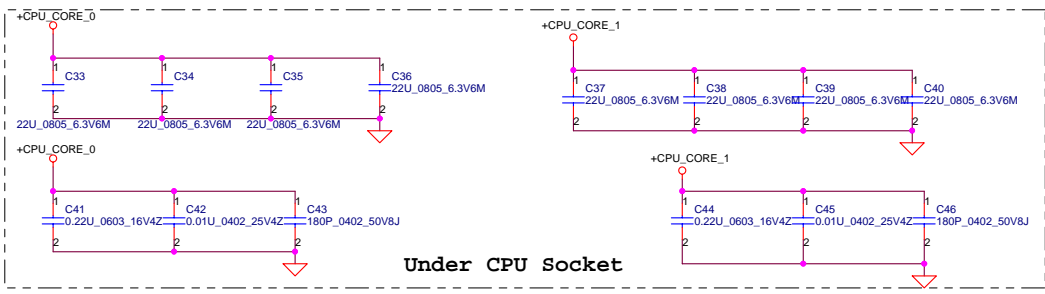
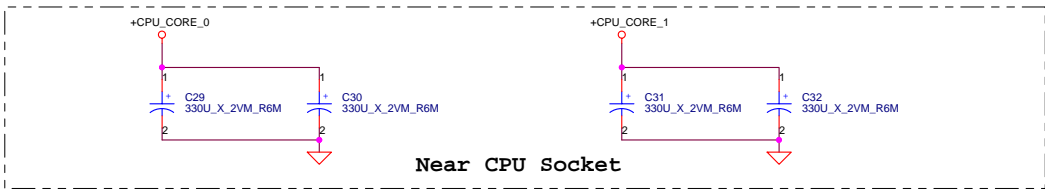
0605 change value
HDT Connector



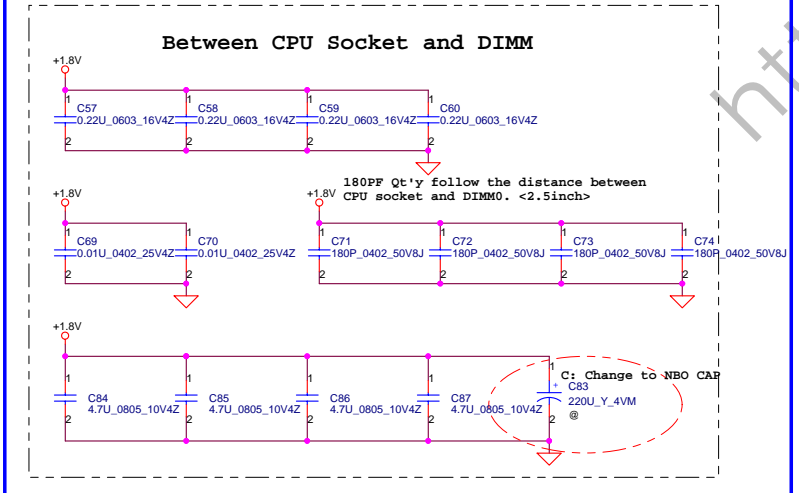
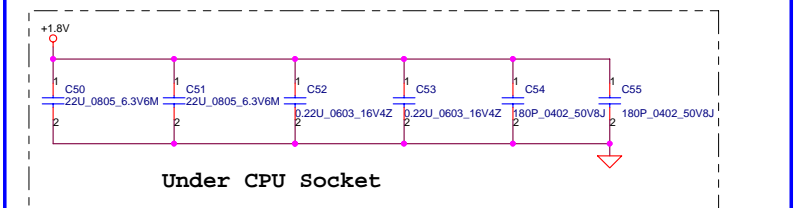
NOTE: HDT TERMINATION IS REQUIRED FOR REV. Ax SILICON ONLY.

| Security Classification | Compal Secret Data | | Title |
|---|--------------------|-----------------|--|
| Issued Date | 2007/08/02 | Deciphered Date | 2008/08/02 |
| THIS SHEET OF ENGINEERING DRAWING IS THE PROPRIETARY PROPERTY OF COMPAL ELECTRONICS, INC. AND CONTAINS CONFIDENTIAL AND TRADE SECRET INFORMATION. THIS SHEET MAY NOT BE TRANSFERRED FROM THE CUSTODY OF THE COMPETENT DIVISION OF R&D DEPARTMENT EXCEPT AS AUTHORIZED BY COMPAL ELECTRONICS, INC. NEITHER THIS SHEET NOR THE INFORMATION IT CONTAINS MAY BE USED BY OR DISCLOSED TO ANY THIRD PARTY WITHOUT PRIOR WRITTEN CONSENT OF COMPAL ELECTRONICS, INC. | | | <p>Compal Electronics, Inc.</p> <p>AMD CPU SIG2 CTRL</p> <p>Document Number LA-4481P</p> <p>Date: Monday, September 08, 2008 Sheet 7 of 46</p> |

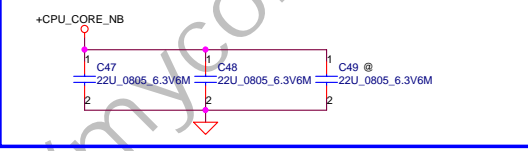
VDD(+CPU_CORE) decoupling.



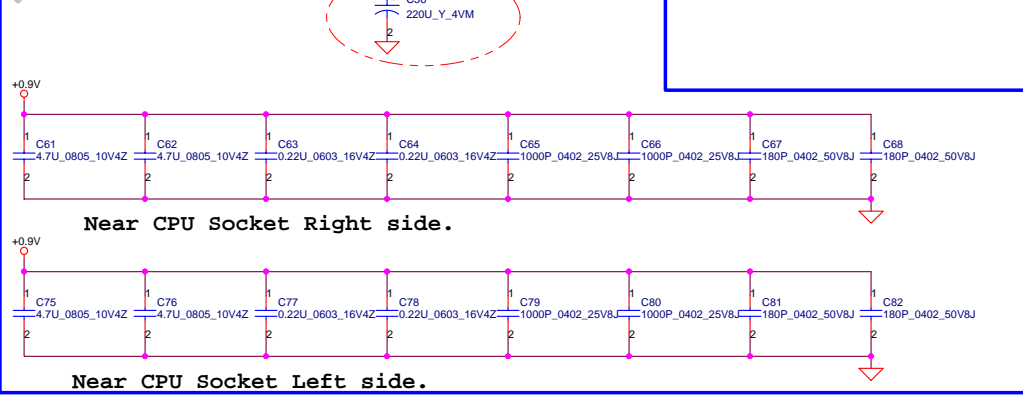
VDDIO decoupling.



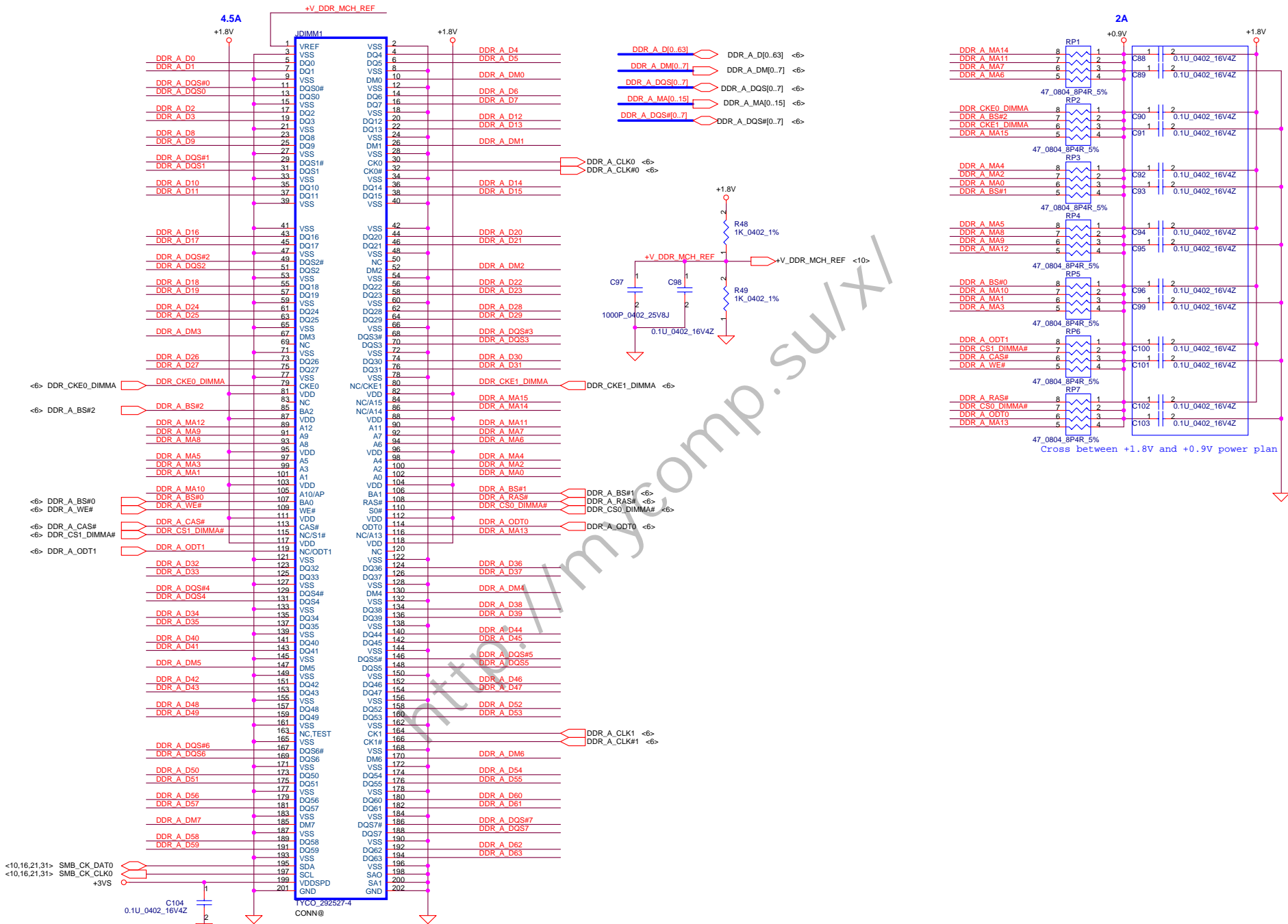
+CPU_CORE_NB decoupling.



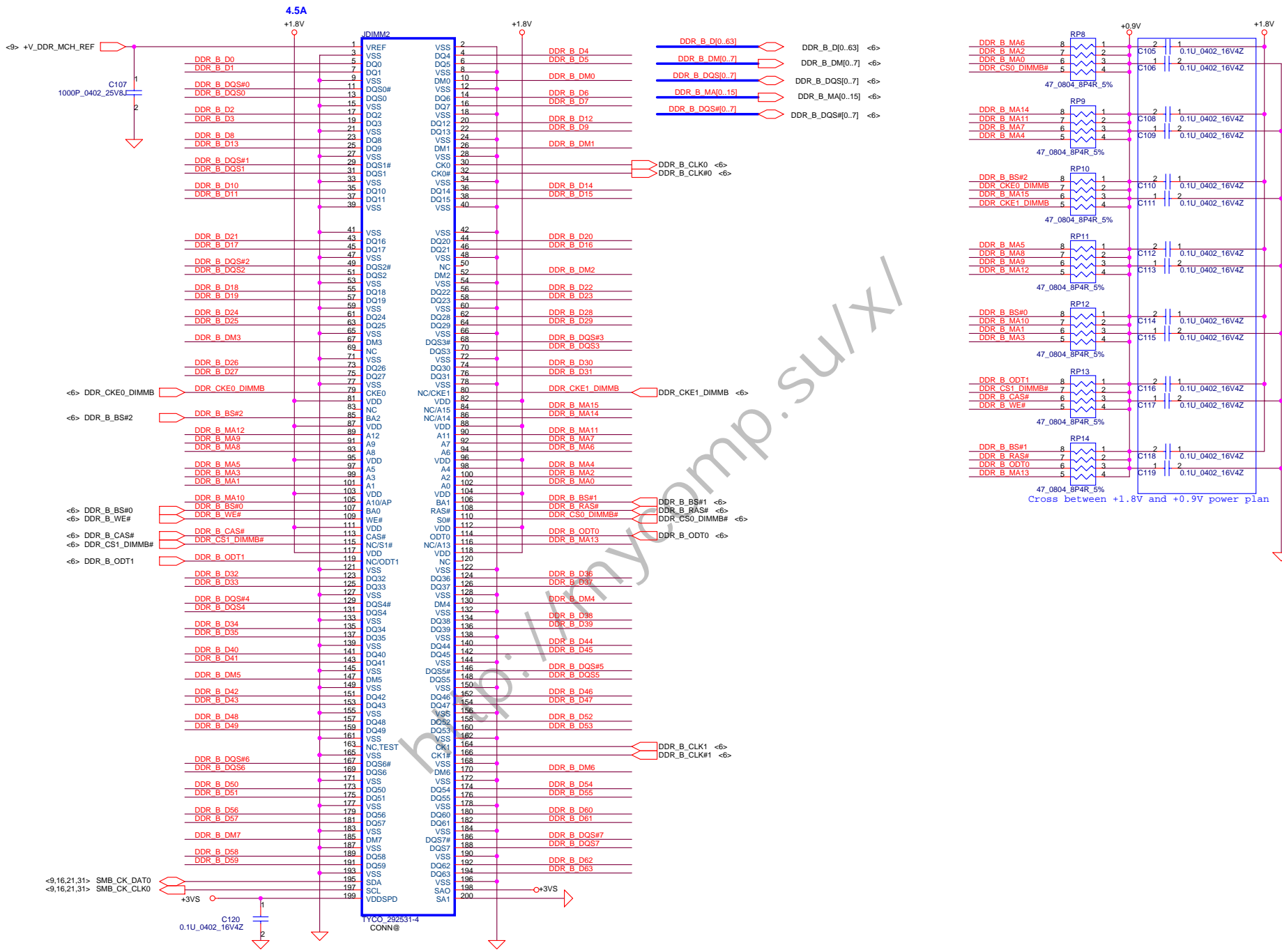
VTT decoupling.



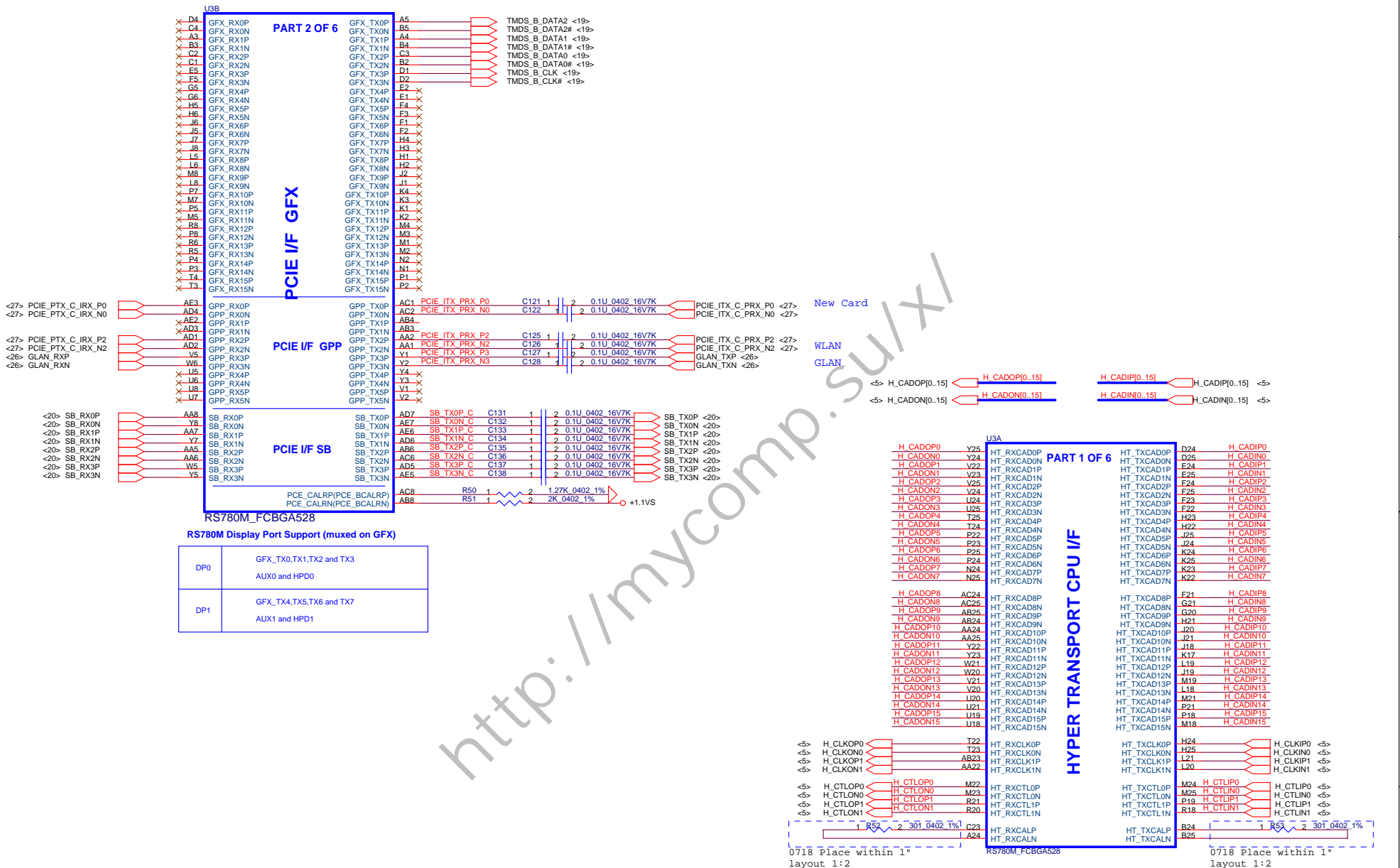
| Security Classification | Compal Secret Data | | Title |
|---|--------------------|-----------------|---|
| Issued Date | 2007/08/02 | Deciphered Date | 2008/08/02 |
| THIS SHEET OF ENGINEERING DRAWING IS THE PROPRIETARY PROPERTY OF COMPAL ELECTRONICS, INC. AND CONTAINS CONFIDENTIAL AND TRADE SECRET INFORMATION. THIS SHEET MAY NOT BE TRANSFERRED FROM THE CUSTODY OF THE COMPETENT DIVISION OF R&D DEPARTMENT EXCEPT AS AUTHORIZED BY COMPAL ELECTRONICS, INC. NEITHER THIS SHEET NOR THE INFORMATION IT CONTAINS MAY BE USED BY OR DISCLOSED TO ANY THIRD PARTY WITHOUT PRIOR WRITTEN CONSENT OF COMPAL ELECTRONICS, INC. | | | <p>Compal Electronics, Inc.</p> <p>AMD CPU SIG2 PWR & GND</p> <p>Document Number LA-4481P</p> <p>Date: Monday, September 08, 2008 Sheet 8 of 46</p> |



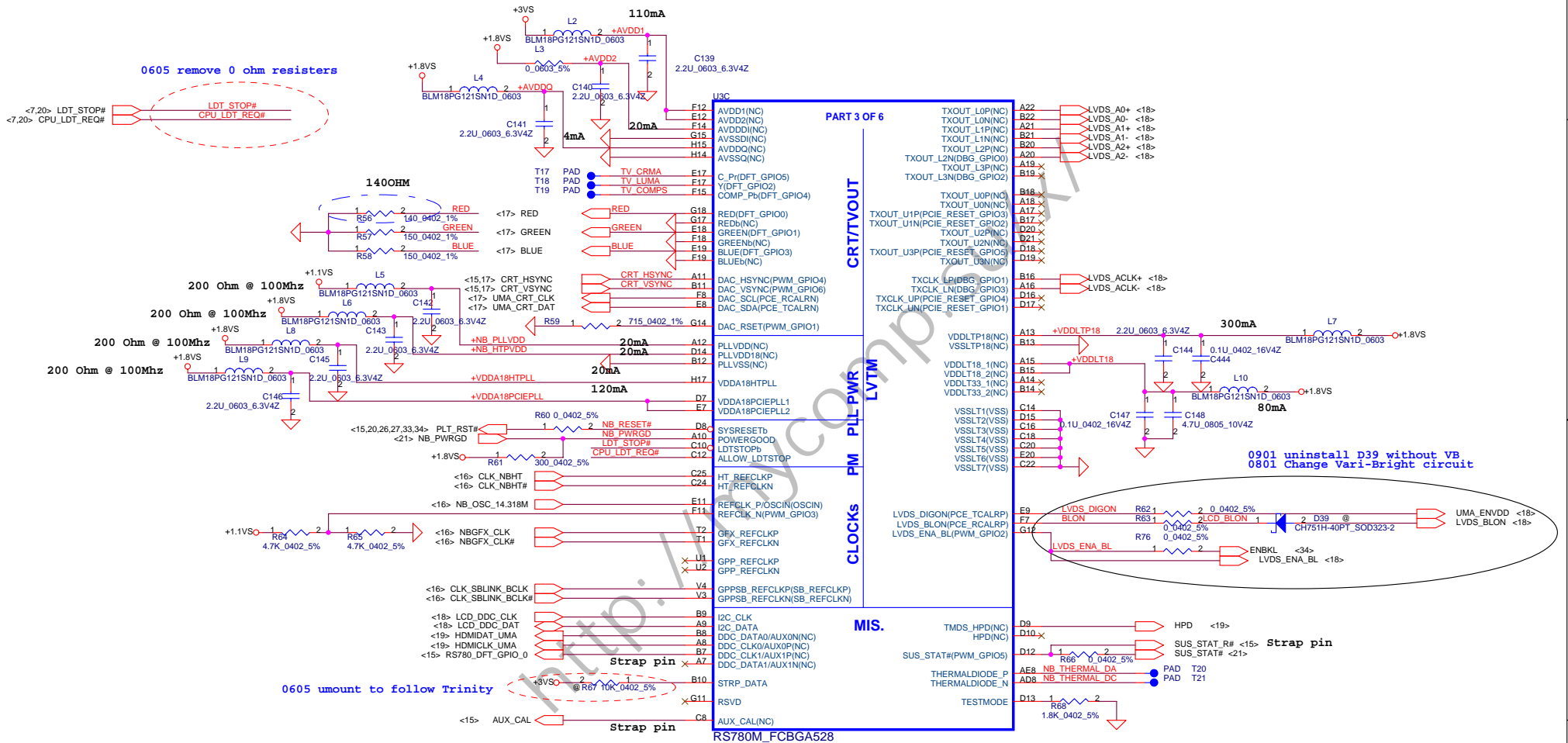
| | | | | | |
|---|--------------------|-----------------|------------|---------------------------------|----------------------------|
| Security Classification | Compal Secret Data | | Title | Compal Electronics, Inc. | |
| Issued Date | 2007/08/02 | Deciphered Date | 2008/08/02 | DDR2 SO-DIMM 0 | |
| THIS SHEET OF ENGINEERING DRAWING IS THE PROPRIETARY PROPERTY OF COMPAL ELECTRONICS, INC. AND CONTAINS CONFIDENTIAL AND TRADE SECRET INFORMATION. THIS SHEET MAY NOT BE TRANSFERRED FROM THE CUSTODY OF THE COMPETENT DIVISION OF R&D DEPARTMENT EXCEPT AS AUTHORIZED BY COMPAL ELECTRONICS, INC. NEITHER THIS SHEET NOR THE INFORMATION IT CONTAINS MAY BE USED BY OR DISCLOSED TO ANY THIRD PARTY WITHOUT PRIOR WRITTEN CONSENT OF COMPAL ELECTRONICS, INC. | | | | | |
| Doc No | LA-4481P | Rev | 0.4 | Date: | Monday, September 08, 2008 |
| Sheet | 9 | of | 46 | | |



| | | | | | |
|---|----------------------------|-----------------|------------|---------------------------------|-----|
| Security Classification | Compal Secret Data | | Title | Compal Electronics, Inc. | |
| Issued Date | 2007/08/02 | Deciphered Date | 2008/08/02 | Document Number | |
| THIS SHEET OF ENGINEERING DRAWING IS THE PROPRIETARY PROPERTY OF COMPAL ELECTRONICS, INC. AND CONTAINS CONFIDENTIAL AND TRADE SECRET INFORMATION. THIS SHEET MAY NOT BE TRANSFERRED FROM THE CUSTODY OF THE COMPETENT DIVISION OF R&D DEPARTMENT EXCEPT AS AUTHORIZED BY COMPAL ELECTRONICS, INC. NEITHER THIS SHEET NOR THE INFORMATION IT CONTAINS MAY BE USED BY OR DISCLOSED TO ANY THIRD PARTY WITHOUT PRIOR WRITTEN CONSENT OF COMPAL ELECTRONICS, INC. | | | | Customer | Rev |
| | | | | LA-4481P | 0.4 |
| Date: | Monday, September 08, 2008 | Sheet | 10 | of | 46 |



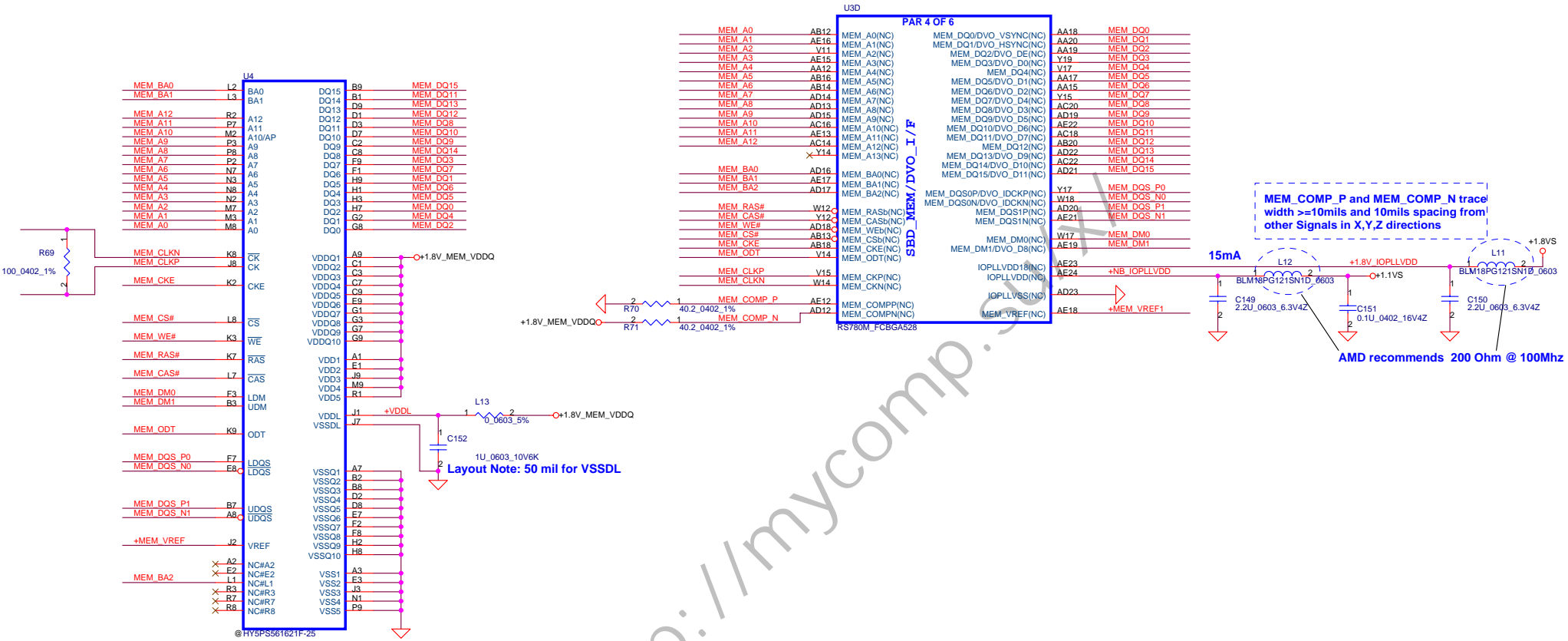
| | | | | | |
|---|----------------------------|-----------------|------------|---------------------------------|--|
| Security Classification | Compal Secret Data | | Title | Compal Electronics, Inc. | |
| Issued Date | 2007/08/02 | Deciphered Date | 2008/08/02 | RS780-HT/PCIE | |
| THIS SHEET OF ENGINEERING DRAWING IS THE PROPRIETARY PROPERTY OF COMPAL ELECTRONICS, INC. AND CONTAINS CONFIDENTIAL AND TRADE SECRET INFORMATION. THIS SHEET MAY NOT BE TRANSFERRED FROM THE CUSTODY OF THE COMPETENT DIVISION OF R&D DEPARTMENT EXCEPT AS AUTHORIZED BY COMPAL ELECTRONICS, INC. NEITHER THIS SHEET NOR THE INFORMATION IT CONTAINS MAY BE USED BY OR DISCLOSED TO ANY THIRD PARTY WITHOUT PRIOR WRITTEN CONSENT OF COMPAL ELECTRONICS, INC. | | | | | |
| Document Number | LA-4481P | | Rev | 0.4 | |
| Date: | Monday, September 08, 2008 | Sheet | 11 | of 46 | |



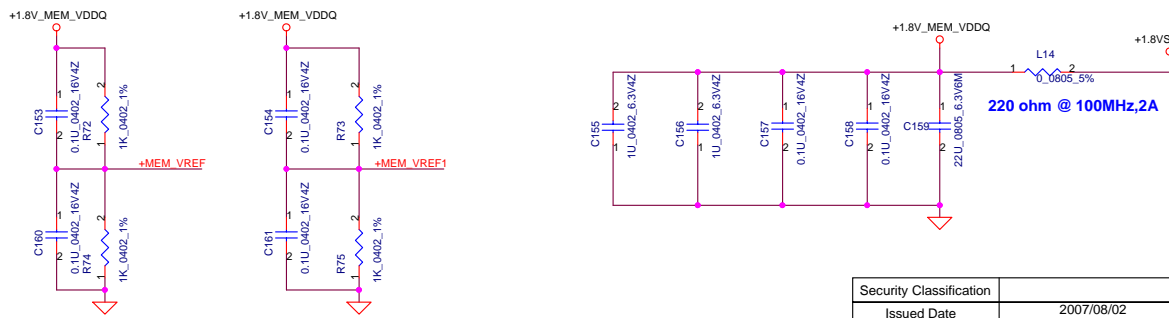
| Security Classification | | Compal Secret Data | | Title | |
|---|----------------------------|--------------------|------------|--------------------------|-----|
| Issued Date | 2007/08/02 | Deciphered Date | 2008/08/02 | Compal Electronics, Inc. | |
| THIS SHEET OF ENGINEERING DRAWING IS THE PROPRIETARY PROPERTY OF COMPAL ELECTRONICS, INC. AND CONTAINS CONFIDENTIAL AND TRADE SECRET INFORMATION. THIS SHEET MAY NOT BE TRANSFERRED FROM THE CUSTODY OF THE COMPETENT DIVISION OF R&D DEPARTMENT EXCEPT AS AUTHORIZED BY COMPAL ELECTRONICS, INC. NEITHER THIS SHEET NOR THE INFORMATION IT CONTAINS MAY BE USED BY OR DISCLOSED TO ANY THIRD PARTY WITHOUT PRIOR WRITTEN CONSENT OF COMPAL ELECTRONICS, INC. | | | | Document Number | Rev |
| | | | | LA-4481P | 0.4 |
| Date: | Monday, September 08, 2008 | Sheet | 12 | of | 46 |

Side-Port DDR2 SDRAM

512Mbits(32Mbx16)-64MB



Side Port disable, VREF need connect to +1.8VS for DDR2

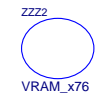


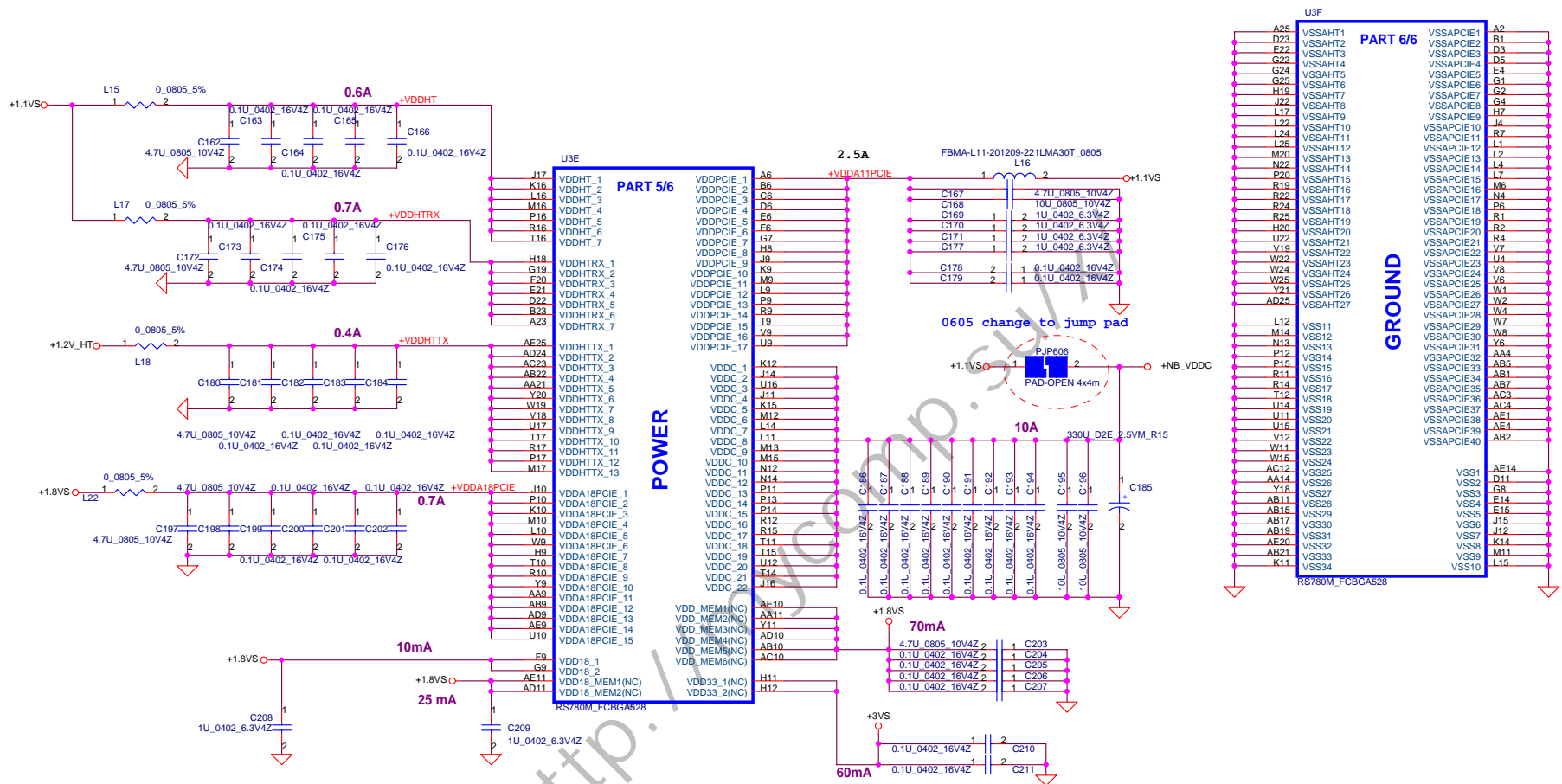
MEM_COMP_P and MEM_COMP_N trace width >=10mils and 10mils spacing from other signals in X,Y,Z directions

AMD recommends 200 Ohm @ 100Mhz

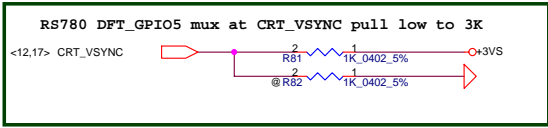
<http://mycomp.com>

| Security Classification | Compal Secret Data | | Title |
|---|----------------------------|-----------------|---|
| Issued Date | 2007/08/02 | Deciphered Date | 2008/08/02 |
| THIS SHEET OF ENGINEERING DRAWING IS THE PROPRIETARY PROPERTY OF COMPAL ELECTRONICS, INC. AND CONTAINS CONFIDENTIAL AND TRADE SECRET INFORMATION. THIS SHEET MAY NOT BE TRANSFERRED FROM THE CUSTODY OF THE COMPETENT DIVISION OF R&D DEPARTMENT EXCEPT AS AUTHORIZED BY COMPAL ELECTRONICS, INC. NEITHER THIS SHEET NOR THE INFORMATION IT CONTAINS MAY BE USED BY OR DISCLOSED TO ANY THIRD PARTY WITHOUT PRIOR WRITTEN CONSENT OF COMPAL ELECTRONICS, INC. | | | Document Number LA-448IP Rev 0.4 |
| Date: | Monday, September 08, 2008 | Sheet | 13 of 46 |



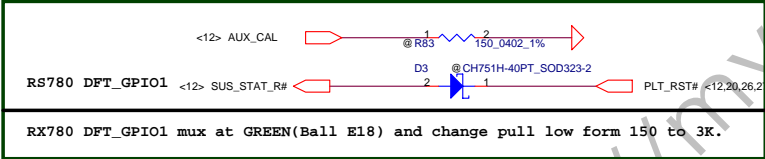


| Security Classification | | Compal Secret Data | | Title | |
|---|------------|--------------------|------------|----------------------------------|----------------|
| Issued Date | 2007/08/02 | Deciphered Date | 2008/08/02 | RS780 PWR/GND | |
| THIS SHEET OF ENGINEERING DRAWING IS THE PROPRIETARY PROPERTY OF COMPAL ELECTRONICS, INC. AND CONTAINS CONFIDENTIAL AND TRADE SECRET INFORMATION. THIS SHEET MAY NOT BE TRANSFERRED FROM THE CUSTODY OF THE COMPETENT DIVISION OF R&D DEPARTMENT EXCEPT AS AUTHORIZED BY COMPAL ELECTRONICS, INC. NEITHER THIS SHEET NOR THE INFORMATION IT CONTAINS MAY BE USED BY OR DISCLOSED TO ANY THIRD PARTY WITHOUT PRIOR WRITTEN CONSENT OF COMPAL ELECTRONICS, INC. | | | | Document Number | Rev |
| | | | | LA-4481P | 0.4 |
| | | | | Date: Monday, September 08, 2008 | Sheet 14 of 46 |



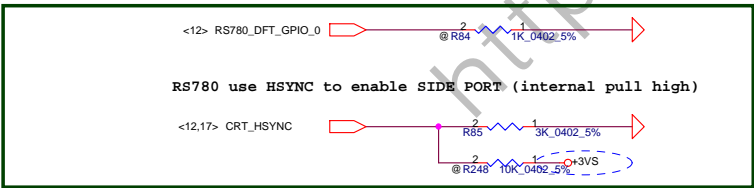
DFT_GPIO5:STRAP_DEBUG_BUS_GPIO_ENABLEB

Enables the Test Debug Bus using GPIO.
 1 : Disable (RS740) Disable (RX780, RS780)
 0 : Enable (Rs740) Enable (RX780, RS780)
 PIN: RS740-->RS780_AUX_CAL; RX780-->NB_TV_C; RS780--> VSYNC#



DFT_GPIO1: LOAD_EEPROM_STRAPS

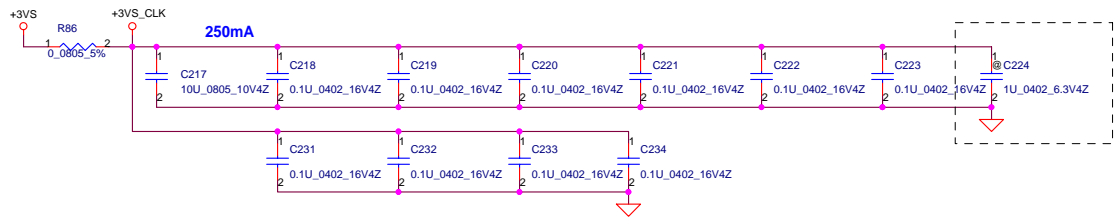
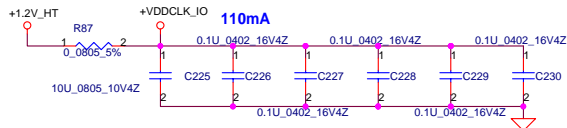
Selects Loading of STRAPS from EPROM
 1 : Bypass the loading of EEPROM straps and use Hardware Default Values
 0 : I2C Master can load strap values from EEPROM if connected, or use default values if not connected
 RS740/RX780: DFT_GPIO1 RS780:SUS_STAT



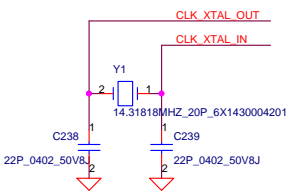
DFT_GPIO0: STRAP_DEBUG_BUS_PCIE_ENABLEB

RX780: Enables the Test Debug Bus using PCIE bus
 1 : Disable (Can still be enabled using nbcfg register access)
 0 : Enable
 RS740/RS780: Enables Side port memory (RS780 use HSYNC#)
 1. Disable (RS740/RS780)
 0 : Enable (RS740/RS780)

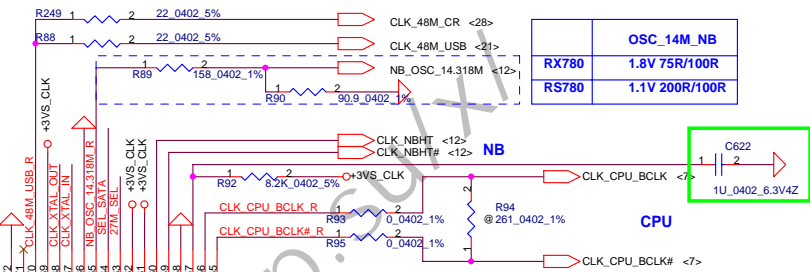
| | | | | | |
|---|--------------------|-----------------|------------|----------------------------------|----------------|
| Security Classification | Compal Secret Data | | | Title | |
| Issued Date | 2007/08/02 | Deciphered Date | 2008/08/02 | RS780 STRAPS | |
| THIS SHEET OF ENGINEERING DRAWING IS THE PROPRIETARY PROPERTY OF COMPAL ELECTRONICS, INC. AND CONTAINS CONFIDENTIAL AND TRADE SECRET INFORMATION. THIS SHEET MAY NOT BE TRANSFERRED FROM THE CUSTODY OF THE COMPETENT DIVISION OF R&D DEPARTMENT EXCEPT AS AUTHORIZED BY COMPAL ELECTRONICS, INC. NEITHER THIS SHEET NOR THE INFORMATION IT CONTAINS MAY BE USED BY OR DISCLOSED TO ANY THIRD PARTY WITHOUT PRIOR WRITTEN CONSENT OF COMPAL ELECTRONICS, INC. | | | | Document Number | Rev |
| | | | | LA-448IP | 0.4 |
| | | | | Date: Monday, September 08, 2008 | Sheet 15 of 46 |



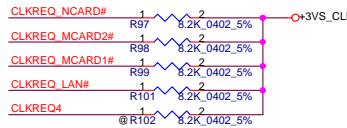
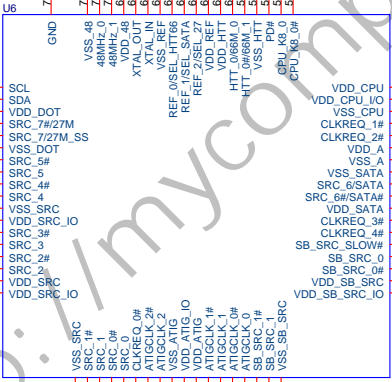
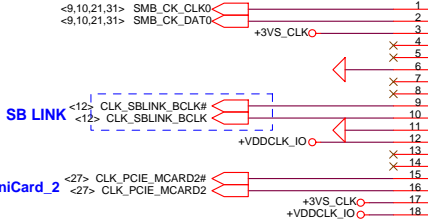
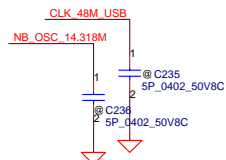
EMI Caps for single end clock.



Routing the trace at least 10mil



| | OSC_14M_NB |
|-------|----------------|
| RX780 | 1.8V 75R/100R |
| RS780 | 1.1V 200R/100R |



NB CLOCK INPUT TABLE

| NB CLOCKS | RX780 | RS780 |
|------------|---------------|--------------------|
| HT_REFCLKP | 100M DIFF | 100M DIFF |
| HT_REFCLKN | 100M DIFF | 100M DIFF |
| REFCLK_P | 14M SE (1.8V) | 14M SE (1.1V) |
| REFCLK_N | NC | vref |
| GFX_REFCLK | 100M DIFF | 100M DIFF(IN/OUT)* |

| | | |
|----------|---|--|
| SEL_SATA | 1 | configure as SATA output |
| | 0 | configure as normal SRC(SRC. 6) output |
| | | * default |

| | | |
|---------|---|------------------------------------|
| 27M_SEL | 1 | configure as 27M and 27M_SS output |
| | 0 | configure as SRC. 7 output |
| | | * default |

Use voltage divider resistor R379 & R380 to pull low

| | | |
|----------------|---|---|
| NB_OSC_14.318M | 1 | configure as single-ended 66MHz output |
| | 0 | configure as differential 100MHz output |
| | | * default |

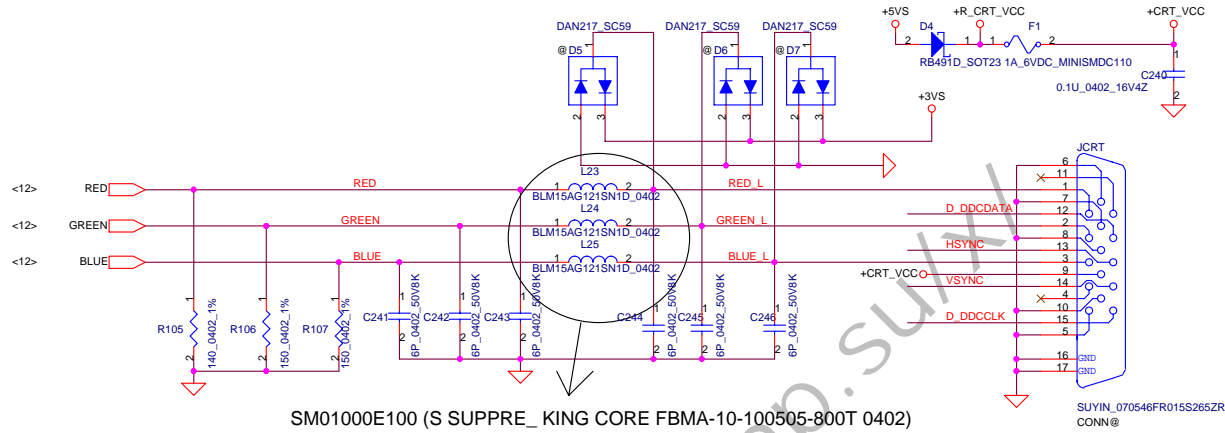
| Security Classification | Compal Secret Data | |
|-------------------------|--------------------|-----------------|
| Issued Date | 2007/08/02 | Deciphered Date |
| | | 2008/08/02 |

| Compal Electronics, Inc. | | |
|--------------------------|-----------------|-----|
| Clock generator | | |
| Title | Document Number | Rev |
| | LA-4481P | 0.4 |

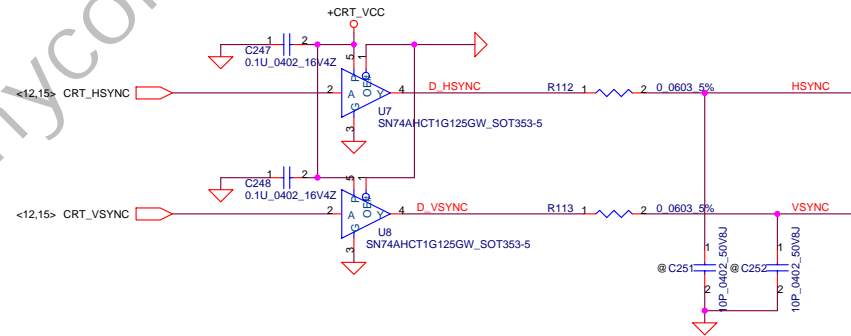
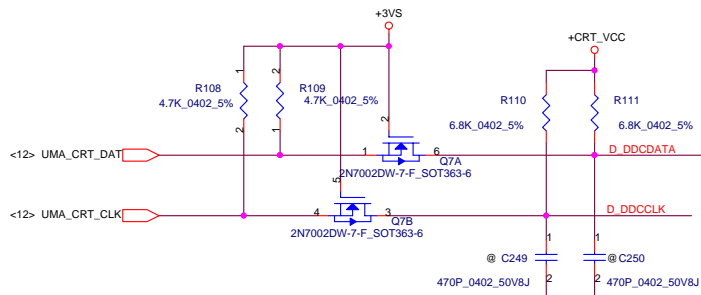
THIS SHEET OF ENGINEERING DRAWING IS THE PROPRIETARY PROPERTY OF COMPAL ELECTRONICS, INC. AND CONTAINS CONFIDENTIAL AND TRADE SECRET INFORMATION. THIS SHEET MAY NOT BE TRANSFERRED FROM THE CUSTODY OF THE COMPETENT DIVISION OF R&D DEPARTMENT EXCEPT AS AUTHORIZED BY COMPAL ELECTRONICS, INC. NEITHER THIS SHEET NOR THE INFORMATION IT CONTAINS MAY BE USED BY OR DISCLOSED TO ANY THIRD PARTY WITHOUT PRIOR WRITTEN CONSENT OF COMPAL ELECTRONICS, INC.

| | | | | | |
|-------|----------------------------|-------|----|----|----|
| Date: | Monday, September 08, 2008 | Sheet | 16 | of | 46 |
|-------|----------------------------|-------|----|----|----|

CRT CONNECTOR

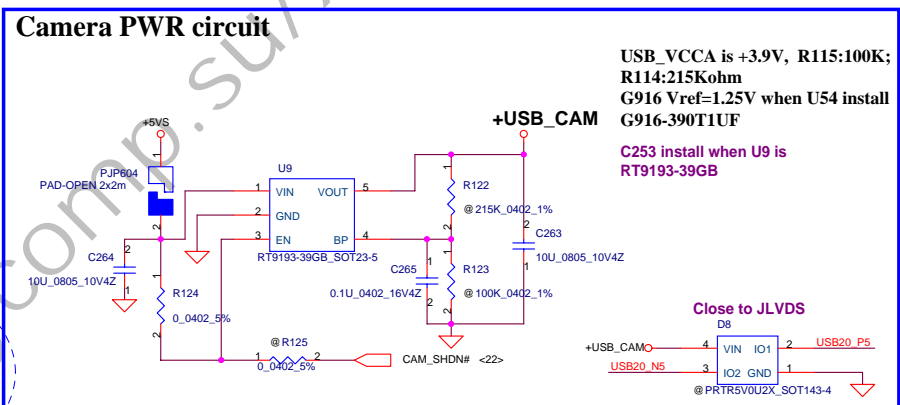
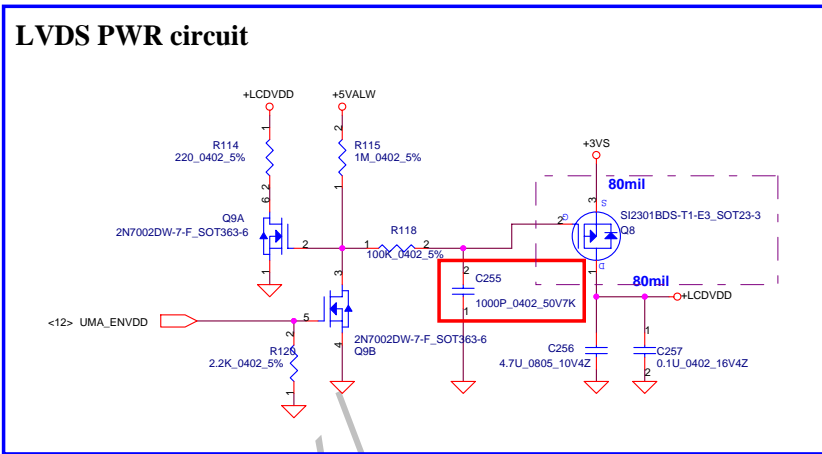
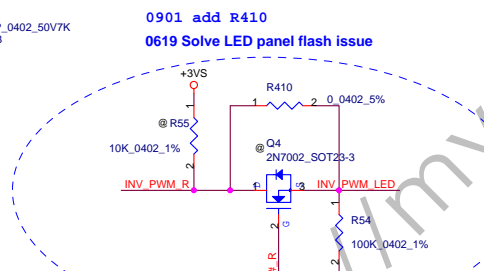
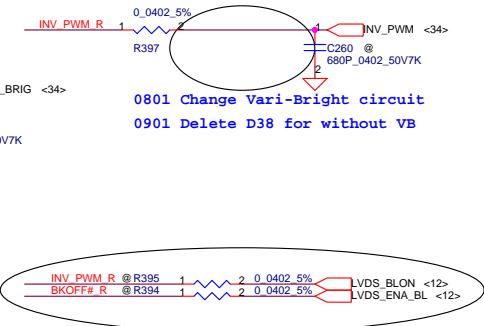
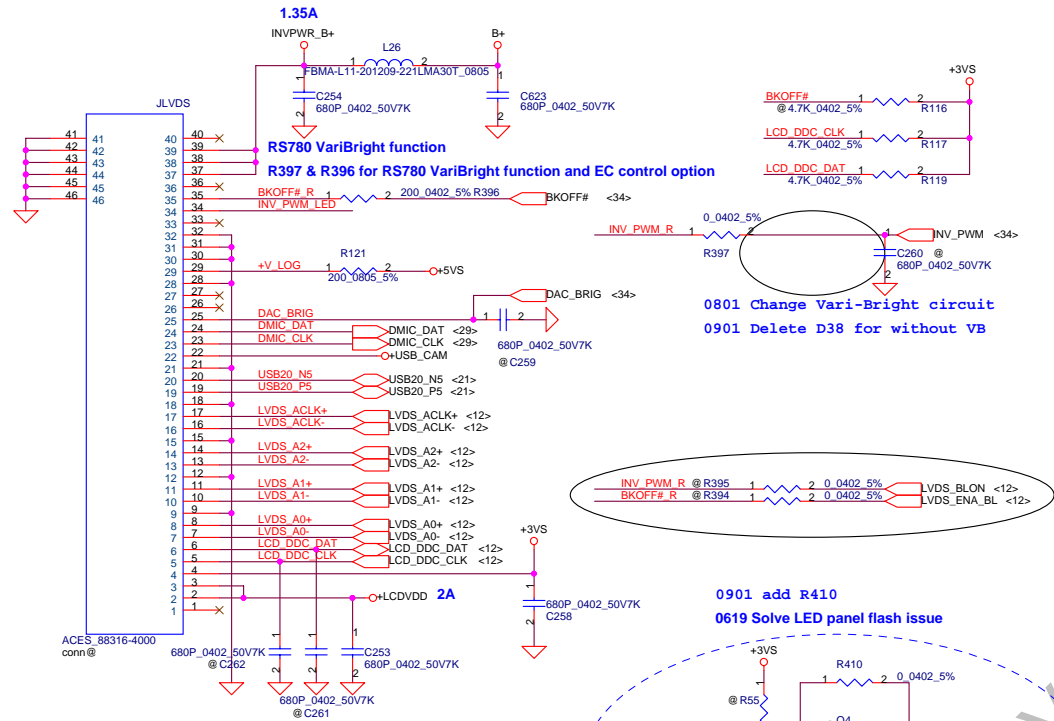


SM01000E100 (S SUPPRE_KING CORE FBMA-10-100505-800T 0402)

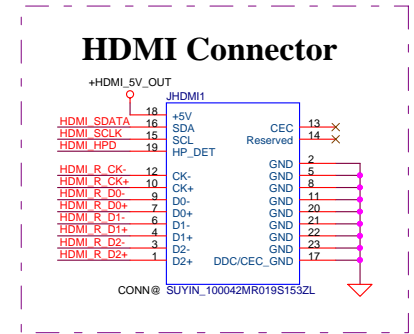
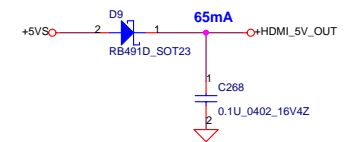
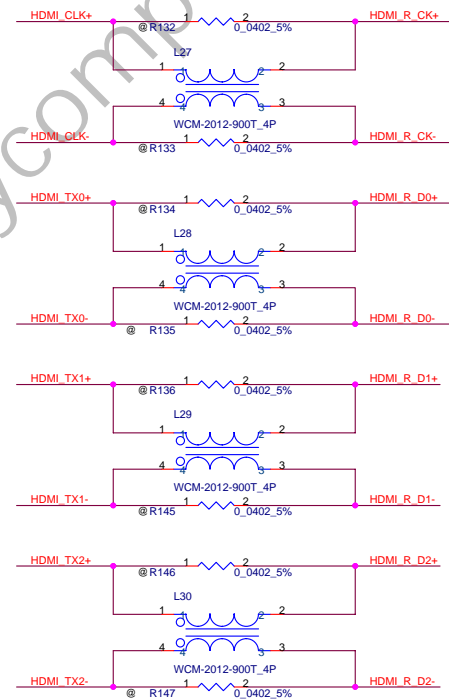
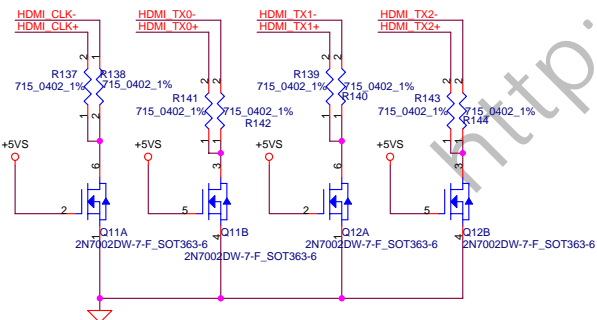
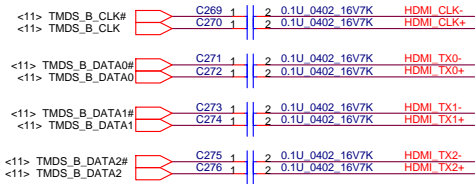
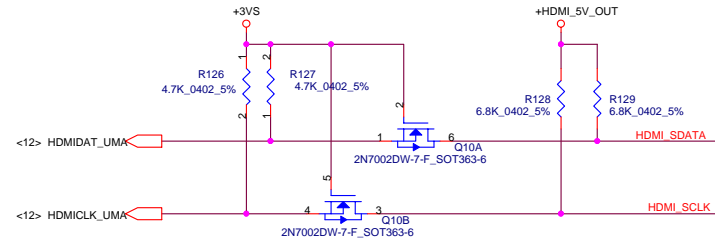
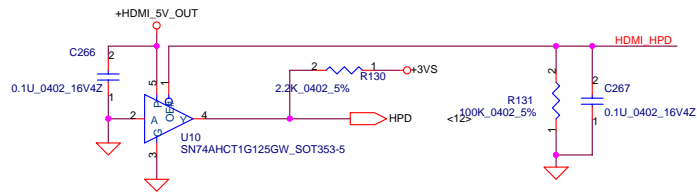


| | | | | | | |
|--|--------------------|-----------------|------------|-----------------|---------------------------------|---------|
| Security Classification | Compal Secret Data | | | Title | Compal Electronics, Inc. | |
| Issued Date | 2007/08/02 | Deciphered Date | 2008/08/02 | Document Number | CRT Connector | |
| THIS SHEET OF ENGINEERING DRAWING IS THE PROPRIETARY PROPERTY OF COMPAL ELECTRONICS, INC. AND CONTAINS CONFIDENTIAL AND TRADE SECRET INFORMATION. THIS SHEET MAY NOT BE TRANSFERRED FROM THE CUSTODY OF THE COMPETENT DIVISION OF R&D CUSTOMER DEPARTMENT EXCEPT AS AUTHORIZED BY COMPAL ELECTRONICS, INC. NEITHER THIS SHEET NOR THE INFORMATION IT CONTAINS MAY BE USED BY OR DISCLOSED TO ANY THIRD PARTY WITHOUT PRIOR WRITTEN CONSENT OF COMPAL ELECTRONICS, INC. | | | | Date | Monday, September 08, 2008 | Rev 0.4 |
| | | | | Sheet | 17 | of 46 |

LVDS CONN

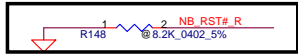


| | | | | | | |
|---|--------------------|-----------------|------------|-----------------|---------------------------------|------------|
| Security Classification | Compal Secret Data | | | Title | Compal Electronics, Inc. | |
| Issued Date | 2007/08/02 | Deciphered Date | 2008/08/02 | Document Number | LCD CONN. / WebCam | |
| THIS SHEET OF ENGINEERING DRAWING IS THE PROPRIETARY PROPERTY OF COMPAL ELECTRONICS, INC. AND CONTAINS CONFIDENTIAL AND TRADE SECRET INFORMATION. THIS SHEET MAY NOT BE TRANSFERRED FROM THE CUSTODY OF THE COMPETENT DIVISION OF R&D DEPARTMENT EXCEPT AS AUTHORIZED BY COMPAL ELECTRONICS, INC. NEITHER THIS SHEET NOR THE INFORMATION IT CONTAINS MAY BE USED BY OR DISCLOSED TO ANY THIRD PARTY WITHOUT PRIOR WRITTEN CONSENT OF COMPAL ELECTRONICS, INC. | | | | Date: | Monday, September 08, 2008 | Rev 0.4 |
| | | | | Sheet | 18 | of 46 |

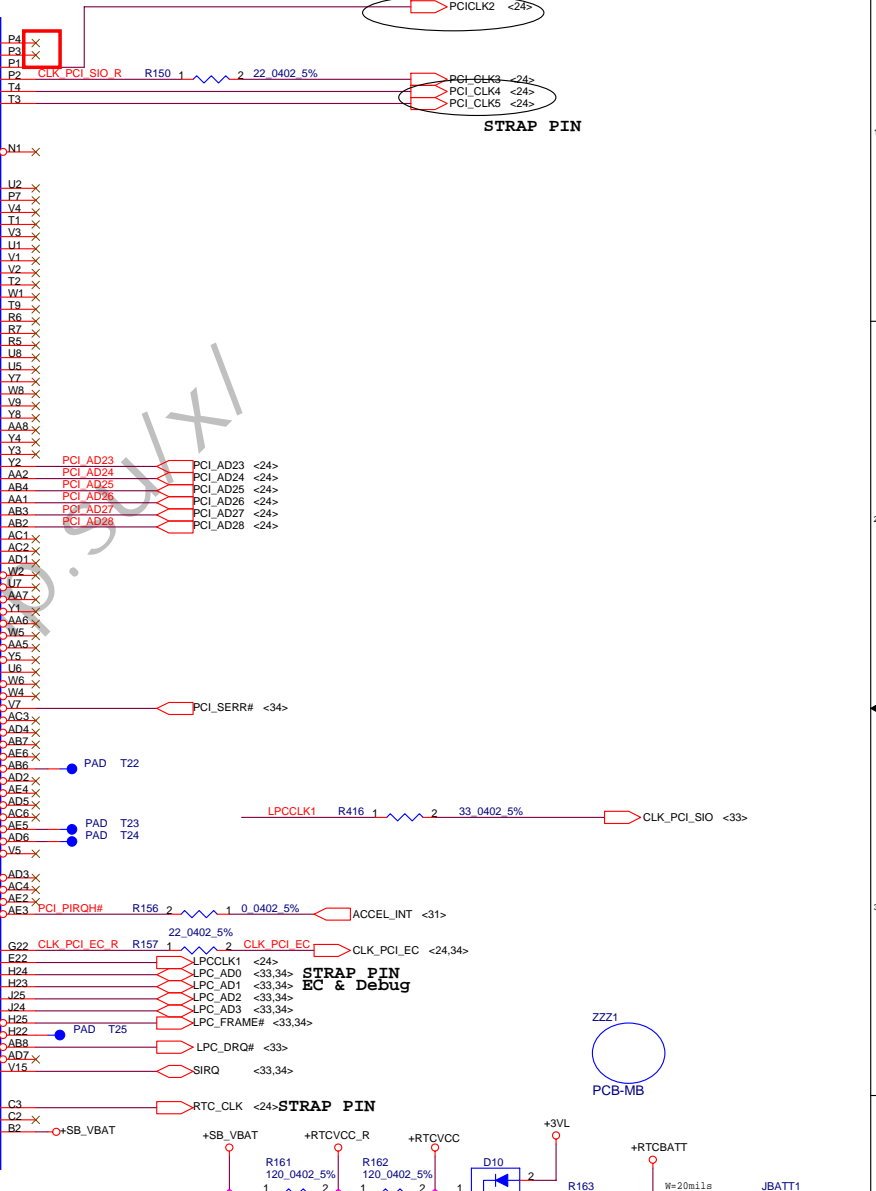
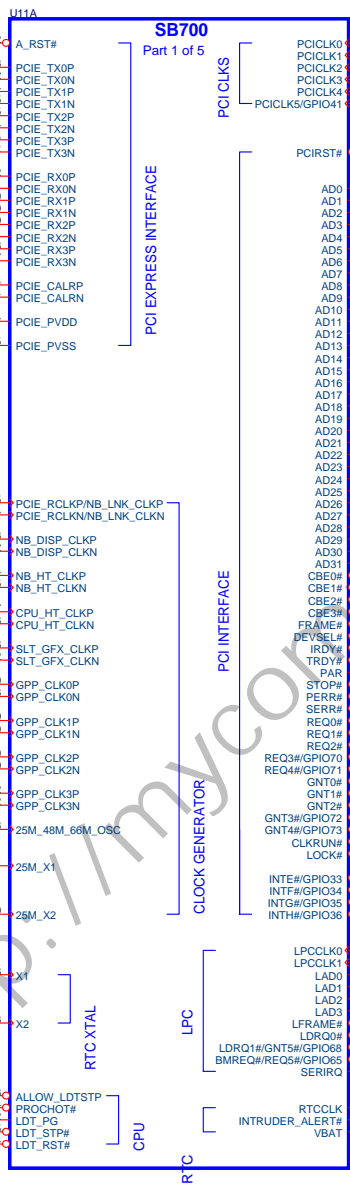
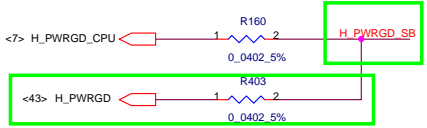
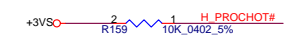
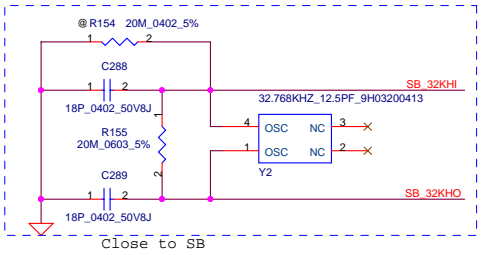
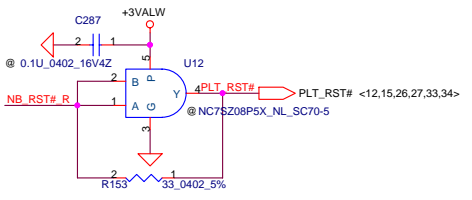
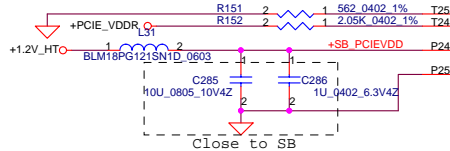


| | | | | | | |
|---|--------------------|-----------------|------------|-----------------|---------------------------------|---------|
| Security Classification | Compal Secret Data | | | Title | Compal Electronics, Inc. | |
| Issued Date | 2007/08/02 | Deciphered Date | 2008/08/02 | Document Number | HDMI | |
| THIS SHEET OF ENGINEERING DRAWING IS THE PROPRIETARY PROPERTY OF COMPAL ELECTRONICS, INC. AND CONTAINS CONFIDENTIAL AND TRADE SECRET INFORMATION. THIS SHEET MAY NOT BE TRANSFERRED FROM THE CUSTODY OF THE COMPETENT DIVISION OF R&D DEPARTMENT EXCEPT AS AUTHORIZED BY COMPAL ELECTRONICS, INC. NEITHER THIS SHEET NOR THE INFORMATION IT CONTAINS MAY BE USED BY OR DISCLOSED TO ANY THIRD PARTY WITHOUT PRIOR WRITTEN CONSENT OF COMPAL ELECTRONICS, INC. | | | | Date | Monday, September 08, 2008 | Rev 0.4 |
| | | | | Sheet | 19 | of 46 |

Check AMD need pull low or not



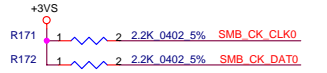
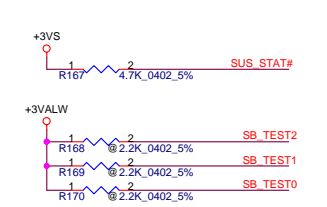
| Pin | SB Pin | SB Part | SB Value | SB Type | SB Pin | SB Part | SB Value | SB Type |
|------|---------|---------|----------|---------|--------|---------|----------|-----------|
| <11> | SB_RX0P | C277 | 1 | 2 | 0.1U | 0402 | 16V7K | SB_RX0P C |
| <11> | SB_RX0N | C278 | 1 | 2 | 0.1U | 0402 | 16V7K | SB_RX0N C |
| <11> | SB_RX1P | C279 | 1 | 2 | 0.1U | 0402 | 16V7K | SB_RX1P C |
| <11> | SB_RX1N | C280 | 1 | 2 | 0.1U | 0402 | 16V7K | SB_RX1N C |
| <11> | SB_RX2P | C281 | 1 | 2 | 0.1U | 0402 | 16V7K | SB_RX2P C |
| <11> | SB_RX2N | C282 | 1 | 2 | 0.1U | 0402 | 16V7K | SB_RX2N C |
| <11> | SB_RX3P | C283 | 1 | 2 | 0.1U | 0402 | 16V7K | SB_RX3P C |
| <11> | SB_RX3N | C284 | 1 | 2 | 0.1U | 0402 | 16V7K | SB_RX3N C |



218S7EALA11FG_BGA528_SB700
9/20 SA00001S510 S IC 218S7EALA11FG SB700 BGA 528P SB 0PH

| Security Classification | Compal Secret Data | | Title |
|---|--------------------|-----------------|--|
| Issued Date | 2007/08/02 | Deciphered Date | 2008/08/02 |
| THIS SHEET OF ENGINEERING DRAWING IS THE PROPRIETARY PROPERTY OF COMPAL ELECTRONICS, INC. AND CONTAINS CONFIDENTIAL AND TRADE SECRET INFORMATION. THIS SHEET MAY NOT BE TRANSFERRED FROM THE CUSTODY OF THE COMPETENT DIVISION OF R&D DEPARTMENT EXCEPT AS AUTHORIZED BY COMPAL ELECTRONICS, INC. NEITHER THIS SHEET NOR THE INFORMATION IT CONTAINS MAY BE USED BY OR DISCLOSED TO ANY THIRD PARTY WITHOUT PRIOR WRITTEN CONSENT OF COMPAL ELECTRONICS, INC. | | | <p>Compal Electronics, Inc.</p> <p>SB700-PCIE/PCI/ACPI/LPC/RTC</p> <p>Document Number: LA-4481P</p> <p>Rev: 0.4</p> <p>Date: Monday, September 08, 2008 Sheet 20 of 46</p> |

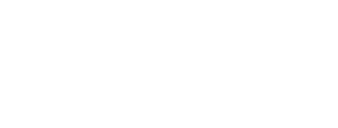
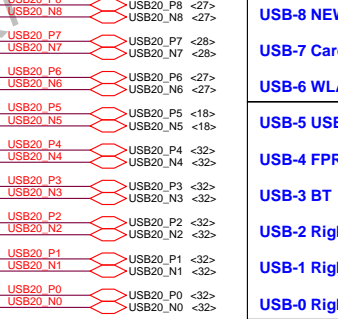
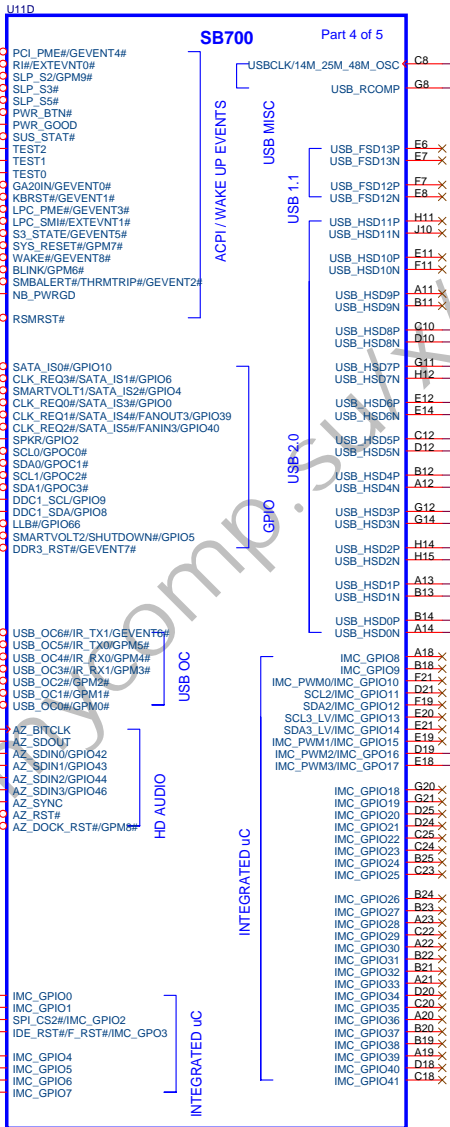
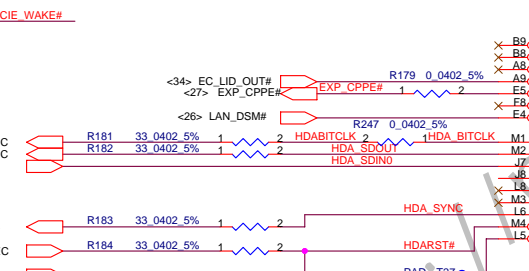
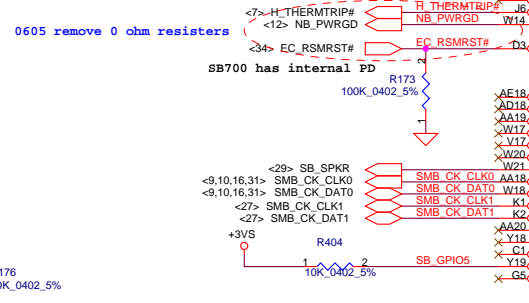
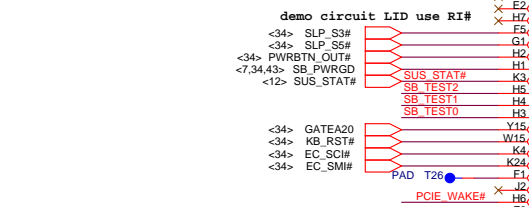
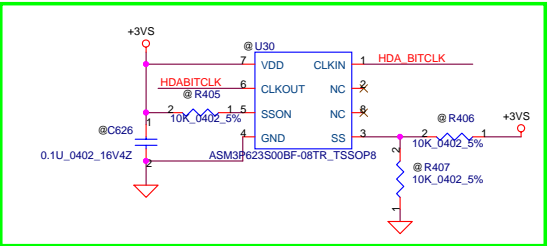
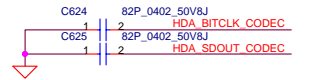
CH751H-40PT_SOD323-2
 <39.41> 3/5V_OK ← D33 1 2 → EC_RSMRST#



0605 remove 0 ohm resistors

SB700 has internal PD

STRAP PIN



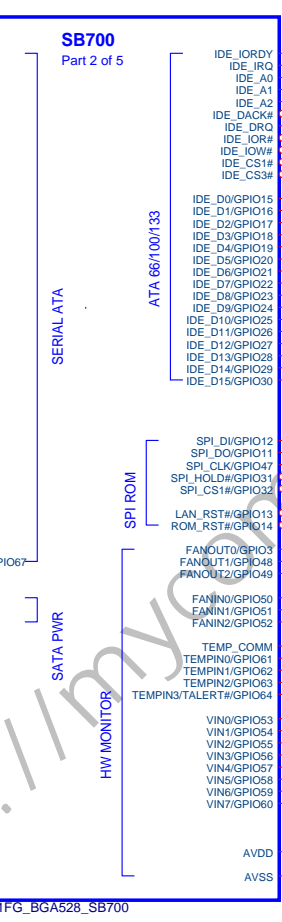
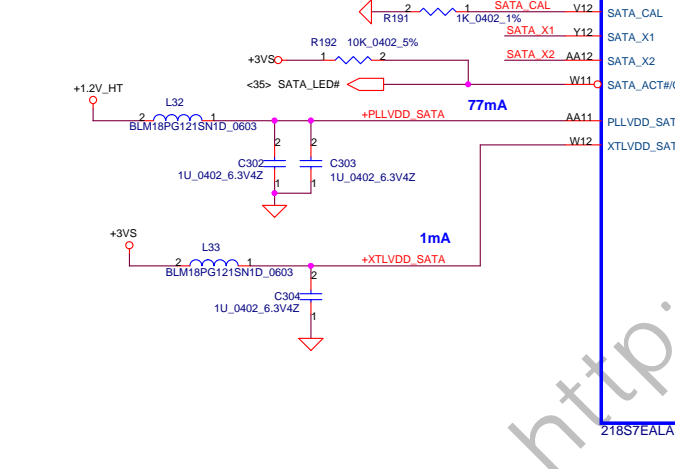
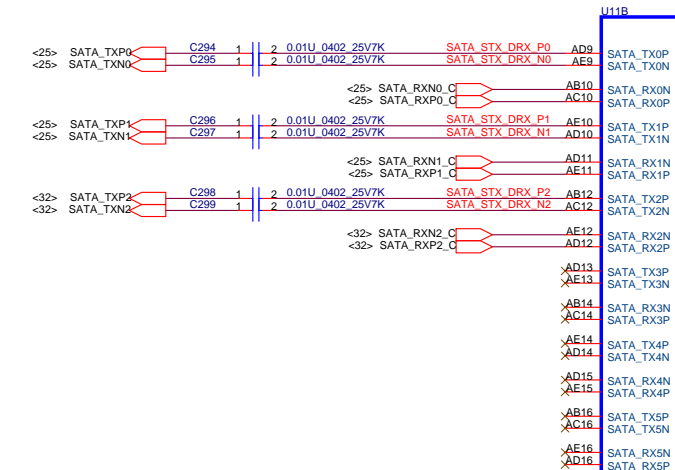
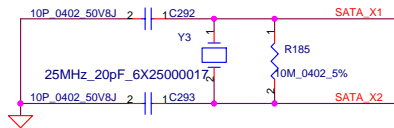
USB-8 NEW Card
 USB-7 CardReader
 USB-6 WLAN
 USB-5 USB Camera
 USB-4 FPR
 USB-3 BT
 USB-2 Right Side (Upper)
 USB-1 Right side (E-SATA Combo)
 USB-0 Right side (S/W Debug Port)

| | | | | | |
|---|--------------------|-----------------|------------|---------------------------------|----------------------------|
| Security Classification | Compal Secret Data | | Title | Compal Electronics, Inc. | |
| Issued Date | 2007/08/02 | Deciphered Date | 2008/08/02 | Document Number | |
| THIS SHEET OF ENGINEERING DRAWING IS THE PROPRIETARY PROPERTY OF COMPAL ELECTRONICS, INC. AND CONTAINS CONFIDENTIAL AND TRADE SECRET INFORMATION. THIS SHEET MAY NOT BE TRANSFERRED FROM THE CUSTODY OF THE COMPETENT DIVISION OF R&D DEPARTMENT EXCEPT AS AUTHORIZED BY COMPAL ELECTRONICS, INC. NEITHER THIS SHEET NOR THE INFORMATION IT CONTAINS MAY BE USED BY OR DISCLOSED TO ANY THIRD PARTY WITHOUT PRIOR WRITTEN CONSENT OF COMPAL ELECTRONICS, INC. | | | | Date: | Monday, September 08, 2008 |
| | | | | Sheet | 21 of 46 |

SB700 USB/AC97

LA-4481P

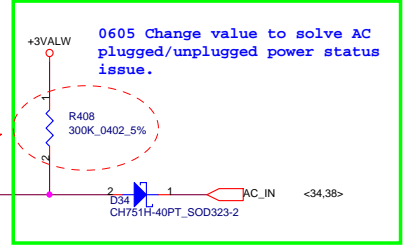
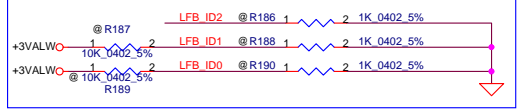
Rev 0.4



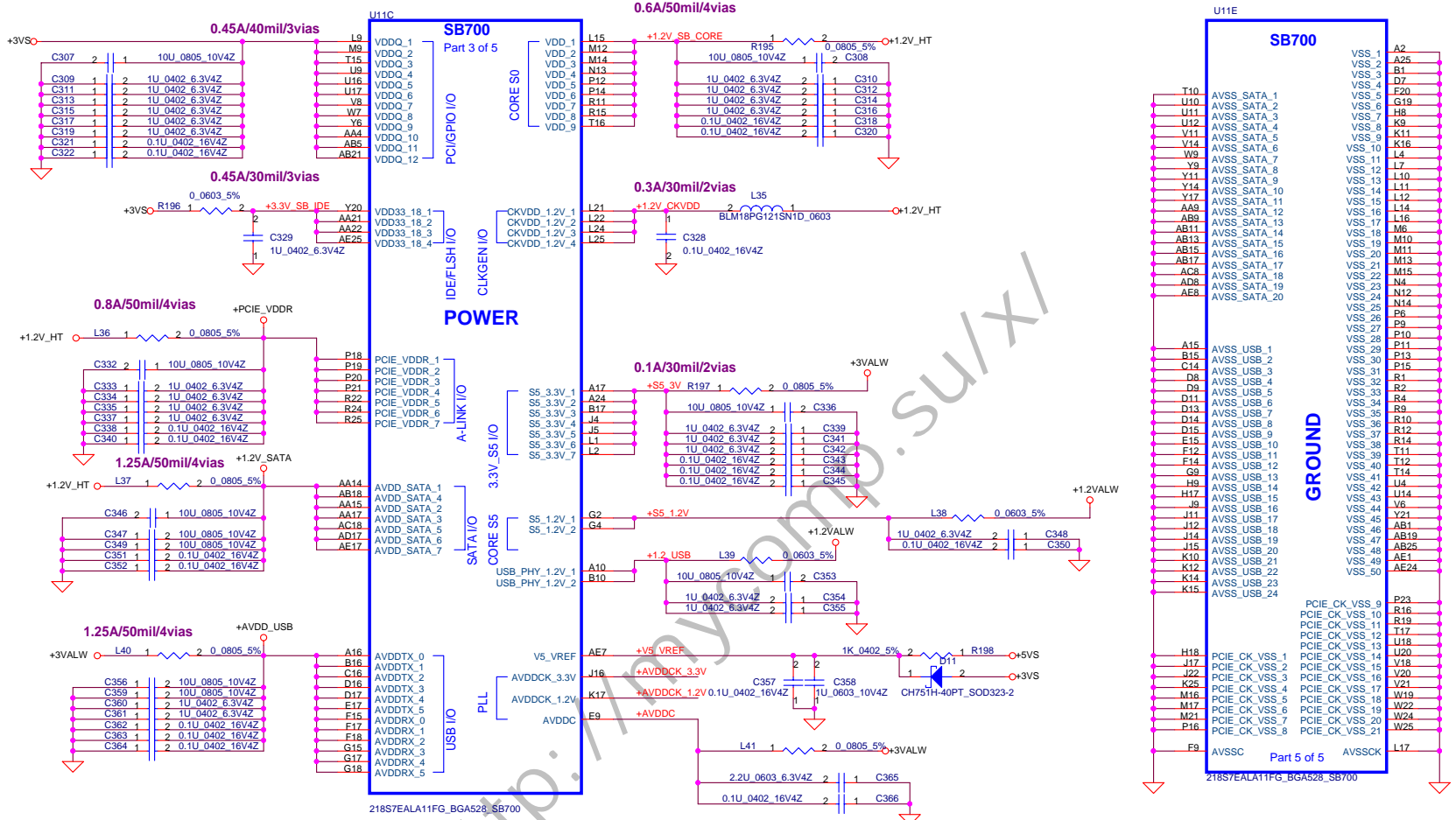
Local Frame Buffer Strapping List
Copy from Becks.

| | LFB_ID2 | LFB_ID1 | LFB_ID0 |
|---------|---------|---------|---------|
| Hynix | 0 | 0 | 0 |
| Qimonda | 0 | 0 | 1 |
| Samsung | 0 | 1 | 0 |

LFB_ID0 to LFB_ID2 got internal PU 10K to S5.



218S7EALA11FG_BGA528_SB700

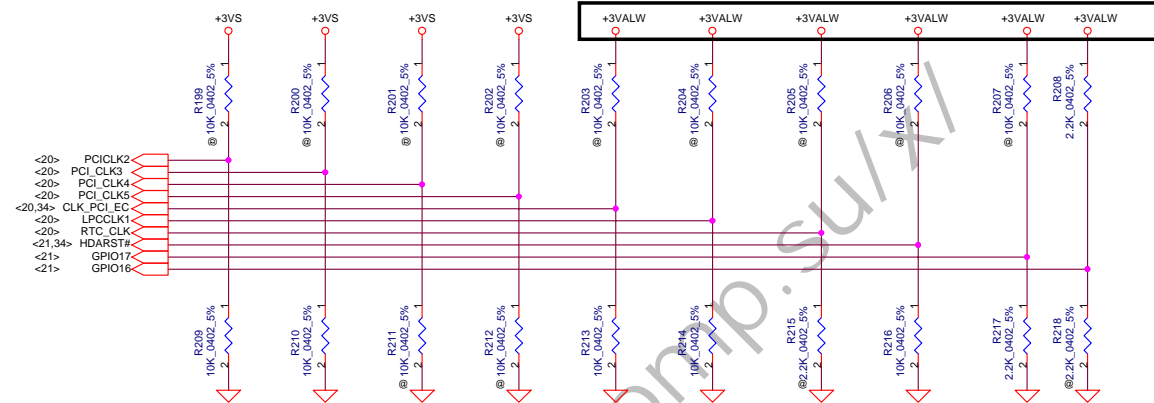


| Security Classification | | Compal Secret Data | | Title | |
|---|----------------------------|--------------------|------------|-----------------|-----|
| Issued Date | 2007/08/02 | Deciphered Date | 2008/08/02 | SB700 PWR/GND | |
| THIS SHEET OF ENGINEERING DRAWING IS THE PROPRIETARY PROPERTY OF COMPAL ELECTRONICS, INC. AND CONTAINS CONFIDENTIAL AND TRADE SECRET INFORMATION. THIS SHEET MAY NOT BE TRANSFERRED FROM THE CUSTODY OF THE COMPETENT DIVISION OF R&D DEPARTMENT EXCEPT AS AUTHORIZED BY COMPAL ELECTRONICS, INC. NEITHER THIS SHEET NOR THE INFORMATION IT CONTAINS MAY BE USED BY OR DISCLOSED TO ANY THIRD PARTY WITHOUT PRIOR WRITTEN CONSENT OF COMPAL ELECTRONICS, INC. | | | | Document Number | Rev |
| | | | | LA-4481P | 0.4 |
| Date: | Monday, September 08, 2008 | Sheet | 23 | of 46 | |

REQUIRED STRAPS

NOTE: SB700 HAS INTERNAL 15K PULL UP RESISTOR FOR RTC_CLK

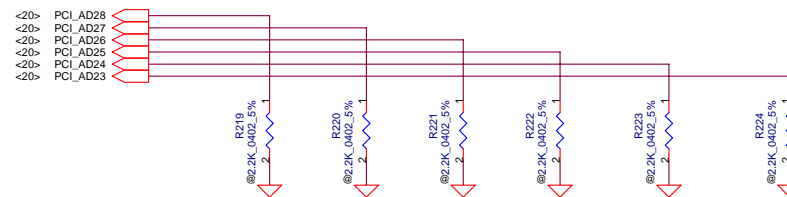
| | PCI_CLK2 | PCI_CLK3 | PCI_CLK4 | PCI_CLK5 | AZ_RST_CD# | LPC_CLK1 | RTC_CLK | LPC_CLK0 | GP17 | GP16 |
|------------------|--|--------------------------------------|----------|----------|------------------------------------|-------------------------------|---|---------------------------|---|------|
| PULL HIGH | BOOTFAIL TIMER ENABLED | USE DEBUG STRAPS | RESERVED | RESERVED | ENABLE PCI MEM BOOT | CLKGEN ENABLED | INTERNAL RTC DEFAULT | EC ENABLED | Internal pull up H,H = Reserved H,L = SPI ROM | |
| PULL LOW | BOOTFAIL TIMER DISABLED DEFAULT | IGNORE DEBUG STRAPS DEFAULT | | | DISABLE PCI MEM BOOT DEFAULT | CLKGEN DISABLED DEFAULT | EXT. RTC (PD on X1, apply 32KHz to RTC_CLK) | EC DISABLED DEFAULT | L,H = LPC ROM (Default) L,L = FWH ROM | |



DEBUG STRAPS

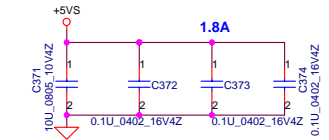
SB700 HAS 15K INTERNAL PU FOR PCI_AD[28:23]

| | PCI_AD28 | PCI_AD27 | PCI_AD26 | PCI_AD25 | PCI_AD24 | PCI_AD23 |
|------------------|---------------------------------|---------------------------|-----------------------------|---------------------------|---------------------------------------|----------|
| PULL HIGH | USE LONG RESET DEFAULT | USE PCI PLL DEFAULT | USE ACPI BCLK DEFAULT | USE IDE PLL DEFAULT | USE DEFAULT PCIE STRAPS DEFAULT | RESERVED |
| PULL LOW | USE SHORT RESET | BYPASS PCI PLL | BYPASS ACPI BCLK | BYPASS IDE PLL | USE EEPROM PCIE STRAPS | |

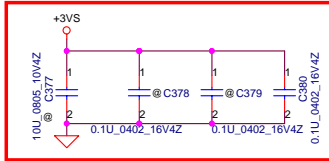


| | | | | | |
|---|--------------------|-----------------|------------|-----------------|----------|
| Security Classification | Compal Secret Data | | | Title | |
| Issued Date | 2007/08/02 | Deciphered Date | 2008/08/02 | SB700 STRAPS | |
| THIS SHEET OF ENGINEERING DRAWING IS THE PROPRIETARY PROPERTY OF COMPAL ELECTRONICS, INC. AND CONTAINS CONFIDENTIAL AND TRADE SECRET INFORMATION. THIS SHEET MAY NOT BE TRANSFERRED FROM THE CUSTODY OF THE COMPETENT DIVISION OF R&D DEPARTMENT EXCEPT AS AUTHORIZED BY COMPAL ELECTRONICS, INC. NEITHER THIS SHEET NOR THE INFORMATION IT CONTAINS MAY BE USED BY OR DISCLOSED TO ANY THIRD PARTY WITHOUT PRIOR WRITTEN CONSENT OF COMPAL ELECTRONICS, INC. | | | | Document Number | Rev |
| | | | | LA-4481P | 0.4 |
| Date: Monday, September 08, 2008 | | | | Sheet | 24 of 46 |

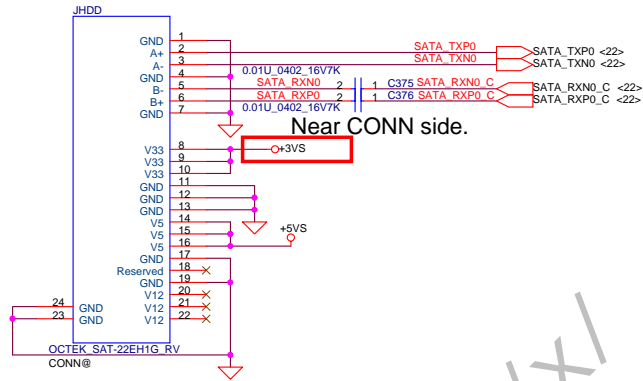
HDD Connector



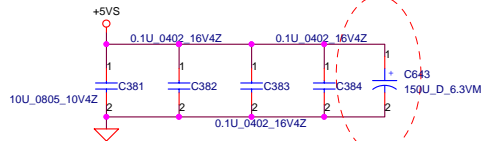
Place near HD CONN



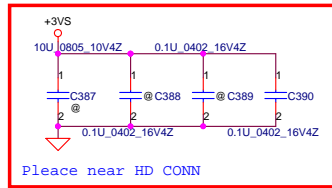
Place near HD CONN



0605 add 150uF Cap to solve hot-plug

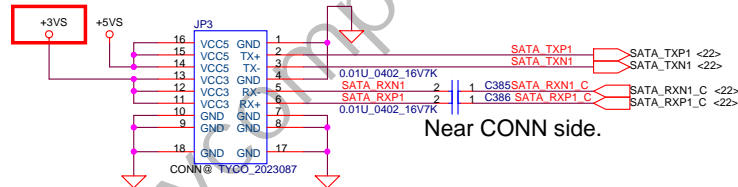


Place near HD CONN



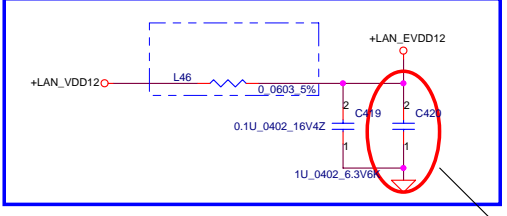
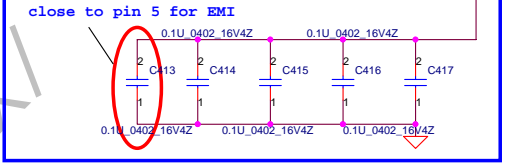
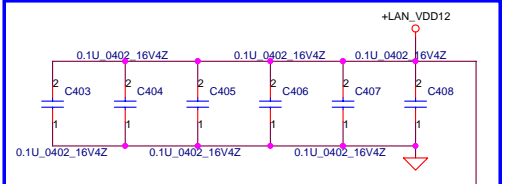
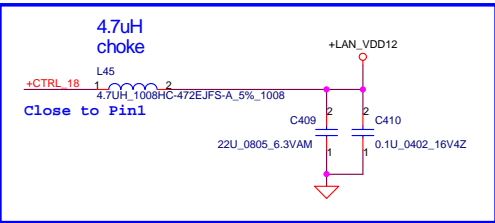
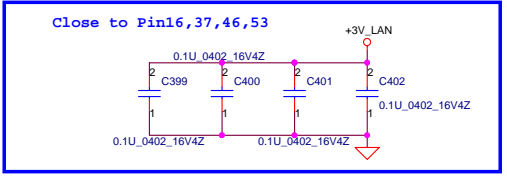
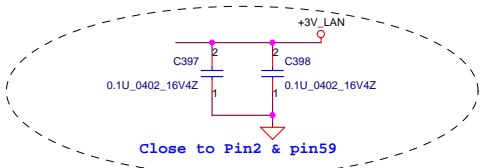
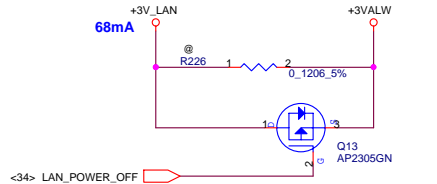
Place near HD CONN

Multi-Bay Connector-option

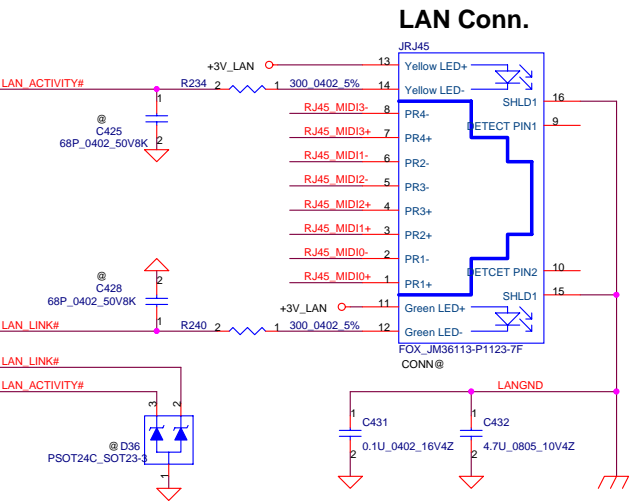
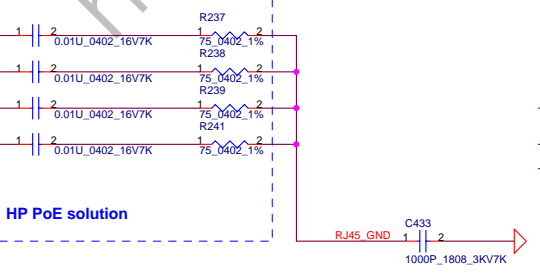
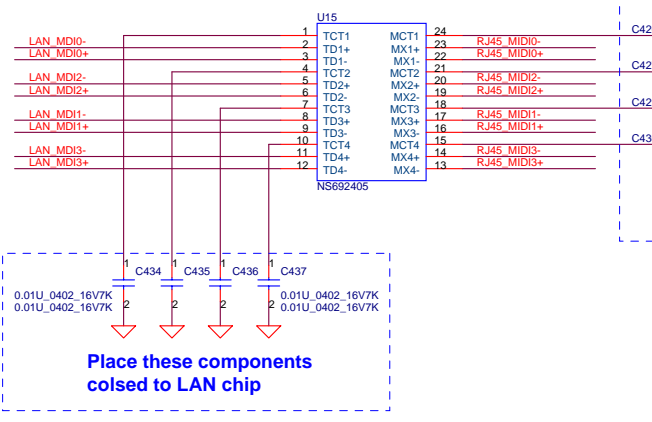
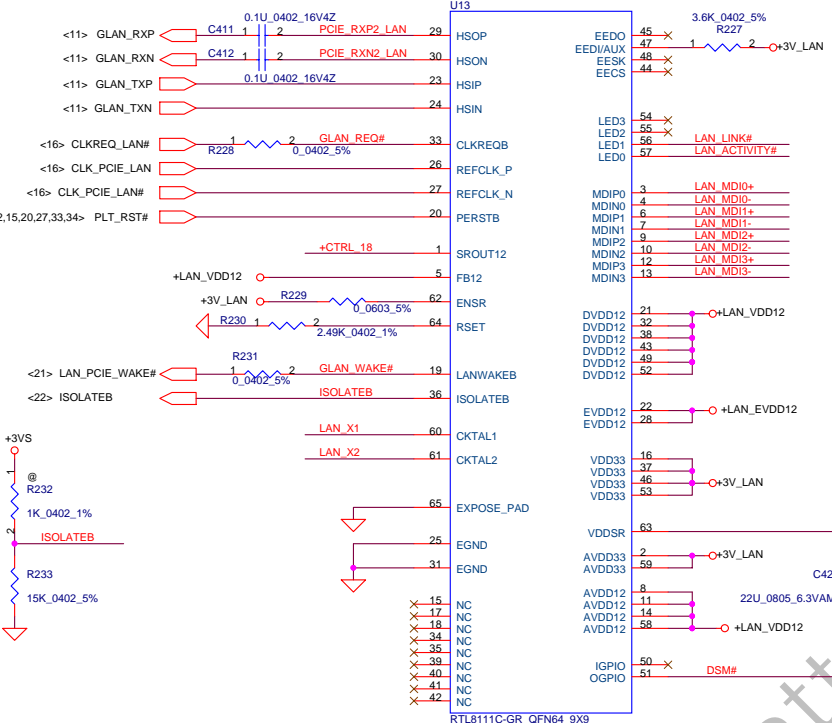


| | | | | | |
|---|--------------------|-----------------|------------|-----------------|----------|
| Security Classification | Compal Secret Data | | | Title | |
| Issued Date | 2007/08/02 | Deciphered Date | 2008/08/02 | HDD/CDROM | |
| THIS SHEET OF ENGINEERING DRAWING IS THE PROPRIETARY PROPERTY OF COMPAL ELECTRONICS, INC. AND CONTAINS CONFIDENTIAL AND TRADE SECRET INFORMATION. THIS SHEET MAY NOT BE TRANSFERRED FROM THE CUSTODY OF THE COMPETENT DIVISION OF R&D DEPARTMENT EXCEPT AS AUTHORIZED BY COMPAL ELECTRONICS, INC. NEITHER THIS SHEET NOR THE INFORMATION IT CONTAINS MAY BE USED BY OR DISCLOSED TO ANY THIRD PARTY WITHOUT PRIOR WRITTEN CONSENT OF COMPAL ELECTRONICS, INC. | | | | Document Number | Rev |
| | | | | LA-448IP | 0.4 |
| Date: Monday, September 08, 2008 | | | | Sheet | 25 of 46 |

1025 add to meet HP request



Place Close to Chip

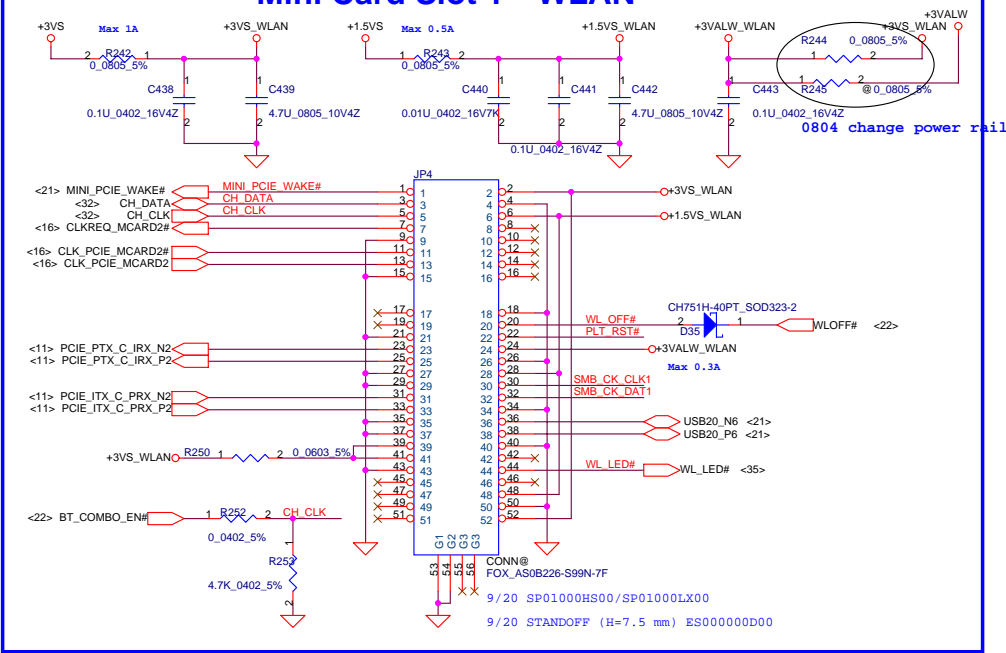


LAN Conn.

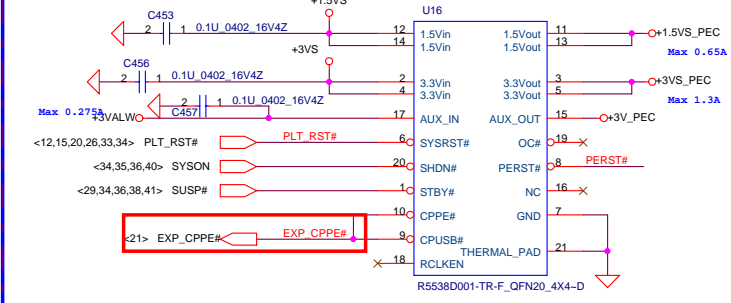
Place these components
colsed to LAN chip

| | | | | | |
|--|----------------------------|-----------------|------------|---------------------------------|----------|
| Security Classification | Compal Secret Data | | Title | Compal Electronics, Inc. | |
| Issued Date | 2007/08/02 | Deciphered Date | 2008/08/02 | RTL8111C/8102E 10/100/1000 LAN | |
| THIS SHEET OF ENGINEERING DRAWING IS THE PROPRIETARY PROPERTY OF COMPAL ELECTRONICS, INC. AND CONTAINS CONFIDENTIAL AND TRADE SECRET INFORMATION. THIS SHEET MAY NOT BE TRANSFERRED FROM THE CUSTODY OF THE COMPETENT DIVISION OF RAISE TO ANY OTHER DEPARTMENT EXCEPT AS AUTHORIZED BY COMPAL ELECTRONICS, INC. NEITHER THIS SHEET NOR THE INFORMATION IT CONTAINS MAY BE USED BY OR DISCLOSED TO ANY THIRD PARTY WITHOUT PRIOR WRITTEN CONSENT OF COMPAL ELECTRONICS, INC. | | | | Rev | 0.4 |
| | | | | Document Number | LA-4481P |
| Date: | Monday, September 08, 2008 | Sheet | 26 | of 46 | |

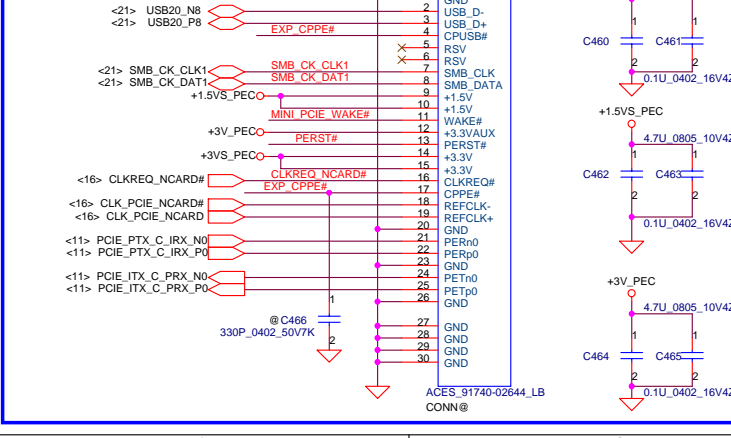
Mini Card Slot 1---WLAN



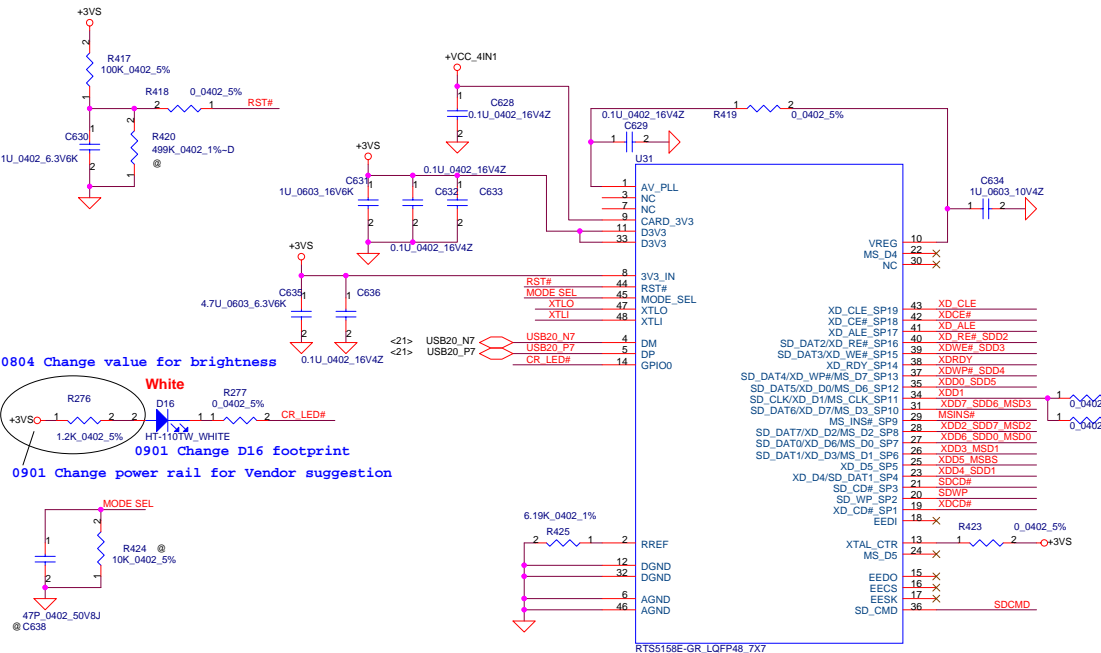
New Card Express Card Power Switch



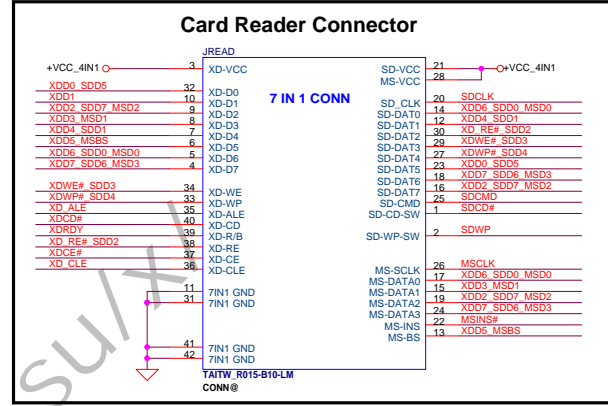
Near to Express Card slot.



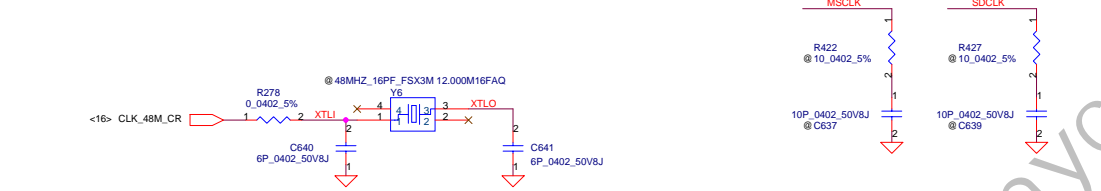
| | | | | | |
|---|----------------------------|-----------------|------------|---------------------------------|-----|
| Security Classification | Compal Secret Data | | Title | Compal Electronics, Inc. | |
| Issued Date | 2007/08/02 | Deciphered Date | 2008/08/02 | WLAN/TV tuner/Express Card | |
| THIS SHEET OF ENGINEERING DRAWING IS THE PROPRIETARY PROPERTY OF COMPAL ELECTRONICS, INC. AND CONTAINS CONFIDENTIAL AND TRADE SECRET INFORMATION. THIS SHEET MAY NOT BE TRANSFERRED FROM THE CUSTODY OF THE COMPETENT DIVISION OF R&D DEPARTMENT EXCEPT AS AUTHORIZED BY COMPAL ELECTRONICS, INC. NEITHER THIS SHEET NOR THE INFORMATION IT CONTAINS MAY BE USED BY OR DISCLOSED TO ANY THIRD PARTY WITHOUT PRIOR WRITTEN CONSENT OF COMPAL ELECTRONICS, INC. | | | | Document Number | Rev |
| | | | | LA-448IP | 0.4 |
| Date: | Monday, September 08, 2008 | Sheet | 27 | of | 46 |



0804 Change value for brightness
 White
 0901 Change D16 footprint
 0901 Change power rail for Vendor suggestion

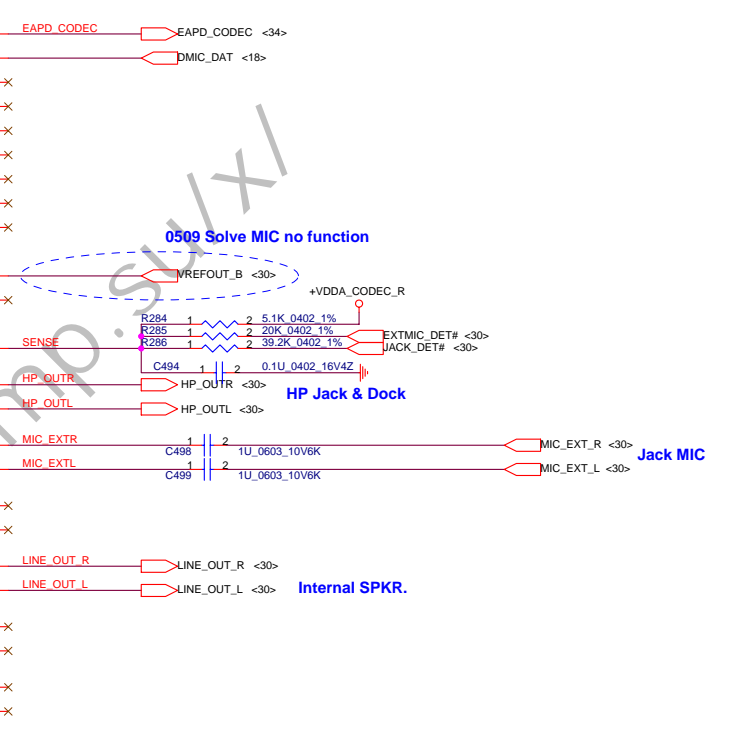
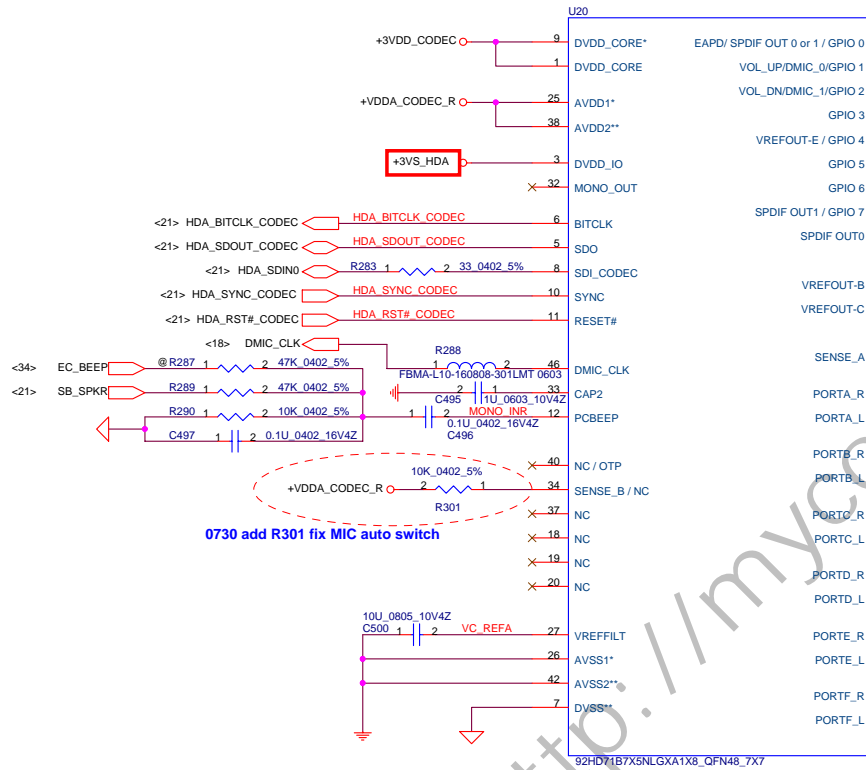
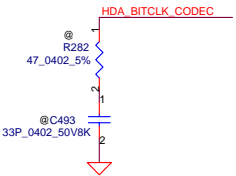
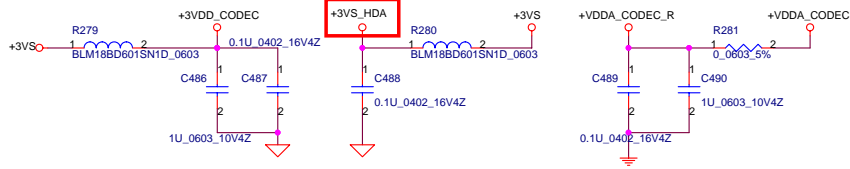
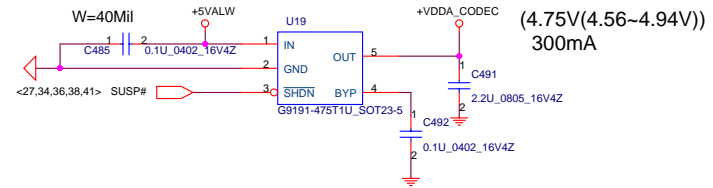


<http://mycomp.su/xx>



| | | | | | | |
|---|--------------------|-----------------|------------|-----------------|---------------------------------|--------------------------------|
| Security Classification | Compal Secret Data | | Title | | Compal Electronics, Inc. | |
| Issued Date | 2007/08/28 | Deciphered Date | 2006/10/06 | Document Number | | USB CardReader&CONN |
| THIS SHEET OF ENGINEERING DRAWING IS THE PROPRIETARY PROPERTY OF COMPAL ELECTRONICS, INC. AND CONTAINS CONFIDENTIAL AND TRADE SECRET INFORMATION. THIS SHEET MAY NOT BE TRANSFERRED FROM THE CUSTODY OF THE COMPETENT DIVISION OF R&D DEPARTMENT EXCEPT AS AUTHORIZED BY COMPAL ELECTRONICS, INC. NEITHER THIS SHEET NOR THE INFORMATION IT CONTAINS MAY BE USED BY OR DISCLOSED TO ANY THIRD PARTY WITHOUT PRIOR WRITTEN CONSENT OF COMPAL ELECTRONICS, INC. | | | | Size | Document Number | Rev |
| | | | | Custom | LA-4481P | 0.4 |
| | | | | Date: | Monday, September 08, 2008 | Sheet 28 of 46 |

CODEC POWER



0730 add R301 fix MIC auto switch

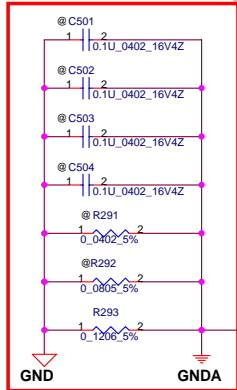
0509 Solve MIC no function

HP Jack & Dock

Jack MIC

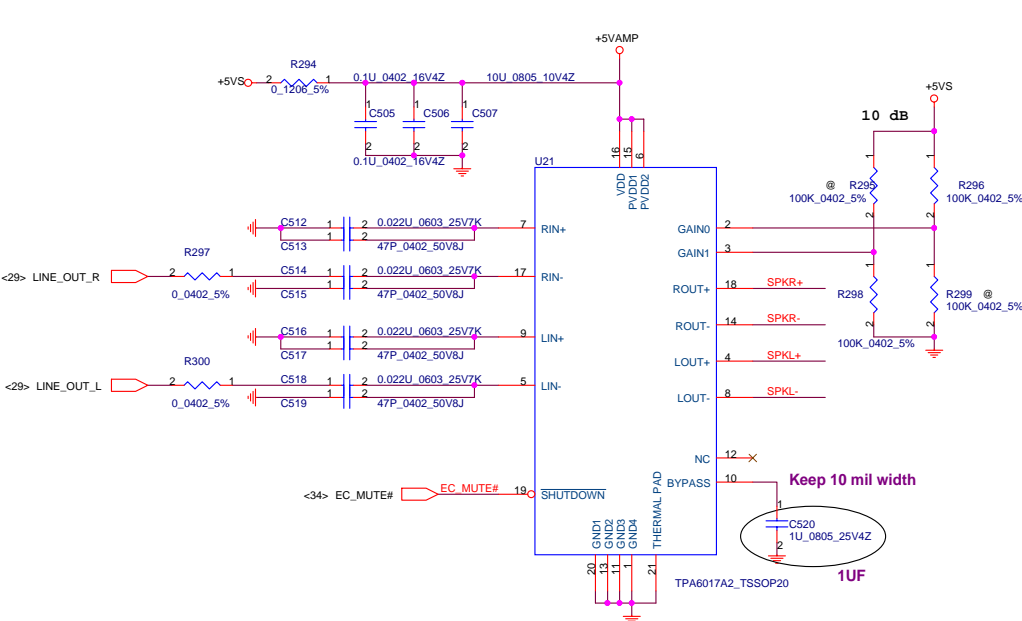
Internal SPKR.

| SENSE A | | SENSE B | |
|---------|----------|---------|----------|
| Port | Resistor | Port | Resistor |
| A | 39.2K | E | 39.2K |
| B | 20K | F | 20K |
| C | 10K | G | 10K |
| D | 5.11K | H | 5.11K |

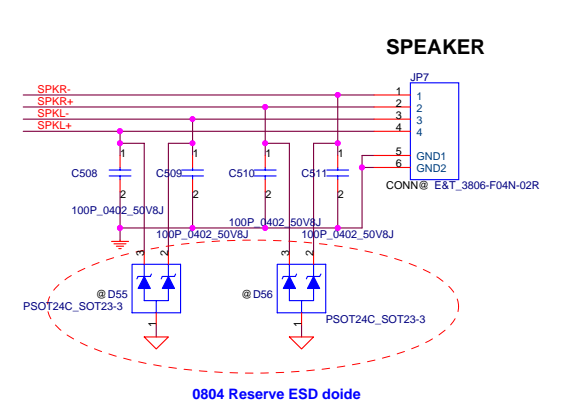


Use an 80mil to connection or place a 1206 resistor under CODEC with double vias.

| | | | | | |
|---|--------------------|-----------------|------------|---------------------------------|----------------------------|
| Security Classification | Compal Secret Data | | Title | Compal Electronics, Inc. | |
| Issued Date | 2007/08/02 | Deciphered Date | 2008/08/02 | Document Number | |
| THIS SHEET OF ENGINEERING DRAWING IS THE PROPRIETARY PROPERTY OF COMPAL ELECTRONICS, INC. AND CONTAINS CONFIDENTIAL AND TRADE SECRET INFORMATION. THIS SHEET MAY NOT BE TRANSFERRED FROM THE CUSTODY OF THE COMPETENT DIVISION OF R&D DEPARTMENT EXCEPT AS AUTHORIZED BY COMPAL ELECTRONICS, INC. NEITHER THIS SHEET NOR THE INFORMATION IT CONTAINS MAY BE USED BY OR DISCLOSED TO ANY THIRD PARTY WITHOUT PRIOR WRITTEN CONSENT OF COMPAL ELECTRONICS, INC. | | | | Rev | 0.4 |
| | | | | Date: | Monday, September 08, 2008 |
| | | | | Sheet | 29 of 46 |



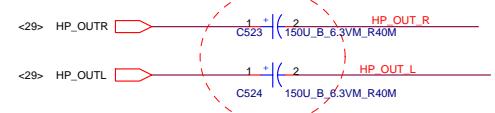
| GAIN0 | GAIN1 | Av (inv) |
|-------|-------|----------|
| 0 | 0 | 6dB |
| 0 | 1 | 10dB |
| 1 | 0 | 15.6dB |
| 1 | 1 | 21.6dB |



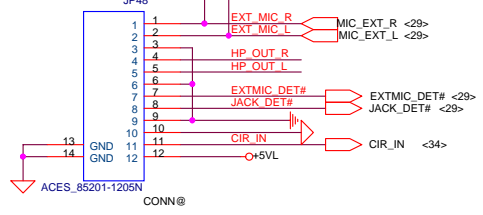
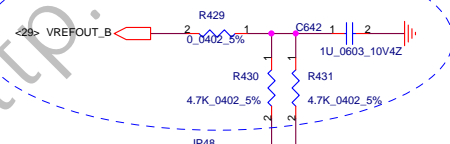
0605 Remove Transistors.



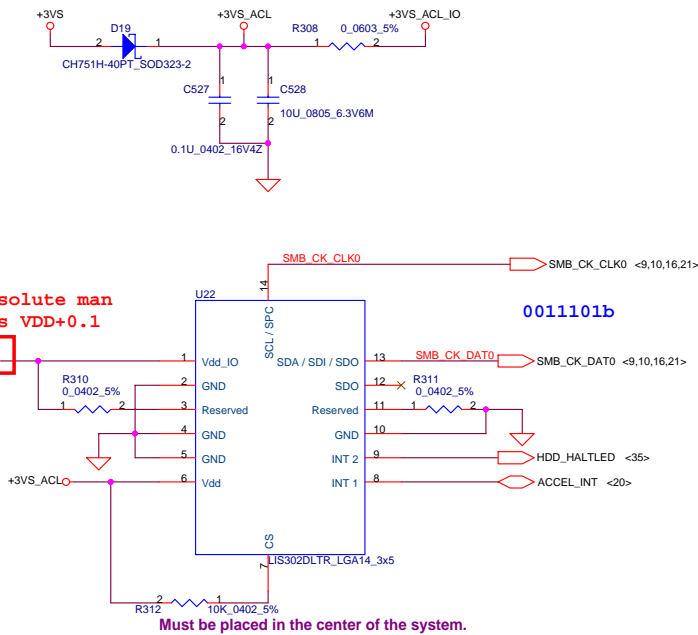
0605 change Cap size to solve DFB issue.



0509 Solve MIC no function



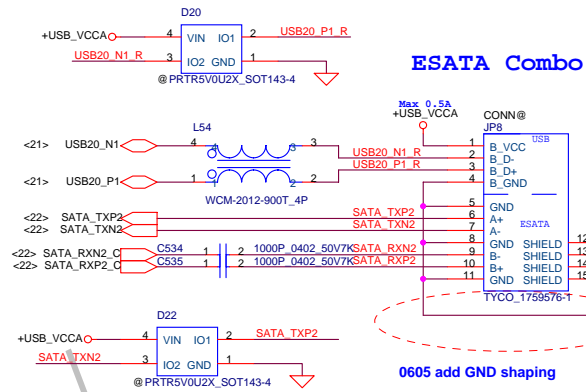
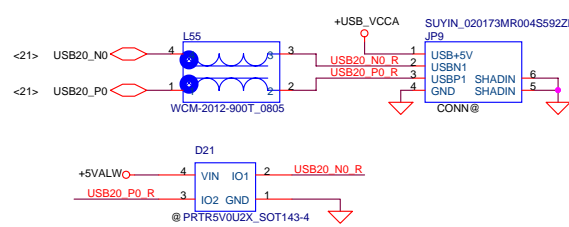
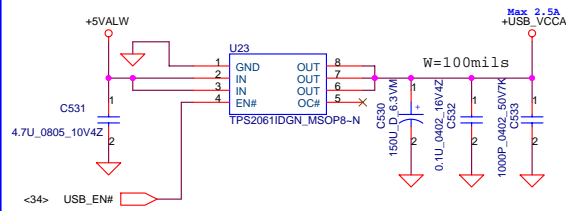
ACCELEROMETER



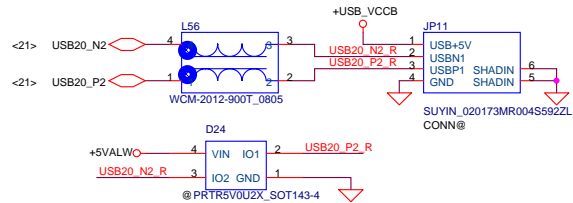
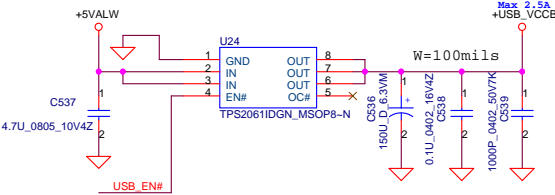
<http://mycomp.su/xl>

| | | | | | |
|---|--------------------|-----------------|------------|----------------------------|----------------|
| Security Classification | Compal Secret Data | | | Title | |
| Issued Date | 2007/08/02 | Deciphered Date | 2008/08/02 | Accelerometer | |
| THIS SHEET OF ENGINEERING DRAWING IS THE PROPRIETARY PROPERTY OF COMPAL ELECTRONICS, INC. AND CONTAINS CONFIDENTIAL AND TRADE SECRET INFORMATION. THIS SHEET MAY NOT BE TRANSFERRED FROM THE CUSTODY OF THE COMPETENT DIVISION OF R&D DEPARTMENT EXCEPT AS AUTHORIZED BY COMPAL ELECTRONICS, INC. NEITHER THIS SHEET NOR THE INFORMATION IT CONTAINS MAY BE USED BY OR DISCLOSED TO ANY THIRD PARTY WITHOUT PRIOR WRITTEN CONSENT OF COMPAL ELECTRONICS, INC. | | | | Document Number | Rev |
| | | | | LA-448IP | 0.4 |
| Date: | | | | Monday, September 08, 2008 | Sheet 31 of 46 |

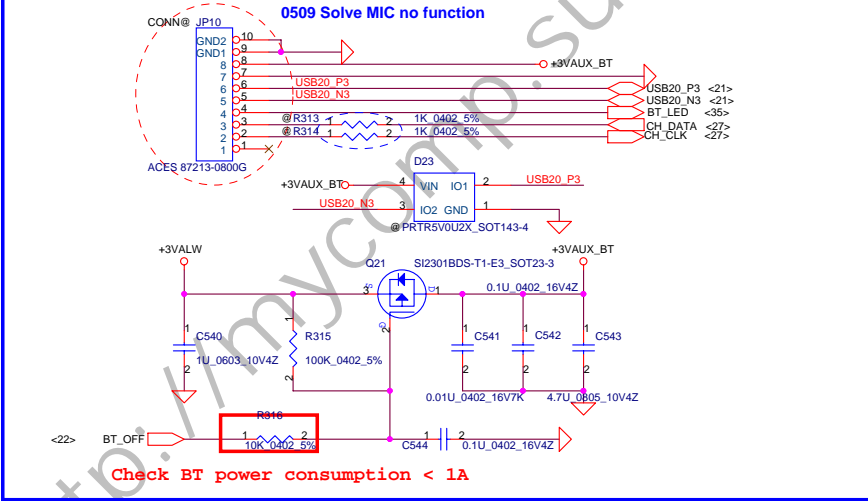
E-SATA Combo & USB-1



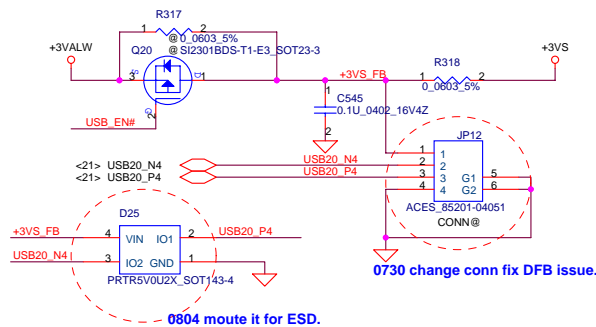
USB-3



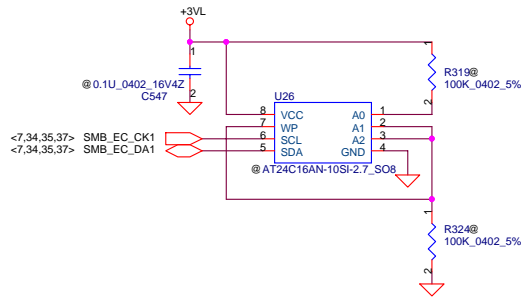
BT Connector



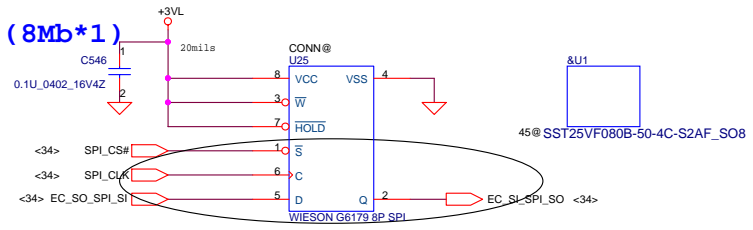
Finger printer



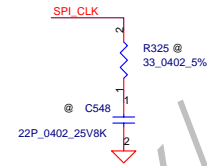
| | | | | | |
|---|----------------------------|-----------------|------------|---------------------------------|----|
| Security Classification | Compal Secret Data | | Title | Compal Electronics, Inc. | |
| Issued Date | 2007/08/02 | Deciphered Date | 2008/08/02 | USB, BT, eSATA, FPR | |
| THIS SHEET OF ENGINEERING DRAWING IS THE PROPRIETARY PROPERTY OF COMPAL ELECTRONICS, INC. AND CONTAINS CONFIDENTIAL AND TRADE SECRET INFORMATION. THIS SHEET MAY NOT BE TRANSFERRED FROM THE CUSTODY OF THE COMPETENT DIVISION OF R&D DEPARTMENT EXCEPT AS AUTHORIZED BY COMPAL ELECTRONICS, INC. NEITHER THIS SHEET NOR THE INFORMATION IT CONTAINS MAY BE USED BY OR DISCLOSED TO ANY THIRD PARTY WITHOUT PRIOR WRITTEN CONSENT OF COMPAL ELECTRONICS, INC. | | | | | |
| Date: | Monday, September 08, 2008 | Sheet | 32 | of | 46 |



SPI Flash (8Mb*1)

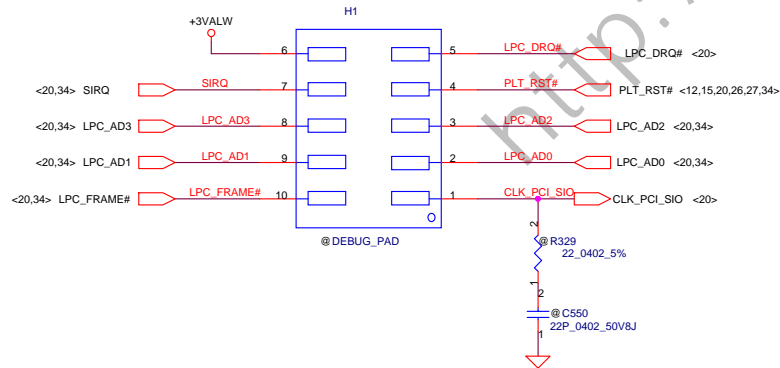


0605 remove 0 ohm resistors

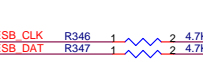
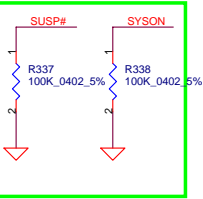
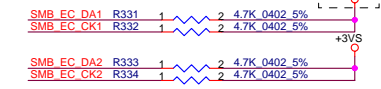
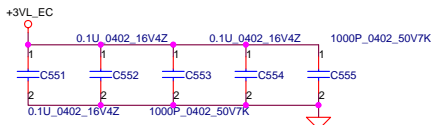


0605 Remove LPC debug connector

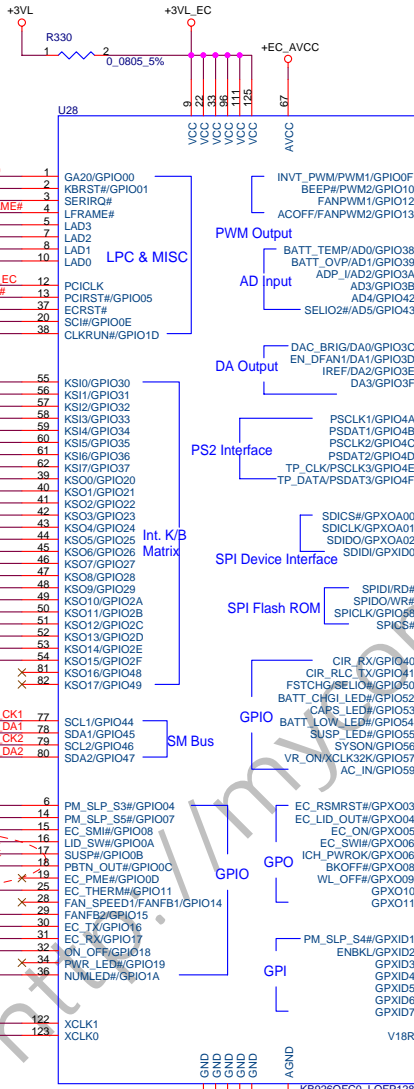
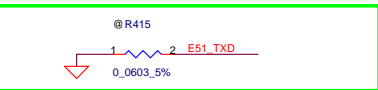
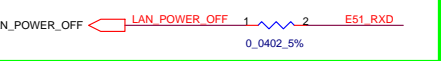
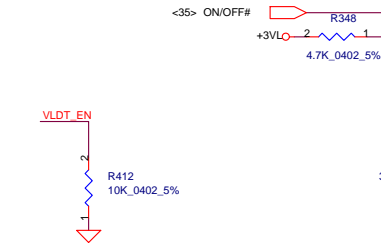
LPC Debug Port



| | | | | | | |
|---|--------------------|-----------------|------------|-----------------|---------------------------------|------------|
| Security Classification | Compal Secret Data | | | Title | Compal Electronics, Inc. | |
| Issued Date | 2007/08/02 | Deciphered Date | 2008/08/02 | Document Number | BIOS ROM/Debug Tool | |
| THIS SHEET OF ENGINEERING DRAWING IS THE PROPRIETARY PROPERTY OF COMPAL ELECTRONICS, INC. AND CONTAINS CONFIDENTIAL AND TRADE SECRET INFORMATION. THIS SHEET MAY NOT BE TRANSFERRED FROM THE CUSTODY OF THE COMPETENT DIVISION OF R&D DEPARTMENT EXCEPT AS AUTHORIZED BY COMPAL ELECTRONICS, INC. NEITHER THIS SHEET NOR THE INFORMATION IT CONTAINS MAY BE USED BY OR DISCLOSED TO ANY THIRD PARTY WITHOUT PRIOR WRITTEN CONSENT OF COMPAL ELECTRONICS, INC. | | | | Date | Monday, September 08, 2008 | Rev 0.4 |
| | | | | Sheet | 33 | of 46 |



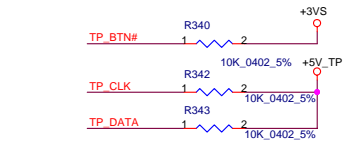
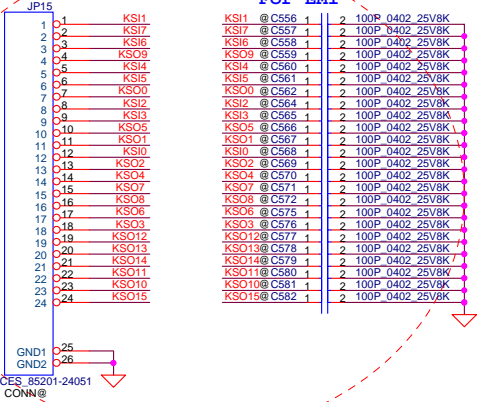
0509 change value to solve ENE cap-board could not detect



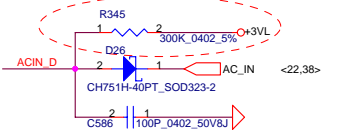
0605 Change pin assignment

KBD CONN

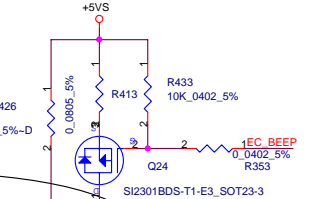
For EMI



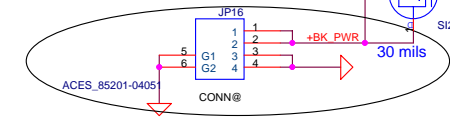
0605 Change value to solve AC plugged/unplugged power status issue.



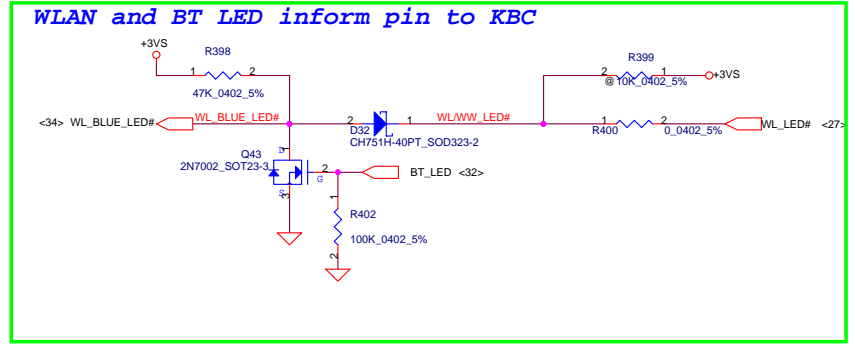
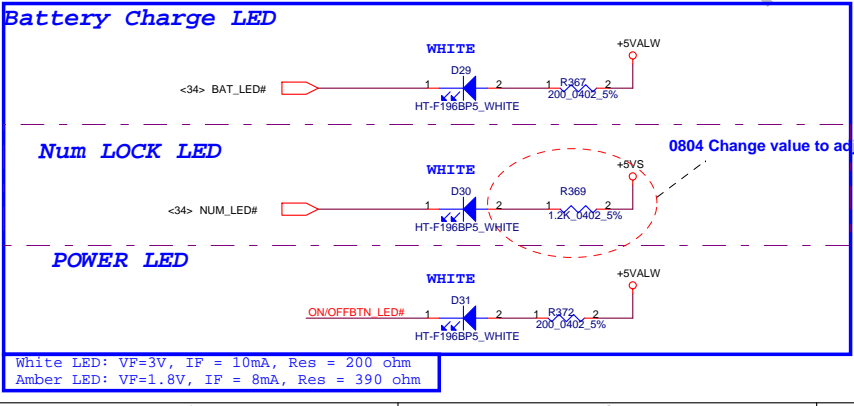
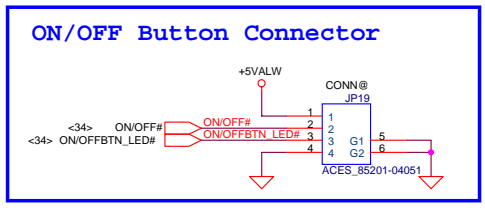
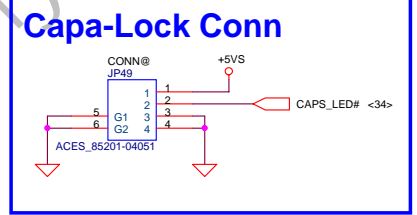
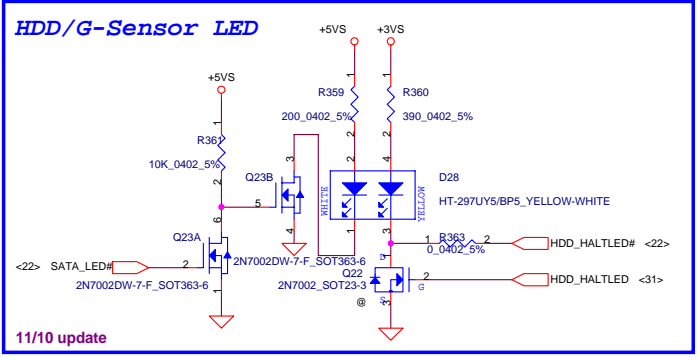
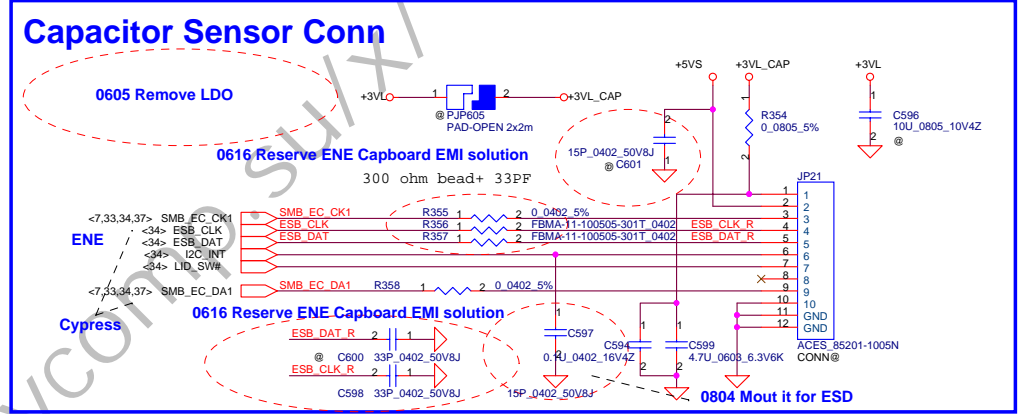
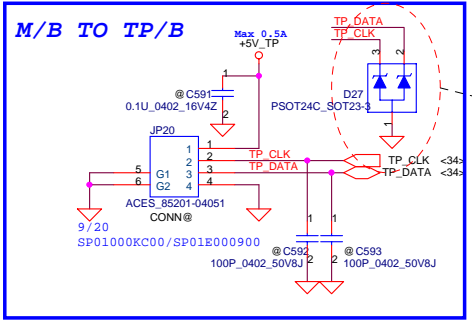
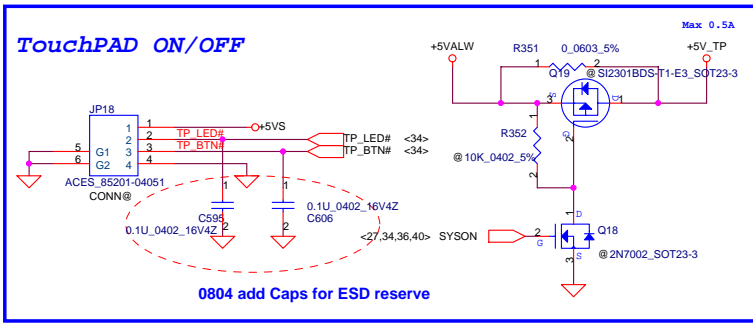
KB Back Light Conn



0619 change pin assignment

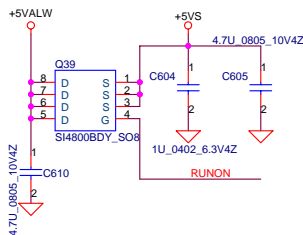


| Security Classification | Compal Secret Data | | Title |
|---|----------------------------|-----------------|------------|
| Issued Date | 2007/08/02 | Deciphered Date | 2008/08/02 |
| THIS SHEET OF ENGINEERING DRAWING IS THE PROPRIETARY PROPERTY OF COMPAL ELECTRONICS, INC. AND CONTAINS CONFIDENTIAL AND TRADE SECRET INFORMATION. THIS SHEET MAY NOT BE TRANSFERRED FROM THE CUSTODY OF THE COMPETENT DIVISION OF R&D DEPARTMENT EXCEPT AS AUTHORIZED BY COMPAL ELECTRONICS, INC. NEITHER THIS SHEET NOR THE INFORMATION IT CONTAINS MAY BE USED BY OR DISCLOSED TO ANY THIRD PARTY WITHOUT PRIOR WRITTEN CONSENT OF COMPAL ELECTRONICS, INC. | | | |
| Compal Electronics, Inc. | | | |
| EC KB926/KB conn | | | |
| Document Number | LA-4481P | | Rev 0.4 |
| Date: | Monday, September 08, 2008 | Sheet | 34 of 46 |

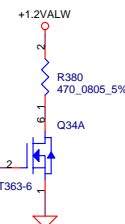
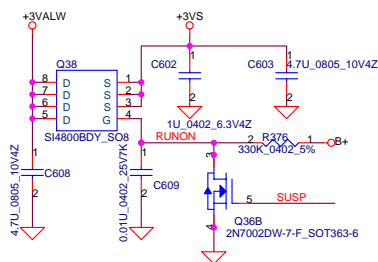


| | | | | | |
|---|----------------------------|-----------------|-----------------|---------------------------------|---------|
| Security Classification | Compal Secret Data | | Title | Compal Electronics, Inc. | |
| Issued Date | 2007/08/02 | Deciphered Date | 2008/08/02 | TP,MDC,ON/OFF,S/W,LED,Reed | |
| THIS SHEET OF ENGINEERING DRAWING IS THE PROPRIETARY PROPERTY OF COMPAL ELECTRONICS, INC. AND CONTAINS CONFIDENTIAL AND TRADE SECRET INFORMATION. THIS SHEET MAY NOT BE TRANSFERRED FROM THE CUSTODY OF THE COMPETENT DIVISION OF R&D DEPARTMENT EXCEPT AS AUTHORIZED BY COMPAL ELECTRONICS, INC. NEITHER THIS SHEET NOR THE INFORMATION IT CONTAINS MAY BE USED BY OR DISCLOSED TO ANY THIRD PARTY WITHOUT PRIOR WRITTEN CONSENT OF COMPAL ELECTRONICS, INC. | | | Document Number | LA-4481P | Rev 0.4 |
| Date: | Monday, September 08, 2008 | Sheet | 35 | of | 46 |

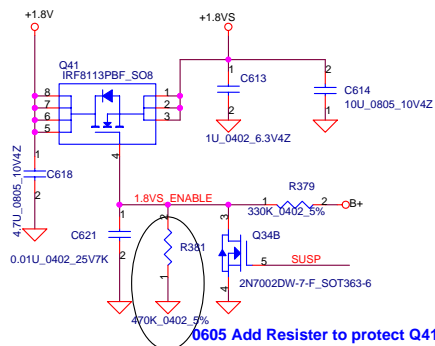
+5VALW TO +5VS



+3VALW TO +3VS

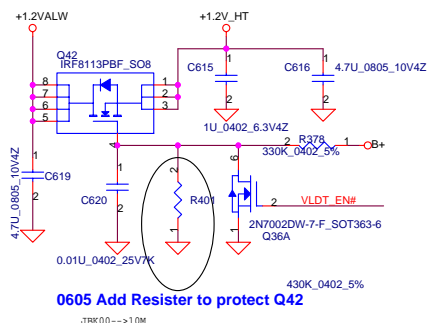


+1.8V TO +1.8VS



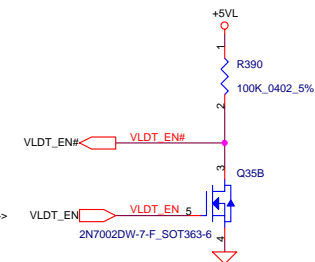
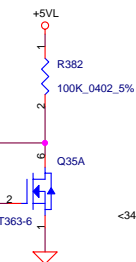
0605 Add Resistor to protect Q41

+1.2VALW TO +1.2V_HT



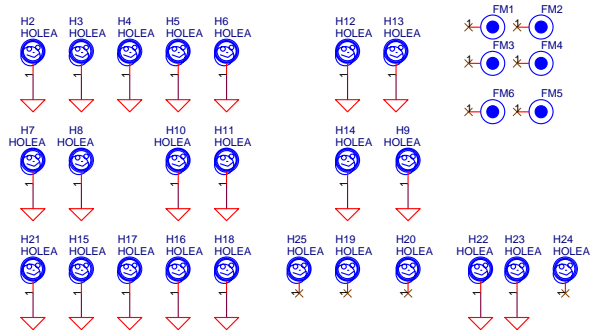
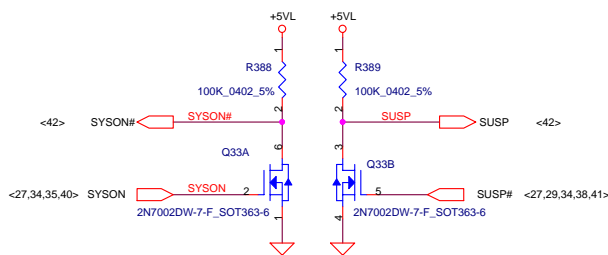
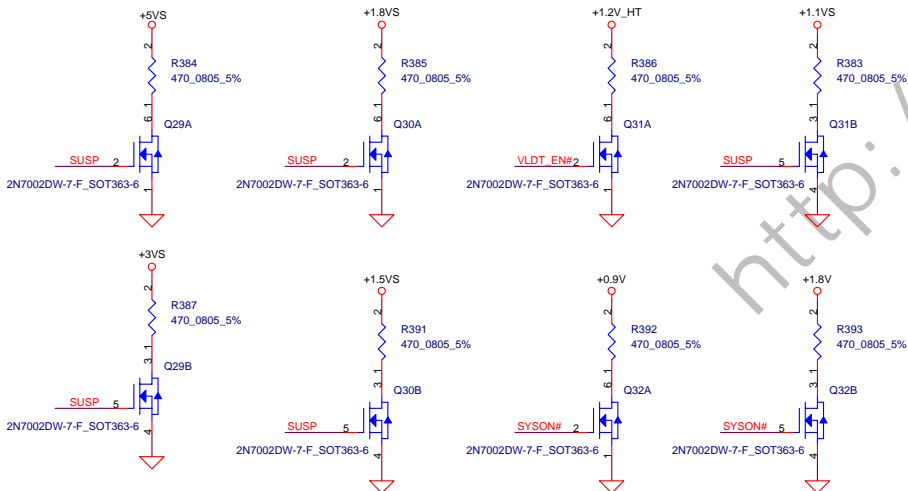
0605 Add Resistor to protect Q42

J8K00-->10M



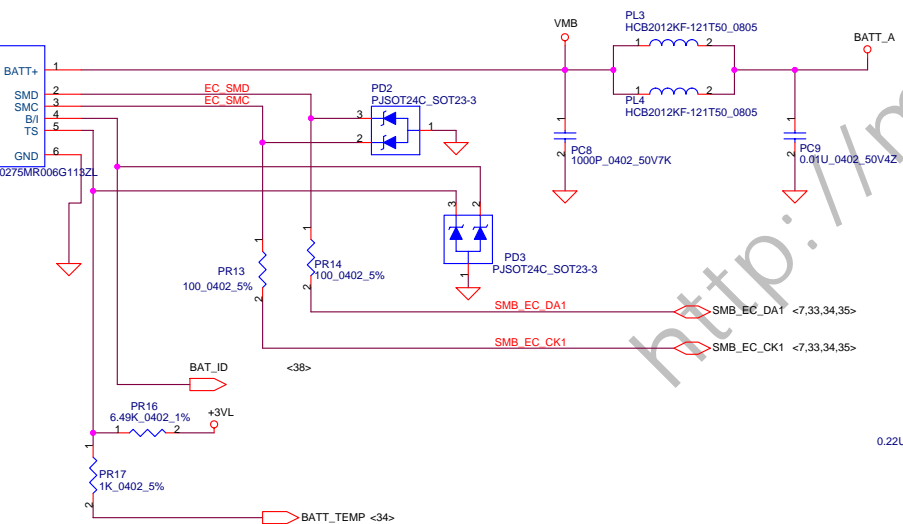
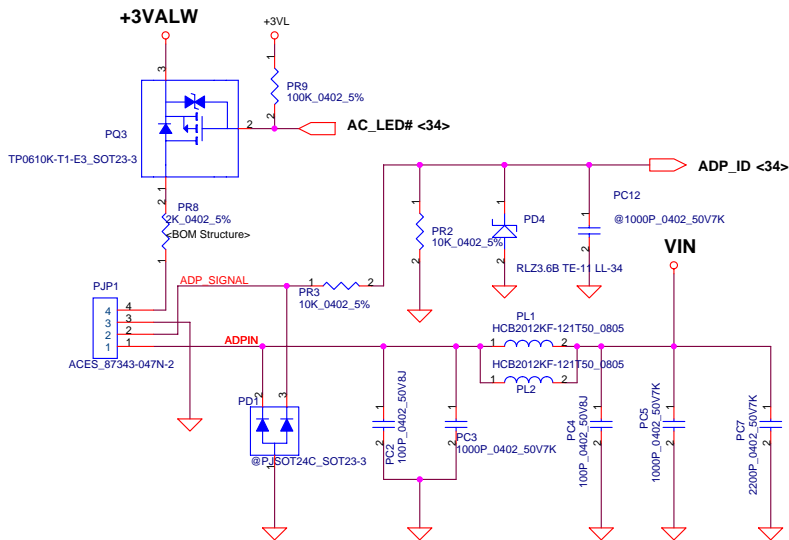
Discharge circuit

J8K00-->750K

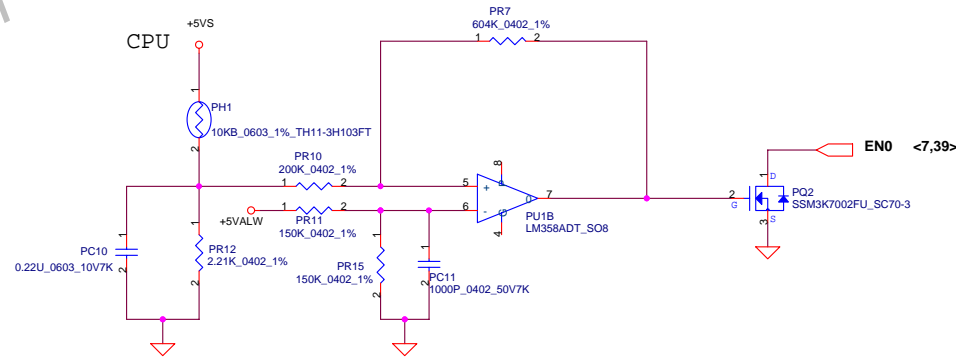


| | | | | | |
|---|--------------------|-----------------|------------|---------------------------------|----------|
| Security Classification | Compal Secret Data | | Title | Compal Electronics, Inc. | |
| Issued Date | 2007/08/02 | Deciphered Date | 2008/08/02 | DC/DC Circuits | |
| THIS SHEET OF ENGINEERING DRAWING IS THE PROPRIETARY PROPERTY OF COMPAL ELECTRONICS, INC. AND CONTAINS CONFIDENTIAL AND TRADE SECRET INFORMATION. THIS SHEET MAY NOT BE TRANSFERRED FROM THE CUSTODY OF THE COMPETENT DIVISION OF R&D DEPARTMENT EXCEPT AS AUTHORIZED BY COMPAL ELECTRONICS, INC. NEITHER THIS SHEET NOR THE INFORMATION IT CONTAINS MAY BE USED BY OR DISCLOSED TO ANY THIRD PARTY WITHOUT PRIOR WRITTEN CONSENT OF COMPAL ELECTRONICS, INC. | | | | Document Number | Rev |
| | | | | LA-4481P | 0.4 |
| Date: Monday, September 08, 2008 | | | | Sheet | 36 of 46 |

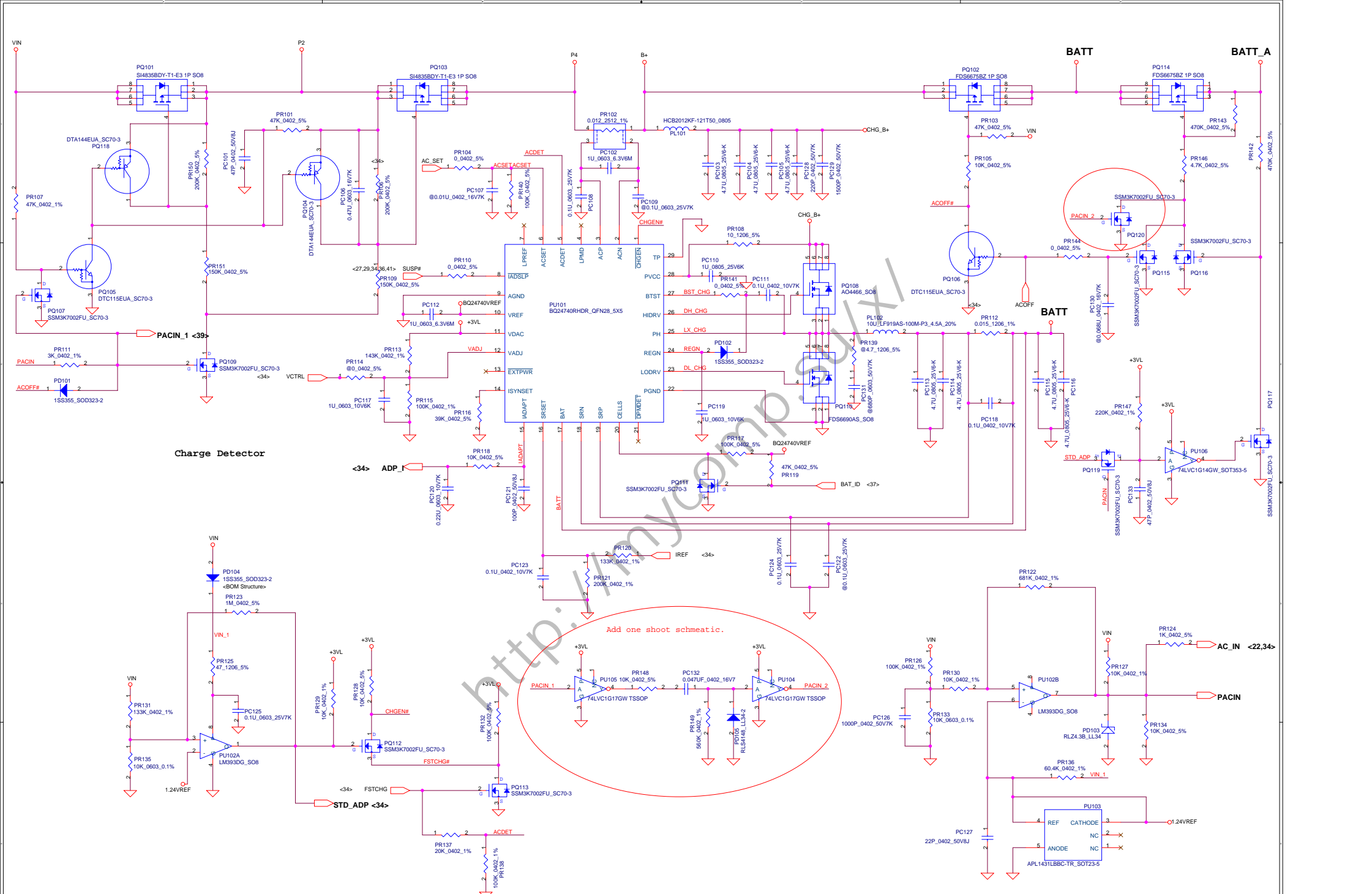
BATT1
45@CR2032 RTC BATTERY



PH1 under CPU bottom side :
CPU thermal protection at 95 +-3 degree C



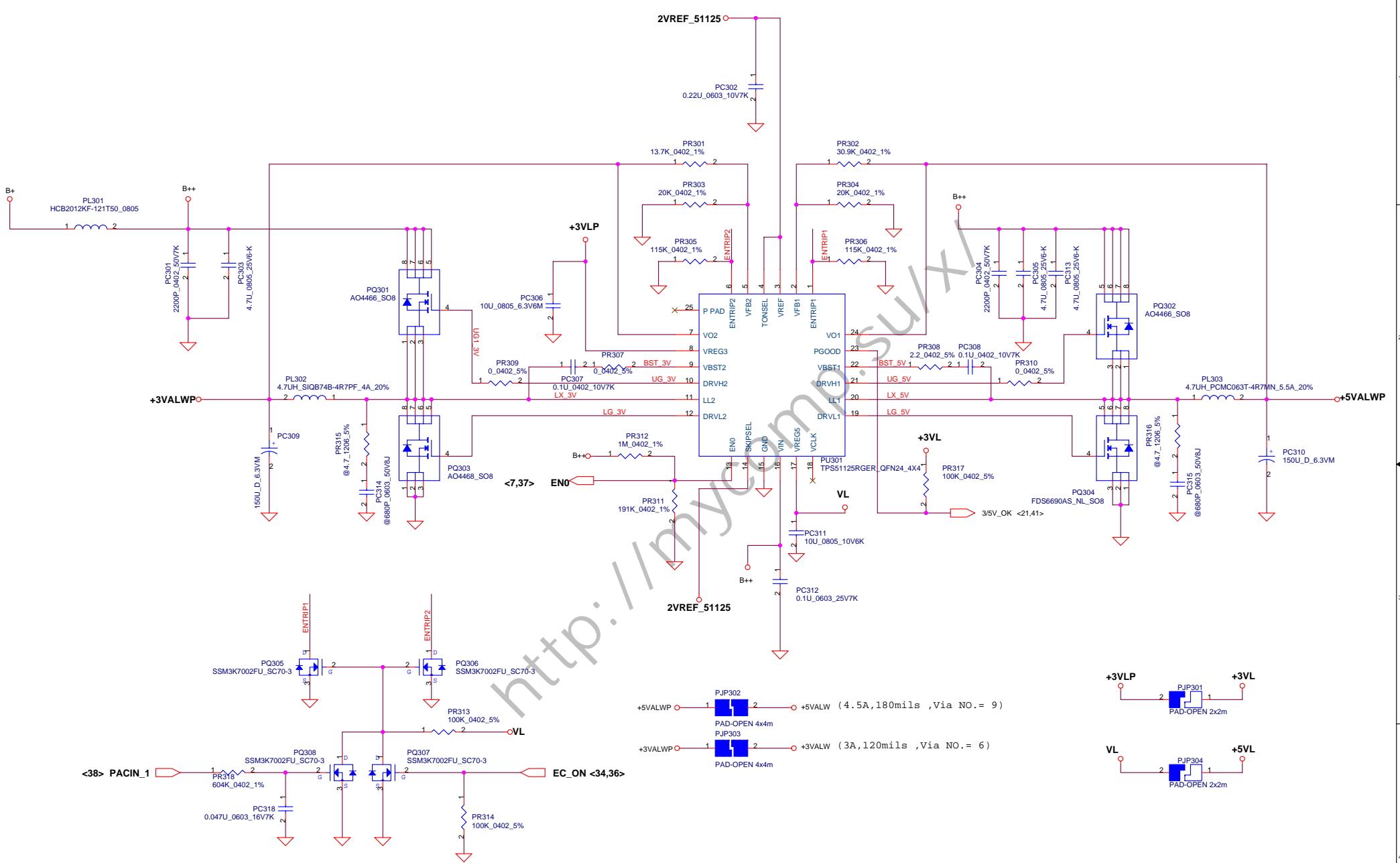
| | | | | | | |
|---|--------------------|-----------------|------------|-----------------|---------------------------------|----------------|
| Security Classification | Compal Secret Data | | | Title | Compal Electronics, Inc. | |
| Issued Date | 2007/08/02 | Deciphered Date | 2008/08/02 | Document Number | DC Connector/CPU OTP | |
| THIS SHEET OF ENGINEERING DRAWING IS THE PROPRIETARY PROPERTY OF COMPAL ELECTRONICS, INC. AND CONTAINS CONFIDENTIAL AND TRADE SECRET INFORMATION. THIS SHEET MAY NOT BE TRANSFERRED FROM THE CUSTODY OF THE COMPETENT DIVISION OF R&D DEPARTMENT EXCEPT AS AUTHORIZED BY COMPAL ELECTRONICS, INC. NEITHER THIS SHEET NOR THE INFORMATION IT CONTAINS MAY BE USED BY OR DISCLOSED TO ANY THIRD PARTY WITHOUT PRIOR WRITTEN CONSENT OF COMPAL ELECTRONICS, INC. | | | | Date | Monday, September 08, 2008 | Sheet 37 of 46 |
| | | | | Rev | 0.4 | |



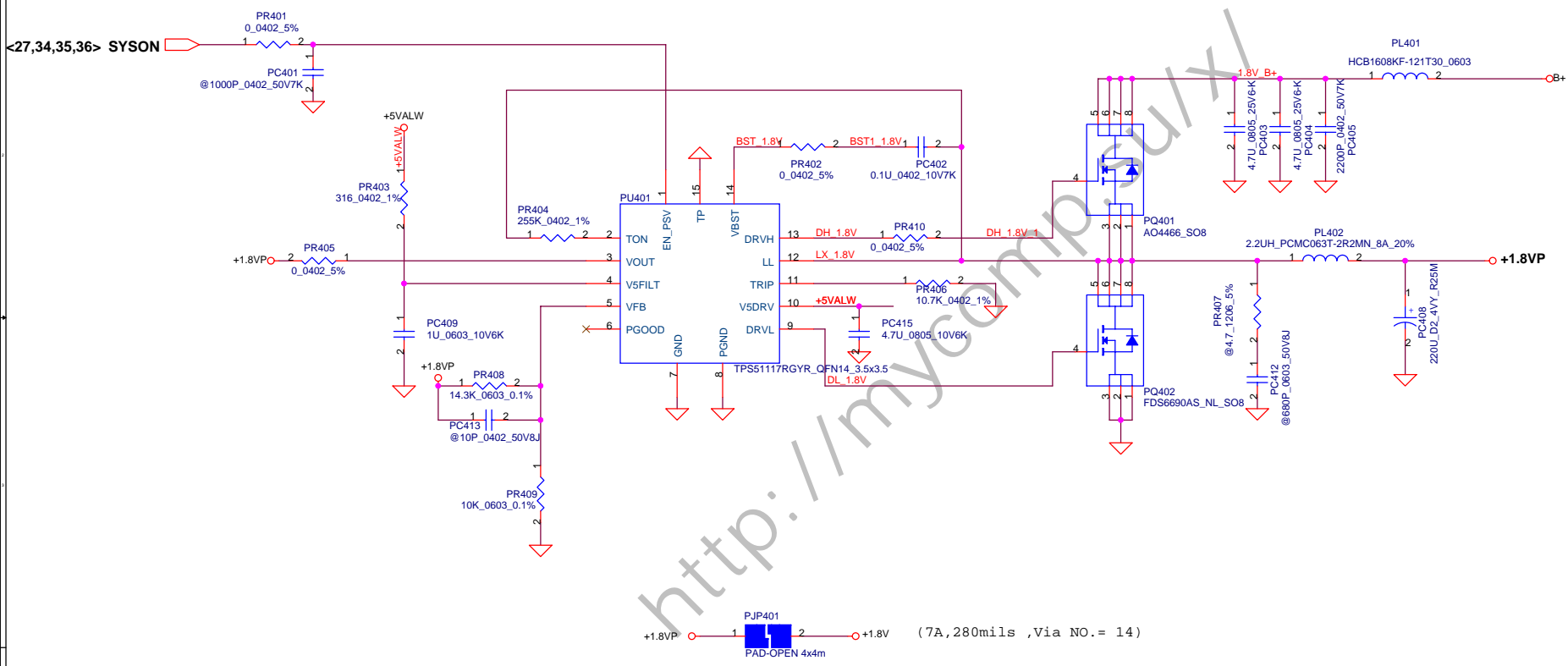
Charge Detector

Add one shoot schematic.

| | | | | |
|--|----------------------------|-----------------|------------|---------|
| Security Classification | Compal Secret Data | | Title | |
| Issued Date | 2007/05/29 | Deciphered Date | 2008/05/29 | LA-441P |
| <p>THIS SHEET OF ENGINEERING DRAWING IS THE PROPRIETARY PROPERTY OF COMPAL ELECTRONICS, INC. AND CONTAINS CONFIDENTIAL AND TRADE SECRET INFORMATION. THIS SHEET MAY NOT BE TRANSFERRED FROM THE CUSTODY OF THE COMPETENT DIVISION OF R&D DEPARTMENT EXCEPT AS AUTHORIZED BY COMPAL ELECTRONICS, INC. NEITHER THIS SHEET NOR THE INFORMATION IT CONTAINS MAY BE USED BY OR DISCLOSED TO ANY THIRD PARTY WITHOUT PRIOR WRITTEN CONSENT OF COMPAL ELECTRONICS, INC.</p> | | | | |
| Date: | Monday, September 08, 2008 | Sheet | 38 | of 46 |

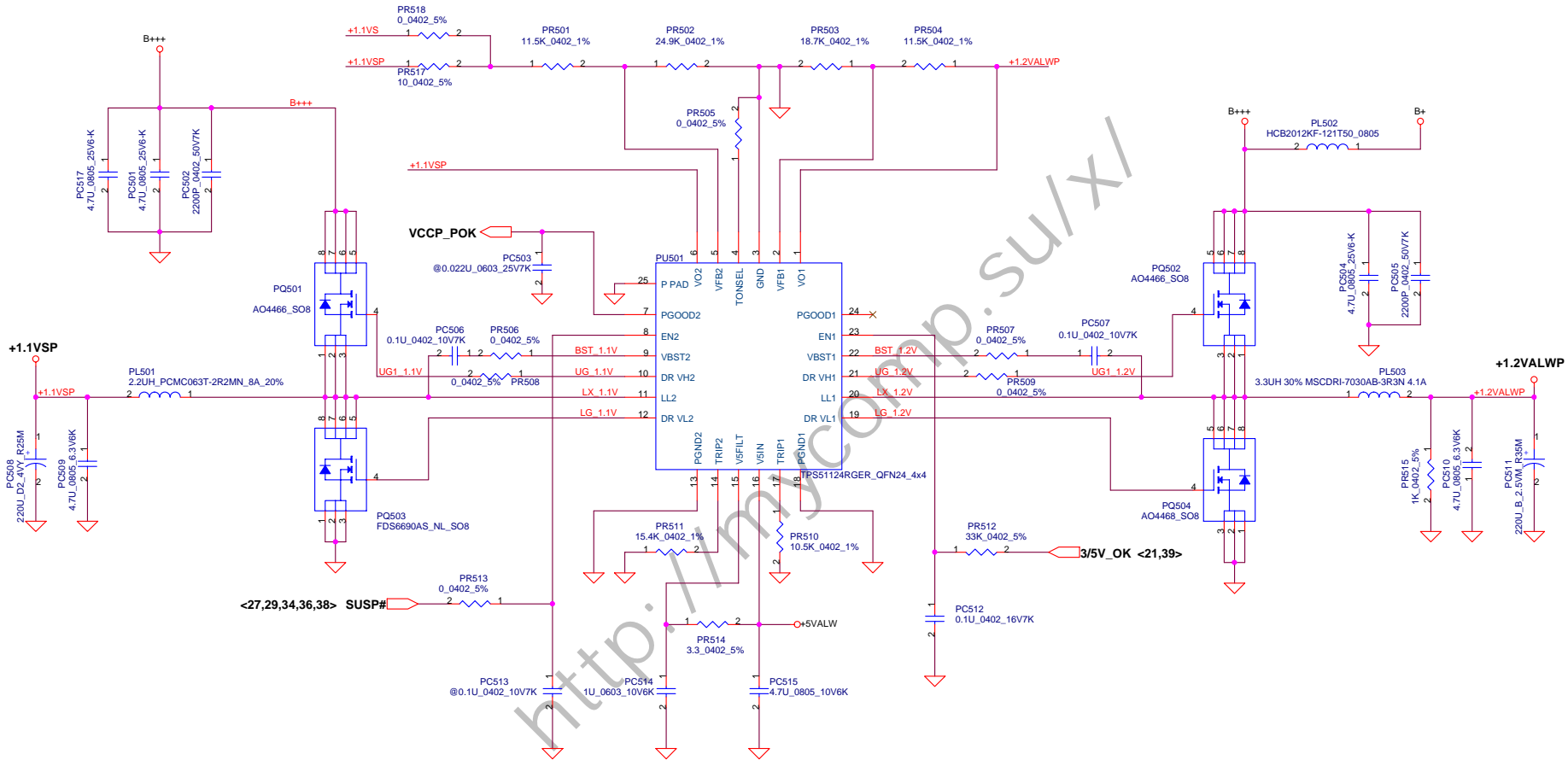


| | | | | | |
|---|--------------------|-----------------|------------|----------------------------|----------------|
| Security Classification | Compal Secret Data | | Title | 3.3VALWP/5VALWP | |
| Issued Date | 2007/08/02 | Deciphered Date | 2008/08/02 | Document Number | LA-4481P |
| THIS SHEET OF ENGINEERING DRAWING IS THE PROPRIETARY PROPERTY OF COMPAL ELECTRONICS, INC. AND CONTAINS CONFIDENTIAL AND TRADE SECRET INFORMATION. THIS SHEET MAY NOT BE TRANSFERRED FROM THE CUSTODY OF THE COMPETENT DIVISION OF R&D DEPARTMENT EXCEPT AS AUTHORIZED BY COMPAL ELECTRONICS, INC. NEITHER THIS SHEET NOR THE INFORMATION IT CONTAINS MAY BE USED BY OR DISCLOSED TO ANY THIRD PARTY WITHOUT PRIOR WRITTEN CONSENT OF COMPAL ELECTRONICS, INC. | | | Date: | Monday, September 08, 2008 | Sheet 39 of 46 |

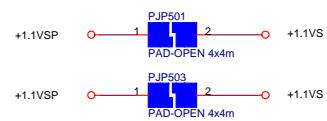


http://mycompal.com/x/

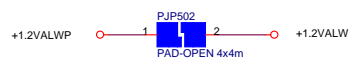
| | | | | | |
|---|----------------------------|--------------------|------------|---------------------------------|--------------|
| Security Classification | | Compal Secret Data | | Compal Electronics, Inc. | |
| Issued Date | 2007/05/29 | Deciphered Date | 2008/05/29 | Title | 1.8VP |
| THIS SHEET OF ENGINEERING DRAWING IS THE PROPRIETARY PROPERTY OF COMPAL ELECTRONICS, INC. AND CONTAINS CONFIDENTIAL AND TRADE SECRET INFORMATION. THIS SHEET MAY NOT BE TRANSFERRED FROM THE CUSTODY OF THE COMPETENT DIVISION OF R&D DEPARTMENT EXCEPT AS AUTHORIZED BY COMPAL ELECTRONICS, INC. NEITHER THIS SHEET NOR THE INFORMATION IT CONTAINS MAY BE USED BY OR DISCLOSED TO ANY THIRD PARTY WITHOUT PRIOR WRITTEN CONSENT OF COMPAL ELECTRONICS, INC. | | | | Document Number | Rev |
| | | | | LA-4481P | 0.4 |
| Date: | Monday, September 08, 2008 | Sheet | 40 | of | 46 |



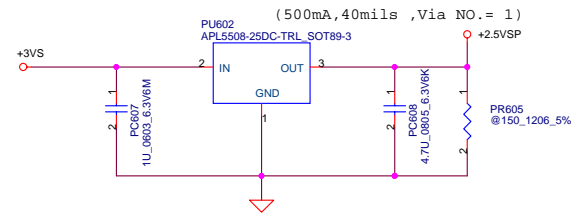
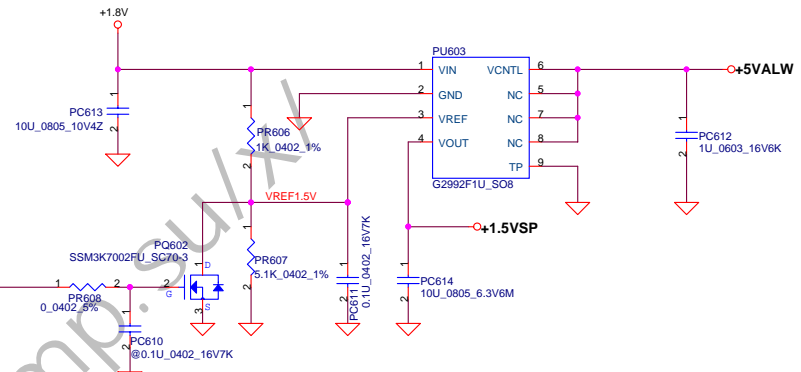
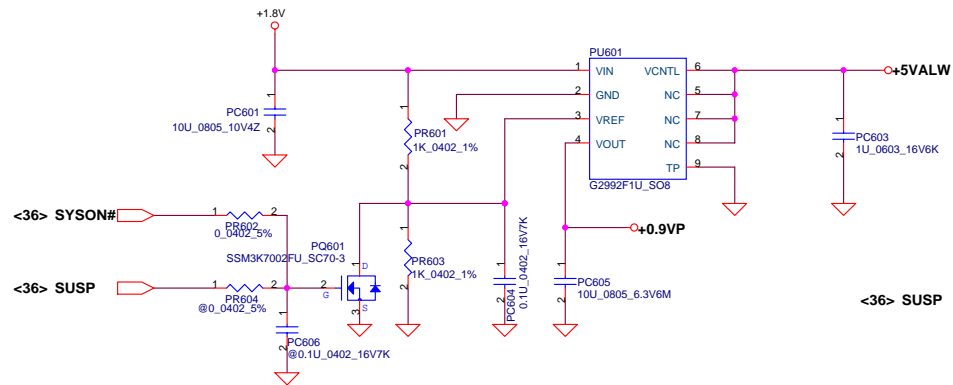
(6A,240mils ,Via NO.=12)



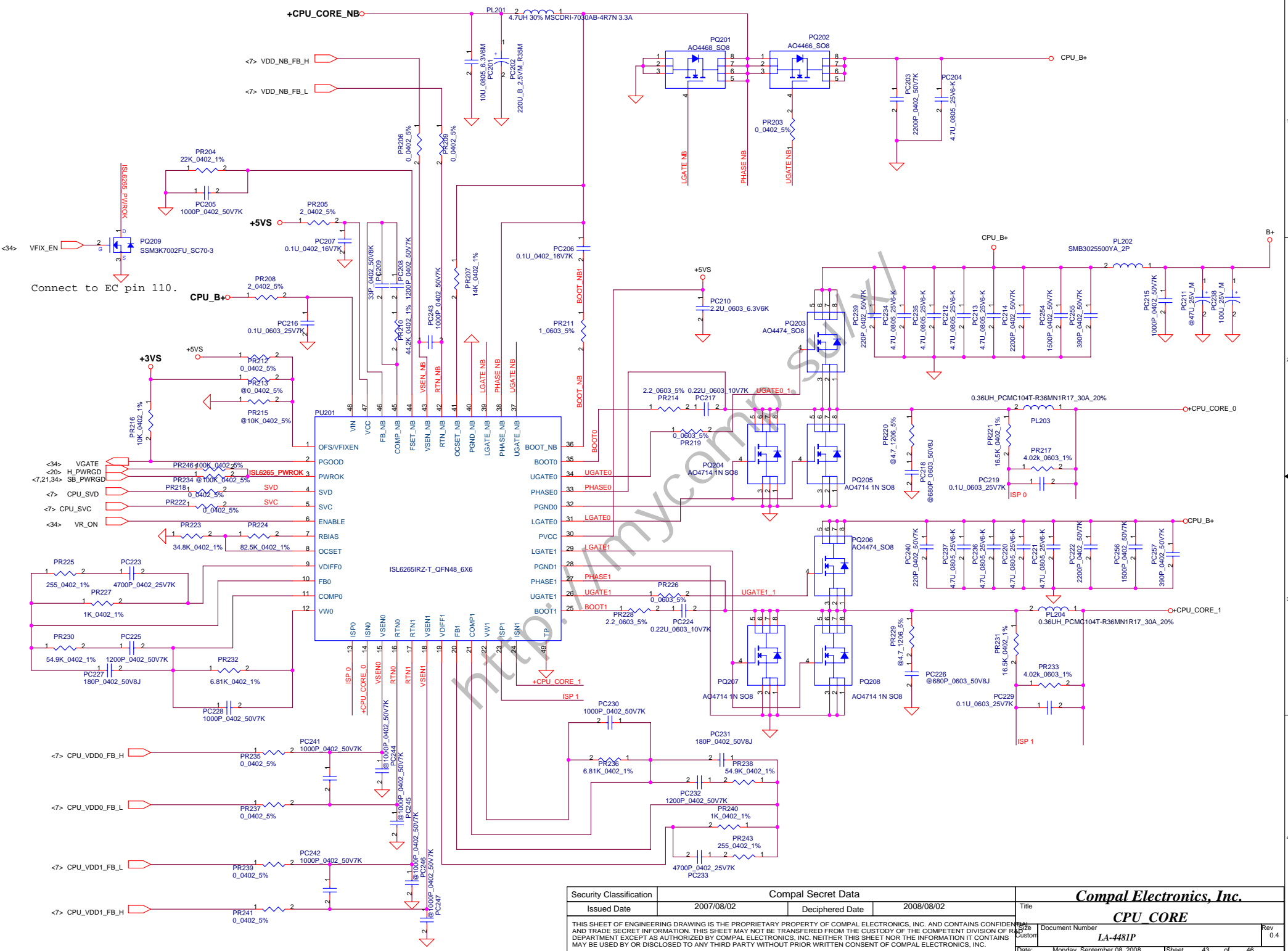
(4A,160mils ,Via NO.=8)



| | | | | | |
|---|----------------------------|-----------------|------------|---------------------------------|----|
| Security Classification | Compal Secret Data | | Title | Compal Electronics, Inc. | |
| Issued Date | 2007/08/02 | Deciphered Date | 2008/08/02 | 1.1VSP/L.2VALWP | |
| THIS SHEET OF ENGINEERING DRAWING IS THE PROPRIETARY PROPERTY OF COMPAL ELECTRONICS, INC. AND CONTAINS CONFIDENTIAL AND TRADE SECRET INFORMATION. THIS SHEET MAY NOT BE TRANSFERRED FROM THE CUSTODY OF THE COMPETENT DIVISION OF R&D DEPARTMENT EXCEPT AS AUTHORIZED BY COMPAL ELECTRONICS, INC. NEITHER THIS SHEET NOR THE INFORMATION IT CONTAINS MAY BE USED BY OR DISCLOSED TO ANY THIRD PARTY WITHOUT PRIOR WRITTEN CONSENT OF COMPAL ELECTRONICS, INC. | | | | | |
| Date: | Monday, September 08, 2008 | Sheet | 41 | of | 46 |



| | | | | | |
|---|--------------------|-----------------|------------|----------------------------------|----------------|
| Security Classification | Compal Secret Data | | | Title | |
| Issued Date | 2007/08/02 | Deciphered Date | 2008/08/02 | Compal Electronics, Inc. | |
| THIS SHEET OF ENGINEERING DRAWING IS THE PROPRIETARY PROPERTY OF COMPAL ELECTRONICS, INC. AND CONTAINS CONFIDENTIAL AND TRADE SECRET INFORMATION. THIS SHEET MAY NOT BE TRANSFERRED FROM THE CUSTODY OF THE COMPETENT DIVISION OF R&D DEPARTMENT EXCEPT AS AUTHORIZED BY COMPAL ELECTRONICS, INC. NEITHER THIS SHEET NOR THE INFORMATION IT CONTAINS MAY BE USED BY OR DISCLOSED TO ANY THIRD PARTY WITHOUT PRIOR WRITTEN CONSENT OF COMPAL ELECTRONICS, INC. | | | | Document Number | Rev |
| | | | | LA-4481P | 0.4 |
| | | | | Date: Monday, September 08, 2008 | Sheet 42 of 46 |



Connect to EC pin 110.

| | | | |
|---|----------------------------|-----------------|---|
| Security Classification | Compal Secret Data | | Title |
| Issued Date | 2007/08/02 | Deciphered Date | 2008/08/02 |
| THIS SHEET OF ENGINEERING DRAWING IS THE PROPRIETARY PROPERTY OF COMPAL ELECTRONICS, INC. AND CONTAINS CONFIDENTIAL AND TRADE SECRET INFORMATION. THIS SHEET MAY NOT BE TRANSFERRED FROM THE CUSTODY OF THE COMPETENT DIVISION OF R&D DEPARTMENT EXCEPT AS AUTHORIZED BY COMPAL ELECTRONICS, INC. NEITHER THIS SHEET NOR THE INFORMATION IT CONTAINS MAY BE USED BY OR DISCLOSED TO ANY THIRD PARTY WITHOUT PRIOR WRITTEN CONSENT OF COMPAL ELECTRONICS, INC. | | | Document Number LA-4481P Rev 0.4 |
| Date: | Monday, September 08, 2008 | Sheet | 43 of 46 |

Version Change List (P. I. R. List) for Power Circuit

| Item | Page# | Title | Date | Request Owner | Issue Description | Solution Description | Rev. |
|------|-------|-----------------------|------------|---------------|--|--|------|
| 1 | 37 | DC Connector /CPU_OTP | 2008/05/21 | PWR | HW request | PR8 change the value from 100 to 2K. | 0.2 |
| 2 | 38 | Charger | 2008/05/21 | PWR | PWR request, solve inrush current. | Modify PR102 footprint and PQ101,PQ103 change from AM4835 to SI4835BDY, PQ103 change from AM4835 to FDS6675BZ, PC106 change from 0.22u to 0.47u, | 0.2 |
| 3 | 39 | 3.3VALWP/5VALWP | 2008/05/21 | PWR | PWR request, modify OCP | PR305 change the value from 140K to 95.3K, PR306 change the value from 133K to 105K, PC318 change the value from 0.022u to 0.047u. | 0.2 |
| 4 | 40 | 1.8VP | 2008/05/21 | PWR | PWR request, modify OCP. | PR406 change the value from 15.4K to 10.7K. | 0.2 |
| 5 | 41 | 1.1VSP/1.2VALWP | 2008/05/21 | PWR | For PWR request, prevent leakage power and modify OCP. | Add PR515 1k_0402_5%, PR511 change the value from 18.2K to 15.4K, PR510 change the value from 17.8K to 10.5K. | 0.2 |
| 6 | 42 | CPU_CORE | 2008/05/21 | PWR | PWR request | Modify PC206 change the footprint from 0603 to 0402, PR207 change the value from 15.4K to 14K. | 0.2 |
| 7 | 38 | Charger | 2008/06/04 | PWR | HP request | Add 4 cell schematic, add net name BATT_A. | 0.2 |
| 8 | 37 | DC Connector /CPU_OTP | 2008/06/12 | PWR | Thermal request, prevent PH1 will OTP on TPD.L. | PR12 change the value from 2.55K to 2.21K. | 0.2 |
| 9 | 38 | Charger | 2008/06/18 | PWR | PWR request | Add PC133 220P_0402, PR147 change the value from 100K_0402_5% to 470K_0402_1%. | 0.2 |
| 10 | 39 | 3.3VALWP/5VALWP | 2008/07/21 | PWR | PWR request | Add PR311 191K_0402_1%, PR312 1M_0402_1%. | 0.2 |
| 11 | 38 | Charger | 2008/07/28 | PWR | PWR request | Add 4 cell one shoot schematic, add net name PACIN_2 | 0.3 |

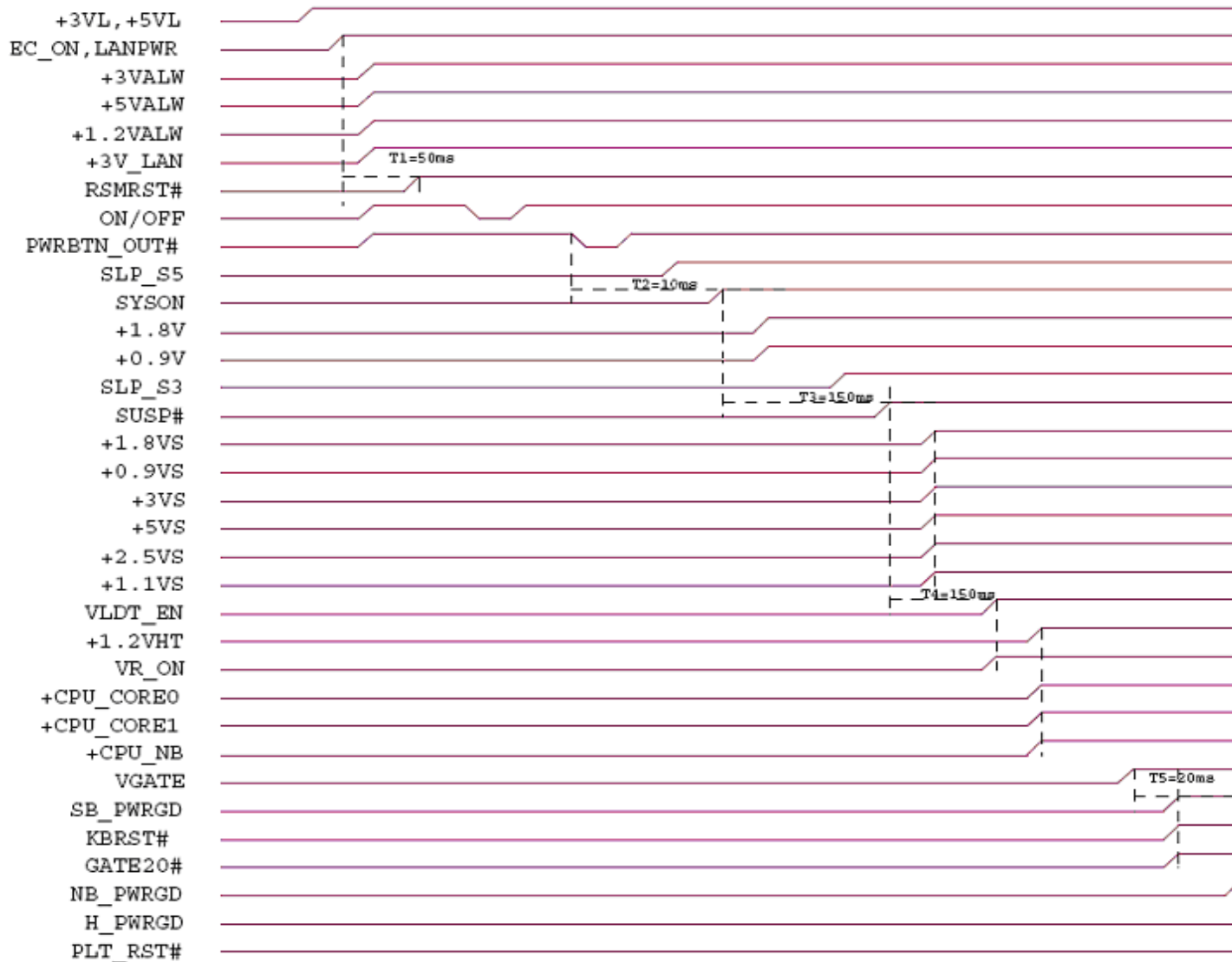
http://mycompal.com/SUPPLY

| | | | | | |
|---|------------|--------------------|------------|----------------------------------|--|
| Security Classification | | Compal Secret Data | | Compal Electronics, Inc. | |
| Issued Date | 2007/08/02 | Deciphered Date | 2008/08/02 | Title | |
| THIS SHEET OF ENGINEERING DRAWING IS THE PROPRIETARY PROPERTY OF COMPAL ELECTRONICS, INC. AND CONTAINS CONFIDENTIAL AND TRADE SECRET INFORMATION. THIS SHEET MAY NOT BE TRANSFERRED FROM THE CUSTODY OF THE COMPETENT DIVISION OF R&D DEPARTMENT EXCEPT AS AUTHORIZED BY COMPAL ELECTRONICS, INC. NEITHER THIS SHEET NOR THE INFORMATION IT CONTAINS MAY BE USED BY OR DISCLOSED TO ANY THIRD PARTY WITHOUT PRIOR WRITTEN CONSENT OF COMPAL ELECTRONICS, INC. | | | | Document Number | |
| | | | | LA-4481P | |
| | | | | Rev 0.4 | |
| | | | | Date: Monday, September 08, 2008 | |
| | | | | Sheet 44 of 46 | |

| Item | Fixed Issue and change item | PAGE | Modify List | M.B. Ver. |
|--------------|-----------------------------|--------|---|-----------|
| <2008.05.09> | 1 | 30 | Fix Audio MIC no function and follow Ripley schematics Add R429, R430, R431, C642 | 0.2 |
| | 2 | 34 | Fix ENE cap-board could not detect Remove R410 & R411 & C627 | 0.2 |
| | 3 | 32 | Fix BT no function and follow Ripley schematics change BT pin assignment | 0.2 |
| <2008.06.05> | 1 | 07 | change power rail to solve +3vs leakage LDT_RST# & H_PWRGD_CPU & LDT_STOP# & CPU_LDT_REQ# change power rail to +1.8VS | 0.2 |
| | 2 | 12 | Remove 0 ohm resistors at LDT_STOP# & CPU_LDT_REQ# Remove R54 & R55 (0 ohm) | 0.2 |
| | 3 | 21 | Remove 0 ohm resistors at NE_PWRGD Remove R164 (0 ohm) | 0.2 |
| | 4 | 22 | Change value to solve AC plugged/unplugged power status issue. Change R408 to 300k ohm | 0.2 |
| | 5 | 25 | add 150uF Cap to solve hot-plug for Multi-bay ODD Add C643 150uF | 0.2 |
| | 6 | 30 | Remove HP switch Transisters and change Cap size to solve DFB issue. Change C523 & C524 size and remove Q16, Q17, Q24... | 0.2 |
| | 7 | 33 | Remove LPC debug connector Remove JP14 | 0.2 |
| | 8 | 33 | Remove 0 ohm resistors at SPI ROM Remove R320-323 (0 ohm) | 0.2 |
| | 9 | 32 | add GND shaping at E-SATA Add E-SATA GND shaping | 0.2 |
| | 10 | 34 | Change Keyboard pin assignment to follow Ripley design change pin assignment (follow Ripley) | 0.2 |
| | 11 | 34 | Change value to solve AC plugged/unplugged power status issue. change R345 to 300Kohm | 0.2 |
| | 12 | 34 | Add Keyboard backlight control circuit add Q24, R426 | 0.2 |
| | 13 | 35 | Remove Cap-sensor board power LDO remove U29.... | 0.2 |
| | 14 | 36 | Add Resistor to protect Q42, Q41 Add R381 & R401 | 0.2 |
| <2008.06.16> | 1 | 35 | Add and reserve EMI solution for ENE cap-board Add C600, C601 and Change R356, R357 size to 300ohm bead | 0.2 |
| <2008.06.19> | 1 | 18 | Solve LED panel flash issue when AC IN Add Q4 and R54 | 0.2 |
| <2008.07.30> | 2 | 34 | change KB backlight connector pin assignment pin1 & 2 (Power), pin3 & 4 (GND) swapped | 0.2 |
| | 1 | 29 | Fix external and internal MIC auto switch issue add R301 and pull up +VDDA_CODEC_R | 0.3 |
| | 2 | 32 | change FPR connector to fix Assy DFB issue. change pin count from 6 pins to 4 pins | 0.3 |
| <2008.08.01> | 1 | 18, 12 | Vari-Bright design change for EC & RS780 common use Add D38, D39, R76 | 0.3 |
| <2008.08.04> | 1 | 35 | Reserve Caps to protect ESD Add C595, C606 | 0.3 |
| | 2 | 28 | Change R value for LED brightness Change R276 value to 1.2Kohm | 0.3 |
| | 3 | 27 | Fix OTS#0392705 (WLAN Slot Pin 24 is tied to different power than pins 2, 52, 39 and 41) Unmount R245 and install R244 | 0.3 |
| | 4 | 30 | Reserve ESD diode to protect SPK Add D55, D56 | 0.3 |
| | 5 | 32 | Fix FPR ESD issue Install D25 | 0.3 |
| | 6 | 35 | Reserve Cap to protect T/P ON/OFF Add C595, C606 | 0.3 |
| | 7 | 35 | 0804 Change value to adjust LED brightness Change R369 value to 1.2kohm | 0.3 |
| | 8 | 35 | Install Cap to fix ESD issue Install C597 | 0.3 |
| <2008.09.04> | 1 | 12, 18 | Remove Varibright function Uninstall D39, Delete D38 | 0.4 |
| | 2 | 28 | Fix SMT DFX issue Change D16 footprint | 0.4 |
| | 3 | 28 | Follow Vendor suggestion to change CR_LED# Change power rail from+5VS to +3vs | 0.4 |
| | 4 | 18 | Reserve R for protect LED panel flash control Add R410 | 0.4 |
| | 5 | | | 0.4 |
| | 6 | | | 0.4 |

| | | | | |
|---|--------------------|-----------------|------------|-------------------------------------|
| Security Classification | Compal Secret Data | | Title | |
| Issued Date | 2006/02/13 | Deciphered Date | 2006/03/10 | Compal Electronics, Inc. |
| THIS SHEET OF ENGINEERING DRAWING IS THE PROPRIETARY PROPERTY OF COMPAL ELECTRONICS, INC. AND CONTAINS CONFIDENTIAL AND TRADE SECRET INFORMATION. THIS SHEET MAY NOT BE TRANSFERRED FROM THE CUSTODY OF THE COMPETENT DIVISION OF R&D DEPARTMENT EXCEPT AS AUTHORIZED BY COMPAL ELECTRONICS, INC. NEITHER THIS SHEET NOR THE INFORMATION IT CONTAINS MAY BE USED BY OR DISCLOSED TO ANY THIRD PARTY WITHOUT PRIOR WRITTEN CONSENT OF COMPAL ELECTRONICS, INC. | | | | Document Number HW PIR(I) |
| | | | | Rev 0.4 |
| Date: Monday, September 08, 2008 | | | | Sheet 45 of 46 |

Calyпсо power sequence



| | | | | |
|---|--------------------|-----------------|------------|------------------------------------|
| Security Classification | Compal Secret Data | | Title | |
| Issued Date | 2007/08/28 | Deciphered Date | 2006/03/10 | Compal Electronics, Inc. |
| THIS SHEET OF ENGINEERING DRAWING IS THE PROPRIETARY PROPERTY OF COMPAL ELECTRONICS, INC. AND CONTAINS CONFIDENTIAL AND TRADE SECRET INFORMATION. THIS SHEET MAY NOT BE TRANSFERRED FROM THE CUSTODY OF THE COMPETENT DIVISION OF RESEARCH AND DEVELOPMENT EXCEPT AS AUTHORIZED BY COMPAL ELECTRONICS, INC. NEITHER THIS SHEET NOR THE INFORMATION IT CONTAINS MAY BE USED BY OR DISCLOSED TO ANY THIRD PARTY WITHOUT PRIOR WRITTEN CONSENT OF COMPAL ELECTRONICS, INC. | | | | Document Number LA-4481P |
| Date: Monday, September 08, 2008 | | | | Rev 0.4 |
| Sheet 46 of 46 | | | | |

Notes List