

LIEBHERR

LIPARTS spare parts documentation

Issue date: **28092007**

Model designation: **CNes 5066-10K**

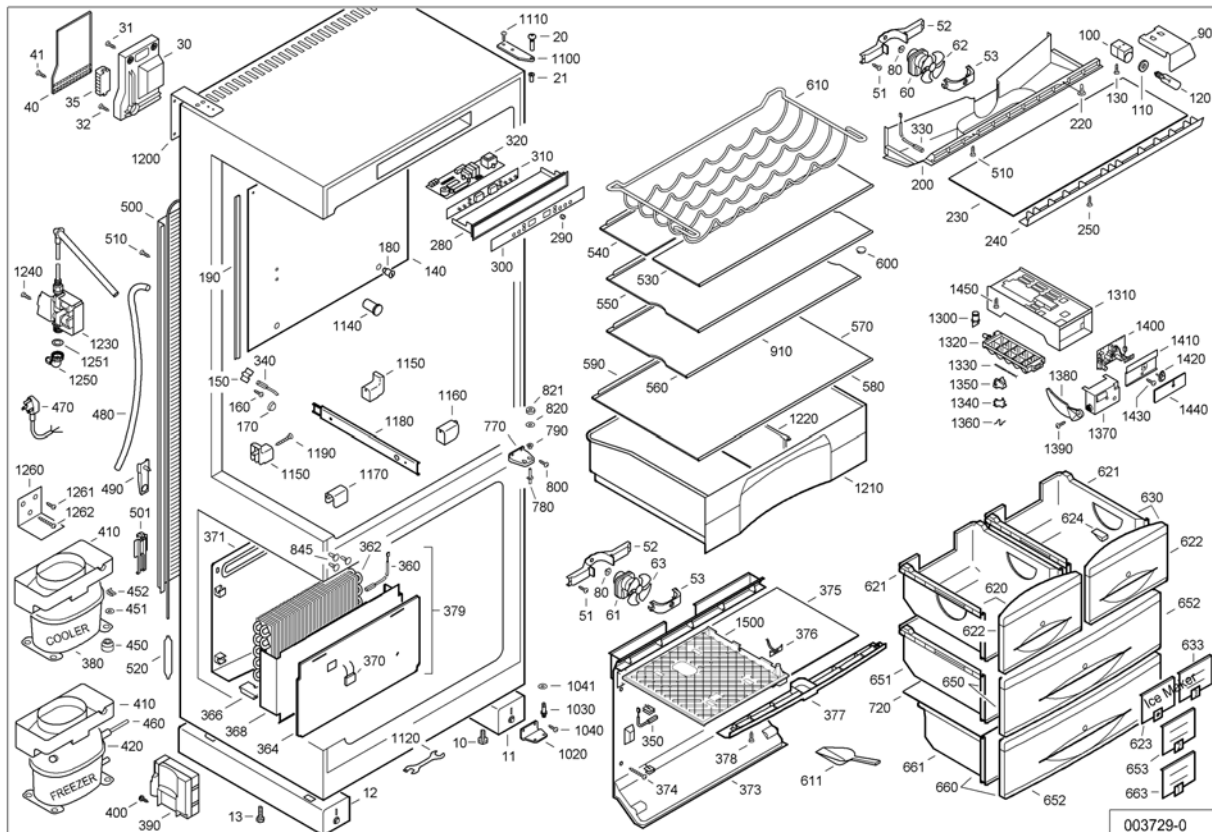
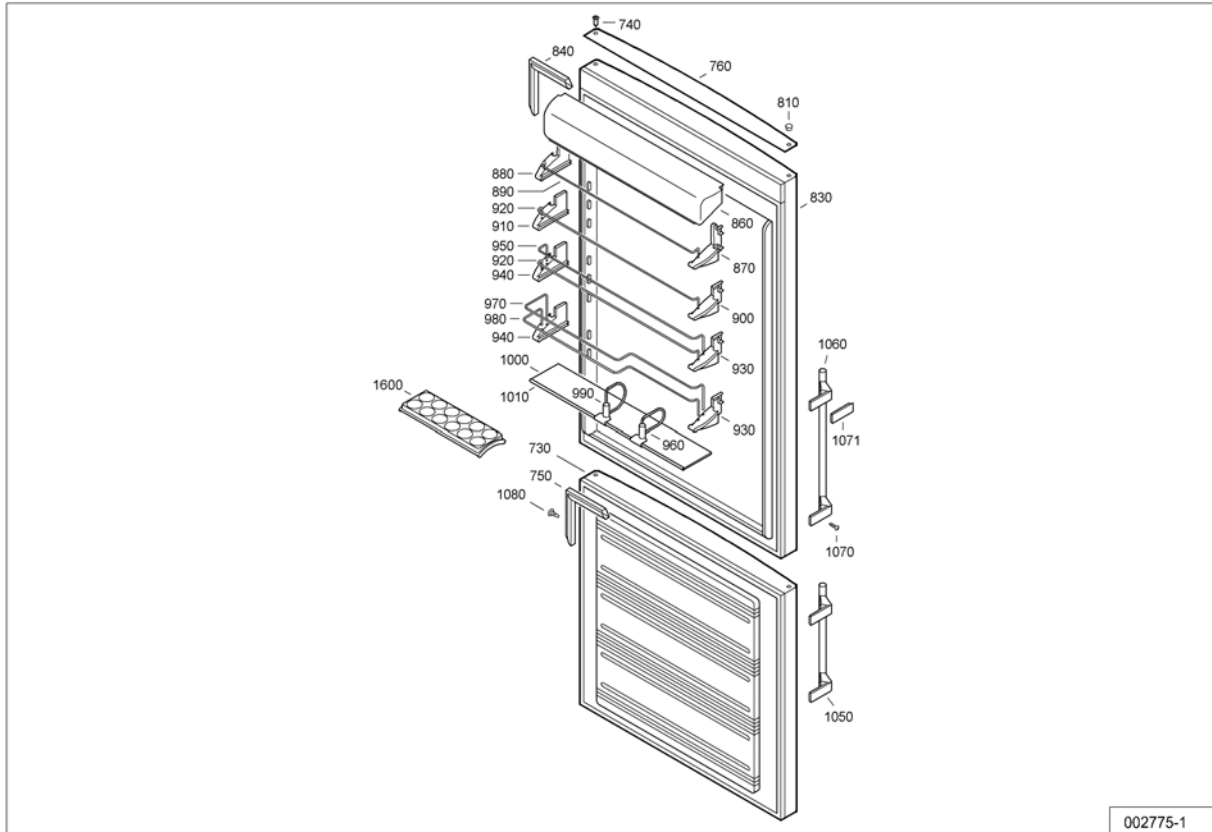
Design: **137**

External desig.: **CS 1650**

Model series: **COMBINED REFRIGERATOR-FREEZER-NOFROST
STAINLESS STEEL**

Service no.: **091576911**

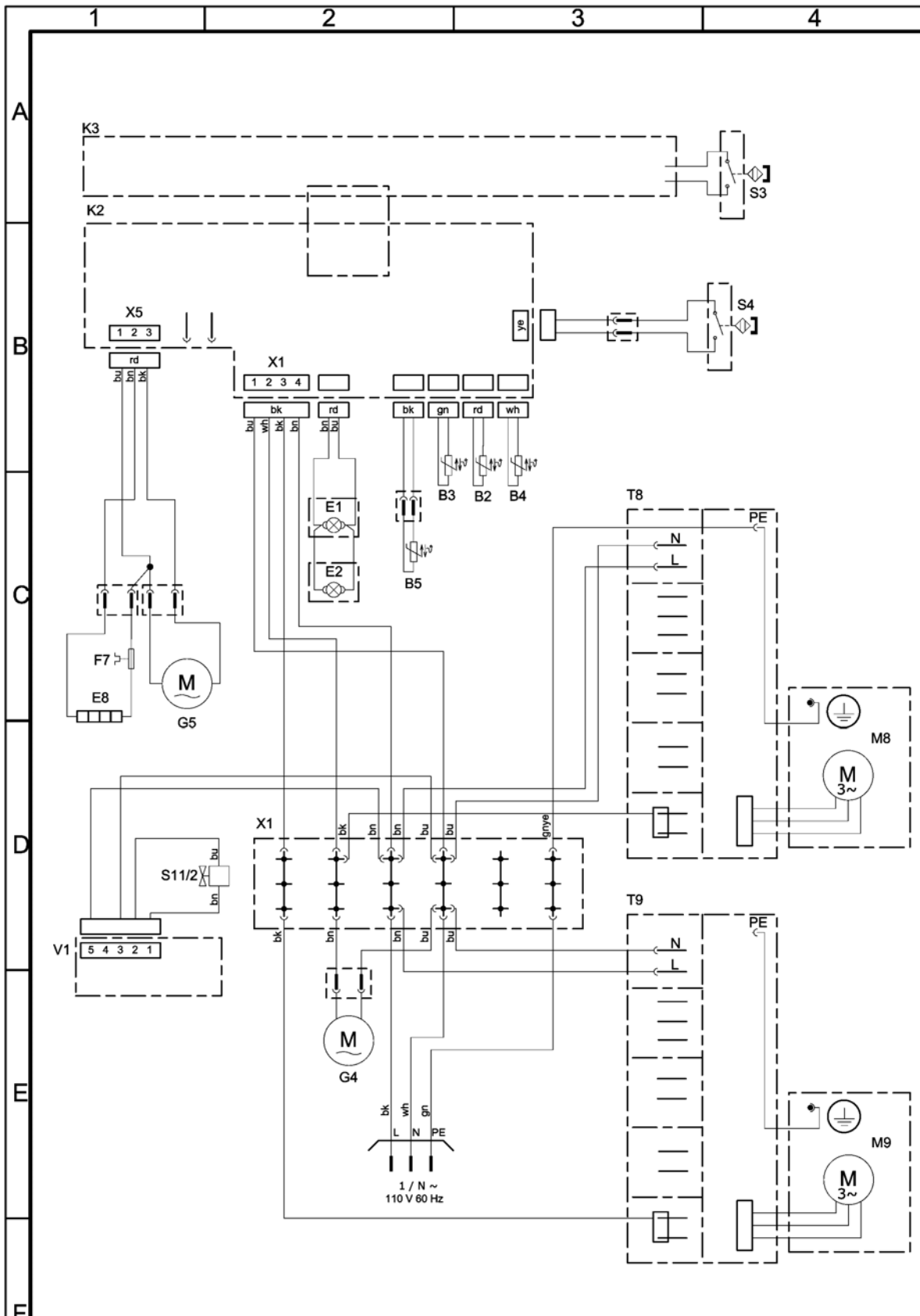
Production period: **24092007 - 28032008**



Item	Reference no.	Number	Description	Price
10	7042971	2	ADJUSTING SCREW	2.30
10	8409989	1	STAINLESS STEEL CLEANER CHROMOL 50ML	7.50
11	7790791	1	CASTOR BASE	79.30
12	7790789	1	CASTOR BASE	79.30
13	4082795	8	OVAL-HEAD SELF-TAPPING SCREW	0.22
20	7113073	1	BOLT	0.38
21	2884989	1	SLEEVE	0.22
30	7424295	1	VARIOUS HOUSINGS	7.50
31	4082704	2	OVAL-HEAD SELF-TAPPING SCREW	0.22
32	4098779	1	PT SCREW	0.18
35	6021021	1	DISTRIBUTOR STRIP	7.50
40	7424293	1	ELECTRONICS COVER	7.50
41	4098026	2	SCREW IN ACC. WITH DRAWING	0.18
51	4098196	4	OVAL-HEAD SELF-TAPPING SCREW	0.28
52	7427581	2	VARIOUS INJECTION-MOULDED ITEMS	2.48
53	7427579	2	VARIOUS INJECTION-MOULDED ITEMS	1.30
60	6118781	1	COMPACT FAN	49.60
61	6118779	1	COMPACT FAN	49.60
62	6299799	1	FAN BLADE	4.10
63	6299797	1	FAN BLADE	4.10
80	7266079	4	BUFFER	0.80
90	7743601	2	REFLECTOR	4.10
100	6072799	2	LAMPHOLDER	9.30
110	7402675	2	SEALING RINGS	0.80
120	6070797	2	INCANDESCENT BULB	7.50
130	4082915	8	COUNTERSUNK SELF-TAPPING SCREW	0.22
140	5940957	1	EVAPORATOR - FREEZING	56.00
150	7744087	1	SPECIAL SECURING HARDWARE	2.30
160	4098789	2	SCREW IN ACC. WITH DRAWING	0.18
170	7412220	2	COVER CAP	0.18
180	7422032	4	EVAPORATOR FIXTURE	0.28
190	7640528	2	COVER PROFILE TRIM	1.65
200	7424883	1	FAN COVER	14.40
210	4098100	2	PT SCREW	0.28
220	7402624	2	PLUG	0.60
230	7271513	1	TOUGHENED SAFETY-GLASS PLATE	9.30
240	7424881	1	COVERS, VARIOUS	7.50
250	4098196	2	OVAL-HEAD SELF-TAPPING SCREW	0.28
280	7424653	1	OPERATING PANEL HOUSING	7.50
290	7424960	9	BUTTON	0.60
300	7428761	1	OPERATING UNIT TRIM	14.40
310	6113775	1	OPERATING UNIT BOARD	49.60
320	6113425	1	POWER BOARD	137.80
330	6942042	1	AIR SENSOR FOR REFRIGERATOR COMPARTMENT	14.40
340	6942100	1	EVAPORATOR SENSOR FOR REFRIGERATOR	14.40
350	6942108	1	AIR SENSOR FOR FREEZER COMPARTMENT	6.10
360	6942799	1	SENSOR FOR FREEZER COMPARTMENT CONDENSER	9.30
362	5940799	1	FIN-TYPE EVAPORATOR	87.20
364	8003791	1	MOULDING	2.30
366	8003086	2	MOULDING	1.65
368	7640611	1	VARIOUS RETAINING FIXTURES	16.40
370	6152010	1	TEMPERATURE LIMITER	37.20
371	7640613	1	VARIOUS RETAINING FIXTURES	19.30
373	7424717	1	DIVIDING WALL	19.30
374	4098100	4	PT SCREW	0.28
375	7271531	1	TOUGHENED SAFETY-GLASS PLATE	4.10
376	6113616	1	REED BOARD	4.10
377	7424719	1	COVERS, VARIOUS	7.50
378	4098100	2	PT SCREW	0.28
379	9873683	1	FIN-TYPE EVAPORATOR	112.00
380	6119747	1	COMPRESSOR R 134 a	287.50
390	6143677	2	INTEGRAL BOARD	142.80

400	4098044	2	OVAL-HEAD SELF-TAPPING SCREW	0.38
410	7426680	2	EVAPORATOR TRAYS	2.30
420	6119745	1	COMPRESSOR R 134 a	162.60
450	7266797	8	SPECIAL SECURING HARDWARE	0.22
451	4229503	6	WASHER	0.28
452	7203799	6	VARIOUS RETAINING FIXTURES	0.28
460	7700001	2	PIPE	1.30
470	6009795	1	SUPPLY LINE	9.30
480	9941799	1	HOSE	4.10
490	7412634	1	VARIOUS RETAINING FIXTURES	0.80
500	5941717	1	CONDENSER WIRE TUBE, UPRIGHT	56.00
501	7427453	1	VARIOUS RETAINING FIXTURES	0.38
510	4098124	6	SCREW IN ACC.WITH DRAWING	0.28
520	5942034	2	DRYER	11.40
530	7271907	1	GLASS PLATE - COMPLETE	16.40
540	7271905	1	GLASS PLATE - COMPLETE	14.40
550	7271903	2	GLASS PLATE - COMPLETE	23.70
560	7271595	1	GLASS PLATE - COMPLETE	23.70
570	7271783	1	GLASS PLATE - COMPLETE	29.60
580	7640659	5	TRIM STRIP PROFILE	4.10
590	7430037	5	RETAINING STRIP FOR GLASS PLATES	1.30
600	7426440	8	PLUG	0.38
610	7112615	1	GRID SHELF	29.60
611	7424469	1	ICE-SHOLVER	7.50
620	9790131	1	DRAWER-COMPLETE	29.60
621	7402347	2	DRAWER BODY	16.40
622	7402339	2	DRAWER TRIM, NON-PRINTED	9.30
623	7430250	1	DRAWER TRIM, PRINTED	7.50
624	7424477	2	SWITCHING COMPONENTS	0.80
630	9790133	1	DRAWER-COMPLETE	23.70
633	7430216	1	DRAWER TRIM, PRINTED	1.65
650	9790135	1	DRAWER-COMPLETE	23.70
651	7402565	1	DRAWER BODY	16.40
652	7402463	2	DRAWER TRIM, NON-PRINTED	9.30
653	7430214	1	DRAWER TRIM, PRINTED	1.65
660	9790137	1	DRAWER-COMPLETE	23.70
661	7402563	1	DRAWER BODY	14.40
663	7430212	1	DRAWER TRIM, PRINTED	1.65
720	7271505	2	TOUGHENED SAFETY-GLASS PLATE	9.30
730	9012469	1	DOOR, CAVITY-FOAMED	133.70
740	7424665	8	BUSHING	0.22
750	7108501	1	GASKET EXCHANABLE	16.40
760	7424619	4	COVERS, VARIOUS	16.40
770	7042459	1	ZINC DIE-CAST BEARING BLOCK	4.10
780	7113144	1	BOLT	0.80
790	7424613	1	BUSHING	0.22
800	4084013	2	OVAL-HEAD SCREW	0.22
821	7402016	1	WASHER	0.18
830	9012129	1	DOOR, MOUNTED	211.20
840	7108499	1	GASKET EXCHANABLE	19.30
845	9086565	1	ACCESSORY PACK	1.30
860	9101027	1	VARIOUS INJECTION-MOULDED ITEMS	9.30
870	7426768	1	FASTENING	1.65
880	7426770	1	FASTENING	1.65
890	7112665	1	WIRE BRACKET/GLASS-LINE DOOR	4.10
900	7426772	1	FASTENING	1.65
910	7426774	1	FASTENING	1.65
920	7112667	2	WIRE BRACKET/GLASS-LINE DOOR	4.10
930	7426776	2	FASTENING	1.65
940	7426778	2	FASTENING	1.65
950	7112669	1	WIRE BRACKET/GLASS-LINE DOOR	4.10
960	7426198	1	VARIOUS RETAINING FIXTURES	2.30
970	7112573	1	WIRE BRACKET/GLASS-LINE DOOR	7.50

980	7112571	1	WIRE BRACKET/GLASS-LINE DOOR	7.50
990	7426202	1	VARIOUS RETAINING FIXTURES	2.30
1000	7271745	4	GLASS PLATE - COMPLETE	9.30
1010	7640549	4	TRIM STRIP PROFILE	4.10
1020	9450793	1	HINGE, COMPLETE	16.40
1030	7113077	1	BOLT	0.38
1040	4084011	4	OVAL-HEAD SCREW	0.18
1041	7422157	1	WASHER	0.18
1050	7430150	1	MOULDED HANDLE	23.70
1060	7430142	1	MOULDED HANDLE	23.70
1070	4098136	8	SCREW IN ACC.WITH DRAWING	0.18
1071	7426630	4	VARIOUS INJECTION-MOULDED ITEMS	1.65
1080	7402612	8	PLUG	0.18
1100	7042519	1	HINGE PLATE	9.30
1110	4084404	2	COUNTERSUNK SCREW	0.18
1120	9292004	1	KEY	0.60
1140	9041793	1	PRESSURE COMPENSATION VALVE	4.10
1150	7424565	2	VARIOUS INJECTION-MOULDED ITEMS	1.30
1160	7424567	1	VARIOUS INJECTION-MOULDED ITEMS	0.80
1170	7424569	1	VARIOUS INJECTION-MOULDED ITEMS	0.80
1180	7890048	2	DRAWER RAIL	9.30
1190	4098188	4	OVAL-HEAD WOOD SCREW	0.38
1210	7424611	1	DRAWER, NON-PRINTED	37.20
1220	7424607	1	DIVIDING WALL	7.50
1230	9900607	1	SOLENOID VALVE	112.00
1240	4082704	2	OVAL-HEAD SELF-TAPPING SCREW	0.22
1250	9086602	1	ACCESSORY PACK	29.60
1251	7109751	1		1.30
1260	7743123	2		6.10
1261	4098124	4	SCREW IN ACC.WITH DRAWING	0.28
1262	4082791	2	OVAL-HEAD SELF-TAPPING SCREW	0.18
1300	7424461	1	PLASTIC TUBE	7.50
1310	7424467	1	VARIOUS HOUSINGS	11.40
1320	7424343	1	ICE-CUPE TRAY (RECEPTIVE OF)	2.30
1330	6942787	1	SENSOR FOR FREEZER COMPARTMENT CONDENSER	16.40
1340	7424455	1	REINFORCING PLATE	1.68
1350	8003775	1	MOULDING	1.68
1360	7203797	1	SPRING	0.80
1370	6108789	1	MOTOR	37.20
1380	7424247	1	SHAFT	1.30
1390	4098059	1	OVAL-HEAD SELF-TAPPING SCREW	0.18
1400	6113421	1	OPERATING UNIT BOARD	87.20
1410	7424473	1	OPERATING UNIT TRIM	4.10
1420	7424471	1	PUSHBUTTON	2.30
1430	4082995	1	OVAL-HEAD SELF-TAPPING SCREW	0.18
1440	7428789	1	CONTROL PANEL TRIM, NO SYMBOLS	4.10
1450	4098059	2	OVAL-HEAD SELF-TAPPING SCREW	0.18
1500	7424465	1		11.40
9899	-----	0		
9901	9900813	1	VENTILATION TRIM	43.10
9910	7080361	1	OPERATING INSTRUCTIONS	0.00
9911	7080009	1	OPERATING INSTRUCTIONS	0.00
9920	9880643	1	PACKAGING, COMPLETELY	79.30
9930	8041625	1	FOLDING CARDBOARD BOX	37.20
9940	8409989	1	STAINLESS STEEL CLEANER CHROMOL 50ML	7.50
9950	9900633	1	ICE-CUBE MAKER	137.80



Verantwortliche Abt.: LE	Technische Referenz: LE	Dokumentenart: Schaltplan	Dokumentenstatus: freigegeben		
LIEBHERR	Erstellt durch: LE - HAW	Titel: CN / KEKN 50.. USA	9739457		
	Genehmigt von: LE - GRM1		<table border="1"> <tr> <td>And. 00</td> <td>Ausgabedatum: 2008-02-18</td> <td>Spr. de</td> <td>Blatt 1/2</td> </tr> </table>	And. 00	Ausgabedatum: 2008-02-18
And. 00	Ausgabedatum: 2008-02-18	Spr. de	Blatt 1/2		

Item	Colour	Legend text
		Supply line
bk		black
bn		brown
bu		blue
gd		gold
gn		green
gnye		green/yellow
gy		grey
og		orange
pk		pink
rd		red
sr		silver
tq		turquoise
vt		lilac
wh		white
ye		yellow
B2		Air sensor - refrigerator
B3		Evaporator sensor - refrigerator
B4		Air sensor - freezer
B5		Evaporator sensor - freezer
E1		Interior light
E2		Interior light
E8		Heating system for defrosting
F7		Safety temperature limiter
G4		Fan - refrigerator compartment
G5		Fan - freezer compartment
K2		Power board
K3		Operating unit board
M8		VCC compressor - refrigerator
M9		VCC compressor - freezer
S11/2		Solenoid valve for IceMaker
S3		Door switch - refrigerator compartment
S4		Door switch - freezer compartment
T8		Drop-in inverter
T9		Drop-in inverter
V1		Ice-cube maker