

SERVICE MANUAL

STEREO CAR
CASSETTE RECEIVER

BASIC TAPE MECHANISM : TN-715-DH-116

This Service Manual is the "Revision Publishing" and replaces "Simple Manual" (S/M Code No. 09-005-344-9T1).

SPECIFICATIONS

RADIO SECTION

(FM)

Frequency Range: 87.5 MHz-108 MHz
(50-kHz steps)
87.5 MHz-108 MHz
(100-kHz steps)

Usable Sensitivity: 12.7 dBf

50 dB Quieting Sensitivity: 17.2 dBf

IF Rejection: 80 dB

Frequency Response: 30 Hz-15,000 Hz

S/N Ratio: 63 dB

Stereo Separation: 35 dB at 1 kHz

Alternate Channel Selectivity: 70 dB

Capture Ratio: 3 dB

(AM)

Frequency Range: 531 kHz-1,602 kHz
(9-kHz steps)
530 kHz-1,710 kHz
(10-kHz steps)

Usable Sensitivity: 30 µV (30 dB)

TAPE SECTION

Tape Speed: 4.8 cm/sec. (1⁷/₈ ips)

S/N Ratio: 50 dB

Frequency Response: 40 Hz-14,000 Hz

Stereo Separation: 40 dB

FF/REW Time: 190 sec. (C-60)

AUDIO SECTION

Max. Power Output: 35 W x 4 channels

AUX IN input

Input sensitivity (load impedance)
AUX: 300 mV (10 kΩ)

GENERAL

Power-Supply Voltage: 14.4 V (11 to 16 V allowable),
DC, negative ground

Load Impedance: 4Ω

Tone Control: Bass ± 10 dB at 100 Hz
Treble ± 10 dB at 10 kHz

Installation size: 182(W) x 53(H) x 155(D) mm
(7¹/₄(W) x 2¹/₈(H) x 6¹/₈(D) inches)

• Design and specifications are subject to change without notice.

ACCESSORIES LIST

DESCRIPTIONで判断できない物は "REFERENCE NAME LIST" を参照してください。
If can't understand for Description please kindly refer to "REFERENCE NAME LIST".

REF. NO	PART NO.	KANRI NO.	DESCRIPTION
1	8A-KTH-902-010	IB,Y(E CH A)	110
2	8A-KT5-908-010	IB,INST,YH,Y (E CK CH A)-A	
3	86-KT1-237-010	HLD,REAR MTG	
4	87-B10-141-010	NUT,5 TYPE-2	
5	87-B10-143-010	UT1+5-15 W/O SLOT	
6	87-B10-144-010	W,5.2-10-0.5	
7	87-B10-145-010	W-SPR,5.3-8.5-1.5	
8	88-KT1-247-010	S-SCREW,HEXAGON	
9	8Z-KT1-231-010	HLD,HALF -T	
10	8Z-KT1-232-010	KEY,REMOVE -T	
11	8Z-KT1-251-010	S-SCREW,5*6 TH+ TAPPING ST	
12	8Z-KT1-625-010	CONN ASSY,16P SOC016	

ELECTRICAL MAIN PARTS LIST

DESCRIPTIONで判断できない物は "REFERENCE NAME LIST" を参照してください。
 If can't understand for Description please kindly refer to "REFERENCE NAME LIST".

REF. NO	PART NO.	KANRI NO.	DESCRIPTION	REF. NO	PART NO.	KANRI NO.	DESCRIPTION
IC				C402	87-010-401-080		CAP, ELECT 1-50V
	87-A21-191-010	IC, KIA6225S		C403	87-010-401-080		CAP, ELECT 1-50V
	8Z-KT1-622-010	C-IC, LC75374E		C404	87-010-401-080		CAP, ELECT 1-50V
	8Z-KTG-622-010	IC, TA8259H		C405	87-010-184-080		CHIP CAPACITOR 3300P(K)
	87-A21-540-030	C-IC, LC72336-9911		C406	87-010-184-080		CHIP CAPACITOR 3300P(K)
TRANSISTOR				C407	87-010-198-080		CAP, CHIP 0.022
	87-A30-473-080	TR, KRC102M-AT		C408	87-010-198-080		CAP, CHIP 0.022
	8Z-KTH-622-080	TR, KTC3198Y		C409	87-010-378-080		CAP, ELECT 10-16V
	8Z-KTH-623-080	TR, KTA1267Y		C410	87-010-378-080		CAP, ELECT 10-16V
	87-A30-295-010	TR, KRA226M		C411	87-016-083-080		C-CAP,S 0.15-16 RK
	8Z-KTH-627-080	TR, KTA1273Y		C412	87-016-083-080		C-CAP,S 0.15-16 RK
	87-A30-475-080	TR, KRA104M-AT		C413	87-016-083-080		C-CAP,S 0.15-16 RK
	8Z-KTH-626-080	TR, KTC3203Y		C414	87-016-083-080		C-CAP,S 0.15-16 RK
	87-A30-476-010	TR, KTA1046Y		C415	87-010-378-080		CAP, ELECT 10-16V
	89-423-953-010	TR, 2SD2395F		C416	87-010-378-080		CAP, ELECT 10-16V
	87-026-313-080	TR, DTC343TS		C417	87-010-380-080		CAP, ELECT 47-16V
	87-A30-467-040	C-TR, KRA111S-RTK		C418	87-010-196-080		CHIP CAPACITOR, 0.1-25
	87-A30-468-040	C-TR, KRC102S-RTK		C419	87-010-378-080		CAP, ELECT 10-16V
	87-A30-469-040	C-TR, KRC111S-RTK		C420	87-010-401-080		CAP, ELECT 1-50V
	87-A30-472-040	C-TR, KRA226S-RTK		C421	87-010-401-080		CAP, ELECT 1-50V
DIODE				C422	87-010-401-080		CAP, ELECT 1-50V
	87-020-465-080	DIODE, 1SS133 (110MA)		C423	87-010-401-080		CAP, ELECT 1-50V
	87-001-783-080	DIODE, 1N4002		C424	87-010-196-080		CHIP CAPACITOR, 0.1-25
	87-A40-509-080	ZENER, MTZJ 6.8C		C425	87-010-196-080		CHIP CAPACITOR, 0.1-25
	87-070-022-010	DIODE, IN5402 (RECT)		C501	87-016-083-080		C-CAP,S 0.15-16 RK
	87-A40-344-080	ZENER, MTZJ6.2C		C502	87-016-083-080		C-CAP,S 0.15-16 RK
	87-070-334-080	ZENER, MTZJ10B		C503	87-016-083-080		C-CAP,S 0.15-16 RK
	87-A40-337-080	ZENER, MTZJ 6.8B		C504	87-016-083-080		C-CAP,S 0.15-16 RK
	87-A40-523-080	ZENER, MTZJ9.1B		C505	87-018-196-080		CAP, CER 1500P-16V
	87-A40-256-080	DIODE, RB441Q40		C506	87-018-196-080		CAP, CER 1500P-16V
MAIN C.B				C507	87-018-196-080		CAP, CER 1500P-16V
C101	87-018-119-080	CAP, CER 100P-50V		C508	87-018-196-080		CAP, CER 1500P-16V
C102	87-018-134-080	CAPACITOR, TC-U 0.01-16		C509	87-010-404-080		CAP, ELECT 4.7-50
C103	87-018-134-080	CAPACITOR, TC-U 0.01-16		C510	87-018-209-080		CAP, CER 0.1-50V
C104	87-018-209-080	CAP, CER 0.1-50V		C511	8A-KC7-623-000		CAP,E 2200U-16 PW
C105	87-018-134-080	CAPACITOR, TC-U 0.01-16		C512	87-010-401-080		CAP, ELECT 1-50V
C106	87-010-402-080	CAP, ELECT 2.2-50V		C513	87-010-401-080		CAP, ELECT 1-50V
C107	87-010-380-080	CAP, ELECT 47-16V		C520	87-010-182-080		C-CAP,S 2200P-50 B
C108	87-010-380-080	CAP, ELECT 47-16V		C521	87-010-182-080		C-CAP,S 2200P-50 B
C109	87-018-209-080	CAP, CER 0.1-50V		C601	87-018-209-080		CAP, CER 0.1-50V
C114	87-018-134-080	CAPACITOR, TC-U 0.01-16		C602	87-010-379-080		CAP, ELECT 22-16V
C115	87-010-380-080	CAP, ELECT 47-16V		C604	87-018-209-080		CAP, CER 0.1-50V
C116	87-018-209-080	CAP, CER 0.1-50V		C605	87-010-379-080		CAP, ELECT 22-16V
C117	87-018-209-080	CAP, CER 0.1-50V		C606	87-010-380-080		CAP, ELECT 47-16V
C118	87-018-134-080	CAPACITOR, TC-U 0.01-16		C607	87-010-263-080		CAP, ELECT 100-10V
C119	87-010-992-080	C-CAP,S 0.047-25 B		C701	87-010-314-080		C-CAP,S 22P-50V
C120	87-010-992-080	C-CAP,S 0.047-25 B		C702	87-010-197-080		CAP, CHIP 0.01 DM
C201	87-018-131-080	CAP, CER 1000P-50V		C703	87-010-263-080		CAP, ELECT 100-10V
C202	87-018-131-080	CAP, CER 1000P-50V		C704	87-010-198-080		CAP, CHIP 0.022
C203	87-010-378-080	CAP, ELECT 10-16V		C705	87-010-313-080		CAP, CHIP 18P
C204	87-010-378-080	CAP, ELECT 10-16V		C706	87-010-315-080		C-CAP,S 27P-50 CH
C205	87-010-248-080	CAP, ELECT 220-10V		C707	87-018-131-080		CAP, CER 1000P-50V
C206	87-010-248-080	CAP, ELECT 220-10V		C708	87-010-401-080		CAP, ELECT 1-50
C207	87-010-198-080	CAP, CHIP 0.022		C712	87-018-208-010		CAP, TC-U 0.047-50 F
C208	87-010-198-080	CAP, CHIP 0.022		C713	87-018-208-010		CAP, TC-U 0.047-50 F
C209	87-010-263-080	CAP, ELECT 100-10V		C801	87-018-134-080		CAPACITOR, TC-U 0.047
C210	87-010-401-080	CAP, ELECT 1-50V		C802	87-018-134-080		CAPACITOR, TC-U 0.047
C211	87-010-401-080	CAP, ELECT 1-50V		CNA201	8Z-KTH-652-010		CONN ASSY, 3P (HEAD)
C212	87-010-380-080	CAP, ELECT 47-16V		CNA202	8Z-KTH-651-010		CONN ASSY, 8P (DECK)
C301	87-018-131-080	CAP, CER 1000P-50V		CON201	87-009-031-010		CONNECTOR, 3P
C302	87-018-131-080	CAP, CER 1000P-50V		CON202	87-099-408-010		CONN, 8P EH V WHT
C303	87-010-401-080	CAP, ELECT 1-50V		CON301	8Z-KTH-612-010		CONN, 3P HEADER-STRAIGHT
C304	87-010-401-080	CAP, ELECT 1-50V		CON601	8Z-KT1-624-010		CONN, 16P SOCO17
C401	87-010-401-080	CAP, ELECT 1-50V		△F601	8Z-KC1-621-010		FUSE, 15A
				J101	8Z-KT1-614-010		ANT, AW-002
				L101	87-003-143-080		COIL 4.7 UH
				L102	8Z-KT1-619-010		COIL, 68MH K7-D
				L301	87-003-143-080		COIL 4.7 UH
				L601	8Z-KT1-615-010		FLTR, AMORPHOUS -CHOKE
				L701	87-A50-375-010		COIL, 1UH K LAL02

REF. NO	PART NO.	KANRI NO.	DESCRIPTION
L702	87-003-149-080		COIL,47UH
SW901	87-A91-152-010		SW,SL 1-1-2 SSSS212-11-A
TUN101	8A-KC8-624-010		TU UNIT, FAE347-A16
X701	87-A70-175-010		VIB,XTAL 4.5MHZ AT-49

FRONT C.B

D801	87-017-827-070		C-LED,SEC1201C,RED
D802	87-017-827-070		C-LED,SEC1201C,RED
D803	87-017-827-070		C-LED,SEC1201C,RED
D804	87-A40-813-040		C-LED,SEC1E01C BLUE
D805	87-A40-813-040		C-LED,SEC1E01C BLUE
D806	87-A40-813-040		C-LED,SEC1E01C BLUE
LCD801	8A-KTG-612-010		LCD,AKT-17
PL801	8A-KT7-655-010		LAMP,9V-50MA
PL802	8A-KT7-655-010		LAMP,9V-50MA
SW801	87-036-251-080		SW,T CT 6X3.5 160
SW802	87-036-251-080		SW,T CT 6X3.5 160
SW803	87-036-251-080		SW,T CT 6X3.5 160
SW804	87-036-251-080		SW,T CT 6X3.5 160
SW805	87-036-251-080		SW,T CT 6X3.5 160
SW806	87-036-251-080		SW,T CT 6X3.5 160
SW807	87-036-251-080		SW,T CT 6X3.5 160
SW808	87-036-251-080		SW,T CT 6X3.5 160
SW809	87-036-251-080		SW,T CT 6X3.5 160
SW810	87-036-251-080		SW,T CT 6X3.5 160
SW811	87-036-251-080		SW,T CT 6X3.5 160
SW812	87-036-251-080		SW,T CT 6X3.5 160
SW813	87-036-251-080		SW,T CT 6X3.5 160
SW814	87-036-251-080		SW,T CT 6X3.5 160
SW815	87-036-251-080		SW,T CT 6X3.5 160
VR801	87-A91-597-010		SW,RTRY SIM-026MT

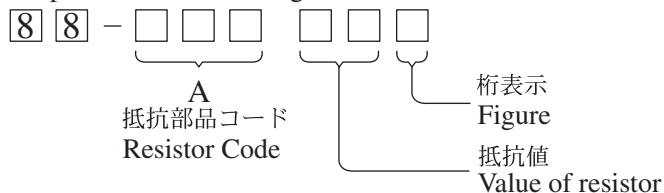
AUX C.B

J301	87-A61-229-010		JACK,3.5 BLK ST W/SW
------	----------------	--	----------------------

○チップ抵抗部品コード／CHIP RESISTOR PART CODE

チップ抵抗部品コードの成り立ち

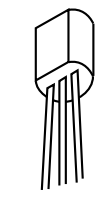
Chip Resistor Part Coding



チップ抵抗
Chip resistor

容量 Wattage	種類 Type	許容誤差 Tolerance	記号 Symbol	寸法/Dimensions (mm)			抵抗コード : A Resistor Code : A	
				外形/Form	L	W		t
1/16W	1005	± 5%	CJ		1.0	0.5	0.35	104
1/16W	1608	± 5%	CJ		1.6	0.8	0.45	108
1/10W	2125	± 5%	CJ		2	1.25	0.45	118
1/8W	3216	± 5%	CJ		3.2	1.6	0.55	128

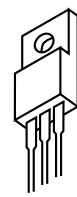
TRANSISTOR ILLUSTRATION



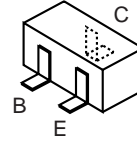
ECB
KTC3198
KTC3203



ECB
DTC343TS
KRA104M
KRA226M
KRC102M
KTA1267
KTA1273



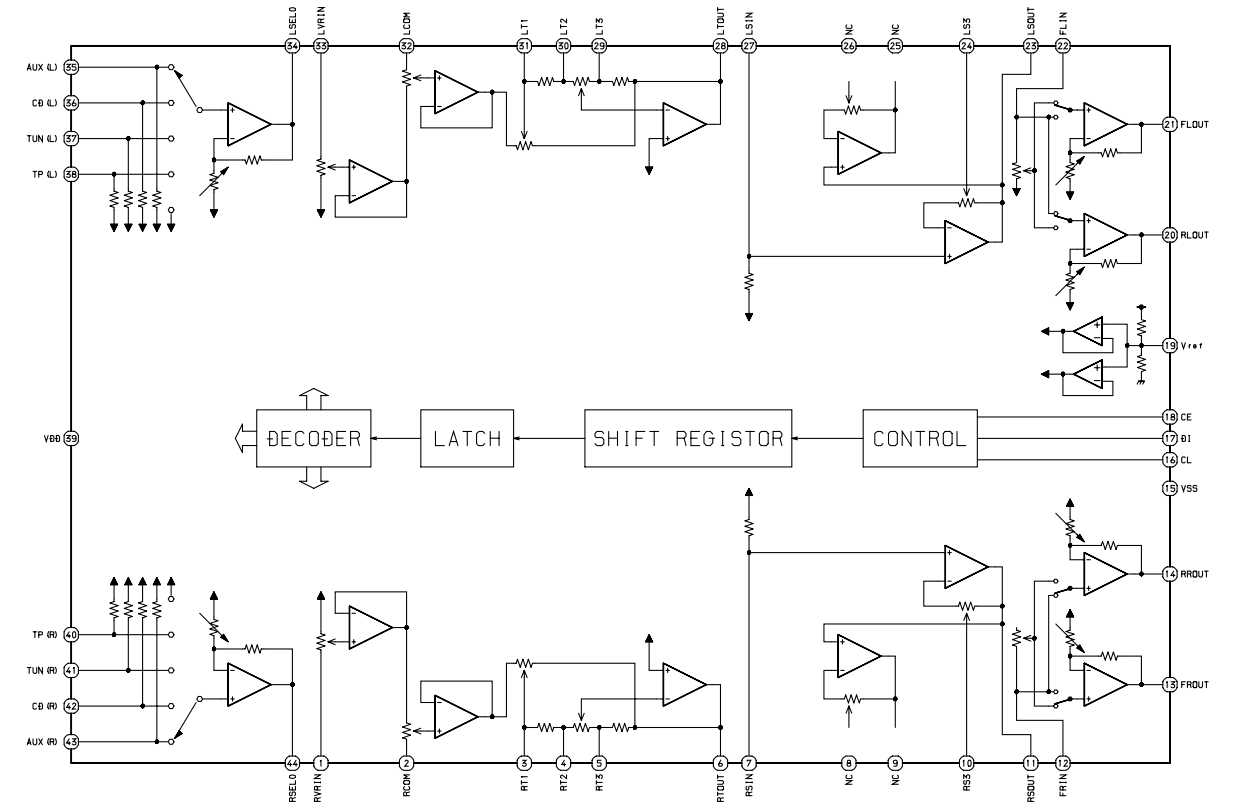
BCE
2SD2395
KTA1046



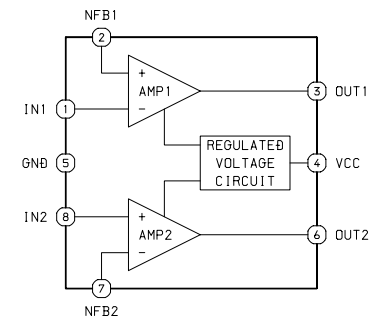
CBE
KRA111S
KRA226S
KRC102S
KRC111S

IC BLOCK DIAGRAM-1

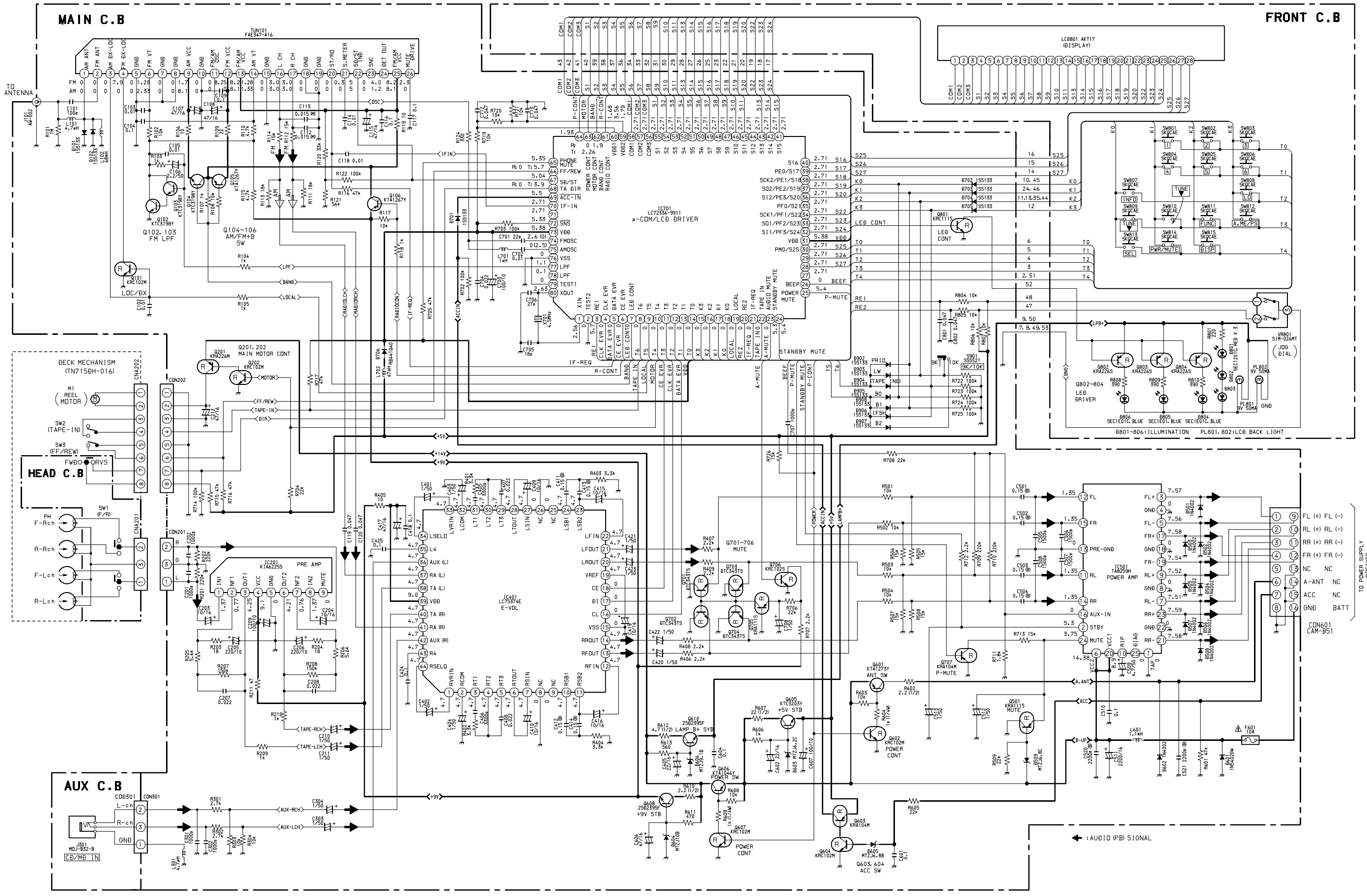
IC, LC75374E

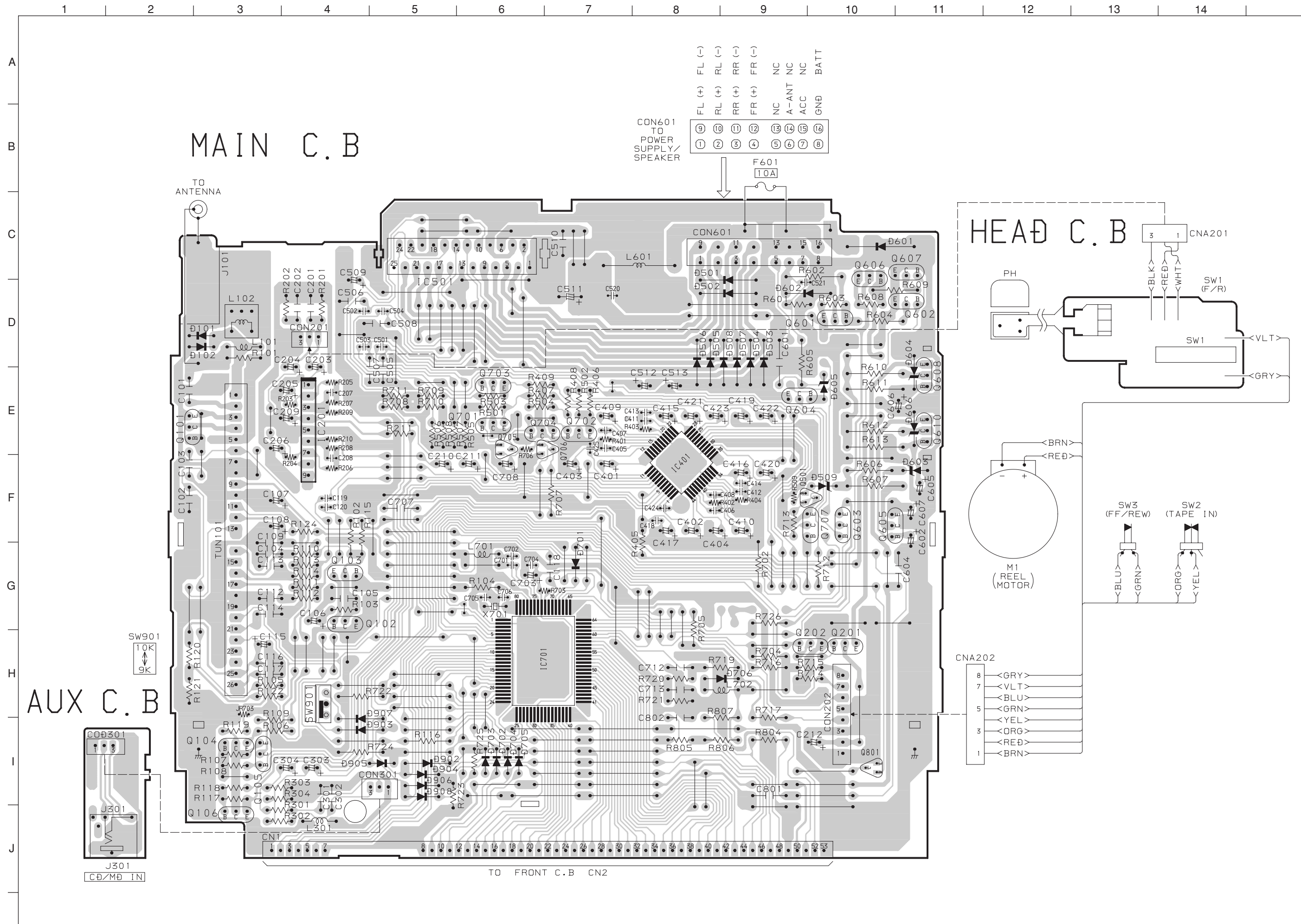


IC, KIA6225S

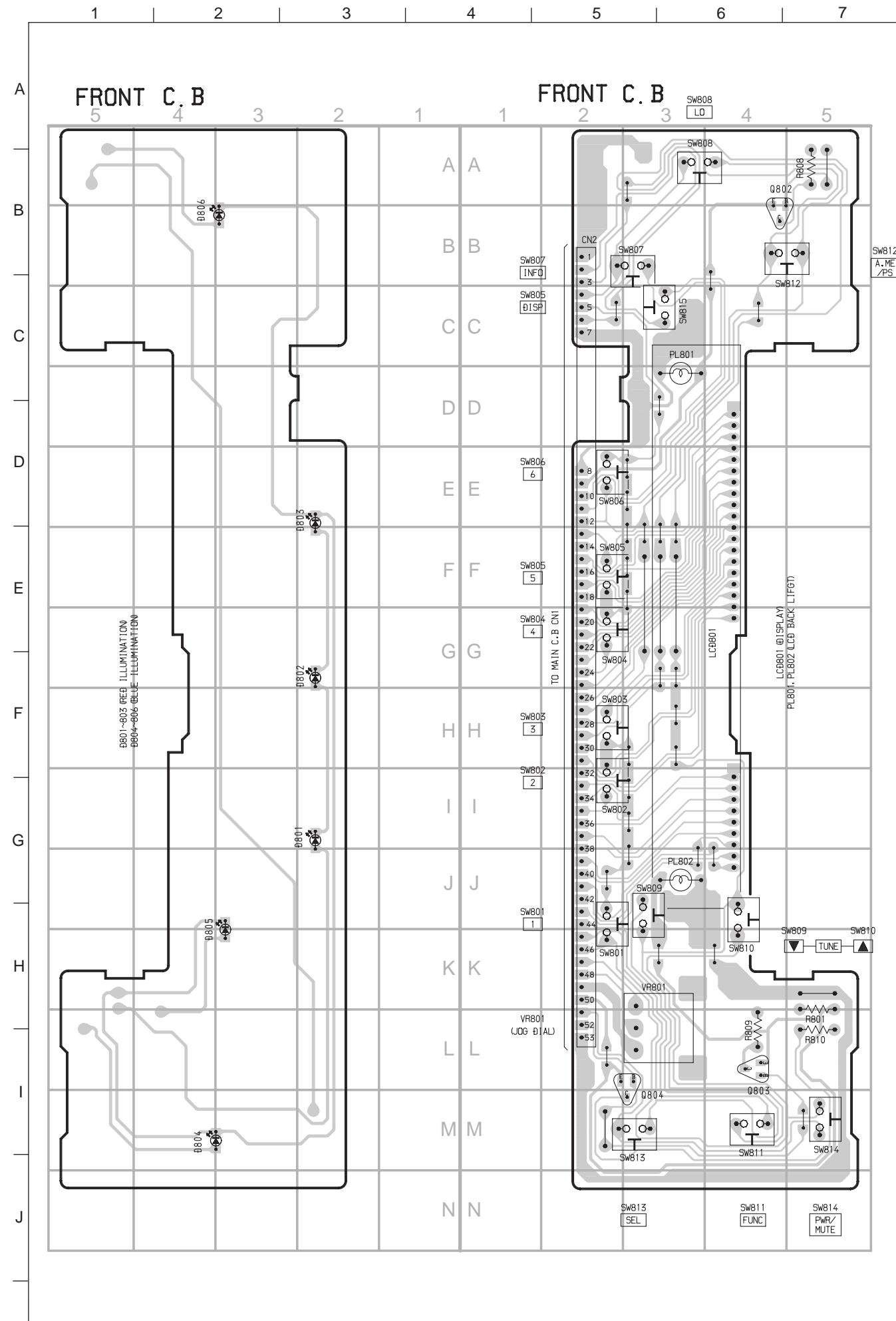


SCHEMATIC DIAGRAM



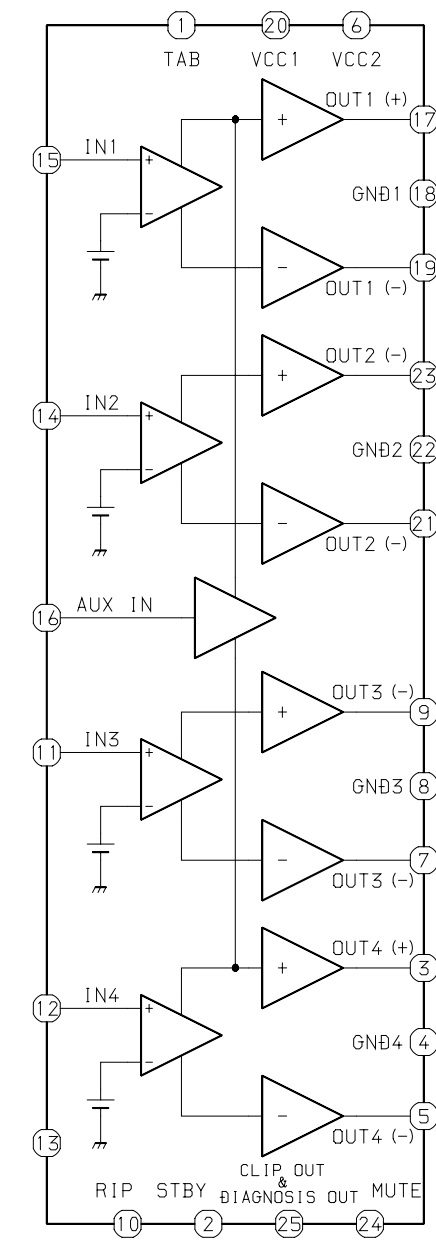


WIRING-2



IC BLOCK DIAGRAM-2

IC, TA8259H

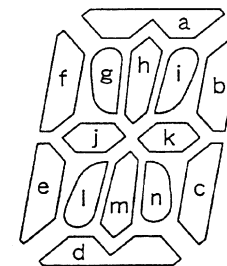
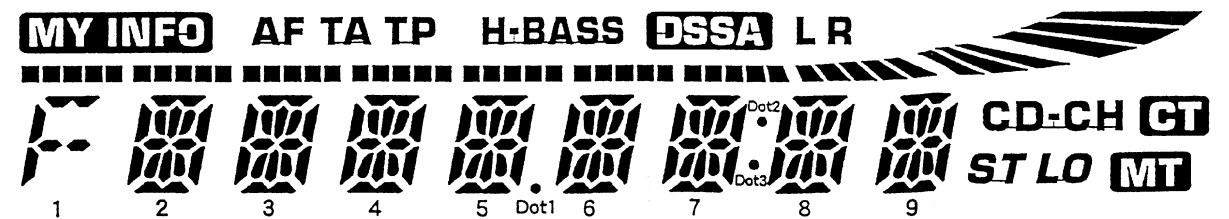
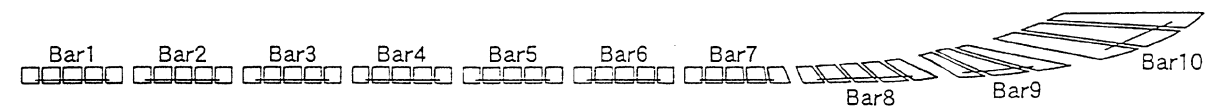
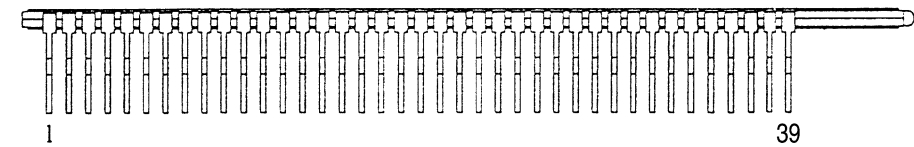
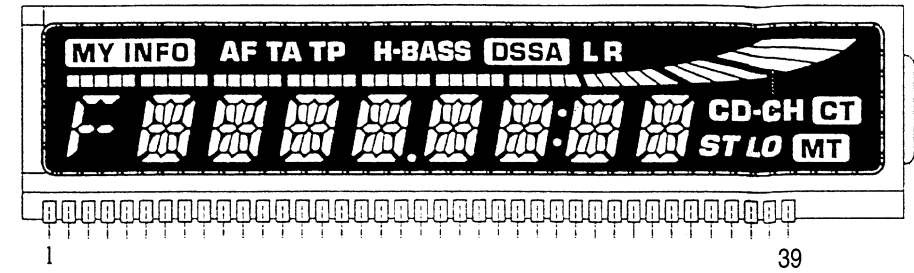


IC DESCRIPTION

IC, LC72336

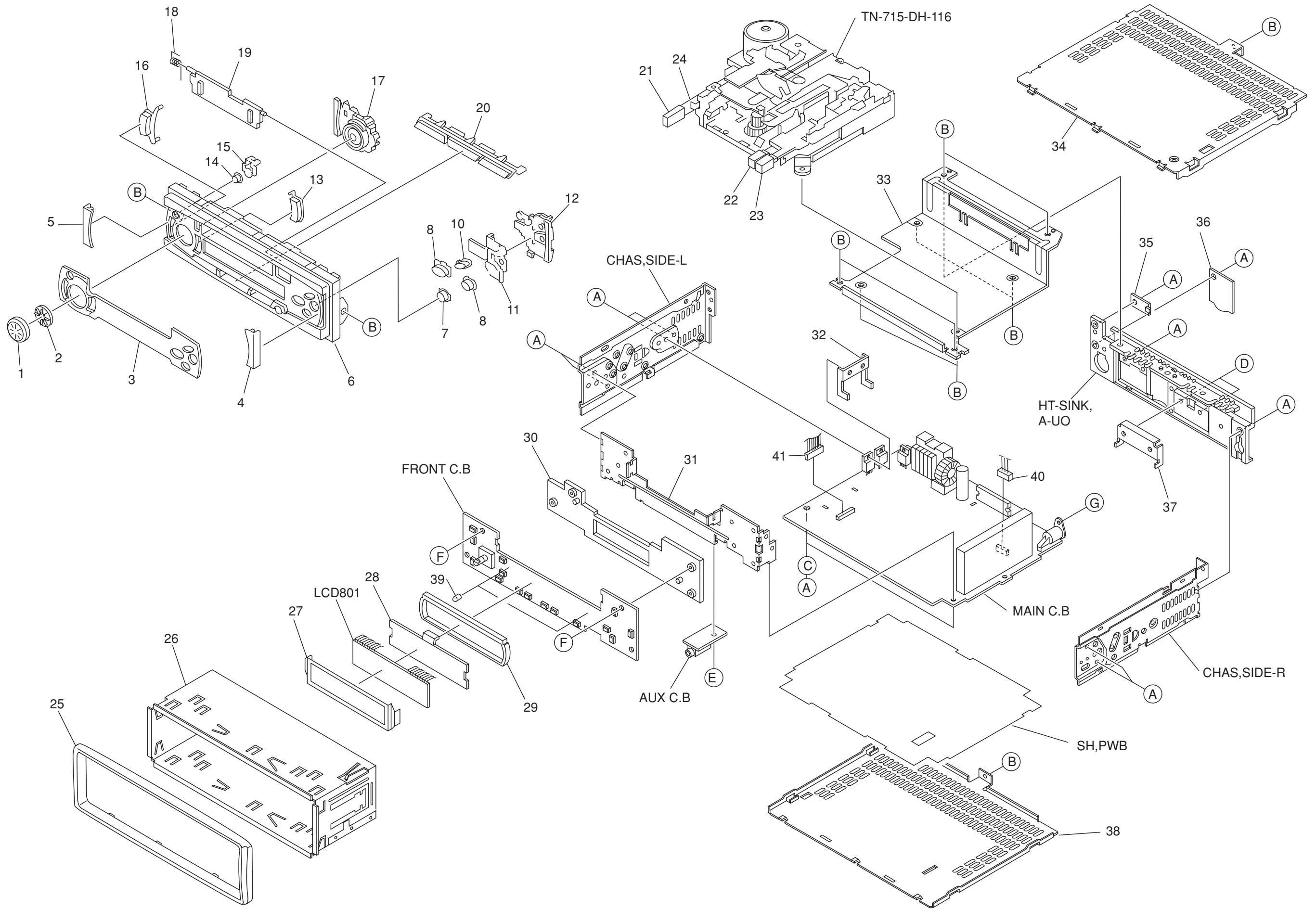
Pin No.	Pin Name	I/O	Description
1	X-IN	I	System clock oscillator.
2	TEST2	I	Device test input.
3	RE1	I	Rotary encoder input 1.
4	CLK-AVR	O	Clock output to electronic VR (LC75374)
5	DATA EVR	O	CE output to electronic VR (LC75374)
6	CE EVR	O	Chip enable output to electronic VR (LC75374)
7	LED CONT	O	LED control.
8-14	T6-T0	O	Key scan signal output.
15-18	K3-K0	I	Key scan signal input.
19	LOCAL	O	LOCAL/DX switching signal output during seeking. (LOCAL = H)
20	RE2	I	Rotary encoder input 2.
21	IF-REQ	O	IF CONT signal request output. (REQ ON = H)
22	TAPE IN	I	Tape inserted status detection input.
23	AUDIO MUTE	O	Audio muting output.
24	STANDBY MUTE	O	Standby muting output to power amp.
25	POWER MUTE	O	Muting output to power amp.
26	BEEP	O	Beep sound output.
27	NC	-	Not connected.
28-55	S27-S1	O	Display segments signal output.
56-58	COM3-COM1	O	Common 3-1 for display.
59-60	VDD2-VDD1	-	Device power supply.
61	RADIO CONT	O	Radio mode control output. (RADIO = L)
62	BAND CONT	O	Radio band control output. (FM = L, AM = H)
63	MOTOR CONT	O	Motor control output. (Motor ON = H)
64	POWER CONT	O	Unit power control output.
65	PHONE MUTE	I	Muting control.
66	FF/REW	I	Tape fast forward and fast rewind mode detection input.
67	SD/ST	I	SD : Stop pulse input when seeking FM/AM station. ST : Display input (STEREO = H) accepted only during reception.
68	TA DIR	I	FWD/REV mechanism position detection input. (FWD = H)
69	ACC-IN	I	Car accessory on/off input. (ON = H)
70	IF-IN	I	IF CONT signal input.
71	NC	-	Not connected.
72	SNS	I	Voltage failure judgement input.
73	VDD	-	Device power supply.
74	FMOSC	I	FM local oscillation input.
75	AMOSC	I	AM local oscillation input.
76	VSS	-	Device ground.
77	LPF	O	Charge pump output for low-pass filter.
78	LPF	-	Not connected.
79	TEST1	I	Device test input.
80	XOUT	O	Crystal oscillator output.

LCD DISPLAY



No.	1	2	3	4	5	6	7	8	9	10	11	12	13	14	15	16	17	18	19	20
COM1	—	—	—	COM1	MT	TP	AF	2d	2m	2n	Bar2	3d	3m	3n	TA	4d	4m	4n	H-BASS	5d
COM2	—	—	COM2	—	LO	R	DSSA	2e	2l	2k	2c	3e	3l	3k	3c	4e	4l	4k	4c	5e
COM3	—	COM3	—	—	CD-CH	Bar10	Bar9	2f	2j	2i	2b	3f	3j	3i	3b	4f	4j	4i	4b	5f
COM4	COM4	—	—	—	CT	MY INFO	Bar1	1a,e,i,j,k	2g	2h	2a	Bar3	3g	3h	3a	Bar4	4g	4h	4a	Bar5

No.	21	22	23	24	25	26	27	28	29	30	31	32	33	34	35	36	37	38	39
COM1	5m	5n	Dot1	6d	6m	6n	L	7d	7m	7n	Dot3	8d	8m	8n	—	9d	9m	9n	ST
COM2	5l	5k	5c	6e	6l	6k	6c	7e	7l	7k	7c	8e	8l	8k	8c	9e	9l	9k	9c
COM3	5j	5i	5b	6f	6j	6i	6b	7f	7j	7i	7b	8f	8j	8i	8b	9f	9j	9i	9b
COM4	5g	5h	5a	Bar6	6g	6h	6a	Dot2	7g	7h	7a	Bar7	8g	8h	8a	Bar8	9g	9h	9a



MECHANICAL MAIN PARTS LIST 1/1

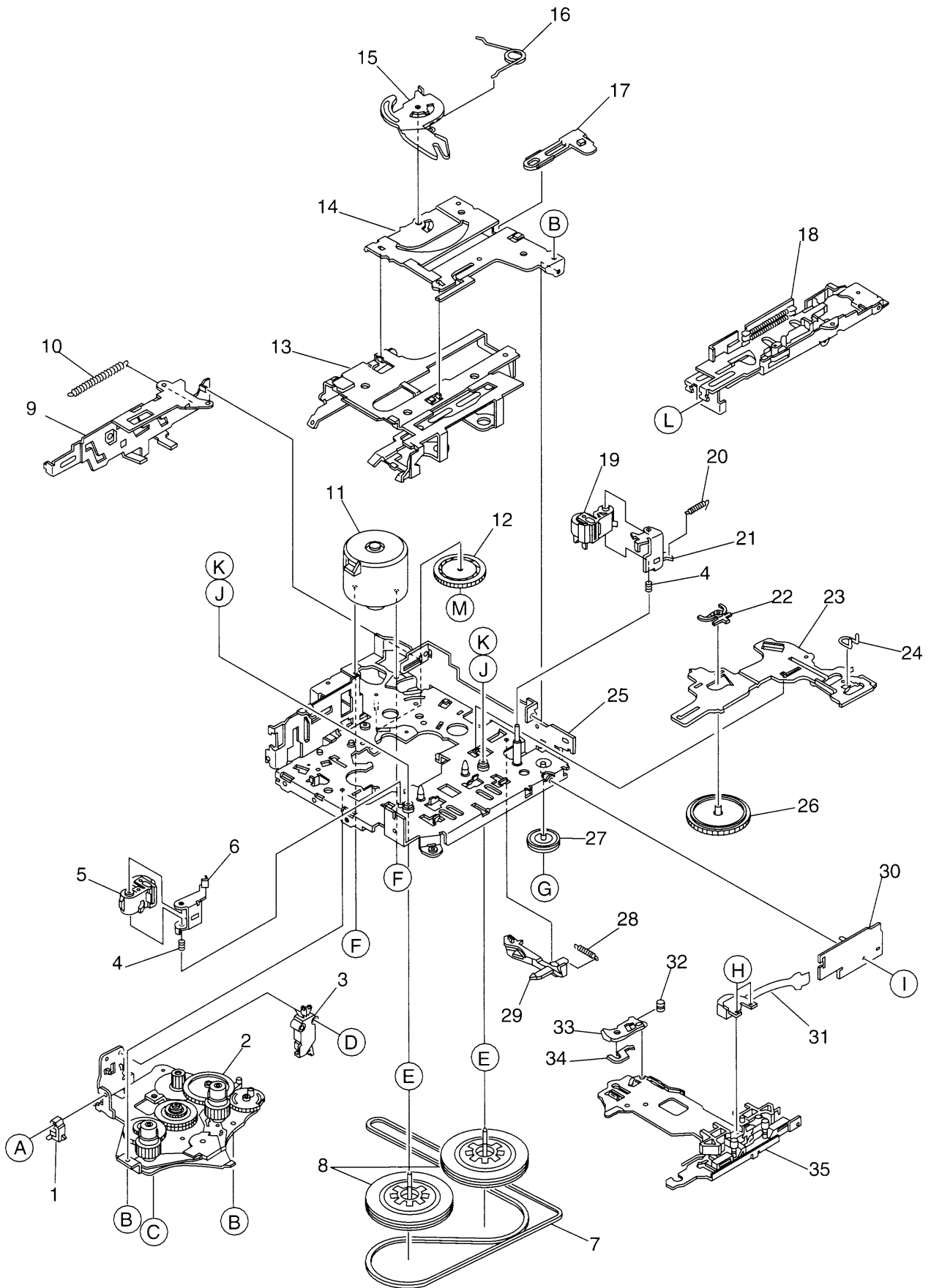
DESCRIPTIONで判断できない物は "REFERENCE NAME LIST" を参照してください。
 If can't understand for Description please kindly refer to "REFERENCE NAME LIST".

REF. NO	PART NO.	KANRI NO.	DESCRIPTION	REF. NO	PART NO.	KANRI NO.	DESCRIPTION
1	8A-KTF-020-010		KNOB,RTRY NON RUBBER	26	8Z-KT1-231-010		HLDR,HALF-T
2	8A-KT5-021-010		RING,RTRY A	27	8A-KTG-201-010		HLDR,LCD G
3	8A-KTH-008-010		WINDOW,LCD Z110 35W	28	8A-KTG-203-010		LENS,LCD G
4	8A-KTF-005-010		WINDOW,R F	29	8A-KTG-202-010		CASE,LCD G
5	8A-KTF-004-010		WINDOW,L F	30	8A-KTH-203-010		HLDR,PWB H
6	8A-KTH-001-010		CABI,FRONT H	31	8A-KTH-202-010		CHAS,FRONT H
7	8A-KT5-016-010		BTN,INFO	32	8A-KT5-204-010		HLDR,TR
8	8A-KT5-013-010		BTN,DISP	33	8A-KTH-201-010		HLDR,DECK H
9	8A-KT5-015-010		BTN,LO	34	8Z-KT1-211-010		COVER, TOP -T
10	8A-KT5-014-010		BTN,A/M	35	8Z-KT5-201-010		COVER, ISO BLIND -T
11	8A-KT5-210-010		HLDR,BTN MU	36	8Z-KT4-201-010		COVER, CD BLIND -T
12	8A-KTF-206-010		LENS,R F	37	8A-KTF-201-010		HLDR,IC F
13	8A-KTG-003-010		BTN,UP/DN G	38	8Z-KT1-212-010		COVER, BOTTOM -T
14	8A-KT5-012-010		BTN,PWR	39	8Z-KT1-239-010		CAP,LAMP BLU B
15	8A-KT5-211-010		HLDR,BTN DISP	40	8Z-KTH-652-010		CONN ASSY, 3P (HEAD)
16	8A-KTF-013-010		BTN,FNC F	41	8Z-KTH-651-010		CONN ASSY, 8P (DECK)
17	8A-KTF-205-010		LENS,ENCO F	A	87-251-073-410		SCREW,U+2.6-6
18	8Z-KT1-244-010		SPR-T,DOOR Z	B	88-KT1-250-010		S-SCREW,THIN HEAD+2.6-4 BLK
19	8Z-KT1-023-110		DOOR,CASS	C	87-432-903-010		WASHER,WTE 2.6
20	8A-KTG-004-010		BTN,P.SET G	D	87-251-097-410		U+3-12
21	8A-KTH-003-010		BTN,EJECT H	E	87-253-034-410		U+2-5 BLK
22	8A-KTH-005-010		BTN,REW H	F	87-251-092-410		U+3-4
23	8A-KTH-004-010		BTN,FF H	G	87-251-076-410		U+2.6-12
24	8Z-KTH-204-010		LEVER,EJ-T17				
25	8A-KTH-006-010		CABI,TRIM H				

COLOR NAME TABLE

Basic color symbol	Color	Basic color symbol	Color	Basic color symbol	Color
B	Black	C	Cream	D	Orange
G	Green	H	Gray	L	Blue
LT	Transparent Blue	N	Gold	P	Pink
R	Red	S	Silver	ST	Titan Silver
T	Brown	V	Violet	W	White
WT	Transparent White	Y	Yellow	YT	Transparent Yellow
LM	Metallic Blue	LL	Light Blue	GT	Transparent Green
LD	Dark Blue	DT	Transparent Orange		

MECHANISM EXPLODED VIEW 1/1



MECHANISM MAIN PARTS LIST 1/1

DESCRIPTIONで判断できない物は "REFERENCE NAME LIST" を参照してください。
 If can't understand for Description please kindly refer to "REFERENCE NAME LIST".

REF. NO	PART NO.	KANRI NO.	DESCRIPTION	REF. NO	PART NO.	KANRI NO.	DESCRIPTION
1	S6-405-040-020		PUSH SW SW-230-2	26	S1-960-030-030		P.GEAR
2	S1-960-063-120		MG PLATE Z ASSY	27	S1-940-141-150		MIDDLE PULLEY
3	S6-405-010-360		SW,OAS-1229-4	28	S1-960-140-020		TA,SPRING
4	S1-960-140-140		P.P SPRING	29	S1-960-140-010		TRIGGER ARM
5	S1-960-043-020		PINCH ROLLER ARM(R)ASSY	30	S1-960-033-030		HEAD SW ASSY(D)
6	S1-960-140-120		HP RETURN ARM	31	S6-201-070-530		P HEAD P-7742 BB-0573
7	S1-940-140-170		MAIN BELT	32	S1-960-140-220		H.P ROLLER
8	S1-960-133-010		FL CAPSTAN ASSY	33	S1-960-140-250		H.P PUSH ARM B
9	S1-960-095-020		PUSH LEVER Z RIVET ASSY	34	S1-960-140-060		HP PUSH PLATE
10	S1-960-090-030		PUSH LEVER SPRING	35	S1-960-034-020		HEAD PANEL ASSY(D)
11	S1-960-113-040		MOTOR ASSY MC1-5U3LBS	A	S9-P12-200-710		TAMS TAPPING SCREW S 2-7
12	S1-940-141-230		MAIN GEAR V	B	S9-C04-203-030		CAMERA SCREW(TAPPING)S2.0-3
13	S1-960-083-010		CASS CASE ASSY	C	S9-C42-202-010		CAMERA TAPPING SCREW S3 2-2
14	S1-960-080-070		CASE LEFTER B	D	S9-C39-208-010		TS.S TAMS SCREW 2-8
15	S1-960-080-080		P.S ACTUATOR PLATE B	E	S9-W05-131-000		HIMERON WASHER 1.55-3.8-0.13
16	S1-960-080-060		REVERSE SPRING	F	S9-P02-200-310		TAMS SCREW 2.0-3
17	S1-960-080-090		PACK SLIDER B	G	S9-W02-250-100		P.WASHER(CUT)0.85-2.8-0.25
18	S1-960-153-120		FR LEVER ASSY	H	S9-F27-204-010		FIX SCREW
19	S1-960-043-010		PINCH ROLLER ARM(F)ASSY	I	S9-P12-200-510		TAMS SCREW(TAPPING)S2.0-5
20	S1-960-150-050		LOCK PLATE SPRING	J	S9-W05-200-800		HIMELON WASHER 1.55-3-0.2
21	S1-960-150-040		LOCK PLATE	K	S9-W08-500-600		LUMILAR WASHER 1.25-3.2-0.5
22	S1-960-030-020		P.GEAR METAL	L	S9-C02-264-520		CAMERA SCREW(TAMS)2.6-4.5
23	S1-960-100-010		MAIN PLATE	M	S9-W06-250-300		HIMELON WASHER(CUT)1.2-3-0.25
24	S1-960-100-020		H.S SPRING				
25	S1-960-015-010		CHASSIS RIVET ASSY				

アイワ株式会社 〒110-8710 東京都台東区池之端1-2-11 ☎03(3827)3111 (代表)
AIWA CO.,LTD. 2-11, IKENOHATA 1-CHOME, TAITO-KU, TOKYO 110, JAPAN TEL:03(3827)3111