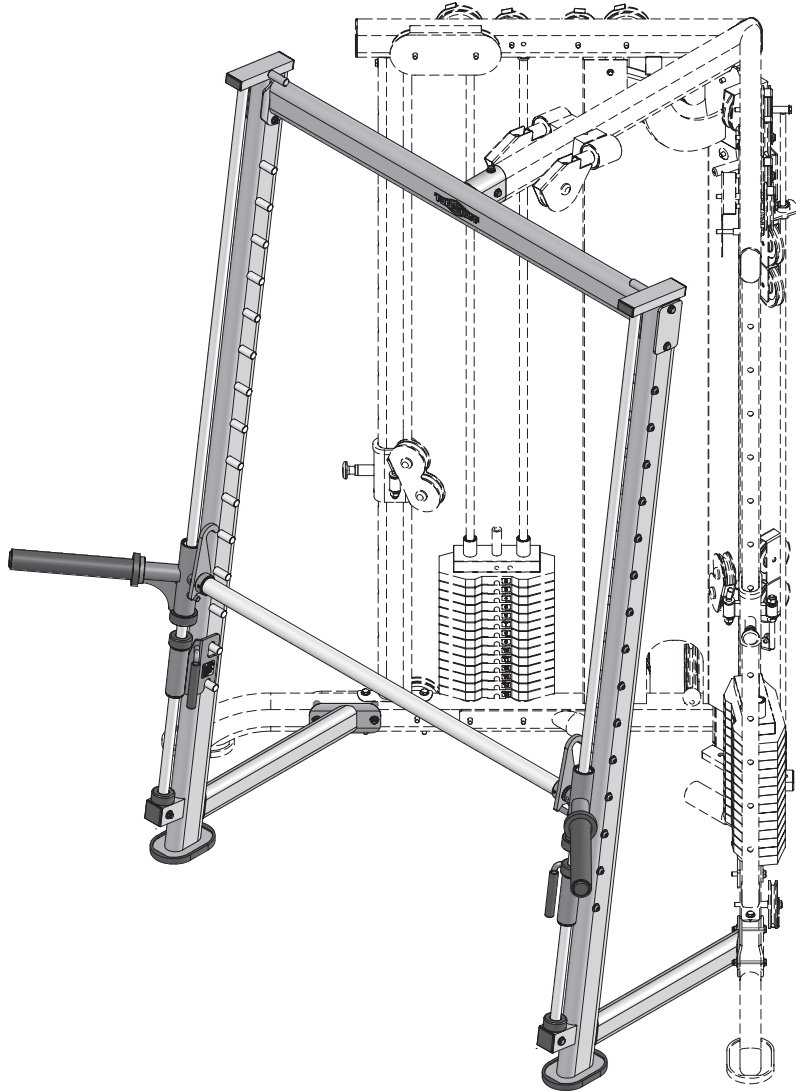
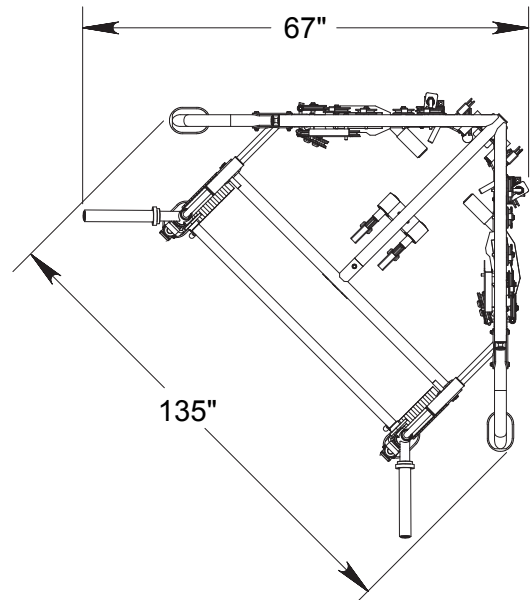


OWNER'S MANUAL



CXT-125

Smith Machine Attachment (CXT-100 Option)



CXT-100 + CXT-125
L 67" W 80" H 84 3/4"

AMERICA'S PREMIER EXERCISE EQUIPMENT

Introduction

About the Smith Machine Attachment CXT-125

Congratulations on your new purchase of the **Smith Machine Attachment (CXT-100 Option)**. We hope you are completely satisfied with this product and wish you many years of enjoyment.

Tuff Stuff Equipment

This Tuffstuff product has been built to precise quality standards and has been carefully packaged to ensure that damage will not occur during shipment. The Home Lifetime Warranty and signature indicating final inspection has been conducted by our line foreman, is an expression of our confidence in the completeness, the materials, and workmanship of this product.

Warranty

SEE A COPY OF WARRANTY ON BACK PAGE.

Registration Card

To avoid unnecessary delays in warranty service and to insure that a permanent record of your purchase is on file with our factory, be sure to complete the warranty registration card and send it to TuffStuff Fitness Equipment today.

Specifications

1. Maximum Wt. Capacity - 250 lbs.
2. Total Machine Weight - 175 lbs.
3. Footprint (LWH) - See Front Cover.

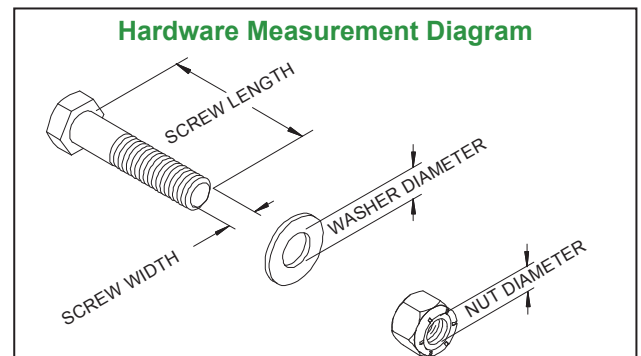
Note: Due to continuing product improvements, specifications and designs are subject to change without notice.

Prior to the Assembly of the Smith Machine Attachment

1. We advise you to consult your local Tuff Stuff retailer if you should have a question or problem regarding the proper assembly of this unit.

Tool Requirements

1. One 9/16" combination wrench
2. One ratchet
3. One 9/16" socket
4. One rubber mallet
5. Windex or household glass cleaner
6. Measuring tape
7. Utility knife



Safety Precautions

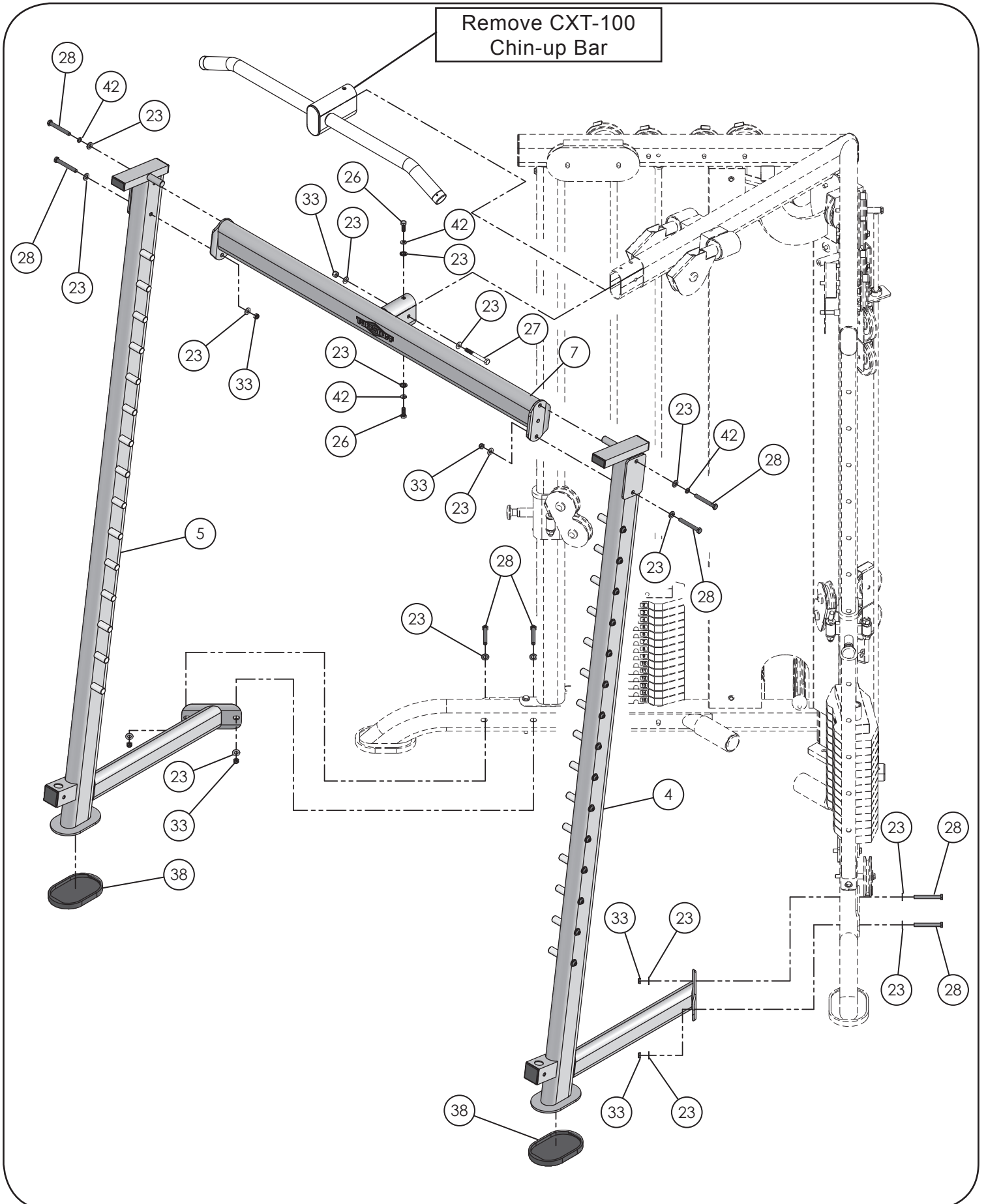
Safety First

Regardless of how enthusiastic you may be about getting on your equipment and exercising, take the time to ensure that your safety is not jeopardized. A moment's lack of attention can result in an accident, as can failure to observe certain simple safety precautions.

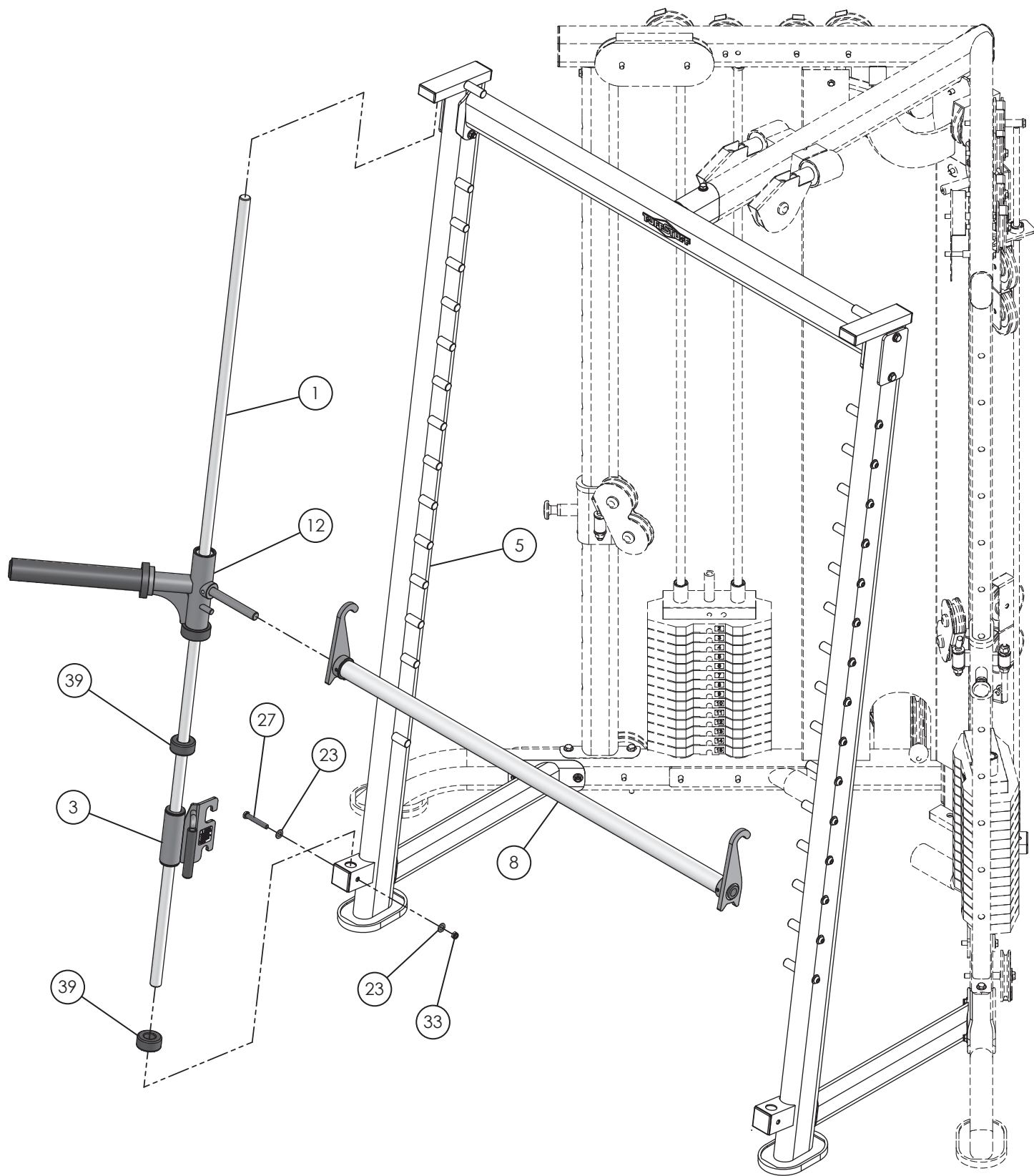
1. Read, study and understand the Owner's Manual and all the warning labels on this product. Furthermore, it is recommended to familiarize yourself and others with the proper operation and workout recommendations for this Tuff Stuff product prior to use.
2. It is imperative that you retain this Owner's Manual and be sure all warning labels are legible and intact. Replacement Owner's Manual and labels are available from your local Tuff Stuff retailer.

3. Consult with your physician before beginning any exercise program.
4. Use proper discretion when children are present.
5. Keep hands, limbs, loose clothing and long hair well out of the way of moving parts.
6. Do not attempt to lift more weight than you can control safely.
7. Inspect the Unit for any sign of wear on parts, hardware becoming loose or cracks on welds. If a problem is found **do not use or allow the machine to be used** until the defective part is repaired or replaced.

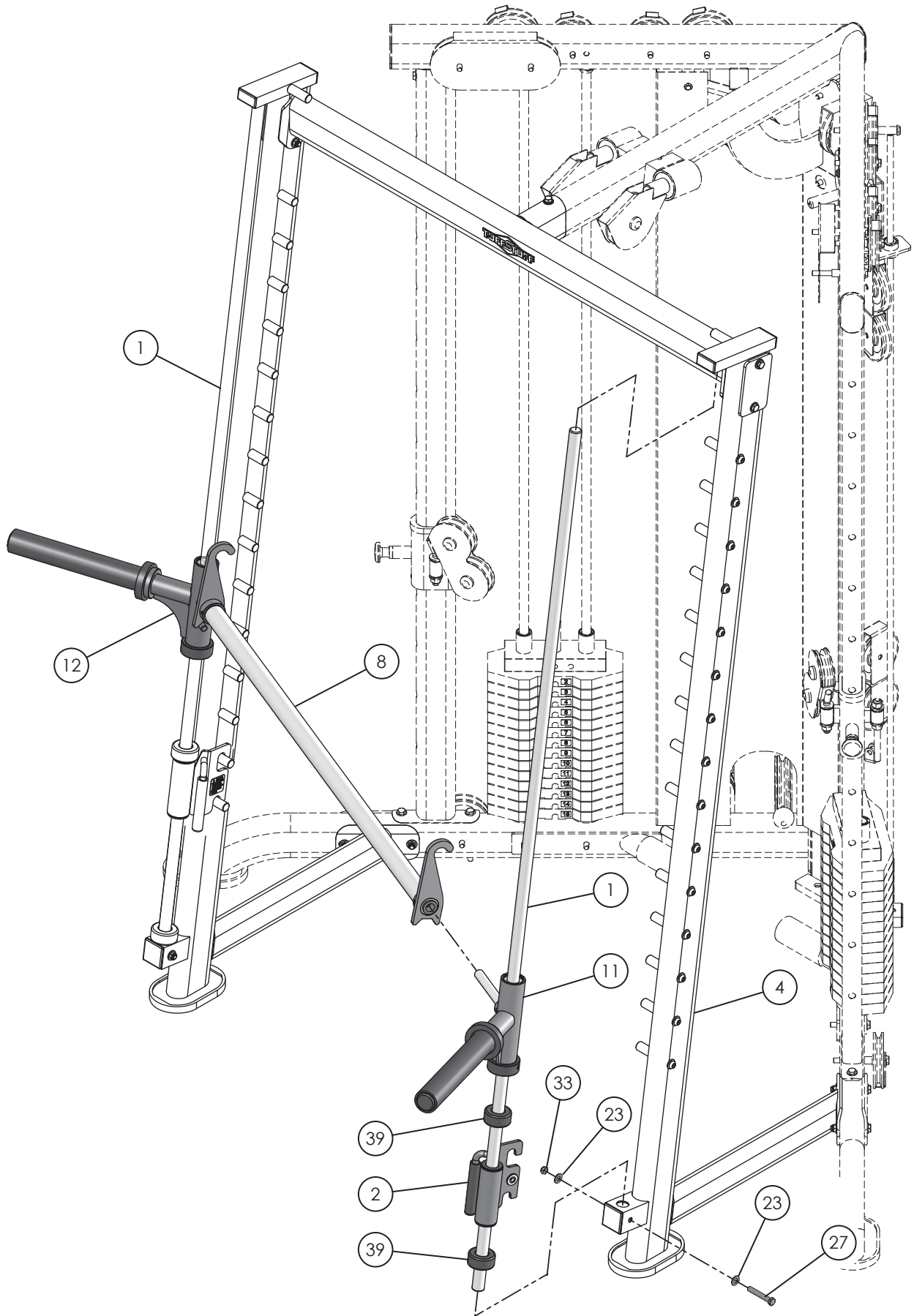
Step 1 Affix Side Frames to the CXT-100



Step 2 Begin the Assembly of the Weight Lifting Bar



Step 3 Conclude the Assembly of the Weight Lifting Bar



COLOR CHART**BOLD FONT = SUB-ASSEMBLY PARTS**

BLACK= HARDWARE

**CXT-125
Parts List**

REV1

ITEM	DESCRIPTION	REV	PART NO.	QTY	ITEM	DESCRIPTION	PART NO.	QTY
1	LINEAR SHAFT 1 X 79 1/2	0	UP3875	2	23	FLAT WASHER SAE B/O 3/8"	BNH0239	50
2	SAFETY SPOTTER LT	1	UP3868	1	24	NYLON BUSHING 1 X 1 1/2 X 7/8 X 1 3/4 X 1/8	BNH0531	4
3	SAFETY SPOTTER RT	1	UP3867	1	25	GLIDE STOPPER Ø2.559 X .945	BNH1932	2
4	SIDE FRAME LT	0	UP3865	1	26	HEX HEAD CAP SCREW GR-5 B/O 3/8-16 X 1	BNH0275	2
5	SIDE FRAME RT	0	UP3864	1	27	HEX HEAD CAP SCREW GR-5 B/O 3/8-16 X 2 1/2	BNH0276	3
6	STOPPER PRONG Ø3/4 X 3 1/2	0	UP3874	30	28	HEX HEAD CAP SCREW GR-5 B/O 3/8-16 X 3	BNH0282	8
7	TOP CROSS BRACE	0	UP3866	1	29	HEX KEY ALLOY 5/32"	BNH0373	1
8	WEIGHT LIFT BAR	0	UP3873	1	30	HEX KEY ALLOY 7/32"	BNH0575	1
9	WEIGHT LIFT BAR HOOK LT	0	UP3872	1	31	INTERNAL RETAINING RING Ø40 mm	BNH1923	4
10	WEIGHT LIFT BAR HOOK RT	0	UP3871	1	32	LINEAR BEARING SUPER SMART SSU16-RP	BNH0770	4
11	WEIGHT PRONG LT	0	UP3870	1	33	NYLON INSERT JAM LOCK NUT B/O 3/8-16	BNH0365	9
12	WEIGHT PRONG RT	0	UP3869	1	34	PLASTIC INSERT CAP 1 5/8" RD 10-14 GA	BNH1910	2
13	ABS SLEEVE 1 5/8 X 12		BNH1927	2	35	PLASTIC INSERT CAP 1" X 2" 10-14 GA	BNH0005	4
14	BLACK RUBBER GRIP 1/2 X 4 7/8		BNH1818	2	36	PLASTIC INSERT CAP 2" SQ 10-14 GA	BNH0012	2
15	BRONZE BUSHING Ø25 X Ø19 X 20 mm		BNH1926	2	37	ROLL PIN Ø6 mm X 14 mm	BNH1924	4
16	BRONZE BUSHING Ø31 X Ø25.4 X Ø19 X 20 mm		BNH1925	2	38	RUBBER FOOT FOR 6 X 4 1/4 PLATE	BNH1647	2
17	BUTTON HEAD SOC CAP SCREW B/O 3/8-16 X 1		BNH0115	30	39	RUBBER STOPPER Ø63.5 X Ø25 X 26 mm	BNH1930	4
18	DECAL-DANGER ENGAGE SAFETY SPOTTER...		BNH1848	2	40	RUBBER WASHER 1 7/8 ID X 3 OD X 19/32 TK	BNH1909	2
19	DECAL-DECAL-NUMBERS 1-15 TEFLON		BNH1898	2	41	SOCKET SET SCREW ALLOY 5/16-18 X 5/16	BNH1453	2
20	DECAL-EXERCISE CHART (CXT-125)		BNH1901	1	42	SPLIT LOCK WASHER B/O 3/8"	BNH0658	34
21	DECAL-IMPORTANT FOR BEST PERFORMANCE..		BNH1894	2	43	TUFFSTUFF LOGO ALUMINUM SMALL	BNH1323	1
22	FLAT PHILLIPS SCREW ZINC # 2 X 1/2		BNH1480	2	44	NYLON STEM BUTTON (26 X 9.5 X 3.17 X 12.6) mm	BNH0547	2

DO NOT DISCARD THIS MANUAL



HOME LIFETIME WARRANTY

TuffStuff products are warranted to the retail purchaser to be free from defects in materials and workmanship. TuffStuff exclusive Home Lifetime Warranty coverage extends for the life of the product while owned by the original retail purchaser, and used only in a home or residential setting unless otherwise noted in the owner's manual.

This warranty does not cover:

1. TuffStuff products sold for and used in a commercial or institutional setting.
2. Any damage, failure or loss caused by accident, misuse, neglect, abuse, improper assembly, improper maintenance, or failure to follow instructions or warnings in the owner's manual and warning labels posted on the machine.
3. Use of products in a manner for which they were not designed.
4. Original product that is altered, or the use of replacement parts and components of another manufacturer other than TuffStuff.

Limitations:

The foregoing shall constitute the sole remedy of the purchaser and the sole liability of TuffStuff with regard to warranty, whether express or implied by operation of law or otherwise, including but not limited to any implied warranties of merchantability or fitness. TuffStuff shall in no event be liable for incidental or consequential losses, damages or expenses in connection with exercise products. TuffStuff's liability hereunder is expressly limited to the repairs or replacements of warranted defective parts.

Procedures:

Warranty service will be performed at TuffStuff's facility in Pomona, California. TuffStuff will have the option of either repair or replacement at no charge for any defective product. Purchaser is responsible for installation of repaired or replaced parts and all transportation and insurance costs on returned or replaced equipment to and from TuffStuff's facility in Pomona.

This warranty gives you specific legal rights and you may also have other rights, which may vary from state to state. Effective July 1, 2004.

This warranty is the final, complete and exclusive agreement of the parties with respect to the quality or performance of the equipment and no action for breach of this written warranty or any implied warranty shall be commenced more than one (1) year after the accrual of the cause of action. No modification of this warranty or waiver of its terms shall be binding on either party unless approved in writing by an authorized representative of the party. Contact TuffStuff at 1325 E. Franklin Avenue, Pomona, California 91766, before returning any defective equipment.

Note: Retain your sales receipt and be sure to mail in the warranty registration card to insure that a permanent record of your purchase is on file with the factory and to avoid unnecessary delays in warranty service.

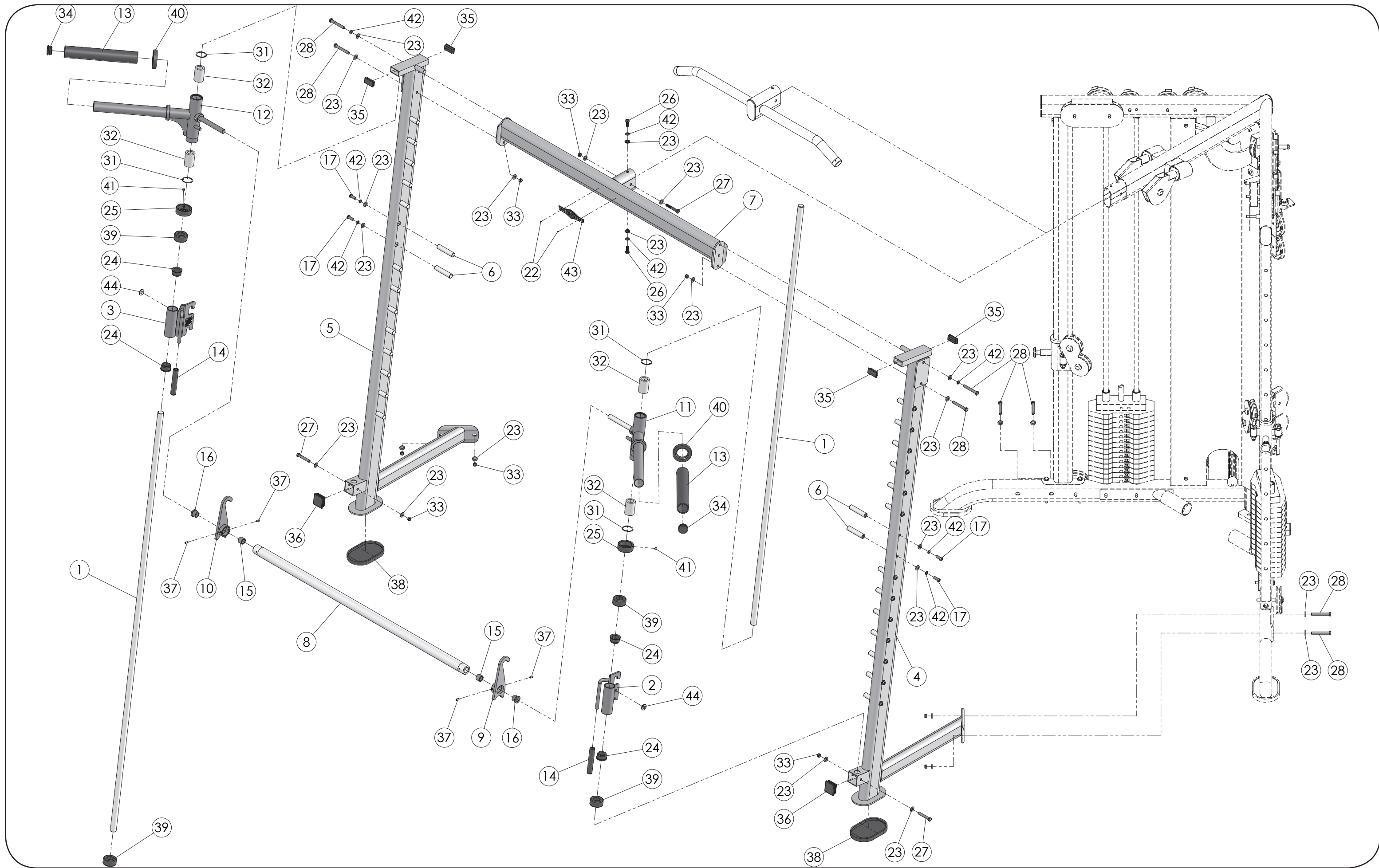
TuffStuff Fitness Equipment, Inc.

1325 E. Franklin Avenue

Pomona, CA 91766, USA

Ph: 909-629-1600 Fax: 909-629-4967

E-mail: service@tuffstuff.net Net: www.tuffstuff.net



CXT-125 Smith Machine Attachment (CXT-100 Option)

EXPLODED VIEW DIAGRAM