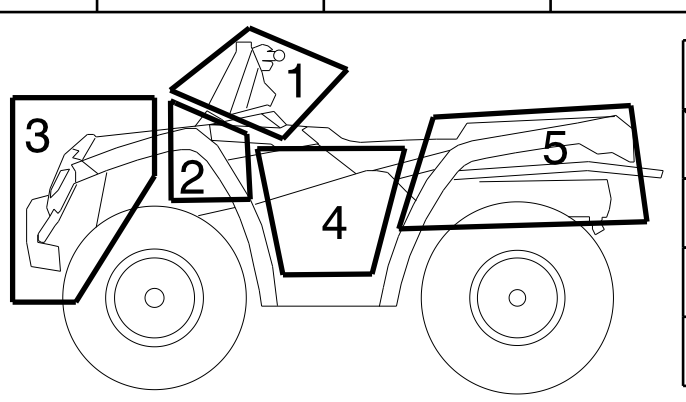


DS 450 CE 2009 GENERAL SYSTEM



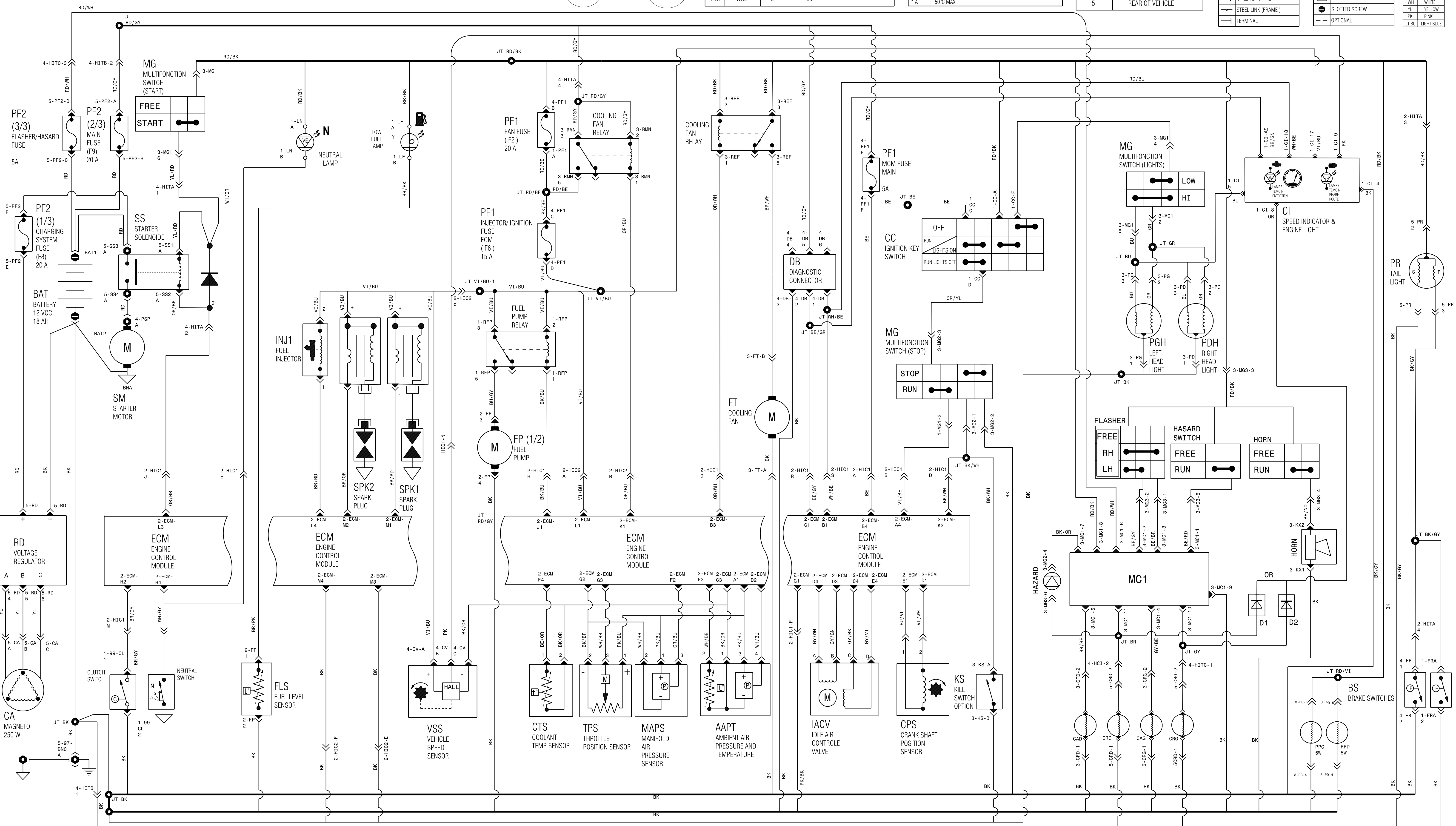
TERMINAL IDENTIFICATION		
NAME	ZONE-CONNECTOR NAME	TERMINAL #/A
EX: CI	1 - CI	15
EX: CV	4 - CV	A
EX: ME	2 - ME	

AWG	MAX. CURRENT	MAX. FUSE CURRENT	MAX. WATT
# 6	100 amps	125 amps	1450 watts
# 8	65 amps	80 amps	930 watts
# 10	40 amps	50 amps	580 watts
# 12	25 amps	30 amps	365 watts
# 14	16 amps	20 amps	230 watts
# 16	10 amps	15 amps	145 watts
# 18	6 amps	7.5 amps	85 watts

* AT 50°C MAX

ZONE #	ZONE DESCRIPTION
1	STEERING AREA
2	MODULE AREA
3	FRONT OF VEHICLE
4	ENGINE AREA
5	REAR OF VEHICLE

- WELDED JOINT
 - SHRINKED JOINT
 - CROSSED WIRE
 - WIRE BUS
 - SIMPLE CONDUCTOR WIRE
 - FEMALE TERMINAL
 - MALE TERMINAL
 - STEEL LINK (FRAME)
 - TERMINAL
- FRAME GROUND
 - ENGINE GROUND
 - PHILLIPS SCREW
 - NUT CONNECTION
 - SPLICE CONNECTION
 - COMPONENT CONNECTION
 - SECTION OF MODULE
 - SLOTTED SCREW
 - OPTIONAL
- | COLOR CODE | |
|------------|------------|
| BE | BEIGE |
| BK | BLACK |
| BU | BLUE |
| BR | BROWN |
| GR | GREEN |
| GY | GREY |
| OR | ORANGE |
| RD | RED |
| VI | VIOLET |
| WH | WHITE |
| YL | YELLOW |
| PK | PINK |
| LT BU | LIGHT BLUE |



TREMOR GENERAL SYSTEM