

Carpetwin™ 14XP



PARTS LIST

**Advance MODELS 56323702(120V/Obsolete)
56323775(100V/Obsolete)**



**Nilfisk
Advance**

setting standards

5/91 revised 11/00 FORM NO. 56042248

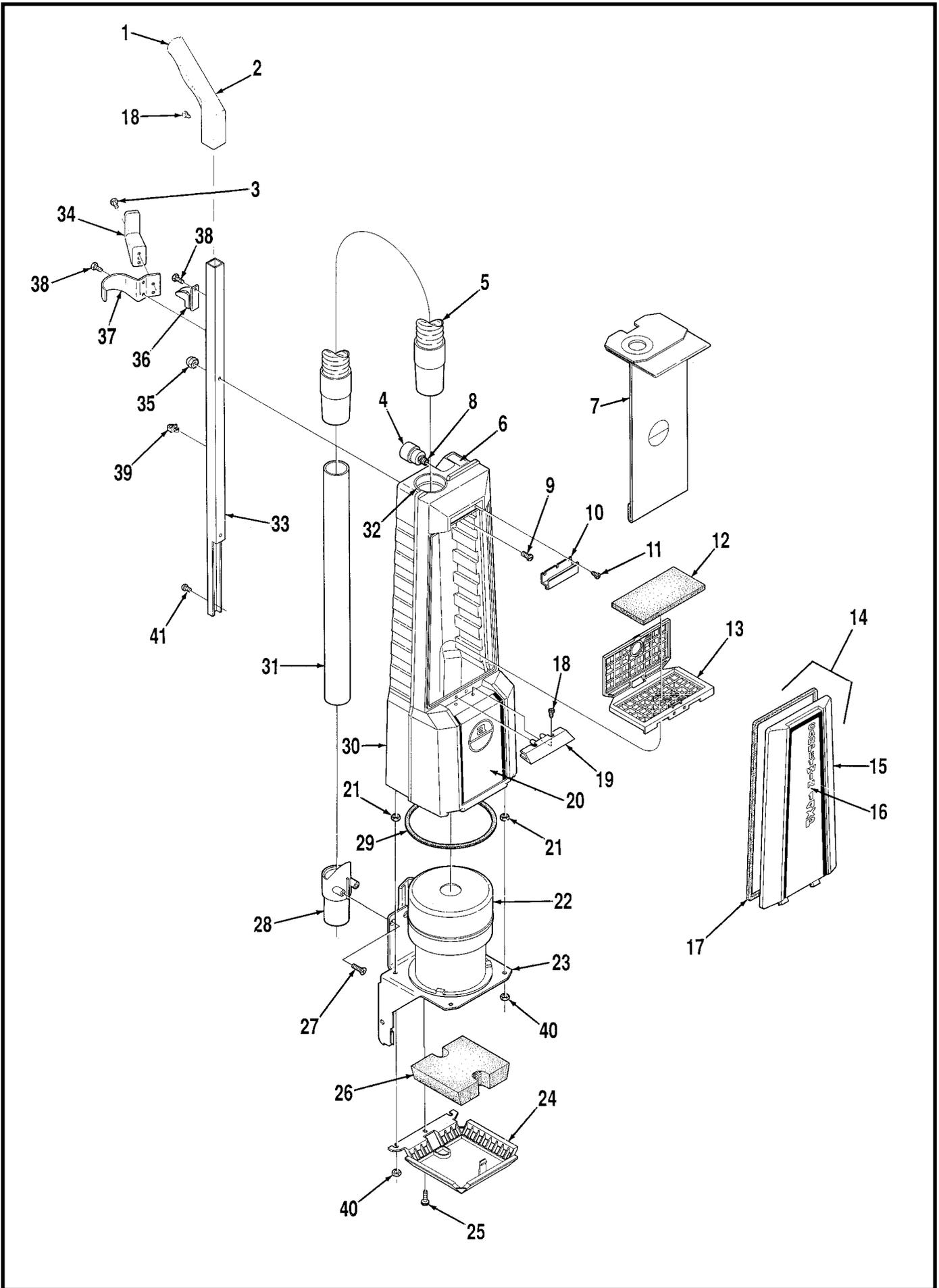
TABLE OF CONTENTS

<u>DESCRIPTION</u>	<u>PAGE</u>
Upper Housing	1-2
Vacuum Motor Assembly	3-4
Base Assembly	5-6
Wiring Diagrams	7-8

WHEN ORDERING PARTS

- * Use the 8 digit numbers from the "Ref. No." columns in this parts list.
- * Specify the model and serial number of the machine.
- * Use the space below to record the model and serial number for future reference.

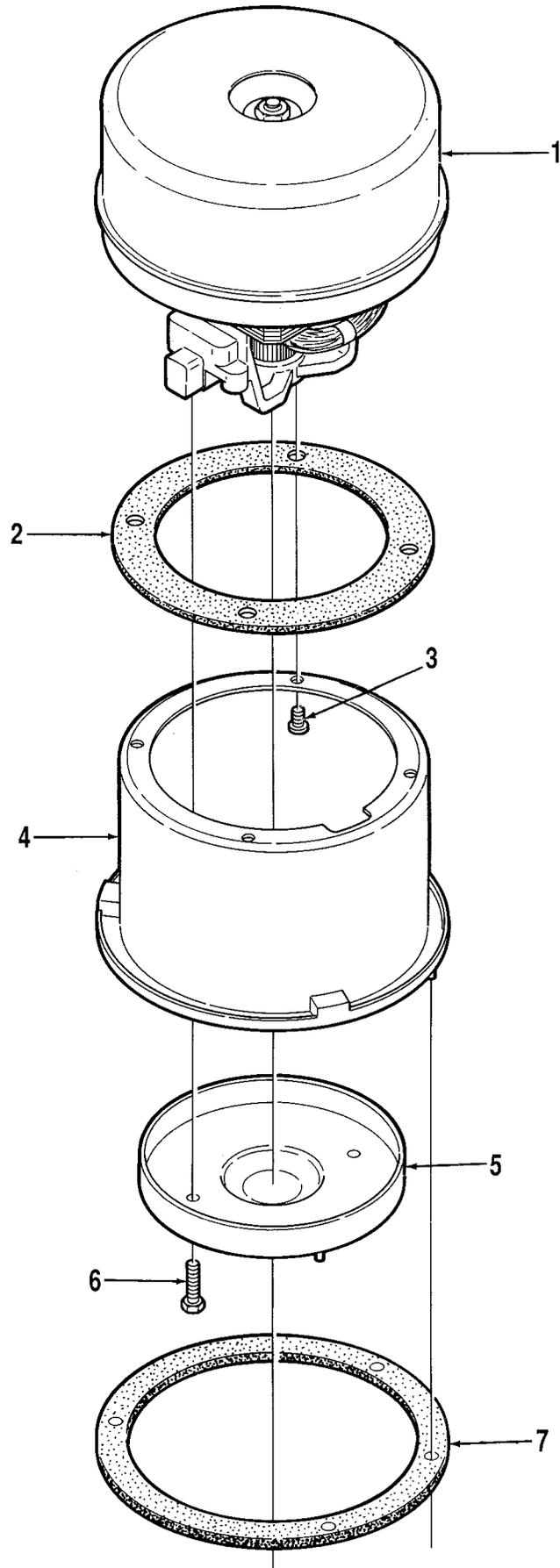
Model _____ Serial No. _____



UPPER HOUSING

Item	Ref. No.	Qty	Description
	56323221	1	Upper Housing Assembly (#1-21, 30-41)
1	56706224	1	Plug
2	56706220	1	Handle Grip
3		2	#10-24 x 1/4 Screw
4	56323170	1	Indicator
5	56323167	1	Vacuum Hose
6	56015069	1	Decal, Full Bag
7	56323153	1	Paper Filter Bag (pkg of 6)
*	56323195	1	Cloth Bag
*	56320676	1	Clip for Cloth Bag
*	56323251	1	Bio-Bag™ (pkg of 6) (optional accessory, not included)
8	56750746	1	Nipple
9		2	1/4-20 x 1-1/4 Screw
10	56323143	1	Latch TSB 561
11	56900484	3	Screw
12	56323158	1	Internal Filter
13	56323161	1	Internal Filter Housing
14	56323205	1	Cover Assembly (#15-17) TSB 562
15	56323151	1	Cover
16	56014976	1	Decal, Carpetwin 14XP
17	56323165	1	Gasket
18		3	#10-24 x 1/2 Screw
*		2	#10-24 Whiz Nut
19	56323146	1	Stop
20	56014945	1	Decal, Housing
21		4	5/16-18 Nut
*		4	5/16-18 x 1 Bolt
*		4	5/16 Washer
*	56323013	4	Washer
22			SEE PAGE 3
23	56323186	1	14" Yoke TSB 566
24	56323160	1	Exhaust Filter Retainer
25		3	#10-24 x 3/4 Screw
26	56323275	1	Exhaust Filter
27	56900287	2	Screw
28	56323148	1	Wand Holder
29	56323157	1	Yoke Gasket
30	56323139	1	Housing
31	56323141	1	Wand
32	56323142	1	Bag Fill Tube
33	56100029	1	Handle Tube
34	56323074	1	Cord Hook
35		2	1/4-20 Acorn Nut
36	56706287	1	Clip
37	56323171	1	Hose Bracket
38		3	#10-24 x 3/8 Screw
39	56323179	2	Clip
40		4	5/16-18 Jam Nut
41		1	1/4-20 x 5/16 Screw

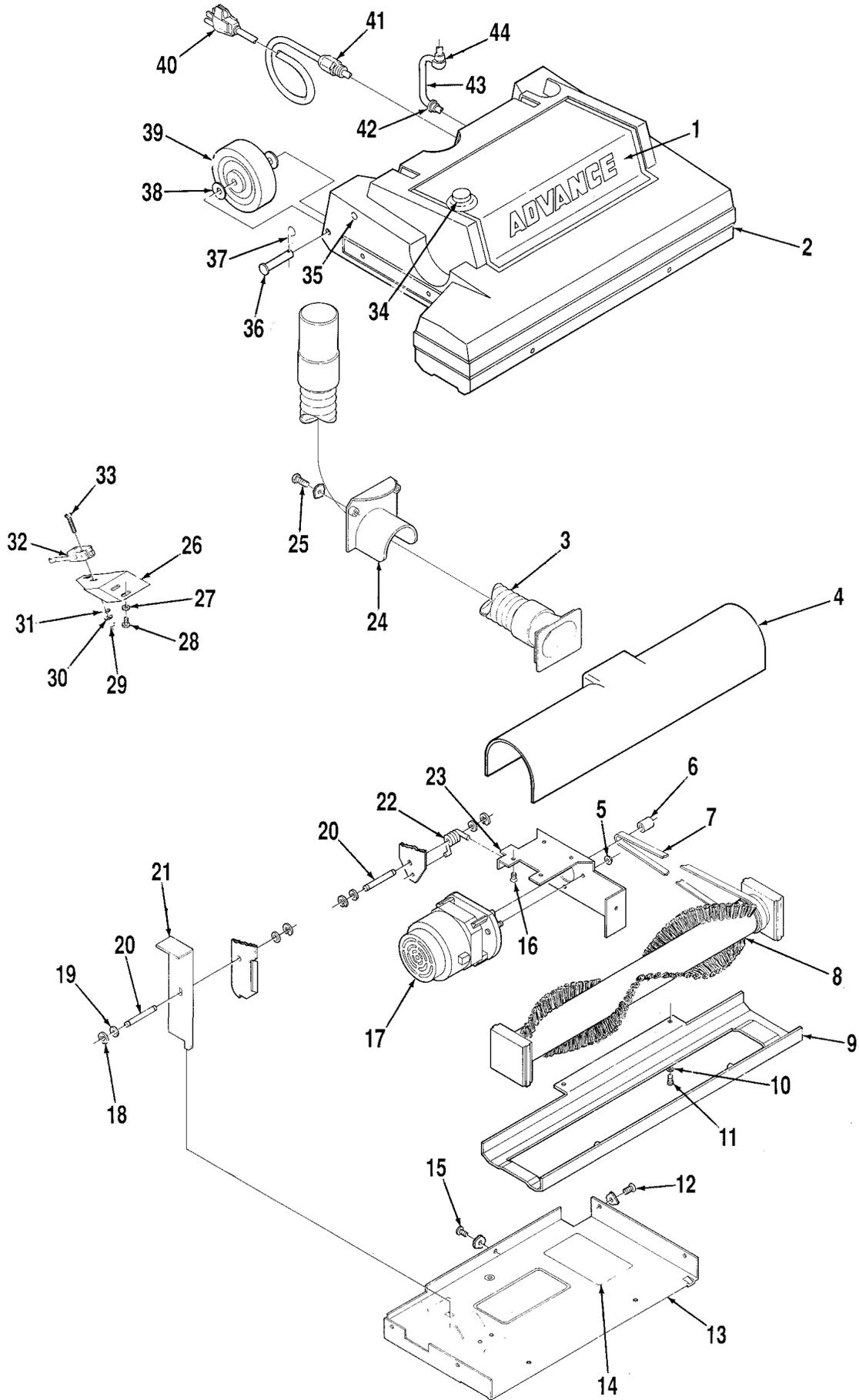
* = Not Shown



VACUUM MOTOR ASSEMBLY

Item	Ref. No.	Qty	Description
1	56323215	1	Vacuum Motor 100V, 120V
*	56203518	1	Carbon Brush Set for 56323215
2	56209325	1	Motor Gasket
3		4	#10-24 x 3/8 Screw
4	56323173	1	Vacuum Motor Cup
5	56323044	1	Inner Baffle
6		2	#10-24 x 7/8 Screw
7	56323164	1	Cup Gasket
*	56250150	1	Ground Wire

* = Not Shown



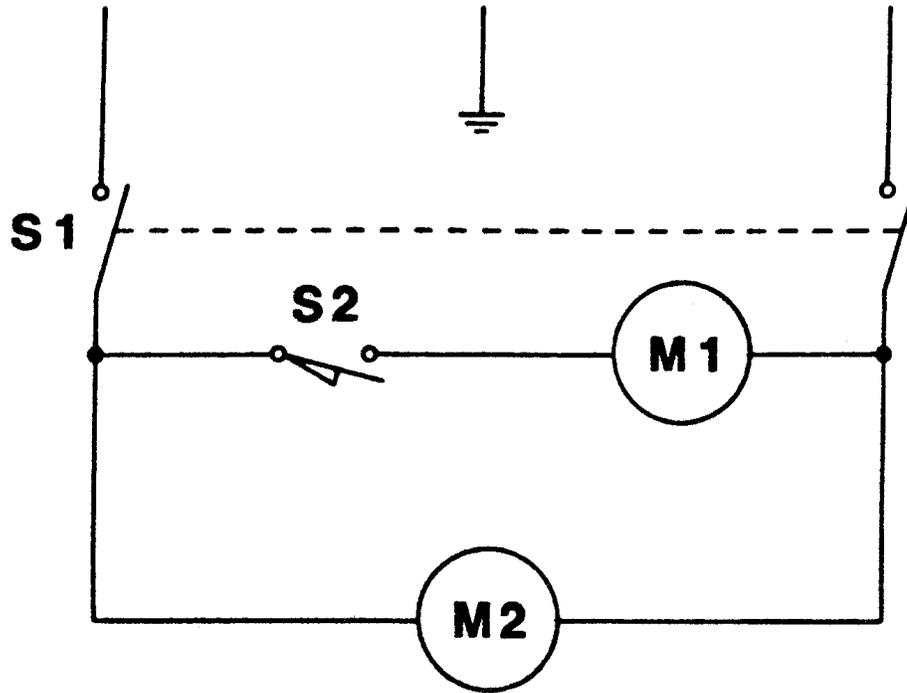
BASE ASSEMBLY

Item	Ref. No.	Qty	Description
1	56015072	1	Decal, Advance
2	56323191	1	Base Housing
3	56323216	1	Hose
4	56323192	1	Brush Insert
5		5	#10-24 Nut
6	56323154	1	Pulley
7	56323538	1	Belt
8	56323530	1	Brush Assembly
**	56323589	1	Left Bearing Block
**	56323588	1	Right Bearing Block
9	56323556	1	Shoe
10		2	#8 Washer
11	56706097	2	Screw
12	56900267	4	Screw
13	56323753	1	Bottom Pan
14	56015047	1	Decal, Wiring 120V
	56015301	1	Decal, Wiring 120V (Canadian only)
	56015097	1	Decal, Wiring 100V
15	56900268	1	Screw
16		5	#10-24 x 1/2 Screw
17	56323544	1	Brush Motor 120V
	56323551	1	Brush Motor 100V
*	56323097	1	Carbon Brush Set for Above Motors
*	56228051	2	Bearing for Above Motors
18	56321427	1	Retaining Ring
19		4	3/8 Washer
20	56402995	2	Pivot Pin
21	56323727	1	Handle Release
22	56323539	1	Torsion Spring
23	56323719	1	Motor Mount
24	56323188	1	Baffle
25	56900238	2	Screw
26	56323187	1	Switch Bracket
27		2	#10 Washer
28		2	#10-24 x 3/8 Screw
29		2	#4-40 Nut
30		2	#4 Lock Washer
31		2	#4 Washer
32	56262027	1	Switch TSB 729
33		2	#4-40 x 3/4 Screw
34	56323741	1	Switch
35	56493149	2	Plug
36	56329558	2	Pin
37	56321406	2	Cotter Pin
38	56151041	4	Spring Washer
39	56323722	2	Wheel
40	56323209	1	Power Cord 120V
	56323225	1	Power Cord 100V
41	56323135	1	Strain Relief
*	56171094	1	Lock Nut
42	56163015	1	Strain Relief
43	56323210	1	Cord 100V, 120V
44	56185504	1	Strain Relief
*	56014369	1	Decal, Warning (on yoke)
*	56290425	1	Circuit Breaker 1.5A (Canadian only)

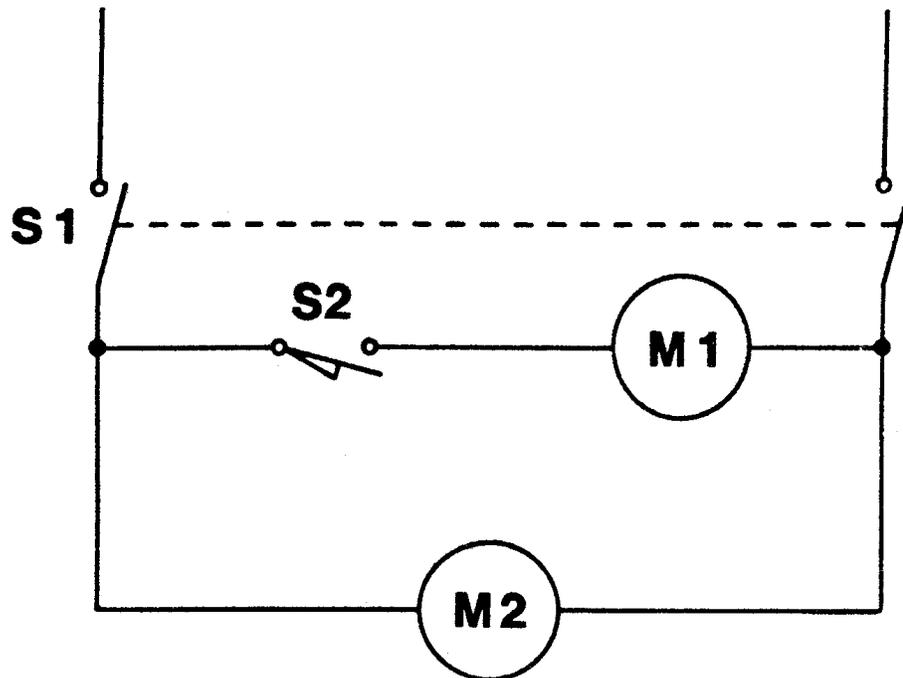
* = Not Shown

** = Included in Brush Assembly 56323082

120V



100V



120V WIRING DIAGRAM

Item	Ref. No.	Qty	Description
S1	56323741	1	Main Switch
S2	56262027	1	Brush Motor Switch TSB 729
M1	56323544	1	Brush Motor 120V
M2	56323215	1	Vacuum Motor

100V WIRING DIAGRAM

Item	Ref. No.	Qty	Description
S1	56323741	1	Main Switch
S2	56262027	1	Brush Motor Switch TSB 729
M1	56323551	1	Brush Motor 100V
M2	56323215	1	Vacuum Motor