

Courtesy of Bomar Flying Service
www.bomar.biz



AIRCRAFT COMPANY

COMMERCIAL AIRCRAFT DIVISION

Wichita, Kansas

Cessna 210
1960-1961
Parts Catalog

THIS CATALOG SUPERSEDES CATALOG ISSUE DATED 1 MAY 1960

≡ ≡≡≡≡≡≡ 1 OCTOBER 1960 ≡≡≡≡≡≡≡ ≡

Price \$6.00

LIST OF REVISED PAGES ISSUED

INSERT LATEST REVISED PAGES. DESTROY SUPERSEDED PAGES.

INTRODUCTION.

This illustrated parts catalog has been prepared to aid you in easily and quickly identifying parts of the Cessna Model 210.

This catalog embodies a new concept in parts cataloging, which uses electromatic accounting machines. In adopting this procedure greater advantage in preparation and revision of catalog material is obtained.

This catalog features an index system consisting of:

1. An alphabetical index located in the front of the catalog.
2. A numerical index located in the back of the catalog, which lists all parts and figures in which they appear.

STANDARD PARTS.

Many parts having standard usage have been incorporated into the Cessna Standard System. Parts in this group are designated with the part number prefix "S-" and are described with the phrase "Cessna Standard" in the nomenclature.

For standard hardware items such as Tinnerman nuts, clamps, etc., "AN" and "NAS" numbers have been used. The vendors number also appears in the description column to aid in identifying the correct part.

SERIAL LISTINGS

The model 210 serials are as follows:

1960- 57001 thru 57575
1961- 21057576 & on

USABLE ON CODES... Serial listings in this catalog are noted by a letter code located in the usable on code column which is the extreme right hand column of the parts list page. Usable on codes are applicable only to the figure on which they appear. The code letters and the serials to which they apply are listed at the end of the figure.

If no usable on code appears opposite a first column listing of the figure, the usage is applicable to all models and serials covered by this catalog. If no usable on code appears opposite any indented listing, the usage is applicable to all models and serials covered by the figure on which it appears.

NON-INTERCHANGEABLE PARTS... When parts are not interchangeable with earlier models, all parts applicable to the particular usage are listed. The letter code for the individual part usage is listed in the usable on column opposite each part. Care should be exercised in determining proper serial when ordering to insure receipt of correct part.

INTERCHANGEABLE PARTS... When a later design part is completely interchangeable with the part it replaces, both parts will be serialized and the notation "when exhausted use ___" will be entered following the listing of the earlier design part. This means that the earlier design part should be used on airplanes to which they apply until the supply of these parts is exhausted---after which time the later design part must be used.

This is done to simplify stocking of parts by our distributors and dealers. The earlier part is as good, physically and functionally, as the later design part---the difference being the later design part can be used on more than one block of airplanes serials.

SYMBOLS & PART NUMBER TERMS.

NP - The symbol "NP" appearing in the units per assembly column denotes that the item it appears opposite is not procurable.

AR - The symbol "AR" appearing in the units per assembly column denotes "As Required" and is used to indicate bulk quantity where an indefinite amount is used.

ALT - The symbol "ALT" following the nomenclature of an item is used to denote an alternate part.

LH & RH - The symbols either LH or RH are used following the part nomenclature to denote either left hand or right hand parts.

Other key letter symbols spaced apart from and following the part nomenclature are for cataloging and manufacturing purposes only and are not to be considered by the customer.

A blank entry in the part number column appears before an unprocurable part or installation which is also denoted in the "Units Per Assembly" column by the use of the symbol NP.

GROUP ASSEMBLY PARTS LIST ARRANGEMENT.

This section lists all replaceable items in the airplane and these items are detailed on illustrations throughout the section. The index numbers on the illustration are keyed to each accompanying parts list. The purpose of the index numbers is to provide complete and positive identification of the article, but should not be used for procurement purposes.

- a. The figure and index number column of the parts list shows the figure number once at the beginning of the list. The figure number is followed by a dash and the indexed number. The remaining index numbers are preceded by dash only.
- b. The part number column identifies the item by part number.
- c. In the description column, relationship of items covered is shown by the degree of indention of each item, for example: The wing assembly (Figure 1) is listed in column (1) of the description column. The wing structure, is the next lower assembly and is therefore listed in column (2).
- d. If two or more assemblies contain a majority of identical parts or the assemblies are left or right hand, the assemblies are listed together and the next lower assemblies or detail parts are listed as common for both assemblies, with the differing parts coded for usage on the cor-

rect major assembly.

- e. Attaching parts are listed immediately beneath the item to be attached and preceding any detail parts of the item. They are listed in the same column as the item they attach and are preceded by the caption "Attaching Parts." The end of the attaching parts listing is followed by a separating symbol ---*---
- f. The quantity listed in the "Units Per Assembly" column for attaching parts denotes the quantity necessary to attach only one part. Total quantity necessary to attach more than one part is obtained by multiplying the attaching parts quantity by the number of parts attached.
- g. Component parts of the complete airplane which are not included in any assembly, but which are used in conjunction with, or attach to certain assemblies, are listed either preceding the first detail or following the last detail of the assembly or installation, and in the same column as the major assembly or installation.
- h. The quantities listed in the "Units Per Assembly" column are the quantity used per figure.

ACCESSORY KITS.

A list of accessory kits (AK Kits) available for field installation appears as the last figure in this catalog.

This catalog describes the factory installation of the equivalent field installation AK Kit and the factory installation is considered standard and illustrated as such.

For information regarding peculiarities of field installation kits consult the applicable AK Kit installation instructions.

BULK ITEMS.

Certain items such as flexible air hose, rubber mouldings and channels, windshield sealing strips etc., are noted in the catalog listings as bulk items. These listings also note the cut length of these materials for one installation. When an item is listed as a bulk item, it will be supplied to the dealer in the most convenient bulk length or quantity. Reference to the cut length or quantity per installation provides for the most satisfactory disbursement to the customer.

HOW TO ORDER.

USE YOUR CATALOG TO ORDER PARTS. Use parts and Accessories Order Form Number P-101A, P-102, or P-103, whichever applies and which will be supplied by Cessna on request. Give complete information on addresses and make sure the part number and part name are as shown in the catalog. Be sure to specify quantities. Specify how the order is to be shipped, otherwise it will be sent out in the manner that seems best to the shipper.

SERIAL, COLOR, & CORROSION PROOFING.

Be sure to indicate model and serial number of the airplane. Serial number is very important to properly identify parts used on each airplane, when color is involved. Be sure to specify what color. If corrosion proofing is desired add the letters "CP" following the part number.

DISTRIBUTOR ORDERS.

Distributors will send all orders to the factory with instructions as to the shipping destination. The factory prefers not to make C.O.D. shipments for the distributor and all billing will be made to the distributor in the case of direct shipments.

DEALER ORDERS.

Dealers will place all of their parts order requirements with their distributor. The factory will not honor orders received directly from a dealer. It will be necessary for us to forward it to the distributor for his action. Therefore, dealer orders sent direct to the distributor will result in much faster delivery on any parts that are required.

RETAIL ORDERS.

Retail orders will not be honored by the factory. They are to be placed with the dealer or distributor in the owner's territory and when received directly by the factory will be forwarded to the distributor from whose territory it was received. Considerable saving in time will result to the owner if his orders are placed with his dealer or distributor.



Cessna Aircraft Company reserves the right to cancel, add or change the parts and assemblies described in this catalog without notice.

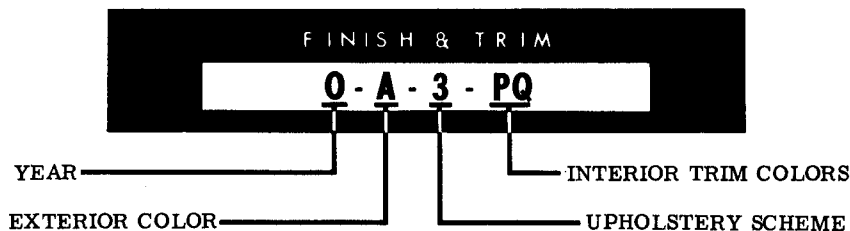


FINISH & TRIM PLATE

The "FINISH AND TRIM" plate is located on the left side of the airplane on the lower door jamb directly above the M. A. A. name plate.

This plate indicates the model year, exterior paint color, upholstery scheme and interior trim colors.

The following diagram is an example showing the sequence and definition of each code symbol on the "FINISH AND TRIM" plate.





FINISH & TRIM NUMBER (0 - A - 3 - PQ)

"0" = 1960 Model

"A" = Leaf Green Exterior Color

"3" = Aqua Marine Upholstery

"PQ" = Black & Cay Coral Interior Trim

<div style="display: flex; justify-content: space-between; align-items: center;">  <div style="text-align: center;"> <h3>CODE CHART</h3> <h4>PAINT & UPHOLSTERY COMBINATIONS</h4> <h4>Model 210</h4> </div>  </div>						
YEAR	EXTERIOR PAINT		UPHOLSTERY		INTERIOR TRIM	
CODE	CODE	COLOR	CODE	COLOR	CODE	COLOR
0	A	LEAF GREEN CES 1054-165	3	AQUA MARINE	P	BLACK CES 1054-156
	B	CINNIBAR RED CES1054-188				
	C	PEARL WHITE CES1054-262				
	D	BAMBOO CES1054-281				
	E	AZTEC GOLD CES1054-287				
	F	LIGHT ORANGE CES1054-283				
	G	CEDAR CES1054-284	2	CAY CORAL	Q	CAY CORAL CES1054-258
	H	DEEP MAHOGANY CES1054-285				
	J	FESTIVAL RED CES1054-287				
	K	SHADOW BLUE CES1054-288				
	L	CADET BLUE CES1054-289				
	M	SOD GREEN CES1054-290				
	V	HIGH VISIBILITY CES1054-250	1	SPECIAL UPHOLSTERY	R	AQUA GREY CES1054-260
	SP	SPECIAL COLORS				

CODE CHART PAINT & UPHOLSTERY COMBINATIONS Model 210						
YEAR	EXTERIOR PAINT		UPHOLSTERY		INTERIOR TRIM	
	CODE	COLOR	CODE	COLOR	CODE	COLOR
1 0-00-	P	STARGLO YELLOW CES-1054-326	2	WILLOW MIST (GREEN & GOLD)	Z	BLACK (SEMI-GLOSS) CES-1054-156
	C	WINE RED CES-1054-376				
	D	GROTTO GREEN CES-1054-377				
	S	SPRING GREEN CES-1054-329				
	T	ORCHID CES-1054-330	3	PERSIAN CEDAR (CEDAR GOLD)		NATURAL CES-1054-259
	U	PEBBLESTONE BEIGE CES-1054-331				
	E	MEDIO BLUE CES-1054-374				
	W	CELESTIAL BLUE CES-1054-334	4	GOTHIC AUTUMN (BROWN & GOLD)		
	K	SATIN GRAY CES-1054-347				
	L	COPPER-GLO BROWN CES-1054-348				
	A	PATINA IVORY CES-1054-337				
	B	SUN-DOWN BLUE CES-1054-375				
		SP	SPECIAL COLORS	1		SPECIAL UPHOLSTERY

ALPHABETICAL INDEX

ALPHABETICAL INDEX

A

ABRASION BOOT-STABILIZER, 24
 ACCESSORY KITS-LIST OF, 262
 ACCUMULATOR ASSY-HYDRAULIC, 171,209
 ACTUATOR BULKHEAD, 46
 ACTUATOR-ELEVATOR TRIM, 166, 202
 ACTUATOR-FLAP, 180,218
 ACTUATOR-MAIN GEAR, 179,210
 ACTUATOR-MAIN GEAR STRUT DOOR, 182,217
 ACTUATOR-MAIN GEAR WHEEL DOOR, 182,216
 ACTUATOR-NOSE GEAR, 175,213
 AILERON BALANCE WEIGHT, 15
 AILERON CONTROL SYSTEM, 161
 AILERON, 15
 AIR BOX, 123
 AIR PUMP VALVE, 144,261
 AIR SPEED INDICATOR, 101,141
 AIRBOX FILTER, 123
 AIRBOX FILTER GASKET, 123
 ALTIMETER, 102,142
 ARM REST, 90,95B
 AUTOPILOT, 253
 AUXILLIARY FUEL PUMP, 149A
 AUXILLIARY FUEL PUMP SWITCH, 105

B

BAFFLE-ENGINE, 125
 BAGGAGE DOOR, 29,29A,86B,87
 BAGGAGE DOOR LOCK, 86B,87
 BAGGAGE LOAD PLACARD, 192
 BAGGAGE SHELF-REMOVABLE, 45,45C
 BAR-TOW, 109
 BATTERY BOX, 40,41
 BATTERY BOX COVER, 40,41
 BATTERY, 185,186C
 BEACON-ROTATING, 189
 BELLY SECTION, 30,43
 BELT-SAFETY, 97,97C,98
 BLEEDER VALVE, 171
 BOOT-STABILIZER ABRASION, 24
 BOX-AIR, 123
 BOX-BATTERY, 40,41
 BOX-MAP, 107
 BOX & CABLE ASSEMBLY-RADIO SWITCH, 250
 BRACKET-GEAR DOWN SWITCH, 188
 BRACKET-SQUAT SWITCH, 66,188
 BRAKE ASSEMBLY, 193
 BRAKE DISC, 193
 BRAKE PEDAL, 139
 BRAKE HOUSING, 193
 BRAKE SYSTEM, 137
 BRAKE-PARKING, 137
 BULB-NAVIGATION LIGHT, 4
 BULKHEAD-FRONT DOORPOST, 49
 BULKHEAD-MAIN GEAR ACTUATOR, 46
 BUNGEE-RUDDER, 157,159

C

CABIN AIR CONTROL, 105,133B,135
 CABIN HEAT CONTROL, 105,135,135B
 CABIN SECTION-LOWER, 29,39
 CABIN TOP-AFT, 45,45B
 CABIN VENTILATION SYSTEM, 133,133B
 CAP & ADAPTER-FUEL, 13

C (cont)

CAP-FIN TIP, 21
 CAP-MAIN WHEEL HUB, 63A
 CAP-NOSE WHEEL HUB, 64
 CAP-RUDDER TIP, 24
 CAP-TIP ROTATING BEACON, 21, 189
 CAPACITOR-GENERATOR, 223,228,232
 CARD-COMPASS, 101
 CARGO TIE DOWN LUGS KIT, 262
 CHARGE INDICATOR LIGHT, 105
 CHECK LIST PLACARD, 102,192
 CIGAR LIGHTER, 95B,105
 CLIP-BRAKE DISC, 194
 CLIP-HUB CAP, 64
 CLOCK, 102
 COAT HANGER HOOK, 88
 COLOR CHART, III,IV
 COMPASS CARD, 101
 COMPASS, 102,109
 CONTRACTOR-MASTER SOLENOID, 185,186C
 CONTROL SYSTEM-ELEVATOR, 161
 CONTROL SYSTEM-ELEVATOR TRIM, 164
 CONTROL TEE, 154, 155
 CONTROL WHEEL, 155
 CONTROL-CABIN AIR, 105,133B,135
 CONTROL-CABIN HEAT, 105,135,135B
 CONTROL-COWL FLAPS, 105,129
 CONTROL-INDUCTION HOT AIR, 105
 CONTROL-MIXTURE, 105,117
 CONTROL-PROPELLER, 105,118
 CONTROL-STRAINER DRAIN, 105,153
 CONTROL-THROTTLE, 105,117
 COOLER-LARGE FLOW OIL, 121
 COVER-BATTERY BOX, 40,41
 COVER-POWER PACK, 106
 COVER-SEAT PLASTIC, 109
 COVER-SHOCK PANEL, 101
 COVER-SOLENOID, 186
 COVER-STATIONARY PANEL, 105
 COVER-TRIM CONTROL WHEEL, 164
 COWL FLAP DOOR, 129
 COWL FLAPS CONTROL, 105,129
 COWL, 113
 CYL HEAD TEMP GAGE, 102
 CYLINDER-BRAKE MASTER, 138, 200
 CYLINDER-LOCK MAIN GEAR & DOORS UNLOCK, 182,212
 CYLINDER-LOCK MAIN GEAR DOWN, 180,212
 CYLINDER-NOSE GEAR DOOR ACTUATOR, 174,215

D

DAMPENER-SHIMMY, 64, 195
 DEFLECTOR-EXHAUST HEAT, 122
 DETECTOR-WING NAVIGATION LIGHT, 4
 DILUTION SYSTEM-OIL, 150
 DIRECTIONAL GYRO, 101,142
 DISC-BRAKE, 193
 DOME LIGHT, 185
 DOOR ACTUATOR-MAIN GEAR STRUT, 182,217
 DOOR ACTUATOR-MAIN GEAR WHEEL, 182,216
 DOOR HANDLE-INSIDE, 83
 DOOR HINGE-CABIN, 83,85
 DOOR LATCH-CABIN, 83,85,86
 DOOR-BAGGAGE, 29,29A,86B,87
 DOOR-CABIN, 83,85
 DOOR-COWL FLAP, 129
 DOORPOST-REAR, 30,51
 DOORS-MAIN GEAR, 73
 DOORS-NOSE GEAR, 75
 DRAIN-FUEL STRAINER, 153
 DUAL CONTROLS KIT, 262

ALPHABETICAL INDEX

E

ELECTRICAL EQUIPMENT, 185,186C
 ELEMENT-FILTER CABIN AIR, 135
 ELEMENT-HYDRAULIC FILTER, 172
 ELEVATOR BALANCE WEIGHT, 27
 ELEVATOR CONTROL SYSTEM, 161
 ELEVATOR TRIM TAB, 27
 ELEVATOR TRIM SYSTEM, 164
 ELEVATOR TRIM INDICATOR, 166
 ELEVATOR TRIM WHEEL, 164
 ELEVATOR, 27
 ENGINE ASSEMBLY, 121
 ENGINE BAFFLES, 125
 ENGINE INSTALLATION, 117
 ENGINE MOUNT, 117,119
 ENGINE WINTERIZATION EQUIPMENT, 131
 EXHAUST STACK, 127
 EYEBOLT-CARGO, 109
 EYEBOLT-HOISTING, 109

F

FILTER ELEMENT-HYDRAULIC, 172
 FILTER-AIRBOX, 123
 FILTER-CABIN AIR, 135
 FILTER-HYDRAULIC, 172
 FILTER-OIL, 150
 FIN ASSEMBLY, 21
 FIN TIP, 21
 FINISH & TRIM PLATE, 192
 FIRE EXTINGUISHER, 109
 FIRE EXTINGUISHER KIT, 262
 FIREWALL GROMMETS, 55,55B
 FIREWALL, 53,53B
 FLAP ACTUATOR REPAIR KIT, 180,218
 FLAP POSITION TRANSMITTER, 17
 FLAP POSITION INDICATOR, 102
 FLAP SYNCHRONIZATION SYSTEM, 169
 FLAP-WING, 17
 FLASHER-POSITION LIGHT, 107
 FLOOD LIGHT-PANEL, 185
 FLOORBOARD-CENTER SECTION, 29,29A
 FLOW GAGE-FUEL, 103
 FORWARD FUSELAGE STRUCTURE ASSY, 30,33
 FRONT & CENTER SECTION-FUSELAGE, 29,29A,30
 FRONT DOORPOST BULKHEAD, 49
 FRONT SEAT, 96,97B
 FUEL CAP, 13
 FUEL FLOW GAGE, 103
 FUEL GAGE, 103
 FUEL PRESSURE GAGE, 103
 FUEL SELECTOR VALVE, 147, 201
 FUEL STRAINER-TANK, 13
 FUEL STRAINER, 147,152
 FUEL SYSTEM, 147
 FUEL TANK, 13
 FUEL TANK-EXTENDED RANGE, 13
 FUEL TRANSMITTER, 13
 FUSELAGE ASSEMBLY, 29,29A
 FUSELAGE FRONT & CENTER SECTION, 29,29A,30
 FUSELAGE SPLICE PLATE, 29,29A

G

GAGE-CYL HEAD TEMP, 102
 GAGE-FUEL PRESSURE, 103
 GAGE-FUEL, 103

G (cont)

GAGE-FUEL FLOW, 103
 GAGE-MANIFOLD PRESSURE, 103
 GAGE-OIL PRESSURE, 103,150
 GAGE-OIL TEMPERATURE, 103,150
 GAGE-OUTSIDE AIR TEMP, 109
 GAGE-SUCTION, 102,144
 GAS CAP, 13
 GAS CAP-EXTENDED RANGE, 13
 GAS TANK, 13
 GAS TANK-EXTENDED RANGE, 13
 GASKET-AIRBOX FILTER, 123
 GENERATOR-50 AMP KIT, 262
 GENERATOR, 185,186C
 GLASS-CABIN DOOR, 83,85
 GLASS-CABIN WINDOW, 45,45B
 GLASS-STORM WINDOW, 84
 GOVERNOR-PROPELLER, 121,221
 GROMMETS-FIREWALL, 55,55B
 GROUND SERVICE PLUG, 185,186C
 GROUND SERVICE PLUG KIT, 262
 GYRO-DIRECTIONAL, 101,142
 GYRO-HORIZON, 101,144

H

HANDLE-DOOR INSIDE, 83
 HANDLE-FUEL SELECTOR, 148
 HARNESS-SHOULDER, 109
 HARTZELL PROPELLER, 115,197
 HEADRESTS-FRONT KIT, 262
 HEADRESTS-FRONT & REAR KIT, 262
 HEADREST-SEAT, 99
 HEADSET, 223
 HEAT DEFLECTOR-EXHAUST, 122
 HEATED PITOT & STALL WARNING KIT, 262
 HEATER VALVE-CABIN, 135
 HEATER-CABIN, 135
 HEATER-PITOT, 142
 HINGE-CABIN DOOR, 83,85
 HOISTING PROVISIONS KIT, 262
 HOOK-COAT HANGER, 88
 HORIZONTAL GYRO, 101,144
 HOUSING-BRAKE, 193
 HOW TO ORDER PARTS, II
 HOW TO USE CATALOG, I, II
 HUB CAP CLIP, 63A,64
 HUB CAP RETAINER, 63A,64
 HUB CAP-MAIN WHEEL, 63A
 HUB CAP-NOSE WHEEL, 64
 HYDRAULIC FILTER, 172
 HYDRAULIC SYSTEM-STA 8.125 TO 44.0, 177
 HYDRAULIC SYSTEM-STA 44.0 TO 68.33, 179
 HYDRAULIC SYSTEM-STA 68.33 TO 98.0, 180
 HYDRAULIC PUMP, 172,211
 HYDRAULIC SYSTEM-NOSE GEAR & DOORS, 172

I

IGNITION SWITCH, 105
 INDICATOR-AIR SPEED, 101,141
 INDICATOR-FLAP POSITION, 102
 INDICATOR-TURN & BANK, 102
 INDICATOR-VERTICAL SPEED, 102,142
 INDICATOR-ELEVATOR TRIM, 166
 INDUCTION HOT AIR CONTROL, 105
 INSTRUMENT PANEL-SHOCK MOUNTED, 101
 INSTRUMENT PANEL-STATIONARY, 33,33B

ALPHABETICAL INDEX

J

JACK POINT-UNIVERSAL, 109
 JACK POINT-WING, 6
 JACK-MICROPHONE, 105,223

K

KING KY-90 RADIO, 249
 KIT-LIST OF, 262

L

LANDING GEAR-MAIN, 63
 LANDING GEAR ASSEMBLY-NOSE, 64
 LANDING GEAR SPRING, 63
 LANDING LIGHT, 3
 LARGE FLOW OIL COOLER, 121
 LATCH-CABIN DOOR, 83,85,86
 LEADING EDGE ASSEMBLIES-WING, 4,6,8
 LIGHT ASSEMBLY-PANEL FLOOD, 185
 LIGHT-CHARGE INDICATOR, 105
 LIGHT-DOME, 185
 LIGHT-LANDING, 3
 LIGHT-WING NAVIGATION, 4
 LIGHTER-CIGAR, 95B,105
 LINK-TORQUE, 70
 LOCK CYLINDER-NOSE GEAR, 174,212
 LOCK CYLINDER-MAIN GEAR DOWN, 180,212
 LOCK CYLINDER-MG & DOORS UPLOCK, 182,212
 LOCK-BAGGAGE DOOR, 86B,87
 LOCK-CABIN DOOR, 83
 LOCKING CYLINDER KIT, 180,182,212
 LOWER CABIN SECTION, 29, 39
 LOWER FORWARD FUSELAGE STRUCTURE, 33,35

M

M.A.A. NAMEPLATE, 29,29A,192
 MAIN LANDING GEAR, 63
 MAIN WHEEL, 63A,193
 MAIN GEAR ACTUATOR REPAIR KIT, 179,210
 MAIN GEAR STRUT DOOR ACTUATOR REPAIR KIT, 182,217
 MAIN GEAR WHEEL DOOR ACTUATOR REPAIR KIT, 182,216
 MANIFOLD PRESSURE GAGE, 103
 MANUAL OPERATION PLACARD-GEAR, 106,192
 MAP BOX, 107
 MAP LIGHT PLACARD, 192
 MAP SPOTLIGHT, 186
 MASK-OXYGEN, 191
 MASTER CYLINDER-BRAKE, 138, 200
 MASTER SOLENOID CONTACTOR, 185,186C
 MASTER SWITCH, 105
 MCCAULEY PROPELLER, 115,199
 MEDALLION-210, 192
 MICROPHONE JACK, 105,223
 MIXTURE CONTROL, 105,117
 MOUNT-ENGINE, 117,119
 MOUNT-SHOCK PANEL, 101
 MUFFLER, 127

N

NAMEPLATE M.A.A., 29,29A,192
 NAVIGATION LIGHT DETECTOR, 4
 NAVIGATION LIGHT-WING, 4
 NOSE CAP-LOWER, 36
 NOSE CAP-UPPER, 113
 NOSE GEAR ACTUATOR REPAIR KIT, 175,213
 NOSE GEAR ASSEMBLY, 64
 NOSE GEAR DOOR CYLINDER REPAIR KIT, 174,215
 NOSE GEAR & DOORS HYDRAULIC SYSTEM, 172
 NOSE GEAR LOCK CYLINDER, 174,212
 NOSE GEAR SHOCK STRUT, 69
 NOSE GEAR STEERING TUBE, 70
 NOSE WHEEL, 64, 194

O

OIL COOLER-LARGE FLOW, 121
 OIL COOLER-LARGE KIT, 262
 OIL DILUTION SYSTEM, 150
 OIL DILUTION SWITCH, 150
 OIL DILUTION SYSTEM KIT, 262
 OIL DILUTION VALVE, 150
 OIL FILTER, 150
 OIL PRESSURE GAGE, 103,150
 OIL SEPARATOR, 144
 OIL SYSTEM, 150
 OIL TEMPERATURE GAGE, 103,150
 OIL TEMPERATURE GAGE, 102,150
 OMNIGATOR, 231
 OPERATIONAL LIMITATIONS PLACARD, 106,192
 OUTSIDE AIR TEMP GAGE, 109
 OXYGEN MASK, 191
 OXYGEN SYSTEM, 191
 OXYGEN SYSTEM KIT, 262

P

PAINT CHART, III,IV
 PANEL-SHOCK MOUNTED INSTRUMENT, 101
 PANEL-STATIONARY INSTRUMENT, 33,33B
 PARKING BRAKE, 137
 PEDAL-BRAKE & RUDDER, 139
 PITOT SYSTEM, 141
 PITOT TUBE, 141
 PLACARD-BAGGAGE LOAD, 192
 PLACARD-CHECK LIST, 102,192
 PLACARD-GEAR MANUAL OPERATION, 106,192
 PLACARD-MAP LIGHT, 192
 PLACARD-OPERATIONAL LIMITATIONS, 106,192
 PLACARD-TIRE PRESSURE & OIL, 192
 PLASTIC SEAT COVER, 109
 PLASTIC SEAT COVERS KIT, 262
 PLATE-FINISH & TRIM, 192
 PLATE-FUSELAGE SPLICE, 29,29A
 PLUG-GROUND SERVICE, 185,186C
 POSITION LIGHT FLASHER, 107
 POSITION LIGHT-WING, 4
 POWER PACK COVER, 106
 POWER PACK & ACCUMULATOR INSTL, 171
 POWER PACK, 171
 PRESSURE GAGE-MANIFOLD, 103
 PROPELLER CONTROL, 105,118
 PROPELLER GOVERNOR, 121,221
 PROPELLER-HARTZELL, 115, 197
 PROPELLER-MC CAULEY, 115, 199
 PUMP-AUXILLIARY FUEL, 149A
 PUMP-HYDRAULIC, 172,211
 PUMP-VACUUM, 144

ALPHABETICAL INDEX

R

RADIO-ARC EQUIPMENT, 239,243
 RADIO-KING KY-90, 249
 RADIO-LEAR ADF-12, 204
 RADIO-LEAR ADF, 226
 RADIO-LFR-3 WITH OMNIGATOR & SIMPLEXER, 231
 RADIO-LFR, 223
 RADIO-LNC-100, 225
 RADIO-MARKER BEACON, 237
 RADIO-MARCO MARK V, 232
 RADIO-SUNAIR, 245
 REAR DOORPOST, 30,51
 REAR SEAT, 97D
 RECEIVER-LFR, 223
 RECEPTACLE-GROUND SERVICE PLUG, 185,186C
 REGULATOR-VOLTAGE, 185,186C
 RETAINER-HUB CAP, 63A,64
 RHEOSTAT-INSTRUMENT LIGHT, 105
 RHEOSTAT-RADIO LIGHT, 106
 ROLLER-SEAT, 97,97C
 ROTATING BEACON, 189
 ROTATING BEACON KIT, 262
 RUDDER BALANCE WEIGHT, 24
 RUDDER BUNGEE, 157,159
 RUDDER CONTROL SYSTEM, 157
 RUDDER PEDAL, 139
 RUDDER, 24

S

SAFETY BELT, 97,97C,98
 SEAL-CABIN DOOR, 83,85
 SEAL-MAIN GEAR WELL, 29,29A
 SEAL-REAR DOORPOST, 30
 SEAT COVERS-PLASTIC, 109
 SEAT ROLLER, 97,97C
 SEAT-FRONT TILTING, 96,97B
 SEAT-REAR, 97D
 SELECTOR VALVE-FUEL, 147,201
 SEPERATOR-OIL, 144
 SHAFT-TACHOMETER, 103
 SHELF-REMOVABLE BAGGAGE, 45,45C
 SHIMMY DAMPENER, 64, 195
 SHOCK MOUNTED INSTRUMENT PANEL, 101
 SHOCK MOUNT-PANEL, 101
 SHOCK STRUT-NOSE GEAR, 69
 SHOULDER HARNESS, 109
 SHOULDER HARNESS KIT, 262
 SIMPLEXER, 231
 SKINS & STRINGERS-WING, 4,11B
 SOLENOID COVER, 186
 SOLENOID VALVE, 149
 SOUNDPROOFING CABIN, 94
 SPAR-WING, 4,10
 SPEAKER-RADIO, 223
 SPEAKER-STALL & GEAR WARNING, 186,186D
 SPINNER-HARTZELL, 115
 SPINNER-MC CAULEY PROPELLER, 115
 SPLICE PLATE-FUSELAGE, 29,29A
 SPOTLIGHT-MAP, 186
 SPRING-LANDING GEAR, 63
 SQUAT SWITCH, 66,188
 SQUAT SWITCH BRACKET, 66,188
 STABILIZER, 23
 STABILIZER ABRASION BOOT, 24
 STABILIZER BOOT KIT, 262
 STABILIZER TIP, 23
 STALL WARNING UNIT, 3,107
 STARTER SWITCH, 105

S (cont)

STARTING VIBRATOR, 186D
 STATIONARY INSTRUMENT PANEL, 33,33B
 STEERING SYSTEM, 66,67
 STEERING TUBE-NOSE GEAR, 70
 STENCIL-CESSNA, 192
 STINGER, 61
 STORM WINDOW, 83
 STRAINER DRAIN CONTROL, 105,153
 STRAINER DRAIN VALVE, 153
 STRAINER-FUEL TANK, 13
 STRAINER-FUEL, 147,152
 STRETCHER, 111
 STRETCHER KIT, 262
 STRUCTURE ASSY-FORWARD FUSELAGE, 30,33
 STRUCTURE ASSEMBLY-WING, 4
 STRUCTURE ASSEMBLY-LWR FUSELAGE FWD, 33,35
 STRUCTURE-FORWARD FUSELAGE, 30,38
 STRUT-NOSE GEAR SHOCK, 69
 STRUT-WING, 19
 SUCTION GAGE, 102,144
 SUN VISOR, 109
 SWITCH-AIRBOX, 123
 SWITCH-AUXILLIARY FUEL PUMP, 105
 SWITCH-GEAR UP, 188
 SWITCH-GEAR DOWN, 188
 SWITCH-IGNITION, 105
 SWITCH-MASTER, 105
 SWITCH-OIL DILUTION, 150
 SWITCH-SQUAT, 66,188
 SWITCH-STARTER, 105

T

TAB-ELEVATOR TRIM, 27
 TACHOMETER SHAFT, 103
 TACHOMETER, 103
 TACTAIR T-2, 253
 TACTAIR T-2 KIT, 262
 TACTAIR T-3 KIT, 262
 TAIL PIPE, 127
 TAILCONE, 29,29A,59
 TANK-FUEL, 13
 TEE-CONTROL, 154, 155
 TEMPERATURE GAGE-CYL HEAD, 102
 TEMPERATURE GAGE-OUTSIDE AIR, 109
 THERMOCOUPLE-CYL HEAD TEMP, 121
 THROTTLE CONTROL, 105,117
 TILTING FRONT SEAT, 96,97B
 TIP-FIN, 21
 TIP-ROTATING BEACON, 21,189
 TIP-RUDDER, 24
 TIP-STABILIZER, 23
 TIP-WING, 6
 TIRE PRESSURE & OIL PLACARD, 192
 TIRE-MAIN WHEEL, 194
 TIRE-NOSE WHEEL, 194
 TOP-CABIN AFT, 45,45B
 TOP-CABIN FORWARD, 30
 TORQUE LINK, 70
 TORQUE TUBES-NOSE GEAR, 81
 TOW BAR, 109
 TRANSMITTER & FLOAT-FUEL, 13
 TRANSMITTER-FLAP POSITION, 17
 TRIM INDICATOR-ELEVATOR, 166
 TRIM TAB-ELEVATOR, 27
 TUBE PITOT, 141
 TUNNEL-FUSELAGE FORWARD, 47
 TURN & BANK INDICATOR, 102

ALPHABETICAL INDEX

U

UPHOLSTERY-CABIN DOORS, 90
 UPHOLSTERY-FLOORBOARD & BAGGAGE COMP, 93
 UPHOLSTERY-CABIN TOP & FIREWALL, 88
 UPHOLSTERY-CABIN SIDE PANELS, 95A
 UPHOLSTERY-SOUNDPROOFING, 95

V

VACUUM PUMP, 144
 VACUUM SYSTEM, 142
 VACUUM SYSTEM-AUTOPILOT, 261
 VACUUM SYSTEM-LESS GYROS KIT, 262
 VACUUM SYSTEM-NEW INSTR KIT, 262
 VACUUM SYSTEM-REMFG INSTR KIT, 262
 VALVE STRAINER DRAIN, 153
 VALVE-AIR HIGH PRESSURE CHARGING, 171,209
 VALVE-AIR PUMP, 144,261
 VALVE-BLEEDER, 171
 VALVE-CABIN HEATER, 135
 VALVE-FUEL SELECTOR, 147, 201
 VALVE-FUEL TANK VENT, 13
 VALVE-OIL DILUTION, 150
 VALVE-SOLENOID, 149
 VALVE-VACUUM RELIEF, 144
 VENT SYSTEM-CABIN, 133,133B
 VENT VALVE-FUEL TANK, 13
 VERTICAL SPEED INDICATOR, 102,142
 VIBRATOR-STARTING, 186D
 VISOR-SUN, 109
 VOLTAGE REGULATOR, 185,186C

W

WARNING UNIT-STALL, 3,107
 WEIGHT-ELEVATOR BALANCE, 27
 WEIGHT-RUDDER BALANCE, 24
 WHEEL-CONTROL, 155
 WHEEL-ELEVATOR TRIM, 164
 WHEEL-MAIN, 63A,193
 WHEEL-NOSE, 64, 194
 WINDOW-DOOR, 83,85
 WINDOW-LANDING LIGHT, 4
 WINDOW-STORM, 84
 WINDSHIELD, 29,29A,57
 WING ASSEMBLY, 3
 WING ASSEMBLY-EXTENDED RANGE, 3
 WING FLAP, 17
 WING LEADING EDGE ASSEMBLIES, 4,6,8
 WING SKINS & STRINGERS, 4,11B
 WING SPAR, 4,10
 WING STRUCTURE ASSEMBLY, 4
 WING STRUT, 19
 WING TIP, 6
 WING UNIT-STALL WARNING, 3,107
 WINSLOW OIL FILTER KIT, 262
 WINTERIZATION EQUIPMENT-ENGINE, 131
 WINTERIZATION KIT, 262

PARTS LISTING

Wing

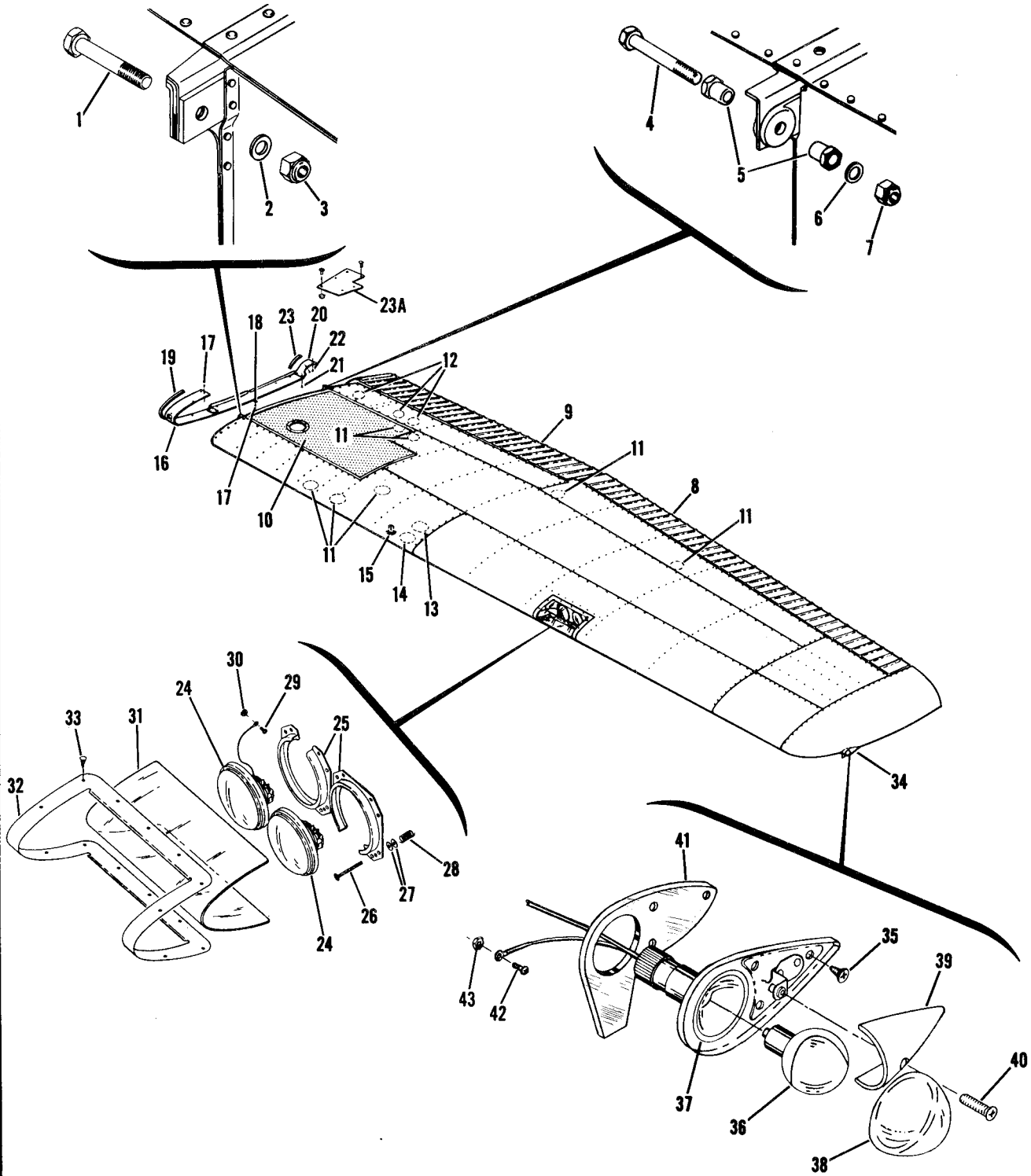


Figure 1. Wing Assembly Complete

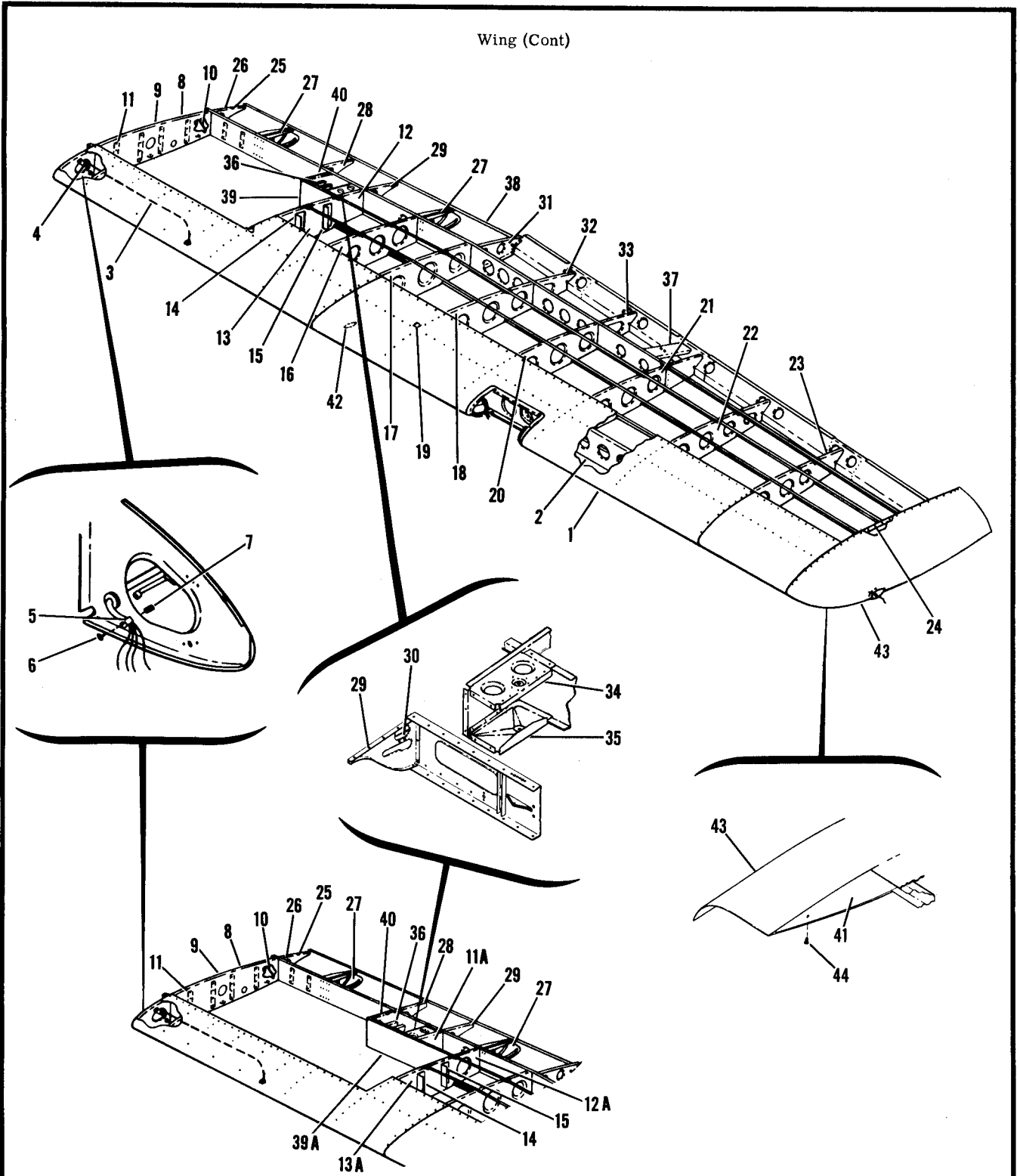
FIGURE AND INDEX NO.	PART NUMBER	DESCRIPTION	UNITS PER ASSY	USABLE ON CODE
		1 2 3 4 5 6 7		
1-		WING ASSEMBLY-COMplete LH -----	NP	
		WING ASSEMBLY-COMplete LH EXTENDED RANGE -----	NP	
		WING ASSEMBLY-COMplete RH -----	NP	
		WING ASSEMBLY-COMplete RH EXTENDED RANGE -----	NP	
		ATTACHING PARTS -----		
- 1	AN8-23A	BOLT -----	1	
- 2	AN960-816	WASHER -----	1	
- 3	MS20365-820C	NUT -----	1	
- 4	NAS464P7LA31	BOLT -----	1	
- 5	S-1101-1	BUSHING-FLANGED CESSNA STANDARD -----	2	
- 6	AN960-716	WASHER -----	1	
- 7	MS20365-720C	NUT -----	1	
		-----*-----		
- 8		AILERON INSTALLATION SEE FIGURE 7 -----	1	
- 9		FLAP INSTALLATION SEE FIGURE 8 -----	1	
- 10		TANK INSTALLATION-FUEL SEE FIGURE 6 -----	1	
		TANK INSTALLATION-EXTENDED RANGE FUEL SEE FIGURE 6 -----	NP	
- 11	S-225-4F	PLATE-INSPECTION-----CESSNA STANDARD -----	7	
		ATTACHING PARTS -----		
	S-1022Z-8-8	SCREW CESSNA STANDARD -----	6	
		-----*-----		
- 12	S-225-5	PLATE INSPECTION-----CESSNA STANDARD -----	3	
		ATTACHING PARTS -----		
	S-1021Z-8-8	SCREW CESSNA STANDARD -----	6	
		-----*-----		
- 13	1227002-7	PLATE-INSPECTION LH AFT -----	1	
	1227002-6	PLATE-INSPECTION RH AFT -----	1	
- 14	1227002-9	PLATE-INSPECTION LH FWD -----	1	
	1227002-8	PLATE-INSPECTION RH FWD -----	1	
		ATTACHING PARTS -----		
	S-1022Z-8-8	SCREW CESSNA STANDARD -----	6	
		-----*-----		
- 15	0511062-4	WING UNIT-STALL WARNING -----	1	
	0511062-5	WING UNIT-STALL WARNING HEATED -----	1	
		ATTACHING PARTS -----		
	S-1022Z-8-6	SCREW CESSNA STANDARD -----	4	
	NAS395-17-3	NUT -----	4	
		-----*-----		
	1220002-33	STRUCTURE ASSEMBLY-WING LH----- SEE FIGURE 2 -----	1	
	1220003-9	STRUCTURE ASSY-WING LH EXTENDED RANGE SEE FIGURE 2 -----	1	
	1220002-32	STRUCTURE ASSEMBLY-WING RH----- SEE FIGURE 2 -----	1	
	1220003-10	STRUCTURE ASSY-WING RH EXTENDED RANGE SEE FIGURE 2 -----	1	
- 16	1200080-1	FILLET ASSEMBLY-WING LOWER FORWARD LH -----	1	
	1200080-11	FILLET ASSEMBLY-WING LOWER FORWARD LH -----	1	
		FOR USE WITH HOISTING EYEBOLTS -----		
	1200080-2	FILLET ASSEMBLY-WING LOWER FORWARD RH -----	1	
	1200080-12	FILLET ASSEMBLY-WING LOWER FORWARD RH -----	1	
		FOR USE WITH HOISTING EYEBOLTS -----		
		ATTACHING PARTS -----		
- 17	S-1022Z-8-8	SCREW CESSNA STANDARD -----	9	
- 18	S-290-D832	WASHER-----CESSNA STANDARD -----	6	
		-----*-----		
- 19	1200080-8	RUB STRIP-----	1	
- 20	0520008	FAIRING ASSEMBLY-WING LOWER AFT LH -----	1	
	0520008-1	FAIRING ASSEMBLY-WING LOWER AFT RH -----	1	
		ATTACHING PARTS -----		
- 21	S-1021Z-8-8	SCREW CESSNA STANDARD -----	3	
	NAS395-18-3	NUT -----	2	
- 22	S-1022Z-8-8	SCREW CESSNA STANDARD -----	1	
		-----*-----		
- 23	S-202RB	MOULDING-10.50 IN LONG BULK ITEM REF S-202RB-10.50 -----	AR	
-23A	0520007-3	PLATE-WING AFT FAIRING LH -----	1	
	0520007-2	PLATE-WING AFT FAIRING RH -----	1	
		ATTACHING PARTS -----		
	NAS221-5	SCREW LH WING ONLY -----	6	
	S-1021Z-8-8	SCREW CESSNA STANDARD -----RH WING ONLY -----	6	
	4600-02	DOMe NUT NUS-----		
		-----*-----		
- 24	0523118-1	LIGHT-LANDING LH WING ONLY-----	2	
		ATTACHING PARTS -----		
- 25	0423542-6	BRACKET ASSEMBLY-----	2	
- 26	AN515-8R-24	SCREW -----	6	
	AN515-8R32	SCREW -----	2	A
- 27	AN960-10	WASHER-----	AR	A
- 28	0713124-1	SPRING-----	6	
		-----*-----		

CONTINUED ON PAGE 4

FIGURE AND INDEX NO.	PART NUMBER	DESCRIPTION	UNITS PER ASSY	USABLE ON CODE
1- 29	AN515-8R7	SCREW-GROUNDING -----	2	
- 30	MS20365-832C	NUT -----	2	
- 31	0722100-4	WINDOW-LANDING LIGHT ----- ATTACHING PARTS	1	
- 32	0722100-3	RETAINER-WINDOW -----	1	
- 33	S-1022Z-8-8	SCREW CESSNA STANDARD ----- -----*	14	
- 34	0423006-12	LIGHT ASSEMBLY-WING NAVIGATION LH -----	1	
	0423006-13	LIGHT ASSEMBLY-WING NAVIGATION RH ----- ATTACHING PARTS	1	
- 35	S-1021Z-8-6	SCREW CESSNA STANDARD ----- -----*	3	
- 36	0423006-14	BULB-WING NAVIGATION LIGHT 12 VOLT-----	1	
- 37	0423006-7	GASKET-WING NAVIGATION LIGHT-----	1	
- 38	0423006-2	LENS-WING NAVIGATION LIGHT LH RED -----	1	
	0423006-4	LENS-WING NAVIGATION LIGHT RH GREEN -----	1	
- 39	0423006-5	FAIRING-WING NAVIGATION LIGHT ----- ATTACHING PARTS	1	
- 40	S-1021Z-8-6	SCREW CESSNA STANDARD ----- -----*	1	
- 41	1223011-1	DETECTOR-WING NAVIGATION LIGHT-----	1	
- 42	AN515-8R6	SCREW-GROUNDING -----	1	
- 43	MS20365-832C	NUT-GROUNDING -----	1	
A---210 SERIAL 57001 THRU 57703				
NOTE. FOR ACCESSORY KIT LISTINGS REFER TO PAGE 262				

FIGURE AND INDEX NO.	PART NUMBER	DESCRIPTION	UNITS PER ASSY	USABLE ON CODE
2-	1220002-33	STRUCTURE ASSEMBLY-WING LH -----	1	
	1220003-9	STRUCTURE ASSEMBLY-WING LH EXTENDED RANGE -----	1	
	1220002-32	STRUCTURE ASSEMBLY-WING RH -----	1	
	1220004-10	STRUCTURE ASSEMBLY-WING RH EXTENDED RANGE -----	1	
- 1		LEADING EDGE ASSEMBLIES-WING SEE FIGURE 3----- SKINS & STRINGERS INSTALLATION-----SEE FIGURE 5 -----	1	
- 2		SPARS ASSEMBLIES-----SEE FIGURE 4 -----	1	
- 3	0500106-119	LINE ASSEMBLY-PITOT -----	1	
	S-1071-1	TUBE-00.0 IN LONG BULK ITEM REF S-1071-1-00.0 -----	1	
	259-N1/4	INSERT-----IB ----- ATTACHING PARTS	2	A B B
- 4	A2980A-4-27	CLAMP -----	1	
	S-1021Z-8-8	SCREW CESSNA STANDARD -----	1	
	NAS395-16-3	NUT ----- -----*	1	
- 5	MS21919DG6	CLAMP-LH -----	1	
	NO.3	PLASTIC CLAMP-RH-----HLB1 -----	1	
- 6	S-1021Z-8-8	SCREW CESSNA STANDARD -----	1	
- 7	NAS446-4-3	NUT TIN A1778-8Z-3 ----- -----*	1	
- 8	1221100-1	RIB ASSEMBLY-WING ROOT LH -----	1	
	1221100-2	RIB ASSEMBLY-WING ROOT RH -----	1	
- 9	0721100-17	RIB-WING ROOT LH -----	1	
	0721100-18	RIB-WING ROOT RH -----	1	
- 10	1221101-1	REINFORCEMENT-WING ROOT RIB LH -----	1	
	1221101-2	REINFORCEMENT-WING ROOT RIB RH -----	1	
- 11	0721100-7	ANGLE-STIFFENER -----	1	
-11A	1220019-9	RIB-LH-----	1	
	1220019-10	RIB-RH-----	1	
- 12	0721111-1	RIB ASSEMBLY-WING FUEL BAY LH -----	1	
	0721111-16	RIB ASSEMBLY-WING FUEL BAY RH -----	1	
-12A	1220019-1	RIB ASSEMBLY-LH STA 85.625-----	1	
	1220019-2	RIB ASSEMBLY-RH STA 85.625-----	1	
- 13	0721111-7	RIB-WING FUEL BAY LH -----	1	
	0721111-15	RIB-WING FUEL BAY RH -----	1	
-13A	1220019-3	RIB-LH STA 85.625 -----	1	
	1220019-4	RIB-RH STA 85.625 -----	1	
- 14	0721100-7	ANGLE-STIFFENER -----	2	
- 15	0721100-6	ANGLE-STIFFENER -----	1	
- 16	0523509-1	RIB-CENTER STA 85.875 -----	1	
CONTINUED ON PAGE 6				

Wing (Cont)



EXTENDED RANGE FUEL BAY

Figure 2. Wing Structure Assembly

FIGURE AND INDEX NO.	PART NUMBER	DESCRIPTION							UNITS PER ASSY	USABLE ON CODE
		1	2	3	4	5	6	7		
2- 17	0523510	RIB-CENTER WING LH	STA 100.0	-----	-----	-----	-----	-----	1	
	0523510-1	RIB-CENTER WING RH	STA 100.0	-----	-----	-----	-----	-----	1	
- 18	0523511-7	RIB-CENTER	STA 118.0	-----	-----	-----	-----	-----	1	
- 19	0523511-6	SPACER-----		-----	-----	-----	-----	-----	1	
- 20	0523512-3	RIB-CENTER	STA 136.0	-----	-----	-----	-----	-----	1	
- 21	0523513-3	RIB-CENTER WING LH	STA 154.0	-----	-----	-----	-----	-----	1	
	0523513-6	RIB-CENTER WING RH	STA 154.0	-----	-----	-----	-----	-----	1	
- 22	0523514-3	RIB-CENTER	STA 172.0	-----	-----	-----	-----	-----	1	
- 23	0523515-3	RIB-CENTER	STA 190.0	-----	-----	-----	-----	-----	1	
- 24	0523516-7	RIB ASSEMBLY-CENTER	STA 208.0	-----	-----	-----	-----	-----	1	
	NAS444-4-3	NUTPLATE	TIN A6191-8Z-3	-----	-----	-----	-----	-----	10	
- 25	NAS395-4-3	NUT	TIN A1274-8Z-3	-----	-----	-----	-----	-----	3	
- 26	0523232	RIB-TRAILING EDGE ROOT	STA 23.625	-----	-----	-----	-----	-----	1	
- 27	1221010-7	RIB ASSEMBLY-FLAP TRACK	STA 39.0 & 85.875	-----	-----	-----	-----	-----	2	
	1221010-5	BRACKET		-----	-----	-----	-----	-----	1	
	1221010-6	BRACKET		-----	-----	-----	-----	-----	1	
- 28	1221013-1	RIB-TRAILING EDGE LH	STA 56.415	-----	-----	-----	-----	-----	1	
	1221013-2	RIB-TRAILING EDGE RH	STA 56.415	-----	-----	-----	-----	-----	1	
- 29	1221010-1	RIB ASSEMBLY-TRAILING EDGE	STA 71.977	-----	-----	-----	-----	-----	1	
- 30	0523233-3	RUB STRIP		-----	-----	-----	-----	-----	1	
- 31	0523230	RIB ASSEMBLY-TRAILING EDGE WING LH	STA 100.5	-----	-----	-----	-----	-----	1	
	0523230-1	RIB ASSEMBLY-TRAILING EDGE WING RH	STA 100.5	-----	-----	-----	-----	-----	1	
	0523230-4	ANGLE-WING LH		-----	-----	-----	-----	-----	1	
	0523230-5	ANGLE-WING RH		-----	-----	-----	-----	-----	1	
- 32	0523511-4	RIB-TRAILING EDGE	STA 118.0	-----	-----	-----	-----	-----	1	
- 33	0523512-4	RIB-TRAILING EDGE	STA 136.0	-----	-----	-----	-----	-----	1	
- 34	1221012-1	BRACKET-FLAP BELLCRANK UPPER LH		-----	-----	-----	-----	-----	1	
	1221012-2	BRACKET-FLAP BELLCRANK UPPER RH		-----	-----	-----	-----	-----	1	
- 35	1221011-1	BRACKET-FLAP BELLCRANK LOWER LH		-----	-----	-----	-----	-----	1	
	1221011-2	BRACKET-FLAP BELLCRANK LOWER RH		-----	-----	-----	-----	-----	1	
- 36	1221019-1	BRACKET-FLAP ACTUATOR LH		-----	-----	-----	-----	-----	1	
	1221019-2	BRACKET-FLAP ACTUATOR RH		-----	-----	-----	-----	-----	1	
- 37	0523219-2	CHANNEL-AILERON BELLCRANK SUPPORT UPPER LH		-----	-----	-----	-----	-----	1	
	0523219-3	CHANNEL-AILERON BELLCRANK SUPPORT UPPER RH		-----	-----	-----	-----	-----	1	
	0523219-4	CHANNEL-AILERON BELLCRANK SUPPORT LOWER LH		-----	-----	-----	-----	-----	1	
	0523219-5	CHANNEL-AILERON BELLCRANK SUPPORT LOWER RH		-----	-----	-----	-----	-----	1	
- 38	0720005-1	STIFFENER-TRAILING EDGE INBOARD		-----	-----	-----	-----	-----	1	
- 39	0721111-11	BULKHEAD ASSEMBLY-LH		-----	-----	-----	-----	-----	1	
	0721111-13	BULKHEAD ASSEMBLY-RH		-----	-----	-----	-----	-----	1	
-39A	1220019-5	BULKHEAD ASSEMBLY-LH		-----	-----	-----	-----	-----	1	
	1220019-6	BULKHEAD ASSEMBLY-RH		-----	-----	-----	-----	-----	1	
- 40	1221022-1	RIB ASSEMBLY-FLAP POSITION TRANSMITTER-LH WING ONLY		-----	-----	-----	-----	-----	1	
	1221023-1	BRACKET ASSEMBLY		-----	-----	-----	-----	-----	1	
	NAS683A08	NUTPLATE		-----	-----	-----	-----	-----	2	
	0721111-4	RIB-WING RH	STA 56.415	-----	-----	-----	-----	-----	1	
- 41	0721107-1	FAIRING-LH		-----	-----	-----	-----	-----	1	
	0721107-2	FAIRING-RH		-----	-----	-----	-----	-----	1	
- 42	1200022	JACK POINT ASSEMBLY		-----	-----	-----	-----	-----	1	
- 43	1223000-1	TIP ASSEMBLY-WING LH		-----	-----	-----	-----	-----	1	
	1223000-2	TIP ASSEMBLY-WING RH		-----	-----	-----	-----	-----	1	
- 44	S-1021Z-8-8	ATTACHING PARTS		-----	-----	-----	-----	-----		
		SCREW	CESSNA STANDARD	-----	-----	-----	-----	-----	10	
		-----*		-----	-----	-----	-----	-----		

A---210 SERIAL 57001 THRU 57065 & 57067 THRU 57121
 B---210 SERIAL 57066 & 57122 & ON

*NOTE. *DENOTES PARTS USED ON WING WITH
 EXTENDED RANGE FUEL TANK

NOTE. WING STRUCTURE ASSEMBLIES INCLUDE ALL
 WIRING NECESSARY FOR INSTALLATION.

This page intentionally left blank.

FIGURE AND INDEX NO.	PART NUMBER	DESCRIPTION	UNITS PER ASSY	USABLE ON CODE		
					1	2
3-	1220002-5	LEADING EDGE ASSEMBLY-WING INBOARD LH-----STA 23.625 TO 100.0	1			
	1220004-3	LEADING EDGE ASSEMBLY-WING INBOARD RH-----STA 23.625 TO 100.0	1			
	1220002-6	LEADING EDGE ASSEMBLY-WING INBOARD RH-----STA 23.625 TO 100.0	1			
	1220003-4	LEADING EDGE ASSEMBLY-WING INBOARD LH-----STA 23.625 TO 100.0	1			
- 1	0720001-43	SKIN-LEADING EDGE INBOARD LH -----	1			
	1220003-5	SKIN-LEADING EDGE INBOARD LH -----	1			
	0720001-42	SKIN-LEADING EDGE INBOARD RH -----	1			
	1220004-5	SKIN-LEADING EDGE INBOARD RH -----	1			
- 2	0523107-2	RIB ASSEMBLY-LEADING EDGE NOSE LH STA 23.625 -----	1			
	0523107-3	RIB ASSEMBLY-LEADING EDGE NOSE RH STA 23.625 -----	1			
- 3	0422291	BRACKET-LH WING ONLY -----	1			
- 4	MS20230A2	GROMMET -----	2			
- 5	NAS444-14-3	NUTPLATE TIN A6162-8Z-3 -----	2			
- 6	0413157	SCOOP-CABIN AIR VENT -----	1			
- 7	0450314	FITTING-CABIN AIR VENT -----	1			
	S-1021Z-8-8	ATTACHING PARTS -----				
	NAS446-4-3	SCREW CESSNA STANDARD -----	1			
		NUT TIN A1778-8Z-3 -----	1			
		-----*				
- 8	0523107	RIB ASSEMBLY-NOSE STA 32.5-----	1			
- 9	MS20230A2	GROMMET -----	1			
- 10	0523108	RIB ASSEMBLY-LH STA 40.375, 48.75 & 64.5 -----	3			
	0523108	RIB ASSEMBLY-RH STA 40.375, 48.75, 57.125 & 64.5 -----	4			
- 11	0523108-3	RIB ASSEMBLY-WING LEADING EDGE LH STA 57.125 -----	1			
- 12	0422292	BRACKET-LH WING ONLY -----	1			
	MS20230A2	GROMMET -----	1			
- 13	0523111-2	RIB ASSEMBLY-NOSE STA 71.977 & 85.625 -----	2			
- 14	0422292	BRACKET -----	1			
- 15	MS20230A2	GROMMET -----	1			
	1220002-7	LEADING EDGE ASSEMBLY-WING OUTBOARD LH STA 100.0 TO 208.0	1			
	1220002-8	LEADING EDGE ASSEMBLY-WING OUTBOARD RH STA 100.0 TO 208.0	1			
- 16	0720001-11	SKIN ASSEMBLY-LEADING EDGE LH STA 100.0 TO 190.0 -----	1			
	0720001-12	SKIN ASSEMBLY-LEADING EDGE RH STA 100.0 TO 190.0 -----	1			
- 17	0720001-13	SKIN ASSEMBLY-LEADING EDGE LH STA 190.0 TO 208.0 -----	1			
	0720001-14	SKIN ASSEMBLY-LEADING EDGE RH STA 190.0 TO 208.0 -----	1			
- 18	0523542-1	RIB ASSEMBLY-NOSE STA 118.0 -----	1			
	MS20230A2	GROMMET -----	1			
- 19	0523512-5	RIB ASSEMBLY-NOSE STA 136.0 -----	1			
	MS20230A2	GROMMET -----	1			
- 20	0523513-4	RIB ASSEMBLY-NOSE STA 154.0 -----	1			
	MS20230A2	GROMMET -----	1			
- 21	0523106-4	BRACKET ASSEMBLY-LANDING LIGHT-----LH WING ONLY -----	1			
	NAS680A08	NUTPLATE -----	10			
- 22	0523514-4	RIB ASSEMBLY-NOSE STA 172.0 -----	1			
	MS20230A2	GROMMET -----	1			
- 23	0523515-4	RIB ASSEMBLY-NOSE STA 190.0 -----	1			
	MS20230A2	GROMMET -----	1			
- 24	0722100-1	DOUBLER ASSEMBLY-LANDING LIGHT-----	1			
		OPENING LH WING ONLY -----				
- 25	0523110-9	RIB ASSEMBLY-WING LEADING EDGE LH STA 100.0-----	1			
	0523110-8	RIB ASSEMBLY-WING LEADING EDGE RH STA 100.0-----	1			
	MS20230A2	GROMMET -----	1			
- 26	S-226-5	DOUBLER-INSPECTION OPENING -----	3			
	A6162-8Z-3	NUT TIN-----	3			

*NOTE. *DENOTES PARTS USED ON WING WITH EXTENDED RANGE FUEL TANK

Wing (Cont)

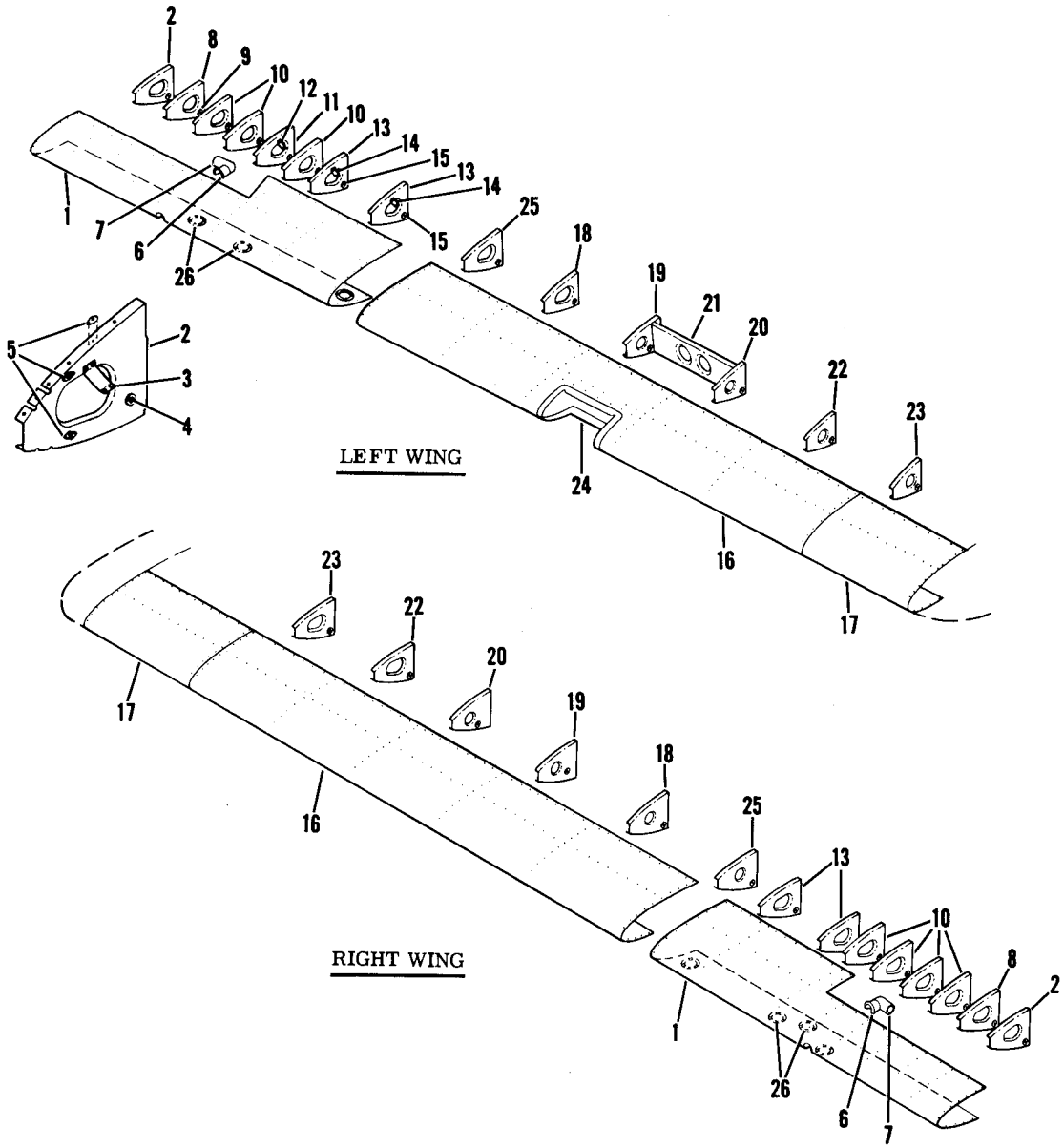


Figure 3. Wing Leading Edge Assembly

FIGURE AND INDEX NO.	PART NUMBER	DESCRIPTION	UNITS PER ASSY							USABLE ON CODE	
			1	2	3	4	5	6	7		
4--	0721400-25	SPAR ASSEMBLY-WING FRONT LH								1	
	0721400-29 *	SPAR ASSEMBLY-WING FRONT LH								1	
	0721400-26	SPAR ASSEMBLY-WING FRONT RH								1	
	0721400-30 *	SPAR ASSEMBLY-WING FRONT RH								1	
- 1	0721400-3	ANGLE-FRONT SPAR CAP LH								1	
	0721400-4	ANGLE-FRONT SPAR CAP RH								1	
- 2	0523309	ANGLE-FRONT SPAR LH								1	
	0523309-1	ANGLE-FRONT SPAR RH								1	
- 3	0721400-34	SPACER-FRONT SPAR								1	
	0721400-32 *	SPACER								1	
- 3A		SPACER-UPPER FUEL PANEL									
- 4	0721400-9	SPACER-FRONT SPAR								2	
- 5	0523308	PLATE-FRONT SPAR ROOT REINFORCEMENT								1	
- 6	0523315	PLATE-FRONT SPAR CAP LH								1	
	0523315-1	PLATE-FRONT SPAR CAP RH								1	
- 7	0721400-13	CHANNEL-FRONT SPAR SPLICE LH								1	
	0721400-14	CHANNEL-FRONT SPAR SPLICE RH								1	
- 8	0721400-17	PLATE-FRONT SPAR SPLICE CHANNEL LH								1	
	0721400-18	PLATE-FRONT SPAR SPLICE CHANNEL RH								1	
- 9	0523316	ANGLE-FRONT SPAR SPLICE LH								1	
	0523316-1	ANGLE-FRONT SPAR SPLICE RH								1	
- 10	0523321-3	ANGLE-FRONT SPAR FORWARD CAP STRIP LH								1	
	0523321-4	ANGLE-FRONT SPAR FORWARD CAP STRIP RH								1	
- 11	0523306	FITTING-FRONT SPAR STRUT								1	
		ATTACHING PARTS									
- 12	AN5-7A	BOLT								3	
- 13	AN960-516	WASHER								3	
- 14	MS20365-524C	NUT								3	

- 15	0721400-19	CHANNEL-FRONT SPAR OUTBOARD LH								1	
	0721400-20	CHANNEL-FRONT SPAR OUTBOARD RH								1	
- 16	0721400-23	CHANNEL-FRONT SPAR INBOARD LH								1	
	0721400-27 *	CHANNEL-FRONT SPAR INBOARD LH								1	
	0721400-24	CHANNEL-FRONT SPAR INBOARD RH								1	
	0721400-28 *	CHANNEL-FRONT SPAR INBOARD RH								1	
-16A	0721400-33 *	SPACER								1	
-16B	0721400-31 *	COVER								1	
		ATTACHING PARTS									
	CR163C-4-4 *	RIVET								13	

	1220040-1	SPAR ASSEMBLY-WING REAR LH								1	
	1220040-2	SPAR ASSEMBLY-WING REAR RH								1	
- 17	1220040-3	CHANNEL-REAR SPAR INBOARD LH STA 23.0 TO 100.0								1	
	1220040-4	CHANNEL-REAR SPAR INBOARD RH STA 23.0 TO 100.0								1	
- 18	0523406	CHANNEL-REAR SPAR OUTBOARD LH STA 100.0 TO 154.0								1	
	0523406-1	CHANNEL-REAR SPAR OUTBOARD RH STA 100.0 TO 154.0								1	
- 19	0523409-1	CHANNEL-REINFORCEMENT								2	
- 20	0523409	CHANNEL-REINFORCEMENT								1	
- 21	0422229-3	FITTING-WING SPAR REINFORCEMENT								2	
- 22	0523400-21	ANGLE-REAR SPAR REINFORCEMENT LH								1	
	0523400-20	ANGLE-REAR SPAR REINFORCEMENT RH								1	
- 23	1221014-1	BRACKET-UPPER LH								1	
	1221014-2	BRACKET-UPPER RH								1	
- 24	1221014-5	BRACKET-LOWER LH								1	
	1221014-6	BRACKET-LOWER RH								1	
	NAS680A3	NUTPLATE								2	
- 25	1221015-1	CHANNEL-FLAP PULLEY LH								1	
	1221015-2	CHANNEL-FLAP PULLEY RH								1	
- 26	1221016-1	BRACKET-FLAP SYNCHRONIZER FAIRLEAD PULLEY								1	
- 27	1221018-1	RUB STRIP-FLAP SYNCHRONIZING CABLE								1	
- 28	1221021-1	CHANNEL ASSEMBLY WING REAR SPAR LH								1	
	1221021-2	CHANNEL ASSEMBLY WING REAR SPAR RH								1	
- 29	1221020-1	CHANNEL ASSEMBLY-HYDRAULIC LINE CLAMPS								2	
	NAS697A08K	NUTPLATE								1	
- 30	0523408	BRACKET								1	
	0523005-50	SPAR-OUTBOARD AUXILLIARY LH								1	
	0523005-51	SPAR-OUTBOARD AUXILLIARY RH								1	
- 31	0523813-2	SPACER-AILERON HINGE								1	
- 32	0523813-3	SPACER-AILERON HINGE								1	
- 33	0523813-4	SPACER-AILERON HINGE								1	
- 34	0523813-5	SPACER-AILERON HINGE								1	
- 35	0523216	REINFORCEMENT								2	
- 36	0523215	REINFORCEMENT-WING LH								1	
	0523215-1	REINFORCEMENT-WING RH								1	

* NOTE. * DENOTES PARTS USED ON WING WITH EXTENDED RANGE FUEL TANK

Wing (Cont)

Courtesy of Bomar Flying Service
www.bomar.biz

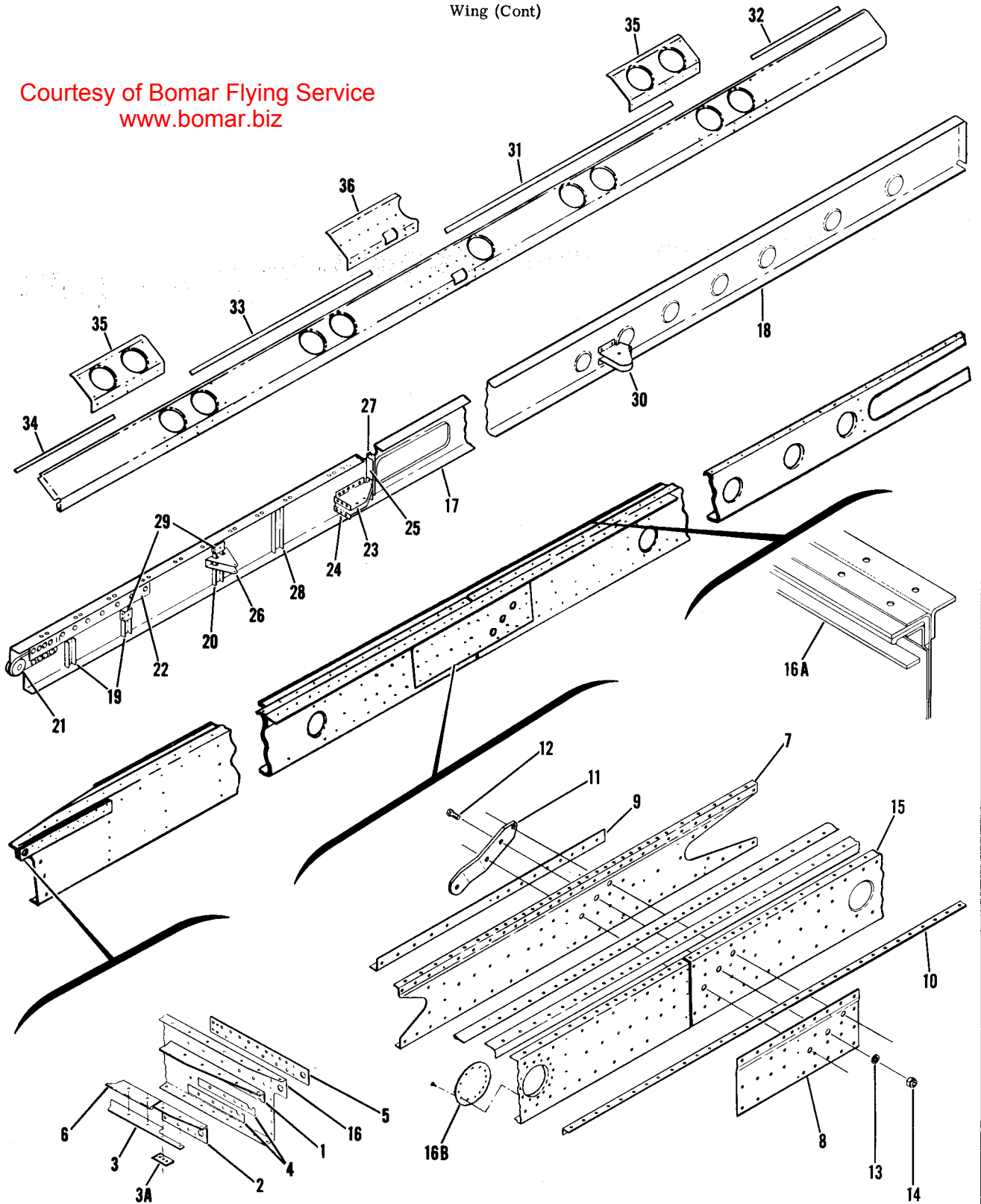


Figure 4. Wing Spars Assemblies

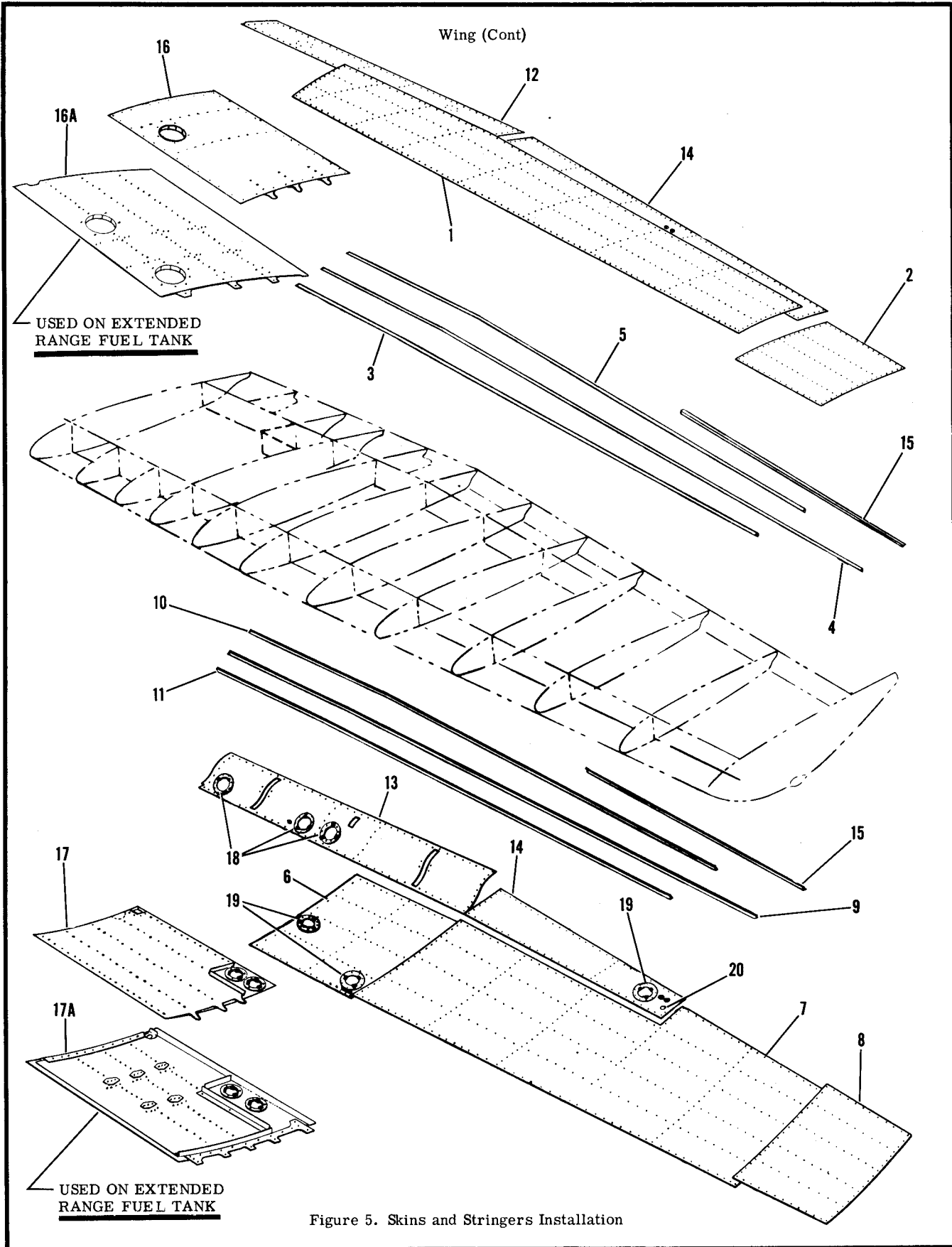


Figure 5. Skins and Stringers Installation

FIGURE AND INDEX NO.	PART NUMBER	DESCRIPTION	UNITS PER ASSY	USABLE ON CODE
		1 2 3 4 5 6 7		
5-		SKINS & STRINGERS INSTALLATION-WING LH -----	NP	
	*	SKINS & STRINGERS INSTALLATION-WING LH -----	NP	
	*	SKINS & STRINGERS INSTALLATION-WING RH -----	NP	
	*	SKINS & STRINGERS INSTALLATION-WING RH -----	NP	
- 1	1220002-23	SKIN-UPPER STA 71.977 TO 190.0 -----	1	
	1220003-6	SKIN-UPPER LH STA 85.625 TO 190.0 -----	1	
	1220004-5	SKIN-UPPER RH STA 85.625 TO 190.0 -----	1	
- 2	1220002-21	SKIN-UPPER STA 190.0 TO 208.0 -----	1	
- 3	0523541-43	STRINGER-WING UPPER LH -----	1	
	0523541-51	STRINGER-WING UPPER LH -----	1	
	0523541-44	STRINGER-WING UPPER RH -----	1	
	0523541-52	STRINGER-WING UPPER RH -----	1	
- 4	0523541-45	STRINGER-WING UPPER LH -----	1	
	0523541-53	STRINGER-WING UPPER LH -----	1	
	0523541-46	STRINGER-WING UPPER RH -----	1	
	0523541-54	STRINGER-WING UPPER RH -----	1	
- 5	0523541-47	STRINGER-WING UPPER LH -----	1	
	0523541-59	STRINGER-WING UPPER LH -----	1	
	0523541-48	STRINGER-WING UPPER RH -----	1	
	0523541-56	STRINGER-WING UPPER RH -----	1	
- 6	1220002-31	SKIN-LOWER INBOARD NOT USED ON EXTENDED RANGE WING -----	1	
	1220002-30	SKIN-LOWER INBOARD NOT USED ON EXTENDED RANGE WING -----	1	
- 7	1220002-24	SKIN-LOWER STA 100.0 TO 190.0 -----	1	
	1220003-7	SKIN-LOWER LH STA 85.625 TO 100.0 -----	1	
	1220004-6	SKIN-LOWER RH STA 85.625 TO 100.0 -----	1	
- 8	1220002-22	SKIN-LOWER STA 190.0 TO 208.0 -----	1	
- 9	0523541-46	STRINGER-WING LOWER LH -----	1	
	0523541-54	STRINGER-WING LOWER LH -----	1	
	0523541-45	STRINGER-WING LOWER RH -----	1	
	0523541-53	STRINGER-WING LOWER RH -----	1	
- 10	0523541-48	STRINGER-WING LOWER LH -----	1	
	0523541-60	STRINGER-WING LOWER LH -----	1	
	0523541-47	STRINGER-WING LOWER RH -----	1	
	0523541-60	STRINGER-WING LOWER RH -----	1	
- 11	0523541-50	STRINGER-WING LOWER LH -----	1	
	0523541-58	STRINGER-WING LOWER LH -----	1	
	0523541-49	STRINGER-WING LOWER RH -----	1	
	0523541-57	STRINGER-WING LOWER RH -----	1	
- 12	1220002-27	SKIN-UPPER TRAILING EDGE STA 23.625 TO 100.5 -----	1	
- 13	1220002-29	SKIN-LOWER TRAILING EDGE LH STA 23.625 TO 100.5 -----	1	
	1220002-28	SKIN-LOWER TRAILING EDGE RH STA 23.625 TO 100.5 -----	1	
- 14	1220002-25	SKIN-UPPER TRAILING EDGE STA 100.5 TO 190.0 -----	1	
	1220002-26	SKIN-LOWER TRAILING EDGE STA 100.5 TO 190.0 -----	1	
- 15	0523003-40	STRINGER-WING -----	2	
- 16	0721201-55	PANEL ASSEMBLY-WING FUEL WELL UPPER LH -----	1	
	0721201-54	PANEL ASSEMBLY-WING FUEL WELL UPPER RH -----	1	
-16A	1220006-1	PANEL ASSEMBLY-WING FUEL WELL UPPER LH -----	1	
	1220006-2	PANEL ASSEMBLY-WING FUEL WELL UPPER RH -----	1	
- 17	1221200-1	PANEL ASSEMBLY-WING FUEL WELL LOWER LH -----	1	
	1221200-2	PANEL ASSEMBLY-WING FUEL WELL LOWER RH -----	1	
-17A	1220007-1	PANEL ASSEMBLY-WING FUEL WELL LOWER LH -----	1	
	1220007-2	PANEL ASSEMBLY-WING FUEL WELL LOWER RH -----	1	
- 18	S-1048-2	DOUBLER-INSPECTION OPENING -----	3	
- 19	S-226-5F	DOUBLER-INSPECTION OPENING -----	3	
	NAS444-14-3	NUT -----	3	
- 20	48155	PLUG BUTTON UC-----	1	

*NOTE. *DENOTES PARTS USED ON WING WITH EXTENDED RANGE FUEL TANK.

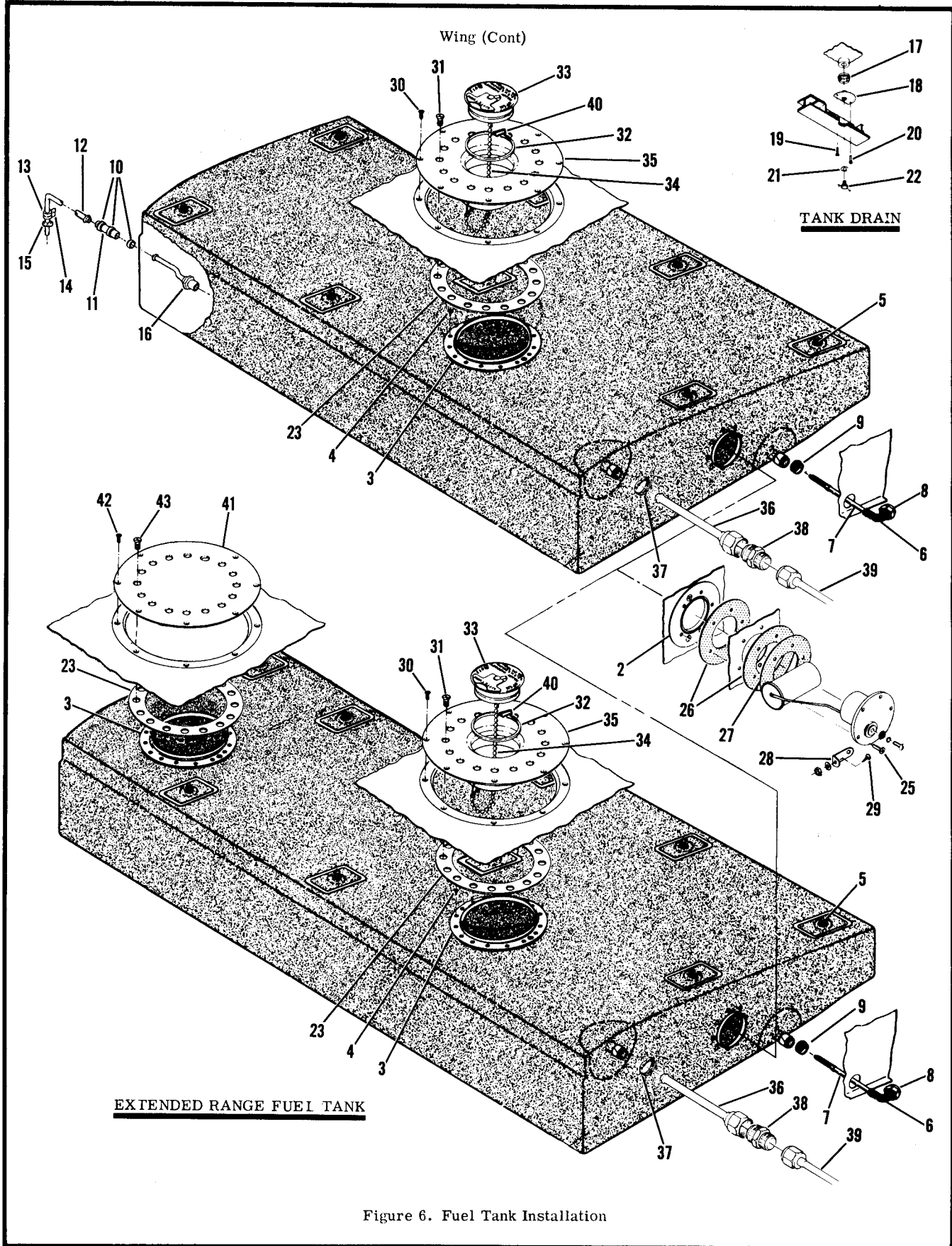


Figure 6. Fuel Tank Installation

FIGURE AND INDEX NO.	PART NUMBER	DESCRIPTION	UNITS PER ASSY	USABLE ON CODE
		1 2 3 4 5 6 7		
6-		TANK INSTALLATION-FUEL LH -----	NP	
		* TANK INSTALLATION-EXTENDED RANGE FUEL LH -----	NP	
		TANK INSTALLATION-FUEL RH -----	NP	
		* TANK INSTALLATION-EXTENDED RANGE FUEL RH -----	NP	
- 1	0726001-9	TANK ASSEMBLY-FUEL LH -----	1	
	1200065-1	TANK ASSEMBLY-EXTENDED RANGE FUEL LH -----	1	
	0726001-12	TANK ASSEMBLY-FUEL RH -----	1	
	1200065-2	TANK ASSEMBLY-EXTENDED RANGE FUEL RH -----	1	
- 2	0726001-3	RING ASSEMBLY-FUEL GAGE ADAPTER -----	1	
- 3	FCC-20068	FITTING -----	1	
	FCC-20068	* FITTING -----	2	
		ATTACHING PARTS		
- 4	AN509-10R4	SCREW -----	2	
	AN509-10R4	* SCREW -----	4	
		-----*		
- 5	FC8-35405	HANGER ASSEMBLY -----	8	
	FC8-35405	* HANGER ASSEMBLY -----	10	
- 6	0720000-3	STRAINER ASSEMBLY-FUEL TANK -----	1	
- 7		PROTECTOR-RUBBER HOSE -----	1	
- 8	AN818-6D	NUT -----	1	
- 9	NAS397-14-1	CLAMP -----	1	
- 10	NAS397-16-1	CLAMP -----	1	
- 11	S-51-8	HOSE-2.0 IN LONG-----BULK ITEM-----REF S-51-8-8 -----	1	
- 12	0716127-1	LINE ASSEMBLY-VENT LH -----	1	
	0716127-2	LINE ASSEMBLY-VENT RH -----	1	
	1200106-51	* LINE ASSEMBLY-VENT LH -----	1	
	1200106-52	* LINE ASSEMBLY-VENT RH -----	1	
- 13	A3047A-8-92	CLAMP TIN -----	2	
		ATTACHING PARTS		
	S-1021Z-8-8	SCREW CESSNA STANDARD -----	1	
		-----*		
- 14	0512006-1	ANGLE -----	1	
- 15	MS35489-14	GROMMET -----	1	
- 16	0716125-1	VALVE ASSEMBLY-VENT -----	1	
- 17	NAS397-16-1	CLAMP -----	1	
- 18	0322526-6	ADAPTER ASSEMBLY-FUEL TANK DRAIN -----	1	
		ATTACHING PARTS		
- 19	AN520-8R7	SCREW -----	1	
- 20	AN500A8-7	SCREW -----	1	
		-----*		
- 21	AN902-4	GASKET-DRAIN PLUG -----	1	
- 22	0320105	PLUG-FUEL TANK DRAIN -----	1	
	0526001-3	VALVE-FLUSH -----	1	
- 23	0726000-10	* GASKET -----	1	
	0726000-10	* GASKET -----	2	
- 24	0726110-1	TRANSMITTER & FLOAT-FUEL -----	1	
		ATTACHING PARTS		
- 25	AN520-10R10	SCREW -----	5	
		-----*		
- 26	0726001-7	GASKET-FUEL GAGE -----	2	
- 27	0726001-13	GASKET-FUEL GAGE -----	1	
- 28	0413247	GROUND STRAP-FUEL GAGE -----	1	
		ATTACHING PARTS		
- 29	AN515-8R10	SCREW -----	1	
	AN960-8	WASHER -----	1	
	MS20365-832C	NUT -----	1	
		-----*		
	0721303-5	* CAP & ADAPTER ASSEMBLY-FUEL -----	1	
	0721303-9	* CAP & ADAPTER ASSEMBLY-FUEL -----	1	
		ATTACHING PARTS		
- 30	S-1021Z-8-6	SCREW CESSNA STANDARD -----	8	
- 31	AN507-428R7	SCREW -----	16	
- 32	MS29513-232	O RING -----	1	
		-----*		
- 33	0721303-6	* CAP-32.5 GAL -----	1	
	0721303-10	* CAP-42.0 GAL -----	1	
- 34	0721303-3	CHAIN -----	1	
- 35	0721303-4	ADAPTER -----	1	
- 36	1200106-29	LINE ASSEMBLY-VAPOR LH -----	1	
	1200106-30	LINE ASSEMBLY-VAPOR RH -----	1	
- 37	NAS397-14-1	CLAMP -----	2	
- 38	AN916-6D	REDUCER -----	1	
- 39	1200106-22	LINE ASSEMBLY-VAPOR LH -----	1	
	1200106-23	LINE ASSEMBLY-VAPOR RH -----	1	

CONTINUED ON PAGE 14

FIGURE AND INDEX NO.	PART NUMBER	DESCRIPTION							UNITS PER ASSY	USABLE ON CODE
		1	2	3	4	5	6	7		
6- 40	1220024-1								1	
- 41	1220022-1	*							1	
- 42	AN509-10R6								8	
- 43	AN507-428R7								16	

*NOTE. *DENOTES PARTS USED ON WING WITH EXTENDED RANGE FUEL TANK.

Wing (Cont)

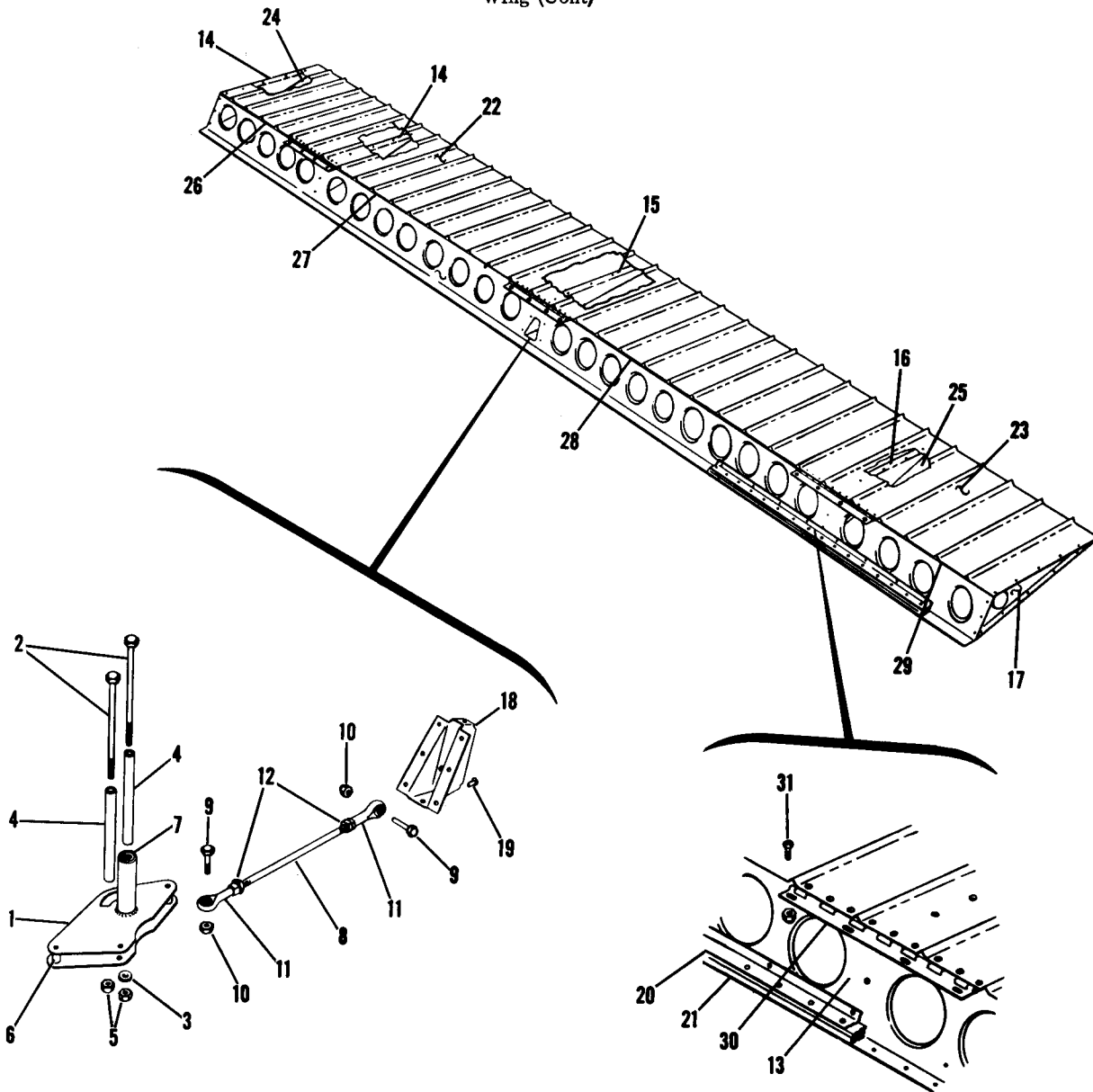


Figure 7. Aileron Installation

FIGURE AND INDEX NO.	PART NUMBER	DESCRIPTION	UNITS PER ASSY	USABLE ON CODE
7-		1 2 3 4 5 6 7		
- 1	0523223 0523223-1	AILERON INSTALLATION-LH----- AILERON INSTALLATION-RH----- BELLCRANK-AILERON LH ----- BELLCRANK-AILERON RH ----- ATTACHING PARTS	NP NP 1 1	
- 2	AN4-42A	BOLT -----	2	
- 3	0522629-1	WASHER-----	2	
- 4	0523222	BUSHING -----	2	
- 5	MS20365-428C	NUT -----	2	
- 6	0422280	BUSHING -----	2	
- 7	B-610	BEARING TOR -----	2	
- 8	0523218	ROD ASSEMBLY-AILERON PUSH-PULL----- ATTACHING PARTS	1	
- 9	AN3-7A	BOLT -----	2	
- 10	MS20365-1032C	NUT -----	2	
- 11	S-1106-3	ROD END CESSNA STANDARD -----	2	
- 12	AN316-4R 0523800-16 0523800-17	NUT-CHECK----- AILERON ASSEMBLY-LH ----- AILERON ASSEMBLY-RH -----	2 1 1	
- 13	0523806 0523806-1	SPAR-AILERON LH ----- SPAR-AILERON RH -----	1 1	
- 14	0523808 0523808-2	RIB NO 1-AILERON LH ----- RIB NO 1-AILERON RH -----	2 2	
- 15	0523809 0523809-1	RIB NO 2-AILERON LH ----- RIB NO 2-AILERON RH -----	1 1	
- 16	0523810	RIB NO 3-AILERON -----	1	
- 17	0523811 0523811-1	RIB NO 4-AILERON LH ----- RIB NO 4-AILERON RH -----	1 1	
- 18	0523812-2 0523812-3	BRACKET-CONTROL AILERON LH ----- BRACKET-CONTROL AILERON RH ----- ATTACHING PARTS	1 1	
- 19	NAS455-163C4-8	RIVET -----	6	
- 20	0523814-5	BRACKET-AILERON WEIGHT -----	1	
- 21	0724115-1	WEIGHT-AILERON BALANCE -----	1	
- 22	0523800-6 0523800-7	SKIN-AILERON UPPER INBOARD LH ----- SKIN-AILERON UPPER INBOARD RH -----	1 1	
- 23	0523800-8 0523800-9	SKIN-AILERON UPPER OUTBOARD LH ----- SKIN-AILERON UPPER OUTBOARD RH -----	1 1	
- 24	0523800-10 0523800-11	SKIN-AILERON LOWER INBOARD LH ----- SKIN-AILERON LOWER INBOARD RH -----	1 1	
- 25	0523800-12 0523800-13	SKIN-AILERON LOWER OUTBOARD LH ----- SKIN-AILERON LOWER OUTBOARD RH -----	1 1	
- 26	0523813-1	SPACER -----	1	
- 27	0523813-8	SPACER -----	1	
- 28	0523813-6	SPACER -----	1	
- 29	0523813-7	SPACER -----	1	
- 30	0523807	HINGE-AILERON ----- ATTACHING PARTS	3	
- 31	NAS229-8 MS20365-1032C	SCREW ----- NUT -----	12 12	

Wing (Cont)

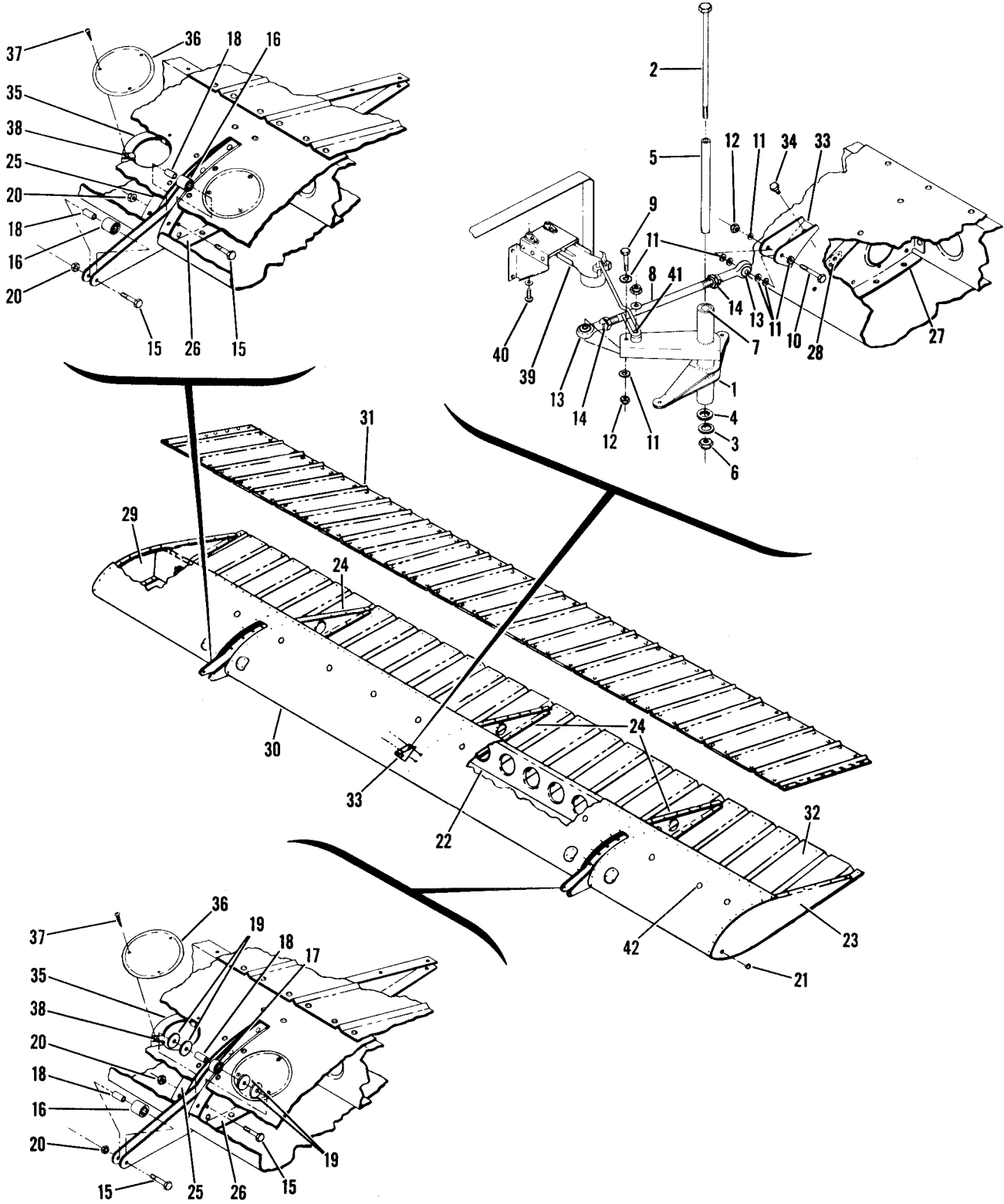


FIGURE AND INDEX NO.	PART NUMBER	DESCRIPTION	UNITS PER ASSY	USABLE ON CODE
8-		1 2 3 4 5 6 7		
- 1	1260061-1 1260061-2	FLAP INSTALLATION-WING LH ----- FLAP INSTALLATION-WING RH ----- BELLCRANK ASSEMBLY-FLAP LH ----- BELLCRANK ASSEMBLY-FLAP RH ----- ATTACHING PARTS	NP NP 1 1	
- 2	AN4-57A	BOLT -----	1	
- 3	0522629	WASHER-FLAP BELLCRANK -----	1	
- 4	AN960-416L	WASHER -----	1	
- 5	0523536	BUSHING -----	1	
- 6	MS20365-428C	NUT -----	1	
- 7	B-610	BEARING TOR -----	2	
- 8	1260063-1	ROD ASSEMBLY-FLAP PUSH PULL ----- ATTACHING PARTS	1	
- 9	AN3-10A	BOLT -----	1	
- 10	AN3-16A	BOLT -----	1	
- 11	AN960-10	WASHER -----	8	
- 12	MS20365-1032C	NUT -----	2	
- 13	S-1106-3	ROD END CESSNA STANDARD -----	2	
- 14	AN316-4R 0523901-11 * 0523901-12 *	NUT-CHECK ----- FLAP ASSEMBLY-WING LH ----- FLAP ASSEMBLY-WING RH ----- ATTACHING PARTS	2 1 1	
- 15	AN3-10A	BOLT -----	4	
- 16	0523921	ROLLER ASSEMBLY -----	3	
- 17	0523920	ROLLER ASSEMBLY -----	1	
- 18	0523919	BUSHING -----	4	
- 19	0523922	SPACER-FLAP-----OUTBOARD ROLLER ONLY -----	2	
- 20	MS20365-1032C	NUT -----	4	
- 21	48172	PLUG BUTTON UC -----	1	
- 22	0523911 0523911-1.	SPAR-FLAP LH ----- SPAR-FLAP RH -----	1 1	
- 23	0523912-1	RIB-FLAP LH END -----	1	
- 24	0523923	RIB-FLAP TRAILING EDGE -----	3	
- 25	0523901-13	RIB ASSEMBLY-FLAP SUPPORT ARM LH -----	2	
- 26	0523901-14	RIB ASSEMBLY-FLAP SUPPORT ARM RH -----	1	
- 27	0523914-2	RIB ASSEMBLY-FLAP LEADING EDGE CENTER -----	1	
- 28	NAS680A3	NUTPLATE -----	2	
- 29	0523912	RIB-FLAP RH END -----	2	
- 30	0523901-2 0523901-3	SKIN-FLAP LEADING EDGE LH ----- SKIN-FLAP LEADING EDGE RH -----	1 1	
- 31	0523901-4 0523901-5	SKIN-FLAP UPPER LH ----- SKIN-FLAP UPPER RH -----	1 1	
- 32	0523901-6 0523901-7	SKIN-FLAP LOWER LH ----- SKIN-FLAP LOWER RH -----	1 1	
- 33	0523918	BRACKET-FLAP CONTROL ATTACHMENT ----- ATTACHING PARTS	1	
- 34	AN3-4A	BOLT -----	2	
- 35	S-237-3	DOUBLER-ACCESS OPENING CESSNA STANDARD -----	4	
- 36	S-225-3	PLATE-COVER CESSNA STANDARD ----- ATTACHING PARTS	4	
- 37	S-10212-8-8	SCREW CESSNA STANDARD -----	12	
- 38	NAS395-13-3	NUT TIN A6077-8Z-3 -----	12	
- 39	1260068-1	TRANSMITTER-FLAP POSITION ----- ATTACHING PARTS	1	
- 40	AN515-8R8 AN960-8	SCREW ----- WASHER -----	2 2	
- 41	AN515-8R14 1260067-1 MS20365-832C 1260066-1	SCREW ----- WASHER ----- NUT ----- SPACER -----	1 1 1 1	
- 42	S-1093-1 □	PLUG BUTTON-----CESSNA STANDARD -----	14	

*NOTE. WHEN ORDERING THIS PART ALSO
ORDER PART MARKED □

Strut

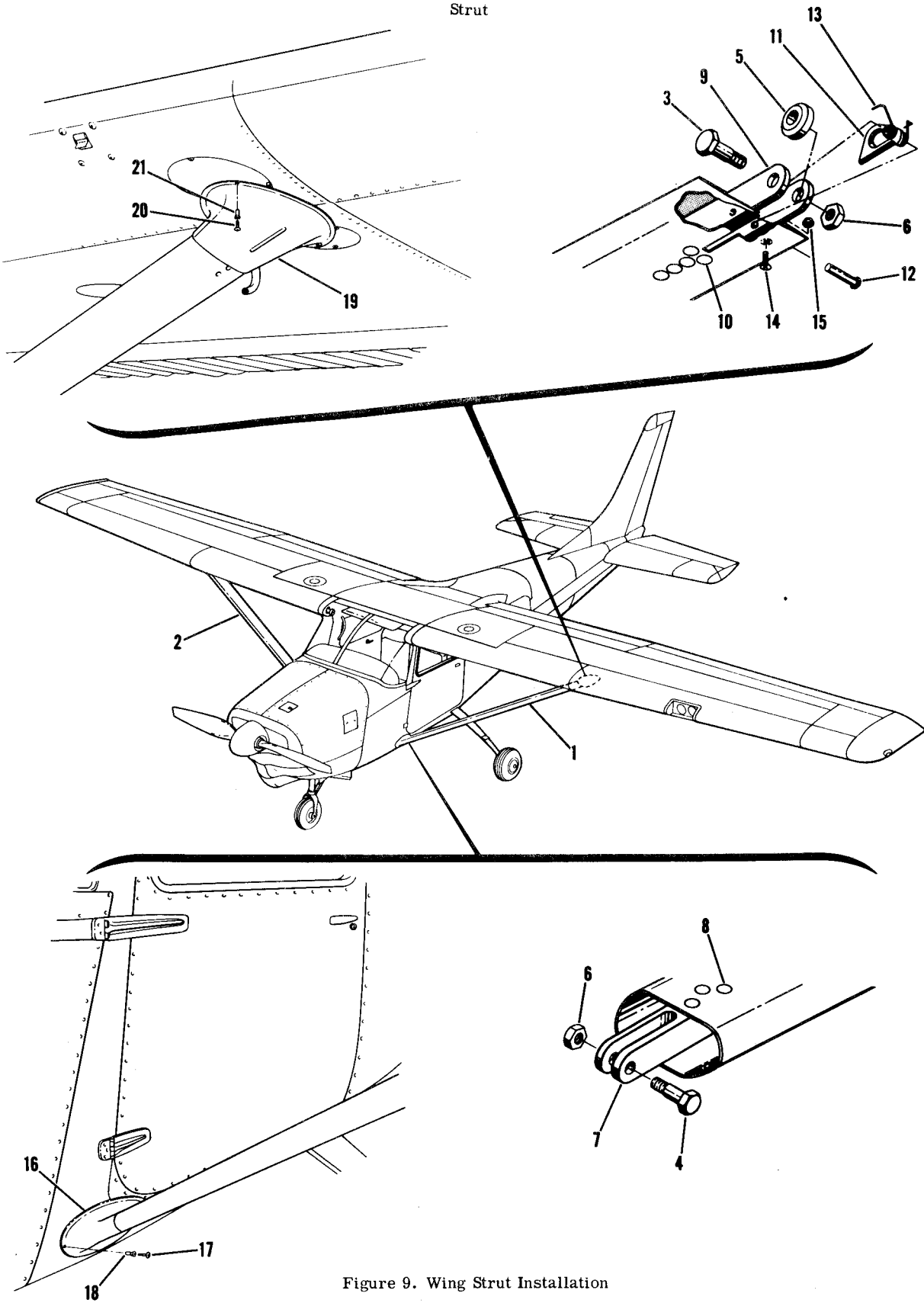


FIGURE AND INDEX NO.	PART NUMBER	DESCRIPTION	UNITS PER ASSY	USABLE ON CODE
		1 2 3 4 5 6 7		
9-		STRUT INSTALLATION-WING LH -----	NP	
- 1	1227000-1	STRUT INSTALLATION-WING RH -----	NP	
- 2	1227000-2	STRUT ASSEMBLY-LH -----	1	
		STRUT ASSEMBLY-RH -----	1	
		ATTACHING PARTS		
- 3	AN8-24A	BOLT -----	1	
- 4	AN8-22A	BOLT -----	1	
- 5	0523307	SPACER -----	1	
- 6	MS20365-820C	NUT -----	1	
		-----*		
- 7	1227001-1	FITTING-WING STRUT LH LOWER END -----	1	
	1227001-2	FITTING-WING STRUT RH LOWER END -----	1	
		ATTACHING PARTS		
- 8	MS20426AD10	RIVET -----	5	
	0723600-6	RIVET ALT -----	5	
		-----*		
- 9	0723600-11	FITTING-WING STRUT UPPER END -----	1	
		ATTACHING PARTS		
- 10	MS20426AD10	RIVET -----	5	
	0723600-6	RIVET ALT -----	5	
		-----*		
- 11	0723604-1	RING-MOORING -----	1	
		ATTACHING PARTS		
- 12	MS20392-2-41	PIN -----	1	
- 13	0723601-2	SPRING -----	1	
- 14	AN507-832R6	SCREW -----	1	
- 15	MS20365-832C	NUT -----	1	
		-----*		
- 16	1227002-3	FAIRING-LOWER LH -----	1	
	1227002-2	FAIRING-LOWER RH -----	1	
		ATTACHING PARTS		
- 17	AN515-8R8	SCREW -----	3	
- 18	A8K-75	RIVNUT-----GD -----	3	
		-----*		
- 19	1227002-5	FAIRING-UPPER LH -----	1	
	1227002-4	FAIRING-UPPER RH -----	1	
		ATTACHING PARTS		
- 20	NAS220-8	SCREW -----	3	
- 21	A8K-75	RIVNUT-----GD -----	1	
		-----*		

Empennage

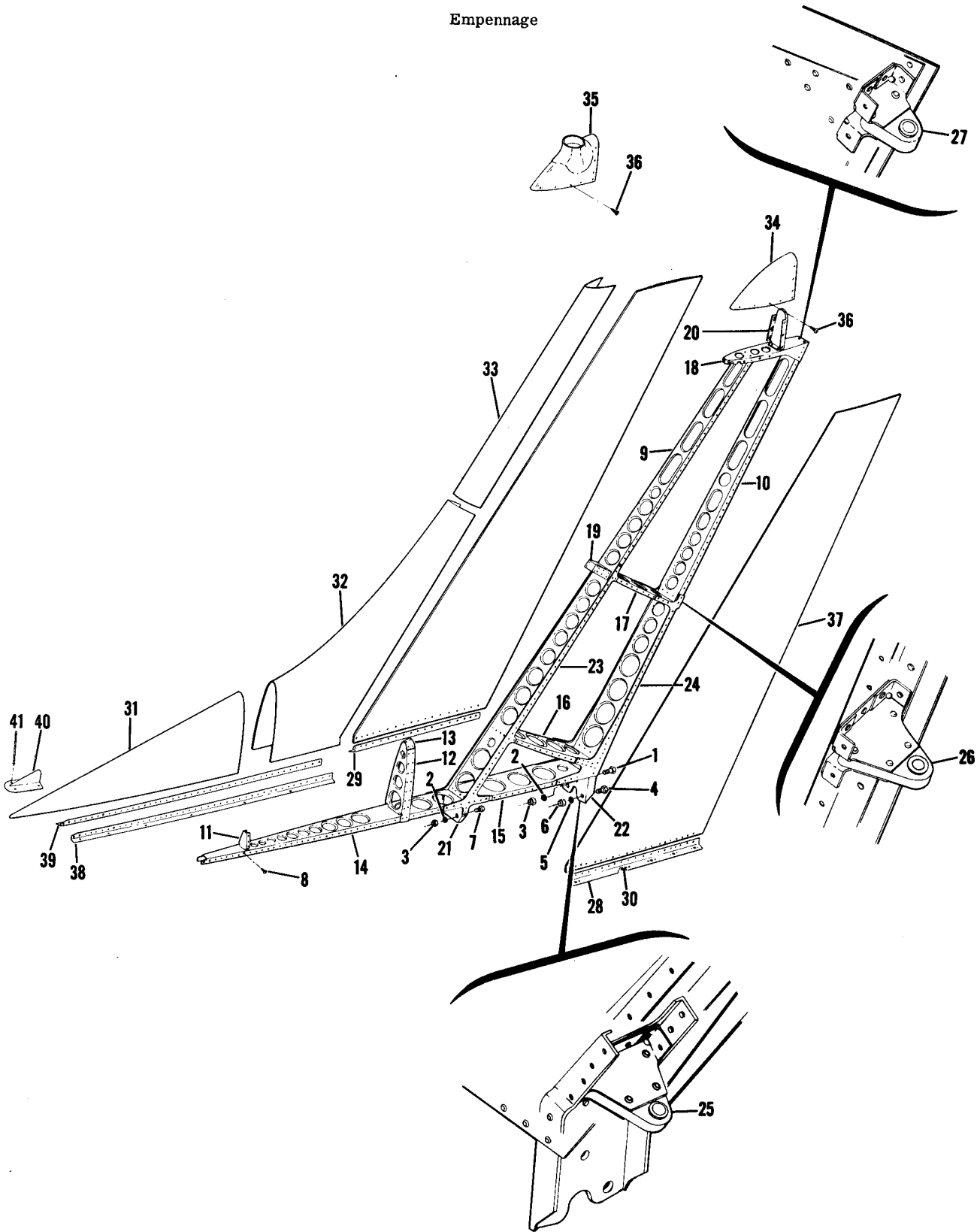


Figure 10. Fin and Dorsal Installation

FIGURE AND INDEX NO.	PART NUMBER	DESCRIPTION	UNITS PER ASSY	USABLE ON CODE
10-	1231000-11	FIN & DORSAL INSTALLATION ----- FIN ASSEMBLY ----- ATTACHING PARTS -----	NP 1	
- 1	AN5-10A	BOLT -----	1	
- 2	AN960-516	WASHER -----	3	
- 3	MS20365-524C	NUT -----	3	
- 4	AN6-7A	BOLT -----	2	
- 5	AN960-616	WASHER -----	2	
- 6	MS20365-624C	NUT -----	2	
- 7	AN5-5A	BOLT -----	2	
- 8	AN515-8R8	SCREW ----- ---*---	2	
- 9	1231002-1	SPAR-FORWARD -----	1	
- 10	1231002-2	SPAR-AFT -----	1	
- 11	1231003-1	RIB-DORSAL FORWARD -----	1	
- 12	1231004-3	RIB-DORSAL AFT -----	1	
- 13	1231004-2	STRIP-LEADING EDGE -----	1	
- 14	1231005-1	RIB-FIN BASE FORWARD -----	1	
- 15	1231005-2	RIB-FIN BASE AFT -----	1	
- 16	1231006-1	RIB-FIN LOWER -----	1	
- 17	1231007-1	RIB-FIN CENTER -----	1	
- 18	1231008-1	RIB ASSEMBLY-FIN UPPER -----	1	
	NAS698A08K	NUTPLATE -----	10	
- 19	1231009-5	FIN RIB ASSEMBLY-LEADING EDGE CENTER -----	1	
- 20	1231010-1	RIB ASSEMBLY-FIN TIP -----	1	
	NAS697A08K	NUTPLATE -----	2	
	NAS696A08K	NUTPLATE -----	4	
- 21	1231012-1	FITTING-FORWARD FIN SPAR ATTACH -----	1	
- 22	1231013-1	FITTING-AFT FIN SPAR ATTACH -----	1	
- 23	1231014-1	DOUBLER PLATE-FIN SPAR FORWARD -----	1	
- 24	1231014-2	DOUBLER PLATE-FIN SPAR AFT -----	1	
- 25	1231023-1	BRACKET ASSEMBLY-LOWER FIN HINGE -----	1	
- 26	1231023-2	BRACKET ASSEMBLY-CENTER FIN HINGE -----	1	
- 27	1231023-3	BRACKET ASSEMBLY-UPPER FIN HINGE -----	1	
- 28	1231025-1	ANGLE ASSEMBLY-FIN & STABILIZER FAIRING ATTACH LH -----	1	
- 29	1231025-2	ANGLE ASSEMBLY-FIN & STABILIZER FAIRING ATTACH RH -----	1	
- 30	NAS697A08K	NUTPLATE -----	5	
- 31	1231000-2	SKIN-DORSAL -----	1	
- 32	1231000-3	SKIN-LEADING EDGE LOWER -----	1	A
	1231000-12	SKIN ASSY-LEADING EDGE LOWER -----	1	B
- 33	1231000-4	SKIN-FIN LEADING EDGE -----	1	
- 34	1231000-5	CAP-TIP -----	1	
- 35	1200039-1	CAP-TIP ROTATING BEACON -----	1	
		ATTACHING PARTS -----		
- 36	NAS220-6	SCREW ----- ---*---	16	
		SKIN-FIN -----	2	
- 37	1231000-6	FAIRING-DORSAL FIN TO FUSELAGE LH -----	1	
- 38	1231027-1	FAIRING-DORSAL FIN TO FUSELAGE LH -----	1	
- 39	1231027-2	FAIRING-DORSAL FIN TO FUSELAGE RH -----	1	
- 40	1231028-1	FAIRING-DORSAL FIN -----	1	
		ATTACHING PARTS -----		
- 41	S-1021Z-8-6	SCREW ----- ---*---	3	

A---210 SERIAL 57001 THRU 57575
B---210 SERIAL 21057576 & ON

Empennage (Cont)

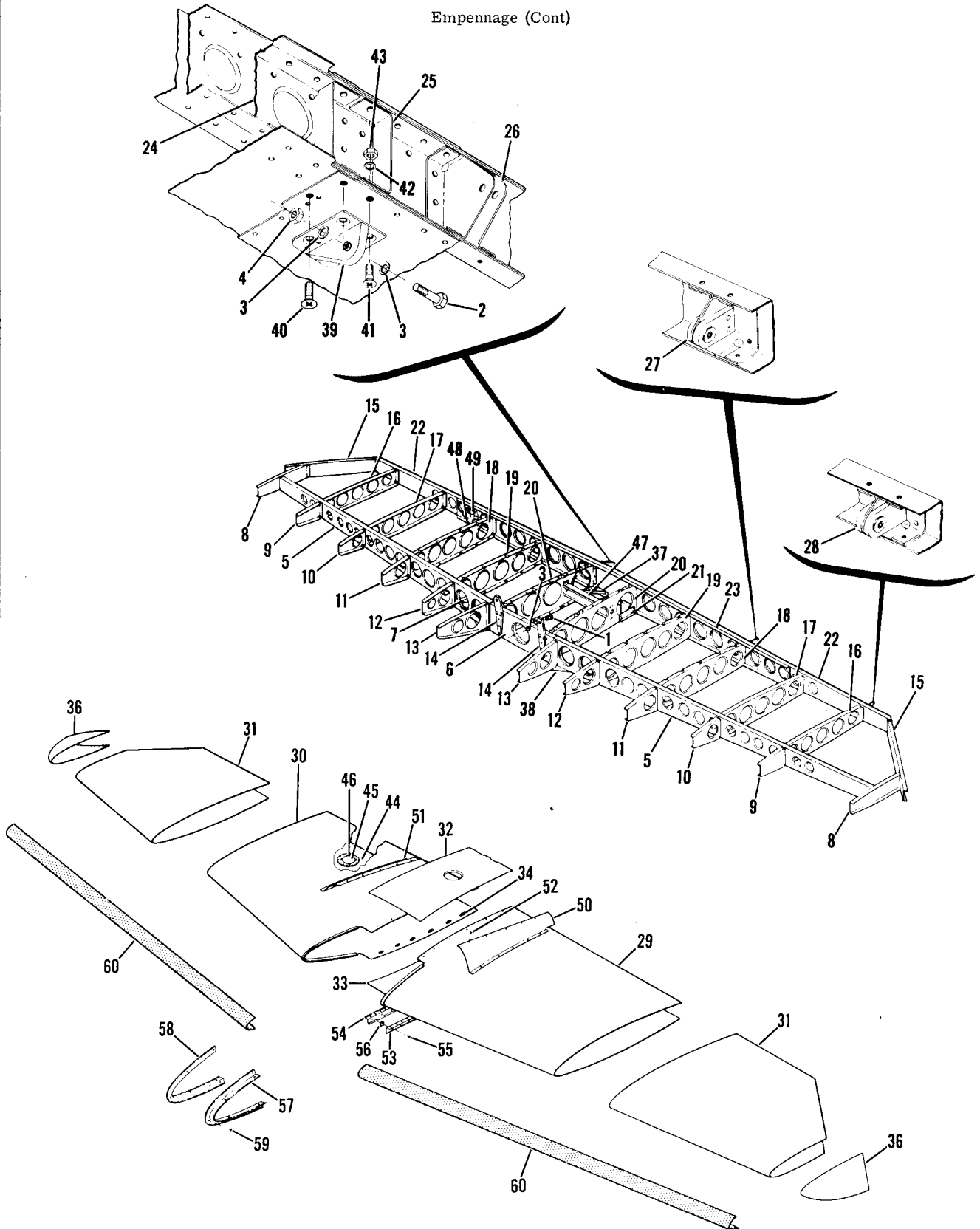


Figure 11. Stabilizer Installation

FIGURE AND INDEX NO.	PART NUMBER	DESCRIPTION	UNITS PER ASSY	USABLE ON CODE
11-	1232000	STABILIZER INSTALLATION----- STABILIZER ASSEMBLY ----- ATTACHING PARTS -----	NP 1	
- 1	AN4-7A	BOLT -----	2	
- 2	AN4-10A	BOLT -----	2	
- 3	AN960-416	WASHER-----	6	
- 4	MS20365-428C	NUT -----	1	
	1232000-6	-----*----- SPAR ASSEMBLY-STABILIZER FRONT -----	1	
- 5	0732000-20	SPAR-STABILIZER FRONT -----	2	
- 6	1232116	CHANNEL-STABILIZER FRONT -----	1	
- 7	1232117	SPLICE-STABILIZER FRONT -----	1	
- 8	0732000-21	RIB-STABILIZER TIP -----	2	
- 9	0732000-3	RIB-STABILIZER NOSE-----	2	
- 10	0732000-4	RIB-STABILIZER NOSE-----	2	
- 11	0732000-17	RIB-STABILIZER NOSE-----	2	
- 12	0732000-18	RIB-STABILIZER NOSE-----	2	
- 13	0732000-19	RIB-STABILIZER NOSE CANTED -----	2	
- 14	1232134-1	BRACKET-STABILIZER ATTACH FRONT -----	2	
- 15	0732000-27	RIB-STABILIZER CANTED -----	2	
- 16	0732000-11	RIB-STABILIZER-----	2	
- 17	0732000-10	RIB-STABILIZER-----	2	
- 18	1232104	RIB-STABILIZER-----	2	
- 19	1232105	RIB-STABILIZER-----	2	
- 20	1232106	RIB-STABILIZER-----	2	
- 21	0732103-1	DOUBLER-STABILIZER LH -----	1	
	0732103-2	DOUBLER-STABILIZER RH -----	1	
	1232000-5	SPAR ASSEMBLY-STABILIZER REAR -----	1	
- 22	0732000-30	SPAR-STABILIZER REAR -----	2	
- 23	1232114	CHANNEL-STABILIZER REAR SPAR REINFORCEMENT -----	1	
- 24	0732000-39	CHANNEL-STABILIZER REAR SPAR REINFORCEMENT -----	1	
- 25	0732101-4	REINFORCEMENT-STABILIZER HINGE -----	2	
- 26	0732100-6	HINGE-STABILIZER CENTER -----	2	
- 27	0732100-7	HINGE ASSEMBLY-STABILIZER INBOARD -----	2	
	NAS296-4A	BEARING -----	1	
- 28	0732100-8	HINGE ASSEMBLY-STABILIZER OUTBOARD -----	2	
	NAS296-4A	BEARING -----	1	
- 29	1232000-1	SKIN-STABILIZER INBOARD LH -----	1	
- 30	1232000-2	SKIN-STABILIZER INBOARD RH -----	1	
- 31	0732000-25	SKIN-STABILIZER OUTBOARD-----	2	
- 32	1232000-3	SKIN-STABILIZER CENTER UPPER-----	1	
- 33	0732000-47	SKIN-STABILIZER CENTER LOWER-----	1	
- 34	A6195-8Z-3	NUT TIN -----		
- 35		DELETED-NEVER USED -----		
- 36	0732000-155	TIP-STABILIZER-----	2	
- 37	0732106	REINFORCEMENT-RH -----	1	
	0732106-1	REINFORCEMENT-LH -----	1	
- 38	1232118-1	DOUBLER-STABILIZER LH -----	1	
	1232118-2	DOUBLER-STABILIZER RH -----	1	
- 39	1232144-1	BRACKET ASSEMBLY -----	1	
	1232144-2	BRACKET ASSEMBLY -----	1	
		ATTACHING PARTS -----		
- 40	AN509-416R12	SCREW -----	2	
- 41	AN509-416R13	SCREW -----	4	
- 42	AN960-416	WASHER -----	8	
- 43	MS20365-428C	NUT -----	6	
		-----*-----		
	0732101-3	BUSHING-----	1	
	0732101-7	SPACER -----	1	
- 44	1232142-1	DOUBLER-STABILIZER -----	1	
- 45	1232141-1	PLATE-TAB ACTUATOR COVER-----	1	
		ATTACHING PARTS -----		
- 46	S-1021Z-8-8	SCREW CESSNA STANDARD -----	4	
	NAS395-14-3	NUT TIN A1274-8Z-3 -----	4	
		-----*-----		
- 47	1232140-1	BRACKET-TRIM TAB PULLEY -----	1	
- 48	1232139-1	BRACKET ASSEMBLY-TRIM TAB ACTUATOR -----	1	
	NAS697A3	NUTPLATE -----	5	
- 49	1234023-1	BRACE-TRIM TAB ACTUATOR -----	1	
		ATTACHING PARTS -----		
	NAS221-13	SCREW -----	3	
	AN960-10	WASHER -----	2	
	MS20365-1032C	NUT -----	2	
		-----*-----		

CONTINUED ON PAGE 24

FIGURE AND INDEX NO.	PART NUMBER	DESCRIPTION	UNITS PER ASSY	USABLE ON CODE
11- 50	1212007-1	FAIRING-EMPENNAGE LH -----	1	
- 51	1212007-2	FAIRING-EMPENNAGE RH -----	1	
		ATTACHING PARTS -----		
- 52	S-1021Z-8-8	SCREW CESSNA STANDARD -----	11	
		-----*-----		
- 53	1212006-1	FAIRING-STABILIZER LOWER LH -----	1	
- 54	1212006-2	FAIRING-STABILIZER LOWER RH -----	1	
		ATTACHING PARTS -----		
- 55	S-1021Z-8-8	SCREW CESSNA STANDARD -----	10	
- 56	NAS395-17-3	NUT -----	4	
		-----*-----		
- 57	1212008-1	FAIRING-STABILIZER LEADING EDGE LH -----	1	
- 58	1212008-2	FAIRING-STABILIZER LEADING EDGE RH -----	1	
		ATTACHING PARTS -----		
- 59	S-1021Z-8-8	SCREW CESSNA STANDARD -----	5	
		-----*-----		
- 60	0332136-1	BOOT-ABRASION -----	2	

FIGURE AND INDEX NO.	PART NUMBER	DESCRIPTION	UNITS PER ASSY	USABLE ON CODE
12-	1231001-1	RUDDER ASSEMBLY -----	1	
		ATTACHING PARTS -----		
- 1	AN4-10A	BOLT -----	3	
- 2	AN960-416	WASHER -----	3	
		-----*-----		
- 3	1231015-1	SPAR-FORWARD -----	1	
- 4	1231015-2	SPAR-REAR -----	1	
- 5	1231015-3	SPAR-BELLCRANK -----	1	
- 6	1231016-1	RIB-LOWER -----	1	
- 7	1231017-1	RIB-CENTER -----	1	
- 8	1231011-1	RIB ASSEMBLY-RUDDER TIP -----	1	
	NAS697A08K	NUTPLATE -----	8	
- 9	1231020-1	WEIGHT-RUDDER BALANCE -----	1	
		ATTACHING PARTS -----		
- 10	AN509-10R33	SCREW -----	3	
- 11	AN960-10	WASHER -----	3	
- 12	MS20365-1032C	NUT -----	3	
		-----*-----		
- 13	1231021-1	BELLCRANK ASSEMBLY-RUDDER -----	1	
- 14	1231021-2	CLIP-STOP RH -----	1	
- 15	1231021-3	CLIP-STOP LH -----	1	
	0733103	BUSHING-BELLCRANK -----	2	
- 16	1231022-1	GUSSET-BELLCRANK -----	1	
- 17	1231023-16	BRACKET ASSEMBLY-LOWER RUDDER HINGE -----	1	
	NAS684A4	NUTPLATE -----	1	
- 18	1231023-19	BRACKET-LOWER RUDDER HINGE -----	1	
- 19	1231023-17	BRACKET ASSEMBLY-CENTER RUDDER HINGE -----	1	
	NAS684A4	NUTPLATE -----	1	
- 20	1231023-20	BRACKET-CENTER RUDDER HINGE -----	1	
- 21	1231023-18	BRACKET ASSEMBLY-UPPER RUDDER HINGE -----	1	
	NAS684A4	NUTPLATE -----	1	
- 22	1231023-21	BRACKET-UPPER RUDDER HINGE -----	1	
- 23	1231026-1	CLIP-BELLCRANK LH -----	1	
	1231026-2	CLIP-BELLCRANK RH -----	1	
- 24	NAS696A08K	NUTPLATE -----	4	
- 25	NAS697A08K	NUTPLATE -----	4	
- 26	NAS697A08	NUTPLATE -----	4	
- 27	1231001-3	SKIN-RUDDER -----	1	
- 28	1231001-2	CAP-RUDDER TIP -----	1	
		ATTACHING PARTS -----		
- 29	NAS220-6	SCREW -----	20	
		-----*-----		

Empennage (Cont)

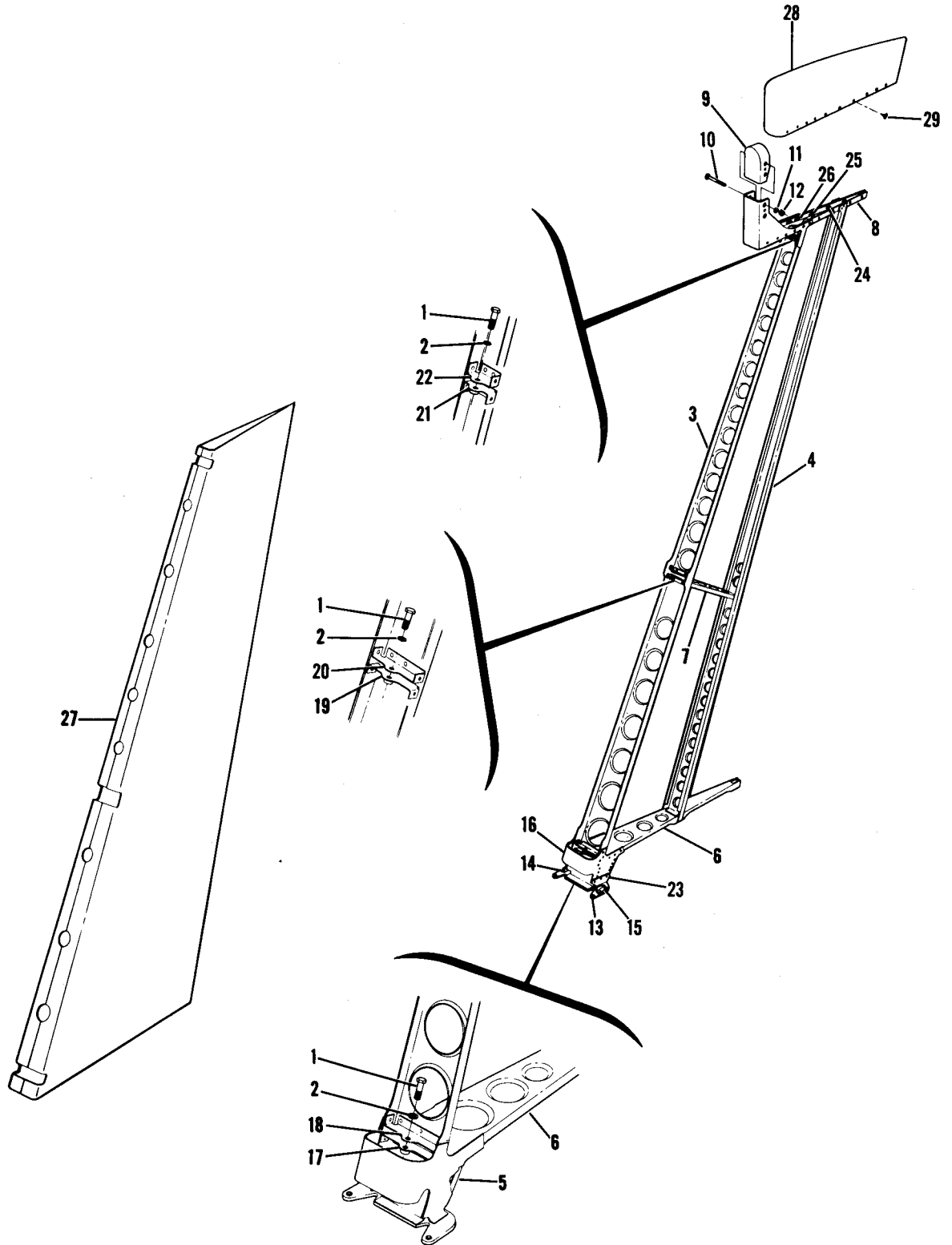


Figure 12. Rudder Assembly

Empennage (Cont)

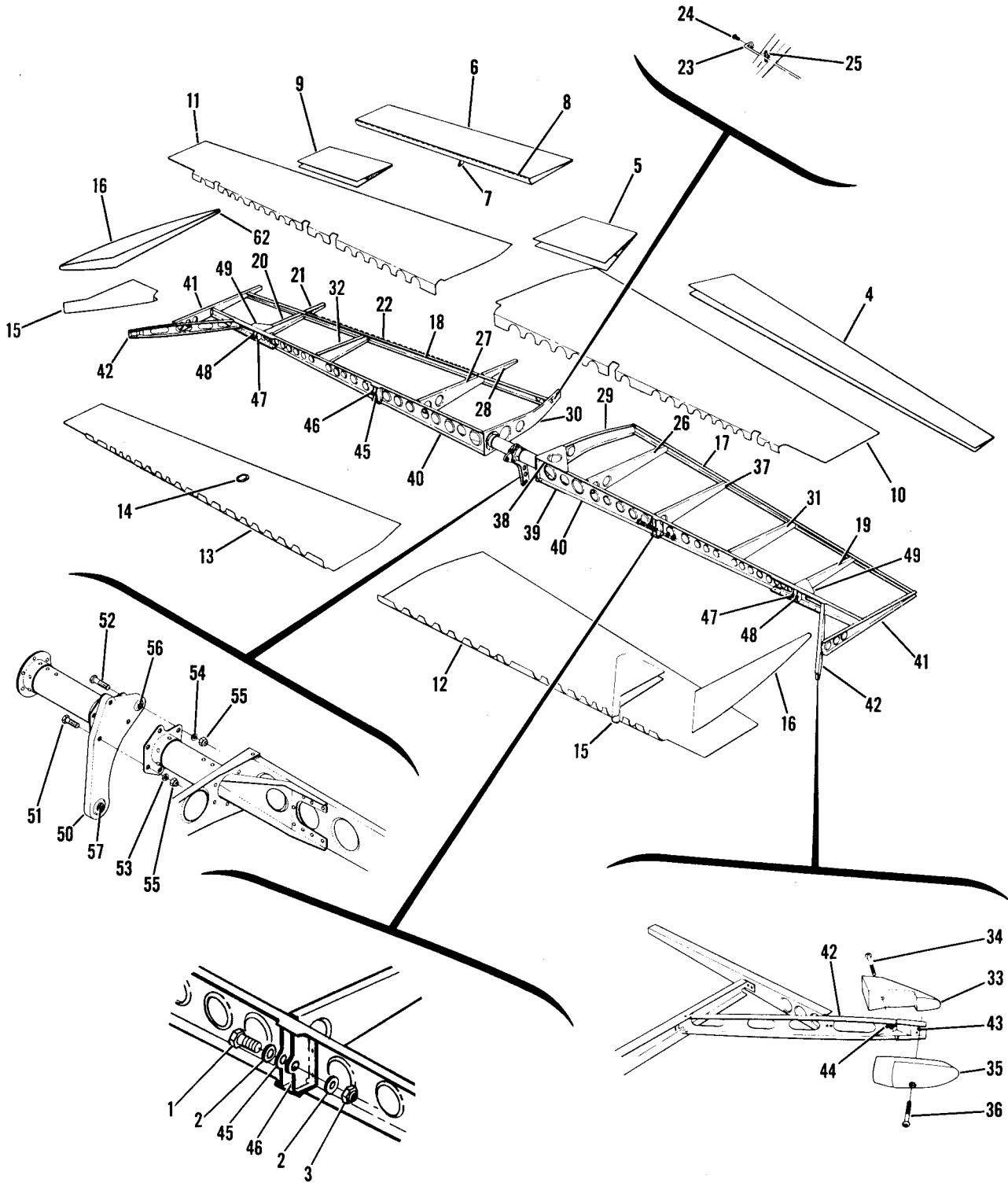
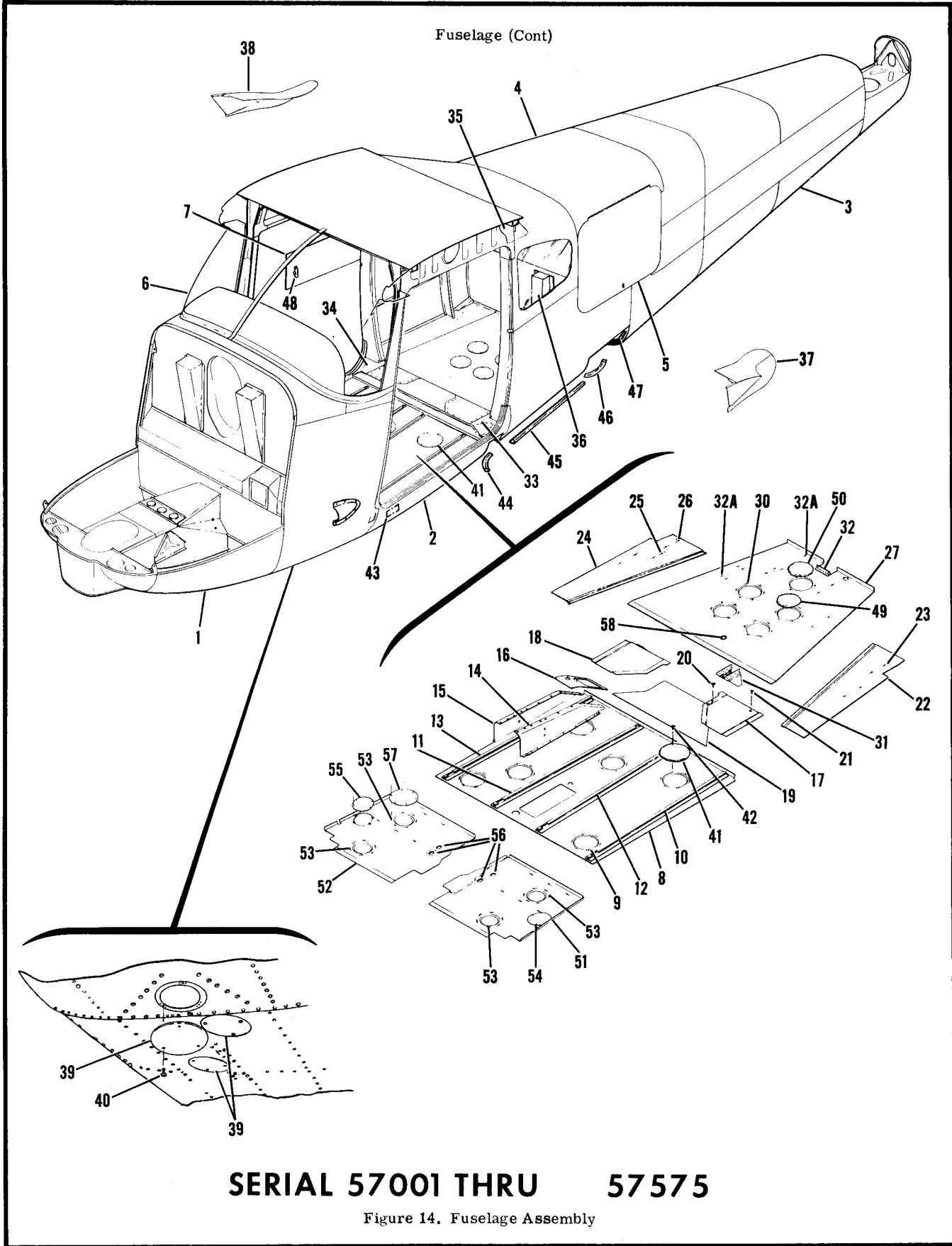


Figure 13. Elevator Installation

FIGURE AND INDEX NO.	PART NUMBER	DESCRIPTION	UNITS PER ASSY	USABLE ON CODE
		1 2 3 4 5 6 7		
13--		ELEVATOR INSTALLATION -----	NP	
	1234000-3	ELEVATOR ASSEMBLY-LH -----	1	
	1234000-2	ELEVATOR ASSEMBLY-RH -----	1	
		ATTACHING PARTS -----		
- 1	AN4-10A	BOLT -----	2	
- 2	AN960-416	WASHER-----	4	
- 3	MS20365-428C	NUT -----	2	
		---*---		
- 4	1234000-14	TRAILING-EDGE ASSEMBLY-LH -----	1	
- 5	1234000-4	TRAILING EDGE ASSEMBLY-INBOARD RH-----	1	
- 6	1234000-7	TAB ASSEMBLY-ELEVATOR TRIM -----	1	
- 7	1234009-1	BRACKET-TRIM TAB -----	1	
- 8	1234011-2	HINGE HALF-TRIM TAB -----	1	
- 9	1234000-11	TRAILING EDGE ASSEMBLY-OUTBOARD RH -----	1	
- 10	1234000-17	SKIN-UPPER LH -----	1	
- 11	1234000-18	SKIN-UPPER RH -----	1	
- 12	1234000-21	SKIN-LOWER LH -----	1	
- 13	1234000-20	SKIN-LOWER RH -----	1	
- 14	1234012-1	DOUBLER-ELEVATOR RH-----	1	
- 15	1234000-19	SKIN-LEADING EDGE TIP -----	1	
- 16	0732000-157	TIP ASSEMBLY-ELEVATOR -----	1	
- 17	1234002-1	SPAR-AFT LH -----	1	
- 18	1234003-1	SPAR-AFT RH -----	1	
- 19	1234016-1	RIB-ELEVATOR LH STA. 50.185 -----	1	
- 20	1234005-1	RIB-ELEVATOR FORWARD RH ----STA. 50.185 -----	1	
- 21	1234005-2	RIB-ELEVATOR AFT RH ----STA. 50.185 -----	1	
- 22	1234011-1	HINGE HALF-ELEVATOR RH -----	1	
- 23	1234024-1	PIN HINGE RH -----	1	
		ATTACHING PARTS -----		
- 24	AN515-8R7	SCREW -----	1	
- 25	NAS697-A08	NUTPLATE -----	1	
		---*---		
- 26	1234025-1	RIB-ELEVATOR LH STA. 13.75 -----	1	
- 27	1234014-1	RIB-ELEVATOR FORWARD RH ----STA. 18.325 -----	1	
- 28	1234014-2	RIB-ELEVATOR AFT RH----STA. 18.325 -----	1	
- 29	1234000-23	TORQUE TUBE & RIB ASSY-ELEVATOR LH -----	1	
- 30	1234000-22	TORQUE TUBE & RIB ASSY-ELEVATOR RH -----	1	
- 31	1234022-1	RIB-ELEVATOR LH -----	1	
- 32	1234022-2	RIB-ELEVATOR RH -----	1	
- 33	1234027-1	WEIGHT-ELEVATOR BALANCE LH -----	1	
	1234027-2	WEIGHT-ELEVATOR BALANCE RH -----	1	
		ATTACHING PARTS -----		
- 34	AN520-10R44	SCREW -----	1	
		---*---		
- 35	0733101-4	WEIGHT-ELEVATOR BALANCE -----	1	
		ATTACHING PARTS -----		
- 36	AN520-10R28	SCREW -----	1	
		---*---		
- 37	1234017-1	RIB-INBOARD LH-----	1	
- 38	1234026-1	GUSSET-UPPER LH -----	1	
- 39	1234026-2	GUSSET-LOWER LH -----	1	
- 40	1234004-1	SPAR-MAIN ELEVATOR LH -----	1	
	1234004-2	SPAR-MAIN ELEVATOR RH -----	1	
- 41	1234006-1	RIB-TIP ELEVATOR -----	1	
- 42	1234007-1	RIB ASSEMBLY-CANTED-----	1	
- 43	NAS686A3K	NUTPLATE -----	1	
- 44	NAS697A3	NUTPLATE -----	1	
- 45	1234008-1	BRACKET-HINGE -----	1	
- 46	1234008-2	BRACKET ASSEMBLY-HINGE -----	1	
- 47	1234008-3	BRACKET-HINGE -----	1	
- 48	1234008-4	BRACKET ASSEMBLY-HINGE -----	1	
- 49	1234013-1	CHANNEL-SPAR -----	1	
- 50	1234029-1	ARM ASSEMBLY-ELEVATOR-----	1	
		ATTACHING PARTS -----		
- 51	AN4-7A	BOLT -----	3	
- 52	AN4-10A	BOLT -----	1	
- 53	AN960-4	WASHER-----	3	
- 54	AN960-416	WASHER-----	1	
- 55	MS20365-428C	NUT -----	4	
		---*---		
- 56	NAS506-4	BEARING -----	1	
- 57	AN200KP4	BEARING -----	1	



SERIAL 57001 THRU 57575

Figure 14. Fuselage Assembly

FIGURE AND INDEX NO.	PART NUMBER	DESCRIPTION	UNITS PER ASSY	USABLE ON CODE
		1 2 3 4 5 6 7		
14--		FUSELAGE ASSEMBLY -----	NP	A
- 1	1291001-1	FRONT & CENTER SECTION-FUSELAGE SEE FIGURE 15 -----	1	
- 2	1291101-1	LOWER CABIN SECTION-FUSELAGE SEE FIGURE 18 -----	1	
- 3	1212001-1	TAILCONE ASSEMBLY-FUSELAGE SEE FIGURE 29 -----	1	
- 4		UPPER AFT FUSELAGE COMPONENTS SEE FIGURE 21 -----	NP	
- 5		DOOR INSTALLATION-BAGGAGE ---SEE FIGURE 42 -----	NP	
- 6		WINDSHIELD INSTALLATION SEE FIGURE 28 -----	NP	
- 7	1211002-2	PLATE-FUSELAGE SPLICE RH -----	1	
- 8	1210024-1	FLOORBOARD ASSEMBLY-CENTER SECTION -----	1	
- 9	NAS444-3	NUTPLATE -----	36	
- 10	1210025-1	RAIL-FRONT SEAT LH OUTBOARD -----	1	
- 11	1210025-2	RAIL-FRONT SEAT RH INBOARD -----	1	
- 12	1210025-3	RAIL-FRONT SEAT LH INBOARD -----	1	
- 13	1210025-4	RAIL-FRONT SEAT RH OUTBOARD -----	1	
- 14	1210016-1	BULKHEAD-AFT TUNNEL LH -----	1	
- 15	1210016-2	BULKHEAD-AFT TUNNEL RH -----	1	
- 16	0510129-3	PLATE-FUSELAGE -----	1	
- 17	1211209-1	FLOORBOARD-LH -----	1	
- 18	1211209-2	FLOORBOARD-RH -----	1	
- 19	1211207-3	FLOORBOARD-CENTER ATTACHING PARTS -----	1	
- 20	AN525-8R9	SCREW -----	10	
- 21	AN528-8R8	SCREW -----	40	
- 22	1211153-4	PANEL ASSEMBLY-LH -----	1	
- 23	NAS680A08	NUTPLATE -----	4	
- 24	1211153-2	PANEL ASSEMBLY-RH -----	1	
- 25	NAS680A08	NUTPLATE -----	5	
- 26	NAS684A08	NUTPLATE -----	1	
- 27	1211153-3	PANEL ASSEMBLY-CENTER -----	1	
- 28		DELETED-REPLACED BY ITEM 32A -----		
- 29		DELETED-REPLACED BY ITEM 32A -----		
- 30	NAS444-5	NUTPLATE -----	27	
- 31	1211155-1	BRACKET ASSEMBLY -----	1	
	NAS682A4	NUTPLATE -----	2	
- 32	1211156-1	ANGLE ASSEMBLY -----	1	
	A6191-8Z-3	NUT TIN -----	2	
-32A	A8K75	RIVNUT-----GD -----	10	
- 33	1211210-1	FILLET ASSEMBLY-LH -----	1	
- 34	1211210-2	FILLET ASSEMBLY-RH -----	1	
	NAS697A08	NUTPLATE -----	2	
	NAS696A08	NUTPLATE -----	2	
- 35	0512146-5	PLATE-REINFORCEMENT LH -----	1	
	0512146-4	PLATE-REINFORCEMENT RH -----	1	
- 36	1260034	COVER ASSEMBLY-CONTROL CABLE -----	1	
	S-10212-8-8	ATTACHING PARTS -----		
		SCREW CESSNA STANDARD -----	16	
- 37	0512153-7	FILLET-WING LH -----	1	
- 38	0512153-8	FILLET-WING RH -----	1	
- 39	S-225-4F	PLATE-INSPECTION-----CESSNA STANDARD -----	3	
		ATTACHING PARTS -----		
- 40	S-10212-8-8	SCREW CESSNA STANDARD -----	6	
- 41	S-225-4	PLATE-INSPECTION-----CESSNA STANDARD -----	6	
		ATTACHING PARTS -----		
- 42	S-10212-8-8	SCREW CESSNA STANDARD -----	6	
- 43	S-112-1	NAMEPLATE-MAA CESSNA STANDARD -----	1	
	S-10212-8-6	ATTACHING PARTS -----		
		SCREW CESSNA STANDARD -----	4	
- 44	S-1042-1	SEAL-5.80 IN LONG BULK ITEM REF S-1042-1-5.80 -----	2	
- 45	S-1042-1	SEAL-30.25 IN LONG BULK ITEM REF S-1042-1-30.25 -----	2	
- 46	S-1042-1	SEAL-7.50 IN LONG BULK ITEM REF S-1042-1-7.50 -----	2	
- 47	S-1042-1	SEAL-14.75 IN LONG BULK ITEM REF S-1042-1-14.75 -----	2	
- 48	1211022-1	SUPPORT ASSEMBLY-ARMREST -----	1	
- 49	S-225-4	PLATE-INSPECTION-----CESSNA STANDARD -----	4	
		ATTACHING PARTS -----		
	S-10212-8-8	SCREW CESSNA STANDARD -----	6	

CONTINUED ON PAGE 29A

FIGURE AND INDEX NO.	PART NUMBER	DESCRIPTION	UNITS PER ASSY	USABLE ON CODE
		1 2 3 4 5 6 7		
14- 50	S-225-2	PLATE-INSPECTION-----CESSNA STANDARD -----	1	
	S-10222-8-8	ATTACHING PARTS		
		SCREW CESSNA STANDARD -----	6	
		---*---		
- 51	1213033-1	FLOORBOARD ASSEMBLY-LH -----	1	
- 52	1213033-2	FLOORBOARD ASSEMBLY-RH -----	1	
- 53	A6191-8Z-3	NUT -----	19	
- 54	1213042-1	PLATE-COVER LH-----	1	
- 55	1213042-2	PLATE-COVER RH-----	1	
		ATTACHING PARTS		
	S-1021Z-6-6	SCREW CESSNA STANDARD -----	4	
	NAS395-3-3	NUT -----	4	
		---*---		
- 56	1211215-1	DOUBLER-CABLE CUTOUT -----	2	
	1211215-2	SEAL-CABLE CUTOUT -----	2	
- 57	S-225-5	PLATE-INSPECTION-----	4	
		ATTACHING PARTS		
	S-1021Z-8-8	SCREW CESSNA STANDARD -----	6	
		---*---		
- 58	SS-48172-K2215	PLUG BUTTON-----	1	
		A---210 SERIAL 57001 THRU 57575		

FIGURE AND INDEX NO.	PART NUMBER	DESCRIPTION	UNITS PER ASSY	USABLE ON CODE
		1 2 3 4 5 6 7		
14A-		FUSELAGE ASSEMBLY -----	NP	A
- 1	1291001-2	FRONT & CENTER SECTION-FUSELAGE SEE FIGURE 15 -----	1	
- 2	1291101-	LOWER CABIN SECTION-FUSELAGE SEE FIGURE 18 -----	1	
- 3	1212001-1	TAILCONE ASSEMBLY-FUSELAGE----- SEE FIGURE 29 -----	1	
- 4		UPPER AFT CABIN COMPONENTS----- SEE FIGURE 21A-----	NP	
- 5		DOOR INSTALLATION-BAGGAGE -----SEE FIGURE 42A-----	NP	
- 6		WINDSHIELD INSTALLATION SEE FIGURE 28 -----	NP	
- 7	1211002-2	PLATE-FUSELAGE SPLICE RH -----	1	
- 8	1210091-1	FLOORBOARD ASSEMBLY-CENTER SECTION -----	1	
- 9	A6203-8Z-3	NUT -----	30	
- 10	A6191-8Z-3	NUT -----	3	
- 11	NAS680A4	NUTPLATE -----	1	
- 12	1210025-1	RAIL-FRONT SEAT LH OUTBOARD -----	1	
- 13	1210025-2	RAIL-FRONT SEAT RH INBOARD-----	1	
- 14	1210025-3	RAIL-FRONT SEAT LH INBOARD-----	1	
- 15	1210025-4	RAIL-FRONT SEAT RH OUTBOARD -----	1	
- 16	1210016-1	BULKHEAD-AFT TUNNEL LH -----	1	
- 17	1210016-2	BULKHEAD-AFT TUNNEL RH -----	1	
- 18	0510129-3	PLATE -----	1	
- 19	1211209-1	FLOORBOARD-LH -----	1	
- 20	1211209-2	FLOORBOARD-RH -----	1	
- 21	1211207-3	FLOORBOARD-CENTER -----	1	
		ATTACHING PARTS		
- 22	AN525-8R9	SCREW -----	10	
- 23	AN528-8R8	SCREW -----	40	
		---*---		
- 24	1211153-8	PANEL ASSEMBLY-CENTER-----	1	
- 25	NAS444-5	NUTPLATE -----	27	
- 26	1211155-1	BRACKET ASSEMBLY -----	1	
	NAS682A4	NUTPLATE -----	2	
- 27	1211156-1	ANGLE ASSEMBLY -----	1	
	NAS444-4	NUTPLATE -----	2	
- 28	ABK75	RIVNUT-----GD -----	10	
- 29	1211210-1	FILLET ASSEMBLY-LH -----	1	
- 30	1211210-2	FILLET ASSEMBLY-RH -----	1	
	NAS697A08	NUTPLATE -----	2	
	NAS696A08	NUTPLATE -----	2	
- 31	0512146-5	PLATE-REINFORCEMENT LH -----	1	
	0512146-4	PLATE-REINFORCEMENT RH -----	1	
		CONTINUED ON PAGE 29C		

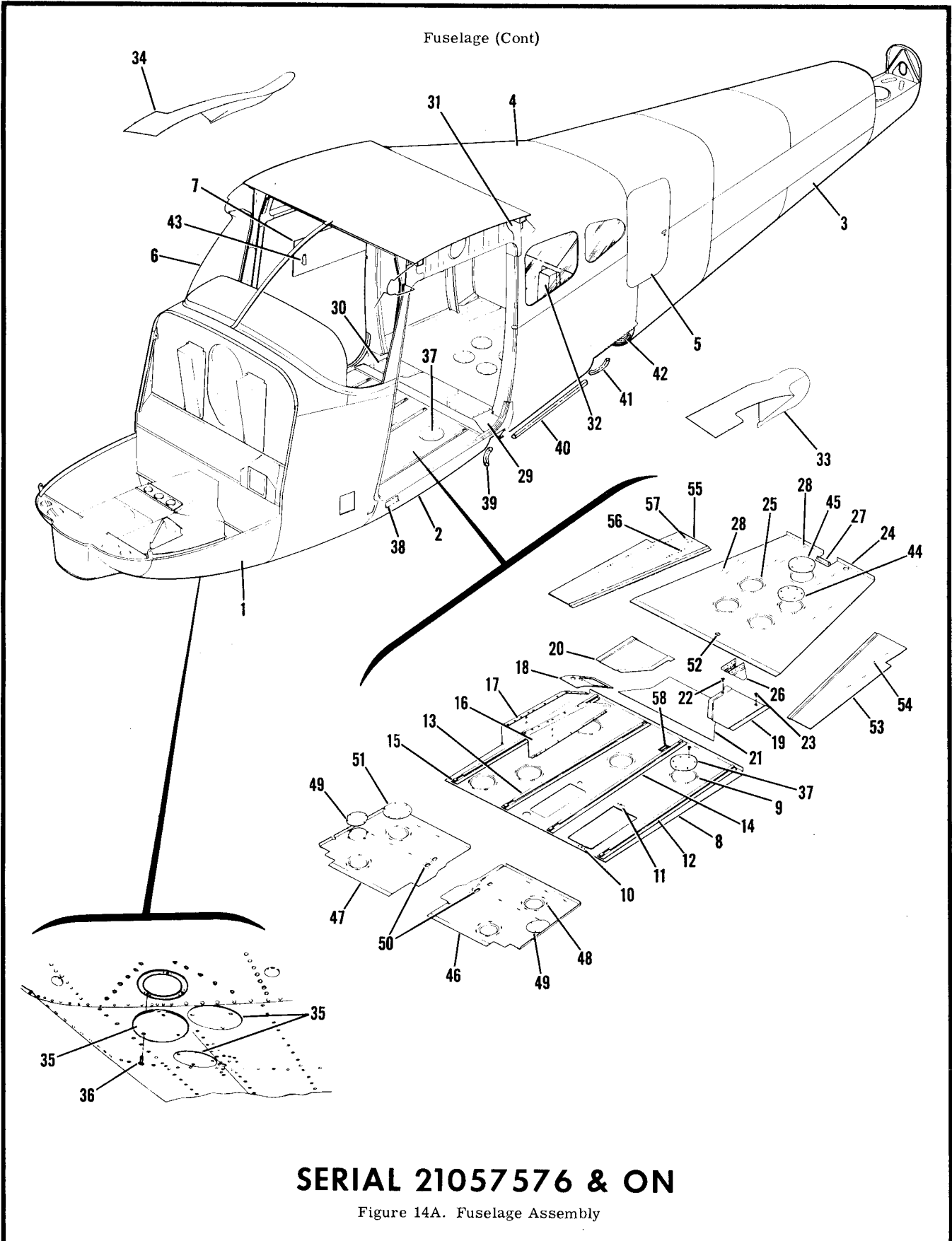


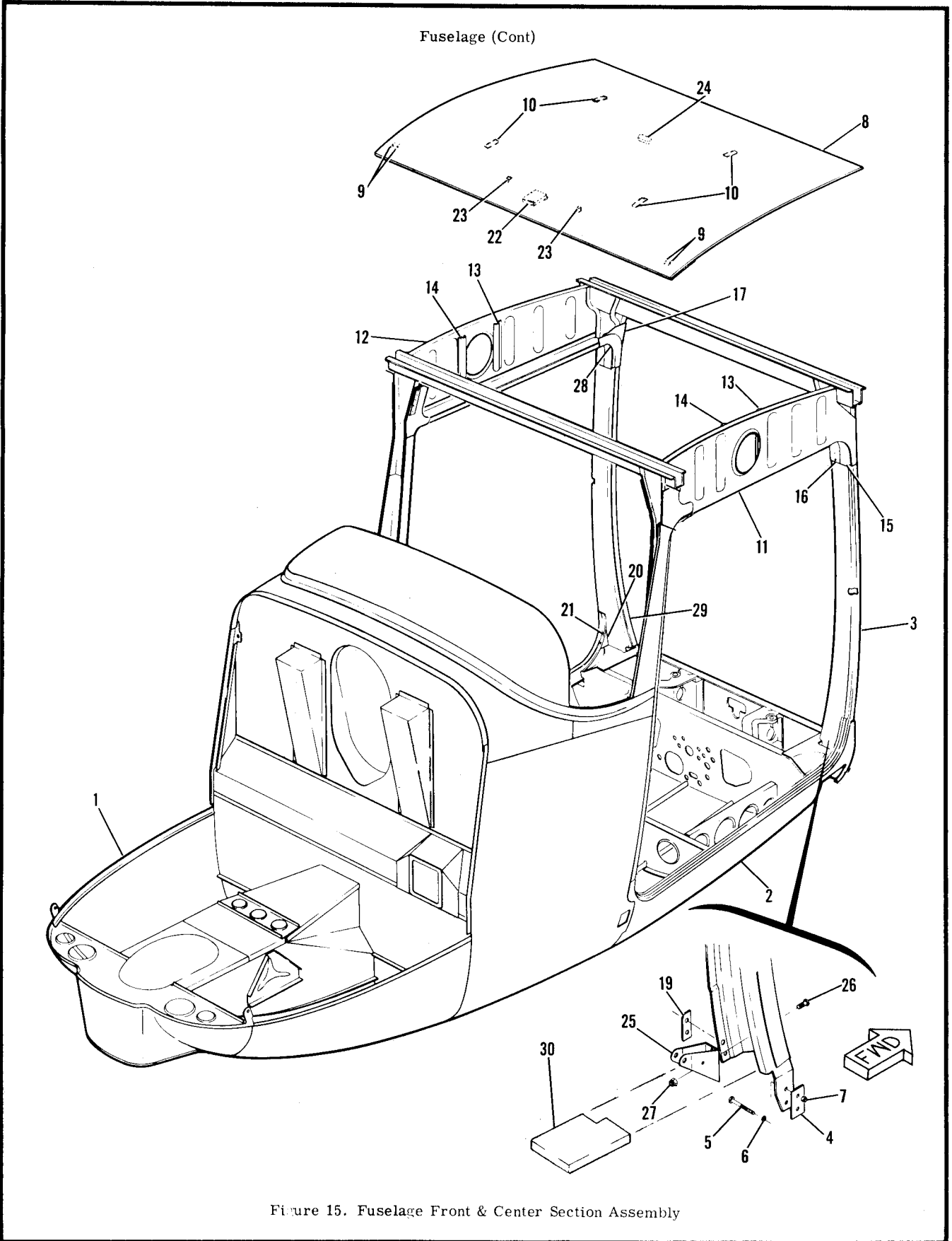
FIGURE AND INDEX NO.	PART NUMBER	DESCRIPTION	UNITS PER ASSY	USABLE ON CODE
14A- 32	1260034-1	COVER ASSEMBLY-CONTROL CABLE ----- ATTACHING PARTS -----	1	
	S-1021Z-8-8	SCREW CESSNA STANDARD ----- -----*-----	16	
- 33	0710109-1	FILLET-WING LH -----	1	
- 34	0710109-2	FILLET-WING RH -----	1	
- 35	S-225-4F	PLATE-INSPECTION CESSNA STANDARD ----- ATTACHING PARTS -----	3	
- 36	S-1021Z-8-8	SCREW CESSNA STANDARD ----- -----*-----	6	
- 37	S-225-4	PLATE-INSPECTION-----CESSNA STANDARD ----- ATTACHING PARTS -----	6	
	S-1021Z-8-8	SCREW CESSNA STANDARD ----- -----*-----	6	
- 38	S-112-1	NAMEPLATE-MAA ----- ATTACHING PARTS -----	1	
	S-1021Z-8-6	SCREW CESSNA STANDARD ----- -----*-----	4	
- 39	S-1042-1	SEAL-5.80 IN LONG BULK ITEM REF S-1042-1-5.80 -----	2	
- 40	S-1042-1	SEAL-30.25 IN LONG BULK ITEM REF S-1042-1-30.25 -----	2	
- 41	S-1042-1	SEAL-7.50 IN LONG BULK ITEM REF S-1042-1-7.50 -----	2	
- 42	S-1042-1	SEAL-14.75 IN LONG BULK ITEM REF S-1042-1-14.75 -----	2	
- 43	1211022-1	SUPPORT ASSEMBLY-ARMREST -----	1	
- 44	S-225-4	PLATE-INSPECTION-----CESSNA STANDARD ----- ATTACHING PARTS -----	4	
	S-1021Z-8-8	SCREW CESSNA STANDARD ----- -----*-----	6	
- 45	S-225-2	PLATE-INSPECTION CESSNA STANDARD ----- ATTACHING PARTS -----	1	
*	S-1022Z-8-8	SCREW CESSNA STANDARD ----- -----*-----	6	
- 46	1213033-5	FLOORBOARD ASSEMBLY-LH -----	1	
- 47	1213033-2	FLOORBOARD ASSEMBLY-RH -----	1	
- 48	A6191-8Z-3	NUT -----	19	
- 49	1213042-2	PLATE-COVER ----- ATTACHING PARTS -----	1	
	S-1021Z-6-6	SCREW CESSNA STANDARD -----	4	
	NAS395-3-3	NUT ----- -----*-----	4	
- 50	1211215-1	DOUBLER-CABLE CUTOUT -----	2	
	1211215-2	SEAL-CABLE CUTOUT -----	2	
- 51	S-225-5	PLATE-INSPECTION-----CESSNA STANDARD ----- ATTACHING PARTS -----	4	
	S-1021Z-8-8	SCREW CESSNA STANDARD ----- -----*-----	6	
- 52	SS-48172-K2215	PLUG BUTTON -----	1	
- 53	1211153-4	PANEL ASSEMBLY-LH -----	1	
- 54	NAS680A08	NUTPLATE -----	4	
- 55	1211153-2	PANEL ASSEMBLY-RH -----	1	
- 56	NAS680A08	NUTPLATE -----	5	
- 57	NAS684A08	NUTPLATE -----	1	
- 58	1211003-1	STOP ASSEMBLY-HINGE -----	1	

A---210 SERIAL 21057576 & ON

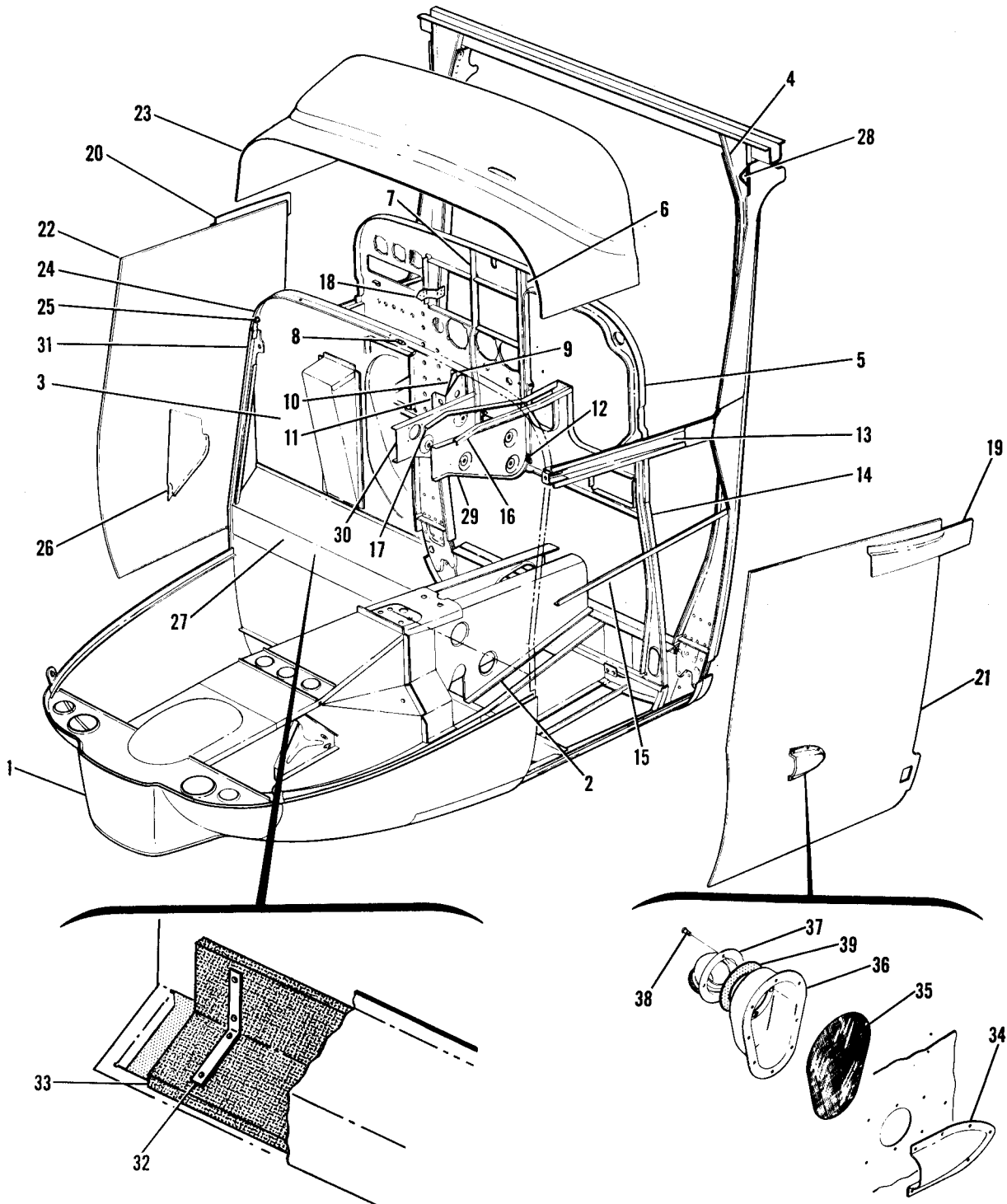
This page intentionally left blank.

FIGURE AND INDEX NO.	PART NUMBER	DESCRIPTION	UNITS PER ASSY	USABLE ON CODE
15-	1291001-1	FRONT & CENTER SECTION ASSEMBLY-FUSELAGE -----	1	A
	1291001-2	FRONT & CENTER SECTION ASSEMBLY-FUSELAGE -----	1	B
- 1	1291300-1	STRUCTURE ASSEMBLY-FORWARD FUSELAGE-----SEE FIGURE 16 -----	1	A
	1291300-7	STRUCTURE ASSEMBLY-FORWARD FUSELAGE-----SEE FIGURE 16A -----	1	B
- 2	1291101-2	BELLY SECTION ASSEMBLY SEE FIGURE 20-----	1	A
	1291101-8	BELLY SECTION ASSEMBLY SEE FIGURE 20-----	1	B
- 3	1211100-1	DOORPOST ASSEMBLY-REAR SEE FIGURE 25-----	1	A
	1211100-9	DOORPOST ASSEMBLY-REAR SEE FIGURE 25-----	1	B
		ATTACHING PARTS		
- 4	1211125-1	SHIM -----	AR	
- 5	AN3-5A	BOLT -----	4	
- 6	AN960D10	WASHER-----	4	
- 7	MS20365-1032C	NUT -----	4	
		-----*		
- 8	1210020-1	TOP ASSEMBLY-CABIN FORWARD-----	1	
- 9	A6162-8Z-3	NUT TIN -----	4	
- 10	0411680	HANGER-UPHOLSTERY -----	4	
- 11	0511000-43	RIB-FUSELAGE FRONT & CENTER SECTION LH -----	1	
- 12	0511000-44	RIB-FUSELAGE FRONT & CENTER SECTION RH -----	1	
- 13	1210030-1	STIFFENER -----	2	
- 14	1210030-2	STIFFENER -----	2	
- 15	0511000-6	FRAME-DOOR UPPER OUTBOARD LH -----	1	
	0511000-7	FRAME-DOOR UPPER OUTBOARD RH -----	1	
- 16	0511000-65	FRAME-DOOR UPPER INBOARD LH -----	1	
	0511000-66	FRAME-DOOR UPPER INBOARD RH -----	1	
- 17	0511000-8	GUSSET PLATE-UPPER DOOR JAMB REAR LH -----	1	
	0511000-9	GUSSET PLATE-UPPER DOOR JAMB REAR RH -----	1	
- 18		DELETED-NEVER USED -----		
		DELETED-NEVER USED -----		
- 19	1210012-1	SPACER-REAR DOORPOST LH -----	1	
	1210012-2	SPACER-REAR DOORPOST RH -----	1	
- 20	1210027-1	FILLET-REAR DOORPOST LH -----	1	
	1210027-2	FILLET-REAR DOORPOST RH -----	1	
		ATTACHING PARTS		
- 21	S-1021A-6-4	SCREW CESSNA STANDARD -----	2	
		-----*		
- 22	0710104-1	BRACKET-LIGHT COVER SUPPORT -----	1	
- 23	0511296-1	ANGLE-HEADLINER WIRE SUPPORT LH -----	1	
	0511296-2	ANGLE-HEADLINER WIRE SUPPORT RH -----	1	
- 24	0413140-6	REFLECTOR-DOME LIGHT -----	1	
- 25	1260025-1	BRACKET -----	2	
		ATTACHING PARTS		
- 26	AN525-10-7	SCREW -----	1	
- 27	MS20365-1032C	NUT -----	1	
		-----*		
- 28	0511151-7	GUSSET ASSEMBLY-LH -----	1	
	0511151-6	GUSSET ASSEMBLY-RH -----	1	
- 29	1211110-1	REINFORCEMENT-LH-----	1	
	1211110-2	REINFORCEMENT-RH-----	1	
		ATTACHING PARTS		
	AN507-832R8	SCREW -----	17	
		-----*		
- 30	1211034	SEAL-REAR DOORPOST -----	2	

A---210 SERIAL 57001 THRU 57575
 B---210 SERIAL 21057576 & ON



Fuselage (Cont)

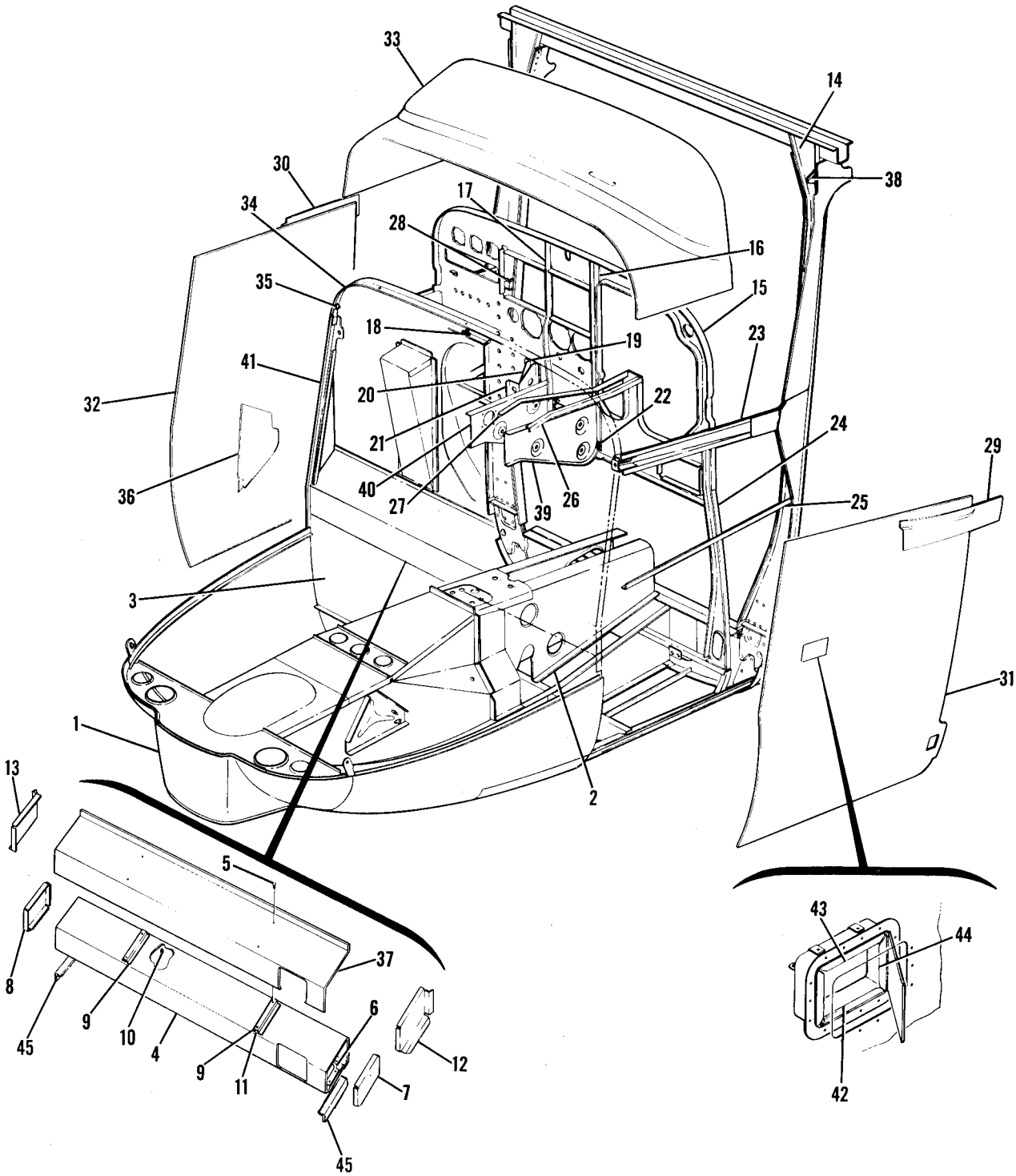


SERIAL 57001 THRU 57575

Figure 16. Forward Fuselage Structure Assembly

FIGURE AND INDEX NO.	PART NUMBER	DESCRIPTION	UNITS PER ASSY	USABLE ON CODE
		1 2 3 4 5 6 7		
16-	1291300-1	STRUCTURE ASSEMBLY-FORWARD FUSELAGE -----	1	A
- 1	1291300-2	STRUCTURE ASSEMBLY-FORWARD FUSELAGE LWR SEE FIGURE 17	1	
- 2	1291300-3	TUNNEL ASSEMBLY-FUSELAGE FORWARD SEE FIGURE 23-----	1	
- 3		FIREWALL ASSEMBLY SEE FIGURE 26-----	1	
- 4	1213100-1	BULKHEAD ASSEMBLY-FRONT DOORPOST SEE FIGURE 24-----	1	
- 5	1213210-1	PANEL ASSEMBLY-STATIONARY -----	1	
- 6	1213214-1	ANGLE-PANEL SUPPORT LH -----	1	
- 7	1213214-2	ANGLE-PANEL SUPPORT RH -----	1	
- 8	A1663-017-1	CATCH TIN -----	1	
- 9	1213035-1	PLATE -----	1	
- 10	1213036-1	BRACKET-COWL FLAP LEVER -----	1	
- 11	1213039-1	BRACKET-COWL FLAP LEVER -----	1	
- 12	A8579-6Z-1	NUT-ANCHOR TIN -----	4	
- 13	1213009-1	STRINGER ASSEMBLY-LH -----	1	
	1213009-2	STRINGER ASSEMBLY-RH -----	1	
- 14	1213011-1	BULKHEAD ASSEMBLY-LH -----	1	
	1213011-2	BULKHEAD ASSEMBLY-RH -----	1	
- 15	1213028-1	STIFFENER-FORWARD FUSELAGE LH -----	1	
	1213028-2	STIFFENER-FORWARD FUSELAGE RH -----	1	
- 16	1213067-1	SUPPORT-PANEL LH -----	1	
- 17	1213067-2	SUPPORT-PANEL RH -----	1	
- 18	1213068-1	BRACE-FRONT DOORPOST -----	2	
- 19	1213000-3	SKIN-WINDSHIELD RETAINER LH -----	1	
- 20	1213000-4	SKIN-WINDSHIELD RETAINER RH -----	1	
- 21	1213000-17	SKIN-FORWARD FUSELAGE LH -----	1	
- 22	1213000-18	SKIN-FORWARD FUSELAGE RH -----	1	
- 23	1213000-19	SKIN-DECK -----	1	
- 24	1213000-9	STRIP ASSEMBLY-UPPER COWL ATTACHING-----	1	
- 25	4002-244-16	RECEPTACLE CLC -----	4	
	1210051-1	SPACER-UPPER DOOR HINGE LH---- PHENOLIC -----	1	
	1210051-2	SPACER-UPPER DOOR HINGE RH---- PHENOLIC -----	1	
- 26	1253016-1	DOUBLER-LH -----	1	
	1253016-2	DOUBLER-RH -----	1	
- 27	1253001-8	DUCT ASSEMBLY-FIREWALL -----	1	
- 28	1210015-1	SUPPORT-PITOT & STATIC LINE -----	1	
- 29	1213213-1	SUPPORT-HYDRAULIC PACK LH -----	1	
- 30	1213213-2	SUPPORT-HYDRAULIC PACK RH -----	1	
- 31	1253006-1	ANGLE ASSEMBLY-FIREWALL SUPPORT LH -----	1	
	1253006-2	ANGLE ASSEMBLY-FIREWALL SUPPORT RH -----	1	
	4002-244-16	RECEPTACLE -----	2	
- 32	1253028-2	STRIP -----	3	
- 33	1253000-4	INSULATION -----	1	
- 34	1250119-1	SCOOP-FORWARD CABIN AIR VENT -----	2	
- 35	1250121-1	SCREEN-FORWARD CABIN AIR VENT -----	2	
- 36	1250120-1	ADAPTER ASSEMBLY-FORWARD CABIN AIR VENT -----	2	
	A6191-8Z-3	NUT TIN -----	4	
- 37	0813610-3	VALVE-WEMAC-----	2	
		ATTACHING PARTS		
- 38	S-10212-8-12	SCREW CESSNA STANDARD -----	4	
- 39	1213043-1	GASKET-----	1	
		----*----		
		A---210 SERIAL 57001 THRU 57575		

Fuselage (Cont)



SERIAL 21057576 & ON

Figure 16A. Forward Fuselage Structure Assembly

FIGURE AND INDEX NO.	PART NUMBER	DESCRIPTION	UNITS PER ASSY	USABLE ON CODE
		1 2 3 4 5 6 7		
16A-	1291300-7	STRUCTURE ASSEMBLY-FORWARD FUSELAGE -----	1	A
- 1	1291300-8	STRUCTURE ASSEMBLY-FORWARD FUSELAGE LWR SEE FIGURE 17	1	
- 2	1291300-3	TUNNEL ASSEMBLY-FUSELAGE FWD SEE FIGURE 23 -----	1	
- 3		FIREWALL ASSEMBLY SEE FIGURE 26A -----	1	
- 4	1253031-1	DUCT ASSEMBLY-FIREWALL -----	1	
- 5	NAS221-13	ATTACHING PARTS SERIAL 21057576 & ON	4	
		SCREW -----		
		-----*-----		
- 6	1253031-3	ADAPTER-HOSE -----	2	
- 7	1253031-4	BRACKET-END LH -----	1	
- 8	1253031-5	BRACKET-END RH -----	1	
- 9	1253031-6	SUPPORT-DUCT -----	2	
- 10	A6191-8Z-3	NUT TIN -----	8	
- 11	NAS696A3	NUTPLATE -----	4	
- 12	1253038-1	RETAINER-FIREWALL END LH -----	1	
- 13	1253038-2	RETAINER-FIREWALL END RH -----	1	
- 14	1213100-5	BULKHEAD ASSEMBLY-FRONT DOORPOST SEE FIGURE 24 -----	1	
- 15	1213210-3	PANEL ASSEMBLY-STATIONARY -----		
- 16	1213214-1	ANGLE-PANEL SUPPORT LH -----	1	
- 17	1213214-2	ANGLE-PANEL SUPPORT RH -----	1	
- 18	A1663-017-1	CATCH TIN -----	1	
- 19	1213035-1	PLATE -----	1	
- 20	1213036-1	BRACKET-COWL FLAP LEVER -----	1	
- 21	1213039-1	BRACKET-COWL FLAP LEVER -----	1	
- 22	A8579-6Z-1	NUT-ANCHOR TIN -----	4	
- 23	1213009-1	STRINGER ASSEMBLY-LH -----	1	
	1213009-2	STRINGER ASSEMBLY-RH -----	1	
- 24	1213011-1	BULKHEAD ASSEMBLY-LH -----	1	
	1213011-2	BULKHEAD ASSEMBLY-RH -----	1	
- 25	1213028-1	STIFFENER-FORWARD FUSELAGE LH -----	1	
	1213028-2	STIFFENER-FORWARD FUSELAGE RH -----	1	
- 26	1213067-1	SUPPORT-PANEL LH -----	1	
- 27	1213067-2	SUPPORT-PANEL RH -----	1	
- 28	1213068-1	BRACE-FRONT DOORPOST -----	2	
- 29	1213000-3	SKIN-WINDSHIELD RETAINER LH -----	1	
- 30	1213000-4	SKIN-WINDSHIELD RETAINER RH -----	1	
- 31	1213000-21	SKIN-FORWARD FUSELAGE LH -----	1	
- 32	1213000-22	SKIN-FORWARD FUSELAGE RH -----	1	
- 33	1213000-19	SKIN-DECK -----	1	
- 34	1213000-9	STRIP ASSEMBLY-UPPER COWL ATTACHING-----	1	
- 35	4002-244-16	RECEPTACLE CLC -----	4	
	1210051-1	SPACER-UPPER DOOR HINGE LH---- PHENOLIC -----	1	
	1210051-2	SPACER-UPPER DOOR HINGE RH---- PHENOLIC -----	1	
- 36	1253016-1	DOUBLER-LH -----	1	
	1253016-2	DOUBLER-RH -----	1	
- 37	1253030-4	FIREWALL ASSEMBLY-CENTER SEE FIGURE 26A -----	1	
- 38	1210015-1	SUPPORT-PITOT & STATIC LINE -----	1	
- 39	1213213-1	SUPPORT-HYDRAULIC PACK LH -----	1	
- 40	1213213-2	SUPPORT-HYDRAULIC PACK RH -----	1	
- 41	1253006-1	ANGLE ASSEMBLY-FIREWALL SUPPORT LH -----	1	
	1253006-2	ANGLE ASSEMBLY-FIREWALL SUPPORT RH -----	1	
	4002-244-16	RECEPTACLE CLC -----	2	
- 42	1213347-1	VALVE ASSEMBLY-CABIN AIR -----	2	
- 43	1213346-1	SEAL-----	2	
- 44	1213346-2	SEAL-----	2	
- 45	1253004-2	ANGLE-HEATER DUCT REINFORCEMENT -----	2	
A---210 SERIAL 21057576 & ON				

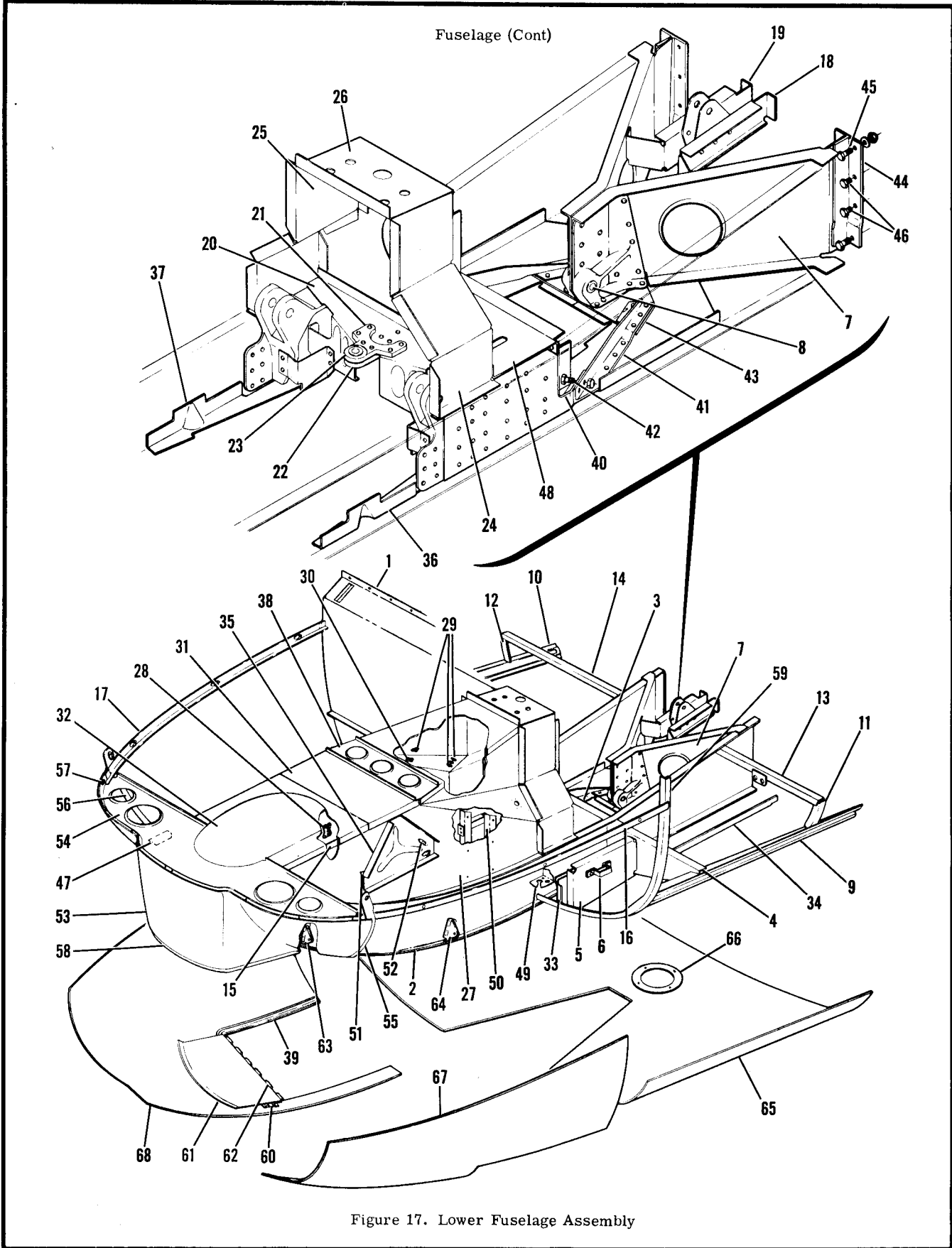


FIGURE AND INDEX NO.	PART NUMBER	DESCRIPTION	UNITS PER ASSY	USABLE ON CODE
		1 2 3 4 5 6 7		
17-	1291300-2	STRUCTURE ASSEMBLY-LOWER FUSELAGE FORWARD -----	1	A
	1291300-8	STRUCTURE ASSEMBLY-LOWER FUSELAGE FORWARD -----	1	B
- 1	1291300-6	FIREWALL ASSEMBLY-LOWER SEE FIGURE 26 -----	1	A
	1291300-10	FIREWALL ASSEMBLY-LOWER SEE FIGURE 26A -----	1	B
- 2	1213002-1	BULKHEAD-KEEL LH-----	1	
	1213002-2	BULKHEAD-KEEL RH-----	1	
- 3	1213016-1	BULKHEAD ASSEMBLY-CENTER -----	1	
- 4	1213016-3	BULKHEAD-LH-----	1	
	1213016-4	BULKHEAD-RH-----	1	
- 5	1213060-1	BULKHEAD ASSEMBLY-LH -----	1	
- 6	0411550	BRACKET-OUTER -----	1	
	0411549	BRACKET-INNER -----	1	
		ATTACHING PARTS		
	AN3-4A	BOLT-----	2	
	MS20365-1032C	NUT -----	2	
		---*---		
	1213060-2	BULKHEAD-RH-----	1	
- 7	1243022-1	BULKHEAD ASSEMBLY -----	1	
- 8	1243024-1	BEARING -----	1	
- 9	1213008-1	STRINGER ASSEMBLY-LH -----	1	
- 10	1213008-2	STRINGER ASSEMBLY-RH -----	1	
- 11	1213012-1	ANGLE-LH -----	1	
- 12	1213012-2	ANGLE-RH -----	1	
- 13	1213013-3	ANGLE-FLOORBOARD LH -----	1	
	1280031-1	SUPPORT -----	1	
- 14	1213013-2	ANGLE-FLOORBOARD RH -----	1	
- 15	1253019-1	ANGLE-LH -----	1	
	1253019-2	ANGLE-RH -----	1	
- 16	1213061-1	ANGLE ASSEMBLY-PARTING LH -----	1	
- 17	1213061-2	ANGLE ASSEMBLY-PARTING RH -----	1	
	4002-244-16	RECEPTACLE CLC -----	3	
- 18	1260026-1	SUPPORT ASSEMBLY-LH -----	1	
- 19	1260026-2	SUPPORT ASSEMBLY-RH -----	1	
	1213021-1	SUPPORT ASSEMBLY-----	1	
- 20	1213021-2	BRACKET -----	1	
- 21	1213021-3	PLATE-BEARING UPPER-----	1	
- 22	1213021-4	PLATE-BEARING LOWER-----	1	
- 23	4NCC910P	BEARING -----	1	
- 24	1213023-1	PANEL-SIDE LH -----	1	
- 25	1213023-2	PANEL-SIDE RH -----	1	
- 26	1213024-1	COVER ASSEMBLY-TOP -----	1	
- 27	1253017-3	PANEL-SIDE LH -----	1	
	1253017-2	PANEL ASSEMBLY-SIDE RH -----	1	
- 28	1243061-1	BRACKET -----	1	
	AN960PD4	WASHER -----	4	
- 29	NAS444-5	ANCHOR NUT -----	3	
- 30	0753000-13	DOUBLER -----	1	
- 31	1253018-1	PANEL-TOP REAR -----	1	
- 32	1253018-2	PANEL-TOP FWD -----	1	
- 33	1213080-1	SUPPORT ASSEMBLY-----	1	
- 34	1213085-1	REINFORCEMENT -----	2	
- 35	1243060-1	DOUBLER-LH -----	1	
	1243060-2	DOUBLER-RH -----	1	

CONTINUED ON PAGE 36

FIGURE AND INDEX NO.	PART NUMBER	DESCRIPTION	UNITS PER ASSY	USABLE ON CODE		
					1	2
17- 36	1213132-1	DOUBLER-LH -----	1			
- 37	1213132-2	DOUBLER-RH -----	1			
- 38	1253020-1	DOUBLER -----	1			
- 39	1213058-1	DOUBLER-LH -----	1			
	1213058-2	DOUBLER-RH -----	1			
- 40	1213020-1	FITTING-LH -----	1			
	1213020-2	FITTING-RH -----	1			
- 41	1243067-1	TEE-LH -----	1			
	1243067-2	TEE-RH -----	1			
		ATTACHING PARTS				
- 42	AN3-3A	BOLT -----	2			
	MS20365-1032C	NUT -----	2			
		-----*				
- 43	1243068-1	PLATE -----	1			
- 44	1243026-1	TEE-KEEL ATTACH -----	2			
		ATTACHING PARTS				
- 45	AN3-5A	BOLT -----	4			
- 46	AN3-4A	BOLT -----	4			
	AN960D10	WASHER -----	8			
	MS20365-1032C	NUT -----	8			
		-----*				
- 47	1243062-1	FITTING -----	2			
- 48	1213018-1	ZEE -----	1			
- 49	1213029-1	BRACKET-LH -----	1			
	1213029-2	BRACKET-RH -----	1			
- 50	1216002-1	BRACKET ASSEMBLY -----	1			
- 51	1243063	LUG -----	1			
- 52	NAS463W-DD416	SHIM -----	4			
	NAS680-4	NUTPLATE -----	2			
- 53	1252010-1	NOSE CAP ASSEMBLY-LOWER -----	1			
- 54	1252011-1	BULKHEAD ASSEMBLY -----	1			
- 55	1252010-17	DOUBLER-LH -----	1			
- 56	1252010-18	DOUBLER-RH -----	1			
- 57	4002-244-16	RECEPTACLE CLC -----	1			
- 58	1252010-15	DOUBLER-LOWER -----	1			
- 59	1213000-7	STRIP-LOWER COWL ATTACH LH -----	1			
	1213000-8	STRIP-LOWER COWL ATTACH RH -----	1			
- 60	1213073-1	MOUNT-COWL FLAP HINGE LH -----	1			
	1213073-2	MOUNT-COWL FLAP HINGE RH -----	1			
- 61	1213074-1	BRACE-COWL FLAP HINGE LH -----	1			
	1213074-2	BRACE-COWL FLAP HINGE RH -----	1			
- 62	1213075-1	HINGE HALF -----	2			
- 63	1213265-1	COVER ASSEMBLY-FWD HINGE LH -----	1			
	1213265-2	COVER ASSEMBLY-FWD HINGE RH -----	1			
- 64	1213266-1	COVER ASSEMBLY-AFT HINGE LH -----	1			
	1213266-2	COVER ASSEMBLY-AFT HINGE RH -----	1			
- 65	1291300-4	SKIN ASSEMBLY-FWD FUSELAGE LOWER -----	1			
- 66	S-226-5F	DOUBLER ASSEMBLY -----	1			
- 67	1213000-5	SKIN-COWL LOWER LH -----	1			
- 68	1213000-6	SKIN-COWL LOWER RH -----	1			

A---210 SERIAL 57001 THRU 57575
 B---210 SERIAL 21057576 & ON

This page intentionally left blank.

Fuselage (Cont)

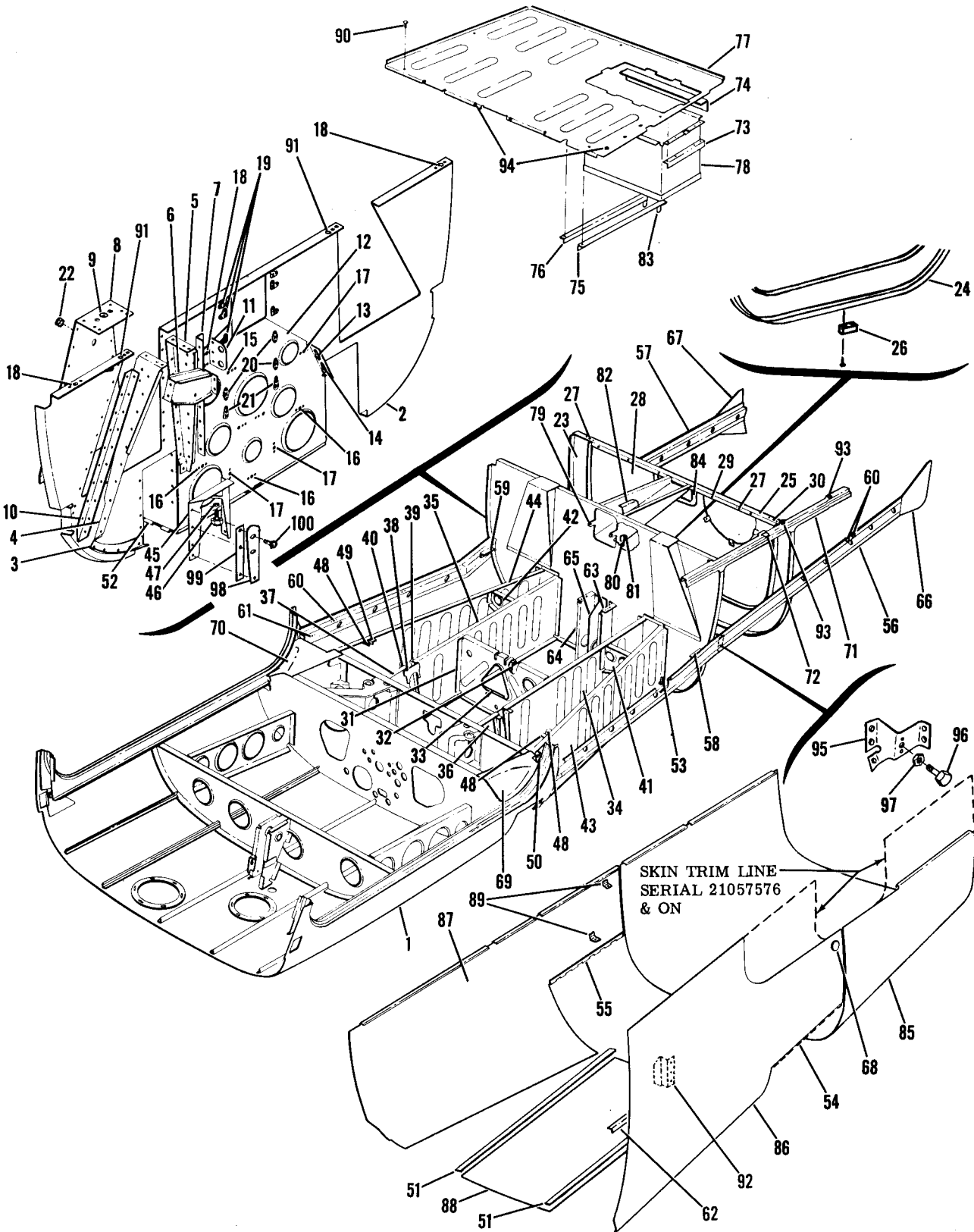


Figure 18. Lower Cabin Section

FIGURE AND INDEX NO.	PART NUMBER	DESCRIPTION	UNITS PER ASSY	USABLE ON CODE
18-	1291101-1	CABIN SECTION ASSEMBLY-LOWER-----	1	A
	1291101-7	CABIN SECTION ASSEMBLY-LOWER-----	1	B
- 1	1291101-2	BELLY SECTION ASSEMBLY SEE FIGURE 20-----	1	A
	1291101-8	BELLY SECTION ASSEMBLY SEE FIGURE 20-----	1	B
	1211173-1	BULKHEAD ASSEMBLY--STA 98.0-----	1	A
	1211173-3	BULKHEAD ASSEMBLY--STA 98.0-----	1	B
- 2	1211173-2	BULKHEAD--STA 98.0-----	1	A
	1211173-4	BULKHEAD--STA 98.0-----	1	B
- 3	1211174-1	STOP-LH-----	1	
	1211174-2	STOP-RH-----	1	
- 4	1211176-1	SUPPORT-LH-----	1	
	1211176-2	SUPPORT-RH-----	1	
- 5	1211177-1	SUPPORT-LH-----	1	
	1211177-2	SUPPORT-RH-----	1	
- 6	1211178-1	BRACKET-LH-----	1	
	1211178-2	BRACKET-RH-----	1	
- 7	1211179-1	ANGLE-LH-----	1	
	1211179-2	ANGLE-RH-----	1	
- 8	1211180-3	COVER ASSEMBLY-LH-----	1	
	1211180-2	COVER ASSEMBLY-RH-----	1	
- 9	99871-P.098	STUD-RECEPTACLE-----	2	
- 10	1211181-1	ANGLE-LH-----	1	
	1211181-2	ANGLE-RH-----	1	
- 11	1211182-1	SUPPORT-----	2	
- 12	1211183-1	DOUBLER ASSEMBLY-----	1	
- 13	NAS680A3	NUT-----	2	
- 14	NAS682A3	NUT-----	2	
- 15	NAS682A3	NUT-----	1	
- 16	NAS680A08	NUT-----	3	
- 17	NAS680A3	NUT-----	4	
- 18	NAS680A4	NUT-----	4	
- 19	A6200-10Z-3	NUT TIN-----	6	
- 20	A6191-10Z-3	NUT TIN-----	3	
- 21	A6194-10Z-3	NUT TIN-----	3	
- 22	SS48172	PLUG BUTTON UC-----	2	
- 23	1211113-1	BULKHEAD ASSEMBLY--STA 112.0-----	1	A
	1211113-5	BULKHEAD ASSEMBLY--STA 112.0-----	1	B
- 24	1211114-1	ANGLE-----	1	
- 25	1211115-1	SUPPORT-----	1	A
	1211115-2	SUPPORT-----	1	B
- 26	1211116-1	STOP--DOOR-----	1	
- 27	NAS680A4	NUTPLATE-----	2	
- 28	1211113-3	WEB-WHEEL WELL SEAL-----	1	A
	1211113-6	WEB-WHEEL WELL SEAL-----	1	B
- 29	S-1021Z-8-8	ATTACHING PARTS		
	NAS446-4-3	SCREW CESSNA STANDARD-----	18	
		NUT-----	18	
		----*----		
- 30	NAS697A4	NUTPLATE-----	1	
- 31	1211192-1	BULKHEAD ASSEMBLY--STA 80.32-----	1	
- 32	1211192-3	DOUBLER-----	1	
- 33	1211192-4	RUB STRIP-----	1	

CONTINUED ON PAGE 39A

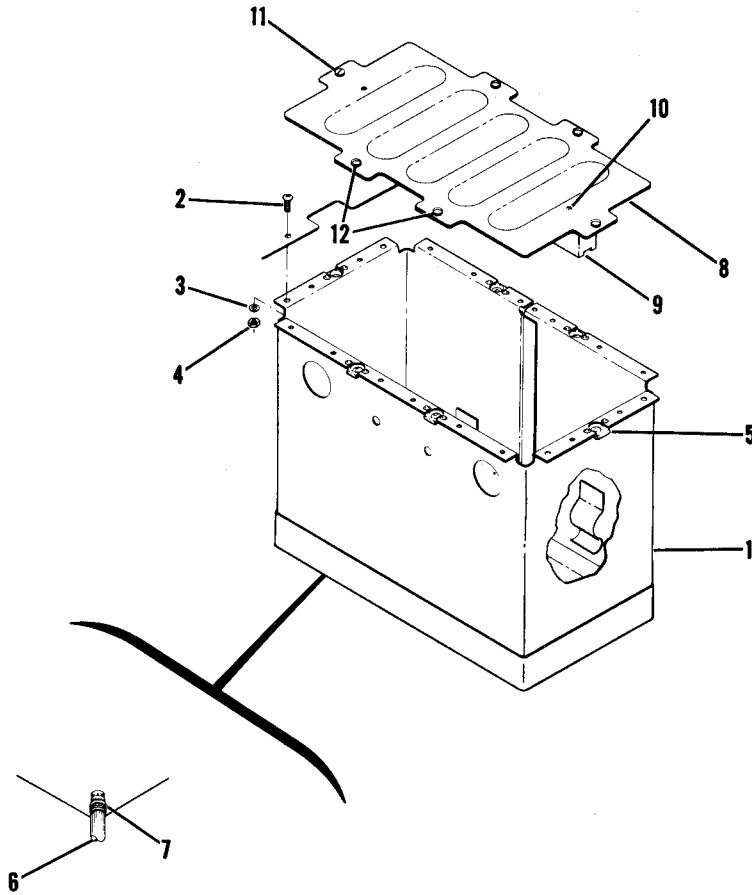
FIGURE AND INDEX NO.	PART NUMBER	DESCRIPTION	UNITS PER ASSY	USABLE ON CODE
18- 34	1211121-7	PANEL-INBOARD AFT LH -----	1	
	NAS682A3	NUT -----	1	
- 35	1211121-8	PANEL-INBOARD AFT RH -----	1	
	NAS682A3	NUT -----	1	
- 36	1211121-3	PANEL-INBOARD FWD LH -----	1	
- 37	1211121-4	PANEL-INBOARD FWD RH -----	1	
- 38	1211222-1	GUSSET-----	2	
- 39	1211223-1	STIFFENER-AFT LH-----	1	
	1211223-2	STIFFENER-AFT RH-----	1	
- 40	1211224-1	STIFFENER-FWD LH-----	1	
	1211224-2	STIFFENER-FWD RH-----	1	
- 41	1241051-1	BRACKET-LH -----	1	
- 42	1241039-2	BRACKET-RH -----	1	
- 43	1211121-5	PANEL-OUTBOARD LH -----	1	
- 44	1211121-6	PANEL-OUTBOARD RH -----	1	
- 45	1211121-7	BRACKET ASSEMBLY-MAIN GEAR UP STOP LH -----	1	
	1211121-8	BRACKET ASSEMBLY-MAIN GEAR UP STOP RH -----	1	
- 46	1241015-7	BUMPER -----	1	
- 47	AN315-3R	NUT -----	1	
- 48	1241034-1	BRACKET-FWD LH -----	1	
	1241034-2	BRACKET-FWD RH -----	1	
- 49	1241034-3	BRACKET-AFT LH -----	1	
	1241034-4	BRACKET-AFT RH -----	1	
- 50	1260024-1	BRACKET-LH -----	1	
	1260024-2	BRACKET-RH -----	1	
- 51	1211227-1	FILLER-----	2	
- 52	1211226-3	HINGE HALF-LH -----	1	
	1211226-4	HINGE HALF-RH -----	1	
- 53	1211165-1	CLIP-LH -----	1	
	1211165-2	CLIP-RH -----	1	
- 54	1211218-3	HINGE HALF-MAIN WHEEL DOORS LH-----	1	
- 55	1211218-2	HINGE HALF-MAIN WHEEL DOORS RH-----	1	
- 56	1211106-1	LONGERON-LH-----	1	
- 57	1211106-2	LONGERON-RH-----	1	
- 58	1211154-1	ANGLE-LH -----	1	
- 59	1211154-2	ANGLE-RH -----	1	
- 60	NAS680A3	NUT -----	2	
- 61	NAS680A08	NUT -----	1	
- 62	1211030-1	ANGLE -----	1	
- 63	1260015-1	BRACKET-CONTROL LH -----	1	
- 64	1260015-4	BRACKET-CONTROL RH -----	1	
	NAS682-A3	NUT -----	1	
	A6196-8Z-3	NUT TIN -----	1	
- 65	1260015-3	BRACKET-CONTROL CENTER -----	1	
- 66	1211122-1	GUSSET-LH -----	1	
- 67	1211122-2	GUSSET-RH -----	1	
- 68	S-347-1	FLANGE-STATIC SOURCE -----	2	
- 69	1211210-1	FILLET-LH -----	1	
- 70	1211210-2	FILLET-RH -----	1	
	AN525-8R9	ATTACHING PARTS SCREW -----	10	

CONTINUED ON PAGE 39B

FIGURE AND INDEX NO.	PART NUMBER	DESCRIPTION	UNITS PER ASSY	USABLE ON CODE
		1 2 3 4 5 6 7		
18- 71	1211140-4	SILL-BAGGAGE DOOR LOWER -----	1	A
	NAS686A3	NUTPLATE -----	2	
	1211235-4	JAMB-BAGGAGE DOOR LOWER -----	1	B
	99871C.098	RECEPTACLE -----	2	B
- 72	1211132-1	PLATE-LATCH -----	1	A
		ATTACHING PARTS		
	1211132-2	SHIM -----	1	A
	AN509-10R7	SCREW -----	2	A
		---*---		
- 73	1211162-1	SUPPORT-BATTERY BOX OUTBOARD -----	1	A
- 74	1211163-1	SUPPORT-BATTERY BOX AFT -----	1	A
- 75	1211164-1	SUPPORT-LH -----	1	A
	1211164-3	SUPPORT-LH -----	1	B
- 76	1211164-2	SUPPORT-RH -----	1	
- 77	1211152-1	FLOORBOARD -----	1	A
	1211152-2	FLOORBOARD -----	1	B
- 78		BOX INSTALLATION-BATTERY SEE FIGURE 19 -----	NP	A
- 79	1211186-1	BRACKET ASSEMBLY -----	1	
- 80	1211186-3	CLIP ASSEMBLY -----	1	
	NAS680A3	NUT -----	1	
- 81	1211186-5	CLIP ASSEMBLY -----	1	
	NAS680A3	NUT -----	1	
- 82	1211187-1	BRACKET -----	1	
- 83	1260032-1	GUARD -----	2	
- 84	1260029-1	PLATE -----	1	
- 85	1211001-3	SKIN-LOWER AFT STA 112.0 TO 140.0 -----	1	A
	1211002-3	SKIN-LOWER AFT STA 112.0 TO 140.0 -----	1	B
- 86	1211001-4	SKIN-LOWER LH STA 68.33 TO 112.0 -----	1	A
	1211002-4	SKIN-LOWER LH STA 68.33 TO 112.0 -----	1	B
- 87	1211001-9	SKIN-LOWER RH STA 68.33 TO 112.0 -----	1	A
	1211002-7	SKIN-LOWER RH STA 68.33 TO 112.0 -----	1	B
- 88	1211002-8	SKIN-LOWER FORWARD STA 68.33 TO 98.0 -----	1	
- 89	A8525-8Z-3	ANGLE-BRACKET TIN -----	4	
- 90	AN520-416R6	SCREW -----	5	
- 91	NAS696A3	NUT-ANCHOR -----	2	
- 92	1211022-1	SUPPORT ASSEMBLY-REAR ARMREST LH -----	1	
- 93	99871P.098	RECEPTACLE -----	2	
- 94	AN227-8	STUD-CARPET FASTENER -----	3	
	AN227-9	EYELET-CARPET FASTENER -----	3	
- 95	1211172-1	STOP ASSY-WHEEL WELL DOOR CYLINDER LH -----	1	
	1211172-2	STOP ASSY-WHEEL WELL DOOR CYLINDER RH -----	1	
- 96	1241015-4	BUMPER ASSEMBLY -----	1	
- 97	AN315-3R	NUT -----	1	
- 98	1211184-1	SLIDE-LH -----	1	
	1211184-2	SLIDE-RH -----	1	
- 99	1211188-1	SHIM -----	2	
-100	AN3-4A	BOLT -----	6	

A---210 SERIAL 57001 THRU 57575
 B---210 SERIAL 21057576 & ON

Fuselage (Cont)



SERIAL 57001 THRU 57575

Figure 19. Battery Box Installation

FIGURE AND INDEX NO.	PART NUMBER	DESCRIPTION	UNITS PER ASSY	USABLE ON CODE
		1 2 3 4 5 6 7		
19-		BOX INSTALLATION-BATTERY -----	NP	A
- 1	1211157-1	BOX ASSEMBLY-BATTERY -----	1	
		ATTACHING PARTS -----		
- 2	AN515-8R8	SCREW -----	4	
- 3	AN560-10	WASHER -----	4	
- 4	MS20365-832C	NUT -----	4	
		-----*		
- 5	99871-P.098	RECEPTACLE UC -----	6	
- 6	S-307-10	TUBING-5.50 IN LONG-----BULK ITEM REF S-307-10-0054 -----	1	
		ATTACHING PARTS -----		
- 7	NAS397-8-1	CLAMP TIN A3122-8-1 -----	1	
		-----*		
- 8	1211161-1	COVER ASSEMBLY-BATTERY BOX -----	1	
- 9	1211160	STOP -----	1	
		ATTACHING PARTS -----		
- 10	S-1021A-6-8	SCREW CESSNA STANDARD -----	2	
		-----*		
- 11	98293-2-140	STUD UC -----	4	
- 12	98293-2-170	STUD UC -----	2	
		A---210 SERIAL 57001 THRU 57575		

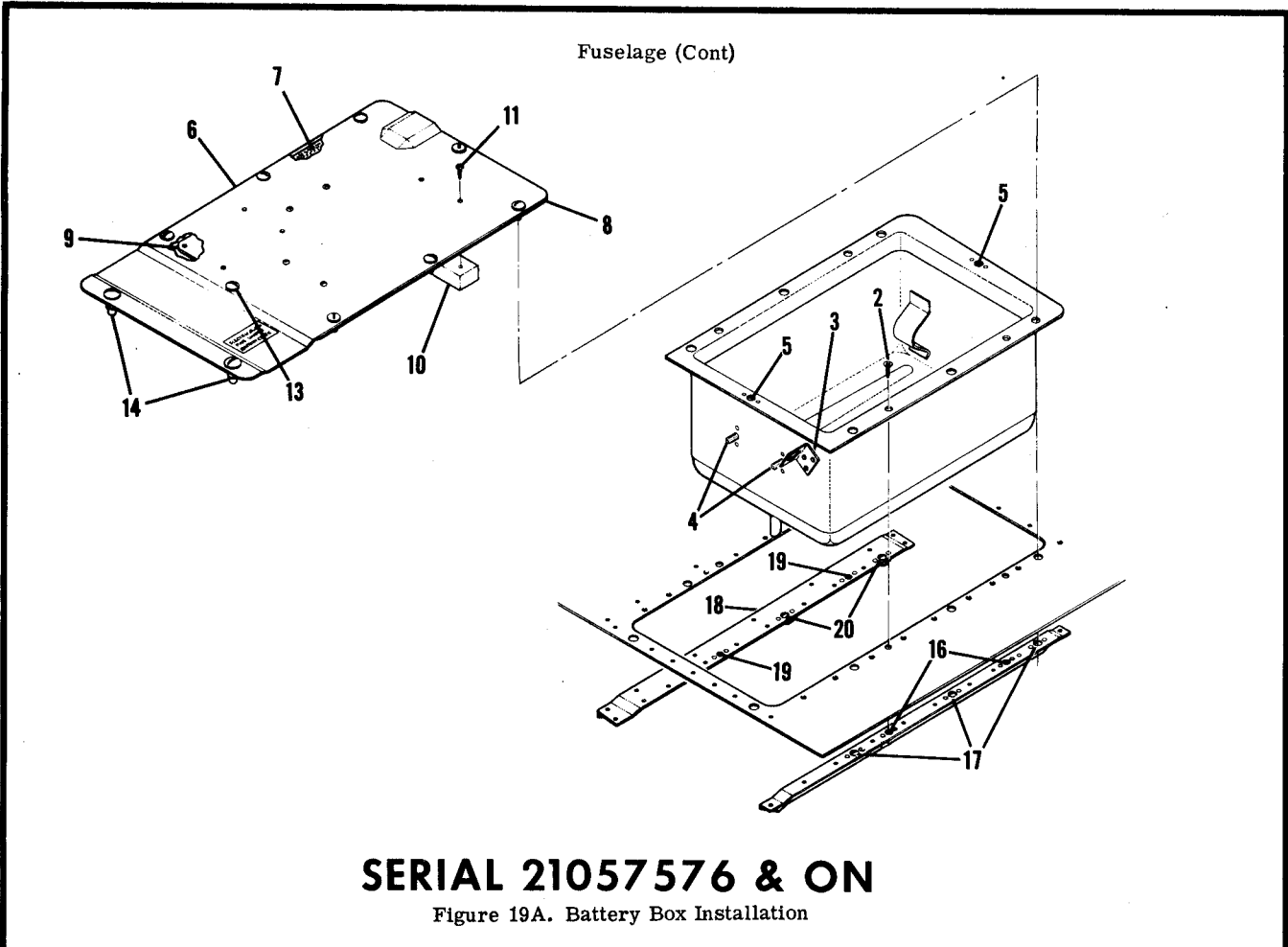


FIGURE AND INDEX NO.	PART NUMBER	DESCRIPTION	UNITS PER ASSY	USABLE ON CODE
19A-		1 2 3 4 5 6 7		
- 1	1210084-1	BOX INSTALLATION-BATTERY -----	NP	A
- 2	S-1022Z-8-8	BOX ASSEMBLY-BATTERY ----- ATTACHING PARTS -----	1	
- 3	0713132-1	SCREW CESSNA STANDARD -----	4	
- 4	AN3-3A 6800-02	-----*----- BRACKET-MOUNTING ----- BOLT-----	1 2	
- 5	S-1115-19	RETAINER NUTT SHEL ----- RECEPTACLE CESSNA STANDARD -----	2 2	
- 6	1210083-1	COVER ASSEMBLY-BATTERY BOX-----	1	
- 7	1210099-1	GASKET -----	1	
- 8	1210099-2	GASKET -----	1	
- 9	1210101-1	INSULATION -----	1	
- 10	1210100-1	BLOCK ----- ATTACHING PARTS -----	3	
- 11	S-1021A-6-8	SCREW CESSNA STANDARD -----	2	
- 12	S-1115-18	-----*----- STUD-----CESSNA STANDARD-----	7	
- 13	S-1115-13 S-1115-20	STUD-----CESSNA STANDARD----- RING-RETAINER CESSNA STANDARD-----	1 8	
- 14	L10N5-0-260 GDS 5-93	STUD-----SOCH ----- RETAINER SOCH -----	2 2	
- 15	1210090-1	ANGLE ASSEMBLY-BATTERY BOX SIDE SUPPORT -----	1	
- 16	A8580-8Z-3	NUT TIN -----	2	
- 17	S-1115-19	RECEPTACLE CESSNA STANDARD -----	3	
- 18	1210097-1	ANGLE ASSEMBLY-BATTERY BOX INBOARD SUPPORT -----	1	
- 19	A8580-8Z-3	NUT TIN -----	2	
- 20	S-1115-19	RECEPTACLE CESSNA STANDARD -----	3	
A---210 SERIAL 21057576 & ON				

Fuselage (Cont)

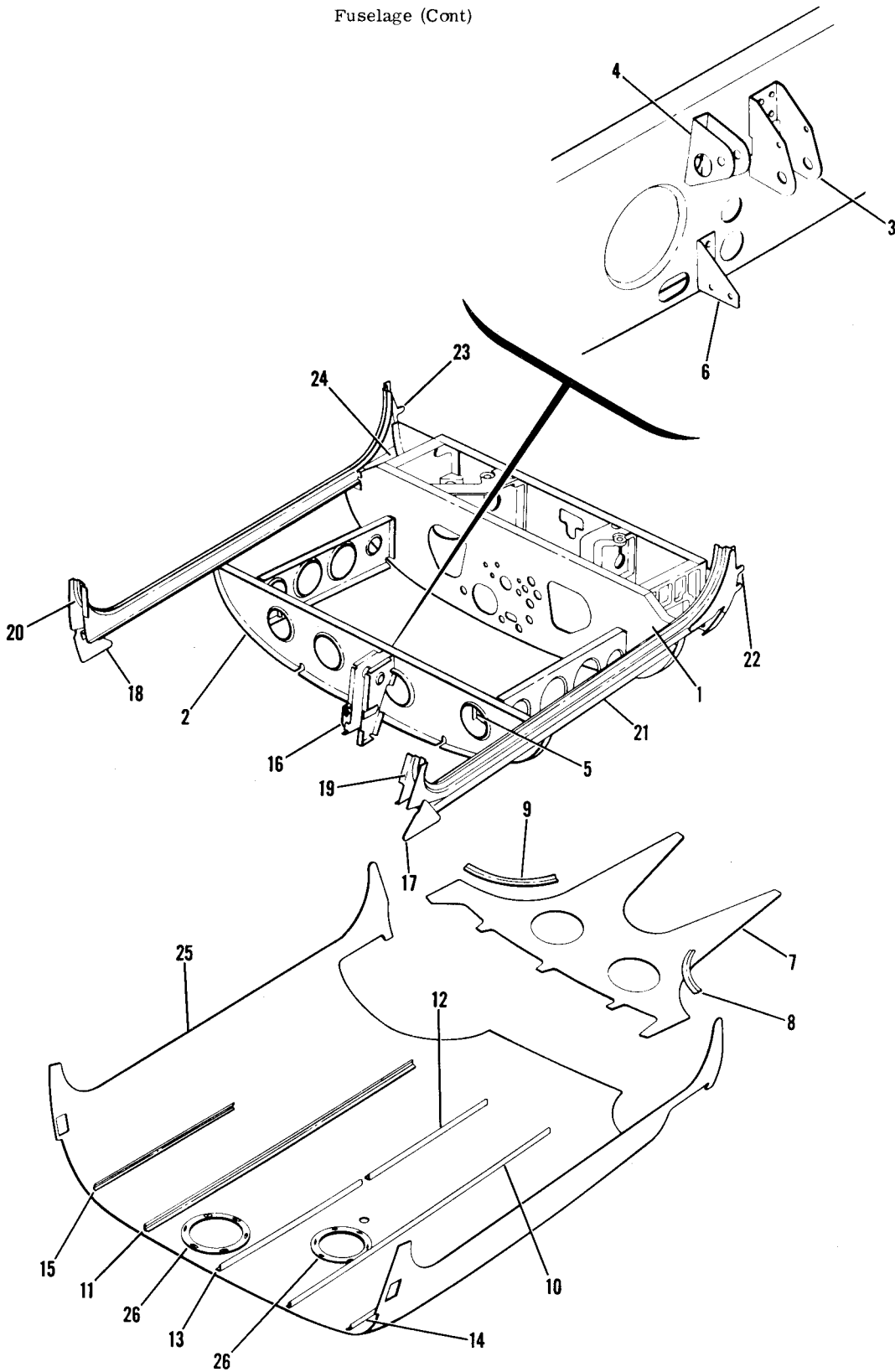


Figure 20. Belly Section Assembly

FIGURE AND INDEX NO.	PART NUMBER	DESCRIPTION	UNITS PER ASSY	USABLE ON CODE
		1 2 3 4 5 6 7		
20-	1291101-2	BELLY SECTION ASSEMBLY-FUSELAGE -----	1	A
	1291101-8	BELLY SECTION ASSEMBLY-FUSELAGE -----	1	B
- 1	1291101-4	BULKHEAD ASSEMBLY-MAIN GEAR ACTUATOR SEE FIGURE 22 -----	1	
- 2	1210021-1	BULKHEAD ASSEMBLY-STA 44.0 -----	1	A
	1210021-3	BULKHEAD ASSEMBLY-STA 44.0 -----	1	B
- 3	1260037-1	BRACKET -----	1	
- 4	0411447	BRACKET -----	1	
	AN520-10R7	ATTACHING PARTS		
	MS20365-1032C	SCREW -----	1	
		NUT -----	1	
		---*---		
- 5		DELETED-NEVER USED -----		
- 6	1211198-1	BRACKET -----	1	
- 7	1211189-1	DOUBLER -----	1	
- 8	1211211-1	STOP-SPRING DOOR LH -----	1	
- 9	1211211-2	STOP-SPRING DOOR RH -----	1	
- 10	1211169-1	ANGLE-INBOARD LH -----	1	A
	1210095-1	ANGLE-INBOARD LH -----	1	B
- 11	1211169-2	ANGLE-INBOARD RH -----	1	
- 12	1211170-1	ANGLE-CENTER AFT -----	1	
- 13	1211190-1	ANGLE-CENTER FWD -----	1	
- 14	1211168-1	ANGLE-OUTBOARD LH -----	1	
- 15	1211168-2	ANGLE-OUTBOARD RH -----	1	
- 16	1260035-1	BRACKET ASSEMBLY -----	1	
- 17	1213126-1	DOUBLER-LH -----	1	
- 18	1213126-2	DOUBLER-RH -----	1	
- 19	1210022-1	SILL ASSEMBLY-LH -----	1	
- 20	1210022-2	SILL ASSEMBLY-RH -----	1	
- 21	1210023-1	SUPPORT-SILL LH -----	1	
	1210023-2	SUPPORT-SILL RH -----	1	
- 22	1210011-1	GUSSET-LH -----	1	
- 23	1210011-2	GUSSET-RH -----	1	
- 24	1210014-1	ANGLE-LH -----	1	
	1210014-2	ANGLE-RH -----	1	
- 25	1291101-5	SKIN ASSEMBLY-LOWER STA 28.0 TO 68.33 -----	1	
- 26	S-226-5	DOUBLER -----	2	
	NAS451-18	PLUG BUTTON -----	1	
		A---210 SERIAL 57001 THRU 57575		
		B---210 SERIAL 21057576 & ON		

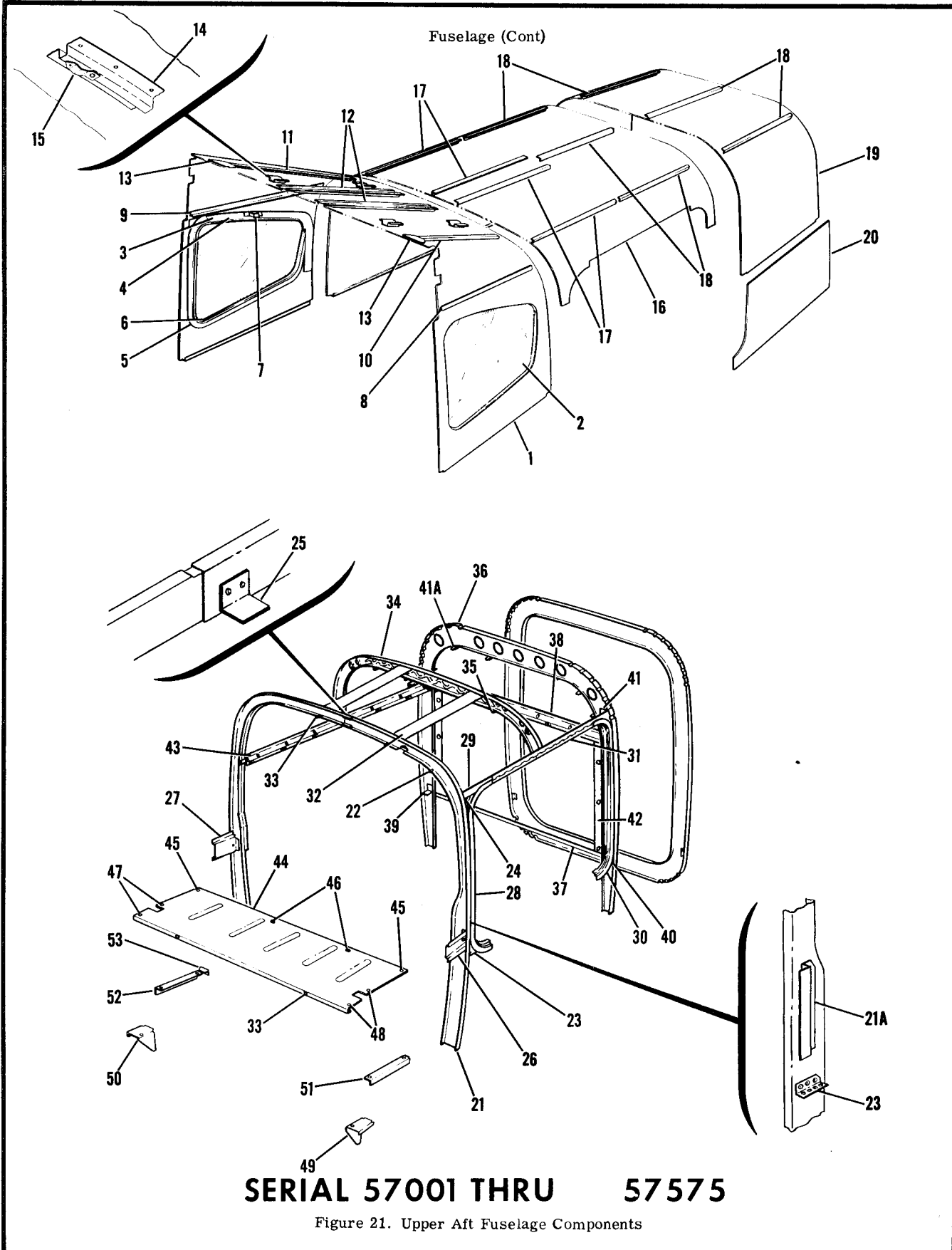
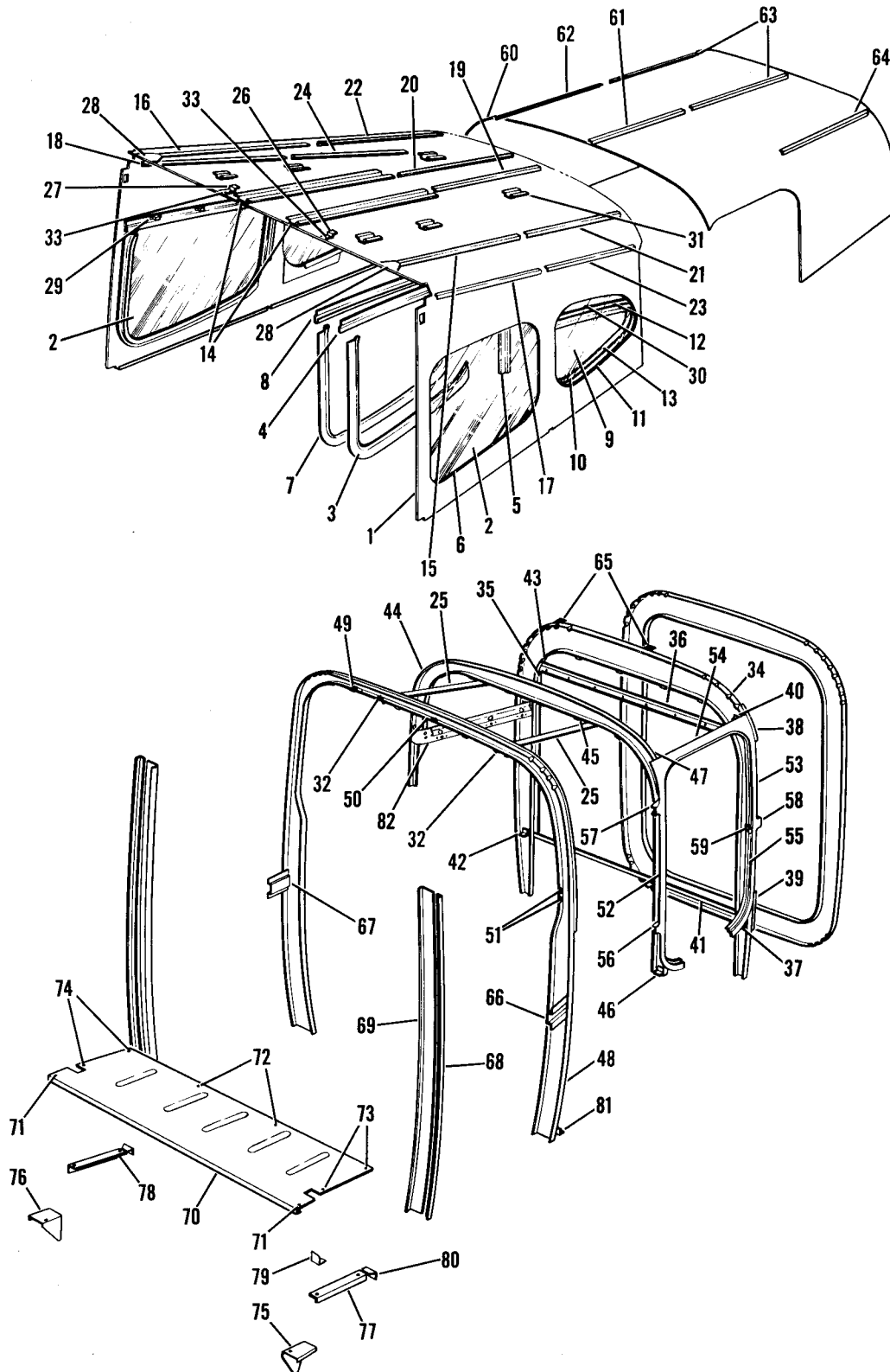




FIGURE AND INDEX NO.	PART NUMBER	DESCRIPTION	UNITS	USABLE
			PER ASSY	ON CODE
		1 2 3 4 5 6 7		
21-		CABIN COMPONENTS-UPPER AFT	NP	A
		TOP ASSEMBLY-CABIN AFT	1	
		SKIN-CABIN TOP	1	
		WINDOW	2	
		RETAINER-LH OUTER	1	
		RETAINER-RH OUTER	1	
		RETAINER-LH INNER	1	
		RETAINER-RH INNER	1	
		RETAINER-LH LOWER	1	
		RETAINER-RH LOWER	1	
		CHANNEL BULK ITEM 52.0 IN LONG REF S-1055-1-52.0	AR	
		BRACKET-UPHOLSTERY WIRE SUPPORT	2	
		ANGLE-STIFFENER LH	1	
		ANGLE-STIFFENER RH	1	
		ANGLE-STIFFENER LH	1	
		ANGLE-STIFFENER RH	1	
		STIFFENER	2	
		CLIP	2	
		BRACKET ASSEMBLY	4	
		HANGER	1	
		SKIN-UPPER STA 90.0 TO 124.0	1	
		ANGLE	4	
		ANGLE-UPPER SKIN STIFFENER	6	
		SKIN-UPPER STA 124.0 TO 140.0	1	
		PLATE-SPLICE	1	
		BULKHEAD ASSEMBLY-STA 90.0	1	
		RETAINER ASSEMBLY	1	
		CLIP	4	
		CLIP-STA 90.0 LWR	1	
		CLIP-STA 90.0 UPPER	1	
		ANGLE-LH	1	
		ANGLE-RH	1	
		SUPPORT-LH	1	
		SUPPORT-RH	1	
		JAMB-BAGGAGE DOOR FORWARD	1	
		JAMB-BAGGAGE DOOR UPPER	1	
		JAMB-BAGGAGE DOOR AFT	1	
		HINGE HALF	1	
		SPACER-BAGGAGE DOOR HINGE	1	
		STRAP	2	
		NUTPLATE	2	
		BULKHEAD ASSEMBLY-STA 108.0	1	
		CLIP	7	
		BULKHEAD ASSEMBLY-STA 124.0	1	
		SUPPORT ASSEMBLY	1	
		NUT-ANCHOR	6	
		RETAINER ASSEMBLY	1	
		NUT TIN	6	
		CLIP	1	
		CLIP	1	
		CLIP	1	
		CLIP-UPHOLSTERY	6	
		RETAINER ASSEMBLY-UPHOLSTERY LH	1	
		RETAINER ASSEMBLY-UPHOLSTERY RH	1	
		NUT TIN	1	
		RETAINER ASSEMBLY-UPHOLSTERY	1	
		NUT TIN	7	
		BAGGAGE SHELF INSTALLATION-REMOVABLE	NP	
		PANEL ASSEMBLY-BAGGAGE	1	
		STUD	2	
		PIN	2	
		STUD	2	
		PIN	2	
		STUD	2	
		PIN	2	
		STUD	2	
		PIN	2	
		SUPPORT ASSEMBLY-BAGGAGE SHELF LH	1	
		SUPPORT ASSEMBLY-BAGGAGE SHELF RH	1	
		STUD	1	
		SUPPORT ASSEMBLY-LH	1	
		SUPPORT ASSEMBLY-RH	1	
		CLIP-RH	1	
		A---210 SERIAL 57001 THRU 57575		

(Fuselage Cont)



SERIAL 21057576 & ON

Figure 21A. Upper Aft Fuselage Components

FIGURE AND INDEX NO.	PART NUMBER	DESCRIPTION	UNITS PER ASSY	USABLE ON CODE
		1 2 3 4 5 6 7		
21A-		CABIN COMPONENTS-UPPER AFT	NP	A
		TOP ASSEMBLY-CABIN AFT	1	
		SERIAL 21057576	1	
		& ON	2	
- 1	1291101-6	SKIN-CABIN TOP	1	
- 2	1211002-5	WINDOW-SIDE	1	
- 3	0700112-2	RETAINER-LOWER LH	1	
	0710026-1	RETAINER-LOWER RH	1	
- 4	0710026-2	RETAINER-UPPER LH	1	
	0710026-3	RETAINER-UPPER RH	1	
- 5	0710026-4	RETAINER-AFT LH	1	
	0710026-5	RETAINER-AFT RH	1	
- 6	0710026-6	MOULDING-CHANNEL	2	
	S-1055-1	BULK ITEM 66.0 IN. LONG REF		
- 7	0710113-1	S-1055-1-6600	1	
	0710113-2	RETAINER-UPHOLSTERY LOWER LH	1	
	0710113-3	RETAINER-UPHOLSTERY LOWER RH	1	
- 8	0710113-4	RETAINER-UPHOLSTERY UPPER LH	1	
	0710113-5	RETAINER-UPHOLSTERY UPPER RH	1	
- 9	0700111-2	WINDOW-AFT SIDE	2	
- 10	0710110-1	RETAINER LH	1	
	0710110-2	RETAINER RH	1	
- 11	S-1055-1	MOULDING-CHANNEL	2	
		BULK ITEM 47.0 IN. LONG REF		
- 12	0710111-1	S-1055-1-4700	1	
	0710111-2	RETAINER-UPHOLSTERY UPPER LH	1	
- 13	0710112-1	RETAINER-UPHOLSTERY UPPER RH	1	
	0710112-2	RETAINER-UPHOLSTERY LOWER LH	1	
	0710112-3	RETAINER-UPHOLSTERY LOWER RH	1	
- 14	1211243-1	STIFFENER ASSEMBLY	2	
- 15	0711113-1	STRINGER LH	1	
- 16	0711113-2	STRINGER RH	1	
- 17	0710023-1	ANGLE-REINFORCEMENT LH	1	
- 18	0710023-2	ANGLE-REINFORCEMENT RH	1	
- 19	0711115-1	STRINGER-LH	1	
- 20	0711115-2	STRINGER-RH	1	
- 21	1211032-1	STRINGER-LH	1	
- 22	0711114-2	STRINGER-RH	1	
- 23	1211031-1	ANGLE-LH	1	
- 24	1211033-1	ANGLE-RH	1	
- 25	0511232-4	STRAP	2	
- 26	0700108-1	BRACKET-LH	1	
- 27	0700108-2	BRACKET-RH	1	
- 28	0512151-1	CLIP	2	
- 29	0511133	BRACKET-UPHOLSTERY	4	
- 30	0711116-1	BRACKET-UPHOLSTERY	2	
- 31	0512000-66	BRACKET ASSEMBLY	6	
	0411680	HANGER	1	
- 32	NAS680A3	NUT	2	
- 33	A9028-4Z-3	NUT	4	
- 34	1211195-1	BULKHEAD ASSEMBLY-STA 124.00	1	
	1211202-1	RETAINER ASSEMBLY-UPHOLSTERY LH	1	
- 35	1211202-2	RETAINER ASSEMBLY-UPHOLSTERY RH	1	
	NAS441-1	NUT	3	
- 36	1211212-3	RETAINER ASSEMBLY-UPHOLSTERY	1	
	A6191-6Z-3	NUT	6	
	NAS696A3K	NUT	2	
- 37	1211230-1	CLIP	1	
- 38	1211231-1	BRACKET	1	
- 39	1211232-1	BRACKET	1	
- 40	1211233-1	CLIP	1	
- 41	1211206-4	ANGLE	1	
- 42	1211204-1	CLIP	1	
- 43	0511132-1	CLIP	6	
- 44	1211194-1	BULKHEAD ASSEMBLY-STA 108.00	1	
- 45	0511132	CLIP	7	
- 46	1211229-1	CLIP	1	
- 47	1211233-1	CLIP	1	

CONTINUED ON PAGE 45C

FIGURE AND INDEX NO.	PART NUMBER	DESCRIPTION	UNITS PER ASSY	USABLE ON CODE
21A- 48	1211193-1	BULKHEAD ASSEMBLY-STA 90.00 -----	1	
- 49	0511176	CLIP-----	6	
- 50	NAS697A3	NUT -----	1	
- 51	A6195-6Z-3	NUT TINN -----	4	
- 52	1211235-2	JAMB-BAGGAGE DOOR FORWARD -----	1	
- 53	1211235-3	JAMB-BAGGAGE DOOR AFT-----	1	
	1211235-5	CHANNEL -----	1	
- 54	1211235-6	STIFFENER -----	1	
- 55	S-1047-1	SEAL BULK ITEM 71 IN. LONG-----REF S-1047-1-71.00 -----	1	
- 56	1211238-1	BRACKET-LOWER HINGE -----	1	
- 57	1211238-2	BRACKET-UPPER HINGE -----	1	
- 58	1211239-1	SUPPORT ASSEMBLY-----	1	
	NAS686A3	NUT -----	2	
	1211239-3	SHIM -----	AR	
- 59	1211240-1	PLATE-LATCH-----	1	
		ATTACHING PARTS		
	AN520-10R8	SCREW -----	2	
		---*---		
- 60	1211002-6	SKIN-AFT TOP -----	1	
- 61	1211027-1	STRINGER-CENTER -----	1	
- 62	1211027-2	STRINGER-RH-----	1	
- 63	1211026-1	STRINGER-CENTER & RH -----	2	
- 64	1211025-1	ANGLE-LH -----	1	
- 65	1211023-1	CLIP-CENTER & RH-----	2	
- 66	1211020-1	SUPPORT-LH -----	1	
- 67	1211020-2	SUPPORT-RH -----	1	
- 68	1211105-1	ANGLE-LH -----	1	
	1211105-2	ANGLE-RH -----	1	
	1211105-5	SUPPORT -----	2	
	NAS682A08K	NUTPLATE -----	3	
	NAS680A08K	NUTPLATE -----	8	
- 69	1211110-1	REINFORCEMENT-LH-----	1	
	1211110-2	REINFORCEMENT-RH-----	1	
		ATTACHING PARTS		
	AN507-832R8	SCREW -----	17	
		---*---		
		BAGGAGE SHELF INSTALLATION-REMOVABLE -----	NP	
- 70	1211137-1	PANEL ASSEMBLY-BAGGAGE -----	1	
- 71	98293-2-.120	STUD -----	2	
	99785-2	PIN -----	2	
- 72	98293-1-.100	STUD -----	2	
	99785-2	PIN -----	2	
- 73	98293-1-.090	STUD -----	2	
	99785-2	PIN -----	2	
- 74	98293-1-.080	STUD -----	2	
	99785-2	PIN -----	2	
- 75	1211133-1	SUPPORT ASSEMBLY-BAGGAGE SHELF LH-----	1	
- 76	1211133-2	SUPPORT ASSEMBLY-BAGGAGE SHELF RH-----	1	
	99871-P.098	STUD -----	1	
- 77	1211135-4	SUPPORT ASSEMBLY-LH-----	1	
- 78	1211135-1	SUPPORT ASSEMBLY-RH-----	1	
	99871-P.098	STUD -----	2	
- 79	1211102	CLIP-FORWARD LH -----	1	
	1211136-1	CLIP-RH -----	1	
- 80	1211136-2	CLIP-AFT LH -----	1	
- 81	1211126-1	ANGLE-LH -----	1	
	1211126-2	ANGLE-RH -----	1	
- 82	1211040-1	RETAINER ASSEMBLY-UPHOLSTERY -----	1	

A---210 SERIAL 21057576 & ON

This page intentionally left blank.

Fuselage (Cont)

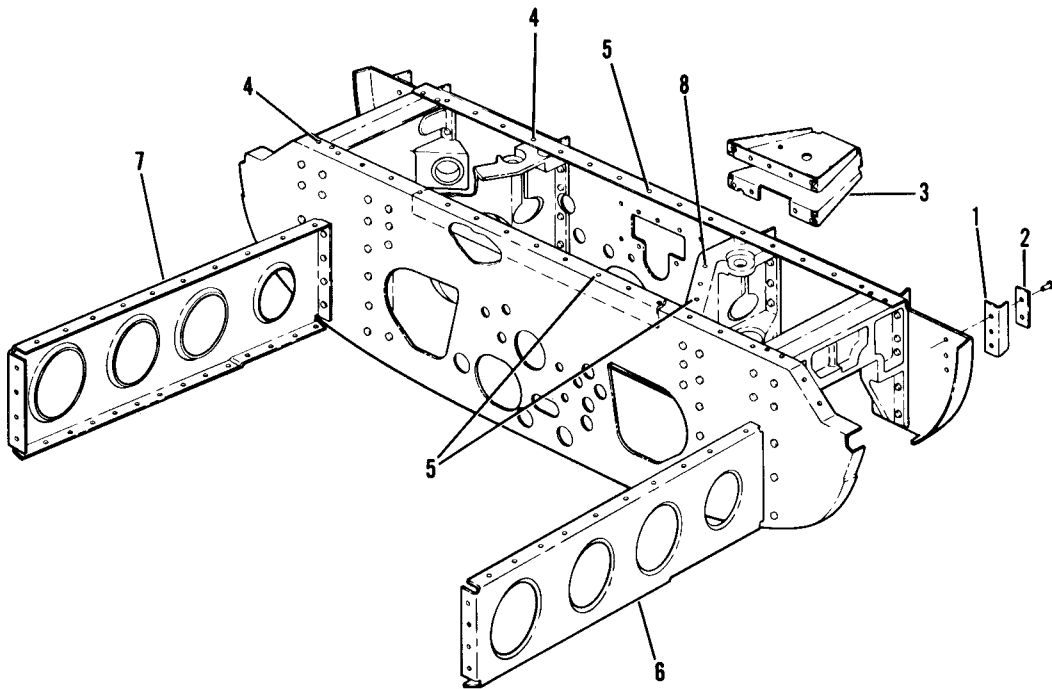


Figure 22. Landing Gear Bulkhead Assembly

FIGURE AND INDEX NO.	PART NUMBER	DESCRIPTION	UNITS PER ASSY	USABLE ON CODE
		1 2 3 4 5 6 7		
22-	1291101-4	BULKHEAD ASSEMBLY-MAIN GEAR ACTUATOR -----	1	
- 1	1211117-1	CLIP-BULKHEAD ATTACH -----	2	
- 2	1260090-1	RUB STRIP -----	2	
- 3	1260036-1	BRACKET-AILERON -----	1	
- 4	NAS696A08	NUTPLATE -----	8	
- 5	NAS697A08	NUTPLATE -----	34	
- 6	1211207-1	BULKHEAD-LONGITUDINAL LH -----	1	
- 7	1211207-2	BULKHEAD-LONGITUDINAL RH -----	1	
- 8	NAS697A3	NUTPLATE -----	2	

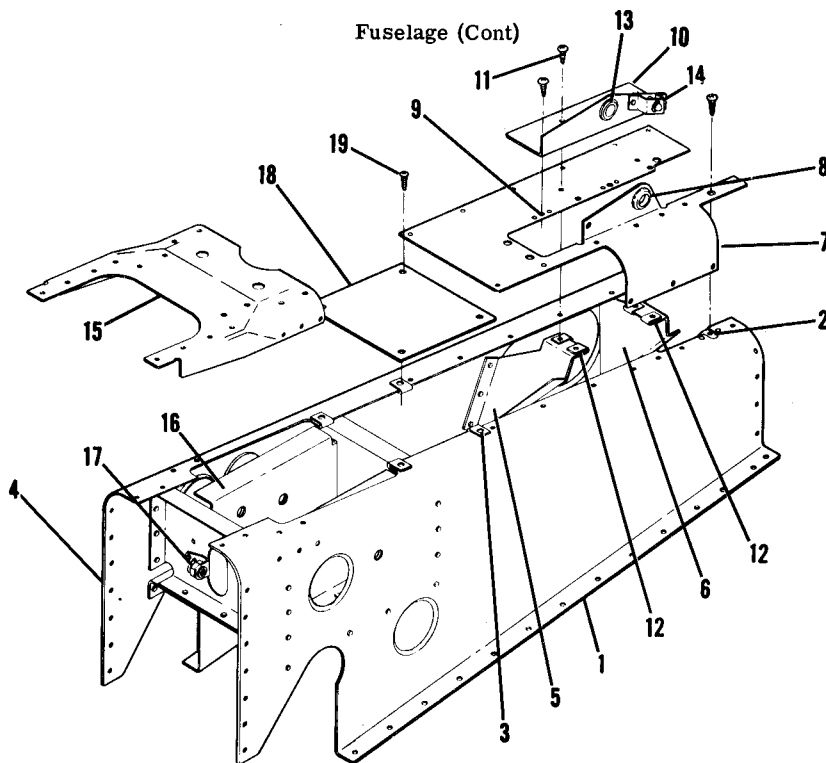


Figure 23. Fuselage Tunnel Assembly

FIGURE AND INDEX NO.	PART NUMBER	DESCRIPTION	UNITS PER ASSY	USABLE ON CODE
		1 2 3 4 5 6 7		
23-	1291300-3	TUNNEL ASSEMBLY-FUSELAGE FORWARD-----	1	
- 1	1213015-1	BULKHEAD ASSEMBLY-TUNNEL LH -----	1	
- 2	A6195-6Z-3	NUT TIN -----	1	
- 3	NAS395-12-3	NUT TIN A1786-8Z-3 -----	2	
- 4	1213015-2	BULKHEAD ASSEMBLY-TUNNEL RH -----	1	
	NAS395-12-3	NUT TIN A1786-8Z-3 -----	2	
- 5	0713115-2	BRACKET-FWD -----	1	
- 6	0713116-2	BRACKET-AFT -----	1	
- 7	0713015-6	COVER ASSEMBLY -----	1	
- 8	M-451	BEARING TOR -----	1	
- 9	A6191-6Z-3	NUT TIN -----	2	
- 10	0713023-6	BRACKET ASSEMBLY-----	1	
		ATTACHING PARTS		
- 11	S-1021Z-6-8	SCREW CESSNA STANDARD -----	6	
- 12	NAS395-6-3	NUTPLATE TIN A1784-6Z-3 -----	4	
		----*----		
- 13	M-451	BEARING -----	1	
- 14	0713023-3	STOP-----	1	
- 15	1213066-1	CAP -----	1	
- 16	0510135-3	SUPPORT ASSEMBLY-----	1	
- 17	AN256F8	NUTPLATE -----	1	
- 18	0510141	PLATE-COVER-----	1	
		ATTACHING PARTS		
- 19	S-1021Z-6-8	SCREW CESSNA STANDARD -----	4	
		----*----		

Fuselage (Cont)

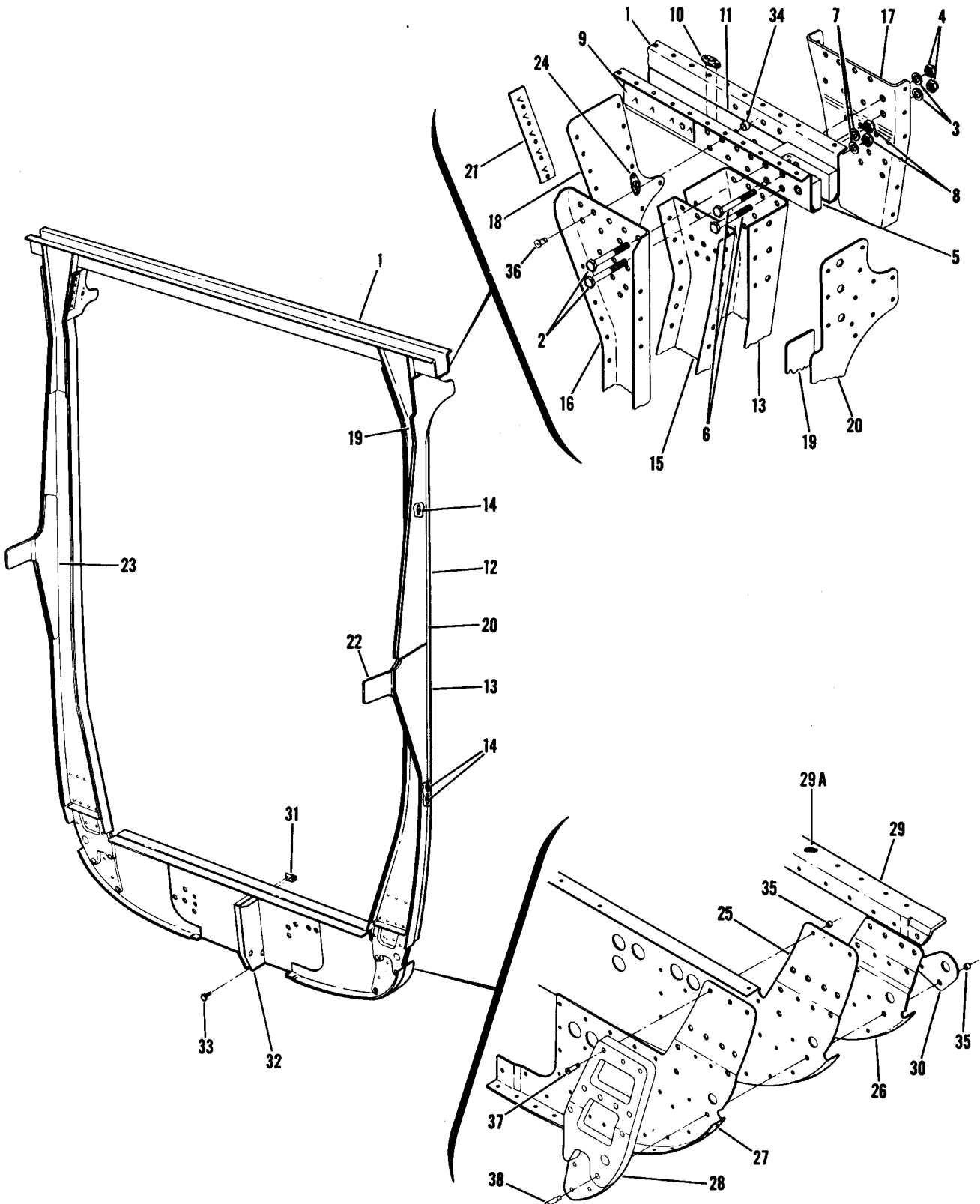


Figure 24. Front Doorpost Bulkhead Assembly

FIGURE AND INDEX NO.	PART NUMBER	DESCRIPTION	UNITS	USABLE
			PER ASSY	ON CODE
		1 2 3 4 5 6 7		
24--	1213100-1	BULKHEAD ASSEMBLY-FRONT DOORPOST-----	1	A
	1213100-5	BULKHEAD ASSEMBLY-FRONT DOOR POST -----	1	B
- 1	1213127-1	SPAR ASSEMBLY-FORWARD FUSELAGE----- ATTACHING PARTS	1	
- 2	AN3-21A	BOLT-----	4	
- 3	AN960D10	WASHER-----	4	
- 4	MS20365-1032C	NUT-----	4	
		---*---		
	1213127-2	SPAR-FORWARD FUSELAGE -----	1	
- 5	0411129	BLOCK-FUSELAGE SPAR BEARING ----- ATTACHING PARTS	2	
- 6	AN3-20A	BOLT-----	2	
- 7	AN960-10	WASHER -----	2	
- 8	MS20365-1032C	NUT-----	2	
		---*---		
- 9	0412496	RETAINER-UPHOLSTERY-----	1	
- 10	NAS680A3	NUTPLATE -----	4	
- 11	1213127-3	REINFORCEMENT-SPAR -----	1	
- 12	1213100-3	DOOR POST ASSEMBLY-FUSELAGE LH-----	1	
	1213100-4	DOOR POST ASSEMBLY-FUSELAGE RH-----	1	
- 13	1213101-1	DOOR JAMB ASSEMBLY-LH -----	1	
- 14	NAS680A3	NUTPLATE -----	3	
	1213101-2	DOOR JAMB ASSEMBLY-RH -----	1	
	NAS680A3	NUTPLATE -----	3	
- 15	1213102-1	CHANNEL-FORWARD DOORPOST BULKHEAD LH -----	1	
	1213102-2	CHANNEL-FORWARD DOORPOST BULKHEAD RH -----	1	
- 16	1213104-1	FLANGE PLATE FORWARD-FORWARD DOORPOST BULKHEAD LH -----	1	
	1213104-2	FLANGE PLATE FORWARD-FORWARD DOORPOST BULKHEAD RH -----	1	
- 17	1213105-1	FLANGE PLATE AFT-FORWARD DOORPOST BULKHEAD LH -----	1	
	1213105-2	FLANGE PLATE AFT-FORWARD DOORPOST BULKHEAD RH -----	1	
- 18	1213106-1	UPPER PLATE-FORWARD DOORPOST BULKHEAD LH -----	1	
	1213106-2	UPPER PLATE-FORWARD DOORPOST BULKHEAD RH -----	1	
- 19	1213113-1	INNER RETAINER-FORWARD DOOR POST BULKHEAD LH -----	1	
	1213113-2	INNER RETAINER-FORWARD DOOR POST BULKHEAD RH -----	1	
- 20	1213114-1	OUTER RETAINER-FORWARD DOOR POST BULKHEAD LH -----	1	
	1213114-2	OUTER RETAINER-FORWARD DOOR POST BULKHEAD RH -----	1	
- 21	1213115-1	HOOK STRIP-UPHOLSTERY ATTACHMENT LH -----	1	
	1213115-2	HOOK STRIP-UPHOLSTERY ATTACHMENT RH -----	1	
- 22	1213119-1	DOUBLER-FORWARD DOORPOST LH -----	1	
- 23	1213119-2	DOUBLER-FORWARD DOORPOST RH -----	1	
- 24	NAS680A3	NUTPLATE -----	1	
- 25	1213103-1	LOWER BULKHEAD-FORWARD DOORPOST -----	1	
- 26	1213107-1	REINFORCEMENT-FORWARD DOORPOST BULKHEAD LH -----	1	
	1213108-1	REINFORCEMENT-FORWARD DOORPOST BULKHEAD RH -----	1	
- 27	1213109-1	FLANGE PLATE-FORWARD DOORPOST BULKHEAD LH -----	1	
	1213109-2	FLANGE PLATE-FORWARD DOORPOST BULKHEAD RH -----	1	
- 28	1213110-1	FITTING-FORWARD DOORPOST BULKHEAD LH -----	1	
	1213110-2	FITTING-FORWARD DOORPOST BULKHEAD RH -----	1	
- 29	1213111-1	ANGLE-FORWARD DOORPOST BULKHEAD -----	1	
	1213111-2	ANGLE ASSEMBLY-FORWARD DOORPOST BULKHEAD-----	1	A
-29A	NO.5-295	RECEPTACLE LION-----	2	B
- 30	1213112-1	STRUT ATTACH PLATE-FORWARD DOOR POST -----	2	
- 31	1213117-1	BRACKET ASSEMBLY-HYDRAULIC LINE CLAMP ----- ANCHOR NUT -----	1	
- 32	1213118-1	BRACKET-DOUBLE PULLEY LH -----	1	
	1213118-2	BRACKET-DOUBLE PULLEY RH ----- ATTACHING PARTS	1	
- 33	AN3-5A	BOLT-----	2	
	AN960D10	WASHER-----	2	
	MS20365-1032C	NUT-----	2	
		---*---		
- 34	NAS179-6	COLLAR-----	20	
- 35	NAS179-8	COLLAR-----	16	
- 36	NAS1054-6-3	RIVET-HI SHEAR -----	20	
- 37	NAS1054-8-11	RIVET-HI SHEAR -----	12	
- 38	NAS1054-8-13	RIVET-HI SHEAR -----	4	

A---210 SERIAL 57001 THRU 57575
B---210 SERIAL 21057576 & ON

Fuselage (Cont)

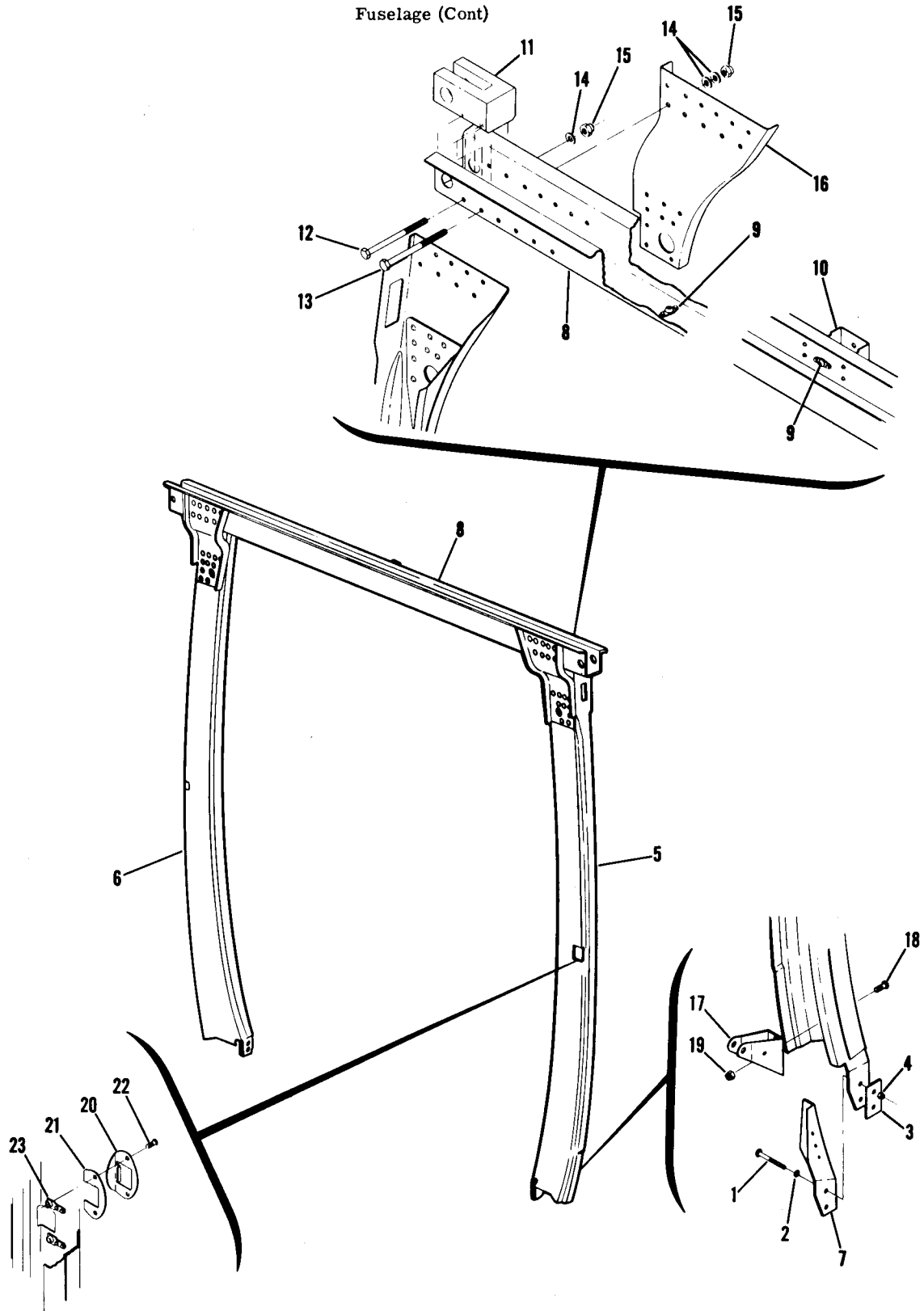
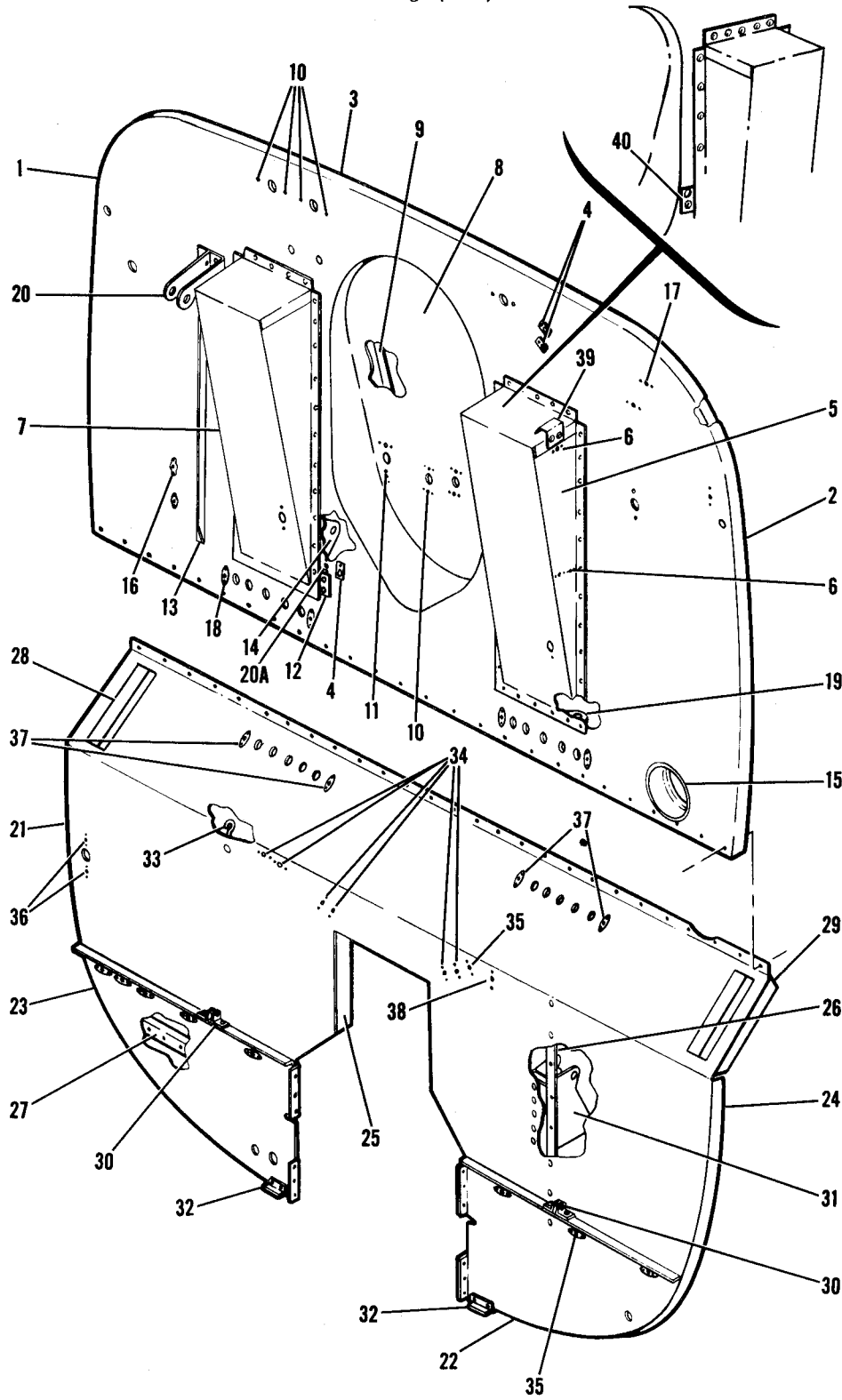


Figure 25. Rear Doorpost Bulkhead Assembly

FIGURE AND INDEX NO.	PART NUMBER	DESCRIPTION	UNITS PER ASSY	USABLE ON CODE
25--	1211100-1	DOORPOST ASSEMBLY-REAR -----	1	A
	1211100-9	DOORPOST ASSEMBLY-REAR -----	1	B
		ATTACHING PARTS		
- 1	AN3-15A	BOLT -----	2	
- 2	AN960D10	WASHER -----	2	
- 3	1211125-1	SHIM -----	AR	
- 4	MS20365-1032C	NUT -----	2	
		-----*-----		
- 5	1211100-5	CHANNEL ASSEMBLY-REAR DOORPOST LH -----	1	
- 6	1211100-6	CHANNEL ASSEMBLY-REAR DOORPOST RH -----	1	
- 7	1211196-1	CLIP-LH -----	1	
	1211196-2	CLIP-RH -----	1	
- 8	1210029-1	SPAR ASSEMBLY-REAR -----	1	A
	1210029-4	SPAR ASSEMBLY-REAR -----	1	B
- 9	NAS680A3	NUTPLATE -----	3	
- 10	1210031-1	BRACKET-PULLEY -----	1	
- 11	0512122	BLOCK-BEARING -----	2	
		ATTACHING PARTS		
- 12	AN3-32A	BOLT -----	4	
- 13	AN3-33A	BOLT -----	4	
- 14	AN960-10	WASHER -----	12	
- 15	MS20365-1032C	NUT -----	8	
		-----*-----		
- 16	0512124-8	BRACE-LH -----	1	
	0512124-9	BRACE-RH -----	1	
- 17	1260025-1	BRACKET -----	2	
		ATTACHING PARTS		
- 18	AN525-10R7	SCREW -----	1	
- 19	MS20365-1032C	NUT -----	1	
		-----*-----		
- 20	0711024-1	PLATE-STRIKER -----	1	
		ATTACHING PARTS		
- 21	0711024-2	SHIM -----	1	
- 22	AN525-10R7	SCREW -----	2	
- 23	NAS687A3	NUT-ANCHOR -----	2	
		-----*-----		
		A---210 SERIAL 57001 THRU 57575		
		B---210 SERIAL 21057576 & ON		

Fuselage (Cont)

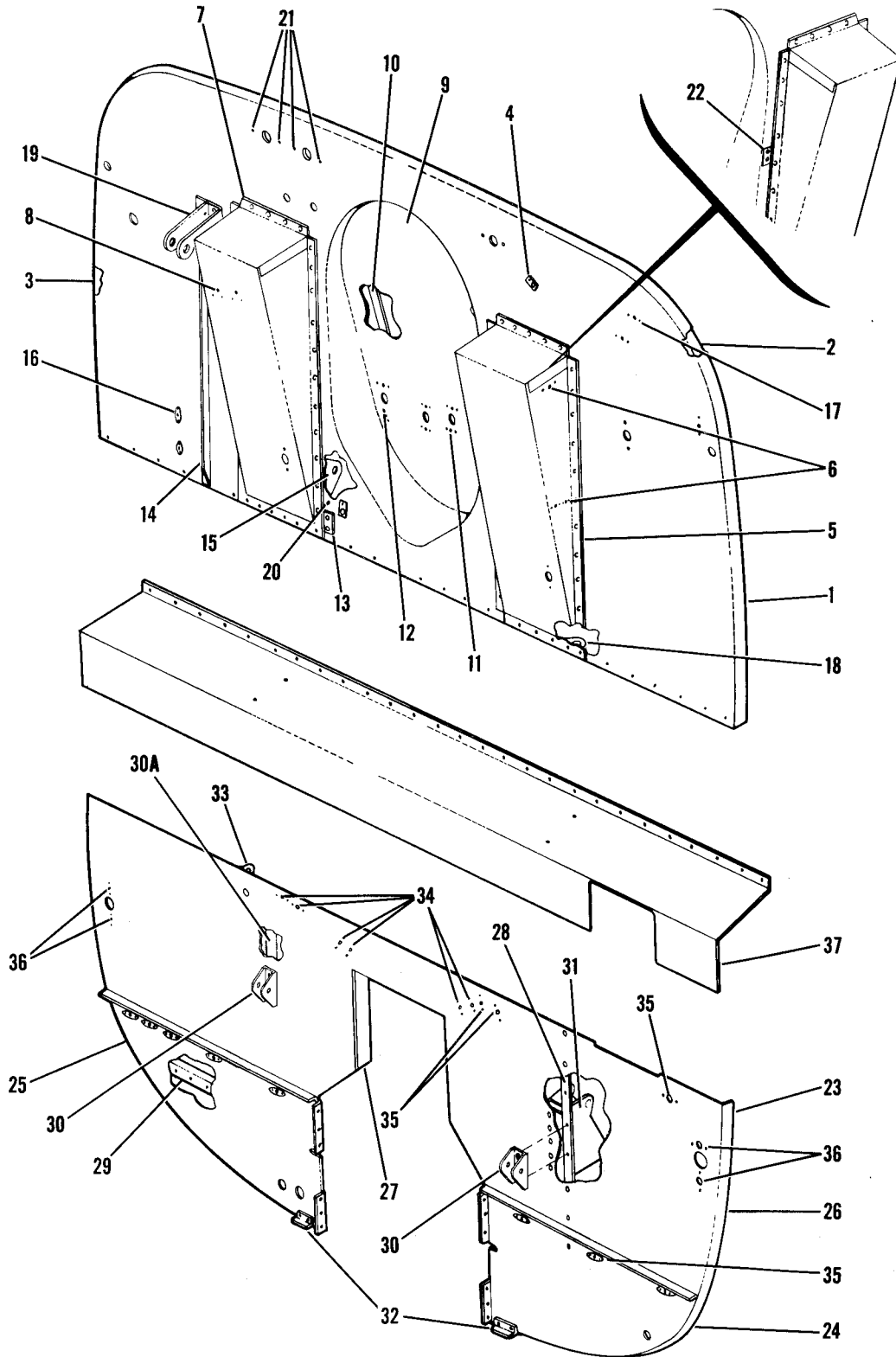


SERIAL 57001 THRU 57575

Figure 26. Firewall Assembly

FIGURE AND INDEX NO.	PART NUMBER	DESCRIPTION	UNITS PER ASSY	USABLE ON CODE
		1 2 3 4 5 6 7		
26-	1291300-5	FIREWALL ASSEMBLY-UPPER-----	1	A
- 1	1253000-3	FIREWALL SHEET-UPPER-----	1	
- 2	1253008-1	DOUBLER-LH-----	1	
- 3	1253008-2	DOUBLER-RH-----	1	
- 4	0753000-13	DOUBLER-----	3	
- 5	1253011-1	COVER ASSEMBLY-LH-----	1	
- 6	NAS680A3K	NUTPLATE-----	2	
- 7	1253011-3	COVER ASSEMBLY-RH-----	1	
- 8	1253012-1	CUP ASSEMBLY-----	1	
- 9	1253012-4	ANGLE-RH-----	1	
	1253012-3	ANGLE-LH-----	1	
- 10	A6195-8Z-3	NUT-ANCHOR TIN-----	5	
- 11	A6194-8Z-3	NUT-ANCHOR TIN-----	1	
- 12	1253013-1	PLATE-----	1	
- 13	1253025-1	STIFFENER-----	1	
- 14	1253014-1	BRACKET-----	1	
- 15	0713019-3	OUTLET-----	1	
- 16	NAS680A3K	NUTPLATE-----	4	
- 17	NAS680A4	NUTPLATE-----	3	
- 18	A6191-8Z-3	NUT-ANCHOR TIN-----	4	
- 19	1213125-1	SUPPORT-----	1	
- 20	1253024-1	BRACKET-----	1	
-20A	A6191-8Z-3	NUT TIN-----	1	
	1291300-6	FIREWALL ASSEMBLY-LOWER-----	1	A
- 21	1253000-2	FIREWALL SHEET-----	1	
- 22	1253005-1	DOUBLER-LH-----	1	
- 23	1253005-2	DOUBLER-RH-----	1	
- 24	1253007-1	DOUBLER-LH-----	1	
	1253007-2	DOUBLER-RH-----	1	
- 25	1253015-1	DOUBLER-LH-----	1	
	1253015-2	DOUBLER-RH-----	1	
- 26	1213124-1	REINFORCEMENT-----	1	
- 27	1253009-2	SUPPORT-RH-----	1	
	1253009-1	SUPPORT-LH-----	1	
- 28	1253002-1	ANGLE-----	4	
- 29	1253004-1	ANGLE-----	2	
- 30	1250203-1	ANGLE-----	4	
- 31	1213122-1	BRACKET ASSEMBLY-----	1	
- 32	1253010-1	DOOR STOP-----	2	
- 33	1253026-1	CLIP-----	7	
- 34	NAS680A3K	NUTPLATE-----	6	
- 35	A6191-8Z-3	NUT-ANCHOR TIN-----	8	
- 36	A6195-8Z-3	NUT-ANCHOR TIN-----	2	
- 37	A6191-8Z-3	NUT-ANCHOR TIN-----	4	
- 38	A6191-8Z-3	NUT TIN-----	1	
- 39	1253029-1	CLIP-AIR VENT CONTROLS-----	1	
- 40	0513100-1	DOUBLER-----	1	
		A---210 SERIAL 57001 THRU 57575		

Fuselage (Cont)



SERIAL 21057576 & ON

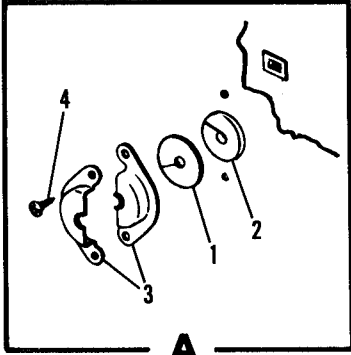
Figure 26A. Firewall Assembly

FIGURE AND INDEX NO.	PART NUMBER	DESCRIPTION	UNITS PER ASSY	USABLE ON CODE
		1 2 3 4 5 6 7		
26A-	1291300-9	FIREWALL ASSEMBLY-UPPER-----	1	A
- 1	1253030-3	FIREWALL SHEET-UPPER-----	1	
- 2	1253008-1	DOUBLER-LH-----	1	
- 3	1253008-2	DOUBLER-RH-----	1	
- 4	0753000-13	DOUBLER-----	2	
- 5	1253011-1	COVER ASSEMBLY-LH-----	1	
- 6	NAS680A3K	NUTPLATE-----	3	
- 7	1253011-4	COVER ASSEMBLY-RH-----	1	
- 8	NAS684A3K	NUTPLATE-----	2	
- 9	1253012-1	CUP ASSEMBLY-----	1	
- 10	1253012-4	ANGLE-RH-----	1	
	1253012-3	ANGLE-LH-----	1	
- 11	A6195-8Z-3	NUT-ANCHOR TIN-----	5	
- 12	A6194-8Z-3	NUT-ANCHOR TIN-----	1	
- 13	1253013-1	PLATE-----	1	
- 14	1253025-1	STIFFENER-----	1	
- 15	1253014-1	BRACKET-----	1	
- 16	NAS680A3K	NUTPLATE-----	4	
- 17	NAS680A4	NUTPLATE-----	3	
- 18	1213125-1	SUPPORT-----	1	
- 19	1253024-1	BRACKET-----	1	
- 20	A6191-8Z-3	NUT TIN-----	1	
- 21	A6195-8Z-3	NUT-ANCHOR TIN-----	8	
- 22	0513100-1	DOUBLER-----	1	
	1291300-10	* FIREWALL ASSEMBLY-LOWER-----	1	A
- 23	1253030-2	FIREWALL SHEET-LOWER-----	1	
- 24	1253005-1	DOUBLER-LH-----	1	
- 25	1253005-2	DOUBLER-RH-----	1	
- 26	1253007-1	DOUBLER-LH-----	1	
	1253007-2	DOUBLER-RH-----	1	
- 27	1253015-1	DOUBLER-LH-----	1	
	1253015-2	DOUBLER-RH-----	1	
- 28	1213124-1	REINFORCEMENT-----	1	
- 29	1253009-2	SUPPORT-RH-----	1	
	1253009-1	SUPPORT-LH-----	1	
- 30	1253042-1	ATTACHMENT-SPRING-----	2	
-30A	1253043-1	STIFFENER-----	1	
- 31	1213122-1	BRACKET ASSEMBLY-----	1	
- 32	1253010-1	DOOR STOP-----	2	
- 33	1253026-1	CLIP-----	7	
- 34	NAS680A3K	NUTPLATE-----	6	
- 35	A6191-8Z-3	NUT-ANCHOR TIN-----	10	
- 36	A6195-8Z-3	NUT-ANCHOR TIN-----	6	
- 37	1253030-4	FIREWALL-CENTER-----	1	

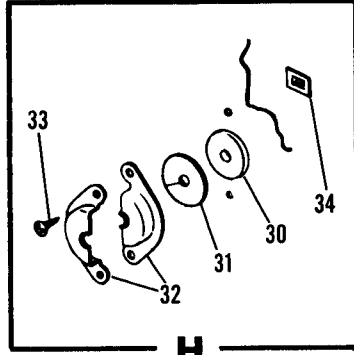
A---210 SERIAL 21057576 & ON

*NOTE. WHEN ORDERING THIS SPARE FOR AIRCRAFT SERIAL 21057576 THRU 21057629 ALSO ORDER PART MARKED □ ON FIGURE 56.

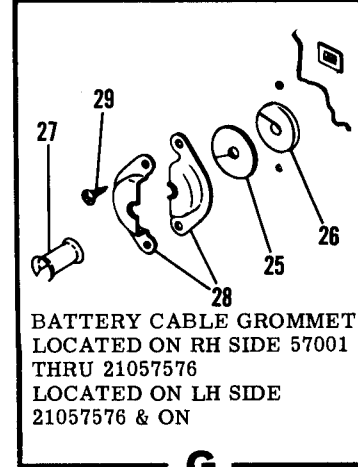
Fuselage (Cont)



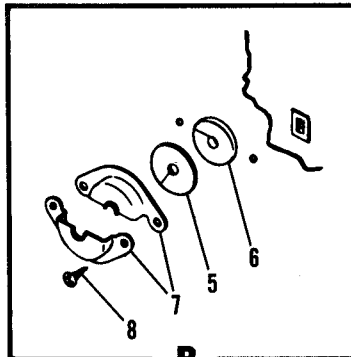
A



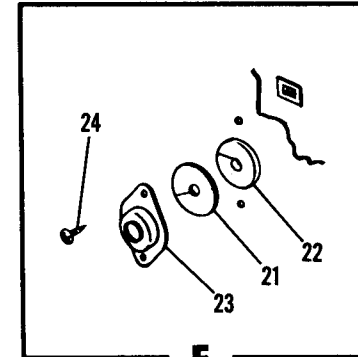
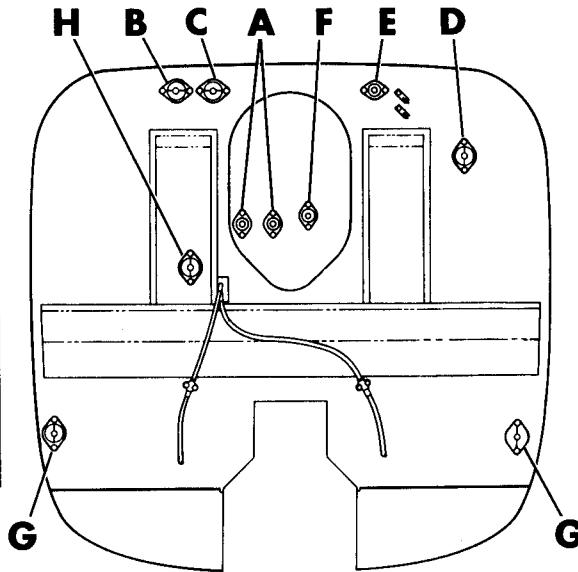
H



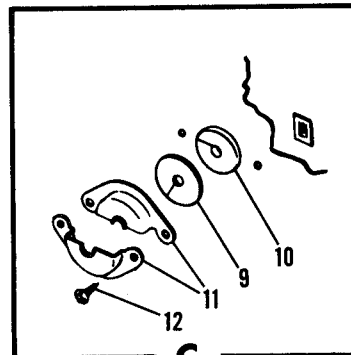
G



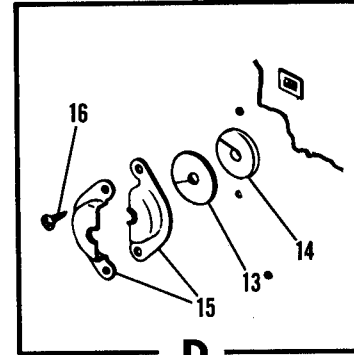
B



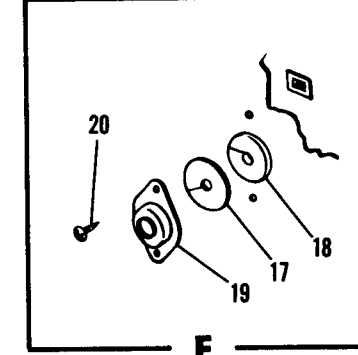
F



C



D



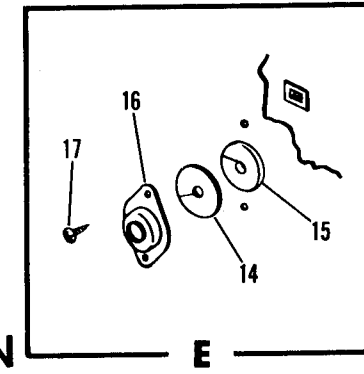
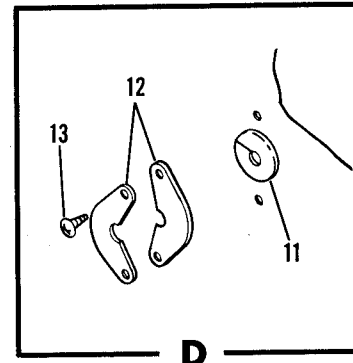
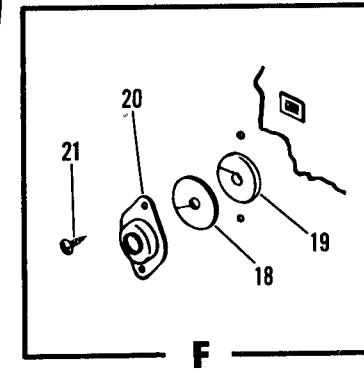
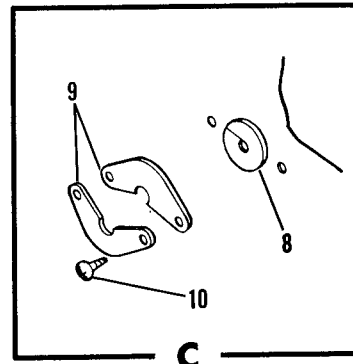
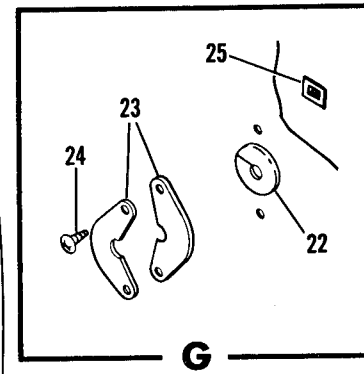
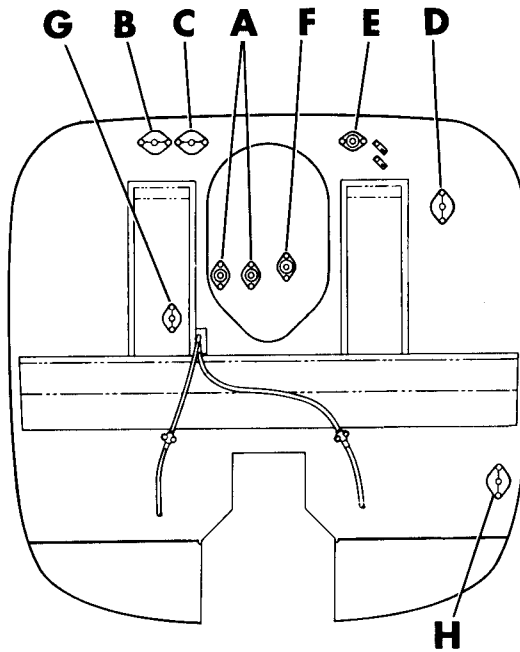
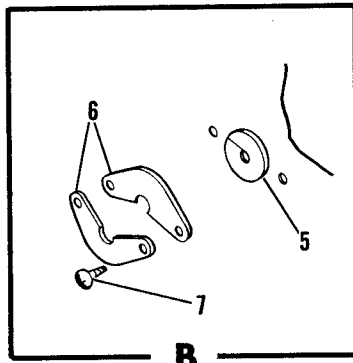
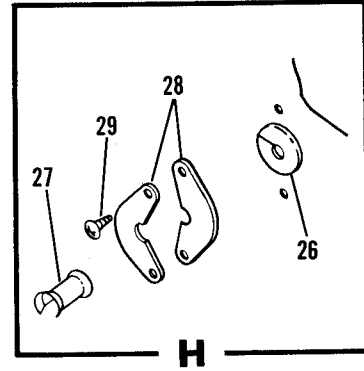
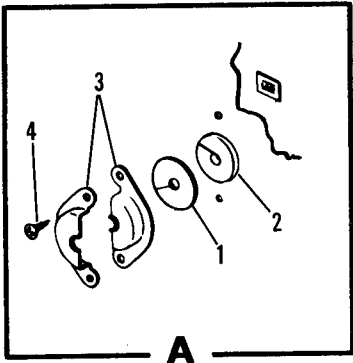
E

SERIAL 57001 THRU 21057696

Figure 27. Firewall Grommets Installation

FIGURE AND INDEX NO.	PART NUMBER	DESCRIPTION	UNITS PER ASSY	USABLE ON CODE
		1 2 3 4 5 6 7		
27-		GROMMETS INSTALLATION-FIREWALL -----		
- 1	MS35489-10S	GROMMET-THROTTLE & MIXTURE-----	NP	A
- 2	S-354-1	GROMMET-ASBESTOS-----CESSNA STANDARD	2	
- 3	S-353-6	SHIELD HALF-----CESSNA STANDARD	2	
		ATTACHING PARTS	4	
- 4	S-1021Z-8-8	SCREW CESSNA STANDARD -----	2	
		-----*		
- 5	MS35489-13S	GROMMET-WIRE BUNDLES -----	1	
- 6	S-354-7	GROMMET-ASBESTOS-----CESSNA STANDARD	1	
- 7	S-353-5	SHIELD HALF-----CESSNA STANDARD	2	
		ATTACHING PARTS		
- 8	S-1021Z-8-8	SCREW CESSNA STANDARD -----	2	
		-----*		
- 9	MS35489-7S	GROMMET-OIL TEMP LEAD-----	1	
- 10	S-354-8	GROMMET-ASBESTOS-----CESSNA STANDARD	1	
- 11	S-353-2	SHIELD HALF-----CESSNA STANDARD	2	
		ATTACHING PARTS		
- 12	S-1021Z-8-8	SCREW CESSNA STANDARD -----	2	
		-----*		
- 13	MS35489-118S	GROMMET -----	1	
- 14	S-354-1	GROMMET-ASBESTOS-----CESSNA STANDARD	1	
- 15	S-353-4	SHIELD HALF-----CESSNA STANDARD	2	
		ATTACHING PARTS		
- 16	S-1021Z-8-8	SCREW CESSNA STANDARD -----	2	
		-----*		
- 17	MS35489-118S	GROMMET -----	1	
- 18	S-354-1	GROMMET-ASBESTOS-----CESSNA STANDARD	1	
- 19	S-352	SHIELD-----CESSNA STANDARD-----	1	
		ATTACHING PARTS		
- 20	S-1021Z-8-8	SCREW CESSNA STANDARD -----	2	
		-----*		
- 21	MS35489-11S	GROMMET -----	1	
- 22	S-354-1	GROMMET-ASBESTOS-----CESSNA STANDARD	1	
- 23	S-352	SHIELD-----CESSNA STANDARD-----	1	
		ATTACHING PARTS		
- 24	S-1021Z-8-8	SCREW CESSNA STANDARD -----	2	
		-----*		
- 25	MS35489-16S	GROMMET -----	1	
- 26	S-354-4	GROMMET-ASBESTOS-----CESSNA STANDARD	1	
- 27	0713003-74	FAIRLEAD -----	1	
- 28	S-353-1	SHIELD-HALF-----CESSNA STANDARD	2	
		ATTACHING PARTS		
- 29	S-1021Z-8-8	SCREW CESSNA STANDARD -----	2	
		-----*		
- 30	MS35489-14S	GROMMET -----	1	
- 31	S-354-4	GROMMET-ASBESTOS-----CESSNA STANDARD	1	
- 32	S-353-1	SHIELD HALF-----CESSNA STANDARD	2	
		ATTACHING PARTS		
- 33	S-1021Z-8-8	SCREW CESSNA STANDARD -----	2	
- 34	NAS446-4-3	NUT -----	2	
		-----*		
		A---210 SERIAL 57001 THRU 21057696		

Fuselage(Cont)



SERIAL 21057697 & ON

Figure 27A. Firewall Grommets Installation

FIGURE AND INDEX NO.	PART NUMBER	DESCRIPTION	UNITS PER ASSY	USABLE ON CODE
		1 2 3 4 5 6 7		
27A-		GROMMETS INSTALLATION-FIREWALL -----	NP	A
- 1	MS35489-10S	GROMMET-THROTTLE & MIXTURE-----	2	
- 2	S-354-1	GROMMET-ASBESTOS-----CESSNA STANDARD -----	2	
- 3	S-353-6	SHIELD-HALF-----CESSNA STANDARD -----	4	
		ATTACHING PARTS		
- 4	S-1021Z-8-8	SCREW CESSNA STANDARD --- SERIAL 21057697	2	
		-----*-----		
- 5	NAS557-6A	GROMMET -----	1	
- 6	S-1095-3	SHIELD-HALF-----CESSNA STANDARD ----- & ON	2	
		ATTACHING PARTS		
- 7	S-1021Z-8-8	SCREW CESSNA STANDARD -----	2	
		-----*-----		
- 8	NAS557-3A	GROMMET -----	1	
- 9	S-1095-1	SHIELD-HALF-----CESSNA STANDARD -----	2	
		ATTACHING PARTS		
- 10	S-1021Z-8-8	SCREW CESSNA STANDARD -----	2	
		-----*-----		
- 11	NAS557-4A	GROMMET -----	1	
- 12	S-1095-2	SHIELD-HALF-----CESSNA STANDARD -----	2	
		ATTACHING PARTS		
- 13	S-1021Z-8-8	SCREW CESSNA STANDARD -----	2	
		-----*-----		
- 14	MS35489-118S	GROMMET -----	1	
- 15	S-354-1	GROMMET-ASBESTOS-----CESSNA STANDARD -----	1	
- 16	S-352	SHIELD-----CESSNA STANDARD-----	1	
		ATTACHING PARTS		
- 17	S-1021Z-8-8	SCREW CESSNA STANDARD -----	2	
		-----*-----		
- 18	MS35489-11S	GROMMET -----	1	
- 19	S-354-1	GROMMET-ASBESTOS-----CESSNA STANDARD -----	1	
- 20	S-352	SHIELD-----CESSNA STANDARD-----	1	
		ATTACHING PARTS		
- 21	S-1021Z-8-8	SCREW CESSNA STANDARD -----	2	
		-----*-----		
- 22	NAS557-8A	GROMMET -----	1	
- 23	S-1095-4	SHIELD-HALF-----CESSNA STANDARD -----	2	
		ATTACHING PARTS		
- 24	S-1021Z-8-8	SCREW CESSNA STANDARD -----	2	
- 25	NAS446-4-3	NUT -----	1	
		-----*-----		
- 26	NAS557-8A	GROMMET -----	1	
- 27	0713003-74	FAIRLEAD -----	1	
- 28	S-1095-4	SHIELD-HALF-----CESSNA STANDARD -----	2	
		ATTACHING PARTS		
- 29	S-1021Z-8-8	SCREW CESSNA STANDARD -----	2	
		-----*-----		
		A---210 SERIAL 21057697 & ON		

Fuselage (Cont)

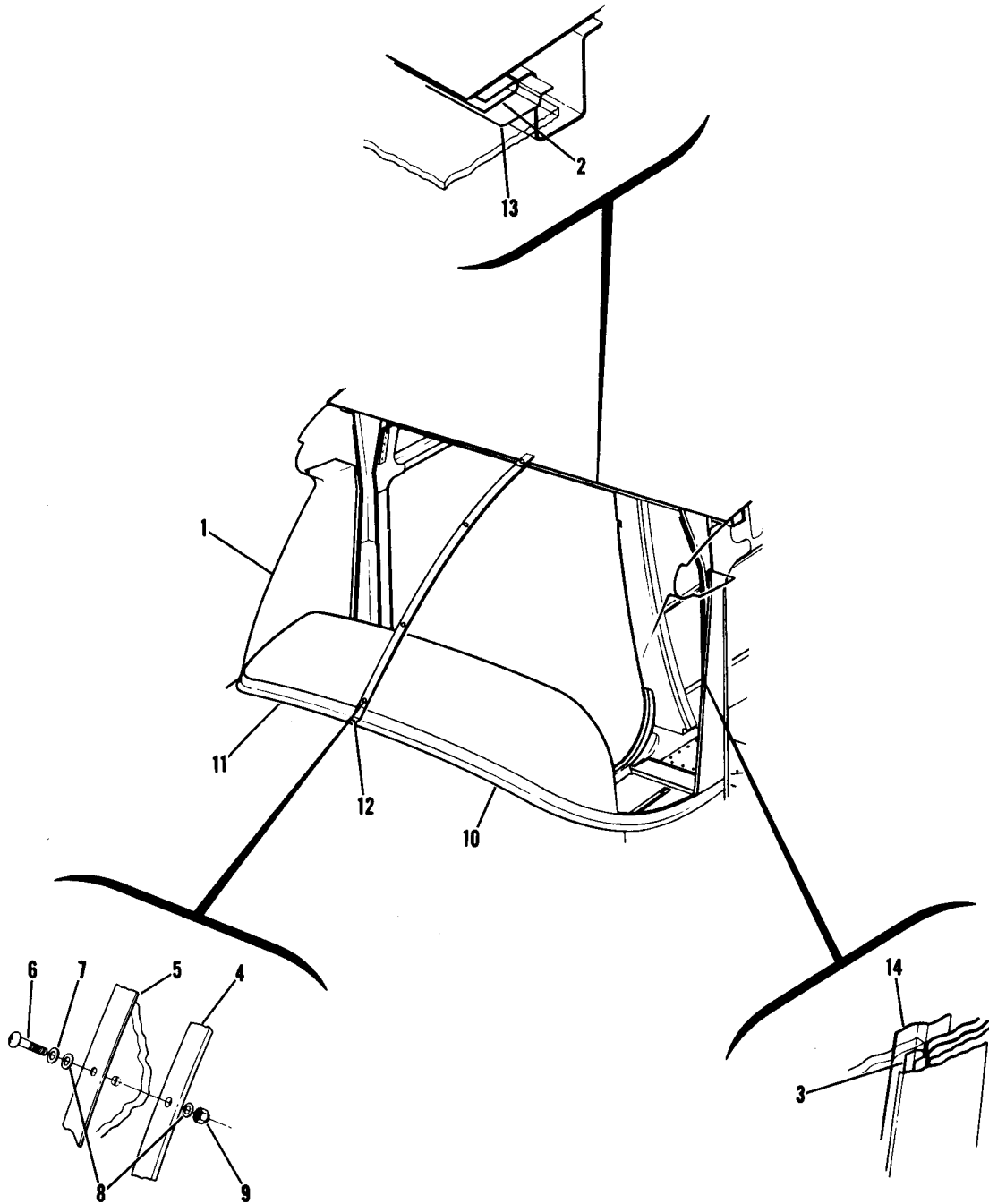


Figure 28. Windshield Installation

FIGURE AND INDEX NO.	PART NUMBER	DESCRIPTION	UNITS PER ASSY	USABLE ON CODE
28-		1 2 3 4 5 6 7 WINDSHIELD INSTALLATION-----		
- 1	1213000-20	WINDSHIELD -----	NP	
- 2	0713113-1	PAD-WINDSHIELD UPPER -----	1	
- 3	0713114-1	PAD-WINDSHIELD SIDE -----	1	
- 4	1213000-15	STRIP-WINDSHIELD CENTER INNER -----	2	
- 5	1213000-13	STRIP ASSEMBLY-WINDSHIELD CENTER OUTER -----	1	
		ATTACHING PARTS	1	
- 6	NAS221-12	SCREW -----	4	
- 7	AN960D10	WASHER-----	4	
- 8	S-350	WASHER-----CESSNA STANDARD-----	8	
- 9	22NKM-02	NUT EN -----	4	
		-----*-----		
- 10	1213000-11	RETAINER HALF-LH-----	1	
- 11	1213000-12	RETAINER HALF-RH-----	1	
		ATTACHING PARTS		
- 12	AN507-632R6	SCREW -----	18	
	MS20365-632C	NUT -----	18	
		-----*-----		
- 13	0511000-63	RETAINER-WINDSHIELD INNER -----	1	
- 14	1213113-3	RETAINER-WINDSHIELD LH -----	1	
	1213113-4	RETAINER-WINDSHIELD RH -----	1	
	1213027-1	RETAINER-UPHOLSTERY-----	1	
	S-1078-1	TAPE-SEALER-----78 IN LONG---- BULK ITEM-----	AR	

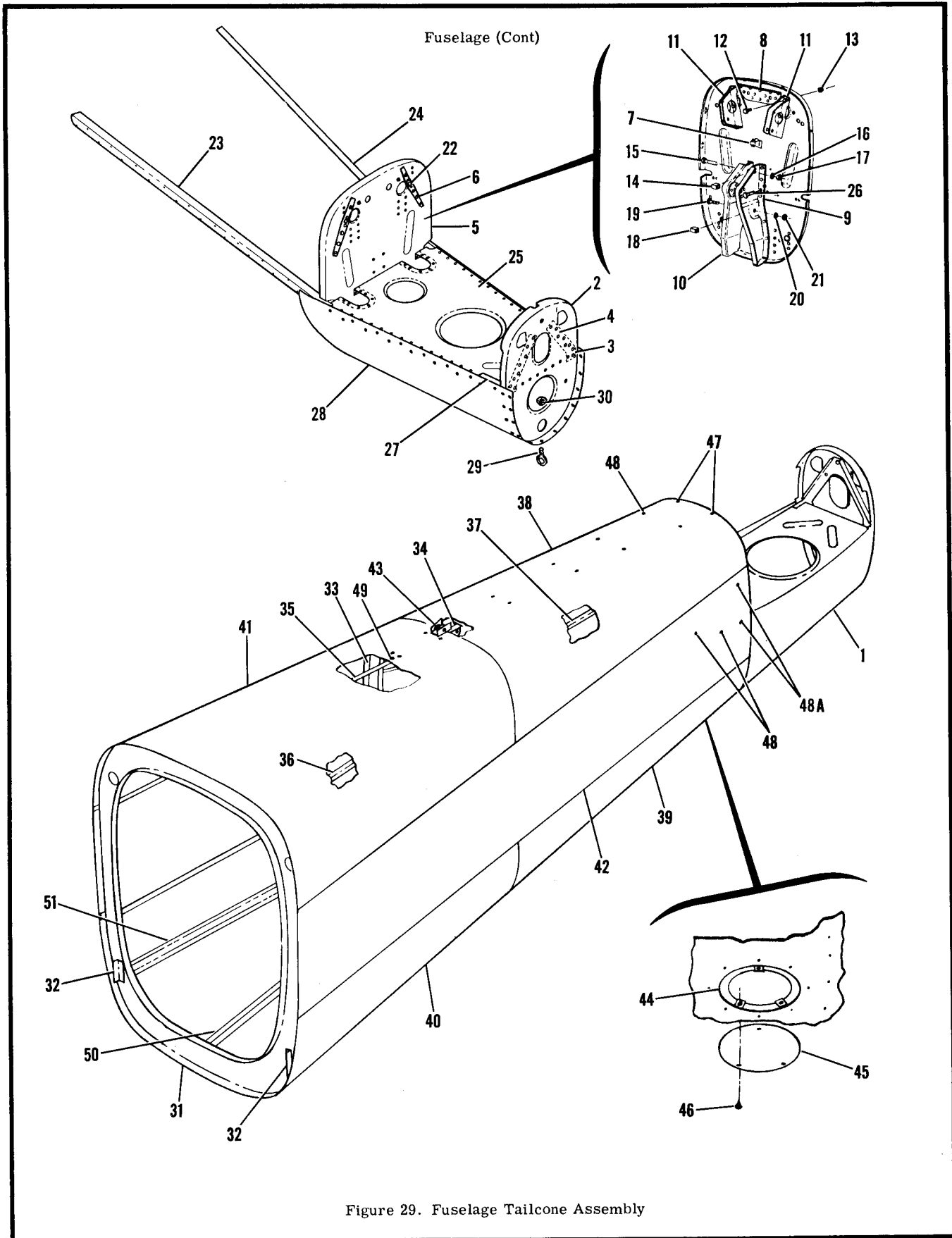


FIGURE AND INDEX NO.	PART NUMBER	DESCRIPTION	UNITS PER ASSY	USABLE ON CODE
		1 2 3 4 5 6 7		
29-	1212001-1	TAILCONE ASSEMBLY-FUSELAGE -----	1	
- 1	1212001-2	AFT TAILCONE ASSEMBLY-FUSELAGE STA 209.0 TO 230.187 -----	1	
- 2	1212005-1	BULKHEAD ASSEMBLY-TAILCONE STA 230.187-----	1	
	1212005-2	BULKHEAD-TAILCONE STA 230.187 -----	1	
- 3	1212011-1	STIFFENER -----	1	
- 4	1212012-1	DOUBLER-INNER -----	1	
- 5	0712311-6	BULKHEAD ASSEMBLY-TAILCONE STA 209.0 -----	1	
	0712311-7	BULKHEAD-TAILCONE STA 209.0 -----	1	
- 6	1212003-1	DOUBLER-----	2	
- 7	1260081-1	BRACKET-PULLEY -----	1	
- 8	0712203-4	DOUBLER-----	1	
- 9	0712306-9	BRACKET ASSEMBLY-ELEVATOR BELLCRANK REAR LH -----	1	
- 10	0712306-10	BRACKET ASSEMBLY-ELEVATOR BELLCRANK REAR RH -----	1	
- 11	0712208	BRACKET-RUDDER BELLCRANK -----	2	
		ATTACHING PARTS		
- 12	AN3-3A	BOLT -----	1	
- 13	MS20365-1032C	NUT -----	1	
		---*---		
- 14	0510146-6	STOP-ELEVATOR UPPER -----	1	
		ATTACHING PARTS		
- 15	AN4-12A	BOLT -----	1	
- 16	AN960-416	WASHER -----	1	
- 17	MS20365-428C	NUT -----	1	
		---*---		
- 18	0510146-3	STOP-ELEVATOR LOWER -----	1	
		ATTACHING PARTS		
- 19	AN4-14A	BOLT -----	1	
- 20	AN960-416	WASHER -----	2	
- 21	MS20365-428C	NUT -----	1	
		---*---		
- 22	NAS697A4	NUTPLATE KNM -----	2	
- 23	0712207-1	ANGLE-REINFORCEMENT LH -----	1	
- 24	0712207-2	ANGLE-REINFORCEMENT RH -----	1	
- 25	0712206	BULKHEAD ASSEMBLY-TAILCONE HORIZONTAL -----	1	
		ATTACHING PARTS		
- 26	AN3-5A	BOLT-----	2	
	AN960-10	WASHER -----	2	
	MS20365-1032C	NUT -----	2	
		---*---		
- 27	0712302-1	BRACKET-STABILIZER HINGE LH -----	1	
	0712302-2	BRACKET-STABILIZER HINGE RH -----	1	
- 28	1212001-6	SKIN-----	1	
- 29	0422344	RING-MOORING -----	1	
		ATTACHING PARTS		
- 30	MS20365-524C	NUT -----	1	
		---*---		
- 31	0712201-1	BULKHEAD ASSEMBLY-STA 140.0 REF 1211118-2-----	1	
- 32	1211119-1	ANGLE -----	2	
- 33	0712202-3	BULKHEAD ASSEMBLY-STA 172.0 -----	1	
- 34	1212025	BRACKET ASSEMBLY-ELEVATOR SPRING -----	1	
- 35	0712000-8	STIFFENER -----	1	
- 36	0712000-11	STIFFENER -----	2	
- 37	0712000-12	STIFFENER -----	2	
- 38	0712000-6	SKIN -----	1	
- 39	0712000-23	SKIN -----	1	
- 40	0712000-4	SKIN -----	1	
- 41	0712000-5	SKIN -----	1	
- 42	0712000-2	SPLICE PLATE -----	2	
- 43	1212002-1	CHANNEL -----	1	
- 44	S-226-5F	DOUBLER-INSPECTION PLATE CESSNA STANDARD -----	1	
- 45	S-225-4F	PLATE-INSPECTION-----CESSNA STANDARD -----	1	
		ATTACHING PARTS		
- 46	S-1022-8Z-8	SCREW CESSNA STANDARD -----	6	
		---*---		
- 47	NAS680A08	NUTPLATE -----	4	
- 48	A6195-8Z-3	NUT TIN-----	6	
-48A	A6196-8Z-3	NUT TIN-----	4	
- 49	NAS696A08	NUTPLATE -----	1	
- 50	1211024-3	STRINGER -----	1	
- 51	1211024-1	STRINGER-LH-----	1	
	1211024-2	STRINGER-RH-----	1	

This page intentionally left blank.

Fuselage (Cont)

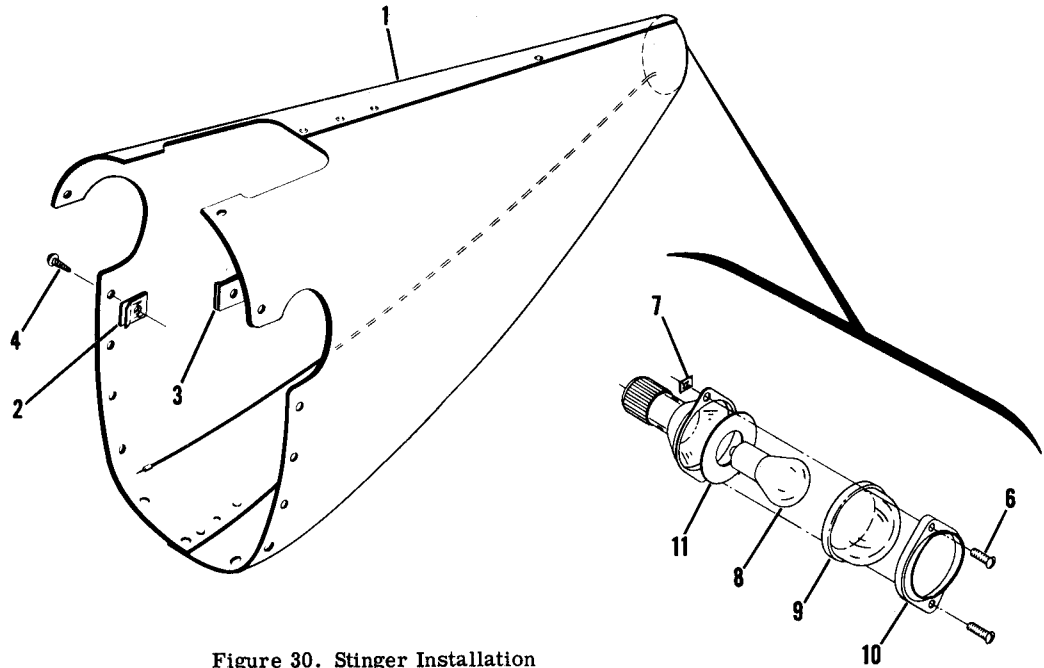
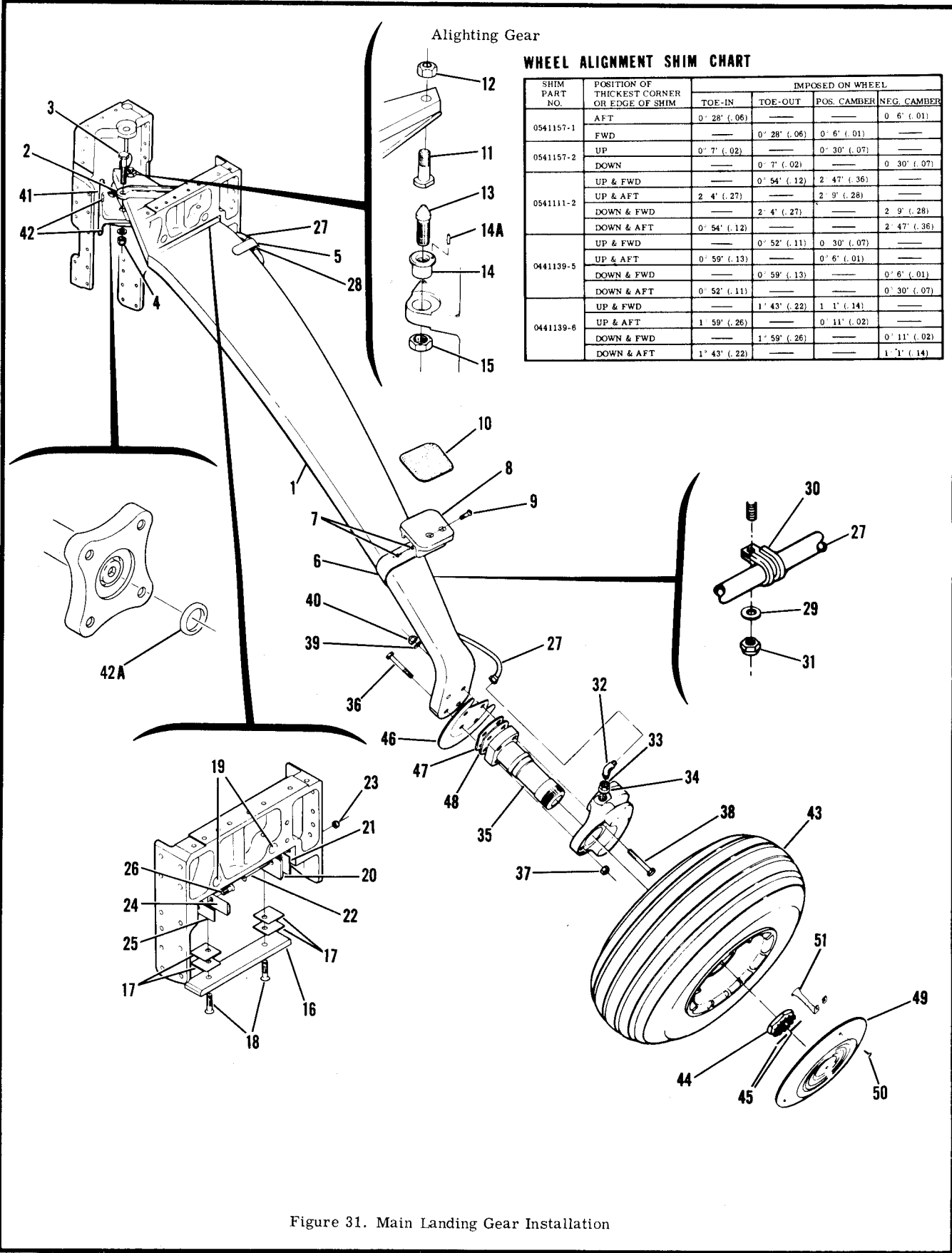


Figure 30. Stinger Installation

FIGURE AND INDEX NO.	PART NUMBER	DESCRIPTION	UNITS PER ASSY	USABLE ON CODE
		1 2 3 4 5 6 7		
30-		STINGER INSTALLATION -----	NP	
- 1	0712401-6 *	STINGER ASSEMBLY-----	1	
		ATTACHING PARTS		
- 2	NAS395-14-3	NUTPLATE TIN 1274-8Z-3-----	15	
- 3	NAS395-10-3	NUTPLATE TIN A7852-8Z-3-----	4	
- 4	S-1021Z-8-8	SCREW CESSNA STANDARD-----	19	
		-----*		
- 5	0712400-4	PAN-TAIL LIGHT-----	1	
	0433006-7	LIGHT ASSEMBLY-TAIL-----	1	
		ATTACHING PARTS		
- 6	S-1021Z-4-8	SCREW CESSNA STANDARD-----	2	
- 7	NAS395-1-3	NUT-----	2	
		-----*		
- 8	0433006-10	LAMP-----	1	
- 9	0433006-2	LENS-CLEAR-----	1	
- 10	0433006-12	RETAINER-LENS-----	1	
- 11	0433006-1	GASKET-----	1	
		 *NOTE. THIS SPARE INCLUDES ALL ELECTRICAL WIRING NECESSARY FOR INSTALLATION		



WHEEL ALIGNMENT SHIM CHART

SHIM PART NO.	POSITION OF THICKEST CORNER OR EDGE OF SHIM	IMPOSED ON WHEEL			
		TOE-IN	TOE-OUT	POS. CAMBER	NEG. CAMBER
0541157-1	AFT	0° 28' (.06)	—	—	0° 6' (.01)
	FWD	—	0° 28' (.06)	0° 6' (.01)	—
0541157-2	UP	0° 7' (.02)	—	0° 30' (.07)	—
	DOWN	—	0° 7' (.02)	—	0° 30' (.07)
0541111-2	UP & FWD	—	0° 54' (.12)	2° 47' (.36)	—
	UP & AFT	2° 4' (.27)	—	2° 9' (.28)	—
	DOWN & FWD	—	2° 4' (.27)	—	2° 9' (.28)
	DOWN & AFT	0° 54' (.12)	—	—	2° 47' (.36)
0441139-5	UP & FWD	—	0° 52' (.11)	0° 30' (.07)	—
	UP & AFT	0° 59' (.13)	—	0° 6' (.01)	—
	DOWN & FWD	—	0° 59' (.13)	—	0° 6' (.01)
0441139-6	UP & FWD	—	1° 43' (.22)	1° 1' (.14)	—
	UP & AFT	1° 59' (.26)	—	0° 11' (.02)	—
	DOWN & FWD	—	1° 59' (.26)	—	0° 11' (.02)
	DOWN & AFT	1° 43' (.22)	—	—	1° 1' (.14)

Figure 31. Main Landing Gear Installation

FIGURE AND INDEX NO.	PART NUMBER	DESCRIPTION	UNITS PER ASSY	USABLE ON CODE
		1 2 3 4 5 6 7		
31-		LANDING GEAR INSTALLATION-MAIN -----	NP	
- 1	1241001-3	SPRING ASSEMBLY-MAIN LANDING GEAR LH -----	1	
	1241001-4	SPRING ASSEMBLY-MAIN LANDING GEAR RH -----	1	
		ATTACHING PARTS		
- 2	1241053-1	CHANNEL-LH -----	1.	
	1241053-2	CHANNEL-RH -----	1	
- 3	NAS464P5LA23	BOLT -----	2	C
	NAS464P5LA23	BOLT -----	1	D
	NAS464P5LA32	BOLT -----	1	D
- 4	MS20365-524C	NUT -----	2	
		-----*		
- 5	1241035-1	CLIP-LH -----	1	
	1241035-2	CLIP-RH -----	1	
- 6	1241042-1	STRAP ASSEMBLY-MAIN GEAR STEP LH -----	1	
	1241042-2	STRAP ASSEMBLY-MAIN GEAR STEP RH -----	1	
- 7	NAS697-3	NUT-ANCHOR -----	2	
- 8	1241043-1	STEP-MAIN GEAR LH -----	1	
	1241043-2	STEP-MAIN GEAR RH -----	1	
		ATTACHING PARTS		
- 9	AN525-10R14	SCREW -----	2	
		-----*		
- 10	1241048-1	TREAD-STEP LH -----	1	
	1241048-2	TREAD-STEP RH -----	1	
- 11	1241011-1	BOLT-MAIN LANDING GEAR SPRING -----	1	
		ATTACHING PARTS		
- 12	MS20364-720C	NUT -----	1	
		-----*		
- 13	1241044-1	PIN-MAIN LANDING GEAR INBOARD SUPPORT -----	1	
		ATTACHING PARTS		
- 14	1241041-2	BUSHING -----	1	
-14A	23-S-125-375	ROLL PIN -----	1	
- 15	AN316-9R	NUT -----	1	
		-----*		
- 16	1241003-1	PLATE-MAIN LANDING GEAR ADJUSTING -----	1	
- 17	1241047-1	SHIM-MAIN LANDING GEAR ADJUSTING .012 THICK -----	AR	
	1241047-2	SHIM-MAIN LANDING GEAR ADJUSTING .032 THICK -----	AR	
	1241047-3	SHIM-MAIN LANDING GEAR ADJUSTING .006 THICK -----	AR	
		ATTACHING PARTS		
- 18	NAS514P-428-22	SCREW -----	2	
- 19	2452-048	NUT-BARREL EN -----	2	
		-----*		
- 20	1241003-2	PLATE-LH -----	1	A
	1241003-3	PLATE-LH -----	AR	B
	1241003-4	PLATE-LH -----	AR	B
	1241003-5	PLATE-LH -----	AR	B
	1241003-2	PLATE-RH -----	1	A
	1241003-6	PLATE-RH -----	AR	B
	1241003-7	PLATE-RH -----	AR	B
	1241003-8	PLATE-RH -----	AR	B
- 21	1241047-1	SHIM-MAIN LANDING GEAR ADJUSTING .012 THICK -----	AR	
	1241047-2	SHIM-MAIN LANDING GEAR ADJUSTING .032 THICK -----	AR	
		ATTACHING PARTS		
- 22	AN509-8R35	SCREW -----	1	
- 23	MS20365-832C	NUT -----	1	
		-----*		
- 24	1241037-1	PLATE-MAIN LANDING GEAR ADJUSTING -----	1	
- 25	1241038-2	SHIM .031 THICK -----	AR	
	1241038-3	SHIM .015 THICK -----	AR	
	1241038-4	SHIM .005 THICK -----	AR	
		ATTACHING PARTS		
- 26	NK509-8R7	SCREW . FLN -----	1	
		-----*		
- 27	1280106-1	LINE-BRAKE LH -----	1	
	1280106-2	LINE-BRAKE RH -----	1	
		ATTACHING PARTS		
- 28	0441119	HOSE -----	1	
- 29	AN960D10	WASHER -----	1	
- 30	MS21919DF4	CLAMP -----	1	
- 31	MS20365-1032C	NUT -----	1	
- 32	AN833-4D	ELBOW -----	1	
- 33	AN924-4D	NUT -----	1	
- 34	AN902-4	GASKET -----	1	
		-----*		

CONTINUED ON PAGE 63A

Cessna illustrated parts catalog

Model 210

FIGURE AND INDEX NO.	PART NUMBER	DESCRIPTION	UNITS PER ASSY	USABLE ON CODE
		1 2 3 4 5 6 7		
31- 35	0541124-1	AXLE-MAIN LANDING GEAR ----- ATTACHING PARTS -----	1	
- 36	AN6-23A	BOLT -----	2	
- 37	MS20365-624C	NUT -----	2	
- 38	AN5-23A	BOLT -----	2	
	AN5-22A	BOLT ALT -----	2	
- 39	AN960-516L	WASHER-----ON AFT BOLT ONLY -----	1	
- 40	MS20365-524C	NUT -----	2	
		*-----		
- 41	1241004-1 *	SADDLE ASSEMBLY-LH -----	1	
	1241004-2 *	SADDLE ASSEMBLY-RH ----- ATTACHING PARTS -----	1	
- 42	NAS1304-5H	BOLT -----	4	
	AN960-416L	WASHER-----	4	
-42A	AN6227B12	O RING-----	1	
		*-----		
- 43	1241006-1	BUSHING -----	1	
- 44	AN7502-24	WHEEL & BRAKE ASSEMBLIES-MAIN GEAR SEE FIGURE 90-----	1	
- 45	AN380-4-3	NUT-AXLE -----	1	
- 46	0441141-3	PIN-COTTER -----	2	
	0441141-4	COVER-BRAKE DISC LH -----	1	
	0441141-4	COVER-BRAKE DISC RH -----	1	
- 47	0541157-1	SHIM -----	AR	
- 48	0541157-2	SHIM -----	AR	
- 49	1241010-2	HUB CAP-MAIN WHEEL ----- ATTACHING PARTS -----	1	
- 50	S-1021Z-4-6	SCREW CESSNA STANDARD -----	3	
	NAS395-1-3	NUT -----	3	
- 51	1241059-1	CLIP-HUB CAP -----	3	
		*-----		
<p>*NOTE. WHEN ORDERING THIS PART ALSO ORDER SK210-7 A---210 SERIAL 57001 THRU 21057577 B---210 SERIAL 21057578 & ON C---210 SERIAL 57001 THRU 57559 D---210 SERIAL 57560 & ON</p>				

This page intentionally left blank.

FIGURE AND INDEX NO.	PART NUMBER	DESCRIPTION	UNITS PER ASSY	USABLE ON CODE
		1 2 3 4 5 6 7		
32-		LANDING GEAR INSTALLATION-NOSE -----	NP	
		NOSE GEAR ASSEMBLY -----	NP	
		ATTACHING PARTS -----		
- 1	NAS464P6LA28	BOLT -----	2	
- 2	AN960-616	WASHER-----	4	
- 3	MS20364-624C	NUT -----	2	
- 4	NAS464P6-42	BOLT -----	1	
- 5	AN320-6	NUT -----	1	
- 6	AN380-3-4	PIN-COTTER -----	1	
- 7	AN960-616	WASHER-----	2	
- 8	AN960-616L	WASHER-----	4	
		-----*		
- 9		WHEEL ASSEMBLY-NOSE GEAR SEE FIGURE 91 -----	1	
		ATTACHING PARTS -----		
- 10	0543003	TUBE-AXLE -----	1	
- 11	0543001	FERRULE-AXLE BOLT -----	2	
- 12	0543002	SPACER-AXLE-----	2	
- 13	AN5-47	BOLT -----	1	
- 14	AN310-5	NUT -----	1	
- 15	AN380-2-3	PIN-COTTER -----	1	
		-----*		
- 16	1241012-2	HUB CAP-NOSE WHEEL -----	2	
		ATTACHING PARTS -----		
-16A	S-1021Z-4-6	SCREW CESSNA STANDARD -----	3	
	NAS395-1-3	NUT -----	3	
-16B	1241059-2	CLIP-HUB CAP -----	3	
		-----*		
- 17	0842400-13	SHIMMY DAMPENER ASSEMBLY SEE FIGURE 92 -----	1	
		ATTACHING PARTS -----		
- 18	AN3-6A	BOLT -----	1	
- 19	MS20365-1032C	NUT -----	1	
- 20	AN5-11A	BOLT -----	1	
- 21	AN310-5	NUT -----	1	
- 22	AN380-2-3	PIN-COTTER -----	1	
		-----*		
- 23	1243000-4	SHOCK STRUT ASSEMBLY SEE FIGURE 34 -----	1	
		ATTACHING PARTS -----		
- 24	AN5-26A	BOLT -----	1	
	MS20365-524C	NUT -----	1	
	AN960-516	WASHER-----	1	
		-----*		
		CONTINUED ON PAGE 66		

Nose Gear

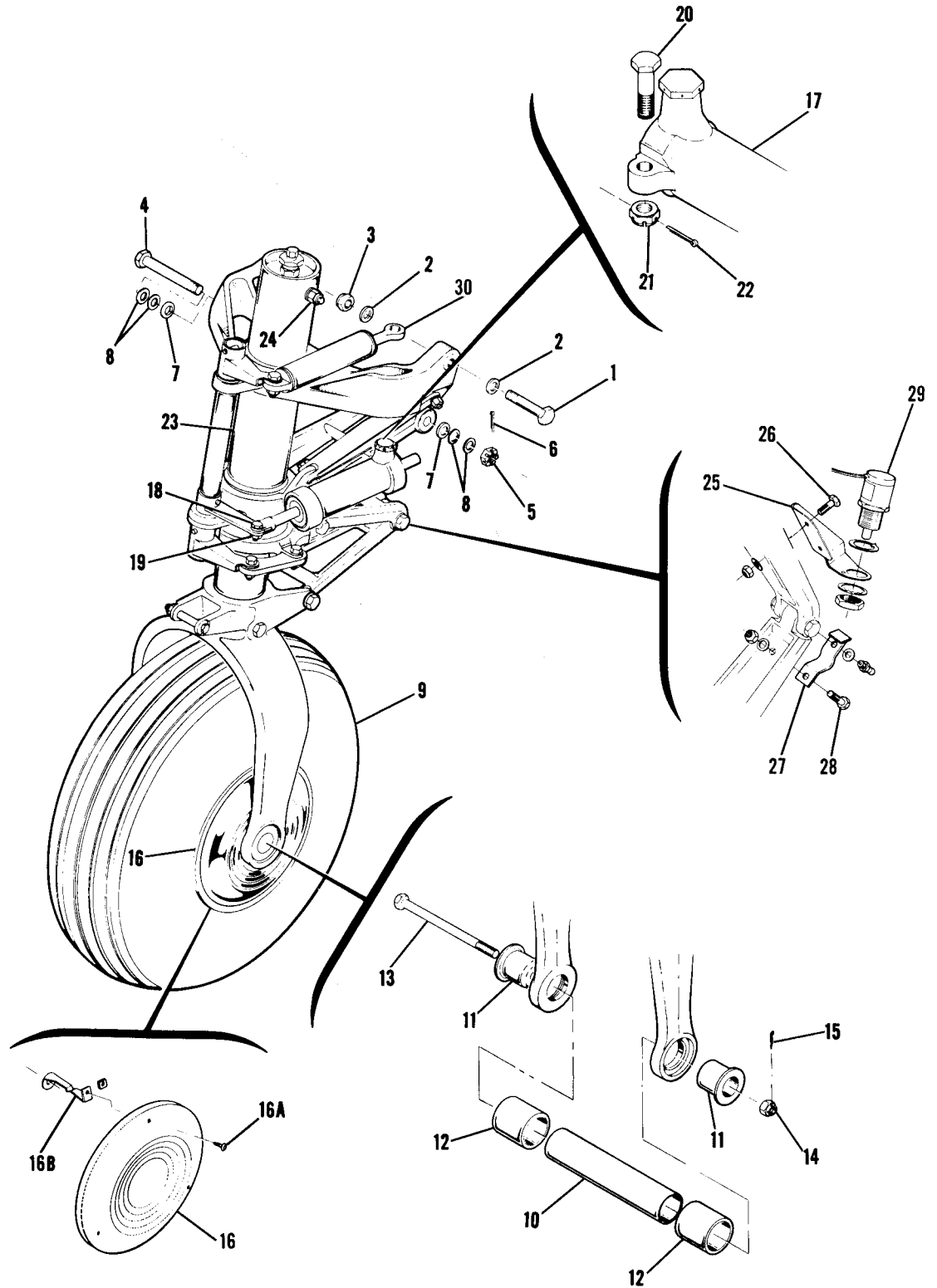


Figure 32. Nose Gear Installation

FIGURE AND INDEX NO.	PART NUMBER	DESCRIPTION							UNITS PER ASSY	USABLE ON CODE
		1	2	3	4	5	6	7		
32- 25	1243019-2								1	
	1243019-1 *								1	
- 26	AN3-4A								2	
	AN960PD10								2	
	MS20365-1032C								2	
- 27	1243020-1								1	
- 28	AN3-4A								1	
	AN960PD10								1	
	MS20365-1032C								1	
- 29	1270034-1								1	
	1270034-2	□							1	
	1270034-3	□							1	
- 30									NP	
<p style="text-align: center;">*NOTE. FOR USE WITH EITHER ALTERNATE SQUAT SWITCH MARKED □</p>										

Aligning (Cont)

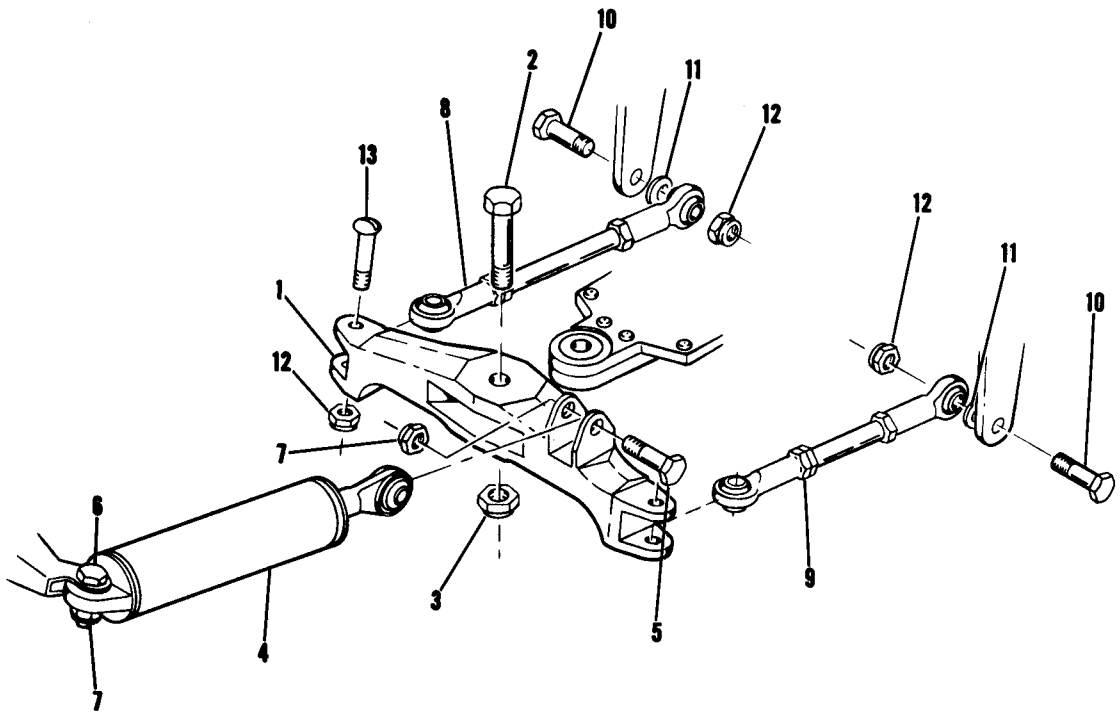


Figure 33. Nose Gear Steering System Installation

FIGURE AND INDEX NO.	PART NUMBER	DESCRIPTION	UNITS PER ASSY	USABLE ON CODE
		1 2 3 4 5 6 7		
33-		STEERING SYSTEM INSTALLATION-NOSE GEAR -----	NP	
- 1	1243032-1	BAR-CROSS -----	1	
		ATTACHING PARTS -----		
- 2	AN4-13A	BOLT -----	1	
- 3	MS20365-428C	NUT -----	1	
		-----*		
- 4	1243011	SPRING TUBE ASSEMBLY -----	1	
		ATTACHING PARTS -----		
- 5	AN3-10A	BOLT -----	1	
- 6	AN3-6A	BOLT -----	1	
- 7	MS20365-1032C	NUT -----	1	
		-----*		
- 8	1261029-2	ROD ASSEMBLY-PUSH-PULL RH -----	1	
- 9	1261029-1	ROD ASSEMBLY-PUSH-PULL LH -----	1	
		ATTACHING PARTS -----		
- 10	AN3-10A	BOLT -----	1	
- 11	AN960-10	WASHER -----	1	
- 12	MS20365-1032C	NUT -----	2	
- 13	AN23-15A	BOLT -----	1	
		-----*		

Aligning Gear (Cont)

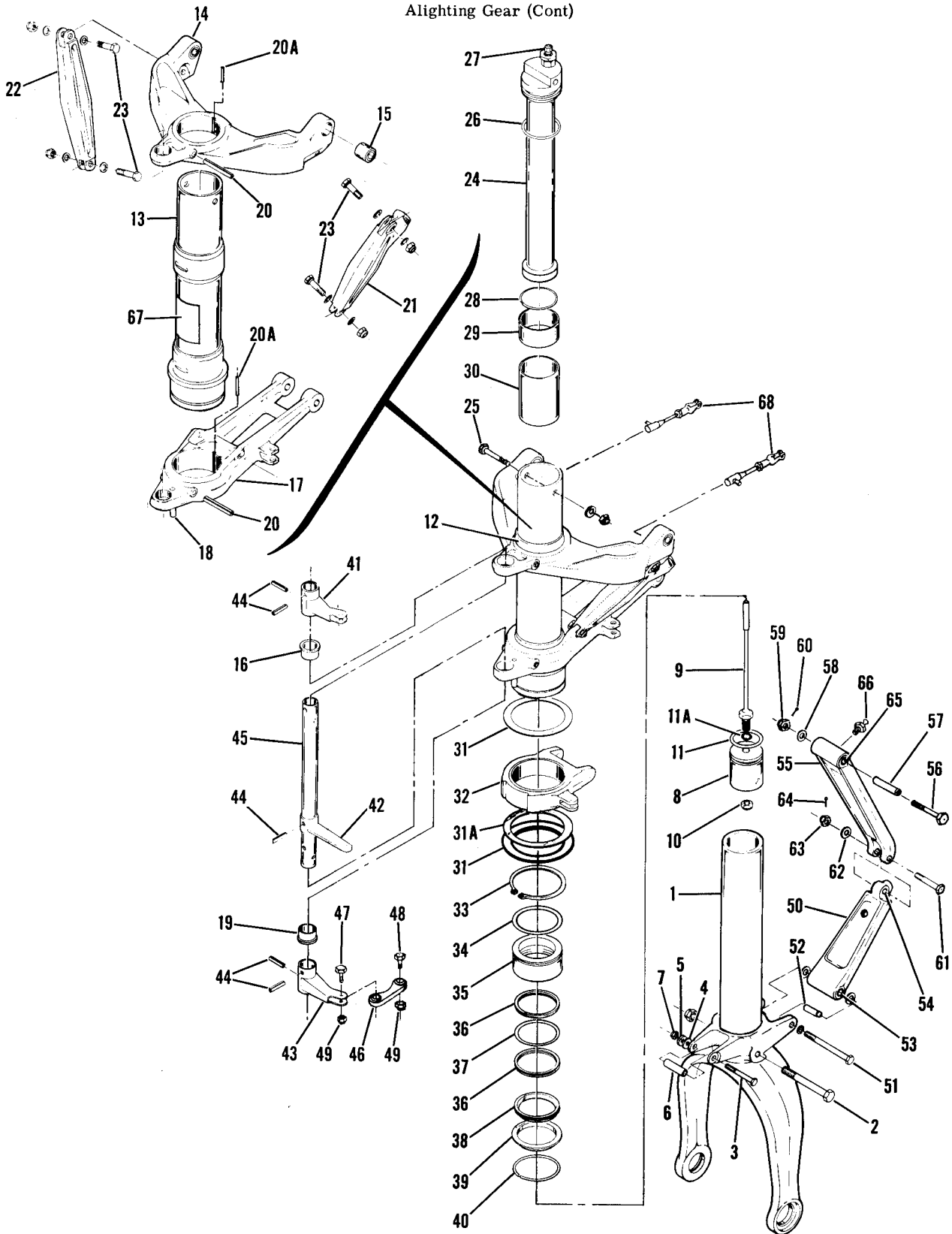


Figure 34. Nose Gear Shock Strut Assembly

FIGURE AND INDEX NO.	PART NUMBER	DESCRIPTION	UNITS PER ASSY	USABLE ON CODE
		1 2 3 4 5 6 7		
34-	1243000-4	SHOCK STRUT ASSEMBLY-NOSE GEAR -----	1	
- 1	1243000-5	FORK & BARREL ASSEMBLY -----	1	
- 2	AN5-30A	BOLT-----	1	
	MS20365-524C	NUT -----	1	
- 3	AN3-22A	BOLT-----	1	
- 4	NAS43DD-3-32	SPACER -----	1	
- 5	AN960-10L	WASHER -----	1	
- 6	NAS74A-3E104	BUSHING -----	1	
- 7	MS20365-1032C	NUT -----	1	
- 8	0841200-7	PLUG-PIN BASE -----	1	
- 9	0841200-21	PIN-METERING -----	1	
		ATTACHING PARTS -----		
- 10	MS20365-428C	NUT -----	1	
		---*---		
- 11	AN6227B26	O RING-----	1	
-11A	AN6227B5	O RING-----	1	
- 12	1243000-6	BARREL & TRUNNION ASSEMBLY-NOSE GEAR -----	1	
- 13	1243005-1	BARREL ASSEMBLY-OUTER -----	1	
- 14	1243007-1	TRUNNION ASSEMBLY-UPPER -----	1	
- 15	BRA-6	BEARING-----TOR -----	2	
	BRA-6-OH	BEARING-----TOR ALT -----	2	
- 16	S-1004-40A	BEARING-----CESSNA STANDARD -----	1	
- 17	1243006-1	TRUNNION ASSEMBLY-LOWER -----	1	
- 18	1243006-3	PIN -----	1	
- 19	1243006-4	BEARING-----	1	
- 20	NAS561P8-32	PIN-ROLL -----	2	
-20A	AFBMA1875L88	NEEDLE ROLLER -----	2	
- 21	1243008-3	BRACE ASSEMBLY-LH -----	1	
- 22	1243008-4	BRACE ASSEMBLY-RH -----	1	
		ATTACHING PARTS -----		
- 23	AN174-11A	BOLT-----	2	
	AN960PD416	WASHER -----	4	
	MS20365-428C	NUT -----	2	
		---*---		
- 24	1243002-2	SUPPORT ASSEMBLY-PISTON ORIFICE -----	1	
		ATTACHING PARTS -----		
- 25	AN5-26A	BOLT -----	1	
	AN960-516	WASHER-----	1	
	MS20365-524C	NUT -----	1	
		---*---		
- 26	AN6230B3	O-RING-----	1	
- 27	0543036-1	VALVE ASSEMBLY -----	1	
	AN6287-1	VALVE ASSEMBLY ALT -----	1	
	MS28889-1	VALVE ASSEMBLY ALT -----	1	
- 28	0841200-19	LOCK RING -----	1	
- 29	0841200-18	BEARING -----	1	
- 30	1243012-3	SPACER-EXTEND STOP -----	1	
- 31	0543029	WASHER-----	2	
-31A	1243030-1	SHIM-STEERING ARM .005 THICK-----	AR	
	1243030-2	SHIM-STEERING ARM .010 THICK-----	AR	
	1243030-3	SHIM-STEERING ARM .020 THICK-----	AR	

CONTINUED ON PAGE 70

FIGURE AND INDEX NO.	PART NUMBER	DESCRIPTION	UNITS PER ASSY	USABLE ON CODE
34- 32	1243017-1	ARM ASSEMBLY-STEERING-----	1	
- 33	NAS670-275	RING-----	1	
- 34	AN6230B6	O-RING-----	1	
- 35	0841200-14	RING-PACK SUPPORT-----	1	
- 36	MS28782-32	RING-BACK UP-----	2	
- 37	AN6227B32	O-RING-----	1	
- 38	S11065-21	RING-SCRAPER-----	1	
- 39	0841200-15	RING-PACK RETAINER-----	1	
- 40	0841200-25	RING-LOCK-----	1	
	1243010-17	TUBE ASSEMBLY-STEERING-----	1	
- 41	1243010-2	ARM ASSEMBLY-UPPER-----	1	
- 42	1243010-13	ARM ASSEMBLY-CENTER-----	1	
- 43	1243010-12	ARM ASSEMBLY-LOWER-----	1	
		ATTACHING PARTS		
- 44	NAS561P7-16	PIN-ROLL-----	2	
		---*---		
- 45	1243010-16	TUBE-----	1	
- 46	1243018-1	LINK-STEERING-----	1	
		ATTACHING PARTS		
- 47	AN3-6A	BOLT-----	1	
- 48	AN3-7A	BOLT-----	1	
- 49	MS20365-1032C	NUT-----	2	
		---*---		
- 50	0543035-7	LINK ASSEMBLY-TORQUE LOWER-----	1	
		ATTACHING PARTS		
- 51	AN4-31A	BOLT-----	1	
- 52	0543000-9	SPACER-----	1	
	AN960-416L	WASHER-----	AR	
	AN310-4	NUT-----	1	
	AN380-2-3	PIN-COTTER-----	1	
		---*---		
- 53	NAS77-6-88	BUSHING-----	1	
- 54	NAS77-3-23	BUSHING-----	1	
- 55	0543035-6	LINK ASSEMBLY-TORQUE UPPER-----	1	
		ATTACHING PARTS		
- 56	AN4-31	BOLT-----	1	
- 57	0543000-9	SPACER-----	1	
- 58	AN960-416L	WASHER-----	1	
- 59	AN310-4	NUT-----	1	
- 60	AN380-2-3	PIN-COTTER-----	1	
- 61	NAS464-3-22	BOLT-----	1	
- 62	AN960-10L	WASHER-----	1	
- 63	AN310-3	NUT-----	1	
- 64	AN380-2-3	PIN-COTTER-----	1	
		---*---		
- 65	NAS77-6-88	BUSHING-----	1	
- 66	AN944-101A	FITTING-NOSE GEAR LUBRICATION-----	1	
- 67	1243001-1	PLACARD-NOSE GEAR FILLING INSTRUCTIONS-----	1	
- 68	1243037-1	TIE ROD ASSEMBLY-AFT NOSE GEAR DOGR-----	2	

This page intentionally left blank.

Alighting Gear Doors

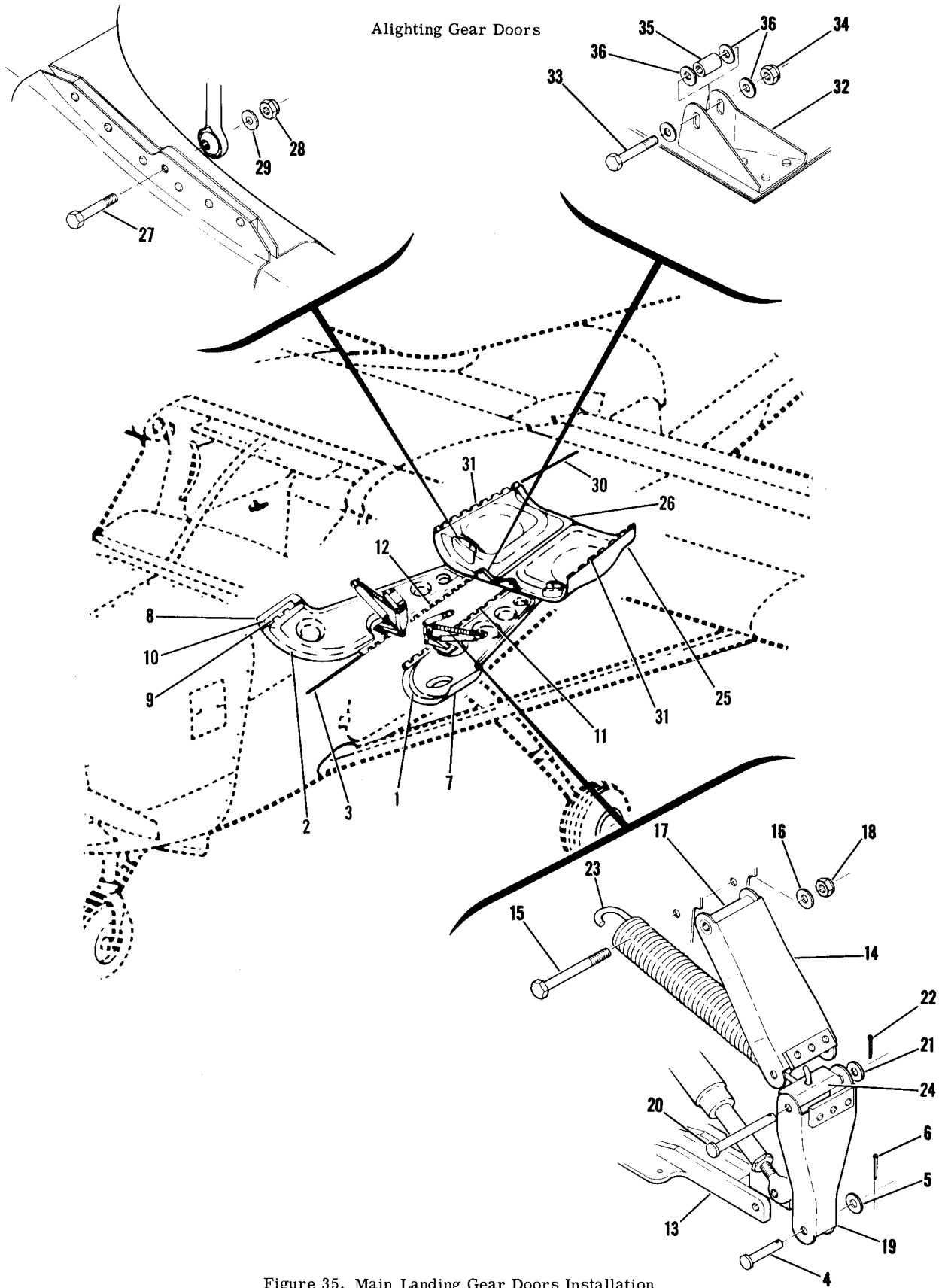


Figure 35. Main Landing Gear Doors Installation

FIGURE AND INDEX NO.	PART NUMBER	DESCRIPTION	UNITS PER ASSY	USABLE ON CODE
		1 2 3 4 5 6 7		
35-		DOORS INSTALLATION-MAIN LANDING GEAR -----	NP	
- 1	1211123-1	DOOR ASSEMBLY-MAIN GEAR SPRING WELL LH -----	1	
- 2	1211123-2	DOOR ASSEMBLY-MAIN GEAR SPRING WELL RH -----	1	
		ATTACHING PARTS		
- 3	AN253-2-2897	PIN-HINGE -----	1	
	AN381-1-8	PIN-COTTER -----	1	
- 4	MS20392-2-33	PIN -----	1	
- 5	AN960-10L	WASHER -----	1	
- 6	AN381-2-6	PIN-COTTER -----	1	
		-----*		
- 7	1211123-7	STUB DOOR-LH -----	1	
- 8	1211123-8	STUB DOOR-RH -----	1	
		ATTACHING PARTS		
	AN253-2-620	PIN-HINGE -----	1	
	S-147	SPRING CESSNA STANDARD -----	1	
		-----*		
- 9	1211124-2	HINGE HALF -----	1	
- 10	1211124-1	HINGE HALF -----	1	
- 11	1211226-1	HINGE HALF LH -----	1	
- 12	1211226-2	HINGE HALF RH -----	1	
- 13	1211217-1	ARM -----	1	
- 14	1241033-1	LINK ASSEMBLY-UPPER -----	2	
		ATTACHING PARTS		
- 15	AN3-17A	BOLT -----	1	
- 16	AN960-10L	WASHER -----	1	
- 17	NAS43-3-96	SPACER -----	1	
- 18	MS20365-1032C	NUT -----	1	
		-----*		
- 19	1241032-1	LINK ASSEMBLY-LOWER -----	2	
		ATTACHING PARTS		
- 20	MS20392-2-53	PIN -----	1	
- 21	AN960-10L	WASHER -----	1	
- 22	AN381-2-6	PIN-COTTER -----	1	
		-----*		
- 23	1241031-1	SPRING -----	2	
		ATTACHING PARTS		
- 24	1241036-1	CLIP -----	1	
		-----*		
- 25	1211185-1	DOOR ASSEMBLY-MAIN GEAR WHEEL WELL LH -----	1	
- 26	1211185-2	DOOR ASSEMBLY-MAIN GEAR WHEEL WELL RH -----	1	
		ATTACHING PARTS		
- 27	AN3-10A	BOLT -----	1	
- 28	MS20365-1032C	NUT -----	1	
- 29	AN960-10	WASHER -----	1	
- 30	1234024-2	PIN-HINGE -----	1	
	AN515-8R7	SCREW -----	1	
	MS20365-832C	NUT -----	1	
		-----*		
- 31	1211218-1	HINGE HALF -----	1	
- 32	1211219-1	BRACKET-LH -----	1	
	1211219-1	BRACKET-RH -----	1	
- 33	AN3-11A	BOLT -----	1	
- 34	MS20365-1032C	NUT -----	1	
- 35	NAS43-3-36	SPACER -----	1	
- 36	AN960-10L	WASHER -----	4	

Aligning Gear Doors (Cont)

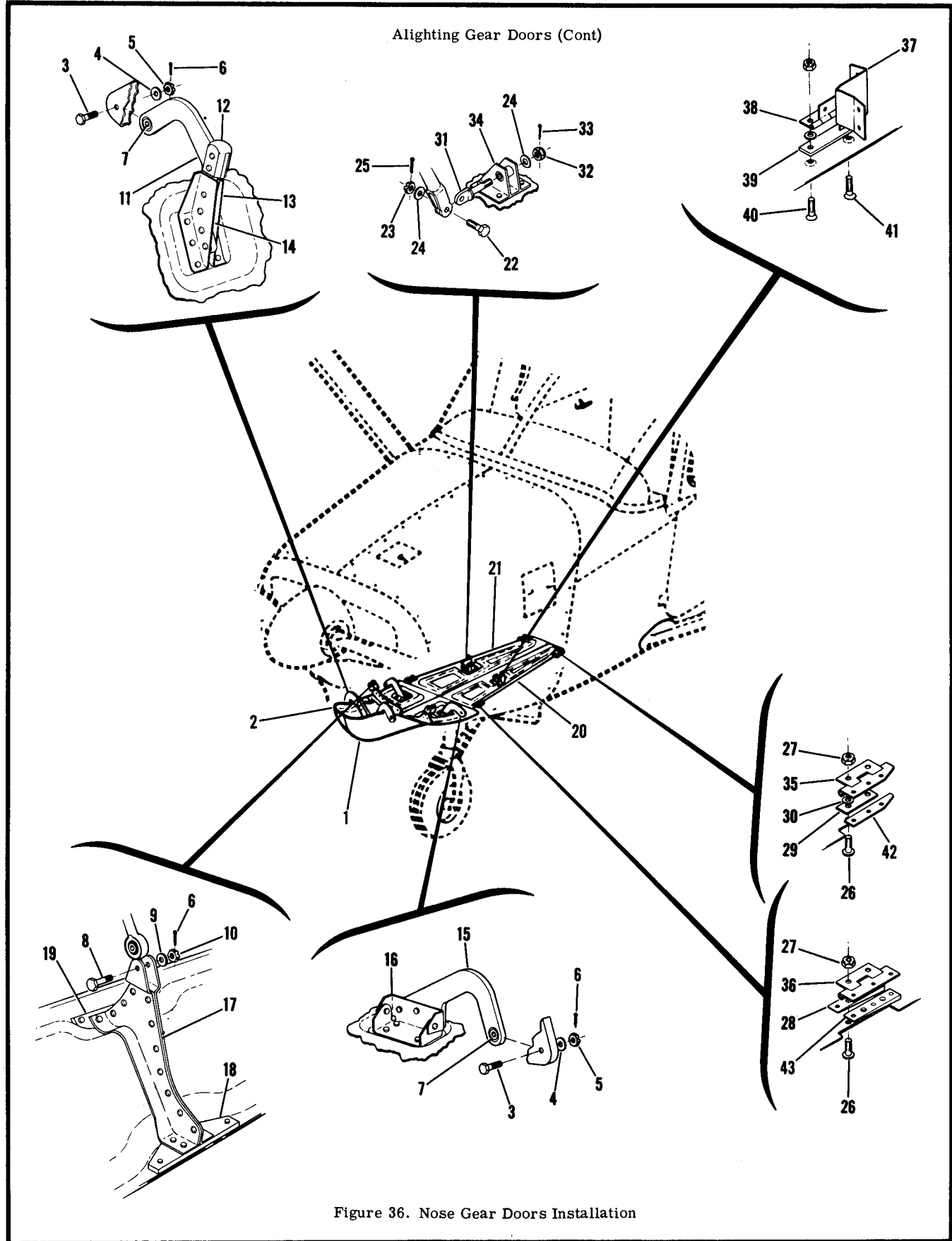


Figure 36. Nose Gear Doors Installation

FIGURE AND INDEX NO.	PART NUMBER		DESCRIPTION	UNITS PER ASSY	USABLE ON CODE
		1 2 3 4 5 6 7			
36-			DOOR INSTALLATION-NOSE GEAR -----	NP	
- 1	1213250-9	*	DOOR ASSEMBLY-NOSE GEAR FWD LH-----	1	
- 2	1213250-2		DOOR ASSEMBLY-NOSE GEAR FWD RH-----	1	
			ATTACHING PARTS		
- 3	AN3-5		BOLT -----	2	
- 4	AN960-10		WASHER-----	2	
- 5	AN320-3		NUT -----	2	
- 6	AN380-2-3		PIN-COTTER -----	3	
- 7	NAS42HT-6-15		SPACER-----	2	
- 8	AN3-7		BOLT -----	1	
- 9	AN960-10L		WASHER-----	1	
- 10	AN310-3		NUT -----	1	
			---*---		
- 11	1213251-1		ARM ASSEMBLY-FWD -----	1	
- 12	1213135-1		BUMPER -----	1	
- 13	1213254-3		ANGLE-AFT LH -----	1	
	1213254-4		ANGLE-AFT RH -----	1	
- 14	1213254-1		ANGLE-FWD LH -----	1	
	1213254-2		ANGLE-FWD RH -----	1	
- 15	1213252-1		ARM ASSEMBLY-AFT -----	1	
- 16	1213255-1		ANGLE ASSEMBLY LH -----	1	
	1213255-2		ANGLE ASSEMBLY RH -----	1	
- 17	1213256-2		BRACKET ASSEMBLY-ACTUATOR RH-----	1	
	1213256-1		BRACKET ASSEMBLY-ACTUATOR LH-----	1	
- 18	1213257-2		SPACER -----	1	
- 19	1213257-1		SPACER -----	1	
- 20	1213128-15	*	DOOR ASSEMBLY-NOSE GEAR AFT LH-----	1	
- 21	1213128-8		DOOR ASSEMBLY-NOSE GEAR AFT RH-----		
			ATTACHING PARTS		
- 22	AN3-5		BOLT -----	1	
- 23	AN320-3		NUT -----	1	
- 24	AN960-10		WASHER-----	2	
- 25	AN380-2-3		PIN-COTTER -----	1	
- 26	AN525-832R9		SCREW -----	4	
- 27	MS20365-832C		NUT -----	4	
- 28	1213133-1		SPACER-----	2	
- 29	1213133-3		SPACER-----	1	
- 30	AN960-8		WASHER-----	1	
- 31	AN42B-10		EYEBOLT -----	1	
- 32	AN310-3		NUT -----	1	
- 33	AN380-1-2		PIN-COTTER -----	1	
			---*---		
- 34	1213129-1		TEE ASSEMBLY -----	1	
- 35	1213131-1		HINGE ASSEMBLY -----	1	
- 36	1213131-7		HINGE ASSEMBLY LH -----	1	
	1213131-8		HINGE ASSEMBLY RH -----	1	
- 37	1213130-1		BRACKET LH -----	1	
	1213130-2		BRACKET RH -----	1	
			ATTACHING PARTS		
- 38	1213131-2		HINGE ASSEMBLY -----	1	
- 39	1213133-2		SPACER-----	1	
- 40	AN509-8R7		SCREW -----	1	
	AN935-8L		WASHER-----	1	
	AN340-8		NUT -----	1	
- 41	AN509-8R9		SCREW -----	1	
	MS20365-832C		NUT -----	1	
			---*---		
- 42	1213133-4		SPACER-----	2	
- 43	1213133-1		SPACER-----	1	

*NOTE. WHEN ORDERING THIS PART FOR AIRCRAFT PRIOR TO SERIAL 21057576 ALSO ORDER PART MARKED *

Aligning Gear Doors (Cont)

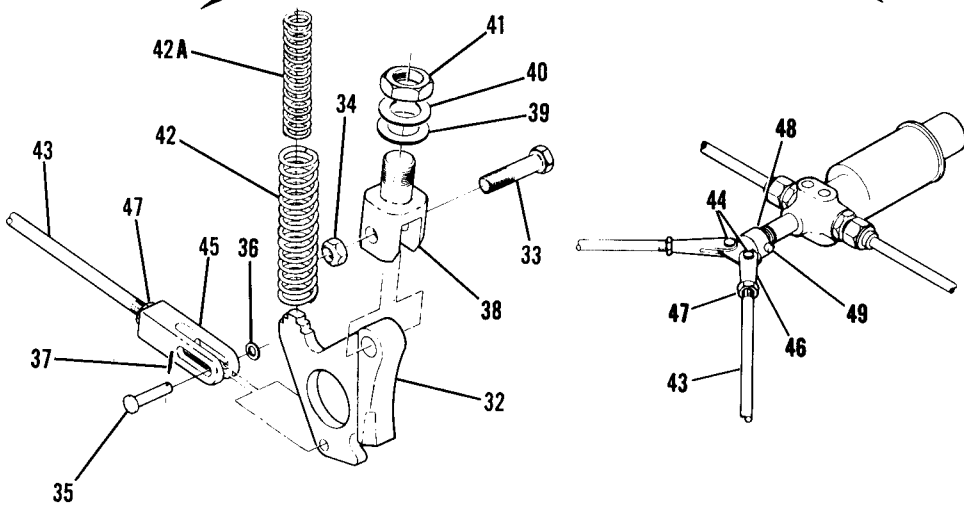
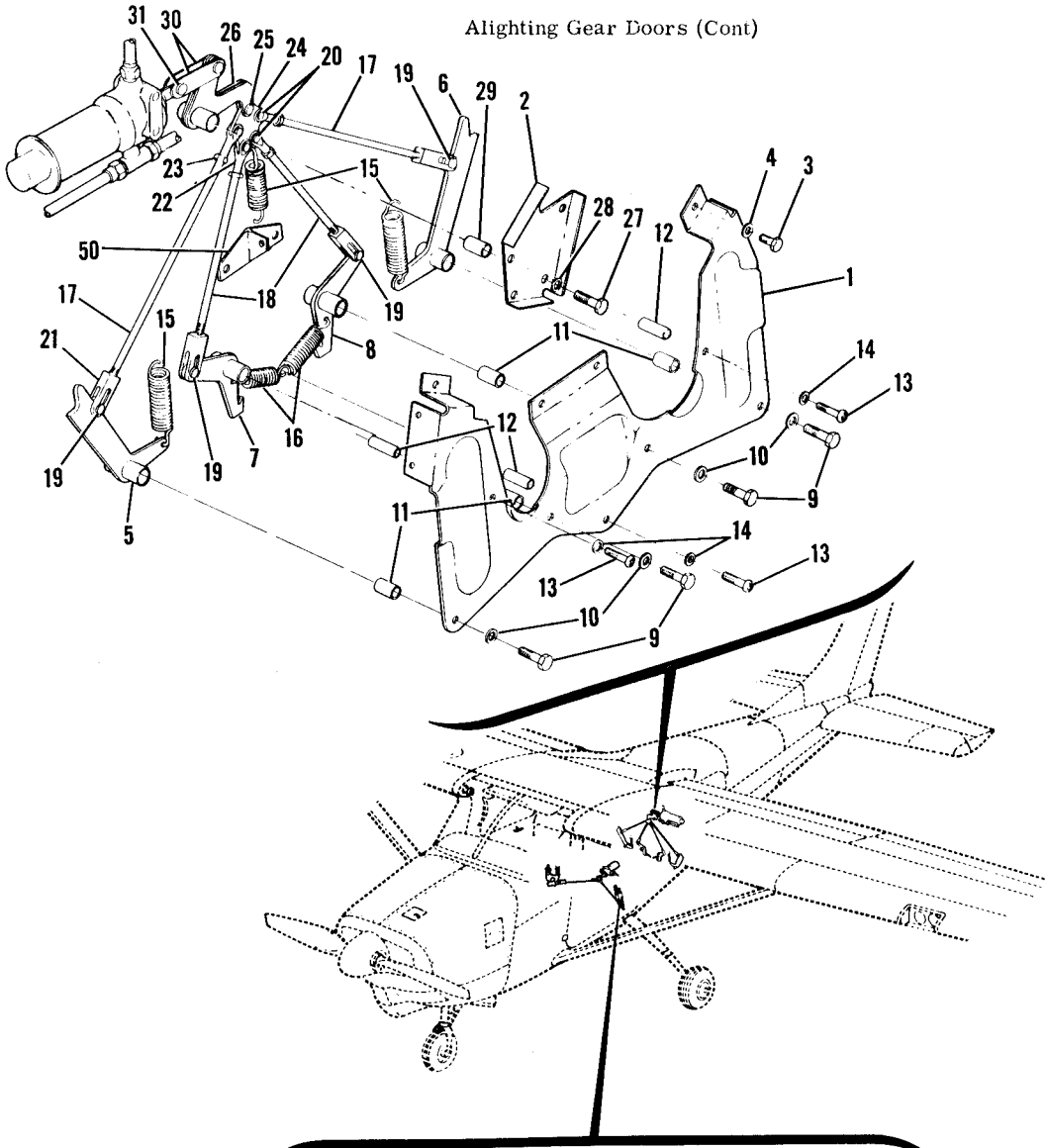


Figure 37. Main Landing Gear Doors Locking Mechanism

FIGURE AND INDEX NO.	PART NUMBER	DESCRIPTION	UNITS PER ASSY	USABLE ON CODE
37-		LOCKING MECHANISM INSTALLATION-MAIN GEAR & MAIN GEAR DOORS	NP	
- 1	1241020-1	BRACKET-MAIN GEAR & MAIN GEAR DOOR UPLOCK -----	1	
- 2	1241021-1	SUPPORT-MAIN GEAR & MAIN GEAR DOOR UPLOCK -----	1	
		ATTACHING PARTS		
- 3	AN3-4A	BOLT -----	10	
- 4	AN960-10L	WASHER-----	10	
		-----*		
- 5	1241023-1	UPLOCK ASSY-MAIN GEAR LH -----	1	
- 6	1241023-2	UPLOCK ASSY-MAIN GEAR RH -----	1	
- 7	1241024-1	LATCH ASSY-MAIN GEAR DOOR UPLOCK LH-----	1	
- 8	1241024-2	LATCH ASSY-MAIN GEAR DOOR UPLOCK-RH-----	1	
		ATTACHING PARTS		
- 9	AN3-14A	BOLT -----	4	
- 10	AN960-10L	WASHER-----	4	
- 11	NAS76A-3-100	BUSHING -----	4	
		-----*		
- 12	1241022-1	SPACER-----	3	
		ATTACHING PARTS		
- 13	AN525-832R22	SCREW -----	3	
- 14	AN960-8L	WASHER-----	3	
		-----*		
- 15	1241029-1	SPRING-MAIN GEAR LOCK-----	3	
- 16	1241029-2	SPRING-MAIN GEAR DOOR LOCK-----	2	
- 17	1241030-1	ROD ASSY-MAIN GEAR LOCK -----	1	
- 18	1241030-2	ROD ASSY-MAIN GEAR DOOR LOCK -----	1	
		ATTACHING PARTS		
- 19	MS20392-2-17	PIN -----	1	
- 20	MS20392-11	PIN -----	1	
	AN960-10L	WASHER -----	1	
	AN380-2-2	PIN-COTTER -----	1	
		-----*		
	1241030-3	ROD-MAIN GEAR UPLOCK -----	1	
	1241030-4	ROD-MAIN GEAR DOOR UPLOCK -----	1	
- 21	1241026-1	CLEVIS -----	1	
- 22	AN665-21R	TERMINAL -----	1	
- 23	AN345-10	NUT -----	2	
- 24	1241028-1	PLATE -----	1	
		ATTACHING PARTS		
- 25	MS20392-2-13	PIN -----	1	
	AN960-10L	WASHER-----	1	
	AN380-2-2	PIN-COTTER -----	1	
		-----*		
- 26	1241027-1	BELLCRANK ASSY-MAIN GEAR & MAIN GEAR DOOR UPLOCK -----	1	
		ATTACHING PARTS		
- 27	AN3-16A	BOLT -----	1	
- 28	AN960-10L	WASHER-----	1	
- 29	NAS76A-3-108	BUSHING -----	1	
		-----*		
- 30	1241025-1	LINK-MAIN GEAR & MAIN GEAR DOOR UPLOCK -----	2	
		ATTACHING PARTS		
- 31	MS20392-1-21	PIN -----	2	
	AN960-6	WASHER-----	2	
	AN380-2-2	PIN-COTTER -----	2	
		-----*		

CONTINUED ON PAGE 78

Cessna illustrated parts catalog

Model 210

FIGURE AND INDEX NO.	PART NUMBER	DESCRIPTION	UNITS PER ASSY	USABLE ON CODE
		1 2 3 4 5 6 7		
37- 32	1241058-1 1241058-2	PAWL-MAIN GEAR DOWN LOCK LH ----- PAWL-MAIN GEAR DOWN LOCK RH ----- ATTACHING PARTS	1 1	
- 33	NAS464P6LA13	BOLT -----	1	
- 34	MS20364-624C	NUT -----	1	
- 35	MS20392-2-19	PIN -----	1	
- 36	AN960-10	WASHER-----	1	
- 37	AN380-2-2	PIN-COTTER -----	1	
		*-----		
- 38	1241056-1	* BOLT ASSEMBLY-MAIN GEAR DOWN LOCK ----- ATTACHING PARTS	2	
- 39	AN960D816	WASHER-----	AR	
- 40	AN960D816L 1241016-1 1241016-2 1241016-3	WASHER----- WASHER-SPACER .020 THICK ----- WASHER-SPACER .032 THICK ----- WASHER-SPACER .040 THICK -----	AR AR AR AR	
- 41	AN316-8R NAS1022-A8	NUT ----- NUT ----- *-----	1 1	A B
- 42	1241008-1	SPRING-PAWL-----	2	
-42A	1241008-2	SPRING-PAWL-----	2	
- 43	1241030-5	ROD ASSEMBLY ----- ATTACHING PARTS	2	
- 44	MS20392-2-11 AN380-2-2	PIN ----- PIN-COTTER ----- *-----	1 1	
	1241030-6	ROD -----	1	
- 45	1241026-1	CLEVIS -----	1	
- 46	AN665-21R	TERMINAL -----	1	
- 47	AN345-10	NUT -----	2	
- 48	1241017-1	FITTING ----- ATTACHING PARTS	1	
- 49	MS20392-1-21 AN380-2-2	PIN ----- PIN-COTTER ----- *-----	1 1	
- 50	1241050-1	BRACKET-SPRING ANCHOR-----	1	
		A---210 SERIAL 57001 THRU 57449 B---210 SERIAL 57450 & ON		
		*NOTE. WHEN ORDERING THIS PART FOR AIRCRAFT PRIOR TO SERIAL 57450 ALSO ORDER PART MARKED □		

This page intentionally left blank.

Nose Gear (Cont)

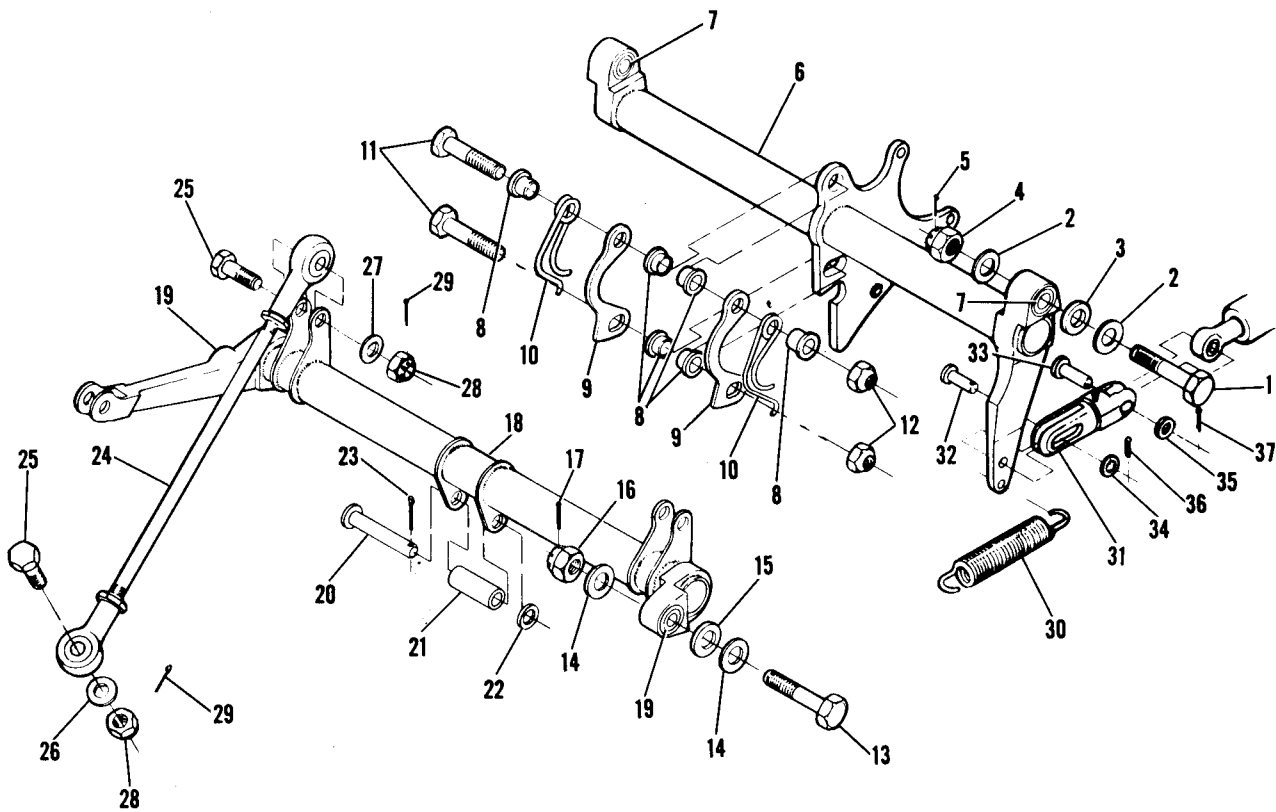
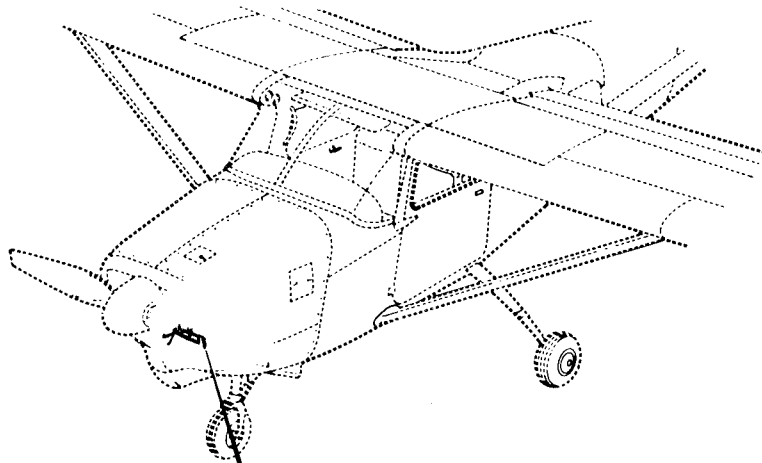
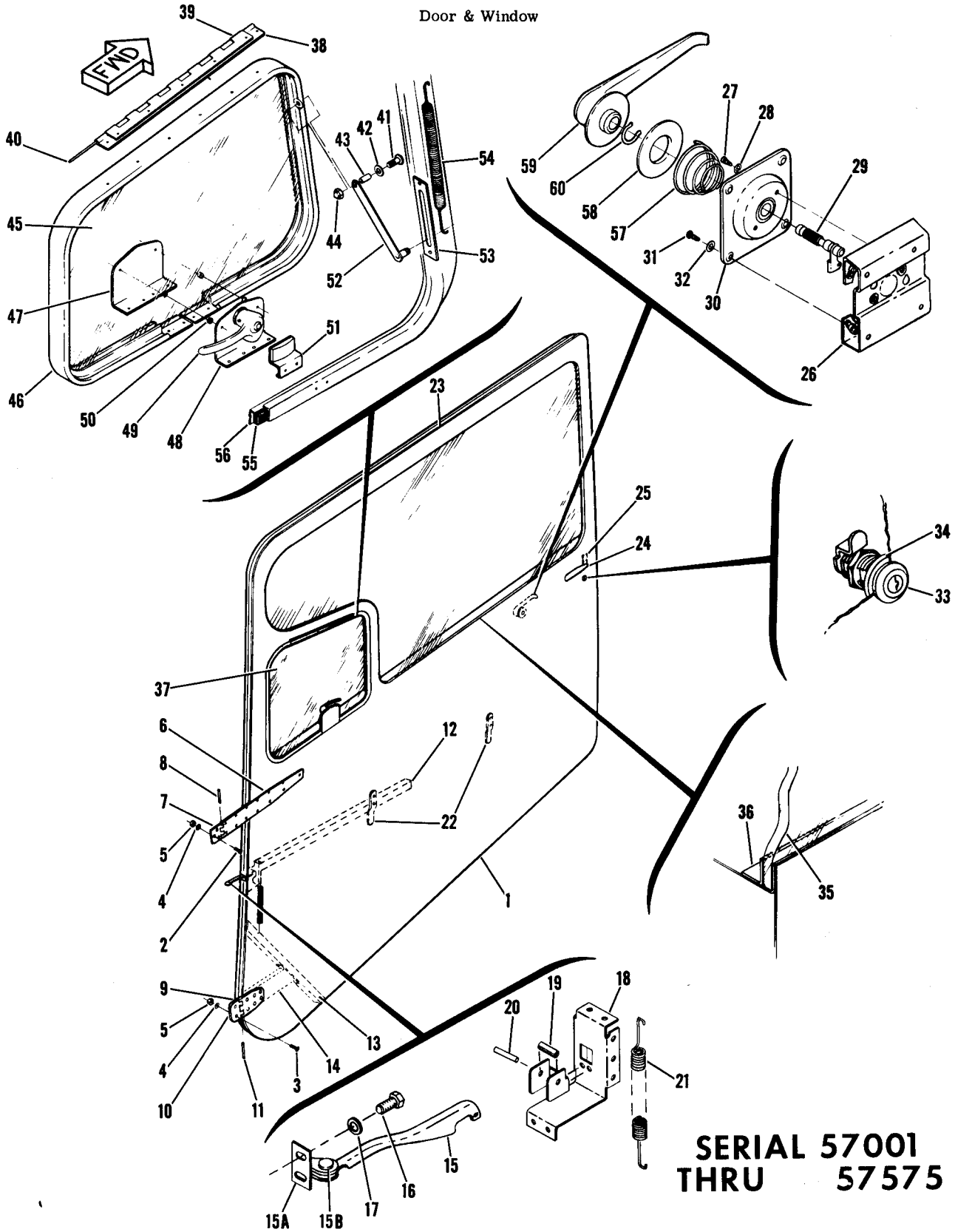


Figure 38. Torque Tube Installation

FIGURE AND INDEX NO.	PART NUMBER	DESCRIPTION	UNITS PER ASSY	USABLE ON CODE
		1 2 3 4 5 6 7		
38-	1243050-1	TORQUE TUBE INSTALLATION-NOSE GEAR & DOOR UPLOCK ----- TORQUE TUBE ASSY-NOSE GEAR UPLOCK ----- ATTACHING PARTS	NP 1	
- 1	AN4-11	BOLT -----	2	
- 2	AN960-416L	WASHER-----	2	
- 3	AN960-416	WASHER-----	AR	
- 4	AN310-4	NUT -----	2	
- 5	AN380-2-4	PIN-COTTER ----- -----*-----	2	
- 6	1243050-2	TUBE ASSEMBLY -----	1	
- 7	4NCC910P	BEARING TOR -----	1	
- 8	NAS77-3-11	BUSHING -----	6	
- 9	1243054-1	LATCH-DOOR -----	2	
- 10	1243055-1	SPRING -----	2	
- 11	AN3-11A	BOLT-----	2	
- 12	MS20364-1032C 1243056-1	NUT ----- TORQUE TUBE ASSY-NOSE GEAR DOOR ----- ATTACHING PARTS	2 1	
- 13	AN4-11	BOLT -----	2	
- 14	AN960-416L	WASHER-----	2	
- 15	AN960-416	WASHER-----	AR	
- 16	AN310-4	NUT -----	2	
- 17	AN380-2-4	PIN-COTTER ----- -----*-----	2	
- 18	1243056-2	TUBE ASSEMBLY -----	1	
- 19	4NCC910P	BEARING TOR -----	2	
- 20	MS20392-2-31	PIN -----	1	
- 21	1243064-1	BUSHING -----	1	
- 22	AN960-10L	WASHER -----	1	
- 23	AN380-2-2	PIN-COTTER -----	1	
- 24	1243065-1	ROD ASSEMBLY-NOSE GEAR DOOR ----- ATTACHING PARTS	2	
- 25	AN3-7A	BOLT -----	2	
- 26	AN960-10L	WASHER-----	1	
- 27	AN960-10	WASHER-----	1	
- 28	AN310-3	NUT -----	2	
- 29	AN380-2-3	PIN-COTTER ----- -----*-----	2	
	S-1106-3	ROD END CESSNA STANDARD -----	2	
	AN316-4R	NUT -----	2	
- 30	1241029-1	SPRING-----	1	
- 31	1243066-1	CLEVIS ASSEMBLY ----- ATTACHING PARTS	1	
- 32	MS20392-2-13	PIN -----	1	
- 33	MS20392-1-19	PIN -----	1	
- 34	AN960-10L	WASHER-----	1	
- 35	AN960-4	WASHER-----	1	
- 36	AN380-2-2	PIN-COTTER -----	1	
- 37	AN380-2-1	PIN-COTTER ----- -----*-----	1	

Door & Window



**SERIAL 57001
THRU 57575**

Figure 39. Left Cabin Door Installation

FIGURE AND INDEX NO.	PART NUMBER	DESCRIPTION	UNITS PER ASSY	USABLE ON CODE
		1 2 3 4 5 6 7		
39-		CABIN DOOR INSTALLATION-LH -----	NP	A
- 1	1210040-1	STRUCTURE ASSEMBLY-CABIN DOOR LH ----- ATTACHING PARTS -----	1	
- 2	AN509-10R18	SCREW -----	3	
- 3	AN509-10R16	SCREW -----	2	
- 4	AN960-10L	WASHER -----	5	
- 5	MS20365-1032C	NUT -----	5	
		---*---		
- 6	0711037-13	HINGE-UPPER LH -----	1	
- 7	0711037-9	HINGE-UPPER LH ----- ATTACHING PARTS -----	1	
- 8	0711038-1	PIN-HINGE ----- ---*---	1	
- 9	0711037-3	HINGE-LOWER LH -----	1	
- 10	0711037-10	HINGE-LOWER LH ----- ATTACHING PARTS -----	1	
- 11	0711038-1	PIN-HINGE ----- ---*---	1	
- 12	0711001-25	STIFFENER-DOOR UPPER -----	1	
- 13	0711001-45	STIFFENER-DOOR LOWER -----	1	
- 14	0711001-43	BRACKET-LOWER HINGE REINFORCEMENT -----	1	
- 15	0711040-3	ARM ASSEMBLY-LH -----	1	
-15A	0711039-1	HINGE ASSEMBLY-LH -----	1	
-15B	MS20450C12-12	RIVET -----	1	
- 16	AN3-3A	BOLT -----	2	
- 17	AN960-10L	WASHER -----	2	
- 18	0711001-35	BRACKET ASSEMBLY-DOOR STOP -----	1	
- 19	0711001-52	SPACER -----	1	
- 20	NAS561-3-18	ROLLPIN -----	1	
- 21	0711001-29	SPRING -----	1	
- 22	0511106-37	CLIP-DOOR PANEL ----- ATTACHING PARTS -----	2	
	S-1021Z-4-4	SCREW CESSNA STANDARD ----- ---*---	2	
- 23	S-363	SEAL-144.0 IN LONG BULK ITEM REF S-363-144 -----	1	
	S-1081	CORD-----BULK ITEM -----	AR	
- 24	0711020-7	LATCH ASSEMBLY-DOOR LH SEE FIGURE 41 -----	1	B
	0711020-11	LATCH ASSEMBLY-DOOR LH SEE FIGURE 41 ----- ATTACHING PARTS -----	1	C
	AN520-10R6	SCREW -----	3	
	AN970-3	WASHER ----- ---*---	3	
- 25	0711034-1	STOP-DOOR LATCH -----	1	
- 26	0711028-1	BRACKET ASSEMBLY ----- ATTACHING PARTS -----	1	
- 27	AN520-10R9	SCREW -----	2	
- 28	AN936B10	WASHER ----- ---*---	2	
- 29	0711029-1	SHAFT ASSEMBLY-----	1	
- 30	0413195-4	PLATE ASSEMBLY-DOOR HANDLE ----- ATTACHING PARTS -----	1	
- 31	AN520-10R6	SCREW -----	4	
- 32	AN936B10	WASHER ----- ---*---	4	
- 33	0413323-5	LOCK ASSEMBLY-CABIN DOOR----- ATTACHING PARTS -----	1	
- 34	0411851	WASHER ----- ---*---	1	
- 35	1210040-7	GLASS-WINDOW LH DOOR -----	1	
- 36	1210040-9	RETAINER-GLASS-----	1	
- 37	1210041-1	WINDOW ASSEMBLY-STORM ----- ATTACHING PARTS -----	1	
- 38	1210046-2	HINGE-HALF -----	1	D
	1210046-6	HINGE-HALF -----	1	E
- 39	1210046-3	HINGE-HALF -----	1	
- 40	1210046-4	PIN-HINGE -----	1	
- 41	AN525-832R7	SCREW -----	1	
- 42	AN960PD8L	WASHER -----	1	
- 43	1241022-2	SPACER -----	1	
- 44	22NKN-82	NUT-CAP EN----- ---*---	1	
- 45	1210041-2	GLASS-STORM WINDOW -----	1	
- 46	1210041-3	FRAME-STORM WINDOW -----	1	

CONTINUED ON PAGE 84



FIGURE AND INDEX NO.	PART NUMBER	DESCRIPTION	UNITS PER ASSY	USABLE ON CODE
		1 2 3 4 5 6 7		
39- 47	1210042-5	PLATE-HANDLE-----	1	D E
- 48	1210042-4	BASE-HANDLE-----	1	
- 49	0811725-39	HANDLE ASSEMBLY-----	1	
- 50	NAS42DD-4-10	SPACER-----	2	
- 51	1210045-1	CATCH ASSEMBLY-STORM WINDOW-----	1	
- 52	1210042-2	ARM ASSEMBLY-STORM WINDOW-----	1	
- 53	1210042-1	PLATE-GUIDE-----	1	
- 54	1210044-1	SPRING-STORM WINDOW-----	1	
- 55	1210040-11	SEAL-STORM WINDOW-----	1	
- 56	1210043-1	FRAME ASSEMBLY-STORM WINDOW-----	1	
	1210043-4	FRAME ASSEMBLY-STORM WINDOW-----	1	
- 57	0413317	SPRING-DOOR HANDLE-----	1	
- 58	0511189-2	ESCUTCHEON-DOOR HANDLE-----	1	
- 59	0711027-1	HANDLE-DOOR INSIDE-----	1	
- 60	0511189-1	CLIP-DOOR HANDLE RETAINING-----	1	
		A---210 SERIAL 57001 THRU 57575		
		B---210 SERIAL 57001 THRU 57303		
		C---210 SERIAL 57304 THRU 57575		
		D---210 SERIAL 57001 THRU 57449		
		E---210 SERIAL 57450 THRU 57575		
		1 2 3 4 5 6 7		
39A-		CABIN DOOR INSTALLATION-LH-----	NP	A
- 1	0711023-71	STRUCTURE ASSEMBLY-CABIN DOOR LH-----	1	
		ATTACHING PARTS		
- 2	AN509-10R18	SCREW-----	3	
- 3	AN509-10R16	SCREW-----	2	
- 4	AN960-10L	WASHER-----	5	
- 5	MS20365-1032C	NUT-----	5	
		-----*		
- 6	0711037-13	HINGE-UPPER LH-----	1	
- 7	0711037-9	HINGE-UPPER LH-----	1	
		ATTACHING PARTS		
- 8	0711038-1	PIN-HINGE-----	1	
		-----*		
- 9	0711037-3	HINGE-LOWER LH-----	1	
- 10	0711037-10	HINGE-LOWER LH-----	1	
		ATTACHING PARTS		
- 11	0711038-1	PIN-HINGE-----	1	
		-----*		
- 12	0711001-25	STIFFENER-DOOR UPPER-----	1	
- 13	0711001-45	STIFFENER-DOOR LOWER-----	1	
- 14	0711001-43	BRACKET-LOWER HINGE REINFORCEMENT-----	1	
- 15	0711040-3	ARM ASSEMBLY-LH-----	1	
- 16	0711039-1	HINGE ASSEMBLY-LH-----	1	
- 17	AN450C12-12	RIVET-----	1	
- 18	AN3-3A	BOLT-----	2	
- 19	AN960-10L	WASHER-----	2	
- 20	0711001-35	BRACKET ASSEMBLY-DOOR STOP-----	1	
- 21	0711001-52	SPACER-----	1	
- 22	52-022-094-1125	ROLL PIN EN-----	1	
- 23	0711001-29	SPRING-DOOR STOP-----	1	
- 24	0511106-37	CLIP-DOOR PANEL-----	2	
		ATTACHING PARTS		
	S-1021Z-4-4	SCREW CESSNA STANDARD-----	4	
		-----*		
- 25	0711023-14	CHANNEL-UPHOLSTERY RETAINER-----	1	
- 26	0711023-15	CHANNEL-UPHOLSTERY RETAINER-----	1	
- 27	S-363	SEAL-144.0 IN LONG BULK ITEM REF S363-144 CESSNA STANDARD-----	1	
- 28	0711061-1	LATCH ASSEMBLY-REMOVABLE----- SEE FIGURE 41A-----	1	
- 29	0413323-5	LOCK ASSEMBLY-CABIN DOOR-----	1	
		ATTACHING PARTS		
- 30	0411851	WASHER-----	1	
		-----*		
		CONTINUED ON PAGE 84A		

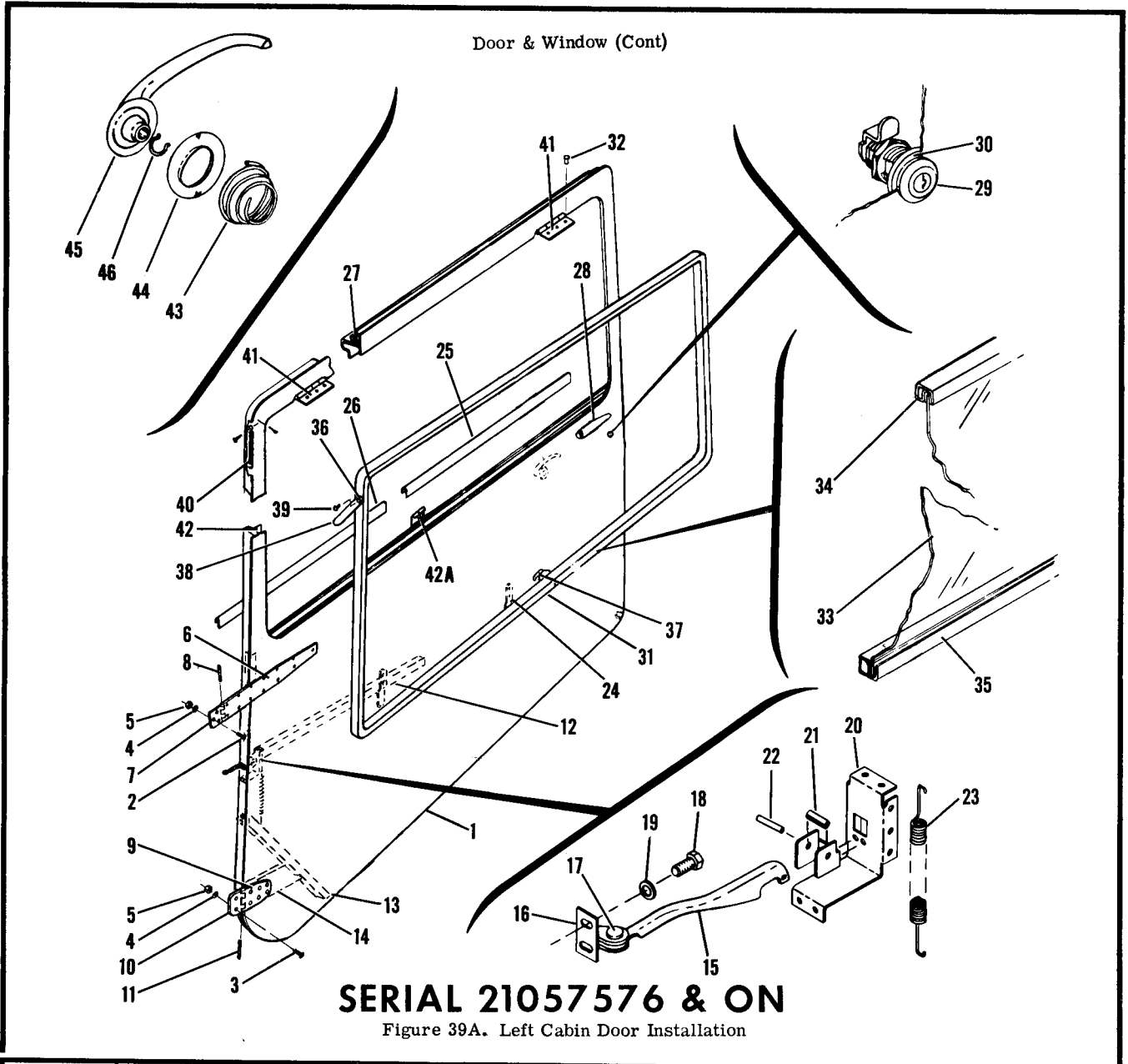


FIGURE AND INDEX NO.	PART NUMBER	DESCRIPTION							UNITS PER ASSY	USABLE ON CODE
		1	2	3	4	5	6	7		
39A- 31	0711050-3	WINDOW ASSEMBLY-LH DOOR	-----	-----	-----	-----	-----	-----	1	
- 32	CR163C-4-4	ATTACHING PARTS	-----	-----	-----	-----	-----	-----	8	
- 33	0711051-2	RIVET	CY	-----	-----	-----	-----	-----		
- 34	0711051-2	GLASS ASSEMBLY-WINDOW	-----	-----	-----	-----	-----	-----	1	
- 35	S-1082-1	CHANNEL	83.75 IN LONG	BULK ITEM	-----	REF	-----	-----	1	
- 36	0711050-5	S-1082-1-83.75	CESSNA STANDARD	-----	-----	-----	-----	-----		
- 37	0711052-1	FRAME-WINDOW LH	-----	-----	-----	-----	-----	-----	1	
		RIVNUT	GY	-----	-----	-----	-----	-----	1	
		LATCH ASSEMBLY	-----	-----	-----	-----	-----	-----	1	
		ATTACHING PARTS	-----	-----	-----	-----	-----	-----		
	AN525-10R6	SCREW	-----	-----	-----	-----	-----	-----	2	
		-----*	-----	-----	-----	-----	-----	-----		

CONTINUED ON PAGE 84B

FIGURE AND INDEX NO.	PART NUMBER	DESCRIPTION							UNITS PER ASSY	USABLE ON CODE
		1	2	3	4	5	6	7		
39A- 38	0711021-4	ARM ASSEMBLY	-----	-----	-----	-----	-----	-----	1	
		ATTACHING PARTS	-----	-----	-----	-----	-----	-----		
- 39	AN525-10R8	SCREW	-----	-----	-----	-----	-----	-----	1	
		-----*	-----	-----	-----	-----	-----	-----		
- 40	0711021-5	SPRING-WINDOW ARM	-----	-----	-----	-----	-----	-----	1	
		ATTACHING PARTS	-----	-----	-----	-----	-----	-----		
	MS20392-1-19	PIN	-----	-----	-----	-----	-----	-----	1	
	AN380-2-2	PIN-COTTER	-----	-----	-----	-----	-----	-----	1	
		-----*	-----	-----	-----	-----	-----	-----		
- 41	0411185-7	HINGE ASSEMBLY-WINDOW	-----	-----	-----	-----	-----	-----	2	
- 42	S1005	SEAL-WINDOW CESSNA STANDARD	-----	-----	-----	-----	-----	-----	1	
-42A	0711023-13	PLATE-REINFORCEMENT	-----	-----	-----	-----	-----	-----	1	
- 43	0413317-1	SPRING-DOOR HANDLE	-----	-----	-----	-----	-----	-----	1	
- 44	0511189-2	ESCUTCHEON-DOOR HANDLE	-----	-----	-----	-----	-----	-----	1	
- 45	0711027-1	HANDLE-DOOR INSIDE	-----	-----	-----	-----	-----	-----	1	
- 46	0511189-1	CLIP-DOOR HANDLE RETAINING	-----	-----	-----	-----	-----	-----	1	

A---210 SERIAL 21057576 & ON

Door & Window (Cont)

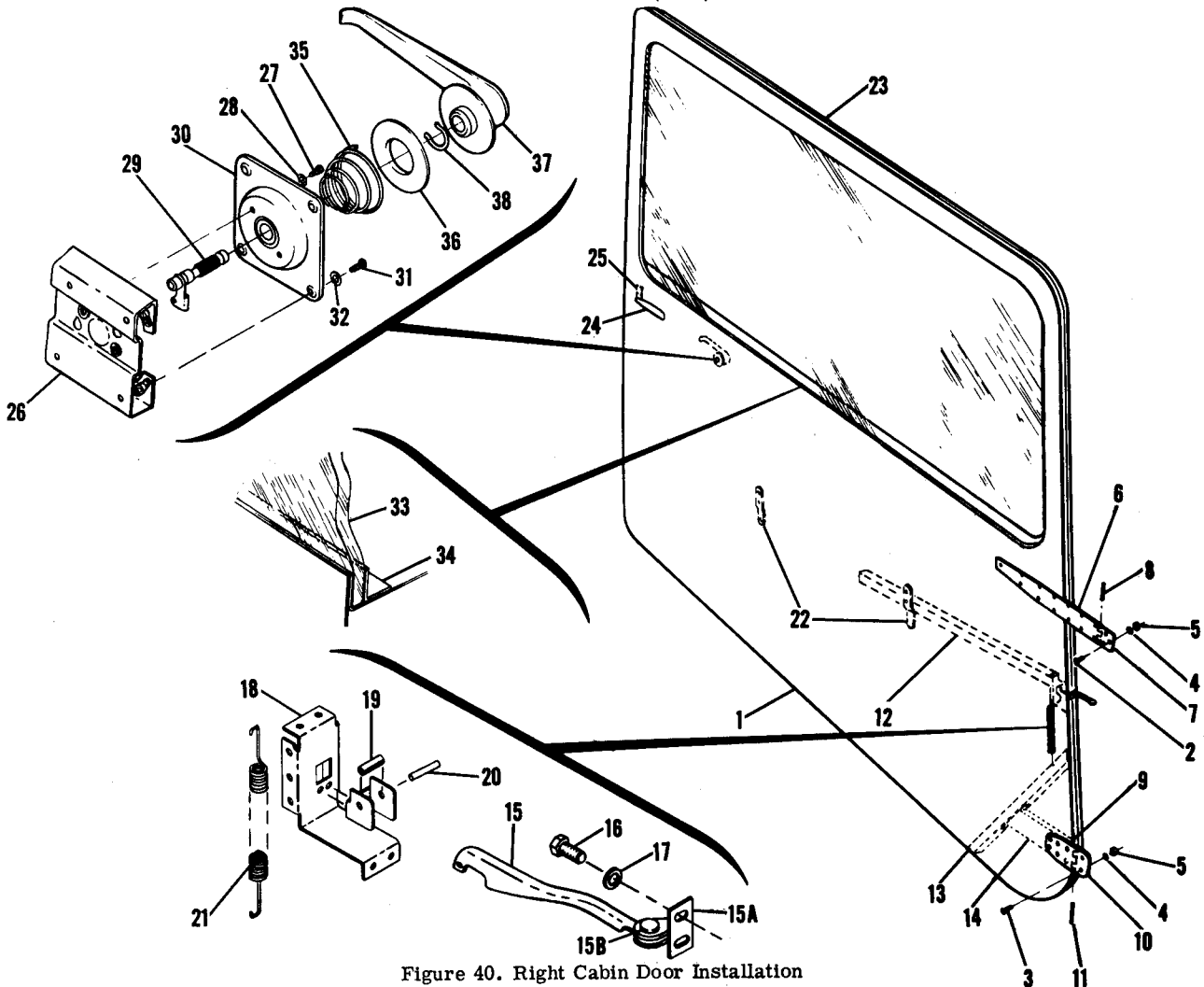
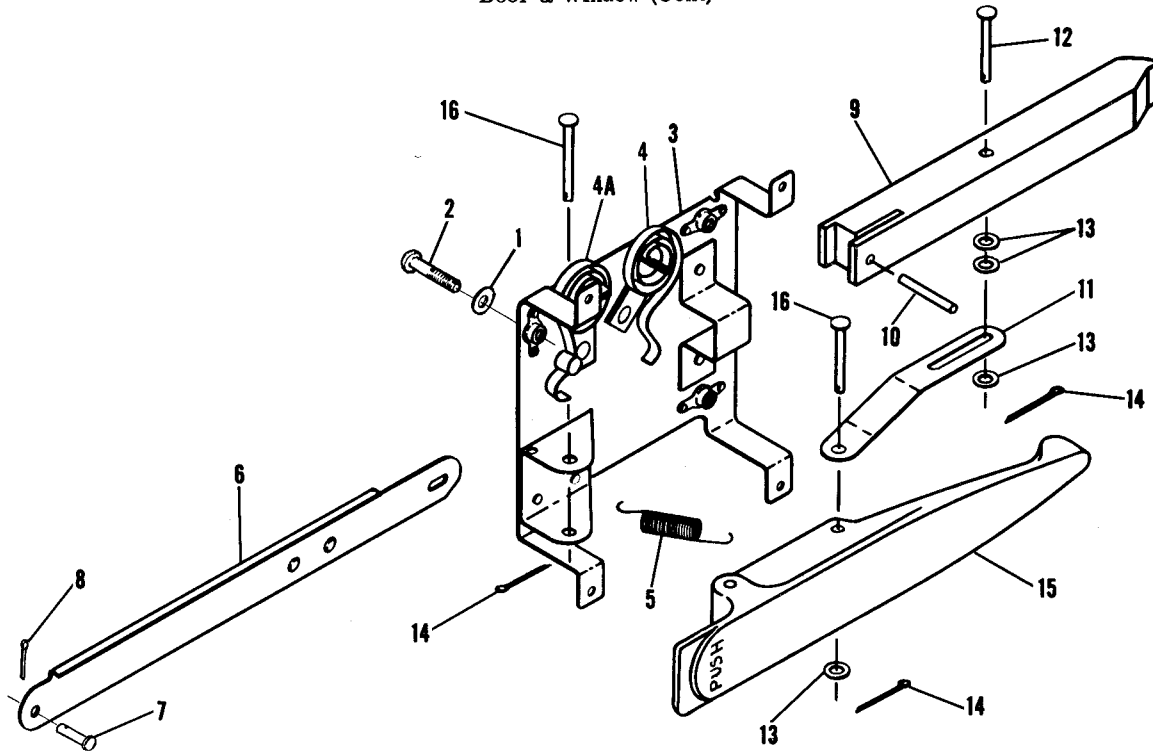


Figure 40. Right Cabin Door Installation

FIGURE AND INDEX NO.	PART NUMBER	DESCRIPTION	UNITS PER ASSY	USABLE ON CODE
40-		CABIN DOOR INSTALLATION-RH -----	NP	
- 1	1210040-2	STRUCTURE ASSEMBLY-CABIN DOOR RH -----	1	C
	1210040-16	STRUCTURE ASSEMBLY-CABIN DOOR RH -----	1	D
		ATTACHING PARTS		
- 2	AN509-10R16	SCREW -----	3	
- 3	AN509-10R14	SCREW -----	2	
- 4	AN960-10L	WASHER -----	5	
- 5	MS20365-1032C	NUT -----	5	
		-----*		
- 6	0711037-12	HINGE-UPPER RH -----	1	
- 7	0711037-9	HINGE UPPER RH -----	1	
		ATTACHING PARTS		
- 8	0711038-1	PIN-HINGE -----	1	
	0511003-31	PIN-HINGE-----FOR USE WITH STRETCHER INSTALLATION -----	1	D
		-----*		
- 9	0711037-4	HINGE-LOWER RH -----	1	
- 10	0711037-11	HINGE-LOWER RH -----	1	
		ATTACHING PARTS		
- 11	0711038-1	PIN-HINGE -----	1	
	0511003-31	PIN-HINGE-----FOR USE WITH STRETCHER INSTALLATION -----	1	D
		-----*		
- 12	0711001-26	STIFFENER-DOOR UPPER -----	1	
- 13	0711001-44	STIFFENER-DOOR LOWER -----	1	
- 14	0711001-42	BRACKET-LOWER HINGE REINFORCEMENT -----	1	
- 15	0711040-4	ARM ASSEMBLY-RH -----	1	
-15A	0711039-2	HINGE ASSEMBLY-RH -----	1	
-15B	MS20450C12-12	RIVET -----	1	
- 16	AN3-3A	BOLT -----	2	
- 17	AN960-10L	WASHER -----	2	
- 18	0711001-36	BRACKET ASSEMBLY-DOOR STOP -----	1	
- 19	0711001-52	SPACER -----	1	
- 20	52-022-094-1125	ROLL PIN EN -----	1	
- 21	0711001-29	SPRING -----	1	
- 22	0511106-37	CLIP-DOOR PANEL -----	2	
		ATTACHING PARTS		
	S-1021Z-4-4	SCREW CESSNA STANDARD -----	2	
		-----*		
- 23	S-363	SEAL-144.0 IN LONG BULK ITEM REF S-363-144 -----	1	
- 24	0711020-8	LATCH ASSEMBLY-DOOR-----SEE FIGURE 41 -----	1	A
	0711020-12	LATCH ASSEMBLY-DOOR-----SEE FIGURE 41 -----	1	B
	0711061-2	LATCH ASSEMBLY-REMOVABLE SEE FIGURE 41A -----	1	D
- 25	0711034-1	STOP-DOOR LATCH -----	1	
- 26	0711028-2	BRACKET ASSEMBLY -----	1	C
		ATTACHING PARTS		
- 27	AN520-10R9	SCREW -----	2	C
- 28	AN936B10	WASHER -----	2	C
		-----*		
- 29	0711029-1	SHAFT ASSEMBLY -----	1	C
- 30	0413195-4	PLATE ASSEMBLY-DOOR HANDLE -----	1	C
		ATTACHING PARTS		
- 31	AN520-10R6	SCREW -----	4	C
- 32	AN936B10	WASHER -----	4	C
		-----*		
- 33	1210040-8	GLASS-WINDOW RH DOOR -----	1	
- 34	1210040-10	RETAINER -----	1	
- 35	0413317	SPRING-DOOR HANDLE -----	1	
- 36	0511189-2	ESCUTCHEON-DOOR HANDLE -----	1	
- 37	0711027-1	HANDLE-DOOR INSIDE -----	1	
- 38	0511189-1	CLIP-DOOR HANDLE RETAINING -----	1	
		A---210 SERIAL 57001 THRU 57303		
		B---210 SERIAL 573004 THRU 57575		
		C---210 SERIAL 57001 THRU 57575		
		D---210 SERIAL 21057576 & ON		

Door & Window (Cont)



SERIAL 57001 THRU 57575
Figure 41. Cabin Door Latch Assembly

FIGURE AND INDEX NO.	PART NUMBER	DESCRIPTION	UNITS PER ASSY	USABLE ON CODE
		1 2 3 4 5 6 7		
41-		LATCH INSTALLATION-DOOR-----	NP	
	0711020-7	LATCH ASSEMBLY-DOOR LH -----	1	A
	0711020-11	LATCH ASSEMBLY-DOOR LH -----	1	B
	0711020-8	LATCH ASSEMBLY-DOOR RH -----	1	A
	0711020-12	LATCH ASSEMBLY-DOOR RH -----	1	B
		ATTACHING PARTS		
- 1	AN970-3	WASHER-----	3	
- 2	AN520-10R6	SCREW -----	3	
		---*---		
- 3	0711018-7	PLATE ASSEMBLY-LH -----	1	
	0711018-8	PLATE ASSEMBLY-RH -----	1	
- 4	0711019-1	SPRING-STRAP -----	2	
- 4A	0711060-1	SPRING-STRAP -----	1	
- 5	0711016-1	SPRING-HANDLE -----	1	
- 6	0711018-23	STRAP ASSEMBLY-LATCH LH -----	1	
	0711018-24	STRAP ASSEMBLY-LATCH RH -----	1	
		ATTACHING PARTS		
- 7	MS20392-1-7	PIN-STRAP -----	1	
- 8	AN380-2-2	PIN-COTTER -----	1	
		---*---		
- 9	0711017	BOLT-LATCH -----	1	A
	0711017-1	BOLT-LATCH -----	1	B
- 10	5-9-028-125-0562	ROLL PIN EN -----	1	
- 11	0711018-15	PULL BAR-LATCH LH -----	1	
	0711018-16	PULL BAR-LATCH RH -----	1	
- 12	MS20392-1-23	PIN -----	2	
- 13	AN960-4	WASHER -----	4	
- 14	AN380-2-2	PIN-COTTER -----	3	
- 15	0711032-2	HANDLE-LATCH -----	1	
- 16	MS20392-1-33	PIN -----	1	
		A---210 SERIAL 57001 THRU 57303		
		B---210 SERIAL 57304 THRU 57575		

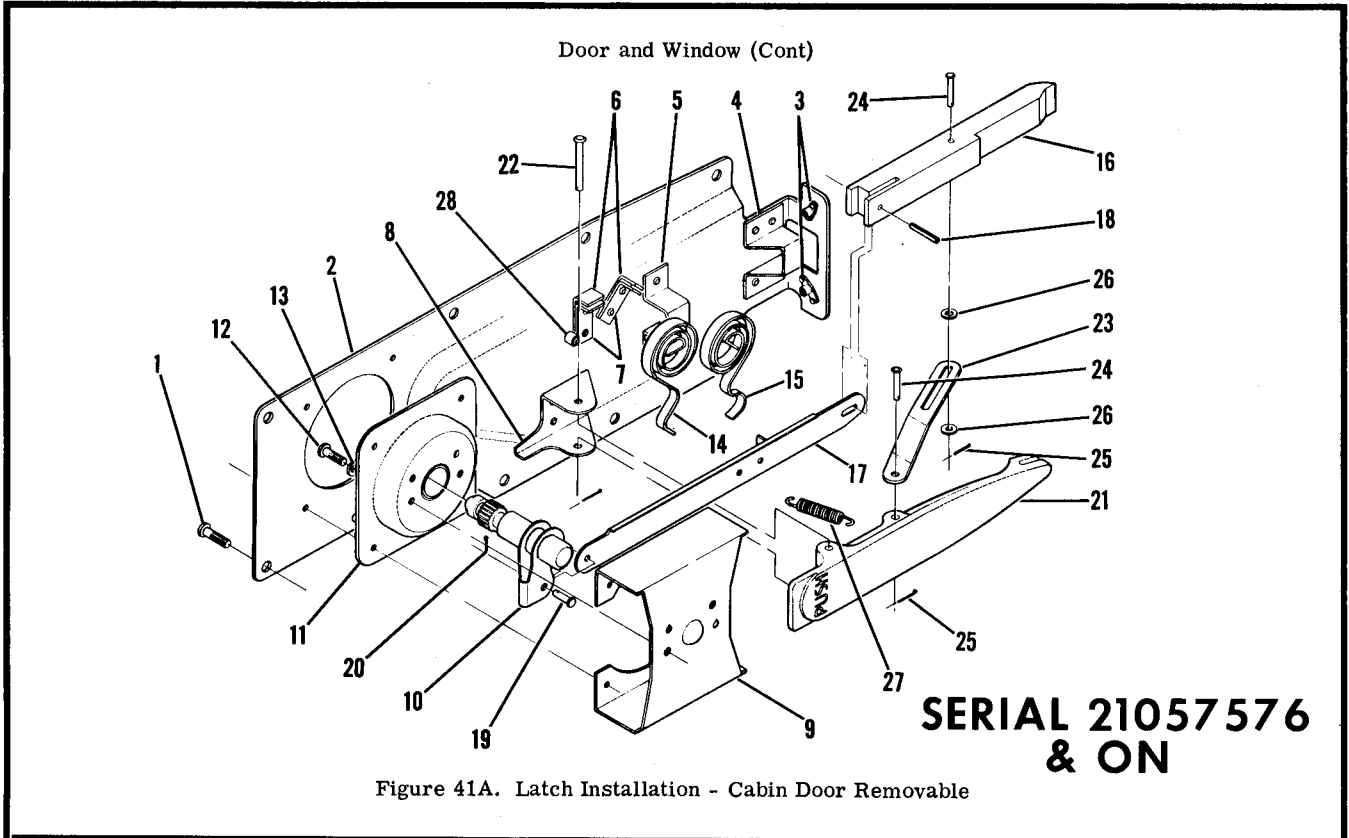
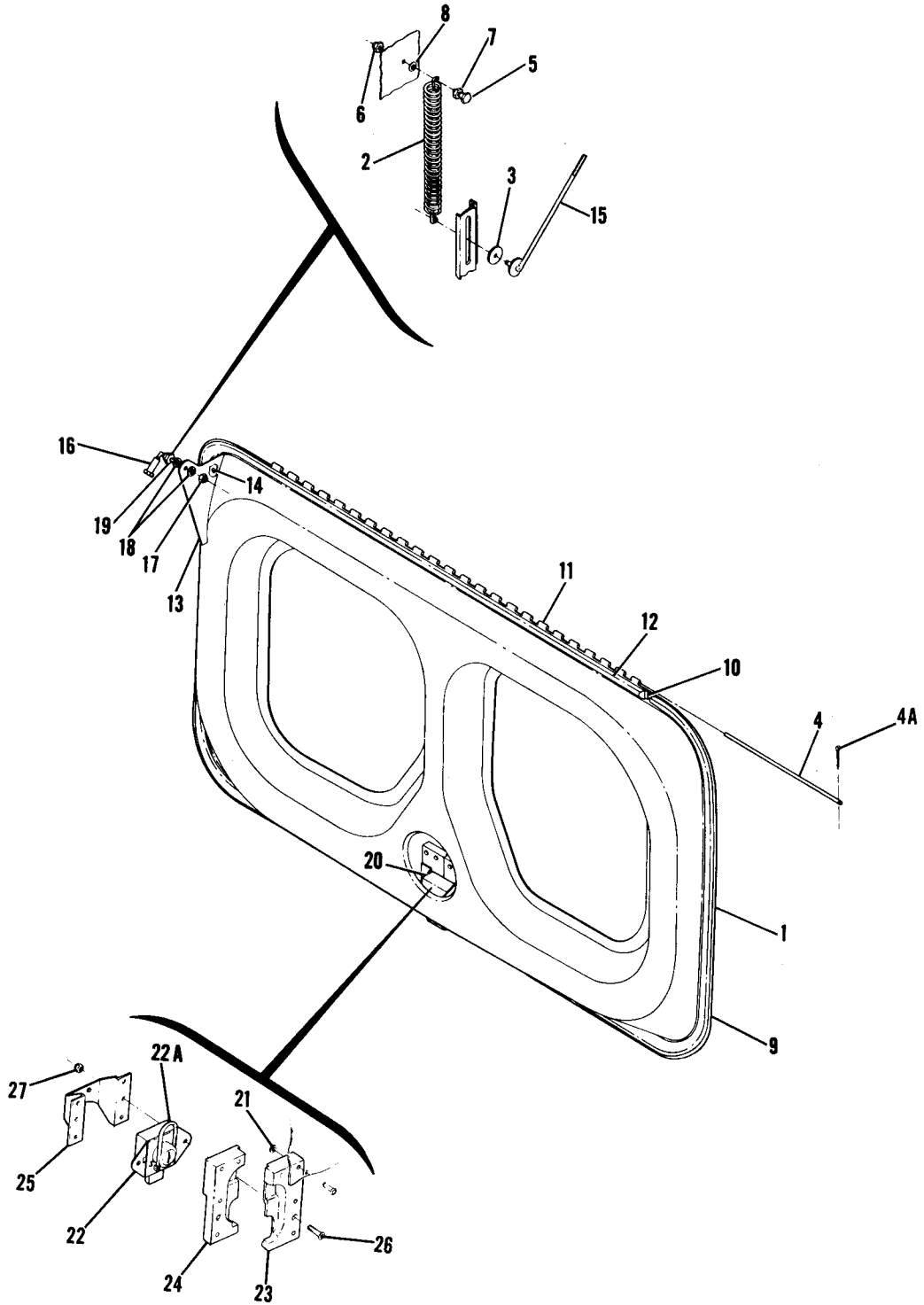


Figure 41A. Latch Installation - Cabin Door Removable

FIGURE AND INDEX NO.	PART NUMBER	DESCRIPTION	UNITS PER ASSY	USABLE ON CODE
41A-		1 2 3 4 5 6 7		
		LATCH INSTALLATION-CABIN DOOR REMOVABLE -----		
	0711061-1	LATCH ASSEMBLY-CABIN DOOR LH -----	1	A
	0711061-2	LATCH ASSEMBLY-CABIN DOOR RH -----	1	
		ATTACHING PARTS		
- 1	NAS220-5	SCREW -----	12	
		-----*		
- 2	0711062-1	BASE PLATE-LATCH LH -----	1	
	0711062-2	BASE PLATE-LATCH RH -----	1	
- 3	NAS697A08	NUTPLATE -----	2	
- 4	0711018-27	BRACKET -----	1	
- 5	0711018-4	BRACKET -----	1	
- 6	0711018-19	BRACKET-SPRING -----	1	
- 7	0711018-20	BRACKET-SPRING -----	1	
- 8	0711018-25	BRACKET-HANDLE -----	1	
- 9	0711063-1	BRACKET ASSEMBLY-DOOR LATCH LH -----	1	
	0711063-2	BRACKET ASSEMBLY-DOOR LATCH RH -----	1	
- 10	0711029-1	SHAFT ASSEMBLY-DOOR LATCH LH -----	1	
	0711029-2	SHAFT ASSEMBLY-DOOR LATCH RH -----	1	
- 11	0413195-5	PLATE ASSEMBLY-BEARING -----	1	
		ATTACHING PARTS		
- 12	AN520-10R9	SCREW -----	2	
- 13	AN936-B10	WASHER -----	2	
		-----*		
- 14	0711060-1	SPRING-DOOR LATCH -----	1	
- 15	0711019-1	SPRING-DOOR LATCH -----	1	
- 16	0711017-1	BOLT-DOOR LATCH -----	2	
- 17	0711018-23	STRAP ASSEMBLY-LATCH LH -----	1	
	0711018-24	STRAP ASSEMBLY-LATCH RH -----	1	
		ATTACHING PARTS		
- 18	5-9-028-125-0562	ROLLPIN -----	1	
- 19	MS20392-1-7	PIN -----	1	
- 20	AN380-2-2	PIN-COTTER -----	1	
		-----*		
- 21	0711032-2	HANDLE-LATCH -----	1	
		ATTACHING PARTS		
- 22	MS20392-1-33	PIN -----	1	
		-----*		
		CONTINUED ON PAGE 86B		

FIGURE AND INDEX NO.	PART NUMBER	DESCRIPTION	UNITS PER ASSY	USABLE ON CODE
		1 2 3 4 5 6 7		
41A- 23	0711018-15 0711018-16	PULL BAR-LATCH LH ----- PULL BAR-LATCH RH ----- ATTACHING PARTS -----	1 1	
- 24	MS20392-1-23	PIN -----	2	
- 25	AN380-2-2	PIN-COTTER -----	2	
- 26	NAS70A-128-313	WASHER ----- -----*	3	
- 27	0711016-1	SPRING-HANDLE -----	1	
- 28	0711018-22	STOP-----	1	
		A---210 SERIAL 21057576 & ON		
		1 2 3 4 5 6 7		
42-		BAGGAGE DOOR INSTALLATION-FUSELAGE -----	NP	A
- 1	1211141-8	DOOR ASSEMBLY-BAGGAGE -----	1	
		ATTACHING PARTS -----		
- 2	1211148-1	SPRING-BAGGAGE DOOR BALANCE -----	1	
- 3	1211144-1	WASHER-BAGGAGE DOOR BALANCE -----	1	
- 4	AN253-2-2480	PIN-HINGE -----	1	
- 4A	AN381-1-8	PIN-COTTER -----	1	
- 5	AN3-5A	BOLT -----	1	
- 6	AN315-3R	NUT -----	1	
- 7	MS20364-1032C	NUT -----	1	
- 8	AN960-10L	WASHER----- -----*	1	
- 9	1211141-9	SKIN ASSEMBLY -----	1	
- 10	1211141-6	SPACER-BAGGAGE DOOR HINGE -----	1	
- 11	1211149-2	HINGE HALF-BAGGAGE DOOR -----	1	
- 12	S-1042-1	SEAL-102.90 IN LONG-----BULK ITEM-----REF S-1042-1-10290	1	
- 13	1211143-1	BALANCE BRACKET ----- ATTACHING PARTS -----	1	
- 14	P4D	BLIND RIVET HKM----- -----*	9	
- 15	1211142-1	ROD ASSEMBLY -----	1	
- 16	D-103-A	BALL JOINT TOK ----- ATTACHING PARTS -----	1	
- 17	AN315-3R	NUT -----	1	
- 18	AN960-10L	WASHER -----	1	
- 19	MS20365-1032C	NUT ----- -----*	1	
- 20	1211129-1	LOCK ASSEMBLY-BAGGAGE DOOR ----- ATTACHING PARTS -----	1	
- 21	AN960-4	WASHER ----- -----*	4	
- 22	1211128-1	LOCK-FLUSH -----	1	
-22A	521-42C	RING-PULL ----- ATTACHING PARTS -----	1	
	1211128-3	PIN-PULL RING ----- -----*	1	
- 23	1211130-1	BLOCK HALF-FILLER-----	1	
- 24	1211130-2	BLOCK HALF-FILLER-----	1	
- 25	1211131-1	BRACKET-BAGGAGE DOOR LOCK -----	1	
- 26	AN509-10R12	SCREW -----	2	
- 27	MS20364-1032C	NUT -----	2	
		A---210 SERIAL 57001 THRU 57575		

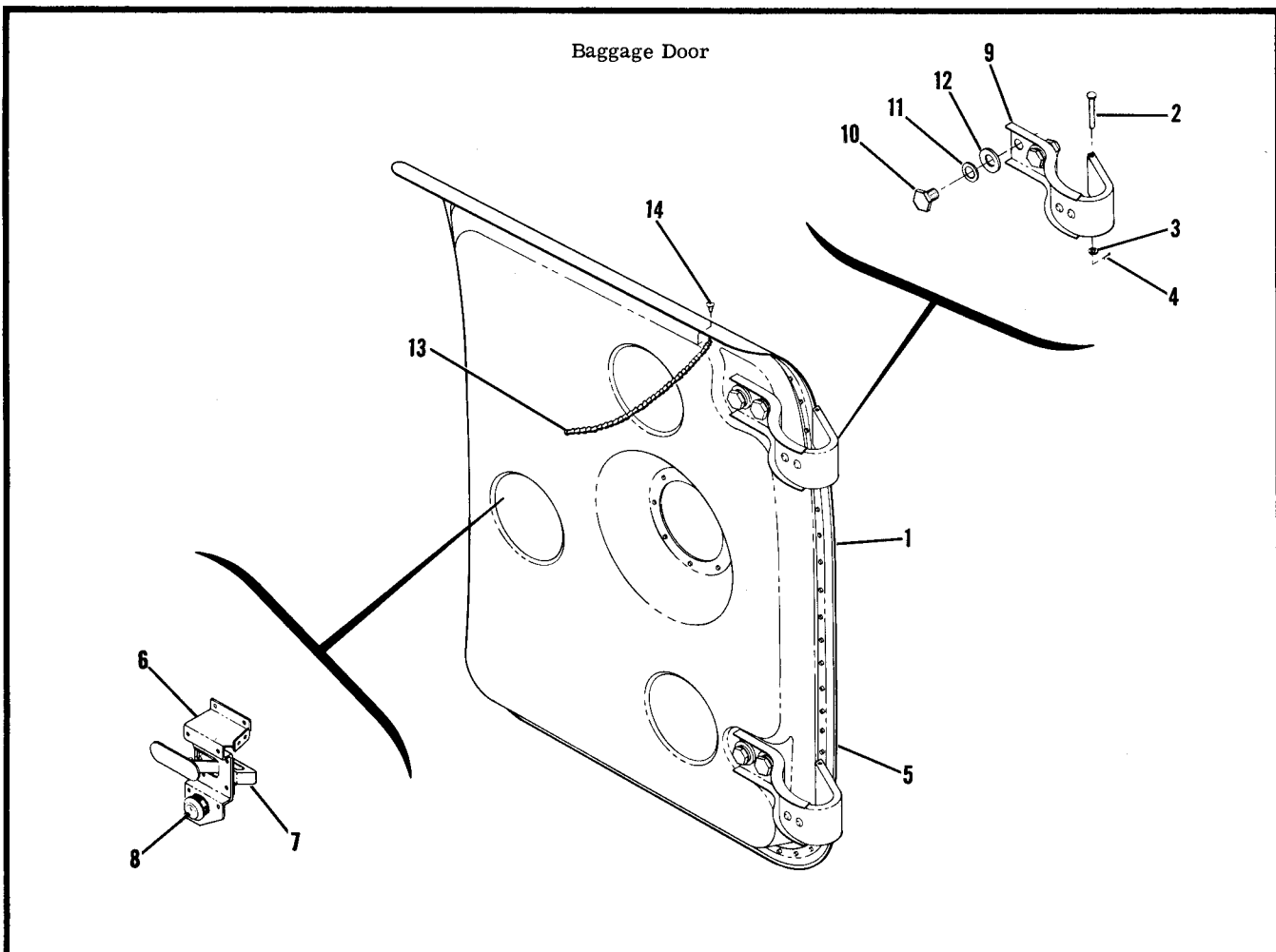
Baggage Door



SERIAL 57001 THRU 57575

Figure 42. Baggage Door Installation

This page intentionally left blank.



SERIAL 21057576 & ON

Figure 42A. Baggage Door Installation

FIGURE AND INDEX NO.	PART NUMBER	DESCRIPTION	UNITS	USABLE
			PER ASSY	ON CODE
42A-		1 2 3 4 5 6 7		
- 1	1211234-2	BAGGAGE DOOR INSTALLATION-FUSELAGE ----- DOOR ASSEMBLY-BAGGAGE----- ATTACHING PARTS -----	NP 1	A
- 2	MS20392-1-37	PIN -----	2	
- 3	AN960-6	WASHER-----	2	
- 4	AN380-2-1	PIN ----- -----*	2	
- 5	1211234-7	SKIN ASSEMBLY -----	1	
- 6	0711101-21	BRACKET -----	1	
- 7	H75-15-.375	LATCH ASSEMBLY-----HWL -----	1	
- 8	0413323-3	LOCK ASSEMBLY -----	1	
- 9	1211237-1	HINGE-UPPER -----	2	
	1211237-5	-----	1	
- 10	AN3-5A	HINGE-LOWER ----- ATTACHING PARTS -----	2	
- 11	AN960-10	BOLT-----	2	
- 12	AN970-3	WASHER -----	2	
- 13	1211234-9	CHAIN-BAGGAGE DOOR STOP ----- ATTACHING PARTS -----	1	
- 14	AN515-8R6	SCREW -----		
	A8-75	RIVNUT-----GD ----- -----*	2	
A---210 SERIAL 21057576 & ON				

FIGURE AND INDEX NO.	PART NUMBER	DESCRIPTION	UNITS PER ASSY	USABLE ON CODE
43-		UPHOLSTERY INSTALLATION-CABIN TOP & FIREWALL -----	NP	
- 1	1200101-42	SOUNDPROOFING-FIREWALL -----	1	A
- 2	1200101-43	COVER-UPPER FIREWALL -----	1	A
- 3	1200101-41	CARPET ASSEMBLY-LOWER FIREWALL-----	1	A
		ATTACHING PARTS		
- 4	1213231-1	ANGLE -----	2	
	S-1021Z-8-8	SCREW CESSNA STANDARD -----	8	
		---*---		
- 5	1200101-76	WIRE-FIREWALL CARPET -----	1	A
- 6	1200082-9	PANEL ASSEMBLY-FIREWALL -----	1	B
		ATTACHING PARTS		
- 7	1213231-1	ANGLE -----	1	
	S-1021Z-8-8	SCREW CESSNA STANDARD -----	1	
		---*---		
- 8	1200082-12	WIRE-FIREWALL PANEL-----	1	B
- 8A	1200087-16	SOUNDPROOFING-HEATER DUCT -----	1	
- 9	0511001-131	SOUNDPROOFING-COWL DECK -----	1	A
- 10	1200101-30	COVER-COWL DECK -----	1	A
- 11	1200082-10	COVER ASSEMBLY-COWL DECK -----	1	B
		ATTACHING PARTS		
-11A	1200010-1	RETAINER-COWL DECK COVER -----	1	B
	S-1022A4-6B	SCREW CESSNA STANDARD -----	9	B
		---*---		
- 12	1200082-11	COVER ASSEMBLY-GLOVE BOX -----	1	
- 13	0713046	RETAINER-UPHOLSTERY -----	1	
		ATTACHING PARTS		
	S-1021Z-4-6B	SCREW CESSNA STANDARD -----	4	
		---*---		
- 14	0513172-2	SCREEN-VENT-----	1	
	0513172-1	RETAINER-SCREEN -----	1	
		ATTACHING PARTS		
	S-1021Z-8-8B	SCREW CESSNA STANDARD -----	4	
		---*---		
- 15	0511001-183	SOUNDPROOFING-CABIN TOP FWD -----	1	A
- 16	1200087-6	SOUNDPROOFING-CABIN TOP FWD -----	1	B
- 17	1200100-9	SOUNDPROOFING-CABIN TOP AFT -----	1	A
- 18	1200087-4	SOUNDPROOFING-CABIN TOP AFT -----	1	B
- 19	1200101-3	HEADLINER ASSEMBLY-CABIN TOP -----	1	A
	1200086-14	HEADLINER ASSEMBLY-CABIN TOP -----	1	B
- 20	1200086-3	HEADLINER-AFT -----	1	B
- 21	1200086-4	HEADLINER-FWD -----	1	B
- 22	0511001-150	ZIPPER -----	1	B
- 23	1200086-5	WIRE-HEADLINER -----	1	
- 24	1200086-6	WIRE-HEADLINER -----	1	
- 25	1200086-7	WIRE-HEADLINER -----	1	
- 26	1200086-8	WIRE-HEADLINER -----	1	
- 27	1200100-4	WIRE-HEADLINER -----	1	A
- 28	1200086-9	WIRE-HEADLINER -----	1	B
- 29	1200086-10	WIRE-HEADLINER -----	1	B
- 30	1200086-11	WIRE-HEADLINER -----	1	B
- 31	1200100-5	WIRE-HEADLINER -----	1	A
- 32	1200100-6	WIRE-HEADLINER -----	1	A
- 33	1200086-12	WIRE-HEADLINER -----	1	
- 34	1200086-2	PANEL ASSEMBLY-HEADLINER AFT -----	1	
	XX-49319-K2215	STUD-----UC -----	3	
- 35	0700109-4	TIARA ASSEMBLY -----	1	
		ATTACHING PARTS		
	S-1032Z-4-8C	SCREW CESSNA STANDARD -----	4	
		---*---		
- 36	0511186	HOOK-COAT HANGER-----	1	
	0500010-4	WASHER-----	1	
- 37	1200128-1	RETAINER-SOUNDPROOFING -----	2	
		ATTACHING PARTS		
	S-1021Z-8-8	SCREW CESSNA STANDARD-----	5	
	NAS446-4-3	NUT -----	5	
		---*---		
- 38	1200100-35	WINDLACE ASSEMBLY -----	1	A
- 39	1200085-12	WINDLACE ASSEMBLY -----	1	B

A---210 SERIAL 57001 THRU 57575
 B---210 SERIAL 21057576 & ON

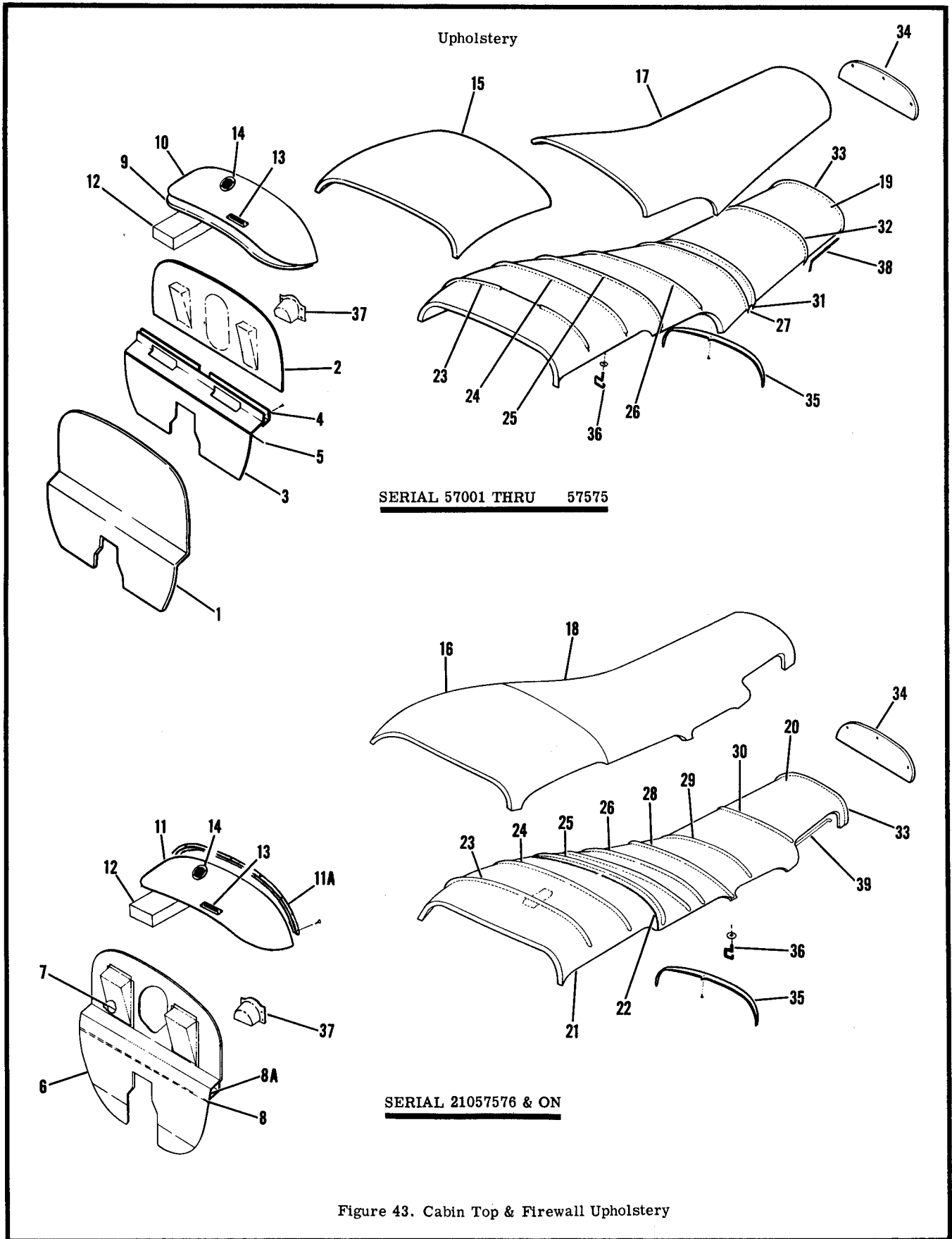
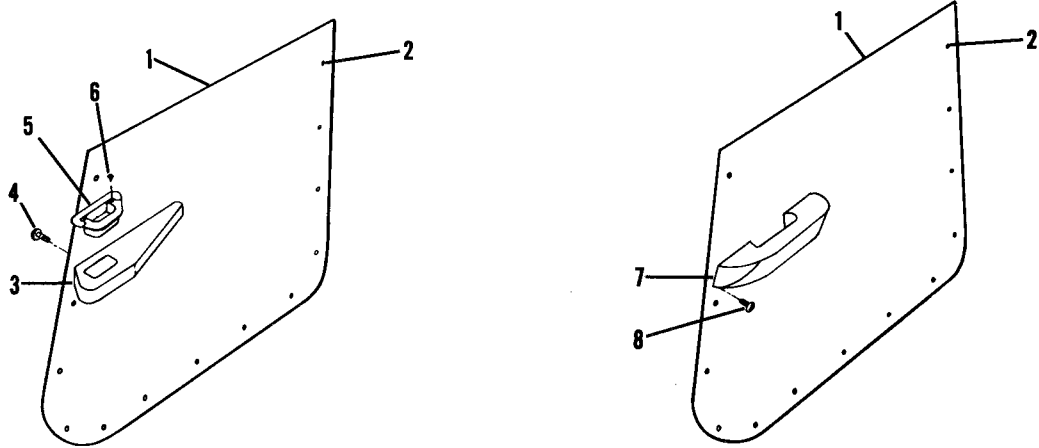


Figure 43. Cabin Top & Firewall Upholstery

Upholstery (Cont)



SERIAL 57001 THRU 57575

SERIAL 21057576 & ON

Figure 44. Cabin Doors Upholstery Installation

FIGURE AND INDEX NO.	PART NUMBER	DESCRIPTION	UNITS PER ASSY	USABLE ON CODE		
			1	2	3	4
44-		UPHOLSTERY INSTALLATION-CABIN DOORS	NP			
- 1	1200101-51	PANEL ASSEMBLY-DOOR UPHOLSTERY LH	1	A		
	1200085-3	PANEL ASSEMBLY-DOOR UPHOLSTERY LH	1	B		
	1200101-52	PANEL ASSEMBLY-DOOR UPHOLSTERY RH	1	A		
	1200085-4	PANEL ASSEMBLY-DOOR UPHOLSTERY RH	1	B		
- 2	NO. 807	CLIP-----AU-VE-CO	13			
- 3	1200101-45	ARM REST ASSEMBLY-LH	1	A		
	1200101-46	ARM REST ASSEMBLY-RH	1	A		
		ATTACHING PARTS				
- 4	S-1021Z-8-8	SCREW CESSNA STANDARD	2	A		
	NAS395-12-3	NUT	2	A		
		-----*				
- 5	1200126-1	CUP-DOOR PULL	1	A		
		ATTACHING PARTS				
- 6	AN515-8R8	SCREW	3	A		
		-----*				
- 7	1200089-1	DOOR PULL	1	B		
		ATTACHING PARTS				
- 8	AN520-416R12	SCREW	2	B		
	AN960C416L	WASHER	2	B		
		-----*				
		A---210 SERIAL 57001 THRU 57575				
		B---210 SERIAL 21057576 & ON				

This page intentionally left blank.

Upholstery (Cont)

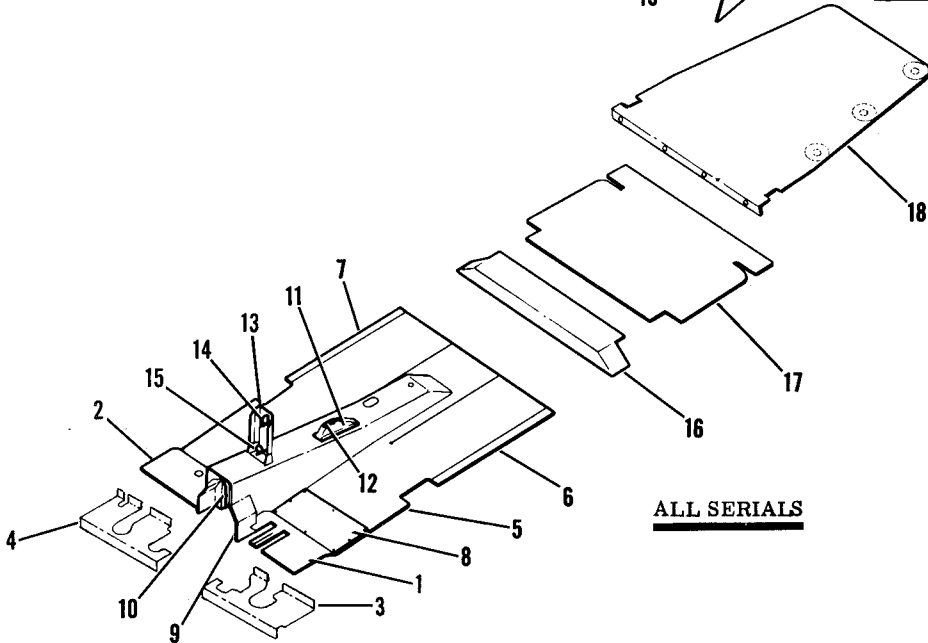
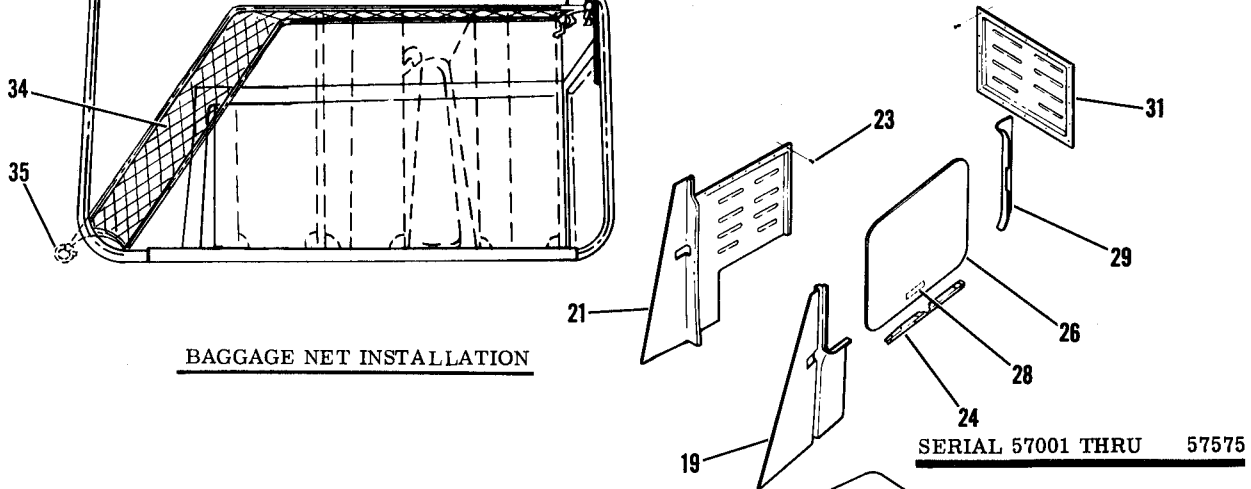
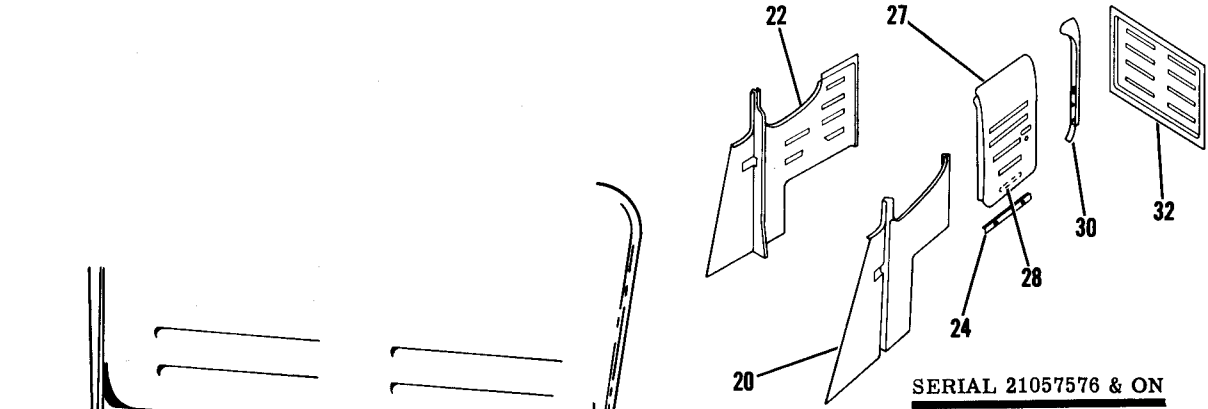


Figure 45. Floorboards and Baggage Compartment Upholstery Installation

FIGURE AND INDEX NO.	PART NUMBER	DESCRIPTION	UNITS PER ASSY	USABLE ON CODE
		1 2 3 4 5 6 7		
45-		UPHOLSTERY INSTALLATION-FLOORBOARD & BAGGAGE COMPARTMENT -----	NP	
- 1	1200100-19	CARPET-RUDDER BAR LH -----	1	A
	1200082-8	CARPET-RUDDER BAR LH -----	1	B
- 2	1200100-20	CARPET-RUDDER BAR RH -----	1	A
	1200082-7	CARPET-RUDDER BAR RH -----	1	B
- 3	1213033-7	SHIELD-RUDDER BAR LH -----	1	
- 4	1213033-8	SHIELD-RUDDER BAR RH -----	1	
	S-10212-8-8B	ATTACHING PARTS SCREW CESSNA STANDARD -----	7	
		-----*		
- 5	1200100-16	CARPET-FORWARD FLOORBOARD CENTER -----	1	A
	1200082-6	CARPET-FORWARD FLOORBOARD CENTER -----	1	B
- 6	1200100-17	CARPET-FORWARD FLOORBOARD LH -----	1	A
	1200082-4	CARPET-FORWARD FLOORBOARD LH -----	1	B
- 7	1200100-18	CARPET-FORWARD FLOORBOARD RH -----	1	A
	1200082-5	CARPET-FORWARD FLOORBOARD RH -----	1	B
- 8	1200122-1	SCUFF PLATE -----	1	
	S-10232-8-8B	ATTACHING PARTS SCREW CESSNA STANDARD -----	7	
		-----*		
- 9	1200100-14	COVER-TUNNEL -----	1	A
	1200084-1	COVER-TUNNEL -----	1	B
- 10	1200100-15	SOUNDPROOFING-TUNNEL -----	1	A
	1200087-1	SOUNDPROOFING-TUNNEL -----	1	B
- 11	0713025-3-242	COVER-TRIM CHAMPAGNE GOLD -----	1	A
	0713025-3-272	COVER-TRIM AQUA MARINE -----	1	A
	0713025-3-274	COVER-TRIM CAY CORAL -----	1	A
	0713025-4-273	COVER-TRIM NATURAL -----	1	B
	S-10212-6-8	ATTACHING PARTS SCREW CESSNA STANDARD -----	4	
		-----*		
- 12	0713025-1	POINTER-TRIM -----	1	A
	S-10212-6-8	ATTACHING PARTS SCREW CESSNA STANDARD -----	4	A
		-----*		
- 13	1200101-2	SHIELD ASSEMBLY-CONTROL TEE -----	1	A
	1200082-13	SHIELD ASSEMBLY-CONTROL TEE -----	1	B
		ATTACHING PARTS		
- 14	0411840	CLAMP -----	1	
	AN520-10R48	SCREW -----	1	
	NAS43DD-3-64	SPACER -----	1	
	MS20365-1032C	NUT -----	1	
- 15	0411840	CLAMP -----	1	
	AN520-10R44	SCREW -----	1	
	NAS43DD-3-32	SPACER -----	1	
	MS20365-1032C	NUT -----	1	
		-----*		
- 16	1200100-10	CARPET ASSEMBLY-CENTER -----	1	A
	1200082-3	CARPET ASSEMBLY-CENTER -----	1	B
- 17	1200100-11	CARPET ASSEMBLY-AFT -----	1	A
	1200082-2	CARPET ASSEMBLY-AFT -----	1	B
- 18	1200100-12	CARPET ASSEMBLY-BAGGAGE COMPARTMENT -----	1	A
	1200082-1	CARPET ASSEMBLY-BAGGAGE COMPARTMENT -----	1	B
- 19	1200101-25	PANEL ASSEMBLY-AFT WALL LH -----	1	A
- 20	1200084-10	PANEL ASSEMBLY-AFT WALL LH -----	1	B
- 21	1200101-26	PANEL ASSEMBLY-AFT WALL RH -----	1	A
- 22	1200084-11	PANEL ASSEMBLY-AFT WALL RH -----	1	B
	S-10212-6-6	ATTACHING PARTS SCREW CESSNA STANDARD -----	7	
		-----*		
- 24	1200110-1	SCUFF PLATE -----	1	A
- 25	1200131-1	SCUFF PLATE -----	1	B
	S-10222-4-6	ATTACHING PARTS SCREW CESSNA STANDARD -----	4	
		-----*		
	98293-2-.170	STUD-AIRLOCK -----	2	
	99785-2	PIN AIRLOCK -----	2	
- 26	1200101-32	PANEL ASSEMBLY-BAGGAGE DOOR -----	1	A
- 27	1200084-12	PANEL ASSEMBLY-BAGGAGE DOOR -----	1	B
- 28	0710032-1	PLACARD-BAGGAGE DOOR -----	1	
	S-10212-4-6	ATTACHING PARTS SCREW CESSNA STANDARD -----	2	
		-----*		

CONTINUED ON PAGE 94

FIGURE AND INDEX NO.	PART NUMBER	DESCRIPTION	UNITS PER ASSY	USABLE ON CODE
		1 2 3 4 5 6 7		
45- 29	1200101-80	FAIRING-BAGGAGE DOOR -----	1	A
- 30	1200084-13	FAIRING-BAGGAGE DOOR -----	1	B
- 31	1200101-15	PANEL-BAGGAGE COMPARTMENT AFT WALL -----	1	A
- 32	1200084-14	PANEL-BAGGAGE COMPARTMENT AFT WALL -----	1	B
		ATTACHING PARTS		
- 33	S-1021Z-6-6	SCREW CESSNA STANDARD -----	16	
		-----*		
		BAGGAGE NET INSTALLATION -----	NP	
- 34	1200115-1	NET-BAGGAGE RETAINING-----	1	
- 35	1211203-1	EYE BOLT -----	4	
	1200127-1	WASHER -----	4	
		A---210 SERIAL 57001 THRU 57575		
		B---210 SERIAL 21057576 & ON		

Upholstery (Cont)

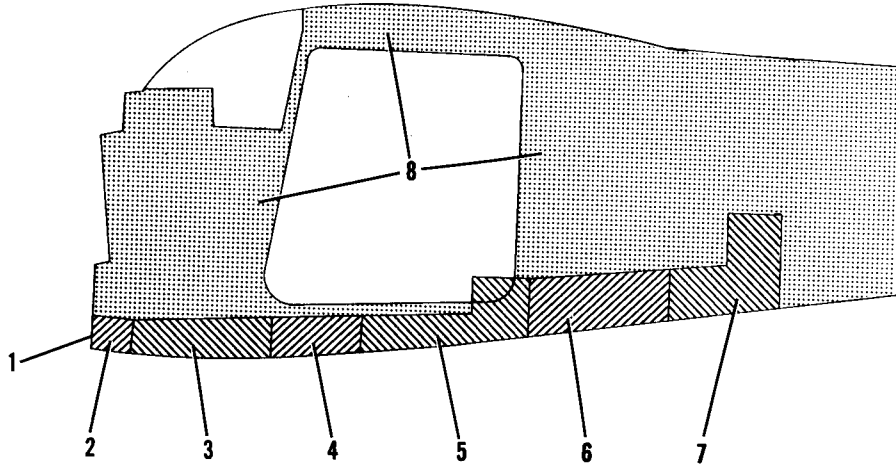


Figure 45A. Cabin Soundproofing Installation

FIGURE AND INDEX NO.	PART NUMBER	DESCRIPTION	UNITS PER ASSY	USABLE ON CODE
45A-		1 2 3 4 5 6 7 SOUNDPROOFING INSTALLATION-CABIN-----	NP	
- 1	1200087-1	SOUNDPROOFING-TUNNEL -----	1	
- 2	1200087-14	SOUNDPROOFING-LOWER OUTBOARD FORWARD -----	2	
- 3	1200087-13	SOUNDPROOFING-LOWER OUTBOARD FORWARD -----	2	
- 4	1200087-12	SOUNDPROOFING-LOWER OUTBOARD -----	1	
- 5	1200087-9	SOUNDPROOFING-LOWER OUTBOARD -----	1	
- 6	1200087-10	SOUNDPROOFING-LOWER CENTER -----	1	
- 7	1200087-8	SOUNDPROOFING-LOWER OUTBOARD -----	2	
- 8	B-1	SOUNDPROOFING-FIBERGLAS 1.00 INCH THICK BULK ITEM ----- STATE SQUARE FOOTAGE WANTED	AR	

Upholstery (Cont)

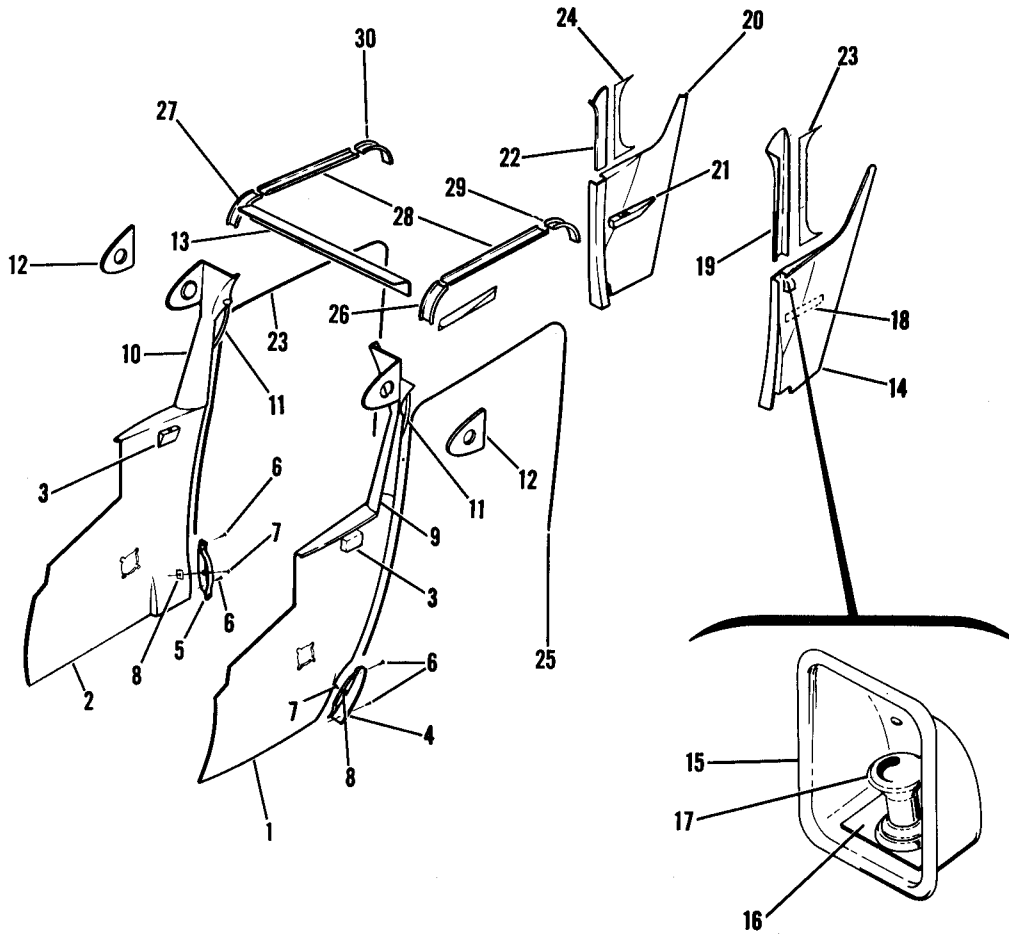
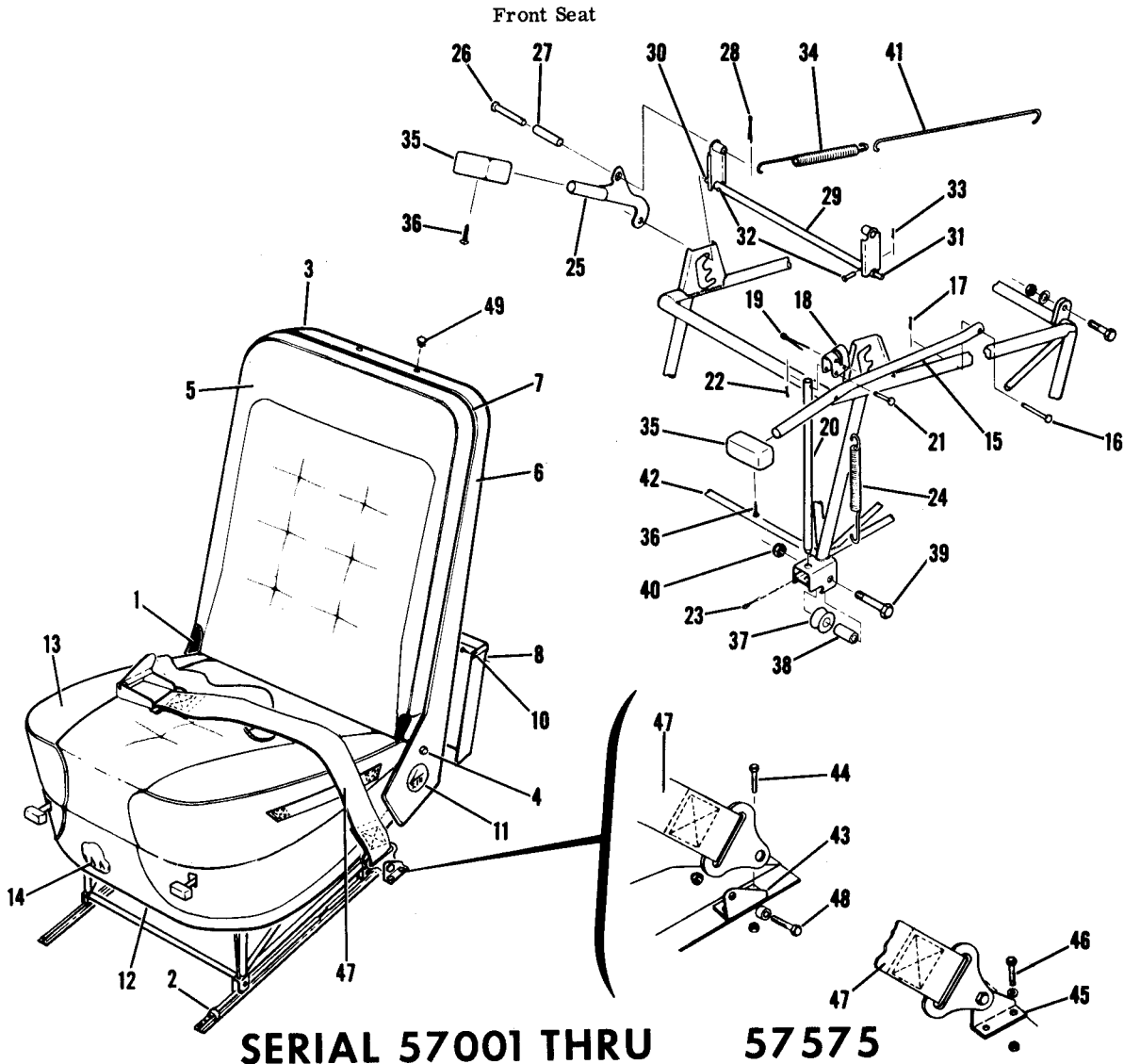


Figure 46. Cabin Side Panels Upholstery Installation

FIGURE AND INDEX NO.	PART NUMBER	DESCRIPTION	UNITS PER ASSY	USABLE ON CODE
		1 2 3 4 5 6 7		
46-		UPHOLSTERY INSTALLATION-CABIN SIDE PANELS -----	NP	
- 1	1200101-7	PANEL ASSEMBLY-SIDEWALL FWD LH-----	1	A
	1200085-1	PANEL ASSEMBLY-SIDEWALL FWD LH-----	1	B
- 2	1200101-8	PANEL ASSEMBLY-SIDEWALL FWD RH-----	1	A
	1200085-2	PANEL ASSEMBLY-SIDEWALL FWD RH-----	1	B
- 3	0411030-6	ASH TRAY -----	1	
	0411030-5	RETAINER-ASH TRAY -----	1	
		ATTACHING PARTS -----		
	S-1021Z-4-8	SCREW CESSNA STANDARD -----	2	
	NAS446-1-3	NUT -----	2	
		*-----		
- 4	1200100-37	RETAINER-CABIN AIR VENT LH-----	1	A
	1200084-4	RETAINER-CABIN AIR VENT LH-----	1	B
- 5	1200100-38	RETAINER-CABIN AIR VENT RH-----	1	A
		CONTINUED ON PAGE 95B		

FIGURE AND INDEX NO.	PART NUMBER	DESCRIPTION	UNITS PER ASSY	USABLE ON CODE
		1 2 3 4 5 6 7		
46-	1200084-5	RETAINER-CABIN AIR VENT RH-----	1	B
- 6	S-1021Z-4-4	ATTACHING PARTS		
- 7	S-1021Z-6-6	SCREW CESSNA STANDARD -----	2	
- 8	NAS446-3-3	SCREW CESSNA STANDARD -----	1	
		NUT -----	1	
		---*---		
- 9	1200101-81	SHIELD-DOORPOST LH -----	1	A
	1200084-2	SHIELD-DOORPOST LH -----	1	B
- 10	1200101-82	SHIELD-DOORPOST RH -----	1	A
	1200084-3	SHIELD-DOORPOST RH -----	1	B
		ATTACHING PARTS		
	S-1021Z-4-6	SCREW CESSNA STANDARD -----	5	
		---*---		
- 11	1200101-91	STRAP-ASSIST -----	1	A
	0511229-2	STRAP-ASSIST -----	2	B
		ATTACHING PARTS		
	1032X5/8	SCREW AU-VE-CO T 5/8 -----	2	
		---*---		
- 12	0511001-133	SOUNDPROOFING-SHIELD -----	2	
- 13	0511130	SHIELD-TRIM-----	1	
		ATTACHING PARTS		
	49265-F-938	STUD UC-----	3	
		---*---		
- 14	1200101-19	PANEL ASSEMBLY-AFT LH-----	1	A
	1200085-1	PANEL ASSEMBLY-AFT LH-----	1	B
- 15	0811083-1	PAN-CIGAR LIGHTER -----	1	
		ATTACHING PARTS		
	S-1021Z-6-6C	SCREW CESSNA STANDARD -----	2	
	A6191-6Z-3	NUT-ANCHOR -----	2	
		---*---		
- 16	0811084-1	TRIM-----	1	
- 17	0513052-3	LIGHTER ASSEMBLY-CIGAR -----	1	
	0513039-6	SOCKET ASSEMBLY -----	1	
	0513039-1	HEATING ELEMENT -----	1	
	0513039-4	FLANGE -----	1	
	0713303-1	KNOB-----	1	
- 18	1200085-7	ARM REST-REAR LH -----	1	
		ATTACHING PARTS		
	S-1021Z-8-8	SCREW CESSNA STANDARD -----	2	
	AN970-4	WASHER -----	2	
	NAS395-12-3	NUT -----	2	
	MS2036A-1032C	NUT -----	1	
	NAS75-3-014	BUSHING -----	1	
		---*---		
- 19	1A1002X	ASH RECEIVER GDR -----	1	
	0700105-37	FAIRING-REAR DOORPOST LH -----	1	A
	1200085-6	FAIRING-REAR DOORPOST LH -----	1	B
- 20	1200101-20	PANEL ASSEMBLY-AFT LH-----	1	A
	1200085-	PANEL ASSEMBLY-AFT RH-----	1	B
	0700105-40	BRACKET -----	1	
- 21	1200085-8	ARM REST-REAR RH-----	1	
		ATTACHING PARTS		
	S-1021Z-8-8	SCREW CESSNA STANDARD -----	2	
	NAS395-12-3	NUT -----	2	
		---*---		
- 22	1A1002X	ASH RECEIVER GDR -----	1	
	0700105-38	FAIRING-REAR DOORPOST RH -----	1	A
	1200085-7	FAIRING-REAR DOORPOST RH -----	1	B
- 23	1200084-17	FAIRING-WINDOW FRAME LH -----	1	B
- 24	1200084-16	FAIRING-WINDOW FRAME RH -----	1	B
- 25	1200100-40	WINDLACE ASSEMBLY -----	2	A
	1200085-11	WINDLACE ASSEMBLY -----	2	B
		ATTACHING PARTS		
	S-1021Z-4-4	SCREW CESSNA STANDARD -----	22	
		---*---		
- 26	0700105-33	GUSSET-UPHOLSTERY LH -----	1	
- 27	0700105-34	GUSSET-UPHOLSTERY RH -----	1	
- 28	0511153-5	RETAINER ASSEMBLY-UPHOLSTERY -----	2	
- 29	0511151-7	GUSSET-UPHOLSTERY LH -----	1	
- 30	0511151-6	GUSSET-UPHOLSTERY RH -----	1	

A---210 SERIAL 57001 THRU 57575
 B---210 SERIAL 21057576 & ON



SERIAL 57001 THRU 57575

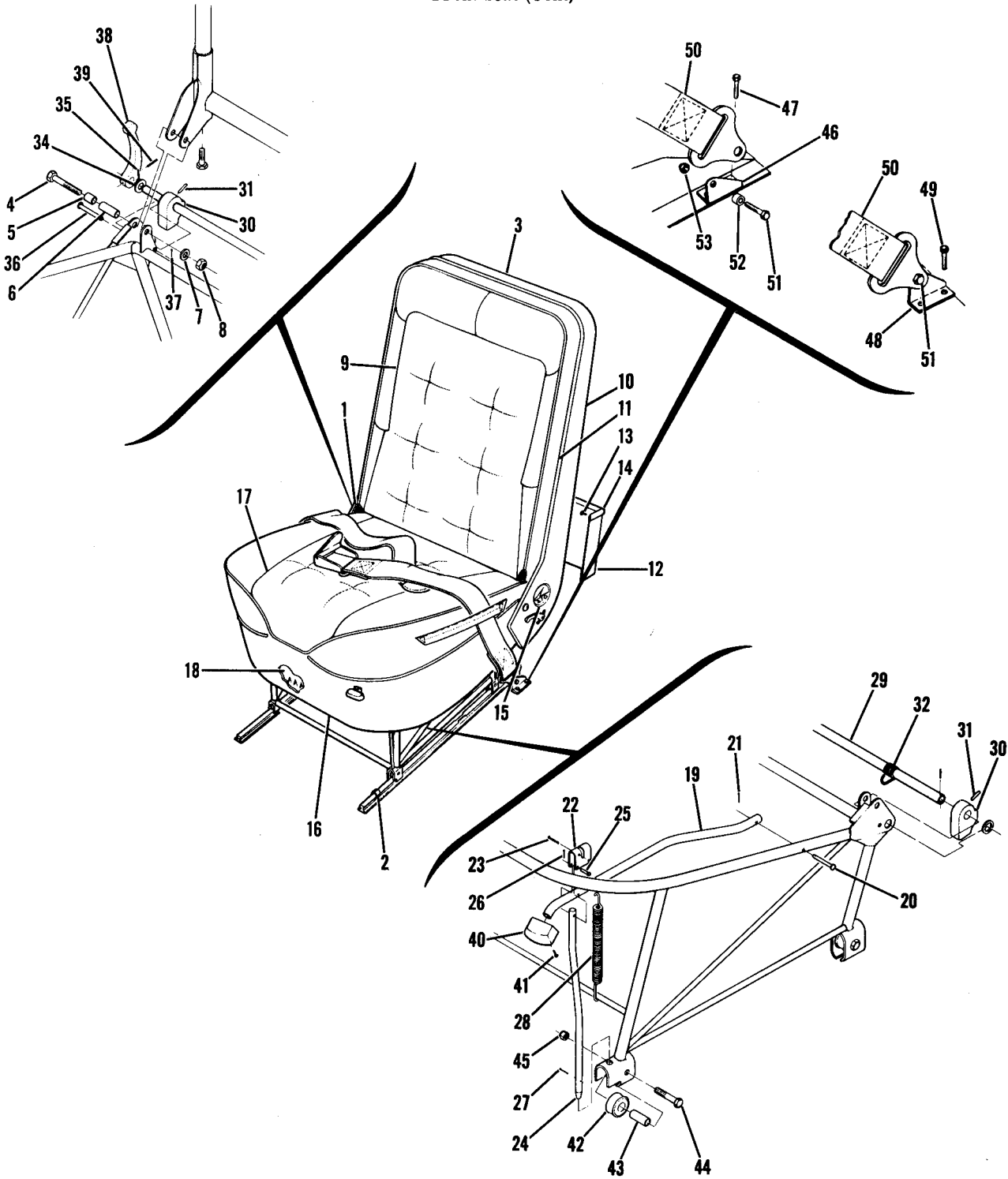
Figure 47. Front Seat Installation

FIGURE AND INDEX NO.	PART NUMBER	DESCRIPTION	UNITS PER ASSY	USABLE ON CODE
47-		1 2 3 4 5 6 7		
- 1	1200101-53	SEAT INSTALLATION-FRONT-----	NP	A
- 2	0713074-1 MS20392-1-21 AN381-2-5	SEAT ASSEMBLY-FRONT TILTING ATTACHING PARTS	2	
- 3	1200101-62	STOP-SEAT -----	2	
- 4	EK2BS428CH AN960-416L S-1074-1 AN936B416 AN4-13A	PIN-CLEVIS ----- PIN-COTTER ----- -----*----- BACK ASSEMBLY-FRONT SEAT UPHOLSTERED ATTACHING PARTS	2 2 2	
		NUT-CAP FLN -----	1	
		WASHER -----	2	
		WASHER CESSNA STANDARD -----	4	
		WASHER -----	2	
		BOLT-----	2	
		-----*-----		
		CONTINUED ON PAGE 97		

FIGURE AND INDEX NO.	PART NUMBER	DESCRIPTION	UNITS PER ASSY	USABLE ON CODE
		1 2 3 4 5 6 7		
47- 5	1200101-63	COVER ASSEMBLY-SEAT BACK -----	1	
- 6	1200101-56	PANEL ASSEMBLY-SEAT BACK -----	1	
- 7	1200101-61	TRIM-MOULDING -----	1	
- 8	1200101-77	POCKET-SEAT -----	1	
- 9		ATTACHING PARTS		
	NAS446-4-3	DELETED-NEVER USED -----		
		NUT -----	2	
		-----*		
- 10	1200101-78	TRIM-POCKET -----	1	
- 11	1200107-1	MEDALLION-210 -----	1	
- 12	1200101-84	CUSHION ASSEMBLY-FRONT SEAT UPHOLSTERED -----	1	
- 13	1200101-55	COVER ASSEMBLY -----	1	
- 14	1200104-1	RETAINER-UPHOLSTERY -----	1	
- 15	0711048-1	HANDLE-LATCH -----	1	
		ATTACHING PARTS		
- 16	MS20392-2-31	PIN-FLATHEAD -----	1	
- 17	AN380-2-2	PIN-COTTER -----	1	
		-----*		
- 18	0311644	CLEVIS -----	1	
		ATTACHING PARTS		
- 19	AN380-3-4	PIN-COTTER -----	1	
		-----*		
- 20	0311311	PIN-LATCH -----	1	
		ATTACHING PARTS		
- 21	MS20392-1-15	PIN-FLATHEAD -----	1	
- 22	AN380-2-2	PIN-COTTER -----	1	
- 23	AN380-2-1	PIN-COTTER -----	1	
		-----*		
- 24	0310196-2	SPRING -----	1	
- 25	0711056-1	ARM ASSEMBLY -----	1	
		ATTACHING PARTS		
- 26	MS20392-3-37	PIN-FLATHEAD -----	1	
- 27	NAS43-4-14	SPACER -----	1	
- 28	AN380-2-2	PIN-COTTER -----	1	
		-----*		
- 29	0812200-106	ACTUATOR ASSEMBLY -----	1	
- 30	0711058-1	PIN RH -----	1	
- 31	0812200-49	PIN LH -----	1	
		ATTACHING PARTS		
- 32	MS20392-1-13	PIN-FLATHEAD -----	1	
- 33	AN380-2-1	PIN-COTTER -----	1	
		-----*		
- 34	0310196-4	SPRING -----	1	
- 35	0700106-1	NOB -----	2	
		ATTACHING PARTS		
- 36	S-10212-6-8	SCREW CESSNA STANDARD -----	1	
		-----*		
- 37	0311310	ROLLER SEAT -----	4	
		ATTACHING PARTS		
- 38	0311586	BUSHING -----	1	
- 39	AN3-11A	BOLT -----	1	
- 40	MS20365-1032C	NUT -----	1	
		-----*		
- 41	0711049-1	LINK-SPRING -----	1	
- 42	0711042-1	FRAME ASSEMBLY-TILTING FRONT SEAT BASE -----	1	
- 43	0511301-18	BRACKET-SAFETY BELT ATTACHMENT-----RH OUTBD & LH INBD -----	2	
		ATTACHING PARTS		
- 44	AN3-4A	BOLT -----	2	
	AN960-10	WASHER -----	2	
	MS20365-1032C	NUT -----	2	
		-----*		
- 45	0511301-9	BRACKET-SAFETY BELT ATTACHMENT-----LH OUTBD & RH INBD -----	2	
		ATTACHING PARTS		
- 46	AN3-5A	BOLT -----	2	
	AN960-10	WASHER -----	2	
	MS20365-1032C	NUT -----	2	
		-----*		
- 47	S-1060-4	BELT ASSEMBLY-SAFETY CESSNA STANDARD -----	2	
		ATTACHING PARTS		
- 48	AN4-6A	BOLT -----	1	
	NAS43-4-20	SPACER -----	1	
	MS20365-428C	NUT -----	1	
		-----*		
- 49	49265-K-2215	STUD UC -----	2	

A---210 SERIAL 57001 THRU 57575

Front Seat (Cont)



SERIAL 21057576 & ON

Figure 47A. Front Seat Installation

FIGURE AND INDEX NO.	PART NUMBER	DESCRIPTION	UNITS PER ASSY	USABLE ON CODE
47A-		1 2 3 4 5 6 7		
- 1	1200088-1 1200088-2	SEAT INSTALLATION-FRONT----- SEAT ASSEMBLY-LH FRONT RECLINING ----- SEAT ASSEMBLY-RH FRONT RECLINING ----- ATTACHING PARTS	1 1	A
- 2	0713074-1 MS20392-1-21 AN381-2-5	STOP-SEAT ----- PIN-CLEVIS ----- SERIAL 21057576 & ON PIN-COTTER -----	2 2 2	
- 3	1200088-19 1200088-20	-----*----- BACK ASSEMBLY-FRONT SEAT UPHOLSTERED LH ----- BACK ASSEMBLY-FRONT SEAT UPHOLSTERED RH ----- ATTACHING PARTS	1 1	
- 4	AN24-29A	BOLT-----	2	
- 5	0710313-2	BUSHING-HINGE -----	2	
- 6	0710313-1	BUSHING-HINGE -----	2	
- 7	AN960-416L	WASHER -----	2	
- 8	MS20365-428C	NUT -----	2	
- 9	1200088-24	-----*----- COVER ASSEMBLY-SEAT BACK -----	1	
- 10	1200084-8 1200084-9	PANEL ASSEMBLY-SEAT BACK LH ----- PANEL ASSEMBLY-SEAT BACK RH -----	1 1	
- 11	1200088-11	TRIM-MOULDING -----	1	
- 12	1200084-15	POCKET-SEAT ----- ATTACHING PARTS	1	
- 13	S-1021Z-8-8 NAS446-4-3	SCREW ----- NUT -----	2 2	
- 14	1200088-13	-----*----- TRIM-POCKET -----	1	
- 15	1200107-1	MEDALLION-210 -----	1	
- 16	1200088-21 1200088-22	BOTTOM ASSEMBLY-FRONT SEAT LH ----- BOTTOM ASSEMBLY-FRONT SEAT RH -----	1 1	
- 17	1200088-23	COVER ASSEMBLY-SEAT BOTTOM-----	1	
- 18	0500104-89	SKIRT -----	1	
- 19	0710316-1	HANDLE-SEAT LATCH ----- ATTACHING PARTS	1	
- 20	MS20392-2-31	PIN-FLATHEAD -----	1	
- 21	AN380-2-3	PIN-COTTER -----	1	
- 22	0311644	-----*----- CLEVIS ----- ATTACHING PARTS	1	
- 23	AN380-3-4	PIN-COTTER -----	1	
- 24	0710304-2	-----*----- PIN-SEAT LATCH----- ATTACHING PARTS	1	
- 25	MS20392-1-15	PIN-FLATHEAD -----	1	
- 26	AN380-2-3	PIN-COTTER -----	1	
- 27	AN380-2-2	PIN-COTTER -----	1	
- 28	0310196-15	-----*----- SPRING -----	1	
- 29	0710302-1	TUBE-----		
- 30	0710309-1	CAM-RECLINER ----- ATTACHING PARTS	2	
- 31	NAS561C3-12	ROLL PIN ----- -----*-----	1	

CONTINUED ON PAGE 97C

FIGURE AND INDEX NO.	PART NUMBER	DESCRIPTION	UNITS PER ASSY	USABLE ON CODE
47A- 32	0710308-1	SPRING-CAM RETURN -----	1	
- 33		DELETED-NEVER USED -----		
- 34	AN960C616L	WASHER -----	2	
		ATTACHING PARTS		
- 35	NAS561C3-12	ROLL PIN -----	2	
		---*---		
- 36	MS20392-1-37	PIN-FLATHEAD -----	2	
		ATTACHING PARTS		
- 37	AN380-2-2	PIN-COTTER -----	1	
		---*---		
- 38	0710312-2	HANDLE-ACTUATOR -----	1	
		ATTACHING PARTS		
- 39	NAS561C2-10	ROLL PIN -----	1	
		---*---		
- 40	0700113-1	KNOB-----	1	
		ATTACHING PARTS		
- 41	S-1021Z-6-8	SCREW CESSNA STANDARD -----	1	
		---*---		
- 42	0311310	ROLLER-SEAT -----	4	
		ATTACHING PARTS		
- 43	0311586	BUSHING -----	1	
- 44	AN3-11A	BOLT-----	1	
- 45	MS20365-1032C	NUT -----	1	
		---*---		
- 46	0511301-18	BRACKET-SAFETY BELT ATTACHMENT-----RH OUTBD & LH INBD -----	2	
		ATTACHING PARTS		
- 47	AN3-4A	BOLT -----	2	
	AN960-10	WASHER-----	2	
	MS20365-1032C	NUT -----	2	
		---*---		
- 48	0511301-19	BRACKET-SAFETY BELT ATTACHMENT-----LH OUTBD & RH INBD -----	2	
		ATTACHING PARTS		
- 49	AN3-5A	BOLT -----	2	
	AN960-10	WASHER-----	2	
	MS20365-1032C	NUT -----	2	
		---*---		
- 50	S-1060-4	BELT ASSEMBLY-SEAT CESSNA STANDARD -----	2	
		ATTACHING PARTS		
- 51	AN4-6A	BOLT -----	1	
- 52	NAS43-4-20	SPACER-----	1	
- 53	MS20365-428C	NUT -----	1	
		---*---		
- 54	NAS603-16	SCREW -----	2	

A---210 SERIAL 21057576 & ON

FIGURE AND INDEX NO.	PART NUMBER	DESCRIPTION	UNITS PER ASSY	USABLE ON CODE
48-		1 2 3 4 5 6 7		
- 1	1200101-67 1200088-6	SEAT INSTALLATION-REAR ----- CUSHION ASSEMBLY-REAR SEAT----- CUSHION ASSEMBLY-REAR SEAT----- ATTACHING PARTS	NP 1 1	A B
- 2	AN3-7A	BOLT -----	2	
- 3	AN3-5A	BOLT -----	2	
- 4	AN3-3A	BOLT -----	2	
- 5	AN4-5A MS20365-428C	BOLT ----- NUT ----- -----*	2 2	
CONTINUED ON PAGE 98				

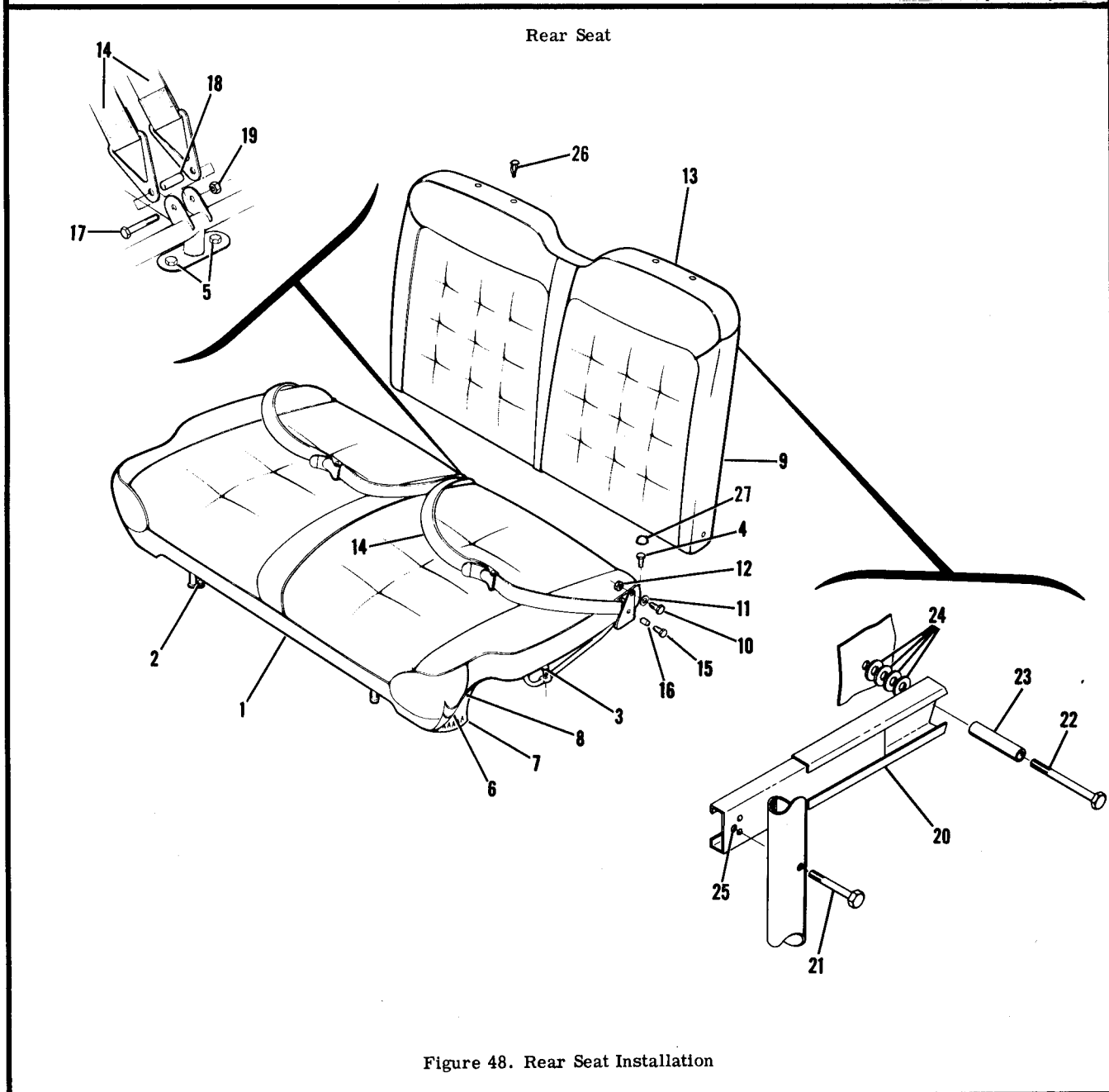


Figure 48. Rear Seat Installation

FIGURE AND INDEX NO.	PART NUMBER	DESCRIPTION	UNITS PER ASSY	USABLE ON CODE
48- 6	1200101-71	COVER ASSEMBLY-REAR SEAT BOTTOM -----	1	A
	1200088-25	COVER ASSEMBLY-REAR SEAT BOTTOM -----	1	B
- 7	1200105-1	RETAINER-REAR SEAT UPHOLSTERY -----	1	
		ATTACHING PARTS -----		
- 8	S-1021Z-6-4	SCREW CESSNA STANDARD -----	5	
		-----*		
- 9	1200101-72	BACK ASSEMBLY-REAR SEAT -----	1	A
	1200088-7	BACK ASSEMBLY-REAR SEAT -----	1	B
		ATTACHING PARTS -----		
- 10	AN4-13A	BOLT -----	2	
- 11	AN960D416L	WASHER-----	2	
- 12	MS20365-428C	NUT -----	2	
		-----*		
- 13	1200101-73	COVER ASSEMBLY-REAR SEAT BACK -----	1	A
	1200088-26	COVER ASSEMBLY-REAR SEAT BACK -----	1	B
- 14	S-1060-2	BELT ASSEMBLY-SAFETY CESSNA STANDARD-----	2	
		ATTACHING PARTS -----		
- 15	AN4-5A	BOLT -----	2	
- 16	NAS43-4-20	SPACER-----	2	
	MS20365-428C	NUT -----	2	
- 17	AN4-11A	BOLT -----	1	
- 18	NAS43-4-47	SPACER-----	1	
- 19	MS20365-428C	NUT -----	1	
		-----*		
- 20	1200123-1	SUPPORT ASSEMBLY-----	2	
		ATTACHING PARTS -----		
- 21	AN3-11A	BOLT -----	2	
- 22	AN3-16A	BOLT -----	1	
- 23	0411491-2	BUSHING -----	1	
- 24	NAS42-6-8	SPACER-----	1	
		-----*		
- 25	NAS698-3A	NUTPLATE -----	1	
- 26	49265-K-2215	STUD UC-----	4	
- 27	222	BUMPER-----	1	
		A---210 SERIAL 57001 THRU 57575		
		B---210 SERIAL 21057576 & ON		

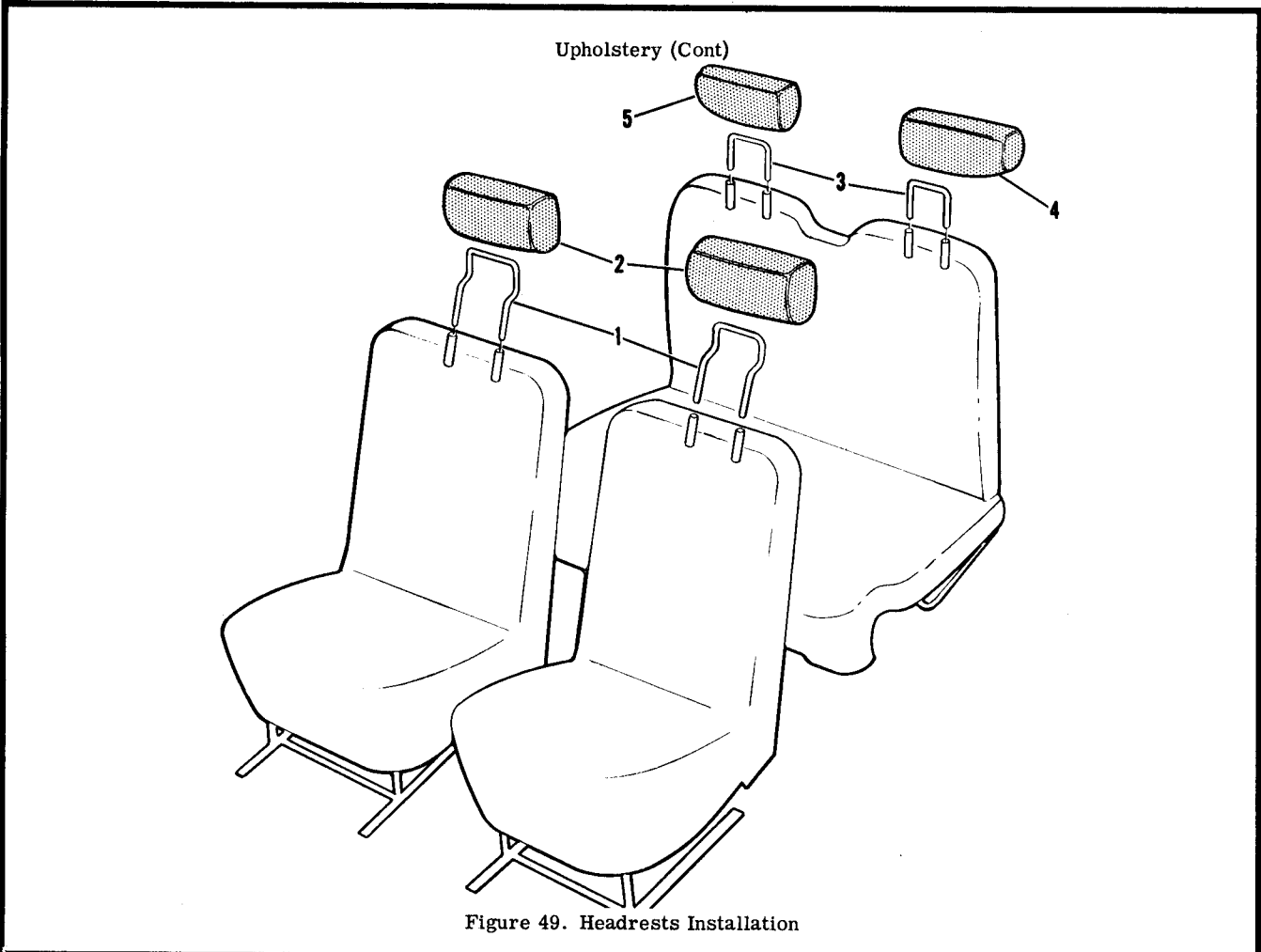


Figure 49. Headrests Installation

FIGURE AND INDEX NO.	PART NUMBER	DESCRIPTION	UNITS PER ASSY	USABLE ON CODE
49-		1 2 3 4 5 6 7		
		HEADREST INSTALLATION-SEAT -----	NP	
	1200108-2	HEADREST ASSEMBLY-FRONT -----	2	
- 1	1200108-1	FRAME-HEADREST FRONT -----	1	
- 2	0800023-6	COVER ASSEMBLY-FRONT HEADREST -----	1	
	1200103-1	HEADREST ASSEMBLY-REAR LH -----	1	
	1200103-2	HEADREST ASSEMBLY-REAR RH -----	1	
- 3	1200103-5	SUPPORT-HEADREST REAR -----	1	
- 4	1200103-3	HEADREST-REAR LH -----	1	
- 5	1200103-4	HEADREST-REAR RH -----	1	
		NOTE. FOR ACCESSORY KIT LISTINGS REFER TO PAGE 262		

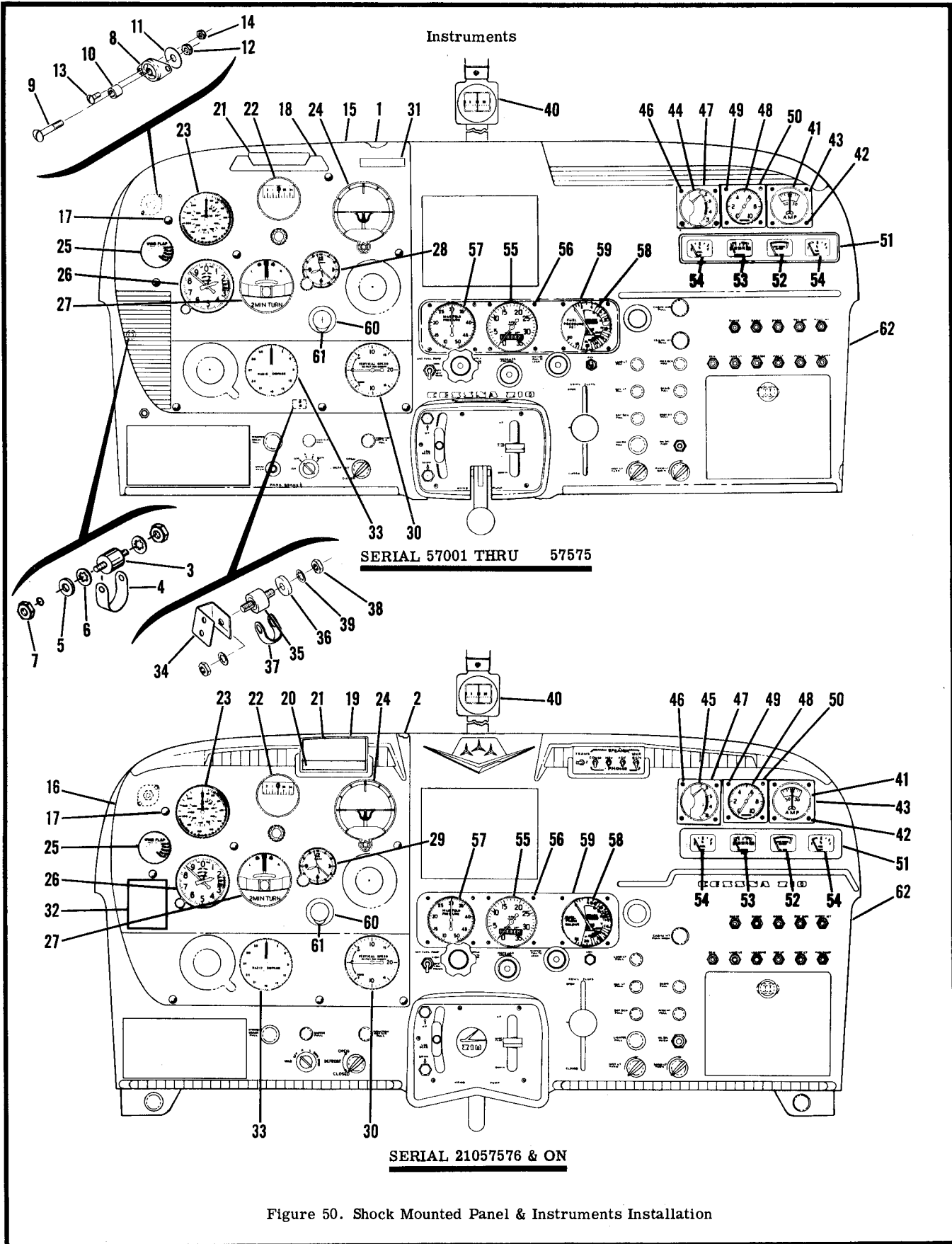


Figure 50. Shock Mounted Panel & Instruments Installation

FIGURE AND INDEX NO.	PART NUMBER	DESCRIPTION	UNITS PER ASSY	USABLE ON CODE
		1 2 3 4 5 6 7		
50-		INSTRUMENTS & SHOCK MOUNTED PANEL INSTALLATION -----	NP	
- 1	1213201-2	PANEL-SHOCK MOUNTED INSTRUMENT-----	1	A
- 2	1213201-3	PANEL ASSEMBLY-SHOCK MOUNTED INSTRUMENT -----	1	B
		ATTACHING PARTS		
- 3	0411059-1	MOUNT-SHOCK-----	2	
- 4	0413247	STRAP-GROUND -----	2	
- 5	S-355	SPACER-----	2	
- 6	AN936A-8	WASHER-----	4	
- 7	AN340B8	NUT -----	4	
- 8	100PDL-10	MOUNT-SHOCK-----LO -----	2	
- 9	AN507B832R24	SCREW-----	2	
- 10	NAS43-3-15	SPACER-----	2	
- 11	J2049-1D	WASHER-----LO -----	2	
- 12	MS20365B832C	NUT -----	2	
- 13	AN515B6R6	SCREW-----	4	
- 14	MS20365B632C	NUT -----	4	
		-----*-----		
	1213283-1	SUPPORT ASSEMBLY -----	1	B
- 15	1213202-2	COVER-SHOCK PANEL -----	1	A
- 16	1213235-6	COVER-SHOCK PANEL -----	1	B
		ATTACHING PARTS		
- 17	49265-F-938	FASTENER UC -----	8	
		-----*-----		
- 18	0713028-5	RETAINER-COMPASS CARD-----	1	A
- 19	0813569-1	RETAINER ASSEMBLY -----	1	B
		ATTACHING PARTS		
	AN515B6R3	SCREW-----	2	A
	AN507-440R8	SCREW-----	2	B
		-----*-----		
	0813569-2	RETAINER-COMPASS CARD -----	1	B
- 20		PLATE-DESIGNATION -----	NP	
- 21	0713028-2	CARD-COMPASS CORRECTION -----	1	
	0713028-3	COVER-CARD -----	1	
- 22	0311056-4	GYRO-DIRECTIONAL-----REMANUFACTURER-----	1	
	0311056-2	GYRO-DIRECTIONAL-----NEW ALT -----	1	
	0311056-5	GYRO-DIRECTIONAL-----NEW ALT -----	1	
		ATTACHING PARTS		
	AN507B1032R16	SCREW-----	4	
	MS20365B1032C	NUT -----	4	
		-----*-----		
- 23	1213206-1	INDICATOR-AIRSPD -----	1	
	1213206-2	INDICATOR-AIRSPD ALT-----	1	
		ATTACHING PARTS		
	AN507B632R16	SCREW-----	4	
	MS20365B632C	NUT -----	4	
		-----*-----		
- 24	0311058-5	GYRO-HORIZON REMANUFACTURED -----	1	
	0311058-3	GYRO-HORIZON NEW ALT -----	1	
		ATTACHING PARTS		
	AN507B632R16	SCREW-----	4	
	MS20365B632C	NUT -----	4	
		-----*-----		

CONTINUED ON PAGE 102

FIGURE AND INDEX NO.	PART NUMBER	DESCRIPTION	UNITS PER ASSY	USABLE ON CODE
50- 25	1213227-1	INDICATOR-FLAP POSITION ----- ATTACHING PARTS -----	1	
	AN507B632R16	SCREW -----	4	
	MS20365B632C	NUT ----- ---*---	4	
- 26	0411007-8	ALTIMETER ----- ATTACHING PARTS -----	1	
	AN507B632R16	SCREW -----	4	
	MS20365B632C	NUT ----- ---*---	4	
- 27	0411009-6	INDICATOR-TURN & BANK----- ATTACHING PARTS -----	1	
	AN507B632R16	SCREW -----	4	
	MS20365B632C	NUT ----- ---*---	4	
- 28	0411010-1	CLOCK -----	1	A
- 29	0713131-1	CLOCK ----- ATTACHING PARTS -----	1	B
	AN507B632R16	SCREW -----	4	
	MS20365B632C	NUT ----- ---*---	4	
- 30	0411069-3	INDICATOR-VERTICAL SPEED ----- ATTACHING PARTS -----	1	
	AN507B632R16	SCREW -----	4	
	MS20365B632C	NUT ----- ---*---	4	
- 31	1213230-2	PLACARD-CHECK LIST -----	1	A
- 32	1213230-3	PLACARD-CHECK LIST -----	1	B
- 33		RADIO EQUIPMENT INSTALLATION SEE FIGURES 110 THRU 118	NP	
- 34	1213234-1	BRACKET-SHOCK MOUNT -----	1	C
- 35	0411059-1	MOUNT-SHOCK-----	1	C
- 36	S-355	SPACER-----	1	C
- 37	0413247	STRAP-GROUND -----	1	C
- 38	AN340B8	NUT -----	2	C
- 39	AN936A8	WASHER-----	2	C
- 40	0713068-1	COMPASS ASSEMBLY-----SEE FIGURE 52 -----	1	
- 41	0713038	AMMETER ----- ATTACHING PARTS -----	1	
- 42	AN515-6R6	SCREW -----	4	
	MS20365-632C	NUT -----	4	
	1200019-2	PLATE-AMMETER ADAPTER----- ---*---	1	
- 43	0713208-1	ESCUTCHEON -----		
- 44	0511068-5	GAGE-CYLINDER HEAD TEMPERATURE-----	1	A
- 45	0813601-9	GAGE-CYLINDER HEAD TEMPERATURE----- ATTACHING PARTS -----	1	B
- 46	AN507B632R16	SCREW -----	4	
	MS20365B632C	NUT ----- ---*---	4	
- 47	0713208-1	ESCUTCHEON -----	1	

CONTINUED ON PAGE 103

FIGURE AND INDEX NO.	PART NUMBER	DESCRIPTION	UNITS PER ASSY	USABLE ON CODE
50- 48	0311057-2	GAGE-SUCTION ----- ATTACHING PARTS -----	1	
- 49	AN507B632R16 MS20365B632C	SCREW ----- NUT ----- -----*	4 4	
- 50	0713208-1	ESCUTCHEON -----	1	
- 51	0513144-11 0513144-16	PANEL ASSEMBLY ----- PANEL ASSEMBLY ----- ATTACHING PARTS -----	1 1	A B
	AN507B632R16 MS20365B632C	SCREW ----- NUT ----- -----*	2 2	
	0513144-4	PANEL -----	1	
- 52	0513144-2	GAGE-OIL TEMPERATURE -----	1	
- 53	0513144-10	GAGE-OIL PRESSURE -----	1	
- 54	0713062-6 0513144-14	GAGE-FUEL ----- GAGE-FUEL -----	2 2	A B
	0450017-21	SHAFT-TACHOMETER-----	1	
- 55	0511035-5	TACHOMETER ----- ATTACHING PARTS -----	1	
- 56	AN507B632R16 MS20365B632C	SCREW ----- NUT ----- -----*	4 4	
- 57	0700319-13	GAGE-MANIFOLD PRESSURE ----- ATTACHING PARTS -----	1	
	AN507B632R16 MS20365B632C	SCREW ----- NUT ----- -----*	4 4	
- 58	1213216-1 1213285-1	GAGE-FUEL PRESSURE ----- GAGE-FUEL FLOW ----- ATTACHING PARTS -----	1 1	A B
	AN507B632R16 MS20365B632C	SCREW ----- NUT ----- -----*	4 4	
- 59	1213203-1	ESCUTCHEON -----	1	
- 60	0713099-1 0411224	SOCKET-CONTROL TUBE BALL ----- BALL ----- ATTACHING PARTS -----	1 1	
	AN515-6R8 AN960-6 MS20365-632C	SCREW ----- WASHER----- NUT ----- -----*	2 2 2	
- 61 - 62	0513146-14	COLLAR ASSEMBLY-CONTROL LOCK ----- STATIONARY PANEL EQUIPMENT INSTALLATION SEE FIGURE 50A	1 NP	

A---210 SERIAL 57001 THRU 57575
B---210 SERIAL 21057576 & ON
C---210 SERIAL 57330 & ON

Instruments (Cont.)

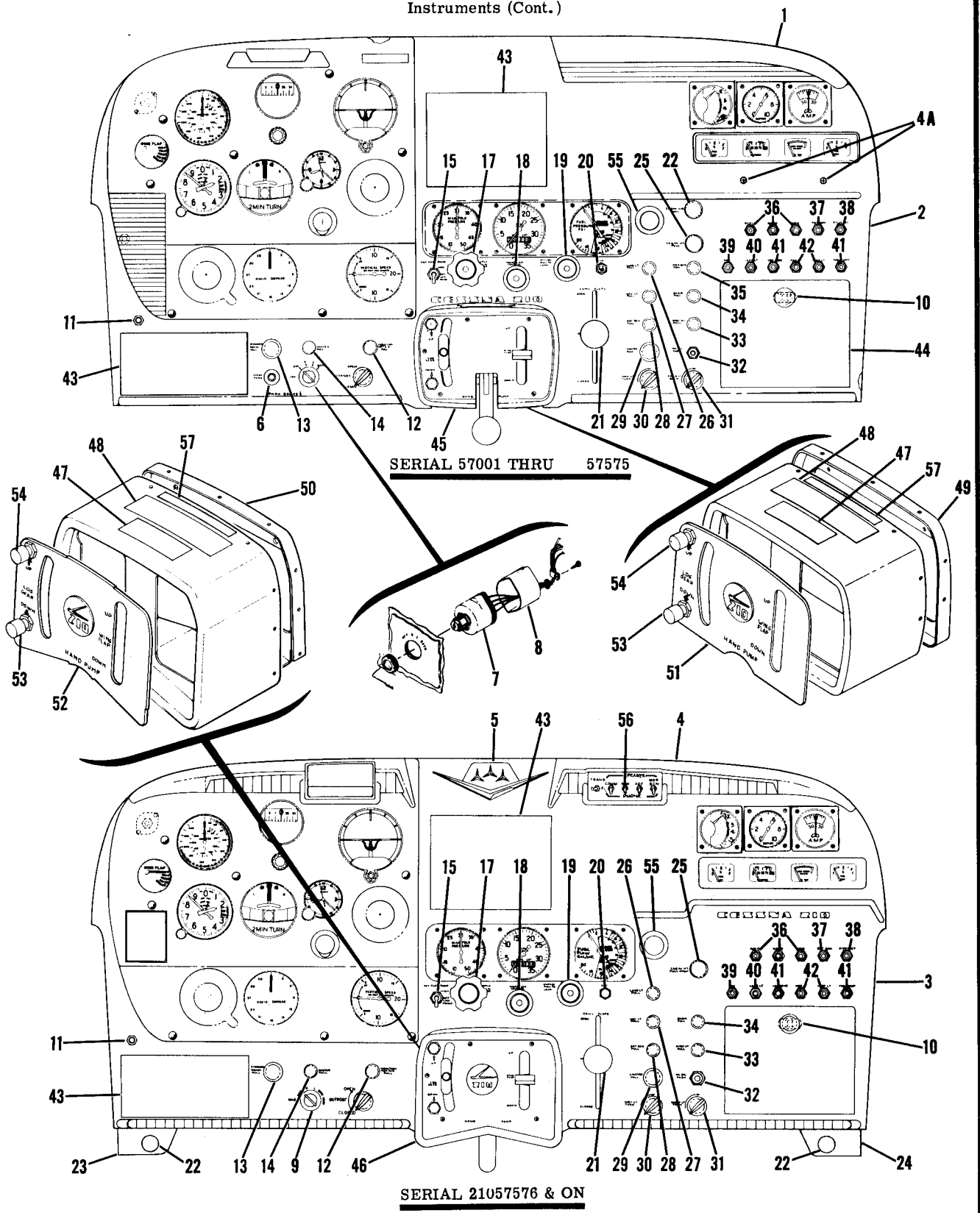


Figure 50A. Stationary Panel Equipment Installation

FIGURE AND INDEX NO.	PART NUMBER	DESCRIPTION	UNITS PER ASSY	USABLE ON CODE
		1 2 3 4 5 6 7		
50A-		STATIONARY PANEL EQUIPMENT INSTALLATION -----	NP	
	1213202-5	COVER ASSEMBLY-STATIONARY PANEL -----	1	A
- 1	1213202-6	COVER-STATIONARY PANEL UPPER-----	1	
- 2	1213202-7	COVER-STATIONARY PANEL LOWER-----	1	
	1213235-1	COVER ASSEMBLY-STATIONARY PANEL -----	1	B
- 3	1213235-2	COVER-STATIONARY PANEL -----	1	
	1213218-1	STRIP -----	2	
	1213235-3	COVER ASSEMBLY-STATIONARY PANEL -----	1	B
- 4	1213235-4	COVER-STATIONARY PANEL -----	1	
- 4A	S-102124-6B	SCREW CESSNA STANDARD -----	2	A
- 5	1213237-1	EMBLEM -----	1	
- 6	0511063	SWITCH-STARTER -----	1	A
	10C1015	GUARD-STARTER SWITCH -----	1	A
		ATTACHING PARTS -----		
	0511063-2	NUT -----	1	
		---*---		
- 7	0311038-2	SWITCH-IGNITION -----	1	A
- 8	0311777	SHIELD ASSEMBLY -----	1	A
- 9	0713129-3	SWITCH, STARTER & LOCK KIT-----	1	B
- 10	A1663-017-1	CATCH-SPRING TIN -----	1	
- 11	S-1103-1	JACK-MICROPHONE -----	1	
- 12	0713050-4	CONTROL-INDUCTION HOT AIR -----	1	A
	0713141-2	CONTROL-INDUCTION AIR-----	1	B
		ATTACHING PARTS -----		
	AN742-4	CLAMP-FORWARD OF FIREWALL -----	1	
	AN520-10R8	SCREW -----	1	
		---*---		
- 13	0713302-7	CONTROL-STRAINER DRAIN SEE FIGURE 72-----	1	
- 14	0713026-5	SWITCH ASSEMBLY-MASTER -----	1	
	0713303-2	KNOB ASSEMBLY -----	1	
- 15	S-392-1	SWITCH-AUXILIARY FUEL PUMP-----	1	
		ATTACHING PARTS -----		
	0813473	NUT -----	1	
		---*---		
- 16		DELETED-REPLACED BY ITEM -17 -----		
- 17	1213228-2	CONTROL-THROTTLE -----		
- 18	0311031-6	CONTROL-PROPELLER -----	1	
- 19	1213229-1	CONTROL-MIXTURE -----	1	
- 20	0513051-8	LIGHT ASSEMBLY-CHARGE INDICATOR -----	1	
	1816	BULB-----GE -----	1	
- 21		CONTROL INSTALLATION-COWL FLAPS SEE FIGURE 61 -----	NP	
- 22	0713302-6	CONTROL-CABIN AIR SEE FIGURE 64-----	1	A
	1213241-1	CONTROL-CABIN AIR SEE FIGURE 63A -----	2	B
- 23	1213352-1	BRACKET-CONTROL LH -----	1	B
- 24	1213352-2	BRACKET-CONTROL RH -----	1	B
		ATTACHING PARTS -----		
	S-10212-8-7	SCREW -----	3	
	NAS446-4	NUT -----	3	
		---*---		
- 25	0713302-5	CONTROL-CABIN HEAT REF 0713302-8 -----	1	A
	0713141-4	CONTROL-CABIN HEAT -----	2	B
- 26	0713035	SWITCH-LANDING LIGHT -----	1	
	0713303-2	KNOB -----	1	
- 27	0713026-9	SWITCH-NAVIGATION LIGHT -----	1	
	0713303-2	KNOB -----	1	
- 28	0713026-4	SWITCH-ROTATING BEACON -----	1	
	0713303-2	KNOB -----	1	
- 29	0513039-7	LIGHTER ASSEMBLY-CIGAR -----	1	
	0513039-6	SOCKET ASSEMBLY -----	1	
	0513039-1	HEATING ELEMENT -----	1	
	0513039-4	FLANGE -----	1	
	0713303-1	KNOB -----	1	
- 30	0413126-6	RHEOSTAT-INSTRUMENT LIGHT -----	1	
	0813475-3	KNOB-RHEOSTAT -----	1	
		ATTACHING PARTS -----		
	AN565D8H5	SCREW-SET -----	1	
		---*---		

CONTINUED ON PAGE 106

FIGURE AND INDEX NO.	PART NUMBER	DESCRIPTION	UNITS PER ASSY	USABLE ON CODE
50A- 31	0413126-4 0813475-3 AN565D8H5	RHEOSTAT-RADIO LIGHT ----- KNOB-RHEOSTAT ----- ATTACHING PARTS ----- SCREW-SET ----- ---*---	1 1 1	
- 32	0511063	SWITCH-OIL DILUTION -----	1	
- 33	0713026-4 0713303-2	SWITCH-PITOT HEAT ----- KNOB -----	1 1	
- 34	0713026-4 0713303-2	SWITCH-RADIO ----- KNOB -----	1 1	
- 35	0713026-4 0713303-2	SWITCH-MARKER BEACON ----- KNOB -----	1 1	A
- 36		CIRCUIT BREAKERS-RADIO SEE FIGURES 110 THRU 118 -----	NP	
- 37	PSM-10N	CIRCUIT BREAKER SPT -----	1	
- 38	PSM-10N	CIRCUIT BREAKER SPT -----	1	
- 39	PSM-35N	CIRCUIT BREAKER SPT -----	1	
	PSM-50N	CIRCUIT BREAKER SPT ALT 50AMP -----	1	
- 40	PSM-15N	CIRCUIT BREAKER SPT -----	1	
- 41	PSM-10N	CIRCUIT BREAKER SPT -----	3	
- 42	PSM-5N	CIRCUIT BREAKER SPT -----	1	
- 43		RADIO EQUIPMENT INSTALLATION SEE FIGURE 110 THRU 118 -----	NP	
- 44		MAP BOX INSTALLATION SEE FIGURE 51 -----	NP	
- 45	1213271-2	COVER ASSEMBLY-POWERPACK -----	1	A
- 46	1213284-2	COVER ASSEMBLY-POWERPACK ----- ATTACHING PARTS ----- SCREW ----- WASHER ----- ---*---	1 4 4	B
- 47	1213209-2	PLACARD-GEAR MANUAL OPERATION -----	1	
- 48	1213230-1	PLACARD-OPERATIONAL LIMITATIONS -----	1	
- 49	1213273-1	ANGLE-ATTACH -----	1	A
- 50	1213278-1	ANGLE-ATTACH -----	1	B
- 51	1213274-1	PLATE ASSEMBLY -----	1	A
- 52	1213277-1	PLATE ASSEMBLY -----	1	B
- 53	91250M-3 9208CM	CAP-GREEN MARI ----- BASE MARI -----	1 1	
- 54	VM912M-2	LIGHT-RED MARI -----	1	
- 55	0713099-1 0411224	SOCKET-CONTROL TUBE BALL ----- BALL ----- ATTACHING PARTS ----- SCREW ----- WASHER ----- NUT ----- ---*---	2 2 4 4 4	
- 56	1270037-2	BOX & CABLE ASSY-AUDIO & ANTENNA SWITCH SEE FIGURE 120 -----	1	B
- 57	0700319-3	PLACARD-WINTERIZATION SEE FIGURE 62 -----	1	

A---210 SERIAL 57001 THRU 57575
B---210 SERIAL 21057576 & ON

*NOTE. THIS KIT ALSO INCLUDES TWO DOOR LOCKS & KEYS

Instruments (Cont)

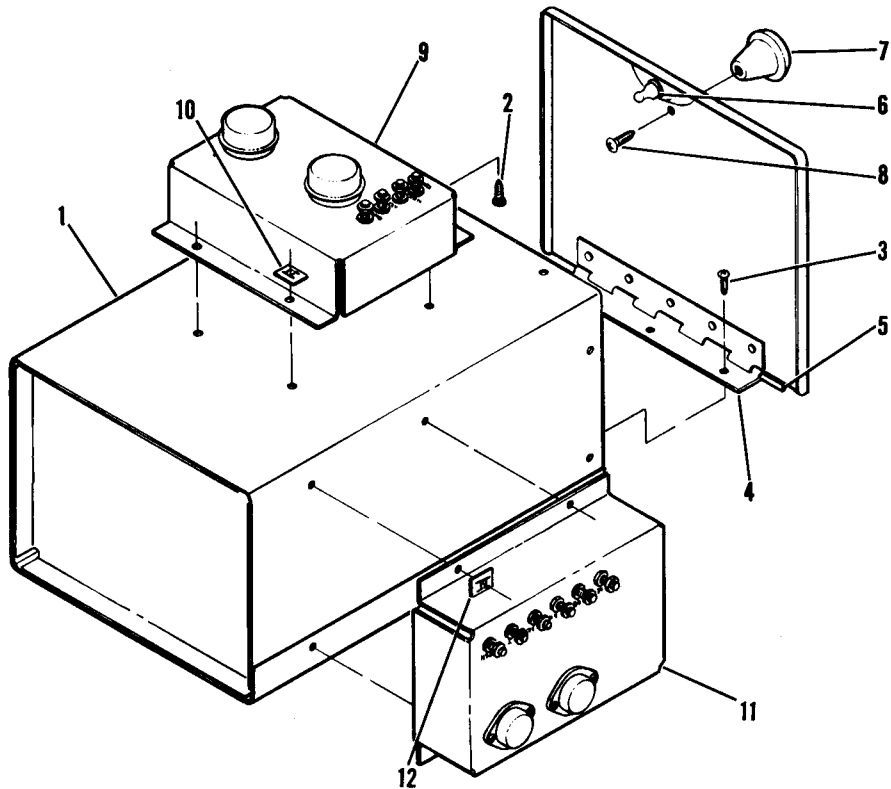


Figure 51. Map Box Assembly

FIGURE AND INDEX NO.	PART NUMBER	DESCRIPTION	UNITS PER ASSY	USABLE ON CODE
51-		1 2 3 4 5 6 7		
- 1	1213219-1	BOX INSTALLATION-MAP ----- BOX ASSEMBLY-MAP ----- ATTACHING PARTS -----	NP 1	
- 2	S-1021Z-6-6 NAS395-6-3	SCREW CESSNA STANDARD ----- NUT ----- -----*	6 6	
	1213221-1	DOOR ASSEMBLY-MAP BOX ----- ATTACHING PARTS -----	1	
- 3	S-1022Z-6-6 NAS446-2-3	SCREW CESSNA STANDARD ----- NUT ----- -----*	3 3	
- 4	1213221-7	HINGE HALF -----	1	
- 5	AN253-2-470	PIN-HINGE -----	1	
- 6	P100-499-8-24A AN960-3	STUD-TIN ----- WASHER -----	1 1	
- 7	0713303-12	KNOB-DOOR -----	1	
- 8	AN515-6R6	ATTACHING PARTS ----- SCREW ----- -----*	1	
- 9	0713511-1	FLASHER-POSITION LIGHT ----- ATTACHING PARTS -----	1	
- 10	NAS446-2-3 S-1021Z-6-6	NUT ----- SCREW CESSNA STANDARD ----- -----*	4 4	
- 11	1213239-1	* WARNING UNIT-STALL & GEAR DOWN ----- ATTACHING PARTS -----	1	
- 12	NAS446-2-3 S-1021Z-6-6	NUT ----- SCREW CESSNA STANDARD ----- -----*	4 4	
*NOTE. SEE FIGURE 85 FOR SPEAKER USED IN STALL & GEAR DOWN WARNING SYSTEM.				

Fuselage Equipment

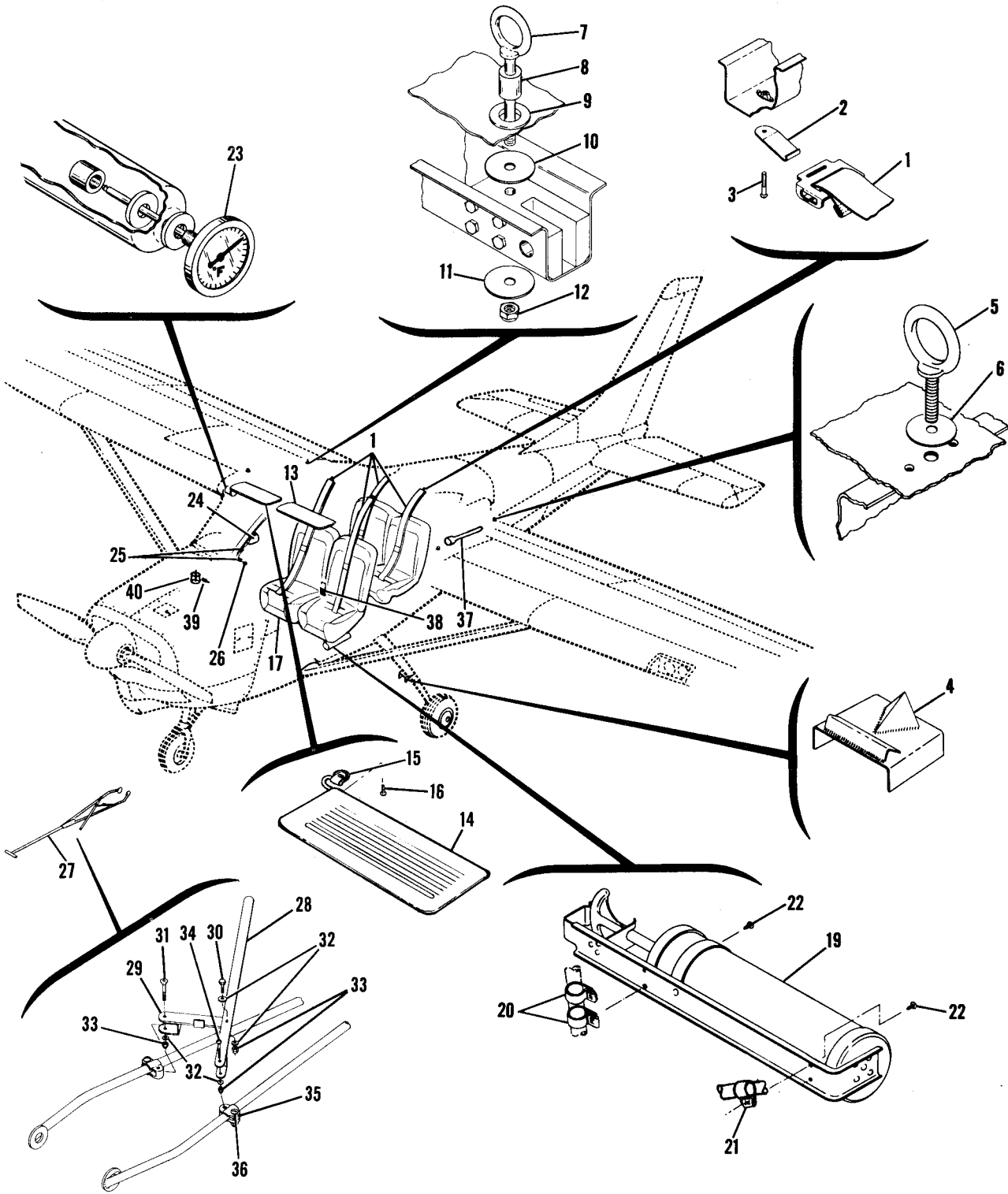


Figure 52. Fuselage Equipment Installation

FIGURE AND INDEX NO.	PART NUMBER	DESCRIPTION	UNITS PER ASSY	USABLE ON CODE
1 2 3 4 5 6 7				
52-		FUSELAGE EQUIPMENT INSTALLATION -----	NP	
- 1	0511232-7	HARNES-shoulder-----	4	
- 2	0511232-3	HOOK-SHOULDER HARNES----- ATTACHING PARTS	4	
- 3	NAS229-10	SCREW ----- -----*	1	
- 4	10004-98	JACK POINT-UNIVERSAL -----	1	
- 5	0511065	EYEBOLT-CARGO TIE DOWN -----	5	
- 6	NAS70A261-1.00	WASHER-----	5	
- 7	0541115-3 *	EYEBOLT-HOISTING----- ATTACHING PARTS	4	
- 8	0541115-2	SPACER-----	1	
- 9	MS35489-17	GROMMET -----	1	
- 10	0541115-4	PLATE -----	1	
- 11	AN970-5	WASHER-----	1	
- 12	MS20365-524C	NUT ----- -----*	1	
- 13	1200116-1	VISOR ASSEMBLY-SUN LH-----	1	
- 14	1200116-2	VISOR ASSEMBLY-SUN RH----- ATTACHING PARTS	1	
- 15	0713011-12	BRACKET -----	1	
- 16	AN507-1032R14	SCREW ----- -----*	2	
- 17	AK210-100	KIT-PLASTIC SEAT COVERS -----	1	
- 18		DELETED-NEVER USED -----		
- 19	0800111-2	FIRE EXTINGUISHER -----	1	
- 20	NAS434D8	CLAMP TIN A2981A-8 -----	2	
- 21	NAS434D4	CLAMP TIN A2981A-4 ----- ATTACHING PARTS	1	
- 22	S-1021Z-8-8	SCREW CESSNA STANDARD ----- -----*	3	
- 23	0411078-2	GAGE-OUTSIDE AIR TEMPERATURE -----	1	
- 24	0713068-1	COMPASS ASSEMBLY----- ATTACHING PARTS	1	
	0713065	BRACKET -----	1	
	AN515B632R12	SCREW ----- -----*	4	
- 25	0713071	CLIP-COMPASS WIRE -----	2	
- 26	MS35489-4	GROMMET-COMPASS WIRE -----	2	
- 27	1200008-1	TOW BAR ASSEMBLY-----	1	
- 28	1200007-2	HANDLE ASSEMBLY-TOW BAR SPREADER -----	1	
- 29	1200007-8	LEVER ASSEMBLY-TOW BAR SPREADER ----- ATTACHING PARTS	1	
- 30	AN3-4A	BOLT -----	1	
- 31	AN509-10R17	SCREW -----	1	
- 32	AN960-10L	WASHER-----	4	
- 33	MS20364-1032C	NUT -----	3	
- 34	AN23-17A	BOLT ----- -----*	1	
- 35	1200007-7	CLAMP ASSEMBLY ----- ATTACHING PARTS	2	
- 36	AN23-13A	BOLT -----	2	
	MS20364-1032C	NUT ----- -----*	2	
- 37	1250005-1	FUNNEL-SUMP DRAIN -----	1	
- 38	1261010-2	LOCK-CONTROL -----	1	
- 39	0541162-1	VALVE-TUBELESS TIRE INFLATION -----	1	
- 40	0526001-1	FLUSH CUP-FUEL SAMPLER -----	1	
<p>*NOTE. SEE FIGURE 1 FOR WING FILLET REQUIRED WITH HOISTING RINGS</p> <p>**NOTE. PARTS MARKED ** ARE INCLUDED IN TOW BAR SPREADER KIT SK210-17.</p> <p>□NOTE. SPECIFY AIRCRAFT SERIAL NUMBER WHEN ORDERING</p> <p>NOTE. FOR ACCESSORY KIT LISTINGS REFER TO PAGE 262</p>				

Fuselage Equipment (Cont)

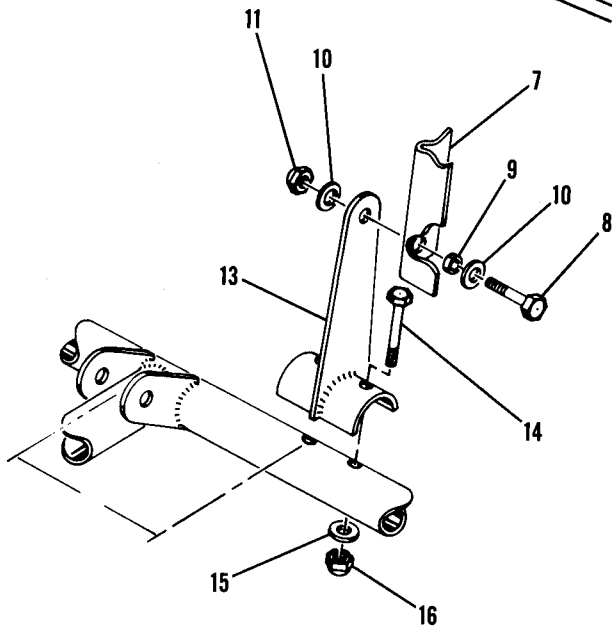
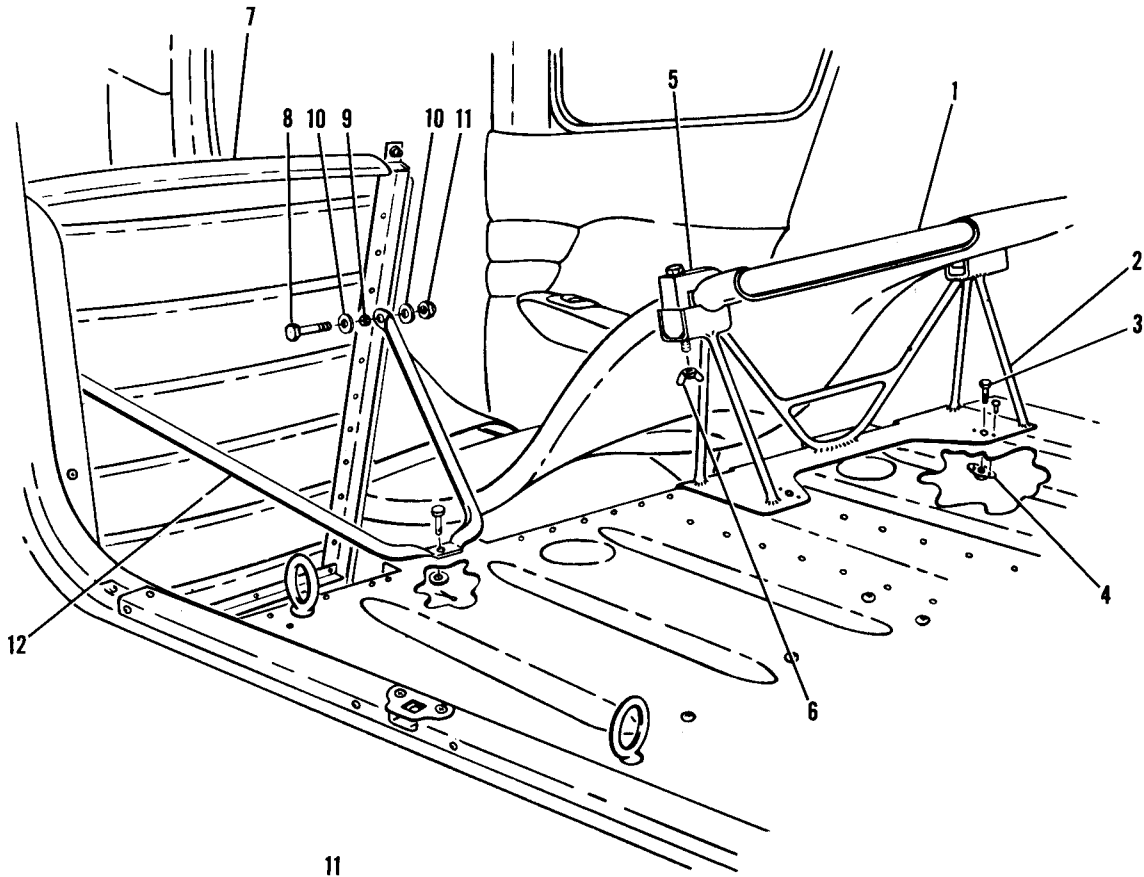


Figure 53. Stretcher Installation

FIGURE AND INDEX NO.	PART NUMBER	DESCRIPTION	UNITS PER ASSY	USABLE ON CODE
53-		1 2 3 4 5 6 7 STRETCHER INSTALLATION-PORTABLE -----	NP	
- 1	1200043-2	STRETCHER-GRANPORTABLE -----	1	
- 2	1200048-1	SUPPORT ASSEMBLY-STRETCHER----- ATTACHING PARTS	1	
- 3	AN4-3A	BOLT -----	2	
- 4	NAS680A4	NUT-ANCHOR ----- -----*-----	2	
- 5	1200048-17	CAP ASSEMBLY-STRETCHER CLAMP-----	2	
- 6	AN350-4	WING NUT -----	2	
- 7	1200081-1	BACK ASSEMBLY-REAR SEAT AMBULANCE PLANE ----- ATTACHING PARTS	1	
- 8	AN4-5A	BOLT -----	4	
- 9	NAS43-4-8	SPACER-----	4	
- 10	AN960-416	WASHER-----	8	
- 11	MS20365-428C	NUT -----	4	
- 12	1200045-1	SUPPORT-SEAT BACK ----- -----*-----	1	
- 13	1200066-1	BRACKET ASSEMBLY-HINGE ----- ATTACHING PARTS	1	
- 14	AN4-12A	BOLT -----	2	
- 15	AN960-416	WASHER-----	2	
- 16	MS20365-428C	NUT ----- -----*-----	2	
NOTE. FOR ACCESSORY KIT LISTINGS REFER TO PAGE 262				

Cowling

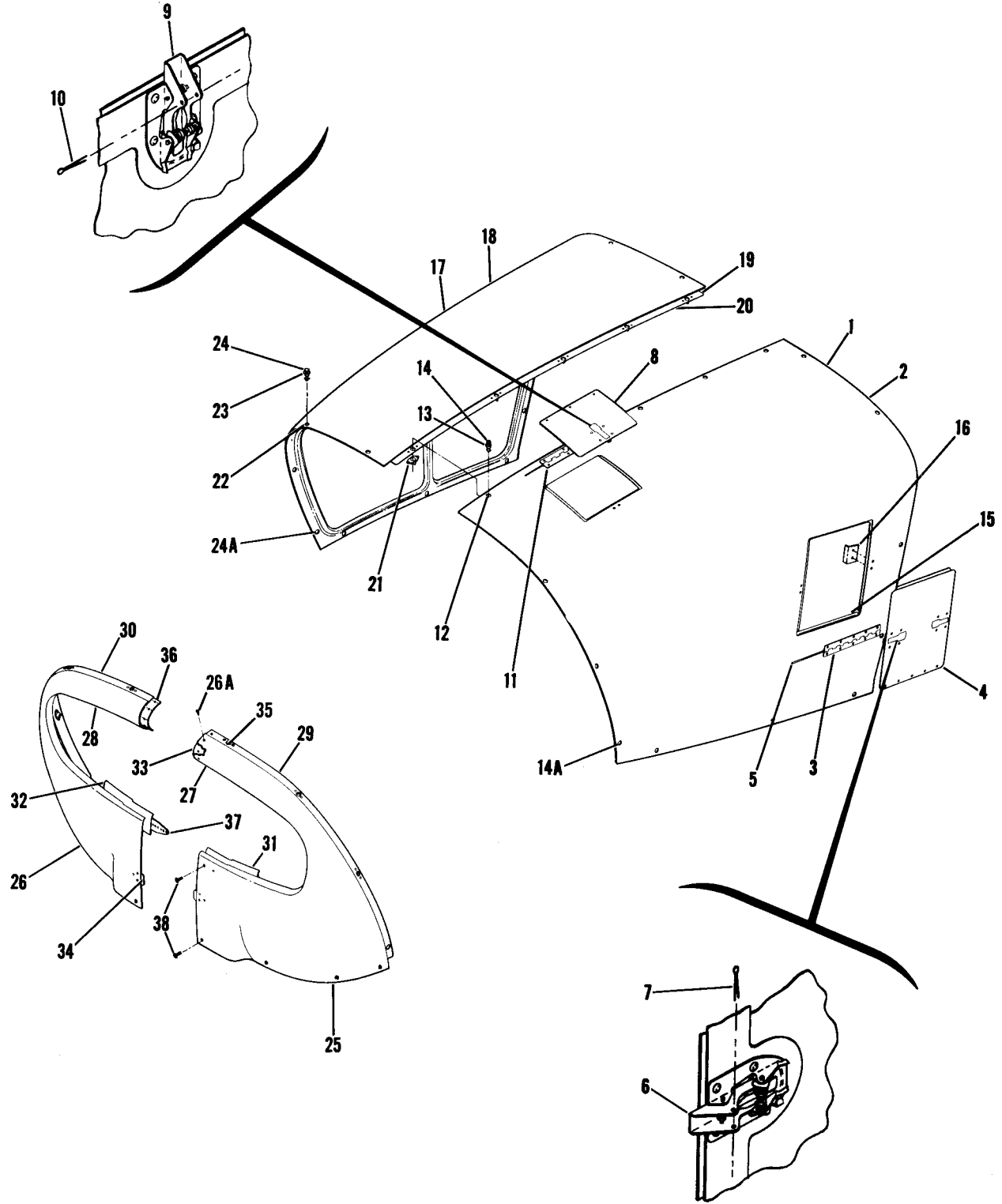
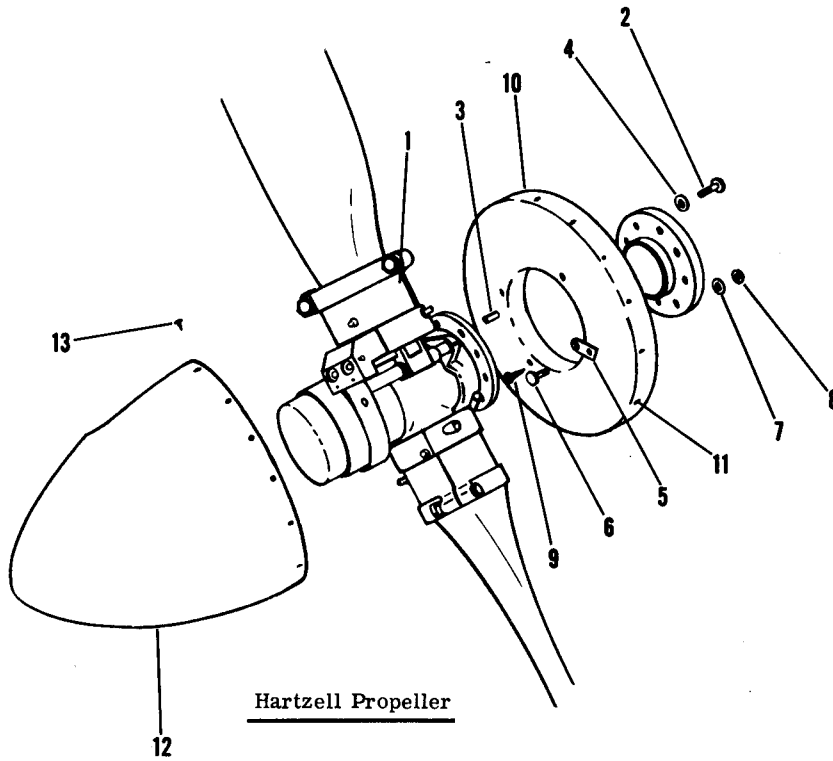


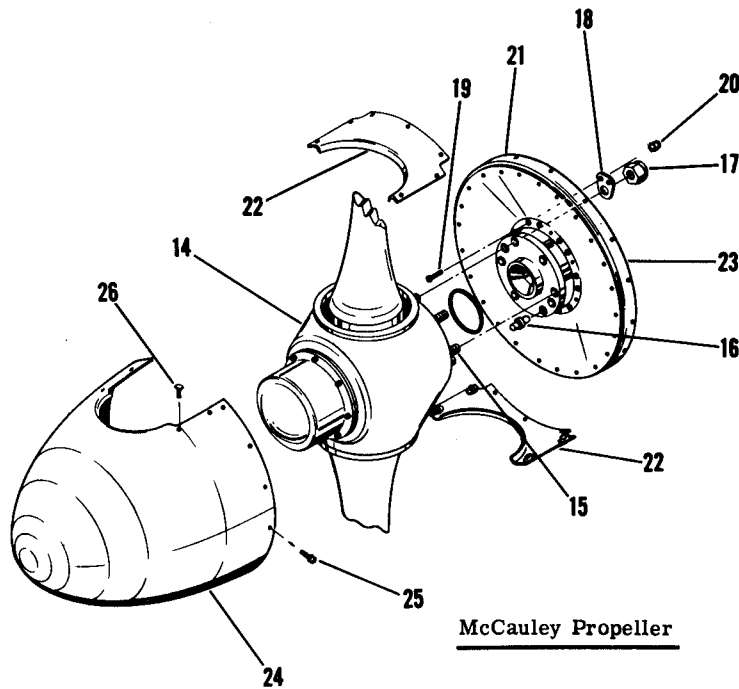
Figure 54. Upper Cowl & Nose Cap Assembly

FIGURE AND INDEX NO.	PART NUMBER	DESCRIPTION	UNITS .PER ASSY	USABLE ON CODE
		1 2 3 4 5 6 7		
54-		COWL ASSEMBLY-REMOVABLE-----	NP	
- 1	1252000-1	COWL HALF-LH -----	1	
- 2	1252000-7	SKIN ASSEMBLY-UPPER COWL LH -----	1	
- 3	1252000-9	HINGE HALF -----	2	
- 4	1252002-4	DOOR ASSEMBLY-ACCESS -----	1	
		ATTACHING PARTS -----		
- 5	AN253-2-646	PIN-HINGE-----	1	
		-----*		
- 6	H5000-2-032-064	LATCH HWL -----	2	
- 7	AN380-2-3	PIN-COTTER -----	2	
- 8	0752000-56	DOOR ASSEMBLY-OIL -----	1	
- 9	H5000-2-032-064	LATCH HWL -----	1	
- 10	AN380-2-3	PIN-COTTER -----	1	
- 11	0752000-117	HINGE ASSEMBLY -----	1	
- 12	R4G	SNAP RING-----CLC -----	20	
- 13	4002-G	GROMMET CLC -----	20	
- 14	4002-3	STUD-----CLC -----	19	
-14A	4002-5	STUD-----CLC -----	1	
- 15	1252003-1	ANGLE-STIFFENER -----	1	
- 16	1252004-1	SPACER-DOOR -----	2	
- 17	1252000-2	COWL HALF-RH -----	1	
- 18	1252000-8	SKIN ASSEMBLY-UPPER COWL RH -----	1	
- 19	1252001-1	STRIP ASSEMBLY-REMOVABLE COWL -----	1	
- 20	1250001-2	STRIP -----	1	
- 21	4002-244-16	RECEPTACLE CLC -----	9	
- 22	R4G	SNAP RING-----CLC -----	11	
- 23	4002-G	GROMMET CLC -----	11	
- 24	4002-3	STUD-----CLC -----	10	
-24A	4002-5	STUD-----CLC -----	1	
		NOSE CAP ASSEMBLY-UPPER-----	NP	
- 25	1252010-3	PANEL ASSEMBLY-NOSE CAP LH-----	1	
- 26	1252010-4	PANEL ASSEMBLY-NOSE CAP RH-----	1	
		ATTACHING PARTS -----		
-26A	AN509-10R7	SCREW -----	7	
		-----*		
- 27	1252010-5	PANEL-NOSE CAP LH -----	1	
- 28	1252010-6	PANEL-NOSE CAP RH -----	1	
- 29	1252010-7	DOUBLER-NOSE CAP ATTACH LH -----	1	
- 30	1252010-8	DOUBLER-NOSE CAP ATTACH RH -----	1	
- 31	1252010-9	DOUBLER-NOSE CAP LH-----	1	
- 32	1252010-10	DOUBLER-NOSE CAP RH-----	1	
- 33	1252010-11	DOUBLER-UPPER SPLICE LH -----	1	
	1252010-12	DOUBLER-UPPER SPLICE RH -----	1	
- 34	1252013-1	CLIP-NOSE CAP -----	1	
- 35	4002-244-16	RECEPTACLE CLC -----	3	
- 36	1252010-2	SPLICE ASSEMBLY-RH -----	1	
	1252010-16	SPLICE-UPPER NOSE CAP -----	1	
	NAS697A3	NUTPLATE -----	4	
- 37	1252012-1	PLATE ASSEMBLY-NOSE CAP RH -----	1	
	1252012-2	PLATE-NOSE CAP -----	1	
	NAS697A3	NUTPLATE -----	2	
- 38	AN509C10-5	SCREW -----	14	

Propeller



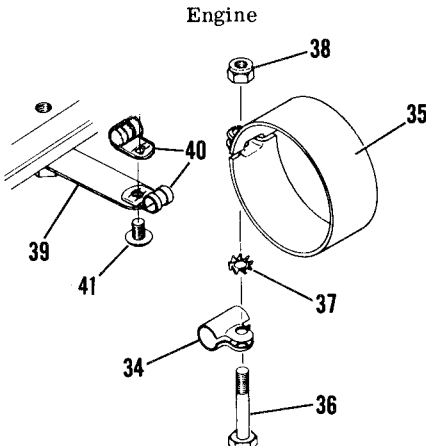
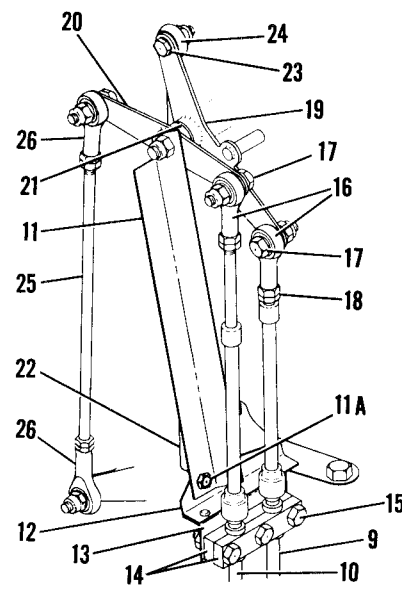
Hartzell Propeller



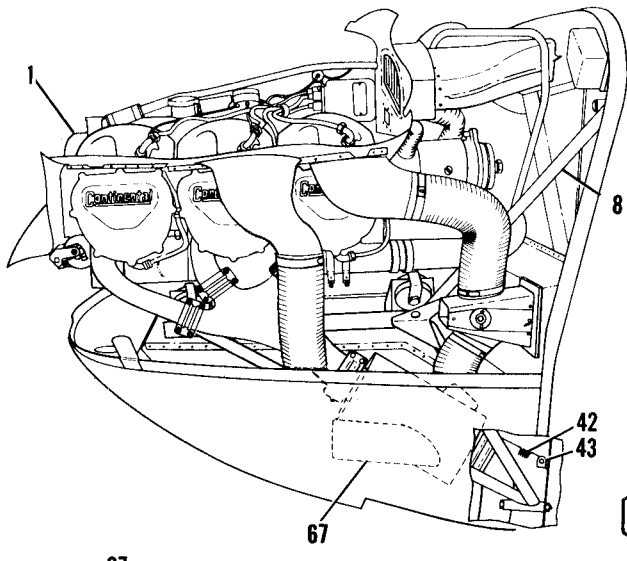
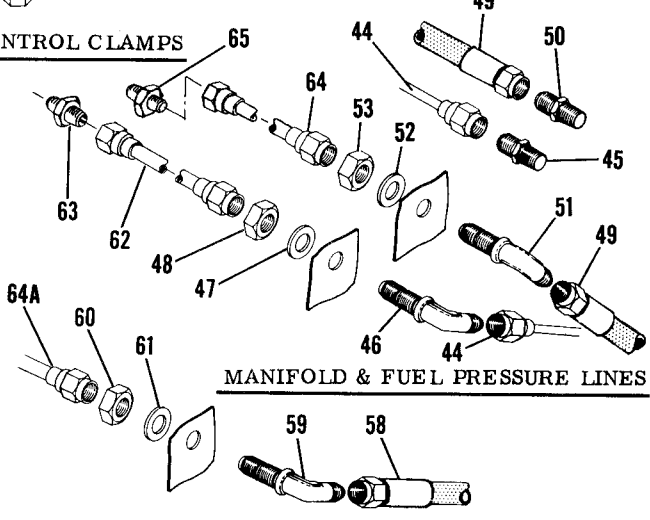
McCauley Propeller

Figure 55. Propeller Installation

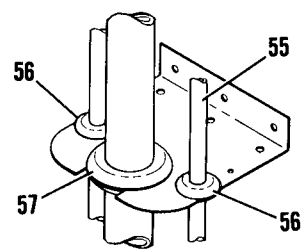
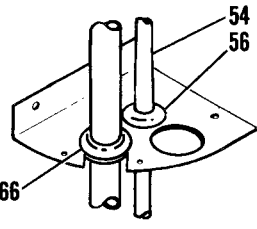
FIGURE AND INDEX NO.	PART NUMBER	DESCRIPTION	UNITS PER ASSY	USABLE ON CODE
		1 2 3 4 5 6 7		
55-		PROPELLER INSTALLATIONS-----	NP	
- 1	1250020-3	PROPELLER ASSEMBLY-HARTZELL SEE FIGURE 93----- ATTACHING PARTS	1	
- 2	AN8H7A	BOLT-----	6	
- 3	0752002-13	PIN-DOWEL-----	2	
- 4	AN960-816	WASHER----- -----*	6	
		SPINNER ASSEMBLY-HARTZELL PROPELLER----- ATTACHING PARTS	NP	
- 5	0752006-2	LUG-----	4	
- 6	AN4-5A	BOLT-----	4	
- 7	AN960-416L	WASHER-----	4	
- 8	AN363-428	NUT-----	4	
- 9	AN4H4A	BOLT----- -----*	4	
- 10	0752006-1	BULKHEAD ASSEMBLY-PROPELLER SPINNER-----	1	
- 11	NAS680A3	NUTPLATE-----	14	
- 12	0850311-1	DOME-PROPELLER SPINNER----- ATTACHING PARTS	1	
- 13	NAS221-8	SCREW----- -----*	14	
- 14	1250021-2	PROPELLER ASSEMBLY-MC CAULEY SEE FIGURE 94----- ATTACHING PARTS	1	
- 15	A-1561-2	BOLT MCL-----	6	
- 16	A-1562	PIN-DOWEL MCL-----	2	
- 17	MS20365-820C	NUT----- -----*	6	
	0752004	SPINNER ASSEMBLY-MC CAULEY PROPELLER----- ATTACHING PARTS	1	
- 18	0752005-4	LUG-----	6	
- 19	AN509-10R16	SCREW-----	12	
- 20	MS20365-1032C	NUT----- -----*	12	
- 21	0752004-5	BULKHEAD ASSEMBLY-SPINNER-----	1	
- 22	0752004-1	FILLET ASSEMBLY-----	2	
- 23	NAS680A3	NUTPLATE-----	4	
- 24	0752004-2	DOME-SPINNER----- ATTACHING PARTS	1	
- 25	NAS221-8	SCREW-----	14	
- 26	AN520-10R7	SCREW----- -----*	8	



PROP GOV. CONTROL CLAMPS

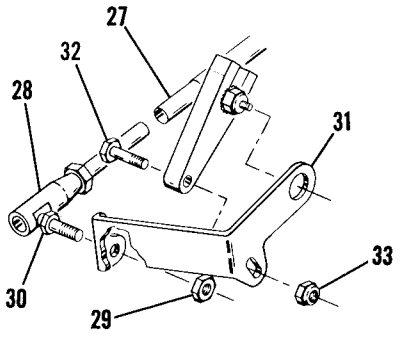


OIL PRESSURE LINE

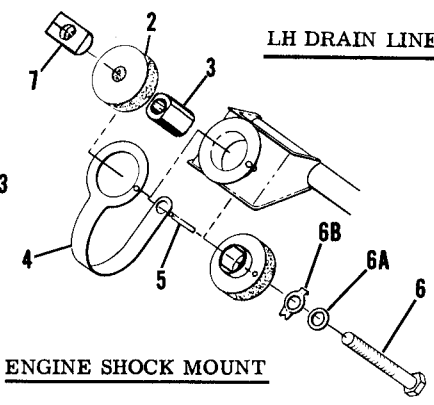


LH DRAIN LINES

RH DRAIN LINES GROMMETS



PROP GOV. CONTROL



ENGINE SHOCK MOUNT

Figure 56. Engine Installation

FIGURE AND INDEX NO.	PART NUMBER	DESCRIPTION	UNITS PER ASSY	USABLE ON CODE
		1 2 3 4 5 6 7		
56-		ENGINE INSTALLATION -----		
- 1		ENGINE ASSEMBLY-CONTINENTAL SEE FIGURE 57-----	NP 1	
		ATTACHING PARTS -----		
- 2	0750132-1	SHOCK MOUNT ASSEMBLY -----	4	
- 3	0750132-2	SPACER -----	1	
- 4	0750137	STRAP-BONDING ENGINE MOUNT-----	4	
- 5	AN253-5-100	PIN -----	4	
- 6	AN7-33A	BOLT -----	4	
- 6A	AN960-716L	WASHER-----	AR	
- 6B	0851559-1	LOCKWASHER -----	4	
- 7	539911	NUT-BARREL CM -----	4	
		-----*		
- 8		MOUNT INSTALLATION-ENGINE ----SEE FIGURE 56A -----	NP	
- 9	1213228-2	CONTROL-THROTTLE-----	1	
- 10	1213229-1	CONTROL-MIXTURE -----	1	
- 11	1260051-2	ANGLE-SUPPORT -----	1	
-11A	AN515-8R6	SCREW -----	1	
	MS20365-832C	NUT -----	1	
- 12	1260050-1	ANGLE-CLAMP SUPPORT -----	1	
- 13	1260042-1	BRACKET-CLAMP SUPPORT-----	1	
- 14	1260044-1	CLAMP HALF -----	2	
- 15	AN3-7A	BOLT -----	3	
	AN960-10L	WASHER-----	3	
	MS20365-1032C	NUT -----	3	
- 16	HF3	ROD END HEC -----	2	
		ATTACHING PARTS -----		
- 17	AN3-6A	BOLT -----	1	
	AN960-10	WASHER-----	2	
	MS20365-1032C	NUT -----	1	
- 18	AN315-3R	NUT -----	1	
		-----*		
- 19	1260045-1	LEVER ASSEMBLY-THROTTLE -----	1	A
	1260046-1	LEVER ASSEMBLY-THROTTLE -----	1	B
- 20	1260047-1	LEVER ASSEMBLY-MIXTURE -----	1	
		ATTACHING PARTS -----		
- 21	AN960-416L	WASHER-----	1	
	AN960-616	WASHER-----	2	
	MS20365-428C	NUT -----	1	
		-----*		
- 22	1260048-3	CONNECTOR-THROTTLE -----	1	
		ATTACHING PARTS -----		
- 23	AN3-6A	BOLT -----	2	
	AN960-10	WASHER-----	4	
	AN960-10L	WASHER-----	1	
	MS20365-1032C	NUT -----	2	
- 24	HF3	ROD END HEC -----	2	
	AN315-3R	NUT -----	2	
		-----*		
- 25	1260048-1	CONNECTOR-MIXTURE -----	1	
		ATTACHING PARTS -----		
- 26	HF3	ROD END HEC -----	2	
	AN315-3R	NUT -----	2	
	AN3-6A	BOLT-LOWER -----	1	
	AN3-7A	BOLT-UPPER -----	1	
	AN3-10A	BOLT -----	1	
	AN960-10	WASHER-----	1	
	AN960-10L	WASHER-----	2	
	MS20365-1032C	NUT -----	2	
		-----*		

CONTINUED ON PAGE 118



FIGURE AND INDEX NO.	PART NUMBER	DESCRIPTION	UNITS PER ASSY	USABLE ON CODE
56- 27	0750101-58	CONTROL ASSEMBLY-PROPELLER GOVERNOR----- ATTACHING PARTS	1	
- 28	0550158	BALL JOINT -----	1	
- 29	MS20365-1032C	NUT -----	2	
- 30	AN315-3R	NUT -----	1	
- 31	0750138	ARM-GOVERNOR CONTROL -----	1	
- 32	AN3-5A	BOLT -----	1	
- 33	MS20365-1032C	NUT -----	1	
- 34	0450191-1	CLAMP -----	1	
- 35	AN741-18P	CLAMP -----	1	
- 36	AN3-12A	BOLT -----	1	
- 37	AN936B10	WASHER-----	1	
- 38	MS20365-1032C	NUT -----	1	
- 39	0550100-9	BRACKET -----	1	
- 40	A3047A-5-92	CLAMP TIN -----	1	
- 41	S-10212-8-8	SCREW CESSNA STANDARD -----	1	
- 42	1250202-1	SPRING-TAILPIPE SUPPORT -----	1	C
	1250125-1	SPRING-TAILPIPE SUPPORT ----- ATTACHING PARTS	2	D
- 43	MS20392-2-11	PIN -----	1	C
	MS20392-2-21	PIN -----	1	D
	AN960D10	WASHER-----	1	
	AN380-2-2	PIN-COTTER -----	1	
- 44	1200106-1	LINE ASSY-MANIFOLD PRESSURE FIREWALL TO ENGINE----- ATTACHING PARTS	1	
- 45	AN816-2D	NIPPLE-----	1	
- 46	AN833-2D	ELBOW -----	1	
- 47	AN960D516	WASHER-----	1	
- 48	AN924-2D	NUT -----	1	
- 49	AN6270-2-10	HOSE ASSY-FUEL PRESSURE FIREWALL TO ENGINE ----- ATTACHING PARTS	1	
- 50	AN816-2D	NIPPLE-----	1	
- 51	AN833-2D	ELBOW -----	1	
- 52	AN960D516	WASHER-----	1	
- 53	AN924-2D	NUT -----	1	
- 54	1200106-3	LINE ASSEMBLY-MANIFOLD DRAIN LH -----	1	
- 55	1200106-7	LINE ASSEMBLY-MANIFOLD DRAIN RH -----	1	
- 56	MS35489-6	GROMMET -----	1	
- 57	MS35489-20	GROMMET -----	1	
- 58	MS28741-4-0240	HOSE ASSEMBLY-OIL PRESSURE----- ATTACHING PARTS	1	
- 59	AN837-4D	ELBOW -----	1	
- 60	AN924-4D	NUT -----	1	
- 61	AN960D716	WASHER-----	1	
- 62	1200106-47	LINE ASSEMBLY-MANIFOLD PRESSURE PANEL TO FIREWALL -----	1	
- 63	AN816-20	NIPPLE-----	1	
- 64	1200106-36	LINE ASSEMBLY-FUEL PRESSURE PANEL TO FIREWALL -----	1	
-64A	1200106-44	LINE ASSEMBLY-OIL PRESSURE----- PANEL TO FIREWALL -----	1	
- 65	0813627-1	SNUBBER -----	1	
- 66	MS35489-14	GROMMET-VENT LINE -----	1	
- 67		EXHAUST STACK INSTALLATION SEE FIGURE 60 -----	1	

A---210 SERIAL 57001 THRU 57445
 B---210 SERIAL 57446 & ON
 C---210 SERIAL 57001 THRU 21057629
 D---210 SERIAL 21057630 & ON

NOTE. SEE FIGURE 26A FOR EXPLANATION OF □

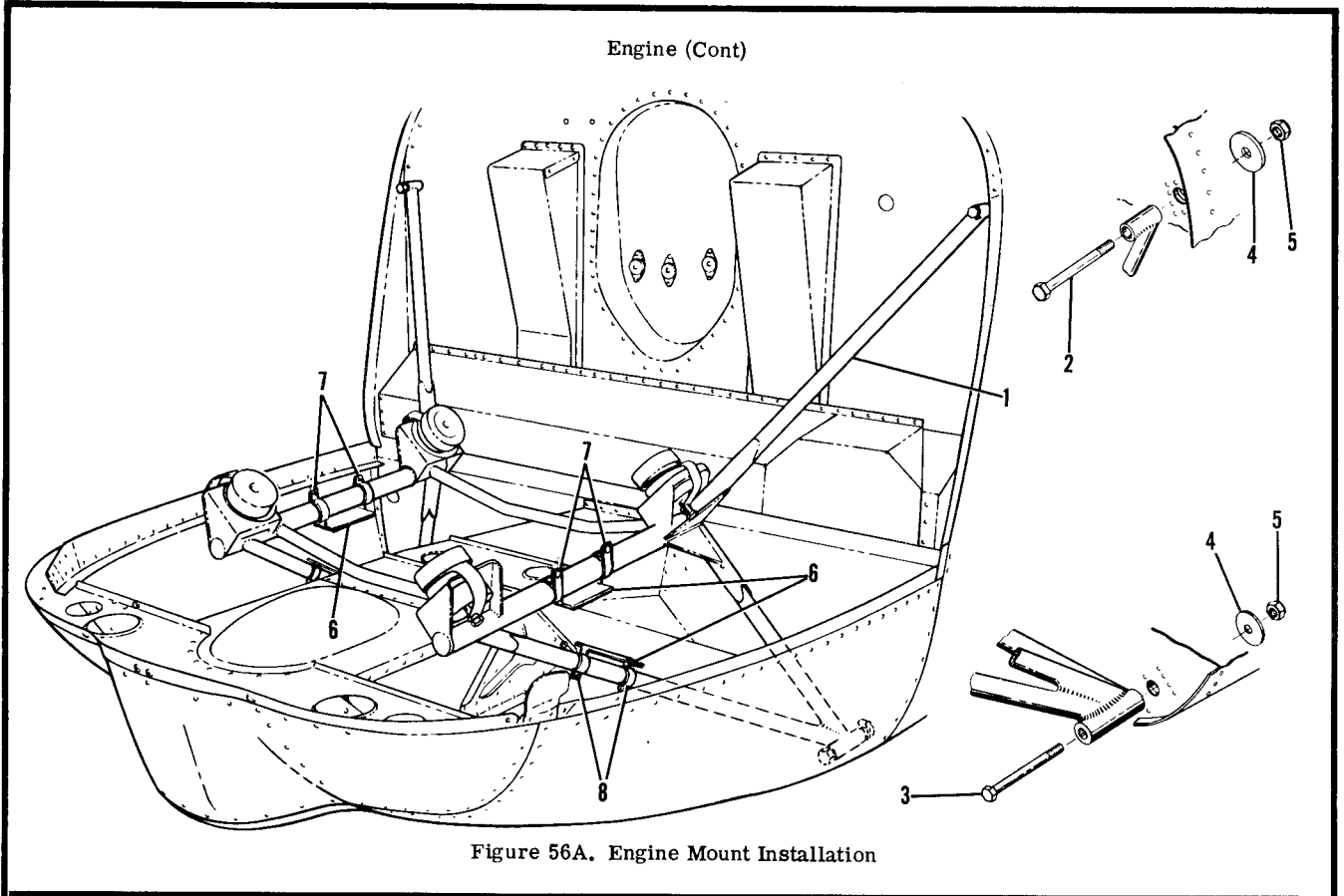


FIGURE AND INDEX NO.	PART NUMBER	DESCRIPTION	UNITS PER ASSY	USABLE ON CODE
56A-		1 2 3 4 5 6 7 MOUNT INSTALLATION-ENGINE -----	NP	
- 1	1251000-1	MOUNT-ENGINE -----	1	
		ATTACHING PARTS -----		
- 2	AN6-23A	BOLT -----	2	
- 3	AN6-32A	BOLT -----	2	
- 4	AN960-616	WASHER -----	8	
- 5	MS20365-624C	NUT -----	4	
		---*--- -----		
- 6	0750141-1	DEFLECTOR-HEAT -----	4	
		ATTACHING PARTS -----		
- 7	A2981A-20-27	CLAMP-UPPER -----	4	
- 8	A2981A-14-27	CLAMP-LOWER -----	4	
	S-1021Z-8-8	SCREW CESSNA STANDARD -----	8	
		---*--- -----		

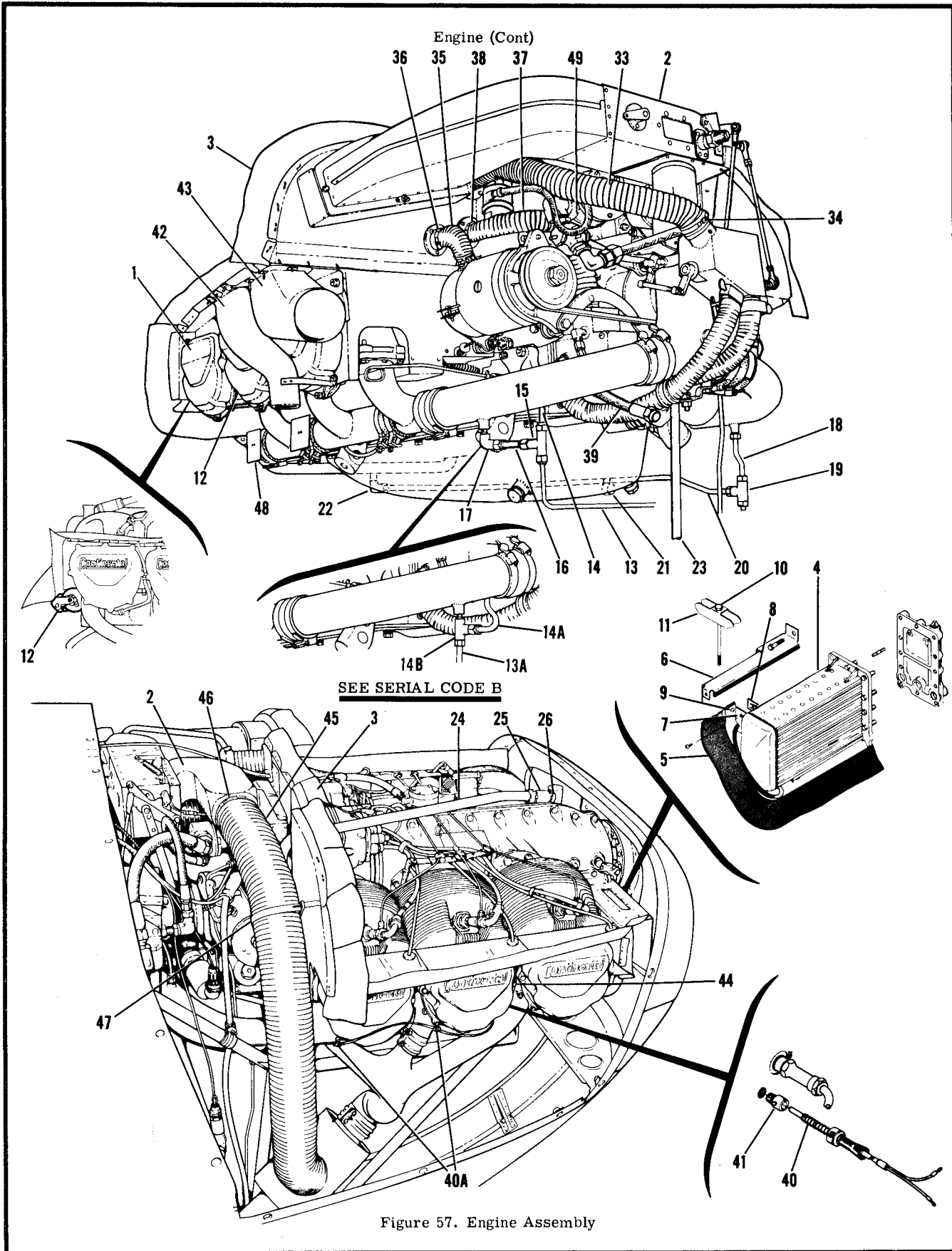


Figure 57. Engine Assembly

FIGURE AND INDEX NO.	PART NUMBER	DESCRIPTION							UNITS PER ASSY	USABLE ON CODE
		1	2	3	4	5	6	7		
57-		ENGINE ASSEMBLY-CONTINENTAL -----							NP	
- 1	I0-470-E	ENGINE-----CM -----							1	C
	I0-470-E SPEC6	ENGINE-----CM -----							1	D
- 2		BOX INSTALLATION-INDUCTION AIR-----SEE FIGURE 58 -----							NP	
- 3		BAFFLES INSTALLATION-ENGINE SEE FIGURE 59-----							NP	
		COOLER INSTALLATION-LARGE FLOW OIL -----							NP	
- 4	EQ5491	KIT-OIL COOLER-----CM -----							1	
- 5	0700309-1	BAFFLE ASSEMBLY -----							1	
- 6	0700309-2	BAFFLE ASSEMBLY -----							1	
- 7	0700309-3	BRACKET-OIL COOLER -----							1	
- 8	NAS446-2-3	NUT TIN A1181-6Z-3 -----							2	
- 9	S-1021Z-6-6	SCREW CESSNA STANDARD -----							2	
- 10	AN3-60A	BOLT-----							1	
- 11	0750117-31	SUPPORT -----							1	
- 12	0750101-62	GOVERNOR-PROPELLER SEE FIGURE 109 -----							1	
	0750101-61	GOVERNOR-PROPELLER SEE FIGURE 109 -----							1	
- 13	1200106-3	LINE ASSEMBLY-MANIFOLD DRAIN LH -----							1	A
-13A	1200106-49	LINE ASSEMBLY-MANIFOLD DRAIN LH -----							1	B
- 14	1200106-4	LINE ASSEMBLY-ENGINE PUMP DRAIN -----							1	A
-14A	1200106-48	LINE ASSEMBLY-ENGINE PUMP DRAIN -----							1	B
-14B	AN826-4D	TEE -----							1	B
- 15	AN824-4D	TEE -----							1	A
- 16	1200100-46	TUBE ASSEMBLY-MANIFOLD DRAIN -----							1	A
- 17	MS20822-4D	ELBOW -----							1	A
- 18	1200106-5	LINE ASSEMBLY-MANIFOLD DRAIN RH -----							1	A
	1200106-50	LINE ASSEMBLY-MANIFOLD DRAIN RH -----							1	B
- 19	AN824-4D	TEE -----							1	
	AN816-4D	NIPPLE-----							1	
- 20	1200106-6	LINE ASSEMBLY-MANIFOLD DRAIN FWD -----							1	
- 21	AN742D20	CLAMP -----							1	
	MS21919DG6	CLAMP -----							1	
	AN515-8R8	SCREW -----							1	
	AN960-8	WASHER-----							1	
	MS20365-832C	NUT -----							1	
	S-307-5	TUBING-1.00 IN LONG BULK ITEM REF S-307-5-0010 -----							1	
		-----*								
- 22	MS20822-4D	ELBOW -----							1	
- 23	1200106-8	TUBE-BREATHER-AFT -----							1	
- 24	0500106-164	TUBE-BREATHER-FWD -----							1	
		ATTACHING PARTS -----								
- 25	S-51-12	HOSE-3.0 IN LONG-----BULK ITEM-----REF S-51-12-12 -----							2	
- 26	A3122-18-1	CLAMP TIN -----							4	
		-----*								
- 27		DELETED-NEVER USED -----								
- 28		DELETED-NEVER USED -----								
- 29		DELETED-NEVER USED -----								
- 30		DELETED-NEVER USED -----								
- 31		DELETED-NEVER USED -----								
- 32		DELETED-NEVER USED -----								
- 33	S-1053E12T	HOSE-19.0 IN LONG BULK ITEM REF S-1053E-12-T-19.0 -----							1	
		ATTACHING PARTS -----								
- 34	A3122-28-1	CLAMP TIN -----							2	
		-----*								
- 35	S-1053E7T	HOSE-6.5 IN LONG-----BULK ITEM-----REF S-1053E-7-T-6.5 -----							1	
		ATTACHING PARTS -----								
- 36	A3122-16-1	CLAMP TIN -----							2	
		-----*								
- 37	S-1053E12T	HOSE-16.5 IN LONG BULK ITEM REF S-1053E-12-T-16.5 -----							1	
		ATTACHING PARTS -----								
- 38	A3122-28-1	CLAMP TIN -----							2	
		-----*								
- 39	MS28741-4-0240	HOSE ASSEMBLY-OIL PRESSURE-----							1	
		ATTACHING PARTS -----								
	0752037-1	ELBOW-45 DEGREES-----							1	
	AN912-3	BUSHING -----							1	
		-----*								
- 40	1250205-1	THERMOCOUPLE ASSEMBLY-CYLINDER HEAD TEMP-----							1	C
	0813601-4	BULB-CYLINDER HEAD TEMPERATURE-----							1	D
-40A	TA724D3HT	CLAMP -----							2	
- 41	AN4076-1	FITTING -----							1	
- 42	1250112-1	INLET ASSEMBLY-AIR -----							1	C
		ATTACHING PARTS -----								
	S-1021Z-6-6	SCREW CESSNA STANDARD -----							6	
	NAS446-2-3	NUT -----							6	
		-----*								

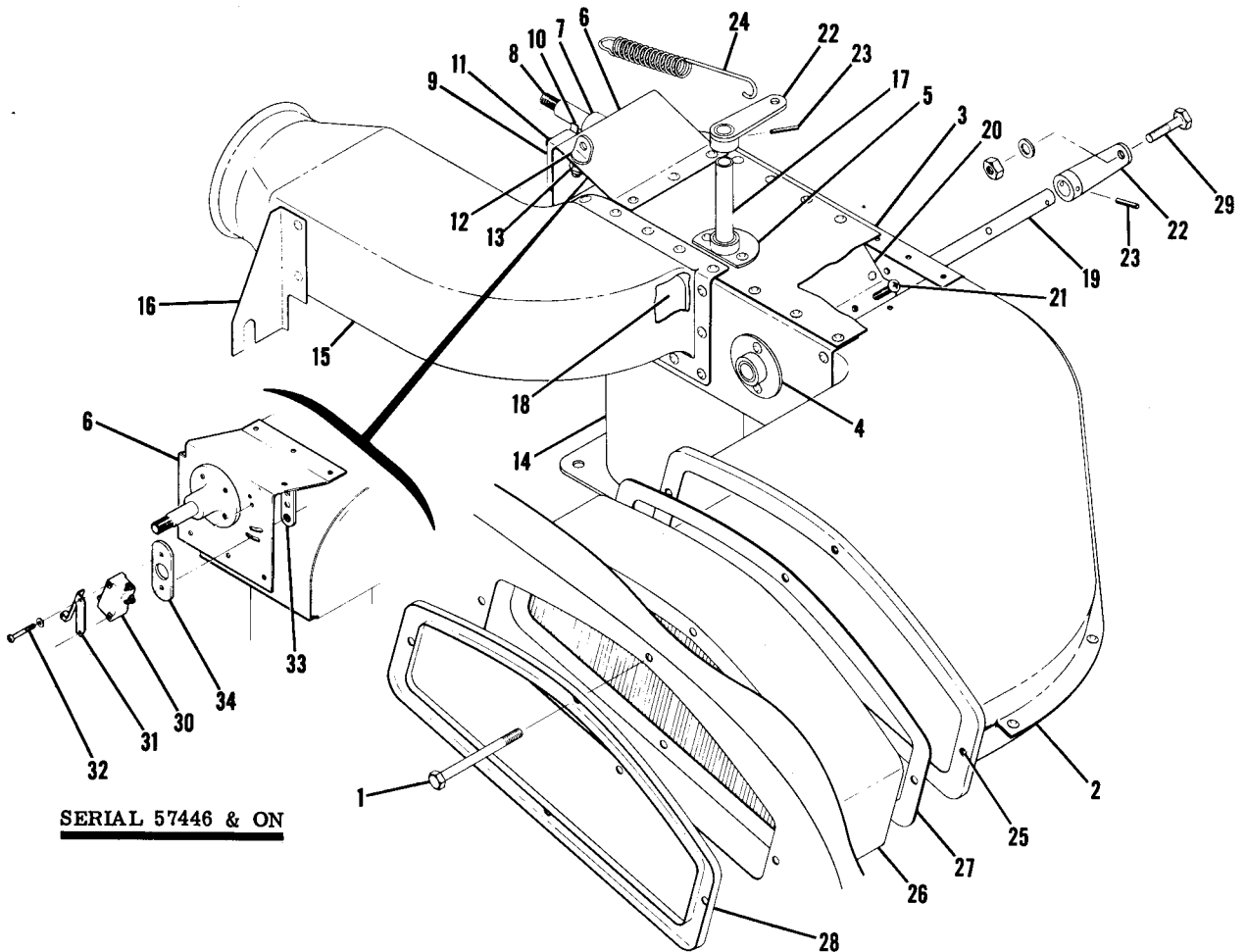
CONTINUED ON PAGE 122

FIGURE AND INDEX NO.	PART NUMBER	DESCRIPTION	UNITS PER ASSY	USABLE ON CODE
		1 2 3 4 5 6 7		
57- 43	1250113-1 1250123-1	INLET ASSEMBLY-AIR ----- INLET ASSEMBLY-AIR ----- ATTACHING PARTS -----	1 1	C D
	S-1021Z-6-6 NAS446-2-3	SCREW ----- NUT ----- *-----	6 6	
- 44	82582	CLAMP ADEL -----	6	
- 45	S-1053K-24T	HOSE-38.0 IN LONG BULK ITEM REF S-1053E-24-T-38.0 ----- ATTACHING PARTS -----	1	
- 46	NAS398-50	CLAMP -----	2	
- 47	AN742D50 AN3-3A MS20365-1032C	CLAMP ----- BOLT ----- NUT ----- *-----	1 1 1	
- 48	0750121	DEFLECTOR ASSEMBLY-EXHAUST HEAT -----	4	
- 49		VACUUM SYSTEM-FWD OF FIREWALL SEE FIGURE 68 -----	NP	
		A---210 SERIAL 57001 THRU 57043 EXCEPT SERIALS 57029, 57030, 57032, 57034, 57035, 57039, 57040. B---210 SERIAL 57044 & ON & ALSO SERIALS 57029, 57030, 57032, 57034, 57035, 57039, 57040. C---210 SERIAL 57001 THRU 57575 D---210 SERIAL 21057576 & ON		
		*NOTE. FOR USE WITH HARTZELL PROPELLER **NOTE. FOR USE WITH MC CAULEY PROPELLER		
		NOTE. FOR ACCESSORY KIT LISTINGS REFER TO PAGE 262		

FIGURE AND INDEX NO.	PART NUMBER	DESCRIPTION	UNITS PER ASSY	USABLE ON CODE
		1 2 3 4 5 6 7		
58-		AIR BOX INSTALLATION -----	NP	
	1250300-1 1250300-5	AIR BOX ASSEMBLY ----- AIRBOX ASSEMBLY ----- ATTACHING PARTS -----	1 1	A B
- 1	AN3-23A	BOLT ----- *-----	4	
- 2	1250300-2	DUCT ASSEMBLY-OUTBOARD -----	1	
- 3	1250301-1 1250301-4	DUCT ASSEMBLY-INBOARD ----- DUCT ASSEMBLY-INBOARD -----	1 1	A B
- 4	0850500-31	BUSHING ASSEMBLY -----	2	
- 5	1250309-1 1260077-1 1250314-1	BUSHING ASSEMBLY ----- BRACKET ASSEMBLY ----- BRACKET ASSEMBLY -----	1 1 1	A B A
- 6	1260038-1 1250313-1	BRACKET ----- BRACKET -----	1 1	A B
- 7	1260039-1	FLANGE -----	1	
- 8	1260040-1	SHAFT -----	1	
- 9	AN3234-1	SWITCH -----	1	A
- 10	JV7	ACTUATOR MCS -----	1	A
- 11	AN515-4R12 AN936A4 AN340-4 S-1038-1 AN960D4L	SCREW ----- WASHER ----- NUT ----- SHIM-FRICTION CESSNA STANDARD ----- WASHER -----	2 2 2 1 2	A A A A A
- 12	AN42B-3 AN960D10L MS20365-1032C	EYE ----- WASHER ----- NUT -----	1 1 1	
- 14	1250305-1	THROAT ASSEMBLY -----	1	
- 15	1250307-1	ADAPTER-AIR BOX -----	1	
- 16	1250308-1	ADAPTER-BRACKET -----	1	
- 17	1250311-1	SHAFT -----	1	
- 18	1250306-1	DOOR ASSEMBLY ----- ATTACHING PARTS -----	1	
	AN515-6R10 MS20365-632C	SCREW ----- NUT ----- *-----	2 2	
- 19	0850500-37	SHAFT -----	1	
		CONTINUED ON PAGE 123		

FIGURE AND INDEX NO.	PART NUMBER	DESCRIPTION	UNITS PER ASSY	USABLE ON CODE
58- 20	0850500-16	VALVE ASSEMBLY----- ATTACHING PARTS	1	
- 21	AN515-6R10 MS20365-632C	SCREW ----- NUT -----	2 2	
- 22	0850500-30	ARM ASSEMBLY ----- ATTACHING PARTS	2	
- 23	NAS561P3-10	PIN-ROLL ESNA -----	1	
- 24	1250310-1	SPRING -----	1	
- 25	NAS680A3	NUTPLATE -----	4	
- 26	0850550-2	FILTER-AIR -----	1	
- 27	13778-06	GASKET-AIR FILTER AMA -----	1	
- 28	0851700-9	STIFFENER -----	1	
- 29	0450311-5 AN960-10L MS20365-1032C	CLAMP-CONTROL WIRE ----- WASHER ----- NUT -----	1 1 1	
- 30	AN3234-2	SWITCH-----	1	B
- 31	JV5	ACTUATOR MCS-----	1	B
- 32	AN515-4R14 AN960-4	SCREW ----- WASHER-----	2	
- 33	1260043-1	STRAP ASSEMBLY-NUT -----	1	B
- 34	1260041-1	SPACER-----	1	B

A---210 SERIAL 57001 THRU 57436 & 57438 THRU 57445 & ALSO 57447 & 57448.
B---210 SERIAL 57437, 57446 & 57449 & ON



SERIAL 57446 & ON

Figure 58. Airbox Installation

Engine (Cont)

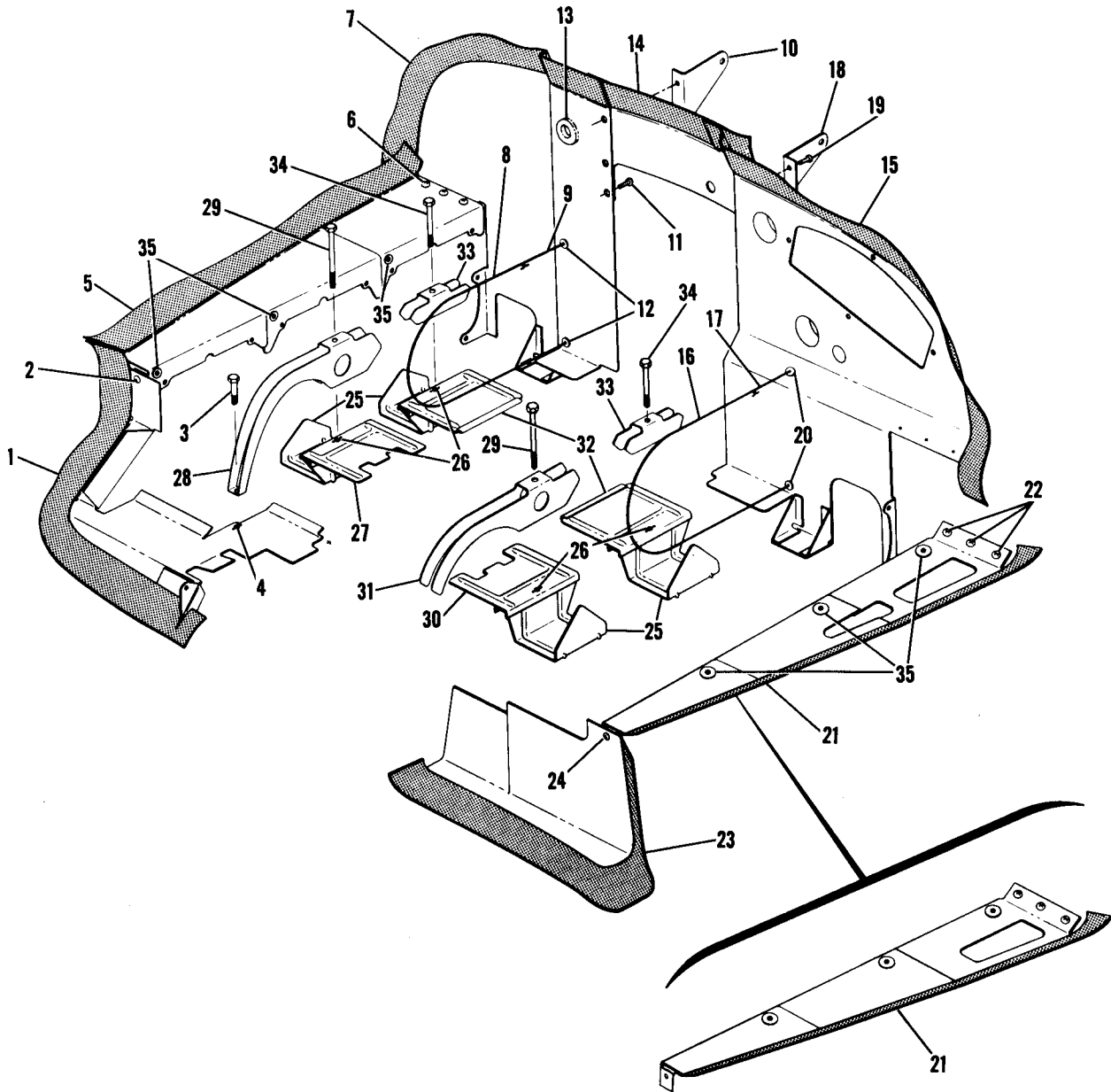
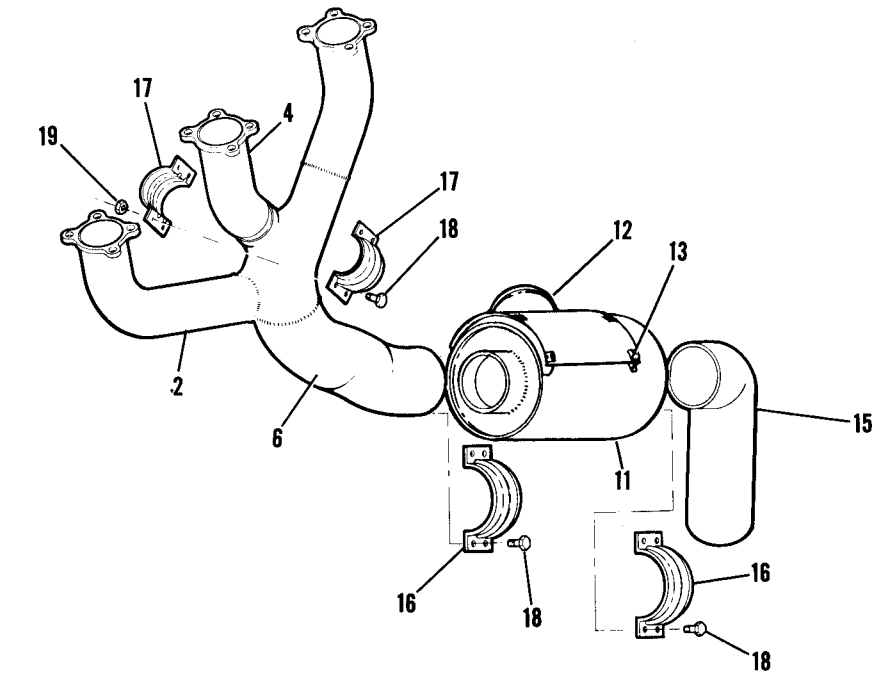


Figure 59. Engine Baffle Installation

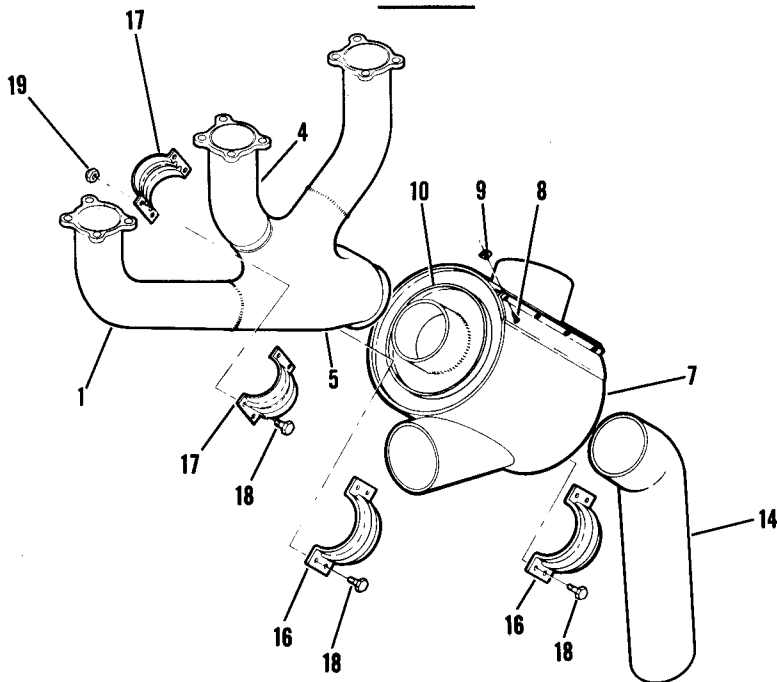
FIGURE AND INDEX NO.	PART NUMBER	DESCRIPTION	UNITS PER ASSY	USABLE ON CODE
		1 2 3 4 5 6 7		
59-		BAFFLE INSTALLATION-ENGINE -----	NP	
- 1	0750128-35	BAFFLE ASSEMBLY-FORWARD RH-----	1	
		ATTACHING PARTS -----		
- 2	S-1021Z-6-6	SCREW CESSNA STANDARD -----	1	
	NAS446-2-3	NUT TIN A1181-6Z-3 -----	1	
- 3	AN3-24A	BOLT -----	1	
		-----*		
- 4	NAS680A3	NUTPLATE -----	1	
- 5	1250100-8	BAFFLE ASSEMBLY-RH -----	1	
		ATTACHING PARTS -----		
- 6	S-1021Z-6-6	SCREW CESSNA STANDARD -----	3	
	NAS446-2-3	NUT TIN A1181-6Z-3 -----	3	
		-----*		
- 7	1250100-10	BAFFLE ASSEMBLY-REAR RH -----	1	
		ATTACHING PARTS -----		
- 8	0450277-2	FASTENER -----	1	
- 9	0450277-3	FASTENER -----	1	
- 10	1250105-2	SUPPORT -----	1	
- 11	S-1021Z-6-6	SCREW CESSNA STANDARD -----	4	
	NAS446-2-3	NUT TIN A1181-6Z-3 -----	4	
		-----*		
- 12	MS20230B20	GROMMET -----	2	
- 13	MS35489-20	GROMMET -----	1	
- 14	1250100-12	BAFFLE ASSEMBLY-REAR CENTER -----	1	
- 15	1250100-11	BAFFLE ASSEMBLY-REAR LH -----	1	
		ATTACHING PARTS -----		
- 16	0450277-2	FASTENER -----	1	
- 17	0450277-6	FASTENER -----	1	
- 18	1250105-2	SUPPORT -----	1	
- 19	S-1021Z-6-6	SCREW CESSNA STANDARD -----	4	
	NAS446-2-3	NUT TIN A1181-6Z-3 -----	4	
		-----*		
- 20	MS20230B20	GROMMET -----	2	
- 21	1250100-9	BAFFLE ASSEMBLY-LH -----	1	A
	1250100-14	BAFFLE ASSEMBLY-LH -----	1	B
		ATTACHING PARTS -----		
- 22	S-1021Z-6-6	SCREW CESSNA STANDARD -----	3	
	NAS446-2-3	NUT TIN A1181-6Z-3 -----	3	
		-----*		
- 23	1250100-13	BAFFLE ASSEMBLY-FORWARD LH-----	1	
		ATTACHING PARTS -----		
- 24	S-1021Z-6-6	SCREW CESSNA STANDARD -----	2	
	NAS446-2-3	NUT TIN A1181-6Z-3 -----	2	
		-----*		
- 25	0750135-1	BAFFLE ASSEMBLY-INTER CYLINDER-----	4	
- 26	NAS680A3	NUTPLATE -----	1	
- 27	0750135-3	BAFFLE-FORWARD RH INTER CYLINDER -----	1	
		ATTACHING PARTS -----		
- 28	0750117-30	SUPPORT -----	1	
- 29	AN3-66A	BOLT -----	1	
		-----*		
- 30	0750135-3	BAFFLE-FORWARD LH INTER CYLINDER -----	1	
		ATTACHING PARTS -----		
- 31	0851700-96	SUPPORT -----	1	
	AN3-60A	BOLT -----	1	
		-----*		
- 32	0750135-8	BAFFLE ASSEMBLY-REAR INTER CYLINDER-----	2	
		ATTACHING PARTS -----		
- 33	0750117-31	SUPPORT -----	1	
- 34	AN3-60A	BOLT -----	1	
		-----*		
- 35	MS35489-12S	GROMMET -----	6	

A---210 SERIAL 57001 THRU 57575
 B---210 SERIAL 21057576 & ON

Engine (Cont)



RH SIDE



LH SIDE

Figure 60. Engine Exhaust Stack Assemblies

FIGURE AND INDEX NO.	PART NUMBER	DESCRIPTION	UNITS PER ASSY	USABLE ON CODE
		1 2 3 4 5 6 7		
60- 1	1250200-1	EXHAUST STACK ASSEMBLY-LH -----	1	
- 2	1250201-1	EXHAUST STACK ASSEMBLY-RH -----	1	
- 3		DELETED-NON PROCURABLE -----		
- 4	1250200-7	STACK ASSEMBLY-CENTER LH -----	1	
	1250201-15	STACK ASSEMBLY-CENTER RH -----	1	
- 5	1250200-4	COLLECTOR ASSEMBLY-LH -----	1	
- 6	1250201-6	COLLECTOR ASSEMBLY-RH -----	1	
- 7	1250200-2	SHROUD ASSEMBLY-LH -----	1	
		ATTACHING PARTS		
- 8	S-1021Z-8-8	SCREW CESSNA STANDARD -----	4	
- 9	NAS446-4-3	NUT TIN A1778-8Z-3 -----	4	
		-----*		
- 10	1250200-3	HEAT EXCHANGER ASSEMBLY-LH -----	1	
- 11	1250201-16	MUFFLER ASSEMBLY-RH -----	1	
-11A	1250201-17	MUFFLER-RH -----	1	
- 12	1250201-13	SHROUD ASSEMBLY-RH MUFFLER -----	1	
		ATTACHING PARTS		
- 13	S-1021Z-6-6	SCREW CESSNA STANDARD -----	8	
	C7707-6Z-3	NUT TIN -----	8	
		-----*		
- 14	1250200-5	TAIL PIPE-LH -----	1	
- 15	1250201-7	TAIL PIPE-RH -----	1	
- 16	1250201-8	CLAMP -----	4	A B B
	1250201-8	CLAMP -----	2	
	1250201-14	CLAMP WITH DOWEL PIN -----	2	
- 17	1250201-12	CLAMP -----	2	
		ATTACHING PARTS		
- 18	AN3-4A	BOLT -----	2	
- 19	MS20365-1032C	NUT -----	2	
		-----*		
		A---210 SERIAL 57001 THRU 57394 & 57396 THRU 57418		
		B---210 SERIAL 57395 & 57419 & ON		

Cowl Flaps Control System

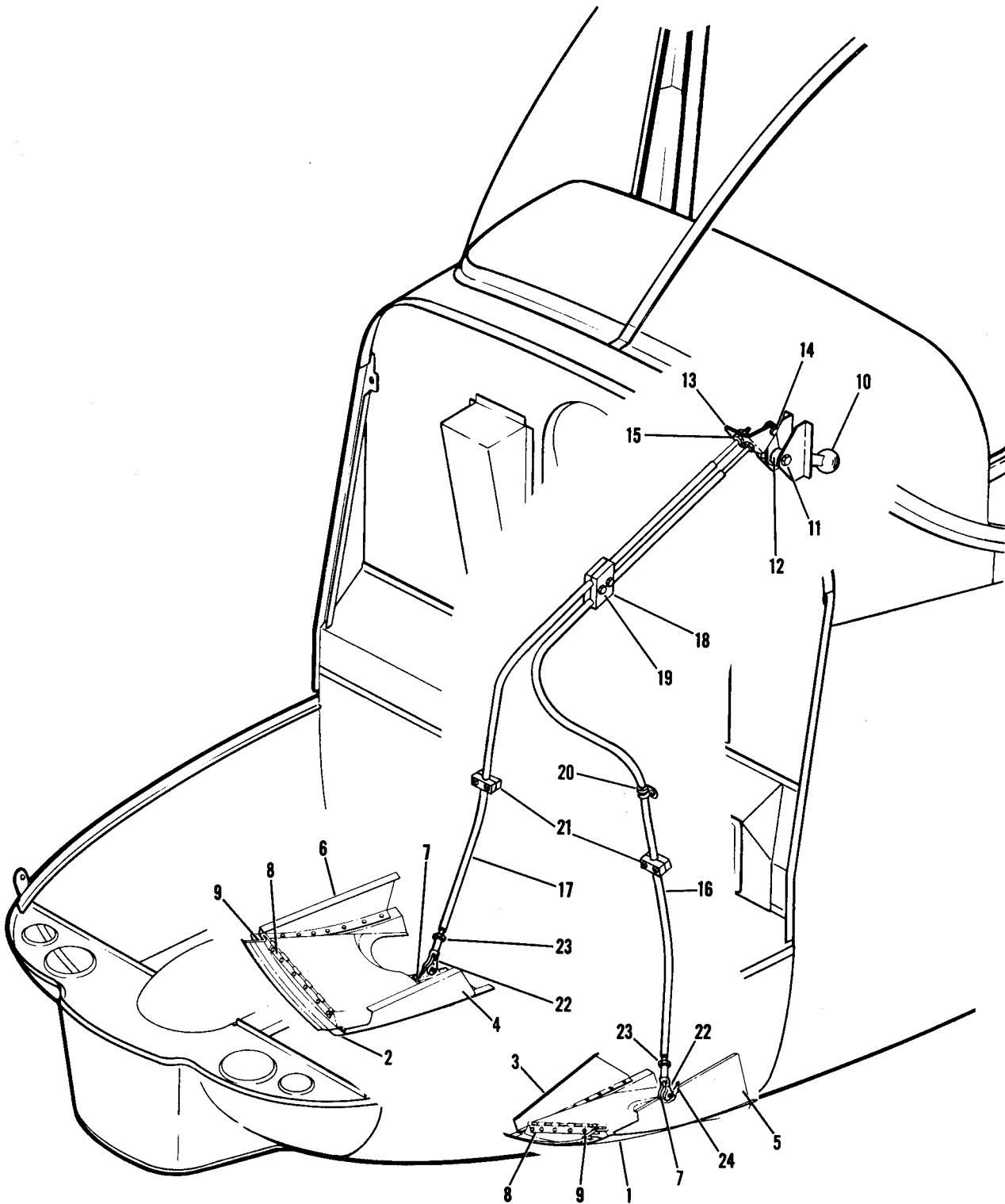


Figure 61. Cowl Flaps Control System Installation

FIGURE AND INDEX NO.	PART NUMBER	DESCRIPTION	UNITS PER ASSY	USABLE ON CODE
61-		1 2 3 4 5 6 7 COWLFLAPS & COWL FLAPS CONTROLS INSTALLATION -----	NP	
- 1	1213070-3	DOOR ASSEMBLY-COWL FLAP LH-----	1	
- 2	1213070-4	DOOR ASSEMBLY-COWL FLAP RH-----	1	
- 3	1213071-1	BAFFLE INBOARD-LH -----	1	
- 4	1213071-2	BAFFLE INBOARD-RH -----	1	
- 5	1213071-3	BAFFLE OUTBOARD-LH -----	1	
- 6	1213071-4	BAFFLE OUTBOARD-RH -----	1	
- 7	1213072-1	BRACKET -----	1	
- 8	1213075-2	HINGE HALF -----	1	
- 9	1213076-1	PIN-HINGE -----	2	
- 10	1213034-1	LEVER ASSEMBLY-COWL FLAP CONTROL ----- ATTACHING PARTS	1	
- 11	AN3-16A	BOLT -----	1	
	AN960-10	WASHER-----	1	
	AN960-516	WASHER-----	1	
- 12	NAS43-3-88	SPACER-----	1	
	MS20365-1032C	NUT -----	1	
	1213032-1	---*--- KNOB-COWL FLAP CONTROL ----- ATTACHING PARTS	1	
	AN507-1032R14	SCREW -----	1	
- 13	1213041-1	---*--- CLEVIS----- ATTACHING PARTS	1	
- 14	AN4-5	BOLT -----	1	
	AN960-416L	WASHER-----	2	
	AN310-4	NUT -----	1	
	AN380-2-3	PIN -----	1	
- 15	AN316-4R	NUT -----	4	
		---*---		
- 16	1213040-1	CONTROL-COWL FLAP LH -----	1	
- 17	1213040-2	CONTROL-COWL FLAP RH -----	1	
- 18	1213037-1	CLAMP ----- ATTACHING PARTS	2	
- 19	AN3-11A	BOLT -----	2	
	AN960-10L	WASHER-----	2	
	MS20365-1032C	NUT -----	2	
		---*---		
- 20	MS21919DG5	CLAMP -----	1	
	S-1021Z-8-8	SCREW CESSNA STANDARD -----	1	
- 21	0713307-2	CLAMP -----	4	
	AN520-10R26	SCREW -----	4	
- 22	AN486-4	CLEVIS----- ATTACHING PARTS	2	
- 23	AN316-4R	NUT -----	1	
	MS20392-2-13	PIN -----	1	
- 24	AN380-2-2	PIN-COTTER -----	1	
	AN960D10	WASHER-----	1	
		---*---		

This page intentionally left blank.

Engine (Cont)

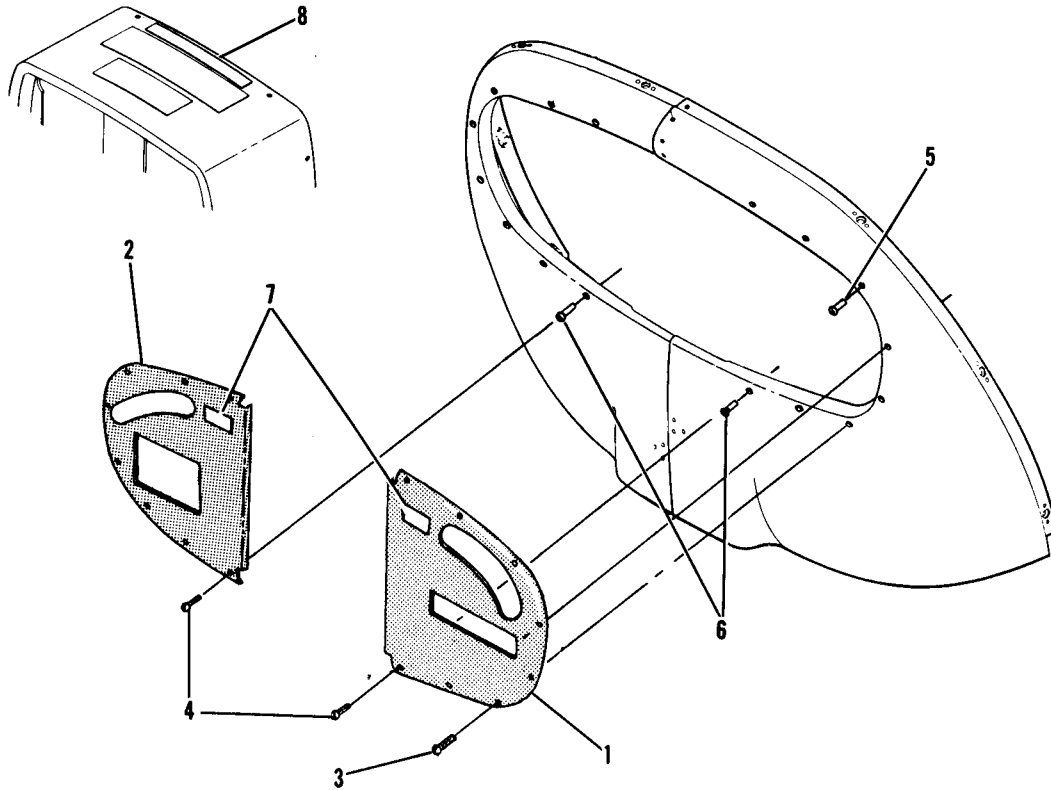


Figure 62. Winterization Cover Installation

FIGURE AND INDEX NO.	PART NUMBER	DESCRIPTION	UNITS PER ASSY	USABLE ON CODE
62-		1 2 3 4 5 6 7		
		WINTERIZATION EQUIPMENT INSTALLATION -----	NP	
- 1	1200053-3	COVER-WINTERIZATION LH -----	1	
- 2	1200053-4	COVER-WINTERIZATION RH -----	1	
		ATTACHING PARTS -----		
- 3	NAS220-7	SCREW -----	14	
- 4	NAS220-8	SCREW -----	2	
- 5	A8K75	RIVNUT-----GD -----	14	
- 6	A8K120	RIVNUT-----GD -----	2	
		-----*-----		
- 7	0700319-7	PLACARD-WINTERIZATION-----	2	
- 8	0700319-13	PLACARD-WINTERIZATION-----	1	
		NOTE. FOR ACCESSORY KIT LISTINGS REFER TO PAGE 262		

Cabin Air Vents System

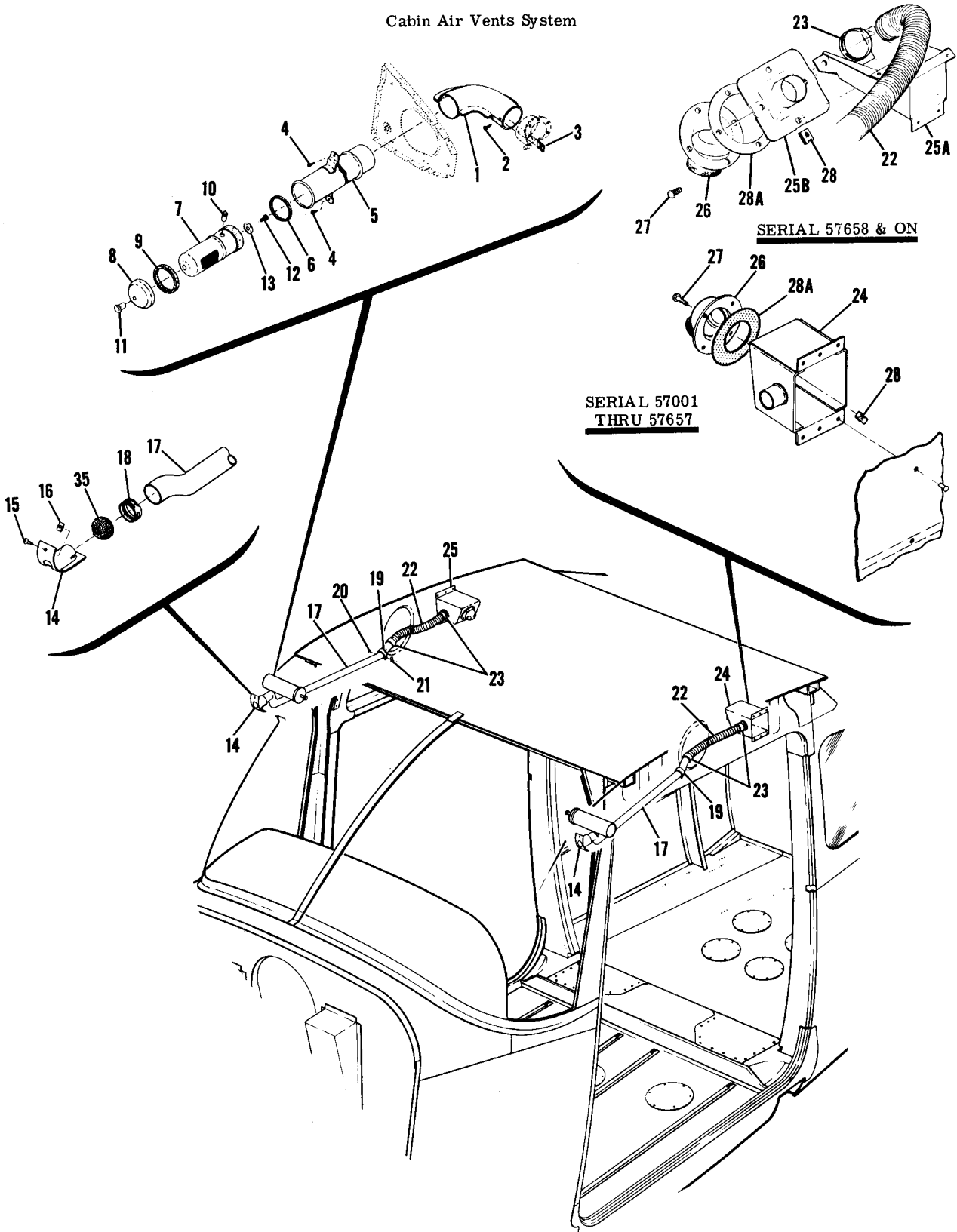
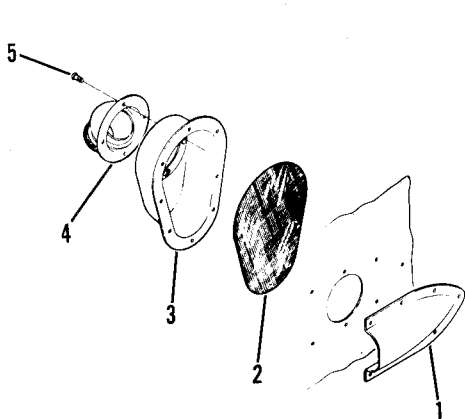
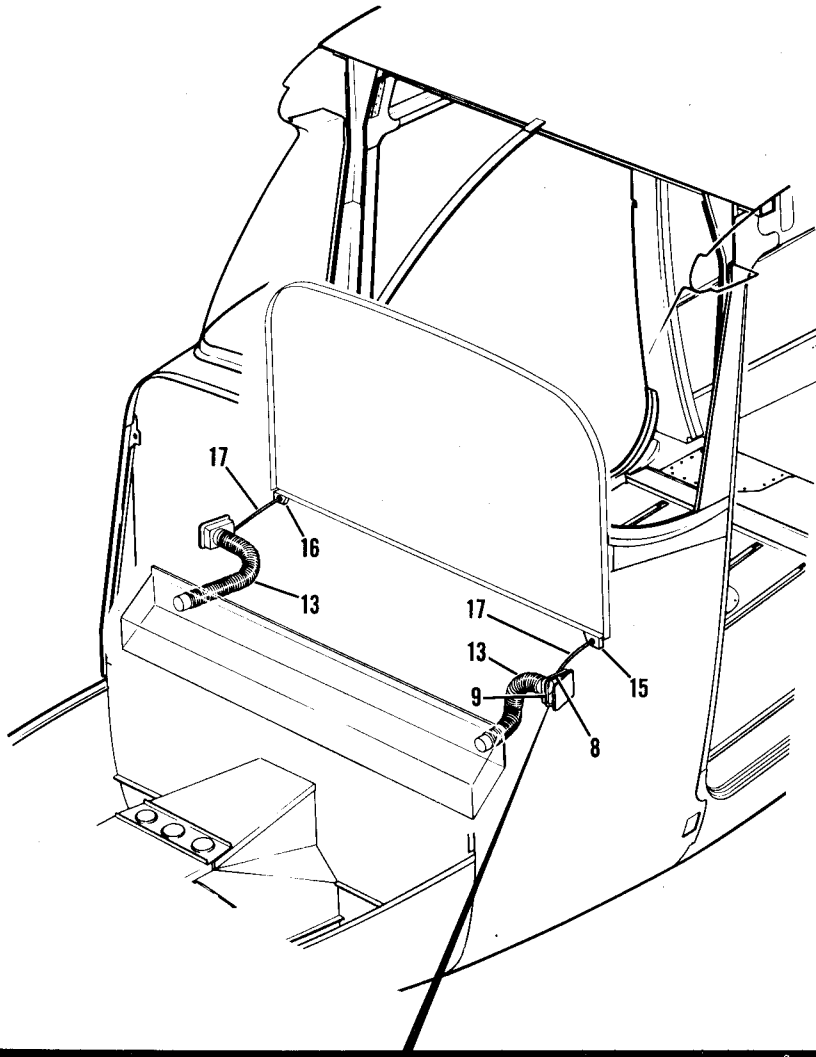


Figure 63. Cabin Top Ventilation System Installation

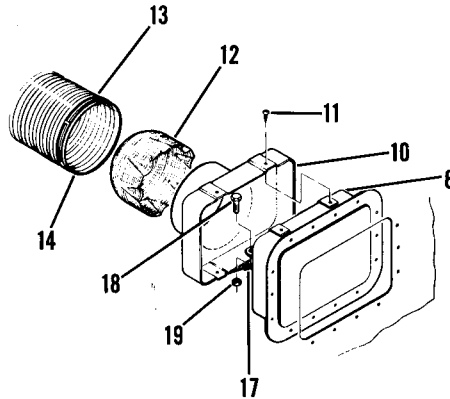
FIGURE AND INDEX NO.	PART NUMBER	DESCRIPTION	UNITS PER ASSY	USABLE ON CODE
63-		1 2 3 4 5 6 7		
- 1	0450314	CABIN VENTILATION SYSTEM INSTALLATION-----	NP	
- 2	S-1021Z-8-8	ELBOW ASSEMBLY-CABIN VENTILATION -----	1	
- 3	NAS446-4-3	ATTACHING PARTS		
		SCREW CESSNA STANDARD -----	1	
		NUT TIN A1778-8Z-3 -----	1	
		-----*		
	0413163-25	OUTLET ASSEMBLY-RH LESS KNOB -----	1	
	0413163-26	OUTLET ASSEMBLY-LH LESS KNOB -----	1	
		ATTACHING PARTS		
- 4	S-1021Z-8-6	SCREW CESSNA STANDARD -----	2	
		-----*		
- 5	0413163-16	TUBE ASSEMBLY-LH -----	1	
	0413163-17	TUBE ASSEMBLY-RH -----	1	
- 6	0413163-7	SEAL-FELT -----	1	
- 7	0413163-18	OUTLET-CABIN VENTILATION-----	1	
- 8	0413163-11	CAP ASSEMBLY-OUTLET-----	1	
- 9	0413163-10	SEAL-CAP -----	1	
- 10	0413203	CATCH-BULLET -----	1	
- 11	0713303-2	KNOB-CAP -----	2	
		ATTACHING PARTS		
- 12	AN515-8R8	SCREW -----	1	
- 13	0413228	WASHER-----	1	
	AN936A8	WASHER-----	1	
		-----*		
- 14	0700325-1	ADAPTER -----	2	
		ATTACHING PARTS		
- 15	S-1021Z-8-8	SCREW CESSNA STANDARD -----	2	
- 16	NAS396-6-3	NUT -----	2	
		-----*		
- 17	0700324-1	TUBE -----	2	
		ATTACHING PARTS		
- 18	NAS397-18-1	CLAMP TIN A3122-18-1 -----	1	
		-----*		
- 19	A2980A-16-27	CLAMP TIN -----	2	
		ATTACHING PARTS		
- 20	S-1021Z-8-8	SCREW CESSNA STANDARD -----	1	
- 21	NAS446-4-3	NUT -----	1	
		-----*		
- 22	S-1053E8T	HOSE-14.9 IN LONG BULK ITEM REF S-1053E8T-14.9 -----	1	A
	S-1053E8T	HOSE-18.0 IN LONG BULK ITEM REF S-1053E8T-18.0 -----	1	B
		ATTACHING PARTS		
- 23	NAS397-16-1	CLAMP TIN A3122-16-1 -----	2	
		-----*		
- 24	0700323-1	BOX ASSY-AIR VENT LH WHEN EXHAUSTED USE 0700326-1 -----	1	A
		& 0700327-1		
- 25	0700323-2	BOX ASSY-AIR VENT RH WHEN EXHAUSTED USE 0700326-1 -----	1	A
		& 0700327-1		
-25A	0700326-1	BRACKET-REAR AIR VENT-----	2	B
-25B	0700327-1	ADAPTER-AIR VENT-----	2	B
- 26	0813610-4	VALVE-AIR VENT -----	2	
		ATTACHING PARTS		
- 27	S-1021Z-8-8	SCREW CESSNA STANDARD -----	4	
- 28	NAS396-6-3	NUT -----	4	
		-----*		
-28A	1213043-1	GASKET-----	2	
- 29	0700322-4	SEAL-AIR VENT -----	2	

A---210 SERIAL 57001 THRU 57657
 B---210 SERIAL 57658 & ON

Cabin Air Vents System (Cont)



SERIAL 57001 THRU 57575

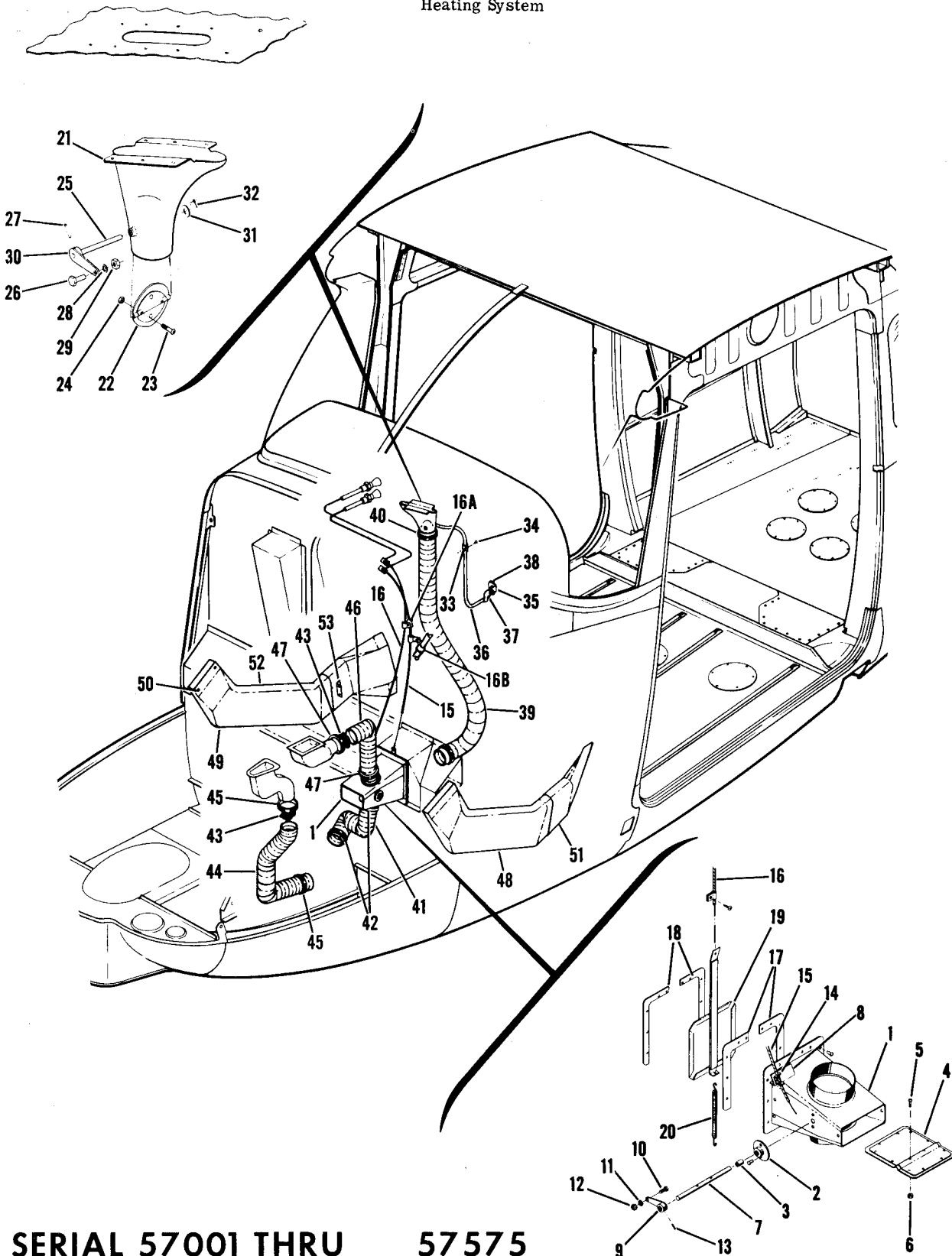


SERIAL 21057576 & ON

Figure 63A. Forward Ventilation System Installation

FIGURE AND INDEX NO.	PART NUMBER	DESCRIPTION	UNITS PER ASSY	USABLE ON CODE
		1 2 3 4 5 6 7		
63A-		CABIN AIR VENT INSTALLATION-FORWARD -----	NP	
- 1	1250119-1	SCOOP-FORWARD CABIN AIR VENT -----	2	A
- 2	1250121-1	SCREEN-FORWARD CABIN AIR VENT -----	2	A
- 3	1250120-1	ADAPTER ASSEMBLY-FORWARD CABIN AIR VENT -----	2	A
	NAS697A08	NUT -----	4	A
- 4	0813610-3	VALVE-WEMAC -----	2	A
		ATTACHING PARTS		
- 5	AN525-832R12	SCREW -----	4	A
	1213043	GASKET -----	1	A
		-----*		
- 6	1213347-1	VALVE ASSEMBLY-CABIN AIR -----	1	B
- 7	NAS395-6	NUT -----	4	B
- 8	1213346-1	SEAL -----	2	B
- 9	1213346-2	SEAL -----	2	B
- 10	1213351-1	COVER-CABIN AIR VALVE -----	2	B
		ATTACHING PARTS		
- 11	AN520-6R4	SCREW -----	4	B
		-----*		
- 12	1213345-1	SCREEN-AIR INLET -----	1	B
- 13	S-1053E20T	HOSE-15.0 IN. LONG BULK ITEM REF S-1053E20T15.0 -----	2	B
		ATTACHING PARTS		
- 14	NAS398-42	CLAMP -----	2	B
		-----*		
- 15	1213352-1	BRACKET-CONTROL LH -----	1	B
- 16	1213352-2	BRACKET-CONTROL RH -----	1	B
		ATTACHING PARTS		
	S-1021Z-8-7	SCREW CESSNA STANDARD -----	3	B
	NAS446-4-3	NUT -----	3	B
		-----*		
- 17	1213241-1	CONTROL ASSEMBLY-CABIN AIR VALVE -----	2	B
		ATTACHING PARTS		
- 18	0450311-5	CLAMP -----	1	B
- 19	MS20364-1032C	NUT -----	1	B
		-----*		
		A---210 SERIAL 57001 THRU 57575		
		B---210 SERIAL 21057576 & ON		

Heating System



SERIAL 57001 THRU 57575

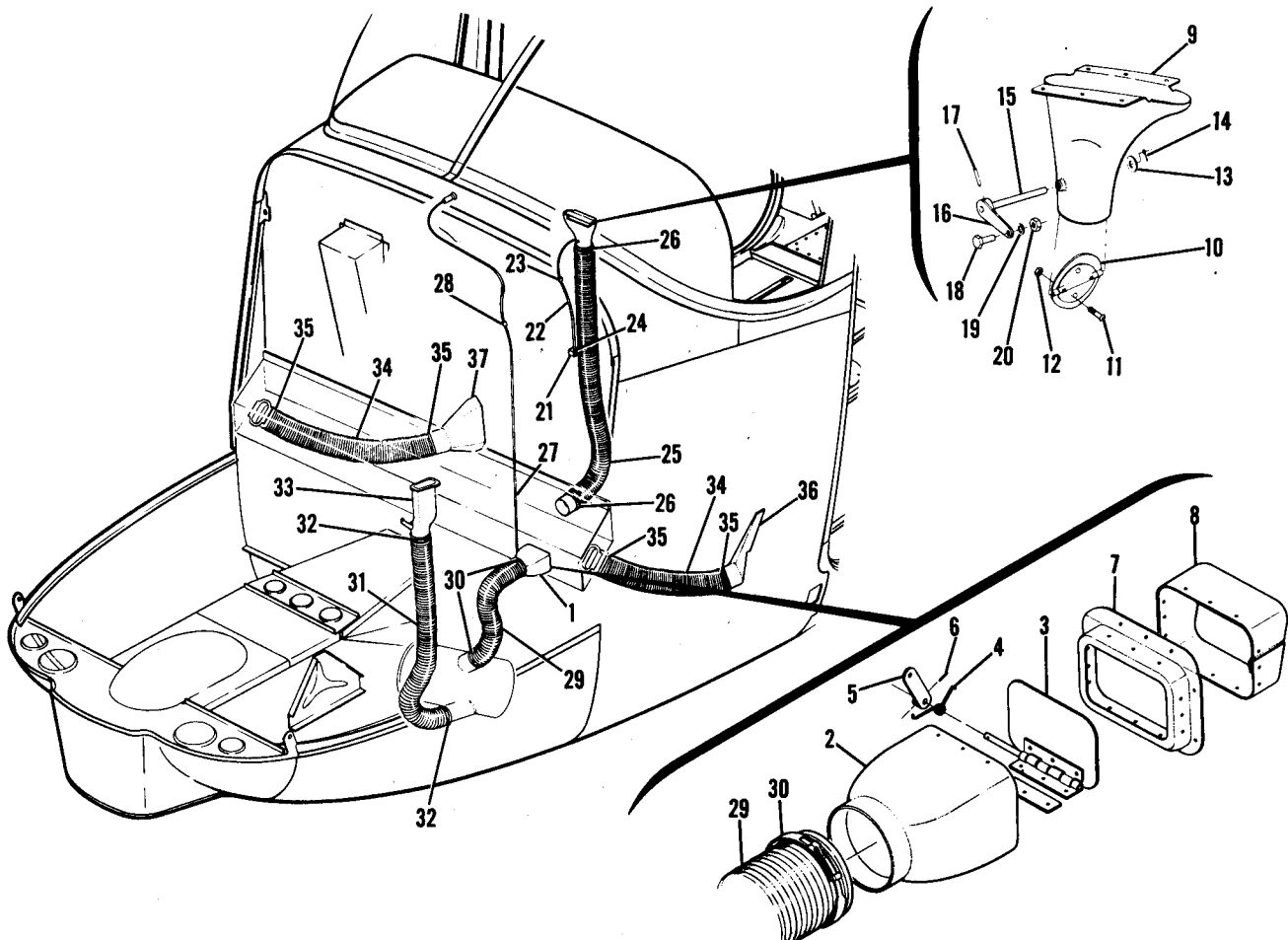
Figure 64. Cabin Heater Installation

FIGURE AND INDEX NO.	PART NUMBER	DESCRIPTION	UNITS PER ASSY	USABLE ON CODE
		1 2 3 4 5 6 7		
64--		HEATER INSTALLATION-CABIN -----	NP	A
- 1	0713019-98	VALVE ASSEMBLY-CABIN HEATER -----	1	
- 2	0713019-41	BUSHING ASSEMBLY-CABIN HEATER -----	2	
- 3	S-1003-12A	BEARING CESSNA STANDARD -----	1	
- 4	0713019-85	PLATE ASSEMBLY-CABIN HEATER VALVE-----	1	
		SERIAL 57001		
		THRU 57575		
- 5	AN515-6R9	ATTACHING PARTS -----		
- 6	MS20365-632C	SCREW -----	2	
		NUT -----	2	
		-----*		
- 7	0713019-19	SHAFT-CABIN HEATER VALVE-----	1	
- 8	0713019-16	ANGLE-CABIN HEATER VALVE-----	1	
- 9	0713019-24	ARM ASSEMBLY-CABIN HEATER VALVE -----	1	
		ATTACHING PARTS -----		
- 10	0450311-5	CLAMP -----	1	
- 11	AN960A10L	WASHER -----	1	
- 12	MS20364-1032C	NUT -----	1	
- 13	52-018-078-05625	ROLL PIN EN -----	1	
		-----*		
- 14	0450286	CLIP-----	1	
- 15	0713302-5	CONTROL-CABIN HEAT -----	1	
- 16	0713302-6	CONTROL-CABIN AIR -----	1	
-16A	AN742D3	CLAMP -----	3	
-16B	A2981A-14-27	CLAMP -----	1	
	S-1021Z-8-8	SCREW CESSNA STANDARD -----		
- 17	0713019-99	SPACER-HEATER VALVE -----	2	
- 18	0713019-100	SPACER-HEATER VALVE -----	2	
- 19	0713019-75	VALVE ASSEMBLY-CABIN AIR -----	1	
- 20	0713019-37	SPRING-CABIN AIR VALVE -----	1	
- 21	1250114-1	NOZZLE ASSEMBLY-DEFROST -----	1	
- 22	1250116-1	VALVE ASSEMBLY -----	1	
		ATTACHING PARTS -----		
- 23	AN515-6R10	SCREW -----	2	
- 24	MS20365-632C	NUT -----	2	
		-----*		
- 25	1250115-1	LEVER ASSEMBLY -----	1	
	1250115-2	SHAFT -----	1	
- 26	0450311	CLAMP -----	1	
- 27	MS16562-16	ROLL PIN EN -----	1	
- 28	AN960-10L	WASHER -----	1	
- 29	MS20364-1032C	NUT -----	1	
- 30	0713019-24	ARM ASSEMBLY -----	1	
- 31	AN960-416L	WASHER-----	1	
- 32	AN380-2-1	COTTER PIN -----	1	
- 33	MS211919DG3	CLAMP -----	1	
		ATTACHING PARTS -----		
- 34	S-1021Z-8-8	SCREW CESSNA STANDARD -----	1	
	NAS446-4-3	NUT -----	1	
		-----*		
- 35	0813501-12	CONTROL ASSEMBLY-----	1	
- 36	0813501-13	CONTROL HEAD -----	1	
- 37	0813501-14	CASING -----	1	
- 38	0813475-3	WIRE-----	1	
- 39	S-1053E16T	KNOB ASSEMBLY -----	1	
		HOSE-24 IN LONG BULK ITEM REF S-1053E16T24.0 -----	1	
		ATTACHING PARTS -----		
- 40	NAS397-32	CLAMP -----	2	
		-----*		
- 41	S-1053K24T	HOSE-15 IN LONG BULK ITEM REF S-1053K24T15.0 -----	1	
		ATTACHING PARTS -----		
- 42	NAS398-50	CLAMP -----	2	
		-----*		
- 43	1200018-1	ELEMENT-FILTER METC -----	2	
- 44	S-1053K24T	HOSE-23 IN LONG BULK ITEM REF S-1053K24T23.0 -----	1	
		ATTACHING PARTS -----		
- 45	NAS398-50	CLAMP -----	2	
		-----*		
- 46	S-1053K24T	HOSE-12 IN LONG BULK ITEM REF S-1053K24T12.0 -----	1	
		ATTACHING PARTS -----		
- 47	NAS398-50	CLAMP -----	2	
		-----*		
- 48	1250110-3	DUCT FORWARD-LH -----	1	

CONTINUED ON PAGE 135A

FIGURE AND INDEX NO.	PART NUMBER	DESCRIPTION	1 2 3 4 5 6 7							UNITS PER ASSY	USABLE ON CODE
64- 49	1250110-4	DUCT FORWARD-RH ----- ATTACHING PARTS -----								1	
- 50	S-1021Z-8-8 AN960D8 NAS395-14-3	SCREW CESSNA STANDARD ----- WASHER----- NUT T1N A1274-8Z-3 ----- -----*								2 2 2	
- 51	1250110-5	DUCT OUTLET-LH -----								1	
- 52	1250110-6	DUCT OUTLET-RH -----								1	
- 53	1250111-1	SUPPORT -----								2	
A---210 SERIAL 57001 THRU 57575											

Heating System

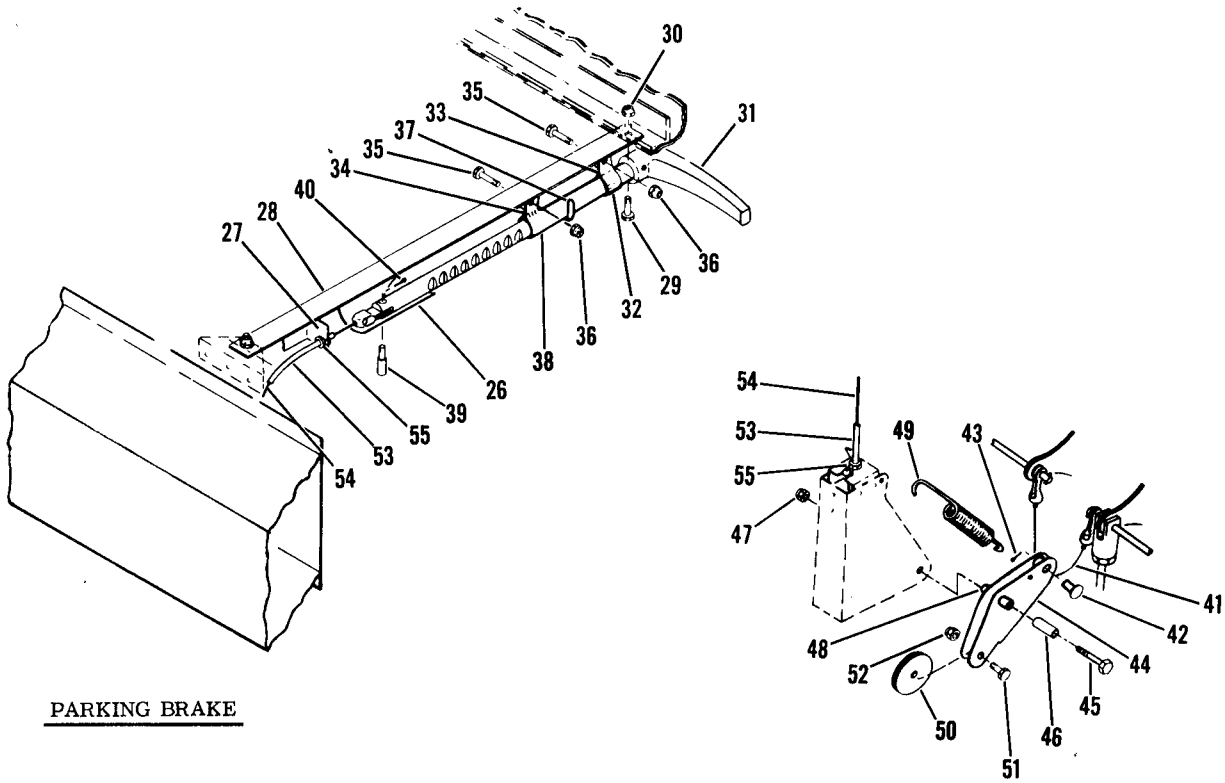


SERIAL 21057576 & ON

Figure 64A. Cabin Heater Installation

FIGURE AND INDEX NO.	PART NUMBER	DESCRIPTION	UNITS PER ASSY	USABLE ON CODE
		1 2 3 4 5 6 7		
64A-		HEATER INSTALLATION-CABIN -----	NP	A
- 1	1253033-1	VALVE ASSEMBLY-CABIN HEATER -----	1	
- 2	1253032-1	VALVE BODY-CABIN HEATER -----	1	
- 3	1253034-1	VALVE PLATE ASSEMBLY -----	1	
- 4	1253041-1	SPRING-WARM AIR -----	1	
- 5	1253037-1	ARM-CONTROL -----	1	
		ATTACHING PARTS -----		
- 6	NAS561C2-8	ROLLPIN -----	1	
		-----*		
- 7	1253035-1	VALVE SEAT -----	1	
- 8	1253036-1	VALVE EXTENSION -----	1	
- 9	1250114-1	NOZZLE ASSEMBLY-DEFROST -----	1	
- 10	1250116-1	VALVE ASSEMBLY -----	1	
		ATTACHING PARTS -----		
- 11	AN515-6R10	SCREW -----	2	
- 12	MS20365-632C	NUT -----	2	
		-----*		
	1250115-1	LEVER ASSEMBLY -----	1	
		ATTACHING PARTS -----		
- 13	AN960-416L	WASHER -----	1	
- 14	AN380-2-1	COTTER-PIN -----	1	
		-----*		
- 15	1250115-2	SHAFT -----	1	
- 16	0713019-24	ARM ASSEMBLY -----	1	
- 17	MS16562-16	ROLLPIN EN -----	1	
- 18	0450311	CLAMP -----	1	
- 19	AN960-10L	WASHER -----	1	
- 20	MS20364-1032C	NUT -----	1	
	0813501-12	CONTROL ASSEMBLY -----	1	
- 21	0813501-13	CONTROL HEAD -----	1	
- 22	0813501-14	CASING -----	1	
	0813501-15	WIRE -----	1	
- 23	MS21919DG3	CLAMP -----	1	
		ATTACHING PARTS -----		
	S-1021Z-8-8	SCREW CESSNA STANDARD -----	1	
	NAS446-4-3	NUT -----	1	
		-----*		
- 24	0813475-3	KNOB ASSEMBLY -----	1	
- 25	S-1053E16T	HOSE-24 IN. LONG-----BULK ITEM-----REF S-1053E16T24.0 -----	1	
		ATTACHING PARTS -----		
- 26	NAS397-32	CLAMP -----	2	
		-----*		
- 27	0713414-4	CONTROL-CABIN HEAT -----	1	
		ATTACHING PARTS -----		
- 28	AN742D3	CLAMP -----	1	
	S1021Z-8-8	SCREW -----	1	
	NAS446-4-3	NUT -----	1	
		-----*		
- 29	S-1053K24T	HOSE-15 IN. LONG-----BULK ITEM-----REF S-1053K24T15.0 -----	1	
		ATTACHING PARTS -----		
- 30	NAS397-32	CLAMP -----	2	
		-----*		
- 31	S-1053K24T	HOSE-23 IN. LONG-----BULK ITEM-----REF S-1053K24T23.0 -----	1	
		ATTACHING PARTS -----		
- 32	NAS397-32	CLAMP -----	2	
		-----*		
- 33	1250123-1	AIR INLET ASSEMBLY-CABIN -----	1	
- 34	S-1110ET	DUCT-26 IN. LONG-----BULK ITEM-----REF S-1110ET-26.0 -----	2	
		ATTACHING PARTS -----		
- 35	S-1026BG10.90X	CLAMP -----	4	
		-----*		
- 36	1250122-1	DUCT-HOT AIR LH -----	1	
- 37	1250122-2	DUCT-HOT AIR RH -----	1	
		-----*		
		A---210 SERIAL 21057576 & ON		

Brake System



PARKING BRAKE

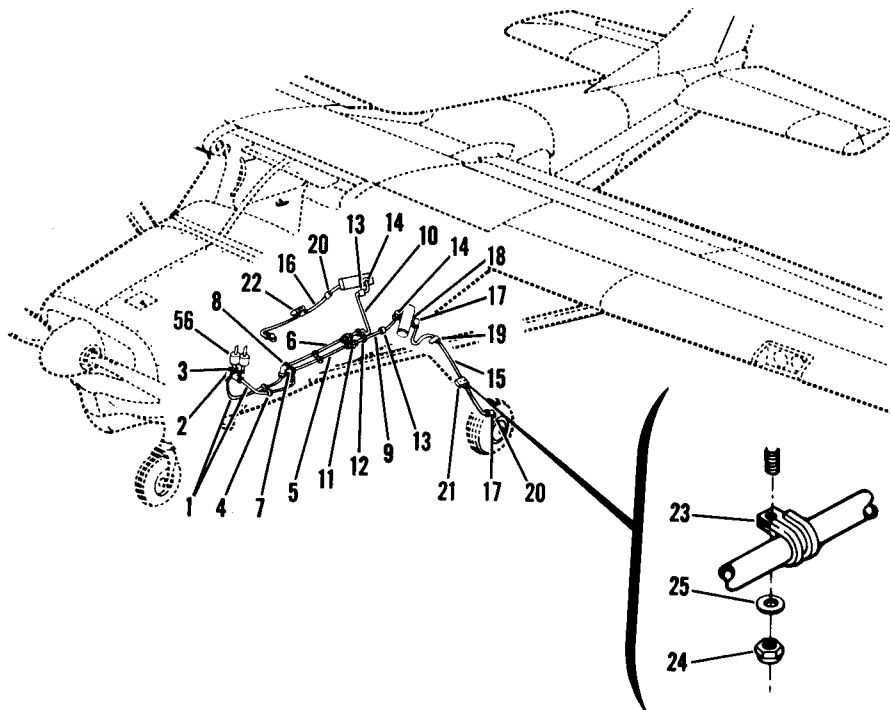


Figure 65. Brake System Installation

FIGURE AND INDEX NO.	PART NUMBER	DESCRIPTION	UNITS PER ASSY	USABLE ON CODE
		1 2 3 4 5 6 7		
65-		BRAKE SYSTEM INSTALLATION -----	NP	
- 1	MS28741-4-0234	HOSE ASSEMBLY-MASTER CYLINDER TO ELBOW -----	2	
		ATTACHING PARTS -----		
- 2	AN833-4D	ELBOW -----	1	
- 3	AN924-4D	NUT -----	1	
		---*---		
- 4	S-1050-2-255	GROMMET CESSNA STANDARD -----	2	
- 5	1280106-55	LINE ASSEMBLY-LH-----	1	A
	1280106-89	LINE ASSEMBLY-LH-----	1	B
- 6	1280106-56	LINE ASSEMBLY-RH-----	1	A
	1280106-90	LINE ASSEMBLY-RH-----	1	B
		ATTACHING PARTS -----		
- 7	AN837-4D	ELBOW -----	1	
- 8	AN924-4D	NUT -----	1	
		---*---		
- 9	1280106-57	LINE ASSEMBLY-LH-----	1	A
	1280106-91	LINE ASSEMBLY-LH-----	1	B
- 10	1280106-58	LINE ASSEMBLY-RH-----	1	A
	1280106-92	LINE ASSEMBLY-RH-----	1	B
		ATTACHING PARTS -----		
- 11	AN919-2D	REDUCER -----	1	
- 12	AN931-3S9	GROMMET -----	1	
- 13	775A-3-2-6	CLAMP AP -----	1	
	AN515-8R8	SCREW -----	1	
- 14	1280111-1	SWIVEL ASSEMBLY-90 DEGREE ELBOW -----	1	
	AN6290-3	GASKET-----	1	
		---*---		
- 15	1280106-1	LINE ASSEMBLY-LH-----	1	
- 16	1280106-2	LINE ASSEMBLY-RH-----	1	
		ATTACHING PARTS -----		
- 17	AN833-4D	ELBOW -----	2	
- 18	AN924-4D	NUT -----	2	
	AN6290-4	GASKET-----	1	
	AN902B4	GASKET-----	1	
- 19	1241035-1	CLIP-LH -----	1	
- 20	1241035-2	CLIP-RH -----	1	
- 21	1241042-1	STRAP ASSEMBLY-LH -----	1	
- 22	1241042-2	STRAP ASSEMBLY-RH -----	1	
	AN525-10R14	SCREW -----	2	
- 23	MS21919DF-4	CLAMP -----	1	
- 24	MS20365-1032C	NUT -----	1	
- 25	AN960D10	WASHER-----	1	
		---*---		
		BRAKE INSTALLATION-PARKING-----	NP	
- 26	0713070-4	RACK-POSITION -----	1	
- 27	0713070-5	ANGLE-PARKING BRAKE-----	1	
- 28	1213121-1	ANGLE-PARKING BRAKE-----	1	
		ATTACHING PARTS -----		
- 29	AN3-3A	BOLT-----	2	
- 30	MS20365-1032C	NUT -----	2	
		---*---		
- 31	0813150-55	HANDLE ASSEMBLY-PARKING BRAKE -----	1	
		ATTACHING PARTS -----		
- 32	0813070-25	CLAMP-PARKING BRAKE-----	1	
- 33	0713070-32	SPACER-PARKING BRAKE -----	1	
- 34	0713070-15	SPACER-PARKING BRAKE -----	1	
- 35	AN3-6A	BOLT-----	2	
- 36	MS20365-1032C	NUT -----	2	
		---*---		
	0811490-6	HANDLE-PARKING BRAKE -----	1	
	0813150-54	TUBE-PARKING BRAKE -----	1	
- 36	NAS561-5-12	ROLLPIN-----EN	1	
- 37	0713070-24	CATCH-PARKING BRAKE-----	1	
		ATTACHING PARTS -----		
	AN960-4	WASHER -----	1	
		---*---		
- 38	0813156-4	HOUSING ASSEMBLY-HANDLE -----	1	
- 39	0713070-6	PIN-POSITIONING -----	1	
- 40	AN380-2-1	PIN-COTTER -----	1	
- 41	1260105-13	CABLE ASSEMBLY-----	1	
- 42	MS20392-4-13	PIN -----	1	
- 43	AN380-3-2	PIN-COTTER -----	1	

CONTINUED ON PAGE 138

FIGURE AND INDEX NO.	PART NUMBER	DESCRIPTION	UNITS PER ASSY							USABLE ON CODE
			1	2	3	4	5	6	7	
65- 44	1213123-1	BELLCRANK ASSEMBLY -----	1							
		ATTACHING PARTS -----								
- 45	AN3-13A	BOLT-----	1							
- 46	0713070-19	SPACER -----	1							
- 47	MS20365-1032C	NUT -----	1							
		-----*								
- 48	0713070-11	BUSHING-BELLCRANK-----	1							
- 49	0713063-1	SPRING-PARKING BRAKE -----	1							
- 50	S-378-1	PULLEY CESSNA STANDARD -----								
		ATTACHING PARTS -----								
- 51	AN3-5A	BOLT-----	1							
- 52	MS20364-1032C	NUT -----	1							
		-----*								
	1213224-1	CONTROL ASSEMBLY -----	1							
	1213224-4	CONTROL ASSEMBLY-STAINLESS STEEL CABLE -----	1							
- 53	1213224-3	TUBE -----	1							
- 54	1213224-2	CABLE -----	1							
	1213224-5	CABLE-STAINLESS STEEL -----	1							
	AN936D10	WASHER -----	2							
- 55	AN515-3R	NUT -----	4							
- 56	0541138-3	CYLINDER ASSEMBLY-BRAKE MASTER-----SEE FIGURE 66 -----	2							
		A---210 SERIAL 57001 THRU 57575								
		B---210 SERIAL 21057576 & ON								

Flight Controls

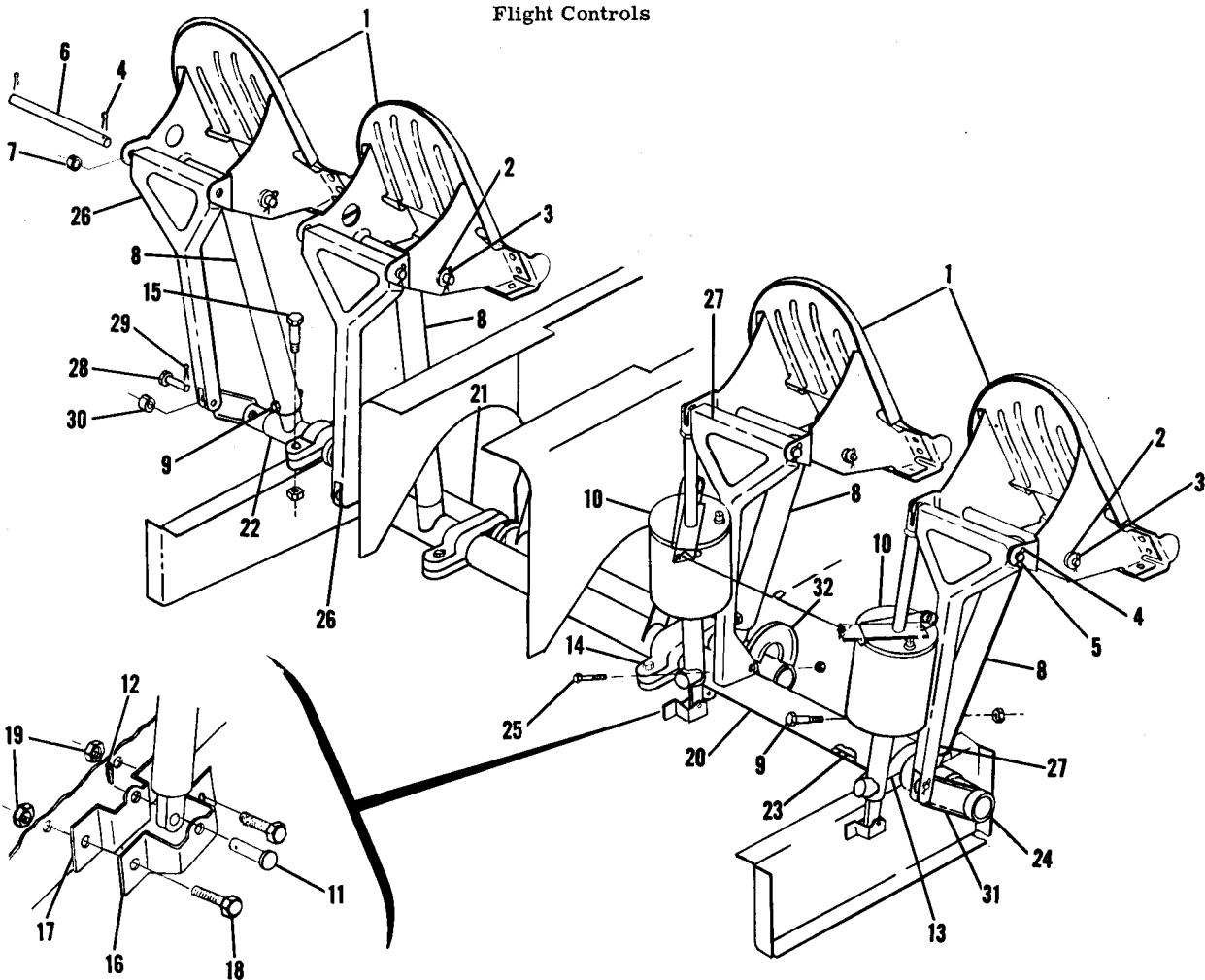


Figure 66. Rudder & Brake Pedal Installation

FIGURE AND INDEX NO.	PART NUMBER	DESCRIPTION	UNITS PER ASSY	USABLE ON CODE
		1 2 3 4 5 6 7		
66-		PEDAL INSTALLATION-RUDDER & BRAKE -----	NP	
- 1	0310453	PEDAL-BRAKE & RUDDER -----	4	
		ATTACHING PARTS -----		
- 2	0411369-2	SHAFT -----	1	
- 3	AN380-3-4	PIN-COTTER -----	1	
- 4	AN380-2-2	PIN-COTTER -----	1	
		-----*		
- 5	0411778-3	SHAFT-LH -----	2	
- 6	0411778-2	SHAFT-RH -----	2	
- 7	NAS42-6-8	SPACER-RH -----	2	
- 8	0411307	ARM-RUDDER BAR -----	4	
		ATTACHING PARTS -----		
- 9	AN3-11A	BOLT -----	1	
	MS20365-1032C	NUT -----	1	
		-----*		
- 10	0541138-3	CYLINDER ASSEMBLY-BRAKE MASTER-----SEE FIGURE 95 -----	2	
		ATTACHING PARTS -----		
- 11	MS20392-2-15	PIN -----	1	
- 12	AN380-2-2	PIN-COTTER -----	1	
		-----*		
- 13	0411263-5	BEARING HALF-LOWER OUTBOARD -----	2	
	0411263-6	BEARING HALF-LOWER OUTBOARD -----	2	
- 14	0411264-5	BEARING HALF-UPPER INBOARD-----	2	
	0411264-6	BEARING HALF-LOWER INBOARD-----		
		ATTACHING PARTS -----		
- 15	AN3-13A	BOLT -----	2	
	MS20365-1032C	NUT -----	2	
		-----*		
- 16	0411550	BRACKET-BRAKE CYLINDER OUTSIDE-----	2	
- 17	0411549	BRACKET-BRAKE CYLINDER INSIDE -----	2	
		ATTACHING PARTS -----		
- 18	AN3-4A	BOLT -----	2	
- 19	MS20365-1032C	NUT -----	2	
		-----*		
- 20	1260018-1	RUDDER BAR-LH -----	1	
- 21	1260018-2	RUDDER BAR-RH -----	1	
- 22	S-1003-43A	BEARING CESSNA STANDARD -----	4	
- 23	0411565	TUBE-DUAL BRAKE -----	2	
- 24	0411562	HUB-DUAL BRAKE -----	4	
		ATTACHING PARTS -----		
- 25	AN3-10A	BOLT -----	1	
	MS20365-1032C	NUT -----	1	
		-----*		
- 26	0411564	LINK-DUAL BRAKES RH -----	3	
- 27	0411564-3	LINK-DUAL BRAKES LH -----	1	
		ATTACHING PARTS -----		
- 28	MS20392-2-15	PIN -----	1	
- 29	AN380-2-2	PIN-COTTER -----	1	
- 30	NAS43-3-12	SPACER-----	1	
		-----*		
- 31	0411563	BELLCRANK ASSEMBLY-RH-----	3	
- 32	0411573-1	BELLCRANK ASSEMBLY-LH-----	1	
		NOTE FOR ACCESSORY KIT LISTING REFER TO PAGE 262		

Pitot System

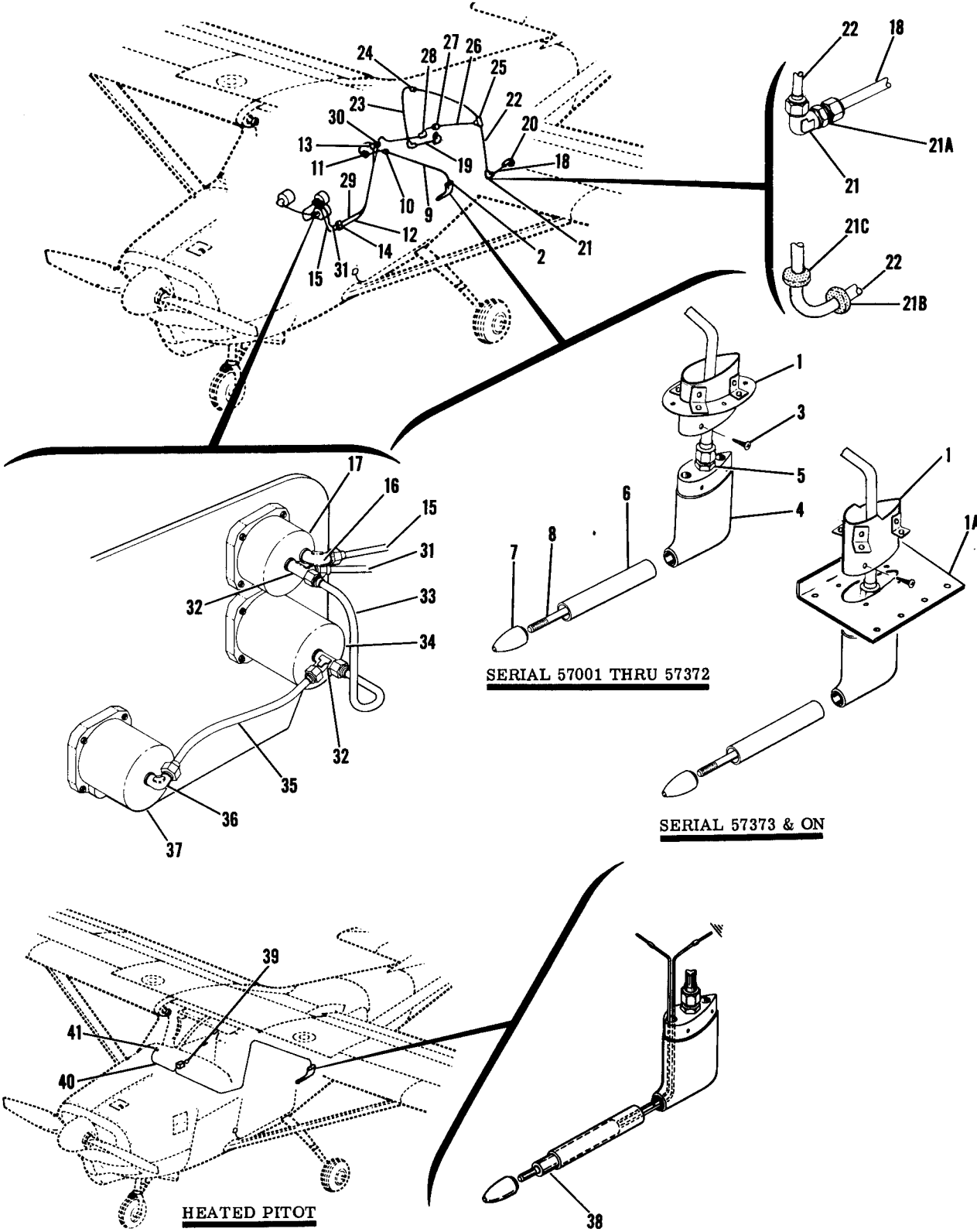


Figure 67. Pitot System Installation

FIGURE AND INDEX NO.	PART NUMBER	DESCRIPTION	UNITS PER ASSY	USABLE ON CODE
67-		SYSTEM INSTALLATION-PITOT -----	NP	
- 1	0721101	CONNECTOR ASSEMBLY-PITOT TUBE -----	1	C
	0721115-1	CONNECTOR ASSEMBLY-PITOT TUBE -----	1	D
- 1A	0721114-1	DOUBLER-PITOT TUBE CONNECTOR -----	1	D
- 2	0721105-1	TUBE ASSEMBLY-L SHAPED PITOT -----	1	A
	0721105-10	TUBE ASSEMBLY-L SHAPED PITOT -----	1	B
		ATTACHING PARTS -----		
- 3	AN507-640R4	SCREW -----	4	
		-----*-----		
- 4	0721105-7	BODY-PITOT TUBE -----	1	
- 5	AN816-4-4D	NIPPLE -----	1	A
	268-N-1/4-1/4	CONNECTOR-NYLON 1B -----	1	B
	261-N-1/4	NUT-NYLON 1B -----	1	B
- 6	0721105-3	TUBE-PITOT -----	1	
- 7	0721105-4	NOSE FITTING-PITOT TUBE -----	1	
- 8	0721105-8	STEM-PITOT TUBE -----	1	
- 9	0500106-119	LINE ASSEMBLY-PITOT WING TO FUSELAGE -----	1	A
	S-1071-1	TUBE-* IN LONG BULK ITEM REF S-1071-1-* -----	1	B
	259-N1/4	INSERT-TUBE END 1B -----	2	B
		ATTACHING PARTS -----		
- 10	A2980A-4-27	CLAMP TIN -----	1	
	S-1021Z-8-8	SCREW CESSNA STANDARD -----	1	
	NAS395-16-3	NUT -----	1	
		-----*-----		
- 11	AN815-4D	UNION -----	1	A
	262-N1/4	UNION-NYLON-----1B -----	1	B
	261-N1/4	NUT-NYLON-----1B -----	2	B
- 12	1200106-38	LINE ASSEMBLY-ROOT RIB TO UNION -----	1	A
	S-1071-1	TUBE-34.5 IN LONG BULK ITEM REF S-1071-1-34.5 -----	1	B
	259-N1/4	INSERT-TUBE END 1B -----	2	B
		ATTACHING PARTS -----		
- 13	A3047A-4-92	CLAMP -----	2	
	S-1021Z-8-8	SCREW CESSNA STANDARD -----	1	
		-----*-----		
- 14	AN832-4D	UNION -----	2	A
	AN924-4D	NUT -----	2	A
	282-N1/4	UNION-BULKHEAD NYLON 1B -----	2	B
	261-N1/4	NUT-NYLON-----1B -----	2	B
- 15	1200106-37	LINE ASSEMBLY-UNION TO AIRSPEED INDICATOR -----	1	A
	S-1071-1	TUBE-* IN LONG BULK ITEM REF S-1071-1-* -----	1	B
	259-N1/4	INSERT-TUBE END 1B -----	2	B
- 16	MS20822-4D	ELBOW -----	1	A
	268-N1/4X1/8	ELBOW-NYLON-----1B -----	1	B
	261-N1/4	NUT-NYLON-----1B -----	1	B
- 17	1213206-1	INDICATOR-AIRSPEED -----	1	
		ATTACHING PARTS -----		
	AN507B632R16	SCREW -----	4	
	MS20365B632C	NUT -----	4	
		-----*-----		
- 18	1200106-39	LINE ASSEMBLY-STATIC SOURCE FLANGE TO ELBOW LH -----	1	A
- 19	1200106-40	LINE ASSEMBLY-STATIC SOURCE FLANGE TO ELBOW RH -----	1	A
	S-1071-1	TUBE-63.6 IN LONG BULK ITEM REF S-1071-1-63.6 -----	1	B
	259-N1/4	INSERT-TUBE END 1B -----	2	B
- 20	MS20822-4D	ELBOW -----	2	A
	0814000-145	STATIC WASHER -----	2	A
	269-N1/4X1/8	ELBOW-NYLON-----1B -----	2	B
	261-N1/4	NUT-NYLON-----1B -----	1	B
- 21	AN833-4D	ELBOW -----	2	A
	AN924-4D	NUT -----	2	A
-21A	AN924-4D	NUT -----	2	A
-21B	MS35489-6	GROMMET -----	2	B
-21C	MS35489-10	GROMMET -----	2	B
- 22	1200106-33	LINE ASSEMBLY-ELBOW TO TEE LH -----	1	A
	S-1071-1	TUBE-32.4 IN LONG BULK ITEM REF S-1071-1-32.4 -----	1	B
	259-N1/4	INSERT-TUBE END 1B -----	2	B
- 23	1200106-34	LINE ASSEMBLY-ELBOW TO TEE RH -----	1	A
	S-1071-1	TUBE-* IN LONG BULK ITEM REF S-1071-1-* -----	1	B
	259-N1/4	INSERT-TUBE END 1B -----	2	B
		ATTACHING PARTS -----		
- 24	A3047A-4-92	CLAMP TIN -----	1	
	S-1021Z-8-8	SCREW CESSNA STANDARD -----	1	
		-----*-----		
- 25	AN824-4D	TEE -----	1	A
	264-N1/4	TEE-NYLON 1B -----	1	B
	261-N1/4	NUT-NYLON-----1B -----	3	B

CONTINUED ON PAGE 142

FIGURE AND INDEX NO.	PART NUMBER	DESCRIPTION	UNITS PER ASSY	USABLE ON CODE
67- 26	1200106-32	LINE ASSEMBLY-TEE TO ELBOW----- ATTACHING PARTS	1	A
- 27	AN3047A-4-92 S-10212-8-8	CLAMP TIN ----- SCREW CESSNA STANDARD -----	1 1	
- 28	AN833-4D AN924-4D	ELBOW ----- NUT -----	1 1	A A
- 29	1200106-31 S-1071-1 259-N1/4	LINE ASSEMBLY-ELBOW TO UNION ----- TUBE-94.2 IN LONG BULK ITEM REF S-1071-1-94.2 ----- INSERT-TUBE END 1B -----	1 1 2	A B B
- 30	A3047A-4-92	ATTACHING PARTS CLAMP TIN -----	1	
- 31	1200106-35 S-1071-1 259-N1/4	LINE ASSEMBLY-UNION TO AIRSPEED INDICATOR ----- TUBE-* IN LONG BULK ITEM REF S-1071-1-* ----- INSERT-TUBE END -----	1 1 2	A B B
- 32	AN826-4D 271-N1/4X1/8 261-N1/4	TEE ----- TEE-NYLON 1B ----- NUT-NYLON-----1B -----	2 2 2	A B B
- 33	0500106-277 S-1071-1 259-N1/4	LINE ASSEMBLY-AIRSPEED INDICATOR TO ALTIMETER----- TUBE-* IN LONG BULK ITEM REF S-1071-1-* ----- INSERT-TUBE END 1B -----	1 1 2	A B B
- 34	0411007-8 0411007-11	ALTIMETER-SENSITIVE ----- ALTIMETER-SENSITIVE ALT ----- ATTACHING PARTS	1 1	
	AN515B6R12 MS20365B632C	SCREW ----- NUT -----	4 4	
- 35	0500106-266 S-1071-1 259-N1/4	LINE ASSEMBLY-ALTIMETER TO VERTICAL SPEED INDICATOR ----- TUBE-* IN LONG BULK ITEM REF S-1071-1-* ----- INSERT-TUBE END 1B -----	1 1 2	A B B
- 36	MS20822-4D 268-N1/4X1/8 261-N1/4	ELBOW ----- ELBOW-NYLON-----1B ----- NUT-NYLON-----1B -----	1 1 1	A B B
- 37	0411069-3 G997-01-1C	INDICATOR-VERTICAL SPEED ----- INDICATOR-VERTICAL SPEED ALT GARWIN ----- ATTACHING PARTS	1 1	
	AN515B6R12 MS20365B632C	SCREW ----- NUT -----	4 4	
- 38	0721105-5 #	PITOT INSTALLATION-HEATED -----	NP	
- 39	0713026-4	HEATER ASSEMBLY-PITOT -----	1	
	0713303-2	SWITCH-PITOT HEATER -----	1	
- 40	1200020-HA1	KNOB-HEATER SWITCH -----	1	
- 41	PSM-10N	WIRE-PITOT HEATER ----- CIRCUIT BREAKER 10 AMP -----	1	
<p>A---210 SERIAL 57001 THRU 57065 & 57067 THRU 57121 B---210 SERIAL 57066 & 57122 & ON C---210 SERIAL 57001 THRU 57372 D---210 SERIAL 57373 & ON</p> <p>* NOTE. TUBE LENGTHS TO BE DETERMINED LATER # NOTE. SEE FIGURE 1 FOR HEATED STALL WARNING UNIT NOTE. FOR ACCESSORY KIT LISTINGS REFER TO PAGE 262</p>				
FIGURE AND INDEX NO.	PART NUMBER	DESCRIPTION	UNITS PER ASSY	USABLE ON CODE
		1 2 3 4 5 6 7		
68-		INSTALLATION-VACUUM SYSTEM -----	NP	
- 1	0311056-4	GYRO-DIRECTIONAL-----REMANUFACTURED-----	1	
	0311056-2	GYRO-DIRECTIONAL-----NEW ALT -----	1	
	0311056-5	GYRO-DIRECTIONAL-----NEW ALT -----	1	
- 2	AN507B1032R16 MS20365B1032C	ATTACHING PARTS SCREW ----- NUT -----	4 4	
- 3	0311058-5	GYRO-HORIZON REMANUFACTURED -----	1	
CONTINUED ON PAGE 144				

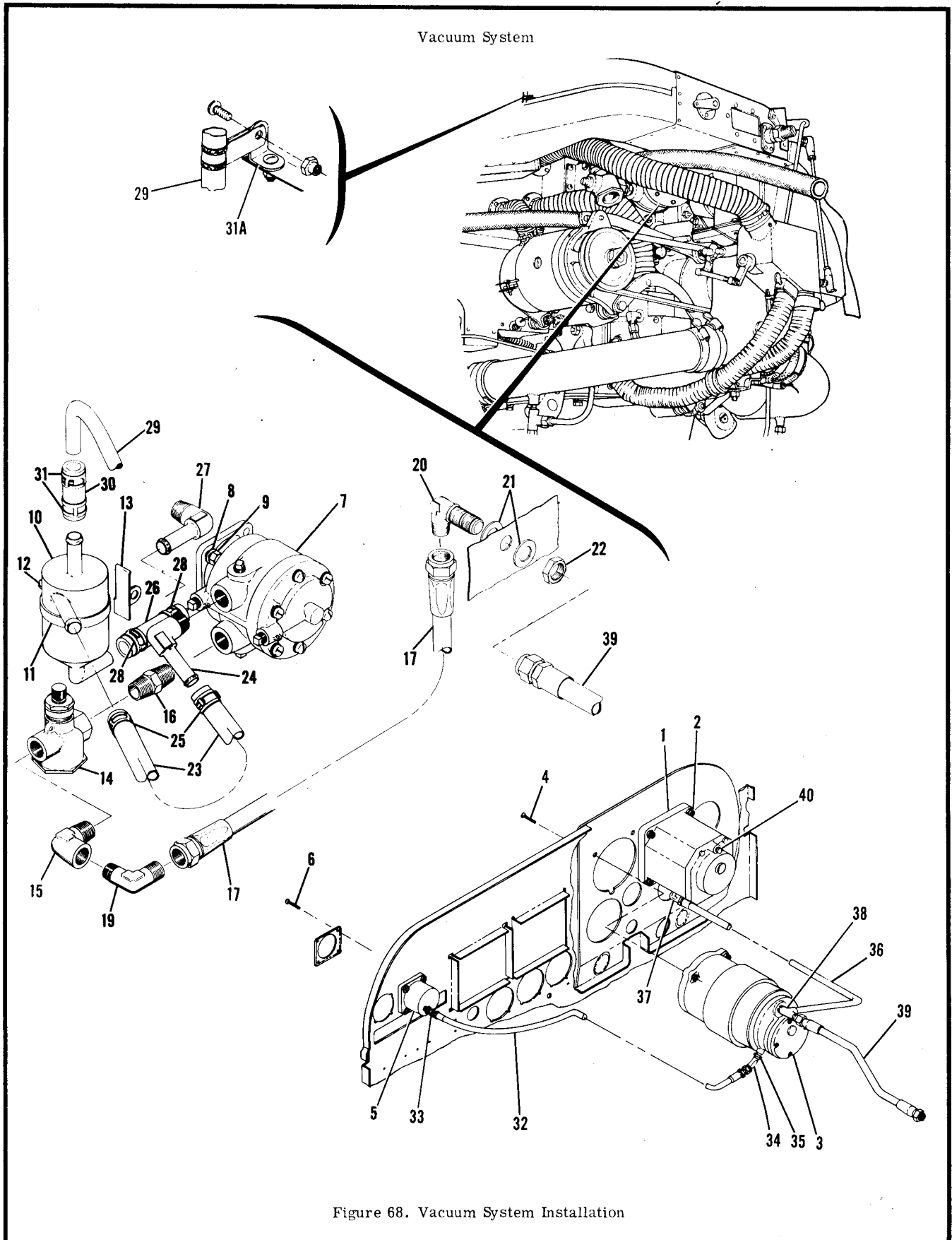


Figure 68. Vacuum System Installation

FIGURE AND INDEX NO.	PART NUMBER	DESCRIPTION	UNITS PER ASSY	USABLE ON CODE
68-	0311058-3	GYRO-HORIZON NEW ALT ----- ATTACHING PARTS	1	
- 4	AN507B1032R16 MS20365B1032C	SCREW ----- NUT ----- -----*	4 4	
- 5	0311057-2	GAGE-SUCTION ----- ATTACHING PARTS	1	
- 6	AN507B632 MS20365B632C	SCREW ----- NUT ----- -----*	4 4	
- 7	0713208-1 0750104-4	ESCUTCHEON ----- PUMP-VACUUM----- ATTACHING PARTS	1 1	
- 8	AN960-416	WASHER-----	4	
- 9	MS20365-428C	NUT ----- -----*	4	
- 10	0850406-10	SEPERATOR-OIL ----- ATTACHING PARTS	1	
- 11	AN735D36	CLAMP -----	1	
- 12	AN520-10R8 MS20365-1032C	SCREW ----- NUT ----- -----*	1 1	
- 13	1250002-1	BRACKET -----	1	
- 14	0813619-3	VALVE-AIR PUMP ----- ATTACHING PARTS	1	
- 15	AN914-3	ELBOW -----	1	
- 16	AN911-3	NIPPLE----- -----*	1	
- 17	MS28741-6-0130	HOSE ASSEMBLY-AIR PUMP VALVE TO FIREWALL----- ATTACHING PARTS	1	
- 18		DELETED-NEVER USED -----		
- 19	MS20822-6-6	ELBOW -----	1	
- 20	AN833-6D	ELBOW -----	1	
- 21	AN960PD916L	WASHER-----	2	
- 22	AN924-6D	NUT ----- -----*	1	
- 23	S-51-8	HOSE-12.0 IN LONG BULK ITEM REF S-51-8-48 ----- ATTACHING PARTS	1	
- 24	AN844-8	ELBOW -----	1	
- 25	NAS397-14-1	CLAMP TIN A3122-14-1 ----- -----*	2	
- 26	S-51-8	HOSE-2.75 IN LONG BULK ITEM REF S-51-8-11 ----- ATTACHING PARTS	1	
- 27	1250003-1	ELBOW -----	1	
- 28	NAS397-14-1	CLAMP TIN A3122-14-1 ----- -----*	2	
- 29	1200106-41	LINE-VENT ----- ATTACHING PARTS	1	
- 30	S-51-8	HOSE-2.00 IN LONG BULK ITEM REF S-51-8-8 -----	1	
- 31	NAS397-14-1	CLAMP TIN A3122-14-1 -----	2	
-31A	AN743-12	BRACKET -----	1	
	MS21919DG8	CLAMP -----	1	
	AN520-10R8	SCREW -----	2	
	MS20364-1032C	NUT ----- -----*	2	
- 32	AN6270-2-22	HOSE ASSY-SUCTION GAGE TO HORIZONTAL GYRO ----- ATTACHING PARTS	1	
- 33	AN816-2D	NIPPLE-----	1	
- 34	AN823-2D	ELBOW -----	1	
- 35	AN912-1D	BUSHING ----- -----*	1	
- 36	1200106-45	LINE ASSY-HORIZONTAL GYRO TO DIRECTIONAL GYRO----- ATTACHING PARTS	1	
- 37	MS20822-6D	ELBOW -----	1	
- 38	AN826-6D	TEE ----- -----*	1	
- 39	AN6270-6-7 1/2	HOSE ASSY-HORIZONTAL GYRO TO FIREWALL -----	1	
- 40	MS20913-2D	PLUG -----	2	

NOTE. FOR ACCESSORY KIT LISTINGS REFER TO PAGE 262

This page intentionally left blank

Fuel System

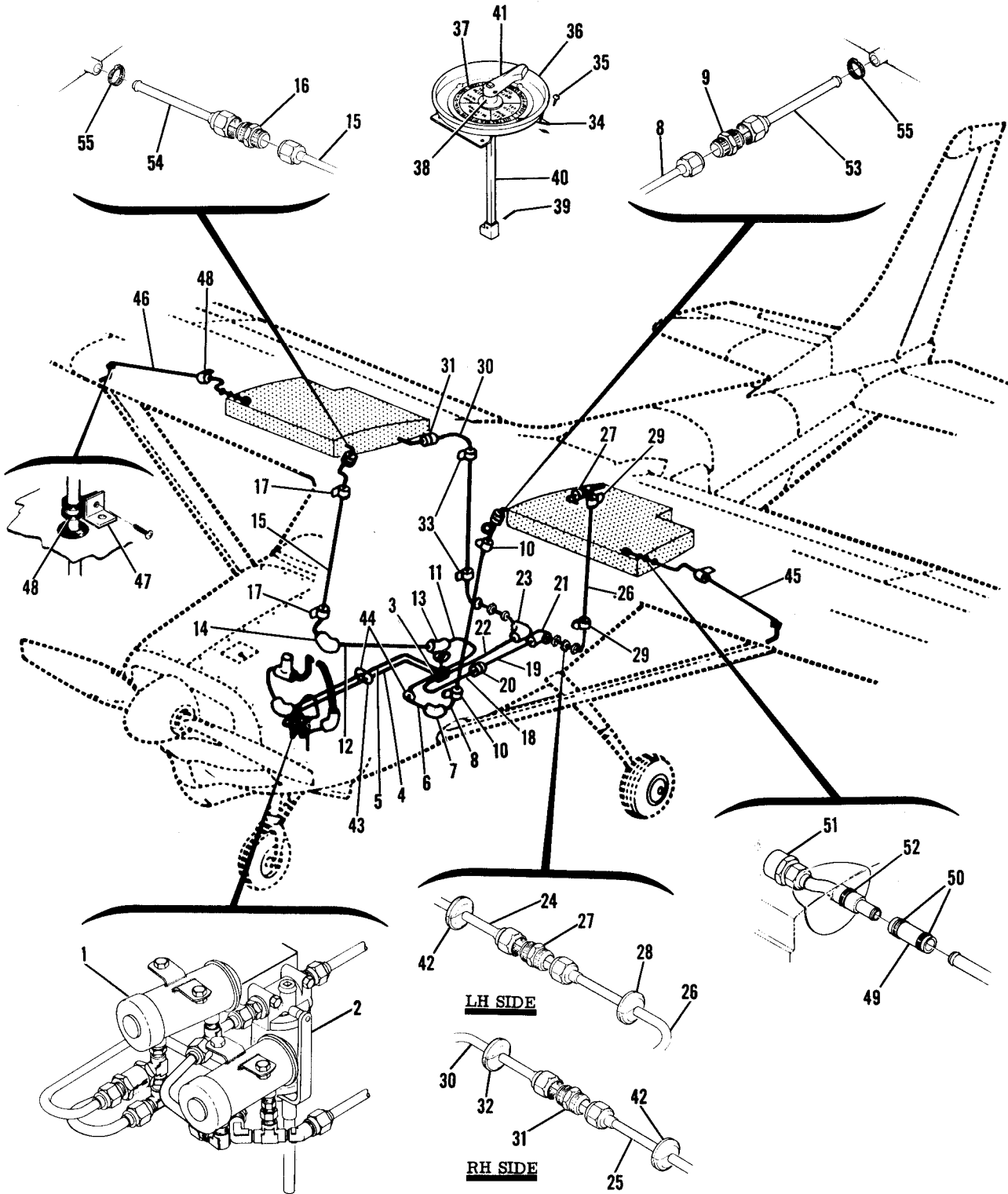


Figure 69. Fuel System Installation

FIGURE AND INDEX NO.	PART NUMBER	DESCRIPTION	UNITS PER ASSY	USABLE ON CODE
		1 2 3 4 5 6 7		
69-		FUEL SYSTEM INSTALLATION -----	NP	
- 1		AUXILLIARY FUEL PUMPS & STRAINER INSTL SEE FIGURE 69A	NP	
- 2	0511199-34	STRAINER ASSY-FUEL SEE FIG 71 -----	1	
- 3	1216001-1	VALVE ASSY-FUEL SELECTOR SEE FIGURE 96 -----	1	
	AN3-15A	ATTACHING PARTS -----		
		BOLT -----	2	
		-----*-----		
- 4	1200106-16	LINE ASSEMBLY-FUEL -----	1	
- 5	1200106-27	LINE ASSEMBLY-FUEL -----	1	
- 6	1200106-24	LINE ASSEMBLY-VAPOR -----	1	A
	1200106-53	LINE ASSEMBLY-VAPOR -----	1	B
		ATTACHING PARTS -----		
- 7	AN833-4D	ELBOW -----	1	A
	AN837-4D	ELBOW -----	1	B
	AN960D716	WASHER -----	1	
	AN924-4D	NUT -----	1	
		-----*-----		
- 8	1200106-22	LINE ASSEMBLY-VAPOR LH -----	1	
		ATTACHING PARTS -----		
- 9	AN919-6D	REDUCER -----	1	
- 10	AN742D4	CLAMP -----	2	
	S-1021Z-8-8	SCREW CESSNA STANDARD -----	1	
		-----*-----		
- 11	1200106-26	LINE ASSEMBLY-VAPOR -----	1	
- 12	1200106-25	LINE ASSEMBLY-VAPOR -----	1	
		ATTACHING PARTS -----		
- 13	AN837-4D	ELBOW -----	1	
	AN960D716	WASHER -----	1	
	AN924-4D	NUT -----	1	
- 14	AN833-4D	ELBOW -----	1	A
	AN837-4D	ELBOW -----	1	B
	AN960D716	WASHER -----	1	
	AN924-4D	NUT -----	1	
		-----*-----		
- 15	1200106-23	LINE ASSEMBLY-VAPOR -----	1	
		ATTACHING PARTS -----		
- 16	AN919-6D	REDUCER -----	1	
- 17	AN742D4	CLAMP -----	2	
	S-1021Z-8-8	SCREW CESSNA STANDARD -----	1	
		-----*-----		
- 18	1200106-14	LINE ASSEMBLY-FUEL -----	1	
- 19	1200106-13	LINE ASSEMBLY-FUEL -----	1	
		ATTACHING PARTS -----		
- 20	AN832-6D	UNION -----	1	
	AN960D916	WASHER -----	1	
	AN924-6D	NUT -----	1	
- 21	AN833-6D	ELBOW -----	1	
	AN960D916	WASHER -----	1	
	AN924-6D	NUT -----	1	
		-----*-----		
- 22	1200106-15	LINE ASSEMBLY-FUEL -----	1	
		ATTACHING PARTS -----		
- 23	AN833-6D	ELBOW -----	1	
	AN960D916	WASHER -----	1	
	AN924-6D	NUT -----	1	
		-----*-----		
- 24	1200106-11	LINE ASSEMBLY-FUEL -----	1	
- 25	1200106-12	LINE ASSEMBLY-FUEL -----	1	
- 26	1200106-9	LINE ASSEMBLY-FUEL -----	1	
		ATTACHING PARTS -----		
- 27	AN815-6D	UNION -----	2	
- 28	MS35489-12S	GROMMET -----	1	
- 29	A2981A-6-27	CLAMP -----	2	
		-----*-----		
- 30	1200106-10	LINE ASSEMBLY-FUEL -----	1	
		ATTACHING PARTS -----		
- 31	AN815-6D	UNION -----	2	
- 32	MS35489-12S	GROMMET -----	1	
- 33	A2981A-6-27	CLAMP -----	2	
	S-1021Z-8-8	SCREW CESSNA STANDARD -----	1	
		-----*-----		
- 34	1216005-1	BRACKET-CUP SUPPORT -----	1	
		ATTACHING PARTS -----		
- 35	S-1021Z-8-8	SCREW CESSNA STANDARD -----	4	
	NAS395-18-3	NUT -----	4	
		-----*-----		
- 36	0511198	CUP -----	1	

CONTINUED ON PAGE 148

FIGURE AND INDEX NO.	PART NUMBER	DESCRIPTION							UNITS PER ASSY	USABLE ON CODE
		1	2	3	4	5	6	7		
69- 37	1216003-1 1216003-4 *	PLATE-FUEL SELECTOR -----							1	
		PLATE-FUEL SELECTOR -----							1	
		ATTACHING PARTS -----								
	S-1021Z-4-6	SCREW CESSNA STANDARD -----							4	
		---*---								
- 38	0511195	GUIDE -----							1	
	1216004-1	HANDLE ASSEMBLY-FUEL SELECTOR -----							1	
		ATTACHING PARTS -----								
- 39	NAS561P3-8	PIN-ROLL ESNA -----							1	
		---*---								
- 40	1216004-2	SHAFT -----							1	
- 41	0513223-1	HANDLE-FUEL SELECTOR -----							1	
		ATTACHING PARTS -----								
	AN380-2-4	PIN-COTTER -----							1	
		---*---								
- 42	MS35489-12S	GROMMET -----							2	
- 43	MS35489-12S	GROMMET -----							1	
- 44	MS35489-7S	GROMMET -----							2	
- 45	0716127-1	LINE ASSEMBLY-VENT LH-----							1	
	1200106-51 *	LINE ASSEMBLY-VENT LH-----							1	
- 46	0716127-2	LINE ASSEMBLY-VENT RH-----							1	
	1200106-52 *	LINE ASSEMBLY-VENT RH-----							1	
		ATTACHING PARTS -----								
- 47	0512006	ANGLE -----							1	
- 48	A3047A-8-92	CLAMP -----							2	
	S-1021Z-8-8	SCREW CESSNA STANDARD -----							2	
		---*---								
- 49	S-51-8	HOSE-2.0 IN LONG-----BULK ITEM-----REF S-51-8-8 -----							2	
		ATTACHING PARTS -----								
- 50	NAS397-16-1	CLAMP -----							2	
		---*---								
- 51	0716125	VALVE ASSEMBLY-FUEL VENT -----							2	
		ATTACHING PARTS -----								
- 52	NAS397-16-1	CLAMP -----							1	
		---*---								
- 53	1200106-29	LINE ASSEMBLY-VAPOR LH -----							1	
- 54	1200106-30	LINE ASSEMBLY-VAPOR RH -----							1	
		ATTACHING PARTS -----								
- 55	NAS397-14-1	CLAMP -----							1	
		---*---								
		A---210 SERIAL 57001 THRU 57575								
		B---210 SERIAL 21057576 & ON								
		*NOTE. * DENOTES PARTS USED WITH EXTENDED RANGE FUEL TANK								

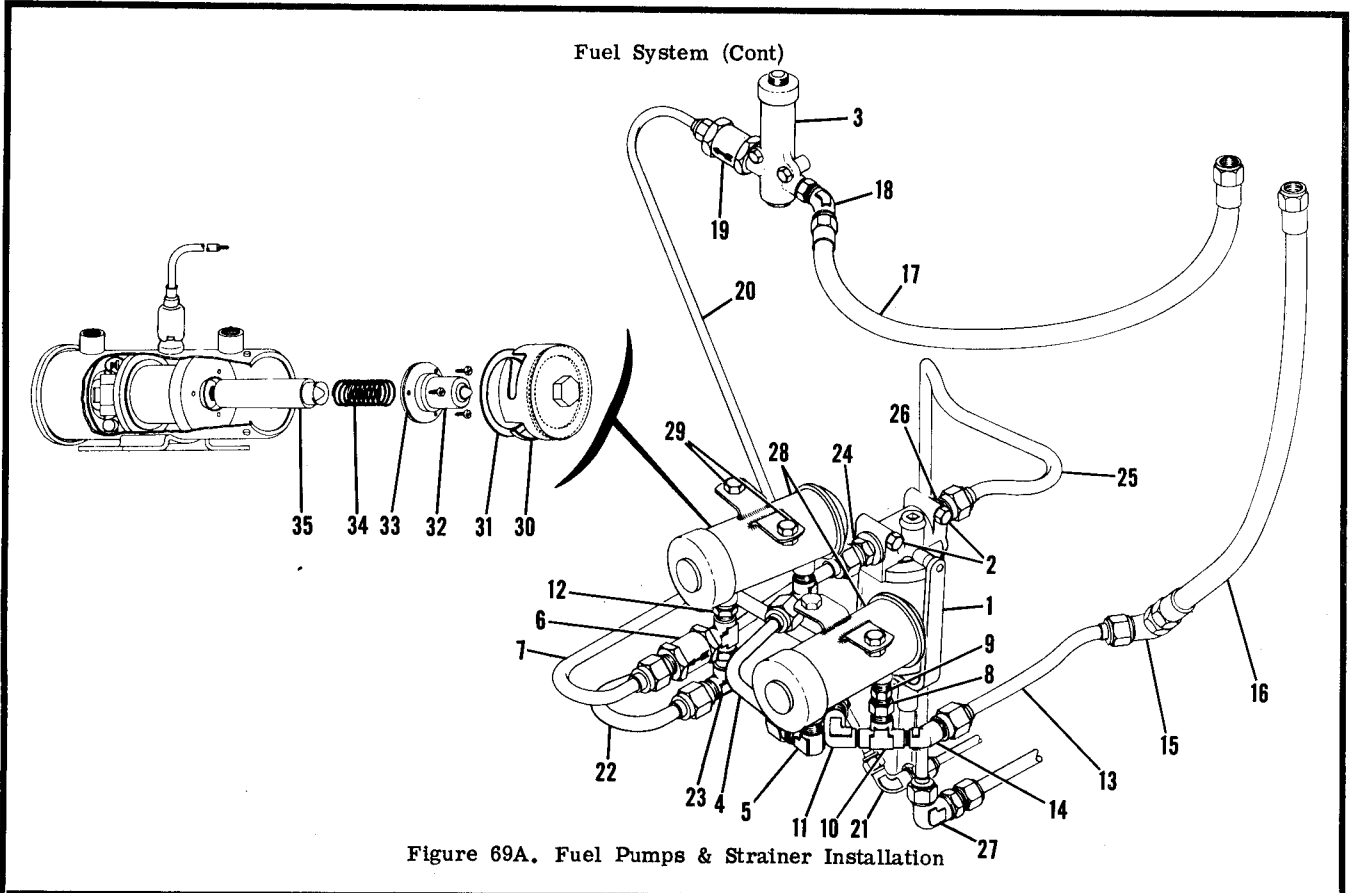


FIGURE AND INDEX NO.	PART NUMBER	DESCRIPTION	UNITS PER ASSY	USABLE ON CODE
1 2 3 4 5 6 7				
69A-		AUXILLIARY FUEL PUMPS & STRAINER INSTALLATION	NP	
- 1	0511199-34	STRAINER ASSY-FUEL SEE FIGURE 71	1	
- 2	AN4-13A AN960-416L MS20365-428C	BOLT WASHER NUT	2 2 2	
- 3	AV2B1371 A76 AN3-15A NAS43DD-3-24	VALVE-SOLENOID GCO VALVE-SOLENOID ALT HFP ATTACHING PARTS BOLT SPACER	1 1 2 2	
- 4	1200106-19	LINE ASSEMBLY-FUEL ATTACHING PARTS	1	
- 5	MS20822-6-2D	ELBOW	2	
- 6	1111-517702 367-00	VALVE-CHECK-PAET VALVE-CHECK-ALT	1	
- 7	1200106-20	LINE ASSEMBLY-FUEL ATTACHING PARTS	1	
- 8	AN911-1D	NIPPLE	1	
- 9	AN912-1D	BUSHING	1	
- 10	AN917-2D	TEE	1	
- 11	MS20822-6D	ELBOW	1	
- 12	AN816-6-2D AN938D6 MS29512-6	NIPPLE TEE GASKET	1 1 2	

CONTINUED ON PAGE 149A

FIGURE AND INDEX NO.	PART NUMBER	DESCRIPTION	UNITS PER ASSY	USABLE ON CODE
69A- 13	1200106-21	LINE ASSEMBLY-FUEL ATTACHING PARTS	1	
- 14	AN823-6D	ELBOW	1	
- 15	AN833-6D	ELBOW	1	
	AN960D916	WASHER	1	
	AN924-6D	NUT	1	
		---*---		
- 16	MS28741-6-0170	HOSE ASSEMBLY	1	
- 17	MS28741-4-0210	HOSE ASSEMBLY ATTACHING PARTS	1	
- 18	AN837-4D	ELBOW	1	
	MS29512-4	GASKET	1	
	AN924-4D	NUT	1	
		---*---		
- 19	1111-517700	VALVE-CHECK-----PAET	1	
	MS29512-4	GASKET	1	
- 20	1200106-28	LINE ASSEMBLY-VAPOR ATTACHING PARTS	1	
- 21	AN833-4D	ELBOW	1	
	AN960D716	WASHER	1	
	AN924-4D	NUT	1	
		---*---		
- 22	1200106-18	LINE ASSEMBLY-FUEL ATTACHING PARTS	1	
- 23	AN833-6D	ELBOW	1	
	MS29512-6	GASKET	1	
	AN924-6D	NUT	1	
- 24	AN816-6-6D	NIPPLE	1	
		---*---		
- 25	1200106-17	LINE ASSEMBLY-FUEL ATTACHING PARTS	1	
- 26	AN816-6-6D	NIPPLE	1	
		---*---		
- 27	AN833-6D	ELBOW	1	
	AN960D916	WASHER	1	
	AN924-6D	NUT	1	
		---*---		
- 28	1216012-1	PUMP-AUXILLIARY FUEL ATTACHING PARTS	2	
- 29	AN4-4A	BOLT	2	
	AN960-416L	WASHER	2	
	MS20365-428C	NUT	2	
		---*---		
- 30	476563	COVER & GASKET ASSEMBLY ---BARB	1	
- 31	475594	GASKET-COVER-----BARB	1	
- 32	476364	CUP-PLUNGER SPRING BARB	1	
- 33	475126	GASKET-PLUNGER SPRING CUP BARB	1	
- 34	475127	SPRING-PLUNGER-----BARB	1	
- 35	476474	PLUNGER ASSEMBLY BARB	1	

This page intentionally left blank.

FIGURE AND INDEX NO.	PART NUMBER	DESCRIPTION	UNITS PER ASSY	USABLE ON CODE
70-		OIL SYSTEM INSTALLATION-----	NP	
- 1	AN4078-1	DILUTION SYSTEM INSTALLATION-OIL -----	NP	
		VALVE-OIL DILUTION -----	1	
		ATTACHING PARTS		
- 2	AN742D32	CLAMP -----	2	
- 3	AN3-5A	BOLT-----	2	
	AN960D10L	WASHER -----	2	
	MS20365-1032C	NUT -----	2	
		-----*		
- 4	AN6270-4-15	HOSE ASSEMBLY-OIL DILUTION -----	1	
- 5	AN816-4D	UNION -----	2	
- 6	AN914-1	ELBOW -----	1	
- 7	1200106-43	LINE ASSEMBLY-OIL DILUTION -----	1	
- 8	MS20822-4D	ELBOW -----	2	
- 9	AN833-4D	ELBOW -----	1	
- 10	AN924-4D	NUT -----	1	
	AN960PD716L	WASHER -----	2	
- 11	1200106-42	TUBE ASSEMBLY-OIL DILUTION -----	1	
- 12	0511063	SWITCH-OIL DILUTION-----	1	
- 13	1200020-F-QB2	WIRE-----	1	
		FILTER INSTALLATION-OIL -----	NP	
- 14	2A0081	ADAPTER WNL -----	1	
- 15	1A0221-1	EXTENSION-NOSE-----WNL -----	1	
- 16	AN837-10D	ELBOW -----	2	
- 17	AN6289D10	NUT -----	2	
- 18	AN6290-10	GASKET -----	2	
- 19	MS28777-10	O RING -----	2	
- 20	1200120-4	HOSE ASSEMBLY-OIL FILTER-----	1	
-20A	1200120-5	HOSE ASSEMBLY-OIL FILTER-----	1	
	0750153-10	FILTER & BRACKET ASSEMBLY -----	1	
	0750153-6	ELEMENT-REPLACEMENT WNL -----	1	
	1A0218	SEAL RING-COVER WNL -----	1	
- 21	1A0233	BRACKET-UPPER WNL -----	1	
- 22	1A0329	BRACKET-LOWER WNL -----	1	
		ATTACHING PARTS		
- 23	AN4-5A	BOLT -----	4	
	AN960-416	WASHER -----	4	
	MS20365-428C	NUT -----	4	
		-----*		
- 24	1A0331	BRACKET-ANGLE WNL -----	1	
- 25	MS28741-4-0240	HOSE ASSEMBLY-OIL PRESSURE -----	1	
- 26	0752037-1	ELBOW -----	1	
	AN912-3	BUSHING -----	1	
- 27	AN837-4D	ELBOW -----	1	
	AN924-4D	NUT -----	1	
	AN960D716	WASHER -----	1	
- 28	1200106-44	LINE ASSEMBLY-OIL PRESSURE -----	1	
- 29	0513144-10	GAGE-OIL PRESSURE -----	1	
- 30	0513144-7	GAGE-OIL TEMPERATURE -----	1	

NOTE. FOR ACCESSORY KIT LISTINGS REFER TO PAGE 262

Fuel System (Cont)

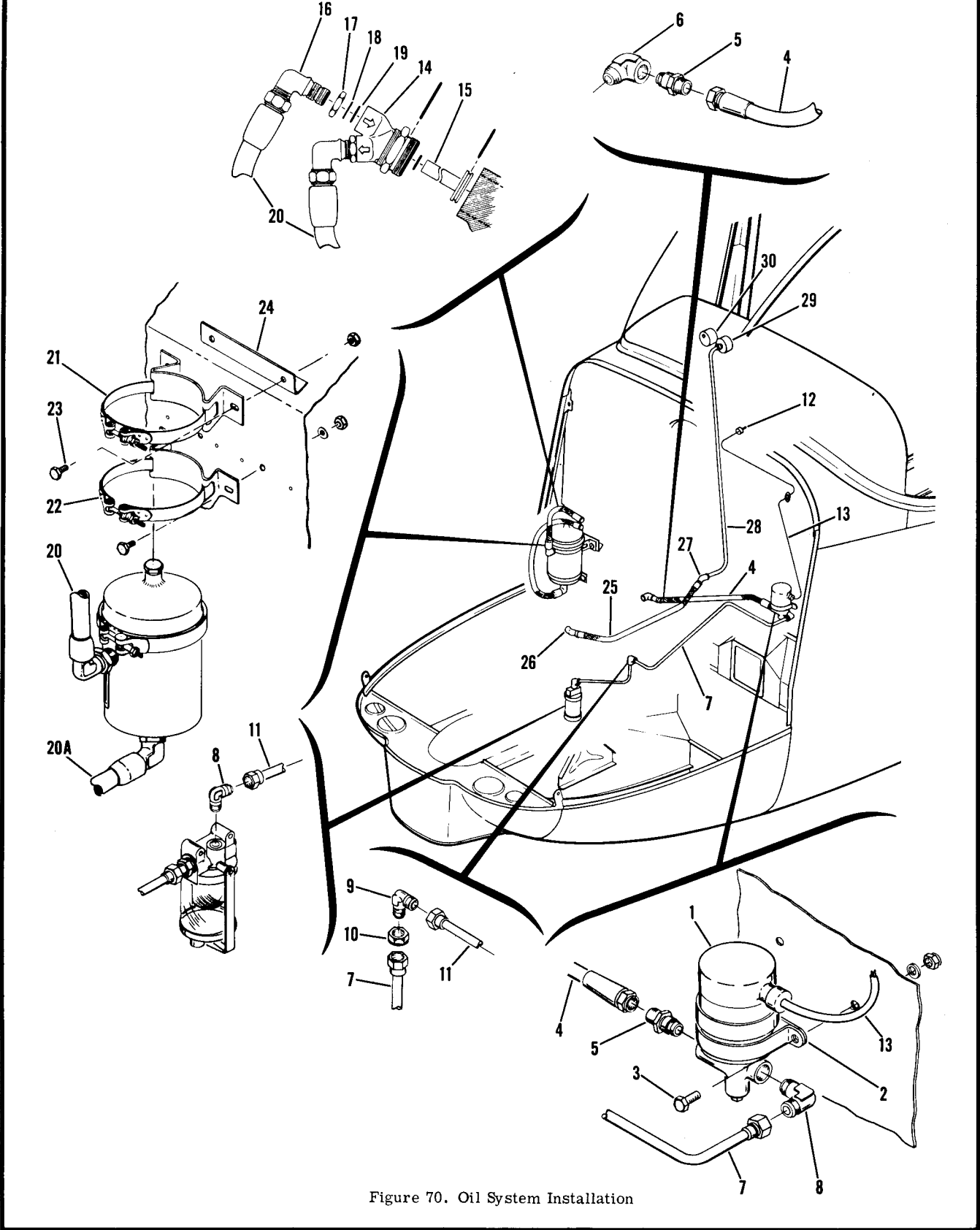


Figure 70. Oil System Installation

Fuel System (Cont)

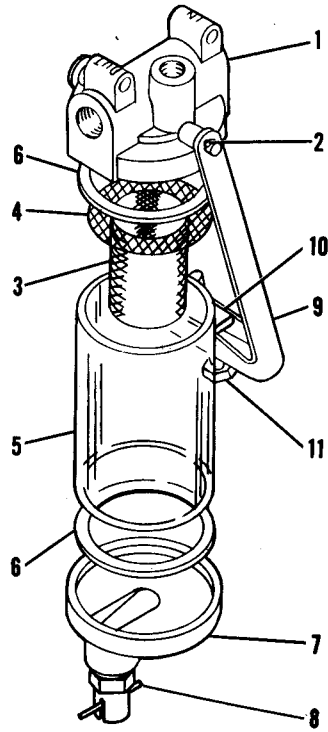


Figure 71. Fuel Strainer Assembly

FIGURE AND INDEX NO.	PART NUMBER	DESCRIPTION	UNITS PER ASSY	USABLE ON CODE		
					1	2
71-	0511199-34	STRAINER ASSEMBLY-FUEL -----	1			
- 1	33-199-41	BODY ASSEMBLY-FUEL STRAINER -----	1			
- 2	AN380-2-1	PIN-COTTER -----	2			
- 3	33-199-71	SCREEN ASSEMBLY -----	1			
- 4	0511199-15	SCREEN-FLAT -----	1			
- 5	33-199-5	BOWL-GLASS -----	1			
- 6	33-199-6	GASKET -----	1			
- 7	33-199-1	CAP -----	1			
- 8	0850410-2	VALVE-DRAIN -----	1			
- 9	33-199-3	ARM -----	1			
- 10	33-199-8	NUT -----	1			
- 11	33-199-7	BOLT -----	1			

Fuel System (Cont)

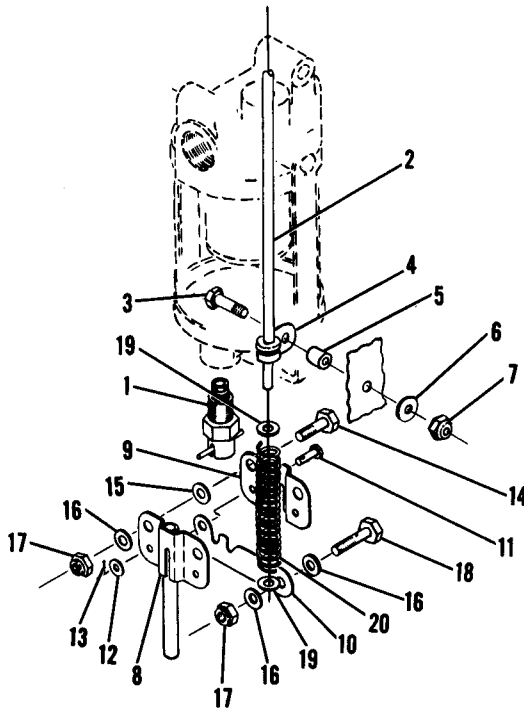


Figure 72. Fuel Strainer Drain Valve Control System Installation

FIGURE AND INDEX NO.	PART NUMBER	DESCRIPTION	UNITS	USABLE ON CODE
			PER ASSY	
72-		CONTROL SYSTEM INSTALLATION-FUEL STRAINER DRAIN-----	NP	
- 1	0850410-2	VALVE-STRAINER DRAIN -----	1	
- 2	0713302-7	CONTROL-STRAINER DRAIN VALVE -----	1	
		ATTACHING PARTS		
- 3	AN525-10R11	SCREW -----	1	
- 4	AN742-3	CLAMP -----	1	
- 5	NAS43DD-3-12	SPACER-----	1	
- 6	AN960-10L	WASHER-----	1	
- 7	MS20365-1032C	NUT -----	1	
		-----*		
	1216009-1	DRAIN ASSEMBLY-STRAINER -----	1	
- 8	1216009-2	TUBE ASSEMBLY-DRAIN-----	1	
- 9	0756001-1	CLAMP HALF -----	1	
- 10	0756001-2	PAWL-----	1	
		ATTACHING PARTS		
- 11	MS20392-1-7	PIN -----	1	
- 12	AN960-4	WASHER -----	1	
- 13	AN380-2-2	PIN-COTTER -----	1	
		-----*		
- 14	AN3-4A	BOLT-----	2	
- 15	AN960-10L	WASHER -----	2	
- 16	AN960-10	WASHER -----	4	
- 17	MS20365-1032C	NUT -----	3	
- 18	0450311	CLAMP -----	1	
- 19	AN960-2	WASHER-----	2	
- 20	0756002	SPRING-----	1	

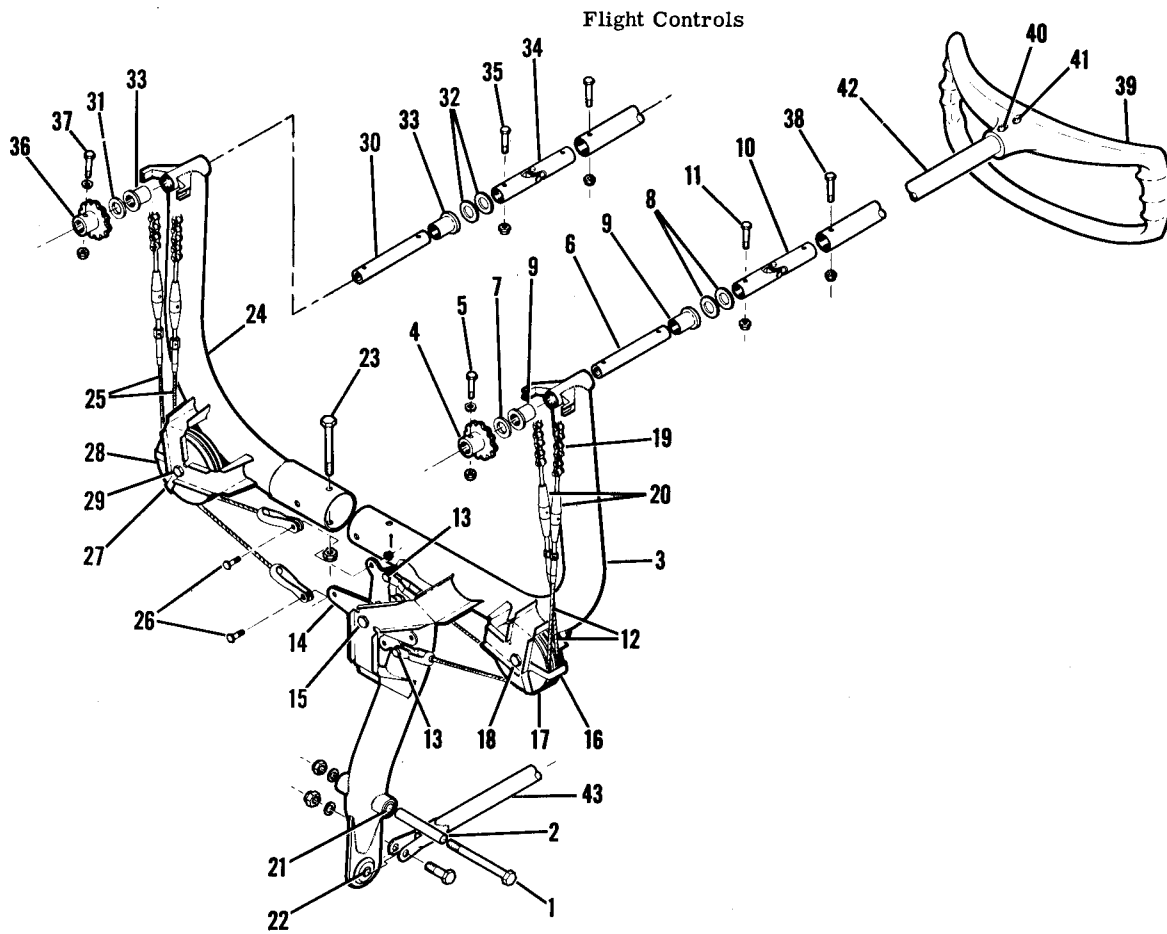


Figure 73. Control Tee Installation

FIGURE AND INDEX NO.	PART NUMBER	DESCRIPTION	UNITS PER ASSY	USABLE ON CODE
73-	1261000-1	CONTROL TEE INSTALLATION ----- CONTROL TEE ASSEMBLY-LH ----- ATTACHING PARTS -----	NP 1	
- 1	AN4-31A	BOLT -----	1	
- 2	S-18-30 AN960-416L MS20365-428C	BUSHING CESSNA STANDARD ----- WASHER ----- NUT -----	1 1 1	
- 3	1261001-1	CONTROL TEE-LH -----	1	
- 4	0411047	SPROCKET ----- ATTACHING PARTS -----	1	
- 5	AN3-11A AN960-10 MS20365-1032C	BOLT ----- WASHER ----- NUT -----	1 1 1	
- 6	1261005-1	SHAFT -----	1	
- 7	AN960-10	WASHER -----	1	
- 8	0411221-2	WASHER -----	2	
- 9	S-1004-28A	BEARING-FLANGED CESSNA STANDARD -----	2	
- 10	0411257	UNIVERSAL JOINT ----- ATTACHING PARTS -----	1	
- 11	AN3-10A MS20365-1032C	BOLT ----- NUT -----	1 1	

CONTINUED ON PAGE 155

FIGURE AND INDEX NO.	PART NUMBER	DESCRIPTION	UNITS PER ASSY	USABLE ON CODE
73- 12	1260105-1	CABLE ASSEMBLY----- ATTACHING PARTS	2	
- 13	AN23-10 AN310-3 AN380-2-3	BOLT----- NUT----- PIN-COTTER----- ---*---	1 1 1	
- 14	1261002-1	BELLCRANK----- ATTACHING PARTS	1	
- 15	AN4-41A MS20365-428C 1261004-1 AN960-416	BOLT----- NUT----- BUSHING----- WASHER----- ---*---	1 1 1 2	
- 16	1261003-1	GUARD-PULLEY-----	1	
- 17	AN220-2	PULLEY----- ATTACHING PARTS	1	
- 18	AN5-30A MS20365-524C	BOLT----- NUT----- ---*---	1 1	
- 19	1261007-1	CHAIN ASSEMBLY-----	1	
- 20	AN155-32S	TURNBUCKLE-----	2	
- 21	B-610	BEARING TOR-----	1	
- 22	AN200KP4 1200056-2	BEARING----- CONTROL TEE ASSEMBLY-RH----- ATTACHING PARTS	1 1	
- 23	AN4-21A MS20364-428C AN960-416	BOLT----- NUT----- WASHER----- ---*---	2 2 2	
- 24	1200056-3 S-1004-28A	CONTROL TEE-RH----- BEARING-FLANGED CESSNA STANDARD-----	1 2	
- 25	1260105-1	CABLE ASSEMBLY----- ATTACHING PARTS	2	
- 26	AN23-10 AN310-3 AN380-2-3	BOLT----- NUT----- PIN-COTTER----- ---*---	1 1 1	
- 27	1261003-1	GUARD-PULLEY-----	1	
- 28	AN220-2	PULLEY----- ATTACHING PARTS	2	
- 29	AN5-30A MS20365-524C	BOLT----- NUT----- ---*---	1 1	
- 30	1261005-1	SHAFT-----	1	
- 31	AN960-816	WASHER-----	1	
- 32	0411221-2	WASHER-----	2	
- 33	S-1004-28A	BEARING-FLANGED CESSNA STANDARD-----	2	
- 34	0411257	UNIVERSAL JOINT----- ATTACHING PARTS	1	
- 35	AN3-10A MS20365-1032C	BOLT----- NUT----- ---*---	1 1	
- 36	0411047	SPROCKET----- ATTACHING PARTS	1	
- 37	AN3-11A AN960-10 MS20365-1032C	BOLT----- WASHER----- NUT----- ---*---	1 1 1	
	0513167-12	WHEEL ASSEMBLY-CONTROL----- ATTACHING PARTS	2	
- 38	AN3-11A AN960-10 MS20365-1032C	BOLT----- WASHER----- NUT----- ---*---	1 1 1	
- 39	0513166-1	WHEEL-CONTROL-----	1	
- 40	0413216	RIVET-----	1	
- 41	0413216-4	RIVET-----	1	
- 42	0413213-9 1213208-1	TUBE----- MEDALLION-----	1 1	
- 43	0510161	TUBE-ELEVATOR CONTROL SEE FIGURE 77-----	1	

NOTE. FOR ACCESSORY KIT LISTINGS REFER TO PAGE 262

Flight Controls (Cont)

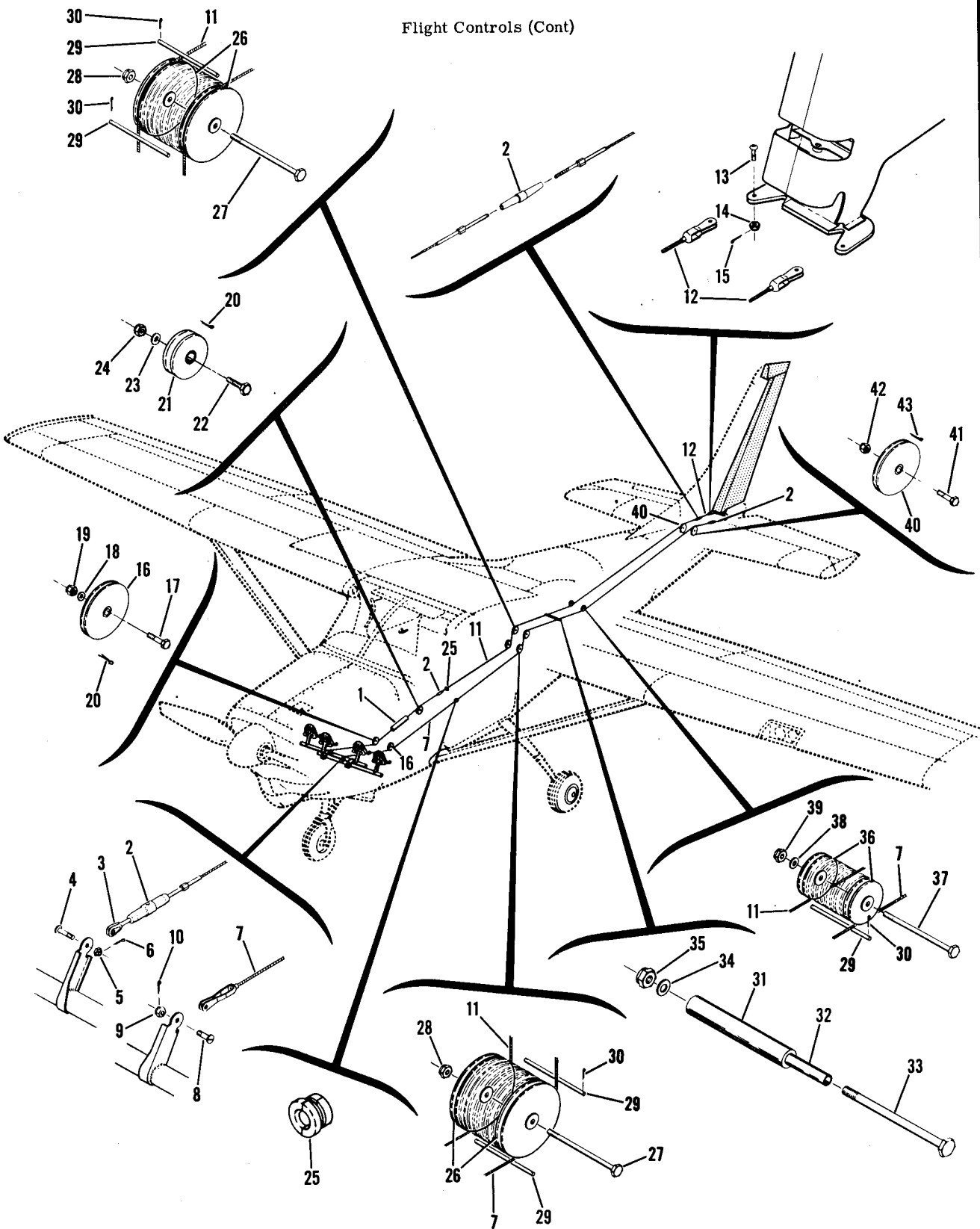


Figure 74. Rudder Control System Installation

FIGURE AND INDEX NO.	PART NUMBER	DESCRIPTION	UNITS PER ASSY	USABLE ON CODE
74--		SYSTEM INSTALLATION-RUDDER CONTROL -----	NP	
- 1		BUNGEE INSTALLATION-RUDDER---- SEE FIGURE 75 -----	1	
- 2	AN155-32S	BARREL-----	4	
- 3	AN161-22RS	FORK -----	1	
		ATTACHING PARTS		
- 4	AN23-10	BOLT -----	1	
- 5	AN310-3	NUT -----	1	
- 6	AN380-2-3	PIN-COTTER -----	1	
		-----*		
- 7	1260105-7	CABLE ASSEMBLY-RUDDER LH -----	1	
	1260105-107	CABLE ASSEMBLY-RUDDER LH STAINLESS STEEL -----	1	
		ATTACHING PARTS		
- 8	AN23-10	BOLT -----	1	
- 9	AN310-3	NUT -----	1	
- 10	AN380-2-3	PIN-COTTER -----	1	
		-----*		
- 11	1260105-8	CABLE ASSEMBLY-RUDDER RH -----	1	
	1260105-108	CABLE ASSEMBLY-RUDDER RH STAINLESS STEEL -----	1	
- 12	1260105-9	CABLE ASSEMBLY-RUDDER AFT LH -----	1	
	1260105-109	CABLE ASSEMBLY-RUDDER AFT LH STAINLESS STEEL -----	1	
	1260105-17	CABLE ASSEMBLY-RUDDER AFT RH -----	1	
	1260105-117	CABLE ASSEMBLY-RUDDER AFT RH STAINLESS STEEL -----	1	
		ATTACHING PARTS		
- 13	AN23-10	BOLT -----	1	
- 14	AN310-3	NUT -----	1	
- 15	AN380-2-3	PIN-COTTER -----	1	
		-----*		
- 16	S-378-4	PULLEY-CABLE CESSNA STANDARD -----	2	
		ATTACHING PARTS		
- 17	AN4-14A	BOLT -----	1	
- 18	AN960-416L	WASHER-----	1	
- 19	MS20365-428C	NUT -----	1	
		-----*		
- 20	AN380-2-5	PIN-COTTER -----	3	
- 21	S-378-3L	PULLEY-CABLE CESSNA STANDARD -----	1	
		ATTACHING PARTS		
- 22	AN4-14A	BOLT -----	1	
- 23	AN960-416L	WASHER-----	1	
- 24	MS20365-428C	NUT -----	1	
		-----*		
- 25	S-338-5	FAIRLEAD HALF-CABLE CESSNA STANDARD -----	4	
		ATTACHING PARTS		
	S-339-3	CLIP CESSNA STANDARD -----	2	
		-----*		
- 26	S-378-4	PULLEY-CABLE CESSNA STANDARD -----	4	
		ATTACHING PARTS		
- 27	AN4-33A	BOLT -----	1	
- 28	MS20365-428C	NUT -----	1	
		-----*		
- 29	1200017-1	PIN-CABLE GUARD -----	5	
		ATTACHING PARTS		
- 30	AN380-2-1	PIN-COTTER -----	2	
		-----*		
- 31	1260031-1	ROLLER-PULLEY -----	1	
		ATTACHING PARTS		
- 32	1260030-1	SPACER-PULLEY -----	1	
- 33	AN3-33A	BOLT -----	1	
- 34	AN960-10	WASHER-----	1	
- 35	MS20365-1032C	NUT -----	1	
		-----*		
- 36	S-378-3L	PULLEY-CABLE CESSNA STANDARD -----	2	
		ATTACHING PARTS		
- 37	AN4-34A	BOLT -----	1	
- 38	AN960-416L	WASHER-----	1	
- 39	MS20365-428C	NUT -----	1	
		-----*		
- 40	S-378-4	PULLEY-CABLE CESSNA STANDARD -----	2	
		ATTACHING PARTS		
- 41	AN4-10A	BOLT -----	1	
- 42	MS20365-428C	NUT -----	1	
		-----*		
- 43	AN380-2-3	PIN-COTTER -----	2	

Flight Controls (Cont)

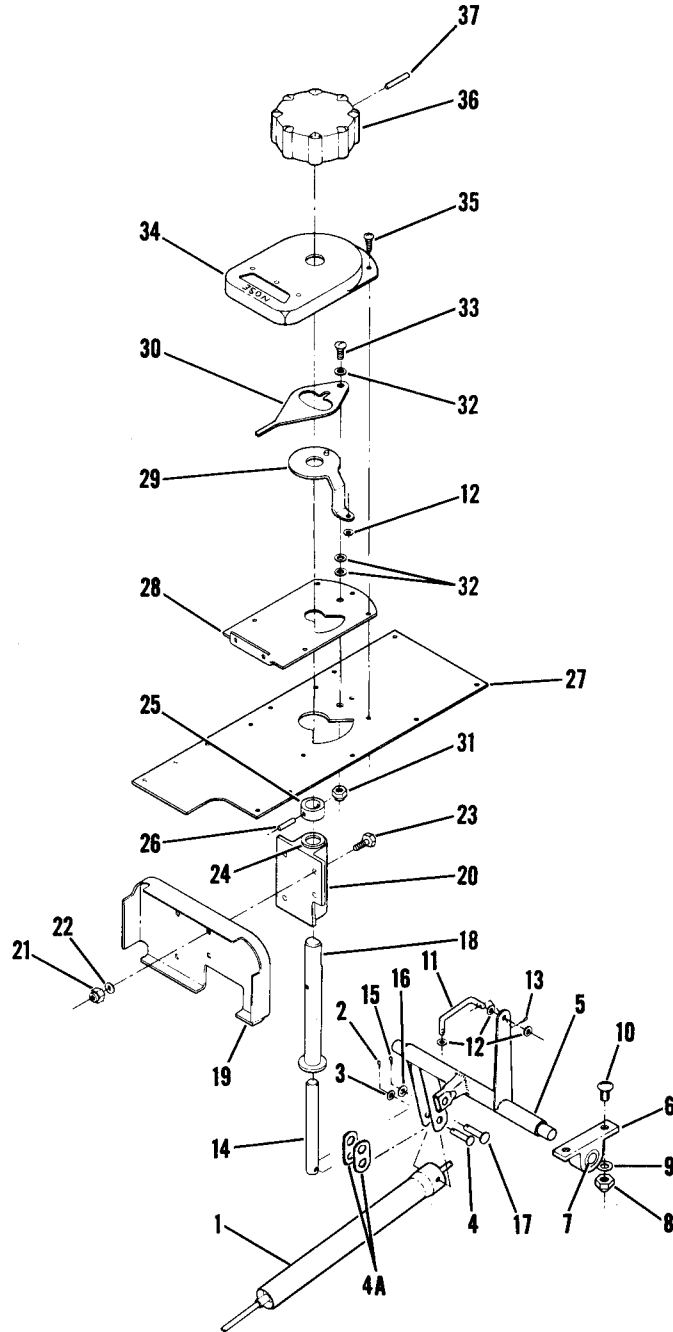


Figure 75. Rudder Bungee Installation

FIGURE AND INDEX NO.	PART NUMBER	DESCRIPTION	UNITS PER ASSY	USABLE ON CODE
		1 2 3 4 5 6 7		
75-		BUNGEE INSTALLATION-RUDDER -----	NP	
- 1	1261114-1	BUNGEE ASSEMBLY-RUDDER -----	1	
	1261114-4	BUNGEE ASSEMBLY-RUDDER STAINLESS STEEL CABLE -----	1	
		ATTACHING PARTS -----		
- 2	AN380-2-2	COTTER PIN -----	1	
- 3	AN960-10L	WASHER -----	1	
- 4	MS20392-2-19	PIN -----	1	
		-----*		
- 4A	1261121-1	LINK-RUDDER TRIM -----	2	
- 5	1261120-1	CRANK ASSEMBLY-RUDDER BUNGEE -----	1	
		ATTACHING PARTS -----		
- 6	1261102-1	BLOCK-BEARING ASSEMBLY -----	2	
- 7	M-781	BEARING TOR -----	1	
- 8	MS20365-1032C	NUT -----	4	
- 9	AN960D10	WASHER -----	4	
- 10	AN525-10R9	SCREW -----	4	
		-----*		
- 11	1261110-1	LINK-RUDDER TRIM INDICATOR -----	1	
		ATTACHING PARTS -----		
- 12	AN960-4L	WASHER -----	4	
- 13	AN380-1-1	COTTER PIN -----	4	
		-----*		
- 14	1261103-1	SCREWJACK SCREW-RUDDER BUNGEE -----	1	
		ATTACHING PARTS -----		
- 15	AN380-2-2	COTTER PIN -----	2	
- 16	AN960-10L	WASHER -----	2	
- 17	MS20392-2-19	PIN -----	2	
		-----*		
- 18	1261107-1	SCREWJACK SHAFT-RUDDER BUNGEE -----	1	
- 19	1261111-1	BULKHEAD-TUNNEL -----	1	
- 20	1261112-1	HOUSING ASSEMBLY-RUDDER TRIM SCREWJACK -----	1	
		ATTACHING PARTS -----		
- 21	MS20365-1032C	NUT -----	4	
- 22	AN960-10	WASHER -----	4	
- 23	AN3-4A	BOLT -----	4	
		-----*		
- 24	S-1004-41A	BEARING-FLANGED CESSNA STANDARD -----	1	
- 25	1261104-1	COLLAR-RUDDER BUNGEE -----	1	
- 26	NAS561-4-12	ROLL PIN EN -----	1	
- 27	1210026	COVER-AFT LOWER TUNNEL -----	1	
- 28	1261108-1	BASE PLATE-RUDDER TRIM INDICATOR -----	1	
	1261113-1	CRANK ASSEMBLY-RUDDER TRIM INDICATOR -----	1	
- 29	1261113-2	CRANK-RUDDER TRIM INDICATOR -----	1	
- 30	1261106-1	INDICATOR-RUDDER TRIM -----	1	
		ATTACHING PARTS -----		
- 31	MS20365-632C	NUT -----	1	
- 32	AN960D6	WASHER -----	3	
- 33	AN515-6R8	SCREW -----	1	
		-----*		
- 34	1261105-1-242	COVER ASSEMBLY-RUDDER TRIM INDICATOR CHAMPAGNE GOLD -----	1	A
	1261105-1-272	COVER ASSEMBLY-RUDDER TRIM INDICATOR AQUA MARINE -----	1	A
	1261105-1-274	COVER ASSEMBLY-RUDDER TRIM INDICATOR CAY CORAL -----	1	A
	1261105-1-273	COVER ASSEMBLY-RUDDER TRIM INDICATOR NATURAL -----	1	B
		ATTACHING PARTS -----		
- 35	S-1021A-6-6	SCREW CESSNA STANDARD -----	7	
		-----*		
- 36	1261109-1	KNOB ASSEMBLY-RUDDER TRIM -----	1	
- 37	1261109-2	KNOB-RUDDER TRIM -----	1	
	AN565A6H14	SETSCREW -----	1	
		A---210 SERIAL 57001 THRU 57575		
		B---210 SERIAL 21057576 & ON		
		*NOTE. WHEN ORDERING THIS PART FOR AIRCRAFT PRIOR TO SERIAL 21057651 ALSO ORDER PART MARKED □		

Flight Controls (Cont)

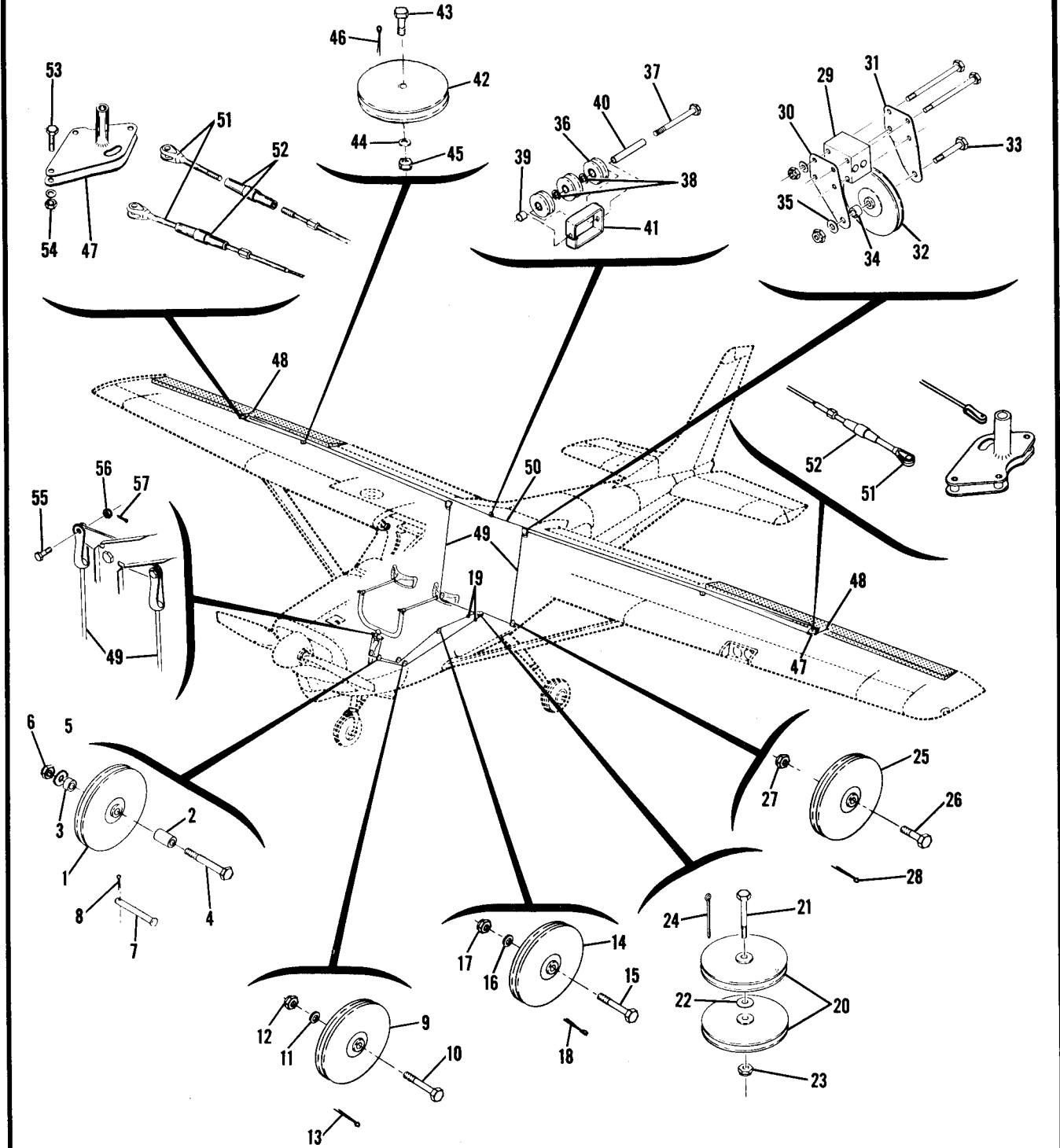


Figure 76. Aileron Control System Installation

FIGURE AND INDEX NO.	PART NUMBER	DESCRIPTION	UNITS PER ASSY	USABLE ON CODE
		1 2 3 4 5 6 7		
76-		CONTROL SYSTEM-AILERON -----	NP	
- 1	S-378-4	PULLEY-----CESSNA STANDARD-----	2	
		ATTACHING PARTS -----		
- 2	0510137	SPACER-----	2	
- 3	0510136	SPACER-----	2	
- 4	AN4-21A	BOLT -----	2	
- 5	AN960-416L	WASHER-----	2	
- 6	MS20365-428C	NUT -----	2	
		-----*		
- 7	MS20392-1-57	PIN -----	2	
- 8	AN380-2-2	PIN-COTTER -----	2	
- 9	S-378-4	PULLEY-----CESSNA STANDARD-----	2	
		ATTACHING PARTS -----		
- 10	AN4-14A	BOLT -----	2	
- 11	AN960-416L	WASHER-----	2	
- 12	MS20365-428C	NUT -----	2	
		-----*		
- 13	AN380-2-5	PIN-COTTER -----	2	
- 14	S-378-3L	PULLEY-----CESSNA STANDARD-----	1	
		ATTACHING PARTS -----		
- 15	AN4-14A	BOLT -----	1	
- 16	AN960-416L	WASHER-----	1	
- 17	MS20365-428C	NUT -----	1	
		-----*		
- 18	AN380-2-5	PIN-COTTER -----	1	
- 19	S-338-5	FAIRLEAD CESSNA STANDARD -----	4	
		ATTACHING PARTS -----		
	S-339-3	CLIP -----	2	
		-----*		
- 20	S-378-4	PULLEY-----CESSNA-STANDARD-----	2	
		ATTACHING PARTS -----		
- 21	AN4-14A	BOLT -----	1	
- 22	AN960-416	WASHER-----	1	
- 23	MS20365-428C	NUT -----	1	
		-----*		
- 24	AN380-3-5	PIN-COTTER -----	2	
- 25	AN220-2	PULLEY-----	4	
		ATTACHING PARTS -----		
- 26	AN5-11A	BOLT -----	4	
- 27	MS20365-524C	NUT -----	4	
		-----*		
- 28	AN380-3-5	PIN-COTTER -----	6	
- 29	1260013-1	BLOCK-LH -----	1	
	1260013-2	BLOCK-RH -----	1	
- 30	1260014-1	BRACKET -----	2	
- 31	1260014-2	BRACKET -----	2	
- 32	AN220-2	PULLEY-----	2	
		ATTACHING PARTS -----		
- 33	AN515-13A	BOLT -----	2	
- 34	NAS43-5-16	SPACER-----	2	
- 35	AN960-516L	WASHER-----	2	
	MS20365-524C	NUT -----	2	
		-----*		
- 36	S-394	PULLEY-----CESSNA STANDARD-----	1	
		ATTACHING PARTS -----		
- 37	AN3-21A	BOLT -----	1	
- 38	AN960-10L	WASHER-----	1	
- 39	NAS43-4-16	SPACER-----	1	
- 40	0512138-1	BUSHING -----	1	
		-----*		
- 41	1260060	GUARD -----	1	
- 42	S-378-3L	PULLEY-----CESSNA STANDARD-----	2	
		ATTACHING PARTS -----		
- 43	AN4-10A	BOLT -----	2	
- 44	AN960-10L	WASHER-----	2	
- 45	MS20365-428C	NUT -----	2	
		-----*		
- 46	AN380-2-3	PIN-COTTER -----	2	
- 47	0523223-1	BELLCRANK-RH SEE FIGURE 7 -----	1	
	0523223	BELLCRANK-LH SEE FIGURE 7 -----	1	

CONTINUED ON PAGE 162

FIGURE AND INDEX NO.	PART NUMBER	DESCRIPTION	UNITS PER ASSY	USABLE ON CODE
		1 2 3 4 5 6 7		
76- 48	0523218-1	ROD ASSEMBLY SEE FIGURE 7 -----	2	
- 49	1260105-3	CABLE ASSEMBLY -----	2	
	1260105-103	CABLE ASSEMBLY-STAINLESS STEEL-----	2	
- 50	0510105-13	CABLE ASSEMBLY -----	1	
	0510105-113	CABLE ASSEMBLY-STAINLESS STEEL-----	1	
		ATTACHING PARTS		
- 51	AN161-32LL	FORK -----	3	
- 52	AN155-32L	TURNBUCKLE -----	3	
- 53	AN3-7A	BOLT -----	4	
- 54	MS20365-1032C	NUT -----	4	
- 55	AN23-10	BOLT -----	2	
- 56	AN310-3	NUT -----	2	
- 57	AN380-2-3	PIN-COTTER -----	2	
		---*---		
		1 2 3 4 5 6 7		
77-		SYSTEM INSTALLATION-ELEVATOR CONTROL -----	NP	
- 1	0510161	TUBE ASSEMBLY-ELEVATOR CONTROL FORWARD -----	1	
		ATTACHING PARTS		
- 2	AN4-10A	BOLT -----	1	
- 3	AN4-11A	BOLT -----	1	
- 4	AN960-416L	WASHER-----	2	
- 5	MS20365-428C	NUT -----	2	
		---*---		
- 6	0510159	BELLCRANK ASSEMBLY-ELEVATOR FORWARD-----	1	
		ATTACHING PARTS		
- 7	AN4-11A	BOLT -----	1	
- 8	AN960-416L	WASHER-----	1	
- 9	MS20365-428C	NUT -----	1	
		---*---		
- 10	1260105-5	CABLE ASSEMBLY-ELEVATOR UP-----	1	
	1260105-105	CABLE ASSEMBLY-ELEVATOR UP---- STAINLESS STEEL -----	1	
		ATTACHING PARTS		
- 11	AN23-10	BOLT -----	2	
- 12	AN310-3	NUT -----	2	
- 13	AN380-2-3	PIN-COTTER -----	2	
- 14	AN155-32S	BARREL-----	1	
- 15	AN165-22RS	EYE -----	1	
		---*---		
- 16	1260105-6	CABLE ASSEMBLY-ELEVATOR DOWN -----	1	
	1260105-106	CABLE ASSEMBLY-ELEVATOR DOWN STAINLESS STEEL -----	1	
		ATTACHING PARTS		
- 17	AN23-10	BOLT -----	2	
- 18	AN310-3	NUT -----	2	
- 19	AN380-2-3	PIN-COTTER -----	2	
- 20	AN155-32S	BARREL-----	1	
- 21	AN165-22RS	EYE -----	1	
		---*---		
- 22	1260012-1	BELLCRANK ASSEMBLY-ELEVATOR REAR -----	1	
		ATTACHING PARTS		
- 23	AN4-12A	BOLT -----	1	
- 24	AN960-416	WASHER-----	1	
- 25	MS20365-428C	NUT -----	1	
		---*---		
- 26	0761202-2	LINK-----	2	
		ATTACHING PARTS		
- 27	AN24-13	BOLT-----	1	
- 28	AN320-4	NUT -----	1	
- 29	AN380-2-3	PIN-COTTER -----	1	
		---*---		
- 30	0761202-2	LINK-----	2	
- 31	1260012-2	LINK-----	1	
		ATTACHING PARTS		
- 32	AN24-14	BOLT-----	1	
- 33	AN320-4	NUT -----	1	
- 34	AN380-2-3	PIN-COTTER -----	1	
		---*---		
		CONTINUED ON PAGE 164		

Flight Controls (Cont)

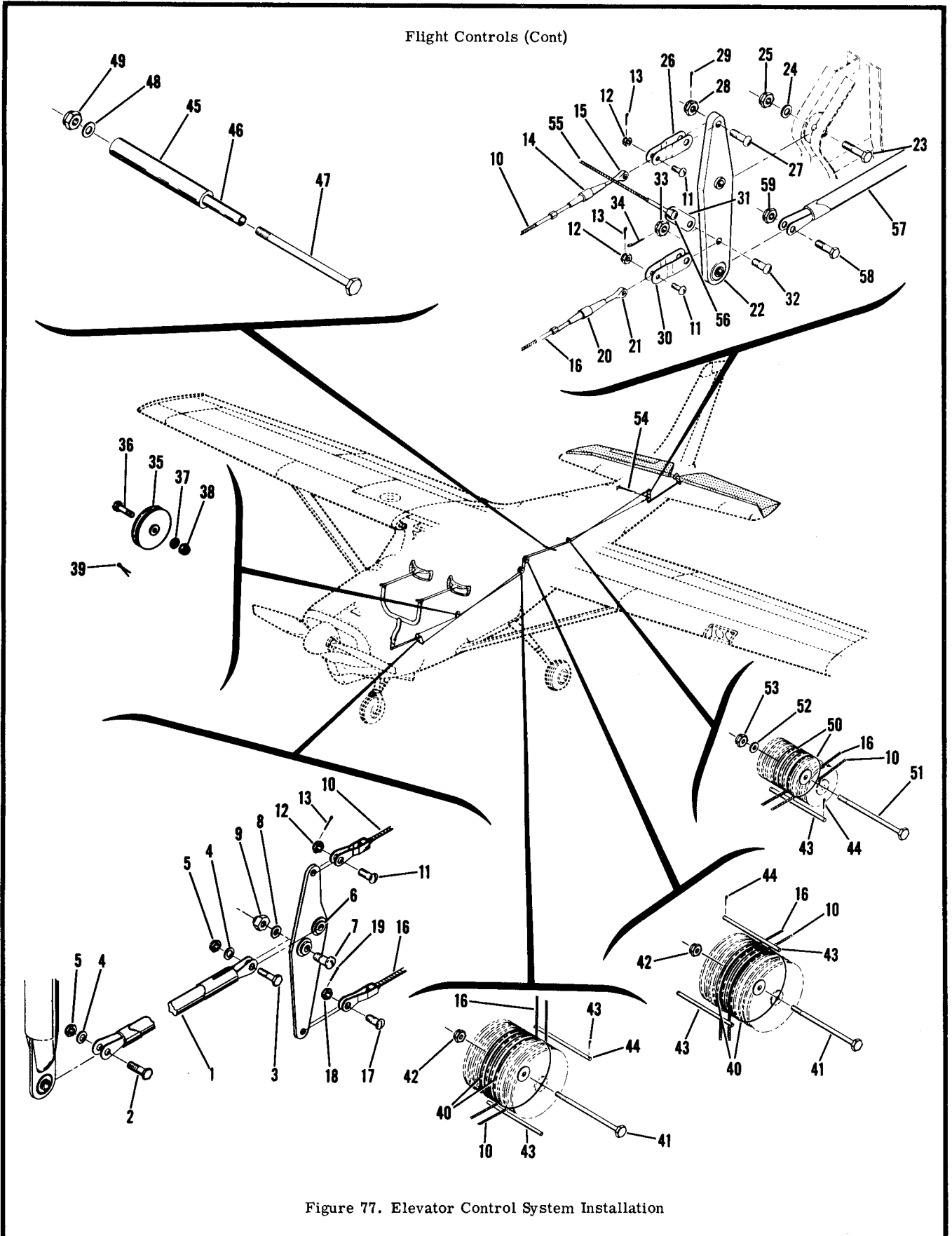


Figure 77. Elevator Control System Installation

FIGURE AND INDEX NO.	PART NUMBER	DESCRIPTION	UNITS PER ASSY	USABLE ON CODE
77- 35	S-378-3L	PULLEY-CABLE CESSNA STANDARD ATTACHING PARTS	1	
- 36	AN4-10A	BOLT	1	
- 37	AN960-416	WASHER	1	
- 38	MS20365-428C	NUT	1	
- 39	AN380-2-3	PIN-COTTER	1	
- 40	S-378-4	PULLEY-CABLE CESSNA STANDARD ATTACHING PARTS	4	
- 41	AN4-33A	BOLT	1	
- 42	MS20365-428C	NUT	1	
- 43	1200017-1	PIN-CABLE GUARD ATTACHING PARTS	5	
- 44	AN380-2-1	PIN-COTTER	2	
- 45	1260031-1	ROLLER-PULLEY ATTACHING PARTS	1	
- 46	1260030-1	SPACER-PULLEY	1	
- 47	AN3-33A	BOLT	1	
- 48	AN960-10	WASHER	1	
- 49	MS20365-1032C	NUT	1	
- 50	S-378-3L	PULLEY-CABLE CESSNA STANDARD ATTACHING PARTS	2	
- 51	AN4-34A	BOLT	1	
- 52	AN960-416L	WASHER	1	
- 53	MS20365-428C	NUT	1	
- 54	1260053-1	SPRING-ELEVATOR DOWN ATTACHING PARTS	1	
	AN23-9	BOLT	1	
	AN310-3	NUT	1	
	AN960-10L	WASHER	1	
	AN380-2-3	PIN-COTTER	1	
- 55	1260105-12	CABLE ASSEMBLY-ELEVATOR DOWN SPRING	1	
	1260105-112	CABLE ASSEMBLY-ELEVATOR DOWN SPRING---STAINLESS STEEL---	1	
- 56	AN23-10	BOLT	1	
	AN310-3	NUT	1	
	AN380-2-3	PIN-COTTER	1	
- 57	0510111-7	TUBE ASSEMBLY-BELLCRANK TO ELEVATOR PYLON ATTACHING PARTS	1	
- 58	AN4-10A	BOLT	2	
- 59	MS20365-428C	NUT	2	

FIGURE AND INDEX NO.	PART NUMBER	DESCRIPTION	UNITS PER ASSY	USABLE ON CODE
78-		SYSTEM INSTALLATION-ELEVATOR TRIM CONTROL	NP	
- 1	0761205-6	WHEEL & SHAFT ASSEMBLY-ELEVATOR TRIM	1	
- 2	0761205-2	SHAFT-TRIM WHEEL	1	
- 3	0432134-1	SPROCKET-TRIM WHEEL ATTACHING PARTS	1	
- 4	0761205-3	PIN	2	
- 5	0713025-3-242	COVER ASSEMBLY-TRIM CONTROL WHEEL	1	A
	0713025-3-272	COVER ASSEMBLY-TRIM CONTROL WHEEL	1	A
	0713025-3-274	COVER ASSEMBLY-TRIM CONTROL WHEEL	1	A
	0713025-4-273	COVER ASSEMBLY-TRIM CONTROL WHEEL	1	B
- 6	S-1021Z-6-8	SCREW CESSNA STANDARD ATTACHING PARTS	4	
- 7	0713025-1	POINTER ATTACHING PARTS	1	A
- 8	S-1021Z-4-4	SCREW CESSNA STANDARD	1	

CONTINUED ON PAGE 166

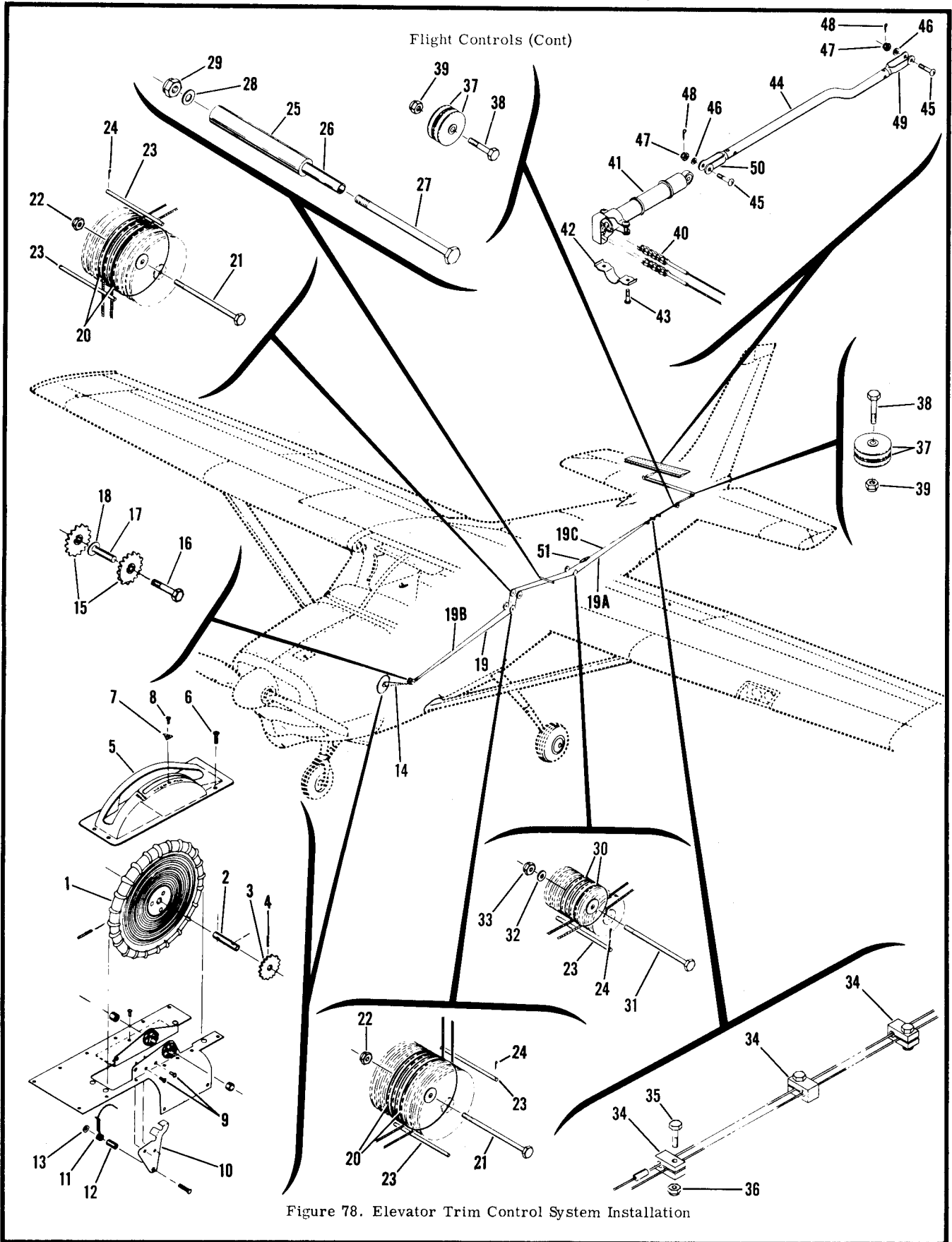


Figure 78. Elevator Trim Control System Installation

FIGURE AND INDEX NO.	PART NUMBER	DESCRIPTION	UNITS PER ASSY							USABLE ON CODE	
			1	2	3	4	5	6	7		
78-	0713032	INDICATOR ASSEMBLY-ELEVATOR TRIM								1	
		ATTACHING PARTS									
- 9	S-1021Z-6-6	SCREW CESSNA STANDARD								2	
	NAS446-2-3	NUT TIN A1181-6Z-3								2	
		-----*-----									
- 10	0713032-4	GUARD-CHAIN								1	
- 11	0713032-3	POINTER-INDICATOR								1	
- 12	0713032-1	BUSHING								1	
- 13	0713032-2	COLLAR								1	
- 14	0432138-9	CHAIN-ELEVATOR TRIM FORWARD								1	
- 15	0761210-4	SPROCKET ASSEMBLY								2	
		ATTACHING PARTS									
- 16	AN3-12A	BOLT								1	
- 17	0411491-1	BUSHING								1	
- 18	AN960-416	WASHER								1	
		-----*-----									
- 19	1260105-4	CABLE ASSY-ELEVATOR TRIM TAB FWD LH								1	
	1260105-104	CABLE ASSY-ELEVATOR TRIM TAB FWD LH								1	
-19A	1260105-14	CABLE ASSY-ELEVATOR TRIM TAB AFT LH								1	
	1260105-114	CABLE ASSY-ELEVATOR TRIM TAB AFT LH								1	
-19B	1260105-15	CABLE ASSY-ELEVATOR TRIM TAB FWD RH								1	
	1260105-115	CABLE ASSY-ELEVATOR TRIM TAB FWD RH								1	
-19C	1260105-16	CABLE ASSY-ELEVATOR TRIM TAB AFT RH								1	
	1260105-116	CABLE ASSY-ELEVATOR TRIM TAB AFT RH								1	
- 20	S-378-4	PULLEY-CABLE CESSNA STANDARD								4	
		ATTACHING PARTS									
- 21	AN4-33A	BOLT								1	
- 22	MS20365-428C	NUT								1	
		-----*-----									
- 23	1200017-1	PIN-CABLE GUARD								5	
		ATTACHING PARTS									
- 24	AN380-2-1	PIN-COTTER								2	
		-----*-----									
- 25	1260031-1	ROLLER-PULLEY								1	
		ATTACHING PARTS									
- 26	1260030-1	SPACER-PULLEY								1	
- 27	AN3-33A	BOLT								1	
- 28	AN960-10	WASHER								1	
- 29	MS20365-1032C	NUT								1	
		-----*-----									
- 30	S-378-3L	PULLEY-CABLE CESSNA STANDARD								2	
		ATTACHING PARTS									
- 31	AN4-34A	BOLT								1	
- 32	AN960-416L	WASHER								1	
- 33	MS20365-428C	NUT								1	
		-----*-----									
- 34	0411523	BLOCK								3	
		ATTACHING PARTS									
- 35	AN3-6A	BOLT								1	
- 36	MS20365-1032C	NUT								1	
		-----*-----									
- 37	S-378-1	PULLEY-CABLE CESSNA STANDARD								4	
		ATTACHING PARTS									
- 38	AN3-10A	BOLT								1	
- 39	MS20365-1032C	NUT								1	
		-----*-----									
- 40	0432138-10	CHAIN-ELEVATOR TRIM AFT								1	
- 41	0310293-2	ACTUATOR ASSEMBLY-ELEVATOR TRIM SEE FIGURE 97								1	
		ATTACHING PARTS									
- 42	0432126	CLAMP								2	
- 43	AN520-10R8	SCREW								4	
		-----*-----									
- 44	1260065-4	TUBE ASSEMBLY-ELEVATOR TRIM TAB ACTUATOR								1	
		ATTACHING PARTS									
- 45	NAS464P3-8	BOLT								2	
- 46	AN960-10	WASHER								2	
- 47	AN320C3	NUT								2	
- 48	AN380-2-3	PIN-COTTER								2	
		-----*-----									
- 49	1260065-5	CLEVIS								1	
- 50	1260065-3	CLEVIS								1	
- 51	AN155-8S	TURNBUCKLE								1	
		-----*-----									
		A---210 SERIAL 57001 THRU 57575									
		B---210 SERIAL 21057576 & ON									

This page intentionally left blank.

Flight Controls (Cont)

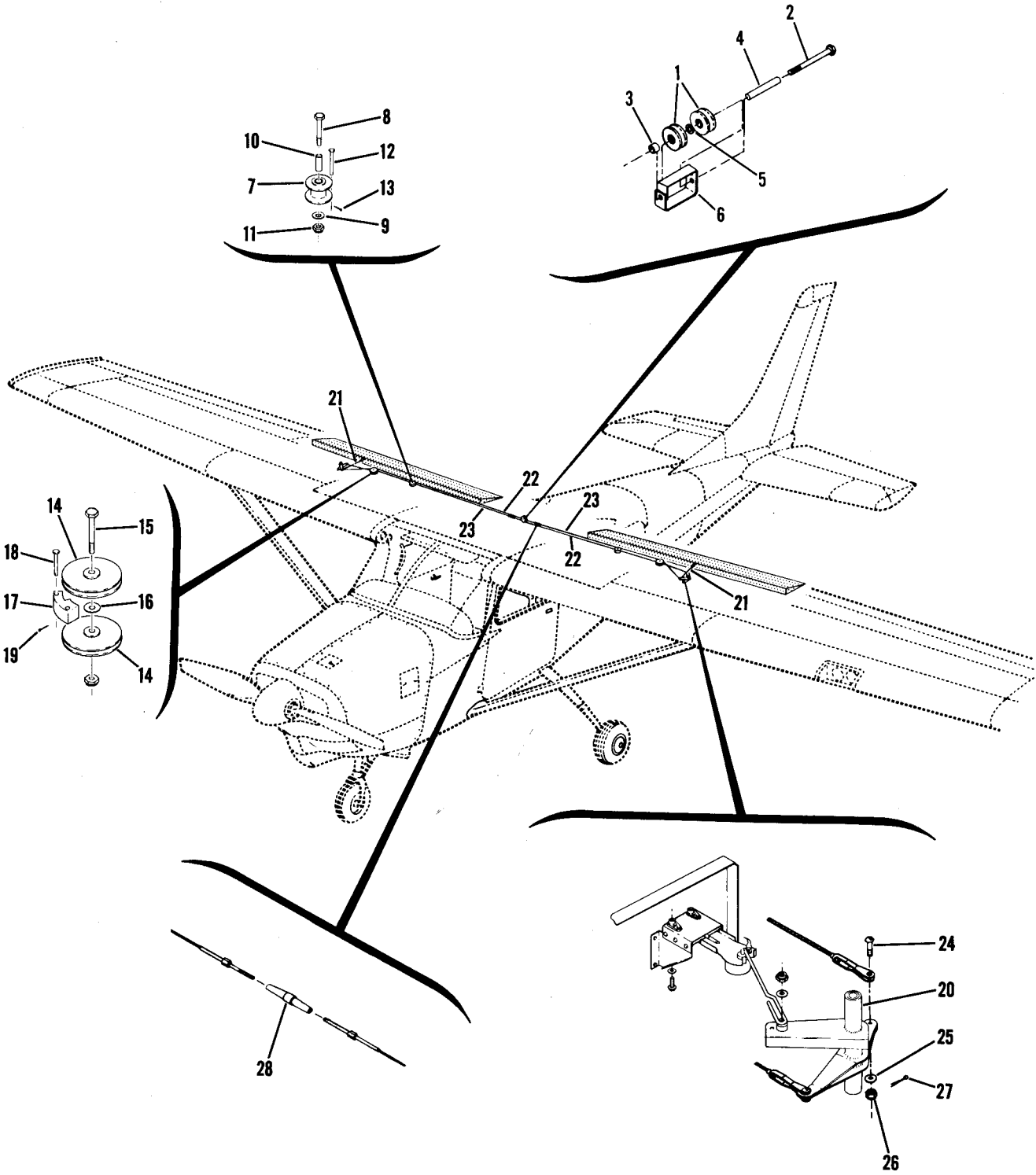


Figure 79. Flap Synchronization System

FIGURE AND INDEX NO.	PART NUMBER	DESCRIPTION	UNITS PER ASSY	USABLE ON CODE
1 2 3 4 5 6 7				
79-		SYNCHRONIZATION SYSTEM-FLAP -----	NP	
- 1	S-394	PULLEY-----CESSNA STANDARD----- ATTACHING PARTS	2	
- 2	AN3-21A	BOLT -----	1	
- 3	NAS45-4-16	SPACER-----	1	
- 4	0512138-1	BUSHING -----	1	
- 5	AN960-10L	WASHER-----	1	
- 6	1260060-1	GUARD ----- -----*	1	
- 7	S-1052-1	PULLEY-----CESSNA STANDARD----- ATTACHING PARTS	2	
- 8	AN23-18	BOLT -----	2	
- 9	AN960-10L	WASHER-----	2	
- 10	1260064-1	BUSHING -----	2	
- 11	AN320-3	NUT ----- -----*	2	
- 12	MS20365-1-27C	PIN ----- ATTACHING PARTS	4	
- 13	AN380-2-2	PIN-COTTER ----- -----*	4	
- 14	S-378-2	PULLEY-----CESSNA STANDARD----- ATTACHING PARTS	4	
- 15	AN3-11A	BOLT -----	2	
- 16	AN960-10L	WASHER----- -----*	2	
- 17	1260062-1	GUARD ----- ATTACHING PARTS	2	
- 18	MS20392-1-23	PIN -----	4	
- 19	AN380-2-2	PIN-COTTER ----- -----*	4	
- 20	1260061-1	BELLCRANK-LH SEE FIGURE 8 -----	1	
	1260061-2	BELLCRANK-RH SEE FIGURE 8 -----	1	
- 21	1260063-1	ROD ASSEMBLY SEE FIGURE 8 -----	2	
- 22	1260105-10	CABLE ASSEMBLY -----	2	
	1260105-110	CABLE ASSEMBLY-STAINLESS STEEL-----	2	
- 23	1260105-11	CABLE ASSEMBLY -----	2	
	1260105-111	CABLE ASSEMBLY-STAINLESS STEEL----- ATTACHING PARTS	2	
- 24	AN23-9	BOLT-CLEVIS-----	4	
- 25	AN960-10L	WASHER-----	4	
- 26	AN320-3	NUT -----	4	
- 27	AN380-2-3	PIN-COTTER ----- -----*	4	
- 28	AN155-16S	TURNBUCKLE -----	2	

Hydraulic System

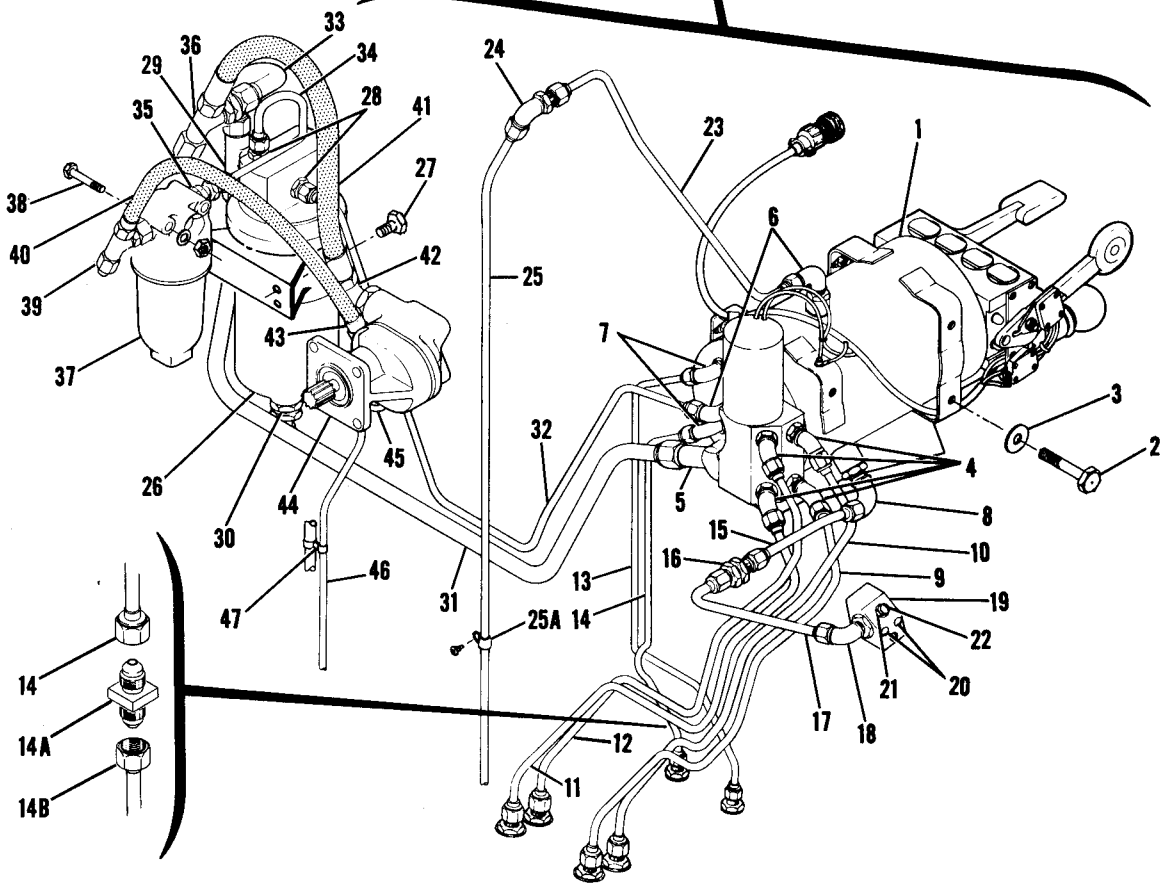
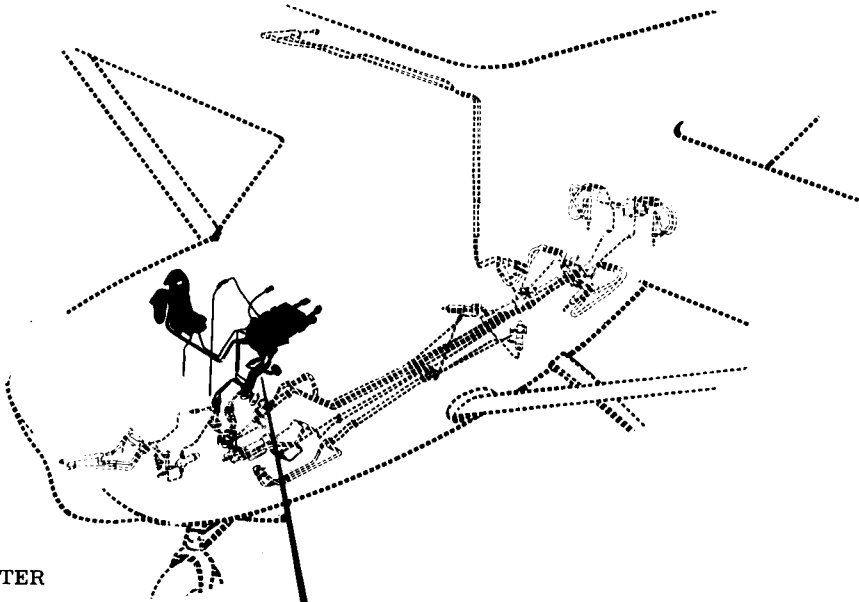
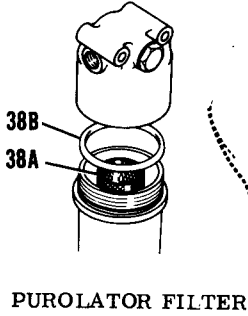
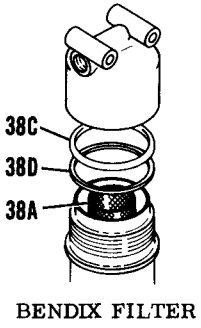


Figure 80. Power Pack & Accumulator Installation

FIGURE AND INDEX NO.	PART NUMBER	DESCRIPTION	UNITS PER ASSY	USABLE ON CODE
		1 2 3 4 5 6 7		
80--		POWERPACK & ACCUMULATOR INSTALLATION-HYDRAULIC SYSTEM -----	NP	
- 1	1280100-1	UNIT ASSEMBLY-POWER PACK SEE FIGURE 98 -----	1	
		ATTACHING PARTS -----		
- 2	AN4-3A	BOLT -----	6	
- 3	AN960-416	WASHER-----	6	
		-----*		
- 4	AN837-4D	ELBOW -----	4	
	AN924-4D	NUT -----	4	
	AN6290-4	GASKET -----	4	
- 5	AN777-8D	ELBOW -----	1	
	AN775-8D	BOLT-----	1	
	AN901-8A	GASKET -----	2	
- 6	AN833-4D	ELBOW -----	2	
	AN924-4D	NUT -----	2	
	AN6290-4	GASKET -----	2	
- 7	AN833-3D	ELBOW -----	2	
	AN924-3D	NUT -----	2	
	AN6290-3	GASKET -----	2	
- 8	AN833-6D	ELBOW -----	1	
	AN924-6D	NUT -----	1	
	AN6290-6	GASKET -----	1	
- 9	1280106-20	LINE ASSEMBLY-NOSE GEAR UP-----	1	
- 10	1280106-21	LINE ASSEMBLY-NOSE GEAR DOWN -----	1	
- 11	1280106-22	LINE ASSEMBLY-DOOR CLOSE -----	1	
- 12	1280106-23	LINE ASSEMBLY-DOOR OPEN -----	1	
- 13	1280106-24	LINE ASSEMBLY-FLAP UP -----	1	
- 14	1280106-78	LINE ASSEMBLY-FLAP DOWN -----	1	
-14A	1280115-1	RESTRICTOR -----	1	
-14B	1280106-79	LINE ASSEMBLY-FLAP DOWN -----	1	
- 15	1280106-70	LINE ASSEMBLY-FILLER -----	1	
- 16	AN832-6D	UNION -----	1	
	AN924-6D	NUT -----	1	
	AN960PD916	GASKET-----	1	
- 17	1280106-69	LINE ASSEMBLY-FILLER -----	1	
- 18	AN833-6D	ELBOW -----	1	
	AN924-6D	NUT -----	1	
	AN960PD716	GASKET-----	1	
- 19	1280228-1	ADAPTOR-HYDRAULIC RESERVOIR FILLER -----	1	
		ATTACHING PARTS -----		
- 20	AN520-10-R24	SCREW -----	2	
	AN960-10L	WASHER-----	2	
	AN502-10-6	SCREW -----	1	
		-----*		
- 21	AN6204-1	VALVE-BLEEDER -----	1	
- 22	NAS563-11	BOLT -----	1	
	600-001-10	STATO SEAL WFRC -----	1	
	600-001-100S	STATO SEAL WFRC -----	1	
- 23	1280106-71	LINE ASSEMBLY-VENT -----	1	
- 24	AN833-4D	ELBOW -----	1	
	AN960PD716L	WASHER-----	2	
	AN924-4D	NUT -----	1	
- 25	1280106-72	LINE ASSEMBLY-VENT -----	1	
		ATTACHING PARTS -----		
-25A	AN742D4	CLAMP -----	1	
	AN520-10R7	SCREW -----	1	
		-----*		
- 26	1280101-2	ACCUMULATOR-UNIT ASSY-----SEE FIGURE 100-----	1	
	100033-2	KIT-REPAIR FOR PART LISTED ABOVE -----	1	
		ATTACHING PARTS -----		
- 27	AN3-3A	BOLT -----	4	
		-----*		
- 28	AN815-4D	UNION -----	2	
	AN6290-4	GASKET -----	2	
- 29	AN834-8D	TEE -----	1	
	AN6290-8	GASKET -----	1	
	AN924-8D	NUT -----	1	
- 30	AN6287-1	VALVE-AIR HIGH PRESSURE CHARGING -----	1	
	MS28889-1	VALVE-AIR HIGH PRESSURE CHARGING ALT -----	1	
- 31	1280106-76	LINE ASSEMBLY-PUMP SUCTION-----	1	A
	1280106-93	LINE ASSEMBLY-PUMP SUCTION-----	1	B
- 32	1280106-74	LINE ASSEMBLY-SYSTEM PRESSURE -----	1	
- 33	1280106-75	LINE ASSEMBLY-PUMP SUCTION-----	1	
- 34	1280106-73	LINE ASSEMBLY-PUMP PRESSURE -----	1	

CONTINUED ON PAGE 172

FIGURE AND INDEX NO.	PART NUMBER	DESCRIPTION	UNITS PER ASSY	USABLE ON CODE
		1 2 3 4 5 6 7		
80- 35	AN832-4D	UNION -----	1	
	AN924-4D	NUT -----	1	
	AN893-2D	BUSHING -----	1	
	AN6290-4	GASKET-----	1	
	AN6290-6	GASKET-----	1	
	AN960PD716L	WASHER-----	1	
- 36	AN804D8	TEE -----	1	
	AN929-8	CAP -----	1	
	AN924-8D	NUT -----	1	
	AN960PD1216L	WASHER-----	2	
- 37	30017	FILTER ASSY-HYDRAULIC-----PUROLATOR-----REF 1280113-1 -----	1	
	566025	FILTER ASSY-HYDRAULIC-----BENDIX REF 1280113-1-----ALT ATTACHING PARTS	1	
- 38	AN4-20A	BOLT -----	2	
	AN960-416	WASHER-----	2	
	MS20365-428C	NUT -----	2	
		---*---		
-38A	31886	ELEMENT-HYDRAULIC FILTER----- PUP -----	1	
	AN6235-2A	ELEMENT-HYDRAULIC FILTER----- ALT -----	1	
-38B	AN6230-2	O RING FOR PUROLATOR FILTER -----	1	
-38C	AN6227B27	O RING FOR BENDIX FILTER-----	1	
-38D	MS28774-222	RING-BACK UP FOR BENDIX FILTER -----	1	
- 39	AN834-4D	TEE -----	1	
	AN929-4	CAP -----	1	
	AN924-4D	NUT -----	1	
	AN893-2D	BUSHING -----	1	
	AN6290-4	GASKET-----	1	
	AN6290-6	GASKET-----	1	
- 40	MS28741-4-0100	HOSE ASSEMBLY-PUMP PRESSURE -----	1	
- 41	MS28741-8-0150	HOSE ASSEMBLY-PUMP SUCTION-----	1	
- 42	AN837-8D	ELBOW -----	1	
	AN924-8D	NUT -----	1	
	AN6290-8	GASKET-----	1	
- 43	AN837-4D	ELBOW -----	1	
	AN924-4D	NUT -----	1	
	AN6290-4	GASKET-----	1	
- 44	1280103-2	PUMP ASSEMBLY-HYDRAULIC SEE FIGURE 102 -----	1	
		ATTACHING PARTS		
	AN960-416	WASHER-----	1	
	MS20365-428C	NUT -----	1	
		---*---		
- 45	AN837-3D	ELBOW -----	1	
	AN924-3D	NUT -----	1	
	AN6290-3	GASKET-----	1	
- 46	1280106-77	LINE ASSEMBLY-PUMP VENT -----	1	
		ATTACHING PARTS		
- 47	AN742D12	CLAMP -----	1	
	S-1021Z-8-8	SCREW CESSNA STANDARD -----	1	
	A2981A-3-27	NUT -----	1	
		---*---		
		A---210 SERIAL 57001 THRU 57575		
		B---210 SERIAL 21057576 & ON		

FIGURE AND INDEX NO.	PART NUMBER	DESCRIPTION	UNITS PER ASSY	USABLE ON CODE
		1 2 3 4 5 6 7		
81-		HYDRAULIC SYSTEM INSTALLATION-NOSE GEAR & NOSE GEAR DOORS-----	NP	
- 1	AN804D4	TEE -----	2	
	AN960PD716L	WASHER-----	4	
	AN924-4D	NUT -----	2	
- 2	AN837-4D	ELBOW -----	2	
	AN960PD716L	WASHER-----	4	
	AN924-4D	NUT -----	2	
- 3	1280106-6	LINE ASSEMBLY-NOSE GEAR DOOR CLOSE -----	1	
- 4	AN919-2D	REDUCER -----	1	
- 5	1280106-4	LINE ASSEMBLY-NOSE GEAR DOOR CLOSE -----	1	
		ATTACHING PARTS		
- 6	755A-3-2-6	CLAMP AP -----	1	
	AN515-8R-8	SCREW -----	1	
		---*---		
- 7	AN837-3D	ELBOW -----	2	
	AN960PD616L	WASHER-----	2	
	AN924-3D	NUT -----	2	
		CONTINUED ON PAGE 174		

Hydraulic System (Cont)

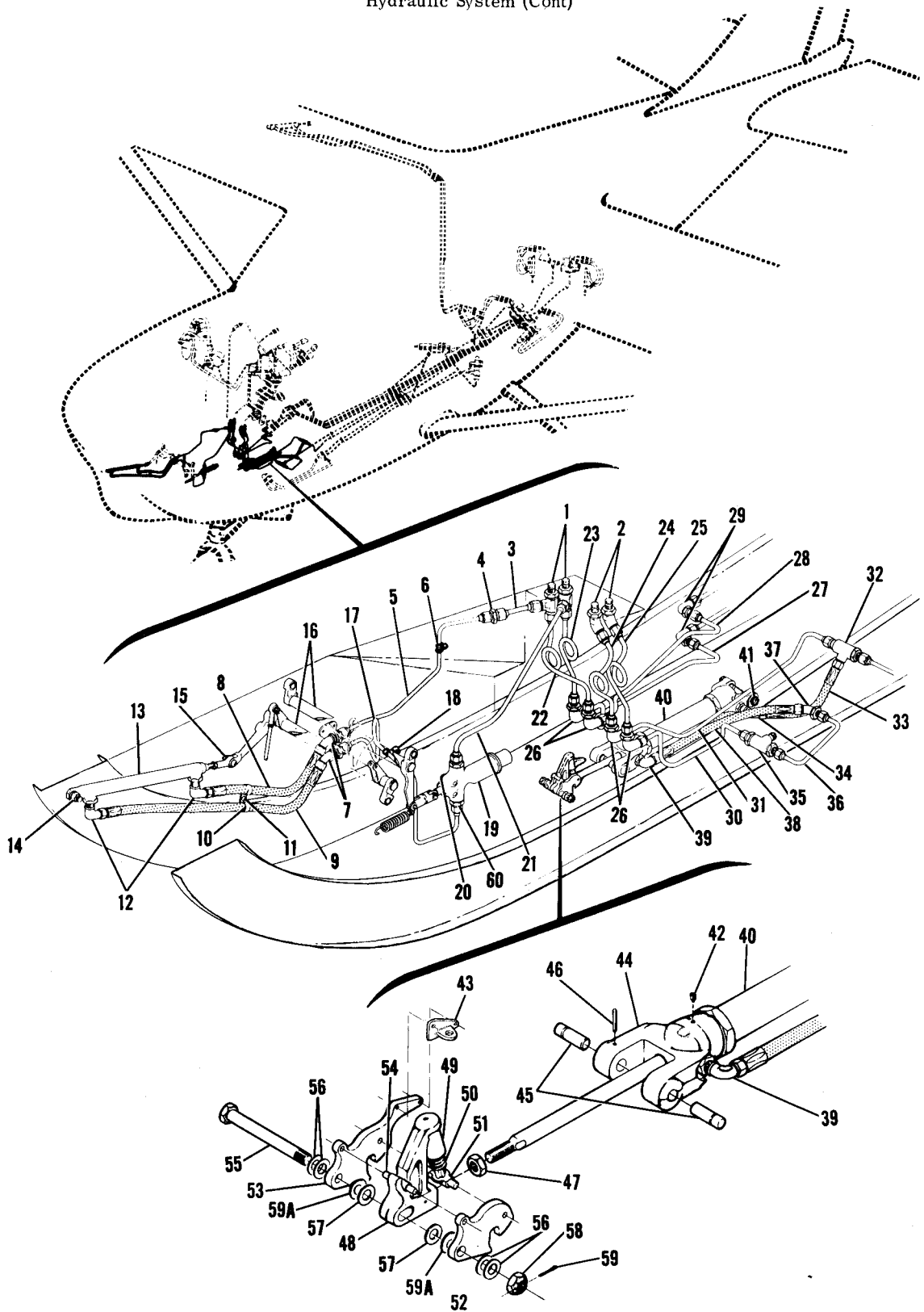


Figure 81. Nose Gear & Nose Gear Doors Hydraulic System Installation

FIGURE AND INDEX NO.	PART NUMBER	DESCRIPTION	UNITS PER ASSY	USABLE ON CODE
				1 2 3 4 5 6 7
81- 8	MS28741-3-0104	HOSE ASSEMBLY-NOSE GEAR DOOR CLOSE -----	1	
- 9	MS28741-3-0190	HOSE ASSEMBLY-NOSE GEAR DOOR OPEN -----	1	
		ATTACHING PARTS		
- 10	759A-E-7	CLAMP AP -----	1	
	759A-7	CLAMP AP -----	1	
- 11	AN515-8R-8	SCREW -----	1	
		-----*		
- 12	AN833-3D	ELBOW -----	2	
	AN6290-3	GASKET -----	2	
	AN924-3D	NUT -----	2	
- 13	1280107-1	ACTUATOR ASSY-NOSE GEAR DOOR SEE FIGURE 105 -----	1	
	100033-8	KIT-REPAIR FOR PART LISTED ABOVE -----	1	
		ATTACHING PARTS		
- 14	AN24-21	BOLT -----	1	
	AN960-416L	WASHER -----	1	
	AN320-4	NUT -----	1	
	AN380-2-3	PIN-COTTER -----	1	
- 15	AN23-13	BOLT -----	1	
	AN320-3	NUT -----	1	
	AN380-2-3	PIN-COTTER -----	1	
		-----*		
- 16		TORQUE TUBE INSTALLATION SEE FIGURE 38 -----	1	
- 17	1280106-3	LINE ASSEMBLY-NOSE GEAR DOOR OPEN -----	1	
		ATTACHING PARTS		
- 18	755-3-2-6	CLAMP AP -----	1	
	755-6-2-6	CLAMP AP -----	1	
	AN515-8R-8	SCREW -----	1	
		-----*		
- 19	1280109-2	LOCK CYLINDER-NOSE GEAR SEE FIGURE 103 -----	1	
	100033-6	KIT-REPAIR FOR PART LISTED ABOVE -----	1	
		ATTACHING PARTS		
- 20	AN4-17A	BOLT -----	2	
	AN960-416L	WASHER -----	2	
		-----*		
- 21	1280106-5	LINE ASSEMBLY-NOSE GEAR DOOR OPEN -----	1	
- 22	1280106-13	LINE ASSEMBLY-MAIN GEAR DOOR CLOSE -----	1	
- 23	1280106-11	LINE ASSEMBLY-MAIN GEAR DOOR OPEN -----	1	
- 24	1280106-9	LINE ASSEMBLY-NOSE GEAR UP -----	1	
- 25	1280106-7	LINE ASSEMBLY-NOSE GEAR DOWN -----	1	
- 26	AN833-4D	ELBOW -----	4	
	AN804D4	TEE -----	4	A
	AN929-4	CAP -----	4	B
	AN960PD716L	WASHER -----	8	B
	AN924-4D	NUT -----	4	
- 27	1280106-12	LINE ASSEMBLY-MAIN GEAR DOOR OPEN -----	1	
- 28	1280106-14	LINE ASSEMBLY-MAIN GEAR DOOR CLOSE -----	1	
- 29	AN833-4D	ELBOW -----	2	
	AN960PD716L	WASHER -----	4	
	AN924-4D	NUT -----	2	
- 30	1280106-8	LINE ASSEMBLY-NOSE GEAR DOWN -----	1	
- 31	1280106-10	LINE ASSEMBLY-NOSE GEAR UP -----	1	
- 32	AN783-D4	TEE -----	1	
	AN919-2D	REDUCER -----	1	
	AN6290-4	GASKET -----	1	
	AN960PD716L	WASHER -----	1	
	AN924-4D	NUT -----	1	
- 33	MS28741-3-0056	HOSE ASSEMBLY-NOSE GEAR UP -----	1	
- 34	AN837-3D	ELBOW -----	1	
	AN6290-3	GASKET -----	1	
	AN924-3D	NUT -----	1	
- 35	AN784-D4	TEE -----	1	
	AN919-2D	REDUCER -----	1	
	AN6290-4	GASKET -----	1	
	AN960PD716L	WASHER -----	1	
	AN924-4D	NUT -----	1	
- 36	1280106-15	LINE ASSEMBLY-NOSE GEAR DOWN -----	1	
- 37	AN837-3D	ELBOW -----	1	
	AN960PD716L	WASHER -----	2	
	AN924-3D	NUT -----	1	
- 38	MS28741-3-0106	HOSE ASSEMBLY-NOSE GEAR DOWN -----	1	
- 39	AN833-3D	ELBOW -----	1	
	AN6290-3	GASKET -----	1	
	AN924-3D	NUT -----	1	

CONTINUED ON PAGE 175

FIGURE AND INDEX NO.	PART NUMBER	DESCRIPTION	UNITS PER ASSY	USABLE ON CODE
		1 2 3 4 5 6 7		
81- 40	1280104-5 100033-7	ACTUATOR ASSEMBLY-NOSE GEAR SEE FIGURE 104 ----- KIT-REPAIR FOR PART LISTED ABOVE SEE FIGURE ----- 104 FOR BREAKDOWN ATTACHING PARTS	1 1	
- 41	NAS464P5L-43 AN960-516 AN320-5 AN380-2-4	BOLT ----- WASHER----- NUT ----- PIN-COTTER ----- -----*	1 2 1 1	
- 42	M75-FS-1024-5CR	SET SCREW-----FLN -----	1	
- 43	1280233-1	BRACKET-SWITCH-----	1	
- 44	1280104-6	BEARING END ASSEMBLY-NOSE GEAR ACTUATOR -----	1	
- 44	1280200-3	BEARING END-NOSE GEAR ACTUATOR -----	1	
- 45	1280209-1	PIN -----	1	
- 46	23-S-078-0750 □	ATTACHING PARTS ROLL PIN SEL LOK .078 DIA HOLE ----- -----*	2	
- 47	AN316-5R	NUT -----	1	
- 48	1280234-1	ROD END -----	1	
- 49	1280207-1	SHIELD-SPRING -----	1	
- 50	1280231-1	SPRING -----	1	
- 51	1280206-1	GUIDE-SPRING -----	1	
- 52	1280205-1	HOOK-NOSE GEAR ACTUATOR LOCKING -----	1	
- 53	1280205-2	HOOK-NOSE GEAR ACTUATOR LOCKING & SWITCH CARRIER-----	1	
- 54	1280210-1	CROSSBAR-NOSE GEAR ACTUATOR DOWN LOCK -----	1	
- 55	NAS464P6-42	BOLT-----	1	
- 56	AN960-616L	WASHER -----	4	
- 57	AN960-616	WASHER -----	2	
- 58	AN320-6	NUT -----	1	
- 59	AN380-3-4	PIN-COTTER -----	1	
-59A	1280032-1	WASHER-----.040 THICK-----	AR	C
	1280032-2	WASHER-----.050 THICK-----	AR	C
- 60	AN912-2D AN6290-4	REDUCER ----- GASKET-----	1 1	
<p>A---210 SERIAL 57001 THRU 57159 B---210 SERIAL 57160 & ON C---210 SERIAL 21057576 & ON</p> <p>□NOTE. SOME BEARING END ASSEMBLIES HAVE .062 DIA HOLES WHICH REQUIRE 23-S-062-0875 ROLL PINS</p>				

Hydraulic System (Cont)

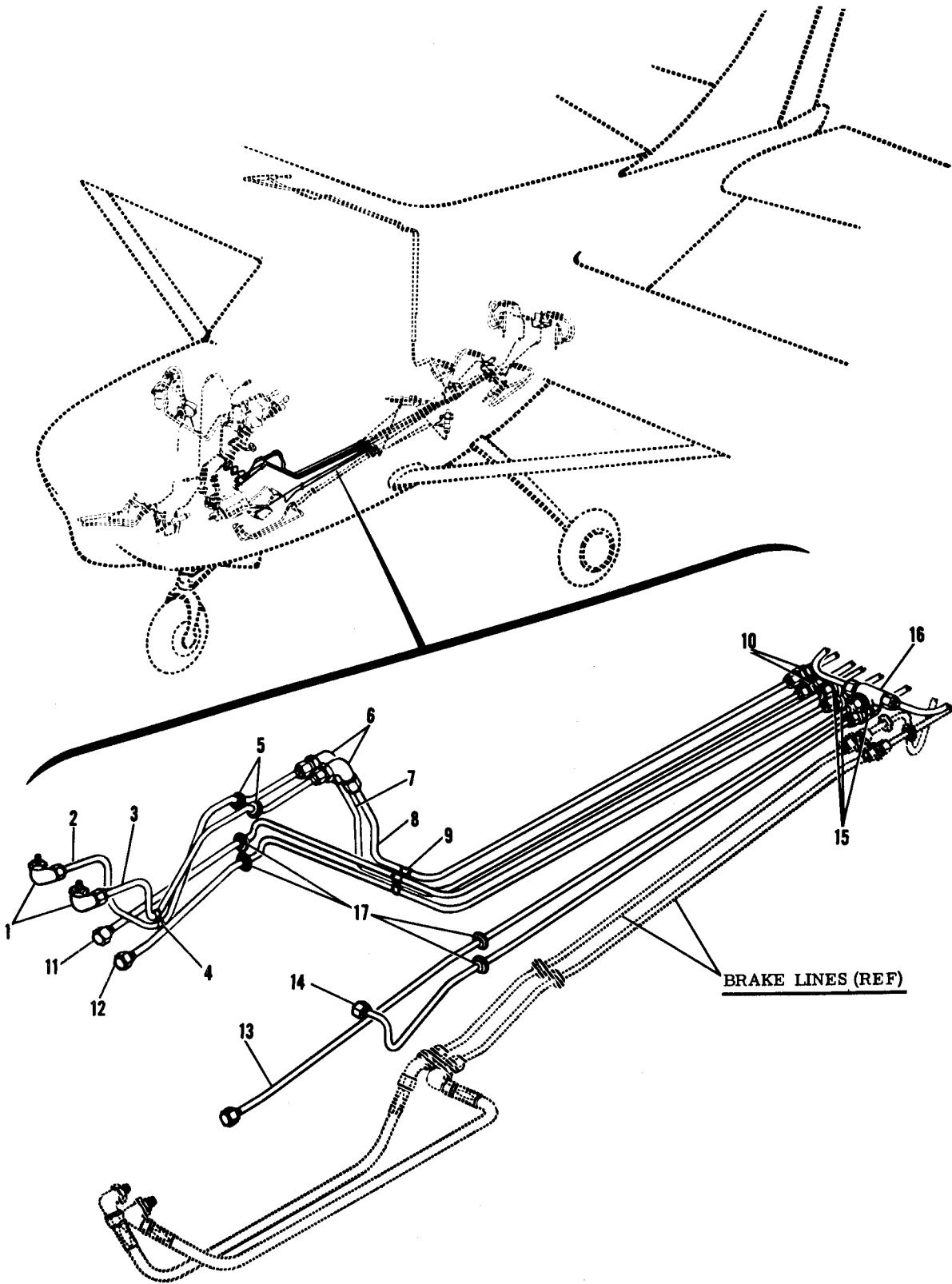


Figure 82. Hydraulic System Installation Sta. 8.125 to Sta.44.00

FIGURE AND INDEX NO.	PART NUMBER	DESCRIPTION	UNITS PER ASSY	USABLE ON CODE
82-		1 2 3 4 5 6 7		
		HYDRAULIC SYSTEM INSTALLATION-STA 8.125 TO STA 44.00-----	NP	
- 1	AN833-3D	ELBOW -----	2	
	AN960PD616L	WASHER-----	4	
	AN924-3D	NUT -----	2	
- 2	1280106-27	LINE ASSEMBLY-FLAP DOWN -----	1	
- 3	1280106-26	LINE ASSEMBLY-FLAP UP-----	1	
		ATTACHING PARTS		
- 4	755A-3-2-6	CLAMP AP -----	2	
	AN515-8R8	SCREW -----	1	
		-----*		
- 5	AN931-3S10	GROMMET -----	2	
- 6	AN837-3D	ELBOW -----	2	
	AN960PD616L	WASHER-----	4	
	AN924-3D	NUT -----	2	
- 7	1280106-29	LINE ASSEMBLY-FLAP DOWN -----	1	
- 8	1280106-28	LINE ASSEMBLY-FLAP UP-----	1	
		ATTACHING PARTS		
- 9	755A-3-2-6	CLAMP AP -----	2	
	755A-4-2-6	CLAMP AP -----	2	
	NAS43-DD-3-28	SPACER-----	1	
	AN515-8R16	SCREW -----	1	
		-----*		
- 10	AN832-3D	UNION -----	2	
	AN960PD616	WASHER-----	4	
	AN924-3D	NUT -----	2	
- 11	1280106-18	LINE ASSEMBLY-MAIN GEAR DOOR CLOSE -----	1	
- 12	1280106-19	LINE ASSEMBLY-MAIN GEAR DOOR OPEN -----	1	
- 13	1280106-16	LINE ASSEMBLY-MAIN GEAR DOWN -----	1	A
	1280106-80	LINE ASSEMBLY-MAIN GEAR DOWN -----	1	B
- 14	1280106-17	LINE ASSEMBLY-MAIN GEAR UP-----	1	A
	1280106-81	LINE ASSEMBLY-MAIN GEAR UP-----	1	B
- 15	AN832-4D	UNION -----	3	
	AN960PD716L	WASHER-----	3	
	AN924-4D	NUT -----	3	
- 16	3-3-4WJTX-D	REDUCING TEE PA -----	1	
	AN960PD716	WASHER-----	2	
	AN924-4D	NUT -----	1	
- 17	MS35489-7S	GROMMET -----	4	
		A---210 SERIAL 57001 THRU 57575		
		B---210 SERIAL 21057576 & ON		

Hydraulic System (Cont)

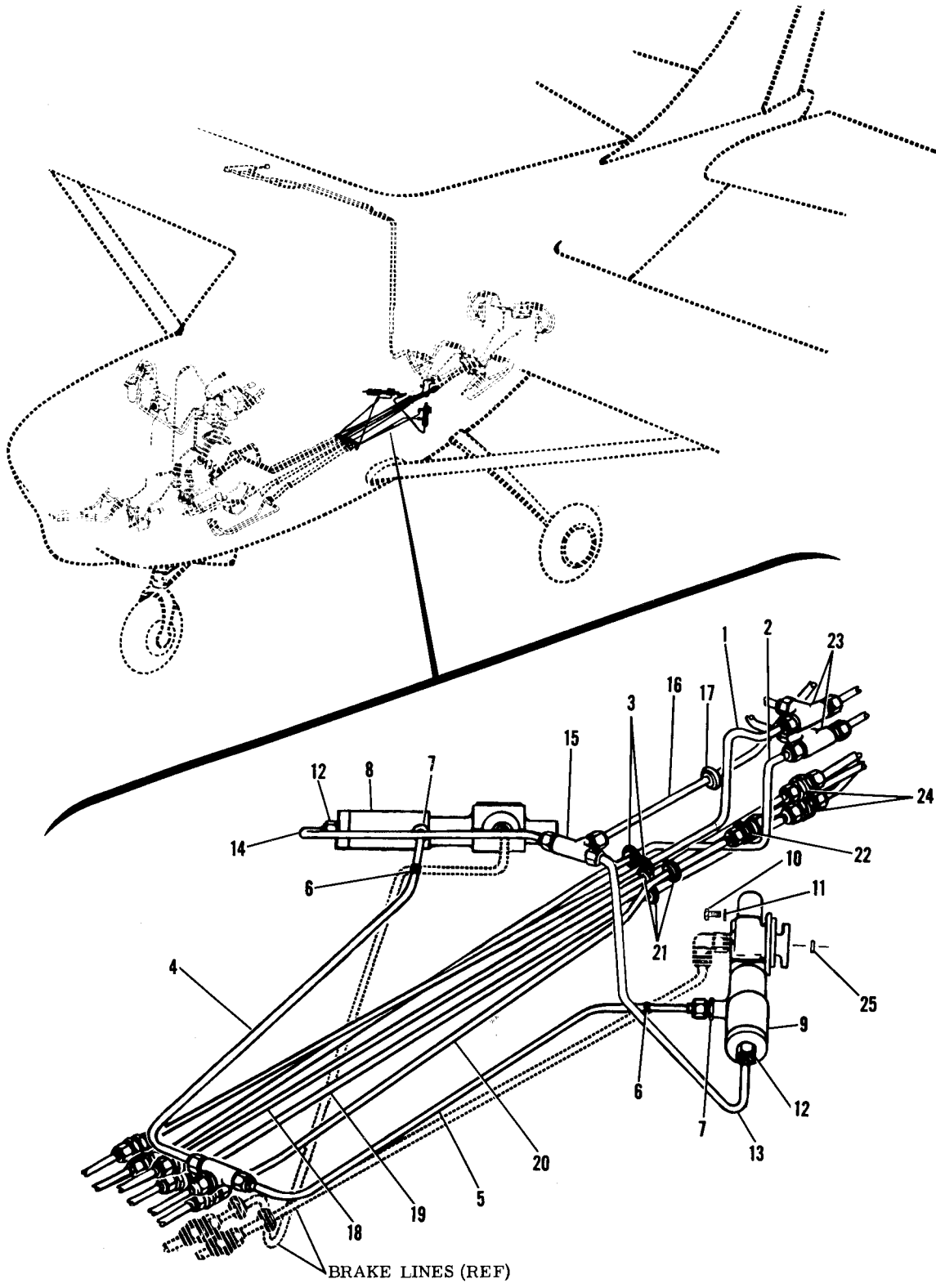


Figure 83. Hydraulic System Installation Sta. 44.00 to Sta. 68.33

FIGURE AND INDEX NO.	PART NUMBER	DESCRIPTION	UNITS PER ASSY	USABLE ON CODE
		1 2 3 4 5 6 7		
83-		HYDRAULIC SYSTEM INSTALLATION-STA 44.00 TO STA 68.33-----	NP	
- 1	1280106-36	LINE ASSEMBLY-FLAP UP-----	1	
- 2	1280106-35	LINE ASSEMBLY-FLAP DOWN -----	1	
- 3	AN931A3S10	GROMMET -----	2	
- 4	1280106-31	LINE ASSEMBLY-MAIN GEAR DOWN RH -----	1	A
	1280106-85	LINE ASSEMBLY-MAIN GEAR DOWN RH -----	1	B
- 5	1280106-30	LINE ASSEMBLY-MAIN GEAR DOWN LH -----	1	
- 6	755A-3-2-6	CLAMP AP -----	4	
	AN515-8R8	SCREW -----	2	
- 7	AN815-3D	UNION -----	2	
	AN629D-3	GASKET-----	2	
- 8	1280102-2	ACTUATOR ASSY-MAIN GEAR RH---- SEE FIGURE 101-----	1	
- 9	1280102-1	ACTUATOR ASSY-MAIN GEAR LH---- SEE FIGURE 101-----	1	
	100033-3	KIT-REPAIR FOR BOTH PARTS LISTED ABOVE SEE-----	1	
		FIGURE 101 FOR BREAKDOWN		
		ATTACHING PARTS		
- 10	AN4H7A	BOLT -----	4	
- 11	AN960PD416L	WASHER-----	4	
		---*---		
- 12	AN815-3D	UNION -----	2	
	AN6290-3	GASKET-----	2	
- 13	1280106-37	LINE ASSEMBLY-MAIN GEAR UP LH -----	1	
- 14	1280106-38	LINE ASSEMBLY-MAIN GEAR UP RH -----	1	
- 15	3-3-4WJTX-D	TEE-REDUCER-----PA -----	1	
- 16	1280106-40	LINE ASSEMBLY-LOCK CYLINDER -----	1	
- 17	AN931A4S12	GROMMET -----	1	
- 18	1280106-34	LINE ASSEMBLY-MAIN GEAR DOOR CLOSE -----	1	A
	1280106-88	LINE ASSEMBLY-MAIN GEAR DOOR CLOSE -----	1	B
- 19	1280106-33	LINE ASSEMBLY-MAIN GEAR DOOR OPEN -----	1	
- 20	1280106-32	LINE ASSEMBLY-MAIN GEAR UP-----	1	A
- 20	1280106-86	LINE ASSEMBLY-MAIN GEAR UP-----	1	B
- 21	AN931A4S12	GROMMET -----	3	
- 22	AN815-4D	UNION -----	1	
- 23	AN804D3	TEE -----	2	
	AN960PD616L	WASHER-----	4	
	AN924-3D	NUT -----	2	
- 24	AN832-4D	UNION -----	2	
	AN960PD716L	WASHER-----	2	
	AN924-4D	NUT -----	2	
- 25	AN6227B12	O RING-----	2	
		A---210 SERIAL 57001 THRU 57575		
		B---210 SERIAL 21057576 & ON		



FIGURE AND INDEX NO.	PART NUMBER	DESCRIPTION	UNITS PER ASSY	USABLE ON CODE
		1 2 3 4 5 6 7		
84-		HYDRAULIC SYSTEM INSTALLATION-STA. 68.33 TO STA. 98.00 -----	NP	
- 1	AN804D3	TEE -----	2	
	AN960PD616L	WASHER-----	4	
	AN924-3D	NUT -----	2	
- 2	1280106-43	LINE ASSEMBLY-FLAP UP RH -----	1	
- 3	1280106-44	LINE ASSEMBLY-FLAP DOWN RH-----	1	
- 4	1280106-41	LINE ASSEMBLY-FLAP UP LH -----	1	
- 5	1280106-42	LINE ASSEMBLY-FLAP DOWN LH-----	1	
- 6	AN931-3S10	GROMMET -----	4	
- 7	AN919-0D	REDUCER -----	4	
- 8	MS35489-2S	GROMMET -----	4	
- 9		DELETED-REPLACED BY ITEM-10 -----		
- 10	1280106-51	LINE ASSEMBLY-FLAP UP LH & FLAP DOWN LH -----	2	
- 11		DELETED-REPLACED BY ITEM-12 -----		
- 12	1280106-52	LINE ASSEMBLY-FLAP UP RH & FLAP DOWN RH -----	2	
		ATTACHING PARTS		
- 13	444A-2-2-6	CLAMP AP -----	2	
	AN525-832-R7	SCREW -----	2	
- 14	755AE-2-2-6	CLAMP AP -----	8	
	755A-2-2-6	CLAMP AP -----	8	
	NAS43-3-15	SPACER-----	8	
	AN525-832R10	SCREW -----	8	
		-----*		
- 15	MS35489-2S	GROMMET -----	4	
- 16	AN832-2D	UNION -----	4	
	AN924-20	NUT -----	4	
	AN960-516	WASHER-----	8	
- 17	1280106-48	LINE ASSEMBLY-FLAP UP RH -----	1	
	1280106-47	LINE ASSEMBLY-FLAP UP LH -----	1	
- 18	1280106-46	LINE ASSEMBLY-FLAP DOWN RH-----	1	
	1280106-45	LINE ASSEMBLY-FLAP DOWN LH-----	1	
		ATTACHING PARTS		
- 19	755A-2-2-6	CLAMP AP -----	8	
	AN515-8R8	SCREW -----	4	
		-----*		
- 20	AN832-3D	UNION -----	2	
	AN894D3-2	BUSHING -----	2	
	AN6290-3	GASKET-----	2	
	AN960-616L	WASHER-----	4	
	AN924-3D	NUT -----	2	
- 21	MS28741-3-0104	HOSE ASSEMBLY-FLAP UP-----	2	
	MS35489-13	GROMMET -----	2	
- 22	AN815-3D	UNION -----	2	
	AN6290-3	GASKET-----	2	
- 23	AN832-3D	FITTING-BULKHEAD-----	1	
	AN894D3-2	BUSHING -----	1	
	AN6290-3	GASKET-----	1	
	AN960-616	WASHER-----	2	
	AN924-3D	NUT -----	1	
- 24	MS28741-3-0104	HOSE ASSEMBLY-FLAP DOWN -----	2	
- 25	AN833-3D	ELBOW -----	2	
	AN6290-3	GASKET-----	2	
	AN924-3D	NUT -----	2	
- 26	1280116-1	ACTUATOR-FLAP SEE FIGURE 108 -----	2	
	100033-9	KIT-REPAIR FOR PART LISTED ABOVE -----	1	
		ATTACHING PARTS		
- 27	MS20392-2-13	PIN -----	1	
	AN960-10L	WASHER-----	2	
	AN380-2-2	PIN-COTTER -----	1	
		-----*		
- 28	1280106-39	LINE ASSEMBLY-MAIN GEAR UP LH -----	1	
- 29	1280109-2	CYLINDER-LOCK MAIN GEAR DOWN SEE FIGURE 103 -----	1	
	100033-6	KIT-REPAIR FOR PART LISTED ABOVE SEE FIGURE 103-----	1	
		FOR BREAKDOWN		
		ATTACHING PARTS		
- 30	AN4-16A	BOLT -----	2	
	AN960-416L	WASHER-----	2	
		-----*		

CONTINUED ON PAGE 182

Hydraulic System (Cont)

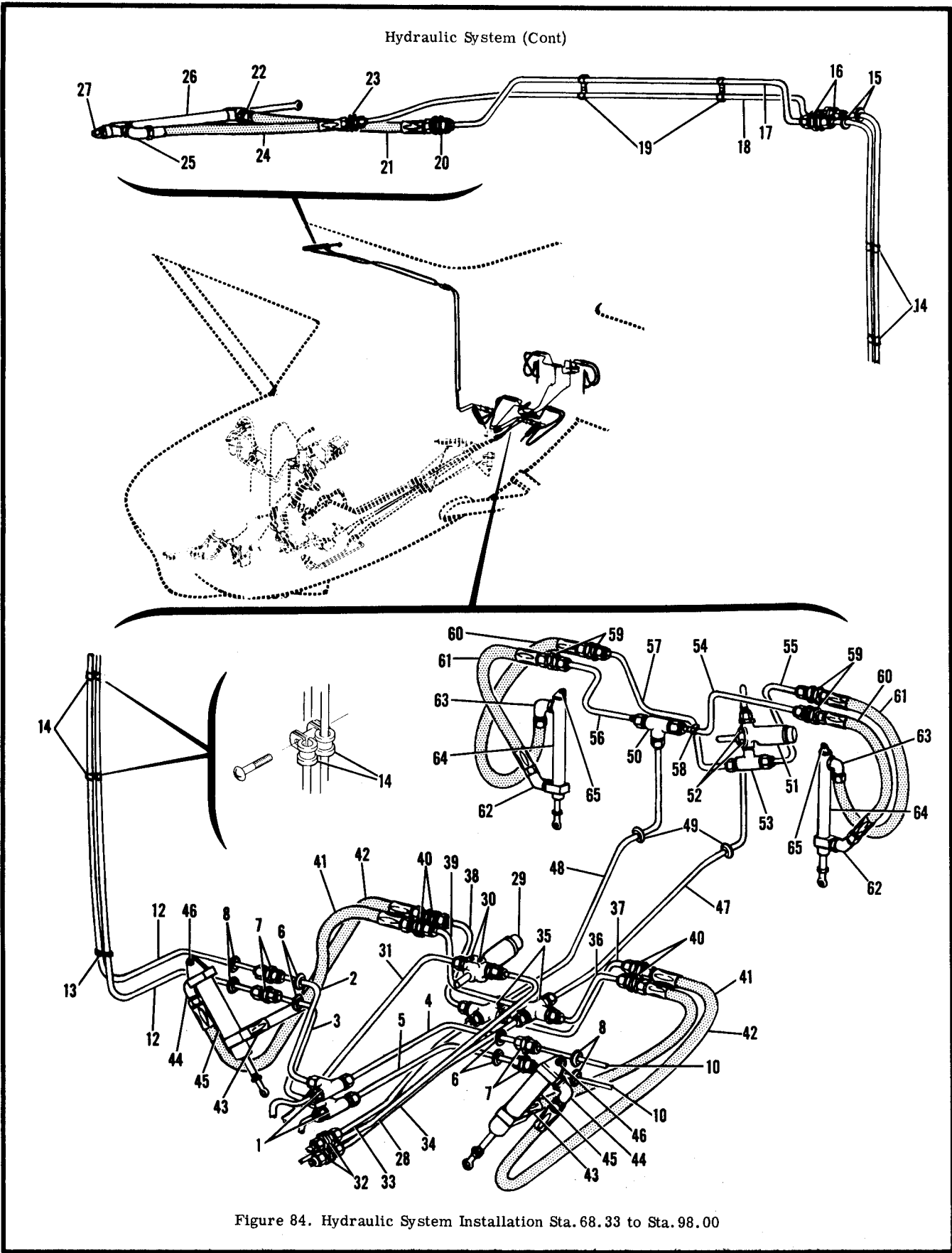
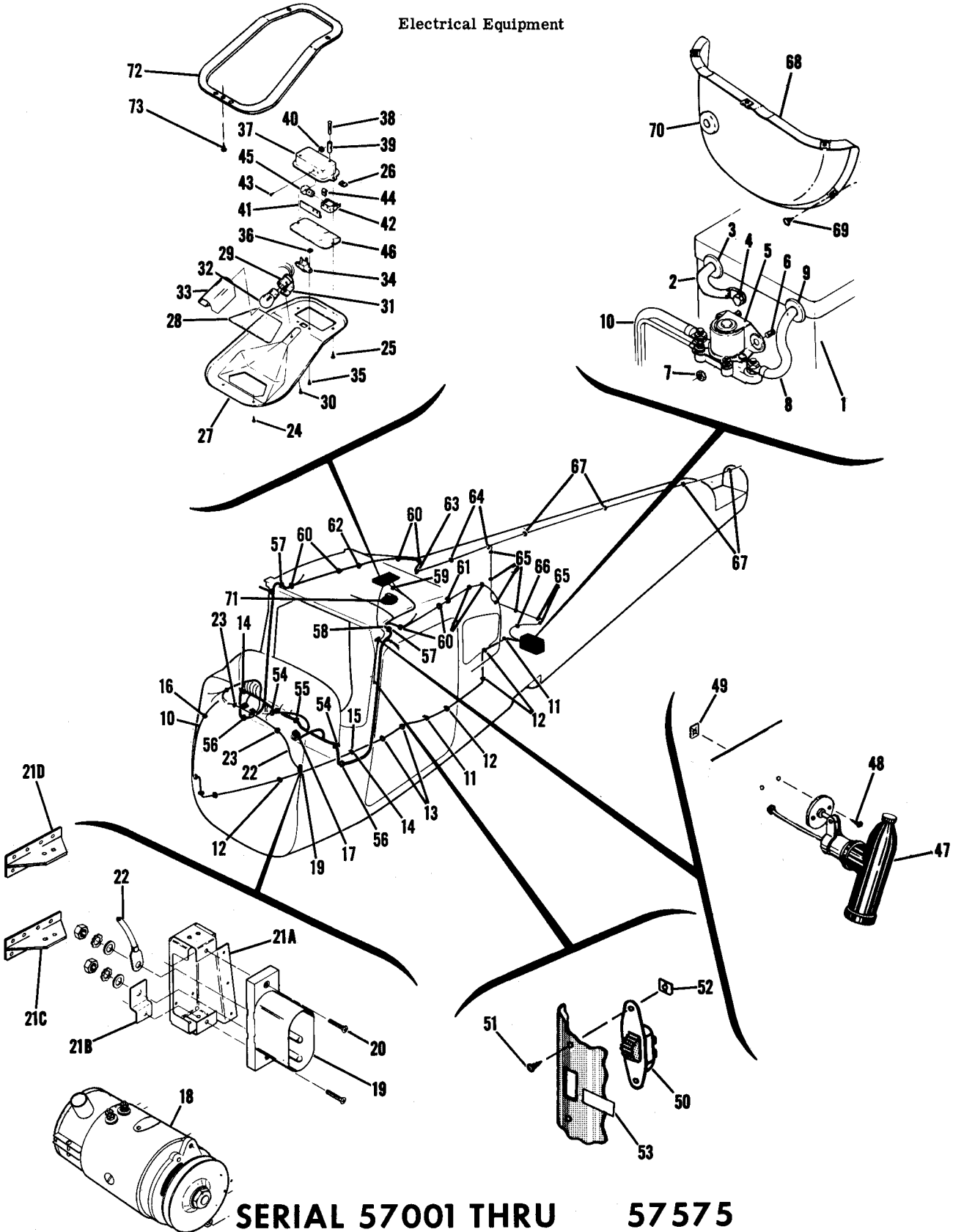


Figure 84. Hydraulic System Installation Sta. 68.33 to Sta. 98.00

FIGURE AND INDEX NO.	PART NUMBER	DESCRIPTION	UNITS PER ASSY	USABLE ON CODE
		1 2 3 4 5 6 7		
84- 31	1280106-40	LINE ASSEMBLY-MAIN GEAR UP RH -----	1	
- 32	AN832-4D	UNION -----	2	
	AN960PD716L	WASHER-----	2	
	AN924-4D	NUT -----	2	
- 33	1280106-53	LINE ASSEMBLY-MAIN GEAR DOOR CLOSE -----	1	
- 34	1280106-54	LINE ASSEMBLY-MAIN GEAR DOOR OPEN -----	1	
- 35	AN937D4	CROSS -----	2	
	AN832-4D	UNION -----	2	
	AN815-4D	UNION -----	2	
	AN919-2D	REDUCER -----	4	
	AN6290-4	GASKET-----	8	
	AN960PD716L	WASHER-----	2	
	AN924-4D	NUT -----	2	
- 36	1280106-62	LINE ASSEMBLY-MAIN GEAR STRUT DOOR CLOSE LH -----	1	
- 37	1280106-61	LINE ASSEMBLY-MAIN GEAR STRUT DOOR OPEN LH -----	1	
- 38	1280106-64	LINE ASSEMBLY-MAIN GEAR STRUT DOOR CLOSE RH -----	1	
- 39	1280106-63	LINE ASSEMBLY-MAIN GEAR STRUT DOOR OPEN RH -----	1	
- 40	AN832-3D	UNION -----	4	
	AN960PD616L	WASHER-----	4	
	AN924-3D	NUT -----	4	
- 41	MS28741-3-0114	HOSE ASSEMBLY-MAIN GEAR STRUT DOOR CLOSE-----	2	
- 42	MS28741-3-0130	HOSE ASSEMBLY-MAIN GEAR STRUT DOOR OPEN -----	2	
- 43	AN837-3D	ELBOW -----	2	
	AN6290-3	GASKET-----	2	
	AN924-3D	NUT -----	2	
- 44	AN833-3D	ELBOW -----	2	
	AN6290-3	GASKET-----	2	
	AN924-3D	NUT -----	2	
- 45	1280108-1	ACTUATOR ASSY-M.G. STRUT DOOR LH SEE FIG 107 -----	2	
	1280108-2	ACTUATOR ASSY-M.G. STRUT DOOR RH SEE FIG 107 -----	1	
	100033-5	KIT-REPAIR FOR BOTH PARTS LISTED ABOVE SEE -----	1	
		FIGURE 107 FOR BREAKDOWN		
		ATTACHING PARTS		
- 46	MS20392-3-15	PIN -----	1	
	AN960-416L	WASHER-----	1	
	AN380-2-2	PIN-COTTER -----	1	
		-----*		
- 47	1280106-59	LINE ASSEMBLY-MAIN GEAR WHEEL DOOR OPEN -----	1	
- 48	1280106-60	LINE ASSEMBLY-MAIN GEAR WHEEL DOOR CLOSE-----	1	
- 49	MS35489-7S	GROMMET -----	2	
- 50	3-3-4WJTX-D	TEE-REDUCER-----PA -----	1	
- 51	1280109-2	CYLINDER-LOCK MAIN GEAR & DOORS UPLOCK SEE FIGURE 103 -----	1	
	100033-6	KIT-REPAIR FOR PART LISTED ABOVE -----	1	
		ATTACHING PARTS		
- 52	AN4-17A	BOLT -----	2	
	AN960-416L	WASHER-----	2	
		-----*		
- 53	3-3-4WJTX	TEE-REDUCER-----PA -----	1	
	AN6290-4	GASKET-----	1	
	AN924-4D	NUT -----	1	
- 54	1280106-65	LINE ASSEMBLY-MAIN GEAR WHEEL DOOR CLOSE LH -----	1	
- 55	1280106-67	LINE ASSEMBLY-MAIN GEAR WHEEL DOOR OPEN LH -----	1	
- 56	1280106-66	LINE ASSEMBLY-MAIN GEAR WHEEL DOOR CLOSE RH -----	1	
- 57	1280106-68	LINE ASSEMBLY-MAIN GEAR WHEEL DOOR OPEN RH -----	1	
- 58	755A-3-2-6	CLAMP AP -----	2	
	AN515-8R8	SCREW -----	1	
- 59	AN832-3D	UNION -----	4	
	AN960PD616L	WASHER-----	4	
	AN924-3D	NUT -----	4	
- 60	MS28741-3-0144	HOSE ASSEMBLY-MAIN GEAR DOOR WHEEL CLOSE-----	2	
- 61	MS28741-3-0140	HOSE ASSEMBLY-MAIN GEAR DOOR WHEEL OPEN -----	2	
- 62	AN837-3D	ELBOW -----	2	
	AN6290-3	GASKET-----	2	
	AN924-3D	NUT -----	2	
- 63	AN833-3D	ELBOW -----	2	
	AN6290-3	GASKET-----	2	
	AN924-3D	NUT -----	2	
- 64	1280105-1	ACTUATOR ASSY-MAIN GEAR WHEEL DOOR SEE FIGURE 106 -----	2	
	100033-4	KIT-REPAIR FOR PART LISTED ABOVE -----	1	
		ATTACHING PARTS		
- 65	AN23-15	BOLT -----	1	
	AN960-10	WASHER-----	2	
	AN320-3	NUT -----	1	
	AN380-2-3	PIN-COTTER -----	1	
		-----*		

This page intentionally left blank.

Electrical Equipment



SERIAL 57001 THRU 57575

Figure 85. Fuselage Electrical Equipment Installation

FIGURE AND INDEX NO.	PART NUMBER	DESCRIPTION	UNITS PER ASSY	USABLE ON CODE
		1 2 3 4 5 6 7		
85-		EQUIPMENT INSTALLATION-ELECTRICAL -----	NP	A
- 1	0712604-1	BATTERY-AIRCRAFT -----	1	
	0712605-1	BATTERY-AIRCRAFT -----	1	
- 2	1200020-F-PA1	CABLE-BATTERY GROUND -----	1	
		ATTACHING PARTS		
- 3	MS35489-119	GROMMET -----	1	
- 4	AN4-4A	BOLT -----	1	
	AN960-416	WASHER -----	1	
		-----*		
- 5	0712603-1	CONTACTOR ASSEMBLY-MASTER SOLENOID -----	1	
		ATTACHING PARTS		
- 6	AN3-3A	BOLT -----	2	
- 7	MS20365-1032C	NUT -----	2	
		-----*		
- 8	1200020-F-PA2	CABLE-BATTERY TO SOLENOID -----	1	
		ATTACHING PARTS		
- 9	MS35489-119	GROMMET -----	1	
		-----*		
- 10	1200020-F-PA3	CABLE-BATTERY SOLENOID TO STARTER SOLENOID -----	1	
		ATTACHING PARTS		
- 11	A3047A-7-29	CLAMP TINN -----	2	
	S-1021Z-8-8	SCREW CESSNA STANDARD -----	2	
- 12	MS35489-14	GROMMET -----	6	
- 13	AN931A-8-13	GROMMET -----	2	
- 14	49165-21	BAND-HARNES -----	1	
- 15	S-1021Z-6-6	SCREW CESSNA STANDARD -----	1	
- 16	A2981-A-14-27	CLAMP TINN -----	1	
	S-1021Z-10-8	SCREW CESSNA STANDARD -----	1	
		-----*		
- 17	0413205-10	REGULATOR-VOLTAGE 35 AMP -----	1	
	0413205-11	REGULATOR-VOLTAGE 50 AMP -----	1	
- 18	0750140-5	GENERATOR-50 AMP -----	1	
- 19	AN2552-3A	RECEPTACLE-GROUND SERVICE PLUG -----	1	
		ATTACHING PARTS		
- 20	AN510-1032R14	SCREW -----	2	
- 21		DELETED-NEVER USED -----		
		-----*		
-21A	1200061-1	BRACKET-GROUND SERVICE PLUG RECEPTACLE -----	1	
-21B	0312155-10	GROUND STRAP -----	1	
-21C	1200062-1	SUPPORT-GROUND SERVICE PLUG LOWER -----	1	
-21D	1200062-2	SUPPORT-GROUND SERVICE PLUG UPPER -----	1	
- 22	1200020-F-PC1	CABLE-GROUND SERVICE PLUG TO STARTER -----	1	
		ATTACHING PARTS		
- 23	A3047A-7-92	CLAMP TINN -----	4	
	S-1021Z-8-8	SCREW CESSNA STANDARD -----	4	
		-----*		
	0710103-10	LIGHT ASSEMBLY-INSTRUMENT PANEL FLOOD -----	1	
		ATTACHING PARTS		
- 24	S-1021Z-6-6C	SCREW CESSNA STANDARD -----	2	
- 25	S-1021Z-4-6C	SCREW CESSNA STANDARD -----	2	
- 26	NAS395-1-3	NUT -----	2	
		-----*		
- 27	0710103-11	COVER PLATE -----	1	
- 28	0710103-2	LENS -----	1	
- 29	0513208-1	SOCKET -----	1	
		ATTACHING PARTS		
- 30	S-1021Z-6-6	SCREW CESSNA STANDARD -----	1	
- 31	NAS446-2-3	NUT TIN A1181-6Z-3 -----	1	
		-----*		
- 32	94	BULB-GE -----	1	
- 33	1200117-1	SHIELD -----	1	
- 34	0713029	SWITCH -----	1	
		ATTACHING PARTS		
- 35	S-1021Z-6-6	SCREW CESSNA STANDARD -----	2	
- 36	NAS446-2-3	NUT TIN A1181-6Z-3 -----	2	
		-----*		
- 37	0413142-5	LIGHT ASSEMBLY-DOME -----	1	
	0413140-5	REFLECTOR -----	1	
		ATTACHING PARTS		
- 38	MS20470AD4	RIVET -----	2	
- 39	NAS42-4-48	SPACER -----	2	
		-----*		
		CONTINUED ON PAGE 186		

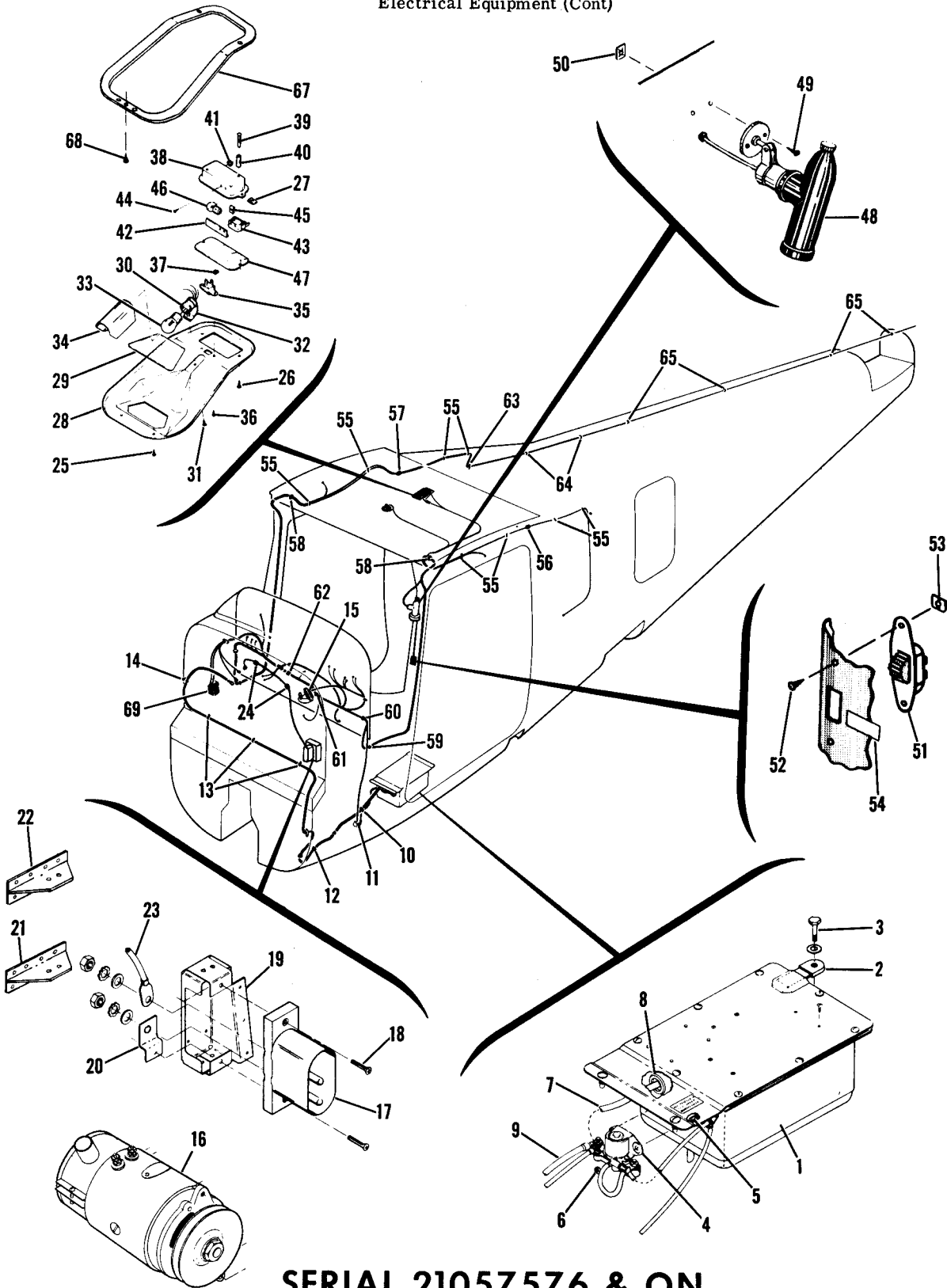
FIGURE AND INDEX NO.	PART NUMBER	DESCRIPTION	UNITS PER ASSY	USABLE ON CODE
85- 40	MS35489-4	GROMMET -----	1	
- 41	0413140-2	RETAINER -----	1	
- 42	0413138	SOCKET -----	1	
		ATTACHING PARTS		
- 43	S-1021Z-4-4	SCREW CESSNA STANDARD -----	2	
- 44	NAS395-1-3	NUT TIN A6178-4Z-3 -----	2	
		-----*		
- 45	1816	BULB-----GE -----	1	
- 46	0413141	LENS-----	1	
- 47	0713017-22	SPOTLIGHT ASSEMBLY-MAP -----	1	
		ATTACHING PARTS		
- 48	S-1021Z-6-6	SCREW CESSNA STANDARD -----	2	
- 49	NAS446-2-3	NUT -----	2	
		-----*		
	0713017-9	BULB-----MAZD 89 6CP -----	1	
- 50	0713029	SWITCH-MAP SPOTLIGHT -----	1	
		ATTACHING PARTS		
- 51	S-1021Z-4-6	SCREW CESSNA STANDARD -----	2	
- 52	NAS446-1-3	NUT TIN A1776-4Z-3 -----	2	
		-----*		
- 53	0713210-4	PLACARD-MAP LIGHT -----	1	
- 54	49166-22	BAND-HARNESS UC -----	3	
	S-1021Z-6-6	SCREW CESSNA STANDARD -----	3	
- 55	MS21919DG10	CLAMP -----	1	
	AN509-8R8	SCREW -----	1	
	MS20365-832C	NUT -----	1	
- 56	MS35489-16	GROMMET -----	2	
- 57	MS35489-118	GROMMET -----	2	
- 58	49164-21	BAND-HARNESS UC -----	1	
	S-1021Z-6-6	SCREW CESSNA STANDARD -----	1	
- 59	S-341-2	DISCONNECT CESSNA STANDARD -----	1	
	S-292-5-003	SLEEVING CESSNA STANDARD -----	1	
- 60	A3493-01Z-1	CLIP TIN -----	8	
- 61	2	CLAMP HLB1 -----	1	
	S-1021Z-8-8	SCREW CESSNA STANDARD -----	1	
	NAS446-4-3	NUT -----	1	
- 62	3	CLAMP HLB1 -----	1	
	S-1021Z-8-8	SCREW CESSNA STANDARD -----	1	
	NAS446-4-3	NUT 85 -----	1	
- 63	1270015-1	STRAP ASSEMBLY -----	1	
	S-1021Z-6-6	SCREW CESSNA STANDARD -----	2	
	NAS446-2-3	NUT -----	2	
- 64	MS35489-6	GROMMET -----	2	
- 65	A3493-012-1	CLIP TIN -----	6	
- 66	MS21919DG2	CLAMP -----	1	
	S-1021Z-8-8	SCREW CESSNA STANDARD -----	1	
	NAS395-17-3	NUT TIN A1348-8Z-3 -----	1	
- 67	MS35489-4	GROMMET -----	4	
- 68	1211111-1	COVER ASSEMBLY-SOLENOID -----	1	
		ATTACHING PARTS		
- 69	S-1021Z-8-7	SCREW -----	6	
		-----*		
- 70	MS35489-14	GROMMET -----	1	
- 71	1270035-1	SPEAKER ASSEMBLY-STALL & GEAR WARNING -----	1	
		ATTACHING PARTS		
	AN515-8R6	SCREW -----	2	
	S-350	WASHER-----CESSNA STANDARD-----	2	
		-----*		
- 72	1200130-1	PLATE-HEADLINER RETAINER -----	1	
- 73	S-1021Z-6-6	SCREW CESSNA STANDARD -----	1	

A---210 SERIAL 57001 THRU 57575

NOTE. FOR ACCESSORY KIT LISTINGS REFER TO PAGE 262

This page intentionally left blank.

Electrical Equipment (Cont)



SERIAL 21057576 & ON

Figure 85A. Fuselage Electrical Equipment Installation

FIGURE AND INDEX NO.	PART NUMBER	DESCRIPTION	UNITS PER ASSY	USABLE ON CODE
		1 2 3 4 5 6 7		
85A-		EQUIPMENT INSTALLATION-ELECTRICAL -----	NP	A
- 1	0712606-1	BATTERY-AIRCRAFT-----	1	
- 2	0412007-7	CABLE-BATTERY GROUND ATTACHING PARTS -----	1	
- 3	AN4-4A AN960-416L	BOLT ----- SERIAL 21057576 & ON WASHER-----	1 1	
- 4	0712603-1	CONTACTOR ASSEMBLY-MASTER SOLENOID ----- ATTACHING PARTS -----	1	
- 5	AN3-3A	BOLT -----	2	
- 6	MS20365-1032C	NUT -----	2	
- 7	1200020-F-PA9	CABLE-BATTERY TO SOLENOID ----- ATTACHING PARTS -----	1	
- 8	MS35489-15S	GROMMET -----	1	
- 9	1200020-F-PA10	CABLE-BATTERY SOLENOID TO STARTER SOLENOID ----- ATTACHING PARTS -----	1	
- 10	MS35489-16	GROMMET -----	1	
- 11	MS35489-9S	GROMMET -----	1	
- 12	49165-21 S-1021Z-6-6	BAND-HARNES UC ----- SCREW CESSNA STANDARD -----	2 2	
- 13	A3047A-7-92 S-1021Z-8-8	CLAMP TIN ----- SCREW CESSNA STANDARD -----	3 3	
- 14	A2981A-14-27 MS21919DG-67 S-1021Z-10-8	CLAMP TIN ----- CLAMP ----- SCREW CESSNA STANDARD -----	1 1 1	
- 15	0413205-10	REGULATOR-VOLTAGE 35 AMP -----	1	
- 16	0413205-11	REGULATOR-VOLTAGE 50 AMP -----	1	
- 17	0750140-5	GENERATOR-50 AMP-----		
- 17	AN2552-3A	RECEPTACLE-GROUND SERVICE PLUG----- ATTACHING PARTS -----	1	
- 18	AN510-1032R14	SCREW -----	2	
- 19	1200061-2	BRACKET-GROUND SERVICE PLUG RECEPTACLE -----	1	
- 20	0312155-10	GROUND STRAP -----	1	
- 21	1200062-1	SUPPORT-GROUND SERVICE PLUG LOWER -----	1	
- 22	1200062-2	SUPPORT-GROUND SERVICE PLUG UPPER -----	1	
- 23	1200020-F-PC1	CABLE-GROUND SERVICE PLUG TO STARTER ----- ATTACHING PARTS -----	1	
- 24	A3047A-7-92 S-1021Z-8-8	CLAMP TIN ----- SCREW CESSNA STANDARD -----	2 2	
	0710103-10	LIGHT ASSEMBLY-INSTRUMENT PANEL FLOOD ----- ATTACHING PARTS -----	1	
- 25	S-1021Z-6-6C	SCREW CESSNA STANDARD -----	2	
- 26	S-1021Z-4-6C	SCREW CESSNA STANDARD -----	2	
- 27	NAS395-1-3	NUT -----	2	
- 28	0710103-11	COVER PLATE -----	1	
- 29	0710103-2	LENS-----	1	
- 30	0513208-1	SOCKET ----- ATTACHING PARTS -----	1	
- 31	S-1021Z-6-6	SCREW CESSNA STANDARD -----	1	
- 32	NAS446-2-3	NUT -----	1	
- 33	94	BULB-----GE -----	1	
- 34	1200117-1	SHIELD -----	1	
- 35	0713029	SWITCH ----- ATTACHING PARTS -----	1	
- 36	S-1021Z-6-6	SCREW CESSNA STANDARD -----	2	
- 37	NAS446-2-3	NUT -----	2	
- 38	0413142-5 0413140-5	LIGHT ASSEMBLY-DOME ----- REFLECTOR----- ATTACHING PARTS -----	1 1	
- 39	MS20470AD4	RIVET -----	2	
- 40	NAS42-4-48	SPACER -----	2	

CONTINUED ON PAGE 186D

FIGURE AND INDEX NO.	PART NUMBER	DESCRIPTION	UNITS PER ASSY	USABLE ON CODE
85A- 41	MS35489-4	GROMMET -----	1	
- 42	0413140-2	RETAINER -----	1	
- 43	0413138	SOCKET -----	1	
		ATTACHING PARTS		
- 44	S-1021Z-4-4	SCREW CESSNA STANDARD -----	2	
- 45	NAS395-1-3	NUT -----	2	
		-----*		
- 46	1816	BULB-----GE -----	1	
- 47	0413141-1	LENS -----	1	
- 48	0713017-22	SPOTLIGHT ASSEMBLY-MAP -----	1	
		ATTACHING PARTS		
- 49	S-1021Z-6-6	SCREW CESSNA STANDARD -----	2	
- 50	NAS446-2-3	NUT -----	2	
		-----*		
	0713017-9	BULB-----MAZD 89 6CP -----	1	
- 51	0713029	SWITCH-MAP SPOTLIGHT -----	1	
		ATTACHING PARTS		
- 52	S-1021Z-4-6	SCREW CESSNA STANDARD -----	2	
- 53	NAS446-1-3	NUT -----	2	
		-----*		
- 54	0713210-4	PLACARD-MAP LIGHT -----	1	
- 55	A3493-012-1	CLAMP TIN -----	8	
- 56	NO. 2	PLASTIC CLAMP HLBI -----	1	
		ATTACHING PARTS		
	S-1021Z-8-8	SCREW CESSNA STANDARD -----	2	
	NAS-446-4-3	NUT -----	2	
		-----*		
- 57	NO. 3	PLASTIC CLAMP HLBI -----	1	
		ATTACHING PARTS		
	S-1021Z-8-8	SCREW CESSNA STANDARD -----	2	
	NAS446-4-3	NUT -----	2	
		-----*		
- 58	MS35489-118	GROMMET -----	2	
- 59	MS35489-16	GROMMET -----	2	
- 60	49166-21	BAND-HARNESS UC -----	1	
		ATTACHING PARTS		
	S-1021Z-6-6	SCREW CESSNA STANDARD -----	1	
		-----*		
- 61	MS21919DG10	CLAMP -----	1	
		ATTACHING PARTS		
	AN509-8R8	SCREW -----	1	
	MS20365-832C	NUT -----	1	
		-----*		
- 62	49166-21	BAND-HARNESS UC -----	2	
		ATTACHING PARTS		
	S-1021Z-6-6	SCREW CESSNA STANDARD -----	1	
		-----*		
- 63	1270015-1	STRAP ASSEMBLY -----	1	
		ATTACHING PARTS		
	S-1021Z-6-6	SCREW CESSNA STANDARD -----	2	
	NAS446-2-3	NUT -----	2	
		-----*		
- 64	MS35489-6	GROMMET -----	2	
- 65	MS35489-4	GROMMET -----	4	
- 66	1270035-1	SPEAKER ASSEMBLY-STALL & GEAR WARNING -----	1	
		ATTACHING PARTS		
	AN515-8R6	SCREW -----	2	
	S-350	WASHER-----CESSNA STANDARD-----	2	
	AN960-6	WASHER-----	2	
		-----*		
- 67	1200130-1	PLATE-HEADLINER RETAINER -----	1	
- 68	S-1021Z-6-6	SCREW CESSNA STANDARD -----	1	
- 69	0713130-1	VIBRATOR-STARTING -----	1	
		ATTACHING PARTS		
	AN3-6A	BOLT -----	2	
		-----*		
		A---210 SERIAL 21057576 & ON		

Electrical Equipment (Cont)

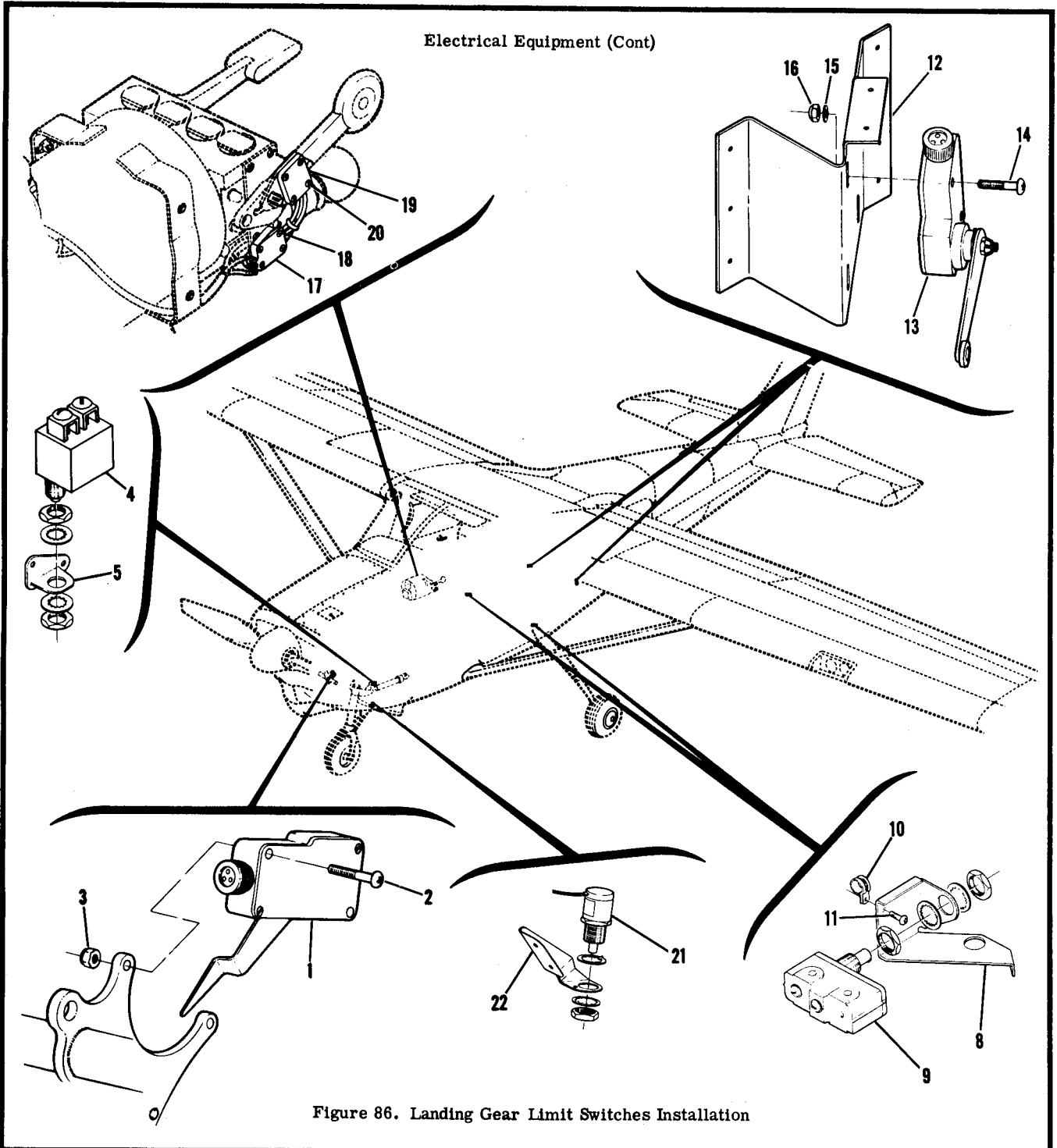


Figure 86. Landing Gear Limit Switches Installation

FIGURE AND INDEX NO.	PART NUMBER	DESCRIPTION	UNITS PER ASSY	USABLE ON CODE
		1 2 3 4 5 6 7		
86-		LIMIT SWITCH INSTALLATION-LANDING GEAR	NP	
- 1	IVA49	SWITCH-GEAR UP MCS	1	
- 2	NAS220-19	ATTACHING PARTS SCREW	2	
CONTINUED ON PAGE 188				

FIGURE AND INDEX NO.	PART NUMBER	DESCRIPTION	UNITS PER ASSY	USABLE ON CODE
86- 3	MS20365-832C	NUT -----	2	
- 4	120330-1	SWITCH-GEAR DOWN-----	1	
- 5	1280233-1	BRACKET-GEAR DOWN SWITCH -----	1	
- 6		DELETED-NEVER USED -----		
- 7		DELETED-NEVER USED -----		
- 8	1241057-1	BRACKET-SWITCH LH -----	1	
	1241057-2	BRACKET-SWITCH RH -----	1	
- 9	10-3222	SWITCH-----	2	
- 10	754AE-2-6	CLAMP AP -----	2	
		ATTACHING PARTS		
- 11	NAS220-7	SCREW -----	1	
		-----*		
- 12	1241051-1	BRACKET-SWITCH LH -----	1	
	1241051-2	BRACKET-SWITCH RH -----	1	
- 13	IVA-47	SWITCH-GEAR UP MCS -----	2	
		ATTACHING PARTS		
- 14	AN515-8R20	SCREW -----	2	
- 15	AN960-8L	WASHER-----	2	
- 16	MS20365-832C	NUT -----	2	
		-----*		
- 17	5269	SWITCH-GEAR DOWN-----HYAW -----	1	
		ATTACHING PARTS		
- 18	AN500-2-10	SCREW -----	2	
	1660-26	NUT EN -----	2	
		-----*		
- 19	5201	SWITCH-GEAR UP HYAW -----	1	
		ATTACHING PARTS		
- 20	AN500A2-6	SCREW -----	2	
		-----*		
- 21	1270034-1	SWITCH-SQUAT -----	1	
	1270034-2	SWITCH-SQUAT ALT -----	1	
	1270034-3	SWITCH-SQUAT ALT -----	1	
	1270034-4	SWITCH-SQUAT ALT -----	1	
- 22	1243019-2	BRACKET-SQUAT SWITCH -----	1	
	1243019-1	BRACKET-SQUAT SWITCH ALT -----	1	
		*NOTE. FOR USE WITH EITHER ALTERNATE SQUAT SWITCH MARKED □.		

Electrical Equipment (Cont)

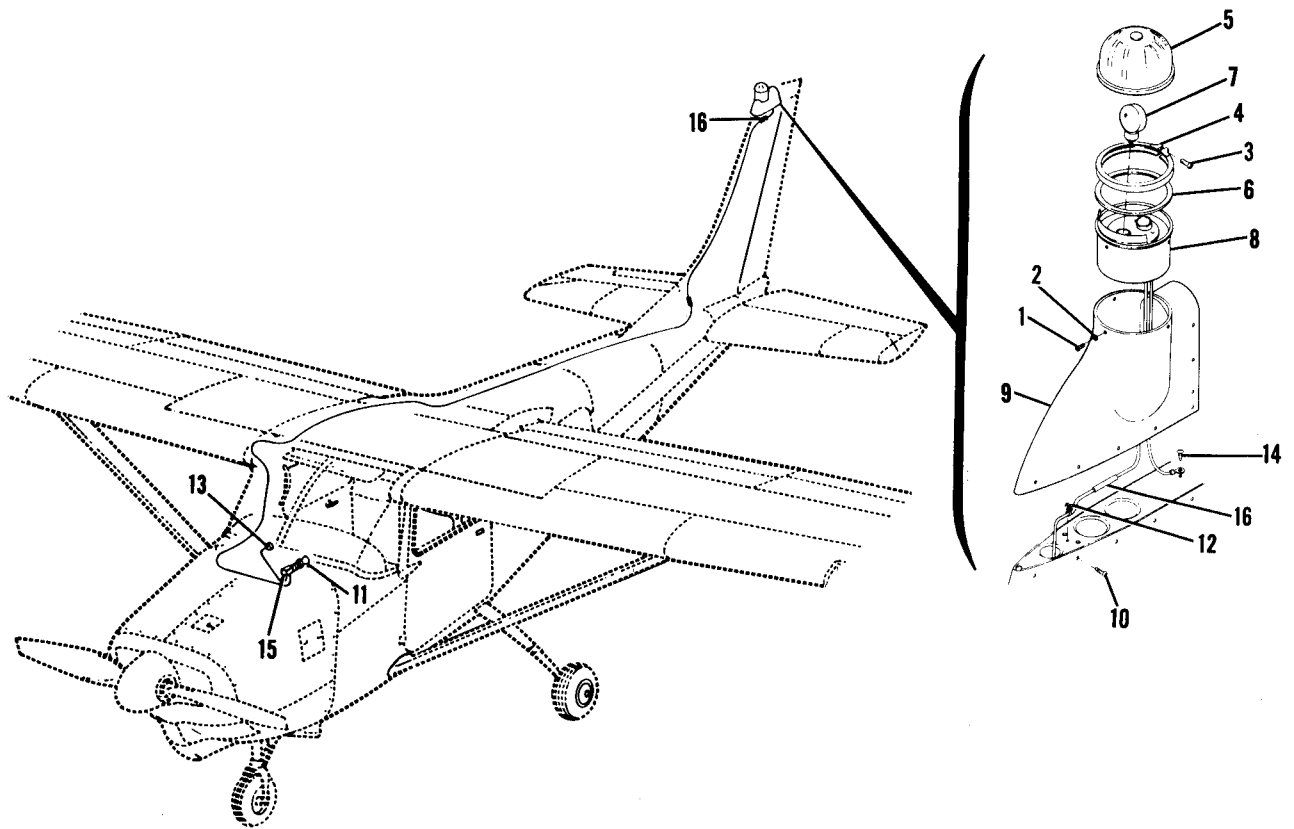


Figure 87. Rotating Beacon Installation

FIGURE AND INDEX NO.	PART NUMBER	DESCRIPTION	UNITS	USABLE ON CODE
			PER ASSY	
87-		1 2 3 4 5 6 7 BEACON INSTALLATION-ROTATING-----		
	0531003-6	BEACON ASSEMBLY-ROTATING -----	NP	
- 1	AN515-6R6	ATTACHING PARTS -----	1	
- 2	AN960-6L	SCREW -----	3	
		WASHER-----	3	
		-----*		
- 3	A-7634	SCREW GMC -----	1	
- 4	A-7635	BAND-LENS RETAINER GMC -----	1	
- 5	A-7942	LENS-----GMC -----	1	
- 6	A-7632	GASKET GMC -----	1	
- 7	11105	LAMP-REFLECTOR-----GMC -----	1	
- 8	31111	BAFFLE GMC -----	2	
- 9	1200039-1	TIP-VERTICAL FIN-----ROTATING BEACON -----	1	
		ATTACHING PARTS -----	1	
- 10	NAS220-6	SCREW -----	16	
		-----*		
- 11	0713303-2	• KNOB -----	1	
- 12	A3493-012-1	CLIP -----	1	
- 13	PSM-10N	CIRCUIT BREAKER MTCC -----	1	
- 14	S-1021Z-8-6	SCREW CESSNA STANDARD -----	1	
- 15	0713026-4	SWITCH-----	1	
- 16	S-292-5-003	SLEEVING CESSNA STANDARD -----	1	
NOTE. FOR ACCESSORY KIT LISTINGS REFER TO PAGE 262				

Oxygen System

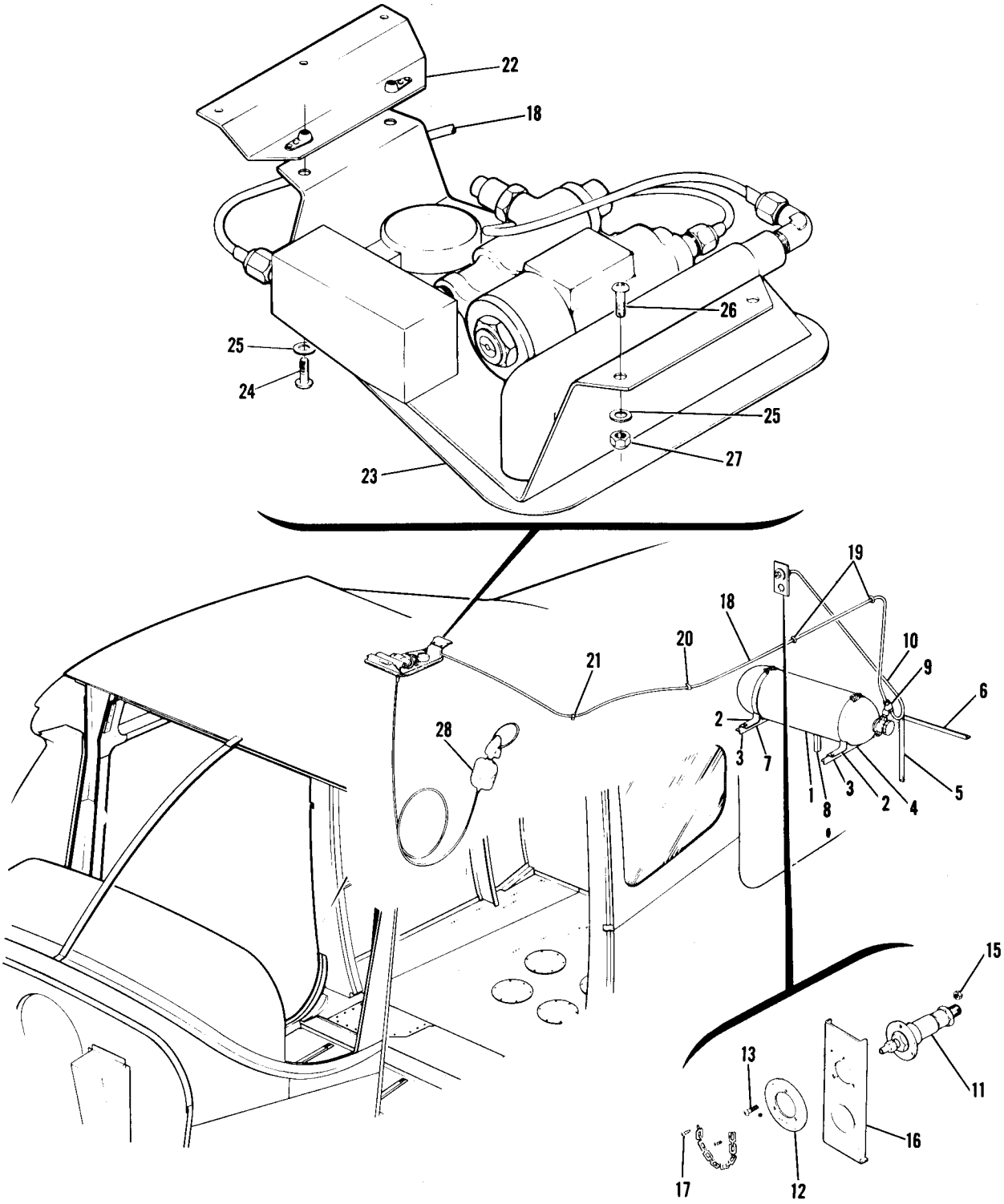


Figure 88. Oxygen System Installation

FIGURE AND INDEX NO.	PART NUMBER	DESCRIPTION	UNITS PER ASSY	USABLE ON CODE
88-		OXYGEN SYSTEM INSTALLATION -----	NP	
- 1	1200058-1	CYLINDER & VALVE ASSEMBLY -----	1	
- 2	1200057-1	MOUNTING BRACKET-CYLINDER -----	2	
		ATTACHING PARTS -----		
- 3	AN3-4A	BOLT -----	2	
	AN960D10	WASHER-----	2	
	MS20365-1032C	NUT -----	2	
		---*---		
- 4	1200051-1	SUPPORT-OXYGEN CYLINDER LH-----	1	
- 5	1200051-5	SUPPORT-OXYGEN CYLINDER-VERTICAL LH-----	1	
- 6	1200051-3	SUPPORT-OXYGEN CYLINDER-HORIZONTAL LH -----	1	
- 7	1200051-2	SUPPORT-OXYGEN CYLINDER RH-----	1	
- 8	1200051-6	SUPPORT-OXYGEN CYLINDER-VERTICAL RH-----	1	
	1200051-4	SUPPORT-OXYGEN CYLINDER-HORIZONTAL RH -----	1	
		ATTACHING PARTS -----		
	AN3-4A	BOLT -----	6	
	AN960D10	WASHER-----	6	
	MS20365-1032C	NUT -----	6	
		---*---		
- 9	0800045-15	TEE -----	1	
- 10	0800045-14	LINE ASSEMBLY-OXYGEN -----	1	
- 11	0800045-6	FILLER VALVE ASSEMBLY-OXYGEN -----	1	
- 12	1200054-2	UPHOLSTERY RETAINER -----	1	
		ATTACHING PARTS -----		
- 13	NAS220-8	SCREW -----	3	
- 14		DELETED-NEVER USED -----		
- 15	MS20365-832C	NUT -----	3	
		---*---		
- 16	1200054-1	SUPPORT-FILLER VALVE -----	1	
- 17	S-1021Z-4-6	SCREW-FILLER CAP CHAIN CESSNA STANDARD -----	1	
- 18	0800045-18	LINE ASSEMBLY-OXYGEN -----	1	
		ATTACHING PARTS -----		
- 19	AN931-3S9	GROMMET -----	2	
- 20	MS21919DG3	CLAMP -----	1	
	S-1021Z-6-6	SCREW CESSNA STANDARD -----	1	
	NAS446-2-3	NUT -----	1	
- 21	MS21919DG3	CLAMP -----	1	
		---*---		
- 22	1200052-1	SUPPORT-AUTOMATIC OXYGEN SYSTEM ASSEMBLY-----	1	
	NAS696A3K	NUT-ANCHOR -----	2	
- 23	1200055-1	OXYGEN SYSTEM ASSEMBLY-AUTOMATIC -----	1	
		ATTACHING PARTS -----		
- 24	AN520-10R7	SCREW -----	2	
- 25	AN960D10	WASHER-----	4	
- 26	NAS221C-6	SCREW -----	2	
- 27	MS20365-1032C	NUT -----	2	
		---*---		
- 28	1200059-1	MASK ASSEMBLY-OXYGEN -----	4	
	NO. 7	MASK-OXYGEN ZEP-----	1	
NOTE. FOR ACCESSORY KIT LISTINGS REFER TO PAGE 262				

Nameplates & Placards

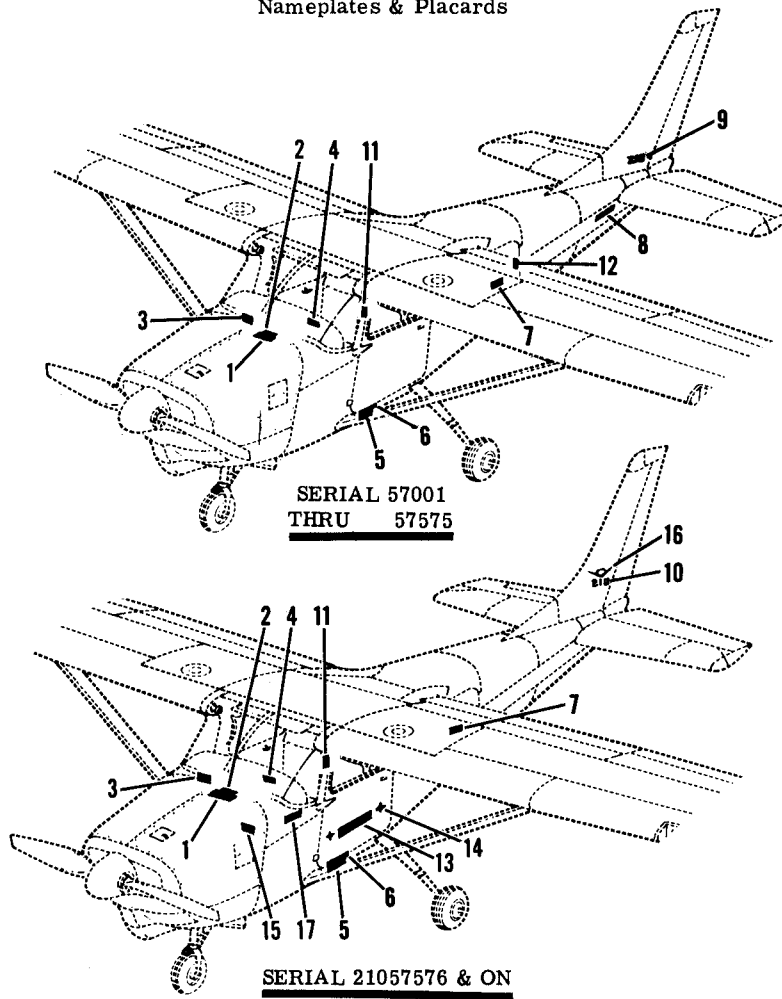


Figure 89. Nameplates, Placards, Stencils & Exterior Markings

FIGURE AND INDEX NO.	PART NUMBER	DESCRIPTION	UNITS PER ASSY	USABLE ON CODE
		1 2 3 4 5 6 7		
89-		PLACARDS, NAMEPLATES, STENCILS & EXTERIOR MARKINGS	NP	
- 1	1213230-1	PLACARD-OPERATIONAL LIMITATIONS	1	
- 2	1213209-2	PLACARD-GEAR MANUAL OPERATION	1	
- 3	1213232-1	PLACARD-TIRE PRESSURE & OIL	1	
- 4	1213230-2	PLACARD-CHECK LIST	1	A
	1213230-3	PLACARD-CHECK LIST	1	B
- 5	5-112-1	NAMEPLATE-M.A.A.-CESSNA STANDARD	1	A
- 6	0713047	PLATE-FINISH & TRIM	1	
- 7	0710032-1	PLACARD-BAGGAGE LOAD LIMIT	1	
- 8	0500027-4	STENCIL-CESSNA	2	A
- 9	1200024-1	MEDALLION-EXTERNAL TRIM 210	2	A
- 10	0500091-1	PLACARD-210	2	B
- 11	0713210-4	PLACARD-MAP LIGHT	1	
- 12	1200129-1	PLACARD-BATTERY	1	A
- 13	0500085-1	NAMEPLATE	2	B
- 14	0500085-2	PLACARD-STAR	4	B
- 15	1280007-1	PLACARD-HYDRAULIC FLUID RESERVOIR	1	B
- 16	1200025-1	PLACARD-TAIL	2	B
- 17	0700319-13	PLACARD-WINTERIZATION	1	B
		A---210 SERIAL 57001 THRU 57575		
		B---210 SERIAL 21057576 & ON		

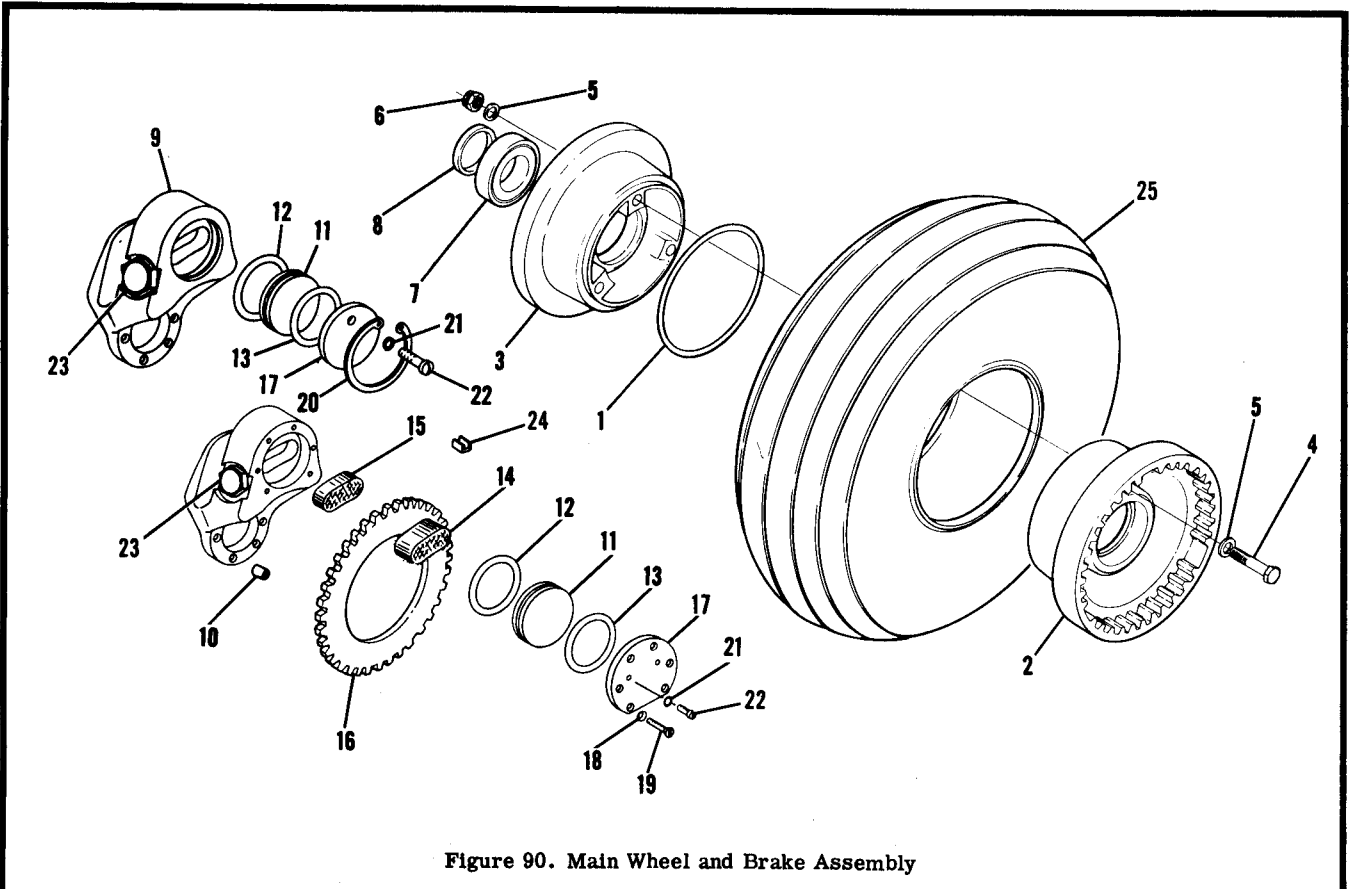


Figure 90. Main Wheel and Brake Assembly

FIGURE AND INDEX NO.	PART NUMBER	DESCRIPTION	UNITS PER ASSY	USABLE ON CODE
		1 2 3 4 5 6 7		
90-		WHEEL & BRAKE ASSEMBLY-MAIN LANDING GEAR -----	NP	
- 1	0541160-2	WHEEL ASSEMBLY-MAIN LANDING GEAR GY9532111 -----	1	
- 2	AN6230B28	O RING -----	1	
- 3	9524201	WHEEL SUBASSEMBLY-INBOARD HALF GY -----	1	
- 3	9524202	WHEEL SUBASSEMBLY-OUTBOARD HALF GY -----	1	
		ATTACHING PARTS -----		
- 4	AN4-13A	BOLT -----	3	
- 5	AN960-416	WASHER -----	6	
- 6	22-FH-428	NUT SPS -----	1	
		-----*		
- 7	13830	CUP-BEARING TI -----	1	
	13889	CONE-BEARING TI -----	1	
- 8	9524218	SEAL-BEARING GY -----	2	
	0541161-1	BRAKE ASSEMBLY GY9532278 WHEN EXHAUSTED -----	1	A
		USE 0541161-2 -----		
	0541161-2	BRAKE ASSEMBLY GY9532181 -----	1	B
- 9	9541458	HOUSING-BRAKE GY -----	1	
- 10	9521184	BUSHING GY -----	1	
- 11	9524223	PISTON GY -----	1	
- 12	AN6230B2	O RING -----	1	
- 13	AN6230B3	O RING -----	1	
- 14	9511269	LINING-PISTON GY -----	1	
- 15	9511271	LINING-PISTON GY -----	1	
- 16	9532277	DISC-BRAKE GY -----	1	
- 17	9524209	CYLINDER HEAD -----	1	A
	9524343	CYLINDER HEAD -----	1	B
		ATTACHING PARTS -----		
- 18	AN960-10L	WASHER -----	6	A
- 19	95-7126	BOLT-GY -----	6	A
- 20	NAS669-212	SNAP RING -----	1	B
		-----*		

CONTINUED ON PAGE 194

FIGURE AND INDEX NO.	PART NUMBER	DESCRIPTION							UNITS PER ASSY	USABLE ON CODE
		1	2	3	4	5	6	7		
90- 21	9510957		SEAL-BLEEDER	GY	-----	-----	-----	-----	2	A
	511846-4	**	SEAL-BLEEDER	-----	-----	-----	-----	-----	1	B
- 22	AN505-8R5		SCREW-BLEEDER	-----	-----	-----	-----	-----	2	A
	AN502-10-6	**	SCREW-BLEEDER	-----	-----	-----	-----	-----	1	B
- 23	9520448		PLUG-DRAIN	GY	-----	-----	-----	-----	1	
	AN6290-4		GASKET-DRAIN	-----	-----	-----	-----	-----	1	
- 24	9524463		CLIP-BRAKE DISC	GY	-----	-----	-----	-----	3	
- 25	0541160-11		TIRE-TUBELESS	15 X 6.00 X 6	-----	-----	-----	-----	1	
<p>A---210 SERIAL 57001 THRU 57181 & 57185 B---210 SERIAL 57182 THRU 57184 & 57186 & ON</p> <p>*NOTE. WHEN ORDERING BRAKE HOUSING FOR AIRPLANES PRIOR TO SERIAL 57182 ALSO ORDER PARTS MARKED **.</p>										

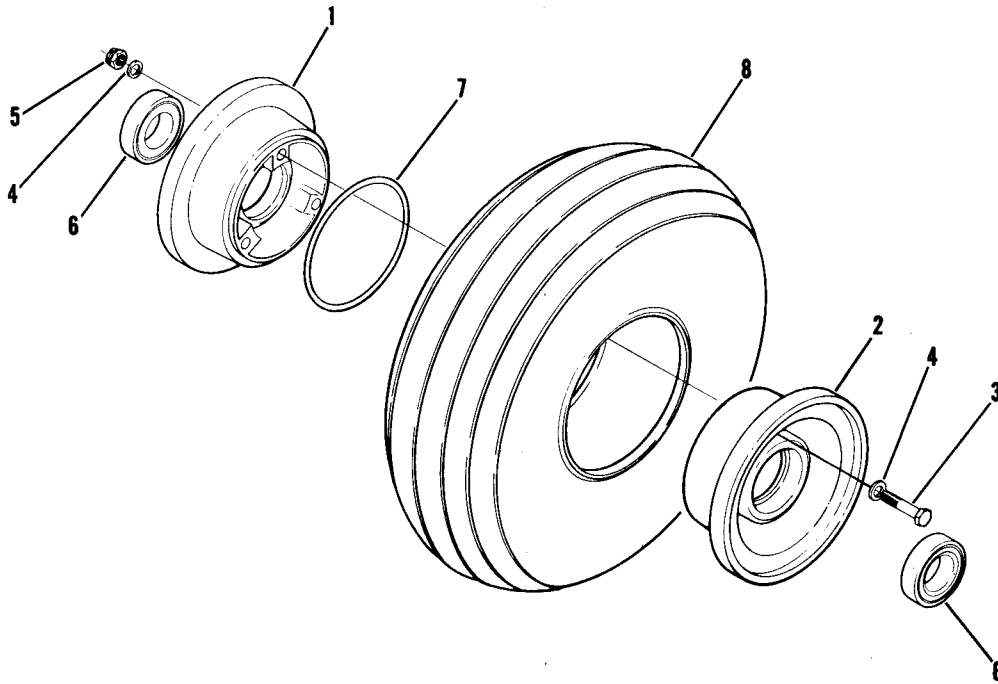


Figure 91. Nose Wheel Assembly

FIGURE AND INDEX NO.	PART NUMBER	DESCRIPTION							UNITS PER ASSY	USABLE ON CODE
		1	2	3	4	5	6	7		
91-	0442012-5		WHEEL ASSEMBLY-NOSE	-----	-----	-----	-----	-----	1	
	9532307		WHEEL ASSEMBLY-NOSE	GY	-----	-----	-----	-----	1	
- 1	9524192		WHEEL HALF-MALE	GY	-----	-----	-----	-----	1	
- 2	9524193		WHEEL HALF-FEMALE	GY	-----	-----	-----	-----	1	
			ATTACHING PARTS	-----	-----	-----	-----	-----		
- 3	AN4-14A		BOLT	-----	-----	-----	-----	-----	3	
- 4	AN960-416		WASHER	-----	-----	-----	-----	-----	6	
- 5	22FH-428		NUT SPS	SPS	-----	-----	-----	-----	3	
			-----*	-----	-----	-----	-----	-----		
- 6	LM67010XL		CUP-BEARING	TYR	-----	-----	-----	-----	2	
	LM67048XL		CONE-BEARING	TYR	-----	-----	-----	-----	2	
- 7	AN6230B20		SEAL	-----	-----	-----	-----	-----	1	
- 8	0441173-5		TIRE-NOSE WHEEL	TUBELESS	5.00 X 5-6 PLY	-----	-----	-----	1	
	0541162-1		VALVE-TUBELESS TIRE INFLATION	-----	-----	-----	-----	-----	1	

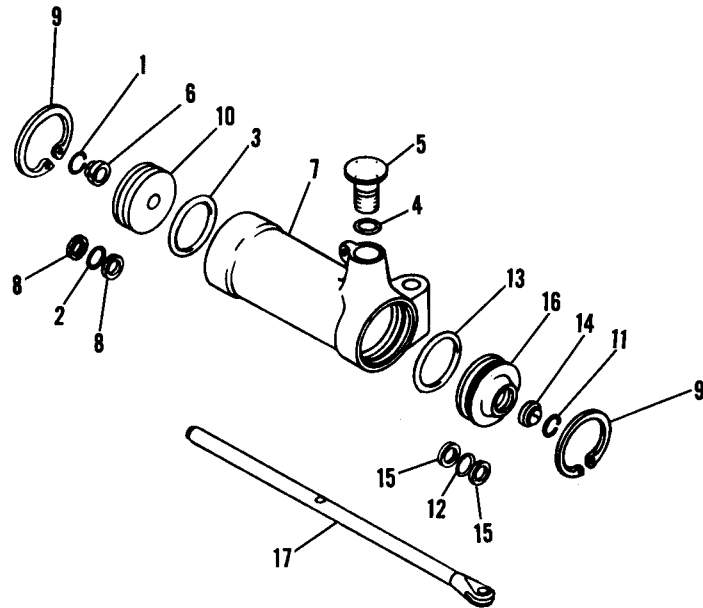


Figure 92. Nose Wheel Shimmy Dampener Assembly

FIGURE AND INDEX NO.	PART NUMBER	DESCRIPTION	UNITS PER ASSY	USABLE ON CODE
		1 2 3 4 5 6 7		
92-	0842400-13	DAMPENER ASSEMBLY-SHIMMY -----	1	
- 1	0842400-7	RING-LOCK -----	1	
- 2	AN6227-6	O-RING-INNER -----	1	
- 3	AN6227-20	O-RING-OUTER -----	1	
- 4	AN6227-7	O-RING-FILLER PLUG -----	1	
- 5	AN814-5DL	PLUG-FILLER -----	1	
- 6	S11326	RING-WIPER SHWS -----	1	
- 7	0842405-4	BARREL -----	1	
- 8	MS28782-6	RING-BACK UP SHWS -----	2	
- 9	NAS50-131	RING-INTERNAL RETAINING -----	2	
- 10	0842400-2	HEAD-BEARING -----	1	
	0842400-14	PISTON ASSEMBLY -----	1	
- 11	0842400-7	RING-LOCK -----	1	
- 12	AN6227-6	O-RING-INNER -----	1	
- 13	AN6227-20	O-RING-OUTER -----	1	
- 14	S11326	RING-WIPER SHWS -----	1	
- 15	MS28782-6	RING-BACK UP SHWS -----	2	
- 16	0842400-2	HEAD-BEARING -----	1	
- 17	0842406-7	ROD ASSEMBLY -----	1	

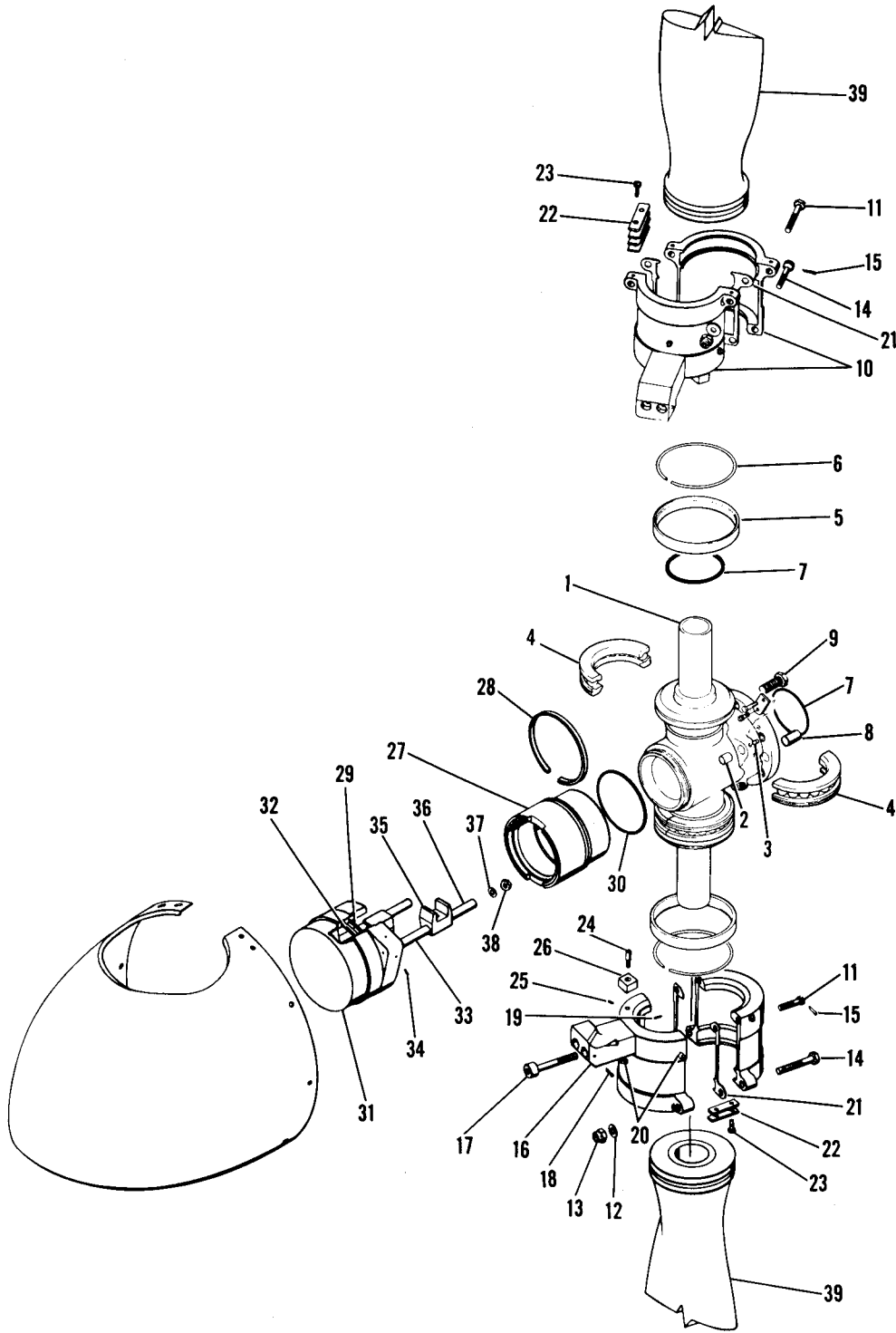


Figure 93. Hartzell Propeller Assembly

FIGURE AND INDEX NO.	PART NUMBER	DESCRIPTION	UNITS PER ASSY	USABLE ON CODE
		1 2 3 4 5 6 7		
93-	1250020-3	PROPELLER ASSEMBLY-82 IN DIA HC-A2XF-1A 13.5/8433-2 -----		
	840-47	HUB ASSEMBLY-SPIDER HTP -----	1	
- 1	A-158L	TUBE-BLADE PILOT HTP -----	2	
- 2	A-116-A	BUSHING HTP -----	2	
- 3	A-114-C	PIN-STAKING HTP -----	4	
- 4	A-971	BEARING-BLADE SPLIT HTP -----	2	
- 5	A-972	HOOP-BEARING GUIDE HTP -----	2	
- 6	A-974	RING-RETAINING HTP -----	2	
- 7	AN6230B6	O RING-----	3	
- 8	0752002-13	PIN-DOWEL -----	2	
- 9	AN8H7A	BOLT -----	6	
	838-2	CLAMP ASSEMBLY HTP -----	2	
- 10	C-3-1A	CLAMP HTP -----	2	
		ATTACHING PARTS		
- 11	AN6-21A	BOLT-----	4	
- 12	AN960-616	WASHER -----	4	
- 13	AN363-624	NUT -----	4	
- 14	A-282	SCREW HTP -----	4	
- 15	AN380-3-2	PIN-COTTER -----	2	
		-----*		
- 16	B-891-1	COUNTERWEIGHT HTP -----	2	
		ATTACHING PARTS		
- 17	0752002-43	SCREW -----	2	
- 18	AN380-3-3	PIN-COTTER -----	2	
- 19	A-65	PIN-STAKING HTP -----	1	
		-----*		
- 20	AN944-101	FITTING-ZERK -----	3	
- 21	A-47-1	GASKET-CLAMP HTP -----	4	
- 22	A-48	WEIGHT-BALANCE-----HTP -----	AR	
		ATTACHING PARTS		
- 23	AN501A10-	SCREW HTP -----	2	
		-----*		
- 24	A-295	SCREW HTP -----	2	
- 25	A-285	PIN-STAKING HTP -----	4	
- 26	A-95-A	BLOCK-PITCH CHANGE HTP -----	2	
- 27	B-806	CYLINDER-HYDRAULIC HTP -----	1	
- 28	A-810	SEAL-DUST HTP -----	1	
- 29	AN6227B46	O RING-PISTON SEAL -----	1	
- 30	AN6230B13	O RING-CYLINDER SEAL -----	1	
	B-828	PISTON ASSEMBLY HTP -----	1	
- 31	B-966	PISTON HTP -----	1	
- 32	A-862	BUSHING-----HTP -----	1	
- 33	A-826-1	ROD-PISTON HTP -----	2	
		ATTACHING PARTS		
- 34	A-114-F	ROD-STAKING HTP -----	1	
		-----*		
- 35	A-821-1	FORK-GUIDE ROD-----HTP -----	2	
- 36	A-827-1	SLEEVE-ROD HTP -----	2	
- 37	AN960C716	WASHER -----	2	
- 38	MS20364-720C	NUT -----	2	
- 39	8433-2	BLADE ASSEMBLY-PROPELLER 82 INCH DIA-----HTP -----	2	
		* NOTE. SCREW LENGTH DETERMINED BY NUMBER OF BALANCE WEIGHTS USED		

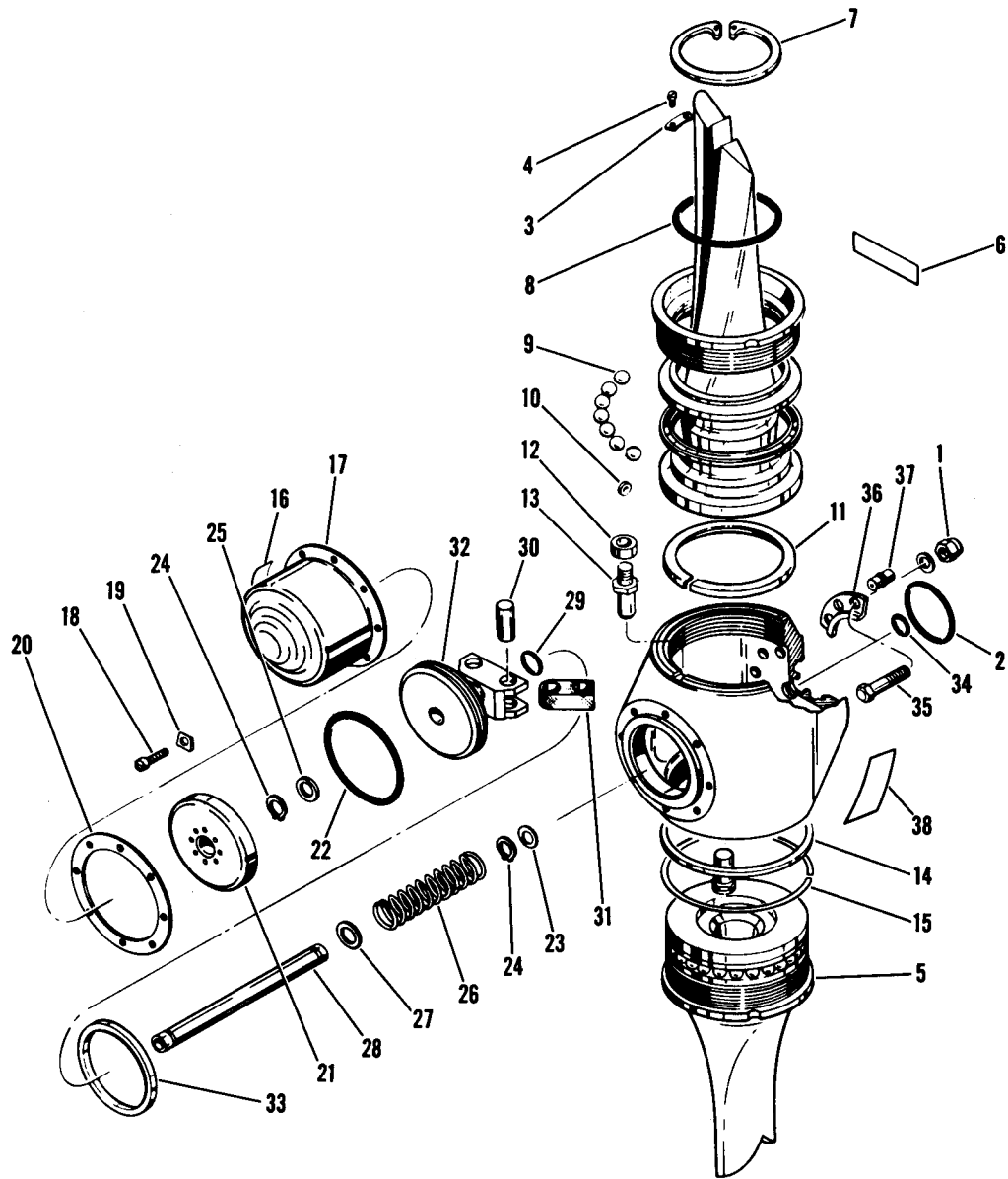


Figure 94. McCauley Propeller Assembly

FIGURE AND INDEX NO.	PART NUMBER	DESCRIPTION	UNITS PER ASSY	USABLE ON CODE
		1 2 3 4 5 6 7		
94-	1250021-2	PROPELLER ASSEMBLY-MODEL 2A36C33/90M-8 82 INCH DIA ----- ATTACHING PARTS	1	
- 1	A-1639-2	NUT MCL -----	6	
- 2	A-1633-3	PACKING-O RING MCL -----	1	
		*-----		
- 3	A-2104	WEIGHT-BALANCE MCL ----- ATTACHING PARTS	AR	
- 4	A-1635-16	SCREW-ATTACH ONE WEIGHT MCL -----	AR	
	A-1635-17	SCREW-ATTACH TWO WEIGHTS MCL -----	AR	
	A-1635-18	SCREW-ATTACH THREE WEIGHTS----- MCL -----	AR	
	A-1635-19	SCREW-ATTACH FOUR WEIGHTS -----MCL -----	AR	
	A-1635-21	SCREW-ATTACH FIVE WEIGHTS -----MCL -----	AR	
	A-1635-22	SCREW-ATTACH SIX WEIGHTS MCL -----	AR	
		*-----		
- 5	D-2341/9M-8	BLADE ASSEMBLY-82 INCH MCL-----	2	
- 6	A-1958	DECAL MCL -----	1	
- 7	A-1636-6	RING-EXTERNAL RETAINING -----MCL -----	1	
- 8	A1633-13	PACKING-O RING-----MCL -----	1	
- 9	A-1634-4	BALL BEARING MCL -----	22	
- 10	A-1742	SEPARATOR-BALL-----MCL -----	22	
- 11	B-2289-1	SHIM-FERRULE 0.005 IN. MCL -----	AR	
	B-2289-2	SHIM-FERRULE 0.010 IN. MCL -----	AR	
	B-2289-3	SHIM-FERRULE 0.015 IN. MCL -----	AR	
- 12	A-1883	WASHER-ACTUATING PIN MCL-----	1	
- 13	A-1882	PIN-BLADE ACTUATING-----MCL -----	1	
- 14	B-1564	RING-RETENTION NUT LOCK MCL -----	2	
- 15	A-1563-1	SHIM-BALANCING MCL -----	2	
- 16	A-2356	DECAL-SPRING KIT INSTALLATION MCL -----	1	
- 17	C-1904	CYLINDER MCL-----	1	
		ATTACHING PARTS		
- 18	A-1635-13	SCREW MCL -----	8	
- 19	B-2192	WASHER-----MCL -----	8	
- 20	A-1938	GASKET-CYLINDER MCL -----	1	
		*-----		
- 21	B-1965	SUPPORT-SPACER MCL -----	1	
- 22	A-1633-12	PACKING-O RING MCL -----	1	
- 23	A-2351	WASHER-FIBER MCL -----	1	
- 24	A-1636-7	RING-EXTERNAL RETAINING MCL -----	2	
- 25	A-2108-290	SPACER-LOW PITCH STOP-----MCL -----	1	
- 26	A-2357	SPRING-LOW PITCH RETURN BOOST MCL -----	1	
- 27	A-1552	WASHER-SPRING MCL -----	1	
- 28	B-2345	TUBE-PISTON ROD MCL -----	1	
- 29	A-1633-9	PACKING-O RING MCL -----	1	
	A-1934	PISTON ASSEMBLY MCL -----	1	
- 30	A-1936	PIN-PISTON MCL -----	2	
- 31	A-1935	LINK-BLADE ACTUATING MCL-----	2	
- 32	C-1939	PISTON-BLADE ACTUATING MCL -----	1	
- 33	A-1937-3	SPACER-HIGH PITCH STOP MCL-----	1	
- 34	A-1633-9	PACKING-O RING MCL -----	1	
	C-2343	HUB ASSEMBLY MCL -----	1	
- 35	A-1561-2	BOLT-HUB MOUNTING MCL -----	6	
	A-1561-4	BOLT-HUB MOUNTING 0.002 IN. OVERSIZE MCL-----	AR	
	A-1561-6	BOLT-HUB MOUNTING 0.004 IN. OVERSIZE MCL-----	AR	
- 36	A-2185	WASHER-FLANGE MCL -----	3	
- 37	A-1562	DOWEL-HUB ALIGNMENT-----MCL -----	2	
- 38	A-2230	DECAL-PROP INSTALLATION INSTRUCTIONS MCL -----	1	

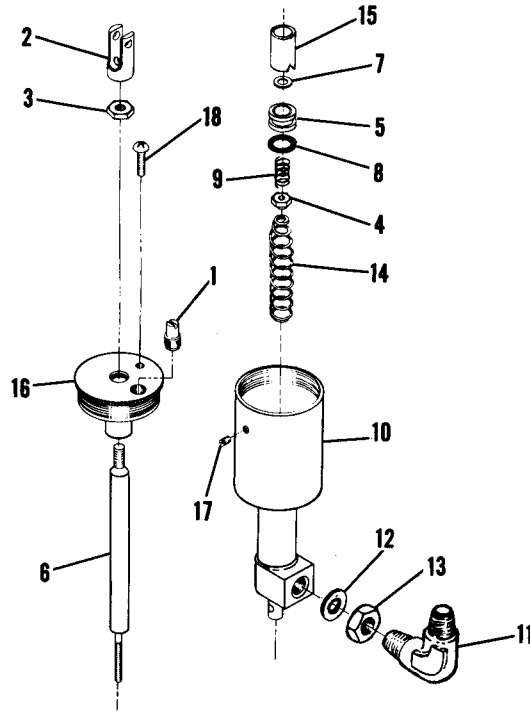


Figure 95. Brake Master Cylinder Assembly

FIGURE AND INDEX NO.	PART NUMBER	DESCRIPTION	UNITS PER ASSY	USABLE ON CODE
95-	0541138-16	CYLINDER ASSEMBLY-BRAKE MASTER -----	2	
- 1	0541139	PLUG -----	1	
- 2	0541140	CLEVIS -----	1	
- 3	AN316-4R	NUT-CHECK -----	1	
	0541138-5	PISTON ASSEMBLY-MASTER CYLINDER -----	1	
		ATTACHING PARTS		
- 4	MS20365-632C	NUT -----	1	
		---*---		
- 5	0541143	PISTON-MASTER CYLINDER -----	1	
- 6	0541144	ROD-PISTON -----	1	
- 7	200AC-6	LOCK-O-SEAL WERC -----	1	
- 8	AN6227-8	O RING -----	1	
- 9	0541148-1	SPRING-PISTON -----	1	
- 10	0541147-2	BODY-MASTER CYLINDER -----	1	
- 11	AN921-4D	ELBOW -----	1	
- 12	AN902-4	GASKET -----	1	
- 13	AN924-4D	NUT -----	1	
- 14	0541148	SPRING -----	1	
- 15	0541149	SLEEVE -----	1	
- 16	0541151	COVER -----	1	
- 17	AN565D6	SET SCREW -----	1	
- 18	1024X1/2	SCREW -----	1	

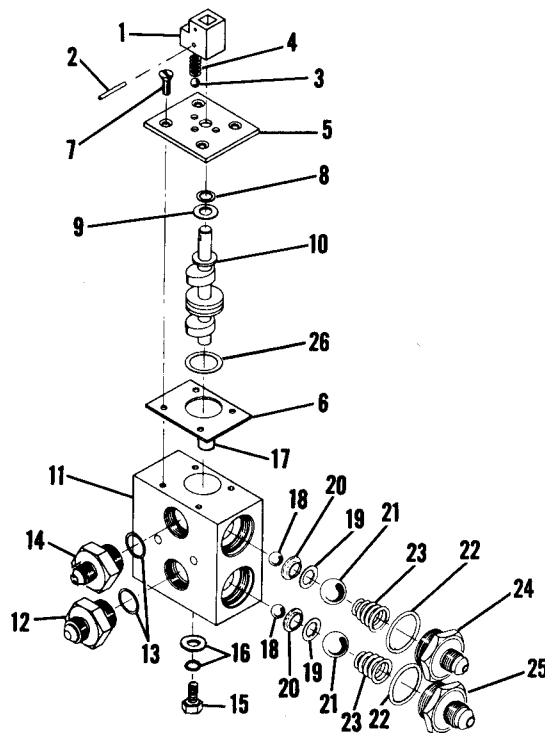


Figure 96. Fuel Selector Valve Assembly

FIGURE AND INDEX NO.	PART NUMBER	DESCRIPTION	UNITS PER ASSY	USABLE ON CODE
		1 2 3 4 5 6 7		
96-	1216001-1	VALVE ASSEMBLY-FUEL SELECTOR-----	1	
- 1	1216013-1	HOUSING-POSITIONING BALL & SPRING -----	1	
- 2	NAS561P3-8	ATTACHING PARTS ROLL PIN EN -----	1	
- 3	S-272-207	BALL-FUEL VALVE CESSNA STANDARD-----	1	
- 4	0513120-1	SPRING-FUEL VALVE -----	1	
- 5	1216007-1	COVER-FUEL VALVE-----	1	
- 6	0513125	GASKET-FUEL VALVE -----	1	
- 7	AN507-632R5 AN515-6R8 NAS43DD-1-12	ATTACHING PARTS SCREW ----- SCREW ----- SPACER-----	2 2 2	
- 8	MS29513-111	GASKET-----	1	
- 9	AN960C416L	WASHER-----	1	
- 10	1216001-2	CAM -----	1	
- 11	1216001-3	BODY -----	1	
- 12	0513126	NIPPLE-----	1	
- 13	MS29512-6	GASKET-----	2	
- 14	1216006-1	REDUCER -----	1	
- 15	NAS563-11 MS20073-03-02	BOLT ----- BOLT ALT -----	1 1	
- 16	600-001-10 600-001-0S	STATO SEAL ----- STATO SEAL ALT -----	1 1	
- 17	S-1003-9A	BEARING -----	1	
- 18	S-272-209	BALL CESSNA STANDARD -----	4	
- 19	MS29513-116	GASKET-----	4	
- 20	0513120-3	RETAINER -----	4	
- 21	S-272-215	BALL CESSNA STANDARD -----	4	
- 22	MS29513-12	O RING-----	4	
- 23	0513120-2	SPRING-----	4	
- 24	1216001-4	RETAINER -----	2	
- 25	0513120-3	RETAINER -----	2	
- 26	MS29613-113	O RING-----	1	

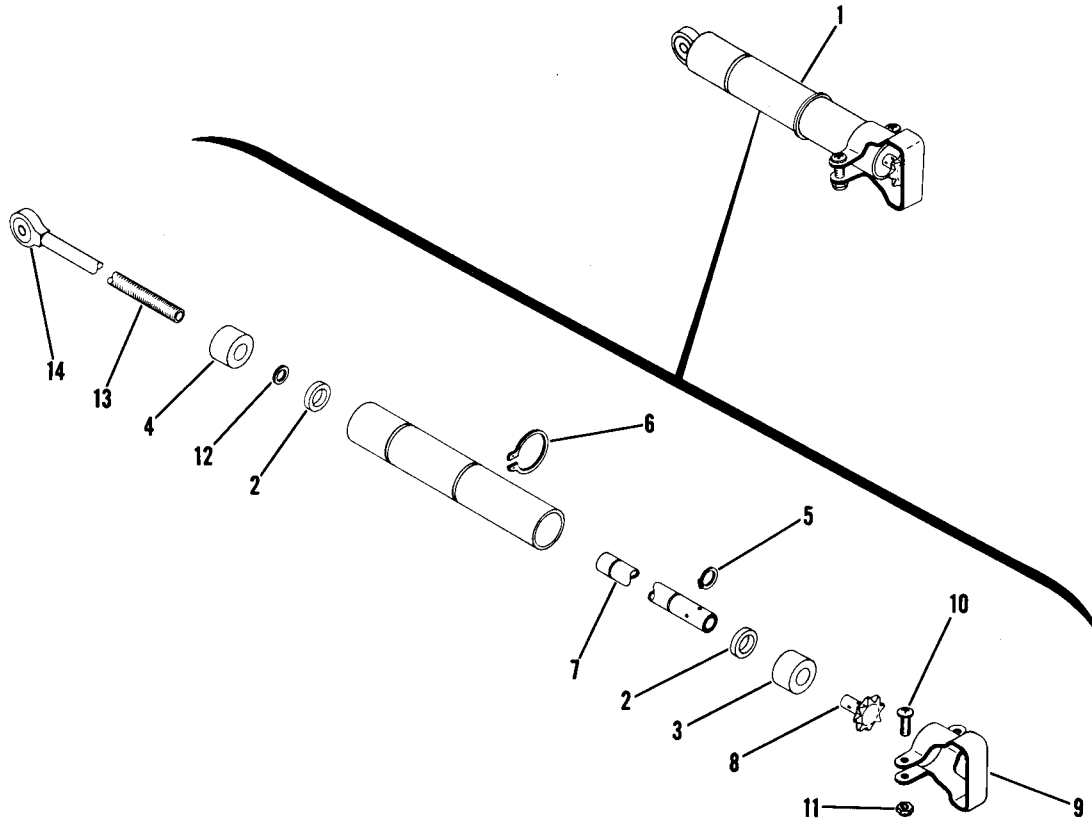


Figure 97. Elevator Trim Actuator Assembly

FIGURE AND INDEX NO.	PART NUMBER	DESCRIPTION	UNITS PER ASSY	USABLE ON CODE
97-	1	ACTUATOR ASSEMBLY-ELEVATOR TRIM TAB -----	1	
-	2	COLLAR-ACTUATOR -----	2	
-	3	BEARING-ACTUATOR-----	1	
-	4	BEARING-ACTUATOR-----	1	
-	5	RING-RETAINING INSIDE-----	2	
-	6	RING-RETAINING OUTSIDE -----	1	
-	7	SCREW-INTERNAL THREAD-----	1	
-	8	SPROCKET-ROLL CHAIN -----	1	
-	9	GUARD-ROLL CHAIN-----	1	
		ATTACHING PARTS		
-	10	SCREW -----	2	
-	11	NUT -----	2	
		-----*		
-	12	PACKING-ACTUATOR-----	1	
-	13	SCREW ASSEMBLY-ACTUATOR -----	1	
-	14	BEARING TOR -----	1	

This page intentionally left blank.

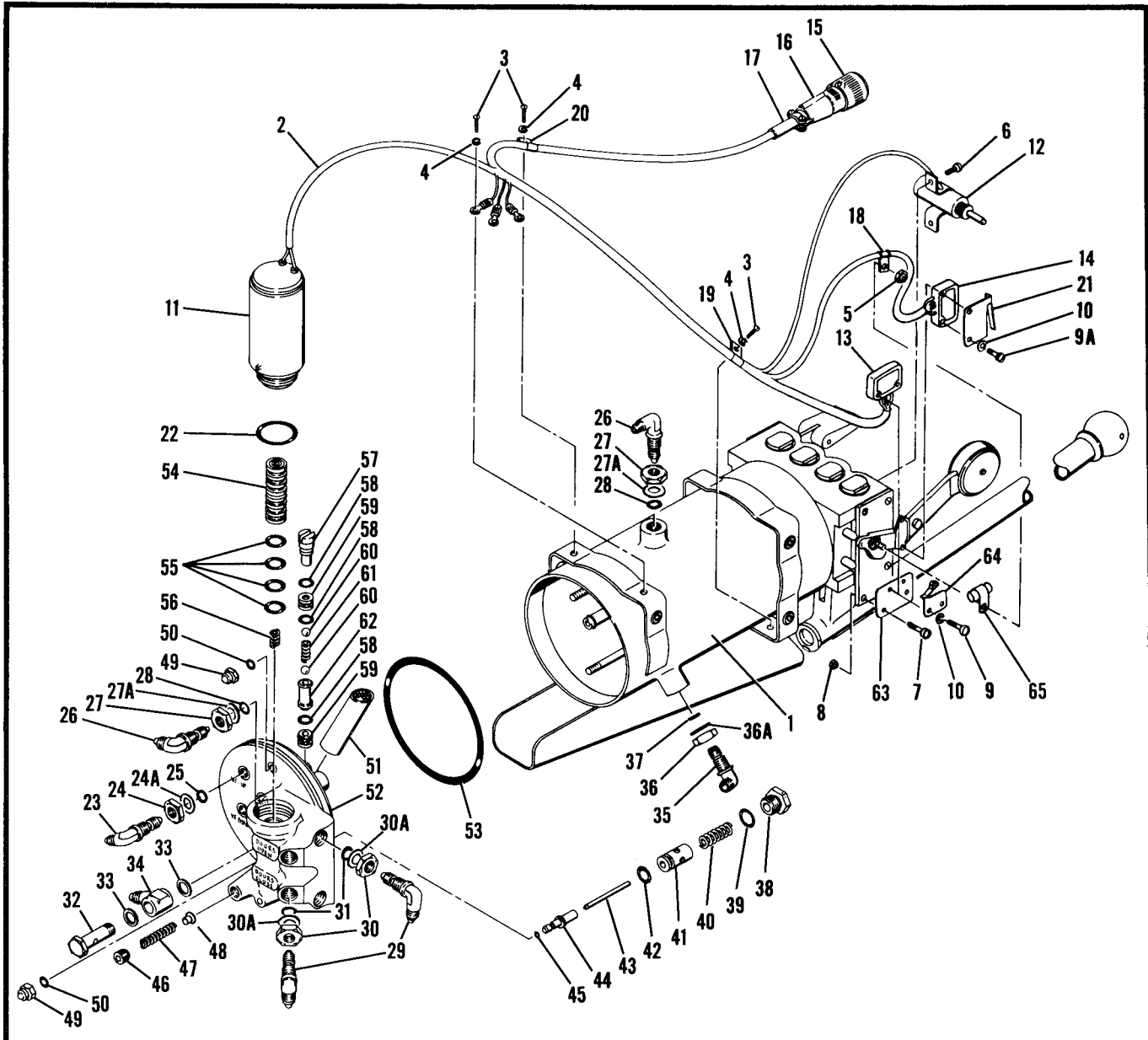


Figure 98. Hydraulic Powerpack Assembly

FIGURE AND INDEX NO.	PART NUMBER	DESCRIPTION	UNITS PER ASSY	USABLE ON CODE		
					1	2
98-	1280100-2	POWERPACK ASSEMBLY-HYDRAULIC----- EA1332-1 -----	1			
	1280100-3	POWERPACK ASSEMBLY-HYDRAULIC----- REMANUFACTURED-----	1			
- 1		BODY ASSEMBLY-HYDRAULIC POWERPACK SEE FIGURE 99 -----	1			
- 2	ES12103	WIRING HARNESS ELE -----	1			
		ATTACHING PARTS				
- 3	AN500-8-6	SCREW -----	3			
- 4	AN935-8L	WASHER-LOCK -----	3			
- 5	MS20364-428C	NUT -----	1			
- 6	AN500A8-5	SCREW -----	1			
- 7	AN500-2-10	SCREW -----	1			
- 8	1660-26	NUT EN -----	1			
- 9	A500-2-6	SCREW -----	1			
- 9A	AN500-2-8	SCREW -----	1			
- 10	AN935-2L	WASHER-LOCK -----	1			

CONTINUED ON PAGE 205

FIGURE AND INDEX NO.	PART NUMBER	DESCRIPTION							UNITS PER ASSY	USABLE ON CODE
		1	2	3	4	5	6	7		
98- 11	SD841	SOLENOID-DOOR OPERATING VALVE ELE -----							1	
- 12	EA1526	SOLENOID-GEAR DOWN SAFETY INTERLOCK ELE-----							1	
- 13	16-4042	SWITCH-GEAR DOWN LICON -----							1	
- 14	16-4042	SWITCH-GEAR UP----LICON-----							1	
- 15	MS3106A-14S-2P	CONNECTOR-----							1	
- 16	MS3057-6A	CLAMP -----							1	
- 17	AN3420-6	BUSHING -----							1	
- 18	TA724TD2	CLAMP THAS-----							1	
- 19	MS21919DF5	CLAMP -----							1	
- 20	MS21919DF4	CLAMP -----							1	
- 21	70-121	ARM-SWITCH ELE -----							1	
- 22	AN6227B21	O RING-----							1	
- 23	AN833-3D	ELBOW -----							2	
- 24	AN6289D3	□	NUT -----						2	
-24A	MS9058-03	*	RING-BACKUP-----						2	
- 25	AN6290B3	GASKET-----							2	
- 26	AN833-4D	ELBOW -----							2	
- 27	AN6289D3	□	NUT -----						2	
-27A	MS9058-03	*	RING-BACKUP-----						2	
- 28	AN6290B4	GASKET-----							2	
- 29	AN837-4D	ELBOW -----							4	
- 30	AN6289D4	□	NUT -----						4	
-30A	MS9058-04	*	RING-BACKUP-----						4	
- 31	AN6290B4	GASKET-----							4	
- 32	AN775-8D	BOLT -----							1	
- 33	AN901-8A	GASKET-----							2	
- 34	AN777-8D	ELBOW -----							1	
- 35	AN833-6D	ELBOW -----							1	
- 36	AN6289-6D	□	NUT -----						1	
-36A	MS9058-06	*	RING-BACKUP-----						1	
- 37	AN6290B6	GASKET-----							1	
- 38	ED11963	PRIORITY CHECK PLUG ELE -----							1	
- 39	AN6227B10	O RING-----							1	
- 40	ED11969	SPRING-CHECK ELE -----							1	
- 41	ED12764	PRIORITY-CHECK ELE -----							1	
- 42	AN6227B8	O RING-----							1	
- 43	53-022-094-1750	ROLLPIN SEL LOK -----							1	
- 44	ED12763	PRIORITY POPPET ELE -----							1	
- 45	AN6227B1	O RING-----							1	
- 46	A9978	PLUG-ADJUSTING ELE -----							1	
- 47	ED11964	SPRING-PRIORITY ADJUSTING ----ELE -----							1	
- 48	ED12765	GUIDE-SPRING ELE -----							1	
- 49	22K1-048	NUT EN -----							2	
- 50	AN6227B5	O RING-----							2	
- 51	ES11976	STANDPIPE & SCREEN ASSEMBLY ELE-----							1	
- 52	ES11954	END & PIN ASSEMBLY ELE-----							1	
- 53	AN6230B24	O RING-----							1	
- 54	ES11959	SPOOL & SLEEVE ASSEMBLY ELE -----							1	
- 55	AN6227B10	O RING-----							4	
- 56	ED11960	SPRING-SOLENOID ELE -----							1	A B
	ED11960-1	SPRING-SOLENOID ELE -----							1	
- 57	ED12016	PLUG-CHECK ELE -----							1	
- 58	AN6227B7	O RING-----							3	
- 59	ED12013	SEAT-CHECK DOOR ELE -----							2	
- 60	ELA16-8	BALL ELE -----							2	
- 61	ED11962	SPRING-----ELE -----							1	
- 62	ED12014	SPACER-CHECK -----							1	
- 63	ED12770	PLATE-ADJUSTING ELE -----							1	
- 64	70-120	ARM-SWITCH LICON -----							1	
- 65	30D192A1	CAPACITOR-4MFD 50V SPRAGUE-----							1	
	AN742D5	CLAMP -----							1	
<p>A---USED ON ALL EA1332 POWERPACKS, ELECTROL SERIALS 1 THRU 359 AND ON EA1332-1 POWERPACKS ELECTROL SERIALS 1 THRU 38.</p> <p>B---USED ON EA1332-1 POWERPACKS ONLY ELECTROL SERIALS 39 & ON.</p> <p>□NOTE. WHEN ORDERING THIS PART ALSO ORDER PART MARKED *.</p>										

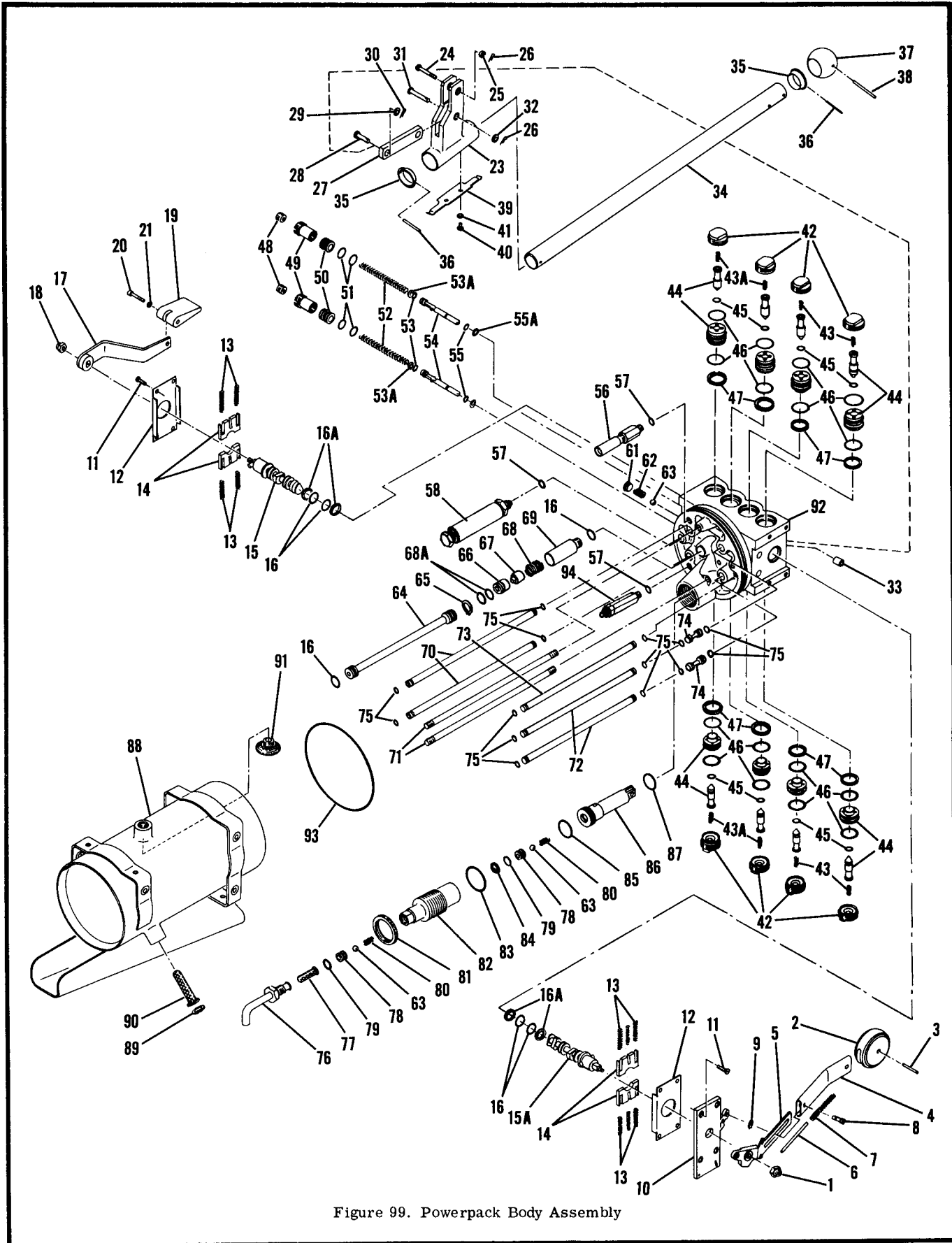


Figure 99. Powerpack Body Assembly

FIGURE AND INDEX NO.	PART NUMBER	DESCRIPTION	UNITS PER ASSY	USABLE ON CODE
99-	10039	BODY ASSEMBLY-HYDRAULIC POWERPACK	NP	
		HANDLE ASSEMBLY-LANDING GEAR ELE	1	
		ATTACHING PARTS		
- 1	MS20364-428C	NUT	1	
		-----*		
	ES11949	HANDLE-LESS KNOB ELE		
- 2	ED11490	KNOB-LANDING GEAR HANDLE	1	
		ATTACHING PARTS		
- 3	52-040-187-0625	ROLL PIN SEL LOK	1	
		-----*		
- 4	ED11948	TUBE-LANDING GEAR HANDLE	1	
- 5	ES11949-1	LEVER & BUSHING ASSEMBLY	1	
- 6	53-022-094-1500	ROLL PIN SEL LOK	1	
- 7	ED11984	SPRING ELE	1	
- 8	ED11945	STUD ELE	1	
- 9	NAS670-18	SNAP RING	1	
- 10	ED11950	PLATE-LANDING GEAR ELE	1	
- 11	M39-CS-832-7C	SCREW NYLOK	4	
- 12	ED11522	PLATE-TOP ELE	2	
- 13	A2366	SPRING-SLIDER ELE	8	
- 14	ED11942-1	STOP SLIDER ELE	4	
- 15	ES11523-1	SHAFT & PIN ASSEMBLY ELE	1	
-15A	ES12231-1	SHAFT & PIN ASSEMBLY ELE	1	
- 16	AN6227B8	O RING	4	
-16A	MS28744-110	RING-BACKUP	4	
- 17	ES12012	HANDLE ASSEMBLY-WING FLAP ELE	1	
		ATTACHING PARTS		
- 18	MS20364-428C	NUT	1	
		-----*		
- 19	ED11514	KNOB-FLAP LEVER ELE	1	
		ATTACHING PARTS		
- 20	10-32NF-2X11/16	SCREW	1	
- 21	AN935-10L	WASHER	1	
		-----*		
- 22		DELETED-REPLACED BY ITEM -14		
- 23	ES11951	FORK & BUSHING ASSEMBLY ELE	1	
		ATTACHING PARTS		
- 24	AN3-10	BOLT	1	
- 25	AN320-3	NUT	1	
- 26	AN380-2-2	PIN-COTTER	2	
		-----*		
- 27	ED11947	LINK ELE	1	
		ATTACHING PARTS		
- 28	MS20392-3-19	PIN-CLEVIS	1	
- 29	AN960PD416	WASHER	1	
- 30	AN380-2-2	PIN-COTTER	1	
- 31	MS20392-2-27	PIN-CLEVIS	1	
- 32	AN960PD10	WASHER	1	
- 33	A4840	BUSHING ELE	1	
		-----*		
- 34	ED11982	SHAFT-PUMP ELE	1	
- 35	ED12110	STOP ELE	2	
		ATTACHING PARTS		
- 36	52-028-125-1187	ROLL PIN SEL LOK	1	
		-----*		
- 37	ED12017	HANDLE-GRIP ELE	1	
		ATTACHING PARTS		
- 38	52-028-125-1375	ROLL PIN SEL LOCK	1	
		-----*		
- 39	ED12099	SPRING CLIP ELE	1	
		ATTACHING PARTS		
- 40	AN500-6-3	SCREW	1	
- 41	AN935-6L	WASHER	1	
		-----*		

CONTINUED ON PAGE 207A

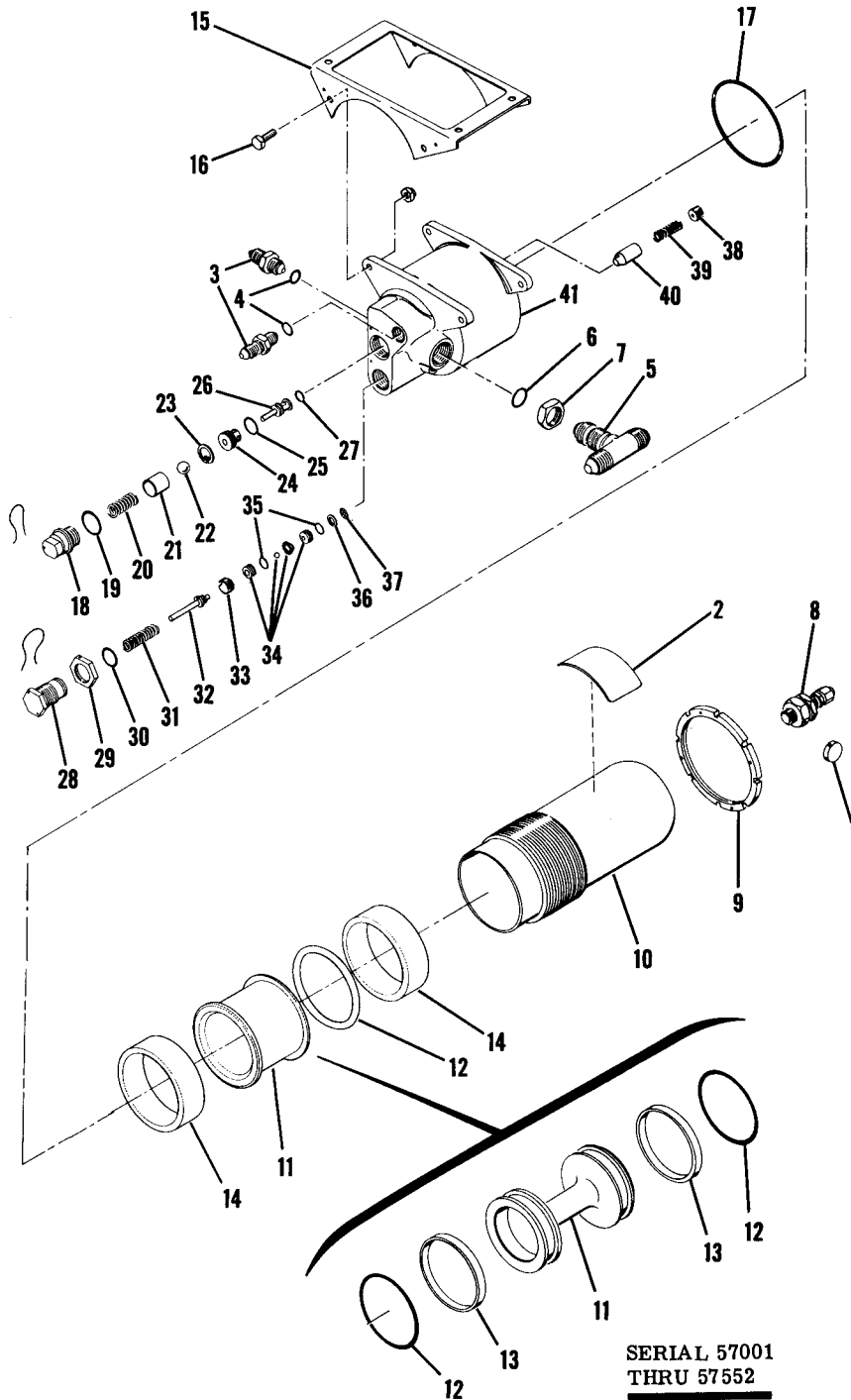
FIGURE AND INDEX NO.	PART NUMBER	DESCRIPTION							UNITS PER ASSY	USABLE ON CODE
		1	2	3	4	5	6	7		
99- 42	A2792	PLUG	ELE						8	
- 43	A2375	SPRING	ELE						4	
-43A	ED12692	SPRING	ELE						4	
- 44	A8400	POPPET ASSEMBLY	ELE						8	
- 45	MS28775-010	O RING							8	
- 46	MS28775-116	O RING							8	
- 47	A2628-.005	SHIM	.005 THICK	ELE					AR	
	A2628-.010	SHIM	.010 THICK	ELE					AR	
	A2628-.025	SHIM	.025 THICK	ELE					AR	
- 48	A9978	PLUG-DETENT	ADJUSTMENT	ELE					2	
- 49	ED11939	BUSHING-DETENT	ELE						2	
- 50	ED11940	SLEEVE-DETENT	ELE						2	
- 51	AN6227B9	O RING							4	
- 52	ED11639	SPRING-DETENT	ELE						2	
- 53	MS28775-010	O RING							2	
-53A	MS28774-10	**	RING-BACKUP						2	
- 54	ED11941-1	*	PLUNGER-LEVER RELEASE	ELE					2	
- 55	AN6227B3		O RING						2	
-55A	MS28774-8	**	RING-BACKUP						2	
- 56	EA1474		VALVE ASSEMBLY-THERMAL RELIEF	ELE					2	
- 57	AN6290-3		O RING						2	
- 58	EA1653		VALVE ASSEMBLY-MAIN RELIEF	ELE					1	
- 59			DELETED							
- 60			DELETED							
- 61	AN932-2		PLUG-PIPE						1	
- 62	ED11962		SPRING	ELE					1	
- 63	ELA16-8		BALL	ELE					3	
- 64	ED11974		TUBE-CHECK	ELE					1	
- 65	NAS670-56		SNAP RING						1	
- 66	ED12760		SEAT-CHECK	ELE					1	
- 67	ED12761		POPPET-CHECK	ELE					1	
- 68	ED12762		SPRING-CHECK	ELE					1	
-68A	AN6227B8		O RING						1	
- 69	ED11973		BODY-CHECK	ELE					1	
- 70	ED11507-1		TUBE	ELE					2	
- 71	ED11506		STUD	ELE					2	
- 72	ED11507-2		TUBE	ELE					2	
- 73	ED11507-3		TUBE	ELE					1	
- 74	ED12525		TUBE	ELE					2	
- 75	AN6227B5		O RING						14	
- 76	ES12130		TUBE ASSEMBLY	ELE					1	
- 77	A9620		FILTER	ELE					1	
- 78	ED12756		SEAT	ELE					2	
- 79	AN6227B6		O RING						2	
- 80	A1993		SPRING	ELE					2	
- 81	ED11512		NUT-LOCK	ELE					1	
- 82	ED11938		BODY-HANDPUMP	ELE					1	
- 83	AN6227B21		O RING						1	
- 84	NAS669-43		SNAP RING						1	
- 85	AN6227B15		O RING						1	
- 86	A4058		PISTON-HANDPUMP	ELE					1	
- 87	AN6227B13		O RING						1	
- 88	ES11978		RESERVOIR	ELE					1	
- 89	NAS669-50		SNAP RING						1	
- 90	ED11979		SCREEN	ELE					1	
- 91	ES11980		SCREEN & PLUG ASSEMBLY	ELE					1	
- 92	ES11486		BODY & PIN ASSEMBLY						1	
- 93	AN6230B24		O RING						1	
- 94	EA1633		VENT VALVE-FLAP DOWN						1	

**NOTE. USED ONLY ON LEVER RELEASE PLUNGERS INCORPORATING 5/32 IN. O RING GROOVES.

NOTE. USED ONLY ON SHAFT & PIN ASSEMBLIES INCORPORATING .170 O RING GROOVES.

*NOTE. WHEN ORDERING THIS PART ALSO ORDER
 AN6227B3 O RING 1 REQD
 MS28775-10 O RING 1 REQD
 MS28774-8 RING-BACKUP 1 REQD
 MS28774-10 RING-BACKUP 1 REQD

This page intentionally left blank.



SERIAL 57001
THRU 57552

Figure 100. Accumulator Assembly

FIGURE AND INDEX NO.	PART NUMBER	DESCRIPTION	UNITS PER ASSY	USABLE ON CODE
		1 2 3 4 5 6 7		
100-	1280101-2	ACCUMULATOR-UNIT ASSEMBLY	1	
	1280101-3	ACCUMULATOR-UNIT ASSEMBLY	1	
	A2894	SEAL LEAD	1	
1	ED11772	PLATE-WARNING	1	
2	AN815-4D	UNION	2	
3	AN6290B4	GASKET	2	
4	AN834-4D	TEE	1	
5	AN6290B8	GASKET	1	
6	AN924-8D	NUT	1	
7	AN6287-1	VALVE-AIR HIGH PRESSURE CHARGING	1	
8	MS28889-1	VALVE-AIR HIGH PRESSURE CHARGING	1	
9	ED11540	NUT-LOCK	1	
- 10	ED11484	BODY-ACCUMULATOR	1	A
	ED11484-1	BODY-ACCUMULATOR	1	B
- 11	ED11483	PISTON	1	A
	ED12499	PISTON	1	B
- 12	MS28775-332	O RING	2	A
	MS28775-332	O RING	1	B
- 13	ED11485	RING-PISTON	1	A
- 14	ED12500	RING-BACKUP	2	B
- 15	ED12018	BRACKET-ACCUMULATOR	1	B
		ATTACHING PARTS		
- 16	AN3-4	BOLT	4	
	MS20365-1032	NUT	4	
		---*---		
- 17	MS28755-234	O RING	1	
- 18	ED11480	CAP-UNLOADING	1	
- 19	ELB36-115	O RING	1	
- 20	ED11479	SPRING-UNLOADING	1	
- 21	ED11478	GUIDE-UNLOADING	1	
- 22	ELA16-10	BALL	1	
- 23	NAS669-56	RING-RETAINING	1	
- 24	ED11477	SEAT-UNLOADING	1	
- 25	ELB36-110	O RING	1	
- 26	ED11476	PLUNGER-UNLOADING	1	
- 27	ELB36-010	O RING	1	
- 28	ED11481	SCREW-ADJUSTING	1	
- 29	ED12501	NUT-CHECK	1	
- 30	ELB36-112	O RING	1	
- 31	A6590	SPRING	1	
- 32	A8140	PLUNGER	1	
- 33	A7975	NUT-LOCKING TRANSFER	1	
- 34	ES12511	TRANSFER SEAT ASSEMBLY	1	
- 35	ELB36-011	O RING	2	
- 36	ED12157	WASHER	1	
- 37	ED12156	SCREEN-TRANSFER	1	
- 38	ED12158-1	NUT-ORIFICE	1	
- 39	ED12486-1	SPRING	1	
- 40	ED11475	POPPET	1	
- 41	ED11474	HEAD-ACCUMULATOR	1	
		A---210 SERIAL 57001 THRU 57552		
		B---210 SERIAL 57553 & ON		

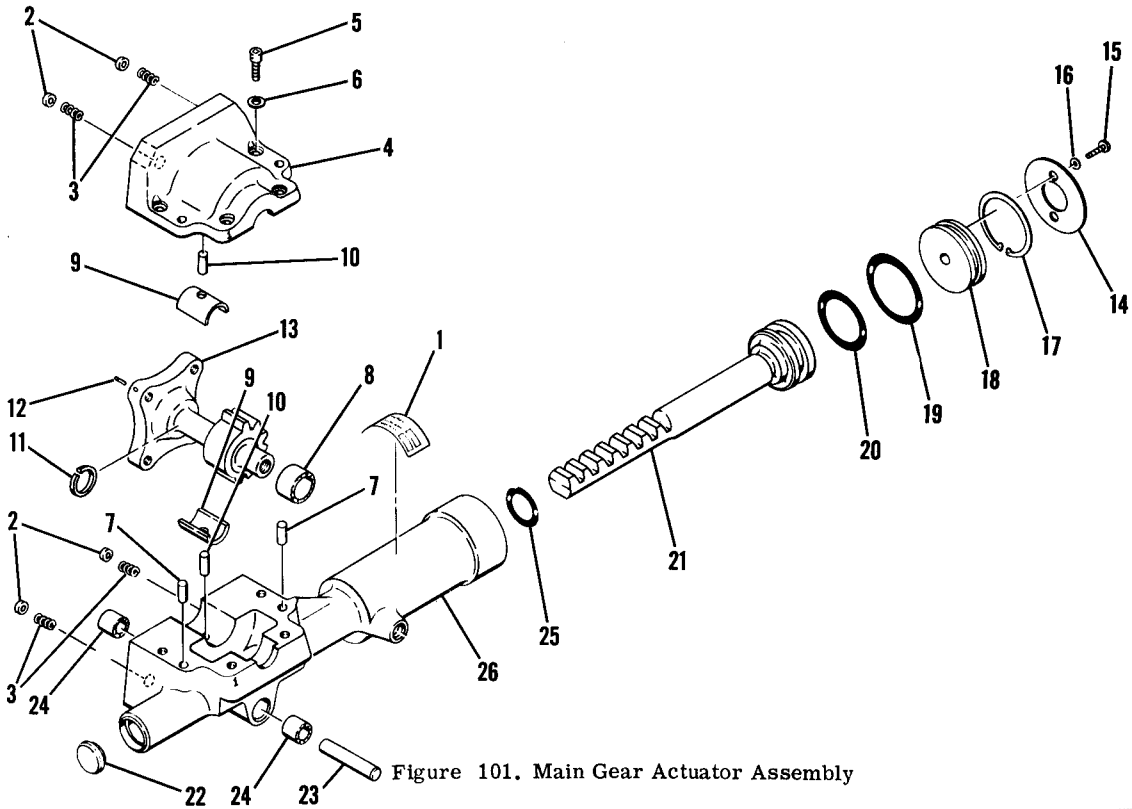


Figure 101. Main Gear Actuator Assembly

FIGURE AND INDEX NO.	PART NUMBER	DESCRIPTION							UNITS PER ASSY	USABLE ON CODE
		1	2	3	4	5	6	7		
101-	1280102-1	ACTUATOR ASSEMBLY-MAIN GEAR LH							1	
	1280102-2	ACTUATOR ASSEMBLY-MAIN GEAR RH							1	
- 1	A9480	NAMEPLATE							1	
- 2	ED11955	BUSHING ELE							4	
- 3	3591-4CN-.250	HELICOIL							4	
- 4	ED11936	COVER ELE							1	
		ATTACHING PARTS								
- 5	1/4-28NF-3	SCREW							4	
- 6	NAS620-416L	WASHER							4	
- 7		DOWEL							2	
		-----*								
- 8	B128	BEARING							1	
- 9	ED11952	SLEEVE BEARING ELE							2	
- 10		DOWEL							2	
- 11	ED11977	SEAL-SPINDLE SHAFT ELE							1	
- 12	ED12003	PELLETS-NYLON ELE							4	
- 13	ED11935L	SPINDLE-FLANGE & GEAR LH ELE							1	
	ED11935R	SPINDLE-FLANGE & GEAR RH ELE							1	
- 14	ED12119	RETAINER-END PLUG ELE							1	
		ATTACHING PARTS								
- 15	AN503-10-8	SCREW							2	
- 16	NAS620-10L	WASHER							2	
		-----*								
- 17	NAS669-212	RING-SNAP							1	
- 18	ED11933	PLUG-END ELE							1	
- 19	AN6230B3	O RING							1	
- 20	AN6227B29	O RING							1	
- 21	ED11932	RACK PISTON-----ELE							1	
- 22	ED11956	PLUG ELE							1	
- 23	ED11934	ROLLER-REACTION ELE							1	
- 24	M781	BEARING							2	
- 25	AN6227B18	O RING							1	
- 26	ED11931L	BODY-CYLINDER LH-----ELE							1	
	ED11931R	BODY-CYLINDER RH-----ELE							1	

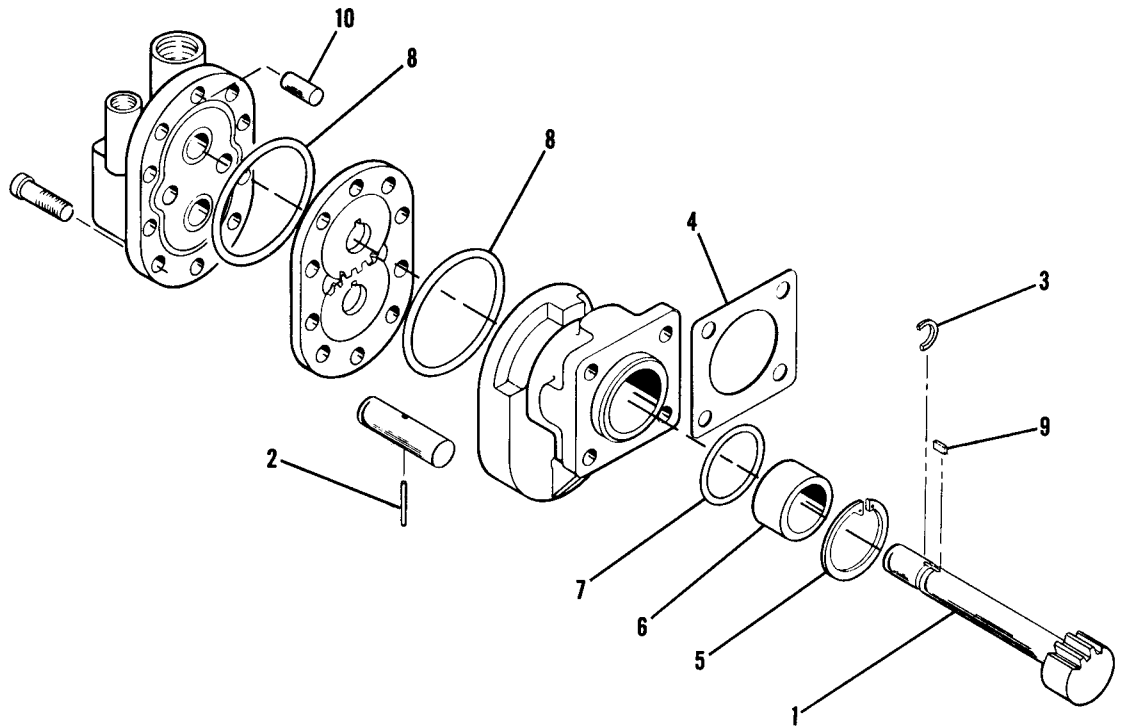


Figure 102. Hydraulic Pump Assembly

FIGURE AND INDEX NO.	PART NUMBER	DESCRIPTION	UNITS PER ASSY	USABLE ON CODE
		1 2 3 4 5 6 7		
102-	1280103-2	PUMP ASSEMBLY-HYDRAULIC-----NO. 102-HBG-TYPE 203B	1	
1	300407	DRIVE SHAFT-----	1	
2	300243	PIN-DRIVE-----	1	
3	XSO-220	THRUST RING-----	1	
4	AN4045-1	GASKET-----	1	
5	5000-87	SNAP RING-----	1	
6	16924	SEAL-----	1	
7	14034	O RING-----	1	
8	MS28775-020	O RING-----	2	
9	301722	DRIVE KEY-----	1	
- 10	2659	PIN-----	2	

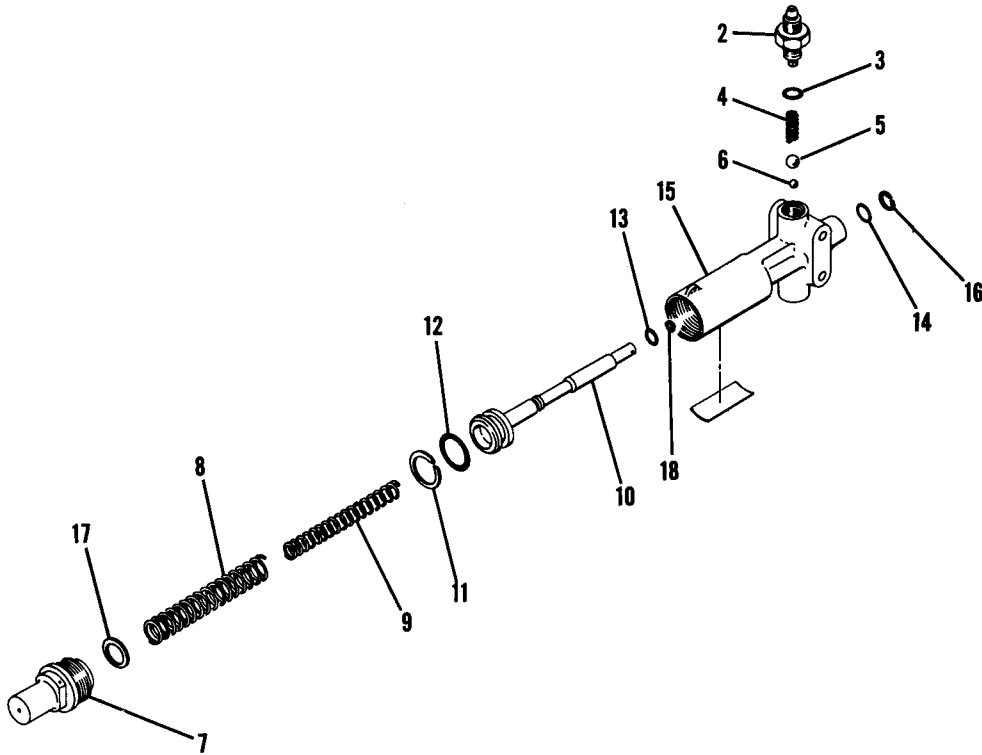


Figure 103. Lock Cylinder Assembly

FIGURE AND INDEX NO.	PART NUMBER	DESCRIPTION	UNITS PER ASSY	USABLE ON CODE		
					1	2
103-	1280109-3	CYLINDER ASSEMBLY-LOCK -----	3			
- 1		DELETED-NON PROCURABLE -----				
- 2	1280223-1	FITTING ASSEMBLY-LOCK CYLINDER-----	1			
- 3	AN6290B4	GASKET-----	1			
- 4	1280222-2	SPRING-LOCK CYLINDER -----	1			
- 5	S-272-9	BALL CESSNA STANDARD -----	1			
- 6	S-272-5	BALL CESSNA STANDARD -----	1			
- 7	1280221-1	END PLUG-LOCK CYLINDER -----	1			
- 8	1280222-1	SPRING-LOCK CYLINDER -----	1			
- 9	1280222-3	SPRING-LOCK CYLINDER -----	1			
- 10	1280220-3	* PISTON & ROD-LOCK CYLINDER-----	1			
- 11	120321-1	RING-BACK UP -----	1	C		
- 12	AN6227B15	O RING-----	1			
- 13	AN6227B5	O RING-----	1	A		
	S-1120-181	□ O RING-----CESSNA STANDARD-----	1	B		
- 14	AN6227B8	O RING-----	1	A		
	S-1120-363	□ O RING-----CESSNA STANDARD-----	1	B		
- 15	1280219-3	** BARREL & VALVE BODY-LOCK CYLINDER -----	1			
- 16	120321-2	RING-BACK UP -----	1	A		
	S-1121-389	□ RING-BACK UP CESSNA STANDARD -----	1	B		
- 17	AN960-516	WASHER-----	1	C		
- 18	S-1121-207	□ RING-BACK UP CESSNA STANDARD -----	1	B		
		A---210 SERIAL 57001 THRU 21057639				
		B---210 SERIAL 21057640 & ON				
		C---210 SERIAL 57001 THRU 21057592				
		*NOTE. WHEN ORDERING THIS PART FOR AIRCRAFT PRIOR TO SERIAL 21057640 ALSO ORDER PARTS MARKED □.				
		**NOTE. NOT AVAILABLE FOR AIRCRAFT PRIOR TO SERIAL 21057640. REPLACE COMPLETE ASSEMBLY				

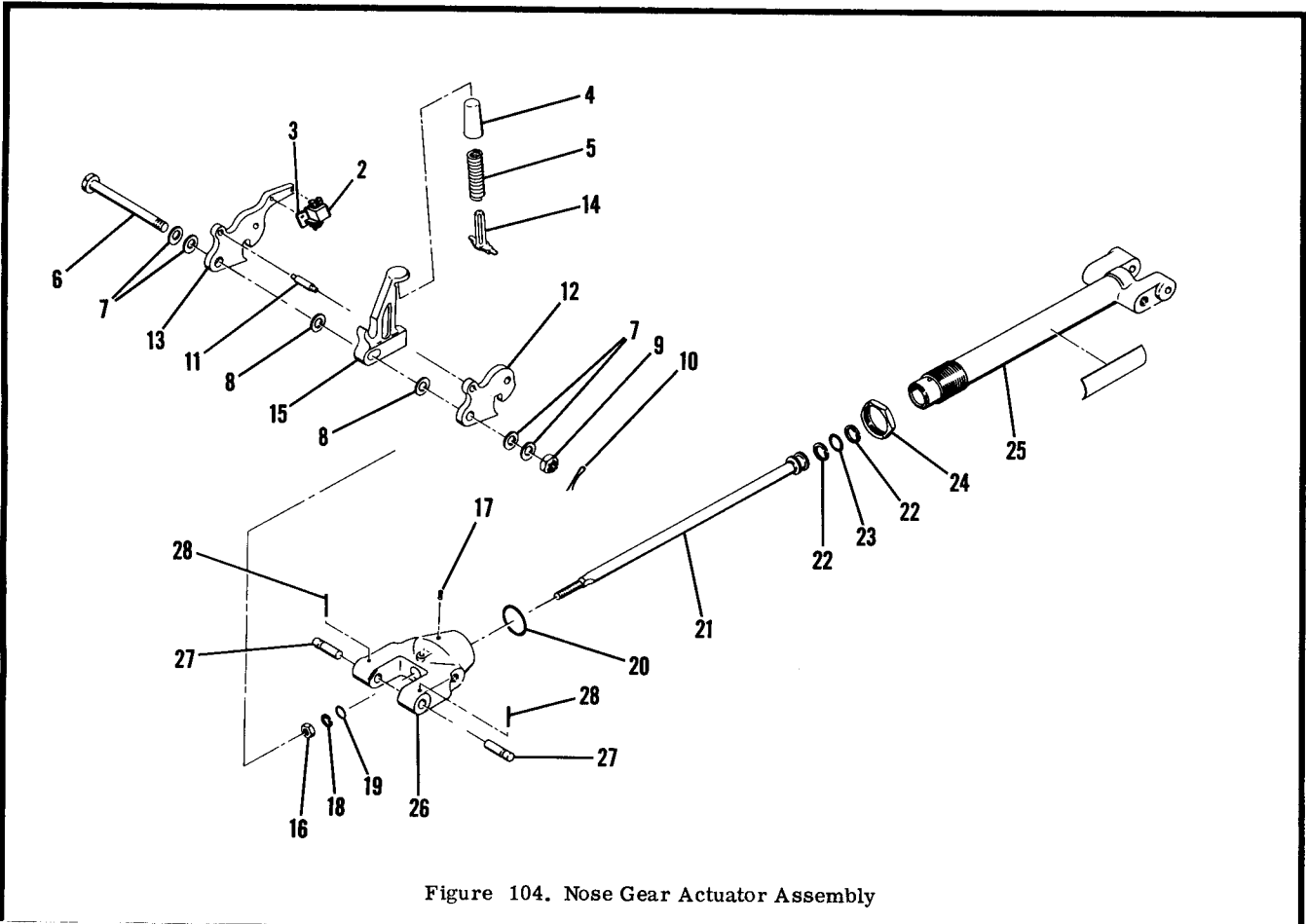


Figure 104. Nose Gear Actuator Assembly

FIGURE AND INDEX NO.	PART NUMBER	DESCRIPTION	UNITS PER ASSY	USABLE ON CODE
104-		1 2 3 4 5 6 7		
- 1	1280104-7	ACTUATOR ASSEMBLY-NOSE GEAR	1	
- 2	120330-1	DELETED-NON PROCURABLE		
- 3	1280233-1	SWITCH-GEAR DOWN	1	
- 4	1280207-1	BRACKET	1	
- 5	1280231-1	SHIELD-NOSE GEAR ACTUATOR SPRING	1	
- 6	NAS464P6-42	SPRING-NOSE GEAR ACTUATOR DOWN LOCK	1	
- 7	AN960-616	BOLT	1	
- 8	AN960-616L	WASHER	4	
- 9	AN320-6	WASHER	2	
- 10	AN380-3-4	NUT	1	
- 11	1280210-1	PIN-COTTER	1	
- 12	1280205-1	CROSS BAR-NOSE GEAR ACTUATOR DOWN LOCK	1	
- 13	1280205-2	HOOK-NOSE GEAR ACTUATOR LOCKING	1	
- 14	1280206-1	HOOK-NOSE GEAR ACTUATOR LOCKING	1	
- 15	1280234-1	GUIDE-NOSE GEAR ACTUATOR SPRING	1	
- 16	AN316-5R	ROD END-NOSE GEAR ACTUATOR	1	
- 17	M75-FS-1024-5CR	NUT	1	
- 18	MS28774-111	SET SCREW	1	
- 19	S-1121-447	RING-BACKUP	1	A
- 20	AN6227B-9	RING-BACKUP-----CESSNA STANDARD	1	B
- 21	S-1120-421	O RING-----CESSNA STANDARD	1	A
- 22	AN6227B-19	O RING-----CESSNA STANDARD	1	B
- 23	1280203-2	O RING	1	
- 24	MS28774-113	PISTON & ROD-NOSE GEAR ACTUATOR	1	
- 25	S-1121-515	RING-BACKUP	2	A
- 26	AN6227B-11	RING-BACKUP-----CESSNA STANDARD	2	B
- 27	S-1120-491	O RING	1	A
- 28	1280211-1	O RING-----CESSNA STANDARD	1	B
		NUT	1	

CONTINUED ON PAGE 214

FIGURE AND INDEX NO.	PART NUMBER	DESCRIPTION	UNITS PER ASSY	USABLE ON CODE
104- 25	1280202-1	1 2 3 4 5 6 7 BARREL-NOSE GEAR ACTUATOR -----	1	
	1280104-8	BEARING END ASSEMBLY-NOSE GEAR ACTUATOR -----	1	
- 26	1280200-4	BEARING END-NOSE GEAR ACTUATOR -----	1	
- 27	1280209-1	PIN-DOWN LOCK ----- ATTACHING PARTS	2	
- 28	23-S-078-0750 **	PIN-SPRING SEL LOK----- .078 DIA HOLE ----- -----*-----	2	
		A---210 SERIAL 57001 THRU 21057639 B---210 SERIAL 21057640 & ON		
		*NOTE. WHEN ORDERING THIS PART FOR AIRCRAFT PRIOR TO SERIAL 21057640 ALSO ORDER PARTS MARKED □.		
		**NOTE. SOME BEARING END ASSEMBLIES HAVE .062 DIA HOLES WHICH REQUIRE 23-S-062-0875 ROLL PINS.		

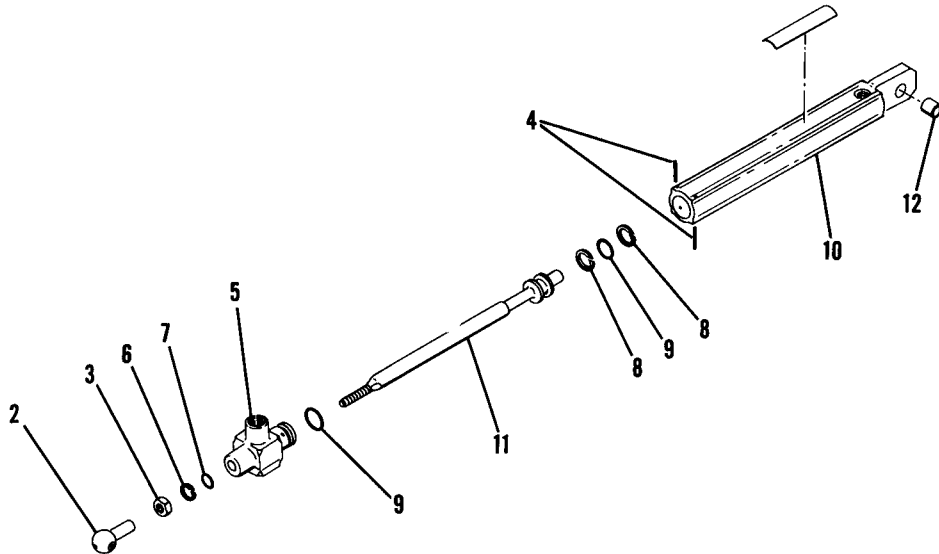


Figure 105. Nose Gear Doors Actuator Assembly

FIGURE AND INDEX NO.	PART NUMBER	DESCRIPTION	UNITS PER ASSY	USABLE ON CODE
		1 2 3 4 5 6 7		
105-	1280107-2	ACTUATOR ASSEMBLY-NOSE GEAR DOOR-----	1	
- 1		DELETED-NON PROCURABLE -----		
- 2	F347-14	ROD END -----	1	
- 3	AN316-4R	NUT-CHECK -----	1	
- 4	23-S-094-0688	SPRING PIN SEL LOK -----	2	
- 5	1280212-1	BEARING END-ACTUATOR -----	1	
- 6	MS28774-11	RING-BACK UP -----	1	
- 7	AN6227B-6	O RING-----	1	
- 8	MS28774-111	RING-BACK UP -----	2	A
	S-1121-389	RING-BACK UP CESSNA STANDARD -----	2	B
- 9	AN6227B-9	O RING-----	2	A
	AN6227B-9	O RING-----	1	A
	S-1120-363	O RING-----CESSNA STANDARD-----	1	B
- 10	1280213-1	BARREL ASSEMBLY -----	1	
- 11	1280215-2	ROD & PISTON ASSEMBLY-----	1	
- 12	NAS76A-4-010P	BUSHING -----	1	
		A---210 SERIAL 57001 THRU 21057639		
		B---210 SERIAL 21057640 & ON		
		NOTE. WHEN ORDERING THIS PART FOR AIRCRAFT PRIOR TO SERIAL 21057640 ALSO ORDER PARTS MARKED		

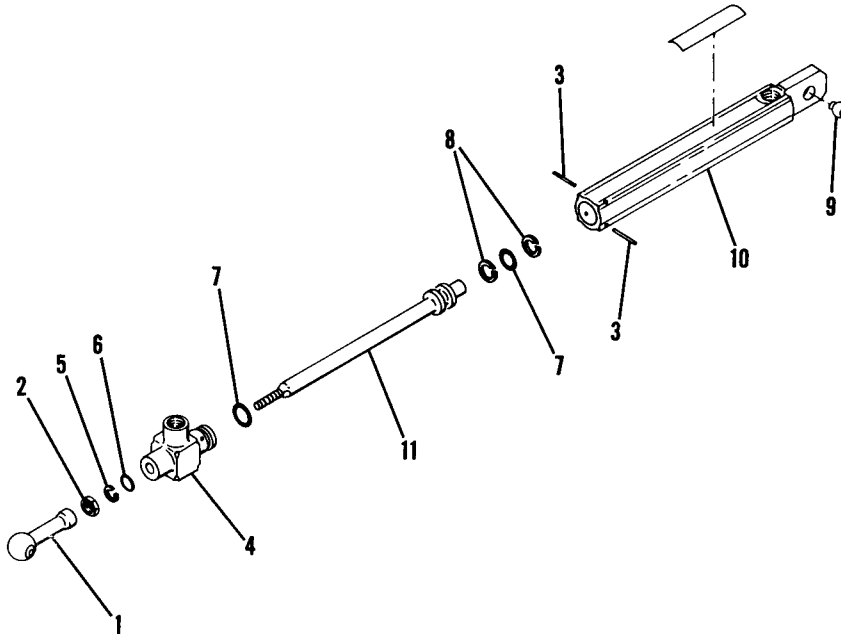


Figure 106. Main Gear Doors Actuator Assembly

FIGURE AND INDEX NO.	PART NUMBER	DESCRIPTION	UNITS PER ASSY	USABLE ON CODE
106--	1280105-2	ACTUATOR ASSEMBLY-MAIN GEAR DOOR-----	2	
- 1	S-1106-3	ROD END CESSNA STANDARD -----	1	
- 2	AN416-4R	NUT-CHECK -----	1	
- 3	23-S-094-0688	SPRING PIN SEL LOK -----	2	
- 4	1280212-1	BEARING -----	1	
- 5	MS28774-11	RING-BACK UP -----	1	
- 6	AN6227B-6	O RING-----	1	
- 7	AN6227B-9	O RING-----	2	
	AN6227B-9	O RING-----	1	A
	S-1120-363	O RING-----CESSNA STANDARD-----	1	B
- 8	MS28774-111	RING-BACK UP -----	2	A
	S-1121-389	RING-BACK UP CESSNA STANDARD -----	2	B
- 9	HDLY-3-13	BEARING -----	1	
- 10	128213-2	BARREL-----	1	
- 11	1280215-2	ROD & PISTON ASSEMBLY-----	1	

1 2 3 4 5 6 7

A---210 SERIAL 57001 THRU 21057639
 B---210 SERIAL 21057640 & ON

*NOTE. WHEN ORDERING THIS PART FOR AIRCRAFT PRIOR TO SERIAL 21057640 ALSO ORDER PARTS MARKED □.

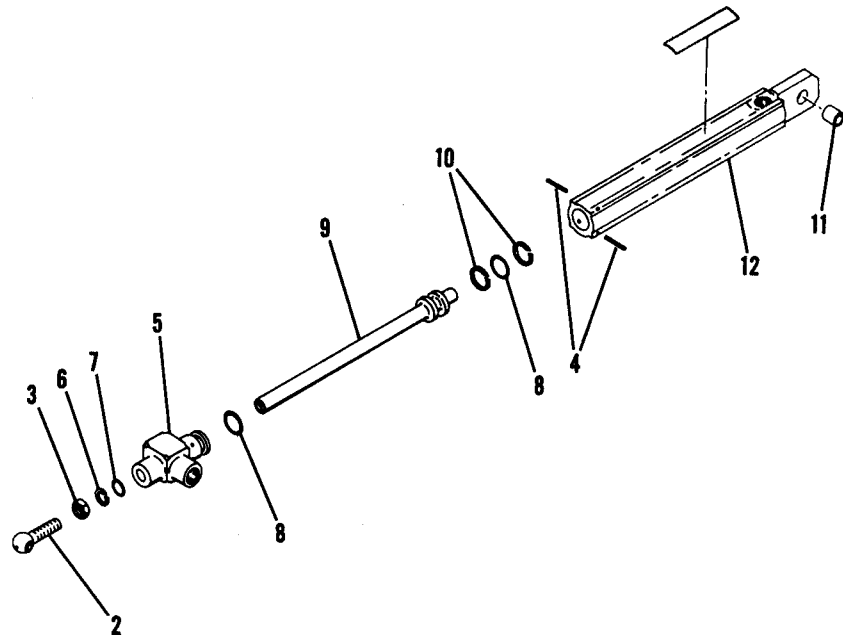


Figure 107. Strut Doors Actuator Assembly

FIGURE AND INDEX NO.	PART NUMBER	DESCRIPTION	UNITS PER ASSY	USABLE ON CODE
107-	1280108-3 1280108-4	ACTUATOR ASSEMBLY—MAIN GEAR STRUT DOOR LH ----- ACTUATOR ASSEMBLY—MAIN GEAR STRUT DOOR RH -----	1 1	
- 1	1280218-1	DELETED—NON PROCURABLE -----		
- 2	AN316-4R	ROD END -----	1	
- 3	23-S-094-0688	NUT CHECK -----	1	
- 4	23-S-094-0688	PIN SELLOCK -----	2	A
- 5	1280212-1	PIN SELLOCK -----	1	B
- 6	MS28774-11	BEARING END—MAIN GEAR DOOR ACTUATOR-----	1	
- 7	AN6227B-6	RING-BACK UP -----	1	
- 8	AN6227B-9	O RING -----	1	
	AN6227B-9	O RING -----	2	A
	S-1120-363	O RING -----	1	B
- 9	1280216-2	O RING -----	1	B
- 10	MS28774-111	ROD & PISTON—MAIN GEAR DOOR ACTUATOR -----	1	
	S-1121-389	RING-BACK UP -----	2	A
- 11	NAS76A-4-070P	RING-BACK UP -----	2	B
- 12	1280217-2	BEARING -----	1	
		BARREL ASSEMBLY -----	1	
		A---210 SERIAL 57001 THRU 21057639		
		B---210 SERIAL 21057640 & ON		
		*NOTE. WHEN ORDERING THIS PART FOR AIRCRAFT PRIOR TO SERIAL 21057640 ALSO ORDER PARTS MARKED □.		

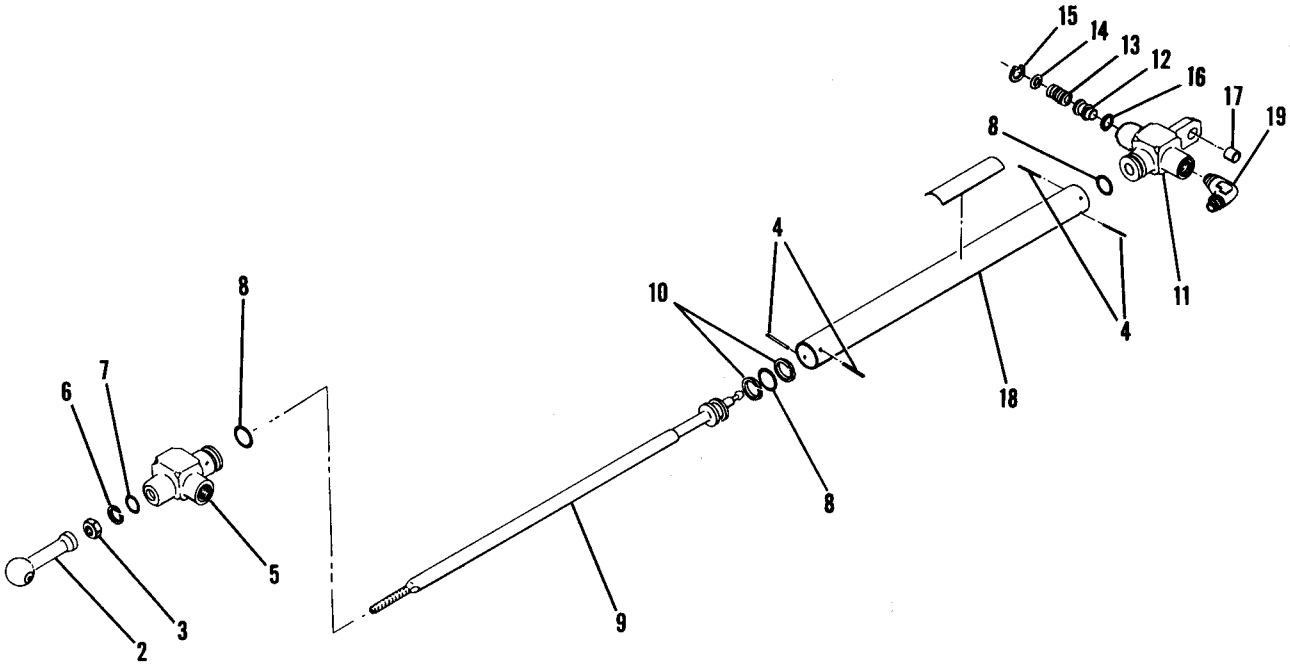


Figure 108. Flap Actuator Assembly

FIGURE AND INDEX NO.	PART NUMBER	DESCRIPTION	UNITS PER ASSY	USABLE ON CODE
108-	1280116-2	ACTUATOR ASSEMBLY-FLAP	2	
- 1		DELETED-NON PROCURABLE		
- 2	F34-14	ROD END HEC	1	
- 3	AN316-3R	NUT-CHECK	1	
- 4	NAS561C2-9	SPRING PIN	4	
- 5	1280224-1	BEARING END	1	
- 6	MS28774-11	RING-BACKUP	1	
- 7	AN6227B6	O RING	1	
- 8	AN6227B7	O RING	3	
	S-1120-238	O RING-CESSNA STANDARD	1	A
- 9	1280117-1	PISTON & LOCK ASSEMBLY	1	B
- 10	MS28774-12	RING-BACKUP	2	A
	S-1121-264	RING-BACKUP-CESSNA STANDARD	2	B
	1280116-3	ANCHOR END ASSEMBLY-FLAP ACTUATOR	1	
- 11	1280235-1	ANCHOR END-FLAP ACTUATOR	1	
- 12	1280237-1	PLUNGER-FLAP ACTUATOR LOCK	1	
- 13	1280238-1	SPRING-ANCHOR END	1	
- 14	1280236-1	WASHER	1	
- 15	NAS669-50	SNAP RING	1	
- 16	AN6227B5	O RING	1	
- 17	NAS76A-3-008P	BUSHING	1	
- 18	1280226-1	BARREL ASSEMBLY-FLAP ACTUATOR	1	
- 19	AN921-3D	ELBOW	1	
<p>A---210 SERIAL 57001 THRU 21057589 B---210 SERIAL 21057590 & ON</p> <p>*NOTE. WHEN ORDERING THIS PART FOR AIRCRAFT PRIOR TO SERIAL 21057576 ALSO ORDER PARTS MARKED □, # & ##.</p> <p>WHEN ORDERING THIS PART FOR AIRCRAFT SERIAL 21057576 THRU 21057589 ALSO ORDER PARTS MARKED □.</p> <p>□NOTE. WHEN ORDERING THIS PART FOR AIRCRAFT PRIOR TO SERIAL 21057576 ALSO ORDER PART MARKED ##.</p>				

This page intentionally left blank.

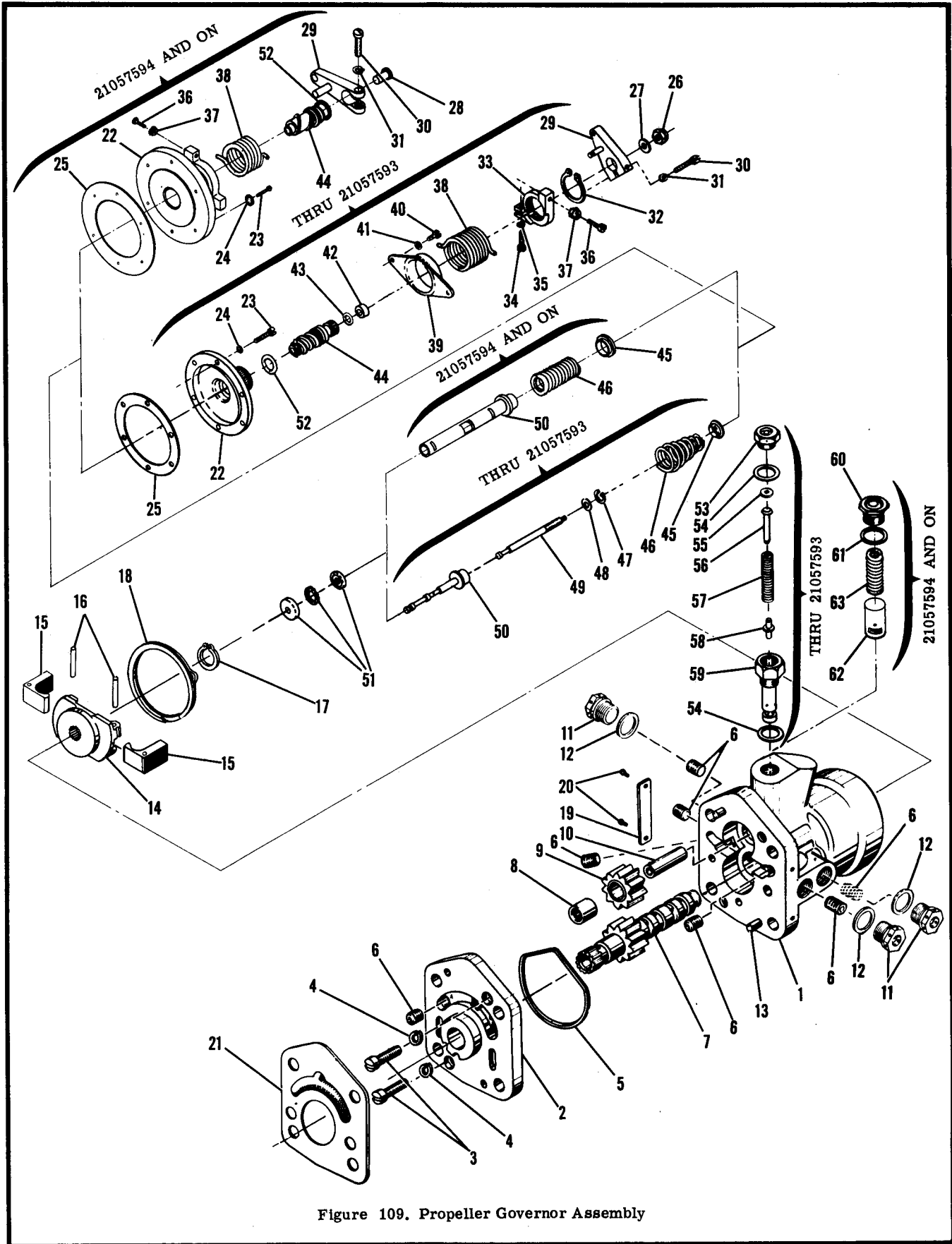


Figure 109. Propeller Governor Assembly

FIGURE AND INDEX NO.	PART NUMBER	DESCRIPTION	UNITS PER ASSY	USABLE ON CODE		
			1	2	3	4
109--	0750101-58	GOVERNOR ASSEMBLY-PROPELLER ----WHEN EXHAUSTED ----- USE 0750101-61 OR 0750101-62 AS APPLICABLE	1	A		
	0750101-61	GOVERNOR ASSEMBLY-PROPELLER ----USE WITH MCCAULEY PROPELLER	1	B		
	0750101-62	GOVERNOR ASSEMBLY-PROPELLER ----USE WITH HARTZELL PROPELLER	1	B		
- 1	210109	BODY-GOVERNOR WGV-----	1	A		
	210253	BODY-GOVERNOR WGV-----	1	A		
- 2	210022	BASE-GOVERNOR WGV-----	1	A		
	210259	BASE-GOVERNOR WGV-----	1	B		
		ATTACHING PARTS				
- 3	218036	SCREW WGV-----	2			
- 4	AN935-10	WASHER-----	2			
- 5	206336	O RING-----WGV-----	1			
		-----*				
- 6	190734	PLUG-PIPE WGV-----	6			
- 7	204865	GEAR-PUMP DRIVE WGV-----	1	A		
	210206	GEAR-PUMP DRIVE WGV-----	1	B		
- 8	210036	BEARING-NEEDLE WGV-----	1			
- 9	204864	GEAR-PUMP IDLER WGV-----	1			
- 10	210031	STUD-IDLER GEAR WGV-----	1			
- 11	210095	PLUG-SCREW THREAD WGV-----	3			
- 12	190733	WASHER-----WGV-----	3			
- 13	184793	PIN-DOWEL WGV-----	2			
- 14	210111	HEAD-FLYWEIGHT WGV-----	1	A		
	210207	HEAD-FLYWEIGHT WGV-----	1	B		
- 15	210289	FLYWEIGHT WGV-----	1			
- 16	210112	PIN-FLYWEIGHT WGV-----	2			
- 17	190094	RING-RETAINING WGV-----	1			
- 18	192103	RING-SPIROLOX RETAINING WGV-----	1			
- 19	193385	NAMEPLATE WGV-----	1			
		ATTACHING PARTS				
- 20	AN535-0-2	SCREW-----	2			
		-----*				
- 21	MS100009	GASKET-MOUNTING-----	1			
- 22	210023	COVER-GOVERNOR WGV-----	1	A		
	210272	COVER-GOVERNOR WGV-----	1	B		
		ATTACHING PARTS				
- 23	AN503-8-10	SCREW-----	4			
- 24	AN935-8L	WASHER-----	4			
- 25	206337	GASKET-COVER WGV-----	1			
		-----*				
- 26	189522	NUT WGV-----	1	A		
- 27	186283	WASHER-----WGV-----	1	A		
- 28	210293	PLUG-SPEED ADJUSTMENT----WGV-----	1	B		
- 29	210039	LEVER ASSEMBLY-SPEED ADJUSTMENT WGV-----	1			
- 30	188434	SCREW WGV-----	1			
- 31	AN935-10	WASHER-----	1			
- 32	189880	RING-RETAINING WGV-----	1	A		
- 33	400433	RING-STOP WGV-----	1	A		
- 34	190189	SCREW WGV-----	1	A		
- 35	AN935-8L	WASHER-----	1	A		
- 36	190576	SCREW WGV-----	1	A		
- 37	188036	NUT WGV-----	1	A		
	188302	NUT WGV-----	1	B		
- 38	191869	SPRING-LEVER CONTROL WGV-----	1			
- 39	210035	RETAINER-SPRING WGV-----	1	A		
		ATTACHING PARTS				
- 40	AN503-8-10	SCREW-----	2	A		
- 41	AN935-8L	WASHER-----	2	A		
		-----*				
- 42	210034	BUSHING-LIFT ROD-----WGV-----	1	A		
- 43	AN123858	O RING-----	1	A		
- 44	210100	SHAFT & WORM ASSEMBLY-SPEED ADJUSTMENT WGV-----	1			
- 45	210101	SEAT-SPEEDER SPRING WGV-----	1	A		
	210214	SEAT-SPEEDER SPRING WGV-----	1	B		
- 46	192315	SPRING-SPEEDER WGV-----	1	A		
	192528	SPRING-SPEEDER WGV-----	1	B		
- 47	189798	RING-RETAINING WGV-----	1	A		
- 48	210025	WASHER-PILOT VALVE LIFT WGV-----	1	A		
- 49	210044	ROD-PILOT VALVE LIFT WGV-----	1	A		
- 50	210119	PLUNGER ASSEMBLY-PILOT VALVE WGV-----	1	A		
	210268	PLUNGER ASSEMBLY-PILOT VALVE WGV-----	1	B		
	210269	PLUNGER ASSEMBLY-PILOT VALVE WGV-----	1	B		

CONTINUED ON PAGE 222

FIGURE AND INDEX NO.	PART NUMBER	DESCRIPTION	UNITS PER ASSY	USABLE ON CODE
109- 51	180004	BEARING-PILOT VALVE WGV -----	1	A
	180231	BEARING-PILOT VALVE WGV -----	1	B
- 52	182309	O RING-----WGV -----	1	A
	182684	O RING-----WGV -----	1	B
	210067	VALVE ASSEMBLY-RELIEF----WGV -----	1	A
- 53	210076	CAP-RELIEF VALVE WGV -----	1	A
- 54	186320	GASKET WGV -----	2	A
- 55	186321	SHIM-----4 MAXIMUM WGV -----	AR	A
- 56	210077	PIN-STOP WGV -----	1	A
- 57	210068	SPRING-RELIEF VALVE-----WGV -----	1	A
- 58	210078	PLUNGER-RELIEF VALVE-----WGV -----	1	A
- 59	210071	BODY-RELIEF VALVE WGV -----	1	A
- 60	218446	PLUG-RELIEF VALVE WGV -----	1	B
- 61	186320	GASKET-----WGV -----	1	B
- 62	210257	PLUNGER-RELIEF VALVE WGV -----	1	B
- 63	192558	SPRING-RELIEF VALVE WGV -----	1	B
<p>A---210 SERIAL 57001 THRU 21057593 B---210 SERIAL 21057594 & ON</p> <p>*NOTE. USED ON 0750101-62 GOVERNOR ASSY ONLY **NOTE. USED ON 0750101-61 GOVERNOR ASSY ONLY</p>				

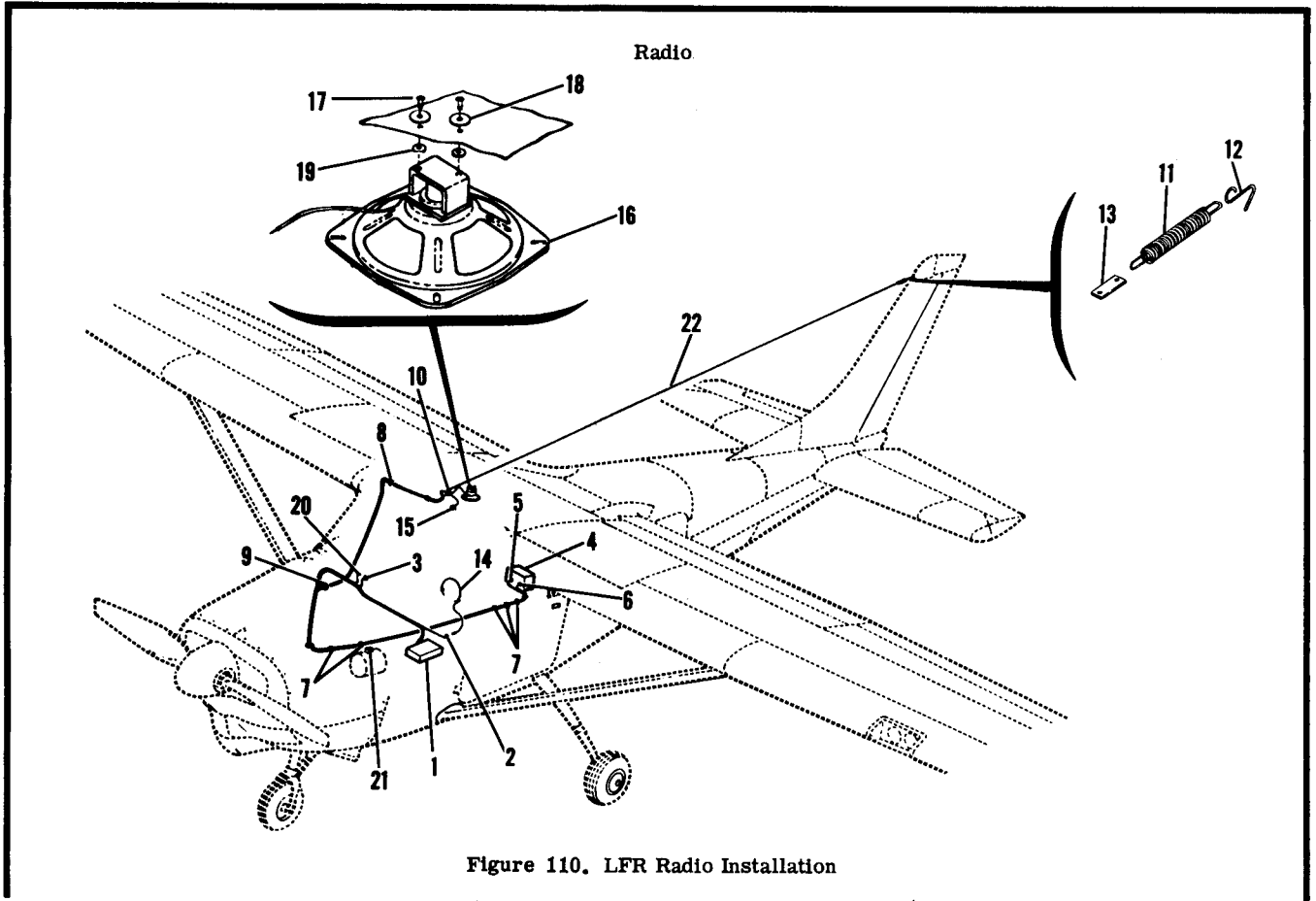


Figure 110. LFR Radio Installation

FIGURE AND INDEX NO.	PART NUMBER	DESCRIPTION	UNITS PER ASSY							USABLE ON CODE	
			1	2	3	4	5	6	7		
110-		RADIO INSTALLATION-LFR -----								NP	
- 1	0311840-13	RECEIVER-LF-----								1	
	S-1022Z-6-6	ATTACHING PARTS -----									
	NAS446-2-3	SCREW CESSNA STANDARD -----								4	
		NUT TIN-----								4	
		-----*									
- 2	S-1103-1	JACK-PHONE CESSNA STANDARD-----								1	
- 3	0413126-5	RHEOSTAT -----								1	
	0813475-3	KNOB ASSEMBLY -----								1	
- 4	0311840-38	POWER UNIT -----								1	
		ATTACHING PARTS -----									
	AN515-8R8	SCREW -----								4	
		-----*									
- 5	0311840-15	CABLE-POWER-----								1	
- 6	0311840-40	CABLE-AUDIO-----								1	
- 7	49165-21	BAND-HARNESS UC -----								6	
- 8	MS35489-14	GROMMET -----								1	
- 9	MS35489-16	GROMMET -----								1	
- 10	135-40	INSULATOR-FEED THRU JON -----								1	
- 11	0411690	SPRING-----								1	
- 12	0411686	CLIP -----								1	
- 13	0411687	INSULATOR -----								1	
- 14	0770039-1	HEADSET -----								1	
- 15	S-1021A-8-6	SCREW CESSNA STANDARD -----								1	
- 16	0411062-4	SPEAKER-RADIO -----								1	
		ATTACHING PARTS -----									
- 17	AN515-8R6	SCREW -----								2	
- 18	AN970-3	WASHER-----								2	
- 19	S-350	WASHER-CORK-----CESSNA STANDARD -----								2	
		-----*									
- 20	PSM-10N	CIRCUIT BREAKER SPTD -----								1	
- 21	0411081	CAPACITOR -----								1	
- 22	18/30HS	WIRE-ANTENNA SPEC W106A -----								AR	

Radio (Cont)

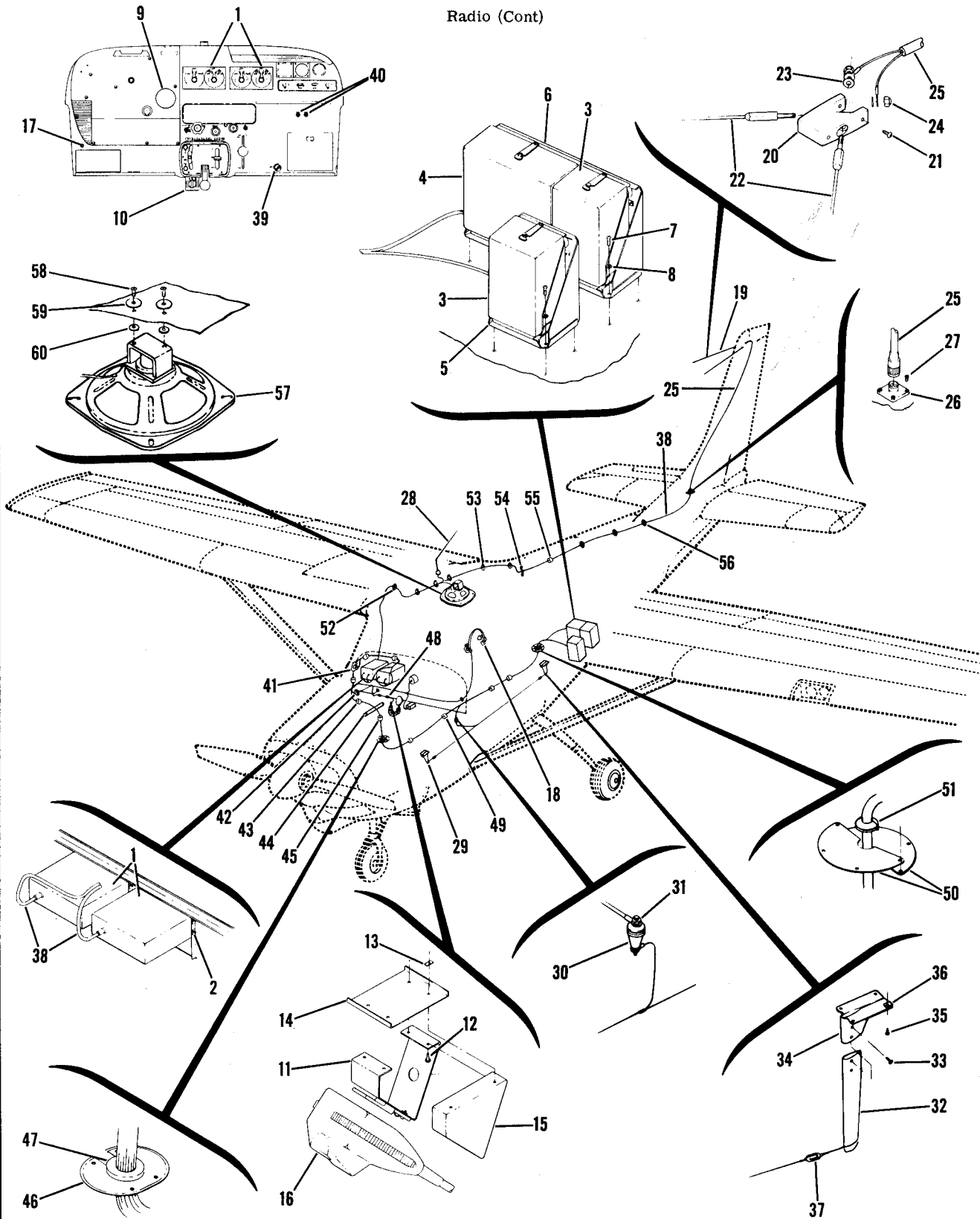


Figure 111. Lear LNC-100 A & B Radio Installation

FIGURE AND INDEX NO.	PART NUMBER	DESCRIPTION	UNITS PER ASSY	USABLE ON CODE
		1 2 3 4 5 6 7		
111-		RADIO INSTALLATION-LEAR LNC-100 A&B COMBINATION-----	NP	
- 1	715800	TWIN PACK-LEAR TRANSMITTER/RECEIVER-----	2	
		ATTACHING PARTS		
- 2	S-1022Z-6-6	SCREW CESSNA STANDARD -----	4	
	NAS446-2-3	NUT -----	4	
		-----*		
- 3	2355A	POWER SUPPLY -----	1	A
	1270041-1	POWER SUPPLY -----	1	B
- 4	2374A	NAVIGATION MODULE -----	1	
- 5	714009	SHOCKMOUNT-POWER SUPPLY & NAVIGATION MODULE -----	1	
- 6	714010	SHOCKMOUNT-POWER SUPPLY & NAVIGATION MODULE -----	1	
		ATTACHING PARTS		
- 7	AN515-8R12	SCREW -----	4	
- 8	AN936A8	WASHER-----	4	
	ABK75	RIVNUT----GD -----	4	
		-----*		
- 9	40808	INDICATOR-VOR-LOC -----	1	
		ATTACHING PARTS		
	AN515-6R10	SCREW -----	3	
		-----*		
- 10	0770037-3	SWITCH-TRANSMITTER SELECTOR -----	1	A
	1270037-2	BOX ASSEMBLY-SWITCH SEE FIGURE -----	1	B
- 11	1270017-1	BRACKET-MICROPHONE -----	1	
		ATTACHING PARTS		
- 12	S-1021Z-6-6	SCREW CESSNA STANDARD -----	4	
- 13	NAS446-2-3	NUT -----	4	
		-----*		
- 14	1213275-2	PLATE-STIFFENER -----	1	
- 15	1270030-1	COVER -----	1	
- 16	0411057-5	MICROPHONE ASSEMBLY -----	1	
- 17	S-1103-1	JACK-PHONE CESSNA STANDARD-----	1	
- 18	0770039-1	HEADSET ASSEMBLY-----	1	
- 19		OMNITENNA INSTALLATION -----	NP	
- 20	1270011-1	BLOCK-ANTENNA MOUNTING -----	1	
		ATTACHING PARTS		
- 21	S-1021Z-8-8	SCREW CESSNA STANDARD -----	4	
		-----*		
- 22	1270012-1	ROD-ANTENNA -----	2	A
	1270012-5	ROD-ANTENNA -----	2	B
		ATTACHING PARTS		
- 23	AN960-10L	WASHER -----	1	
- 24	MS20365-1032C	NUT -----	1	
		-----*		
- 25	1270013-1	BALUN STUB -----	1	
- 26	UG-291/U	RECEPTACLE -----	1	
		ATTACHING PARTS		
- 27	AN520-3R4	SCREW -----	4	
		-----*		
- 28	1270042-1	ANTENNA-VHF-----	1	
- 29		ANTENNA INSTALLATION-MARKER BEACON -----	NP	
- 30	Q411067-1	INSULATOR-MARKER BEACON ANTENNA -----	1	
- 31	MS20365-632C	NUT -----	2	
- 32	Q411217	MAST-MARKER BEACON ANTENNA -----	2	
		ATTACHING PARTS		
- 33	S-1021Z-6-8	SCREW CESSNA STANDARD -----	4	
		-----*		
- 34	Q411670	BRACKET-MAST -----	1	
		ATTACHING PARTS		
- 35	S-1021Z-6-6	SCREW CESSNA STANDARD -----	4	
- 36	NAS446-2-3	NUT -----	4	
		-----*		
- 37	463	INSULATOR----BBR -----	2	
- 38	RG-58A/U	CABLE -----	AR	
- 39	Q413126-5	RHEOSTAT -----	1	
	0813475-3	KNOB ASSEMBLY -----	1	
- 40	PSM-10N	CIRCUIT BREAKER MTCC -----	2	
- 41	UG-274/U	TEE CONNECTOR -----	1	
- 42	MS35489-118S	GROMMET -----	1	
- 43	49160	HARNESS BAND UC -----	1	
		ATTACHING PARTS		
	S-1021A-8-6	SCREW CESSNA STANDARD -----	1	
		-----*		

CONTINUED ON PAGE 226

FIGURE AND INDEX NO.	PART NUMBER	DESCRIPTION	UNITS PER ASSY	USABLE ON CODE
111- 44	S-202RB	CHANNEL BULK ITEM 4.00 IN LONG REF S-202R400B -----	1	
- 45	A3047A-11-92	CLAMP -----	1	
	S-1021Z-10-8	ATTACHING PARTS		
		SCREW CESSNA STANDARD -----	1	
		-----*		
- 46	1213042-3	COVER -----	1	
- 47	MS35489-22	GROMMET -----	1	
- 48	NO.3	PLASTIC CLAMP HLBI -----	2	
		ATTACHING PARTS		
	S-1021Z-8-8	SCREW CESSNA STANDARD -----	1	
	NAS446-4-3	NUT -----	1	
		-----*		
- 50	1270014-1	COVER -----	2	
- 51	MS35489-19S	GROMMET -----	1	
- 52	MS35489-119S	GROMMET -----	1	
- 53	S-1043-2	STRAP CESSNA STANDARD -----	5	
		ATTACHING PARTS		
	S-1021Z-8-8	SCREW CESSNA STANDARD -----	1	
	NAS446-4-3	NUT -----	1	
		-----*		
- 54	1270015-1	STRAP ASSEMBLY -----	1	
		ATTACHING PARTS		
	S-1021Z-6-6	SCREW CESSNA STANDARD -----	2	
	NAS446-2-3	NUT -----	2	
		-----*		
- 55	49164-21	HARNESS BAND UC -----	1	
		ATTACHING PARTS		
	S-1021Z-6-6	SCREW CESSNA STANDARD -----	1	
		-----*		
- 56	MS35489-118S	GROMMET -----	3	
- 57	0411062-4	SPEAKER ASSEMBLY-RADIO -----	1	
		ATTACHING PARTS		
- 58	AN515-8R6	SCREW -----	2	
- 59	AN970-3	WASHER -----	2	
- 60	S-350	WASHER-----CESSNA STANDARD-----	2	
		-----*		
		A---210 SERIAL 57001 THRU 57575		
		B---210 SERIAL 21057576 & ON		
		C---210 SERIAL 57001 THRU 57522		
		D---210 SERIAL 57523 & ON		

FIGURE AND INDEX NO.	PART NUMBER	DESCRIPTION	UNITS PER ASSY	USABLE ON CODE
112-		RADIO INSTALLATION-LEAR ADF -----	NP	
- 1	0311835-2	INDICATOR-AZIMUTH -----	1	A
	4084A	INDICATOR-GONIOMETER MOTL -----	1	B
		ATTACHING PARTS		
	AN515B6R12	SCREW -----	4	
		-----*		
- 2	0311835-126	TUNER -----		
		ATTACHING PARTS		
- 3	S-1022Z-6-6	SCREW CESSNA STANDARD -----	4	
	NAS446-2-3	NUT -----	4	
		-----*		
- 4	1270040-1	HARNESS ASSEMBLY-----	1	A
	1270040-2	HARNESS ASSEMBLY-----	1	B
- 5	M-359	ADAPTER-ANGLE -----	1	C
- 6	0511028	TRANSFORMER ASSEMBLY -----	1	C
		ATTACHING PARTS		
- 7	S-1021A-6-6	SCREW CESSNA STANDARD -----	2	
		-----*		
- 8	S0-9	TRANSFORMER-----	1	D
		ATTACHING PARTS		
- 9	S0-CH	BRACKET -----	1	D
	S-1021A-2-4C	SCREW CESSNA STANDARD -----	1	D
		-----*		
		CONTINUED ON PAGE 228		

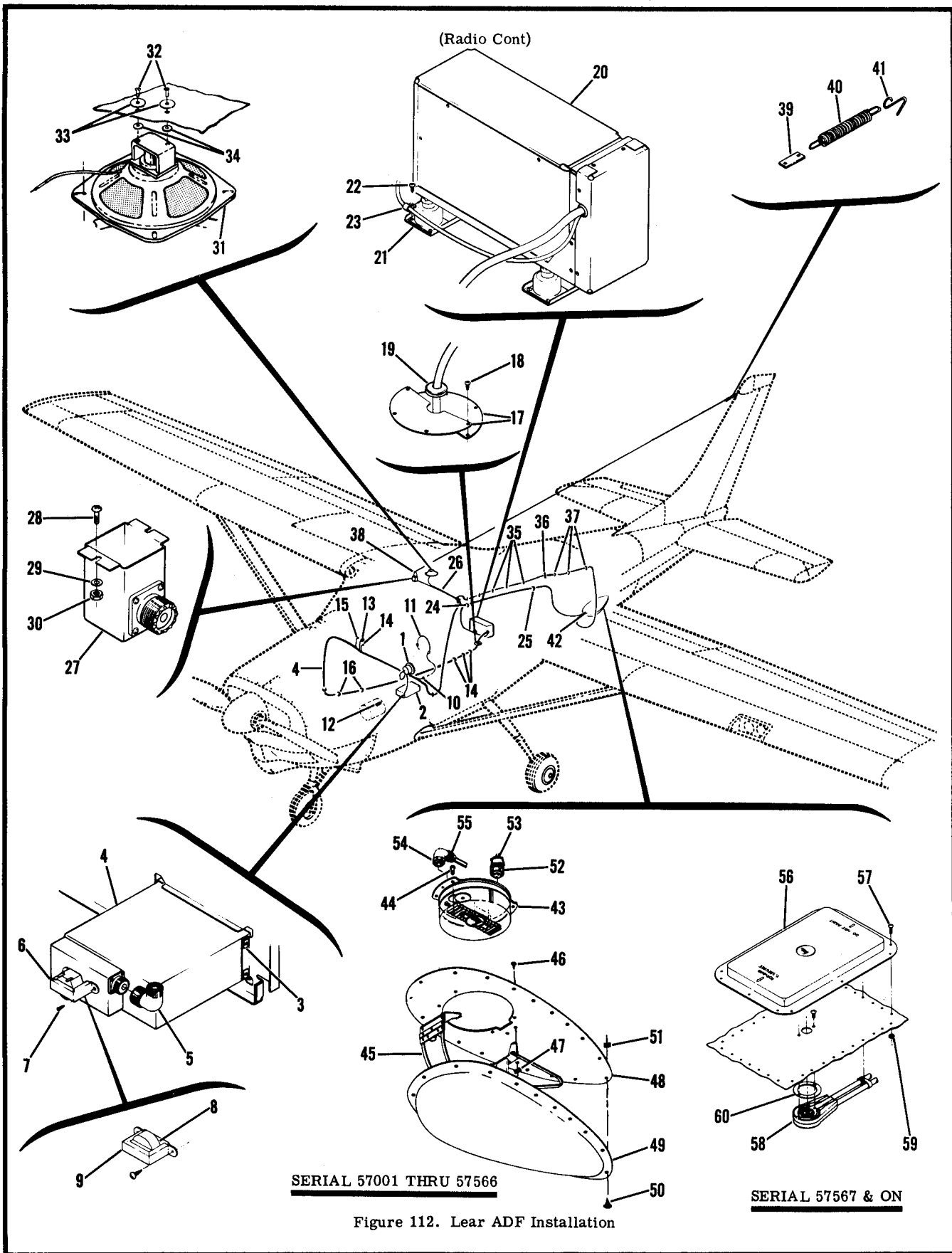


Figure 112. Lear ADF Installation

FIGURE AND INDEX NO.	PART NUMBER	DESCRIPTION	UNITS PER ASSY	USABLE ON CODE
112- 10	S-1103-1	JACK PHONE CESSNA STANDARD-----	1	
- 11	0770039-1	HEADSET ASSEMBLY-----	1	
- 12	0770038-1	CAPACITOR-----	1	
		ATTACHING PARTS		
	AN515-8R16	SCREW-----	2	
	MS20365-832C	NUT-----	2	
		---*---		
- 13	0413126-5	RHEOSTAT-----	1	
	0813475-3	KNOB ASSEMBLY-----	1	
- 14	0713026-4	SWITCH-PUSH PULL-----	1	E
	0713303-2	KNOB-----	1	E
- 15	PSM-10N	CIRCUIT BREAKER-----	1	
- 16	49165-21	HARNES BAND UC-----	5	
- 17	1270014-1	PLATE-COVER-----	2	
		ATTACHING PARTS		
- 18	S-1021Z-8-8	SCREW CESSNA STANDARD-----	6	
		---*---		
- 19	MS35489-12	GROMMET-----	1	
- 20	0311835-127	AMPLIFIER-----	1	
- 21	0311835-128	SHOCKMOUNT-AMPLIFIER-----	1	
		ATTACHING PARTS		
- 22	AN515-8R8	SCREW-----	4	
		---*---		
- 23	MS21919DG3	CLAMP-----	1	
- 24	49164-21	BAND-HARNES UC-----	1	
		ATTACHING PARTS		
	S-1021Z-6-6	SCREW CESSNA STANDARD-----	1	
		---*---		
- 25	MS35489-118	GROMMET-----	1	
- 26	0311835-130	CABLE-ANTENNA-----	1	C
- 27	0311835-124	COVER ASSEMBLY-----	1	
		ATTACHING PARTS		
- 28	AN520-10R8	SCREW-----	2	
- 29	S-350	WASHER-SEAL-----CESSNA STANDARD	2	
- 30	MS20365-1032C	NUT-----	2	
		---*---		
- 31	0411062-4	SPEAKER-----	1	
		ATTACHING PARTS		
- 32	AN515-8R6	SCREW-----	2	
- 33	AN970-3	WASHER-----	2	
- 34	S-350	WASHER-SEAL-----CESSNA STANDARD	2	
		---*---		
- 35	S-1043-2	STRAP CESSNA STANDARD-----	5	
		ATTACHING PARTS		
	S-1021Z-8-8	SCREW CESSNA STANDARD-----	5	
	NAS446-4-3	NUT-----	5	
		---*---		
- 36	1270015-2	STRAP ASSEMBLY-----	1	
		ATTACHING PARTS		
	S-1021Z-6-6	SCREW CESSNA STANDARD-----	2	
	NAS446-2-3	NUT-----	2	
		---*---		

CONTINUED ON PAGE 229

FIGURE AND INDEX NO.	PART NUMBER	DESCRIPTION	UNITS PER ASSY	USABLE ON CODE
		1 2 3 4 5 6 7		
112- 37	MS35489-16	GROMMET -----	3	
- 38	4125	INSULATOR-FEED THRU BBR -----	1	
- 39	0411687	INSULATOR-ANTENNA -----	1	
- 40	0411690-1	SPRING -----	1	
- 41	0411686	CLIP -----	1	
- 42	0311835-40	CABLE ASSEMBLY -----	1	C
		LOOP INSTALLATION -----	NP	A
- 43	0311835-69	LOOP ASSEMBLY -----	1	A
		ATTACHING PARTS -----		
- 44	AN515-8R10	SCREW -----	4	A
		---*---		
- 45	0311835-120	STRIP ASSEMBLY-CORRECTOR-----	1	A
		ATTACHING PARTS -----		
- 46	S-1021Z-8-8	SCREW CESSNA STANDARD -----	4	A
- 47	NAS395-18-3	NUT -----	4	A
		---*---		
- 48	0311835-119	STIFFENER-----	1	A
- 49	0311835-121	HOUSING-LOOP -----	1	A
		ATTACHING PARTS -----		
- 50	S-1021Z-8-8	SCREW CESSNA STANDARD -----	4	A
- 51	NAS395-18-3	NUT -----	4	A
		---*---		
- 52	MS3108B14S-6S	PLUG-----	1	A
- 53	MS3057-6A	ADAPTER -----	1	A
- 54	MS3106-10SL-4S	PLUG-----	1	A
- 55	MS3057-4B	ADAPTER -----	1	A
		LOOP INSTALLATION-FIXED -----	NP	B
- 56	2321F	LOOP-FIXED MOTL-----	1	B
		ATTACHING PARTS -----		
- 57	AN515-8R10	SCREW -----	12	B
	MS20365-832C	NUT -----	12	B
		---*---		
- 58	716164-01	CABLE & CONNECTOR ASSEMBLY MOTL -----	1	B
- 59	AN742D7	CLAMP -----	2	B
- 60	711646	GASKET MOTL -----	1	B
A---210 SERIAL 57001 THRU 57555 B---210 SERIAL 57556 & ON C---210 SERIAL 57001 THRU 21057684 D---210 SERIAL 21057685 & ON E---210 SERIAL 57001 THRU 57575				

Radio (Cont)

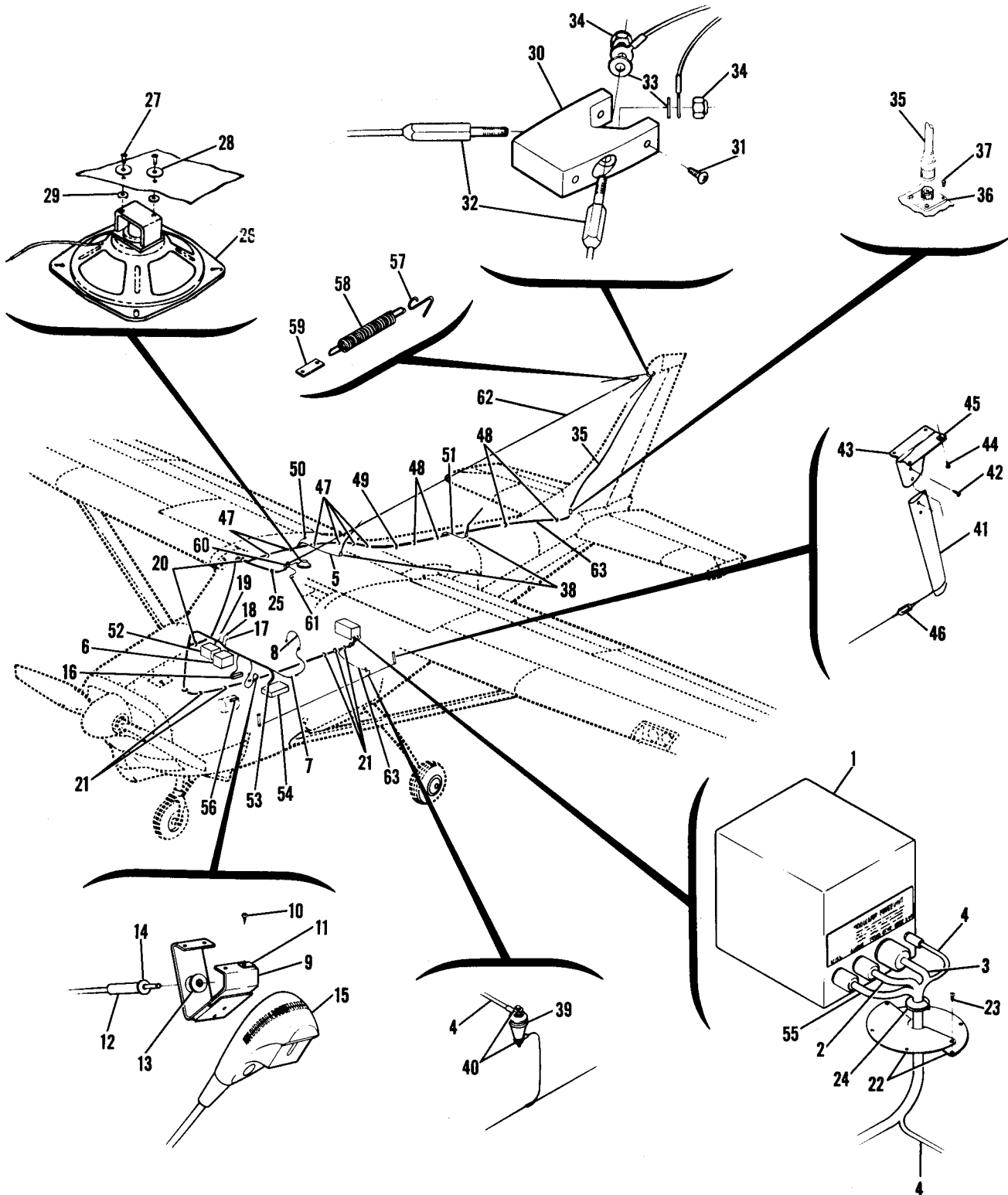


Figure 113. LFR-3 Radio Installation with Omnigator and Simplex

FIGURE AND INDEX NO.	PART NUMBER	DESCRIPTION	UNITS PER ASSY	USABLE ON CODE
		1 2 3 4 5 6 7		
113-		RADIO INSTALLATION-LFR-3 WITH OMNIGATOR & SIMPLEXER -----	NP	
- 1	0311840-4	UNIT-POWER -----	1	
	AN515-8R8	ATTACHING PARTS -----		
		SCREW -----	4	
		-----*		
- 2	0311840-5	CABLE-AUDIO -----	1	
- 3	0311840-6	CABLE-POWER -----	1	
- 4	0311840-7	CABLE-ANTENNA MARKER BEACON -----	1	
	UG-88C/U	PLUG -----	1	
- 5	0311840-34	CABLE-ANTENNA -----	1	
- 6	0311840-37	OMNIGATOR-VTR-2 -----	1	
		ATTACHING PARTS -----		
	S-1021Z-6-6	SCREW CESSNA STANDARD -----	4	
	NAS446-2-3	NUT TIN A1181-6Z-3 -----	4	
		-----*		
- 7	S-1103-1	JACK-PHONE CESSNA STANDARD -----	1	
- 8	0770039-1	HEADSET -----	1	
- 9	1270017-1	BRACKET-MIKE -----	1	
		ATTACHING PARTS -----		
- 10	S-1021Z-6-6	SCREW CESSNA STANDARD -----	4	
- 11	NAS395-4-3	NUT -----	4	
		-----*		
- 12	S-1102-1	JACK-MIKE CESSNA STANDARD -----	1	
- 13	6529	WASHER-----GCE -----	1	
- 14	6517	WASHER-----GCE -----	1	
- 15	0411057-5	MICROPHONE ASSEMBLY -----	1	
- 16	0770037-1	SWITCH-SELECTOR -----	1	A
	1270037-2	BOX ASSEMBLY-SWITCH SEE FIGURE -----	1	B
		ATTACHING PARTS -----		
	S-1021Z-6-6	SCREW CESSNA STANDARD -----	3	
	NAS446-2-3	NUT TIN A1181-6Z-3 -----	3	
		-----*		
- 17	0713026-4	SWITCH-PUSH PULL -----	1	
	0713303-2	KNOB -----	1	
- 18	0413126-5	RHEOSTAT -----	1	
	0813475-3	KNOB -----	1	
- 19	PSM-10N	CIRCUIT BREAKER SPTD -----	1	
- 20	MS35489-16	GROMMET -----	2	
- 21	49165-21	BAND-HARNESS UC -----	5	
- 22	1270014-1	PLATE-COVER -----	2	
		ATTACHING PARTS -----		
- 23	S-1021Z-8-8	SCREW CESSNA STANDARD -----	6	
		-----*		
- 24	MS35489-12	GROMMET -----	1	
- 25	49164-21	BAND-HARNESS UC -----	1	
- 26	0411062-4	SPEAKER-RADIO -----	1	
		ATTACHING PARTS -----		
- 27	AN515-8R6	SCREW -----	2	
- 28	AN970-3	WASHER -----	2	
- 29	S-350	WASHER -----	2	
		-----*		
- 30	1270011-1	BLOCK-ANTENNA MOUNTING -----	1	
		ATTACHING PARTS -----		
- 31	S-1021Z-8-8	SCREW CESSNA STANDARD -----	4	
		-----*		
- 32	1270012-1	ROD-ANTENNA -----	2	C
	1270012-5	ROD-ANTENNA -----	2	D
		ATTACHING PARTS -----		
- 33	AN960-10L	WASHER -----	1	
- 34	MS20365-1032C	NUT -----	2	
		-----*		
- 35	1270013-1	BALUN STUB-ANTENNA -----	1	
- 36	UG-291/U	RECEPTACLE -----	1	
		ATTACHING PARTS -----		
- 37	AN520-3R4	SCREW -----	4	
		-----*		
- 38	1270042-1	ANTENNA -----	2	
- 39	0411067-1	INSULATOR-MARKER BEACON ANTENNA -----	1	
- 40	MS20365-632C	NUT -----	2	
- 41	0411217	MAST-MARKER BEACON ANTENNA -----	2	
		ATTACHING PARTS -----		
- 42	S-1021A-6-8	SCREW CESSNA STANDARD -----	2	
		-----*		

CONTINUED ON PAGE 232

FIGURE AND INDEX NO.	PART NUMBER	DESCRIPTION	UNITS PER ASSY	USABLE ON CODE
113- 43	0411670	BRACKET-MAST ----- ATTACHING PARTS -----	1	
- 44	S-1021Z-6-6	SCREW CESSNA STANDARD -----	4	
- 45	NAS446-2-3	NUT ----- -----*-----	4	
- 46	463	INSULATOR BBR -----	2	
- 47	S-1046-2	STRAP CESSNA STANDARD ----- ATTACHING PARTS -----	6	
	S-1021Z-8-8	SCREW CESSNA STANDARD -----	1	
	NAS446-4-3	NUT TIN A1778-8Z-3 ----- -----*-----	1	
- 48	MS35489-118S	GROMMET -----	4	
- 49	1270015-1	STRAP ----- ATTACHING PARTS -----	1	
	S-1021Z-6-6	SCREW -----	2	
	NAS446-2-3	NUT ----- -----*-----	2	
- 50	AN515-8R6	SCREW-GROUND -----	1	
	MS20365-832C	NUT -----	1	
- 51	0311840-30	CABLE-ANTENNA -----	1	
- 52	0311840-35	SIMPLEXER-VC-27 ----- ATTACHING PARTS -----	1	
	S-1021Z-6-6	SCREW CESSNA STANDARD -----	4	
	NAS446-2-3	NUT TIN A1181-6Z-3 ----- -----*-----	4	
- 53	0311840-36	CABLE-POWER-----	1	
- 54	0311840-13	RECEIVER-LFR-3 ----- ATTACHING PARTS -----	1	
	S-1021Z-6-6	SCREW CESSNA STANDARD -----	4	
	NAS446-2-3	NUT TIN A1181-6Z-3 ----- -----*-----	4	
- 55	0311840-15	CABLE-POWER-----	1	
- 56	0411081-1	CAPACITOR-GENERATOR -----	1	
- 57	0411686	CLIP -----	1	
- 58	0411690-1	SPRING-----	1	
- 59	0411687	INSULATOR -----	1	
- 60	4125	INSULATOR-FEED THRU BBR -----	1	
- 61	S-1021Z-8-6	SCREW-GROUND -----	1	
- 62	18/30HS	WIRE-ANTENNA SPEC W106A -----	AR	
- 63	RG-58A/U	CABLE -----	AR	
A---210 SERIAL 57001 THRU 57575 B---210 SERIAL 21057576 & ON C---210 SERIAL 57001 THRU 57522 D---210 SERIAL 57523 & ON				

FIGURE AND INDEX NO.	PART NUMBER	DESCRIPTION	UNITS PER ASSY	USABLE ON CODE
114-		RADIO INSTALLATION-NARCO MARK V WITH VOA-3A -----	NP	
- 1	0770034-1	RECEIVER-TRANSMITTER UNIT-NARCO MARK V CHASSIS -----	1	
	0770034-2	DUST COVER-NARCO MARK V RT UNIT ----- ATTACHING PARTS -----	1	
- 2	S-1021Z-6-6	SCREW CESSNA STANDARD -----	4	
	AN960-6	WASHER-----	4	
	NAS446-2-3	NUT ----- -----*-----	4	
- 3	0812651-7	CONVERTER ASSEMBLY-VOA-3 -----	1	
- 4	0812651-6	SHOCKMOUNT ASSEMBLY-VOA-3 CONVERTER----- ATTACHING PARTS -----	1	
- 5	AN515-8R16	SCREW -----	4	
	AN936A8	WASHER-----	4	
	A8K75	RIVNUT----- -----*-----	4	
- 6	0770034-4	MODULATOR-POWER UNIT -----	1	
- 7	0770034-11	BRACKET-MOUNTING-----	1	
- 8	0770034-12	BRACKET-MOUNTING-----	1	
CONTINUED ON PAGE 234				

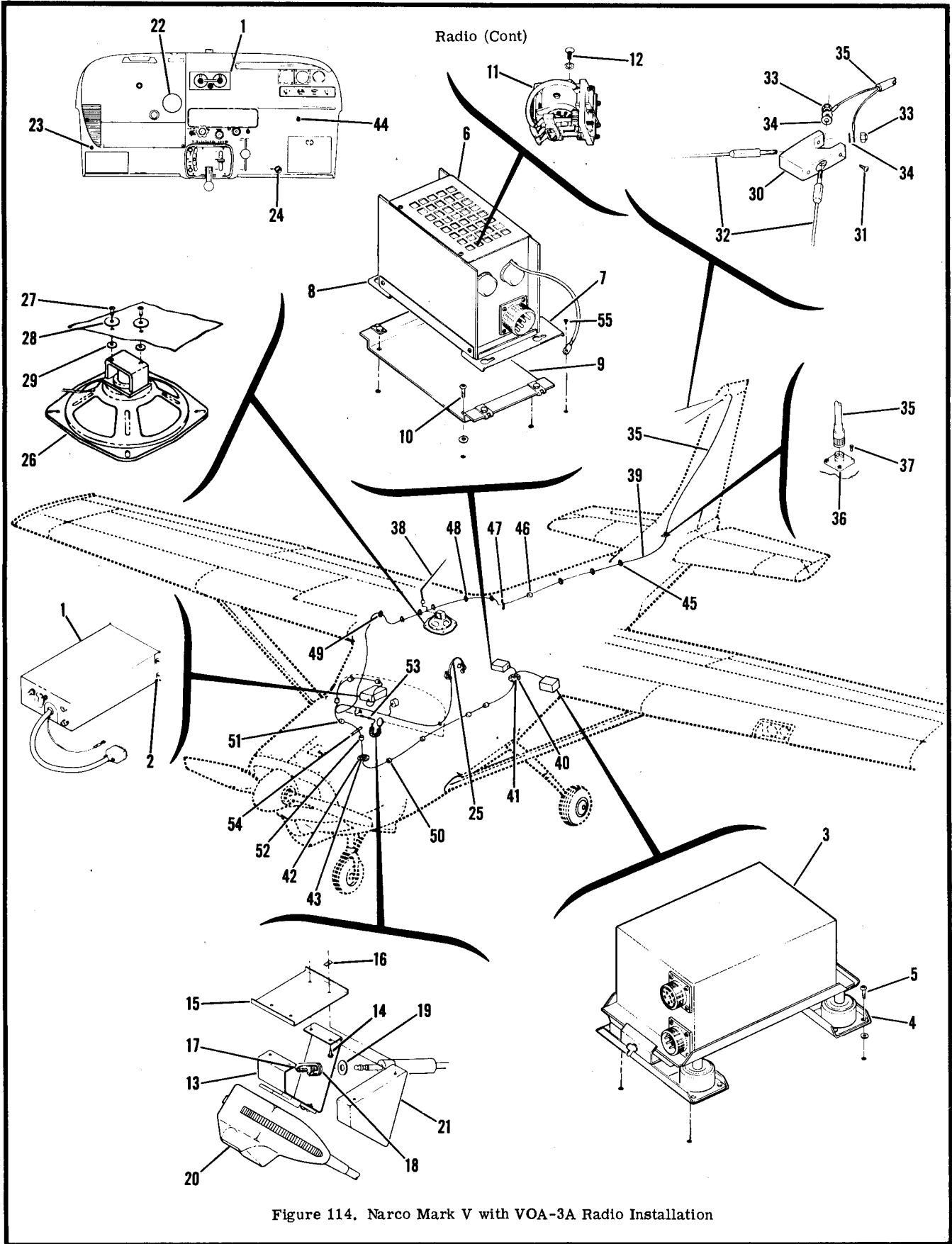


FIGURE AND INDEX NO.	PART NUMBER	DESCRIPTION	UNITS PER ASSY	USABLE ON CODE
114- 9	0770034-3	PLATE-MOUNTING ----- ATTACHING PARTS -----	1	
- 10	AN5158R16 AN936A8 A8K75	SCREW ----- WASHER ----- RIVNUT-----GD ----- -----*	4 4 4	
- 11	1205-48GC1212VDC	RELAY-SPEAKER MUTING ----- ATTACHING PARTS -----	1	A
- 12	AN515-6R8 AN936A6	SCREW ----- WASHER ----- -----*	1 1	
- 13	1270017-1	BRACKET-MICROPHONE ----- ATTACHING PARTS -----	1	
- 14	S-1021Z-6-6	SCREW CESSNA STANDARD -----	4	
- 15	1213275-2	PLATE -----	1	
- 16	NAS446-2-3	NUT ----- -----*	4	
- 17	S-1102-1	JACK-MICROPHONE CESSNA STANDARD-----	1	
- 18	6529	WASHER-----GCE -----	1	
- 19	6517	WASHER-----GCE -----	1	
- 20	0411057-5	MICROPHONE ASSEMBLY -----	1	
- 21	1270030-1	COVER-MICROPHONE BRACKET -----	1	
- 22	0812651-3	INDICATOR-CS-3A ----- ATTACHING PARTS ----- SCREW ----- -----*	1 3	
- 23	S-1103-1	JACK-PHONE CESSNA STANDARD-----	1	
- 24	0413126-5 0813475-3	RHEOSTAT-RADIO LIGHTS----- KNOB ASSEMBLY-RHEOSTAT -----	1 1	
- 25	0770039-1	HEADSET ASSEMBLY-----	1	
- 26	0411062-4	SPEAKER ASSEMBLY-RADIO ----- ATTACHING PARTS -----	1	
- 27	AN515-8R6	SCREW -----	2	
- 28	AN970-3	WASHER-----	2	
- 29	S-350	WASHER-----CESSNA STANDARD----- -----*	2	
- 30	1270011-1	ANTENNA INSTALLATION-OMNI ----- BLOCK-MOUNTING----- ATTACHING PARTS -----	NP 1	
- 31	S-1021Z-8-8	SCREW CESSNA STANDARD ----- -----*	4	
- 32	1270012-1 1270012-5	ROD-ANTENNA ----- ROD-ANTENNA ----- ATTACHING PARTS -----	1 1	B C
- 33	MS20365-1032C	NUT -----	1	
- 34	AN960-10L	WASHER ----- -----*	1	
- 35	1270013-1	BALUN STUB -----	1	
- 36	UG-291/U	RECEPTACLE ----- ATTACHING PARTS -----	1	
- 37	AN520-3R4	SCREW ----- -----*	4	
- 38	1270042-1	ANTENNA ASSEMBLY-VHF -----	1	
- 39	RG-58A/U	CABLE -----	AR	
- 40	1270014-1	COVER -----	1	
- 41	MS35489-19S	GROMMET -----	1	
- 42	1213042-3	COVER -----	1	
- 43	MS35489-22	GROMMET -----	1	

CONTINUED ON PAGE 235

FIGURE AND INDEX NO.	PART NUMBER	DESCRIPTION	UNITS PER ASSY	USABLE ON CODE
		1 2 3 4 5 6 7		
114- 44	PSM-10N	CIRCUIT BREAKER -----	1	
- 45	MS35489-118S	GROMMET -----	4	
- 46	49164-21	HARNESS BAND UC -----	1	
		ATTACHING PARTS -----		
	S-1021Z-6-6	SCREW CESSNA STANDARD -----	1	
		-----*		
- 47	1270015-1	STRAP ASSEMBLY -----	1	
		ATTACHING PARTS -----		
	S-1021Z-6-6	SCREW CESSNA STANDARD -----	2	
	NAS446-2-3	NUT -----	2	
		-----*		
- 48	S-1043-2	STRAP CESSNA STANDARD -----	5	
		ATTACHING PARTS -----		
	S-1021Z-8-8	SCREW CESSNA STANDARD -----	1	
	NAS446-4-3	NUT -----	1	
		-----*		
- 49	MS35489-119S	GROMMET -----	1	
- 50	49166-21	HARNESS BAND UC -----	4	
		ATTACHING PARTS -----		
	S-1021Z-6-6	SCREW CESSNA STANDARD -----	1	
		-----*		
- 51	49160	HARNESS BAND UC -----	1	
		ATTACHING PARTS -----		
	S-1021A-8-6	SCREW CESSNA STANDARD -----	1	
		-----*		
- 52	A3047A-11-27	CLAMP -----	1	
		ATTACHING PARTS -----		
	S-1021Z-8-8	SCREW CESSNA STANDARD -----	1	
		-----*		
- 53	NO.3	PLASTIC CLAMP HLBI -----	2	
		ATTACHING PARTS -----		
	S-1021Z-8-8	SCREW CESSNA STANDARD -----	1	
	NAS446-2-3	NUT -----	1	
		-----*		
- 54	S-202RB	CHANNEL-4.0 IN LONG BULK ITEM REF S-202R400B -----	1	
- 55	AN515-8R10	SCREW -----	1	
		 A---210 SERIAL 57001 THRU 57045 B---210 SERIAL 57001 THRU 57522 C---210 SERIAL 57523 & ON		

Radio (Cont)

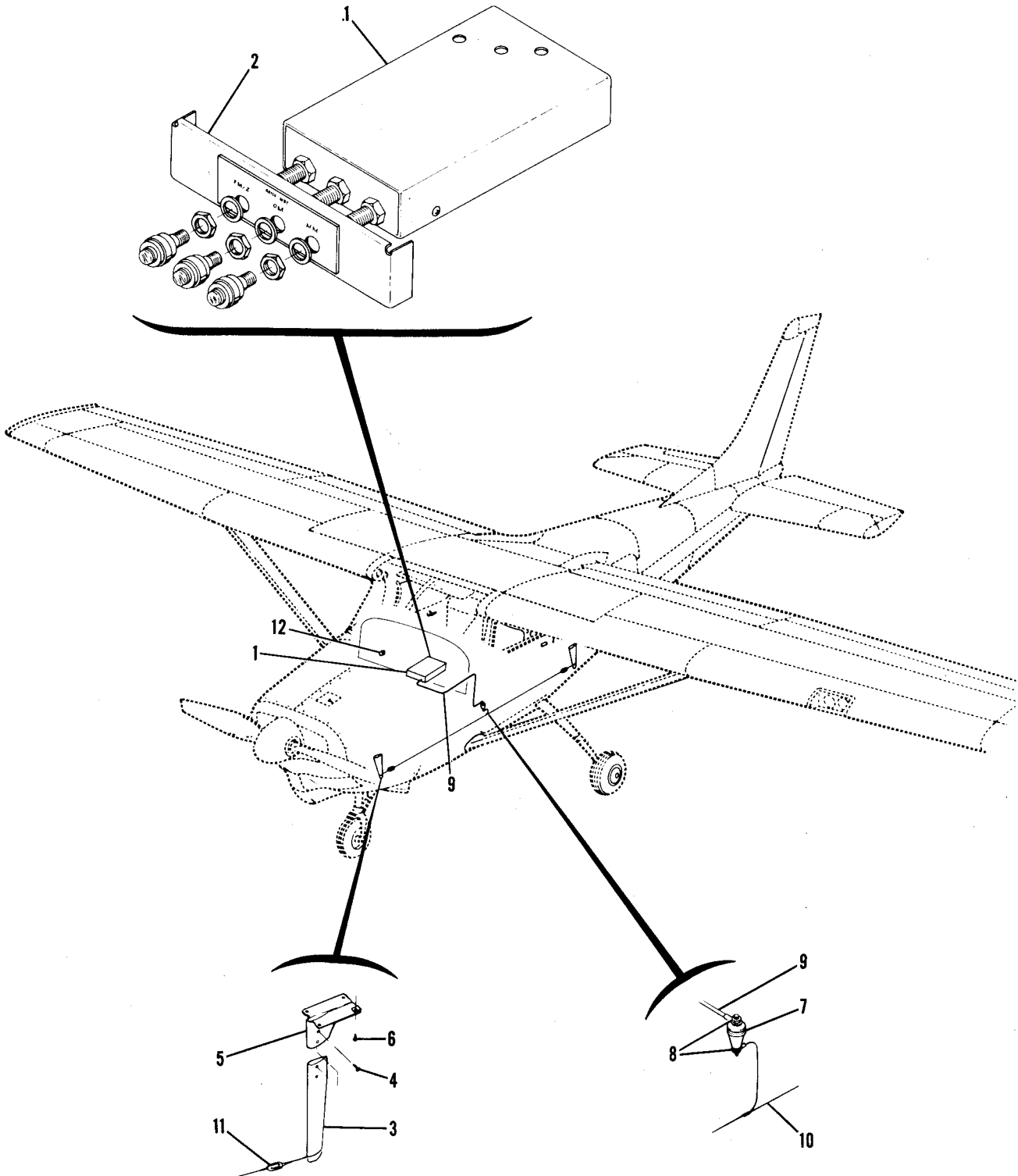


Figure 115. Marker Beacon Receiver Installation

FIGURE AND INDEX NO.	PART NUMBER	DESCRIPTION	UNITS PER ASSY	USABLE ON CODE
		1 2 3 4 5 6 7		
115-		MARKER BEACON RECEIVER INSTALLATION-NARCO MBT-12 -----	NP	
- 1	MBT-12	MARKER BEACON RECEIVER-MBT-12 -----	1	
- 2	0770047-1	ADAPTER ASSEMBLY-MARKER BEACON-----	1	
		ATTACHING PARTS		
	S-1021Z-6-6	SCREW CESSNA STANDARD -----	4	
	NAS446-2-3	NUT -----	4	
		---*---		
- 3	0411217	ANTENNA INSTALLATION-MARKER BEACON -----	NP	
		MAST-MARKER BEACON ANTENNA -----	2	
		ATTACHING PARTS		
- 4	S-1021A-6-8	SCREW CESSNA STANDARD -----	2	
		---*---		
- 5	0411670	BRACKET-ANTENNA MAST -----	2	
		ATTACHING PARTS		
- 6	S-1021Z-6-6	SCREW CESSNA STANDARD -----	4	
	NAS446-2-3	NUT -----	4	
		---*---		
- 7	0411067-1	INSULATOR-----	1	
- 8	MS20365-632C	NUT -----	2	
- 9	RG-58A/U	CABLE -----	AR	
- 10	18/30HS	WIRE-ANTENNA SPEC W106A -----	AR	
- 11	463	INSULATOR-----BBR -----	2	
- 12	0713026-4	SWITCH-MARKER BEACON -----	1	
	0713303-2	KNOB -----	1	

Radio (Cont)

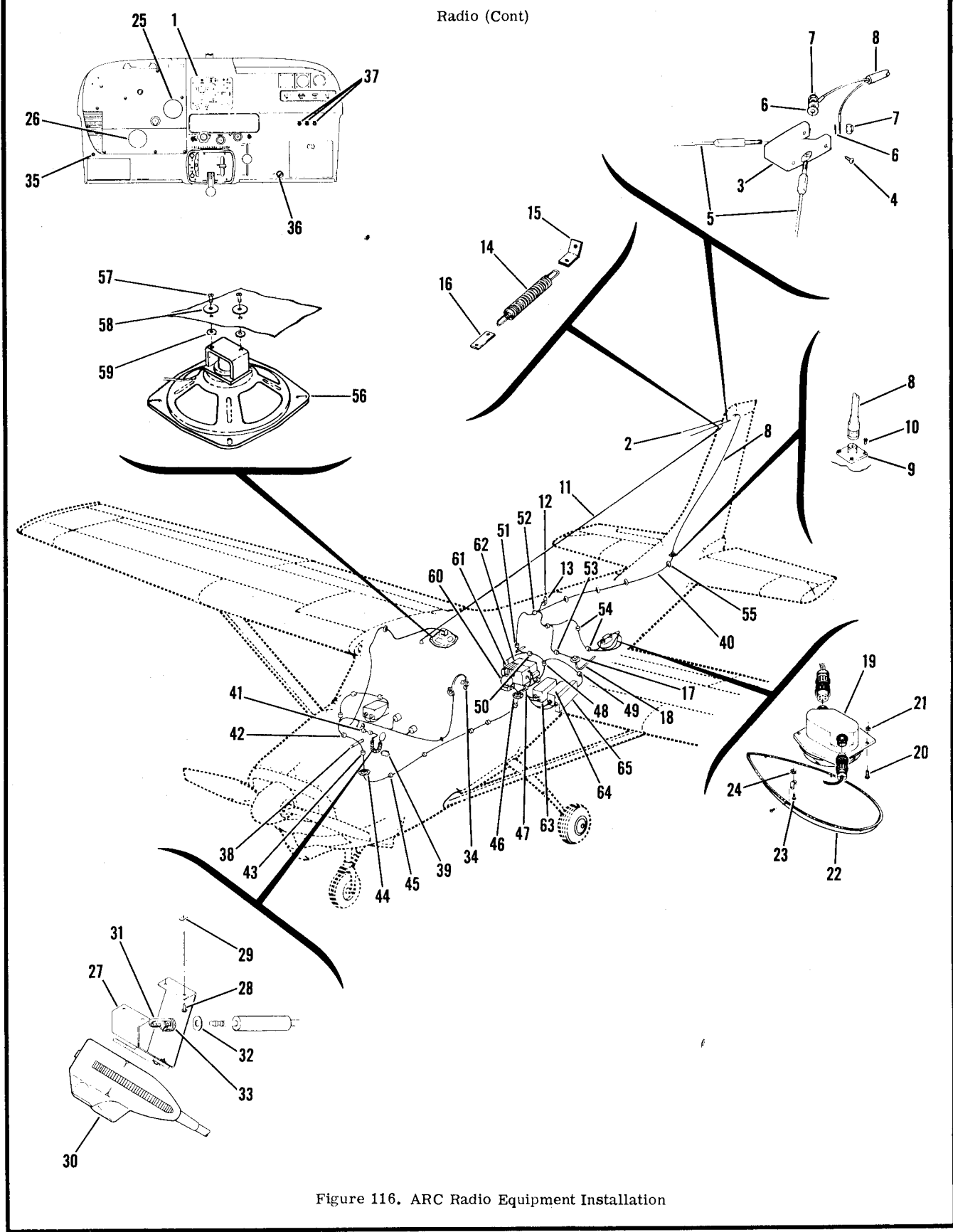


Figure 116. ARC Radio Equipment Installation

FIGURE AND INDEX NO.	PART NUMBER	DESCRIPTION	UNITS PER ASSY	USABLE ON CODE
116-		RADIO EQUIPMENT INSTALLATION-ARC-----	NP	
- 1	24050	PANEL-CONTROL ARC-----	1	
- 2		OMNITENNA INSTALLATION -----	NP	
- 3	1270011-1	BLOCK-ANTENNA MOUNTING -----	1	
		ATTACHING PARTS -----		
- 4	S-10212-8-8	SCREW CESSNA STANDARD -----	4	
		-----*		
- 5	1270012-1	ROD-ANTENNA -----	2	
	1270012-5	ROD-ANTENNA -----	2	A
		ATTACHING PARTS -----		B
- 6	AN960-10L	WASHER -----	1	
- 7	MS20365-1032C	NUT -----	1	
		-----*		
- 8	1270013-1	BALUN STUB -----	1	
- 9	UG-291/U	RECEPTACLE -----	1	
		ATTACHING PARTS -----		
- 10	AN520-3R4	SCREW -----	4	
		-----*		
- 11		ANTENNA INSTALLATION-LF -----	NP	
- 12	18/30HS	WIRE-----SPEC W106A-----	AR	
- 13	19077	INSULATOR-----ARC-----	1	
	UG-306/U	ADAPTER -----	1	
- 14	0411690-1	SPRING -----	1	
- 15	0411686	CLIP-----	1	
- 16	0411687	INSULATOR-----	1	
		ANTENNA INSTALLATION-VHF -----	NP	
- 17	1270018-1	DOUBLER -----	1	
- 18	16630	ANTENNA ARC -----	1	
- 19	18000	LOOP ASSEMBLY ARC-----	1	
		ATTACHING PARTS -----		
- 20	AN515-8R10	SCREW -----	4	
- 21	MS20365-832C	NUT -----	4	
		-----*		
- 22	19050	HOUSING KIT-----ARC-----	1	
		ATTACHING PARTS -----		
- 23	AN515-6R6	SCREW -----	6	
- 24	MS20365-632C	NUT -----	6	
		-----*		
- 25	16706	INDICATOR-OMNI ARC -----	1	
		ATTACHING PARTS -----		
	AN515B6R10	SCREW -----	3	
		-----*		
- 26	17990	INDICATOR-ADF ARC-----	1	
		ATTACHING PARTS -----		
	AN515B6R10	SCREW -----	3	
		-----*		
- 27	1270017-1	BRACKET-MICROPHONE -----	1	
		ATTACHING PARTS -----		
- 28	S-10212-6-6	SCREW CESSNA STANDARD -----	4	
- 29	NAS446-2-3	NUT -----	4	
		-----*		

CONTINUED ON PAGE 240

FIGURE AND INDEX NO.	PART NUMBER	DESCRIPTION	UNITS PER ASSY	USABLE ON CODE		
					1	2
116- 30	0411057-5	MICROPHONE ASSEMBLY -----	1			
- 31	S-1102-1	JACK-MICROPHONE CESSNA STANDARD-----	1			
- 32	6517	WASHER-----GCE -----	1			
- 33	6529	WASHER-----GCE -----	1			
- 34	0770039-1	HEADSET ASSEMBLY-----	1			
- 35	S-1103-1	JACK-PHONE CESSNA STANDARD-----	1			
- 36	0413126-5	RHEOSTAT -----	1			
	0813475-3	KNOB -----	1			
- 37	PSM-10N	CIRCUIT BREAKER MTCC -----	3			
- 38	S-202RB	CHANNEL BULK ITEM 4.00 IN LONG REF S-202R400B -----	2			
- 39	0770038-1	CONDENSER ASSEMBLY -----	1			
		ATTACHING PARTS				
	AN515-8R6	SCREW -----	2			
	MS20365-832C	NUT -----	2			
		-----*-----				
- 40	RG-58A/U	CABLE -----	AR			
- 41	NO.3	PLASTIC CLAMP HLB1 -----	2			
		ATTACHING PARTS				
	S-1021Z-8-8	SCREW CESSNA STANDARD -----	1			
	NAS446-4-3	NUT -----	1			
		-----*-----				
- 42	49161	HARNESS BAND UC -----	1			
		ATTACHING PARTS				
	S-1021Z-8-6	SCREW CESSNA STANDARD -----	1			
		-----*-----				
- 43	A3047A-18-92	CLAMP -----	1			
		ATTACHING PARTS				
	S-1021Z-10-8	SCREW CESSNA STANDARD -----	1			
		-----*-----				
- 44	1213042-3	COVER -----	1			
	MS35489-22S	GROMMET -----	1			
- 45	49167-21	HARNESS BAND UC -----	5			
- 46	1270014-2	COVER -----	2			
	S-1050-1-3.62	GROMMET CESSNA STANDARD -----	1			
- 47	49167-1	HARNESS BAND UC -----	2			
		ATTACHING PARTS				
	AN515-8R8	SCREW -----	1			
	A8K75	RIVNUT-----GD -----	1			
		-----*-----				
- 48	49161	HARNESS BAND UC -----	1			
- 49	49165-1	HARNESS BAND UC -----	1			
		ATTACHING PARTS				
	AN515-8R20	SCREW -----	1			
	NAS43-3-56	SPACER-----	1			
	MS20365-832C	NUT -----	1			
		-----*-----				
- 50	49166-1	HARNESS BAND UC -----	1			
		ATTACHING PARTS				
	AN515-8R20	SCREW -----	1			
	NAS43-3-56	SPACER-----	1			
	MS20365-832C	NUT -----	1			
		-----*-----				

CONTINUED ON PAGE 241

FIGURE AND INDEX NO.	PART NUMBER	DESCRIPTION	UNITS PER ASSY	USABLE ON CODE
		1 2 3 4 5 6 7		
116- 51	49165-1	HARNESS BAND UC -----	1	
	AN515-8R6	ATTACHING PARTS -----		
	MS20365-832C	SCREW -----	1	
		NUT -----	1	
		---*---		
- 52	49165-21	HARNESS BAND UC -----	2	
	S-1021Z-6-6	ATTACHING PARTS -----		
		SCREW CESSNA STANDARD -----	1	
		---*---		
- 53	NO.3	PLASTIC CLAMP HLBI -----	1	
	S-1021A-8-8	ATTACHING PARTS -----		
		SCREW CESSNA STANDARD -----	1	
		---*---		
- 54	MS21919DG8	CLAMP -----	2	
	S-1021Z-8-8	ATTACHING PARTS -----		
	NAS446-1-3	SCREW CESSNA STANDARD -----	1	
		NUT -----	1	
		---*---		
- 55	MS35489-118S	GROMMET -----	4	
- 56	0411062-4	SPEAKER ASSEMBLY-RADIO -----	1	
		ATTACHING PARTS -----		
- 57	AN515-8R6	SCREW -----	2	
- 58	AN970-3	WASHER -----	2	
- 59	S-350	WASHER-----CESSNA STANDARD-----	2	
		EQUIPMENT INSTALLATION-ARC----- SEE FIGURE 117-----	NP	
- 60	20490	POWER UNIT ARC SEE FIGURE 117 -----	1	
- 61	21440	RECEIVER ARC SEE FIGURE 117 -----	1	
- 62	22900	CONVERTER-----ARC SEE FIGURE 117 -----	1	
- 63	20480	RECEIVER ARC SEE FIGURE 117 -----	1	
- 64	18090	AMPLIFIER-----ARC SEE FIGURE 117 -----	1	
- 65	21600	TRANSMITTER ARC-----SEE FIGURE 117-----	1	
		A---210 SERIAL 57001 THRU 57522		
		B---210 SERIAL 57523 & ON		

Radio (Cont)

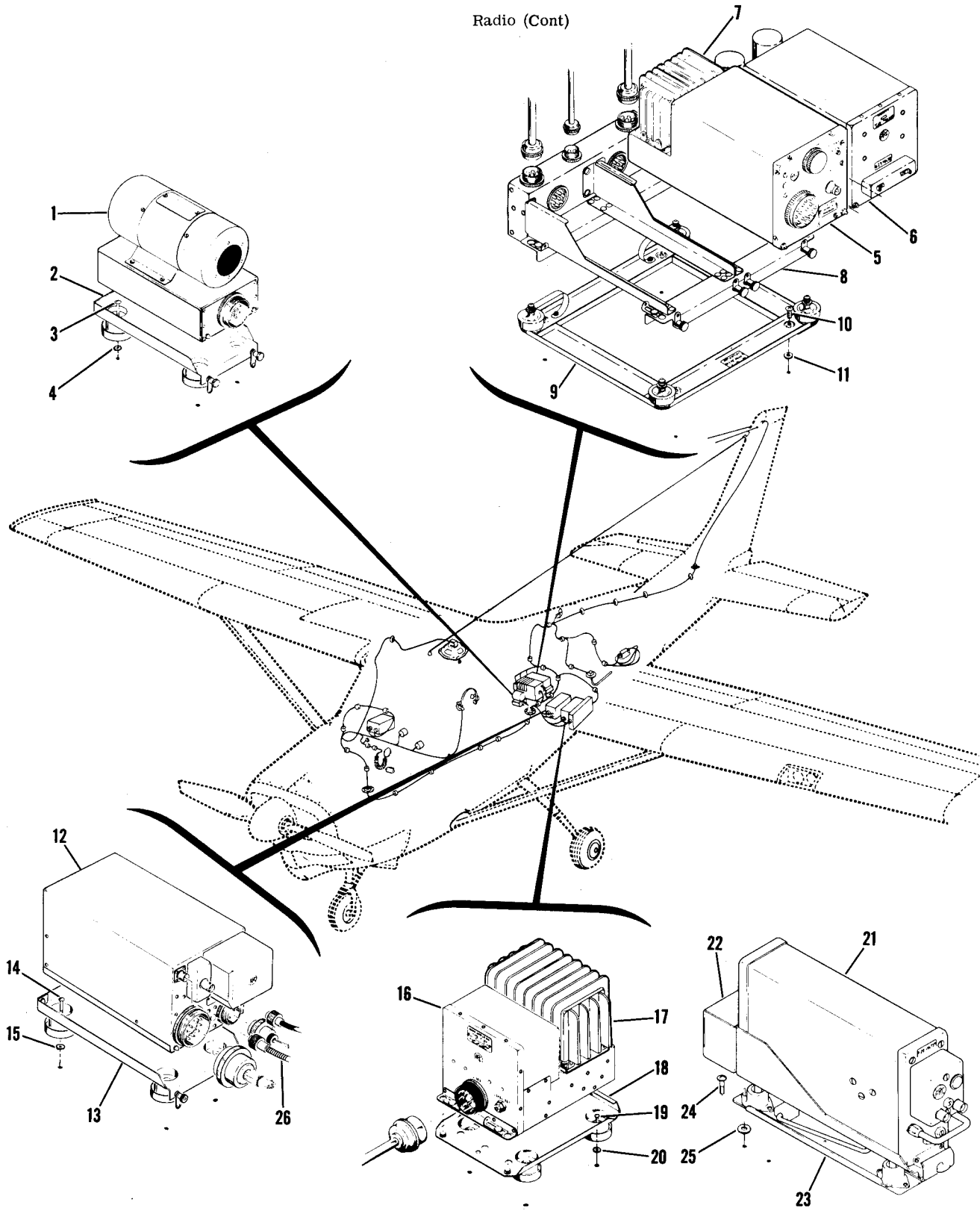


Figure 117. ARC Equipment Installation

FIGURE AND INDEX NO.	PART NUMBER	DESCRIPTION	UNITS PER ASSY	USABLE ON CODE
		1 2 3 4 5 6 7		
117-		EQUIPMENT INSTALLATION-ARC -----	NP	
- 1	20490	POWER UNIT ARC -----	1	
- 2	21650	MOUNTING ARC -----	1	
		ATTACHING PARTS -----		
- 3	AN515-8R12	SCREW -----	4	
- 4	AN936A8	WASHER -----	4	
	A8K75	RIVNUT----GD -----	4	
		-----*		
- 5	21440	RECEIVER ARC -----	1	
- 6	22900	CONVERTER ARC -----	1	
- 7	21100	DYNAVERTER ARC -----	1	
- 8	15880	RACK ARC -----	1	
- 9	12901	MOUNTING ARC -----	1	
		ATTACHING PARTS -----		
- 10	AN515-8R12	SCREW -----	4	
- 11	AN936A8	WASHER -----	4	
	A8K75	RIVNUT----GD -----	4	
		-----*		
- 12	20480	RECEIVER ARC -----	1	
- 13	21660	MOUNTING ARC -----	1	
		ATTACHING PARTS -----		
- 14	AN515-8R12	SCREW -----	4	
- 15	AN936A8	WASHER -----	4	
	A8K75	RIVNUT----GD -----	4	
		-----*		
- 16	18090	AMPLIFIER ARC -----	1	
- 17	21100	DYNAVERTER ARC -----	1	
- 18	12501	MOUNTING ARC -----	1	
		ATTACHING PARTS -----		
- 19	AN515-8R18	SCREW -----	4	
- 20	AN936A8	WASHER -----	4	
	A8K75	RIVNUT----GD -----	4	
		-----*		
- 21	21600	TRANSMITTER-----ARC -----	1	
- 22	22366	CONNECTOR KIT ASSEMBLY ARC -----	1	
- 23	21790	MOUNTING ARC -----	1	
		ATTACHING PARTS -----		
- 24	AN515-8R12	SCREW -----	4	
- 25	AN936A8	WASHER -----	4	
	A8K75	RIVNUT----GD -----	4	
		-----*		
- 26	1270005-12	FLEX SHAFT ASSEMBLY -----	1	

Radio (Cont)

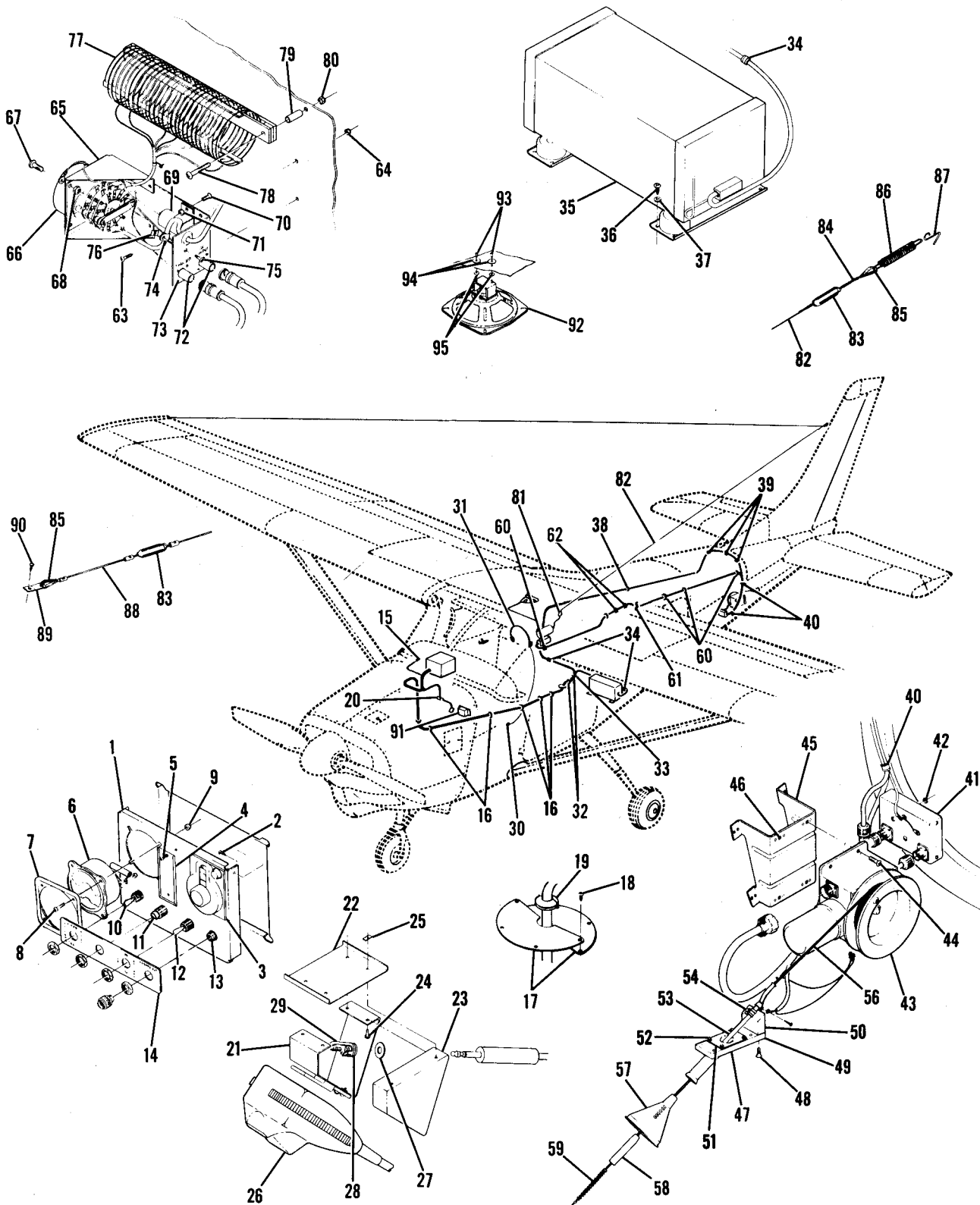


Figure 118. Sunair Radio Installation

FIGURE AND INDEX NO.	PART NUMBER	DESCRIPTION	UNITS PER ASSY	USABLE ON CODE
		1 2 3 4 5 6 7		
118-		RADIO INSTALLATION-SUNAIR -----	NP	
- 1	1270032-1	PANEL-CONTROL -----	1	
		ATTACHING PARTS -----		
- 2	S-1021Z-6-6 NAS446-2-3	SCREW CESSNA STANDARD -----	4	
		NUT -----	4	
		-----*		
- 3	T5R-2	CONTROL HEAD-SUNAIR -----	1	
- 4	T5R-5	HOLDER-FREQUENCY CARD -----	1	
		ATTACHING PARTS -----		
- 5	S-1022Z-6-4	SCREW CESSNA STANDARD -----	2	
		-----*		
- 6	T5R-3	TUNING METER-SUNAIR -----	1	
- 7	0713208-1	ESCUTCHEON-TUNING METER -----	1	
		ATTACHING PARTS -----		
- 8	AN507B632R12	SCREW -----	4	
- 9	MS20365B632C	NUT -----	4	
		-----*		
- 10	S-382-3	SWITCH-----CESSNA STANDARD-----	1	
- 11	PSM-5N	CIRCUIT BREAKER KLIXON-----	1	
- 12	AN3027-7	SWITCH-----	1	
- 13	VM911M-4	LIGHT ASSEMBLY MARCO -----	1	
- 14	1270032-2	PLACARD ASSEMBLY-----	1	
- 15	PSM-20N	CIRCUIT BREAKER KLIXON-----	1	
- 16	49165-21	HARNESS BAND UC -----	5	
- 17	1270014-2	COVER -----	2	
		ATTACHING PARTS -----		
- 18	S-1021Z-8-8	SCREW CESSNA STANDARD -----	6	
		-----*		
- 19	MS35489-15S	GROMMET -----	1	
- 20	0413126-5 0813475-3	RHEOSTAT -----	1	
		KNOB ASSEMBLY -----	1	
- 21	1270017-1	BRACKET-MICROPHONE -----	1	
- 22	1213275-2	PLATE-STIFFENER -----	1	
- 23	1270030-1	COVER -----	1	
		ATTACHING PARTS -----		
- 24	S-1021Z-6-6	SCREW CESSNA STANDARD -----	4	
- 25	NAS446-2-3	NUT -----	4	
		-----*		
- 26	0411057-5	MICROPHONE ASSEMBLY -----	1	
- 27	6517	WASHER-----GCE -----	1	
- 28	6529	WASHER-----GCE -----	1	
- 29	S-1102-1	JACK-MICROPHONE CESSNA STANDARD-----	1	
- 30	S-1103-1	JACK-PHONE CESSNA STANDARD-----	1	
- 31	0770039-1	HEADSET ASSEMBLY-----	1	
- 32	49165-1	HARNESS BAND UC -----	2	
- 33	49159	HARNESS BAND UC -----	1	
- 34	49164-1	HARNESS BAND UC -----	2	
		ATTACHING PARTS -----		
	AN515-8R6	SCREW RH -----	1	
	AN515-8R20	SCREW LH -----	1	
	NAS43-3-56	SPACER-----LH ONLY -----	1	
	MS20365-832C	NUT -----	1	
		-----*		
- 35	T5R-1-210	TRANSCEIVER UNIT-SUNAIR -----	1	
		ATTACHING PARTS -----		
- 36	AN515-8R12	SCREW -----	4	
- 37	AN936A8	WASHER-----	4	
		-----*		

CONTINUED ON PAGE 246

FIGURE AND INDEX NO.	PART NUMBER	DESCRIPTION	UNITS PER ASSY	USABLE ON CODE
118- 38	49164-21	HARNESS BAND ----- ATTACHING PARTS -----	1	
	S-1021Z-6-6	SCREW CESSNA STANDARD ----- -----*-----	1	
- 39	MS21919DG5	CLAMP ----- ATTACHING PARTS -----	3	
	S-1021Z-8-8	SCREW CESSNA STANDARD -----	1	
	NAS446-4-3	NUT ----- -----*-----	1	
- 40	MS21919DG6	CLAMP ----- ATTACHING PARTS -----	2	
	S-1021Z-8-8	SCREW CESSNA STANDARD -----	1	
	NAS446-4-3	NUT ----- -----*-----	1	
- 41	0812800-56	RECTIFIER-RF-SUNAIR ----- ATTACHING PARTS -----	1	
	AN515-6R8	SCREW -----	3	
- 42	MS20365-632C	NUT ----- -----*-----	3	
- 43	0770004-21	REEL INSTALLATION-TRAILING ANTENNA ----- REEL ASSEMBLY-TRAILING ANTENNA ----- ATTACHING PARTS -----	NP 1	
- 44	AN520-10R8	SCREW ----- -----*-----	4	
- 45	0770042-1	MOUNTING BRACKET ASSEMBLY-REEL -----	1	
- 46	NAS680A3	NUTPLATE -----	4	
- 47	0770040-6	FAIRLEAD ASSEMBLY ----- ATTACHING PARTS -----	1	
- 48	S-1021Z-8-8	SCREW CESSNA STANDARD ----- -----*-----	3	
- 49	0770040-2	BLOCK ASSEMBLY-MOUNTING -----	1	
- 50	0770040-3	BLOCK-MOUNTING -----	1	
- 51	0770041-1	SUPPORT ----- PLATE ASSEMBLY----- ATTACHING PARTS -----	1 1 1	
- 52	AN515-8R12	SCREW -----	4	
	MS20365-832C	NUT ----- -----*-----	4	
- 53	0770040-8	TUBE ASSEMBLY-ANTENNA GUIDE ----- ATTACHING PARTS -----	1	
- 54	AN515-8R12	SCREW -----	1	
	MS20365-832C	NUT ----- -----*-----	1	
- 55		DELETED -----		
- 56	0814308-2,	WIRE-TRAILING ANTENNA-----100 FT. LONG -----	1	
- 57	0770043-1	DROGUE ASSEMBLY-TRAILING ANTENNA -----	1	
- 58	0770043-3	RETAINER-SPRING -----	1	
- 59	0441021	SPRING-ANTENNA DROGUE -----	1	
- 60	MS35489-14S	GROMMET -----	4	
- 61	1270015-1	STRAP ASSEMBLY-WIRING----- ATTACHING PARTS -----	1	
	S-1021Z-8-8	SCREW CESSNA STANDARD -----	2	
	NAS446-4-3	NUT ----- -----*-----	2	
- 62	S-1043-2	STRAP-WIRING ----- ATTACHING PARTS -----	3	
	S-1021Z-8-8	SCREW CESSNA STANDARD -----	3	
	NAS446-4-3	NUT ----- -----*-----	3	

CONTINUED ON PAGE 247

FIGURE AND INDEX NO.	PART NUMBER	DESCRIPTION	UNITS PER ASSY	USABLE ON CODE
		1 2 3 4 5 6 7		
118-	1270033-1	LEDEX MOTOR ASSEMBLY ----- ATTACHING PARTS -----	1	
- 63	AN515-8R10	SCREW -----	4	
- 64	MS20365-832C	NUT ----- -----*	4	
- 65	1270031-1	BRACKET-MOTOR MOUNTING -----	1	
- 66	A-35632-00212VDC	MOTOR-LEDEX ----- ATTACHING PARTS -----	1	
- 67	AN515-8R8	SCREW -----	4	
- 68	MS20365-832C	NUT ----- -----*	4	
- 69	0411081-1	SUPPRESSOR ----- ATTACHING PARTS -----	1	
- 70	AN507-8R8	SCREW -----	1	
- 71	MS20365-832C	NUT ----- -----*	1	
- 72	UG-290/U	RECEPTACLE ----- ATTACHING PARTS -----	2	
- 73	AN520-3R4	SCREW ----- -----*	4	
- 74	NO.3	CLAMP-PLASTIC HOLUB ----- ATTACHING PARTS -----	1	
- 75	S-1021Z-8-8	SCREW CESSNA STANDARD -----	1	
- 76	NAS446-4-3	NUT ----- -----*	1	
- 77	0812509-24	COIL ASSEMBLY-LOADING----- ATTACHING PARTS -----	1	
- 78	AN515-8R18	SCREW -----	2	
- 79	NAS43-3-12	SPACER-----	2	
- 80	MS20365-832C	NUT ----- -----*	2	
- 81	135-40	INSULATOR-FEED THRU TON -----	1	
- 82	18/30HS	WIRE SPEC W106A -----	AR	
- 83	NO.463	INSULATOR BBR -----	2	
- 84	1270001-9	WIRE-GUY -----	1	
- 85	AN100-3	THIMBLE -----	2	
- 86	0411690	SPRING-----	1	
- 87	0411686	CLIP -----	1	
- 88	1270001-10	WIRE-GUY -----	1	
- 89	0511104-19	BRACKET-ANTENNA ----- ATTACHING PARTS -----	1	
- 90	S-1021Z-8-10	SCREW CESSNA STANDARD ----- -----*	1	
- 91	14S329	NOISE FILTER-RADIO SPR----- ATTACHING PARTS -----	1	
	AN515-8R10	SCREW -----	4	
	MS20365-832C	NUT ----- -----*	4	
- 92	0411062-4	SPEAKER ASSEMBLY----- ATTACHING PARTS -----	1	
- 93	AN515-8R6	SCREW -----	2	
- 94	AN970-3	WASHER-----	2	
- 95	S-350	WASHER----- -----*	2	

(Radio Cont)

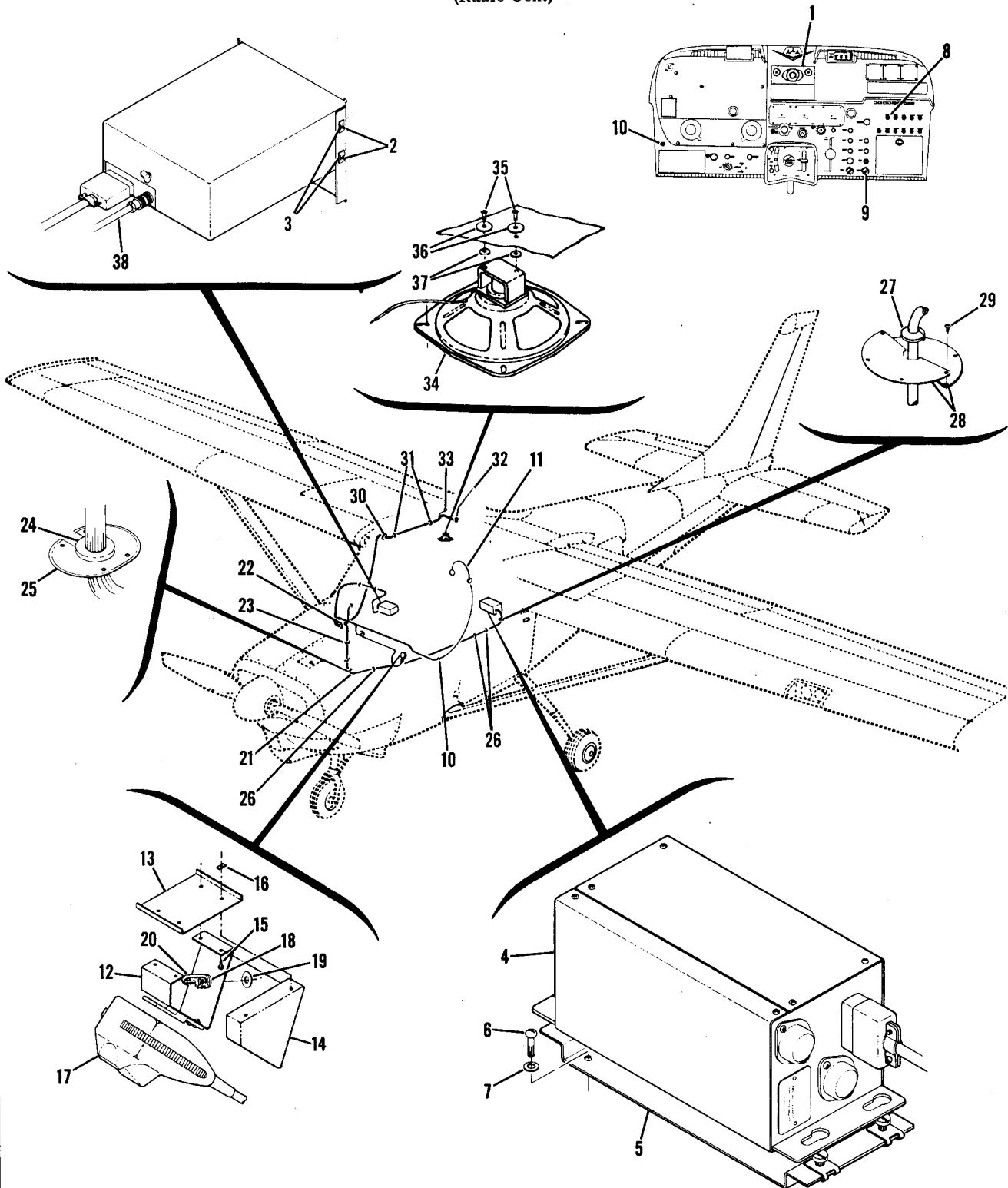
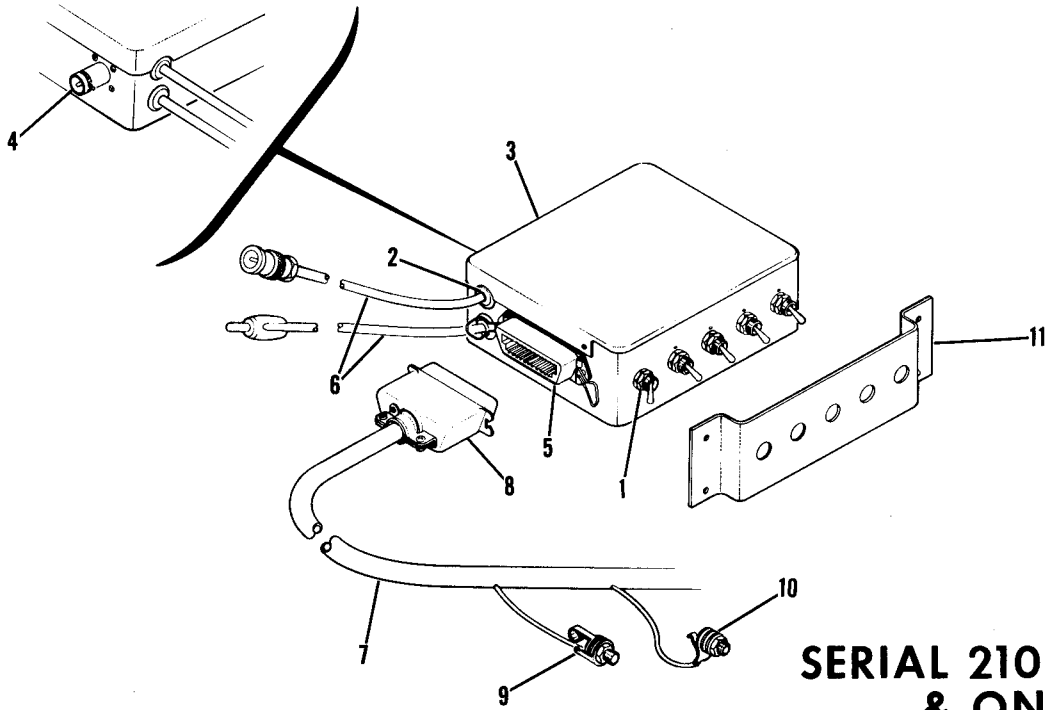


Figure 119. Radio Installation - King KY-90

FIGURE AND INDEX NO.	PART NUMBER	DESCRIPTION	UNITS PER ASSY	USABLE ON CODE
		1 2 3 4 5 6 7		
119-		RADIO INSTALLATION-KING KY-90		
- 1	0570018-2	TRANSCEIVER----- SERIAL 21057576	NP	A
		ATTACHING PARTS	1	
- 2	S-1021Z-6-8	SCREW CESSNA STANDARD	4	
- 3	NAS446-2-3	NUT----- & ON	4	
		-----*		
- 4	0570018-3	POWER SUPPLY KING KS-501	1	
- 5	047 1010 00	MOUNTING BASE-POWER SUPPLY---- KG	1	
		ATTACHING PARTS		
- 6	AN515-8R16	SCREW-----	4	
- 7	AN936A8	WASHER-----	4	
		-----*		
- 8	PSM-10N	CIRCUIT BREAKER MTCC	1	
- 9	0413126-5	RHEOSTAT	1	
	0813475-3	KNOB ASSEMBLY	1	
- 10	S-1103-1	JACK-HEADPHONE	1	
- 11	0770039-1	HEADSET ASSEMBLY	1	
- 12	1270017-1	BRACKET-MICROPHONE	1	
- 13	1213275-2	PLATE-STIFFENER	1	
- 14	1270030-1	COVER	1	
		ATTACHING PARTS		
- 15	S-1021Z-6-8	SCREW-----	4	
- 16	NAS446-2-3	NUT-----	4	
		-----*		
- 17	0411057-5	MICROPHONE ASSEMBLY	1	
- 18	6529	WASHER----GCE	1	
- 19	6517	WASHER----GCE	1	
- 20	S-1102-1	MICROPHONE JACK	1	
- 21	1270027-1	CABLE ASSEMBLY	1	
- 22	MS35489-16S	GROMMET	1	
- 23	49158	HARNESS BAND UC	1	
		ATTACHING PARTS		
	S-1021A-8-8	SCREW CESSNA STANDARD	1	
		-----*		
- 24	MS35489-10S	GROMMET	1	
- 25	1213042-2	COVER PLATE	1	
- 26	49164-21	HARNESS BAND	4	
		ATTACHING PARTS		
	S-1021Z-6-8	SCREW-----	4	
		-----*		
- 27	MS35489-12S	GROMMET	1	
- 28	1270014-1	COVER	2	
		ATTACHING PARTS		
- 29	S-1021Z-8-8	SCREW CESSNA STANDARD	6	
		-----*		
- 30	MS35489-119S	GROMMET	1	
- 31	S-1043-2	STRAP CESSNA STANDARD	2	
		ATTACHING PARTS		
	S-1021Z-8-8	SCREW CESSNA STANDARD	1	
	NAS446-4-3	NUT-----	1	
		-----*		
- 32	1270042-1	ANTENNA-VHF	1	
- 33	AN515-8R6	SCREW-GROUND	1	
	MS20365-832C	NUT	1	
- 34	0411062-5	SPEAKER ASSEMBLY	1	
		ATTACHING PARTS		
- 35	AN515-8R6	SCREW-----	2	
- 36	AN970-3	WASHER-----	2	
- 37	S-350	WASHER-----	2	
		-----*		
- 38	0770033-47	CABLE ASSEMBLY	1	

A---210 SERIAL 21057576 & ON.

(Radio Cont)



**SERIAL 21057576
& ON**

Figure 120. Box & Cable Assembly - Audio & Antenna Switch

FIGURE AND INDEX NO.	PART NUMBER	DESCRIPTION	UNITS PER ASSY	USABLE ON CODE
		1 2 3 4 5 6 7		
120-	1270037-2	BOX & CABLE ASSEMBLY-AUDIO & ANTENNA SWITCH	1	A
- 1	1270037-1	BOX ASSEMBLY-SWITCH	1	
	T2150	SWITCH HEATHERINGTON	5	
	TS-6	SWITCH-SUBMINIATURE TOGGLE ALT	5	
- 2	MS35489-6	GROMMET	2	
- 3	1270039-1	COVER-AUDIO & ANTENNA SWITCH BOX	1	
		ATTACHING PARTS		
	S-1021A-2-4C	SCREW CESSNA STANDARD	4	
		---*---		
- 4	UG-291/U	CONNECTOR	1	
		ATTACHING PARTS		
	AN520-3R4	SCREW	4	
	AN936A3	LOCKWASHER	4	
		---*---		
- 5	57-40240	CONNECTOR-AMPHENOL	1	
		ATTACHING PARTS		
	AN520-3R4	SCREW	2	
	AN936A3	LOCKWASHER	2	
	AN345-3	NUT	2	
		---*---		
- 6	RG-58A/U	CABLE-COAXIAL	AR	
- 7	1270037-3	CABLE ASSEMBLY	1	
- 8	57-30240	PLUG AMPHENOL	1	
- 9	S-1103-1	JACK-PHONE	1	
- 10	S-1102-1	JACK-MIKE	1	
- 11	1270038-2	BRACKET-MOUNTING	1	
		A---210 SERIAL 21057576 & ON		

This page intentionally left blank.

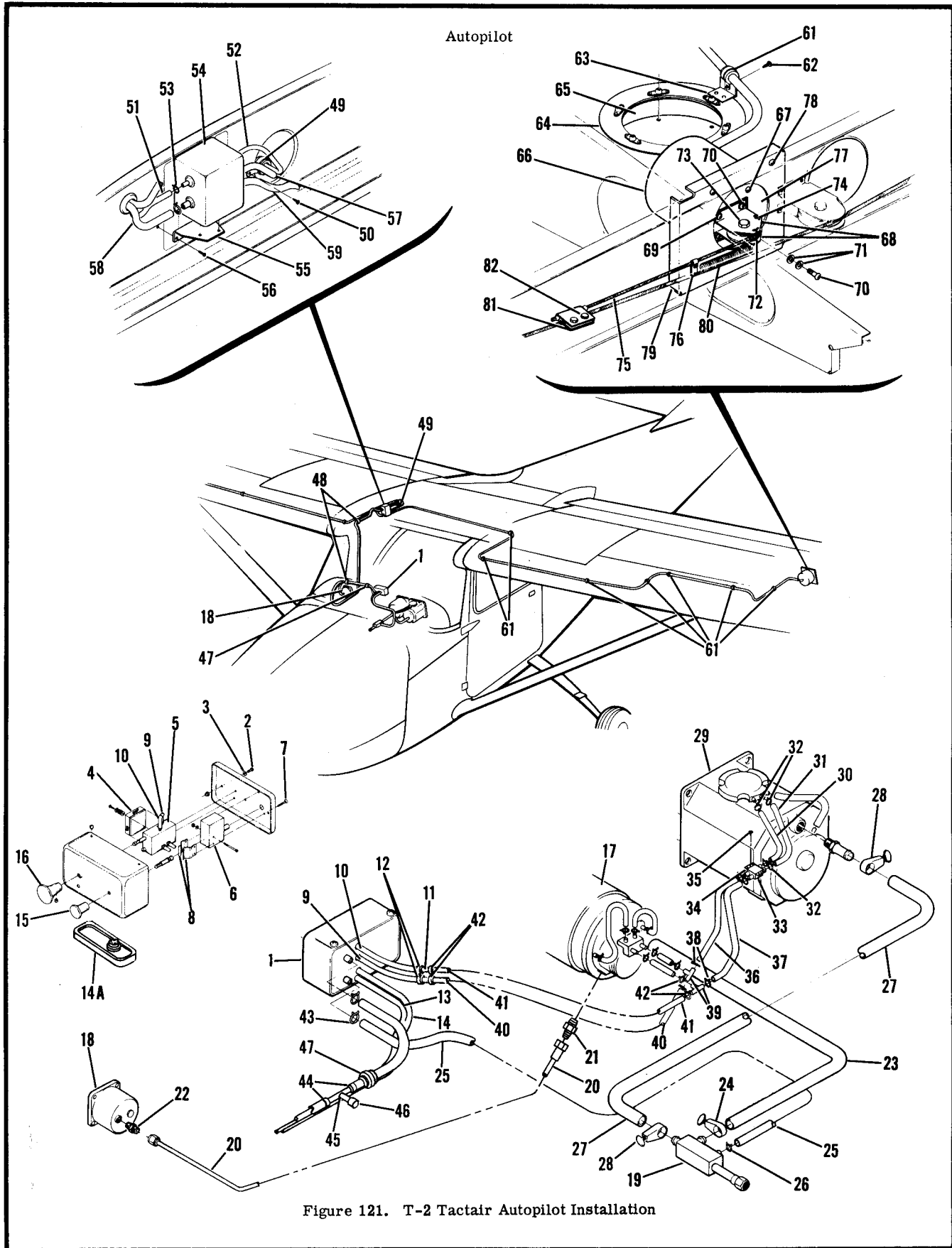


Figure 121. T-2 Tactair Autopilot Installation

FIGURE AND INDEX NO.	PART NUMBER	DESCRIPTION	UNITS PER ASSY	USABLE ON CODE
		1 2 3 4 5 6 7		
121-		AUTO PILOT INSTALLATION-TACTAIR T-2 -----	NP	
- 1	0770012-5	UNIT ASSEMBLY-CONTROL-----	1	
		ATTACHING PARTS		
- 2	AN500C4-7	SCREW -----	3	
- 3	AN960-4L	WASHER-----	3	
		-----*		
- 4	A-1106	FILTER TCTA -----	1	
	A-1108	DISC-PAPER TCTA-----	1	
	A-1105	GASKET TCTA -----	1	
- 5	C-915	TRIM ASSEMBLY-ROLL TCTA -----	1	
		ATTACHING PARTS		
	AN507-440-5	SCREW -----	2	
		-----*		
- 6	C-914	BODY ASSEMBLY TCTA -----	1	
		ATTACHING PARTS		
- 7	AN507-440-5	SCREW -----	2	
		-----*		
	AN6227B1	O RING -----	1	
- 8	A-911	SPRING TCTA -----	2	
- 9	B-296-7	HOSE-----,09 ID BLUE---- 6.75 IN. LONG TCTA -----	1	
- 10	B-296-8	HOSE-----,09 ID YELLOW 6.1875 IN. LONG TCTA -----	1	
- 11	A-1213	CONNECTOR-HOSE-----TCTA -----	2	
- 12	A-482	CLAMP TCTA -----	2	
- 13	B-296-17	HOSE-----,09 ID YELLOW 18 IN. LONG TCTA -----	1	
- 14	B-296-18	HOSE-----,09 ID BLUE---- 18 IN. LONG TCTA -----	1	
-14A	B-1610	FILTER TCTA -----	1	
- 15	0713303-9	KNOB -----	1	
- 16	0713303-11	KNOB ASSEMBLY -----	1	
- 17	0770012-6	GYRO-HORIZON -----	1	
		ATTACHING PARTS		
	AN526C1032-16	SCREW -----	4	
		-----*		
- 18	0311057-2	GAGE-SUCTION -----	1	
		ATTACHING PARTS		
	AN507BG32R12	SCREW -----	4	
		-----*		
- 19	0770012-8	TEE ASSEMBLY-RESTRICTOR -----	1	
	M74CR524-12E	SET SCREW-----	1	
- 20	AN6270-2-22	HOSE ASSEMBLY GYRO HORIZON TO SUCTION GAGE -----	1	
		ATTACHING PARTS		
- 21		NIPPLE-----	1	
- 22	AN816-2D	NIPPLE-----	1	
		-----*		
- 23	1200078-7	HOSE 7 IN. LONG BULK ITEM -----	AR	
- 24	AN737RM22	CLAMP -----	2	
- 25		TUBE-RESTRICTOR TEE TO CONTROL UNIT-----	AR	
- 26	CR6	CLAMP CRB -----	AR	
- 27	1200078-2	HOSE 20 IN. LONG BULK ITEM -----	AR	
- 28	AN737RM22	CLAMP -----	2	
- 29	1200077-39	GYRO-DIRECTIONAL-----	1	
		ATTACHING PARTS		
	AN526C1032-16	SCREW -----	8	
		-----*		

CONTINUED ON PAGE 254

FIGURE AND INDEX NO.	PART NUMBER	DESCRIPTION	UNITS PER ASSY	USABLE ON CODE
121- 30	B-296-58	HOSE----- .09 ID PINK---- 24 IN. LONG TCTA -----	1	
- 31	B-296-59	HOSE----- .09 ID BROWN 24 IN. LONG TCTA -----	1	
- 32	0770012-13	CLAMP -----	4	
- 33	0770012-9	ADJUSTER ASSEMBLY-SENSITIVITY -----	1	
		ATTACHING PARTS -----		
- 34	0770012-39	CLAMP -----	1	
- 35	S-1021Z-6-8	SCREW -----	2	
	NAS395-5-3	NUT -----	2	
		-----*		
- 36	B-296-5	HOSE .09 ID BLUE 4 IN. LONG TCTA -----	1	
- 37	B-296-4	HOSE .09 ID YELLOW---- 4 IN. LONG TCTA-----	1	
- 38	0770012-13	CLAMP -----	4	
- 39	0770012-17	TEE -----	2	
- 40		HOSE -----	1	
- 41		HOSE -----	1	
- 42		CLAMP -----	4	
- 43		HOSE -----	1	
- 44	CS-6	CLAMP CRB -----	2	
- 45	0770012-43	TEE-TEST -----	1	
- 46	1200077-15	CAP -----	1	
- 47	49167-21	HARNESS BAND UC -----	1	
		ATTACHING PARTS -----		
	S-1021Z-6-8	SCREW CESSNA STANDARD -----	1	
		-----*		
- 48	MS21919WDG-9	CLAMP -----	2	
		ATTACHING PARTS -----		
	NAS221-5	SCREW -----	1	
	MS20364-1032C	NUT -----	1	
		-----*		
- 49	49166-21	HARNESS BAND UC -----	1	
		ATTACHING PARTS -----		
- 50	S-1021Z-6-8	SCREW CESSNA STANDARD -----	1	
		-----*		
- 51		HOSE-CONTROL UNIT TO AMPLIFIER-----BLUE -----	1	
- 52		HOSE-CONTROL UNIT TO AMPLIFIER-----YELLOW -----	1	
- 53	0770012-13	CLAMP -----	2	
- 54	0770012-45	AMPLIFIER-AILERON -----	1	
- 55	1200077-10	BRACKET-AMPLIFIER -----	1	
		ATTACHING PARTS -----		
- 56	AN515-8R8	SCREW -----	2	
	AN960-8	WASHER-----	2	
	MS20365-832C	NUT -----	2	
		-----*		
- 57	1200077-8	HOSE-AILERON AMPLIFIER TO TEST TEE -----	1	
- 58	1200077-25	HOSE-AILERON AMPLIFIER RH AILERON SERVO -----	1	
- 59	1200077-26	HOSE-AILERON AMPLIFIER LH AILERON SERVO -----	1	
- 60	CS-6	CLAMP CRB -----	5	
- 61	49165-21	HARNESS BAND UC -----	7	
		ATTACHING PARTS -----		
- 62	S-1021Z-6-8	SCREW CESSNA STANDARD -----	1	
		-----*		

CONTINUED ON PAGE 255

FIGURE AND INDEX NO.	PART NUMBER	DESCRIPTION	UNITS PER ASSY	USABLE ON CODE
121- 63	1200077-12	CLIP -----	2	
- 64	S-1072-1	DOUBLER ASSEMBLY-----CESSNA STANDARD -----	1	
- 65	S-225-6	PLATE-INSPECTION-----CESSNA STANDARD -----	1	
		ATTACHING PARTS		
	S-1022Z-8-8	SCREW CESSNA STANDARD -----	6	
		---*---		
- 66	1200077-5	SERVO ASSEMBLY-AILERON -----	2	
		ATTACHING PARTS		
- 67	AN515-8R8	SCREW -----	4	
	AN960-8	WASHER-----	4	
		---*---		
- 68	A-1748	BRACKET-PULLEY-----	2	
		ATTACHING PARTS		
- 69	AN515-8-14	SCREW -----	2	
- 70	AN515-8-7	SCREW -----	2	
- 71	AN960-8	WASHER -----	5	
		---*---		
- 72	G-37	PULLEY -----	1	
		ATTACHING PARTS		
- 73	AN3-6A	BOLT-----	1	
	AN960-10L	WASHER -----	1	
- 73	MS20364-1032C	NUT -----	1	
		---*---		
- 74	AN381-2-12	PIN-COTTER -----	2	
- 75	B-1341-8	CABLE ASSEMBLY-----TCTA -----	1	
- 76	A-427	CLAMP TCTA -----	1	
		ATTACHING PARTS		
	AN500A4-4	SCREW -----	1	
	AN960-8	WASHER -----	1	
	AN960-4	WASHER -----	1	
	MS20365-440	NUT -----	1	
- 77	1200077-9	PLATE-MOUNTING -----	2	
		ATTACHING PARTS		
- 78	AN515-8R8	SCREW -----	4	
	AN960-8	WASHER-----	4	
	MS20365-832C	NUT -----	4	
		---*---		
- 79	1200077-3	DOUBLER-REAR SPAR LH -----	1	
	1200077-4	DOUBLER-REAR SPAR RH -----	1	
- 80	1200077-7	SPRING-TAKE-UP -----	1	
- 81	1200077-8	CLAMP-CABLE-----	1	
		ATTACHING PARTS		
- 82	AN3-3A	BOLT -----	2	
	AN960-10	WASHER-----	2	
	MS20364-1032C	NUT -----	2	
		---*---		

Autopilot

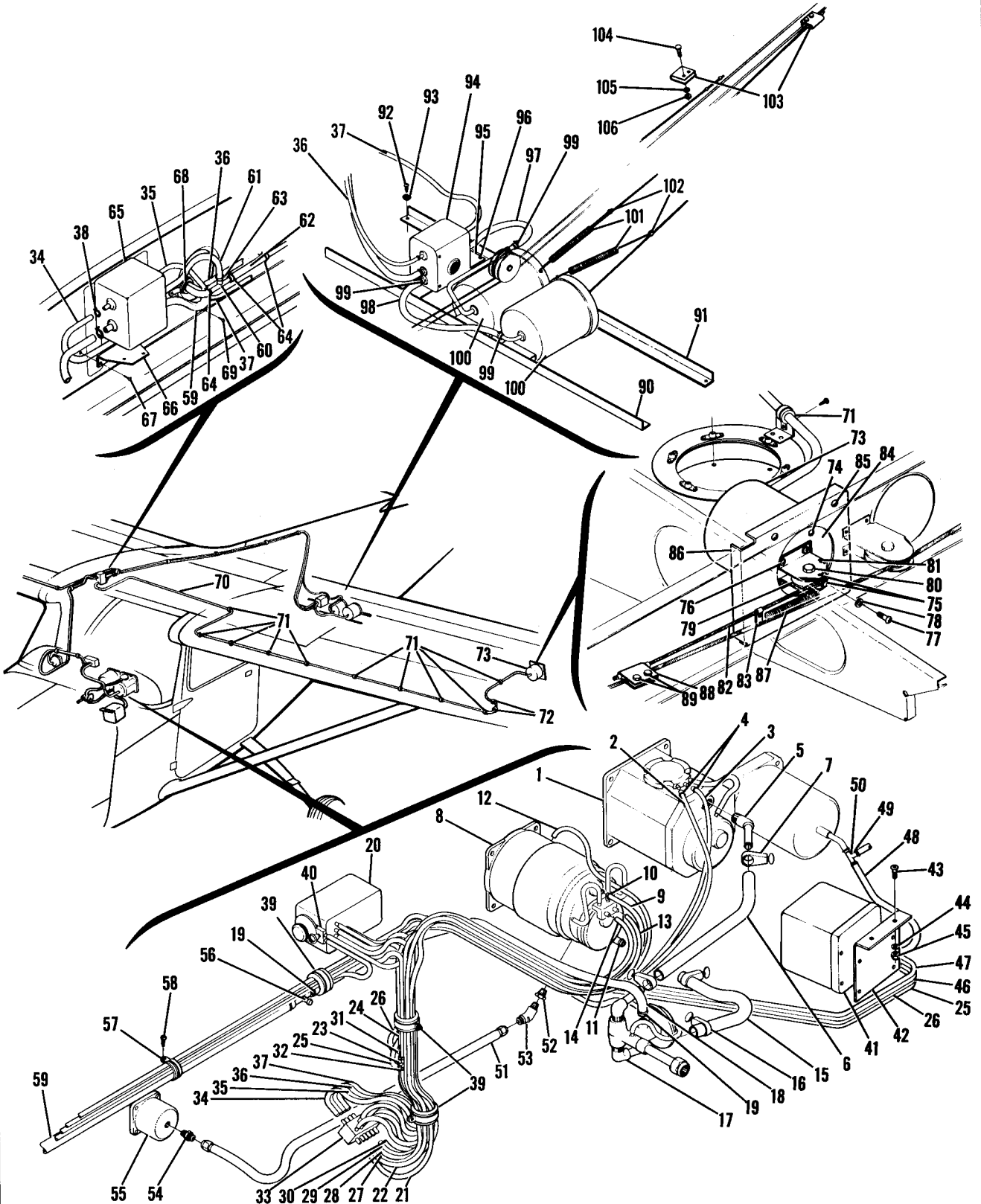


Figure 122. Tactair T-3 Autopilot Installation

FIGURE AND INDEX NO.	PART NUMBER	DESCRIPTION	UNITS PER ASSY	USABLE ON CODE
		1 2 3 4 5 6 7		
122-		AUTOPILOT INSTALLATION-TACTAIR T-3		
- 1	1200077-39	DIRECTIONAL GYRO-----	NP	
	AN526C1032-16	ATTACHING PARTS-----	1	
		SCREW-----	4	
		-----*		
- 2	B-296-13	HOSE-DIR. GYRO TO TEE BLOCK .09 ID----PINK-----	1	
		32 IN. LONG TCTA-----		
- 3	B-296-14	HOSE-DIR. GYRO TO TEE BLOCK .09 ID----BROWN-----	1	
		32 IN. LONG TCTA-----		
- 4	A-482	CLAMP TCTA-----	2	
- 5	AN844-6D	ELBOW-----		
- 6	1200077-17	HOSE-DIR. GYRO TO SHUT-OFF VALVE 8 IN. LONG-----	1	
- 7	AN737RM22	CLAMP-----	2	
- 8	0770011-24	HORIZONTAL GYRO-----	1	
		ATTACHING PARTS-----		
	AN526C1032-16	SCREW-----	4	
		-----*		
- 9	B-296-61	HOSE-HORZ. GYRO TO TEE BLOCK----- .09 ID GREEN-----	1	
		24 IN. LONG TCTA-----		
- 10	A-482	CLAMP TCTA-----	1	
- 11	AN842-6D	ELBOW-----	1	
- 12	1200077-22	HOSE-HORZ. GYRO TO TEE BLOCK .09 ID RED-----	1	
		24 IN. LONG-----		
- 13	1200077-18	HOSE-HORZ. GYRO TO TEE BLOCK .09 ID YELLOW-----	1	
		28 IN. LONG-----		
- 14	1200077-23	HOSE-HORZ. GYRO TO TEE BLOCK .09 ID BLUE-----	1	
		28 IN. LONG-----		
- 15	1200077-16	HOSE-HORZ. GYRO TO SHUT OFF VALVE 10 IN. LONG-----	1	
- 16	AN737RM22	CLAMP-----	2	
- 17	1200077-2	VALVE-SHUT OFF-----	1	
- 18	1200077-20	HOSE-SHUT OFF VALVE TO TEST TEE 25 IN. LONG-----	1	
- 19	CS-8	CLAMP TCTA-----	2	
- 20	0770011-19	CONTROL ASSEMBLY-COMMAND-----	1	
		ATTACHING PARTS-----		
	AN515-4RT	SCREW-----	3	
	AN960-4L	WASHER-----	3	
		-----*		
- 21	B-296-50	HOSE-COMMAND CONTROL TO TEE BLOCK----- .09 ID BLUE-----	1	
		37 IN. LONG TCTA-----		
- 22	B-296-51	HOSE-COMMAND CONTROL TO TEE BLOCK----- .09 ID YELLOW-----	1	
		37 IN. LONG TCTA-----		
- 23	1200079-7	HOSE-COMMAND CONTROL TO TEE .09 ID----GREEN-----	1	
		37 IN. LONG-----		
- 24	1200079-5	HOSE-COMMAND CONTROL TO TEE .09 ID----RED-----	1	
		37 IN. LONG-----		
- 25	1200079-13	HOSE-TEE TO ALTITUDE HOLD .09 ID GREEN-----	1	
- 26	1200079-12	HOSE-TEE TO ALTITUDE HOLD .09 ID RED-----	1	
- 27	1200079-6	HOSE-TEE TO TEE BLOCK .09 ID GREEN-----	1	
- 28	1200079-4	HOSE-TEE TO TEE BLOCK .09 ID RED-----	1	
- 29	B-296-52	HOSE-COMMAND CONTROL TO TEE BLOCK----- .09 ID PINK-----	1	
		37 IN. LONG TCTA-----		
- 30	B-296-53	HOSE-COMMAND CONTROL TO TEE BLOCK----- .09 ID BROWN-----	1	
		37 IN. LONG TCTA-----		
- 31	1200079-8	TEE-----	2	
- 32	0770012-13	CLIP-----	6	
- 33	0770011-37	TEE BLOCK-----	1	
		ATTACHING PARTS-----		
	AN515-8R18	SCREW-----	1	
	AN960-8	WASHER-----	1	
	MS20365-832C	NUT-----	1	
		-----*		
- 34	1200077-27	HOSE-TEE BLOCK TO AILERON AMPLIFIER----- .09 ID BLUE-----	1	
		9 FEET LONG-----		
- 35	1200077-28	HOSE-TEE BLOCK TO AILERON AMPLIFIER----- .09 ID YELLOW-----	1	
		9 FEET LONG-----		
- 36	1200077-31	HOSE-TEE BLOCK TO ELEVATOR AMPLIFIER .09 ID GREEN-----	1	
		24 FEET LONG-----		
- 37	1200077-34	HOSE-TEE BLOCK TO ELEVATOR AMPLIFIER .09 ID RED-----	1	
		24 FEET LONG-----		
- 38	0770012-13	CLAMP-----	3	
- 39	49167-21	HARNES BAND UC-----	3	
		ATTACHING PARTS-----		
	S-1021Z-6-8	SCREW CESSNA STANDARD-----	1	
		-----*		

CONTINUED ON PAGE 258

FIGURE AND INDEX NO.	PART NUMBER	DESCRIPTION	UNITS PER ASSY	USABLE ON CODE
		1 2 3 4 5 6 7		
122-		ALTITUDE HOLD INSTALLATION-----	NP	
- 40	1200079-2	SHUT OFF VALVE-ALTITUDE HOLD-----	1	
- 41	1200079-3	ALTITUDE HOLD ASSEMBLY -----	1	
		ATTACHING PARTS		
- 42	1200079-10	BRACKET-MOUNTING -----	1	
- 43	AN507-832R8	SCREW -----	2	
- 44	AN960-8	WASHER -----	2	
- 45	MS20365-832C	NUT -----	2	
		-----*		
- 46	B-804-2	HOSE-SHUT OFF VALVE TO ALTITUDE HOLD .09 ID CLEAR	1	
		TCTA -----		
- 47	B-804-3	HOSE-SHUT OFF VALVE TO ALTITUDE HOLD .09 ID ORANGE	1	
		TCTA -----		
- 48	1200079-14	HOSE-ALTITUDE HOLD TO TEE .09 ID CLEAR -----	1	
		34 IN. LONG		
- 49	0770012-13	CLAMP -----	9	
- 50	1200079-9	TEE -----	1	
- 51	AN6270-2-22	HOSE-HORIZONTAL GYRO TO SUCTION GAGE -----	1	
- 52	AN912-1D	BUSHING-REDUCER -----	1	
- 53	MS20822-2D	ELBOW -----	1	
- 54	AN816-2D	NIPPLE -----	1	
- 55	0311057-2	GAGE-SUCTION -----	1	
		ATTACHING PARTS		
	AN507BG32R12	SCREW -----	4	
		-----*		
- 56	0770011-30	TEE-TEST -----	1	
- 57	MS21919WDG12	CLAMP -----	1	
		ATTACHING PARTS		
- 58	NAS221-5	SCREW -----	1	
	MS20364-1032	NUT -----	1	
		-----*		
- 59	1200077-14	HOSE-TEST TEE TO TEE .38 ID BULK ITEM-----	1	
- 60	0770011-29	TEE FITTING-----	1	
- 61	1200077-29	HOSE-TEE TO AILERON AMPLIFIER .25 ID-----BULK ITEM -----	1	
- 62	1200077-30	HOSE-SPLICE----- .38 ID BULK ITEM -----	1	
- 63	CS-6	CLAMP TCTA -----	4	
- 64	CS-8	CLAMP TCTA -----	3	
- 65	0770012-45	AMPLIFIER-AILERON -----	1	
- 66	1200077-10	BRACKET-AMPLIFIER -----	1	
		ATTACHING PARTS		
- 67	AN515-8R8	SCREW -----	2	
	AN960-8	WASHER-----	2	
	MS20365-832	NUT -----	2	
		-----*		
- 68	49167-21	HARNES BAND UC -----	1	
		ATTACHING PARTS		
- 69	S-1021Z-6-8	SCREW CESSNA STANDARD -----	1	
		-----*		
- 70	1200077-26	HOSE-AILERON AMPLIFIER TO LEFT HAND SERVO .25 ID -----	1	
		BULK ITEM		
- 71	49165-21	HARNES BAND UC -----	10	
		ATTACHING PARTS		
	S-1021Z-6-8	SCREW CESSNA STANDARD -----	1	
		-----*		
- 72	49165-22	HARNES BAND UC -----	4	
		ATTACHING PARTS		
	S-1021Z-6-8	SCREW CESSNA STANDARD -----	1	
		-----*		
- 73	1200077-5	SERVO ASSEMBLY-AILERON -----	2	
		ATTACHING PARTS		
- 74	AN515-8R8	SCREW -----	4	
	AN960-8	WASHER-----	4	
		-----*		
- 75	A-1748	BRACKET-PULLEY-----	2	
		ATTACHING PARTS		
- 76	AN515-8-14	SCREW -----	2	
- 77	AN515-8-7	SCREW -----	2	
- 78	AN960-8	WASHER -----	5	
		-----*		
		CONTINUED ON PAGE 259		

FIGURE AND INDEX NO.	PART NUMBER	DESCRIPTION	UNITS PER ASSY	USABLE ON CODE
122- 79	G-73	PULLEY ----- ATTACHING PARTS -----	1	
- 80	AN3-6A AN960-10L MS20364-1032C	BOLT ----- WASHER ----- NUT ----- -----*	1 1 1	
- 81	AN381-2-12	PIN-COTTER -----	2	
- 82	B-1341-8	CABLE ASSEMBLY-----TCTA -----	1	
- 83	A-427	CLAMP TCTA ----- ATTACHING PARTS -----	1	
	AN500A4-4 AN960-8 AN960-4 MS20365-832C	SCREW ----- WASHER ----- WASHER ----- NUT ----- -----*	1 1 1 1	
- 84	1200077-9	PLATE-MOUNTING ----- ATTACHING PARTS -----	2	
- 85	AN515-8R8 AN960-8 MS20365-832C	SCREW ----- WASHER ----- NUT ----- -----*	4 4 4	
- 86	1200077-3	DOUBLER-REAR SPAR LH -----	1	
	1200077-4	DOUBLER-REAR SPAR RH -----	1	
- 87	1200077-7	SPRING-TAKE UP -----	2	
- 88	1200077-8	CLAMP-CABLE ----- ATTACHING PARTS -----	2	
- 89	AN3-3A AN960-10 MS20364-1032C	BOLT ----- WASHER ----- NUT ----- -----*	2 2 2	
- 90	1200077-38	ANGLE-FORWARD -----	1	
- 91	1200077-36	ANGLE-AFT ----- ATTACHING PARTS -----	1	
- 92	AN515-10R8	SCREW -----	4	
- 93	AN960-10	WASHER ----- -----*	4	
- 94	0770012-45	AMPLIFIER-ELEVATOR -----	1	
- 95	1200077-37	BRACKET-ELEVATOR AMPLIFIER----- ATTACHING PARTS -----	1	
- 96	AN515-8R8 AN960-8 MS20365-832C	SCREW ----- WASHER ----- NUT ----- -----*	4 4 4	
- 97	1200077-35	HOSE-ELEVATOR AMPLIFIER TO SERVO .25 ID BULK ITEM	1	
- 98	1200077-33	HOSE-ELEVATOR AMPLIFIER TO SERVO .25 ID BULK ITEM	1	
- 99	CS-6	CLAMP TCTA -----	4	
-100	1200077-6	SERVO ASSEMBLY-ELEVATOR ----- ATTACHING PARTS -----	2	
	AN515-8R8 AN960-8 MS20365-832C	SCREW ----- WASHER ----- NUT ----- -----*	4 4 4	
-101	1200077-13	SPRING -----	2	
-102	0770011-33	CLAMP ----- ATTACHING PARTS -----	2	
	AN500A4-4 AN960-4 MS20365-440C	SCREW ----- WASHER ----- NUT ----- -----*	1 1 1	
-103	1200077-8	CLAMP -----	1	
-104	AN3-3A	BOLT -----	2	
-105	AN960-10	WASHER -----	2	
-106	MS20364-1032C	NUT ----- -----*	2	

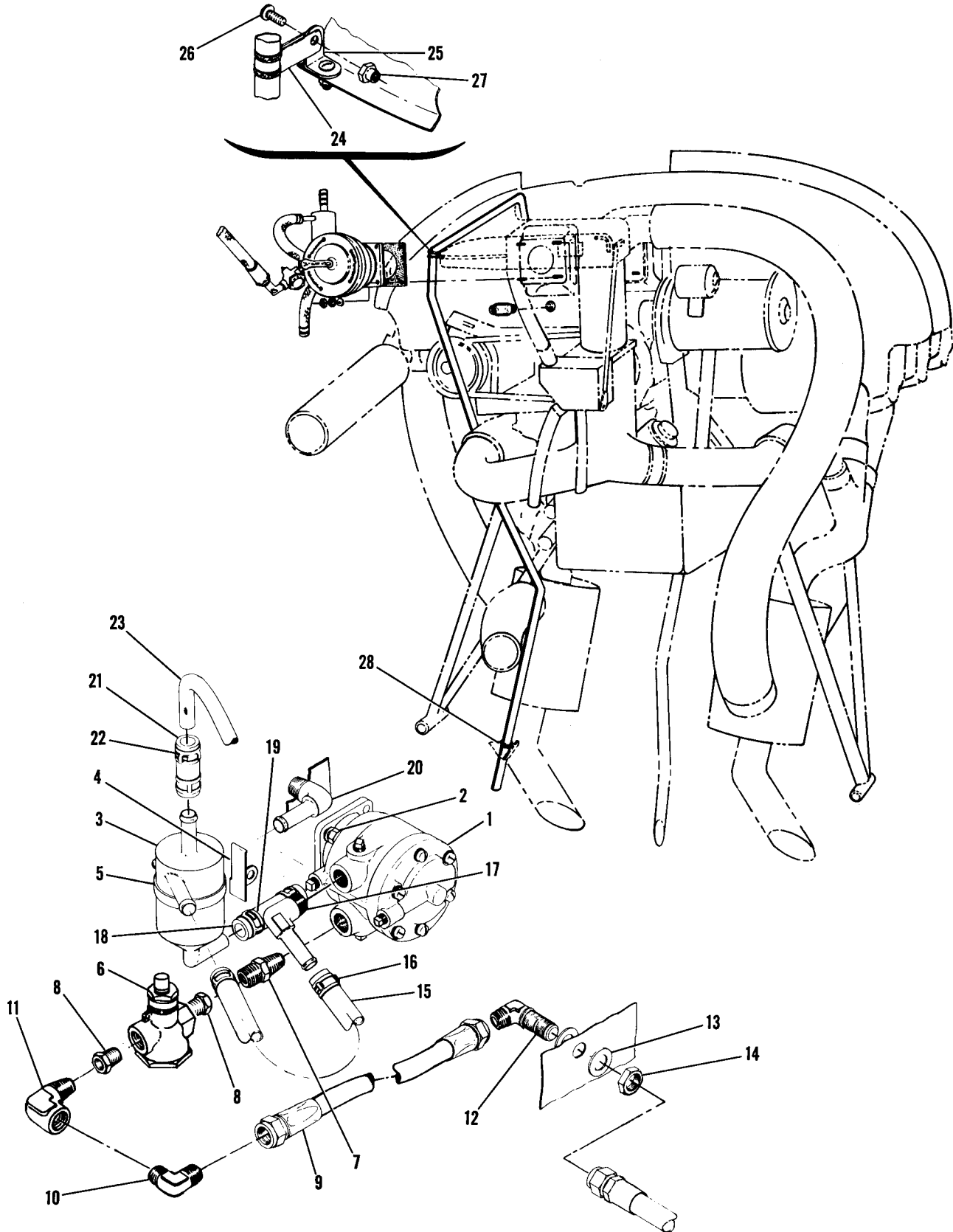


Figure 123. Auto Pilot Vacuum System

FIGURE AND INDEX NO.	PART NUMBER	DESCRIPTION	UNITS PER ASSY	USABLE ON CODE
		1 2 3 4 5 6 7		
123-		VACUUM SYSTEM-AUTO PILOT -----	NP	
- 1	0750104-4	PUMP-VACUUM-----	1	
		ATTACHING PARTS -----		
- 2	MS20365-428C	NUT -----	4	
	AN960-416	WASHER-----	4	
		-----*-----		
- 3	0850406-10	SEPERATOR-OIL -----	1	
		ATTACHING PARTS -----		
- 4	1250002-1	BRACKET -----	1	
- 5	AN735D36	CLAMP -----	1	
	AN520-10R8	SCREW -----	1	
	MS20365-1032C	NUT -----	1	
		-----*-----		
- 6	0813619-2	VALVE -----	1	
		ATTACHING PARTS -----		
- 7	AN911-3	NIPPLE-----	1	
- 8	AN912-4	REDUCER -----	2	
		-----*-----		
- 9	MS28741-6-0130	HOSE ASSEMBLY RELIEF VALVE TO FIREWALL -----	1	
		ATTACHING PARTS -----		
- 10	MS20822-6-6	ELBOW -----	1	
- 11	AN914-3	ELBOW -----	1	
- 12	AN833-6D	ELBOW -----	1	
- 13	AN960-PD916L	WASHER-----	2	
- 14	AN924-6D	NUT -----	1	
		-----*-----		
- 15	S-51-8	HOSE-24.0 IN LONG BULK ITEM REF S-51-8-48 -----	1	
		ATTACHING PARTS -----		
- 16	NAS397-14	CLAMP TIN A3122-14-1 -----	2	
- 17	AN844-8	ELBOW -----	1	
		-----*-----		
- 18	S-51-8	HOSE-2.75 IN LONG BULK ITEM REF S-51-8-11 -----	1	
		ATTACHING PARTS -----		
- 19	NAS397-14	CLAMP TIN A3122-14-1 -----	2	
- 20	1250003-1	ELBOW -----	1	
		-----*-----		
- 21	S-51-8	HOSE-2.0 IN LONG-----BULK ITEM-----REF S-51-8-8 -----	1	
		ATTACHING PARTS -----		
- 22	NAS397-14	CLAMP TIN A3122-14-1 -----	2	
		-----*-----		
- 23	1200106-41	TUBE-VENT -----	1	
		ATTACHING PARTS -----		
- 24	MS21919-DG8	CLAMP -----	1	
- 25	AN743-12	BRACKET -----	1	
- 26	AN520-10R8	SCREW -----	2	
- 27	MS20364-1032C	NUT -----	2	
- 28	MS35489-14	GROMMET -----	1	
		-----*-----		
NOTE. FOR ACCESSORY KIT LISTINGS REFER TO PAGE 262				

AK No.	DESCRIPTION	MODEL	SERIALS
210-1	Oil Dilution System Kit	210	57001 & on
210-2	50-Amp Generator	210	57001 & on
210-3	Cargo Tie Down Lugs	210	57001 & on
210-4	Dual Controls	210	57001 & on
210-5	Rotating Beacon	210	57001 & on
210-6	Tactair T-2	210	57001 & on
210-7	Winterization	210	57001 & on
210-8	Winslow Oil Filter	210	57001 & on
210-9	Ground Service Plug	210	57001 & on
210-10	Oxygen System	210	57001 & on
210-11	Vacuum System (Re-Mfg Instr)	210	57001 & on
210-12	Oil Cooler (Large)	210	57001 & on
210-13	Headrests (Front & Rear)	210	57001 & on
182-57	Heated Pitot & Stall Warning	210	57001 & on
210-17	Vacuum System (Less Gyros)	210	57001 & on
210-18	Stretcher Installation	210	57001 & on
210-19	Vacuum System (New Instruments)	210	57001 & on
210-20	Tactair - T-3	210	57001 & on
210-100	Plastic Seat Covers	210	57001 & on
180-20	Shoulder Harness	180	57001 & on
175-11	Fire Extinguisher	175	57001 thru SR3111
175-12	Hoisting Provisions	175	57001 & on
175-35	Stabilizer Boot	175	57001 & on

NUMERICAL INDEX

PART NUMBER	FIGURE AND INDEX NO.
A-1105	121- 4
A-1106	121- 4
A-1108	121- 4
A-114-C	93- 3
A-114-F	93- 34
A-116-A	93- 2
A-1213	121- 11
A-1552	94- 27
A-1561-2	94- 35
A-1561-2	55- 15
A-1561-4	94- 35
A-1561-6	94- 35
A-1562	94- 37
A-1562	55- 16
A-1563-1	94- 15
A-158L	93- 1
A-1633-12	94- 22
A-1633-3	94- 2
A-1633-9	94- 29
A-1633-9	94- 34
A-1634-4	94- 9
A-1635-13	94- 18
A-1635-16	94- 4
A-1635-17	94- 4
A-1635-18	94- 4
A-1635-19	94- 4
A-1635-21	94- 4
A-1635-22	94- 4
A-1636-6	94- 7
A-1636-7	94- 24
A-1639-2	94- 1
A-1742	94- 10
A-1748	121- 68
A-1882	94- 13
A-1883	94- 12
A-1934	94- 29
A-1935	94- 31
A-1936	94- 30
A-1937-3	94- 33
A-1938	94- 20
A-1958	94- 6
A-2104	94- 3
A-2108-290	94- 25
A-2185	94- 36
A-2230	94- 38
A-2351	94- 23
A-2356	94- 16
A-2357	94- 26
A-282	93- 14
A-285	93- 25
A-295	93- 24
A-35632-00212VDC	118- 66
A-427	121- 76
A-47-1	93- 21
A-48	93- 22
A-482	121- 12
A-65	93- 19
A-7632	87- 6
A-7634	87- 3
A-7635	87- 4
A-7942	87- 5
A-810	93- 28
A-821-1	93- 35
A-826-1	93- 33
A-827-1	93- 36
A-862	93- 32
A-911	121- 8
A-95-A	93- 26
A-971	93- 4
A-972	93- 5
A-974	93- 6
AFBMA1875L88	34-20A
AK175-11	Page 262
AK175-12	Page 262
AK175-35	Page 262

PART NUMBER	FIGURE AND INDEX NO.
AK180-20	Page 262
AK182-57	262
AK210-1	262
AK210-2	262
AK210-3	262
AK210-4	262
AK210-5	262
AK210-6	262
AK210-7	262
AK210-8	262
AK210-9	262
AK210-10	262
AK210-11	262
AK210-12	262
AK210-13	262
AK210-14	262
AK210-17	262
AK210-18	262
AK210-19	262
AK210-20	262
AK210-100	Page 262
AK210-100	52- 17
AN100-3	118- 85
AN155-16S	79- 28
AN155-32L	76- 52
AN155-32S	73- 20
AN155-32S	74- 2
AN155-32S	77- 14
AN155-32S	77- 20
AN155-8S	78- 51
AN161-22RS	74- 3
AN161-32LL	76- 51
AN165-22RS	77- 15
AN165-22RS	77- 21
AN174-11A	34- 23
AN200KP4	13- 57
AN200KP4	73- 22
AN220-2	73- 17
AN220-2	73- 28
AN220-2	76- 25
AN220-2	76- 32
AN227-8	18- 94
AN227-9	18- 94
AN23-10	73- 13
AN23-10	73- 26
AN23-10	74- 4
AN23-10	74- 8
AN23-10	74- 13
AN23-10	76- 55
AN23-10	77- 11
AN23-10	77- 17
AN23-10	77- 56
AN23-13	81- 15
AN23-13A	52- 36
AN23-15	84- 65
AN23-15A	33- 13
AN23-17A	52- 34
AN23-18	79- 8
AN23-9	77- 54
AN23-9	79- 24
AN24-13	77- 27
AN24-14	77- 32
AN24-21	81- 14
AN24-29A	47A- 4
AN253-2-2480	42- 4
AN253-2-2897	35- 3
AN253-2-47C	51- 5
AN253-2-620	35- 8
AN253-2-646	54- 5
AN253-5-100	56- 5
AN2552-3A	85- 19
AN2552-3A	85A- 17
AN256F8	23- 17
AN3-10	99- 11
AN3-10A	8- 9

PART NUMBER	FIGURE AND INDEX NO.
AN3-10A	8- 15
AN3-10A	33- 5
AN3-10A	33- 10
AN3-10A	35- 27
AN3-10A	56- 26
AN3-10A	66- 25
AN3-10A	73- 11
AN3-10A	73- 35
AN3-10A	78- 38
AN3-11A	35- 33
AN3-11A	38- 11
AN3-11A	47- 39
AN3-11A	47A- 44
AN3-11A	48- 21
AN3-11A	61- 19
AN3-11A	66- 9
AN3-11A	73- 5
AN3-11A	73- 37
AN3-11A	73- 38
AN3-11A	79- 15
AN3-12A	56- 36
AN3-12A	78- 16
AN3-13A	65- 45
AN3-13A	66- 15
AN3-14A	37- 9
AN3-15A	25- 1
AN3-15A	69- 3
AN3-15A	69A- 3
AN3-16A	8- 10
AN3-16A	37- 27
AN3-16A	48- 22
AN3-16A	61- 11
AN3-17A	35- 15
AN3-20A	24- 6
AN3-21A	24- 2
AN3-21A	76- 37
AN3-21A	79- 2
AN3-22A	34- 3
AN3-23A	58- 1
AN3-24A	59- 3
AN3-3A	17- 42
AN3-3A	19A- 4
AN3-3A	29- 12
AN3-3A	39- 16
AN3-3A	39A- 18
AN3-3A	40- 16
AN3-3A	85- 6
AN3-3A	85A- 5
AN3-3A	121- 82
AN3-3A	48- 4
AN3-3A	57- 47
AN3-3A	65- 30
AN3-3A	80- 27
AN3-32A	25- 12
AN3-33A	25- 13
AN3-33A	74- 33
AN3-33A	77- 47
AN3-33A	78- 27
AN3-4A	8- 34
AN3-4A	17- 6
AN3-4A	17- 46
AN3-4A	18-100
AN3-4A	32- 26
AN3-4A	32- 28
AN3-4A	37- 3
AN3-4A	88- 3
AN3-4A	88- 8
AN3-4A	47- 44
AN3-4A	47A- 47
AN3-4A	60- 18
AN3-4A	66- 18
AN3-4A	72- 14
AN3-4A	75- 23
AN3-4A	52- 30
AN3-5	36- 3

PART NUMBER	FIGURE AND INDEX NO.
AN3-5	36- 22
AN3-5A	15- 5
AN3-5A	17- 45
AN3-5A	24- 33
AN3-5A	29- 26
AN3-5A	42- 5
AN3-5A	42A- 10
AN3-5A	47- 46
AN3-5A	47A- 49
AN3-5A	48- 3
AN3-5A	56- 32
AN3-5A	65- 51
AN3-5A	70- 3
AN3-6A	32- 18
AN3-6A	33- 6
AN3-6A	34- 47
AN3-6A	85A- 69
AN3-6A	121- 73
AN3-6A	56- 17
AN3-6A	56- 23
AN3-6A	56- 26
AN3-6A	65- 35
AN3-6A	78- 35
AN3-60A	57- 10
AN3-60A	59- 31
AN3-60A	59- 34
AN3-66A	59- 29
AN3-7	36- 8
AN3-7A	7- 9
AN3-7A	34- 48
AN3-7A	38- 25
AN3-7A	48- 2
AN3-7A	56- 15
AN3-7A	56- 26
AN3-7A	76- 53
AN3027-7	118- 12
AN3047A-4-92	67- 27
AN310-3	34- 63
AN310-3	36- 10
AN310-3	36- 32
AN310-3	38- 28
AN310-3	73- 13
AN310-3	73- 26
AN310-3	74- 5
AN310-3	74- 9
AN310-3	74- 14
AN310-3	76- 56
AN310-3	77- 12
AN310-3	77- 18
AN310-3	77- 54
AN310-3	77- 56
AN310-4	34- 52
AN310-4	34- 59
AN310-4	38- 4
AN310-4	38- 16
AN310-4	61- 14
AN310-5	32- 14
AN310-5	32- 21
AN315-3R	18- 47
AN315-3R	18- 97
AN315-3R	42- 6
AN315-3R	42- 17
AN315-3R	56- 18
AN315-3R	56- 24
AN315-3R	56- 26
AN315-3R	56- 30
AN316-3R	108- 3
AN316-4R	7- 12
AN316-4R	8- 14
AN316-4R	38- 29
AN316-4R	95- 3
AN316-4R	105- 3
AN316-4R	106- 2
AN316-4R	107- 3
AN316-4R	61- 15

PART NUMBER	FIGURE AND INDEX NO.
AN316-4R	61- 23
AN316-5R	104- 16
AN316-5R	81- 47
AN316-8R	37- 41
AN316-9R	31- 15
AN320-3	36- 5
AN320-3	36- 23
AN320-3	84- 65
AN320-3	99- 12
AN320-3	79- 11
AN320-3	79- 26
AN320-3	81- 15
AN320-4	77- 28
AN320-4	77- 33
AN320-4	81- 14
AN320-5	81- 41
AN320-6	32- 5
AN320-6	104- 9
AN320-6	81- 58
AN320C3	78- 47
AN3234-1	58- 9
AN3234-2	58- 30
AN340-4	58- 11
AN340-8	36- 40
AN340B8	50- 7
AN340B8	50- 38
AN3420-6	98- 17
AN345-10	37- 23
AN345-10	37- 47
AN345-3	120- 5
AN350-4	53- 6
AN363-428	55- 8
AN363-624	93- 13
AN380-1-1	75- 13
AN380-1-2	36- 33
AN380-2-1	38- 37
AN380-2-1	42A- 4
AN380-2-1	47- 23
AN380-2-1	47- 33
AN380-2-1	64- 32
AN380-2-1	64A- 14
AN380-2-1	65- 40
AN380-2-1	71- 2
AN380-2-1	74- 30
AN380-2-1	77- 44
AN380-2-1	78- 24
AN380-2-2	37- 20
AN380-2-2	37- 25
AN380-2-2	37- 31
AN380-2-2	37- 37
AN380-2-2	37- 44
AN380-2-2	37- 49
AN380-2-2	38- 23
AN380-2-2	38- 36
AN380-2-2	41- 8
AN380-2-2	41- 14
AN380-2-2	41A- 20
AN380-2-2	41A- 25
AN380-2-2	84- 27
AN380-2-2	84- 46
AN380-2-2	99- 13
AN380-2-2	99- 17
AN380-2-2	39A- 40
AN380-2-2	47- 17
AN380-2-2	47- 22
AN380-2-2	47- 28
AN380-2-2	47A- 27
AN380-2-2	47A- 37
AN380-2-2	56- 43
AN380-2-2	61- 24
AN380-2-2	66- 4
AN380-2-2	66- 12
AN380-2-2	66- 29
AN380-2-2	72- 13
AN380-2-2	75- 2

PART NUMBER	FIGURE AND INDEX NO.
AN380-2-2	75- 15
AN380-2-2	76- 8
AN380-2-2	79- 13
AN380-2-2	79- 19
AN380-2-3	32- 15
AN380-2-3	32- 22
AN380-2-3	34- 52
AN380-2-3	34- 60
AN380-2-3	34- 64
AN380-2-3	36- 6
AN380-2-3	36- 25
AN380-2-3	38- 29
AN380-2-3	84- 65
AN380-2-3	47A- 21
AN380-2-3	47A- 26
AN380-2-3	54- 7
AN380-2-3	54- 10
AN380-2-3	61- 14
AN380-2-3	73- 13
AN380-2-3	73- 26
AN380-2-3	74- 6
AN380-2-3	74- 10
AN380-2-3	74- 15
AN380-2-3	74- 43
AN380-2-3	76- 46
AN380-2-3	76- 57
AN380-2-3	77- 13
AN380-2-3	77- 19
AN380-2-3	77- 29
AN380-2-3	77- 34
AN380-2-3	77- 39
AN380-2-3	77- 54
AN380-2-3	77- 56
AN380-2-3	78- 48
AN380-2-3	79- 27
AN380-2-3	81- 14
AN380-2-3	81- 15
AN380-2-4	38- 5
AN380-2-4	38- 17
AN380-2-4	69- 41
AN380-2-4	81- 41
AN380-2-5	74- 20
AN380-2-5	76- 13
AN380-2-5	76- 18
AN380-3-2	93- 15
AN380-3-2	65- 43
AN380-3-3	93- 18
AN380-3-4	32- 6
AN380-3-4	104- 10
AN380-3-4	47- 19
AN380-3-4	47A- 23
AN380-3-4	66- 3
AN380-3-4	81- 59
AN380-3-5	76- 24
AN380-3-5	76- 28
AN380-4-3	31- 45
AN381-1-8	35- 3
AN381-1-8	42- 4A
AN381-2-12	121- 74
AN381-2-5	47- 2
AN381-2-5	47A- 2
AN381-2-6	35- 6
AN381-2-6	35- 22
AN4-10A	11- 2
AN4-10A	12- 1
AN4-10A	13- 1
AN4-10A	13- 52
AN4-10A	74- 41
AN4-10A	76- 43
AN4-10A	77- 2
AN4-10A	77- 36
AN4-10A	77- 58
AN4-11	38- 1
AN4-11	38- 13
AN4-11A	48- 17

PART NUMBER	FIGURE AND INDEX NO.
AN4-11A	77- 3
AN4-11A	77- 7
AN4-12A	29- 15
AN4-12A	53- 14
AN4-12A	77- 23
AN4-13A	33- 2
AN4-13A	90- 4
AN4-13A	47- 4
AN4-13A	48- 10
AN4-13A	69A- 2
AN4-14A	29- 19
AN4-14A	91- 3
AN4-14A	74- 17
AN4-14A	74- 22
AN4-14A	76- 10
AN4-14A	76- 15
AN4-14A	76- 21
AN4-16A	84- 30
AN4-17A	84- 52
AN4-17A	81- 20
AN4-20A	80- 38
AN4-21A	73- 23
AN4-21A	76- 4
AN4-3A	53- 3
AN4-3A	80- 2
AN4-31	34- 56
AN4-31A	34- 51
AN4-31A	73- 1
AN4-33A	74- 27
AN4-33A	77- 41
AN4-33A	78- 21
AN4-34A	74- 37
AN4-34A	77- 51
AN4-34A	78- 31
AN4-4A	85- 4
AN4-4A	85A- 3
AN4-4A	69A- 29
AN4-41A	73- 15
AN4-42A	7- 2
AN4-5	61- 14
AN4-5A	48- 5
AN4-5A	48- 15
AN4-5A	53- 8
AN4-5A	55- 6
AN4-5A	70- 23
AN4-57A	8- 2
AN4-6A	47- 48
AN4-6A	47A- 51
AN4-7A	11- 1
AN4-7A	13- 51
AN4H4A	55- 9
AN4H7A	83- 10
AN4076-1	57- 41
AN4078-1	70- 1
AN42B-10	36- 31
AN42B-3	58- 12
AN450C12-12	39A- 17
AN486-4	61- 22
AN5-10A	10- 1
AN5-11A	32- 20
AN5-11A	76- 26
AN5-22A	31- 38
AN5-23A	31- 38
AN5-26A	32- 24
AN5-26A	34- 25
AN5-30A	34- 2
AN5-30A	73- 18
AN5-30A	73- 29
AN5-47	32- 13
AN5-5A	10- 7
AN5-7A	4- 12
AN500-2-10	86- 18
AN500-2-10	98- 7
AN500-6-3	99- 27
AN500-8-6	98- 3

PART NUMBER	FIGURE AND INDEX NO.
AN500A2-6	86- 20
AN500A2-6	98- 9
AN500A4-4	121- 76
AN500A8-5	98- 6
AN500A8-7	6- 20
AN500C4-7	121- 2
AN501A10-	93- 23
AN502-10-6	80- 20
AN502-10-6	90- 22
AN503-10-8	101- 15
AN503-8-10	109- 23
AN503-8-10	109- 38
AN505-8R5	90- 22
AN507-1032R14	52- 16
AN507-1032R14	61- 12
AN507-428R7	6- 31
AN507-428R7	6- 43
AN507-440-5	121- 5
AN507-440-5	121- 7
AN507-440R8	50- 19
AN507-632R5	96- 7
AN507-632R6	28- 12
AN507-640R4	67- 3
AN507-8R8	118- 70
AN507-832R6	9- 14
AN507-832R8	15- 29
AN507-832R8	21A- 69
AN507BG32R12	121- 18
AN507B1032R16	50- 22
AN507B1032R16	68- 2
AN507B1032R16	68- 4
AN507B632	68- 6
AN507B632R12	118- 8
AN507B632R16	50- 23
AN507B632R16	50- 24
AN507B632R16	50- 25
AN507B632R16	50- 26
AN507B632R16	50- 27
AN507B632R16	50- 29
AN507B632R16	50- 30
AN507B632R16	50- 46
AN507B632R16	50- 49
AN507B632R16	50- 51
AN507B632R16	50- 56
AN507B632R16	50- 57
AN507B632R16	50- 58
AN507B632R16	67- 17
AN507B832R24	50- 9
AN509-10R12	42- 26
AN509-10R14	40- 3
AN509-10R16	39- 3
AN509-10R16	39A- 3
AN509-10R16	40- 2
AN509-10R16	55- 19
AN509-10R17	52- 31
AN509-10R18	39- 2
AN509-10R18	39A- 2
AN509-10R33	12- 10
AN509-10R4	6- 4
AN509-10R4	6- 4
AN509-10R6	6- 42
AN509-10R7	18- 72
AN509-10R7	54-26A
AN509-416R12	11- 40
AN509-416R13	11- 41
AN509-8R35	31- 22
AN509-8R7	36- 40
AN509-8R8	85- 55
AN509-8R8	85A- 61
AN509-8R9	36- 41
AN509C10-5	54- 38
AN510-1032R14	85- 20
AN510-1032R14	85A- 18
AN515-13A	76- 33
AN515-3R	65- 55

PART NUMBER	FIGURE AND INDEX NO.
AN515-4R12	58- 11
AN515-4R14	58- 32
AN515-6R10	111- 9
AN515-6R10	58- 18
AN515-6R10	58- 21
AN515-6R10	64- 23
AN515-6R10	64A- 11
AN515-6R6	87- 1
AN515-6R6	116- 23
AN515-6R6	50- 42
AN515-6R6	51- 8
AN515-6R8	96- 7
AN515-6R8	114- 12
AN515-6R8	118- 41
AN515-6R8	50- 60
AN515-6R8	50A- 55
AN515-6R8	75- 33
AN515-6R9	64- 5
AN515-8-14	121- 69
AN515-8-7	121- 70
AN515-8R-24	1- 26
AN515-8R-8	81- 6
AN515-8R-8	81- 11
AN515-8R-8	81- 18
AN515-8R10	6- 29
AN515-8R10	112- 44
AN515-8R10	112- 57
AN515-8R10	114- 55
AN515-8R10	116- 20
AN515-8R10	118- 63
AN515-8R10	118- 91
AN515-8R12	111- 7
AN515-8R12	117- 3
AN515-8R12	117- 10
AN515-8R12	117- 14
AN515-8R12	117- 24
AN515-8R12	118- 51
AN515-8R12	118- 36
AN515-8R12	118- 54
AN515-8R14	8- 41
AN515-8R16	112- 12
AN515-8R16	114- 5
AN515-8R16	119- 6
AN515-8R16	82- 9
AN515-8R18	117- 19
AN515-8R18	118- 78
AN515-8R20	86- 14
AN515-8R20	116- 49
AN515-8R20	116- 50
AN515-8R20	118- 34
AN515-8R32	1- 26
AN515-8R6	1- 42
AN515-8R6	42A- 14
AN515-8R6	85- 71
AN515-8R6	85A- 66
AN515-8R6	110- 17
AN515-8R6	111- 58
AN515-8R6	112- 32
AN515-8R6	113- 27
AN515-8R6	113- 50
AN515-8R6	114- 27
AN515-8R6	116- 39
AN515-8R6	116- 51
AN515-8R6	116- 57
AN515-8R6	118- 34
AN515-8R6	118- 93
AN515-8R6	119- 33
AN515-8R6	119- 35
AN515-8R6	56-11A
AN515-8R7	1- 29
AN515-8R7	13- 24
AN515-8R7	35- 30
AN515-8R8	8- 40
AN515-8R8	10- 8
AN515-8R8	19- 2

PART NUMBER	FIGURE AND INDEX NO.
AN515-8R8	44- 6
AN515-8R8	84- 19
AN515-8R8	84- 58
AN515-8R8	97- 10
AN515-8R8	110- 4
AN515-8R8	112- 22
AN515-8R8	113- 1
AN515-8R8	116- 47
AN515-8R8	118- 67
AN515-8R8	121- 56
AN515-8R8	9- 17
AN515-8R8	121- 67
AN515-8R8	121- 78
AN515-8R8	57- 21
AN515-8R8	63- 12
AN515-8R8	65- 13
AN515-8R8	82- 4
AN515-8R8	83- 6
AN515B6R10	116- 25
AN515B6R10	116- 26
AN515B6R12	112- 1
AN515B6R12	114- 22
AN515B6R12	67- 34
AN515B6R12	67- 37
AN515B6R3	50- 19
AN515B6R6	50- 13
AN515B632R12	52- 24
AN5158R16	114- 10
AN520-10-R24	80- 20
AN520-10R10	6- 25
AN520-10R26	61- 21
AN520-10R28	13- 36
AN520-10R44	13- 34
AN520-10R44	45- 15
AN520-10R48	45- 14
AN520-10R6	39- 24
AN520-10R6	39- 31
AN520-10R6	40- 31
AN520-10R6	41- 2
AN520-10R7	20- 4
AN520-10R7	88- 24
AN520-10R7	55- 26
AN520-10R7	80-25A
AN520-10R8	21A- 59
AN520-10R8	112- 28
AN520-10R8	118- 44
AN520-10R8	123- 5
AN520-10R8	123- 26
AN520-10R8	50A- 12
AN520-10R8	68- 12
AN520-10R8	68-31A
AN520-10R8	78- 43
AN520-10R9	39- 27
AN520-10R9	40- 27
AN520-10R9	41A- 12
AN520-3R4	111- 27
AN520-3R4	113- 37
AN520-3R4	114- 37
AN520-3R4	116- 10
AN520-3R4	118- 73
AN520-3R4	120- 4
AN520-3R4	120- 5
AN520-416R12	44- 8
AN520-416R6	18- 90
AN520-6R4	63A- 11
AN520-8R7	6- 19
AN525-10-7	15- 26
AN525-10R11	72- 3
AN525-10R14	31- 9
AN525-10R14	65- 22
AN525-10R6	39A- 37
AN525-10R7	25- 18
AN525-10R7	25- 22
AN525-10R8	39A- 39
AN525-10R9	75- 10

PART NUMBER	FIGURE AND INDEX NO.
AN525-8R9	14- 20
AN525-8R9	14A- 22
AN525-8R9	18- 70
AN525-832R7	39- 41
AN525-832-R7	84- 13
AN525-832R10	84- 14
AN525-832R12	63A- 5
AN525-832R22	37- 13
AN525-832R9	36- 26
AN526C1032-16	121- 17
AN526C1032-16	121- 29
AN528-8R8	14- 21
AN528-8R8	14A- 23
AN535-0-2	109- 20
AN560-10	19- 3
AN565A6H14	75- 37
AN565D6	95- 17
AN565D8H5	50A- 30
AN565D8H5	50A- 31
AN6-21A	93- 11
AN6-23A	31- 36
AN6-23A	56A- 2
AN6-32A	56A- 3
AN6-7A	10- 4
AN6204-1	80- 21
AN6227-20	92- 3
AN6227-20	92- 13
AN6227-6	92- 2
AN6227-6	92- 12
AN6227-7	92- 4
AN6227-8	95- 8
AN6227B1	121- 7
AN6227B11	104- 23
AN6227B12	31-42A
AN6227B12	83- 25
AN6227B15	103- 12
AN6227B18	101- 25
AN6227B19	104- 20
AN6227B26	34- 11
AN6227B27	80-38C
AN6227B29	101- 20
AN6227B32	34- 37
AN6227B46	93- 29
AN6227B5	34-11A
AN6227B5	97- 12
AN6227B5	103- 13
AN6227B6	105- 7
AN6227B6	106- 6
AN6227B6	107- 7
AN6227B6	108- 7
AN6227B7	108- 8
AN6227B8	103- 14
AN6227B9	104- 19
AN6227B9	105- 9
AN6227B9	106- 7
AN6227B9	107- 8
AN6230-2	80-38B
AN6230B13	93- 30
AN6230B2	90- 12
AN6230B20	91- 7
AN6230B28	90- 1
AN6230B3	34- 26
AN6230B3	90- 13
AN6230B3	101- 19
AN6230B6	34- 34
AN6230B6	93- 7
AN6235-2A	80-38A
AN6270-2-10	56- 49
AN6270-2-22	121- 20
AN6270-2-22	68- 32
AN6270-4-15	70- 4
AN6270-6-7 1/2	68- 39
AN6287-1	34- 27
AN6287-1	100- 9
AN6287-1	80- 30

PART NUMBER	FIGURE AND INDEX NO.
AN6289D10	70- 17
AN629D-3	83- 7
AN6290-10	70- 18
AN6290-3	84- 20
AN6290-3	84- 22
AN6290-3	84- 23
AN6290-3	84- 25
AN6290-3	84- 43
AN6290-3	84- 44
AN6290-3	84- 62
AN6290-3	84- 63
AN6290-3	65- 14
AN6290-3	80- 7
AN6290-3	80- 45
AN6290-3	81- 12
AN6290-3	81- 34
AN6290-3	81- 39
AN6290-3	83- 12
AN6290-4	84- 35
AN6290-4	84- 53
AN6290-4	90- 23
AN6290-4	65- 18
AN6290-4	80- 4
AN6290-4	80- 6
AN6290-4	80- 28
AN6290-4	80- 35
AN6290-4	80- 39
AN6290-4	80- 43
AN6290-4	81- 32
AN6290-4	81- 35
AN6290-4	81- 60
AN6290-4	80- 8
AN6290-6	80- 35
AN6290-6	80- 39
AN6290-6	80- 29
AN6290-8	80- 42
AN6290-8	98- 25
AN6290B3	98- 28
AN6290B4	98- 31
AN6290B4	100- 5
AN6290B4	103- 3
AN6290B6	98- 37
AN6290B8	100- 7
AN665-21R	37- 22
AN665-21R	37- 46
AN7-33A	56- 6
AN735D36	123- 5
AN735D36	68- 11
AN737RM22	121- 24
AN737RM22	121- 28
AN741-18P	56- 35
AN742-3	72- 4
AN742-4	50A- 12
AN742D12	80- 47
AN742D20	57- 21
AN742D3	64-16A
AN742D3	64A- 28
AN742D32	70- 2
AN742D4	69- 10
AN742D4	69- 17
AN742D4	80-25A
AN742D50	57- 47
AN742D7	112- 59
AN743-12	123- 25
AN743-12	68-31A
AN7502-24	31- 44
AN775-8D	98- 32
AN775-8D	80- 5
AN777-8D	98- 34
AN777-8D	80- 5
AN783-D4	81- 32
AN784-D4	81- 35
AN8-22A	9- 4
AN8-23A	1- 1
AN8-24A	9- 3



PART NUMBER	FIGURE AND INDEX NO.
AN8H7A	93- 9
AN8H7A	55- 2
AN804D3	83- 23
AN804D3	84- 1
AN804D4	81- 1
AN804D4	81- 26
AN804D8	80- 36
AN814-5DL	92- 5
AN815-3D	84- 22
AN815-3D	83- 7
AN815-3D	83- 12
AN815-4D	83- 22
AN815-4D	84- 35
AN815-4D	100- 4
AN815-4D	67- 11
AN815-4D	80- 28
AN815-6D	69- 27
AN815-6D	69- 31
AN816-2D	121- 22
AN816-2D	56- 45
AN816-2D	56- 50
AN816-2D	68- 33
AN816-2D	56- 63
AN816-4-4D	67- 5
AN816-4D	57- 19
AN816-4D	70- 5
AN816-6-2D	69A- 12
AN816-6-6D	69A- 24
AN816-6-6D	69A- 26
AN818-6D	6- 8
AN823-2D	68- 34
AN823-6D	69A- 14
AN824-4D	57- 15
AN824-4D	57- 19
AN824-4D	67- 25
AN826-4D	57-14B
AN826-4D	67- 32
AN826-6D	68- 38
AN832-2D	84- 16
AN832-3D	84- 20
AN832-3D	84- 23
AN832-3D	84- 40
AN832-3D	84- 59
AN832-3D	82- 10
AN832-4D	83- 24
AN832-4D	84- 32
AN832-4D	84- 35
AN832-4D	67- 14
AN832-4D	80- 35
AN832-4D	82- 15
AN832-6D	69- 20
AN832-6D	80- 16
AN833-2D	56- 46
AN833-2D	56- 51
AN833-3D	84- 25
AN833-3D	84- 44
AN833-3D	84- 63
AN833-3D	98- 23
AN833-3D	80- 7
AN833-3D	81- 12
AN833-3D	81- 39
AN833-3D	82- 1
AN833-4D	31- 32
AN833-4D	98- 26
AN833-4D	65- 2
AN833-4D	65- 17
AN833-4D	67- 21
AN833-4D	67- 28
AN833-4D	69- 7
AN833-4D	69- 14
AN833-4D	69A- 21
AN833-4D	70- 9
AN833-4D	80- 6
AN833-4D	80- 24
AN833-4D	81- 26

PART NUMBER	FIGURE AND INDEX NO.
AN833-4D	81- 29
AN833-6D	98- 35
AN833-6D	123- 12
AN833-6D	68- 20
AN833-6D	69- 21
AN833-6D	69- 23
AN833-6D	69A- 15
AN833-6D	69A- 23
AN833-6D	69A- 27
AN833-6D	80- 8
AN833-6D	80- 18
AN834-4D	100- 6
AN834-4D	80- 39
AN834-8D	80- 29
AN837-10D	70- 16
AN837-3D	84- 43
AN837-3D	84- 62
AN837-3D	80- 45
AN837-3D	81- 7
AN837-3D	81- 34
AN837-3D	81- 37
AN837-3D	82- 6
AN837-4D	98- 29
AN837-4D	56- 59
AN837-4D	65- 7
AN837-4D	69- 7
AN837-4D	69- 13
AN837-4D	69- 14
AN837-4D	69A- 18
AN837-4D	70- 27
AN837-4D	80- 4
AN837-4D	80- 43
AN837-4D	81- 2
AN837-8D	80- 42
AN844-8	123- 17
AN844-8	68- 24
AN893-2D	80- 35
AN893-2D	80- 39
AN894D3-2	84- 20
AN894D3-2	84- 23
AN901-8A	98- 33
AN901-8A	80- 5
AN902-4	6- 21
AN902-4	31- 34
AN902-4	95- 12
AN902B4	65- 18
AN911-1D	69A- 8
AN911-3	123- 7
AN911-3	68- 16
AN912-1D	68- 35
AN912-1D	69A- 9
AN912-2D	81- 60
AN912-3	57- 39
AN912-3	70- 26
AN912-4	123- 8
AN914-1	70- 6
AN914-3	123- 11
AN914-3	68- 15
AN916-6D	6- 38
AN917-2D	69A- 10
AN919-0D	84- 7
AN919-2D	84- 35
AN919-2D	65- 11
AN919-2D	81- 4
AN919-2D	81- 32
AN919-2D	81- 35
AN919-6D	69- 9
AN919-6D	69- 16
AN921-4D	95- 11
AN924-2D	56- 48
AN924-2D	56- 53
AN924-2D	84- 16
AN924-3D	83- 23
AN924-3D	84- 1
AN924-3D	84- 20

PART NUMBER	FIGURE AND INDEX NO.
AN924-3D	84- 23
AN924-3D	84- 25
AN924-3D	84- 40
AN924-3D	84- 43
AN924-3D	84- 44
AN924-3D	84- 59
AN924-3D	84- 62
AN924-3D	84- 63
AN924-3D	98- 24
AN924-3D	80- 7
AN924-3D	80- 45
AN924-3D	81- 7
AN924-3D	81- 12
AN924-3D	81- 34
AN924-3D	81- 37
AN924-3D	81- 39
AN924-3D	82- 1
AN924-3D	82- 6
AN924-3D	82- 10
AN924-4D	31- 33
AN924-4D	83- 24
AN924-4D	84- 32
AN924-4D	84- 35
AN924-4D	84- 53
AN924-4D	95- 13
AN924-4D	98- 27
AN924-4D	98- 30
AN924-4D	56- 60
AN924-4D	65- 3
AN924-4D	65- 8
AN924-4D	65- 18
AN924-4D	67- 14
AN924-4D	67- 21
AN924-4D	67-21A
AN924-4D	67- 28
AN924-4D	69- 7
AN924-4D	69- 13
AN924-4D	69- 14
AN924-4D	69A- 18
AN924-4D	69A- 21
AN924-4D	70- 10
AN924-4D	70- 27
AN924-4D	80- 4
AN924-4D	80- 6
AN924-4D	80- 24
AN924-4D	80- 35
AN924-4D	80- 39
AN924-4D	80- 43
AN924-4D	81- 1
AN924-4D	81- 2
AN924-4D	81- 26
AN924-4D	81- 29
AN924-4D	81- 32
AN924-4D	81- 35
AN924-4D	82- 15
AN924-4D	82- 16
AN924-6D	98- 36
AN924-6D	123- 14
AN924-6D	68- 22
AN924-6D	69- 20
AN924-6D	69- 21
AN924-6D	69- 23
AN924-6D	69A- 15
AN924-6D	69A- 23
AN924-6D	69A- 27
AN924-6D	80- 8
AN924-6D	80- 16
AN924-6D	80- 18
AN924-8D	100- 8
AN924-8D	80- 29
AN924-8D	80- 36
AN924-8D	80- 42
AN929-4	80- 39
AN929-4	81- 26
AN929-8	80- 36

PART NUMBER	FIGURE AND INDEX NO.
AN931-3S10	84- 6
AN931-3S10	82- 5
AN931-3S9	88- 19
AN931-3S9	65- 12
AN931A-8-13	85- 13
AN931A3S10	83- 3
AN931A4S12	83- 17
AN931A4S12	83- 21
AN935-10	109- 4
AN935-10L	99- 9
AN935-2L	98- 10
AN935-6L	99- 28
AN935-8	98- 4
AN935-8L	36- 40
AN935-8L	109- 24
AN935-8L	109- 33
AN935-8L	109- 39
AN936-B10	41A- 13
AN936A-8	50- 6
AN936A3	120- 4
AN936A3	120- 5
AN936A4	58- 11
AN936A6	114- 12
AN936A8	111- 8
AN936A8	114- 5
AN936A8	114- 10
AN936A8	117- 4
AN936A8	117- 11
AN936A8	117- 15
AN936A8	117- 20
AN936A8	117- 25
AN936A8	118- 37
AN936A8	119- 7
AN936A8	50- 39
AN936A8	63- 13
AN936B10	39- 28
AN936B10	39- 32
AN936B10	40- 28
AN936B10	40- 32
AN936B10	56- 37
AN936B416	47- 4
AN936D10	65- 54
AN937D4	84- 35
AN938D6	69A- 12
AN944-101	93- 20
AN944-101A	34- 66
AN960-PD916L	123- 13
AN960-10	1- 27
AN960-10	8- 11
AN960-10	11- 49
AN960-10	12- 11
AN960-10	24- 7
AN960-10	25- 14
AN960-10	29- 26
AN960-10	33- 11
AN960-10	35- 29
AN960-10	36- 4
AN960-10	36- 24
AN960-10	37- 36
AN960-10	38- 27
AN960-10	42A- 11
AN960-10	84- 65
AN960-10	121- 82
AN960-10	47- 44
AN960-10	47- 46
AN960-10	47A- 47
AN960-10	47A- 49
AN960-10	56- 17
AN960-10	56- 23
AN960-10	56- 26
AN960-10	61- 11
AN960-10	72- 16
AN960-10	73- 5
AN960-10	73- 7
AN960-10	73- 37

PART NUMBER	FIGURE AND INDEX NO.
AN960-10	73- 38
AN960-10	74- 34
AN960-10	75- 22
AN960-10	77- 48
AN960-10	78- 28
AN960-10	78- 46
AN960-10L	34- 5
AN960-10L	34- 62
AN960-10L	35- 5
AN960-10L	35- 16
AN960-10L	35- 21
AN960-10L	35- 36
AN960-10L	36- 9
AN960-10L	37- 4
AN960-10L	37- 10
AN960-10L	37- 20
AN960-10L	37- 25
AN960-10L	37- 28
AN960-10L	38- 22
AN960-10L	38- 26
AN960-10L	38- 34
AN960-10L	39- 4
AN960-10L	39- 17
AN960-10L	39A- 4
AN960-10L	39A- 19
AN960-10L	40- 4
AN960-10L	40- 17
AN960-10L	42- 8
AN960-10L	42- 18
AN960-10L	84- 27
AN960-10L	90- 18
AN960-10L	111- 23
AN960-10L	113- 33
AN960-10L	114- 34
AN960-10L	116- 6
AN960-10L	121- 73
AN960-10L	56- 15
AN960-10L	56- 23
AN960-10L	56- 26
AN960-10L	58- 29
AN960-10L	61- 19
AN960-10L	64- 28
AN960-10L	64A- 19
AN960-10L	72- 6
AN960-10L	72- 15
AN960-10L	75- 3
AN960-10L	75- 16
AN960-10L	76- 38
AN960-10L	76- 44
AN960-10L	77- 54
AN960-10L	79- 5
AN960-10L	79- 9
AN960-10L	79- 16
AN960-10L	79- 25
AN960-10L	80- 20
AN960-10L	52- 32
AN960-2	72- 19
AN960-3	51- 6
AN960-4	13- 53
AN960-4	38- 35
AN960-4	41- 13
AN960-4	42- 21
AN960-4	121- 76
AN960-4	58- 32
AN960-4	65- 37
AN960-4	72- 12
AN960-4L	121- 3
AN960-4L	75- 12
AN960-416	11- 3
AN960-416	11- 42
AN960-416	12- 2
AN960-416	13- 2
AN960-416	13- 54
AN960-416	29- 16
AN960-416	29- 20

PART NUMBER	FIGURE AND INDEX NO.
AN960-416	38- 3
AN960-416	38- 15
AN960-416	85- 4
AN960-416	90- 5
AN960-416	91- 4
AN960-416	123- 2
AN960-416	53- 10
AN960-416	53- 15
AN960-416	68- 8
AN960-416	70- 23
AN960-416	73- 15
AN960-416	73- 23
AN960-416	76- 22
AN960-416	77- 24
AN960-416	77- 37
AN960-416	78- 18
AN960-416	80- 3
AN960-416	80- 38
AN960-416	80- 44
AN960-416L	8- 4
AN960-416L	31- 42
AN960-416L	34- 52
AN960-416L	34- 58
AN960-416L	38- 2
AN960-416L	38- 14
AN960-416L	84- 30
AN960-416L	84- 46
AN960-416L	84- 52
AN960-416L	85A- 3
AN960-416L	47- 4
AN960-416L	47A- 7
AN960-416L	55- 7
AN960-416L	56- 21
AN960-416L	61- 14
AN960-416L	64- 31
AN960-416L	64A- 13
AN960-416L	69A- 2
AN960-416L	69A- 29
AN960-416L	73- 2
AN960-416L	74- 18
AN960-416L	74- 23
AN960-416L	74- 38
AN960-416L	76- 5
AN960-416L	76- 11
AN960-416L	76- 16
AN960-416L	77- 4
AN960-416L	77- 8
AN960-416L	77- 52
AN960-416L	78- 32
AN960-416L	81- 14
AN960-416L	81- 20
AN960-516	4- 13
AN960-516	10- 2
AN960-516	32- 24
AN960-516	34- 25
AN960-516	84- 16
AN960-516	103- 17
AN960-516	61- 11
AN960-516	81- 41
AN960-516L	31- 39
AN960-516L	76- 35
AN960-6	37- 31
AN960-6	42A- 3
AN960-6	85A- 66
AN960-6	114- 2
AN960-6	50- 60
AN960-6	50A- 55
AN960-6L	87- 2
AN960-616	10- 5
AN960-616	32- 2
AN960-616	32- 7
AN960-616	84- 23
AN960-616	93- 12
AN960-616	104- 7
AN960-616	56- 21

PART NUMBER	FIGURE AND INDEX NO.
AN960-616	56A- 4
AN960-616	81- 57
AN960-616L	32- 8
AN960-616L	84- 20
AN960-616L	104- 8
AN960-616L	81- 56
AN960-716	1- 6
AN960-716L	56- 6A
AN960-8	6- 29
AN960-8	8- 40
AN960-8	36- 30
AN960-8	121- 56
AN960-8	121- 67
AN960-8	121- 71
AN960-8	121- 76
AN960-8	121- 78
AN960-8	57- 21
AN960-8L	37- 14
AN960-8L	86- 15
AN960-816	1- 2
AN960C-816	55- 4
AN960-816	73- 31
AN960A10L	64- 11
AN960C416L	44- 8
AN960C416L	96- 9
AN960C616L	47A- 34
AN960C716	93- 37
AN960D10	15- 6
AN960D10	17- 46
AN960D10	24- 3
AN960D10	24- 33
AN960D10	25- 2
AN960D10	28- 7
AN960D10	31- 29
AN960D10	88- 3
AN960D10	88- 8
AN960D10	88- 25
AN960D10	56- 43
AN960D10	61- 24
AN960D10	65- 25
AN960D10	75- 9
AN960D10L	58- 12
AN960D10L	70- 3
AN960D4L	58- 11
AN960D416L	48- 11
AN960D516	56- 47
AN960D516	56- 52
AN960D6	50A- 46
AN960D6	75- 32
AN960D716	56- 61
AN960D716	69- 7
AN960D716	69- 13
AN960D716	69- 14
AN960D716	69A- 21
AN960D716	70- 27
AN960D8	64- 50
AN960D816	37- 39
AN960D816L	37- 40
AN960D916	69- 20
AN960D916	69- 21
AN960D916	69- 23
AN960D916	69A- 15
AN960D916	69A- 27
AN960PD10	32- 26
AN960PD10	32- 28
AN960PD10	99- 19
AN960PD1216L	80- 36
AN960PD4	17- 28
AN960PD416	34- 23
AN960PD416	99- 16
AN960PD416L	83- 11
AN960PD616	82- 10
AN960PD616L	83- 23
AN960PD616L	84- 1
AN960PD616L	84- 40

PART NUMBER	FIGURE AND INDEX NO.
AN960PD616L	84- 59
AN960PD616L	81- 7
AN960PD616L	82- 1
AN960PD616L	82- 6
AN960PD716	80- 18
AN960PD716	82- 16
AN960PD716L	83- 24
AN960PD716L	84- 32
AN960PD716L	84- 35
AN960PD716L	70- 10
AN960PD716L	80- 24
AN960PD716L	80- 35
AN960PD716L	81- 1
AN960PD716L	81- 2
AN960PD716L	81- 26
AN960PD716L	81- 29
AN960PD716L	81- 32
AN960PD716L	81- 35
AN960PD716L	81- 37
AN960PD716L	82- 15
AN960PD8L	39- 42
AN960PD916	80- 16
AN960PD916L	68- 21
AN970-3	39- 24
AN970-3	41- 1
AN970-3	42A- 12
AN970-3	110- 18
AN970-3	111- 59
AN970-3	112- 33
AN970-3	113- 28
AN970-3	114- 28
AN970-3	116- 58
AN970-3	118- 94
AN970-3	119- 36
AN970-4	46- 18
AN970-5	52- 11
AV281371	69A- 3
A1633-13	94- 8
A1663-017-1	16- 8
A1663-017-1	16A- 18
A1663-017-1	50A- 10
A2375	99- 30
A2628	99- 34
A2792	99- 29
A2894	100- 1
A2980A-16-27	63- 19
A2980A-4-27	2- 4
A2980A-4-27	67- 10
A2981-A-14-27	85- 16
A2981A-14-27	85A- 14
A2981A-14-27	56A- 8
A2981A-14-27	64-16B
A2981A-20-27	56A- 7
A2981A-3-27	80- 47
A2981A-6-27	69- 29
A2981A-6-27	69- 33
A3047A-11-27	114- 52
A3047A-11-92	111- 45
A3047A-18-92	116- 43
A3047A-4-92	67- 13
A3047A-4-92	67- 24
A3047A-4-92	67- 30
A3047A-5-92	56- 40
A3047A-7-29	85- 11
A3047A-7-92	85- 23
A3047A-7-92	85A- 13
A3047A-7-92	85A- 24
A3047A-8-92	6- 13
A3047A-8-92	69- 48
A3122-16-1	57- 36
A3122-18-1	57- 26
A3122-28-1	57- 34
A3122-28-1	57- 38
A3493-01Z-1	85- 60
A3493-01Z-1	85- 65

PART NUMBER	FIGURE AND INDEX NO.
A3493-01Z-1	85A- 55
A3493-01Z-1	87- 12
A4840	99- 20
A6162-8Z-3	3- 26
A6162-8Z-3	15- 9
A6191-10Z-3	18- 20
A6191-6Z-3	21- 37
A6191-6Z-3	21- 42
A6191-6Z-3	21A- 36
A6191-6Z-3	23- 9
A6191-6Z-3	46- 15
A6191-8Z-3	14- 32
A6191-8Z-3	14- 53
A6191-8Z-3	14A- 10
A6191-8Z-3	14A- 48
A6191-8Z-3	16- 36
A6191-8Z-3	16A- 10
A6191-8Z-3	26- 18
A6191-8Z-3	26-20A
A6191-8Z-3	26- 35
A6191-8Z-3	26- 37
A6191-8Z-3	26- 38
A6191-8Z-3	26A- 20
A6191-8Z-3	26A- 35
A6194-10Z-3	18- 21
A6194-6Z-3	21- 38
A6194-6Z-3	21- 43
A6194-8Z-3	26- 11
A6194-8Z-3	26A- 12
A6195-6Z-3	21A- 51
A6195-6Z-3	23- 2
A6195-8Z-3	11- 34
A6195-8Z-3	26- 10
A6195-8Z-3	26- 36
A6195-8Z-3	26A- 11
A6195-8Z-3	26A- 21
A6195-8Z-3	26A- 36
A6195-8Z-3	29- 48
A6196-8Z-3	18- 64
A6196-8Z-3	29-48A
A6200-10Z-3	18- 19
A6203-8Z-3	14A- 9
A76	69A- 3
A8-75	42A- 14
A8K-75	9- 18
A8K-75	9- 21
A8K120	62- 6
A8K75	14-32A
A8K75	14A- 28
A8K75	111- 8
A8K75	114- 5
A8K75	114- 10
A8K75	116- 47
A8K75	117- 4
A8K75	117- 11
A8K75	117- 15
A8K75	117- 20
A8K75	117- 25
A8K75	62- 5
A8400	99- 31
A8525-8Z-3	18- 89
A8579-6Z-1	16- 12
A8579-6Z-1	16A- 22
A8580-8Z-3	19A- 16
A8580-8Z-3	19A- 19
A9028-4Z-3	21A- 33
A9480	101- 1
A9978	99- 35
B-1	45A- 8
B-1341-8	121- 75
B-1564	94- 14
B-1610	121-14A
B-1965	94- 21
B-2192	94- 19
B-2289-1	94- 11

PART NUMBER	FIGURE AND INDEX NO.
B-2289-2	94- 11
B-2289-3	94- 11
B-2345	94- 28
B-296-17	121- 13
B-296-18	121- 14
B-296-4	121- 37
B-296-5	121- 36
B-296-58	121- 30
B-296-59	121- 31
B-296-7	121- 9
B-296-8	121- 10
B-610	7- 7
B-610	8- 7
B-610	73- 21
B-806	93- 27
B-828	93- 30
B-891-1	93- 16
B-966	93- 31
BRA-6	34- 15
BRA-6-OH	34- 15
B128	101- 8
C-1904	94- 17
C-1939	94- 32
C-2343	94- 34
C-3-1A	93- 10
C-914	121- 6
C-915	121- 5
CR163C-4-4	4-16B
CR163C-4-4	39A- 32
CR6	121- 26
CS-6	121- 44
CS-6	121- 60
C7707-6Z-3	60- 13
D-103-A	42- 16
D-2341/9M-8	94- 5
EA1526	98- 12
ED11483	100- 12
ED11484	100- 11
ED11484-1	100- 11
ED11485	100- 14
ED11490	99- 3
ED11514	99- 7
ED11540	100- 10
ED11639	99- 36
ED11772	100- 2
ED11931L	101- 26
ED11931R	101- 26
ED11932	101- 21
ED11933	101- 18
ED11934	101- 23
ED11935L	101- 13
ED11935R	101- 13
ED11936	101- 4
ED11941	99- 37
ED11947	99- 14
ED11952	101- 9
ED11955	101- 2
ED11956	101- 22
ED11977	101- 11
ED11982	99- 21
ED11996	98- 1
ED12003	101- 12
ED12005	100- 3
ED12017	99- 24
ED12018	100- 16
ED12099	99- 26
ED12110	99- 22
ED12119	101- 14
ED12499	100- 12
ED12500	100- 15
ED12602	108- 9
EK285428CH	47- 4
EQ5491	57- 4
ES11949	99- 2
ES11951	99- 10

PART NUMBER	FIGURE AND INDEX NO.
ES12012	99- 5
ES12103	98- 2
ES12601	108- 11
FCC-20068	6- 3
FCC-20068	6- 3
FC8-35405	6- 5
FC8-35405	6- 5
F34-14	108- 2
F347-14	105- 2
G-37	121- 72
GDS 5-93	19A- 14
G997-01-1C	67- 37
HF3	56- 16
HF3	56- 24
HF3	56- 26
HSBY-3-13	106- 9
H5000-2-032-064	54- 6
H5000-2-032-064	54- 9
H75-15-375	42A- 7
IVA-47	86- 13
IVA49	86- 1
IO-470-E	57- 1
IO-470-E SPEC6	57- 1
JV5	58- 31
JV7	58- 10
J2049-1D	50- 11
LM67010XL	91- 6
LM67048XL	91- 6
L10N5-0-260	19A- 14
M-359	112- 5
M-451	23- 8
M-451	23- 13
M-781	75- 7
MBT-12	115- 1
MS100009	109- 21
MS16562-16	64- 27
MS16562-16	64A- 17
MS20073-03-02	96- 15
MS20230A2	3- 4
MS20230A2	3- 9
MS20230A2	3- 12
MS20230A2	3- 15
MS20230A2	3- 18
MS20230A2	3- 19
MS20230A2	3- 20
MS20230A2	3- 22
MS20230A2	3- 23
MS20230A2	3- 25
MS20230B20	59- 12
MS20230B20	59- 20
MS2036A-1032C	46- 18
MS2036A-1032C	121- 73
MS2036A-1032C	63A- 19
MS2036A-1032C	38- 12
MS2036A-1032C	42- 7
MS2036A-1032C	42- 27
MS2036A-1032C	121- 48
MS2036A-1032C	121- 82
MS2036A-1032C	123- 27
MS2036A-1032C	64- 12
MS2036A-1032C	64- 29
MS2036A-1032C	64A- 20
MS2036A-1032C	65- 52
MS2036A-1032C	68-31A
MS2036A-1032C	52- 33
MS2036A-1032C	52- 36
MS2036A-428C	98- 5
MS2036A-428C	99- 1
MS2036A-428C	99- 6
MS2036A-428C	73- 23
MS2036A-624C	32- 3
MS2036A-624C	37- 34
MS2036A-720C	31- 12
MS2036A-720C	93- 38
MS20365-1-27C	79- 12

PART NUMBER	FIGURE AND INDEX NO.
MS20365-1032C	7- 10
MS20365-1032C	7- 31
MS20365-1032C	8- 12
MS20365-1032C	8- 20
MS20365-1032C	11- 49
MS20365-1032C	12- 12
MS20365-1032C	15- 7
MS20365-1032C	15- 27
MS20365-1032C	17- 6
MS20365-1032C	17- 42
MS20365-1032C	17- 46
MS20365-1032C	20- 4
MS20365-1032C	24- 4
MS20365-1032C	24- 8
MS20365-1032C	24- 33
MS20365-1032C	25- 4
MS20365-1032C	25- 15
MS20365-1032C	25- 19
MS20365-1032C	29- 13
MS20365-1032C	29- 26
MS20365-1032C	31- 31
MS20365-1032C	32- 19
MS20365-1032C	32- 26
MS20365-1032C	32- 28
MS20365-1032C	33- 7
MS20365-1032C	33- 12
MS20365-1032C	34- 7
MS20365-1032C	34- 49
MS20365-1032C	35- 18
MS20365-1032C	35- 28
MS20365-1032C	35- 34
MS20365-1032C	39- 5
MS20365-1032C	40- 5
MS20365-1032C	42- 19
MS20365-1032C	85- 7
MS20365-1032C	85A- 6
MS20365-1032C	88- 3
MS20365-1032C	88- 8
MS20365-1032C	88- 27
MS20365-1032C	111- 24
MS20365-1032C	112- 30
MS20365-1032C	113- 34
MS20365-1032C	114- 33
MS20365-1032C	116- 7
MS20365-1032C	123- 5
MS20365-1032C	39A- 5
MS20365-1032C	45- 14
MS20365-1032C	45- 15
MS20365-1032C	47- 40
MS20365-1032C	47- 44
MS20365-1032C	47- 46
MS20365-1032C	47A- 45
MS20365-1032C	47A- 47
MS20365-1032C	47A- 49
MS20365-1032C	55- 20
MS20365-1032C	56- 15
MS20365-1032C	56- 17
MS20365-1032C	56- 23
MS20365-1032C	56- 26
MS20365-1032C	56- 29
MS20365-1032C	56- 33
MS20365-1032C	56- 38
MS20365-1032C	57- 47
MS20365-1032C	58- 13
MS20365-1032C	58- 29
MS20365-1032C	60- 19
MS20365-1032C	61- 12
MS20365-1032C	61- 19
MS20365-1032C	65- 24
MS20365-1032C	65- 30
MS20365-1032C	65- 36
MS20365-1032C	65- 47
MS20365-1032C	66- 9
MS20365-1032C	66- 15
MS20365-1032C	66- 19



PART NUMBER	FIGURE AND INDEX NO.
MS20365-1032C	66- 25
MS20365-1032C	68- 12
MS20365-1032C	70- 3
MS20365-1032C	72- 7
MS20365-1032C	72- 17
MS20365-1032C	73- 5
MS20365-1032C	73- 11
MS20365-1032C	73- 35
MS20365-1032C	73- 37
MS20365-1032C	73- 38
MS20365-1032C	74- 35
MS20365-1032C	75- 8
MS20365-1032C	75- 21
MS20365-1032C	76- 54
MS20365-1032C	77- 49
MS20365-1032C	78- 29
MS20365-1032C	78- 36
MS20365-1032C	78- 39
MS20365-428C	7- 5
MS20365-428C	8- 6
MS20365-428C	11- 4
MS20365-428C	11- 43
MS20365-428C	13- 3
MS20365-428C	13- 55
MS20365-428C	29- 17
MS20365-428C	29- 21
MS20365-428C	33- 3
MS20365-428C	34- 10
MS20365-428C	34- 23
MS20365-428C	123- 2
MS20365-428C	47- 48
MS20365-428C	47A- 8
MS20365-428C	47A- 53
MS20365-428C	48- 5
MS20365-428C	48- 12
MS20365-428C	48- 16
MS20365-428C	48- 19
MS20365-428C	53- 11
MS20365-428C	53- 16
MS20365-428C	56- 21
MS20365-428C	68- 9
MS20365-428C	69A- 2
MS20365-428C	69A- 29
MS20365-428C	70- 23
MS20365-428C	73- 2
MS20365-428C	73- 15
MS20365-428C	74- 19
MS20365-428C	74- 24
MS20365-428C	74- 28
MS20365-428C	74- 39
MS20365-428C	74- 42
MS20365-428C	76- 6
MS20365-428C	76- 12
MS20365-428C	76- 17
MS20365-428C	76- 23
MS20365-428C	76- 45
MS20365-428C	77- 5
MS20365-428C	77- 9
MS20365-428C	77- 25
MS20365-428C	77- 38
MS20365-428C	77- 42
MS20365-428C	77- 53
MS20365-428C	77- 59
MS20365-428C	78- 22
MS20365-428C	78- 33
MS20365-428C	80- 38
MS20365-428C	80- 44
MS20365-440	121- 76
MS20365-524C	4- 14
MS20365-524C	10- 3
MS20365-524C	29- 30
MS20365-524C	31- 4
MS20365-524C	31- 40
MS20365-524C	32- 24
MS20365-524C	34- 2

PART NUMBER	FIGURE AND INDEX NO.
MS20365-524C	34- 25
MS20365-524C	52- 12
MS20365-524C	73- 18
MS20365-524C	73- 29
MS20365-524C	76- 27
MS20365-524C	76- 35
MS20365-624C	10- 6
MS20365-624C	31- 37
MS20365-624C	56A- 5
MS20365-632C	28- 12
MS20365-632C	95- 4
MS20365-632C	111- 31
MS20365-632C	113- 40
MS20365-632C	115- 8
MS20365-632C	116- 24
MS20365-632C	118- 42
MS20365-632C	50- 42
MS20365-632C	50- 60
MS20365-632C	50A- 55
MS20365-632C	58- 18
MS20365-632C	58- 21
MS20365-632C	64- 6
MS20365-632C	64- 24
MS20365-632C	64A- 12
MS20365-632C	75- 31
MS20365-720C	1- 7
MS20365-820C	1- 3
MS20365-820C	9- 6
MS20365-820C	55- 17
MS20365-832C	1- 30
MS20365-832C	1- 43
MS20365-832C	6- 29
MS20365-832C	8- 41
MS20365-832C	9- 15
MS20365-832C	19- 4
MS20365-832C	31- 23
MS20365-832C	35- 30
MS20365-832C	36- 27
MS20365-832C	36- 41
MS20365-832C	85- 55
MS20365-832C	85A- 61
MS20365-832C	86- 3
MS20365-832C	86- 16
MS20365-832C	88- 15
MS20365-832C	97- 11
MS20365-832C	112- 12
MS20365-832C	112- 57
MS20365-832C	113- 50
MS20365-832C	116- 21
MS20365-832C	116- 39
MS20365-832C	116- 49
MS20365-832C	116- 50
MS20365-832C	116- 51
MS20365-832C	118- 34
MS20365-832C	118- 52
MS20365-832C	118- 54
MS20365-832C	118- 64
MS20365-832C	118- 68
MS20365-832C	118- 71
MS20365-832C	118- 80
MS20365-832C	118- 91
MS20365-832C	119- 33
MS20365-832C	121- 56
MS20365-832C	121- 78
MS20365-832C	56-11A
MS20365-832C	57- 21
MS20365B1032C	50- 22
MS20365B1032C	68- 2
MS20365B1032C	68- 4
MS20365B632C	118- 9
MS20365B632C	50- 14
MS20365B632C	50- 23
MS20365B632C	50- 24
MS20365B632C	50- 25
MS20365B632C	50- 26

PART NUMBER	FIGURE AND INDEX NO.
MS20365B632C	50- 27
MS20365B632C	50- 29
MS20365B632C	50- 30
MS20365B632C	50- 46
MS20365B632C	50- 49
MS20365B632C	50- 51
MS20365B632C	50- 56
MS20365B632C	50- 57
MS20365B632C	50- 58
MS20365B632C	67- 17
MS20365B632C	67- 34
MS20365B632C	67- 37
MS20365B632C	68- 6
MS20365B832C	50- 12
MS20392-1-13	47- 32
MS20392-1-15	47- 21
MS20392-1-15	47A- 25
MS20392-1-19	38- 33
MS20392-1-19	39A- 40
MS20392-1-21	37- 31
MS20392-1-21	37- 49
MS20392-1-21	47- 2
MS20392-1-21	47A- 2
MS20392-1-23	41- 12
MS20392-1-23	41A- 24
MS20392-1-23	79- 18
MS20392-1-33	41- 16
MS20392-1-33	41A- 22
MS20392-1-37	42A- 2
MS20392-1-37	47A- 36
MS20392-1-57	76- 7
MS20392-1-7	41- 7
MS20392-1-7	41A- 19
MS20392-1-7	72- 11
MS20392-11	37- 20
MS20392-2-11	37- 44
MS20392-2-11	56- 43
MS20392-2-13	37- 25
MS20392-2-13	38- 32
MS20392-2-13	84- 27
MS20392-2-13	61- 23
MS20392-2-15	66- 11
MS20392-2-15	66- 28
MS20392-2-17	37- 19
MS20392-2-19	37- 35
MS20392-2-19	75- 4
MS20392-2-19	75- 17
MS20392-2-21	56- 43
MS20392-2-27	99- 18
MS20392-2-31	38- 20
MS20392-2-31	47- 16
MS20392-2-31	47A- 20
MS20392-2-33	35- 4
MS20392-2-41	9- 12
MS20392-2-53	35- 20
MS20392-3-15	84- 46
MS20392-3-19	99- 15
MS20392-3-37	47- 26
MS20392-4-13	65- 42
MS20426AD10	9- 8
MS20426AD10	9- 10
MS20450C12-12	39-15B
MS20450C12-12	40-15B
MS20470AD4	85- 38
MS20470AD4	85A- 39
MS20822-4D	57- 17
MS20822-4D	57- 22
MS20822-4D	67- 16
MS20822-4D	67- 20
MS20822-4D	67- 36
MS20822-4D	70- 8
MS20822-6-2D	69A- 5
MS20822-6-6	123- 10
MS20822-6-6	68- 19
MS20822-6D	68- 37

PART NUMBER	FIGURE AND INDEX NO.
MS20822-6D	69A- 11
MS20913-2D	68- 40
MS211919DG3	64- 33
MS21919-DG8	123- 24
MS21919DF-4	65- 23
MS21919DF4	31- 30
MS21919DF4	98- 20
MS21919DF5	98- 19
MS21919DG-67	85A- 14
MS21919DG10	85- 55
MS21919DG10	85A- 61
MS21919DG2	85- 66
MS21919DG3	88- 20
MS21919DG3	88- 21
MS21919DG3	112- 23
MS21919DG3	64A- 23
MS21919DG5	118- 39
MS21919DG5	61- 20
MS21919DG6	2- 5
MS21919DG6	118- 40
MS21919DG6	57- 21
MS21919DG7	85- 16
MS21919DG8	116- 54
MS21919DG8	68-31A
MS21919WDG-9	121- 48
MS28741-3-0056	81- 33
MS28741-3-0104	84- 21
MS28741-3-0104	84- 24
MS28741-3-0104	81- 8
MS28741-3-0106	81- 38
MS28741-3-0114	84- 41
MS28741-3-0130	84- 42
MS28741-3-0140	84- 61
MS28741-3-0144	84- 60
MS28741-3-0190	81- 9
MS28741-4-0100	80- 40
MS28741-4-0210	69A- 17
MS28741-4-0234	65- 1
MS28741-4-0240	56- 58
MS28741-4-0240	57- 39
MS28741-4-0240	70- 25
MS28741-6-0130	123- 9
MS28741-6-0130	68- 17
MS28741-6-0170	69A- 16
MS28741-8-0150	80- 41
MS28755-234	100- 17
MS28774-11	105- 6
MS28774-11	106- 5
MS28774-11	107- 6
MS28774-11	108- 6
MS28774-111	104- 18
MS28774-111	105- 8
MS28774-111	106- 8
MS28774-111	107- 10
MS28774-113	104- 22
MS28774-12	108- 10
MS28774-222	80-38D
MS28775-020	102- 8
MS28775-10	99- 32
MS28775-10	99- 38
MS28775-116	99- 33
MS28775-216	98- 22
MS28775-332	100- 13
MS28775-332	100- 13
MS28777-10	70- 19
MS28782-32	34- 36
MS28782-6	92- 8
MS28782-6	92- 15
MS28889-1	34- 27
MS28889-1	100- 9
MS28889-1	80- 30
MS29512-4	69A- 18
MS29512-4	69A- 19
MS29512-6	96- 13
MS29512-6	69A- 12

PART NUMBER	FIGURE AND INDEX NO.
MS29512-6	69A- 23
MS29513-111	96- 8
MS29513-116	96- 19
MS29513-12	96- 22
MS29513-232	6- 32
MS29613-113	96- 26
MS3057-4B	112- 55
MS3057-6A	98- 16
MS3057-6A	112- 53
MS3106-10SL-4S	112- 54
MS3106A-14S-2P	98- 15
MS3108B14S-6S	112- 52
MS35489-10	67-21C
MS35489-10S	27- 1
MS35489-10S	27A- 1
MS35489-10S	119- 24
MS35489-11S	27- 21
MS35489-11S	27A- 18
MS35489-118	85- 57
MS35489-118	85A- 58
MS35489-118	112- 25
MS35489-118S	27- 13
MS35489-118S	27- 17
MS35489-118S	27A- 14
MS35489-118S	111- 42
MS35489-118S	111- 56
MS35489-118S	113- 48
MS35489-118S	114- 45
MS35489-118S	116- 55
MS35489-119	85- 3
MS35489-119	85- 9
MS35489-119S	111- 52
MS35489-119S	114- 49
MS35489-119S	119- 30
MS35489-12	112- 19
MS35489-12	113- 24
MS35489-12S	119- 27
MS35489-12S	59- 35
MS35489-12S	69- 28
MS35489-12S	69- 32
MS35489-12S	69- 42
MS35489-12S	69- 43
MS35489-13	84- 21
MS35489-13S	27- 5
MS35489-14	6- 15
MS35489-14	85- 12
MS35489-14	85- 70
MS35489-14	110- 8
MS35489-14	123- 28
MS35489-14	56- 66
MS35489-14S	27- 30
MS35489-14S	118- 60
MS35489-15S	85A- 8
MS35489-15S	118- 19
MS35489-16	85- 56
MS35489-16	85A- 10
MS35489-16	85A- 59
MS35489-16	110- 9
MS35489-16	112- 37
MS35489-16	113- 20
MS35489-16S	27- 25
MS35489-16S	119- 22
MS35489-17	52- 9
MS35489-19S	111- 51
MS35489-19S	114- 41
MS35489-2S	84- 8
MS35489-2S	84- 15
MS35489-20	56- 57
MS35489-20	59- 13
MS35489-22	111- 47
MS35489-22	114- 43
MS35489-22S	116- 44
MS35489-4	85- 40
MS35489-4	85- 67
MS35489-4	85A- 41

18- 60
18- 80

PART NUMBER	FIGURE AND INDEX NO.
MS35489-4	85A- 65
MS35489-4	26
MS35489-5S	27- 9
MS35489-6	85- 64
MS35489-6	85A- 64
MS35489-6	120- 2
MS35489-6	56- 56
MS35489-6	67-21B
MS35489-7S	27- 9
MS35489-7S	84- 49
MS35489-7S	69- 44
MS35489-7S	82- 17
MS35489-9S	85A- 11
M74CR524-12E	121- 19
M75-FS-1024-5CR	104- 17
M75-FS-1024-5CR	81- 42
M781	101- 24
NAS-446-4-3	85A- 56
NAS1022-A8	37- 41
NAS1054-6-3	24- 36
NAS1054-8-11	24- 37
NAS1054-8-13	24- 38
NAS1304-5H	31- 42
NAS179-6	24- 34
NAS179-8	24- 35
NAS220-19	86- 2
NAS220-5	41A- 1
NAS220-6	10- 36
NAS220-6	12- 29
NAS220-6	87- 10
NAS220-6	86- 11
NAS220-7	62- 3
NAS220-7	9- 20
NAS220-8	88- 13
NAS220-8	62- 4
NAS220-8	28- 6
NAS221-12	11- 49
NAS221-13	16A- 5
NAS221-13	1-23A
NAS221-5	121- 48
NAS221-5	55- 13
NAS221-8	55- 25
NAS221-8	88- 26
NAS221C-6	52- 3
NAS229-10	7- 31
NAS229-8	11- 27
NAS296-4A	11- 28
NAS296-4A	30- 7
NAS395-1-3	31- 50
NAS395-1-3	32-16A
NAS395-1-3	85- 26
NAS395-1-3	85- 44
NAS395-1-3	85A- 27
NAS395-1-3	85A- 45
NAS395-1-3	30- 3
NAS395-10-3	23- 3
NAS395-12-3	23-
NAS395-12-3	44- 4
NAS395-12-3	46- 18
NAS395-12-3	46- 21
NAS395-13-3	8- 38
NAS395-14-3	11- 46
NAS395-14-3	30- 2
NAS395-14-3	64- 50
NAS395-16-3	2- 4
NAS395-16-3	67- 10
NAS395-17-3	1- 15
NAS395-17-3	11- 56
NAS395-17-3	85- 66
NAS395-17-3	1- 21
NAS395-18-3	112- 47
NAS395-18-3	112- 51
NAS395-18-3	69- 35
NAS395-3-3	14- 55
NAS395-3-3	14A- 49

PART NUMBER	FIGURE AND INDEX NO.
NAS395-4-3	2- 25
NAS395-4-3	113- 11
NAS395-5-3	121- 35
NAS395-6	63A- 7
NAS395-6-3	23- 12
NAS395-6-3	51- 2
NAS396-6-3	63- 16
NAS396-6-3	63- 28
NAS397-14	123- 16
NAS397-14	123- 19
NAS397-14	123- 22
NAS397-14-1	6- 9
NAS397-14-1	6- 37
NAS397-14-1	68- 25
NAS397-14-1	68- 28
NAS397-14-1	68- 31
NAS397-14-1	69- 55
NAS397-16-1	6- 10
NAS397-16-1	6- 17
NAS397-16-1	63- 23
NAS397-16-1	69- 50
NAS397-16-1	69- 52
NAS397-18-1	63- 18
NAS397-32	64- 40
NAS397-32	64A- 26
NAS397-32	64A- 30
NAS397-32	64A- 32
NAS397-8-1	19- 7
NAS398-42	63A- 14
NAS398-50	57- 46
NAS398-50	64- 42
NAS398-50	64- 42
NAS398-50	64- 42
NAS42-4-48	85- 39
NAS42-4-48	85A- 40
NAS42-6-8	48- 24
NAS42-6-8	66- 7
NAS42DD-4-10	39- 50
NAS42HT-6-15	36- 7
NAS43-DD-3-28	82- 9
NAS43-3-12	118- 79
NAS43-3-12	66- 30
NAS43-3-15	84- 14
NAS43-3-15	50- 10
NAS43-3-36	35- 35
NAS43-3-56	116- 49
NAS43-3-56	116- 50
NAS43-3-56	118- 34
NAS43-3-88	61- 12
NAS43-3-96	35- 17
NAS43-4-14	47- 27
NAS43-4-16	76- 39
NAS43-4-20	47- 48
NAS43-4-20	47A- 52
NAS43-4-20	48- 16
NAS43-4-47	48- 18
NAS43-4-8	53- 9
NAS43-5-16	76- 34
NAS43DD-1-12	96- 7
NAS43DD-3-12	72- 5
NAS43DD-3-24	69A- 3
NAS43DD-3-32	34- 4
NAS43DD-3-32	45- 15
NAS43DD-3-64	45- 14
NAS434D4	52- 21
NAS434D8	52- 20
NAS441-1	21A- 35
NAS444-14-3	3- 5
NAS444-14-3	5- 19
NAS444-3	14- 9
NAS444-4	14A- 27
NAS444-4-3	2- 24
NAS444-5	14- 30
NAS444-5	14A- 25
NAS444-5	17- 29

PART NUMBER	FIGURE AND INDEX NO.
NAS446-1-3	85- 52
NAS446-1-3	85A- 53
NAS446-1-3	116- 54
NAS446-1-3	46- 3
NAS446-2-3	85- 31
NAS446-2-3	85- 36
NAS446-2-3	85- 49
NAS446-2-3	85- 63
NAS446-2-3	85A- 32
NAS446-2-3	85A- 37
NAS446-2-3	85A- 50
NAS446-2-3	85A- 63
NAS446-2-3	88- 20
NAS446-2-3	110- 1
NAS446-2-3	111- 2
NAS446-2-3	111- 13
NAS446-2-3	111- 36
NAS446-2-3	111- 54
NAS446-2-3	112- 3
NAS446-2-3	112- 36
NAS446-2-3	113- 6
NAS446-2-3	113- 16
NAS446-2-3	113- 45
NAS446-2-3	113- 49
NAS446-2-3	113- 52
NAS446-2-3	113- 54
NAS446-2-3	114- 2
NAS446-2-3	114- 16
NAS446-2-3	114- 47
NAS446-2-3	114- 53
NAS446-2-3	115- 2
NAS446-2-3	115- 6
NAS446-2-3	116- 29
NAS446-2-3	118- 2
NAS446-2-3	118- 25
NAS446-2-3	119- 3
NAS446-2-3	119- 16
NAS446-2-3	51- 3
NAS446-2-3	51- 10
NAS446-2-3	51- 12
NAS446-2-3	57- 8
NAS446-2-3	57- 42
NAS446-2-3	57- 43
NAS446-2-3	59- 2
NAS446-2-3	59- 6
NAS446-2-3	59- 11
NAS446-2-3	59- 19
NAS446-2-3	59- 22
NAS446-2-3	59- 24
NAS446-2-3	78- 9
NAS446-3-3	46- 8
NAS446-4	50A- 24
NAS446-4-3	2- 7
NAS446-4-3	3- 7
NAS446-4-3	18- 29
NAS446-4-3	27- 34
NAS446-4-3	27A- 25
NAS446-4-3	43- 37
NAS446-4-3	85- 61
NAS446-4-3	85- 62
NAS446-4-3	85A- 57
NAS446-4-3	111- 48
NAS446-4-3	111- 53
NAS446-4-3	112- 35
NAS446-4-3	113- 47
NAS446-4-3	114- 48
NAS446-4-3	116- 41
NAS446-4-3	118- 39
NAS446-4-3	118- 40
NAS446-4-3	118- 61
NAS446-4-3	118- 62
NAS446-4-3	118- 76
NAS446-4-3	119- 31
NAS446-4-3	47- 9
NAS446-4-3	47A- 13

PART NUMBER	FIGURE AND INDEX NO.
NAS446-4-3	60- 9
NAS446-4-3	63- 3
NAS446-4-3	63- 21
NAS446-4-3	63A- 16
NAS446-4-3	64- 34
NAS446-4-3	64A- 23
NAS446-4-3	64A- 28
NAS45-4-16	79- 3
NAS451-18	20- 26
NAS455-163C4-8	7- 19
NAS463W-DD416	17- 52
NAS464-3-22	34- 61
NAS464P3-8	78- 45
NAS464P5L-43	81- 41
NAS464P5LA23	31- 3
NAS464P5LA23	31- 3
NAS464P5LA32	31- 3
NAS464P6-42	32- 4
NAS464P6-42	104- 6
NAS464P6-42	81- 55
NAS464P6LA13	37- 33
NAS464P6LA28	32- 1
NAS464P7LA31	1- 4
NAS50-131	92- 9
NAS506-4	13- 56
NAS51-81	97- 6
NAS514P-428-22	31- 18
NAS557-3A	27A- 8
NAS557-4A	27A- 11
NAS557-6A	27A- 5
NAS557-8A	27A- 22
NAS557-8A	27A- 26
NAS561-3-18	39- 20
NAS561-4-12	75- 26
NAS561-5-12	65- 36
NAS561C2-10	47A- 39
NAS561C2-8	64A- 6
NAS561C3-12	47A- 31
NAS561C3-12	47A- 35
NAS561P3-10	58- 23
NAS561P3-8	96- 2
NAS561P3-8	69- 39
NAS561P7-16	34- 44
NAS561P8-32	34- 20
NAS563-11	96- 15
NAS563-11	80- 22
NAS603-16	47A- 54
NAS620-10L	101- 16
NAS620-416L	101- 6
NAS669-212	101- 17
NAS669-212	90- 20
NAS670-275	34- 33
NAS680-4	17- 52
NAS680A08	3- 21
NAS680A08	14- 23
NAS680A08	14- 25
NAS680A08	14A- 54
NAS680A08	14A- 56
NAS680A08	18- 16
NAS680A08	18- 61
NAS680A08	29- 47
NAS680A08K	21A- 68
NAS680A3	4- 24
NAS680A3	8- 28
NAS680A3	18- 13
NAS680A3	18- 17
NAS680A3	18- 60
NAS680A3	18- 80
NAS680A3	18- 81
NAS680A3	21- 33
NAS680A3	21A- 32
NAS680A3	24- 10
NAS680A3	24- 14
NAS680A3	24- 14
NAS680A3	24- 24

PART NUMBER	FIGURE AND INDEX NO.
NAS680A3	25- 9
NAS680A3	118- 46
NAS680A3	55- 11
NAS680A3	55- 23
NAS680A3	58- 25
NAS680A3	59- 4
NAS680A3	59- 26
NAS680A3K	26- 6
NAS680A3K	26- 16
NAS680A3K	26- 34
NAS680A3K	26A- 6
NAS680A3K	26A- 16
NAS680A3K	26A- 34
NAS680A4	14A- 11
NAS680A4	18- 27
NAS680A4	26- 17
NAS680A4	26A- 17
NAS680A4	53- 4
NAS680A4	18- 18
NAS682-A3	18- 64
NAS682A08K	21A- 68
NAS682A3	18- 14
NAS682A3	18- 15
NAS682A3	18- 34
NAS682A3	18- 35
NAS682A4	14- 31
NAS682A4	14A- 26
NAS683A08	2- 40
NAS684A08	14- 26
NAS684A08	14A- 57
NAS684A3K	26A- 8
NAS684A4	12- 17
NAS684A4	12- 19
NAS684A4	12- 21
NAS686A3	18- 71
NAS686A3	21A- 58
NAS686A3K	13- 43
NAS687A3	25- 23
NAS696A08	14- 34
NAS696A08	14A- 30
NAS696A08	22- 4
NAS696A08	29- 49
NAS696A08K	10- 20
NAS696A08K	12- 24
NAS696A3	16A- 11
NAS696A3	18- 91
NAS696A3K	21A- 36
NAS696A3K	88- 22
NAS697-A08	13- 25
NAS697-A08	24- 31
NAS697-3	31- 7
NAS697A08	12- 26
NAS697A08	14- 34
NAS697A08	14A- 30
NAS697A08	22- 5
NAS697A08	41A- 3
NAS697A08	63A- 3
NAS697A08K	4- 29
NAS697A08K	10- 20
NAS697A08K	10- 30
NAS697A08K	12- 8
NAS697A08K	12- 25
NAS697A3	11- 48
NAS697A3	13- 44
NAS697A3	21A- 50
NAS697A3	22- 8
NAS697A3	54- 36
NAS697A3	54- 37
NAS697A4	18- 30
NAS697A4	29- 22
NAS698-3A	48- 25
NAS698A08K	10- 18
NAS70A-128-313	41A- 26
NAS70A261-1.00	52- 6
NAS74A-3E104	34- 6

PART NUMBER	FIGURE AND INDEX NO.
NAS75-3-014	46- 18
NAS76A-3-008P	108- 12
NAS76A-3-100	37- 11
NAS76A-3-108	37- 29
NAS76A-4-010P	105- 12
NAS76A-4-010P	107- 11
NAS77-3-11	38- 8
NAS77-3-23	34- 54
NAS77-6-88	34- 53
NAS77-6-88	34- 65
NK509-8R7	31- 26
NO. 2	85A- 56
NO. 3	85A- 57
NO. 7	88- 28
NO. 807	44- 2
NO.3	2- 5
NO.3	111- 48
NO.3	114- 53
NO.3	116- 41
NO.3	116- 53
NO.3	118- 74
NO.463	118- 83
NO.5-295	24-29A
PN-3-A	97- 14
PSM-10N	87- 13
PSM-10N	110- 20
PSM-10N	111- 40
PSM-10N	112- 15
PSM-10N	113- 19
PSM-10N	114- 44
PSM-10N	116- 37
PSM-10N	119- 8
PSM-10N	50A- 37
PSM-10N	50A- 38
PSM-10N	50A- 41
PSM-10N	67- 41
PSM-15N	50A- 40
PSM-20N	118- 15
PSM-35N	50A- 39
PSM-5N	118- 11
PSM-5N	50A- 42
PSM-50N	50A- 39
P100-499-8-24A	51- 6
P4D	42- 14
RG-58A/U	111- 38
RG-58A/U	113- 63
RG-58A/U	114- 39
RG-58A/U	115- 9
RG-58A/U	116- 40
RG-58A/U	120- 6
R4G	54- 12
R4G	54- 22
S-1003-12A	64- 3
S-1003-43A	66- 22
S-1003-9A	96- 17
S-1004-28A	73- 9
S-1004-28A	73- 24
S-1004-28A	73- 33
S-1004-40A	34- 16
S-1004-41A	75- 24
S-1021A-2-4C	112- 9
S-1021A-2-4C	120- 3
S-1021A-6-4	15- 21
S-1021A-6-6	112- 7
S-1021A-6-6	75- 35
S-1021A-6-8	19- 10
S-1021A-6-8	19A- 11
S-1021A-6-8	113- 42
S-1021A-6-8	115- 4
S-1021A-8-6	110- 15
S-1021A-8-6	111- 43
S-1021A-8-6	114- 51
S-1021A-8-8	116- 53
S-1021A-8-8	119- 23
S-1021Z-10-8	85- 16

PART NUMBER	FIGURE AND INDEX NO.
S-1021Z-10-8	85A- 14
S-1021Z-10-8	111- 45
S-1021Z-10-8	116- 43
S-1021Z-4-4	39- 22
S-1021Z-4-4	39A- 24
S-1021Z-4-4	40- 22
S-1021Z-4-4	85- 43
S-1021Z-4-4	85A- 44
S-1021Z-4-4	46- 6
S-1021Z-4-4	46- 25
S-1021Z-4-4	78- 8
S-1021Z-4-6	31- 50
S-1021Z-4-6	32-16A
S-1021Z-4-6	85- 51
S-1021Z-4-6	85A- 52
S-1021Z-4-6	88- 17
S-1021Z-4-6	45- 28
S-1021Z-4-6	46- 10
S-1021Z-4-6	69- 37
S-1021Z-4-6B	43- 13
S-1021Z-4-6C	85- 25
S-1021Z-4-6C	85A- 26
S-1021Z-4-8	30- 6
S-1021Z-4-8	46- 3
S-1021Z-6-4	48- 8
S-1021Z-6-6	14- 55
S-1021Z-6-6	14A- 49
S-1021Z-6-6	85- 15
S-1021Z-6-6	85- 30
S-1021Z-6-6	85- 35
S-1021Z-6-6	85- 48
S-1021Z-6-6	85- 54
S-1021Z-6-6	85- 58
S-1021Z-6-6	85- 63
S-1021Z-6-6	85- 73
S-1021Z-6-6	85A- 12
S-1021Z-6-6	85A- 31
S-1021Z-6-6	85A- 36
S-1021Z-6-6	85A- 49
S-1021Z-6-6	85A- 60
S-1021Z-6-6	85A- 62
S-1021Z-6-6	85A- 63
S-1021Z-6-6	85A- 68
S-1021Z-6-6	88- 20
S-1021Z-6-6	111- 12
S-1021Z-6-6	111- 35
S-1021Z-6-6	111- 49
S-1021Z-6-6	111- 54
S-1021Z-6-6	111- 55
S-1021Z-6-6	112- 24
S-1021Z-6-6	112- 36
S-1021Z-6-6	113- 6
S-1021Z-6-6	113- 10
S-1021Z-6-6	113- 16
S-1021Z-6-6	113- 44
S-1021Z-6-6	113- 49
S-1021Z-6-6	113- 52
S-1021Z-6-6	113- 54
S-1021Z-6-6	114- 2
S-1021Z-6-6	114- 14
S-1021Z-6-6	114- 46
S-1021Z-6-6	114- 47
S-1021Z-6-6	114- 50
S-1021Z-6-6	115- 2
S-1021Z-6-6	115- 6
S-1021Z-6-6	116- 28
S-1021Z-6-6	116- 52
S-1021Z-6-6	118- 2
S-1021Z-6-6	118- 24
S-1021Z-6-6	118- 38
S-1021Z-6-6	45- 23
S-1021Z-6-6	45- 33
S-1021Z-6-6	46- 7
S-1021Z-6-6	51- 2
S-1021Z-6-6	51- 10

PART NUMBER	FIGURE AND INDEX NO.
S-1021Z-6-6	51- 12
S-1021Z-6-6	57- 9
S-1021Z-6-6	57- 42
S-1021Z-6-6	57- 43
S-1021Z-6-6	59- 2
S-1021Z-6-6	59- 6
S-1021Z-6-6	59- 11
S-1021Z-6-6	59- 19
S-1021Z-6-6	59- 22
S-1021Z-6-6	59- 24
S-1021Z-6-6	60- 13
S-1021Z-6-6	78- 9
S-1021Z-6-6C	85- 24
S-1021Z-6-6C	85A- 25
S-1021Z-6-6C	46- 15
S-1021Z-6-8	23- 11
S-1021Z-6-8	23- 19
S-1021Z-6-8	111- 33
S-1021Z-6-8	119- 2
S-1021Z-6-8	119- 15
S-1021Z-6-8	119- 26
S-1021Z-6-8	121- 35
S-1021Z-6-8	121- 47
S-1021Z-6-8	121- 50
S-1021Z-6-8	121- 62
S-1021Z-6-8	45- 11
S-1021Z-6-8	45- 12
S-1021Z-6-8	47- 36
S-1021Z-6-8	47A- 41
S-1021Z-6-8	50A- 46
S-1021Z-6-8	78- 6
S-1021Z-8-10	118- 90
S-1021Z-8-12	16- 38
S-1021Z-8-6	1- 35
S-1021Z-8-6	1- 40
S-1021Z-8-6	6- 30
S-1021Z-8-6	10- 41
S-1021Z-8-6	14- 43
S-1021Z-8-6	14A- 38
S-1021Z-8-6	87- 14
S-1021Z-8-6	113- 61
S-1021Z-8-6	116- 42
S-1021Z-8-6	63- 4
S-1021Z-8-7	85- 69
S-1021Z-8-7	50A- 24
S-1021Z-8-7	63A- 16
S-1021Z-8-8	1- 12
S-1021Z-8-8	1- 21
S-1021Z-8-8	1-23A
S-1021Z-8-8	2- 4
S-1021Z-8-8	2- 6
S-1021Z-8-8	2- 44
S-1021Z-8-8	3- 7
S-1021Z-8-8	6- 13
S-1021Z-8-8	8- 37
S-1021Z-8-8	11- 46
S-1021Z-8-8	11- 52
S-1021Z-8-8	11- 55
S-1021Z-8-8	11- 59
S-1021Z-8-8	14- 36
S-1021Z-8-8	14- 40
S-1021Z-8-8	14- 42
S-1021Z-8-8	14- 49
S-1021Z-8-8	14- 57
S-1021Z-8-8	14A- 32
S-1021Z-8-8	14A- 36
S-1021Z-8-8	14A- 37
S-1021Z-8-8	14A- 44
S-1021Z-8-8	14A- 51
S-1021Z-8-8	18- 29
S-1021Z-8-8	27- 4
S-1021Z-8-8	27- 8
S-1021Z-8-8	27- 12
S-1021Z-8-8	27- 16
S-1021Z-8-8	27- 20

PART NUMBER	FIGURE AND INDEX NO.
S-1021Z-8-8	27- 24
S-1021Z-8-8	27- 29
S-1021Z-8-8	27- 33
S-1021Z-8-8	27A- 4
S-1021Z-8-8	27A- 7
S-1021Z-8-8	27A- 10
S-1021Z-8-8	27A- 13
S-1021Z-8-8	27A- 17
S-1021Z-8-8	27A- 21
S-1021Z-8-8	27A- 24
S-1021Z-8-8	27A- 29
S-1021Z-8-8	30- 4
S-1021Z-8-8	43- 4
S-1021Z-8-8	43- 7
S-1021Z-8-8	43- 37
S-1021Z-8-8	44- 4
S-1021Z-8-8	85- 11
S-1021Z-8-8	85- 23
S-1021Z-8-8	85- 61
S-1021Z-8-8	85- 62
S-1021Z-8-8	85- 66
S-1021Z-8-8	85A- 13
S-1021Z-8-8	85A- 24
S-1021Z-8-8	85A- 56
S-1021Z-8-8	85A- 57
S-1021Z-8-8	111- 21
S-1021Z-8-8	111- 48
S-1021Z-8-8	111- 53
S-1021Z-8-8	112- 18
S-1021Z-8-8	112- 35
S-1021Z-8-8	112- 46
S-1021Z-8-8	112- 50
S-1021Z-8-8	113- 23
S-1021Z-8-8	113- 31
S-1021Z-8-8	113- 47
S-1021Z-8-8	114- 31
S-1021Z-8-8	114- 48
S-1021Z-8-8	114- 52
S-1021Z-8-8	114- 53
S-1021Z-8-8	116- 4
S-1021Z-8-8	116- 41
S-1021Z-8-8	116- 54
S-1021Z-8-8	118- 18
S-1021Z-8-8	118- 39
S-1021Z-8-8	118- 40
S-1021Z-8-8	118- 48
S-1021Z-8-8	118- 61
S-1021Z-8-8	118- 62
S-1021Z-8-8	118- 75
S-1021Z-8-8	119- 29
S-1021Z-8-8	119- 31
S-1021Z-8-8	46- 18
S-1021Z-8-8	46- 21
S-1021Z-8-8	47A- 13
S-1021Z-8-8	52- 22
S-1021Z-8-8	56- 41
S-1021Z-8-8	56A- 8
S-1021Z-8-8	60- 8
S-1021Z-8-8	61- 20
S-1021Z-8-8	63- 2
S-1021Z-8-8	63- 15
S-1021Z-8-8	63- 20
S-1021Z-8-8	63- 27
S-1021Z-8-8	64-16B
S-1021Z-8-8	64- 34
S-1021Z-8-8	64- 50
S-1021Z-8-8	64A- 23
S-1021Z-8-8	67- 10
S-1021Z-8-8	67- 13
S-1021Z-8-8	67- 24
S-1021Z-8-8	67- 27
S-1021Z-8-8	69- 10
S-1021Z-8-8	69- 17
S-1021Z-8-8	69- 33
S-1021Z-8-8	69- 35

PART NUMBER	FIGURE AND INDEX NO.
S-1021Z-8-8	69- 48
S-1021Z-8-8	80- 47
S-1021Z-8-8B	43- 14
S-1021Z-8-8B	45- 4
S-1021Z4-6B	50A- 4A
S-1022-8Z-8	29- 46
S-1022A4-6B	43-11A
S-1022Z-4-6	45- 25
S-1022Z-6-4	118- 5
S-1022Z-6-6	110- 1
S-1022Z-6-6	111- 2
S-1022Z-6-6	112- 3
S-1022Z-6-6	51- 3
S-1022Z-8-6	1- 15
S-1022Z-8-8	1- 11
S-1022Z-8-8	1- 14
S-1022Z-8-8	1- 17
S-1022Z-8-8	1- 22
S-1022Z-8-8	1- 33
S-1022Z-8-8	14- 50
S-1022Z-8-8	14A- 45
S-1022Z-8-8	19A- 2
S-1022Z-8-8	121- 65
S-1023Z-8-8B	45- 8
S-1026BG10.90X	64A- 35
S-1032Z-4-8C	43- 35
S-1038-1	58- 11
S-1042-1	14- 44
S-1042-1	14- 45
S-1042-1	14- 46
S-1042-1	14- 47
S-1042-1	14A- 39
S-1042-1	14A- 40
S-1042-1	14A- 41
S-1042-1	14A- 42
S-1042-1	42- 12
S-1043-2	111- 53
S-1043-2	112- 35
S-1043-2	114- 48
S-1043-2	118- 62
S-1043-2	119- 31
S-1046-2	113- 47
S-1047-1	21A- 55
S-1048-2	5- 18
S-1050-1-3.62	116- 46
S-1050-2-255	65- 4
S-1052-1	79- 7
S-1053E12T	57- 33
S-1053E12T	57- 37
S-1053E16T	64- 39
S-1053E16T	64A- 25
S-1053E20T	63A- 13
S-1053E7T	57- 35
S-1053E8T	63- 22
S-1053E8T	63- 22
S-1053K-24T	57- 45
S-1053K24T	64- 41
S-1053K24T	64- 44
S-1053K24T	64- 46
S-1053K24T	64A- 29
S-1053K24T	64A- 31
S-1055-1	21- 6
S-1055-1	21A- 6
S-1055-1	21A- 11
S-1060-2	48- 14
S-1060-4	47- 47
S-1060-4	47A- 50
S-1071-1	2- 3
S-1071-1	67- 9
S-1071-1	67- 12
S-1071-1	67- 15
S-1071-1	67- 19
S-1071-1	67- 22
S-1071-1	67- 23
S-1071-1	67- 29

PART NUMBER	FIGURE AND INDEX NO.
S-1071-1	67- 31
S-1071-1	67- 33
S-1071-1	67- 35
S-1072-1	121- 64
S-1074-1	47- 4
S-1078-1	28- 14
S-1081	39- 23
S-1082-1	39A- 34
S-1093-1	8- 42
S-1095-1	27A- 9
S-1095-2	27A- 12
S-1095-3	27A- 6
S-1095-4	27A- 23
S-1095-4	27A- 28
S-1101-1	1- 5
S-1102-1	113- 12
S-1102-1	114- 17
S-1102-1	116- 31
S-1102-1	118- 29
S-1102-1	119- 20
S-1102-1	120- 10
S-1103-1	110- 2
S-1103-1	111- 17
S-1103-1	112- 10
S-1103-1	113- 7
S-1103-1	114- 23
S-1103-1	116- 35
S-1103-1	118- 30
S-1103-1	119- 10
S-1103-1	120- 9
S-1103-1	50A- 11
S-1106-3	7- 11
S-1106-3	8- 13
S-1106-3	38- 29
S-1106-3	106- 1
S-1106EY	64A- 34
S-1115-13	19A- 13
S-1115-18	19A- 12
S-1115-19	19A- 5
S-1115-19	19A- 17
S-1115-19	19A- 20
S-1115-20	19A- 13
S-112-1	14- 43
S-112-1	14A- 38
S-112-1	89- 5
S-147	35- 8
S-18-30	73- 2
S-202RB	1- 23
S-202RB	111- 44
S-202RB	114- 54
S-202RB	116- 38
S-225-2	14- 50
S-225-2	14A- 45
S-225-3	8- 36
S-225-4	14- 41
S-225-4	14- 49
S-225-4	14A- 37
S-225-4	14A- 44
S-225-4F	1- 11
S-225-4F	14- 39
S-225-4F	14A- 35
S-225-4F	29- 45
S-225-5	1- 12
S-225-5	14- 57
S-225-5	14A- 51
S-225-6	121- 65
S-226-5	3- 26
S-226-5	20- 26
S-226-5F	5- 19
S-226-5F	17- 66
S-226-5F	29- 44
S-237-3	8- 35
S-272-207	96- 3
S-272-209	96- 18
S-272-215	96- 21

PART NUMBER	FIGURE AND INDEX NO.
S-272-5	103- 6
S-272-9	103- 5
S-290-D832	1- 18
S-292-5-003	85- 59
S-292-5-003	87- 16
S-307-10	19- 6
S-307-5	57- 21
S-338-5	74- 25
S-338-5	76- 19
S-339-3	74- 25
S-339-3	76- 19
S-341-2	85- 59
S-347-1	18- 68
S-350	28- 8
S-350	85- 71
S-350	85A- 66
S-350	110- 19
S-350	111- 60
S-350	112- 29
S-350	112- 34
S-350	113- 29
S-350	114- 29
S-350	116- 59
S-350	118- 95
S-350	119- 37
S-352	27- 19
S-352	27- 23
S-352	27A- 16
S-352	27A- 20
S-353-1	27- 28
S-353-1	27- 32
S-353-2	27- 11
S-353-4	27- 15
S-353-5	27- 7
S-353-6	27- 3
S-353-6	27A- 3
S-354-1	27- 2
S-354-1	27- 14
S-354-1	27- 18
S-354-1	27- 22
S-354-1	27A- 2
S-354-1	27A- 15
S-354-1	27A- 19
S-354-4	27- 26
S-354-4	27- 31
S-354-7	27- 6
S-354-8	27- 10
S-355	50- 5
S-355	50- 36
S-363	39- 23
S-363	39A- 27
S-363	40- 23
S-378-1	65- 50
S-378-1	78- 37
S-378-2	79- 14
S-378-3L	74- 21
S-378-3L	74- 36
S-378-3L	76- 14
S-378-3L	76- 42
S-378-3L	77- 35
S-378-3L	77- 50
S-378-3L	78- 30
S-378-4	74- 16
S-378-4	74- 26
S-378-4	74- 40
S-378-4	76- 1
S-378-4	76- 9
S-378-4	76- 20
S-378-4	77- 40
S-378-4	78- 20
S-382-3	118- 10
S-392-1	50A- 15
S-394	76- 36
S-394	79- 1
S-51-12	57- 25

PART NUMBER	FIGURE AND INDEX NO.
S-51-8	6- 11
S-51-8	123- 15
S-51-8	123- 18
S-51-8	123- 21
S-51-8	68- 23
S-51-8	68- 26
S-51-8	68- 30
S-51-8	69- 49
SD841	98- 11
SS-48172-K2215	14- 58
SS-48172-K2215	14A- 52
SS48172	18- 22
SO-CH	112- 9
SO-9	112- 8
S10KL80	39A- 36
S1005	39A- 42
S1021Z-8-8	64A- 28
S11065-21	34- 38
S11326	92- 6
S11326	92- 14
TA724D3HT	57-40A
TA724TD2	98- 18
TS-6	120- 1
T2150	120- 1
T5R-1-210	118- 35
T5R-2	118- 3
T5R-3	118- 6
T5R-5	118- 4
UG-274/U	111- 41
UG-290/U	118- 72
UG-291/U	111- 26
UG-291/U	113- 36
UG-291/U	114- 36
UG-291/U	116- 9
UG-291/U	120- 4
UG-306/U	116- 13
UG-88C/U	113- 4
VM911M-4	118- 13
VM912M-2	50A- 54
XSO-220	102- 3
XX-49319-K2215	43- 34
0310196-15	47A- 28
0310196-2	47- 24
0310196-4	47- 34
0310293-2	97- 1
0310293-2	78- 41
0310295	97- 2
0310297-1	97- 3
0310298-1	97- 4
0310332	97- 8
0310352	97- 7
0310362-5	97- 13
0310422	97- 9
0310453	66- 1
0311031-6	50A- 18
0311038-2	50A- 7
0311056-2	50- 22
0311056-2	68- 1
0311056-4	50- 22
0311056-4	68- 1
0311056-5	50- 22
0311056-5	68- 1
0311057-2	121- 18
0311057-2	50- 48
0311057-2	68- 5
0311058-3	50- 24
0311058-3	68- 3
0311058-5	50- 24
0311058-5	68- 3
0311310	47- 37
0311310	47A- 42
0311311	47- 20
0311586	47- 38
0311586	47A- 43
0311644	47- 18

PART NUMBER	FIGURE AND INDEX NO.
0311644	47A- 22
0311777	50A- 8
0311835-119	112- 48
0311835-120	112- 45
0311835-121	112- 49
0311835-124	112- 27
0311835-126	112- 2
0311835-127	112- 20
0311835-128	112- 21
0311835-130	112- 26
0311835-2	112- 1
0311835-40	112- 42
0311835-69	112- 43
0311840-13	110- 1
0311840-13	113- 54
0311840-15	110- 5
0311840-15	113- 55
0311840-30	113- 51
0311840-34	113- 5
0311840-35	113- 52
0311840-36	113- 53
0311840-37	113- 6
0311840-38	110- 4
0311840-4	113- 1
0311840-40	110- 6
0311840-5	113- 2
0311840-6	113- 3
0311840-7	113- 4
0312155-10	85-218
0312155-10	85A- 20
0320105	6- 22
0322526-6	6- 18
0332136-1	11- 60
0411007-11	67- 34
0411007-8	50- 26
0411007-8	67- 34
0411009-6	50- 27
0411010-1	50- 28
0411030-5	46- 3
0411030-6	46- 3
0411047	73- 4
0411047	73- 36
0411057-5	111- 16
0411057-5	113- 15
0411057-5	114- 20
0411057-5	116- 30
0411057-5	118- 26
0411057-5	119- 17
0411059-1	50- 3
0411059-1	50- 35
0411062-4	110- 16
0411062-4	111- 57
0411062-4	112- 31
0411062-4	113- 26
0411062-4	114- 26
0411062-4	116- 56
0411062-4	118- 92
0411062-5	119- 34
0411067-1	111- 30
0411067-1	113- 39
0411067-1	115- 7
0411069-3	50- 30
0411069-3	67- 37
0411078-2	52- 23
0411081	110- 21
0411081-1	113- 56
0411081-1	118- 69
0411129	24- 5
0411217	111- 32
0411217	113- 41
0411217	115- 3
0411221-2	73- 8
0411221-2	73- 32
0411224	50- 60
0411224	50A- 55

PART NUMBER	FIGURE AND INDEX NO.
0411257	73- 10
0411257	73- 34
0411263-5	66- 13
0411263-6	66- 13
0411264-5	66- 14
0411264-6	66- 14
0411307	66- 8
0411369-2	66- 2
0411447	20- 4
0411491-1	78- 17
0411491-2	48- 23
0411523	78- 34
0411549	17- 6
0411549	66- 17
0411550	17- 6
0411550	66- 16
0411562	66- 24
0411563	66- 31
0411564	66- 26
0411564-3	66- 27
0411565	66- 23
0411573-1	66- 32
0411670	111- 34
0411670	113- 43
0411670	115- 5
0411680	15- 10
0411680	21- 15
0411680	21A- 31
0411686	110- 12
0411686	112- 41
0411686	113- 57
0411686	116- 15
0411686	118- 87
0411687	110- 13
0411687	112- 39
0411687	113- 59
0411687	116- 16
0411690	110- 11
0411690	118- 86
0411690-1	112- 40
0411690-1	113- 58
0411690-1	116- 14
0411718-6	21- 12
0411778-2	66- 6
0411778-3	66- 5
0411840	45- 14
0411840	45- 15
0411851	39- 34
0412007-7	85A- 2
0412496	24- 9
0413126-4	50A- 31
0413126-5	110- 3
0413126-5	111- 39
0413126-5	112- 13
0413126-5	113- 18
0413126-5	114- 24
0413126-5	116- 36
0413126-5	118- 20
0413126-5	119- 9
0413126-6	50A- 30
0411185-7	39A- 41
0411851	39A- 30
0413138	85- 42
0413138	85A- 43
0413140-2	85- 41
0413140-2	85A- 42
0413140-5	85- 37
0413140-5	85A- 38
0413140-6	15- 24
0413141	85- 46
0413141-1	85A- 47
0413142-5	85- 36
0413142-5	85A- 37
0413157	3- 6
0413163-10	63- 9

PART NUMBER	FIGURE AND INDEX NO.
0413163-11	63- 8
0413163-16	63- 5
0413163-17	63- 5
0413163-18	63- 7
0413163-25	63- 3
0413163-26	63- 3
0413163-7	63- 6
0413195-4	39- 30
0413195-4	40- 30
0413195-5	41A- 11
0413203	63- 10
0413205-10	85- 17
0413205-10	85A- 15
0413205-11	85- 17
0413205-11	85A- 15
0413213-9	73- 42
0413216	73- 40
0413216-4	73- 41
0413228	63- 13
0413247	6- 28
0413247	50- 4
0413247	50- 37
0413317	39- 57
0413317-1	39A- 43
0413317	40- 35
0413323-3	42A- 8
0413323-5	39- 33
0413323-5	39A- 29
0422229-3	4- 21
0422280	7- 6
0422291	2- 3
0422292	3- 12
0422292	3- 14
0422344	29- 29
0423006-12	1- 34
0423006-13	1- 34
0423006-14	1- 36
0423006-2	1- 38
0423006-4	1- 38
0423006-5	1- 39
0423006-7	1- 37
0423542-6	1- 25
0432126	78- 42
0432134-1	78- 3
0432138-10	78- 40
0432138-9	78- 14
0433006-1	30- 11
0433006-10	30- 8
0433006-12	30- 10
0433006-2	30- 9
0433006-7	30- 5
0441021	118- 59
0441119	31- 28
0441141-3	31- 46
0441141-4	31- 46
0441173-5	91- 8
0442012-5	91-
0450017-21	50- 54
0450191-1	56- 34
0450277-2	59- 8
0450277-2	59- 16
0450277-3	59- 9
0450277-6	59- 17
0450286	64- 14
0450311	64- 26
0450311	64A- 18
0450311	72- 18
0450311-5	58- 29
0450311-5	63A- 18
0450311-5	64- 10
0450314	3- 7
0450314	63- 1
047 1010 00	119- 5
0500010-4	43- 36
0500027-4	89- 8

PART NUMBER	FIGURE AND INDEX NO.
0500085-1	89- 13
0500085-2	89- 14
0500091-1	89- 10
0500104-89	47A- 18
0500106-119	2- 3
0500106-119	67- 9
0500106-164	57- 24
0500106-266	67- 35
0500106-277	67- 33
0510105-113	76- 50
0510105-13	76- 50
0510111-7	77- 57
0510129-3	14- 16
0510129-3	14A- 18
0510135-3	23- 16
0510136	76- 3
0510137	76- 2
0510141	23- 18
0510146-3	29- 18
0510146-6	29- 14
0510159	77- 6
0510161	73- 43
0510161	77- 1
0511000-43	15- 11
0511000-44	15- 12
0511000-6	15- 15
0511000-63	28- 13
0511000-65	15- 16
0511000-66	15- 16
0511000-7	15- 15
0511000-8	15- 17
0511000-9	15- 17
0511001-131	43- 9
0511001-133	46- 12
0511001-150	43- 22
0511001-183	43- 15
0511003-31	40- 8
0511003-31	40- 11
0511028	112- 6
0511035-5	50- 55
0511062-4	1- 15
0511062-5	1- 15
0511063	50A- 6
0511063	50A- 32
0511063	70- 12
0511063-2	50A- 6
0511065	52- 5
0511068-5	50- 44
0511104-19	118- 89
0511106-37	39- 22
0511106-37	39A- 24
0511106-37	40- 22
0511130	46- 13
0511132	21- 35
0511132	21A- 45
0511132-1	21-41A
0511132-1	21A- 43
0511133	21- 7
0511133	21A- 29
0511151-6	15- 28
0511151-6	46- 30
0511151-7	15- 28
0511151-7	46- 29
0511153-5	46- 28
0511176	21- 22
0511176	21A- 49
0511186	43- 36
0511189-1	39- 60
0511189-1	39A- 46
0511189-1	40- 38
0511189-2	39- 58
0511189-2	39A- 44
0511189-2	40- 36
0511195	69- 38
0511198	69- 36

PART NUMBER	FIGURE AND INDEX NO.
0511199-15	71- 4
0511199-34	69- 2
0511199-34	69A- 1
0511199-34	71-
0511229-2	46- 11
0511232-3	52- 2
0511232-4	21- 32
0511232-4	21A- 25
0511232-7	52- 1
0511296-1	15- 23
0511296-2	15- 23
0511301-18	47- 43
0511301-18	47A- 46
0511301-19	47A- 48
0511301-9	47- 45
0512000-18	21- 17
0512000-38	21- 8
0512000-39	21- 9
0512000-66	21- 14
0512000-66	21A- 31
0512006	69- 47
0512006-1	6- 14
0512122	25- 11
0512124-8	25- 16
0512124-9	25- 16
0512138-1	76- 40
0512138-1	79- 4
0512145-2	21- 10
0512145-3	21- 11
0512146-4	14- 35
0512146-4	14A- 31
0512146-5	14- 35
0512146-5	14A- 31
0512151-1	21- 13
0512151-1	21A- 28
0512153-7	14- 37
0512153-8	14- 38
0513039-1	46- 17
0513039-1	50A- 29
0513039-4	46- 17
0513039-4	50A- 29
0513039-6	46- 17
0513039-6	50A- 29
0513039-7	50A- 29
0513051-8	50A- 20
0513052-3	46- 17
0513100-1	26- 40
0513100-1	26A- 22
0513120-1	96- 4
0513120-2	96- 23
0513120-3	96- 20
0513120-3	96- 25
0513125	96- 6
0513126	96- 12
0513144-10	50- 53
0513144-10	70- 29
0513144-11	50- 51
0513144-14	50- 54
0513144-16	50- 51
0513144-2	50- 52
0513144-4	50- 51
0513144-7	70- 30
0513146-14	50- 61
0513166-1	73- 39
0513167-12	73- 37
0513172-1	43- 14
0513172-2	43- 14
0513208-1	85- 29
0513208-1	85A- 30
0513223-1	69- 41
0520007-2	1-23A
0520007-3	1-23A
0520008	1- 20
0520008-1	1- 20
0522629	8- 3

PART NUMBER	FIGURE AND INDEX NO.
0522629-1	7- 3
0523003-40	5- 15
0523005-50	4- 30
0523005-51	4- 30
0523106-4	3- 21
0523107	3- 8
0523107-2	2- 2
0523107-3	2- 2
0523108	3- 10
0523108	3- 10
0523108-3	3- 11
0523110-8	3- 25
0523110-9	3- 25
0523111-2	3- 13
0523118-1	1- 24
0523215	4- 36
0523215-1	4- 36
0523216	4- 35
0523218-1	7- 8
0523218-1	76- 48
0523219-2	2- 37
0523219-3	2- 37
0523219-4	2- 37
0523219-5	2- 37
0523222	7- 4
0523223	7- 1
0523223	76- 47
0523223-1	7- 1
0523223-1	76- 47
0523230	2- 31
0523230-1	2- 31
0523230-4	2- 31
0523230-5	2- 31
0523232	2- 26
0523233-3	2- 30
0523306	4- 11
0523307	9- 5
0523308	4- 5
0523309	4- 2
0523309-1	4- 2
0523315	4- 6
0523315-1	4- 6
0523316	4- 9
0523316-1	4- 9
0523321-3	4- 10
0523321-4	4- 10
0523400-20	4- 22
0523400-21	4- 22
0523406	4- 18
0523406-1	4- 18
0523408	4- 30
0523409	4- 20
0523409-1	4- 19
0523509-1	2- 16
0523510	2- 17
0523510-1	2- 17
0523511-4	2- 32
0523511-6	2- 19
0523511-7	2- 18
0523512-3	2- 20
0523512-4	2- 33
0523512-5	3- 19
0523513-3	2- 21
0523513-4	3- 20
0523513-6	2- 21
0523514-3	2- 22
0523514-4	3- 22
0523515-3	2- 23
0523515-4	3- 23
0523516-7	2- 24
0523536	8- 5
0523541-43	5- 3
0523541-44	5- 3
0523541-45	5- 4
0523541-45	5- 9

PART NUMBER	FIGURE AND INDEX NO.
0523541-46	5- 4
0523541-46	5- 9
0523541-47	5- 5
0523541-47	5- 10
0523541-48	5- 5
0523541-48	5- 10
0523541-49	5- 11
0523541-50	5- 11
0523541-51	5- 3
0523541-52	5- 3
0523541-53	5- 4
0523541-53	5- 9
0523541-54	5- 4
0523541-54	5- 9
0523541-56	5- 5
0523541-57	5- 11
0523541-58	5- 11
0523541-59	5- 5
0523541-60	5- 10
0523541-60	5- 10
0523542-1	3- 18
0523800-10	7- 24
0523800-11	7- 24
0523800-12	7- 25
0523800-13	7- 25
0523800-16	7- 12
0523800-17	7- 12
0523800-6	7- 22
0523800-7	7- 22
0523800-8	7- 23
0523800-9	7- 23
0523806	7- 13
0523806-1	7- 13
0523807	7- 30
0523808	7- 14
0523808-2	7- 14
0523809	7- 15
0523809-1	7- 15
0523810	7- 16
0523811	7- 17
0523811-1	7- 17
0523812-2	7- 18
0523812-3	7- 18
0523813-1	7- 26
0523813-2	4- 31
0523813-3	4- 32
0523813-4	4- 33
0523813-5	4- 34
0523813-6	7- 28
0523813-7	7- 29
0523813-8	7- 27
0523814-5	7- 20
0523901-11	8- 14
0523901-12	8- 14
0523901-13	8- 25
0523901-14	8- 26
0523901-2	8- 30
0523901-3	8- 30
0523901-4	8- 31
0523901-5	8- 31
0523901-6	8- 32
0523901-7	8- 32
0523911	8- 22
0523911-1	8- 22
0523912	8- 29
0523912-1	8- 23
0523914-2	8- 27
0523918	8- 33
0523919	8- 18
0523920	8- 17
0523921	8- 16
0523922	8- 19
0523923	8- 24
0526001-1	52- 40
0526001-3	6- 22

PART NUMBER	FIGURE AND INDEX NO.
0531003-6	87-
0541115-2	52- 8
0541115-3	52- 7
0541115-4	52- 10
0541124-1	31- 35
0541138-16	95-
0541138-3	65- 56
0541138-3	66- 10
0541138-5	95- 3
0541139	95- 1
0541140	95- 2
0541143	95- 5
0541144	95- 6
0541147-2	95- 10
0541148	95- 14
0541148-1	95- 9
0541149	95- 15
0541151	95- 16
0541157-1	31- 47
0541157-2	31- 48
0541160-11	90- 25
0541160-2	90-
0541161-1	90- 8
0541161-2	90- 8
0541162-1	91- 8
0541162-1	52- 39
0543000-9	34- 52
0543000-9	34- 57
0543001	32- 11
0543002	32- 12
0543003	32- 10
0543029	34- 31
0543035-6	34- 55
0543035-7	34- 50
0543036-1	34- 27
0550100-9	56- 39
0550158	56- 28
0570018-2	119- 1
0570018-3	119- 4
0700105-33	46- 26
0700105-34	46- 27
0700105-37	46- 19
0700105-38	46- 22
0700105-40	46- 20
0700106-1	47- 35
0700108-1	21A- 26
0700108-2	21A- 27
0700109-4	43- 35
0700111-2	21A- 9
0700112-2	21A- 2
0700113-1	47A- 40
0700309-1	57- 5
0700309-2	57- 6
0700309-3	57- 7
0700319-13	89- 17
0700319-13	50A- 57
0700319-13	62- 8
0700319-3	50A- 57
0700319-7	62- 7
0700322-4	63- 29
0700323-1	63- 24
0700323-2	63- 25
0700324-1	63- 17
0700325-1	63- 14
0700326-1	63-25A
0700327-1	63-25B
0710023-1	21A- 17
0710023-2	21A- 18
0710026-1	21A- 3
0710026-2	21A- 3
0710026-3	21A- 4
0710026-4	21A- 4
0710026-5	21A- 5
0710026-6	21A- 5
0710032-1	89- 7

PART NUMBER	FIGURE AND INDEX NO.
0710032-1	45- 28
0710103-10	85- 23
0710103-10	85A- 24
0710103-11	85- 27
0710103-11	85A- 28
0710103-2	85- 28
0710103-2	85A- 29
0710104-1	15- 22
0710105-3	21- 4
0710105-4	21- 4
0710106-3	21- 5
0710106-4	21- 5
0710107-3	21- 3
0710107-4	21- 3
0710108-2	21- 2
0710109-1	14A- 33
0710109-2	14A- 34
0710110-1	21A- 10
0710110-2	21A- 10
0710111-1	21A- 12
0710111-2	21A- 12
0710112-1	21A- 13
0710112-2	21A- 13
0710113-1	21A- 7
0710113-2	21A- 7
0710113-3	21A- 8
0710113-4	21A- 8
0710302-1	47A- 29
0710304-2	47A- 24
0710308-1	47A- 32
0710309-1	47A- 30
0710312-2	47A- 38
0710313-1	47A- 6
0710313-2	47A- 5
0710316-1	47A- 19
0711001-25	39- 12
0711001-25	39A- 12
0711001-26	40- 12
0711001-29	39- 21
0711001-29	39A- 23
0711001-29	40- 21
0711001-35	39- 18
0711001-35	39A- 20
0711001-36	40- 18
0711001-42	40- 14
0711001-43	39- 14
0711001-43	39A- 14
0711001-44	40- 13
0711001-45	39- 13
0711001-45	39A- 13
0711001-52	39- 19
0711001-52	40- 19
0711001-52	39A- 21
0711016-1	41- 5
0711016-1	41A- 27
0711017	41- 9
0711017-1	41- 9
0711017-1	41A- 16
0711018-15	41- 11
0711018-15	41A- 23
0711018-16	41- 11
0711018-16	41A- 23
0711018-19	41A- 6
0711018-20	41A- 7
0711018-22	41A- 28
0711018-23	41- 6
0711018-23	41A- 17
0711018-24	41- 6
0711018-24	41A- 17
0711018-25	41A- 8
0711018-27	41A- 4
0711018-4	41A- 5
0711018-7	41- 3
0711018-8	41- 3
0711019-1	41- 4

PART NUMBER	FIGURE AND INDEX NO.
0711019-1	41A- 15
0711020-11	39- 24
0711020-11	41-
0711020-12	40- 24
0711020-12	41-
0711020-7	39- 24
0711020-7	41-
0711020-8	40- 24
0711020-8	41-
0711021-4	39A- 38
0711021-5	39A- 40
0711023-13	39A-42A
0711023-14	39A- 25
0711023-15	39A- 26
0711023-71	39A- 1
0711024-1	25- 20
0711024-2	25- 21
0711027-1	39- 59
0711027-1	39A- 45
0711027-1	40- 37
0711028-1	39- 26
0711028-2	40- 26
0711029-1	39- 29
0711029-1	40- 29
0711029-1	41A- 10
0711029-2	41A- 10
0711032-2	41- 15
0711032-2	41A- 21
0711034-1	39- 25
0711034-1	40- 25
0711037-10	39- 10
0711037-10	39A- 10
0711037-11	40- 10
0711037-12	40- 6
0711037-13	39- 6
0711037-13	39A- 6
0711037-3	39- 9
0711037-3	39A- 9
0711037-4	40- 9
0711037-9	39- 7
0711037-9	39A- 7
0711037-9	40- 7
0711038-1	39- 8
0711038-1	39- 11
0711038-1	39A- 8
0711038-1	39A- 11
0711038-1	40- 8
0711038-1	40- 11
0711039-1	39-15A
0711039-1	39A- 16
0711039-2	40-15A
0711040-3	39- 15
0711040-3	39A- 15
0711040-4	40- 15
0711042-1	47- 42
0711048-1	47- 15
0711049-1	47- 41
0711050-3	39A- 31
0711050-5	39A- 35
0711051-2	39A- 33
0711052-1	39A- 37
0711056-1	47- 25
0711058-1	47- 30
0711060-1	41- 4A
0711060-1	41A- 14
0711061-1	39A- 28
0711061-1	41A-
0711061-2	40- 24
0711061-2	41A-
0711062-1	41A- 2
0711062-2	41A-
0711063-1	41A- 9
0711063-2	41A- 9
0711101-21	42A- 6
0711113-1	21A- 15

PART NUMBER	FIGURE AND INDEX NO.
0711113-2	21A- 16
0711114-2	21A- 22
0711115-1	21A- 19
0711115-2	21A- 20
0711116-1	21A- 30
0712000-11	29- 36
0712000-12	29- 37
0712000-2	29- 42
0712000-23	29- 39
0712000-4	29- 40
0712000-5	29- 41
0712000-6	29- 38
0712000-8	29- 35
0712201-1	29- 31
0712202-3	29- 33
0712203-4	29- 8
0712206	29- 25
0712207-1	29- 23
0712207-2	29- 24
0712208	29- 11
0712302-1	29- 27
0712302-2	29- 27
0712306-10	29- 10
0712306-9	29- 9
0712311-6	29- 5
0712311-7	29- 5
0712400-4	30- 5
0712401-6	30- 1
0712603-1	85- 5
0712603-1	85A- 4
0712604-1	85- 1
0712605-1	85- 1
0712606-1	85A- 1
0713003-74	27- 27
0713003-74	27A- 27
0713011-12	52- 15
0713015-6	23- 7
0713017-22	85- 47
0713017-22	85A- 48
0713017-9	85- 49
0713017-9	85A- 50
0713019-100	64- 18
0713019-16	64- 8
0713019-19	64- 7
0713019-24	64- 9
0713019-24	64- 30
0713019-24	64A- 16
0713019-3	26- 15
0713019-37	64- 20
0713019-41	64- 2
0713019-75	64- 19
0713019-85	64- 4
0713019-98	64- 1
0713019-99	64- 17
0713023-3	23- 14
0713023-6	23- 10
0713025-1	45- 12
0713025-1	78- 12
0713025-3-242	45- 11
0713025-3-242	78- 5
0713025-3-272	78- 5
0713025-3-272	45- 11
0713025-3-274	45- 11
0713025-3-274	78- 5
0713025-4-273	45- 11
0713025-4-273	78- 5
0713026-4	87- 15
0713026-4	112- 14
0713026-4	113- 17
0713026-4	115- 12
0713026-4	50A- 28
0713026-4	50A- 33
0713026-4	50A- 34
0713026-4	50A- 35
0713026-4	67- 39

PART NUMBER	FIGURE AND INDEX NO.
0713026-5	50A- 14
0713026-9	50A- 27
0713028-2	50- 21
0713028-3	50- 21
0713028-5	50- 18
0713029	85- 34
0713029	85- 50
0713029	85A- 35
0713029	85A- 51
0713032	78- 8
0713032-1	78- 12
0713032-2	78- 13
0713032-3	78- 11
0713032-4	78- 10
0713035	50A- 26
0713038	50- 41
0713046	43- 13
0713047	89- 6
0713050-4	50A- 12
0713062-6	50- 54
0713063-1	65- 49
0713065	52- 24
0713068-1	50- 40
0713068-1	52- 24
0713070-11	65- 48
0713070-15	65- 34
0713070-19	65- 46
0713070-24	65- 37
0713070-32	65- 33
0713070-4	65- 27
0713070-5	65- 28
0713070-6	65- 39
0713071	52- 25
0713074-1	47- 2
0713074-1	47A- 2
0713099-1	50- 60
0713099-1	50A- 55
0713113-1	28- 2
0713114-1	28- 3
0713115-2	23- 5
0713116-2	23- 6
0713124-1	1- 28
0713129-3	50A- 9
0713130-1	85A- 69
0713131-1	50- 29
0713132-1	19A- 3
0713141-2	50A- 12
0713141-4	50A- 25
0713208-1	118- 7
0713208-1	50- 43
0713208-1	50- 47
0713208-1	50- 50
0713208-1	68- 6
0713210-4	85- 53
0713210-4	85A- 54
0713210-4	89- 11
0713302-5	50A- 25
0713302-5	64- 15
0713302-6	50A- 22
0713302-6	64- 16
0713302-7	50A- 13
0713302-7	72- 2
0713303-1	46- 17
0713303-1	50A- 29
0713303-11	121- 16
0713303-12	51- 7
0713303-2	87- 11
0713303-2	112- 14
0713303-2	113- 17
0713303-2	115- 12
0713303-2	50A- 14
0713303-2	50A- 26
0713303-2	50A- 27
0713303-2	50A- 28
0713303-2	50A- 33

PART NUMBER	FIGURE AND INDEX NO.
0713303-2	50A- 34
0713303-2	50A- 35
0713303-2	63- 11
0713303-2	67- 39
0713303-9	121- 15
0713307-2	61- 21
0713414-4	64A- 27
0713511-1	51- 9
0716125	69- 51
0716125-1	6- 16
0716127-1	6- 12
0716127-1	69- 45
0716127-2	6- 12
0716127-2	69- 46
0720000-3	6- 6
0720001-11	3- 16
0720001-12	3- 16
0720001-13	3- 17
0720001-14	3- 17
0720001-42	3- 1
0720001-43	3- 1
0720005-1	2- 38
0721100-17	2- 9
0721100-18	2- 9
0721100-6	2- 15
0721100-7	2- 11
0721100-7	2- 14
0721101	67- 1
0721105-1	67- 2
0721105-10	67- 2
0721105-3	67- 6
0721105-4	67- 7
0721105-5	67- 38
0721105-7	67- 4
0721105-8	67- 8
0721107-1	2- 41
0721107-2	2- 41
0721111-1	2- 12
0721111-11	2- 39
0721111-13	2- 39
0721111-15	2- 13
0721111-16	2- 12
0721111-4	2- 40
0721111-7	2- 13
0721114-1	67- 1A
0721115-1	67- 1
0721201-54	5- 16
0721201-55	5- 16
0721303-10	6- 33
0721303-3	6- 34
0721303-4	6- 35
0721303-5	6- 29
0721303-6	6- 33
0721303-9	6- 29
0721400-13	4- 7
0721400-14	4- 7
0721400-17	4- 8
0721400-18	4- 8
0721400-19	4- 15
0721400-20	4- 15
0721400-23	4- 16
0721400-24	4- 16
0721400-25	4- 16
0721400-26	4- 16
0721400-27	4- 16
0721400-28	4- 16
0721400-29	4- 1
0721400-3	4- 1
0721400-30	4- 1
0721400-31	4-16B
0721400-32	4- 3
0721400-33	4-16A
0721400-34	4- 3
0721400-4	4- 1
0721400-9	4- 4

PART NUMBER	FIGURE AND INDEX NO.
0722100-1	3- 24
0722100-3	1- 32
0722100-4	1- 31
0723600-11	9- 9
0723600-6	9- 8
0723600-6	9- 10
0723601-2	9- 13
0723604-1	9- 11
0724115-1	7- 21
0726000-10	6- 23
0726000-10	6- 23
0726001-12	6- 2
0726001-13	6- 27
0726001-3	6- 2
0726001-7	6- 26
0726001-9	6- 1
0726110-1	6- 24
0732000-10	11- 17
0732000-11	11- 16
0732000-155	11- 36
0732000-157	13- 16
0732000-17	11- 11
0732000-18	11- 12
0732000-19	11- 13
0732000-20	11- 5
0732000-21	11- 8
0732000-25	11- 31
0732000-27	11- 15
0732000-3	11- 9
0732000-30	11- 22
0732000-39	11- 24
0732000-4	11- 10
0732000-47	11- 33
0732100-6	11- 26
0732100-7	11- 27
0732100-8	11- 28
0732101-3	11- 43
0732101-4	11- 25
0732101-7	11- 43
0732103-1	11- 21
0732103-2	11- 21
0732106	11- 37
0732106-1	11- 37
0733101-4	13- 35
0733103	12- 15
0750101-58	56- 27
0750101-61	109-
0750101-61	57- 12
0750101-62	109-
0750101-62	57- 12
0750104-4	123- 1
0750104-4	68- 7
0750117-30	59- 28
0750117-31	57- 11
0750117-31	59- 33
0750121	57- 48
0750128-35	59- 1
0750132-1	56- 2
0750132-2	56- 3
0750135-1	59- 25
0750135-3	59- 27
0750135-3	59- 30
0750135-8	59- 32
0750137	56- 4
0750138	56- 31
0750140-5	85- 18
0750140-5	85A- 16
0750141-1	56A- 6
0750153-10	70-20A
0750153-6	70-20A
0752000-117	54- 11
0752000-56	54- 8
0752002-13	93- 8
0752002-13	55- 3
0752002-43	93- 17

PART NUMBER	FIGURE AND INDEX NO.
0752004	55- 17
0752004-1	55- 22
0752004-2	55- 24
0752004-5	55- 21
0752005-4	55- 18
0752006-1	55- 10
0752006-2	55- 5
0752037-1	57- 39
0752037-1	70- 26
0753000-13	17- 30
0753000-13	26- 4
0753000-13	26A- 4
0756001-1	72- 9
0756001-2	72- 10
0756002	72- 20
0761202-2	77- 26
0761202-2	77- 30
0761205-2	78- 2
0761205-3	78- 4
0761205-6	78- 1
0761210-4	78- 15
0770004-21	118- 43
0770012-13	121- 32
0770012-13	121- 38
0770012-13	121- 53
0770012-17	121- 39
0770012-39	121- 34
0770012-43	121- 45
0770012-45	121- 54
0770012-5	121- 1
0770012-6	121- 17
0770012-8	121- 19
0770012-9	121- 33
0770033-47	119- 38
0770034-1	114- 1
0770034-11	114- 7
0770034-12	114- 8
0770034-2	114- 1
0770034-3	114- 9
0770034-4	114- 6
0770037-1	113- 16
0770037-3	111- 10
0770038-1	112- 12
0770038-1	116- 39
0770039-1	110- 14
0770039-1	111- 18
0770039-1	112- 11
0770039-1	113- 8
0770039-1	114- 25
0770039-1	116- 34
0770039-1	118- 31
0770039-1	119- 11
0770040-2	118- 48
0770040-3	118- 49
0770040-4	118- 50
0770040-6	118- 47
0770040-8	118- 53
0770041-1	118- 51
0770042-1	118- 45
0770043-1	118- 57
0770043-3	118- 58
0770047-1	115- 2
0800023-6	49- 2
0800045-14	88- 10
0800045-15	88- 9
0800045-18	88- 18
0800045-6	88- 11
0800111-2	52- 19
0811083-1	46- 15
0811084-1	46- 16
0811490-6	65- 36
0811725-39	39- 49
0812200-106	47- 29
0812200-49	47- 31
0812509-24	118- 77

PART NUMBER	FIGURE AND INDEX NO.
0812651-3	114- 22
0812651-6	114- 4
0812651-7	114- 3
0812800-56	118- 41
0813070-25	65- 32
0813150-54	65- 36
0813150-55	65- 31
0813156-4	65- 38
0813473	50A- 15
0813475-3	110- 3
0813475-3	111- 39
0813475-3	112- 13
0813475-3	113- 18
0813475-3	114- 24
0813475-3	116- 36
0813475-3	118- 20
0813475-3	119- 9
0813475-3	50A- 30
0813475-3	50A- 31
0813475-3	64- 38
0813475-3	64A- 24
0813501-12	64- 34
0813501-12	64A- 20
0813501-13	64- 35
0813501-13	64A- 21
0813501-14	64- 36
0813501-14	64A- 22
0813501-15	64- 37
0813501-15	64A- 22
0813569-1	50- 19
0813569-2	50- 19
0813601-4	57- 40
0813601-9	50- 45
0813610-3	16- 37
0813610-3	63A- 4
0813610-4	63- 26
0813619-2	123- 6
0813619-3	68- 14
0813627-1	56- 65
0814000-145	67- 20
0814308-2	118- 56
0841200-14	34- 35
0841200-15	34- 39
0841200-18	34- 29
0841200-19	34- 28
0841200-21	34- 9
0841200-25	34- 40
0841200-7	34- 8
0842400-13	32- 17
0842400-13	92-
0842400-14	92- 10
0842400-2	92- 10
0842400-2	92- 16
0842400-7	92- 1
0842400-7	92- 11
0842405-4	92- 7
0842406-7	92- 17
0850311-1	55- 12
0850406-10	123- 3
0850406-10	68- 10
0850410-2	71- 8
0850410-2	72- 1
0850500-16	58- 20
0850500-30	58- 22
0850500-31	58- 4
0850500-37	58- 19
0850550-2	58- 26
0851559-1	56- 68
0851700-9	58- 28
0851700-96	59- 31
1/4-28NF-3	101- 5
1A0218	70-20A
1A0221-1	70- 15
1A0233	70- 21
1A0329	70- 22

PART NUMBER	FIGURE AND INDEX NO.
1A0331	70- 24
1A1002X	46- 18
1A1002X	46- 21
10-32NF-2X11/16	99- 8
10-3222	86- 9
10C1015	50A- 6
100PDL-10	50- 8
100033-2	80- 26
100033-3	83- 9
100033-4	84- 64
100033-5	84- 45
100033-6	84- 29
100033-6	84- 51
100033-6	81- 19
100033-7	81- 40
100033-8	81- 13
100033-9	84- 26
10004-98	52- 4
10039	99-
1024X1/2	95- 18
1032X5/8	46- 11
11105	87- 7
1111-517700	69A- 19
1111-517702	69A- 6
1200007-2	52- 28
1200007-7	52- 35
1200007-8	52- 29
1200008-1	52- 27
1200010-1	43-11A
1200017-1	74- 29
1200017-1	77- 43
1200017-1	78- 23
1200018-1	64- 43
1200019-2	50- 42
1200020-F-PA1	85- 2
1200020-F-PA2	85- 8
1200020-F-PA3	85- 10
1200020-F-PA9	85A- 7
1200020-F-PA10	85A- 9
1200020-F-PC1	85- 22
1200020-F-PC1	85A- 23
1200020-F-QB2	70- 13
1200020-HA1	67- 40
1200022	2- 42
1200024-1	89- 9
1200025-1	89- 16
1200039-1	10- 35
1200039-1	87- 9
1200043-2	53- 1
1200045-1	53- 12
1200048-1	53- 2
1200048-17	53- 5
1200051-1	88- 4
1200051-2	88- 7
1200051-3	88- 6
1200051-4	88- 8
1200051-5	88- 5
1200051-6	88- 8
1200052-1	88- 22
1200053-3	62- 1
1200053-4	62- 2
1200054-1	88- 16
1200054-2	88- 12
1200055-1	88- 23
1200056-2	73- 22
1200056-3	73- 24
1200057-1	88- 2
1200058-1	88- 1
1200059-1	88- 28
1200061-1	85-21A
1200061-2	85A- 19
1200062-1	85-21C
1200062-1	85A- 21
1200062-2	85-21D
1200062-2	85A- 22

PART NUMBER	FIGURE AND INDEX NO.
1200065-1	6- 1
1200065-2	6- 1
1200066-1	53- 13
1200077-10	121- 55
1200077-12	121- 63
1200077-15	121- 46
1200077-25	121- 58
1200077-26	121- 59
1200077-3	121- 79
1200077-39	121- 29
1200077-4	121- 79
1200077-5	121- 66
1200077-7	121- 80
1200077-8	121- 57
1200077-8	121- 81
1200077-9	121- 77
1200078-2	121- 27
1200078-7	121- 23
1200080-1	1- 16
1200080-11	1- 16
1200080-12	1- 16
1200080-2	1- 16
1200080-8	1- 19
1200081-1	53- 7
1200082-1	45- 18
1200082-10	43- 11
1200082-11	43- 12
1200082-12	43- 8
1200082-13	45- 13
1200082-2	45- 17
1200082-3	45- 16
1200082-4	45- 6
1200082-5	45- 7
1200082-6	45- 5
1200082-7	45- 2
1200082-8	45- 1
1200082-9	43- 6
1200084-1	45- 9
1200084-10	45- 20
1200084-11	45- 22
1200084-12	45- 27
1200084-13	45- 30
1200084-14	45- 32
1200084-15	47A- 12
1200084-16	46- 24
1200084-17	46- 23
1200084-2	46- 9
1200084-3	46- 10
1200084-4	46- 4
1200084-5	46- 5
1200084-8	47A- 10
1200084-9	47A- 10
1200085-	46- 20
1200085-1	46- 1
1200085-1	46- 14
1200085-11	46- 25
1200085-12	43- 39
1200085-2	46- 2
1200085-3	44- 1
1200085-4	44- 1
1200085-6	46- 19
1200085-7	46- 18
1200085-7	46- 22
1200085-8	46- 21
1200086-10	43- 29
1200086-11	43- 30
1200086-12	43- 33
1200086-14	43- 19
1200086-2	43- 34
1200086-3	43- 20
1200086-4	43- 21
1200086-5	43- 23
1200086-6	43- 24
1200086-7	43- 25
1200086-8	43- 26



PART NUMBER	FIGURE AND INDEX NO.
1200086-9	43- 28
1200087-1	45- 10
1200087-1	45A- 1
1200087-10	45A- 6
1200087-12	45A- 4
1200087-13	45A- 3
1200087-14	45A- 2
1200087-16	43- 8A
1200087-4	43- 18
1200087-6	43- 16
1200087-8	45A- 7
1200087-9	45A- 5
1200088-1	47A- 1
1200088-11	47A- 11
1200088-13	47A- 14
1200088-19	47A- 3
1200088-2	47A- 1
1200088-20	47A- 3
1200088-21	47A- 16
1200088-22	47A- 16
1200088-23	47A- 17
1200088-24	47A- 9
1200088-25	48- 6
1200088-26	48- 13
1200088-6	48- 1
1200088-7	48- 9
1200089-1	44- 7
1200100-10	45- 16
1200100-11	45- 17
1200100-12	45- 18
1200100-14	45- 9
1200100-15	45- 10
1200100-16	45- 5
1200100-17	45- 6
1200100-18	45- 7
1200100-19	45- 1
1200100-20	45- 2
1200100-35	43- 38
1200100-37	46- 4
1200100-38	46- 5
1200100-4	43- 27
1200100-40	46- 25
1200100-46	57- 16
1200100-5	43- 31
1200100-6	43- 32
1200100-9	43- 17
1200101-15	45- 31
1200101-19	46- 14
1200101-2	45- 13
1200101-20	46- 20
1200101-25	45- 19
1200101-26	45- 21
1200101-3	43- 19
1200101-30	43- 10
1200101-32	45- 26
1200101-41	43- 3
1200101-42	43- 1
1200101-43	43- 2
1200101-45	44- 3
1200101-46	44- 3
1200101-51	44- 1
1200101-52	44- 1
1200101-53	47- 1
1200101-55	47- 13
1200101-56	47- 6
1200101-61	47- 7
1200101-62	47- 3
1200101-63	47- 5
1200101-67	48- 1
1200101-7	46- 1
1200101-71	48- 6
1200101-72	48- 9
1200101-73	48- 13
1200101-76	43- 5
1200101-77	47- 8

PART NUMBER	FIGURE AND INDEX NO.
1200101-78	47- 10
1200101-8	46- 2
1200101-80	45- 29
1200101-81	46- 9
1200101-82	46- 10
1200101-84	47- 12
1200101-91	46- 11
1200103-1	49- 2
1200103-2	49- 2
1200103-3	49- 4
1200103-4	49- 5
1200103-5	49- 3
1200104-1	47- 14
1200105-1	48- 7
1200106-1	56- 44
1200106-10	69- 30
1200106-11	69- 24
1200106-12	69- 25
1200106-13	69- 19
1200106-14	69- 18
1200106-15	69- 22
1200106-16	69- 4
1200106-17	69A- 25
1200106-18	69A- 22
1200106-19	69A- 4
1200106-20	69A- 7
1200106-21	69A- 13
1200106-22	6- 39
1200106-22	69- 8
1200106-23	6- 39
1200106-23	69- 15
1200106-24	69- 6
1200106-25	69- 12
1200106-26	69- 11
1200106-27	69- 5
1200106-28	69A- 20
1200106-29	6- 36
1200106-29	69- 53
1200106-3	56- 54
1200106-3	57- 13
1200106-30	6- 36
1200106-30	69- 54
1200106-31	67- 29
1200106-32	67- 26
1200106-33	67- 22
1200106-34	67- 23
1200106-35	67- 31
1200106-36	56- 64
1200106-37	67- 15
1200106-38	67- 12
1200106-39	67- 18
1200106-4	57- 14
1200106-40	67- 19
1200106-41	123- 23
1200106-41	68- 29
1200106-42	70- 11
1200106-43	70- 7
1200106-44	56-64A
1200106-44	70- 28
1200106-45	68- 36
1200106-47	56- 62
1200106-48	57-14A
1200106-49	57-13A
1200106-5	57- 18
1200106-50	57- 18
1200106-51	6- 12
1200106-51	69- 45
1200106-52	6- 12
1200106-52	69- 46
1200106-53	69- 6
1200106-6	57- 20
1200106-7	56- 55
1200106-8	57- 23
1200106-9	69- 26
1200107-1	47- 11

PART NUMBER	FIGURE AND INDEX NO.
1200107-1	47A- 15
1200108-1	49- 1
1200108-2	49-
1200110-1	45- 24
1200114-1	21- 43
1200115-1	45- 34
1200116-1	52- 13
1200116-2	52- 14
1200117-1	85- 33
1200117-1	85A- 34
1200120-4	70- 20
1200120-5	70-20A
1200122-1	45- 8
1200123-1	48- 20
1200126-1	44- 5
1200127-1	45- 35
1200128-1	43- 37
1200129-1	89- 12
1200130-1	85- 72
1200130-1	85A- 67
1200131-1	45- 25
120321-1	103- 11
120321-2	103- 16
120330-1	86- 4
120330-1	104- 2
1205-48GC1212VDC	114- 11
1210011-1	20- 22
1210011-2	20- 23
1210012-1	15- 19
1210012-2	15- 19
1210014-1	20- 24
1210014-2	20- 24
1210015-1	16- 28
1210015-1	16A- 38
1210016-1	14- 14
1210016-1	14A- 16
1210016-2	14- 15
1210016-2	14A- 17
1210020-1	15- 8
1210021-1	20- 2
1210021-3	20- 2
1210022-1	20- 19
1210022-2	20- 20
1210023-1	20- 21
1210023-2	20- 21
1210024-1	14- 8
1210025-1	14- 10
1210025-1	14A- 12
1210025-2	14- 11
1210025-2	14A- 13
1210025-3	14- 12
1210025-3	14A- 14
1210025-4	14- 13
1210025-4	14A- 15
1210026	75- 27
1210027-1	15- 20
1210027-2	15- 20
1210029-1	25- 8
1210029-4	25- 8
1210030-1	15- 13
1210030-2	15- 14
1210031-1	25- 10
1210040-1	39- 1
1210040-7	39- 35
1210040-8	40- 33
1210040-9	39- 36
1210040-10	40- 34
1210040-11	39- 55
1210040-16	40- 1
1210040-2	40- 1
1210041-1	39- 37
1210041-2	39- 45
1210041-3	39- 46
1210042-1	39- 53
1210042-2	39- 52

PART NUMBER	FIGURE AND INDEX NO.
1210042-4	39- 48
1210042-5	39- 47
1210043-1	39- 56
1210043-4	39- 56
1210044-1	39- 54
1210045-1	39- 51
1210046-2	39- 38
1210046-3	39- 39
1210046-4	39- 40
1210046-6	39- 38
1210051-1	16- 25
1210051-1	16A- 35
1210051-2	16- 25
1210051-2	16A- 35
1210083-1	19A- 6
1210084-1	19A- 1
1210090-1	19A- 15
1210091-1	14A- 8
1210095-1	20- 10
1210097-1	19A- 18
1210099-1	19A- 7
1210099-2	19A- 8
1210100-1	19A- 10
1210101-1	19A- 9
1211001-12	21- 20
1211001-2	21- 16
1211001-3	18- 85
1211001-4	18- 86
1211001-5	21- 1
1211001-6	21- 19
1211001-7	21- 18
1211001-9	18- 87
1211002-2	14- 7
1211002-2	14A- 7
1211002-3	18- 85
1211002-4	18- 86
1211002-5	21A- 1
1211002-6	21A- 60
1211002-7	18- 87
1211002-8	18- 88
1211003-1	14A- 58
1211020-1	21- 26
1211020-1	21A- 66
1211020-2	21- 27
1211020-2	21A- 67
1211022-1	14- 48
1211022-1	14A- 43
1211022-1	18- 92
1211023-1	21A- 65
1211024-1	29- 51
1211024-2	29- 51
1211024-3	29- 50
1211025-1	21A- 64
1211026-1	21A- 63
1211027-1	21A- 61
1211027-2	21A- 62
1211030-1	18- 62
1211031-1	21A- 23
1211032-1	21A- 21
1211033-1	21A- 24
1211034	15- 30
1211040-1	21A- 82
1211100-9	15- 3
1211100-9	25-
1211100-1	15- 3
1211100-1	25-
1211100-5	25- 5
1211100-6	25- 6
1211102	21A- 79
1211102-1	21- 23
1211103-1	21- 24
1211104-1	21- 21
1211104-1	21- 25
1211104-2	21- 25
1211105-1	21A- 68

PART NUMBER	FIGURE AND INDEX NO.
1211105-2	21A- 68
1211105-5	21A- 68
1211106-1	18- 56
1211106-2	18- 57
1211110-1	15- 29
1211110-1	21A- 69
1211110-2	15- 29
1211110-2	21A- 69
1211111-1	85- 68
1211113-1	18- 23
1211113-3	18- 28
1211113-5	18- 23
1211113-6	18- 28
1211114-1	18- 24
1211115-1	18- 25
1211115-2	18- 25
1211116-1	18- 26
1211117-1	22- 1
1211119-1	29- 32
1211121-3	18- 36
1211121-4	18- 37
1211121-5	18- 43
1211121-6	18- 44
1211121-7	18- 34
1211121-7	18- 45
1211121-8	18- 35
1211121-8	18- 45
1211122-1	18- 66
1211122-2	18- 67
1211123-1	35- 1
1211123-2	35- 2
1211123-7	35- 7
1211123-8	35- 8
1211124-1	35- 10
1211124-2	35- 9
1211125-1	15- 4
1211125-1	25- 3
1211126-1	21A- 81
1211126-2	21A- 81
1211128-1	42- 22
1211128-3	42-22A
1211129-1	42- 20
1211130-1	42- 23
1211130-2	42- 24
1211131-1	42- 25
1211132-1	18- 72
1211132-2	18- 72
1211133-1	21- 49
1211133-1	21A- 75
1211133-2	21- 50
1211133-2	21A- 76
1211134-1	21- 51
1211135-1	21- 52
1211135-1	21A- 78
1211135-4	21A- 77
1211136-1	21- 53
1211136-1	21A- 79
1211136-2	21A- 80
1211137-1	21- 44
1211137-1	21A- 70
1211140-3	21- 29
1211140-4	18- 71
1211140-5	21- 28
1211140-6	21- 30
1211140-7	21- 31
1211141-6	42- 10
1211141-8	42- 1
1211141-9	42- 9
1211142-1	42- 15
1211143-1	42- 13
1211144-1	42- 3
1211146-1	21- 40
1211147-1	21- 41
1211148-1	42- 2
1211149-1	21- 31

PART NUMBER	FIGURE AND INDEX NO.
1211149-2	42- 11
1211152-1	18- 77
1211152-2	18- 77
1211153-2	14- 24
1211153-2	14A- 55
1211153-3	14- 27
1211153-4	14- 22
1211153-4	14A- 53
1211153-8	14A- 24
1211154-1	18- 58
1211154-2	18- 59
1211155-1	14- 31
1211155-1	14A- 26
1211156-1	14- 32
1211156-1	14A- 27
1211157-1	19- 1
1211159-1	21-21A
1211160	19- 9
1211161-1	19- 8
1211162-1	18- 73
1211163-1	18- 74
1211164-1	18- 75
1211164-2	18- 76
1211164-3	18- 75
1211165-1	18- 53
1211165-2	18- 53
1211168-1	20- 14
1211168-2	20- 15
1211169-1	20- 10
1211169-2	20- 11
1211170-1	20- 12
1211172-1	18- 95
1211172-2	18- 95
1211173-1	18- 1
1211173-2	18- 2
1211173-3	18- 1
1211173-4	18- 2
1211174-1	18- 3
1211174-2	18- 3
1211176-1	18- 4
1211176-2	18- 4
1211177-1	18- 5
1211177-2	18- 5
1211178-1	18- 6
1211178-2	18- 6
1211179-1	18- 7
1211179-2	18- 7
1211180-2	18- 8
1211180-3	18- 8
1211181-1	18- 10
1211181-2	18- 10
1211182-1	18- 11
1211183-1	18- 12
1211184-1	18- 98
1211184-2	18- 98
1211185-1	35- 25
1211185-2	35- 26
1211186-1	18- 79
1211186-3	18- 80
1211186-5	18- 81
1211187-1	18- 82
1211188-1	18- 99
1211189-1	20- 7
1211193-1	20- 13
1211192-1	18- 31
1211192-3	18- 32
1211192-4	18- 33
1211193-1	21A- 48
1211194-1	21A- 44
1211195-1	21A- 34
1211196-1	25- 7
1211196-2	25- 7
1211198-1	20- 6
1211202-1	21- 42
1211202-1	21A- 34

PART NUMBER	FIGURE AND INDEX NO.
1211202-2	21- 42
1211202-2	21A- 35
1211203-1	45- 35
1211204-1	21- 39
1211204-1	21A- 42
1211205-1	21- 36
1211206-2	21- 37
1211206-4	21A- 41
1211207-1	22- 6
1211207-2	22- 7
1211207-3	14- 19
1211207-3	14A- 21
1211208-1	21- 34
1211209-1	14- 17
1211209-1	14A- 19
1211209-2	14- 18
1211209-2	14A- 20
1211210-1	14- 33
1211210-1	14A- 29
1211210-1	18- 69
1211210-2	14- 34
1211210-2	14A- 30
1211210-2	18- 70
1211211-1	20- 8
1211211-2	20- 9
1211212-1	21- 38
1211212-3	21A- 36
1211215-1	14- 56
1211215-1	14A- 50
1211215-2	14- 56
1211215-2	14A- 50
1211217-1	35- 13
1211218-1	35- 31
1211218-2	18- 55
1211218-3	18- 54
1211219-1	35- 32
1211219-1	35- 32
1211222-1	18- 38
1211223-1	18- 39
1211223-2	18- 39
1211224-1	18- 40
1211224-2	18- 40
1211226-1	35- 11
1211226-2	35- 12
1211226-3	18- 52
1211226-4	18- 52
1211227-1	18- 51
1211229-1	21A- 46
1211230-1	21A- 37
1211231-1	21A- 38
1211232-1	21A- 39
1211233-1	21A- 40
1211233-1	21A- 47
1211234-2	42A- 1
1211234-7	42A- 5
1211234-9	42A- 13
1211235-2	21A- 52
1211235-3	21A- 53
1211235-4	18- 71
1211235-5	21A- 53
1211235-6	21A- 54
1211237-1	42A- 9
1211237-5	42A- 9
1211238-1	21A- 56
1211238-2	21A- 57
1211239-1	21A- 58
1211239-3	21A- 58
1211240-1	21A- 59
1211243-1	21A- 14
1212001-1	14- 3
1212001-1	14A- 3
1212001-1	29-
1212001-2	29- 1
1212001-6	29- 28
1212002-1	29- 43

PART NUMBER	FIGURE AND INDEX NO.
1212003-1	29- 6
1212005-1	29- 2
1212005-2	29- 2
1212006-1	11- 53
1212006-2	11- 54
1212007-1	11- 50
1212007-2	11- 51
1212008-1	11- 57
1212008-2	11- 58
1212011-1	29- 3
1212012-1	29- 4
1212025	29- 34
1213000-11	28- 10
1213000-12	28- 11
1213000-13	28- 5
1213000-15	28- 4
1213000-17	16- 21
1213000-18	16- 22
1213000-19	16- 23
1213000-19	16A- 33
1213000-20	28- 1
1213000-21	16A- 31
1213000-22	16A- 32
1213000-3	16- 19
1213000-3	16A- 29
1213000-4	16- 20
1213000-4	16A- 30
1213000-5	17- 67
1213000-6	17- 68
1213000-7	17- 59
1213000-8	17- 59
1213000-9	16- 24
1213000-9	16A- 34
1213002-1	17- 2
1213002-2	17- 2
1213008-1	17- 9
1213008-2	17- 10
1213009-1	16- 13
1213009-1	16A- 23
1213009-2	16- 13
1213009-2	16A- 23
1213011-1	16- 14
1213011-1	16A- 24
1213011-2	16- 14
1213011-2	16A- 24
1213012-1	17- 11
1213012-2	17- 12
1213013-2	17- 14
1213013-3	17- 13
1213015-1	23- 1
1213015-2	23- 4
1213016-1	17- 3
1213016-3	17- 4
1213016-4	17- 4
1213018-1	17- 48
1213020-1	17- 40
1213020-2	17- 40
1213021-1	17- 19
1213021-2	17- 20
1213021-3	17- 21
1213021-4	17- 22
1213023-1	17- 24
1213023-2	17- 25
1213024-1	17- 26
1213027-1	28- 14
1213028-1	16- 15
1213028-1	16A- 25
1213028-2	16- 15
1213028-2	16A- 25
1213029-1	17- 49
1213029-2	17- 49
1213032-1	61- 12
1213033-1	14- 51
1213033-2	14- 50
1213033-2	14A- 47

PART NUMBER	FIGURE AND INDEX NO.
1213033-5	14A- 46
1213033-7	45- 3
1213033-8	45- 4
1213034-1	61- 10
1213035-1	16- 9
1213035-1	16A- 19
1213036-1	16- 10
1213036-1	16A- 20
1213037-1	61- 18
1213039-1	16- 11
1213039-1	16A- 21
1213040-1	61- 16
1213040-2	61- 17
1213041-1	61- 13
1213042-1	14- 54
1213042-2	14- 55
1213042-2	14A- 49
1213042-2	119- 25
1213042-3	111- 46
1213042-3	114- 42
1213042-3	116- 44
1213043	63A- 5
1213043-1	16- 39
1213043-1	63-28A
1213058-1	17- 39
1213058-2	17- 39
1213060-1	17- 5
1213060-2	17- 6
1213061-1	17- 16
1213061-2	17- 17
1213066-1	23- 15
1213067-1	16- 16
1213067-1	16A- 26
1213067-2	16- 17
1213067-2	16A- 27
1213068-1	16- 18
1213068-1	16A- 28
1213070-3	61- 1
1213070-4	61- 2
1213071-1	61- 3
1213071-2	61- 4
1213071-3	61- 5
1213071-4	61- 6
1213072-1	61- 7
1213073-1	17- 60
1213073-2	17- 60
1213074-1	17- 61
1213074-2	17- 61
1213075-1	17- 62
1213075-2	61- 8
1213076-1	61- 9
1213080-1	17- 33
1213085-1	17- 34
1213100-1	16- 4
1213100-1	24-
1213100-3	24- 12
1213100-4	24- 12
1213100-5	16A- 14
1213100-5	24-
1213101-1	24- 13
1213101-2	24- 14
1213102-1	24- 15
1213102-2	24- 15
1213103-1	24- 25
1213104-1	24- 16
1213104-2	24- 16
1213105-1	24- 17
1213105-2	24- 17
1213106-1	24- 18
1213106-2	24- 18
1213107-1	24- 26
1213108-1	24- 26
1213109-1	24- 27
1213109-2	24- 27
1213110-1	24- 28

PART NUMBER	FIGURE AND INDEX NO.
1213110-2	24- 28
1213111-1	24- 29
1213111-2	24- 29
1213112-1	24- 30
1213113-1	24- 19
1213113-2	24- 19
1213113-3	28- 14
1213113-4	28- 14
1213114-1	24- 20
1213114-2	24- 20
1213115-1	24- 21
1213115-2	24- 21
1213117-1	24- 31
1213118-1	24- 32
1213118-2	24- 32
1213119-1	24- 22
1213119-2	24- 23
1213121-1	65- 28
1213122-1	26- 31
1213122-1	26A- 31
1213123-1	65- 44
1213124-1	26- 26
1213124-1	26A- 28
1213125-1	26- 19
1213125-1	26A- 18
1213126-1	20- 17
1213126-2	20- 18
1213127-1	24- 1
1213127-2	24- 4
1213127-3	24- 11
1213128-15	36- 1
1213128-8	36- 21
1213129-1	36- 34
1213130-1	36- 37
1213130-2	36- 37
1213131-1	36- 35
1213131-2	36- 38
1213131-7	36- 36
1213131-8	36- 36
1213132-1	17- 36
1213132-2	17- 37
1213133-1	36- 28
1213133-1	36- 43
1213133-2	36- 39
1213133-3	36- 29
1213133-4	36- 42
1213135-1	36- 12
1213201-2	50- 1
1213201-3	50- 2
1213202-2	50- 15
1213202-5	50A-
1213202-6	50A- 1
1213202-7	50A- 2
1213203-1	50- 59
1213206-1	50- 23
1213206-1	67- 17
1213206-2	50- 23
1213208-1	73- 42
1213209-2	89- 2
1213209-2	50A- 47
1213210-1	16- 5
1213210-3	16A- 15
1213213-1	16- 29
1213213-1	16A- 39
1213213-2	16- 30
1213213-2	16A- 40
1213214-1	16- 6
1213214-1	16A- 16
1213214-2	16- 7
1213214-2	16A- 17
1213216-1	50- 58
1213218-1	50A- 3
1213219-1	51- 1
1213221-1	51- 2
1213221-7	51- 4

PART NUMBER	FIGURE AND INDEX NO.
1213224-1	65- 52
1213224-2	65- 54
1213224-3	65- 53
1213224-4	65- 52
1213224-5	65- 54
1213227-1	50- 25
1213228-2	50A- 17
1213228-2	56- 9
1213229-1	50A- 19
1213229-1	56- 10
1213230-1	89- 1
1213230-1	50A- 48
1213230-2	89- 4
1213230-2	50- 31
1213230-3	89- 4
1213230-3	50- 32
1213231-1	43- 4
1213231-1	43- 7
1213232-1	89- 3
1213234-1	50- 34
1213235-1	50A- 2
1213235-2	50A- 3
1213235-3	50A- 3
1213235-4	50A- 4
1213235-6	50- 16
1213237-1	50A- 5
1213239-1	51- 11
1213241-1	50A- 22
1213241-1	63A- 17
1213250-2	36- 2
1213250-9	36- 1
1213251-1	36- 11
1213252-1	36- 15
1213254-1	36- 14
1213254-2	36- 14
1213254-3	36- 13
1213254-4	36- 13
1213255-1	36- 16
1213255-2	36- 16
1213256-1	36- 17
1213256-2	36- 17
1213257-1	36- 19
1213257-2	36- 18
1213265-1	17- 63
1213265-2	17- 63
1213266-1	17- 64
1213266-2	17- 64
1213271-2	50A- 45
1213273-1	50A- 49
1213274-1	50A- 51
1213275-2	111- 14
1213275-2	114- 15
1213275-2	118- 22
1213275-2	119- 13
1213277-1	50A- 52
1213278-1	50A- 50
1213283-1	50- 14
1213284-2	50A- 46
1213285-1	50- 58
1213345-1	63A- 12
1213346-1	16A- 43
1213346-1	63A- 8
1213346-2	16A- 44
1213346-2	63A- 9
1213347-1	16A- 42
1213347-1	63A- 6
1213351-1	63A- 10
1213352-1	50A- 23
1213352-1	63A- 15
1213352-2	50A- 24
1213352-2	63A- 16
1216001-1	96-
1216001-1	69- 3
1216001-2	96- 10
1216001-3	96- 11

PART NUMBER	FIGURE AND INDEX NO.
1216001-4	96- 24
1216002-1	17- 50
1216003-1	69- 37
1216003-4	69- 37
1216004-1	69- 38
1216004-2	69- 40
1216005-1	69- 34
1216006-1	96- 14
1216007-1	96- 5
1216009-1	72- 7
1216009-2	72- 8
1216012-1	69A- 28
1216013-1	96- 1
1220002-21	5- 2
1220002-22	5- 8
1220002-23	5- 1
1220002-24	5- 7
1220002-25	5- 14
1220002-26	5- 14
1220002-27	5- 12
1220002-28	5- 13
1220002-29	5- 13
1220002-30	5- 6
1220002-31	5- 6
1220002-32	1- 15
1220002-32	2-
1220002-33	1- 15
1220002-33	2-
1220002-5	3-
1220002-6	2-
1220002-7	3- 15
1220002-8	3- 15
1220003-10	1- 15
1220003-4	3-
1220003-5	3- 1
1220003-6	5- 1
1220003-7	5- 7
1220003-9	2-
1220003-9	1- 15
1220004-10	2-
1220004-3	3-
1220004-5	3- 1
1220004-5	5- 1
1220004-6	5- 7
1220006-1	5-16A
1220006-2	5-16A
1220007-1	5-17A
1220007-2	5-17A
1220019-1	2-12A
1220019-10	2-11A
1220019-2	2-12A
1220019-3	2-13A
1220019-4	2-13A
1220019-5	2-39A
1220019-6	2-39A
1220019-9	2-11A
1220022-1	6- 41
1220024-1	6- 40
1220040-1	4- 16
1220040-2	4- 16
1220040-3	4- 17
1220040-4	4- 17
1221010-1	2- 29
1221010-5	2- 27
1221010-6	2- 27
1221010-7	2- 27
1221011-1	2- 35
1221011-2	2- 35
1221012-1	2- 34
1221012-2	2- 34
1221013-1	2- 28
1221013-2	2- 28
1221014-1	4- 23
1221014-2	4- 23
1221014-5	4- 24



PART NUMBER	FIGURE AND INDEX NO.
1221014-6	4- 24
1221015-1	4- 25
1221015-2	4- 25
1221016-1	4- 26
1221018-1	4- 27
1221019-1	2- 36
1221019-2	2- 36
1221020-1	4- 29
1221021-1	4- 28
1221021-2	4- 28
1221022-1	2- 40
1221023-1	2- 40
1221100-1	2- 8
1221100-2	2- 8
1221101-1	2- 10
1221101-2	2- 10
1221200-1	5- 17
1221200-2	5- 17
1223000-1	2- 43
1223000-2	2- 43
1223011-1	1- 41
1227000-1	9- 1
1227000-2	9- 2
1227001-1	9- 7
1227001-2	9- 7
1227002-2	9- 16
1227002-3	9- 16
1227002-4	9- 19
1227002-5	9- 19
1227002-6	1- 13
1227002-7	1- 13
1227002-8	1- 14
1227002-9	1- 14
1231000-11	10-
1231000-12	10- 32
1231000-2	10- 31
1231000-3	10- 32
1231000-4	10- 33
1231000-5	10- 34
1231000-6	10- 37
1231001-1	12-
1231001-2	12- 28
1231001-3	12- 27
1231002-1	10- 9
1231002-2	10- 10
1231003-1	10- 11
1231004-2	10- 13
1231004-3	10- 12
1231005-1	10- 14
1231005-2	10- 15
1231006-1	10- 16
1231007-1	10- 17
1231008-1	10- 18
1231009-5	10- 19
1231010-1	10- 20
1231011-1	12- 8
1231012-1	10- 21
1231013-1	10- 22
1231014-1	10- 23
1231014-2	10- 24
1231015-1	12- 3
1231015-2	12- 4
1231015-3	12- 5
1231016-1	12- 6
1231017-1	12- 7
1231020-1	12- 9
1231021-1	12- 13
1231021-2	12- 14
1231021-3	12- 15
1231022-1	12- 16
1231023-1	10- 25
1231023-16	12- 17
1231023-17	12- 19
1231023-18	12- 21
1231023-19	12- 18

PART NUMBER	FIGURE AND INDEX NO.
1231023-2	10- 26
1231023-20	12- 20
1231023-21	12- 22
1231023-3	10- 27
1231025-1	10- 28
1231025-2	10- 29
1231026-1	12- 23
1231026-2	12- 23
1231027-1	10- 38
1231027-2	10- 39
1231028-1	10- 40
1232000	11-
1232000-1	11- 29
1232000-2	11- 30
1232000-3	11- 32
1232000-5	11- 21
1232000-6	11- 4
1232104	11- 18
1232105	11- 19
1232106	11- 20
1232114	11- 23
1232116	11- 6
1232117	11- 7
1232118-1	11- 38
1232118-2	11- 38
1232134-1	11- 14
1232139-1	11- 48
1232140-1	11- 47
1232141-1	11- 45
1232142-1	11- 44
1232144-1	11- 39
1232144-2	11- 39
1234000-11	13- 9
1234000-14	13- 4
1234000-17	13- 10
1234000-18	13- 11
1234000-19	13- 15
1234000-2	13-
1234000-20	13- 13
1234000-21	13- 12
1234000-22	13- 30
1234000-23	13- 29
1234000-3	13-
1234000-4	13- 5
1234000-7	13- 6
1234002-1	13- 17
1234003-1	13- 18
1234004-1	13- 40
1234004-2	13- 40
1234005-1	13- 20
1234005-2	13- 21
1234006-1	13- 41
1234007-1	13- 42
1234008-1	13- 45
1234008-2	13- 46
1234008-3	13- 47
1234008-4	13- 48
1234009-1	13- 7
1234011-1	13- 22
1234011-2	13- 8
1234012-1	13- 14
1234013-1	13- 49
1234014-1	13- 27
1234014-2	13- 28
1234016-1	13- 19
1234017-1	13- 37
1234022-1	13- 31
1234022-2	13- 32
1234023-1	11- 49
1234024-1	13- 23
1234024-2	35- 30
1234025-1	13- 26
1234026-1	13- 38
1234026-2	13- 39
1234027-1	13- 33

PART NUMBER	FIGURE AND INDEX NO.
1234027-2	13- 33
1234029-1	13- 50
1241001-3	31- 1
1241001-4	31- 1
1241003-1	31- 16
1241003-2	31- 20
1241003-2	31- 20
1241003-3	31- 20
1241003-4	31- 20
1241003-5	31- 20
1241003-6	31- 20
1241003-7	31- 20
1241003-8	31- 20
1241004-1	31- 41
1241004-2	31- 41
1241006-1	31-42A
1241008-1	37- 42
1241008-2	37-42A
1241010-2	31- 49
1241011-1	31- 11
1241012-2	32- 16
1241015-4	18- 96
1241015-7	18- 46
1241016-1	37- 40
1241016-2	37- 40
1241016-3	37- 40
1241017-1	37- 48
1241020-1	37- 1
1241021-1	37- 2
1241022-1	37- 12
1241022-2	39- 43
1241023-1	37- 5
1241023-2	37- 6
1241024-1	37- 7
1241024-2	37- 8
1241025-1	37- 30
1241026-1	37- 21
1241026-1	37- 45
1241027-1	37- 26
1241028-1	37- 24
1241029-1	37- 15
1241029-1	38- 30
1241029-2	37- 16
1241030-1	37- 17
1241030-2	37- 18
1241030-3	37- 20
1241030-4	37- 20
1241030-5	37- 43
1241030-6	37- 44
1241031-1	35- 23
1241032-1	35- 19
1241033-1	35- 14
1241034-1	18- 48
1241034-2	18- 48
1241034-3	18- 49
1241034-4	18- 49
1241035-1	31- 5
1241035-1	65- 19
1241035-2	31- 5
1241035-2	65- 20
1241036-1	35- 24
1241037-1	31- 24
1241038-2	31- 25
1241038-3	31- 25
1241038-4	31- 25
1241038-2	18- 42
1241041-2	31- 14
1241042-1	31- 6
1241042-1	65- 21
1241042-2	31- 6
1241042-2	65- 22
1241043-1	31- 8
1241043-2	31- 8
1241044-1	31- 13
1241047-1	31- 17

PART NUMBER	FIGURE AND INDEX NO.
1241047-1	31- 21
1241047-2	31- 17
1241047-2	31- 21
1241047-3	31- 17
1241048-1	31- 10
1241048-2	31- 10
1241050-1	37- 50
1241051-1	18- 41
1241051-1	86- 12
1241051-2	86- 12
1241053-1	31- 2
1241053-2	31- 2
1241056-1	37- 38
1241057-1	86- 8
1241057-2	86- 8
1241058-1	37- 32
1241058-2	37- 32
1241059-1	31- 51
1241059-2	32-16B
1243000-4	32- 23
1243000-4	34-
1243000-5	34- 1
1243000-6	34- 12
1243001-1	34- 67
1243002-2	34- 24
1243005-1	34- 13
1243006-1	34- 17
1243006-3	34- 18
1243006-4	34- 19
1243007-1	34- 14
1243008-3	34- 21
1243008-4	34- 22
1243010-12	34- 43
1243010-13	34- 42
1243010-16	34- 45
1243010-17	34- 40
1243010-2	34- 41
1243011	33- 4
1243012-3	34- 30
1243017-1	34- 32
1243018-1	34- 46
1243019-1	32- 25
1243019-1	86- 22
1243019-2	32- 25
1243019-2	86- 22
1243020-1	32- 27
1243022-1	17- 7
1243024-1	17- 8
1243026-1	17- 44
1243030-1	34-31A
1243030-2	34-31A
1243030-3	34-31A
1243032-1	33- 1
1243037-1	34- 68
1243050-1	38-
1243050-2	38- 6
1243054-1	38- 9
1243055-1	38- 10
1243056-1	38- 12
1243056-2	38- 18
1243060-1	17- 35
1243060-2	17- 35
1243061-1	17- 28
1243062-1	17- 47
1243063	17- 51
1243064-1	38- 21
1243065-1	38- 24
1243066-1	38- 31
1243067-1	17- 41
1243067-2	17- 41
1243068-1	17- 43
1250001-2	54- 20
1250002-1	123- 4
1250002-1	68- 13
1250003-1	123- 20

PART NUMBER	FIGURE AND INDEX NO.
1250003-1	68- 27
1250005-1	52- 37
1250020-3	93-
1250020-3	55- 1
1250021-2	94-
1250021-2	55- 14
12501	117- 18
1250100-10	59- 7
1250100-11	59- 15
1250100-12	59- 14
1250100-13	59- 23
1250100-14	59- 21
1250100-8	59- 5
1250100-9	59- 21
1250105-2	59- 10
1250105-2	59- 18
1250110-3	64- 48
1250110-4	64- 49
1250110-5	64- 51
1250110-6	64- 52
1250111-1	64- 53
1250112-1	57- 42
1250113-1	57- 43
1250114-1	64- 21
1250114-1	64A- 9
1250115-1	64- 24
1250115-1	64A- 12
1250115-2	64- 25
1250115-2	64A- 15
1250116-1	64- 22
1250116-1	64A- 10
1250119-1	16- 34
1250119-1	63A- 1
1250120-1	16- 36
1250120-1	63A- 3
1250121-1	16- 35
1250121-1	63A- 4
1250122-1	64A- 36
1250122-2	64A- 37
1250123-1	57- 43
1250123-1	64A- 33
1250125-1	56- 42
1250200-1	60- 1
1250200-2	60- 7
1250200-3	60- 10
1250200-4	60- 5
1250200-5	60- 14
1250200-7	60- 4
1250201-1	60- 2
1250201-12	60- 17
1250201-13	60- 12
1250201-14	60- 16
1250201-15	60- 4
1250201-16	60- 11
1250201-17	60-11A
1250201-6	60- 6
1250201-7	60- 15
1250201-8	60- 16
1250201-8	60- 16
1250202-1	56- 42
1250203-1	26- 30
1250205-1	57- 40
1250300-1	58-
1250300-2	58- 2
1250300-5	58-
1250301-1	58- 3
1250301-4	58- 3
1250305-1	58- 14
1250306-1	58- 18
1250307-1	58- 15
1250308-1	58- 16
1250309-1	58- 5
1250310-1	58- 24
1250311-1	58- 17
1250313-1	58- 6

PART NUMBER	FIGURE AND INDEX NO.
1250314-1	58- 5
1251000-1	56A- 1
1252000-1	54- 1
1252000-2	54- 17
1252000-7	54- 2
1252000-8	54- 18
1252000-9	54- 3
1252001-1	54- 19
1252002-4	54- 4
1252003-1	54- 15
1252004-1	54- 16
1252010-1	17- 53
1252010-10	54- 32
1252010-11	54- 32
1252010-12	54- 33
1252010-15	17- 58
1252010-16	54- 36
1252010-17	17- 55
1252010-18	17- 56
1252010-2	54- 36
1252010-3	54- 25
1252010-4	54- 26
1252010-5	54- 27
1252010-6	54- 28
1252010-7	54- 29
1252010-8	54- 30
1252010-9	54- 31
1252011-1	17- 54
1252012-1	54- 37
1252012-2	54- 37
1252013-1	54- 34
1253000-2	26- 21
1253000-3	26- 1
1253000-4	16- 33
1253001-8	16- 27
1253002-1	26- 28
1253004-1	26- 29
1253004-2	16A- 45
1253005-1	26- 22
1253005-1	26A- 24
1253005-2	26- 23
1253005-2	26A- 25
1253006-1	16- 31
1253006-1	16A- 41
1253006-2	16- 31
1253006-2	16A- 41
1253007-1	26- 24
1253007-1	26A- 26
1253007-2	26- 24
1253007-2	26A- 26
1253008-1	26- 2
1253008-1	26A- 2
1253008-2	26- 3
1253008-2	26A- 3
1253009-1	26- 27
1253009-1	26A- 29
1253009-2	26- 27
1253009-2	26A- 29
1253010-1	26- 32
1253010-1	26A- 32
1253011-1	26- 5
1253011-1	26A- 5
1253011-3	26- 7
1253011-4	26A- 7
1253012-1	26- 8
1253012-1	26A- 9
1253012-3	26- 9
1253012-3	26A- 10
1253012-4	26- 9
1253012-4	26A- 10
1253013-1	26- 12
1253013-1	26A- 13
1253014-1	26- 14
1253014-1	26A- 15
1253015-1	26- 25

PART NUMBER	FIGURE AND INDEX NO.
1253015-1	26A- 27
1253015-2	26- 25
1253015-2	26A- 27
1253016-1	16- 26
1253016-1	16A- 36
1253016-2	16- 26
1253016-2	16A- 36
1253017-2	17- 27
1253017-3	17- 27
1253018-1	17- 31
1253018-2	17- 32
1253019-1	17- 15
1253019-2	17- 15
1253020-1	17- 38
1253024-1	26- 20
1253024-1	26A- 19
1253025-1	26- 13
1253025-1	26A- 14
1253026-1	26- 33
1253026-1	26A- 33
1253028-2	16- 32
1253029-1	26- 39
1253030-2	26A- 23
1253030-3	26A- 1
1253030-4	16A- 37
1253030-4	26A- 37
1253031-1	16A- 4
1253031-3	16A- 6
1253031-4	16A- 7
1253031-5	16A- 8
1253031-6	16A- 9
1253032-1	64A- 2
1253033-1	64A- 1
1253034-1	64A- 3
1253035-1	64A- 7
1253036-1	64A- 8
1253037-1	64A- 5
1253038-1	16A- 12
1253038-2	16A- 13
1253041-1	64A- 4
1253042-1	26A- 30
1253043-1	26A-30A
1260012-1	77- 22
1260012-2	77- 31
1260013-1	76- 29
1260013-2	76- 29
1260014-1	76- 30
1260014-2	76- 31
1260015-1	18- 63
1260015-3	18- 65
1260015-4	18- 64
1260018-1	66- 20
1260018-2	66- 21
1260024-1	18- 50
1260024-2	18- 50
1260025-1	15- 25
1260025-1	25- 17
1260026-1	17- 18
1260026-2	17- 19
1260029-1	18- 84
1260030-1	74- 32
1260030-1	77- 46
1260030-1	78- 26
1260031-1	74- 31
1260031-1	77- 45
1260031-1	78- 25
1260032-1	18- 83
1260034	14- 36
1260034-1	14A- 32
1260035-1	20- 16
1260036-1	22- 3
1260037-1	20- 3
1260038-1	58- 6
1260039-1	58- 7
1260040-1	58- 8

PART NUMBER	FIGURE AND INDEX NO.
1260041-1	58- 34
1260042-1	56- 13
1260043-1	58- 33
1260044-1	56- 14
1260045-1	56- 19
1260046-1	56- 19
1260047-1	56- 20
1260048-1	56- 25
1260048-3	56- 22
1260050-1	56- 12
1260051-2	56- 11
1260053-1	77- 54
1260060	76- 41
1260060-1	79- 6
1260061-1	8- 1
1260061-1	79- 20
1260061-2	8- 1
1260061-2	79- 20
1260062-1	79- 17
1260063-1	8- 8
1260063-1	79- 21
1260064-1	79- 10
1260065-3	78- 50
1260065-4	78- 44
1260065-5	78- 49
1260066-1	8- 41
1260067-1	8- 41
1260068-1	8- 39
1260077-1	58- 5
1260081-1	29- 7
1260090-1	22- 2
1260105-1	73- 12
1260105-1	73- 25
1260105-10	79- 22
1260105-11	79- 23
1260105-103	76- 49
1260105-104	78- 19
1260105-105	77- 10
1260105-106	77- 16
1260105-107	74- 7
1260105-108	74- 11
1260105-109	74- 12
1260105-110	79- 22
1260105-111	79- 23
1260105-112	77- 55
1260105-114	78-19A
1260105-115	78-19B
1260105-116	78-19C
1260105-117	74- 12
1260105-12	77- 55
1260105-13	65- 41
1260105-14	78-19A
1260105-15	78-19B
1260105-16	78-19C
1260105-17	74- 12
1260105-3	76- 49
1260105-4	78- 19
1260105-5	77- 10
1260105-6	77- 16
1260105-7	74- 7
1260105-8	74- 11
1260105-9	74- 12
1261000-1	73-
1261001-1	73- 3
1261002-1	73- 14
1261003-1	73- 16
1261003-1	73- 27
1261004-1	73- 15
1261005-1	73- 6
1261005-1	73- 30
1261007-1	73- 19
1261010-2	52- 38
1261029-1	33- 9
1261029-2	33- 8
1261102-1	75- 6

PART NUMBER	FIGURE AND INDEX NO.
1261103-1	75- 14
1261104-1	75- 25
1261105-1-242	75- 34
1261105-1-272	75- 34
1261105-1-273	75- 34
1261105-1-274	75- 34
1261106-1	75- 30
1261107-1	75- 18
1261108-1	75- 28
1261109-1	75- 35
1261109-2	75- 36
1261110-1	75- 11
1261111-1	75- 19
1261112-1	75- 20
1261113-1	75- 28
1261113-2	75- 29
1261114-1	75- 1
1261114-4	75- 1
1261120-1	75- 5
1261121-1	75- 4A
1270001-10	118- 88
1270001-9	118- 84
1270005-12	117- 26
1270011-1	111- 20
1270011-1	113- 30
1270011-1	114- 30
1270011-1	116- 3
1270012-1	111- 22
1270012-1	113- 32
1270012-1	114- 32
1270012-1	116- 5
1270012-5	111- 22
1270012-5	113- 32
1270012-5	114- 32
1270012-5	116- 5
1270013-1	111- 25
1270013-1	113- 35
1270013-1	114- 35
1270013-1	116- 8
1270014-1	111- 50
1270014-1	112- 17
1270014-1	113- 22
1270014-1	114- 40
1270014-1	119- 28
1270014-2	116- 46
1270014-2	118- 17
1270015-1	85- 63
1270015-1	85A- 63
1270015-1	111- 54
1270015-1	113- 49
1270015-1	114- 47
1270015-1	118- 61
1270015-2	112- 36
1270017-1	111- 11
1270017-1	113- 9
1270017-1	114- 13
1270017-1	116- 27
1270017-1	118- 21
1270017-1	119- 12
1270017-1	116- 17
1270018-1	119- 21
1270027-1	111- 15
1270030-1	114- 21
1270030-1	118- 23
1270030-1	119- 14
1270031-1	118- 65
1270032-1	118- 1
1270032-2	118- 14
1270033-1	118- 62
1270034-1	32- 29
1270034-1	86- 21
1270034-2	32- 29
1270034-2	86- 21
1270034-3	32- 29
1270034-3	86- 21

PART NUMBER	FIGURE AND INDEX NO.
1270034-4	86- 21
1270035-1	85- 71
1270035-1	85A- 66
1270037-1	120-
1270037-2	111- 10
1270037-2	113- 16
1270037-2	120-
1270037-2	50A- 56
1270037-3	120- 7
1270038-2	120- 11
1270039-1	120- 3
1270040-1	112- 4
1270040-2	112- 4
1270041-1	111- 3
1270042-1	112- 28
1270042-1	113- 38
1270042-1	114- 38
1270042-1	119- 32
1280007-1	89- 15
1280031-1	17- 13
1280032-1	81-59A
1280032-2	81-59A
1280100-1	98-
1280100-1	80- 1
1280101-2	100-
1280101-2	80- 26
1280102-1	101-
1280102-1	83- 9
1280102-2	101-
1280102-2	83- 8
1280103-2	102-
1280103-2	80- 44
1280104-5	104-
1280104-5	81- 40
1280104-6	104- 25
1280104-6	81- 43
1280105-1	84- 64
1280105-1	106-
1280106-1	31- 27
1280106-1	65- 15
1280106-10	81- 31
1280106-11	81- 23
1280106-12	81- 27
1280106-13	81- 22
1280106-14	81- 28
1280106-15	81- 36
1280106-16	82- 13
1280106-17	82- 14
1280106-18	82- 11
1280106-19	82- 12
1280106-2	31- 27
1280106-2	65- 16
1280106-20	80- 9
1280106-21	80- 10
1280106-22	80- 11
1280106-23	80- 12
1280106-24	80- 13
1280106-26	82- 3
1280106-27	82- 2
1280106-28	82- 8
1280106-29	82- 7
1280106-3	81- 17
1280106-30	83- 5
1280106-31	83- 4
1280106-32	83- 20
1280106-33	83- 19
1280106-34	83- 18
1280106-35	83- 2
1280106-36	83- 1
1280106-37	83- 13
1280106-38	83- 14
1280106-39	84- 28
1280106-4	81- 5
1280106-40	83- 16
1280106-40	84- 31

PART NUMBER	FIGURE AND INDEX NO.
1280106-41	84- 4
1280106-42	84- 5
1280106-43	84- 2
1280106-44	84- 3
1280106-45	84- 18
1280106-46	84- 18
1280106-47	84- 17
1280106-48	84- 17
1280106-5	81- 21
1280106-51	84- 10
1280106-52	84- 12
1280106-53	84- 33
1280106-54	84- 34
1280106-55	65- 5
1280106-56	65- 6
1280106-57	65- 9
1280106-58	65- 10
1280106-59	84- 47
1280106-6	81- 3
1280106-60	84- 48
1280106-61	84- 37
1280106-62	84- 36
1280106-63	84- 39
1280106-64	84- 38
1280106-65	84- 54
1280106-66	84- 56
1280106-67	84- 55
1280106-68	84- 57
1280106-69	80- 17
1280106-7	81- 25
1280106-70	80- 15
1280106-71	80- 23
1280106-72	80- 25
1280106-73	80- 34
1280106-74	80- 32
1280106-75	80- 33
1280106-76	80- 31
1280106-77	80- 46
1280106-78	80- 14
1280106-79	80-148
1280106-8	81- 30
1280106-80	82- 13
1280106-81	82- 14
1280106-85	83- 4
1280106-86	83- 20
1280106-88	83- 18
1280106-89	65- 5
1280106-9	81- 24
1280106-90	65- 6
1280106-91	65- 9
1280106-92	65- 10
1280106-93	80- 31
1280107-1	105-
1280107-1	81- 13
1280108-1	84- 45
1280108-1	107-
1280108-2	84- 45
1280108-2	107-
1280109-2	84- 29
1280109-2	84- 51
1280109-2	103-
1280109-2	81- 19
1280111-1	65- 14
1280115-1	80-14A
1280116-1	84- 26
1280116-1	108-
1280200-3	104- 26
1280200-3	81- 44
1280202-1	104- 25
1280203-1	104- 21
1280205-1	104- 12
1280205-1	81- 52
1280205-2	104- 13
1280205-2	81- 53
1280206-1	104- 14

PART NUMBER	FIGURE AND INDEX NO.
1280206-1	81- 51
1280207-1	104- 4
1280207-1	81- 49
1280209-1	104- 27
1280209-1	81- 45
1280210-1	104- 11
1280210-1	81- 54
1280211-1	104- 24
1280212-1	105- 5
1280212-1	106- 4
1280212-1	107- 5
1280213-1	105- 10
1280213-2	106- 10
1280215-1	105- 11
1280215-1	106- 11
1280216-1	107- 9
1280217-2	107- 12
1280218-1	107- 2
1280219-2	103- 15
1280220-2	103- 10
1280221-1	103- 7
1280222-1	103- 8
1280222-2	103- 4
1280222-3	103- 9
1280223-1	103- 2
1280224-1	108- 5
1280226-1	108- 13
1280228-1	80- 19
1280230-1	104- 1
1280230-2	107- 1
1280230-3	105- 1
1280230-5	103- 1
1280230-7	108- 1
1280231-1	104- 5
1280231-1	81- 50
1280233-1	86- 5
1280233-1	104- 3
1280233-1	81- 43
1280234-1	104- 15
1280234-1	81- 48
12901	117- 9
1291001-1	14- 1
1291001-1	15-
1291001-2	14A- 1
1291001-2	15-
1291101-1	14A- 2
1291101-1	14- 2
1291101-1	18-
1291101-2	15- 2
1291101-2	18- 1
1291101-2	20-
1291101-3	21-
1291101-4	20- 1
1291101-4	22-
1291101-5	20- 25
1291101-6	21A-
1291101-7	18-
1291101-8	15- 2
1291101-8	18- 1
1291101-8	20-
1291300-1	15- 1
1291300-1	16-
1291300-10	26A- 22
1291300-10	17- 1
1291300-2	16- 1
1291300-2	17-
1291300-3	16- 2
1291300-3	16A- 2
1291300-3	23-
1291300-4	17- 65
1291300-5	26-
1291300-6	17- 1
1291300-6	26-20A
1291300-7	15- 1
1291300-7	16A-

PART NUMBER	FIGURE AND INDEX NO.
1291300-8	16A- 1
1291300-8	17-
1291300-9	26A-
135-40	110- 10
135-40	118- 81
13778-06	58- 27
13830	90- 7
13889	90- 7
145329	118- 91
14034	102- 7
15880	117- 8
16219-PS	102- 6
1660-26	86- 18
1660-26	98- 8
16630	116- 18
16706	116- 25
17990	116- 26
18/30MS	110- 22
18/30HS	113- 62
18/30HS	115- 10
18/30HS	116- 12
18/30HS	118- 82
18000	116- 19
180004	109- 49
18090	116- 64
18090	117- 16
1816	85- 45
1816	85A- 46
1816	50A- 20
182194	109- 41
182309	109- 50
184793	109- 13
186283	109- 27
186320	109- 52
186321	109- 53
188036	109- 35
188434	109- 29
189522	109- 26
189798	109- 45
189880	109- 30
190094	109- 17
190189	109- 32
19050	116- 22
190576	109- 34
190733	109- 12
190734	109- 6
19077	116- 13
191869	109- 36
192103	109- 18
192315	109- 44
193385	109- 19
196000	109- 15
2	85- 61
2A0081	70- 14
200AC-6	95- 7
20480	116- 63
20480	117- 12
204864	109- 9
204865	109- 7
20490	116- 60
20490	117- 1
206336	109- 5
206337	109- 25
210022	109- 2
210023	109- 22
210025	109- 46
210031	109- 10
210034	109- 40
210035	109- 37
210036	109- 8
210039	109- 28
210044	109- 47
210067	109- 50
210068	109- 55
210071	109- 57

PART NUMBER	FIGURE AND INDEX NO.
210076	109- 51
210077	109- 54
210078	109- 56
210095	109- 11
210100	109- 42
210101	109- 43
210109	109- 1
210111	109- 14
210112	109- 16
210119	109- 48
21100	117- 7
21100	117- 17
21440	116- 61
21440	117- 5
21600	116- 65
21600	117- 21
21650	117- 2
21660	117- 13
21790	117- 23
218036	109- 3
22-FH-428	90- 6
22FH-428	91- 5
22NKM-02	28- 9
22NKN-82	39- 44
222	48- 27
22366	117- 22
22900	116- 62
22900	117- 6
23-S-062-0562	108- 4
23-S-078-0750	104- 28
23-S-078-0750	81- 46
23-S-094-0688	105- 4
23-S-094-0688	106- 3
23-S-094-0688	107- 4
23-S-125-375	31-14A
2321F	112- 56
2355A	111- 3
2374A	111- 4
24050	116- 1
2452-048	31- 19
259-N1/4	2- 3
259-N1/4	67- 9
259-N1/4	67- 12
259-N1/4	67- 15
259-N1/4	67- 19
259-N1/4	67- 22
259-N1/4	67- 23
259-N1/4	67- 29
259-N1/4	67- 31
259-N1/4	67- 33
259-N1/4	67- 35
261-N-1/4	67- 5
261-N1/4	67- 11
261-N1/4	67- 14
261-N1/4	67- 16
261-N1/4	67- 20
261-N1/4	67- 25
261-N1/4	67- 32
261-N1/4	67- 36
261-N1/4	67- 11
264-N1/4	67- 25
268-N-1/4-1/4	67- 5
268-N1/4X1/8	67- 16
268-N1/4X1/8	67- 36
269-N1/4X1/8	67- 20
271-N1/4X1/8	67- 32
282-N1/4	67- 14
3	85- 62
3-3-4WJTX	84- 53
3-3-4WJTX-D	84- 50
3-3-4WJTX-D	82- 16
3-3-4WJTX-D	83- 15
30017	80- 37
300243	102- 2
300407	102- 1

PART NUMBER	FIGURE AND INDEX NO.
301722	102- 9
31111	87- 8
31886	80-38A
33-199-1	71- 7
33-199-3	71- 9
33-199-41	71- 1
33-199-5	71- 5
33-199-6	71- 6
33-199-7	71- 11
33-199-71	71- 3
33-199-8	71- 10
3591-4CN-.250	101- 3
367-00	69A- 6
4NCC910P	17- 23
4NCC910P	38- 7
4NCC910P	38- 19
4002-G	54- 13
4002-G	54- 23
4002-244-16	16- 25
4002-244-16	16- 31
4002-244-16	16A- 35
4002-244-16	16A- 41
4002-244-16	17- 17
4002-244-16	17- 57
4002-244-16	54- 21
4002-244-16	54- 35
4002-3	54- 14
4002-3	54- 24
4002-3	54-14A
4002-5	54-24A
4002-5	109- 31
400433	111- 9
40808	112- 1
4084A	112- 38
4125	113- 60
4125	84- 13
444A-2-2-6	1-23A
4600-02	111- 37
463	113- 46
463	115- 11
463	69A- 33
475126	69A- 34
475127	69A- 31
475594	69A- 32
476364	69A- 35
476474	69A- 30
476563	5- 20
48155	8- 21
48172	119- 23
49158	118- 33
49159	111- 43
49160	114- 51
49160	116- 42
49161	116- 48
49161	118- 34
49164-1	85- 58
49164-21	111- 55
49164-21	112- 24
49164-21	113- 25
49164-21	114- 46
49164-21	118- 38
49164-21	119- 26
49165-1	116- 49
49165-1	116- 51
49165-1	118- 32
49165-21	85- 14
49165-21	85A- 12
49165-21	110- 7
49165-21	112- 16
49165-21	113- 21
49165-21	116- 52
49165-21	118- 16
49165-21	121- 61
49166-1	116- 50
49166-21	85A- 60

